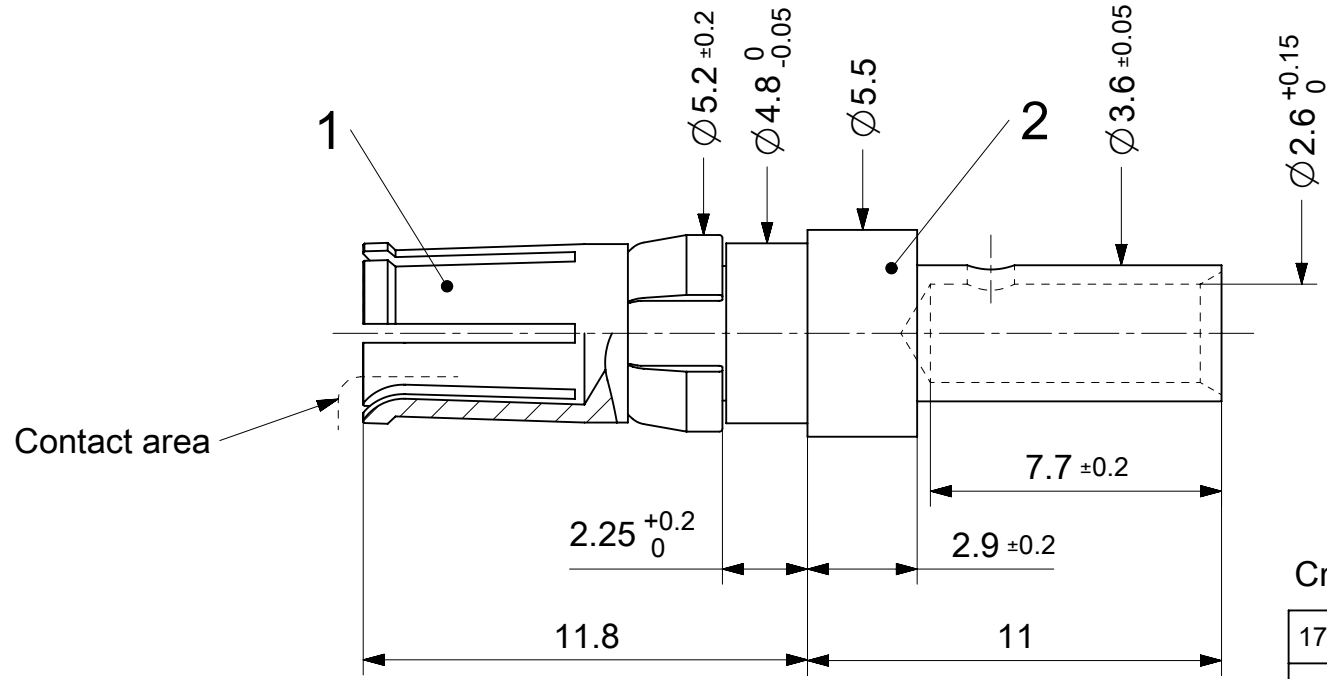


2:1



RoHS compliant
by exemption

Crimping tools see document 2195600660

1727040151	FMP003S103	103
1727040152	FMP003S106	106
1731120669	FMP003S110	110
1731120035	FMP003S204	204
Material Number	FCT Part Number	Material + Finish See extra sheet

UNLESS OTHERWISE SPECIFIED DIMENSIONS FOR REFERENCE ONLY				REPLACEMENT FOR DOCUMENT NUMBER: FMP003S				
THIS DRAWING CONTAINS INFORMATION THAT IS PROPRIETARY TO MOLEX ELECTRONIC TECHNOLOGIES, LLC AND SHOULD NOT BE USED WITHOUT WRITTEN PERMISSION								
FUNCTIONAL SYMBOLS	DIMENSION UNITS	SCALE	CURRENT REV DESC: A24297					
$\frac{F}{A} = 0$	mm	5:1	molex FCT 20A HIGH POWER CONTACT FOR D-SUB PRODUCT CUSTOMER DRAWING					
$\frac{F}{E} = 0$	GENERAL TOLERANCES (UNLESS SPECIFIED)							
$\frac{F}{P} = 0$	ANGULAR TOL ± °							
DIVISIONAL SYMBOLS								
4 PLACES	±		EC NO: 686737					
3 PLACES	±		DRWN: VLOKESHA 2021/03/30					
2 PLACES	±		CHK'D: MTEUBEL 2021/11/29					
1 PLACE	±		APPR: MTEUBEL 2021/11/29					
0 PLACES	±		INITIAL REVISION:					
DRAFT WHERE APPLICABLE MUST REMAIN WITHIN DIMENSIONS			FIRST ANGLE PROJECTION	DRAWING	SERIES	MATERIAL NUMBER	CUSTOMER	SHEET NUMBER
				A4-SIZE	172704	SEE TABLE	GENERAL MARKET	1 OF 1

DOCUMENT STATUS	P1	RELEASE DATE	2021/11/29	13:31:30
-----------------	----	--------------	------------	----------