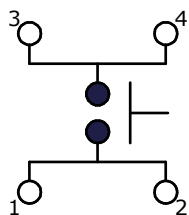


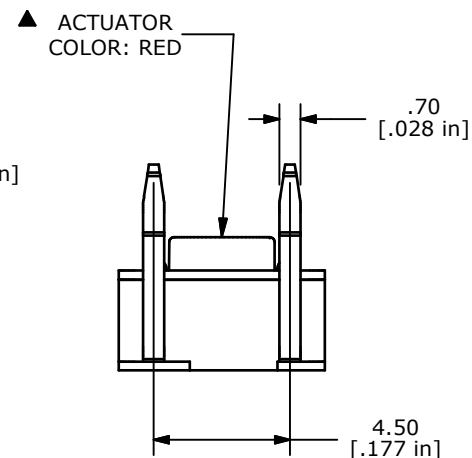
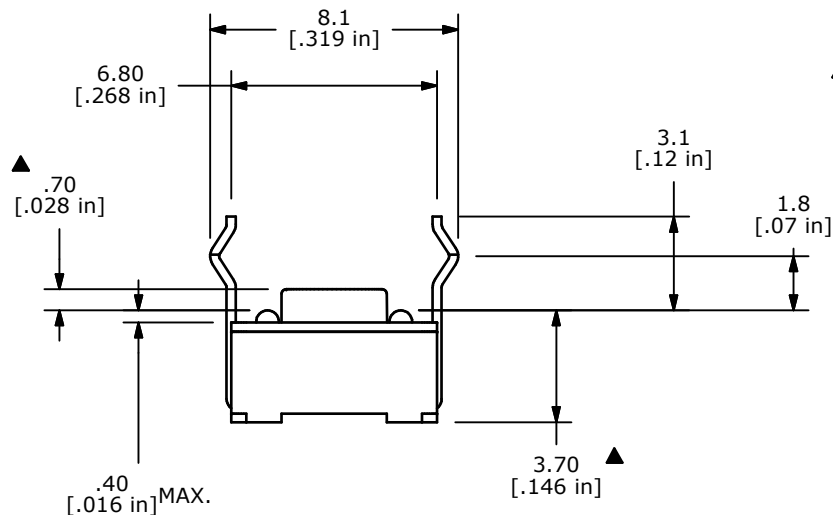
ISOMETRIC



CIRCUIT: SPST

NOTES:

1. ALL DIMENSIONS IN MM [INCH]
2. TERMINAL NUMBERS FOR REF. ONLY
3. TOLERANCE: X.X ± 0.4
X.XX ± 0.25
4. RATING: 50mA @ 12VDC
5. TRAVEL: 0.25 +0.2/-0.1
- ▲ 6. OPERATING FORCE: 160 ± 50gF
7. RETURN FORCE: 50 gF MIN.
8. ELECTRICAL LIFE: 100,000 CYCLES MIN.
9. OPERATING TEMPERATURE: -20° TO +85° C
10. CONTACT RESISTANCE: 100mΩ MAX.
11. CONTACT MATERIAL: SILVER
12. ▲ DENOTES CRITICAL PARAMETER
13. 2002/95/EC (ROHS) COMPLIANT



TITLE RT1105AF160Q

A	18261	RELEASE FOR PRODUCTION	6/25/08	BLR
REV	PCR NO	DESCRIPTION	DATE	BY

THE INFORMATION CONTAINED IN THIS DOCUMENT IS PROPRIETARY TO E-SWITCH AND IS NOT TO BE COPIED OR TRANSFERRED

SCALE	DATE	DR	DWG	REV
4:1	9/25/2008	BLR	P010055	A