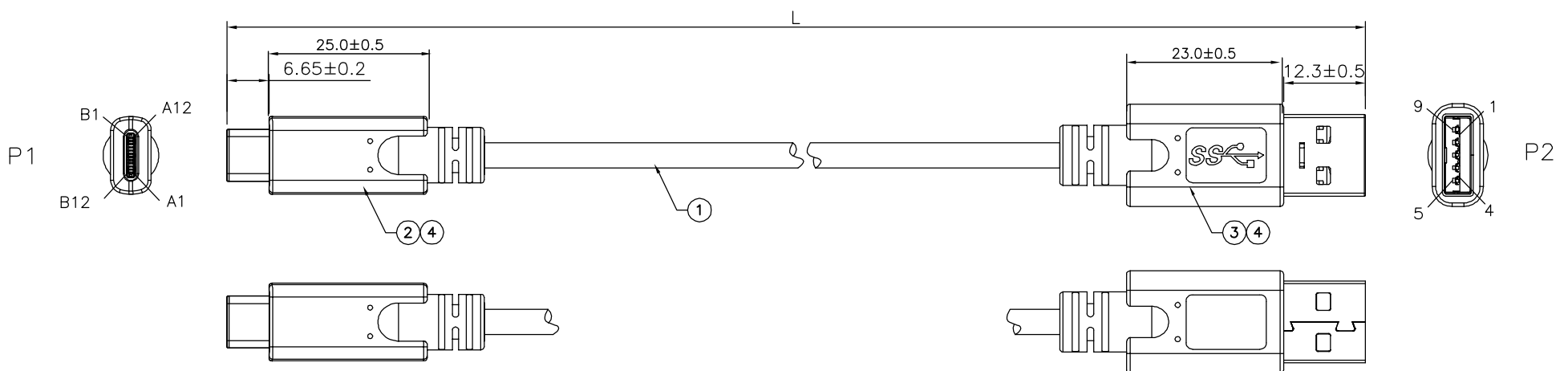
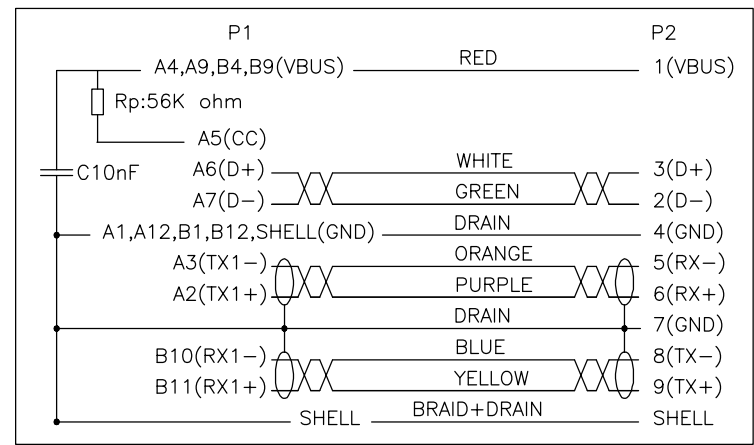


RoHS Compliant



PIN OUT:



PART NO.	LENGTH
105-1032-BL-00050	L=500±30
105-1032-BL-00100	L=1000±50
105-1032-BL-00150	L=1500±50
105-1032-BL-00200	L=2000±60

NOTE:
 1.OPEN/SHORT/INTERMITTENCE: 100%
 2.HI-POT: 50V AC/0.01S 50V DC/0.01S
 3.INSULATION RESISTANCE: 10M OHM (MIN)
 4.CONDUCTIVE RESISTANCE: 2 OHM (MAX)
 5.CAPACITANCE DETECTION: 10nF±20% BETWEEN A1 AND A4
 6.RESISTANCE DETECTION: Rp=56Kohm±5% BETWEEN A4 AND A5

ITEM	PART NO.	DESCRIPTION	Q'TY
1	CABLE	UL2725 USB3.0-【30AWG(7/0.10TC)*1P+D(7/0.10TC)AM】*2+28AWG(7/0.12TC)*1P +24AWG(7/0.20TC)*1C +D(7/0.20TC)+AB 80%16*6/0.08C -PVC-BLACK OD4.5	A/R
2	TYPE C/M	USB3.1 TYPE C/M PIN 30U" Rp:56Kohm INSULATOR BLACK,NICKEL PLATED SHELL	1
3	USB A/M	USB 3.0 A/M INSULATOR BLUE NICKEL PLATED SHELL PIN GOLD PLATED 15U"	1
4	PVC	45P PVC MOLDING COLOR:BLACK	A/R

A	23-Mar-2021		
REV	DATE	FILE	BY

DRAWN:	
CHECKED:	
APPROVAL:	
PROJECTION:	

GENERAL TOLERANCE:
 .X=±0.20
 .XX=±0.15

UNIT: MM
 SCALE:1:1
 SHEET: 1 / 1

CnC Tech

Industrial Cable and Connector Technology

DESCRIPTION: USB AM 3.0 TO USB3.1 TYPE C CABLE	SIZE A4
PART NO: 105-1032-BL-00XXX-1	