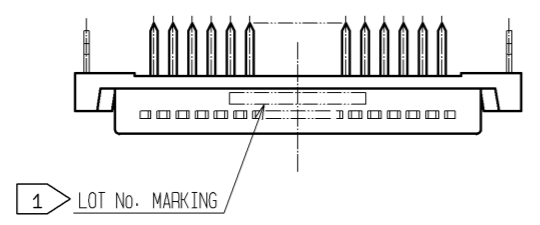
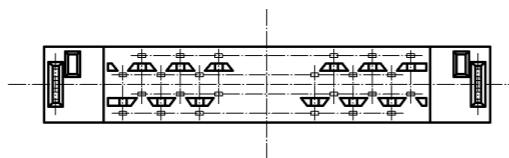
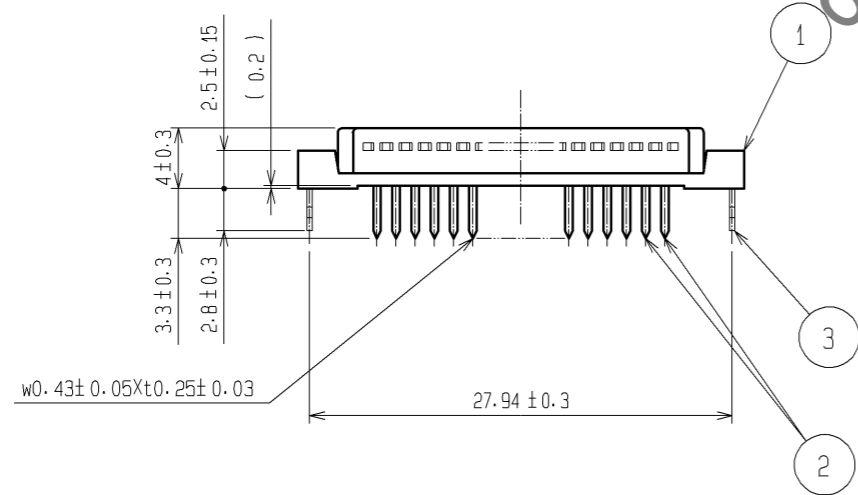
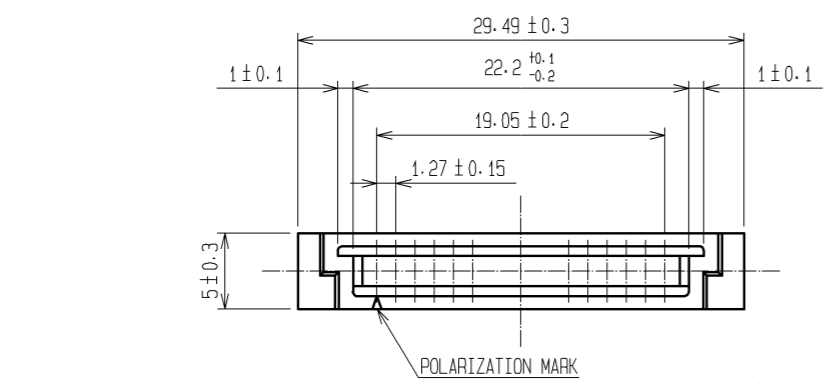
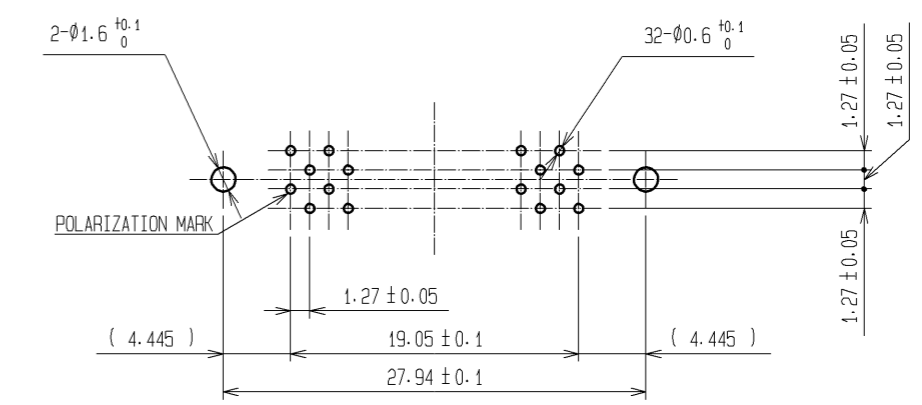


May.1.2023 Copyright 2023 HIROSE ELECTRIC CO., LTD. All Rights Reserved.
In case of consideration for using Automotive equipment / device which demand high reliability, kindly contact our sales window correspondents.



RECOMMENDED PC BOARD HOLE PATTERN(MOUNTING SIDE)

t=1.6



HRS DRAWING FOR REFERENCE

NOTES 1 LOT No. SHALL BE INDICATED AT OPPTIONAL POSITION.
2 THE DIMENSIONS IN PARENTHESES ARE FOR REFERENCE.

3	PHOSPHOR BRONZE	TIN-PLATING		2	PHOSPHOR BRONZE	CONTACT AREA:GOLD 0.2μm min.
1	POLYAMIDE	BEIGE	UL94V-0			DIP AREA:TIN-PLATING 1.2μm min.
						UNDER PLATING:NICKEL 1μm min.
NO.	MATERIAL	FINISH	REMARKS	NO.	MATERIAL	FINISH, REMARKS
UNITS	⊕	SCALE	COUNT	DESCRIPTION OF REVISIONS		DESIGNED
mm		2 : 1	△			CHECKED
HRS		HIROSE ELECTRIC CO., LTD.		APPROVED : HS. OKAWA	08.06.26	DATE
				CHECED : HT. YAMAGUCHI	08.06.25	DRAWING NO.
				DESIGNED : SY. KAMIGA	08.06.23	PART NO.
				DRAWN : HK. SUNADORI	08.06.20	CODE NO.
						EDC3-082919-21
						FX4C-32P-1.27DSAL(71)
						CL574-0052-1-71
						△ 1/1