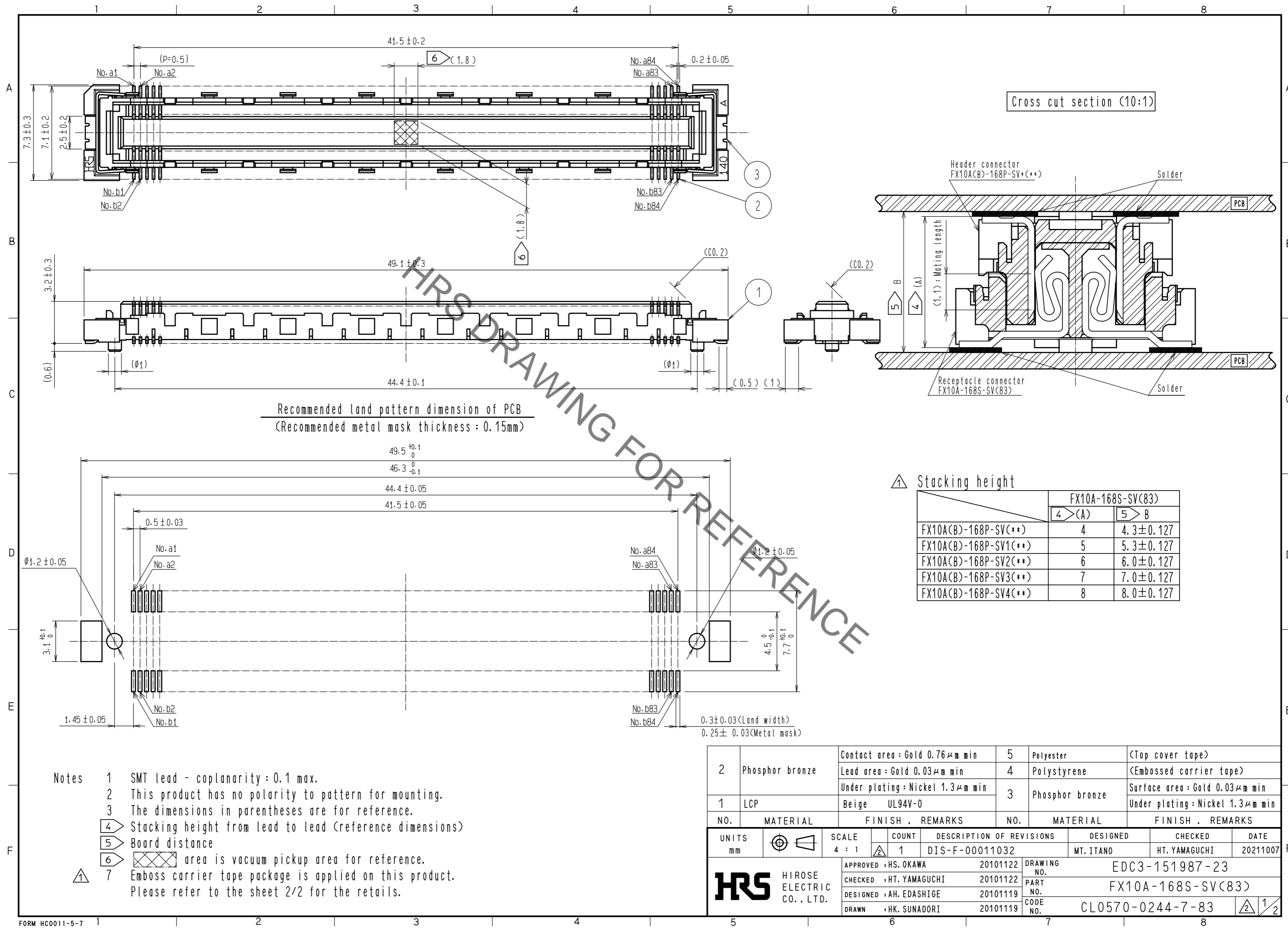


May.1.2023 Copyright 2023 HIROSE ELECTRIC CO., LTD. All Rights Reserved.  
 In case of consideration for using Automotive equipment / device which demand high reliability, kindly contact our sales window correspondents.



△ Stacking height

	FX10A-168S-SV(83)	
	4 > (A)	5 > B
FX10A(B)-168P-SV(**)	4	4.3 ± 0.127
FX10A(B)-168P-SV1(**)	5	5.3 ± 0.127
FX10A(B)-168P-SV2(**)	6	6.0 ± 0.127
FX10A(B)-168P-SV3(**)	7	7.0 ± 0.127
FX10A(B)-168P-SV4(**)	8	8.0 ± 0.127

NO.	MATERIAL	FINISH . REMARKS	NO.	MATERIAL	FINISH . REMARKS
2	Phosphor bronze	Contact area : Gold 0.76 μm min Lead area : Gold 0.03 μm min Under plating : Nickel 1.3 μm min	5	Polyester	(Top cover tape)
1	LCP	Beige UL94V-0	4	Polystyrene	(Embossed carrier tape)
			3	Phosphor bronze	Surface area : Gold 0.03 μm min Under plating : Nickel 1.3 μm min

UNITS	SCALE	COUNT	DESCRIPTION OF REVISIONS	DESIGNED	CHECKED	DATE
mm	4 : 1	1	DIS-F-00011032	MT. ITANO	HT. YAMAGUCHI	20211007

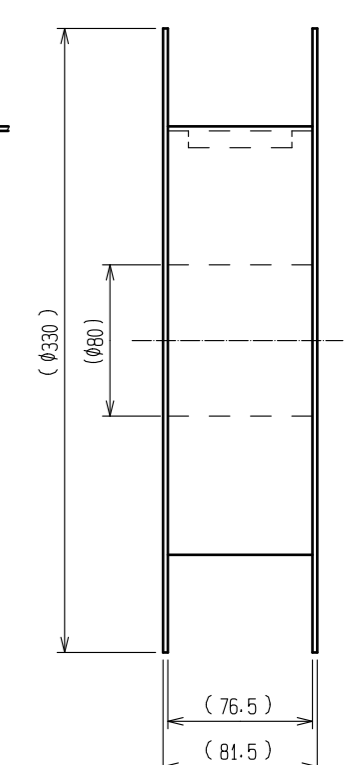
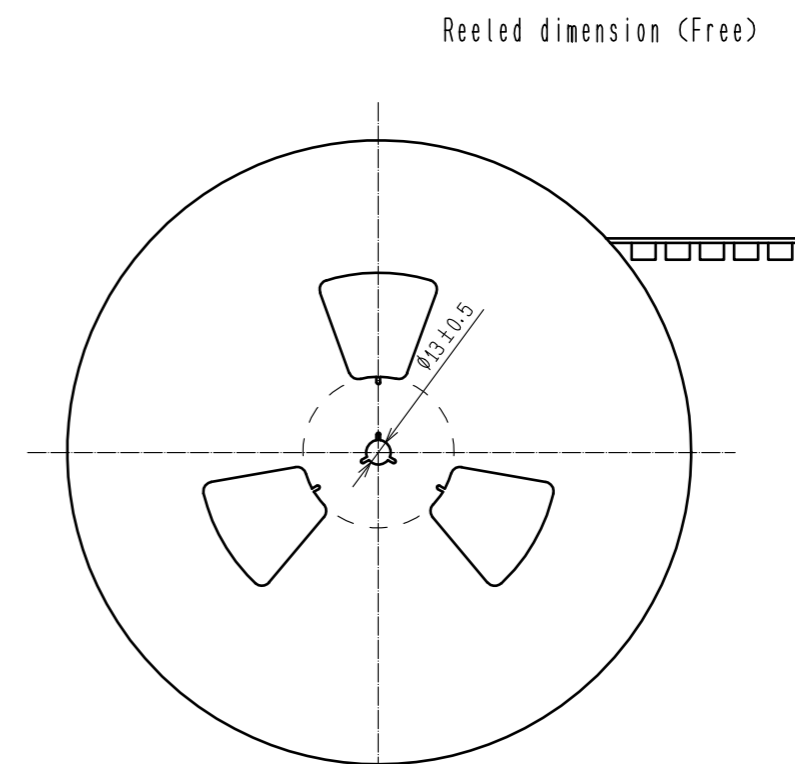
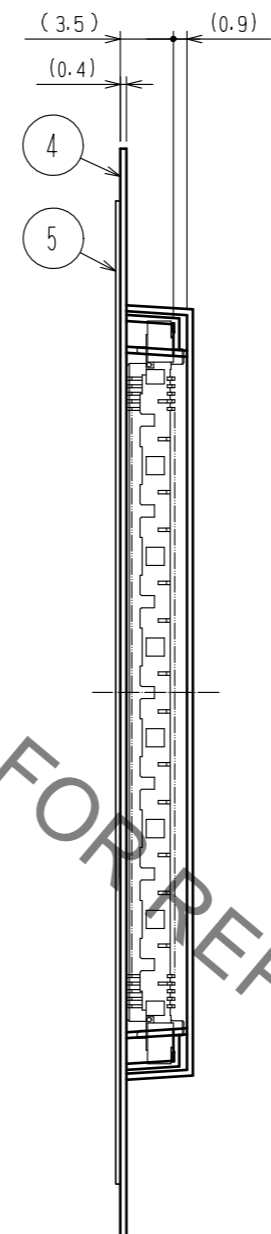
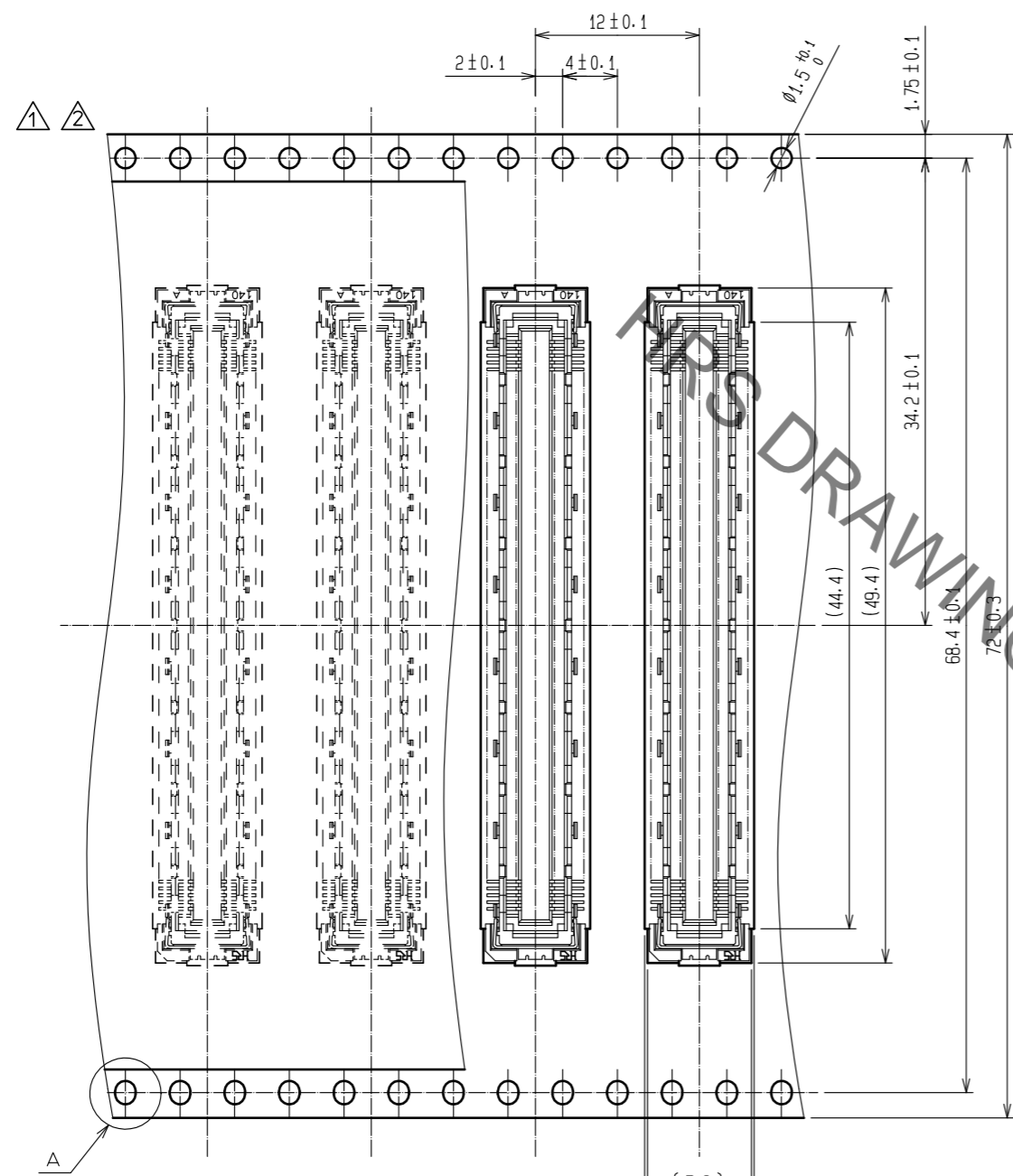
APPROVED	DATE	DRAWING NO.	DESIGNED	DATE
HS. OKAWA	20101122	EDC3-151987-23	MT. ITANO	20211007
HT. YAMAGUCHI	20101122			
AH. EDASHIGE	20101119			
HK. SUNADORI	20101119			

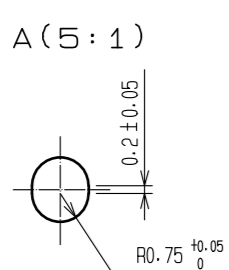
PART NO.	CODE NO.	REVISION
FX10A-168S-SV(83)	CL0570-0244-7-83	1/2

May.1.2023 Copyright 2023 HIROSE ELECTRIC CO., LTD. All Rights Reserved.  
 In case of consideration for using Automotive equipment / device which demand high reliability, kindly contact our sales window correspondents.

Drawing for packing (2:1)



The direction of pulling out



- Notes
- 8 1reel : 1.000 connectors.
  - 9 Minimum 10 compartments from both reel ends remain empty.
  - 10 This product has no polarity to tape and reel packaging.
  - 11 The dimensions in parentheses are for reference.

<b>HRS</b>	DRAWING NO.	EDC3-151987-23
	PART NO.	FX10A-168S-SV(83)
	CODE NO.	CL0570-0244-7-83
		2/2