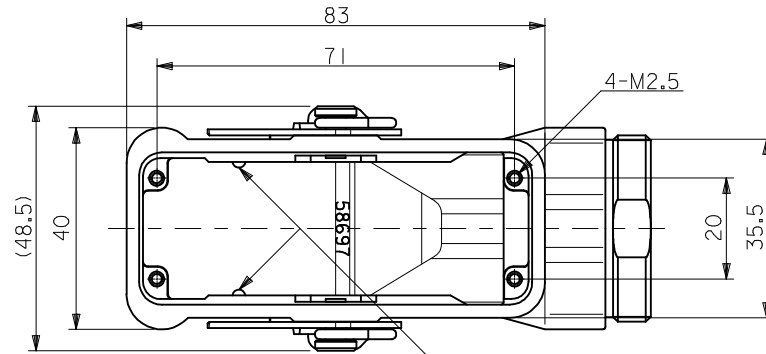
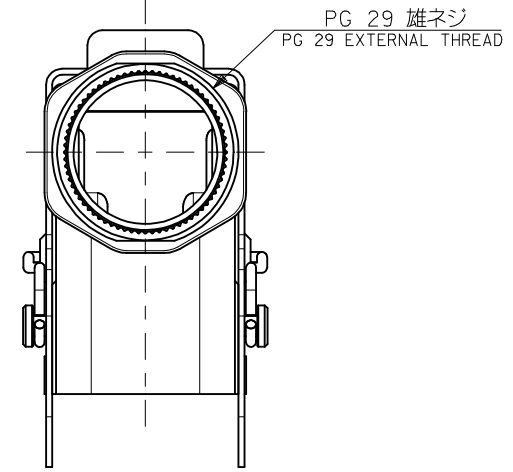
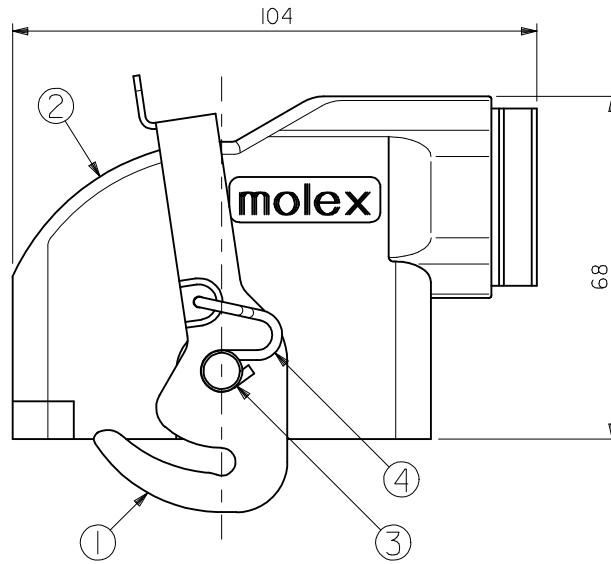
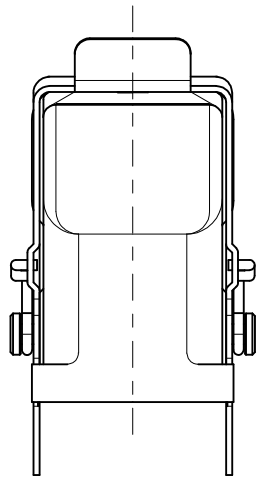


10 9 8 7 6 5 4 3 2 1



シエル挿入方向キー
POLARIZATIONS KEY FOR SHELL

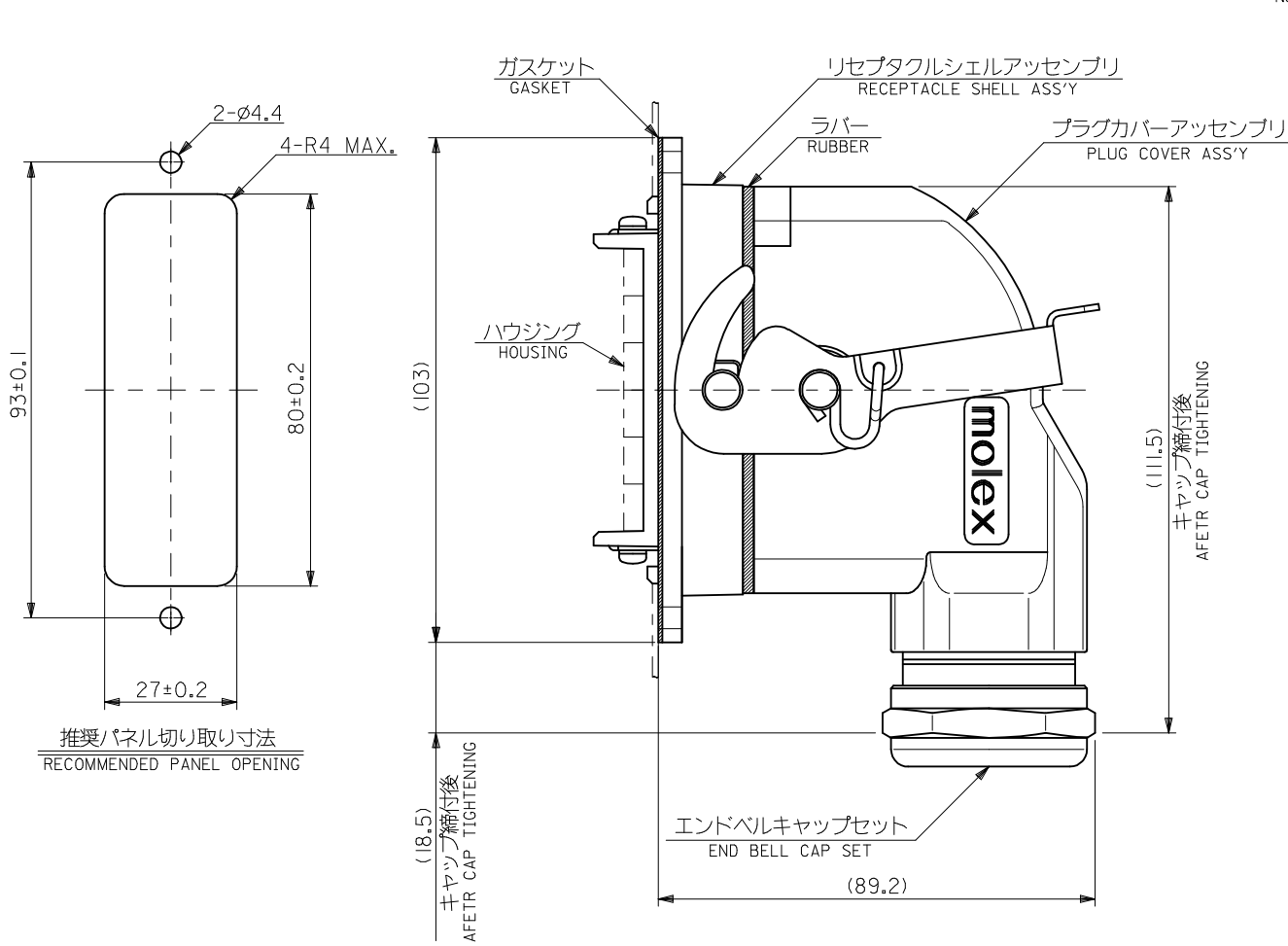
注記:
NOTES.

1. 適用プラグシエルアッセンブリ
APPLICABLE PLUG SHELL ASS'Y
1.) TYPE A : 58687-0010
2.) TYPE B : 58687-0020
2. 適用エンドベルキャップセット
APPLICABLE END BELL CAP SET
58550-****

部番 No.	部品名 PART NAME	数量 QTY.	材質 MATERIAL	記事 ARTICLE
①	レバー LEVER	1	鋼 STEEL	塗装処理 PAINTING
②	プラグカバー PLUG COVER	1	アルミニウム合金 ALUMINIUM ALLOY	—
③	ロックピン LOCKING PIN	2	ステンレス STAINLESS STEEL	—
④	レバースプリング LEVER SPRING	2	ステンレス STAINLESS STEEL	—

58696-1010	58696-****
オーダー番号 ORDER No.	MODEL No.

REVISED EC NO: J2009-0816 DRWN: YMAEDA 2008/11/05 CHKD: NUKITA 2008/12/19 APPR: NUKITA 2008/12/19	GENERAL TOLERANCES (UNLESS SPECIFIED)		DIMENSION STYLE MM ONLY		SCALE 1:1	DESIGN UNITS METRIC	THIRD ANGLE PROJECTION
	10 UNDER	±0.2	DRAWN BY S. AKIYAMA	DATE '02/05/13	TITLE POWER CONN. 36P RIGHT-ANGLE PLUG COVER ASS'Y		
	10 OVER 30 UNDER	±0.25	CHECKED BY J. MIYAZAWA	DATE '02/05/14	MOLEX INCORPORATED		
	30 OVER	±0.3	APPROVED BY Y0. ITO	DATE '02/05/14	MATERIAL NO. SEE CHART	DOCUMENT NO. SD-58696-006	SHEET NO. 1 OF 2
REV	DESCRIPTION	ANGULAR ±3 °	THIS DRAWING CONTAINS INFORMATION THAT IS PROPRIETARY TO MOLEX INCORPORATED AND SHOULD NOT BE USED WITHOUT WRITTEN PERMISSION				
		DRAFT WHERE APPLICABLE MUST REMAIN WITHIN DIMENSIONS					



注記:
NOTES:

関連図面
RELATION DRAWING

<適用ハウジング及び適用端子>
<APPLICABLE HOUSING AND TERMINAL>

	適用ハウジング APPLICABLE HOUSING	適用端子 APPLICABLE TERMINAL
ピン ハウジング PIN HOUSING	SD-51192-002	SD-5558-001 SD-5558-002
ソケット ハウジング SOCKET HOUSING	SD-51193-002	SD-5556-004
プラグ ハウジング PLUG HOUSING	SD-503193-001	SD-503195-001
リセプタクル ハウジング RECEPTACLE HOUSING	SD-503194-001	SD-503196-001

<共通部品>
<COMMON PARTS>

リセプタクルシェル アッセンブリ RECEPTACLE SHELL ASSEMBLY	SD-58691-002
プラグシェル アッセンブリ PLUG SHELL ASSEMBLY	SD-58687-002
カバー アッセンブリ COVER ASSEMBLY	SD-58696-006
カバー (中継用) COVER (FOR CONJUNCTION)	SD-56386-002
エンドベルキャップセット END BELL CAP SET	SD-58550-****
リセプタクル側ダストカバー DUST COVER FOR RECEPTACLE	SD-51201-002

関連規格
RELATION NORMATIVE

VDE0110 250V 汚染度Ⅲ
過電圧カテゴリーⅡに適合
APPLICABLE 250V POLLUTION DEGREE
AND OVER VOLTAGE CATEGORY

保護等級 IP65
DEGREE OF PROTECTION

推奨パネル切り取り寸法
RECOMMENDED PANEL OPENING

REVISED		GENERAL TOLERANCES (UNLESS SPECIFIED)		DIMENSION STYLE		SCALE	DESIGN UNITS	THIRD ANGLE PROJECTION	
REV	DESCRIPTION	10 UNDER	±0.2	MM ONLY	---	METRIC	⊙ □		
EC NO: J2009-0816	2008/11/05	10 OVER 30 UNDER	±0.25	DRAWN BY	DATE	TITLE	POWER CONN. 36P RIGHT-ANGLE PLUG COVER ASS'Y		
DRWN: YMAEDA	2008/12/19	30 OVER	±0.3	S. AKIYAMA	'02/5/13				
CHKD: NUKITA	2008/12/19	ANGULAR ±3 °		CHECKED BY	DATE	MOLEX INCORPORATED		SD-58696-006	
APPR: NUKITA	2008/12/19	DRAFT WHERE APPLICABLE MUST REMAIN WITHIN DIMENSIONS		J. MIYAZAWA	'02/05/14				
MATERIAL NO.		SEE CHART		APPROVED BY	DATE	DOCUMENT NO.		SHEET NO.	
SIZE		A3		Y0. ITO	'02/05/14	SD-58696-006		2 OF 2	
THIS DRAWING CONTAINS INFORMATION THAT IS PROPRIETARY TO MOLEX INCORPORATED AND SHOULD NOT BE USED WITHOUT WRITTEN PERMISSION									