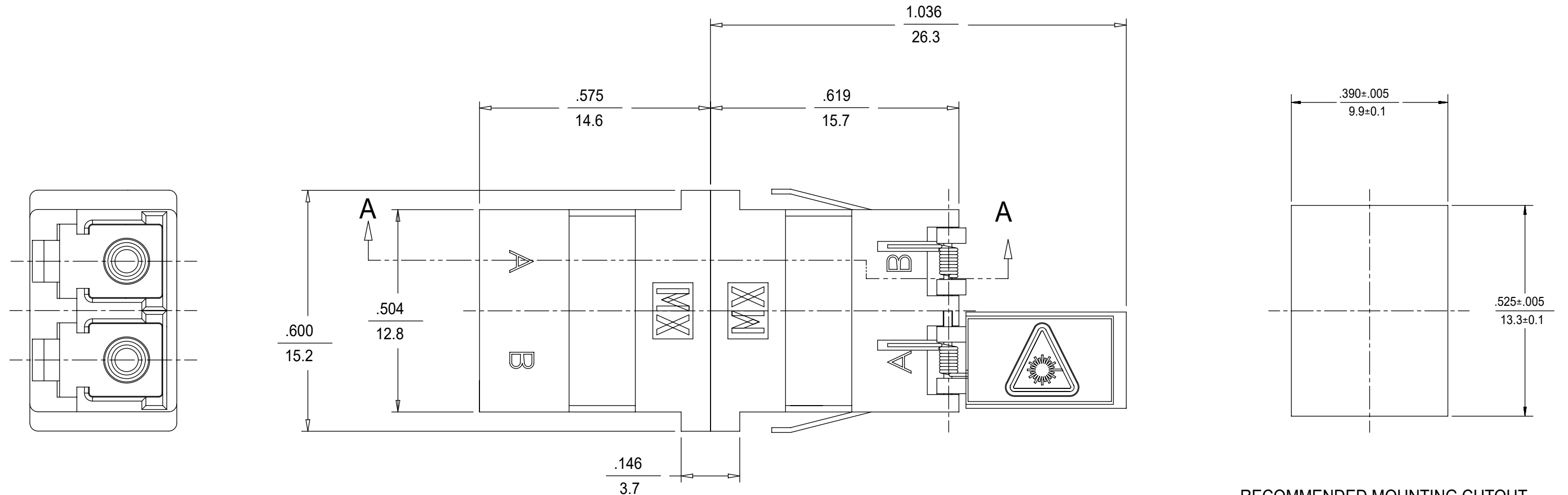
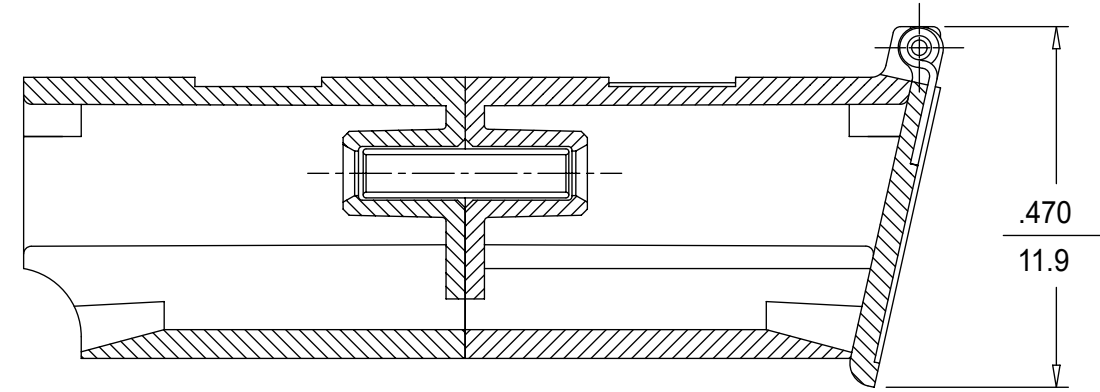


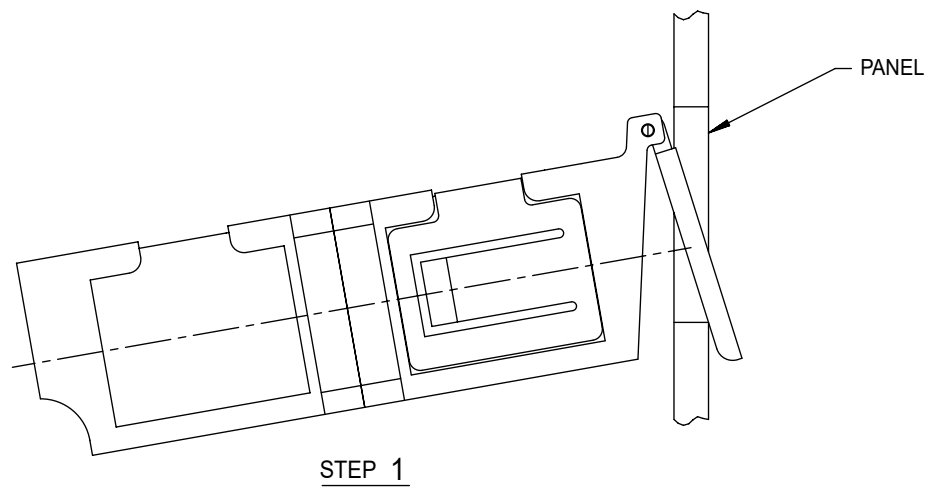
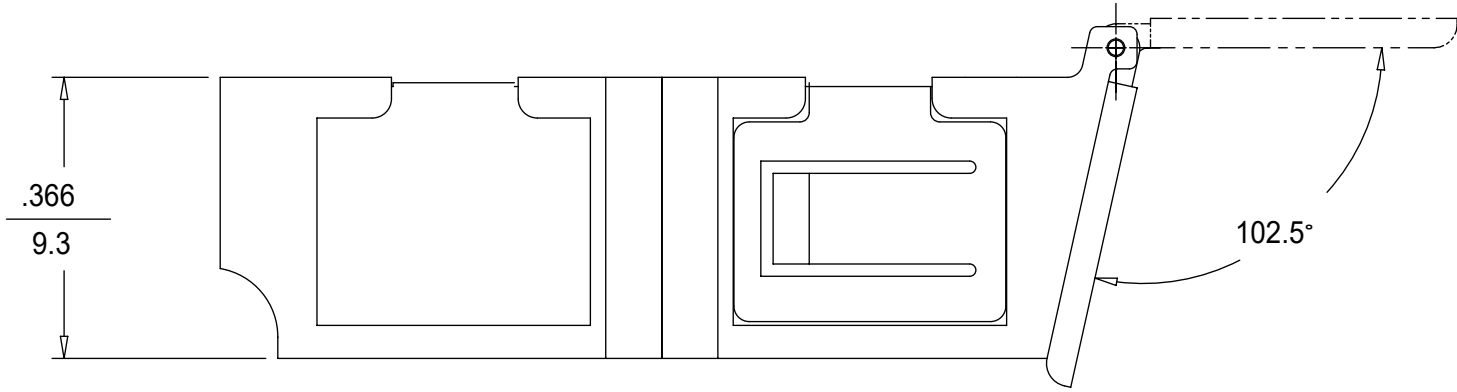
LC ADAPTER P/N	COLOR	SPLIT SLEEVE MATERIAL	DOOR TYPE
106127-0412	BEIGE	Zr	PLASTIC
106127-1455	GREEN		



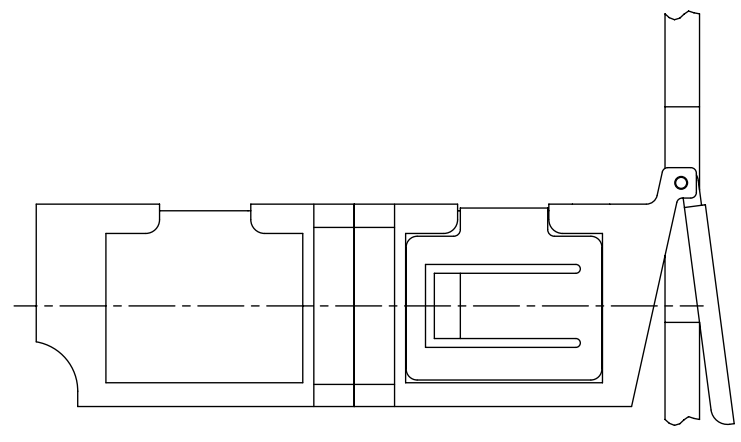
RECOMMENDED MOUNTING CUTOUT
FOR $\frac{.063}{1.6}$ THICK PANEL



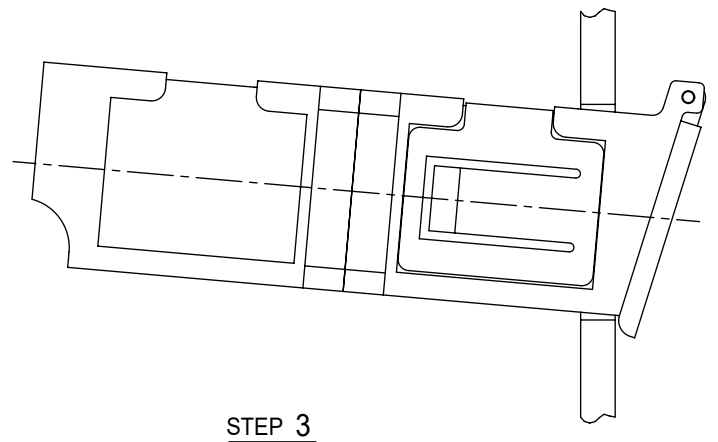
SECTION A-A



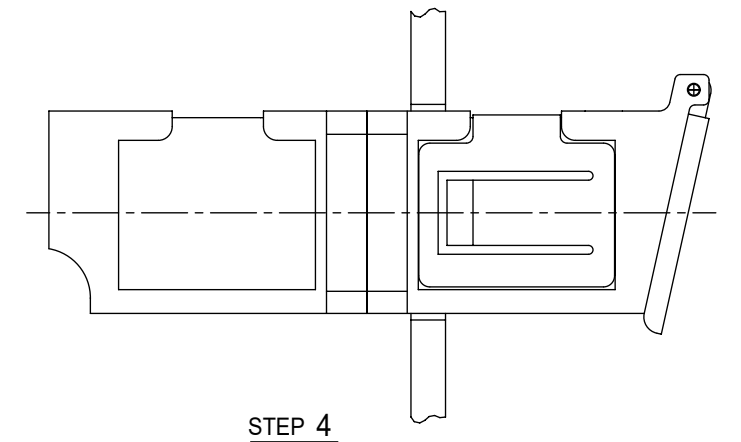
STEP 1



STEP 2



STEP 3



STEP 4

NOTES:
1. DUST CAPS ARE NOT SHOWN, BUT INCLUDED.

FUNCTIONAL SYMBOLS $\frac{F}{A} = 0$ $\frac{F}{C} = 0$ $\frac{F}{P} = 0$ DIVISIONAL SYMBOLS 4 PLACES ± 3 PLACES ± 2 PLACES ± 1 PLACE ± 0 PLACES ±	THIS DRAWING CONTAINS INFORMATION THAT IS PROPRIETARY TO MOLEX ELECTRONIC TECHNOLOGIES, LLC AND SHOULD NOT BE USED WITHOUT WRITTEN PERMISSION		CURRENT REV DESC:					
	DIMENSION UNITS	SCALE	EC NO: 652962					
	INCH/MM	1:1	DRWN: SKRISHNAMU01 2021/05/31					
	GENERAL TOLERANCES (UNLESS SPECIFIED)		CHK'D: WCHEN 2021/08/24					
ANGULAR TOL ± 0.5°		APPR: WCHEN 2021/08/24		PRODUCT CUSTOMER DRAWING				
DRAFT WHERE APPLICABLE MUST REMAIN WITHIN DIMENSIONS		THIRD ANGLE PROJECTION	DRAWING	SERIES	DOCUMENT NUMBER	DOC TYPE	DOC PART	REVISION
			C-SIZE	106127	SD-106127-0412	PSD	001	C
					MATERIAL NUMBER	CUSTOMER		SHEET NUMBER
					SEE TABLE	GENERAL MARKET		1 OF 1

DOCUMENT STATUS	P1	RELEASE DATE	2021/08/24	01:00:21
-----------------	----	--------------	------------	----------