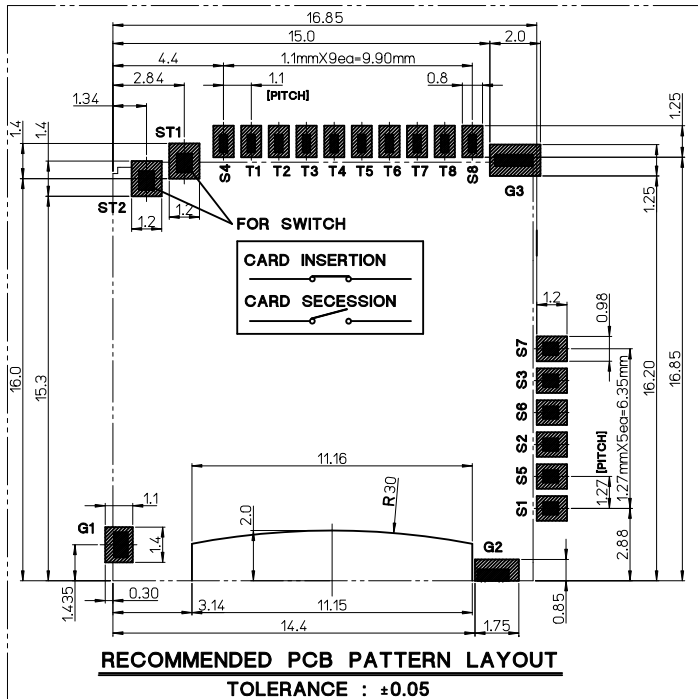
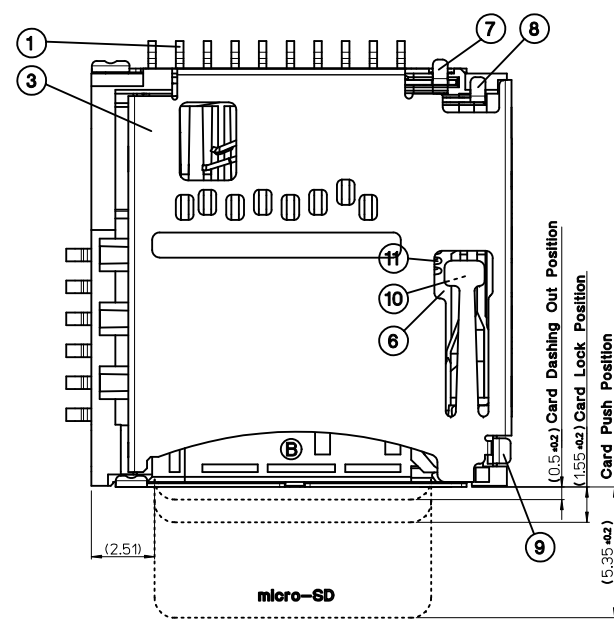
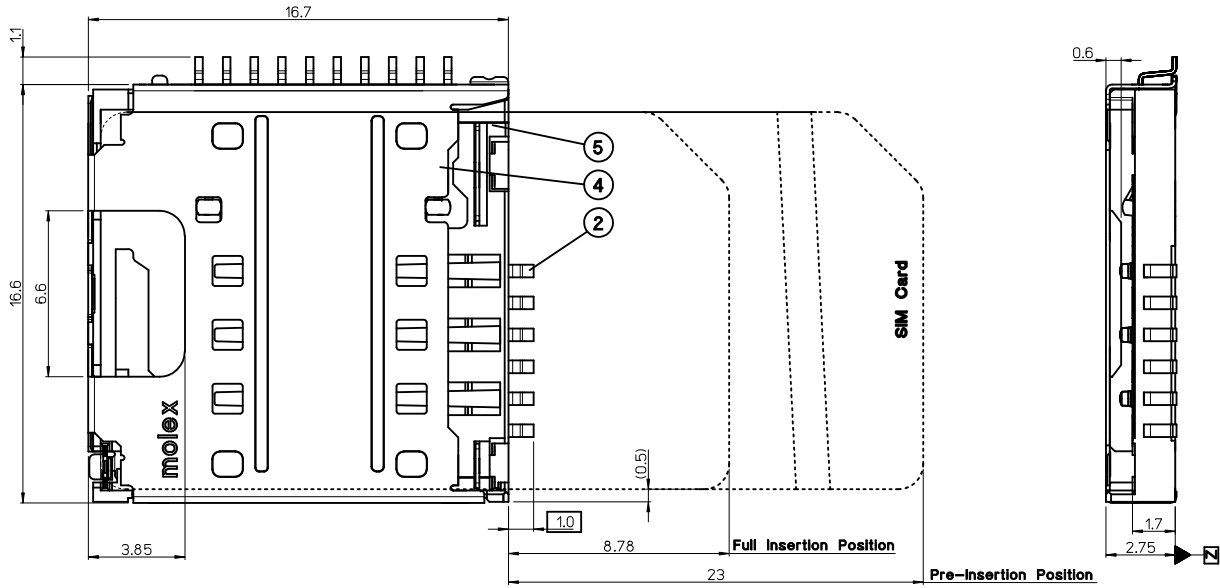
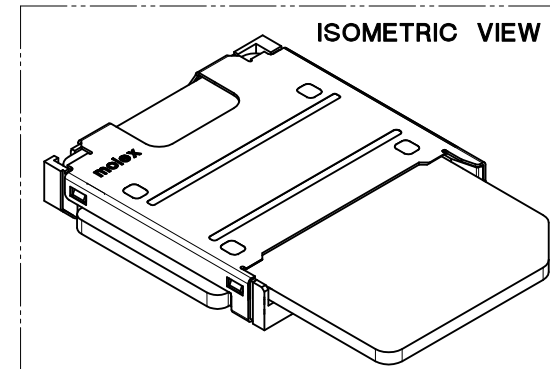


10 9 8 7 6 5 4 3 2 1



NOTES

1. MATERIALS: SEE TABLE 2
2. FINISHES: SEE TABLE 2
3. PRODUCT SPECIFICATION : PS-49448-001
4. COPLANARITY OF SOLDER TAILS : 0.1mm MAX.
MISALIGNMENT OF SOLDER TAIL FROM "Z"
UPPER DIRECTION 0.05 MAX., LOWER DIRECTION 0.1MAX.
5. PACKAGING SPECIFICATION : PK-49448-001



* TABLE 1

494481611	49448-1611
MATERIAL NO.	ORDER NO.

REVISED EC NO: KOR2012-0006 DRWN:HYOU 2011/07/14 CHKD: APPR: YUNSIKKIM 2011/07/14	DESCRIPTION	QUALITY SYMBOLS	GENERAL TOLERANCES (UNLESS SPECIFIED)	DIMENSION STYLE	SCALE	DESIGN UNITS	THIRD ANGLE PROJECTION	
		▽=0 ∠=0	mm INCH	MM ONLY	5:1	METRIC		
			4 PLACES ± --- ± ---	DRAWN BY DATE	TITLE	M-SD/SIM COMBO SOCKET FOR 8P/8P (BERYLLIUM FREE)		
			3 PLACES ± --- ± ---	CHECKED BY DATE	MOLEX INCORPORATED			
		2 PLACES ± 0.1 ± ---	APPROVED BY DATE	DOCUMENT NO. SD-49448-001				
		1 PLACE ± 0.15 ± ---	E.H. JUNG 2008/10/20	SHEET NO. 1 OF 3				
		ANGULAR ± 1 °	MATERIAL NO.	THIS DRAWING CONTAINS INFORMATION THAT IS PROPRIETARY TO MOLEX INCORPORATED AND SHOULD NOT BE USED WITHOUT WRITTEN PERMISSION				
		DRAFT WHERE APPLICABLE MUST REMAIN WITHIN DIMENSIONS	SEE TABLE					

9 8 7 6 5 4 3 2 1

* TABLE 1 : PARTS-LIST

NO.	DESCRIPTION	ENGINEERING NO.	MATERIALS	FINISHES
1	mSD-CONTACT TERMINAL	49932-8031	PHOS.-BRONZE	Selective-Au over Ni
2	S-CONTACT TERMINAL	49814-8031	COPPER-ALLOY (C)	Selective-Au over Ni
3	mSD-METAL SHELL	49933-5003	STAINLESS STEEL	Ni OVERALL
4	S-METAL SHELL	49934-5003	STAINLESS STEEL	Ni OVERALL
5	HOUSING	49448-1691	LIQUID CRYSTAL POLYMER	UL94V-0
6	HEART CAM	49363-0001	LIQUID CRYSTAL POLYMER	UL94V-0
7	SWITCH TERMINAL 1	49820-8031	PHOS.-BRONZE	Selective-Au over Ni
8	SWITCH TERMINAL 2	49821-8031	PHOS.-BRONZE	Selective-Au over Ni
9	FITTING NAIL	49819-8003	PHOS.-BRONZE	PURE-Sn over Ni
10	PIN ROD	49225-9002	STAINLESS STEEL	
11	SPRING	49362-9001	STAINLESS STEEL	

* TABLE 2 : REFERENCE

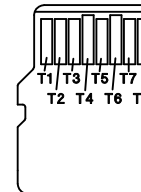
[SIM CARD-8P PIN-MAP]

PIN NUMBER	DESCRIPTION
S1	Vcc(Voltage)
S2	Vcc(Reset)
S3	CLK
S4	Reserved
S5	GND
S6	Vpp
S7	I/O
S8	Reserved

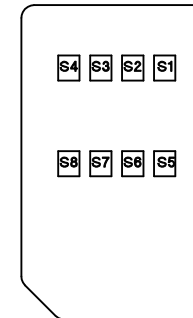
[microSD CARD PIN-MAP]

PIN NUMBER	DESCRIPTION
T1	DAT2
T2	CD/DAT3 ²
T3	CMD
T4	V _{DD}
T5	CLK
T6	V _{SS} ²
T7	DAT0
T8	DAT1

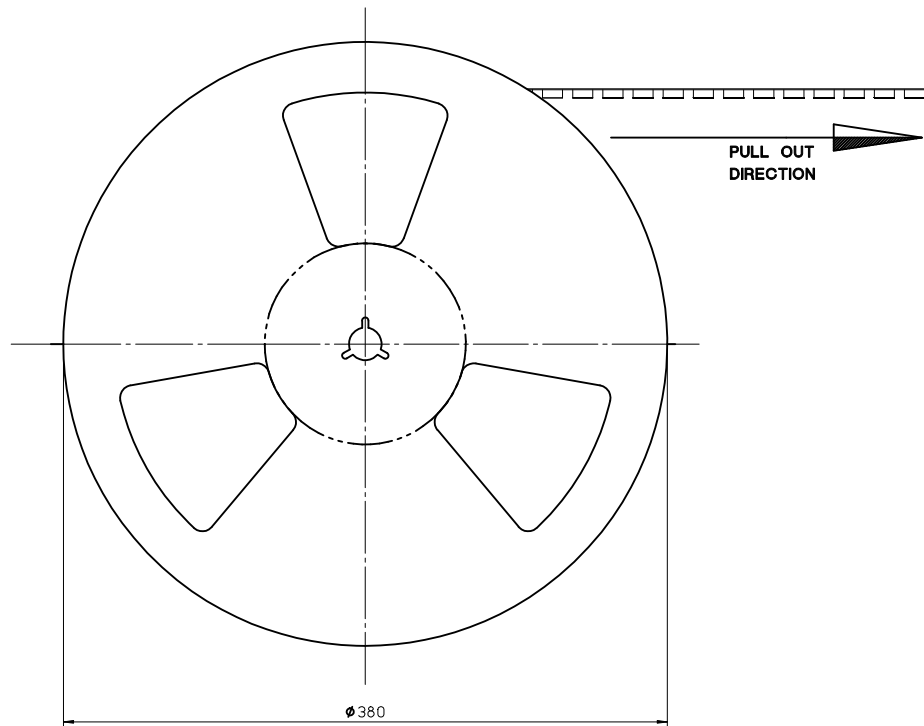
microSD CARD



SIM CARD-8P

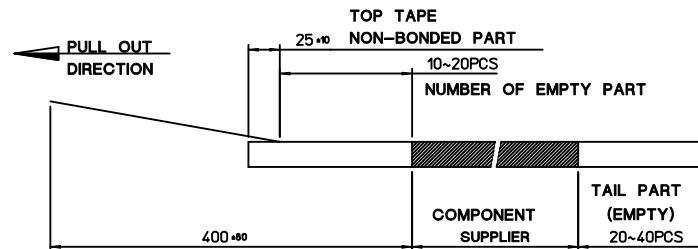


REVISED IEC NO: KOR2012-0006 DRWN: HYU CHKD: APPR: YUNS IKK IM 2011/07/14 REV DESCRIPTION	QUALITY SYMBOLS	GENERAL TOLERANCES (UNLESS SPECIFIED) mm INCH 4 PLACES ± --- ± --- 3 PLACES ± --- ± --- 2 PLACES ± 0.1 ± --- 1 PLACE ± 0.15 ± --- ANGULAR ± 1 ° DRAFT WHERE APPLICABLE MUST REMAIN WITHIN DIMENSIONS	DIMENSION STYLE	SCALE	DESIGN UNITS	THIRD ANGLE PROJECTION
			MM ONLY	5:1	METRIC	
			DRAWN BY DATE	TITLE		
			CHECKED BY DATE	M-SD/SIM COMBO SOCKET FOR 8P/8P (BERYLLIUM FREE)		
	APPROVED BY DATE	MOLEX MOLEX INCORPORATED				
	MATERIAL NO.	DOCUMENT NO.				
	SEE TABLE	SD-49448-001				
	SIZE A3	SHEET NO. 2 OF 3				
THIS DRAWING CONTAINS INFORMATION THAT IS PROPRIETARY TO MOLEX INCORPORATED AND SHOULD NOT BE USED WITHOUT WRITTEN PERMISSION						

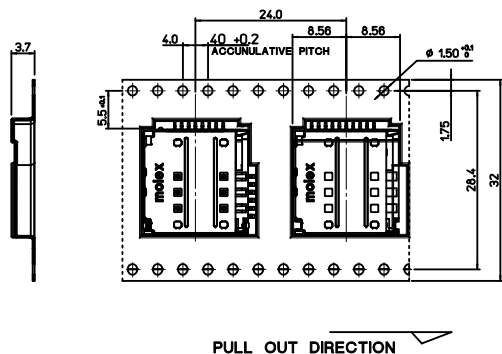
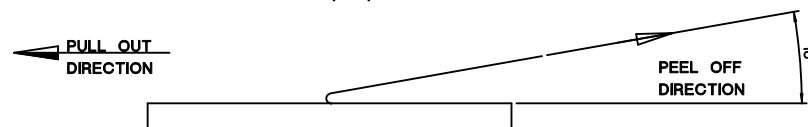


NOTES

- 1. QUANTITY OF CONNECTORS : 1,000PCS/REEL
- 2. LEAD LENGTH



- 3. PEELING OFF FORCE OF COVER TAPE : 0.1N~0.59N(10.2GF~60GF)
(PEELING DIRECTION AS SHOW IN FOLLOW FIG.)
- PEELING OFF SPEED : 300mm/Min.(Ref.)



35902-0011	35908-1003	49362-9901	49448-1611	494481611	49448-1611	8P/8P
COVER TAPE	REEL	EMBOSSED TAPE	CONNECTOR	MATERIAL NO.	ENG. NO.	CKTS

REVISED EC NO: KOR2012-0006 DRWN: IHYOU 2011/07/14 CHKD: APPR: YUNS IKKIM 2011/07/14	DESCRIPTION REV	QUALITY SYMBOLS	GENERAL TOLERANCES (UNLESS SPECIFIED)	DIMENSION STYLE	SCALE	DESIGN UNITS	THIRD ANGLE PROJECTION	
		▼=0 ▽=0	mm INCH 4 PLACES ± --- ± --- 3 PLACES ± --- ± --- 2 PLACES ± 0.1 ± --- 1 PLACE ± 0.15 ± --- ANGULAR ± 1°	MM ONLY	5:1	METRIC		
			DRAFT WHERE APPLICABLE MUST REMAIN WITHIN DIMENSIONS	DRAWN BY: S.H.CHU DATE: 2008/10/20 CHECKED BY: DATE: APPROVED BY: S.J.SEH DATE: 2008/10/20 E.H.JUNG DATE: 2008/10/20 MATERIAL NO. DOCUMENT NO.	TITLE	M-SD/SIM COMBO SOCKET FOR 8P/8P (BERYLLIUM FREE)		
				SEE TABLE	MOLEX MOLEX INCORPORATED SD-49448-001	SHEET NO.	3 OF 3	