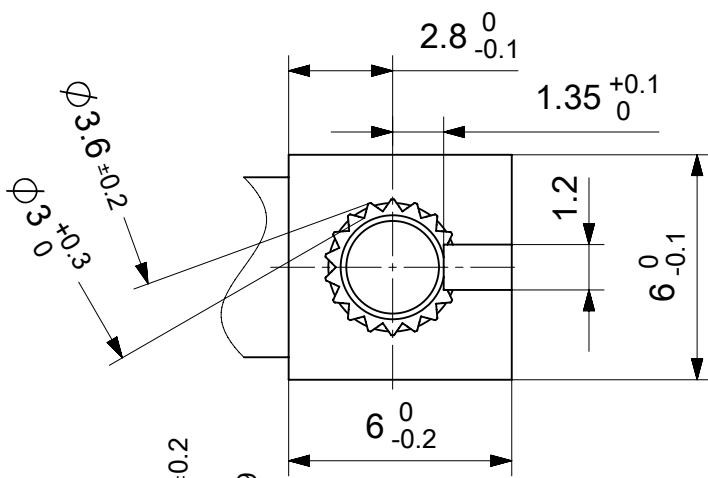
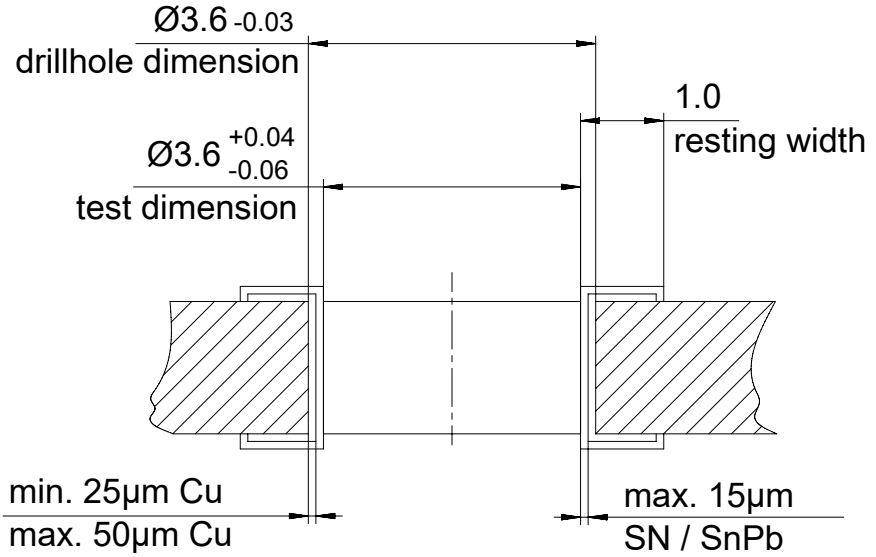


2:1



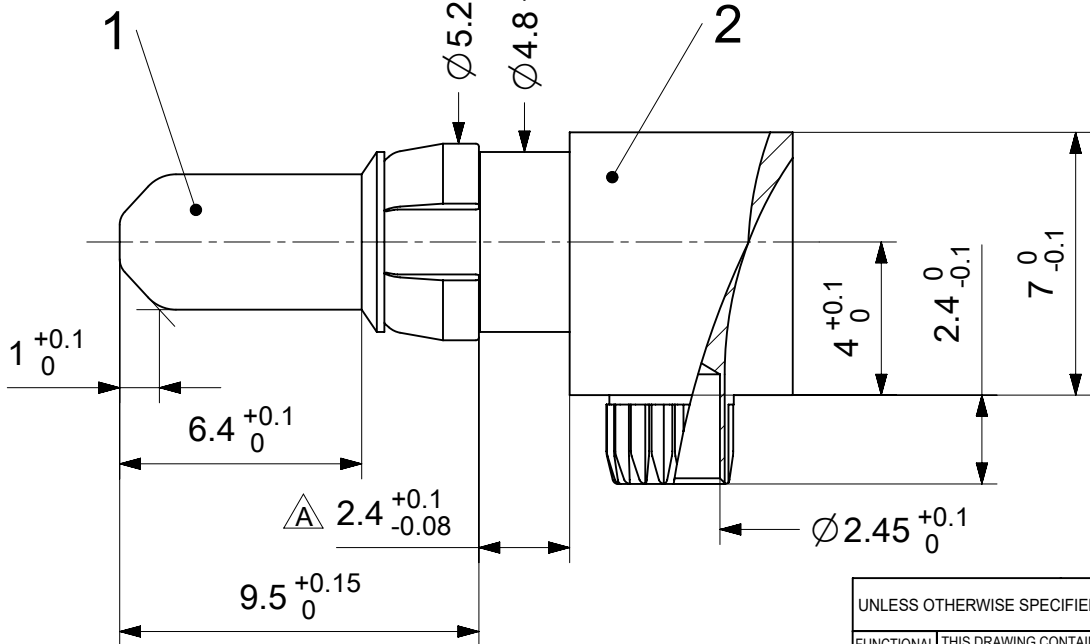
Hole design for EP-contact



RoHS compliant
by exemption

⚠ Dimension is not according DIN 41626

1731120321	FMP157P103	103
Material Number	FCT Part Number	Material + Finish See extra sheet



Derating test
has to be performed

UNLESS OTHERWISE SPECIFIED DIMENSIONS FOR REFERENCE ONLY				REPLACEMENT FOR DOCUMENT NUMBER: FMP157P								
THIS DRAWING CONTAINS INFORMATION THAT IS PROPRIETARY TO MOLEX ELECTRONIC TECHNOLOGIES, LLC AND SHOULD NOT BE USED WITHOUT WRITTEN PERMISSION												
FUNCTIONAL SYMBOLS	DIMENSION UNITS	SCALE	CURRENT REV DESC:									
FA = 0	mm	5:1	EC NO: 686935									
FE = 0	GENERAL TOLERANCES (UNLESS SPECIFIED)		DRWN: FVETTER 2021/11/29									
FP = 0	ANGULAR TOL ± °		CHK'D: MTEUBEL 2021/11/30									
DIVISIONAL SYMBOLS	4 PLACES	±	APPR: MTEUBEL 2021/11/30									
	3 PLACES	±	INITIAL REVISION:									
	2 PLACES	±	DRWN: VLOKESHA 2021/04/09									
	1 PLACE	±	APPR: MTEUBEL 2021/11/25									
	0 PLACES	±	DRAFT WHERE APPLICABLE MUST REMAIN WITHIN DIMENSIONS		FIRST ANGLE PROJECTION	DRAWING	SERIES	MATERIAL NUMBER	CUSTOMER	DOC TYPE	DOC PART	REVISION
						A4-SIZE	173112	SEE TABLE	GENERAL MARKET	PSD	000	A1
			DOCUMENT NUMBER			1731120321						
			PRODUCT CUSTOMER DRAWING									
			FCT 40A HIGH POWER CONTACT FOR EN 60603-2									