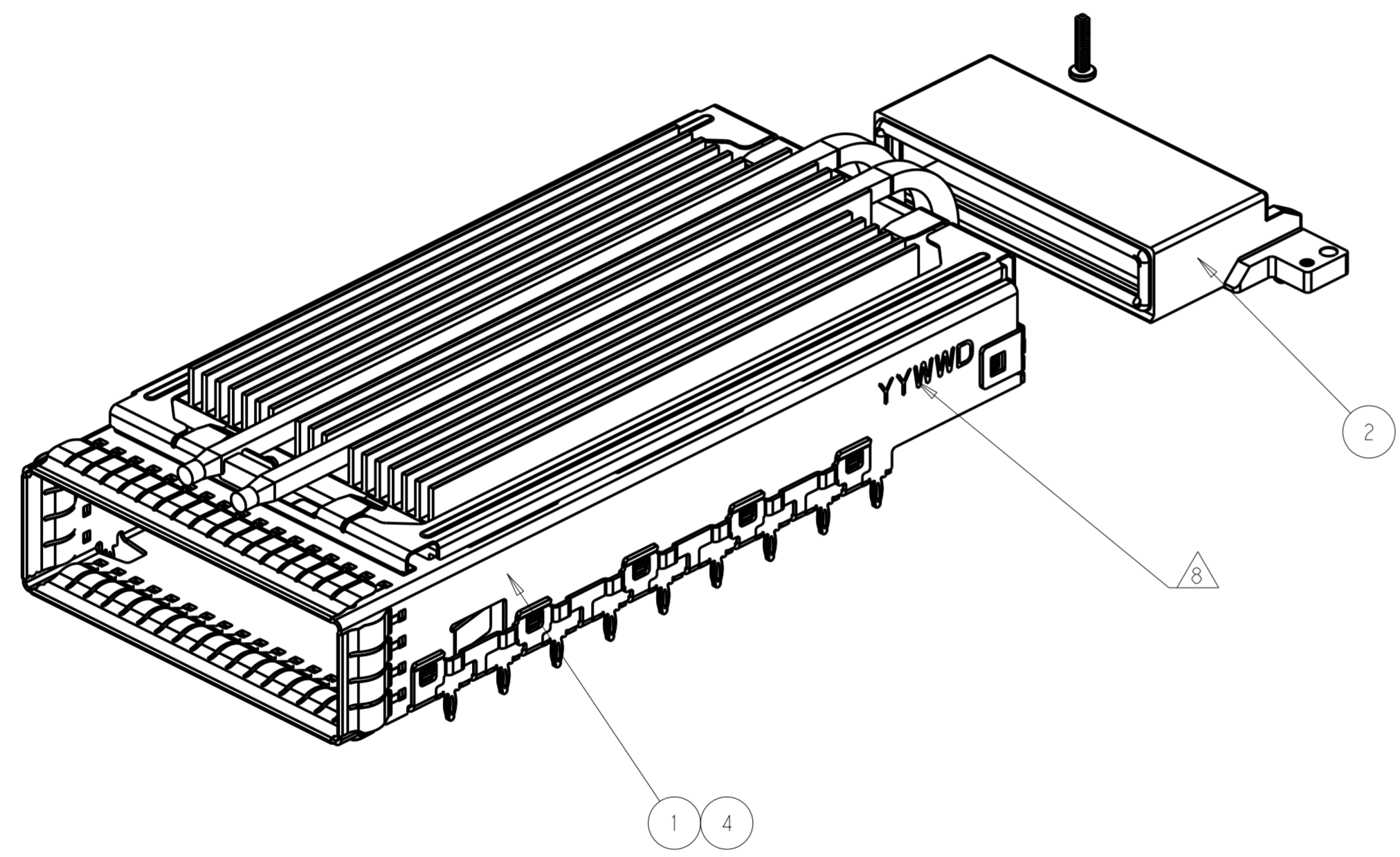


THIS DRAWING IS UNPUBLISHED. RELEASED FOR PUBLICATION 20  
 © COPYRIGHT 20 BY - ALL RIGHTS RESERVED.

REVISIONS				
P	LTR	DESCRIPTION	DATE	APVD
	A	INITIAL RELEASE	30APR2021	AJ SZ



- 1. MATERIAL :CAGE :0.4MM THICK NICKEL SILVER ALLOY;  
EMI SPRING: COPPER ALLOY;  
HEAT SINK CLIP: STAINLESS STEEL;  
HEAT SINK:ALUMINUM ALLOY;  
RECEPTACLE COVER:ZINC ALLOY;
- 2. FINISH: EMI SPRING :1.27um NICKEL PALTING OVER ALL;  
HEAT SINK:BLACK ANODIZED COATING;  
RECEPTACLE COVER: 1.27um MIN NICKEL PLATING OVER COPPER PLATING;  
HEAT SINK CLIP:PASSIVATE;
- 3.MATES WITH CFP MSA COMPLIANT TRANSCEIVERS.
- 4.DATUM AND BASIC DIMENSION ESTABLISHED BY CUSTOMER.
- 5.MINIMUM PC BOARD THICKNESS: SIGLE SIDE APPLICATIONS=2.99±0.63mm.  
BELLY TO BELLY APPLICATION=3.0mm MIN.
- 6.PADS AND VIAS CHASSIS GROUND;
- 7:REFERENCE APPLICATION SOEC 114-32146,HOLE A, FOR  
RECOMMENDED DRILL HOLE DIAMETER AND PLATING THICKNESS.
- 8:DATE CODE LOCATED AT APPROXIMATE AREA AS SHOWN

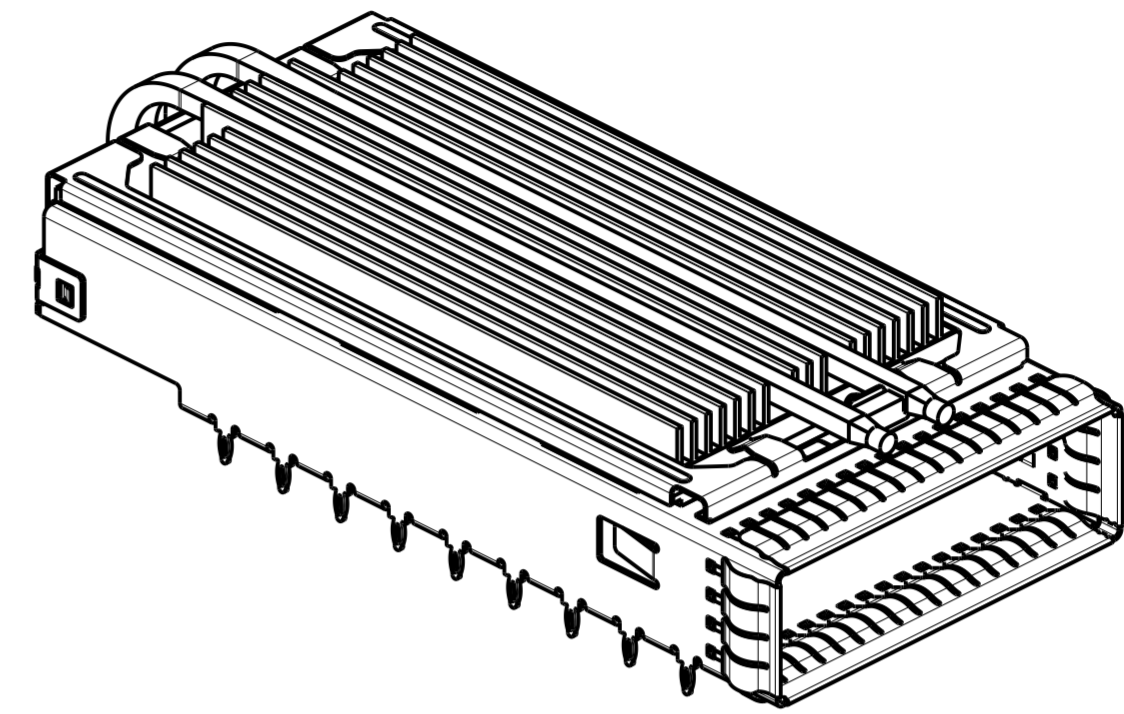
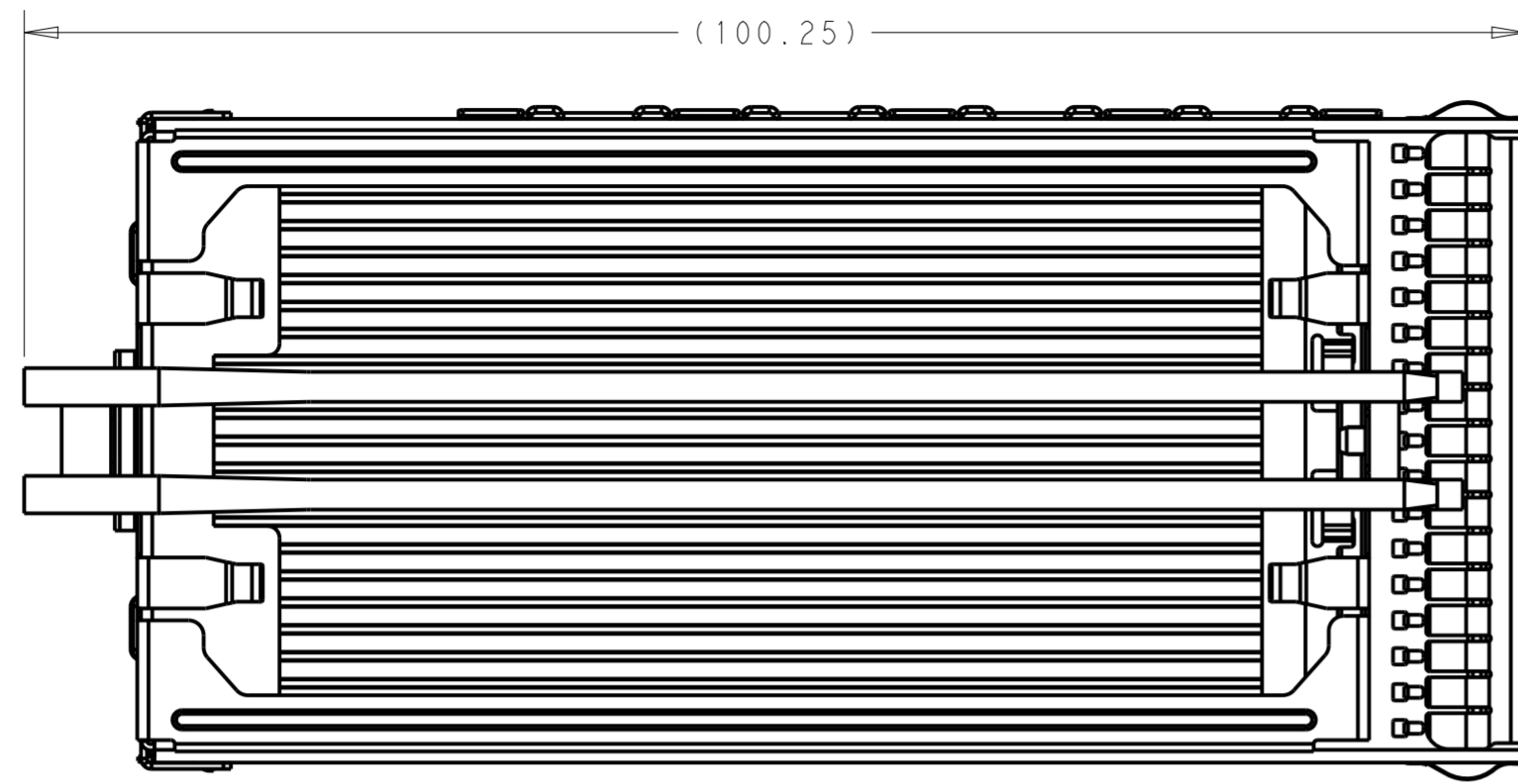
QTY	UNIT	PAR NUMBER	DESCRIPTION	ITEM
2	2	2292789-1	SCREW	3
1	1	2274846-1	RECEPTACLE COVER ASSEMBLY	2
1	-	2314914-2	CAGE ASSEMBLY WITH H/S,LP,CFP2 1X1	4
-	1	2314914-1	CAGE ASSEMBLY WITH H/S,LP,CFP2 1X1	1
-2	-1	PAR NUMBER	DESCRIPTION	ITEM

THIS DRAWING IS A CONTROLLED DOCUMENT.		DWN ANDY XIE 28DEC2016	<b>STE</b> TE Connectivity	
		CHK SEAN HAN 28DEC2016		
		APVD SEAN HAN 28DEC2016	NAME HARD WARE KITS WIHT LP CFP2 1X1	
DIMENSIONS: mm		PRODUCT SPEC 108-32103	RESTRICTED TO	
TOLERANCES UNLESS OTHERWISE SPECIFIED: 0 PLC ± 1 PLC ±0.25 2 PLC ±0.15 3 PLC ±0.10 4 PLC ±0.05 ANGLES ± FINISH		APPLICATION SPEC 114-32145	SIZE A2	CAGE CODE -
MATERIAL		WEIGHT -	DRAWING NO C-2314979	SCALE 1:1
		CUSTOMER DRAWING	SHEET 1	OF 7
			REV A	

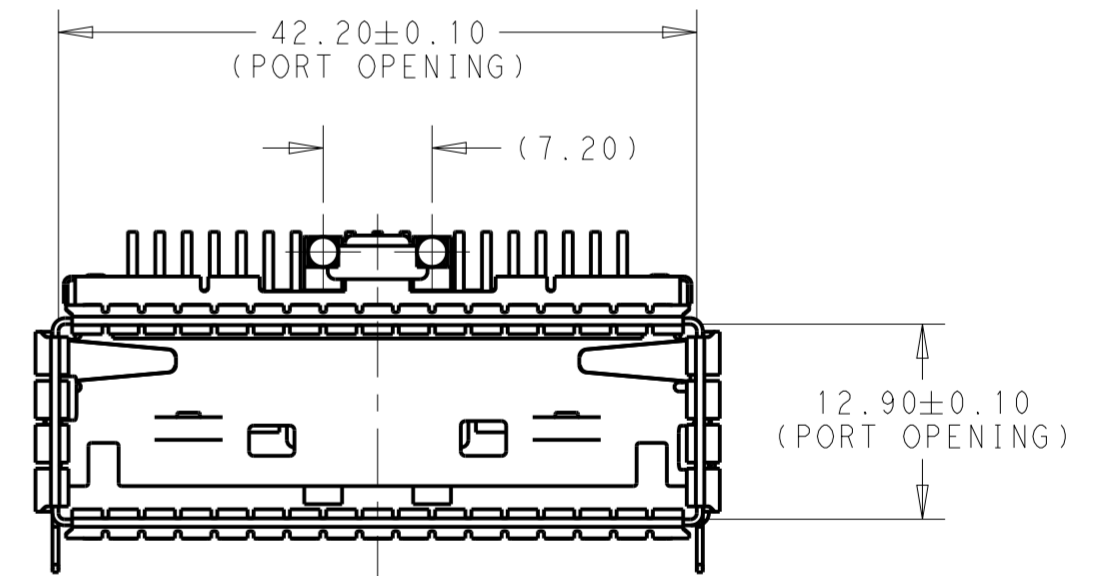
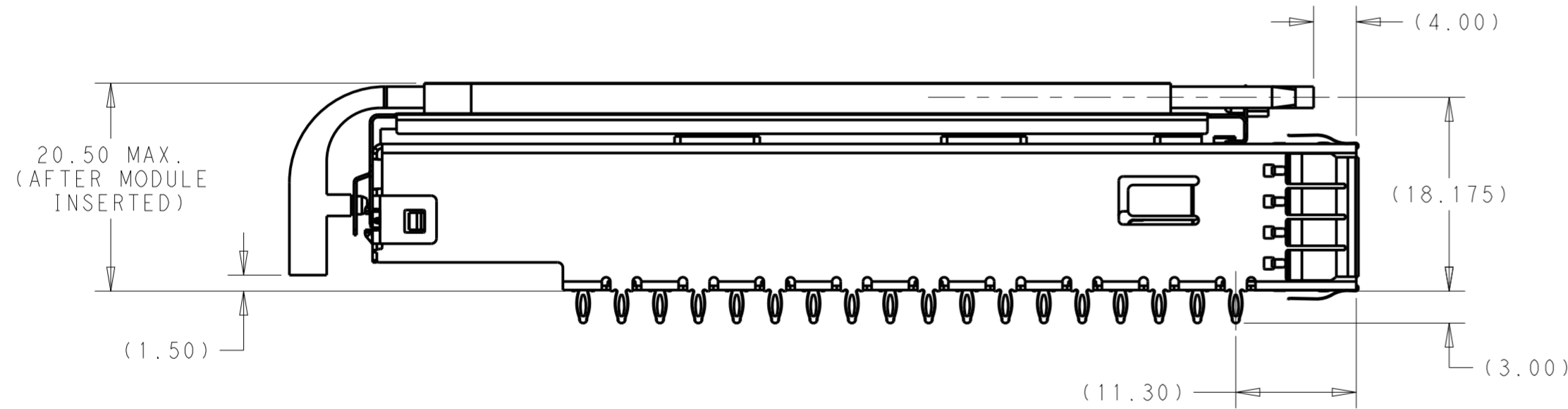
THIS DRAWING IS UNPUBLISHED. RELEASED FOR PUBLICATION 20  
 © COPYRIGHT 20 BY - ALL RIGHTS RESERVED.

REVISIONS				
P	LTR	DESCRIPTION	DATE	APVD
-	-	SEE SHEET 1	-	-

2314914-1 AS SHOWN IN THIS SHEET:



2314914-1 AS SHOWN  
SCALE 3:2

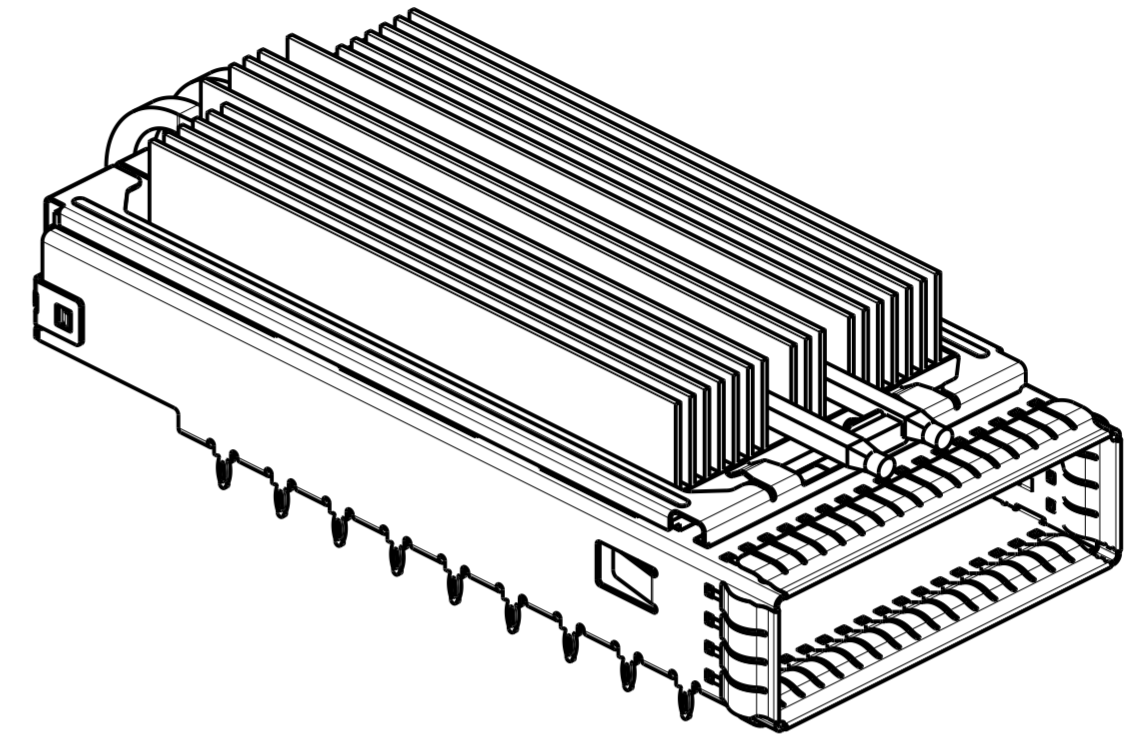
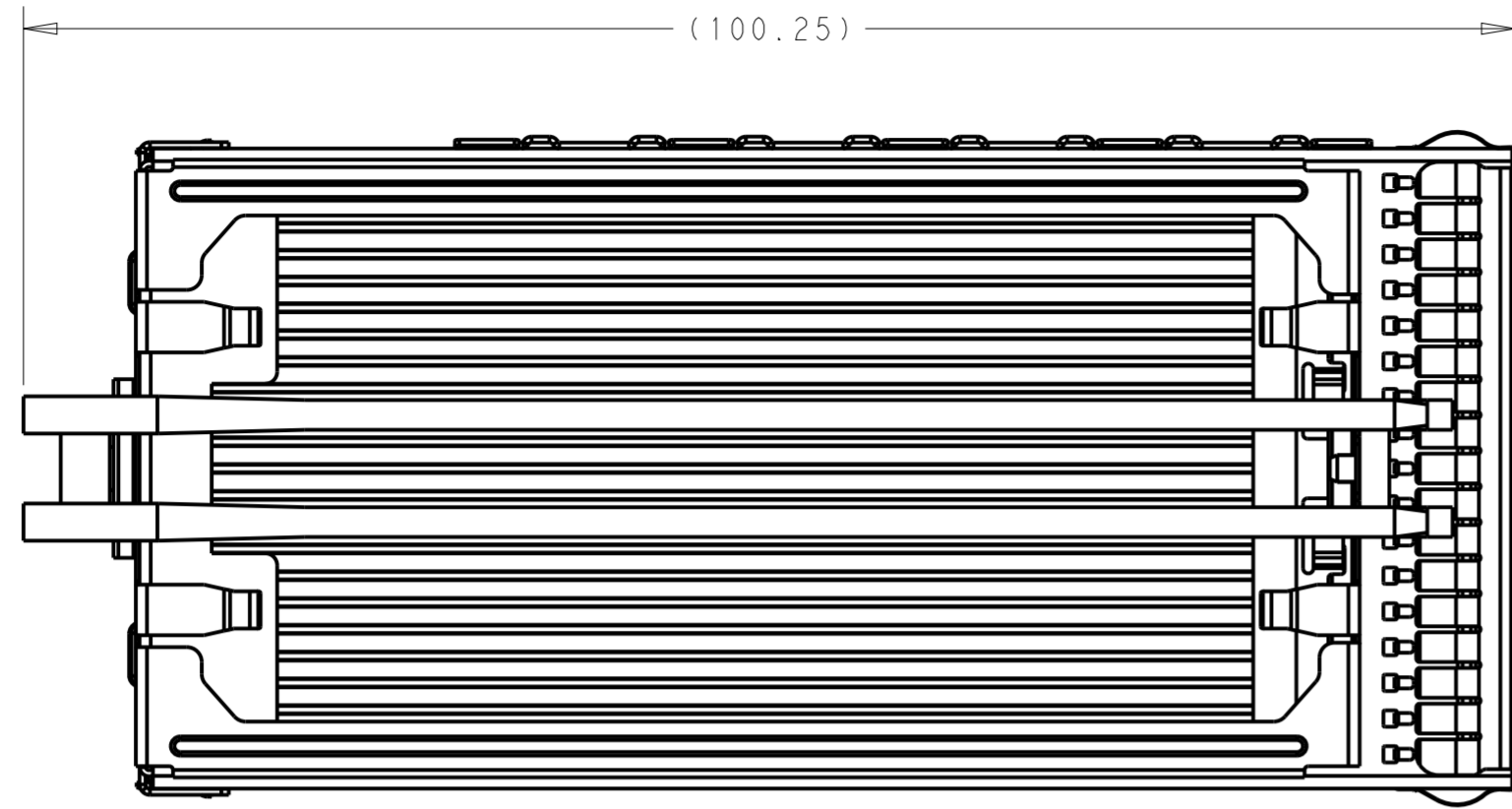


THIS DRAWING IS A CONTROLLED DOCUMENT.		DWN ANDY.XIF 28DEC2016	<b>STE</b> TE Connectivity	
DIMENSIONS: mm		CHK SEAN.HAN 28DEC2016		
TOLERANCES UNLESS OTHERWISE SPECIFIED:		APVD SEAN.HAN 28DEC2016	NAME HARD WARE KITS WIHT LP	
0 PLC ±		PRODUCT SPEC 108-32103	CFP2 1X1	
1 PLC ±0.25		APPLICATION SPEC 114-32145	SIZE A2	CAGE CODE -
2 PLC ±0.15		WEIGHT -	DRAWING NO G-2314979	RESTRICTED TO -
3 PLC ±0.1		CUSTOMER DRAWING	SCALE 1:1	SHEET 2 OF 7
4 PLC ±0.05			REV A	
ANGLES ±1				
FINISH				
MATERIAL SEE NOTES				
TOLERANCES UNLESS OTHERWISE SPECIFIED:				
SEE NOTES				

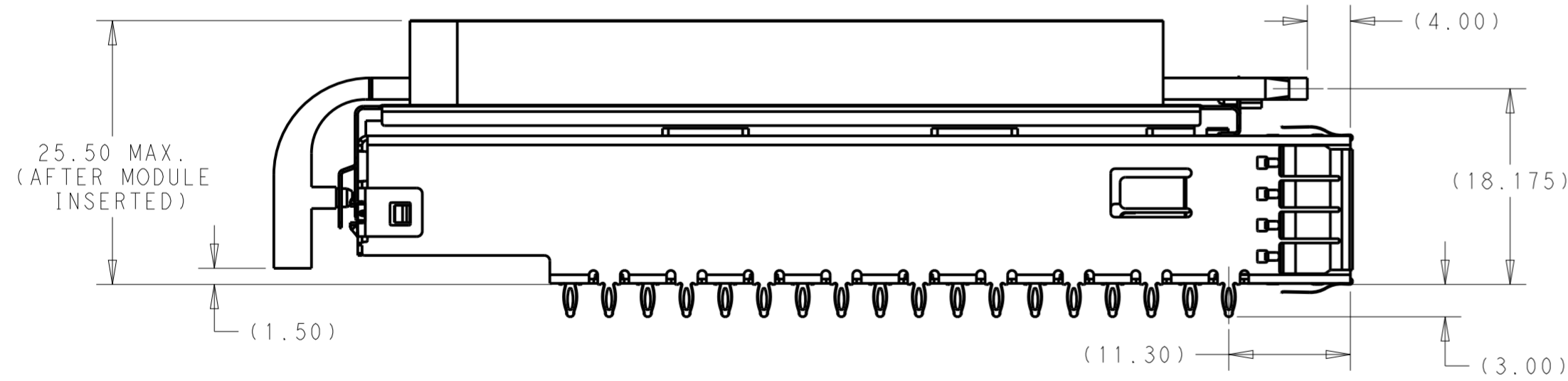
THIS DRAWING IS UNPUBLISHED. RELEASED FOR PUBLICATION 20  
 © COPYRIGHT 20 BY - ALL RIGHTS RESERVED.

REVISIONS				
P	LTR	DESCRIPTION	DATE	APVD
-		SEE SHEET 1	-	-

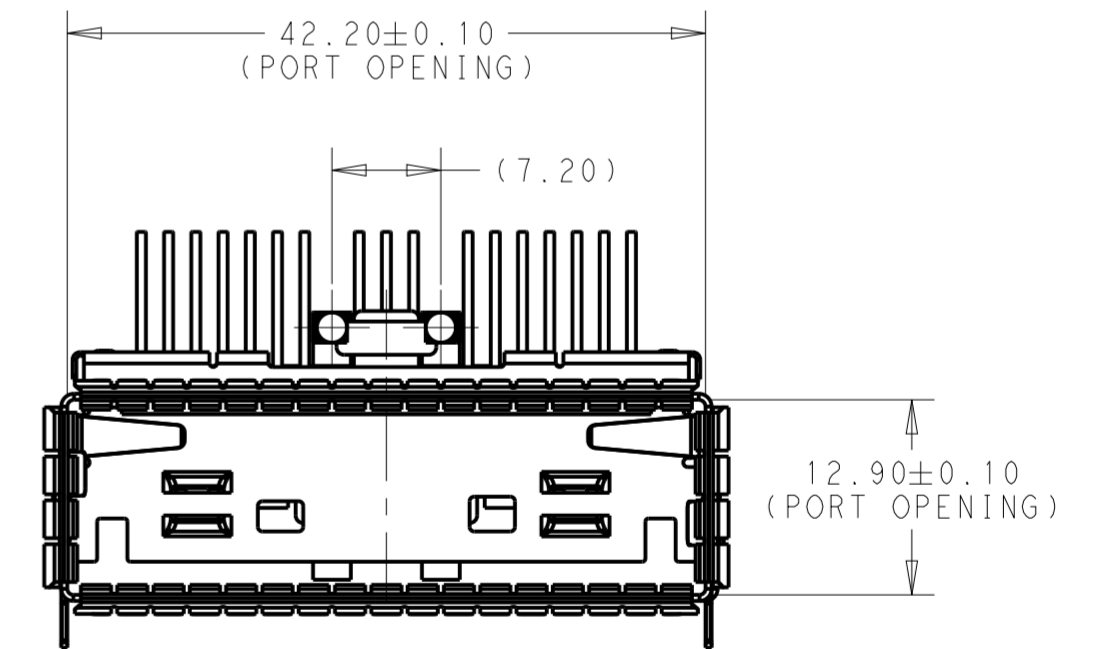
2314914-2 AS SHOWN IN THIS SHEET:



2314914-2 AS SHOWN  
SCALE 3:2



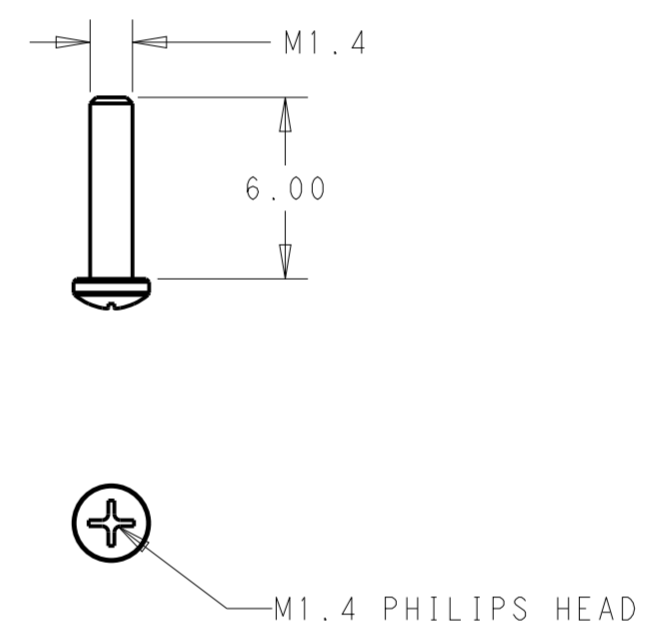
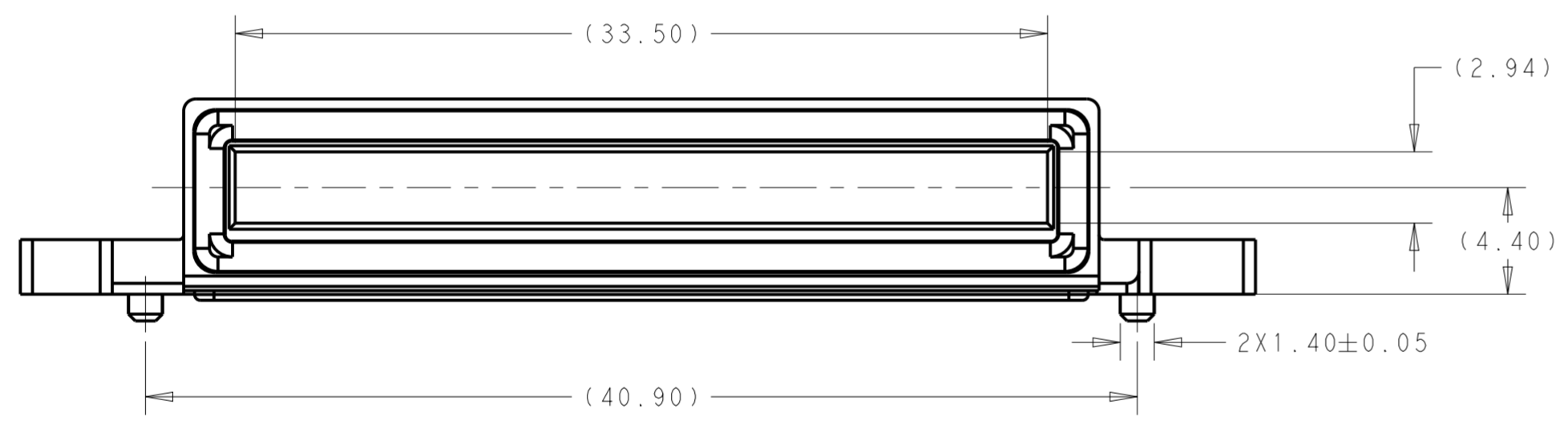
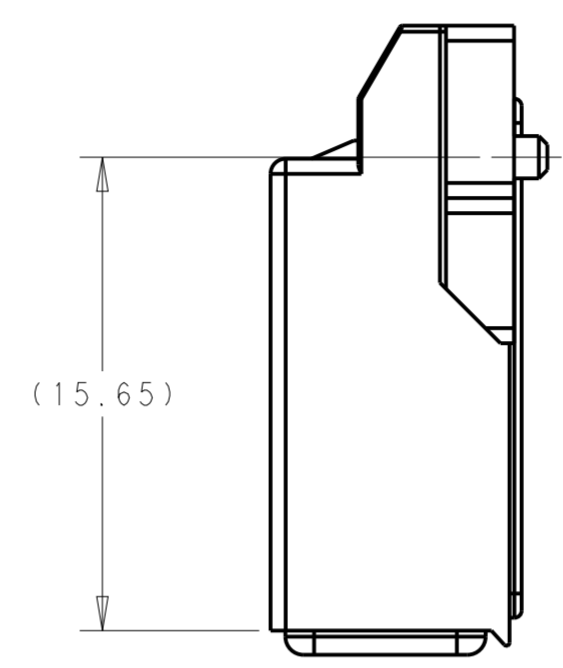
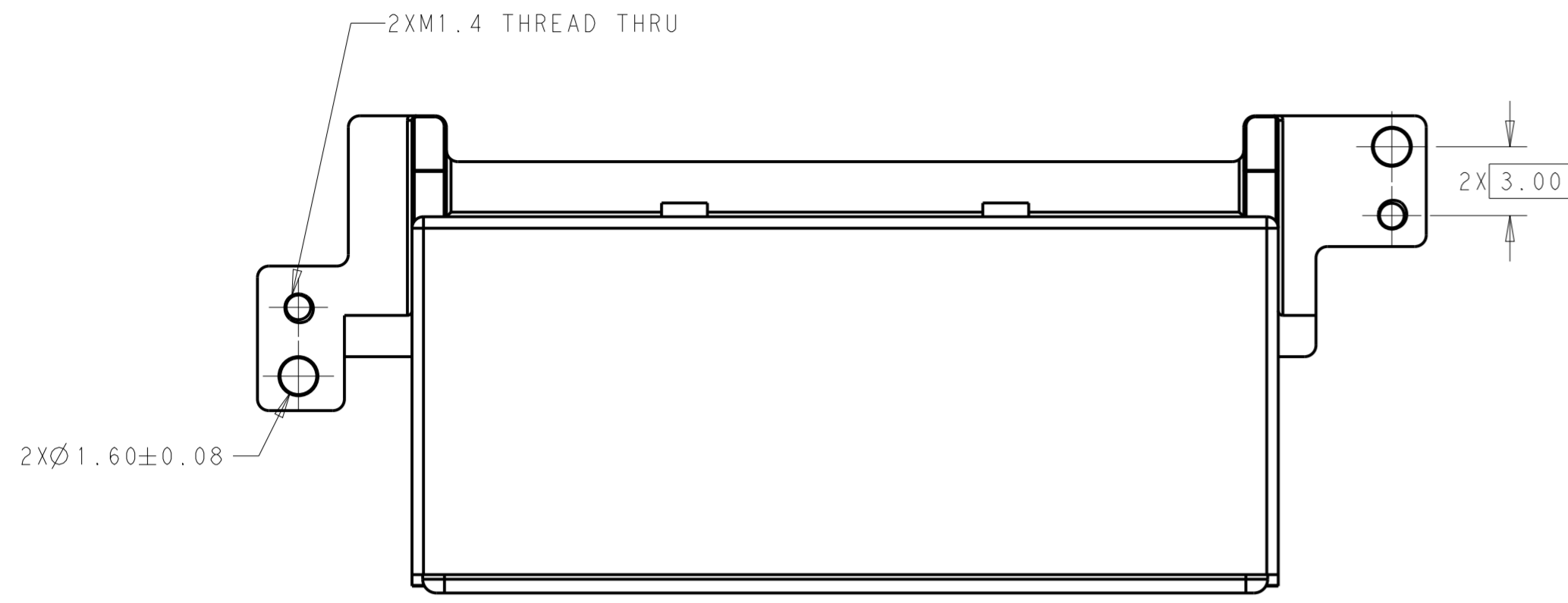
SCALE 2:1



THIS DRAWING IS A CONTROLLED DOCUMENT.		DWN ANDY XIE 28DEC2016	TE Connectivity	
		CHK SEAN HAN 28DEC2016		
		APVD SEAN HAN 28DEC2016		
		PRODUCT SPEC		
DIMENSIONS:	TOLERANCES UNLESS OTHERWISE SPECIFIED:	108-32103	NAME HARD WARE KITS WIHT LP	
mm	0 PLC ±	APPLICATION SPEC	CFP2 1X1	
	1 PLC ±0.25	114-32145	SIZE A2	CAGE CODE -
	2 PLC ±0.15	WEIGHT -	DRAWING NO. C-2314979	RESTRICTED TO -
	3 PLC ±0.10	CUSTOMER DRAWING	SCALE 1:1	SHEET 3 OF 7
	4 PLC ±0.05		REV A	
	ANGLES ±			
	FINISH -			

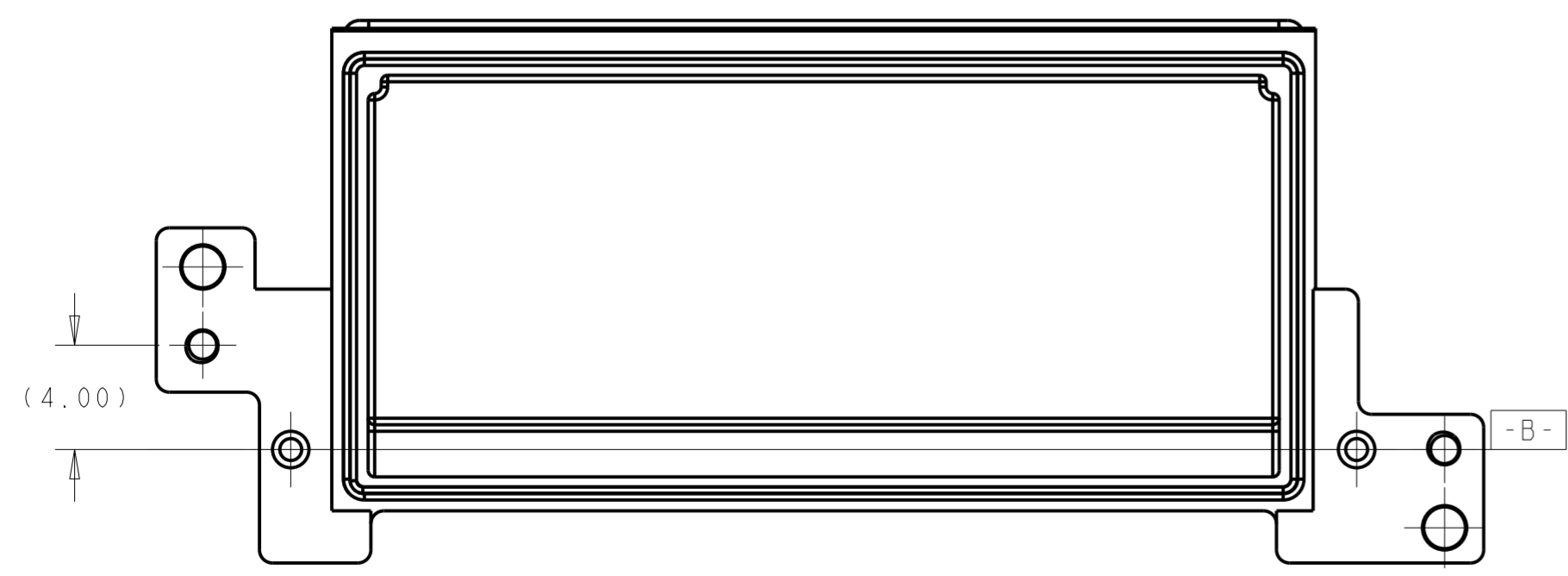
THIS DRAWING IS UNPUBLISHED. RELEASED FOR PUBLICATION 20  
 © COPYRIGHT 20 BY - ALL RIGHTS RESERVED.

REVISIONS				
P	LTR	DESCRIPTION	DATE	APVD
-		SEE SHEET 1	-	-



SCALE 4:1

2292789-1 AS SHOWN

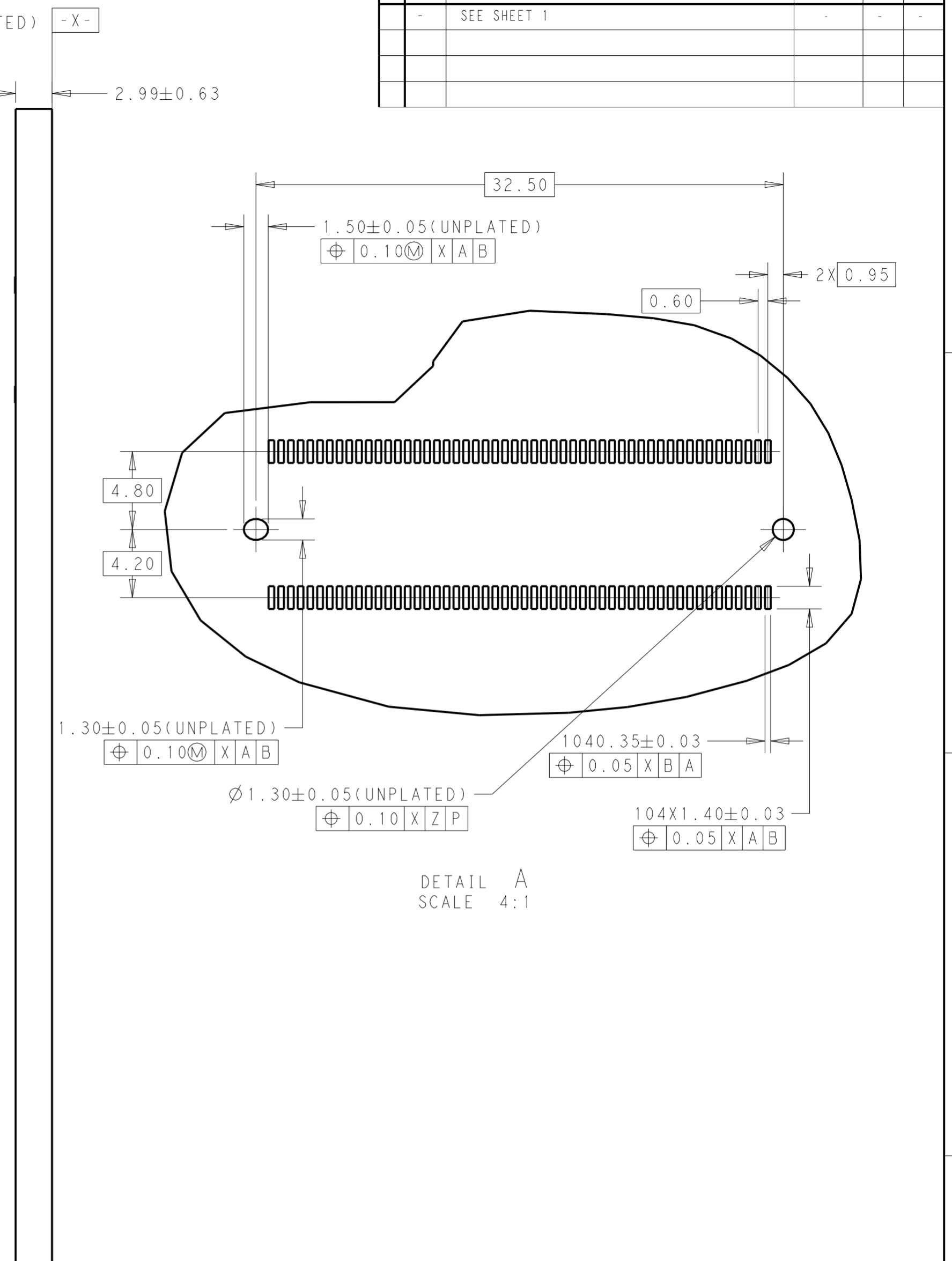
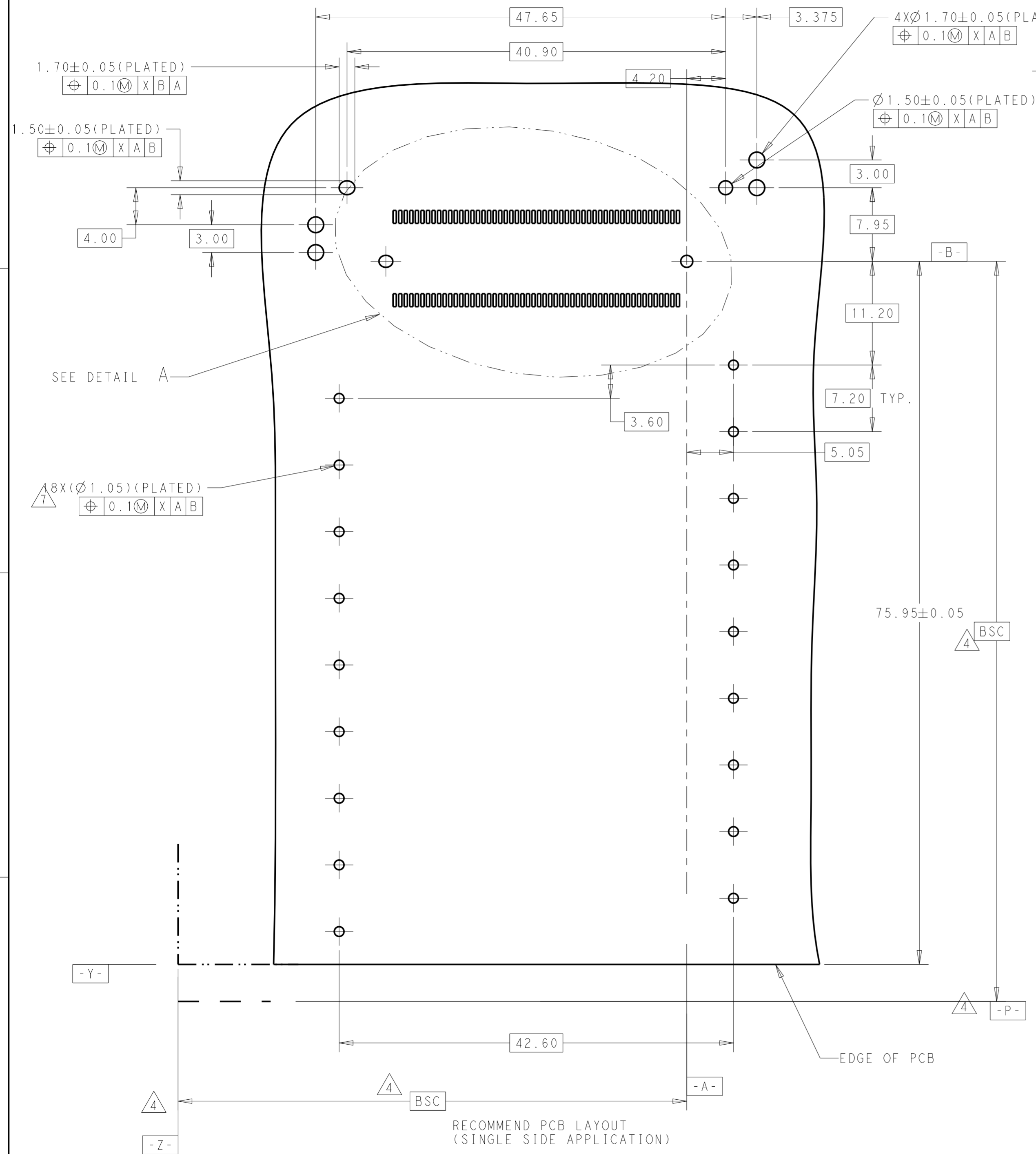


2274846-1 AS SHOWN

THIS DRAWING IS A CONTROLLED DOCUMENT.		DWN ANDY.XIE 28DEC2016	TE Connectivity	
DIMENSIONS: mm		CHK SEAN.HAN 28DEC2016		
TOLERANCES UNLESS OTHERWISE SPECIFIED:		APVD SEAN.HAN 28DEC2016	NAME HARD WARE KITS WIHT LP	
0 PLC ±		PRODUCT SPEC 108-32103	CFP2 1X1	
1 PLC ±0.25		APPLICATION SPEC 114-32145	SIZE A2	CAGE CODE -
2 PLC ±0.15		WEIGHT -	DRAWING NO C-2314979	RESTRICTED TO -
3 PLC ±0.1		CUSTOMER DRAWING	SCALE 4:1	SHEET 4 OF 7
4 PLC ±0.05			REV A	
ANGLES ±1				
FINISH				
MATERIAL SEE NOTES				
SEE NOTES				

THIS DRAWING IS UNPUBLISHED. RELEASED FOR PUBLICATION 20  
 © COPYRIGHT 20 BY - ALL RIGHTS RESERVED.

REVISIONS					
P	LTR	DESCRIPTION	DATE	DWN	APVD
-	-	SEE SHEET 1	-	-	-



DETAIL A  
SCALE 4:1

RECOMMEND PCB LAYOUT  
(SINGLE SIDE APPLICATION)

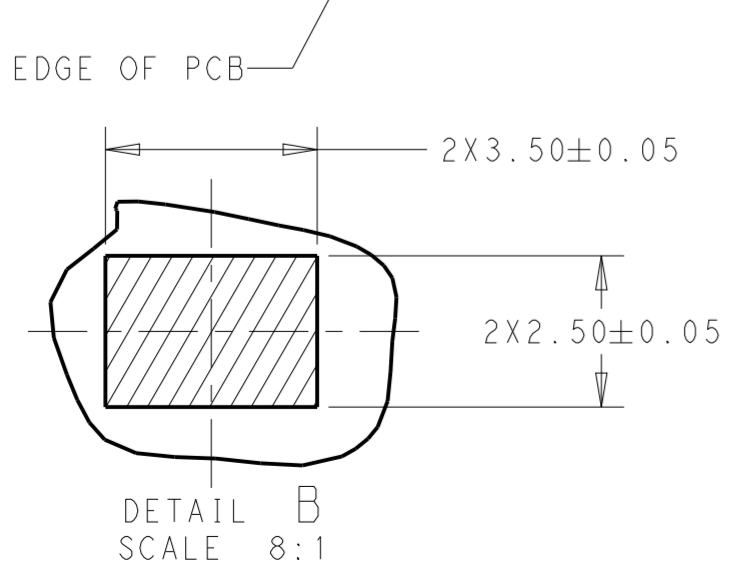
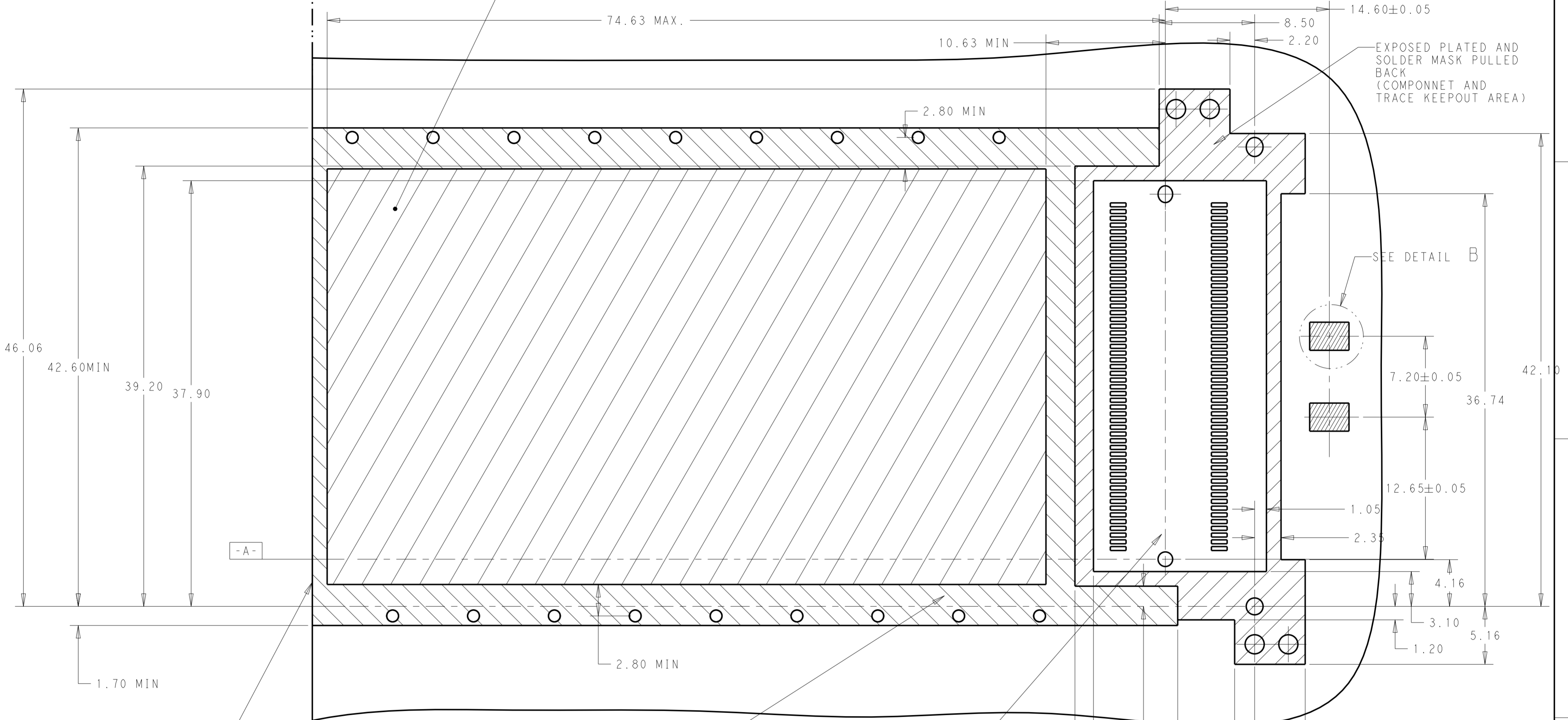
EDGE OF PCB

THIS DRAWING IS A CONTROLLED DOCUMENT.		DWN ANDY.XIF 28DEC2016	TE Connectivity		
DIMENSIONS: mm		CHK SEAN.HAN 28DEC2016			
TOLERANCES UNLESS OTHERWISE SPECIFIED:		APVD SEAN.HAN 28DEC2016	NAME HARD WARE KITS WIHT LP CFP2 1X1		
0 PLC ±		PRODUCT SPEC	SIZE A2		
1 PLC ±0.25		APPLICATION SPEC	CAGE CODE -		
2 PLC ±0.15		WEIGHT	DRAWING NO C-2314979		
3 PLC ±0.1		CUSTOMER DRAWING	RESTRICTED TO -		
4 PLC ±0.05			SCALE 3:1		
ANGLES ±1			SHEET 5 OF 7		
FINISH			REV A		
MATERIAL SEE NOTES					

THIS DRAWING IS UNPUBLISHED. RELEASED FOR PUBLICATION 20  
 © COPYRIGHT 20 BY - ALL RIGHTS RESERVED.

REVISIONS				
P	LTR	DESCRIPTION	DATE	APVD
-		SEE SHEET 1	-	-

CROSS-HATCHED DENOTES COMPONENT AND TRACE KEEP-OUT AREA (EXCEPT CHASSIS GROUND) FOR NON-MYLAR TAPE APPLICATION. COMPONENTS AND TRACES ARE ONLY ALLOWED FOR APPLICATION WITH MYLAR TAPE



CROSS-HATCHED DENOTES COMPONENT AND TRACE KEEP-OUT AREA (EXCEPT CHASSIS GROUND)  
 COMPONENT KEEP-OUT AREA (TRACE ALLOWED)

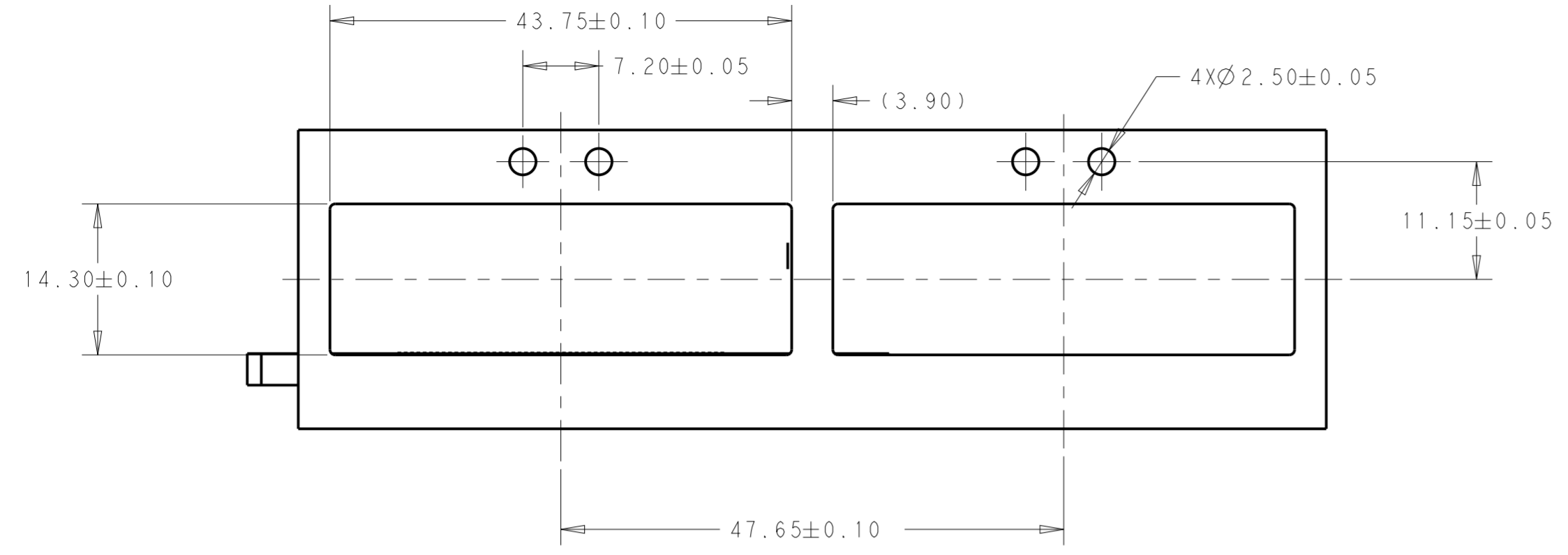
EXPOSED PLATED AND SOLDER MASK PULLED BACK (COMPONENT AND TRACE KEEPOUT AREA)

SEE DETAIL B

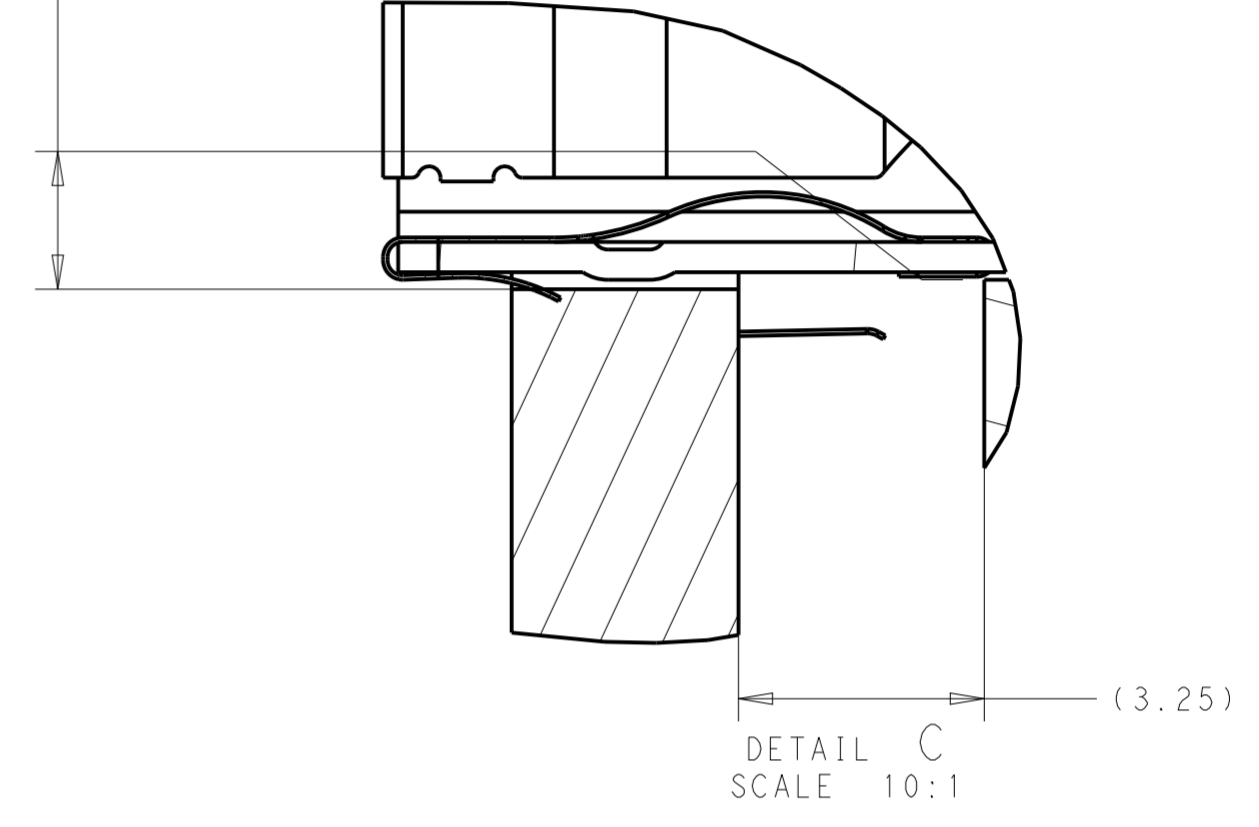
THIS DRAWING IS A CONTROLLED DOCUMENT.		DWN ANDY.XIE 28DEC2016	<b>STE</b> TE Connectivity	
		CHK SEAN.HAN 28DEC2016		
		APVD SEAN.HAN 28DEC2016	NAME HARD WARE KITS WIHT LP CFP2 1X1	
DIMENSIONS: mm		TOLERANCES UNLESS OTHERWISE SPECIFIED:	SIZE A2	
0 PLC ±0.10		1 PLC ±0.10	CAGE CODE -	
2 PLC ±0.10		2 PLC ±0.10	DRAWING NO C-23149799	
3 PLC ±0.10		3 PLC ±0.10	RESTRICTED TO -	
4 PLC ±0.05		4 PLC ±0.05	SCALE 1:1	
ANGLES ±1		FINISH -	SHEET 6 OF 7	
MATERIAL SEE NOTES		WEIGHT -	REV A	
		CUSTOMER DRAWING		

THIS DRAWING IS UNPUBLISHED. RELEASED FOR PUBLICATION 20  
 © COPYRIGHT 20 BY - ALL RIGHTS RESERVED.

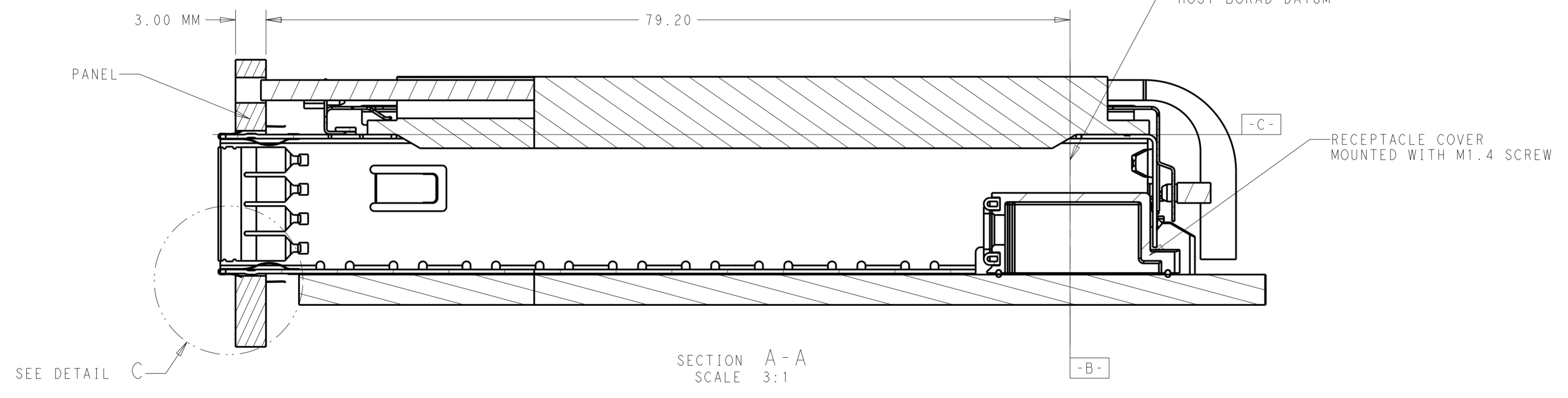
REVISIONS				
P	LTR	DESCRIPTION	DATE	APVD
-	-	SEE SHEET 1	-	-



0.125±0.10  
 (PCB TO PANEL  
 CUT-OUT SURFACE)



SCALE 2:1



THIS DRAWING IS A CONTROLLED DOCUMENT.		DWN ANDY.XIE 28DEC2016	<b>STE</b> TE Connectivity	
DIMENSIONS: mm		CHK SEAN.HAN 28DEC2016		
TOLERANCES UNLESS OTHERWISE SPECIFIED:		APVD SEAN.HAN 28DEC2016	NAME HARD WARE KITS WIHT LP CFP2 1X1	
0 PLC ± 1 PLC ±0.25 2 PLC ±0.15 3 PLC ±0.1 4 PLC ±0.05		PRODUCT SPEC -	SIZE A2	
MATERIAL SEE NOTES		APPLICATION SPEC -	CAGE CODE -	DRAWING NO C-2314979
FINISH SEE NOTES		WEIGHT -	RESTRICTED TO -	SCALE 1:1
		CUSTOMER DRAWING	SHEET 7 OF 7	REV A