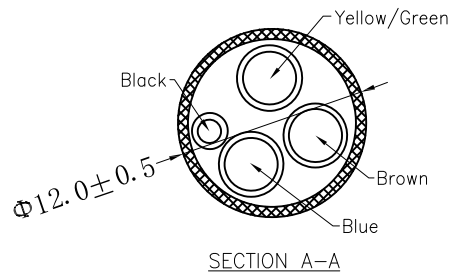
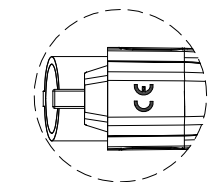
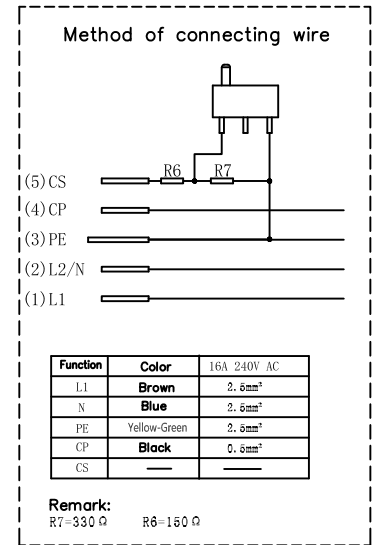
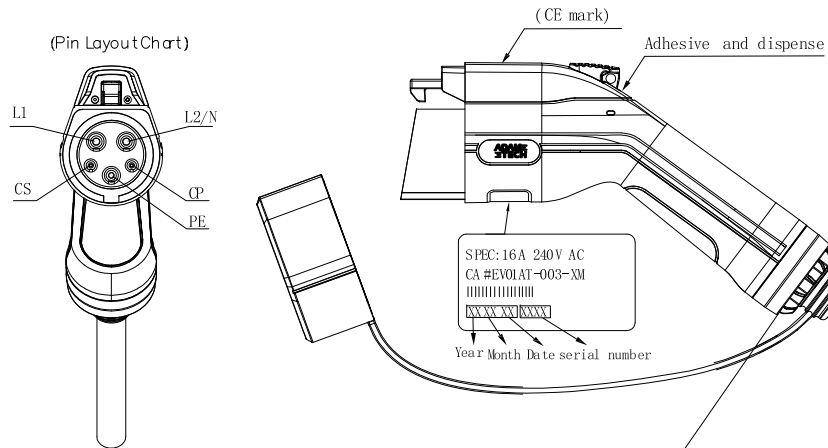


APPROVED: \_\_\_\_\_  
 DATE: \_\_\_\_\_ TITLE: \_\_\_\_\_

Rev	AWO #	Description	Date	Appr
-		RELEASED	3/11/20	
A		UPDATE TITLE	1/7/21	WX/RC
B		UPDATE DRAWING	4/11/22	LH/AC



ADAM TECH P/N	LENGTH
CA #EVO1AT-003-3M	3,000mm ±30mm
CA #EVO1AT-003-5M	5,000mm ±30mm

**SPECIFICATIONS:**

Material:  
 Insulator: PC+PA66, Thermoplastic, rated UL 94V-0  
 Insulator color: Black  
 Contacts: Copper Alloy, Silver plated surface  
 Electrical:  
 Current rating: 16A  
 Voltage rating: 240 VAC  
 Contact Impedance: 0.5 mohms max  
 Insulation resistance: 5M Ω min, DC 500V  
 Dielectric withstanding voltage: 2,000V  
 Mechanical:  
 Mechanical life: unloaded plugged: >10,000  
 Insertion and Extraction Force: <80N  
 Temperature Rating:  
 Operating temperature: -30°C to +50°C  
 Environmental:  
 Waterproof grade: IP54  
 Lead free, RoHS compliant



Charging plug: according to SAE J1772-2017 standard  
 Charging cable: 3x2.5mm<sup>2</sup>+1x0.5mm<sup>2</sup> (outer leather material TPE)

UNLESS OTHERWISE SPECIFIED ALL DIMENSIONS ARE MILLIMETERS. TOLERANCES: EXCEPT AS NOTED

DRAWN	OW	3/11/20
CHECKED	AC	3/11/20
APPROVED		

THIS DRAWING CONTAINS INFORMATION THAT IS PROPRIETARY AND SHOULD NOT BE USED WITHOUT PRIOR WRITTEN PERMISSION FROM ADAM TECH

**ADAM TECH**

909 Rahway Avenue,  
 Union, NJ 07083  
 Phone: 908-687-5000  
 Fax: 908-687-5710

TITLE  
**CABLE ASSEMBLY EV CHARGER**  
 TYPE 1 FEMALE PLUG 16A 240V 1PHASE 2.5MM<sup>2</sup> TUV

SIZE X	PART NO. CA #EVO1AT-003-XM	REV. B
REF: S00199C	SCALE: NTS	SHEET 1 OF 1