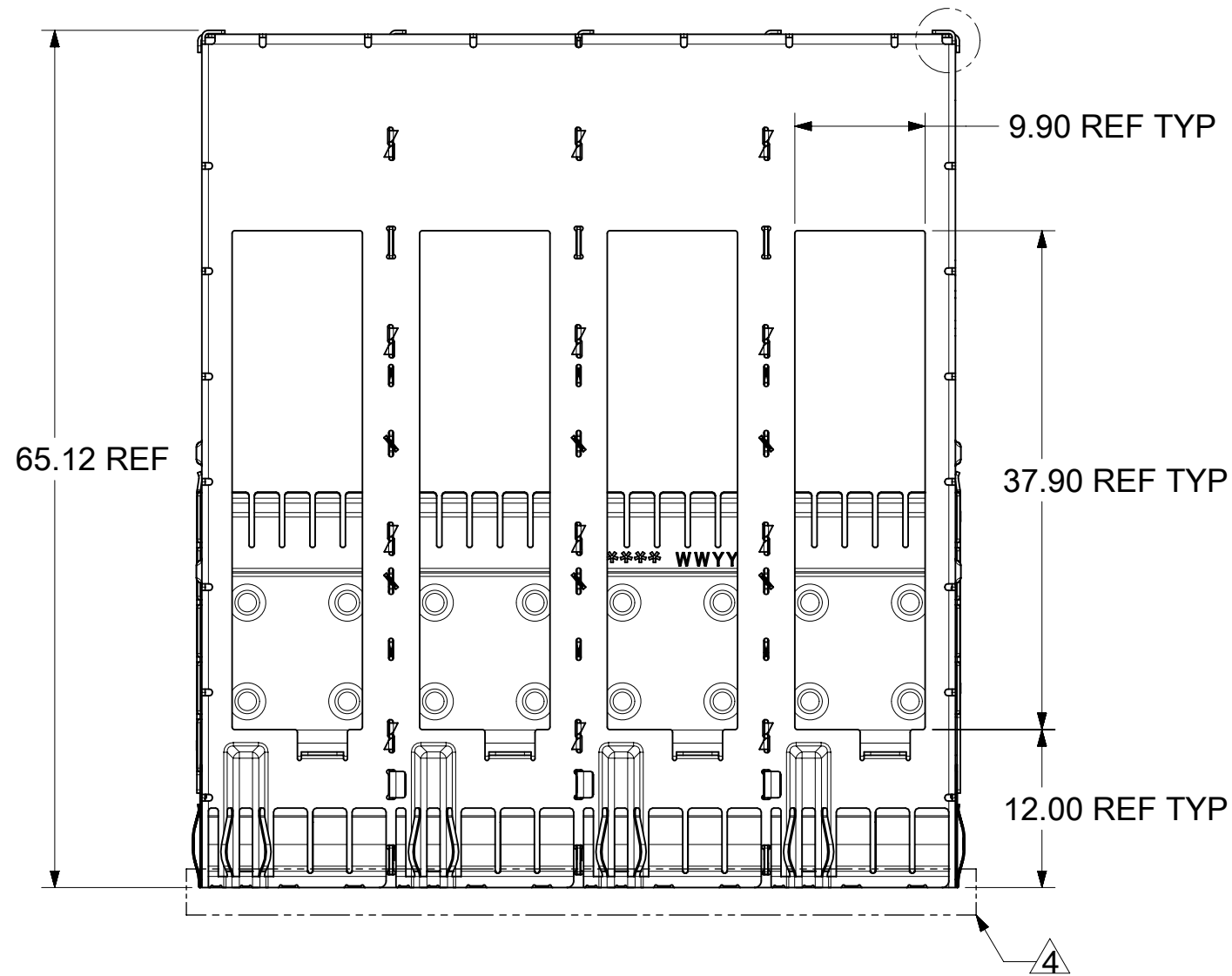


(HEAT SINK / LIGHT PIPE / CLIP NOT SHOWN FOR CLARITY)

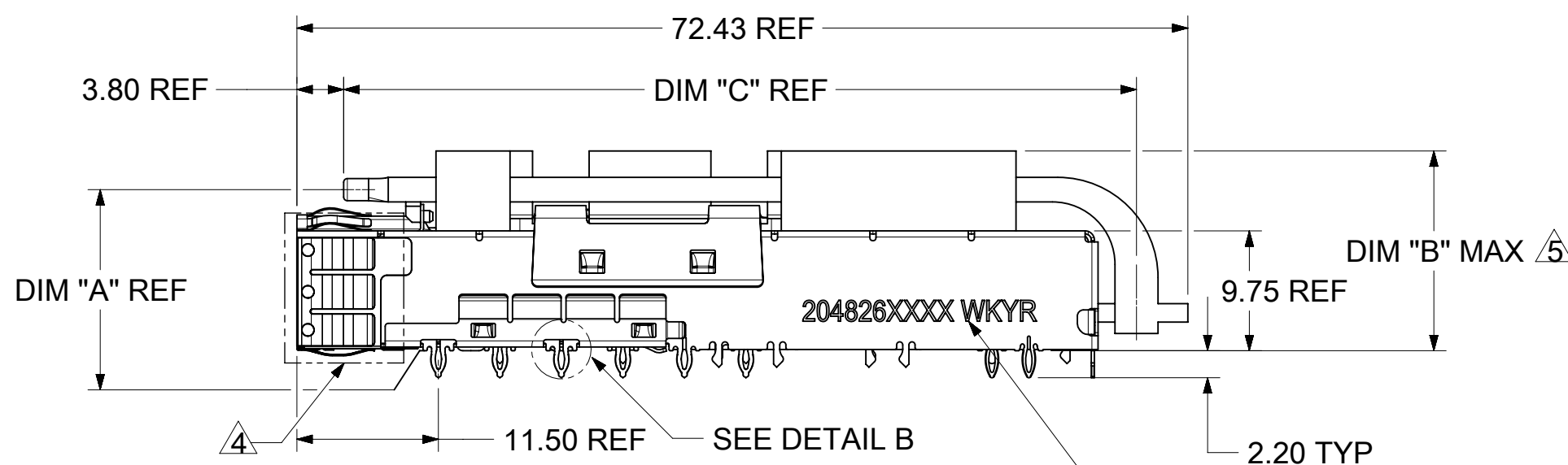
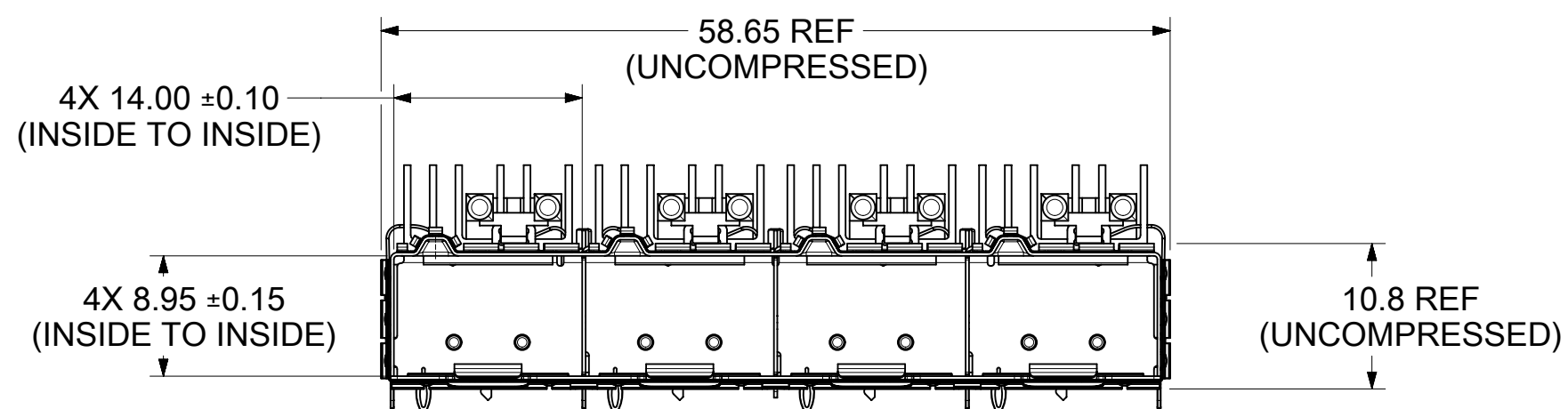
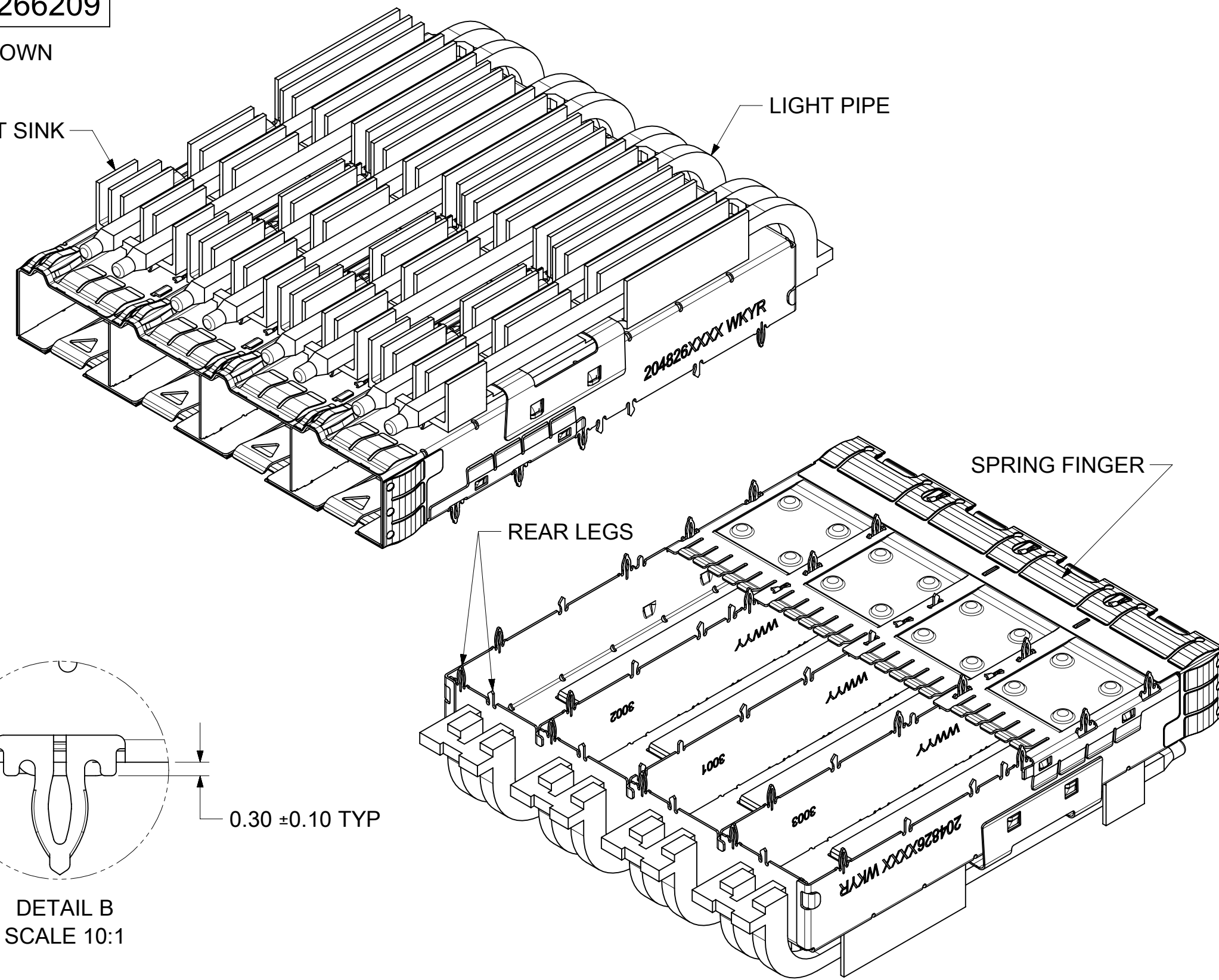


2048266209

SHOWN

HEAT SINK

LIGHT PIPE



PART NO. AND WEEK/YEAR DATE CODE TO BE PRINTED OR LASERED ON THE SIDE OF COMPLETED CAGE ASSEMBLY APPROXIMATELY AS SHOWN

WEEK/YEAR DATE CODE TABLE	
WK	01 THRU 52 OR 53 EXAMPLE: 01 = FIRST WEEK OF YEAR 52 = LAST WEEK OF YEAR
YR	21, 22, 23 ETC. EXAMPLE: YEAR 2021 = 21

NOTES:

- MATERIAL:
CAGE: 0.25mm THICKNESS, STAINLESS STEEL.
FRONT SPRING FINGERS: 0.1mm THICK COPPER ALLOY, NICKEL PLATED.
HEATSINK: ALUMINUM, BLACK ANODIZATION
HEATSINK CLIP: STAINLESS STEEL
LIGHTPIPE: POLYCARBONATE
- PRESS FIT LEGS 2.2mm LONG:
- PORTS ARE DESIGNED FOR SFP-DD TRANSCEIVERS
THE TOP SURFACE OF THE MODULE MUST BE FLAT (NO PRODUCT LABEL RECESS) AND THERMALLY CONDUCTIVE TO OPTIMAL FUNCTION.
- WELD SPOTS WILL SHOW SLIGHT MATERIAL DISCOLORATION.
- HEIGHT OF HEAT SINK WITH MODULE INSERTED.
DIMENSION MAY BE LESS DUE TO MODULE AND HEAT SINK VARIATIONS
- NO RoHS EXEMPTIONS.

FUNCTIONAL SYMBOLS	THIS DRAWING CONTAINS INFORMATION THAT IS PROPRIETARY TO MOLEX ELECTRONIC TECHNOLOGIES, LLC AND SHOULD NOT BE USED WITHOUT WRITTEN PERMISSION		CURRENT REV DESC:	
	△A = 0	mm	2:1	
DIVISIONAL SYMBOLS	GENERAL TOLERANCES (UNLESS SPECIFIED)		EC NO: 667528	
	△E = 0	ANGULAR TOL ± 2.0°		DRWN: SMALLESHPA 2021/04/28
	△P = 0	4 PLACES ±		CHK'D: DKUMARG 2021/06/18
		3 PLACES ±		APPR: JCHIANG 2021/06/22
		2 PLACES ± 0.13		INITIAL REVISION:
		1 PLACE ± 0.25		DRWN: DSUN15 2018/10/03
		0 PLACES ±		APPR: RCHEN08 2018/11/19
DRAFT WHERE APPLICABLE MUST REMAIN WITHIN DIMENSIONS		THIRD ANGLE PROJECTION	DRAWING	SERIES
			C-SIZE	204826
DOCUMENT STATUS		P1	RELEASE DATE	2021/06/22 12:00:51

molex

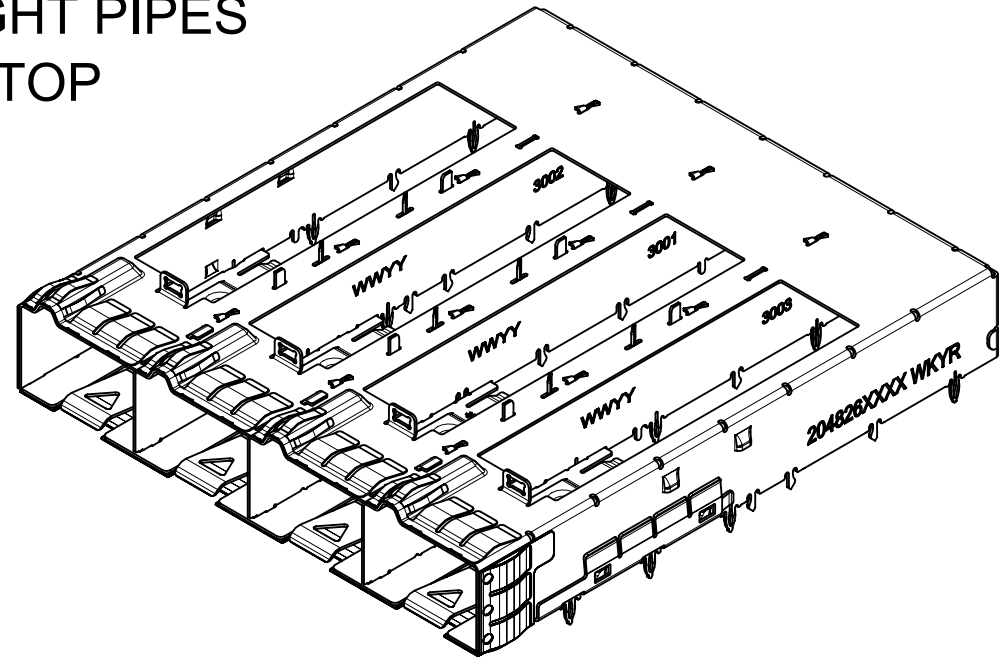
SFP-DD 1X4 CAGE ASSY, SF TYPE
TRAPEZOID DR W/ HEAT SINK AND LIGHT PIPE
OPTIONS

PRODUCT CUSTOMER DRAWING

DOCUMENT NUMBER	DOC TYPE	DOC PART	REVISION
2048266209	PSD	ASY	E

MATERIAL NUMBER	CUSTOMER	SHEET NUMBER
SEE SHEET 2 & 3		1 OF 9

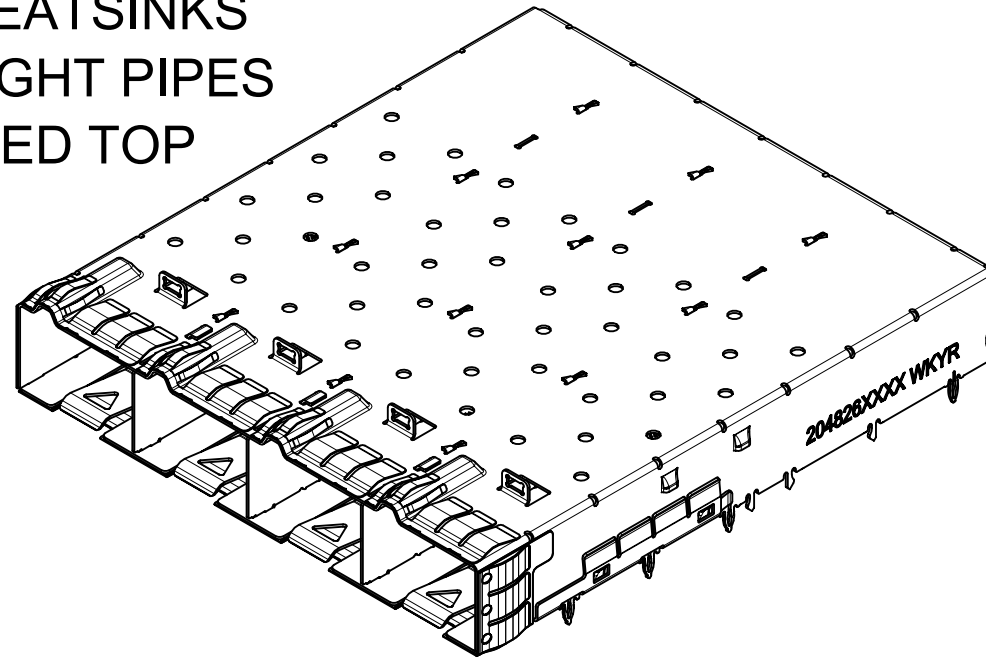
NO HEATSINKS
NO LIGHT PIPES
OPEN TOP



MOLEX P/N	#OF REAR LEGS PER PORT	CAGE BASE TYPE
2048264002	2	RAISE

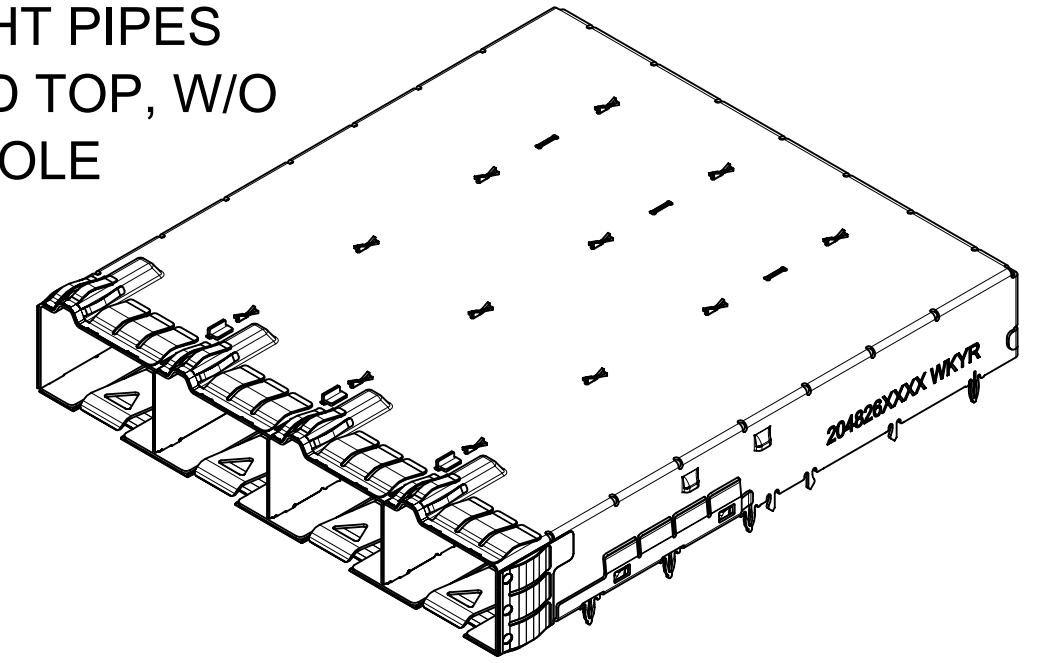
PART NUMBER SELECTION

NO HEATSINKS
NO LIGHT PIPES
CLOSED TOP



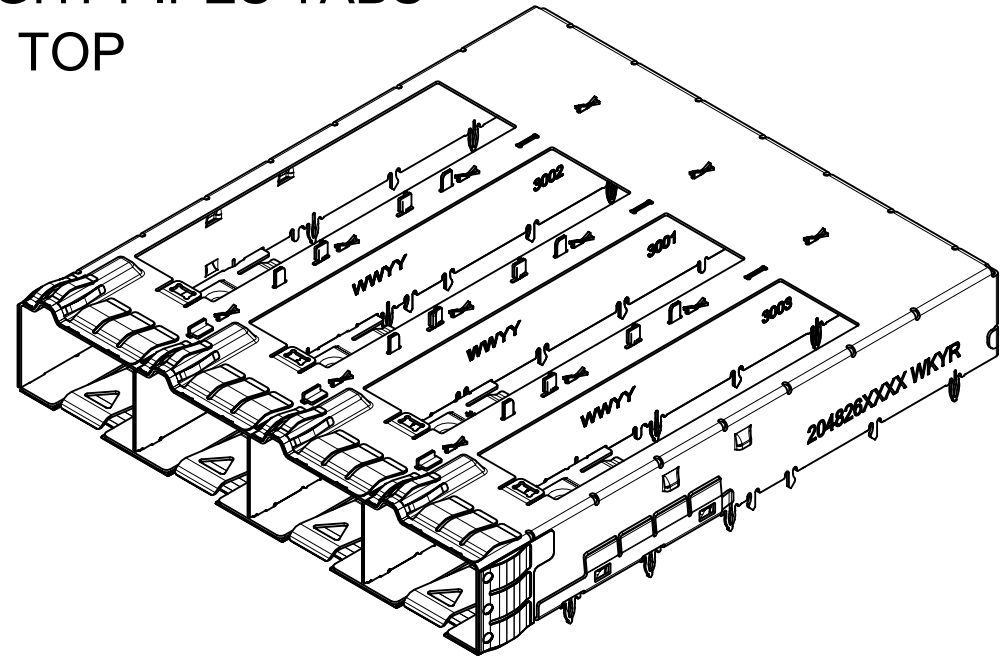
MOLEX P/N	#OF REAR LEGS PER PORT
2048265004	2

NO HEATSINKS
NO LIGHT PIPES
CLOSED TOP, W/O
VENT HOLE



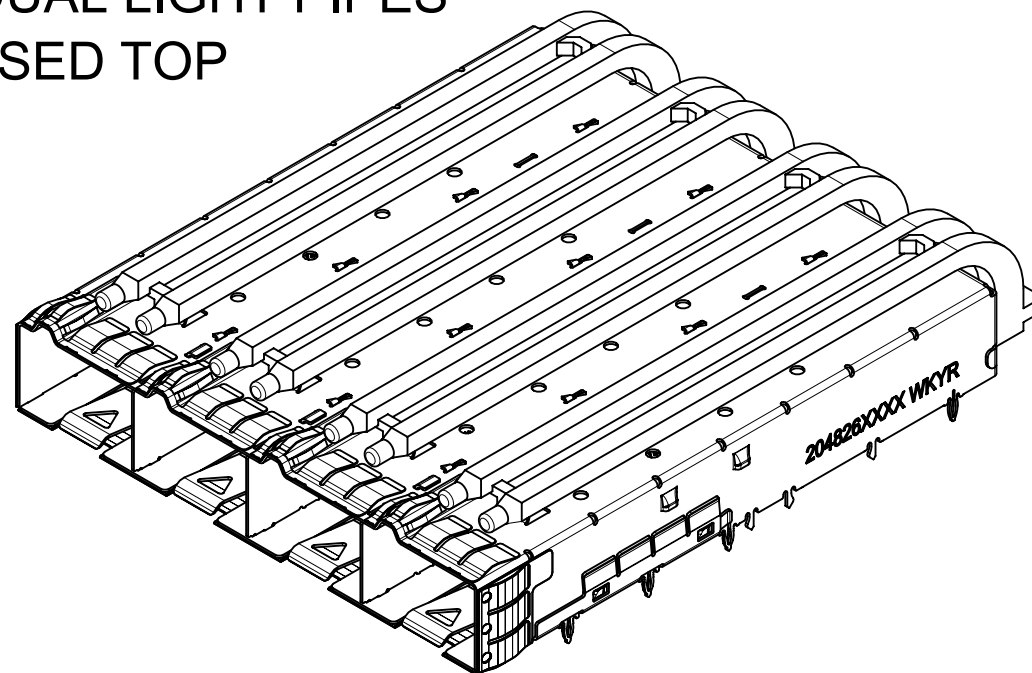
MOLEX P/N	#OF REAR LEGS PER PORT
2048265010	2

NO HEATSINKS
NO LIGHT PIPES TABS
OPEN TOP



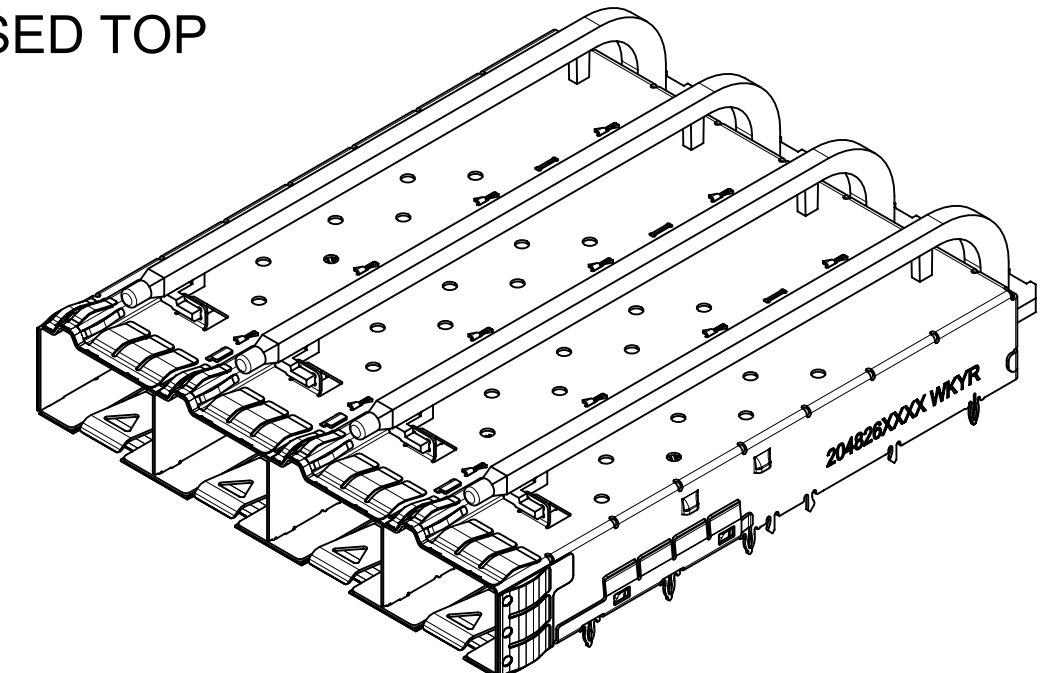
MOLEX P/N	#OF REAR LEGS PER PORT	CAGE BASE TYPE
2048264003	2	RAISE

NO HEATSINKS
W/ DUAL LIGHT PIPES
CLOSED TOP



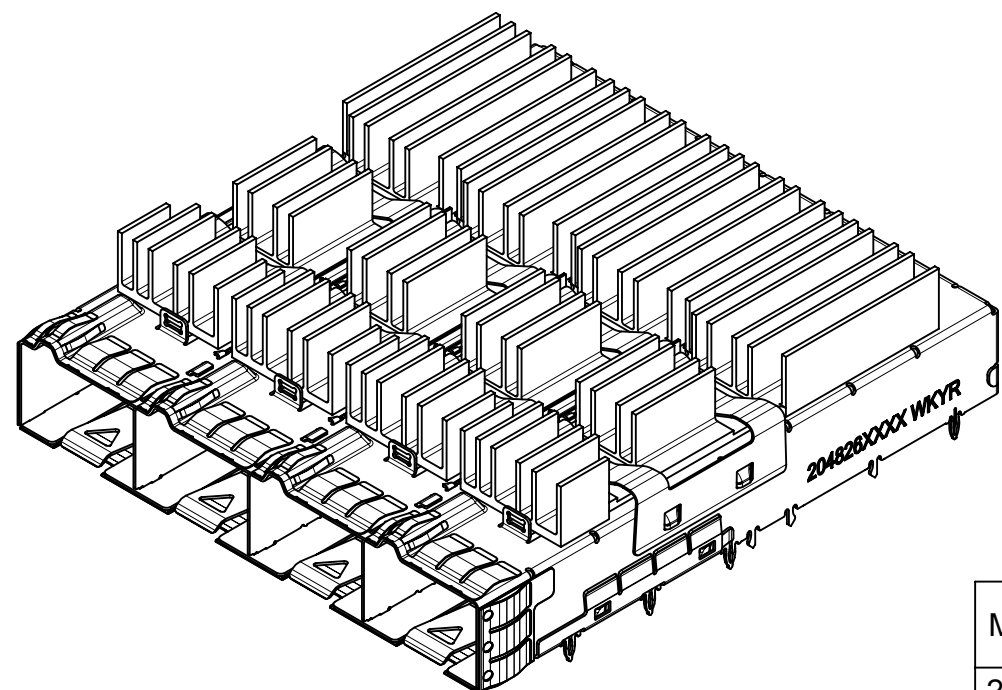
MOLEX P/N	LIGHT PIPES	#OF REAR LEGS PER PORT	DIM "A"	DIM "C"
2048265202	DUAL	2	13.1	64.45

NO HEATSINKS
W/ SINGLE LIGHT PIPES
CLOSED TOP



MOLEX P/N	LIGHT PIPES	#OF REAR LEGS PER PORT	DIM "A"	DIM "C"
2048265101	SINGLE	2	14.17	64.45

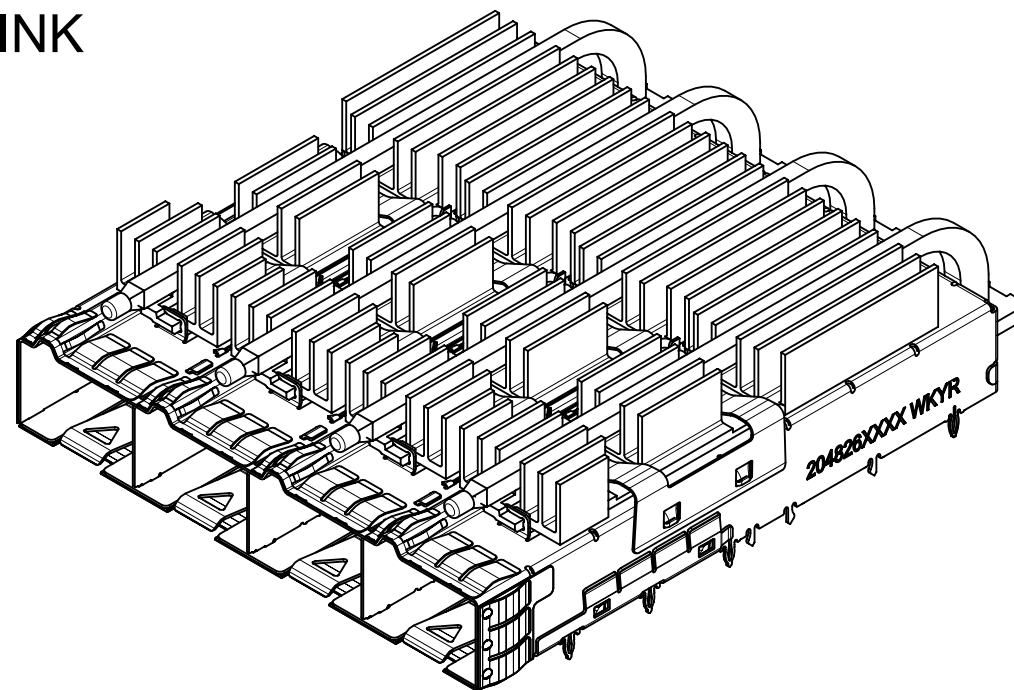
WITH HEATSINKS



MOLEX P/N	HEATSINKS	#OF REAR LEGS PER PORT	DIM "B"	CAGE BASE TYPE
2048266005	SAN	2	17.25	RAISE

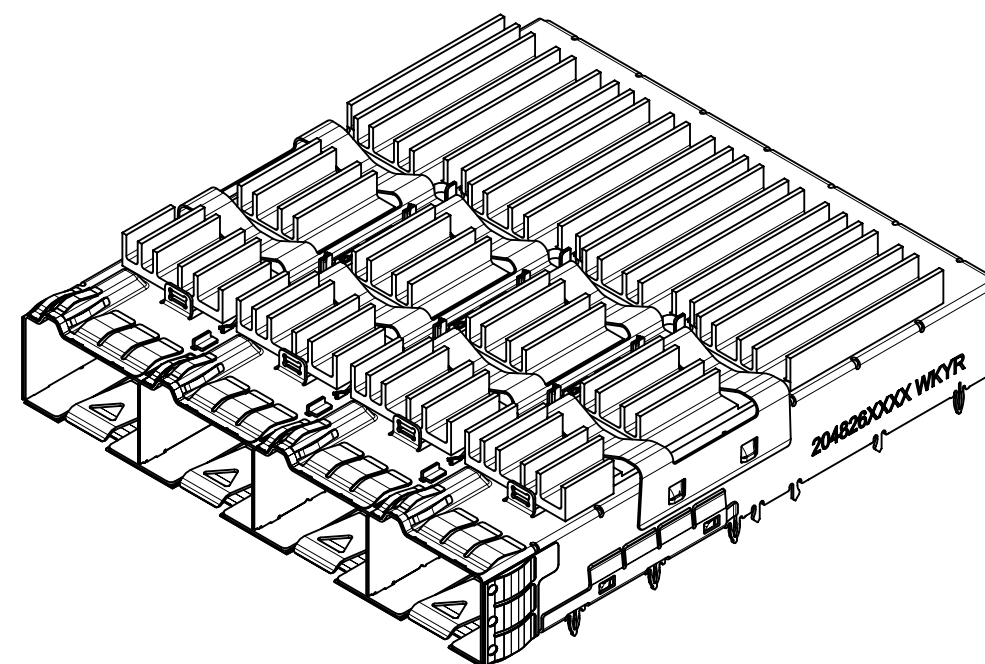
FUNCTIONAL SYMBOLS	THIS DRAWING CONTAINS INFORMATION THAT IS PROPRIETARY TO MOLEX ELECTRONIC TECHNOLOGIES, LLC AND SHOULD NOT BE USED WITHOUT WRITTEN PERMISSION		CURRENT REV DESC:		molex
	DIMENSION UNITS	SCALE	EC NO: 667528		
$\nabla_A = 0$	mm	1.5:1	DRWN: SMALLESHAPPA 2021/04/28		SFP-DD 1X4 CAGE ASSY, SF TYPE TRAPEZOID DR W/ HEAT SINK AND LIGHT PIPE OPTIONS
$\nabla_E = 0$	GENERAL TOLERANCES (UNLESS SPECIFIED)		CHK'D: DKUMARG 2021/06/18		
$\nabla_P = 0$	ANGULAR TOL $\pm 2.0^\circ$		APPR: JCHIANG 2021/06/22		PRODUCT CUSTOMER DRAWING
DIVISIONAL SYMBOLS	4 PLACES \pm		INITIAL REVISION:		
	3 PLACES \pm		DRWN: DSUN15 2018/10/03		DOCUMENT NUMBER
	2 PLACES ± 0.13		APPR: RCHEN08 2018/11/19		2048266209
	1 PLACE ± 0.25		DRAFT WHERE APPLICABLE MUST REMAIN WITHIN DIMENSIONS		DOC TYPE DOC PART REVISION
	0 PLACES \pm		THIRD ANGLE PROJECTION		PSD ASY E
			DRAWING SERIES		MATERIAL NUMBER CUSTOMER SHEET NUMBER
			C-SIZE 204826		SEE SHEET 2 & 3 2 OF 9

WITH SINGLE LIGHT PIPE HEATSINK



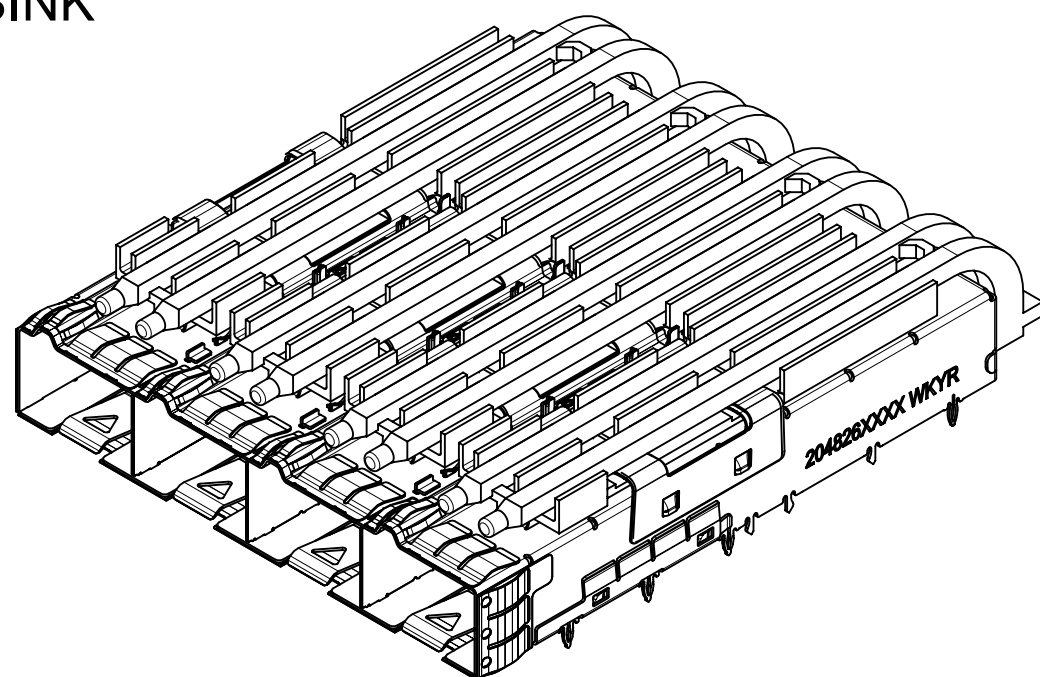
MOLEX P/N	LIGHTPIPES	HEATSINKS	#OF REAR LEGS PER PORT	DIM "A"	DIM "B"	DIM "C"	CAGE BASE TYPE
2048266100	SINGLE	SAN	2	14.17	17.25	64.45	RAISE

WITH HEATSINKS



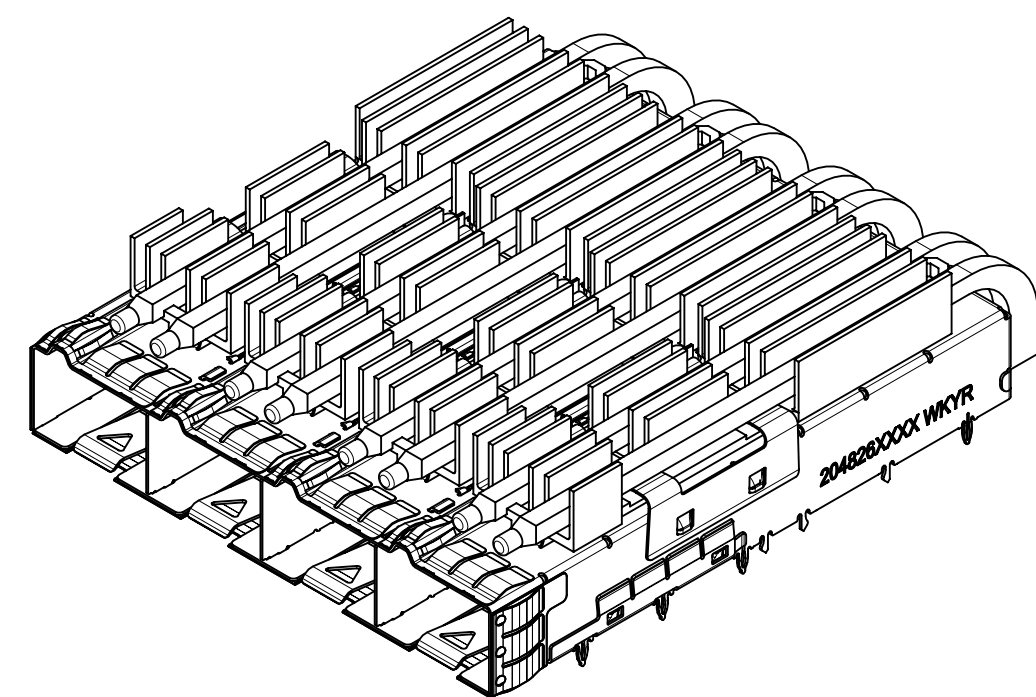
MOLEX P/N	HEATSINKS	#OF REAR LEGS PER PORT	DIM "B"	CAGE BASE TYPE
2048266004	PCI	2	14.30	RAISE

WITH DUAL LIGHT PIPE PCI HEATSINK



MOLEX P/N	LIGHTPIPES	HEATSINKS	#OF REAR LEGS PER PORT	DIM "A"	DIM "B"	DIM "C"	CAGE BASE TYPE
2048266208	DUAL	PCI	2	13.1	14.30	64.45	RAISE

WITH DUAL LIGHT PIPE SAN HEATSINK

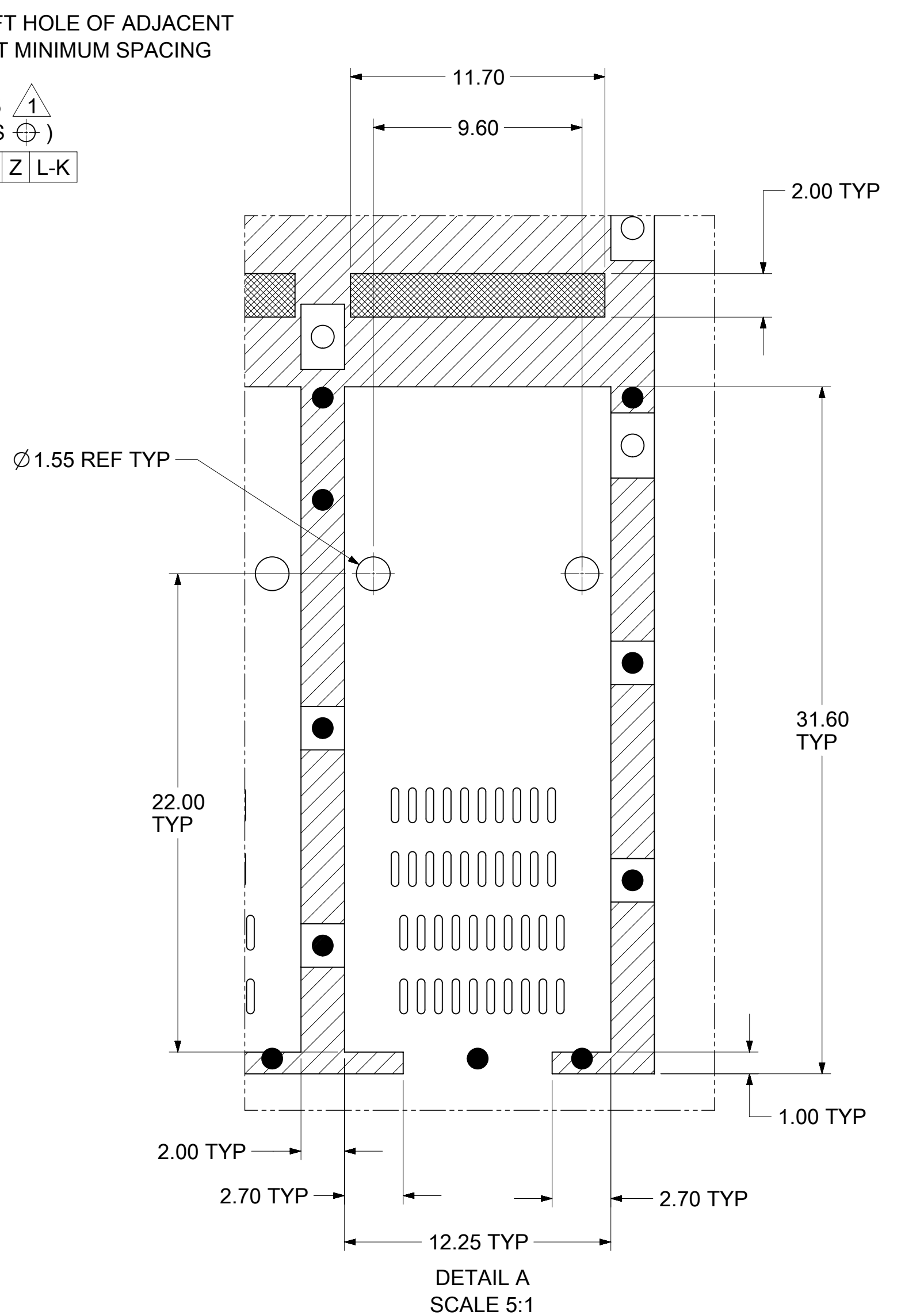
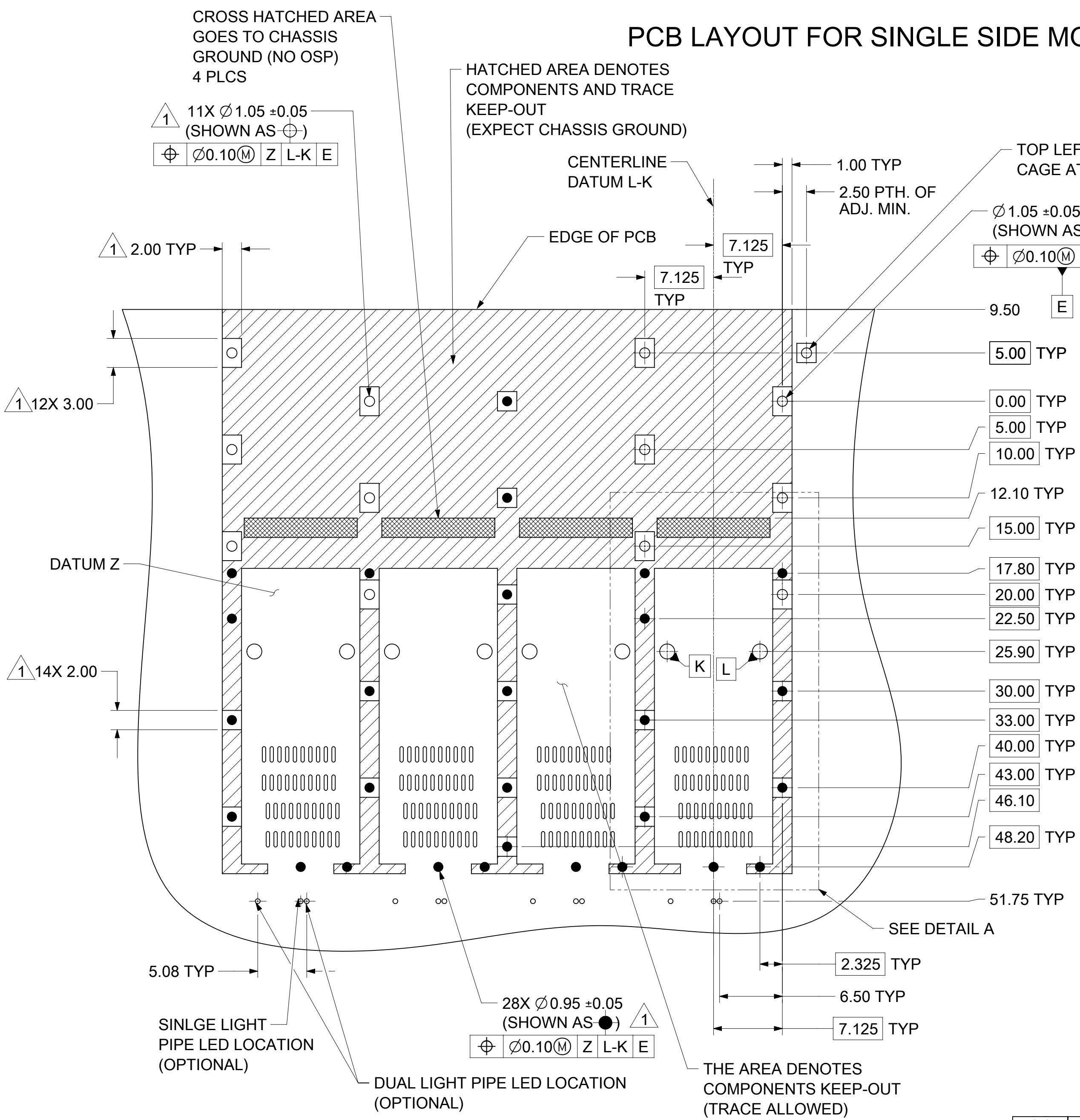


MOLEX P/N	LIGHTPIPES	HEATSINKS	#OF REAR LEGS PER PORT	DIM "A"	DIM "B"	DIM "C"	CAGE BASE TYPE
2048266209	DUAL	SAN	2	13.1	17.25	64.45	RAISE

FUNCTIONAL SYMBOLS = 0 = 0 = 0 = 0 DIVISIONAL SYMBOLS = 0 = 0 = 0 = 0 = 0	THIS DRAWING CONTAINS INFORMATION THAT IS PROPRIETARY TO MOLEX ELECTRONIC TECHNOLOGIES, LLC AND SHOULD NOT BE USED WITHOUT WRITTEN PERMISSION		CURRENT REV DESC: EC NO: 667528 DRWN: SMALLESHAPPA CHK'D: DKUMARG APPR: JCHIANG		 SFP-DD 1X4 CAGE ASSY, SF TYPE TRAPEZOID DR W/ HEAT SINK AND LIGHT PIPE OPTIONS	
	DIMENSION UNITS: mm SCALE: 1.5:1		2021/04/28 2021/06/18 2021/06/22			
	GENERAL TOLERANCES (UNLESS SPECIFIED) ANGULAR TOL ± 2.0°		INITIAL REVISION: DRWN: DSUN15 APPR: RCHEN08		DOCUMENT NUMBER 2048266209	
	DRAFT WHERE APPLICABLE MUST REMAIN WITHIN DIMENSIONS		THIRD ANGLE PROJECTION 		DRAWING SERIES C-SIZE 204826	
MATERIAL NUMBER SEE SHEET 2 & 3		CUSTOMER 		DOC TYPE DOC PART REVISION PSD ASY E		
SHEET NUMBER 3 OF 9						

PCB LAYOUT FOR SINGLE SIDE MOUNT

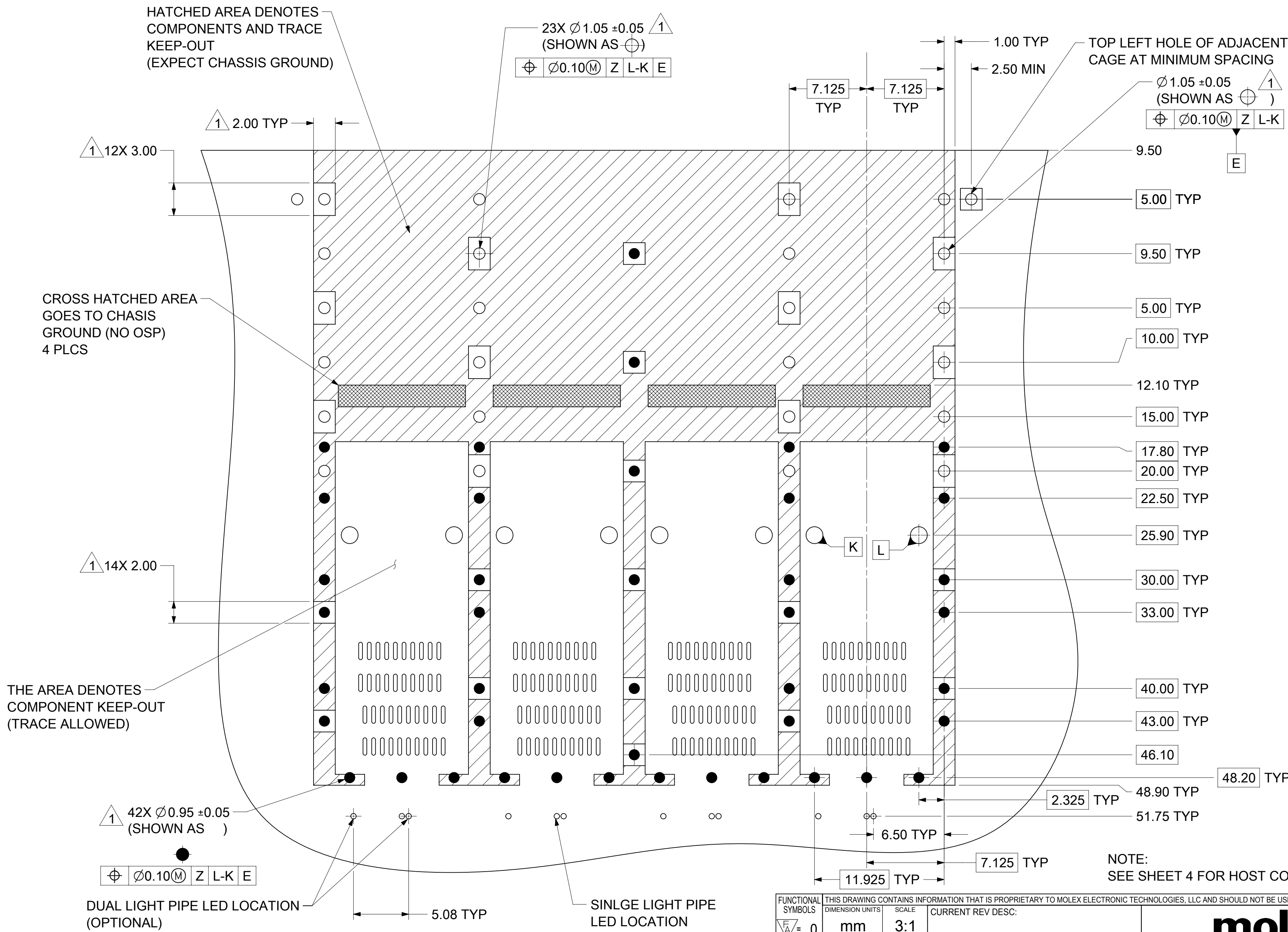
HOST CONNECTOR DETAIL



- NOTES:**
1. PADS AND VIAS CONNECT TO CHASSIS GROUND
 2. RECOMMENDED THRU HOLE PLATING INCLUDES HASL, OSP, OR IMMERSION (GOLD, SILVER, OR TIN).
 3. CONNECTOR PAD LAYOUT PER SFP-DD MSA WILL ACCOMMODATE MOLEX CONNECTOR SERIES 204730 OR EQUIVALENT.
 4. PCB THICKNESS FOR SINGLE SIDED USE: 1.57MM ± 10%

FUNCTIONAL SYMBOLS	THIS DRAWING CONTAINS INFORMATION THAT IS PROPRIETARY TO MOLEX ELECTRONIC TECHNOLOGIES, LLC AND SHOULD NOT BE USED WITHOUT WRITTEN PERMISSION		CURRENT REV DESC:				
	$\frac{E}{A} = 0$ $\frac{E}{C} = 0$ $\frac{E}{P} = 0$	DIMENSION UNITS: mm SCALE: 3:1	EC NO: 667528 DRWN: SMALLESHAPPA CHK'D: DKUMARG APPR: JCHIANG 2021/04/28 2021/06/18 2021/06/22			SFP-DD 1X4 CAGE ASSY, SF TYPE TRAPEZOID DR W/ HEAT SINK AND LIGHT PIPE OPTIONS	
DIVISIONAL SYMBOLS	GENERAL TOLERANCES (UNLESS SPECIFIED) ANGULAR TOL $\pm 2.0^\circ$	4 PLACES \pm 3 PLACES \pm 2 PLACES ± 0.13 1 PLACE ± 0.25 0 PLACES \pm	INITIAL REVISION: DRWN: DSUN15 APPR: RCHEN08 2018/10/03 2018/11/19	PRODUCT CUSTOMER DRAWING DOCUMENT NUMBER: 2048266209 DOC TYPE: PSD DOC PART: ASY REVISION: E			
DRAFT WHERE APPLICABLE MUST REMAIN WITHIN DIMENSIONS		THIRD ANGLE PROJECTION	DRAWING: C-SIZE	SERIES: 204826	MATERIAL NUMBER: SEE SHEET 2 & 3	CUSTOMER:	SHEET NUMBER: 4 OF 9

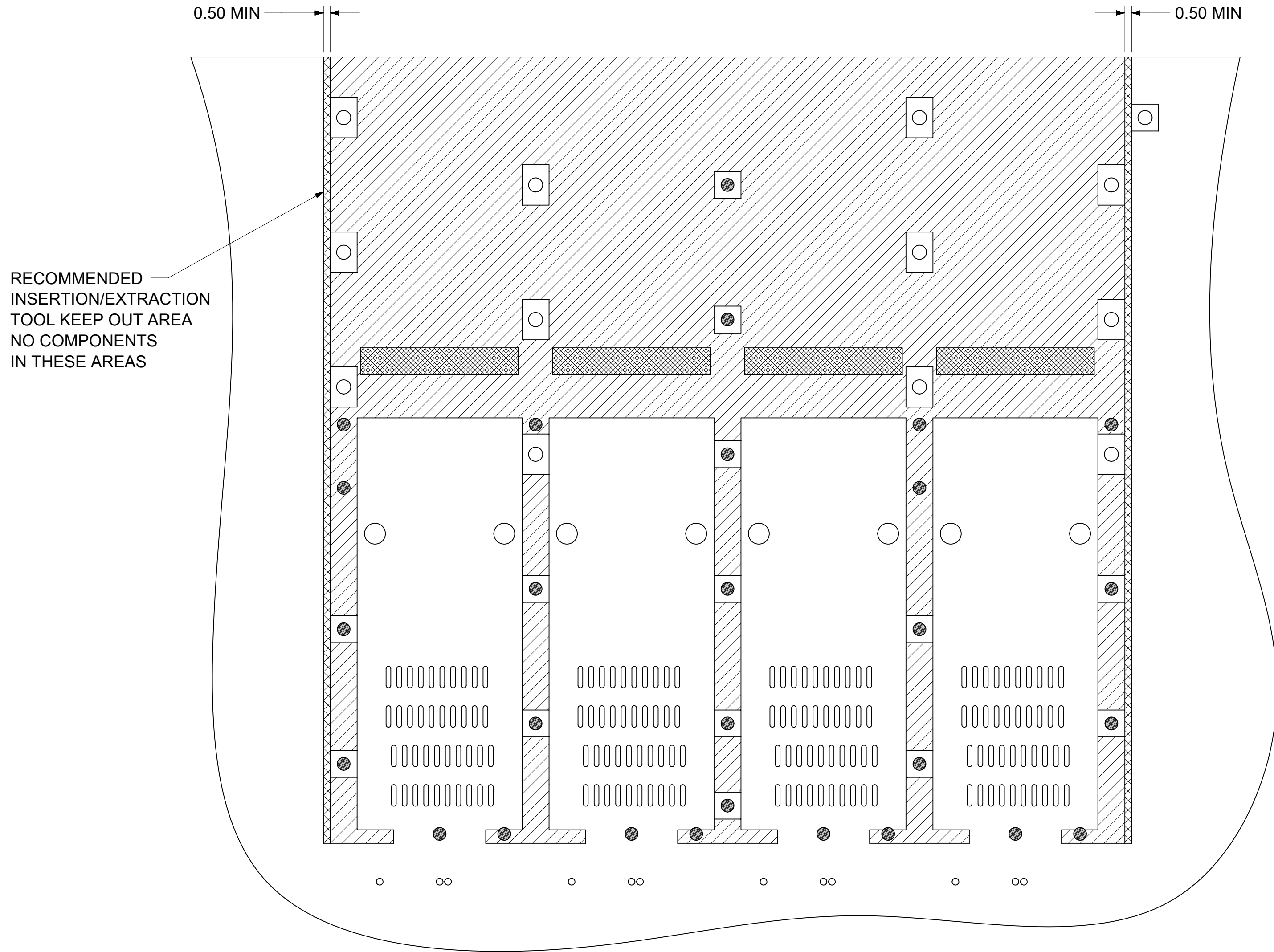
PCB LAYOUT FOR BELLY TO BELLY MOUNT



- NOTES:
1. PADS AND VIAS CONNECT TO CHASSIS GROUND
 2. RECOMMENDED THRU HOLE PLATING INCLUDES HASL, OSP, OR IMMERSION (GOLD, SILVER, OR TIN).
 3. CONNECTOR PAD LAYOUT PER SFP-DD MSA WILL ACCOMMODATE MOLEX CONNECTOR SERIES 204730 OR EQUIVALENT.
 4. MIN PCB THICKNESS FOR BELLY TO BELLY USE: 2.55MM.

FUNCTIONAL SYMBOLS		THIS DRAWING CONTAINS INFORMATION THAT IS PROPRIETARY TO MOLEX ELECTRONIC TECHNOLOGIES, LLC AND SHOULD NOT BE USED WITHOUT WRITTEN PERMISSION	
\overline{A} = 0	DIMENSION UNITS	SCALE	CURRENT REV DESC:
\overline{E} = 0	mm	3:1	EC NO: 667528
\overline{P} = 0	GENERAL TOLERANCES (UNLESS SPECIFIED)		DRWN: SMALLESHAPPA 2021/04/28
	ANGULAR TOL $\pm 2.0^\circ$		CHK'D: DKUMARG 2021/06/18
	4 PLACES \pm		APPR: JCHIANG 2021/06/22
	3 PLACES \pm		INITIAL REVISION:
	2 PLACES ± 0.13		DRWN: DSUN15 2018/10/03
	1 PLACE ± 0.25		APPR: RCHEN08 2018/11/19
	0 PLACES \pm		
DIVISIONAL SYMBOLS		THIRD ANGLE PROJECTION	DRAWING
DRAFT WHERE APPLICABLE MUST REMAIN WITHIN DIMENSIONS			C-SIZE
		SERIES	204826
DOCUMENT STATUS		MATERIAL NUMBER	CUSTOMER
P1	RELEASE DATE 2021/06/22 12:00:51	SEE SHEET 2 & 3	
		DOC TYPE	DOC PART
		PSD	ASY
		REVISION	E
		SHEET NUMBER	5 OF 9

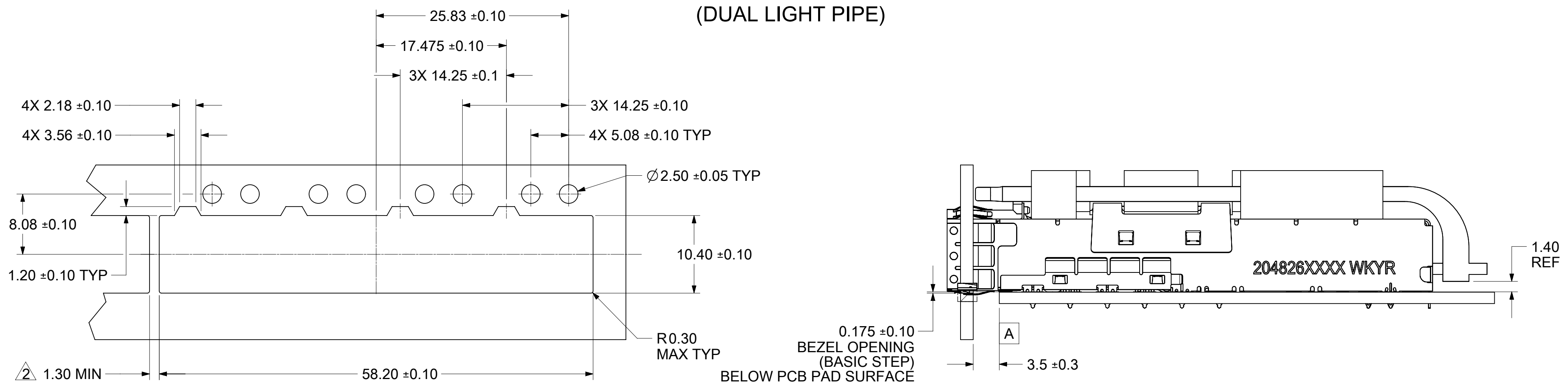
KEEP OUT AREA FOR INSERTION/EXTRACTION TOOL



FUNCTIONAL SYMBOLS $\nabla_A = 0$ $\nabla_C = 0$ $\nabla_P = 0$ DIVISIONAL SYMBOLS	THIS DRAWING CONTAINS INFORMATION THAT IS PROPRIETARY TO MOLEX ELECTRONIC TECHNOLOGIES, LLC AND SHOULD NOT BE USED WITHOUT WRITTEN PERMISSION		CURRENT REV DESC:		 SFP-DD 1X4 CAGE ASSY, SF TYPE TRAPEZOID DR W/ HEAT SINK AND LIGHT PIPE OPTIONS PRODUCT CUSTOMER DRAWING	
	DIMENSION UNITS mm	SCALE 4:1	EC NO: 667528 DRWN: SMALLESHAPPA 2021/04/28 CHK'D: DKUMARG 2021/06/18 APPR: JCHIANG 2021/06/22			DOCUMENT NUMBER 2048266209
	GENERAL TOLERANCES (UNLESS SPECIFIED) ANGULAR TOL $\pm 2.0^\circ$		INITIAL REVISION: DRWN: DSUN15 2018/10/03 APPR: RCHEN08 2018/11/19			DOC TYPE PSD
	4 PLACES \pm 3 PLACES \pm 2 PLACES ± 0.13 1 PLACE ± 0.25 0 PLACES \pm		THIRD ANGLE PROJECTION 			DOC PART ASY
DRAFT WHERE APPLICABLE MUST REMAIN WITHIN DIMENSIONS		DRAWING C-SIZE	SERIES 204826	MATERIAL NUMBER SEE SHEET 2 & 3	CUSTOMER SHEET NUMBER 6 OF 9	

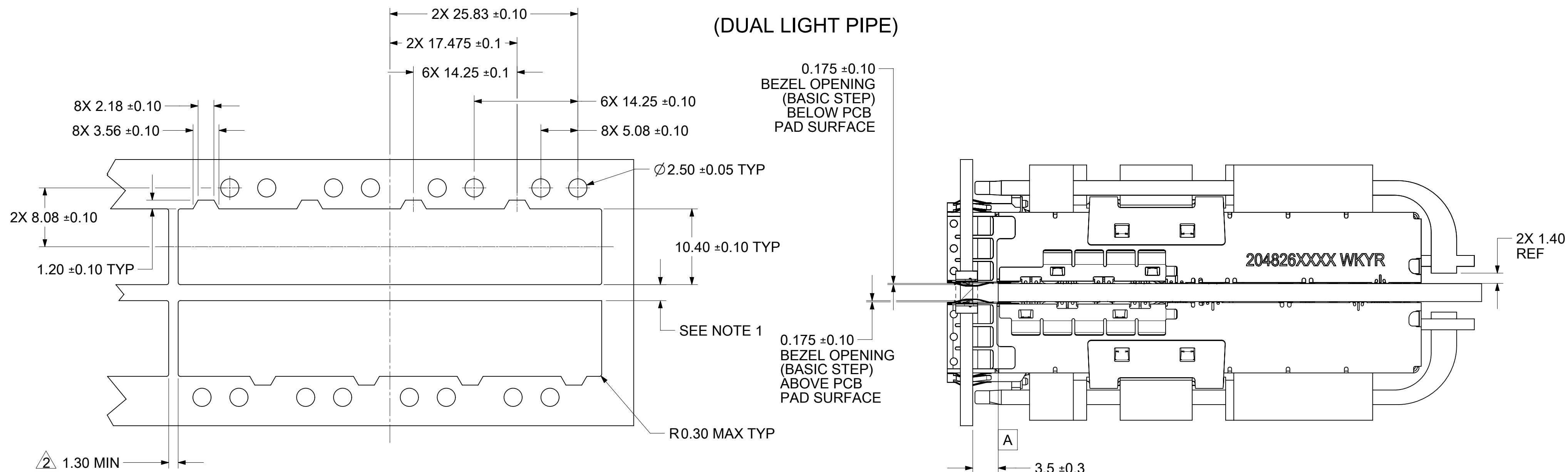
BEZEL AND BOARD POSITION DIMENSIONS FOR SINGLE SIDE MOUNTING

(DUAL LIGHT PIPE)



BEZEL AND BOARD POSITION DIMENSIONS FOR BELLY TO BELLY MOUNTING

(DUAL LIGHT PIPE)

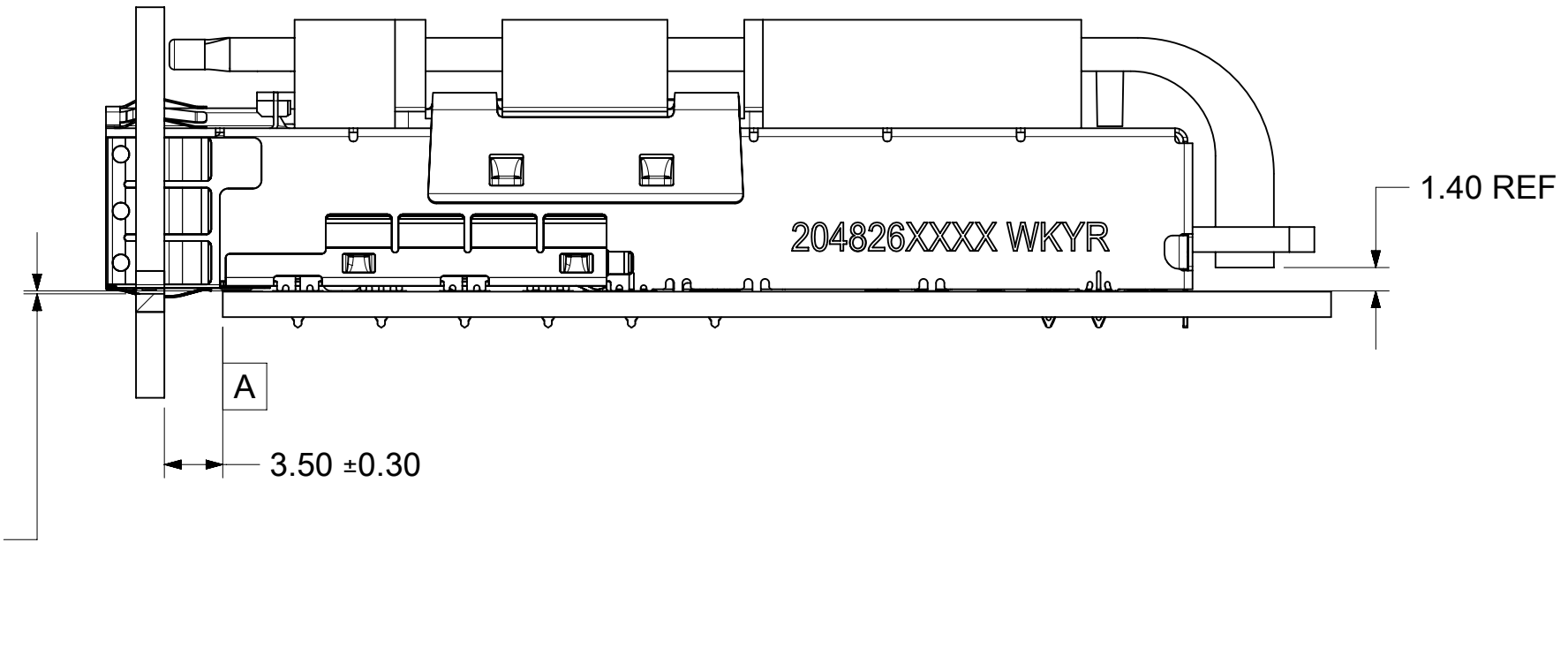
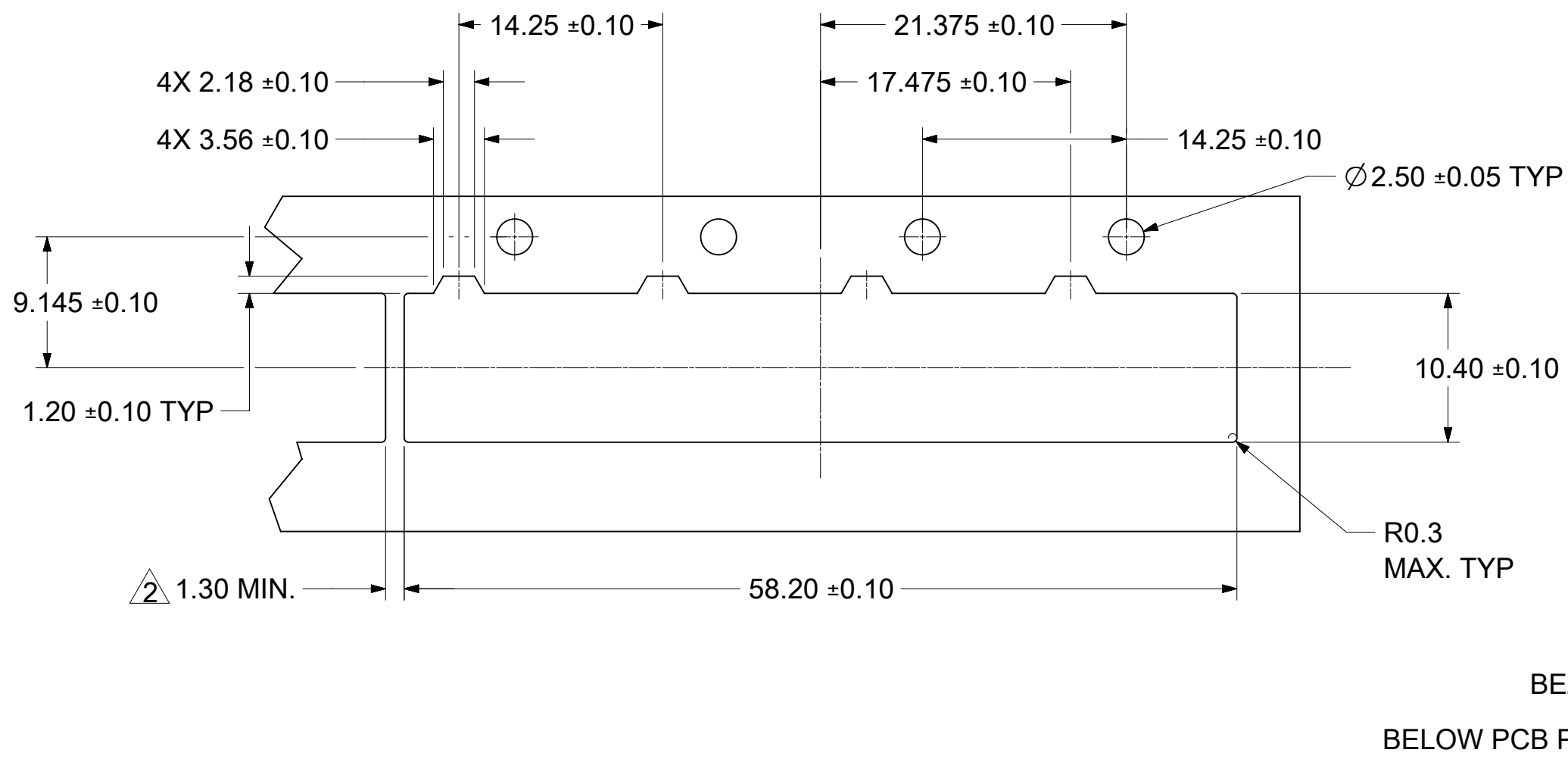


1. PCB THICKNESS VARIATION MUST BE CONSIDERED WHEN DETERMINING BEZEL OPENING AND LOCATION
 THIS DIMENSION IS FOR REFERENCE ONLY. USER CAN MODIFY IT DEPENDS ON APPLICATION.
 (THIS DIMENSION VARIES BASED ON DISTANCE OF "HOLE OF ADJACENT CAGE" ON PCB LAYOUT)

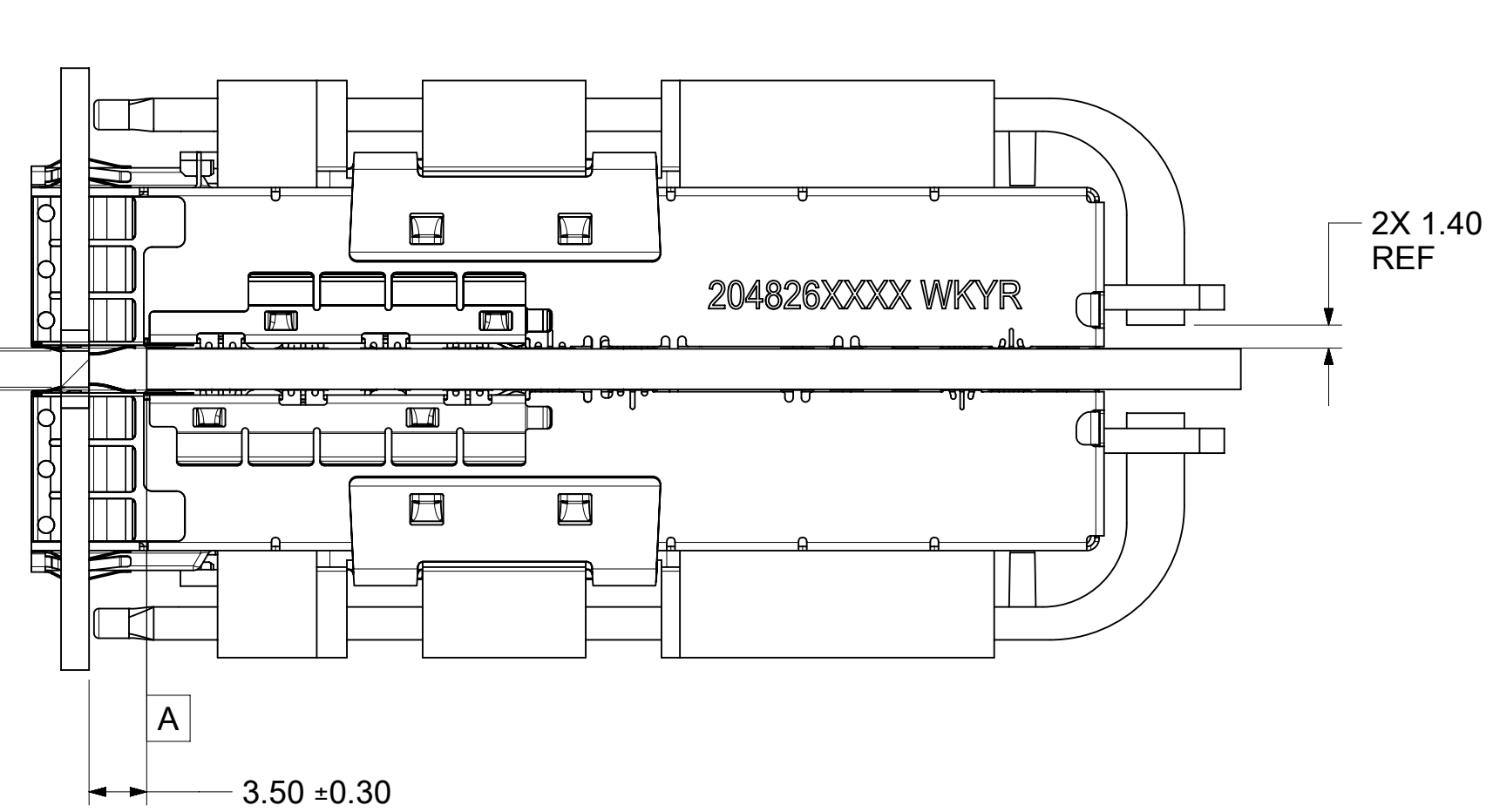
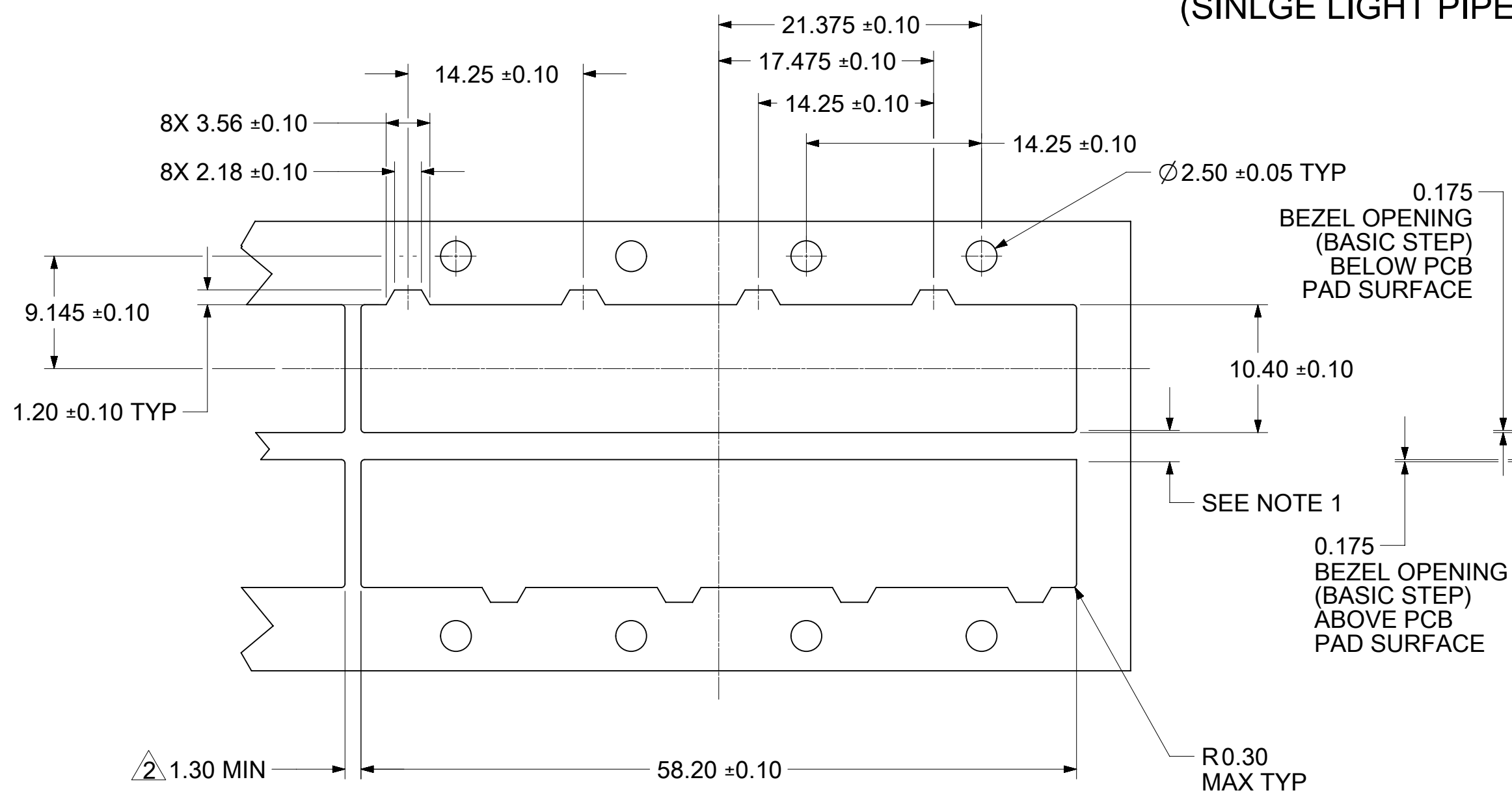
FUNCTIONAL SYMBOLS	THIS DRAWING CONTAINS INFORMATION THAT IS PROPRIETARY TO MOLEX ELECTRONIC TECHNOLOGIES, LLC AND SHOULD NOT BE USED WITHOUT WRITTEN PERMISSION		CURRENT REV DESC:		
	DIMENSION UNITS	SCALE			
$\frac{E}{A} = 0$	mm	2.5:1			SFP-DD 1X4 CAGE ASSY, SF TYPE TRAPEZOID DR W/ HEAT SINK AND LIGHT PIPE OPTIONS
$\frac{E}{C} = 0$	GENERAL TOLERANCES (UNLESS SPECIFIED)				
$\frac{E}{P} = 0$	ANGULAR TOL ± 2.0°				PRODUCT CUSTOMER DRAWING
DIVISIONAL SYMBOLS	4 PLACES ±		EC NO: 667528		
	3 PLACES ±		DRWN: SMALLESHAPPA	2021/04/28	
	2 PLACES ± 0.13		CHK'D: DKUMARG	2021/06/18	
	1 PLACE ± 0.25		APPR: JCHIANG	2021/06/22	
	0 PLACES ±		INITIAL REVISION:		
			DRWN: DSUN15	2018/10/03	
			APPR: RCHEN08	2018/11/19	
	DRAFT WHERE APPLICABLE MUST REMAIN WITHIN DIMENSIONS	THIRD ANGLE PROJECTION	DRAWING	SERIES	DOCUMENT NUMBER
			C-SIZE	204826	2048266209
					DOC TYPE
					PSD
					ASY
					E
					REVISION
					1
					SHEET NUMBER
					7 OF 9

DOCUMENT STATUS	P1	RELEASE DATE	2021/06/22	12:00:51
-----------------	----	--------------	------------	----------

BEZEL AND BOARD POSITION DIMENSIONS FOR SINGLE SIDE MOUNTING (SINLGE LIGHT PIPE)



BEZEL AND BOARD POSITION DIMENSIONS FOR BELLY TO BELLY MOUNTING (SINLGE LIGHT PIPE)



1. PCB THICKNESS VARIATION MUST BE CONSIDERED WHEN DETERMINING BEZEL OPENING AND LOCATION
 2. THIS DIMENSION IS FOR REFERENCE ONLY. USER CAN MODIFY IT DEPENDS ON APPLICATION.
 (THIS DIMENSION VARIES BASED ON DISTANCE OF "HOLE OF ADJACENT CAGE" ON PCB LAYOUT)

FUNCTIONAL SYMBOLS $\nabla_A = 0$ $\nabla_C = 0$ $\nabla_P = 0$	THIS DRAWING CONTAINS INFORMATION THAT IS PROPRIETARY TO MOLEX ELECTRONIC TECHNOLOGIES, LLC AND SHOULD NOT BE USED WITHOUT WRITTEN PERMISSION		CURRENT REV DESC:		
	DIMENSION UNITS	SCALE	EC NO: 667528		
	mm	2:1	DRWN: SMALLESHAPPA		
	GENERAL TOLERANCES (UNLESS SPECIFIED)		2021/04/28		
ANGULAR TOL ± 2.0°		CHK'D: DKUMARG		2021/06/18	SFP-DD 1X4 CAGE ASSY, SF TYPE TRAPEZOID DR W/ HEAT SINK AND LIGHT PIPE OPTIONS
4 PLACES ±		APPR: JCHIANG		2021/06/22	
3 PLACES ±		INITIAL REVISION:			
2 PLACES ± 0.13		DRWN: DSUN15		2018/10/03	
1 PLACE ± 0.25		APPR: RCHEN08		2018/11/19	PRODUCT CUSTOMER DRAWING
0 PLACES ±		DRAFT WHERE APPLICABLE MUST REMAIN WITHIN DIMENSIONS		THIRD ANGLE PROJECTION	DOCUMENT NUMBER
		DRAWING		SERIES	204826209
		C-SIZE		204826	PSD ASY E
		MATERIAL NUMBER		CUSTOMER	SEE SHEET 2 & 3
		SHEET NUMBER			8 OF 9

REV	DATE	DESCRIPTION
A	2018/11/13	INITIAL RELEASE
B	2018/11/29	SHEET 3: A10: CHANGED SINGLE SIDE PCB THICKNESS FROM MIN 1.57 TO 1.57MM+/-10% CHANGED 3D RAISE CAGE BASE (P/N:2048222401) TO CAGE BASE (2048222400) FOR 2048265004/2048265202 SHEET 2: F11/B11: ADDED RAISE CAGE BASE COLUMN FOR 2048264002/2048265202/2048266100/2048266209/2048266005
C	2019/01/10	SHEET 1 : B4 : DATE CODE NOTE UPDATED WITH LASER MARKING OPTION. SHEET 2: D10: 2048266100 HEATSINK CHANGED FROM CUSTOM TO SAN. B9: CHANGED DIM "B" FROM 21.4 TO 17.25. E07 : VIEW AND P/N TABLE IS ADDED FOR 2048265101. SHEET 5: ADDED SHEET 5 FOR KEEP OUT AREA FOR INSERTION/EXTRACTION TOOL
D	2019/04/24	SHEET 3: ADDED TO SHOW 2048266208 AND 2048266004 P/N. SHEET 4: H11: DIA SYMBOL ADDED IN TOLERANCE ZONE G6: DIA SYMBOL ADDED IN TOLERANCE ZONE B9: DIA SYMBOL ADDED IN TOLERANCE ZONE D4: ADDED 'TYP' TEXT AT THE DIMENSION 22.00 E1: ADDED 'TYP' TEXT AT THE DIMENSION 31.60 H3: 12.25 DIMENSION REMOVED C6: 48.90 DIMENSION REMOVED F5 : DIA 1.55 DIMENSION ADDED SHEET 5 : H7: DIA SYMBOL ADDED IN TOLERANCE ZONE H2: DIA SYMBOL ADDED IN TOLERANCE ZONE B11: DIA SYMBOL ADDED IN TOLERANCE ZONE
D1	2019/05/16	CORRECTED THE SHEET SEQUENCE.
D2	2019/06/02	SHEET 1 : H12 : ADDED DETAIL C. SHEET 2 : C02 : ADDED ISO OF 2048265010 P/N.
D3	2019/10/24	FOR BETTER VISIBILITY, THE LOCATION OF DATE CODE TEXT ON THE CAGE COVER ADJUSTED IN SHEET 1, SHEET 2, SHEET 3, SHEET 7 AND SHEET 8. SHEET 3: H05: ADDED NOTE "WITH HEATSINKS". E11: ADDED NOTE "WITH DUAL LIGHT PIPE WITH HEATSINK".
E	2021/04/28	SHEET 1: B05: UPDATED THE DATE CODE INFORMATION. SHEET 2: D11: ADDED NEW PART NUMBER 2048264003. SHEET 3: D03: MOVED P/N 2048266209 FROM SHEET 2 TO SHEET3.

FUNCTIONAL SYMBOLS	THIS DRAWING CONTAINS INFORMATION THAT IS PROPRIETARY TO MOLEX ELECTRONIC TECHNOLOGIES, LLC AND SHOULD NOT BE USED WITHOUT WRITTEN PERMISSION		
	DIMENSION UNITS	SCALE	CURRENT REV DESC:
= 0	mm	1:1	EC NO: 667528 DRWN: SMALLESHAPPA 2021/04/28 CHK'D: DKUMARG 2021/06/18 APPR: JCHIANG 2021/06/22
= 0	GENERAL TOLERANCES (UNLESS SPECIFIED)		
= 0	ANGULAR TOL ± 2.0°		INITIAL REVISION: DRWN: DSUN15 2018/10/03 APPR: RCHEN08 2018/11/19
DIVISIONAL SYMBOLS	4 PLACES ±	3 PLACES ±	
	2 PLACES ± 0.13	1 PLACE ± 0.25	DOCUMENT NUMBER
	0 PLACES ±		2048266209
	DRAFT WHERE APPLICABLE MUST REMAIN WITHIN DIMENSIONS	THIRD ANGLE PROJECTION	DOC TYPE DOC PART REVISION
			PSD ASY E
		DRAWING C-SIZE	SERIES 204826
		MATERIAL NUMBER	CUSTOMER
		SEE SHEET 2 & 3	SHEET NUMBER
			9 OF 9



SFP-DD 1X4 CAGE ASSY, SF TYPE
TRAPEZOID DR W/ HEAT SINK AND LIGHT PIPE
OPTIONS

PRODUCT CUSTOMER DRAWING