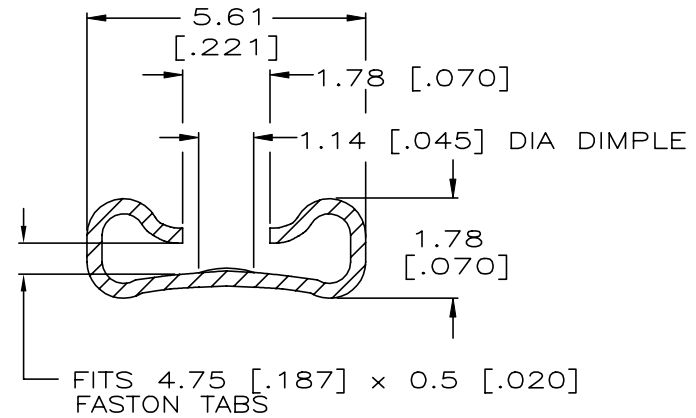
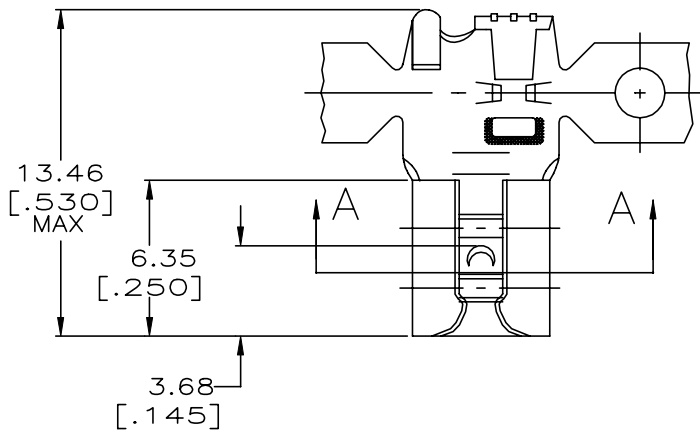


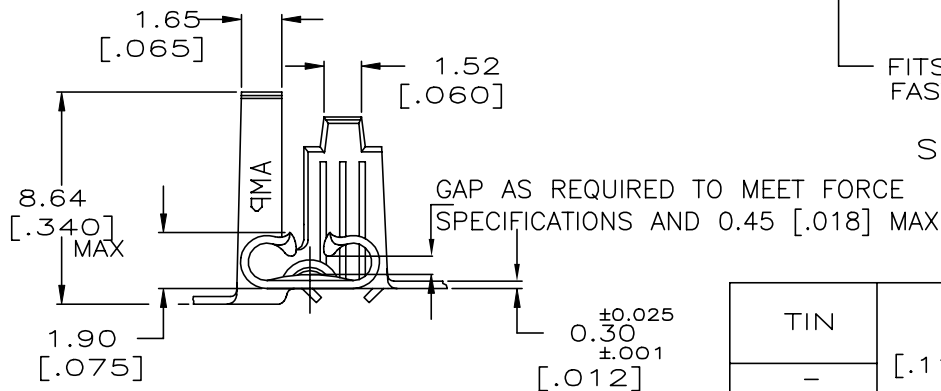
THIS DRAWING IS UNPUBLISHED. RELEASED FOR PUBLICATION
 © COPYRIGHT - By - ALL RIGHTS RESERVED.

| REVISIONS | | | | | |
|-----------|-----|---------------------------|-----------|-----|------|
| P | LTR | DESCRIPTION | DATE | DWN | APVD |
| H1 | | REVISED PER ECR-16-010719 | 27JUL2016 | LP | TD |
| H2 | | REVISED PER ECR-20-009164 | 14JUL2020 | MK | DH |

1 CONTINUOUS STRIP ON REELS.
 ▲ HIGH 1ST/6TH RETENTION FORCE



SECTION A-A
 SCALE 10:1



| | | | | |
|--------|------------------|------------------------|----------------|------------|
| TIN | 2.79-4.32 | 0.5-1.3mm ² | 0.53-0.48 | ▲1-42800-2 |
| - | [.110-.170] DIA | [20-16]AWG | [.021-.019] | 42800-2 |
| FINISH | INSULATION RANGE | WIRE SIZE | MATING TAB THK | 42800-1 |
| | | | | PART NO |

| | | | | | | | | |
|---|---------------------|-----------------------------|--------------|--------------------|--------------------|---|--|--|
| THIS DRAWING IS A CONTROLLED DOCUMENT. | | DWN JR RUTH 11/1/91 | | | | | | |
| DIMENSIONS: mm [INCHES] | | CHK MS FEHER 11/1/91 | | | | NAME RECEPTACLE, FASTON, 4.75 [.187] SERIES | | |
| TOLERANCES UNLESS OTHERWISE SPECIFIED: | | APVD C MEYERS 11/1/91 | | | | PRODUCT SPEC | | |
| 0 PLC ± - 1 PLC ± - 2 PLC ± 0.25 [.010] 3 PLC ± - 4 PLC ± - ANGLES ± - | | APPLICATION SPEC | | | | DRAWING NO C=42800 | | |
| MATERIAL BRASS | FINISH SEE TABLE | WEIGHT 0.000000 | SIZE A3 | CAGE CODE 00779 | RESTRICTED TO - | | | |
| CUSTOMER DRAWING | | | SCALE 5:1 | SHEET 1 of 1 | REV H2 | | | |

