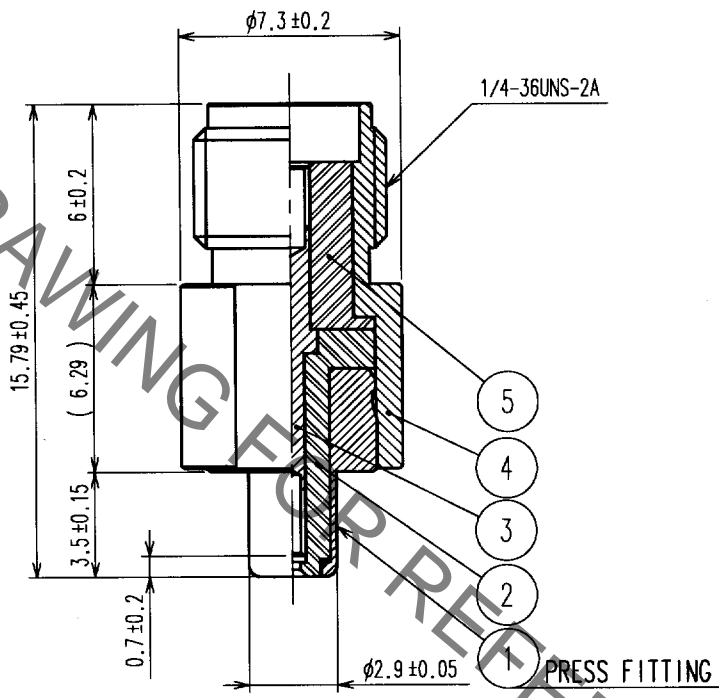
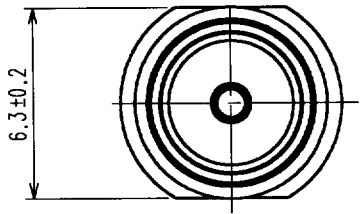


May.1.2023 Copyright 2023 HIROSE ELECTRIC CO., LTD. All Rights Reserved.  
In case of consideration for using Automotive equipment / device which demand high reliability, kindly contact our sales window correspondents.

1		2			3			4		
COUNT	DESCRIPTION OF REVISIONS	BY	CHKD	DATE	COUNT	DESCRIPTION OF REVISIONS	BY	CHKD	DATE	
△				..	△				..	
△					△				..	
△					△				..	



NOTE  
1. PLEASE USE THIS AS A INSPECTION PLUG, MATING WITH MS-151-C(LP).

3	BERYLLIUM COPPER	GOLD PLATING	5	PTFE	
2	PTFE		4	STAINLESS STEEL	PASSIVATE
1	PHOSPHOR BRONZE	NICKEL PLATING			
NO.	MATERIAL	FINISH, REMARKS	NO.	MATERIAL	FINISH, REMARKS

CODE NO. (OLD) CL	DRAWN <i>Yamashita</i> 04.8.24	DESIGNED <i>Yamashita</i> 04.8.24	CHECKED <i>R. Kano</i> 04.8.26	APPROVED <i>K. Yamashita</i> 04.8.26	RELEASED
----------------------	--------------------------------------	---	--------------------------------------	--	----------

 SCALE 4 : 1 UNITS mm	DRAWING NO. EDC4-180214  HIROSE ELECTRIC CO., LTD.	PART NO. MS151J-HRMJ CODE NO. CL355-0088-4	<table border="1"> <tr> <td>1</td> <td>1</td> </tr> </table>	1	1
1	1				

TO  
RFD