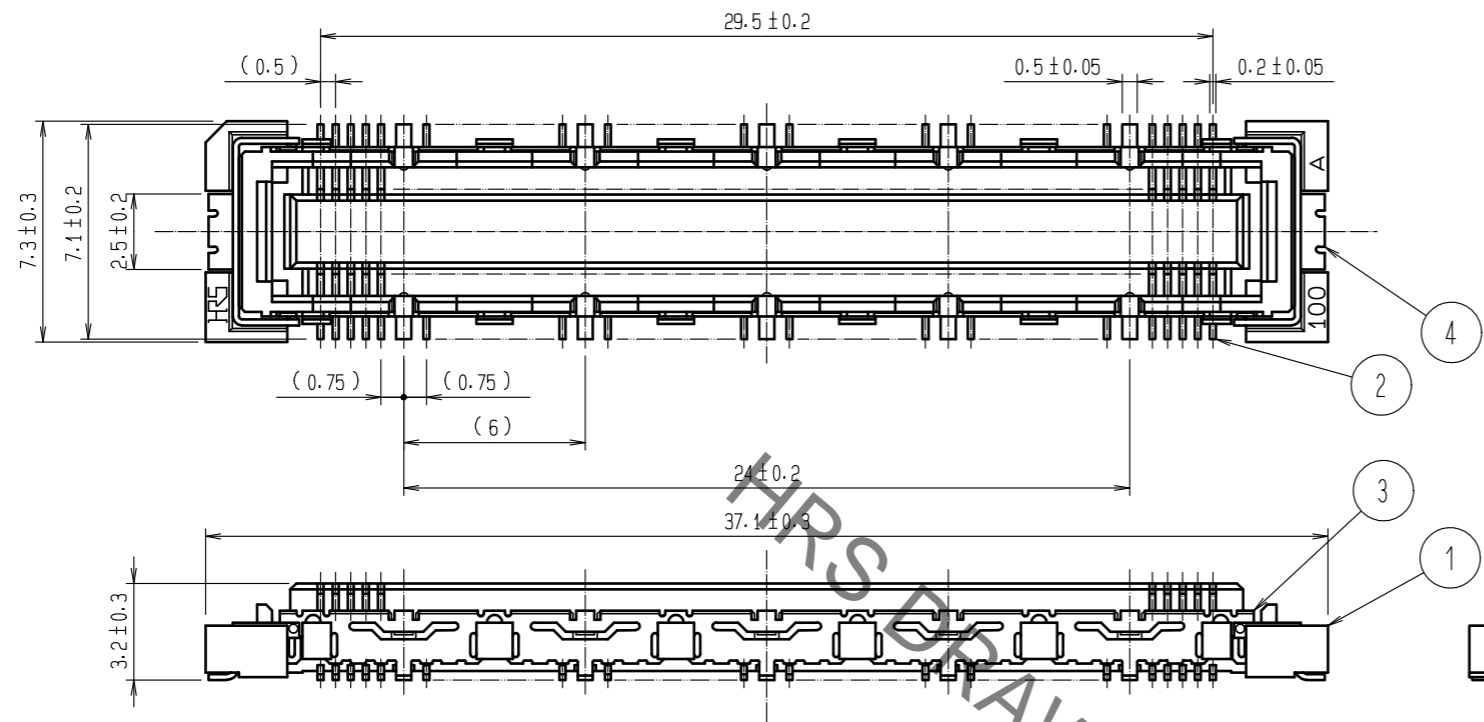
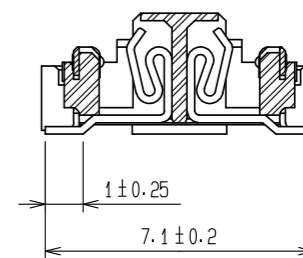


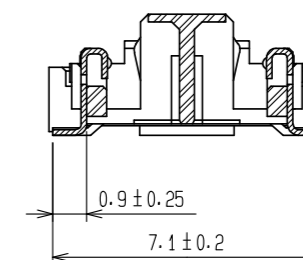
May.1.2023 Copyright 2023 HIROSE ELECTRIC CO., LTD. All Rights Reserved.  
In case of consideration for using Automotive equipment / device which demand high reliability, kindly contact our sales window correspondents.



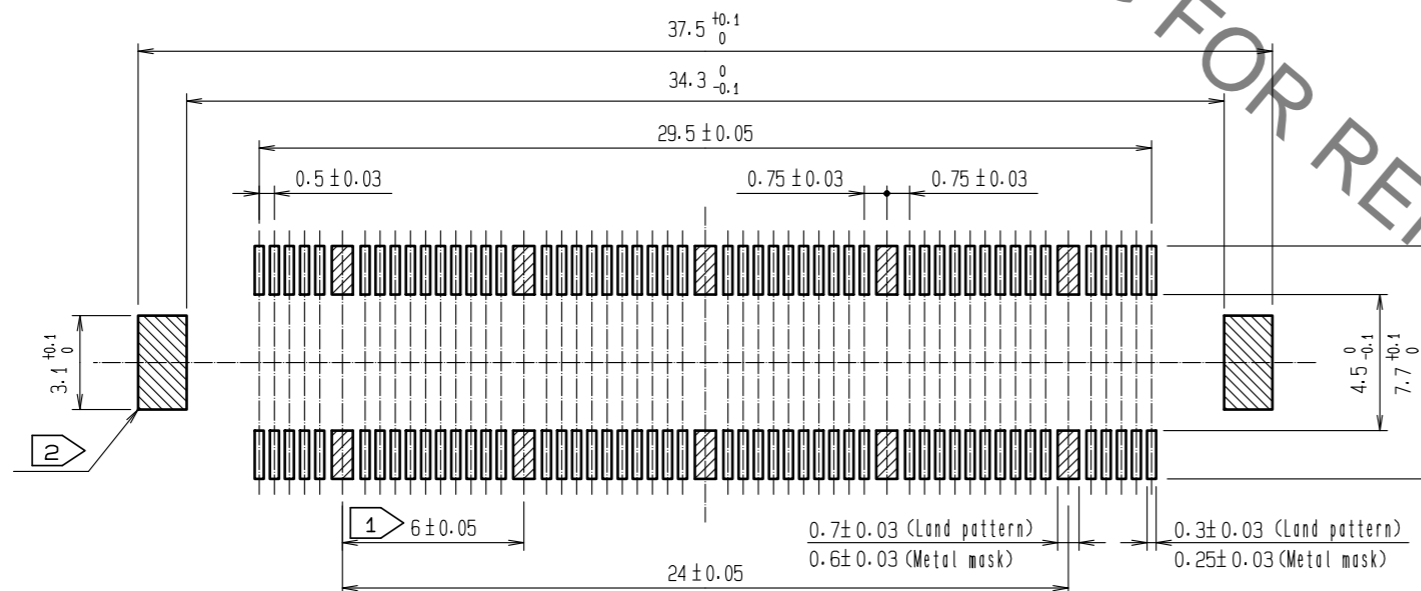
Cross cut section - signal (5:1)



Cross cut section - ground (5:1)



Recommended land pattern dimension of PCB  
(Recommended metal mask thickness : 0.15mm)

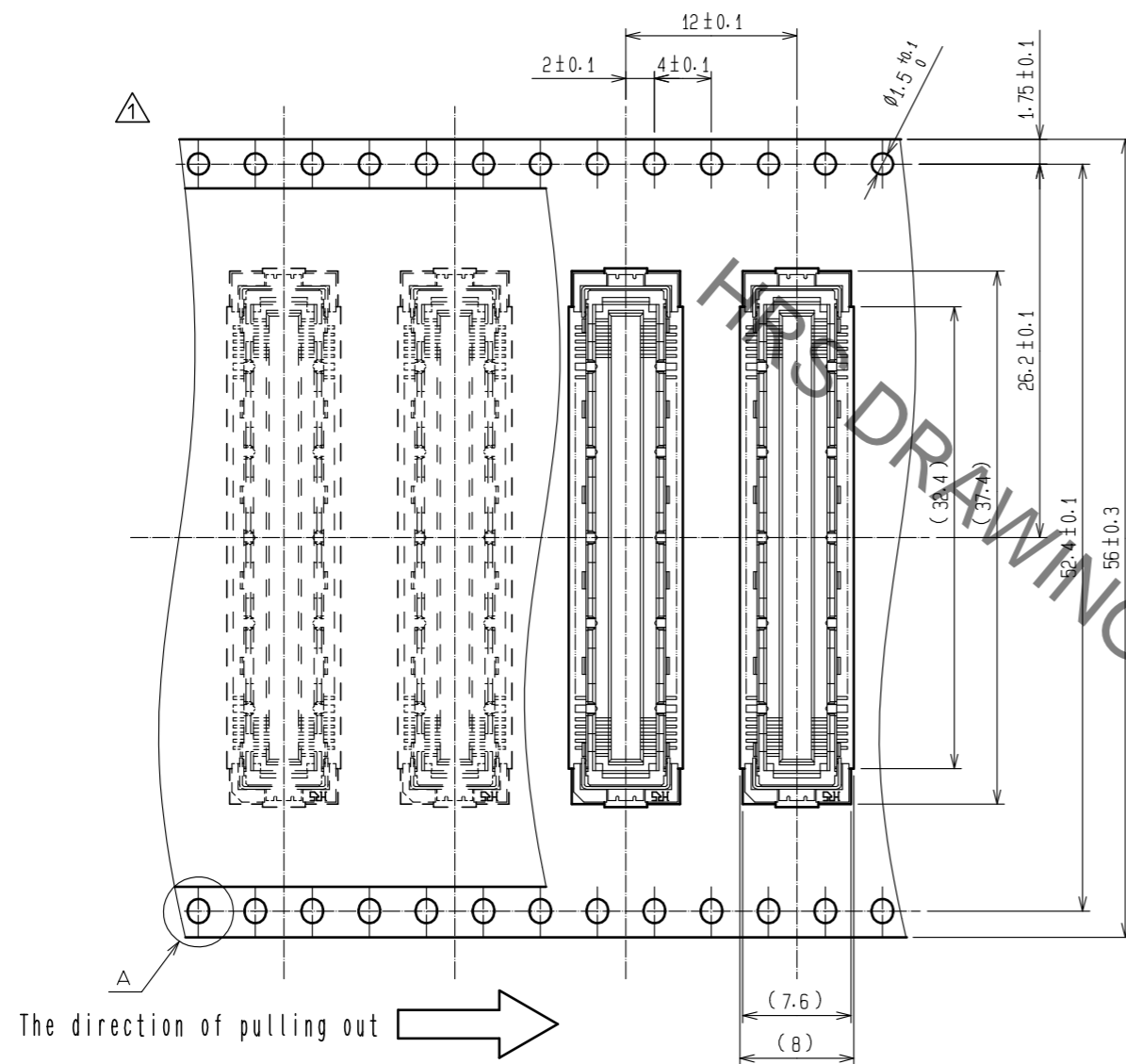


- Notes
- ① 10 hatched parts : ground circuit.
  - ② 2 hatched parts : ground circuit.
  - 3 SMT lead - coplanarity : 0.1 max.
  - 4 This product has no polarity to pattern for mounting.
  - 5 Emboss carrier tape package is applied on this product.  
Please refer to the sheet 2/2 for the details.
  - 6 The dimensions in parentheses are for reference.

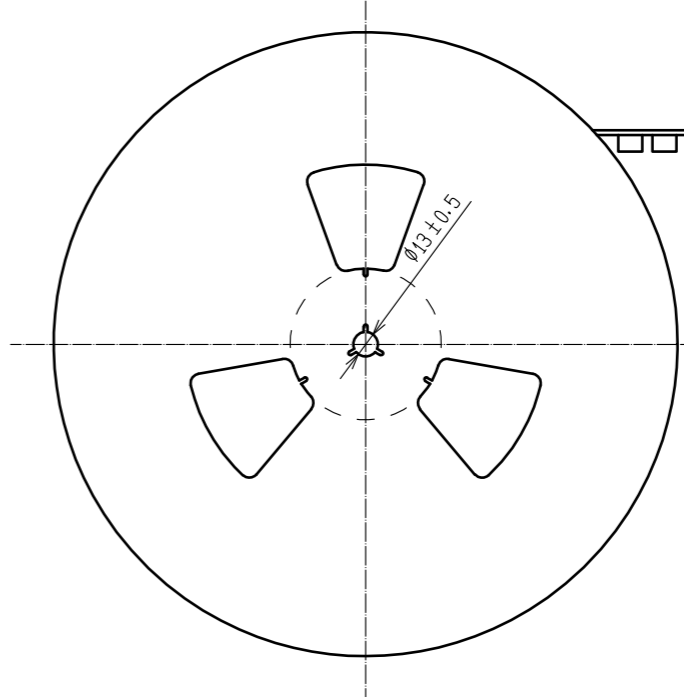
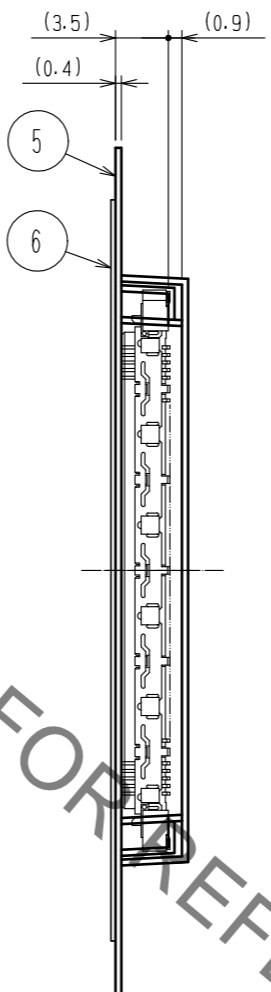
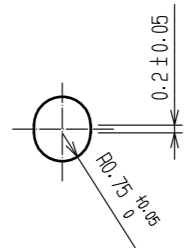
2	Phosphor blonze	Contact area : Gold 0.1 μm min	6	Polyester	(Top cover tape)		
		Lead area : Gold 0.05 μm min	5	Polyethylene	(Emboss carrier tape)		
		Under plating : Nickel 1 μm min	4	Phosphor blonze	Tin - plating		
1	LCP	Beige UL94V-0	3	Phosphor blonze	Tin - plating		
NO.	MATERIAL	FINISH . REMARKS	NO.	MATERIAL	FINISH . REMARKS		
UNITS mm		SCALE 4 : 1	COUNT 1	DESCRIPTION OF REVISIONS DIS-F-00011032	DESIGNED MT. ITANO	CHECKED HT. YAMAGUCHI	DATE 20211007
<b>HRS</b> HIROSE ELECTRIC CO., LTD.		APPROVED : HT. YAMAGUCHI	20100729	DRAWING NO. EDC3-151981-21			
		CHECKED : HT. YAMAGUCHI	20100729	PART NO. FX10B-100S/10-SV(C91)			
		DESIGNED : SY. KAMIGA	20100729	CODE NO. CL0570-0222-4-91			
		DRAWN : HK. SUNADORI	20100728	①/2			

May.1.2023 Copyright 2023 HIROSE ELECTRIC CO., LTD. All Rights Reserved.  
In case of consideration for using Automotive equipment / device which demand high reliability, kindly contact our sales window correspondents.

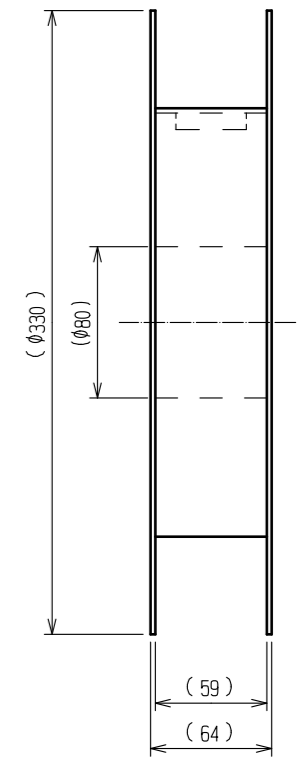
Drawing for packing (2:1)



A (5:1)



Reeled dimension (Free)



THIS DRAWING FOR REFERENCE

- Notes
- 7 1 reel : 1,000 connectors.
  - 8 Minimum 10 compartments from both reel ends remain empty.
  - 9 This product has no polarity to tape and reel packaging.
  - 10 The dimensions in parentheses are for reference.

<b>HRS</b>	DRAWING NO.	EDC3-151981-21	
	PART NO.	FX10B-100S/10-SV(91)	
	CODE NO.	CL0570-0222-4-91	△ 2/2