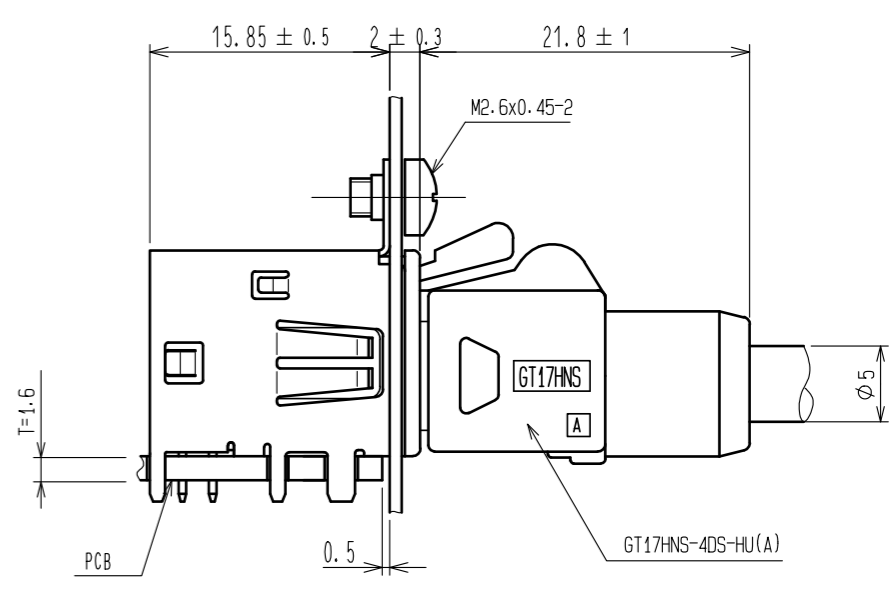
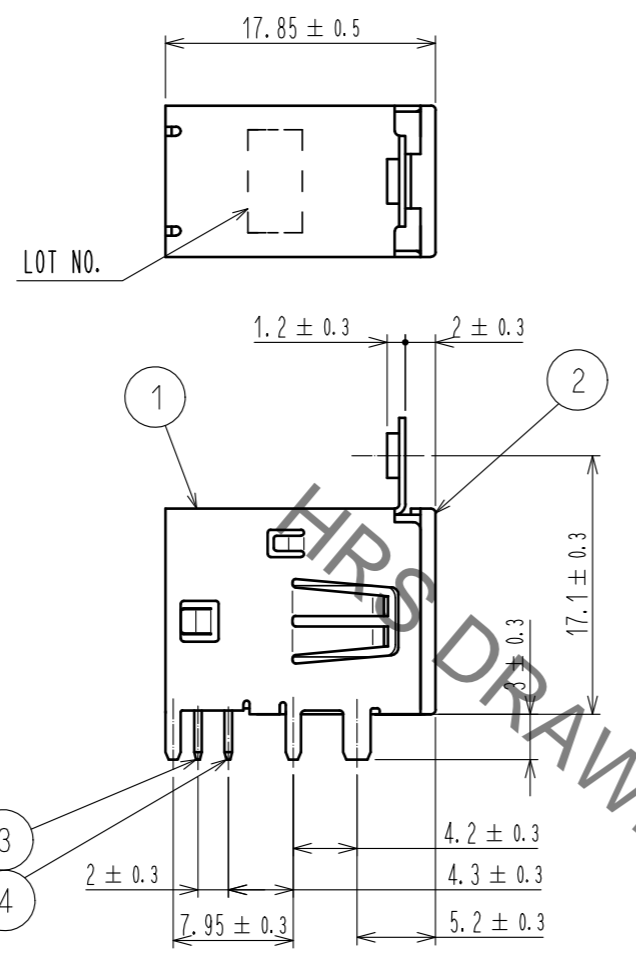
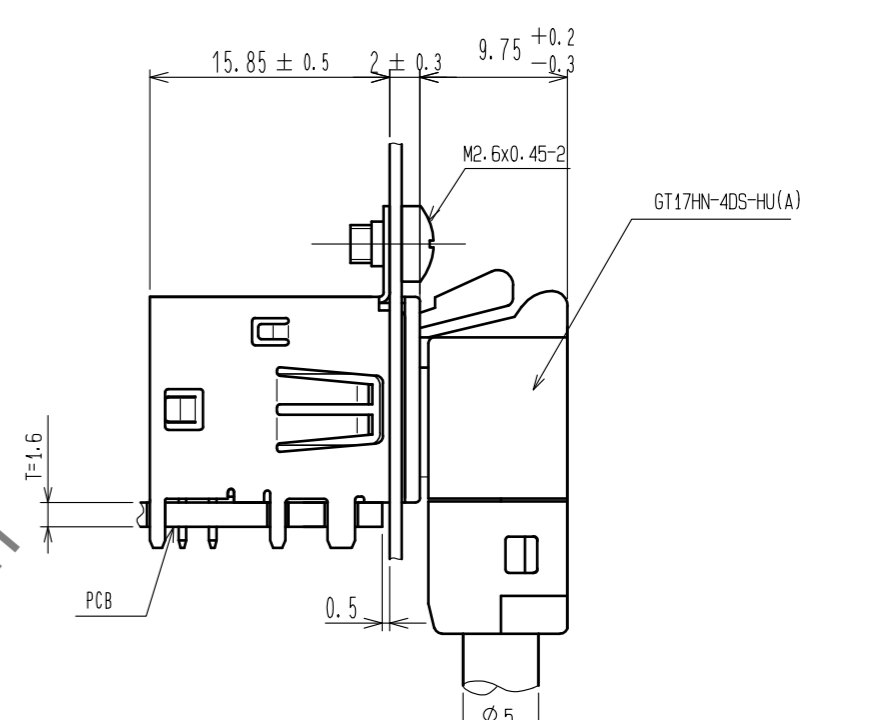


May.1.2023 Copyright 2023 HIROSE ELECTRIC CO., LTD. All Rights Reserved.
 In case of consideration for using Automotive equipment / device which demand high reliability, kindly contact our sales window correspondents.

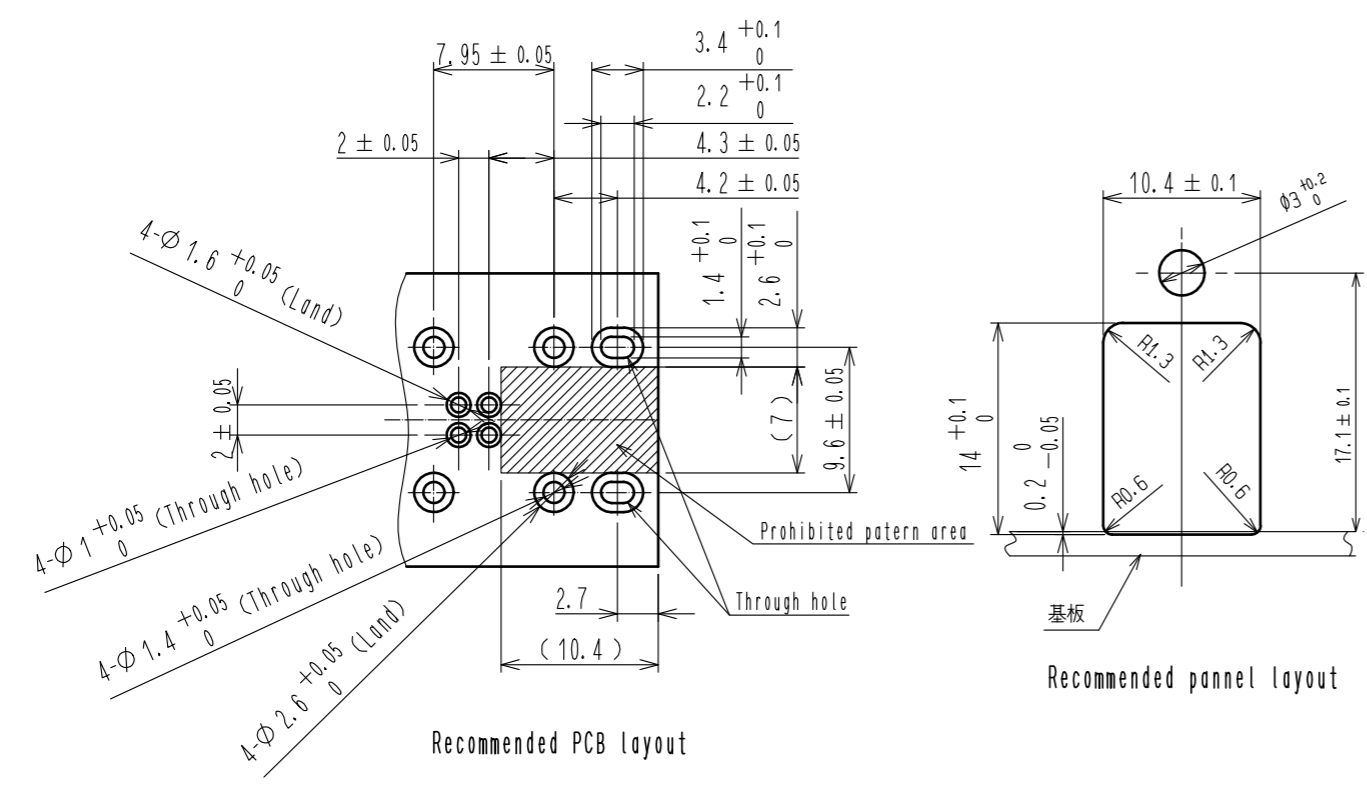
ELV, RoHS Compliant



Mated connector



Mated connector



Dimension from PCB surface to screw hole)

2	PBT	Brown	4	Brass	△	Tin plating(Pre-plated material)	
1	Copper alloy	△	Tin plating(Pre-plated material)	3	Brass	△	Tin plating(Pre-plated material)
NO.	MATERIAL	FINISH	REMARKS	NO.	MATERIAL	FINISH	REMARKS
UNITS	mm	SCALE	2 : 1	COUNT	3	DESCRIPTION OF REVISIONS	DIS-T-00011522
		DESIGNED	YK. KANNO	CHECKED	EJ. WAKATSUKI	DATE	20211008
HRS HIROSE ELECTRIC CO., LTD.		APPROVED	AR. SHIRAI	20100202	DRAWING NO.		EDC3-167242-02
		CHECKED	AR. SHIRAI	20100202	PART NO.		GT17HN-4DP-2DS(A)
		DESIGNED	NA. HARUBAYASHI	20100201	CODE NO.		CL0767-0213-7-00
		DRAWN	HA. SHIMIZU	20100201			1/2

May.1.2023 Copyright 2023 HIROSE ELECTRIC CO., LTD. All Rights Reserved.
 In case of consideration for using Automotive equipment / device which demand high reliability, kindly contact our sales window correspondents.

