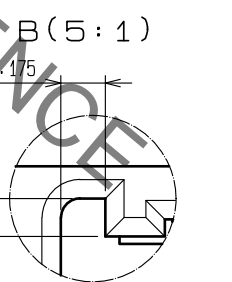
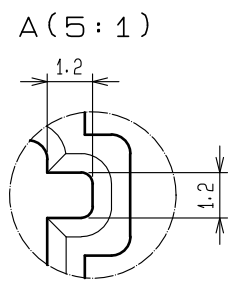
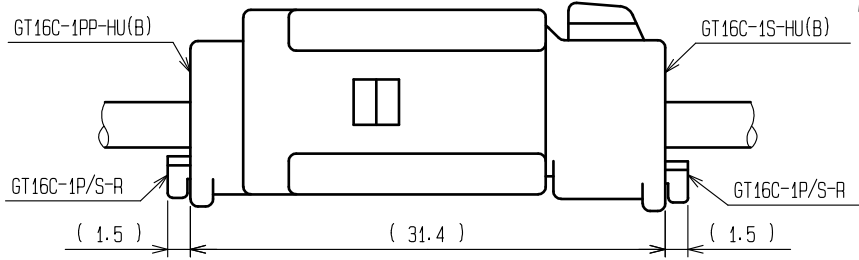
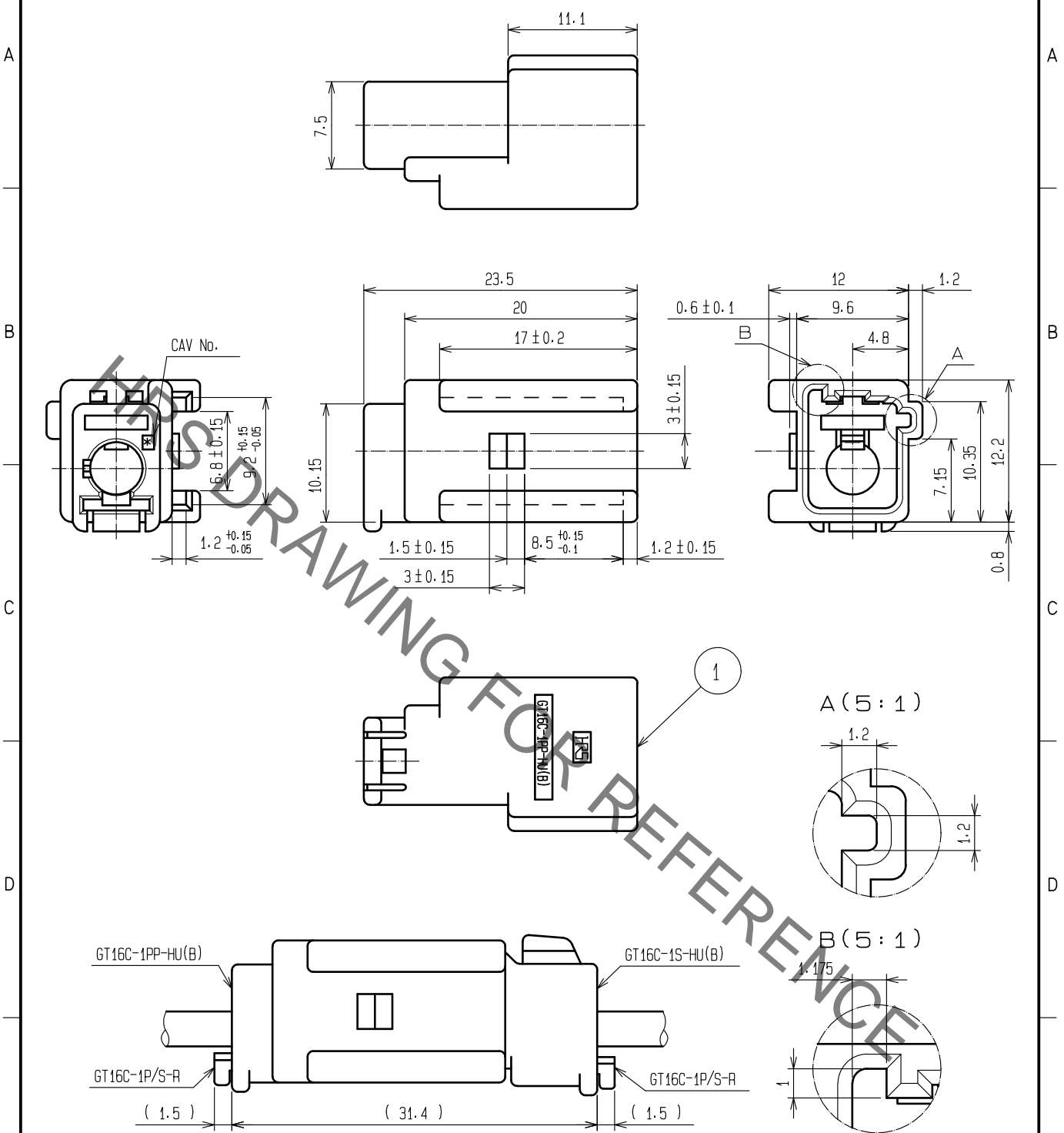


May.1.2023 Copyright 2023 HIROSE ELECTRIC CO., LTD. All Rights Reserved.
 In case of consideration for using Automotive equipment / device which demand high reliability, kindly contact our sales window correspondents.

ELV. RoHS COMPLIANT



MATED CONNECTORS

NOTE1. THIS CONNECTOR SHALL BE USED WITH A RETAINER GT16C-1P/S-R (CL766-0011-6).

1	PBT	GREEN						
NO.	MATERIAL	FINISH	REMARKS	NO.	MATERIAL	FINISH	REMARKS	
UNITS mm		SCALE 2 : 1	COUNT 	DESCRIPTION OF REVISIONS		DESIGNED	CHECKED	DATE
HIROSE ELECTRIC CO., LTD.		APPROVED	·NH. NAKATA	15.09.03	DRAWING NO.	EDC-166311-00-00		
		CHECKED	·KI. HIROKAWA	15.09.03	PART NO.	GT16C-1PP-HU(B)		
		DESIGNED	·ming. jiang	15.08.24	CODE NO.	CL766-0065-5-00		
		DRAWN	·ming. jiang	15.08.24				