

NO.	DESCRIPTION OF REVISIONS	BY	CHKD	DATE	COUNT	DESCRIPTION OF REVISIONS	BY	CHKD	DATE
1									
2									
3									
4									
5									
6									
7									
8									

Fig.1 : RECOMMENDED PATTERN Fig.2 : PLATING SPECIFICATION (40:1)

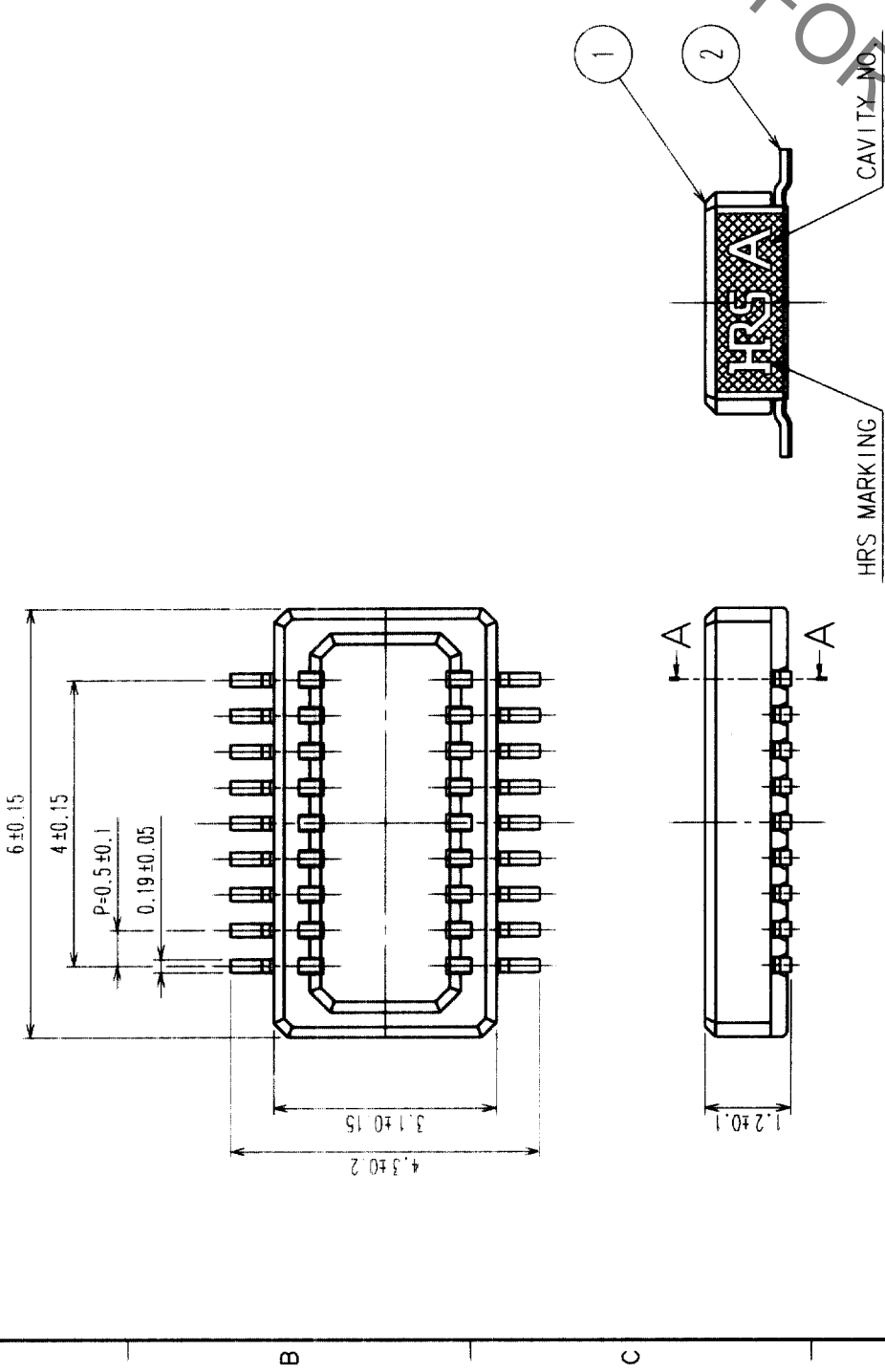


Fig.3 : A-A CROSS SECTION VIEW

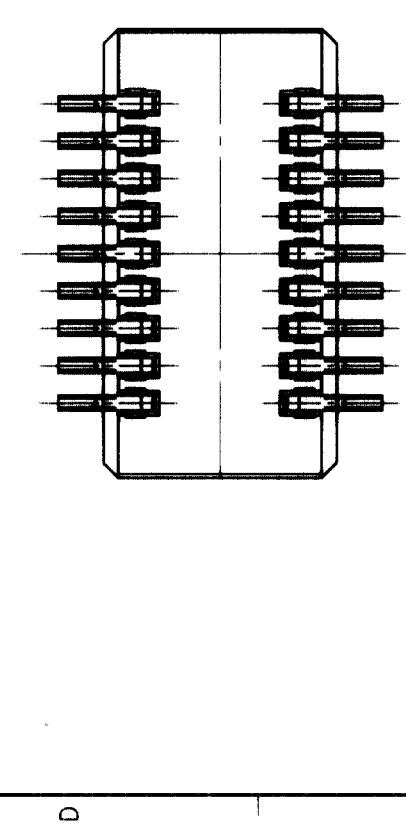
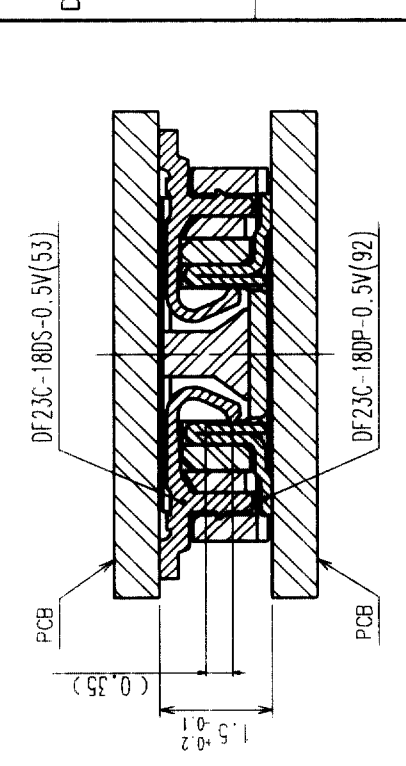


Fig.4 : MATING VIEW



NOTES 1 LEAD CO-PLANARITY SHALL BE 0.1mm MAX.
 2 REFER TO Fig.2
 3 WHEN A PART MARKED WITH HAS A PATTERN BUT NO RESIST ON IT, TAKE CARE TO PREVENT THE CONNECTOR FROM TOUCHING IT.

NO.	MATERIAL	FINISH, REMARKS	NO.	MATERIAL	FINISH, REMARKS
2	PHOSPHOR BRONZE		4	POLYESTER	CLEAR
1	LOP	BLACK,UL94V-0	3	PS	CLEAR

CODE NO. (OLD)	DRAWN	DESIGNED	CHECKED	APPROVED	RELEASED
	T. Yamamoto	S. Yamamoto	K. Hayama	K. Hayama	
	'03.10.1	'03.10.2	'03.10.2	'03.10.2	

DRAWING NO.	PART NO.
EDC3-164161-04	DF23C-18DP-0.5V(92)

SCALE	UNITS
10 : 1	mm

CODE NO.
CL688-0808-7-92

TO

DRAWING FOR REFERENCE

Fig. 6 : REEL DIMENSIONS (FREE)

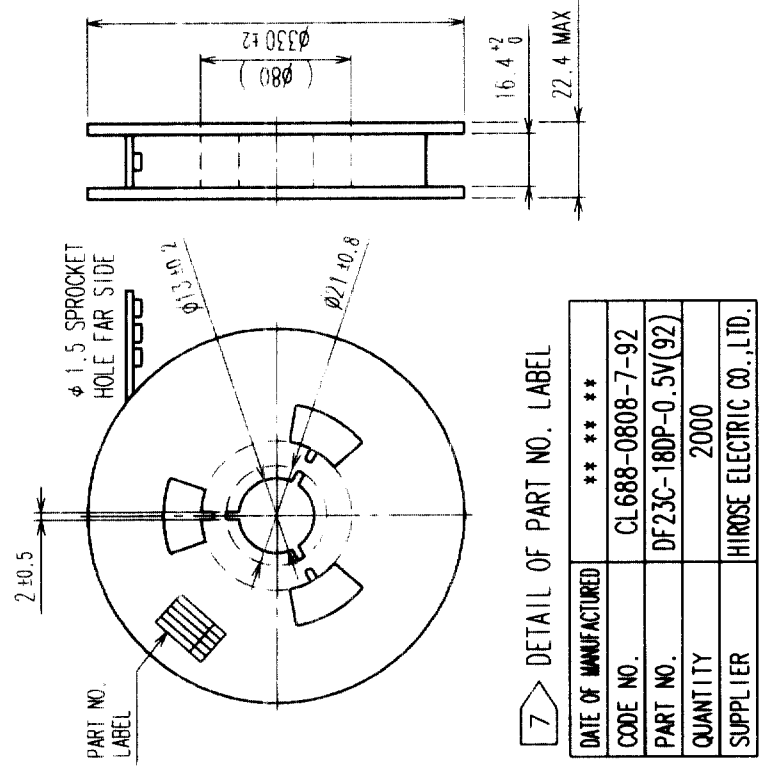
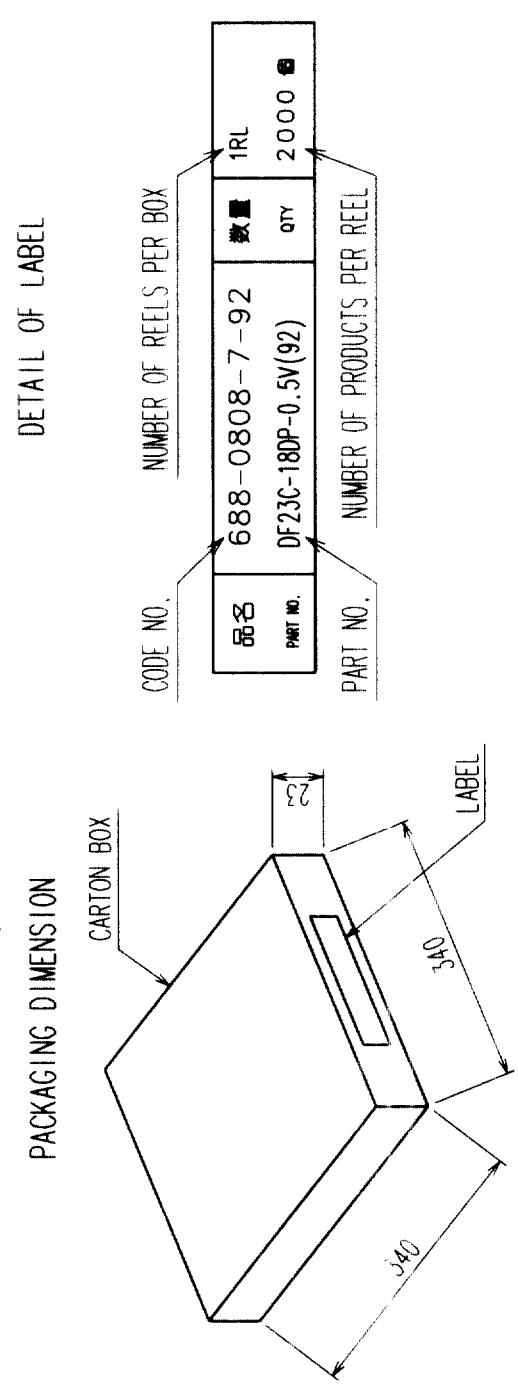
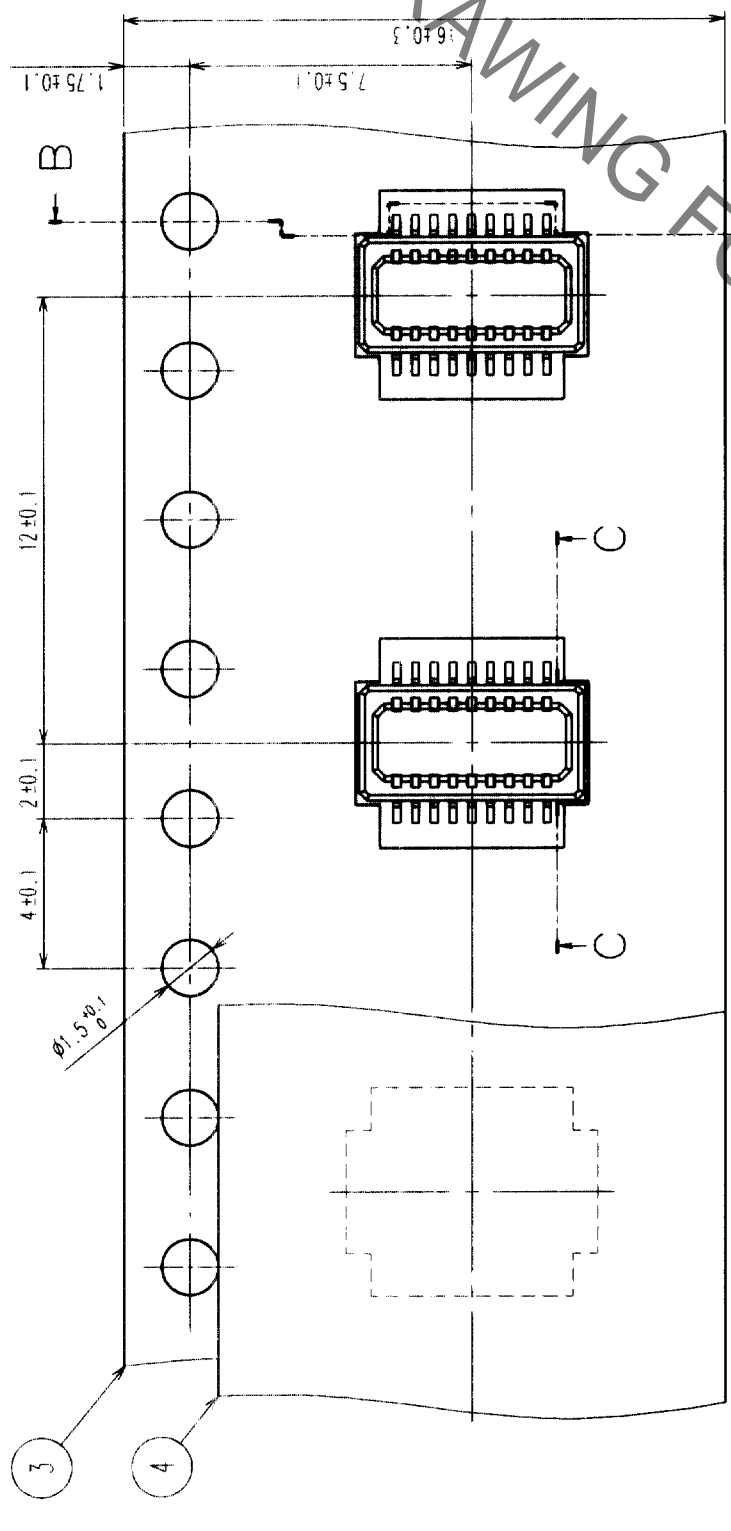
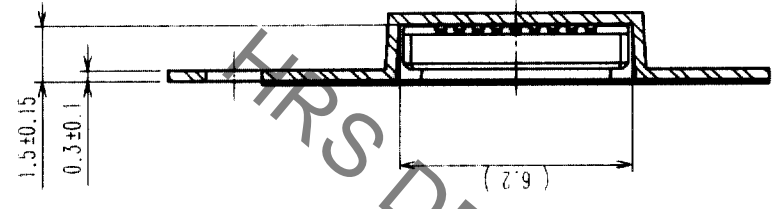


Fig. 7 : PACKAGING SPECIFICATION (FREE)

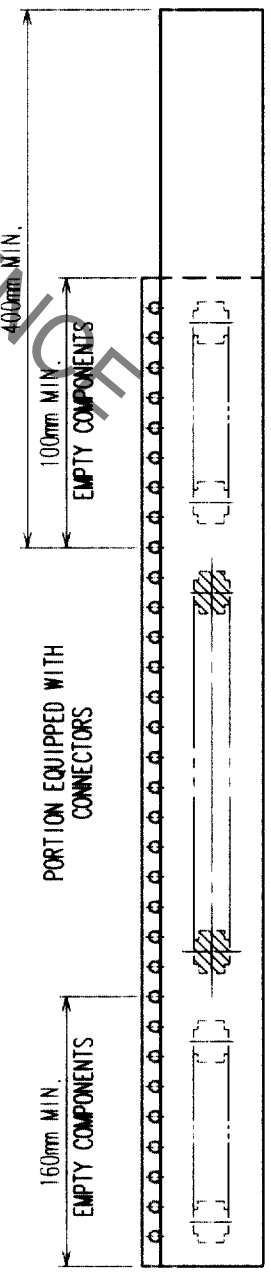


B-B



DIRECTION OF UNREELING →

Fig. 5 : TAPING (FREE)



TRAILER

LEADER

NOTES
 4 PER REEL 2000 CONNECTORS
 5 THE DIMENSIONS IN PARENTHESES ARE FOR REFERENCE.
 6 REFER TO JIS C 0806 (PACKAGING OF COMPONENTS FOR AUTOMATIC HANDLING)
 7 DETAIL OF PART NO. LABEL IS WRITTEN IN JAPANESE.

CODE NO. (OLD)		DESIGNED	T. Yamamoto	CHECKED	K. Akayama	APPROVED	K. Akayama	RELEASED	
DRAWN	T. Yamamoto	DESIGNED	T. Yamamoto	CHECKED	K. Akayama	APPROVED	K. Akayama	RELEASED	
SCALE	5 : 1	DRAWING NO.	EDC3-164161-04	PART NO.	DF23C-18DP-0.5V(92)	DATE	'03.10.2	DATE	'03.10.2
UNITS	MM	QUANTITY	2000	CODE NO.	CL688-0808-7-92				