

TABLE 1

MOLEX P/N	ENG. NO.	CABLE LENGTH (mm)	LED
1202510046	BKB4050-FBW-05	5000	NO
1202510047	BKB4050-FBW-10	10000	NO
1202510048	BKB4050-FBW-15	15000	NO
1202510049	BKB405P-FBW-05	5000	YES
1202510050	BKB405P-FBW-10	10000	YES
1202510051	BKB405P-FBW-15	15000	YES
1202510052	BKB405N-FBW-05	5000	YES
1202510053	BKB405N-FBW-10	10000	YES
1202510054	BKB405N-FBW-15	15000	YES

TABLE 2 BILL OF MATERIAL

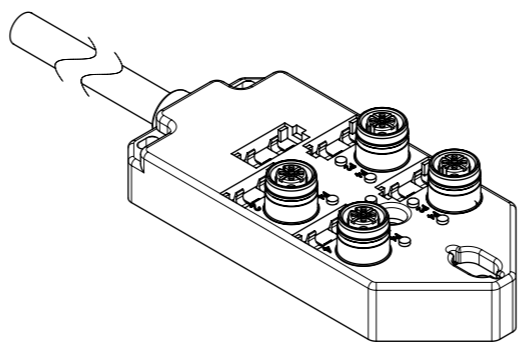
ITEM	DESCRIPTION	MATERIAL	FINISH
1	LABEL	ABS	WHITE
2	CABLE PLATE	PBT	BLACK
3	CABLE	TPU BASED	BLACK
4	CONTACT	BRONZE	GOLD OVER NICKEL
5	O-RING	FPM	RED
6	LED	NO LED = PA WITH LED = PA	BLACK TRANSPARENT
7	SHELL	BRASS	NICKEL PLATED
8	HOUSING	PBT	BLACK



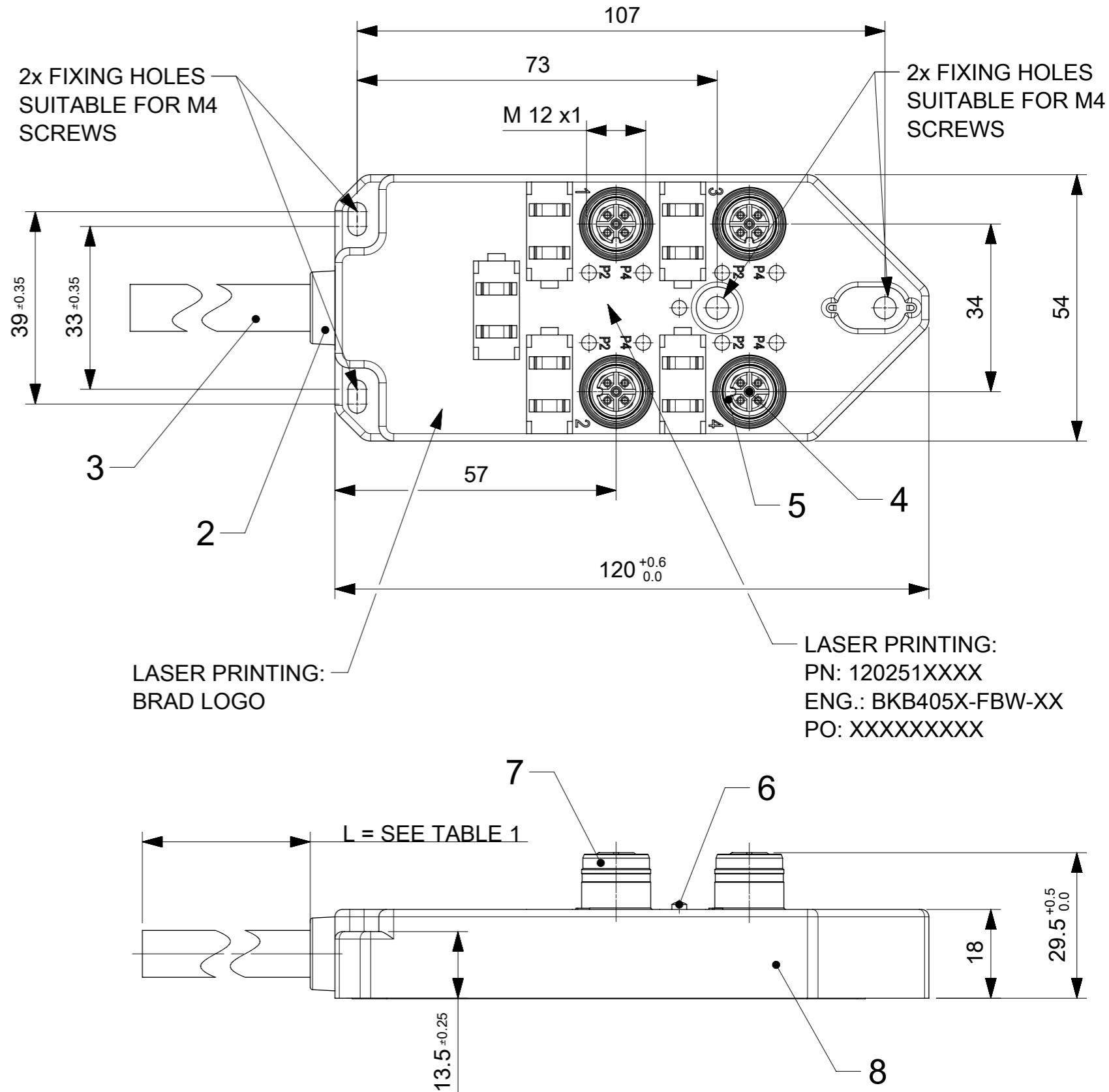
GENERAL CHARACTERISTICS:

ELECTRICAL AND MECHANICAL DATA ACC. TO IEC 61076-2-101

NOMINAL VOLTAGE: 10-30 V DC
 AMPERE RATING: 4 A PER PORT / 12 A MAX
 AMPERE RATING WITH UL REGISTRATION: 3 A PER PORT / 9 A MAX
 IP DEGREE OF PROTECTION: IP 67
 TEMPERATURE RANGE: -25°C to + 85°C

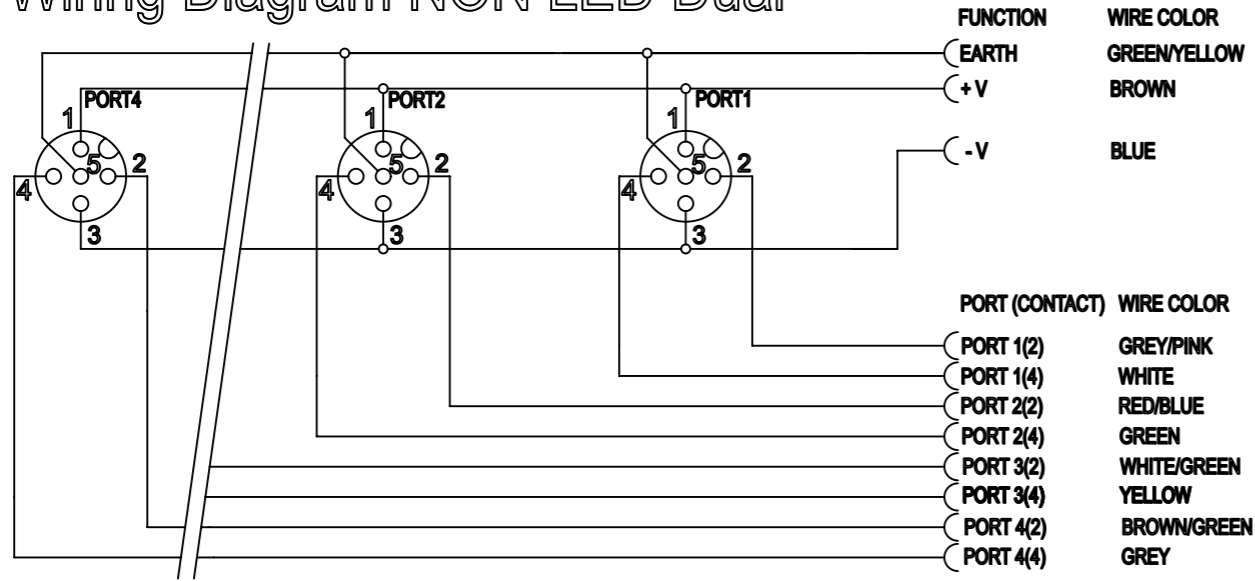


SCALE 1:2

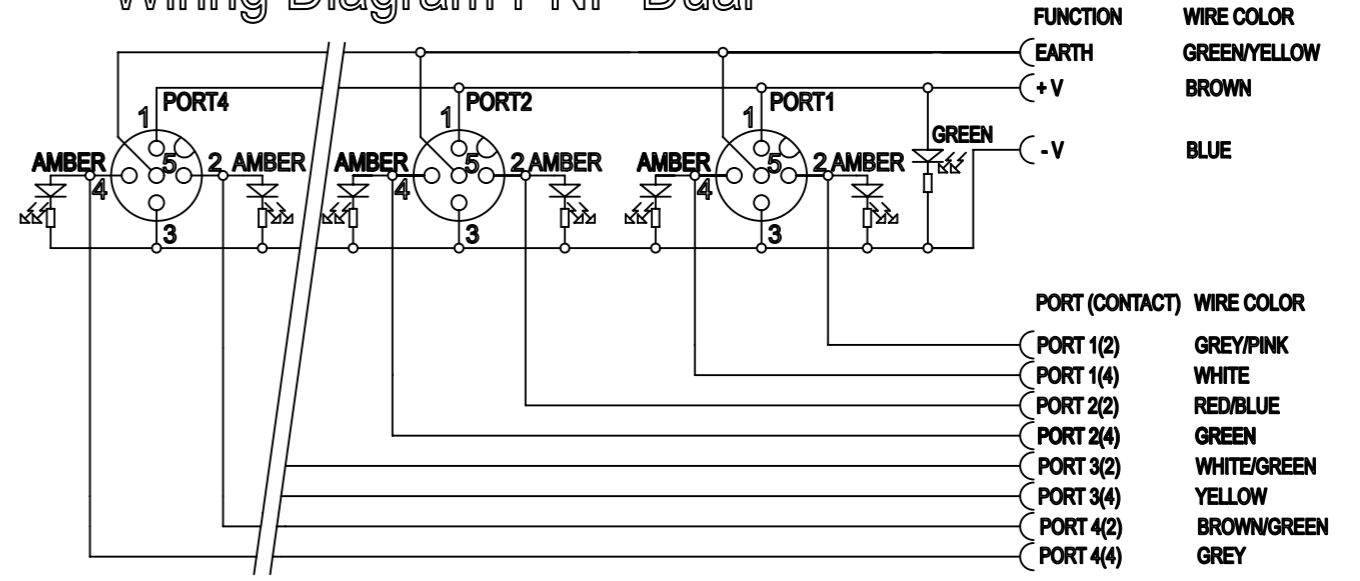


SYMBOLS		THIS DRAWING CONTAINS INFORMATION THAT IS PROPRIETARY TO MOLEX ELECTRONIC TECHNOLOGIES, LLC AND SHOULD NOT BE USED WITHOUT WRITTEN PERMISSION		CURRENT REV DESC: INITIAL RELEASE		molex	
▽ = 0	mm	SCALE	1:1	EC NO: 631635			
▽ = 0	GENERAL TOLERANCES (UNLESS SPECIFIED)		DRWN: MDHARMANTI		2020/01/27	PRODUCT CUSTOMER DRAWING	
▽ = 0	ANGULAR TOL ± 1.0°		CHK'D: RSILLER		2020/02/05	DOCUMENT NUMBER	
▽ = 0	4 PLACES	±	APPR: RSILLER		2020/02/05	DOC TYPE	
▽ = 0	3 PLACES	±	INITIAL REVISION:		DOC PART		REVISION
▽ = 0	2 PLACES	± 0.05	DRWN: SSM		2018/11/30	1202510046	
▽ = 0	1 PLACE	± 0.3	APPR: RSILLER		2020/01/17	PSD 000 A1	
▽ = 0	0 PLACES	± 0.5	DRAFT WHERE APPLICABLE MUST REMAIN WITHIN DIMENSIONS		MATERIAL NUMBER		CUSTOMER
▽ = 0	THIRD ANGLE PROJECTION		DRAWING		SERIES	120251	SEE TABLE 1
▽ = 0	A3-SIZE		120251		GENERAL MARKET		1 OF 2

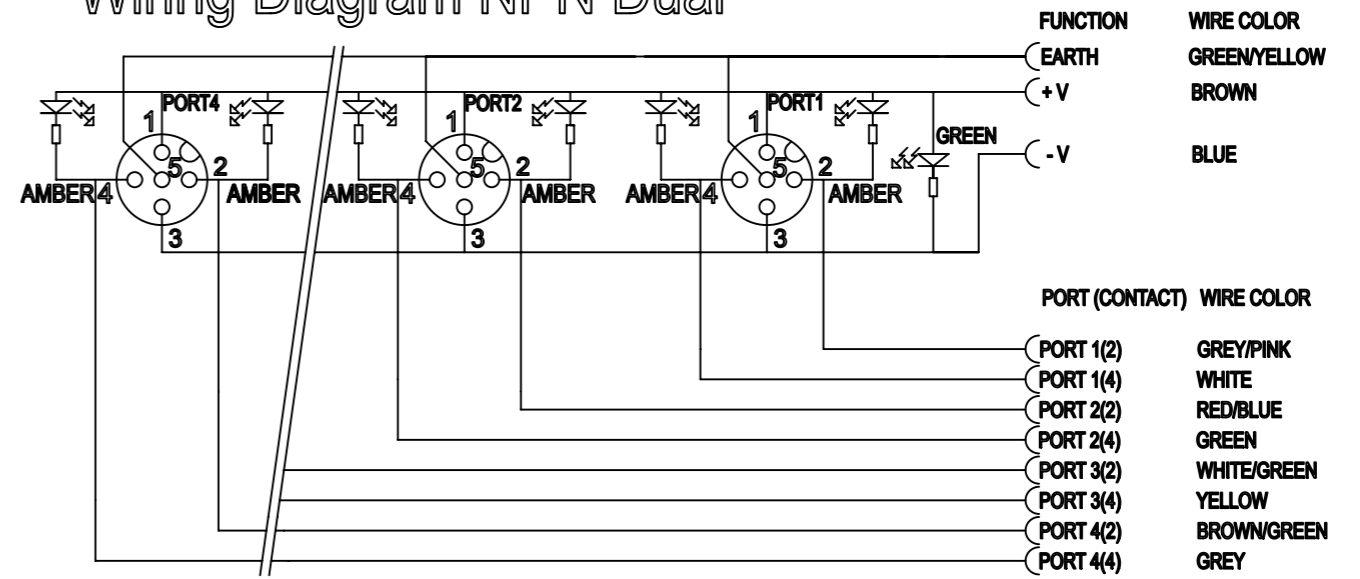
Wiring Diagram NON LED Dual



Wiring Diagram PNP Dual



Wiring Diagram NPN Dual



CABLE LENGTH TOLERANCES

LENGTH [m]	TOLERANCE [mm]
0-1	+40
>1-5	+60
>5-10	+80
>10-20	+140
>20-30	+160
>30	+1% length

SYMBOLS		THIS DRAWING CONTAINS INFORMATION THAT IS PROPRIETARY TO MOLEX ELECTRONIC TECHNOLOGIES, LLC AND SHOULD NOT BE USED WITHOUT WRITTEN PERMISSION		CURRENT REV DESC: INITIAL RELEASE		
▽ = 0	mm	SCALE	1:1			
▽ = 0	GENERAL TOLERANCES (UNLESS SPECIFIED)		EC NO: 631635			
▽ = 0	ANGULAR TOL ± 1.0°		DRWN: MDHARMANTI 2020/01/27			
▽ = 0	4 PLACES ±		CHK'D: RSILLER 2020/02/05			
▽ = 0	3 PLACES ±		APPR: RSILLER 2020/02/05			
▽ = 0	2 PLACES ± 0.05		INITIAL REVISION:			
▽ = 0	1 PLACE ± 0.3		DRWN: SSM 2018/11/30			
▽ = 0	0 PLACES ± 0.5		APPR: RSILLER 2020/01/17			
■ = 0	DRAFT WHERE APPLICABLE MUST REMAIN WITHIN DIMENSIONS		THIRD ANGLE PROJECTION	DRAWING	SERIES	
▽ = 0				A3-SIZE	120251	
			DOCUMENT NUMBER	DOC TYPE	DOC PART	
			1202510046	PSD	000	
			MATERIAL NUMBER	CUSTOMER	REVISION	
			SEE TABLE 1	GENERAL MARKET	A1	
			SHEET NUMBER			
			2 OF 2			