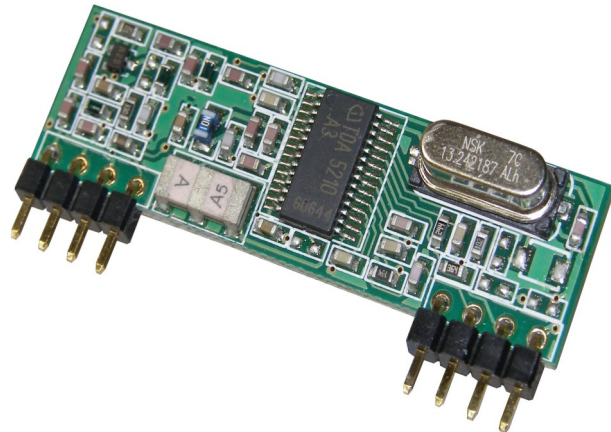


## Features:

- FSK Radio Receiver
- CMOS / TTL Output
- Stable Operating Frequency
- 5Vdc Operating Voltage
- Low Power Consumption
- Wide Operating temperature



## Applications:

- Car Security Systems
- Automation Systems
- Remote Gate Controls
- Remote Sensing
- Data Capture
- Sensor Reporting

## Description:

The Quasar UK FM-RX1 Super Heterodyne receiver module provides a complete radio receiver which can be used to receive undecoded data from the QuasarUK QFM-TX1 transmitter module.

The receiver incorporates an entire Phase-Locked Loop (PLL) ensuring precise local oscillator generation.

The module is very simple to operate and offers low power consumption allowing for extended battery life without the need to power down the module.

Data can be fed directly into a microprocessor or decoding device, thus keeping the component count down and ensuring a low hardware cost.

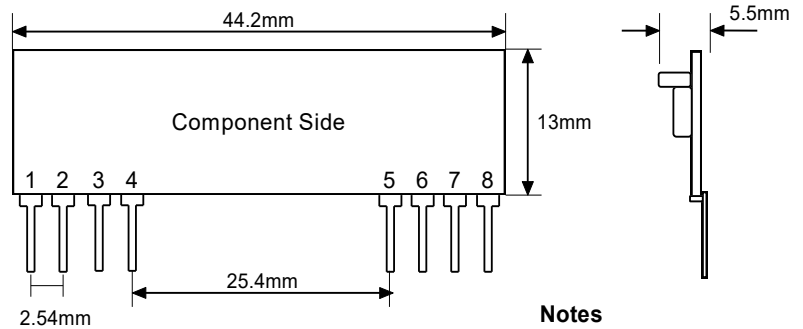
All receivers are compatible, producing a CMOS/TTL output, and only require connections to power and antenna.

## Part Numbers:

Part Number	Description
QFM-RX1-433	FM Super Heterodyne Receiver Module, 434.2MHz

## Technical Specifications Pin Descriptions

Pin	Description
1	External Antenna
2, 3, 8	Ground
4,5	Supply Voltage
6	No Connect
7	Data input



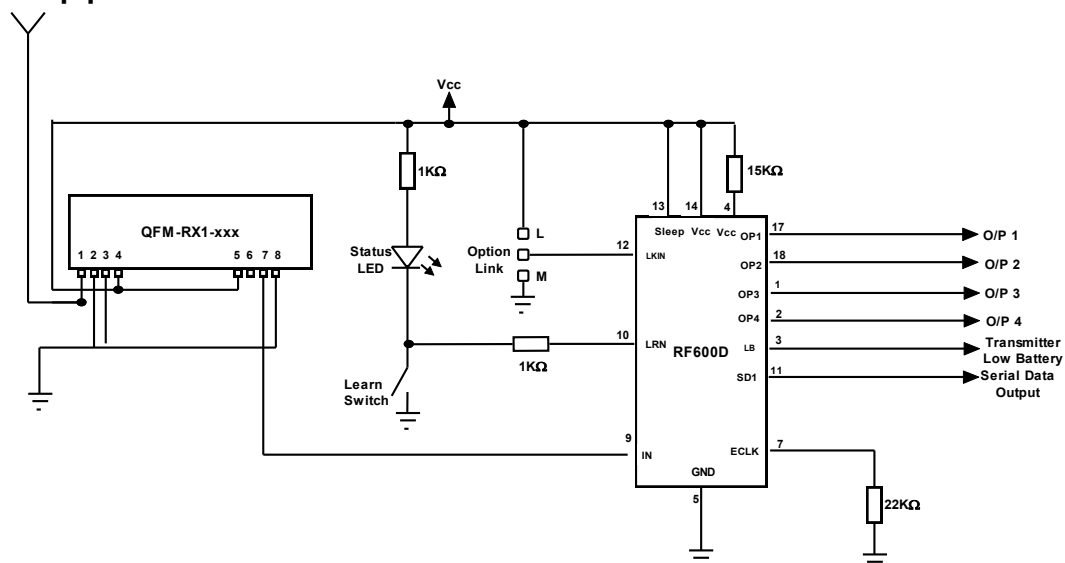
**Notes**  
 Pins on 0.1" pitch  
 Pin Dims :0.6 x 0.6mm

## Electrical Characteristics

Ambient temp = 25°C unless otherwise stated.

Characteristic	Min.	Typ.	Max.	Dimensions
Supply Voltage	4.5	5	5.5	Vdc
Supply Current		10		mA
RF Sensitivity		-106		dBm
Working Frequency		434.20		MHz
High Level Output	0.7Vcc			VDC
Low Level Output			0.3Vcc	VDC
Turn On Time		2		ms
Data Rate	300	4,800	20,000	Hz
Operating Temperature	-20		+85	°C
Output Duty	40		60	%

## Typical Application



Information contained in this document is believed to be accurate, however no representation or warranty is given and no liability is assumed by Quasar (UK) Ltd. with respect to the accuracy of such information. Use of products as critical components in life support systems is not authorised except with express written approval from Quasar (UK) Ltd.



# FM SUPER HETERODYNE RECEIVER QFM-RX1

*QuasarUK is an internet based company. All Sales / support and interface is via our website at*

**[www.quasaruk.co.uk](http://www.quasaruk.co.uk)**

## **Sales:**

**Sales : [sales@quasaruk.co.uk](mailto:sales@quasaruk.co.uk)**

## **Support:**

**Support : [sales@quasaruk.co.uk](mailto:sales@quasaruk.co.uk)**

**Support Tel: 0907 639 0000**

Calls charged at £0.60 per minute from a BT landline other networks may vary. Callers must be 18 or over and have the bill payers permission. Service provided by StealthNET Ltd :08444150774