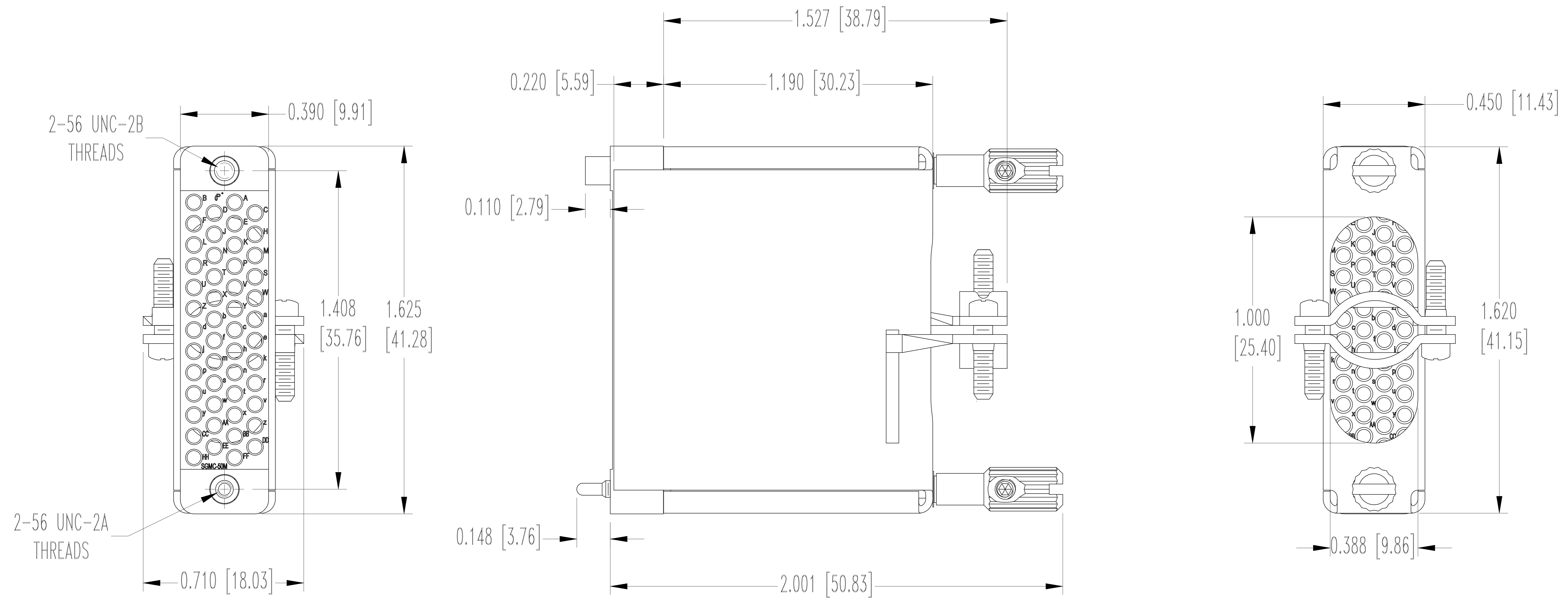


THIS DRAWING CONTAINS INFORMATION PROPRIETARY TO POSITRONIC AND ITS SUBSIDIARIES. POSITRONIC BELIEVES THE DATA ON THIS DRAWING TO BE RELIABLE, SINCE THE TECHNICAL INFORMATION IS GIVEN FREE OF CHARGE, THE USER EMPLOYS SUCH INFORMATION AT HIS OWN DISCRETION AND RISK. POSITRONIC ASSUMES NO RESPONSIBILITY FOR RESULTS OBTAINED OR DAMAGES INCURRED FROM USE OF SUCH INFORMATION IN WHOLE OR IN PART.

DATE	REV	REVISION RECORD	APP	DR	CK
02-02 21	A	ECO 79691	PA	PY	AB



NOTES:

- MATERIALS AND FINISHES:
 INSULATOR: GLASS FILLED DAP PER ASTM-D-5948 TYPE SDG-F, GREEN COLOR.
 HOOD, SHELL, KNOBS AND CABLE CLAMPS: ALUMINUM WITH YELLOW ANODIZED.
 JACKSCREWS: STAINLESS STEEL, PASSIVATED.
 WASHERS AND SET SCREWS: STAINLESS STEEL, PASSIVATED.
 CABLE CLAMP SCREWS: BRASS, ZINC PLATE WITH CHROMATE SEAL.
- DETAILED PRODUCT, MECHANICAL AND ELECTRICAL INFORMATION IS AVAILABLE IN THE LATEST HIGH DENSITY RECTANGULAR PRODUCT PUBLICATION AT CONNECTPOSITRONIC.COM.
- CONNECTORS ARE COMPLIANT TO THE CURRENT RoHS DIRECTIVE.
- DIMENSIONS ARE IN INCHES [MILLIMETERS].

	POSITRONIC INDUSTRIES INC. SPRINGFIELD, MISSOURI 65801		SCALE N.T.S.	DRAWN BY MP
	DECIMAL TOL. ± 0.015 [0.38]		TITLE SGMC SERIES	APPROVED BY COLE
ANGULAR TOL. $\pm 5^\circ$		DATE 2-13-12		DRAWING NUMBER SK13653
REV. A			SGMC50M0E100J0/AA	