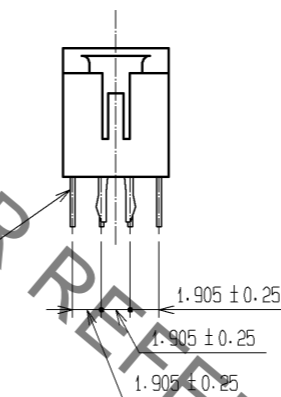
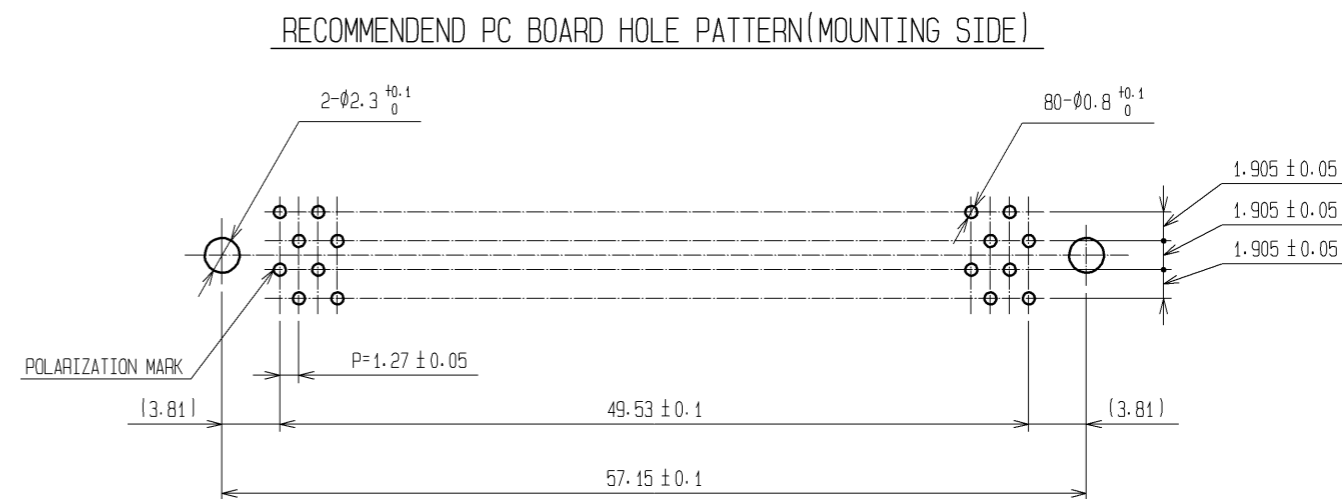
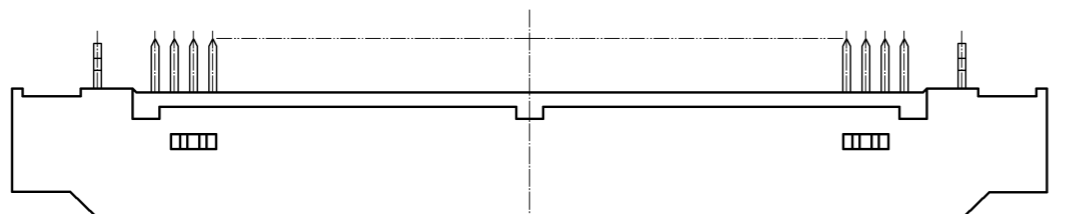
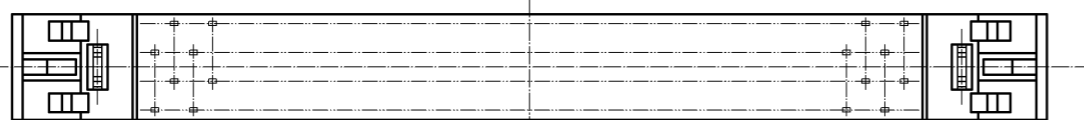
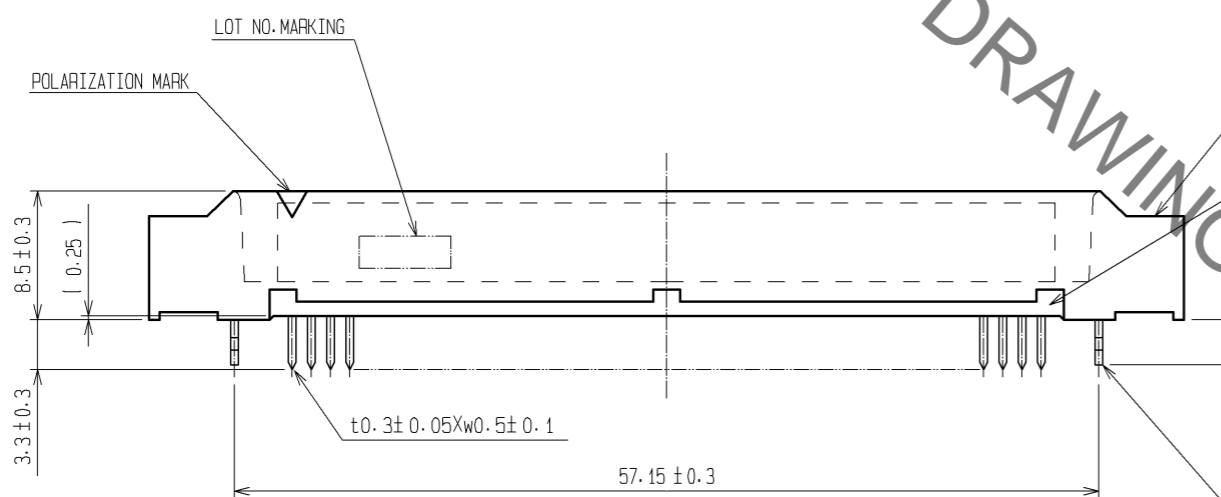
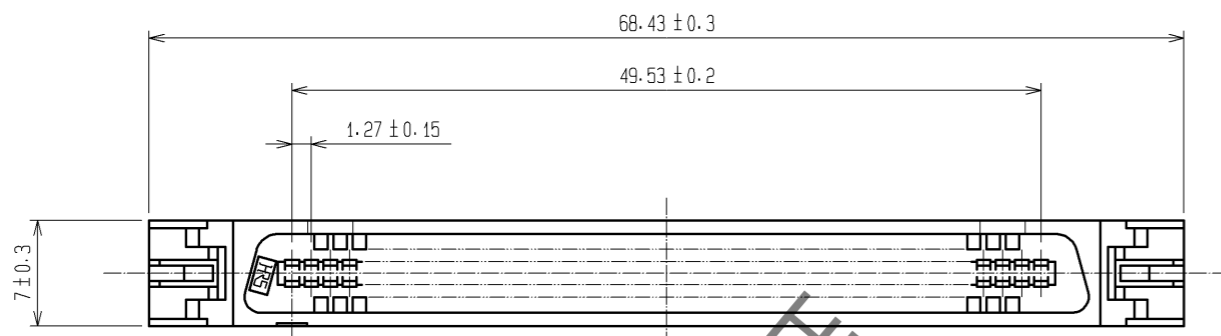


May.1.2023 Copyright 2023 HIROSE ELECTRIC CO., LTD. All Rights Reserved.  
In case of consideration for using Automotive equipment / device which demand high reliability, kindly contact our sales window correspondents.



HRS DRAWING FOR REFERENCE

NOTE THE DIMENSIONS IN PARENTHESES ARE FOR REFERENCE.

4	PHOSPHOR BRONZE	TIN-PLATING	2	BLASS	CONTACT AREA:GOLD FLASH
1.3	POLYAMIDE	BLACK UL94V-0			DIP AREA:TIN-PLATING 2μm min.
					UNDER PLATING:NICKEL 1μm min.
NO.	MATERIAL	FINISH . REMARKS	NO.	MATERIAL	FINISH . REMARKS
UNITS	⊙	SCALE	△	DESCRIPTION OF REVISIONS	
mm		2 : 1		DESIGNED	CHECKED
HIROSE ELECTRIC CO., LTD.		APPROVED : HS. OKAWA	07.05.07	DRAWING NO. EDC3-150656-21	
		CHECED : HS. OZAWA	07.05.07	PART NO. FX2BA-80PA-1.27DSAL(71)	
		DESIGNED : KT. DOI	07.05.07	CODE NO. CL572-0977-0-71	
		DRAWN : TS. MIYAKI	07.04.26		