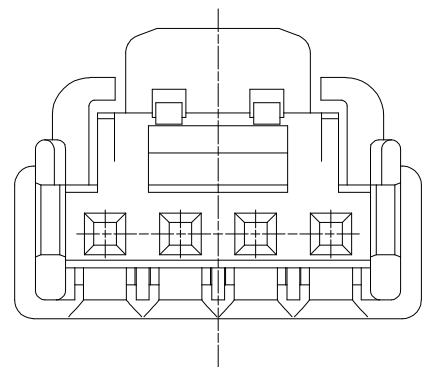
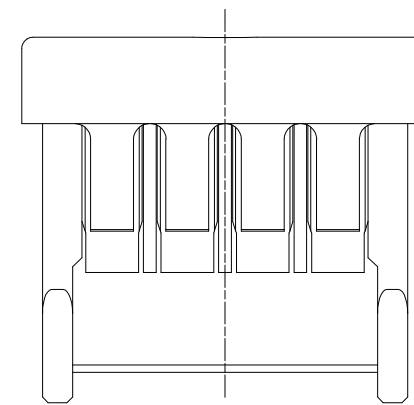
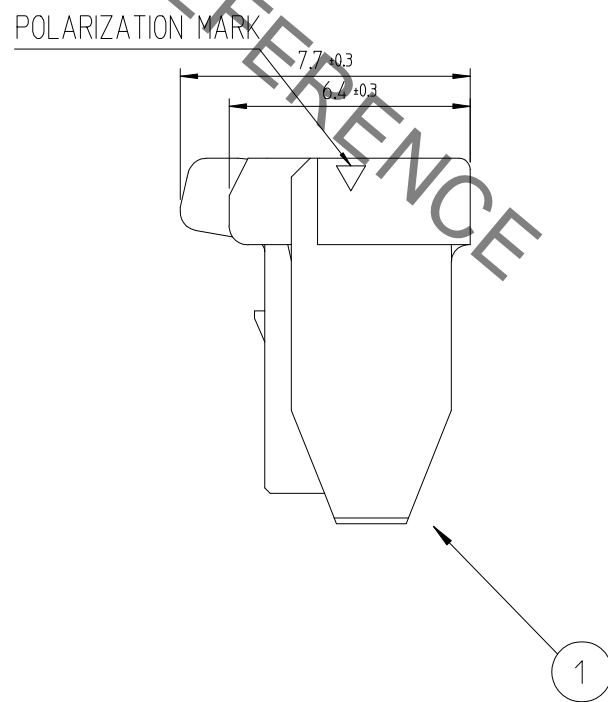
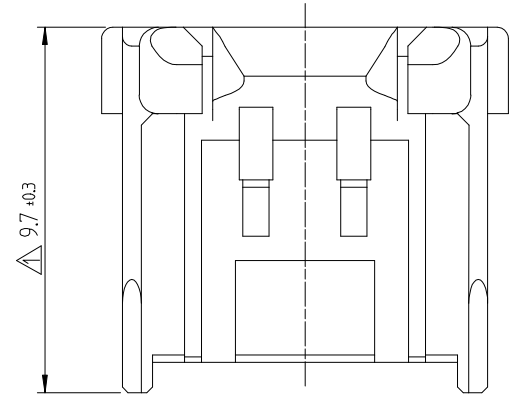
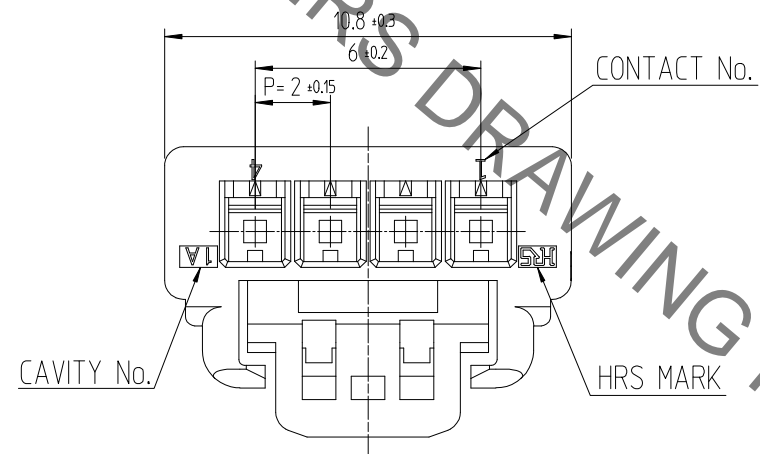


May.1.2023 Copyright 2023 HIROSE ELECTRIC CO., LTD. All Rights Reserved.
In case of consideration for using Automotive equipment / device which demand high reliability, kindly contact our sales window

△數 COUNT	訂正事項 DESCRIPTION OF REVISIONS	擔當 B Y	檢圖 CHKD	年月日 DATE	△數 COUNT	訂正事項 DESCRIPTION OF REVISIONS	擔當 B Y	檢圖 CHKD	年月日 DATE
①	1 RE-6-1150	K.I.Y	L.S.M	18. 07. 04	△				
②	1 RE-6-1579	K.I.Y	L.S.M	20. 01. 23	△				
△					△				



NOTE 1. 1PACK CONTAINS 100PCS.

△2. UL(File No. E132750) AUTHORIZATION ARTICLE.

C-UL(File No. E132750) AUTHORIZATION ARTICLE.



NO.	MATERIAL	FINISH,REMARKS	1 NO.	PBT MATERIAL	UL94V-0, BLACK FINISH,REMARKS
CODE NO. (OLD)			DRAWN CHOI 17.12.22 J.S		
			DESIGNED CHOI 17.12.22 J.S		
			CHECKED LIM 17.12.22 S.M		
			APPROVED KANG 17.12.22 T.S		
			RELEASED ENG 20.02.12 DEPT		
DRAWING NO. EDC3-632506			PART NO. DF51K-4S-2C (800)		
SCALE 5:1 UNITS mm			CODE NO. CL 6652-0022-1-800		
HRS HIROSE KOREA CO.,LTD.			1/1		