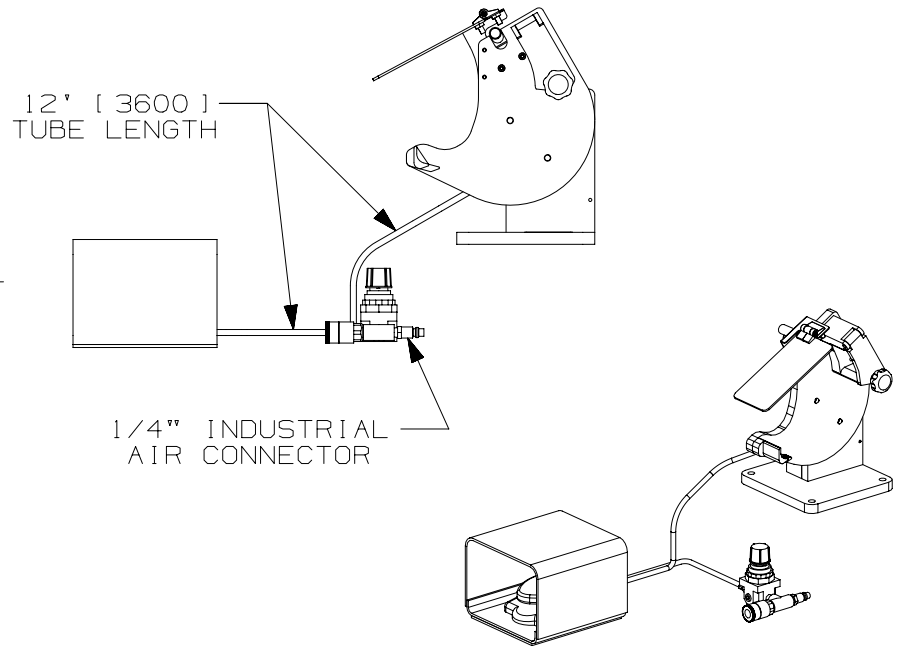
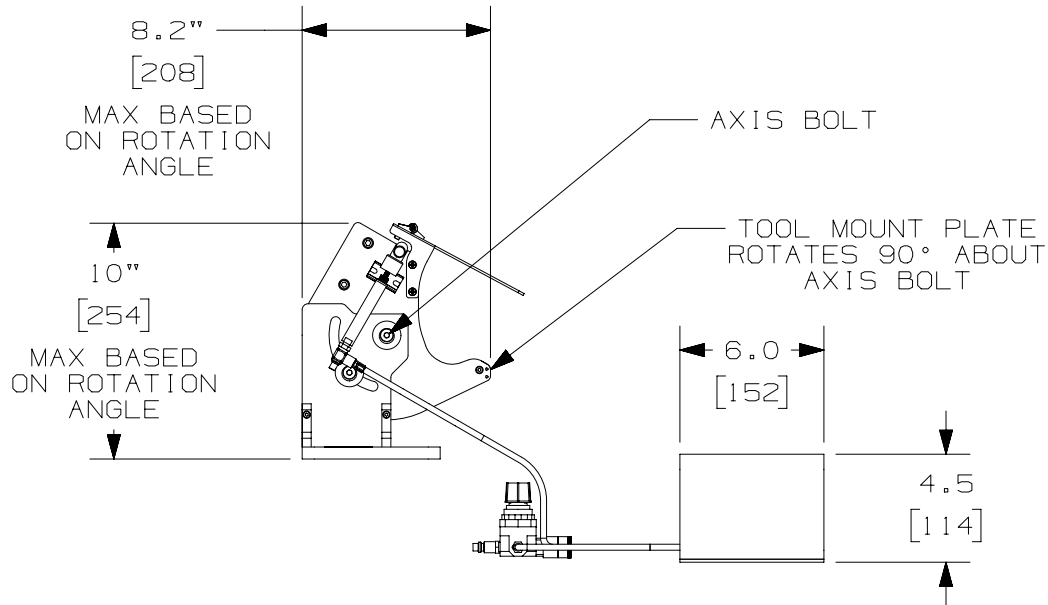
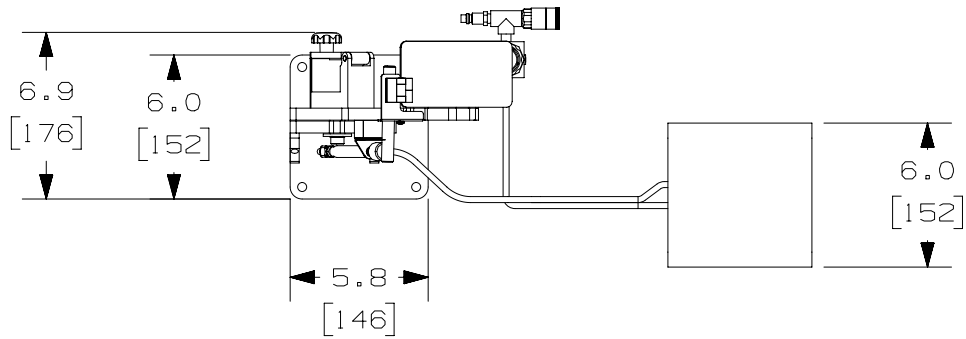


THIS COPY IS PROVIDED ON A RESTRICTED BASIS AND IS NOT TO BE USED IN ANY WAY DETRIMENTAL TO THE INTERESTS OF PANDUIT CORP.



NOTES, UNLESS OTHERWISE SPECIFIED:

EST. WEIGHT: 15.7 lbs (7.1 kg)
 AIR: 65 - 85 psi (4,5 - 5,8 BAR)
 DIMENSIONS IN BRACKETS ARE IN MILLIMETERS, FOR REFERENCE ONLY.
 NOT SHOWN: PATM-RKS (PHM STRAIN RELIEF) INCLUDED

REV	DATE	BY	CHK	APR	DESCRIPTION	ECN
00	06.06.17	BDK	ALP	ALP	RELEASED TO PRODUCTION	013085

TITLE PATMBM4.0 BENCH MOUNT CUSTOMER DRAWING	
ITEM REVISION NAME R28946AA/00	PANDUIT
DATASET FILE NAME R28946AA_DS_WT28946A01/00A	
UNLESS OTHERWISE SPECIFIED, DIMENSIONAL TOLERANCES ARE: IN [mm]	
.X ±	.XXX ±
.XX ±	ANGLES ±
THIRD ANGLE PROJECTION	
DRAWN BY BDK	DATE 05.25.17
CHK ALP	SCALE N.T.S.
MATERIAL: N/A	
DRAWING NUMBER: WT28946A01	
SHT 1 OF 1	
SIZE A	

D10100DA/20