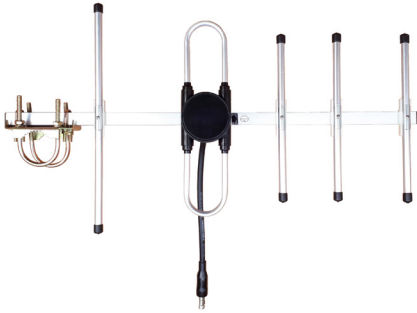




Oscar 44

450MHz 5 ELEMENT YAGI ANTENNA



Key Features

- 450MHz ISM
- 5 element
- 9 dBi gain

General Description

The Oscar 44 is an aluminium 5 element yagi type antenna with a peak gain of 9dBi.

Ideal for remote sites like pump houses and water treatment facilities.

The Oscar 44 is fitted with an N-Type female connector on a short length of cable (300mm). A universal clamp is supplied for use on standard antenna poles.

Additional Considerations

- Selection of cable assemblies available - see website
- Excellent performance for low cost





Oscar 44

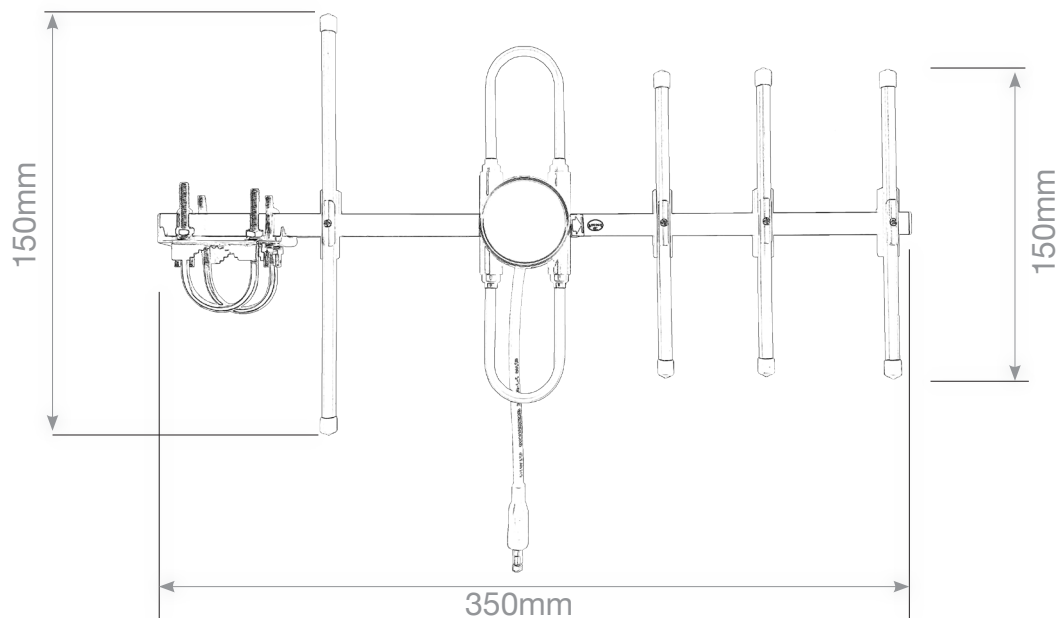
450MHz 5 ELEMENT YAGI ANTENNA

Electrical Specifications

Impedance:	50 Ohm
Peak Gain:	9dBi
VSWR:	<1.5
Max Input Power:	100W
Operating frequencies:	400-480MHz
Polarization:	Vertical or Horizontal
Horizontal Beamwidth:	H Plane 54°
Vertical Beamwidth:	E Plane 48°
Front to Back Ratio:	<14dB

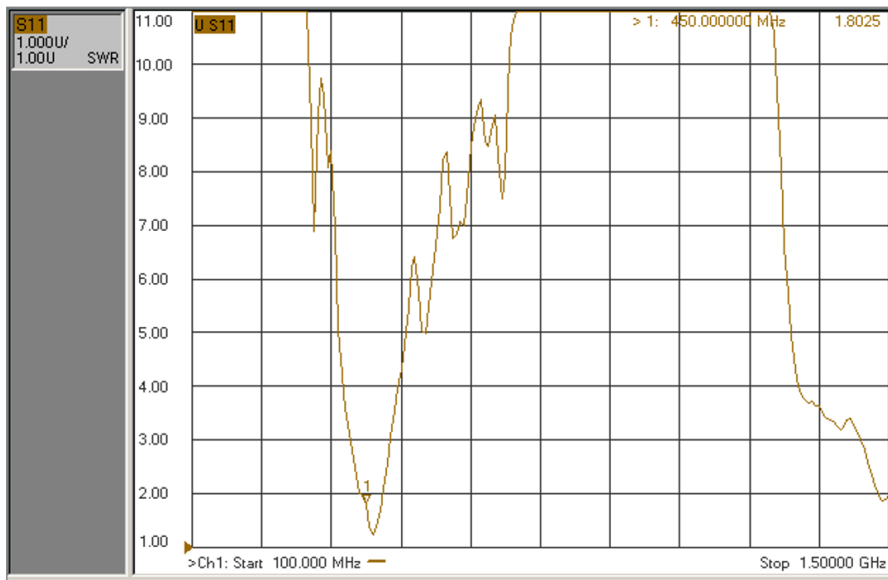
Mechanical Specifications

Dimensions:	L570 x W180 x H36mm
Weight:	600g
Rated Wind Velocity:	60m/s
Connector:	N-Type Female
Pole Mount Bracket Dia:	40-50mm
Operating Temperature	-20 to +60°C





VSWR



Ordering Details

Part Number	Description
OSCAR44/0.3M/NTYPEF/S/S/17	450MHz 5 ELEMENT YAGI ANTENNA NTYPE FEMALE CONNECTOR 0.3M CABLE
ASMA500R058L13	SMA(M) TO N TYPE(M) 5M LOW LOSS (LLC200A) CABLE ASSEMBLY
ASMR1000A058L13	N-TYPE(M) TO SMA(M) 10M LOW LOSS (LLC200A) CABLE ASSEMBLY
ASMR1500A058L13	N-TYPE(M) TO SMA(M) 15M LOW LOSS (LLC200A) CABLE ASSEMBLY
ASMR2000A058L13	N-TYPE(M) TO SMA(M) 20M LOW LOSS (LLC200A) CABLE ASSEMBLY