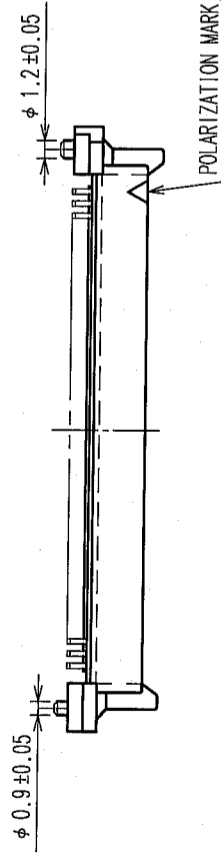
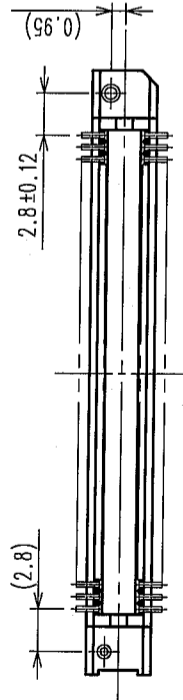
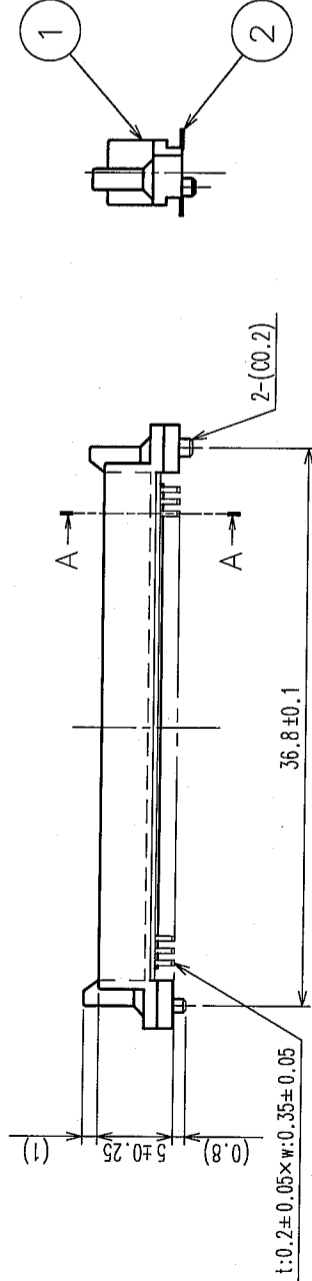
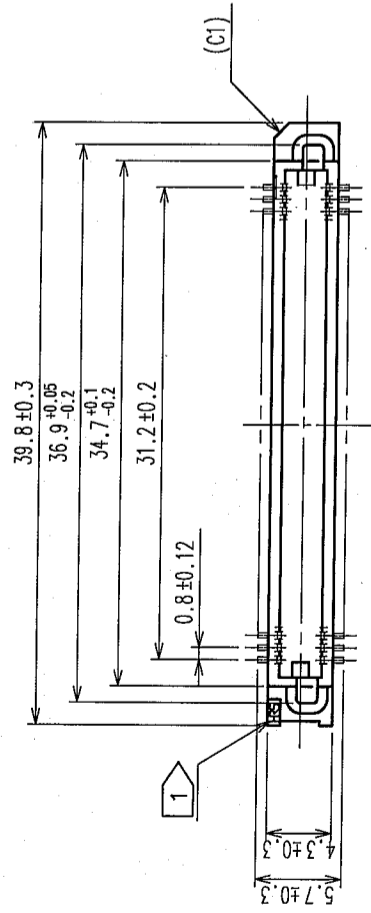
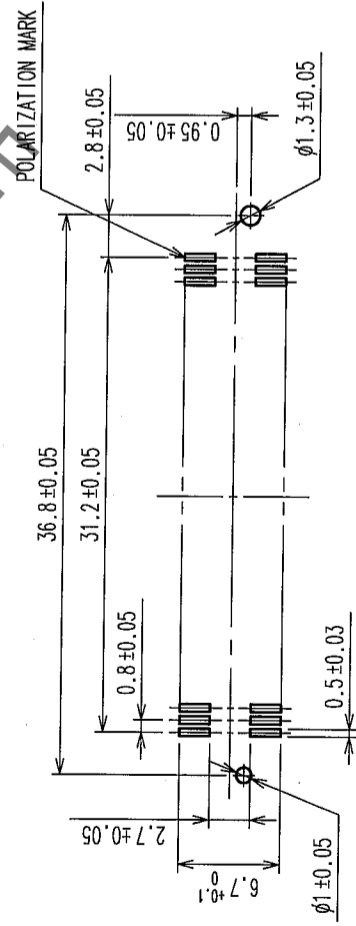


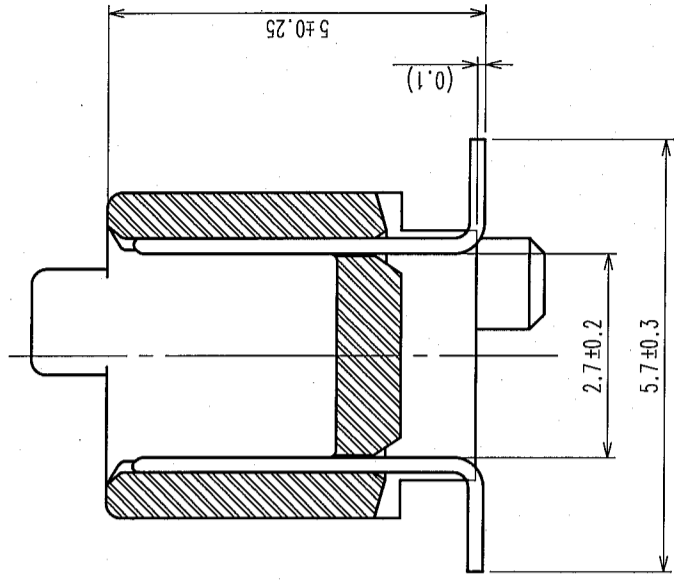
COUNT	DESCRIPTION OF REVISIONS	BY	CHKD	DATE	COUNT	DESCRIPTION OF REVISIONS	BY	CHKD	DATE
△					△				
△					△				
△					△				



RECOMMENDED LAND PATTERN DIMENSION OF PCB (MOUNTING SIDE)



A-A(10:1)



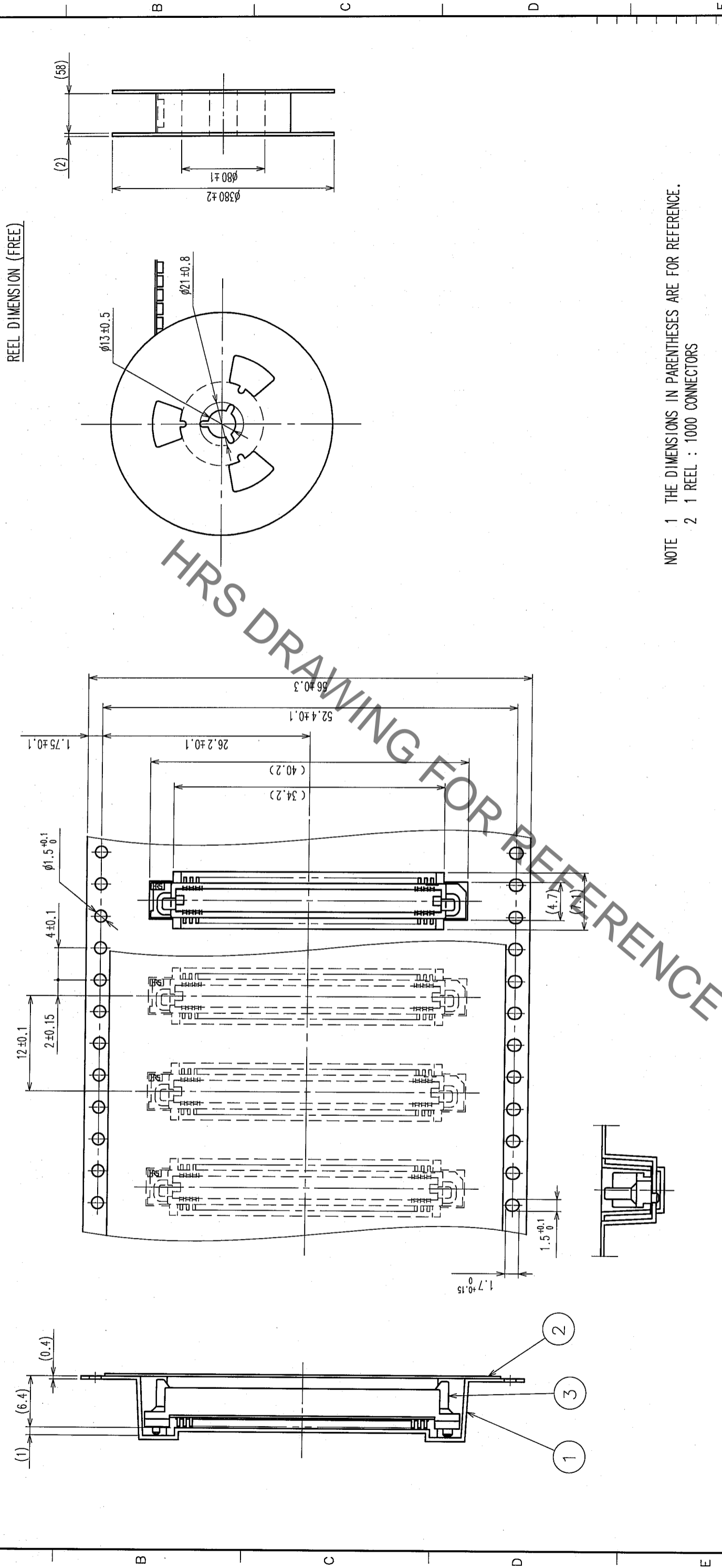
HRS DRAWING FOR REFERENCE

- NOTE
- 1 HRS MARK SHALL BE OPTIONAL.
 - 2 LEAD CO-PLANARITY SHALL BE 0.1mm MAX.
 - 3 EMBOSSED CARRIER TAPE PACKAGING SHALL BE APPLIED TO THIS PRODUCT. SEE NEXT PAGE FOR DETAILS.
 - 4 FOR MODIFICATION, ETC., PREVENTIVE HOLE FOR SINK MARK MAY BE ADDED ACCORDING TO CIRCUMSTANCES.
 - 5 THE DIMENSIONS IN PARENTHESES ARE FOR REFERENCE.

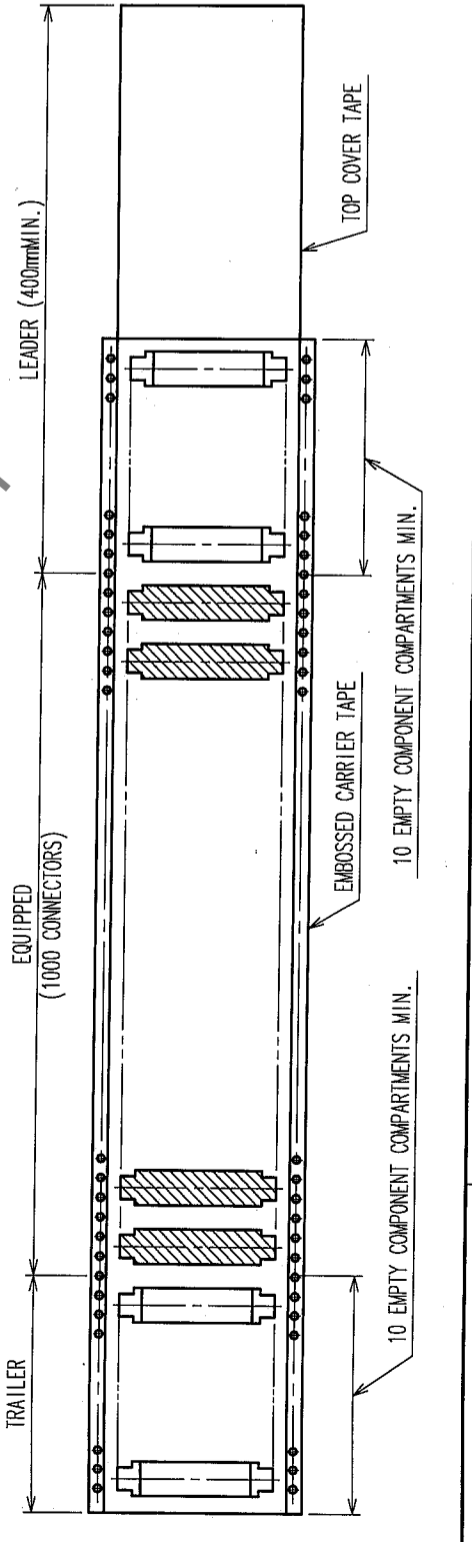
1	PPS	LIGHT BROWN	UL94V-0	2	PHOSPHOR BRONZE	CONTACT AREA : GOLD 0.1μm min. LEAD AREA : TIN-PLATING 1μm min. UNDER PLATING : NICKEL 1μm min.			
NO.	MATERIAL	FINISH, REMARKS	NO.	MATERIAL	FINISH, REMARKS				
CODE NO. (OLD)	CL		DRAWN	DESIGNED	CHECKED	APPROVED	RELEASED		
			T. YANAGISAWA	H. Nakamura	K. Ogawa	H. Obara			
			'06.02.23	'06.02.23	'06.02.24	'06.02.24			
DRAWING NO.			PART NO.			FX6-80P-0.8SV1(92)			
EDC3-084972-22									
SCALE			UNITS			CODE NO.			
2 : 1			ITTT			CL576-0027-7-92			
						1/2			

COUNT	DESCRIPTION OF REVISIONS	BY	CHKD	DATE	COUNT	DESCRIPTION OF REVISIONS	BY	CHKD	DATE
△					△				
△					△				
△					△				

UNREELING DIRECTION



NOTE 1 THE DIMENSIONS IN PARENTHESES ARE FOR REFERENCE.
2 1 REEL : 1000 CONNECTORS



NO.	MATERIAL	FINISH, REMARKS	NO.	MATERIAL	FINISH, REMARKS	(CONNECTOR)
2	POLYESTER	TOP COVER TAPE	3			
1	POLYSTYRENE	EMBOSS CARRIER TAPE				

CODE NO. (OLD)	CL	DRAWN	DESIGNED	CHECKED	APPROVED	RELEASED
		T. YANAGISAWA	H. NAGASAWA	K. OYAMA	H. OKANO	
		'06.02.23	'06.02.23	'06.02.24	'06.02.24	

DRAWING NO.	PART NO.
EDC3-084972-22	FX6-80P-0.8SV1(92)

SCALE	UNITS	CODE NO.
2 : 1	ITTT	CL576-0027-7-92

TO