

THIS DRAWING IS UNPUBLISHED.

RELEASED FOR PUBLICATION

20

© COPYRIGHT 20

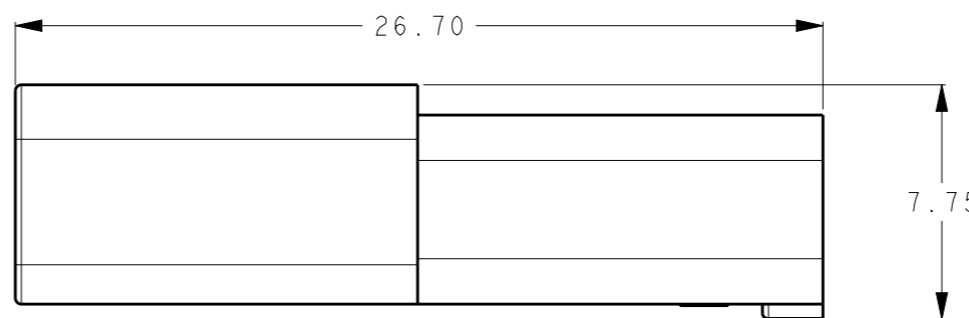
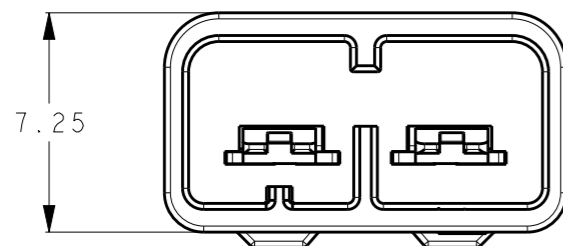
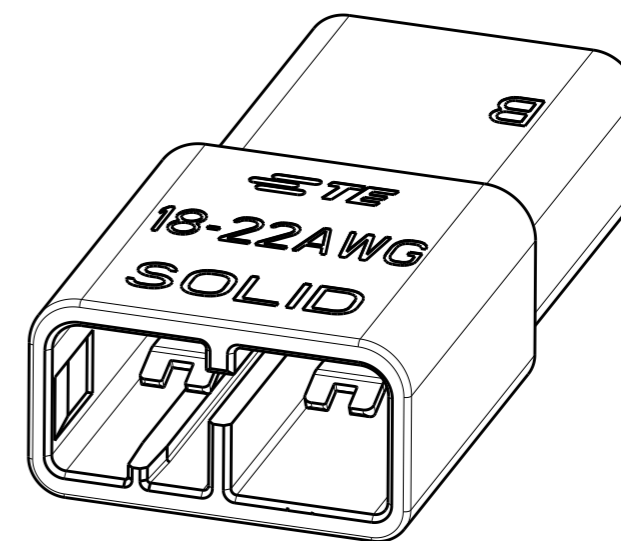
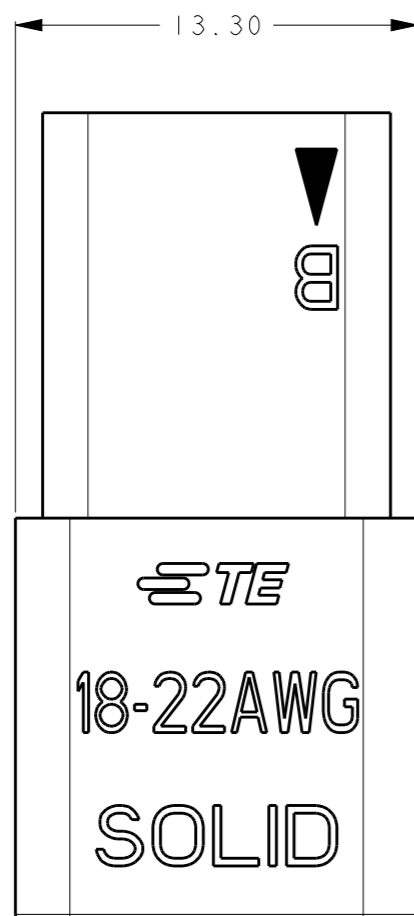
ALL RIGHTS RESERVED.

LOC
ES

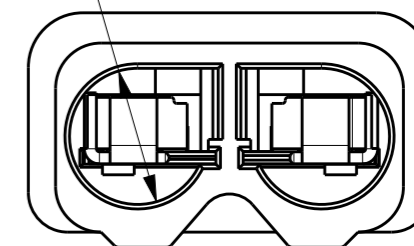
DIST

REVISIONS

P	LTR	DESCRIPTION	DATE	DWN	APVD
B		ECR-16-007582	01JUN2016	M.S	X.X
C		ECR-18-020006	03APR2019	M.S	M.S
C1		ECR-19-013399	26DEC2019	F.F	M.S
C2		ECR-20-009837	14JULY2020	W.Z	M.S



Ø 4.50 (2X)



PART NUMBER	PART COLOR
2271183-1	ORANGE
2271183-2	BLACK
2271183-3	WHITE (NATURAL)

NOTES:

- 1. TE PART NUMBER: SEE TABLE.
- 2. MATERIAL: NYLON, UL 94-V0. COLOR: ORANGE.
- 3. FINISH: TIN PLATING OVERALL.
- 4. APPLICABLE WIRE: AWG18-22 SOLID OR TIN DIPPED STRANDED. (16 STRANDS MAX. FOR 18 AWG, 7 STRANDS MAX FOR 20-22 AWG. SEE RELATED APPLICATION SPECIFICATION AND PRODUCT SPECIFICATION) STRIP LENGTH: 9.0-9.6mm.
- 5. APPLICABLE MATING PLUG: 2271180 SERIES.
- 6. PRODUCT COMPLIES TO UL 2459 REQUIREMENT AND QUALIFIED: ZMNA.E308110 ; ZMNA7.E308110

THIS DRAWING IS A CONTROLLED DOCUMENT.

DIMENSIONS:	TOLERANCES UNLESS OTHERWISE SPECIFIED:
mm	± 0.5
	Ø PLC ±
	1 PLC ±
	2 PLC ±
	3 PLC ±
	4 PLC ±
	ANGLES ±5°
MATERIAL	FINISH

DWN	26DEC2019
CHK	FRANK FAN
APVD	26DEC2019
PRODUCT SPEC	GEORGE FU
APPLICATION SPEC	26DEC2019
WEIGHT	MING SHI
CUSTOMER DRAWING	108-137020
	114-137020
	1.82 g

TE Connectivity		NAME		RESTRICTED TO
TE		2 PINS WIRE TO WIRE CONNECTOR RECEPTACLE		-
SIZE	CAGE CODE	DRAWING NO	RESTRICTED TO	
A3	00779	C-2271183		
SCALE	SHEET	OF	REV	
4:1	1	3	C2	

THIS DRAWING IS UNPUBLISHED.

RELEASED FOR PUBLICATION

20

© COPYRIGHT 20

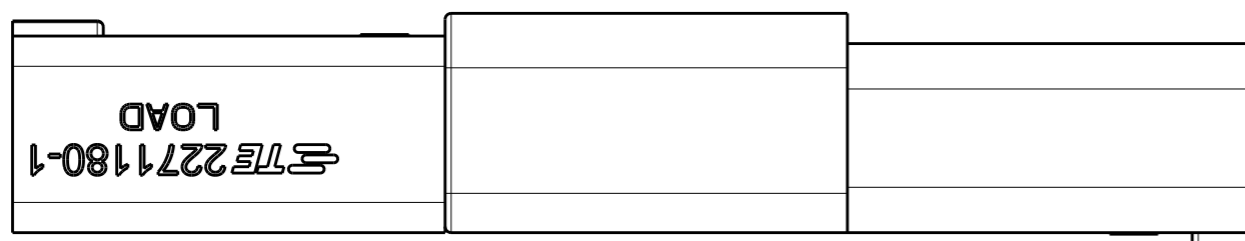
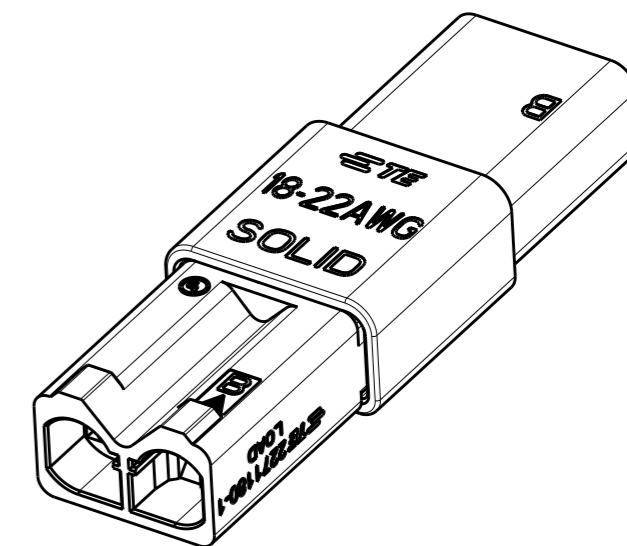
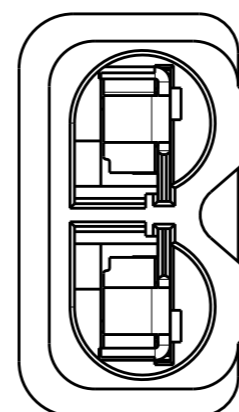
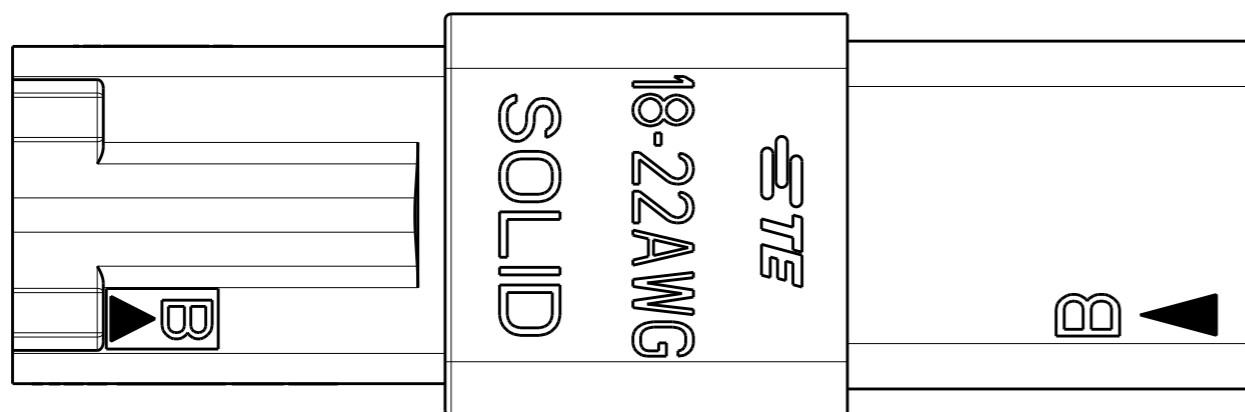
ALL RIGHTS RESERVED.

LOC ES DIST

REVISIONS

P	LTR	DESCRIPTION	DATE	DWN	APVD

MATED WITH PLUG



THIS DRAWING IS A CONTROLLED DOCUMENT.

DIMENSIONS:
mm



TOLERANCES UNLESS OTHERWISE SPECIFIED:
± 0.5

0-PLC	±
1-PLC	±
2-PLC	±
3-PLC	±
4-PLC	±
ANGLES	± 5°

MATERIAL

FINISH

DWN	26DEC2019
CHK	FRANK FAN
APVD	26DEC2019
	GEORGE FU
	26DEC2019
	MING SHI

PRODUCT SPEC

APPLICATION SPEC

WEIGHT

CUSTOMER DRAWING

STE TE Connectivity

NAME
2 PINS WIRE TO WIRE CONNECTOR RECEPTACLE

SIZE	CAGE CODE	DRAWING NO	RESTRICTED TO
------	-----------	------------	---------------

A3	00779	C-2271183	-
----	-------	-----------	---

SCALE	SHEET	OF	REV
4:1	2	3	C2

THIS DRAWING IS UNPUBLISHED.

RELEASED FOR PUBLICATION

20

© COPYRIGHT 20

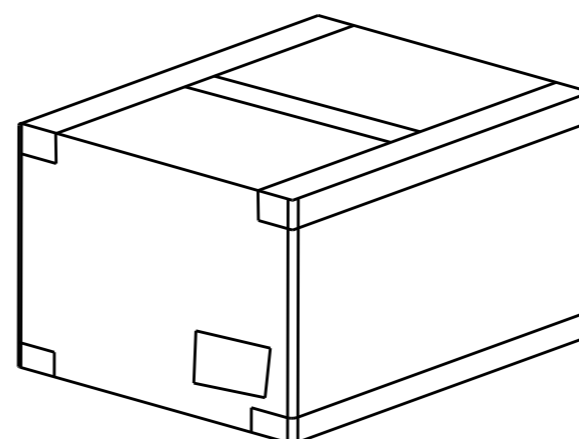
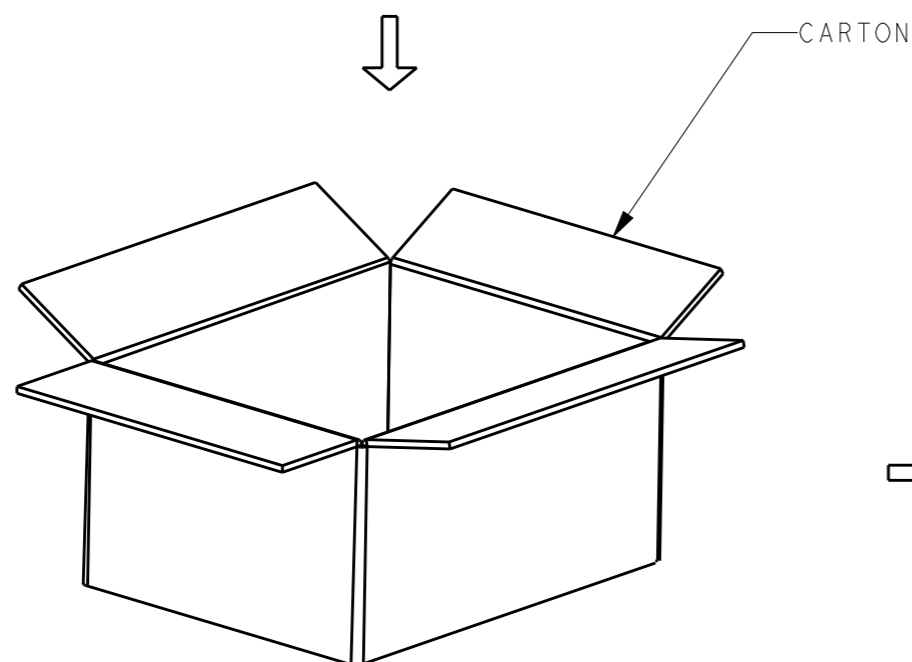
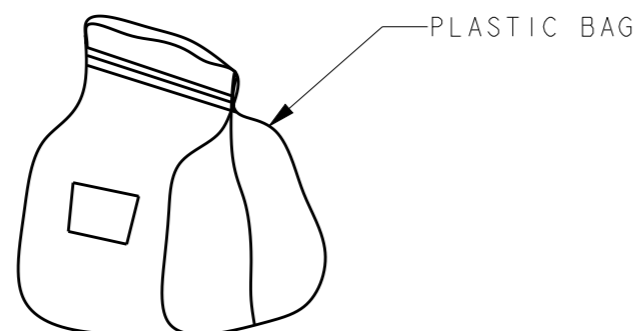
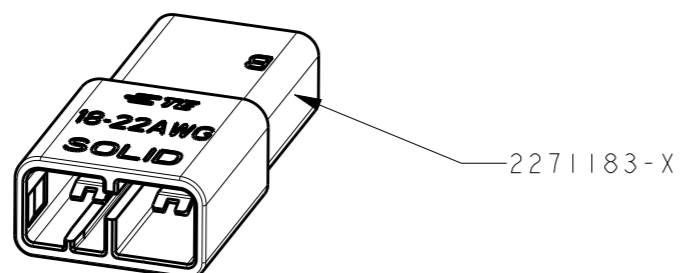
ALL RIGHTS RESERVED.

LOC
ES

DIST

REVISIONS

P	LTR	DESCRIPTION	DATE	DWN	APVD



NOTE:
1. PACKAGING QUANTITY: SEE TABLE.

PARTS PER BAG	BAGS PER CARTON	PARTS PER CARTON
500 PCS	8	4000 PCS

THIS DRAWING IS A CONTROLLED DOCUMENT.

DIMENSIONS: mm		TOLERANCES UNLESS OTHERWISE SPECIFIED:	
		0 PLC	±
		1 PLC	±10.0
		2 PLC	±5.0
		3 PLC	±
		4 PLC	±
MATERIAL		FINISH	
-		-	

DWN	26DEC2019
CHK	FRANK FAN
APVD	26DEC2019
	GEORGE FU
	26DEC2019
	MING SHI
PRODUCT SPEC	-
APPLICATION SPEC	-
WEIGHT	-
CUSTOMER DRAWING	

STE TE Connectivity

NAME 2 PINS WIRE TO WIRE CONNECTOR RECEPTACLE			
SIZE	CAGE CODE	DRAWING NO	RESTRICTED TO
A3	00779	C-2271183	-
SCALE 4:1		SHEET 3 OF 3	REV C2