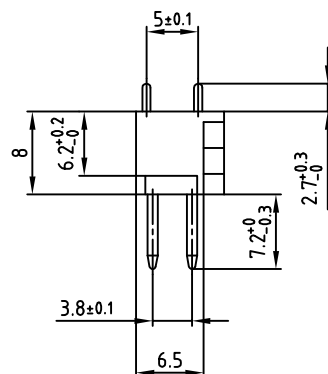
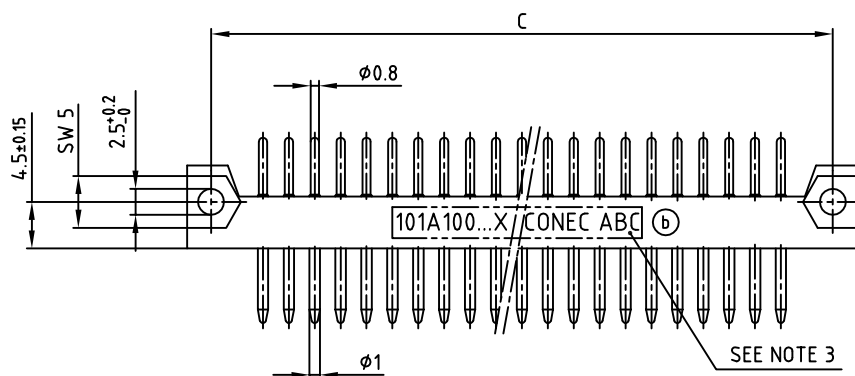
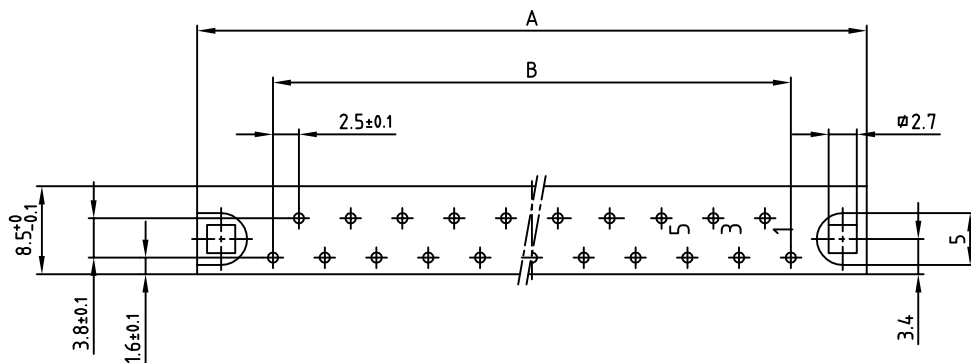
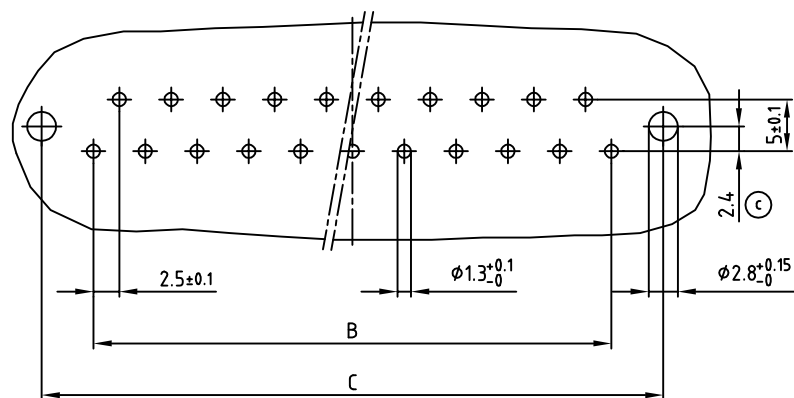


used for: DIN 41617

Part-No.	No. of pos.	A ±0.2	B ±0.1	C ±0.1
101A10019X	13	44.6	12x2.5=30	40
101A10029X	21	64.6	20x2.5=50	60
101A10039X	31	89.6	30x2.5=75	85



P.C.B.-HOLE DRILLINGS  
( P.C.B. TOP SIDE )



NOTES:

- INSULATOR: PC GF UL 94 V-1, GREY (b)
- CONTACTS: COPPER ALLOY  
PLATING: GOLD FLASH over NICKEL
- CONNECTOR IS PART MARKED: PART-NÖ. CONEC ABC

RoHS compliant

THIS DRAWING MAY NOT BE COPIED OR REPRODUCED IN ANY WAY, AND MAY NOT BE PASSED ON TO A THIRD PARTY, WITHOUT WRITTEN PERMISSION. OWNERSHIP AND COPYRIGHT OF CONEC Gmbh DO NOT ALTER CAD DRAWING BY HAND

rev.	description	date	name
1 x c	Ä6751	12.06.2017	Lehm. d-old
1 x b	Ä6154	08.11.2011	K.H.
a	Original		

tolerance		dim. in mm	
2002	date	name	
drawn	22.11.	Parei	
appd.	22.11.	Kühle	
norm	DIN 41617		

scale:	2:1
material:	SEE NOTES
title:	MALE CONNECTOR 13-31pos. SPECIAL INSULATOR with straight solder pins
dwg no:	10K1A003
part no:	SEE TABLE

DIN-A  
3  
sh:1/1