

STARTER, 3RE41226AA314NY0, WITH MODS



Figure similar

|   |                                 |
|---|---------------------------------|
| product brand name  | Siemens                         |
| product designation   | Non-reversing motor starter     |
| special product feature   | Hand-Off-Auto Selector Switch   |
| <b>General technical data</b>   |                                 |
| weight [lb]   | 8 lb                            |
| Height x Width x Depth [in]   | 11 × 7 × 5 in                   |
| touch protection against electrical shock                               | NA for enclosed products        |
| installation altitude [ft] at height above sea level maximum            | 6 560 ft                        |
| ambient temperature [°F] during storage                                 | -22 ... +149 °F                 |
| ambient temperature [°F] during operation                               | -4 ... +104 °F                  |
| ambient temperature during storage                                      | -30 ... +65 °C                  |
| ambient temperature during operation                                    | -20 ... +40 °C                  |
| country of origin   | Germany                         |
| <b>Power and control electronics</b>                                    |                                 |
| number of poles for main current circuit                                | 3                               |
| type of voltage of the control supply voltage                           | AC                              |
| control supply voltage  |                                 |
| • at AC at 50 Hz rated value  | 110 V                           |
| • at AC at 60 Hz rated value  | 120 V                           |
| disconnecter functionality  | No                              |
| yielded mechanical performance [hp] for 3-phase AC motor                |                                 |
| • at 200/208 V rated value  | 7.5 hp                          |
| • at 220/230 V rated value  | 7.5 hp                          |
| • at 460/480 V rated value  | 15 hp                           |
| • at 575/600 V rated value  | 20 hp                           |
| <b>Contactors</b>   |                                 |
| number of NO contacts for main contacts                                 | 3                               |
| operating voltage for main current circuit at AC at 60 Hz maximum       | 600 V                           |
| operating voltage at AC-3 rated value maximum                           | 600 V                           |
| mechanical service life (switching cycles) of the main contacts typical | 30 000 000                      |
| <b>Auxiliary contact</b>  |                                 |
| number of NC contacts for auxiliary contacts                            | 1                               |
| number of NO contacts for auxiliary contacts                            | 1                               |
| number of total auxiliary contacts maximum                              | 8                               |
| contact rating of auxiliary contacts of contactor according to UL       | 10A@600V(A600), 2.5A@600V(Q600) |

| Coil   |  |
|--|--|
| apparent pick-up power of magnet coil at AC  | 79 VA  |
| apparent holding power of magnet coil at AC  | 8.5 VA   |
| operating range factor control supply voltage rated value of magnet coil   | 0.8 ... 1.1  |
| ON-delay time  | 8 ... 40 ms  |
| OFF-delay time   | 4 ... 16 ms  |
| Overload relay   |  |
| product function   |  |
| • overload protection  | Yes  |
| • test function  | Yes  |
| • external reset   | Yes  |
| reset function   | Manual, automatic and remote (with optional accessory) |
| adjustment range of thermal overload trip unit   | 23 ... 28  |
| number of NC contacts of auxiliary contacts of overload relay  | 1  |
| number of NO contacts of auxiliary contacts of overload relay  | 1  |
| contact rating of auxiliary contacts of overload relay according to UL   | 5A@600VAC (B600), 1A@250VDC (R300)                     |
| Enclosure  |  |
| degree of protection NEMA rating of the enclosure  | NEMA 1 standard size enclosure                         |
| design of the housing  | indoors, usable on a general basis                     |
| Mounting/wiring  |  |
| mounting position  | vertical   |
| fastening method   | Surface mounting and installation                      |
| type of electrical connection for supply voltage line-side   | Screw-type terminals                                   |
| tightening torque [lbf-in] for supply  | 18 ... 21 lbf-in                                       |
| type of connectable conductor cross-sections at line-side at AWG cables single or multi-stranded                             | 2x (16 ... 12), 2x (14 ... 8)                          |
| temperature of the conductor for supply maximum permissible  | 60 °C  |
| material of the conductor for supply   | CU   |
| type of electrical connection for load-side outgoing feeder  | Screw-type terminals                                   |
| tightening torque [lbf-in] for load-side outgoing feeder   | 18 ... 21 lbf-in                                       |
| type of connectable conductor cross-sections at AWG cables for load-side outgoing feeder single or multi-stranded            | 2x (16 ... 12), 2x (14 ... 8)                          |
| temperature of the conductor for load-side outgoing feeder maximum permissible   | 60 °C  |
| material of the conductor for load-side outgoing feeder  | CU   |
| type of electrical connection of magnet coil   | Screw-type terminals                                   |
| tightening torque [lbf-in] at magnet coil  | 7 ... 10 lbf-in  |
| type of connectable conductor cross-sections of magnet coil at AWG cables single or multi-stranded                           | 2x (16 ... 12), 2x (14 ... 8)                          |
| temperature of the conductor at magnet coil maximum permissible  | 75 °C  |
| material of the conductor at magnet coil   | CU   |
| type of electrical connection for auxiliary contacts   | Screw-type terminals                                   |
| tightening torque [lbf-in] at contactor for auxiliary contacts   | 7 ... 10 lbf-in  |
| type of connectable conductor cross-sections at contactor at AWG cables for auxiliary contacts single or multi-stranded      | 2x (20 ... 16), 2x (18 ... 14)                         |
| temperature of the conductor at contactor for auxiliary contacts maximum permissible   | 75 °C  |
| material of the conductor at contactor for auxiliary contacts  | CU   |
| type of electrical connection at overload relay for auxiliary contacts   | Screw-type terminals                                   |
| tightening torque [lbf-in] at overload relay for auxiliary contacts  | 7 ... 10 lbf-in  |
| type of connectable conductor cross-sections at overload relay at AWG cables for auxiliary contacts single or multi-stranded | 2x (20 ... 16), 2x (18 ... 14)                         |
| temperature of the conductor at overload relay for auxiliary   | 70 °C  |

|  |                                  |
|--|----------------------------------|
| contacts maximum permissible   |                                  |
| material of the conductor at overload relay for auxiliary contacts                             | CU                               |
| <b>Short-circuit current rating</b>  |                                  |
| design of the fuse link for short-circuit protection of the main circuit required              | Class J                          |
| design of the short-circuit trip   | Thermal magnetic circuit breaker |
| breaking capacity maximum short-circuit current (I <sub>cu</sub> )                             |                                  |
| <ul style="list-style-type: none"> <li>at 240 V</li> <li>at 480 V</li> <li>at 600 V</li> </ul> | 5 kA<br>5 kA<br>5 kA             |
| certificate of suitability   | UL 60947-4-1                     |
| <b>Further information</b>   |                                  |

Industrial Controls - Product Overview (Catalogs, Brochures,...)

[www.usa.siemens.com/iccatalog](http://www.usa.siemens.com/iccatalog)

Industry Mall (Online ordering system)

<https://mall.industry.siemens.com/mall/en/us/Catalog/product?mlfb=3RE4122-6AA31-4NF6>

Search Datasheet in Service&Support (Manuals)

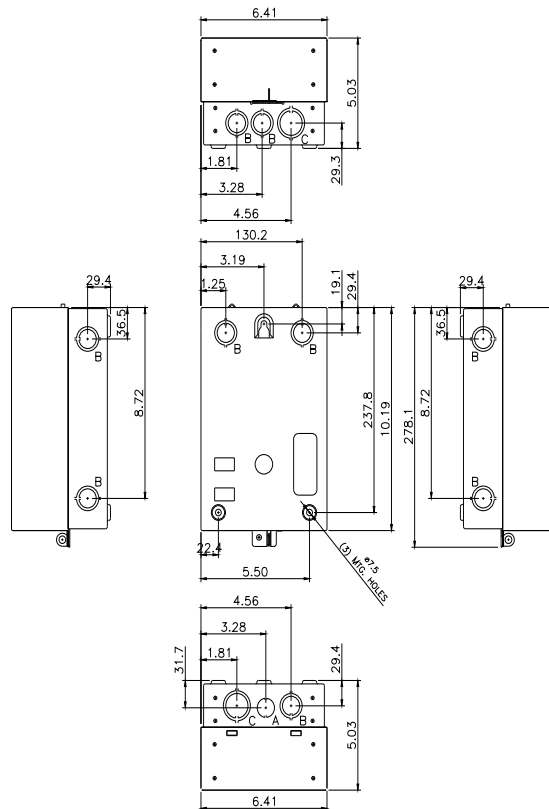
<https://support.industry.siemens.com/cs/US/en/ps/3RE4122-6AA31-4NF6/man>

Image database (product images, 2D dimension drawings, 3D models, device circuit diagrams, EPLAN macros, ...)

[http://www.automation.siemens.com/bilddb/cax\\_de.aspx?mlfb=3RE4122-6AA31-4NF6&lang=en](http://www.automation.siemens.com/bilddb/cax_de.aspx?mlfb=3RE4122-6AA31-4NF6&lang=en)

Certificates/approvals

<https://support.industry.siemens.com/cs/US/en/ps/3RE4122-6AA31-4NF6/certificate>



| LETTER | KNOCKOUT & CONDUIT SIZE             |
|--------|-------------------------------------|
| A      | ø22.2 FOR 12.7 CONDUIT              |
| B      | ø22.2 X ø28.6 FOR 12.7 & 19 CONDUIT |
| C      | ø28.6 X ø34.9 FOR 19 & 25.4 CONDUIT |

last modified:

1/25/2022