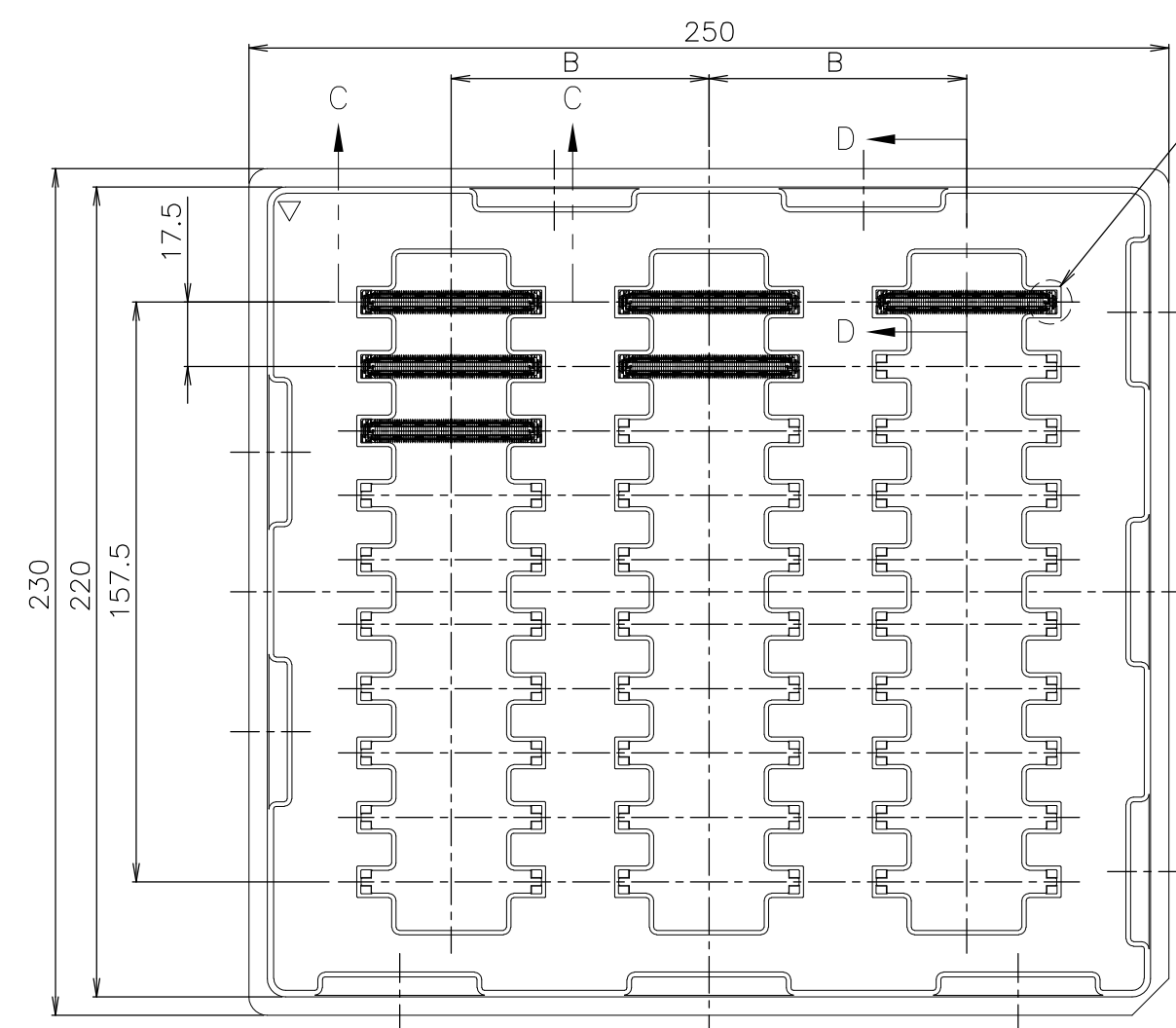
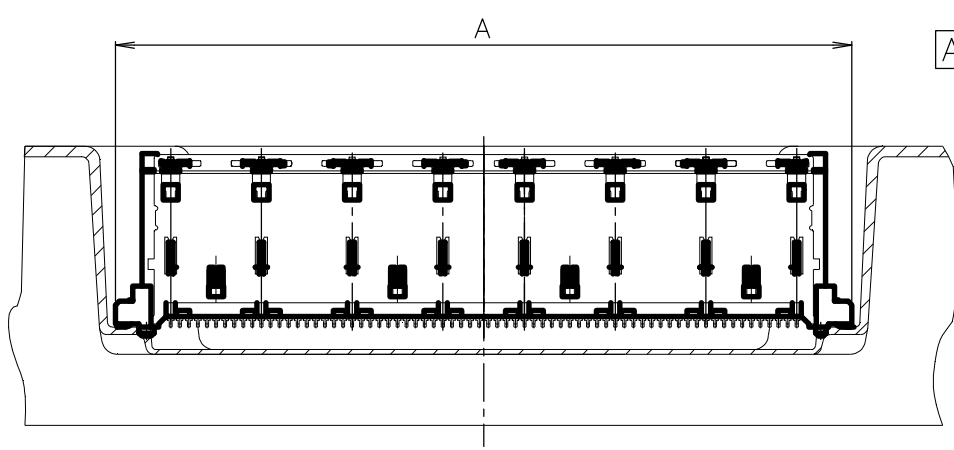


THIS DRAWING IS UNPUBLISHED. RELEASED FOR PUBLICATION - ,2000.
 © COPYRIGHT 2000 BY TYCO ELECTRONICS CORPORATION. ALL RIGHTS RESERVED.

LOC	DIST	REVISIONS			DATE	DWN	APVD
J		P	LTR	DESCRIPTION			
		A	REVISED	ECR-08-000339	01FEB08	T.T	T.F

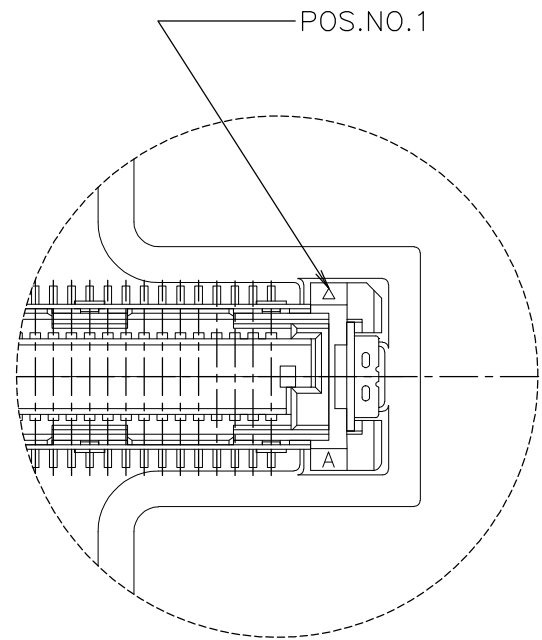
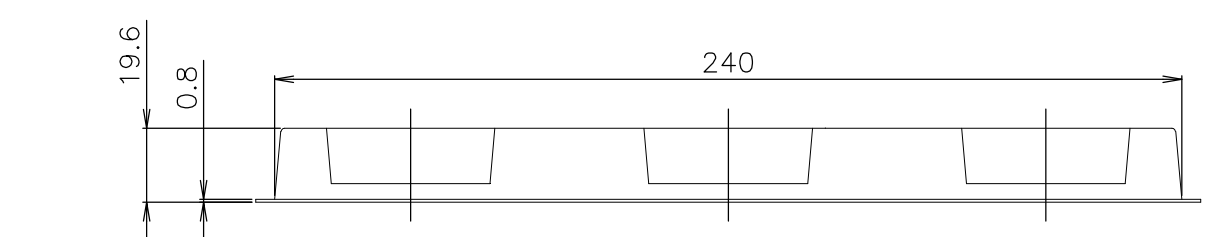


SEE DETAIL E

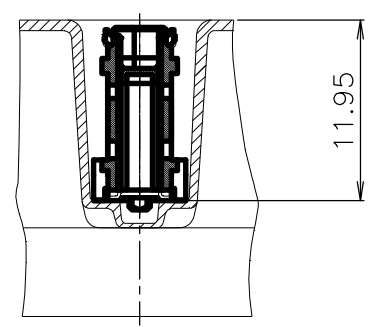


AS SHOWN:TYPE-1

C-C
(SCALE 2:1)

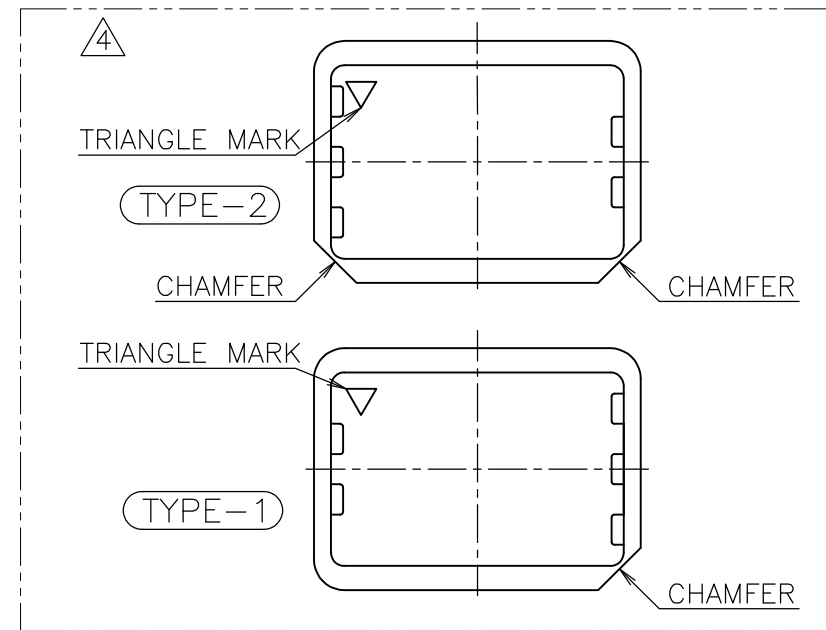


DETAIL E
(SCALE 4:1)



D-D
(SCALE 2:1)

⚠ TRAY TYPE-1 AND TYPE-2 MUST BE
 PILED UP BY TURNS.
 (REFER TO PACKING SPECIFICATIONS)



NON SEALANT	AVAILABLE	3	30	70	48.7	140	1-912071-9	6473225-1
SEALANT	TOOLING STATUS	LOW	QTY	B	A	POS.	TRAY P/N	PART NO.

THIS DRAWING IS A CONTROLLED DOCUMENT.		DWN	WENKE HE	12JUN05	Tyco Electronics Corporation Kawasaki, Japan			
DIMENSIONS: XM? ? mm		CHK	GAVIN ZHANG	12JUN05				
TOLERANCES UNLESS OTHERWISE SPECIFIED: μm		APVD	STEVEN YAO	12JUN05	NAME	?o		
0 PLC ± -		PRODUCT SPEC		108-60047		SOFT TRAY ASSY		
1 PLC ± -		APPLICATION SPEC		114-5255		FH 0.6BTB CONNECTOR		
2 PLC ± -		WEIGHT		A300779		PLUG 12H W/G-PLATE		
3 PLC ± -		SIZE		A300779		RESTRICTED TO		
4 PLC ± -		CAGE CODE		G-6473225		SCALE		
ANGLES ± -		DRAWING NO		G-6473225		1:2		
FINISH □		SHEET		1 OF 2		REV		
MATERIAL P?		CUSTOMER DRAWING		SCALE		A		

GENERAL TOLERANCE
 一般公差
 10 ≥ ±0.2
 30 ≥ >10: ±0.25
 100 ≥ >30: ±0.3
 ANGLES: ±3°

