

# RM57Lx 16/32-Bit RISC Flash Microcontroller

## Technical Reference Manual



Literature Number: SPNU562  
May 2014

<b>Preface</b> .....	<b>94</b>
<b>1 Introduction</b> .....	<b>95</b>
1.1 Designed for Safety Applications.....	96
1.2 Family Description.....	97
1.3 Endianism Considerations.....	100
1.3.1 RM57Lx: Little Endian (LE).....	100
<b>2 Architecture</b> .....	<b>101</b>
2.1 Introduction.....	102
2.1.1 Architecture Block Diagram.....	102
2.1.2 Definitions of Terms.....	104
2.1.3 Bus Master / Slave Access Privileges.....	107
2.1.4 CPU Interconnect Subsystem SDC MMR Port.....	107
2.1.5 Interconnect Subsystem Runtime Status.....	108
2.1.6 Master ID to PCRx.....	108
2.2 Memory Organization.....	109
2.2.1 Memory Map Overview.....	109
2.2.2 Memory Map Table.....	111
2.2.3 Flash on Microcontrollers.....	117
2.2.4 On-Chip SRAM.....	122
2.3 Exceptions.....	127
2.3.1 Resets.....	127
2.3.2 Aborts.....	127
2.3.3 System Software Interrupts.....	129
2.4 Clocks.....	130
2.4.1 Clock Sources.....	130
2.4.2 Clock Domains.....	131
2.4.3 Low Power Modes.....	133
2.4.4 Clock Test Mode.....	134
2.4.5 Embedded Trace Macrocell (ETM-R5).....	136
2.4.6 Safety Considerations for Clocks.....	136
2.5 System and Peripheral Control Registers.....	139
2.5.1 Primary System Control Registers (SYS).....	139
2.5.2 Secondary System Control Registers (SYS2).....	191
2.5.3 Peripheral Central Resource (PCR) Control Registers.....	203
<b>3 SCR Control Module (SCM)</b> .....	<b>237</b>
3.1 Overview.....	238
3.1.1 Features.....	238
3.1.2 System Block Diagram.....	239
3.2 Module Operation.....	240
3.2.1 Block Diagram.....	240
3.2.2 Timeout Threshold Compare Block.....	240
3.2.3 SCM Control Block.....	241
3.3 How to Use SCM.....	242
3.3.1 How to Check the Parity Compare Logic.....	242
3.3.2 How to Initiate Self-test Sequence.....	243

3.3.3	How to Configure Timeout Check .....	244
3.4	SCM Registers .....	245
3.4.1	SCM REVID Register (SCMREVID).....	245
3.4.2	SCM Control Register (SCMCNTRL) .....	246
3.4.3	SCM Compare Threshold Counter Register (SCMTHRESHOLD) .....	247
3.4.4	SCM Initiator Error0 Status Register (SCMIAERR0STAT).....	248
3.4.5	SCM Initiator Error1 Status Register (SCMIAERR1STAT).....	248
3.4.6	SCM Initiator Active Status Register (SCMIASTAT) .....	249
3.4.7	SCM Target Active Status Register (SCMTASTAT) .....	249
<b>4</b>	<b>Interconnect</b> .....	<b>250</b>
4.1	Overview .....	251
4.1.1	Block Diagram.....	251
4.2	Peripheral Interconnect Subsystem .....	251
4.2.1	Accessing PCRx and CRCx Slave .....	252
4.2.2	Accessing SDC MMR Port Slave.....	252
4.2.3	Accessing Other Slaves via PS_SCR_S .....	252
4.3	CPU Interconnect Subsystem.....	253
4.3.1	Slave Accessing .....	253
4.3.2	ECC Generation and Evaluation.....	254
4.3.3	Safety Diagnostic Checker .....	254
4.3.4	Interconnect Self-test.....	255
4.3.5	Interconnect Timeout.....	255
4.3.6	Interconnect Runtime Status .....	256
4.4	SDC MMR Registers .....	257
4.4.1	SDC Status Register (SDC_STATUS).....	258
4.4.2	SDC Control Register (SDC_CONTROL) .....	259
4.4.3	Error Generic Parity Register (ERR_GENERIC_PARITY) .....	259
4.4.4	Error Unexpected Transaction Register (ERR_UNEXPECTED_TRANS) .....	260
4.4.5	Error Transaction ID Register (ERR_TRANS_ID).....	260
4.4.6	Error Transaction Signature Register (ERR_TRANS_SIGNATURE) .....	261
4.4.7	Error Transaction Type Register (ERR_TRANS_TYPE) .....	261
4.4.8	Error User Parity Register (ERR_USER_PARITY).....	262
4.4.9	Slave Error Unexpected Master ID Register (SERR_UNEXPECTED_MID).....	262
4.4.10	Slave Error Address Decode Register (SERR_ADDR_DECODE).....	263
4.4.11	Slave Error User Parity Register (SERR_USER_PARITY) .....	263
<b>5</b>	<b>Power Management Module (PMM)</b> .....	<b>264</b>
5.1	Overview .....	265
5.1.1	Features.....	265
5.1.2	Block Diagram.....	265
5.2	Power Domains .....	267
5.3	PMM Operation .....	268
5.3.1	Power Domain State .....	268
5.3.2	Default Power Domain State .....	268
5.3.3	Disabling a Power Domain Permanently .....	268
5.3.4	Changing Power Domain State .....	268
5.3.5	Reset Management.....	269
5.3.6	Diagnostic Power State Controller (PSCON) .....	269
5.3.7	PSCON Compare Block .....	269
5.4	PMM Registers.....	270
5.4.1	Logic Power Domain Control Register (LOGICPDPWRCTRL0) .....	271
5.4.2	Logic Power Domain Control Register (LOGICPDPWRCTRL1) .....	272
5.4.3	Power Domain Clock Disable Register (PDCLKDISREG) .....	273
5.4.4	Power Domain Clock Disable Set Register (PDCLKDISSETREG) .....	274

5.4.5	Power Domain Clock Disable Clear Register (PDCLKDISCLRREG) .....	275
5.4.6	Logic Power Domain PD2 Power Status Register (LOGICPDPWRSTAT0) .....	276
5.4.7	Logic Power Domain PD3 Power Status Register (LOGICPDPWRSTAT1) .....	277
5.4.8	Logic Power Domain PD4 Power Status Register (LOGICPDPWRSTAT2) .....	278
5.4.9	Logic Power Domain PD5 Power Status Register (LOGICPDPWRSTAT3) .....	279
5.4.10	Logic Power Domain PD6 Power Status Register (LOGICPDPWRSTAT4) .....	280
5.4.11	Global Control Register 1 (GLOBALCTRL1) .....	281
5.4.12	Global Status Register (GLOBALSTAT) .....	282
5.4.13	PSCON Diagnostic Compare Key Register (PRCKEYREG) .....	282
5.4.14	LogicPD PSCON Diagnostic Compare Status Register 1 (LPDDCSTAT1).....	283
5.4.15	LogicPD PSCON Diagnostic Compare Status Register 2 (LPDDCSTAT2).....	284
5.4.16	Isolation Diagnostic Status Register (ISODIAGSTAT).....	285
<b>6</b>	<b>I/O Multiplexing and Control Module (IOMM) .....</b>	<b>286</b>
6.1	Overview .....	287
6.2	Main Features of I/O Multiplexing Module (IOMM) .....	287
6.3	Control of Multiplexed Outputs .....	287
6.4	Control of Multiplexed Inputs .....	288
6.5	Control of Special Multiplexed Options .....	297
6.5.1	Control of SDRAM clock (EMIF_CLK) .....	299
6.5.2	Control for other EMIF Outputs .....	299
6.5.3	Control of Ethernet Controller Mode .....	299
6.5.4	Control of ADC Trigger Events.....	299
6.5.5	Control for ADC Event Trigger Signal Generation from ePWMx Modules .....	300
6.5.6	Control for Generating Interrupt Upon External Fault Indication to N2HETx .....	303
6.5.7	Control for Synchronizing Time Bases for All ePWMx Modules.....	305
6.5.8	Control for Synchronizing all ePWMx Modules to N2HET1 Module Time-Base .....	305
6.5.9	Control for Input Connections to ePWMx Modules.....	306
6.5.10	Control for Input Connections to eCAPx Modules.....	307
6.5.11	Control for Input Connections to eQEPx Modules.....	308
6.5.12	Selecting GIO Port for External DMA Request .....	310
6.5.13	Temperature Sensor Selection .....	311
6.6	Safety Features .....	312
6.6.1	Locking Mechanism for Memory-Mapped Registers .....	312
6.6.2	Master ID Check .....	312
6.6.3	Error Conditions.....	312
6.7	IOMM Registers.....	313
6.7.1	REVISION_REG: Revision Register .....	313
6.7.2	BOOT_REG: Boot Mode Register.....	314
6.7.3	KICK_REG0: Kicker Register 0 .....	314
6.7.4	KICK_REG1: Kicker Register 1 .....	314
6.7.5	ERR_RAW_STATUS_REG: Error Raw Status / Set Register .....	315
6.7.6	ERR_ENABLED_STATUS_REG: Error Enabled Status / Clear Register.....	316
6.7.7	ERR_ENABLE_REG: Error Signaling Enable Register.....	317
6.7.8	ERR_ENABLE_CLR_REG: Error Signaling Enable Clear Register .....	318
6.7.9	FAULT_ADDRESS_REG: Fault Address Register.....	318
6.7.10	FAULT_STATUS_REG: Fault Status Register .....	319
6.7.11	FAULT_CLEAR_REG: Fault Clear Register .....	320
6.7.12	PINMMRnn: Output Pin Multiplexing Control Registers .....	320
6.7.13	PINMMRnn: Input Pin Multiplexing Control Registers .....	321
6.7.14	PINMMRnn: Special Functionality Multiplexing Control Registers .....	321
<b>7</b>	<b>F021 Level 2 Flash Module Controller (L2FMC).....</b>	<b>322</b>
7.1	Overview .....	323
7.1.1	Features.....	323

7.1.2	Definition of Terms.....	323
7.1.3	F021 Flash Tools .....	324
7.2	Default Flash Configuration .....	324
7.3	EEPROM Emulation Support.....	324
7.4	SECEDED .....	325
7.4.1	SECEDED Initialization .....	325
7.4.2	ECC Encoding.....	325
7.4.3	Syndrome Table: Decode to Bit in Error .....	327
7.4.4	Syndrome Table: An Alternate Method .....	328
7.5	Memory Map .....	329
7.5.1	Location of Flash ECC Bits.....	329
7.5.2	OTP Memory .....	330
7.6	Deliberate ECC Errors for FMC ECC Checking .....	333
7.7	Power On, Power Off Considerations.....	334
7.7.1	Error Checking at Power On .....	334
7.7.2	Flash Integrity at Power Off .....	334
7.8	Emulation and SIL3 Diagnostic Modes .....	334
7.8.1	System Emulation .....	334
7.8.2	Diagnostic Mode .....	334
7.8.3	Diagnostic Mode Summary.....	336
7.8.4	SECEDED Software Diagnostic .....	337
7.8.5	Read Margin.....	337
7.9	Parameter Overlay Module (POM) .....	337
7.9.1	Example Procedure to Configure the POM .....	337
7.10	Summary of L2FMC Errors .....	338
7.11	Flash Control Registers .....	339
7.11.1	Flash Read Control Register (FRDCNTL).....	340
7.11.2	EEPROM Error Correction Control Register (EE_FEDACCTRL1).....	341
7.11.3	Flash PortA Error and Status Register (FEDAC_PASTATUS) .....	342
7.11.4	Flash PortB Error and Status Register (FEDAC_PBSTATUS) .....	343
7.11.5	Flash Global Error and Status Register (FEDAC_GBLSTATUS) .....	344
7.11.6	Flash Error Detection and Correction Sector Disable Register (FEDACSDIS).....	345
7.11.7	Primary Address Tag Register (FPRIM_ADD_TAG).....	346
7.11.8	Duplicate Address Tag Register (FDUP_ADD_TAG).....	346
7.11.9	Flash Bank Protection Register (FBPROT) .....	347
7.11.10	Flash Bank Sector Enable Register (FBSE).....	347
7.11.11	Flash Bank Busy Register (FBBUSY) .....	348
7.11.12	Flash Bank Access Control Register (FBAC) .....	348
7.11.13	Flash Bank Power Mode Register (FBPWRMODE) .....	349
7.11.14	Flash Bank/Pump Ready Register (FBPRDY) .....	350
7.11.15	Flash Pump Access Control Register 1 (FPAC1).....	351
7.11.16	Flash Module Access Control Register (FMAC) .....	352
7.11.17	Flash Module Status Register (FMSTAT).....	353
7.11.18	EEPROM Emulation Data MSW Register (FEMU_DMSW) .....	355
7.11.19	EEPROM Emulation Data LSW Register (FEMU_DLSW).....	355
7.11.20	EEPROM Emulation ECC Register (FEMU_ECC) .....	356
7.11.21	Flash Lock Register (FLOCK) .....	356
7.11.22	Diagnostic Control Register (FDIAGCTRL).....	357
7.11.23	Raw Address Register (FRAW_ADDR) .....	358
7.11.24	Parity Override Register (FPAR_OVR).....	359
7.11.25	Reset Configuration Valid Register (RCR_VALID) .....	360
7.11.26	Crossbar Access Time Threshold Register (ACC_THRESHOLD) .....	360
7.11.27	Flash Error Detection and Correction Sector Disable Register 2 (FEDACSDIS2) .....	361

7.11.28	Lower Word of Reset Configuration Read Register (RCR_VALUE0) .....	362
7.11.29	Upper Word of Reset Configuration Read Register (RCR_VALUE1) .....	362
7.11.30	FSM Register Write Enable Register (FSM_WR_ENA).....	363
7.11.31	EEPROM Emulation Configuration Register (EEPROM_CONFIG) .....	363
7.11.32	FSM Sector Register 1 (FSM_SECTOR1).....	364
7.11.33	FSM Sector Register 2 (FSM_SECTOR2).....	364
7.11.34	Flash Bank Configuration Register (FCFG_BANK).....	365
7.12	POM Control Registers .....	366
7.12.1	POM Global Control Register (POMGLBCTRL).....	366
7.12.2	POM Revision ID Register (POMREV) .....	367
7.12.3	POM Flag Register (POMFLG) .....	367
7.12.4	POM Region Start Address Register (POMPROGSTARTx).....	368
7.12.5	POM Overlay Region Start Address Register (POMOVLSTARTx) .....	368
7.12.6	POM Region Size Register (POMREGSIZEx).....	369
<b>8</b>	<b>Level 2 RAM (L2RAMW) Module .....</b>	<b>370</b>
8.1	Overview .....	371
8.2	Module Operation.....	371
8.2.1	RAM Memory Map.....	371
8.2.2	Safety Features .....	372
8.2.3	L2RAMW Auto-Initialization .....	375
8.2.4	Trace Module Support .....	375
8.2.5	Emulation/Debug Mode Behavior.....	375
8.2.6	Diagnostic Test Procedure .....	375
8.3	Control and Status Registers.....	376
8.3.1	L2RAMW Module Control Register (RAMCTRL) .....	376
8.3.2	L2RAMW Error Status Register (RAMERRSTATUS).....	378
8.3.3	L2RAMW Diagnostic Data Vector High Register (DIAG_DATA_VECTOR_H).....	381
8.3.4	L2RAMW Diagnostic Data Vector Low Register (DIAG_DATA_VECTOR_L).....	381
8.3.5	L2RAMW Diagnostic ECC Vector Register (DIAG_ECC) .....	382
8.3.6	L2RAMW RAM Test Mode Control Register (RAMTEST) .....	383
8.3.7	L2RAMW RAM Address Decode Vector Test Register (RAMADDRDEC_VECT).....	384
8.3.8	L2RAMW Memory Initialization Domain Register (MEMINIT_DOMAIN) .....	385
8.3.9	L2RAMW Bank to Domain Mapping Register0 (BANK_DOMAIN_MAP0) .....	386
8.3.10	L2RAMW Bank to Domain Mapping Register1 (BANK_DOMAIN_MAP1) .....	386
<b>9</b>	<b>Programmable Built-In Self-Test (PBIST) Module .....</b>	<b>388</b>
9.1	Overview .....	389
9.1.1	Features of PBIST .....	389
9.1.2	PBIST vs. Application Software-Based Testing.....	389
9.1.3	PBIST Block Diagram .....	389
9.2	RAM Grouping and Algorithm .....	390
9.3	PBIST Flow .....	391
9.3.1	PBIST Sequence.....	392
9.4	Memory Test Algorithms on the On-chip ROM .....	394
9.5	PBIST Control Registers .....	395
9.5.1	RAM Configuration Register (RAMT) .....	396
9.5.2	Datalogger Register (DLR) .....	397
9.5.3	PBIST Activate/ROM Clock Enable Register (PACT).....	398
9.5.4	PBIST ID Register .....	399
9.5.5	Override Register (OVER).....	400
9.5.6	Fail Status Fail Registers (FSRF0 and FSRF1) .....	401
9.5.7	Fail Status Count Registers (FSRC0 and FSRC1).....	402
9.5.8	Fail Status Address Registers (FSRA0 and FSRA1) .....	403
9.5.9	Fail Status Data Registers (FSRDL0 and FSRDL1) .....	404

9.5.10	ROM Mask Register (ROM) .....	405
9.5.11	ROM Algorithm Mask Register (ALGO) .....	406
9.5.12	RAM Info Mask Lower Register (RINFOL) .....	407
9.5.13	RAM Info Mask Upper Register (RINFOU).....	408
9.6	PBIST Configuration Example .....	409
9.6.1	Example 1 : Configuration of PBIST Controller to Run Self-Test on DCAN1 RAM .....	409
9.6.2	Example 2 : Configuration of PBIST Controller to Run Self-Test on ALL RAM Groups.....	410
<b>10</b>	<b>Self-Test Controller (STC) Module.....</b>	<b>411</b>
10.1	General Description .....	412
10.1.1	Self-Test Controller Features .....	412
10.1.2	Terminology .....	413
10.1.3	STC Block Diagram .....	413
10.2	STC Module Assignments .....	419
10.3	STC Programmers Flow .....	420
10.4	Application Self-Test Flow .....	421
10.4.1	STC Module Configuration .....	421
10.4.2	Context Saving - CPU.....	421
10.4.3	Entering CPU Idle Mode .....	422
10.4.4	Entering nHET Idle Mode.....	422
10.4.5	Self-Test Completion and Error Generation.....	422
10.5	STC1 Segment 0 (CPU) Test Coverage and Duration .....	424
10.6	STC1 Segment 1 (uSCU) Test Coverage and Duration.....	426
10.7	STC2 (nHET) Test Coverage and Duration .....	427
10.8	STC Control Registers .....	428
10.8.1	STC Global Control Register 0 (STCGCR0) .....	429
10.8.2	STC Global Control Register 1 (STCGCR1) .....	430
10.8.3	Self-Test Run Timeout Counter Preload Register (STCTPR) .....	430
10.8.4	STC Current ROM Address Register - CORE1 (STCCADDR1) .....	431
10.8.5	STC Current Interval Count Register (STCCICR) .....	431
10.8.6	Self-Test Global Status Register (STCGSTAT) .....	432
10.8.7	Self-Test Fail Status Register (STCFSTAT) .....	433
10.8.8	CORE1 Current MISR Registers (CORE1_CURMISR[3:0]) .....	434
10.8.9	CORE2 Current MISR Registers (CORE2_CURMISR[3:0]) .....	435
10.8.10	Signature Compare Self-Check Register (STCSCSCR) .....	436
10.8.11	STC Current ROM Address Register - CORE2 (STCCADDR2) .....	436
10.8.12	STC Clock Prescaler Register (STCCLKDIV) .....	437
10.8.13	Segment Interval Preload Register (STCSEGPLR) .....	438
10.9	STC Configuration Example.....	439
10.9.1	Example: STC1 Self-Test Run .....	439
10.10	Self-Test Controller Diagnostics .....	440
<b>11</b>	<b>System Memory Protection Unit (NMPU).....</b>	<b>441</b>
11.1	Overview .....	442
11.1.1	Features.....	442
11.1.2	Safety Diagnostic .....	442
11.1.3	Block Diagram.....	443
11.2	Module Operation.....	444
11.2.1	Functional Mode .....	444
11.2.2	Diagnostic Mode .....	446
11.2.3	Functional Fail Safe .....	446
11.3	How to Use NMPU .....	447
11.3.1	How to Use NMPU in Functional Mode.....	447
11.3.2	How to Use Diagnostics .....	449
11.4	NMPU Registers .....	452

11.4.1	MPU Revision ID Register (MPUREV).....	453
11.4.2	MPU Lock Register (MPULOCK).....	453
11.4.3	MPU Diagnostics Control Register (MPUDIAGCTRL).....	454
11.4.4	MPU Diagnostic Address Register (MPUDIAGADDR).....	455
11.4.5	MPU Error Status Register (MPUERRSTAT).....	455
11.4.6	MPU Error Address Register (MPUERRADDR).....	457
11.4.7	MPU Control Register 1 (MPUCTRL1).....	457
11.4.8	MPU Control Register 2 (MPUCTRL2).....	458
11.4.9	MPU Type Register (MPUTYPE).....	459
11.4.10	MPU Region Base Address Register (MPUREGBASE).....	460
11.4.11	MPU Region Size and Enable Register (MPUREGSENA).....	460
11.4.12	MPU Region Access Control Register (MPUREGACR).....	462
11.4.13	MPU Region Number Register (MPUREGNUM).....	463
<b>12</b>	<b>Error Profiling Controller (EPC).....</b>	<b>464</b>
12.1	Overview.....	465
12.2	Module Operation.....	465
12.2.1	Uncorrectable Fault Operation.....	466
12.2.2	Correctable Fault Operation.....	466
12.3	How to Use EPC.....	468
12.3.1	Functional Mode.....	468
12.3.2	CAM Diagnostic Mode.....	469
12.4	EPC Control Registers.....	469
12.4.1	EPC REVID Register (EPCREVID).....	470
12.4.2	EPC Control Register (EPCCTRL).....	471
12.4.3	Uncorrectable Error Status Register (UERRSTAT).....	472
12.4.4	EPC Error Status Register (EPCERRSTAT).....	473
12.4.5	FIFO Full Status Register (FIFOFULLSTAT).....	474
12.4.6	IP Interface FIFO Overflow Status Register (OVRFLWSTAT).....	475
12.4.7	CAM Index Available Status Register (CAMAVAILSTAT).....	475
12.4.8	Uncorrectable Error Address Register n (UERR_ADDR).....	476
12.4.9	CAM Content Update Register n (CAM_CONTENT).....	476
12.4.10	CAM Index Registers (CAM_INDEX[0-7]).....	477
<b>13</b>	<b>CPU Compare Module for Cortex™-R5F (CCM-R5F).....</b>	<b>478</b>
13.1	Overview.....	479
13.1.1	Main Features.....	479
13.1.2	Block Diagram.....	479
13.2	Module Operation.....	480
13.2.1	CPU/VIM Output Compare Diagnostic.....	481
13.2.2	CPU Input Inversion Diagnostic.....	485
13.2.3	Checker CPU Inactivity Monitor.....	486
13.2.4	Power Domain Inactivity Monitor.....	488
13.2.5	Operation During CPU Debug Mode.....	488
13.3	Control Registers.....	488
13.3.1	CCM-R5F Status Register 1 (CCMSR1).....	489
13.3.2	CCM-R5F Key Register 1 (CCMKEYR1).....	490
13.3.3	CCM-R5F Status Register 2 (CCMSR2).....	491
13.3.4	CCM-R5F Key Register 2 (CCMKEYR2).....	492
13.3.5	CCM-R5F Status Register 3 (CCMSR3).....	493
13.3.6	CCM-R5F Key Register 3 (CCMKEYR3).....	494
13.3.7	CCM-R5F Polarity Control Register (CCMPOLCTRL).....	494
13.3.8	CCM-R5F Status Register 4 (CCMSR4).....	495
13.3.9	CCM-R5F Key Register 4 (CCMKEYR4).....	496
13.3.10	CCM-R5F Power Domain Status Register 0 (CCMPDSTAT0).....	497

<b>14</b>	<b>Oscillator and PLL</b> .....	<b>498</b>
14.1	Introduction .....	499
14.1.1	Features.....	499
14.2	Quick Start .....	500
14.3	Oscillator .....	501
14.3.1	Oscillator Implementation.....	502
14.3.2	Oscillator Enable.....	502
14.3.3	Oscillator Disable .....	502
14.4	Low Power Oscillator and Clock Detect (LPOCLKDET).....	503
14.4.1	Clock Detect.....	503
14.4.2	Behavior on Oscillator Failure.....	503
14.4.3	Recovery from Oscillator Failure .....	504
14.4.4	LPOCLKDET Enable .....	504
14.4.5	LPOCLKDET Disable .....	505
14.4.6	Trimming the HF LPO Oscillator.....	505
14.5	PLL .....	506
14.5.1	Modulation .....	508
14.5.2	PLL Output Control .....	509
14.5.3	Behavior on PLL Fail .....	512
14.5.4	Recovery from a PLL Failure.....	513
14.5.5	PLL Modulation Depth Measurement .....	514
14.5.6	PLL Frequency Measurement Circuit .....	514
14.5.7	PLL2.....	514
14.6	Control Registers .....	515
14.6.1	PLL Modulation Depth Measurement Control Register (SSWPLL1).....	516
14.6.2	SSW PLL BIST Control Register 2 (SSWPLL2).....	517
14.6.3	SSW PLL BIST Control Register 3 (SSWPLL3).....	518
14.7	Phase-Locked Loop Theory of Operation .....	519
14.7.1	Phase-Frequency Detector .....	519
14.7.2	Charge Pump and Loop Filter.....	520
14.7.3	Voltage-Controlled Oscillator .....	520
14.7.4	Frequency Modulation .....	521
14.8	Programming Example.....	521
<b>15</b>	<b>Dual-Clock Comparator (DCC) Module</b> .....	<b>523</b>
15.1	Introduction .....	524
15.1.1	Main Features .....	524
15.1.2	Block Diagram.....	524
15.2	Module Operation .....	525
15.2.1	Single-Shot Measurement Mode .....	528
15.3	Clock Source Selection for Counter0 and Counter1 .....	529
15.4	DCC Control Registers.....	530
15.4.1	DCC Global Control Register (DCCGCTRL) .....	531
15.4.2	DCC Revision Id Register (DCCREV) .....	532
15.4.3	DCC Counter0 Seed Register (DCCNT0SEED) .....	532
15.4.4	DCC Valid0 Seed Register (DCCVALID0SEED) .....	533
15.4.5	DCC Counter1 Seed Register (DCCNT1SEED) .....	533
15.4.6	DCC Status Register (DCCSTAT) .....	534
15.4.7	DCC Counter0 Value Register (DCCNT0) .....	535
15.4.8	DCC Valid0 Value Register (DCCVALID0) .....	536
15.4.9	DCC Counter1 Value Register (DCCNT1) .....	536
15.4.10	DCC Counter1 Clock Source Selection Register (DCCNT1CLKSRC) .....	537
15.4.11	DCC Counter0 Clock Source Selection Register (DCCNT0CLKSRC) .....	537

<b>16</b>	<b>Error Signaling Module (ESM)</b> .....	<b>538</b>
16.1	Overview .....	539
16.1.1	Feature List .....	539
16.1.2	Block Diagram .....	539
16.2	Module Operation .....	541
16.2.1	Reset Behavior .....	541
16.2.2	ERROR Pin Timing .....	542
16.2.3	Forcing an Error Condition .....	543
16.3	Recommended Programming Procedure .....	544
16.4	ESM Control Registers .....	545
16.4.1	ESM Enable ERROR Pin Action/Response Register 1 (ESMEEPAPR1) .....	546
16.4.2	ESM Disable ERROR Pin Action/Response Register 1 (ESMDEPAPR1) .....	546
16.4.3	ESM Interrupt Enable Set/Status Register 1 (ESMIESR1) .....	547
16.4.4	ESM Interrupt Enable Clear/Status Register 1 (ESMIECR1) .....	547
16.4.5	ESM Interrupt Level Set/Status Register 1 (ESMILSR1) .....	548
16.4.6	ESM Interrupt Level Clear/Status Register 1 (ESMILCR1) .....	548
16.4.7	ESM Status Register 1 (ESMSR1) .....	549
16.4.8	ESM Status Register 2 (ESMSR2) .....	549
16.4.9	ESM Status Register 3 (ESMSR3) .....	550
16.4.10	ESM ERROR Pin Status Register (ESMEPSR) .....	550
16.4.11	ESM Interrupt Offset High Register (ESMIOFFHR) .....	551
16.4.12	ESM Interrupt Offset Low Register (ESMIOFFLR) .....	552
16.4.13	ESM Low-Time Counter Register (ESMLTCR) .....	553
16.4.14	ESM Low-Time Counter Preload Register (ESMLTCPR) .....	553
16.4.15	ESM Error Key Register (ESMEKR) .....	554
16.4.16	ESM Status Shadow Register 2 (ESMSSR2) .....	554
16.4.17	ESM Influence ERROR Pin Set/Status Register 4 (ESMIEPSR4) .....	555
16.4.18	ESM Influence ERROR Pin Clear/Status Register 4 (ESMIEPCR4) .....	555
16.4.19	ESM Interrupt Enable Set/Status Register 4 (ESMIESR4) .....	556
16.4.20	ESM Interrupt Enable Clear/Status Register 4 (ESMIECR4) .....	556
16.4.21	ESM Interrupt Level Set/Status Register 4 (ESMILSR4) .....	557
16.4.22	ESM Interrupt Level Clear/Status Register 4 (ESMILCR4) .....	557
16.4.23	ESM Status Register 4 (ESMSR4) .....	558
16.4.24	ESM Influence ERROR Pin Set/Status Register 7 (ESMIEPSR7) .....	559
16.4.25	ESM Influence ERROR Pin Clear/Status Register 7 (ESMIEPCR7) .....	559
16.4.26	ESM Interrupt Enable Set/Status Register 7 (ESMIESR7) .....	560
16.4.27	ESM Interrupt Enable Clear/Status Register 7 (ESMIECR7) .....	560
16.4.28	ESM Interrupt Level Set/Status Register 7 (ESMILSR7) .....	561
16.4.29	ESM Interrupt Level Clear/Status Register 7 (ESMILCR7) .....	561
16.4.30	ESM Status Register 7 (ESMSR7) .....	562
<b>17</b>	<b>Real-Time Interrupt (RTI) Module</b> .....	<b>563</b>
17.1	Overview .....	564
17.1.1	Features .....	564
17.1.2	Industry Standard Compliance Statement .....	564
17.2	Module Operation .....	565
17.2.1	Counter Operation .....	565
17.2.2	Interrupt/DMA Requests .....	567
17.2.3	RTI Clocking .....	568
17.2.4	Synchronizing Timer Events to Network Time (NTU) .....	568
17.2.5	Digital Watchdog (DWD) .....	571
17.2.6	Low Power Modes .....	574
17.2.7	Halting Debug Mode Behaviour .....	574
17.3	Control Registers .....	575

17.3.1	RTI Global Control Register (RTIGCTRL) .....	576
17.3.2	RTI Timebase Control Register (RTITBCTRL) .....	577
17.3.3	RTI Capture Control Register (RTICAPCTRL).....	578
17.3.4	RTI Compare Control Register (RTICOMPCTRL) .....	579
17.3.5	RTI Free Running Counter 0 Register (RTIFRC0) .....	580
17.3.6	RTI Up Counter 0 Register (RTIUC0).....	580
17.3.7	RTI Compare Up Counter 0 Register (RTICPUC0) .....	581
17.3.8	RTI Capture Free Running Counter 0 Register (RTICAFRC0) .....	581
17.3.9	RTI Capture Up Counter 0 Register (RTICAUC0).....	582
17.3.10	RTI Free Running Counter 1 Register (RTIFRC1).....	582
17.3.11	RTI Up Counter 1 Register (RTIUC1) .....	583
17.3.12	RTI Compare Up Counter 1 Register (RTICPUC1).....	584
17.3.13	RTI Capture Free Running Counter 1 Register (RTICAFRC1) .....	585
17.3.14	RTI Capture Up Counter 1 Register (RTICAUC1) .....	585
17.3.15	RTI Compare 0 Register (RTICOMP0).....	586
17.3.16	RTI Update Compare 0 Register (RTIUDCP0).....	586
17.3.17	RTI Compare 1 Register (RTICOMP1).....	587
17.3.18	RTI Update Compare 1 Register (RTIUDCP1).....	587
17.3.19	RTI Compare 2 Register (RTICOMP2).....	588
17.3.20	RTI Update Compare 2 Register (RTIUDCP2).....	588
17.3.21	RTI Compare 3 Register (RTICOMP3).....	589
17.3.22	RTI Update Compare 3 Register (RTIUDCP3).....	589
17.3.23	RTI Timebase Low Compare Register (RTITBLCOMP) .....	590
17.3.24	RTI Timebase High Compare Register (RTITBHCOMP) .....	590
17.3.25	RTI Set Interrupt Enable Register (RTISETINTENA) .....	591
17.3.26	RTI Clear Interrupt Enable Register (RTICLEARINTENA) .....	593
17.3.27	RTI Interrupt Flag Register (RTIINTFLAG) .....	595
17.3.28	Digital Watchdog Control Register (RTIDWDCTRL) .....	596
17.3.29	Digital Watchdog Preload Register (RTIDWDPRLD).....	597
17.3.30	Watchdog Status Register (RTIWDSTATUS) .....	598
17.3.31	RTI Watchdog Key Register (RTIWDKEY) .....	599
17.3.32	RTI Digital Watchdog Down Counter (RTIDWDCNTR) .....	600
17.3.33	Digital Windowed Watchdog Reaction Control (RTIWWDRXNCTRL) .....	600
17.3.34	Digital Windowed Watchdog Window Size Control (RTIWWDSIZECTRL).....	601
17.3.35	RTI Compare Interrupt Clear Enable Register (RTIINTCLRENABLE) .....	602
17.3.36	RTI Compare 0 Clear Register (RTICMP0CLR) .....	603
17.3.37	RTI Compare 1 Clear Register (RTICMP1CLR) .....	603
17.3.38	RTI Compare 2 Clear Register (RTICMP2CLR) .....	604
17.3.39	RTI Compare 3 Clear Register (RTICMP3CLR) .....	604
<b>18</b>	<b>Cyclic Redundancy Check (CRC) Controller Module .....</b>	<b>605</b>
18.1	Overview .....	606
18.1.1	Features.....	606
18.1.2	Block Diagram.....	606
18.2	Module Operation .....	608
18.2.1	General Operation .....	608
18.2.2	CRC Modes of Operation.....	608
18.2.3	PSA Signature Register.....	609
18.2.4	PSA Sector Signature Register .....	610
18.2.5	CRC Value Register .....	611
18.2.6	Raw Data Register .....	611
18.2.7	Example DMA Controller Setup.....	611
18.2.8	Pattern Count Register.....	613
18.2.9	Sector Count Register/Current Sector Register .....	613

18.2.10	Interrupt.....	614
18.2.11	Power Down Mode.....	617
18.2.12	Emulation.....	617
18.2.13	Peripheral Bus Interface.....	618
18.3	Example.....	618
18.3.1	Example: Auto Mode Using Time Based Event Triggering .....	618
18.3.2	Example: Auto Mode Without Using Time Based Triggering .....	619
18.3.3	Example: Semi-CPU Mode.....	620
18.3.4	Example: Full-CPU Mode.....	620
18.4	CRC Control Registers.....	621
18.4.1	CRC Global Control Register 0 (CRC_CTRL0).....	622
18.4.2	CRC Global Control Register (CRC_CTRL1).....	622
18.4.3	CRC Global Control Register 2 (CRC_CTRL2).....	623
18.4.4	CRC Interrupt Enable Set Register (CRC_INTS) .....	624
18.4.5	CRC Interrupt Enable Reset Register (CRC_INTR) .....	626
18.4.6	CRC Interrupt Status Register (CRC_STATUS).....	628
18.4.7	CRC Interrupt Offset (CRC_INT_OFFSET_REG).....	630
18.4.8	CRC Busy Register (CRC_BUSY) .....	631
18.4.9	CRC Pattern Counter Preload Register 1 (CRC_PCOUNT_REG1) .....	631
18.4.10	CRC Sector Counter Preload Register 1 (CRC_SCOUNT_REG1) .....	632
18.4.11	CRC Current Sector Register 1 (CRC_CURSEC_REG1) .....	632
18.4.12	CRC Channel 1 Watchdog Timeout Preload Register A (CRC_WDTPOLD1).....	633
18.4.13	CRC Channel 1 Block Complete Timeout Preload Register B (CRC_BCTOPLD1).....	633
18.4.14	Channel 1 PSA Signature Low Register (PSA_SIGREGL1) .....	634
18.4.15	Channel 1 PSA Signature High Register (PSA_SIGREGH1) .....	634
18.4.16	Channel 1 CRC Value Low Register (CRC_REGL1).....	634
18.4.17	Channel 1 CRC Value High Register (CRC_REGH1).....	635
18.4.18	Channel 1 PSA Sector Signature Low Register (PSA_SECSIGREGL1) .....	635
18.4.19	Channel 1 PSA Sector Signature High Register (PSA_SECSIGREGH1) .....	635
18.4.20	Channel 1 Raw Data Low Register (RAW_DATAREGL1).....	636
18.4.21	Channel 1 Raw Data High Register (RAW_DATAREGH1).....	636
18.4.22	CRC Pattern Counter Preload Register 2 (CRC_PCOUNT_REG2) .....	636
18.4.23	CRC Sector Counter Preload Register 2 (CRC_SCOUNT_REG2) .....	637
18.4.24	CRC Current Sector Register 2 (CRC_CURSEC_REG2) .....	637
18.4.25	CRC Channel 2 Watchdog Timeout Preload Register A (CRC_WDTPOLD2).....	638
18.4.26	CRC Channel 2 Block Complete Timeout Preload Register B (CRC_BCTOPLD2).....	638
18.4.27	Channel 2 PSA Signature Low Register (PSA_SIGREGL2) .....	639
18.4.28	Channel 2 PSA Signature High Register (PSA_SIGREGH2) .....	639
18.4.29	Channel 2 CRC Value Low Register (CRC_REGL2).....	639
18.4.30	Channel 2 CRC Value High Register (CRC_REGH2).....	640
18.4.31	Channel 2 PSA Sector Signature Low Register (PSA_SECSIGREGL2) .....	640
18.4.32	Channel 2 PSA Sector Signature High Register (PSA_SECSIGREGH2) .....	640
18.4.33	Channel 2 Raw Data Low Register (RAW_DATAREGL2).....	641
18.4.34	Channel 2 Raw Data High Register (RAW_DATAREGH2).....	641
<b>19</b>	<b>Vectored Interrupt Manager (VIM) Module .....</b>	<b>642</b>
19.1	Overview .....	643
19.2	Dual VIM for Safety.....	644
19.3	Device Level Interrupt Management .....	645
19.3.1	Interrupt Generation at the Peripheral .....	645
19.3.2	Interrupt Handling at the CPU.....	646
19.3.3	Software Interrupt Handling Options .....	647
19.4	Interrupt Handling Inside VIM .....	648
19.4.1	VIM Interrupt Channel Mapping.....	649

19.4.2	VIM Input Channel Management .....	651
19.5	Interrupt Vector Table (VIM RAM) .....	652
19.5.1	Interrupt Vector Table Operation .....	652
19.5.2	VIM ECC Syndrome .....	653
19.5.3	Interrupt Vector Table Initialization .....	654
19.5.4	Interrupt Vector Table ECC Testing .....	654
19.6	VIM Wakeup Interrupt .....	656
19.7	Capture Event Sources .....	657
19.8	Examples .....	657
19.8.1	Examples - Configure CPU To Receive Interrupts .....	657
19.8.2	Examples - Register Vector Interrupt and Index Interrupt Handling .....	658
19.9	VIM Control Registers .....	660
19.9.1	Interrupt Vector Table ECC Status Register (ECCSTAT) .....	661
19.9.2	Interrupt Vector Table ECC Control Register (ECCCTL) .....	662
19.9.3	Uncorrectable Error Address Register (UERRADDR) .....	663
19.9.4	Fallback Vector Address Register (FBVECADDR) .....	663
19.9.5	Single Bit Error Address Register (SBERRADDR) .....	664
19.9.6	VIM Offset Vector Registers .....	664
19.9.7	IRQ Index Offset Vector Register (IRQINDEX) .....	665
19.9.8	FIQ Index Offset Vector Registers (FIQINDEX) .....	665
19.9.9	FIQ/IRQ Program Control Registers (FIRQPR[0:3]) .....	666
19.9.10	Pending Interrupt Read Location Registers (INTREQ[0:3]) .....	667
19.9.11	Interrupt Enable Set Registers (REQENASET[0:3]) .....	668
19.9.12	Interrupt Enable Clear Registers (REQENACLR[0:3]) .....	669
19.9.13	Wake-Up Enable Set Registers (WAKEENASET[0:3]) .....	670
19.9.14	Wake-Up Enable Clear Registers (WAKEENACLR[0:3]) .....	671
19.9.15	IRQ Interrupt Vector Register (IRQVECREG) .....	672
19.9.16	FIQ Interrupt Vector Register (FIQVECREG) .....	672
19.9.17	Capture Event Register (CAPEVT) .....	673
19.9.18	VIM Interrupt Control Registers (CHANCTRL[0:31]) .....	674
<b>20</b>	<b>Direct Memory Access Controller (DMA) Module .....</b>	<b>676</b>
20.1	Overview .....	677
20.1.1	Main Features .....	677
20.1.2	System Resources Mapping .....	678
20.2	Module Operation .....	679
20.2.1	Memory Space .....	680
20.2.2	DMA Data Access .....	680
20.2.3	Addressing Modes .....	681
20.2.4	DMA Channel Control Packets .....	681
20.2.5	Priority Queue .....	685
20.2.6	Data Packing and Unpacking .....	687
20.2.7	DMA Request .....	690
20.2.8	Auto-Initiation .....	690
20.2.9	Interrupts .....	691
20.2.10	Debugging .....	693
20.2.11	Power Management .....	693
20.2.12	FIFO Buffer .....	694
20.2.13	Channel Chaining .....	695
20.2.14	Request Polarity .....	695
20.2.15	Memory Protection .....	696
20.2.16	ECC Checking .....	697
20.2.17	ECC Testing .....	698
20.2.18	Initializing RAM with ECC .....	698

20.2.19	Transaction Errors .....	699
20.3	Control Registers and Control Packets .....	700
20.3.1	Global Configuration Registers .....	703
20.3.2	Channel Configuration .....	764
<b>21</b>	<b>External Memory Interface (EMIF) .....</b>	<b>769</b>
21.1	Introduction .....	770
21.1.1	Purpose of the Peripheral .....	770
21.1.2	Features.....	770
21.1.3	Functional Block Diagram .....	771
21.2	EMIF Module Architecture .....	772
21.2.1	EMIF Clock Control.....	772
21.2.2	EMIF Requests.....	772
21.2.3	EMIF Signal Descriptions.....	772
21.2.4	EMIF Signal Multiplexing Control .....	773
21.2.5	SDRAM Controller and Interface .....	774
21.2.6	Asynchronous Controller and Interface .....	786
21.2.7	Data Bus Parking .....	798
21.2.8	Reset and Initialization Considerations .....	799
21.2.9	Interrupt Support.....	799
21.2.10	DMA Event Support.....	800
21.2.11	EMIF Signal Multiplexing.....	800
21.2.12	Memory Map .....	800
21.2.13	Priority and Arbitration .....	801
21.2.14	System Considerations .....	802
21.2.15	Power Management .....	803
21.2.16	Emulation Considerations .....	803
21.3	Registers.....	804
21.3.1	Module ID Register (MIDR) .....	804
21.3.2	Asynchronous Wait Cycle Configuration Register (AWCC).....	805
21.3.3	SDRAM Configuration Register (SDCR) .....	806
21.3.4	SDRAM Refresh Control Register (SDRCR).....	807
21.3.5	Asynchronous <i>n</i> Configuration Registers (CE2CFG-CE5CFG) .....	808
21.3.6	SDRAM Timing Register (SDTIMR).....	809
21.3.7	SDRAM Self Refresh Exit Timing Register (SDSRETR) .....	810
21.3.8	EMIF Interrupt Raw Register (INTRAW).....	811
21.3.9	EMIF Interrupt Masked Register (INTMSK) .....	812
21.3.10	EMIF Interrupt Mask Set Register (INTMSKSET) .....	813
21.3.11	EMIF Interrupt Mask Clear Register (INTMSKCLR) .....	814
21.3.12	Page Mode Control Register (PMCR) .....	815
21.4	Example Configuration .....	816
21.4.1	Hardware Interface .....	816
21.4.2	Software Configuration.....	816
<b>22</b>	<b>Analog To Digital Converter (ADC) Module .....</b>	<b>825</b>
22.1	Overview .....	826
22.1.1	Introduction .....	827
22.2	Basic Operation .....	829
22.2.1	Basic Features and Usage of the ADC .....	829
22.2.2	Advanced Conversion Group Configuration Options .....	836
22.2.3	ADC Module Basic Interrupts .....	844
22.2.4	ADC Module DMA Requests .....	845
22.2.5	ADC Magnitude Threshold Interrupts .....	846
22.2.6	ADC Special Modes .....	847
22.2.7	ADC Results' RAM Special Features .....	854

22.2.8	ADEVT Pin General Purpose I/O Functionality .....	855
22.3	ADC Registers .....	857
22.3.1	ADC Reset Control Register (ADRSTCR) .....	859
22.3.2	ADC Operating Mode Control Register (ADOPMODECR) .....	859
22.3.3	ADC Clock Control Register (ADCLOCKCR) .....	861
22.3.4	ADC Calibration Mode Control Register (ADCALCR) .....	861
22.3.5	ADC Event Group Operating Mode Control Register (ADEVMODECR) .....	863
22.3.6	ADC Group1 Operating Mode Control Register (ADG1MODECR) .....	866
22.3.7	ADC Group2 Operating Mode Control Register (ADG2MODECR) .....	869
22.3.8	ADC Event Group Trigger Source Select Register (ADEVSRC) .....	872
22.3.9	ADC Group1 Trigger Source Select Register (ADG1SRC) .....	873
22.3.10	ADC Group2 Trigger Source Select Register (ADG2SRC) .....	874
22.3.11	ADC Event Interrupt Enable Control Register (ADEVINTENA) .....	875
22.3.12	ADC Group1 Interrupt Enable Control Register (ADG1INTENA) .....	876
22.3.13	ADC Group2 Interrupt Enable Control Register (ADG2INTENA) .....	877
22.3.14	ADC Event Group Interrupt Flag Register (ADEVINTFLG) .....	878
22.3.15	ADC Group1 Interrupt Flag Register (ADG1INTFLG) .....	879
22.3.16	ADC Group2 Interrupt Flag Register (ADG2INTFLG) .....	880
22.3.17	ADC Event Group Threshold Interrupt Control Register (ADEVTHRINTCR) .....	881
22.3.18	ADC Group1 Threshold Interrupt Control Register (ADG1THRINTCR) .....	881
22.3.19	ADC Group2 Threshold Interrupt Control Register (ADG2THRINTCR) .....	882
22.3.20	ADC Event Group DMA Control Register (ADEVDMACR) .....	883
22.3.21	ADC Group1 DMA Control Register (ADG1DMACR) .....	885
22.3.22	ADC Group2 DMA Control Register (ADG2DMACR) .....	887
22.3.23	ADC Results Memory Configuration Register (ADBNDCR) .....	889
22.3.24	ADC Results Memory Size Configuration Register (ADBNDEND) .....	890
22.3.25	ADC Event Group Sampling Time Configuration Register (ADEVSAMP) .....	891
22.3.26	ADC Group1 Sampling Time Configuration Register (ADG1SAMP) .....	891
22.3.27	ADC Group2 Sampling Time Configuration Register (ADG2SAMP) .....	892
22.3.28	ADC Event Group Status Register (ADEVSR) .....	893
22.3.29	ADC Group1 Status Register (ADG1SR) .....	894
22.3.30	ADC Group2 Status Register (ADG2SR) .....	895
22.3.31	ADC Event Group Channel Select Register (ADEVSEL) .....	896
22.3.32	ADC Group1 Channel Select Register (ADG1SEL) .....	897
22.3.33	ADC Group2 Channel Select Register (ADG2SEL) .....	898
22.3.34	ADC Calibration and Error Offset Correction Register (ADCALR) .....	899
22.3.35	ADC State Machine Status Register (ADSMSTATE) .....	899
22.3.36	ADC Channel Last Conversion Value Register (ADLASTCONV) .....	900
22.3.37	ADC Event Group Results' FIFO Register (ADEVBUFFER) .....	901
22.3.38	ADC Group1 Results FIFO Register (ADG1BUFFER) .....	902
22.3.39	ADC Group2 Results FIFO Register (ADG2BUFFER) .....	903
22.3.40	ADC Event Group Results Emulation FIFO Register (ADEVEMUBUFFER) .....	904
22.3.41	ADC Group1 Results Emulation FIFO Register (ADG1EMUBUFFER) .....	905
22.3.42	ADC Group2 Results Emulation FIFO Register (ADG2EMUBUFFER) .....	906
22.3.43	ADC ADEVT Pin Direction Control Register (ADEVTDIR) .....	907
22.3.44	ADC ADEVT Pin Output Value Control Register (ADEVTOUT) .....	908
22.3.45	ADC ADEVT Pin Input Value Register (ADEVTIN) .....	908
22.3.46	ADC ADEVT Pin Set Register (ADEVTSET) .....	909
22.3.47	ADC ADEVT Pin Clear Register (ADEVTCLR) .....	909
22.3.48	ADC ADEVT Pin Open Drain Enable Register (ADEVTPDR) .....	910
22.3.49	ADC ADEVT Pin Pull Control Disable Register (ADEVTPDIS) .....	910
22.3.50	ADC ADEVT Pin Pull Control Select Register (ADEVTPSEL) .....	911
22.3.51	ADC Event Group Sample Cap Discharge Control Register (ADEVSAMPDISEN) .....	911

22.3.52	ADC Group1 Sample Cap Discharge Control Register (ADG1SAMPDISEN) .....	912
22.3.53	ADC Group2 Sample Cap Discharge Control Register (ADG2SAMPDISEN) .....	913
22.3.54	ADC Magnitude Compare Interrupt Control Registers (ADMAGINTxCR) .....	914
22.3.55	ADC Magnitude Compare Interrupt Mask Register (ADMAGINTxMASK).....	916
22.3.56	ADC Magnitude Compare Interrupt Enable Set Register (ADMAGINTENASET) .....	917
22.3.57	ADC Magnitude Compare Interrupt Enable Clear Register (ADMAGINTENACLR).....	917
22.3.58	ADC Magnitude Compare Interrupt Flag Register (ADMAGINTFLG).....	918
22.3.59	ADC Magnitude Compare Interrupt Offset Register (ADMAGINTOFF).....	918
22.3.60	ADC Event Group FIFO Reset Control Register (ADEVFIFORESETCR).....	919
22.3.61	ADC Group1 FIFO Reset Control Register (ADG1FIFORESETCR) .....	919
22.3.62	ADC Group2 FIFO Reset Control Register (ADG2FIFORESETCR) .....	920
22.3.63	ADC Event Group RAM Write Address Register (ADEVWRAMWRADDR) .....	920
22.3.64	ADC Group1 RAM Write Address Register (ADG1RAMWRADDR).....	921
22.3.65	ADC Group2 RAM Write Address Register (ADG2RAMWRADDR).....	921
22.3.66	ADC Parity Control Register (ADPARCR) .....	922
22.3.67	ADC Parity Error Address Register (ADPARADDR) .....	923
22.3.68	ADC Power-Up Delay Control Register (ADPWRUPDLYCTRL) .....	923
22.3.69	ADC Event Group Channel Selection Mode Control Register (ADEVCHNSELMODECTRL) .....	924
22.3.70	ADC Group1 Channel Selection Mode Control Register (ADG1CHNSELMODECTRL) .....	924
22.3.71	ADC Group2 Channel Selection Mode Control Register (ADG2CHNSELMODECTRL) .....	925
22.3.72	ADC Event Group Current Count Register (ADEVCURRCOUNT) .....	926
22.3.73	ADC Event Group Maximum Count Register (ADEVMAXCOUNT) .....	926
22.3.74	ADC Group1 Current Count Register (ADG1CURRCOUNT) .....	927
22.3.75	ADC Group1 Maximum Count Register (ADG1MAXCOUNT) .....	927
22.3.76	ADC Group2 Current Count Register (ADG2CURRCOUNT) .....	928
22.3.77	ADC Group2 Maximum Count Register (ADG2MAXCOUNT) .....	928
<b>23</b>	<b>High-End Timer (N2HET) Module .....</b>	<b>929</b>
23.1	Features.....	930
23.1.1	Overview .....	930
23.1.2	Block Diagram.....	933
23.2	N2HET Functional Description .....	935
23.2.1	Specialized Timer Micromachine .....	935
23.2.2	N2HET RAM Organization .....	939
23.2.3	Time Base .....	942
23.2.4	Host Interface .....	944
23.2.5	I/O Control .....	945
23.2.6	Suppression Filters .....	960
23.2.7	Interrupts and Exceptions .....	960
23.2.8	Hardware Priority Scheme:.....	961
23.2.9	N2HET Requests to DMA and HTU.....	963
23.3	Angle Functions.....	964
23.3.1	Software Angle Generator .....	964
23.4	N2HET Control Registers.....	968
23.4.1	Global Configuration Register (HETGCR).....	969
23.4.2	Prescale Factor Register (HETPFR) .....	970
23.4.3	N2HET Current Address Register (HETADDR) .....	971
23.4.4	Offset Index Priority Level 1 Register (HETOFF1) .....	971
23.4.5	Offset Index Priority Level 2 Register (HETOFF2) .....	972
23.4.6	Interrupt Enable Set Register (HETINTENAS).....	973
23.4.7	Interrupt Enable Clear Register (HETINTENAC) .....	973
23.4.8	Exception Control Register 1 (HETEXC1).....	974
23.4.9	Exception Control Register 2 (HETEXC2).....	975
23.4.10	Interrupt Priority Register (HETPRY) .....	976

23.4.11	Interrupt Flag Register (HETFLG) .....	976
23.4.12	AND Share Control Register (HETAND) .....	977
23.4.13	HR Share Control Register (HETHRSH).....	978
23.4.14	XOR Share Control Register (HETXOR).....	979
23.4.15	Request Enable Set Register (HETREQENS) .....	980
23.4.16	Request Enable Clear Register (HETREQENC).....	980
23.4.17	Request Destination Select Register (HETREQDS).....	981
23.4.18	NHET Direction Register (HETDIR) .....	982
23.4.19	N2HET Data Input Register (HETDIN) .....	983
23.4.20	N2HET Data Output Register (HETDOUT) .....	983
23.4.21	NHET Data Set Register (HETDSET) .....	984
23.4.22	N2HET Data Clear Register (HETDCLR).....	984
23.4.23	N2HET Open Drain Register (HETPDR).....	985
23.4.24	N2HET Pull Disable Register (HETPULDIS) .....	985
23.4.25	N2HET Pull Select Register (HETPSL) .....	986
23.4.26	Parity Control Register (HETPCR).....	987
23.4.27	Parity Address Register (HETPAR).....	988
23.4.28	Parity Pin Register (HETPPR).....	989
23.4.29	Suppression Filter Preload Register (HETSPRLD) .....	990
23.4.30	Suppression Filter Enable Register (HETSFENA) .....	990
23.4.31	Loop Back Pair Select Register (HETLBPSEL) .....	991
23.4.32	Loop Back Pair Direction Register (HETLBPDIR) .....	992
23.4.33	N2HET Pin Disable Register (HETPINDIS) .....	993
23.5	Instruction Set .....	994
23.5.1	Instruction Summary .....	994
23.5.2	Abbreviations, Encoding Formats and Bits .....	996
23.5.3	Instruction Description .....	999
<b>24</b>	<b>High-End Timer Transfer Unit (HTU) Module.....</b>	<b>1064</b>
24.1	Overview.....	1065
24.1.1	Features .....	1065
24.2	Module Operation .....	1066
24.2.1	Data Transfers between Main RAM and NHET RAM .....	1068
24.2.2	Arbitration of HTU Elements and Frames.....	1073
24.2.3	Conditions for Frame Transfer Interruption .....	1073
24.2.4	HTU Overload and Request Lost Detection .....	1074
24.2.5	Memory Protection .....	1076
24.2.6	Control Packet RAM Parity Checking .....	1077
24.3	Use Cases.....	1079
24.3.1	Example: Single Element Transfer with One Trigger Request .....	1079
24.3.2	Example: Multiple Element Transfer with One Trigger Request .....	1079
24.3.3	Example: 64-Bit-Transfer of Control Field and Data Fields.....	1081
24.4	HTU Control Registers.....	1082
24.4.1	Global Control Register (HTU GC).....	1083
24.4.2	Control Packet Enable Register (HTU CPENA).....	1084
24.4.3	Control Packet (CP) Busy Register 0 (HTU BUSY0).....	1085
24.4.4	Control Packet (CP) Busy Register 1 (HTU BUSY1).....	1086
24.4.5	Control Packet (CP) Busy Register 2 (HTU BUSY2).....	1086
24.4.6	Control Packet (CP) Busy Register 3 (HTU BUSY3).....	1087
24.4.7	Active Control Packet and Error Register (HTU ACPE).....	1087
24.4.8	Request Lost and Bus Error Control Register (HTU RLBECTRL).....	1089
24.4.9	Buffer Full Interrupt Enable Set Register (HTU BFINTS) .....	1090
24.4.10	Buffer Full Interrupt Enable Clear Register (HTU BFINTC) .....	1090
24.4.11	Interrupt Mapping Register (HTU INTMAP) .....	1091

24.4.12	Interrupt Offset Register 0 (HTU INTOFF0) .....	1092
24.4.13	Interrupt Offset Register 1 (HTU INTOFF1) .....	1093
24.4.14	Buffer Initialization Mode Register (HTU BIM) .....	1094
24.4.15	Request Lost Flag Register (HTU RLOSTFL) .....	1096
24.4.16	Buffer Full Interrupt Flag Register (HTU BFINTFL) .....	1096
24.4.17	BER Interrupt Flag Register (HTU BERINTFL) .....	1097
24.4.18	Memory Protection 1 Start Address Register (HTU MP1S) .....	1098
24.4.19	Memory Protection 1 End Address Register (HTU MP1E) .....	1098
24.4.20	Debug Control Register (HTU DCTRL) .....	1099
24.4.21	Watch Point Register (HTU WPR) .....	1100
24.4.22	Watch Mask Register (HTU WMR) .....	1100
24.4.23	Module Identification Register (HTU ID) .....	1101
24.4.24	Parity Control Register (HTU PCR) .....	1102
24.4.25	Parity Address Register (HTU PAR) .....	1103
24.4.26	Memory Protection Control and Status Register (HTU MPCS) .....	1104
24.4.27	Memory Protection Start Address Register 0 (HTU MP0S) .....	1107
24.4.28	Memory Protection End Address Register (HTU MP0E) .....	1107
24.5	Double Control Packet Configuration Memory .....	1108
24.5.1	Initial Full Address A Register (HTU IFADDRA) .....	1109
24.5.2	Initial Full Address B Register (HTU IFADDRB) .....	1109
24.5.3	Initial NHET Address and Control Register (HTU IHADDRCT) .....	1110
24.5.4	Initial Transfer Count Register (HTU ITCOUNT) .....	1111
24.5.5	Current Full Address A Register (HTU CFADDRA) .....	1112
24.5.6	Current Full Address B Register (HTU CFADDRB) .....	1113
24.5.7	Current Frame Count Register (HTU CFCOUNT) .....	1114
24.6	Examples .....	1115
24.6.1	Application Examples for Setting the Transfer Modes of CP A and B of a DCP .....	1115
24.6.2	Software Example Sequence Assuming Circular Mode for Both CP A and B .....	1115
24.6.3	Example of an Interrupt Dispatch Flow for a Request Lost Interrupt .....	1116
<b>25</b>	<b>General-Purpose Input/Output (GIO) Module .....</b>	<b>1117</b>
25.1	Overview .....	1118
25.2	Quick Start Guide .....	1119
25.3	Functional Description of GIO Module .....	1121
25.3.1	I/O Functions .....	1121
25.3.2	Interrupt Function .....	1121
25.3.3	GIO Block Diagram .....	1122
25.4	Device Modes of Operation .....	1123
25.4.1	Emulation Mode .....	1123
25.4.2	Power-Down Mode (Low-Power Mode) .....	1123
25.5	GIO Control Registers .....	1124
25.5.1	GIO Global Control Register (GIOGCR0) .....	1125
25.5.2	GIO Interrupt Detect Register (GIOINTDET) .....	1126
25.5.3	GIO Interrupt Polarity Register (GIOPOL) .....	1127
25.5.4	GIO Interrupt Enable Registers (GIOENASET and GIOENACLAR) .....	1128
25.5.5	GIO Interrupt Priority Registers (GIOLVLSET and GIOLVLCLR) .....	1130
25.5.6	GIO Interrupt Flag Register (GIOFLG) .....	1133
25.5.7	GIO Offset Register 1 (GIOOFF1) .....	1134
25.5.8	GIO Offset B Register (GIOOFF2) .....	1135
25.5.9	GIO Emulation A Register (GIOEMU1) .....	1136
25.5.10	GIO Emulation B Register (GIOEMU2) .....	1137
25.5.11	GIO Data Direction Registers (GIODIR[A-B]) .....	1138
25.5.12	GIO Data Input Registers (GIODIN[A-B]) .....	1138
25.5.13	GIO Data Output Registers (GIODOUT[A-B]) .....	1139

25.5.14	GIO Data Set Registers (GIODSET[A-B]) .....	1139
25.5.15	GIO Data Clear Registers (GIODCLR[A-B]) .....	1140
25.5.16	GIO Open Drain Registers (GIOPDR[A-B]) .....	1140
25.5.17	GIO Pull Disable Registers (GIOPULDIS[A-B]) .....	1141
25.5.18	GIO Pull Select Registers (GIOPSL[A-B]) .....	1141
25.6	I/O Control Summary .....	1142
<b>26</b>	<b>Controller Area Network (DCAN) Module.....</b>	<b>1143</b>
26.1	Overview.....	1144
26.1.1	Features .....	1144
26.1.2	Functional Description .....	1144
26.2	CAN Blocks .....	1145
26.2.1	CAN Core .....	1145
26.2.2	Message RAM .....	1145
26.2.3	Message Handler .....	1145
26.2.4	Message RAM Interface.....	1146
26.2.5	Register and Message Object Access .....	1146
26.2.6	Dual Clock Source .....	1146
26.3	CAN Bit Timing .....	1147
26.3.1	Bit Time and Bit Rate .....	1147
26.3.2	DCAN Bit Timing Registers .....	1149
26.4	CAN Module Configuration.....	1151
26.4.1	DCAN RAM Initialization Through Hardware .....	1151
26.4.2	CAN Module Initialization .....	1151
26.5	Message RAM .....	1154
26.5.1	Structure of Message Objects .....	1154
26.5.2	Addressing Message Objects in RAM.....	1156
26.5.3	Message RAM Representation in Debug/Suspend Mode .....	1157
26.5.4	Message RAM Representation in Direct Access Mode .....	1157
26.5.5	ECC RAM .....	1158
26.6	Message Interface Register Sets .....	1159
26.6.1	Message Interface Register Sets 1 and 2 .....	1159
26.6.2	Using Message Interface Register Sets 1 and 2.....	1160
26.6.3	Message Interface Register 3 .....	1161
26.7	Message Object Configurations .....	1162
26.7.1	Configuration of a Transmit Object for Data Frames .....	1162
26.7.2	Configuration of a Transmit Object for Remote Frames .....	1162
26.7.3	Configuration of a Single Receive Object for Data Frames .....	1162
26.7.4	Configuration of a Single Receive Object for Remote Frames.....	1163
26.7.5	Configuration of a FIFO Buffer .....	1163
26.7.6	Reconfiguration of Message Objects for the Reception of Frames.....	1163
26.7.7	Reconfiguration of Message Objects for the Reception of Frames.....	1163
26.8	Message Handling .....	1164
26.8.1	Message Handler Overview .....	1164
26.8.2	Receive/Transmit Priority.....	1164
26.8.3	Transmission of Messages in Event Driven CAN Communication .....	1165
26.8.4	Updating a Transmit Object.....	1165
26.8.5	Changing a Transmit Object .....	1165
26.8.6	Acceptance Filtering of Received Messages .....	1166
26.8.7	Reception of Data Frames .....	1166
26.8.8	Reception of Remote Frames .....	1166
26.8.9	Reading Received Messages .....	1166
26.8.10	Requesting New Data for a Receive Object.....	1167
26.8.11	Storing Received Messages in FIFO Buffers .....	1167

26.8.12	Reading from a FIFO Buffer .....	1167
26.9	CAN Message Transfer .....	1169
26.9.1	Automatic Retransmission .....	1169
26.9.2	Auto-Bus-On .....	1170
26.10	Interrupt Functionality .....	1170
26.10.1	Message Object Interrupts .....	1170
26.10.2	Status Change Interrupts .....	1171
26.10.3	Error Interrupts .....	1171
26.11	Global Power Down Mode .....	1172
26.11.1	Entering Global Power Down Mode .....	1172
26.11.2	Wakeup From Global Power Down Mode .....	1172
26.12	Local Power Down Mode .....	1173
26.12.1	Entering Local Power Down Mode .....	1173
26.12.2	Wakeup From Local Power Down .....	1173
26.13	GIO Support .....	1173
26.14	Test Modes .....	1175
26.14.1	Silent Mode .....	1175
26.14.2	Loop Back Mode .....	1176
26.14.3	External Loop Back Mode .....	1177
26.14.4	Loop Back Combined with Silent Mode.....	1178
26.14.5	Software Control of CAN_TX Pin.....	1178
26.15	SECEDED Mechanism.....	1179
26.15.1	Behavior on Single Bit Error.....	1179
26.15.2	Behavior on Double Bit Error.....	1179
26.15.3	SECEDED Testing .....	1179
26.16	Debug/Suspend Mode.....	1180
26.17	DCAN Control Registers .....	1180
26.17.1	CAN Control Register (DCAN CTL) .....	1182
26.17.2	Error and Status Register (DCAN ES) .....	1185
26.17.3	Error Counter Register (DCAN ERRC) .....	1187
26.17.4	Bit Timing Register (DCAN BTR) .....	1188
26.17.5	Interrupt Register (DCAN INT) .....	1189
26.17.6	Test Register (DCAN TEST) .....	1190
26.17.7	Parity Error Code Register (DCAN PERR).....	1191
26.17.8	ECC Diagnostic Register (DCAN ECCDIAG) .....	1191
26.17.9	ECC Diagnostic Status Register (DCAN ECCDIAG STAT).....	1192
26.17.10	ECC Control and Status Register (DCAN ECC CS).....	1193
26.17.11	ECC Single Bit Error Code Register (DCAN ECC SERR).....	1194
26.17.12	Auto-Bus-On Time Register (DCAN ABOTR) .....	1195
26.17.13	Transmission Request X Register (DCAN TXRQ X) .....	1195
26.17.14	Transmission Request Registers (DCAN TXRQ12 to DCAN TXRQ78) .....	1196
26.17.15	New Data X Register (DCAN NWDAT X).....	1197
26.17.16	New Data Registers (DCAN NWDAT12 to DCAN NWDAT78) .....	1198
26.17.17	Interrupt Pending X Register (DCAN INTPND X).....	1199
26.17.18	Interrupt Pending Registers (DCAN INTPND12 to DCAN INTPND78) .....	1200
26.17.19	Message Valid X Register (DCAN MSGVAL X).....	1201
26.17.20	Message Valid Registers (DCAN MSGVAL12 to DCAN MSGVAL78) .....	1202
26.17.21	Interrupt Multiplexer Registers (DCAN INTMUX12 to DCAN INTMUX78).....	1203
26.17.22	IF1/IF2 Command Registers (DCAN IF1CMD, DCAN IF2CMD).....	1204
26.17.23	IF1/IF2 Mask Registers (DCAN IF1MSK, DCAN IF2MSK) .....	1207
26.17.24	IF1/IF2 Arbitration Registers (DCAN IF1ARB, DCAN IF2ARB) .....	1208
26.17.25	IF1/IF2 Message Control Registers (DCAN IF1MCTL, DCAN IF2MCTL) .....	1210
26.17.26	IF1/IF2 Data A and Data B Registers (DCAN IF1DATA/DATB, DCAN IF2DATA/DATB) .....	1212

26.17.27	IF3 Observation Register (DCAN IF3OBS) .....	1213
26.17.28	IF3 Mask Register (DCAN IF3MSK) .....	1215
26.17.29	IF3 Arbitration Register (DCAN IF3ARB) .....	1216
26.17.30	IF3 Message Control Register (DCAN IF3MCTL) .....	1217
26.17.31	IF3 Data A and Data B Registers (DCAN IF3DATA/DATB) .....	1218
26.17.32	IF3 Update Enable Registers (DCAN IF3UPD12 to DCAN IF3UPD78) .....	1219
26.17.33	CAN TX IO Control Register (DCAN TIOC) .....	1220
26.17.34	CAN RX IO Control Register (DCAN RIOC).....	1221
<b>27</b>	<b>Multi-Buffered Serial Peripheral Interface Module (MibSPI) with Parallel Pin Option (MibSPIP) .</b>	<b>1223</b>
27.1	Overview.....	1224
27.1.1	Features .....	1224
27.1.2	Pin Configurations.....	1225
27.1.3	MibSPI /SPI Configurations .....	1226
27.2	Basic Operation.....	1226
27.2.1	SPI Mode.....	1226
27.2.2	MibSPI Mode .....	1228
27.2.3	DMA Requests .....	1229
27.2.4	Interrupts .....	1231
27.2.5	Physical Interface .....	1233
27.2.6	Advanced Module Configuration Options .....	1237
27.2.7	General-Purpose I/O.....	1255
27.2.8	Low-Power Mode.....	1255
27.2.9	Safety Features.....	1255
27.2.10	Test Features .....	1257
27.2.11	Module Configuration .....	1259
27.3	Control Registers .....	1261
27.3.1	SPI Global Control Register 0 (SPIGCR0).....	1262
27.3.2	SPI Global Control Register 1 (SPIGCR1).....	1263
27.3.3	SPI Interrupt Register (SPIINT0).....	1264
27.3.4	SPI Interrupt Level Register (SPILVL).....	1266
27.3.5	SPI Flag Register (SPIFLG) .....	1267
27.3.6	SPI Pin Control Register 0 (SPIPC0).....	1270
27.3.7	SPI Pin Control Register 1 (SPIPC1).....	1271
27.3.8	SPI Pin Control Register 2 (SPIPC2).....	1273
27.3.9	SPI Pin Control Register 3 (SPIPC3).....	1274
27.3.10	SPI Pin Control Register 4 (SPIPC4) .....	1275
27.3.11	SPI Pin Control Register 5 (SPIPC5) .....	1277
27.3.12	SPI Pin Control Register 6 (SPIPC6) .....	1278
27.3.13	SPI Pin Control Register 7 (SPIPC7) .....	1280
27.3.14	SPI Pin Control Register 8 (SPIPC8) .....	1281
27.3.15	SPI Transmit Data Register 0 (SPIDAT0) .....	1282
27.3.16	SPI Transmit Data Register 1 (SPIDAT1) .....	1283
27.3.17	SPI Receive Buffer Register (SPIBUF) .....	1284
27.3.18	SPI Emulation Register (SPIEMU) .....	1286
27.3.19	SPI Delay Register (SPIDELAY) .....	1286
27.3.20	SPI Default Chip Select Register (SPIDEF).....	1289
27.3.21	SPI Data Format Registers (SPIFMT[3:0]) .....	1290
27.3.22	Interrupt Vector 0 (INTVECT0).....	1292
27.3.23	Interrupt Vector 1 (INTVECT1).....	1293
27.3.24	Parallel/Modulo Mode Control Register (SPIPMCTRL).....	1294
27.3.25	Multi-buffer Mode Enable Register (MIBSPIE).....	1297
27.3.26	TG Interrupt Enable Set Register (TGITENST).....	1298
27.3.27	TG Interrupt Enable Clear Register (TGITENCR).....	1299

27.3.28	Transfer Group Interrupt Level Set Register (TGITLVST).....	1300
27.3.29	Transfer Group Interrupt Level Clear Register (TGITLVCR).....	1301
27.3.30	Transfer Group Interrupt Flag Register (TGINTFLAG) .....	1302
27.3.31	Tick Count Register (TICKCNT) .....	1303
27.3.32	Last TG End Pointer (LTGPEND) .....	1304
27.3.33	TGx Control Registers (TGxCTRL).....	1305
27.3.34	DMA Channel Control Register (DMAxCTRL) .....	1308
27.3.35	DMAxCOUNT Register (ICOUNT) .....	1310
27.3.36	DMA Large Count (DMACNTLEN) .....	1311
27.3.37	Parity/ECC Control Register (PAR_ECC_CTRL).....	1312
27.3.38	Parity/ECC Status Register (PAR_ECC_STAT).....	1313
27.3.39	Uncorrectable Parity or Double Bit ECC Error Address Register - RXRAM (UERRADDR1).....	1314
27.3.40	Uncorrectable Parity or Double Bit ECC Error Address Register - TXRAM (UERRADDR0) .....	1316
27.3.41	RXRAM Overrun Buffer Address Register (RXOVRN_BUF_ADDR) .....	1317
27.3.42	I/O-Loopback Test Control Register (IOLPBKTSTCR) .....	1318
27.3.43	SPI Extended Prescale Register 1 (EXTENDED_PRESCALE1 for SPIFMT0 and SPIFMT1)....	1320
27.3.44	SPI Extended Prescale Register 2 (EXTENDED_PRESCALE2 for SPIFMT2 and SPIFMT3)....	1322
27.3.45	ECC Diagnostic Control Register (ECCDIAG_CTRL) .....	1323
27.3.46	ECC Diagnostic Status Register (ECCDIAG_STAT) .....	1324
27.3.47	Single Bit Error Address Register - RXRAM (SBERRADDR1) .....	1325
27.3.48	Single Bit Error Address Register - TXRAM (SBERRADDR0) .....	1326
27.4	Multi-buffer RAM .....	1327
27.4.1	Multi-buffer RAM Auto Initialization .....	1328
27.4.2	Multi-buffer RAM Register Summary .....	1328
27.4.3	Multi-buffer RAM Transmit Data Register .....	1329
27.4.4	Multi-buffer RAM Receive Buffer Register .....	1331
27.5	Parity/ECC Memory .....	1333
27.5.1	Example of Parity Memory Organization .....	1336
27.5.2	Example of ECC Memory Organization .....	1337
27.6	MibSPI Pin Timing Parameters.....	1338
27.6.1	Master Mode Timings for SPI/MibSPI .....	1338
27.6.2	Slave Mode Timings for SPI/MibSPI.....	1340
27.6.3	Master Mode Timing Parameter Details.....	1341
27.6.4	Slave Mode Timing Parameter Details .....	1341
<b>28</b>	<b>Serial Communication Interface (SCI)/Local Interconnect Network (LIN) Module.....</b>	<b>1342</b>
28.1	Introduction and Features .....	1343
28.1.1	SCI Features.....	1343
28.1.2	LIN Features .....	1344
28.1.3	Block Diagram .....	1345
28.2	SCI .....	1348
28.2.1	SCI Communication Formats .....	1348
28.2.2	SCI Interrupts .....	1356
28.2.3	SCI DMA Interface .....	1359
28.2.4	SCI Configurations .....	1360
28.2.5	SCI Low Power Mode .....	1362
28.3	LIN.....	1363
28.3.1	LIN Communication Formats .....	1363
28.3.2	LIN Interrupts .....	1380
28.3.3	LIN DMA Interface .....	1380
28.3.4	LIN Configurations .....	1381
28.4	Low-Power Mode.....	1383
28.4.1	Entering Sleep Mode .....	1383
28.4.2	Wakeup.....	1384

28.4.3	Wakeup Timeouts .....	1385
28.5	Emulation Mode .....	1385
28.6	GPIO Functionality .....	1386
28.6.1	GPIO Functionality .....	1386
28.6.2	Under Reset .....	1386
28.6.3	Out of Reset .....	1387
28.6.4	Open-Drain Feature Enabled on a Pin .....	1387
28.6.5	Summary .....	1387
28.7	SCI/LIN Control Registers.....	1388
28.7.1	SCI Global Control Register 0 (SCIGCR0) .....	1389
28.7.2	SCI Global Control Register 1 (SCIGCR1) .....	1390
28.7.3	SCI Global Control Register 2 (SCIGCR2) .....	1394
28.7.4	SCI Set Interrupt Register (SCISSETINT) .....	1396
28.7.5	SCI Clear Interrupt Register (SCICLEARINT) .....	1399
28.7.6	SCI Set Interrupt Level Register (SCISSETINTLVL) .....	1402
28.7.7	SCI Clear Interrupt Level Register (SCICLEARINTLVL) .....	1405
28.7.8	SCI Flags Register (SCIFLR) .....	1408
28.7.9	SCI Interrupt Vector Offset 0 (SCIINTVECT0) .....	1415
28.7.10	SCI Interrupt Vector Offset 1 (SCIINTVECT1) .....	1415
28.7.11	SCI Format Control Register (SCIFORMAT) .....	1416
28.7.12	Baud Rate Selection Register (BRS) .....	1417
28.7.13	SCI Data Buffers (SCIED, SCIRD, SCITD) .....	1419
28.7.14	SCI Pin I/O Control Register 0 (SCIPIO0) .....	1420
28.7.15	SCI Pin I/O Control Register 1 (SCIPIO1) .....	1421
28.7.16	SCI Pin I/O Control Register 2 (SCIPIO2) .....	1422
28.7.17	SCI Pin I/O Control Register 3 (SCIPIO3) .....	1423
28.7.18	SCI Pin I/O Control Register 4 (SCIPIO4) .....	1424
28.7.19	SCI Pin I/O Control Register 5 (SCIPIO5) .....	1425
28.7.20	SCI Pin I/O Control Register 6 (SCIPIO6) .....	1426
28.7.21	SCI Pin I/O Control Register 7 (SCIPIO7) .....	1427
28.7.22	SCI Pin I/O Control Register 8 (SCIPIO8) .....	1428
28.7.23	LIN Compare Register (LINCOMPARE) .....	1429
28.7.24	LIN Receive Buffer 0 Register (LINRD0) .....	1430
28.7.25	LIN Receive Buffer 1 Register (LINRD1) .....	1431
28.7.26	LIN Mask Register (LINMASK) .....	1432
28.7.27	LIN Identification Register (LINID) .....	1433
28.7.28	LIN Transmit Buffer 0 Register (LINTD0) .....	1434
28.7.29	LIN Transmit Buffer 1 Register (LINTD1) .....	1434
28.7.30	Maximum Baud Rate Selection Register (MBRS) .....	1435
28.7.31	Input/Output Error Enable (IODFTCTRL) Register .....	1436
<b>29</b>	<b>Serial Communication Interface (SCI) Module .....</b>	<b>1438</b>
29.1	Introduction .....	1439
29.1.1	SCI Features .....	1439
29.1.2	Block Diagram .....	1439
29.2	SCI Communication Formats .....	1441
29.2.1	SCI Frame Formats .....	1441
29.2.2	SCI Timing Mode .....	1441
29.2.3	SCI Baud Rate .....	1442
29.2.4	SCI Multiprocessor Communication Modes .....	1443
29.3	SCI Interrupts .....	1446
29.3.1	Transmit Interrupt .....	1447
29.3.2	Receive Interrupt .....	1447
29.3.3	WakeUp Interrupt .....	1447

29.3.4	Error Interrupts .....	1448
29.4	SCI DMA Interface .....	1449
29.4.1	Receive DMA Requests .....	1449
29.4.2	Transmit DMA Requests .....	1449
29.5	SCI Configurations .....	1451
29.5.1	Receiving Data .....	1451
29.5.2	Transmitting Data .....	1452
29.6	SCI Low Power Mode .....	1452
29.6.1	Sleep Mode for Multiprocessor Communication .....	1453
29.7	SCI Control Registers .....	1454
29.7.1	SCI Global Control Register 0 (SCIGCR0) .....	1455
29.7.2	SCI Global Control Register 1 (SCIGCR1) .....	1456
29.7.3	SCI Set Interrupt Register (SCISSETINT) .....	1459
29.7.4	SCI Clear Interrupt Register (SCICLEARINT) .....	1461
29.7.5	SCI Set Interrupt Level Register (SCISSETINTLVL) .....	1463
29.7.6	SCI Clear Interrupt Level Register (SCICLEARINTLVL) .....	1464
29.7.7	SCI Flags Register (SCIFLR) .....	1466
29.7.8	SCI Interrupt Vector Offset 0 (SCIINTVECT0) .....	1470
29.7.9	SCI Interrupt Vector Offset 1 (SCIINTVECT1) .....	1470
29.7.10	SCI Format Control Register (SCIFORMAT) .....	1471
29.7.11	Baud Rate Selection Register (BRS) .....	1472
29.7.12	SCI Data Buffers (SCIED, SCIRD, SCITD) .....	1473
29.7.13	SCI Pin I/O Control Register 0 (SCIPIO0) .....	1474
29.7.14	SCI Pin I/O Control Register 1 (SCIPIO1) .....	1475
29.7.15	SCI Pin I/O Control Register 2 (SCIPIO2) .....	1476
29.7.16	SCI Pin I/O Control Register 3 (SCIPIO3) .....	1477
29.7.17	SCI Pin I/O Control Register 4 (SCIPIO4) .....	1478
29.7.18	SCI Pin I/O Control Register 5 (SCIPIO5) .....	1479
29.7.19	SCI Pin I/O Control Register 6 (SCIPIO6) .....	1480
29.7.20	SCI Pin I/O Control Register 7 (SCIPIO7) .....	1481
29.7.21	SCI Pin I/O Control Register 8 (SCIPIO8) .....	1481
29.7.22	Input/Output Error Enable (IODFTCTRL) Register .....	1482
29.8	GPIO Functionality .....	1484
29.8.1	GPIO Functionality .....	1484
29.8.2	Under Reset .....	1484
29.8.3	Out of Reset .....	1485
29.8.4	Open-Drain Feature Enabled on a Pin .....	1485
29.8.5	Summary .....	1485
<b>30</b>	<b>Inter-Integrated Circuit (I2C) Module .....</b>	<b>1486</b>
30.1	Overview .....	1487
30.1.1	Introduction to the I2C Module .....	1487
30.1.2	Functional Overview .....	1488
30.1.3	Clock Generation .....	1490
30.2	I2C Module Operation .....	1491
30.2.1	Input and Output Voltage Levels .....	1491
30.2.2	I2C Module Reset Conditions .....	1491
30.2.3	I2C Module Data Validity .....	1491
30.2.4	I2C Module Start and Stop Conditions .....	1492
30.2.5	Serial Data Formats .....	1492
30.2.6	NACK Bit Generation .....	1494
30.3	I2C Operation Modes .....	1495
30.3.1	Master Transmitter Mode .....	1495
30.3.2	Master Receiver Mode .....	1495

30.3.3	Slave Transmitter Mode .....	1495
30.3.4	Slave Receiver Mode .....	1495
30.3.5	Low Power Mode.....	1496
30.3.6	Free Run Mode .....	1496
30.3.7	Ignore NACK Mode .....	1496
30.4	I2C Module Integrity.....	1497
30.4.1	Arbitration .....	1497
30.4.2	I2C Clock Generation and Synchronization .....	1498
30.4.3	Prescaler .....	1498
30.4.4	Noise Filter .....	1498
30.5	Operational Information.....	1499
30.5.1	I2C Module Interrupts.....	1499
30.5.2	DMA Controller Events .....	1500
30.5.3	I2C Enable/Disable.....	1500
30.5.4	General Purpose I/O.....	1500
30.5.5	Pull Up/Pull Down Function .....	1501
30.5.6	Open Drain Function.....	1501
30.6	I2C Control Registers .....	1502
30.6.1	I2C Own Address Manager (I2COAR) .....	1503
30.6.2	I2C Interrupt Mask Register (I2CIMR).....	1504
30.6.3	I2C Status Register (I2CSTR) .....	1505
30.6.4	I2C Clock Divider Low Register (I2CCKL) .....	1508
30.6.5	I2C Clock Control High Register (I2CCKH).....	1508
30.6.6	I2C Data Count Register (I2CCNT).....	1509
30.6.7	I2C Data Receive Register (I2CDRR) .....	1509
30.6.8	I2C Slave Address Register (I2CSAR) .....	1510
30.6.9	I2C Data Transmit Register (I2CDXR) .....	1510
30.6.10	I2C Mode Register (I2CMDR).....	1511
30.6.11	I2C Interrupt Vector Register (I2CIVR) .....	1514
30.6.12	I2C Extended Mode Register (I2CEMDR).....	1515
30.6.13	I2C Prescale Register (I2CPSC) .....	1515
30.6.14	I2C Peripheral ID Register 1 (I2CPID1) .....	1516
30.6.15	I2C Peripheral ID Register 2 (I2CPID2) .....	1516
30.6.16	I2C DMA Control Register (I2CDMACR) .....	1517
30.6.17	I2C Pin Function Register (I2CPFNC) .....	1517
30.6.18	I2C Pin Direction Register (I2CPDIR).....	1518
30.6.19	I2C Data Input Register (I2CDIN) .....	1518
30.6.20	I2C Data Output Register (I2CDOUT) .....	1519
30.6.21	I2C Data Set Register (I2CDSET).....	1519
30.6.22	I2C Data Clear Register (I2CDCLR) .....	1520
30.6.23	I2C Pin Open Drain Register (I2CPDR) .....	1520
30.6.24	I2C Pull Disable Register (I2CPDIS).....	1521
30.6.25	I2C Pull Select Register (I2CPSEL).....	1521
30.6.26	I2C Pins Slew Rate Select Register (I2CSRS) .....	1522
30.7	Sample Waveforms .....	1523
<b>31</b>	<b>EMAC/MDIO Module .....</b>	<b>1524</b>
31.1	Introduction.....	1525
31.1.1	Purpose of the Peripheral .....	1525
31.1.2	Features .....	1525
31.1.3	Functional Block Diagram .....	1526
31.1.4	Industry Standard(s) Compliance Statement .....	1527
31.2	Architecture .....	1527
31.2.1	Clock Control .....	1527

31.2.2	Memory Map .....	1527
31.2.3	Signal Descriptions.....	1528
31.2.4	MII / RMI Signal Multiplexing Control .....	1531
31.2.5	Ethernet Protocol Overview.....	1532
31.2.6	Programming Interface .....	1533
31.2.7	EMAC Control Module.....	1544
31.2.8	MDIO Module .....	1545
31.2.9	EMAC Module .....	1550
31.2.10	MAC Interface .....	1552
31.2.11	Packet Receive Operation.....	1556
31.2.12	Packet Transmit Operation .....	1561
31.2.13	Receive and Transmit Latency.....	1562
31.2.14	Transfer Node Priority.....	1562
31.2.15	Reset Considerations .....	1563
31.2.16	Initialization .....	1564
31.2.17	Interrupt Support .....	1566
31.2.18	Power Management .....	1570
31.2.19	Emulation Considerations .....	1570
31.3	EMAC Control Module Registers.....	1571
31.3.1	EMAC Control Module Revision ID Register (REVID) .....	1572
31.3.2	EMAC Control Module Software Reset Register (SOFTRESET) .....	1572
31.3.3	EMAC Control Module Interrupt Control Register (INTCONTROL) .....	1573
31.3.4	EMAC Control Module Receive Threshold Interrupt Enable Registers (CORXTHRESHEN) .....	1574
31.3.5	EMAC Control Module Receive Interrupt Enable Registers (CORXEN) .....	1575
31.3.6	EMAC Control Module Transmit Interrupt Enable Registers (COTXEN) .....	1576
31.3.7	EMAC Control Module Miscellaneous Interrupt Enable Registers (COMISCEN) .....	1577
31.3.8	EMAC Control Module Receive Threshold Interrupt Status Registers (CORXTHRESHSTAT) .....	1578
31.3.9	EMAC Control Module Receive Interrupt Status Registers (CORXSTAT) .....	1579
31.3.10	EMAC Control Module Transmit Interrupt Status Registers (COTXSTAT) .....	1580
31.3.11	EMAC Control Module Miscellaneous Interrupt Status Registers (COMISCSTAT) .....	1581
31.3.12	EMAC Control Module Receive Interrupts Per Millisecond Registers (CORXIMAX).....	1582
31.3.13	EMAC Control Module Transmit Interrupts Per Millisecond Registers (COTXIMAX) .....	1583
31.4	MDIO Registers.....	1584
31.4.1	MDIO Revision ID Register (REVID) .....	1584
31.4.2	MDIO Control Register (CONTROL) .....	1585
31.4.3	PHY Acknowledge Status Register (ALIVE).....	1586
31.4.4	PHY Link Status Register (LINK) .....	1586
31.4.5	MDIO Link Status Change Interrupt (Unmasked) Register (LINKINTRAW).....	1587
31.4.6	MDIO Link Status Change Interrupt (Masked) Register (LINKINTMASKED) .....	1588
31.4.7	MDIO User Command Complete Interrupt (Unmasked) Register (USERINTRAW).....	1589
31.4.8	MDIO User Command Complete Interrupt (Masked) Register (USERINTMASKED) .....	1590
31.4.9	MDIO User Command Complete Interrupt Mask Set Register (USERINTMASKSET) .....	1591
31.4.10	MDIO User Command Complete Interrupt Mask Clear Register (USERINTMASKCLEAR).....	1592
31.4.11	MDIO User Access Register 0 (USERACCESS0) .....	1593
31.4.12	MDIO User PHY Select Register 0 (USERPHYSEL0).....	1594
31.4.13	MDIO User Access Register 1 (USERACCESS1) .....	1595
31.4.14	MDIO User PHY Select Register 1 (USERPHYSEL1).....	1596
31.5	EMAC Module Registers .....	1597
31.5.1	Transmit Revision ID Register (TXREVID) .....	1600
31.5.2	Transmit Control Register (TXCONTROL).....	1600
31.5.3	Transmit Teardown Register (TXTEARDOWN).....	1601
31.5.4	Receive Revision ID Register (RXREVID).....	1601
31.5.5	Receive Control Register (RXCONTROL) .....	1602

31.5.6	Receive Teardown Register (RXTEARDOWN) .....	1602
31.5.7	Transmit Interrupt Status (Unmasked) Register (TXINTSTATRAW) .....	1603
31.5.8	Transmit Interrupt Status (Masked) Register (TXINTSTATMASKED) .....	1604
31.5.9	Transmit Interrupt Mask Set Register (TXINTMASKSET) .....	1605
31.5.10	Transmit Interrupt Mask Clear Register (TXINTMASKCLEAR) .....	1606
31.5.11	MAC Input Vector Register (MACINVECTOR) .....	1607
31.5.12	MAC End Of Interrupt Vector Register (MACEOIVECTOR) .....	1608
31.5.13	Receive Interrupt Status (Unmasked) Register (RXINTSTATRAW) .....	1609
31.5.14	Receive Interrupt Status (Masked) Register (RXINTSTATMASKED) .....	1610
31.5.15	Receive Interrupt Mask Set Register (RXINTMASKSET) .....	1611
31.5.16	Receive Interrupt Mask Clear Register (RXINTMASKCLEAR) .....	1612
31.5.17	MAC Interrupt Status (Unmasked) Register (MACINTSTATRAW) .....	1613
31.5.18	MAC Interrupt Status (Masked) Register (MACINTSTATMASKED) .....	1613
31.5.19	MAC Interrupt Mask Set Register (MACINTMASKSET) .....	1614
31.5.20	MAC Interrupt Mask Clear Register (MACINTMASKCLEAR) .....	1614
31.5.21	Receive Multicast/Broadcast/Promiscuous Channel Enable Register (RXMBPENABLE) .....	1615
31.5.22	Receive Unicast Enable Set Register (RXUNICASTSET) .....	1617
31.5.23	Receive Unicast Clear Register (RXUNICASTCLEAR) .....	1618
31.5.24	Receive Maximum Length Register (RXMAXLEN) .....	1618
31.5.25	Receive Buffer Offset Register (RXBUFFEROFFSET) .....	1619
31.5.26	Receive Filter Low Priority Frame Threshold Register (RXFILTERLOWTHRESH) .....	1619
31.5.27	Receive Channel Flow Control Threshold Registers (RX0FLOWTHRESH-RX7FLOWTHRESH) .....	1620
31.5.28	Receive Channel Free Buffer Count Registers (RX0FREEBUFFER-RX7FREEBUFFER) .....	1620
31.5.29	MAC Control Register (MACCONTROL) .....	1621
31.5.30	MAC Status Register (MACSTATUS) .....	1623
31.5.31	Emulation Control Register (EMCONTROL) .....	1625
31.5.32	FIFO Control Register (FIFOCONTROL) .....	1625
31.5.33	MAC Configuration Register (MACCONFIG) .....	1626
31.5.34	Soft Reset Register (SOFTRESET) .....	1626
31.5.35	MAC Source Address Low Bytes Register (MACSRCADDRLO) .....	1627
31.5.36	MAC Source Address High Bytes Register (MACSRCADDRHI) .....	1627
31.5.37	MAC Hash Address Register 1 (MACHASH1) .....	1628
31.5.38	MAC Hash Address Register 2 (MACHASH2) .....	1628
31.5.39	Back Off Test Register (BOFFTEST) .....	1629
31.5.40	Transmit Pacing Algorithm Test Register (TPACETEST) .....	1629
31.5.41	Receive Pause Timer Register (RXPAUSE) .....	1630
31.5.42	Transmit Pause Timer Register (TXPAUSE) .....	1630
31.5.43	MAC Address Low Bytes Register (MACADDRLO) .....	1631
31.5.44	MAC Address High Bytes Register (MACADDRHI) .....	1632
31.5.45	MAC Index Register (MACINDEX) .....	1632
31.5.46	Transmit Channel DMA Head Descriptor Pointer Registers (TX0HDP-TX7HDP) .....	1633
31.5.47	Receive Channel DMA Head Descriptor Pointer Registers (RX0HDP-RX7HDP) .....	1633
31.5.48	Transmit Channel Completion Pointer Registers (TX0CP-TX7CP) .....	1634
31.5.49	Receive Channel Completion Pointer Registers (RX0CP-RX7CP) .....	1634
31.5.50	Network Statistics Registers .....	1635
<b>32</b>	<b>Enhanced Capture (eCAP) Module .....</b>	<b>1644</b>
32.1	Introduction .....	1645
32.1.1	Features .....	1645
32.1.2	Description .....	1645
32.2	Basic Operation .....	1646
32.2.1	Capture and APWM Operating Mode .....	1646
32.2.2	Capture Mode Description .....	1647
32.3	Application of the ECAP Module .....	1653

32.3.1	Example 1 - Absolute Time-Stamp Operation Rising Edge Trigger .....	1654
32.3.2	Example 2 - Absolute Time-Stamp Operation Rising and Falling Edge Trigger .....	1656
32.3.3	Example 3 - Time Difference (Delta) Operation Rising Edge Trigger .....	1658
32.3.4	Example 4 - Time Difference (Delta) Operation Rising and Falling Edge Trigger .....	1660
32.4	Application of the APWM Mode .....	1662
32.4.1	Simple PWM Generation (Independent Channel/s) .....	1662
32.5	eCAP Registers.....	1663
32.5.1	Time-Stamp Counter Register (TSCTR) .....	1663
32.5.2	Counter Phase Control Register (CTRPHS).....	1663
32.5.3	Capture-1 Register (CAP1) .....	1664
32.5.4	Capture-2 Register (CAP2) .....	1664
32.5.5	Capture-3 Register (CAP3) .....	1665
32.5.6	Capture-4 Register (CAP4) .....	1665
32.5.7	ECAP Control Register 2 (ECCTL2).....	1666
32.5.8	ECAP Control Register 1 (ECCTL1) .....	1668
32.5.9	ECAP Interrupt Flag Register (ECFLG) .....	1670
32.5.10	ECAP Interrupt Enable Register (ECEINT) .....	1671
32.5.11	ECAP Interrupt Forcing Register (ECFRC) .....	1672
32.5.12	ECAP Interrupt Clear Register (ECCLR) .....	1673
<b>33</b>	<b>Enhanced QEP (eQEP) Module .....</b>	<b>1674</b>
33.1	Introduction.....	1675
33.2	Basic Operation.....	1677
33.2.1	eQEP Inputs .....	1677
33.2.2	Functional Description .....	1678
33.2.3	eQEP Watchdog.....	1693
33.2.4	Unit Timer Base .....	1693
33.2.5	eQEP Interrupt Structure .....	1694
33.3	eQEP Registers .....	1695
33.3.1	eQEP Position Counter Register (QPOSCNT) .....	1696
33.3.2	eQEP Position Counter Initialization Register (QPOSINIT) .....	1696
33.3.3	eQEP Maximum Position Count Register (QPOSMAX) .....	1696
33.3.4	eQEP Position-Compare Register (QPOSCMP) .....	1697
33.3.5	eQEP Index Position Latch Register (QPOSILAT) .....	1697
33.3.6	eQEP Strobe Position Latch Register (QPOSSLAT) .....	1697
33.3.7	eQEP Position Counter Latch Register (QPOSLAT) .....	1698
33.3.8	eQEP Unit Timer Register (QUTMR).....	1698
33.3.9	eQEP Unit Period Register (QUPRD) .....	1698
33.3.10	eQEP Watchdog Period Register (QWDPRD).....	1699
33.3.11	eQEP Watchdog Timer Register (QWDTMR) .....	1699
33.3.12	eQEP Control Register (QEPCTL) .....	1700
33.3.13	eQEP Decoder Control Register (QDECCTL) .....	1702
33.3.14	eQEP Position-Compare Control Register (QPOSCTL).....	1703
33.3.15	eQEP Capture Control Register (QCAPCTL).....	1704
33.3.16	eQEP Interrupt Flag Register (QFLG) .....	1705
33.3.17	eQEP Interrupt Enable Register (QEINT) .....	1706
33.3.18	eQEP Interrupt Force Register (QFRC) .....	1707
33.3.19	eQEP Interrupt Clear Register (QCLR) .....	1708
33.3.20	eQEP Capture Timer Register (QCTMR).....	1709
33.3.21	eQEP Status Register (QEPSTS) .....	1710
33.3.22	eQEP Capture Timer Latch Register (QCTMRLAT) .....	1711
33.3.23	eQEP Capture Period Register (QCPRD).....	1711
33.3.24	eQEP Capture Period Latch Register (QCPRDLAT) .....	1711
<b>34</b>	<b>Enhanced Pulse Width Modulator (ePWM) Module .....</b>	<b>1712</b>

34.1	Introduction .....	1713
34.1.1	Submodule Overview .....	1713
34.1.2	Register Mapping .....	1716
34.2	ePWM Submodules .....	1717
34.2.1	Overview .....	1717
34.2.2	Time-Base (TB) Submodule .....	1719
34.2.3	Counter-Compare (CC) Submodule .....	1727
34.2.4	Action-Qualifier (AQ) Submodule .....	1732
34.2.5	Dead-Band Generator (DB) Submodule .....	1745
34.2.6	PWM-Chopper (PC) Submodule .....	1750
34.2.7	Trip-Zone (TZ) Submodule.....	1754
34.2.8	Event-Trigger (ET) Submodule .....	1760
34.2.9	Digital Compare (DC) Submodule .....	1765
34.2.10	Proper Interrupt Initialization Procedure .....	1771
34.3	Application Examples .....	1772
34.3.1	Overview of Multiple Modules .....	1772
34.3.2	Key Configuration Capabilities .....	1772
34.3.3	Controlling Multiple Buck Converters With Independent Frequencies .....	1774
34.3.4	Controlling Multiple Buck Converters With Same Frequencies .....	1777
34.3.5	Controlling Multiple Half H-Bridge (HHB) Converters .....	1780
34.3.6	Controlling Dual 3-Phase Inverters for Motors (ACI and PMSM) .....	1782
34.3.7	Practical Applications Using Phase Control Between PWM Modules.....	1785
34.4	ePWM Registers .....	1787
34.4.1	Time-Base Submodule Registers .....	1788
34.4.2	Counter-Compare Submodule Registers .....	1792
34.4.3	Action-Qualifier Submodule Registers.....	1795
34.4.4	Dead-Band Submodule Registers .....	1799
34.4.5	Trip-Zone Submodule Registers .....	1802
34.4.6	Event-Trigger Submodule Registers.....	1810
34.4.7	PWM-Chopper Submodule Register.....	1816
34.4.8	Digital Compare Submodule Registers.....	1818
<b>35</b>	<b>Data Modification Module (DMM).....</b>	<b>1825</b>
35.1	Overview.....	1826
35.1.1	Features .....	1826
35.1.2	Block Diagram .....	1826
35.2	Module Operation .....	1827
35.2.1	Data Format.....	1827
35.2.2	Data Port .....	1829
35.2.3	Error Handling .....	1830
35.2.4	Interrupts .....	1831
35.3	Control Registers .....	1832
35.3.1	DMM Global Control Register (DMMGLBCTRL).....	1833
35.3.2	DMM Interrupt Set Register (DMMINTSET) .....	1835
35.3.3	DMM Interrupt Clear Register (DMMINTCLR) .....	1839
35.3.4	DMM Interrupt Level Register (DMMINTLVL) .....	1844
35.3.5	DMM Interrupt Flag Register (DMMINTFLG).....	1846
35.3.6	DMM Interrupt Offset 1 Register (DMMOFF1) .....	1850
35.3.7	DMM Interrupt Offset 2 Register (DMMOFF2) .....	1851
35.3.8	DMM Direct Data Mode Destination Register (DMMDDMDEST).....	1852
35.3.9	DMM Direct Data Mode Blocksize Register (DMMDDMBL).....	1852
35.3.10	DMM Direct Data Mode Pointer Register (DMMDDMPT) .....	1853
35.3.11	DMM Direct Data Mode Interrupt Pointer Register (DMMINTPT) .....	1853
35.3.12	DMM Destination x Region 1 (DMMDESTxREG1).....	1854

35.3.13	DMM Destination x Blocksize 1 (DMMDESTxBL1) .....	1855
35.3.14	DMM Destination x Region 2 (DMMDESTxREG2).....	1856
35.3.15	DMM Destination x Blocksize 2 (DMMDESTxBL2) .....	1857
35.3.16	DMM Pin Control 0 (DMMPC0) .....	1858
35.3.17	DMM Pin Control 1 (DMMPC1) .....	1859
35.3.18	DMM Pin Control 2 (DMMPC2) .....	1861
35.3.19	DMM Pin Control 3 (DMMPC3) .....	1862
35.3.20	DMM Pin Control 4 (DMMPC4) .....	1863
35.3.21	DMM Pin Control 5 (DMMPC5) .....	1865
35.3.22	DMM Pin Control 6 (DMMPC6) .....	1866
35.3.23	DMM Pin Control 7 (DMMPC7) .....	1868
35.3.24	DMM Pin Control 8 (DMMPC8) .....	1869
<b>36</b>	<b>RAM Trace Port (RTP).....</b>	<b>1871</b>
36.1	Overview.....	1872
36.1.1	Features .....	1872
36.1.2	Block Diagram .....	1873
36.2	Module Operation .....	1874
36.2.1	Trace Mode .....	1874
36.2.2	Direct Data Mode (DDM) .....	1876
36.2.3	Trace Regions .....	1876
36.2.4	Overflow/Empty Handling .....	1878
36.2.5	Signal Description .....	1878
36.2.6	Data Rate .....	1879
36.2.7	GIO Function.....	1880
36.3	RTP Control Registers.....	1880
36.3.1	RTP Global Control Register (RTPGLBCTRL) .....	1881
36.3.2	RTP Trace Enable Register (RTPTRENA) .....	1884
36.3.3	RTP Global Status Register (RTPGSR).....	1886
36.3.4	RTP RAM 1 Trace Region Registers (RTPRAM1REG[1:2]) .....	1888
36.3.5	RTP RAM 2 Trace Region Registers (RTPRAM2REG[1:2]) .....	1889
36.3.6	RTP RAM 3 Trace Region Registers (RTPRAM3REG[1:2]) .....	1890
36.3.7	RTP Peripheral Trace Region Registers (RTPPERREG[1:2]) .....	1892
36.3.8	RTP Direct Data Mode Write Register (RTPDDMW).....	1893
36.3.9	RTP Pin Control 0 Register (RTPPC0).....	1894
36.3.10	RTP Pin Control 1 Register (RTPPC1) .....	1895
36.3.11	RTP Pin Control 2 Register (RTPPC2) .....	1896
36.3.12	RTP Pin Control 3 Register (RTPPC3) .....	1897
36.3.13	RTP Pin Control 4 Register (RTPPC4) .....	1898
36.3.14	RTP Pin Control 5 Register (RTPPC5) .....	1899
36.3.15	RTP Pin Control 6 Register (RTPPC6) .....	1900
36.3.16	RTP Pin Control 7 Register (RTPPC7) .....	1902
36.3.17	RTP Pin Control 8 Register (RTPPC8) .....	1903
<b>37</b>	<b>eFuse Controller .....</b>	<b>1904</b>
37.1	Overview.....	1905
37.2	Introduction.....	1905
37.3	eFuse Controller Testing .....	1905
37.3.1	eFuse Controller Connections to ESM .....	1905
37.3.2	Checking for eFuse Errors After Power Up.....	1905
37.4	eFuse Controller Registers.....	1908
37.4.1	EFC Boundary Control Register (EFCBOUND) .....	1908
37.4.2	EFC Pins Register (EFCPINS) .....	1910
37.4.3	EFC Error Status Register (EFCERRSTAT).....	1911
37.4.4	EFC Self Test Cycles Register (EFCSTCY).....	1911

37.4.5 EFC Self Test Signature Register (EFCSTSIG) ..... 1912

## List of Figures

1-1.	Block Diagram .....	99
1-2.	Example: SPIDELAY – 0xFFFF7F448 .....	100
2-1.	Architectural Block Diagram .....	103
2-2.	PCR MasterID Filtering .....	108
2-3.	Memory Map .....	110
2-4.	EPC Integration Diagram .....	120
2-5.	Hardware Memory Initialization Protocol .....	125
2-6.	EXTCTL_Out_Port Register [offset = 404h].....	136
2-7.	LPO and Clock Detection, Untrimmed HF LPO .....	137
2-8.	SYS Pin Control Register 1 (SYSPC1) (offset = 00h) .....	141
2-9.	SYS Pin Control Register 2 (SYSPC2) (offset = 04h) .....	141
2-10.	SYS Pin Control Register 3 (SYSPC3) (offset = 08h) .....	142
2-11.	SYS Pin Control Register 4 (SYSPC4) (offset = 0Ch) .....	142
2-12.	SYS Pin Control Register 5 (SYSPC5) (offset = 10h) .....	143
2-13.	SYS Pin Control Register 6 (SYSPC6) (offset = 14h) .....	143
2-14.	SYS Pin Control Register 7 (SYSPC7) (offset = 18h) .....	144
2-15.	SYS Pin Control Register 8 (SYSPC8) (offset = 1Ch) .....	144
2-16.	SYS Pin Control Register 9 (SYSPC9) (offset = 20h) .....	145
2-17.	Clock Source Disable Register (CSDIS) (offset = 30h).....	146
2-18.	Clock Source Disable Set Register (CSDISSET) (offset = 34h).....	147
2-19.	Clock Source Disable Clear Register (CSDISCLR) (offset = 38h) .....	148
2-20.	Clock Domain Disable Register (CDDIS) (offset = 3Ch) .....	149
2-21.	Clock Domain Disable Set Register (CDDISSET) (offset = 40h).....	150
2-22.	Clock Domain Disable Clear Register (CDDISCLR) (offset = 44h) .....	152
2-23.	GCLK, HCLK, VCLK, and VCLK2 Source Register (GHVSR) (offset = 48h).....	154
2-24.	Peripheral Asynchronous Clock Source Register (VCLKASRC) (offset = 4Ch).....	155
2-25.	RTI Clock Source Register (RCLKSRC) (offset = 50h).....	156
2-26.	Clock Source Valid Status Register (CSVSTAT) (offset = 54h) .....	157
2-27.	Memory Self-Test Global Control Register (MSTGCR) (offset = 58h).....	158
2-28.	Memory Hardware Initialization Global Control Register (MINITGCR) (offset = 5Ch).....	159
2-29.	MBIST Controller/Memory Initialization Enable Register (MSINENA) (offset = 60h) .....	160
2-30.	MSTC Global Status Register (MSTCGSTAT) (offset = 68h).....	161
2-31.	Memory Hardware Initialization Status Register (MINISTAT) (offset = 6Ch) .....	162
2-32.	PLL Control Register 1 (PLLCTL1) (offset = 70h) .....	162
2-33.	PLL Control Register 2 (PLLCTL2) (offset = 74h) .....	164
2-34.	SYS Pin Control Register 10 (SYSPC10) (offset = 78h) .....	165
2-35.	Die Identification Register, Lower Word (DIEIDL) (offset = 7Ch).....	166
2-36.	Die Identification Register, Upper Word (DIEIDH) (offset = 80h).....	166
2-37.	LPO/Clock Monitor Control Register (LPOMONCTL) (offset = 088h) .....	167
2-38.	Clock Test Register (CLKTEST) (offset = 8Ch).....	170
2-39.	DFT Control Register (DFTCTRLREG) (offset = 90h) .....	172
2-40.	DFT Control Register 2 (DFTCTRLREG2) (offset = 94h) .....	173
2-41.	General Purpose Register (GPREG1) (offset = A0h) .....	174
2-42.	System Software Interrupt Request 1 Register (SSIR1) (offset = B0h) .....	175
2-43.	System Software Interrupt Request 2 Register (SSIR2) (offset = B4h) .....	176
2-44.	System Software Interrupt Request 3 Register (SSIR3) (offset = B8h) .....	177
2-45.	System Software Interrupt Request 4 Register (SSIR4) (offset = BCh).....	178

2-46.	RAM Control Register (RAMGCR) (offset = C0h) .....	179
2-47.	Bus Matrix Module Control Register 1 (BMMCR) (offset = C4h) .....	180
2-48.	CPU Reset Control Register (CPURSTCR) (offset = CCh) .....	180
2-49.	Clock Control Register (CLKCNTL) (offset = D0h) .....	181
2-50.	ECP Control Register (ECPCNTL) (offset = D4h) .....	182
2-51.	DEV Parity Control Register 1 (DEVCR1) (offset = DCh) .....	183
2-52.	System Exception Control Register (SYSECR) (offset = E0h) .....	183
2-53.	System Exception Status Register (SYSESR) (offset = E4h) .....	184
2-54.	System Test Abort Status Register (SYSTASR) (offset = E8h) .....	186
2-55.	Global Status Register (GLBSTAT) (offset = ECh) .....	187
2-56.	Device Identification Register (DEVID) (offset = F0h) .....	188
2-57.	Software Interrupt Vector Register (SSIVEC) (offset = F4h) .....	189
2-58.	System Software Interrupt Flag Register (SSIF) (offset = F8h) .....	190
2-59.	PLL Control Register 3 (PLLCTL3) (offset = 00h) .....	192
2-60.	CPU Logic BIST Clock Prescaler (STCLKDIV) (offset = 08h) .....	193
2-61.	ECP Control Register 1 (ECPCNTL1) (offset = 28h) .....	194
2-62.	Clock 2 Control Register (CLK2CNTRL) (offset = 3Ch) .....	195
2-63.	Peripheral Asynchronous Clock Configuration 1 Register (VCLKACON1) [offset = 40h] .....	196
2-64.	HCLK Control Register (HCLKCNTL) (offset = 54h) .....	198
2-65.	Clock Slip Control Register (CLKSLIP) (offset = 70h) .....	199
2-66.	IP ECC Error Enable Register (IP1ECCERREN) (offset = 78h) .....	200
2-67.	EFUSE Controller Control Register (EFC_CTLREG) (offset = ECh) .....	201
2-68.	Die Identification Register, Lower Word (DIEIDL_REG0) [offset = F0h] .....	201
2-69.	Die Identification Register, Upper Word (DIEIDH_REG1) [offset = F4h] .....	202
2-70.	Die Identification Register, Lower Word (DIEIDL_REG2) [offset = F8h] .....	202
2-71.	Die Identification Register, Upper Word (DIEIDH_REG3) [offset = FCh] .....	202
2-72.	Peripheral Memory Protection Set Register 0 (PMPROTSET0) (offset = 00h) .....	209
2-73.	Peripheral Memory Protection Set Register 1 (PMPROTSET1) (offset = 04h) .....	209
2-74.	Peripheral Memory Protection Clear Register 0 (PMPROTCLR0) (offset = 10h) .....	210
2-75.	Peripheral Memory Protection Clear Register 1 (PMPROTCLR1) (offset = 14h) .....	210
2-76.	Peripheral Protection Set Register 0 (PPROTSET0) (offset = 20h) .....	211
2-77.	Peripheral Protection Set Register 1 (PPROTSET1) (offset = 24h) .....	212
2-78.	Peripheral Protection Set Register 2 (PPROTSET2) (offset = 28h) .....	212
2-79.	Peripheral Protection Set Register 3 (PPROTSET3) (offset = 2Ch) .....	213
2-80.	Peripheral Protection Clear Register 0 (PPROTCLR0) (offset = 40h) .....	213
2-81.	Peripheral Protection Clear Register 1 (PPROTCLR1) (offset = 44h) .....	214
2-82.	Peripheral Protection Clear Register 2 (PPROTCLR2) (offset = 48h) .....	214
2-83.	Peripheral Protection Clear Register 3 (PPROTCLR3) (offset = 4Ch) .....	215
2-84.	Peripheral Memory Power-Down Set Register 0 (PCSPWRDWNSET0) (offset = 60h) .....	215
2-85.	Peripheral Memory Power-Down Set Register 1 (PCSPWRDWNSET1) (offset = 64h) .....	216
2-86.	Peripheral Memory Power-Down Clear Register 0 (PCSPWRDWNCLR0) (offset = 70h) .....	216
2-87.	Peripheral Memory Power-Down Clear Register 1 (PCSPWRDWNCLR1) (offset = 74h) .....	217
2-88.	Peripheral Power-Down Set Register 0 (PSPWRDWNSET0) (offset = 80h) .....	218
2-89.	Peripheral Power-Down Set Register 1 (PSPWRDWNSET1) (offset = 84h) .....	219
2-90.	Peripheral Power-Down Set Register 2 (PSPWRDWNSET2) (offset = 88h) .....	219
2-91.	Peripheral Power-Down Set Register 3 (PSPWRDWNSET3) (offset = 8Ch) .....	220
2-92.	Peripheral Power-Down Clear Register 0 (PSPWRDWNCLR0) (offset = A0h) .....	220
2-93.	Peripheral Power-Down Clear Register 1 (PSPWRDWNCLR1) (offset = A4h) .....	221
2-94.	Peripheral Power-Down Clear Register 2 (PSPWRDWNCLR2) (offset = A8h) .....	221

2-95.	Peripheral Power-Down Clear Register 3 (PSPWRDWNCLR) (offset = ACh) .....	222
2-96.	Debug Frame Powerdown Set Register (PDPWRDWNSET) (offset = C0h) .....	222
2-97.	Debug Frame Powerdown Clear Register (PDPWRDWNCLR) (offset = C4h) .....	223
2-98.	MasterID Protection Write Enable Register (MSTIDWRENA) (offset = 200h) .....	223
2-99.	MasterID Enable Register (MSTIDENA) (offset = 204h) .....	224
2-100.	MasterID Diagnostic Control Register (MSTIDDIAGCTRL) (offset = 208h) .....	225
2-101.	Peripheral Frame 0 MasterID Protection Register_L (PS0MSTID_L) (offset = 300h) .....	226
2-102.	Peripheral Frame 0 MasterID Protection Register_H (PS0MSTID_H) (offset = 304h) .....	227
2-103.	Peripheral Frame n MasterID Protection Register_L/H (PSnMSTID_L/H) (offset = 308h-3FCh) .....	228
2-104.	Privileged Peripheral Frame 0 MasterID Protection Register_L (PPS0MSTID_L) (offset = 400h) .....	229
2-105.	Privileged Peripheral Frame 0 MasterID Protection Register_H (PPS0MSTID_H) (offset = 404h) .....	230
2-106.	Privileged Peripheral Frame n MasterID Protection Register_L/H (PPSnMSTID_L/H) (offset = 408h-43Ch) .....	231
2-107.	Privileged Peripheral Extended Frame 0 MasterID Protection Register_L (PPSE0MSTID_L) (offset = 440h) .....	232
2-108.	Privileged Peripheral Extended Frame 0 MasterID Protection Register_H (PPSE0MSTID_H) (offset = 444h) .....	233
2-109.	Privileged Peripheral Extended Frame n MasterID Protection Register_L/H (PPSEnMSTID_L/H) (offset = 448h-53Ch) .....	234
2-110.	Peripheral Memory Frame MasterID Protection Register (PCSnMSTID) (offset = 540h-5BCh) .....	235
2-111.	Privileged Peripheral Memory Frame MasterID Protection Register (PPCSnMSTID) (offset = 5C0h-5DCh) .....	236
3-1.	System Level Block Diagram .....	239
3-2.	SCM Block Diagram .....	240
3-3.	Timeout Threshold Compare .....	241
3-4.	SCM Control Block .....	241
3-5.	SCM REVID Register (SCMREVID) (offset = 00h) .....	245
3-6.	SCM Control Register (SCMCNTRL) (offset = 04h) .....	246
3-7.	SCM Compare Threshold Counter Register (SCMTHRESHOLD) (offset = 08h) .....	247
3-8.	SCM Initiator Error0 Status Register (SCMIAERR0STAT) (offset = 10h) .....	248
3-9.	SCM Initiator Error1 Status Register (SCMIAERR1STAT) (offset = 14h) .....	248
3-10.	SCM Initiator Active Status Register (SCMIASTAT) (offset = 18h) .....	249
3-11.	SCM Target Active Status Register (SCMTASTAT) (offset = 20h) .....	249
4-1.	Interconnect Block Diagram .....	251
4-2.	SDC Status Register (SDC_STATUS) (offset = 00h) .....	258
4-3.	SDC Control Register (SDC_STATUS) (offset = 04h) .....	259
4-4.	Error Generic Parity Register (ERR_GENERIC_PARITY) (offset = 08h) .....	259
4-5.	Error Unexpected Transaction Register (ERR_UNEXPECTED_TRANS) (offset = 0Ch) .....	260
4-6.	Error Transaction ID Register (ERR_TRANS_ID) (offset = 10h) .....	260
4-7.	Error Transaction Signature Register (ERR_TRANS_SIGNATURE) (offset = 14h) .....	261
4-8.	Error Transaction Type Register (ERR_TRANS_TYPE) (offset = 18h) .....	261
4-9.	Error User Parity Register (ERR_USER_PARITY) (offset = 1Ch) .....	262
4-10.	Slave Error Unexpected Master ID Register (SERR_UNEXPECTED_MID) (offset = 20h) .....	262
4-11.	Slave Error Address Decode Register (SERR_ADDR_DECODE) (offset = 24h) .....	263
4-12.	Slave Error User Parity Register (SERR_USER_PARITY) (offset = 28h) .....	263
5-1.	PMM Block Diagram .....	266
5-2.	Core Power Domains .....	267
5-3.	Logic Power Domain Control Register (LOGICPDPWRCTRL0) (offset = 00h) .....	271
5-4.	Logic Power Domain Control Register (LOGICPDPWRCTRL1) (offset = 04h) .....	272
5-5.	Power Domain Clock Disable Register (PDCLKDISREG) (offset = 20h) .....	273
5-6.	Power Domain Clock Disable Set Register (PDCLKDISSETREG) (offset = 24h) .....	274
5-7.	Power Domain Clock Disable Clear Register (PDCLKDISCLRREG) (offset = 28h) .....	275

5-8.	Logic Power Domain PD2 Power Status Register (LOGICPDPWRSTAT0) (offset = 40h) .....	276
5-9.	Logic Power Domain PD3 Power Status Register (LOGICPDPWRSTAT1) (offset = 44h) .....	277
5-10.	Logic Power Domain PD4 Power Status Register (LOGICPDPWRSTAT2) (offset = 48h) .....	278
5-11.	Logic Power Domain PD5 Power Status Register (LOGICPDPWRSTAT3) (offset = 4Ch) .....	279
5-12.	Logic Power Domain PD6 Power Status Register (LOGICPDPWRSTAT4) (offset = 50h) .....	280
5-13.	Global Control Register 1 (GLOBALCTRL1) (offset = A0h) .....	281
5-14.	Global Status Register (GLOBALSTAT) (offset = A8h) .....	282
5-15.	PSCON Diagnostic Compare Key Register (PRCKEYREG) (offset = ACh) .....	282
5-16.	LogicPD PSCON Diagnostic Compare Status Register 1 (LPDDCSTAT1) (offset = B0h) .....	283
5-17.	LogicPD PSCON Diagnostic Compare Status Register 2 (LPDDCSTAT2) (offset = B4h) .....	284
5-18.	Isolation Diagnostic Status Register (ISODIAGSTAT) (offset = C0h) .....	285
6-1.	PINMMR9 Control Register [Address Offset = 134h] .....	287
6-2.	Output Multiplexing Example .....	288
6-3.	Input Multiplexing Example .....	296
6-4.	ADC Trigger Event Signal Generation from ePWMx .....	301
6-5.	GIOA[5] and N2HET1_NDIS Input Multiplexing Scheme .....	303
6-6.	GIOB[2] and N2HET2_NDIS Input Multiplexing Scheme .....	304
6-7.	Synchronizing ePWMx Modules to N2HET1 Time-Base .....	305
6-8.	nERROR and nERROR1 Input Multiplexing .....	309
6-9.	Using GIO Pin for External DMA Request .....	310
6-10.	REVISION_REG: Revision Register (Offset = 00h) .....	313
6-11.	BOOT_REG: Boot Mode Register (Offset = 20h) .....	314
6-12.	KICK_REG0: Kicker Register 0 (Offset = 38h) .....	314
6-13.	KICK_REG1: Kicker Register 1 (Offset = 3Ch) .....	314
6-14.	ERR_RAW_STATUS_REG: Error Raw Status / Set Register (Offset = E0h) .....	315
6-15.	ERR_ENABLED_STATUS_REG: Error Enabled Status / Clear Register (Offset = E4h) .....	316
6-16.	ERR_ENABLE_REG: Error Signaling Enable Register (Offset = E8h) .....	317
6-17.	ERR_ENABLE_CLR_REG: Error Signaling Enable Clear Register (Offset = ECh) .....	318
6-18.	FAULT_ADDRESS_REG: Fault Address Register (Offset = F4h) .....	318
6-19.	FAULT_STATUS_REG: Fault Status Register (Offset = F8h) .....	319
6-20.	FAULT_CLEAR_REG: Fault Clear Register (Offset = FCh) .....	320
6-21.	PINMMRnn: Pin Multiplexing Control Registers (Offset = 110h-1A4h) .....	320
6-22.	PINMMRnn: Pin Multiplexing Control Registers (Offset = 250h-29Ch) .....	321
6-23.	PINMMRnn: Pin Multiplexing Control Registers (Offset = 390h-3DCh) .....	321
7-1.	ECC Byte Mapping .....	329
7-2.	TI OTP Bank 0 Sector Information .....	330
7-3.	TI OTP Bank 0 Package and Memory Size Information .....	331
7-4.	TI OTP Bank 0 LPO Trim and Max HCLK Information .....	331
7-5.	TI OTP Bank 0 Symbolization Information (F008 01E0h-F008 01FFh) .....	332
7-6.	TI OTP Bank 0 Temperature Sensor 1 Calibration Information (F008 0310h-F008 031Fh) .....	332
7-7.	TI OTP Bank 0 Temperature Sensor 2 Calibration Information (F008 0320h-F008 032Fh) .....	332
7-8.	TI OTP Bank 0 Temperature Sensor 3 Calibration Information (F008 0330h-F008 033Fh) .....	332
7-9.	TI OTP Bank 0 Deliberate ECC Error Information .....	333
7-10.	Flash Read Control Register (FRDCNTL) (offset = 00h) .....	340
7-11.	EEPROM Error correction control Register (EE_FEDACCTRL1) (offset = 08h) .....	341
7-12.	Flash PortA Error and Status Register (FEDAC_PASTATUS) (offset = 14h) .....	342
7-13.	Flash PortB Error and Status Register (FEDAC_PBSTATUS) (offset = 18h) .....	343
7-14.	Flash Global Error and Status Register (FEDAC_GBLSTATUS) (offset = 1Ch) .....	344
7-15.	Flash Error Detection and Correction Sector Disable Register (FEDACSDIS) (offset = 24h) .....	345

7-16.	Primary Address Tag Register (FPRIM_ADD_TAG) (offset = 28h) .....	346
7-17.	Duplicate Address Tag Register (FDUP_ADD_TAG) (offset = 2Ch) .....	346
7-18.	Flash Bank Protection Register (FBPROT) (offset = 30h) .....	347
7-19.	Flash Bank Sector Enable Register (FBSE) (offset = 34h) .....	347
7-20.	Flash Bank Busy Register (FBBUSY) (offset = 38h) .....	348
7-21.	Flash Bank Access Control Register (FBAC) (offset = 3Ch) .....	348
7-22.	Flash Bank Power Mode Register (FBPWRMODE) (offset = 40h) .....	349
7-23.	Flash Bank/Pump Ready Register (FBPRDY) (offset = 44h) .....	350
7-24.	Flash Pump Access Control Register 1 (FPAC1) (offset = 48h) .....	351
7-25.	Flash Module Access Control Register (FMAC) (offset = 50h) .....	352
7-26.	Flash Module Status Register (FMSTAT) (offset = 54h) .....	353
7-27.	EEPROM Emulation Data MSW Register (FEMU_DMSW) (offset = 58h) .....	355
7-28.	EEPROM Emulation Data LSW Register (FEMU_DLSW) (offset = 5Ch) .....	355
7-29.	EEPROM Emulation ECC Register (FEMU_ECC) (offset = 60h) .....	356
7-30.	Flash Lock Register (FLOCK) (offset = 64h) .....	356
7-31.	Diagnostic Control Register (FDIAGCTRL) (offset = 6Ch) .....	357
7-32.	Raw Address Register (FRAW_ADDR) (offset = 74h) .....	358
7-33.	Parity Override Register (FPAR_OVR) (offset = 7Ch) .....	359
7-34.	Reset Configuration Valid Register (RCR_VALID) (offset = B4h) .....	360
7-35.	Crossbar Access Time Threshold Register (ACC_THRESHOLD) (offset = B8h) .....	360
7-36.	Flash Error Detection and Correction Sector Disable Register 2 (FEDACSDIS2) (offset = C0h) .....	361
7-37.	Lower Word of Reset Configuration Read Register (RCR_VALUE0) (offset = D0h) .....	362
7-38.	Upper Word of Reset Configuration Read Register (RCR_VALUE1) (offset = D4h) .....	362
7-39.	FSM Register Write Enable Register (FSM_WR_ENA) (offset = 288h) .....	363
7-40.	EEPROM Emulation Configuration Register (EEPROM_CONFIG) (offset = 2B8h) .....	363
7-41.	FSM Sector Register 1 (FSM_SECTOR1) (offset = 2C0h) .....	364
7-42.	FSM Sector Register 2 (FSM_SECTOR2) (offset = 2C4h) .....	364
7-43.	Flash Bank Configuration Register (FCFG_BANK) (offset = 400h) .....	365
7-44.	POM Global Control Register (POMGLBCTRL) (offset = 00h) .....	366
7-45.	POM Revision ID Register (POMREV) (offset = 04h) .....	367
7-46.	POM Flag Register (POMFLG) (offset = 0Ch) .....	367
7-47.	POM Region Start Address Register (POMPROGSTARTx) (offset = 200h, 210h,..) .....	368
7-48.	POM Overlay Region Start Address Register (POMOVLSTARTx) (offset = 204h, 214h,...) .....	368
7-49.	POM Region Size Register (POMREGSIZEx) (offset = 208h, 218h, ...) .....	369
8-1.	RAM Memory Map .....	372
8-2.	L2RAMW Module Control Register (RAMCTRL) (offset = 00h) .....	376
8-3.	L2RAMW Module Error Status Register (RAMERRSTATUS) (offset = 10h) .....	378
8-4.	L2RAMW Diagnostic Data Vector High Register (DIAG_DATA_VECTOR_H) (offset = 24h) .....	381
8-5.	L2RAMW Diagnostic Vector Low Register (DIAG_DATA_VECTOR_L) (offset = 28h) .....	381
8-6.	L2RAMW Diagnostic ECC Vector Register (DIAG_ECC) (offset = 2Ch) .....	382
8-7.	L2RAMW Module Test Mode Control Register (RAMTEST) (offset = 30h) .....	383
8-8.	L2RAMW RAM Address Decode Vector Test Register (RAMADDRDEC_VECT) (offset = 38h) .....	384
8-9.	L2RAMW Memory Initialization Domain Register (MEMINIT_DOMAIN) (offset = 3Ch) .....	385
8-10.	L2RAMW Bank to Domain Mapping Register0 (BANK_DOMAIN_MAP0) (offset = 44h) .....	386
8-11.	L2RAMW Bank to Domain Mapping Register1 (BANK_DOMAIN_MAP1) (offset = 48h) .....	387
9-1.	PBIST Block Diagram .....	389
9-2.	PBIST Memory Self-Test Flow Diagram .....	391
9-3.	RAM Configuration Register (RAMT) [offset = 0160h] .....	396
9-4.	Datalogger Register (DLR) [offset = 0164h] .....	397

9-5.	PBIST Activate/ROM Clock Enable Register (PACT) [offset = 0180h] .....	398
9-6.	PBIST ID Register [offset = 184h] .....	399
9-7.	Override Register (OVER) [offset = 0188h] .....	400
9-8.	Fail Status Fail Register 0 (FSRF0) [offset = 0190h] .....	401
9-9.	Fail Status Fail Register 1 (FSRF1) [offset = 0194h] .....	401
9-10.	Fail Status Count 0 Register (FSRC0) [offset = 0198h] .....	402
9-11.	Fail Status Count Register 1 (FSRC1) [offset = 019Ch] .....	402
9-12.	Fail Status Address Register 0 (FSRA0) [offset = 01A0h] .....	403
9-13.	Fail Status Address Register 1 (FSRA1) [offset = 01A4h] .....	403
9-14.	Fail Status Data Register 0 (FSRDL0) [offset = 01A8h] .....	404
9-15.	Fail Status Data Register 1 (FSRDL1) [offset = 01B0h] .....	404
9-16.	ROM Mask Register (ROM) [offset = 01C0h] .....	405
9-17.	ROM Algorithm Mask Register (ALGO) [offset = 01C4h] .....	406
9-18.	RAM Info Mask Lower Register (RINFOL) [offset = 01C8h] .....	407
9-19.	RAM Info Mask Upper Register (RINFOU) [offset = 01CCh] .....	408
10-1.	Block Diagram for STC With Multiple Segments .....	414
10-2.	STC1 - Segment 0 Redundant Core Architecture With CCM-R5F (Parallel Mode) .....	415
10-3.	STC2 - Segment 0 Redundant Architecture (Parallel Mode) .....	416
10-4.	STC1 - Segment 0 Redundant Core Architecture With Only CPU1 Selected .....	417
10-5.	STC1 - Segment 0 Redundant Core Architecture With Only CPU2 Selected .....	418
10-6.	STC Programmers Flow Chart .....	420
10-7.	Self-Test Hardware Execution Flow Chart .....	423
10-8.	STC Global Control Register 0 (STCGCR0) [offset = 00h] .....	429
10-9.	STC Global Control Register 1 (STCGCR1) [offset = 04h] .....	430
10-10.	Self-Test Run Timeout Counter Preload Register (STCTPR) [offset = 08h] .....	430
10-11.	STC Current ROM Address Register (STCCADDR1) [offset = 0Ch] .....	431
10-12.	STC Current Interval Count Register (STCCICR) [offset = 10h] .....	431
10-13.	Self-Test Global Status Register (STCGSTAT) [offset = 14h] .....	432
10-14.	Self-Test Fail Status Register (STCFSTAT) [offset = 18h] .....	433
10-15.	CORE1 Current MISR Register (CORE1_CURMISR3) [offset = 1Ch] .....	434
10-16.	CORE1 Current MISR Register (CORE1_CURMISR2) [offset = 20h] .....	434
10-17.	CORE1 Current MISR Register (CORE1_CURMISR1) [offset = 24h] .....	434
10-18.	CORE1 Current MISR Register (CORE1_CURMISR0) [offset = 28h] .....	434
10-19.	CORE2 Current MISR Register (CORE2_CURMISR3) [offset = 2Ch] .....	435
10-20.	CORE2 Current MISR Register (CORE2_CURMISR2) [offset = 30h] .....	435
10-21.	CORE2 Current MISR Register (CORE2_CURMISR1) [offset = 34h] .....	435
10-22.	CORE2 Current MISR Register (CORE2_CURMISR0) [offset = 38h] .....	435
10-23.	Signature Compare Self-Check Register (STCSCSCR) [offset = 3Ch] .....	436
10-24.	STC Current ROM Address Register (STCCADDR2) [offset = 40h] .....	436
10-25.	STC Clock Prescaler Register (STCCLKDIV) [offset = 44h] .....	437
10-26.	Segment Interval Preload Register (STCSEGPLR) [offset = 48h] .....	438
11-1.	NMPU Block Diagram .....	443
11-2.	MPU Region Priority .....	445
11-3.	Example of DMA 3 MPU Region Set Up .....	448
11-4.	MPU Revision ID Register (MPUREV) (offset = 00h) .....	453
11-5.	MPU Lock Register (MPULOCK) (offset = 04h) .....	453
11-6.	MPU Diagnostics Control Register (MPUDIAGCTRL) (offset = 08h) .....	454
11-7.	MPU Diagnostic Address Register (MPUDIAGADDR) (offset = 0Ch) .....	455
11-8.	MPU Error Status Register (MPUERSTAT) (offset = 10h) .....	455

11-9. MPU Error Address Register (MPUERRADDR) (offset = 14h) .....	457
11-10. MPU Control Register 1 (MPUCTRL1) (offset = 20h).....	457
11-11. MPU Control Register 2 (MPUCTRL2) (offset = 24h).....	458
11-12. MPU Type Register (MPUTYPE) (offset = 2Ch).....	459
11-13. MPU Region Base Address Register (MPUREGBASE) (offset = 30h) .....	460
11-14. MPU Region Size and Enable Register (MPUREGSENA) (offset = 34h).....	460
11-15. MPU Region Access Control Register (MPUREGACR) (offset = 38h) .....	462
11-16. MPU Region Number Register (MPUREGNUM) (offset = 3Ch).....	463
12-1. EPC System Block Diagram.....	466
12-2. EPC REVID Register (EPCREVID) (offset = 00h).....	470
12-3. EPC Control Register (EPCCTRL) (offset = 04h) .....	471
12-4. Uncorrectable Error Status Register (UERRSTAT) (offset = 08h) .....	472
12-5. EPC Error Status Register (EPCERRSTAT) (offset = 0Ch).....	473
12-6. FIFO Full Status Register (FIFOFULLSTAT) (offset = 10h).....	474
12-7. IP Interface FIFO Overflow Status Register (OVRFLWSTAT) (offset = 14h).....	475
12-8. CAM Index Available Status Register (CAMAVAILSTAT) (offset = 18h).....	475
12-9. Uncorrectable Error Address Register n (UERR_ADDR) (offset = 20h-24h) .....	476
12-10. CAM Content Update Register n (CAM_CONTENT) (offset = A0h-11Ch).....	476
12-11. CAM Index Registers (CAM_INDEXn) (offset = 200h-21Ch) .....	477
13-1. Block Diagram.....	480
13-2. CPU Input Inversion Scheme .....	485
13-3. CCM-R5F Status Register 1 (CCMSR1) (Offset = 00h) .....	489
13-4. CCM-R5F Key Register 1 (CCMKEYR1) (Offset = 04h) .....	490
13-5. CCM-R5F Status Register 2 (CCMSR2) (Offset = 08h) .....	491
13-6. CCM-R5F Key Register 2 (CCMKEYR2) (Offset = 0Ch) .....	492
13-7. CCM-R5F Status Register 3 (CCMSR3) (Offset = 10h) .....	493
13-8. CCM-R5F Key Register 3 (CCMKEYR3) (Offset = 14h) .....	494
13-9. CCM-R5F Polarity Control Register (CCMPOLCNTRL) (Offset = 18h) .....	494
13-10. CCM-R5F Status Register 4 (CCMSR4) (Offset = 1Ch).....	495
13-11. CCM-R5F Key Register 4 (CCMKEYR4) (Offset = 20h) .....	496
13-12. CCM-R5F Power Domain Status Register 0 (CCMPDSTAT0) (Offset = 24h).....	497
14-1. Clock Path from Oscillator through PLL to Device .....	500
14-2. Clock Generation Path .....	501
14-3. Oscillator Implementation.....	502
14-4. Operation of the FM-PLL Module.....	506
14-5. PLL Slip Detection and Reset/Bypass Block Diagram.....	512
14-6. SSW PLL BIST Control Register 1 (SSWPLL1) [offset = 24h] .....	516
14-7. SSW PLL BIST Control Register 2 (SSWPLL2) [offset = 28h] .....	517
14-8. SSW PLL BIST Control Register 3 (SSWPLL3) [offset = 2Ch].....	518
14-9. Basic PLL Circuit.....	519
14-10. PFD Timing .....	519
14-11. PLL Modulation Block Diagram .....	520
14-12. Frequency versus Time .....	521
15-1. DCC Operation.....	524
15-2. Counter Relationship .....	526
15-3. Clock1 Slower Than Clock0 - Results in an Error and Stops Counting .....	526
15-4. Clock1 Faster Than Clock0 - Results in an Error and Stops Counting.....	527
15-5. Clock1 Not Present - Results in an Error and Stops Counting .....	527
15-6. Clock0 Not Present - Results in an Error and Stops Counting .....	528

15-7.	DCC Control Register (DCCGCTRL) [offset = 00]	531
15-8.	DCC Revision Id Register (DCCREV) [offset = 4h]	532
15-9.	DCC Counter0 Seed Register (DCCNT0SEED) [offset = 8h]	532
15-10.	DCC Valid0 Seed Register (DCCVALID0SEED) [offset = Ch]	533
15-11.	DCC Counter1 Seed Register (DCCNT1SEED) [offset = 10h]	533
15-12.	DCC Status Register (DCCSTAT) [offset = 14h]	534
15-13.	DCC Counter0 Value Register (DCCNT0) [offset = 18h]	535
15-14.	DCC Valid0 Value Register (DCCVALID0) [offset = 1Ch]	536
15-15.	DCC Counter1 Value Register (DCCNT1) [offset = 20h]	536
15-16.	DCC Counter1 Clock Source Selection Register (DCCNT1CLKSRC) [offset = 24h]	537
15-17.	DCC Counter0 Clock Source Selection Register (DCCNT0CLKSRC) [offset = 24h]	537
16-1.	Block Diagram	539
16-2.	Interrupt Response Handling	540
16-3.	<b>ERROR</b> Pin Response Handling	540
16-4.	<b>ERROR</b> Pin Timing - Example 1	542
16-5.	<b>ERROR</b> Pin Timing - Example 2	542
16-6.	<b>ERROR</b> Pin Timing - Example 3	542
16-7.	<b>ERROR</b> Pin Timing - Example 4	543
16-8.	<b>ERROR</b> Pin Timing - Example 5	543
16-9.	<b>ERROR</b> Pin Timing - Example 6	543
16-10.	ESM Initialization	544
16-11.	ESM Enable <b>ERROR</b> Pin Action/Response Register 1 (ESMEEPAPR1) [offset = 00h]	546
16-12.	ESM Disable <b>ERROR</b> Pin Action/Response Register 1 (ESMDEPAPR1) [offset = 04h]	546
16-13.	ESM Interrupt Enable Set/Status Register 1 (ESMIESR1) [offset = 08h]	547
16-14.	ESM Interrupt Enable Clear/Status Register 1 (ESMIECR1) [offset = 0Ch]	547
16-15.	ESM Interrupt Level Set/Status Register 1 (ESMILSR1) [offset = 10h]	548
16-16.	ESM Interrupt Level Clear/Status Register 1 (ESMILCR1) [offset = 14h]	548
16-17.	ESM Status Register 1 (ESMSR1) [offset = 18h]	549
16-18.	ESM Status Register 2 (ESMSR2) [offset = 1Ch]	549
16-19.	ESM Status Register 3 (ESMSR3) [offset = 20h]	550
16-20.	ESM <b>ERROR</b> Pin Status Register (ESMEPSR) [offset = 24h]	550
16-21.	ESM Interrupt Offset High Register (ESMIOFFHR) [offset = 28h]	551
16-22.	ESM Interrupt Offset Low Register (ESMIOFFLR) [offset = 2Ch]	552
16-23.	ESM Low-Time Counter Register (ESMLTCR) [offset = 30h]	553
16-24.	ESM Low-Time Counter Preload Register (ESMLTCPR) [offset = 34h]	553
16-25.	ESM Error Key Register (ESMEKR) [offset = 38h]	554
16-26.	ESM Status Shadow Register 2 (ESMSSR2) [offset = 3Ch]	554
16-27.	ESM Influence <b>ERROR</b> Pin Set/Status Register 4 (ESMIEPSR4) [offset = 40h]	555
16-28.	ESM Influence <b>ERROR</b> Pin Clear/Status Register 4 (ESMIEPCR4) [offset = 44h]	555
16-29.	ESM Interrupt Enable Set/Status Register 4 (ESMIESR4) [offset = 48h]	556
16-30.	ESM Interrupt Enable Clear/Status Register 4 (ESMIECR4) [offset = 4Ch]	556
16-31.	ESM Interrupt Level Set/Status Register 4 (ESMILSR4) [offset = 50h]	557
16-32.	ESM Interrupt Level Clear/Status Register 4 (ESMILCR4) [offset = 54h]	557
16-33.	ESM Status Register 4 (ESMSR4) [offset = 58h]	558
16-34.	ESM Influence <b>ERROR</b> Pin Set/Status Register 7 (ESMIEPSR7) [offset = 80h]	559
16-35.	ESM Influence <b>ERROR</b> Pin Clear/Status Register 7 (ESMIEPCR7) [offset = 84h]	559
16-36.	ESM Interrupt Enable Set/Status Register 7 (ESMIESR7) [offset = 88h]	560
16-37.	ESM Interrupt Enable Clear/Status Register 7 (ESMIECR7) [offset = 8Ch]	560
16-38.	ESM Interrupt Level Set/Status Register 7 (ESMILSR7) [offset = 90h]	561

16-39. ESM Interrupt Level Clear/Status Register 7 (ESMILCR7) [offset = 94h] .....	561
16-40. ESM Status Register 7 (ESMSR7) [offset = 98h] .....	562
17-1. RTI Block Diagram.....	565
17-2. Counter Block Diagram .....	566
17-3. Compare Unit Block Diagram (shows only 1 of 4 blocks for simplification) .....	568
17-4. Timebase Control .....	569
17-5. Clock Detection Scheme.....	569
17-6. Switch to NTUx.....	570
17-7. Missing NTUx Signal Example .....	571
17-8. Digital Watchdog .....	571
17-9. DWD Operation .....	572
17-10. Digital Windowed Watchdog Timing Example .....	573
17-11. Digital Windowed Watchdog Operation Example (25% Window) .....	573
17-12. RTI Global Control Register (RTIGCTRL) [offset = 00].....	576
17-13. RTI Timebase Control Register (RTITBCTRL) [offset = 04h] .....	577
17-14. RTI Capture Control Register (RTICAPCTRL) [offset = 08h] .....	578
17-15. RTI Compare Control Register (RTICOMPCTRL) [offset = 0Ch].....	579
17-16. RTI Free Running Counter 0 Register (RTIFRC0) [offset = 10h].....	580
17-17. RTI Up Counter 0 Register (RTIUC0) [offset = 14h] .....	580
17-18. RTI Compare Up Counter 0 Register (RTICPUC0) [offset = 18h] .....	581
17-19. RTI Capture Free Running Counter 0 Register (RTICAFRC0) [offset = 20h] .....	581
17-20. RTI Capture Up Counter 0 Register (RTICAUC0) [offset = 24h] .....	582
17-21. RTI Free Running Counter 1 Register (RTIFRC1) [offset = 30h].....	582
17-22. RTI Up Counter 1 Register (RTIUC1) [offset = 34h] .....	583
17-23. RTI Compare Up Counter 1 Register (RTICPUC1) [offset = 38h] .....	584
17-24. RTI Capture Free Running Counter 1 Register (RTICAFRC1) [offset = 40h] .....	585
17-25. RTI Capture Up Counter 1 Register (RTICAUC1) [offset = 44h] .....	585
17-26. RTI Compare 0 Register (RTICOMP0) [offset = 50h].....	586
17-27. RTI Update Compare 0 Register (RTIUDCP0) [offset = 54h].....	586
17-28. RTI Compare 1 Register (RTICOMP1) [offset = 58h].....	587
17-29. RTI Update Compare 1 Register (RTIUDCP1) [offset = 5Ch] .....	587
17-30. RTI Compare 2 Register (RTICOMP2) [offset = 60h].....	588
17-31. RTI Update Compare 2 Register (RTIUDCP2) [offset = 64h].....	588
17-32. RTI Compare 3 Register (RTICOMP3) [offset = 68h].....	589
17-33. RTI Update Compare 3 Register (RTIUDCP3) [offset = 6Ch] .....	589
17-34. RTI Timebase Low Compare Register (RTITBLCOMP) [offset = 70h] .....	590
17-35. RTI Timebase High Compare Register (RTITBHCOMP) [offset = 74h] .....	590
17-36. RTI Set Interrupt Control Register (RTISETINTENA) [offset = 80h] .....	591
17-37. RTI Clear Interrupt Control Register (RTICLEARINTENA) [offset = 84h] .....	593
17-38. RTI Interrupt Flag Register (RTIINTFLAG) [offset = 88h] .....	595
17-39. Digital Watchdog Control Register (RTIDWDCTRL) [offset = 90h] .....	596
17-40. Digital Watchdog Preload Register (RTIDWDPRLD) [offset = 94h].....	597
17-41. Watchdog Status Register (RTIWDSTATUS) [offset = 98h] .....	598
17-42. RTI Watchdog Key Register (RTIDWDKEY) [offset = 9Ch].....	599
17-43. RTI Watchdog Down Counter Register (RTIDWDCNTR) [offset = A0h] .....	600
17-44. Digital Windowed Watchdog Reaction Control (RTIWWDRXNCTRL) [offset = A4h] .....	600
17-45. Digital Windowed Watchdog Window Size Control (RTIWWDSIZECTRL) [offset = A8h].....	601
17-46. RTI Compare Interrupt Clear Enable Register (RTIINTCLRENABLE) [offset = ACh] .....	602
17-47. RTI Compare 0 Clear Register (RTICMP0CLR) [offset = B0h].....	603

17-48. RTI Compare 1 Clear Register (RTICMP1CLR) [offset = B4h] .....	603
17-49. RTI Compare 2 Clear Register (RTICMP2CLR) [offset = B8h] .....	604
17-50. RTI Compare 3 Clear Register (RTICMP3CLR) [offset = BCh] .....	604
18-1. CRC Controller Block Diagram For One Channel .....	607
18-2. Linear Feedback Shift Register (LFSR) .....	609
18-3. AUTO Mode Using Hardware Timer Trigger .....	612
18-4. AUTO Mode With Software CPU Trigger .....	612
18-5. Semi-CPU Mode With Hardware Timer Trigger .....	613
18-6. Timeout Example 1 .....	615
18-7. Timeout Example 2 .....	616
18-8. Timeout Example 3 .....	616
18-9. CRC Global Control Register 0 (CRC_CTRL0) [offset = 00h] .....	622
18-10. CRC Global Control Register 1 (CRC_CTRL1) [offset = 08h] .....	622
18-11. CRC Global Control Register 2 (CRC_CTRL2) [offset = 10h] .....	623
18-12. CRC Interrupt Enable Set Register (CRC_INTS) [offset = 18h] .....	624
18-13. CRC Interrupt Enable Reset Register (CRC_INTR) [offset = 20h] .....	626
18-14. CRC Interrupt Status Register (CRC_STATUS) [offset = 28h] .....	628
18-15. CRC Interrupt Offset (CRC_INT_OFFSET_REG) [offset = 30h] .....	630
18-16. CRC Busy Register (CRC_BUSY) [offset = 38h] .....	631
18-17. CRC Pattern Counter Preload Register 1 (CRC_PCOUNT_REG1) [offset = 40h] .....	631
18-18. CRC Sector Counter Preload Register 1 (CRC_SCOUNT_REG1) [offset = 44h] .....	632
18-19. CRC Current Sector Preload Register 1 (CRC_CURSEC_REG1) [offset = 48h] .....	632
18-20. CRC Channel 1 Watchdog Timeout Preload Register A (CRC_WDTPOLD1) [offset = 4Ch] .....	633
18-21. CRC Channel 1 Block Complete Timeout Preload Register B (CRC_BCTOPLD1) [offset = 50h] .....	633
18-22. Channel 1 PSA Signature Low Register (PSA_SIGREGL1) [offset = 60h] .....	634
18-23. Channel 1 PSA Signature High Register (PSA_SIGREGH1) [offset = 64h] .....	634
18-24. Channel 1 CRC Value Low Register (CRC_REGL1) [offset = 68h] .....	634
18-25. Channel 1 CRC Value High Register (CRC_REGH1) [offset = 6Ch] .....	635
18-26. Channel 1 PSA Sector Signature Low Register (PSA_SECSIGREGL1) [offset = 70h] .....	635
18-27. Channel 1 PSA Sector Signature High Register (PSA_SECSIGREGH1) [offset = 74h] .....	635
18-28. Channel 1 Raw Data Low Register (RAW_DATAREGL1) [offset = 78h] .....	636
18-29. Channel 1 Raw Data High Register (RAW_DATAREGH1) [offset = 7Ch] .....	636
18-30. CRC Pattern Counter Preload Register 2 (CRC_PCOUNT_REG2) [offset = 80h] .....	636
18-31. CRC Sector Counter Preload Register 2 (CRC_SCOUNT_REG2) [offset = 84h] .....	637
18-32. CRC Current Sector Register 2 (CRC_CURSEC_REG2) [offset = 88h] .....	637
18-33. CRC Channel 2 Watchdog Timeout Preload Register A (CRC_WDTPOLD2) [offset = 8Ch] .....	638
18-34. CRC Channel 2 Block Complete Timeout Preload Register B (CRC_BCTOPLD2) [offset = 90h] .....	638
18-35. Channel 2 PSA Signature Low Register (PSA_SIGREGL2) [offset = A0h] .....	639
18-36. Channel 2 PSA Signature High Register (PSA_SIGREGH2) [offset = A4h] .....	639
18-37. Channel 2 CRC Value Low Register (CRC_REGL2) [offset = A8h] .....	639
18-38. Channel 2 CRC Value High Register (CRC_REGH2) [offset = ACh] .....	640
18-39. Channel 2 PSA Sector Signature Low Register (PSA_SECSIGREGL2) [offset = B0h] .....	640
18-40. Channel 2 PSA Sector Signature High Register (PSA_SECSIGREGH2) [offset = B4h] .....	640
18-41. Channel 2 Raw Data Low Register (RAW_DATAREGL2) [offset = B8h] .....	641
18-42. Channel 2 Raw Data High Register (RAW_DATAREGH2) [offset = BCh] .....	641
19-1. Block Diagram of Dual VIM for Safety Support .....	644
19-2. Device Level Interrupt Block Diagram .....	645
19-3. VIM Interrupt Handling Block Diagram .....	648
19-4. VIM Channel Mapping .....	649

19-5.	VIM in Default State .....	650
19-6.	VIM in a Programmed State .....	650
19-7.	Interrupt Channel Management .....	651
19-8.	VIM Interrupt Address Memory Map .....	652
19-9.	ECC Bits Mapping .....	655
19-10.	Detail of the IRQ Input .....	656
19-11.	Capture Event Sources .....	657
19-12.	Interrupt Vector Table ECC Status Register (ECCSTAT) [offset = ECh] .....	661
19-13.	Interrupt Vector Table ECC Control Register (ECCCTL) [offset = F0h] .....	662
19-14.	Uncorrectable Error Address Register (UERRADDR) [offset = F4h] .....	663
19-15.	Fallback Vector Address Register (FBVECADDR) [offset = F8h] .....	663
19-16.	Single Bit Error Address Register (SBERRADDR) [offset = FCh] .....	664
19-17.	IRQ Index Offset Vector Register (IRQINDEX) [offset = 00h] .....	665
19-18.	FIQ Index Offset Vector Register (FIQINDEX) [offset = F04h] .....	665
19-19.	FIQ/IRQ Program Control Register 0 (FIRQPR0) [offset = 10h] .....	666
19-20.	FIQ/IRQ Program Control Register 1 (FIRQPR1) [offset = F14h] .....	666
19-21.	FIQ/IRQ Program Control Register 2 (FIRQPR2) [offset = 18h] .....	666
19-22.	FIQ/IRQ Program Control Register 3 (FIRQPR3) [offset = 1Ch] .....	666
19-23.	Pending Interrupt Read Location Register 0 (INTREQ0) [offset = 20h] .....	667
19-24.	Pending Interrupt Read Location Register 1 (INTREQ1) [offset = 24h] .....	667
19-25.	Pending Interrupt Read Location Register 2 (INTREQ2) [offset = 28h] .....	667
19-26.	Pending Interrupt Read Location Register 3 (INTREQ3) [offset = 2Ch] .....	667
19-27.	Interrupt Enable Set Register 0 (REQENASET0) [offset = 30h] .....	668
19-28.	Interrupt Enable Set Register 1 (REQENASET1) [offset = 34h] .....	668
19-29.	Interrupt Enable Set Register 2 (REQENASET2) [offset = 38h] .....	668
19-30.	Interrupt Enable Set Register 3 (REQENASET3) [offset = 3Ch] .....	668
19-31.	Interrupt Enable Clear Register 0 (REQENACLR0) [offset = 40h] .....	669
19-32.	Interrupt Enable Clear Register 1 (REQENACLR1) [offset = 44h] .....	669
19-33.	Interrupt Enable Clear Register 2 (REQENACLR2) [offset = 48h] .....	669
19-34.	Interrupt Enable Clear Register 3 (REQENACLR3) [offset = 4Ch] .....	669
19-35.	Wake-Up Enable Set Register 0 (WAKEENASET0) [offset = 50h] .....	670
19-36.	Wake-Up Enable Set Register 1 (WAKEENASET1) [offset = 54h] .....	670
19-37.	Wake-Up Enable Set Register 2 (WAKEENASET2) [offset = 58h] .....	670
19-38.	Wake-Up Enable Set Register 3 (WAKEENASET3) [offset = 5Ch] .....	670
19-39.	Wake-Up Enable Clear Register 0 (WAKEENACLR0) [offset = 60h] .....	671
19-40.	Wake-Up Enable Clear Register 1 (WAKEENACLR1) [offset = 64h] .....	671
19-41.	Wake-Up Enable Clear Register 2 (WAKEENACLR2) [offset = 68h] .....	671
19-42.	Wake-Up Enable Clear Register 3 (WAKEENACLR3) [offset = 6Ch] .....	671
19-43.	IRQ Interrupt Vector Register (IRQVECREG) [offset = 70h] .....	672
19-44.	IRQ Interrupt Vector Register (FIQVECREG) [offset = 74h] .....	672
19-45.	Capture Event Register (CAPEVT) [offset = 78h] .....	673
19-46.	Interrupt Control Registers (CHANCTRL[0:31]) [offset = 80h-FCh] .....	674
20-1.	DMA Block Diagram .....	678
20-2.	Example of a DMA Transfer Using Frame Trigger Source .....	680
20-3.	Example of a DMA Transfer Using Block Trigger Source .....	680
20-4.	DMA Request Mapping and Control Packet Organization .....	682
20-5.	Control Packet Organization and Memory Map .....	682
20-6.	DMA Transfer Example 1 .....	684
20-7.	DMA Indexing Example 1 .....	684

20-8. DMA Indexing Example 2.....	685
20-9. Fixed Priority Scheme.....	685
20-10. Example of Priority Queues.....	686
20-11. Example Channel Assignments.....	687
20-12. Example of DMA Data Unpacking.....	688
20-13. Example of DMA Data Packing.....	689
20-14. DMA Interrupts.....	691
20-15. Detailed Interrupt Structure (Frame Transfer Complete Path).....	692
20-16. Example of Channel Chaining.....	695
20-17. Example of Protection Mechanism.....	697
20-18. DMA Transaction Parity.....	699
20-19. Global Control Register (GCTRL) [offset = 00].....	703
20-20. Channel Pending Register (PEND) [offset = 04h].....	704
20-21. DMA Status Register (DMASTAT) [offset = 0Ch].....	704
20-22. DMA Revision ID Register (DMAREVID) [offset = 10h].....	705
20-23. HW Channel Enable Set and Status Register (HWCHENAS) [offset = 14h].....	706
20-24. HW Channel Enable Reset and Status Register (HWCHENAR) [offset = 1Ch].....	706
20-25. SW Channel Enable Set and Status Register (SWCHENAS) [offset = 24h].....	707
20-26. SW Channel Enable Reset and Status Register (SWCHENAR) [offset = 2Ch].....	707
20-27. Channel Priority Set Register (CHPRIOS) [offset = 34h].....	708
20-28. Channel Priority Reset Register (CHPRIOR) [offset = 3Ch].....	708
20-29. Global Channel Interrupt Enable Set Register (GCHIENAS) [offset = 44h].....	709
20-30. Global Channel Interrupt Enable Reset Register (GCHIENAR) [offset = 4Ch].....	709
20-31. DMA Request Assignment Register 0 (DREQASI0) [offset = 54h].....	710
20-32. DMA Request Assignment Register 1 (DREQASI1) [offset = 58h].....	711
20-33. DMA Request Assignment Register 2 (DREQASI2) [offset = 5Ch].....	712
20-34. DMA Request Assignment Register 3 (DREQASI3) [offset = 60h].....	713
20-35. DMA Request Assignment Register 4 (DREQASI4) [offset = 64h].....	714
20-36. DMA Request Assignment Register 5 (DREQASI5) [offset = 68h].....	715
20-37. DMA Request Assignment Register 6 (DREQASI6) [offset = 6Ch].....	716
20-38. DMA Request Assignment Register 7 (DREQASI7) [offset = 70h].....	717
20-39. Port Assignment Register 0 (PAR0) [offset = 94h].....	718
20-40. Port Assignment Register 1 (PAR1) [offset = 98h].....	719
20-41. Port Assignment Register 2 (PAR2) [offset = 9Ch].....	720
20-42. Port Assignment Register 3 (PAR3) [offset = a0h].....	721
20-43. FTC Interrupt Mapping Register (FTCMAP) [offset = B4h].....	722
20-44. LFS Interrupt Mapping Register (LFSMAP) [offset = BCh].....	722
20-45. HBC Interrupt Mapping Register (HBCMAP) [offset = C4h].....	722
20-46. BTC Interrupt Mapping Register (BTCMAP) [offset = CCh].....	723
20-47. BER Interrupt Mapping Register (BERMAP) [offset = D4h].....	723
20-48. FTC Interrupt Enable Set Register (FTCINTENAS) [offset = DCh].....	724
20-49. FTC Interrupt Enable Reset Register (FTCINTENAR) [offset = E4h].....	724
20-50. LFS Interrupt Enable Set Register (LFSINTENAS) [offset = ECh].....	725
20-51. LFS Interrupt Enable Reset Register (LFSINTENAR) [offset = F4h].....	725
20-52. HBC Interrupt Enable Set Register (HBCINTENAS) [offset = FCh].....	726
20-53. HBC Interrupt Enable Reset Register (HBCINTENAR) [offset = 104h].....	726
20-54. BTC Interrupt Enable Set Register (BTCINTENAS) [offset = 10Ch].....	727
20-55. BTC Interrupt Enable Reset Register (BTCINTENAR) [offset = 114h].....	727
20-56. Global Interrupt Flag Register (GINTFLAG) [offset = 11Ch].....	728

20-57. FTC Interrupt Flag Register (FTCFLAG) [offset = 124h] .....	728
20-58. LFS Interrupt Flag Register (LFSFLAG) [offset = 12Ch] .....	729
20-59. HBC Interrupt Flag Register (HBCFLAG) [offset = 134h] .....	729
20-60. BTC Interrupt Flag Register (BTCFLAG) [offset = 13Ch].....	730
20-61. BER Interrupt Flag Register (BERFLAG) [offset = 144h].....	730
20-62. FTCA Interrupt Channel Offset Register (FTCAOFFSET) [offset = 14Ch].....	731
20-63. LFSA Interrupt Channel Offset Register (LFSAOFFSET) [offset = 150h].....	731
20-64. HBCA Interrupt Channel Offset Register (HBCAOFFSET) [offset = 154h] .....	732
20-65. BTCA Interrupt Channel Offset Register (BTCAOFFSET) [offset = 158h].....	732
20-66. BERA Interrupt Channel Offset Register (BERAOFFSET) [offset = 15Ch] .....	733
20-67. FTCB Interrupt Channel Offset Register (FTCBOFFSET) [offset = 160h] .....	733
20-68. LFSB Interrupt Channel Offset Register (LFSBOFFSET) [offset = 164h].....	734
20-69. HBCB Interrupt Channel Offset Register (HBCBOFFSET) [offset = 168h] .....	734
20-70. BTCB Interrupt Channel Offset Register (BTCBOFFSET) [offset = 16Ch].....	735
20-71. BERB Interrupt Channel Offset Register (BERBOFFSET) [offset = 170h].....	735
20-72. Port Control Register (PTCRL) [offset = 178h] .....	736
20-73. RAM Test Control Register (RTCTRL) [offset = 17Ch] .....	737
20-74. Debug Control Register (DCTRL) [offset = 180h] .....	738
20-75. Watch Point Register (WPR) [offset = 184h].....	739
20-76. Watch Mask Register (WMR) [offset = 188h] .....	739
20-77. FIFO A Active Channel Source Address Register (FAACSADDR) [offset = 18ch] .....	740
20-78. FIFO A Active Channel Destination Address Register (FAACDADDR) [offset = 190h] .....	740
20-79. FIFO A Active Channel Transfer Count Register (FAACTC) [offset = 194h] .....	740
20-80. FIFO B Active Channel Source Address Register (FBACSADDR) [offset = 198h] .....	741
20-81. FIFO B Active Channel Destination Address Register (FBACDADDR) [offset = 19Ch].....	741
20-82. FIFO B Active Channel Transfer Count Register (FBACTC) [offset = 1A0h] .....	741
20-83. ECC Control Register (DMAPECR) [offset = 1A8h].....	742
20-84. DMA ECC Error Address Register (DMAPAR) [offset = 1ACh] .....	743
20-85. DMA Memory Protection Control Register 1 (DMAMPCTRL1) [offset = 1B0h].....	744
20-86. DMA Memory Protection Status Register 1 (DMAMPST1) [offset = 1B4h] .....	746
20-87. DMA Memory Protection Region 0 Start Address Register (DMAMPR0S) [offset = 1B8h].....	747
20-88. DMA Memory Protection Region 0 End Address Register (DMAMPR0E) [offset = 1BCh] .....	747
20-89. DMA Memory Protection Region 1 Start Address Register (DMAMPR1S) [offset = 1C0h].....	748
20-90. DMA Memory Protection Region 1 End Address Register (DMAMPR1E) [offset = 1C4h] .....	748
20-91. DMA Memory Protection Region 2 Start Address Register (DMAMPR2S) [offset = 1C8h].....	749
20-92. DMA Memory Protection Region 2 End Address Register (DMAMPR2E) [offset = 1CCh] .....	749
20-93. DMA Memory Protection Region 3 Start Address Register (DMAMPR3S) [offset = 1D0h].....	750
20-94. DMA Memory Protection Region 3 End Address Register (DMAMPR3E) [offset = 1D4h] .....	750
20-95. DMA Memory Protection Control Register 2 (DMAMPCTRL2) [offset = 1D8h] .....	751
20-96. DMA Memory Protection Status Register 2 (DMAMPST2) [offset = 1DCh].....	753
20-97. DMA Memory Protection Region 4 Start Address Register (DMAMPR4S) [offset = 1E0h].....	754
20-98. DMA Memory Protection Region 4 End Address Register (DMAMPR4E) [offset = 1E4h].....	754
20-99. DMA Memory Protection Region 5 Start Address Register (DMAMPR5S) [offset = 1E8h].....	755
20-100. DMA Memory Protection Region 5 End Address Register (DMAMPR5E) [offset = 1ECh].....	755
20-101. DMA Memory Protection Region 6 Start Address Register (DMAMPR6S) [offset = 1F0h].....	756
20-102. DMA Memory Protection Region 6 End Address Register (DMAMPR6E) [offset = 1F4h] .....	756
20-103. DMA Memory Protection Region 7 Start Address Register (DMAMPR7S) [offset = 1F8h].....	757
20-104. DMA Memory Protection Region 7 End Address Register (DMAMPR7E) [offset = 1FCh] .....	757
20-105. DMA Single Bit ECC Control Register (DMASECCCTRL) [offset = 228h].....	758

20-106. DMA ECC Single Bit Error Address Register (DMAECCSBE) [offset = 230h] .....	759
20-107. FIFO A Status Register (FIFOASTAT) [offset = 240h] .....	760
20-108. FIFO B Status Register (FIOBSTAT) [offset = 244h] .....	760
20-109. DMA Request Polarity Select Register (DMAREQPS1) [offset = 330h] .....	761
20-110. DMA Request Polarity Select Register (DMAREQPS0) [offset = 334h] .....	761
20-111. Transaction Parity Error Event Control Register (TERECTRL) [offset = 340h] .....	762
20-112. TER Event Flag Register (TERFLAG) [offset = 344h] .....	762
20-113. TER Event Channel Offset Register (TERROFFSET) [offset = 348h] .....	763
20-114. Initial Source Address Register (ISADDR) [offset = 00] .....	764
20-115. Initial Destination Address Register (IDADDR) [offset = 04h] .....	764
20-116. Initial Transfer Count Register (ITCOUNT) [offset = 08h] .....	765
20-117. Channel Control Register (CHCTRL) [offset = 10h] .....	765
20-118. Element Index Offset Register (EIOFF) [offset = 14h] .....	767
20-119. Frame Index Offset Register (FIOFF) [offset = 18h] .....	767
20-120. Current Source Address Register (CSADDR) [offset = 800h] .....	768
20-121. Current Destination Address Register (CDADDR) [offset = 804h] .....	768
20-122. Current Transfer Count Register (CTCOUNT) [offset = 808h] .....	768
21-1. EMIF Functional Block Diagram .....	771
21-2. Timing Waveform of SDRAM PRE Command .....	775
21-3. EMIF to 2M x 16 x 4 bank SDRAM Interface .....	775
21-4. EMIF to 512K x 16 x 2 bank SDRAM Interface .....	776
21-5. Timing Waveform for Basic SDRAM Read Operation .....	783
21-6. Timing Waveform for Basic SDRAM Write Operation .....	784
21-7. EMIF Asynchronous Interface .....	786
21-8. EMIF to 8-bit/16-bit Memory Interface .....	787
21-9. Common Asynchronous Interface .....	787
21-10. Timing Waveform of an Asynchronous Read Cycle in Normal Mode .....	791
21-11. Timing Waveform of an Asynchronous Write Cycle in Normal Mode .....	793
21-12. Timing Waveform of an Asynchronous Read Cycle in Select Strobe Mode .....	795
21-13. Timing Waveform of an Asynchronous Write Cycle in Select Strobe Mode .....	797
21-14. Asynchronous Read in Page Mode .....	798
21-15. Module ID Register (MIDR) [offset = 00] .....	804
21-16. Asynchronous Wait Cycle Configuration Register (AWCCR) [offset = 04h] .....	805
21-17. SDRAM Configuration Register (SDCR) [offset = 08h] .....	806
21-18. SDRAM Refresh Control Register (SDRCR) [offset = 0Ch] .....	807
21-19. Asynchronous <i>n</i> Configuration Register (CE <sub><i>n</i></sub> CFG) [offset = 10h - 1Ch] .....	808
21-20. SDRAM Timing Register (SDTIMR) [offset = 20h] .....	809
21-21. SDRAM Self Refresh Exit Timing Register (SDSRETR) [offset = 3Ch] .....	810
21-22. EMIF Interrupt Raw Register (INTRAW) [offset = 40h] .....	811
21-23. EMIF Interrupt Mask Register (INTMSK) [offset = 44h] .....	812
21-24. EMIF Interrupt Mask Set Register (INTMSKSET) [offset = 48h] .....	813
21-25. EMIF Interrupt Mask Clear Register (INTMSKCLR) [offset = 4Ch] .....	814
21-26. Page Mode Control Register (PMCR) [offset = 68h] .....	815
21-27. Example Configuration Interface .....	817
21-28. SDRAM Timing Register (SDTIMR) .....	818
21-29. SDRAM Self Refresh Exit Timing Register (SDSRETR) .....	819
21-30. SDRAM Refresh Control Register (SDRCR) .....	819
21-31. SDRAM Configuration Register (SDCR) .....	820
21-32. Asynchronous <i>m</i> Configuration Register ( <i>m</i> = 1, 2) (CE <sub><i>n</i></sub> CFG ( <i>n</i> = 2, 3)) .....	824

22-1.	Channel Assignments of Two ADC Cores .....	826
22-2.	ADC Block Diagram .....	827
22-3.	FIFO Implementation .....	831
22-4.	Format of Conversion Result Read from FIFO, 12-bit ADC.....	832
22-5.	Format of Conversion Result Read from FIFO, 10-bit ADC.....	832
22-6.	ADC Memory Mapping .....	833
22-7.	Format of Conversion Result Directly Read from ADC RAM, 12-bit ADC .....	833
22-8.	Format of Conversion Result Directly Read from ADC RAM, 10-bit ADC .....	833
22-9.	Conversion Results Storage .....	834
22-10.	ADC Groups' Operating Mode Control and Status Registers.....	836
22-11.	Example Look-Up Table Entry .....	838
22-12.	Group1 Enhanced Channel Selection Mode Example.....	839
22-13.	Self-Test and Calibration Logic .....	847
22-14.	Mid-point Value Calculation .....	850
22-15.	Self-Test and Calibration Logic .....	851
22-16.	Timing for Self-Test Mode .....	852
22-17.	Timing for Sample Capacitor Discharge Mode .....	853
22-18.	ADC Memory Map in Parity Test Mode.....	855
22-19.	GPIO Functionality of ADxEVT .....	855
22-20.	ADC Reset Control Register (ADRSTCR) [offset = 00].....	859
22-21.	ADC Operating Mode Control Register (ADOPMODECR) [offset = 04].....	859
22-22.	ADC Clock Control Register (ADCLOCKCR) [offset = 08h].....	861
22-23.	ADC Calibration Mode Control Register (ADCALCR) [offset = 0Ch] .....	861
22-24.	12-bit ADC Event Group Operating Mode Control Register (ADEVMODECR) [offset = 10h] .....	863
22-25.	10-bit ADC Event Group Operating Mode Control Register (ADEVMODECR) [offset = 10h] .....	863
22-26.	12-bit ADC Group1 Operating Mode Control Register (ADG1MODECR) [offset = 14h] .....	866
22-27.	10-bit ADC Group1 Operating Mode Control Register (ADG1MODECR) [offset = 14h] .....	866
22-28.	12-bit ADC Group2 Operating Mode Control Register (ADG2MODECR) [offset = 18h] .....	869
22-29.	10-bit ADC Group2 Operating Mode Control Register (ADG2MODECR) [offset = 18h] .....	869
22-30.	ADC Event Group Trigger Source Select Register (ADEVSRC) [offset = 1Ch] .....	872
22-31.	ADC Group1 Trigger Source Select Register (ADG1SRC) [offset = 20h].....	873
22-32.	ADC Group2 Trigger Source Select Register (ADG2SRC) [offset = 24h].....	874
22-33.	ADC Event Group Interrupt Enable Control Register (ADEVINTENA) [offset = 28h].....	875
22-34.	ADC Group1 Interrupt Enable Control Register (ADG1INTENA) [offset = 2Ch] .....	876
22-35.	ADC Group2 Interrupt Enable Control Register (ADG2INTENA) [offset = 30h] .....	877
22-36.	ADC Event Group Interrupt Flag Register (ADEVINTFLG) [offset = 34h].....	878
22-37.	ADC Group1 Interrupt Flag Register (ADG1INTFLG) [offset = 38h].....	879
22-38.	ADC Group2 Interrupt Flag Register (ADG2INTFLG) [offset = 3Ch] .....	880
22-39.	ADC Event Group Threshold Interrupt Control Register (ADEVTHRINTCR) [offset = 40h] .....	881
22-40.	ADC Group1 Threshold Interrupt Control Register (ADG1THRINTCR) [offset = 44h] .....	881
22-41.	ADC Group2 Threshold Interrupt Control Register (ADG2THRINTCR) [offset = 48h] .....	882
22-42.	ADC Event Group DMA Control Register (ADEVDMACR) [offset = 4Ch].....	883
22-43.	ADC Group1 DMA Control Register (ADG1DMACR) [offset = 50h] .....	885
22-44.	ADC Group2 DMA Control Register (ADG2DMACR) [offset = 54h] .....	887
22-45.	ADC Results Memory Configuration Register (ADBNDCCR) [offset = 58h] .....	889
22-46.	ADC Results Memory Size Configuration Register (ADBNDEND) [offset = 5Ch].....	890
22-47.	ADC Event Group Sampling Time Configuration Register (ADEVSAMP) [offset = 60h].....	891
22-48.	ADC Group1 Sampling Time Configuration Register (ADG1SAMP) [offset = 64h] .....	891
22-49.	ADC Group2 Sampling Time Configuration Register (ADG2SAMP) [offset = 68h] .....	892

22-50. ADC Event Group Status Register (ADEVSR) [offset = 6Ch] .....	893
22-51. ADC Group1 Status Register (ADG1SR) [offset = 70h] .....	894
22-52. ADC Group2 Status Register (ADG2SR) [offset = 74h] .....	895
22-53. ADC Event Group Channel Select Register (ADEVSEL) [offset = 78h] .....	896
22-54. ADC Group1 Channel Select Register (ADG1SEL) [offset = 7Ch].....	897
22-55. ADC Group2 Channel Select Register (ADG2SEL) [offset = 80h] .....	898
22-56. 12-bit ADC Calibration and Error Offset Correction Register (ADCALR) [offset = 84h] .....	899
22-57. 10-bit ADC Calibration and Error Offset Correction Register (ADCALR) [offset = 84h] .....	899
22-58. ADC State Machine Status Register (ADSMSTATE) [offset = 88h] .....	899
22-59. ADC Channel Last Conversion Value Register (ADLASTCONV) [offset = 8Ch].....	900
22-60. 12-bit ADC Event Group Results' FIFO Register (ADEVBUFFER) [offset = 90h-AFh].....	901
22-61. 10-bit ADC Event Group Results' FIFO Register (ADEVBUFFER) [offset = 90h-AFh].....	901
22-62. 12-bit ADC Group1 Results FIFO Register (ADG1BUFFER) [offset = B0h-CFh] .....	902
22-63. 10-bit ADC Group1 Results' FIFO Register (ADG1BUFFER) [offset = B0h-CFh] .....	902
22-64. 12-bit ADC Group2 Results FIFO Register (ADG2BUFFER) [offset = D0h-EFh] .....	903
22-65. 10-bit ADC Group2 Results' FIFO Register (ADG2BUFFER) [offset = D0h-EFh] .....	903
22-66. 12-bit ADC Event Group Results Emulation FIFO Register (ADEVEMUBUFFER) [offset = F0h] .....	904
22-67. 10-bit ADC Event Group Results Emulation FIFO Register (ADEVEMUBUFFER) [offset = F0h] .....	904
22-68. 12-bit ADC Group1 Results Emulation FIFO Register (ADG1EMUBUFFER) [offset = F4h] .....	905
22-69. 10-bit ADC Group1 Results Emulation FIFO Register (ADG1EMUBUFFER) [offset = F4h] .....	905
22-70. 12-bit ADC Group2 Results Emulation FIFO Register (ADG2EMUBUFFER) [offset = F8h] .....	906
22-71. 10-bit ADC Group2 Results Emulation FIFO Register (ADG2EMUBUFFER) [offset = F8h] .....	906
22-72. ADC ADEVT Pin Direction Control Register (ADEVTDIR) [offset = FCh].....	907
22-73. ADC ADEVT Pin Output Value Control Register (ADEVTOUT) [offset = 100h].....	908
22-74. ADC ADEVT Pin Input Value Register (ADEVTIN) [offset = 104h] .....	908
22-75. ADC ADEVT Pin Set Register (ADEVTSET) [offset = 108h] .....	909
22-76. ADC ADEVT Pin Clear Register (ADEVTCLR) [offset = 10Ch] .....	909
22-77. ADC ADEVT Pin Open Drain Enable Register (ADEVTPDR) [offset = 110h] .....	910
22-78. ADC ADEVT Pin Pull Control Disable Register (ADEVTPDIS) [offset = 114h].....	910
22-79. ADC ADEVT Pin Pull Control Select Register (ADEVTPSEL) [offset = 118h] .....	911
22-80. ADC Event Group Sample Cap Discharge Control Register (ADEVSAMPDISEN) [offset = 11Ch] .....	911
22-81. ADC Group1 Sample Cap Discharge Control Register (ADG1SAMPDISEN) [offset = 120h].....	912
22-82. ADC Group2 Sample Cap Discharge Control Register (ADG2SAMPDISEN) [offset = 124h].....	913
22-83. 12-bit ADC Magnitude Compare Interrupt Control Registers (ADMAGINTxCR) [offset = 128h-138h] .....	914
22-84. 10-bit ADC Magnitude Compare Interrupt Control Registers (ADMAGINTxCR) [offset = 128h-138h] .....	914
22-85. 12-bit ADC Magnitude Compare Mask Register (ADMAGINTxMASK) [offset = 12Ch-13Ch] .....	916
22-86. 10-bit ADC Magnitude Compare Mask Register (ADMAGINTxMASK) [offset = 12Ch-13Ch].....	916
22-87. ADC Magnitude Compare Interrupt Enable Set Register (ADMAGINTENASET) [offset = 158h].....	917
22-88. ADC Magnitude Compare Interrupt Enable Clear Register (ADMAGINTENACLAR) [offset = 15Ch].....	917
22-89. ADC Magnitude Compare Interrupt Flag Register (ADMAGINTFLG) [offset = 160h] .....	918
22-90. ADC Magnitude Compare Interrupt Offset Register (ADMAGINTOFF) [offset = 164h] .....	918
22-91. ADC Event Group FIFO Reset Control Register (ADEVFIFORESETCR) [offset = 168h] .....	919
22-92. ADC Group1 FIFO Reset Control Register (ADG1FIFORESETCR) [offset = 16Ch] .....	919
22-93. ADC Group2 FIFO Reset Control Register (ADG2FIFORESETCR) [offset = 170h].....	920
22-94. ADC Event Group RAM Write Address Register (ADEVRAMWRADDR) [offset = 174h].....	920
22-95. ADC Group1 RAM Write Address Register (ADG1RAMWRADDR) [offset = 178h] .....	921
22-96. ADC Group2 RAM Write Address Register (ADG2RAMWRADDR) [offset = 17Ch].....	921
22-97. ADC Parity Control Register (ADPARCR) [offset = 180h].....	922
22-98. ADC Parity Error Address Register (ADPARADDR) [offset = 184h].....	923

22-99. ADC Power-Up Delay Control Register (ADPWRUPDLYCTRL) [offset = 188h] .....	923
22-100. ADC Event Group Channel Selection Mode Control Register (ADEVCHNSELMODECTRL) (offset = 190h) .....	924
22-101. ADC Group1 Channel Selection Mode Control Register (ADG1CHNSELMODECTRL) (offset = 194h) ....	924
22-102. ADC Group2 Channel Selection Mode Control Register (ADG1CHNSELMODECTRL) (offset = 198h) ....	925
22-103. ADC Event Group Current Count Register (ADEVCURRCOUNT) (offset = 19Ch) .....	926
22-104. ADC Event Group Maximum Count Register (ADEVMAXCOUNT) (offset = 1A0h) .....	926
22-105. ADC Group1 Current Count Register (ADG1CURRCOUNT) (offset = 1A4h) .....	927
22-106. ADC Group1 Maximum Count Register (ADG1MAXCOUNT) (offset = 1A8h) .....	927
22-107. ADC Group2 Current Count Register (ADG2CURRCOUNT) (offset = 1ACh) .....	928
22-108. ADC Group2 Maximum Count Register (ADG2MAXCOUNT) (offset = 1B0h) .....	928
23-1. N2HET Block Diagram .....	934
23-2. Specialized Timer Micromachine .....	935
23-3. Program Flow Timings .....	936
23-4. Use of the Overflow Interrupt Flag (HETEXC2) .....	937
23-5. Multi-Resolution Operation Flow Example .....	938
23-6. Debug Control Configuration .....	939
23-7. Prescaler Configuration .....	942
23-8. I/O Control .....	946
23-9. N2HET Loop Resolution Structure for Each Bit .....	947
23-10. Loop Resolution Instruction Execution Example .....	947
23-11. HR I/O Architecture .....	948
23-12. Example of HR Structure Sharing for N2HET Pins 0/1 .....	949
23-13. XOR-shared HR I/O .....	949
23-14. Symmetrical PWM with XOR-sharing Output .....	950
23-15. AND-shared HR I/O .....	951
23-16. HR0 to HR1 Digital Loopback Logic: LBTYPE[0] = 0 .....	952
23-17. HR0 to HR1 Analog Loop Back Logic: LBTYPE[0] = 1 .....	952
23-18. N2HET Input Edge Detection .....	953
23-19. ECMP Execution Timings .....	954
23-20. High/Low Resolution Modes for ECMP and PWCNT .....	955
23-21. PCNT Instruction Timing (With Capture Edge After HR Counter Overflow) .....	956
23-22. PCNT Instruction Timing (With Capture Edge Before HR Counter Overflow) .....	956
23-23. WCAP Instruction Timing .....	957
23-24. I/O Block Diagram Including Pull Control Logic .....	957
23-25. N2HET Pin Disable Feature Diagram .....	959
23-26. Suppression Filter Counter Operation .....	960
23-27. Interrupt Functionality on Instruction Level .....	961
23-28. Interrupt Flag/Priority Level Architecture .....	962
23-29. Request Line Assignment Example .....	963
23-30. Operation of N2HET Count Instructions .....	964
23-31. SCNT Count Operation .....	965
23-32. ACNT Period Variation Compensations .....	965
23-33. N2HET Timings Associated with the Gap Flag (ACNT Deceleration) .....	966
23-34. N2HET Timings Associated with the Gap Flag (ACNT Acceleration) .....	966
23-35. Global Configuration Register (HETGCR) .....	969
23-36. Prescale Factor Register (HETPFR) .....	970
23-37. N2HET Current Address (HETADDR) .....	971
23-38. Offset Index Priority Level 1 Register (HETOFF1) .....	971

23-39. Offset Index Priority Level 2 Register (HETOFF2) .....	972
23-40. Interrupt Enable Set Register (HETINTENAS) .....	973
23-41. Interrupt Enable Clear (HETINTENAC) .....	973
23-42. Exception Control Register (HETEXC1) .....	974
23-43. Exception Control Register 2 (HETEXC2).....	975
23-44. Interrupt Priority Register (HETPRY) .....	976
23-45. Interrupt Flag Register (HETFLG) .....	976
23-46. AND Share Control Register (HETAND) .....	977
23-47. HR Share Control Register (HETHRSH) .....	978
23-48. XOR Share Control Register (HETXOR) .....	979
23-49. Request Enable Set Register (HETREQENS) .....	980
23-50. Request Enable Clear Register (HETREQENC) .....	980
23-51. Request Destination Select Register (HETREQDS) [offset = FFF7 B844h] .....	981
23-52. N2HET Direction Register (HETDIR) .....	982
23-53. N2HET Data Input Register (HETDIN).....	983
23-54. N2HET Data Output Register (HETDOUT).....	983
23-55. N2HET Data Set Register (HETDSET) .....	984
23-56. N2HET Data Clear Register (HETDCLR) .....	984
23-57. N2HET Open Drain Register (HETPDR) .....	985
23-58. N2HET Pull Disable Register (HETPULDIS) .....	985
23-59. N2HET Pull Select Register (HETPSL).....	986
23-60. Parity Control Register (HETPCR) .....	987
23-61. Parity Address Register (HETPAR) .....	988
23-62. Parity Pin Register (HETPPR) .....	989
23-63. Suppression Filter Preload Register (HETSFPRLD).....	990
23-64. Suppression Filter Enable Register (HETSFENA) .....	990
23-65. Loop Back Pair Select Register (HETLBPSEL) .....	991
23-66. Loop Back Pair Direction Register (HETLBPDIR).....	992
23-67. N2HET Pin Disable Register (HETPINDIS) .....	993
23-68. ACMP Program Field (P31:P0) .....	999
23-69. ACMP Control Field (C31:C0).....	999
23-70. ACMP Data Field (D31:D0).....	999
23-71. ACNT Program Field (P31:P0) .....	1001
23-72. ACNT Control Field (C31:C0).....	1001
23-73. ACNT Data Field (D31:D0).....	1001
23-74. ADCNST Program Field (P31:P0) .....	1004
23-75. ADCNST Control Field (C31:C0).....	1004
23-76. ADCNST Data Field (D31:D0).....	1004
23-77. ADCNST Operation If Remote Data Field[31:7] Is Not Zero .....	1005
23-78. ADCNST Operation if Remote Data Field [31:7] Is Zero .....	1005
23-79. ADC, ADD, AND, OR, SBB, SUB, XOR Program Field (P31:P0) .....	1006
23-80. ADC, ADD, AND, OR, SBB, SUB, XOR Control Field (C31:C0) .....	1006
23-81. ADC, ADD, AND, OR, SBB, SUB, XOR Data Field (D31:D0).....	1006
23-82. ADM32 Program Field (P31:P0).....	1012
23-83. ADM32 Control Field (C31:C0).....	1012
23-84. ADM32 Data Field (D31:D0) .....	1012
23-85. ADM32 Add and Move Operation for IM&REGTOREG (Case 00) .....	1014
23-86. ADM32 Add and Move Operation for REM&REGTOREG (Case 01) .....	1014
23-87. APCNT Program Field (P31:P0) .....	1015

23-88. APCNT Control Field (C31:C0).....	1015
23-89. APCNT Data Field (D31:D0).....	1015
23-90. BR Program Field (P31:P0).....	1018
23-91. BR Control Field (C31:C0).....	1018
23-92. BR Data Field (D31:D0).....	1018
23-93. CNT Program Field (P31:P0).....	1020
23-94. CNT Control Field (C31:C0).....	1020
23-95. CNT Data Field (D31:D0).....	1020
23-96. DADM64 Program Field (P31:P0).....	1023
23-97. DADM64 Control Field (C31:C0).....	1023
23-98. DADM64 Data Field (D31:D0).....	1024
23-99. DADM64 Add and Move Operation.....	1024
23-100. DJZ Program Field (P31:P0).....	1025
23-101. DJZ Control Field (C31:C0).....	1025
23-102. DJZ Data Field (D31:D0).....	1025
23-103. ECMP Program Field (P31:P0).....	1027
23-104. ECMP Control Field (C31:C0).....	1027
23-105. ECMP Data Field (D31:D0).....	1027
23-106. ECNT Program Field (P31:P0).....	1030
23-107. ECNT Control Field (C31:C0).....	1030
23-108. ECNT Data Field (D31:D0).....	1030
23-109. MCMP Program Field (P31:P0).....	1032
23-110. MCMP Control Field (C31:C0).....	1032
23-111. MCMP Data Field (D31:D0).....	1032
23-112. MOV32 Program Field (P31:P0).....	1035
23-113. MOV32 Control Field (C31:C0).....	1035
23-114. MOV32 Data Field (D31:D0).....	1035
23-115. MOV32 Move Operation for IMTOREG (Case 00).....	1036
23-116. MOV32 Move Operation for IMTOREG&REM (Case 01).....	1037
23-117. MOV32 Move Operation for REGTOREM (Case 10).....	1037
23-118. MOV32 Move Operation for REMTOREG (Case 11).....	1037
23-119. MOV64 Program Field (P31:P0).....	1039
23-120. MOV64 Control Field (C31:C0).....	1039
23-121. MOV64 Data Field (D31:D0).....	1040
23-122. MOV64 Move Operation.....	1040
23-123. PCNT Program Field (P31:P0).....	1042
23-124. PCNT Control Field (C31:C0).....	1042
23-125. PCNT Data Field (D31:D0).....	1042
23-126. PWCNT Program Field (P31:P0).....	1045
23-127. PWCNT Control Field (C31:C0).....	1045
23-128. PWCNT Data Field (D31:D0).....	1045
23-129. RADM64 Program Field (P31:P0).....	1048
23-130. RADM64 Control Field (C31:C0).....	1048
23-131. RADM64 Data Field (D31:D0).....	1049
23-132. RADM64 Add and Move Operation.....	1049
23-133. RCNT Program Field (P31:P0).....	1051
23-134. RCNT Control Field (C31:C0).....	1051
23-135. RCNT Data Field (D31:D0).....	1051
23-136. SCMP Program Field (P31:P0).....	1053

23-137. SCMP Control Field (C31:C0).....	1053
23-138. SCMP Data Field (D31:D0).....	1053
23-139. SCNT Program Field (P31:P0).....	1055
23-140. SCNT Control Field (C31:C0) .....	1055
23-141. SCNT Data Field (D31:D0) .....	1055
23-142. SHFT Program Field (P31:P0) .....	1057
23-143. SHFT Control Field (C31:C0) .....	1057
23-144. SHFT Data Field (D31:D0) .....	1057
23-145. WCAP Program Field (P31:P0) .....	1060
23-146. WCAP Control Field (C31:C0) .....	1060
23-147. WCAP Data Field (D31:D0) .....	1060
23-148. WCAPE Program Field (P31:P0) .....	1062
23-149. WCAPE Control Field (C31:C0).....	1062
23-150. WCAPE Data Field (D31:D0).....	1062
24-1. System Block Diagram .....	1066
24-2. HTU Block Diagram .....	1067
24-3. Example of a HTU Transfer.....	1067
24-4. Single Buffer Timing and Memory Representation .....	1069
24-5. Timing Example for Circular Buffer Mode.....	1070
24-6. Dual Buffer Timing .....	1071
24-7. Timing Example for Auto Switch Buffer Mode.....	1072
24-8. Timing for Disabling Control Packets .....	1073
24-9. Timing Example Including Lost Requests.....	1074
24-10. Timing which Generates No Request Lost Error.....	1075
24-11. Timing which Generates a Request Lost Error.....	1075
24-12. Timing Example for Two WCAP Instructions .....	1076
24-13. Timing of the WCAP, ECNT, PCNT Example .....	1079
24-14. Global Control Register (HTU GC) [offset = 00].....	1083
24-15. Control Packet Enable Register (HTU CPENA) [offset = 04h] .....	1084
24-16. Control Packet (CP) Busy Register 0 (HTU BUSY0) [offset = 08h] .....	1085
24-17. Control Packet (CP) Busy Register 1 (HTU BUSY1) [offset = 0Ch].....	1086
24-18. Control Packet (CP) Busy Register 2 (HTU BUSY2) [offset = 10h] .....	1086
24-19. Control Packet (CP) Busy Register 3 (HTU BUSY3) [offset = 14h] .....	1087
24-20. Active Control Packet and Error Register (HTU ACPE) [offset = 18h] .....	1087
24-21. Request Lost and Bus Error Control Register (HTU RLBECTRL) [offset = 20h] .....	1089
24-22. Buffer Full Interrupt Enable Set Register (HTU BFINTS) [offset = 24h] .....	1090
24-23. Buffer Full Interrupt Enable Clear Register (HTU BFINTC) [offset = 28h] .....	1090
24-24. Interrupt Mapping Register (HTU INTMAP) [offset = 2Ch].....	1091
24-25. Interrupt Offset Register 0 (HTU INTOFF0) [offset = 34h].....	1092
24-26. Interrupt Offset Register 1 (HTU INTOFF1) [offset = 38h].....	1093
24-27. Buffer Initialization Mode Register (HTU BIM) [offset = 3Ch] .....	1094
24-28. Request Lost Flag Register (HTU RLOSTFL) [offset = 40h] .....	1096
24-29. Buffer Full Interrupt Flag Register (HTU BFINTFL) [offset = 44h] .....	1096
24-30. BER Interrupt Flag Register (HTU BERINTFL) [offset = 48h].....	1097
24-31. Memory Protection 1 Start Address Register (HTU MP1S) [offset = 4Ch] .....	1098
24-32. Memory Protection 1 End Address Register (HTU MP1E) [offset = 50h].....	1098
24-33. Debug Control Register (HTU DCTRL) [offset = 54h].....	1099
24-34. Watch Point Register (HTU WPR) [offset = 58h] .....	1100
24-35. Watch Mask Register (HTU WMR) [offset = 5Ch] .....	1100

24-36. Module Identification Register (HTU ID) [offset = 60h] .....	1101
24-37. Parity Control Register (HTU PCR) [offset = 64h] .....	1102
24-38. Parity Address Register (HTU PAR) [offset = 68h] .....	1103
24-39. Memory Protection Control and Status Register (HTU MPCS) [offset = 70h].....	1104
24-40. Memory Protection Start Address Register 0 (HTU MP0S) [offset = 74h].....	1107
24-41. Memory Protection End Address Register (HTU MP0E) [offset = 78h] .....	1107
24-42. Initial Full Address A Register (HTU IFADDRA) .....	1109
24-43. Initial Full Address B Register (HTU IFADDRB) .....	1109
24-44. Initial NHET Address and Control Register (HTU IHADDRCT) .....	1110
24-45. Initial Transfer Count Register (HTU ITCOUNT) .....	1111
24-46. Current Full Address A Register (HTU CFADDRA) .....	1112
24-47. Current Full Address B Register (HTU CFADDRB) .....	1113
24-48. Current Frame Count Register (HTU CFCOUNT) .....	1114
25-1. GIO Block Diagram .....	1118
25-2. I/O Function Quick Start Flow Chart .....	1119
25-3. Interrupt Generation Function Quick Start Flow Chart .....	1120
25-4. GIO Block Diagram .....	1122
25-5. GIO Global Control Register (GIOGCR0) [offset = 00h] .....	1125
25-6. GIO Interrupt Detect Register (GIOINTDET) [offset = 08h].....	1126
25-7. GIO Interrupt Polarity Register (GIOPOL) [offset = 0Ch] .....	1127
25-8. GIO Interrupt Enable Set Register (GIOENASET) [offset = 10h] .....	1128
25-9. GIO Interrupt Enable Clear Register (GIOENACLR) [offset = 14h].....	1129
25-10. GIO Interrupt Priority Register (GIOLVLSET) [offset = 18h].....	1130
25-11. GIO Interrupt Priority Register (GIOLVLCCLR) [offset = 1Ch] .....	1132
25-12. GIO Interrupt Flag Register (GIOFLG) [offset = 20h].....	1133
25-13. GIO Offset 1 Register (GIOOFF1) [offset = 24h].....	1134
25-14. GIO Offset 2 Register (GIOOFF2) [offset = 28h].....	1135
25-15. GIO Emulation 1 Register (GIOEMU1) [offset = 2Ch].....	1136
25-16. GIO Emulation 2 Register (GIOEMU2) [offset = 30h] .....	1137
25-17. GIO Data Direction Registers (GIODIR[A-B]) [offset = 34h, 54h].....	1138
25-18. GIO Data Input Registers (GIODIN[A-B]) [offset = 38h, 58h] .....	1138
25-19. GIO Data Output Registers (GIODOUT[A-B]) [offset = 3Ch, 5Ch] .....	1139
25-20. GIO Data Set Registers (GIODSET[A-B]) [offset = 40h, 60h].....	1139
25-21. GIO Data Clear Registers (GIODCLR[A-B]) [offset = 44h, 64h] .....	1140
25-22. GIO Open Drain Registers (GIOPDR[A-B]) [offset = 48h, 68h] .....	1140
25-23. GIO Pull Disable Registers (GIOPULDIS[A-B]) [offset = 4Ch, 6Ch].....	1141
25-24. GIO Pull Select Registers (GIOPSL[A-B]) [offset = 50h, 70h].....	1141
26-1. DCAN Block Diagram.....	1145
26-2. Bit Timing.....	1147
26-3. CAN Bit-timing Configuration .....	1152
26-4. Structure of a Message Object .....	1154
26-5. Message RAM Representation in Debug/Suspend Mode .....	1157
26-6. Message RAM Representation in RAM Direct Access Mode .....	1157
26-7. ECC RAM Representation .....	1158
26-8. Data Transfer Between IF1 / IF2 Registers and Message RAM .....	1160
26-9. Initialization of a Transmit Object .....	1162
26-10. Initialization of a Single Receive Object for Data Frames .....	1162
26-11. Initialization of a Single Receive Object for Remote Frames.....	1163
26-12. CPU Handling of a FIFO Buffer (Interrupt Driven) .....	1168

26-13. CAN Interrupt Topology 1 .....	1171
26-14. CAN Interrupt Topology 2 .....	1172
26-15. Local Power Down Mode Flow Diagram .....	1174
26-16. CAN Core in Silent Mode .....	1175
26-17. CAN Core in Loop Back Mode .....	1176
26-18. CAN Core in External Loop Back Mode.....	1177
26-19. CAN Core in Loop Back Combined with Silent Mode .....	1178
26-20. CAN Control Register (DCAN CTL) [offset = 00h] .....	1182
26-21. Error and Status Register (DCAN ES) [offset = 04h].....	1185
26-22. Error Counter Register (DCAN ERRC) [offset = 08h] .....	1187
26-23. Bit Timing Register (DCAN BTR) [offset = 0Ch] .....	1188
26-24. Interrupt Register (DCAN INT) [offset = 10h].....	1189
26-25. Test Register (DCAN TEST) [offset = 14h] .....	1190
26-26. Parity Error Code Register (DCAN PERR) [offset = 1Ch] .....	1191
26-27. ECC Diagnostic Register (DCAN ECCDIAG) [offset = 24h].....	1191
26-28. ECC Diagnostic Status Register (DCAN ECCDIAG STAT) [offset = 28h].....	1192
26-29. ECC Control and Status Register (DCAN ECC CS) [offset = 2Ch].....	1193
26-30. ECC Single Bit Error Code Register (DCAN ECC SERR) [offset = 30h] .....	1194
26-31. Auto-Bus-On Time Register (DCAN ABOTR) [offset = 80h].....	1195
26-32. Transmission Request X Register (DCAN TXRQ X) [offset = 84h].....	1195
26-33. Transmission Request 12 Register (DCAN TXRQ12) [offset = 88h] .....	1196
26-34. Transmission Request 34 Register (DCAN TXRQ34) [offset = 8Ch].....	1196
26-35. Transmission Request 56 Register (DCAN TXRQ56) [offset = 90h] .....	1196
26-36. Transmission Request 78 Register (DCAN TXRQ78) [offset = 94h] .....	1196
26-37. New Data X Register (DCAN NWDAT X) [offset = 98h] .....	1197
26-38. New Data 12 Register (DCAN NWDAT12) [offset = 9Ch] .....	1198
26-39. New Data 34 Register (DCAN NWDAT34) [offset = A0h] .....	1198
26-40. New Data 56 Register (DCAN NWDAT56) [offset = A4h] .....	1198
26-41. New Data 78 Register (DCAN NWDAT78) [offset = A8h] .....	1198
26-42. Interrupt Pending X Register (DCAN INTPND X) [offset = ACh] .....	1199
26-43. Interrupt Pending 12 Register (DCAN INTPND12) [offset = B0h] .....	1200
26-44. Interrupt Pending 34 Register (DCAN INTPND34) [offset = B4h] .....	1200
26-45. Interrupt Pending 56 Register (DCAN INTPND56) [offset = B8h] .....	1200
26-46. Interrupt Pending 78 Register (DCAN INTPND78) [offset = BCh].....	1200
26-47. Message Valid X Register (DCAN MSGVAL X) [offset = C0h].....	1201
26-48. Message Valid 12 Register (DCAN MSGVAL12) [offset = C4h] .....	1202
26-49. Message Valid 34 Register (DCAN MSGVAL34) [offset = C8h] .....	1202
26-50. Message Valid 56 Register (DCAN MSGVAL56) [offset = CCh].....	1202
26-51. Message Valid 78 Register (DCAN MSGVAL78) [offset = D0h] .....	1202
26-52. Interrupt Multiplexer 12 Register (DCAN INTMUX12) [offset = D8h].....	1203
26-53. Interrupt Multiplexer 34 Register (DCAN INTMUX34) [offset = DCh] .....	1203
26-54. Interrupt Multiplexer 56 Register (DCAN INTMUX56) [offset = E0h].....	1203
26-55. Interrupt Multiplexer 78 Register (DCAN INTMUX78) [offset = E4h] .....	1203
26-56. IF1 Command Registers (DCAN IF1CMD) [offset = 100h] .....	1204
26-57. IF2 Command Registers (DCAN IF2CMD) [offset = 120h] .....	1204
26-58. IF1 Mask Register (DCAN IF1MSK) [offset = 104h].....	1207
26-59. IF2 Mask Register (DCAN IF2MSK) [offset = 124h].....	1207
26-60. IF1 Arbitration Register (DCAN IF1ARB) [offset = 108h] .....	1208
26-61. IF2 Arbitration Register (DCAN IF2ARB) [offset = 128h] .....	1208

26-62. IF1 Message Control Register (DCAN IF1MCTL) [offset = 10Ch] .....	1210
26-63. IF2 Message Control Register (DCAN IF2MCTL) [offset = 12Ch] .....	1210
26-64. IF1 Data A Register (DCAN IF1DATA) [offset = 110h] .....	1212
26-65. IF1 Data B Register (DCAN IF1DATB) [offset = 114h] .....	1212
26-66. IF2 Data A Register (DCAN IF2DATA) [offset = 130h] .....	1212
26-67. IF2 Data B Register (DCAN IF2DATB) [offset = 134h] .....	1212
26-68. IF3 Observation Register (DCAN IF3OBS) [offset = 140h] .....	1213
26-69. IF3 Mask Register (DCAN IF3MSK) [offset = 144h] .....	1215
26-70. IF3 Arbitration Register (DCAN IF3ARB) [offset = 148h] .....	1216
26-71. IF3 Message Control Register (DCAN IF3MCTL) [offset = 14Ch] .....	1217
26-72. IF3 Data A Register (DCAN IF3DATA) [offset = 150h] .....	1218
26-73. IF3 Data B Register (DCAN IF3DATB) [offset = 154h] .....	1218
26-74. IF3 Update Enable 12 Register (DCAN IF3UPD12) [offset = 160h] .....	1219
26-75. IF3 Update Enable 34 Register (DCAN IF3UPD34) [offset = 164h] .....	1219
26-76. IF3 Update Enable 56 Register (DCAN IF3UPD56) [offset = 168h] .....	1219
26-77. IF3 Update Enable 78 Register (DCAN IF3UPD78) [offset = 16Ch] .....	1219
26-78. CAN TX IO Control Register (DCAN TIOC) [offset = 1E0h] .....	1220
26-79. CAN RX IO Control Register (DCAN RIOC) [offset = 1E4h] .....	1221
27-1. SPI Functional Logic Diagram .....	1227
27-2. MibSPI Functional Logic Diagram .....	1228
27-3. DMA Channel and Request Line (Logical) Structure in Multi-buffer Mode .....	1230
27-4. TG Interrupt Structure .....	1232
27-5. SPIFLG Interrupt Structure .....	1232
27-6. SPI Three-Pin Operation .....	1233
27-7. Operation with $\overline{\text{SPISCS}}$ .....	1234
27-8. Operation with $\overline{\text{SPIENA}}$ .....	1235
27-9. SPI Five-Pin Option with $\overline{\text{SPIENA}}$ and $\overline{\text{SPISCS}}$ .....	1236
27-10. Format for Transmitting an 8-Bit Word .....	1237
27-11. Format for Receiving an 8-Bit Word .....	1237
27-12. Clock Mode with Polarity = 0 and Phase = 0 .....	1238
27-13. Clock Mode with Polarity = 0 and Phase = 1 .....	1238
27-14. Clock Mode with Polarity = 1 and Phase = 0 .....	1239
27-15. Clock Mode with Polarity = 1 and Phase = 1 .....	1239
27-16. Five Bits per Character (5-Pin Option) .....	1240
27-17. Example: $t_{\text{C2TDELAY}} = 8 \text{ VCLK Cycles}$ .....	1241
27-18. Example: $t_{\text{T2CDELAY}} = 4 \text{ VCLK Cycles}$ .....	1242
27-19. Transmit-Data-Finished-to-ENA-Inactive-Timeout .....	1242
27-20. Chip-Select-Active-to-ENA-Signal-Active-Timeout .....	1243
27-21. Typical Diagram when a Buffer in Master is in CSHOLD Mode (SPI-SPI) .....	1244
27-22. Block Diagram Shift Register, MSB First .....	1246
27-23. Block Diagram Shift Register, LSB First .....	1246
27-24. 2-data Line Mode (Phase 0, Polarity 0) .....	1249
27-25. Two-Pin Parallel Mode Timing Diagram (Phase 0, Polarity 0) .....	1249
27-26. 4-Data Line Mode (Phase 0, Polarity 0) .....	1250
27-27. 4 Pins Parallel Mode Timing Diagram (Phase 0, Polarity 0) .....	1250
27-28. Eight-data Line Mode (Phase 0, Polarity 0) .....	1251
27-29. 8 Pins Parallel Mode Timing Diagram (Phase 0, Polarity 0) .....	1252
27-30. Multi-buffer in Slave Mode .....	1253
27-31. I/O Paths During I/O Loopback Modes .....	1258

27-32. SPI Global Control Register 0 (SPIGCR0) [offset = 00h] .....	1262
27-33. SPI Global Control Register 1 (SPIGCR1) [offset = 04h] .....	1263
27-34. SPI Interrupt Register (SPIINT0) [offset = 08h] .....	1264
27-35. SPI Interrupt Level Register (SPILVL) [offset = 0Ch].....	1266
27-36. SPI Flag Register (SPIFLG) [offset = 10h] .....	1267
27-37. SPI Pin Control Register 0 (SPIPC0) [offset = 14h] .....	1270
27-38. SPI Pin Control Register 1 (SPIPC1) [offset = 18h] .....	1271
27-39. SPI Pin Control Register 2 (SPIPC2) [offset = 1Ch].....	1273
27-40. SPI Pin Control Register 3 (SPIPC3) [offset = 20h] .....	1274
27-41. SPI Pin Control Register 4 (SPIPC4) [offset = 24h] .....	1275
27-42. SPI Pin Control Register 5 (SPIPC5) [offset = 28h] .....	1277
27-43. SPI Pin Control Register 6 (SPIPC6) [offset = 2Ch] .....	1278
27-44. SPI Pin Control Register 7 (SPIPC7) [offset = 30h] .....	1280
27-45. SPI Pin Control Register 8 (SPIPC8) [offset = 34h] .....	1281
27-46. SPI Transmit Data Register 0 (SPIDAT0) [offset = 38h] .....	1282
27-47. SPI Transmit Data Register 1 (SPIDAT1) [offset = 3Ch].....	1283
27-48. SPI Receive Buffer Register (SPIBUF) [offset = 40h] .....	1284
27-49. SPI Emulation Register (SPIEMU) [offset = 44h] .....	1286
27-50. SPI Delay Register (SPIDELAY) [offset = 48h] .....	1286
27-51. Example: $t_{C2TDELAY} = 8$ VCLK Cycles .....	1288
27-52. Example: $t_{T2CDELAY} = 4$ VCLK Cycles.....	1288
27-53. Transmit-Data-Finished-to-ENA-Inactive-Timeout .....	1288
27-54. Chip-Select-Active-to-ENA-Signal-Active-Timeout.....	1288
27-55. SPI Default Chip Select Register (SPIDEF) [offset = 4Ch] .....	1289
27-56. SPI Data Format Registers (SPIFMTn) [offset = 5Ch-50h] .....	1290
27-57. Interrupt Vector 0 (NTVECT0) [offset = 60h] .....	1292
27-58. Interrupt Vector 1 (INTVECT1) [offset = 64h].....	1293
27-59. Parallel/Modulo Mode Control Register (SPIPMCTRL) [offset = 6Ch] .....	1294
27-60. Multi-buffer Mode Enable Register (MIBSPIE) [offset = 70h].....	1297
27-61. TG Interrupt Enable Set Register (TGITENST) [offset = 74h].....	1298
27-62. TG Interrupt Enable Clear Register (TGITENCR) [offset = 78h].....	1299
27-63. Transfer Group Interrupt Level Set Register (TGITLVST) [offset = 7Ch] .....	1300
27-64. Transfer Group Interrupt Level Clear Register (TGITLVCR) [offset = 80h].....	1301
27-65. Transfer Group Interrupt Flag Register (TGINTFLAG) [offset = 84h] .....	1302
27-66. Tick Counter Operation.....	1303
27-67. Tick Count Register (TICKCNT) [offset = 90h] .....	1303
27-68. Last TG End Pointer (LTGPEND) [offset = 94h] .....	1304
27-69. MibSPI TG Control Registers (TGxCTRL) [offsets = 98h-D4h] .....	1305
27-70. DMA Channel Control Register (DMAxCTRL) [offset = D8h-F4h] .....	1308
27-71. DMAxCOUNT Register (ICOUNT) [offset = F8h-114h] .....	1310
27-72. DMA Large Count Register (DMACNTLEN) [offset = 118h].....	1311
27-73. Parity/ECC Control Register (PAR_ECC_CTRL) [offset = 120].....	1312
27-74. Parity/ECC Status Register (PAR_ECC_STAT) [offset = 124].....	1313
27-75. Uncorrectable Parity or Double Bit ECC Error Address Register - RXRAM (UERRADDR1) [offset = 128h] .....	1314
27-76. Uncorrectable Parity or Double Bit ECC Error Address Register - TXRAM (UERRADDR0) [offset = 12Ch].....	1316
27-77. RXRAM Overrun Buffer Address Register (RXOVRN_BUF_ADDR) [offset = 130h].....	1317
27-78. I/O-Loopback Test Control Register (IOLPBKTSTCR) [offset = 134h].....	1318

27-79. SPI Extended Prescale Register 1 (EXTENDED_PRESCALE1 for SPIFMT0 and SPIFMT1) [offset = 138h] .....	1320
27-80. SPI Extended Prescale Register 2 (EXTENDED_PRESCALE2 for SPIFMT2 and SPIFMT3) [offset = 13Ch] .....	1322
27-81. ECC Diagnostic Control Register (ECCDIAG_CTRL) [offset = 140h] .....	1323
27-82. ECC Diagnostic Status Register (ECCDIAG_STAT) [offset = 144h] .....	1324
27-83. Single Bit Error Address Register - RXRAM (SBERRADDR1) [offset = 148h] .....	1325
27-84. Single Bit Error Address Register - TXRAM (SBERRADDR0) [offset = 14Ch] .....	1326
27-85. Multi-buffer RAM Configuration When Parity Check is Supported .....	1327
27-86. Multi-buffer RAM Configuration When ECC Check is Supported .....	1327
27-87. Multi-buffer RAM Transmit Data Register [offset = Base + 000-1FFh] .....	1329
27-88. Multi-buffer RAM Receive Buffer Register [offset = RAM Base + 200-3FFh] .....	1331
27-89. Memory-Map for Parity Locations During Normal and Test Mode While EXTENDED_BUF Mode is Disabled or the Feature is Not Implemented .....	1334
27-90. Memory-Map for Parity Locations During Normal and Test Mode While EXTENDED_BUF Mode is Enabled .....	1335
27-91. Example of Memory-Mapped Parity Locations During Test Mode .....	1336
27-92. Example of ECC Bit Locations During Test Mode .....	1337
27-93. SPI/MibSPI Pins During Master Mode 3-Pin Configuration .....	1338
27-94. SPI/MibSPI Pins During Master Mode 4-Pin with SPI $\overline{SCS}$ Configuration .....	1338
27-95. SPI/MibSPI Pins During Master Mode in 4-Pin with SPI $\overline{ENA}$ Configuration .....	1339
27-96. SPI/MibSPI Pins During Master/Slave Mode with 5-Pin Configuration .....	1339
27-97. SPI/MibSPI Pins During Slave Mode 3-Pin Configuration .....	1340
27-98. SPI/MibSPI Pins During Slave Mode in 4-Pin with SPI $\overline{ENA}$ Configuration .....	1340
27-99. SPI/MibSPI Pins During Slave Mode in 5-Pin Configuration (Single Slave) .....	1340
27-100. SPI/MibSPI Pins During Slave Mode in 5-Pin Configuration (Single/Multi-Slave) .....	1340
28-1. SCI Block Diagram .....	1346
28-2. SCI/LIN Block Diagram .....	1347
28-3. Typical SCI Data Frame Formats .....	1348
28-4. Asynchronous Communication Bit Timing .....	1349
28-5. Superfractional Divider Example .....	1351
28-6. Idle-Line Multiprocessor Communication Format .....	1353
28-7. Address-Bit Multiprocessor Communication Format .....	1353
28-8. Receive Buffers .....	1354
28-9. Transmit Buffers .....	1355
28-10. General Interrupt Scheme .....	1356
28-11. Interrupt Generation for Given Flags .....	1357
28-12. LIN Protocol Message Frame Format: Master Header and Slave Response .....	1364
28-13. Header 3 Fields: Synch Break, Synch, and ID .....	1364
28-14. Response Format of LIN Message Frame .....	1365
28-15. Message Header in Terms of $T_{bit}$ .....	1368
28-16. ID Field .....	1368
28-17. Measurements for Synchronization .....	1370
28-18. Synchronization Validation Process and Baud Rate Adjustment .....	1371
28-19. Optional Embedded Checksum in Response for Extended Frames .....	1372
28-20. Checksum Compare and Send for Extended Frames .....	1373
28-21. TXRX Error Detector .....	1375
28-22. Classic Checksum Generation at Transmitting Node .....	1376
28-23. LIN 2.0-Compliant Checksum Generation at Transmitting Node .....	1376
28-24. ID Reception, Filtering and Validation .....	1378

28-25. LIN Message Frame Showing LIN Interrupt Timing and Sequence .....	1380
28-26. Wakeup Signal Generation .....	1384
28-27. GPIO Functionality .....	1386
28-28. SCI Global Control Register 0 (SCIGCR0) (offset = 00) .....	1389
28-29. SCI Global Control Register 1 (SCIGCR1) (offset = 04h) .....	1390
28-30. SCI Global Control Register 2 (SCIGCR2) (offset = 08h) .....	1394
28-31. SCI Set Interrupt Register (SCISSETINT) (offset = 0Ch).....	1396
28-32. SCI Clear Interrupt Register (SCICLEARINT) (offset = 10h) .....	1399
28-33. SCI Set Interrupt Level Register (SCISSETINTLVL) (offset = 14h) .....	1402
28-34. SCI Clear Interrupt Level Register (SCICLEARINTLVL) (offset = 18h) .....	1405
28-35. SCI Flags Register (SCIFLR) (offset = 1Ch) .....	1408
28-36. SCI Interrupt Vector Offset 0 (SCIINTVECT0) (offset = 20h) .....	1415
28-37. SCI Interrupt Vector Offset 1 (SCIINTVECT1) (offset = 24h) .....	1415
28-38. SCI Format Control Register (SCIFORMAT) (offset = 28h) .....	1416
28-39. Baud Rate Selection Register (BRS) (offset = 2Ch).....	1417
28-40. Receiver Emulation Data Buffer (SCIED) (offset = 30h) .....	1419
28-41. Receiver Data Buffer (SCIRD) (offset = 34h).....	1419
28-42. Transmit Data Buffer Register (SCITD) (offset = 38h) .....	1420
28-43. SCI Pin I/O Control Register 0 (SCIPIO0) (offset = 3Ch) .....	1420
28-44. SCI Pin I/O Control Register 1 (SCIPIO1) (offset = 40h) .....	1421
28-45. SCI Pin I/O Control Register 2 (SCIPIO2) (offset = 44h) .....	1422
28-46. SCI Pin I/O Control Register 3 (SCIPIO3) (offset = 48h) .....	1423
28-47. SCI Pin I/O Control Register 4 (SCIPIO4) (offset = 4Ch) .....	1424
28-48. SCI Pin I/O Control Register 5 (SCIPIO5) (offset = 50h) .....	1425
28-49. SCI Pin I/O Control Register 6 (SCIPIO6) (offset = 54h) .....	1426
28-50. SCI Pin I/O Control Register 7 (SCIPIO7) (offset = 58h) .....	1427
28-51. SCI Pin I/O Control Register 8 (SCIPIO8) (offset = 5Ch) .....	1428
28-52. LIN Compare Register (LINCOMPARE) (offset = 60h) .....	1429
28-53. LIN Receive Buffer 0 Register (LINRD0) (offset = 64h).....	1430
28-54. LIN Receive Buffer 1 Register (RD1) (offset = 68h) .....	1431
28-55. LIN Mask Register (LINMASK) (offset = 6Ch).....	1432
28-56. LIN Identification Register (LINID) (offset = 70h) .....	1433
28-57. LIN Transmit Buffer 0 Register (LINTD0) (offset = 74h) .....	1434
28-58. LIN Transmit Buffer 1 Register (LINTD1) (offset = 78h) .....	1434
28-59. Maximum Baud Rate Selection Register (MBRS) (offset = 7Ch) .....	1435
28-60. Input/Output Error Enable Register (IODFTCTRL) (offset = 90h) .....	1436
29-1. Detailed SCI Block Diagram .....	1440
29-2. Typical SCI Data Frame Formats .....	1441
29-3. Asynchronous Communication Bit Timing .....	1442
29-4. Idle-Line Multiprocessor Communication Format .....	1444
29-5. Address-Bit Multiprocessor Communication Format.....	1445
29-6. General Interrupt Scheme.....	1446
29-7. Interrupt Generation for Given Flags .....	1447
29-8. SCI Global Control Register 0 (SCIGCR0) [offset = 00] .....	1455
29-9. SCI Global Control Register 1 (SCIGCR1) [offset = 04h].....	1456
29-10. SCI Set Interrupt Register (SCISSETINT) [offset = 0Ch] .....	1459
29-11. SCI Clear Interrupt Register (SCICLEARINT) [offset = 10h] .....	1461
29-12. SCI Set Interrupt Level Register (SCISSETINTLVL) [offset = 14h] .....	1463
29-13. SCI Clear Interrupt Level Register (SCICLEARINTLVL) [offset = 18h] .....	1464

29-14. SCI Flags Register (SCIFLR) [offset = 1Ch] .....	1466
29-15. SCI Interrupt Vector Offset 0 (SCIINTVECT0) [offset = 20h] .....	1470
29-16. SCI Interrupt Vector Offset 1 (SCIINTVECT1) [offset = 24h] .....	1470
29-17. SCI Format Control Register (SCIFORMAT) [offset = 28h] .....	1471
29-18. Baud Rate Selection Register (BRS) [offset = 2Ch] .....	1472
29-19. Receiver Emulation Data Buffer (SCIED) [offset = 30h] .....	1473
29-20. Receiver Data Buffer (SCIRD) [offset = 34h] .....	1473
29-21. Transmit Data Buffer Register (SCITD) [offset = 38h] .....	1474
29-22. SCI Pin I/O Control Register 0 (SCIPIO0) [offset = 3Ch] .....	1474
29-23. SCI Pin I/O Control Register 1 (SCIPIO1) [offset = 40h] .....	1475
29-24. SCI Pin I/O Control Register 2 (SCIPIO2) [offset = 44h] .....	1476
29-25. SCI Pin I/O Control Register 3 (SCIPIO3) [offset = 48h] .....	1477
29-26. SCI Pin I/O Control Register 4 (SCIPIO4) [offset = 4Ch] .....	1478
29-27. SCI Pin I/O Control Register 5 (SCIPIO5) [offset = 50h] .....	1479
29-28. SCI Pin I/O Control Register 6 (SCIPIO6) [offset = 54h] .....	1480
29-29. SCI Pin I/O Control Register 7 (SCIPIO7) [offset = 58h] .....	1481
29-30. SCI Pin I/O Control Register 8 (SCIPIO8) [offset = 5Ch] .....	1481
29-31. Input/Output Error Enable Register (IODFTCTRL) [offset = 90h] .....	1482
29-32. GPIO Functionality .....	1484
30-1. Multiple I2C Modules Connection Diagram .....	1487
30-2. Simple I2C Block Diagram .....	1489
30-3. Clocking Diagram for the I2C Module .....	1490
30-4. Bit Transfer on the I2C Bus .....	1491
30-5. I2C Module START and STOP Conditions .....	1492
30-6. I2C Module Data Transfer .....	1492
30-7. I2C Module 7-Bit Addressing Format .....	1493
30-8. I2C Module 10-bit Addressing Format .....	1493
30-9. I2C Module 7-Bit Addressing Format with Repeated START .....	1493
30-10. I2C Module in Free Data Format .....	1494
30-11. Arbitration Procedure Between Two Master Transmitters .....	1497
30-12. Synchronization of Two I2C Clock Generators During Arbitration .....	1498
30-13. I2C Own Address Manager Register (I2COAR) [offset = 00] .....	1503
30-14. I2C Interrupt Mask Register (I2CIMR) [offset = 04h] .....	1504
30-15. I2C Status Register (I2CSR) [offset = 08h] .....	1505
30-16. I2C Clock Divider Low Register (I2CCKL) [offset = 0Ch] .....	1508
30-17. I2C Clock Control High Register (I2CCKH) [offset = 10h] .....	1508
30-18. I2C Data Count Register (I2CCNT) [offset = 14h] .....	1509
30-19. I2C Data Receive Register (I2CDRR) [offset = 18h] .....	1509
30-20. I2C Slave Address Register (I2CSAR) [offset = 1Ch] .....	1510
30-21. I2C Data Transmit Register (I2CDXR) [offset = 20h] .....	1510
30-22. I2C Mode Register (I2CMDR) [offset = 24h] .....	1511
30-23. Typical Timing Diagram of Repeat Mode .....	1513
30-24. I2C Interrupt Vector Register (I2CIVR) [offset = 28h] .....	1514
30-25. I2C Extended Mode Register (I2CEMDR) [offset = 2Ch] .....	1515
30-26. I2C Prescale Register (I2CPSC) [offset = 30h] .....	1515
30-27. I2C Peripheral ID Register 1 (I2CPID1) [offset = 34h] .....	1516
30-28. I2C Peripheral ID Register 2 (I2CPID2) [offset = 38h] .....	1516
30-29. I2C DMA Control Register (I2CDMACR) [offset = 3Ch] .....	1517
30-30. I2C Pin Function Register (I2CPFNC) [offset = 48h] .....	1517

30-31. I2C Pin Direction Register (I2CPDIR) [offset = 4Ch] .....	1518
30-32. I2C Data Input Register (I2CDIN) [offset = 50h] .....	1518
30-33. I2C Data Output Register (I2CDOUT) [offset 0x54] .....	1519
30-34. I2C Data Set Register (I2CDSET) [offset = 58h].....	1519
30-35. I2C Data Clear Register (I2CDCLR) [offset = 5Ch].....	1520
30-36. I2C Pin Open Drain Register (I2CPDR) [offset = 60h] .....	1520
30-37. I2C Pull Disable Register (I2CPDIS) [offset = 64h].....	1521
30-38. I2C Pull Select Register (I2CPSEL) [offset = 68h].....	1521
30-39. I2C Pins Slew Rate Select Register (I2CSRS) [offset = 6Ch].....	1522
30-40. Difference between Normal Operation and Backward Compatibility Mode.....	1523
31-1. EMAC and MDIO Block Diagram .....	1526
31-2. Ethernet Configuration—MII Connections .....	1528
31-3. Ethernet Configuration—RMII Connections.....	1530
31-4. Ethernet Frame Format.....	1532
31-5. Basic Descriptor Format.....	1533
31-6. Typical Descriptor Linked List .....	1534
31-7. Transmit Buffer Descriptor Format.....	1537
31-8. Receive Buffer Descriptor Format.....	1540
31-9. EMAC Control Module Block Diagram .....	1544
31-10. MDIO Module Block Diagram.....	1545
31-11. EMAC Module Block Diagram .....	1550
31-12. EMAC Control Module Revision ID Register (REVID) (offset = 00h).....	1572
31-13. EMAC Control Module Software Reset Register (SOFTRESET) (offset = 04h) .....	1572
31-14. EMAC Control Module Interrupt Control Register (INTCONTROL) (offset = 0Ch) .....	1573
31-15. EMAC Control Module Receive Threshold Interrupt Enable Register (CORXTHRESHEN) (offset = 10h) ..	1574
31-16. EMAC Control Module Receive Interrupt Enable Register (CORXEN) (offset = 14h).....	1575
31-17. EMAC Control Module Transmit Interrupt Enable Register (C0TXEN) (offset = 18h) .....	1576
31-18. EMAC Control Module Miscellaneous Interrupt Enable Register (C0MISCEN) (offset = 1Ch) .....	1577
31-19. EMAC Control Module Receive Threshold Interrupt Status Register (CORXTHRESHSTAT) (offset = 40h)	1578
31-20. EMAC Control Module Receive Interrupt Status Register (CORXSTAT) (offset = 44h) .....	1579
31-21. EMAC Control Module Transmit Interrupt Status Register (C0TXSTAT) (offset = 48h) .....	1580
31-22. EMAC Control Module Miscellaneous Interrupt Status Register (C0MISCSTAT) (offset = 4Ch).....	1581
31-23. EMAC Control Module Receive Interrupts Per Millisecond Register (CORXIMAX) (offset = 70h).....	1582
31-24. EMAC Control Module Transmit Interrupts Per Millisecond Register (C0TXIMAX) (offset = 74h) .....	1583
31-25. MDIO Revision ID Register (REVID) (offset = 00h) .....	1584
31-26. MDIO Control Register (CONTROL) (offset = 04h).....	1585
31-27. PHY Acknowledge Status Register (ALIVE) (offset = 08h) .....	1586
31-28. PHY Link Status Register (LINK) (offset = 0Ch) .....	1586
31-29. MDIO Link Status Change Interrupt (Unmasked) Register (LINKINTRAW) (offset = 10h) .....	1587
31-30. MDIO Link Status Change Interrupt (Masked) Register (LINKINTMASKED) (offset = 14h) .....	1588
31-31. MDIO User Command Complete Interrupt (Unmasked) Register (USERINTRAW) (offset = 20h).....	1589
31-32. MDIO User Command Complete Interrupt (Masked) Register (USERINTMASKED) (offset = 24h) .....	1590
31-33. MDIO User Command Complete Interrupt Mask Set Register (USERINTMASKSET) (offset = 28h).....	1591
31-34. MDIO User Command Complete Interrupt Mask Clear Register (USERINTMASKCLEAR) (offset = 2Ch) .	1592
31-35. MDIO User Access Register 0 (USERACCESS0) (offset = 80h) .....	1593
31-36. MDIO User PHY Select Register 0 (USERPHYSEL0) (offset = 84h) .....	1594
31-37. MDIO User Access Register 1 (USERACCESS1) (offset = 88h) .....	1595
31-38. MDIO User PHY Select Register 1 (USERPHYSEL1) (offset = 8Ch).....	1596
31-39. Transmit Revision ID Register (TXREVID) (offset = 00h).....	1600

31-40. Transmit Control Register (TXCONTROL) (offset = 04h) .....	1600
31-41. Transmit Teardown Register (TXTEARDOWN) (offset = 08h) .....	1601
31-42. Receive Revision ID Register (RXREVID) (offset = 10h) .....	1601
31-43. Receive Control Register (RXCONTROL) (offset = 14h) .....	1602
31-44. Receive Teardown Register (RXTEARDOWN) (offset = 18h) .....	1602
31-45. Transmit Interrupt Status (Unmasked) Register (TXINTSTATRAW) (offset = 80h) .....	1603
31-46. Transmit Interrupt Status (Masked) Register (TXINTSTATMASKED) (offset = 84h) .....	1604
31-47. Transmit Interrupt Mask Set Register (TXINTMASKSET) (offset = 88h) .....	1605
31-48. Transmit Interrupt Mask Clear Register (TXINTMASKCLEAR) (offset = 8Ch).....	1606
31-49. MAC Input Vector Register (MACINVECTOR) (offset = 90h) .....	1607
31-50. MAC End Of Interrupt Vector Register (MACEOIVECTOR) (offset = 94h).....	1608
31-51. Receive Interrupt Status (Unmasked) Register (RXINTSTATRAW) (offset = A0h) .....	1609
31-52. Receive Interrupt Status (Masked) Register (RXINTSTATMASKED) (offset = A4h).....	1610
31-53. Receive Interrupt Mask Set Register (RXINTMASKSET) (offset = A8h) .....	1611
31-54. Receive Interrupt Mask Clear Register (RXINTMASKCLEAR) (offset = ACh).....	1612
31-55. MAC Interrupt Status (Unmasked) Register (MACINTSTATRAW) (offset = B0h).....	1613
31-56. MAC Interrupt Status (Masked) Register (MACINTSTATMASKED) (offset = B4h) .....	1613
31-57. MAC Interrupt Mask Set Register (MACINTMASKSET) (offset = B8h) .....	1614
31-58. MAC Interrupt Mask Clear Register (MACINTMASKCLEAR) (offset = BCh) .....	1614
31-59. Receive Multicast/Broadcast/Promiscuous Channel Enable Register (RXMBPENABLE) (offset = 100h) ..	1615
31-60. Receive Unicast Enable Set Register (RXUNICASTSET) (offset = 104h) .....	1617
31-61. Receive Unicast Clear Register (RXUNICASTCLEAR) (offset = 108h).....	1618
31-62. Receive Maximum Length Register (RXMAXLEN) (offset = 10Ch) .....	1618
31-63. Receive Buffer Offset Register (RXBUFFEROFFSET) (offset = 110h) .....	1619
31-64. Receive Filter Low Priority Frame Threshold Register (RXFILTERLOWTHRESH) (offset = 114h).....	1619
31-65. Receive Channel <i>n</i> Flow Control Threshold Register (RX $n$ FLOWTHRESH) (offset = 120h-13Ch).....	1620
31-66. Receive Channel <i>n</i> Free Buffer Count Register (RX $n$ FREEBUFFER) (offset = 140h-15Ch) .....	1620
31-67. MAC Control Register (MACCONTROL) (offset = 160h) .....	1621
31-68. MAC Status Register (MACSTATUS) (offset = 164h).....	1623
31-69. Emulation Control Register (EMCONTROL) (offset = 168h) .....	1625
31-70. FIFO Control Register (FIFOCONTROL) (offset = 16Ch) .....	1625
31-71. MAC Configuration Register (MACCONFIG) (offset = 170h).....	1626
31-72. Soft Reset Register (SOFTRESET) (offset = 174h) .....	1626
31-73. MAC Source Address Low Bytes Register (MACSRCADDRLO) (offset = 1D0h) .....	1627
31-74. MAC Source Address High Bytes Register (MACSRCADDRHI) (offset = 1D4h) .....	1627
31-75. MAC Hash Address Register 1 (MACHASH1) (offset = 1D8h) .....	1628
31-76. MAC Hash Address Register 2 (MACHASH2) (offset = 1DCh) .....	1628
31-77. Back Off Random Number Generator Test Register (BOFFTEST) (offset = 1E0h).....	1629
31-78. Transmit Pacing Algorithm Test Register (TPACETEST) (offset = 1E4h) .....	1629
31-79. Receive Pause Timer Register (RXPAUSE) (offset = 1E8h) .....	1630
31-80. Transmit Pause Timer Register (TXPAUSE) (offset = 1ECh) .....	1630
31-81. MAC Address Low Bytes Register (MACADDRLO) (offset = 500h).....	1631
31-82. MAC Address High Bytes Register (MACADDRHI) (offset = 504h) .....	1632
31-83. MAC Index Register (MACINDEX) (offset = 508h) .....	1632
31-84. Transmit Channel <i>n</i> DMA Head Descriptor Pointer Register (TX $n$ HDP) (offset = 600h-61Ch).....	1633
31-85. Receive Channel <i>n</i> DMA Head Descriptor Pointer Register (RX $n$ HDP) (offset = 620h-63Ch) .....	1633
31-86. Transmit Channel <i>n</i> Completion Pointer Register (TX $n$ CP) (offset = 640h-65Ch) .....	1634
31-87. Receive Channel <i>n</i> Completion Pointer Register (RX $n$ CP) (offset = 660h-67Ch) .....	1634
31-88. Statistics Register .....	1635

32-1.	Capture and APWM Modes of Operation .....	1646
32-2.	Capture Function Diagram .....	1647
32-3.	Event Prescale Control .....	1648
32-4.	Prescale Function Waveforms.....	1648
32-5.	Continuous/One-shot Block .....	1649
32-6.	Counter and Synchronization Block .....	1650
32-7.	Interrupts in eCAP Module .....	1651
32-8.	PWM Waveform Details of APWM Mode Operation.....	1652
32-9.	Capture Sequence for Absolute Time-stamp and Rising Edge Detect.....	1654
32-10.	Capture Sequence for Absolute Time-stamp With Rising and Falling Edge Detect.....	1656
32-11.	Capture Sequence for Delta Mode Time-stamp and Rising Edge Detect .....	1658
32-12.	Capture Sequence for Delta Mode Time-stamp With Rising and Falling Edge Detect .....	1660
32-13.	PWM Waveform Details of APWM Mode Operation.....	1662
32-14.	Time-Stamp Counter Register (TSCTR) [offset = 00h].....	1663
32-15.	Counter Phase Control Register (CTRPHS) [offset = 04h] .....	1663
32-16.	Capture-1 Register (CAP1) [offset = 08h].....	1664
32-17.	Capture-2 Register (CAP2) [offset = 0Ch] .....	1664
32-18.	Capture-3 Register (CAP3) [offset = 10h].....	1665
32-19.	Capture-4 Register (CAP4) [offset = 14h].....	1665
32-20.	ECAP Control Register 2 (ECCTL2) [offset = 2Ah] .....	1666
32-21.	ECAP Control Register 1 (ECCTL1) [offset = 28h] .....	1668
32-22.	ECAP Interrupt Flag Register (ECFLG) [offset = 2Eh] .....	1670
32-23.	ECAP Interrupt Enable Register (ECEINT) [offset = 2Ch] .....	1671
32-24.	ECAP Interrupt Forcing Register (ECFRC) [offset = 32h] .....	1672
32-25.	ECAP Interrupt Clear Register (ECCLR) [offset = 30h] .....	1673
33-1.	Optical Encoder Disk .....	1675
33-2.	QEP Encoder Output Signal for Forward/Reverse Movement .....	1675
33-3.	Index Pulse Example .....	1676
33-4.	Functional Block Diagram of the eQEP Peripheral .....	1678
33-5.	Functional Block Diagram of Decoder Unit .....	1680
33-6.	Quadrature Decoder State Machine .....	1681
33-7.	Quadrature-clock and Direction Decoding .....	1682
33-8.	Position Counter Reset by Index Pulse for 1000 Line Encoder (QPOSMAX = 3999 or F9Fh) .....	1684
33-9.	Position Counter Underflow/Overflow (QPOSMAX = 4) .....	1685
33-10.	Software Index Marker for 1000-line Encoder (QEPCTL[IEL] = 1) .....	1687
33-11.	Strobe Event Latch (QEPCTL[SEL] = 1) .....	1687
33-12.	eQEP Position-compare Unit .....	1688
33-13.	eQEP Position-compare Event Generation Points.....	1689
33-14.	eQEP Position-compare Sync Output Pulse Stretcher.....	1689
33-15.	eQEP Edge Capture Unit .....	1691
33-16.	Unit Position Event for Low Speed Measurement (QCAPCTL[UPPS] = 0010) .....	1691
33-17.	eQEP Edge Capture Unit - Timing Details .....	1692
33-18.	eQEP Watchdog Timer .....	1693
33-19.	eQEP Unit Time Base .....	1693
33-20.	EQEP Interrupt Generation .....	1694
33-21.	eQEP Position Counter Register (QPOSCNT) .....	1696
33-22.	eQEP Position Counter Initialization Register (QPOSINIT).....	1696
33-23.	eQEP Maximum Position Count Register (QPOSMAX).....	1696
33-24.	eQEP Position-Compare Register (QPOSCMP) .....	1697

33-25. eQEP Index Position Latch Register (QPOSILAT) [offset = 10h] .....	1697
33-26. eQEP Strobe Position Latch Register (QPOSSLAT) [offset = 14h] .....	1697
33-27. eQEP Position Counter Latch Register (QOSLAT) [offset = 18h].....	1698
33-28. eQEP Unit Timer Register (QUTMR) [offset = 1Ch] .....	1698
33-29. eQEP Unit Period Register (QUPRD) [offset = 20h].....	1698
33-30. eQEP Watchdog Period Register (QWDPRD) [offset = 26h].....	1699
33-31. eQEP Watchdog Timer Register (QWDTMR) [offset = 24h] .....	1699
33-32. eQEP Control Register (QEPCTL) [offset = 2Ah] .....	1700
33-33. eQEP Decoder Control Register (QDECCTL) [offset = 28h] .....	1702
33-34. eQEP Position-Compare Control Register (QPOSCTL) [offset = 2Eh] .....	1703
33-35. eQEP Capture Control Register (QCAPCTL) [offset = 2Ch] .....	1704
33-36. eQEP Interrupt Flag Register (QFLG) [offset = 32h] .....	1705
33-37. eQEP Interrupt Enable Register (QEINT) [offset = 30h] .....	1706
33-38. eQEP Interrupt Force Register (QFRC) [offset = 36h] .....	1707
33-39. eQEP Interrupt Clear Register (QCLR) [offset = 34h].....	1708
33-40. eQEP Capture Timer Register (QCTMR) [offset = 3Ah] .....	1709
33-41. eQEP Status Register (QEPSTS) [offset = 38h] .....	1710
33-42. eQEP Capture Timer Latch Register (QCTMRLAT) [offset = 3Eh].....	1711
33-43. eQEP Capture Period Register (QCPRD) [offset = 3Ch] .....	1711
33-44. eQEP Capture Period Latch Register (QCPRLAT) [offset = 40h] .....	1711
34-1. Multiple ePWM Modules.....	1714
34-2. Submodules and Signal Connections for an ePWM Module .....	1715
34-3. Time-Base Submodule Block Diagram .....	1719
34-4. Time-Base Submodule Signals and Registers .....	1720
34-5. Time-Base Frequency and Period .....	1722
34-6. Time-Base Counter Synchronization Scheme.....	1723
34-7. Time-Base Up-Count Mode Waveforms .....	1725
34-8. Time-Base Down-Count Mode Waveforms .....	1726
34-9. Time-Base Up-Down-Count Waveforms, TBCTL[PHSDIR = 0] Count Down On Synchronization Event ...	1726
34-10. Time-Base Up-Down Count Waveforms, TBCTL[PHSDIR = 1] Count Up On Synchronization Event .....	1727
34-11. Counter-Compare Submodule.....	1727
34-12. Detailed View of the Counter-Compare Submodule.....	1728
34-13. Counter-Compare Event Waveforms in Up-Count Mode .....	1730
34-14. Counter-Compare Events in Down-Count Mode .....	1730
34-15. Counter-Compare Events In Up-Down-Count Mode, TBCTL[PHSDIR = 0] Count Down On Synchronization Event .....	1731
34-16. Counter-Compare Events In Up-Down-Count Mode, TBCTL[PHSDIR = 1] Count Up On Synchronization Event .....	1731
34-17. Action-Qualifier Submodule .....	1732
34-18. Action-Qualifier Submodule Inputs and Outputs .....	1733
34-19. Possible Action-Qualifier Actions for EPWMxA and EPWMxB Outputs .....	1734
34-20. Up-Down-Count Mode Symmetrical Waveform .....	1737
34-21. Up, Single Edge Asymmetric Waveform, With Independent Modulation on EPWMxA and EPWMxB—Active High .....	1738
34-22. Up, Single Edge Asymmetric Waveform With Independent Modulation on EPWMxA and EPWMxB—Active Low .....	1739
34-23. Up-Count, Pulse Placement Asymmetric Waveform With Independent Modulation on EPWMxA .....	1740
34-24. Up-Down-Count, Dual Edge Symmetric Waveform, With Independent Modulation on EPWMxA and EPWMxB — Active Low .....	1742
34-25. Up-Down-Count, Dual Edge Symmetric Waveform, With Independent Modulation on EPWMxA and	

EPWMxB — Complementary .....	1743
34-26. Up-Down-Count, Dual Edge Asymmetric Waveform, With Independent Modulation on EPWMxA—Active Low .....	1744
34-27. Dead_Band Submodule .....	1745
34-28. Configuration Options for the Dead-Band Submodule .....	1746
34-29. Dead-Band Waveforms for Typical Cases (0% < Duty < 100%).....	1748
34-30. PWM-Chopper Submodule .....	1750
34-31. PWM-Chopper Submodule Operational Details.....	1751
34-32. Simple PWM-Chopper Submodule Waveforms Showing Chopping Action Only .....	1751
34-33. PWM-Chopper Submodule Waveforms Showing the First Pulse and Subsequent Sustaining Pulses .....	1752
34-34. PWM-Chopper Submodule Waveforms Showing the Pulse Width (Duty Cycle) Control of Sustaining Pulses.....	1753
34-35. Trip-Zone Submodule.....	1754
34-36. Trip-Zone Submodule Mode Control Logic .....	1758
34-37. Trip-Zone Submodule Interrupt Logic.....	1759
34-38. Event-Trigger Submodule .....	1760
34-39. Event-Trigger Submodule Inter-Connectivity of ADC Start of Conversion.....	1761
34-40. Event-Trigger Submodule Showing Event Inputs and Prescaled Outputs.....	1762
34-41. Event-Trigger Interrupt Generator.....	1764
34-42. Event-Trigger SOCA Pulse Generator .....	1764
34-43. Event-Trigger SOCB Pulse Generator .....	1765
34-44. Digital-Compare Submodule High-Level Block Diagram .....	1765
34-45. DCAEVT1 Event Triggering.....	1768
34-46. DCAEVT2 Event Triggering.....	1768
34-47. DCBEVT1 Event Triggering.....	1769
34-48. DCBEVT2 Event Triggering.....	1769
34-49. Event Filtering .....	1770
34-50. Blanking Window Timing Diagram .....	1771
34-51. Simplified ePWM Module.....	1772
34-52. EPWM1 Configured as a Typical Master, EPWM2 Configured as a Slave .....	1773
34-53. Control of Four Buck Stages. Here $F_{P_{PWM1}} \neq F_{P_{PWM2}} \neq F_{P_{PWM3}} \neq F_{P_{PWM4}}$ .....	1774
34-54. Buck Waveforms for (Note: Only three bucks shown here) .....	1775
34-55. Control of Four Buck Stages. (Note: $F_{P_{PWM2}} = N \times F_{P_{PWM1}}$ ).....	1777
34-56. Buck Waveforms for (Note: $F_{P_{PWM2}} = F_{P_{PWM1}}$ ).....	1778
34-57. Control of Two Half-H Bridge Stages ( $F_{P_{PWM2}} = N \times F_{P_{PWM1}}$ ).....	1780
34-58. Half-H Bridge Waveforms for (Note: Here $F_{P_{PWM2}} = F_{P_{PWM1}}$ ).....	1781
34-59. Control of Dual 3-Phase Inverter Stages as Is Commonly Used in Motor Control .....	1783
34-60. 3-Phase Inverter Waveforms for (Only One Inverter Shown) .....	1784
34-61. Configuring Two PWM Modules for Phase Control.....	1785
34-62. Timing Waveforms Associated With Phase Control Between 2 Modules .....	1786
34-63. Time-Base Status Register (TBSTS) [offset = 02h].....	1788
34-64. Time-Base Control Register (TBCTL) [offset = 00h].....	1789
34-65. Time-Base Phase Register (TBPHS) [offset = 06h] .....	1791
34-66. Time-Base Period Register (TBPRD) [offset = 0Ah].....	1791
34-67. Time-Base Counter Register (TBCTR) [offset = 08h] .....	1791
34-68. Counter-Compare Control Register (CMPCTL) [offset = 0Eh] .....	1792
34-69. Counter-Compare A Register (CMPA) [offset = 12h].....	1793
34-70. Counter-Compare B Register (CMPB) [offset = 14h].....	1794
34-71. Action-Qualifier Output A Control Register (AQCTLA) [offset = 16h] .....	1795

34-72. Action-Qualifier Software Force Register (AQSFR) [offset = 1A] .....	1796
34-73. Action-Qualifier Output B Control Register (AQCTLB) [offset = 18h] .....	1797
34-74. Action-Qualifier Continuous Software Force Register (AQCSFR) [offset = 1Ch] .....	1798
34-75. Dead-Band Generator Control Register (DBCTL) [offset = 1Eh] .....	1799
34-76. Dead-Band Generator Falling Edge Delay Register (DBFED) [offset = 22h] .....	1801
34-77. Dead-Band Generator Rising Edge Delay Register (DBRED) [offset = 20h].....	1801
34-78. Trip Zone Digital Compare Event Select Register (TZDCSEL) [offset = 26h].....	1802
34-79. Trip-Zone Select Register (TZSEL) [offset = 24h] .....	1803
34-80. Trip-Zone Enable Interrupt Register (TZEINT) [offset = 2Ah] .....	1805
34-81. Trip-Zone Control Register (TZCTL) [offset = 28h] .....	1806
34-82. Trip-Zone Clear Register (TZCLR) [offset = 2Eh].....	1807
34-83. Trip-Zone Flag Register (TZFLG) [offset = 2Ch] .....	1808
34-84. Trip-Zone Force Register (TZFRC) [offset = 30h] .....	1809
34-85. Event-Trigger Selection Register (ETSEL) [offset = 32h] .....	1810
34-86. Event-Trigger Flag Register (ETFLG) [offset = 36h].....	1811
34-87. Event-Trigger Prescale Register (ETPS) [offset = 34h] .....	1812
34-88. Event-Trigger Force Register (ETFRC) [offset = 3Ah] .....	1814
34-89. Event-Trigger Clear Register (ETCLR) [offset = 38h] .....	1815
34-90. PWM-Chopper Control Register (PCCTL) [offset = 3Ch].....	1816
34-91. Digital Compare A Control Register (DCACTL) [offset = 62h] .....	1818
34-92. Digital Compare Trip Select (DCTRIPSEL) [offset = 60h] .....	1819
34-93. Digital Compare Filter Control Register (DCFCTL) [offset = 66h] .....	1820
34-94. Digital Compare B Control Register (DCBCTL) [offset = 64h] .....	1821
34-95. Digital Compare Filter Offset Register (DCFOFFSET) [offset = 6Ah].....	1822
34-96. Digital Compare Capture Control Register (DCCAPCTL) [offset = 68h].....	1822
34-97. Digital Compare Filter Window Register (DCFWINDOW) [offset = 6Eh] .....	1823
34-98. Digital Compare Filter Offset Counter Register (DCFOFFSETCNT) [offset = 6Ch].....	1823
34-99. Digital Compare Counter Capture Register (DCCAP) [offset = 72h] .....	1824
34-100. Digital Compare Filter Window Counter Register (DCFWINDOWCNT) [offset = 70h] .....	1824
35-1. DMM Block Diagram .....	1826
35-2. Trace Mode Packet Format .....	1828
35-3. Direct Data Mode Packet Format .....	1828
35-4. Packet Sync Signal Example .....	1830
35-5. Example Single Packet Transmission .....	1830
35-6. Interrupt Structure .....	1831
35-7. DMM Global Control Register (DMMGLBCTRL) [offset = 00h] .....	1833
35-8. DMM Interrupt Set Register (DMMINTSET) [offset = 04h].....	1835
35-9. DMM Interrupt Clear Register (DMMINTCLR) [offset = 08h] .....	1839
35-10. DMM Interrupt Level Register (DMMINTLVL) [offset = 0Ch] .....	1844
35-11. DMM Interrupt Flag Register (DMMINTFLG) [offset = 10h] .....	1846
35-12. DMM Interrupt Offset 1 Register (DMMOFF1) [offset = 14h].....	1850
35-13. DMM Interrupt Offset 2 Register (DMMOFF2) [offset = 18h].....	1851
35-14. DMM Direct Data Mode Destination Register (DMMDDMDEST) [offset = 1Ch].....	1852
35-15. DMM Direct Data Mode Blocksize Register (DMMDDMBL) [offset = 20h] .....	1852
35-16. DMM Direct Data Mode Pointer Register (DMMDDMPT) [offset = 24h] .....	1853
35-17. DMM Direct Data Mode Interrupt Pointer Register (DMMINTPT) [offset = 28h] .....	1853
35-18. DMM Destination x Region 1 (DMMDESTxREG1) [offset = 2Ch, 3Ch, 4Ch, 5Ch].....	1854
35-19. DMM Destination x Blocksize 1 (DMMDESTxBL1) [offset = 30h, 40h, 50h, 60h] .....	1855
35-20. DMM Destination x Region 2 (DMMDESTxREG2) [offset = 34h, 44h, 54h, 64h] .....	1856

35-21. DMM Destination x Blocksize 2 (DMMDESTxBL2) [offset = 38h, 48h, 58h, 68h] .....	1857
35-22. DMM Pin Control 0 (DMMPC0) [offset = 6Ch] .....	1858
35-23. DMM Pin Control 1 (DMMPC1) [offset = 70h] .....	1859
35-24. DMM Pin Control 2 (DMMPC2) [offset = 74h] .....	1861
35-25. DMM Pin Control 3 (DMMPC3) [offset = 78h] .....	1862
35-26. DMM Pin Control 4 (DMMPC4) [offset = 7Ch] .....	1863
35-27. DMM Pin Control 5 (DMMPC5) [offset = 80h] .....	1865
35-28. DMM Pin Control 6 (DMMPC6) [offset = 84h] .....	1866
35-29. DMM Pin Control 7 (DMMPC7) [offset = 88h] .....	1868
35-30. DMM Pin Control 8 (DMMPC8) [offset = 8Ch] .....	1869
36-1. RAM Trace Port Module Block Diagram .....	1873
36-2. Packet Format Trace Mode for RAM Locations .....	1874
36-3. Packet Format Trace Mode for Peripheral Locations .....	1874
36-4. Packet Format in Direct Data Mode .....	1876
36-5. Example for Trace Region Setup .....	1877
36-6. FIFO Overflow Handling .....	1878
36-7. RTP Packet Transfer with Sync Signal .....	1879
36-8. Packet Format in Trace Mode .....	1879
36-9. RTP Global Control Register (RTPGLCTRL) (offset = 00h) .....	1881
36-10. RTP Trace Enable Register (RTPTRENA) (offset = 04h) .....	1884
36-11. RTP Global Status Register (RTPGSR) (offset = 08h) .....	1886
36-12. RTP RAM 1 Trace Region Registers (RTPRAM1REGn) (offset = 0Ch and 10h) .....	1888
36-13. RTP RAM 2 Trace Region Registers (RTPRAM2REGn) (offset = 14h and 18h) .....	1889
36-14. RTP RAM 3 Trace Region Registers (RTPRAM3REGn) (offset = 1Ch and 20h) .....	1890
36-15. RTP Peripheral Trace Region Registers (RTPPERREGn) (offset = 24h and 28h) .....	1892
36-16. RTP Direct Data Mode Write Register (RTPDDMW) (offset = 2Ch) .....	1893
36-17. RTP Pin Control 0 Register (RTPPC0) (offset = 34h) .....	1894
36-18. RTP Pin Control 1 Register (RTPPC1) (offset = 38h) .....	1895
36-19. RTP Pin Control 2 Register (RTPPC2) (offset = 3Ch) .....	1896
36-20. RTP Pin Control 3 Register (RTPPC3) (offset = 40h) .....	1897
36-21. RTP Pin Control 4 Register (RTPPC4) (offset = 44h) .....	1898
36-22. RTP Pin Control 5 Register (RTPPC5) (offset = 48h) .....	1899
36-23. RTP Pin Control 6 Register (RTPPC6) (offset = 4Ch) .....	1900
36-24. RTP Pin Control 7 Register (RTPPC7) (offset = 50h) .....	1902
36-25. RTP Pin Control 8 Register (RTPPC8) (offset = 54h) .....	1903
37-1. eFuse Self Test Flow Chart .....	1907
37-2. EFC Boundary Control Register (EFCBOUND) [offset = 1Ch] .....	1908
37-3. EFC Pins Register (EFCPINS) [offset = 2Ch] .....	1910
37-4. EFC Error Status Register (EFCERRSTAT) [offset = 3Ch] .....	1911
37-5. EFC Self Test Cycles Register (EFCSTCY) [offset = 48h] .....	1911
37-6. EFC Self Test Cycles Register (EFCSTSIG) [offset = 4Ch] .....	1912

## List of Tables

2-1.	Definition of Terms.....	104
2-2.	Module Registers / Memories Memory Map .....	111
2-3.	Flash Memory Banks and Sectors.....	118
2-4.	EPC Registers Bit Mapping .....	121
2-5.	PBIST Memory Grouping .....	122
2-6.	PBIST Algorithm Mapping .....	124
2-7.	Memory Initialization Select Mapping .....	126
2-8.	Causes of Resets .....	127
2-9.	Clock Sources .....	130
2-10.	Clock Domains .....	131
2-11.	Typical Low-Power Modes.....	133
2-12.	Clock Test Mode Options .....	135
2-13.	EXTCTL_Out_Port Register Field Descriptions .....	136
2-14.	DCC1 Counter 0 Clock Inputs .....	138
2-15.	DCC1 Counter 1 Clock / Signal Inputs.....	138
2-16.	DCC2 Counter 0 Clock Inputs .....	138
2-17.	DCC2 Counter 1 Clock / Signal Inputs.....	138
2-18.	Primary System Control Registers .....	139
2-19.	SYS Pin Control Register 1 (SYSPC1) Field Descriptions .....	141
2-20.	SYS Pin Control Register 2 (SYSPC2) Field Descriptions .....	141
2-21.	SYS Pin Control Register 3 (SYSPC3) Field Descriptions .....	142
2-22.	SYS Pin Control Register 4 (SYSPC4) Field Descriptions .....	142
2-23.	SYS Pin Control Register 5 (SYSPC5) Field Descriptions .....	143
2-24.	SYS Pin Control Register 6 (SYSPC6) Field Descriptions .....	143
2-25.	SYS Pin Control Register 7 (SYSPC7) Field Descriptions .....	144
2-26.	SYS Pin Control Register 8 (SYSPC8) Field Descriptions .....	144
2-27.	SYS Pin Control Register 9 (SYSPC9) Field Descriptions .....	145
2-28.	Clock Source Disable Register (CSDIS) Field Descriptions .....	146
2-29.	Clock Sources Table .....	146
2-30.	Clock Source Disable Set Register (CSDISSET) Field Descriptions .....	147
2-31.	Clock Source Disable Clear Register (CSDISCLR) Field Descriptions.....	148
2-32.	Clock Domain Disable Register (CDDIS) Field Descriptions .....	149
2-33.	Clock Domain Disable Set Register (CDDISSET) Field Descriptions .....	150
2-34.	Clock Domain Disable Clear Register (CDDISCLR) Field Descriptions.....	152
2-35.	GCLK, HCLK, VCLK, and VCLK2 Source Register (GHVSR) Field Descriptions .....	154
2-36.	Peripheral Asynchronous Clock Source Register (VCLKASRC) Field Descriptions.....	155
2-37.	RTI Clock Source Register (RCLKSRC) Field Descriptions .....	156
2-38.	Clock Source Valid Register (CSVSTAT) Field Descriptions .....	157
2-39.	Memory Self-Test Global Control Register (MSTGCR) Field Descriptions .....	158
2-40.	Memory Hardware Initialization Global Control Register (MINITGCR) Field Descriptions.....	159
2-41.	MBIST Controller/Memory Initialization Enable Register (MSINENA) Field Descriptions.....	160
2-42.	MSTC Global Status Register (MSTCGSTAT) Field Descriptions .....	161
2-43.	Memory Hardware Initialization Status Register (MINISTAT) Field Descriptions .....	162
2-44.	PLL Control Register 1 (PLLCTL1) Field Descriptions .....	163
2-45.	PLL Control Register 2 (PLLCTL2) Field Descriptions .....	164
2-46.	SYS Pin Control Register 10 (SYSPC10) Field Descriptions .....	165
2-47.	Die Identification Register, Lower Word (DIEIDL) Field Descriptions.....	166

2-48.	Die Identification Register, Upper Word (DIEIDH) Field Descriptions .....	166
2-49.	LPO/Clock Monitor Control Register (LPOMONCTL) Field Descriptions.....	167
2-50.	Clock Test Register (CLKTEST) Field Descriptions.....	170
2-51.	DFT Control Register (DFTCTRLREG) Field Descriptions.....	172
2-52.	DFT Control Register 2 (DFTCTRLREG2) Field Descriptions .....	173
2-53.	General Purpose Register (GPREG1) Field Descriptions .....	174
2-54.	System Software Interrupt Request 1 Register (SSIR1) Field Descriptions .....	175
2-55.	System Software Interrupt Request 2 Register (SSIR2) Field Descriptions .....	176
2-56.	System Software Interrupt Request 3 Register (SSIR3) Field Descriptions .....	177
2-57.	System Software Interrupt Request 4 Register (SSIR4) Field Descriptions .....	178
2-58.	RAM Control Register (RAMGCR) Field Descriptions .....	179
2-59.	Bus Matrix Module Control Register 1 (BMMCR) Field Descriptions .....	180
2-60.	CPU Reset Control Register (CPURSTGCR) Field Descriptions .....	180
2-61.	Clock Control Register (CLKCNTL) Field Descriptions .....	181
2-62.	ECP Control Register (ECPCNTL) Field Descriptions .....	182
2-63.	DEV Parity Control Register 1 (DEVCR1) Field Descriptions .....	183
2-64.	System Exception Control Register (SYSECR) Field Descriptions .....	183
2-65.	System Exception Status Register (SYSESR) Field Descriptions .....	184
2-66.	System Test Abort Status Register (SYSTASR) Field Descriptions .....	186
2-67.	Global Status Register (GLBSTAT) Field Descriptions .....	187
2-68.	Device Identification Register (DEVID) Field Descriptions .....	188
2-69.	Software Interrupt Vector Register (SSIVEC) Field Descriptions .....	189
2-70.	System Software Interrupt Flag Register (SSIF) Field Descriptions .....	190
2-71.	Secondary System Control Registers .....	191
2-72.	PLL Control Register 3 (PLLCTL3) Field Descriptions .....	192
2-73.	CPU Logic BIST Clock Prescaler (STCLKDIV) Field Descriptions.....	193
2-74.	ECP Control Register 1 (ECPCNTL1) Field Descriptions .....	194
2-75.	Clock 2 Control Register (CLK2CNTRL) Field Descriptions .....	195
2-76.	Peripheral Asynchronous Clock Configuration 1 Register (VCLKACON1) Field Descriptions .....	196
2-77.	HCLK Control Register (HCLKCNTL) Field Descriptions.....	198
2-78.	Clock Slip Control Register (CLKSLIP) Field Descriptions .....	199
2-79.	Clock Slip Register (CLKSLIP) Field Descriptions .....	200
2-80.	EFUSE Controller Control Register (EFC_CTLREG) Field Descriptions.....	201
2-81.	Die Identification Register, Lower Word (DIEIDL_REG0) Field Descriptions .....	201
2-82.	Die Identification Register, Upper Word (DIEIDH_REG1) Field Descriptions .....	202
2-83.	Die Identification Register, Lower Word (DIEIDL_REG2) Field Descriptions .....	202
2-84.	Die Identification Register, Upper Word (DIEIDH_REG3) Field Descriptions .....	202
2-85.	Peripheral Central Resource Control Registers .....	203
2-86.	Peripheral Memory Protection Set Register 0 (PMPROTSET0) Field Descriptions .....	209
2-87.	Peripheral Memory Protection Set Register 1 (PMPROTSET1) Field Descriptions .....	209
2-88.	Peripheral Memory Protection Clear Register 0 (PMPROTCLR0) Field Descriptions.....	210
2-89.	Peripheral Memory Protection Clear Register 1 (PMPROTCLR1) Field Descriptions.....	210
2-90.	Peripheral Protection Set Register 0 (PPROTSET0) Field Descriptions .....	211
2-91.	Peripheral Protection Set Register 1 (PPROTSET1) Field Descriptions .....	212
2-92.	Peripheral Protection Set Register 2 (PPROTSET2) Field Descriptions .....	212
2-93.	Peripheral Protection Set Register 3 (PPROTSET3) Field Descriptions .....	213
2-94.	Peripheral Protection Clear Register 0 (PPROTCLR0) Field Descriptions .....	213
2-95.	Peripheral Protection Clear Register 1 (PPROTCLR1) Field Descriptions .....	214
2-96.	Peripheral Protection Clear Register 2 (PPROTCLR2) Field Descriptions .....	214

2-97. Peripheral Protection Clear Register 3 (PPROTCLR3) Field Descriptions .....	215
2-98. Peripheral Memory Power-Down Set Register 0 (PCSPWRDWNSET0) Field Descriptions .....	215
2-99. Peripheral Memory Power-Down Set Register 1 (PCSPWRDWNSET1) Field Descriptions .....	216
2-100. Peripheral Memory Power-Down Clear Register 0 (PCSPWRDWNCLR0) Field Descriptions .....	216
2-101. Peripheral Memory Power-Down Set Register 1 (PCSPWRDWNCLR1) Field Descriptions .....	217
2-102. Peripheral Power-Down Set Register 0 (PSPWRDWNSET0) Field Descriptions .....	218
2-103. Peripheral Power-Down Set Register 1 (PSPWRDWNSET1) Field Descriptions .....	219
2-104. Peripheral Power-Down Set Register 2 (PSPWRDWNSET2) Field Descriptions .....	219
2-105. Peripheral Power-Down Set Register 3 (PSPWRDWNSET3) Field Descriptions .....	220
2-106. Peripheral Power-Down Clear Register 0 (PSPWRDWNCLR0) Field Descriptions .....	220
2-107. Peripheral Power-Down Clear Register 1 (PSPWRDWNCLR1) Field Descriptions .....	221
2-108. Peripheral Power-Down Clear Register 2 (PSPWRDWNCLR2) Field Descriptions .....	221
2-109. Peripheral Power-Down Clear Register 3 (PSPWRDWNCLR3) Field Descriptions .....	222
2-110. Debug Frame Powerdown Set Register (PDPWRDWNSET) Field Descriptions .....	222
2-111. Debug Frame Powerdown Clear Register (PDPWRDWNCLR) Field Descriptions .....	223
2-112. MasterID Protection Write Enable Register (MSTIDWRENA) Field Descriptions .....	223
2-113. MasterID Enable Register (MSTIDENA) Field Descriptions .....	224
2-114. MasterID Diagnostic Control Register (MSTIDDIAGCTRL) Field Descriptions .....	225
2-115. Peripheral Frame 0 MasterID Protection Register_L (PS0MSTID_L) Field Descriptions .....	226
2-116. Peripheral Frame 0 MasterID Protection Register_H (PS0MSTID_H) Field Descriptions .....	227
2-117. Peripheral Frame n MasterID Protection Register_L/H (PSnMSTID_L/H) Field Descriptions .....	228
2-118. Privileged Peripheral Frame 0 MasterID Protection Register_L (PPS0MSTID_L) Field Descriptions .....	229
2-119. Privileged Peripheral Frame 0 MasterID Protection Register_H (PPS0MSTID_H) Field Description .....	230
2-120. Privileged Peripheral Frame n MasterID Protection Register_L/H (PPSnMSTID_L/H) Field Descriptions ...	231
2-121. Privileged Peripheral Extended Frame 0 MasterID Protection Register_L (PPSE0MSTID_L) Field Descriptions .....	232
2-122. Privileged Peripheral Extended Frame 0 MasterID Protection Register_H (PPSE0MSTID_H) Field Descriptions .....	233
2-123. Privileged Peripheral Extended Frame n MasterID Protection Register_L/H (PPSEnMSTID_L/H) Field Descriptions .....	234
2-124. Peripheral Memory Frame MasterID Protection Register (PCSnMSTID) Field Descriptions .....	235
2-125. Privileged Peripheral Memory Frame MasterID Protection Register (PPCSnMSTID) Field Descriptions ....	236
3-1. SCM Registers .....	245
3-2. SCM REVID Register (SCMREVID) Field Descriptions .....	245
3-3. SCM Control Register (SCMCNTRL) Field Descriptions .....	246
3-4. SCM Compare Threshold Counter Register (SCMTHRESHOLD) Field Descriptions .....	247
3-5. SCM Initiator Error0 Status Register (SCMIAERR0STAT) Field Descriptions .....	248
3-6. SCM Initiator Error1 Status Register (SCMIAERR1STAT) Field Descriptions .....	248
3-7. SCM Initiator Active Status Register (SCMIASTAT) Field Descriptions .....	249
3-8. SCM Target Active Status Register (SCMTASTAT) Field Descriptions .....	249
4-1. Bus Master / Slave Connectivity for Peripheral Interconnect Subsystem .....	251
4-2. CPU Interconnect Subsystem SDC Register Bit Field Mapping .....	252
4-3. Bus Master / Slave Connectivity for CPU Interconnect Subsystem .....	253
4-4. SCM Register Bit Mapping .....	256
4-5. SDC MMR Registers .....	257
4-6. SDC Status Register (SDC_STATUS) Field Descriptions .....	258
4-7. SDC Control Register (SDC_CONTROL) Field Descriptions .....	259
4-8. Error Generic Parity Register (ERR_GENERIC_PARITY) Field Descriptions .....	259
4-9. Error Unexpected Transaction Register (ERR_UNEXPECTED_TRANS) Field Descriptions .....	260
4-10. Error Transaction ID Register (ERR_TRANS_ID) Field Descriptions .....	260

4-11.	Error Transaction Signature Register (ERR_TRANS_SIGNATURE) Field Descriptions.....	261
4-12.	Error Transaction Type Register (ERR_TRANS_TYPE) Field Descriptions .....	261
4-13.	Error User Parity Register (ERR_USER_PARITY) Field Descriptions .....	262
4-14.	Slave Error Unexpected Master ID Register (SERR_UNEXPECTED_MID) Field Descriptions .....	262
4-15.	Slave Error Address Decode Register (SERR_ADDR_DECODED) Field Descriptions.....	263
4-16.	Slave Error User Parity Register (SERR_USER_PARITYID) Field Descriptions .....	263
5-1.	PMM Registers.....	270
5-2.	Logic Power Domain Control Register (LOGICPDPWRCTRL0) Field Descriptions .....	271
5-3.	Logic Power Domain Control Register (LOGICPDPWRCTRL1) Field Descriptions .....	272
5-4.	Power Domain Clock Disable Register (PDCLKDISREG) Field Descriptions .....	273
5-5.	Power Domain Clock Disable Set Register (PDCLKDISSETREG) Field Descriptions .....	274
5-6.	Power Domain Clock Disable Clear Register (PDCLKDISCLRREG) Field Descriptions .....	275
5-7.	Logic Power Domain PD2 Power Status Register (LOGICPDPWRSTAT0) Field Descriptions.....	276
5-8.	Logic Power Domain PD3 Power Status Register (LOGICPDPWRSTAT1) Field Descriptions.....	277
5-9.	Logic Power Domain PD4 Power Status Register (LOGICPDPWRSTAT2) Field Descriptions.....	278
5-10.	Logic Power Domain PD5 Power Status Register (LOGICPDPWRSTAT3) Field Descriptions.....	279
5-11.	Logic Power Domain PD6 Power Status Register (LOGICPDPWRSTAT4) Field Descriptions.....	280
5-12.	Global Control Register 1 (GLOBALCTRL1) Field Descriptions.....	281
5-13.	Global Status Register (GLOBALSTAT) Field Descriptions.....	282
5-14.	PSCON Diagnostic Compare Key Register (PRCKEYREG) Field Descriptions .....	282
5-15.	LogicPD PSCON Diagnostic Compare Status Register 1 (LPDDCSTAT1) Field Descriptions .....	283
5-16.	LogicPD PSCON Diagnostic Compare Status Register 2 (LPDDCSTAT2) Field Descriptions .....	284
5-17.	Isolation Diagnostic Status Register (ISODIAGSTAT) Field Descriptions .....	285
6-1.	Multiplexing for Outputs on 337ZWT Package.....	289
6-2.	Input Multiplexing and Control on 337ZWT Package .....	294
6-3.	Special Multiplexed Controls .....	297
6-4.	ADC1 Trigger Event Selection .....	299
6-5.	ADC2 Trigger Event Selection .....	300
6-6.	Controls for ePWMx Inputs.....	306
6-7.	Controls for eQEPx_ERROR Connection to ePWMx nT24 Inputs.....	307
6-8.	Controls for eCAPx Inputs.....	307
6-9.	Controls for eQEPx Inputs.....	308
6-10.	GIO DMA Request Select Bit Mapping .....	310
6-11.	Temperature Sensor Selection.....	311
6-12.	IOMM Registers.....	313
6-13.	Revision Register Field Descriptions.....	313
6-14.	Boot Mode Register Field Descriptions .....	314
6-15.	Kicker Register 0 Field Descriptions .....	314
6-16.	Kicker Register 1 Field Descriptions .....	314
6-17.	Error Raw Status / Set Register Field Descriptions .....	315
6-18.	Error Signaling Enabled Status / Clear Register Field Descriptions .....	316
6-19.	Error Enable Register Field Descriptions .....	317
6-20.	Interrupt Enable Clear Register Field Descriptions.....	318
6-21.	Fault Address Register Field Descriptions .....	318
6-22.	Fault Status Register Field Descriptions.....	319
6-23.	FAULT_CLEAR_REG: Fault Clear Register Field Descriptions .....	320
6-24.	Pin Multiplexing Control Registers Field Descriptions .....	320
6-25.	Pin Multiplexing Control Registers Field Descriptions .....	321
6-26.	Pin Multiplexing Control Registers Field Descriptions .....	321

7-1.	ECC Encoding.....	326
7-2.	Syndrome Table .....	327
7-3.	Alternate Syndrome Table .....	328
7-4.	TI OTP Bank 0 Sector Information Field Descriptions .....	330
7-5.	TI OTP Sector Information Address .....	330
7-6.	TI OTP Bank 0 Package and Memory Size Information Field Descriptions .....	331
7-7.	TI OTP Bank 0 LPO Trim and Max HCLK Information Field Descriptions .....	331
7-8.	TI OTP Bank 0 Temperature Sensor Calibration Information Field Descriptions .....	333
7-9.	DIAGMODE Encoding.....	334
7-10.	Diagnostic Mode Summary.....	336
7-11.	Errors in L2FMC .....	338
7-12.	Flash Control Registers .....	339
7-13.	Flash Read Control Register (FRDCNTL) Field Descriptions.....	340
7-14.	Flash Read Control Register (FRDCNTL) Field Descriptions.....	341
7-15.	Flash PortA Error and Status Register (FEDAC_PASTATUS) Field Descriptions .....	342
7-16.	Flash PortB Error and Status Register (FEDAC_PBSTATUS) Field Descriptions .....	343
7-17.	Flash Global Error and Status Register (FEDAC_GBLSTATUS) Field Descriptions .....	344
7-18.	Flash Error Detection and Correction Sector Disable Register (FEDACSDIS) Field Descriptions .....	345
7-19.	Primary Address Tag Register (FPRIM_ADD)_TAG Field Descriptions .....	346
7-20.	Duplicate Address Tag Register (FDUP_ADD)_TAG Field Descriptions.....	346
7-21.	Flash Bank Protection Register (FBPROT) Field Descriptions .....	347
7-22.	Flash Bank Sector Enable Register (FBSE) Field Descriptions .....	347
7-23.	Flash Bank Busy Register (FBBUSY) Field Descriptions .....	348
7-24.	Flash Bank Access Control Register (FBAC) Field Descriptions.....	348
7-25.	Flash Bank Power Mode Register (FBPWRMODE) Field Descriptions .....	349
7-26.	Flash Bank/Pump Ready Register (FBPRDY) Register Description.....	350
7-27.	Flash Pump Access Control Register 1 (FPAC1) Field Descriptions .....	351
7-28.	Flash Module Access Control Register (FMAC) Field Descriptions.....	352
7-29.	Flash Module Status Register (FMSTAT) Field Descriptions .....	353
7-30.	EEPROM Emulation Data MSW Register (FEMU_DMSW) Field Descriptions .....	355
7-31.	EEPROM Emulation Data LSW Register (FEMU_DLSW) Field Descriptions .....	355
7-32.	EEPROM Emulation ECC Register (FEMU_ECC) Field Descriptions.....	356
7-33.	Flash Lock Register (FLOCK) Field Descriptions .....	356
7-34.	Diagnostic Control Register (FDIAGCTRL) Field Descriptions .....	357
7-35.	Raw Address Register (FRAW_ADDR) Field Descriptions .....	358
7-36.	Parity Override Register (FPAR_OVR) Field Descriptions .....	359
7-37.	Reset Configuration Valid Register (RCR_VALID) Field Descriptions.....	360
7-38.	Crossbar Access Time Threshold Register (ACC_THRESHOLD) Field Descriptions.....	360
7-39.	Flash Error Detection and Correction Sector Disable Register 2 (FEDACSDIS2) Field Descriptions.....	361
7-40.	Lower Word of Reset Configuration Read Register (RCR_VALUE0) Field Descriptions .....	362
7-41.	Upper Word of Reset Configuration Read Register (RCR_VALUE1) Field Descriptions .....	362
7-42.	FSM Register Write Enable Register (FSM_WR_ENA) Field Descriptions .....	363
7-43.	EEPROM Emulation Configuration Register (EEPROM_CONFIG) Field Descriptions .....	363
7-44.	FSM Sector Register 1 (FSM_SECTOR1) Field Descriptions .....	364
7-45.	FSM Sector Register 2 (FSM_SECTOR2) Field Descriptions .....	364
7-46.	Flash Bank Configuration Register (FCFG_BANK) Field Descriptions .....	365
7-47.	POM Control Registers .....	366
7-48.	POM Global Control Register (POMGLBCTRL) Field Descriptions.....	366
7-49.	POM Revision ID Register (POMREV) Field Descriptions .....	367

7-50.	POM Flag Register (POMFLG) Field Descriptions .....	367
7-51.	POM Region Start Address Register (POMPROGSTARTx) Field Descriptions.....	368
7-52.	POM Overlay Region Start Address Register (POMOVLSTARTx) Field Descriptions .....	368
7-53.	POM Region Size Register (POMREGSIZEx) Field Descriptions.....	369
8-1.	L2RAMW Error Types .....	373
8-2.	L2RAMW Module Control and Status Registers.....	376
8-3.	L2RAMW Module Control Register (RAMCTRL) Field Descriptions.....	376
8-4.	L2RAMW Module Error Status Register (RAMERRSTATUS) Field Descriptions.....	378
8-5.	L2RAMW Diagnostic Data Vector High Register (DIAG_DATA_VECTOR_H) Field Descriptions.....	381
8-6.	L2RAMW Diagnostic Vector Low Register (DIAG_DATA_VECTOR_L) Field Descriptions .....	381
8-7.	L2RAMW Diagnostic ECC Vector Register (DIAG_ECC) Field Descriptions.....	382
8-8.	L2RAMW Module Test Mode Control Register (RAMTEST) Field Descriptions .....	383
8-9.	L2RAMW RAM Address Decode Vector Test Register (RAMADDRDEC_VECT) Field Descriptions.....	384
8-10.	L2RAMW Memory Initialization Domain Register (MEMINIT_DOMAIN) Field Descriptions.....	385
8-11.	L2RAMW Bank to Domain Mapping Register0 (BANK_DOMAIN_MAP0) Field Descriptions.....	386
8-12.	L2RAMW Bank to Domain Mapping Register1 (BANK_DOMAIN_MAP1) Field Descriptions.....	387
9-1.	PBIST Registers .....	395
9-2.	RAM Configuration Register (RAMT) Field Descriptions .....	396
9-3.	Datalogger Register (DLR) Field Descriptions .....	397
9-4.	PBIST Activate/ROM Clock Enable Register (PACT) Field Descriptions .....	398
9-5.	PBIST ID Register Field Descriptions .....	399
9-6.	Override Register (OVER) Field Descriptions.....	400
9-7.	Fail Status Fail Register 0 (FSRF0) Field Descriptions.....	401
9-8.	Fail Status Fail Register 1 (FSRF1) Field Descriptions.....	401
9-9.	Fail Status Count 0 Register (FSRC0) Field Descriptions.....	402
9-10.	Fail Status Count Register 1 (FSRC1) Field Descriptions.....	402
9-11.	Fail Status Address Register 0 (FSRA0) Field Descriptions .....	403
9-12.	Fail Status Address Register 1 (FSRA1) Field Descriptions .....	403
9-13.	Fail Status Data Register 0 (FSRD0) Field Descriptions.....	404
9-14.	Fail Status Data Register 1 (FSRD1) Field Descriptions.....	404
9-15.	ROM Mask Register (ROM) Field Descriptions.....	405
9-16.	Algorithm Mask Register (ALGO) Field Descriptions .....	406
9-17.	RAM Info Mask Lower Register (RINFOL) Field Descriptions .....	407
9-18.	RAM Info Mask Upper Register (RINFOU) Field Descriptions .....	408
10-1.	STC Module Assignments .....	419
10-2.	STC1 Segment 0 Test Coverage and Duration.....	424
10-3.	Typical Execution Times for STC1 Segment 0 .....	425
10-4.	STC1 Segment 1 Test Coverage and Duration.....	426
10-5.	Typical Execution Times for STC1 Segment 1 .....	426
10-6.	STC2 Test Coverage and Duration .....	427
10-7.	Typical Execution Times for STC2 .....	427
10-8.	STC Control Registers .....	428
10-9.	STC Global Control Register 0 (STCGCR0) Field Descriptions .....	429
10-10.	STC Global Control Register 1 (STCGCR1) Field Descriptions.....	430
10-11.	Self-Test Run Timeout Counter Preload Register (STCTPR) .....	430
10-12.	STC Current ROM Address Register (STCCADDR1) Field Descriptions .....	431
10-13.	STC Current Interval Count Register (STCCICR) Field Descriptions.....	431
10-14.	Self-Test Global Status Register (STCGSTAT) Field Descriptions .....	432
10-15.	Self-Test Fail Status Register (STCFSTAT) Field Descriptions .....	433

10-16. CORE1 Current MISR Register (CORE1_CURMISRn) Field Descriptions .....	434
10-17. CORE2 Current MISR Register (CORE2_CURMISRn) Field Descriptions .....	435
10-18. Signature Compare Self-Check Register (STCSCSCR) Field Descriptions .....	436
10-19. STC Current ROM Address Register (STCCADDR2) Field Descriptions .....	436
10-20. STC Clock Prescaler Register (STCCLKDIV) Field Descriptions .....	437
10-21. Segment Interval Preload Register (STCSEGPLR) Field Descriptions.....	438
11-1. NMPU Region .....	442
11-2. Access Permission .....	444
11-3. NMPU Registers .....	452
11-4. MPU Revision ID Register (MPUREV) Field Descriptions .....	453
11-5. MPU Lock Register (MPULOCK) Field Descriptions.....	453
11-6. MPU Diagnostics Control Register (MPUDIAGCTRL) Field Descriptions.....	454
11-7. MPU Diagnostic Address Register (MPUDIAGADDR) Field Descriptions .....	455
11-8. MPU Error Status Register (MPUERRSTAT) Field Descriptions.....	455
11-9. MPU Error Address Register (MPUERRADDR) Field Descriptions.....	457
11-10. MPU Control Register 1 (MPUCTRL1) Field Descriptions .....	457
11-11. MPU Control Register 2 (MPUCTRL2) Field Descriptions .....	458
11-12. MPU Type Register (MPUTYPE) Field Descriptions.....	459
11-13. MPU Region Base Address Register (MPUREGBASE) Field Descriptions .....	460
11-14. MPU Region Size and Enable Register (MPUREGSENA) Field Descriptions .....	460
11-15. MPU Region Access Control Register (MPUREGACR) Field Descriptions.....	462
11-16. MPU Region Number Register (MPUREGNUM) Field Descriptions.....	463
12-1. EPC Control Registers .....	469
12-2. EPC REVID Register (EPCREVID) Field Descriptions .....	470
12-3. EPC Control Register (EPCCNTRL) Field Descriptions .....	471
12-4. Uncorrectable Error Status Register (UERRSTAT) Field Descriptions .....	472
12-5. EPC Error Status Register (EPCERRSTAT) Field Descriptions.....	473
12-6. FIFO Full Status Register (FIFOFULLSTAT) Field Descriptions .....	474
12-7. IP Interface FIFO Overflow Status Register (OVRFLWSTAT) Field Descriptions .....	475
12-8. CAM Index Available Status Register (CAMAVAILSTAT) Field Descriptions .....	475
12-9. Uncorrectable Error Address Register n (UERR_ADDR) Field Descriptions .....	476
12-10. CAM Content Update Register n (CAM_CONTENT) Field Descriptions.....	476
12-11. CAM Index Registers (CAM_INDEXn) Field Descriptions.....	477
12-12. CAM Index Register n.....	477
13-1. Compare Match Test Sequence .....	482
13-2. CPU / VIM Compare Mismatch Test Sequence .....	483
13-3. Error Flags and Error Signals Generation in Each Mode.....	484
13-4. CPU1 (Main CPU) Signals Being Inverted Before Being Compared .....	485
13-5. Checker CPU Signals to Monitor .....	486
13-6. Checker CPU Inactivity Monitor Compare Mismatch Test .....	487
13-7. Control Registers .....	488
13-8. CCM-R5F Status Register 1 (CCMSR1) Field Descriptions .....	489
13-9. CCM-R5F Key Register 1 (CCMKEYR1) Field Descriptions.....	490
13-10. CCM-R5F Status Register 2 (CCMSR2) Field Descriptions .....	491
13-11. CCM-R5F Key Register 2 (CCMKEYR2) Field Descriptions.....	492
13-12. CCM-R5F Status Register 3 (CCMSR3) Field Descriptions .....	493
13-13. CCM-R5F Key Register 2 (CCMKEYR2) Field Descriptions.....	494
13-14. CCM-R5F Polarity Control Register (CCMPOLCNTRL) Field Descriptions.....	494
13-15. CCM-R5F Status Register 4 (CCMSR4) Field Descriptions .....	495

13-16. CCM-R5F Key Register 4 (CCMKEYR4) Field Descriptions.....	496
13-17. CCM-R5FPower Domain Status Register 0 (CCMPDSTAT0) Field Descriptions.....	497
14-1. Valid Frequency Ranges for PLL .....	506
14-2. PLL Value Encoding.....	507
14-3. State Machine Timings.....	511
14-4. PLL Module Registers.....	515
14-5. LPOCLKDET Module Registers .....	515
14-6. SSW PLL BIST Control Register 1 (SSWPLL1) Field Descriptions.....	516
14-7. SSW PLL BIST Control Register 2 (SSWPLL2) Field Descriptions.....	517
14-8. SSW PLL BIST Control Register 3 (SSWPLL3) Field Descriptions.....	518
15-1. DCC Control Registers .....	530
15-2. DCC Control Register (DCCGCTRL) Field Descriptions .....	531
15-3. DCC Revision Id Register (DCCREV) Field Descriptions .....	532
15-4. DCC Counter0 Seed Register (DCCCNT0SEED) Field Descriptions .....	532
15-5. DCC Valid0 Seed Register (DCCVALID0SEED) Field Descriptions .....	533
15-6. DCC Counter1 Seed Register (DCCCNT1SEED) Field Descriptions .....	533
15-7. DCC Status Register (DCCSTAT) Field Descriptions .....	534
15-8. DCC Counter0 Seed Register (DCCCNT0) Field Descriptions .....	535
15-9. DCC Valid0 Value Register (DCCVALID0) Field Descriptions .....	536
15-10. DCC Counter1 Value Register (DCCCNT1) Field Descriptions .....	536
15-11. DCC Counter1 Value Register (DCCCNT1) Field Descriptions .....	537
15-12. DCC Counter0 Clock Source Selection Register (DCCCNT0CLKSRC) Field Descriptions .....	537
16-1. ESM Interrupt and <b>ERROR</b> Pin Behavior.....	540
16-2. ESM Control Registers.....	545
16-3. ESM Enable <b>ERROR</b> Pin Action/Response Register 1 (ESMEEPAPR1) Field Descriptions .....	546
16-4. ESM Disable <b>ERROR</b> Pin Action/Response Register 1 (ESMDEPAPR1) Field Descriptions.....	546
16-5. ESM Interrupt Enable Set/Status Register 1 (ESMIESR1) Field Descriptions .....	547
16-6. ESM Interrupt Enable Clear/Status Register 1 (ESMIECR1) Field Descriptions.....	547
16-7. ESM Interrupt Level Set/Status Register 1 (ESMILSR1) Field Descriptions.....	548
16-8. ESM Interrupt Level Clear/Status Register 1 (ESMILCR1) Field Descriptions .....	548
16-9. ESM Status Register 1 (ESMSR1) Field Descriptions .....	549
16-10. ESM Status Register 2 (ESMSR2) Field Descriptions .....	549
16-11. ESM Status Register 3 (ESMSR3) Field Descriptions .....	550
16-12. ESM <b>ERROR</b> Pin Status Register (ESMEPSR) Field Descriptions.....	550
16-13. ESM Interrupt Offset High Register (ESMIOFFHR) Field Descriptions.....	551
16-14. ESM Interrupt Offset Low Register (ESMIOFFLR) Field Descriptions.....	552
16-15. ESM Low-Time Counter Register (ESMLTCR) Field Descriptions.....	553
16-16. ESM Low-Time Counter Preload Register (ESMLTCPR) Field Descriptions.....	553
16-17. ESM Error Key Register (ESMEKR) Field Descriptions .....	554
16-18. ESM Status Shadow Register 2 (ESMSSR2) Field Descriptions .....	554
16-19. ESM Influence <b>ERROR</b> Pin Set/Status Register 4 (ESMIEPSR4) Field Descriptions.....	555
16-20. ESM Influence <b>ERROR</b> Pin Clear/Status Register 4 (ESMIEPCR4) Field Descriptions .....	555
16-21. ESM Interrupt Enable Set/Status Register 4 (ESMIESR4) Field Descriptions .....	556
16-22. ESM Interrupt Enable Clear/Status Register 4 (ESMIECR4) Field Descriptions.....	556
16-23. ESM Interrupt Level Set/Status Register 4 (ESMILSR4) Field Descriptions.....	557
16-24. ESM Interrupt Level Clear/Status Register 4 (ESMILCR4) Field Descriptions .....	557
16-25. ESM Status Register 4 (ESMSR4) Field Descriptions.....	558
16-26. ESM Influence <b>ERROR</b> Pin Set/Status Register 7 (ESMIEPSR7) Field Descriptions.....	559
16-27. ESM Influence <b>ERROR</b> Pin Clear/Status Register 7 (ESMIEPCR7) Field Descriptions .....	559

16-28. ESM Interrupt Enable Set/Status Register 7 (ESMIESR7) Field Descriptions .....	560
16-29. ESM Interrupt Enable Clear/Status Register 7 (ESMIECR7) Field Descriptions .....	560
16-30. ESM Interrupt Level Set/Status Register 7 (ESMILSR7) Field Descriptions .....	561
16-31. ESM Interrupt Level Clear/Status Register 7 (ESMILCR7) Field Descriptions .....	561
16-32. ESM Status Register 7 (ESMSR7) Field Descriptions .....	562
17-1. RTI Registers .....	575
17-2. RTI Global Control Register (RTIGCTRL) Field Descriptions .....	576
17-3. RTI Timebase Control Register (RTITBCTRL) Field Descriptions .....	577
17-4. RTI Capture Control Register (RTICAPCTRL) Field Descriptions .....	578
17-5. RTI Compare Control Register (RTICOMPCTRL) Field Descriptions .....	579
17-6. RTI Free Running Counter 0 Register (RTIFRC0) Field Descriptions .....	580
17-7. RTI Up Counter 0 Register (RTIUC0) Field Descriptions .....	580
17-8. RTI Compare Up Counter 0 Register (RTICPUC0) Field Descriptions .....	581
17-9. RTI Capture Free Running Counter 0 Register (RTICAFRC0) Field Descriptions .....	581
17-10. RTI Capture Up Counter 0 Register (RTICAUC0) Field Descriptions .....	582
17-11. RTI Free Running Counter 1 Register (RTIFRC1) Field Descriptions .....	582
17-12. RTI Up Counter 1 Register (RTIUC1) Field Descriptions .....	583
17-13. RTI Compare Up Counter 1 Register (RTICPUC1) Field Descriptions .....	584
17-14. RTI Capture Free Running Counter 1 Register (RTICAFRC1) Field Descriptions .....	585
17-15. RTI Capture Up Counter 1 Register (RTICAUC1) Field Descriptions .....	585
17-16. RTI Compare 0 Register (RTICOMP0) Field Descriptions .....	586
17-17. RTI Update Compare 0 Register (RTIUDCP0) Field Descriptions .....	586
17-18. RTI Compare 1 Register (RTICOMP1) Field Descriptions .....	587
17-19. RTI Update Compare 1 Register (RTIUDCP1) Field Descriptions .....	587
17-20. RTI Compare 2 Register (RTICOMP2) Field Descriptions .....	588
17-21. RTI Update Compare 2 Register (RTIUDCP2) Field Descriptions .....	588
17-22. RTI Compare 3 Register (RTICOMP3) Field Descriptions .....	589
17-23. RTI Update Compare 3 Register (RTIUDCP3) Field Descriptions .....	589
17-24. RTI Timebase Low Compare Register (RTITBLCOMP) Field Descriptions .....	590
17-25. RTI Timebase High Compare Register (RTITBHCOMP) Field Descriptions .....	590
17-26. RTI Set Interrupt Control Register (RTISETINTENA) Field Descriptions .....	591
17-27. RTI Clear Interrupt Control Register (RTICLEARINTENA) Field Descriptions .....	593
17-28. RTI Interrupt Flag Register (RTIINTFLAG) Field Descriptions .....	595
17-29. Digital Watchdog Control Register (RTIDWDCTRL) Field Descriptions .....	596
17-30. Digital Watchdog Preload Register (RTIDWDPRLD) Field Descriptions .....	597
17-31. Watchdog Status Register (RTIWDSTATUS) Field Descriptions .....	598
17-32. RTI Watchdog Key Register (RTIDWDKEY) Field Descriptions .....	599
17-33. Example of a WDKEY Sequence .....	599
17-34. RTI Watchdog Down Counter Register (RTIDWDCNTR) Field Descriptions .....	600
17-35. Digital Windowed Watchdog Reaction Control (RTIWWDRXNCTRL) Field Descriptions .....	600
17-36. Digital Windowed Watchdog Window Size Control (RTIWWDSIZECTRL) Field Descriptions .....	601
17-37. RTI Compare Interrupt Clear Enable Register (RTIINTCLRENABLE) Field Descriptions .....	602
17-38. RTI Compare 0 Clear Register (RTICMP0CLR) Field Descriptions .....	603
17-39. RTI Compare 1 Clear Register (RTICMP1CLR) Field Descriptions .....	603
17-40. RTI Compare 2 Clear Register (RTICMP2CLR) Field Descriptions .....	604
17-41. RTI Compare 3 Clear Register (RTICMP3CLR) Field Descriptions .....	604
18-1. CRC Modes in Which DMA Request and Counter Logic are Active or Inactive .....	613
18-2. Modes in Which Interrupt Condition Can Occur .....	614
18-3. Interrupt Offset Mapping .....	617

18-4.	CRC Control Registers.....	621
18-5.	CRC Global Control Register 0 (CRC_CTRL0) Field Descriptions .....	622
18-6.	CRC Global Control Register 1 (CRC_CTRL1) Field Descriptions .....	622
18-7.	CRC Global Control Register 2 (CRC_CTRL2) Field Descriptions .....	623
18-8.	CRC Interrupt Enable Set Register (CRC_INTS) Field Descriptions .....	624
18-9.	CRC Interrupt Enable Reset Register (CRC_INTR) Field Descriptions .....	626
18-10.	CRC Interrupt Status Register (CRC_STATUS) Field Descriptions .....	628
18-11.	CRC Interrupt Offset (CRC_INT_OFFSET_REG) Field Descriptions .....	630
18-12.	CRC Busy Register (CRC_BUSY) Field Descriptions .....	631
18-13.	CRC Pattern Counter Preload Register 1 (CRC_PCOUNT_REG1) Field Descriptions.....	631
18-14.	CRC Sector Counter Preload Register 1 (CRC_SCOUNT_REG1) Field Descriptions.....	632
18-15.	CRC Current Sector Register 1 (CRC_CURSEC_REG1) Field Descriptions .....	632
18-16.	CRC Channel 1 Watchdog Timeout Preload Register A (CRC_WDTPLD1) Field Descriptions .....	633
18-17.	CRC Channel 1 Block Complete Timeout Preload Register B (CRC_BCTOPLD1) Field Descriptions .....	633
18-18.	Channel 1 PSA Signature Low Register (PSA_SIGREGL1) Field Descriptions .....	634
18-19.	Channel 1 PSA Signature High Register (PSA_SIGREGH1) Field Descriptions .....	634
18-20.	Channel 1 CRC Value Low Register (CRC_REGL1) Field Descriptions.....	634
18-21.	Channel 1 CRC Value High Register (CRC_REGH1) Field Descriptions .....	635
18-22.	Channel 1 PSA Sector Signature Low Register (PSA_SECSIGREGL1) Field Descriptions .....	635
18-23.	Channel 1 PSA Sector Signature High Register (PSA_SECSIGREGH1) Field Descriptions .....	635
18-24.	Channel 1 Raw Data Low Register (RAW_DATAREGL1) Field Descriptions .....	636
18-25.	Channel 1 Raw Data High Register (RAW_DATAREGH1) Field Descriptions .....	636
18-26.	CRC Pattern Counter Preload Register 2 (CRC_PCOUNT_REG2) Field Descriptions.....	636
18-27.	CRC Sector Counter Preload Register 2 (CRC_SCOUNT_REG2) Field Descriptions.....	637
18-28.	CRC Current Sector Register 2 (CRC_CURSEC_REG2) Field Descriptions .....	637
18-29.	CRC Channel 2 Watchdog Timeout Preload Register A (CRC_WDTPLD2) Field Descriptions .....	638
18-30.	CRC Channel 2 Block Complete Timeout Preload Register B (CRC_BCTOPLD2) Field Descriptions .....	638
18-31.	Channel 2 PSA Signature Low Register (PSA_SIGREGL2) Field Descriptions .....	639
18-32.	Channel 2 PSA Signature High Register (PSA_SIGREGH2) Field Descriptions .....	639
18-33.	Channel 2 CRC Value Low Register (CRC_REGL2) Field Descriptions .....	639
18-34.	Channel 2 CRC Value High Register (CRC_REGH2) Field Descriptions.....	640
18-35.	Channel 2 PSA Sector Signature Low Register (PSA_SECSIGREGL2) Field Descriptions .....	640
18-36.	Channel 2 PSA Sector Signature High Register (PSA_SECSIGREGH2) Field Descriptions .....	640
18-37.	Channel 2 Raw Data Low Register (RAW_DATAREGL2) Field Descriptions .....	641
18-38.	Channel 2 Raw Data High Register (RAW_DATAREGH2) Field Descriptions .....	641
19-1.	ECC Syndrome Table .....	653
19-2.	ECC Error Bits for Syndrome Decode .....	653
19-3.	CPU Reads - Address Bit 10 Selects Between Normal Data and ECC Bits.....	654
19-4.	CPU Writes - Address Bit 10 Selects Between Normal Data and ECC Bits.....	654
19-5.	VIM Control Registers.....	660
19-6.	Interrupt Vector Table ECC Status Register (ECCSTAT) Field Descriptions.....	661
19-7.	Interrupt Vector Table ECC Control Register (ECCCTL) Field Descriptions .....	662
19-8.	Uncorrectable Error Address Register (UERRADDR) Field Descriptions .....	663
19-9.	Fallback Vector Address Register (FBVECADDR) Field Descriptions.....	663
19-10.	Single Bit Error Address Register (SBERRADDR) Field Descriptions.....	664
19-11.	Interrupt Dispatch .....	664
19-12.	IRQ Index Offset Vector Register (IRQINDEX) Field Descriptions.....	665
19-13.	FIQ Index Offset Vector Register (FIQINDEX) Field Descriptions .....	665
19-14.	FIQ/IRQ Program Control Registers (FIRQPR) Field Descriptions .....	666

19-15. Pending Interrupt Read Location Registers (INTREQ) Field Descriptions .....	667
19-16. Interrupt Enable Set Registers (REQENASET) Field Descriptions .....	668
19-17. Request Enable Clear Registers (REQENACLR) Field Descriptions .....	669
19-18. Wake-Up Enable Set Registers (WAKEENASET) Field Descriptions .....	670
19-19. Wake-Up Enable Clear Registers (WAKEENACLR) Field Descriptions.....	671
19-20. IRQ Interrupt Vector Register (IRQVECREG) Field Descriptions .....	672
19-21. FIQ Interrupt Vector Register (FIQVECREG) Field Descriptions.....	672
19-22. Capture Event Register (CAPEVT) Field Descriptions .....	673
19-23. Interrupt Control Registers Organization .....	674
19-24. Interrupt Control Registers (CHANCTRL[0:31]) Field Descriptions .....	674
20-1. Arbitration According to Priority Queues and Priority Schemes .....	686
20-2. Maximum Number of DMA Transactions per Channel in Non-Bypass Mode.....	694
20-3. Maximum Number of DMA Transactions per Channel in Bypass Mode .....	694
20-4. ECC Mapping .....	698
20-5. DMA Control Registers.....	700
20-6. Control Packet Memory Map .....	702
20-7. Global Control Register (GCTRL) Field Descriptions .....	703
20-8. Channel Pending Register (PEND) Field Descriptions .....	704
20-9. DMA Status Register (DMASTAT) Field Descriptions .....	704
20-10. DMA Revision ID Register Description .....	705
20-11. HW Channel Enable Set and Status Register (HWCHENAS) Field Descriptions.....	706
20-12. HW Channel Enable Reset and Status Register (HWCHENAR) Field Descriptions .....	706
20-13. SW Channel Enable Set and Status Register (SWCHENAS) Field Descriptions .....	707
20-14. SW Channel Enable Reset and Status Register (SWCHENAR) Field Descriptions.....	707
20-15. Channel Priority Set Register (CHPRIOS) Field Descriptions .....	708
20-16. Channel Priority Reset Register (CHPRIOR) Field Descriptions .....	708
20-17. Global Channel Interrupt Enable Set Register (GCHIENAS) Field Descriptions .....	709
20-18. Global Channel Interrupt Enable Reset Register (GCHIENAR) Field Descriptions.....	709
20-19. DMA Request Assignment Register 0 (DREQASI0) Field Descriptions.....	710
20-20. DMA Request Assignment Register 1 (DREQASI1) Field Descriptions.....	711
20-21. DMA Request Assignment Register 2 (DREQASI2) Field Descriptions.....	712
20-22. DMA Request Assignment Register 3 (DREQASI3) Field Descriptions.....	713
20-23. DMA Request Assignment Register 4 (DREQASI4) Field Descriptions.....	714
20-24. DMA Request Assignment Register 5 (DREQASI5) Field Descriptions.....	715
20-25. DMA Request Assignment Register 6 (DREQASI6) Field Descriptions.....	716
20-26. DMA Request Assignment Register 7 (DREQASI7) Field Descriptions.....	717
20-27. Port Assignment Register 0 (PAR0) Field Descriptions .....	718
20-28. Port Assignment Register 1 (PAR1) Field Descriptions .....	719
20-29. Port Assignment Register 2 (PAR2) Field Descriptions .....	720
20-30. Port Assignment Register 3 (PAR3) Field Descriptions .....	721
20-31. FTC Interrupt Mapping Register (FTCMAP) Field Descriptions .....	722
20-32. LFS Interrupt Mapping Register (LFSMAP) Field Descriptions.....	722
20-33. HBC Interrupt Mapping Register (HBCMAP) Field Descriptions .....	722
20-34. BTC Interrupt Mapping Register (BTCMAP) Field Descriptions.....	723
20-35. BER Interrupt Mapping Register (BERMAP) Field Descriptions.....	723
20-36. FTC Interrupt Enable Set Register (FTCINTENAS) Field Descriptions .....	724
20-37. FTC Interrupt Enable Reset (FTCINTENAR) Field Descriptions .....	724
20-38. LFS Interrupt Enable Set Register (LFSINTENAS) Field Descriptions .....	725
20-39. LFS Interrupt Enable Reset Register (LFSINTENAR) Field Descriptions .....	725

20-40. HBC Interrupt Enable Set Register (HBCINTENAS) Field Descriptions .....	726
20-41. HBC Interrupt Enable Reset Register (HBCINTENAR) Field Descriptions .....	726
20-42. BTC Interrupt Enable Reset Register (BTCINTENAS) Field Descriptions .....	727
20-43. BTC Interrupt Enable Reset Register (BTCINTENAR) Field Descriptions .....	727
20-44. Global Interrupt Flag Register (GINTFLAG) Field Descriptions .....	728
20-45. FTC INTERRUPT FLAG Register (FTCFLAG) Field Descriptions .....	728
20-46. LFS Interrupt Flag Register (LFSFLAG) Field Descriptions.....	729
20-47. HBC Interrupt Flag Register (HBCFLAG) Field Descriptions .....	729
20-48. BTC Interrupt Flag Register (BTCFLAG) Field Descriptions.....	730
20-49. BER Interrupt Flag Register (BERFLAG) Field Descriptions .....	730
20-50. FTCA Interrupt Channel Offset Register (FTCAOFFSET) Field Descriptions .....	731
20-51. LFSA Interrupt Channel Offset Register (LFSAOFFSET) Field Descriptions.....	731
20-52. HBCA Interrupt Channel Offset Register (HBCAOFFSET) Field Descriptions .....	732
20-53. BTCA Interrupt Channel Offset Register (BTCAOFFSET) Field Descriptions.....	732
20-54. BERA Interrupt Channel Offset Register (BERAOFFSET) Field Descriptions .....	733
20-55. FTCB Interrupt Channel Offset Register (FTCBOFFSET) Field Descriptions .....	733
20-56. LFSB Interrupt Channel Offset Register (LFSBOFFSET) Field Descriptions.....	734
20-57. HBCB Interrupt Channel Offset Register (HBCBOFFSET) Field Descriptions .....	734
20-58. BTCB Interrupt Channel Offset Register (BTCBOFFSET) Field Descriptions.....	735
20-59. BERB Interrupt Channel Offset Register (BERBOFFSET) Field Descriptions .....	735
20-60. Port Control Register (PTCRL) Field Descriptions .....	736
20-61. RAM Test Control Register (RTCTRL) Field Descriptions .....	737
20-62. Debug Control Register (DCTRL) Field Descriptions .....	738
20-63. Watch Point Register (WPR) Field Descriptions.....	739
20-64. Watch Mask Register (WMR) Field Descriptions .....	739
20-65. FIFO A Active Channel Source Address Register (FAACSADDR) Field Descriptions .....	740
20-66. FIFO A Active Channel Destination Address Register (PBACDADDR) Field Descriptions.....	740
20-67. Port B Active Channel Transfer Count Register (PBACTC) Field Descriptions .....	740
20-68. FIFO B Active Channel Source Address Register (FBACSADDR) Field Descriptions .....	741
20-69. FIFO B Active Channel Destination Address Register (FBACDADDR) Field Descriptions .....	741
20-70. FIFO B Active Channel Transfer Count Register (FBACTC) Field Descriptions .....	741
20-71. ECC Control Register (DMAPECR) Field Descriptions.....	742
20-72. DMA ECC Error Address Register (DMAPAR) Field Descriptions .....	743
20-73. DMA Memory Protection Control Register 1 (DMAMPCTRL1) Field Descriptions.....	744
20-74. DMA Memory Protection Status Register 1 (DMAMPST1) Field Descriptions .....	746
20-75. DMA Memory Protection Region 0 Start Address Register (DMAMPR0S) Field Descriptions.....	747
20-76. DMA Memory Protection Region 0 End Address Register (DMAMPR0E) Field Descriptions .....	747
20-77. DMA Memory Protection Region 1 Start Address Register (DMAMPR1S) Field Descriptions.....	748
20-78. DMA Memory Protection Region 1 End Address Register (DMAMPR1E) Field Descriptions.....	748
20-79. DMA Memory Protection Region 2 Start Address Register (DMAMPR2S) Field Descriptions.....	749
20-80. DMA Memory Protection Region 2 End Address Register (DMAMPR2E) Field Descriptions.....	749
20-81. DMA Memory Protection Region 3 Start Address Register (DMAMPR3S) Field Descriptions.....	750
20-82. DMA Memory Protection Region 3 End Address Register (DMAMPR3E) Field Descriptions.....	750
20-83. DMA Memory Protection Control Register 2 (DMAMPCTRL2) Field Descriptions.....	751
20-84. DMA Memory Protection Status Register 2 (DMAMPST2) Field Descriptions .....	753
20-85. DMA Memory Protection Region 4 Start Address Register (DMAMPR4S) Field Descriptions.....	754
20-86. DMA Memory Protection Region 4 End Address Register (DMAMPR4E) Field Descriptions.....	754
20-87. DMA Memory Protection Region 1 Start Address Register (DMAMPR1S) Field Descriptions.....	755
20-88. DMA Memory Protection Region 1 End Address Register (DMAMPR1E) Field Descriptions.....	755

20-89. DMA Memory Protection Region 6 Start Address Register (DMAMPR6S) Field Descriptions .....	756
20-90. DMA Memory Protection Region 6 End Address Register (DMAMPR6E) Field Descriptions .....	756
20-91. DMA Memory Protection Region 7 Start Address Register (DMAMPR7S) Field Descriptions .....	757
20-92. DMA Memory Protection Region 7 End Address Register (DMAMPR7E) Field Descriptions .....	757
20-93. DMA Single Bit ECC Control Register (DMASECCCTRL) Field Description .....	758
20-94. DMA ECC Single Bit Error Address Register (DMAECCSBE) Field Descriptions .....	759
20-95. FIFO A Status Register (FIFOASTAT) Field Descriptions .....	760
20-96. FIFO B Status Register (FIFOBSTAT) Field Descriptions .....	760
20-97. DMA Request Polarity Select Register (DMAREQPS1) Field Descriptions.....	761
20-98. DMA Request Polarity Select Register (DMAREQPS1) Field Descriptions.....	761
20-99. Transaction Parity Error Event Control Register (TERECTRL) Field Descriptions .....	762
20-100. TER Event Flag Register (TERFLAG) Field Descriptions.....	762
20-101. TER Event Channel Offset Register (TEROFFSET) Field Descriptions .....	763
20-102. Initial Source Address Register (ISADDR) Field Descriptions.....	764
20-103. Initial Destination Address Register (IDADDR) Field Descriptions .....	764
20-104. Initial Transfer Count Register (ITCOUNT) Field Descriptions .....	765
20-105. Channel Control Register (CHCTRL) Field Descriptions.....	766
20-106. Element Index Offset Register (EIOFF) Field Descriptions .....	767
20-107. Frame Index Offset Register (FIOFF) Field Descriptions .....	767
20-108. Current Source Address Register (CSADDR) Field Descriptions .....	768
20-109. Current Destination Address Register (CDADDR) Field Descriptions.....	768
20-110. Current Transfer Count Register (CTCOUNT) Field Descriptions .....	768
21-1. EMIF Pins Used to Access Both SDRAM and Asynchronous Memories .....	772
21-2. EMIF Pins Specific to SDRAM .....	773
21-3. EMIF Pins Specific to Asynchronous Memory .....	773
21-4. EMIF SDRAM Commands.....	774
21-5. Truth Table for SDRAM Commands .....	774
21-6. 16-bit EMIF Address Pin Connections .....	776
21-7. Description of the SDRAM Configuration Register (SDCR).....	777
21-8. Description of the SDRAM Refresh Control Register (SDRCR).....	777
21-9. Description of the SDRAM Timing Register (SDTIMR) .....	778
21-10. Description of the SDRAM Self Refresh Exit Timing Register (SDSRETR) .....	778
21-11. SDRAM LOAD MODE REGISTER Command.....	779
21-12. Refresh Urgency Levels .....	780
21-13. Mapping from Logical Address to EMIF Pins for 16-bit SDRAM .....	785
21-14. Normal Mode vs. Select Strobe Mode .....	786
21-15. Description of the Asynchronous <i>m</i> Configuration Register (CE <sub>n</sub> CFG) .....	788
21-16. Description of the Asynchronous Wait Cycle Configuration Register (AWCC) .....	789
21-17. Description of the EMIF Interrupt Mask Set Register (INTMSKSET) .....	789
21-18. Description of the EMIF Interrupt Mast Clear Register (INTMSKCLR) .....	789
21-19. Asynchronous Read Operation in Normal Mode .....	790
21-20. Asynchronous Write Operation in Normal Mode .....	792
21-21. Asynchronous Read Operation in Select Strobe Mode.....	794
21-22. Asynchronous Write Operation in Select Strobe Mode .....	796
21-23. Interrupt Monitor and Control Bit Fields.....	800
21-24. External Memory Interface (EMIF) Registers .....	804
21-25. Module ID Register (MIDR) Field Descriptions .....	804
21-26. Asynchronous Wait Cycle Configuration Register (AWCCR) Field Descriptions.....	805
21-27. SDRAM Configuration Register (SDCR) Field Descriptions .....	806

21-28. SDRAM Refresh Control Register (SDRCR) Field Descriptions .....	807
21-29. Asynchronous <i>n</i> Configuration Register (CE <i>n</i> CFG) Field Descriptions .....	808
21-30. SDRAM Timing Register (SDTIMR) Field Descriptions.....	809
21-31. SDRAM Self Refresh Exit Timing Register (SDSRETR) Field Descriptions .....	810
21-32. EMIF Interrupt Raw Register (INTRAW) Field Descriptions .....	811
21-33. EMIF Interrupt Mask Register (INTMSK) Field Descriptions.....	812
21-34. EMIF Interrupt Mask Set Register (INTMSKSET) Field Descriptions.....	813
21-35. EMIF Interrupt Mask Clear Register (INTMSKCLR) Field Descriptions .....	814
21-36. Page Mode Control Register (PMCR) Field Descriptions .....	815
21-37. SR Field Value For the EMIF to K4S641632H-TC(L)70 Interface .....	816
21-38. SDTIMR Field Calculations for the EMIF to K4S641632H-TC(L)70 Interface .....	818
21-39. RR Calculation for the EMIF to K4S641632H-TC(L)70 Interface .....	819
21-40. RR Calculation for the EMIF to K4S641632H-TC(L)70 Interface .....	819
21-41. SDCR Field Values For the EMIF to K4S641632H-TC(L)70 Interface .....	820
21-42. AC Characteristics for a Read Access.....	821
21-43. AC Characteristics for a Write Access .....	821
22-1. ADC Look-Up Table Field Descriptions.....	838
22-2. Calibration Reference Voltages.....	848
22-3. Self-Test Reference Voltages .....	851
22-4. Determination of ADC Input Channel Condition .....	852
22-5. Output Buffer and Pull Control Behavior for ADxEVT as GPIO Pins .....	856
22-6. ADC Registers .....	857
22-7. ADC Reset Control Register (ADRSTCR) Field Descriptions .....	859
22-8. ADC Operating Mode Control Register (ADOPMODECR) Field Descriptions .....	859
22-9. ADC Clock Control Register (ADCLOCKCR) Field Descriptions.....	861
22-10. ADC Calibration Mode Control Register (ADCALCR) Field Descriptions .....	862
22-11. ADC Event Group Operating Mode Control Register (ADEVMODECR) Field Descriptions.....	864
22-12. ADC Group1 Operating Mode Control Register (ADG1MODECR) Field Descriptions .....	867
22-13. ADC Group 2 Operating Mode Control Register (ADG2MODECR) Field Descriptions .....	870
22-14. ADC Event Group Trigger Source Select Register (ADEVSRC) Field Descriptions.....	872
22-15. ADC Group1 Trigger Source Select Register (ADG1SRC) Field Descriptions .....	873
22-16. ADC Group2 Trigger Source Select Register (ADG2SRC) Field Descriptions .....	874
22-17. ADC Event Group Interrupt Enable Control Register (ADEVINTENA) Field Descriptions .....	875
22-18. ADC Group1 Interrupt Enable Control Register (ADG1INTENA) Field Descriptions .....	876
22-19. ADC Group2 Interrupt Enable Control Register (ADG2INTENA) Field Descriptions .....	877
22-20. ADC Event Group Interrupt Flag Register (ADEVINTFLG) Field Descriptions .....	878
22-21. ADC Group1 Interrupt Flag Register (ADG1INTFLG) Field Descriptions .....	879
22-22. ADC Group2 Interrupt Flag Register (ADG2INTFLG) Field Descriptions .....	880
22-23. ADC Event Group Threshold Interrupt Control Register (ADEVTHRINTCR) Field Descriptions .....	881
22-24. ADC Group1 Threshold Interrupt Control Register (ADG1THRINTCR) Field Descriptions.....	881
22-25. ADC Group2 Threshold Interrupt Control Register (ADG2THRINTCR) Field Descriptions.....	882
22-26. ADC Event Group DMA Control Register (ADEVDMACR) Field Descriptions .....	883
22-27. ADC Group1 DMA Control Register (ADG1DMACR) Field Descriptions .....	885
22-28. ADC Group2 DMA Control Register (ADG2DMACR) Field Descriptions .....	887
22-29. ADC Results Memory Configuration Register (ADBNDCCR) Field Descriptions .....	889
22-30. ADC Results Memory Size Configuration Register (ADBNDEND) Field Descriptions .....	890
22-31. ADC Event Group Sampling Time Configuration Register (ADEVSAMP) Field Descriptions .....	891
22-32. ADC Group1 Sampling Time Configuration Register (ADG1SAMP) Field Descriptions .....	891
22-33. ADC Group2 Sampling Time Configuration Register (ADG2SAMP) Field Descriptions .....	892

22-34. ADC Event Group Status Register (ADEVSR) Field Descriptions .....	893
22-35. ADC Group1 Status Register (ADG1SR) Field Descriptions .....	894
22-36. ADC Group2 Status Register (ADG2SR) Field Descriptions .....	895
22-37. ADC Event Group Channel Select Register (ADEVSEL) Field Descriptions .....	896
22-38. ADC Group1 Channel Select Register (ADG1SEL) Field Descriptions .....	897
22-39. ADC Group2 Channel Select Register (ADG2SEL) Field Descriptions .....	898
22-40. ADC Calibration and Error Offset Correction Register (ADCALR) Field Descriptions .....	899
22-41. ADC State Machine Status Register (ADSMSTATE) Field Descriptions .....	899
22-42. ADC Channel Last Conversion Value Register (ADLASTCONV) Field Descriptions.....	900
22-43. ADC Event Group Results' FIFO Register (ADEVBUFFER) Field Descriptions .....	901
22-44. ADC Group1 Results FIFO Register (ADG1BUFFER) Field Descriptions .....	902
22-45. ADC Group2 Results FIFO Register (ADG2BUFFER) Field Descriptions .....	903
22-46. ADC Event Group Results Emulation FIFO Register (ADEVEMUBUFFER) Field Descriptions .....	904
22-47. ADC Group1 Results Emulation FIFO Register (ADG1EMUBUFFER) Field Descriptions .....	905
22-48. ADC Group2 Results Emulation FIFO Register (ADG2EMUBUFFER) Field Descriptions .....	906
22-49. ADC ADEVT Pin Direction Control Register (ADEVTDIR) Field Descriptions.....	907
22-50. ADC ADEVT Pin Output Value Control Register (ADEVTOUT) Field Descriptions .....	908
22-51. ADC ADEVT Pin Input Value Register (ADEVTIN) Field Descriptions .....	908
22-52. ADC ADEVT Pin Set Register (ADEVTSET) Field Descriptions .....	909
22-53. ADC ADEVT Pin Clear Register (ADEVTCLR) Field Descriptions.....	909
22-54. ADC ADEVT Pin Open Drain Enable Register (ADEVTPDR) Field Descriptions.....	910
22-55. ADC ADEVT Pin Pull Control Disable Register (ADEVTPDIS) Field Descriptions .....	910
22-56. ADC ADEVT Pin Pull Control Select Register (ADEVTPSEL) Field Descriptions .....	911
22-57. ADC Event Group Sample Cap Discharge Control Register (ADEVSAAMPDISEN) Field Descriptions .....	911
22-58. ADC Group1 Sample Cap Discharge Control Register (ADG1SAMPDISEN) Field Descriptions.....	912
22-59. ADC Group2 Sample Cap Discharge Control Register (ADG2SAMPDISEN) Field Descriptions.....	913
22-60. ADC Magnitude Compare Interrupt Control Registers (ADMAGINTxCR) Field Descriptions .....	915
22-61. ADC Magnitude Compare Interruptx Mask Register (ADMAGINTxMASK) Field Descriptions.....	916
22-62. ADC Magnitude Compare Interrupt Enable Set Register (ADMAGINTENASET) Field Descriptions.....	917
22-63. ADC Magnitude Compare Interrupt Enable Clear Register (ADMAGINTENACLAR) Field Descriptions .....	917
22-64. ADC Magnitude Compare Interrupt Flag Register (ADMAGINTFLG) Field Descriptions .....	918
22-65. ADC Magnitude Compare Interrupt Offset Register (ADMAGINTOFF) Field Descriptions .....	918
22-66. ADC Event Group FIFO Reset Control Register (ADEVFIFORESETCR) Field Descriptions .....	919
22-67. ADC Group1 FIFO Reset Control Register (ADG1FIFORESETCR) Field Descriptions .....	919
22-68. ADC Group2 FIFO Reset Control Register (ADG2FIFORESETCR) Field Descriptions .....	920
22-69. ADC Event Group RAM Write Address Register (ADEVRAMWRADDR) Field Descriptions.....	920
22-70. ADC Group1 RAM Write Address Register (ADG1RAMWRADDR) Field Descriptions .....	921
22-71. ADC Group2 RAM Write Address Register (ADG2RAMWRADDR) Field Descriptions .....	921
22-72. ADC Parity Control Register (ADPARCR) Field Descriptions .....	922
22-73. ADC Parity Error Address Register (ADPARADDR) Field Descriptions.....	923
22-74. ADC Power-Up Delay Control Register (ADPWRUPDLYCTRL) Field Descriptions .....	923
22-75. ADC Event Group Channel Selection Mode Control Register (ADEVCHNSELMODECTRL) Field Descriptions .....	924
22-76. ADC Group1 Channel Selection Mode Control Register (ADG1CHNSELMODECTRL) Field Descriptions..	924
22-77. ADC Group2 Channel Selection Mode Control Register (ADG2CHNSELMODECTRL) Field Descriptions..	925
22-78. ADC Event Group Current Count Register (ADEVCURRCOUNT) Field Descriptions .....	926
22-79. ADC Event Group Maximum Count Register (ADEVMAXCOUNT) Field Descriptions.....	926
22-80. ADC Group1 Current Count Register (ADG1CURRCOUNT) Field Descriptions .....	927
22-81. ADC Group1 Maximum Count Register (ADG1MAXCOUNT) Field Descriptions.....	927

22-82. ADC Group2 Current Count Register (ADG2CURRCOUNT) Field Descriptions .....	928
22-83. ADC Group2 Maximum Count Register (ADG2MAXCOUNT) Field Descriptions.....	928
23-1. N2HET RAM Base Addresses .....	939
23-2. N2HET RAM Bank Structure .....	940
23-3. Pin Safe State Upon Parity Error Detection .....	941
23-4. N2HET Parity Bit Mapping.....	941
23-5. Prescale Factor Register Encoding .....	943
23-6. Interpretation of the 7-Bit HR Data Field.....	944
23-7. Edge Detection Input Timing for Loop Resolution Instructions .....	953
23-8. Edge Detection Input Timing for High Resolution Instructions.....	953
23-9. Input Buffer, Output Buffer and Pull Control Behavior .....	958
23-10. N2HET Pin Disable Feature .....	959
23-11. Pulse Length Examples for Suppression Filter .....	960
23-12. Interrupt Sources and Corresponding Offset Values in Registers HETOFFx.....	961
23-13. N2HET Registers .....	968
23-14. Global Configuration Register (HETGCR) Field Descriptions .....	969
23-15. Prescale Factor Register (HETPFR) Field Descriptions.....	970
23-16. N2HET Current Address (HETADDR) Field Descriptions .....	971
23-17. Offset Index Priority Level 1 Register (HETOFF1) Field Descriptions .....	971
23-18. Interrupt Offset Encoding Format.....	972
23-19. Offset Index Priority Level 2 Register (HETOFF2) Field Descriptions .....	972
23-20. Interrupt Enable Set Register (HETINTENAS) Field Descriptions .....	973
23-21. NHET Interrupt Enable Clear (HETINTENAC) Field Descriptions .....	973
23-22. Exception Control Register 1 (HETEXC1) Field Descriptions .....	974
23-23. Exception Control Register 2 (HETEXC2) Field Descriptions .....	975
23-24. Interrupt Priority Register (HETPRY) Field Descriptions .....	976
23-25. Interrupt Flag Register (HETFLG) Field Descriptions .....	976
23-26. AND Share Control Register (HETAND) Field Descriptions .....	977
23-27. HR Share Control Register (HETHRSH) Field Descriptions .....	978
23-28. XOR Share Control Register (HETXOR) Field Descriptions .....	979
23-29. Request Enable Set Register (HETREQENS) Field Descriptions.....	980
23-30. Request Enable Clear Register (HETREQENC) Field Descriptions .....	980
23-31. Request Destination Select Register (HETREQDS) Field Descriptions .....	981
23-32. N2HET Direction Register (HETDIR) Field Descriptions .....	982
23-33. N2HET Data Input Register (HETDIN) Field Descriptions .....	983
23-34. N2HET Data Output Register (HETDOUT) Field Descriptions .....	983
23-35. N2HET Data Set Register (HETDSET) Field Descriptions.....	984
23-36. N2HET Data Clear Register (HETDCLR) Field Descriptions .....	984
23-37. N2HET Open Drain Register (HETPDR) Field Descriptions .....	985
23-38. N2HET Pull Disable Register (HETPULDIS) Field Descriptions .....	985
23-39. N2HET Pull Select Register (HETPSL) Field Descriptions.....	986
23-40. Parity Control Register (HETPCR) Field Descriptions .....	987
23-41. Parity Address Register (HETPAR) Field Descriptions .....	988
23-42. Parity Pin Register (HETPPR) Field Descriptions .....	989
23-43. Known State on Parity Error.....	989
23-44. Suppression Filter Preload Register (HETSFPRLD) Field Descriptions.....	990
23-45. Suppression Filter Enable Register (HETSFENA) Field Descriptions .....	990
23-46. Loop Back Pair Select Register (HETLBPSEL) Field Descriptions .....	991
23-47. Loop Back Pair Direction Register (HETLBPDIR) Field Descriptions .....	992

23-48. NHET Pin Disable Register (HETPINDIS) Field Descriptions .....	993
23-49. Instruction Summary .....	994
23-50. FLAGS Generated by Instruction .....	995
23-51. Interrupt Capable Instructions .....	995
23-52. Arithmetic / Bitwise Logic Sub-Opcodes .....	1007
23-53. Source Operand Choices .....	1007
23-54. Destination Operand Choices .....	1007
23-55. Shift Encoding .....	1008
23-56. Execution Time for ADC, ADD, AND, OR, SBB, SUB, XOR Instructions .....	1008
23-57. Move Types for ADM32 .....	1013
23-58. Edge Select Encoding for APCNT .....	1016
23-59. Branch Condition Encoding for BR .....	1019
23-60. DADM64 Control Field Description .....	1024
23-61. Event Encoding Format for ECNT .....	1031
23-62. Magnitude Compare Order for MCMP .....	1033
23-63. Move Type Encoding Selection .....	1036
23-64. MOV64 Control Field Descriptions .....	1040
23-65. Comparison Type Encoding Format .....	1040
23-66. Counter Type Encoding Format .....	1043
23-67. Comparison Type Encoding Format .....	1049
23-68. RADM64 Control Field Descriptions .....	1049
23-69. Step Width Encoding for SCNT .....	1055
23-70. SHIFT MODE Encoding Format .....	1058
23-71. SHIFT Condition Encoding .....	1058
23-72. Event Encoding Format for WCAP .....	1061
23-73. Event Encoding Format for WCAPE .....	1063
24-1. CPENA / TMBx Priority Rules .....	1072
24-2. Triggered Control Packets .....	1075
24-3. DCP RAM .....	1078
24-4. DCP Parity RAM.....	1078
24-5. Field Addresses of the WCAP, ECNT, PCNT Example.....	1079
24-6. 32-Bit-Transfer of Data Fields .....	1080
24-7. Destination Buffer Values .....	1080
24-8. 64-Bit-Transfer of Control Field and Data Fields .....	1081
24-9. Destination Buffer Values .....	1081
24-10. HTU Control Registers.....	1082
24-11. Global Control Register (HTU GC) Field Descriptions .....	1083
24-12. Control Packet Enable Register (HTU CPENA) Field Descriptions .....	1084
24-13. CPENA Write Results.....	1084
24-14. CPENA Read Results .....	1084
24-15. Control Packet (CP) Busy Register 0 (HTU BUSY0) Field Descriptions.....	1085
24-16. Control Packet (CP) Busy Register 1 (HTU BUSY1) Field Descriptions.....	1086
24-17. Control Packet (CP) Busy Register 2 (HTU BUSY2) Field Descriptions.....	1086
24-18. Control Packet (CP) Busy Register 3 (HTU BUSY3) Field Descriptions.....	1087
24-19. Active Control Packet and Error Register (HTU ACPE) Field Descriptions .....	1087
24-20. Request Lost and Bus Error Control Register (HTU RLBECTRL) Field Descriptions.....	1089
24-21. Buffer Full Interrupt Enable Set Register (HTU BFINTS) Field Descriptions.....	1090
24-22. Buffer Full Interrupt Enable Clear Register (HTU BFINTC) Field Descriptions .....	1090
24-23. Interrupt Mapping Register (HTU INTMAP) Field Descriptions .....	1091

24-24. Interrupt Offset Register 0 (HTU INTOFF0) Field Descriptions .....	1092
24-25. Interrupt Offset Register 1 (HTU INTOFF1) Field Descriptions .....	1093
24-26. Buffer Initialization Mode Register (HTU BIM) Field Descriptions .....	1094
24-27. Buffer Initialization.....	1094
24-28. Request Lost Flag Register (HTU RLOSTFL) Field Descriptions .....	1096
24-29. Buffer Full Interrupt Flag Register (HTU BFINTFL) Field Descriptions .....	1096
24-30. BER Interrupt Flag Register (HTU BERINTFL) Field Descriptions .....	1097
24-31. Memory Protection 1 Start Address Register (HTU MP1S) Field Descriptions .....	1098
24-32. Memory Protection 1 End Address Register (HTU MP1E) Field Descriptions .....	1098
24-33. Debug Control Register (HTU DCTRL) Field Descriptions .....	1099
24-34. Watch Point Register (HTU WPR) Field Descriptions.....	1100
24-35. Watch Mask Register (HTU WMR) Field Descriptions .....	1100
24-36. Module Identification Register (HTU ID) Field Descriptions .....	1101
24-37. Parity Control Register (HTU PCR) Field Descriptions.....	1102
24-38. Parity Address Register (HTU PAR) Field Descriptions .....	1103
24-39. Memory Protection Control and Status Register (HTU MPCS) Field Descriptions .....	1104
24-40. Memory Protection 0 Start address Register (HTU MP0S) Field Descriptions .....	1107
24-41. Memory Protection End Address Register (HTU MP0E) Field Descriptions .....	1107
24-42. Double Control Packet Memory Map .....	1108
24-43. Initial Full Address A Register (HTU IFADDRA) Field Descriptions .....	1109
24-44. Initial Full Address B Register (HTU IFADDRB) Field Descriptions .....	1109
24-45. Initial NHET Address and Control Register (HTU IHADDRCT) Field Descriptions.....	1110
24-46. Initial Transfer Count Register (HTU ITCOUNT) Field Descriptions .....	1111
24-47. Current Full Address A Register (HTU CFADDRA) Field Descriptions .....	1112
24-48. Current Full Address B Register (HTU CFADDRB) Field Descriptions .....	1113
24-49. Initial Transfer Count Register (HTU CFCOUNT) Field Descriptions .....	1114
24-50. Application Examples for Setting the Transfer Modes of CP A and B of a DCP .....	1115
25-1. GIO Control Registers .....	1124
25-2. GIO Global Control Register (GIOGCR0) Field Descriptions .....	1125
25-3. GIO Interrupt Detect Register (GIOINTDET) Field Descriptions .....	1126
25-4. GIO Interrupt Polarity Register (GIOPOL) Field Descriptions .....	1127
25-5. GIO Interrupt Enable Set Register (GIOENASET) Field Descriptions .....	1128
25-6. GIO Interrupt Enable Clear Register (GIOENACLRL) Field Descriptions .....	1129
25-7. GIO Interrupt Priority Register (GIOLVLSET) Field Descriptions .....	1130
25-8. GIO Interrupt Priority Register (GIOLVLCCLR) Field Descriptions .....	1132
25-9. GIO Interrupt Flag Register (GIOFLG) Field Descriptions .....	1133
25-10. GIO Offset 1 Register (GIOOFF1) Field Descriptions .....	1134
25-11. GIO Offset 2 Register (GIOOFF2) Field Descriptions .....	1135
25-12. GIO Emulation 1 Register (GIOEMU1) Field Descriptions .....	1136
25-13. GIO Emulation 2 Register (GIOEMU2) Field Descriptions .....	1137
25-14. GIO Data Direction Registers (GIODIR[A-B]) Field Descriptions .....	1138
25-15. GIO Data Input Registers (GIODIN[A-B]) Field Descriptions.....	1138
25-16. GIO Data Output Registers (GIODOUT[A-B]) Field Descriptions.....	1139
25-17. GIO Data Set Registers (GIODSET[A-B]) Field Descriptions .....	1139
25-18. GIO Data Clear Registers (GIODCLR[A-B]) Field Descriptions.....	1140
25-19. GIO Open Drain Registers (GIOPDR[A-B]) Field Descriptions .....	1140
25-20. GIO Pull Disable Registers (GIOPULDIS[A-B]) Field Descriptions .....	1141
25-21. GIO Pull Select Registers (GIOPSL[A-B]) Field Descriptions .....	1141
25-22. Output Buffer, and Pull Control Behavior for GIO Pins .....	1142

26-1.	Parameters of the CAN Bit Time .....	1147
26-2.	Message Object Field Descriptions .....	1154
26-3.	Message RAM Addressing in Debug/Suspend and RDA Mode .....	1156
26-4.	Message Interface Register Sets 1 and 2 .....	1159
26-5.	Message Interface Register 3 .....	1161
26-6.	DCAN Control Registers .....	1180
26-7.	CAN Control Register (DCAN CTL) Field Descriptions .....	1182
26-8.	Error and Status Register (DCAN ES) Field Descriptions .....	1185
26-9.	Error Counter Register (DCAN ERRC) Field Descriptions.....	1187
26-10.	Bit Timing Register (DCAN BTR) Field Descriptions .....	1188
26-11.	Interrupt Register (DCAN INT) Field Descriptions .....	1189
26-12.	Test Register (DCAN TEST) Field Descriptions .....	1190
26-13.	Parity Error Code Register (DCAN PERR) Field Descriptions .....	1191
26-14.	ECC Diagnostic Register (DCAN ECCDIAG) Field Descriptions .....	1191
26-15.	ECC Diagnostic Status Register (DCAN ECCDIAG STAT) Field Descriptions .....	1192
26-16.	ECC Control and Status Register (DCAN ECC CS) Field Descriptions .....	1193
26-17.	ECC Single Bit Error Code Register (DCAN ECC SERR) Field Descriptions.....	1194
26-18.	Auto-Bus-On Time Register (DCAN ABOTR) Field Descriptions.....	1195
26-19.	Transmission Request Registers Field Descriptions .....	1196
26-20.	New Data Registers Field Descriptions .....	1198
26-21.	Interrupt Pending Registers Field Descriptions.....	1200
26-22.	Message Valid Registers Field Descriptions.....	1202
26-23.	Interrupt Multiplexer Registers Field Descriptions .....	1203
26-24.	IF1/IF2 Command Register Field Descriptions.....	1205
26-25.	IF1/IF2 Mask Register Field Descriptions.....	1207
26-26.	IF1/IF2 Arbitration Register Field Descriptions .....	1209
26-27.	IF1/IF2 Message Control Register Field Descriptions.....	1211
26-28.	IF3 Observation Register (DCAN IF3OBS) Field Descriptions.....	1213
26-29.	IF3 Mask Register (DCAN IF3MSK) Field Descriptions.....	1215
26-30.	IF3 Arbitration Register (DCAN IF3ARB) Field Descriptions .....	1216
26-31.	IF3 Message Control Register (DCAN IF3MCTL) Field Descriptions .....	1217
26-32.	IF3 Update Control Register Field Descriptions.....	1219
26-33.	CAN TX IO Control Register (DCAN TIOC) Field Descriptions .....	1220
26-34.	CAN RX IO Control Register (DCAN RIOC) Field Descriptions .....	1221
27-1.	Pin Configurations.....	1225
27-2.	MibSPI/SPI Configurations.....	1226
27-3.	Clocking Modes.....	1238
27-4.	Pin Mapping for SIMO Pin with MSB First .....	1247
27-5.	Pin Mapping for SOMI Pin with MSB First .....	1247
27-6.	Pin Mapping for SIMO Pin with LSB First.....	1248
27-7.	Pin Mapping for SOMI Pin with LSB First.....	1248
27-8.	SPI Registers .....	1261
27-9.	SPI Global Control Register 0 (SPIGCR0) Field Descriptions .....	1262
27-10.	SPI Global Control Register 1 (SPIGCR1) Field Descriptions .....	1263
27-11.	SPI Interrupt Register (SPIINT0) Field Descriptions.....	1264
27-12.	SPI Interrupt Level Register (SPILVL) Field Descriptions .....	1266
27-13.	SPI Flag Register (SPIFLG) Field Descriptions .....	1267
27-14.	SPI Pin Control (SPIPC0) Field Descriptions.....	1270
27-15.	SPI Pin Control Register (SPIPC1) Field Descriptions .....	1271

27-16. SPI Pin Control Register 2 (SPIPC2) Field Descriptions.....	1273
27-17. SPI Pin Control Register 3 (SPIPC3) Field Descriptions.....	1274
27-18. SPI Pin Control Register 4 (SPIPC4) Field Descriptions.....	1275
27-19. SPI Pin Control Register 5 (SPIPC5) Field Descriptions.....	1277
27-20. SPI Pin Control Register 6 (SPIPC6) Field Descriptions.....	1279
27-21. SPI Pin Control Register 7 (SPIPC7) Field Descriptions.....	1280
27-22. SPI Pin Control Register 8 (SPIPC8) Field Descriptions.....	1281
27-23. SPI Transmit Data Register 0 (SPIDAT0) Field Descriptions .....	1282
27-24. SPI Transmit Data Register 1 (SPIDAT1) Field Descriptions .....	1283
27-25. SPI Receive Buffer Register (SPIBUF) Field Descriptions .....	1284
27-26. SPI Emulation Register (SPIEMU) Field Descriptions.....	1286
27-27. SPI Delay Register (SPIDELAY) Field Descriptions .....	1286
27-28. SPI Default Chip Select Register (SPIDEF) Field Descriptions .....	1289
27-29. SPI Data Format Registers (SPIFMTn) Field Descriptions .....	1290
27-30. Transfer Group Interrupt Vector 0 (INTVECT0) .....	1292
27-31. Transfer Group Interrupt Vector 1 (INTVECT1) .....	1293
27-32. SPI Parallel/Modulo Mode Control Register (SPIPMCTRL) Field Descriptions.....	1295
27-33. Multi-buffer Mode Enable Register (MIBSPIE) Field Descriptions .....	1297
27-34. TG Interrupt Enable Set Register (TGITENST) Field Descriptions .....	1298
27-35. TG Interrupt Enable Clear Register (TGITENCR) Field Descriptions .....	1299
27-36. Transfer Group Interrupt Level Set Register (TGITLVST) Field Descriptions.....	1300
27-37. Transfer Group Interrupt Level Clear Register (TGITLVCR) Field Descriptions .....	1301
27-38. Transfer Group Interrupt Level Clear Register (TGITLVCR) Field Descriptions .....	1302
27-39. Tick Count Register (TICKCNT) Field Descriptions .....	1303
27-40. Last TG End Pointer (LTGPEND) Field Descriptions .....	1304
27-41. TG Control Registers (TGxCTRL) Field Descriptions .....	1305
27-42. DMA Channel Control Register (DMAxCTRL) Field Descriptions .....	1308
27-43. MibSPI DMAxCOUNT Register (ICOUNT) Field Descriptions .....	1310
27-44. MibSPI DMA Large Count Register (DMACNTLEN) Field Descriptions .....	1311
27-45. MibSPI Parity/ECC Control Register (PAR_ECC_CTRL) Field Descriptions .....	1312
27-46. Parity/ECC Status Register (PAR_ECC_STAT) Field Descriptions .....	1313
27-47. Uncorrectable Parity or Double Bit ECC Error Address Register - RXRAM (UERRADDR1) Field Descriptions .....	1314
27-48. Effect of BIG_ENDIAN Port on UERRADDR1[1:0] Bits .....	1315
27-49. Uncorrectable Parity or Double Bit ECC Error Address Register - TXRAM (UERRADDR0) Field Descriptions .....	1316
27-50. Effect of BIG_ENDIAN Port on UERRADDR0[1:0] Bits .....	1317
27-51. RXRAM Overrun Buffer Address Register (RXOVRN_BUF_ADDR) Field Descriptions .....	1317
27-52. I/O-Loopback Test Control Register (IOLPBKTSTCR) Field Descriptions.....	1318
27-53. SPI Extended Prescale Register 1 (EXTENDED_PRESCALE1) Field Descriptions.....	1320
27-54. SPI Extended Prescale Register 2 (EXTENDED_PRESCALE2) Field Descriptions.....	1322
27-55. ECC Diagnostic Control Register (ECCDIAG_CTRL) Field Descriptions.....	1323
27-56. ECC Diagnostic Status Register (ECCDIAG_STAT) Field Descriptions.....	1324
27-57. Single Bit Error Address Register - RXRAM (SBERRADDR1) Field Descriptions .....	1325
27-58. Single Bit Error Address Register - TXRAM (SBERRADDR0) Field Descriptions.....	1326
27-59. Multi-buffer RAM Register.....	1328
27-60. Multi-buffer RAM Transmit Data Register Field Descriptions.....	1329
27-61. Multi-buffer Receive Buffer Register Field Descriptions.....	1331
28-1. Superfractional Bit Modulation for SCI Mode (Normal Configuration) .....	1350

28-2.	Superfractional Bit Modulation for SCI Mode (Maximum Configuration) .....	1351
28-3.	SCI Mode (Minimum Configuration) .....	1351
28-4.	SCI/LIN Interrupts .....	1358
28-5.	Response Length Info Using IDBYTE Field Bits [5:4] for LIN Standards Earlier than 1.3.....	1365
28-6.	Response Length with SCIFORMAT[18:16] Programming .....	1365
28-7.	Superfractional Bit Modulation for LIN Master Mode and Slave Mode .....	1367
28-8.	Timeout Values in $T_{bit}$ Units .....	1374
28-9.	Input Buffer, Output Buffer, and Pull Control Behavior as GPIO Pins .....	1387
28-10.	SCI/LIN Control Registers.....	1388
28-11.	SCI Global Control Register 0 (SCIGCR0) Field Descriptions .....	1389
28-12.	SCI Global Control Register 1 (SCIGCR1) Field Descriptions .....	1390
28-13.	SCI Receiver Status Flags .....	1393
28-14.	SCI Transmitter Status Flags .....	1393
28-15.	SCI Global Control Register 2 (SCIGCR2) Field Descriptions .....	1394
28-16.	SCI Set Interrupt Register (SCISSETINT) Field Descriptions.....	1396
28-17.	SCI Clear Interrupt Register (SCICLEARINT) Field Descriptions.....	1399
28-18.	SCI Set Interrupt Level Register (SCISSETINTLVL) Field Descriptions.....	1402
28-19.	SCI Clear Interrupt Level Register (SCICLEARINTLVL) Field Descriptions .....	1405
28-20.	SCI Flags Register (SCIFLR) Field Descriptions.....	1408
28-21.	SCI Interrupt Vector Offset 0 (SCIINTVECT0) Field Descriptions .....	1415
28-22.	SCI Interrupt Vector Offset 1 (SCIINTVECT1) Field Descriptions .....	1415
28-23.	SCI Format Control Register (SCIFORMAT) Field Descriptions.....	1416
28-24.	Baud Rate Selection Register (BRS) Field Descriptions .....	1417
28-25.	Comparative Baud Values for Different P Values, Asynchronous Mode .....	1418
28-26.	Receiver Emulation Data Buffer (SCIED) Field Descriptions.....	1419
28-27.	Receiver Data Buffer (SCIRD) Field Descriptions .....	1419
28-28.	Transmit Data Buffer Register (SCITD) Field Descriptions .....	1420
28-29.	SCI Pin I/O Control Register 0 (SCIPIO0) Field Descriptions .....	1420
28-30.	SCI Pin I/O Control Register 1 (SCIPIO1) Field Descriptions .....	1421
28-31.	LINTX Pin Control .....	1421
28-32.	LINRX Pin Control .....	1421
28-33.	SCI Pin I/O Control Register 2 (SCIPIO2) Field Descriptions .....	1422
28-34.	SCI Pin I/O Control Register 3 (SCIPIO3) Field Descriptions .....	1423
28-35.	SCI Pin I/O Control Register 4 (SCIPIO4) Field Descriptions .....	1424
28-36.	SCI Pin I/O Control Register 5 (SCIPIO5) Field Descriptions .....	1425
28-37.	SCI Pin I/O Control Register 6 (SCIPIO6) Field Descriptions .....	1426
28-38.	SCI Pin I/O Control Register 7 (SCIPIO7) Field Descriptions .....	1427
28-39.	SCI Pin I/O Control Register 8 (SCIPIO8) Field Descriptions .....	1428
28-40.	LIN Compare Register (LINCOMPARE) Field Descriptions .....	1429
28-41.	LIN Receive Buffer 0 Register (LINRD0) Field Descriptions .....	1430
28-42.	LIN Receive Buffer 1 Register (RD1) Field Descriptions.....	1431
28-43.	LIN Mask Register (LINMASK) Field Descriptions.....	1432
28-44.	LIN Identification Register (LINID) Field Descriptions .....	1433
28-45.	LIN Transmit Buffer 0 Register (LINTD0) Field Descriptions .....	1434
28-46.	LIN Transmit Buffer 1 Register (LINTD1) Field Descriptions .....	1434
28-47.	Maximum Baud Rate Selection Register (MBRS) Field Descriptions .....	1435
28-48.	Input/Output Error Enable Register (IODFTCTRL) Field Descriptions .....	1436
29-1.	SCI Interrupts .....	1448
29-2.	DMA and Interrupt Requests in Multiprocessor Modes .....	1449

29-3. SCI Control Registers Summary .....	1454
29-4. SCI Global Control Register 0 (SCIGCR0) Field Descriptions.....	1455
29-5. SCI Global Control Register 1 (SCIGCR1) Field Descriptions .....	1456
29-6. SCI Set Interrupt Register (SCISSETINT) Field Descriptions.....	1459
29-7. SCI Clear Interrupt Register (SCICLEARINT) Field Descriptions.....	1461
29-8. SCI Set Interrupt Level Register (SCISSETINTLVL) Field Descriptions.....	1463
29-9. SCI Clear Interrupt Level Register (SCICLEARINTLVL) Field Descriptions .....	1464
29-10. SCI Flags Register (SCIFLR) Field Descriptions.....	1466
29-11. SCI Receiver Status Flags .....	1469
29-12. SCI Transmitter Status Flags .....	1469
29-13. SCI Interrupt Vector Offset 0 (SCIINTVECT0) Field Descriptions .....	1470
29-14. SCI Interrupt Vector Offset 1 (SCIINTVECT1) Field Descriptions .....	1470
29-15. SCI Format Control Register (SCIFORMAT) Field Descriptions.....	1471
29-16. Baud Rate Selection Register (BRS) Field Descriptions .....	1472
29-17. Comparative Baud Values for Different P Values, Asynchronous Mode .....	1472
29-18. Receiver Emulation Data Buffer (SCIED) Field Descriptions.....	1473
29-19. Receiver Data Buffer (SCIRD) Field Descriptions .....	1473
29-20. Transmit Data Buffer Register (SCITD) Field Descriptions .....	1474
29-21. SCI Pin I/O Control Register 0 (SCIPIO0) Field Descriptions .....	1474
29-22. SCI Pin I/O Control Register 1 (SCIPIO1) Field Descriptions .....	1475
29-23. SCITX Pin Control .....	1475
29-24. SCIRX Pin Control .....	1475
29-25. SCI Pin I/O Control Register 2 (SCIPIO2) Field Descriptions .....	1476
29-26. SCI Pin I/O Control Register 3 (SCIPIO3) Field Descriptions .....	1477
29-27. SCI Pin I/O Control Register 4 (SCIPIO4) Field Descriptions .....	1478
29-28. SCI Pin I/O Control Register 5 (SCIPIO5) Field Descriptions .....	1479
29-29. SCI Pin I/O Control Register 6 (SCIPIO6) Field Descriptions .....	1480
29-30. SCI Pin I/O Control Register 7 (SCIPIO7) Field Descriptions.....	1481
29-31. SCI Pin I/O Control Register 8 (SCIPIO8) Field Descriptions .....	1481
29-32. Input/Output Error Enable Register (IODFTCTRL) Field Descriptions .....	1482
29-33. Input Buffer, Output Buffer, and Pull Control Behavior as GPIO Pins .....	1485
30-1. Ways to Generate a NACK Bit .....	1494
30-2. Interrupt Requests Generated by I2C Module.....	1499
30-3. I2C Control Registers .....	1502
30-4. I2C Own Address Manager Register (I2COAR) Field Descriptions .....	1503
30-5. Correct Mode for OA Bits .....	1503
30-6. I2C Interrupt Mask Register (I2CIMR) Field Descriptions.....	1504
30-7. I2C Status Register (I2CSTR) Field Descriptions.....	1505
30-8. I2C Clock Divider Low Register (I2CCKL) Field Descriptions.....	1508
30-9. I2C Clock Control High Register (I2CCKH) Field Descriptions .....	1508
30-10. I2C Data Count Register (I2CCNT) Field Descriptions.....	1509
30-11. I2C Data Receive Register (I2CDRR) Field Descriptions.....	1509
30-12. I2C Slave Address Register (I2CSAR) Field Descriptions.....	1510
30-13. Correct Mode for SA Bits.....	1510
30-14. I2C Data Transmit Register (I2CDXR) Field Descriptions .....	1510
30-15. I2C Mode Register (I2CMR) Field Descriptions .....	1511
30-16. I2C Module Condition, Bus Activity, and Mode.....	1513
30-17. I2C Module Operating Modes .....	1513
30-18. Number of Bits Sent on Bus .....	1513

30-19. I2C Interrupt Vector Register (I2CIVR) Field Descriptions .....	1514
30-20. Interrupt Codes for INTCODE Bits .....	1514
30-21. I2C Extended Mode Register (I2CEMDR) Field Descriptions .....	1515
30-22. I2C Prescale Register (I2CPSC) Field Descriptions .....	1515
30-23. I2C Peripheral ID Register 1 (I2CPID1) Field Descriptions .....	1516
30-24. I2C Peripheral ID Register 2 (I2CPID2) Field Descriptions .....	1516
30-25. I2C DMA Control Register (I2CDMACR) Field Descriptions .....	1517
30-26. I2C Pin Function Register (I2CPFNC) Field Descriptions .....	1517
30-27. I2C Pin Direction Register (I2CPDIR) Field Descriptions .....	1518
30-28. I2C Data Input Register (I2CDIN) Field Descriptions .....	1518
30-29. I2C Data Output Register (I2CDOUT) Field Descriptions .....	1519
30-30. I2C Data Set Register (I2CDSET) Field Description .....	1519
30-31. I2C Data Clear Register (I2CDSET) Field Descriptions .....	1520
30-32. I2C Pin Open Drain Register (I2CPDR) Field Descriptions .....	1520
30-33. I2C Pull Disable Register (I2CPDIS) Field Descriptions .....	1521
30-34. I2C Pull Select Register (I2CPSEL) Field Descriptions .....	1521
30-35. Input Buffer, Output Buffer, and Pull Control Behavior as GPIO Pins .....	1522
30-36. I2C Pins Slew Rate Select Register (I2CSRS) Field Descriptions .....	1522
31-1. EMAC and MDIO Signals for MII Interface .....	1529
31-2. EMAC and MDIO Signals for RMII Interface .....	1530
31-3. MDIO Multiplexing Control .....	1531
31-4. MII/RMII Multiplexing Control .....	1531
31-5. Ethernet Frame Description .....	1532
31-6. Basic Descriptor Description .....	1534
31-7. Receive Frame Treatment Summary .....	1559
31-8. Middle of Frame Overrun Treatment .....	1560
31-9. Emulation Control .....	1570
31-10. EMAC Control Module Registers .....	1571
31-11. EMAC Control Module Revision ID Register (REVID) Field Descriptions .....	1572
31-12. EMAC Control Module Software Reset Register (SOFTRESET) .....	1572
31-13. EMAC Control Module Interrupt Control Register (INTCONTROL) .....	1573
31-14. EMAC Control Module Receive Threshold Interrupt Enable Register (C0RXTHRESHEN) .....	1574
31-15. EMAC Control Module Receive Interrupt Enable Register (C0RXEN) .....	1575
31-16. EMAC Control Module Transmit Interrupt Enable Register (C0TXEN) .....	1576
31-17. EMAC Control Module Miscellaneous Interrupt Enable Register (C0MISCEN) .....	1577
31-18. EMAC Control Module Receive Threshold Interrupt Status Register (C0RXTHRESHSTAT) .....	1578
31-19. EMAC Control Module Receive Interrupt Status Register (C0RXSTAT) .....	1579
31-20. EMAC Control Module Transmit Interrupt Status Register (C0TXSTAT) .....	1580
31-21. EMAC Control Module Miscellaneous Interrupt Status Register (C0MISCSTAT) .....	1581
31-22. EMAC Control Module Receive Interrupts Per Millisecond Register (C0RXIMAX) .....	1582
31-23. EMAC Control Module Transmit Interrupts Per Millisecond Register (C0TXIMAX) .....	1583
31-24. Management Data Input/Output (MDIO) Registers .....	1584
31-25. MDIO Revision ID Register (REVID) Field Descriptions .....	1584
31-26. MDIO Control Register (CONTROL) Field Descriptions .....	1585
31-27. PHY Acknowledge Status Register (ALIVE) Field Descriptions .....	1586
31-28. PHY Link Status Register (LINK) Field Descriptions .....	1586
31-29. MDIO Link Status Change Interrupt (Unmasked) Register (LINKINTRAW) Field Descriptions .....	1587
31-30. MDIO Link Status Change Interrupt (Masked) Register (LINKINTMASKED) Field Descriptions .....	1588
31-31. MDIO User Command Complete Interrupt (Unmasked) Register (USERINTRAW) Field Descriptions .....	1589

31-32. MDIO User Command Complete Interrupt (Masked) Register (USERINTMASKED) Field Descriptions....	1590
31-33. MDIO User Command Complete Interrupt Mask Set Register (USERINTMASKSET) Field Descriptions ..	1591
31-34. MDIO User Command Complete Interrupt Mask Clear Register (USERINTMASKCLEAR) Field Descriptions .....	1592
31-35. MDIO User Access Register 0 (USERACCESS0) Field Descriptions.....	1593
31-36. MDIO User PHY Select Register 0 (USERPHYSEL0) Field Descriptions .....	1594
31-37. MDIO User Access Register 1 (USERACCESS1) Field Descriptions.....	1595
31-38. MDIO User PHY Select Register 1 (USERPHYSEL1) Field Descriptions .....	1596
31-39. Ethernet Media Access Controller (EMAC) Registers.....	1597
31-40. Transmit Revision ID Register (TXREVID) Field Descriptions .....	1600
31-41. Transmit Control Register (TXCONTROL) Field Descriptions .....	1600
31-42. Transmit Teardown Register (TXTEARDOWN) Field Descriptions.....	1601
31-43. Receive Revision ID Register (RXREVID) Field Descriptions.....	1601
31-44. Receive Control Register (RXCONTROL) Field Descriptions .....	1602
31-45. Receive Teardown Register (RXTEARDOWN) Field Descriptions .....	1602
31-46. Transmit Interrupt Status (Unmasked) Register (TXINTSTATRAW) Field Descriptions .....	1603
31-47. Transmit Interrupt Status (Masked) Register (TXINTSTATMASKED) Field Descriptions .....	1604
31-48. Transmit Interrupt Mask Set Register (TXINTMASKSET) Field Descriptions .....	1605
31-49. Transmit Interrupt Mask Clear Register (TXINTMASKCLEAR) Field Descriptions.....	1606
31-50. MAC Input Vector Register (MACINVECTOR) Field Descriptions.....	1607
31-51. MAC End Of Interrupt Vector Register (MACEOIVECTOR) Field Descriptions .....	1608
31-52. Receive Interrupt Status (Unmasked) Register (RXINTSTATRAW) Field Descriptions .....	1609
31-53. Receive Interrupt Status (Masked) Register (RXINTSTATMASKED) Field Descriptions.....	1610
31-54. Receive Interrupt Mask Set Register (RXINTMASKSET) Field Descriptions .....	1611
31-55. Receive Interrupt Mask Clear Register (RXINTMASKCLEAR) Field Descriptions .....	1612
31-56. MAC Interrupt Status (Unmasked) Register (MACINTSTATRAW) Field Descriptions.....	1613
31-57. MAC Interrupt Status (Masked) Register (MACINTSTATMASKED) Field Descriptions .....	1613
31-58. MAC Interrupt Mask Set Register (MACINTMASKSET) Field Descriptions .....	1614
31-59. MAC Interrupt Mask Clear Register (MACINTMASKCLEAR) Field Descriptions.....	1614
31-60. Receive Multicast/Broadcast/Promiscuous Channel Enable Register (RXMBPENABLE) Field Descriptions .....	1615
31-61. Receive Unicast Enable Set Register (RXUNICASTSET) Field Descriptions.....	1617
31-62. Receive Unicast Clear Register (RXUNICASTCLEAR) Field Descriptions.....	1618
31-63. Receive Maximum Length Register (RXMAXLEN) Field Descriptions .....	1618
31-64. Receive Buffer Offset Register (RXBUFFEROFFSET) Field Descriptions .....	1619
31-65. Receive Filter Low Priority Frame Threshold Register (RXFILTERLOWTHRESH) Field Descriptions .....	1619
31-66. Receive Channel <i>n</i> Flow Control Threshold Register (RX $n$ FLOWTHRESH) Field Descriptions .....	1620
31-67. Receive Channel <i>n</i> Free Buffer Count Register (RX $n$ FREEBUFFER) Field Descriptions .....	1620
31-68. MAC Control Register (MACCONTROL) Field Descriptions .....	1621
31-69. MAC Status Register (MACSTATUS) Field Descriptions .....	1623
31-70. Emulation Control Register (EMCONTROL) Field Descriptions .....	1625
31-71. FIFO Control Register (FIFOCONTROL) Field Descriptions .....	1625
31-72. MAC Configuration Register (MACCONFIG) Field Descriptions.....	1626
31-73. Soft Reset Register (SOFTRESET) Field Descriptions .....	1626
31-74. MAC Source Address Low Bytes Register (MACSRCADDRLO) Field Descriptions.....	1627
31-75. MAC Source Address High Bytes Register (MACSRCADDRHI) Field Descriptions .....	1627
31-76. MAC Hash Address Register 1 (MACHASH1) Field Descriptions .....	1628
31-77. MAC Hash Address Register 2 (MACHASH2) Field Descriptions .....	1628
31-78. Back Off Test Register (BOFFTEST) Field Descriptions .....	1629

31-79. Transmit Pacing Algorithm Test Register (TPACETEST) Field Descriptions .....	1629
31-80. Receive Pause Timer Register (RXPAUSE) Field Descriptions .....	1630
31-81. Transmit Pause Timer Register (TXPAUSE) Field Descriptions .....	1630
31-82. MAC Address Low Bytes Register (MACADDRLO) Field Descriptions .....	1631
31-83. MAC Address High Bytes Register (MACADDRHI) Field Descriptions .....	1632
31-84. MAC Index Register (MACINDEX) Field Descriptions .....	1632
31-85. Transmit Channel <i>n</i> DMA Head Descriptor Pointer Register (TX <i>n</i> HDP) Field Descriptions .....	1633
31-86. Receive Channel <i>n</i> DMA Head Descriptor Pointer Register (RX <i>n</i> HDP) Field Descriptions .....	1633
31-87. Transmit Channel <i>n</i> Completion Pointer Register (TX <i>n</i> CP) Field Descriptions .....	1634
31-88. Receive Channel <i>n</i> Completion Pointer Register (RX <i>n</i> CP) Field Descriptions .....	1634
32-1. ECAP Control and Status Registers .....	1663
32-2. Time-Stamp Counter Register (TSCTR) Field Descriptions .....	1663
32-3. Counter Phase Control Register (CTRPHS) Field Descriptions .....	1663
32-4. Capture-1 Register (CAP1) Field Descriptions .....	1664
32-5. Capture-2 Register (CAP2) Field Descriptions .....	1664
32-6. Capture-3 Register (CAP3) Field Descriptions .....	1665
32-7. Capture-4 Register (CAP4) Field Descriptions .....	1665
32-8. ECAP Control Register 2 (ECCTL2) Field Descriptions .....	1666
32-9. ECAP Control Register 1 (ECCTL1) Field Descriptions .....	1668
32-10. ECAP Interrupt Flag Register (ECFLG) Field Descriptions .....	1670
32-11. ECAP Interrupt Enable Register (ECEINT) Field Descriptions .....	1671
32-12. ECAP Interrupt Forcing Register (ECFRC) Field Descriptions .....	1672
32-13. ECAP Interrupt Clear Register (ECCLR) Field Descriptions .....	1673
33-1. EQEP Memory Map .....	1679
33-2. Quadrature Decoder Truth Table .....	1681
33-3. eQEP Registers .....	1695
33-4. eQEP Position Counter Register (QPOSCNT) Field Descriptions .....	1696
33-5. eQEP Position Counter Initialization Register (QPOSINIT) Field Descriptions .....	1696
33-6. eQEP Maximum Position Count Register (QPOSMAX) Field Descriptions .....	1696
33-7. eQEP Position-Compare Register (QPOSCMP) Field Descriptions .....	1697
33-8. eQEP Index Position Latch Register (QPOSILAT) Field Descriptions .....	1697
33-9. eQEP Strobe Position Latch Register (QPOSSLAT) Field Descriptions .....	1697
33-10. eQEP Position Counter Latch Register (QPOSLAT) Field Descriptions .....	1698
33-11. eQEP Unit Timer Register (QUTMR) Field Descriptions .....	1698
33-12. eQEP Unit Period Register (QUPRD) Field Descriptions .....	1698
33-13. eQEP Watchdog Period Register (QWDPRD) Field Description .....	1699
33-14. eQEP Watchdog Timer Register (QWDTMR) Field Descriptions .....	1699
33-15. eQEP Control Register (QEPCTL) Field Descriptions .....	1700
33-16. eQEP Decoder Control Register (QDECCTL) Field Descriptions .....	1702
33-17. eQEP Position-Compare Control Register (QPOSCTL) Field Descriptions .....	1703
33-18. eQEP Capture Control Register (QCAPCTL) Field Descriptions .....	1704
33-19. eQEP Interrupt Flag Register (QFLG) Field Descriptions .....	1705
33-20. eQEP Interrupt Enable Register (QEINT) Field Descriptions .....	1706
33-21. eQEP Interrupt Force Register (QFRC) Field Descriptions .....	1707
33-22. eQEP Interrupt Clear Register (QCLR) Field Descriptions .....	1708
33-23. eQEP Capture Time Register (QCTMR) Field Descriptions .....	1709
33-24. eQEP Status Register (QEPSTS) Field Descriptions .....	1710
33-25. eQEP Capture Timer Latch Register (QCTMRLAT) Field Descriptions .....	1711
33-26. eQEP Capture Period Register (QCPRD) Field Descriptions .....	1711

33-27. eQEP Capture Period Latch Register (QCPRDLAT) Field Descriptions.....	1711
34-1. ePWM Module Control and Status Register Set Grouped by Submodule.....	1716
34-2. Submodule Configuration Parameters.....	1717
34-3. Time-Base Submodule Registers .....	1719
34-4. Key Time-Base Signals.....	1720
34-5. Counter-Compare Submodule Registers .....	1728
34-6. Counter-Compare Submodule Key Signals.....	1729
34-7. Action-Qualifier Submodule Registers.....	1732
34-8. Action-Qualifier Submodule Possible Input Events .....	1733
34-9. Action-Qualifier Event Priority for Up-Down-Count Mode.....	1735
34-10. Action-Qualifier Event Priority for Up-Count Mode.....	1735
34-11. Action-Qualifier Event Priority for Down-Count Mode .....	1735
34-12. Behavior if CMPA/CMPB is Greater than the Period.....	1735
34-13. Dead-Band Generator Submodule Registers.....	1745
34-14. Classical Dead-Band Operating Modes .....	1747
34-15. Dead-Band Delay Values in $\mu$ S as a Function of DBFED and DBRED.....	1749
34-16. PWM-Chopper Submodule Registers .....	1750
34-17. Possible Pulse Width Values for VCLK3 = 100 MHz .....	1752
34-18. Trip-Zone Submodule Registers .....	1755
34-19. Possible Actions On a Trip Event .....	1756
34-20. Event-Trigger Submodule Registers .....	1762
34-21. Digital Compare Submodule Registers.....	1766
34-22. ePWM Module Control and Status Register Set Grouped by Submodule.....	1787
34-23. Time-Base Status Register (TBSTS) Field Descriptions .....	1788
34-24. Time-Base Control Register (TBCTL) Field Descriptions .....	1789
34-25. Time-Base Phase Register (TBPHS) Field Descriptions.....	1791
34-26. Time-Base Period Register (TBPRD) Field Descriptions .....	1791
34-27. Time-Base Counter Register (TBCTR) Field Descriptions.....	1791
34-28. Counter-Compare Control Register (CMPCTL) Field Descriptions .....	1792
34-29. Counter-Compare A Register (CMPA) Field Descriptions .....	1793
34-30. Counter-Compare B Register (CMPB) Field Descriptions .....	1794
34-31. Action-Qualifier Output A Control Register (AQCTLA) Field Descriptions .....	1795
34-32. Action-Qualifier Software Force Register (AQSFRC) Field Descriptions .....	1796
34-33. Action-Qualifier Output B Control Register (AQCTLB) Field Descriptions .....	1797
34-34. Action-qualifier Continuous Software Force Register (AQCSFRC) Field Descriptions .....	1798
34-35. Dead-Band Generator Control Register (DBCTL) Field Descriptions .....	1799
34-36. Dead-Band Generator Falling Edge Delay Register (DBFED) Field Descriptions.....	1801
34-37. Dead-Band Generator Rising Edge Delay Register (DBRED) Field Descriptions.....	1801
34-38. Trip Zone Digital Compare Event Select Register (TZDCSEL) Field Descriptions .....	1802
34-39. Trip-Zone Submodule Select Register (TZSEL) Field Descriptions .....	1803
34-40. Trip-Zone Enable Interrupt Register (TZEINT) Field Descriptions.....	1805
34-41. Trip-Zone Control Register (TZCTL) Field Descriptions .....	1806
34-42. Trip-Zone Clear Register (TZCLR) Field Descriptions .....	1807
34-43. Trip-Zone Flag Register (TZFLG) Field Descriptions.....	1808
34-44. Trip-Zone Force Register (TZFRC) Field Descriptions.....	1809
34-45. Event-Trigger Selection Register (ETSEL) Field Descriptions .....	1810
34-46. Event-Trigger Flag Register (ETFLG) Field Descriptions .....	1811
34-47. Event-Trigger Prescale Register (ETPS) Field Descriptions .....	1812
34-48. Event-Trigger Force Register (ETFRC) Field Descriptions .....	1814

34-49. Event-Trigger Clear Register (ETCLR) Field Descriptions.....	1815
34-50. PWM-Chopper Control Register (PCCTL) Bit Descriptions .....	1816
34-51. Digital Compare A Control Register (DCACTL) Field Descriptions.....	1818
34-52. Digital Compare Trip Select (DCTRISEL) Field Descriptions.....	1819
34-53. Digital Compare Filter Control Register (DCFCTL) Field Descriptions.....	1820
34-54. Digital Compare B Control Register (DCBCTL) Field Descriptions.....	1821
34-55. Digital Compare Filter Offset Register (DCFOFFSET) Field Descriptions.....	1822
34-56. Digital Compare Capture Control Register (DCCAPCTL) Field Descriptions .....	1822
34-57. Digital Compare Filter Window Register (DCFWINDOW) Field Descriptions .....	1823
34-58. Digital Compare Filter Offset Counter Register (DCFOFFSETCNT) Field Descriptions.....	1823
34-59. Digital Compare Counter Capture Register (DCCAP) Field Descriptions .....	1824
34-60. Digital Compare Filter Window Counter Register (DCFWINDOWCNT) Field Descriptions .....	1824
35-1. Encoding of Destination Bits in Trace Mode Packet Format .....	1828
35-2. Encoding of Status Bits in Trace Mode Packet Format .....	1828
35-3. Encoding of Write Size in Packet Format .....	1828
35-4. Number of Clock Cycles per Packet .....	1829
35-5. Pins Used for Data Communication .....	1829
35-6. DMM Registers .....	1832
35-7. DMM Global Control Register (DMMGLBCTRL) Field Descriptions.....	1833
35-8. DMM Interrupt Set Register (DMMINTSET) Field Descriptions .....	1835
35-9. DMM Interrupt Clear Register (DMMINTCLR) Field Descriptions .....	1839
35-10. DMM Interrupt Level Register (DMMINTLVL) Field Descriptions .....	1844
35-11. DMM Interrupt Flag Register (DMMINTFLG) Field Descriptions.....	1846
35-12. DMM Interrupt Offset 1 Register (DMMOFF1) Field Descriptions .....	1850
35-13. DMM Interrupt Offset 2 Register (DMMOFF2) Field Descriptions .....	1851
35-14. DMM Direct Data Mode Destination Register (DMMDDMDEST) Field Descriptions.....	1852
35-15. DMM Direct Data Mode Blocksize Register (DMMDDMBL) Field Descriptions.....	1852
35-16. DMM Direct Data Mode Pointer Register (DMMDDMPT) Field Descriptions .....	1853
35-17. DMM Direct Data Mode Interrupt Pointer Register (DMMINTPT) Field Descriptions .....	1853
35-18. DMM Destination x Region 1 (DMMDESTxREG1) Field Descriptions .....	1854
35-19. DMM Destination x Blocksize 1 (DMMDESTxBL1) Field Descriptions.....	1855
35-20. DMM Destination x Region 2 (DMMDESTxREG2) Field Descriptions .....	1856
35-21. DMM Destination x Blocksize 2 (DMMDESTxBL2) Field Descriptions.....	1857
35-22. DMM Pin Control 0 (DMMPC0) Field Descriptions .....	1858
35-23. DMM Pin Control 1 (DMMPC1) Field Descriptions .....	1859
35-24. DMM Pin Control 2 (DMMPC2) Field Descriptions .....	1861
35-25. DMM Pin Control 3 (DMMPC3) Field Descriptions .....	1862
35-26. DMM Pin Control 4 (DMMPC4) Field Descriptions .....	1863
35-27. DMM Pin Control 5 (DMMPC5) Field Descriptions .....	1865
35-28. DMM Pin Control 6 (DMMPC6) Field Descriptions .....	1866
35-29. DMM Pin Control 7 (DMMPC7) Field Descriptions .....	1868
35-30. DMM Pin Control 8 (DMMPC8) Field Descriptions .....	1869
36-1. Encoding of RAM Bits in Trace Mode Packet Format.....	1875
36-2. Encoding of Status Bits in Trace Mode Packet Format .....	1875
36-3. Encoding of SIZE bits in Trace Mode Packet Format .....	1875
36-4. Encoding of REG in Trace Mode Packet Format .....	1875
36-5. Number of Transfers/Packet.....	1875
36-6. RTP Signals.....	1878
36-7. RTP Control Registers.....	1880

36-8. RTP Global Control Register (RTPGLBCTRL) Field Descriptions .....	1881
36-9. FIFO Corresponding Addresses.....	1883
36-10. Pins Used for Data Communication .....	1883
36-11. RTP Trace Enable Register (RTPTRENA) Field Descriptions .....	1884
36-12. RTP Global Status Register (RTPGSR) Field Descriptions .....	1886
36-13. RTP RAM 1 Trace Region Registers (RTPRAM1REGn) Field Descriptions .....	1888
36-14. RTP RAM 2 Trace Region Registers (RTPRAM2REGn) Field Descriptions .....	1889
36-15. RTP RAM 3 Trace Region Registers (RTPRAM3REGn) Field Descriptions .....	1890
36-16. RTP Peripheral Trace Region Registers (RTPPERREGn) Field Descriptions .....	1892
36-17. RTP Direct Data Mode Write Register (RTPDDMW) Field Descriptions .....	1893
36-18. RTP Pin Control 0 Register (RTPPC0) Field Descriptions .....	1894
36-19. RTP Pin Control 1 Register (RTPPC1) Field Descriptions .....	1895
36-20. RTP Pin Control 2 Register (RTPPC2) Field Descriptions .....	1896
36-21. RTP Pin Control 3 Register (RTPPC3) Field Descriptions .....	1897
36-22. RTP Pin Control 4 Register (RTPPC4) Field Descriptions .....	1898
36-23. RTP Pin Control 5 Register (RTPPC5) Field Descriptions .....	1899
36-24. RTP Pin Control 6 Register (RTPPC6) Field Descriptions .....	1900
36-25. RTP Pin Control 7 Register (RTPPC7) Field Descriptions .....	1902
36-26. RTP Pin Control 8 Register (RTPPC8) Field Descriptions .....	1903
37-1. ESM Signals Set by eFuse Controller .....	1905
37-2. eFuse Controller Registers.....	1908
37-3. EFC Boundary Register (EFCBOUND) Field Descriptions .....	1908
37-4. EFC Pins Register (EFCPINS) Field Descriptions .....	1910
37-5. EFC Error Status Register (EFCERRSTAT) Field Descriptions .....	1911
37-6. EFC Self Test Cycles Register (EFCSTCY) Field Descriptions .....	1911
37-7. EFC Self Test Cycles Register (EFCSTSIG) Field Descriptions.....	1912

## ***Read This First***

---

---

---

### **About This Manual**

This Technical Reference Manual (TRM) details the integration, the environment, the functional description, and the programming models for each peripheral and subsystem in the device.

### **Related Documentation From Texas Instruments**

For a complete listing of related documentation and development-support tools, visit the Texas Instruments website at [www.ti.com](http://www.ti.com).

## ***Introduction***

---

---

---

Topic	Page
1.1 Designed for Safety Applications .....	96
1.2 Family Description .....	97
1.3 Endianism Considerations.....	100

## 1.1 Designed for Safety Applications

The RM57Lx device architecture has been designed from the ground up to simplify development of functionally safe systems. The basic architectural concept is known as a safe island approach. Power, clock, reset, and basic processing function are protected to a high level of diagnostic coverage in hardware. Some of the key features of the safe island region are:

- Lockstep safety concept is also extended to the Vector Interrupt Module (VIM). Dual VIMs in lockstep which detects failures at the controller's boundary on a cycle by cycle basis. VIM's internal RAM which stores the vector addresses is also ECC protected.
- ECC diagnostic for the datapath on the Level 1 cache memories as well as ECC on the Level 2 SRAM and flash memories of the R5F core. The ECC controllers are located inside the CPU for each respective memory interface. This approach has two key advantages:
  - The interconnect between CPU and the memory is also covered by the diagnostic.
  - The ECC logic itself is checked on a cycle by cycle basis.
- Hardware BIST controllers which provide an extremely high level of diagnostic coverage for the CPUs and SRAMs in the system, while executing faster and consuming less memory than equivalent software-based self-test solutions.
- Hardware BIST diagnostic also for both the N2HET timer coprocessors.
- Interconnect between the masters and the level 2 memories contain built-in hardware safety diagnostic logic which monitors the integrity of traffics in each cycle
  - Continuous monitoring of transactions going in and out of the interconnect.
  - Parity diagnostic on the address and control paths between all masters and slaves
  - BIST mode for diagnostic coverage of the interconnect.
  - ECC generation and evaluation for transactions on the datapath generated for some of the bus masters.
- Onboard voltage and reset monitoring logic
- Onboard oscillator and PLL failure detection logic including a backup RC oscillator which can be utilized upon failure

The RM57Lx device architecture also includes many features to simplify diagnostics of remaining logic such as:

- Continuous parity or ECC diagnostics on all peripheral memories.
- Analog and digital loopback to test for shorts on I/O.
- HW self-test and diagnostics on the ADC module to check integrity of both analog inputs and the ADC core conversion function.
- A DMA driven hardware engine for the background calculation of CRC signatures during data transfers.
- A centralized error reporting function including a status output pin to enable external monitoring of the device status.

## 1.2 Family Description

The RM57Lx family of microcontrollers are cache-based architecture based on the ARM® Cortex™-R5F Floating Point CPU which offers an efficient 1.66 DMIPS/MHz performance and has configurations which can run up to 330 MHz providing up to 498 DMIPS. The device supports the little-endian [LE] format.

The RM57Lx has up to 4MB integrated Flash and up to 512KB data RAM configurations with single bit error correction and double bit error detection. The flash memory on this device is a nonvolatile, electrically erasable and programmable memory implemented with a 64-bit-wide data bus interface. The flash operates on a 3.3V supply input (same level as I/O supply) for all read, program and erase operations. The SRAM operates with a system clock frequency of up to 150 MHz. The SRAM supports read/write accesses in byte, halfword, and word modes.

The RM57Lx device features peripherals for real-time control-based applications, including two Next Generation High End Timer (N2HET) timing coprocessors with up to 64 total IO terminals and two 12-bit A to D converters supporting up to 41 inputs.

The N2HET is an advanced intelligent timer that provides sophisticated timing functions for real-time applications. The timer is software-controlled, using a reduced instruction set, with a specialized timer micromachine and an attached I/O port. The N2HET can be used for pulse width modulated outputs, capture or compare inputs, or general-purpose I/O. It is especially well suited for applications requiring multiple sensor information and drive actuators with complex and accurate time pulses. A High End Timer Transfer Unit (HET-TU) can perform DMA type transactions to transfer N2HET data to or from main memory. A Memory Protection Unit (MPU) is built into the HET-TU.

The device has two 12-bit-resolution MibADCs with 41 total channels and 64 words of parity protected buffer RAM each. The MibADC channels can be converted individually or can be grouped by software for sequential conversion sequences. Sixteen channels are shared between the two MibADCs. There are three separate groupings. Each sequence can be converted once when triggered or configured for continuous conversion mode.

There are three on die temperature sensors on this device. The temperature measurements of the three temperature sensors are routed to the MibADC for conversion into digital values. CPU can read out the digital values and compare with the calibrated temperature value stored in the device's OTP.

The device has multiple communication interfaces: Five MibSPIs, two LINs, two SCIs, four DCANs, two I<sup>2</sup>C, one Ethernet. The MibSPI provides a convenient method of serial interaction for high-speed communications between similar shift-register type devices. Data stored in the MibSPI's buffer RAM are protected with ECC. The LIN supports the Local Interconnect standard 2.0 and can be used as a UART in full-duplex mode using the standard Non-Return-to-Zero (NRZ) format. The DCAN supports the CAN 2.0B protocol standard and uses a serial, multimaster communication protocol that efficiently supports distributed real-time control with robust communication rates of up to 1 megabit per second (Mbps). The DCAN is ideal for applications operating in noisy and harsh environments (for example, automotive and industrial fields) that require reliable serial communication or multiplexed wiring. Messages stored at the DCAN's RAM are protected with ECC. The Ethernet module supports MII and MDIO interfaces. Transfers are protected by a standalone Enhanced Memory Protection Unit (NMPU)

The I2C module is a multi-master communication module providing an interface between the microcontroller and an I2C compatible device via the I2C serial bus. The I2C supports both 100 Kbps and 400 Kbps speeds.

The frequency-modulated phase-locked loop (FMPLL) clock module is used to multiply the external frequency reference to a higher frequency for internal use. The FMPLL provides one of the seven possible clock source inputs to the global clock module (GCM). The GCM module manages the mapping between the available clock sources and the device clock domains.

The device also has two external clock prescaler (ECP) modules that when enabled, outputs a continuous external clock on the ECLK1 and ECLK2 terminals. The ECLK frequency is a user-programmable ratio of the peripheral interface clock (VCLK) frequency. This low frequency output can be monitored externally as an indicator of the device operating frequency.

The Direct Memory Access Controller (DMA) is capable of issuing multi-threaded transactions at the same time. It can support up to 48 DMA requests which can be mapped to any one of the 32 channels. 32 control packets implemented in RAM to store channel control information are ECC protected. A first level Memory Protection Unit (MPU) is built into the DMA and a second level standalone Enhanced Memory Protection Unit (NMPU) further protect memory against erroneous transfers.

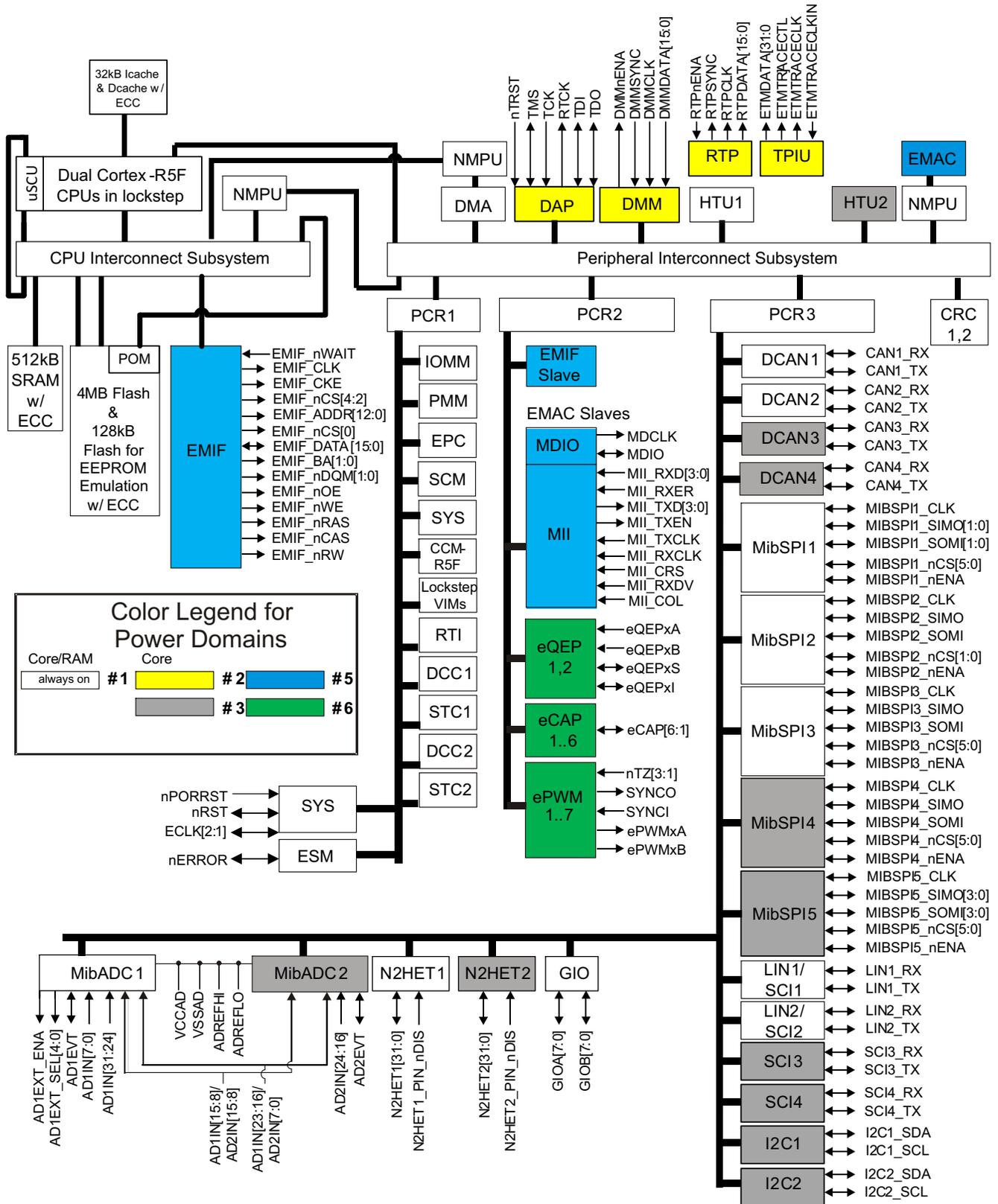
The Error Signaling Module (ESM) monitors all device errors and determines whether an interrupt or external Error pin/ball is triggered when a fault is detected. The nERROR can be monitored externally as an indicator of a fault condition in the microcontroller.

The External Memory Interface (EMIF) provides a memory extension to asynchronous and synchronous memories or other slave devices.

Several interfaces are implemented to enhance the debugging capabilities of application code. In addition to the built in ARM Cortex™-R5F CoreSight™ debug features. Embedded Cross Trigger (ECT) supports the interaction and synchronization of multiple triggering events within the SoC. An External Trace Macrocell (ETM) provides instruction and data trace of program execution. For instrumentation purposes, a RAM Trace Port Module (RTP) is implemented to support high-speed tracing of RAM and peripheral accesses by the CPU or any other master. A Data Modification Module (DMM) gives the ability to write external data into the device memory. Both the RTP and DMM have no or only minimum impact on the program execution time of the application code. A Parameter Overlay Module (POM) is included to enhance the calibration capabilities of application code. The POM can re-route Flash accesses to internal memory or to the EMIF, thus avoiding the re-programming steps necessary for parameter updates in Flash.

With integrated safety features and a wide choice of communication and control peripherals, the RM57Lx is an ideal solution for high performance real time control applications with safety critical requirements.

Figure 1-1. Block Diagram

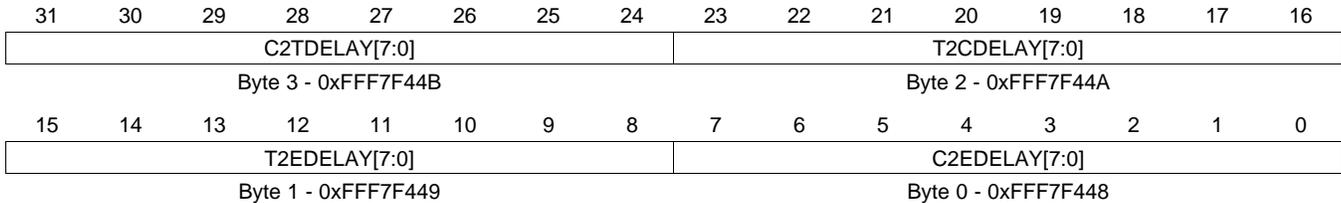


### 1.3 Endianism Considerations

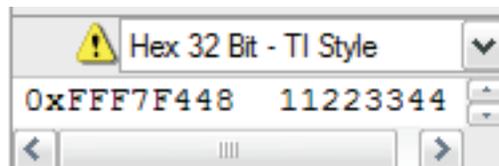
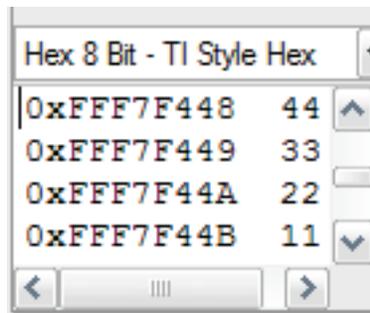
#### 1.3.1 RM57Lx: Little Endian (LE)

The RM57Lx family is based on the ARM® Cortex™-R5F core. ARM has designed this core to be used in big-endian and little-endian systems. For the TI RM57Lx family, the endianness has been configured to little-endian. Little-endian systems store the least-significant byte of a multi-byte data field in the lowest memory address. Also, the address of the multi-byte data field is the lowest address. Following is an example of the physical addresses of individual bytes.

**Figure 1-2. Example: SPIDELAY – 0xFFFF7F448**



32-bit accesses to this register should use the lowest address, that is, 0xFFFF7F448. Writing 0x11223344 to address 0xFFFF7F448 shows the following when viewing the memory in 8-bit and 32-bit modes.



As such, the headers provided as part of HALCoGen do take the endianness into account and provide header structures that are agnostic to endianness. This is achieved by using C directives for the compiler that make use of the compile options configured for the project by the user (`__little_endian__` used in Code Composer Studio codegen tools). This directive may need to be adapted for other compilers.

```

#ifdef __little_endian__
    char C2EDELAY      : 8U; /**!t; 0xF448: CS to ENA      */
    char T2EDELAY      : 8U; /**!t; 0xF449: Transmit to ENA */
    char T2CDELAY      : 8U; /**!t; 0xF44A: Transmit to CS  */
    char C2TDELAY      : 8U; /**!t; 0xF44B: CS to Transmit */
#else
    char C2TDELAY      : 8U; /**!t; 0xF448: CS to Transmit */
    char T2CDELAY      : 8U; /**!t; 0xF449: Transmit to CS  */
    char T2EDELAY      : 8U; /**!t; 0xF44A: Transmit to ENA */
    char C2EDELAY      : 8U; /**!t; 0xF44B: CS to ENA      */

```

## **Architecture**

---

---

This chapter consists of five sections. The first section describes specific aspects of the device architecture. The second section describes the clocking structure of the microcontrollers. The third section gives an overview of the device memory organization. The fourth section details exceptions on the device, and the last section describes the system and peripheral control registers of the microcontroller.

<b>Topic</b>	<b>Page</b>
<b>2.1 Introduction .....</b>	<b>102</b>
<b>2.2 Memory Organization .....</b>	<b>109</b>
<b>2.3 Exceptions.....</b>	<b>127</b>
<b>2.4 Clocks.....</b>	<b>130</b>
<b>2.5 System and Peripheral Control Registers .....</b>	<b>139</b>

## 2.1 Introduction

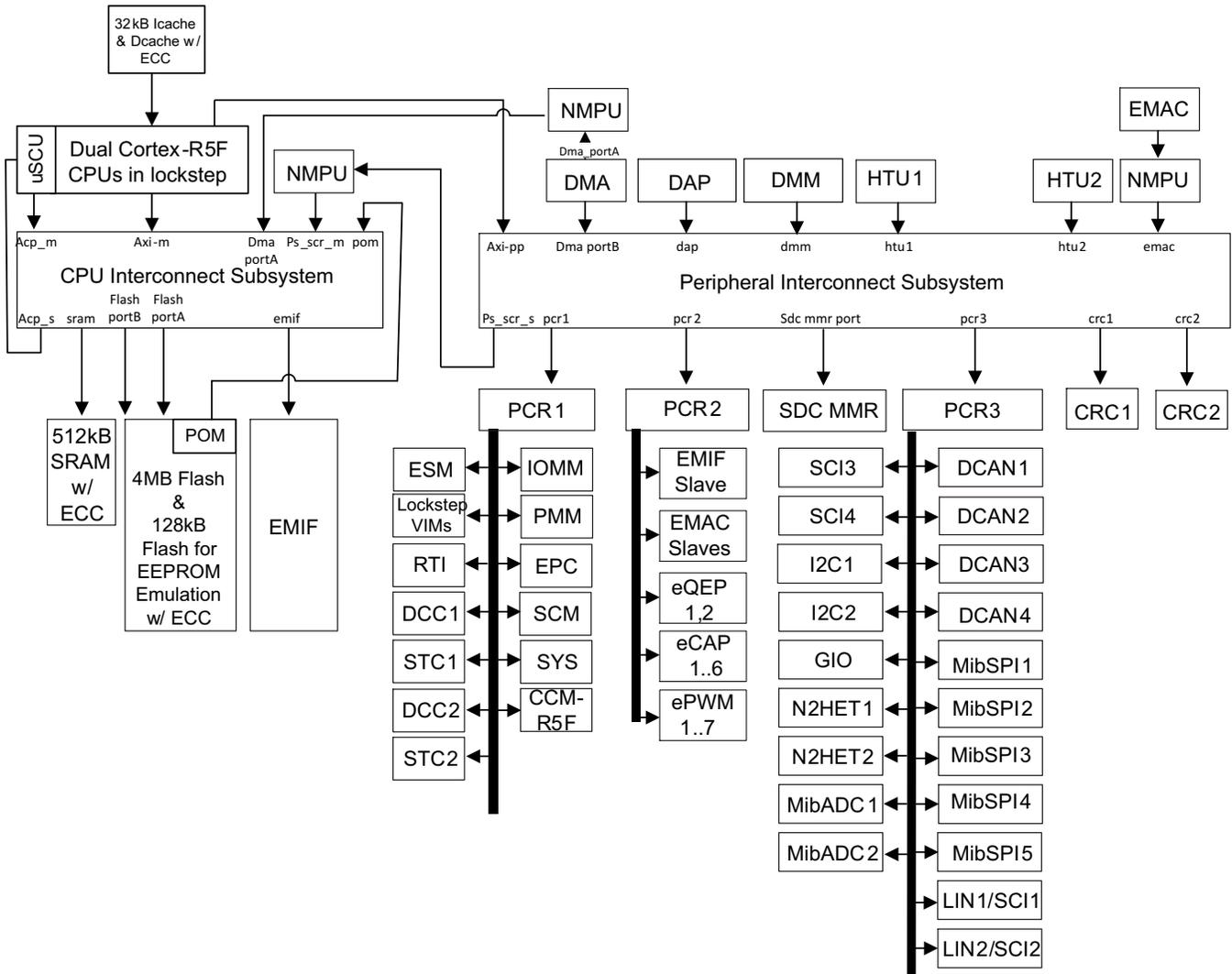
The RM57Lx family of microcontrollers is based on the Texas Instruments TMS570 Architecture. This chapter describes specific aspects of the architecture as applicable to the family of microcontrollers.

### 2.1.1 Architecture Block Diagram

The RM57Lx microcontrollers are based on the TMS570 Platform architecture, which defines the interconnect between the bus masters and the bus slaves. The architecture consists of two main interconnects which connect all the masters and slaves together. The separation of the two interconnects creates a concept of two safety islands. The CPU safety island consists of the CPU Interconnect Subsystem which glues the masters and slaves together. The CPU safety island contains high degree of safety diagnostics on the bus system and the memories. Memories and buses are protected by means of ECC on the data path using Single Bit Correction Double Bit Detection (SECDED) scheme. Parity detection scheme is used on all address and control paths between all masters and slaves. Safety diagnostic logic is built into the CPU Interconnect Subsystem where all traffics going in and out are checked against their expected behaviors during application runtime. In addition, self-test logic is built into the CPU Interconnect Subsystem which can be enabled to diagnose possible faults. The Peripheral safety island consists of the Peripheral Interconnect Subsystem which glues the rest of the masters and slaves in the device. Diagnostic on the peripheral island is by means of ECC or parity protection on the peripheral memories and MPU protection.

[Figure 2-1](#) shows a high-level architectural block diagram for the superset microcontroller.

Figure 2-1. Architectural Block Diagram



## 2.1.2 Definitions of Terms

Table 2-1 provides a definition of terms used in the architectural block diagram.

**Table 2-1. Definition of Terms**

Acronym/Term	Full Form	Description
ECC	Error Correction Code	This is a code that is used by the Single Error Correction Double Error Detection (SECCDED) logic inside the two Cortex-R5F processors (CPUs) and various modules that support ECC. Depending on the memory configuration, the number of ECC bits may vary. There are 8 bits of ECC for every 64 bits of data accessed from the CPU level 2 memory such as flash and RAM. CPU's level 1 cache system consists of instruction cache and data cache and each is additionally composed of data RAM, tag RAM or dirty RAM. The number of ECC bits used to protect these RAMs vary. Modules which support ECC protection on their local RAMs can also employ different number of ECC bits depending on the RAM's configuration. For example, DMA module use 9 bits of ECC to protect its local control packet memory.
Lockstep	–	This is the mode of operation of the dual ARM Cortex-R5F CPUs. The outputs of the two CPUs are compared on each CPU clock cycle. Any miscompare is flagged as an error of the highest severity level. In addition to the lockstep CPUs, the two Vector Interrupt Module (VIM) are also in lockstep.
Cortex-R5F CPU		The Cortex-R5F has one AXI-M master port on the CPU Interconnect Subsystem and another AXI-PP peripheral port on the peripheral Interconnect Subsystem for low latency access. Each master port is limited to accesses on the resources attached to the respective interconnect.
uSCU	Micro Snooping Control Unit	The uSCU which is part of the Cortex-R5 processor system contains an ACP (Accelerator Coherency Port) interface which provides snoop capabilities on write-transactions coming from the non-CPU masters. Transactions are received on the ACP-S slave port, and transmitted on the memory system via the ACP-M master port. The ACP automatically invalidates the appropriate Level 1 data-cache lines at the appropriate time, allowing software maintenance free cache coherency for data in write-through cache regions, as well as non-cached.
DMA	Direct Memory Access	The DMA module is used for transferring 8-, 16-, 32- or 64-bit data across the entire device memory map. The DMA module is one of the bus masters on the device. That is, it can initiate a read or a write transaction. DMA has two master ports with DMA_PortA and DMA_PortB. DMA_PortA is connected to the CPU Interconnect Subsystem and DMA_PortB is connected to the Peripheral Interconnect Subsystem. DMA can transfer data from resources in CPU Interconnect Subsystem to resources in the Peripheral Interconnect Subsystem and vice versa.
DMM	Data Modification Module	The DMM allows a tool to use the special DMM I/O interface to modify any data value in any RAM on the device. The modification is done with minimal interruption to the application execution, and can be used for calibration of application algorithms. the DMM is also a bus master in this device.
POM	Parameter Overlay Module	The parameter overlay module redirects accesses to a programmable region in flash memory (read-only) to a RAM memory, either on-chip or via the external memory interface (EMIF). This allows a user to evaluate the impact of changing values of constants stored in the flash memory without actually having to erase and reprogram the flash. The POM is also a bus master in this device.
DAP	Debug Access Port	The DAP allows a tool such as a debugger to read from or write to any region in the device memory map. The DAP is a bus master in this device.
HTUx	High-end timer Transfer Unit	The HTU is a dedicated transfer unit for the New Enhanced High-End Timer module. The HTU has a native interface to the N2HET RAM, and is used to transfer data to / from the N2HET RAM from / to another region in the device memory map. There is one HTU per N2HET module, so that there are 2 HTU modules on the device. The HTUx are bus masters in this device.
EMAC	Ethernet Media Access Controller	The EMAC has a dedicated DMA-type component that is used to transfer data to / from the EMAC descriptor memory from / to another memory in the device memory map. This DMA-type component of the EMAC is a bus master in this device.
PS_SCR_M	Peripheral SCR Master Port	All transactions to access the resources in the CPU Interconnect Subsystem by HTUx, EMAC, DMM and DAP will funnel through the PS_SCR_S slave port on the Peripheral Interconnect Subsystem. The PS_SCR_S slave is then connected to the PS_SCR_M master port on the CPU Interconnect Subsystem via a NMPU in between.

**Table 2-1. Definition of Terms (continued)**

Acronym/Term	Full Form	Description
CPU Interconnect Subsystem	CPU Side Switched Central Resource Controller	This is one of the two main SCRs in the device. It arbitrates between the accesses from multiple bus masters to the bus slaves using a round robin priority scheme. This interconnect subsystem contains diagnostic logic to perform parity checking on address and control signals from bus masters, parity checking on response signals from slaves, ECC generation and evaluation on the datapath for transactions initiated by the non-CPU masters and also self test logic to diagnose itself.
Peripheral Interconnect Subsystem	Peripheral Side Switched Central Resource Controller	This is one of the two main SCRs in the device. It arbitrates between the accesses from multiple bus masters to the bus slaves using a round robin priority scheme.
CRCx	Cyclic Redundancy Checker	The CRC module provides two channels to perform background signature verification on any memory region using a 64-bit maximum-length linear feedback shift register (LFSR) . The CRC module is a bus slave in this device.
Flash Memory	Level 2 Flash Memory	There are two slave ports (Flash_PortA and Flash_PortB) to access the flash memory consisting of three flash banks. The two ports allow two masters to access among the three banks in parallel. There are two 2Mbyte banks and one EEPROM bank. The EEPROM bank is a flash bank that is dedicated for use as an emulated EEPROM. This device supports 128KB of flash for emulated EEPROM.
SRAM	Level 2 Static RAM	There is one slave port to access the on-chip SRAM.
EMAC slaves	Ethernet Media Access Controller slave ports	There are four EMAC slaves: <ol style="list-style-type: none"> <li>1. EMAC Control Module: this provides an interface between the EMAC and MDIO modules and the bus masters. It also includes 8KB of RAM to hold EMAC packet buffer descriptors.</li> <li>2. EMAC: The EMAC module interfaces to the other devices on the Ethernet Network using the Media Independent Interface (MII) or Reduced Media Independent Interface (RMII).</li> <li>3. Management Data Input / Output (MDIO): The MDIO module is used to manage the physical layer (PHY) device connected to the EMAC module.</li> <li>4. Communications Port Programming Interface (CPPI): This is the 8KB of RAM used to hold the EMAC packet buffer descriptors.</li> </ol>
EMIF slaves	External Memory Interface slave ports	There are five EMIF slaves: <ul style="list-style-type: none"> <li>- External SDRAM memory: EMIF chip select 0</li> <li>- External asynchronous memories: EMIF chip selects 2, 3 and 4</li> <li>- EMIF module control and status registers</li> </ul>
PCRx	Peripheral Central Resource controller	The PCR manages the accesses to the peripheral registers and peripheral memories. It provides a global reset for all the peripherals. It also supports the capability to selectively enable or disable the clock for each peripheral individually. The PCR also manages the accesses to the system module registers required to configure the device's clocks, interrupts, etc. The system module registers also include status flags for indicating exception conditions – resets, aborts, errors, interrupts. This device has three PCR modules with each capable to access different peripherals as shown in the block diagram. The three PCRs are slaves to the Peripheral Interconnect Subsystem
SDC MMR	Safety Diagnostic Checker Memory Map Register Port for CPU Interconnect Subsystem	There are memory mapped status registers to record both the run-time and self-test diagnostic of the CPU Interconnect Subsystem. These registers are accessed via the SDC MMR slave port in the Peripheral Interconnect Subsystem.
ADCx	Analog-to-Digital Converter	The ADC uses the Successive Approximation Register architecture. It features a selectable 10-bit or 12-bit resolution. The ADC module also includes a RAM to hold the conversion results. A digital logic wrapper manages accesses to the control and status registers. There are two ADC modules on this device.
N2HETx	New Enhanced High-End Timer	The N2HET is an advanced intelligent timer that provides sophisticated timing functions for real-time applications. The timer is software-controlled, using a reduced instruction set, with a specialized timer micromachine and an attached I/O port. The N2HET can be used for pulse width modulated outputs, capture or compare inputs, or general-purpose I/O.
GIO	General-purpose Input/Output	The GIO module allows up to 16 terminals to be used as general-purpose Input or Output. Each of these are also capable of generating an interrupt to the CPU.

**Table 2-1. Definition of Terms (continued)**

Acronym/Term	Full Form	Description
DCANx	Controller Area Network controller	The DCAN supports the CAN 2.0B protocol standard and uses a serial, multi-master communication protocol that efficiently supports distributed real-time control with robust communication rates of up to 1 megabit per second (Mbps). The DCAN is ideal for applications operating in noisy and harsh environments (for example, automotive and industrial fields) that require reliable serial communication or multiplexed wiring.
LIN	Local Interconnect Network controller	The LIN module supports the Local Interconnect standard revision 2.1 and can be used as a UART in full-duplex mode using the standard Non-Return-to-Zero (NRZ) format.
SCIx	Serial Communication Interface	The SCI module supports the standard UART in full-duplex mode using the standard Non-Return-to-Zero (NRZ) format.
I2Cx	Inter-Integrated Circuit controller	The I2C module is a multi-master communication module providing an interface between the device and an I2C-compatible device via the I2C serial bus. The I2C supports both 100 Kbps and 400 Kbps speeds.
MibSPIx	Multi-Buffered Serial Peripheral Interface	The MibSPIx modules also support the standard SPI communication protocol. The transfers are all grouped into transfer chunks called "transfer groups". These transfer groups are made up of one or more buffers in the MibSPIx RAM. The RAM is used to hold the control information and data to be transmitted, as well as the status information and data that is received. There are five MibSPI modules in this device.
ePWM	Enhanced Pulse Width Modulator	The enhanced pulse width modulator (ePWM) peripheral is a key element in controlling many of the power electronic systems found in both commercial and industrial equipments. These systems include digital motor control, switch mode power supply control, uninterruptible power supplies (UPS), and other forms of power conversion. The ePWM peripheral performs a digital to analog (DAC) function, where the duty cycle is equivalent to a DAC analog value; it is sometimes referred to as a Power DAC.
eCAP	Enhanced Capture Module	The enhanced Capture (eCAP) module is essential in systems where accurate timing of external events is important.
eQEP	Enhanced Quadrature Encoder Pulse Module	The enhanced quadrature encoder pulse (eQEP) module is used for direct interface with a linear or rotary incremental encoder to get position, direction, and speed information from a rotating machine for use in a high-performance motion and position-control system.
eFuse	Electronically Programmable Fuse controller	Electrically programmable fuses (eFuses) are used to configure the device after deassertion of PORRST. The eFuse values are read and loaded into internal registers as part of the power-on-reset sequence. The eFuse values are protected with single bit error correction, double bit error detection (SECDED) codes. These fuses are programmed during the initial factory test of the device. The eFuse controller is designed so that the state of the eFuses cannot be changed once the device is packaged.
NMPUx	Enhanced Memory Protection Unit	There are three standalone NMPUs on this device protecting memory transactions initiated by DMA, EMAC and other masters onto the resources on the device. In this device, all transactions initiated by non-CPU masters will go through two levels of MPU protection. The two levels can be a combination of two NMPU in series or one standalone NMPU and one built-in MPU as part of the master. One NMPU is dedicated to the DMA port connecting to the CPU Interconnect Subsystem as the second level protection while the built-in MPU inside the DMA acts as the first level protection. HTUx all have their built-in MPU acting as the first level protection. All accesses initiated by the masters on the Peripheral Interconnect Subsystem side will funnel through another NMPU sitting in between the path connecting the Peripheral Interconnect Subsystem to the CPU Interconnect Subsystem. This will act as the second level protection for HTUx and EMAC. EMAC does not have the built-in MPU and hence a standalone NMPU is instantiated between the EMAC and the interconnect.
IOMM	IO Multiplexing Module	This module controls the multiplexing on the device I/Os. Multiple functions can be multiplexed onto the same device IO. Through IOMM module, user can enable a specific function onto a device pin.
PMM	Power Management Module	This module controls the clock gating to the various logic power domains in the device. Through PMM, user can place a power domain among Active, Idle or Off modes. This device does not implement physical power domains in which power can be turned off. Trying to turn off a power domain has no effect on this device in terms of power consumption but clocks will be gated off to remove dynamic power. Idle and Off modes in this device behave the same from power consumption perspective.

**Table 2-1. Definition of Terms (continued)**

Acronym/Term	Full Form	Description
EPC	Error Profiling Controller	This module is used to profile the occurrences of single bit and double bit ECC errors detected by the CPU and the CPU Interconnect Subsystem.
SCM	SCR Control Module	This module is used to change certain configurations such as timeout counters of the CPU Interconnect Subsystem. This module is also used to initiate selftest for the CPU Interconnect Subsystem.
SYS	System Module	This module contains the housekeeping logic to control and log overall system functions and status such as setting up the clock sources, clock domains, generation and reception of reset sources.
CCM-R5F	CPU Compare Module for Cortex-R5F core	During lockstep mode, the outputs of the two CPUs are compared on each CPU clock cycle by this module. Any miscompare is flagged as an error of the highest severity level. The outputs of the two VIMs in lockstep are also compared on each cycle by this module.
STCx	Selftest Controller	There are two STC modules in this device. One is used to test the CPU subsystem including both CPU cores and/or the ACP component using the Deterministic Logic Bist Controller as the test engine. The other STC is used to test either or both the N2HETs in the device.
DCCx	Dual Clock Comparator	This module is primarily intended for use to determine the accuracy of a clock signal during the execution of an application. An additional use of this module is to measure the frequency of a selectable clock source, using the input clock as a reference.
RTI	Real Time Interrupt module	RTI module provides timer functionality for operating systems and for benchmarking code. The module incorporates several counters, which define the timebases needed for scheduling in the operating system.
VIM	Vectored Interrupt Manager	VIM provides hardware assistance for prioritizing and controlling the many interrupt sources present on a device. There are two VIMs in this device. When the device is configured in lockstep mode, the two VIMs are also in lockstep. The outputs of the two VIMs are compared cycle by cycle by the CCM-R5 module.
ESM	Error Signal Module	ESM collects and reports the various error conditions on the device. The error condition is categorized based on a severity level. Error response is then generated based on the category of the error. Possible error responses include a low priority interrupt, high priority NMI interrupt and an external pin action.

### 2.1.3 Bus Master / Slave Access Privileges

This device implements some restrictions on the bus slave access privileges in order to improve the overall throughput of the interconnect shown in [Figure 2-1](#). [Table 4-1](#) shows the implemented point to point connections between the masters and slaves connected to the Peripheral Interconnect Subsystem. [Table 4-3](#) lists the implemented point to point connections between the masters and slaves connected to the CPU Interconnect Subsystem.

### 2.1.4 CPU Interconnect Subsystem SDC MMR Port

The CPU Interconnect Subsystem SDC MMR Port is a special slave to the Peripheral Interconnect Subsystem. It is memory mapped at starting address of FA00 0000h. Various status registers pertaining to the diagnostics of the CPU Interconnect Subsystem can be access through this slave port. The CPU Interconnect Subsystem contains built-in hardware diagnostic checkers which will constantly watch transactions flowing through the interconnect. There is a checker for each master and slave attached to the CPU Interconnect Subsystem. The checker checks the expected behavior against the generated behavior by the interconnect. For example, if the CPU issues a burst read request to the flash, the checker will ensure that the expected behavior is indeed a burst read request to the proper slave module. If the interconnect generates a transaction which is not a read, or not a burst or not to the flash as the destination, then the checker will flag it in one of the registers. The detected error will also be signaled to the ESM module. [Table 4-2](#) lists the CPU Interconnect Subsystem SDC register bit field mapping.

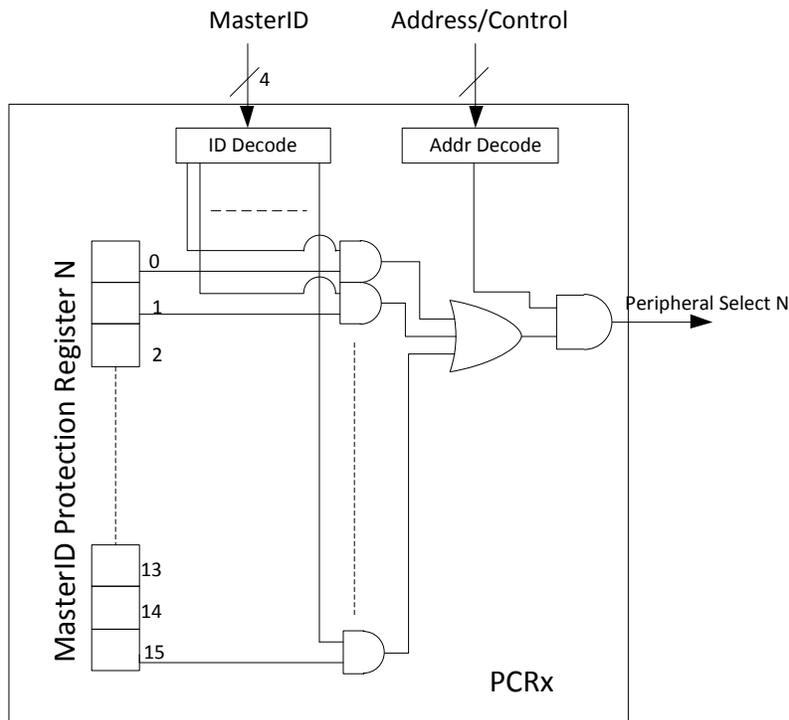
### 2.1.5 Interconnect Subsystem Runtime Status

Other than the runtime checker status as described in [Section 2.1.4](#), the CPU Interconnect Subsystems and the Peripheral Interconnect Subsystem in the microcontroller also generates several status onto the system that are captured in the SCM (SCR Control Module). [Table 4-4](#) lists the SCM register bit mapping.

### 2.1.6 Master ID to PCRx

The master ID associated with each master port on the Peripheral Interconnect Subsystem contains a 4-bit value. The master ID is passed along with the address and control signals to three PCR modules. PCR decodes the address and control signals to select the peripheral. In addition, it decodes this 4-bit master ID value to perform memory protection. With 4-bit of master ID, it allows the PCR to distinguish among 16 different masters to allow or dis-allow access to a given peripheral. Associated with each peripheral a 16-bit Master ID access protection register is defined. Each bit grants or denies the permission of the corresponding binary coded decimal masterID. For example, if bit 5 of the access permission register is set, it grants master ID 5 to access the peripheral. If bit 7 is clear, it denies master ID 7 to access the peripheral. [Figure 2-2](#) illustrates the Master-ID filtering scheme. The master ID of each master which is capable of accessing the PCRx is listed in [Table 4-1](#). Also see [Section 2.5.3](#) for details on the registers definition.

**Figure 2-2. PCR MasterID Filtering**



## 2.2 Memory Organization

### 2.2.1 Memory Map Overview

The Cortex-R5F uses a 32-bit address bus, giving it access to a memory space of 4GB. This space is divided into several regions, each addressed by different memory selects. [Figure 2-3](#) shows the memory map of the microcontroller.

The main flash instruction memory is addressed starting at 0x00000000 by default. This is also the reset vector location – the ARM Cortex-R5F processor core starts execution from the reset vector address of 0x00000000 whenever the core gets reset.

The CPU data RAM is addressed starting at 0x08000000 by default.

The device also supports the swapping of the CPU instruction memory (flash) and data memory (RAM). This can be done by configuring the MEM SWAP field of the Bus Matrix Module Control Register 1 (BMMCR1).

After swapping, the data RAM is accessed starting from 0x00000000 and the RAM ECC locations are accessed starting from 0x00400000. The flash memory is now accessed starting from 0x08000000.

---

**NOTE:** After the swap with the flash memory mapped to 0x08000000, only 512kB of the flash memory from 0x08000000 to 0x0807FFFF will be accessible by the bus masters.

---

Figure 2-3. Memory Map

0xFFFFFFFF		<b>SYSTEM Peripherals - Frame 1</b>
0xFFF80000		
0xFFF7FFFF		<b>Peripherals - Frame 3</b>
0xFF000000		
0xFEFFFFFF		<b>CRC1</b>
0xFE000000		
		<b>RESERVED</b>
0xFCFFFFFF		
0xFC000000		<b>Peripherals - Frame 2</b>
0xFBFFFFFF		
0xFB000000		<b>CRC2</b>
		<b>RESERVED</b>
0xF047FFFF		<b>Flash</b>
0xF0000000		<b>(Flash ECC, OTP and EEPROM accesses)</b>
		<b>RESERVED</b>
0x9FFFFFFF		<b>EMIF (128MB)</b>
0x80000000	CS0	<b>SDRAM</b>
		<b>RESERVED</b>
0x6FFFFFFF	reserved 0x6C000000	<b>EMIF (16MB * 3)</b>
	CS4 0x68000000	
	CS3 0x64000000	<b>Async RAM</b>
0x60000000	CS2	
		<b>RESERVED</b>
0x37FFFFFF		<b>R5F-1 Cache</b>
0x34000000		
0x33FFFFFF		<b>R5F-0 Cache</b>
0x30000000		
		<b>RESERVED</b>
0x0847FFFF		<b>RAM - ECC</b>
0x08400000		
		<b>RESERVED</b>
0x0807FFFF		<b>RAM (512kB)</b>
0x08000000		
		<b>RESERVED</b>
0x003FFFFF		<b>Flash (4MB)</b>
0x00000000		

## 2.2.2 Memory Map Table

The control and status registers for each module are mapped within the CPU's 4GB memory space. Some modules also have associated memories, which are also mapped within this space.

Table 2-2 shows the starting and ending addresses of each module's register frame and any associated memory. The table also shows the response generated by the module or the interconnect whenever an access is made to an unimplemented location inside the register or memory frame.

**Table 2-2. Module Registers / Memories Memory Map**

Target Name	Memory Select	Address Range		Frame Size	Actual Size	Response for Access to Unimplemented Locations in Frame
		Start	End			
<b>Level 2 Memories</b>						
Level 2 Flash Data Space		0x0000_0000	0x003F_FFFF	4MB	4MB	Abort
Level 2 SRAM		0x0800_0000	0x083F_FFFF	4MB	512kB	Abort
Level 2 SRAM ECC		0x0840_0000	0x087F_FFFF	4MB	512kB	
<b>Accelerator Coherency Port</b>						
Accelerator Coherency Port		0x0800_0000	0x087F_FFFF	8MB	512kB	Abort
<b>Level 1 Cache Memories</b>						
Cortex-R5F Data Cache Memory		0x3000_0000	0x30FF_FFFF	16MB	32kB	Abort
Cortex-R5F Instruction Cache Memory		0x3100_0000	0x31FF_FFFF	16MB	32kB	
<b>External Memory Accesses</b>						
EMIF Chip Select 2 (asynchronous)		0x6000_0000	0x63FF_FFFF	64MB	16MB	Access to Reserved space Generates Abort
EMIF Chip Select 3 (asynchronous)		0x6400_0000	0x67FF_FFFF	64MB	16MB	
EMIF Chip Select 4 (asynchronous)		0x6800_0000	0x6BFF_FFFF	64MB	16MB	
EMIF Chip Select 0 (synchronous)		0x8000_0000	0x87FF_FFFF	128MB	128MB	
<b>Flash OTP, ECC, EEPROM Bank</b>						
Customer OTP, Bank0		0xF000_0000	0xF000_1FFF	8kB	4kB	Abort
Customer OTP, Bank1		0xF000_2000	0xF000_3FFF	8kB	4kB	Abort
Customer OTP, EEPROM Bank		0xF000_E000	0xF000_FFFF	8kB	1kB	Abort
Customer OTP-ECC, Bank0		0xF004_0000	0xF004_03FF	1kB	512B	Abort
Customer OTP-ECC, Bank1		0xF004_0400	0xF004_07FF	1kB	512B	Abort
Customer OTP-ECC, EEPROM Bank		0xF004_1C00	0xF004_1FFF	1kB	128B	Abort
TI OTP, Bank0		0xF008_0000	0xF008_1FFF	8kB	4kB	Abort
TI OTP, Bank1		0xF008_2000	0xF008_3FFF	8kB	4kB	Abort
TI OTP, EEPROM Bank		0xF008_E000	0xF008_FFFF	8kB	1kB	Abort
TI OTP-ECC, Bank0		0xF00C_0000	0xF00C_03FF	1kB	512B	Abort
TI OTP-ECC, Bank1		0xF00C_0400	0xF00C_07FF	1kB	512B	Abort

**Table 2-2. Module Registers / Memories Memory Map (continued)**

Target Name	Memory Select	Address Range		Frame Size	Actual Size	Response for Access to Unimplemented Locations in Frame
		Start	End			
TI OTP-ECC, EEPROM Bank		0xF00C_1C00	0xF00C_1FFF	1kB	128B	Abort
EEPROM Bank-ECC		0xF010_0000	0xF01F_FFFF	1MB	16kB	Abort
EEPROM Bank		0xF020_0000	0xF03F_FFFF	2MB	128kB	Abort
Flash Data Space ECC		0xF040_0000	0xF05F_FFFF	2MB	512kB	Abort
<b>Interconnect SDC MMR</b>						
Interconnect SDC MMR		0xFA00_0000	0xFAFF_FFFF	16MB	16MB	
<b>Registers/Memories under PCR2 (Peripheral Segment 2)</b>						
CPPI Memory Slave (Ethernet RAM)	PCS[41]	0xFC52_0000	0xFC52_1FFF	8kB	8kB	Abort
CPGMAC Slave (Ethernet Slave)	PS[30]-PS[31]	0xFCF7_8000	0xFCF7_87FF	2kB	2kB	No Error
CPGMACSS Wrapper (Ethernet Wrapper)	PS[29]	0xFCF7_8800	0xFCF7_88FF	256B	256B	No Error
Ethernet MDIO Interface	PS[29]	0xFCF7_8900	0xFCF7_89FF	256B	256B	No Error
ePWM1	PS[28]	0xFCF7_8C00	0xFCF7_8CFF	256B	256B	Abort
ePWM2		0xFCF7_8D00	0xFCF7_8DFF	256B	256B	Abort
ePWM3		0xFCF7_8E00	0xFCF7_8EFF	256B	256B	Abort
ePWM4		0xFCF7_8F00	0xFCF7_8FFF	256B	256B	Abort
ePWM5	PS[27]	0xFCF7_9000	0xFCF7_90FF	256B	256B	Abort
ePWM6		0xFCF7_9100	0xFCF7_91FF	256B	256B	Abort
ePWM7		0xFCF7_9200	0xFCF7_92FF	256B	256B	Abort
eCAP1		0xFCF7_9300	0xFCF7_93FF	256B	256B	Abort
eCAP2	PS[26]	0xFCF7_9400	0xFCF7_94FF	256B	256B	Abort
eCAP3		0xFCF7_9500	0xFCF7_95FF	256B	256B	Abort
eCAP4		0xFCF7_9600	0xFCF7_96FF	256B	256B	Abort
eCAP5		0xFCF7_9700	0xFCF7_97FF	256B	256B	Abort
eCAP6	PS[25]	0xFCF7_9800	0xFCF7_98FF	256B	256B	Abort
eQEP1		0xFCF7_9900	0xFCF7_99FF	256B	256B	Abort
eQEP2		0xFCF7_9A00	0xFCF7_9AFF	256B	256B	Abort
PCR2 registers	PPSE[4]-PPSE[5]	0xFCFF_1000	0xFCFF_17FF	2kB	2kB	
NMPU (CPGMAC)	PPSE[6]	0xFCFF_1800	0xFCFF_18FF	512B	512B	Abort
EMIF Registers	PPS[2]	0xFCFF_E800	0xFCFF_E8FF	256B	256B	Abort
<b>Cyclic Redundancy Checker (CRC) Module Register Frame</b>						
CRC1		0xFE00_0000	0xFEFF_FFFF	16MB	512kB	Accesses above 0xFE000200 generate abort.
CRC2		0xFB00_0000	0xFBFF_FFFF	16MB	512kB	Accesses above 0xFB000200 generate abort.
<b>Memories under User PCR3 (Peripheral Segment 3)</b>						
MIBSPI5 RAM	PCS[5]	0xFF0A_0000	0xFF0B_FFFF	128kB	2kB	Abort for accesses above 2KB

**Table 2-2. Module Registers / Memories Memory Map (continued)**

Target Name	Memory Select	Address Range		Frame Size	Actual Size	Response for Access to Unimplemented Locations in Frame
		Start	End			
MIBSPI4 RAM	PCS[3]	0xFF06_0000	0xFF07_FFFF	128kB	2kB	Abort for accesses above 2KB
MIBSPI3 RAM	PCS[6]	0xFF0C_0000	0xFF0D_FFFF	128kB	2kB	Abort for accesses above 2KB
MIBSPI2 RAM	PCS[4]	0xFF08_0000	0xFF09_FFFF	128kB	2kB	Abort for accesses above 2KB
MIBSPI1 RAM	PCS[7]	0xFF0E_0000	0xFF0F_FFFF	128kB	4kB	Abort for accesses above 4KB
DCAN4 RAM	PCS[12]	0xFF18_0000	0xFF19_FFFF	128kB	8kB	Abort generated for accesses beyond offset 0x2000
DCAN3 RAM	PCS[13]	0xFF1A_0000	0xFF1B_FFFF	128kB	8kB	Abort generated for accesses beyond offset 0x2000
DCAN2 RAM	PCS[14]	0xFF1C_0000	0xFF1D_FFFF	128kB	8kB	Abort generated for accesses beyond offset 0x2000
DCAN1 RAM	PCS[15]	0xFF1E_0000	0xFF1F_FFFF	128kB	8kB	Abort generated for accesses beyond offset 0x2000.
MIBADC2 RAM	PCS[29]	0xFF3A_0000	0xFF3B_FFFF	128kB	8kB	Wrap around for accesses to unimplemented address offsets lower than 0x1FFF.
MIBADC2 Look-UP Table					384 bytes	Look-Up Table for ADC2 wrapper. Starts at address offset 0x2000 and ends at address offset 0x217F. Wrap around for accesses between offsets 0x0180 and 0x3FFF. Abort generation for accesses beyond offset 0x4000.

**Table 2-2. Module Registers / Memories Memory Map (continued)**

Target Name	Memory Select	Address Range		Frame Size	Actual Size	Response for Access to Unimplemented Locations in Frame
		Start	End			
MIBADC1 RAM	PCS[31]	0xFF3E_0000	0xFF3F_FFFF	128kB	8kB	Wrap around for accesses to unimplemented address offsets lower than 0x1FFF.
MIBADC1 Look-UP Table					384 bytes	Look-Up Table for ADC1 wrapper. Starts at address offset 0x2000 and ends at address offset 0x217F. Wrap around for accesses between offsets 0x0180 and 0x3FFF. Abort generation for accesses beyond offset 0x4000.
NHET2 RAM	PCS[34]	0xFF44_0000	0xFF45_FFFF	128kB	16kB	Wrap around for accesses to unimplemented address offsets lower than 0x3FFF. Abort generated for accesses beyond 0x3FFF.
NHET1 RAM	PCS[35]	0xFF46_0000	0xFF47_FFFF	128kB	16kB	Wrap around for accesses to unimplemented address offsets lower than 0x3FFF. Abort generated for accesses beyond 0x3FFF.
HET TU2 RAM	PCS[38]	0xFF4C_0000	0xFF4D_FFFF	128kB	1kB	Abort
HET TU1 RAM	PCS[39]	0xFF4E_0000	0xFF4F_FFFF	128kB	1kB	Abort
<b>Coresight Debug Components</b>						
CoreSight Debug ROM	CSCS[0]	0xFFA0_0000	0xFFA0_0FFF	4kB	4kB	Reads return zeros, writes have no effect
Cortex-R5F Debug	CSCS[1]	0xFFA0_1000	0xFFA0_1FFF	4kB	4kB	Reads return zeros, writes have no effect
ETM-R5	CSCS[2]	0xFFA0_2000	0xFFA0_2FFF	4kB	4kB	Reads return zeros, writes have no effect
CoreSight TPIU	CSCS[3]	0xFFA0_3000	0xFFA0_3FFF	4kB	4kB	Reads return zeros, writes have no effect
POM	CSCS[4]	0xFFA0_4000	0xFFA0_4FFF	4kB	4kB	Reads return zeros, writes have no effect

**Table 2-2. Module Registers / Memories Memory Map (continued)**

Target Name	Memory Select	Address Range		Frame Size	Actual Size	Response for Access to Unimplemented Locations in Frame
		Start	End			
CTI1	CSCS[7]	0xFFA0_7000	0xFFA0_7FFF	4kB	4kB	Reads return zeros, writes have no effect
CTI2	CSCS[8]	0xFFA0_8000	0xFFA0_8FFF	4kB	4kB	Reads return zeros, writes have no effect
CTI3	CSCS[9]	0xFFA0_9000	0xFFA0_9FFF	4kB	4kB	Reads return zeros, writes have no effect
CTI4	CSCS[10]	0xFFA0_A000	0xFFA0_AFFF	4kB	4kB	Reads return zeros, writes have no effect
CSTF	CSCS[11]	0xFFA0_B000	0xFFA0_BFFF	4kB	4kB	Reads return zeros, writes have no effect
<b>Registers under PCR3 (Peripheral Segment 3)</b>						
PCR3 registers	PS[31:30]	0xFFFF_8000	0xFFFF_87FF	2kB	2kB	Reads return zeros, writes have no effect
HTU1	PS[22]	0xFFFF_A400	0xFFFF_A4FF	256B	256B	Abort
HTU2	PS[22]	0xFFFF_A500	0xFFFF_A5FF	256B	256B	Abort
NHET1	PS[17]	0xFFFF_B800	0xFFFF_B8FF	256B	256B	Reads return zeros, writes have no effect
NHET2	PS[17]	0xFFFF_B900	0xFFFF_B9FF	256B	256B	Reads return zeros, writes have no effect
GIO	PS[16]	0xFFFF_BC00	0xFFFF_BCFF	256B	256B	Reads return zeros, writes have no effect
MIBADC1	PS[15]	0xFFFF_C000	0xFFFF_C1FF	512B	512B	Reads return zeros, writes have no effect
MIBADC2	PS[15]	0xFFFF_C200	0xFFFF_C3FF	512B	512B	Reads return zeros, writes have no effect
I2C1	PS[10]	0xFFFF_D400	0xFFFF_D4FF	256B	256B	Reads return zeros, writes have no effect
I2C2	PS[10]	0xFFFF_D500	0xFFFF_D5FF	256B	256B	Reads return zeros, writes have no effect
DCAN1	PS[8]	0xFFFF_DC00	0xFFFF_DDFF	512B	512B	Reads return zeros, writes have no effect
DCAN2	PS[8]	0xFFFF_DE00	0xFFFF_DFFF	512B	512B	Reads return zeros, writes have no effect
DCAN3	PS[7]	0xFFFF_E000	0xFFFF_E1FF	512B	512B	Reads return zeros, writes have no effect
DCAN4	PS[7]	0xFFFF_E200	0xFFFF_E3FF	512B	512B	Reads return zeros, writes have no effect

**Table 2-2. Module Registers / Memories Memory Map (continued)**

Target Name	Memory Select	Address Range		Frame Size	Actual Size	Response for Access to Unimplemented Locations in Frame
		Start	End			
LIN1	PS[6]	0xFFFF7_E400	0xFFFF7_E4FF	256B	256B	Reads return zeros, writes have no effect
SCI3	PS[6]	0xFFFF7_E500	0xFFFF7_E5FF	256B	256B	Reads return zeros, writes have no effect
LIN2	PS[6]	0xFFFF7_E600	0xFFFF7_E6FF	256B	256B	Reads return zeros, writes have no effect
SCI4	PS[6]	0xFFFF7_E700	0xFFFF7_E7FF	256B	256B	Reads return zeros, writes have no effect
MibSPI1	PS[2]	0xFFFF7_F400	0xFFFF7_F5FF	512B	512B	Reads return zeros, writes have no effect
MibSPI2	PS[2]	0xFFFF7_F600	0xFFFF7_F7FF	512B	512B	Reads return zeros, writes have no effect
MibSPI3	PS[1]	0xFFFF7_F800	0xFFFF7_F9FF	512B	512B	Reads return zeros, writes have no effect
MibSPI4	PS[1]	0xFFFF7_FA00	0xFFFF7_FBFF	512B	512B	Reads return zeros, writes have no effect
MibSPI5	PS[0]	0xFFFF7_FC00	0xFFFF7_FDFF	512B	512B	Reads return zeros, writes have no effect
<b>System Modules Control Registers and Memories under PCR1 (Peripheral Segment 1)</b>						
DMA RAM	PPCS[0]	0xFFFF8_0000	0xFFFF8_0FFF	4kB	4kB	Abort
VIM RAM	PPCS[2]	0xFFFF8_2000	0xFFFF8_2FFF	4kB	4kB	Wrap around for accesses to unimplemented address offsets lower than 0x2FFF.
RTP RAM	PPCS[3]	0xFFFF8_3000	0xFFFF8_3FFF	4kB	4kB	Abort
Flash Wrapper	PPCS[7]	0xFFFF8_7000	0xFFFF8_7FFF	4kB	4kB	Abort
eFuse Farm Controller	PPCS[12]	0xFFFF8_C000	0xFFFF8_CFFF	4kB	4kB	Abort
Power Domain Control (PMM)	PPSE[0]	0xFFFF_0000	0xFFFF_01FF	512B	512B	Abort
FMTM Note: This module is only used by TI during test	PPSE[1]	0xFFFF_0400	0xFFFF_05FF	512B	512B	Reads return zeros, writes have no effect
STC2 (NHET1/2)	PPSE[2]	0xFFFF_0800	0xFFFF_08FF	256B	256B	Reads return zeros, writes have no effect
SCM	PPSE[2]	0xFFFF_0A00	0xFFFF_0AFF	256B	256B	Abort
EPC	PPSE[3]	0xFFFF_0C00	0xFFFF_0FFF	1kB	1kB	Abort
PCR1 registers	PPSE[4]-PPSE[5]	0xFFFF_1000	0xFFFF_17FF	2kB	2kB	Reads return zeros, writes have no effect
NMPU (PS_SCR_S)	PPSE[6]	0xFFFF_1800	0xFFFF_19FF	512B	512B	Abort
NMPU (DMA Port A)	PPSE[6]	0xFFFF_1A00	0xFFFF_1BFF	512B	512B	Abort

**Table 2-2. Module Registers / Memories Memory Map (continued)**

Target Name	Memory Select	Address Range		Frame Size	Actual Size	Response for Access to Unimplemented Locations in Frame
		Start	End			
Pin Mux Control (IOMM)	PPSE[7]	0xFFFF_1C00	0xFFFF_1FFF	2kB	1kB	Reads return zeros, writes have no effect
System Module - Frame 2 (see platform architecture specification)	PPS[0]	0xFFFF_E100	0xFFFF_E1FF	256B	256B	Reads return zeros, writes have no effect
PBIST	PPS[1]	0xFFFF_E400	0xFFFF_E5FF	512B	512B	Reads return zeros, writes have no effect
STC1 (Cortex-R5F)	PPS[1]	0xFFFF_E600	0xFFFF_E6FF	256B	256B	Reads return zeros, writes have no effect
DCC1	PPS[3]	0xFFFF_EC00	0xFFFF_ECFF	256B	256B	Reads return zeros, writes have no effect
DMA	PPS[4]	0xFFFF_F000	0xFFFF_F3FF	1kB	1kB	Abort
DCC2	PPS[5]	0xFFFF_F400	0xFFFF_F4FF	256B	256B	Reads return zeros, writes have no effect
ESM register	PPS[5]	0xFFFF_F500	0xFFFF_F5FF	256B	256B	Reads return zeros, writes have no effect
CCM-R5	PPS[5]	0xFFFF_F600	0xFFFF_F6FF	256B	256B	Reads return zeros, writes have no effect
DMM	PPS[5]	0xFFFF_F700	0xFFFF_F7FF	256B	256B	Reads return zeros, writes have no effect
L2RAMW	PPS[6]	0xFFFF_F900	0xFFFF_F9FF	256B	256B	Abort
RTP	PPS[6]	0xFFFF_FA00	0xFFFF_FAFF	256B	256B	Reads return zeros, writes have no effect
RTI + DWWD	PPS[7]	0xFFFF_FC00	0xFFFF_FCFE	256B	256B	Reads return zeros, writes have no effect
VIM	PPS[7]	0xFFFF_FD00	0xFFFF_FEFF	512B	512B	Reads return zeros, writes have no effect
System Module - Frame 1 (see platform architecture specification)	PPS[7]	0xFFFF_FF00	0xFFFF_FFFF	256B	256B	Reads return zeros, writes have no effect

### 2.2.3 Flash on Microcontrollers

The RM57Lx microcontrollers support up to 4 MB of flash for use as program memory. The microcontrollers also support a separate 128kB flash bank for use as emulated EEPROM.

Refer to the device data manual for electrical and timing specifications related to the flash module.

### 2.2.3.1 Flash Bank Sectoring Configuration

The bank is divided into multiple sectors. A flash sector is the smallest region in the flash bank that must be erased. The sectoring configuration of each flash bank is shown in [Table 2-3](#).

- The Flash banks are 288-bit wide bank with ECC support.
- The flash bank7 can be programmed while executing code from flash bank0.
- Code execution is not allowed from flash bank7.

**Table 2-3. Flash Memory Banks and Sectors**

Sector Number	Sector Size	Low Address	High Address
<b>Bank 0: 2.0 MBytes</b>			
0	16K Bytes	0x0000_0000	0x0000_3FFF
1	16K Bytes	0x0000_4000	0x0000_7FFF
2	16K Bytes	0x0000_8000	0x0000_BFFF
3	16K Bytes	0x0000_C000	0x0000_FFFF
4	16K Bytes	0x0001_0000	0x0001_3FFF
5	16K Bytes	0x0001_4000	0x0001_7FFF
6	32K Bytes	0x0001_8000	0x0001_FFFF
7	128K Bytes	0x0002_0000	0x0003_FFFF
8	128K Bytes	0x0004_0000	0x0005_FFFF
9	128K Bytes	0x0006_0000	0x0007_FFFF
10	256K Bytes	0x0008_0000	0x000B_FFFF
11	256K Bytes	0x000C_0000	0x000F_FFFF
12	256K Bytes	0x0010_0000	0x0013_FFFF
13	256K Bytes	0x0014_0000	0x0017_FFFF
14	256K Bytes	0x0018_0000	0x001B_FFFF
15	256K Bytes	0x001C_0000	0x001F_FFFF
<b>Bank 1: 2.0 Mbytes</b>			
0	128K Bytes	0x0020_0000	0x0021_FFFF
1	128K Bytes	0x0022_0000	0x0023_FFFF
2	128K Bytes	0x0024_0000	0x0025_FFFF
3	128K Bytes	0x0026_0000	0x0027_FFFF
4	128K Bytes	0x0028_0000	0x0029_FFFF
5	128K Bytes	0x002A_0000	0x002B_FFFF
6	128K Bytes	0x002C_0000	0x002D_FFFF
7	128K Bytes	0x002E_0000	0x002F_FFFF
8	128K Bytes	0x0030_0000	0x0031_FFFF
9	128K Bytes	0x0032_0000	0x0033_FFFF
10	128K Bytes	0x0034_0000	0x0035_FFFF
11	128K Bytes	0x0036_0000	0x0037_FFFF
12	128K Bytes	0x0038_0000	0x0039_FFFF
13	128K Bytes	0x003A_0000	0x003B_FFFF
14	128K Bytes	0x003C_0000	0x003D_FFFF
15	128K Bytes	0x003E_0000	0x003F_FFFF
<b>Bank 7: 128 kBytes</b>			
0	4K Bytes	0xF020_0000	0xF020_0FFF
:	:	:	:
31	4K Bytes	0xF021_F000	0xF021_FFFF

### 2.2.3.2 ECC Protection for Flash Accesses

The RM57Lx microcontrollers protect all accesses to the on-chip level 2 flash memory by dedicated Single-Error-Correction-Double-Error-Detection (SECEDED) logic.

The access to the program memory – flash bank 0, 1 and 7 are protected by SECEDED logic implemented inside the ARM Cortex-R5F CPU.

The SECEDED logic implementation uses Error Correction Codes (ECC) for correcting single-bit errors and for detecting multiple-bit errors in the values read from the flash arrays. There is an 8-bit ECC for every 64 bits of data. The ECC for the level 2 flash memory contents needs to be calculated by an external tool such as nowECC. The ECC can then be programmed into the flash array along with the actual application code.

The ECC for the flash array is stored in the flash itself, and is mapped to a region starting at 0xF0400000 for the main flash bank 0 and 1, and to a region starting at 0xF0100000 for the EEPROM emulation flash bank 7.

---

**NOTE:** The SECEDED logic inside the CPU is permanently enabled for the AXI-M and AXI-S interfaces.

---

#### **Code Example for Enabling ECC Protection for Main Flash Accesses:**

When the CPU detects an ECC single-, or double-bit error on a read from the flash memory, it signals this on a dedicated “*Event*” bus. This event bus signaling is also not enabled by default and must be enabled by the application. The below code example can be used to enable the CPU event signaling.

```
MRC p15,#0,r1,c9,c12,#0      ;Enabling Event monitor states
ORR r1, r1, #0x00000010
MCR p15,#0,r1,c9,c12,#0      ;Set 4th bit ('X') of PMNC register
MRC p15,#0,r1,c9,c12,#0
```

The ECC error events exported onto the *Event* bus is first captured by the Error Profiling Controller (EPC) module and in turn generates error signals that are input to the central Error Signaling Module (ESM).

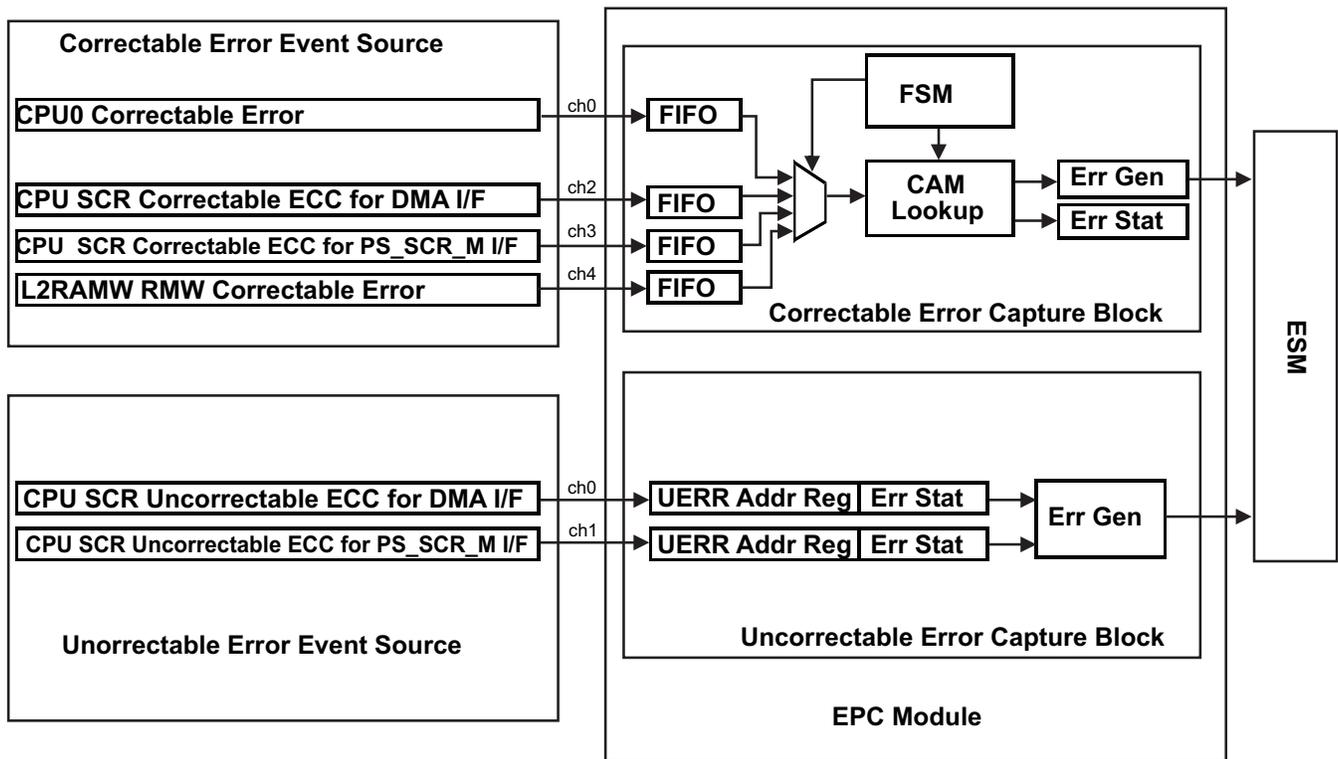
### 2.2.3.3 Error Profiling Module (EPC)

The main idea of EPC is to enable the system to tolerate a certain amount of ECC correctable errors on the same address repeatedly in the memory system with minimal runtime overhead. EPC will record different single bit error addresses in a Content Addressable Memory (CAM). If a correctable ECC error is generated on a repeating address, the EPC will not raise an error to ESM module. This tolerance avoids the application to handle the same error when the code is in a repeating loop. There are 4correctable error interfaces implemented in EPC to capture correctable errors from 4 different sources. There are also 2 uncorrectable error interfaces implemented in EPC to capture uncorrectable errors from 2 different sources. Main features of EPC are:

- Capture the addresses of the correctable ECC faults from different sources such as CPU cores, L2 SRAM and interconnect into a 16 entry CAM (Content Addressable Memory)
- For correctable faults, the error handling depends on the below conditions:
  - if the incoming address is already in the 16-entry CAM, discard the fail. No error generated to ESM.
  - if the address is not in the CAM list, and the CAM has empty entries, add the address into the CAM list. In addition, raise the error signal to the ESM group 1 if enabled.
  - if the address is not in the CAM list, and the CAM has no empty entries, always raise the error signal to the ESM group 1.
- A 4-entry FIFO to store the correctable error events and addresses for each channel interface.
- For uncorrectable faults, capture the address and assert error signal to the ESM group 2.

Each EPC interface corresponds to a bit field in some of the EPC registers. [Table 2-4](#) shows only those registers that associate the bits to a specific interface for this device. See EPC chapter for the full list of registers.

Figure 2-4. EPC Integration Diagram



**Table 2-4. EPC Registers Bit Mapping**

Address Offset	Register Name	Bit #	Error Source	Remark
8h	UERRSTAT	0	Uncorrectable ECC for DMA interface	<ul style="list-style-type: none"> <li>Bit associates with the Uncorrectable ECC error detected by the CPU Interconnect Subsystem for the DMA interface</li> <li>See Interconnect chapter for details on the ECC generation and evaluation for DMA interface</li> </ul>
		1	Uncorrectable ECC for PS_SCR_M interface	<ul style="list-style-type: none"> <li>Bit associates with the Uncorrectable ECC error detected by the CPU Interconnect Subsystem for the PS_SCR_M interface</li> <li>See Interconnect chapter for details on the ECC generation and evaluation for DMA interface</li> </ul>
10h	FIFOFULLSTAT	0	CPU Correctable ECC error	<ul style="list-style-type: none"> <li>Bit associates with the FIFO full status for the interface that is used to capture the CPU correctable error event</li> <li>Correctable error event exported by CPU's event bus.</li> </ul>
		1	Reserved	
		2	Correctable ECC for DMA interface	<ul style="list-style-type: none"> <li>Bit associates with the FIFO full status for the interface that is used to capture the DMA correctable error event</li> <li>Correctable error event detected by the CPU Interconnect Subsystem for the DMA PortA interface.</li> </ul>
		3	Correctable ECC for PS_SCR_M interface	<ul style="list-style-type: none"> <li>Bit associates with the FIFO full status for the interface that is used to capture the PS_SCR_M correctable error event</li> <li>Correctable error event detected by the CPU Interconnect Subsystem for the PS_SCR_M interface.</li> </ul>
		4	Correctable ECC error from L2 SRAM	<ul style="list-style-type: none"> <li>Bit associates with the FIFO full status for the interface that is used to capture the L2 SRAM correctable error event</li> <li>Correctable error event detected by the L2 SRAM wrapper during the read phase of a Read-Modify-Write operation due to a less than 64-bit write from the bus master.</li> </ul>
14h	OVRFLWSTAT	0	CPU Correctable ECC error	<ul style="list-style-type: none"> <li>Bit associates with the FIFO overflow status for the interface that is used to capture the CPU correctable error event</li> </ul>
		1	Reserved	
		2	Correctable ECC for DMA interface	<ul style="list-style-type: none"> <li>Bit associates with the FIFO overflow status for the interface that is used to capture the DMA correctable error event</li> </ul>
		3	Correctable ECC for PS_SCR_M interface	<ul style="list-style-type: none"> <li>Bit associates with the FIFO overflow status for the interface that is used to capture the PS_SCR_M correctable error event</li> </ul>
		4	Correctable ECC error from L2 SRAM	<ul style="list-style-type: none"> <li>Bit associates with the FIFO overflow status for the interface that is used to capture the L2 SRAM correctable error event</li> </ul>
20h	UERRADDR0	31:0	Uncorrectable ECC for DMA interface	<ul style="list-style-type: none"> <li>Uncorrectable error address register for the DMA interface</li> </ul>
24h	UERRADDR1	31:0	Uncorrectable ECC for PS_SCR_M interface	<ul style="list-style-type: none"> <li>Uncorrectable error address register for the PS_SCR_M interface</li> </ul>

## 2.2.4 On-Chip SRAM

Several SRAM modules are implemented on the device to support the functionality of the modules included.

Reads from both the level 1 and level 2 SRAM are protected by ECC calculated inside the CPU. Reads from all other memories are protected by either the parity with configurable odd or even parity scheme or ECC that is evaluated in parallel with the actual read.

The RM57Lx microcontrollers are targeted towards safety-critical applications, and it is critical for any failures in the on-chip SRAM modules to be identified before these modules are used for safety-critical functions. These microcontrollers support a Programmable Built-In Self-Test (PBIST) mechanism that is used to test each on-chip SRAM module for faults. The PBIST is usually run on device start-up as it is a destructive test and all contents of the tested SRAM module are overwritten during the test.

The microcontrollers also support a hardware-based auto-initialization of on-chip SRAM modules. This process also takes into account the read protection scheme implemented for each SRAM module – ECC or parity.

TI recommends that the PBIST routines be executed on the SRAM modules prior to the auto-initialization. The following section describe these two processes.

### 2.2.4.1 PBIST RAM Grouping and Algorithm Mapping For On-Chip SRAM Modules

Table 2-5 shows the groupings of the various on-chip memories for PBIST. It also lists the memory types and their assigned RAM Group Select (RGS) and Return Data Select (RDS). Refer to the PBIST user guide for more details on the usage of the RGS and RDS information.

**Table 2-5. PBIST Memory Grouping**

Module	RAM Group #	RGS	RDS	Memory Type
PBIST_ROM	1	1	1	ROM
STC1_1_ROM_R5	2	14	1	ROM
STC1_2_ROM_R5	3	14	2	ROM
STC2_ROM_N2HET	4	15	1	ROM
AWM1	5	2	1	Two-port
DCAN1	6	3	1 to 6	Two-port
DCAN2	7	4	1 to 6	Two-port
DMA	8	5	1 to 6	Two-port
HTU1	9	6	1 to 6	Two-port
MIBSPI1	10	8	1 to 4	Two-port
MIBSPI2	11	9	1 to 4	Two-port
MIBSPI3	12	10	1 to 4	Two-port
N2HET1	13	11	1 to 12	Two-port
VIM	14	12	1, 2	Two-port
Reserved	15	13	1, 2	Two-port
RTP	16	16	1 to 12	Two-port
ATB	17	17	1 to 16	Two-port
AWM2	18	18	1	Two-port
DCAN3	19	19	1 to 6	Two-port
DCAN4	20	20	1 to 6	Two-port
HTU2	21	21	1 to 6	Two-port
MIBSPI4	22	22	1 to 4	Two-port
MIBSPI5	23	23	1 to 4	Two-port
N2HET2	24	24	1 to 12	Two-port
Reserved	25	25	1	Two-port
Reserved	26	26	1 to 8	Two-port

**Table 2-5. PBIST Memory Grouping (continued)**

<b>Module</b>	<b>RAM Group #</b>	<b>RGS</b>	<b>RDS</b>	<b>Memory Type</b>
CPGMAC_STATE_RXADDR	27	27	1 to 3	Two-port
CPGMAC_STAT_FIFO	28	27	4 to 6	Two-port
L2RAMW	29	7	1	Single-port
			6	Single-port
L2RAMW	30	32	1	Single-port
			6	Single-port
			11	Single-port
			16	Single-port
			21	Single-port
			26	Single-port
R5_ICACHE	31	40	1	Single-port
			6	Single-port
			11	Single-port
			16	Single-port
R5_DCACHE	32	41	1	Single-port
			6	Single-port
			11	Single-port
			16	Single-port
			21	Single-port
			26	Single-port
Reserved	33	43	1	Single-port
			6	Single-port
			11	Single-port
			16	Single-port
Reserved	34	44	1	Single-port
			6	Single-port
			11	Single-port
			16	Single-port
			21	Single-port
			26	Single-port
Reserved	35	26	9 to 11	Single-port
CPGMAC_CPPI	36	27	7	Single-port
R5_DCACHE_Dirty	37	42	2	Single-port
Reserved	38	45	2	Single-port

Table 2-6 maps the different algorithms supported in application mode for the RAM groups. The table also lists the background pattern options available for each algorithm.

**Table 2-6. PBIST Algorithm Mapping**

Sr. No.	ALGOMASK Register Value	Algorithm	Memories Under Test	Available Background Patterns	Valid RAM Groups	Valid RAMINFO Register Value
1	0x00000001	triple_read_slow_read	rom		1,2,3,4	0x0000000F
2	0x00000002	triple_read_fast_read	rom		1,2,3,4	0x0000000F
3	0x00000004	march13n	two_port	0x00000000, 0x96699669, 0x0F0F0F0F, 0xAA55AA55, 0xC3C3C3C3	5,6,7,8,9,10,11,12,13, 14,15,16,17,18,19,20, 21,22,23,24,25,26,27, 28	0xFFFFFFFF0
4	0x00000008	march13n	single_port	0x00000000, 0x96699669, 0x0F0F0F0F, 0xAA55AA55, 0xC3C3C3C3	29,30,31,32,33,34,35, 36,37,38	0xF0000000, 0x0000003F

---

**NOTE: Recommended Memory Test Algorithm**

March13 is the most recommended algorithm for the memory self-test.

---

For GCLK = 300 MHz, HCLK = 150 MHz, VCLK = 75 MHz, PBIST ROM\_CLK = 75 MHz, the March13 algorithm takes about 29.08 ms to run on all on-chip SRAMs.

---

**NOTE:** PBIST ROM\_CLK can be prescaled from GCLK via ROM\_DIV bits of the MSTGCR register. The valid ratio is either /1, /2 or /4 or /8. See [Section 2.5.1.20](#) for detail. Maximum PBIST ROM\_CLK frequency supported is 82.5MHz.

---

### 2.2.4.2 Auto-Initialization of On-Chip SRAM Modules

The device system provides the capability to perform a hardware initialization on most memories on the system bus and on the peripheral bus.

The intent of having the hardware initialization is to program the memory arrays with error detection capability to a known state based on their error detection scheme – odd/even parity or ECC. For example, the contents of the CPU level 2 SRAM after power-on reset is unknown. A hardware auto-initialization can be started so that there is no ECC error.

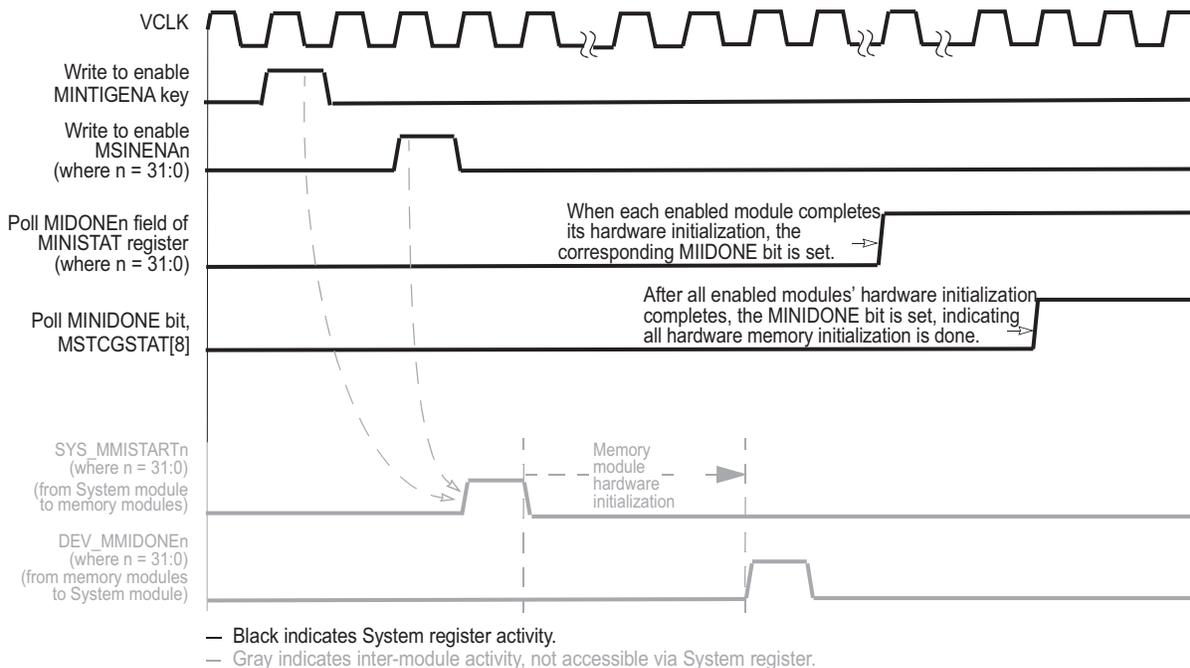
**NOTE: Effect of ECC or Parity on Memory Auto-Initialization**

The ECC or parity should be enabled on the RAMs before hardware auto-initialization starts if parity or ECC is being used.

**Auto-Initialization Sequence:**

1. Enable the global hardware memory initialization key by programming 0xA into MINTGCR[3:0], the Memory Initialization Key field (MINTGENA) of the Memory Hardware Initialization Global Control Register (MINTGCR) register.
2. Select the module on which the memory hardware initialization has to be performed by programming the appropriate value into the MSINENA(31–0) bits in the MSINENA register. See [Table 2-7](#).
3. If the global auto-initialization scheme is enabled, the corresponding module will initialize its memories based on its memory error checking scheme (even parity or odd parity or ECC).
4. When the memory initialization is complete, the module will signal “memory initialization done”, which sets the corresponding bit in the system module MIDONE field of the MINISTAT register to indicate the completion of its memory initialization.
5. When the memory hardware initialization completes for all modules, (indicated by each module’s MIDONE bit being set), the memory hardware initialization done bit (MINIDONE) is set in the MSTCGSTAT register.

**Figure 2-5. Hardware Memory Initialization Protocol**



**Table 2-7. Memory Initialization Select Mapping<sup>(1)(2)</sup>**

Connecting Module	Memory Protection Scheme	Address Range		SYS.MSINENA Register Bit #	L2RAMW.MEMINT_ENA Register Bit # <sup>(3)</sup>
		Base Address	Ending Address		
L2 SRAM	ECC	0x08000000	0x0800FFFF	0	0
L2 SRAM	ECC	0x08010000	0x0801FFFF	0	1
L2 SRAM	ECC	0x08020000	0x0802FFFF	0	2
L2 SRAM	ECC	0x08030000	0x0803FFFF	0	3
L2 SRAM	ECC	0x08040000	0x0804FFFF	0	4
L2 SRAM	ECC	0x08050000	0x0805FFFF	0	5
L2 SRAM	ECC	0x08060000	0x0806FFFF	0	6
L2 SRAM	ECC	0x08070000	0x0807FFFF	0	7
MIBSPI5 RAM <sup>(4)</sup>	ECC	0xFF0A0000	0xFF0BFFFF	12	n/a
MIBSPI4 RAM <sup>(4)</sup>	ECC	0xFF060000	0xFF07FFFF	19	n/a
MIBSPI3 RAM <sup>(4)</sup>	ECC	0xFF0C0000	0xFF0DFFFF	11	n/a
MIBSPI2 RAM <sup>(4)</sup>	ECC	0xFF080000	0xFF09FFFF	18	n/a
MIBSPI1 RAM <sup>(4)</sup>	ECC	0xFF0E0000	0xFF0FFFFFFF	7	n/a
DCAN4 RAM	ECC	0xFF180000	0xFF19FFFF	20	n/a
DCAN3 RAM	ECC	0xFF1A0000	0xFF1BFFFF	10	n/a
DCAN2 RAM	ECC	0xFF1C0000	0xFF1DFFFF	6	n/a
DCAN1 RAM	ECC	0xFF1E0000	0xFF1FFFFFFF	5	n/a
MIBADC2 RAM	Parity	0xFF3A0000	0xFF3BFFFF	14	n/a
MIBADC1 RAM	Parity	0xFF3E0000	0xFF3FFFFFFF	8	n/a
NHET2 RAM	Parity	0xFF440000	0xFF45FFFF	15	n/a
NHET1 RAM	Parity	0xFF460000	0xFF47FFFF	3	n/a
HET TU2 RAM	Parity	0xFF4C0000	0xFF4DFFFF	16	n/a
HET TU1 RAM	Parity	0xFF4E0000	0xFF4FFFFFFF	4	n/a
DMA RAM	ECC	0xFFF80000	0xFFF80FFF	1	n/a
VIM RAM	ECC	0xFFF82000	0xFFF82FFF	2	n/a

<sup>(1)</sup> If parity protection is enabled for the peripheral SRAM modules, then the parity bits will also be initialized along with the SRAM modules.

<sup>(2)</sup> If ECC protection is enabled for the CPU data RAM or peripheral SRAM modules, then the auto-initialization process also initializes the corresponding ECC space.

<sup>(3)</sup> The level 2 SRAM range from 128kB to 512kB is divided into 8 memory regions. Each region has an associated control bit to enable auto-initialization.

<sup>(4)</sup> The MibSPIx modules perform an initialization of the transmit and receive RAMs as soon as the multi-buffered mode is enabled. This is independent of whether the application has already initialized these RAMs using the auto-initialization method or not. The MibSPIx modules need to be released from reset by writing 1 to their SPIGCR0 registers before starting auto-initialization on their respective RAMs.

## 2.3 Exceptions

An “Exception” is an event that makes the processor temporarily halt the normal flow of program execution, for example, to service an interrupt from a peripheral. Before attempting to handle an exception, the processor preserves the critical parts of the current processor state so that the original program can resume when the handler routine has finished.

The following sections describe three exceptions – Reset, Abort and the System Software Interrupts.

Refer to the ARM Cortex-R5F Technical Reference Manual for complete details on all exceptions.

### 2.3.1 Resets

The RM57Lx microcontroller can be reset by either of the conditions described in [Table 2-8](#). Each reset condition is indicated in the System Exception Status Register (SYSESR).

The device nRST terminal is an I/O. It can be driven low by an external circuit to force a warm reset on the microcontroller. This terminal will be driven low as an output for a minimum of 32 peripheral clock (VCLK) cycles for any device system reset condition. As a result the EXT RST bit in the SYSESR register, SYSESR[3], gets set for all reset conditions listed in [Table 2-8](#). The nRST is driven low as an output for a longer duration during device power-up or whenever the power-on reset (nPORRST) is driven low externally. Refer the device data manual for the electrical and timing specifications for the nRST.

**Table 2-8. Causes of Resets**

Condition	Description
Driving nPORRST pin low externally	Cold reset, or power-on reset. This reset signal is typically driven by an external voltage supervisor. This reset is flagged by the PO RST bit in the SYSESR register, SYSESR[15].
Voltage Monitor reset	The microcontroller has an embedded voltage monitor that generates a power-on reset when the core voltage gets out of a valid range, or when the I/O voltage falls below a threshold. This reset is also flagged by the PO RST bit in the SYSESR register, SYSESR[15]. <b>Note:</b> The voltage monitor is not an alternative for an external voltage supervisor.
Driving nRST pin low externally	Warm reset. This reset input is typically used in a system with multiple ICs and which requires that the microcontroller also gets reset whenever the other IC detects a fault condition. This reset is flagged by the EXT RST bit in the SYSESR, register SYSESR[3].
Oscillator failure	This reset is generated by the system module when the clock monitor detects an oscillator fail condition. Whether or not a reset is generated is also dictated by a register in the system module. This reset is flagged by the OSC RST bit in the SYSESR register, SYSESR[14].
Software reset	This reset is generated by the application software writing a 1 to bit 15 of System Exception Control Register (SYSECR) or a 0 to bit 14 of SYSECR. It is typically used by a bootloader type of code that uses a software reset to allow the code execution to branch to the application code once it is programmed into the program memory. This reset is flagged by the SW RST bit of the SYSESR register, SYSESR[4].
CPU reset	This reset is generated by the CPU self-test controller (LBIST) or by changing the memory protection (MMU/MPU) configuration in the CPURSTCR register or after the CPU Interconnect Subsystem self test. This reset is flagged by the CPU RST bit of the SYSESR register, SYSESR[5].
Debug reset	The ICEPICK logic implemented on the microcontroller allows a system reset to be generated via the debug logic. This reset is flagged by the DBG RST bit of the SYSESR register, SYSESR[13].
Watchdog reset	This reset is generated by the digital windowed watchdog (DWWDD) module on the microcontroller. The DWWDD can generate a reset whenever the watchdog service window is violated. This reset is also flagged by bit 13 of the SYSESR register, SYSESR[13].

### 2.3.2 Aborts

When the ARM Cortex-R5F processor's memory system cannot complete a memory access successfully, an abort is generated. An error occurring on an instruction fetch generates a **prefetch abort**. Errors occurring on data accesses generate **data aborts**. Aborts are also categorized as being either **precise** or **imprecise**.

### 2.3.2.1 Prefetch Aborts

When a Prefetch Abort (PABT) occurs, the processor marks the prefetched instruction as invalid, but does not take the exception until the instruction is to be executed. If the instruction is not executed, for example because a branch occurs while it is in the pipeline, the abort does not take place.

All prefetch aborts are precise aborts.

### 2.3.2.2 Data Aborts

An error occurring on a data memory access can generate a data abort. If the instruction generating the memory access is not executed, for example, because it fails its condition codes, or is interrupted, the data abort does not take place.

A Data Abort (DABT) can be either precise or imprecise, depending on the type of fault that caused it.

### 2.3.2.3 Precise Aborts

A precise abort, also known as a synchronous abort, is one for which the exception is guaranteed to be taken on the instruction that generated the aborting memory access. The abort handler can use the value in the Link Register (r14\_abt) to determine which instruction generated the abort, and the value in the Saved Program Status Register (SPSR\_abt) to determine the state of the processor when the abort occurred.

### 2.3.2.4 Imprecise Aborts

An imprecise abort, also known as an asynchronous abort, is one for which the exception is taken on a later instruction to the instruction that generated the aborting memory access. The abort handler cannot determine which instruction generated the abort, or the state of the processor when the abort occurred. Therefore, imprecise aborts are normally fatal.

Imprecise aborts can be generated by store instructions to normal-type or device-type memory. When the store instruction is committed, the data is normally written into a buffer that holds the data until the memory system has sufficient bandwidth to perform the write access. This gives read accesses higher priority. The write data can be held in the buffer for a long period, during which many other instructions can complete. If an error occurs when the write is finally performed, this generates an imprecise abort.

The RM57Lx microcontroller architecture applies techniques at the system level to mitigate the impact of imprecise aborts. System level adoption of write status sidebands to the data path allow bus masters to comprehend imprecise aborts, turning them into precise aborts. In cases where this approach is not feasible, buffering bridges or other sources of imprecision may build a FIFO of current transactions such that an imprecise abort may be registered at the point of imprecision for later analysis.

#### **Masking Of Imprecise Aborts:**

The nature of imprecise aborts means that they can occur while the processor is handling a different abort. If an imprecise abort generates a new exception in such a situation, the banked link register (R14\_abt) and the Saved Processor Status Register (SPSR\_abt) values are overwritten. If this occurs before the data is pushed to the stack in memory, the state information about the first abort is lost. To prevent this from happening, the Current Processor Status Register (CPSR) contains a mask bit to indicate that an imprecise abort cannot be accepted, the A-bit. When the A-bit is set, any imprecise abort that occurs is held pending by the processor until the A-bit is cleared, when the exception is actually taken. The A-bit is automatically set when abort, IRQ or FIQ exceptions are taken, and on reset. The application must only clear the A-bit in an abort handler after the state information has either been stacked to memory, or is no longer required.

---

#### **NOTE: Default Behavior for Imprecise Aborts**

The A-bit in the CPSR is set by default. This means that no imprecise abort exception will occur. The application must enable imprecise abort exception generation by clearing the A-bit of the CPSR.

---

### 2.3.2.5 Conditions That Generate Aborts

An Abort is generated under the following conditions on the RM57Lx microcontrollers.

- Access to an illegal address (a non-implemented address)
- Access to a protected address (protection violation)
- Parity / ECC / Time-out Error on a valid access

#### Illegal Addresses:

The illegal addresses and the responses to an access to these addresses are defined in [Table 2-2](#).

#### Addresses Protected By MPU:

Memory access permissions can be configured via the ARM Cortex-R5F processor's Memory Protection Unit (MPU). Please refer to the ARM Cortex-R5F TRM for more details on the MPU configuration.

A memory access violation is logged as a permission fault in the CPU's fault status register and the virtual address of the access is logged into the CPU's fault address register.

#### Protection of Peripheral Register and Memory Frames:

Accesses to the peripheral register and memory frames can be protected either by configuring the MPU or by configuring the Peripheral Central Resource (PCR) controller registers.

The PCR module PPROTSETx registers contain one bit per peripheral select quadrant. These bits define the access permissions to the peripheral register frames. If the CPU attempts to write to a peripheral register for which it does not have the correct permissions, a protection violation is detected and an Abort occurs.

Some modules also enforce register updates to only be allowed when the CPU is in a privileged mode of operation. If the CPU writes to these registers in user mode, the writes are ignored.

The PCR module PMPROTSETx registers contain one bit per peripheral memory frame. These bits define the access permissions to the peripheral memory frames. If the CPU attempts to write to a peripheral memory for which it does not have the correct permissions, a protection violation is detected and an Abort occurs.

---

**NOTE: No Access Protection for Reads**

The PCR PPROTSETx and PMPROTSETx registers protect the peripheral registers and memories against illegal writes by the CPU. The CPU can read from the peripheral registers and memories in both user and privileged modes.

---

### 2.3.3 System Software Interrupts

The system module provides the capability of generating up to four software interrupts. A software interrupt is generated by writing the correct key value to either of the four System Software Interrupt Registers (SSIRx). The SSI registers also allow the application to provide a label for that software interrupt. This label is an 8-bit value that can then be used by the interrupt service routine to perform the required task based on the value provided. The source of the system software interrupt is reflected in the system software interrupt vector (SSIVEC) register. The pending interrupt flag is captured in SSIF register.

---

**NOTE:** The SSIRx, SSIVEC and SSIF registers are banked registers. This allows the system module to support up to two CPUs for system software interrupt generation. Each CPU will have its own banked SSI registers. Both CPUs will see the SSI registers at the same address. The system module decodes the unique master ID corresponding to the CPU's access to the banked registers.

---

## 2.4 Clocks

This section describes the clocking structure of the RM57Lx microcontrollers.

### 2.4.1 Clock Sources

The devices support up to 7 clock sources. These are shown in [Table 2-9](#). The electrical specifications as well as timing requirements for each of the clock sources are specified in the device data manual.

**Table 2-9. Clock Sources**

Clock Source #	Clock Source Name	Description
0	OSCIN	Main oscillator. This is the primary clock for the microcontroller and is the only clock that is input to the phase-locked loops. The oscillator frequency must be between 5 and 20 MHz.
1	PLL #1	This is the output of the main PLL. The PLL is capable of modulating its output frequency in a controlled manner to reduce the radiated emissions.
2	Not implemented	This clock source is not available and must not be enabled or used as source for any clock domain.
3	EXTCLKIN1	External clock input 1. A square wave input can be applied to this device input and used as a clock source inside the device.
4	LF LPO (Low-Frequency LPO)	This is the low-frequency output of the internal reference oscillator. This is typically an 80 KHz signal which is used by the real-time interrupt module for generating periodic interrupts to wake up from a low power mode.
5	HF LPO (High-Frequency LPO)	This is the high-frequency output of the internal reference oscillator. This is typically a 10 MHz signal which is used by the clock monitor module as a reference clock to monitor the main oscillator frequency.
6	PLL #2	This is the output of the second PLL. There is no option of modulating this PLL's output signal. This separate non-modulating PLL allows the generation of an asynchronous clock source that is independent of the CPU clock frequency.
7	EXTCLKIN2	External clock input 2. A square wave input can be applied to this device input and used as a clock source inside the device.

#### 2.4.1.1 Enabling / Disabling Clock Sources

Each clock source can be independently enabled or disabled using the set of Clock Source Disable registers – CSDIS, CSDISSET and CSDISCLR.

Each bit in these registers corresponds to the clock source number indicated in [Table 2-9](#). For example, setting bit 1 in the CSDIS or CSDISSET registers disables the PLL#1.

---

**NOTE: Disabling the Main Oscillator or HF LPO**

By default, the clock monitoring circuit is enabled and checks for the main oscillator frequency to be within a certain range using the HF LPO as a reference. If the main oscillator and/or the HF LPO are disabled with the clock monitoring still enabled, the clock monitor will indicate an oscillator fault. The clock monitoring must be disabled before disabling the main oscillator or the HF LPO clock source(s).

---

The clock source is only disabled once there is no active clock domain that is using that clock source. Also check the "Oscillator and PLL" user guide for more information on enabling / disabling the oscillator and PLL.

On the RM57Lx microcontrollers, the clock sources 0, 4, and 5 are enabled by default.

#### 2.4.1.2 Checking for Valid Clock Sources

The application can check whether a clock source is valid or not by checking the corresponding bit to be set in the Clock Source Valid Status (CSVSTAT) register. For example, the application can check if bit 1 in CSVSTAT is set before using the output of PLL#1 as the source for any clock domain.

## 2.4.2 Clock Domains

The clocking on this device is divided into multiple clock domains for flexibility in control as well as clock source selection. There are 10 clock domains on this device. Each of these are described in [Table 2-10](#).

Each of the control registers listed in [Table 2-10](#) are defined in [Section 2.5](#). The AC timing characteristics for each clock domain are specified in the device data manual.

**Table 2-10. Clock Domains**

Clock Domain	Clock Disable Bit	Default Source	Source Selection Register	Special Considerations
GCLK1	CDDIS.0	OSCIN	GHVSRC[3:0]	<ul style="list-style-type: none"> <li>This the main clock from which HCLK is divided down</li> <li>In phase with HCLK</li> <li>Is disabled separately from HCLK via the CDDISx registers bit 0</li> <li>Can be divided by 1 up to 8 when running CPU self-test (LBIST) using the CLKDIV field of the STCCLKDIV register at address 0xFFFFE108</li> </ul>
HCLK	CDDIS.1	OSCIN	GHVSRC[3:0]	<ul style="list-style-type: none"> <li>Divided from GCLK1 via HCLKCNTL register</li> <li>Allowable clock ratio from 1:1 to 4:1</li> <li>Is disabled via the CDDISx registers bit 1</li> </ul>
VCLK	CDDIS.2	OSCIN	GHVSRC[3:0]	<ul style="list-style-type: none"> <li>Divided down from HCLK via CLKCNTL register</li> <li>Can be HCLK/1, HCLK/2,... or HCLK/16</li> <li>Is disabled separately from HCLK via the CDDISx registers bit 2</li> <li>HCLK:VCLK2:VCLK must be integer ratios of each other</li> </ul>
VCLK2	CDDIS.3	OSCIN	GHVSRC[3:0]	<ul style="list-style-type: none"> <li>Divided down from HCLK</li> <li>Can be HCLK/1, HCLK/2,... or HCLK/16</li> <li>Frequency must be an integer multiple of VCLK frequency</li> <li>Is disabled separately from HCLK via the CDDISx registers bit 3</li> </ul>
VCLK3	CDDIS.8	OSCIN	GHVSRC[3:0]	<ul style="list-style-type: none"> <li>Divided down from HCLK</li> <li>Can be HCLK/1, HCLK/2,... or HCLK/1</li> <li>HCLK:VCLK3 must be integer ratios of each other</li> <li>Is disabled separately from HCLK via the CDDISx registers bit 8</li> </ul>
VCLKA1	CDDIS.4	VCLK	VCLKASRC[3:0]	<ul style="list-style-type: none"> <li>Defaults to VCLK as the source</li> <li>Frequency can be as fast as HCLK frequency</li> <li>Is disabled via the CDDISx registers bit 4</li> </ul>
VCLKA2	CDDIS.5	VCLK	VCLKASRC[3:0]	<ul style="list-style-type: none"> <li>Defaults to VCLK as the source</li> <li>Frequency can be as fast as HCLK frequency</li> <li>Is disabled via the CDDISx registers bit 5</li> </ul>
VCLKA4_S	CDDIS.11	VCLK	VCLKACON1[19:16]	<ul style="list-style-type: none"> <li>Defaults to VCLK as the source</li> <li>Frequency can be as fast as HCLK frequency</li> <li>Is disabled via the CDDISx registers bit 11</li> </ul>
VCLKA4_DIVR	VCLKACON1.20	VCLK	VCLKACON1[19:16]	<ul style="list-style-type: none"> <li>Divided down from VCLKA4_S using the VCLKA4R field of the VCLKACON1 register</li> <li>Frequency can be VCLKA4_S/1, VCLKA4_S/2, ..., or VCLKA4_S/8</li> <li>Default frequency is VCLKA4_S/2</li> <li>Is disabled separately via the VCLKACON1 register's VCLKA4_DIV_CDDIS bit if the VCLKA4_S is not already disabled</li> </ul>

**Table 2-10. Clock Domains (continued)**

Clock Domain	Clock Disable Bit	Default Source	Source Selection Register	Special Considerations
RTICKL	CDDIS.6	VCLK	RCLKSRC[3:0]	<ul style="list-style-type: none"> <li>• Defaults to VCLK as the source</li> <li>• If a clock source other than VCLK is selected for RTICKL, then the RTICKL frequency must be less than or equal to VCLK/3</li> <li>• Application can ensure this by programming the RTIDIV field of the RCLKSRC register, if necessary</li> <li>• Is disabled via the CDDISx registers bit 6</li> </ul>

#### 2.4.2.1 Enabling / Disabling Clock Domains

Each clock domain can be independently enabled or disabled using the set of Clock Domain Disable registers – CDDIS, CDDISSET and CDDISCLR.

Each bit in these registers corresponds to the clock domain number indicated in [Table 2-10](#). For example, setting bit 1 in the CDDIS or CDDISSET registers disables the HCLK clock domain. The clock domain will be turned off only when every module that uses the HCLK domain gives the “permission” for HCLK to be turned off.

All clock domains are enabled by default, or upon a system reset, or whenever a wake up condition is detected.

#### 2.4.2.2 Mapping Clock Sources to Clock Domains

Each clock domain needs to be mapped to a valid clock source. There are control registers that allow an application to choose the clock sources for each clock domain.

- **Selecting clock source for GCLKx, HCLK and VCLKx domains**

The CPU clock (GCLK1 and GCLK2), the system module clock (HCLK), and the peripheral bus clocks (VCLKx) all use the same clock source. This clock source is selected via the GHVSRC register. The default source for the GCLKx, HCLK and VCLKx is the main oscillator. That is, after power up, the GCLKx and HCLK are running at the OSCIN frequency, while the VCLKx frequency is the OSCIN frequency divided by 2.

- **Selecting clock source for VCLKA1 and VCLKA2 domains**

The clock source for VCLKA1 and VCLKA2 domains is selected via the VCLKASRC register. The default source for the VCLKA1 and VCLKA2 domains is the VCLK.

- **Selecting clock source for VCLKA4 domain**

The clock source for VCLKA4 domain is selected via the VCLKACON1 register. The default source for the VCLKA4 domain is the VCLK.

- **Selecting clock source for RTICKL domain**

The clock source for RTICKL domain is selected via the RCLKSRC register. The default source for the RTICKL domain is the VCLK.

---

**NOTE: Selecting a clock source for RTICKL that is not VCLK**

When the application chooses a clock source for RTICKL domain that is not VCLK, then the application must ensure that the resulting RTICKL frequency must be less than or equal to VCLK frequency divided by 3. The application can configure the RTIDIV field of the RCLKSRC register for dividing the selected clock source frequency by 1, 2, 4 or 8 to meet this requirement.

---

### 2.4.3 Low Power Modes

All clock domains are active in the normal operating mode. This is the default mode of operation. As described in [Section 2.4.1.1](#) and [Section 2.4.2.1](#), the application can choose to disable any particular clock source and domain that it does not plan to use. Also, the peripheral central resource controller (PCR) has control registers to enable / disable the peripheral clock (VCLK) for each peripheral select. This offers the application a large number of choices for enabling / disabling clock sources, or clock domains, or clocks to specific peripherals.

This section describes three particular low-power modes and their typical characteristics. They are not the only low-power modes configurable by the application, as just described.

**Table 2-11. Typical Low-Power Modes**

Mode Name	Active Clock Source(s)	Active Clock Domain(s)	Wake Up Options	Suggested Wake Up Clock Source(s)	Wake Up Time(wake up detected -to- CPU code execution start)
Doze	Main oscillator	RTICKL	RTI interrupt, GIO interrupt, CAN message, SCI message	Main oscillator	Flash pump sleep -> active transition time + Flash bank sleep -> standby transition time + Flash bank standby -> active transition time
Snooze	LF LPO	RTICKL	RTI interrupt, GIO interrupt, CAN message, SCI message	HF LPO	HF LPO warm start-up time + Flash pump sleep -> active transition time + Flash bank sleep -> standby transition time + Flash bank standby -> active transition time
Sleep	None	None	GIO interrupt, CAN message, SCI message	HF LPO	HF LPO warm start-up time + Flash pump sleep -> active transition time + Flash bank sleep -> standby transition time + Flash bank standby -> active transition time

### 2.4.3.1 Typical Software Sequence to Enter a Low-Power Mode

1. Disable all non-CPU bus masters so they do not carry out any further bus transactions.
2. Program the flash banks and flash pump fall-back modes to be “sleep”.  
The flash pump transitions from active to sleep mode only after all the flash banks have switched from active to sleep mode.
3. Disable the clock sources that are not required to be kept active.  
A clock source does not get disabled until all clock domains using that clock source are disabled first, or are configured to use an alternate clock source.
4. Disable the clock domains that are not required to be kept active.  
A clock domain does not get disabled until all modules using that clock domain “give their permission” for that clock domain to be turned off.
5. Idle the Cortex-R5F core.  
The ARM Cortex-R5F CPU has internal power management logic, and requires a dedicated instruction to be used in order to enter a low power mode. This is the Wait For Interrupt (WFI) instruction.  
When a WFI instruction is executed, the Cortex-R5F core flushes its pipeline, flushes all write buffers, and completes all pending bus transactions. At this time the core indicates to the system that the clock to the core can be stopped. This indication is used by the Global Clock Module (GCM) to turn off the CPU clock domain (GCLK) if the CDDIS register bit 0 is set.

### 2.4.3.2 Special Considerations for Entry to Low Power Modes

Some bus master modules – DMA, High-End Timer Transfer Units (HTUx), and Parameter Overlay Module (POM), can have ongoing transactions when the application wants to enter a low power mode to turn off the clocks to those modules. This is not recommended as it could leave the device in an unpredictable state. Refer to the individual module user guides for more information about the sequence to be followed to safely enter a low-power mode.

### 2.4.3.3 Selecting Clock Source Upon Wake Up

The domains for CPU clock (GCLKx), the system clock (HCLK) and the peripheral clock (VCLKx) use the same clock source selected via the GHVSRC field of the GHVSRC register. The GHVSRC register also allows the application to choose the clock source after wake up via the GHVWAKE field.

When a wake up condition is detected, if the selected wake up clock source is not already active, the global clock module (GCM) will enable this selected clock source, wait for it to become valid, and then use it for the GCLK, HCLK and VCLKx domains. The other clock domains VCLKAx and RTICKL retain the configuration for their clock source selection registers – VCLKASRC, VCLKACON1 and RCLKSRC.

## 2.4.4 Clock Test Mode

The RM57Lx microcontrollers support a test mode which allows a user to bring out several different clock sources and clock domains on to the ECLK1 terminal in addition to outputting the external clock. This is very useful information for debug purposes. Each clock source also has a corresponding clock source valid status flag in the Clock Source Valid Status (CSVSTAT) register. The clock source valid status flags can also be brought out on to the N2HET1[12] terminal in this clock test mode.

The clock test mode is controlled by the CLKTEST register in the system module register frame (see [Section 2.5.1.31](#)).

The clock test mode is enabled by writing 0x5 to the CLK\_TEST\_EN field.

The signal to be brought out on to the ECLK1 terminal is defined by the SEL\_ECP\_PIN field, and the signal to be brought out on to the N2HET1[12] terminal is defined by the SEL\_GIO\_PIN field. The choices for these selections are defined in [Table 2-12](#).

**Table 2-12. Clock Test Mode Options**

SEL_ECP_PIN	Signal on ECLK	SEL_GIO_PIN	Signal on N2HET1[12]
00000	Oscillator	0000	Oscillator Valid status
00001	PLL1 free-running clock output	0001	PLL1 Valid status
00010	Reserved	0010	Reserved
00011	EXTCLKIN1	0011	Reserved
00100	CLK80K	0100	Reserved
00101	CLK10M	0101	CLK10M Valid status
00110	PLL2 free-running clock output	0110	PLL2 Valid Status
00111	EXTCLKIN2	0111	Reserved
01000	GCLK	1000	CLK80K
01001	RTI Base	1001	Oscillator Valid status
01010	Reserved	1010	Oscillator Valid status
01011	VCLKA1	1011	Oscillator Valid status
01100	VCLKA2	1100	Oscillator Valid status
01101	Reserved	1101	Reserved
01110	VCLKA4_DIVR	1110	VCLKA4_S
01111	Flash Pump Oscillator	1111	Oscillator Valid status
10000	Reserved		
10001	HCLK		
10010	VCLK		
10011	VCLK2		
10100	VCLK3		
10101-10110	Reserved		
10111	EMAC Clock		
11000-11111	Reserved		

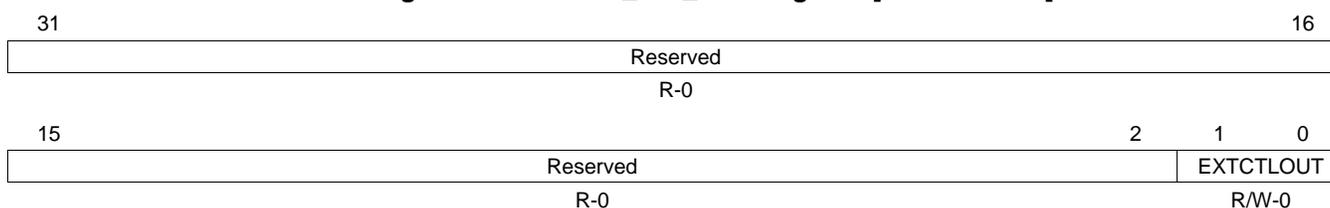
### 2.4.5 Embedded Trace Macrocell (ETM-R5)

The RM57Lx microcontrollers contain an ETM-R5 module with a 32-bit internal data port. The ETM-R5 module is connected to a TPIU with a 32-bit data bus; the TPIU provides a 35-bit (32-bit data and 3-bit control) external interface for trace. The ETM-R5 is CoreSight compliant and follows the ETM v3 specification; for more details see the ARM CoreSight ETM-R5 TRM specification.

The ETM clock source is selected as either VCLK or the external ETMTRACECLKIN pin. The selection is done by the EXTCTLOUT control bits of the TPIU EXTCTL\_Out\_Port register. The address of this register is TPIU base address + 0x404.

Before you begin accessing TPIU registers, the TPIU should be unlocked via the CoreSight key and 1h or 2h should be written to this register.

**Figure 2-6. EXTCTL\_Out\_Port Register [offset = 404h]**



LEGEND: R/W = Read/Write; R = Read only; -n = value after reset

**Table 2-13. EXTCTL\_Out\_Port Register Field Descriptions**

Bit	Field	Value	Description
31-2	Reserved	0	Read returns 0. Writes have no effect.
1-0	EXTCTLOUT	0	EXTCTL output control.
		0	Tied-zero
		1h	VCLK
		2h	ETMTRACECLKIN
		3h	Tied-zero

### 2.4.6 Safety Considerations for Clocks

The RM57Lx microcontrollers are targeted for use in several safety-critical applications. The following sections describe the internal or external monitoring mechanisms that detect and signal clock source failures.

### 2.4.6.1 Oscillator Monitor

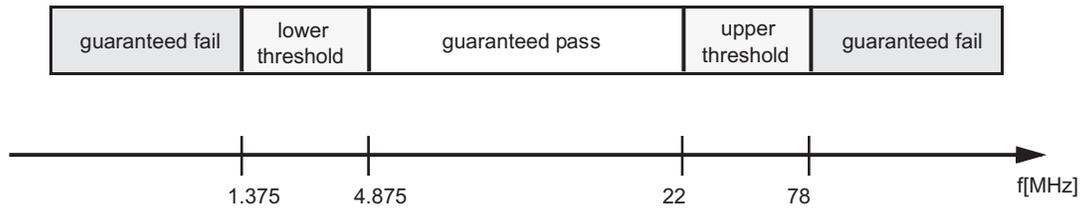
The oscillator clock frequency is monitored by a dedicated circuitry called CLKDET using the HF LPO as the reference clock. The CLKDET flags an oscillator fail condition whenever the OSCIN frequency falls outside of a range which is defined by the HF LPO frequency.

The valid OSCIN range is defined as a minimum of  $f_{(HF\ LPO)} / 4$  to a maximum of  $f_{(HF\ LPO)} * 4$ .

The untrimmed HF LPO frequency on this device can range from 5.5 MHz to 19.5 MHz. This results in a valid OSCIN frequency range depicted in Figure 2-7.

The application can select the device response to an oscillator fail indication. Refer to Chapter 14 for more details on the oscillator monitoring and the system response choices.

Figure 2-7. LPO and Clock Detection, Untrimmed HF LPO



### 2.4.6.2 PLL Slip Detector

Both the PLL macros implemented on the microcontrollers have an embedded slip detection circuit. A PLL slip is detected by the slip detector under the following conditions:

1. Reference cycle slip, RFSLIP — the output clock is running *too fast* relative to the reference clock
2. Feedback cycle slip, FBSLIP — the output clock is running *too slow* relative to the reference clock

The device also includes optional filters that can be enabled before a slip indication from the PLL is actually logged in the system module Global Status Register (GLBSTAT). Also, once a PLL slip condition is logged in the system module global status register, the application can choose the device's response to the slip indication. Refer to Chapter 14 for more details on PLL slip and the system response choices.

### 2.4.6.3 External Clock Monitor

The microcontrollers support two terminals called ECLK1 and ECLK2 – External Clock, which are used to output a slow frequency which is divided down from the device system clock frequency. An external circuit can monitor the ECLK1 and/or ECLK2 frequency in order to check that the device is operating at the correct frequency.

The frequency of the signal output on the ECLKx pin can be divided down by 1 to 65536 from the peripheral clock (VCLK) frequency using the External Clock Prescaler Control Register (ECPCNTL) for ECLK1 and ECPCNTL1 for ECLK2. The actual clock output on ECLK1 is enabled by setting the ECP CLK FUN bit of the SYSPC1 control register. By default, the ECLK1 terminal is in GIO mode. ECLK2 functionality can be enabled by writing 5h to the ECP\_KEY field of the ECPCNTL1 register.

**NOTE:** ECLK2 is multiplexed with EMIF\_CLK and ECLK2 is not a primary function after reset. User will need to select ECLK2 to be brought out to the terminal using IOMM module.

### 2.4.6.4 Dual-Clock Comparators

The microcontrollers include two instances of the dual-clock comparator module. This module includes two down counters which independently count from two separate seed values at the rate of two independent clock frequencies. One of the clock inputs is a reference clock input, selectable between the main oscillator or the HF LPO in functional mode. The second clock input is selectable from among a set of defined signals as described in Section 2.4.6.4.1 and Section 2.4.6.4.2. This mechanism can be used to use a known-good clock to measure the frequency of another clock.

#### 2.4.6.4.1 DCC1

As can be seen, the main oscillator (OSCIN) can be used for counter 0 as a “known-good” reference clock. The clock for counter 1 can be selected from among 8 options. Refer to the DCC module user guide for more details on the DCC usage.

**Table 2-14. DCC1 Counter 0 Clock Inputs**

Clock Source [3–0]	Clock / Signal Name
All other values	oscillator (OSCIN)
5h	HF LPO
Ah	test clock (TCK)

**Table 2-15. DCC1 Counter 1 Clock / Signal Inputs**

Key [3–0]	Clock Source [3–0]	Clock / Signal Name
Ah	0h	PLL1 free-running output
	1h	PLL2 free-running output
	2h	LF LPO
	3h	HF LPO
	4h	Flash pump oscillator
	5h	EXTCLKIN1
	6h	EXTCLKIN2
	7	Reserved
	8h-Fh	VCLK
All other values	any value	N2HET1[31]

#### 2.4.6.4.2 DCC2

As can be seen, the main oscillator (OSCIN) can be used for counter 0 as a “known-good” reference clock. The clock for counter 1 can be selected from among 2 options. Refer to the DCC module user guide for more details on the DCC usage.

**Table 2-16. DCC2 Counter 0 Clock Inputs**

Clock Source [3–0]	Clock / Signal Name
others	oscillator (OSCIN)
0xA	test clock (TCK)

**Table 2-17. DCC2 Counter 1 Clock / Signal Inputs**

Key [3–0]	Clock Source [3–0]	Clock / Signal Name
Ah	0h	Reserved
	1h	PLL2 post_ODCLK/8
	2h	PLL2 post_ODCLK/16
	3h-7h	Reserved
	8h-Fh	VCLK
All other values	any value	N2HET2[0]

## 2.5 System and Peripheral Control Registers

The following sections describe the system and peripheral control registers of the RM57Lx microcontroller.

### 2.5.1 Primary System Control Registers (SYS)

This section describes the SYSTEM registers. These registers are divided into two separate frames. The start address of the primary system module frame is FFFF FF00h. The start address of the secondary system module frame is FFFF E100h. The registers support 8-, 16-, and 32-bit writes. The offset is relative to the system module frame start address.

Table 2-18 contains a list of the primary system control registers.

**Table 2-18. Primary System Control Registers**

Offset	Acronym	Register Description	Section
00h	SYSPC1	SYS Pin Control Register 1	<a href="#">Section 2.5.1.1</a>
04h	SYSPC2	SYS Pin Control Register 2	<a href="#">Section 2.5.1.2</a>
08h	SYSPC3	SYS Pin Control Register 3	<a href="#">Section 2.5.1.3</a>
0Ch	SYSPC4	SYS Pin Control Register 4	<a href="#">Section 2.5.1.4</a>
10h	SYSPC5	SYS Pin Control Register 5	<a href="#">Section 2.5.1.5</a>
14h	SYSPC6	SYS Pin Control Register 6	<a href="#">Section 2.5.1.6</a>
18h	SYSPC7	SYS Pin Control Register 7	<a href="#">Section 2.5.1.7</a>
1Ch	SYSPC8	SYS Pin Control Register 8	<a href="#">Section 2.5.1.8</a>
20h	SYSPC9	SYS Pin Control Register 9	<a href="#">Section 2.5.1.9</a>
30h	CSDIS	Clock Source Disable Register	<a href="#">Section 2.5.1.10</a>
34h	CSDISSET	Clock Source Disable Set Register	<a href="#">Section 2.5.1.11</a>
38h	CSDISCLR	Clock Source Disable Clear Register	<a href="#">Section 2.5.1.12</a>
3Ch	CDDIS	Clock Domain Disable Register	<a href="#">Section 2.5.1.13</a>
40h	CDDISSET	Clock Domain Disable Set Register	<a href="#">Section 2.5.1.14</a>
44h	CDDISCLR	Clock Domain Disable Clear Register	<a href="#">Section 2.5.1.15</a>
48h	GHVSR	GCLK, HCLK, VCLK, and VCLK2 Source Register	<a href="#">Section 2.5.1.16</a>
4Ch	VCLKASRC	Peripheral Asynchronous Clock Source Register	<a href="#">Section 2.5.1.17</a>
50h	RCLKSRC	RTI Clock Source Register	<a href="#">Section 2.5.1.18</a>
54h	CSVSTAT	Clock Source Valid Status Register	<a href="#">Section 2.5.1.19</a>
58h	MSTGCR	Memory Self-Test Global Control Register	<a href="#">Section 2.5.1.20</a>
5Ch	MINITGCR	Memory Hardware Initialization Global Control Register	<a href="#">Section 2.5.1.21</a>
60h	MSIENA	Memory Self-Test/Initialization Enable Register	<a href="#">Section 2.5.1.22</a>
68h	MSTCGSTAT	MSTC Global Status Register	<a href="#">Section 2.5.1.23</a>
6Ch	MINISTAT	Memory Hardware Initialization Status Register	<a href="#">Section 2.5.1.24</a>
70h	PLLCTL1	PLL Control Register 1	<a href="#">Section 2.5.1.25</a>
74h	PLLCTL2	PLL Control Register 2	<a href="#">Section 2.5.1.26</a>
78h	SYSPC10	SYS Pin Control Register 10	<a href="#">Section 2.5.1.27</a>
7Ch	DIEIDL	Die Identification Register, Lower Word	<a href="#">Section 2.5.1.28</a>
80h	DIEIDH	Die Identification Register, Upper Word	<a href="#">Section 2.5.1.29</a>
88h	LPOMONCTL	LPO/CLock Monitor Control Register	<a href="#">Section 2.5.1.31</a>
8Ch	CLKTEST	Clock Test Register	<a href="#">Section 2.5.1.31</a>
90h	DFTCTRLREG	DFT Control Register	<a href="#">Section 2.5.1.32</a>
94h	DFTCTRLREG2	DFT Control Register 2	<a href="#">Section 2.5.1.33</a>
A0h	GPREG1	General Purpose Register	<a href="#">Section 2.5.1.34</a>
B0h	SSIR1	System Software Interrupt Request 1 Register	<a href="#">Section 2.5.1.35</a>
B4h	SSIR2	System Software Interrupt Request 2 Register	<a href="#">Section 2.5.1.36</a>
B8h	SSIR3	System Software Interrupt Request 3 Register	<a href="#">Section 2.5.1.37</a>

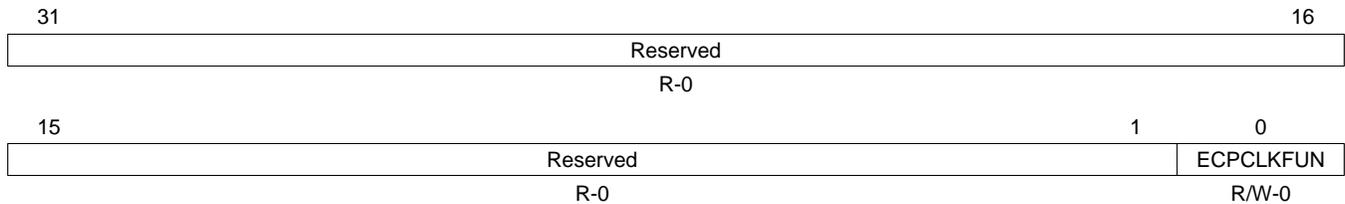
**Table 2-18. Primary System Control Registers (continued)**

<b>Offset</b>	<b>Acronym</b>	<b>Register Description</b>	<b>Section</b>
BCh	SSIR4	System Software Interrupt Request 4 Register	<a href="#">Section 2.5.1.38</a>
C0h	RAMGCR	RAM Control Register	<a href="#">Section 2.5.1.39</a>
C4h	BMMCR1	Bus Matrix Module Control Register 1	<a href="#">Section 2.5.1.40</a>
CCh	CPURSTCR	CPU Reset Control Register	<a href="#">Section 2.5.1.41</a>
D0h	CLKCNTL	Clock Control Register	<a href="#">Section 2.5.1.42</a>
D4h	ECPCNTL	ECP Control Register	<a href="#">Section 2.5.1.43</a>
DCh	DEVCR1	DEV Parity Control Register 1	<a href="#">Section 2.5.1.44</a>
E0h	SYSECR	System Exception Control Register	<a href="#">Section 2.5.1.45</a>
E4h	SYSESR	System Exception Status Register	<a href="#">Section 2.5.1.46</a>
E8h	SYSTASR	System Test Abort Status Register	<a href="#">Section 2.5.1.47</a>
ECh	GLBSTAT	Global Status Register	<a href="#">Section 2.5.1.48</a>
F0h	DEVID	Device Identification Register	<a href="#">Section 2.5.1.49</a>
F4h	SSIVEC	Software Interrupt Vector Register	<a href="#">Section 2.5.1.50</a>
F8h	SSIF	System Software Interrupt Flag Register	<a href="#">Section 2.5.1.51</a>

### 2.5.1.1 SYS Pin Control Register 1 (SYSPC1)

The SYSPC1 register, shown in [Figure 2-8](#) and described in [Table 2-19](#), controls the function of the ECLK pin.

**Figure 2-8. SYS Pin Control Register 1 (SYSPC1) (offset = 00h)**



LEGEND: R/W = Read/Write; R = Read only; -n = value after reset

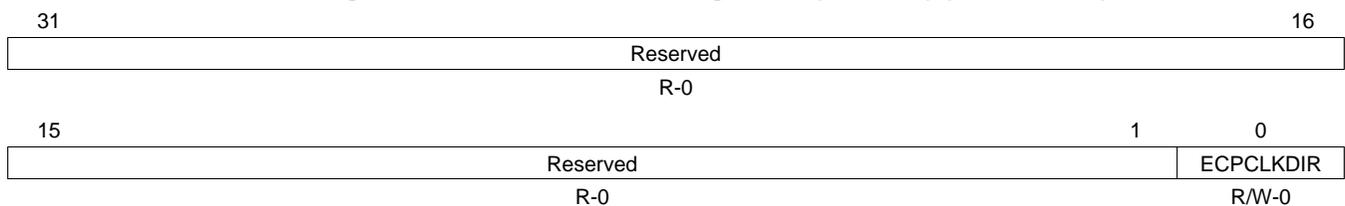
**Table 2-19. SYS Pin Control Register 1 (SYSPC1) Field Descriptions**

Bit	Field	Value	Description
31-1	Reserved	0	Read returns 0. Writes have no effect.
0	ECPCLKFUN	0	ECLK function. This bit changes the function of the ECLK pin. ECLK is in GIO mode.
		1	ECLK is in functional mode as a clock output. <b>Note: Proper ECLK duty cycle is not guaranteed until 1 ECLK cycle has elapsed after switching into functional mode.</b>

### 2.5.1.2 SYS Pin Control Register 2 (SYSPC2)

The SYSPC2 register, shown in [Figure 2-9](#) and described in [Table 2-20](#), controls whether the pin is an input or an output when in GIO mode.

**Figure 2-9. SYS Pin Control Register 2 (SYSPC2) (offset = 04h)**



LEGEND: R/W = Read/Write; R = Read only; -n = value after reset

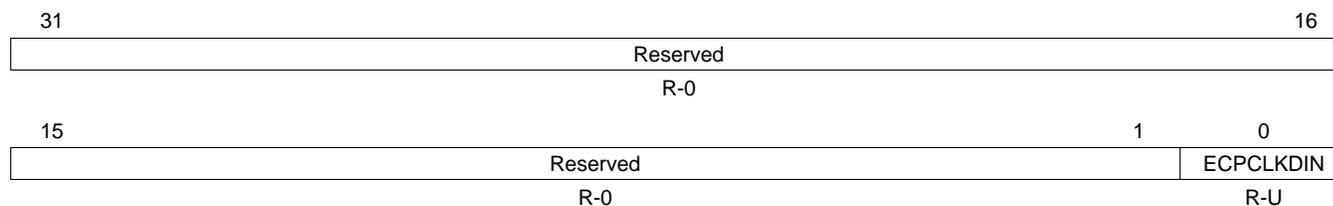
**Table 2-20. SYS Pin Control Register 2 (SYSPC2) Field Descriptions**

Bit	Field	Value	Description
31-1	Reserved	0	Read returns 0. Writes have no effect.
0	ECPCLKDIR	0	ECLK data direction. This bit controls the direction of the ECLK pin when it is configured to be in GIO mode only. The ECLK pin is an input. <b>Note: If the pin direction is set as an input , the output buffer is tristated.</b>
		1	The ECLK pin is an output. <b>Note: The ECLK pin is placed into GIO mode by clearing the ECPCLKFUN bit to 0 in the SYSPC1 register.</b>

### 2.5.1.3 SYS Pin Control Register 3 (SYSPC3)

The SYSPC3 register, shown in [Figure 2-10](#) and described in [Table 2-21](#), displays the logic state of the ECLK pin when it is in GIO mode.

**Figure 2-10. SYS Pin Control Register 3 (SYSPC3) (offset = 08h)**



LEGEND: R/W = Read/Write; R = Read only; -n = value after reset; -U = Undefined

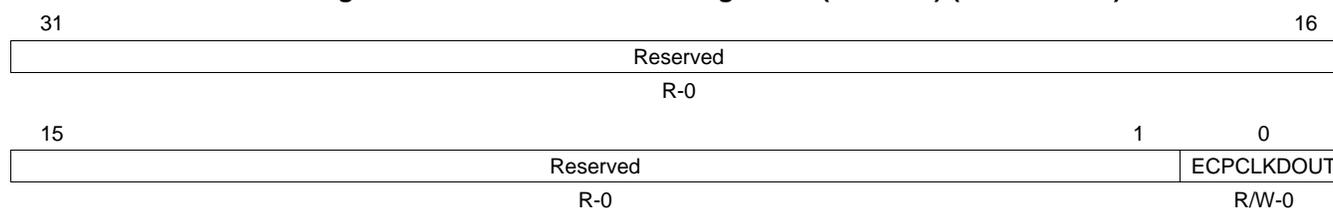
**Table 2-21. SYS Pin Control Register 3 (SYSPC3) Field Descriptions**

Bit	Field	Value	Description
31-1	Reserved	0	Read returns 0. Writes have no effect.
0	ECPCLKDIN	0	ECLK data in. This bit displays the logic state of the ECLK pin when it is configured to be in GIO mode. The ECLK pin is at logic low (0).
		1	The ECLK pin is at logic high (1).

### 2.5.1.4 SYS Pin Control Register 4 (SYSPC4)

The SYSPC4 register, shown in [Figure 2-11](#) and described in [Table 2-22](#), controls the logic level output function of the ECLK pin when it is configured as an output in GIO mode.

**Figure 2-11. SYS Pin Control Register 4 (SYSPC4) (offset = 0Ch)**



LEGEND: R/W = Read/Write; R = Read only; -n = value after reset

**Table 2-22. SYS Pin Control Register 4 (SYSPC4) Field Descriptions**

Bit	Field	Value	Description
31-1	Reserved	0	Read returns 0. Writes have no effect.
0	ECPCLKDOUT	0	ECLK data out write. This bit is only active when the ECLK pin is configured to be in GIO mode. Writes to this bit will only take effect when the ECLK pin is configured as an output in GIO mode. The current logic state of the ECLK pin will be displayed by this bit in both input and output GIO mode. The ECLK pin is driven to logic low (0).
		1	The ECLK pin is driven to logic high (1).
			<b>Note: The ECLK pin is placed into GIO mode by setting the ECPCLKFUN bit to 0 in the SYSPC1 register. The ECLK pin is placed in output mode by setting the ECPCLKDIR bit to 1 in the SYSPC2 register.</b>

### 2.5.1.5 SYS Pin Control Register 5 (SYSPC5)

The SYSPC5 register, shown in [Figure 2-12](#) and described in [Table 2-23](#), controls the set function of the ECLK pin when it is configured as an output in GIO mode.

**Figure 2-12. SYS Pin Control Register 5 (SYSPC5) (offset = 10h)**

31	Reserved		16
R-0			
15	Reserved		0
R-0			ECPCCLKSET R/W-0

LEGEND: R/W = Read/Write; R = Read only; -n = value after reset

**Table 2-23. SYS Pin Control Register 5 (SYSPC5) Field Descriptions**

Bit	Field	Value	Description
31-1	Reserved	0	Read returns 0. Writes have no effect.
0	ECPCCLKSET	0	ECLK data out set. This bit drives the output of the ECLK pin high when set in GIO output mode. <i>Write:</i> Writing a 0 has no effect.
		1	<i>Write:</i> The ECLK pin is driven to logic high (1). <b>Note:</b> The current logic state of the ECPCCLKDOUT bit will also be displayed by this bit when the pin is configured in GIO output mode. <b>Note:</b> The ECLK pin is placed into GIO mode by setting the ECPCCLKFUN bit to 0 in the SYSPC1 register. The ECLK pin is placed in output mode by setting the ECPCCLKDIR bit to 1 in the SYSPC2 register.

### 2.5.1.6 SYS Pin Control Register 6 (SYSPC6)

The SYSPC6 register, shown in [Figure 2-13](#) and described in [Table 2-24](#), controls the clear function of the ECLK pin when it is configured as an output in GIO mode..

**Figure 2-13. SYS Pin Control Register 6 (SYSPC6) (offset = 14h)**

31	Reserved		16
R-0			
15	Reserved		0
R-0			ECPCCLKCLR R/W-0

LEGEND: R/W = Read/Write; R = Read only; -n = value after reset

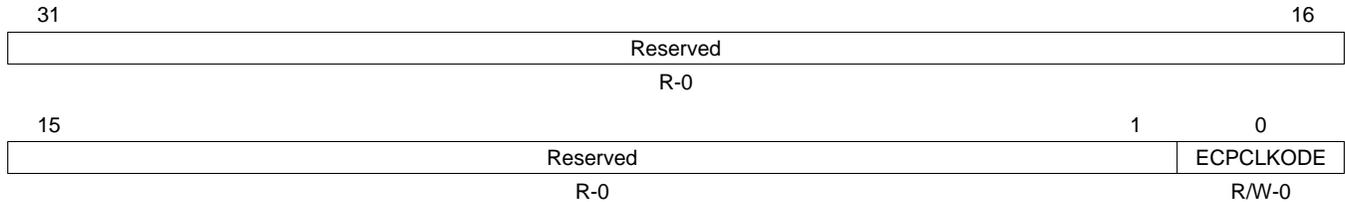
**Table 2-24. SYS Pin Control Register 6 (SYSPC6) Field Descriptions**

Bit	Field	Value	Description
31-1	Reserved	0	Read returns 0. Writes have no effect.
0	ECPCCLKCLR	0	ECLK data out clear. This bit drives the output of the ECLK pin low when set in GIO output mode. <i>Write:</i> The ECLK pin value is unchanged.
		1	<i>Write:</i> The ECLK pin is driven to logic low (0). <b>Note:</b> The current logic state of the ECPCCLKDOUT bit will also be displayed by this bit when the pin is configured in GIO output mode. <b>Note:</b> The ECLK pin is placed into GIO mode by setting the ECPCCLKFUN bit to 0 in the SYSPC1 register. The ECLK pin is placed in output mode by setting the ECPCCLKDIR bit to 1 in the SYSPC2 register.

### 2.5.1.7 SYS Pin Control Register 7 (SYSPC7)

The SYSPC7 register, shown in [Figure 2-14](#) and described in [Table 2-25](#), controls the open drain function of the ECLK pin.

**Figure 2-14. SYS Pin Control Register 7 (SYSPC7) (offset = 18h)**



LEGEND: R/W = Read/Write; R = Read only; -n = value after reset

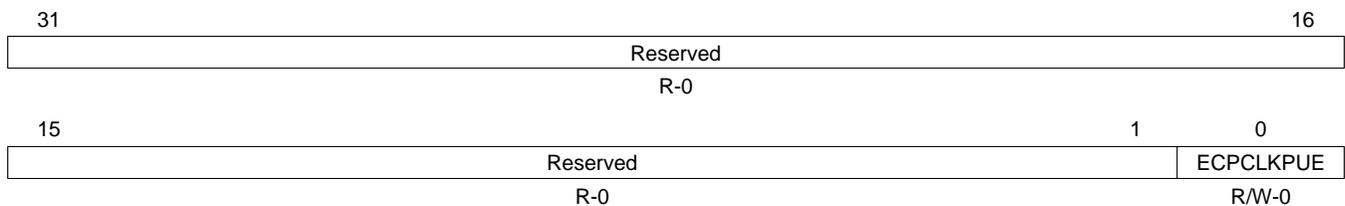
**Table 2-25. SYS Pin Control Register 7 (SYSPC7) Field Descriptions**

Bit	Field	Value	Description
31-1	Reserved	0	Read returns 0. Writes have no effect.
0	ECPCCLKODE	0 1	ECLK open drain enable. This bit is only active when ECLK is configured to be in GIO mode. The ECLK pin is configured in push/pull (normal GIO) mode. The ECLK pin is configured in open drain mode. The ECPCCLKDOUT bit in the SYSPC4 register controls the state of the ECLK output buffer: ECPCCLKDOUT = 0 The ECLK output buffer is driven low ECPCCLKDOUT = 1 The ECLK output buffer is tristated <b>Note: The ECLK pin is placed into GIO mode by setting the ECPCCLKFUN bit to 0 in the SYSPC1 register.</b>

### 2.5.1.8 SYS Pin Control Register 8 (SYSPC8)

The SYSPC8 register, shown in [Figure 2-15](#) and described in [Table 2-26](#), controls the pull enable function of the ECLK pin when it is configured as an input in GIO mode.

**Figure 2-15. SYS Pin Control Register 8 (SYSPC8) (offset = 1Ch)**



LEGEND: R/W = Read/Write; R = Read only; D = Device Specific; -n = value after reset

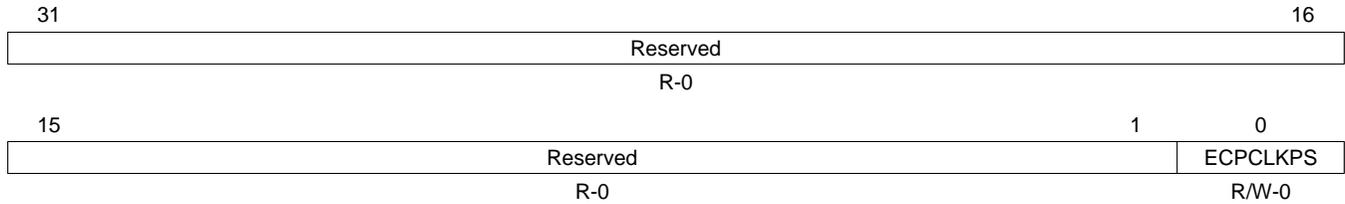
**Table 2-26. SYS Pin Control Register 8 (SYSPC8) Field Descriptions**

Bit	Field	Value	Description
31-1	Reserved	0	Read returns 0. Writes have no effect.
0	ECPCCLKPUE	0 1	ECLK pull enable. Writes to this bit will only take effect when the ECLK pin is configured as an input in GIO mode. ECLK pull enable is active. ECLK pull enable is inactive. <b>Note: The pull direction (up/down) is selected by the ECPCCLKPS bit in the SYSPC9 register.</b> <b>Note: The ECLK pin is placed into GIO mode by setting the ECPCCLKFUN bit to 0 in the SYSPC1 register. The ECLK pin is placed in input mode by setting the ECPCCLKDIR bit to 0 in the SYSPC2 register.</b>

### 2.5.1.9 SYS Pin Control Register 9 (SYSPC9)

The SYSPC9 register, shown in [Figure 2-16](#) and described in [Table 2-27](#), controls the pull up/pull down configuration of the ECLK pin when it is configured as an input in GIO mode.

**Figure 2-16. SYS Pin Control Register 9 (SYSPC9) (offset = 20h)**



LEGEND: R/W = Read/Write; R = Read only; -n = value after reset

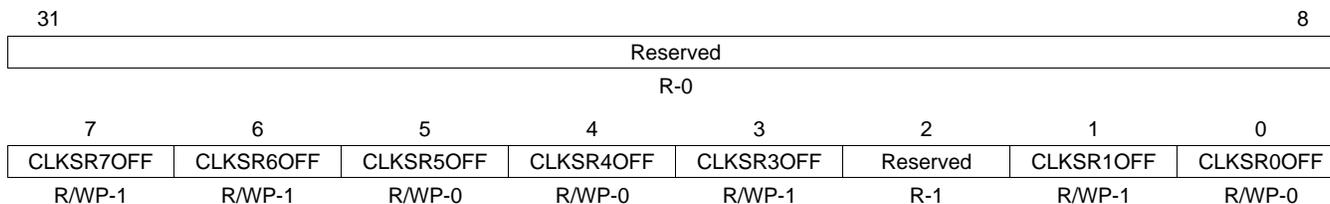
**Table 2-27. SYS Pin Control Register 9 (SYSPC9) Field Descriptions**

Bit	Field	Value	Description
31-1	Reserved	0	Read returns 0. Writes have no effect.
0	ECPCLKPS	0 1	ECLK pull up/pull down select. This bit is only active when ECLK is configured as an input in GIO mode and the pull up/pull down logic is enabled.  0 ECLK pull down is selected, when pull up/pull down logic is enabled. 1 ECLK pull up is selected, when pull up/pull down logic is enabled.  <b>Note: The ECLK pin pull up/pull down logic is enabled by setting the ECPCLKPUE bit to 0 in the SYSPC8 register.</b>  <b>Note: The ECLK pin is placed into GIO mode by setting the ECPCLKFUN bit to 0 in the SYSPC1 register. The ECLK pin is placed in input mode by setting the ECPCLKDIR bit to 0 in the SYSPC2 register.</b>

### 2.5.1.10 Clock Source Disable Register (CSDIS)

The CSDIS register, shown in Figure 2-17 and described in Table 2-28, controls and displays the state of the device clock sources.

**Figure 2-17. Clock Source Disable Register (CSDIS) (offset = 30h)**



LEGEND: R/W = Read/Write; R = Read only; WP = Write in privileged mode only; -n = value after reset

**Table 2-28. Clock Source Disable Register (CSDIS) Field Descriptions**

Bit	Field	Value	Description
31-8	Reserved	0	Reads return 0. Writes have no effect.
7-3	CLKSR[7-3]OFF	0	Clock source[7-3] off. Clock source[7-3] is enabled.
		1	Clock source[7-3] is disabled. <b>Note: On wakeup, only clock sources 0, 4 and 5 are enabled.</b>
2	Reserved		Reads return one. Writes have no effect.
1-0	CLKSR[1-0]OFF	0	Clock source[1-0] off. Clock source[1-0] is enabled.
		1	Clock source[1-0] is disabled. <b>Note: On wakeup, only clock sources 0, 4 and 5 are enabled.</b>

**Table 2-29. Clock Sources Table**

Clock Source #	Clock Source Name
Clock Source 0	Oscillator
Clock Source1	PLL1
Clock Source 2	Not Implemented
Clock Source 3	EXTCLKIN
Clock Source 4	Low Frequency LPO (Low Power Oscillator) clock
Clock Source 5	High frequency LPO (Low Power Oscillator) clock
Clock Source 6	PLL2
Clock Source 7	EXTCLKIN2

**NOTE:** Non implemented clock sources should not be enabled or used.

### 2.5.1.11 Clock Source Disable Set Register (CSDISSET)

The CSDISSET register, shown in [Figure 2-18](#) and described in [Table 2-30](#), sets clock sources to the disabled state.

**Figure 2-18. Clock Source Disable Set Register (CSDISSET) (offset = 34h)**

Reserved							
R-0							
31							8
7	6	5	4	3	2	1	0
SETCLKSR7 OFF	SETCLKSR6 OFF	SETCLKSR5 OFF	SETCLKSR4 OFF	SETCLKSR3 OFF	Reserved	SETCLKSR1 OFF	SETCLKSR0 OFF
R/WP-1	R/WP-1	R/WP-0	R/WP-0	R/WP-1	R-1	R/WP-1	R/WP-0

LEGEND: R/W = Read/Write; R = Read only; WP = Write in privileged mode only; -n = value after reset

**Table 2-30. Clock Source Disable Set Register (CSDISSET) Field Descriptions**

Bit	Field	Value	Description
31-8	Reserved	0	Reads return 0. Writes have no effect.
7-3	SETCLKSR[7-3]OFF	0	Set clock source[7-3] to the disabled state. <i>Read:</i> Clock source[7-3] is enabled. <i>Write:</i> Clock source[7-3] is unchanged.
		1	<i>Read:</i> Clock source[7-3] is disabled. <i>Write:</i> Clock source[7-3] is set to the disabled state. <b>Note:</b> After a new clock source disable bit is set via the CSDISSET register, the new status of the bit will be reflected in the CSDIS register (offset 30h), the CSDISSET register (offset 34h), and the CSDISCLR register (offset 38h).
2	Reserved		Reads return 1. Writes have no effect.
1-0	SETCLKSR[1-0]OFF	0	Set clock source[1-0] to the disabled state. <i>Read:</i> Clock source[1-0] is enabled. <i>Write:</i> Clock source[1-0] is unchanged.
		1	<i>Read:</i> Clock source[1-0] is disabled. <i>Write:</i> Clock source[1-0] is set to the disabled state. <b>Note:</b> After a new clock source disable bit is set via the CSDISSET register, the new status of the bit will be reflected in the CSDIS register (offset 30h), the CSDISSET register (offset 34h), and the CSDISCLR register (offset 38h).

**NOTE:** A list of the available clock sources is shown in the [Table 2-29](#).

### 2.5.1.12 Clock Source Disable Clear Register (CSDISCLR)

The CSDISCLR register, shown in [Figure 2-19](#) and described in [Table 2-31](#), clears clock sources to the enabled state.

**Figure 2-19. Clock Source Disable Clear Register (CSDISCLR) (offset = 38h)**

Reserved							
R-0							
7	6	5	4	3	2	1	0
CLRCLKSR7 OFF	CLRCLKSR6 OFF	CLRCLKSR5 OFF	CLRCLKSR4 OFF	CLRCLKSR3 OFF	Reserved	CLRCLKSR1 OFF	CLRCLKSR0 OFF
R/WP-1	R/WP-1	R/WP-0	R/WP-0	R/WP-1	R-1	R/WP-1	R/WP-0

LEGEND: R/W = Read/Write; R = Read only; WP = Write in privileged mode only; -n = value after reset

**Table 2-31. Clock Source Disable Clear Register (CSDISCLR) Field Descriptions**

Bit	Field	Value	Description
31-8	Reserved	0	Reads return 0. Writes have no effect.
7-3	CLRCLKSR[7-3]OFF	0	Enables clock source[7-3]. <i>Read:</i> Clock source[7-3] is disabled. <i>Write:</i> Clock source[7-3] is unchanged.
		1	<i>Read:</i> Clock source[7-3] is enabled. <i>Write:</i> Clock source[7-3] is set to the enabled state. <b>Note:</b> After a new clock source disable bit is set via the CSDISSET register, the new status of the bit will be reflected in the CSDIS register (offset 30h), the CSDISSET register (offset 34h), and the CSDISCLR register (offset 38h).
2	Reserved		Reads return 1. Writes have no effect.
1-0	CLRCLKSR[1-0]OFF	0	Enables clock source[1-0]. <i>Read:</i> Clock source[1-0] is disabled. <i>Write:</i> Clock source[1-0] is unchanged.
		1	<i>Read:</i> Clock source[1-0] is enabled. <i>Write:</i> Clock source[1-0] is set to the enabled state. <b>Note:</b> After a new clock source disable bit is set via the CSDISSET register, the new status of the bit will be reflected in the CSDIS register (offset 30h), the CSDISSET register (offset 34h) and the CSDISCLR register (offset 38h).

**NOTE:** A list of the available clock sources is shown in the [Table 2-29](#).

### 2.5.1.13 Clock Domain Disable Register (CDDIS)

The CDDIS register, shown in Figure 2-20 and described in Table 2-32, controls the state of the clock domains.

**NOTE:** All the clock domains are enabled on wakeup.

The application should guarantee that when HCLK and VCLK\_sys are turned off through the HCLKOFF bit, the GCLK domain is also turned off.

**Figure 2-20. Clock Domain Disable Register (CDDIS) (offset = 3Ch)**

	Reserved	
	R-0	
15	12	11
Reserved	VCLKA4OFF	Reserved
R-0	R/WP-0	Reserved
7	6	5
Reserved	RTICKOFF	VCLKA2OFF
R/WP-0	R/WP-0	R/WP-0
4	3	2
VCLKA1OFF	VCLK2OFF	VCLKPOFF
R/WP-0	R/WP-0	R/WP-0
1	0	0
HCLKOFF	GCLKOFF	R/WP-0
R/WP-0	R/WP-0	R/WP-0

LEGEND: R/W = Read/Write; R = Read only; WP = Write in privileged mode only; -n = value after reset

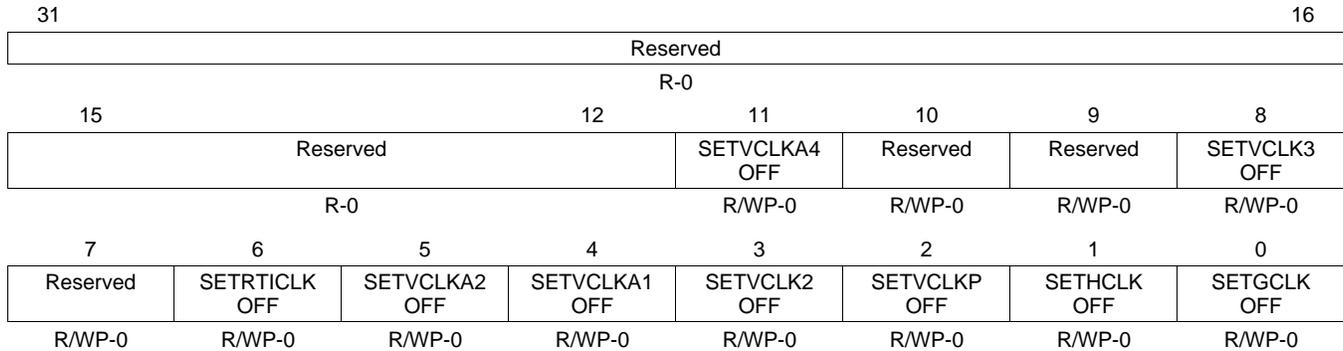
**Table 2-32. Clock Domain Disable Register (CDDIS) Field Descriptions**

Bit	Field	Value	Description
31-12	Reserved	0-1	Read returns 0 or 1 and privilege mode writes allowed.
11	VCLKA4OFF	0 1	VCLKA4 domain off. The VCLKA4 domain is enabled. The VCLKA4 domain is disabled.
10-9	Reserved	0-1	Reads return 0 or 1 and privilege mode writes allowed.
8	VCLK3OFF	0 1	VCLK3 domain off. The VCLK3 domain is enabled. The VCLK3 domain is disabled.
7	Reserved	0	Reads return 0 or 1 and privilege mode writes allowed.
6	RTICKOFF	0 1	RTICK domain off. The RTICK domain is enabled. The RTICK domain is disabled.
5-4	VCLKA[2-1]OFF	0 1	VCLKA[2-1] domain off. The VCLKA[2-1] domain is enabled. The VCLKA[2-1] domain is disabled.
3	VCLK2OFF	0 1	VCLK2 domain off. The VCLK2 domain is enabled. The VCLK2 domain is disabled.
2	VCLKPOFF	0 1	VCLK_periph domain off. The VCLK_periph domain is enabled. The VCLK_periph domain is disabled.
1	HCLKOFF	0 1	HCLK and VCLK_sys domains off. The HCLK and VCLK_sys domains are enabled. The HCLK and VCLK_sys domains are disabled.
0	GCLKOFF	0 1	GCLK domain off. The GCLK domain is enabled. The GCLK domain is disabled.

### 2.5.1.14 Clock Domain Disable Set Register (CDDISSET)

This CDDISSET register, shown in [Figure 2-21](#) and described in [Table 2-33](#), sets clock domains to the disabled state.

**Figure 2-21. Clock Domain Disable Set Register (CDDISSET) (offset = 40h)**



LEGEND: R/W = Read/Write; R = Read only; WP = Write in privileged mode only; -n = value after reset

**Table 2-33. Clock Domain Disable Set Register (CDDISSET) Field Descriptions**

Bit	Field	Value	Description
31-12	Reserved	0	Read returns 0. Writes have no effect.
11	SETVCLKA4OFF	0	Set VCLKA4 domain. <i>Read:</i> The VCLKA4 domain is enabled. <i>Write:</i> The VCLKA4 domain is unchanged.
		1	<i>Read:</i> The VCLKA4 domain is disabled. <i>Write:</i> The VCLKA4 domain is set to the enabled state.
10-9	Reserved	0	Reads return zero or one and privilege mode writes allowed.
8	SETVCLK3OFF	0	Set VCLK3 domain. <i>Read:</i> The VCLK3 domain is enabled. <i>Write:</i> The VCLK3 domain is unchanged.
		1	<i>Read:</i> The VCLK3 domain is disabled. <i>Write:</i> The VCLK3 domain is set to the enabled state.
7	Reserved	0	Reads return zero or one and privilege mode writes allowed.
6	SETRTICKLOFF	0	Set RTICKL domain. <i>Read:</i> The RTICKL domain is enabled. <i>Write:</i> The RTICKL domain is unchanged.
		1	<i>Read:</i> The RTICKL domain is disabled. <i>Write:</i> The RTICKL domain is set to the enabled state.
5-4	SETVCLKA[2-1]OFF	0	Set VCLKA[2-1] domain. <i>Read:</i> The VCLKA[2-1] domain is enabled. <i>Write:</i> The VCLKA[2-1] domain is unchanged.
		1	<i>Read:</i> The VCLKA[2-1] domain is disabled. <i>Write:</i> The VCLKA[2-1] domain is set to the enabled state.
3	SETVCLK2OFF	0	Set VCLK2 domain. <i>Read:</i> The VCLK2 domain is enabled. <i>Write:</i> The VCLK2 domain is unchanged.
		1	<i>Read:</i> The VCLK2 domain is disabled. <i>Write:</i> The VCLK2 domain is set to the enabled state.

**Table 2-33. Clock Domain Disable Set Register (CDDISSET) Field Descriptions (continued)**

Bit	Field	Value	Description
2	SETVCLKPOFF	0	Set VCLK_periph domain. <i>Read:</i> The VCLK_periph domain is enabled. <i>Write:</i> The VCLK_periph domain is unchanged.
		1	<i>Read:</i> The VCLK_periph domain is disabled. <i>Write:</i> The VCLK_periph domain is set to the enabled state.
1	SETHCLKOFF	0	Set HCLK and VCLK_sys domains. <i>Read:</i> The HCLK and VCLK_sys domain is enabled. <i>Write:</i> The HCLK and VCLK_sys domain is unchanged.
		1	<i>Read:</i> The HCLK and VCLK_sys domain is disabled. <i>Write:</i> The HCLK and VCLK_sys domain is set to the enabled state.
0	SETGCLKOFF	0	Set GCLK domain. <i>Read:</i> The GCLK domain is enabled. <i>Write:</i> The GCLK domain is unchanged.
		1	<i>Read:</i> The GCLK domain is disabled. <i>Write:</i> The GCLK domain is set to the enabled state.

### 2.5.1.15 Clock Domain Disable Clear Register (CDDISCLR)

The CDDISCLR register, shown in [Figure 2-22](#) and described in [Table 2-34](#), clears clock domains to the enabled state.

**Figure 2-22. Clock Domain Disable Clear Register (CDDISCLR) (offset = 44h)**

31	Reserved								16	
R-0										
15	Reserved				12	11	10	9	8	
R-0					R/WP-0	R/WP-0	R/WP-0	R/WP-0	R/WP-0	
7	6	5	4	3	2	1	0			
Reserved	CLRRTICKL OFF	CLRVLKA2 OFF	CLRVLKA1 OFF	CLRVLK2 OFF	CLRVLKP OFF	CLRHCLK OFF	CLRGCLK OFF			
R/WP-0	R/WP-0	R/WP-0	R/WP-0	R/WP-0	R/WP-0	R/WP-0	R/WP-0		R/WP-0	

LEGEND: R/W = Read/Write; R = Read only; WP = Write in privileged mode only; -n = value after reset

**Table 2-34. Clock Domain Disable Clear Register (CDDISCLR) Field Descriptions**

Bit	Field	Value	Description
31-12	Reserved	0	Read returns 0. Writes have no effect.
11	CLRVLKA4OFF	0	Clear VCLKA4 domain. <i>Read:</i> The VCLKA4 domain is enabled. <i>Write:</i> The VCLKA4 domain is unchanged.
		1	<i>Read:</i> The VCLKA4 domain is disabled. <i>Write:</i> The VCLKA4 domain is cleared to the enabled state.
10-9	Reserved	0	Reads return zero or one and privilege mode writes allowed.
8	CLRVLK3OFF	0	Clear VCLK3 domain. <i>Read:</i> The VCLK3 domain is enabled. <i>Write:</i> The VCLK3 domain is unchanged.
		1	<i>Read:</i> The VCLK3 domain is disabled. <i>Write:</i> The VCLK3 domain is cleared to the enabled state.
7	Reserved	0	Reads return zero or one and privilege mode writes allowed.
6	CLRRTICKLOFF	0	Clear RTICKL domain. <i>Read:</i> The RTICKL domain is enabled. <i>Write:</i> The RTICKL domain is unchanged.
		1	<i>Read:</i> The RTICKL domain is disabled. <i>Write:</i> The RTICKL domain is cleared to the enabled state.
5-4	CLRVLKA[2-1]OFF	0	Clear VCLKA[2-1] domain. <i>Read:</i> The VCLKA[2-1] domain is enabled. <i>Write:</i> The VCLKA[2-1] domain is unchanged.
		1	<i>Read:</i> The VCLKA[2-1] domain is disabled. <i>Write:</i> The VCLKA[2-1] domain is cleared to the enabled state.
3	CLRVLK2OFF	0	Clear VCLK2 domain. <i>Read:</i> The VCLK2 domain is enabled. <i>Write:</i> The VCLK2 domain is unchanged.
		1	<i>Read:</i> The VCLK2 domain is disabled. <i>Write:</i> The VCLK2 domain is cleared to the enabled state.

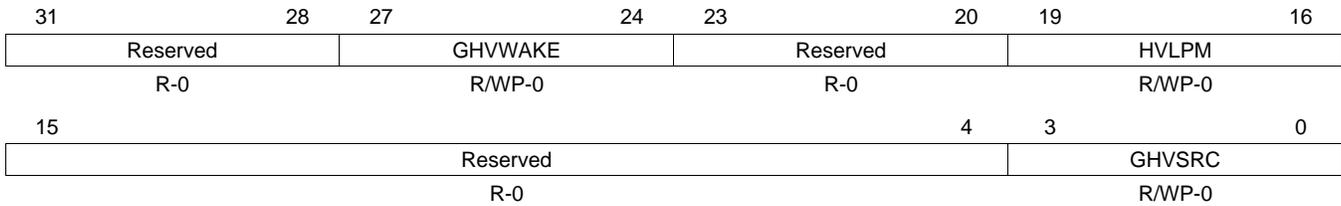
**Table 2-34. Clock Domain Disable Clear Register (CDDISCLR) Field Descriptions (continued)**

Bit	Field	Value	Description
2	CLRCLKPOFF	0	Clear VCLK_periph domain. <i>Read:</i> The VCLK_periph domain is enabled. <i>Write:</i> The VCLK_periph domain is unchanged.
		1	<i>Read:</i> The VCLK_periph domain is disabled. <i>Write:</i> The VCLK_periph domain is cleared to the enabled state.
1	CLRCLKOFF	0	Clear HCLK and VCLK_sys domains. <i>Read:</i> The HCLK and VCLK_sys domain is enabled. <i>Write:</i> The HCLK and VCLK_sys domain is unchanged.
		1	<i>Read:</i> The HCLK and VCLK_sys domain is disabled. <i>Write:</i> The HCLK and VCLK_sys domain is cleared to the enabled state.
0	CLRGCLKOFF	0	Clear GCLK domain. <i>Read:</i> The GCLK domain is enabled. <i>Write:</i> The GCLK domain is unchanged.
		1	<i>Read:</i> The GCLK domain is disabled. <i>Write:</i> The GCLK domain is cleared to the enabled state.

### 2.5.1.16 GCLK, HCLK, VCLK, and VCLK2 Source Register (GHVSRC)

The GHVSRC register, shown in [Figure 2-23](#) and described in [Table 2-35](#), controls the clock source configuration for the GCLK, HCLK, VCLK and VCLK2 clock domains.

**Figure 2-23. GCLK, HCLK, VCLK, and VCLK2 Source Register (GHVSRC) (offset = 48h)**



LEGEND: R = Read only; R/W = Read/Write; WP = Write in privileged mode only; -n = value after reset

**Table 2-35. GCLK, HCLK, VCLK, and VCLK2 Source Register (GHVSRC) Field Descriptions**

Bit	Field	Value	Description
31-28	Reserved	0	Read returns 0. Writes have no effect.
27-24	GHVWAKE	0	GCLK, HCLK, VCLK source on wakeup.
		1h	Clock source0 is the source for GCLK, HCLK, VCLK on wakeup.
		2h	Clock source1 is the source for GCLK, HCLK, VCLK on wakeup.
		3h	Clock source2 is the source for GCLK, HCLK, VCLK on wakeup.
		4h	Clock source3 is the source for GCLK, HCLK, VCLK on wakeup.
		5h	Clock source4 is the source for GCLK, HCLK, VCLK on wakeup.
		6h	Clock source5 is the source for GCLK, HCLK, VCLK on wakeup.
		7h	Clock source6 is the source for GCLK, HCLK, VCLK on wakeup.
		8h-Fh	Reserved - These values should not be used.
23-20	Reserved	0	Read returns 0. Writes have no effect.
19-16	HVLPM	0	HCLK, VCLK, VCLK2 source on wakeup when GCLK1 is turned off.
		1h	Clock source0 is the source for HCLK, VCLK, VCLK2 on wakeup.
		2h	Clock source1 is the source for HCLK, VCLK, VCLK2 on wakeup.
		3h	Clock source2 is the source for HCLK, VCLK, VCLK2 on wakeup.
		4h	Clock source3 is the source for HCLK, VCLK, VCLK2 on wakeup.
		5h	Clock source4 is the source for HCLK, VCLK, VCLK2 on wakeup.
		6h	Clock source5 is the source for HCLK, VCLK, VCLK2 on wakeup.
		7h	Clock source6 is the source for HCLK, VCLK, VCLK2 on wakeup.
		8h-Fh	Reserved - These values should not be used.
15-4	Reserved	0	Read returns 0. Writes have no effect.
3-0	GHVSRC	0	GCLK, HCLK, VCLK, VCLK2 current source.
			<b>Note: The GHVSRC[3-0] bits are updated with the HVLPM[3-0] setting when GCLK is turned off, and are updated with the GHVWAKE[3-0] setting on system wakeup.</b>
		1h	Clock source0 is the source for GCLK, HCLK, VCLK, VCLK2 on wakeup.
		2h	Clock source1 is the source for GCLK, HCLK, VCLK, VCLK2 on wakeup.
		3h	Clock source2 is the source for GCLK, HCLK, VCLK, VCLK2 on wakeup.
		4h	Clock source3 is the source for GCLK, HCLK, VCLK, VCLK2 on wakeup.
		5h	Clock source4 is the source for GCLK, HCLK, VCLK, VCLK2 on wakeup.
		6h	Clock source5 is the source for GCLK, HCLK, VCLK, VCLK2 on wakeup.
		7h	Clock source6 is the source for GCLK, HCLK, VCLK, VCLK2 on wakeup.
		8h-Fh	Reserved - These values should not be used.

**NOTE:** Non implemented clock sources should not be enabled or used. A list of the available clock sources is shown in the [Table 2-29](#).

### 2.5.1.17 Peripheral Asynchronous Clock Source Register (VCLKASRC)

The VCLKASRC register, shown in [Figure 2-24](#) and described in [Table 2-36](#), sets the clock source for the asynchronous peripheral clock domains to be configured to run from a specific clock source.

**Figure 2-24. Peripheral Asynchronous Clock Source Register (VCLKASRC) (offset = 4Ch)**

31	28	27	24	23	20	19	16
Reserved		Reserved		Reserved		Reserved	
R-0		R/WP-1h		R-0		R/WP-1h	
15	12	11	8	7	4	3	0
Reserved		VCLKA2S		Reserved		VCLKA1S	
R-0		R/WP-9h		R-0		R/WP-9h	

LEGEND: R/W = Read/Write; R = Read only; WP = Write in privileged mode only; -n = value after reset

**Table 2-36. Peripheral Asynchronous Clock Source Register (VCLKASRC) Field Descriptions**

Bit	Field	Value	Description
31-28	Reserved	0	Read returns 0. Writes have no effect.
27-24	Reserved	1	Reads return 0 or 1 and privilege mode writes allowed.
23-20	Reserved	0	Read returns 0. Writes have no effect.
19-16	Reserved	1	Reads return 0 or 1 and privilege mode writes allowed.
15-12	Reserved	0	Read returns 0. Writes have no effect.
11-8	VCLKA2S	0 1h 2h 3h 4h 5h 6h 7h 8h-Fh	Peripheral asynchronous clock2 source. Clock source0 is the source for peripheral asynchronous clock2. Clock source1 is the source for peripheral asynchronous clock2. Clock source2 is the source for peripheral asynchronous clock2. Clock source3 is the source for peripheral asynchronous clock2. Clock source4 is the source for peripheral asynchronous clock2. Clock source5 is the source for peripheral asynchronous clock2. Clock source6 is the source for peripheral asynchronous clock2. Clock source7 is the source for peripheral asynchronous clock2. VCLK is the source for peripheral asynchronous clock2.
7-4	Reserved	0	Read returns 0. Writes have no effect.
3-0	VCLKA1S	0 1h 2h 3h 4h 5h 6h 7h 8h-Fh	Peripheral asynchronous clock1 source. Clock source0 is the source for peripheral asynchronous clock1. Clock source1 is the source for peripheral asynchronous clock1. Clock source2 is the source for peripheral asynchronous clock1. Clock source3 is the source for peripheral asynchronous clock1. Clock source4 is the source for peripheral asynchronous clock1. Clock source5 is the source for peripheral asynchronous clock1. Clock source6 is the source for peripheral asynchronous clock1. Clock source7 is the source for peripheral asynchronous clock1. VCLK is the source for peripheral asynchronous clock1.

**NOTE:** Non implemented clock sources should not be enabled or used. A list of the available clock sources is shown in [Table 2-29](#).

### 2.5.1.18 RTI Clock Source Register (RCLKSRC)

The RCLKSRC register, shown in [Figure 2-25](#) and described in [Table 2-37](#), controls the RTI (Real Time Interrupt) clock source selection.

**NOTE: Important constraint when the RTI clock source is not VCLK**

If the RTIx clock source is chosen to be anything other than the default VCLK, then the RTI clock needs to be at least three times slower than the VCLK. This can be achieved by configuring the RTIxCLK divider in this register. This divider is internally bypassed when the RTIx clock source is VCLK.

**Figure 2-25. RTI Clock Source Register (RCLKSRC) (offset = 50h)**

31	Reserved	16
	R-0	
15	10	9
	8	7
	4	3
	0	
	Reserved	RTIDIV
	Reserved	RTISRC
	R-0	R/WP-1h
	R-0	R/WP-9h

LEGEND: R/W = Read/Write; R = Read only; WP = Write in privileged mode only; -n = value after reset

**Table 2-37. RTI Clock Source Register (RCLKSRC) Field Descriptions**

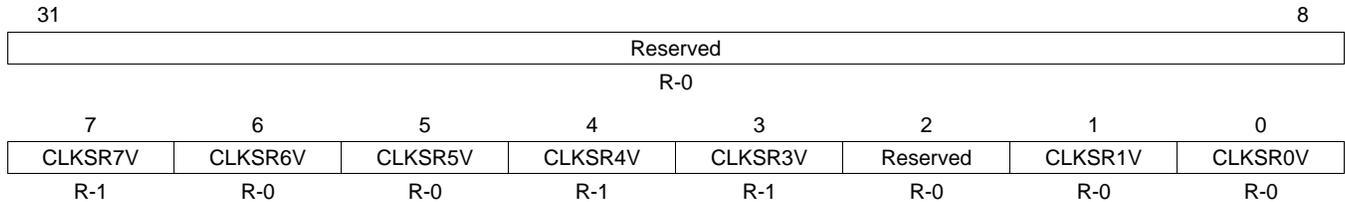
Bit	Field	Value	Description
31-10	Reserved	0	Read returns 0. Writes have no effect.
9-8	RTIDIV	0	RTICKL divider value is 1.
		1h	RTICKL divider value is 2.
		2h	RTICKL divider value is 4.
		3h	RTICKL divider value is 8.
7-4	Reserved	0	Read returns 0. Writes have no effect.
3-0	RTISRC	0	RTI clock source.
		1h	Clock source0 is the source for RTICKL.
		2h	Clock source1 is the source for RTICKL.
		3h	Clock source2 is the source for RTICKL.
		4h	Clock source3 is the source for RTICKL.
		5h	Clock source4 is the source for RTICKL.
		6h	Clock source5 is the source for RTICKL.
		7h	Clock source6 is the source for RTICKL.
		8h-Fh	VCLK is the source for RTICKL.

**NOTE:** A list of the available clock sources is shown in the [Table 2-29](#).

### 2.5.1.19 Clock Source Valid Status Register (CSVSTAT)

The CSVSTAT register, shown in [Figure 2-26](#) and described in [Table 2-38](#), indicates the status of usable clock sources.

**Figure 2-26. Clock Source Valid Status Register (CSVSTAT) (offset = 54h)**



LEGEND: R/W = Read/Write; R = Read only; -n = value after reset

**Table 2-38. Clock Source Valid Register (CSVSTAT) Field Descriptions**

Bit	Field	Value	Description
31-8	Reserved.	0	Reads return 0. Writes have no effect.
7-3	CLKSR[7-3]V	0	Clock source[7-0] valid. Clock source[7-0] is not valid.
		1	Clock source[7-0] is valid.
			<b>Note: If the valid bit of the source of a clock domain is not set (that is, the clock source is not fully stable), the respective clock domain is disabled by the Global Clock Module (GCM).</b>
2	Reserved.	0	Reads return 0. Writes have no effect.
1-0	CLKSR[1-0]V	0	Clock source[1-0] valid. Clock source[1-0] is not valid.
		1	Clock source[1-0] is valid.
			<b>Note: If the valid bit of the source of a clock domain is not set (that is, the clock source is not fully stable), the respective clock domain is disabled.</b>

**NOTE:** A list of the available clock sources is shown in the [Table 2-29](#).

### 2.5.1.20 Memory Self-Test Global Control Register (MSTGCR)

The MSTGCR register, shown in [Figure 2-27](#) and described in [Table 2-39](#), controls several aspects of the PBIST (Programmable Built-In Self Test) memory controller.

**Figure 2-27. Memory Self-Test Global Control Register (MSTGCR) (offset = 58h)**

31	24	23	16	
Reserved		Reserved		
R-0		R/WP-0		
15	10	9	8	
Reserved		ROM_DIV	Reserved	
R-0		R/WP-0	R-0	
7		4	3	0
MSTGENA		MSTGENA		R/WP-5h

LEGEND: R = Read only; R/W = Read/Write; WP = Write in privileged mode only; -n = value after reset

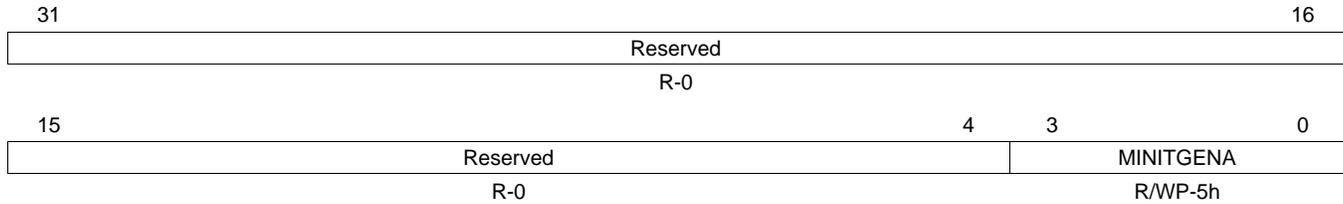
**Table 2-39. Memory Self-Test Global Control Register (MSTGCR) Field Descriptions**

Bit	Field	Value	Description
31-24	Reserved	0	Read returns 0. Writes have no effect.
23-16	Reserved		Read returns 0 or 1 depends on what is written in privileged mode. The functionality of these bits are unavailable in this device.
15-10	Reserved	0	Read returns 0. Writes have no effect.
9-8	ROM_DIV	0 1h 2h 3h	Prescaler divider bits for ROM clock source. ROM clock source is GCLK divided by 1.PBIST will reset for 16 VBUS cycles. ROM clock source is GCLK divided by 2.PBIST will reset for 32 VBUS cycles. ROM clock source is GCLK divided by 4.PBIST will reset for 64 VBUS cycles. ROM clock source is GCLK divided by 8.PBIST will reset for 96 VBUS cycles.
7-4	Reserved	0	Read returns 0. Writes have no effect.
3-0	MSTGENA	Ah Others	Memory self-test controller global enable key <b>Note: Enabling the MSTGENA key will generate a reset to the state machine of the selected PBIST controller.</b> Memory self-test controller is enabled. Memory self-test controller is disabled. <b>Note: It is recommended that a value of 0101b be used to disable the memory self-test controller. This value will give maximum protection from a bit flip inducing event that would inadvertently enable the controller.</b>

### 2.5.1.21 Memory Hardware Initialization Global Control Register (MINITGCR)

The MINITGCR register, shown in [Figure 2-28](#) and described in [Table 2-40](#), enables automatic hardware memory initialization.

**Figure 2-28. Memory Hardware Initialization Global Control Register (MINITGCR) (offset = 5Ch)**



LEGEND: R/W = Read/Write; R = Read only; WP = Write in privileged mode only; -n = value after reset

**Table 2-40. Memory Hardware Initialization Global Control Register (MINITGCR) Field Descriptions**

Bit	Field	Value	Description
31-4	Reserved	0	Read returns 0. Writes have no effect.
3-0	MINITGENA	Ah Others	Memory hardware initialization global enable key. Global memory hardware initialization is enabled. Global memory hardware initialization is disabled. <b>Note: It is recommended that a value of 5h be used to disable memory hardware initialization. This value will give maximum protection from an event that would inadvertently enable the controller.</b>

### 2.5.1.22 MBIST Controller/ Memory Initialization Enable Register (MSINENA)

The MSINENA register, shown in [Figure 2-29](#) and described in [Table 2-41](#), enables PBIST controllers for memory self test and the memory modules initialized during automatic hardware memory initialization.

**Figure 2-29. MBIST Controller/Memory Initialization Enable Register (MSINENA) (offset = 60h)**



LEGEND: R/W = Read/Write; R = Read only; WP = Write in privileged mode only; -n = value after reset

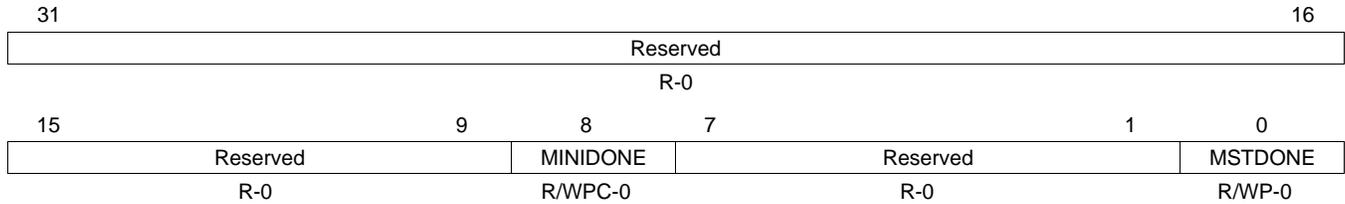
**Table 2-41. MBIST Controller/Memory Initialization Enable Register (MSINENA) Field Descriptions**

Bit	Field	Value	Description
31-0	MSIENA	0	PBIST controller and memory initialization enable register. In memory self-test mode, all the corresponding bits of the memories to be tested should be set before enabling the global memory self-test controller key (MSTGENA) in the MSTGCR register (offset 58h). The reason for this is that MSTGENA, in addition to being the global enable for all individual PBIST controllers, is the source for the reset generation to all the PBIST controller state machines. Disabling the MSTGENA or MINITGENA key (by writing from a Ah to any other value) will reset all the MSIENA[31-0] bits to their default values.  <i>In memory self-test mode (MSTGENA = Ah):</i> PBIST controller [31-0] is disabled.  <i>In memory Initialization mode (MINITGENA = Ah):</i> Memory module [31-0] auto hardware initialization is disabled.
		1	<i>In memory self-test mode (MSTGENA = 5h):</i> PBIST controller [31-0] is enabled.  <i>In memory Initialization mode (MINITGENA = 5h):</i> Memory module[31-0] auto hardware initialization is enabled.  <b>Note: Software should ensure that both the memory self-test global enable key (MSTGENA) and the memory hardware initialization global key (MINITGENA) are not enabled at the same time.</b>

### 2.5.1.23 MSTC Global Status Register (MSTCGSTAT)

The MSTCGSTAT register, shown in [Figure 2-30](#) and described in [Table 2-42](#), shows the status of the memory hardware initialization and the memory self-test.

**Figure 2-30. MSTC Global Status Register (MSTCGSTAT) (offset = 68h)**



LEGEND: R/W = Read/Write; R = Read only; C = Clear; WP = Write in privileged mode only; -n = value after reset

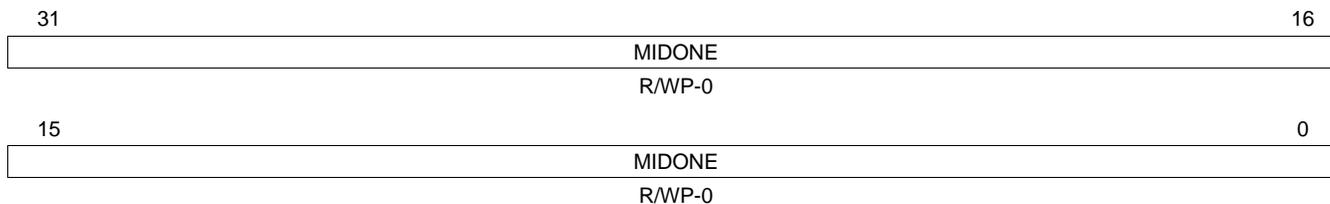
**Table 2-42. MSTC Global Status Register (MSTCGSTAT) Field Descriptions**

Bit	Field	Value	Description
31-9	Reserved	0	Read returns 0. Writes have no effect.
8	MINIDONE	0	Memory hardware initialization complete status. <b>Note: Disabling the MINITGENA key (By writing from a Ah to any other value) will clear the MINIDONE status bit to 0.</b> <b>Note: Individual memory initialization status is shown in the MINISTAT register.</b> <i>Read:</i> Memory hardware initialization is not complete for all memory. <i>Write:</i> A write of 0 has no effect.
		1	<i>Read:</i> Hardware initialization of all memory is completed. <i>Write:</i> The bit is cleared to 0.
7-1	Reserved	0	Read returns 0. Writes have no effect.
0	MSTDONE	0	Memory self-test run complete status. <b>Note: Disabling the MSTGENA key (by writing from a Ah to any other value) will clear the MSTDONE status bit to 0.</b> <i>Read:</i> Memory self-test is not completed. <i>Write:</i> A write of 0 has no effect.
		1	<i>Read:</i> Memory self-test is completed. <i>Write:</i> The bit is cleared to 0.

### 2.5.1.24 Memory Hardware Initialization Status Register (MINISTAT)

The MINISTAT register, shown in [Figure 2-31](#) and described in [Table 2-43](#), indicates the status of hardware memory initialization.

**Figure 2-31. Memory Hardware Initialization Status Register (MINISTAT) (offset = 6Ch)**



LEGEND: R/W = Read/Write; R = Read only; WP = Write in privileged mode only; -n = value after reset

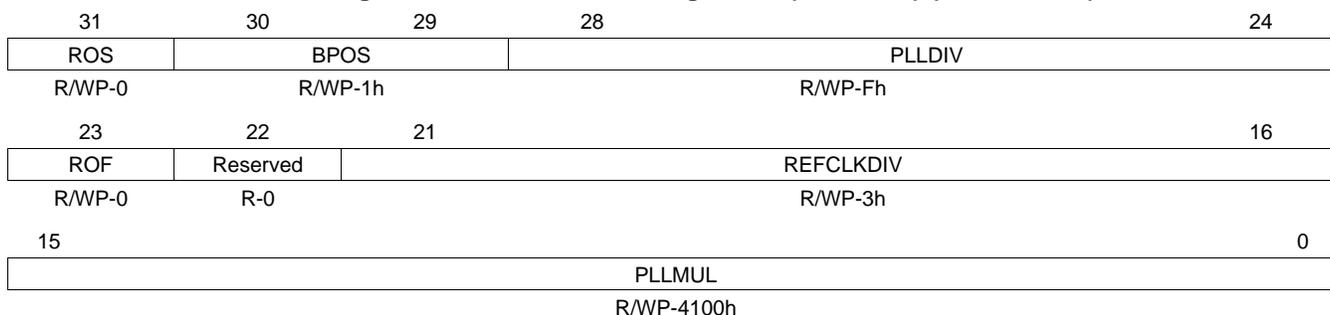
**Table 2-43. Memory Hardware Initialization Status Register (MINISTAT) Field Descriptions**

Bit	Field	Value	Description
31-0	MIDONE	0	Memory hardware initialization status bit. <i>Read:</i> Memory module[31-0] hardware initialization is not completed. <i>Write:</i> A write of 0 has no effect.
		1	<i>Read:</i> Memory module[31-0] hardware initialization is completed. <i>Write:</i> The bit is cleared to 0. <b>Note:</b> Disabling the MINITGENA key (by writing from a Ah to any other value) will reset all the individual status bits to 0.

### 2.5.1.25 PLL Control Register 1 (PLLCTL1)

The PLLCTL1 register, shown in [Figure 2-32](#) and described in [Table 2-44](#), controls the output frequency of PLL1 (Clock Source 1 - FMzPLL). It also controls the behavior of the device if a PLL slip or oscillator failure is detected.

**Figure 2-32. PLL Control Register 1 (PLLCTL1) (offset = 70h)**



LEGEND: R/W = Read/Write; R = Read only; WP = Write in privileged mode only; -n = value after reset

**Table 2-44. PLL Control Register 1 (PLLCTL1) Field Descriptions**

Bit	Field	Value	Description
31	ROS	0 1	Reset on PLL Slip Do not reset system when PLL slip is detected Reset when PLL slip is detected <b>Note: BPOS (Bits 30-29) must also be enabled for ROS to be enabled.</b>
30-29	BPOS	2h Others	Bypass of PLL Slip Bypass on PLL Slip is disabled. If a PLL Slip is detected no action is taken. Bypass on PLL Slip is enabled. If a PLL Slip is detected the device will automatically bypass the PLL and use the oscillator to provide the device clock. <b>Note: If ROS (Bit 31) is set to 1, the device will be reset if a PLL Slip and the PLL will be bypassed after the reset occurs.</b>
28-24	PLLDIV	0 1h : 1Fh	PLL Output Clock Divider $R = \text{PLLDIV} + 1$ $f_{\text{PLL CLK}} = f_{\text{post-ODCLK}} / R$ $f_{\text{PLL CLK}} = f_{\text{post-ODCLK}} / 1$ $f_{\text{PLL CLK}} = f_{\text{post-ODCLK}} / 2$ : $f_{\text{PLL CLK}} = f_{\text{post-ODCLK}} / 32$
23	ROF	0 1	Reset on Oscillator Fail Do not reset system when oscillator is out of range. The ROF bit enables the OSC_FAIL condition to generate a system reset. If the ROF bit in the PLLCTL1 register is set when the oscillator fails, then a system reset occurs.
22	Reserved	0	Value has no effect on PLL operation.
21-16	REFCLKDIV	0 1h : 3Fh	Reference Clock Divider $NR = \text{REFCLKDIV} + 1$ $f_{\text{INT CLK}} = f_{\text{OSCIN}} / NR$ $f_{\text{INT CLK}} = f_{\text{OSCIN}} / 1$ $f_{\text{INT CLK}} = f_{\text{OSCIN}} / 2$ : $f_{\text{INT CLK}} = f_{\text{OSCIN}} / 64$
15-0	PLLMUL	100h : 5B00h 5C00h : FF00h	PLL Multiplication Factor $NF = (\text{PLLMUL} / 256) + 1$ , valid multiplication factors are from 1 to 256. $f_{\text{VCO CLK}} = f_{\text{INT CLK}} \times NF$ $f_{\text{VCO CLK}} = f_{\text{INT CLK}} \times 1$ : $f_{\text{VCO CLK}} = f_{\text{INT CLK}} \times 92$ $f_{\text{VCO CLK}} = f_{\text{INT CLK}} \times 93$ : $f_{\text{VCO CLK}} = f_{\text{INT CLK}} \times 256$

### 2.5.1.26 PLL Control Register 2 (PLLCTL2)

The PLLCTL2 register, shown in Figure 2-33 and described in Table 2-45, controls the modulation characteristics and the output divider of the PLL.

Figure 2-33. PLL Control Register 2 (PLLCTL2) (offset = 74h)

31	30	22	21	20	16
FMENA	SPREADINGRATE			Rsvd	MULMOD
R/WP-0	R/WP-1FFh			R-0	R/WP-0
15	12	11	9	8	0
MULMOD		ODPLL		SPR_AMOUNT	
R/WP-7h		R/WP-0		R/WP-0	

LEGEND: R/W = Read/Write; R = Read only; WP = Write in privileged mode only; -n = value after reset

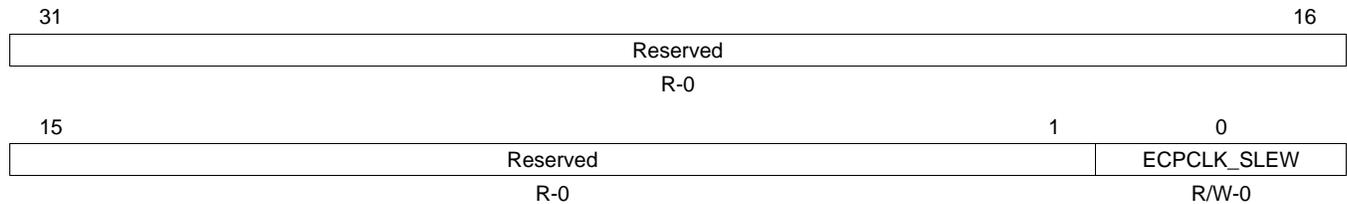
Table 2-45. PLL Control Register 2 (PLLCTL2) Field Descriptions

Bit	Field	Value	Description
31	FMENA	0 1	Frequency Modulation Enable. Disable frequency modulation Enable frequency modulation
30-22	SPREADINGRATE	0 1h : 1FFh	$NS = SPREADINGRATE + 1$ $f_{mod} = f_s = f_{INT\ CLK} / (2 \times NS)$ $f_{mod} = f_s = f_{INT\ CLK} / (2 \times 1)$ $f_{mod} = f_s = f_{INT\ CLK} / (2 \times 2)$ : $f_{mod} = f_s = f_{INT\ CLK} / (2 \times 512)$
21	Reserved	0	Value has no effect on PLL operation.
20-12	MULMOD	0 8h 9h : 1FFh	Multiplier Correction when Frequency Modulation is enabled. When FMENA = 0, MUL_when_MOD = 0; when FMENA = 1, MUL_when_MOD = (MULMOD / 256) 0 No adder to NF 8h MUL_when_MOD = 8/256 9h MUL_when_MOD = 9/256 : 1FFh MUL_when_MOD = 511/256
11-9	ODPLL	0 1h : 7h	Internal PLL Output Divider. $OD = ODPLL + 1$ $f_{post-ODCLK} = f_{VCO\ CLK} / OD$ <b>Note: PLL output clock is gated off, if ODPLL is changed while the PLL is active.</b> $f_{post-ODCLK} = f_{VCO\ CLK} / 1$ $f_{post-ODCLK} = f_{VCO\ CLK} / 2$ : $f_{post-ODCLK} = f_{VCO\ CLK} / 8$
8-0	SPR_AMOUNT	0 1h : 1FFh	Spreading Amount. $NV = (SPR\_AMOUNT + 1) / 2048$ NV ranges from 1/2048 to 512/2048 Note that the PLL output clock is disabled for 1 modulation period, if the SPR_AMOUNT field is changed while the frequency modulation is enabled. If frequency modulation is disabled and SPR_AMOUNT is changed, there is no effect on the PLL output clock. 0 NV = 1/2048 1h NV = 2/2048 : 1FFh NV = 512/2048

### 2.5.1.27 SYS Pin Control Register 10 (SYSPC10)

The SYSPC10 register, shown in [Figure 2-34](#) and described in [Table 2-46](#), controls the function of the ECPCLK slew mode.

**Figure 2-34. SYS Pin Control Register 10 (SYSPC10) (offset = 78h)**



LEGEND: R/W = Read/Write; R = Read only; -n = value after reset

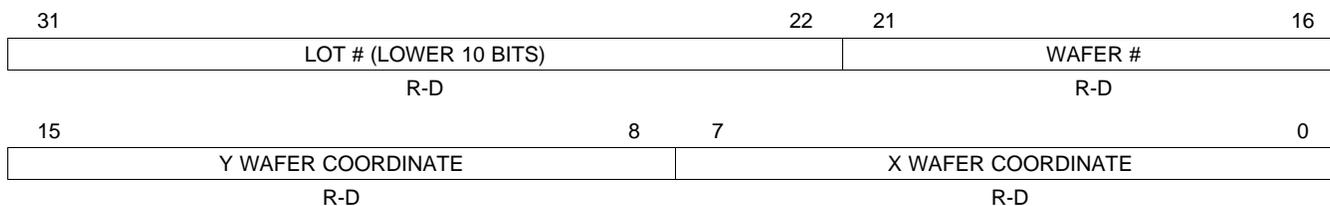
**Table 2-46. SYS Pin Control Register 10 (SYSPC10) Field Descriptions**

Bit	Field	Value	Description
31-1	Reserved	0	Read returns 0. Writes have no effect.
0	ECPCLK_SLEW	0	ECPCCLK slew control. This bit controls between the fast or slow slew mode. Fast mode is enabled; the normal output buffer is used for this pin.
		1	Slow mode is enabled; slew rate control is used for this pin.

### 2.5.1.28 Die Identification Register Lower Word (DIEIDL)

The DIEIDL register, shown in [Figure 2-35](#) and described in [Table 2-47](#), contains information about the die lot number, wafer number, and X, Y wafer coordinates.

**Figure 2-35. Die Identification Register, Lower Word (DIEIDL) (offset = 7Ch)**



LEGEND: R = Read only; -n = value after reset; -D = device specific

**Table 2-47. Die Identification Register, Lower Word (DIEIDL) Field Descriptions**

Bit	Field	Description
31-22	LOT # (Lower 10 Bits)	These read only bits contain the lower 10 bits of the device lot number.
21-16	WAFER #	These read only bits contain the wafer number of the device.
15-8	Y WAFER COORDINATE	These read only bits contain the Y wafer coordinate of the device
7-0	X WAFER COORDINATE	These read only bits contain the X wafer coordinate of the device

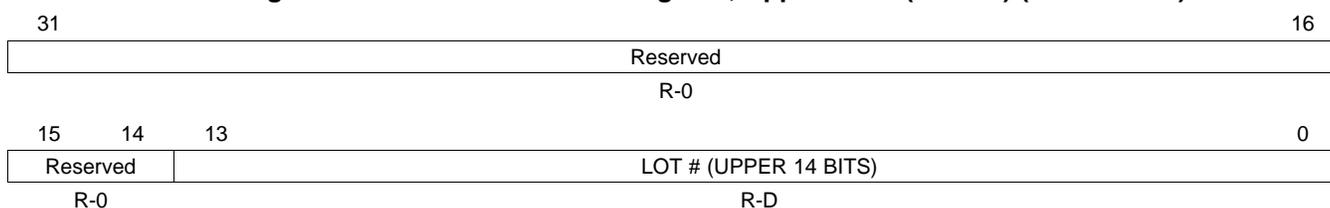
**NOTE: Die Identification Information**

The die identification information will vary from unit to unit. This information is programmed by TI as part of the initial device test procedure.

### 2.5.1.29 Die Identification Register Upper Word (DIEIDH)

The DIEIDH register, shown in [Figure 2-36](#) and described in [Table 2-48](#), contains information about the die lot number.

**Figure 2-36. Die Identification Register, Upper Word (DIEIDH) (offset = 80h)**



LEGEND: R/W = Read/Write; R = Read only; D = Value is device dependent; -n = value after reset

**Table 2-48. Die Identification Register, Upper Word (DIEIDH) Field Descriptions**

Bit	Field	Description
31-14	Reserved	Read returns 0. Writes have no effect.
13-0	LOT # (Upper 14 Bits)	This read-only register contains the upper 14 bits of the device lot number.

**NOTE: Die Identification Information**

The die identification information will vary from unit to unit. This information is programmed by TI as part of the initial device test procedure.

### 2.5.1.30 LPO/Clock Monitor Control Register (LPOMONCTL)

The LPOMONCTL register, shown in [Figure 2-37](#) and described in [Table 2-49](#), controls the Low Frequency (Clock Source 4) and High Frequency (Clock Source 5) Low Power Oscillator's trim values.

**Figure 2-37. LPO/Clock Monitor Control Register (LPOMONCTL) (offset = 088h)**

31	25	24	23	17	16	
Reserved		BIAS ENABLE	Reserved		OSCFRQCONFIGCNT	
R-0		R/WP-1	R-0		R/WP-0	
15	13	12	8	7	5 4 0	
Reserved		HFTRIM		Reserved		LFTRIM
R-0		R/WP-10h		R-0		R/WP-10h

LEGEND: R/W = Read/Write; R = Read only; WP = Write in privileged mode only; -n = value after reset

**Table 2-49. LPO/Clock Monitor Control Register (LPOMONCTL) Field Descriptions**

Bit	Field	Value	Description
31-25	Reserved	0	Read returns 0. Writes have no effect.
24	BIAS ENABLE	0	Bias enable. The bias circuit inside the low-power oscillator (LPO) is disabled.
		1	The bias circuit inside the low-power oscillator (LPO) is enabled.
23-17	Reserved	0	Read returns 0. Writes have no effect.
16	OSCFRQCONFIGCNT	0	Configures the counter based on OSC frequency. OSC frequency is <= 20MHz
		1	OSC frequency is > 20MHz and <= 80MHz
15-13	Reserved	0	Read returns 0. Writes have no effect.

**Table 2-49. LPO/Clock Monitor Control Register (LPOMONCTL) Field Descriptions (continued)**

Bit	Field	Value	Description
12-8	HFTRIM		High frequency oscillator trim value. This four-bit value is used to center the HF oscillator's frequency. <b>Caution: This value should only be changed when the HF oscillator is not the source for a clock domain, otherwise a system failure could result.</b> The values below are the ratio: $f / f_0$ in the F021 process.
		0	29.52
		1h	34.24%
		2h	38.85%
		3h	43.45%
		4h	47.99%
		5h	52.55%
		6h	57.02%
		7h	61.46%
		8h	65.92%
		9h	70.17
		Ah	74.55%
		Bh	78.92%
		Ch	83.17%
		Dh	87.43%
		Eh	91.75%
		Fh	95.89%
		10h	100.00% Default at Reset.
		11h	104.09
		12h	108.17
		13h	112.32
		14h	116.41
		15h	120.67
		16h	124.42
		17h	128.38
		18h	132.24
		19h	136.15
		1Ah	140.15
		1Bh	143.94
		1Ch	148.02
		1Dh	151.80x
		1Eh	155.50x
		1Fh	159.35%
7-5	Reserved	0	Read returns 0. Writes have no effect.

**Table 2-49. LPO/Clock Monitor Control Register (LPOMONCTL) Field Descriptions (continued)**

Bit	Field	Value	Description
4-0	LFTRIM		<p>Low frequency oscillator trim value. This four-bit value is used to center the LF oscillator's frequency.</p> <p><b>Caution: This value should only be changed when the LF oscillator is not the source for a clock domain, otherwise a system failure could result.</b></p> <p>The values below are the ratio: <math>f / f_0</math> in the F021 process.</p>
		0	20.67
		1h	25.76
		2h	30.84
		3h	35.90
		4h	40.93
		5h	45.95
		6h	50.97
		7h	55.91
		8h	60.86
		9h	65.78
		Ah	70.75
		Bh	75.63
		Ch	80.61
		Dh	85.39
		Eh	90.23
		Fh	95.11
		10h	100.00% Default at Reset
		11h	104.84
		12h	109.51
		13h	114.31
		14h	119.01
		15h	123.75
		16h	128.62
		17h	133.31
		18h	138.03
		19h	142.75
		1Ah	147.32
		1Bh	152.02
		1Ch	156.63
		1Dh	161.38
		1Eh	165.90
		1Fh	170.42

### 2.5.1.31 Clock Test Register (CLKTEST)

The CLKTEST register, shown in [Figure 2-38](#) and described in [Table 2-50](#), controls the clock signal that is supplied to the ECLK pin for test and debug purposes.

**NOTE: Clock Test Register Usage**

This register should only be used for test and debug purposes.

**Figure 2-38. Clock Test Register (CLKTEST) (offset = 8Ch)**

31	27	26	25	24
Reserved		TEST	RANGEDET CTRL	RANGEDET ENASSEL
R-0		R/WP-0	R/WP-0	R/WP-0
23	20	19	16	
Reserved			CLK_TEST_EN	
R-0			R/WP-Ah	
15	12	11	8	7
Reserved		SEL_GIO_PIN	Reserved	
R-0		R/WP-0	SEL_ECP_PIN	
R-0		R/WP-0	R/WP-0	

LEGEND: R/W = Read/Write; R = Read only; WP = Write in privileged mode only; -n = value after reset

**Table 2-50. Clock Test Register (CLKTEST) Field Descriptions**

Bit	Field	Value	Description
31-27	Reserved	0	Read returns 0. Writes have no effect.
26	TEST	0	This bit is used for test purposes. It must be written to 0.
25	RANGEDETCTRL	0 1	Range detection control. This bit's functionality is dependant on the state of the RANGEDETENASSEL bit (Bit 24) of the CLKTEST register. 0 The clock monitor range detection circuitry (RANGEDETECTENABLE) is disabled. 1 The clock monitor range detection circuitry (RANGEDETECTENABLE) is enabled.
24	RANGEDETENASSEL	0 1	Selects range detection enable. This bit resets asynchronously on power on reset. 0 The range detect enable is generated by the hardware in the clock monitor wrapper. 1 The range detect enable is controlled by the RANGEDETCTRL bit (Bit 25) of the CLKTEST register.
23-20	Reserved	0	Read returns 0. Writes have no effect.
19-16	CLK_TEST_EN	5h Others	Clock test enable. This bit enables the clock going to the ECLK pin. This bit field enables or disables clock going to device pins. Two pins in a device can get clock sources by enabling CLK_TEST_EN bits. One pin is the ECP and second pin is a device specific GIO pin. These bits need to asynchronously reset. <b>Note: The ECLK pin must also be placed into Functional mode by setting the ECPCLKFUN bit to 1 in the SYSPC1 register.</b> 5h Clock going to ECLK pin is enabled. Others Clock going to ECLK pin is disabled.
15-12	Reserved	0	Read returns 0. Writes have no effect.

**Table 2-50. Clock Test Register (CLKTEST) Field Descriptions (continued)**

Bit	Field	Value	Description
11-8	SEL_GIO_PIN	0 1h 2h 3h 4h 5h 6h 7h 8h 9h Ah Bh Ch Dh Eh Fh	GIOB[0] pin clock source valid, clock source select  Oscillator valid status PLL clock status Reserved Reserved Reserved High frequency clock LPO (Low Power Oscillator) clock valid status Secondary PLL free-running clock output valid status Reserved Low frequency clock LPO (Low Power Oscillator) clock Oscillator valid status Oscillator valid status Oscillator valid status Oscillator valid status Oscillator valid status Oscillator valid status Oscillator valid status
7-4	Reserved	0	Read returns 0. Writes have no effect.
3-0	SEL_ECP_PIN	0 1h 2h 3h 4h 5h 6h 7h 8h 9h Ah Bh Ch Dh Eh Fh	ECLK pin clock source select  <b>Note: Only valid clock sources can be selected for the ECLK pin. Valid clock sources are displayed by the CSVSTAT register.</b>  Oscillator clock PLL clock Not Implemented EXTCLKIN1 Low frequency LPO (Low Power Oscillator) clock High frequency clock LPO (Low Power Oscillator) clock Secondary PLL free-running clock output EXCLKIN2 GCLK RTI Base Not Implemented VCLKA1 VCLKA2 VCLKA3_S VCLKA4 Flash HD Pump Oscillator

---

**NOTE:** Nonimplemented clock sources should not be enabled or used.

---

### 2.5.1.32 DFT Control Register (DFTCTRLREG)

This register is shown in [Figure 2-39](#) and described in [Table 2-51](#).

**Figure 2-39. DFT Control Register (DFTCTRLREG) (offset = 90h)**

	Reserved	
	R-0	
31		16
15	14	13
12	11	10
9	8	7
4	3	0
Reserved	DFTWRITE	Reserved
DFTREAD	Reserved	TEST_MODE_KEY
R-0	R/WP-1h	R-0
R/WP-1h	R-0	R/WP-5h

LEGEND: R/W = Read/Write; R = Read only; WP = Write in privileged mode only; -n = value after reset

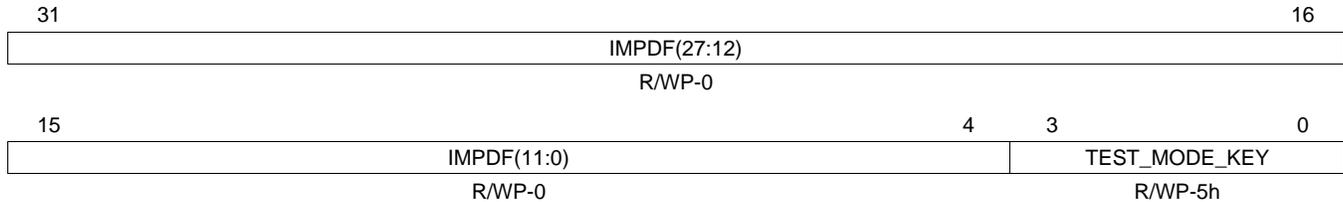
**Table 2-51. DFT Control Register (DFTCTRLREG) Field Descriptions**

Bit	Field	Value	Description
31-14	Reserved	0	Read returns 0. Writes have no effect.
13-12	DFTWRITE		DFT logic access. For F021: DFTWRITE[0] = 0 and DFTREAD[0] = 0 configured in stress mode DFTWRITE[1] = 0 and DFTREAD[1] = 0 configured in stress mode DFTWRITE[0] = 0 and DFTREAD[0] = 0 configured in fast mode DFTWRITE[1] = 1 and DFTREAD[1] = 1 configured in fast mode DFTWRITE[0] = 1 and DFTREAD[0] = 1 configured in slow mode DFTWRITE[1] = 0 and DFTREAD[1] = 0 configured in slow mode DFTWRITE[0] = 1 and DFTREAD[0] = 1 configured in screen mode DFTWRITE[1] = 1 and DFTREAD[1] = 1 configured in screen mode
11-10	Reserved	0	Read returns 0. Writes have no effect.
9-8	DFTREAD		DFT logic access. For F021: DFTWRITE[0] = 0 and DFTREAD[0] = 0 configured in stress mode DFTWRITE[1] = 0 and DFTREAD[1] = 0 configured in stress mode DFTWRITE[0] = 0 and DFTREAD[0] = 0 configured in fast mode DFTWRITE[1] = 1 and DFTREAD[1] = 1 configured in fast mode DFTWRITE[0] = 1 and DFTREAD[0] = 1 configured in slow mode DFTWRITE[1] = 0 and DFTREAD[1] = 0 configured in slow mode DFTWRITE[0] = 1 and DFTREAD[0] = 1 configured in screen mode DFTWRITE[1] = 1 and DFTREAD[1] = 1 configured in screen mode
7-4	Reserved	0	Read returns 0. Writes have no effect.
3-0	TEST_MODE_KEY	0 - Fh (except Ah)  Ah	Test mode key. This register is for internal TI use only. Register key disable. All bits in this register will maintain their default value and cannot be written. Register key enable. ALL the bits can be written to only when the key is enabled. On reset, these bits will be set to 0x5.

### 2.5.1.33 DFT Control Register 2 (DFTCTRLREG2)

This register is shown in [Figure 2-40](#) and described in [Table 2-52](#). For information on filtering the RFSLIP see [Section 2.5.2.7](#).

**Figure 2-40. DFT Control Register 2 (DFTCTRLREG2) (offset = 94h)**



LEGEND: R/W = Read/Write; R = Read only; WP = Write in privileged mode only; -n = value after reset

**Table 2-52. DFT Control Register 2 (DFTCTRLREG2) Field Descriptions**

Bit	Field	Value	Description
31-4	IMPDP[27:0]	0 1	DFT Implementation defined bits. IMPDP[27:0] - Disabled IMPDP[27:0] - Enabled
3-0	TEST_MODE_KEY	0-Fh (except Ah) Ah	Test mode key. This register is for internal TI use only. Register key disable. All bits in this register will maintain their default value and cannot be written. Register key enable. ALL the bits can be written to only when the key is enabled.

### 2.5.1.34 General Purpose Register (GPREG1)

This register is shown in [Figure 2-41](#) and described in [Table 2-53](#). For information on filtering the RFSLIP, see [Section 2.5.2.7](#).

**Figure 2-41. General Purpose Register (GPREG1) (offset = A0h)**

31	26	25	20	19	16
Reserved		PLL1_FB_SLIP_FILTER_COUNT		PLL1_FB_SLIP_FILTER_KEY	
R-0		R/WP-0		R/WP-0	
15					0
Reserved					
R/WP-0					

LEGEND: R/W = Read/Write; R = Read only; WP = Write in privileged mode only; -n = value after reset

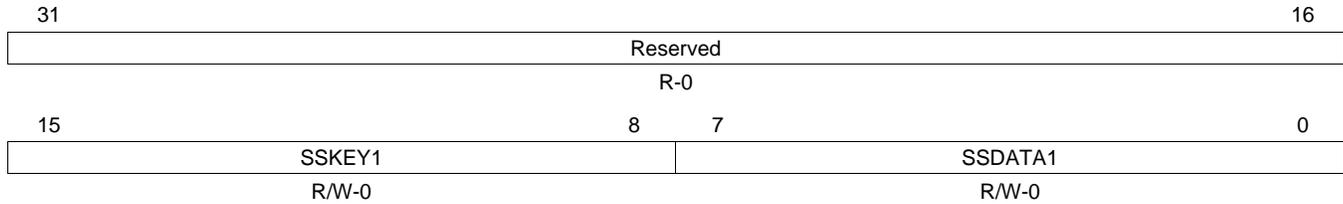
**Table 2-53. General Purpose Register (GPREG1) Field Descriptions**

Bit	Field	Value	Description
31-26	Reserved	0	Read returns 0. Writes have no effect.
25-20	PLL1_FB_SLIP_FILTER_COUNT	0 1h 2h : 3Fh	<p>FBSLIP down counter programmed value.</p> <p>Configures the system response when a FBSLIP is indicated by the PLL macro. When PLL1_FB_SLIP_FILTER_KEY is not Ah, the down counter counts from the programmed value on every LPO high-frequency clock once PLL macro indicates FBSLIP. When the count reaches 0, if the synchronized FBSLIP signal is still high, an FBSLIP condition is indicated to the system module and is captured in the global status register. When the FBSLIP signal from the PLL macro is de-asserted before the count reaches 0, the counter is reloaded with the programmed value.</p> <p>0 Filtering is disabled. Every slip is recognized.</p> <p>1h Filtering is enabled. Every slip is recognized.</p> <p>2h Filtering is enabled. The slip must be at least 2 HF LPO cycles wide in order to be recognized as a slip.</p> <p>: :</p> <p>3Fh Filtering is enabled. The slip must be at least 63 HF LPO cycles wide in order to be recognized as a slip.</p>
19-16	PLL1_FB_SLIP_FILTER_KEY	5h Ah Fh All other values	<p>Configures the system response when a FBSLIP is indicated by the PLL macro.</p> <p>5h FBSLIP filtering is bypassed and the FBSLIP indicated by the PLL macro is captured in the system module global status register.</p> <p>Ah FBSLIP filtering is enabled and the one-stage synchronization circuit is used.</p> <p>Fh FBSLIP filtering is enabled and the two-stage synchronization circuit is used.</p> <p>All other values FBSLIP filtering is enabled.</p>
15-0	Reserved	0	Read returns 0s or 1s and write in privilege mode. The functionality of this bit is unavailable in this device.

### 2.5.1.35 System Software Interrupt Request 1 Register (SSIR1)

The SSIR1 register, shown in [Figure 2-42](#) and described in [Table 2-54](#), is used for software interrupt generation.

**Figure 2-42. System Software Interrupt Request 1 Register (SSIR1) (offset = B0h)**



LEGEND: R/W = Read/Write; R = Read only; -n = value after reset

**Table 2-54. System Software Interrupt Request 1 Register (SSIR1) Field Descriptions**

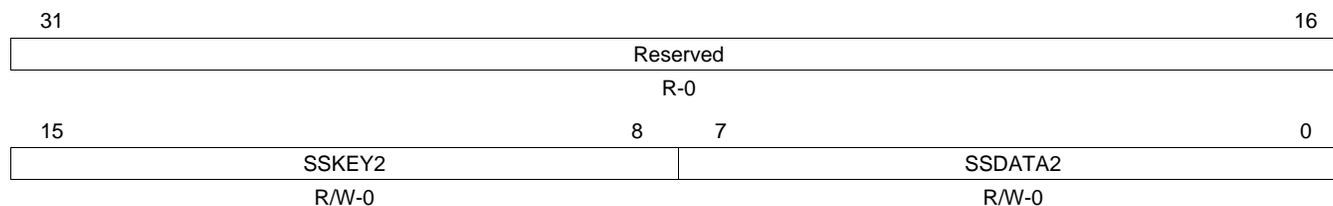
Bit	Field	Value	Description
31-16	Reserved	0	Read returns 0. Writes have no effect.
15-8	SSKEY1	0-FFh	System software interrupt request key. A 075h written to these bits initiates IRQ/FIQ interrupts. Data in this field is always read as 0. The SSKEY1 field can be written into only if the write data matches the key (75h). The SSDATA1 field can only be written into if the write data into this field, the SSKEY1 field, matches the key (75h).
7-0	SSDATA1	0-FFh	System software interrupt data. These bits contain user read/write register bits. They may be used by the application software as different entry points for the interrupt routine. The SSDATA1 field cannot be written into unless the write data into the SSKEY1 field matches the key (75h); therefore, byte writes cannot be performed on the SSDATA1 field.

**NOTE:** This register is mirrored at offset FCh for compatibility reasons.

### 2.5.1.36 System Software Interrupt Request 2 Register (SSIR2)

The SSIR2 register, shown in [Figure 2-43](#) and described in [Table 2-55](#), is used for software interrupt generation.

**Figure 2-43. System Software Interrupt Request 2 Register (SSIR2) (offset = B4h)**



LEGEND: R/W = Read/Write; R = Read only; -n = value after reset

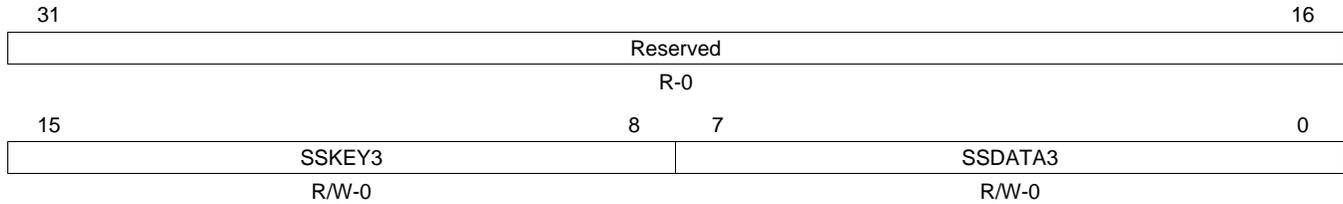
**Table 2-55. System Software Interrupt Request 2 Register (SSIR2) Field Descriptions**

Bit	Field	Value	Description
31-16	Reserved	0	Read returns 0. Writes have no effect.
15-8	SSKEY2	0-FFh	System software interrupt2 request key. A 84h written to these bits initiates IRQ/FIQ interrupts. Data in this field is always read as 0. The SSKEY2 field can be written into only if the write data matches the key (84h). The SSDATA2 field can only be written into if the write data into this field, the SSKEY2 field, matches the key (84h).
7-0	SSDATA2	0-FFh	System software interrupt data. These bits contain user read/write register bits. They may be used by the application software as different entry points for the interrupt routine. The SSDATA2 field cannot be written into unless the write data into the SSKEY2 field matches the key (84h); therefore, byte writes cannot be performed on the SSDATA2 field.

### 2.5.1.37 System Software Interrupt Request 3 Register (SSIR3)

The SSIR3 register, shown in [Figure 2-44](#) and described in [Table 2-56](#), is used for software interrupt generation.

**Figure 2-44. System Software Interrupt Request 3 Register (SSIR3) (offset = B8h)**



LEGEND: R/W = Read/Write; R = Read only; -n = value after reset

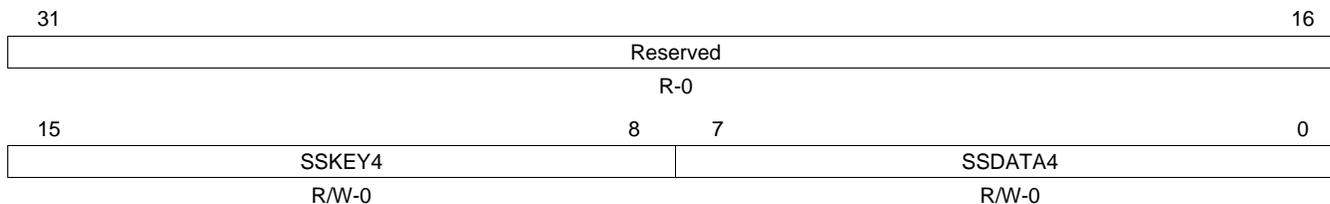
**Table 2-56. System Software Interrupt Request 3 Register (SSIR3) Field Descriptions**

Bit	Field	Value	Description
31-16	Reserved	0	Read returns 0. Writes have no effect.
15-8	SSKEY3	0-FFh	System software interrupt request key. A 93h written to these bits initiates IRQ/FIQ interrupts. Data in this field is always read as 0. The SSKEY3 field can be written into only if the write data matches the key (93h). The SSDATA3 field can only be written into if the write data into this field, the SSKEY3 field, matches the key (93h).
7-0	SSDATA3	0-FFh	System software interrupt data. These bits contain user read/write register bits. They may be used by the application software as different entry points for the interrupt routine. The SSDATA3 field cannot be written into unless the write data into the SSKEY3 field matches the key (93h); therefore, byte writes cannot be performed on the SSDATA3 field.

### 2.5.1.38 System Software Interrupt Request 4 Register (SSIR4)

The SSIR4 register, shown in [Figure 2-45](#) and described in [Table 2-57](#), is used for software interrupt generation.

**Figure 2-45. System Software Interrupt Request 4 Register (SSIR4) (offset = BCh)**



LEGEND: R/W = Read/Write; R = Read only; -n = value after reset

**Table 2-57. System Software Interrupt Request 4 Register (SSIR4) Field Descriptions**

Bit	Field	Value	Description
31-16	Reserved	0	Read returns 0. Writes have no effect.
15-8	SSKEY4	0-FFh	System software interrupt2 request key. A A2h written to these bits initiates IRQ/FIQ interrupts. Data in this field is always read as 0. The SSKEY4 field can be written into only if the write data matches the key (A2h). The SSDATA4 field can only be written into if the write data into this field, the SSKEY4 field, matches the key (A2h).
7-0	SSDATA4	0-FFh	System software interrupt data. These bits contain user read/write register bits. They may be used by the application software as different entry points for the interrupt routine. The SSDATA4 field cannot be written into unless the write data into the SSKEY4 field matches the key (A2h); therefore, byte writes cannot be performed on the SSDATA4 field.

### 2.5.1.39 RAM Control Register (RAMGCR)

**NOTE:** The RAM\_DFT\_EN bits are for TI internal use only.

The contents of the RAM\_DFT\_EN field should not be changed.

**Figure 2-46. RAM Control Register (RAMGCR) (offset = C0h)**

31				20				19				16			
Reserved								RAM_DFT_EN							
R-0								R/WP-5h							
15		14		13		12		11		10		9		8	
Reserved		Reserved		Reserved		Reserved		Reserved		Reserved		Reserved		Reserved	
R-0		R/WP-0		R-0		R/WP-0		R-0		R/WP-0		R-0		R/WP-0	
7		6		5		4		3		2		1		0	
Reserved		Reserved		Reserved		Reserved		Reserved		Reserved		Reserved		Reserved	
R-0		R/WP-0		R-0		R/WP-0		R-0		R/WP-0		R-0		R/WP-0	

LEGEND: R/W = Read/Write; R = Read only; WP = Write in privileged mode only; -n = value after reset

**Table 2-58. RAM Control Register (RAMGCR) Field Descriptions**

Bit	Field	Value	Description
31-20	Reserved	0	Read returns 0. Writes have no effect.
19-16	RAM_DFT_EN	Ah Others	Functional mode RAM DFT (Design For Test) port enable key. <b>Note: For TI internal use only!</b> RAM DFT port is enabled. RAM DFT port is disabled. <b>Note: It is recommended that a value of 5h be used to disable the RAM DFT port. This value will give maximum protection from a bit flip ending event that would inadvertently enable the controller.</b>
15	Reserved	0	Read returns 0. Writes have no effect.
14	Reserved	0-1	Read returns 0 or 1 depends on what is written in privileged mode. The functionality of this bit is unavailable in this device.
13	Reserved	0	Read returns 0. Writes have no effect.
12	Reserved	0-1	Read returns 0 or 1 depends on what is written in privileged mode. The functionality of this bit is unavailable in this device.
11	Reserved	0	Read returns 0. Writes have no effect.
10	Reserved	0-1	Read returns 0 or 1 depends on what is written in privileged mode. The functionality of this bit is unavailable in this device.
9	Reserved	0	Read returns 0. Writes have no effect.
8	Reserved	0-1	Read returns 0 or 1 depends on what is written in privileged mode. The functionality of this bit is unavailable in this device.
7	Reserved	0	Read returns 0. Writes have no effect.
6	Reserved	0-1	Read returns 0 or 1 depends on what is written in privileged mode. The functionality of this bit is unavailable in this device.
5	Reserved	0	Read returns 0. Writes have no effect.
4	Reserved	0-1	Read returns 0 or 1 depends on what is written in privileged mode. The functionality of this bit is unavailable in this device.
3	Reserved	0	Read returns 0. Writes have no effect.
2	Reserved	0-1	Read returns 0 or 1 depends on what is written in privileged mode. The functionality of this bit is unavailable in this device.
1	Reserved	0	Read returns 0. Writes have no effect.
0	Reserved	0-1	Read returns 0 or 1 depends on what is written in privileged mode. The functionality of this bit is unavailable in this device.

### 2.5.1.40 Bus Matrix Module Control Register 1 (BMMCR1)

The BMMCR1 register, shown in [Figure 2-47](#) and described in [Table 2-59](#), allows RAM and Program (Flash) memory addresses to be swapped.

**Figure 2-47. Bus Matrix Module Control Register 1 (BMMCR) (offset = C4h)**

31	Reserved			16
R-0				
15	Reserved		4	3
R-0			MEMSW	
			R/WP-Ah	

LEGEND: R/W = Read/Write; R = Read only; WP = Write in privileged mode only; -n = value after reset

**Table 2-59. Bus Matrix Module Control Register 1 (BMMCR) Field Descriptions**

Bit	Field	Value	Description
31-4	Reserved	0	Read returns 0. Writes have no effect.
3-0	MEMSW	Ah 5h Others	Memory swap key. <b>Note: A CPU reset must be issued after the memory swap key has been changed for the memory swap to occur. A CPU reset can be initiated by changing the state of the CPU RESET bit in the CPURSTCR register.</b> Default memory map: Program memory (Flash) starts at address 0. eSRAM starts at address 800 0000h. Swapped memory map: eSRAM starts at address 0. Program memory (Flash) starts at address 800 0000h. The device memory map is unchanged.

### 2.5.1.41 CPU Reset Control Register (CPURSTCR)

The CPURSTCR register shown in [Figure 2-48](#) and described in [Table 2-60](#), allows the memory protection mode to be configured. It also allows a reset to the Cortex R4 CPU to be generated.

**Figure 2-48. CPU Reset Control Register (CPURSTCR) (offset = CCh)**

31	Reserved		17	16
R-0			R/WP-0	
15	Reserved		1	0
R-0			CPU RESET	
			R/WP-0	

LEGEND: R/W = Read/Write; R = Read only; WP = Write in privileged mode only; -n = value after reset

**Table 2-60. CPU Reset Control Register (CPURSTGCR) Field Descriptions**

Bit	Field	Value	Description
31-1	Reserved	0	Read returns 0. Writes have no effect.
0	CPU RESET		CPU RESET. Only the CPU is reset whenever this bit is toggled. There is no system reset.

### 2.5.1.42 Clock Control Register (CLKCNTL)

The CLKCNTL register, shown in [Figure 2-49](#) and described in [Table 2-61](#), controls peripheral reset and the peripheral clock divide ratios.

**NOTE: VCLK and VCLK2 clock ratio restrictions.**

VCLK2 must always be greater than or equal to VCLK. In addition, the VCLK and VCLK2 clock ratios must not be changed simultaneously. The application must configure the VCLK2 ratio, read back the contents of the CLKCNTL register, and then configure the VCLK ratio.

**Figure 2-49. Clock Control Register (CLKCNTL) (offset = D0h)**

31	28	27	24	23	20	19	16
Reserved		VCLK2R		Reserved		VCLKR	
R-0		R/WP-1h		R-0		R/WP-1h	
15	9	8	7	0			
Reserved			PENA	Reserved			
R-0			R/WP-0	R-0			

LEGEND: R/W = Read/Write; R = Read only; WP = Write in privileged mode only; -n = value after reset

**Table 2-61. Clock Control Register (CLKCNTL) Field Descriptions**

Bit	Field	Value	Description
31-28	Reserved	0	Read returns 0. Writes have no effect.
27-24	VCLK2R	0	VBUS clock2 ratio. The VCLK2 speed is HCLK divided by 1.
		:	:
		Fh	The VCLK2 speed is HCLK divided by 16.
23-20	Reserved	0	Read returns 0. Writes have no effect.
19-16	VCLKR	0	VBUS clock ratio. The VCLK speed is HCLK divided by 1.
		:	:
		Fh	The VCLK speed is HCLK divided by 16.
15-9	Reserved	0	Read returns 0. Writes have no effect.
8	PENA	0	Peripheral enable bit. The application must set this bit before accessing any peripheral The global peripheral/peripheral memory frames are in reset.
		1	All peripheral/peripheral memory frames are out of reset.
7-0	Reserved	0	Read returns 0. Writes have no effect.

### 2.5.1.43 ECP Control Register (ECPCNTL)

The ECP register, shown in Figure 2-50 and described in Table 2-62, configures the ECLK pin in functional mode.

**NOTE: ECLK Functional mode configuration.**

The ECLK pin must be placed into Functional mode by setting the ECPCLKFUN bit to 1 in the SYSPC1 register before a clock source will be visible on the ECLK pin.

**Figure 2-50. ECP Control Register (ECPCNTL) (offset = D4h)**

31	25	24	23	22	18	17	16
Reserved		ECPSSSEL	ECPCOS	Reserved		Reserved	
R-0		R/W-0	R/W-0	R-0		R/W-0	
15							0
ECPDIV							
R/W-0							

LEGEND: R/W = Read/Write; R = Read only; -n = value after reset

**Table 2-62. ECP Control Register (ECPCNTL) Field Descriptions**

Bit	Field	Value	Description
31-25	Reserved	0	Read returns 0. Writes have no effect.
24	ECPSSSEL	0 1	This bit allows the selection between VCLK and OSCIN as the clock source for ECLK. <b>Note: Other ECLK clock sources are available for debug purposes by configuring the CLKTEST register.</b> 0 VCLK is selected as the ECP clock source. 1 OSCIN is selected as the ECP clock source.
23	EPCOS	0 1	ECP continue on suspend. <b>Note: Suspend mode is entered while performing certain JTAG debugging operations.</b> 0 ECLK output is disabled in suspend mode. ECLK output will be shut off and will not be seen on the I/O pin of the device. 1 ECLK output is not disabled in suspend mode. ECLK output will not be shut off and will be seen on the I/O pin of the device.
22-18	Reserved	0	Read returns 0. Writes have no effect.
17-16	Reserved	0	Read returns 0 or 1 depends on what is written. The functionality of this bit is unavailable in this device.
15-0	ECPDIV	0-FFFh	ECP divider value. The value of ECPDIV bits determine the external clock (ECP clock) frequency as a ratio of VBUS clock or OSCIN as shown in the formula:  $ECLK = \frac{VCLK \text{ or } OSCIN}{(ECPDIV + 1)}$

(1)

### 2.5.1.44 DEV Parity Control Register 1 (DEVCR1)

This register is shown in [Figure 2-51](#) and described in [Table 2-63](#).

**Figure 2-51. DEV Parity Control Register 1 (DEVCR1) (offset = DCh)**

31	Reserved			16
R-0				
15	Reserved		4	3
R-0			DEVPARSEL	
			R/WP-Ah	

LEGEND: R/W = Read/Write; R = Read only; WP = Write in privileged mode only; -n = value after reset

**Table 2-63. DEV Parity Control Register 1 (DEVCR1) Field Descriptions**

Bit	Field	Value	Description
31-4	Reserved	0	Read returns 0. Writes have no effect.
3-0	DEVPARSEL		Device parity select bit key. <b>Note: After an odd (DEVPARSEL = Ah) or even (DEVPARSEL = 5h) scheme is programmed into the DEVPARSEL register, any one bit change can be detected and will retain its programmed scheme. More than one bit changes in DEVPARSEL will cause a default to odd parity scheme.</b>
		5h	The device parity is even.
		Ah	The device parity is odd.

### 2.5.1.45 System Exception Control Register (SYSECR)

The SYSECR register, shown in [Figure 2-52](#) and described in [Table 2-64](#), is used to generate a software reset.

**Figure 2-52. System Exception Control Register (SYSECR) (offset = E0h)**

31	Reserved			16
R-0				
15	14	13	0	
RESET1	RESET0	Reserved		
R/WP-0	R/WP-1	R-0		

LEGEND: R/W = Read/Write; R = Read only; WP = Write in privileged mode only; -n = value after reset

**Table 2-64. System Exception Control Register (SYSECR) Field Descriptions**

Bit	Field	Value	Description
31-16	Reserved	0	Read returns 0. Writes have no effect.
15-14	RESET[1-0]		Software reset bits. Setting RESET1 or clearing RESET0 causes a system software reset.
		1h	No reset will occur.
		0, 2h-3h	A global system reset will occur.
13-0	Reserved	0	Read returns 0. Writes have no effect.

### 2.5.1.46 System Exception Status Register (SYSESR)

The SYSESR register, shown in [Figure 2-53](#) and described in [Table 2-65](#), shows the source for different resets encountered. Previous reset source status bits are not automatically cleared if new resets occur. After reading this register, the software should clear any flags that are set so that the source of future resets can be determined. Any bit in this register can be cleared by writing a '1' to the bit.

**Figure 2-53. System Exception Status Register (SYSESR) (offset = E4h)**

31							16								
Reserved															
R-0															
15		14		13		12		11		10		8			
PORST		OSCRST		WDRST		WD2RST		DBGST		Reserved					
R/WC-X		R/WC-X*		R/WC-X*		R/WC-X*		R/WC-X*		R-0					
7		6		5		4		3		2		1		0	
ICSTRST		Reserved		CPURST		SWRST		EXTRST		Reserved		MPMODE			
R/WC-X*		R/WC-X*		R/WC-X*		R/WC-X*		R/WC-X*		R-0		R-0			

LEGEND: R/W = Read/Write; R = Read only; C= Clear; X = value unchanged after reset; X\* = 0 after PORST but unchanged after other resets; -n = value after reset

**Table 2-65. System Exception Status Register (SYSESR) Field Descriptions**

Bit	Field	Value	Description
31-16	Reserved	0	Read returns 0. Writes have no effect.
15	PORST	0 1	Power-on reset. This bit is set when a power-on reset occurs, either internally asserted by the VMON or externally asserted by the nPORRST pin.  0 No power-on reset has occurred since this bit was last cleared. 1 A reset was caused by a power-on reset. (This bit should be cleared after being read so that subsequent resets can be properly identified as not being power-on resets.)
14	OSCRST	0 1	Reset caused by an oscillator failure or PLL cycle slip. This bit is set when a reset is caused by an oscillator failure or PLL slip. Write 1 will clear this bit. Write 0 has no effect.  <b>Note: The action taken when an oscillator failure or PLL slip is detected must configured in the PLLCTL1 register.</b>  0 No reset has occurred due to an oscillator failure or a PLL cycle slip. 1 A reset was caused by an oscillator failure or a PLL cycle slip.
13	WDRST	0 1	Watchdog reset flag. This bit is set when the last reset was caused by the analog or digital watchdog. Write 1 will clear this bit. Write 0 has no effect.  0 No reset has occurred because of the AWD or DWD. 1 A reset was caused by the AWD or DWD.
12	WD2RST	0 1	Watchdog 2 reset flag. This bit is set when the last reset was caused by the second analog or digital watchdog. Write 1 will clear this bit. Write 0 has no effect.  0 No reset has occurred because of the AWD or DWD. 1 A reset was caused by the AWD or DWD.
11	DBGST	0 1	Debug reset flag. This bit is set when the last reset was caused by the debugger reset request. Write 1 will clear this bit. Write 0 has no effect.  0 No reset has occurred because of the debugger. 1 A reset was caused by the debugger.
10-8	Reserved	0	Read returns 0. Writes have no effect.
7	ICSTRST	0 1	Interconnect reset flag. This bit is set when the last CPU reset was caused by the entering and exiting of interconnect self-test check. While the interconnect is under self-test check, the CPU is also held in reset until the interconnect self-test is complete.  0 No CPUx reset has occurred because of an interconnect self-test check. 1 A reset has occurred to the CPUx because of the interconnect self-test check.
6	Reserved	0	Read returns 0. Writes have no effect.

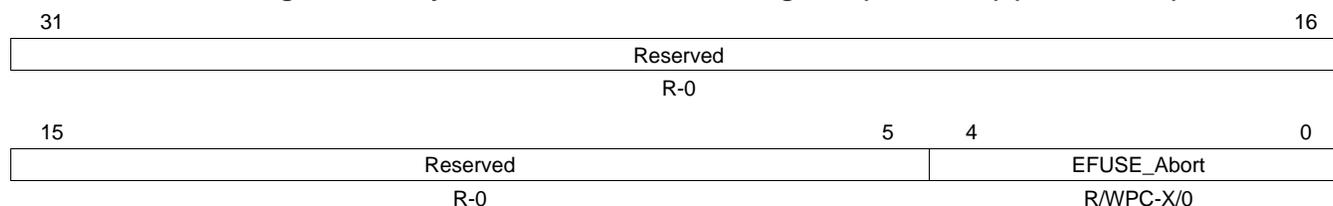
**Table 2-65. System Exception Status Register (SYSESR) Field Descriptions (continued)**

Bit	Field	Value	Description
5	CPURST	0 1	<p>CPU reset flag. This bit is set when the CPU is reset. Write 1 will clear this bit. Write 0 has no effect.</p> <p><b>Note: A CPU reset can be initiated by the CPU self-test controller (LBIST) or by toggling the CPU RESET bit field in CPURSTCR register.</b></p> <p>0 No CPU reset has occurred. 1 A CPU reset occurred.</p>
4	SWRST	0 1	<p>Software reset flag. This bit is set when a software system reset has occurred. Write 1 will clear this bit. Write 0 has no effect.</p> <p><b>Note: A software system reset can be initiated by writing to the RESET bits in the SYSECR register.</b></p> <p>0 No software reset has occurred. 1 A software reset occurred.</p>
3	EXTRST	0 1	<p>External reset flag. This bit is set when a reset is caused by the external reset pin nRST or by any reset that also asserts the nRST pin (PORST, OSCrst, WDRST, WD2RST, and SWRST).</p> <p>0 The external reset pin has not asserted a reset. 1 A reset has been caused by the external reset pin.</p>
2-1	Reserved	0	Read returns 0. Writes have no effect.
0	MPMODE	0 1	<p>This indicates the current memory protection unit (MPU) mode. Write 1 will clear this bit. Write 0 has no effect.</p> <p>0 MPU is disabled. 1 MPU is enabled.</p>

### 2.5.1.47 System Test Abort Status Register (SYSTASR)

This register is shown in [Figure 2-54](#) and described in [Table 2-66](#).

**Figure 2-54. System Test Abort Status Register (SYSTASR) (offset = E8h)**



LEGEND: R/W = Read/Write; R = Read only; WP = Write in privileged mode only; C = Clear; -X = Value unchanged after reset; -n = value after reset

**Table 2-66. System Test Abort Status Register (SYSTASR) Field Descriptions**

Bit	Field	Value	Description
31-5	Reserved	0	Read returns 0. Writes have no effect.
4-0	EFUSE_Abort	0	Test Abort status flag. These bits are set when test abort occurred: <i>Read:</i> The last operation (if any) completed successfully. This is also the value that the error/status register is set to after reset.
		1h	<i>Read:</i> Controller times out because there is no last row sent from the FuseROM.
		2h	<i>Read:</i> The autoloading machine was started, either through the SYS_INITZ signal from the system or the JTAG data register. In either case, the autoloading machine did not find enough FuseROM data to fill the scan chain.
		3h	<i>Read:</i> The autoloading machine was started, either through the SYS_INITZ signal from the system or the JTAG data register. In either case, the autoloading machine starts the scan chain with a signature it expects to see after the scan chain is full. The autoloading machine was able to fill the scan chain, but the wrong signature was returned.
		4h	<i>Read:</i> The autoloading machine was started, either through the SYS_INITZ signal from the system or the JTAG data register. In either case, the autoloading machine was not able or not allowed to complete its operation.
		Others	<i>Read:</i> Reserved.
		1Fh	<i>Write:</i> These bits are cleared to 0.

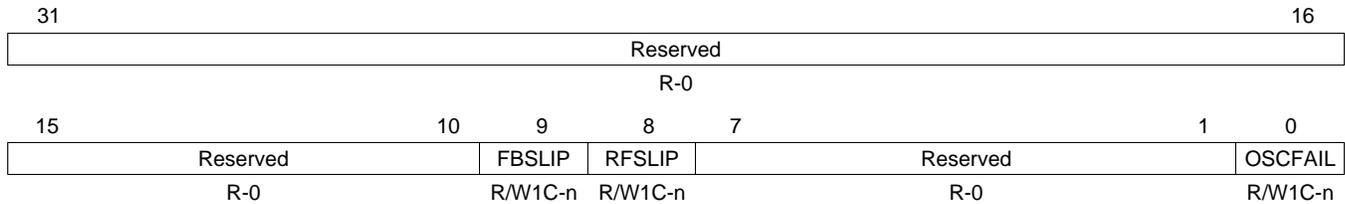
### 2.5.1.48 Global Status Register (GLBSTAT)

The GLBSTAT register, shown in [Figure 2-55](#) and described in [Table 2-67](#), indicates the FMzPLL (PLL1) slip status and the oscillator fail status.

**NOTE: PLL and OSC fail behavior**

The device behavior after a PLL slip or an oscillator failure is configured in the PLLCTL1 register.

**Figure 2-55. Global Status Register (GLBSTAT) (offset = ECh)**



LEGEND: R/W1C = Read/Write 1 to Clear; R = Read only; -n = value after reset

**Table 2-67. Global Status Register (GLBSTAT) Field Descriptions**

Bit	Field	Value	Description
31-10	Reserved	0	Read returns 0. Writes have no effect.
9	FBSLIP	0	PLL over cycle slip detection. (cleared by nPORRST, maintains its previous value for all other resets) <i>Read:</i> No PLL over cycle slip has been detected. <i>Write:</i> The bit is unchanged.
		1	<i>Read:</i> A PLL over cycle slip has been detected. <i>Write:</i> The bit is cleared to 0.
8	RFSLIP	0	PLL under cycle slip detection. (cleared by nPORRST, maintains its previous value for all other resets) <i>Read:</i> No PLL under cycle slip has been detected. <i>Write:</i> The bit is unchanged.
		1	<i>Read:</i> A PLL under cycle slip has been detected. <i>Write:</i> The bit is cleared to 0.
7-1	Reserved	0	Read returns 0. Writes have no effect.
0	OSCFAIL	0	Oscillator fail flag bit. (cleared by nPORRST, maintains its previous value for all other resets) <i>Read:</i> No oscillator failure has been detected. <i>Write:</i> The bit is unchanged.
		1	<i>Read:</i> An oscillator failure has been detected. <i>Write:</i> The bit is cleared to 0.

### 2.5.1.49 Device Identification Register (DEVID)

The DEVID is a read-only register. It contains device-specific information that is hard-coded during device manufacture. For the initial silicon version, the device identification code value is 8044 AD05h. This register is shown in Figure 2-56 and described in Table 2-68.

**Figure 2-56. Device Identification Register (DEVID) (offset = F0h)**

31	30											17	16	
CP15		UNIQUE ID										TECH		
R-K		R-K										R-K		
			15			13	12	11	10	9			8	
TECH				I/O VOLTAGE		PERIPHERAL PARITY		FLASH ECC			RAM ECC			
R-K				R-K		R-K		R-K			R-K			
			7						3	2				0
VERSION							PLATFORM ID							
R-K							R-K							

LEGEND: R/W = Read/Write; R = Read only; -n = value after reset; -K = Constant value

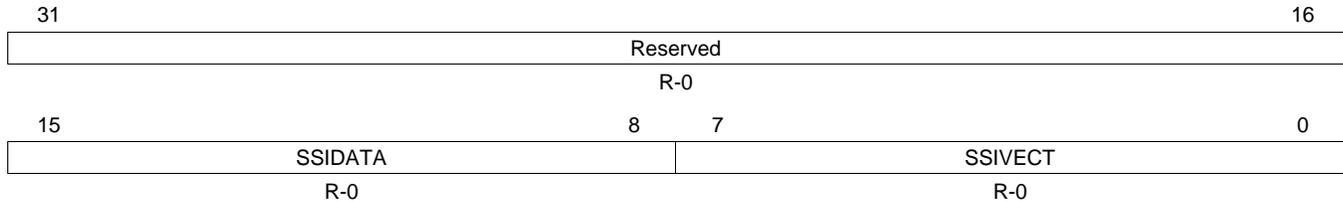
**Table 2-68. Device Identification Register (DEVID) Field Descriptions**

Bit	Field	Value	Description
31	CP15	0 1	CP15 CPU. This bit indicates whether the CPU has a coprocessor 15 (CP15). The CPU has no CP15 present. The CPU has a CP15 present. The CPU ID can be read using the CP15 C0,C0,0 register.
30-17	UNIQUE ID	0-3FFFh	Device ID. The device ID is unique by device configuration.
16-13	TECH	0 1h 2h 3h 4h 5h 6h-7h	These bits define the process technology by which the device was manufactured. Device manufactured in the C05 process technology. Device manufactured in the F05 process technology. Device manufactured in the C035 process technology. Device manufactured in the F035 process technology. Device manufactured in the C021 process technology. Device manufactured in the F021 process technology. Reserved
12	I/O VOLTAGE	0 1	Input/output voltage. This bit defines the I/O voltage of the device. The I/O voltage is 3.3 V. The I/O voltage is 5 V.
11	PERIPHERAL PARITY	0 1	Peripheral parity. This bit indicates whether or not peripheral memory parity is present. The peripheral memories have no parity. The peripheral memories have parity.
10-9	FLASH ECC	0 1h 2h 3h	These bits indicate which parity is present for the program memory. No memory protection is present. The program memory (Flash) has single bit parity. The program memory (Flash) has ECC. This combination is reserved.
8	RAM ECC	0 1	RAM ECC. This bit indicates whether or not RAM memory ECC is present. The RAM memories do not have ECC. The RAM memories have ECC.
7-3	VERSION	0-1Fh	Version. These bits provide the revision of the device.
2-0	PLATFORM ID	5h	The device is part of the TMS570Px family. The TMS570Px ID is always 5h.

### 2.5.1.50 Software Interrupt Vector Register (SSIVEC)

The SSIVEC register, shown in [Figure 2-57](#) and described in [Table 2-69](#), contains information about software interrupts.

**Figure 2-57. Software Interrupt Vector Register (SSIVEC) (offset = F4h)**



LEGEND: R/W = Read/Write; R = Read only; -n = value after reset

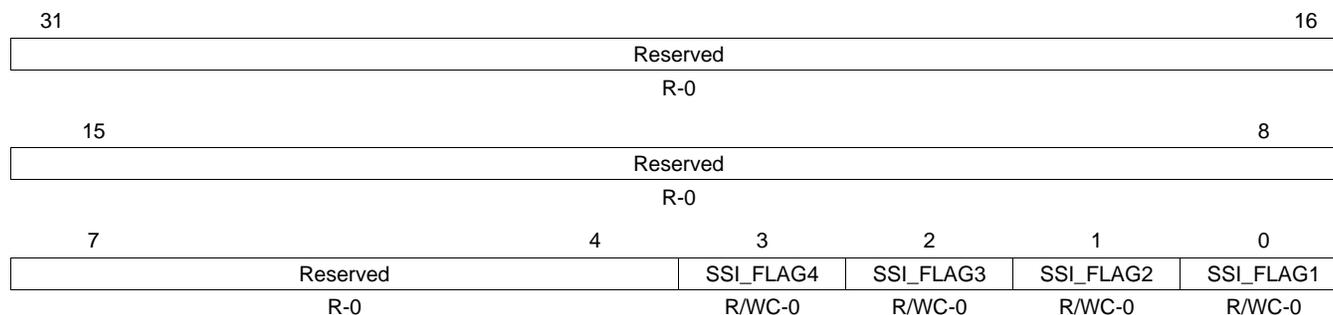
**Table 2-69. Software Interrupt Vector Register (SSIVEC) Field Descriptions**

Bit	Field	Value	Description
31-16	Reserved	0	Read returns 0. Writes have no effect.
15-8	SSIDATA	0-FFh	System software interrupt data key. These bits contain the data key value of the source for the system software interrupt, which is indicated by the vector in the SSIVEC[7-0] field.
7-0	SSIVECT		<p>These bits contain the source for the system software interrupt.</p> <p><b>Note: A read from the SSIVECT bits clears the corresponding SSI_FLAG[4-1] bit in the SSIF register, corresponding to the source vector of the system software interrupt.</b></p> <p><b>Note: The SSIR[4-1] interrupt has the following priority order:</b>            SSIR1 has the highest priority.            SSIR4 has the lowest priority.</p> <p style="margin-left: 20px;">0      No software interrupt is pending.</p> <p style="margin-left: 20px;">1h     A software interrupt has been generated by writing the correct key value to The SSIR1 register.</p> <p style="margin-left: 20px;">2h     A software interrupt has been generated by writing the correct key value to The SSIR2 register.</p> <p style="margin-left: 20px;">3h     A software interrupt has been generated by writing the correct key value to The SSIR3 register.</p> <p style="margin-left: 20px;">4h     A software interrupt has been generated by writing the correct key value to The SSIR4 register.</p> <p style="margin-left: 20px;">5h-FFh    Reserved</p>

### 2.5.1.51 System Software Interrupt Flag Register (SSIF)

The SSIF register, shown in Figure 2-58 and described in Table 2-70, contains software interrupt flag status information.

**Figure 2-58. System Software Interrupt Flag Register (SSIF) (offset = F8h)**



LEGEND: R/W = Read/Write; R = Read only; C = Clear; -n = value after reset

**Table 2-70. System Software Interrupt Flag Register (SSIF) Field Descriptions**

Bit	Field	Value	Description
31-4	Reserved	0	Read returns 0. Writes have no effect.
3-0	SSI_FLAG[4-1]	0	System software interrupt flag[4-1]. This flag is set when the correct SSKEY is written to the SSIR register[4-1].  <b>Note: A read from the SSIVEC register clears the corresponding SSI_FLAG[4-1] bit in the SSIF, corresponding to the source vector of the system software interrupt.</b>  <i>Read:</i> No IRQ/FIQ interrupt was generated since the bit was last cleared. <i>Write:</i> The bit is unchanged.
		1	<i>Read:</i> An IRQ/FIQ interrupt was generated. <i>Write:</i> The bit is cleared to 0.

## 2.5.2 Secondary System Control Registers (SYS2)

This section describes the secondary frame of system registers. The start address of the secondary system module frame is FFFF E100h. The registers support 8-, 16-, and 32-bit writes. The offset is relative to the system module frame start address.

[Table 2-71](#) contains a list of the secondary system control registers.

---

**NOTE:** All additional registers in the secondary system frame are reserved.

---

**Table 2-71. Secondary System Control Registers**

Offset	Acronym	Register Description	Section
00h	PLLCTL3	PLL Control Register 3	<a href="#">Section 2.5.2.1</a>
08h	STCCLKDIV	CPU Logic BIST Clock Divider	<a href="#">Section 2.5.2.2</a>
24h	ECPCNTL	ECP Control Register. The ECPCNTL register has the mirrored location at this address.	<a href="#">Section 2.5.1.43</a>
28h	ECPCNTL1	ECP Control Register 1.	<a href="#">Section 2.5.2.3</a>
3Ch	CLK2CNTRL	Clock 2 Control Register	<a href="#">Section 2.5.2.4</a>
40h	VCLKACON1	Peripheral Asynchronous Clock Configuration 1 Register	<a href="#">Section 2.5.2.5</a>
54h	HCLKCNTL	HCLK Control Register	<a href="#">Section 2.5.2.6</a>
70h	CLKSLIP	Clock Slip Control Register	<a href="#">Section 2.5.2.7</a>
78h	IP1ECCERREN	IP ECC Error Enable Register	<a href="#">Section 2.5.2.8</a>
ECh	EFC_CTLREG	EFUSE Controller Control Register	<a href="#">Section 2.5.2.9</a>
F0h	DIEDL_REG0	Die Identification Register Lower Word	<a href="#">Section 2.5.2.10</a>
F4h	DIEDH_REG1	Die Identification Register Upper Word	<a href="#">Section 2.5.2.11</a>
F8h	DIEDL_REG2	Die Identification Register Lower Word	<a href="#">Section 2.5.2.12</a>
FCh	DIEDH_REG3	Die Identification Register Upper Word	<a href="#">Section 2.5.2.13</a>

**2.5.2.1 PLL Control Register 3 (PLLCTL3)**

The PLLCTL3 register is shown in [Figure 2-59](#) and described in [Table 2-72](#); controls the settings of PLL2 (Clock Source 6 - FPLL).

**Figure 2-59. PLL Control Register 3 (PLLCTL3) (offset = 00h)**

31	29	28	24	23	22	21	16
ODPLL2		PLLDIV2			Reserved		REFCLKDIV2
R/WP-0		R/WP-4h			R-0		R/WP-0
							15
PLLMUL2							
R/WP-1300h							
							0

LEGEND: R/W = Read/Write; R = Read only; WP = Write in privileged mode only; -n = value after reset

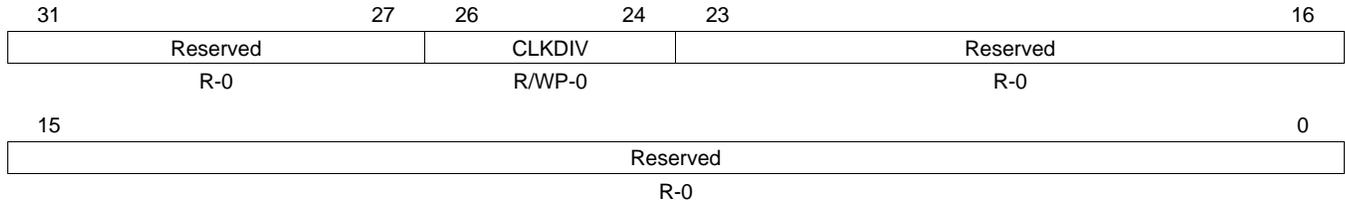
**Table 2-72. PLL Control Register 3 (PLLCTL3) Field Descriptions**

Bit	Field	Value	Description
31-29	ODPLL2	0 1h : 7h	Internal PLL Output Divider $OD2 = ODPLL2 + 1$ , ranges from 1 to 8. $f_{post\_ODCLK2} = f_{output\_CLK2} / OD2$ <b>Note: PLL output clock is gated off if ODPLL2 is changed while the PLL#2 is active.</b>
28-24	PLLDIV2	0 1h : 1Fh	PLL2 Output Clock Divider $R2 = PLLDIV2 + 1$ , ranges from 1 to 32. $f_{PLL2\ CLK} = f_{post\_ODCLK2} / R2$ $f_{PLL2\ CLK} = f_{post\_ODCLK2} / 1$ $f_{PLL2\ CLK} = f_{post\_ODCLK2} / 2$ $f_{PLL2\ CLK} = f_{post\_ODCLK2} / 32$
23-22	Reserved	0	Value has no effect on PLL operation.
21-16	REFCLKDIV2	0 1h : 3Fh	Reference Clock Divider $NR2 = REFCLKDIV2 + 1$ , ranges from 1 to 64. $f_{INTCLK2} = f_{OSCIN} / NR2$ <b>Note: This value should not be changed while the PLL2 is active.</b>
15-0	PLLMUL2	100h : 5B00h 5C00h : FF00h	PLL2 Multiplication Factor $NF2 = (PLLMUL2 / 256) + 1$ , valid multiplication factors are from 1 to 256. $f_{VCOCLK2} = f_{INTCLK2} \times NF2$ User and privileged mode (read): Privileged mode (write): $f_{VCOCLK2} = f_{INTCLK2} \times 1$ $f_{VCOCLK2} = f_{INTCLK2} \times 92$ $f_{VCOCLK2} = f_{INTCLK2} \times 93$ $f_{VCOCLK2} = f_{INTCLK2} \times 256$

### 2.5.2.2 CPU Logic Bist Clock Divider (STCLKDIV)

This register is shown in [Figure 2-60](#) and described in [Table 2-73](#).

**Figure 2-60. CPU Logic BIST Clock Prescaler (STCLKDIV) (offset = 08h)**



LEGEND: R/W = Read/Write; R = Read only; WP = Write in privileged mode only; -n = value after reset

**Table 2-73. CPU Logic BIST Clock Prescaler (STCLKDIV) Field Descriptions**

Bit	Field	Value	Description
31-27	Reserved	0	Read returns 0. Writes have no effect.
26-24	CLKDIV	0	Clock divider/prescaler for CPU clock during logic BIST
23-0	Reserved	0	Read returns 0. Writes have no effect.

### 2.5.2.3 ECP Control Register 1 (ECPCNTL1)

The ECP register, shown in Figure 2-61 and described in Table 2-74, configures the ECLK2 pin in functional mode.

**NOTE: ECLK2 Functional mode configuration.**

The ECLK2 pin must be placed into Functional mode by setting the ECPCLKFUN bit to 1 in the SYSPC1 register before a clock source will be visible on the ECLK pin.

**Figure 2-61. ECP Control Register 1 (ECPCNTL1) (offset = 28h)**

31	28	27	25	24	23	22	16
ECP_KEY		Reserved		ECPSSSEL	ECPCOS	Reserved	
R/WP-5h		R-0		R/W-0	R/W-0	R-0	
15							0
ECPDIV							
R/W-0							

LEGEND: R/W = Read/Write; R = Read only; -n = value after reset

**Table 2-74. ECP Control Register 1 (ECPCNTL1) Field Descriptions**

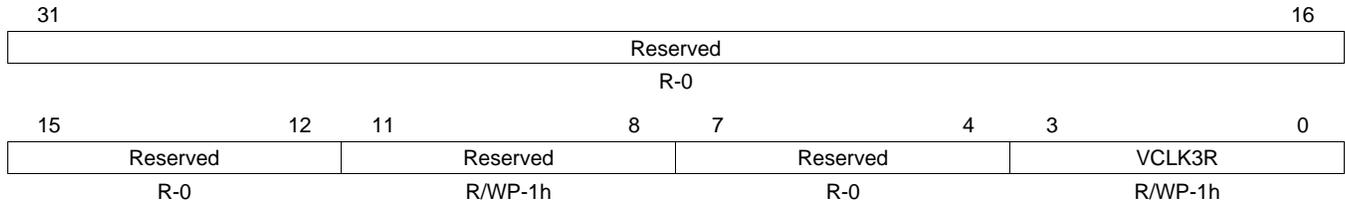
Bit	Field	Value	Description
31-28	ECP_KEY	Ah Others	Enable ECP clock logic for ECLK2. Clock functionality of ECP clock is enabled Clock functionality of ECP clock is disabled.
27-25	Reserved	0	Read returns 0. Writes have no effect.
24	ECPSSSEL	0 1	This bit allows the selection between VCLK and OSCIN as the clock source for ECLK2. VCLK is selected as the ECP clock source. OSCIN is selected as the ECP clock source.
23	ECPCOS	0 1	ECP continue on suspend. <b>Note: Suspend mode is entered while performing certain JTAG debugging operations.</b> ECLK output is disabled in suspend mode. ECLK output will be shut off and will not be seen on the I/O pin of the device. ECLK output is not disabled in suspend mode. ECLK output will not be shut off and will be seen on the I/O pin of the device.
22-16	Reserved	0	Read returns 0. Writes have no effect.
15-0	ECPDIV	0-FFFFh	ECP divider value. The value of ECPDIV bits determine the external clock (ECP clock) frequency as a ratio of VBUS clock or OSCIN as shown in the formula: $ECLK = \frac{VCLK \text{ or } OSCIN}{(ECPDIV + 1)}$

(2)

### 2.5.2.4 Clock 2 Control Register (CLK2CNTRL)

This register is shown in [Figure 2-62](#) and described in [Table 2-75](#).

**Figure 2-62. Clock 2 Control Register (CLK2CNTRL) (offset = 3Ch)**



LEGEND: R/W = Read/Write; R = Read only; WP = Write in privileged mode only; -n = value after reset

**Table 2-75. Clock 2 Control Register (CLK2CNTRL) Field Descriptions**

Bit	Field	Value	Description
31-12	Reserved	0	Read returns 0. Writes have no effect.
11-8	Reserved		Reads return value and writes allowed in privilege mode.
7-4	Reserved	0	Read returns 0. Writes have no effect.
3-0	VCLK3R	0 : Fh	VBUS clock3 ratio. The ratio is HCLK divide by 1. : The ratio is HCLK divided by 16.

### 2.5.2.5 Peripheral Asynchronous Clock Configuration 1 Register (VCLKACON1)

This register is shown in [Figure 2-63](#) and described in [Table 2-76](#).

**Figure 2-63. Peripheral Asynchronous Clock Configuration 1 Register (VCLKACON1) [offset = 40h]**

31	27	26	24
Reserved		VCLKA4R	
R-0		R/WP-1h	
23	21	20	16
Reserved		VCLKA4_DIV_CDDIS	VCLKA4S
R-0		R/WP-0	R/WP-9h
15			8
Reserved		VCLKA3R	
R-0		R/WP-1h	
7	5	4	3
Reserved		VCLKA3_DIV_CDDIS	VCLKA3S
R-0		R/WP-0	R/WP-9h

LEGEND: R/W = Read/Write; R = Read only; WP = Write in privileged mode only; -n = value after reset

**Table 2-76. Peripheral Asynchronous Clock Configuration 1 Register (VCLKACON1) Field Descriptions**

Bit	Field	Value	Description
31-27	Reserved	0	Read returns 0. Writes have no effect.
26-24	VCLKA4R	0 : 7h	Clock divider for the VCLKA4 source. Output will be present on VCLKA4_DIVR. VCLKA4 domain will be enabled by writing to the CDDIS register and VCLKA4_DIV_CDDIS bit It can inferred that VCLKA4_DIV clock is disabled when VCLKA4_S clock is disabled. The ratio is VCLKA4 divided by 1. : The ratio is VCLKA4 divided by 8.
23-21	Reserved	0	Read returns 0. Writes have no effect.
20	VCLKA4_DIV_CDDIS	0 1	Disable the VCLKA4 divider output. VCLKA4 domain will be enabled by writing to the CDDIS register 0 Enable the prescaled VCLKA4 clock on VCLKA4_DIVR. 1 Disable the prescaled VCLKA4 clock on VCLKA4_DIVR.
19-16	VCLKA4S	0 1h 2h 3h 4h 5h 6h 7h 8h-Fh	Peripheral asynchronous clock4 source. 0 Clock source0 is the source for peripheral asynchronous clock4. 1h Clock source1 is the source for peripheral asynchronous clock4. 2h Clock source2 is the source for peripheral asynchronous clock4. 3h Clock source3 is the source for peripheral asynchronous clock4. 4h Clock source4 is the source for peripheral asynchronous clock4. 5h Clock source5 is the source for peripheral asynchronous clock4. 6h Clock source6 is the source for peripheral asynchronous clock4. 7h Clock source7 is the source for peripheral asynchronous clock4. 8h-Fh VCLK is the source for peripheral asynchronous clock4.
15-11	Reserved	0	Read returns 0. Writes have no effect.

**Table 2-76. Peripheral Asynchronous Clock Configuration 1 Register (VCLKACON1)  
Field Descriptions (continued)**

Bit	Field	Value	Description
10-8	VCLKA3R	0 : 7h	<p>Clock divider for the VCLKA3 source. Output will be present on VCLKA3_DIVR. VCLKA3 domain will be enabled by writing to the CDDIS register and VCLKA3_DIV_CDDIS bit It can inferred that VCLKA3_DIV clock is disabled when VCLKA3_S clock is disabled.</p> <p>The ratio is VCLKA3 divided by 1. : The ratio is VCLKA3 divided by 8.</p>
7-5	Reserved	0	Read returns 0. Writes have no effect.
4	VCLKA3_DIV_CDDIS	0 1	<p>Disable the VCLKA3 divider output. VCLKA3 domain will be enabled by writing to the CDDIS register</p> <p>0 Enable the prescaled VCLKA3 clock on VCLKA3_DIVR. 1 Disable the prescaled VCLKA3 clock on VCLKA3_DIVR.</p>
3-0	VCLKA3S	0 1h 2h 3h 4h 5h 6h 7h 8h-Fh	<p>Peripheral asynchronous clock3 source.</p> <p>0 Clock source0 is the source for peripheral asynchronous clock3. 1h Clock source1 is the source for peripheral asynchronous clock3. 2h Clock source2 is the source for peripheral asynchronous clock3. 3h Clock source3 is the source for peripheral asynchronous clock3. 4h Clock source4 is the source for peripheral asynchronous clock3. 5h Clock source5 is the source for peripheral asynchronous clock3. 6h Clock source6 is the source for peripheral asynchronous clock3. 7h Clock source7 is the source for peripheral asynchronous clock3. 8h-Fh VCLK is the source for peripheral asynchronous clock3.</p>

---

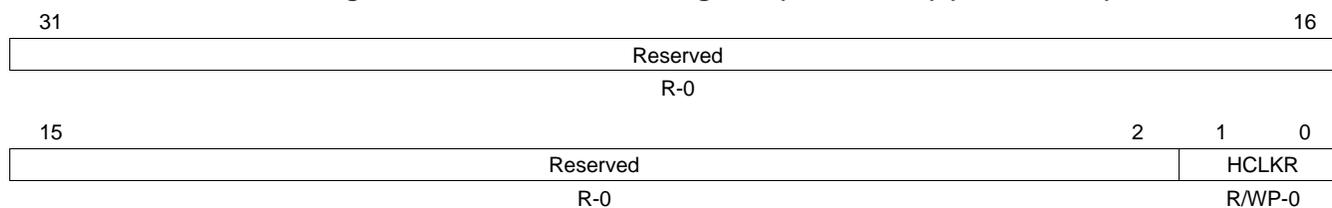
**NOTE:** Nonimplemented clock sources should not be enabled or used. A list of the available clock sources is shown in the [Table 2-29](#).

---

### 2.5.2.6 HCLK Control Register (HCLKCNTL)

This register is shown in [Figure 2-64](#) and described in [Table 2-77](#).

**Figure 2-64. HCLK Control Register (HCLKCNTL) (offset = 54h)**



LEGEND: R/W = Read/Write; R = Read only; WP = Write in privileged mode only; -n = value after reset

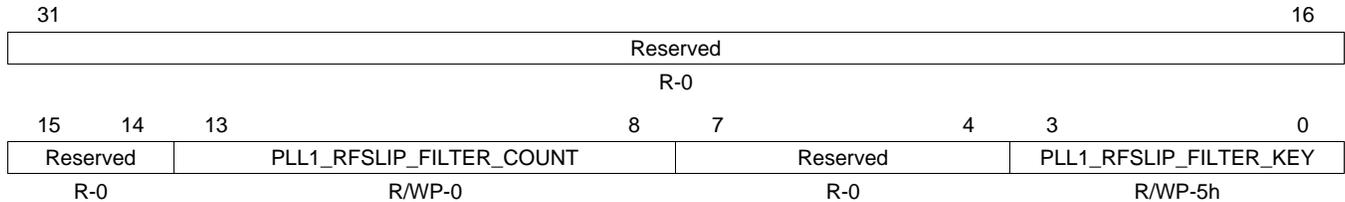
**Table 2-77. HCLK Control Register (HCLKCNTL) Field Descriptions**

Bit	Field	Value	Description
31-2	Reserved	0	Read returns 0. Writes have no effect.
1-0	HCLKR	0	HCLK divider value. The value of HCLKR bits determine the HCLK frequency as a ratio of GCLK. HCLK is equal to GCLK divide by 1
		1h	HCLK is equal to GCLK divide by 2
		2h	HCLK is equal to GCLK divide by 3
		3h	HCLK is equal to GCLK divide by 4

### 2.5.2.7 Clock Slip Control Register (CLKSLIP)

This register is shown in [Figure 2-65](#) and described in [Table 2-78](#). For information on filtering the FBSLIP, see [Section 2.5.1.34](#).

**Figure 2-65. Clock Slip Control Register (CLKSLIP) (offset = 70h)**



LEGEND: R/W = Read/Write; R = Read only; WP = Write in privileged mode only; -n = value after reset

**Table 2-78. Clock Slip Control Register (CLKSLIP) Field Descriptions**

Bit	Field	Value	Description
31-14	Reserved	0	Read returns 0. Writes have no effect.
13-8	PLL1_RFSLIP_FILTER_COUNT	0 1h 2h : 3Fh	Configure the count for the filtered PLL1 RFSLIP. Count is on 10M clock. On reset, counter value is zero. Counter must be programmed to non-zero value and enabled for the filtering to be enabled Filtering is disabled. Every slip is recognized. Filtering is enabled. Every slip is recognized. Filtering is enabled. The slip must be at least 2 HF LPO cycles wide in order to be recognized as a slip. : Filtering is enabled. The RFSLIP must be at least 63 HF LPO cycles wide in order to be recognized as a slip.
7-4	Reserved	0	Read returns 0. Writes have no effect.
3-0	PLL1_RFSLIP_FILTER_KEY	5h Fh Others	Enable the PLL1 RFSLIP filtering. On reset, the PLL1 RFSLIP filter is disabled and normal PLL1 RFSLIP passes through. This is an unsupported value. Avoid writing this value to this field. Enable PLL1 RFSLIP filtering. Recommended to program Ah in these bit fields. Enable of PLL1 RFSLIP occurs when the KEY is programmed and a non-zero value is present in the COUNT field.

### 2.5.2.8 IP ECC Error Enable Register (IP1ECCERREN)

This register is shown in [Figure 2-66](#) and described in [Table 2-79](#).

**Figure 2-66. IP ECC Error Enable Register (IP1ECCERREN) (offset = 78h)**

31	28	27	24	23	20	19	16
Reserved		Reserved		Reserved		Reserved	
R-0		R/WP-5h		R/WP-5h		R/WP-5h	
15	12	11	8	7	4	3	0
Reserved		IP2_ECC_KEY		Reserved		IP1_ECC_KEY	
R-0		R/WP-5h		R-0		R/WP-5h	

LEGEND: R/W = Read/Write; R = Read only; WP = Write in privileged mode only; -n = value after reset

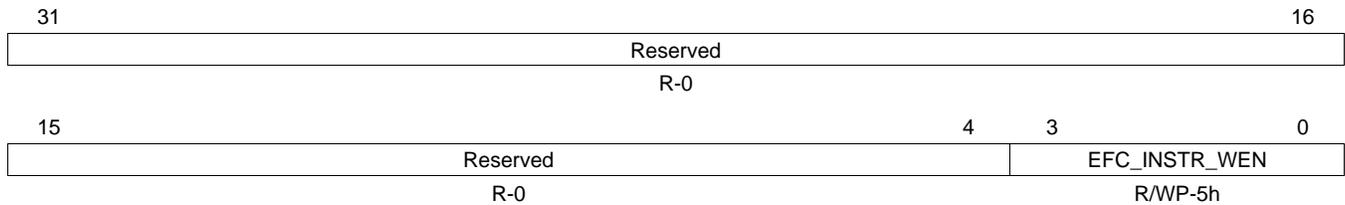
**Table 2-79. Clock Slip Register (CLKSLIP) Field Descriptions**

Bit	Field	Value	Description
31-28	Reserved	0	Read returns 0. Writes have no effect.
27-24	Reserved	0-Fh	Read returns 0 or 1 depends on what is written in privileged mode. The functionality of this bit is unavailable in this device.
23-20	Reserved	0	Read returns 0. Writes have no effect.
19-16	Reserved	0-Fh	Read returns 0 or 1 depends on what is written in privileged mode. The functionality of this bit is unavailable in this device.
15-12	Reserved	0	Read returns 0. Writes have no effect.
11-8	IP2_ECC_KEY	Others Ah	ECC Error Enable Key for PS_SCR_M master. There is an ECC Evaluation block inside the CPU Interconnect Subsystem responsible for ECC correction and detection on the datapath for transactions initiated by the PS_SCR_M master. If an ECC error (either single bit or double bit error) is detected, then the corresponding error signal is asserted if ECC enable key written to IP2_ECC_KEY is Ah.  Disable ECC error generation for ECC errors detected on PS_SCR_M master by the CPU Interconnect Subsystem  Enable ECC error generation for ECC errors detected on PS_SCR_M master by the CPU Interconnect Subsystem
7-4	Reserved	0	Read returns 0. Writes have no effect.
3-0	IP1_ECC_KEY	Others Ah	ECC Error Enable Key for DMA Port A master. There is an ECC Evaluation block inside the CPU Interconnect Subsystem responsible for ECC correction and detection on the datapath for transactions initiated by the DMA Port A master. If an ECC error (either single bit or double bit error) is detected, then the corresponding error signal is asserted if ECC enable key written to IP1_ECC_KEY is Ah.  Disable ECC error generation for ECC errors detected on DMA Port A master by the CPU Interconnect Subsystem  Enable ECC error generation for ECC errors detected on DMA Port A master by the CPU Interconnect Subsystem

### 2.5.2.9 EFUSE Controller Control Register (EFC\_CTLREG)

This register is shown in [Figure 2-67](#) and described in [Table 2-80](#).

**Figure 2-67. EFUSE Controller Control Register (EFC\_CTLREG) (offset = ECh)**



LEGEND: R/W = Read/Write; R = Read only; WP = Write in privileged mode only; -n = value after reset

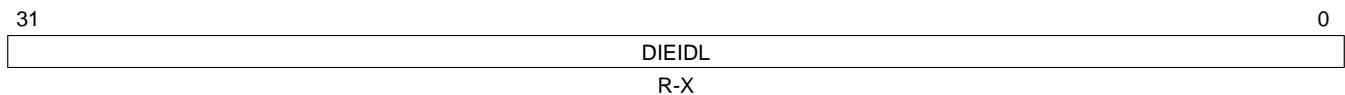
**Table 2-80. EFUSE Controller Control Register (EFC\_CTLREG) Field Descriptions**

Bit	Field	Value	Description
31-4	Reserved	0	Read returns 0. Writes have no effect.
3-0	EFC_INSTR_WEN	Ah	Enable user write of 4 EFUSE controller instructions. SYS module generates the enable signal which will be tied to OCP_FROM_WRITE_DISABLE on efuse controller port Writing of instructions (Program, ProgramCRA, RunAutoload, and LoadFuseScanchain) to EFC is allowed enabled.
		Others	Writing of instructions (Program, ProgramCRA, RunAutoload, and LoadFuseScanchain) in EFC registers is blocked.

### 2.5.2.10 Die Identification Register Lower Word (DIEIDL\_REG0)

This register is shown in [Figure 2-68](#) and described in [Table 2-81](#).

**Figure 2-68. Die Identification Register, Lower Word (DIEIDL\_REG0) [offset = F0h]**



LEGEND: R/W = Read/Write; R = Read only; -n = value after reset; -X = Value unchanged after reset

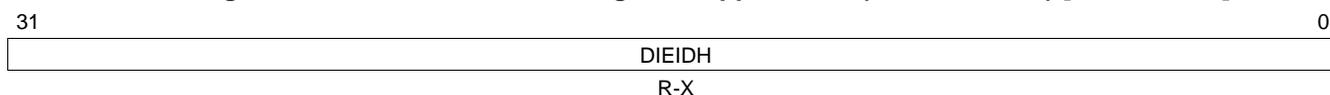
**Table 2-81. Die Identification Register, Lower Word (DIEIDL\_REG0) Field Descriptions**

Bit	Field	Description
31-0	DIEIDL(31-0)	This read-only register contains the lower word (31:0) of the die ID information.

### 2.5.2.11 Die Identification Register Upper Word (DIEIDH\_REG1)

This register is shown in [Figure 2-69](#) and described in [Table 2-82](#).

**Figure 2-69. Die Identification Register, Upper Word (DIEIDH\_REG1) [offset = F4h]**



LEGEND: R/W = Read/Write; R = Read only; -n = value after reset; -X = Value unchanged after reset

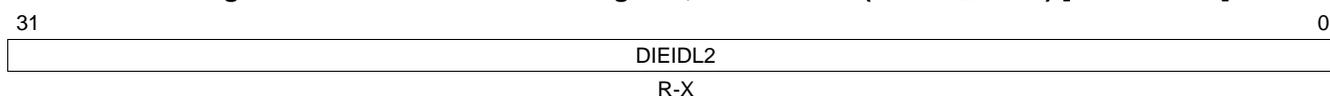
**Table 2-82. Die Identification Register, Upper Word (DIEIDH\_REG1) Field Descriptions**

Bit	Field	Description
31-0	DIEIDH(63-32)	This read-only register contains the upper word (63:32) of the die ID information.

### 2.5.2.12 Die Identification Register Lower Word (DIEIDL\_REG2)

This register is shown in [Figure 2-70](#) and described in [Table 2-83](#).

**Figure 2-70. Die Identification Register, Lower Word (DIEIDL\_REG2) [offset = F8h]**



LEGEND: R/W = Read/Write; R = Read only; -n = value after reset; -X = Value unchanged after reset

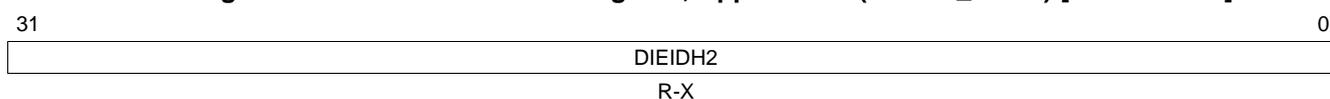
**Table 2-83. Die Identification Register, Lower Word (DIEIDL\_REG2) Field Descriptions**

Bit	Field	Description
31-0	DIEIDL2(95-64)	This read-only register contains the lower word (95:64) of the die ID information.

### 2.5.2.13 Die Identification Register Upper Word (DIEIDH\_REG3)

This register is shown in [Figure 2-71](#) and described in [Table 2-84](#).

**Figure 2-71. Die Identification Register, Upper Word (DIEIDH\_REG3) [offset = FCh]**



LEGEND: R/W = Read/Write; R = Read only; -n = value after reset; -X = Value unchanged after reset

**Table 2-84. Die Identification Register, Upper Word (DIEIDH\_REG3) Field Descriptions**

Bit	Field	Description
31-0	DIEIDH2(127-96)	This read-only register contains the upper word (127:97) of the die ID information.

### 2.5.3 Peripheral Central Resource (PCR) Control Registers

This section describes the Peripheral Central Resource (PCR) control registers. There are three PCR<sub>x</sub> in this microcontroller. The start address of the PCR1 register frame is FFFF 1000h. The start address of the PCR2 register frame is FCFF 1000h. The start address of the PCR3 register frame is FFF7 8000h.

[Table 2-85](#) lists the registers in the PCR, which are used to configure the following main functionalities:

- Protection control to the peripherals in PCS (Peripheral Memory) and PS (Peripheral) regions.
- Powerdown control to the peripherals in PCS (Peripheral Memory) and PS (Peripheral) regions.
- Powerdown control to the CoreSight debug peripherals in debug frame region from FFA0 0000h to FFAF FFFFh.
- Master-ID Filtering control to the peripherals in PS (Peripheral), PPS (Privileged Peripheral), PPSE (Privileged Peripheral Extended) regions.
- Master-ID Filtering control to the peripheral memories in PCS (Peripheral Memory), and PPCS (Privileged Peripheral Memory) regions.

The following sections provide detailed information about these registers. Not all chip selects exist on this device.

**Table 2-85. Peripheral Central Resource Control Registers**

Offset	Acronym	Register Description	Section
00h	PMPROTSET0	Peripheral Memory Protection Set Register 0	<a href="#">Section 2.5.3.1</a>
04h	PMPROTSET1	Peripheral Memory Protection Set Register 1	<a href="#">Section 2.5.3.2</a>
10h	PMPROTCLR0	Peripheral Memory Protection Clear Register 0	<a href="#">Section 2.5.3.3</a>
14h	PMPROTCLR1	Peripheral Memory Protection Clear Register 1	<a href="#">Section 2.5.3.4</a>
20h	PPROTSET0	Peripheral Protection Set Register 0	<a href="#">Section 2.5.3.5</a>
24h	PPROTSET1	Peripheral Protection Set Register 1	<a href="#">Section 2.5.3.6</a>
28h	PPROTSET2	Peripheral Protection Set Register 2	<a href="#">Section 2.5.3.7</a>
2Ch	PPROTSET3	Peripheral Protection Set Register 3	<a href="#">Section 2.5.3.8</a>
40h	PPROTCLR0	Peripheral Protection Clear Register 0	<a href="#">Section 2.5.3.9</a>
44h	PPROTCLR1	Peripheral Protection Clear Register 1	<a href="#">Section 2.5.3.10</a>
48h	PPROTCLR2	Peripheral Protection Clear Register 2	<a href="#">Section 2.5.3.11</a>
4Ch	PPROTCLR3	Peripheral Protection Clear Register 3	<a href="#">Section 2.5.3.12</a>
60h	PCSPWRDWNSET0	Peripheral Memory Power-Down Set Register 0	<a href="#">Section 2.5.3.13</a>
64h	PCSPWRDWNSET1	Peripheral Memory Power-Down Set Register 1	<a href="#">Section 2.5.3.14</a>
70h	PCSPWRDWNCLR0	Peripheral Memory Power-Down Clear Register 0	<a href="#">Section 2.5.3.15</a>
74h	PCSPWRDWNCLR1	Peripheral Memory Power-Down Clear Register 1	<a href="#">Section 2.5.3.16</a>
80h	PSPWRDWNSET0	Peripheral Power-Down Set Register 0	<a href="#">Section 2.5.3.17</a>
84h	PSPWRDWNSET1	Peripheral Power-Down Set Register 1	<a href="#">Section 2.5.3.18</a>
88h	PSPWRDWNSET2	Peripheral Power-Down Set Register 2	<a href="#">Section 2.5.3.19</a>
8Ch	PSPWRDWNSET3	Peripheral Power-Down Set Register 3	<a href="#">Section 2.5.3.20</a>
A0h	PSPWRDWNCLR0	Peripheral Power-Down Clear Register 0	<a href="#">Section 2.5.3.21</a>
A4h	PSPWRDWNCLR1	Peripheral Power-Down Clear Register 1	<a href="#">Section 2.5.3.22</a>
A8h	PSPWRDWNCLR2	Peripheral Power-Down Clear Register 2	<a href="#">Section 2.5.3.23</a>
ACh	PSPWRDWNCLR3	Peripheral Power-Down Clear Register 3	<a href="#">Section 2.5.3.24</a>
C0h	PDPWRDWNSET	Debug Frame Power-Down Set Register	<a href="#">Section 2.5.3.25</a>
C4h	PDPWRDWNCLR	Debug Frame Power-Down Clear Register	<a href="#">Section 2.5.3.26</a>
200h	MSTIDWRENA	MasterID Protection Write Enable Register	<a href="#">Section 2.5.3.27</a>
204h	MSTIDENA	MasterID Protection Enable Register	<a href="#">Section 2.5.3.28</a>
208h	MSTIDDIAGCTRL	MasterID Diagnostic Control Register	<a href="#">Section 2.5.3.29</a>
300h	PS0MSTID_L	Peripheral Frame 0 Master-ID Protection Register_L	<a href="#">Section 2.5.3.30</a>
304h	PS0MSTID_H	Peripheral Frame 0 Master-ID Protection Register_H	<a href="#">Section 2.5.3.31</a>
308h	PS1MSTID_L	Peripheral Frame 1 Master-ID Protection Register_L	<a href="#">Section 2.5.3.32</a>

**Table 2-85. Peripheral Central Resource Control Registers (continued)**

Offset	Acronym	Register Description	Section
30Ch	PS1MSTID_H	Peripheral Frame 1 Master-ID Protection Register_H	<a href="#">Section 2.5.3.32</a>
310h	PS2MSTID_L	Peripheral Frame 2 Master-ID Protection Register_L	<a href="#">Section 2.5.3.32</a>
314h	PS2MSTID_H	Peripheral Frame 2 Master-ID Protection Register_H	<a href="#">Section 2.5.3.32</a>
318h	PS3MSTID_L	Peripheral Frame 3 Master-ID Protection Register_L	<a href="#">Section 2.5.3.32</a>
31Ch	PS3MSTID_H	Peripheral Frame 3 Master-ID Protection Register_H	<a href="#">Section 2.5.3.32</a>
320h	PS4MSTID_L	Peripheral Frame 4 Master-ID Protection Register_L	<a href="#">Section 2.5.3.32</a>
324h	PS4MSTID_H	Peripheral Frame 4 Master-ID Protection Register_H	<a href="#">Section 2.5.3.32</a>
328h	PS5MSTID_L	Peripheral Frame 5 Master-ID Protection Register_L	<a href="#">Section 2.5.3.32</a>
32Ch	PS5MSTID_H	Peripheral Frame 5 Master-ID Protection Register_H	<a href="#">Section 2.5.3.32</a>
330h	PS6MSTID_L	Peripheral Frame 6 Master-ID Protection Register_L	<a href="#">Section 2.5.3.32</a>
334h	PS6MSTID_H	Peripheral Frame 6 Master-ID Protection Register_H	<a href="#">Section 2.5.3.32</a>
338h	PS7MSTID_L	Peripheral Frame 7 Master-ID Protection Register_L	<a href="#">Section 2.5.3.32</a>
33Ch	PS7MSTID_H	Peripheral Frame 7 Master-ID Protection Register_H	<a href="#">Section 2.5.3.32</a>
340h	PS8MSTID_L	Peripheral Frame 8 Master-ID Protection Register_L	<a href="#">Section 2.5.3.32</a>
344h	PS8MSTID_H	Peripheral Frame 8 Master-ID Protection Register_H	<a href="#">Section 2.5.3.32</a>
348h	PS9MSTID_L	Peripheral Frame 9 Master-ID Protection Register_L	<a href="#">Section 2.5.3.32</a>
34Ch	PS9MSTID_H	Peripheral Frame 9 Master-ID Protection Register_H	<a href="#">Section 2.5.3.32</a>
350h	PS10MSTID_L	Peripheral Frame 10 Master-ID Protection Register_L	<a href="#">Section 2.5.3.32</a>
354h	PS10MSTID_H	Peripheral Frame 10 Master-ID Protection Register_H	<a href="#">Section 2.5.3.32</a>
358h	PS11MSTID_L	Peripheral Frame 11 Master-ID Protection Register_L	<a href="#">Section 2.5.3.32</a>
35Ch	PS11MSTID_H	Peripheral Frame 11 Master-ID Protection Register_H	<a href="#">Section 2.5.3.32</a>
360h	PS12MSTID_L	Peripheral Frame 12 Master-ID Protection Register_L	<a href="#">Section 2.5.3.32</a>
364h	PS12MSTID_H	Peripheral Frame 12 Master-ID Protection Register_H	<a href="#">Section 2.5.3.32</a>
368h	PS13MSTID_L	Peripheral Frame 13 Master-ID Protection Register_L	<a href="#">Section 2.5.3.32</a>
36Ch	PS13MSTID_H	Peripheral Frame 13 Master-ID Protection Register_H	<a href="#">Section 2.5.3.32</a>
370h	PS14MSTID_L	Peripheral Frame 14 Master-ID Protection Register_L	<a href="#">Section 2.5.3.32</a>
374h	PS14MSTID_H	Peripheral Frame 14 Master-ID Protection Register_H	<a href="#">Section 2.5.3.32</a>
378h	PS15MSTID_L	Peripheral Frame 15 Master-ID Protection Register_L	<a href="#">Section 2.5.3.32</a>
37Ch	PS15MSTID_H	Peripheral Frame 15 Master-ID Protection Register_H	<a href="#">Section 2.5.3.32</a>
380h	PS16MSTID_L	Peripheral Frame 16 Master-ID Protection Register_L	<a href="#">Section 2.5.3.32</a>
384h	PS16MSTID_H	Peripheral Frame 16 Master-ID Protection Register_H	<a href="#">Section 2.5.3.32</a>
388h	PS17MSTID_L	Peripheral Frame 17 Master-ID Protection Register_L	<a href="#">Section 2.5.3.32</a>
38Ch	PS17MSTID_H	Peripheral Frame 17 Master-ID Protection Register_H	<a href="#">Section 2.5.3.32</a>
390h	PS18MSTID_L	Peripheral Frame 18 Master-ID Protection Register_L	<a href="#">Section 2.5.3.32</a>
394h	PS18MSTID_H	Peripheral Frame 18 Master-ID Protection Register_H	<a href="#">Section 2.5.3.32</a>
398h	PS19MSTID_L	Peripheral Frame 19 Master-ID Protection Register_L	<a href="#">Section 2.5.3.32</a>
39Ch	PS19MSTID_H	Peripheral Frame 19 Master-ID Protection Register_H	<a href="#">Section 2.5.3.32</a>
3A0h	PS20MSTID_L	Peripheral Frame 20 Master-ID Protection Register_L	<a href="#">Section 2.5.3.32</a>
3A4h	PS20MSTID_H	Peripheral Frame 20 Master-ID Protection Register_H	<a href="#">Section 2.5.3.32</a>
3A8h	PS21MSTID_L	Peripheral Frame 21 Master-ID Protection Register_L	<a href="#">Section 2.5.3.32</a>
3ACh	PS21MSTID_H	Peripheral Frame 21 Master-ID Protection Register_H	<a href="#">Section 2.5.3.32</a>
3B0h	PS22MSTID_L	Peripheral Frame 22 Master-ID Protection Register_L	<a href="#">Section 2.5.3.32</a>
3B4h	PS22MSTID_H	Peripheral Frame 22 Master-ID Protection Register_H	<a href="#">Section 2.5.3.32</a>
3B8h	PS23MSTID_L	Peripheral Frame 23 Master-ID Protection Register_L	<a href="#">Section 2.5.3.32</a>
3BCh	PS23MSTID_H	Peripheral Frame 23 Master-ID Protection Register_H	<a href="#">Section 2.5.3.32</a>
3C0h	PS24MSTID_L	Peripheral Frame 24 Master-ID Protection Register_L	<a href="#">Section 2.5.3.32</a>
3C4h	PS24MSTID_H	Peripheral Frame 24 Master-ID Protection Register_H	<a href="#">Section 2.5.3.32</a>

**Table 2-85. Peripheral Central Resource Control Registers (continued)**

Offset	Acronym	Register Description	Section
3C8h	PS25MSTID_L	Peripheral Frame 25 Master-ID Protection Register_L	<a href="#">Section 2.5.3.32</a>
3CCh	PS25MSTID_H	Peripheral Frame 25 Master-ID Protection Register_H	<a href="#">Section 2.5.3.32</a>
3D0h	PS26MSTID_L	Peripheral Frame 26 Master-ID Protection Register_L	<a href="#">Section 2.5.3.32</a>
3D4h	PS26MSTID_H	Peripheral Frame 26 Master-ID Protection Register_H	<a href="#">Section 2.5.3.32</a>
3D8h	PS27MSTID_L	Peripheral Frame 27 Master-ID Protection Register_L	<a href="#">Section 2.5.3.32</a>
3DCh	PS27MSTID_H	Peripheral Frame 27 Master-ID Protection Register_H	<a href="#">Section 2.5.3.32</a>
3E0h	PS28MSTID_L	Peripheral Frame 28 Master-ID Protection Register_L	<a href="#">Section 2.5.3.32</a>
3E4h	PS28MSTID_H	Peripheral Frame 28 Master-ID Protection Register_H	<a href="#">Section 2.5.3.32</a>
3E8h	PS29MSTID_L	Peripheral Frame 29 Master-ID Protection Register_L	<a href="#">Section 2.5.3.32</a>
3ECh	PS29MSTID_H	Peripheral Frame 29 Master-ID Protection Register_H	<a href="#">Section 2.5.3.32</a>
3E0h	PS30MSTID_L	Peripheral Frame 30 Master-ID Protection Register_L	<a href="#">Section 2.5.3.32</a>
3F4h	PS30MSTID_H	Peripheral Frame 30 Master-ID Protection Register_H	<a href="#">Section 2.5.3.32</a>
3F8h	PS31MSTID_L	Peripheral Frame 31 Master-ID Protection Register_L	<a href="#">Section 2.5.3.32</a>
3FCh	PS31MSTID_H	Peripheral Frame 31 Master-ID Protection Register_H	<a href="#">Section 2.5.3.32</a>
400h	PPS0MSTID_L	Privileged Peripheral Frame 0 Master-ID Protection Register_L	<a href="#">Section 2.5.3.33</a>
404h	PPS0MSTID_H	Privileged Peripheral Frame 0 Master-ID Protection Register_H	<a href="#">Section 2.5.3.34</a>
408h	PPS1MSTID_L	Privileged Peripheral Frame 1 Master-ID Protection Register_L	<a href="#">Section 2.5.3.35</a>
40Ch	PPS1MSTID_H	Privileged Peripheral Frame 1 Master-ID Protection Register_H	<a href="#">Section 2.5.3.35</a>
410h	PPS2MSTID_L	Privileged Peripheral Frame 2 Master-ID Protection Register_L	<a href="#">Section 2.5.3.35</a>
414h	PPS2MSTID_H	Privileged Peripheral Frame 2 Master-ID Protection Register_H	<a href="#">Section 2.5.3.35</a>
418h	PPS3MSTID_L	Privileged Peripheral Frame 3 Master-ID Protection Register_L	<a href="#">Section 2.5.3.35</a>
41Ch	PPS3MSTID_H	Privileged Peripheral Frame 3 Master-ID Protection Register_H	<a href="#">Section 2.5.3.35</a>
420h	PPS4MSTID_L	Privileged Peripheral Frame 4 Master-ID Protection Register_L	<a href="#">Section 2.5.3.35</a>
424h	PPS4MSTID_H	Privileged Peripheral Frame 4 Master-ID Protection Register_H	<a href="#">Section 2.5.3.35</a>
428h	PPS5MSTID_L	Privileged Peripheral Frame 5 Master-ID Protection Register_L	<a href="#">Section 2.5.3.35</a>
42Ch	PPS5MSTID_H	Privileged Peripheral Frame 5 Master-ID Protection Register_H	<a href="#">Section 2.5.3.35</a>
430h	PPS6MSTID_L	Privileged Peripheral Frame 6 Master-ID Protection Register_L	<a href="#">Section 2.5.3.35</a>
434h	PPS6MSTID_H	Privileged Peripheral Frame 6 Master-ID Protection Register_H	<a href="#">Section 2.5.3.35</a>
438h	PPS7MSTID_L	Privileged Peripheral Frame 7 Master-ID Protection Register_L	<a href="#">Section 2.5.3.35</a>
43Ch	PPS7MSTID_H	Privileged Peripheral Frame 7 Master-ID Protection Register_H	<a href="#">Section 2.5.3.35</a>
440h	PPSE0MSTID_L	Privilege Peripheral Extended Frame 0 Master-ID Protection Register_L	<a href="#">Section 2.5.3.36</a>
444h	PPSE0MSTID_H	Privilege Peripheral Extended Frame 0 Master-ID Protection Register_H	<a href="#">Section 2.5.3.37</a>
448h	PPSE1MSTID_L	Privilege Peripheral Extended Frame 1 Master-ID Protection Register_L	<a href="#">Section 2.5.3.38</a>
44Ch	PPSE1MSTID_H	Privilege Peripheral Extended Frame 1 Master-ID Protection Register_H	<a href="#">Section 2.5.3.38</a>
450h	PPSE2MSTID_L	Privilege Peripheral Extended Frame 2 Master-ID Protection Register_L	<a href="#">Section 2.5.3.38</a>
454h	PPSE2MSTID_H	Privilege Peripheral Extended Frame 2 Master-ID Protection Register_H	<a href="#">Section 2.5.3.38</a>
458h	PPSE3MSTID_L	Privilege Peripheral Extended Frame 3 Master-ID Protection Register_L	<a href="#">Section 2.5.3.38</a>
45Ch	PPSE3MSTID_H	Privilege Peripheral Extended Frame 3 Master-ID Protection Register_H	<a href="#">Section 2.5.3.38</a>
460h	PPSE4MSTID_L	Privilege Peripheral Extended Frame 4 Master-ID Protection Register_L	<a href="#">Section 2.5.3.38</a>
464h	PPSE4MSTID_H	Privilege Peripheral Extended Frame 4 Master-ID Protection Register_H	<a href="#">Section 2.5.3.38</a>

**Table 2-85. Peripheral Central Resource Control Registers (continued)**

Offset	Acronym	Register Description	Section
468h	PPSE5MSTID_L	Privilege Peripheral Extended Frame 5 Master-ID Protection Register_L	<a href="#">Section 2.5.3.38</a>
46Ch	PPSE5MSTID_H	Privilege Peripheral Extended Frame 5 Master-ID Protection Register_H	<a href="#">Section 2.5.3.38</a>
470h	PPSE6MSTID_L	Privilege Peripheral Extended Frame 6 Master-ID Protection Register_L	<a href="#">Section 2.5.3.38</a>
474h	PPSE6MSTID_H	Privilege Peripheral Extended Frame 6 Master-ID Protection Register_H	<a href="#">Section 2.5.3.38</a>
478h	PPSE7MSTID_L	Privilege Peripheral Extended Frame 7 Master-ID Protection Register_L	<a href="#">Section 2.5.3.38</a>
47Ch	PPSE7MSTID_H	Privilege Peripheral Extended Frame 7 Master-ID Protection Register_H	<a href="#">Section 2.5.3.38</a>
480h	PPSE8MSTID_L	Privilege Peripheral Extended Frame 8 Master-ID Protection Register_L	<a href="#">Section 2.5.3.38</a>
484h	PPSE8MSTID_H	Privilege Peripheral Extended Frame 8 Master-ID Protection Register_H	<a href="#">Section 2.5.3.38</a>
488h	PPSE9MSTID_L	Privilege Peripheral Extended Frame 9 Master-ID Protection Register_L	<a href="#">Section 2.5.3.38</a>
48Ch	PPSE9MSTID_H	Privilege Peripheral Extended Frame 9 Master-ID Protection Register_H	<a href="#">Section 2.5.3.38</a>
490h	PPSE10MSTID_L	Privilege Peripheral Extended Frame 10 Master-ID Protection Register_L	<a href="#">Section 2.5.3.38</a>
494h	PPSE10MSTID_H	Privilege Peripheral Extended Frame 10 Master-ID Protection Register_H	<a href="#">Section 2.5.3.38</a>
498h	PPSE11MSTID_L	Privilege Peripheral Extended Frame 11 Master-ID Protection Register_L	<a href="#">Section 2.5.3.38</a>
49Ch	PPSE11MSTID_H	Privilege Peripheral Extended Frame 11 Master-ID Protection Register_H	<a href="#">Section 2.5.3.38</a>
4A0h	PPSE12MSTID_L	Privilege Peripheral Extended Frame 12 Master-ID Protection Register_L	<a href="#">Section 2.5.3.38</a>
4A4h	PPSE12MSTID_H	Privilege Peripheral Extended Frame 12 Master-ID Protection Register_H	<a href="#">Section 2.5.3.38</a>
4A8h	PPSE13MSTID_L	Privilege Peripheral Extended Frame 13 Master-ID Protection Register_L	<a href="#">Section 2.5.3.38</a>
4ACh	PPSE13MSTID_H	Privilege Peripheral Extended Frame 13 Master-ID Protection Register_H	<a href="#">Section 2.5.3.38</a>
4B0h	PPSE14MSTID_L	Privilege Peripheral Extended Frame 14 Master-ID Protection Register_L	<a href="#">Section 2.5.3.38</a>
4B4h	PPSE14MSTID_H	Privilege Peripheral Extended Frame 14 Master-ID Protection Register_H	<a href="#">Section 2.5.3.38</a>
4B8h	PPSE15MSTID_L	Privilege Peripheral Extended Frame 15 Master-ID Protection Register_L	<a href="#">Section 2.5.3.38</a>
4BCh	PPSE15MSTID_H	Privilege Peripheral Extended Frame 15 Master-ID Protection Register_H	<a href="#">Section 2.5.3.38</a>
4C0h	PPSE16MSTID_L	Privilege Peripheral Extended Frame 16 Master-ID Protection Register_L	<a href="#">Section 2.5.3.38</a>
4C4h	PPSE16MSTID_H	Privilege Peripheral Extended Frame 16 Master-ID Protection Register_H	<a href="#">Section 2.5.3.38</a>
4C8h	PPSE17MSTID_L	Privilege Peripheral Extended Frame 17 Master-ID Protection Register_L	<a href="#">Section 2.5.3.38</a>
4CCh	PPSE17MSTID_H	Privilege Peripheral Extended Frame 17 Master-ID Protection Register_H	<a href="#">Section 2.5.3.38</a>
4D0h	PPSE18MSTID_L	Privilege Peripheral Extended Frame 18 Master-ID Protection Register_L	<a href="#">Section 2.5.3.38</a>
4D4h	PPSE18MSTID_H	Privilege Peripheral Extended Frame 18 Master-ID Protection Register_H	<a href="#">Section 2.5.3.38</a>

**Table 2-85. Peripheral Central Resource Control Registers (continued)**

Offset	Acronym	Register Description	Section
4D8h	PPSE19MSTID_L	Privilege Peripheral Extended Frame 19 Master-ID Protection Register_L	<a href="#">Section 2.5.3.38</a>
4DCh	PPSE19MSTID_H	Privilege Peripheral Extended Frame 19 Master-ID Protection Register_H	<a href="#">Section 2.5.3.38</a>
4E0h	PPSE20MSTID_L	Privilege Peripheral Extended Frame 20 Master-ID Protection Register_L	<a href="#">Section 2.5.3.38</a>
4E4h	PPSE20MSTID_H	Privilege Peripheral Extended Frame 20 Master-ID Protection Register_H	<a href="#">Section 2.5.3.38</a>
4E8h	PPSE21MSTID_L	Privilege Peripheral Extended Frame 21 Master-ID Protection Register_L	<a href="#">Section 2.5.3.38</a>
4ECh	PPSE21MSTID_H	Privilege Peripheral Extended Frame 21 Master-ID Protection Register_H	<a href="#">Section 2.5.3.38</a>
4E0h	PPSE22MSTID_L	Privilege Peripheral Extended Frame 22 Master-ID Protection Register_L	<a href="#">Section 2.5.3.38</a>
4F4h	PPSE22MSTID_H	Privilege Peripheral Extended Frame 22 Master-ID Protection Register_H	<a href="#">Section 2.5.3.38</a>
4F8h	PPSE23MSTID_L	Privilege Peripheral Extended Frame 23 Master-ID Protection Register_L	<a href="#">Section 2.5.3.38</a>
4FCh	PPSE23MSTID_H	Privilege Peripheral Extended Frame 23 Master-ID Protection Register_H	<a href="#">Section 2.5.3.38</a>
500h	PPSE24MSTID_L	Privilege Peripheral Extended Frame 24 Master-ID Protection Register_L	<a href="#">Section 2.5.3.38</a>
504h	PPSE24MSTID_H	Privilege Peripheral Extended Frame 24 Master-ID Protection Register_H	<a href="#">Section 2.5.3.38</a>
508h	PPSE25MSTID_L	Privilege Peripheral Extended Frame 25 Master-ID Protection Register_L	<a href="#">Section 2.5.3.38</a>
50Ch	PPSE25MSTID_H	Privilege Peripheral Extended Frame 25 Master-ID Protection Register_H	<a href="#">Section 2.5.3.38</a>
510h	PPSE26MSTID_L	Privilege Peripheral Extended Frame 26 Master-ID Protection Register_L	<a href="#">Section 2.5.3.38</a>
514h	PPSE26MSTID_H	Privilege Peripheral Extended Frame 26 Master-ID Protection Register_H	<a href="#">Section 2.5.3.38</a>
518h	PPSE27MSTID_L	Privilege Peripheral Extended Frame 27 Master-ID Protection Register_L	<a href="#">Section 2.5.3.38</a>
51Ch	PPSE27MSTID_H	Privilege Peripheral Extended Frame 27 Master-ID Protection Register_H	<a href="#">Section 2.5.3.38</a>
520h	PPSE28MSTID_L	Privilege Peripheral Extended Frame 28 Master-ID Protection Register_L	<a href="#">Section 2.5.3.38</a>
524h	PPSE28MSTID_H	Privilege Peripheral Extended Frame 28 Master-ID Protection Register_H	<a href="#">Section 2.5.3.38</a>
528h	PPSE29MSTID_L	Privilege Peripheral Extended Frame 29 Master-ID Protection Register_L	<a href="#">Section 2.5.3.38</a>
52Ch	PPSE29MSTID_H	Privilege Peripheral Extended Frame 29 Master-ID Protection Register_H	<a href="#">Section 2.5.3.38</a>
530h	PPSE30MSTID_L	Privilege Peripheral Extended Frame 30 Master-ID Protection Register_L	<a href="#">Section 2.5.3.38</a>
534h	PPSE30MSTID_H	Privilege Peripheral Extended Frame 30 Master-ID Protection Register_H	<a href="#">Section 2.5.3.38</a>
538h	PPSE31MSTID_L	Privilege Peripheral Extended Frame 31 Master-ID Protection Register_L	<a href="#">Section 2.5.3.38</a>
53Ch	PPSE31MSTID_H	Privilege Peripheral Extended Frame 31 Master-ID Protection Register_H	<a href="#">Section 2.5.3.38</a>
540h	PCS0MSTID	Peripheral Memory Frame Master-ID Protection Register0	<a href="#">Section 2.5.3.39</a>
544h	PCS1MSTID	Peripheral Memory Frame Master-ID Protection Register1	<a href="#">Section 2.5.3.39</a>
548h	PCS2MSTID	Peripheral Memory Frame Master-ID Protection Register2	<a href="#">Section 2.5.3.39</a>
54Ch	PCS3MSTID	Peripheral Memory Frame Master-ID Protection Register3	<a href="#">Section 2.5.3.39</a>

**Table 2-85. Peripheral Central Resource Control Registers (continued)**

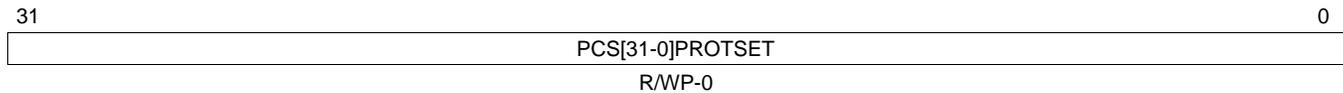
Offset	Acronym	Register Description	Section
550h	PCS4MSTID	Peripheral Memory Frame Master-ID Protection Register4	<a href="#">Section 2.5.3.39</a>
554h	PCS5MSTID	Peripheral Memory Frame Master-ID Protection Register5	<a href="#">Section 2.5.3.39</a>
558h	PCS6MSTID	Peripheral Memory Frame Master-ID Protection Register6	<a href="#">Section 2.5.3.39</a>
55Ch	PCS7MSTID	Peripheral Memory Frame Master-ID Protection Register7	<a href="#">Section 2.5.3.39</a>
560h	PCS8MSTID	Peripheral Memory Frame Master-ID Protection Register8	<a href="#">Section 2.5.3.39</a>
564h	PCS9MSTID	Peripheral Memory Frame Master-ID Protection Register9	<a href="#">Section 2.5.3.39</a>
568h	PCS10MSTID	Peripheral Memory Frame Master-ID Protection Register10	<a href="#">Section 2.5.3.39</a>
56Ch	PCS11MSTID	Peripheral Memory Frame Master-ID Protection Register11	<a href="#">Section 2.5.3.39</a>
570h	PCS12MSTID	Peripheral Memory Frame Master-ID Protection Register12	<a href="#">Section 2.5.3.39</a>
574h	PCS13MSTID	Peripheral Memory Frame Master-ID Protection Register13	<a href="#">Section 2.5.3.39</a>
578h	PCS14MSTID	Peripheral Memory Frame Master-ID Protection Register14	<a href="#">Section 2.5.3.39</a>
57Ch	PCS15MSTID	Peripheral Memory Frame Master-ID Protection Register15	<a href="#">Section 2.5.3.39</a>
580h	PCS16MSTID	Peripheral Memory Frame Master-ID Protection Register16	<a href="#">Section 2.5.3.39</a>
584h	PCS17MSTID	Peripheral Memory Frame Master-ID Protection Register17	<a href="#">Section 2.5.3.39</a>
588h	PCS18MSTID	Peripheral Memory Frame Master-ID Protection Register18	<a href="#">Section 2.5.3.39</a>
58Ch	PCS19MSTID	Peripheral Memory Frame Master-ID Protection Register19	<a href="#">Section 2.5.3.39</a>
590h	PCS20MSTID	Peripheral Memory Frame Master-ID Protection Register20	<a href="#">Section 2.5.3.39</a>
594h	PCS21MSTID	Peripheral Memory Frame Master-ID Protection Register21	<a href="#">Section 2.5.3.39</a>
598h	PCS22MSTID	Peripheral Memory Frame Master-ID Protection Register22	<a href="#">Section 2.5.3.39</a>
59Ch	PCS23MSTID	Peripheral Memory Frame Master-ID Protection Register23	<a href="#">Section 2.5.3.39</a>
5A0h	PCS24MSTID	Peripheral Memory Frame Master-ID Protection Register24	<a href="#">Section 2.5.3.39</a>
5A4h	PCS25MSTID	Peripheral Memory Frame Master-ID Protection Register25	<a href="#">Section 2.5.3.39</a>
5A8h	PCS26MSTID	Peripheral Memory Frame Master-ID Protection Register26	<a href="#">Section 2.5.3.39</a>
5ACh	PCS27MSTID	Peripheral Memory Frame Master-ID Protection Register27	<a href="#">Section 2.5.3.39</a>
5B0h	PCS28MSTID	Peripheral Memory Frame Master-ID Protection Register28	<a href="#">Section 2.5.3.39</a>
5B4h	PCS29MSTID	Peripheral Memory Frame Master-ID Protection Register29	<a href="#">Section 2.5.3.39</a>
5B8h	PCS30MSTID	Peripheral Memory Frame Master-ID Protection Register30	<a href="#">Section 2.5.3.39</a>
5BCh	PCS31MSTID	Peripheral Memory Frame Master-ID Protection Register31	<a href="#">Section 2.5.3.39</a>
5C0h	PPCS0MSTID	Privileged Peripheral Memory Frame Master-ID Protection Register0	<a href="#">Section 2.5.3.40</a>
5C4h	PPCS1MSTID	Privileged Peripheral Memory Frame Master-ID Protection Register1	<a href="#">Section 2.5.3.40</a>
5C8h	PPCS2MSTID	Privileged Peripheral Memory Frame Master-ID Protection Register2	<a href="#">Section 2.5.3.40</a>
5CCh	PPCS3MSTID	Privileged Peripheral Memory Frame Master-ID Protection Register3	<a href="#">Section 2.5.3.40</a>
5D0h	PPCS4MSTID	Privileged Peripheral Memory Frame Master-ID Protection Register4	<a href="#">Section 2.5.3.40</a>
5D4h	PPCS5MSTID	Privileged Peripheral Memory Frame Master-ID Protection Register5	<a href="#">Section 2.5.3.40</a>
5D8h	PPCS6MSTID	Privileged Peripheral Memory Frame Master-ID Protection Register6	<a href="#">Section 2.5.3.40</a>
5DCh	PPCS7MSTID	Privileged Peripheral Memory Frame Master-ID Protection Register7	<a href="#">Section 2.5.3.40</a>

### 2.5.3.1 Peripheral Memory Protection Set Register 0 (PMPROTSET0)

This register is shown in [Figure 2-72](#) and described in [Table 2-86](#).

**NOTE:** Only those bits that have a slave at the corresponding bit position are implemented. Writes to non-implemented bits have no effect and reads are 0.

**Figure 2-72. Peripheral Memory Protection Set Register 0 (PMPROTSET0) (offset = 00h)**



LEGEND: R/W = Read/Write; R = Read only; WP = Write in privileged mode only; -n = value after reset

**Table 2-86. Peripheral Memory Protection Set Register 0 (PMPROTSET0) Field Descriptions**

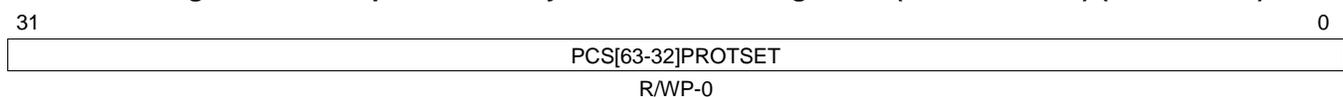
Bit	Field	Value	Description
31-0	PCS[31-0]PROTSET	0	Peripheral memory frame protection set. <i>Read:</i> The peripheral memory frame can be written to and read from in both user and privileged modes. <i>Write:</i> The bit is unchanged.
		1	<i>Read:</i> The peripheral memory frame can be written to only in privileged mode, but it can be read in both user and privileged modes. <i>Write:</i> The corresponding bit in PMPROTSET0 and PMPROTCLR0 registers is set to 1.

### 2.5.3.2 Peripheral Memory Protection Set Register 1 (PMPROTSET1)

This register is shown in [Figure 2-73](#) and described in [Table 2-87](#).

**NOTE:** Only those bits that have a slave at the corresponding bit position are implemented. Writes to unimplemented bits have no effect and reads are 0.

**Figure 2-73. Peripheral Memory Protection Set Register 1 (PMPROTSET1) (offset = 04h)**



LEGEND: R/W = Read/Write; R = Read only; WP = Write in privileged mode only; -n = value after reset

**Table 2-87. Peripheral Memory Protection Set Register 1 (PMPROTSET1) Field Descriptions**

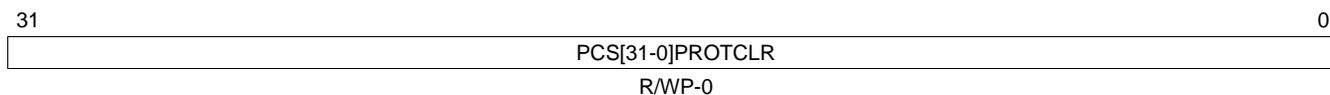
Bit	Field	Value	Description
31-0	PCS[63-32]PROTSET	0	Peripheral memory frame protection set. <i>Read:</i> The peripheral memory frame can be written to and read from in both user and privileged modes. <i>Write:</i> The bit is unchanged.
		1	<i>Read:</i> The peripheral memory frame can be written to only in privileged mode, but it can be read in both user and privileged modes. <i>Write:</i> The corresponding bit in PMPROTSET1 and PMPROTCLR1 registers is set to 1.

### 2.5.3.3 Peripheral Memory Protection Clear Register 0 (PMPROTCLR0)

This register is shown in [Figure 2-74](#) and described in [Table 2-88](#).

**NOTE:** Only those bits that have a slave at the corresponding bit position are implemented. Writes to unimplemented bits have no effect and reads are 0.

**Figure 2-74. Peripheral Memory Protection Clear Register 0 (PMPROTCLR0) (offset = 10h)**



LEGEND: R/W = Read/Write; R = Read only; WP = Write in privileged mode only; -n = value after reset

**Table 2-88. Peripheral Memory Protection Clear Register 0 (PMPROTCLR0) Field Descriptions**

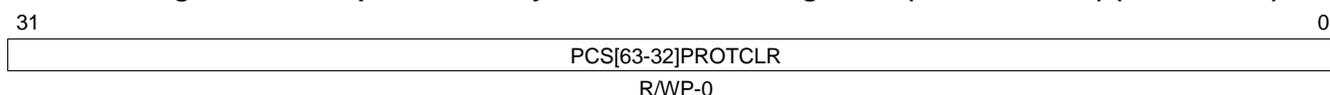
Bit	Field	Value	Description
31-0	PCS[31-0]PROTCLR	0	Peripheral memory frame protection clear. <i>Read:</i> The peripheral memory frame can be written to and read from in both user and privileged modes. <i>Write:</i> The bit is unchanged.
		1	<i>Read:</i> The peripheral memory frame can be written to only in privileged mode, but it can be read in both user and privileged modes. <i>Write:</i> The corresponding bit in PMPROTSET0 and PMPROTCLR0 registers is cleared to 0.

### 2.5.3.4 Peripheral Memory Protection Clear Register 1 (PMPROTCLR1)

This register is shown in [Figure 2-75](#) and described in [Table 2-89](#).

**NOTE:** Only those bits that have a slave at the corresponding bit position are implemented. Writes to unimplemented bits have no effect and reads are 0.

**Figure 2-75. Peripheral Memory Protection Clear Register 1 (PMPROTCLR1) (offset = 14h)**



LEGEND: R/W = Read/Write; R = Read only; WP = Write in privileged mode only; -n = value after reset

**Table 2-89. Peripheral Memory Protection Clear Register 1 (PMPROTCLR1) Field Descriptions**

Bit	Field	Value	Description
31-0	PCS[63-32]PROTCLR	0	Peripheral memory frame protection clear. <i>Read:</i> The peripheral memory frame can be written to and read from in both user and privileged modes. <i>Write:</i> The bit is unchanged.
		1	<i>Read:</i> The peripheral memory frame can be written to only in privileged mode, but it can be read in both user and privileged modes. <i>Write:</i> The corresponding bit in PMPROTSET1 and PMPROTCLR1 registers is cleared to 0.

### 2.5.3.5 Peripheral Protection Set Register 0 (PPROTSET0)

There is one bit for each quadrant for PS0 to PS7.

The following are the ways in which quadrants are used within a PS frame:

(a) The slave uses all the four quadrants.

Only the bit corresponding to the quadrant 0 of PS<sub>n</sub> is implemented. It protects the whole 1K-byte frame. The remaining three bits are not implemented.

(b) The slave uses two quadrants.

Each quadrant has to be in one of these groups: (Quad 0 and Quad 1) or (Quad 2 and Quad 3).

For the group Quad0/Quad1, the bit quadrant 0 protects both quadrants 0 and 1. The bit quadrant 1 is not implemented.

For the group Quad2/Quad3, the bit quadrant 2 protects both quadrants 2 and 3. The bit quadrant 3 is not implemented.

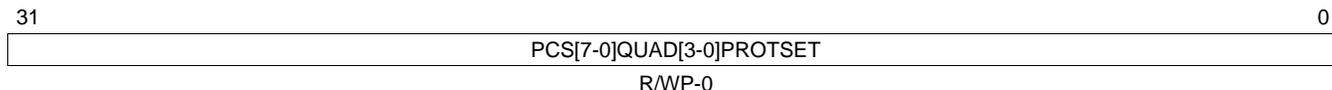
(c) The slave uses only one quadrant.

In this case, the bit, as specified in [Table 2-90](#), protects the slave.

The above arrangement is true for all the peripheral select (PS0 to PS31), presented in [Section 2.5.3.6](#) - [Section 2.5.3.12](#). This register holds bits for PS0 to PS7 and is shown in [Figure 2-76](#) and described in [Table 2-90](#).

**NOTE:** Writes to unimplemented bits have no effect and reads are 0.

**Figure 2-76. Peripheral Protection Set Register 0 (PPROTSET0) (offset = 20h)**



LEGEND: R/W = Read/Write; R = Read only; WP = Write in privileged mode only; -n = value after reset

**Table 2-90. Peripheral Protection Set Register 0 (PPROTSET0) Field Descriptions**

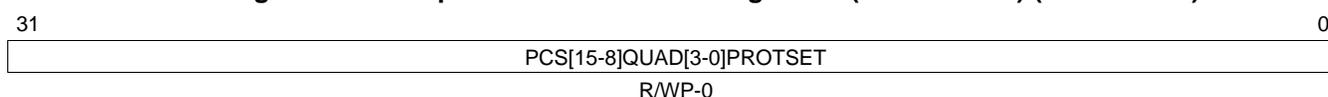
Bit	Field	Value	Description
31-0	PCS[7-0]QUAD[3-0]PROTSET	0	Peripheral select quadrant protection set. <i>Read:</i> The peripheral select quadrant can be written to and read from in both user and privileged modes. <i>Write:</i> The bit is unchanged.
		1	<i>Read:</i> The peripheral select quadrant can be written to only in privileged mode, but it can be read in both user and privileged modes. <i>Write:</i> The corresponding bit in PMPROTSET0 and PMPROTCLR0 registers is set to 1.

### 2.5.3.6 Peripheral Protection Set Register 1 (PPROTSET1)

There is one bit for each quadrant for PS8 to PS15. The protection scheme is described in [Section 2.5.3.5](#). This register is shown in [Figure 2-77](#) and described in [Table 2-91](#).

**NOTE:** Only those bits that have a slave at the corresponding bit position are implemented. Writes to unimplemented bits have no effect and reads are 0.

**Figure 2-77. Peripheral Protection Set Register 1 (PPROTSET1) (offset = 24h)**



LEGEND: R/W = Read/Write; R = Read only; WP = Write in privileged mode only; -n = value after reset

**Table 2-91. Peripheral Protection Set Register 1 (PPROTSET1) Field Descriptions**

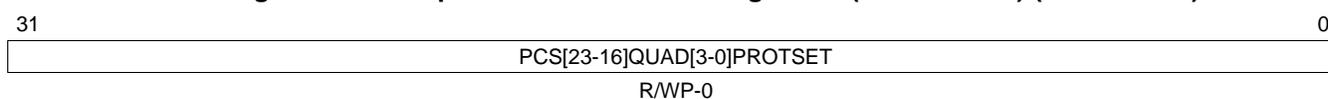
Bit	Field	Value	Description
31-0	PCS[15-8]QUAD[3-0]PROTSET	0	Peripheral select quadrant protection set. <i>Read:</i> The peripheral select quadrant can be written to and read from in both user and privileged modes. <i>Write:</i> The bit is unchanged.
		1	<i>Read:</i> The peripheral select quadrant can be written to only in privileged mode, but it can be read in both user and privileged modes. <i>Write:</i> The corresponding bit in PMPROTSET1 and PMPROTCLR1 registers is set to 1.

### 2.5.3.7 Peripheral Protection Set Register 2 (PPROTSET2)

There is one bit for each quadrant for PS16 to PS23. The protection scheme is described in [Section 2.5.3.5](#). This register is shown in [Figure 2-78](#) and described in [Table 2-92](#).

**NOTE:** Only those bits that have a slave at the corresponding bit position are implemented. Writes to unimplemented bits have no effect and reads are 0.

**Figure 2-78. Peripheral Protection Set Register 2 (PPROTSET2) (offset = 28h)**



LEGEND: R/W = Read/Write; R = Read only; WP = Write in privileged mode only; -n = value after reset

**Table 2-92. Peripheral Protection Set Register 2 (PPROTSET2) Field Descriptions**

Bit	Field	Value	Description
31-0	PCS[23-16]QUAD[3-0]PROTSET	0	Peripheral select quadrant protection set. <i>Read:</i> The peripheral select quadrant can be written to and read from in both user and privileged modes. <i>Write:</i> The bit is unchanged.
		1	<i>Read:</i> The peripheral select quadrant can be written to only in privileged mode, but it can be read in both user and privileged modes. <i>Write:</i> The corresponding bit in PMPROTSET2 and PMPROTCLR2 registers is set to 1.

### 2.5.3.8 Peripheral Protection Set Register 3 (PPROTSET3)

There is one bit for each quadrant for PS24 to PS31. The protection scheme is described in [Section 2.5.3.5](#). This register is shown in [Figure 2-79](#) and described in [Table 2-93](#).

**NOTE:** Only those bits that have a slave at the corresponding bit position are implemented. Writes to unimplemented bits have no effect and reads are 0.

**Figure 2-79. Peripheral Protection Set Register 3 (PPROTSET3) (offset = 2Ch)**

31	PCS[31-24]QUAD[3-0]PROTSET	0
R/WP-0		

LEGEND: R/W = Read/Write; R = Read only; WP = Write in privileged mode only; -n = value after reset

**Table 2-93. Peripheral Protection Set Register 3 (PPROTSET3) Field Descriptions**

Bit	Field	Value	Description
31-0	PCS[31-24]QUAD[3-0]PROTSET	0	Peripheral select quadrant protection set. <i>Read:</i> The peripheral select quadrant can be written to and read from in both user and privileged modes. <i>Write:</i> The bit is unchanged.
		1	<i>Read:</i> The peripheral select quadrant can be written to only in privileged mode, but it can be read in both user and privileged modes. <i>Write:</i> The corresponding bit in PMPROTSET3 and PMPROTCLR3 registers is set to 1.

### 2.5.3.9 Peripheral Protection Clear Register 0 (PPROTCLR0)

There is one bit for each quadrant for PS0 to PS7. The protection scheme is described in [Section 2.5.3.5](#). This register is shown in [Figure 2-80](#) and described in [Table 2-94](#).

**NOTE:** Only those bits that have a slave at the corresponding bit position are implemented. Writes to unimplemented bits have no effect and reads are 0.

**Figure 2-80. Peripheral Protection Clear Register 0 (PPROTCLR0) (offset = 40h)**

31	PCS[7-0]QUAD[3-0]PROTCLR	0
R/WP-0		

LEGEND: R/W = Read/Write; R = Read only; WP = Write in privileged mode only; -n = value after reset

**Table 2-94. Peripheral Protection Clear Register 0 (PPROTCLR0) Field Descriptions**

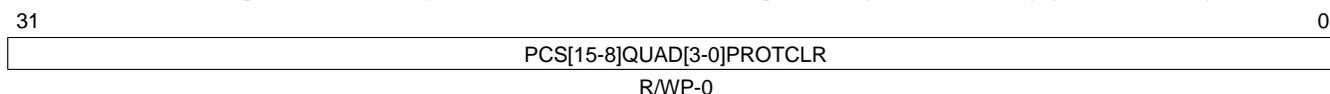
Bit	Field	Value	Description
31-0	PCS[7-0]QUAD[3-0]PROTCLR	0	Peripheral select quadrant protection clear. <i>Read:</i> The peripheral select quadrant can be written to and read from in both user and privileged modes. <i>Write:</i> The bit is unchanged.
		1	<i>Read:</i> The peripheral select quadrant can be written to only in privileged mode, but it can be read in both user and privileged modes. <i>Write:</i> The corresponding bit in PMPROTSET0 and PMPROTCLR0 registers is cleared to 0.

### 2.5.3.10 Peripheral Protection Clear Register 1 (PPROTCLR1)

There is one bit for each quadrant for PS8 to PS15. The protection scheme is described in [Section 2.5.3.5](#). This register is shown in [Figure 2-81](#) and described in [Table 2-95](#).

**NOTE:** Only those bits that have a slave at the corresponding bit position are implemented. Writes to unimplemented bits have no effect and reads are 0.

**Figure 2-81. Peripheral Protection Clear Register 1 (PPROTCLR1) (offset = 44h)**



LEGEND: R/W = Read/Write; R = Read only; WP = Write in privileged mode only; -n = value after reset

**Table 2-95. Peripheral Protection Clear Register 1 (PPROTCLR1) Field Descriptions**

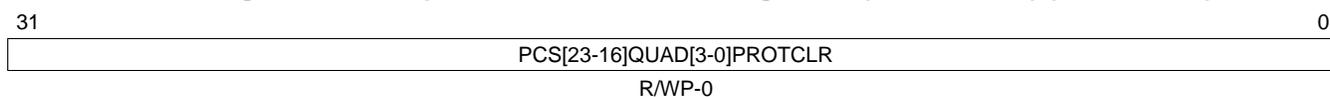
Bit	Field	Value	Description
31-0	PCS[15-8]QUAD[3-0] PROTCLR	0	Peripheral select quadrant protection clear. <i>Read:</i> The peripheral select quadrant can be written to and read from in both user and privileged modes. <i>Write:</i> The bit is unchanged.
		1	<i>Read:</i> The peripheral select quadrant can be written to only in privileged mode, but it can be read in both user and privileged modes. <i>Write:</i> The corresponding bit in PMPROTSET1 and PMPROTCLR1 registers is cleared to 0.

### 2.5.3.11 Peripheral Protection Clear Register 2 (PPROTCLR2)

There is one bit for each quadrant for PS16 to PS23. The protection scheme is described in [Section 2.5.3.5](#). This register is shown in [Figure 2-82](#) and described in [Table 2-96](#).

**NOTE:** Only those bits that have a slave at the corresponding bit position are implemented. Writes to unimplemented bits have no effect and reads are 0.

**Figure 2-82. Peripheral Protection Clear Register 2 (PPROTCLR2) (offset = 48h)**



LEGEND: R/W = Read/Write; R = Read only; WP = Write in privileged mode only; -n = value after reset

**Table 2-96. Peripheral Protection Clear Register 2 (PPROTCLR2) Field Descriptions**

Bit	Field	Value	Description
31-0	PCS[23-16]QUAD[3-0] PROTCLR	0	Peripheral select quadrant protection clear. <i>Read:</i> The peripheral select quadrant can be written to and read from in both user and privileged modes. <i>Write:</i> The bit is unchanged.
		1	<i>Read:</i> The peripheral select quadrant can be written to only in privileged mode, but it can be read in both user and privileged modes. <i>Write:</i> The corresponding bit in PMPROTSET2 and PMPROTCLR2 registers is cleared to 0.

### 2.5.3.12 Peripheral Protection Clear Register 3 (PPROTCLR3)

There is one bit for each quadrant for PS24 to PS31. The protection scheme is described in [Section 2.5.3.5](#). This register is shown in [Figure 2-83](#) and described in [Table 2-97](#).

**NOTE:** Only those bits that have a slave at the corresponding bit position are implemented. Writes to unimplemented bits have no effect and reads are 0.

**Figure 2-83. Peripheral Protection Clear Register 3 (PPROTCLR3) (offset = 4Ch)**

31	PCS[31-24]QUAD[3-0]PROTCLR	0
R/WP-0		

LEGEND: R/W = Read/Write; R = Read only; WP = Write in privileged mode only; -n = value after reset

**Table 2-97. Peripheral Protection Clear Register 3 (PPROTCLR3) Field Descriptions**

Bit	Field	Value	Description
31-0	PCS[31-24]QUAD[3-0]PROTCLR	0	Peripheral select quadrant protection clear. <i>Read:</i> The peripheral select quadrant can be written to and read from in both user and privileged modes. <i>Write:</i> The bit is unchanged.
		1	<i>Read:</i> The peripheral select quadrant can be written to only in privileged mode, but it can be read in both user and privileged modes. <i>Write:</i> The corresponding bit in PMPROTSET3 and PMPROTCLR3 registers is cleared to 0.

### 2.5.3.13 Peripheral Memory Power-Down Set Register 0 (PCSPWRDWNSET0)

Each bit corresponds to a bit at the same index in the PMPROT register in that they both relate to the same peripheral. This register is shown in [Figure 2-84](#) and described in [Table 2-98](#).

**NOTE:** Only those bits that have a slave at the corresponding bit position are implemented. Writes to unimplemented bits have no effect and reads are 0.

**Figure 2-84. Peripheral Memory Power-Down Set Register 0 (PCSPWRDWNSET0) (offset = 60h)**

31	PCS[31-0]PWRDWNSET	0
R/WP-1		

LEGEND: R/W = Read/Write; R = Read only; WP = Write in privileged mode only; -n = value after reset

**Table 2-98. Peripheral Memory Power-Down Set Register 0 (PCSPWRDWNSET0) Field Descriptions**

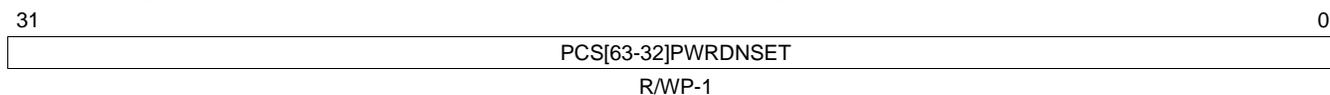
Bit	Field	Value	Description
31-0	PCS[31-0]PWRDWNSET	0	Peripheral memory clock power-down set. <i>Read:</i> The peripheral memory clock[31-0] is active. <i>Write:</i> The bit is unchanged.
		1	<i>Read:</i> The peripheral memory clock[31-0] is inactive. <i>Write:</i> The corresponding bit in the PCSPWRDWNSET0 and PCSPWRDWNCLR0 registers is set to 1.

### 2.5.3.14 Peripheral Memory Power-Down Set Register 1 (PCSPWRDWNSET1)

This register is shown in [Figure 2-85](#) and described in [Table 2-99](#).

**NOTE:** Only those bits that have a slave at the corresponding bit position are implemented. Writes to unimplemented bits have no effect and reads are 0.

**Figure 2-85. Peripheral Memory Power-Down Set Register 1 (PCSPWRDWNSET1) (offset = 64h)**



LEGEND: R/W = Read/Write; R = Read only; WP = Write in privileged mode only; -n = value after reset

**Table 2-99. Peripheral Memory Power-Down Set Register 1 (PCSPWRDWNSET1) Field Descriptions**

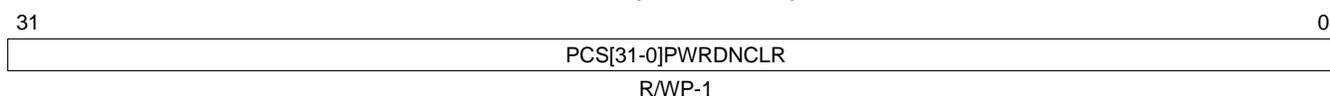
Bit	Field	Value	Description
31-0	PCS[63-32]PWRDWNSET	0	Peripheral memory clock power-down set. <i>Read:</i> The peripheral memory clock[63-32] is active. <i>Write:</i> The bit is unchanged.
		1	<i>Read:</i> The peripheral memory clock[63-32] is inactive. <i>Write:</i> The corresponding bit in the PCSPWRDWNSET1 and PCSPWRDWNCLR1 registers is set to 1.

### 2.5.3.15 Peripheral Memory Power-Down Clear Register 0 (PCSPWRDWNCLR0)

This register is shown in [Figure 2-86](#) and described in [Table 2-100](#).

**NOTE:** Only those bits that have a slave at the corresponding bit position are implemented. Writes to unimplemented bits have no effect and reads are 0.

**Figure 2-86. Peripheral Memory Power-Down Clear Register 0 (PCSPWRDWNCLR0) (offset = 70h)**



LEGEND: R/W = Read/Write; R = Read only; WP = Write in privileged mode only; -n = value after reset

**Table 2-100. Peripheral Memory Power-Down Clear Register 0 (PCSPWRDWNCLR0) Field Descriptions**

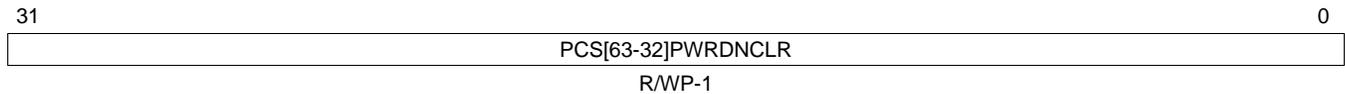
Bit	Field	Value	Description
31-0	PCS[31-0]PWRDWNCLR	0	Peripheral memory clock power-down clear. <i>Read:</i> The peripheral memory clock[31-0] is active. <i>Write:</i> The bit is unchanged.
		1	<i>Read:</i> The peripheral memory clock[31-0] is inactive. <i>Write:</i> The corresponding bit in the PCSPWRDWNSET0 and PCSPWRDWNCLR0 registers is cleared to 0.

### 2.5.3.16 Peripheral Memory Power-Down Clear Register 1 (PCSPWRDNCLR1)

This register is shown in [Figure 2-87](#) and described in [Table 2-101](#).

**NOTE:** Only those bits that have a slave at the corresponding bit position are implemented. Writes to unimplemented bits have no effect and reads are 0.

**Figure 2-87. Peripheral Memory Power-Down Clear Register 1 (PCSPWRDNCLR1)  
(offset = 74h)**



LEGEND: R/W = Read/Write; R = Read only; WP = Write in privileged mode only; -n = value after reset

**Table 2-101. Peripheral Memory Power-Down Set Register 1 (PCSPWRDNCLR1)  
Field Descriptions**

Bit	Field	Value	Description
31-0	PCS[63-32]PWRDNCLR	0	Peripheral memory clock power-down clear. <i>Read:</i> The peripheral memory clock[63-32] is active. <i>Write:</i> The bit is unchanged.
		1	<i>Read:</i> The peripheral memory clock[63-32] is inactive. <i>Write:</i> The corresponding bit in the PCSPWRDNSET1 and PCSPWRDNCLR1 registers is cleared to 0.

### 2.5.3.17 Peripheral Power-Down Set Register 0 (PSPWRDWNSET0)

There is one bit for each quadrant for PS0 to PS7. Each bit of this register corresponds to the bit at the same index in the corresponding PPROT register in that they relate to the same peripheral. These bits are used to power down/power up the clock to the corresponding peripheral.

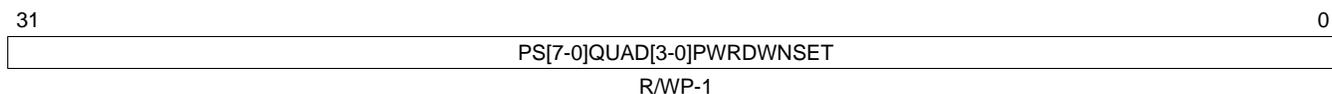
For every bit implemented in the PPROT register, there is one bit in the PSnPWRDWN register, except when two peripherals (both in PS area) share buses. In that case, only one Power-Down bit is implemented, at the position corresponding to that peripheral whose quadrant comes first (the lower numbered).

The ways in which quadrants can be used within a frame are identical to what is described under PPROTSET0, [Section 2.5.3.5](#).

This arrangement is the same for bits of PS8 to PS31, presented in [Section 2.5.3.18](#) - [Section 2.5.3.24](#). This register holds bits for PS0 to PS7. This register is shown in [Figure 2-88](#) and described in [Table 2-102](#).

**NOTE:** Only those bits that have a slave at the corresponding bit position are implemented. Writes to unimplemented bits have no effect and reads are 0.

**Figure 2-88. Peripheral Power-Down Set Register 0 (PSPWRDWNSET0) (offset = 80h)**



LEGEND: R/W = Read/Write; R = Read only; WP = Write in privileged mode only; -n = value after reset

**Table 2-102. Peripheral Power-Down Set Register 0 (PSPWRDWNSET0) Field Descriptions**

Bit	Field	Value	Description
31-0	PS[7-0]QUAD[3-0] PWRDWNSET	0	Peripheral select quadrant clock power-down set. <i>Read:</i> The clock to the peripheral select quadrant is active. <i>Write:</i> The bit is unchanged.
		1	<i>Read:</i> The clock to the peripheral select quadrant is inactive. <i>Write:</i> The corresponding bit in PSPWRDWNSET0 and PSPWRDWNCLR0 registers is set to 1.

### 2.5.3.18 Peripheral Power-Down Set Register 1 (PSPWRDWNSET1)

There is one bit for each quadrant for PS8 to PS15. The protection scheme is described in [Section 2.5.3.17](#). This register is shown in [Figure 2-89](#) and described in [Table 2-103](#).

**NOTE:** Only those bits that have a slave at the corresponding bit position are implemented. Writes to unimplemented bits have no effect and reads are 0.

**Figure 2-89. Peripheral Power-Down Set Register 1 (PSPWRDWNSET1) (offset = 84h)**

31	PS[15-8]QUAD[3-0]PWRDWNSET	0
R/WP-1		

LEGEND: R/W = Read/Write; R = Read only; WP = Write in privileged mode only; -n = value after reset

**Table 2-103. Peripheral Power-Down Set Register 1 (PSPWRDWNSET1) Field Descriptions**

Bit	Field	Value	Description
31-0	PS[15-8]QUAD[3-0]PWRDWNSET	0	Peripheral select quadrant clock power-down set. <i>Read:</i> The clock to the peripheral select quadrant is active. <i>Write:</i> The bit is unchanged.
		1	<i>Read:</i> The clock to the peripheral select quadrant is inactive. <i>Write:</i> The corresponding bit in PSPWRDWNSET1 and PSPWRDWNCLR1 registers is set to 1.

### 2.5.3.19 Peripheral Power-Down Set Register 2 (PSPWRDWNSET2)

There is one bit for each quadrant for PS16 to PS23. The protection scheme is described in [Section 2.5.3.17](#). This register is shown in [Figure 2-90](#) and described in [Table 2-104](#).

**NOTE:** Only those bits that have a slave at the corresponding bit position are implemented. Writes to unimplemented bits have no effect and reads are 0.

**Figure 2-90. Peripheral Power-Down Set Register 2 (PSPWRDWNSET2) (offset = 88h)**

31	PS[23-16]QUAD[3-0]PWRDWNSET	0
R/WP-1		

LEGEND: R/W = Read/Write; R = Read only; WP = Write in privileged mode only; -n = value after reset

**Table 2-104. Peripheral Power-Down Set Register 2 (PSPWRDWNSET2) Field Descriptions**

Bit	Field	Value	Description
31-0	PS[23-16]QUAD[3-0]PWRDWNSET	0	Peripheral select quadrant clock power-down set. <i>Read:</i> The clock to the peripheral select quadrant is active. <i>Write:</i> The bit is unchanged.
		1	<i>Read:</i> The clock to the peripheral select quadrant is inactive. <i>Write:</i> The corresponding bit in PSPWRDWNSET2 and PSPWRDWNCLR2 registers is set to 1.

### 2.5.3.20 Peripheral Power-Down Set Register 3 (PSPWRDWNSET3)

There is one bit for each quadrant for PS24 to PS31. The protection scheme is described in [Section 2.5.3.17](#). This register is shown in [Figure 2-91](#) and described in [Table 2-105](#).

**NOTE:** Only those bits that have a slave at the corresponding bit position are implemented. Writes to unimplemented bits have no effect and reads are 0.

**Figure 2-91. Peripheral Power-Down Set Register 3 (PSPWRDWNSET3) (offset = 8Ch)**



LEGEND: R/W = Read/Write; R = Read only; WP = Write in privileged mode only; -n = value after reset

**Table 2-105. Peripheral Power-Down Set Register 3 (PSPWRDWNSET3) Field Descriptions**

Bit	Field	Value	Description
31-0	PS[31-24]QUAD[3-0] PWRDWNSET	0	Peripheral select quadrant clock power-down set. <i>Read:</i> The clock to the peripheral select quadrant is active. <i>Write:</i> The bit is unchanged.
		1	<i>Read:</i> The clock to the peripheral select quadrant is inactive. <i>Write:</i> The corresponding bit in PSPWRDWNSET3 and PSPWRDWNCLR3 registers is set to 1.

### 2.5.3.21 Peripheral Power-Down Clear Register 0 (PSPWRDWNCLR0)

There is one bit for each quadrant for PS0 to PS7. The protection scheme is described in [Section 2.5.3.17](#). This register is shown in [Figure 2-92](#) and described in [Table 2-106](#).

**NOTE:** Only those bits that have a slave at the corresponding bit position are implemented. Writes to unimplemented bits have no effect and reads are 0.

**Figure 2-92. Peripheral Power-Down Clear Register 0 (PSPWRDWNCLR0) (offset = A0h)**



LEGEND: R/W = Read/Write; R = Read only; WP = Write in privileged mode only; -n = value after reset

**Table 2-106. Peripheral Power-Down Clear Register 0 (PSPWRDWNCLR0) Field Descriptions**

Bit	Field	Value	Description
31-0	PS[7-0]QUAD[3-0] PWRDWNCLR	0	Peripheral select quadrant clock power-down clear. <i>Read:</i> The clock to the peripheral select quadrant is active. <i>Write:</i> The bit is unchanged.
		1	<i>Read:</i> The clock to the peripheral select quadrant is inactive. <i>Write:</i> The corresponding bit in PSPWRDWNSET0 and PSPWRDWNCLR0 registers is cleared to 0.

### 2.5.3.22 Peripheral Power-Down Clear Register 1 (PSPWRDNCLR1)

There is one bit for each quadrant for PS8 to PS15. The protection scheme is described in [Section 2.5.3.17](#). This register is shown in [Figure 2-93](#) and described in [Table 2-107](#).

**NOTE:** Only those bits that have a slave at the corresponding bit position are implemented. Writes to unimplemented bits have no effect and reads are 0.

**Figure 2-93. Peripheral Power-Down Clear Register 1 (PSPWRDNCLR1) (offset = A4h)**

31	0
PS[15-8]QUAD[3-0]PWRDNCLR	
R/WP-1	

LEGEND: R/W = Read/Write; R = Read only; WP = Write in privileged mode only; -n = value after reset

**Table 2-107. Peripheral Power-Down Clear Register 1 (PSPWRDNCLR1) Field Descriptions**

Bit	Field	Value	Description
31-0	PS[15-8]QUAD[3-0] PWRDNCLR	0	Peripheral select quadrant clock power-down clear. <i>Read:</i> The clock to the peripheral select quadrant is active. <i>Write:</i> The bit is unchanged.
		1	<i>Read:</i> The clock to the peripheral select quadrant is inactive. <i>Write:</i> The corresponding bit in PSPWRDNSET1 and PSPWRDNCLR1 registers is cleared to 0.

### 2.5.3.23 Peripheral Power-Down Clear Register 2 (PSPWRDNCLR2)

There is one bit for each quadrant for PS16 to PS23. The protection scheme is described in [Section 2.5.3.17](#). This register is shown in [Figure 2-94](#) and described in [Table 2-108](#).

**NOTE:** Only those bits that have a slave at the corresponding bit position are implemented. Writes to unimplemented bits have no effect and reads are 0.

**Figure 2-94. Peripheral Power-Down Clear Register 2 (PSPWRDNCLR2) (offset = A8h)**

31	0
PS[23-16]QUAD[3-0]PWRDNCLR	
R/WP-1	

LEGEND: R/W = Read/Write; R = Read only; WP = Write in privileged mode only; -n = value after reset

**Table 2-108. Peripheral Power-Down Clear Register 2 (PSPWRDNCLR2) Field Descriptions**

Bit	Field	Value	Description
31-0	PS[23-16]QUAD[3-0] PWRDNCLR	0	Peripheral select quadrant clock power-down clear. <i>Read:</i> The clock to the peripheral select quadrant is active. <i>Write:</i> The bit is unchanged.
		1	<i>Read:</i> The clock to the peripheral select quadrant is inactive. <i>Write:</i> The corresponding bit in PSPWRDNSET2 and PSPWRDNCLR2 registers is cleared to 0.

### 2.5.3.24 Peripheral Power-Down Clear Register 3 (PSPWRDNCLR3)

There is one bit for each quadrant for PS24 to PS31. The protection scheme is described in [Section 2.5.3.17](#). This register is shown in [Figure 2-95](#) and described in [Table 2-109](#).

**NOTE:** Only those bits that have a slave at the corresponding bit position are implemented. Writes to unimplemented bits have no effect and reads are 0.

**Figure 2-95. Peripheral Power-Down Clear Register 3 (PSPWRDNCLR) (offset = ACh)**



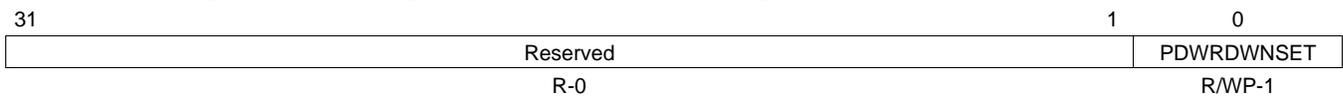
LEGEND: R/W = Read/Write; R = Read only; WP = Write in privileged mode only; -n = value after reset

**Table 2-109. Peripheral Power-Down Clear Register 3 (PSPWRDNCLR3) Field Descriptions**

Bit	Field	Value	Description
31-0	PS[31-24]QUAD[3-0] PWRDNCLR	0	Peripheral select quadrant clock power-down clear. <i>Read:</i> The clock to the peripheral select quadrant is active. <i>Write:</i> The bit is unchanged.
		1	<i>Read:</i> The clock to the peripheral select quadrant is inactive. <i>Write:</i> The corresponding bit in PSPWRDNSET3 and PSPWRDNCLR3 registers is cleared to 0.

### 2.5.3.25 Debug Frame Powerdown Set Register (PDPWRDNSET)

**Figure 2-96. Debug Frame Powerdown Set Register (PDPWRDNSET) (offset = C0h)**



LEGEND: R/W = Read/Write; R = Read only; WP = Write in privileged mode only; -n = value after reset

**Table 2-110. Debug Frame Powerdown Set Register (PDPWRDNSET) Field Descriptions**

Bit	Field	Value	Description
31-1	Reserved	0	Read returns 0. Writes have no effect.
0	PDWRDNSET	0	Debug Frame Powerdown Set Register. <i>Read:</i> The clock to the debug frame is active. <i>Write:</i> The bit is unchanged.
		1	<i>Read:</i> The clock to the debug frame is inactive. <i>Write:</i> Set the bit to 1.

### 2.5.3.26 Debug Frame Powerdown Clear Register (PDPWRDWNCLR)

**Figure 2-97. Debug Frame Powerdown Clear Register (PDPWRDWNCLR) (offset = C4h)**

31	Reserved	1	0
R-0		PDWRDWNCLR R/WP-1	

LEGEND: R/W = Read/Write; R = Read only; WP = Write in privileged mode only; -n = value after reset

**Table 2-111. Debug Frame Powerdown Clear Register (PDPWRDWNCLR) Field Descriptions**

Bit	Field	Value	Description
31-1	Reserved	0	Read returns 0. Writes have no effect.
0	PDWRDWNCLR	0	Debug Frame Powerdown Set Register. <i>Read:</i> The clock to the debug frame is active. <i>Write:</i> The bit is unchanged.
		1	<i>Read:</i> The clock to the debug frame is inactive. <i>Write:</i> clear the bit to 0.

### 2.5.3.27 MasterID Protection Write Enable Register (MSTIDWRENA)

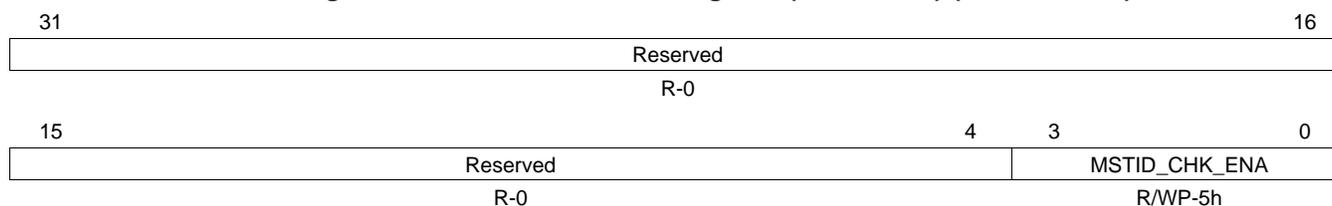
**Figure 2-98. MasterID Protection Write Enable Register (MSTIDWRENA) (offset = 200h)**

31	Reserved	16
R-0		
15	Reserved	4 3 0
R-0		MSTIDREG_WRENA R/WP-5h

LEGEND: R/W = Read/Write; R = Read only; WP = Write in privileged mode only; -n = value after reset

**Table 2-112. MasterID Protection Write Enable Register (MSTIDWRENA) Field Descriptions**

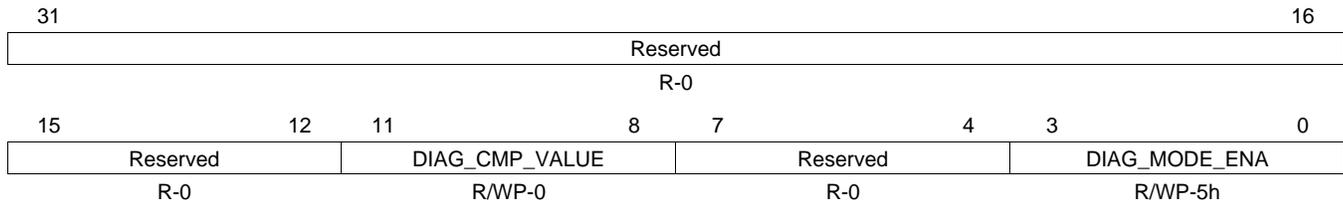
Bit	Field	Value	Description
31-4	Reserved	0	Read returns 0. Writes have no effect.
3-0	MSTIDREG_WRENA	Ah	MasterID Register Write Enable. This is a 4-bit key for enabling writes to all Master-ID registers from address offset 0x300-0x5DC. This key must be programmed with "1010" to unlock writes to all Master-ID registers. <i>Read:</i> All master-id registers are unlocked and available for writes. <i>Write:</i> Writes to master-id registers are unlocked.
		Others	<i>Read:</i> Writes to all master-id registers are locked. <i>Write:</i> Write to master-id registers are locked.

**2.5.3.28 MasterID Enable Register (MSTIDENA)**
**Figure 2-99. MasterID Enable Register (MSTIDENA) (offset = 204h)**


LEGEND: R/W = Read/Write; R = Read only; WP = Write in privileged mode only; -n = value after reset

**Table 2-113. MasterID Enable Register (MSTIDENA) Field Descriptions**

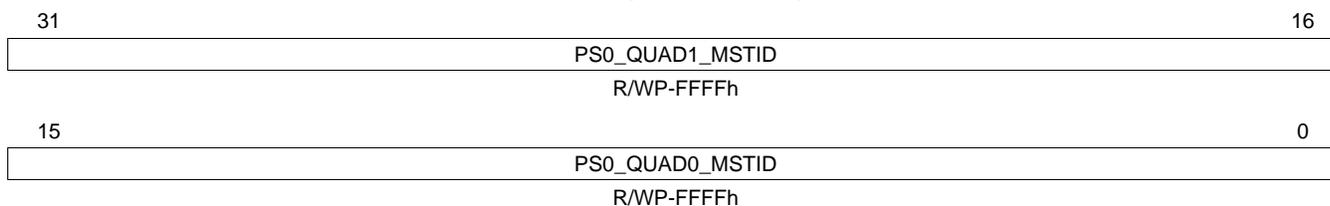
Bit	Field	Value	Description
31-4	Reserved	0	Read returns 0. Writes have no effect.
3-0	MSTID_CHK_ENA	Ah	MasterID Check Enable. This is a 4-bit key for enabling Master-ID check. This key must be programmed with "1010" to enable Master-ID Check functionality. <i>Read:</i> the master-id check is enabled. <i>Write:</i> Enable master-id check.
		Others	<i>Read:</i> the master-id check is disabled. <i>Write:</i> Disable master-id check.

**2.5.3.29 MasterID Diagnostic Control Register (MSTIDDIAGCTRL)**
**Figure 2-100. MasterID Diagnostic Control Register (MSTIDDIAGCTRL) (offset = 208h)**


LEGEND: R/W = Read/Write; R = Read only; WP = Write in privileged mode only; -n = value after reset

**Table 2-114. MasterID Diagnostic Control Register (MSTIDDIAGCTRL) Field Descriptions**

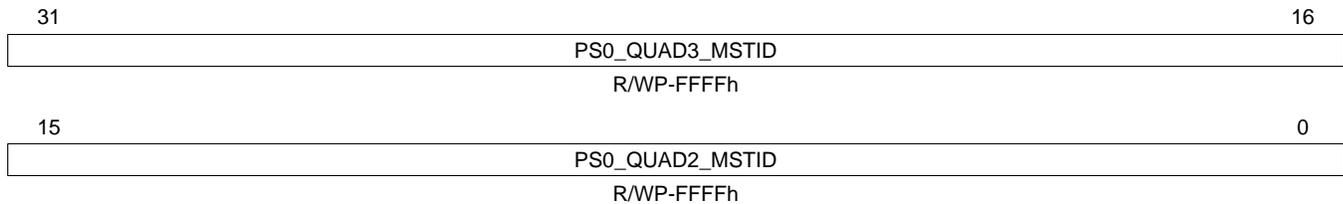
Bit	Field	Value	Description
31-12	Reserved	0	Read returns 0. Writes have no effect.
11-8	DIAG_CMP_VALUE	Ah	<p>Diagnostic Compare Value. The value stored in this register is compared against the programmed master-id register bits for all accesses. In diagnostic mode, the master-id register selection depends on the DIAG_CMP_VALUE instead of the input 4-bit master-id generated by the interconnect. Any mismatch will be signaled to the bus master as a bus error. After the diagnostic mode is enabled in DIAG_MODE_ENA register and a diagnostic compare value is programmed into the DIAG_CMP_VALUE register, the application must issue a dummy diagnostic write access to any one of the peripherals to cause a diagnostic check. For example, if all masterID protection registers listed from address 0x300-0x5DC are programmed to block master-ID 5 from write access to the peripherals, then the application can program the DIAG_CMP_VALUE to 5. The application can use the CPU (whose master-ID is 0) to issue a dummy write access to any peripheral to cause Master-ID violation during diagnostic mode instead of using the bus master whose master-ID is 5 to perform this write access.</p> <p><i>Read:</i> the master-id check is enabled. <i>Write:</i> Enable master-id check.</p>
		Others	<p><i>Read:</i> the master-id check is disabled. <i>Write:</i> Disable master-id check.</p>
7-4	Reserved	0	Read returns 0. Writes have no effect.
3-0	DIAG_MODE_ENA	Ah	<p>Diagnostic Mode Enable. This is a 4-bit key for enabling Diagnostic Mode. This key must be programmed with "1010" to enable Diagnostic Mode.</p> <p><i>Read:</i> the diagnostic mode is enabled. <i>Write:</i> Enable diagnostic mode.</p>
		Others	<p><i>Read:</i> the diagnostic mode is disabled. <i>Write:</i> Disable diagnostic mode.</p>

**2.5.3.30 Peripheral Frame 0 MasterID Protection Register\_L (PS0MSTID\_L)**
**Figure 2-101. Peripheral Frame 0 MasterID Protection Register\_L (PS0MSTID\_L)  
(offset = 300h)**


LEGEND: R/W = Read/Write; R = Read only; WP = Write in privileged mode only; -n = value after reset

**Table 2-115. Peripheral Frame 0 MasterID Protection Register\_L (PS0MSTID\_L)  
Field Descriptions**

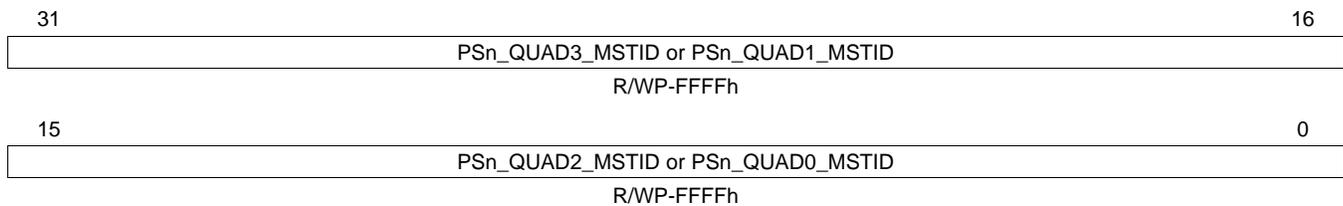
Bit	Field	Value	Description
31-16	PS0_QUAD1_MSTID	0	MasterID filtering for Quadrant 1 of PS[0]. There are 16 bits for each quadrant in PS frame. Each bit corresponds to a master-id value. For example, bit 0 corresponds to master-id 0 and bit 15 corresponds to master-id 15. These bits set the permission for maximum of 16 masters to address the peripheral mapped in each of the quadrant. The following examples shows the usage of these register bits. (a) If bits 15:0 are 1010_1010_1010_1010, then the peripheral that is mapped to Quadrant 0 of PS[0] can be addressed by Masters with Master-ID equals to 1,3,5,7,9,11,13,15. (b) if bits 15:0 are 0000_0000_0000_0001, then the peripheral that is mapped to Quadrant 0 of PS[0] can only addressed by the master with the Master-ID equal to 0.  <i>Read:</i> The corresponding master-id is not permitted to access the peripheral mapped to this quadrant <i>Write:</i> Disable the permission of the corresponding master to access the peripheral mapped to this quadrant
		1	<i>Read:</i> The corresponding master-id is permitted to access the peripheral mapped to this quadrant <i>Write:</i> Enable the permission of the corresponding master to access the peripheral mapped to this quadrant
15-0	PS0_QUAD0_MSTID	0	MasterID filtering for Quadrant 0 of PS[0].  <i>Read:</i> The corresponding master-id is not permitted to access the peripheral mapped to this quadrant <i>Write:</i> Disable the permission of the corresponding master to access the peripheral mapped to this quadrant
		1	<i>Read:</i> The corresponding master-id is permitted to access the peripheral mapped to this quadrant <i>Write:</i> Enable the permission of the corresponding master to access the peripheral mapped to this quadrant

**2.5.3.31 Peripheral Frame 0 MasterID Protection Register\_H (PS0MSTID\_H)**
**Figure 2-102. Peripheral Frame 0 MasterID Protection Register\_H (PS0MSTID\_H)  
(offset = 304h)**


LEGEND: R/W = Read/Write; R = Read only; WP = Write in privileged mode only; -n = value after reset

**Table 2-116. Peripheral Frame 0 MasterID Protection Register\_H (PS0MSTID\_H)  
Field Descriptions**

Bit	Field	Value	Description
31-16	PS0_QUAD3_MSTID	0	MasterID filtering for Quadrant 3 of PS[0]. <i>Read:</i> The corresponding master-id is not permitted to access the peripheral <i>Write:</i> Disable the permission of the corresponding master to access the peripheral
		1	<i>Read:</i> The corresponding master-id is permitted to access the peripheral <i>Write:</i> Enable the permission of the corresponding master to access the peripheral
15-0	PS0_QUAD2_MSTID	0	MasterID filtering for Quadrant 2 of PS[0]. <i>Read:</i> The corresponding master-id is not permitted to access the peripheral <i>Write:</i> Disable the permission of the corresponding master to access the peripheral
		1	<i>Read:</i> The corresponding master-id is permitted to access the peripheral <i>Write:</i> Enable the permission of the corresponding master to access the peripheral

**2.5.3.32 Peripheral Frame n MasterID Protection Register\_L/H (PS[1-31]MSTID\_L/H)**
**Figure 2-103. Peripheral Frame n MasterID Protection Register\_L/H (PSnMSTID\_L/H)  
(offset = 308h-3FCh)**


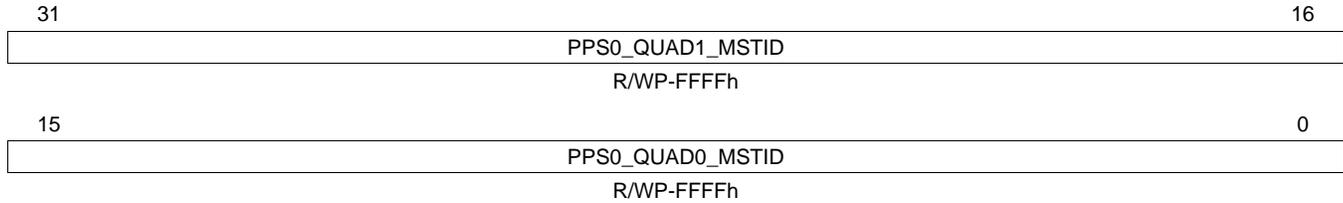
LEGEND: R/W = Read/Write; R = Read only; WP = Write in privileged mode only; -n = value after reset

**Table 2-117. Peripheral Frame n MasterID Protection Register\_L/H (PSnMSTID\_L/H)  
Field Descriptions**

Bit	Field	Value	Description
31-16	PSn_QUAD3_MSTID or PSn_QUAD1_MSTID	0	n: 1 to 31. L: quadrant0 and quadrant1. H: quadrant2 and quadrant3. MasterID filtering for Quadrant 3 of PS[n] or Quadrant 1 of PS[n] <i>Read:</i> The corresponding master-id is not permitted to access the peripheral <i>Write:</i> Disable the permission of the corresponding master to access the peripheral
		1	<i>Read:</i> The corresponding master-id is permitted to access the peripheral <i>Write:</i> Enable the permission of the corresponding master to access the peripheral
15-0	PSn_QUAD2_MSTID or PSn_QUAD0_MSTID	0	MasterID filtering for Quadrant 2 of PS[n] or Quadrant 0 of PS[n] <i>Read:</i> The corresponding master-id is not permitted to access the peripheral <i>Write:</i> Disable the permission of the corresponding master to access the peripheral
		1	<i>Read:</i> The corresponding master-id is permitted to access the peripheral <i>Write:</i> Enable the permission of the corresponding master to access the peripheral

### 2.5.3.33 Privileged Peripheral Frame 0 MasterID Protection Register\_L (PPS0MSTID\_L)

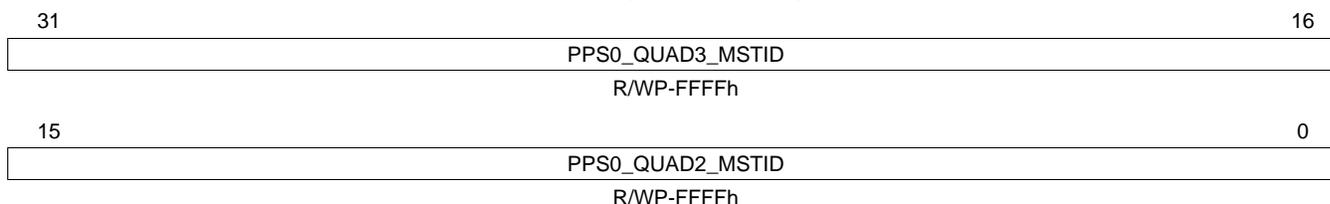
**Figure 2-104. Privileged Peripheral Frame 0 MasterID Protection Register\_L (PPS0MSTID\_L)  
(offset = 400h)**



LEGEND: R/W = Read/Write; R = Read only; WP = Write in privileged mode only; -n = value after reset

**Table 2-118. Privileged Peripheral Frame 0 MasterID Protection Register\_L (PPS0MSTID\_L)  
Field Descriptions**

Bit	Field	Value	Description
31-16	PPS0_QUAD1_MSTID	0	<p>MasterID filtering for Quadrant 1 of PPS[0]. There are 16 bits for each quadrant in PPS frame. Each bit corresponds to a master-id value. For example, bit 0 corresponds to master-id 0 and bit 15 corresponds to master-id 15. These bits set the permission for maximum of 16 masters to address the peripheral mapped in each of the quadrant.</p> <p>The following examples shows the usage of these register bits.</p> <p>(a) If bits 15:0 are 1010_1010_1010_1010, then the peripheral that is mapped to Quadrant 0 of PPS[0] can be addressed by Masters with Master-ID equals to 1,3,5,7,9,11,13,15.</p> <p>(b) if bits 15:0 are 0000_0000_0000_0001, then the peripheral that is mapped to Quadrant 0 of PPS[0] can only addressed by the master with the Master-ID equal to 0.</p> <p><i>Read:</i> The corresponding master-id is not permitted to access the peripheral mapped to this quadrant</p> <p><i>Write:</i> Disable the permission of the corresponding master to access the peripheral mapped to this quadrant</p>
		1	<p><i>Read:</i> The corresponding master-id is permitted to access the peripheral mapped to this quadrant</p> <p><i>Write:</i> Enable the permission of the corresponding master to access the peripheral mapped to this quadrant</p>
15-0	PPS0_QUAD0_MSTID	0	<p>MasterID filtering for Quadrant 0 of PPS[0].</p> <p><i>Read:</i> The corresponding master-id is not permitted to access the peripheral mapped to this quadrant</p> <p><i>Write:</i> Disable the permission of the corresponding master to access the peripheral mapped to this quadrant</p>
		1	<p><i>Read:</i> The corresponding master-id is permitted to access the peripheral mapped to this quadrant</p> <p><i>Write:</i> Enable the permission of the corresponding master to access the peripheral mapped to this quadrant</p>

**2.5.3.34 Privileged Peripheral Frame 0 MasterID Protection Register\_H (PPS0MSTID\_H)**
**Figure 2-105. Privileged Peripheral Frame 0 MasterID Protection Register\_H (PPS0MSTID\_H)  
(offset = 404h)**


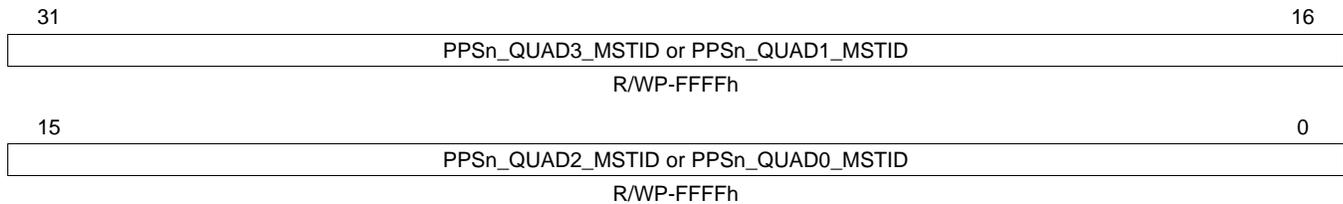
LEGEND: R/W = Read/Write; R = Read only; WP = Write in privileged mode only; -n = value after reset

**Table 2-119. Privileged Peripheral Frame 0 MasterID Protection Register\_H (PPS0MSTID\_H)  
Field Description**

Bit	Field	Value	Description
31-16	PPS0_QUAD3_MSTID	0	MasterID filtering for Quadrant 3 of PPS[0]. <i>Read:</i> The corresponding master-id is not permitted to access the peripheral <i>Write:</i> Disable the permission of the corresponding master to access the peripheral
		1	<i>Read:</i> The corresponding master-id is permitted to access the peripheral <i>Write:</i> Enable the permission of the corresponding master to access the peripheral
15-0	PPS0_QUAD2_MSTID	0	MasterID filtering for Quadrant 2 of PPS[0]. <i>Read:</i> The corresponding master-id is not permitted to access the peripheral <i>Write:</i> Disable the permission of the corresponding master to access the peripheral
		1	<i>Read:</i> The corresponding master-id is permitted to access the peripheral <i>Write:</i> Enable the permission of the corresponding master to access the peripheral

### 2.5.3.35 Privileged Peripheral Frame n MasterID Protection Register\_L/H (PPS[1-7]MSTID\_L/H)

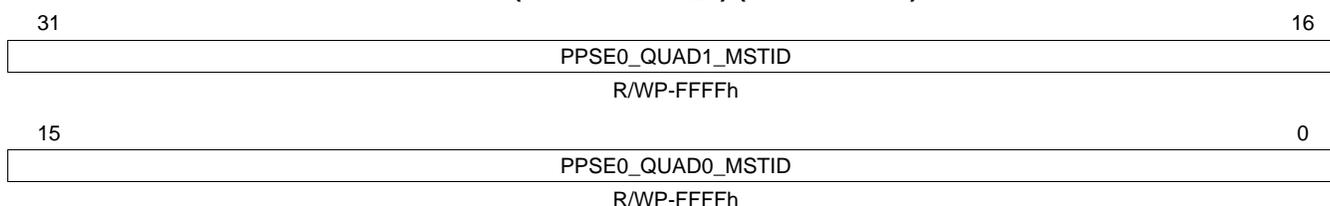
**Figure 2-106. Privileged Peripheral Frame n MasterID Protection Register\_L/H (PPSnMSTID\_L/H)  
(offset = 408h-43Ch)**



LEGEND: R/W = Read/Write; R = Read only; WP = Write in privileged mode only; -n = value after reset

**Table 2-120. Privileged Peripheral Frame n MasterID Protection Register\_L/H (PPSnMSTID\_L/H)  
Field Descriptions**

Bit	Field	Value	Description
31-16	PPSn_QUAD3_MSTID or PPSn_QUAD1_MSTID	0	n: 1 to 7. L: quadrant0 and quadrant1. H: quadrant2 and quadrant3. MasterID filtering for Quadrant 3 of PPS[n] or Quadrant 1 of PPS[n] <i>Read:</i> The corresponding master-id is not permitted to access the peripheral <i>Write:</i> Disable the permission of the corresponding master to access the peripheral
		1	<i>Read:</i> The corresponding master-id is permitted to access the peripheral <i>Write:</i> Enable the permission of the corresponding master to access the peripheral
15-0	PPSn_QUAD2_MSTID or PPSn_QUAD0_MSTID	0	MasterID filtering for Quadrant 2 of PPS[n] or Quadrant 0 of PPS[n] <i>Read:</i> The corresponding master-id is not permitted to access the peripheral <i>Write:</i> Disable the permission of the corresponding master to access the peripheral
		1	<i>Read:</i> The corresponding master-id is permitted to access the peripheral <i>Write:</i> Enable the permission of the corresponding master to access the peripheral

**2.5.3.36 Privileged Peripheral Extended Frame 0 MasterID Protection Register\_L (PPSE0MSTID\_L)**
**Figure 2-107. Privileged Peripheral Extended Frame 0 MasterID Protection Register\_L (PPSE0MSTID\_L) (offset = 440h)**


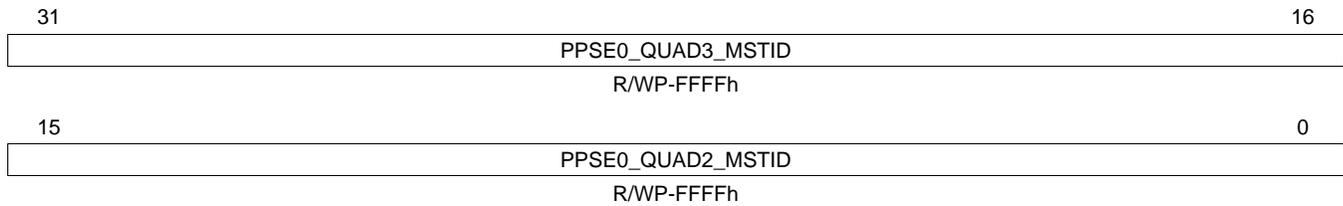
LEGEND: R/W = Read/Write; R = Read only; WP = Write in privileged mode only; -n = value after reset

**Table 2-121. Privileged Peripheral Extended Frame 0 MasterID Protection Register\_L (PPSE0MSTID\_L) Field Descriptions**

Bit	Field	Value	Description
31-16	PPSE0_QUAD1_MSTID	0	MasterID filtering for Quadrant 1 of PPSE[0]. There are 16 bits for each quadrant in PPSE frame. Each bit corresponds to a master-id value. For example, bit 0 corresponds to master-id 0 and bit 15 corresponds to master-id 15. These bits set the permission for maximum of 16 masters to address the peripheral mapped in each of the quadrant. The following examples shows the usage of these register bits. (a) If bits 15:0 are 1010_1010_1010_1010, then the peripheral that is mapped to Quadrant 0 of PPSE[0] can be addressed by Masters with Master-ID equals to 1,3,5,7,9,11,13,15. (b) If bits 15:0 are 0000_0000_0000_0001, then the peripheral that is mapped to Quadrant 0 of PPSE[0] can only addressed by the master with the Master-ID equal to 0.  <i>Read:</i> The corresponding master-id is not permitted to access the peripheral mapped to this quadrant  <i>Write:</i> Disable the permission of the corresponding master to access the peripheral mapped to this quadrant
		1	<i>Read:</i> The corresponding master-id is permitted to access the peripheral mapped to this quadrant  <i>Write:</i> Enable the permission of the corresponding master to access the peripheral mapped to this quadrant
15-0	PPSE0_QUAD0_MSTID	0	MasterID filtering for Quadrant 0 of PPSE[0].  <i>Read:</i> The corresponding master-id is not permitted to access the peripheral mapped to this quadrant  <i>Write:</i> Disable the permission of the corresponding master to access the peripheral mapped to this quadrant
		1	<i>Read:</i> The corresponding master-id is permitted to access the peripheral mapped to this quadrant  <i>Write:</i> Enable the permission of the corresponding master to access the peripheral mapped to this quadrant

### 2.5.3.37 Privileged Peripheral Extended Frame 0 MasterID Protection Register\_H (PPSE0MSTID\_H)

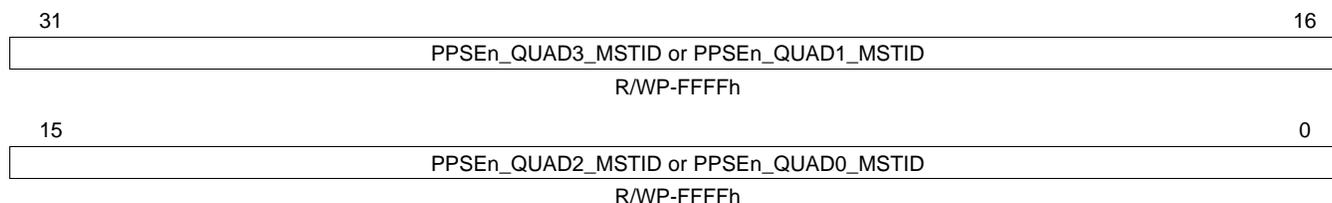
**Figure 2-108. Privileged Peripheral Extended Frame 0 MasterID Protection Register\_H (PPSE0MSTID\_H) (offset = 444h)**



LEGEND: R/W = Read/Write; R = Read only; WP = Write in privileged mode only; -n = value after reset

**Table 2-122. Privileged Peripheral Extended Frame 0 MasterID Protection Register\_H (PPSE0MSTID\_H) Field Descriptions**

Bit	Field	Value	Description
31-16	PPSE0_QUAD3_MSTID	0	MasterID filtering for Quadrant 3 of PPSE[0]. <i>Read:</i> The corresponding master-id is not permitted to access the peripheral <i>Write:</i> Disable the permission of the corresponding master to access the peripheral
		1	<i>Read:</i> The corresponding master-id is permitted to access the peripheral <i>Write:</i> Enable the permission of the corresponding master to access the peripheral
15-0	PPSE0_QUAD2_MSTID	0	MasterID filtering for Quadrant 2 of PPSE[0]. <i>Read:</i> The corresponding master-id is not permitted to access the peripheral <i>Write:</i> Disable the permission of the corresponding master to access the peripheral
		1	<i>Read:</i> The corresponding master-id is permitted to access the peripheral <i>Write:</i> Enable the permission of the corresponding master to access the peripheral

**2.5.3.38 Privileged Peripheral Extended Frame n MasterID Protection Register\_L/H (PPSE[1-31]MSTID\_L/H)**
**Figure 2-109. Privileged Peripheral Extended Frame n MasterID Protection Register\_L/H (PPSEnMSTID\_L/H) (offset = 448h-53Ch)**


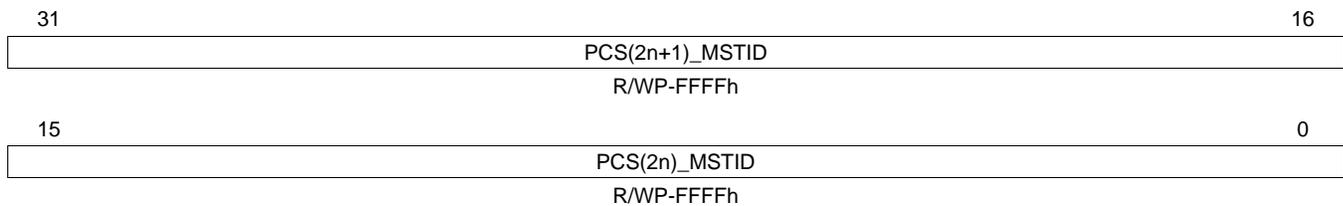
LEGEND: R/W = Read/Write; R = Read only; WP = Write in privileged mode only; -n = value after reset

**Table 2-123. Privileged Peripheral Extended Frame n MasterID Protection Register\_L/H (PPSEnMSTID\_L/H) Field Descriptions**

Bit	Field	Value	Description
31-16	PPSEn_QUAD3_MSTID or PPSEn_QUAD1_MSTID	0	n: 1 to 31. L: quadrant0 and quadrant1. H: quadrant2 and quadrant3. MasterID filtering for Quadrant 3 of PPSE[n] or Quadrant 1 of PPSE[n] <i>Read:</i> The corresponding master-id is not permitted to access the peripheral <i>Write:</i> Disable the permission of the corresponding master to access the peripheral
		1	<i>Read:</i> The corresponding master-id is permitted to access the peripheral <i>Write:</i> Enable the permission of the corresponding master to access the peripheral
15-0	PPSEn_QUAD2_MSTID or PPSEn_QUAD0_MSTID	0	MasterID filtering for Quadrant 2 of PPSE[n] or Quadrant 0 of PPSE[n] <i>Read:</i> The corresponding master-id is not permitted to access the peripheral <i>Write:</i> Disable the permission of the corresponding master to access the peripheral
		1	<i>Read:</i> The corresponding master-id is permitted to access the peripheral <i>Write:</i> Enable the permission of the corresponding master to access the peripheral

### 2.5.3.39 Peripheral Memory Frame MasterID Protection Register (PCS[0-31]MSTID)

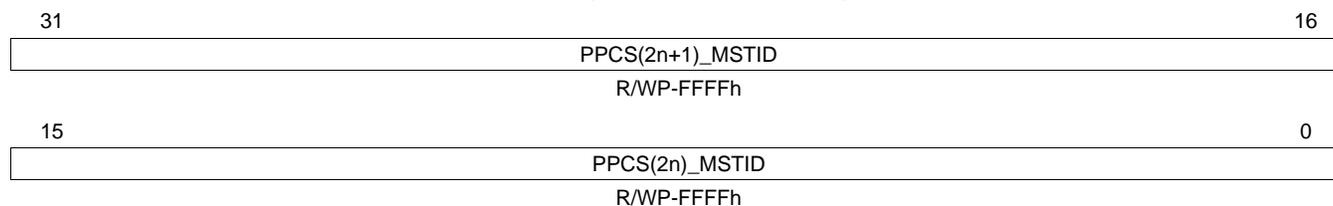
**Figure 2-110. Peripheral Memory Frame MasterID Protection Register (PCS<sub>n</sub>MSTID)  
(offset = 540h-5BCh)**



LEGEND: R/W = Read/Write; R = Read only; WP = Write in privileged mode only; -n = value after reset

**Table 2-124. Peripheral Memory Frame MasterID Protection Register (PCS<sub>n</sub>MSTID) Field Descriptions**

Bit	Field	Value	Description
31-16	PCS(2n+1)_MSTID	0	MasterID filtering for PCS[2n+1], where n = 0 to 31 <i>Read:</i> The corresponding master-id is not permitted to access the peripheral <i>Write:</i> Disable the permission of the corresponding master to access the peripheral
		1	<i>Read:</i> The corresponding master-id is permitted to access the peripheral <i>Write:</i> Enable the permission of the corresponding master to access the peripheral
15-0	PCS(2n)_MSTID	0	MasterID filtering for PCS[2n], where n = 0 to 31 <i>Read:</i> The corresponding master-id is not permitted to access the peripheral <i>Write:</i> Disable the permission of the corresponding master to access the peripheral
		1	<i>Read:</i> The corresponding master-id is permitted to access the peripheral <i>Write:</i> Enable the permission of the corresponding master to access the peripheral

**2.5.3.40 Privileged Peripheral Memory Frame MasterID Protection Register (PPCS[0-7]MSTID)**
**Figure 2-111. Privileged Peripheral Memory Frame MasterID Protection Register (PPCSnMSTID)  
(offset = 5C0h-5DCh)**


LEGEND: R/W = Read/Write; R = Read only; WP = Write in privileged mode only; -n = value after reset

**Table 2-125. Privileged Peripheral Memory Frame MasterID Protection Register (PPCSnMSTID)  
Field Descriptions**

Bit	Field	Value	Description
31-16	PPCS(2n+1)_MSTID	0	MasterID filtering for PPCS[2n+1], where n = 0 to 7 <i>Read:</i> The corresponding master-id is not permitted to access the peripheral <i>Write:</i> Disable the permission of the corresponding master to access the peripheral
		1	<i>Read:</i> The corresponding master-id is permitted to access the peripheral <i>Write:</i> Enable the permission of the corresponding master to access the peripheral
15-0	PPCS(2n)_MSTID	0	MasterID filtering for PPCS[2n], where n = 0 to 7 <i>Read:</i> The corresponding master-id is not permitted to access the peripheral <i>Write:</i> Disable the permission of the corresponding master to access the peripheral
		1	<i>Read:</i> The corresponding master-id is permitted to access the peripheral <i>Write:</i> Enable the permission of the corresponding master to access the peripheral

## SCR Control Module (SCM)

---

---

This chapter describes the SCR control module (SCM). SCR is the CPU Interconnect Subsystem.

Topic	Page
<b>3.1 Overview .....</b>	<b>238</b>
<b>3.2 Module Operation .....</b>	<b>240</b>
<b>3.3 How to Use SCM.....</b>	<b>242</b>
<b>3.4 SCM Registers .....</b>	<b>245</b>

### 3.1 Overview

The SCR (Switch Central Resource) Control Module (SCM) provides a means to control and monitor the main interconnect.

Interconnect hardware checker performs four major functional checks on interconnect:

- Arbitration
- Timeout
- Protocol conversion
- Parity on control / address signals

Any of these errors will force the interconnect to trigger an error event to ESM group 1 (see ESM group 1 mapping). It is recommended that you should set the interconnect error to toggle ESM pin action. The reason is that if an error occurs and CPU can not access to Flash or RAM to run diagnostic or retry, external monitoring ASIC can be notified by ESM error pin.

#### 3.1.1 Features

The following main features are supported:

- Compares the real time running counter of transaction command request to transaction command accept from each initiator agent (IA - is the bus master which initiates transactions to the interconnect. Refer to the Interconnect chapter for more definition and connection) with the REQ2ACCEPT threshold value. If the real time counter is equal or larger than the threshold, the SCM will trigger an error event to ESM. A corresponding status bit of the corresponding IA will also be set.
- Compares the real time running counter of transaction command request accepted to transaction command response accepted from each IA with the REQ2RESP threshold value. If the real time counter is equal or larger than the threshold, the SCM will trigger an error event to ESM. A corresponding status bit of the corresponding IA will also be set.
- Provides a control key to clear the time out counters overrun inside hardware checker of the interconnect. This control bit will clear all registers and make the timeout module available to restart properly.
- Provides a control key to start a self-test sequence of the interconnect hardware checker.
- Provides a control key to clear global error flag inside interconnect hardware checker.
- Captures the active status of each IA and target agent (TA - is the bus slave receives transaction request from interconnect and responses to it. Refer to the Interconnect chapter of the TRM for more definition and connection) of the interconnect. The active status bit indicates that there is still pending transactions inside interconnect.
- Provides the ability to override parity polarity of the interconnect hardware checker so that the parity detection logic can be self-tested.

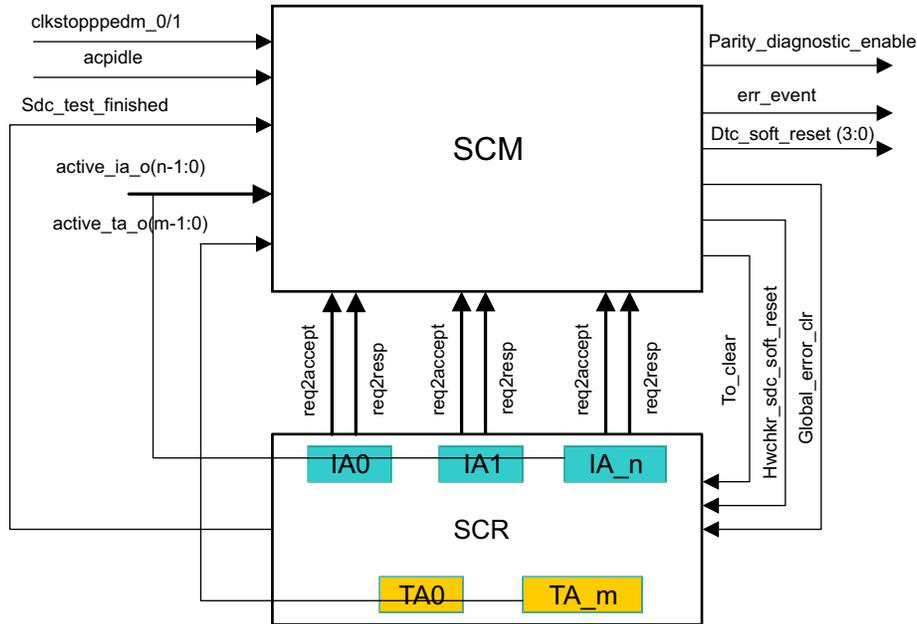
### 3.1.2 System Block Diagram

Figure 3-1 shows the system level block diagram of SCM and interconnect (SCR).

SCM compares the transaction command request to transaction command accept (req2accept) counters and transaction command request to transaction command response (req2resp) counters of each initiator agent (IA) to the corresponding threshold values (programmable). If the req2accept or req2resp counters are larger than or equal to the threshold, SCM will generate error event to ESM module.

SCM can clear the req2accept and req2resp counters inside interconnect SCR. It can also initiate self-test sequence to make sure the hardware checker diagnostic logic is functioning properly.

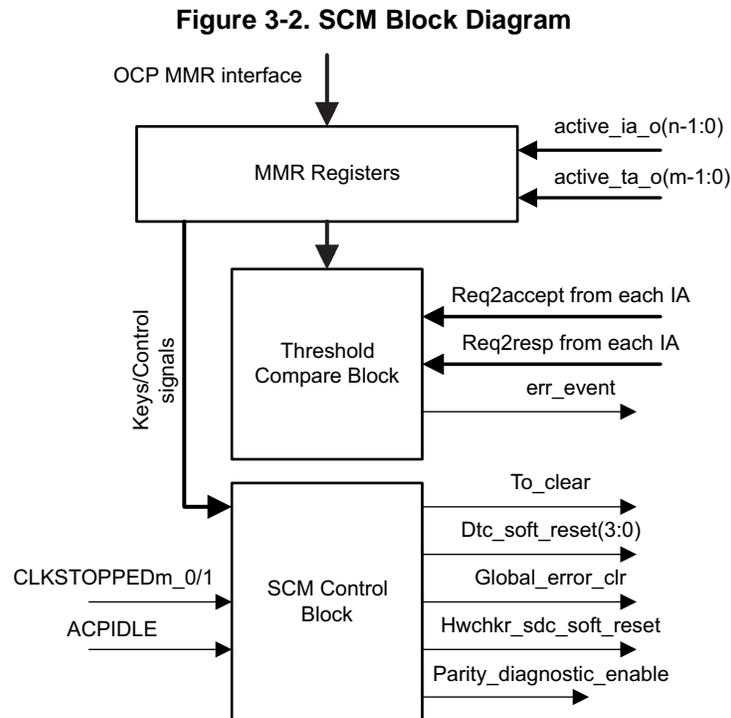
Figure 3-1. System Level Block Diagram



## 3.2 Module Operation

### 3.2.1 Block Diagram

Figure 3-2 shows the block diagram of SCM.

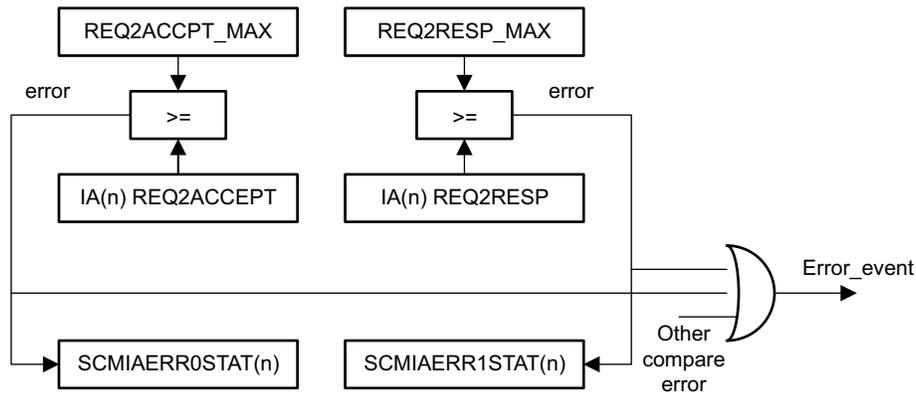


### 3.2.2 Timeout Threshold Compare Block

The threshold compare block (Figure 3-3) takes the real-time counters (command request to command accepted and command request to command response) from each IA of the interconnect hardware checker module and compare against the corresponding threshold value in SCM every cycle. If any IA comparison fails, the SCM module will update the corresponding status bit in SCMAERR0STAT and SCMAERR1STAT registers. SCMAERR0STAT logs the time out error for command request to command accepted. SCMAERR1STAT logs the time out error for command request to command response. Any status bit set in these two status registers will trigger an error event to ESM (Error Signaling Module) and will not trigger again until cleared by CPU.

Any of these status bits can be cleared by a privilege write to the individual bit. The write clear from CPU to these status bits will always take higher priority than setting of the status bits from the interconnect.

Figure 3-3. Timeout Threshold Compare



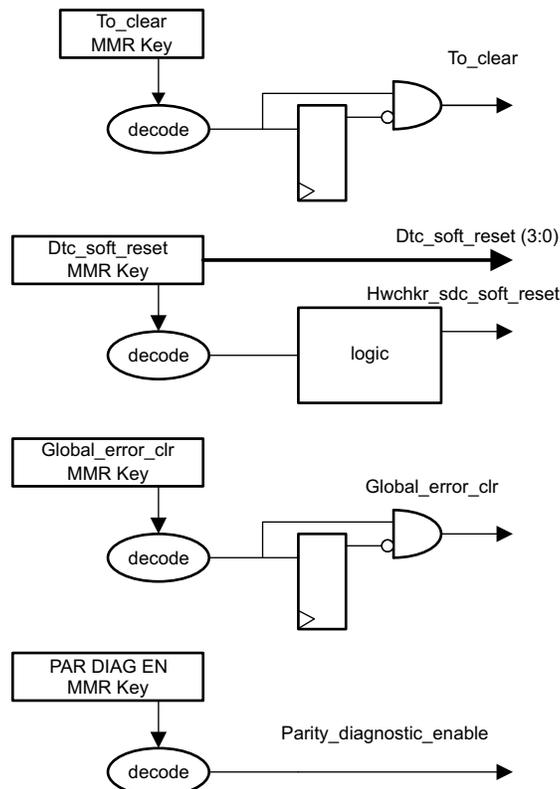
### 3.2.2.1 Interconnect Timeout Clearing Control Key

When the threshold compare block triggers a time out error, the ESM will be notified and can interrupt the main CPU. The interconnect hardware checker real-time counter needs to be reset to 0 in order to restart properly. Section 3.3 has recommendations on how you should react in this case. You can clear all the real time counter values inside interconnect hardware checker. This is necessary to restart the real time counter.

### 3.2.3 SCM Control Block

Figure 3-4 shows a block diagram of the SCM.

Figure 3-4. SCM Control Block



### 3.2.3.1 Control Key to invert Parity Polarity for Interconnect Hardware Checker Parity Detection Diagnostic

The interconnect receives parity bits associated with input control and address signals and does the parity checking. The interconnect also generates parity bits for corresponding control and address signals. To test the parity checking logic, the SCM can invert the parity polarity bit to the interconnect to purposely creates a fail or pass parity checking condition.

[Section 3.3](#) has recommendations on how you should test the parity detection logic inside interconnect hardware checker.

### 3.2.3.2 Global Error Clearing Control Key

Interconnect subsystem triggers global error in case of any of the following errors happen:

- Parity checking error on any bus master.
- Arbitration error.
- Protocol conversion error.
- Self-test fail in self-test diagnostic mode.

A global error from interconnect subsystem can result in non-recoverable condition for the device. It is recommended that user issues a global error clear by writing 0xA to the GLOBAL\_ERR\_CLR of the SCMCNTRL register in conjunction to system reset.

### 3.2.3.3 Interconnect Hardware Checker Self-test

Interconnect hardware checker performs four major diagnostic checks on interconnect:

- Arbitration
- Timeout
- Protocol conversion
- Parity on control / address signals

Thus, it is necessary to be able to do self-test of interconnect hardware checker logic whenever you decide at appropriate time in the application control loop. The self-test logic will create normal and erroneous transaction from each master to each slave according to the bus connection matrix to verify that the hardware checker properly functioning. See [Section 3.3.2](#) for detail on how to start self-test.

## 3.3 How to Use SCM

### 3.3.1 How to Check the Parity Compare Logic

Interconnect has associated parity bits for control and address bit of the communication bus. Parity check is done for all control and address input. Parity generation is done for all control and address output.

For fail safety reason, parity checking logic needs to be tested at your choice of time in their control loop.

To enable the parity detection test, you should switch to privilege mode and write 0xA to SCMCNTRL[27:24] control register. This will invert the parity polarity and testing for only one cycle. The SCM module will reset the control key back to 0x5 once it triggers an inversion parity polarity to interconnect hardware checker. Since parity polarity is inverted only inside interconnect, the interconnect will flag parity error for input control and address signals. The interconnect also output an inverted polarity for output control and address signals. Thus, master and slave IP connected to interconnect could potentially generate parity error as well. This way, the corresponding parity detection logic in master and slave IP can be tested at the same time. You should clear all parity error status bits residing in master IP, slave IP, or interconnect status registers.

Note that the hardware only does parity inversion check in one cycle so that it does not block out CPU access to Flash and RAM on subsequence cycle.

### 3.3.2 How to Initiate Self-test Sequence

It is necessary to be able to do self-test of the interconnect hardware checker logic to detect residual faults when you decide at appropriate time in the application control loop. The self-test logic will create normal and erroneous transaction from each master to each slave according to the bus connection matrix to verify that the hardware checker and the interconnect functioning properly.

To initiate the self-test sequence, you should switch to privilege mode.

1. Software needs to ensure that MASK\_SOFT\_RESET control bit of the interconnect self-test control register (Interconnect SDC MMR offset at 0xFA00\_0000[0]) is 0.
2. Software needs to ensure that both GCLK1 and GCLK2 are still running.
3. Software needs to ensure that all bus master connecting to interconnect should stop sending new transaction to interconnect. The hardware will make sure that all outstanding transaction will complete.
4. Software writes to SCM control register bit field DTC\_SOFT\_RESET a key value: 0xA to initiate self-test.
5. CPU0 and CPU1 must execute WFI instruction.
  - (a) At this point, the hardware will ensure that there is no outstanding transaction inside interconnect and will trigger self-test.
  - (b) While hardware checker self-test is ongoing, the CPU will be held in reset and released until self-test completes
6. Once self-test completes, CPU will boot up from 0x0 again and you need to read interconnect diagnostic register to inspect for any error detected during self-test. Refer to device technical reference manual for base address.

### 3.3.3 How to Configure Timeout Check

The threshold compare block takes the real time counters (command request to command accepted and command request to command response) from each IA of the interconnect hardware checker module and compare against the corresponding threshold value in SCM every cycle. If any IA comparison fails, the SCM module will update the corresponding status bit in SCMAERR0STAT and SCMAERR1STAT registers. SCMAERR0STAT logs the time out error for command request to command accepted. SCMAERR1STAT logs the time out error for command request to command response. Any status bit set in these two status registers will trigger an error event to ESM (Error Signaling Module) and will not trigger again until cleared by CPU.

You should configure the SCMTHRESHOLD control register to setup the command transaction request to command transaction acceptance threshold as well as command transaction request to command transaction response threshold. It is recommended that you use the default reset value of decimal 1024 (400h) for the SCMTHRESHOLD control registers. However, you can change this values depending on application depending on the number of IA and TA required by the interconnect.

When threshold compare block triggers a time out error, the error will be sent to the ESM module resulting in an interrupt exception to the CPU.

When interrupted, it is recommended that you read the SCMAERR0STAT and SCMAERR1STAT to find out which master or slave having the time out issue and clear the real time counter inside interconnect. Then, issue a retry on the transaction

1. If the retry is successful, you can resume operation.
2. If the retry fails because time out still occurs, you should trigger a self-test to check for any issue of interconnect. If self-test fails or time out error still occurs after passing self-test, you should try to shut down the system in a safe way. In the case that interconnect has issue and blocking access to Flash or RAM, ESM pin action can not be reset thus external monitoring ASIC will be notified.

To clear real time counters inside SCR, you should switch to privilege mode and write Ah to the SCMCNTRL[3:0] control register. The SCM module will reset the control key back to 5h once it triggers a clear command to interconnect hardware checker. The interconnect hardware checker real time counter needs to be reset to 0 in order to restart properly.

### 3.4 SCM Registers

The SCM registers are listed in [Table 3-1](#). Each register begins on a word boundary. The registers support 8-, 16-, and 32-bit accesses. The address offset is specified from the base address of FFFF 0A00h.

Registers are accessed through a dedicated MMR interface. Support only read, write, and write non-posted. Read and write are always returning response status. A write to reserved bits has no effect.

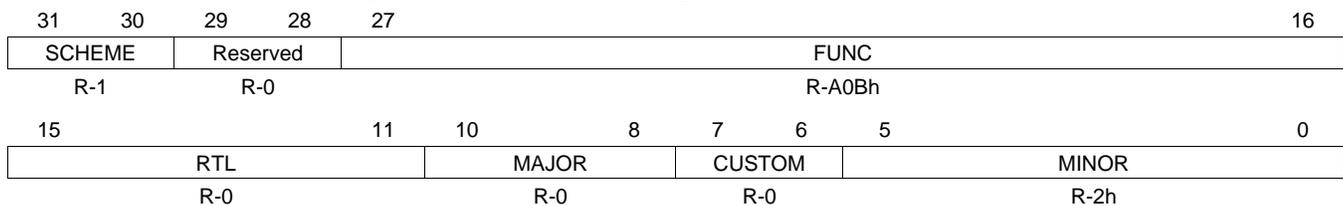
If there is soft error or any other event that results in an unsupported command such as readlink-write conditional or broadcast bus transactions, the MMR interface will return with response bus error for unsupported command. Software should check for valid address and whether the target is in low power mode or not prior to issue a retry access.

**Table 3-1. SCM Registers**

Offset	Acronym	Register Description	Section
00h	SCMREVID	SCM REVID Register	<a href="#">Section 3.4.1</a>
04h	SCMCNTRL	SCM Control Register	<a href="#">Section 3.4.2</a>
08h	SCMTHRESHOLD	SCM Compare Threshold Counter Register	<a href="#">Section 3.4.3</a>
10h	SCMIAERR0STAT	SCM Initiator Error0 Status Register	<a href="#">Section 3.4.4</a>
14h	SCMIAERR1STAT	SCM Initiator Error1 Status Register	<a href="#">Section 3.4.5</a>
18h	SCMIASTAT	SCM Initiator Active Status Register	<a href="#">Section 3.4.6</a>
20h	SCMTASTAT	SCM Target Active Status Register	<a href="#">Section 3.4.7</a>

#### 3.4.1 SCM REVID Register (SCMREVID)

**Figure 3-5. SCM REVID Register (SCMREVID) (offset = 00h)**



LEGEND: R/W = Read/Write; R = Read only; -n = value after synchronous reset on system reset

**Table 3-2. SCM REVID Register (SCMREVID) Field Descriptions**

Bit	Field	Value	Description
31-30	SCHEME	1	Identification scheme
29-28	Reserved	0	Reserved. Reads return 0.
27-16	FUNC	A0Bh	Indicates functionally equivalent module family.
15-11	RTL	0	RTL version number
10-8	MAJOR	0	Major revision number
7-6	CUSTOM	0	Indicates device-specific implementation.
5-0	MINOR	2h	Minor revision number

### 3.4.2 SCM Control Register (SCMCNTRL)

**Figure 3-6. SCM Control Register (SCMCNTRL) (offset = 04h)**

31	28	27	24	23	20	19	16
Reserved		PAR DIAG EN		Reserved		GLOBAL_ERROR_CLR	
R-0		R/WP-5h		R-0		R/WP-5h	
15	12	11	8	7	4	3	0
Reserved		DTC_SOFT_RESET		Reserved		TO_CLEAR	
R-0		R/WP-5h		R-0		R/WP-5h	

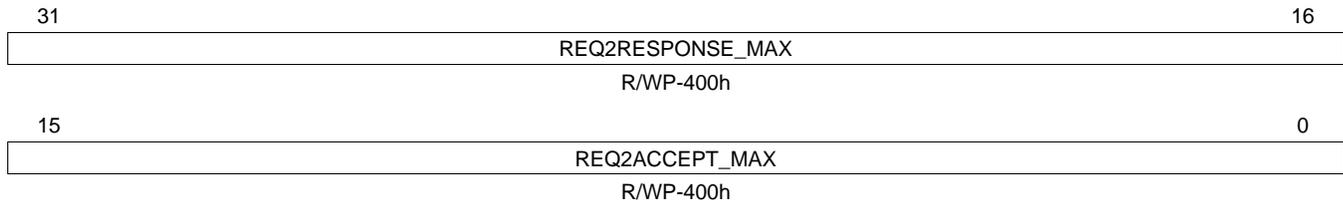
LEGEND: R/W = Read/Write; R = Read only; WP = Write in privileged mode only; -n = value after synchronous reset on system reset

**Table 3-3. SCM Control Register (SCMCNTRL) Field Descriptions**

Bit	Field	Value	Description
31-28	Reserved	0	Reserved. Reads return 0.
27-24	PAR DIAG EN	5h	Sticky key write values of Ah. Writing Ah sends out an active-high "pulse" to the SCR and resets the key back to 5h. <b>Read:</b> Sticky key
		All other values	Reserved
		Ah	<b>Write in Privilege:</b> Parity Diagnostic Enable
23-20	Reserved	0	Reserved. Reads return 0.
19-16	GLOBAL_ERROR_CLR	5h	Clear global error in interconnect. Writing Ah sends out a clear pulse to the SCR and resets the key back to 5h. <b>Read:</b> Sticky key
		All other values	Reserved
		Ah	<b>Write in Privilege:</b> Enable global error Clear
15-12	Reserved	0	Reserved. Reads return 0.
11-8	DTC_SOFT_RESET	5h	Diagnostic self-test error enable. Writing Ah forces the SCM to initiate self-test sequence. The hardware will reset the key back to 0x5 whenever self-test is completed. <b>Read:</b> Sticky key
		All other values	Reserved
		Ah	<b>Write in Privilege:</b> Enable sequence to start interconnect self-test
7-4	Reserved	0	Reserved. Reads return 0.
3-0	TO_CLEAR	5h	Clear real time counters inside SCR. Writing Ah sends out a clear pulse to the SCR and resets the key back to 5h. <b>Read:</b> Sticky key
		All other values	Reserved
		Ah	<b>Write in Privilege:</b> Enable global error Clear
0		All other values	Reserved

### 3.4.3 SCM Compare Threshold Counter Register (SCMTHRESHOLD)

**Figure 3-7. SCM Compare Threshold Counter Register (SCMTHRESHOLD) (offset = 08h)**

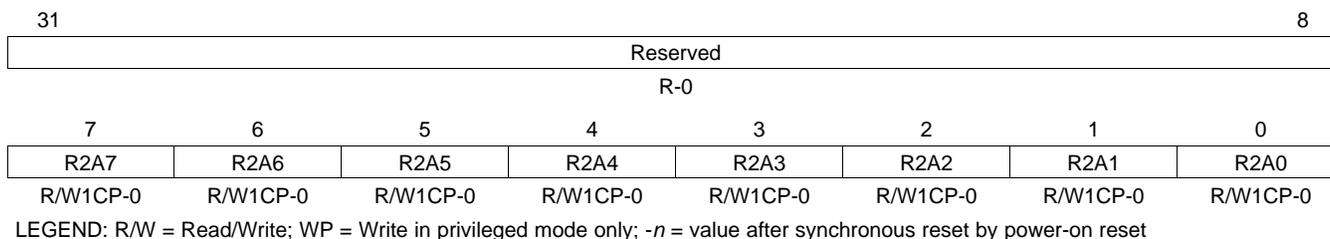


LEGEND: R/W = Read/Write; WP = Write in privileged mode only; -n = value after synchronous reset on system reset

**Table 3-4. SCM Compare Threshold Counter Register (SCMTHRESHOLD) Field Descriptions**

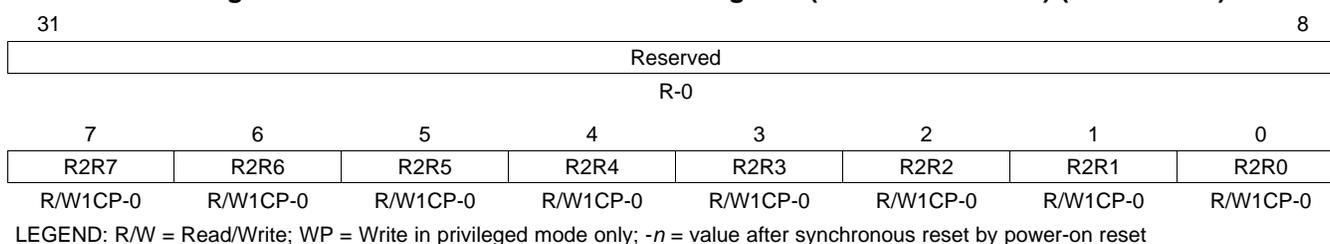
Bit	Field	Value	Description
31-16	REQ2RESPONSE_MAX	0-FFFFh	Request to Response Threshold values. You need to configure the maximum threshold values for request to response timeout. Reset values equals to the values of REQ2RESP_RST generic parameter. Read: Values of counter Write in Privilege: Values of counter
15-0	REQ2ACCEPT_MAX	0-FFFFh	Request to Accept Threshold values. You need to configure the maximum threshold values for request to accept timeout. Reset values equals to the values of REQ2ACCEPT_RST generic parameter. Read: Values of counter Write in Privilege: Values of counter

### 3.4.4 SCM Initiator Error0 Status Register (SCMIAERR0STAT)

**Figure 3-8. SCM Initiator Error0 Status Register (SCMIAERR0STAT) (offset = 10h)**

**Table 3-5. SCM Initiator Error0 Status Register (SCMIAERR0STAT) Field Descriptions**

Bit	Field	Value	Description
31-8	Reserved	0	Reserved. Read returns 0.
7-0	R2An		Request to Acceptance Timeout Error happens on IAn. Each bit n corresponds to request to accept time out error occurred for each IA. Refer to Interconnect chapter of the TRM for specific mapping of each R2An to a particular IP.
		<b>Read:</b>	
		0	No request to accept time out error happens on IAn.
		1	Request to accept time out error happens on IAn.
	<b>Write in Privilege:</b>		
	0	No effect.	
	1	Clear this flag bit.	

### 3.4.5 SCM Initiator Error1 Status Register (SCMIAERR1STAT)

**Figure 3-9. SCM Initiator Error1 Status Register (SCMIAERR1STAT) (offset = 14h)**

**Table 3-6. SCM Initiator Error1 Status Register (SCMIAERR1STAT) Field Descriptions**

Bit	Field	Value	Description
31-8	Reserved	0	Reserved. Read returns 0.
7-0	R2Rn		Request to Response Timeout Error happens on IAn. Each bit n corresponds to request to response time out error occurred for each IA.. Refer to Interconnect chapter of the TRM
		<b>Read:</b>	
		0	No request to response time out error happens on IAn.
		1	Request to response time out error happens on IAn.
	<b>Write in Privilege:</b>		
	0	No effect.	
	1	Clear this flag bit.	

### 3.4.6 SCM Initiator Active Status Register (SCMIASAT)

**Figure 3-10. SCM Initiator Active Status Register (SCMIASAT) (offset = 18h)**

Reserved							
R-0							
15	14	13	12	11	10	9	8
Reserved		IAST13	IAST12	IAST11	IAST10	IAST9	IAST8
R-0		R-0	R-0	R-0	R-0	R-0	R-0
7	6	5	4	3	2	1	0
IAST7	IAST6	IAST5	IAST4	IAST3	IAST2	IAST1	IAST0
R-0	R-0	R-0	R-0	R-0	R-0	R-0	R-0

LEGEND: R = Read only; -n = value after synchronous reset by system reset

**Table 3-7. SCM Initiator Active Status Register (SCMIASAT) Field Descriptions**

Bit	Field	Value	Description
31-14	Reserved	0	Reserved. Read returns 0.
13-0	IAST $n$	0	IA (Initiator Agent) Status. Each bit $n$ indicates that there is a pending transaction on the corresponding IAn. Refer to Interconnect chapter of the TRM for mapping of master port to the SCMIASAT register bit.
		1	No pending transaction in IAn.
			Pending transaction in IAn.

### 3.4.7 SCM Target Active Status Register (SCMTASTAT)

**Figure 3-11. SCM Target Active Status Register (SCMTASTAT) (offset = 20h)**

Reserved							
R-0							
15	14	13	12	11	10	9	8
Reserved		TAST13	TAST12	TAST11	TAST10	TAST9	TAST8
R-0		R-0	R-0	R-0	R-0	R-0	R-0
7	6	5	4	3	2	1	0
TAST7	TAST6	TAST5	TAST4	TAST3	TAST2	TAST1	TAST0
R-0	R-0	R-0	R-0	R-0	R-0	R-0	R-0

LEGEND: R = Read only; -n = value after synchronous reset by system reset

**Table 3-8. SCM Target Active Status Register (SCMTASTAT) Field Descriptions**

Bit	Field	Value	Description
31-14	Reserved	0	Reserved. Read returns 0.
13-0	TAST $n$	0	TA (Target Agent) Status. Each bit $n$ indicates that there is a pending transaction on the corresponding TAn. Refer to Interconnect chapter of the TRM for mapping of slave port to the SCMTASTAT register bit.
		1	No pending transaction in TAn.
			Pending transaction in TAn.

## ***Interconnect***

---

---

This chapter describes the two interconnects in the microcontroller.

<b>Topic</b>	<b>Page</b>
<b>4.1 Overview .....</b>	<b>251</b>
<b>4.2 Peripheral Interconnect Subsystem .....</b>	<b>251</b>
<b>4.3 CPU Interconnect Subsystem .....</b>	<b>253</b>
<b>4.4 SDC MMR Registers.....</b>	<b>257</b>

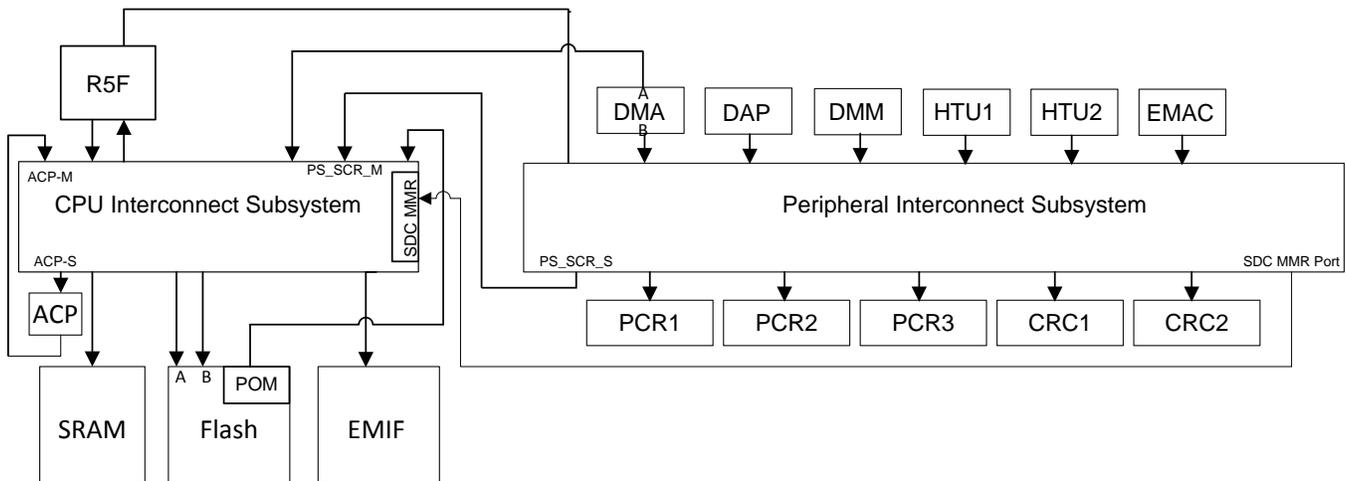
## 4.1 Overview

The interconnect is a bus matrix which interconnects the CPU cores, System DMA, other bus masters and device specific slaves within the microcontroller. There are two interconnects in the microcontroller: the CPU Interconnect Subsystem and the Peripheral Interconnect Subsystem. The interconnects direct the access requests by the masters by providing decoding, arbitration, and routing of the requests to the various slaves.

### 4.1.1 Block Diagram

Figure 4-1 is a block diagram of the Interconnects implemented in this family of microcontrollers.

Figure 4-1. Interconnect Block Diagram



## 4.2 Peripheral Interconnect Subsystem

There are masters and slaves connected to the Peripheral Interconnect Subsystem. Peripheral Interconnect Subsystem is not a full cross-bar. Not all masters can access to all slaves. Table 4-1 lists the implemented point to point connections between the masters and slaves.

Table 4-1. Bus Master / Slave Connectivity for Peripheral Interconnect Subsystem

Master ID to PCR <sub>x</sub>	Masters	Slaves on Peripheral Interconnect Subsystem						
		CRC1	CRC2	PCR1	PCR2	PCR3	PS_SCR_S	SDC MMR Port
0	CPU Read/Write	Yes	Yes	Yes	Yes	Yes	No	Yes
2	DMA Port B	Yes	Yes	Yes	Yes	Yes	No	No
3	HTU1	No	No	No	No	No	Yes	No
4	HTU2	No	No	No	No	No	Yes	No
7	DMM	Yes	Yes	Yes	Yes	Yes	Yes	No
9	DAP	Yes	Yes	Yes	Yes	Yes	Yes	No
10	EMAC	No	No	No	Yes	Yes	Yes	No

### 4.2.1 Accessing PCR<sub>x</sub> and CRC<sub>x</sub> Slave

System peripherals can be accessed via the PCR1 slave port. User peripherals can be accessed via either the PCR2 or PCR3 slave ports. Refer to the datasheet for information on what peripherals are available through each PCR. Peripheral Central Resource (PCR) is responsible to further decode the slave address to select the desired peripheral.

There are two CRC modules implemented in the device. Both are direct slaves to the Peripheral Interconnect Subsystem.

### 4.2.2 Accessing SDC MMR Port Slave

Safety Diagnostic Controller (SDC) MMR Port is a slave to the Peripheral Interconnect Subsystem to access the safety diagnostic related control and status registers of the CPU Interconnect Subsystem.

Table 4-2 lists the CPU Interconnect Subsystem SDC register bit field mapping.

**Table 4-2. CPU Interconnect Subsystem SDC Register Bit Field Mapping**

Register Name	Bit 0	Bit 1	Bit 2	Bit 3	Bit 4	Bit 5	Bit 6	Remark
ERR_GENERIC_PARITY	PS_SCR_M	POM	DMA_PORTA	CPU_AXI-M	Reserved	ACP-M	Reserved	Each bit indicates the transaction processing block inside the interconnect corresponding to the master that is detected by the interconnect checker to have a fault. Error related to parity mismatch in the incoming address
ERR_UNEXPECTED_TRANS	PS_SCR_M	POM	DMA_PORTA	CPU_AXI-M	Reserved	ACP-M	Reserved	Error related to unexpected transaction sent by the master
ERR_TRANS_ID	PS_SCR_M	POM	DMA_PORTA	CPU_AXI-M	Reserved	ACP-M	Reserved	Error related to mismatch on the transaction ID
ERR_TRANS_SIGNATURE	PS_SCR_M	POM	DMA_PORTA	CPU_AXI-M	Reserved	ACP-M	Reserved	Error related to mismatch on the transaction signature
ERR_TRANS_TYPE	PS_SCR_M	POM	DMA_PORTA	CPU_AXI-M	Reserved	ACP-M	Reserved	Error related to mismatch on the transaction type
ERR_USER_PARITY	PS_SCR_M	POM	DMA_PORTA	CPU_AXI-M	Reserved	ACP-M	Reserved	Error related to mismatch on the parity
SERR_UNEXPECTED_MID	L2 SRAM Wrapper	L2 Flash Wrapper Port A	L2 Flash Wrapper Port B	EMIF	Reserved	CPU AXI-S	ACP-S	Each bit indicates the transaction processing block inside the interconnect corresponding to the slave that is detected by the interconnect checker to have a fault. Error related to mismatch on the master ID
SERR_ADDR_DECODE	L2 SRAM Wrapper	L2 Flash Wrapper Port A	L2 Flash Wrapper Port B	EMIF	Reserved	CPU AXI-S	ACP-S	Error related to mismatch on the most significant address bits
SERR_USER_PARITY	L2 SRAM Wrapper	L2 Flash Wrapper Port A	L2 Flash Wrapper Port B	EMIF	Reserved	CPU AXI-S	ACP-S	Error related to mismatch on the parity of the most significant address bits

### 4.2.3 Accessing Other Slaves via PS\_SCR\_S

In order for some of the masters connected to the Peripheral Interconnect Subsystem to access the slaves such as L2 Flash and L2 SRAM in the CPU Interconnect Subsystem, their requests are first funneled into the PS\_SCR\_S slave where it then becomes a master on the CPU Interconnect Subsystem as PS\_SCR\_M. The request appearing on the PS\_SCR\_M is then decoded and routed to the intended slave by the CPU Interconnect Subsystem.

### 4.3 CPU Interconnect Subsystem

The masters and slaves are connected to the CPU Interconnect Subsystem. CPU Interconnect Subsystem is not a full cross-bar. Not all masters can access to all slaves. [Table 4-3](#) lists the implemented point to point connections between the masters and slaves. What is also unique to the CPU Interconnect Subsystem is that the interconnect and all the masters and slaves which connect to it constitute one safety island where all transactions to/from the masters and slaves are protected on the data path by ECC. Address and control signals on all transactions are protected by parity. In addition, the CPU Interconnect Subsystem contains a built-in hardware Safety Diagnostic Checker on each master and slave interface where it constantly monitors the integrity of traffics between the masters and slaves. The CPU Interconnect Subsystem also has a self-test capability which when enabled will inject test stimulus onto each master and slave interface and diagnose the interconnect itself.

**Table 4-3. Bus Master / Slave Connectivity for CPU Interconnect Subsystem**

Masters	Slaves on CPU Interconnect Subsystem					ACP-S
	L2 Flash Port A	L2 Flash Port B	L2 SRAM	CPU AXI-S	EMIF	
CPU Read	Yes	Yes	Yes	Yes	Yes	No
CPU Write	No	No	Yes	Yes	Yes	No
DMA Port A	No	Yes	Yes	No	Yes	Yes
POM	No	No	Yes	No	Yes	Yes
PS_SCR_M	No	Yes	Yes	No	Yes	Yes
ACP_M	No	No	Yes	No	No	No

#### 4.3.1 Slave Accessing

##### 4.3.1.1 Accessing L2 Flash Slave

There are two flash slave ports which allow possible parallel requests by the masters to different flash banks at the same time. There are two flash banks of 2Mbytes each implemented in the device. It is possible for CPU0 to access one flash bank via Flash PortA while DMA accesses to the other flash bank via Flash PortB.

##### 4.3.1.2 Accessing L2 SRAM Slave

In order for the DMA PortA, POM and PS\_SCR\_M to access the L2 SRAM, their requests are first funneled into ACP-S slave port. Accelerated Coherency Port (ACP) is a hardware which provides memory coherency checking between each CPU in the Cortex-R5 group and an external master. Accesses made by the DMA PortA, POM and PS\_SCR\_M are first checked by the ACP coherency hardware to see if the write data is already in the CPU's data cache. When a write from the DMA PortA, POM and PS\_SCR\_M appears on the ACP slave, the ACP records some information about it and forward the write transactions to the L2 SRAM on the ACP-M master port. When the memory system sends the write response on the ACP-M master port, the ACP records the response and recalls if the transaction was coherent. If the transaction is not coherent, the ACP forwards the response to the bus master on the ACP-S slave port. If the transaction is coherent, the ACP first sends coherency maintenance operations to the CPU's data cache controller for the addresses spanned by the write transaction, and wait until the cache controller has acknowledged that all necessary coherency maintenance operations have been carried out to forward the write response to the ACP-S slave port. CPUs have direct access to the L2 SRAM.

##### 4.3.1.3 Accessing EMIF Slave

All bus masters on the CPU Interconnect Subsystem have a point to point connection to the EMIF slave without going through ACP for coherency check. Coherency maintenance on the EMIF between the CPU and other masters will need to be handled by software.

#### 4.3.1.4 Access the Cache Memories

Both the instruction and data caches of the CPU are memory mapped in the device and can be accessed via the AXI-S slave port. Only the CPU core has point to point connection to the AXI-S slave port.

#### 4.3.2 ECC Generation and Evaluation

CPU core contains the built-in ECC generation and evaluation logic for its AXI interface. Therefore, CPU will generate the ECC checksum along with its write data. The write data and the corresponding ECC checksum are transported by the interconnect to the selected slave such as L2 SRAM. When CPU core performs a read from a slave, the slave returns the data and the corresponding ECC checksum. Upon receiving the data and the ECC checksum, the CPU will evaluate the integrity of the data by performing the ECC check. ECC errors detected on the CPU's AXI interface are exported by the CPU to its event bus output. The error signals if enabled and the corresponding error addresses are first routed to the Error Profiling Controller (EPC) module. EPC is used to record different single bit error addresses in a Content Addressable Memory (CAM). The main purpose of the EPC module is to enable the system to tolerate a certain amount of ECC correctable errors on the same address repeated in the memory system with minimal runtime overhead. If an ECC error is generated on a repeating address, the EPC will not raise an error to ESM module. This tolerance avoids the application to handle the same error when the code is in a repeating loop. See EPC chapter for more information.

DMA PortA and PS\_SCR\_M masters do not have built-in ECC generation and evaluation logic. Therefore, the CPU Interconnect Subsystem contain a standalone ECC generation and evaluation logic for each DMA PortA and PS\_SCR\_M master. Write transactions initiated by the DMA PortA and PS\_SCR\_M masters are first treated by the ECC block to generate the ECC checksum before transporting to the final destination. For read transactions, the data and ECC checksum returned by the slaves will pass through the ECC block for data integrity evaluation.

ECC errors detected are also routed to the Error Profiling Controller (EPC) module. In order for the standalone ECC block to assert the error signals to the EPC, the error enable key must be first set in the IP1ECCERREN register of the SYS2 module.

---

**NOTE:** To enable error signal assertion to the ESM for ECC errors detected for DMA, the application must write 0xA to the IP1\_ECC\_KEY bits. To enable error signal assertion to the ESM for ECC errors detected for PS\_SCR\_M, the application must write 0xA to the IP2\_ECC\_KEY bits.

---

#### 4.3.3 Safety Diagnostic Checker

For each master and slave interface in the CPU Interconnect Subsystem, there is a runtime Safety Diagnostic Checker. The hardware checker continuously watches transactions flowing through the interconnect and ensuring they are non corrupted at all time. If a mismatch is detected between an ongoing transaction and the expected transaction flow then an error is asserted to the ESM Group 1. Types of errors are recorded in the SDC MMR registers. See [Section 4.4](#) for all the registers. Once an error is detected and the error type is logged, the application will clear the runtime diagnostic errors by writing an 0xA key to the GLOBAL\_ERROR\_CLR bits of the SCMCNTRL register in the SCR Control Module (SCM). See the SCM Chapter for more information.

### 4.3.4 Interconnect Self-test

CPU Interconnect Subsystem can be put into self-test. When in self-test, the self-test logic will apply test stimulus to each master and slave interface. If an error is detected, the type of error for the corresponding interface is logged. An error is asserted to ESM Group 3 if the self-test does not complete successfully.

---

**NOTE:** Application must only launch CPU Interconnect Subsystem self-test when there are no bus transactions from any masters including the CPU cores. While in self-test, the interconnect can not service any requests. Bus master requests can be lost or corrupted. It is recommend that the self-test is only exercised as part of the device initialization before any master is setup by the CPU.

---

To launch the self-test, the applicable must follow the below sequence:

1. Write 0xA key to the DTC\_ERROR\_RESET bits of the SCMCNTRL register in the SCM module.
2. CPU executes WFI instruction to put itself in idle state. The start of self-test is gated by the idle state of the CPU.
3. When both step 1 and 2 are met, the self-test will start. While self-test is on-going, the CPU cores is forced into reset. Note that reset is only held to the CPU cores while the rest of the system is not.
4. When self-test is complete, the DTC\_ERROR\_RESET bits is automatically reverted back to 0x5 as the reset value.
5. After the self-test is complete, a reset is applied to the CPU Interconnect Subsystem for 16 HCLK cycles. During this time, the CPU is also held in reset.
6. After the interconnect and the CPU comes out of the reset, normal code execution can then start. CPU can check the self-test status by reading the NT\_OK bit and the PT\_OK bit of the SDC\_STATUS register. These two bits indicate if the negative test and positive self-test sequence have passed. In addition, if the self-test has failed, the error is asserted to the ESM module.

### 4.3.5 Interconnect Timeout

The CPU Interconnect Subsystem contains timeout counters to count the amount of time it is taking for a master request to be accepted by the slave and also to count the amount of time it takes from an accepted request to the slave response. There are two separate counters per master interface. When either the request-to-accept counter or the accept-to-response counter expires by the slave, a timeout error is asserted to the ESM. The counter threshold value beyond which the timeout error will be generated is programmable in the SCM module. When a timeout happens to an interface, the request-to-accept timeout error is captured in the SCM's SCMIAERR0STAT register and the accept-to-response timeout error is captured in the SCMIAERR1STAT. See [Table 4-4](#) for the mapping between each interface to each bit field. Application needs to write 0xA key to the TO\_CLEAR bits of the SCMCNTRL register to reset the timeout logic inside the CPU Interconnect Subsystem as part of the error handling in the ISR.

### 4.3.6 Interconnect Runtime Status

Both the CPU Interconnect Subsystem and the Peripheral Interconnect Subsystem will output its status on each master and slave interface to the SCM indicating if the interface is currently active. The status are captured in the SCMIASSTAT register for the master interfaces and SCMTASTAT for the slave interfaces. See [Table 4-4](#) for the mapping between each interface to each bit field.

**Table 4-4. SCM Register Bit Mapping**

Register	Bit 0	Bit 1	Bit 2	Bit 3	Bit 4	Bit 5	Bit 6	Bit 7	Remark
SCMIAERR0 STAT	PS_SCR _M	POM	DMA Port A	Reserved	Reserved	CPU AXI-M Read	CPU AXI-M Write	ACP-M	Each bit indicates the transaction processing block inside the interconnect corresponding to the master that is detected by the interconnect checker to have a fault.  A timeout error when the time the request is issued by the master until the time the request is accepted by the slave has expired
SCMIAERR1 STAT	PS_SCR _M	POM	DMA Port A	Reserved	Reserved	CPU AXI-M Read	CPU AXI-M Write	ACP-M	A timeout error when the time the request is accepted by the slave until the time the request is responded by the slave has expired
SCMIASSTAT	PS_SCR _M	POM	DMA Port A	Reserved	Reserved	CPU AXI-M Read	CPU AXI-M Write	ACP-M	Each bit indicates that there is still pending transactions for the corresponding master to be processed by the interconnect
	<b>Bit 8</b>	<b>Bit 9</b>	<b>Bit 10</b>	<b>Bit 11</b>	<b>Bit 12</b>	<b>Bit 13</b>			
	DMA PortB	HTUx	DAP/ DMM	Ethernet	CPU PP-AXI	Reserved			
SCMTASTAT	L2 RAM	L2 Flash Port B	L2 Flash Port A	EMIF	Reserved	CPU AXI-S	ACP-S	PS_SCR _S	Each bit indicates that there is still pending transactions for the corresponding slave to be processed by the interconnect
	<b>Bit 8</b>	<b>Bit 9</b>	<b>Bit 10</b>	<b>Bit 11</b>	<b>Bit 12</b>	<b>Bit 13</b>			
	PCR1	PCR2	PCR3	CRC1	CRC2	SDC MMR			

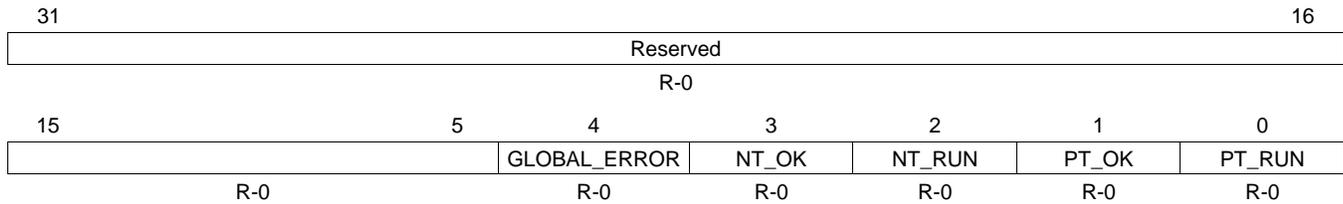
## 4.4 SDC MMR Registers

[Table 4-5](#) lists the Safety Diagnostic Checker registers. The registers support only 32-bit reads. The offset is relative to the base address. The base address for the registers is FA00 0000h.

**Table 4-5. SDC MMR Registers**

Offset	Acronym	Register Description	Section
0h	SDC_STATUS	SDC Status Register	<a href="#">Section 4.4.1</a>
4h	SDC_CONTROL	SDC Control Register	<a href="#">Section 4.4.2</a>
8h	ERR_GENERIC_PARITY	Error Generic Parity Register	<a href="#">Section 4.4.3</a>
Ch	ERR_UNEXPECTED_TRANS	Error Unexpected Transaction Register	<a href="#">Section 4.4.4</a>
10h	ERR_TRANS_ID	Error Transaction ID Register	<a href="#">Section 4.4.5</a>
14h	ERR_TRANS_SIGNATURE	Error Transaction Signature Register	<a href="#">Section 4.4.6</a>
18h	ERR_TRANS_TYPE	Error Transaction Type Register	<a href="#">Section 4.4.7</a>
1Ch	ERR_USER_PARITY	Error User Parity Register	<a href="#">Section 4.4.8</a>
20h	SERR_UNEXPECTED_MID	Slave Error Unexpected Master ID register	<a href="#">Section 4.4.9</a>
24h	SERR_ADDR_DECODE	Slave Error Address Decode Register	<a href="#">Section 4.4.10</a>
28h	SERR_USER_PARITY	Slave Error User Parity Register	<a href="#">Section 4.4.11</a>

#### 4.4.1 SDC Status Register (SDC\_STATUS)

**Figure 4-2. SDC Status Register (SDC\_STATUS) (offset = 00h)**


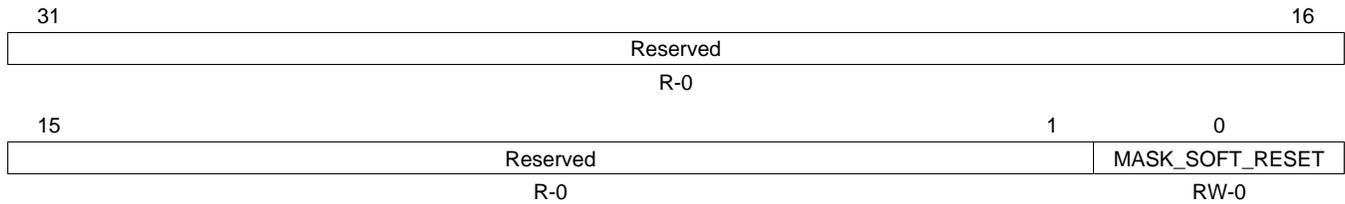
LEGEND: R = Read only; -n = value after reset

**Table 4-6. SDC Status Register (SDC\_STATUS) Field Descriptions**

Bit	Field	Value	Description
31-5	Reserved	0	Reads return 0 and writes have no effect.
4	GLOBAL_ERROR	0 1	This bit indicates that one safety diagnostic checker has asserted an error input which is captured in error log registers located at address offset from 0x08 to 0x28 0 No error detected by any checker. 1 Error detected by one checker. To find out the type of error from which checker, read the error log registers located at address offset from 0x08 to 0x28
3	NT_OK	0 1	Negative test OK status for self-test 0 Negative test has failed 1 Negative test has passed.
2	NT_RUN	0 1	Negative test on-going status 0 Negative test has ended 1 Negative test is on-going
1	PT_OK	0 1	Positive test OK status for self-test 0 Positive test has failed 1 Positive test has passed.
0	PT_RUN	0 1	Positive test on-going status 0 Positive test has ended 1 Positive test is on-going

#### 4.4.2 SDC Control Register (SDC\_CONTROL)

**Figure 4-3. SDC Control Register (SDC\_STATUS) (offset = 04h)**



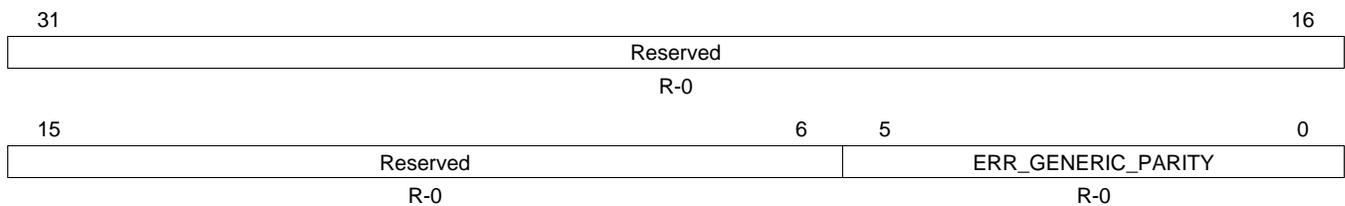
LEGEND: R = Read only; -n = value after reset

**Table 4-7. SDC Control Register (SDC\_CONTROL) Field Descriptions**

Bit	Field	Value	Description
31-1	Reserved	0	Reads return 0 and writes have no effect.
0	MASK_SOFT_RESET	0 1	This bit enables or disables the self-test sequence to be launched by the SCM (SCR Control Module) module. User should always keep this bit clear. Enable SCM to launch self-test on the interconnect Disable SCM to launch self-test on the interconnect

#### 4.4.3 Error Generic Parity Register (ERR\_GENERIC\_PARITY)

**Figure 4-4. Error Generic Parity Register (ERR\_GENERIC\_PARITY) (offset = 08h)**

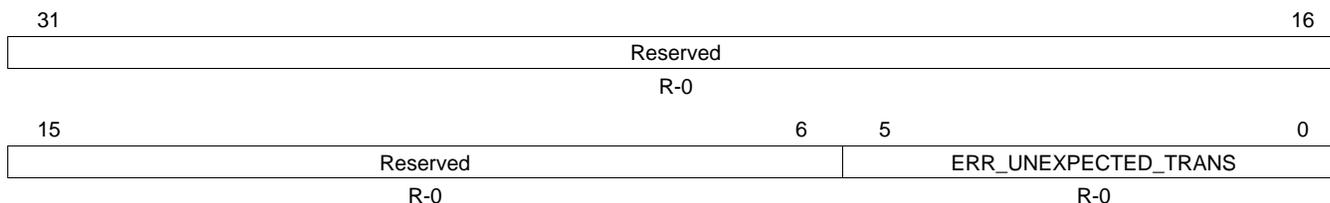


LEGEND: R = Read only; -n = value after reset

**Table 4-8. Error Generic Parity Register (ERR\_GENERIC\_PARITY) Field Descriptions**

Bit	Field	Value	Description
31-6	Reserved	0	Reads return 0 and writes have no effect.
5-0	ERR_GENERIC_PARITY		Error related to parity mismatch in the higher order bits of the incoming address getting transmitted across interconnect incorrectly. When set, each bit indicates the transaction processing block inside the interconnect corresponding to the master is detected by the interconnect checker to have a fault. bit 0: PS_SCR_M master bit 1: POM master bit 2: DMA PortA master bit 3: Reserved bit 4: Cortex-R5F CPU master. bit 5: ACP-M master

#### 4.4.4 Error Unexpected Transaction Register (ERR\_UNEXPECTED\_TRANS)

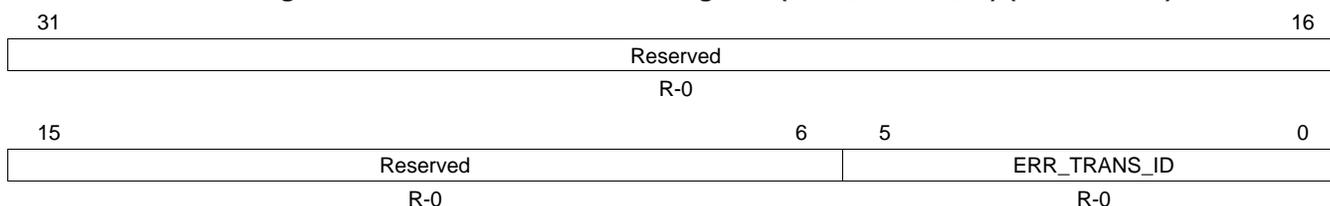
**Figure 4-5. Error Unexpected Transaction Register (ERR\_UNEXPECTED\_TRANS) (offset = 0Ch)**


LEGEND: R = Read only; -n = value after reset

**Table 4-9. Error Unexpected Transaction Register (ERR\_UNEXPECTED\_TRANS) Field Descriptions**

Bit	Field	Value	Description
31-6	Reserved	0	Reads return 0 and writes have no effect.
5-0	ERR_UNEXPECTED_TRANS		Error related to unexpected transaction sent by the master. When set, each bit indicates the transaction processing block inside the interconnect corresponding to the master is detected by the interconnect checker to have a fault. bit 0: PS_SCR_M master bit 1: POM master bit 2: DMA PortA master bit 3: Reserved bit 4: Cortex-R5F CPU master. bit 5: ACP-M master

#### 4.4.5 Error Transaction ID Register (ERR\_TRANS\_ID)

**Figure 4-6. Error Transaction ID Register (ERR\_TRANS\_ID) (offset = 10h)**


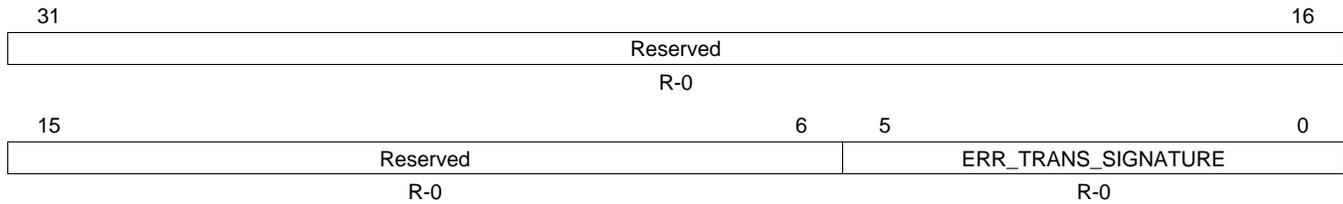
LEGEND: R = Read only; -n = value after reset

**Table 4-10. Error Transaction ID Register (ERR\_TRANS\_ID) Field Descriptions**

Bit	Field	Value	Description
31-6	Reserved	0	Reads return 0 and writes have no effect.
5-0	ERR_TRANS_ID		Error related to mismatch on the transaction ID. When set, each bit indicates the transaction processing block inside the interconnect corresponding to the master is detected by the interconnect checker to have a fault. bit 0: PS_SCR_M master bit 1: POM master bit 2: DMA PortA master bit 3: Reserved bit 4: Cortex-R5F CPU master. bit 5: ACP-M master

#### 4.4.6 Error Transaction Signature Register (ERR\_TRANS\_SIGNATURE)

**Figure 4-7. Error Transaction Signature Register (ERR\_TRANS\_SIGNATURE) (offset = 14h)**



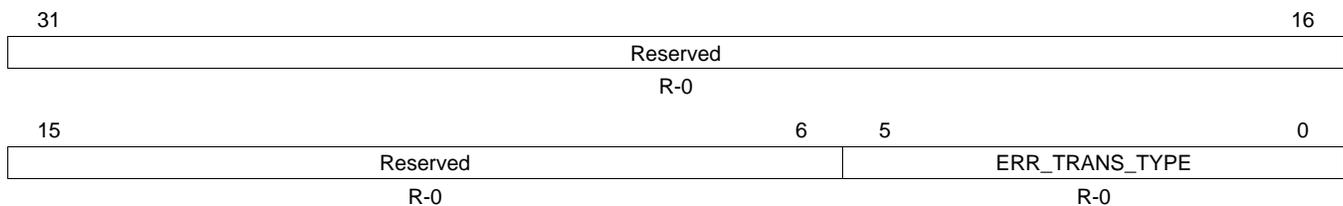
LEGEND: R = Read only; -n = value after reset

**Table 4-11. Error Transaction Signature Register (ERR\_TRANS\_SIGNATURE) Field Descriptions**

Bit	Field	Value	Description
31-6	Reserved	0	Reads return 0 and writes have no effect.
5-0	ERR_TRANS_SIGNATURE		Error related to mismatch on the transaction signature. The transaction signature is a value computed using the lower bits of the address, number of bytes and the byte enables of the transaction. The signature calculated by the master is sent to the decoded slave where the signature is computed again and compared to the original signature. When set, each bit indicates the transaction processing block inside the interconnect corresponding to the master is detected by the interconnect checker to have a fault. bit 0: PS_SCR_M master bit 1: POM master bit 2: DMA PortA master bit 3: Reserved bit 4: Cortex-R5F CPU master. bit 5: ACP-M master

#### 4.4.7 Error Transaction Type Register (ERR\_TRANS\_TYPE)

**Figure 4-8. Error Transaction Type Register (ERR\_TRANS\_TYPE) (offset = 18h)**



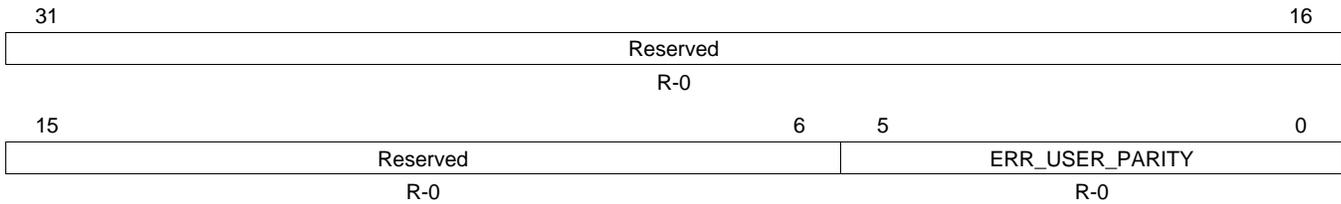
LEGEND: R = Read only; -n = value after reset

**Table 4-12. Error Transaction Type Register (ERR\_TRANS\_TYPE) Field Descriptions**

Bit	Field	Value	Description
31-6	Reserved	0	Reads return 0 and writes have no effect.
5-0	ERR_TRANS_TYPE		Error related to mismatch on the transaction type. When set, each bit indicates the transaction processing block inside the interconnect corresponding to the master is detected by the interconnect checker to have a fault. bit 0: PS_SCR_M master bit 1: POM master bit 2: DMA PortA master bit 3: Reserved bit 4: Cortex-R5F CPU master. bit 5: ACP-M master

#### 4.4.8 Error User Parity Register (ERR\_USER\_PARITY)

**Figure 4-9. Error User Parity Register (ERR\_USER\_PARITY) (offset = 1Ch)**



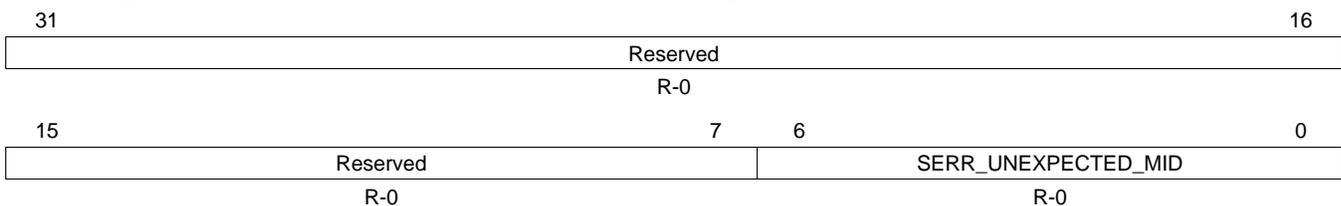
LEGEND: R = Read only; -n = value after reset

**Table 4-13. Error User Parity Register (ERR\_USER\_PARITY) Field Descriptions**

Bit	Field	Value	Description
31-6	Reserved	0	Reads return 0 and writes have no effect.
5-0	ERR_USER_PARITY		Error related to mismatch on the parity. When set, each bit indicates the transaction processing block inside the interconnect corresponding to the master is detected by the interconnect checker to have a fault. bit 0: PS_SCR_M master bit 1: POM master bit 2: DMA PortA master bit 3: Reserved bit 4: Cortex-R5F CPU master. bit 5: ACP-M master

#### 4.4.9 Slave Error Unexpected Master ID Register (SERR\_UNEXPECTED\_MID)

**Figure 4-10. Slave Error Unexpected Master ID Register (SERR\_UNEXPECTED\_MID) (offset = 20h)**



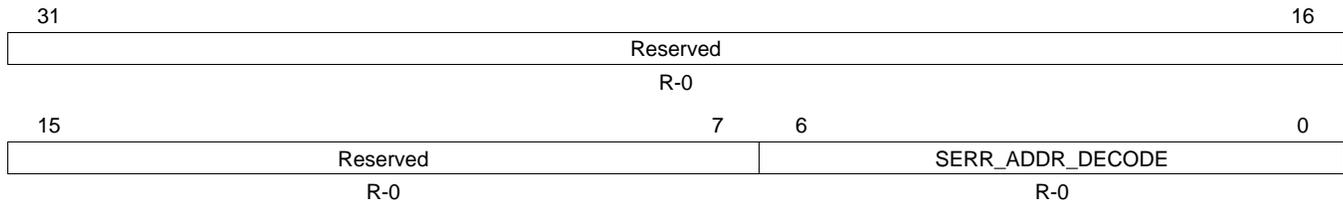
LEGEND: R = Read only; -n = value after reset

**Table 4-14. Slave Error Unexpected Master ID Register (SERR\_UNEXPECTED\_MID) Field Descriptions**

Bit	Field	Value	Description
31-7	Reserved	0	Reads return 0 and writes have no effect.
6-0	SERR_UNEXPECTED_MID		Error related to mismatch on the master ID. When set, each bit indicates the transaction processing block inside the interconnect corresponding to the slave that is detected by the interconnect checker to have a fault. bit 0: L2 SRAM slave bit 1: L2 Flash PortB slave bit 2: L2 Flash PortA slave bit 3: EMIF slave bit 4: Reserved bit 5: Cortex-R5F CPU AXI slave bit 6: ACP-S slave

#### 4.4.10 Slave Error Address Decode Register (SERR\_ADDR\_DECODE)

**Figure 4-11. Slave Error Address Decode Register (SERR\_ADDR\_DECODE) (offset = 24h)**



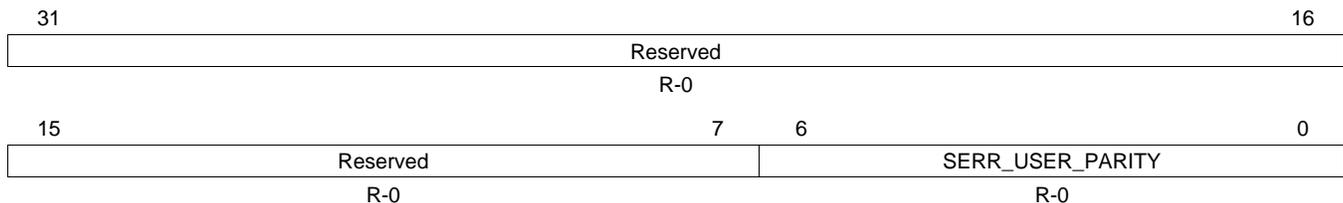
LEGEND: R = Read only; -n = value after reset

**Table 4-15. Slave Error Address Decode Register (SERR\_ADDR\_DECODED) Field Descriptions**

Bit	Field	Value	Description
31-7	Reserved	0	Reads return 0 and writes have no effect.
6-0	SERR_ADDR_DECODE		Error related to mismatch on the most significant address bits. When set, each bit indicates the transaction processing block inside the interconnect corresponding to the slave that is detected by the interconnect checker to have a fault. bit 0: L2 SRAM slave bit 1: L2 Flash PortB slave bit 2: L2 Flash PortA slave bit 3: EMIF slave bit 4: Reserved bit 5: Cortex-R5F CPU AXI slave bit 6: ACP-S slave

#### 4.4.11 Slave Error User Parity Register (SERR\_USER\_PARITY)

**Figure 4-12. Slave Error User Parity Register (SERR\_USER\_PARITY) (offset = 28h)**



LEGEND: R = Read only; -n = value after reset

**Table 4-16. Slave Error User Parity Register (SERR\_USER\_PARITYID) Field Descriptions**

Bit	Field	Value	Description
31-7	Reserved	0	Reads return 0 and writes have no effect.
6-0	SERR_USER_PARITY		Error related to mismatch on the parity on the response signals for the slave. When set, each bit indicates the transaction processing block inside the interconnect corresponding to the slave that is detected by the interconnect checker to have a fault. bit 0: L2 SRAM slave bit 1: L2 Flash PortB slave bit 2: L2 Flash PortA slave bit 3: EMIF slave bit 4: Reserved bit 5: Cortex-R5F CPU AXI slave bit 6: ACP-S slave

---

---

## ***Power Management Module (PMM)***

---

---

This chapter describes the power management module (PMM).

<b>Topic</b>	<b>Page</b>
<b>5.1 Overview .....</b>	<b>265</b>
<b>5.2 Power Domains .....</b>	<b>267</b>
<b>5.3 PMM Operation.....</b>	<b>268</b>
<b>5.4 PMM Registers .....</b>	<b>270</b>

## 5.1 Overview

The microcontroller is part of the family of microcontrollers from Texas Instruments for safety-critical applications. Several functions are implemented on this microcontroller targeted towards varied applications. The core logic is divided into several domains that can be independently turned on or off based on the application's requirements. Turning off a domain has the effect to only turn off the clocks into the domain. Dynamic current is virtually reduced to zero. Leakage will remain the same as in this device no physical power switches are implemented to isolate a domain from its core supply.

This chapter describes the Power Management Module (PMM). The PMM provides memory-mapped registers that control the states of the supported power domains. The PMM includes interfaces to the Power Mode Controller (PMC) and the Power State Controller (PSCON). The PMC and PSCON control the power up/down sequence of each power domain.

### 5.1.1 Features

The main features of the PMM implemented on the microcontroller are:

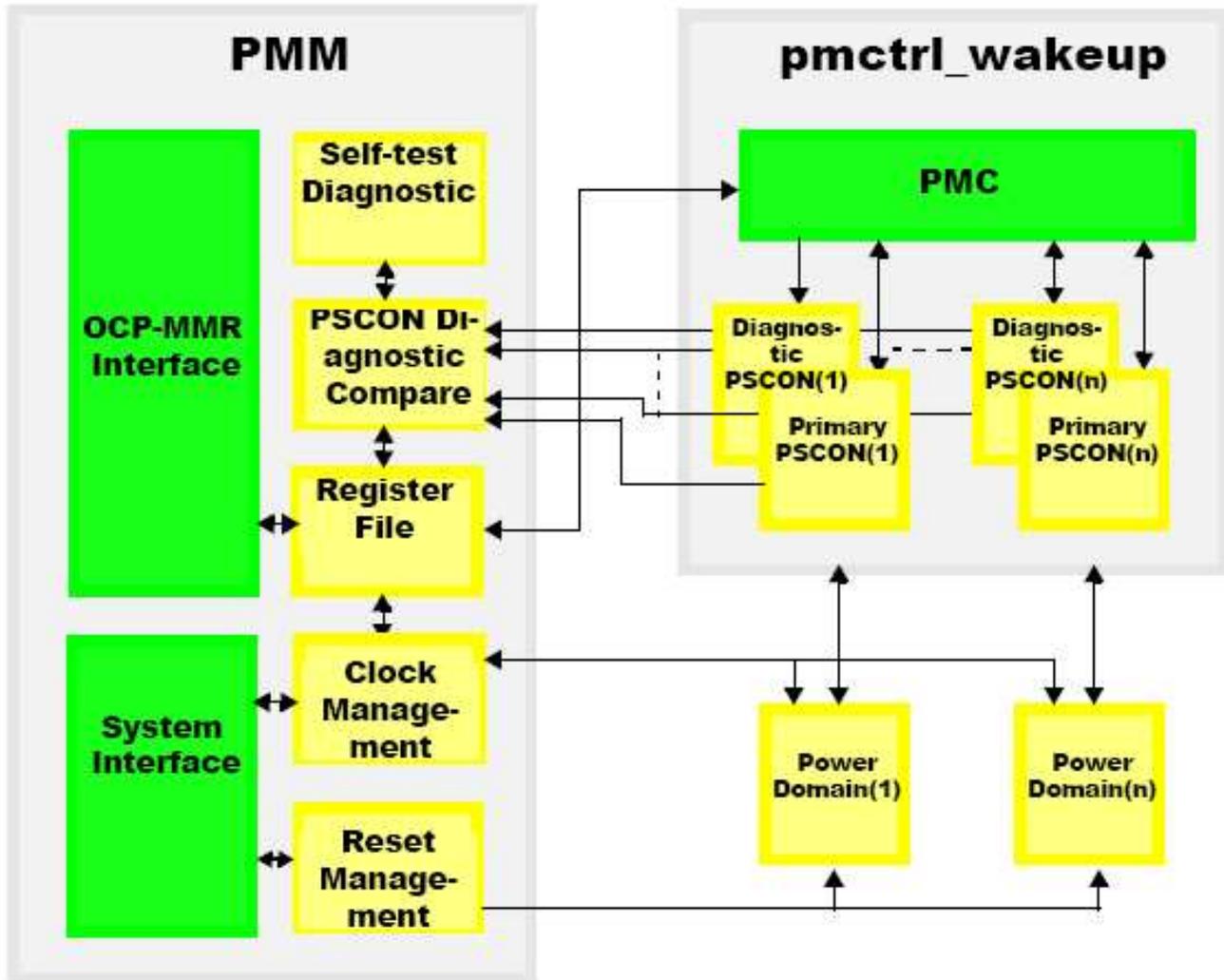
- Supports 5 logic power domains: PD1, PD2, PD3, PD5 and PD6
- Allows configurable default states for each power domain
- Allows each power domain to be permanently disabled
- Manages the clocks for each power domain
- Manages the resets to each power domain
- Includes failsafe compare logic to continuously monitor the states of each power domain
- Supports diagnostic and self-test logic to validate failsafe compare logic

### 5.1.2 Block Diagram

PMM consists of several key components:

- Register interface – the PMM control registers are mapped to the device memory space and start at address 0xFFFF0000.
- System Interface – the PMM receives the clocks, resets, errors and all other control signals through this interface.
- PSCON Diagnostic Compare – this block compares the outputs of each primary PSCON and the respective diagnostic PSCON implemented for failsafe safety.
- Self-Test Diagnostic – this block contains the logic to place the PSCON diagnostic compare block in a self-test mode in order to test the failsafe feature.
- Clock management – the PMM provides independent clock gating and handshaking controls for each power domain and also generates the clock domains for each power domain.
- Reset Management – the PMM provides independent reset signals for each power domain.
- Power Mode Controller (PMC) – The PMC is a finite state machine that controls the power sequence from one power mode to another. A power mode is the states of all power domains at a given time.
- Power State Controller (PSCON) – The PSCON is a finite state machine that controls the power sequence of a power domain from one state to another. Each power domain is controlled by one dedicated PSCON.
- Power Domain – In this device, a power domain is a group of logic and/or memories which shares the common control inputs.

Figure 5-1. PMM Block Diagram



## 5.2 Power Domains

Figure 5-2 shows the core domains implemented on the microcontroller.

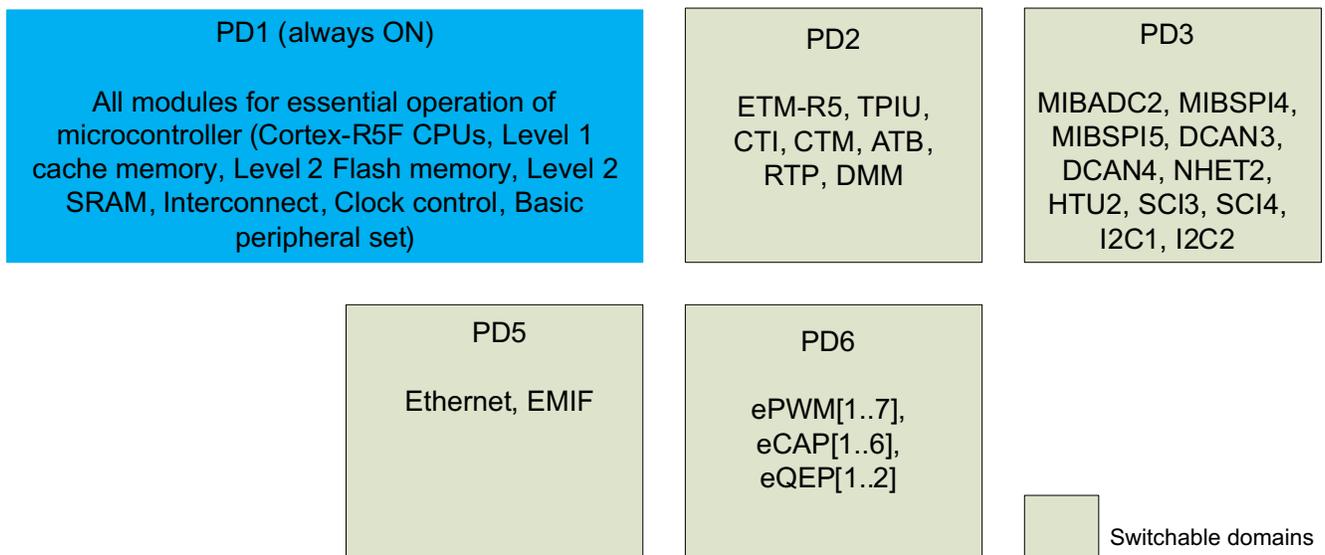
This device has 5 separate core power domains:

- PD1 is an always-ON domain and is not controlled by PMM. It contains the CPU as well as other principal modules and the interconnect required for operation of the microcontroller. This domain also includes the level 1 cache memory and the level 2 flash memory and SRAM. The PD1 can operate on its own even when all the other core power domains are turned off by the PMM. Note that all I/Os are in this always-ON domain as well.

Core power domains PD2 through PD6 are controlled by the PMM.

- PD2 contains logic related to debug, instrumentation and trace such as the Embedded Trace Macrocell (ETM-R5), RAM Trace Port (RTP), and Data Modification Module (DMM) components.
- PD3 contains some additional peripheral modules as an enhanced configuration over and above the peripheral set available in PD1. These include a second High-End Timer (N2HET2) with its dedicated transfer unit (HTU2), a second Analog-to-Digital Converter (ADC2), two Serial Communication Interfaces (SCI3 and SCI4), two Inter-Integrated Circuit controllers (I2C1 and I2C2), two Controller Area Network controller (DCAN3 and DCAN4), and two Multi-buffer Serial Peripheral Interface module (MibSPI4 and MibSPI5).
- PD5 contains the Ethernet controller (EMAC), the External Memory Interface (EMIF), as well as some components of the interconnect fabric required by these modules.
- PD6 contains seven Enhanced Pulse Width Modulation modules (ePWM), two Quadrature Encoder Pulse modules (nQEP), and six Enhanced Capture modules (eCAP).

**Figure 5-2. Core Power Domains**



## 5.3 PMM Operation

It is important to understand some fundamental concepts beforehand.

### 5.3.1 Power Domain State

Each core power domain can be in one of three states: Active, Idle, or Off.

In the **Active** state, a power domain is fully powered with normal supply voltage.

In the **Idle** state, all clocks to a power domain are turned off (driven low). The supply voltage is still maintained at the normal level.

In this device, the **Off** state is equivalent to the **Idle** state in terms of power saving. Users can still from a programmer's model perspective put a power domain into the Off state as if the power domain can be physically turned off.

---

**NOTE:** This device does not implement power switches to physically isolate the power domain from its power supply. Putting a power domain into the Off state has no effect to remove leakage power. Power domains in this device are group of modules surrounded by the isolation cells. Isolation cells are placed at the outputs of the power domains. When a power domain is put into Off state, the isolation cells are enabled and force inactive states on the output signals. PMM and the PSCONs do not know the physical implementation of the power domains. The logic to control the transition from one power state to another will behave the same as if the power domains can be physically turned off.

---

### 5.3.2 Default Power Domain State

The default state of each power domain, except for PD1, is controlled by TI during production testing via programming of individual bits within the reset configuration word in the TI-OTP sector of flash bank 0. This allows each power domain to default to either the active state or the off state.

### 5.3.3 Disabling a Power Domain Permanently

TI can also permanently disable any power domain, except for PD1. This is also controlled by programming of individual bits within the reset configuration word in the TI-OTP sector of flash bank 0.

### 5.3.4 Changing Power Domain State

A domain can only change state when commanded by the application. Each domain has an associated 4-bit key to define the intended power state. When the correct key is programmed, the PMM initiates the sequence to transition that domain to the commanded state.

#### 5.3.4.1 Turning a Power Domain Off

It is necessary to turn off all clocks going to a power domain before that domain can be powered down. PMM contains the hardware interlocks to handle this. Each power domain has an associated memory-mapped register which allows the application to turn off clocks to that power domain.

Steps to power down a domain with logic – PD2, PD3, PD5, PD6:

1. Write to the PDCLK\_DISx register to disable all clocks to the power domain.
2. Write 0xA to the LOGICPDPWRCTRL0 register to power down the domain.
3. Poll for LOGICPDPWRSTATx to become "00". The power domain is now powered down.

### 5.3.4.2 Turning a Power Domain On

A power domain can be turned on by writing the correct key to the LOGICPDON register. PMM will automatically restart the clocks to the power domain once the **Active** power state is restored if the “automatic clock enable upon wake up” option is selected. If this option is not selected, the application can turn on clocks to the power domain by clearing the PDCLK\_DIS register manually. The application must poll the DOMAINISON register to ensure that the power has been fully restored before enabling the clocks.

### 5.3.5 Reset Management

PMM handles the reset sequence for each power domain. When a power domain is turned on from an off state, the PMM will reset the power domain to ensure that all logic begins in its default reset state.

PMM generates nPORRST (power-on reset), nRST (system reset), nPRST (peripheral reset), and nTRST (test / debug logic reset) for each domain.

### 5.3.6 Diagnostic Power State Controller (PSCON)

Each power domain state is controlled by a primary PSCON. There is a second PSCON as well for each power domain. This is the diagnostic PSCON. All power management inputs to a power domain are controlled only by the primary PSCON. All power management outputs from the power domain are fed back to both the primary and the diagnostic PSCON.

The PMM commands both the PSCON identically so that they are always in a lock-step operating mode. A dedicated compare unit checks the outputs of the two PSCON modules on every cycle.

### 5.3.7 PSCON Compare Block

The diagnostic compare block can operate in one of four modes.

#### 5.3.7.1 Lock-Step Mode

This is the default mode of operation of the PSCON compare block. The PSCON diagnostic compare block compares the outputs from the two PSCONs on every cycle. Any mismatch in the PSCON outputs is indicated as a PSCON compare error. This error signal is mapped to the Error Signaling Module’s (ESM) Group1 channel 38. The application can define the response to this error.

#### 5.3.7.2 Self-Test Mode

A self-test mechanism is provided to check the PSCON compare logic for faults. The compare error signal output is disabled in self-test mode. The PSCON diagnostic compare block generates two types of patterns during self-test mode: compare match test followed by compare mismatch test. During the self-test, each test pattern is applied on both PSCON signal ports of the PSCON diagnostic compare block and then is clocked for one cycle. The duration of the self-test is 24 cycles. Any detected fault is indicated as a self-test error, mapped to ESM group1 channel 39. If no fault is detected, the self-test complete flag is set.

The application can poll for this flag to be set and then switch the mode of the PSCON compare block back to lock-step mode by writing to the mode key register.

---

**NOTE: PSCON operation when compare block is in self-test mode**

When the PSCON compare block is in its self-test mode, both PSCONs continue to function normally. However, there is no comparison done on the PSCON outputs.

---

#### Compare match test:

An identical vector is applied to both input ports at the same time, thereby expecting a compare match. If the compare unit produces a mismatch then the self-test error flag is set and the self-test error signal is generated. The compare match test is terminated if a compare mismatch is detected. The compare match test takes 4 cycles to complete when the test passes.

### Compare mismatch test:

A vector with all 1's is applied to the PSCON diagnostic compare block's primary input port and the same input is also applied to the secondary input port but with one bit flipped starting from bit position 0. The unequal vectors should cause the PSCON diagnostic compare block to generate a compare mismatch at bit position 0. In case a mismatch is not detected, a self-test error is indicated. This compare mismatch test algorithm is repeated until every single bit position is verified on both PSCON signal ports.

#### 5.3.7.3 Error-Forcing Mode

This mode is designed specifically to ensure that the error signal output from the PSCON compare block is not stuck inactive. In this mode, a test pattern is applied to the PSCON related inputs of the compare logic to force an error. The application can clear the flag for ESM group1 channel 38 once the error is flagged. If the ESM group1 channel 38 flag does not get set, this indicates that the PSCON compare error signal is stuck inactive and cannot be relied upon to detect a PSCON mismatch.

#### 5.3.7.4 Self-Test Error-Forcing Mode

In this mode, an error is forced so that the self-test error output from the PSCON compare block is activated. The application can clear the flag for ESM group1 channel 39 once the error is flagged. If the ESM group1 channel 39 flag does not get set, this indicates that the PSCON compare block self-test error signal is stuck inactive and there is no self-test mechanism available for the PSCON compare block.

#### 5.3.7.5 PMM Operation During CPU Halt Debug Mode

No compare errors are generated when the CPU is halted in debug mode, regardless of the mode of the diagnostic compare block. No status flags are updated in this mode. Normal operation of the compare block is resumed once the CPU exits the debug mode.

## 5.4 PMM Registers

[Table 5-1](#) lists the control registers in the PMM module. The registers support 8-, 16-, and 32-bit accesses. The address offset is specified from the base address of FFFF 0000h. Any access to an unimplemented location within the PMM register frame will generate a bus error that results in an Abort exception.

**Table 5-1. PMM Registers**

Offset	Acronym	Register Description	Section
00h	LOGICPDPWRCTRL0	Logic Power Domain Control Register 0	<a href="#">Section 5.4.1</a>
04	LOGICPDPWRCTRL1	Logic Power Domain Control Register 1	<a href="#">Section 5.4.2</a>
20h	PDCLKDIS	Power Domain Clock Disable Register	<a href="#">Section 5.4.3</a>
24h	PDCLKDISSET	Power Domain Clock Disable Set Register	<a href="#">Section 5.4.4</a>
28h	PDCLKDISCLR	Power Domain Clock Disable Clear Register	<a href="#">Section 5.4.5</a>
40h	LOGICPDPWRSTAT0	Logic Power Domain PD2 Power Status Register	<a href="#">Section 5.4.6</a>
44h	LOGICPDPWRSTAT1	Logic Power Domain PD3 Power Status Register	<a href="#">Section 5.4.7</a>
48h	LOGICPDPWRSTAT2	Logic Power Domain PD4 Power Status Register	<a href="#">Section 5.4.8</a>
4Ch	LOGICPDPWRSTAT3	Logic Power Domain PD5 Power Status Register	<a href="#">Section 5.4.9</a>
50h	LOGICPDPWRSTAT4	Logic Power Domain PD6 Power Status Register	<a href="#">Section 5.4.10</a>
A0h	GLOBALCTRL1	Global Control Register 1	<a href="#">Section 5.4.11</a>
A8h	GLOBALSTAT	Global Status Register	<a href="#">Section 5.4.12</a>
ACh	PRCKEYREG	PSCON Diagnostic Compare Key Register	<a href="#">Section 5.4.13</a>
B0h	LPDDCSTAT1	LogicPD PSCON Diagnostic Compare Status Register 1	<a href="#">Section 5.4.14</a>
B4h	LPDDCSTAT2	LogicPD PSCON Diagnostic Compare Status Register 2	<a href="#">Section 5.4.15</a>
C0h	ISODIAGSTAT	Isolation Diagnostic Status Register	<a href="#">Section 5.4.16</a>

### 5.4.1 Logic Power Domain Control Register (LOGICPDPWRCTRL0)

The default values of the control fields are determined by the device reset configuration word stored in the TI-OTP region of flash bank 0.

**Figure 5-3. Logic Power Domain Control Register (LOGICPDPWRCTRL0) (offset = 00h)**

31	28	27	24	23	20	19	16
Reserved		LOGICPDON0		Reserved		LOGICPDON1	
R-0		R/WP-n		R-0		R/WP-n	
15	12	11	8	7	4	3	0
Reserved		LOGICPDON2		Reserved		LOGICPDON3	
R-0		R/WP-n		R-0		R/WP-n	

LEGEND: R/W = Read/Write; R = Read only; WP = Write in privileged mode only; -n = value after reset

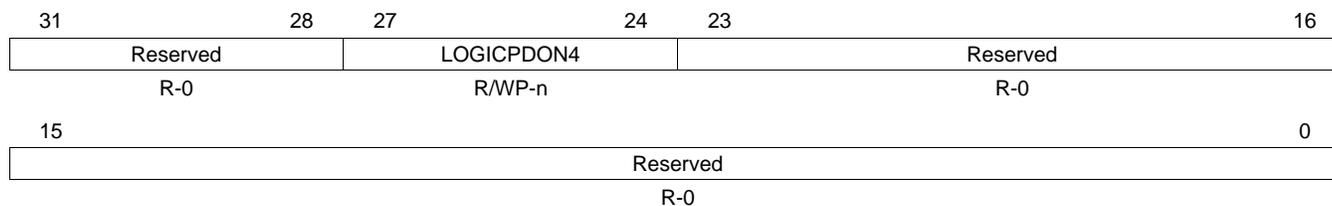
**Table 5-2. Logic Power Domain Control Register (LOGICPDPWRCTRL0) Field Descriptions**

Bit	Field	Value	Description
31-28	Reserved	0	Read returns 0. Writes have no effect.
27-24	LOGICPDON0	Ah	Read in User and Privileged Mode. Write in Privileged Mode only. Read: Power domain PD2 is in OFF state. Write: Power domain PD2 is commanded to switch to OFF state.
		9h	Reserved
		Any other value	Read: Power domain PD2 is in Active state. Write: Power domain PD2 is commanded to switch to Active state.
23-20	Reserved	0	Read returns 0. Writes have no effect.
19-16	LOGICPDON1	Ah	Read in User and Privileged Mode. Write in Privileged Mode only. Read: Power domain PD3 is in OFF state. Write: Power domain PD3 is commanded to switch to OFF state.
		9h	Reserved
		Any other value	Read: Power domain PD3 is in Active state. Write: Power domain PD3 is commanded to switch to Active state.
15-12	Reserved	0	Read returns 0. Writes have no effect.
11-8	LOGICPDON2	Ah	Read in User and Privileged Mode. Write in Privileged Mode only. Read: Power domain PD4 is in OFF state. Write: Power domain PD4 is commanded to switch to OFF state.
		9h	Reserved
		Any other value	Read: Power domain PD4 is in Active state. Write: Power domain PD4 is commanded to switch to Active state.
7-4	Reserved	0	Read returns 0. Writes have no effect.
3-0	LOGICPDON3	Ah	Read in User and Privileged Mode. Write in Privileged Mode only. Read: Power domain PD5 is in OFF state. Write: Power domain PD5 is commanded to switch to OFF state.
		9h	Reserved
		Any other value	Read: Power domain PD5 is in Active state. Write: Power domain PD5 is commanded to switch to Active state.

### 5.4.2 Logic Power Domain Control Register (LOGICPDPWRCTRL1)

The default values of the control fields are determined by the device reset configuration word stored in the TI-OTP region of flash bank 0.

**Figure 5-4. Logic Power Domain Control Register (LOGICPDPWRCTRL1) (offset = 04h)**



LEGEND: R/W = Read/Write; R = Read only; WP = Write in privileged mode only; -n = value after reset

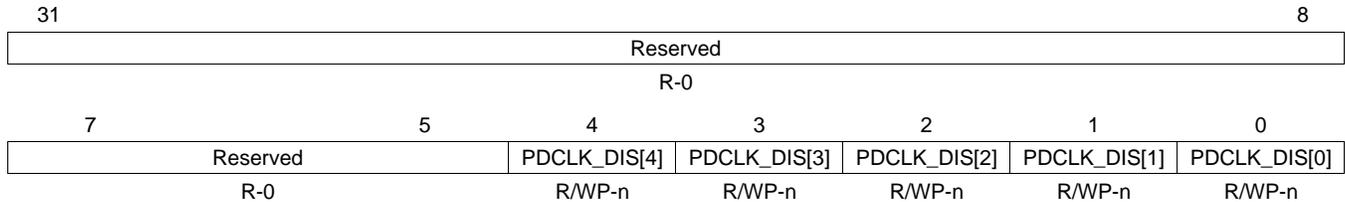
**Table 5-3. Logic Power Domain Control Register (LOGICPDPWRCTRL1) Field Descriptions**

Bit	Field	Value	Description
31-28	Reserved	0	Read returns 0. Writes have no effect.
27-24	LOGICPDON4	Ah	Read in User and Privileged Mode. Write in Privileged Mode only. Read: Power domain PD6 is in OFF state. Write: Power domain PD6 is commanded to switch to OFF state.
		9h	Reserved
		Any other value	Read: Power domain PD6 is in Active state. Write: Power domain PD6 is commanded to switch to Active state.
23-0	Reserved	0	Read returns 0. Writes have no effect.

### 5.4.3 Power Domain Clock Disable Register (PDCLKDISREG)

The default values of the control fields are determined by the device reset configuration word stored in the TI-OTP region of flash bank 0.

**Figure 5-5. Power Domain Clock Disable Register (PDCLKDISREG) (offset = 20h)**



LEGEND: R/W = Read/Write; R = Read only; WP = Write in privileged mode only; -n = value after reset

**Table 5-4. Power Domain Clock Disable Register (PDCLKDISREG) Field Descriptions**

Bit	Field	Value	Description
31-5	Reserved	0	Read returns 0. Writes have no effect.
4	PDCLK_DIS[4]	0	Read in User and Privileged Mode returns the current value of PDCLK_DIS[4]. Write in Privileged Mode only.
		0	Enable clocks to logic power domain PD6
		1	Disable clocks to logic power domain PD6
3	PDCLK_DIS[3]	0	Read in User and Privileged Mode returns the current value of PDCLK_DIS[3]. Write in Privileged Mode only.
		0	Enable clocks to logic power domain PD5
		1	Disable clocks to logic power domain PD5
2	PDCLK_DIS[2]	0	Read in User and Privileged Mode returns the current value of PDCLK_DIS[2]. Write in Privileged Mode only.
		0	Enable clocks to logic power domain PD4
		1	Disable clocks to logic power domain PD4
1	PDCLK_DIS[1]	0	Read in User and Privileged Mode returns the current value of PDCLK_DIS[1]. Write in Privileged Mode only.
		0	Enable clocks to logic power domain PD3
		1	Disable clocks to logic power domain PD3
0	PDCLK_DIS[0]	0	Read in User and Privileged Mode returns the current value of PDCLK_DIS[0]. Write in Privileged Mode only.
		0	Enable clocks to logic power domain PD2
		1	Disable clocks to logic power domain PD2

#### 5.4.4 Power Domain Clock Disable Set Register (PDCLKDISSETREG)

The default values of the control fields are determined by the device reset configuration word stored in the TI-OTP region of flash bank 0.

**Figure 5-6. Power Domain Clock Disable Set Register (PDCLKDISSETREG) (offset = 24h)**

31	Reserved						8
R-0							
7	5	4	3	2	1	0	
Reserved	PDCLK_DISSET[4]	PDCLK_DISSET[3]	PDCLK_DISSET[2]	PDCLK_DISSET[1]	PDCLK_DISSET[0]		
R-0	R/WP-n	R/WP-n	R/WP-n	R/WP-n	R/WP-n	R/WP-n	

LEGEND: R/W = Read/Write; R = Read only; WP = Write in privileged mode only; -n = value after reset

**Table 5-5. Power Domain Clock Disable Set Register (PDCLKDISSETREG) Field Descriptions**

Bit	Field	Value	Description
31-5	Reserved	0	Read returns 0. Writes have no effect.
4	PDCLK_DISSET[4]	0	Read in User and Privileged Mode returns the current value of PDCLK_DISSET[4]. Write in Privileged Mode only. No effect to state of clocks to power domain PD6
		1	Disable clocks to logic power domain PD6
3	PDCLK_DISSET[3]	0	Read in User and Privileged Mode returns the current value of PDCLK_DISSET[3]. Write in Privileged Mode only. No effect to state of clocks to power domain PD5
		1	Disable clocks to logic power domain PD5
2	PDCLK_DISSET[2]	0	Read in User and Privileged Mode returns the current value of PDCLK_DISSET[2]. Write in Privileged Mode only. No effect to state of clocks to power domain PD4
		1	Disable clocks to logic power domain PD4
1	PDCLK_DISSET[1]	0	Read in User and Privileged Mode returns the current value of PDCLK_DISSET[1]. Write in Privileged Mode only. No effect to state of clocks to power domain PD3
		1	Disable clocks to logic power domain PD3
0	PDCLK_DISSET[0]	0	Read in User and Privileged Mode returns the current value of PDCLK_DISSET[0]. Write in Privileged Mode only. No effect to state of clocks to power domain PD2
		1	Disable clocks to logic power domain PD2

### 5.4.5 Power Domain Clock Disable Clear Register (PDCLKDISCLRREG)

The default values of the control fields are determined by the device reset configuration word stored in the TI-OTP region of flash bank 0.

**Figure 5-7. Power Domain Clock Disable Clear Register (PDCLKDISCLRREG) (offset = 28h)**

31	Reserved						8
R-0							
7	5	4	3	2	1	0	
Reserved	PDCLK_DISCLR[4]	PDCLK_DISCLR[3]	PDCLK_DISCLR[2]	PDCLK_DISCLR[1]	PDCLK_DISCLR[0]		
R-0	R/WP-n	R/WP-n	R/WP-n	R/WP-n	R/WP-n	R/WP-n	

LEGEND: R/W = Read/Write; R = Read only; WP = Write in privileged mode only; -n = value after reset

**Table 5-6. Power Domain Clock Disable Clear Register (PDCLKDISCLRREG) Field Descriptions**

Bit	Field	Value	Description
31-5	Reserved	0	Read returns 0. Writes have no effect.
4	PDCLK_DISCLR[4]	0	Read in User and Privileged Mode returns the current value of PDCLK_DIS[4]. Write in Privileged Mode only. No effect to state of clocks to power domain PD6
		1	Enable clocks to logic power domain PD6
3	PDCLK_DISCLR[3]	0	Read in User and Privileged Mode returns the current value of PDCLK_DIS[3]. Write in Privileged Mode only. No effect to state of clocks to power domain PD5
		1	Enable clocks to logic power domain PD5
2	PDCLK_DISCLR[2]	0	Read in User and Privileged Mode returns the current value of PDCLK_DIS[2]. Write in Privileged Mode only. No effect to state of clocks to power domain PD4
		1	Enable clocks to logic power domain PD4
1	PDCLK_DISCLR[1]	0	Read in User and Privileged Mode returns the current value of PDCLK_DIS[1]. Write in Privileged Mode only. No effect to state of clocks to power domain PD3
		1	Enable clocks to logic power domain PD3
0	PDCLK_DISCLR[0]	0	Read in User and Privileged Mode returns the current value of PDCLK_DIS[0]. Write in Privileged Mode only. No effect to state of clocks to power domain PD2
		1	Enable clocks to logic power domain PD2

### 5.4.6 Logic Power Domain PD2 Power Status Register (LOGICPDPWRSTAT0)

This is a read-only register. All writes are ignored.

The default values of the control fields are determined by the device reset configuration word stored in the TI-OTP region of flash bank 0.

**Figure 5-8. Logic Power Domain PD2 Power Status Register (LOGICPDPWRSTAT0) (offset = 40h)**

31	25	24	23	17	16
Reserved		LOGIC IN TRANS0	Reserved		MEM IN TRANS0
R-0		R-n	R-0		R-n
15	9	8	7	2	1 0
Reserved		DOMAIN ON0	Reserved		LOGICPDPWR STAT0
R-0		R-n	R-0		R-n

LEGEND: R/W = Read/Write; R = Read only; -n = value after reset

**Table 5-7. Logic Power Domain PD2 Power Status Register (LOGICPDPWRSTAT0) Field Descriptions**

Bit	Field	Value	Description
31-25	Reserved	0	Read returns 0. Writes have no effect.
24	LOGIC IN TRANS0	0 1	Logic in transition status for power domain PD2. Read in User and Privileged Mode. 0 Logic in power domain PD2 is in the steady Active or OFF state 1 Logic in power domain PD2 is in the process of power-down/up
13-17	Reserved	0	Read returns 0. Writes have no effect.
16	MEM IN TRANS0	0 1	Memory in transition status for power domain PD2. Read in User and Privileged Mode. 0 Memory in power domain PD2 is in the steady Active or OFF state 1 Memory in power domain PD2 is in the process of power-down/up
15-9	Reserved	0	Read returns 0. Writes have no effect.
8	DOMAIN ON0	0 1	Current state of power domain PD2. The default value of this field is controlled by the device reset configuration word in the TI-OTP region of flash bank 0. Read in User and Privileged Mode. 0 Power domain PD2 is in the OFF state 1 Power domain PD2 is in the Active state
7-2	Reserved	0	Read returns 0. Writes have no effect.
1-0	LOGICPDPWR STAT0	0 1h 2h 3h	Logic power domain PD2 power state. The default value of this field is controlled by the device reset configuration word in the TI-OTP region of flash bank 0. Read in User and Privileged Mode. 0 Logic power domain PD2 is switched OFF 1h Logic power domain PD2 is in Idle state 2h Reserved 3h Logic power domain PD2 is in Active state

### 5.4.7 Logic Power Domain PD3 Power Status Register (LOGICPDPWRSTAT1)

This is a read-only register. All writes are ignored.

The default values of the control fields are determined by the device reset configuration word stored in the TI-OTP region of flash bank 0.

**Figure 5-9. Logic Power Domain PD3 Power Status Register (LOGICPDPWRSTAT1) (offset = 44h)**

31	25	24	23	17	16
Reserved		LOGIC IN TRANS1	Reserved		MEM IN TRANS1
R-0		R-n	R-0		R-n
15	9	8	7	2	1 0
Reserved		DOMAIN ON1	Reserved		LOGICPDPWR STAT1
R-0		R-n	R-0		R-n

LEGEND: R/W = Read/Write; R = Read only; -n = value after reset

**Table 5-8. Logic Power Domain PD3 Power Status Register (LOGICPDPWRSTAT1) Field Descriptions**

Bit	Field	Value	Description
31-25	Reserved	0	Read returns 0. Writes have no effect.
24	LOGIC IN TRANS1	0	Logic in transition status for power domain PD3. Read in User and Privileged Mode. 0 Logic in power domain PD3 is in the steady Active or OFF state 1 Logic in power domain PD3 is in the process of power-down/up
13-17	Reserved	0	Read returns 0. Writes have no effect.
16	MEM IN TRANS1	0	Memory in transition status for power domain PD3. Read in User and Privileged Mode. 0 Memory in power domain PD3 is in the steady Active or OFF state 1 Memory in power domain PD3 is in the process of power-down/up
15-9	Reserved	0	Read returns 0. Writes have no effect.
8	DOMAIN ON1	0	Current state of power domain PD3. The default value of this field is controlled by the device reset configuration word in the TI-OTP region of flash bank 0. Read in User and Privileged Mode. 0 Power domain PD3 is in the OFF state 1 Power domain PD3 is in the Active state
7-2	Reserved	0	Read returns 0. Writes have no effect.
1-0	LOGICPDPWR STAT1	0	Logic power domain PD3 power state. The default value of this field is controlled by the device reset configuration word in the TI-OTP region of flash bank 0. Read in User and Privileged Mode. 0 Logic power domain PD3 is switched OFF 1h Logic power domain PD3 is in Idle state 2h Reserved 3h Logic power domain PD3 is in Active state

### 5.4.8 Logic Power Domain PD4 Power Status Register (LOGICPDPWRSTAT2)

This is a read-only register. All writes are ignored.

The default values of the control fields are determined by the device reset configuration word stored in the TI-OTP region of flash bank 0.

**Figure 5-10. Logic Power Domain PD4 Power Status Register (LOGICPDPWRSTAT2) (offset = 48h)**

31	25	24	23	17	16
Reserved		LOGIC IN TRANS2	Reserved		MEM IN TRANS2
R-0		R-n	R-0		R-n
15	9	8	7	2	1 0
Reserved		DOMAIN ON2	Reserved		LOGICPDPWR STAT2
R-0		R-n	R-0		R-n

LEGEND: R/W = Read/Write; R = Read only; -n = value after reset

**Table 5-9. Logic Power Domain PD4 Power Status Register (LOGICPDPWRSTAT2) Field Descriptions**

Bit	Field	Value	Description
31-25	Reserved	0	Read returns 0. Writes have no effect.
24	LOGIC IN TRANS2	0	Logic in transition status for power domain PD4. Read in User and Privileged Mode. 0 Logic in power domain PD4 is in the steady Active or OFF state 1 Logic in power domain PD4 is in the process of power-down/up
13-17	Reserved	0	Read returns 0. Writes have no effect.
16	MEM IN TRANS2	0	Memory in transition status for power domain PD4. Read in User and Privileged Mode. 0 Memory in power domain PD4 is in the steady Active or OFF state 1 Memory in power domain PD4 is in the process of power-down/up
15-9	Reserved	0	Read returns 0. Writes have no effect.
8	DOMAIN ON2	0	Current state of power domain PD4. The default value of this field is controlled by the device reset configuration word in the TI-OTP region of flash bank 0. Read in User and Privileged Mode. 0 Power domain PD4 is in the OFF state 1 Power domain PD4 is in the Active state
7-2	Reserved	0	Read returns 0. Writes have no effect.
1-0	LOGICPDPWR STAT2	0	Logic power domain PD4 power state. The default value of this field is controlled by the device reset configuration word in the TI-OTP region of flash bank 0. Read in User and Privileged Mode. 0 Logic power domain PD4 is switched OFF 1h Logic power domain PD4 is in Idle state 2h Reserved 3h Logic power domain PD4 is in Active state

### 5.4.9 Logic Power Domain PD5 Power Status Register (LOGICPDPWRSTAT3)

This is a read-only register. All writes are ignored.

The default values of the control fields are determined by the device reset configuration word stored in the TI-OTP region of flash bank 0.

**Figure 5-11. Logic Power Domain PD5 Power Status Register (LOGICPDPWRSTAT3) (offset = 4Ch)**

31	25	24	23	17	16
Reserved		LOGIC IN TRANS3	Reserved		MEM IN TRANS3
R-0		R-n	R-0		R-n
15	9	8	7	2	1 0
Reserved		DOMAIN ON3	Reserved		LOGICPDPWR STAT3
R-0		R-n	R-0		R-n

LEGEND: R/W = Read/Write; R = Read only; -n = value after reset

**Table 5-10. Logic Power Domain PD5 Power Status Register (LOGICPDPWRSTAT3) Field Descriptions**

Bit	Field	Value	Description
31-25	Reserved	0	Read returns 0. Writes have no effect.
24	LOGIC IN TRANS3	0 1	Logic in transition status for power domain PD5. Read in User and Privileged Mode. 0 Logic in power domain PD5 is in the steady Active or OFF state 1 Logic in power domain PD5 is in the process of power-down/up
13-17	Reserved	0	Read returns 0. Writes have no effect.
16	MEM IN TRANS3	0 1	Memory in transition status for power domain PD5. Read in User and Privileged Mode. 0 Memory in power domain PD5 is in the steady Active or OFF state 1 Memory in power domain PD5 is in the process of power-down/up
15-9	Reserved	0	Read returns 0. Writes have no effect.
8	DOMAIN ON3	0 1	Current state of power domain PD5. The default value of this field is controlled by the device reset configuration word in the TI-OTP region of flash bank 0. Read in User and Privileged Mode. 0 Power domain PD5 is in the OFF state 1 Power domain PD5 is in the Active state
7-2	Reserved	0	Read returns 0. Writes have no effect.
1-0	LOGICPDPWR STAT3	0 1h 2h 3h	Logic power domain PD5 power state. The default value of this field is controlled by the device reset configuration word in the TI-OTP region of flash bank 0. Read in User and Privileged Mode. 0 Logic power domain PD5 is switched OFF 1h Logic power domain PD5 is in Idle state 2h Reserved 3h Logic power domain PD5 is in Active state

### 5.4.10 Logic Power Domain PD6 Power Status Register (LOGICPDPWRSTAT4)

This is a read-only register. All writes are ignored.

The default values of the control fields are determined by the device reset configuration word stored in the TI-OTP region of flash bank 0.

**Figure 5-12. Logic Power Domain PD6 Power Status Register (LOGICPDPWRSTAT4) (offset = 50h)**

31	25	24	23	17	16
Reserved		LOGIC IN TRANS4	Reserved		MEM IN TRANS4
R-0		R-n	R-0		R-n
15	9	8	7	2	1 0
Reserved		DOMAIN ON4	Reserved		LOGICPDPWR STAT4
R-0		R-n	R-0		R-n

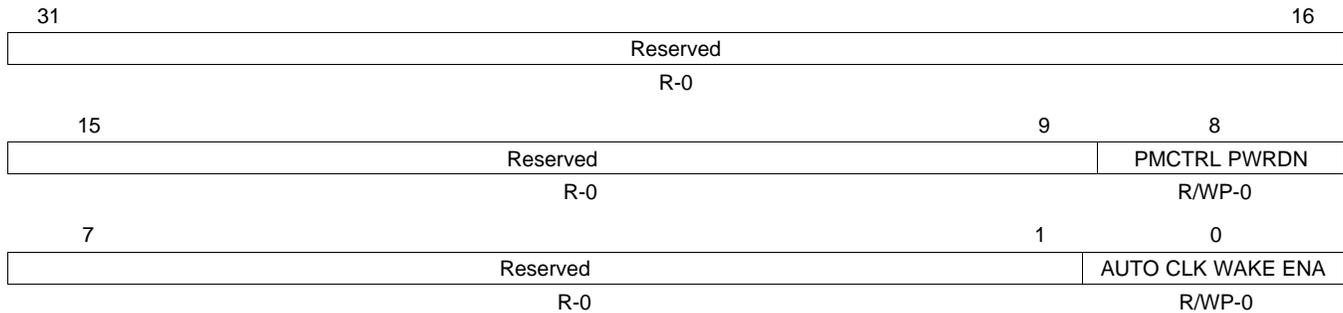
LEGEND: R/W = Read/Write; R = Read only; -n = value after reset

**Table 5-11. Logic Power Domain PD6 Power Status Register (LOGICPDPWRSTAT4) Field Descriptions**

Bit	Field	Value	Description
31-25	Reserved	0	Read returns 0. Writes have no effect.
24	LOGIC IN TRANS4	0	Logic in transition status for power domain PD6. Read in User and Privileged Mode. 0 Logic in power domain PD6 is in the steady Active or OFF state 1 Logic in power domain PD6 is in the process of power-down/up
13-17	Reserved	0	Read returns 0. Writes have no effect.
16	MEM IN TRANS4	0	Memory in transition status for power domain PD6. Read in User and Privileged Mode. 0 Memory in power domain PD6 is in the steady Active or OFF state 1 Memory in power domain PD6 is in the process of power-down/up
15-9	Reserved	0	Read returns 0. Writes have no effect.
8	DOMAIN ON4	0	Current state of power domain PD6. The default value of this field is controlled by the device reset configuration word in the TI-OTP region of flash bank 0. Read in User and Privileged Mode. 0 Power domain PD6 is in the OFF state 1 Power domain PD6 is in the Active state
7-2	Reserved	0	Read returns 0. Writes have no effect.
1-0	LOGICPDPWR STAT4	0	Logic power domain PD6 power state. The default value of this field is controlled by the device reset configuration word in the TI-OTP region of flash bank 0. Read in User and Privileged Mode. 0 Logic power domain PD6 is switched OFF 1h Logic power domain PD6 is in Idle state 2h Reserved 3h Logic power domain PD6 is in Active state

### 5.4.11 Global Control Register 1 (GLOBALCTRL1)

**Figure 5-13. Global Control Register 1 (GLOBALCTRL1) (offset = A0h)**

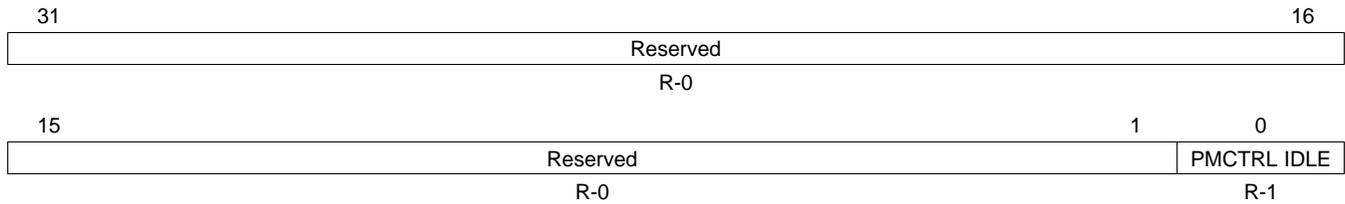


LEGEND: R/W = Read/Write; R = Read only; WP = Write in privileged mode only; -n = value after reset

**Table 5-12. Global Control Register 1 (GLOBALCTRL1) Field Descriptions**

Bit	Field	Value	Description
31-9	Reserved	0	Read returns 0. Writes have no effect.
8	PMCTRL PWRDN	0	PMC/PSCON Power Down Read in User and Privileged Mode returns current value of PMCTRL PWRDN. Write in Privileged mode only.
		1	Enable the clock to pmctrl_wakeup block. Disable the clock to pmctrl_wakeup block, which contains PMC and all PSCONs.
7-1	Reserved	0	Read returns 0. Writes have no effect.
0	AUTO CLK WAKE ENA	0	Automatic Clock Enable on Wake Up Read in User and Privileged Mode returns current value of AUTO CLK WAKE ENA. Write in Privileged mode only.
		1	Disable automatic clock wake up. The application must enable clocks by clearing the correct bit in the PDCLK_DIS register. Enable automatic clock wake up when a power domain transitions to Active state.

### 5.4.12 Global Status Register (GLOBALSTAT)

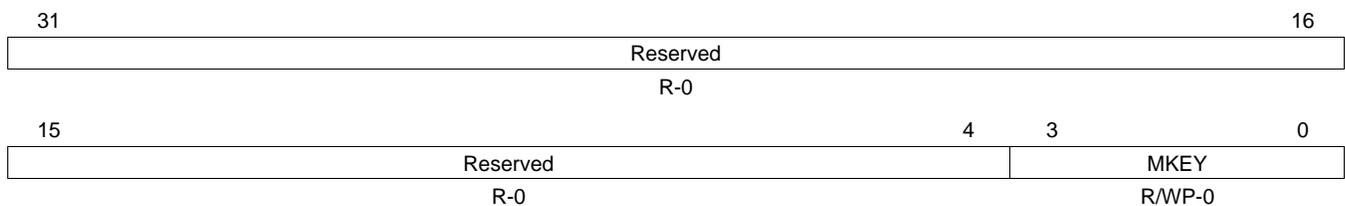
**Figure 5-14. Global Status Register (GLOBALSTAT) (offset = A8h)**


LEGEND: R/W = Read/Write; R = Read only; -n = value after reset

**Table 5-13. Global Status Register (GLOBALSTAT) Field Descriptions**

Bit	Field	Value	Description
31-1	Reserved	0	Read returns 0. Writes have no effect.
0	PMCTRL IDLE	0	State of PMC and all PSCONs. The PMM captures the status of PMC and PSCONs as they do not have a register interface to the host CPU.
		0	PMC and PSCONs for all power domains are in the process of generating power state transition control sequence for logic and/or SRAM.
		1	PMC and PSCONs for all power domains have completed generating power state transition control sequence triggered by PMC input control signals.

### 5.4.13 PSCON Diagnostic Compare Key Register (PRCKEYREG)

**Figure 5-15. PSCON Diagnostic Compare Key Register (PRCKEYREG) (offset = ACh)**


LEGEND: R/W = Read/Write; R = Read only; WP = Write in privileged mode only; -n = value after reset

**Table 5-14. PSCON Diagnostic Compare Key Register (PRCKEYREG) Field Descriptions**

Bit	Field	Value	Description
31-4	Reserved	0	Read returns 0. Writes have no effect.
3-0	MKEY		Diagnostic PSCON Mode Key. The mode key is applied to all individual PSCON compare units. Read in User and Privileged mode returns the current value of MKEY. Write in Privileged mode only.
		0	Lock Step mode
		6h	Self-test mode
		9h	Error Forcing mode
		Fh	Self-test Error Forcing Mode
		All others	Lock Step mode

### 5.4.14 LogicPD PSCON Diagnostic Compare Status Register 1 (LPDDCSTAT1)

**Figure 5-16. LogicPD PSCON Diagnostic Compare Status Register 1 (LPDDCSTAT1) (offset = B0h)**

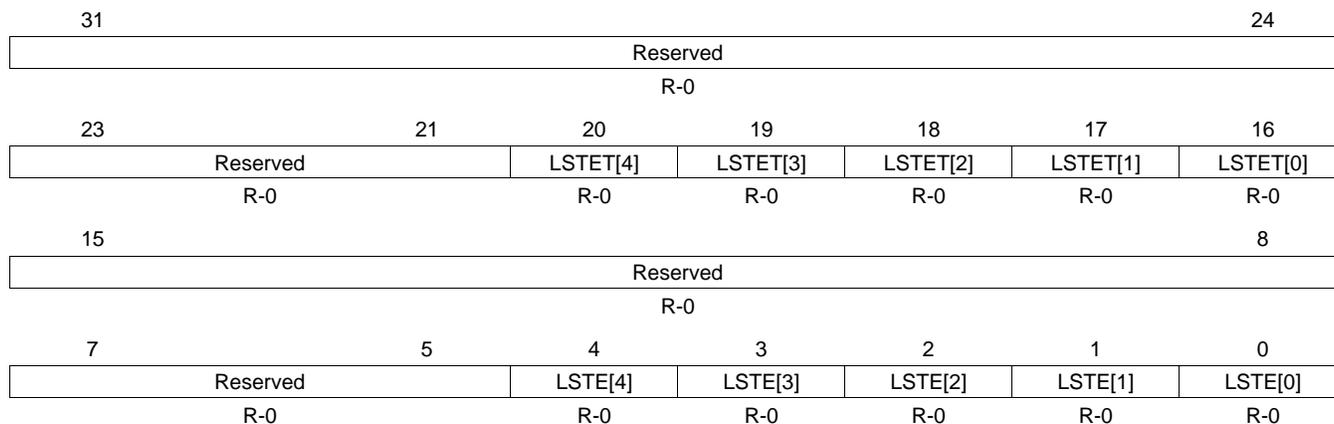
31	Reserved						24
R-0							
23	21	20	19	18	17	16	
Reserved		LCMPE[4]	LCMPE[3]	LCMPE[2]	LCMPE[1]	LCMPE[0]	
R-0		R/WPC-0	R/WPC-0	R/WPC-0	R/WPC-0	R/WPC-0	
15	Reserved					8	
R-0							
7	5	4	3	2	1	0	
Reserved		LSTC[4]	LSTC[3]	LSTC[2]	LSTC[1]	LSTC[0]	
R-0		R-0	R-0	R-0	R-0	R-0	

LEGEND: R/W = Read/Write; R = Read only; C = Clear; WP = Write in privileged mode only; -n = value after reset

**Table 5-15. LogicPD PSCON Diagnostic Compare Status Register 1 (LPDDCSTAT1) Field Descriptions**

Bit	Field	Value	Description
31-21	Reserved	0	Read returns 0. Writes have no effect.
20-16	LCMPE[4-0]	0	Logic Power Domain Compare Error Each of these bits corresponds to a logic power domain: Bit 4 for PD6, Bit 3 for PD5, Bit 2 for PD4, Bit 1 for PD3, Bit 0 for PD2.  Read in User and Privileged Mode. Write in Privileged mode only. Read: PSCON signals are identical. Write: Writing 0 has no effect.
		1	Read: PSCON signal compare mismatch identified. Write: Clears the corresponding LCMPE bit, if set.
15-5	Reserved	0	Read returns 0. Writes have no effect.
4-0	LSTC[4-0]	0	Logic Power Domain Self-test Complete Each of these bits corresponds to a logic power domain: Bit 4 for PD6, Bit 3 for PD5, Bit 2 for PD4, Bit 1 for PD3, Bit 0 for PD2.  Read in User and Privileged Mode. Writes have no effect. Self-test is ongoing if self-test mode is entered.
		1	Self-test is complete.

### 5.4.15 LogicPD PSCON Diagnostic Compare Status Register 2 (LPDDCSTAT2)

**Figure 5-17. LogicPD PSCON Diagnostic Compare Status Register 2 (LPDDCSTAT2) (offset = B4h)**


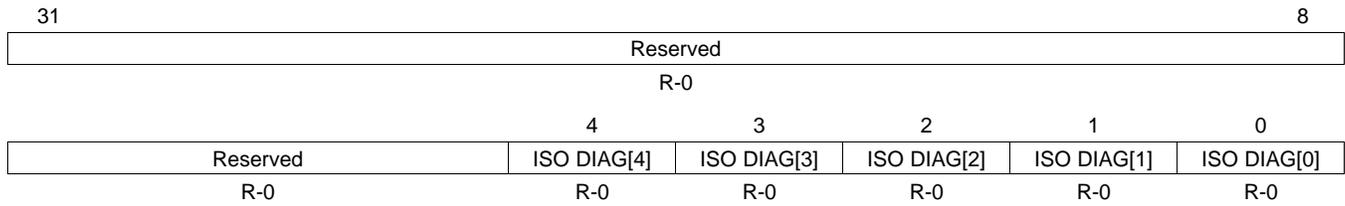
LEGEND: R/W = Read/Write; R = Read only; -n = value after reset

**Table 5-16. LogicPD PSCON Diagnostic Compare Status Register 2 (LPDDCSTAT2) Field Descriptions**

Bit	Field	Value	Description
31-21	Reserved	0	Read returns 0. Writes have no effect.
20-16	LSTET[4-0]	0 1	Logic Power Domain Self-test Error Type Each of these bits corresponds to a logic power domain: Bit 4 for PD6, Bit 3 for PD5, Bit 2 for PD4, Bit 1 for PD3, Bit 0 for PD2. Read in User and Privileged Mode. Writes have no effect. 0 Self-test failed during compare match test. 1 Self-test failed during compare mismatch test.
15-5	Reserved	0	Read returns 0. Writes have no effect.
4-0	LSTE[4-0]	0 1	Logic Power Domain Self-test Error Each of these bits corresponds to a logic power domain: Bit 4 for PD6, Bit 3 for PD5, Bit 2 for PD4, Bit 1 for PD3, Bit 0 for PD2. Read in User and Privileged Mode. Writes have no effect. 0 Self-test passed. 1 Self-test failed.

### 5.4.16 Isolation Diagnostic Status Register (ISODIAGSTAT)

**Figure 5-18. Isolation Diagnostic Status Register (ISODIAGSTAT) (offset = C0h)**



LEGEND: R/W = Read/Write; R = Read only; -n = value after reset

**Table 5-17. Isolation Diagnostic Status Register (ISODIAGSTAT) Field Descriptions**

Bit	Field	Value	Description
31-5	Reserved	0	Read returns 0. Writes have no effect.
4-0	ISO DIAG[4-0]		Isolation Diagnostic  Each of these bits corresponds to a logic power domain: Bit 4 for PD6, Bit 3 for PD5, Bit 2 for PD4, Bit 1 for PD3, Bit 0 for PD2.  Read in User and Privileged Mode. Writes have no effect.
		0	Isolation is enabled for corresponding power domain
		1	Isolation is disabled for corresponding power domain

## ***I/O Multiplexing and Control Module (IOMM)***

---

---

This chapter describes the I/O Multiplexing and Control Module (IOMM).

<b>Topic</b>	<b>Page</b>
<b>6.1 Overview .....</b>	<b>287</b>
<b>6.2 Main Features of I/O Multiplexing Module (IOMM) .....</b>	<b>287</b>
<b>6.3 Control of Multiplexed Outputs .....</b>	<b>287</b>
<b>6.4 Control of Multiplexed Inputs .....</b>	<b>288</b>
<b>6.5 Control of Special Multiplexed Options .....</b>	<b>297</b>
<b>6.6 Safety Features .....</b>	<b>312</b>
<b>6.7 IOMM Registers .....</b>	<b>313</b>

## 6.1 Overview

This chapter describes the overall features of the module that control the I/O multiplexing on the device. The mapping of control registers to multiplexing options is specified in [Section 6.7.13](#).

## 6.2 Main Features of I/O Multiplexing Module (IOMM)

The IOMM contains memory-mapped registers (MMR) that control device-specific multiplexed functions. The safety and diagnostic features of the IOMM are:

- Kicker mechanism to protect the MMRs from accidental writes
- Master-id checker to only allow the CPU to write to the MMRs
- Error indication for access violations

## 6.3 Control of Multiplexed Outputs

The signal multiplexing controlled by each memory-mapped control register (PINMMR<sub>n</sub>) is described in [Table 6-1](#). Each byte in the PINMMRs control the functionality output on a single terminal. Consider the following example for the PINMMR9 control register.

**Figure 6-1. PINMMR9 Control Register [Address Offset = 134h]**

31	27	26	25	24
Reserved	Reserved	GIOB[4]	Reserved	EMIF_nCS[2]
RWP-0	RWP-0	R/WP-0	R/WP-0	R/WP-1
23	19	18	17	16
Reserved	Reserved	N2HET2[7]	RTP_DATA[15]	EMIF_nCS[0]
RWP-0	RWP-0	R/WP-0	R/WP-0	R/WP-1
15	11	10	9	8
Reserved	Reserved	GIOB[3]	Reserved	EMIF_nCAS
RWP-0	RWP-0	R/WP-0	R/WP-0	R/WP-1
7	3	2	1	0
Reserved	Reserved	ECLK2	EMIF_CLK	Reserved
RWP-0	RWP-0	R/WP-0	R/WP-0	R/WP-1

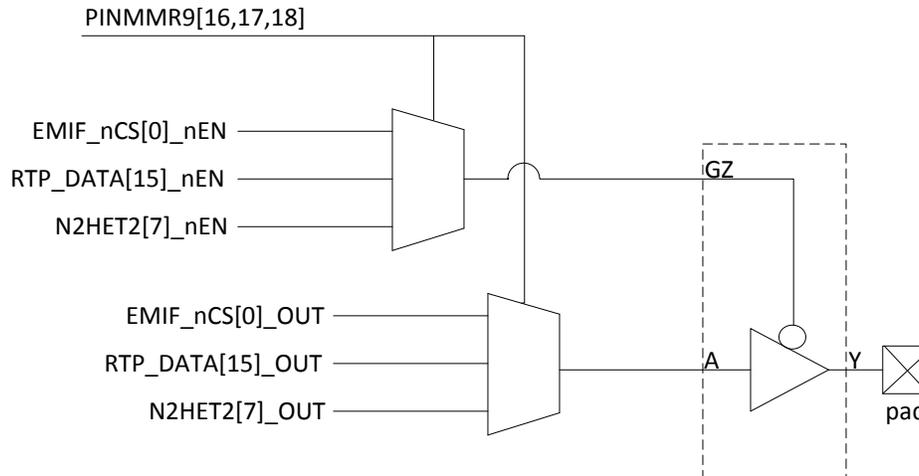
LEGEND: R/W = Read/Write; R = Read only; WP = Write in privileged mode only; -n = value after reset

- Consider the multiplexing controlled by PINMMR9[23–16]. These bits control the multiplexing between the EMIF\_nCS[0], RTP\_DATA[15] and N2HET2[7] on the ball N17 of the 337BGA package for this device. The default function on the N17 ball is EMIF\_nCS[0]. This is dictated by bit 16 of the PINMMR9 register being set.
- If the application wants to use N17 as an N2HET2[7] signal, then bit 16 of PINMMR9 must be cleared and bit 18 must be set. Likewise, if RTP\_DATA[15] is to be brought out, then bit 16 of PINMMR9 must be cleared and bit 17 must be set.
- Each feature of the output function is determined by the function selected to be output on a terminal. For example, the ball N17 on the 337BGA package is driven by an output buffer with an 8mA drive strength. This output buffer has the following signals: A (signal to be output) and GZ (output enable). Each of these signals is an output of a multiplexor that allows the selected function to control all available features of the output buffer. Some output buffers may have additional options as output strength, slew rate, and so on. This options are also controlled by the multiplexor output.
- The PINMMR control registers are used to implement a one-hot encoding scheme for selecting the multiplexed function.
  - For example, for the N17 ball on the 337BGA package for this device only one out of bit 16, 17 or bit 18 must be set.
  - If the application clears bits 16, 17 and 18, then the default function, EMIF\_nCS[0], will be selected for output on N17.
  - If the application sets 16, 17 and 18, then the default function will be selected for output on N17.

- If the application sets one or more reserved bit(s) within the byte 23–16, then the default function will be selected for output on N17.

Figure 6-2 shows the multiplexing between the output functions for the N17 ball. This terminal uses an 8mA output buffer.

**Figure 6-2. Output Multiplexing Example**



In Table 6-1, the column "Selection Bit" contains a value of type x[y] that corresponds to the control register PINMMRx, bit y. It indicates the multiplexing control register and the bit that must be set in order to select the corresponding functionality to be brought out to the terminal. If an un-implemented alternate function is selected, the default function will be used.

## 6.4 Control of Multiplexed Inputs

In this microcontroller, some signals are connected to more than one terminal, so that the inputs for these signals can come from either of these terminals. A multiplexor is implemented to let the application choose the terminal that will be used for providing the input signal from among the available options. The input path selection is done based on two bits in the PINMMR control register as shown in Table 6-2.

- The input to a module comes from the **Default Terminal** when the associated bit in the **Terminal 1 Input Multiplex Control** column is set and the bit in the **Terminal 2 Input Multiplex Control** column is clear. By default, the bit in the **Terminal 1 Input Multiplex Control** column is set after reset.
- The input to a module comes from the **Alternate Terminal** when the associated bit in the **Terminal 2 Input Multiplex Control** column is set and the bit in the **Terminal 1 Input Multiplex Control** column is clear.

---

**NOTE:** If multiple bits or no bit are selected in the Input Multiplex Control, the Default Function will then be selected.

Some signals, like eCAPx and eQEPx, are by default mapped to an unavailable ball on the 337ZWT package. The alternate terminals have to be used, in this case, in order to use these signals.

---

**Table 6-1. Multiplexing for Outputs on 337ZWT Package**

Address Offset	337ZWT BALL	Default Function	Selection Bit	Alternate Function 1	Selection Bit	Alternate Function 2	Selection Bit	Alternate Function 3	Selection Bit	Alternate Function 4	Selection Bit	Alternate Function 5	Selection Bit
110h	N19	AD1EVT	0[0]			MII_RX_ER	0[2]	RMII_RX_ER	0[3]			nTZ1_1	0[5]
	D4	EMIF_ADDR[00]	0[8]			N2HET2[01]	0[10]						
	D5	EMIF_ADDR[01]	0[16]			N2HET2[03]	0[18]						
	C4	EMIF_ADDR[06]	0[24]	RTP_DATA[13]	0[25]	N2HET2[11]	0[26]						
114h	C5	EMIF_ADDR[07]	1[0]	RTP_DATA[12]	1[1]	N2HET2[13]	1[2]						
	C6	EMIF_ADDR[08]	1[8]	RTP_DATA[11]	1[9]	N2HET2[15]	1[10]						
	C7	EMIF_ADDR[09]	1[16]	RTP_DATA[10]	1[17]								
118h	C8	EMIF_ADDR[10]	1[24]	RTP_DATA[09]	1[25]								
	C9	EMIF_ADDR[11]	2[0]	RTP_DATA[08]	2[1]								
	C10	EMIF_ADDR[12]	2[8]	RTP_DATA[06]	2[9]								
11Ch	C11	EMIF_ADDR[13]	2[16]	RTP_DATA[05]	2[17]								
	C12	EMIF_ADDR[14]	2[24]	RTP_DATA[04]	2[25]								
	C13	EMIF_ADDR[15]	3[0]	RTP_DATA[03]	3[1]								
110h	D14	EMIF_ADDR[16]	3[8]	RTP_DATA[02]	3[9]								
	C14	EMIF_ADDR[17]	3[16]	RTP_DATA[01]	3[17]								
	D15	EMIF_ADDR[18]	3[24]	RTP_DATA[00]	3[25]								
120h	C15	EMIF_ADDR[19]	4[0]	RTP_nENA	4[1]								
	C16	EMIF_ADDR[20]	4[8]	RTP_nSYNC	4[9]								
	C17	EMIF_ADDR[21]	4[16]	RTP_CLK	4[17]								
124h-12Ch	Reserved												
130h	PINMMR8[23:0] are reserved												
134h	D16	EMIF_BA[1]	8[24]		8[25]	N2HET2[05]	8[26]						
	K3	RESERVED	9[0]	EMIF_CLK	9[1]	ECLK2	9[2]						
	R4	EMIF_nCAS	9[8]			GIOB[3]	9[10]						
	N17	EMIF_nCS[0]	9[16]	RTP_DATA[15]	9[17]	N2HET2[07]	9[18]						
138h	L17	EMIF_nCS[2]	9[24]			GIOB[4]	9[26]						
	K17	EMIF_nCS[3]	10[0]	RTP_DATA[14]	10[1]	N2HET2[09]	10[2]						
	M17	EMIF_nCS[4]	10[8]	RTP_DATA[07]	10[9]	GIOB[5]	10[10]						
	R3	EMIF_nRAS	10[16]			GIOB[6]	10[18]						
13Ch	P3	EMIF_nWAIT	10[24]			GIOB[7]	10[26]						
	D17	EMIF_nWE	11[0]	EMIF_RNW	11[1]								
	E9	ETMDATA[08]	11[8]	EMIF_ADDR[05]	11[9]								
	E8	ETMDATA[09]	11[16]	EMIF_ADDR[04]	11[17]								
140h	E7	ETMDATA[10]	11[24]	EMIF_ADDR[03]	11[25]								
	E6	ETMDATA[11]	12[0]	EMIF_ADDR[02]	12[1]								
	E13	ETMDATA[12]	12[8]	EMIF_BA[0]	12[9]								
	E12	ETMDATA[13]	12[16]	EMIF_nOE	12[17]								
140h	E11	ETMDATA[14]	12[24]	EMIF_nDQM[1]	12[25]								

**Table 6-1. Multiplexing for Outputs on 337ZWT Package (continued)**

Address Offset	337ZWT BALL	Default Function	Selection Bit	Alternate Function 1	Selection Bit	Alternate Function 2	Selection Bit	Alternate Function 3	Selection Bit	Alternate Function 4	Selection Bit	Alternate Function 5	Selection Bit
144h	E10	ETMDATA[15]	13[0]	EMIF_nDQM[0]	13[1]								
	K15	ETMDATA[16]	13[8]	EMIF_DATA[00]	13[9]								
	L15	ETMDATA[17]	13[16]	EMIF_DATA[01]	13[17]								
	M15	ETMDATA[18]	13[24]	EMIF_DATA[02]	13[25]								
148h	N15	ETMDATA[19]	14[0]	EMIF_DATA[03]	14[1]								
	E5	ETMDATA[20]	14[8]	EMIF_DATA[04]	14[9]								
	F5	ETMDATA[21]	14[16]	EMIF_DATA[05]	14[17]								
	G5	ETMDATA[22]	14[24]	EMIF_DATA[06]	14[25]								
14Ch	K5	ETMDATA[23]	15[0]	EMIF_DATA[07]	15[1]								
	L5	ETMDATA[24]	15[8]	EMIF_DATA[08]	15[9]	N2HET2[24]	15[10]	MIBSPI5NCS[4]	15[11]				
	M5	ETMDATA[25]	15[16]	EMIF_DATA[09]	15[17]	N2HET2[25]	15[18]	MIBSPI5NCS[5]	15[19]				
	N5	ETMDATA[26]	15[24]	EMIF_DATA[10]	15[25]	N2HET2[26]	15[26]						
150h	P5	ETMDATA[27]	16[0]	EMIF_DATA[11]	16[1]	N2HET2[27]	16[2]						
	R5	ETMDATA[28]	16[8]	EMIF_DATA[12]	16[9]	N2HET2[28]	16[10]	GIOA[0]	16[11]				
	R6	ETMDATA[29]	16[16]	EMIF_DATA[13]	16[17]	N2HET2[29]	16[18]	GIOA[1]	16[19]				
	R7	ETMDATA[30]	16[24]	EMIF_DATA[14]	16[25]	N2HET2[30]	16[26]	GIOA[3]	16[27]				
154h	R8	ETMDATA[31]	17[0]	EMIF_DATA[15]	17[1]	N2HET2[31]	17[2]	GIOA[4]	17[3]				
	R9	ETMTRACECLKIN	17[8]	EXTCLKIN2	17[9]			GIOA[5]	17[11]				
	R10	ETMTRACECLKOUT	17[16]					GIOA[6]	17[19]				
	R11	ETMTRACECTL	17[24]					GIOA[7]	17[27]				
158h	Reserved												
15Ch	C1	GIOA[2]	19[0]			N2HET2[00]	19[2]					eQEP2I	19[5]
	E1	GIOA[3]	19[8]			N2HET2[02]	19[10]						
	B5	GIOA[5]	19[16]					EXTCLKIN	19[19]			ePWM1A	19[21]
	H3	GIOA[6]	19[24]			N2HET2[04]	19[26]					ePWM1B	19[29]
160h	M1	GIOA[7]	20[0]			N2HET2[06]	20[2]					ePWM2A	20[5]
	F2	GIOB[2]	20[8]					DCAN4TX	20[11]				
	W10	GIOB[3]	20[16]					DCAN4RX	20[19]				
	J2	GIOB[6]	20[24]	nERROR1	20[25]								
164h	F1	GIOB[7]	21[0]	nERROR2	21[1]							nTZ1_2	21[5]
	R2	MIBSPI1NCS[0]	21[8]	MIBSPI1SOMI[1]	21[9]	MII_TXD[2]	21[10]					ECAP6	21[13]
	F3	MIBSPI1NCS[1]	21[16]			MII_COL	21[18]	N2HET1[17]	21[19]			eQEP1S	21[21]
	G3	MIBSPI1NCS[2]	21[24]			MDIO	21[26]	N2HET1[19]	21[27]				
168h	J3	MIBSPI1NCS[3]	22[0]					N2HET1[21]	22[3]			nTZ1_3	22[5]
	G19	MIBSPI1NENA	22[8]			MII_RXD[2]	22[10]	N2HET1[23]	22[11]			ECAP4	22[13]
	V9	MIBSPI3CLK	22[16]	EXT_SEL[01]	22[17]							eQEP1A	22[21]
	V10	MIBSPI3NCS[0]	22[24]	AD2EVT	22[25]							eQEP1I	22[29]

**Table 6-1. Multiplexing for Outputs on 337ZWT Package (continued)**

Address Offset	337ZWT BALL	Default Function	Selection Bit	Alternate Function 1	Selection Bit	Alternate Function 2	Selection Bit	Alternate Function 3	Selection Bit	Alternate Function 4	Selection Bit	Alternate Function 5	Selection Bit
16Ch	V5	MIBSPI3NCS[1]	23[0]			MDCLK	23[2]	N2HET1[25]	23[3]				
	B2	MIBSPI3NCS[2]	23[8]	I2C1_SDA	23[9]			N2HET1[27]	23[11]			nTZ1_2	23[13]
	C3	MIBSPI3NCS[3]	23[16]	I2C1_SCL	23[17]			N2HET1[29]	23[19]			nTZ1_1	23[21]
	W9	MIBSPI3NENA	23[24]	MIBSPI3NCS[5]	23[25]			N2HET1[31]	23[27]			eQEP1B	23[29]
170h	W8	MIBSPI3SIMO	24[0]	EXT_SEL[00]	24[1]							ECAP3	24[5]
	V8	MIBSPI3SOMI	24[8]	EXT_ENA	24[9]							ECAP2	24[13]
	H19	MIBSPI5CLK	24[16]	DMM_DATA[04]	24[17]	MII_TXEN	24[18]	RMII_TXEN	24[19]				
	E19	MIBSPI5NCS[0]	24[24]	DMM_DATA[05]	24[25]							ePWM4A	24[29]
174h	B6	MIBSPI5NCS[1]	25[0]	DMM_DATA[06]	25[1]								
	W6	MIBSPI5NCS[2]	25[8]	DMM_DATA[02]	25[9]								
	T12	MIBSPI5NCS[3]	25[16]	DMM_DATA[03]	25[17]								
	H18	MIBSPI5NENA	25[24]	DMM_DATA[07]	25[25]	MII_RXD[3]	25[26]					ECAP5	25[29]
178h	J19	MIBSPI5SIMO[0]	26[0]	DMM_DATA[08]	26[1]	MII_TXD[1]	26[2]	RMII_TXD[1]	26[3]				
	E16	MIBSPI5SIMO[1]	26[8]	DMM_DATA[09]	26[9]					EXT_SEL[00]	26[12]		
	H17	MIBSPI5SIMO[2]	26[16]	DMM_DATA[10]	26[17]					EXT_SEL[01]	26[20]		
	G17	MIBSPI5SIMO[3]	26[24]	DMM_DATA[11]	26[25]	I2C2_SDA	26[26]			EXT_SEL[02]	26[28]		
17Ch	J18	MIBSPI5SOMI[0]	27[0]	DMM_DATA[12]	27[1]	MII_TXD[0]	27[2]	RMII_TXD[0]	27[3]				
	E17	MIBSPI5SOMI[1]	27[8]	DMM_DATA[13]	27[9]					EXT_SEL[03]	27[12]		
	H16	MIBSPI5SOMI[2]	27[16]	DMM_DATA[14]	27[17]					EXT_SEL[04]	27[20]		
	G16	MIBSPI5SOMI[3]	27[24]	DMM_DATA[15]	27[25]	I2C2_SCL	27[26]			EXT_ENA	27[28]		
180h	K18	N2HET1[00]	28[0]	MIBSPI4CLK	28[1]							ePWM2B	28[5]
	V2	N2HET1[01]	28[8]	MIBSPI4NENA	28[9]			N2HET2[08]	28[11]			eQEP2A	28[13]
	W5	N2HET1[02]	28[16]	MIBSPI4SIMO	28[17]							ePWM3A	28[21]
	U1	N2HET1[03]	28[24]	MIBSPI4NCS[0]	28[25]			N2HET2[10]	28[27]			eQEP2B	28[29]
184h	B12	N2HET1[04]	29[0]	MIBSPI4NCS[1]	29[1]							ePWM4B	29[5]
	V6	N2HET1[05]	29[8]	MIBSPI4SOMI	29[9]			N2HET2[12]	29[11]			ePWM3B	29[13]
	W3	N2HET1[06]	29[16]	SCI3RX	29[17]							ePWM5A	29[21]
	T1	N2HET1[07]	29[24]	MIBSPI4NCS[2]	29[25]			N2HET2[14]	29[27]			ePWM7B	29[29]
188h	E18	N2HET1[08]	30[0]	MIBSPI1SIMO[1]	30[1]	MII_TXD[3]	30[2]						
	V7	N2HET1[09]	30[8]	MIBSPI4NCS[3]	30[9]			N2HET2[16]	30[11]			ePWM7A	30[13]
	D19	N2HET1[10]	30[16]	MIBSPI4NCS[4]	30[17]	MII_TX_CLK	30[18]					nTZ1_3	30[21]
	E3	N2HET1[11]	30[24]	MIBSPI3NCS[4]	30[25]			N2HET2[18]	30[27]			EPWM1SYNCO	30[29]
18Ch	B4	N2HET1[12]	31[0]	MIBSPI4NCS[5]	31[1]	MII_CRS	31[2]	RMII_CRS_DV	31[3]				
	N2	N2HET1[13]	31[8]	SCI3TX	31[9]			N2HET2[20]	31[11]			ePWM5B	31[13]
	N1	N2HET1[15]	31[16]	MIBSPI1NCS[4]	31[17]			N2HET2[22]	31[19]			ECAP1	31[21]
	A4	N2HET1[16]	31[24]					EPWM1SYNCO	31[27]			EPWM1SYNCO	31[29]

**Table 6-1. Multiplexing for Outputs on 337ZWT Package (continued)**

Address Offset	337ZWT BALL	Default Function	Selection Bit	Alternate Function 1	Selection Bit	Alternate Function 2	Selection Bit	Alternate Function 3	Selection Bit	Alternate Function 4	Selection Bit	Alternate Function 5	Selection Bit
190h	A13	N2HET1[17]	32[0]	EMIF_nOE	32[1]	SCI4RX	32[2]						
	J1	N2HET1[18]	32[8]	EMIF_RNW	32[9]							ePWM6A	32[13]
	B13	N2HET1[19]	32[16]	EMIF_nDQM[0]	32[17]	SCI4TX	32[18]						
	P2	N2HET1[20]	32[24]	EMIF_nDQM[1]	32[25]							ePWM6B	32[29]
194h	H4	N2HET1[21]	33[0]	EMIF_nDQM[2]	33[1]								
	B3	N2HET1[22]	33[8]	EMIF_nDQM[3]	33[9]								
	J4	N2HET1[23]	33[16]	EMIF_BA[0]	33[17]								
	P1	N2HET1[24]	33[24]	MIBSPI1NCS[5]	33[25]	MII_RXD[0]	33[26]	RMII_RXD[0]	33[27]				
198h	A14	N2HET1[26]	34[0]			MII_RXD[1]	34[2]	RMII_RXD[1]	34[3]				
	K19	N2HET1[28]	34[8]			MII_RXCLK	34[10]	RMII_REFCLK	34[11]				
	B11	N2HET1[30]	34[16]			MII_RX_DV	34[18]					eQEP2S	34[21]
	D8	N2HET2[01]	34[24]										
19Ch	D7	N2HET2[02]	35[0]										
	D3	N2HET2[12]	35[8]							MIBSPI2NENA	35[12]	MIBSPI2NCS[1]	35[13]
	D2	N2HET2[13]	35[16]							MIBSPI2SOMI	35[20]		
	D1	N2HET2[14]	35[24]							MIBSPI2SIMO	35[28]		
1A0h	P4	N2HET2[19]	36[0]	LIN2RX	36[1]								
	T5	N2HET2[20]	36[8]	LIN2TX	36[9]								
	T4	MII_RXCLK	36[16]										
	U7	MII_TX_CLK	36[24]										
1A4h	E2	N2HET2[03]	37[0]							MIBSPI2CLK	37[4]		
	N3	N2HET2[07]	37[8]							MIBSPI2NCS[0]	37[12]		



**Table 6-2. Input Multiplexing and Control on 337ZWT Package**

Address Offset	Signal Name	Default Terminal	Terminal 1 Input Multiplex Control	Alternate Terminal	Terminal 2 Input Multiplex Control
250h	AD2EVT	T10	PINMMR80[0]	V10	PINMMR80[1]
	ECAP1	N/A on 337ZWT	PINMMR80[8]	N1	PINMMR80[9]
	ECAP2	N/A on 337ZWT	PINMMR80[16]	V8	PINMMR80[17]
	ECAP3	N/A on 337ZWT	PINMMR80[24]	W8	PINMMR80[25]
254h	ECAP4	N/A on 337ZWT	PINMMR81[0]	G19	PINMMR81[1]
	ECAP5	N/A on 337ZWT	PINMMR81[8]	H18	PINMMR81[9]
	ECAP6	N/A on 337ZWT	PINMMR81[16]	R2	PINMMR81[17]
	eQEP1A	N/A on 337ZWT	PINMMR81[24]	V9	PINMMR81[25]
258h	eQEP1B	N/A on 337ZWT	PINMMR82[0]	W9	PINMMR82[1]
	eQEP1I	N/A on 337ZWT	PINMMR82[8]	V10	PINMMR82[9]
	eQEP1S	N/A on 337ZWT	PINMMR82[16]	F3	PINMMR82[17]
	eQEP2A	N/A on 337ZWT	PINMMR82[24]	V2	PINMMR82[25]
25Ch	eQEP2B	N/A on 337ZWT	PINMMR83[0]	U1	PINMMR83[1]
	eQEP2I	N/A on 337ZWT	PINMMR83[8]	C1	PINMMR83[9]
	eQEP2S	N/A on 337ZWT	PINMMR83[16]	B11	PINMMR83[17]
	GIOA[0]	A5	PINMMR83[24]	R5	PINMMR83[25]
260h	GIOA[1]	C2	PINMMR84[0]	R6	PINMMR84[1]
	GIOA[2]	C1	PINMMR84[8]	B15	PINMMR84[9]
	GIOA[3]	E1	PINMMR84[16]	R7	PINMMR84[17]
	GIOA[4]	A6	PINMMR84[24]	R8	PINMMR84[25]
264h	GIOA[5]	B5	PINMMR85[0]	R9	PINMMR85[1]
	GIOA[6]	H3	PINMMR85[8]	R10	PINMMR85[9]
	GIOA[7]	M1	PINMMR85[16]	R11	PINMMR85[17]
	GIOB[0]	M2	PINMMR85[24]	B8	PINMMR85[25]
268h	GIOB[1]	K2	PINMMR86[0]	B16	PINMMR86[1]
	GIOB[2]	F2	PINMMR86[8]	B9	PINMMR86[9]
	GIOB[3]	W10	PINMMR86[16]	R4	PINMMR86[17]
	GIOB[4]	G1	PINMMR86[24]	L17	PINMMR86[25]
26Ch	GIOB[5]	G2	PINMMR87[0]	M17	PINMMR87[1]
	GIOB[6]	J2	PINMMR87[8]	R3	PINMMR87[9]
	GIOB[7]	F1	PINMMR87[16]	P3	PINMMR87[17]
	MDIO	F4	PINMMR87[24]	G3	PINMMR87[25]
270h	MIBSPI1NCS[4]	U10	PINMMR88[0]	N1	PINMMR88[1]
	MIBSPI1NCS[5]	U9	PINMMR88[8]	P1	PINMMR88[9]
	MIBSPI2NCS[1]	N/A on 337ZWT	PINMMR88[16]	D3	PINMMR88[17]
274h	MII_COL	W4	PINMMR89[16]	F3	PINMMR89[17]
	MII_CRS	V4	PINMMR89[24]	B4	PINMMR89[25]
278h	MII_RX_DV	U6	PINMMR90[0]	B11	PINMMR90[1]
	MII_RX_ER	U5	PINMMR90[8]	N19	PINMMR90[9]
	MII_RXCLK	T4	PINMMR90[16]	K19	PINMMR90[17]
	MII_RXD[0]	U4	PINMMR90[24]	P1	PINMMR90[25]
27Ch	MII_RXD[1]	T3	PINMMR91[0]	A14	PINMMR91[1]
	MII_RXD[2]	U3	PINMMR91[8]	G19	PINMMR91[9]
	MII_RXD[3]	V3	PINMMR91[16]	H18	PINMMR91[17]
	MII_TX_CLK	U7	PINMMR91[24]	D19	PINMMR91[25]

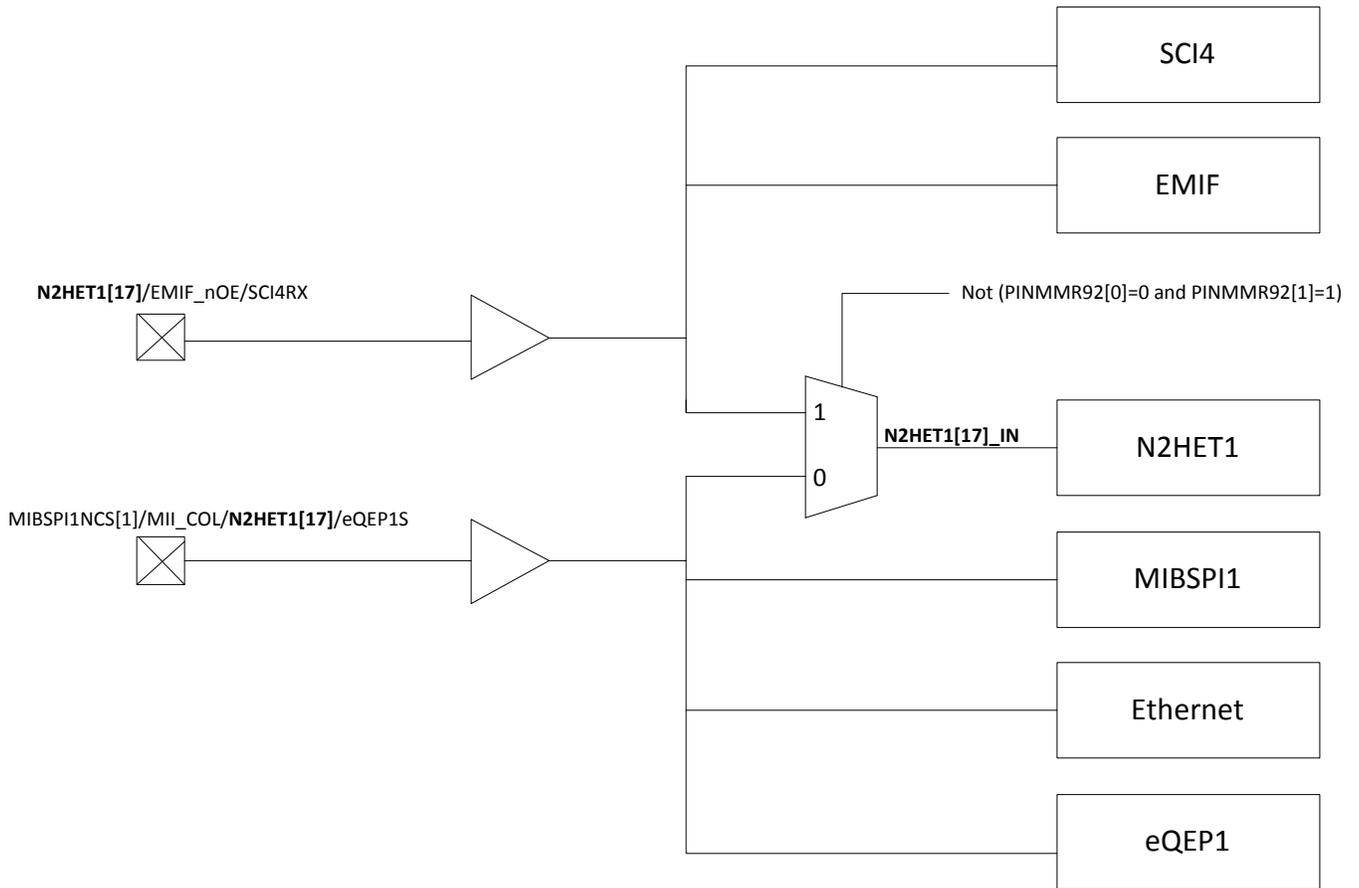
**Table 6-2. Input Multiplexing and Control on 337ZWT Package (continued)**

Address Offset	Signal Name	Default Terminal	Terminal 1 Input Multiplex Control	Alternate Terminal	Terminal 2 Input Multiplex Control
280h	N2HET1[17]	A13	PINMMR92[0]	F3	PINMMR92[1]
	N2HET1[19]	B13	PINMMR92[8]	G3	PINMMR92[9]
	N2HET1[21]	H4	PINMMR92[16]	J3	PINMMR92[17]
	N2HET1[23]	J4	PINMMR92[24]	G19	PINMMR92[25]
284h	N2HET1[25]	M3	PINMMR93[0]	V5	PINMMR93[1]
	N2HET1[27]	A9	PINMMR93[8]	B2	PINMMR93[9]
	N2HET1[29]	A3	PINMMR93[16]	C3	PINMMR93[17]
	N2HET1[31]	J17	PINMMR93[24]	W9	PINMMR93[25]
288h	N2HET2[00]	D6	PINMMR94[0]	C1	PINMMR94[1]
	N2HET2[01]	D8	PINMMR94[8]	D4	PINMMR94[9]
	N2HET2[02]	D7	PINMMR94[16]	E1	PINMMR94[17]
	N2HET2[03]	E2	PINMMR94[24]	D5	PINMMR94[25]
28Ch	N2HET2[04]	D13	PINMMR95[0]	H3	PINMMR95[1]
	N2HET2[05]	D12	PINMMR95[8]	D16	PINMMR95[9]
	N2HET2[06]	D11	PINMMR95[16]	M1	PINMMR95[17]
	N2HET2[07]	N3	PINMMR95[24]	N17	PINMMR95[25]
290h	N2HET2[08]	K16	PINMMR96[0]	V2	PINMMR96[1]
	N2HET2[09]	L16	PINMMR96[8]	K17	PINMMR96[9]
	N2HET2[10]	M16	PINMMR96[16]	U1	PINMMR96[17]
	N2HET2[11]	N16	PINMMR96[24]	C4	PINMMR96[25]
294h	N2HET2[12]	D3	PINMMR97[0]	V6	PINMMR97[1]
	N2HET2[13]	D2	PINMMR97[8]	C5	PINMMR97[9]
	N2HET2[14]	D1	PINMMR97[16]	T1	PINMMR97[17]
	N2HET2[15]	K4	PINMMR97[24]	C6	PINMMR97[25]
298h	N2HET2[16]	L4	PINMMR98[0]	V7	PINMMR98[1]
	N2HET2[18]	N4	PINMMR98[8]	E3	PINMMR98[9]
	N2HET2[20]	T5	PINMMR98[16]	N2	PINMMR98[17]
	N2HET2[22]	T7	PINMMR98[24]	N1	PINMMR98[25]
29Ch	nTZ1_1	N19	PINMMR99[0]	C3	PINMMR99[1]
	nTZ1_2	F1	PINMMR99[8]	B2	PINMMR99[9]
	nTZ1_3	J3	PINMMR99[16]	D19	PINMMR99[17]

**NOTE: Inputs are broadcast to all multiplexed functions**

The input signals are broadcast to all modules hooked up to a terminal. The application must ensure that modules that are not being used in the application do not react to a change on their input functions. e.g. a GIO signal toggle can trigger an interrupt request, when the application actually is using the function multiplexed with this GIO signal.

Figure 6-3. Input Multiplexing Example



## 6.5 Control of Special Multiplexed Options

Several of the PINMMR registers are used to control specific functions on this microcontroller.

**Table 6-3. Special Multiplexed Controls**

Control Function	PINMMR Register Address Offset	PINMMR Register Bits Used			Reference
GIOB[2] Select	390h	PINMMR160[16]	PINMMR160[17]		See <a href="#">Section 6.5.6</a>
MII/RMII Select		PINMMR160[24]			See <a href="#">Section 6.5.3</a>
ADC Alternate Trigger Table Select	394h	PINMMR161[0]	PINMMR161[1]		See <a href="#">Section 6.5.4</a>
ADC1 Alternate Trigger Source for Trigger Input 2		PINMMR161[8]	PINMMR161[9]		
ADC1 Alternate Trigger Source for Trigger Input 4		PINMMR161[16]	PINMMR161[17]		
ADC1 Alternate Trigger Source for Trigger Input 6		PINMMR161[24]	PINMMR161[25]		
ADC1 Alternate Trigger Source for Trigger Input 7	398h	PINMMR162[0]	PINMMR162[1]		
ADC1 Alternate Trigger Source for Trigger Input 8		PINMMR162[8]	PINMMR162[9]		
ADC2 Alternate Trigger Source for Trigger Input 2		PINMMR162[16]	PINMMR162[17]		
ADC2 Alternate Trigger Source for Trigger Input 4		PINMMR162[24]	PINMMR162[25]		
ADC2 Alternate Trigger Source for Trigger Input 6	39Ch	PINMMR163[0]	PINMMR163[1]		
ADC2 Alternate Trigger Source for Trigger Input 7		PINMMR163[8]	PINMMR163[9]		
ADC2 Alternate Trigger Source for Trigger Input 8		PINMMR163[16]	PINMMR163[17]		
Selecting Start of Conversion (SOC1A) of ePWM1	3A0h	PINMMR164[0]			See <a href="#">Section 6.5.5</a>
Selecting Start of Conversion (SOC2A) of ePWM2		PINMMR164[8]			
Selecting Start of Conversion (SOC3A) of ePWM3		PINMMR164[16]			
Selecting Start of Conversion (SOC4A) of ePWM4		PINMMR164[24]			
Selecting Start of Conversion (SOC5A) of ePWM5	3A4h	PINMMR165[0]			
Selecting Start of Conversion (SOC6A) of ePWM6		PINMMR165[8]			
Selecting Start of Conversion (SOC7A) of ePWM7		PINMMR165[16]			
ePWM1 SYNCI Select		PINMMR165[24]	PINMMR165[25]		See <a href="#">Section 6.5.8</a>
ePWMx TBCLKSYNC Enable	3A8h	PINMMR166[1]			See <a href="#">Section 6.5.7</a>
ePWM1 Trip Zone 4 Select	3ACh	PINMMR167[0]	PINMMR167[1]	PINMMR167[2]	See <a href="#">Section 6.5.9</a>
ePWM2 Trip Zone 4 Select		PINMMR167[8]	PINMMR167[9]	PINMMR167[10]	
ePWM3 Trip Zone 4 Select		PINMMR167[16]	PINMMR167[17]	PINMMR167[18]	
ePWM4 Trip Zone 4 Select		PINMMR167[24]	PINMMR167[25]	PINMMR167[26]	
ePWM5 Trip Zone 4 Select	3B0h	PINMMR168[0]	PINMMR168[1]	PINMMR168[2]	
ePWM6 Trip Zone 4 Select		PINMMR168[8]	PINMMR168[9]	PINMMR168[10]	
ePWM7 Trip Zone 4 Select		PINMMR168[16]	PINMMR168[17]	PINMMR168[18]	

**Table 6-3. Special Multiplexed Controls (continued)**

Control Function	PINMMR Register Address Offset	PINMMR Register Bits Used			Reference
eCAP1 Input Filtering Select	3B4h	PINMMR169[0]	PINMMR169[1]		See <a href="#">Section 6.5.10</a>
eCAP2 Input Filtering Select		PINMMR169[8]	PINMMR169[9]		
eCAP3 Input Filtering Select		PINMMR169[16]	PINMMR169[17]		
eCAP4 Input Filtering Select		PINMMR169[24]	PINMMR169[25]		
eCAP5 Input Filtering Select	3B8h	PINMMR170[0]	PINMMR170[1]		See <a href="#">Section 6.5.11</a>
eCAP6 Input Filtering Select		PINMMR170[8]	PINMMR170[9]		
eQEP1A Input Filtering Select		PINMMR170[16]	PINMMR170[17]		
eQEP1B Input Filtering Select	3BCh	PINMMR170[24]	PINMMR170[25]		See <a href="#">Section 6.5.11</a>
eQEP1I Input Filtering Select		PINMMR171[0]	PINMMR171[1]		
eQEP1S Input Filtering Select		PINMMR171[8]	PINMMR171[9]		
eQEP2A Input Filtering Select		PINMMR171[16]	PINMMR171[17]		
eQEP2B Input Filtering Select	3C0h	PINMMR171[24]	PINMMR171[25]		See <a href="#">Section 6.5.9</a>
eQEP2I Input Filtering Select		PINMMR172[0]	PINMMR172[1]		
eQEP2S Input Filtering Select		PINMMR172[8]	PINMMR172[9]		
ePWMx Trip Zone1 (TZ1n) Input Filtering Select	3C4h	PINMMR172[16]	PINMMR172[17]	PINMMR172[18]	See <a href="#">Section 6.5.9</a>
ePWMx Trip Zone2 (TZ2n) Input Filtering Select		PINMMR172[24]	PINMMR172[25]	PINMMR172[26]	
ePWMx Trip Zone3 (TZ3n) Input Filtering Select	3C8h	PINMMR173[0]	PINMMR173[1]	PINMMR173[2]	See <a href="#">Section 6.5.13</a>
ePWM SYNCI Input Filtering Select		PINMMR173[8]	PINMMR173[9]	PINMMR173[10]	
Temperature Sensor 1 Select		PINMMR173[16]	PINMMR173[17]		
Temperature Sensor 2 Select	3C8h	PINMMR173[24]	PINMMR173[25]		See <a href="#">Section 6.5.2</a>
Temperature Sensor 3 Select		PINMMR174[0]	PINMMR174[1]		
EMIF Output Enable		PINMMR174[8]	PINMMR174[9]		
ESM1 nERROR Select		PINMMR174[16]	PINMMR174[17]		
Temperature Sensor Power Down Enable	3CCh	PINMMR174[24]			See <a href="#">Section 6.5.13</a>
GIOA[0] DMA Request Select		PINMMR175[0]			
GIOA[1] DMA Request Select		PINMMR175[8]			
GIOA[2] DMA Request Select		PINMMR175[16]			
GIOA[3] DMA Request Select		PINMMR175[24]			
GIOA[4] DMA Request Select	3D0h	PINMMR176[0]			See <a href="#">Section 6.5.12</a>
GIOA[5] DMA Request Select		PINMMR176[8]			
GIOA[6] DMA Request Select		PINMMR176[16]			
GIOA[7] DMA Request Select		PINMMR176[24]			
GIOB[0] DMA Request Select	3D4h	PINMMR177[0]			See <a href="#">Section 6.5.12</a>
GIOB[1] DMA Request Select		PINMMR177[8]			
GIOB[2] DMA Request Select		PINMMR177[16]			
GIOB[3] DMA Request Select		PINMMR177[24]			
GIOB[4] DMA Request Select	3D8h	PINMMR178[0]			See <a href="#">Section 6.5.12</a>
GIOB[5] DMA Request Select		PINMMR178[8]			
GIOB[6] DMA Request Select		PINMMR178[16]			
GIOB[7] DMA Request Select		PINMMR178[24]			
NHET2 Pin Disable Select	3DCh	PINMMR179[0]	PINMMR179[1]		See <a href="#">Section 6.5.6</a>
NHET1 Pin Disable Select		PINMMR179[8]	PINMMR179[9]		

### 6.5.1 Control of SDRAM clock (EMIF\_CLK)

As shown in [Table 6-1](#), PINMMR9[0] is set by default. This blocks the EMIF SDRAM clock signal (EMIF\_CLK) from being output from the microcontroller. If the EMIF is used to connect to an external SDRAM module, then the application must enable the SDRAM clock output by clearing the PINMMR9[0] bit and set the PINMMR9[1].

### 6.5.2 Control for other EMIF Outputs

There are some EMIF signals (EMIF\_ADDR[00], EMIF\_ADDR[01], EMIF\_ADDR[06], EMIF\_ADDR[07], EMIF\_ADDR[08], EMIF\_BA[1], EMIF\_nCS[0], EMIF\_nCS[3]), that are multiplexed with N2HET2 signals. For applications that require the use of these N2HET2 signals, it is inconvenient if the EMIF starts driving these address and control signals as output after reset is released and before the application can configure the I/O Multiplexing Module registers. Therefore, these EMIF signals are blocked from being output by default when PINMMR174[8]=1 and PINMMR174[9]=0. In this condition, these EMIF/N2HET2 terminals are configured as inputs and pulled down. An application that requires the EMIF functionality must set PINMMR174[8]=0 and PINMMR174[9]=1. This causes the EMIF address and control signals to then be output on the EMIF/N2HET2 terminals when the EMIF functionality is selected via the IOMM output multiplexing control registers.

### 6.5.3 Control of Ethernet Controller Mode

PINMMR160[24] is set by default. This bit is used to enable the RMII (Reduced Media Independent Interface of the Ethernet controller). If the application desires to use the MII (Media Independent Interface of the Ethernet controller), then the PINMMR160[24] must be cleared.

### 6.5.4 Control of ADC Trigger Events

The microcontrollers contain two Analog-to-Digital Converter modules: ADC1 and ADC2. The ADC conversions can be started using a rising or falling or both edges as the trigger event. Both the ADC modules support up to eight event trigger inputs. There are two sets of these 8 inputs for each ADC. The option for each of these 8 inputs are controlled by registers in the I/O multiplexing module as shown in [Table 6-4](#) and [Table 6-5](#).

**Table 6-4. ADC1 Trigger Event Selection**

Group Source Select, G1SRC, G2SRC or EVSRC	Event #	PINMMR161[0]	PINMMR161[1]	Control Option A	Control Option B	Trigger Source
000	1	x	x	NA	NA	AD1EVT
001	2	1	0	PINMMR161[8] = x	PINMMR161[9] = x	N2HET1[8]
		0	1	PINMMR161[8] = 1	PINMMR161[9] = 0	N2HET2[5]
		0	1	PINMMR161[8] = 0	PINMMR161[9] = 1	ePWM_B
010	3	1	0	NA	NA	N2HET1[10]
		0	1	NA	NA	N2HET1[27]
011	4	1	0	PINMMR161[16] = x	PINMMR161[17] = x	RT11 Comp0
		0	1	PINMMR161[16] = 1	PINMMR161[17] = 0	RT11 Comp0
		0	1	PINMMR161[16] = 0	PINMMR161[17] = 1	ePWM_A1
100	5	1	0	NA	NA	N2HET1[12]
		0	1	NA	NA	N2HET1[17]
101	6	1	0	PINMMR161[24] = x	PINMMR161[25] = x	N2HET1[14]
		0	1	PINMMR161[24] = 1	PINMMR161[25] = 0	N2HET1[19]
		0	1	PINMMR161[24] = 0	PINMMR161[25] = 1	N2HET2[1]
110	7	1	0	PINMMR162[0] = x	PINMMR162[1] = x	GI0B[0]
		0	1	PINMMR162[0] = 1	PINMMR162[1] = 0	N2HET1[11]
		0	1	PINMMR162[0] = 0	PINMMR162[1] = 1	ePWM_A2
111	8	1	0	PINMMR162[8] = x	PINMMR162[9] = x	GI0B[1]
		0	1	PINMMR162[8] = 1	PINMMR162[9] = 0	N2HET2[13]
		0	1	PINMMR162[8] = 0	PINMMR162[9] = 1	ePWM_AB

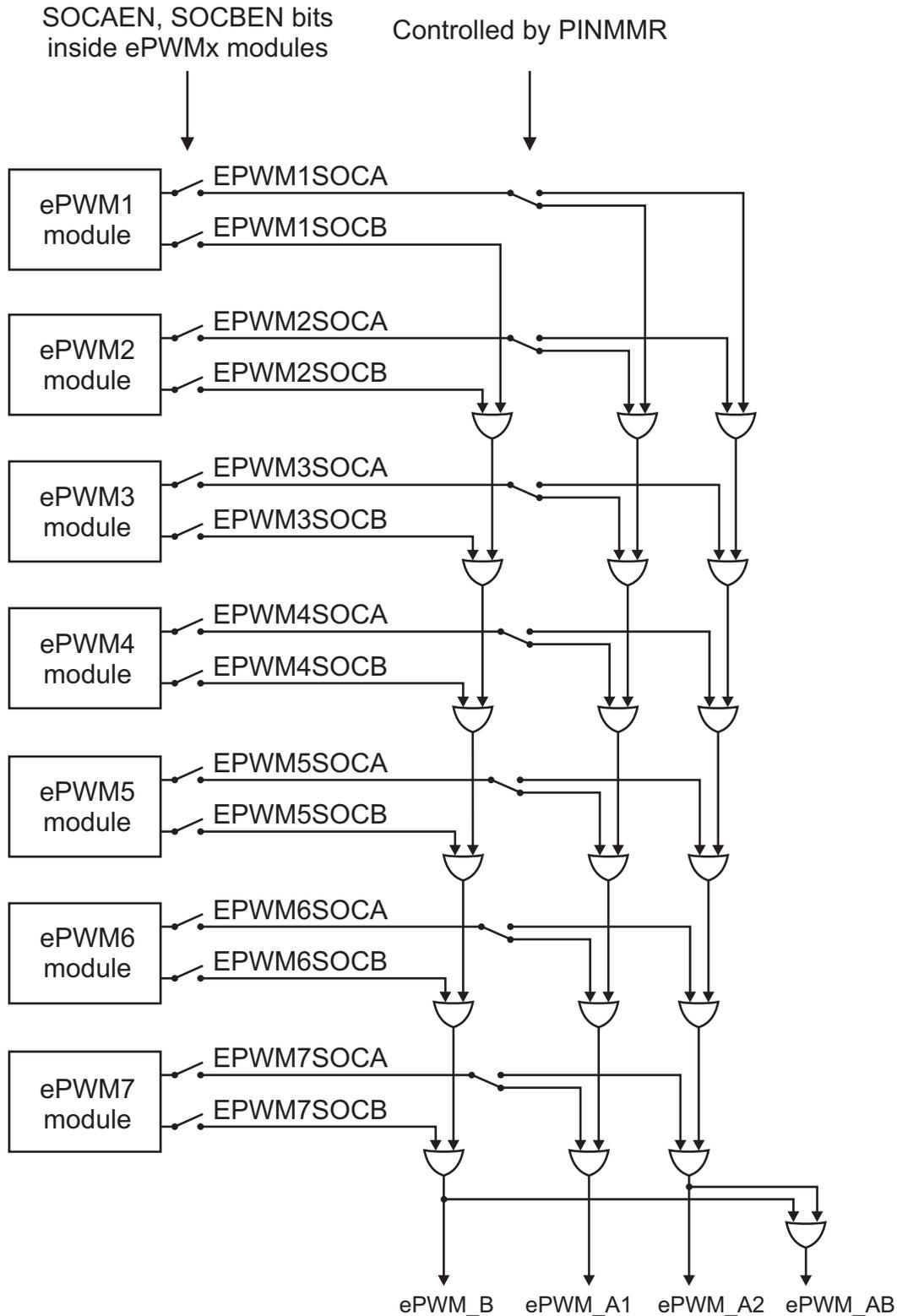
**Table 6-5. ADC2 Trigger Event Selection**

Group Source Select, G1SRC, G2SRC or EVSRC	Event #	PINMMR161[0]	PINMMR161[1]	Control Option A	Control Option B	Trigger Source
000	1	x	x	NA	NA	AD2EVT
001	2	1	0	PINMMR162[16] = x	PINMMR162[17] = x	N2HET1[8]
		0	1	PINMMR162[16] = 1	PINMMR162[17] = 0	N2HET2[5]
		0	1	PINMMR162[16] = 0	PINMMR162[17] = 1	ePWM_B
010	3	1	0	NA	NA	N2HET1[10]
		0	1	NA	NA	N2HET1[27]
011	4	1	0	PINMMR162[24] = x	PINMMR162[25] = x	RT11 Comp0
		0	1	PINMMR162[24] = 1	PINMMR162[25] = 0	RT11 Comp0
		0	1	PINMMR162[24] = 0	PINMMR162[25] = 1	ePWM_A1
100	5	1	0	NA	NA	N2HET1[12]
		0	1	NA	NA	N2HET1[17]
101	6	1	0	PINMMR163[0] = x	PINMMR163[0] = x	N2HET1[14]
		0	1	PINMMR163[0] = 1	PINMMR163[0] = 0	N2HET1[19]
		0	1	PINMMR163[0] = 0	PINMMR163[0] = 1	N2HET2[1]
110	7	1	0	PINMMR163[8] = x	PINMMR163[8] = x	GIOB[0]
		0	1	PINMMR163[8] = 1	PINMMR163[8] = 0	N2HET1[11]
		0	1	PINMMR163[8] = 0	PINMMR163[8] = 1	ePWM_A2
111	8	1	0	PINMMR163[16] = x	PINMMR163[16] = x	GIOB[1]
		0	1	PINMMR163[16] = 1	PINMMR163[16] = 0	N2HET2[13]
		0	1	PINMMR163[16] = 0	PINMMR163[16] = 1	ePWM_AB

### 6.5.5 Control for ADC Event Trigger Signal Generation from ePWMx Modules

This microcontroller implements 7 ePWM modules, see [Figure 6-4](#). Each of these modules generate two outputs, SOCA (Start Of Conversion) and SOCB, for use in triggering the on-chip ADC modules. Registers from the I/O multiplexing module are used to control the logic for generation of the ePWM\_A1, ePWM\_A2, ePWM\_AB, and ePWM\_B signals from these ePWMx\_SOCA and ePWMx\_SOCB signals.

Figure 6-4. ADC Trigger Event Signal Generation from ePWMx



The logic equations for the 4 outputs from the combinational logic shown in [Figure 6-4](#) are:

- $B = \text{SOC1B or SOC2B or SOC3B or SOC4B or SOC5B or SOC6B or SOC7B}$
- $A1 = [ \text{SOC1A and not(SOC1A_SEL) } ] \text{ or } [ \text{SOC2A and not(SOC2A_SEL) } ] \text{ or } [ \text{SOC3A and not(SOC3A_SEL) } ] \text{ or } [ \text{SOC4A and not(SOC4A_SEL) } ] \text{ or } [ \text{SOC5A and not(SOC5A_SEL) } ] \text{ or } [ \text{SOC6A and not(SOC6A_SEL) } ] \text{ or } [ \text{SOC7A and not(SOC7A_SEL) } ] \text{ or}$
- $A2 = [ \text{SOC1A and SOC1A_SEL } ] \text{ or } [ \text{SOC2A and SOC2A_SEL } ] \text{ or } [ \text{SOC3A and SOC3A_SEL } ] \text{ or } [ \text{SOC4A and SOC4A_SEL } ] \text{ or } [ \text{SOC5A and SOC5A_SEL } ] \text{ or } [ \text{SOC6A and SOC6A_SEL } ] \text{ or } [ \text{SOC7A and SOC7A_SEL } ] \text{ or}$
- $AB = B \text{ or } A2$

The SOCxA\_SEL signals used in the above logic equations are generated using registers in the I/O multiplexing module.

- PINMMR164[0] defines the value of SOC1A\_SEL. This bit is set by default and can be cleared by the application.
- PINMMR164[8] defines the value of SOC2A\_SEL. This bit is set by default and can be cleared by the application.
- PINMMR164[16] defines the value of SOC3A\_SEL. This bit is set by default and can be cleared by the application.
- PINMMR164[24] defines the value of SOC4A\_SEL. This bit is set by default and can be cleared by the application.
- PINMMR165[0] defines the value of SOC5A\_SEL. This bit is set by default and can be cleared by the application.
- PINMMR165[8] defines the value of SOC6A\_SEL. This bit is set by default and can be cleared by the application.
- PINMMR165[16] defines the value of SOC7A\_SEL. This bit is set by default and can be cleared by the application.

### 6.5.6 Control for Generating Interrupt Upon External Fault Indication to N2HETx

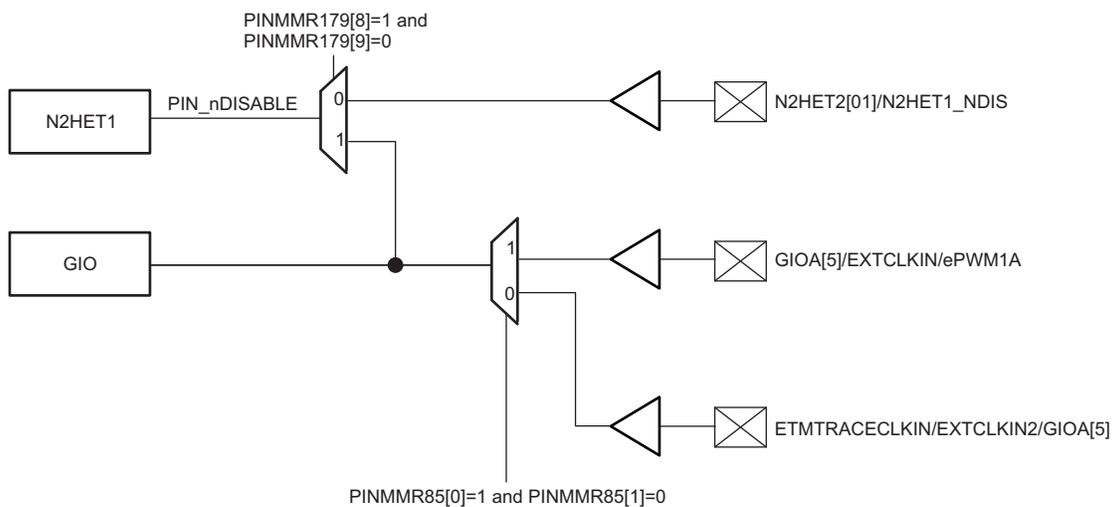
The N2HET module on this microcontroller allows the application to selectively disable any PWM output from the N2HET module whenever a fault condition is indicated to the N2HET. This fault condition is input to the N2HET module via the PIN\_nDISABLE input signal. It is important for the CPU to be notified with an interrupt whenever this fault condition is indicated to the N2HET module.

The PIN\_nDISABLE signal for the N2HET1 module can come from two different paths at either the GIOA[5] terminals or the N2HET2[01] terminal. By default with PINMMR179[8]=1 and PINMMR179[9]=0 the GIOA[5] / EXTCLKIN / ePWM1A terminal is selected as the input for signaling the fault condition. Setting PINMMR179[8]=0 and PINMMR179[9]=1 will select the terminal N2HET2[01] / N2HET1\_NDIS for signaling the fault condition.

Note that there are two terminals from which to choose the GIOA[5] signal since GIOA[5] is available in two different terminals. By default with PINMMR85[0]=1 and PINMMR85[1]=0 the terminal shared by GIOA[5] / EXTCLKIN / ePWM1A is selected. Setting PINMMR85[0]=0 and PINMMR85[1]=1 will select the terminal shared by ETMTRACECLKIN / EXTCLKIN2 / GIOA[5]. When GIOA[5] is chosen to signal the fault condition it can also be an interrupt to the CPU if the application enables the interrupt generation whenever the GIOA[5] terminal is driven low. [Figure 6-5](#) illustrates the multiplexing scheme.

**NOTE:** The default settings will choose GIOA[5] / EXTCLKIN / ePWM1A terminal for signaling the fault condition to the N2HET1 and this will be compatible to other TMS570LSxx family of microcontrollers which have this available feature.

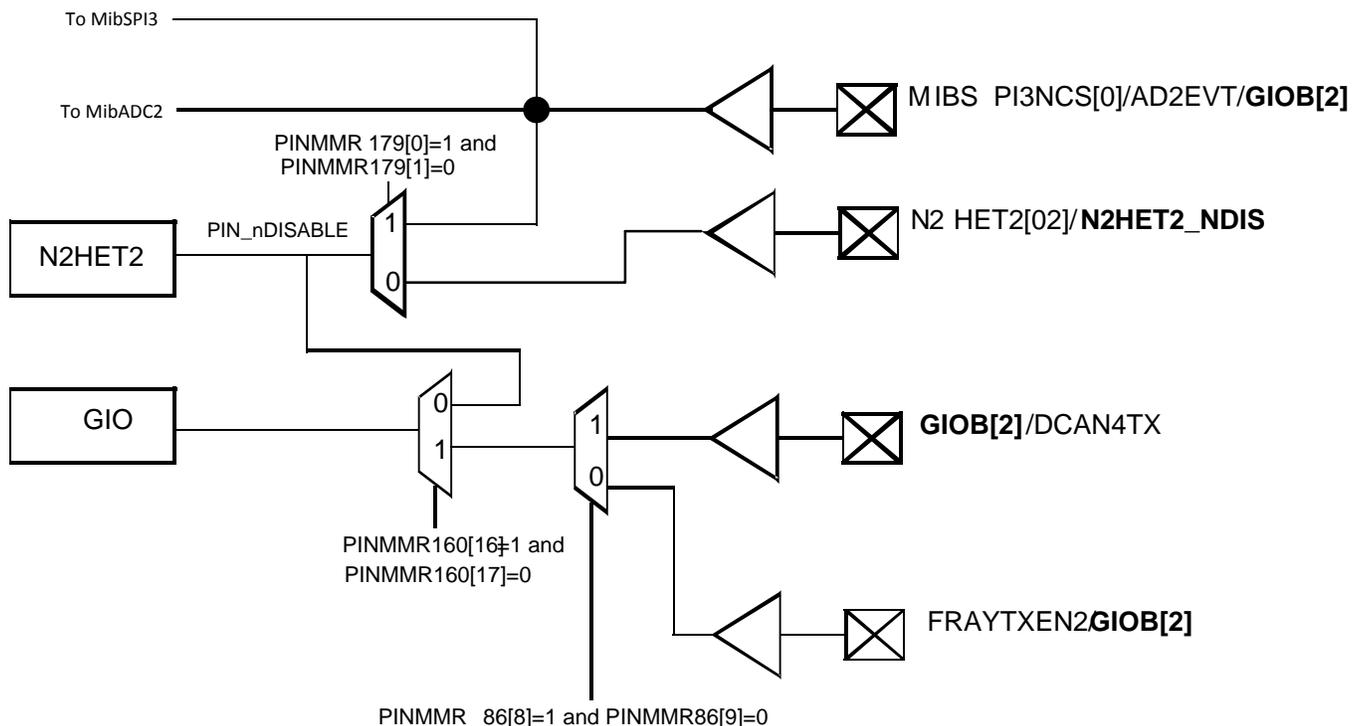
**Figure 6-5. GIOA[5] and N2HET1\_NDIS Input Multiplexing Scheme**



The PIN\_nDISABLE signal for the N2HET2 module can also come from two different paths at either the MIBSPI3NCS[0] / AD2EVT / GIOB[2] terminal or the N2HET2[02] / N2HET2\_NDIS terminal. By default with PINMMR179[0]=1 and PINMMR179[1]=0 the MIBSPI3NCS[0] / AD2EVT / GIOB[2] terminal is selected as the input for signaling the fault condition. Setting PINMMR179[80]=0 and PINMMR179[1]=1 will select the terminal N2HET2[02] / N2HET2\_NDIS for signaling the fault condition. By default with PINMMR160[16]=1 and PINMMR160[17]=0, these signals do not offer the capability of generating an interrupt to the GIO module when they are driven low. Therefore, the input from this terminal can optionally be connected to the GIOB[2] input. This connection is enabled by setting PINMMR160[0]=0 and PINMMR160[1]=1.

Note that the GIO module has three sources from which to choose the GIOB[2] signal. By default with PINMMR86[8]=1 and PINMMR86[9]=0 the GIOB[2] / DCAN4TX terminal is selected which is defined in [Table 6-2](#), see register at address FFFF\_1E68h. By setting PINMMR86[8]=0 and PINMMR86[9]=1 the terminal shared by FRAYTXEN2 and GIOB[2] is selected. When either one of these two terminals is selected, it is not possible to use GIO module to cause an interrupt to the CPU when a fault condition is detected. To cause an interrupt to the GIO using GIOB[2] or N2HET2\_NDIS signal, the PINMMR160[16] must be clear and PINMMR160[17] must be set while either MibSPI3NCS[0] / AD2EVT / GIOB[2] terminal or the N2HET2[02] / N2HET2\_NDIS terminal is connected to the external monitor circuit. [Figure 6-6](#) illustrates the multiplexing scheme.

**Figure 6-6. GIOB[2] and N2HET2\_NDIS Input Multiplexing Scheme**



**NOTE:** The default settings will choose MIBSPI3NCS[0] / AD2EVT / GIOB[2] terminal for signaling the fault condition to the N2HET2 and this will be compatible to other TMS570LSxx family of microcontrollers which have this available feature.

### 6.5.7 Control for Synchronizing Time Bases for All ePWMx Modules

The ePWMx modules implement a mechanism that allows their time bases to be synchronized. This is done by using a signal called TBCLKSYNC, which is a common input to all the ePWMx modules. This TBCLKSYNC is generated by a register bit in the I/O multiplexing module. PINMMR166[1] is the TBCLKSYNC signal. This bit is clear ('0') by default.

When TBCLKSYNC = 0, the time-base clock of all ePWMx modules is stopped. This is the default condition.

When TBCLKSYNC = 1, the time-base clocks of all ePWMx modules are started aligned to the rising edge of the TBCLKSYNC signal.

The correct procedure for enabling and synchronizing the time-base clocks of all the ePWMx modules is:

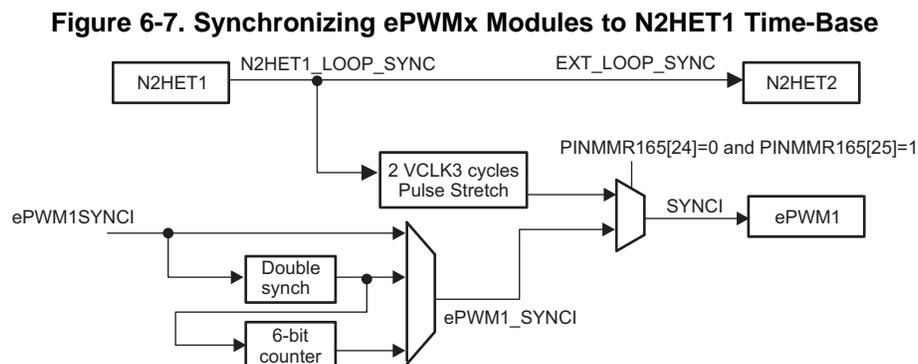
1. Enable the clocks to the desired individual ePWMx modules if they have been disabled
2. Set TBCLKSYNC = 0. This will stop the time-base clocks of any enabled ePWMx module.
3. Configure the time-base clock prescaler values and desired ePWM modes.
4. Set TBCLKSYNC = 1.

### 6.5.8 Control for Synchronizing all ePWMx Modules to N2HET1 Module Time-Base

Some applications require a synchronized time base for all PWM signals generated by the microcontroller. The N2HET1 module uses a time base that is created by configuring the high-resolution and loop-resolution prescalers in the N2HET1 module control registers. The N2HET1 module outputs the loop-resolution clock signal (N2HET1\_LOOP\_SYNC) so that other timer modules on the microcontroller can use it to synchronize their time bases to the N2HET1 loop-resolution clock.

There is a dedicated connection between the N2HET1 and N2HET2 modules, which allows the N2HET2 to use the N2HET1\_LOOP\_SYNC signal to synchronize its own time base to that of N2HET1.

The seven ePWMx modules can also optionally use the N2HET1\_LOOP\_SYNC for their time-base synchronization using a specially designed scheme.



PINMMR165[24] and PINMMR165[25] are used to select between the ePWM1\_SYNC1 and the stretched N2HET1\_LOOP\_SYNC signals.

- If PINMMR165[24] = 1 and PINMMR165[25] = 0, the SYNC1 input to the ePWM1 comes from the ePWM1\_SYNC1 which is an output from a multiplexor. This is the default connection. There are also three possible selections from which to choose the ePWM1\_SYNC1.
  - When PINMMR173[8] = 1, the EPWM1SYNC1 terminal is connected directly to the ePWM1 module's SYNC1 port. This is the default connection.
  - When PINMMR173[8] = 0, PINMMR173[9] = 1, and PINMMR173[10] = 0, the EPWM1SYNC1 terminal is double-synchronized using VCLK3 and then connected to the ePWM1 module's SYNC1 port.
  - When PINMMR173[8] = 0, PINMMR173[9] = 0, and PINMMR173[10] = 1, the EPWM1SYNC1 terminal is double-synchronized using VCLK3, qualified through a 6-cycle counter using VCLK3 and then connected to the ePWM1 module's SYNC1 port.
- If PINMMR165[24]=0 and PINMMR165[25]=1, the SYNC1 input to the ePWM1 comes from the pulse-stretched N2HET1\_LOO\_SYNC signal.

### 6.5.9 Control for Input Connections to ePWMx Modules

The ePWMx modules take the following signals as input:

- ePWM1\_SYNC1: external time-base input to the ePWMx
- nTZ1 through nTZ6: trip-zone inputs to the ePWMx

Of the six trip-zone inputs, three are input from device terminals while the other three are connected to internal error events. Registers from the I/O multiplexing module are used to control various aspects of these input connections to the ePWMx modules.

**Table 6-6. Controls for ePWMx Inputs**

Input Signal	Control for Asynchronous Input (default connection)	Control for Double-VCLK3-Synchronized Input	Control for Double-VCLK3-Synchronized and 6-VCLK3-Filtered Input
nTZ1	PINMMR172[16] = 1	PINMMR172[16] = 0 PINMMR172[17] = 1	PINMMR172[17:16] = "00" PINMMR172[18] = 1
nTZ2	PINMMR172[24] = 1	PINMMR172[24] = 0 PINMMR172[25] = 1	PINMMR172[25:24] = "00" PINMMR172[26] = 1
nTZ3	PINMMR173[0] = 1	PINMMR173[0] = 0 PINMMR173[1] = 1	PINMMR173[1:0] = "00" PINMMR173[2] = 1
ePWM1_SYNC1	PINMMR173[8] = 1	PINMMR173[8] = 0 PINMMR173[9] = 1	PINMMR173[9:8] = "00" PINMMR173[10] = 1

Of the three internal error events for the trip-zone inputs, nTZ4 is connected to the eQEPx error output signal. There are two eQEP modules on this microcontroller, and registers in the I/O multiplexing module are used to allow a flexible scheme for the connection between the eQEPx error signal and the nTZ4 inputs of the ePWMx modules.

**Table 6-7. Controls for eQEPx\_ERROR Connection to ePWMx nTZ4 Inputs**

ePWMx Module	Control for nTZ4 = not(eQEP1ERR or eQEP2ERR) (default connection)	Control for nTZ4 = not(eQEP1ERR)	Control for nTZ4 = not(eQEP2ERR)
ePWM1	PINMMR167[0] = 1	PINMMR167[0] = 0 PINMMR167[1] = 1	PINMMR167[1:0] = "00" PINMMR167[2] = 1
ePWM2	PINMMR167[8] = 1	PINMMR167[8] = 0 PINMMR167[9] = 1	PINMMR167[9:8] = "00" PINMMR167[10] = 1
ePWM3	PINMMR167[16] = 1	PINMMR167[16] = 0 PINMMR167[17] = 1	PINMMR167[17:16] = "00" PINMMR167[18] = 1
ePWM4	PINMMR167[24] = 1	PINMMR167[24] = 0 PINMMR167[25] = 1	PINMMR167[25:24] = "00" PINMMR167[26] = 1
ePWM5	PINMMR168[0] = 1	PINMMR168[0] = 0 PINMMR168[1] = 1	PINMMR168[1:0] = "00" PINMMR168[2] = 1
ePWM6	PINMMR168[8] = 1	PINMMR168[8] = 0 PINMMR168[9] = 1	PINMMR168[9:8] = "00" PINMMR168[10] = 1
ePWM7	PINMMR168[16] = 1	PINMMR168[16] = 0 PINMMR168[17] = 1	PINMMR168[17:16] = "00" PINMMR168[18] = 1

### 6.5.10 Control for Input Connections to eCAPx Modules

Each eCAPx module has a single input from the device terminals. This input can be connected to the eCAPx module in two ways:

1. Double-synchronized using VCLK3, or
2. Double-synchronized using VCLK3 and then filtered through a 6-VCLK3-cycle counter

Registers in the I/O multiplexing module are used to control these input connections for each eCAPx module.

**Table 6-8. Controls for eCAPx Inputs**

eCAPx Input	Control for Double-VCLK3-Synchronized Input (default connection)	Control for Double-VCLK3-Synchronized and 6-VCLK3-Filtered Input
eCAP1	PINMMR169[0] = 0	PINMMR169[0] = 0 PINMMR169[1] = 1
eCAP2	PINMMR169[8] = 0	PINMMR169[8] = 0 PINMMR169[9] = 1
eCAP3	PINMMR169[16] = 0	PINMMR169[16] = 0 PINMMR169[17] = 1
eCAP4	PINMMR169[24] = 0	PINMMR169[24] = 0 PINMMR169[25] = 1
eCAP5	PINMMR170[0] = 0	PINMMR170[0] = 0 PINMMR170[1] = 1
eCAP6	PINMMR170[8] = 0	PINMMR170[8] = 0 PINMMR170[9] = 1

### 6.5.11 Control for Input Connections to eQEPx Modules

Each eQEPx module has four inputs from the device terminals. These inputs can be connected to the eQEPx module in two ways:

1. Double-synchronized using VCLK3, or
2. Double-synchronized using VCLK3 and then filtered through a 6-VCLK3-cycle counter

Registers in the I/O multiplexing module are used to control these input connections for each eQEPx module.

**Table 6-9. Controls for eQEPx Inputs**

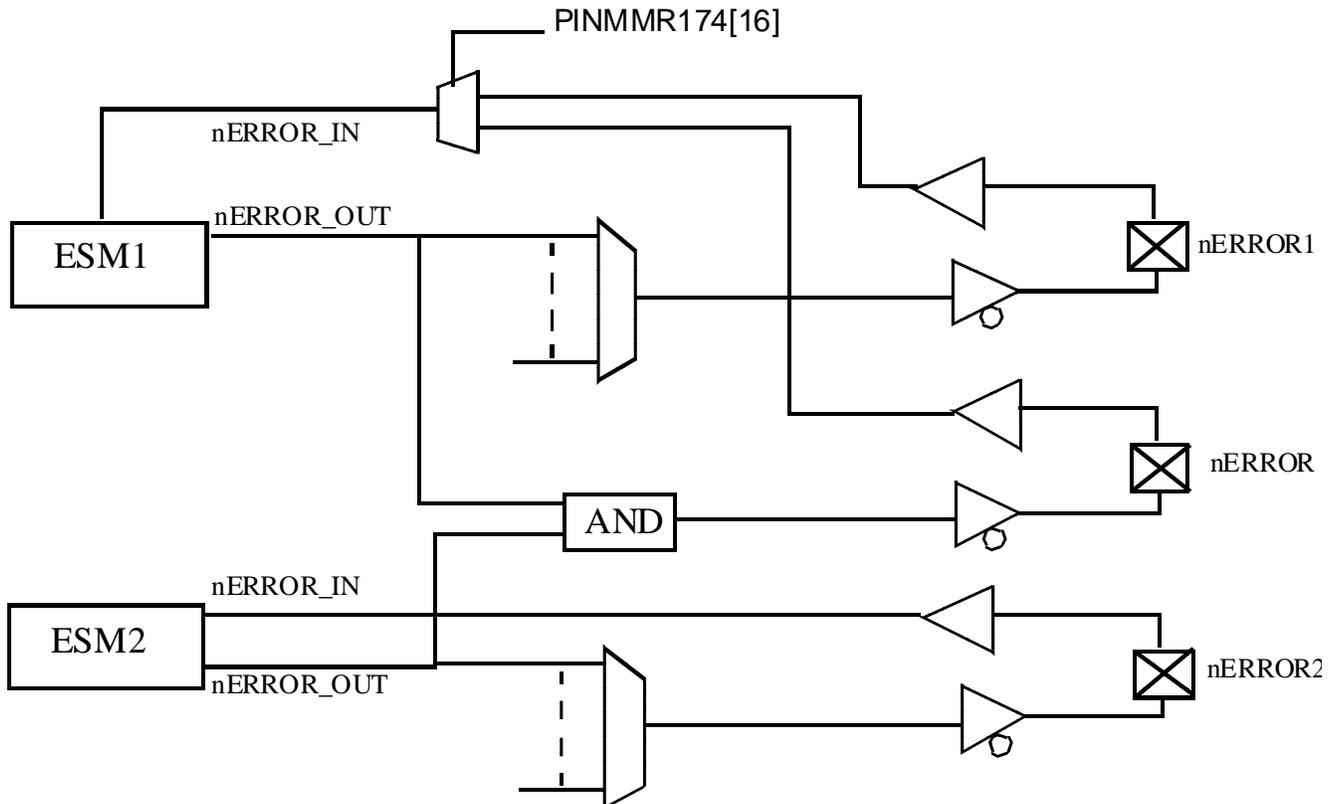
eQEPx Input	Control for Double-VCLK3-Synchronized Input (default connection)	Control for Double-VCLK3-Synchronized and 6-VCLK3-Filtered Input
eQEP1A	PINMMR170[16] = 0	PINMMR170[16] = 0 PINMMR170[17] = 1
eQEP1B	PINMMR170[24] = 0	PINMMR170[24] = 0 PINMMR170[25] = 1
eQEP1I	PINMMR171[0] = 0	PINMMR171[0] = 0 PINMMR171[1] = 1
eQEP1S	PINMMR171[8] = 0	PINMMR171[8] = 0 PINMMR171[9] = 1
eQEP2A	PINMMR171[16] = 0	PINMMR171[16] = 0 PINMMR171[17] = 1
eQEP2B	PINMMR171[24] = 0	PINMMR171[24] = 0 PINMMR171[25] = 1
eQEP2I	PINMMR172[0] = 0	PINMMR172[0] = 0 PINMMR172[1] = 1
eQEP2S	PINMMR172[8] = 0	PINMMR172[8] = 0 PINMMR172[9] = 1

### 6.5.11.1 nERROR and nERROR1 Input Multiplexing

There are two ESM modules in this microcontroller. When the microcontroller is in lockstep mode, only ESM1 is active.

By default, the ESM1 Error Pin Status Register (ESMEPSR) samples the nERROR pin input. The default is achieved with  $PINMMR174[16] = 1$ . By setting  $PINMMR174[16] = 0$ , the ESM1 Error Pin Status register will sample from the nERROR1 pin instead as illustrated in [Figure 6-8](#).

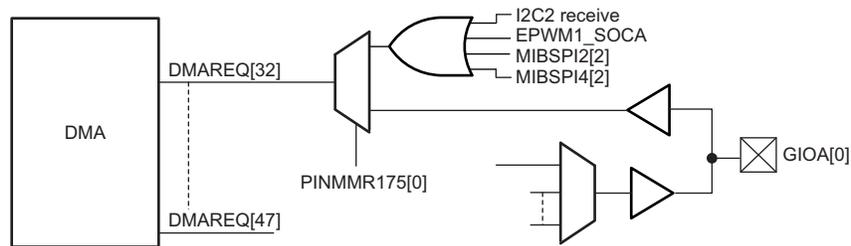
Figure 6-8. nERROR and nERROR1 Input Multiplexing



### 6.5.12 Selecting GIO Port for External DMA Request

GIOA and GIOB ports can be used to generate external DMA request. See the datasheet for the DMA request mapping. The polarity of the GIO pin to trigger a DMA request can be selected inside the DMA module. In order to use GIO pin as an external DMA request input, the corresponding pin must be first selected by the application. By default, it is unselected. See Figure 6-9 for illustration. In this illustration, the DMQREQ[32] input to the DMA module can come from several different sources including GIOA[0]. By default with PINMMR175[0] = 1, all other sources except GIOA[0] can be selected to generate a DMA request. Care must be taken by the application that only one source is active while other sources are inactive from their respective modules. When PINMMR175[0] = 0, only GIOA[0] is selected to generate the DMA request.

**Figure 6-9. Using GIO Pin for External DMA Request**



**Table 6-10. GIO DMA Request Select Bit Mapping**

GIO Pin	GIO DMA Request Select Bit	Bit Value to Select GIO
GIOA[0]	PINMMR175[0]	0
GIOA[1]	PINMMR175[8]	0
GIOA[2]	PINMMR175[16]	0
GIOA[3]	PINMMR175[24]	0
GIOA[4]	PINMMR176[0]	0
GIOA[5]	PINMMR176[8]	0
GIOA[6]	PINMMR176[16]	0
GIOA[7]	PINMMR176[24]	0
GIOB[0]	PINMMR177[0]	0
GIOB[1]	PINMMR177[8]	0
GIOB[2]	PINMMR177[16]	0
GIOB[3]	PINMMR177[24]	0
GIOB[4]	PINMMR178[0]	0
GIOB[5]	PINMMR178[8]	0
GIOB[6]	PINMMR178[16]	0
GIOB[7]	PINMMR178[24]	0

### 6.5.13 Temperature Sensor Selection

There are three instances of temperature sensors in this microcontroller. The measured temperatures are analog signals. These analog signals are connected to the on chip ADCs for conversion. Before the temperature sensors can be used, they must be enabled. By default, they are disabled with PINMMR174[24] = 1. To enable the temperature sensors, PINMMR174[24] must be cleared to 0.

- Temperature sensor 1's output is multiplexed with AD1IN[31].
- Temperature sensor 2's output is multiplexed with AD2IN[31].
- Temperature sensor 3's output is multiplexed with AD2IN[30].

**Table 6-11. Temperature Sensor Selection**

Decode <sup>(1)</sup>	Select
AD1CHNSEL(31) = 1 PINMMR173(16) = 0 PinMMR173(17) = 1	Temp Sensor 1
AD1CHNSEL(31) = 1 PINMMR173(16) = 1 PinMMR173(17) = 0	AD1IN[31]
AD2CHNSEL(31) = 1 PINMMR173(24) = 0 PINMMR173(25) = 1	Temp Sensor 2
AD2CHNSEL(31) = 1 PINMMR173(24) = 1 PINMMR173(25) = 0	AD2IN[31]
AD2CHNSEL(30) = 1 PINMMR174(0) = 0 PINMMR174(1) = 1	Temp Sensor 3
AD2CHNSEL(30) = 1 PINMMR174(0) = 1 PINMMR174(1) = 0	AD2IN[30]

<sup>(1)</sup> AD1CHNSEL is configured inside the MibADC1 Wrapper. AD2CHNSEL is configured inside the MibADC2 Wrapper.

## 6.6 Safety Features

The IOMM supports certain safety functions that are designed to prevent unintentional changes to the I/O multiplexing configuration. These are described in the following sections.

### 6.6.1 Locking Mechanism for Memory-Mapped Registers

The IOMM contains a mechanism to prevent any spurious writes from changing any of the PINMMR values. The PINMMRs are locked by default and after any system reset. None of the IOMM registers can be written under this condition. The application can read any of the IOMM registers regardless of the state of the locking mechanism.

- **Enabling Write Access to the PINMMRs**

To enable write access to the PINMMRs, the CPU must write 0x83e70b13 to the kick0 register followed by a write of 0x95a4f1e0 to the kick1 register.

- **Disabling Write Access to the PINMMRs**

It is recommended to disable write access to the PINMMRs once the I/O multiplexing configuration is completed. This can be done by:

- writing any other data value to either of the kick registers, or
- restarting the unlock sequence by writing 0x83e70b13 to the kick0 register

---

**NOTE: No Error On Write to Locked PINMMRs**

There is no error response on any write accesses to the PINMMRs when write access is disabled. None of the PINMMRs change state due to this write.

---

### 6.6.2 Master ID Check

Each bus transaction to the IOMM has an associated master ID value. Master ID values are unique to each bus master. The IOMM only allows write accessed by the CPU bus master. Writes by other bus masters will generate a bus error response and the states of the IOMM registers are not affected.

### 6.6.3 Error Conditions

The IOMM generates one error signal that is mapped to the Error Signaling Module's Group 1, channel 37. This error signal is generated under either of the following two conditions:

- Address Error – occurs when there is a read or a write access to an un-implemented memory location within the IOMM register frame.
- Protection Error – occurs when the CPU writes to an IOMM register while not in a privileged mode of operation.

## 6.7 IOMM Registers

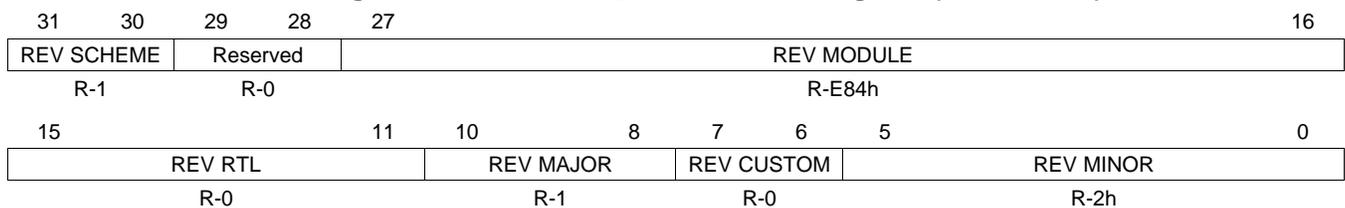
Table 6-12 lists the control registers in the IOMM. The address offset is specified from the base address of FFFF 1C00h.

**Table 6-12. IOMM Registers**

Offset	Acronym	Register Description	Section
00h	REVISION_REG	Revision Register	<a href="#">Section 6.7.1</a>
20h	BOOT_REG	Boot Mode Register	<a href="#">Section 6.7.2</a>
38h	KICK_REG0	Kicker Register 0	<a href="#">Section 6.7.3</a>
3Ch	KICK_REG1	Kicker Register 1	<a href="#">Section 6.7.4</a>
E0h	ERR_RAW_STATUS_REG	Error Raw Status / Set Register	<a href="#">Section 6.7.5</a>
E4h	ERR_ENABLED_STATUS_REG	Error Enabled Status / Clear Register	<a href="#">Section 6.7.6</a>
E8h	ERR_ENABLE_REG	Error Signaling Enable Register	<a href="#">Section 6.7.7</a>
ECh	ERR_ENABLE_CLR_REG	Error Signaling Enable Clear Register	<a href="#">Section 6.7.8</a>
F4h	FAULT_ADDRESS_REG	Fault Address Register	<a href="#">Section 6.7.9</a>
F8h	FAULT_STATUS_REG	Fault Status Register	<a href="#">Section 6.7.10</a>
FCh	FAULT_CLEAR_REG	Fault Clear Register	<a href="#">Section 6.7.11</a>
110h-1A4h	PINMMRnn	Output Pin Multiplexing Control Registers	<a href="#">Section 6.7.12</a>
250h-29Ch	PINMMRnn	Input Pin Multiplexing Control Registers	<a href="#">Section 6.7.13</a>
390h-3DCh	PINMMRnn	Special Functionality Control Registers	<a href="#">Section 6.7.14</a>

### 6.7.1 REVISION\_REG: Revision Register

**Figure 6-10. REVISION\_REG: Revision Register (Offset = 00h)**

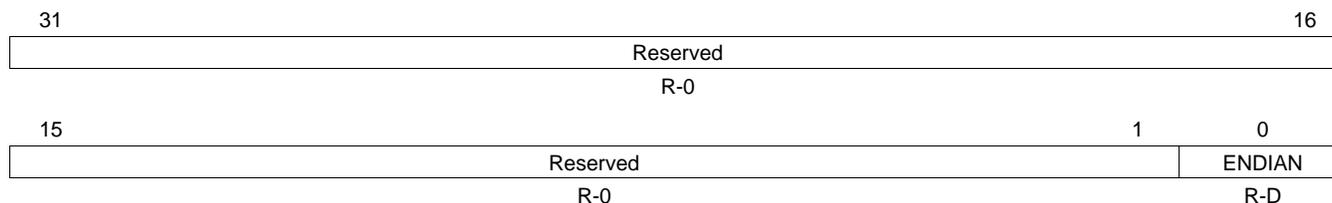


LEGEND: R/W = Read/Write; R = Read only; C = Clear; -n = value after reset

**Table 6-13. Revision Register Field Descriptions**

Bit	Field	Value	Description
31-30	REV SCHEME	01	Revision Scheme
29-28	Reserved	0	Reads return zeros, writes have no effect.
27-16	REV MODULE	E84h	Module Id
15-11	REV RTL	0	RTL Revision
10-8	REV MAJOR	001	Major Revision
7-6	REV CUSTOM	0	Custom Revision
5-0	REV MINOR	2h	Minor Revision

## 6.7.2 BOOT\_REG: Boot Mode Register

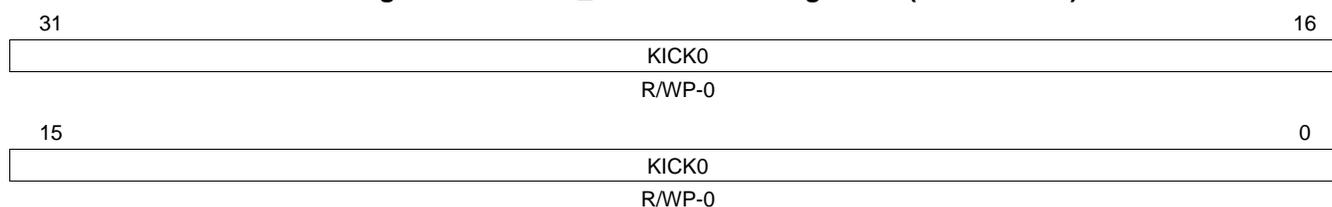
**Figure 6-11. BOOT\_REG: Boot Mode Register (Offset = 20h)**


LEGEND: R/W = Read/Write; R = Read only; -n = value after reset; R-D = Value read is determined by external configuration

**Table 6-14. Boot Mode Register Field Descriptions**

Bit	Field	Value	Description
31-1	Reserved	0	Reads return zeros, writes have no effect.
0	ENDIAN	0	Device is configured in little endian mode
		1	Device is configured in big endian mode

## 6.7.3 KICK\_REG0: Kicker Register 0

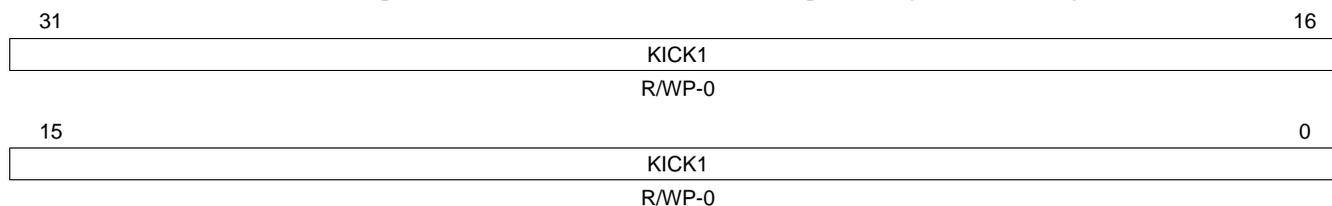
**Figure 6-12. KICK\_REG0: Kicker Register 0 (Offset = 38h)**


LEGEND: R/W = Read/Write; R = Read only; WP = Write in privileged mode only; -n = value after reset

**Table 6-15. Kicker Register 0 Field Descriptions**

Bit	Field	Description
31-0	KICK0	Kicker 0 Register. The value 83E7 0B13h must be written to KICK0 as part of the process to unlock the CPU write access to the PINMMRnn registers.

## 6.7.4 KICK\_REG1: Kicker Register 1

**Figure 6-13. KICK\_REG1: Kicker Register 1 (Offset = 3Ch)**


LEGEND: R/W = Read/Write; R = Read only; WP = Write in privileged mode only; -n = value after reset

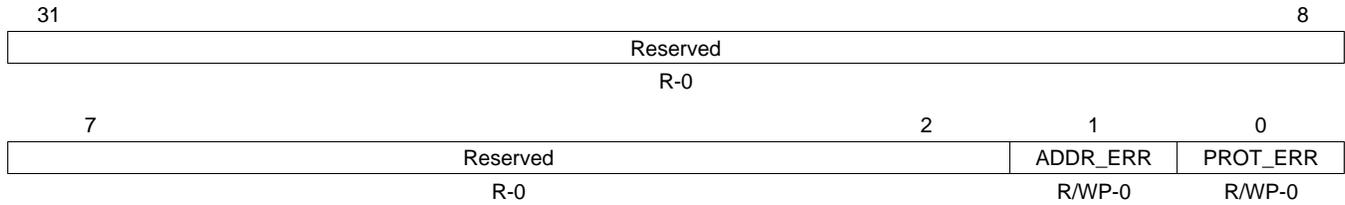
**Table 6-16. Kicker Register 1 Field Descriptions**

Bit	Field	Description
31-0	KICK1	Kicker 1 Register. The value 95A4 F1E0h must be written to the KICK1 as part of the process to unlock the CPU write access to the PINMMRnn registers.

### 6.7.5 ERR\_RAW\_STATUS\_REG: Error Raw Status / Set Register

This register shows the status of the error conditions (before enabling) and allows setting the error status.

**Figure 6-14. ERR\_RAW\_STATUS\_REG: Error Raw Status / Set Register (Offset = E0h)**



LEGEND: R/W = Read/Write; R = Read only; WP = Write in privileged mode only; -n = value after reset

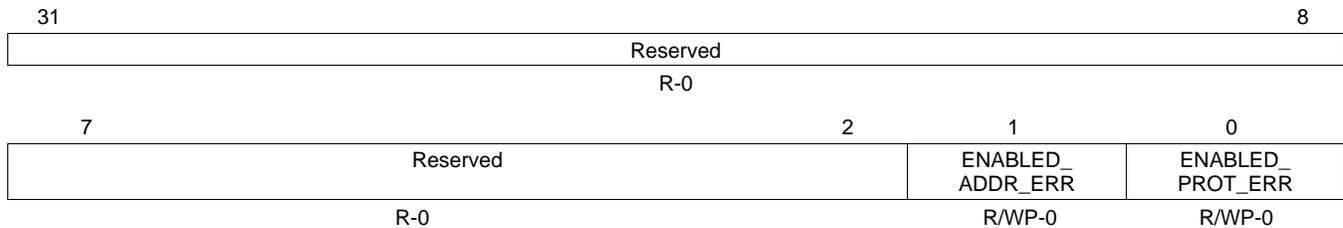
**Table 6-17. Error Raw Status / Set Register Field Descriptions**

Bit	Field	Value	Description
31-2	Reserved	0	Read returns zeros, writes have no effect.
1	ADDR_ERR	0	Addressing Error Status. An Addressing Error occurs when an unimplemented location inside the IOMM register frame is accessed. Read: Addressing Error has not occurred. Write: Writing 0 has no effect.
		1	Read: Addressing Error has been detected. Write: Addressing Error status is set.
0	PROT_ERR	0	Protection Error Status. A Protection Error occurs when any control register inside the IOMM is written in the CPU's user mode of operation. Read: Protection Error has not occurred. Write: Writing 0 has no effect.
		1	Read: Protection Error has been detected. Write: Protection Error status is set.

### 6.7.6 ERR\_ENABLED\_STATUS\_REG: Error Enabled Status / Clear Register

This register shows the status of the error conditions and allows clearing of the error status.

**Figure 6-15. ERR\_ENABLED\_STATUS\_REG: Error Enabled Status / Clear Register (Offset = E4h)**



LEGEND: R/W = Read/Write; R = Read only; WP = Write in privileged mode only; -n = value after reset

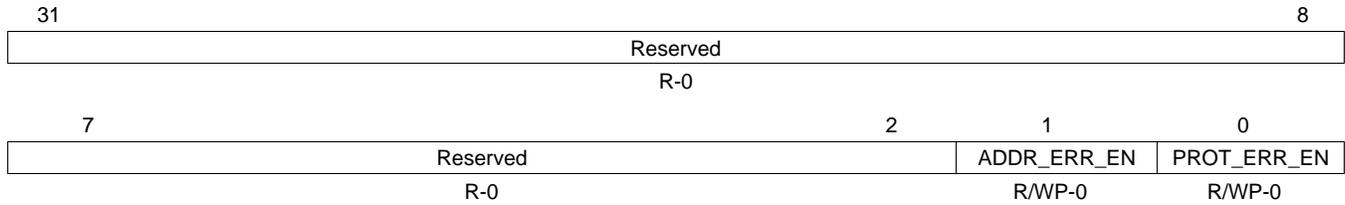
**Table 6-18. Error Signaling Enabled Status / Clear Register Field Descriptions**

Bit	Field	Value	Description
31-2	Reserved	0	Read returns zeros, writes have no effect.
1	ENABLED_ADDR_ERR	0	Addressing Error Signaling Enable and Status Clear Read: Addressing Error Signaling is disabled. Write: Writing 0 has no effect.
		1	Read: Addressing Error Signaling is enabled. Write: Addressing Error status is cleared.
0	ENABLED_PROT_ERR	0	Protection Error Signaling Enable and Status Clear Read: Protection Error Signaling is disabled. Write: Writing 0 has no effect.
		1	Read: Protection Error Signaling is enabled. Write: Protection Error status is cleared.

### 6.7.7 ERR\_ENABLE\_REG: Error Signaling Enable Register

This register shows the interrupt enable status and allows enabling of the interrupts.

**Figure 6-16. ERR\_ENABLE\_REG: Error Signaling Enable Register (Offset = E8h)**



LEGEND: R/W = Read/Write; R = Read only; WP = Write in privileged mode only; -n = value after reset

**Table 6-19. Error Enable Register Field Descriptions**

Bit	Field	Value	Description
31-2	Reserved	0	Read returns zeros, writes have no effect.
1	ADDR_ERR_EN	0	Addressing Error Signaling Enable Read: Addressing Error Signaling is disabled. Write: Writing 0 has no effect.
		1	Read: Addressing Error Signaling is enabled. Write: Addressing Error Signaling is enabled.
0	PROT_ERR_EN	0	Protection Error Signaling Enable Read: Protection Error Signaling is disabled. Write: Writing 0 has no effect.
		1	Read: Protection Error Signaling is enabled. Write: Protection Error Signaling is enabled.

### 6.7.8 ERR\_ENABLE\_CLR\_REG: Error Signaling Enable Clear Register

This register shows the error signaling enable status and allows disabling of the error signaling.

**Figure 6-17. ERR\_ENABLE\_CLR\_REG: Error Signaling Enable Clear Register (Offset = ECh)**

31	Reserved			8
R-0				
7	Reserved		2	0
			ADDR_ERR_EN_CLR	PROT_ERR_EN_CLR
R-0			R/WP-0	R/WP-0

LEGEND: R/W = Read/Write; R = Read only; WP = Write in privileged mode only; -n = value after reset

**Table 6-20. Interrupt Enable Clear Register Field Descriptions**

Bit	Field	Value	Description
31-2	Reserved	0	Read returns zeros, writes have no effect.
1	ADDR_ERR_EN_CLR	0	Addressing Error Signaling Enable Clear Read: Addressing Error signaling is disabled. Write: Writing 0 has no effect.
		1	Read: Addressing Error signaling is enabled. Write: Addressing Error signaling is disabled.
0	PROT_ERR_EN_CLR	0	Protection Error Signaling Enable Clear Read: Protection Error signaling is disabled. Write: Writing 0 has no effect.
		1	Read: Protection Error signaling is enabled. Write: Protection Error signaling is disabled.

### 6.7.9 FAULT\_ADDRESS\_REG: Fault Address Register

This register holds the address offset of the first fault transfer.

**Figure 6-18. FAULT\_ADDRESS\_REG: Fault Address Register (Offset = F4h)**

31	Reserved			16
R-0				
15	9	8	0	
Reserved			FAULT_ADDR	
R-0			R/WP-0	

LEGEND: R/W = Read/Write; R = Read only; WP = Write in privileged mode only; -n = value after reset

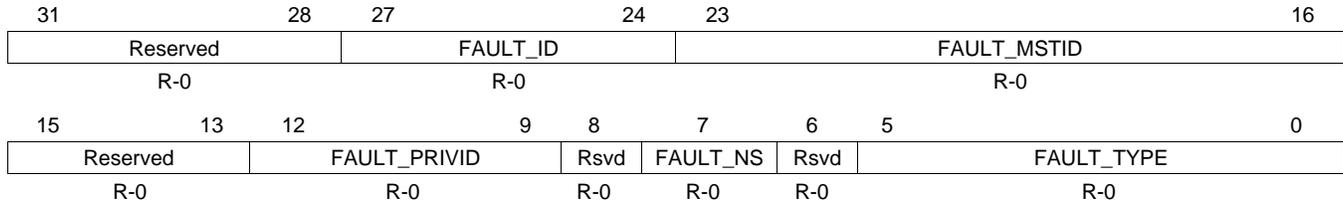
**Table 6-21. Fault Address Register Field Descriptions**

Bit	Field	Value	Description
31-9	Reserved	0	Read returns zeros, writes have no effect.
8-0	FAULT_ADDR		Fault Address. The fault address offset in case of an address error or a protection error condition.

### 6.7.10 FAULT\_STATUS\_REG: Fault Status Register

This register holds the status and attributes of the first fault transfer.

**Figure 6-19. FAULT\_STATUS\_REG: Fault Status Register (Offset = F8h)**



LEGEND: R/W = Read/Write; R = Read only; C = Clear; -n = value after reset

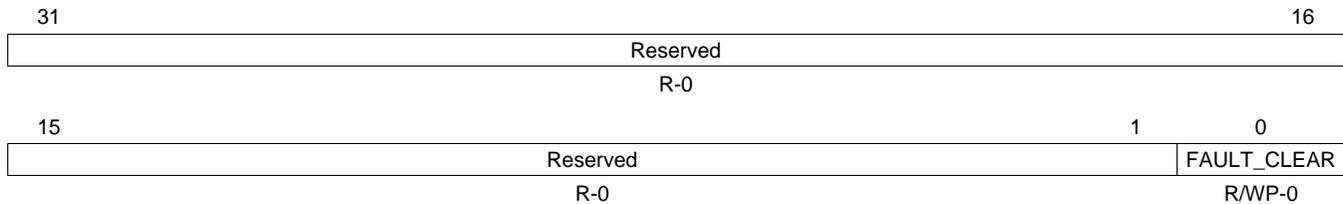
**Table 6-22. Fault Status Register Field Descriptions**

Bit	Field	Value	Description
31-28	Reserved	0	Reads return zeros, writes have no effect.
27-24	FAULT_ID		Faulting Transaction ID
23-16	FAULT_MSTID		ID of Master that initiated the faulting transaction
15-13	Reserved	0	Reads return zeros, writes have no effect.
12-9	FAULT_PRIVID		Faulting Privilege ID
8	Reserved	0	Reads return zeros, writes have no effect.
7	FAULT_NS		Fault: Non-secure access detected
6	Reserved	0	Reads return zeros, writes have no effect.
5-0	FAULT_TYPE		Type of fault detected
		0	No fault
		1h	User execute fault
		2h	User write fault
		4h	User read fault
		8h	Supervisor execute fault
		10h	Supervisor write fault
		20h	Supervisor read fault

### 6.7.11 FAULT\_CLEAR\_REG: Fault Clear Register

This register allows the application to clear the current fault so that another can be captured when 1 is written to this register.

**Figure 6-20. FAULT\_CLEAR\_REG: Fault Clear Register (Offset = FCh)**



LEGEND: R/W = Read/Write; R = Read only; WP = Write in privileged mode only; -n = value after reset

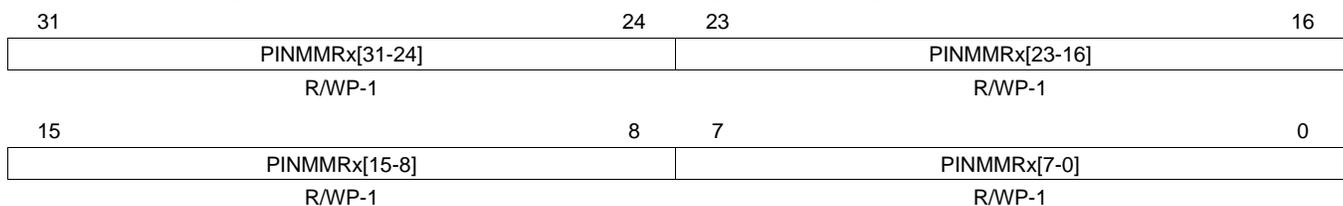
**Table 6-23. FAULT\_CLEAR\_REG: Fault Clear Register Field Descriptions**

Bit	Field	Value	Description
31-1	Reserved	0	Reads return zeros, writes have no effect.
0	FAULT_CLEAR	0	Read: Current value of the FAULT_CLEAR bit is 0. Write: Writing 0 has no effect.
		1	Read: Current value of the FAULT_CLEAR bit is 1. Write: Writing a 1 clears the current fault.

### 6.7.12 PINMMRnn: Output Pin Multiplexing Control Registers

These registers control the output multiplexing of the functionality available on each pad on the microcontroller. There are 38 such registers – PINMMR0 through PINMMR37. Each 8-bit field of a PINMMR register controls the functionality of a single ball/pin. The mapping between the PINMMR control registers and the functionality selected on a given terminal is defined in [Table 6-1](#).

**Figure 6-21. PINMMRnn: Pin Multiplexing Control Registers (Offset = 110h-1A4h)**



LEGEND: R/W = Read/Write; R = Read only; WP = Write in privileged mode only; -n = value after reset

**Table 6-24. Pin Multiplexing Control Registers Field Descriptions**

Bit	Field	Value	Description
31-24	PINMMRx[31-24]	1h	Each of these byte-fields control the functionality on a given ball/pin. Please refer to <a href="#">Table 6-1</a> for a list of multiplexed signals.
23-16	PINMMRx[23-16]	1h	
15-8	PINMMRx[15-8]	1h	
7-0	PINMMRx[7-0]	1h	

### 6.7.13 PINMMRnn: Input Pin Multiplexing Control Registers

These registers control the input multiplexing of the functionality available on each pad on the microcontroller. There are 20 such registers – PINMMR80 through PINMMR99. Each 8-bit field of a PINMMR register controls the functionality of a single ball/pin. The mapping between the PINMMR control registers and the functionality selected on a given terminal is defined in [Table 6-2](#).

**Figure 6-22. PINMMRnn: Pin Multiplexing Control Registers (Offset = 250h-29Ch)**

31	24	23	16
PINMMRx[31-24]		PINMMRx[23-16]	
R/WP-1		R/WP-1	
15	8	7	0
PINMMRx[15-8]		PINMMRx[7-0]	
R/WP-1		R/WP-1	

LEGEND: R/W = Read/Write; R = Read only; WP = Write in privileged mode only; -n = value after reset

**Table 6-25. Pin Multiplexing Control Registers Field Descriptions**

Bit	Field	Value	Description
31-24	PINMMRx[31-24]	1h	Each of these byte-fields control the functionality on a given ball/pin. Please refer to <a href="#">Table 6-2</a> for a list of multiplexed signals.
23-16	PINMMRx[23-16]	1h	
15-8	PINMMRx[15-8]	1h	
7-0	PINMMRx[7-0]	1h	

### 6.7.14 PINMMRnn: Special Functionality Multiplexing Control Registers

These registers control the special functionalities on the microcontroller. There are 20 such registers – PINMMR160 through PINMMR179. Each 8-bit field of a PINMMR register controls one special functionality. The mapping between the PINMMRx control registers and the functionality selected on a given terminal is defined in [Table 6-3](#).

**Figure 6-23. PINMMRnn: Pin Multiplexing Control Registers (Offset = 390h-3DCh)**

31	24	23	16
PINMMRx[31-24]		PINMMRx[23-16]	
R/WP-1		R/WP-1	
15	8	7	0
PINMMRx[15-8]		PINMMRx[7-0]	
R/WP-1		R/WP-1	

LEGEND: R/W = Read/Write; R = Read only; WP = Write in privileged mode only; -n = value after reset

**Table 6-26. Pin Multiplexing Control Registers Field Descriptions**

Bit	Field	Value	Description
31-24	PINMMRx[31-24]	1h	Each of these byte-fields control the functionality on a given ball/pin. Please refer to <a href="#">Table 6-3</a> for a list of multiplexed signals.
23-16	PINMMRx[23-16]	1h	
15-8	PINMMRx[15-8]	1h	
7-0	PINMMRx[7-0]	1h	

## **F021 Level 2 Flash Module Controller (L2FMC)**

---



---

The Flash electrically erasable programmable read-only memory module is a type of nonvolatile memory that has fast read access times and is able to be reprogrammed in the field or in the application. It also allows remapping of the flash to RAM spaces in order to save on repeated program/erase cycles. This chapter describes the Level 2 F021 Flash module controller (L2FMC).

Topic	Page
<b>7.1 Overview .....</b>	<b>323</b>
<b>7.2 Default Flash Configuration .....</b>	<b>324</b>
<b>7.3 EEPROM Emulation Support .....</b>	<b>324</b>
<b>7.4 SECDED .....</b>	<b>325</b>
<b>7.5 Memory Map .....</b>	<b>329</b>
<b>7.6 Deliberate ECC Errors for FMC ECC Checking .....</b>	<b>333</b>
<b>7.7 Power On, Power Off Considerations .....</b>	<b>334</b>
<b>7.8 Emulation and SIL3 Diagnostic Modes .....</b>	<b>334</b>
<b>7.9 Parameter Overlay Module (POM) .....</b>	<b>337</b>
<b>7.10 Summary of L2FMC Errors .....</b>	<b>338</b>
<b>7.11 Flash Control Registers .....</b>	<b>339</b>
<b>7.12 POM Control Registers .....</b>	<b>366</b>

## 7.1 Overview

The F021 Flash is used to provide non-volatile memory for instruction execution or data storage. The Flash can be electrically programmed and erased many times to ease code development.

Refer to the following documents for support on how to initialize and use the on-chip Flash and its API:

- *F021 (Texas Instruments 65nm Flash) Flash API Reference Guide* (literature number [SPNU501](#))

### 7.1.1 Features

- Symmetric dual port (Port A and Port B) for higher performance and concurrent access to different banks from one or more bus masters.
- Read, program and erase with a single 3.3 V supply voltage
- Supports error detection and correction
  - Single Error Correction and Double Error Detection (SECDED)
  - Error Correction Code (ECC) is evaluated in the CPU.
  - Address bits included in ECC calculation
- Provides different read modes to optimize performance and verify the integrity of Flash contents
- Provides software controllable power mode control logic
- Integrated program/erase state machine
  - Simplifies software algorithms
  - Supports simultaneous read access on up to two banks while performing a write or erase operation on any one of the remaining banks
  - Suspend command allows read access to a sector being programmed/erased
  - Fast erase and program times (for details, see the device-specific data sheet)
- Allows remapping of flash to RAM spaces through "Parameter Overlay Module" (POM)

For the actual size of the Flash memory for the device, see the device-specific data sheet.

### 7.1.2 Definition of Terms

Terms used in this document have the following meaning:

- bw - Normal data space bank data width of a Flash bank. The bw is 256 bits (288 bits including the error correction bits).
- bwe - EEPROM emulation bank is 64 bit wide (72 bits including the error correction bits).
- Bus Master - Any of CPU, DMA or other modules which can request data access.
- Charge pump: Voltage generators and associated control (logic, oscillator, and bandgap, for example).
- CSM: Program/erase command state machine
- Flash bank: A group of Flash sectors that share input/output buffers, data paths, sense amplifiers, and control logic.
- FEE - Flash EEPROM Emulation. Features on the L2FMC to support using a Flash type memory in place of an EEPROM Flash memory. EEPROM is erasable by the word while this Flash memory is only erasable by the sector. The FEE bank is accessible through the same bus as the main bank (in a special address range) and always resides in bank 7.
- Flash module: Flash banks, charge pump, and Flash wrapper.
- Flash wrapper: Power and mode control logic, data path, wait logic, and write/erase state machines.
- L2FMC - Level 2 Flash Module Controller.
- Command - A sequence of coded instructions to Flash module to execute a certain task.
- FSM (Flash State Machine) - State machine that parses and decodes FSM commands. It executes embedded algorithms and generates control signals to both Flash bank and charge pump during the actual program/erase operation.

- OTP (one-time programmable): A program-only-once Flash sector (cannot be erased)
- Sector: A contiguous region of Flash memory that must be erased simultaneously.
- Wide\_Word - the width of the data output from the Flash bank. This is 288 bits wide for main Flash banks and 72 bits wide for the FEE bank.
- Prefetch Mode - Provides higher performance by fetching the subsequent cache line ahead of the actual request.
- Read Margin 1 mode: More stringent read mode designed for early detection of marginally erased bits.
- Read Margin 0 mode: More stringent read mode designed for early detection of marginally programmed bits.
- Implicit read - At startup the L2FMC performs multiple automatic reads from OTP to read device settings.
- Bus Error - L2FMC will generate a bus error to the bus master on certain accesses for example, writes to flash on Port A/Port B or access to addresses beyond the available flash space.
- POM - Parameter Overlay Module provides a method to remap the flash when there is a need to have different values in the flash contents without actually erasing and reprogramming the flash.

### 7.1.3 F021 Flash Tools

Texas Instruments provides the following tools for F021 Flash:

- [nowECC](#) Generation Tool - to generate the Flash ECC from the Flash data.
- [UNIFLASH](#) Programming Tool - to erase/program/verify the device Flash content through JTAG.
- Code Composer Studio - the development environment with integrated Flash programming capabilities.
- F021 Flash API Library - a set of software peripheral functions to program/erase the Flash module. Refer to *F021 Flash API Reference Guide* (literature number [SPNU501](#)) for more information.

## 7.2 Default Flash Configuration

At power up, the Flash module state exhibits the following properties:

- Wait states are set to 1 data wait state. An implicit address wait states are set to 1 and cannot be changed.
- Prefetch mode is enabled
- The Flash content is protected from modification
- Power modes are set to *Active* (no power savings)
- The boot code must initialize the wait states and the desired prefetch mode by initializing the FRDCNTL register to achieve the optimum system performance. This needs to be done before switching to the final device operating frequency.

## 7.3 EEPROM Emulation Support

Several features of the L2FMC support EEPROM emulation. They are listed here.

- In order to allow zeroing out used portions of flash when the table has to be moved to a new block, L2FMC allows replacing the all-zero ECC with the correct ECC value of an all-zero 64b data. This is enabled by setting the EE\_FEDACCTRL1.EZCV bit at address offset 8h.
- Similarly, in order to be able to read the flash after successfully erasing it, L2FMC will compute the correct ECC for all-ones 64b data. This is enabled by setting the EE\_FEDACCTRL1.EOCV bit at address offset 8h.
- Normally, for ECC to correctly work all the 64b of data must be programmed into the Flash. However, it is not uncommon to program partial words in the EEPROM Emulation bank. In order to allow this, L2FMC provides the FEDACSDIS and FEDACSDIS2 registers that identifies up to 4 chosen sectors where partial words may be programmed. In such a case, L2FMC computes ECC on the fly for these sectors thus avoiding any errors.

## 7.4 SECDED

The Flash memory can be protected by Single Error Correction Double Error Detection (SECDED). This protection is enabled by the SECDED circuit inside of the bus master.

### 7.4.1 SECDED Initialization

Flash error detection and correction is enabled at reset.

The ECC values for all of the flash memory space (flash banks 0 through 6) must be programmed into the flash before the program/data can be read. This can be done by generating the correct values of the ECC with an external tool such as [nowECC](#) or may be generated by the programming tool. The Cortex R5F CPU may generate speculative fetches to any location within the flash memory space. A speculative fetch to a location with invalid ECC, which is subsequently not used, will not create an abort, but will set the ESM flags for a correctable or uncorrectable error. An uncorrectable error will unconditionally cause the nERROR pin to toggle low. Therefore care must be taken to generate the correct ECC for the entire flash space including the holes between sections and any unused or blank flash areas.

The Cortex R5F CPU does not generate speculative fetches into the address space of bank 7, the EEPROM Emulation flash. Therefore, it is only necessary to initialize the ECC values of the locations which will be intentionally read by the CPU or other bus masters.

### 7.4.2 ECC Encoding

Twenty-nine address lines are also included in the ECC calculation. A failure of a single address line inside of the bank will result in an uncorrectable error at the bus master. The ECC encoding is shown in [Table 7-1](#).

**Table 7-1. ECC Encoding**

		9	9	9	8	8	8	8	8	8	8	8	8	8	8	7	7	7	7	7	7	7	7	7	7	6	6	6	6	6	6	
		2	1	0	9	8	7	6	5	4	3	2	1	0	9	8	7	6	5	4	3	2	1	0	9	8	7	6	5	4		
		Participating Address Bits																														
ADDR_MSW_LSW	ECC Bit	3	3	2	2	2	2	2	2	2	2	2	2	1	1	1	1	1	1	1	1	1	1	1	0	0	0	0	0	0	0	
1FC007F_00FFFF00_FF0000FF	7	x	x	x	x	x	x	x																		x	x	x	x	x	x	x
3FFF80_FF0000FF_FF0000FF	6								x	x	x	x	x	x	x	x	x	x	x	x	x	x	x	x								
1FC07F80_FF00FF00_FF00FF00	5	x	x	x	x	x	x	x								x	x	x	x	x	x	x	x	x								
FC19F83_C0FCC0FC_C0FCC0FC	4		x	x	x	x	x	x						x	x				x	x	x	x	x	x							x	x
13C6A78D_38E338E3_38E338E3	3	x			x	x	x	x					x	x		x					x	x	x	x					x	x		x
14DAA9B5_A699A699_A699A699	2	x		x				x	x		x	x		x		x			x					x	x		x	x		x		x
1D68BAD1_15571557_15571557	1	x	x	x			x		x	x		x				x			x	x	x		x		x	x		x				x
A7554EA_B4D1B4D1_4B2E4B2E	0		x		x				x	x	x		x		x			x		x				x	x	x		x		x		x

Participating Data Bits																																								
6	6	6	6	5	5	5	5	5	5	5	5	4	4	4	4	4	4	4	4	4	4	4	4	3	3	3	3	3	3	3	3	3	2	2	2					
3	2	1	0	9	8	7	6	5	4	3	2	1	0	9	8	7	6	5	4	3	2	1	0	9	8	7	6	5	4	3	2	1	0	9	8	7				
								x	x	x	x	x	x	x	x	x	x	x	x	x	x	x													x	x	x	x	x	
x	x	x	x	x	x	x	x																	x	x	x	x	x	x	x	x	x	x	x	x	x	x	x		
x	x	x	x	x	x	x	x								x	x	x	x	x	x	x	x												x	x	x	x	x		
x	x							x	x	x	x	x	x											x	x	x	x	x	x						x	x				
		x	x	x				x	x	x				x	x									x	x	x								x	x			x	x	
x		x			x	x		x			x	x				x							x											x	x					
			x	x			x			x														x															x	
x		x	x		x			x	x															x	x															x

Participating Data Bits																				Parity <sup>(1)</sup>	Check Bits <sup>(2)</sup>																			
2	2	2	2	2	2	2	1	1	1	1	1	1	1	1	1	1	0	0	0			0	0	0	0	0	0	0	0	0	0	0	0	0	0	0	0			
6	5	4	3	2	1	0	9	8	7	6	5	4	3	2	1	0	9	8	7	6	5	4	3	2	1	0	9	8	7	6	5	4	3	2	1	0				
x	x	x																				x	x	x	x	x	x	x	x	x	x	x	x	x	x	x	x			
x	x	x																					x	x	x	x	x	x	x	x	x	x	x	x	x	x	x			
x	x	x																																						
			x	x	x	x	x																																	
			x	x	x																																			
x	x		x				x	x																																
x		x		x			x	x	x																															
	x	x			x			x	x	x																														

(1) For Odd parity, XOR a 1 to the row's XOR result. For even Parity, use the row's XOR result directly.  
 (2) Each ECC[x] represents the XOR of all the address and data bits marked with x in the same row.

### 7.4.3 Syndrome Table: Decode to Bit in Error

The syndrome is an 8-bit value that decodes to the bit in error. The bit in error can be a bit among the 64 data bits or a bit among the 8 ECC check bits. A syndrome value of 0000 0000 indicates there is no error. Any other syndrome combinations not shown in the table are uncorrectable multi-bit error. Errors of three or more bits may escape detection. The syndrome decoding is shown in [Table 7-2](#).

**Table 7-2. Syndrome Table**

Data Bit Error Position																																						
6 3	6 2	6 1	6 0	5 9	5 8	5 7	5 6	5 5	5 4	5 3	5 2	5 1	5 0	4 9	4 8	4 7	4 6	4 5	4 4	4 3	4 2	4 1	4 0	3 9	3 8	3 7	3 6	3 5	3 4	3 3	3 2	3 1	3 0	2 9	2 8	2 7		
0	0	0	0	0	0	0	0	1	1	1	1	1	1	1	1	1	1	1	1	1	1	1	1	0	0	0	0	0	0	0	0	0	0	1	1	1	1	1
1	1	1	1	1	1	1	1	0	0	0	0	0	0	0	0	0	0	0	0	0	0	0	0	1	1	1	1	1	1	1	1	1	1	1	1	1	1	
1	1	1	1	1	1	1	1	0	0	0	0	0	0	0	0	1	1	1	1	1	1	1	1	0	0	0	0	0	0	0	0	0	0	1	1	1	1	1
1	1	0	0	0	0	0	0	1	1	1	1	1	1	0	0	1	1	0	0	0	0	0	0	1	1	1	1	1	1	1	0	0	1	1	0	0	0	
0	0	1	1	1	0	0	0	1	1	1	0	0	0	1	1	0	0	1	1	1	0	0	0	1	1	1	0	0	0	1	1	0	0	1	1	1	1	
1	0	1	0	0	1	1	0	1	0	0	1	1	0	0	1	1	0	1	0	0	1	1	0	1	0	0	1	1	0	0	1	1	0	1	0	0	0	
0	0	0	1	0	1	0	1	0	1	0	1	0	1	1	1	0	0	0	1	0	1	0	1	0	1	0	1	0	1	1	1	0	0	0	1	0	0	
1	0	1	1	0	1	0	0	1	1	0	1	0	0	0	1	1	0	1	1	0	1	0	0	1	1	0	1	0	0	0	1	0	1	0	0	1	0	

Data Bit Error Position																								ECC Error Bit													
2 6	2 5	2 4	2 3	2 2	2 1	2 0	1 9	1 8	1 7	1 6	1 5	1 4	1 3	1 2	1 1	1 0	0 9	0 8	0 7	0 6	0 5	0 4	0 3	0 2	0 1	0 0	0 7	0 6	0 5	0 4	0 3	0 2	0 1	0 0			
1	1	1	0	0	0	0	0	0	0	0	0	0	0	0	0	0	0	0	1	1	1	1	1	1	1	1	1	0	0	0	0	0	0	0	0	Bit[7]	
1	1	1	0	0	0	0	0	0	0	0	0	0	0	0	0	0	0	0	1	1	1	1	1	1	1	1	0	1	0	0	0	0	0	0	0	Bit[6]	
1	1	1	0	0	0	0	0	0	0	0	1	1	1	1	1	1	1	0	0	0	0	0	0	0	0	0	1	0	0	0	0	0	0	0	0	Bit[5]	
0	0	0	1	1	1	1	1	1	0	0	1	1	0	0	0	0	0	0	1	1	1	1	1	1	1	0	0	0	0	0	0	1	0	0	0	0	Bit[4]
0	0	0	1	1	1	0	0	0	1	1	0	0	1	1	1	0	0	0	1	1	1	0	0	0	1	1	0	0	0	0	0	1	0	0	0	0	Bit[3]
1	1	0	1	0	0	1	1	0	0	1	1	0	1	0	0	1	1	0	1	0	0	1	1	0	0	1	0	0	0	0	0	0	1	0	0	0	Bit[2]
1	0	1	0	1	0	1	0	1	1	1	0	0	0	1	0	1	0	1	0	1	0	1	0	1	0	1	0	1	0	0	0	0	0	0	1	0	Bit[1]
0	1	1	0	0	1	0	1	1	1	0	0	1	0	0	1	0	1	1	0	0	1	0	1	1	1	0	0	0	0	0	0	0	0	0	1	0	Bit[0]

### 7.4.4 Syndrome Table: An Alternate Method

**Table 7-3. Alternate Syndrome Table**

Syndrome LSB: 3:0	Syndrome MSB 7:4															
	0x	1x	2x	3x	4x	5x	6x	7x	8x	9x	Ax	Bx	Cx	Dx	Ex	Fx
x0	good	E04	E05	D	E06	D	D	D62	E07	D	D	D46	D	M	M	D
x1	E00	D	D	D14	D	M	M	D	D	M	M	D	M	D	D	D30
x2	E01	D	D	M	D	D34	D56	D	D	D50	D40	D	M	D	D	M
x3	D	D18	D08	D	M	D	D	M	M	D	D	M	D	D02	D24	D
x4	E02	D	D	D15	D	D35	D57	D	D	D51	D41	D	M	D	D	D31
x5	D	D19	D09	D	M	D	D	D63	M	D	D	D47	D	D03	D25	D
x6	D	D20	D10	D	M	D	D	M	M	D	D	M	D	D04	D26	D
x7	M	D	D	M	D	D36	D58	D	D	D52	D42	D	M	D	D	M
x8	E03	D	D	M	D	D37	D59	D	D	D53	D43	D	M	D	D	M
x9	D	D21	D11	D	M	D	D	M	M	D	D	M	D	D05	D27	D
xA	D	D22	D12	D	D33	D	D	M	D49	D	D	M	D	D06	D28	D
xB	D17	D	D	M	D	D38	D60	D	D	D54	D44	D	D01	D	D	M
xC	D	D23	D13	D	M	D	D	M	M	D	D	M	D	D07	D29	D
xD	M	D	D	M	D	D39	D61	D	D	D55	D45	D	M	D	D	M
xE	D16	D	D	M	D	M	M	D	D	M	M	D	D00	D	D	M
xF	D	M	M	D	D32	D	D	M	D48	D	D	M	D	M	M	D

- E0x - Single bit ECC error, correctable
- Dxx - Single bit data error, correctable
- D - Double bit error, uncorrectable
- M - Multibit errors, uncorrectable

## 7.5 Memory Map

The Flash module contains the program memory, which is mapped starting at location zero, and one Customer OTP sector and one TI OTP sector per bank. The Customer OTP sectors may be programmed by the customer, but cannot be erased. They are typically blank in new parts. The TI OTP sectors are used to contain manufacturing information. They may be read by the customer but can not be programmed or erased. The TI OTP sectors contain settings used by the Flash API to setup the Flash state machine for erase and program operations.

All of these OTP regions are memory-mapped to facilitate ease of access by the CPU. They are memory-mapped to an offset starting at F000 0000h in the CPUs memory map.

The RWAIT value is used to define the number of wait states for the program memory flash. The EWAIT value is used to define the number of wait states for the data flash in bank 7. Bank 7 starting at offset F020 0000h is dedicated for data storage such as EEPROM Emulation.

### 7.5.1 Location of Flash ECC Bits

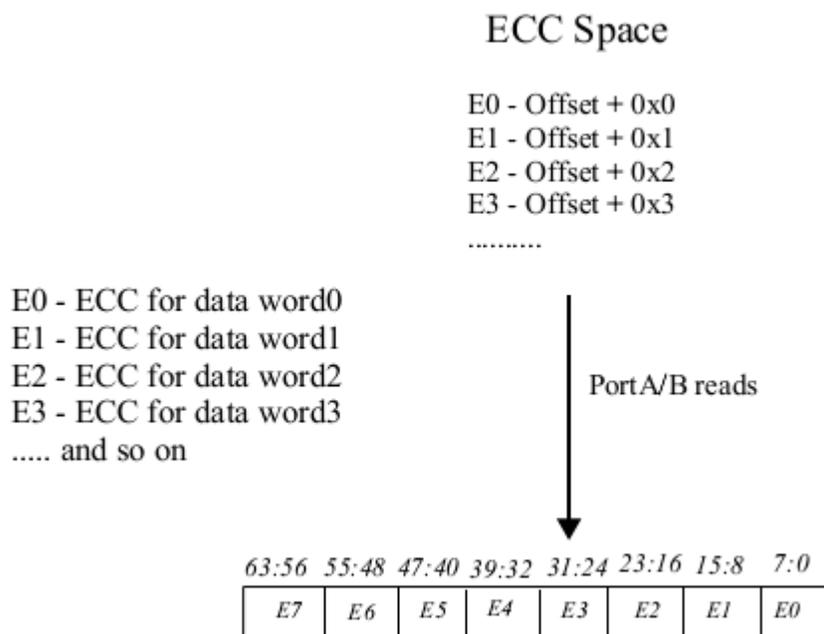
The ECC bits are packed in their memory space as shown in [Figure 7-1](#).

---

**NOTE:** Unlike previous versions of this module, all the ECC bytes corresponding to the address and size of access are returned. For example, if a Load Multiple (LDM) was used to fetch 32 bytes of ECC, all of the actual bytes corresponding to the range of the access are returned. There is no replication of the bytes returned.

---

**Figure 7-1. ECC Byte Mapping**



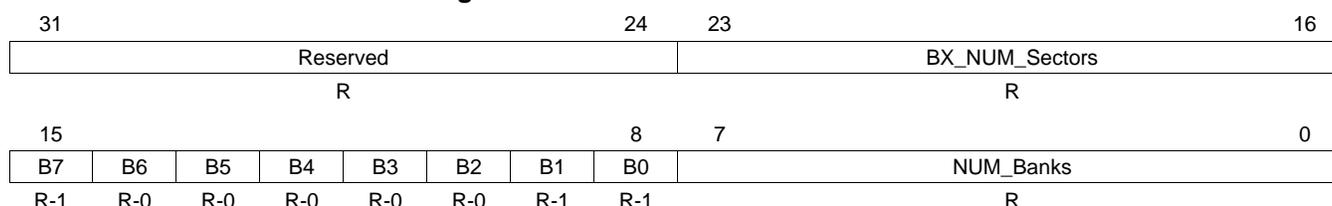
## 7.5.2 OTP Memory

### 7.5.2.1 Flash Bank and Sector Sizes

Flash Bank/Sectoring information can be determined from the device-specific datasheet or can be computed by reading locations in the TI OTP and L2FMC registers.

The number of banks, which banks are available, and the number of sectors for bank 0 can be read from TI OTP location F008 0158h as shown in [Figure 7-2](#) and described in [Table 7-4](#).

**Figure 7-2. TI OTP Bank 0 Sector Information**



LEGEND: R = Read only

**Table 7-4. TI OTP Bank 0 Sector Information Field Descriptions**

Bit	Field	Value	Description
31-24	Reserved	0	Reserved. All bits will be read as 0.
23-16	BX_NUM_Sectors	1-32	Number of sectors in this bank.
15	B7	1	1 = Bank 7 is present
14	B6	0	0 = Bank 6 is not present
13	B5	0	0 = Bank 5 is not present
12	B4	0	0 = Bank 4 is not present
11	B3	0	0 = Bank 3 is not present
10	B2	0	0 = Bank 2 is not present
9	B1	1	1 = Bank 1 is present
8	B0	1	1 = Bank 0 is present
7-0	NUM_Banks	3	Number of banks on this part.

The bank sector information is repeated once for each bank in the device. The number of sectors is unique for each bank. The number of banks and which banks are implemented is repeated in each location. Use the TI OTP information for bank 0 to determine which banks are in the device, and then read the number of sectors for each bank using the TI OTP locations shown in [Table 7-5](#).

**Table 7-5. TI OTP Sector Information Address**

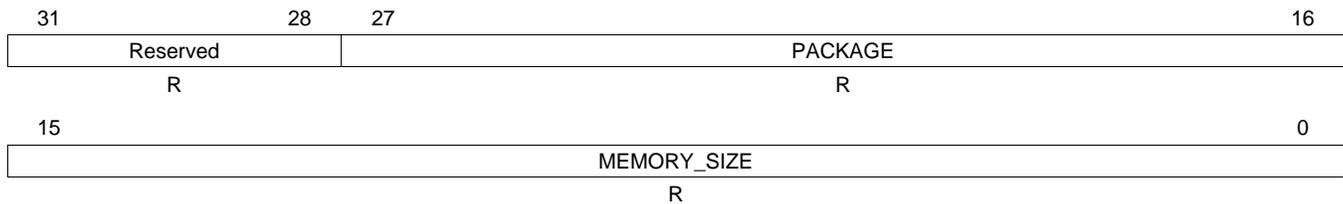
Bank	TI OTP Address
0	F008 0158h
1	F008 2158h
2	F008 4158h
3	F008 6158h
4	F008 8158h
5	F008 A158h
6	F008 C158h
7	F008 E158h

### 7.5.2.2 Package and Memory Size

Package and memory size information can be determined from the device-specific datasheet, or can be computed by reading locations in the TI OTP Bank 0 registers.

The package and memory size can be read from TI OTP location F008 015Ch as shown in [Figure 7-3](#) and described in [Table 7-6](#).

**Figure 7-3. TI OTP Bank 0 Package and Memory Size Information**



LEGEND: R = Read only

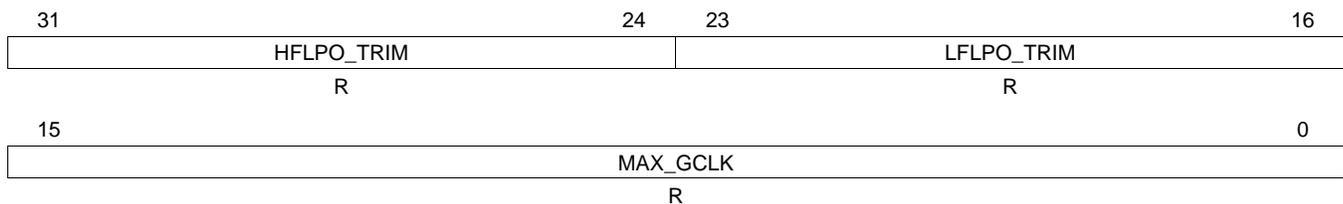
**Table 7-6. TI OTP Bank 0 Package and Memory Size Information Field Descriptions**

Bit	Field	Description
31-28	Reserved	Reserved
27-16	PACKAGE	Count of pins in the package
15-0	MEMORY_SIZE	Flash memory size in Kbytes

### 7.5.2.3 LPO Trim and Max HCLK

The HF LPO trim solution, LF LPO trim solution and maximum GCLK frequency can be read from TI OTP location F008 01B4h as shown in [Figure 7-4](#) and described in [Table 7-7](#).

**Figure 7-4. TI OTP Bank 0 LPO Trim and Max HCLK Information**



LEGEND: R = Read only

**Table 7-7. TI OTP Bank 0 LPO Trim and Max HCLK Information Field Descriptions**

Bit	Field	Description
31-24	HFLPO_TRIM	HF LPO Trim Solution
23-16	LFLPO_TRIM	LF LPO Trim Solution
15-0	MAX_GCLK	Maximum GCLK Speed

### 7.5.2.4 Part Number Symbolization

Device part number symbolization information can be determined from the device-specific datasheet or can be computed by reading locations in the TI OTP bank 0 registers.

For example the device part number symbolization "RM57L843ZWT" can be read from TI OTP bank 0 location F008 01E0h through F008 01FFh as shown in [Figure 7-5](#). The part number is stored as a null terminated ASCII string.

**Figure 7-5. TI OTP Bank 0 Symbolization Information (F008 01E0h-F008 01FFh)**

0x00	0x01	0x02	0x03	0x04	0x05	0x06	0x07	0x08	0x09	0x0A	0x0B	0x0C	0x0D	0x0E	0x0F
0x52	0x4D	0x35	0x37	0x4C	0x38	0x34	0x33	0x5A	0x57	0x54	0x54	0x00	0x00	0x00	0x00
R															
0x10	0x11	0x12	0x13	0x14	0x15	0x16	0x17	0x18	0x19	0x1A	0x1B	0x1C	0x1D	0x1E	0x1F
0x51	0x51	0x31	0x00	0x00	0x00	0x00	0x00	0x00	0x00	0x00	0x00	0x00	0x00	0x00	0x00
R															

LEGEND: R = Read only

### 7.5.2.5 Temperature Sensor

There are three temperature sensors that can be used to read the internal junction temperature on this device. The temperature sensors are connected to the ADC converter. See [Section 6.5.13](#) for information on how to select the temperature sensors. During device testing, the value read from the ADC along with the junction temperature of the silicon was recorded in the OTP at three different temperatures. These values can be read from TI OTP starting at location F008 0310h as shown in [Figure 7-6](#) and described in [Table 7-8](#). The values recorded were measured with ADREFHI equal to 3.3V.

**Figure 7-6. TI OTP Bank 0 Temperature Sensor 1 Calibration Information (F008 0310h-F008 031Fh)**

0x00	0x02	0x04	0x06	0x08	0x0A	0x0C	0x0E
S1TEMP1	S1TEMP1VAL	S1TEMP2	S1TEMP2VAL	S1TEMP3	S1TEMP3VAL	0xFFFF	0xFFFF
R	R	R	R	R	R	R	R

LEGEND: R = Read only

**Figure 7-7. TI OTP Bank 0 Temperature Sensor 2 Calibration Information (F008 0320h-F008 032Fh)**

0x00	0x02	0x04	0x06	0x08	0x0A	0x0C	0x0E
S2TEMP1	S2TEMP1VAL	S2TEMP2	S2TEMP2VAL	S2TEMP3	S2TEMP3VAL	0xFFFF	0xFFFF
R	R	R	R	R	R	R	R

LEGEND: R = Read only

**Figure 7-8. TI OTP Bank 0 Temperature Sensor 3 Calibration Information (F008 0330h-F008 033Fh)**

0x00	0x02	0x04	0x06	0x08	0x0A	0x0C	0x0E
S3TEMP1	S3TEMP1VAL	S3TEMP2	S3TEMP2VAL	S3TEMP3	S3TEMP3VAL	0xFFFF	0xFFFF
R	R	R	R	R	R	R	R

LEGEND: R = Read only

**Table 7-8. TI OTP Bank 0 Temperature Sensor Calibration Information Field Descriptions**

Address	Width	Field	Description
F008 03x0h	16 bits	SxTEMP1	The temperature in degrees Kelvin at which the lowest calibration measurement was taken.
F008 03x2h	16 bits	SxTEMP1VAL	The value read from the ADC for this sensor at the lowest calibration temperature.
F008 03x4h	16 bits	SxTEMP2	The temperature in degrees Kelvin at which the midpoint calibration measurement was taken.
F008 03x6h	16 bits	SxTEMP2VAL	The value read from the ADC for this sensor at the midpoint calibration temperature.
F008 03x8h	16 bits	SxTEMP3	The temperature in degrees Kelvin at which the highest calibration measurement was taken.
F008 03xAh	16 bits	SxTEMP3VAL	The value read from the ADC for this sensor at the highest calibration temperature.
F008 03xCh	16 bits	0xFFFF	Reserved
F008 03xEh	16 bits	0xFFFF	Reserved

## 7.6 Deliberate ECC Errors for FMC ECC Checking

Deliberate single bit and double bit errors have been placed in the OTP for checking the L2FMC ECC functionality. Any portion of the 64 bits in TI OTP bank 0 location F008 03F0h through F008 03F7h as shown in [Figure 7-9](#) will generate a single bit error. Any portion of the 64 bits in TI OTP bank 0 location F008 03F8h through F008 03FFh as shown in [Figure 7-9](#) will generate a double bit error.

**Figure 7-9. TI OTP Bank 0 Deliberate ECC Error Information**

0x00	0x04	0x08	0x0C
0x12345678	0x9ABCDEF1	0x12345678	0x9ABCDEF3
R	R	R	R

LEGEND: R = Read only, \* ECC is calculated for the value 0x123456789ABCDEF0

## 7.7 Power On, Power Off Considerations

### 7.7.1 Error Checking at Power On

As the device is coming out of the device reset sequence, the flash wrapper reads a configuration word from the TI OTP section of bank zero. These are known as Implicit Reads. This is also readable from a bus master at address 0xF0080140. During these reads ECC is enabled. Single bit errors are corrected and uncorrectable errors will generate an error event. Accordingly, the IMPLICIT\_COR\_ERR or the IMPLICIT\_UNC\_ERR bits in the FEDAC\_GBLSTATUS register (offset=1ch) will get set. Refer the datasheet to find the ESM group and channel number on which it is triggered.

### 7.7.2 Flash Integrity at Power Off

If power is lost during a programming or erase operation, a power-on reset must be asserted before the core supply voltage drops below specification. The PORRST pin has a glitch filter that means that the PORRST pin must be asserted low  $t_{(nPORRST)}$  (2  $\mu$ s) before the core supply drops below  $V_{CC_{MIN}}$  (1.14V). If this requirement is met, then the bits being programmed when PORRST goes low are indeterminate, however the other bits in the flash are not disturbed. Likewise, If this requirement is met, and  $\overline{PORRST}$  is asserted while erasing, the sector or sectors being erased will have indeterminate bits, however the other sectors in the same bank, and the other banks will not be disturbed.

## 7.8 Emulation and SIL3 Diagnostic Modes

### 7.8.1 System Emulation

During emulation when the SUSPEND signal is high address tag and command parity error events are not generated.

### 7.8.2 Diagnostic Mode

Flash wrapper can be put in diagnostic mode to verify various logic. There are multiple diagnostic modes supported by the wrapper. A specific diagnostic mode is selected via the DIAGMODE control bits in the diagnostic control register (FDIAGCTRL).

The diagnostic mode is only enabled by a 4-bit key stored in the DIAG\_EN\_KEY bits. Only DIAG\_EN\_KEY = 5h enables any diagnostic mode and all diagnostic modes use the DIAG\_TRIG to initiate the action.

For all modes it is best to follow this sequence:

1. Write 5h to the DIAG\_EN\_KEY bits and set the desired DIAGMODE.
2. Set any data registers needed for this mode.
3. Write a 1 to the DIAG\_TRIG bit to initiate the action and allow error to happen.
4. Write a Ah to DIAG\_EN\_KEY bits to exit the diagnostic modes.

**Table 7-9. DIAGMODE Encoding**

Mode	DIAGMODE Bits			Description
0	0	0	0	Diagnostic mode is disabled. Same as DIAG_EN_KEY not equal to 5h.
5	1	0	1	Address Tag Register test mode
7	1	1	1	ECC Data Correction
Others	Other Combinations			Reserved

### 7.8.2.1 Address Tag Register Test Mode 5: DIAGMODE = 5

There are six sets of address tag registers, two for PortA and four for PortB. Each set consists of a primary and a duplicate address tag registers. Normally, these registers store the recently issued CPU addresses during prefetch mode. To detect errors in these registers, the primary and duplicate address tag registers are continuously compared to each other if the buffer is valid. If they are different, then an address tag register error event is generated.

These registers are memory mapped. All primary address tag registers are memory mapped to one address and likewise, all duplicate tag registers are mapped to another single address. During diagnostic mode, each individual set can be selected via the 3-bit DIAG\_BUF\_SEL (Diagnostic buffer select) register. User supplied values can be written into the selected set during a diagnostic mode. This diagnostic mode uses the FRAW\_ADDR register to supply the alternate address. When the DIAG\_TRIG is set, the FRAW\_ADDR value is compared with the primary and the duplicate address tag registers. If the results of the comparison are different, then the ADD\_TAG\_ERR (Address Tag Error) flag in FEDAC\_PxSTATUS will be set. Also, refer the device datasheet for the specific error channel which will be asserted in this situation. This diagnostic mode uses the FRAW\_ADDR register to supply the alternate address when DIAG\_TRIG is set. The sequence to do this test would be:

1. Branch to a non-flash region for executing this sequence. Ensure no requests from any bus master are arriving at the port (A or B) that is being diagnosed.
2. Set DIAG\_MODE to 5 and DIAG\_EN\_KEY to 5 in the FDIAGCTRL register.
3. Select the appropriate buffer to be diagnosed using the DIAG\_BUF\_SEL field of the FDIAGCTRL register using the table in [Section 7.11.22](#).
4. Set the FRAW\_ADDR register to a certain arbitrary value 'A'. The lowest 5 bits should be set to 0.
5. Set the FPRIM\_ADD\_TAG register and the FDUP\_ADD\_TAG register in such a way that one of them equals 'A' and the other one does not. The lowest 5 bits in both these writes should be set to 0.
6. Set the DIAG\_TRIG bit in FDIAGCTRL register.
7. Now check the appropriate ADD\_TAG\_ERR bit based on the port being diagnosed. Ensure that it is '1' implying successful operation of the compare logic.
8. Write '1' to the ADD\_TAG\_ERR bit to clear it.
9. Repeat for the different buffers.
10. At the end of the test set DIAG\_MODE to 0 and DIAG\_EN\_KEY field to 0xA to completely disable the test.

All address tags and buffer valid bits will be set to zero when leaving diag\_mode 5.

---

**NOTE:** You should pre-load the registers with the test values with DIAG\_TRIG = 0. After all test values are written, the DIAG\_TRIG should then be set high to validate the diagnostic result.

---

### 7.8.2.2 ECC Data Correction Diagnostic Mode 7: DIAGMODE = 7

Testing the error correction and ECC logic in the CPU involves corrupting the ECC value returned to the CPU. By inverting one or more bits of the ECC, the CPU will detect errors in a selected data or ECC bit, or in any possible value returned by the ECC.

To set an error for a particular bit use the syndrome, see [Table 7-3](#). For instance, if you want to corrupt data bit 62 then put the value 70h into the test register.

The method uses the FEMU\_ECC register and the FEMU\_DxSW registers to alter the ECC and data respectively for one flash access port read. The values in the FEMU\_ECC and FEMU\_DxSW registers will be XORed with the current ECC and data respectively to give a bad ECC or data value back to the bus master. This will only occur for one read when the DIAG\_MODE is 7, the DIAG\_EN\_KEY in the FDIAGCTRL is 5 and the DIAG\_TRIG is written with value '1' in FDIAGCTRL.

The sequence to do this test is:

1. Branch to a non-flash region to execute this sequence.
2. Set DIAG\_MODE to 7 and DIAG\_EN\_KEY to 5. These fields are both present in the FDIAGCTRL register.
3. Set desired values to XOR in the FEMU\_ECC and FEMU\_DxSW registers.
4. Set DIAG\_TRIG to 1 in the FDIAGCTRL register.
5. Select the appropriate port in which the flip is desired using the DIAG\_BUF\_SEL field of the FDIAGCTRL register. Only legal values are 0 for port A and 4 for port B.
6. Do a port A or B read to the desired address. The L2FMC will XOR the data and ECC with FEMU\_DxSW and FEMU\_ECC respectively for this read before delivering it to the CPU. No further reads are affected by this diagnostic.
7. The error routine of the bus master (for example, CPU) shall cause the address and erroneous bit to be known. This should match with the bit flipped in step 3.
8. Repeat as necessary to test out various bits of data and ECC.
9. Set DIAG\_MODE to 0 and the DIAG\_EN\_KEY to 0xA to completely disable this test.

---

**NOTE:** Make sure the address to be used for diagnostic is not already cached; otherwise, the read will read from the cache memory instead of the flash.

---

### 7.8.3 Diagnostic Mode Summary

[Table 7-10](#) gives a summary of the input registers needed for each mode, the possible registers that can change, and the possible error bits in FEDACSTATUS that may set.

**Table 7-10. Diagnostic Mode Summary**

DIAG MODE	Name	Inputs	Possible Outputs	Possible Error Bits Set	Notes
5	Address Tag	FPRIM_ADD_TAG  FDUP_ADD_TAG FRAW_ADDR		ADD_TAG_ERR in FEDAC_PxSTATUS register	This will cause ESM error. Please refer to the data manual to find group and channel number.
6	Reserved				
7	ECC test	FEMU_ECC, FEMU_DxSW	Bus master will indicate data ECC single bit or multi-bit error.	None	This will cause ESM error. Please refer to the data manual to find group and channel number.

### 7.8.4 SECEDED Software Diagnostic

The SECEDED block is used to perform error detection and correction on the implicit reads made after reset by L2FMC. To simplify the diagnostic for this logic, a software mechanism is used. To check that the SECEDED module correctly performed its operation following steps must be used:

1. CPU reads the 64bit memory location of the implicit read. For example, implicit read location is at 0xF008\_0140.
2. Next, CPU reads the memory mapped registers RCR\_VALUE<sub>x</sub> registers accessible at address offsets D0h and D4h.
3. The two 64bit values read in steps 1 and 2 are compared for being equal.
4. If the two values are equal then the location in memory after correction by the CPU SECEDED is the same value as location in memory after correction by L2FMC SECEDED. Assuming the CPU SECEDED can be independently verified, the L2FMC SECEDED must be functioning correctly.
5. If the two values are not equal, then L2FMC SECEDED is not functioning correctly.

### 7.8.5 Read Margin

When the bits are programmed or erased, they are checked against a program\_verify or erase\_verify reference level that is far away from the normal read reference point. Over time, bit levels may drift toward the normal read point and if it is too much then a bit will read the wrong value. To counteract this, the bits can be read using different read\_margin reference points to give an early detection of the problem. The bits can then be either re-programmed (most common) or the sector can be erased and reprogrammed.

## 7.9 Parameter Overlay Module (POM)

In many applications it is important to be able to change certain parameters in the program without having to re-flash the device and immediately test these changes either in a hardware-in-the-loop simulation or in a real environment. The Parameter Overlay Module (POM) helps to achieve this goal. The POM provides a mechanism to redirect accesses to non-volatile memory into a volatile memory which can be internal to the device or external. The data requested by the master will be fetched from the overlay memory instead of the main non-volatile memory. The overlay memory can be accessed by other masters in the system to provide an easy update path of the stored data. Other masters can be for example the main CPU, DMA, DMM or DAP AHB-AP.

### 7.9.1 Example Procedure to Configure the POM

Suppose the intent is to remap 128KB of Flash at address 10\_0000h to 8000\_0000h. Note that both program region and overlay region have to be aligned to the size of the region. Sequence to perform this configuration would be as follows:

1. Ensure that there are no active accesses to this space while the following configuration is ongoing.
2. Write to the POMGLBCTRL.OTADDR (offset 0h) a value of 200h. These are the upper 10bits of the overlay region base address.
3. Write to the POMPROGSTART0.STARTADDRESS (offset 200h) a value of 0x10\_0000h.
4. Write to the POMOVLSTART0.STARTADDRESS (offset 204h) a value of 00\_0000h. These are the bits 21-17 of the overlay region address. Since the region size is 128KB the lower bits do not matter.
5. Write to the POMREGSIZE0.SIZE (offset 208h) a value of Ch.
6. Finally write to the POMGLBCTRL.ON\_OFF to Ah.
7. End of sequence.

## 7.10 Summary of L2FMC Errors

**Table 7-11. Errors in L2FMC**

Scenario	Does this error cause a Bus Error?	Does this error go to ESM?	Is a flag in L2FMC set?	Name of Flag
Access parity error/Internal parity errors	Yes	Yes	Yes	FEDAC_PxSTATUS. ADD_PAR_ERR
Port A/B Idle State parity error	No	Yes	Yes	FEDAC_PxSTATUS. MCMD_PAR_ERR
Address tag error	Yes	Yes	Yes	FEDAC_PxSTATUS. ADD_TAG_ERR
Access to flash space beyond available size	Yes	No	No	-
Access to Flash while pump/bank are not active	Yes	No	No	-
Flash Access time-out	Yes	Yes	Yes	FEDAC_PxSTATUS. ACC_TOUT
Invalid access to L2FMC (for example, writes)	Yes	No	No	-
Single bit Error during Implicit Reads	No	Yes	Yes	FEDAC_GBLSTATUS. IMPLICIT_COR_ERR
Uncorrectable Error during Implicit Reads	No	Yes	Yes	FEDAC_GBLSTATUS. IMPLICIT_UNC_ERR
Access to bank while program/erase operations are ongoing on the same bank	Yes	No	No	-
Access to register address offsets between 2C8h and 3FFh or 4B8h and 7FFh	Yes	No	No	-
Redirected access to POM received a bus error	Yes	No	No	-
Response of redirected access to POM has access parity error	Yes	No	Yes	POMFLG.PERR_Px
POM Idle State parity error	No	Yes	Yes	FEDAC_PxSTATUS. MCMD_PAR_ERR
Soft Errors in high integrity bits carrying Implicit read data	No	Yes	Yes	FEDAC_GBLSTATUS. RCR_ERR

## 7.11 Flash Control Registers

This section details the Flash module registers, summarized in [Table 7-12](#). The Flash module control registers can only be read and/or written by the CPU while in privileged mode. Each register begins on a word boundary. All registers are 32-bit, 16-bit and 8-bit accessible. The start address of the Flash module is FFF8 7000h.

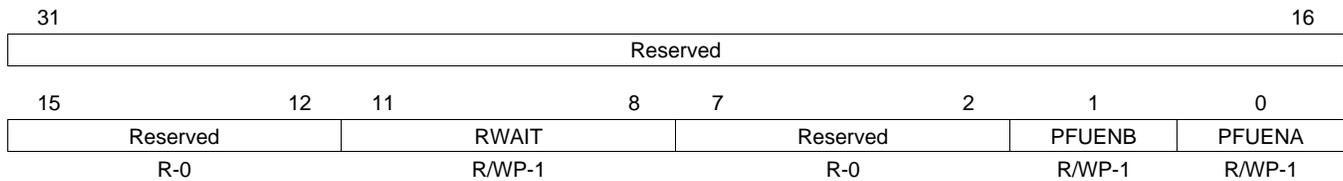
**Table 7-12. Flash Control Registers**

Offset	Acronym	Register Description	Section
00h	FRDCNTL	Flash Read Control Register	<a href="#">Section 7.11.1</a>
08h	EE_FEDACCTRL1	EEPROM Error Correction Control Register 1	<a href="#">Section 7.11.2</a>
14h	FEDAC_PASTATUS	Flash PortA Error and Status Register	<a href="#">Section 7.11.3</a>
18h	FEDAC_PBSTATUS	Flash PortB Error and Status Register	<a href="#">Section 7.11.4</a>
1Ch	FEDAC_GBLSTATUS	Flash Global Error and Status Register	<a href="#">Section 7.11.5</a>
24h	FEDACSDIS	Flash Error Detection and Correction Sector Disable Register	<a href="#">Section 7.11.6</a>
28h	FPRIM_ADD_TAG	Flash Primary Address Tag Register	<a href="#">Section 7.11.7</a>
2Ch	FDUP_ADD_TAG	Flash Duplicate Address Tag Register	<a href="#">Section 7.11.8</a>
30h	FBPROT	Flash Bank Protection Register	<a href="#">Section 7.11.9</a>
34h	FBSE	Flash Bank Sector Enable Register	<a href="#">Section 7.11.10</a>
38h	FBBUSY	Flash Bank Busy Register	<a href="#">Section 7.11.11</a>
3Ch	FBAC	Flash Bank Access Control Register	<a href="#">Section 7.11.12</a>
40h	FBPWRMODE	Flash Bank Power Mode Register	<a href="#">Section 7.11.13</a>
44h	FBPRDY	Bank/Pump Ready Register	<a href="#">Section 7.11.14</a>
48h	FPAC1	Flash Pump Access Control Register 1	<a href="#">Section 7.11.15</a>
50h	FMAC	Flash Module Access Control Register	<a href="#">Section 7.11.16</a>
54h	FMSTAT	Flash Module Status Register	<a href="#">Section 7.11.17</a>
58h	FEMU_DMSW	EEPROM Emulation Data MSW Register	<a href="#">Section 7.11.18</a>
5Ch	FEMU_DLSW	EEPROM Emulation Data LSW Register	<a href="#">Section 7.11.19</a>
60h	FEMU_ECC	EEPROM Emulation Address Register	<a href="#">Section 7.11.20</a>
64h	FLOCK	Flash Lock Register	<a href="#">Section 7.11.21</a>
6Ch	FDIAGCTRL	Diagnostic Control Register	<a href="#">Section 7.11.22</a>
74h	FRAW_ADDR	Raw Address	<a href="#">Section 7.11.23</a>
7Ch	FPAR_OVR	Parity Override Register	<a href="#">Section 7.11.24</a>
B4h	RCR_VALID	Reset Configuration Valid Register	<a href="#">Section 7.11.25</a>
B8h	ACC_THRESHOLD	Crossbar Access Time Threshold Register	<a href="#">Section 7.11.26</a>
C0h	FEDACSDIS2	Flash Error Detection and Correction Sector Disable Register 2	<a href="#">Section 7.11.27</a>
D0h	RCR_VALUE0	Lower Word of the Reset Configuration Read Register	<a href="#">Section 7.11.28</a>
D4h	RCR_VALUE1	Upper Word of the Reset Configuration Read Register	<a href="#">Section 7.11.29</a>
288h	FSM_WR_ENA	FSM Register Write Enable Register	<a href="#">Section 7.11.30</a>
2B8h	EEPROM_CONFIG	EEPROM Emulation Configuration Register	<a href="#">Section 7.11.31</a>
2C0h	FSM_SECTOR1	FSM Sector Register 1	<a href="#">Section 7.11.32</a>
2C4h	FSM_SECTOR2	FSM Sector Register 2	<a href="#">Section 7.11.33</a>
400h	FCFG_BANK	Flash Bank Configuration Register	<a href="#">Section 7.11.34</a>

### 7.11.1 Flash Read Control Register (FRDCNTL)

FRDCNTL supports prefetch mode. This register controls flash timings for the main flash banks. For the equivalent register that controls flash timings for the EEPROM Emulation flash bank (bank 7), see [Section 7.11.31](#).

**Figure 7-10. Flash Read Control Register (FRDCNTL) (offset = 00h)**



LEGEND: R/W = Read/Write; R = Read only; -n = value after reset

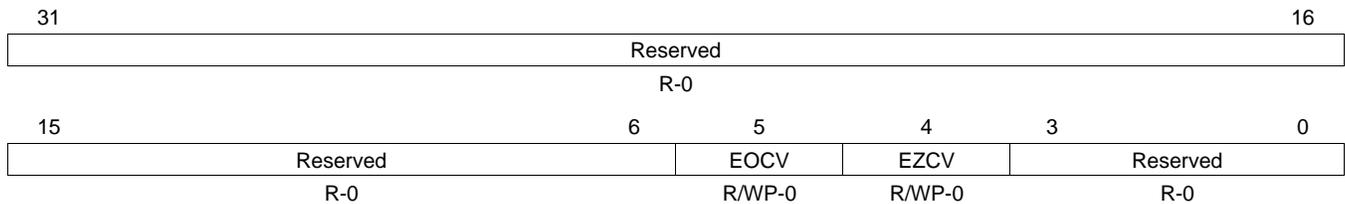
**Table 7-13. Flash Read Control Register (FRDCNTL) Field Descriptions**

Bit	Field	Value	Description
31-12	Reserved	0	Reads return 0. Writes have no effect.
11-8	RWAIT	0-Fh	Random/data Read Wait State The random read wait state bits indicate how many wait states are added to a flash read access. Address wait state is fixed to 1 HCLK cycle. <b>Note:</b> The required wait states for each HCLK frequency can be found in the device-specific data sheet.
7-2	Reserved	0	Reads return 0. Writes have no effect.
1	PFUENB	0 1	Prefetch Enable for PortB 0 Prefetch Mode is disabled. 1 Prefetch Mode is enabled. (Recommended)
0	PFUENA	0 1	Prefetch Enable for PortA 0 Prefetch Mode is disabled. 1 Prefetch Mode is enabled. (Recommended)

### 7.11.2 EEPROM Error Correction Control Register (EE\_FEDACCTRL1)

When a EEPROM bank is erased or zeroed out, the contents will be all 1's or all 0's respectively. In such a case the ECC will be incorrect. EE\_FEDACCTRL1 lets the L2FMC ignore an all 1's and all 0's condition on reads from the EEPROM bank..

**Figure 7-11. EEPROM Error correction control Register (EE\_FEDACCTRL1) (offset = 08h)**



LEGEND: R/W = Read/Write; R = Read only; -n = value after reset

**Table 7-14. Flash Read Control Register (FRDCNTL) Field Descriptions**

Bit	Field	Value	Description
31-6	Reserved	0	Reads return 0. Writes have no effect.
5	EOCV	0	One condition valid DO NOT allow the condition of all data bits and ECC bits to be 1
		1	Allow the condition of all data bits and ECC bits to be 1
4	EZCV	0	Zero condition valid DO NOT allow the condition of all data bits and ECC bits to be 0
		1	Allow the condition of all data bits and ECC bits to be 0
3-0	Reserved	0	Reads return 0. Writes have no effect.

### 7.11.3 Flash PortA Error and Status Register (FEDAC\_PASTATUS)

This register applies to accesses made to the main or EEPROM flash banks through PortA. .

All these error status bits can be cleared by writing a 1 to the bit; writing a 0 has no effect.

**Figure 7-12. Flash PortA Error and Status Register (FEDAC\_PASTATUS) (offset = 14h)**

31	Reserved						24
R-0							
23	Reserved						16
R-0							
15	14	13	12	11	10	9	8
ACCTOUT	MCMD_PAR_ERR	Reserved		ADD_TAG_ERR	ADD_PAR_ERR	Reserved	
RCP-0	RCP-u	R-0		RCP-u	RCP-u	R-0	
7	Reserved						0
R-0							

LEGEND: R = Read only; RCP = Read and Clear in Privilege Mode; -n = value after reset; -u = unchanged value on internal reset, cleared on power up

**Table 7-15. Flash PortA Error and Status Register (FEDAC\_PASTATUS) Field Descriptions**

Bit	Field	Value	Description
31-16	Reserved	0	Reads return 0. Writes have no effect.
15	ACCTOUT	0 1	Severe internal switch timeout/parity error on PortA access. L2FMC internal switch has NOT encountered a severe error (access timeout or parity) L2FMC internal switch has encountered a severe error (access timeout or parity) This error is routed to the ESM. Refer the device datasheet to find the group and channel on which it is routed.
14	MCMD_PAR_ERR	0 1	Parity Error in idle state. This bit is set when a parity error occurs during idle state of PortA. No idle state parity error is detected Parity error is detected in idle state This error is routed to the ESM. Refer the device datasheet to find the group and channel on which it is routed.
13-12	Reserved	0	Reads return 0. Writes have no effect.
11	ADD_TAG_ERR	0 1	PortA Address Tag Register Error Flag. This bit is set if the primary address tag has a hit but the duplicate address tag does not match the primary address tag. This bit is functional only when PortA prefetch mode is enabled (PFUENA = 1). Address Tag Register Error not detected on PortA Address Tag Register Error detected on PortA This error is routed to the ESM. Refer the device datasheet to find the group and channel on which it is routed.
10	ADD_PAR_ERR	0 1	Address Parity Error Flag. No parity error was detected on the incoming access to the L2FMC PortA. A parity error was detected on the incoming access to the L2FMC PortA. The address of the erroneous access is not stored in L2FMC. This error is routed to the ESM. Refer the device datasheet to find the specific group and channel on which it is routed.
9-0	Reserved	0	Reads return 0. Writes have no effect.

### 7.11.4 Flash PortB Error and Status Register (FEDAC\_PBSTATUS)

This register applies to accesses made to the main or EEPROM flash banks through PortB. .

All these error status bits can be cleared by writing a 1 to the bit; writing a 0 has no effect.

**Figure 7-13. Flash PortB Error and Status Register (FEDAC\_PBSTATUS) (offset = 18h)**

31	Reserved						24
R-0			R-0				
23	Reserved						16
R-0							
15	14	13	12	11	10	9	8
ACCTOUT	MCMD_PAR_ERR	Reserved		ADD_TAG_ERR	ADD_PAR_ERR	Reserved	
RCP-0	RCP-u	R-0		RCP-u	RCP-u	R-0	
7	Reserved						0
R-0							

LEGEND: R = Read only; RCP = Read and Clear in Privilege Mode; -n = value after reset; -u = unchanged value on internal reset, cleared on power up

**Table 7-16. Flash PortB Error and Status Register (FEDAC\_PBSTATUS) Field Descriptions**

Bit	Field	Value	Description
31-16	Reserved	0	Reads return 0. Writes have no effect.
15	ACCTOUT	0 1	Severe error - internal switch timeout L2FMC internal switch has NOT encountered a severe error (access timeout) L2FMC internal switch has encountered a severe error (access timeout) This error is routed to the ESM. Refer the device datasheet to find the group and channel on which it is routed.
14	MCMD_PAR_ERR	0 1	Parity Error in idle state. This bit is set when a parity error occurs during idle state of PortB. No idle state parity error is detected Parity error is detected in idle state This error is routed to the ESM. Refer the device datasheet to find the group and channel on which it is routed.
13-12	Reserved	0	Reads return 0. Writes have no effect.
11	ADD_TAG_ERR	0 1	PortB Address Tag Register Error Flag. This bit is set if the primary address tag has a hit but the duplicate address tag does not match the primary address tag. This bit is functional only when PortB prefetch mode is enabled (PFUENB=1). Address Tag Register Error not detected on PortB Address Tag Register Error detected on PortB This error is routed to the ESM. Refer the device datasheet to find the group and channel on which it is routed.
10	ADD_PAR_ERR	0 1	Address Parity Error Flag. No parity error was detected on the incoming access to the L2FMC PortB. A parity error was detected on the incoming access to the L2FMC PortB. The address of the erroneous access is not stored in L2FMC. This error is routed to the ESM. Refer the device datasheet to find the specific group and channel on which it is routed.
9-0	Reserved	0	Reads return 0. Writes have no effect.

### 7.11.5 Flash Global Error and Status Register (FEDAC\_GBLSTATUS)

This register applies to global error and status flags in L2FMC.

All these status bits can be cleared by writing a 1 to the bit; writing a 0 has no effect.

**Figure 7-14. Flash Global Error and Status Register (FEDAC\_GBLSTATUS) (offset = 1Ch)**

31	Reserved				24
	R-0				FSM_DONE
					RCP-0
23	Reserved				16
	R-0				
15	14	13	12	8	
RCR_ERR	IMPLICIT_COR_ERR	IMPLICIT_UNC_ERR	Reserved		
RCP-0	RCP-0	RCP-0	R-0		
7	Reserved				0
	R-0				

LEGEND: R = Read only; RCP = Read and Clear in Privilege Mode; -n = value after reset; -u = unchanged value on internal reset, cleared on power up

**Table 7-17. Flash Global Error and Status Register (FEDAC\_GBLSTATUS) Field Descriptions**

Bit	Field	Value	Description
31-25	Reserved	0	Reads return 0. Writes have no effect.
24	FSM_DONE		Flash State Machine Done This bit is set to 1 when the flash state machine completes a program or erase operation. This bit will generate an interrupt on VIM channel 61 if the FSM_EVT_EN bit of the FSM_ST_MACHINE register is set. This bit must be cleared by writing a 1 to it in the interrupt routine to clear the interrupt request.
23-16	Reserved	0	Reads return 0. Writes have no effect.
15	RCR_ERR	0 1	Soft error in high integrity bits carrying implicit read data 0 No error detected in high integrity bits 1 Error detected in high integrity bits This error is routed to the ESM. Refer the device datasheet to find the group and channel on which it is routed.
14	IMPLICIT_COR_ERR	0 1	Correctable error occurred during implicit reads 0 No single bit error is detected during implicit read 1 Single bit error is detected during implicit read This error is routed to the ESM. Refer the device datasheet to find the group and channel on which it is routed.
13	IMPLICIT_UNC_ERR	0 1	Uncorrectable error occurred during implicit reads 0 No double bit error is detected during implicit read 1 Double bit error is detected during implicit read This error is routed to the ESM. Refer the device datasheet to find the group and channel on which it is routed.
12-0	Reserved	0	Reads return 0. Writes have no effect.

### 7.11.6 Flash Error Detection and Correction Sector Disable Register (FEDACSDIS)

This register is used to disable the SECDED function for one or two sectors from the EEPROM Emulation flash (bank 7). An additional two sectors can have SECDED disabled by the use of the FEDACSDIS2 register (see [Section 7.11.27](#)).

**Figure 7-15. Flash Error Detection and Correction Sector Disable Register (FEDACSDIS)  
(offset = 24h)**

31	29	24	23	22	21	16	
Rsvd	SectorID1_inverse	Rsvd				SectorID1	
R-0	RWP-0	R-0				RWP-0	
15	14	13	8	7	6	5	0
Rsvd	SectorID0_inverse	Rsvd				SectorID0	
R-0	RWP-0	R-0				RWP-0	

LEGEND: R/W = Read/Write; R = Read only; WP=Write in Privilege Mode; -n = value after reset

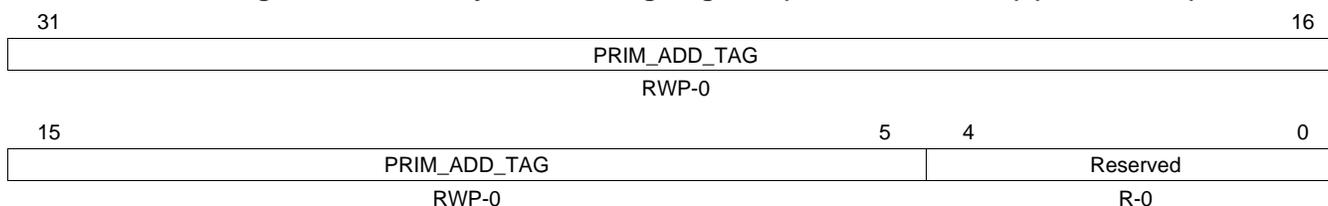
**Table 7-18. Flash Error Detection and Correction Sector Disable Register (FEDACSDIS)  
Field Descriptions**

Bit	Field	Value	Description
31-30	Reserved	0	Read returns 0. Writes have no effect.
29-24	SectorID1_inverse	0-3Fh	The sector ID inverse bits are used with the sector ID bits to determine which sector is disabled. If the sector ID bits are not pointing to a valid sector (0-3) or the sector ID inverse bits are not an inverse of the sector ID bits, then no sector is disabled by disable ID 1.
23-22	Reserved	0	Read returns 0. Writes have no effect.
21-16	SectorID1	0-3Fh	The sector ID bits are used with the sector ID inverse bits to determine which sector is disabled. If the sector ID bits are not pointing to a valid sector (0-3) or the sector ID inverse bits are not an inverse of the sector ID bits, then no sector is disabled by disable ID 1.
15-14	Reserved	0	Read returns 0. Writes have no effect.
13-8	SectorID0_inverse	0-Fh	The sector ID inverse bits are used with the sector ID bits to determine which sector is disabled. If the sector ID bits are not pointing to a valid sector (0-3) or the sector ID inverse bits are not an inverse of the sector ID bits, then no sector is disabled by disable ID 0.
7-6	Reserved	0	Read returns 0. Writes have no effect.
5-0	SectorID0	0-3Fh	The sector ID bits are used with the sector ID inverse bits to determine which sector is disabled. If the sector ID bits are not pointing to a valid sector (0-3) or the sector ID inverse bits are not an inverse of the sector ID bits, then no sector is disabled by disable ID 0.

### 7.11.7 Primary Address Tag Register (FPRIM\_ADD\_TAG)

This register is used to test the prefetch address tag registers. (see [Section 7.8.2.1](#))

**Figure 7-16. Primary Address Tag Register (FPRIM\_ADD\_TAG) (offset = 28h)**



LEGEND: R/W = Read/Write; R = Read only; WP=Write in Privilege Mode;; -n = value after reset;

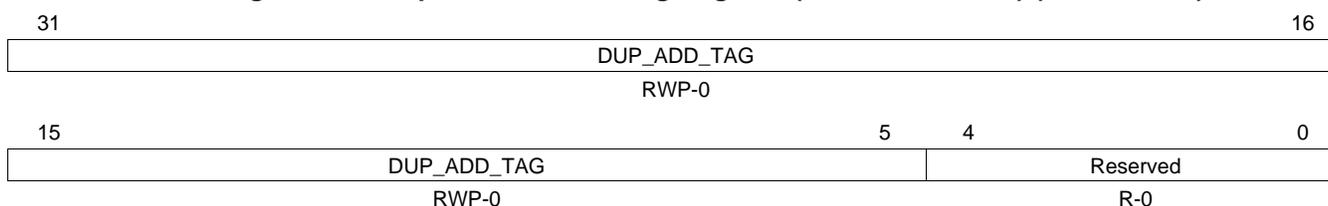
**Table 7-19. Primary Address Tag Register (FPRIM\_ADD)\_TAG Field Descriptions**

Bit	Field	Value	Description
31-5	PRIM_ADD_TAG	0-7FF FFFFh	Primary Address Tag Register The primary address tag register selected by the DIAG_BUF_SEL bits in the FDIAGCTRL register is memory-mapped here. This register can only be written in privileged mode when diagnostic mode is enabled with DIAG_EN_KEY = 5h and DIAGMODE = 5h in the FDIAGCTRL register. This register is not updated with new flash data if DIAG_EN_KEY is not equal to 5h or DIAGMODE is 0 or 7h. Valid reads can occur in any mode. The register clears when an address tag error is found and when leaving DIAG_MODE 5.
4-0	Reserved	0	Reads return 0. Writes have no effect.

### 7.11.8 Duplicate Address Tag Register (FDUP\_ADD\_TAG)

This register is used to test the prefetch address tag registers. (see [Section 7.8.2.1](#))

**Figure 7-17. Duplicate Address Tag Register (FDUP\_ADD\_TAG) (offset = 2Ch)**



LEGEND: R/W = Read/Write; R = Read only; WP=Write in Privilege Mode;; -n = value after reset;

**Table 7-20. Duplicate Address Tag Register (FDUP\_ADD)\_TAG Field Descriptions**

Bit	Field	Value	Description
31-5	DUP_ADD_TAG	0-7FF FFFFh	Duplicate Address Tag Register The duplicate address tag register selected by the DIAG_BUF_SEL bits in the FDIAGCTRL register is memory-mapped here. This register can only be written in privileged mode when diagnostic mode is enabled with DIAG_EN_KEY = 5h and DIAGMODE = 5h in the FDIAGCTRL register. This register is not updated with new flash data if DIAG_EN_KEY is not equal to 5h or DIAGMODE is 0 or 7h. Valid reads can occur in any mode. The register clears when an address tag error is found and when leaving DIAG_MODE 5.
3-0	Reserved	0	Reads return 0. Writes have no effect.

### 7.11.9 Flash Bank Protection Register (FBPROT)

**Figure 7-18. Flash Bank Protection Register (FBPROT) (offset = 30h)**

31	Reserved	16
	R-0	
15	Reserved	1 0
	R-0	PROTL1DIS R/WP-0

LEGEND: R/W = Read/Write; R = Read only; WP=Write in Privilege Mode; -n = value after reset

**Table 7-21. Flash Bank Protection Register (FBPROT) Field Descriptions**

Bit	Field	Value	Description
31-1	Reserved	0	Reads return 0. Writes have no effect.
0	PROTL1DIS		Level 1 Protection Disable bit Setting this bit disables protection from writing to the OTPPROTDIS bits in the FBAC register as well as the BSE bits for all banks in the FBSE register. Clearing this bit enables protection and disables write access to the OTPPROTDIS bits and FBSE register.
		0	Level 1 protection is enabled.
		1	Level 1 protection is disabled.

### 7.11.10 Flash Bank Sector Enable Register (FBSE)

FBSE provides one enable bit per sector for up to 16 sectors per bank. Each bank in the Flash module has one FBSE register. The bank is selected via the BANK bits in the FMAC register. As only one bank at a time can be selected by FMAC, only the register for the bank selected appears at this address.

**Figure 7-19. Flash Bank Sector Enable Register (FBSE) (offset = 34h)**

31	Reserved	16
	R-0	
15	BSE[15:0]	0
	R/WP-0	

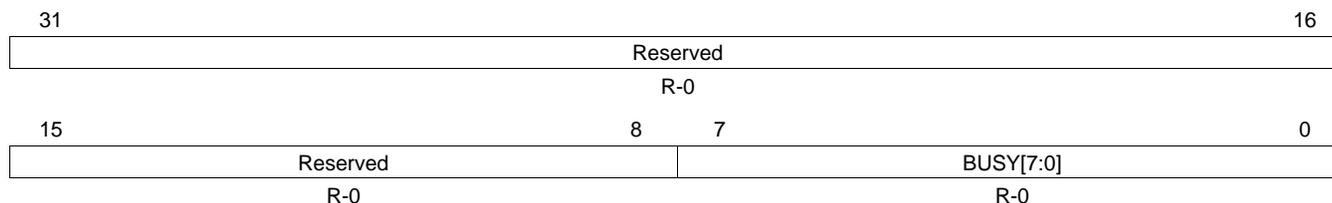
LEGEND: R/W = Read/Write; R = Read only; WP=Write in Privilege Mode; -n = value after reset

**Table 7-22. Flash Bank Sector Enable Register (FBSE) Field Descriptions**

Bit	Field	Value	Description
31-16	Reserved	0	Reads return 0. Writes have no effect.
15-0	BSE		Bank Sector Enable Each bit corresponds to a flash sector in the bank specified by the FMAC register. Bit 0 corresponds to sector 0, bit 1 corresponds to sector 1, and so on. These bits can be set only when PROTL1DIS = 1 in the FBPROT register and in privilege mode.
		0	The corresponding numbered sector is disabled for program or erase access.
		1	The corresponding numbered sector is enabled for program or erase access.

### 7.11.11 Flash Bank Busy Register (FBBUSY)

**Figure 7-20. Flash Bank Busy Register (FBBUSY) (offset = 38h)**



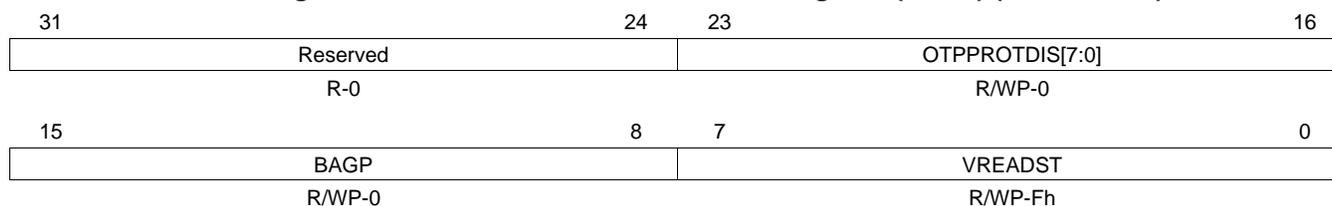
LEGEND: R = Read only; -n = value after reset

**Table 7-23. Flash Bank Busy Register (FBBUSY) Field Descriptions**

Bit	Field	Value	Description
31-8	Reserved	0	Reads return 0. Writes have no effect.
7-0	BUSY	0	The corresponding bank is not busy
		1	The corresponding bank is busy with a state machine operation, or the bank is not implemented

### 7.11.12 Flash Bank Access Control Register (FBAC)

**Figure 7-21. Flash Bank Access Control Register (FBAC) (offset = 3Ch)**



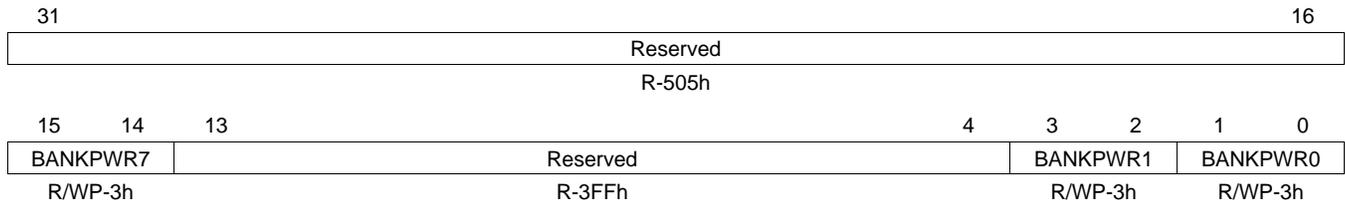
LEGEND: R/W = Read/Write; R = Read only; WP=Write in Privilege Mode; -n = value after reset

**Table 7-24. Flash Bank Access Control Register (FBAC) Field Descriptions**

Bit	Field	Value	Description
31-24	Reserved	0	Reads return 0. Writes have no effect.
23-16	OTPPROTDIS	0	OTP Sector Protection Disable. Each bit corresponds to a Flash bank. This bit can be set only when PROTL1DIS = 1 in the FBPROT register and in privilege mode.
		1	Programming of the OTP sector is disabled.
		1	Programming of the OTP sector is enabled.
15-8	Reserved	0	Reads return 0. Writes have no effect.
7-0	VREADST	0-FFh	VREAD Setup. VREAD is generated by the Flash pump and used for Flash read operation. The bank power up sequencing starts VREADST HCLK cycles after VREAD power supply becomes stable. <b>Note:</b> There is not a programmable Bank Sleep counter and Standby counter register. The number of clock cycles to transition from sleep to standby and standby to active is hardcoded in the Flash wrapper design.

### 7.11.13 Flash Bank Power Mode Register (FBPWRMODE)

**Figure 7-22. Flash Bank Power Mode Register (FBPWRMODE) (offset = 40h)**



LEGEND: R/W = Read/Write; R = Read only; WP=Write in Privilege Mode; -n = value after reset

**Table 7-25. Flash Bank Power Mode Register (FBPWRMODE) Field Descriptions**

Bit	Field	Value	Description
31-16	Reserved	505h	Do not write to these register bits.
15-14	BANKPWR7	0 1h 2h 3h	Bank 7 Power Mode. Bank sleep mode Bank standby mode Reserved Bank active mode
13-4	Reserved	3FFh	Do not write to these register bits.
3-2	BANKPWR1	0 1h 2h 3h	Bank 1 Power Mode. Bank sleep mode Bank standby mode Reserved Bank active mode
1-0	BANKPWR0	0 1h 2h 3h	Bank 0 Power Mode. Bank sleep mode Bank standby mode Reserved Bank active mode

### 7.11.14 Flash Bank/Pump Ready Register (FBPRDY)

FBPRDY register allows the user to determine if the pump and banks are ready for performing read access.

**Figure 7-23. Flash Bank/Pump Ready Register (FBPRDY) (offset = 44h)**

31	24	23	22	18	17	16	
Reserved		BANKBUSY[7]	Reserved		BANKBUSY[1:0]		
		R-0			R-1	R-0	
15	14	8	7	6	2	1	0
PUMPRDY	Reserved		BANKRDY[7]	Reserved		BANKRDY[1:0]	
R-1			R-1			R-0	R-1

LEGEND: R/W = Read/Write; R = Read only; -n = value after reset

**Table 7-26. Flash Bank/Pump Ready Register (FBPRDY) Register Description**

Bit	Field	Value	Description
31-24	Reserved	0	Reads return 0. Writes have no effect.
23	BANKBUSY[7]	0	Bank 7 Busy Status Bank is not busy with any FSM or CPU operation
		1	Bank is busy with an FSM or CPU operation
22-18	Reserved	1	Reads return 1. Writes have no effect.
17-16	BANKBUSY[1:0]	0	Bank 0 (bit 16) and Bank 1 (bit 17) Busy Status Bank is not busy with any FSM or CPU operation
		1	Bank is busy with an FSM or CPU operation
15	PUMPRDY	0	Pump Ready is a read-only bit which allows software to determine if the pump is ready for flash access before attempting the actual access. When set, it means that the charge pump is in active power state. If an access is made to a bank which is not ready then wait states are asserted until it becomes ready Pump is not ready
		1	Pump is ready
14-8	Reserved	0	Reads return 0. Writes have no effect.
7	BANKRDY[7]	0	Bank 7 Ready Status Bank is not ready for flash access
		1	Bank is ready for flash access
6-2	Reserved	0	Reads return 0. Writes have no effect.
1-0	BANKRDY[1:0]	0	Bank 0 (bit 0) and Bank 1 (bit 1) Ready Status Bank is not ready for flash access
		1	Bank is ready for flash access

### 7.11.15 Flash Pump Access Control Register 1 (FPAC1)

**Figure 7-24. Flash Pump Access Control Register 1 (FPAC1) (offset = 48h)**

31	27	26	16
Reserved		PSLEEP	
R-0		R/WP-64h	
15			0
Reserved			PUMPPWR
R-0			R/WP-1

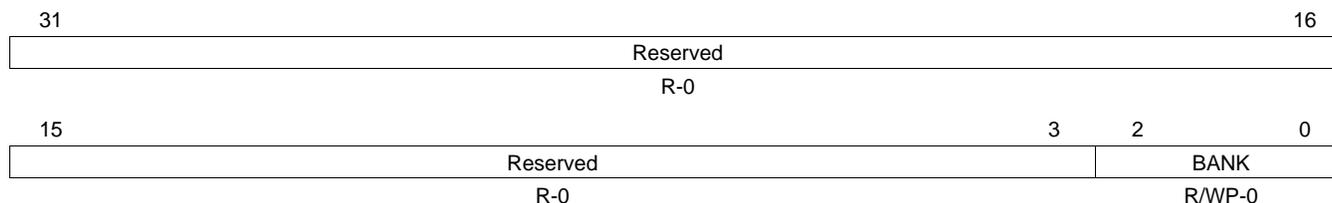
LEGEND: R/W = Read/Write; R = Read only; WP=Write in Privilege Mode; -n = value after reset

**Table 7-27. Flash Pump Access Control Register 1 (FPAC1) Field Descriptions**

Bit	Field	Value	Description
31-12	Reserved	0	Reads return 0. Writes have no effect.
26-16	PSLEEP	0-7FFh	Pump Sleep. These bits contain the starting count value for the charge pump sleep down counter. While the charge pump is in sleep mode, the power mode management logic holds the charge pump sleep counter at this value. When the charge pump exits sleep power mode, the down counter delays from 0 to PSLEEP pump sleep down clock cycles before putting the charge pump into active power mode. <b>Note:</b> Pump sleep down counter clock is a divide by 2 input of HCLK. That is, there are 2 × HCLK cycles for every PSLEEP counter cycle.
15-1	Reserved	0	Reads return 0. Writes have no effect.
0	PUMPPWR	0 1	Flash Charge Pump Fallback Power Mode Sleep (all pump circuits disabled) Active (all pump circuits active)

### 7.11.16 Flash Module Access Control Register (FMAC)

**Figure 7-25. Flash Module Access Control Register (FMAC) (offset = 50h)**



LEGEND: R/W = Read/Write; R = Read only; WP=Write in Privilege Mode; -n = value after reset

**Table 7-28. Flash Module Access Control Register (FMAC) Field Descriptions**

Bit	Field	Value	Description
31-16	Reserved	0	Reads return 0. Writes have no effect.
2-0	BANK	0-7h	Bank Enable.  These bits select which bank is enabled for operations such as local register access, OTP sector access, and program/erase commands. These bits select only one bank at a time from up to eight banks depending on the specific device being used. For example, a 000 selects bank 0; 011 selects bank 3.  <b>Note:</b> BANK can identify up to 8 flash banks. If BANK is selected for an un-implemented bank, then the BANK will set itself to the number of an implemented bank. To determine if a bank is implemented, write the bank number to BANK and read back the value to see if what was written can be read back.

### 7.11.17 Flash Module Status Register (FMSTAT)

**Figure 7-26. Flash Module Status Register (FMSTAT) (offset = 54h)**

Reserved								
R-0								
31							24	
Reserved								
R-0								
23						18	17	16
Reserved						RVSUSP	RDVER	
R-0						R-0	R-0	
15	14	13	12	11	10	9	8	
RVF	ILA	DBT	PGV	PCV	EV	CV	BUSY	
R-0	R-0	R-0	R-0	R-0	R-0	R-0	R-0	
7	6	5	4	3	2	1	0	
ERS	PGM	INV-DAT	CSTAT	VOLTSTAT	ESUSP	PSUSP	SLOCK	
R-0	R-0	R-0	R-0	R-0	R-0	R-0	R-0	

LEGEND: R = Read only; -n = value after reset

**Table 7-29. Flash Module Status Register (FMSTAT) Field Descriptions**

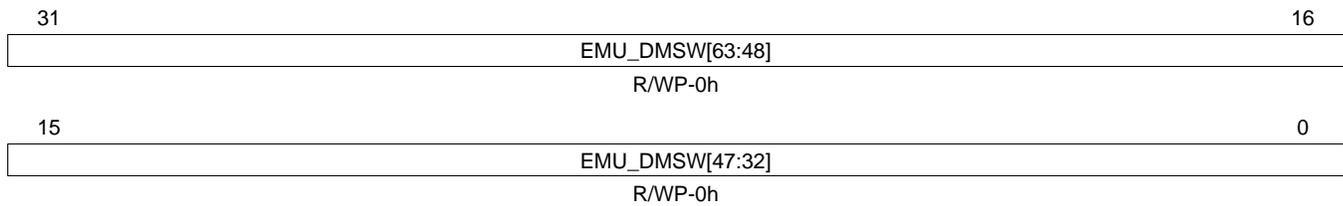
Bit	Field	Value	Description
31-18	Reserved	0	Reads return 0. Writes have no effect.
17	RVSUSP	1	Read Verify Suspend When set, this bit indicates that the flash module has received and processed a suspend command during a read-verify operation. This bit remains set until the read-verify-resume command has been issued or the Clear_More command is run.
16	RVDER	1	Read verify command currently underway When set, this bit indicates that the flash module is actively performing a read-verify operation. This bit is set when read-verify starts and is cleared when it is complete. It is also cleared when the read-verify is suspended and set when the read-verify resumes.
15	RVF	1	Read Verify Failure When set, indicates that a read verify mismatch is detected using the Read Verify command. This bit remains set until clear_status or clear_more FSM commands are run.
14	ILA	1	Illegal Address When set, indicates that an illegal address is detected. The following conditions can set the illegal address flag. <ol style="list-style-type: none"> <li>Writing to a hole (un-implemented logical address space) within a flash bank.</li> <li>Writing to an address location to an un-implemented flash space.</li> <li>Input address for write is decoded to select a different bank from the bank ID register.</li> <li>The address range does not match the type of FSM command. For example, the erase_sector command must match the address regions.</li> <li>TI-OTP address selected but CMD_EN in FSM_ST_MACHINE is not set.</li> </ol>
13	DBT	1	Disturbance Test Fail This bit is set during a Program Sector command when the FSM first reads an address and it is not all ones.
12	PGV	1	Program Verify When set, indicates that a word is not successfully programmed after the maximum allowed number of program pulses are given for program operation.
11	PCV	1	Precondition Verify. When set, indicates that a sector is not successfully preconditioned (pre-erased) after the maximum allowed number of program pulses are given for precondition operation for any applied command such as Erase Sector command. During Precondition verify command, this flag is set immediately if a flash bit is found to be 1.

**Table 7-29. Flash Module Status Register (FMSTAT) Field Descriptions (continued)**

Bit	Field	Value	Description
10	EV	1	Erase Verify When set, indicates that a sector is not successfully erased after the maximum allowed number of erase pulses are given for erase operation. During Erase verify command, this flag is set immediately if a bit is found to be 0.
9	CV	1	Compact Verify When set, indicates that a sector contains one or more bits in depletion after an erase operation with CMPV_ALLOWED set. During compact verify command, this flag is set immediately if a bit is found to be 1.
8	BUSY	1	Busy When set, this bit indicates that a program, erase, or suspend operation is being processed.
7	ERS	1	Erase Active When set, this bit indicates that the flash module is actively performing an erase operation. This bit is set when erasing starts and is cleared when erasing is complete. It is also cleared when the erase is suspended and set when the erase resumes.
6	PGM	1	Program Active When set, this bit indicates that the flash module is currently performing a program operation. This bit is set when programming starts and is cleared when programming is complete. It is also cleared when programming is suspended and set when programming is resumes.
5	INVDAT	1	Invalid Data When set, this bit indicates that the user attempted to program a "1" where a "0" was already present. This bit is cleared by the Clear Status command.
4	CSTAT	1	Command Status Once the FSM starts any failure will set this bit. When set, this bit informs the host that the program, erase, or validate sector command failed and the command was stopped. This bit is cleared by the Clear Status command. For some errors, this will be the only indication of an FSM error because the cause does not fall within the other error bit types.
3	VOLTSTAT	1	Core Voltage Status When set, this bit indicates that the core voltage generator of the pump power supply dipped below the lower limit allowable during a program or erase operation. This bit is cleared by the Clear Status command.
2	ESUSP	1	Erase Suspended When set, this bit indicates that the flash module has received and processed an erase suspend operation. This bit remains set until the erase resume command has been issued or until the Clear_More command is run.
1	PSUSP	1	Program Suspended When set, this bit indicates that the flash module has received and processed a program suspend operation. This bit remains set until the program resume command has been issued or until the Clear_More command is run.
0	SLOCK	1	Sector Lock Status When set, this bit indicates that the operation was halted because the target sector was locked for erasing and programming either by the sector protect bit or by OTP write protection disable bits. (BSE bits in the FBSE register or OTPPROTDIS bits in the FBAC register). This bit is cleared by the Clear Status command.  No SLOCK FSM error will occur if all sectors in a bank erase operation are set to 1. All the sectors will be checked but no SLOCK will be set if no operation occurs due to the SECT_ERASED bits being set to all ones. A SLOCK error will occur if attempting to do a sector erase with either BSE is cleared or SECT_ERASED is set.

### 7.11.18 EEPROM Emulation Data MSW Register (FEMU\_DMSW)

**Figure 7-27. EEPROM Emulation Data MSW Register (FEMU\_DMSW) (offset = 58h)**



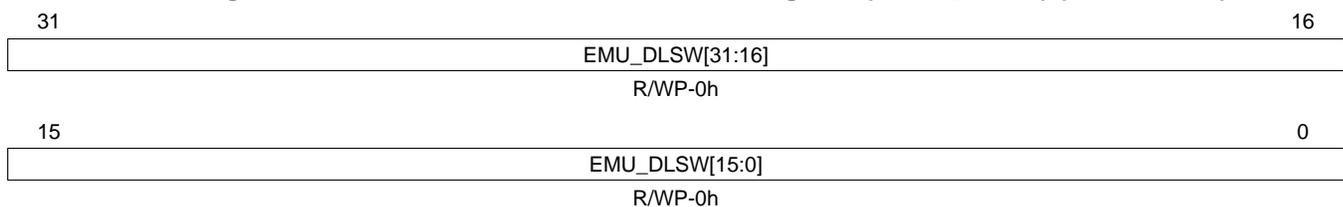
LEGEND: R/W = Read/Write; R = Read only; WP = Write in Privilege mode; -n = value after reset

**Table 7-30. EEPROM Emulation Data MSW Register (FEMU\_DMSW) Field Descriptions**

Bit	Field	Description
31-0	EMU_DMSW	This register can be written by the CPU in any mode. This register is used in diagnostic mode 7 to XOR the upper 32b of the data being delivered to the bus master.

### 7.11.19 EEPROM Emulation Data LSW Register (FEMU\_DLSW)

**Figure 7-28. EEPROM Emulation Data LSW Register (FEMU\_DLSW) (offset = 5Ch)**



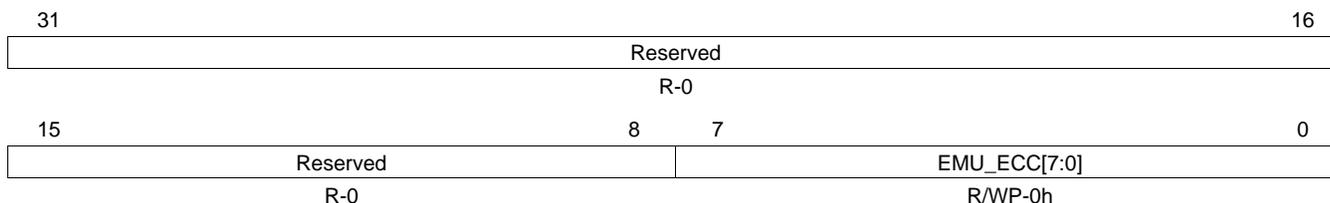
LEGEND: R/W = Read/Write; R = Read only; WP = Write in Privilege mode; -n = value after reset

**Table 7-31. EEPROM Emulation Data LSW Register (FEMU\_DLSW) Field Descriptions**

Bit	Field	Description
31-0	EMU_DLSW	This register can be written by the CPU in any mode. This register is used in diagnostic mode 7 to XOR the lower 32b of the data being delivered to the bus master.

### 7.11.20 EEPROM Emulation ECC Register (FEMU\_ECC)

**Figure 7-29. EEPROM Emulation ECC Register (FEMU\_ECC) (offset = 60h)**



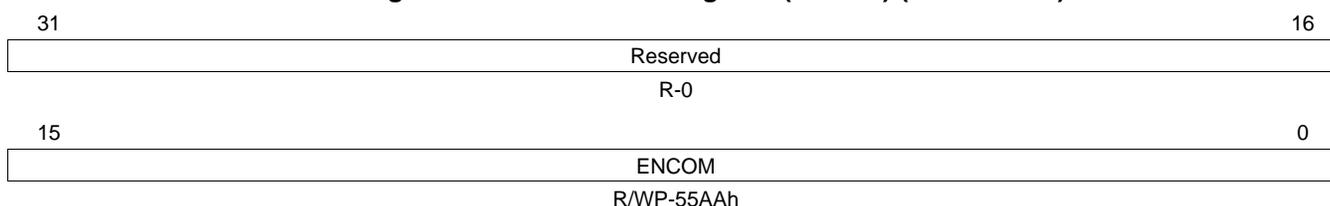
LEGEND: R/W = Read/Write; R = Read only; WP = Write in Privilege mode; -n = value after reset

**Table 7-32. EEPROM Emulation ECC Register (FEMU\_ECC) Field Descriptions**

Bit	Field	Value	Description
31-8	Reserved	0	Reads return 0. Writes have no effect.
7-0	EMU_ECC	0-FFh	This register can be written by the CPU in any mode. This register is used in diagnostic mode 7 to XOR the ECC being delivered to the bus master.

### 7.11.21 Flash Lock Register (FLOCK)

**Figure 7-30. Flash Lock Register (FLOCK) (offset = 64h)**



LEGEND: R/W = Read/Write; R = Read only; WP=Write in Privilege Mode; -n = value after reset

**Table 7-33. Flash Lock Register (FLOCK) Field Descriptions**

Bit	Field	Value	Description
31-16	Reserved	0	Reads return 0. Writes have no effect.
15-0	ENCOM	AA55h All other values	Enable writes to EE_FEDACCTRL1 register (see <a href="#">Section 7.11.2</a> ). Writes to EE_FEDACCTRL1 are ignored It is recommended to leave this register as 55AAh when not writing to the FEDACCTRL1 register.

### 7.11.22 Diagnostic Control Register (FDIAGCTRL)

First set the DIAGMODE and the DIAG\_EN\_KEY bits before setting up the other registers to block the other registers from causing a false error. The final write should set the DIAG\_TRIG bit to activate the test. Running out of RAM will prevent problems with the diagnostic test corrupting the flash access in some of the modes.

**Figure 7-31. Diagnostic Control Register (FDIAGCTRL) (offset = 6Ch)**

31	25	24	23	20	19	16
Reserved R-0		DIAG_TRIG R/WP-0	Reserved R-0		DIAG_EN_KEY R/WP-Ah	
15	11	10	8	7	3	2
Reserved R-0		DIAG_BUF_SEL R/WP-0		Reserved R-0		DIAGMODE R/WP-0

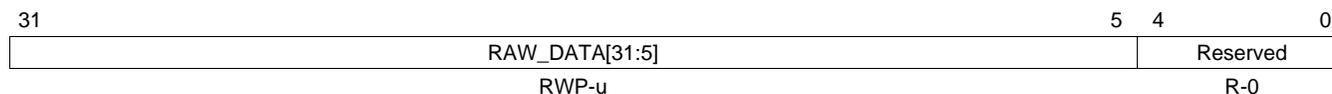
LEGEND: R/W = Read/Write; R = Read only; WP = Write in Privilege mode; -n = value after reset

**Table 7-34. Diagnostic Control Register (FDIAGCTRL) Field Descriptions**

Bit	Field	Value	Description
31-25	Reserved	0	Reads return 0. Writes have no effect.
24	DIAG_TRIG		Diagnostic Trigger Diagnostic trigger is the final qualifier for the diagnostic result. After setting all the other diagnostic register values, the DIAG_TRIG is set to 1. This activates the diagnostic logic for one access and then automatically clears the DIAG_TRIG value. The DIAG_EN_KEY and DIAGMODE bits must be set before setting DIAG_TRIG. This bit always reads as zero.
23-20	Reserved	0	Reads return 0. Writes have no effect.
19-16	DIAG_EN_KEY	5h All other values	Diagnostic Enable Key Diagnostic mode is enabled. Diagnostic mode is disabled.
15-11	Reserved	0	Reads return 0. Writes have no effect.
10-8	DIAG_BUF_SEL	0 1h 2h 3h 4h 5h 6h 7h	Diagnostic Buffer Select During diagnostic mode 5 the DIAG_BUF_SEL selects the buffer to read or write when accessing the FPRIM_ADD_TAG and FDUP_ADD_TAG registers. The address tags consists of matching primary and duplicate address tag registers. All the primary address tag registers are memory mapped to a common address (see <a href="#">Section 7.11.7</a> ) and are selected by DIAG_BUF_SEL. The same occurs for the duplicate address (see <a href="#">Section 7.11.8</a> ). Port A has 2 buffers and Port B has 4 buffers. During diagnostic mode 7 the value selects the port on which to perform the diagnostic. Port A Buffer 0 (diag mode 5) / PortA selected to flip data/ECC (diag mode 7) Port A Buffer 1(diag mode 5) / Reserved in diag mode 7 Reserved Reserved Port B Buffer 0(diag mode 5) / PortB selected to flip data/ECC (diag mode 7) Port B Buffer 1(diag mode 5) / Reserved (diag mode 7) Port B Buffer 2(diag mode 5) / Reserved (diag mode 7) Port B Buffer 3(diag mode 5) / Reserved (diag mode 7)
7-4	Reserved	0	Reads return 0. Writes have no effect.
2-0	DIAGMODE	0 5h 7h	Diagnostic Mode (Only values 0, 5 and 7 are permitted. Other values are reserved) Diagnostic mode is disabled. This is the same as DIAG_EN_KEY not equal to 5h. Address tag register diagnostic mode (see <a href="#">Section 7.8.2.1</a> ) ECC Data Correction Diagnostic (see <a href="#">Section 7.8.2.2</a> )

### 7.11.23 Raw Address Register (FRAW\_ADDR)

**Figure 7-32. Raw Address Register (FRAW\_ADDR) (offset = 74h)**



LEGEND: R/W = Read/Write; R = Read only; WP = Write in Privilege mode; -n = value after reset -u = Unchanged value on internal reset, cleared on power up

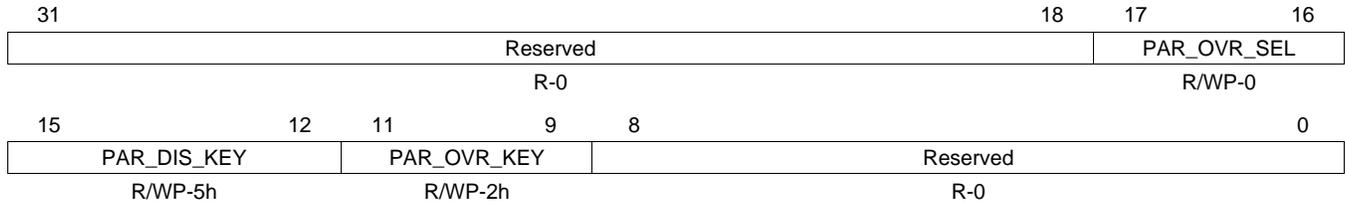
**Table 7-35. Raw Address Register (FRAW\_ADDR) Field Descriptions**

Bit	Field	Description
31-5	RAW_DATA	Raw Address. This register is used during the address tag diagnostic test, DIAG_MODE = 5, to replace the address bus bits 31:3. Lower 5 bits are not compared during the diagnostic.
4-0	Reserved	Reads return 0. Writes have no effect.

### 7.11.24 Parity Override Register (FPAR\_OVR)

This register allows overriding the parity that is internally computed by the L2FMC for checking the parity circuit.

**Figure 7-33. Parity Override Register (FPAR\_OVR) (offset = 7Ch)**



LEGEND: R/W = Read/Write; R = Read only; -n = value after reset

**Table 7-36. Parity Override Register (FPAR\_OVR) Field Descriptions**

Bit	Field	Value	Description
31-18	Reserved	0	Reserved
17-16	PAR_OVR_SEL	0 1h 2h 3h	Select which parity checker to invert the polarity of the parity No effect Idle state parity checker received inverted parity polarity Command parity checker receives inverted parity polarity Internal address parity checker receives inverted parity polarity
15-12	PAR_DIS_KEY	Ah All other values	Disable access Parity. ECC on Data is NOT affected by this setting and behaves the same way The access parity error is disabled and no checking is done and no events are generated. Any other value enables the parity checking on the access.
11-9	PAR_OVR_KEY	5h All other values	Parity Override The selected parity checker selected through PAR_OVR_SEL will receive inverted SYS_ODD_PARITY. Any other value causes the module to use the global system parity bit in the system register DEVCR1.
8-0	Reserved	0	Reads return 0. Writes have no effect.

### 7.11.25 Reset Configuration Valid Register (RCR\_VALID)

This register reflects the validity of the implicit read.

**Figure 7-34. Reset Configuration Valid Register (RCR\_VALID) (offset = B4h)**

31	Reserved			16
R-0				
15	2	1	0	
Reserved		JSM_VALID	RCR_VALID	
R-0		R-1	R-1	

LEGEND: R/W = Read/Write; R = Read only; -n = value after reset

**Table 7-37. Reset Configuration Valid Register (RCR\_VALID) Field Descriptions**

Bit	Field	Value	Description
31-2	Reserved	0	Reserved
1	JSM_VALID	0	When the L2FMC finishes the implicit read, it sets this bit to indicate that the contents of RCR_VALUE0 and RCR_VALUE1 are valid. This bit will be cleared in case there was a double bit error during implicit reads.
		1	The implicit read has failed. The device level settings may not be correct.
0	RCR_VALID	0	Implicit read is successful. Device level settings are correct.
		1	When the L2FMC finishes the implicit read, it sets this bit to indicate that the contents of RCR_VALUE0 and RCR_VALUE1 are valid. This bit will be cleared in case there was a double bit error during implicit reads.
		0	The implicit read has failed. The device level settings may not be correct.
		1	Implicit read is successful. Device level settings are correct.

### 7.11.26 Crossbar Access Time Threshold Register (ACC\_THRESHOLD)

**Figure 7-35. Crossbar Access Time Threshold Register (ACC\_THRESHOLD) (offset = B8h)**

31	Reserved			16
R-0				
15	12	11		0
Reserved		ACC_THRESH_CNT		
R-0		R/WP-5FFh		

LEGEND: R/W = Read/Write; R = Read only; WP=Write in Privilege Mode; -n = value after reset

**Table 7-38. Crossbar Access Time Threshold Register (ACC\_THRESHOLD) Field Descriptions**

Bit	Field	Value	Description
31-12	Reserved	0	Reserved
11-0	ACC_THRESH_CNT	5FFh	Configures maximum number of clocks beyond which the L2FMC internal switch will timeout the access. This can occur due to soft error in internal logic. It is NOT recommended to modify this register unless a crossbar diagnostic is being performed.

### 7.11.27 Flash Error Detection and Correction Sector Disable Register 2 (FEDACSDIS2)

This register is used to disable the SECDED function on additional two sectors on the EEPROM Emulation flash (bank 7).

**Figure 7-36. Flash Error Detection and Correction Sector Disable Register 2 (FEDACSDIS2) (offset = C0h)**

31	30	29	24	23	22	21	16
Rsvd	SectorID3_inverse			Rsvd	SectorID3		
R-0	RWP-0			R-0	RWP-0		
15	14	13	8	7	6	5	0
Rsvd	SectorID2_inverse			Rsvd	SectorID2		
R-0	RWP-0			R-0	RWP-0		

LEGEND: R/W = Read/Write; R = Read only; WP=Write in Privilege Mode; -n = value after reset

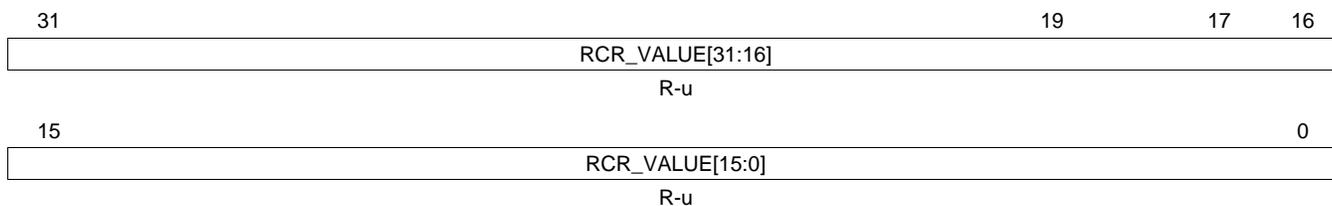
**Table 7-39. Flash Error Detection and Correction Sector Disable Register 2 (FEDACSDIS2) Field Descriptions**

Bit	Field	Value	Description
31-30	Reserved	0	Read returns 0. Writes have no effect.
29-24	SectorID3_inverse	0-3Fh	The sector ID inverse bits are used with the sector ID bits to determine which sector is disabled. If the sector ID bits are not pointing to a valid sector (0-3) or the sector ID inverse bits are not an inverse of the sector ID bits, then no sector is disabled by disable ID 3.
23-22	Reserved	0	Read returns 0. Writes have no effect.
21-16	SectorID3	0-3Fh	The sector ID bits are used with the sector ID inverse bits to determine which sector is disabled. If the sector ID bits are not pointing to a valid sector (0-3) or the sector ID inverse bits are not an inverse of the sector ID bits, then no sector is disabled by disable ID 3.
15-14	Reserved	0	Read returns 0. Writes have no effect.
13-8	SectorID2_inverse	0-3Fh	The sector ID inverse bits are used with the sector ID bits to determine which sector is disabled. If the sector ID bits are not pointing to a valid sector (0-3) or the sector ID inverse bits are not an inverse of the sector ID bits, then no sector is disabled by disable ID 2.
7-6	Reserved	0	Read returns 0. Writes have no effect.
5-0	SectorID2	0-3Fh	The sector ID bits are used with the sector ID inverse bits to determine which sector is disabled. If the sector ID bits are not pointing to a valid sector (0-3) or the sector ID inverse bits are not an inverse of the sector ID bits, then no sector is disabled by disable ID 2.

### 7.11.28 Lower Word of Reset Configuration Read Register (RCR\_VALUE0)

When L2FMC completes the implicit read, it populates this register with the lower 32 bits of the data. This is useful to perform a software diagnostic of the SECDED module

**Figure 7-37. Lower Word of Reset Configuration Read Register (RCR\_VALUE0) (offset = D0h)**



LEGEND: R/W = Read/Write; R = Read only; WP=Write in Privilege Mode; -n = value after reset

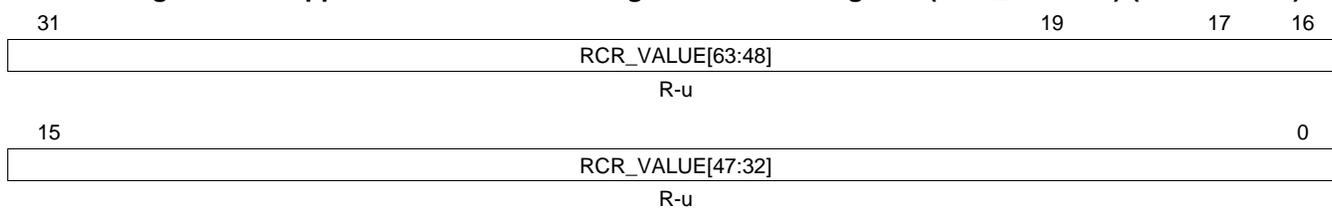
**Table 7-40. Lower Word of Reset Configuration Read Register (RCR\_VALUE0) Field Descriptions**

Bit	Field	Value	Description
31-0	RCR_VALUE[31:0]	0	Value of the lower 32 bits of the implicit read. Valid only if RCR_VALID is set.

### 7.11.29 Upper Word of Reset Configuration Read Register (RCR\_VALUE1)

When L2FMC completes the implicit read, it populates this register with the upper 32 bits of the data. This is useful to perform a software diagnostic of the SECDED module

**Figure 7-38. Upper Word of Reset Configuration Read Register (RCR\_VALUE1) (offset = D4h)**

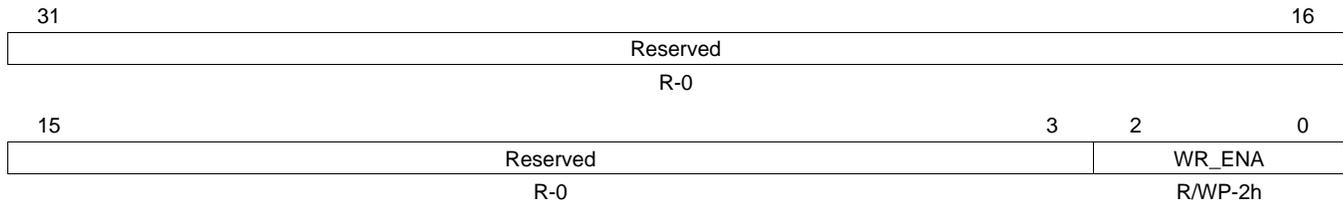


LEGEND: R/W = Read/Write; R = Read only; WP=Write in Privilege Mode; -n = value after reset

**Table 7-41. Upper Word of Reset Configuration Read Register (RCR\_VALUE1) Field Descriptions**

Bit	Field	Value	Description
31-0	RCR_VALUE[63:32]	Varies with device	Value of the upper 32 bits of the implicit read. Valid only if RCR_VALID is set.

### 7.11.30 FSM Register Write Enable Register (FSM\_WR\_ENA)

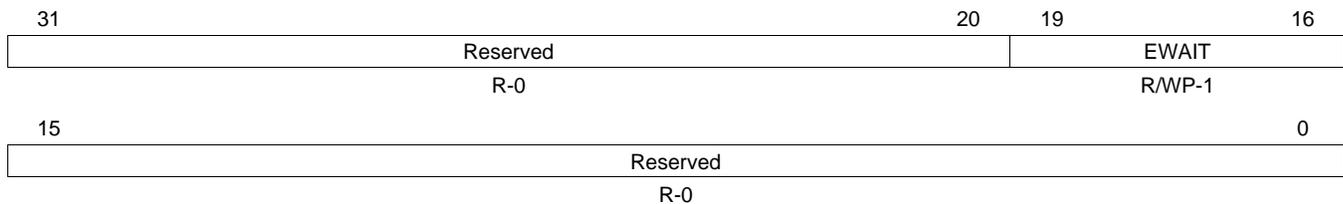
**Figure 7-39. FSM Register Write Enable Register (FSM\_WR\_ENA) (offset = 288h)**


LEGEND: R/W = Read/Write; R = Read only; WP=Write in Privilege Mode; -n = value after reset

**Table 7-42. FSM Register Write Enable Register (FSM\_WR\_ENA) Field Descriptions**

Bit	Field	Value	Description
31-3	Reserved	0	Reads return 0. Writes have no effect.
2-0	WR_ENA	5h  All other values	FSM Write Enable  This register must contain 5h in order to write to any other register in the range FFF8 7200h to FFF8 72FFh. This is the first register to be written when setting up the FSM.  For all other values, the FSM registers cannot be written.

### 7.11.31 EEPROM Emulation Configuration Register (EEPROM\_CONFIG)

**Figure 7-40. EEPROM Emulation Configuration Register (EEPROM\_CONFIG) (offset = 2B8h)**


LEGEND: R/W = Read/Write; R = Read only; -n = value after reset

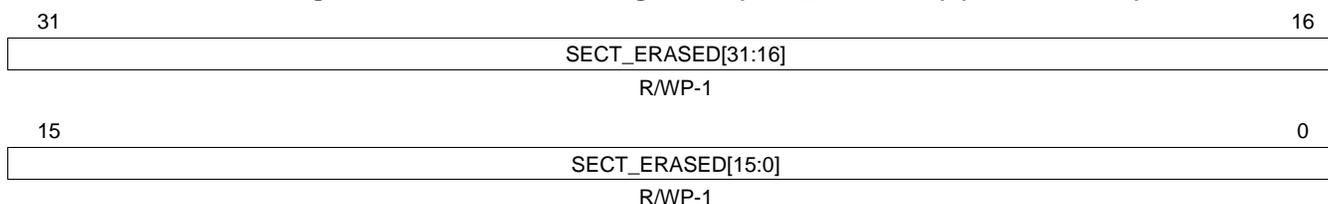
**Table 7-43. EPROM Emulation Configuration Register (EEPROM\_CONFIG) Field Descriptions**

Bit	Field	Value	Description
31-20	Reserved	0	Reads return 0. Writes have no effect.
19-16	EWAIT	0-Fh	EEPROM Wait state Counter  Replaces the RWAIT count in the EEPROM register. The same formulas that apply to RWAIT apply to EWAIT in the EEPROM bank.
15-0	Reserved	0	Reads return 0. Writes have no effect.

### 7.11.32 FSM Sector Register 1 (FSM\_SECTOR1)

This is a banked register. A separate register is implemented for each bank, but they all occupy the same address. The correct bank must be selected in the FMAC register before reading or writing this register. See [Section 7.11.16](#).

**Figure 7-41. FSM Sector Register 1 (FSM\_SECTOR1) (offset = 2C0h)**



LEGEND: R/W = Read/Write; R = Read only; WP=Write in Privilege Mode; -n = value after reset

**Table 7-44. FSM Sector Register 1 (FSM\_SECTOR1) Field Descriptions**

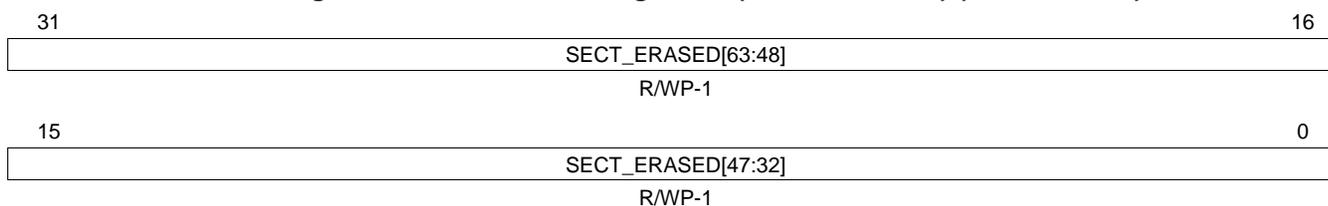
Bit	Field	Value	Description
31-0	SECT_ERASED[31:0]		Sectors Erased. There is one bit for each sector. Bit 0 corresponds to sector 0, bit 1 corresponds to sector 1, and so on.
		0	During bank erase, each sector whose corresponding bit is 0 will be erased. After bank erase, the bit corresponding to each sector that is erased will be changed from 0 to 1.
		1	During bank erase, each sector whose corresponding bit is 1 will not be erased.

**NOTE:** If the bank has less than 32 sectors, only those many LSB bits of FSM\_SECTOR1 are valid. For EEPROM bank having more than 32 sectors, use this register in conjunction with FSM\_SECTOR2.

### 7.11.33 FSM Sector Register 2 (FSM\_SECTOR2)

This register is applicable to EEPROM bank having more than 32 sectors only. Refer device datasheet to find the number of EEPROM sectors in a particular device.

**Figure 7-42. FSM Sector Register 2 (FSM\_SECTOR2) (offset = 2C4h)**



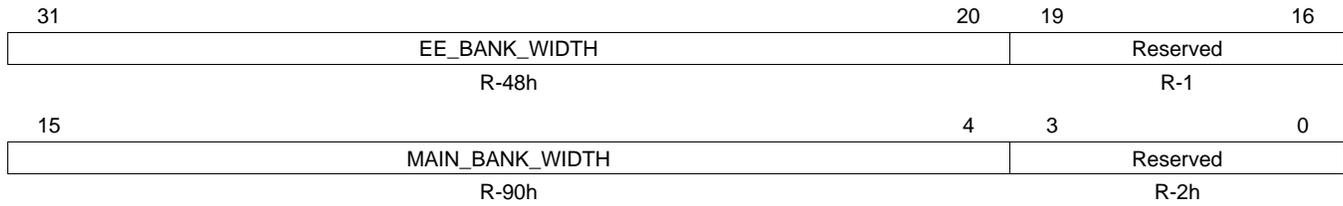
LEGEND: R/W = Read/Write; R = Read only; WP=Write in Privilege Mode; -n = value after reset

**Table 7-45. FSM Sector Register 2 (FSM\_SECTOR2) Field Descriptions**

Bit	Field	Value	Description
31-0	SECT_ERASED[63:32]		Sectors Erased. There is one bit for each sector. Bit 0 corresponds to sector 32, bit 1 corresponds to sector 33, and so on.
		0	During bank erase, each sector whose corresponding bit is 0 will be erased. After bank erase, the bit corresponding to each sector that is erased will be changed from 0 to 1.
		1	During bank erase, each sector whose corresponding bit is 1 will not be erased.

### 7.11.34 Flash Bank Configuration Register (FCFG\_BANK)

**Figure 7-43. Flash Bank Configuration Register (FCFG\_BANK) (offset = 400h)**



LEGEND: R = Read only; -n = value after reset; -u = unchanged value on internal reset, cleared on power up

**Table 7-46. Flash Bank Configuration Register (FCFG\_BANK) Field Descriptions**

Bit	Field	Value	Description
31-20	EE_BANK_WIDTH	48h	Bank 7 width (72-bits wide) This read-only value indicates the maximum number of bits that can be programmed in the bank in one operation. The 72 bits includes 64 data bits and 8 ECC bits.
19-16	Reserved	1	Writes have no effect.
15-4	MAIN_BANK_WIDTH	90h	Width of main flash banks (288-bits wide) This read-only value indicates the maximum number of bits that can be programmed in the bank in one operation. The 288 bits includes 256 data bits and 32 ECC bits.
3-0	Reserved	2h	Writes have no effect.

## 7.12 POM Control Registers

This section details the POM module registers listed in [Table 7-47](#).

The POM module control registers can only be read and/or written while in privileged or debug mode. Each register begins on a word boundary. All registers are 32-bit, 16-bit and 8-bit accessible. The start address of the POM module is FFA0 4000h.

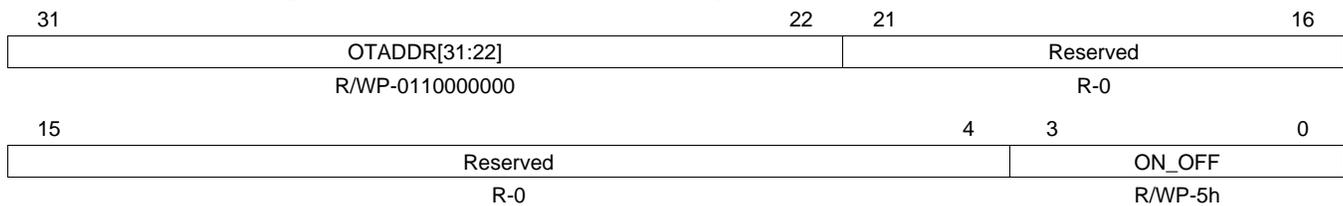
**Table 7-47. POM Control Registers**

Offset	Acronym	Register Description	Section
00h	POMGLBCTRL	POM Global Control Register	<a href="#">Section 7.12.1</a>
04h	POM_REVID	POM Revision ID Register	<a href="#">Section 7.12.2</a>
0Ch	POMFLG	POM Flag Register	<a href="#">Section 7.12.3</a>
200h, 210h, ...	PROMPROGSTARTx	POM Region Start Address Register	<a href="#">Section 7.12.4</a>
204h, 214h,...	POMOVLSTARTx	POM Overlay Start Address Register	<a href="#">Section 7.12.5</a>
208h, 218h,...	POMREGSIZEx	POM Region Size Register	<a href="#">Section 7.12.6</a>

### 7.12.1 POM Global Control Register (POMGLBCTRL)

Contains enable control for the POM module.

**Figure 7-44. POM Global Control Register (POMGLBCTRL) (offset = 00h)**



LEGEND: R/W = Read/Write; R = Read only; -n = value after reset

**Table 7-48. POM Global Control Register (POMGLBCTRL) Field Descriptions**

Bit	Field	Value	Description
31-22	OTADDR		Overlay Target Address. These bits determine the upper address bits of the remapped address. Writing a different value to this bitfield will steer the access to a different location in the 4GB address space. Care has to be taken that the value written represents actual memory.
21-4	Reserved	0	Reads return 0. Writes have no effect.
3-0	ON_OFF	except Ah Ah	POM enable/disable POM is disabled POM is enabled

### 7.12.2 POM Revision ID Register (POMREV)

**Figure 7-45. POM Revision ID Register (POMREV) (offset = 04h)**

31	REVID	16
	R-0108h	
15	REVID	0
	R-CA03h	

LEGEND: R = Read only; -n = value after reset; -u = unchanged value on internal reset, cleared on power up

**Table 7-49. POM Revision ID Register (POMREV) Field Descriptions**

Bit	Field	Value	Description
31-0	REVID	0108CA03h	Revision ID of POM

### 7.12.3 POM Flag Register (POMFLG)

This register conveys status bits that get set during POM accesses.

All these error status bits can be cleared by writing a 1 to the bit; writing a 0 has no effect.

**Figure 7-46. POM Flag Register (POMFLG) (offset = 0Ch)**

31	Reserved				16
	R-0				
15	Reserved	11	10	9	8
	R-0		PERR_SRESP_IDLE	PERR_PB	PERR_PA
			R/W1CP-u	R/W1CP-u	R/W1CP-u
7	Reserved				0
	R-0				

LEGEND: R = Read only; RCP = Read and Clear in Privilege Mode; -n = value after reset; -u = unchanged value on internal reset, cleared on power up

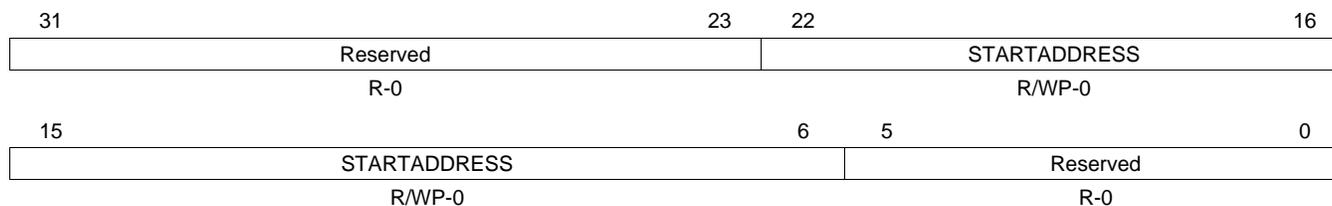
**Table 7-50. POM Flag Register (POMFLG) Field Descriptions**

Bit	Field	Value	Description
31-11	Reserved	0	Reads return 0. Writes have no effect.
10	PERR_SRESP_IDLE	0	Idle response parity error on POM access
		0	Idle response parity error on POM access has NOT occurred
		1	Idle response parity error on POM access has occurred
9	PERR_PB	0	Parity Error on POM access due to remapping request on PortB
		0	Parity error on POM PortB remap request has NOT occurred
		1	Parity error on POM PortB remap request has occurred
8	PERR_PA	0	Parity Error on POM access due to remapping request on PortA
		0	Parity error on POM PortA remap request has NOT occurred
		1	Parity error on POM PortA remap request has occurred
7-0	Reserved	0	Reads return 0. Writes have no effect.

### 7.12.4 POM Region Start Address Register (POMPROGSTARTx)

This set of registers contains the start address of each region which is to be remapped. These registers are at an offset 200h + (10h x region number). Region numbers are counted from 0 onwards.

**Figure 7-47. POM Region Start Address Register (POMPROGSTARTx) (offset = 200h, 210h,..)**



LEGEND: R = Read only; RCP = Read and Clear in Privilege Mode; -n = value after reset; -u = unchanged value on internal reset, cleared on power up

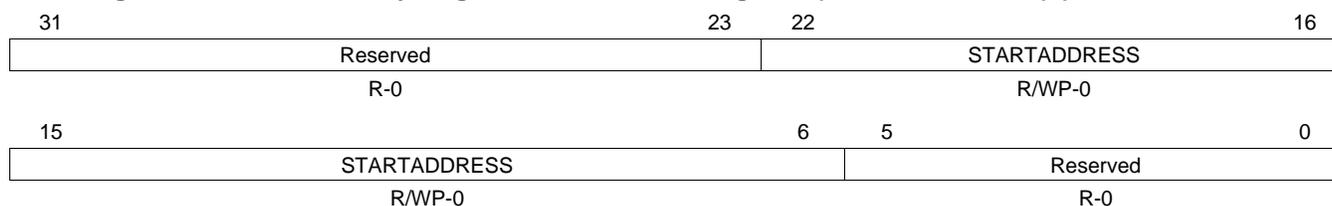
**Table 7-51. POM Region Start Address Register (POMPROGSTARTx)  
Field Descriptions**

Bit	Field	Value	Description
31-23	Reserved	0	Reads return 0. Writes have no effect.
22-6	STARTADDRESS		Start address of the program memory region
5-0	Reserved	0	Reads return 0. Writes have no effect.

### 7.12.5 POM Overlay Region Start Address Register (POMOVLSTARTx)

Contains the start address of the overlay region in volatile memory.

**Figure 7-48. POM Overlay Region Start Address Register (POMOVLSTARTx) (offset = 204h, 214h,...)**



LEGEND: R = Read only; RCP = Read and Clear in Privilege Mode; -n = value after reset; -u = unchanged value on internal reset, cleared on power up

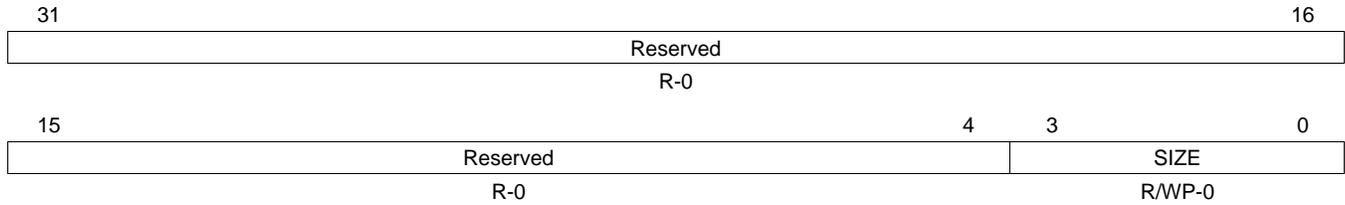
**Table 7-52. POM Overlay Region Start Address Register (POMOVLSTARTx)  
Field Descriptions**

Bit	Field	Value	Description
31-23	Reserved	0	Reads return 0. Writes have no effect.
22-6	STARTADDRESS		Start address of the program memory region
5-0	Reserved	0	Reads return 0. Writes have no effect.

### 7.12.6 POM Region Size Register (POMREGSIZEEx)

Contains the size of the program memory and overlay memory region.

**Figure 7-49. POM Region Size Register (POMREGSIZEEx) (offset = 208h, 218h, ...)**



LEGEND: R/W = Read/Write; R = Read only; WP=Write in Privilege Mode; -n = value after reset

**Table 7-53. POM Region Size Register (POMREGSIZEEx) Field Descriptions**

Bit	Field	Value	Description
31-4	Reserved	0	Read returns 0. Writes have no effect.
3-0	SIZE	0	Region is disabled
		1h	64 bytes
		2h	128 bytes
		:	:
		Ch	128K bytes
		Dh	256K bytes
		Eh-Fh	Reserved

## Level 2 RAM (L2RAMW) Module

---

---

This chapter describes the Level II RAM (L2RAM) module.

Topic	Page
<b>8.1 Overview</b> .....	<b>371</b>
<b>8.2 Module Operation</b> .....	<b>371</b>
<b>8.3 Control and Status Registers</b> .....	<b>376</b>

## 8.1 Overview

The Level 2 RAM (L2RAM) module controls and decodes RAM memory accesses on this device. Features of the L2RAM are:

- Controls read/write accesses to the data RAM
- Decodes addresses within the memory region allocated for the RAM
- Performs ECC check on all incoming CPU writes to ensure that data is intact
- Supports read and write accesses in 64-bit, 32-bit, 16-bit, or 8-bit access sizes
  - Performs redundant ECC check on merged data during read-modify-write operations
  - Does not support bit-wise operations
- Safety Features:
  - Single-Error-Correction Double-Error-Detection (SECEDED) on data
    - Uses the CPU's Event bus and maintains the SECEDED status in memory-mapped registers
    - Captures the number of occurrences of single-bit or multi-bit errors as well as the RAM address that has the fault
    - Generates error signals for single-bit and multi-bit errors to the Error Signaling Module (ESM)
  - Performs Memory Scrubbing to Identify and Correct Single Bit RAM errors in the L2RAM memory
  - SECEDED Malfuction Checking to Verify that L2RAMW ECC is functioning correctly
  - Parity Protection of the Address Bus and Control Signals
    - Generates error signals for parity error to the Error Signaling Module (ESM)
  - Redundant Address Decode Scheme
    - Checks the decoding of CPU address lines and generation of correct memory selects for the RAM banks
- Exclusive access support
- Supports auto-initialization of the CPU data RAM banks
- Supports the RAM Trace Port (RTP) Interface
  - Traces out all RAM read and write accesses to the RTP module

## 8.2 Module Operation

### 8.2.1 RAM Memory Map

The L2RAMW decodes 8MB of data space. Up to 512kB of implemented data space is supported. Check the specific part's datasheet to identify the actual amount of RAM supported on the device. This RAM is protected by ECC, allowing the CPU to correct any single-bit errors and detect multi-bit errors within a 64-bit value. The error correction code (ECC) values are stored in the RAM memory space as well. The memory map for the RAM and the corresponding ECC space is shown in [Figure 8-1](#). Any access to an unimplemented RAM location results in an error response from the L2RAMW module.

Each RAM data word is 64-bits wide. These 64 bits are divided into 32 bits per RAM bank. The 8 bits of ECC are also divided into 4 bits per RAM bank.

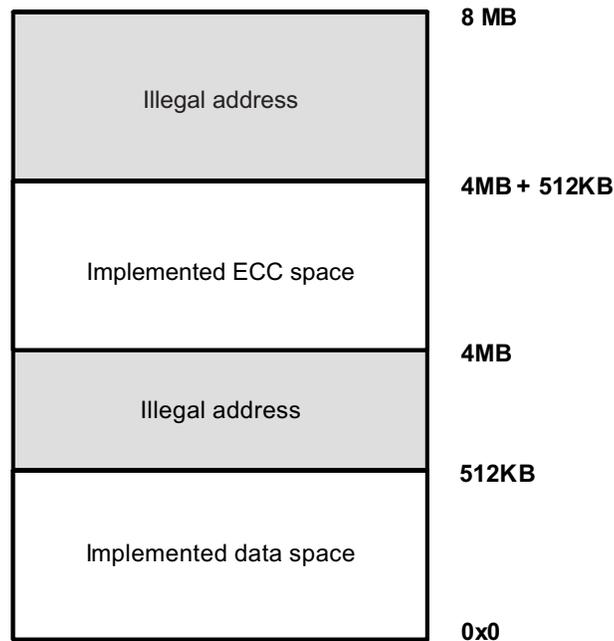
For every 64-bit read from the RAM, an 8-bit ECC is also read by the CPU on its ECC bus. Similarly, for every 64-bit write to the RAM, the CPU also writes an 8-bit ECC using the same ECC bus.

The ECC memory can also be directly accessed via memory-mapped offset addresses. A read from the ECC space results in the 8-bit ECC value appearing on each byte of the 64-bit CPU data. Writes to ECC memory must be 64-bit aligned. Writes to the ECC space must also first be enabled via the RAM Control Register (RAMCTRL).

Accesses to the ECC space are not traced out to the RAM Trace Port (RTP).

**NOTE: No ECC Error Generated for Accesses to ECC Memory:** A read from the ECC memory itself would generate an ECC value on both the read data bus as well as the 8-bit ECC bus. This could result in the detection of a multi-bit error by the SECDED logic inside the CPU. The L2RAMW interface module ignores the ECC errors that are indicated by the CPU when accessing ECC space.

**Figure 8-1. RAM Memory Map**



## 8.2.2 Safety Features

The L2RAMW module incorporates some features that are designed specifically with safety considerations.

### 8.2.2.1 ECC Handling on 8-, 16-, and 32-Bit Writes

ECC calculation is handled by the R5F CPU except in the case of sub-64bit writes. If an 8-, 16-, or a 32-bit write is performed, L2RAMW handles the ECC calculation along with read-modify-write operation. This is to minimize the latency between CPU and L2RAMW in the case of sub-64bit write.

When a sub-64 bit write is performed with ECC enabled, the RAM Error Status Register flags any errors that are detected by the ECC logic of the L2RAMW.

**NOTE:** The RAM Error Status Register does not indicate ECC errors that are detected by the Cortex R5F CPU. These errors are handled and flagged in the R5F registers.

### 8.2.2.2 Memory Scrubbing

To increase memory reliability, the L2RAMW has an optional "memory scrubbing" feature, which automatically corrects single bit errors whenever they are detected during any RAM read. The reason for performing this action is that if a single bit error occurs on the RAM, and no immediate action is taken to correct it, it is possible that a nearby bit cell will be corrupted as well at some point. If this were to occur, the two corrupted bits would result in a double-bit error that can no longer be corrected by the SECDED algorithm.

Memory scrubbing can be enabled by setting the Memory Scrubbing Enable (MSE) bit in the L2RAMW Module Control Register (RAMCTRL). Note that the ECC Detect Enable (ECC DETECT EN) field in RAMCTRL must be set to Ah before enabling memory scrubbing, since memory scrubbing uses the L2RAMW SECDED logic.

### 8.2.2.3 SECDED Malfunction

To enhance device safety, the L2RAMW has a SECDED malfunction detection feature to ensure that the SECDED logic is functioning correctly. Every time ECC is calculated for a CPU write data or a read data for a read-modify-write operation, the results of the ECC correction are compared back again to the original data value to ensure that the SECDED logic is working correctly. If an error in the SECDED logic is detected, it will be flagged in the RAMERRSTATUS Register (RAM Error Status).

### 8.2.2.4 L2RAMW Error Types and Responses

**Table 8-1. L2RAMW Error Types**

Error Source	Corresponding RAMERRSTATUS Bit	ESM Group
CPU Write ECC single error (correctable)	CPUWE (0)	Group 1
<b>ECC double bit errors:</b>		Group 3, bus error
Read-Modify-Write (RMW) ECC double bit error	RMWDE (7)	
CPU Write ECC double bit error	CPUWDE (5)	
<b>Uncorrectable error Type A:</b>		Group 3, bus error
Write SECDED malfunction error	WEME (3)	
Redundant address decode error	ADE (2)	
Read SECDED malfunction error	REME (1)	
<b>Uncorrectable error Type B:</b>		Group 2
Memory scrubbing SECDED malfunction error	MSSM (18)	
Memory scrubbing redundant address decode error	MSRA (17)	
Memory scrubbing address / control parity error	MSACP (16)	
ECC single bit and double bit diagnostic errors	DRDE(22), DRSE(21), DWDE(20), DWSE(19)	
Merged mux diagnostic error	MMDE (12)	
Write SECDED malfunction diagnostic error	WEMDE (11)	
Read SECDED malfunction diagnostic error	REMDE (10)	
Write data merged mux error	MME (9)	
Redundant address decode diagnostic error	ADDE (4)	
Command parity error on idle	CPEOI (15)	
Address / Control parity error	PACE(8)	Group 3, bus error
Level 2 RAM illegal address error	n/a	n/a (bus error only)
Memory initialization error	MIE (13)	n/a (bus error only)
Exclusive access to ECC space error	EAE (14)	n/a (bus error only)

### 8.2.2.5 Support for Cortex-R5F CPU's Address and Control Bus Parity Checking

The Cortex-R5F CPU provides parity bits for the address and control signals going to L2RAMW. The L2RAMW module also computes the parity bits based on the CPU's address bus and control signals. The computed parity bits are compared against the parity bits received from the CPU. A mismatch is recorded as Address/Control parity error (bit 8) in the RAMERRSTATUS register and signaled as an Address Parity Failure to the Error Signaling Module (ESM). It also generates a bus error.

The error flag in the RAMERRSTATUS register must be cleared by the application in order for the L2RAMW interface module to continue capturing subsequent errors and error addresses.

---

**NOTE: No Change Of Parity Scheme On-The-Fly:** The L2RAMW interface module does not support on-the-fly change to the parity scheme being used for checking the CPU address bus and control bus. The application must ensure that the parity polarity (odd or even) is not changed while there is an ongoing access to the L2RAM.

---

### 8.2.2.6 Redundant Address Decode

The L2RAMW module generates the memory selects for each of the L2RAMW banks as well as the ECC memory based on the CPU address. The logic to generate these memory selects is duplicated and the outputs compared to detect any address decode errors. A mismatch is indicated as an Address Error to the Error Signaling Module (ESM). The L2RAMW or ECC address that caused the fault is captured in the RAMUERRADDR register. This is a 64-bit address that is stored as an offset from the base of the L2RAMW or ECC memory.

As described earlier, each individual physical RAM bank is 36 bits wide. Each RAM bank contributes 32 bits of data and 4 bits of ECC when the bus master performs a 64-bit read from the L2RAM. Each L2RAMW bank receives a memory select and the address from the L2RAMW interface module. Any difference between the address and the memory selects results in wrong data and ECC pair being sent to the CPU. The CPU's SECDED block will detect this data error.

The L2RAMW interface module also supports a mechanism to test the operation of the redundant address decode logic and the compare logic. This testing is supported by providing a test stimulus, and can be triggered by the application by configuring the RAMTEST register. The address of any error identified during testing of the redundant address decode and compare logic is not captured in the RAMUERRADDR register.

---

**NOTE: Address decode checking when in compare logic test mode:** When the address decode and compare logic test mode is enabled, the redundant address decode and compare logic is not available for checking the proper generation of the memory selects for the L2RAMW and ECC memory.

---

### 8.2.3 L2RAMW Auto-Initialization

The RAM memory can be initialized by using the dedicated auto-initialization hardware. The L2RAMW module initializes the entire memory when the auto-init is enabled for the RAM. All RAM data memory is initialized to zeros and the ECC memory is initialized to the correct ECC value for zeros, that is, 0Ch.

### 8.2.4 Trace Module Support

The L2RAMW module traces out the following signals to the RAM Trace Port (RTP) module, thereby providing RAM dataport trace capability.

- 18-bit address line
- 64-bit data bus
- Byte strobe information
- Current access master identification number
- Access type: Opcode or data fetch
- Read or Write access

No data is traced for an access to ECC memory.

### 8.2.5 Emulation/Debug Mode Behavior

The following describes the behavior of the L2RAMW Module when in debug mode:

- No single-bit error interrupt is generated nor is any single-bit error address captured even when the RAMOCCUR counter reaches the programmed single-bit error correction threshold.
- No uncorrectable error interrupt is generated nor is any double-bit error address captured.
- No address parity error interrupt is generated nor is any parity error address captured.
- The RAMUERRADDR register is not cleared by a read in debug mode.
  - That is, if a double-bit error address is captured and is not read by the CPU before entering debug mode, then it remains frozen during debug mode even if it is read.
- The RAMPERRADDR register is not cleared by a read in debug mode.

### 8.2.6 Diagnostic Test Procedure

1. Write test vectors DIAG\_DATA\_VECTOR\_H, DIAG\_DATA\_VECTOR\_L, DIAG\_ECC, and RAMADDRDEC\_VECT with desired test irritants.
2. In RAMTEST, write TEST\_ENABLE field with Ah and TEST\_MODE field with the choice of inequality or equality testing for redundant address decoding and SECDED malfunction diagnostics. Set up proper values in DIAG\_ECC, DIAG\_DATA\_VECTOR\_L and DIAG\_DATA\_VECTOR\_H registers. ECC single bit or double bit read and write diagnostic errors will be generated if the values do not match.
3. In RAMTEST, write TRIGGER bit. Remember the trigger can only be enabled when TEST\_ENABLE is equal to Ah and RAMERRSTATUS[22,21,20,19,12,11,10, 4] bits are zero. Triggering diagnostic test while the memory banks are busy will force the test to wait until the banks are free. Note all diagnostic testing for two SECDEDs and compare logics of redundant address decode, two SECDED malfunctions, data merging block are completed in one HCLK cycle even though the TRIGGER bit can last one VCLK cycle.
4. Read back register bits RAMERRSTATUS[22,21,20,19,12,11,10, 4] and observe pass/fail status. No error bit will be set if no error is detected in the diagnostic test. The diagnostic errors will also be sent to ESM group 2 as "uncorrectable error type B".

### 8.3 Control and Status Registers

The L2RAMW Module registers listed in [Table 8-2](#) are accessed through the system module register space in the Cortex-R5F CPUs memory map. All registers are 32-bit wide and are located on a 32-bit boundary. Reads and writes to registers are supported in 8-, 16-, and 32-bit accesses. The base address for the L2RAMW control registers is FFFF F900h.

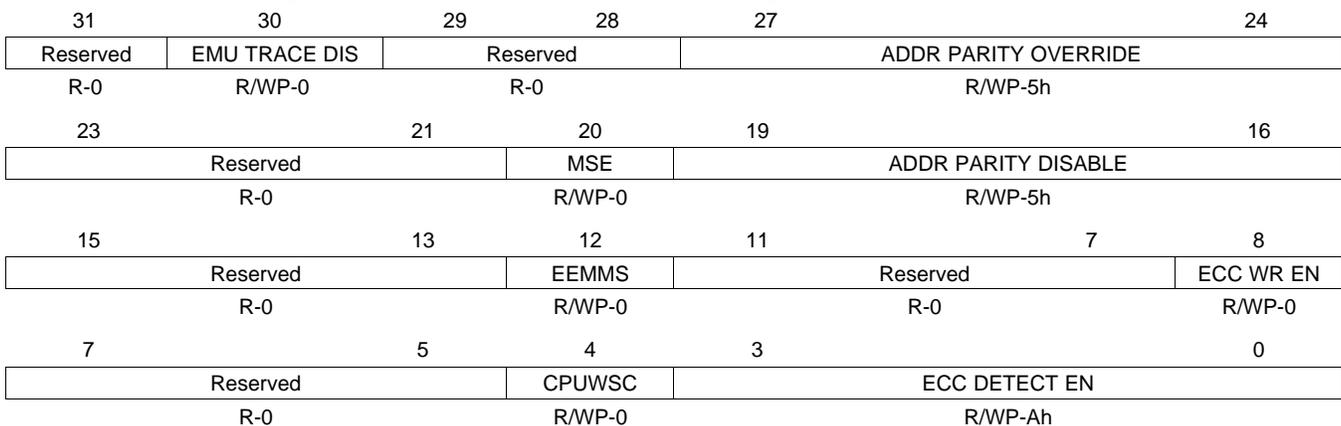
**Table 8-2. L2RAMW Module Control and Status Registers**

Offset	Acronym	Register Description	Section
00h	RAMCTRL	L2RAMW Module Control Register	<a href="#">Section 8.3.1</a>
10h	RAMERRSTATUS	L2RAMW Module Error Status Register	<a href="#">Section 8.3.2</a>
24h	DIAG_DATA_VECTOR_H	Diagnostic Data Vector High Register	<a href="#">Section 8.3.3</a>
28h	DIAG_DATA_VECTOR_L	Diagnostic Data Vector Low Register	<a href="#">Section 8.3.4</a>
2Ch	DIAG_ECC	Diagnostic ECC Vector Register	<a href="#">Section 8.3.5</a>
30h	RAMTEST	L2RAMW RAM Test Register	<a href="#">Section 8.3.6</a>
38h	RAMADDRDEC_VECT	L2RAMW RAM Address Decode Vector Test Register	<a href="#">Section 8.3.7</a>
3Ch	MEMINIT_DOMAIN	L2RAMW Memory Initialization Domain Register	<a href="#">Section 8.3.8</a>
44h	BANK_DOMAIN_MAP0	Bank to Domain Mapping Register 0	<a href="#">Section 8.3.9</a>
48h	BANK_DOMAIN_MAP1	Bank to Domain Mapping Register 1	<a href="#">Section 8.3.10</a>

#### 8.3.1 L2RAMW Module Control Register (RAMCTRL)

The RAMCTRL register, shown in [Figure 8-2](#) and described in [Table 8-3](#), controls the safety features supported by the L2RAMW Module.

**Figure 8-2. L2RAMW Module Control Register (RAMCTRL) (offset = 00h)**



LEGEND: R/W = Read/Write; R=Read only; WP = Write allowed in privileged mode only; -n = value after reset

**Table 8-3. L2RAMW Module Control Register (RAMCTRL) Field Descriptions**

Bit	Field	Value	Description
31	Reserved	0	Read returns 0. Writes have no effect.
30	EMU TRACE DIS	0	Emulation Mode Trace Disable. This bit, when set, disables the tracing of read data to RAM Trace Port (RTP) module during emulation mode access.
		1	Data is allowed to be traced out to the trace modules for emulation mode accesses.
		1	Data is blocked from being traced out to the trace modules for emulation mode accesses.
29-28	Reserved	0	Read returns 0. Writes have no effect.

**Table 8-3. L2RAMW Module Control Register (RAMCTRL) Field Descriptions (continued)**

Bit	Field	Value	Description
27-24	ADDR PARITY OVERRIDE	Ah All other values	Address Parity Override. This field, when set to Ah, will invert the parity scheme selected by the device global parity selection. The address parity checker would then work on the inverted parity scheme. By default, the parity scheme is the same as the global device parity scheme.  Parity scheme is opposite to the device global parity scheme.  Parity scheme is the same as the device global parity scheme.
23-21	Reserved	0	Read returns 0. Writes have no effect.
20	MSE	0 1	MSE: Memory Scrubbing Enable. This bit enables or disables memory scrubbing of single-bit errors on read operations.  <b>Note: The ECC DETECT EN field in RAMCTRL register must be set to Ah before enabling memory scrubbing, since memory scrubbing uses the L2RAMW SECEDED logic.</b>  0 Memory scrubbing is disabled. 1 Memory scrubbing is enabled.
19-16	ADDR PARITY DISABLE	Ah All other values	Address/Control Bus Parity Detect Disable. This field, when set to 0xA, disables the parity checking for the address and control bus. The parity checking is enabled when this field is set to any other value.  <b>Note: The application must ensure that PACE field in RAMERRSTATUS register is cleared before enabling address/control bus parity checking.</b>  Ah Address parity checking is disabled All other values Address parity checking is enabled
15-13	Reserved	0	Read returns 0. Writes have no effect.
12	EEMMS	0 1	EEMMS: Enable ESM notification (Parity, Redundant Address Decode, SECEDED malfunction) for write back during memory scrubbing.  0 ESM will not be signaled when an error occurs during memory scrubbing write back 1 ESM will be signaled when an error occurs during memory scrubbing write back
11-9	Reserved	0	Read returns 0. Writes have no effect.
8	ECC WR EN	0 1	ECC Memory Write Enable. This bit is provided to prevent accidental writes to the ECC memory. A write access to the ECC memory is allowed only when the ECC WR EN bit is set to 1. If this bit is cleared, then any writes to ECC memory are ignored.  Note: Reads are allowed from the ECC memory regardless of the state of the ECC WR EN.  0 ECC memory writes are disabled. 1 ECC memory writes are enabled.
7-5	Reserved	0	Read returns 0. Writes have no effect.
4	CPUWSC	0 1	CPUWSC: CPU Write SERR Capture. By default, single bit error are not signaled to ESM module. This bit allows the option to capture the status and notify ESM.  <b>Note: This feature is only applicable to CPU write data.</b>  0 Disable single bit error status capture and ESM notification. 1 Enable single bit error status capture and ESM notification.
3-0	ECC DETECT EN	5h All other values	ECC Detect Enable. This is a 4-bit key to enable the ECC detection feature in the L2RAMW Module. Error detection, status updates, and data correction are performed by the L2RAMW logic only if ECC detection is enabled. ECC detection is enabled by default after reset.  <b>Note: Disabling ECC on the L2RAMW module will disable ECC error checking only for the ECC functions that the L2RAM handles (sub 64-bit Write Operations). All other ECC handling is done by the R5F CPU. ECC error checking cannot be disabled on the R5F CPU.</b>  5h ECC detection is disabled. All other values ECC detection is enabled.

### 8.3.2 L2RAMW Error Status Register (RAMERRSTATUS)

The RAMERRSTATUS register, shown in Figure 8-3 and described in Table 8-4, indicates the status of the various error conditions monitored by the L2RAMW Module.

**Figure 8-3. L2RAMW Module Error Status Register (RAMERRSTATUS) (offset = 10h)**

31								24							
Reserved															
R-0															
23		22		21		20		19		18		17		16	
Reserved		DRDE		DRSE		DWDE		DWSE		MSSM		MSRA		MSACP	
R-0		R/W1CP-0		R/W1CP-0		R/W1CP-0		R/W1CP-0		R/W1CP-0		R/W1CP-0		R/W1CP-0	
15		14		13		12		11		10		9		8	
CPEOI		Reserved		MIE		MMDE		WEMDE		REMDE		MME		PACE	
R/W1CP-0		R-0		R/W1CP-0		R/W1CP-0		R/W1CP-0		R/W1CP-0		R/W1CP-0		R/W1CP-0	
7		6		5		4		3		2		1		0	
RMWDE		Reserved		CPUWDE		ADDE		WEME		ADE		REME		CPUWE	
R/W1CP-0		R-0		R/W1CP-0		R/W1CP-0		R/W1CP-0		R/W1CP-0		R/W1CP-0		R/W1CP-0	

LEGEND: R/W = Read/Write; R = Read only; W1CP = Privilege Write 1 to Clear; -n = value after reset

**Table 8-4. L2RAMW Module Error Status Register (RAMERRSTATUS) Field Descriptions**

Bit	Field	Value	Description
31-23	Reserved	0	Read returns 0. Writes have no effect.
22	DRDE	0 1	Diagnostic Read Double-bit Error. This bit indicates that a double bit-error has occurred during diagnostic of the L2RAMW SECDED logic that is used to handle read of read-modify write operations. This bit must be cleared by writing a 1 to it before any new error can be generated. A double-bit error did not occur during diagnostic A double-bit error occurred during diagnostic
21	DRSE	0 1	Diagnostic Read Single-bit Error. This bit indicates that a single bit-error has occurred during diagnostic of the L2RAMW SECDED logic that is used to handle read of read-modify write operations. This bit must be cleared by writing a 1 to it before any new error can be generated. A single-bit error did not occur during diagnostic A single-bit error occurred during diagnostic
20	DWDE	0 1	Diagnostic Write Double-bit Error. This bit indicates that a double bit-error has occurred during diagnostic of the L2RAMW SECDED logic that handles write operations. This bit must be cleared by writing a 1 to it before any new error can be generated. A single-bit error did not occur during diagnostic A single-bit error occurred during diagnostic
19	DWSE	0 1	Diagnostic Write Single-bit Error. This bit indicates that a single bit-error has occurred during diagnostic of the L2RAMW SECDED logic that handles write operations. This bit must be cleared by writing a 1 to it before any new error can be generated. A single-bit error did not occur during diagnostic A single-bit error occurred during diagnostic
18	MSSM	0 1	Memory Scrubbing write back SECDED Malfunction. This indicates that a SECDED malfunction occurred during memory scrubbing write back. This bit must be cleared by writing a 1 to it before any new error can be generated. A SECDED malfunction did not occur during scrubbing write back A SECDED malfunction occurred during scrubbing write back
17	MSRA	0 1	Memory Scrubbing write back Redundant Address decode error. This bit indicates that a redundant address decode error occurred during memory scrubbing write back. This bit must be cleared by writing a 1 to it before any new error can be generated. An address decode error did not occur during scrubbing write back An address decode error occurred during scrubbing write back

**Table 8-4. L2RAMW Module Error Status Register (RAMERRSTATUS) Field Descriptions (continued)**

Bit	Field	Value	Description
16	MSACP		Memory Scrubbing write back Redundant Address decode error. This bit indicates that an address-control parity error occurred during memory scrubbing write back. This bit must be cleared by writing a 1 to it before any new error can be generated.
		0	An address control parity error did not occur during memory scrubbing write back
		1	An address control parity error occurred during memory scrubbing write back
15	CPEOI		Command Parity Error on Idle. This bit indicates an error occurred for an idle command with parity error. This bit must be cleared by writing a 1 to it before any new error can be generated.
		0	An error did not occur
		1	An error occurred
14	Reserved	0	Read returns 0. Writes have no effect.
13	MIE		Memory Initialization Error. This bit indicated an error occurred for an access to a bank under memory initialization. Access to a bank under memory initialization is not allowed. It will result in a false double bit error. This bit must be cleared by writing a 1 to it before any new error can be generated.
		0	An error did not occur
		1	An error occurred
12	MMDE		Merged MUX Diagnostic Error. This bit indicates a error was detected on the compare logic of the mux logic used for data merging of a read modify write operation during diagnostic test. This bit must be cleared by writing a 1 to it before any new error can be generated.
		0	An error did not occur
		1	An error occurred
11	WEMDE		Write ECC Malfunction Diagnostic Error. This bit indicated an error was detected on the compare logic of the write ECC malfunction during diagnostic test. This bit must be cleared by writing a 1 to it before any new error can be generated.
		0	An error did not occur
		1	An error occurred
10	REMDE		Read ECC Malfunction Diagnostic Error. This bit indicated an error was detected on the compare logic of the read ECC malfunction during diagnostic test. This bit must be cleared by writing a 1 to it before any new error can be generated.
		0	An error did not occur
		1	An error occurred
9	MME		Merged Mux Error. This bit indicates an error was detected on the mux logic that is used to merge the corrected read and write data for a read modify write operation. This bit must be cleared by writing a 1 to it before any new error can be generated.
		0	An error did not occur
		1	An error occurred
8	PACE		Address and/or Control bus Parity Error. This bit must cleared by writing a 1 to it before any new error can be generated.
		0	An error did not occur
		1	An error occurred
7	RMWDE		Read-Modify-Write Double Bit Error. This bit indicates that an ECC uncorrectable (double bit) error was detected during read access of the read modify write operation. This bit must be cleared by writing a 1 to it before any new error can be generated.
		0	An error did not occur
		1	An error occurred
6	Reserved	0	Read returns 0. Writes have no effect.
5	CPUWDE		CPU Write Double-bit Error. This bit indicates that an ECC uncorrectable (double bit) error was detected during write access. This bit must be cleared by writing a 1 to it before any new error can be generated.
		0	An error did not occur
		1	An error occurred

**Table 8-4. L2RAMW Module Error Status Register (RAMERRSTATUS) Field Descriptions (continued)**

Bit	Field	Value	Description
4	ADDE		Redundant address decoding diagnostic error. This bit indicates that the redundant address decode logic diagnostic test has detected that a compare element has malfunctioned during the testing of the logic. This bit is only set in test mode. This bit must be cleared by writing a "1" to it for generation of any new uncorrectable error interrupt in non test mode.
		0	An error did not occur
3	WEME		Write ECC Malfunction Error. This bit Indicates that the SECDED logic failed to correct a single bit error during a CPU write operation. This bit must be cleared by writing a 1 to it before any new error can be generated.
		0	An error did not occur
2	ADE		Address Decode Error. This bit indicates than an address error was generated by the redundant address decode logic due to a functional failure. This bit must be cleared by writing a 1 to it before any new error can be generated.
		0	An error did not occur
1	REME		Read ECC Malfunction Error. Indicates that the SECDED logic failed to correct a single bit error on the read of a read-modify-write operation. This bit must be cleared by writing a 1 to it before any new error can be generated.
		0	An error did not occur
0	CPUWE		CPU Write Single Error. This bit indicates that a single-bit error occurred during write access. This bit must be cleared by writing 1 to it in order to clear the interrupt request and to enable subsequent single-bit error interrupt generation.
		0	An error did not occur
		1	An error occurred

### 8.3.3 L2RAMW Diagnostic Data Vector High Register (DIAG\_DATA\_VECTOR\_H)

The DIAG\_DATA\_VECTOR\_H register, shown in Figure 8-4 and described in Table 8-5, is used in conjunction with the RAMTEST register to perform diagnostic tests.

**Figure 8-4. L2RAMW Diagnostic Data Vector High Register (DIAG\_DATA\_VECTOR\_H)  
(offset = 24h)**



LEGEND: R/W = Read/Write; WP = Write in privilege mode only; -n = value after reset

**Table 8-5. L2RAMW Diagnostic Data Vector High Register (DIAG\_DATA\_VECTOR\_H)  
Field Descriptions**

Bit	Field	Description
31-0	DIAGNOSTIC VECTOR	DIAGNOSTIC VECTOR_H. Used in conjunction with DIAG_DATA_VECTOR_L to form a 64-bit test vector used for diagnostic test of two SECDs (read and write) and compare logic of the two SECD malfunctions and merged mux. This register is the upper 32 bits. This register is used in conjunction with the RAMTEST register to perform diagnostic tests. See Section 8.2.6 for details on how to start a diagnostic test.

### 8.3.4 L2RAMW Diagnostic Data Vector Low Register (DIAG\_DATA\_VECTOR\_L)

The DIAG\_DATA\_VECTOR\_L, shown in Figure 8-5 and described in Table 8-6, is used in conjunction with the RAMTEST register to perform diagnostic tests.

**Figure 8-5. L2RAMW Diagnostic Vector Low Register (DIAG\_DATA\_VECTOR\_L)  
(offset = 28h)**



LEGEND: R/W = Read/Write; WP = Write in privilege mode only; -n = value after reset

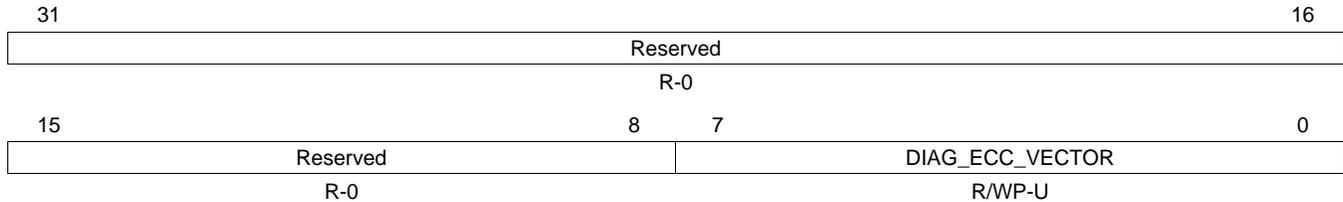
**Table 8-6. L2RAMW Diagnostic Vector Low Register (DIAG\_DATA\_VECTOR\_L)  
Field Descriptions**

Bit	Field	Description
31-0	DIAGNOSTIC VECTOR	DIAGNOSTIC VECTOR_L. Used in conjunction with DIAG_DATA_VECTOR_H to form a 64-bit test vector used for diagnostic test of two SECDs (read and write) and compare logic of the two SECD malfunctions and merged mux. This register is the lower 32 bits. This register is used in conjunction with the RAMTEST register to perform diagnostic tests. See Section 8.2.6 for details on how to start a diagnostic test.

### 8.3.5 L2RAMW Diagnostic ECC Vector Register (DIAG\_ECC)

The DIAG\_ECC register, shown in [Figure 8-6](#) and described in [Table 8-7](#), captures the address for which the Cortex-R5F CPU detected a multi-bit error.

**Figure 8-6. L2RAMW Diagnostic ECC Vector Register (DIAG\_ECC) (offset = 2Ch)**



LEGEND: R/W = Read/Write; R=Read only; WP = Write in privilege mode only; U=Unknown; -n = value after reset

**Table 8-7. L2RAMW Diagnostic ECC Vector Register (DIAG\_ECC) Field Descriptions**

Bit	Field	Value	Description
31-8	Reserved	0	Read returns 0. Writes have no effect.
7-0	DIAG_ECC_VECTOR	0-FFh	DIAG_ECC_VECTOR: Diagnostic ECC Vector. This field provides an 8-bit ECC test vector used for diagnostic test of the two SECDEDs and compare logic for two SECDED malfunctions and merged mux. This register is used in conjunction with DIAG_DATA_VECTOR_H and DIAG_DATA_VECTOR_L registers to form a data/ECC pair in the diagnostic ECC checking test. See <a href="#">Section 8.2.6</a> for details on how to start a diagnostic test.

### 8.3.6 L2RAMW RAM Test Mode Control Register (RAMTEST)

The RAMTEST register, shown in Figure 8-7 and described in Table 8-8, controls the test mode of the L2RAMW Module.

**Figure 8-7. L2RAMW Module Test Mode Control Register (RAMTEST) (offset = 30h)**

31	Reserved										16
R-0											
15				9	8	7	6	5	4	3	0
Reserved				TRIGGER	TEST MODE	Reserved			TEST ENABLE		
R-0				R-0/WP-0	R/WP-0	R-0			R/WP-5h		

LEGEND: R/W = Read/Write; R = Read only; WP = Write in privileged mode only; -n = value after reset

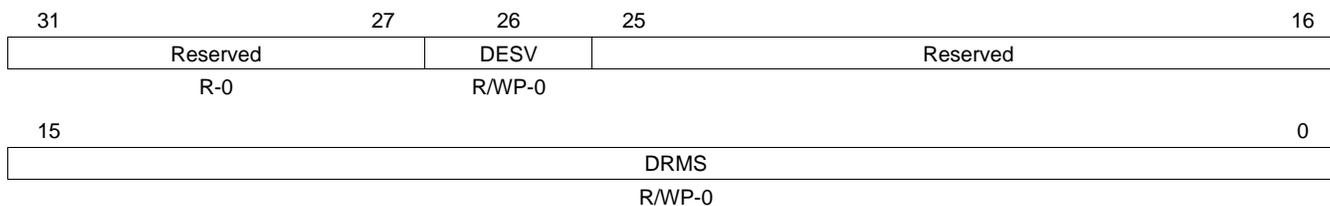
**Table 8-8. L2RAMW Module Test Mode Control Register (RAMTEST) Field Descriptions**

Bit	Field	Value	Description
31-9	Reserved	0	Read returns 0. Writes have no effect.
8	TRIGGER		Test Trigger. This is an auto clear test trigger used to test the redundant address decode, data merging mux, SECDDED malfunction compare logic, and ECC checking logics. The diagnostic test is executed when test mode is enabled and the test trigger is applied by writing a 1 to this bit. The trigger is valid only if test mode is enabled, the correct mode is configured in the TEST MODE field, and all diagnostic error bits in the RAMERRSTATUS register are in the cleared state. The trigger bit is auto clear after the test and has to be written again for a new test.
7-6	TEST MODE		Test Mode. This field selects either equality or inequality testing schemes for redundant address decoding and SECDDED malfunction diagnostics.  If TEST MODE is set to 2h, equality check is done. The test stimulus stored in ADDRTEST_VECT register is fed directly to both the channels of the comparator. If the XOR of these two inputs <b>is not zero</b> then UERR interrupt is generated and ADDR COMP LOGIC FAIL flag is set in RAMERRSTATUS register.  If TEST MODE is set to 1h, inequality check is done. The test stimulus stored in ADDRTEST_VECT register is inverted and fed into one channel and the non-inverted vector is fed into the other channel. If the XOR of these inputs <b>is zero</b> then the UERR interrupt is generated and ADDR COMP LOGIC FAIL flag is set in RAMERRSTATUS register.
5-4	Reserved	0	Read returns 0. Writes have no effect.
3-0	TEST ENABLE	Ah All other values	Test Enable. This is a 4-bit key to enable the redundant address decode, SECDDED malfunction, data merging mux and ECC checking diagnostics. If the test scheme is enabled then the compare logic uses the test vector inputs from the ADDRTEST_VECT, DIAG_ECC, DIAG_DATA_VECTOR_L and DIAG_DATA_VECTOR_H registers. The functional path comparison is disabled when test mode is enabled.  Test mode is enabled. Test mode is disabled.

### 8.3.7 L2RAMW RAM Address Decode Vector Test Register (RAMADDRDEC\_VECT)

The RAMADDRDEC\_VECT register, shown in [Figure 8-8](#) and described in [Table 8-9](#), is used for testing the redundant address decode and compare logic of the L2RAMW Module.

**Figure 8-8. L2RAMW RAM Address Decode Vector Test Register (RAMADDRDEC\_VECT)  
(offset = 38h)**



LEGEND: R/W = Read/Write; R = Read only; WP = Write in privileged mode only; -n = value after reset

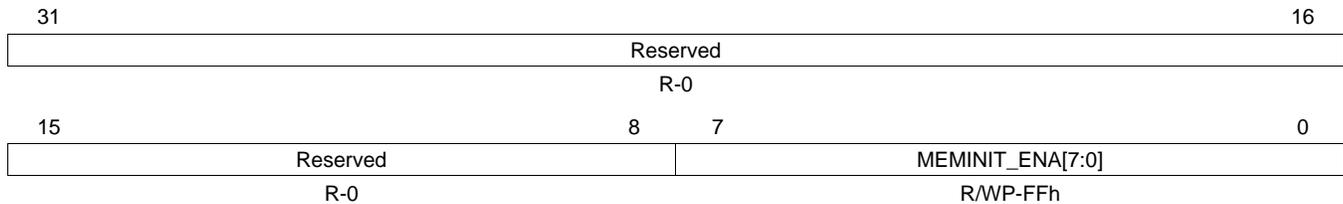
**Table 8-9. L2RAMW RAM Address Decode Vector Test Register (RAMADDRDEC\_VECT)  
Field Descriptions**

Bit	Field	Value	Description
31-27	Reserved	0	Read returns 0. Writes have no effect.
26	DES		Diagnostic ECC Select Vector. This bit is used to store the ECC select test vector for the redundant address decode test logic. The stored value is passed as test stimulant for the built in test scheme.
25-16	Reserved	0	Read returns 0. Writes have no effect.
15-0	RAM CHIP SELECT	0-FFFFh	RAM Chip Select. This field is used to store the RAM chip select value for the redundant address decode and compare logic. The stored value is passed as test stimulus for the built-in test scheme.

### 8.3.8 L2RAMW Memory Initialization Domain Register (MEMINIT\_DOMAIN)

The MEMINIT\_DOMAIN register, shown in [Figure 8-9](#) and described in [Table 8-10](#), stores the address for which an address-parity error was detected.

**Figure 8-9. L2RAMW Memory Initialization Domain Register (MEMINIT\_DOMAIN) (offset = 3Ch)**



LEGEND: R/W = Read/Write; R = Read only; WP = Write in privileged mode only; -n = value after reset

**Table 8-10. L2RAMW Memory Initialization Domain Register (MEMINIT\_DOMAIN) Field Descriptions**

Bit	Field	Value	Description
31-8	Reserved	0	Read returns 0. Writes have no effect.
7-0	MEMINIT_ENA[7:0]	1 0	<p>MEMINIT_ENA: Memory Initialization Enable. Each bit corresponds to an individual memory domain. If the corresponding bit is set to 1 when an initialization of the RAM memory is executed, then that section of the RAM memory will be initialized. If the corresponding bit is set to 0 when an initialization of the RAM memory is executed, then that section of the RAM memory will not be affected. After reset, all memory power domains are enabled (set to 1) by default.</p> <p>Bit 0: enable bit for power domain 0.            Bit 1: enable bit for power domain 1.            :            Bit 7: enable bit for power domain 7.</p> <p>1 Enable the memory in this power domain to be initialized            0 Disable the memory in this power domain from being initialized</p>

### 8.3.9 L2RAMW Bank to Domain Mapping Register0 (BANK\_DOMAIN\_MAP0)

The BANK\_DOMAIN\_MAP0 register, shown in [Figure 8-10](#) and described in [Table 8-11](#), stores the address for which an address-parity error was detected.

**Figure 8-10. L2RAMW Bank to Domain Mapping Register0 (BANK\_DOMAIN\_MAP0)  
(offset = 44h)**

31	30	28	27	26	24	23	22	20	19	18	16				
Rsvd	BANK7_MAP			Rsvd	BANK6_MAP			Rsvd	BANK5_MAP			Rsvd	BANK4_MAP		
R-0	R-DS			R-0	R-DS			R-0	R-DS			R-0	R-DS		
15	14	12	11	10	8	7	6	4	3	2	0				
Rsvd	BANK3_MAP			Rsvd	BANK2_MAP			Rsvd	BANK1_MAP			Rsvd	BANK0_MAP		
R-0	R-DS			R-0	R-DS			R-0	R-DS			R-0	R-DS		

LEGEND: R = Read only; -n = value after reset; DS = Device Specific

**Table 8-11. L2RAMW Bank to Domain Mapping Register0 (BANK\_DOMAIN\_MAP0)  
Field Descriptions**

Bit	Field	Value	Description
31	Reserved	0	Read returns 0. Writes have no effect.
30-28	BANK7_MAP	0-7h	This 3-bit field allows the software to read the memory power domain number that bank 7 is associated.
27	Reserved	0	Read returns 0. Writes have no effect.
26-24	BANK6_MAP	0-7h	This 3-bit field allows the software to read the memory power domain number that bank 6 is associated.
23	Reserved	0	Read returns 0. Writes have no effect.
22-20	BANK5_MAP	0-7h	This 3-bit field allows the software to read the memory power domain number that bank 5 is associated.
19	Reserved	0	Read returns 0. Writes have no effect.
18-16	BANK4_MAP	0-7h	This 3-bit field allows the software to read the memory power domain number that bank 4 is associated.
15	Reserved	0	Read returns 0. Writes have no effect.
14-12	BANK3_MAP	0-7h	This 3-bit field allows the software to read the memory power domain number that bank 3 is associated.
11	Reserved	0	Read returns 0. Writes have no effect.
10-8	BANK2_MAP	0-7h	This 3-bit field allows the software to read the memory power domain number that bank 2 is associated.
7	Reserved	0	Read returns 0. Writes have no effect.
6-4	BANK1_MAP	0-7h	This 3-bit field allows the software to read the memory power domain number that bank 1 is associated.
3	Reserved	0	Read returns 0. Writes have no effect.
2-0	BANK0_MAP	0-7h	This 3-bit field allows the software to read the memory power domain number that bank 0 is associated.

### 8.3.10 L2RAMW Bank to Domain Mapping Register1 (BANK\_DOMAIN\_MAP1)

The BANK\_DOMAIN\_MAP1 register, shown in [Figure 8-11](#) and described in [Table 8-12](#), stores the address for which an address-parity error was detected.

**Figure 8-11. L2RAMW Bank to Domain Mapping Register1 (BANK\_DOMAIN\_MAP1)  
(offset = 48h)**

31	30	28	27	26	24	23	22	20	19	18	16
Rsvd	BANK15_MAP		Rsvd	BANK14_MAP		Rsvd	BANK13_MAP		Rsvd	BANK12_MAP	
R-0	R-DS		R-0	R-DS		R-0	R-DS		R-0	R-DS	
15	14	12	11	10	8	7	6	4	3	2	0
Rsvd	BANK11_MAP		Rsvd	BANK10_MAP		Rsvd	BANK9_MAP		Rsvd	BANK8_MAP	
R-0	R-DS		R-0	R-DS		R-0	R-DS		R-0	R-DS	

LEGEND: R = Read only; -n = value after reset; DS = Device Specific

**Table 8-12. L2RAMW Bank to Domain Mapping Register1 (BANK\_DOMAIN\_MAP1)  
Field Descriptions**

Bit	Field	Value	Description
31	Reserved	0	Read returns 0. Writes have no effect.
30-28	BANK15_MAP	0-7h	This 3-bit field allows the software to read the memory power domain number that bank 15 is associated.
27	Reserved	0	Read returns 0. Writes have no effect.
26-24	BANK14_MAP	0-7h	This 3-bit field allows the software to read the memory power domain number that bank 14 is associated.
23	Reserved	0	Read returns 0. Writes have no effect.
22-20	BANK13_MAP	0-7h	This 3-bit field allows the software to read the memory power domain number that bank 13 is associated.
19	Reserved	0	Read returns 0. Writes have no effect.
18-16	BANK12_MAP	0-7h	This 3-bit field allows the software to read the memory power domain number that bank 12 is associated.
15	Reserved	0	Read returns 0. Writes have no effect.
14-12	BANK11_MAP	0-7h	This 3-bit field allows the software to read the memory power domain number that bank 11 is associated.
11	Reserved	0	Read returns 0. Writes have no effect.
10-8	BANK10_MAP	0-7h	This 3-bit field allows the software to read the memory power domain number that bank 10 is associated.
7	Reserved	0	Read returns 0. Writes have no effect.
6-4	BANK9_MAP	0-7h	This 3-bit field allows the software to read the memory power domain number that bank 9 is associated.
3	Reserved	0	Read returns 0. Writes have no effect.
2-0	BANK8_MAP	0-7h	This 3-bit field allows the software to read the memory power domain number that bank 8 is associated.

## Programmable Built-In Self-Test (PBIST) Module

---

---

This chapter describes the programmable built-in self-test (PBIST) controller module used for testing the on-chip memories.

Topic	Page
9.1 Overview .....	389
9.2 RAM Grouping and Algorithm .....	390
9.3 PBIST Flow .....	391
9.4 Memory Test Algorithms on the On-chip ROM .....	394
9.5 PBIST Control Registers .....	395
9.6 PBIST Configuration Example .....	409

## 9.1 Overview

The PBIST (Programmable Built-In Self-Test) controller architecture provides a run-time-programmable memory BIST engine for varying levels of coverage across many embedded memory instances.

### 9.1.1 Features of PBIST

- Information regarding on-chip memories, memory groupings, memory background patterns and test algorithms stored in dedicated on-chip PBIST ROM
- Host processor interface to configure and start BIST of memories
- Supports testing of PBIST ROM itself as well
- Supports testing of each memory at its maximum access speed in application
- Implements intelligent clock gating to conserve power
- Execution of microcode from PBIST ROM supported for ROM clock speeds up to 100 MHz

### 9.1.2 PBIST vs. Application Software-Based Testing

The PBIST architecture consists of a small coprocessor with a dedicated instruction set targeted specifically toward testing memories. This coprocessor executes test routines stored in the PBIST ROM and runs them on multiple on-chip memory instances. The on-chip memory configuration information is also stored in the PBIST ROM.

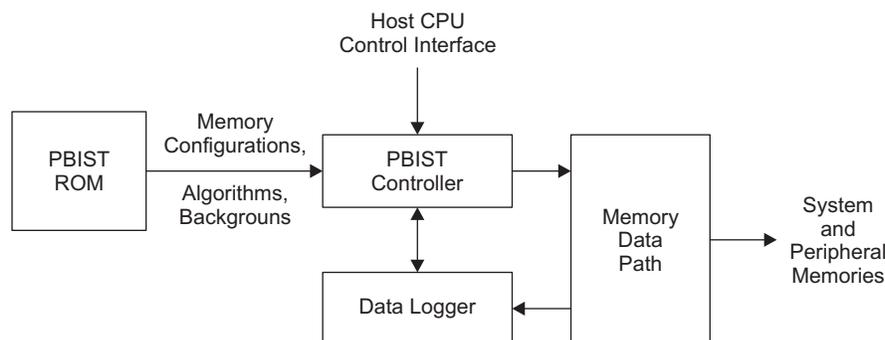
The PBIST Controller architecture offers significant advantages over tests running on the main Cortex-R5F processor (application software-based testing):

- Embedded CPUs have a long access path to memories outside the tightly-couple memory sub-system, while the PBIST controller has a dedicated path to the memories specifically for the self-test
- Embedded CPUs are designed for their targeted use and are often not easily programmed for memory test algorithms.
- The memory test algorithm code on embedded CPUs is typically significantly larger than that needed for PBIST.
- The embedded CPU is significantly larger than the PBIST controller.

### 9.1.3 PBIST Block Diagram

The [Figure 9-1](#) illustrates the basic PBIST blocks and its wrapper logic for the device.

**Figure 9-1. PBIST Block Diagram**



### 9.1.3.1 On-chip ROM

The on-chip ROM contains the information regarding the algorithms and memories to be tested.

### 9.1.3.2 Host Processor Interface to the PBIST Controller Registers

The Cortex-R5F CPU can select the algorithm and RAM groups for the memories' self-test from the on-chip ROM based on the application requirements. Once the self-test has executed, the CPU can query the PBIST controller registers to identify any memories that failed the self-test and to then take appropriate next steps as required by the application's author.

### 9.1.3.3 Memory Data Path

This is the read and write data path logic between different system and peripheral memories tightly coupled to the PBIST memory interface. The PBIST controller executes each selected algorithm on each valid memory group sequentially until all the algorithms are executed.

---

**NOTE:** Not all algorithms are designed to run on all RAM groups. If an algorithm is selected to run on an incompatible memory, this will result in a failure. Refer to [Table 2-5](#) and [Table 2-6](#) for RAM grouping and algorithm information.

---

## 9.2 RAM Grouping and Algorithm

[Table 2-5](#) gives the list of RAM groups and their types supported on the device. [Table 2-6](#) maps the different algorithms supported in application mode for the RAM groups with the background patterns used for the particular algorithm.

---

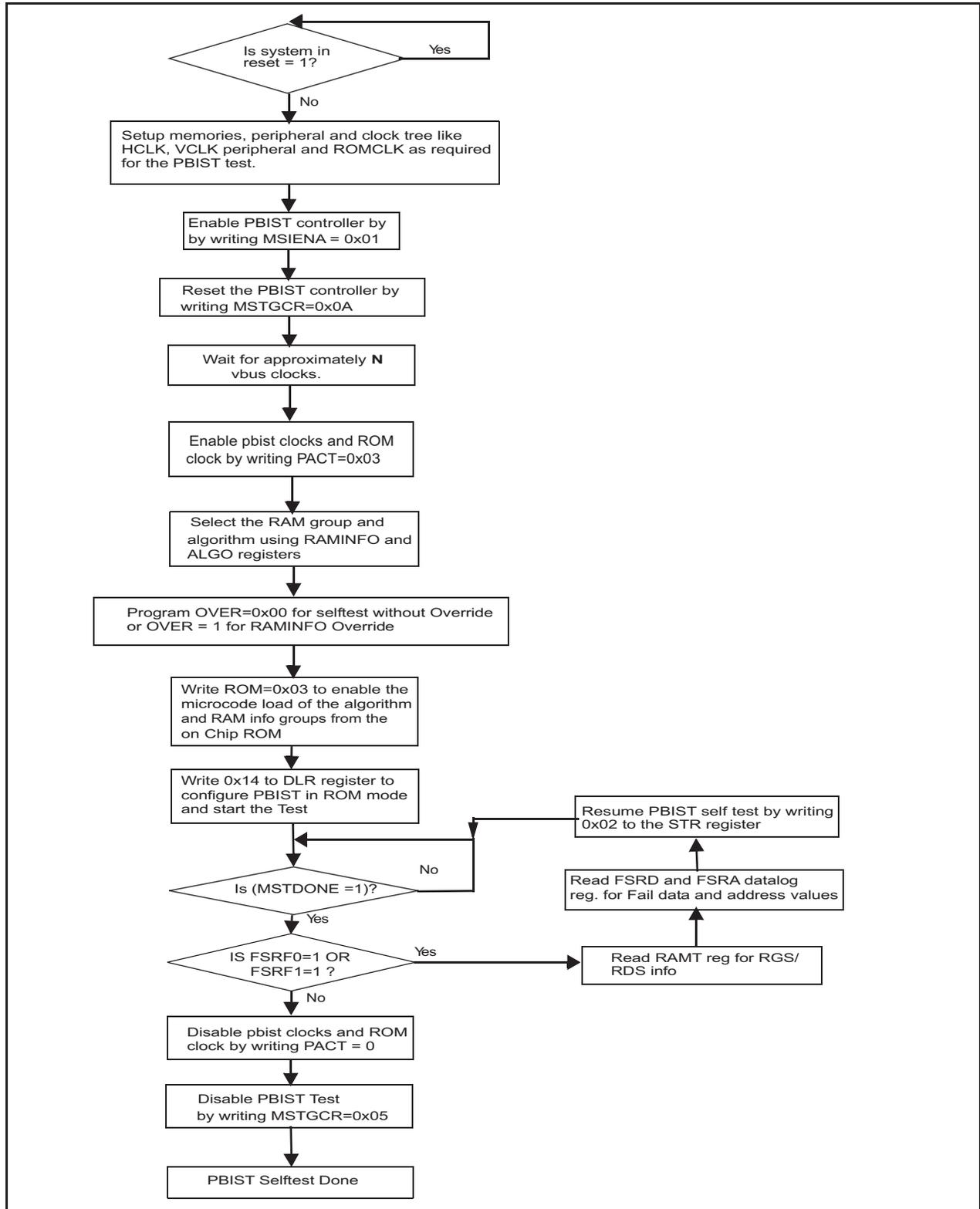
**NOTE:** March13 is the most recommended algorithm for the memory self-test.

---

### 9.3 PBIST Flow

Figure 9-1 illustrates the memory self-test flow.

Figure 9-2. PBIST Memory Self-Test Flow Diagram



### 9.3.1 PBIST Sequence

Before starting the PBIST sequence, users should ensure that both the instruction cache and data cache are disabled. By default, PBIST will test all on-chip SRAMs including both the instruction and data cache memories. After reset, cache is disabled by default. If cache has been enabled, then follow the below code example to disable the cache.

```
MRC p15, 0, r1, c1, c0, 0 ; Read system control register configuration data
BIC r1, r1, #0x1 << 12 ; instruction cache disable
BIC r1, r1, #0x1 << 2 ; data cache disable
DSB
MRC p15, 0, r1, c1, c0, 0 ; disable cache RAMs
```

1. Configure the device clock sources and domains so that they are running at their target frequencies.
2. Program the GCLK to PBIST ROM clock ratio by configuring the ROM\_DIV field (bits 9:8) of the MSTGCR register of the system module. This device supports a max PBIST ROM clock frequency of 82.5MHz.
3. Enable PBIST Controller by setting bit 1 of MSIENA register in system module.
4. Enable the PBIST self-test by writing a value of 0x0A to bits 3:0 of the MSTGCR in the system module.
5. Wait for N VBUS clock cycles based on the HCLK to PBIST ROM clock ratio:
  - N = 16 when GCLK:PBIST ROM clock is 1:1
  - N = 32 when GCLK:PBIST ROM clock is 1:2
  - N = 64 when GCLK:PBIST ROM clock is 1:4
  - N = 64 when GCLK:PBIST ROM clock is 1:8
6. Write 3h to PACT register to enable the PBIST internal clocks and ROM interface clock.
7. Program the ALGO register to decide which algorithm from the instruction ROM must be selected (the default value of ALGO register is all 1's, meaning all algorithms are selected). Similarly, program the RINFOL and RINFOU registers to indicate whether a particular RAM group in the instruction ROM would get executed or not.

---

**NOTE:** In case of RAM Override (Override Register (OVER) = 00), the user should make sure that only the algorithms that run on similar RAMs are selected. If a single port algorithm is selected in ROM Algorithm Mask Register (ALGO), the RAM Info Mask Lower Register (RINFOL) and RAM Info Mask Upper Register (RINFOU) must select only the single port RAM's. The same applies for two port RAM's. Check [Table 2-5](#) for information on the memory types.

---

8. Program OVER = 1h to run PBIST self-test without RAM override. Program OVER = 0 to run PBIST self-test with RAM Override.
9. Write a value of 3h to the ROM mask register should the microcode for the Algorithms as well as the RAM groups loaded from the on chip PBIST ROM.
10. Write DLR (Data Logger register) with 14h to configure the PBIST run in ROM mode and to enable the config access. This starts the memory self-tests.
11. Wait for the PBIST self-test done by polling MSTDONE bit of MSTCGSTAT register in System Module.
12. Once self-test is completed, check the Fail Status registers FSRF0 and FSRF1.
  - In case there is a failure (FSRF0 or FSRF1 = 1h):
    - (a) Read RAMT register that indicates the RGS and RDS values of the failure RAM.
    - (b) Read FSRC0 and FSRC1 registers that contain the failure count.
    - (c) Read FSRA0 and FSRA1 registers that contain the address of first failure.
    - (d) Read FSRDL0 and FSRDL1 registers that contain the failure data.
    - (e) Write a value of 2h to the STR register to resume the test.
  - In case there is no failure (FSRF0 and FSRF1 = 0), the memory self-test is completed.
    - (a) Disable the PBIST internal and ROM clocks by writing a 0 to the PACT register.
    - (b) Disable the PBIST self-test by writing a value of 5h to bits 3:0 of the MSTGCR in the system module.
13. Repeat steps 2 through 9 for subsequent runs with different RAM group and algorithm configurations.

---

14. After required Memory tests are completed, Resume or Start the Normal Application software.

---

**NOTE:** The contents of the selected memory before the test will be completely lost. User software must take care of data backup if required. Typically the PBIST tests are carried out at the beginning of Application software.

---

**NOTE:** Memory test fail information is reported in terms of RGS:RDS and not RAM GROUP. Check [Table 2-5](#) for information on the RGS:RDS information applicable to each memory being tested.

---

If cache memory is selected to be part of the PBIST test then the contents will become incoherent with respect to the level 2 memory after the PBIST test. The cache will need to be invalidated before cache can be enabled for use by the CPU. In addition, if you are using ECC error checking scheme in the cache, you must enable this by programming the CEC bits in the Auxiliary Control Register before invalidating the cache, to ensure that the correct error code bits are calculated when the cache is invalidated. Use below example code to invalidate cache and enable cache.

```
MRC p15, 0, r1, c1, c0, 1 ; Read auxiliary control register
BIC r1, r1, #0x1, << 5 ; bit is default set to disable ECC. Clearing bit 5
MCR p15, 0, r1, c1, c0, 1 ; enable ECC, generate abort on ECC errors, enable
; hardware recovery
MRC p15, 0, r1, c1, c0, 0 ; Read system control register configuration data
ORR r1, r1, #0x1 << 12 ; instruction cache enable
ORR r1, r1, #0x1 << 2 ; data cache enable
DSB
MCR p15, 0, r0, c15, c5, 0 ; invalidate entire data cache
MCR p15, 0, r0, c7, c5, 0 ; invalidate entire instruction cache
MCR p15, 0, r1, c1, c0, 0 ; enable cache RAM
ISB ; You must issue an ISB instruction to flush the pipeline.
; This ensures that all subsequent instruction fetches
; see the effect of enabling the instruction cache
```

## 9.4 Memory Test Algorithms on the On-chip ROM

This section provides a brief description for some of the test algorithms used for memory self-test.

### 1. March13N:

- March13N is the baseline test algorithm for SRAM testing. It provides the highest overall coverage. The other algorithms provide additional coverage of otherwise missed boundary conditions of the SRAM operation.
- The concept behind the general march algorithm is to indicate:
  - The bit cell can be written and read as both a 1 and a 0.
  - The bits around the bit cell do not affect the bit cell.
- The basic operation of the march is to initialize the array to a known pattern, then march a different pattern through the memory.
- Type of faults detected by this algorithm:
  - Address decoder faults
  - Stuck-At faults
  - Coupled faults
  - State coupling faults
  - Parametric faults
  - Write recovery faults
  - Read/write logic faults

## 9.5 PBIST Control Registers

PBIST controller uses configuration registers for programming the algorithm and its execution. All the configuration registers are memory mapped for access by the CPU through the Peripheral Bus interface. The base address for the control registers is FFFF E400h.

---

**NOTE:** There is no watchdog functionality implemented in the PBIST controller. If a bad code is executed, the PBIST will run forever. The PBIST controller does not guard against this situation.

Registers are accessible only when the clock to PBIST controller is active. The clock is activated by first writing 0x3 to PACT register.

---

**Table 9-1. PBIST Registers**

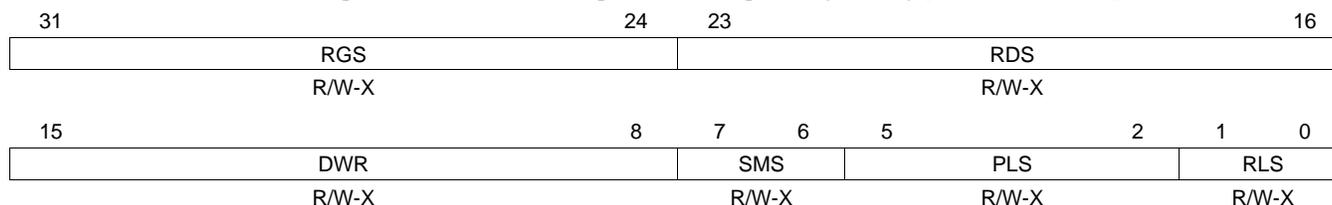
Offset	Acronym	Register Description	Section
160h	RAMT	RAM Configuration Register	<a href="#">Section 9.5.1</a>
164h	DLR	Datalogger Register	<a href="#">Section 9.5.2</a>
180h	PACT	PBIST Activate/ROM Clock Enable Register	<a href="#">Section 9.5.3</a>
184h	PBISTID	PBIST ID Register	<a href="#">Section 9.5.4</a>
188h	OVER	Override Register	<a href="#">Section 9.5.5</a>
190h	FSRF0	Fail Status Fail Register 0	<a href="#">Section 9.5.6</a>
194h	FSRF1	Fail Status Fail Register 1	<a href="#">Section 9.5.6</a>
198h	FSRC0	Fail Status Count Register 0	<a href="#">Section 9.5.7</a>
19Ch	FSRC1	Fail Status Count Register 1	<a href="#">Section 9.5.7</a>
1A0h	FSRA0	Fail Status Address Register 0	<a href="#">Section 9.5.8</a>
1A4h	FSRA1	Fail Status Address Register 1	<a href="#">Section 9.5.8</a>
1A8h	FSRDL0	Fail Status Data Register 0	<a href="#">Section 9.5.9</a>
1B0h	FSRDL1	Fail Status Data Register 1	<a href="#">Section 9.5.9</a>
1C0h	ROM	ROM Mask Register	<a href="#">Section 9.5.10</a>
1C4h	ALGO	ROM Algorithm Mask Register	<a href="#">Section 9.5.11</a>
1C8h	RINFOL	RAM Info Mask Lower Register	<a href="#">Section 9.5.12</a>
1CCh	RINFOU	RAM Info Mask Upper Register	<a href="#">Section 9.5.13</a>

### 9.5.1 RAM Configuration Register (RAMT)

This register is divided into following internal registers, none of which have a default value after reset. [Figure 9-3](#) and [Table 9-2](#) illustrate this register.

This register provides the information regarding the memory being currently tested. In case of a PBIST failure, the application can read this register to identify the RGS:RDS values for the memory that failed the self-test.

**Figure 9-3. RAM Configuration Register (RAMT) [offset = 0160h]**



LEGEND: R/W = Read/Write; R = Read only; -n = value after reset

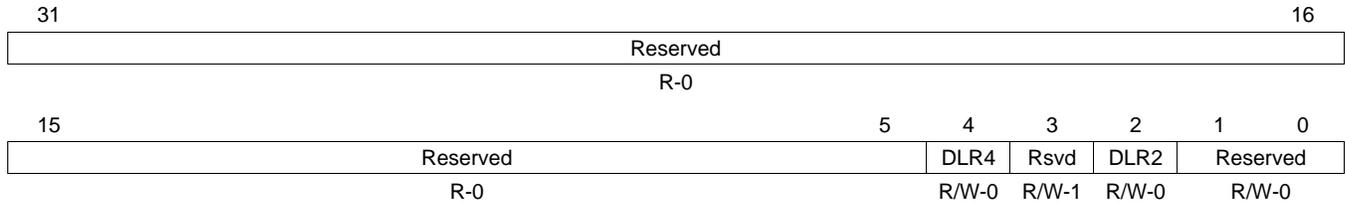
**Table 9-2. RAM Configuration Register (RAMT) Field Descriptions**

Bit	Field	Description
31-24	RGS	Ram Group Select. Refer <a href="#">Table 2-5</a> for information on the RGS value for each memory.
23-16	RDS	Return Data Select. Refer <a href="#">Table 2-5</a> for information on the RDS values for each memory.
15-8	DWR	Data Width Register
7-6	SMS	Sense Margin Select Register
5-2	PLS	Pipeline Latency Select
1-0	RLS	RAM Latency Select

### 9.5.2 Datalogger Register (DLR)

This register puts the PBIST controller into the appropriate comparison modes for data logging. [Figure 9-4](#) and [Table 9-3](#) illustrate this register.

**Figure 9-4. Datalogger Register (DLR) [offset = 0164h]**



LEGEND: R/W = Read/Write; R = Read only; -n = value after reset

**Table 9-3. Datalogger Register (DLR) Field Descriptions**

Bit	Field	Value	Description
31-5	Reserved	0	Reads return 0. Do not change these bits from their default value.
4	DLR4		Config access: setting this bit allows the host processor to configure the PBIST controller registers
3	Reserved	1	Do not change this bit from its default value of 1.
2	DLR2		ROM-based testing: setting this bit enables the PBIST controller to execute test algorithms that are stored in the PBIST ROM.
1-0	Reserved	00	Do not change these bits from their default value of 00.

- **DLR2: ROM-based testing mode**

Writing a 1 to this register starts the ROM-based testing. This register is used to initiate ROM-based testing from Config and ATE interfaces. Also, since a 1 in this bit position means the instruction ROM is used for memory testing, all the intermediate interrupts and PBIST done signal after each memory test are masked until all the selected algorithms in the ROM are executed for all RAM groups. However, a failure would stop the test and report the status immediately.

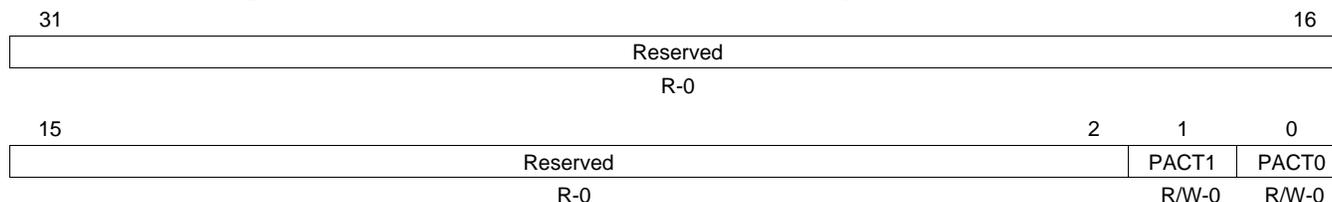
- **DLR4: Config access mode**

This mode, when set, indicates the CPU is being used to access PBIST.

### 9.5.3 PBIST Activate/ROM Clock Enable Register (PACT)

This is the first register that needs to be programmed to activate the PBIST controller. Bit [0] is used for static clock gating, and unless a '1' is written to this bit, all the internal PBIST clocks are shut off. Bit [1] is for turning on the clock going to the instruction ROM. [Figure 9-5](#) and [Table 9-4](#) illustrate this register.

**Figure 9-5. PBIST Activate/ROM Clock Enable Register (PACT) [offset = 0180h]**



LEGEND: R/W = Read/Write; R = Read only; -n = value after reset

**Table 9-4. PBIST Activate/ROM Clock Enable Register (PACT) Field Descriptions**

Bit	Field	Value	Description
31-2	Reserved	0	Read returns 0. Writes have no effect.
1	PACT1	0	PBIST Activate Clock to on chip ROM is disabled
		1	Normal PBIST operation for ROM based testing
0	PACT0	0	ROM Clock Enable Register Disable internal PBIST clocks
		1	Enable internal PBIST clocks

- **PACT0**

This bit must be set to turn on internal PBIST clocks. Setting this bit asserts an internal signal that is used as the clock gate enable. As long as this bit is 0, any access to PBIST will not go through, and PBIST will remain in an almost zero-power mode.

- **PACT1**

Setting this bit turns on the clock going to the instruction ROM.

---

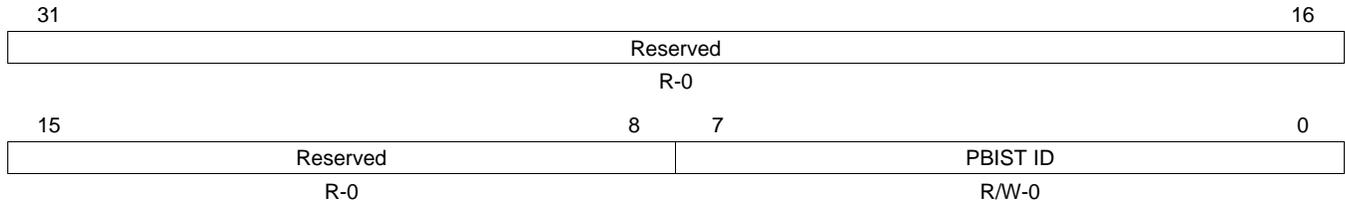
**NOTE:** This register must be programmed to 3h during application self-test.

---

### 9.5.4 PBIST ID Register

Functionality of the register is described in [Figure 9-6](#) and [Table 9-5](#).

**Figure 9-6. PBIST ID Register [offset = 184h]**



LEGEND: R/W = Read/Write; R = Read only; -n = value after reset

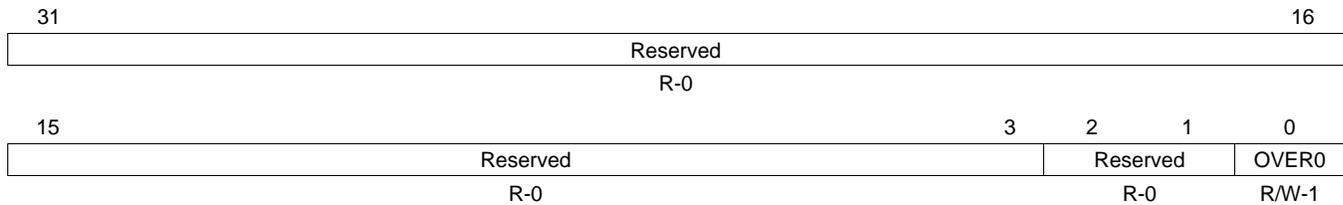
**Table 9-5. PBIST ID Register Field Descriptions**

Bit	Field	Value	Description
31-8	Reserved	0	Reads return 0. Writes have no effect.
7-0	PBIST ID		This is a unique ID assigned to each PBIST controller in a device with multiple PBIST controllers.

### 9.5.5 Override Register (OVER)

Functionality of the register is described in [Figure 9-7](#) and [Table 9-6](#).

**Figure 9-7. Override Register (OVER) [offset = 0188h]**



LEGEND: R/W = Read/Write; R = Read only; -n = value after reset

**Table 9-6. Override Register (OVER) Field Descriptions**

Bit	Field	Value	Description
31-3	Reserved	0	Read returns 0. Writes have no effect.
2-1	Reserved	0	Reserved. This bit must not be changed from its default value of 0.
0	OVER0	0 1	RINFO Override Bit 0 The RAM info registers RINFOL and RINFOU are used to select the memories for test 1 The memory information available from ROM will override the RAM selection from the RAM info registers RINFOL and RINFOU.

- **OVER0**

While doing ROM-based testing, each algorithm downloaded from the ROM has a memory mask associated with it that defines the applicable memory groups the algorithm will be run on. By default, this bit is set to 1, which means the memory mask that is downloaded from the ROM will overwrite the RAM info registers. The override bit can be reset by writing a 0 to it. In this case, the application can select the RAM groups to be tested by configuring the RAM info registers.

---

**NOTE:** When this override bit = 0, each algorithm selected in ALGO register will run on each RAM selected in RINFOL and RINFOU register. It must be ensured that:

1. Only the same type of memories (single port or two port) are selected, and
2. Only memories that are valid for all algorithms enabled via the ALGO register are selected.

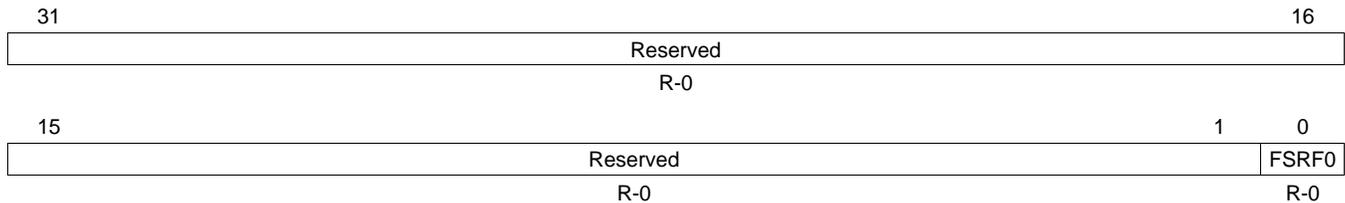
If the above two requirements are not met, the memory self-test will fail.

---

### 9.5.6 Fail Status Fail Registers (FSRF0 and FSRF1)

These registers indicate if a failure occurred during a memory self-test. Bit 0 gets set whenever a failure occurs. FSRF0 indicates Port0 failures and FSRF1 indicates Port1 failures. The PBIST controller has these two ports in order to optimize testing of single-port and dual-port RAMs. [Figure 9-8](#) and [Table 9-7](#) illustrate the FSRF0 register, while [Figure 9-9](#) and [Table 9-8](#) illustrate the FSRF1 register.

**Figure 9-8. Fail Status Fail Register 0 (FSRF0) [offset = 0190h]**

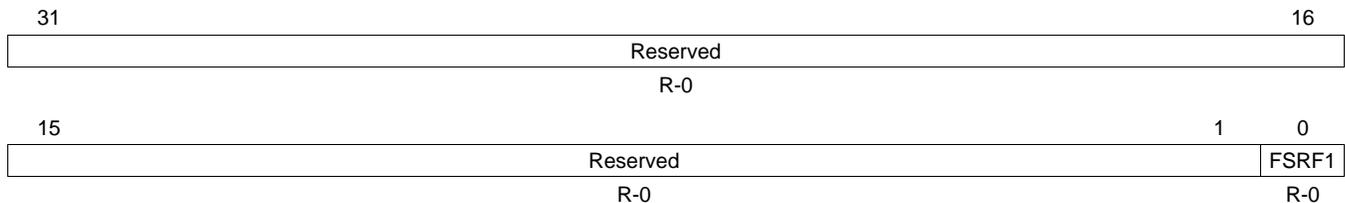


LEGEND: R/W = Read/Write; R = Read only; -n = value after reset

**Table 9-7. Fail Status Fail Register 0 (FSRF0) Field Descriptions**

Bit	Field	Value	Description
31-1	Reserved	0	Read returns 0. Writes have no effect.
0	FSRF0		Fail Status 0. This bit would be cleared by reset of the module using MSTGCR register in system module.
		0	No Failure Occurred
		1	Indicates a failure on Port 0

**Figure 9-9. Fail Status Fail Register 1 (FSRF1) [offset = 0194h]**



LEGEND: R/W = Read/Write; R = Read only; -n = value after reset

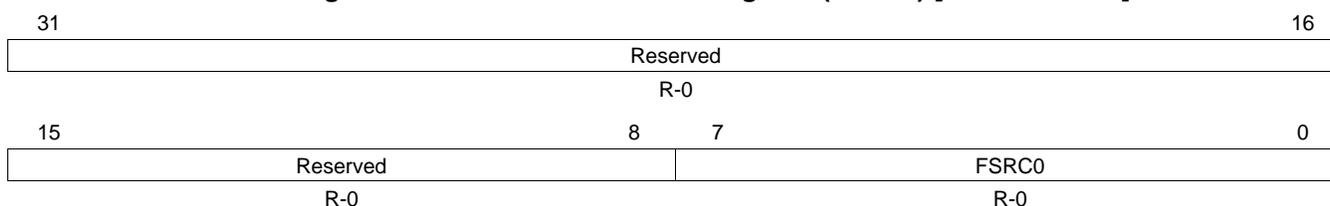
**Table 9-8. Fail Status Fail Register 1 (FSRF1) Field Descriptions**

Bit	Field	Value	Description
31-1	Reserved	0	Read returns 0. Writes have no effect.
0	FSRF1		Fail Status 1. This bit would be cleared by reset of the module using MSTGCR register in system module.
		0	No Failure Occurred
		1	Indicates a failure on Port 1

### 9.5.7 Fail Status Count Registers (FSRC0 and FSRC1)

These registers keep count of the number of failures observed during the memory self-test. The PBIST controller stops executing the memory self-test whenever a failure occurs in any memory instance for any of the test algorithms. The value in FSRC0 / FSRC1 gets incremented by one whenever a failure occurs and gets decremented by one when the failure is processed. FSRC0 is for Port 0 and FSRC1 is for Port 1. Figure 9-10 and Table 9-9 illustrate the FSRC0 register, while Figure 9-11 and Table 9-10 illustrate the FSRC1 register.

**Figure 9-10. Fail Status Count 0 Register (FSRC0) [offset = 0198h]**

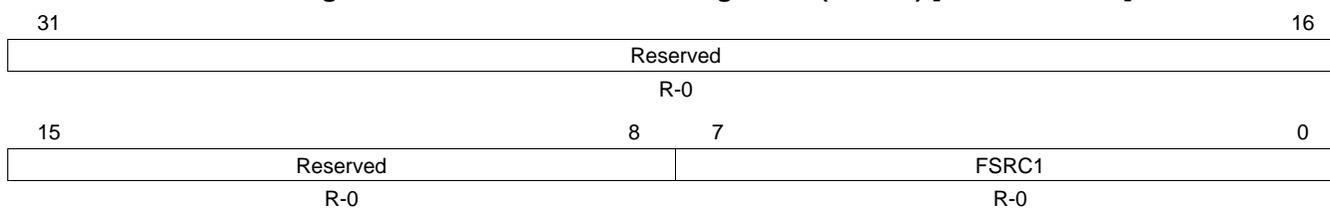


LEGEND: R/W = Read/Write; R = Read only; -n = value after reset

**Table 9-9. Fail Status Count 0 Register (FSRC0) Field Descriptions**

Bit	Field	Value	Description
31-8	Reserved	0	Reads return 0. Writes have no effect.
7-0	FSRC0		Fail Status Count 0. Indicates the number of failures on port 0.

**Figure 9-11. Fail Status Count Register 1 (FSRC1) [offset = 019Ch]**



LEGEND: R/W = Read/Write; R = Read only; -n = value after reset

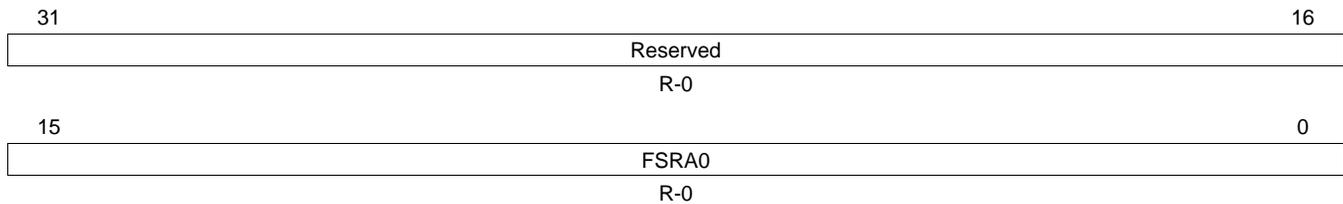
**Table 9-10. Fail Status Count Register 1 (FSRC1) Field Descriptions**

Bit	Field	Value	Description
31-8	Reserved	0	Reads return 0. Writes have no effect.
7-0	FSRC1		Fail Status Count 1. Indicates the number of failures on port 1.

### 9.5.8 Fail Status Address Registers (FSRA0 and FSRA1)

These registers capture the memory address of the first failure on port 0 and port 1 respectively. [Figure 9-12](#) and [Table 9-11](#) illustrate the FSRA0 register, while [Figure 9-13](#) and [Table 9-12](#) illustrate the FSRA1 register.

**Figure 9-12. Fail Status Address Register 0 (FSRA0) [offset = 01A0h]**

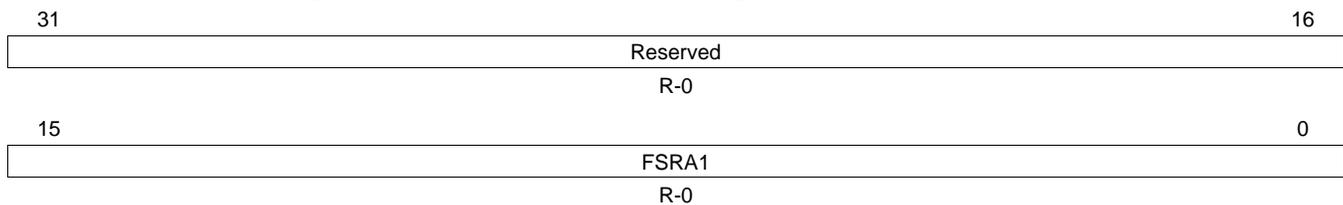


LEGEND: R/W = Read/Write; R = Read only; -n = value after reset

**Table 9-11. Fail Status Address Register 0 (FSRA0) Field Descriptions**

Bit	Field	Value	Description
31-16	Reserved	0	Read returns 0. Writes have no effect.
15-0	FSRA0		Fail Status Address 0. Contains the address of the first failure.

**Figure 9-13. Fail Status Address Register 1 (FSRA1) [offset = 01A4h]**



LEGEND: R/W = Read/Write; R = Read only; -n = value after reset

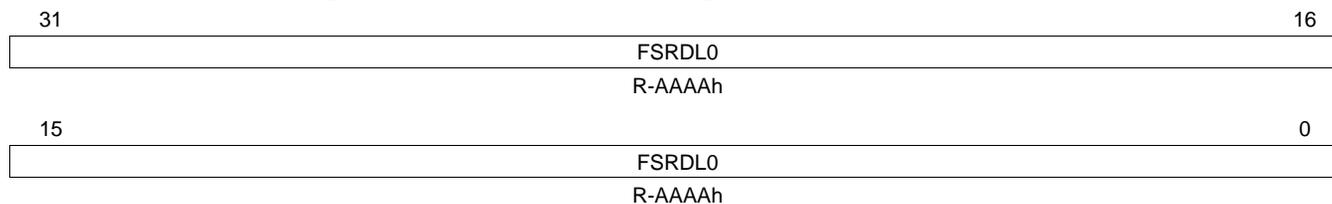
**Table 9-12. Fail Status Address Register 1 (FSRA1) Field Descriptions**

Bit	Field	Value	Description
31-16	Reserved	0	Read returns 0. Writes have no effect.
15-0	FSRA1		Fail Status Address 1. Contains the address of the first failure.

### 9.5.9 Fail Status Data Registers (FSRDLO and FSRDL1)

These registers are used to capture the failure data in case of a memory self-test failure. FSRDL0 corresponds to Port 0, while FSRDL1 corresponds to Port 1. [Figure 9-14](#) and [Table 9-13](#) illustrate the FSRDL0 register, while [Figure 9-15](#) and [Table 9-14](#) illustrate the FSRDL1 register.

**Figure 9-14. Fail Status Data Register 0 (FSRDLO) [offset = 01A8h]**

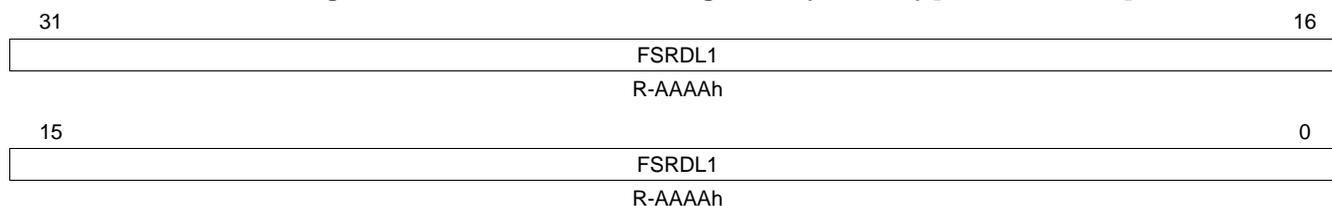


LEGEND: R/W = Read/Write; R = Read only; -n = value after reset

**Table 9-13. Fail Status Data Register 0 (FSRDLO) Field Descriptions**

Bit	Field	Description
31-0	FSRDLO	Failure data on port 0

**Figure 9-15. Fail Status Data Register 1 (FSRDL1) [offset = 01B0h]**



LEGEND: R/W = Read/Write; R = Read only; -n = value after reset

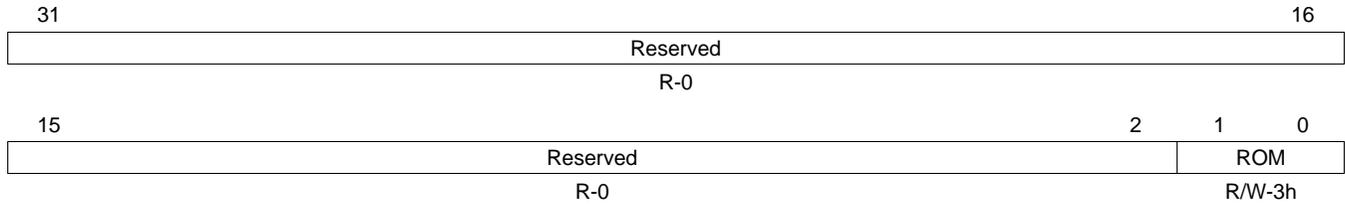
**Table 9-14. Fail Status Data Register 1 (FSRDL1) Field Descriptions**

Bit	Field	Description
31-0	FSRDL1	Failure data on port 1

### 9.5.10 ROM Mask Register (ROM)

This two-bit register sets appropriate ROM access modes for the PBIST controller. The default value is 11b. This register is illustrated in [Figure 9-16](#). It can be programmed according to [Table 9-15](#).

**Figure 9-16. ROM Mask Register (ROM) [offset = 01C0h]**



LEGEND: R/W = Read/Write; R = Read only; -n = value after reset

**Table 9-15. ROM Mask Register (ROM) Field Descriptions**

Bit	Field	Value	Description
31-2	Reserved	0	Read returns 0. Writes have no effect.
1-0	ROM	0	No information is used from ROM
		1h	Only RAM Group information from ROM
		2h	Only Algorithm information from ROM
		3h	Both Algorithm and RAM information from ROM. This option should be selected for application self-test.

### 9.5.11 ROM Algorithm Mask Register (ALGO)

This register is used to indicate the algorithm(s) to be used for the memory self-test routine. Each bit corresponds to a specific algorithm. For example, bit 0 controls whether algorithm 1 is enabled or not. [Figure 9-17](#) and [Table 9-16](#) illustrate this register.

**Figure 9-17. ROM Algorithm Mask Register (ALGO) [offset = 01C4h]**

31	24	23	16
ALGO3			ALGO2
R/W-FFh			R/W-FFh
15	8	7	0
ALGO1			ALGO0
R/W-FFh			R/W-FFh

LEGEND: R/W = Read/Write; R = Read only; -n = value after reset

**Table 9-16. Algorithm Mask Register (ALGO) Field Descriptions**

Bit	Field	Value	Description
31		0	Algorithm 32 is not selected
		1	Selects algorithm 32 for PBIST run
30		0	Algorithm 31 is not selected
		1	Selects algorithm 31 for PBIST run
:			:
0		0	Algorithm 1 is not selected
		1	Selects algorithm 1 for PBIST run
31-0		0	None of the algorithms are selected

**NOTE:** Please refer to [Table 2-6](#) for available algorithms and the memories on which each algorithm can be run.

### 9.5.12 RAM Info Mask Lower Register (RINFOL)

This register is to select RAM groups to run the algorithms selected in the ALGO register. For an algorithm to be executed on a particular RAM group, the corresponding bit in this register must be set to '1'. The default value of this register is all '1's, which means all the RAM Groups are selected. [Figure 9-18](#) and [Table 9-17](#) illustrate this register.

The information from this register is used only when bit 0 in OVER register is not set.

**Figure 9-18. RAM Info Mask Lower Register (RINFOL) [offset = 01C8h]**

31	24	23	16
RINFOL3 R/W-FFh		RINFOL2 R/W-FFh	
15	8	7	0
RINFOL1 R/W-FFh		RINFOL0 R/W-FFh	

LEGEND: R/W = Read/Write; R = Read only; -n = value after reset

**Table 9-17. RAM Info Mask Lower Register (RINFOL) Field Descriptions**

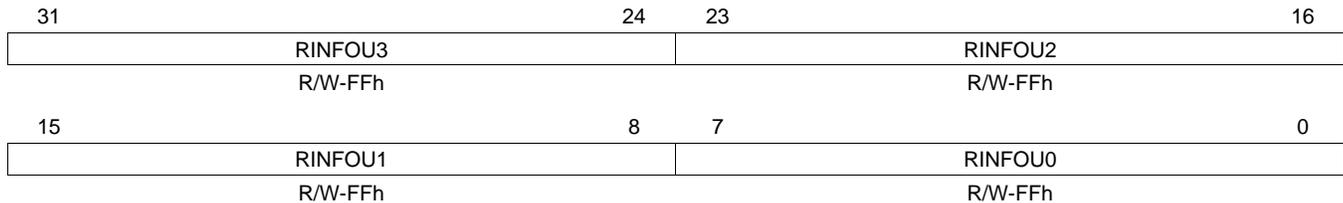
Bit	Field	Value	Description
31		0	RAM Group 32 is not selected
		1	Selects group 32 for PBIST run
30		0	RAM Group 31 is not selected
		1	Selects RAM group 31 for PBIST run
:			:
0		0	RAM Group 1 is not selected
		1	Selects RAM Group 1 for PBIST run
31-0		0	None of the RAM Groups 1 to 32 are selected

**NOTE:** Please refer to [Table 2-5](#) for RAM info groups.

### 9.5.13 RAM Info Mask Upper Register (RINFOU)

This register is to select RAM groups to run the algorithms selected in the ALGO register. For an algorithm to be executed on a particular RAM group, the corresponding bit in this register should be set to '1'. The default value of this register is all '1's, which means all the RAM Info Groups would be selected. [Figure 9-19](#) and [Table 9-18](#) illustrate this register.

**Figure 9-19. RAM Info Mask Upper Register (RINFOU) [offset = 01CCh]**



LEGEND: R/W = Read/Write; R = Read only; -n = value after reset

**Table 9-18. RAM Info Mask Upper Register (RINFOU) Field Descriptions**

Bit	Field	Value	Description
31		0	RAM Group 64 is not selected
		1	Selects group 64 for PBIST run
30		0	RAM Group 63 is not selected
		1	Selects RAM group 63 for PBIST run
:			:
0		0	RAM Group 33 is not selected
		1	Selects RAM Group 33 for PBIST run
31-0		0	None of RAM Groups 33 to 64 are selected

## 9.6 PBIST Configuration Example

The following examples assume that the PLL is locked and selected as clock source with GCLK = 300 MHz and VCLK = 75 MHz.

### 9.6.1 Example 1 : Configuration of PBIST Controller to Run Self-Test on DCAN1 RAM

This example explains the configurations for running March13 algorithm on DCAN1.

1. Program the GCLK to PBIST ROM clock ratio to 1:4 in System Module.  
MSTGCR[9:8] = 2
2. Enable PBIST Controller in System Module.  
MSIENA[31:0] = 0x00000001
3. Enable the PBIST self-test in System Module.  
MSTGCR[3:0] = 0xA
4. Wait for at least 64 VCLK cycles in a software loop.
5. Enable the PbiSt internal clocks and ROM interface clock.  
PACT = 0x3
6. Disable RAM Override. This will make the PBIST controller use the information provided by the application in the RINFOx and ALGO registers for the memory self-test.  
OVER = 0x0
7. Select the Algorithm (refer [Table 2-6](#)).  
ALGO = 0x00000004 (Algo 3 = March13N for two-port DCAN1 RAM)
8. Program the RAM group Info to select DCAN1 (DCAN1 RAM is Group 3, refer [Table 2-5](#)).  
RINFOL = 0x00000004 (select RAM Group 3)  
RINFOU = 0x00000000 (since we are testing only DCAN1)
9. Select both Algorithm and RAM information from on chip PBIST ROM.  
ROM = 0x3
10. Configure PBIST to run in ROM Mode and start PBIST run.  
DLR = 0x14
11. Wait for PBIST test to complete by polling MSTDONE bit in System Module.  
while (MSTDONE != 1)
12. Once self-test is completed, check the Fail Status registers FSRF0 and FSRF1.  
In case there is a failure (FSRF0 or FSRF1 = 1):
  - (a) Read RAMT register that indicates the RGS and RDS values of the failure RAM.
  - (b) Read FSRC0 and FSRC1 registers that contain the failure count.
  - (c) Read FSRA0 and FSRA1 registers that contain the address of first failure.
  - (d) Read FSRDL0 and FSRDL1 registers that contain the failure data.
  - (e) Resume the Test if required using Program Control register (offset = 0x16C) STR = 2.
 In case there is no failure (FSRF0 and FSRF1 = 0), the memory self-test is completed.
  - (a) Disable the PBIST internal and ROM clocks.  
PACT = 0
  - (b) Disable the PBIST self-test.  
MSTGCR[3:0] = 0x5

### 9.6.2 Example 2 : Configuration of PBIST Controller to Run Self-Test on ALL RAM Groups

This example explains the configurations for running March13 algorithm on all RAM groups defined in the PBIST ROM.

1. Program the GCLK to PBIST ROM clock ratio to 1:4 in System Module.  
MSTGCR[9:8] = 2
2. Enable PBIST Controller in System Module.  
MSIENA[31:0] = 0x00000001
3. Enable the PBIST self-test in System Module.  
MSTGCR[3:0] = 0xA
4. Wait for at least 64 VCLK cycles in a software loop.
5. Enable the Pbist internal clocks and ROM interface clock.  
PACT = 0x3
6. Enable RAM Override.  
OVER = 0x1
7. Select the Algorithms to be run (refer [Table 2-6](#)).  
ALGO = 0x0000000C (select March13N for single-port and two-port RAMs)
8. Select both Algorithm and RAM information from on chip PBIST ROM.  
ROM = 0x3
9. Configure PBIST to run in ROM Mode and kickoff PBIST test.  
DLR = 0x14
10. Wait for PBIST test to complete by polling MSTDONE bit in System Module.  
while (MSTDONE !=1)
11. Once self-test is completed, check the Fail Status registers FSRF0 and FSRF1.  
In case there is a failure (FSRF0 or FSRF1 = 1):
  - (a) Read RAMT register that indicates the RGS and RDS values of the failure RAM.
  - (b) Read FSRC0 and FSRC1 registers that contain the failure count.
  - (c) Read FSRA0 and FSRA1 registers that contain the address of first failure.
  - (d) Read FSRDL0 and FSRDL1 registers that contain the failure data.
  - (e) Resume the Test if required using Program Control register (offset = 0x16C) STR = 2.
 In case there is no failure (FSRF0 and FSRF1 = 0), the Memory self-test is completed.
  - (a) Disable the PBIST internal and ROM clocks.  
PACT = 0
  - (b) Disable the PBIST self-test.  
MSTGCR[3:0] = 0x5

## Self-Test Controller (STC) Module

This chapter describes the basics and configuration of the on chip self-test controller (STC) modules.

Topic	Page
<b>10.1 General Description .....</b>	<b>412</b>
<b>10.2 STC Module Assignments .....</b>	<b>419</b>
<b>10.3 STC Programmers Flow .....</b>	<b>420</b>
<b>10.4 Application Self-Test Flow .....</b>	<b>421</b>
<b>10.5 STC1 Segment 0 (CPU) Test Coverage and Duration .....</b>	<b>424</b>
<b>10.6 STC1 Segment 1 (uSCU) Test Coverage and Duration.....</b>	<b>426</b>
<b>10.7 STC2 (nHET) Test Coverage and Duration .....</b>	<b>427</b>
<b>10.8 STC Control Registers .....</b>	<b>428</b>
<b>10.9 STC Configuration Example .....</b>	<b>439</b>
<b>10.10 Self-Test Controller Diagnostics.....</b>	<b>440</b>

## 10.1 General Description

The self-test controller (STC) module is used to test the ARM CPU core and other complex digital IPs using the 'Deterministic Logic Built-in Self-Test' (LBIST) controller as the test engine. To achieve better coverage for the self-test of complex cores like Cortex-R5F, on-chip logic BIST is the preferred solution over software based self-test.

There are two STC modules implemented on this device. STC1 for redundant CPUs and their  $\mu$ SCU block. STC2 for the two nHET modules. The STC module provides the capability to test redundant IPs in parallel or individually.

### 10.1.1 Self-Test Controller Features

The self-test controller has the following features:

- Capable of running the complete test as well as running a single or multiple test sets (intervals) at a time.
  - Ability to continue from the last executed interval as well as the ability to restart from the beginning (first interval).
- Support of two logical segments. [Figure 10-1](#) shows the implementation with multiple segments. Each interval can be mapped to a logical segment. A segment identifier corresponding to each interval is stored in the self-test ROM.
  - Segment 0: Segment 0 has the additional capability to test redundant logic or cores in one of the following modes:
    - Parallel Mode: Redundant logic cores are tested in parallel with the same patterns but have a dedicated signature generator. This is used in the safety critical redundant logic which runs in lock-step. [Figure 10-2](#) and [Figure 10-3](#) show this configuration for STC1 and STC2.
    - Split Mode: Each redundant logic is tested individually. [Figure 10-4](#) and [Figure 10-5](#) show this configuration for STC1.
  - All redundant cores (or IPs) within a segment have their own dedicated DBIST controllers.
  - Other segment (segment 1) can test only a single logic segment during the self-test run.
  - Ability to select segment for which the first interval is selected for run.
- Complete isolation of the self-tested core from the rest of the system during the self-test run
  - The self-tested CPU core master bus transaction signals are configured to be in idle mode during the self-test run
  - Any master access to the CPU core under self-test (example: DMA access to CPU TCM) will be held until the completion of the self-test
- Ability to capture the failure segment and interval number
- Timeout counter for the self-test run as a fail-safe feature
- Able to read the MISR data (shifted from LBIST controller) of the last executed interval of the self-test run for debugging purposes
- STCCLK determines the self-test execution speed, STC clock divider (STCCLKDIV) register is used to divide one of the system clocks to generate STCCLK. The divider can be configured per segment. For STC1 GCLK is divided down, for STC2 VCLK2 is divided down to generate STCCLK.
- Low frequency shift. Programmable clock divider register inside STC to reduce the shift frequency in order to reduce the shift power.

### 10.1.2 Terminology

**Interval:** An interval corresponds to a test set that is the basic test unit for the STC module

**Segment:** A self-test segment corresponds to a portion of the unique/discrete safety critical logic which can be tested in isolation from the rest of the system by the self-test controller and DBIST logic. A self-test segment may correspond to a logic like CPU core (for example, Cortex-R5F) or an IP (for example,  $\mu$ SCU or nHET) or a sub-system.

The assignment of segments to digital logic is device dependent.

---

**NOTE:** All segments need to run sequentially during the self-test run. It is not recommended to switch from one segment to another before the self-test for the current segment is completed. The segment intervals in the STC ROM are organized sequentially.

---

### 10.1.3 STC Block Diagram

STC module provides an interface to the LBIST controller implemented on the CPUs and the nHET modules. There are two separate STC modules implemented: one for redundant Cortex-R5F CPUs and  $\mu$ SCU and another one for the nHET modules. Each STC module comprises of the same basic blocks and has same features and functionality.

The STC module is composed of following blocks of logic:

- ROM Interface
- FSM and Sequence Control
- Register Block
- Peripheral Bus Interface (VBUSP Interface)

#### 10.1.3.1 ROM Interface

This block handles the ROM address and control signal generation to read the self-test microcode from the ROM. The test microcode and golden signature value for each interval are stored in ROM.

##### 10.1.3.1.1 FSM and Sequence Control

This block generates control signal and data to the LBIST controller based on the seed, test\_type and scan chain depth.

##### 10.1.3.1.2 Clock Control

The clock controller sub-block handles the internal clock selection and generation for the ROM, LBIST controller and logic under test.

The clock control ratio can be programmed in STC module by programming STCCLKDIV register.

#### 10.1.3.2 Register Block

This block handles the control of the self-test controller. This block contains various configuration and status registers that provide the result of a self-test run. These registers are memory mapped and accessible through the Peripheral Bus (VBUSP) Interface. This block controls the reseeding (reloading the existing seed of the PRPG) in the LBIST controller.

### 10.1.3.3 Peripheral Bus (VBUSP) Interface

STC control registers are accessed through Peripheral Bus (VBUSP) Interface. During application programming, configuration registers are programmed through the Peripheral Bus Interface to enable and run the self-test controller.

Figure 10-1. Block Diagram for STC With Multiple Segments

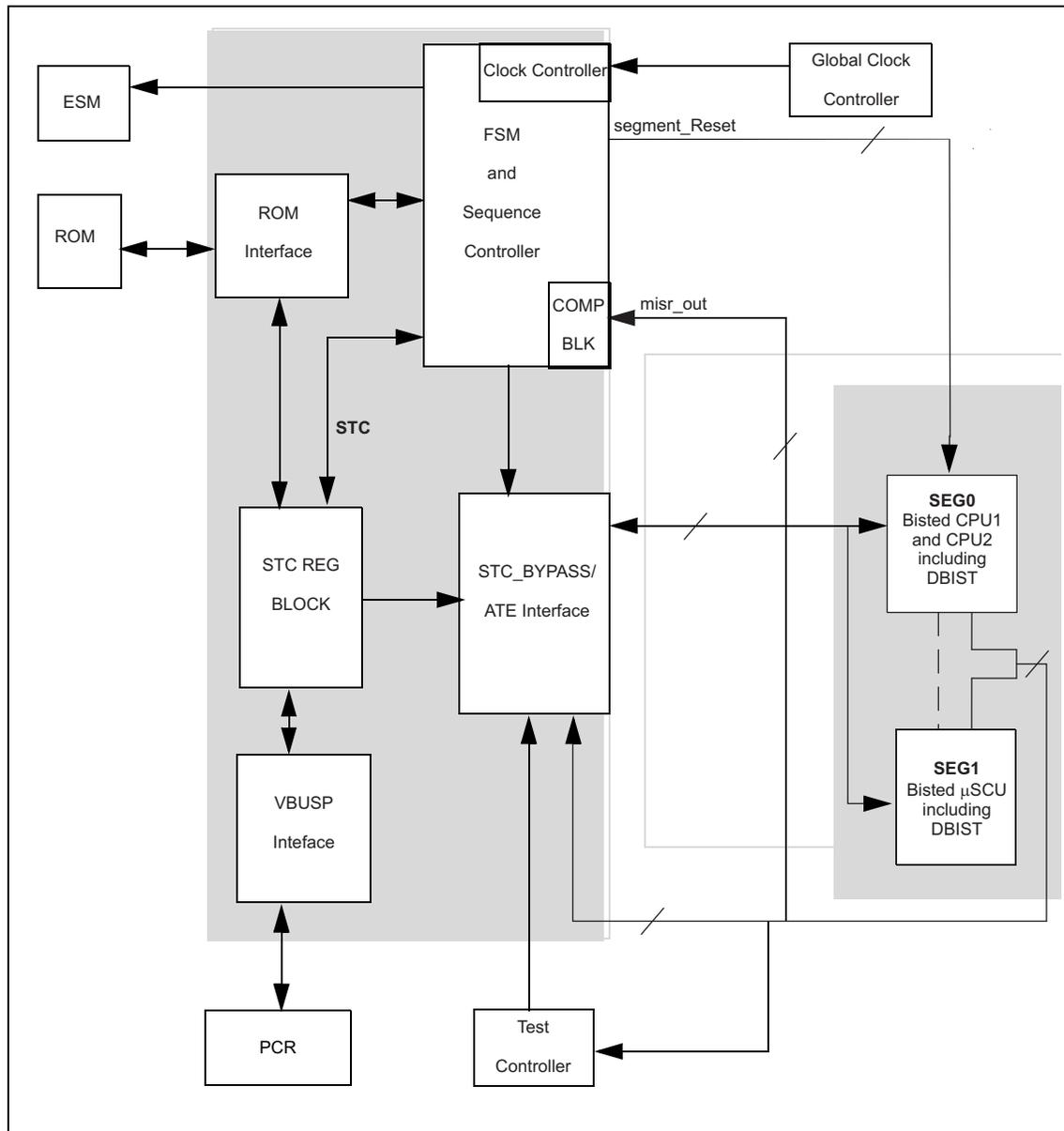


Figure 10-2. STC1 - Segment 0 Redundant Core Architecture With CCM-R5F (Parallel Mode)

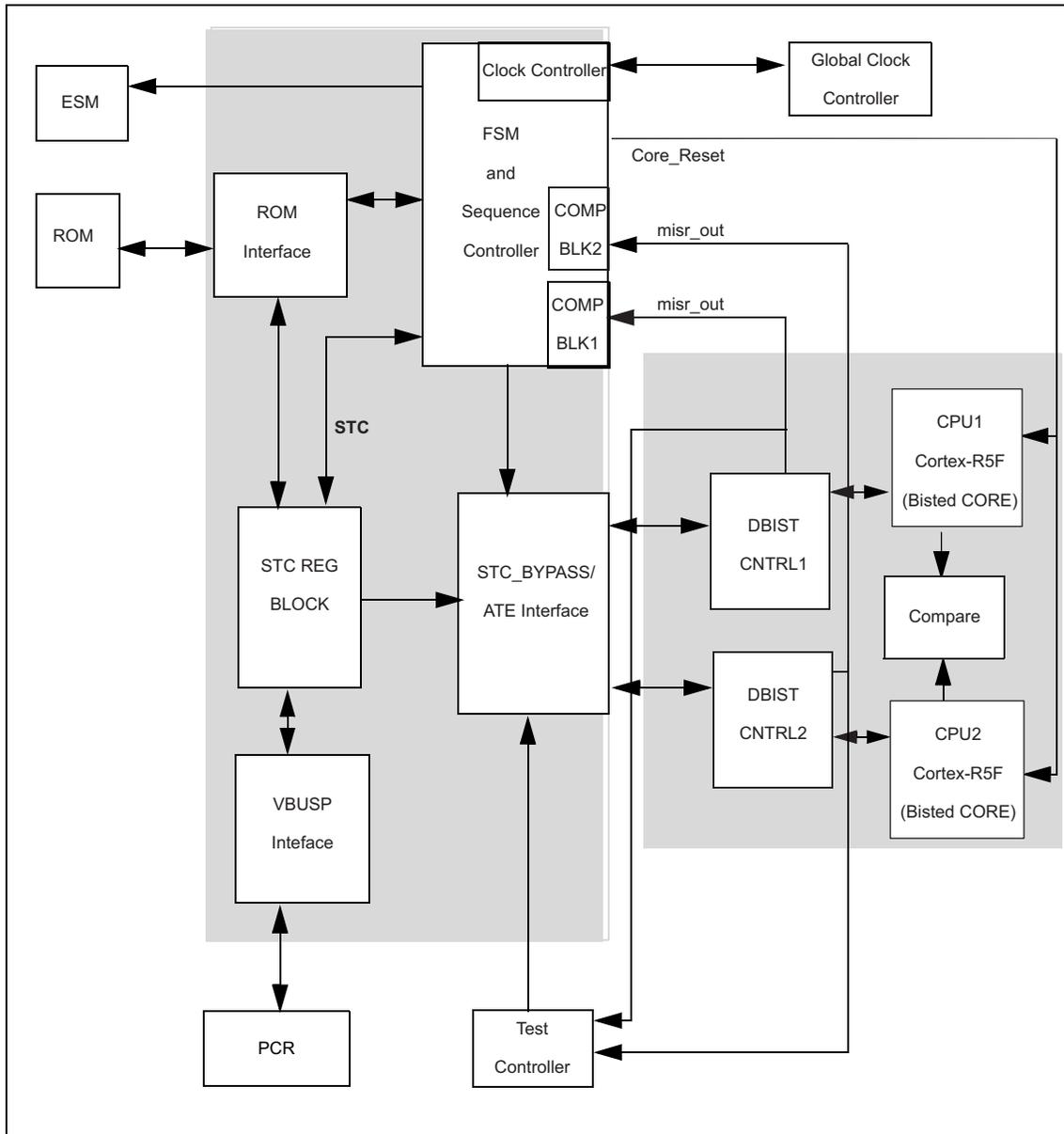


Figure 10-3. STC2 - Segment 0 Redundant Architecture (Parallel Mode)

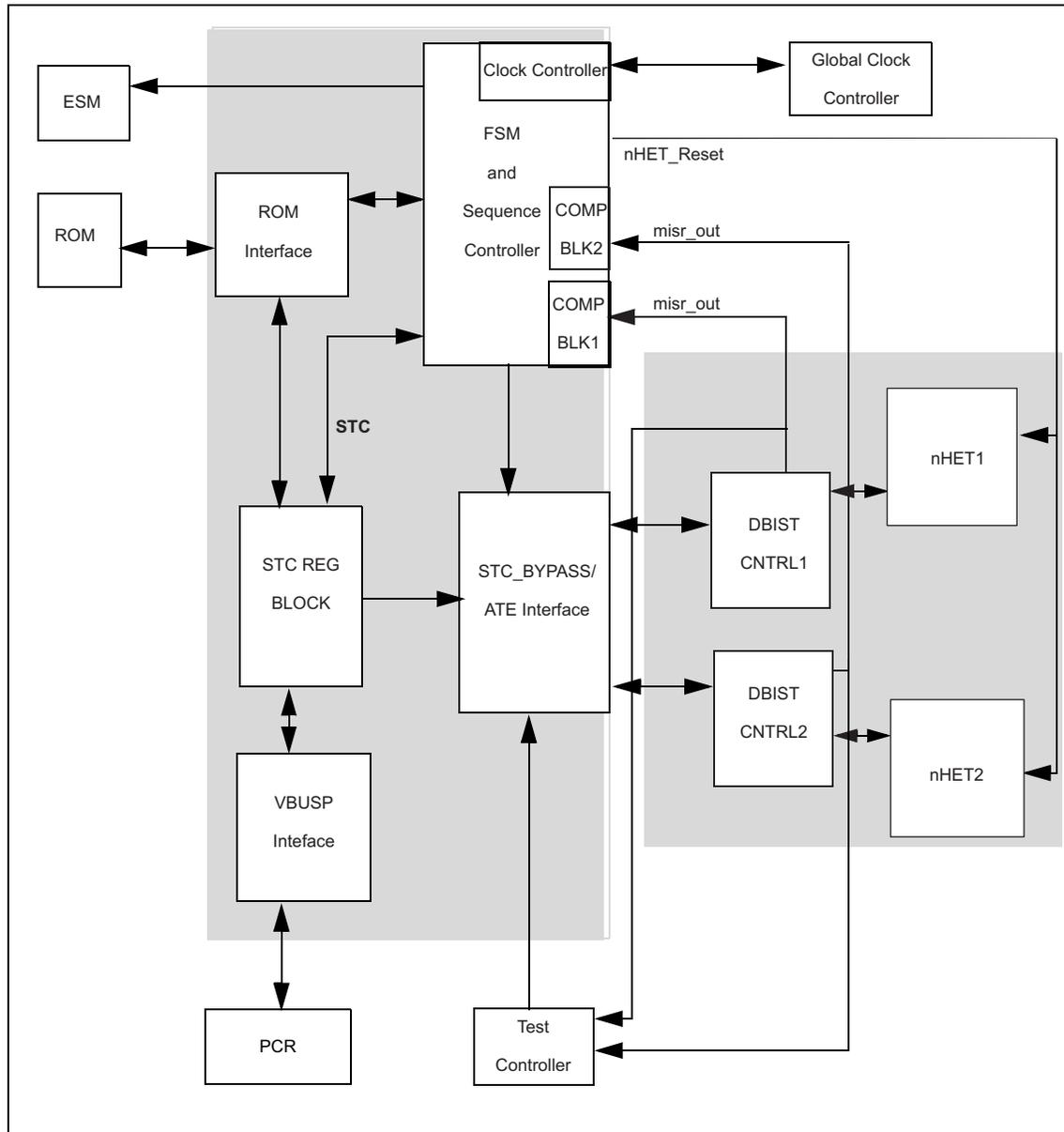
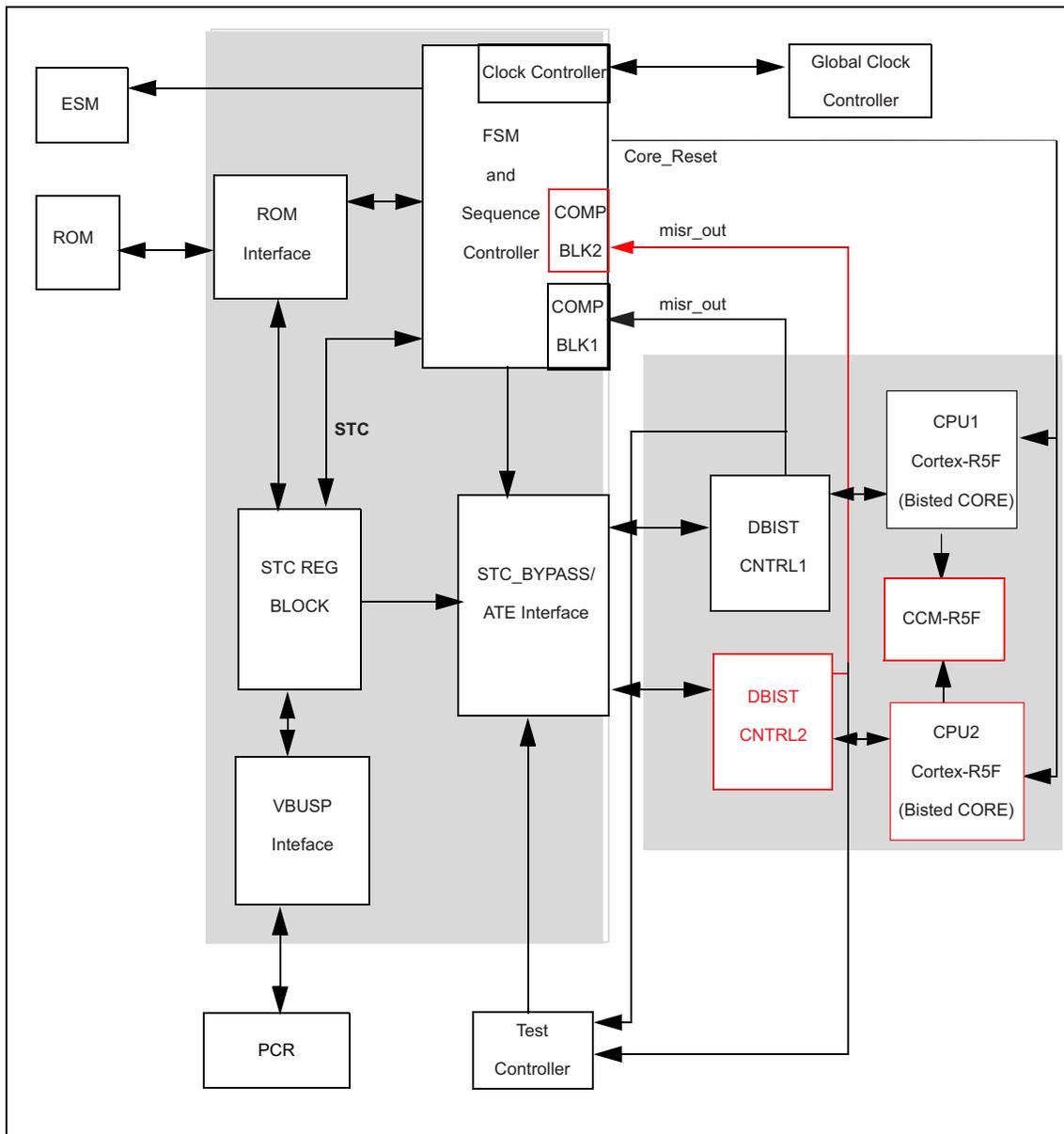
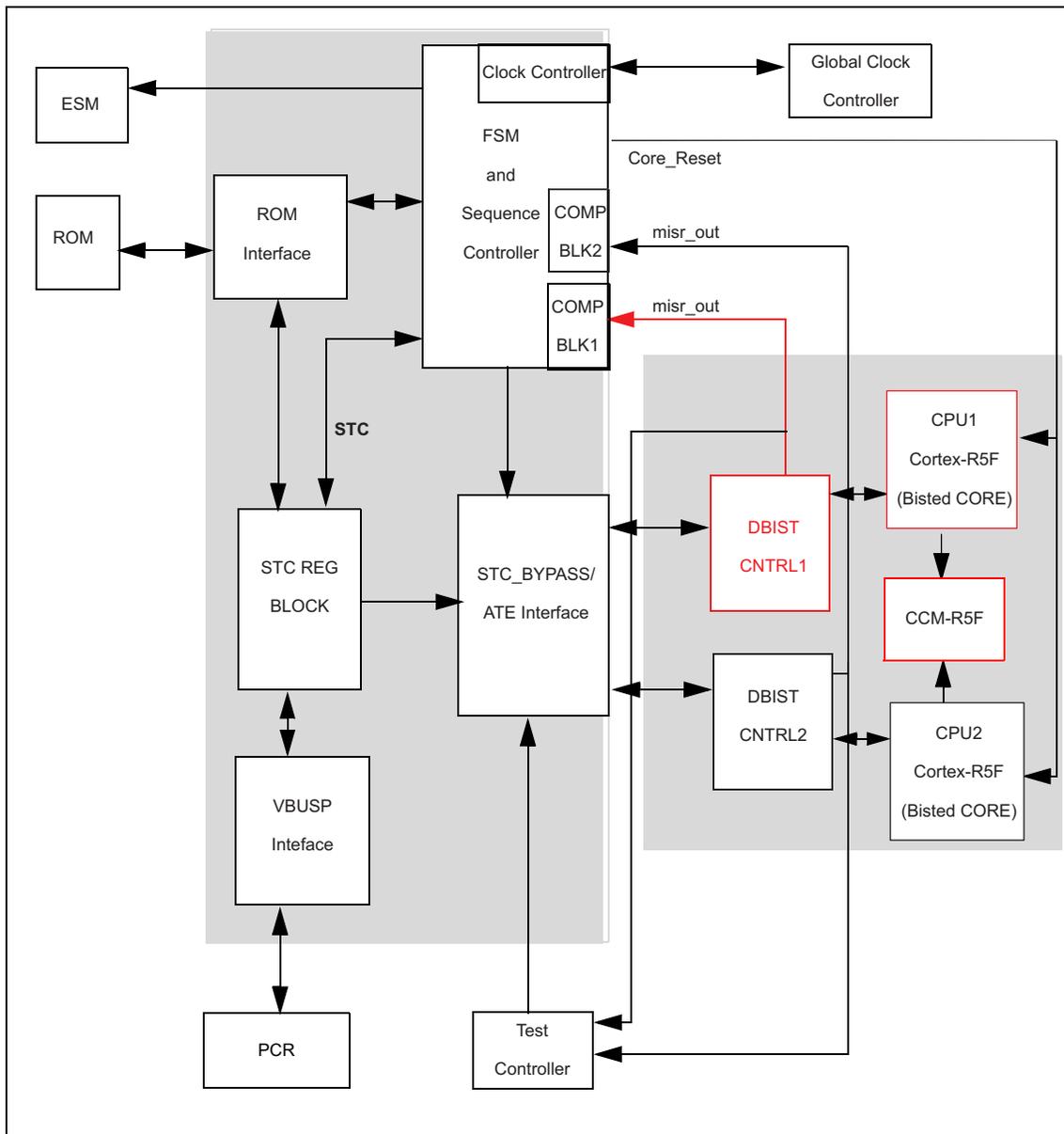


Figure 10-4. STC1 - Segment 0 Redundant Core Architecture With Only CPU1 Selected



Modules highlighted in red will not be enabled for test while testing CORE1 only in a redundant system.

Figure 10-5. STC1 - Segment 0 Redundant Core Architecture With Only CPU2 Selected



Modules highlighted in red will not be enabled for test while testing CORE2 only in a redundant system.

## 10.2 STC Module Assignments

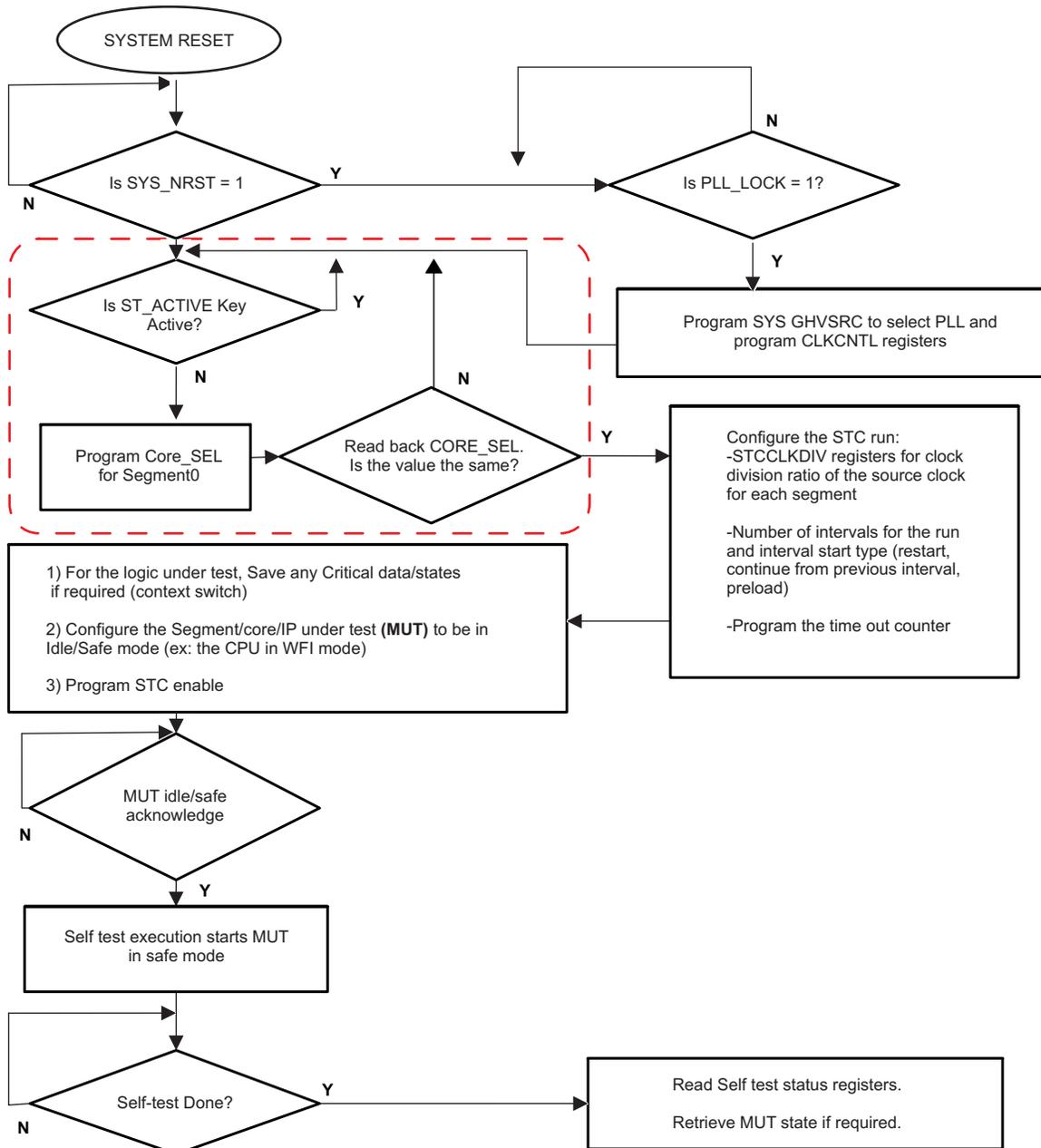
There are two instances of STC modules available on this device, see [Table 10-1](#). STC1 is used for running self-test on the redundant CPUs and  $\mu$ SCU. STC2 is used for running self-test on the two nHET modules. The two instances are independent of each other.

**Table 10-1. STC Module Assignments**

Module	Segments	Targeted IP	Number of Intervals	STCCLK Derived From	Note
STC1	Segment 0	CPU1 and CPU2	125	GCLK	Segment 0 allows CPU1 and CPU2 to be tested in parallel or individually.
	Segment 1	$\mu$ SCU (ACP Block)	3	GCLK	
STC2	Segment 0	nHET1 and nHET2	57	VCLK2	Segment 0 allows nHET1 and nHET2 to be tested in parallel or individually.

### 10.3 STC Programmers Flow

Figure 10-6. STC Programmers Flow Chart



The steps shown in red can be bypassed for self-test with single core only.

## 10.4 Application Self-Test Flow

This section describes the STC module configuration and the application self-test flow that you should follow for successful execution. The following two configurations must be part of the STC initialization code:

- STC clock rate configuration, STC clock divider (STCCLKDIV) register is used to divide system clock to generate STCCLK for each segment.
- Clear SYSESR register before triggering an STC test.

### 10.4.1 STC Module Configuration

- Configure the test interval count using STCGCR0[31:16] register. STC1, segment 0 supports a maximum of 125 intervals, STC1 segment 1 supports a maximum of 3 and STC2 supports a maximum of 57 intervals. The intervals within each group can be ran individually or sequentially at one time. If the test intervals are run individually, the user software can specify to the self-test controller whether to continue the run from the next interval or to restart from interval 0 using bit STCGCR0[0]. This bit gets reset after the completion of the self-test run.
- Configure self-test run timeout counter preload register STCTPR. This register contains the total number of VBUS clock cycles it will take before a self-test timeout error (TO\_ERR) will be triggered after the initiation of the self-test run.
- Configure Segment 0 for parallel or serial execution for each of the 2 elements to be tested (primary and redundant logic).
- Enable self-test by writing the enable key to STCGCR1 register.

### 10.4.2 Context Saving - CPU

STC generates a CPU reset after completion of each test regardless of pass or fail. The STC test can be ran at device startup or it can be divided into subsets of 1 or more intervals and executed during application run time.

The STC test is a destructive test such that content within the element being tested may need to be preserved.

If STC is run only on startup, the user software may note need to save the CPU content since the reset at the completion of the test will be followed by normal device initializations/startup configuration. During startup, the user code should check the STCGSTAT register for the self-test status before going to the application software.

If STC is divided into intervals and ran during application run time, the user software must save the CPU contents and reload them after each CPU reset caused by the completion of the STC test interval. The check for STC status should bypass the STC run if the reset is caused by a completed test execution. The STCGSTAT register should be checked for the self-test status before returning to the application software.

Following are some of the registers that are required to be backed up before and restored after self-test:

1. CPU core registers (all modes R0-R15, PC, CPSR)
2. CP15 System Control Coprocessor registers - MPU control and configuration registers, Auxiliary Control Register used to Enable ECC, Fault Status Register etc.
3. CP13 Coprocessor Registers - FPU configuration registers, General Purpose Registers
4. Hardware Break Point and watch point registers like BVR, BSR, WVR, WSR etc.

For more information on the CPU reset, please refer to the *Cortex-R5F Technical Reference Manual*.

---

**NOTE:** Check all reset source flags in the SYSESR register after a CPU BIST execution. If a flag in addition to CPU reset is set, clear the CPU reset flag and service the other reset sources accordingly.

---

### 10.4.3 Entering CPU Idle Mode

After enabling the STC test by writing the STC enable key, the test is triggered only after the CPU is taken to idle mode by executing the CPU Idle Instruction **asm("WFI")**.

### 10.4.4 Entering nHET Idle Mode

After enabling the STC test by writing the STC enable key, the test is triggered only after the nHET module is put in reset state by writing to bit 0 the HETGCR Global Configuration Register in the nHET module.

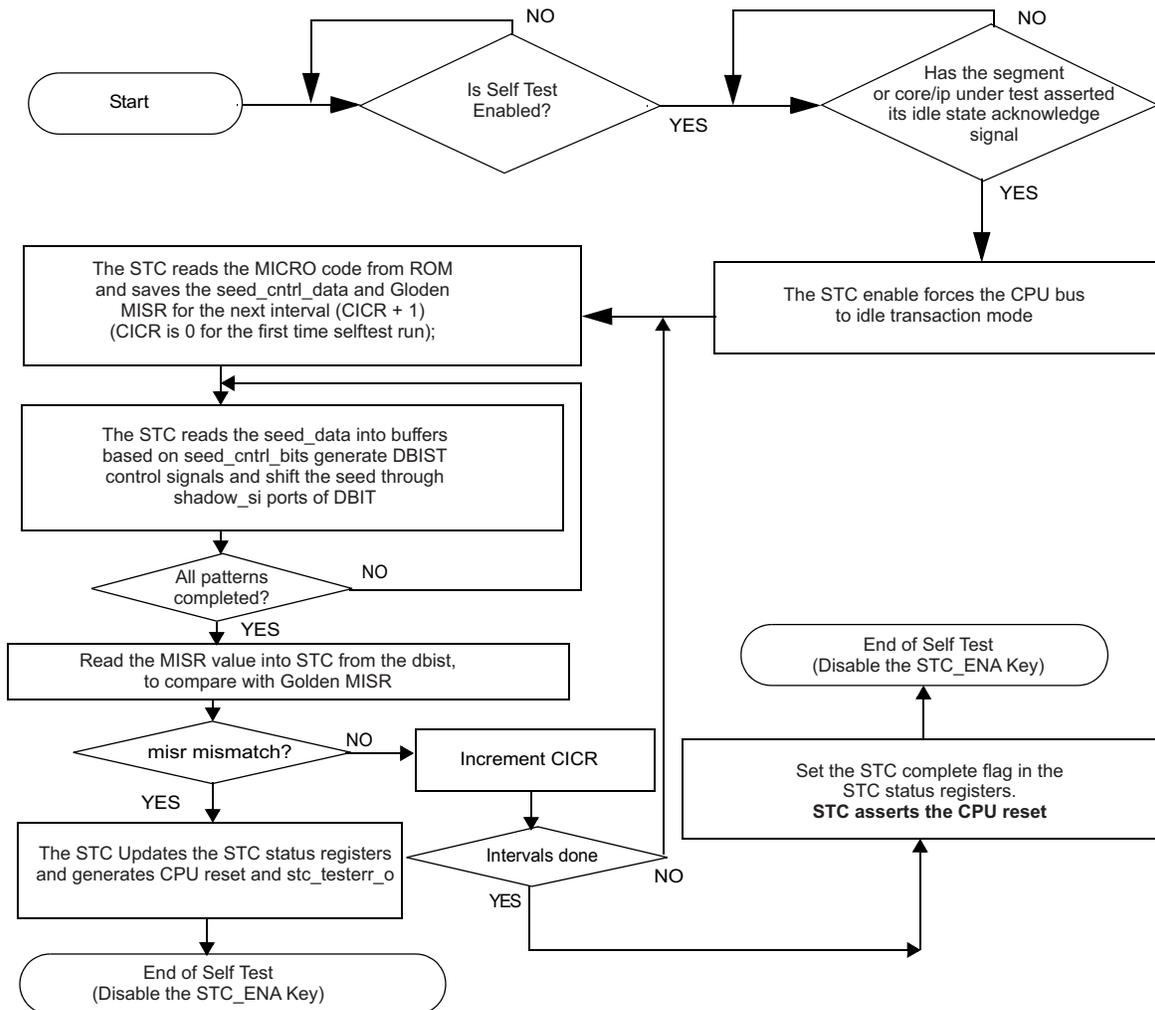
### 10.4.5 Self-Test Completion and Error Generation

At the end of each interval, the 128 bit MISR value (reflected in registers CPUx\_CURMISR[3:0]) from the DBIST controller is shifted into the STC. This is compared with the golden MISR value stored in the ROM.

At the end of a CPU self-test, the STC controller updates the status flags in the Global Status Register (STCGSTAT) and resets the CPU. In case of a MISR mismatch or a test timeout, an error is generated through the ESM module. TEST\_ERR signal is asserted when an MISR miscompare occurs during the self-test. A TO\_ERR is asserted when a timeout occurs during the self-test, meaning the test could not complete within the time specified in the timeout counter preload register STCTPR. However, at the device level, these two errors are combined and mapped to a single ESM channel. To identify which error occurred, user software must check the global status register (STCGSTAT) and fail status register STCFSTAT in the ESM interrupt service routine.

[Figure 10-7](#) illustrates the self-test hardware execution flow chart, based on the assumption that the device has gone through startup, necessary clocks initialized and SYSESR register bits cleared.

Figure 10-7. Self-Test Hardware Execution Flow Chart



## 10.5 STC1 Segment 0 (CPU) Test Coverage and Duration

The test coverage and number of test execution cycles (STCCLK) for each test interval are shown in [Table 10-2](#).

**Table 10-2. STC1 Segment 0 Test Coverage and Duration**

Intervals	Test Coverage	Test Time (Cycles)	Intervals	Test Coverage	Test Time (Cycles)
0	0	0	63	92.24	102627
1	56.85	1629	64	92.31	104256
2	64.19	3258	65	92.38	105885
3	68.76	4887	66	92.44	107514
4	71.99	6516	67	92.51	109143
5	75.00	8145	68	92.57	110772
6	76.61	9774	69	92.63	112401
7	78.08	11403	70	92.70	114030
8	79.20	13032	71	92.76	115659
9	80.18	14661	72	92.82	117288
10	81.03	16290	73	92.92	118917
11	81.90	17919	74	92.98	120546
12	82.58	19548	75	93.06	122175
13	83.24	21177	76	93.12	123804
14	83.73	22806	77	93.20	125433
15	84.15	24435	78	93.25	127062
16	84.52	26064	79	93.31	128691
17	84.90	27693	80	93.36	130320
18	85.26	29322	81	93.42	131949
19	85.68	30951	82	93.48	133578
20	86.05	32580	83	93.55	135207
21	86.40	34209	84	93.60	136836
22	86.68	35838	85	93.66	138465
23	86.94	37467	86	93.71	140094
24	87.21	39096	87	93.76	141723
25	87.48	40725	88	93.81	143352
26	87.74	42354	89	93.86	144981
27	87.98	43983	90	93.91	146610
28	88.18	45612	91	93.96	148239
29	88.38	47241	92	94.01	149868
30	88.56	48870	93	94.07	151497
31	88.75	50499	94	94.12	153126
32	88.93	52128	95	94.17	154755
33	89.10	53757	96	94.22	156384
34	89.23	55386	97	94.27	158013
35	89.41	57015	98	94.32	159642
36	89.55	58644	99	94.37	161271
37	89.70	60273	100	94.41	162900
38	89.83	61902	101	94.46	164529
39	89.96	63531	102	94.50	166158
40	90.10	65160	103	94.54	167787
41	90.23	66789	104	94.60	169416
42	90.33	68418	105	94.64	171045
43	90.43	70047	106	94.68	172674

**Table 10-2. STC1 Segment 0 Test Coverage and Duration (continued)**

Intervals	Test Coverage	Test Time (Cycles)	Intervals	Test Coverage	Test Time (Cycles)
44	90.57	71676	107	94.72	174303
45	90.67	73305	108	94.78	175932
46	90.77	74934	109	94.82	177561
47	90.89	76563	110	94.86	179190
48	91.00	78192	111	94.91	180819
49	91.08	79821	112	94.95	182448
50	91.17	81450	113	94.99	184077
51	91.26	83079	114	95.04	185706
52	91.35	84708	115	95.08	187335
53	91.42	86337	116	95.15	188964
54	91.52	87966	117	95.19	190593
55	91.63	89595	118	95.23	192222
56	91.73	91224	119	95.27	193851
57	91.81	92853	120	95.31	195480
58	91.89	94482	121	95.35	197109
59	91.97	96111	122	95.39	198738
60	92.05	97740	123	95.43	200367
61	92.11	99369	124	95.47	201996
62	92.17	100998	125	95.51	203625

Table 10-3 gives the typical STC execution times for 40 intervals and 125 intervals at different clock rates. You can choose the number of intervals to be run based on the coverage needed and allowed time for STC execution.

**Table 10-3. Typical Execution Times for STC1 Segment 0**

Number of Intervals	Coverage	@ GCLK = 330 MHz STCCLK = 110 MHz	@ GCLK = 300 MHz STCCLK = 100 MHz
40	>90%	592.4 uS	651.6 uS
125	>95%	1.8511 mS	2.036 mS

## 10.6 STC1 Segment 1 (uSCU) Test Coverage and Duration

The test coverage and number of test execution cycles (STCCLK) for each test interval are shown in [Table 10-4](#).

**Table 10-4. STC1 Segment 1 Test Coverage and Duration**

Intervals	Test Coverage	Test Time (Cycles)	Intervals	Test Coverage	Test Time (Cycles)
0	0	0	2	87.96	3258
1	84.79	1629	3	88.33	4887

[Table 10-5](#) gives the typical STC execution times for 3 intervals at different clock rates. You can choose the number of intervals to be run based on the coverage needed and allowed time for STC execution.

**Table 10-5. Typical Execution Times for STC1 Segment 1**

Number of Intervals	Coverage	@ GCLK = 330 MHz STCCLK = 110 MHz	@ GCLK = 300 MHz STCCLK = 100 MHz
3	>88%	44.43 uS	48.87 uS

## 10.7 STC2 (nHET) Test Coverage and Duration

The test coverage and number of test execution cycles (STCCLK) for each test interval are shown in [Table 10-6](#).

**Table 10-6. STC2 Test Coverage and Duration**

Intervals	Test Coverage	Test Time (Cycles)	Intervals	Test Coverage	Test Time (Cycles)
0	0	0	29	94.97	39585
1	70.01	1365	30	95.03	40950
2	77.89	2730	31	95.10	42315
3	81.73	4095	32	95.16	43680
4	84.11	5460	33	95.22	45045
5	86.05	6825	34	95.27	46410
6	87.78	8190	35	95.33	47775
7	88.96	9555	36	95.42	49140
8	89.95	10920	37	95.49	50505
9	90.63	12285	38	95.54	51870
10	91.20	13650	39	95.66	53235
11	91.60	15015	40	95.69	54600
12	92.02	16380	41	95.75	55965
13	92.37	17745	42	95.79	57330
14	92.66	19110	43	95.82	58695
15	92.87	20475	44	95.85	60060
16	93.04	21840	45	95.91	61425
17	93.26	23205	46	95.95	62790
18	93.47	24570	47	95.99	64155
19	93.67	25935	48	96.01	65520
20	93.82	27300	49	96.04	66885
21	93.96	28665	50	96.07	68250
22	94.12	30030	51	96.09	69615
23	94.24	31395	52	96.12	70980
24	94.38	32760	53	96.15	72345
25	94.50	34125	54	96.19	73710
26	94.72	35490	55	96.24	75075
27	94.80	36855	56	96.29	76440
28	94.90	38220	57	96.41	77805

[Table 10-7](#) gives the typical STC execution times for 9 intervals and 57 intervals at different clock rates. You can choose the number of intervals to be run based on the coverage needed and allowed time for STC execution.

**Table 10-7. Typical Execution Times for STC2**

Number of Intervals	Coverage	@ VCLK = 110 MHz STCCLK = 110 MHz	@ VCLK = 150 MHz STCCLK = 75 MHz
9	>90%	111.68 $\mu$ S	163.8 $\mu$ s
57	>96%	707.3 $\mu$ S	1.038 mS

## 10.8 STC Control Registers

STC control registers are accessed through Peripheral Bus (VBUSP) interface. Read and write access in 8,16, and 32 bit are supported.

The base address for the control registers of STC1 is FFFF E600h. The base address for the control registers of STC2 is FFFF 0800h.

---

**NOTE:** In suspend mode, all registers can be written irrespective of user or privilege mode and reads will not clear the 'read-clear' bits.

---

**Table 10-8. STC Control Registers**

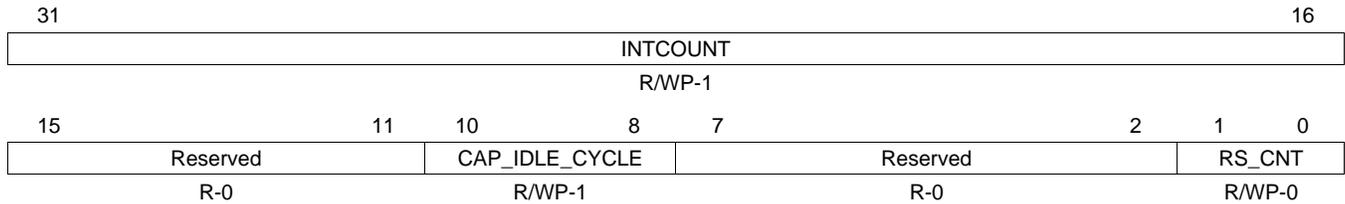
Offset	Acronym	Register Description	Section
00h	STCGCR0	STC Global Control Register 0	<a href="#">Section 10.8.1</a>
04h	STCGCR1	STC Global Control Register 1	<a href="#">Section 10.8.2</a>
08h	STCTPR	Self-Test Run Timeout Counter Preload Register	<a href="#">Section 10.8.3</a>
0Ch	STCCADDR1	STC Current ROM Address Register - CORE1	<a href="#">Section 10.8.4</a>
10h	STCCICR	STC Current Interval Count Register	<a href="#">Section 10.8.5</a>
14h	STCGSTAT	Self-Test Global Status Register	<a href="#">Section 10.8.6</a>
18h	STCFSTAT	Self-Test Fail Status Register	<a href="#">Section 10.8.7</a>
1Ch	CORE1_CURMISR3	CORE1 Current MISR Register	<a href="#">Section 10.8.8</a>
20h	CORE1_CURMISR2	CORE2 Current MISR Register	<a href="#">Section 10.8.8</a>
24h	CORE1_CURMISR1	CORE1 Current MISR Register	<a href="#">Section 10.8.8</a>
28h	CORE1_CURMISR0	CORE1 Current MISR Register	<a href="#">Section 10.8.8</a>
2Ch	CORE2_CURMISR3	CORE2 Current MISR Register	<a href="#">Section 10.8.9</a>
30h	CORE2_CURMISR2	CORE2 Current MISR Register	<a href="#">Section 10.8.9</a>
34h	CORE2_CURMISR1	CORE2 Current MISR Register	<a href="#">Section 10.8.9</a>
38h	CORE2_CURMISR0	CORE2 Current MISR Register	<a href="#">Section 10.8.9</a>
3Ch	STCSCSCR	Signature Compare Self-Check Register	<a href="#">Section 10.8.10</a>
40h	STCCADDR2	STC Current ROM Address Register - CORE2	<a href="#">Section 10.8.11</a>
44h	STCCLKDIV	STC Clock Divider Register	<a href="#">Section 10.8.12</a>
48h	STCSEGPLR	STC Segment First Preload Register	<a href="#">Section 10.8.13</a>

### 10.8.1 STC Global Control Register 0 (STCGCR0)

This register is described in [Figure 10-8](#) and [Table 10-9](#).

**NOTE:** On a powerup reset or system reset this register gets reset to its default values.

**Figure 10-8. STC Global Control Register 0 (STCGCR0) [offset = 00h]**



LEGEND: R/W = Read/Write; R = Read only; WP = Write in privilege mode only; -n = value after reset

**Table 10-9. STC Global Control Register 0 (STCGCR0) Field Descriptions**

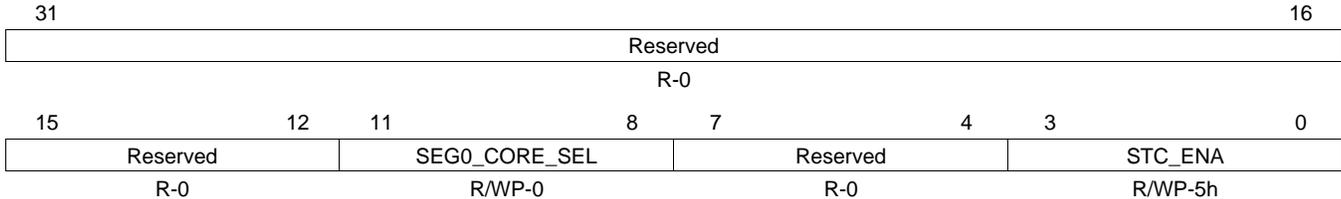
Bit	Field	Value	Description
31-16	INTCOUNT	0-FFFFh	Number of intervals of self-test run This register specifies the number of intervals to run for the self-test run. This corresponds to the number of intervals to be run from the value reflected in the current interval counter.
15-11	Reserved	0	Read returns 0. Writes have no effect.
10-8	CAP_IDLE_CYCLE	0 1	Idle cycle before and after the capture clock. Disabled Enabled
7-2	Reserved	0	Read returns 0. Writes have no effect.
1-0	RS_CNT	0 1	Restart or Continue This bit specifies whether to continue the run from next interval onwards or to restart from interval 0. This bit gets reset after the completion of a self-test run. Continue STC run from the previous interval. Restart STC run from interval 0.

### 10.8.2 STC Global Control Register 1 (STCGCR1)

This register is described in [Figure 10-9](#) and [Table 10-10](#).

**NOTE:** On a powerup reset or system reset this register resets to its default values. Also this register automatically resets to its default values at the completion of a self-test run.

**Figure 10-9. STC Global Control Register 1 (STCGCR1) [offset = 04h]**



LEGEND: R/W = Read/Write; R = Read only; WP = Write in privilege mode only; -n = value after nPORST (power on reset) or System reset

**Table 10-10. STC Global Control Register 1 (STCGCR1) Field Descriptions**

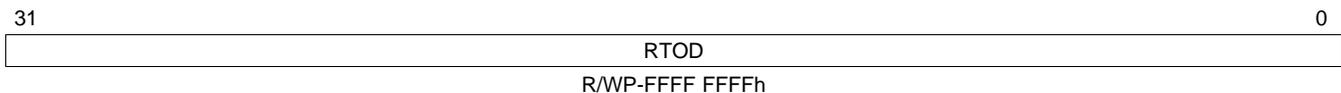
Bit	Field	Value	Description
31-12	Reserved	0	Read returns 0. Writes have no effect.
11-8	SEG0_CORE_SEL	5h Ah All other values	Selects cores in Segment 0 for self-test. These bits can be programmed only when SEG0_CORE_SEL is '0000'. Once the field is written it ignores all further writes until the self-test sequence completes. This is to maintain coherency for self-test runs. Select only Core1 for self-test. Select only Core2 for self-test. Select both cores for self-test in parallel.
7-4	Reserved	0	Read returns 0. Writes have no effect.
3-0	STC_ENA	Ah All other values	Self-test run enable key Self-test run enabled. Self-test run disabled.

### 10.8.3 Self-Test Run Timeout Counter Preload Register (STCTPR)

This register is described in [Figure 10-10](#) and [Table 10-11](#).

**NOTE:** On a powerup reset or system reset, this register gets reset to its default values.

**Figure 10-10. Self-Test Run Timeout Counter Preload Register (STCTPR) [offset = 08h]**



LEGEND: R/W = Read/Write; WP = Write in privilege mode only; -n = value after nPORST (power on reset) or System reset

**Table 10-11. Self-Test Run Timeout Counter Preload Register (STCTPR)**

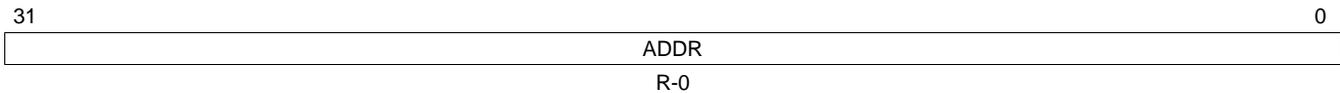
Bit	Field	Description
31-0	RTOD	Self-test timeout count preload  This register contains the total number of VBUS clock cycles it will take before a self-test timeout error (TO_ERR) will be triggered after the initiation of the self-test run. This is a fail safe feature to prevent the device from hanging up due to a run away test during the self-test.  The preload count value gets loaded into the self-test time out down counter whenever a self-test run is initiated (STC_KEY is enabled) and gets disabled on completion of a self-test run.

### 10.8.4 STC Current ROM Address Register - CORE1 (STCCADDR1)

This register is described in [Figure 10-11](#) and [Table 10-12](#).

**NOTE:** When the RS\_CNT bit in STCGCR0 is set to a 1 on the start of a self-test run, or on a powerup reset or system reset, this register resets to all zeroes.

**Figure 10-11. STC Current ROM Address Register (STCCADDR1) [offset = 0Ch]**



LEGEND: R = Read only; -n = value after nPORST (power on reset) or System reset

**Table 10-12. STC Current ROM Address Register (STCCADDR1) Field Descriptions**

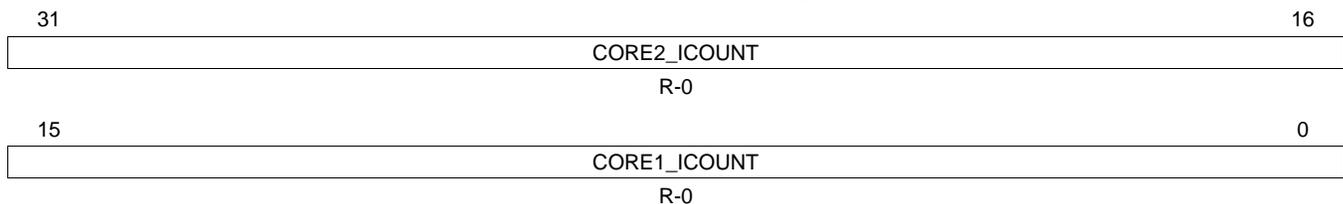
Bit	Field	Description
31-0	ADDR	Current ROM Address This register reflects the current ROM address (address or micro code load) accessed during self-test Segment0 -Core1 and other segments. This is the current value of the STC program counter.

### 10.8.5 STC Current Interval Count Register (STCCICR)

This register is described in [Figure 10-12](#) and [Table 10-13](#).

**NOTE:** When the RS\_CNT bit in STCGCR0 is set to a 1 or on a powerup reset, the current interval counter resets to the default value.

**Figure 10-12. STC Current Interval Count Register (STCCICR) [offset = 10h]**



LEGEND: R/W = Read/Write; R = Read only; -n = value after reset

**Table 10-13. STC Current Interval Count Register (STCCICR) Field Descriptions**

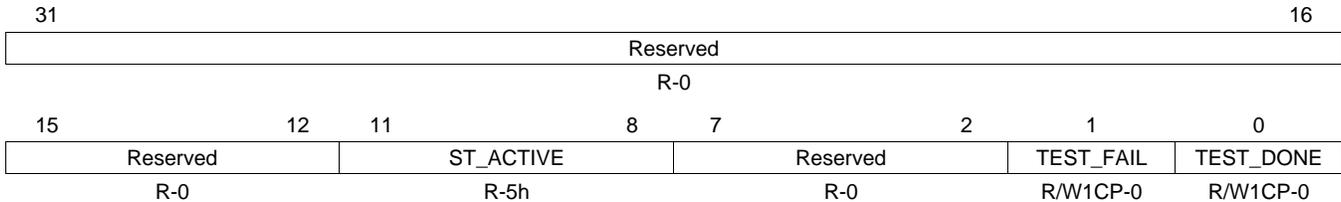
Bit	Field	Description
31-16	CORE2_ICOUNT	Interval Number This specifies the last executed interval number for Core2 in case of self-test being run on Segement0 redundant cores.
15-0	CORE1_ICOUNT	Interval Number This specifies the last executed interval number for Core1 in case of self-test being run on Segment0 or any other segments.

### 10.8.6 Self-Test Global Status Register (STCGSTAT)

This register is described in [Figure 10-13](#) and [Table 10-14](#).

**NOTE:** The two status bits can be cleared to their default values on a write of 1 to the bits. Additionally when the STC\_ENA key is written from a disabled state to enabled state, the two status flags get cleared to their default values. This register gets reset to its default value with power on reset assertion.

**Figure 10-13. Self-Test Global Status Register (STCGSTAT) [offset = 14h]**



LEGEND: R/W = Read/Write; R = Read only; WP = Write in privilege mode only; -n = value after reset

**Table 10-14. Self-Test Global Status Register (STCGSTAT) Field Descriptions**

Bit	Field	Value	Description
31-12	Reserved	0	Read returns 0. Writes have no effect.
11-8	ST_ACTIVE	Ah All other values	This field indicates if the self-test is active. Self-test is active Self-test is not active This will be set in the cycle after CORE_SEL is programmed. This will be reset once the STC generated the CPU reset after completion of the self-test.
7-2	Reserved	0	Read returns 0. Writes have no effect.
1	TEST_FAIL	0 1	Test Fail 0 Self-test run has not failed. 1 Self-test run has failed.
0	TEST_DONE	0 1	Test Done 0 Not completed. 1 Self-test run completed. The test done flag is set to a 1 for any of the following conditions: <ol style="list-style-type: none"> <li>1. When the STC run is complete without any failure</li> <li>2. When a failure occurs on a STC run</li> <li>3. When a timeout failure occurs</li> </ol> Reset is generated to the CPU on which the STC run is being performed when TEST_DONE goes high (the test is completed).

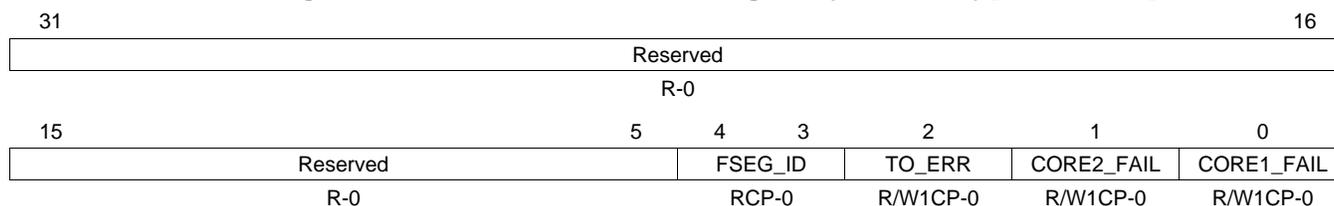
### 10.8.7 Self-Test Fail Status Register (STCFSTAT)

This register is described in [Figure 10-14](#) and [Table 10-15](#).

**NOTE:** The three status bits can be cleared to their default values on a write of 1 to the bits. Additionally when the STC\_ENA key in STCGCR1 is written from a disabled state to an enabled state, the three status bits get cleared to their default values. This register gets reset to its default value with power on reset assertion.

When multiple segments are enabled in a self-test run, the STC will indicate the self-test complete on the first failed interval corresponding to a segment. The subsequent segments will not be run. FSEG\_ID bits in this register indicate which segment failed.

**Figure 10-14. Self-Test Fail Status Register (STCFSTAT) [offset = 18h]**



LEGEND: R/W = Read/Write; R = Read only; WP = Write in privilege mode only; -n = value after reset

**Table 10-15. Self-Test Fail Status Register (STCFSTAT) Field Descriptions**

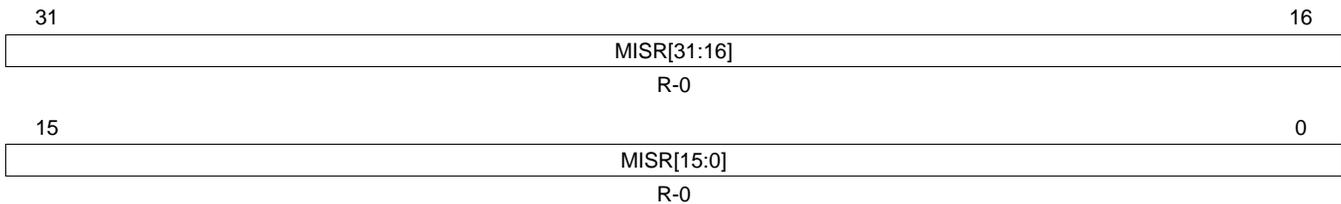
Bit	Field	Value	Description
31-5	Reserved	0	Read returns 0. Writes have no effect.
4-3	FSEG_ID	0	Failed Segment Number
		1	Segment 0 Failed
		All other values	Segment 1 Failed
2	TO_ERR	0	Reserved
		1	Timeout Error
1	CORE2_FAIL	0	No time out error occurred.
		1	Self-test run failed due to a timeout error.
0	CORE1_FAIL	0	CORE2 failure info for segment 0 only
		1	No MISR mismatch for CORE2
		1	Self-test run failed due to MISR mismatch for CORE2
		0	CORE1 failure info for segment 0 only
		1	No MISR mismatch for CORE1
		1	Self-test run failed due to MISR mismatch for CORE1

### 10.8.8 CORE1 Current MISR Registers (CORE1\_CURMISR[3:0])

This register is described in [Figure 10-15](#) through [Figure 10-18](#) and [Table 10-16](#).

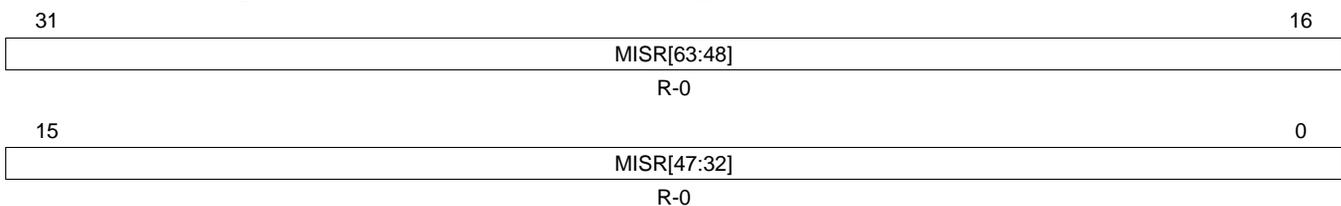
**NOTE:** This register gets reset to its default value with power-on or system reset assertion.

**Figure 10-15. CORE1 Current MISR Register (CORE1\_CURMISR3) [offset = 1Ch]**



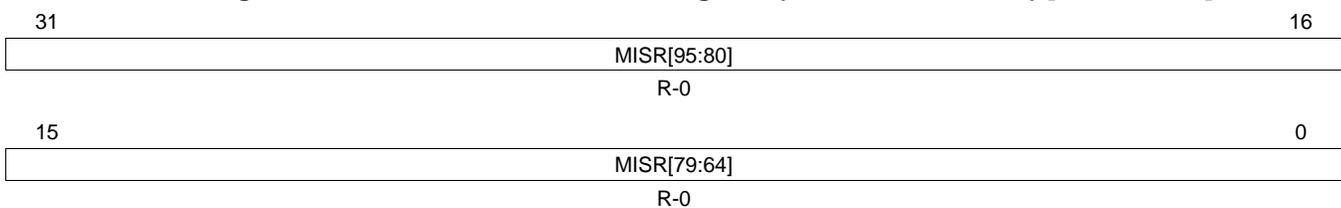
LEGEND: R = Read only; -n = value after reset

**Figure 10-16. CORE1 Current MISR Register (CORE1\_CURMISR2) [offset = 20h]**



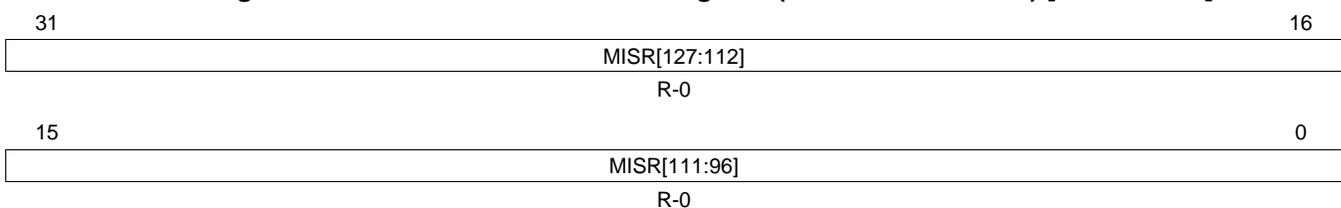
LEGEND: R = Read only; -n = value after reset

**Figure 10-17. CORE1 Current MISR Register (CORE1\_CURMISR1) [offset = 24h]**



LEGEND: R = Read only; -n = value after reset

**Figure 10-18. CORE1 Current MISR Register (CORE1\_CURMISR0) [offset = 28h]**



LEGEND: R = Read only; -n = value after reset

**Table 10-16. CORE1 Current MISR Register (CORE1\_CURMISRn) Field Descriptions**

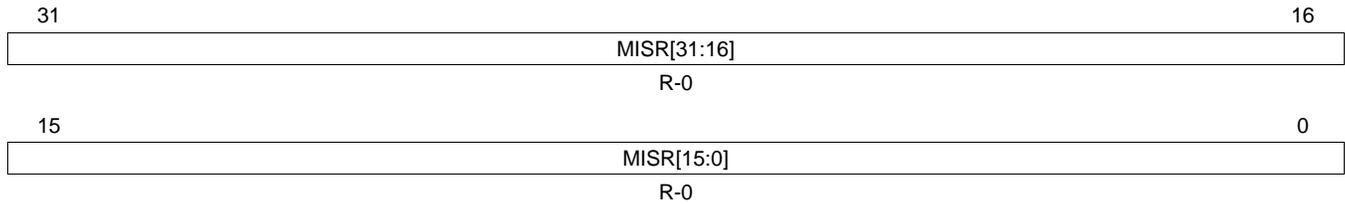
Bit	Field	Description
127-0	MISR	MISR data from CORE1 This register contains the MISR data from the CORE1 for the most recent interval in case of segment 0 and all other segments. This value is compared with the GOLDEN MISR value copied from ROM.

### 10.8.9 CORE2 Current MISR Registers (CORE2\_CURMISR[3:0])

This register is described in [Figure 10-19](#) through [Figure 10-22](#) and [Table 10-17](#).

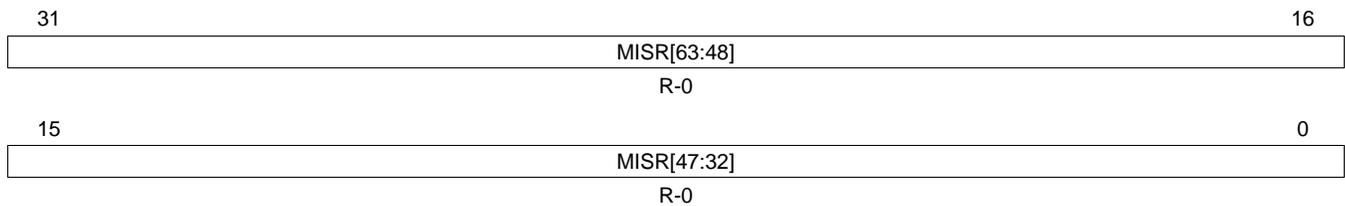
**NOTE:** This register gets reset to its default value with power-on or system reset assertion.

**Figure 10-19. CORE2 Current MISR Register (CORE2\_CURMISR3) [offset = 2Ch]**



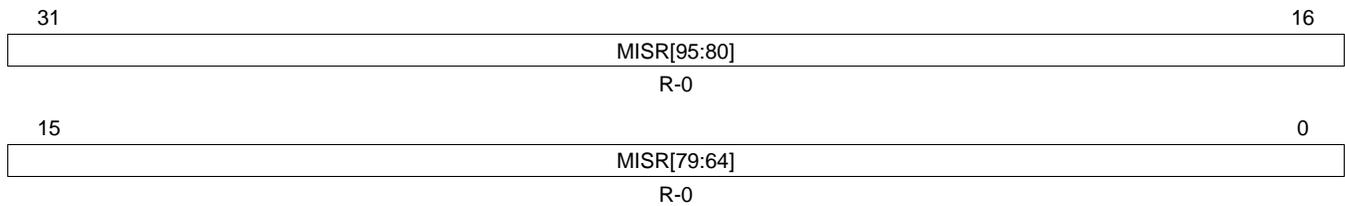
LEGEND: R = Read only; -n = value after reset

**Figure 10-20. CORE2 Current MISR Register (CORE2\_CURMISR2) [offset = 30h]**



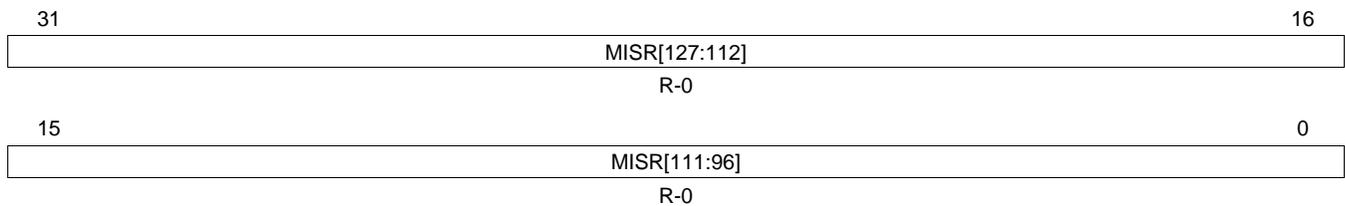
LEGEND: R = Read only; -n = value after reset

**Figure 10-21. CORE2 Current MISR Register (CORE2\_CURMISR1) [offset = 34h]**



LEGEND: R = Read only; -n = value after reset

**Figure 10-22. CORE2 Current MISR Register (CORE2\_CURMISR0) [offset = 38h]**



LEGEND: R = Read only; -n = value after reset

**Table 10-17. CORE2 Current MISR Register (CORE2\_CURMISRn) Field Descriptions**

Bit	Field	Description
127-0	MISR	MISR data from CORE2 This register contains the MISR data from the CORE2 for the most recent interval in case of segment 0I. This value is compared with the GOLDEN MISR value copied from ROM.

### 10.8.10 Signature Compare Self-Check Register (STCSCSCR)

This register is described in [Figure 10-23](#). This register is used to enable the self-check feature of the CPU Self-Test Controller's (STC) signature compare logic. Self-check can only be done for the STC interval 0 by setting the RS\_CNT bit in STCGCR0 to 1 to restart the self-test. The STC run will fail for signature miss-compare, provided the signature compare logic is operating correctly. To proceed with regular CPU self-test, STCSCSCR should be programmed to disable the self-check feature and clear the RS\_CNT bit in STCGCR0 to 0. This register gets reset to its default value with any system reset assertion.

**Figure 10-23. Signature Compare Self-Check Register (STCSCSCR) [offset = 3Ch]**

31	Reserved			16
R-0				
15	5	4	3	0
Reserved		FAULT_INS	SELF_CHECK_KEY	
R-0		R/WP-0	R/WP-5h	

LEGEND: R/W = Read/Write; R = Read only; WP = Write in privilege mode only; -n = value after nPORST (power on reset) or System reset

**Table 10-18. Signature Compare Self-Check Register (STCSCSCR) Field Descriptions**

Bit	Field	Value	Description
31-5	Reserved	0	Reads return zeros, writes have no effect
4	FAULT_INS	0	Enable / Disable fault insertion.
		1	No fault is inserted Insert stuck-at-fault inside CPU so that STC signature compare will fail
3-0	SELF_CHECK_KEY	Ah	Signature compare logic self-check enable key Signature compare logic self-check is enabled. This allows a fault to be inserted using the FAULT_INS field.
		All other values	Signature compare logic self-check is disabled The FAULT_INS field has no effect in this case.

### 10.8.11 STC Current ROM Address Register - CORE2 (STCCADDR2)

This register is described in [Figure 10-24](#) and [Table 10-19](#).

**NOTE:** When the RS\_CNT bit in STCGCR0 is set to a 1 on the start of a self-test run, or on a powerup reset or system reset, this register resets to all zeroes.

**Figure 10-24. STC Current ROM Address Register (STCCADDR2) [offset = 40h]**

31	ADDR			0
R-0				

LEGEND: R = Read only; -n = value after nPORST (power on reset) or System reset

**Table 10-19. STC Current ROM Address Register (STCCADDR2) Field Descriptions**

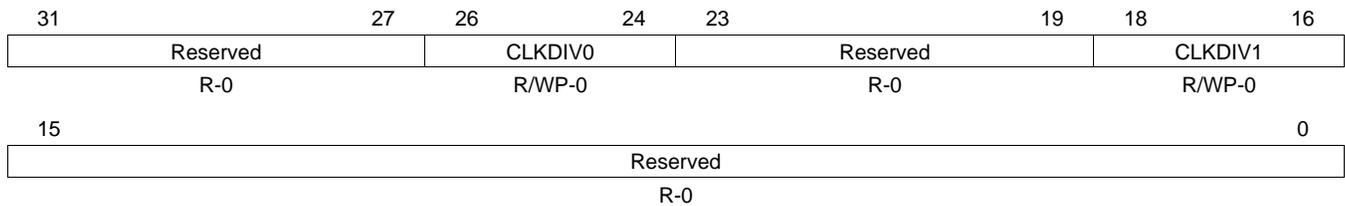
Bit	Field	Description
31-0	ADDR	Current ROM Address This register reflects the current ROM address (address or micro code load) accessed during self-test Segment0 -Core2. This is the current value of the STC program counter.

### 10.8.12 STC Clock Prescaler Register (STCCLKDIV)

This register is described in [Figure 10-25](#). This register is used to configure STC clock divider ratio for each segment. STCCLK is derived from the system clock (GCLK for STC1 and VCLK2 for STC2) and the configured ratio is applied when the corresponding segment is under test. The division ratio programmed in this register will have effect only when the value in the CLKDIV field of the STCCLKDIV register (0xFFFFFE108) from SYS2 module is zero. Else the division ratio will be taken from SYS2. This is done for software compatibility.

**NOTE:** The clock divider ratio is applied when the corresponding segment is under test.

**Figure 10-25. STC Clock Prescaler Register (STCCLKDIV) [offset = 44h]**



LEGEND: R/W = Read/Write; R = Read only; WP = Write in privilege mode only; -n = value after nPORST (power on reset) or System reset

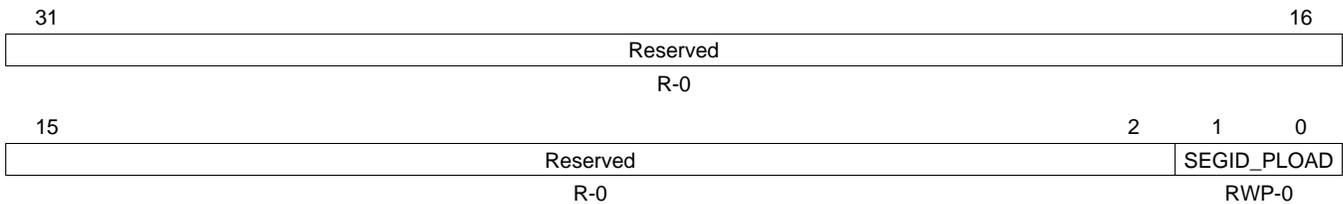
**Table 10-20. STC Clock Prescaler Register (STCCLKDIV) Field Descriptions**

Bit	Field	Value	Description
31-27	Reserved	0	Reads return zeros, writes have no effect
26-24	CLKDIV0	0-7h	STCCLK divider for segment 0 Division ratio of segment 0 will be n+1. STCCLK clock will be divided by (n+1) for segment 0
23-19	Reserved	0	Reads return zeros, writes have no effect
18-16	CLKDIV1	0-7h	STCCLK divider for segment 1 Division ratio of segment 1 will be n+1. STCCLK clock will be divided by (n+1) for segment 1
15-0	Reserved	0	Reads return zeros, writes have no effect

### 10.8.13 Segment Interval Preload Register (STCSEGPLR)

This register is described in [Figure 10-26](#). This register is used to specify the segment for which the first interval will be run. The address of the first interval of the selected segment is loaded to the STC ROM address counter before the test is started.

**Figure 10-26. Segment Interval Preload Register (STCSEGPLR) [offset = 48h]**



LEGEND: R/W = Read/Write; R = Read only; WP = Write in privilege mode only; -n = value after nPORST (power on reset) or System reset

**Table 10-21. Segment Interval Preload Register (STCSEGPLR) Field Descriptions**

Bit	Field	Value	Description
31-2	Reserved	0	Reads return zeros, writes have no effect
1-0	SEGID_PLOAD	0	Specifies the segment for the first interval to be run Preload the address of the 1st interval for Segment 0
		1	Preload the address of the 1st interval for Segment 1
		All other values	Reserved

## 10.9 STC Configuration Example

The following example provides steps to configure STC1 to run self-test on CPUs and the uSCU unit. It that the PLL is locked and selected as the system clock source with GCLK = 330 MHz and HCLK = 110 MHz prior to going through the following configurations.

### 10.9.1 Example: STC1 Self-Test Run

This example explains the configurations for running STC Test for on 40 test intervals.

1. Maximum STC clock rate support at 330 MHz GCLK is 110 MHz. Divide GCLK by 3 to achieve this clock rate. Bits STCCLKDIV[26:24] and STCCLKDIV[18:16] need to be configured.  
STCCLKDIV[26:24] = 2, STCCLKDIV[18:16] = 2
2. Clear CPU RST status bit in the System Exception Status Register in the system module.  
SYSESR[5] = 1
3. Configure the test interval count in STC module. Note that in case of multiple segments, segments run sequentially, one after another depending on the number of intervals selected.  
STCGCR0[31:16] = 40.
4. Configure self-test run time out counter preload register.  
STCTPR[31:0] = 0xFFFFFFFF
5. Optionally, configure SEG0\_CORE\_SEL bits in register STCGCR1 to select one of the redundant cores. By default bits SEG0\_CORE\_SEL are clear, which configures the STC to run both redundant cores in parallel.
6. Enable CPU self-test.  
STCGCR1[3:0] = 0xA;
7. Perform a context save of CPU state and configuration registers that get reset on CPU reset.
8. Put the CPU in idle mode by executing the CPU idle instruction.  
**asm(" WFI")**
9. Upon CPU reset, verify the CPU RST status bit in the System Exception Status Register is set. This also verifies that no other resets occurred during the self-test.  
SYSESR[5] == 1
10. Check the STCGSTAT register for the self-test status.  
Check TEST\_DONE bit before evaluating TEST\_FAIL bit.  
If (TEST\_DONE = 1 and TEST\_FAIL = 1), the self-test is completed and Failed.
  - Read STC Fail Status Register STCFSTAT[2:0] to identify the type of Failure (Timeout, CORE1 fail, CORE2 fail, FSEG\_ID).
 In case there is no failure (TEST\_DONE = 1 and TEST\_FAIL = 0), the CPU self-test is completed successfully.
  - Recover the CPU status, configuration registers and continue the application software.

## 10.10 Self-Test Controller Diagnostics

This section provides the recommended flow for the self-test controller diagnostics. This test is recommended to be done at the application startup only, not with individual interval runs during the application.

Step 1: Configure the interval count to 1 in STCGCR0 register.

### Segment 0

Step 2: Enable the SELF\_CHECK\_KEY and FAULT\_INS bits in the STCSCSCR register and kick off the self-test by enabling the first interval of segment 0. On the completion of self-test, TEST\_FAIL bit will be set in the STCGSTAT register. Check if the FSEGID bits in the STCFSTAT register are set to 00. Depending on the segment 0 configuration (parallel or individual cores), the CORE1\_FAIL or CORE2\_FAIL bits would be set.

Step 3: Disable one or both of the SELF\_CHECK\_KEY and FAULT\_INS bits in the STCSCSCR register. Then restart the self-test by programming bit 0 of the STCGCR0 register to 1. On the completion of the test, the TEST\_FAIL bit will be cleared in the STCGSTAT register.

### Segment 1 (for STC1 only)

Step 4: Configure the SEGID\_PLOAD bits in STCSEGPLR register to select the first interval of segment 1. Configure RS\_CNT bit in STCGCR0 register to 1. This will start the self-test from the first interval of the selected segment. On the completion of self-test, TEST\_FAIL bit will be set in the STCGSTAT register. Check if the FSEGID bits in the STCFSTAT register are set to 01.

Step 5: Disable one or both of the SELF\_CHECK\_KEY and FAULT\_INS bits in the STCSCSCR register. Then restart the self-test by programming bit 0 of the STCGCR register to 1. On the completion of the test, the TEST\_FAIL bit will be cleared in the STCGSTAT register.

After the diagnostics, the application can continue with the self-test as described in [Section 10.4](#).

---

---

## System Memory Protection Unit (NMPU)

---

---

This chapter describes the System Memory Protection Unit (NMPU).

Topic	Page
11.1 Overview .....	442
11.2 Module Operation .....	444
11.3 How to Use NMPU .....	447
11.4 NMPU Registers .....	452

## 11.1 Overview

The System Memory Protection Unit module(s) provide an mechanism to control the memory access rights of bus masters in the system other than the host CPU. The programmer's model for the System Memory Protection unit is similar to but a subset of the host CPU's own memory protection unit. It allows memory partition into multiple regions and allows individual access protection for each region from a bus master point of view. An access from bus master is checked against each memory region access permission to make sure that the access from bus master does not alter the unintended memory region which could cause a system failure .

### 11.1.1 Features

NMPU offers the following main features:

- Software programmer model is similar to but a subset of the host CPUs own memory protection unit.
- Provide protection to memory regions ranging from 32-bytes to 4GB in size
- Up to 8 memory protection regions. Note that the number of memory region is different for each bus master IP that the NMPU is dedicated for. Each region is defined by the base address and region size that are programmable in NMPU control registers. [Table 11-1](#) defines the number of region available for the corresponding bus master IP.
- Programmable access permissions for each region such as full access, read-only, write-only, and no access.
- Different access permissions for user and privilege mode.
- On access violation, NMPU can notify ESM if ERRENA key in MPUCTRL1 register ([Section 11.4.7](#)) is enabled.

**Table 11-1. NMPU Region**

NMPU Module	Number of Available Regions
DMA-NMPU	8
Peripheral Interconnect Subsystem-NMPU	8
EMAC-NMPU	2

### 11.1.2 Safety Diagnostic

NMPU offers the following safety diagnostic capabilities:

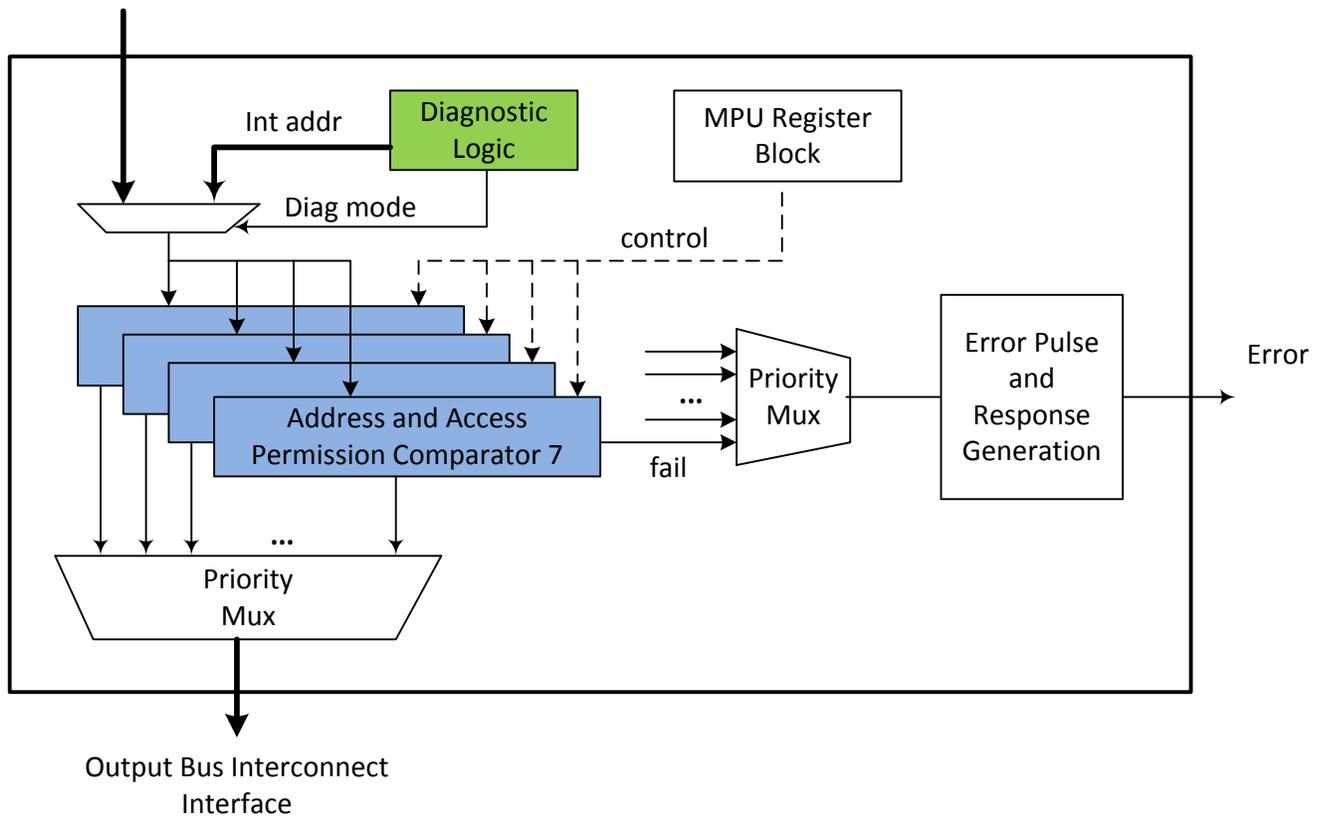
- Provide a lock mechanism to avoid unintentional changes to NMPU control registers.
- Provide diagnostic capability to check the MPU region access permission logic.

### 11.1.3 Block Diagram

Figure 11-1 shows the block diagram of NMPU.

Figure 11-1. NMPU Block Diagram

Input Bus Master Interface



## 11.2 Module Operation

### 11.2.1 Functional Mode

On reset, NMPU is disabled and no filtering will be done on the bus. User must ensure that no bus transaction from the master is on going while NMPU is getting disabled or enabled. This is similar to the need to flush transactions using memory barrier instructions on the CPU before changing CPU MPU setting.

The MPU can be enabled by writing 0xAh to the MPUENA key bits of MPUCTRL1 register and can be disabled by writing 0x5h to the same bits.

Access permission (AP) for each MPU region is defined in AP field in the MPU region access control register (MPUREGACR), see [Table 11-2](#).

**Table 11-2. Access Permission**

AP Field	Privilege Mode Permissions	User Mode Permissions
000	No Access	No Access
001	Read/Write	No Access
010	Read/Write	Read Only
011	Read/Write	Read/Write
100	No Access	No Access
101	Read only	No Access
110	Read only	Read only
111	No Access	No Access

Each MPU region has three control registers:

- MPUREGBASE: MPU based address register. It defines the base address for a particular MPU region
- MPUREGSENA: MPU region size and enable register. It defines the size of a particular MPU region and allows you to enable the region
- MPUREGACR: MPU region access control register. It defines the MPU region accessing permission for user or privilege mode

NMPU has one region register that user has to configure to determine which MPU region user is programming the corresponding MPUREGBASE, MPUREGSENA, and MPUREGACR registers. In this scheme, the MPUREGBASE, MPUREGSENA, and MPUREGACR can share the same memory map offset from user programming point of view.

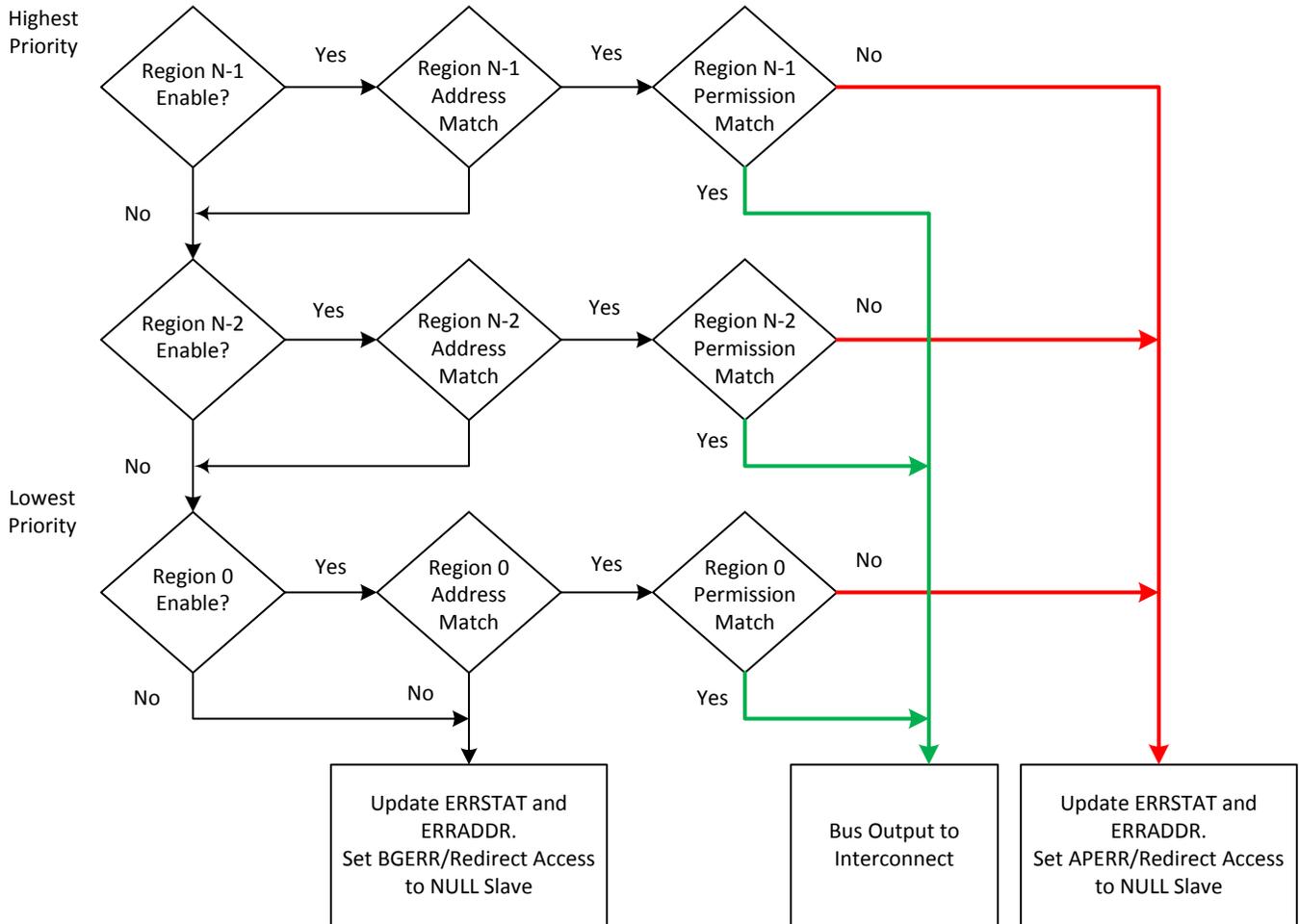
Size of each MPU region can vary from 32 bytes to 4 GB. Region based address must start at an offset which is a multiple of region size. In case the base address does not start at an offset which is a multiple of region size, the region size takes priority and MPU ignores the LSB bits of base address.

Overlapping regions enable efficient programming of memory map. When the incoming address hits multiple MPU regions, access permission is decided by the highest numbered region for which there was an address compare match. In MPU configuration with 8 regions, region 0 has the lowest priority and region 7 has the highest priority.

[Figure 11-2](#) shows how the region priority is resolved in a high-level abstraction.

MPU does not support default background memory map. If memory protection is enabled without region configuration, all transactions will result in bus error response. Before the protection unit is enabled, care needs to be taken to ensure that at least one valid protection region is specified and its access permission fields are defined.

Figure 11-2. MPU Region Priority



## 11.2.2 Diagnostic Mode

Diagnostic mode can be used to verify the MPU address and access permission comparator logic. Entering or exiting the diagnostic mode will automatically clear the MPUERRSTAT and MPUERRADDR registers. Memory protection must be disabled while entering or exiting diagnostic mode. There are two different diagnostic modes: internal diagnostic mode and external diagnostic mode.

### 11.2.2.1 Internal Diagnostic Mode

In internal diagnostic mode, diagnostic logic inside the NMPU module drives the input of the MPU address and access permission comparator logic. User can program the address for which comparison needs to be performed and the type of transaction (read/write and user/privilege). For every write to the MPUDIAGADDR register, an address and access permission comparison is performed and the results are stored in MPUERRSTAT and MPUERRADDR registers. ERROR output to ESM will be generated if ERRENA key in MPUCTRL2 register is Ah. You must ensure that no bus transactions from the master are going on while NMPU is in internal diagnostic mode. NMPU does not accept any access originated from the bus master and ensures that the internal diagnostic logic will not result in any bus transactions on to the bus interconnect.

How to use the internal diagnostic mode is discussed in [Section 11.3](#).

### 11.2.2.2 External Diagnostic Mode

In external diagnostic mode, the actual bus master initiates the access to the NMPU. Address of the access from the bus master is replaced by the address in MPUDIAGADDR register before the address reaches the address comparator logic. In this mode, both bus error response and ERROR pulse to ESM (if ERRENA = Ah) are generated for accesses that violate the access permissions. This diagnostic mode is useful to test the full signal chain from bus master access generation logic to NMPU comparator logic.

How to use the external diagnostic mode is discussed in [Section 11.3](#).

## 11.2.3 Functional Fail Safe

Since NMPU module check and manipulate address or mode of bus master transaction, it is important to have functional fail safe features to guarantee that faults in MPU region checking, address translation, or user mode translation can be detected.

### 11.2.3.1 Run-time Diagnostics for Functional Features

Since features like input address masking, address translation and mode translation are integrated along with a critical function like memory protection, NMPU needs to have the following hardware logic for run-time diagnostics. This logic is implemented using 1oo1D safety architecture.

- There are two independent blocks (primary and checker) running in lock-step and compare address masking output every cycle. Outputs from NMPU are driven by the primary block.
- There are two independent blocks (primary and checker) running in lock-step and compare address translation output every cycle. Outputs from NMPU are driven by the primary block.
- There are two independent blocks (primary and checker) running in lock-step and compare mode translation output every cycle. Outputs from NMPU are driven by the primary block.
- If there is a lockstep comparison error, DIAGERR bit in MPUERRSTAT register is set to 1. ERRFLAG bit in the same register is also set. ERROR pulse output to ESM is generated irrespective of ERRENA key value in MPUCTRL2 register.
- A fault insertion allows user verifying that the individual lockstep comparator logic is functional and avoid latent fault. User can program the fault insertion bits in MPUDIAGCTRL register to introduce a fault in one of the lockstep comparator inputs for input address masking, address translation or mode translation during start up or shut down of the device.

### 11.2.3.2 Lock Feature for NMPU

Lock feature prevents unintentional updates to NMPU registers. Writes to registers other than MPUERRSTAT is possible only when NMPU is unlocked by writing 0xAh to LOCK key bits of MPULOCK register. On reset, these bits are set to 0x5h and hence the NMPU registers are in the locked state. All NMPU registers are writable only in privilege mode. There is no built in protection based on master ID. It is user responsibility to ensure that only a single valid privilege master updates the MPU registers.

### 11.2.3.3 Multibit Keys for Feature Enable/Disable

4-bit key is used to protect critical function enters enable or disable state from soft error. These key are updated only if the write data is 0x5h or 0xAh. Register write is ignored for all other write values. A built in correction logic detects single bit soft error on this field and corrects the value in the next cycle. Functionality and register read data remain the same during the correction cycle.

## 11.3 How to Use NMPU

### 11.3.1 How to Use NMPU in Functional Mode

The NMPU is used to configure the bus master MPU region in such a way that the bus master does not interfere with the memory region reserved for other tasks and not belonging to the system partitioning for the IP.

Once user determines the architectural memory partitioning of the IP bus masters on memory system frame according to their application, user should configure the corresponding MPU region for each bus master accordingly.

[Figure 11-3](#) shows the example recommended memory setting for a bus master in the device, for example, DMA.

Assume the DMA bus master has 3 MPU regions.

The lowest priority MPU region1 is programmed to enable full read and write to peripheral memory frame.

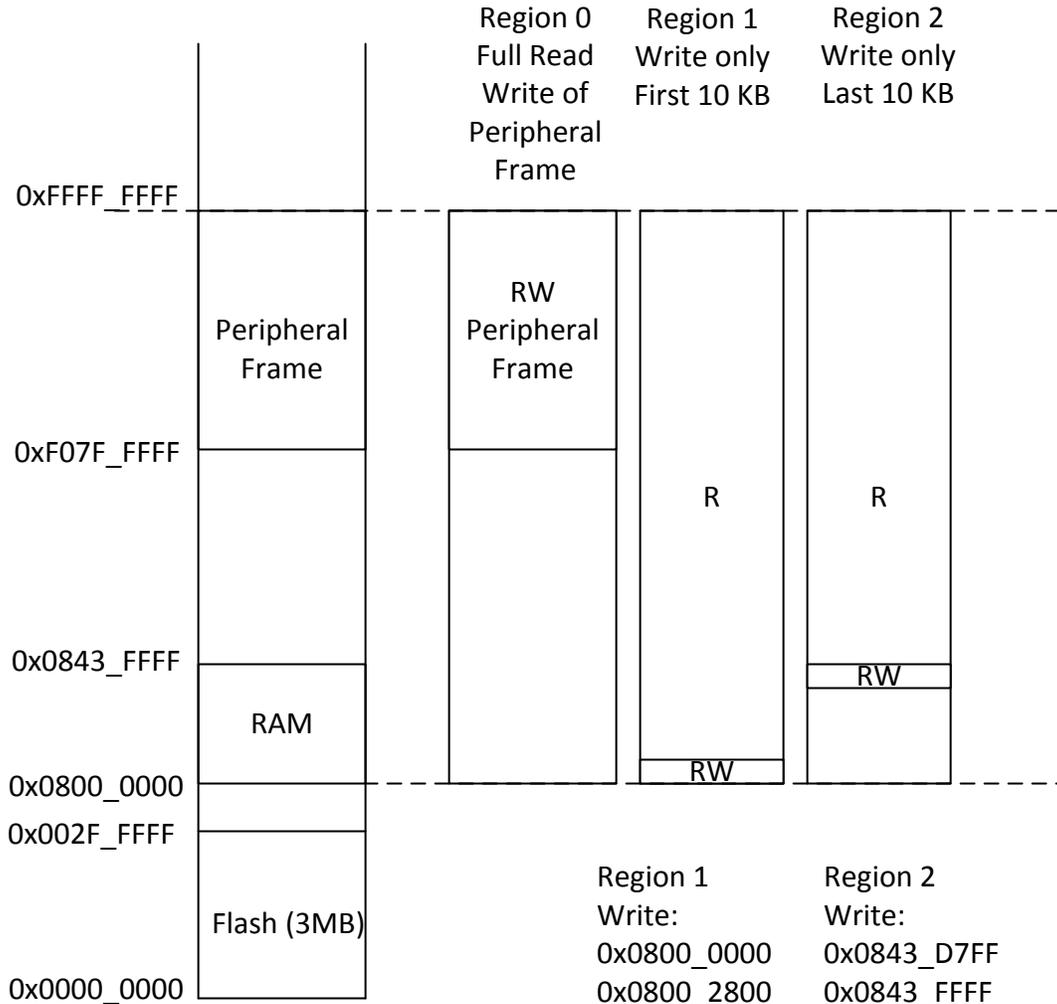
MPU region 2 is programmed to allow read and write to a lower 10KB portion of the system RAM starting from 0x0800\_0000.

MPU region 3 is programmed to allow read and write to the upper 10KB away from 0x0843\_FFFF portion of the system RAM.

Any access in between 0x0800\_2800 and 0x0843\_D7FF is a read only mode for DMA.

With this configuration, DMA can have read or write access to the entire peripheral frame and only able to write to upper or lower 10KB of the system RAM.

The rest of the system RAM is reserved for other tasks in which the DMA should not interfere with.

**Figure 11-3. Example of DMA 3 MPU Region Set Up**


This will allow DMA to be able to create transfer from any location within peripheral frame to a specific allocation in system RAM to avoid corrupting the system memory RAM reserved for other tasks.

Following is the recommended generic software sequence to setup the MPU regions:

1. Make sure the bus master is idle and not sending any transaction. Please follow the bus master TRM on how to idle the bus interface. it will be different from one bus master to another.
2. Write 0xA to unlocked field LOCK of MPULOCK register ([Section 11.4.2](#)) to allow update to NMPU control registers.
3. Enable MPU error pulse event to ESM by writing 0xA to field ERRENA field of MPUCTRL2 register ([Section 11.4.8](#)). Program this step if and only if the bus master has no capability to capture the MPU transaction error from NMPU. If bus master has the ability to report transaction error, disable the ERRENA. Software will rely on bus master to trigger error event causing interrupt to the CPU.
4. Read MPUTYPE register ([Section 11.4.9](#)) to identify how many regions are implemented for this bus master in a particular device.
5. Program the MPUREGNUM register ([Section 11.4.13](#)) to indicate which MPU region number to write starting address, size, permission, and so on.
6. Program the MPUREGBASE register ([Section 11.4.10](#)) to set the base address for the particular MPU region number that was set in step 5.

7. Program the MPUREGSENA register ([Section 11.4.11](#)) to set the size, and enable MPU region number indicated by step 5 above. Notice that this is not yet enabling the NMPU module.
8. Program the MPUREGACR register ([Section 11.4.12](#)) to set access permission for user or privilege mode.
9. Repeat steps 5 to 8 for the remaining MPU regions available for the particular NMPU instance.
10. Write 0xA to MPUENA field of MPUCTRL1 register ([Section 11.4.7](#)) to enable NMPU to start access permission check.
11. Write 0x5 to unlocked key field LOCK of MPULOCK register ([Section 11.4.2](#)) to avoid unintentional write to NMPU configuration registers.
12. Enable bus master to start transaction. Please follow the bus master TRM on how to start the bus interface. it will be different from one bus master to another.

During application run time, if the NMPU detect a memory access violation or the functional fail safe logic detects a lock step compare error, you will be interrupted. Refer to TRM to find out which ESM group and channel the NMPU or bus master error event is mapped (based on step 3 above) and which VIM channel the ESM interrupt output is mapped.

Following is the recommended generic software sequence to find out what causes MPU error:

1. Read the MPUERRSTAT register:
  - If RERR (read error), WERR (write error), BGERR (background error), or APERR (access permission error) is set and ERRFLAG is also set, this indicates that the bus master tries to access the address location which violates the memory protection setting. This can happen due to software bug, transient fault, or permanent fault.
  - If DIAGERR (safety diagnostic error) bit is set and ERRFLAG is also set, this indicates that the 1001D diagnostic architect for input address masking, address translation, or mode translation has detected an error. This can happen due to transient fault or permanent fault.
2. You can further read additional information from REGION, MASTERID, or ERRFLAG bit fields of MPUERRSTAT register and MPUERRADDR register to narrow down the causes.
3. In fault case, it is up to end application to decide on whether to bring the system to safe state or ignore NMPU error or try to recover by retrying transaction if master is able to support it. If bus master does not support retry of a particular transaction, use can halt bus master, starts NMPU internal diagnostic (see [Section 11.2.2.1](#)). Assume diagnostic result passes, you can restart bus master operation. If the recover attempt still fails, you can decide to bring the system to safe state.

### 11.3.2 How to Use Diagnostics

Diagnostic mode can be used to verify the MPU address and access permission comparator logic working properly at either start up time or during application run time with/without error encountered. This is achieved by internal or external diagnostic mode. Entering or exiting the diagnostic mode will automatically clear the MPUERRSTAT ([Section 11.4.5](#)) and MPUERRADDR ([Section 11.4.6](#)) registers. It is recommended that you back up the values of MPUERRSTAT ([Section 11.4.5](#)) and MPUERRADDR ([Section 11.4.6](#)) registers to system RAM prior to start diagnostic during run time.

Another diagnostic mode of NMPU is for functional fail safe diagnostic. Features like input address masking, address translation and mode translation are integrated along with a critical function like memory protection, thus NMPU needs to have the hardware logic for run-time diagnostics. This logic is implemented using 1001D safety architecture.

### 11.3.2.1 How to Run Internal Diagnostic Mode

In internal diagnostic mode, diagnostic logic inside the NMPU module drives the input of the MPU address and access permission comparator logic. User can program the address for which comparison needs to be performed and the type of transaction (read/write and user/privilege). For every write to the MPUDIAGADDR register, an address and access permission comparison is performed and the results are stored in MPUERRSTAT and MPUERRADDR registers. ERROR output to ESM will be generated if ERRENA field in MPUCTRL2 register is set to 0xAh. The following is the recommended sequence for internal diagnostic mode:

1. User must ensure that no bus transactions from the master are going on while NMPU is in internal diagnostic mode by disabling bus master access. Please follow the bus master TRM on how to idle the bus interface. it will be different from one bus master to another.
2. Unlock the MPU registers by writing 0xA to LOCK field of MPULOCK register.
3. Disable memory protection by writing 0x5 to MPUENA key of MPUCTRL1 register.
4. Program the different MPU regions in MPUREGBASE0-7, MPUREGSENA0-7 and MPUREGACR0-7 registers.
5. In MPUDIAGCTRL register, program the INT/EXT bit as 0.
6. Enable the DIAGKEY in MPUDIAGCTRL register by writing 0xA.
7. Program the diagnostic transaction type as read/write in R/W bit in MPUDIAGCTRL register. User/Privilege mode is set in U/P bit in the same register.
8. Program the diagnostic address in MPUDIAGADDR register.
9. If there should be an access permission violation according to the diagnostic test, error flag is set.
10. Read the MPUERRSTAT and MPUERRADDR registers and verify the expected results.
11. Clear the ERRFLAG bit in MPUERRSTAT register.
12. Repeat steps 6 to 10 for different values of diagnostic address and R/W bit.
13. Exit the diagnostic mode by writing 0x5 to DIAGKEY field in MPUDIAGCTRL register.
14. Lock the MPU registers by writing 0xA to LOCK field of MPULOCK register.
15. User enables bus master. Please follow the bus master TRM on how to enable the bus interface. it will be different from one bus master to another.

### 11.3.2.2 How to Run External Diagnostic Mode

In external diagnostic mode, the actual bus master initiates the memory transaction. Address from the bus master is replaced by the address in MPUDIAGADDR register before the address reaches the address comparator logic. In this mode, both bus error response and ERROR pulse to ESM (if ERRENA field of MPUCTRL2 register is set to 0xAh) are generated for accesses that violate the access permissions. This mode is useful for a complete signal chain testing from bus master internal bus generation logic to NMPU comparator logics. The following is the recommended sequence for external diagnostic mode:

1. User must ensure that no bus transactions from the master are going on while NMPU is configuring in external diagnostic mode by disabling bus master access. Please follow the bus master TRM on how to idle the bus interface. it will be different from one bus master to another.
2. Unlock the MPU registers by writing 0xA to LOCK field of MPULOCK register.
3. Disable memory protection by writing 0x5 to MPUENA field of MPUCTRL1 register.
4. Program the different MPU regions in MPUREGBASE0-7, MPUREGSENA0-7 and MPUREGACR0-7 registers.
5. In MPUDIAGCTRL register, program the INT/EXT bit as 1.
6. Enable the DIAGKEY field of MPUDIAGCTRL register by writing 0xA.
7. Program the diagnostic address in MPUDIAGADDR register.
8. Enable memory protection by writing 0xA to MPUENA field of MPUCTRL1 register.
9. User enables bus master. Please follow the bus master TRM on how to enable the bus interface. it will be different from one bus master to another.
10. Initiate ONE bus transactions using the actual bus master.
11. Read the MPUERRSTAT and MPUERRADDR registers and verify the expected results.
12. Clear the ERRFLAG bit in MPUERRSTAT register.
13. Repeat steps 7,10, 11, 12 for different values of diagnostic address.
14. Disable memory protection by writing 0x5 to MPUENA field of MPUCTRL1 register.
15. Exit the diagnostic mode by writing 0x5 to DIAGKEY field in MPUDIAGCTRL register.
16. Lock the MPU registers by writing 0xA to LOCK field of MPULOCK register.
17. Restart the bus master functional operation. Please follow the bus master TRM on how to enable the bus interface. it will be different from one bus master to another.

## 11.4 NMPU Registers

The new memory protection unit (NMPU) registers listed in [Table 11-3](#) are accessed through the system module register space in the Cortex-R5F CPUs memory map. All registers are 32-bit wide and are located on a 32-bit boundary. Reads and writes to registers are supported in 8-, 16-, and 32-bit accesses. Refer to the device specific datasheet for the base address of each instance of NMPU in the device.

---

**NOTE:** If a register is not implemented, corresponding address location behaves like a reserved location, that is, reads return 0 and writes have no effect. User mode writes to NMPU registers are ignored. No error response is given for such an access. Writes to registers other than MPUERRSTAT register are ignored, when NMPU registers are locked (LOCK = 5h in MPULOCK register). No error response is given for such an access.

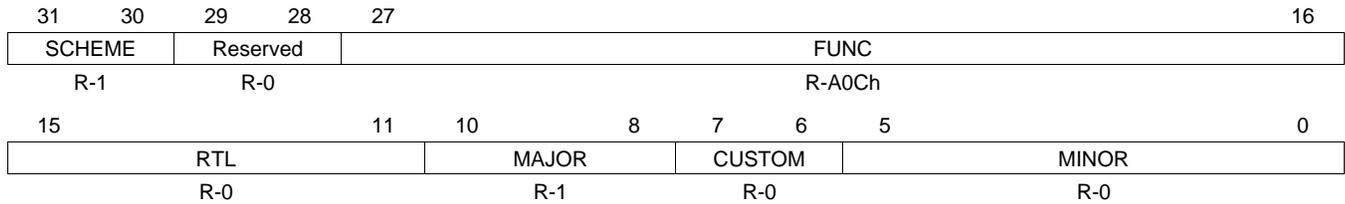
---

**Table 11-3. NMPU Registers**

Offset	Acronym	Register Description	Section
00h	MPUREV	MPU Revision ID Register	<a href="#">Section 11.4.1</a>
04h	MPULOCK	MPU Lock Register	<a href="#">Section 11.4.2</a>
08h	MPUDIAGCTRL	MPU Diagnostics Control Register	<a href="#">Section 11.4.3</a>
0Ch	MPUDIAGADDR	MPU Diagnostic Address Register	<a href="#">Section 11.4.4</a>
10h	MPUERRSTAT	MPU Error Status Register	<a href="#">Section 11.4.5</a>
14h	MPUERRADDR	MPU Error Address Register	<a href="#">Section 11.4.6</a>
18h	MPUIAM	MPU Input Address Mask Register	
20h	MPUCTRL1	MPU Control Register 1	<a href="#">Section 11.4.7</a>
24h	MPUCTRL2	MPU Control Register 2	<a href="#">Section 11.4.8</a>
2Ch	MPUTYPE	MPU Type Register	<a href="#">Section 11.4.9</a>
30h	MPUREGBASE	MPU Region Base Address Register	<a href="#">Section 11.4.10</a>
34h	MPUREGSENA	MPU Region Size and Enable Register	<a href="#">Section 11.4.11</a>
38h	MPUREGACR	MPU Region Access Control Register	<a href="#">Section 11.4.12</a>
3Ch	MPUREGNUM	MPU Region Number Register	<a href="#">Section 11.4.13</a>

### 11.4.1 MPU Revision ID Register (MPUREV)

**Figure 11-4. MPU Revision ID Register (MPUREV) (offset = 00h)**



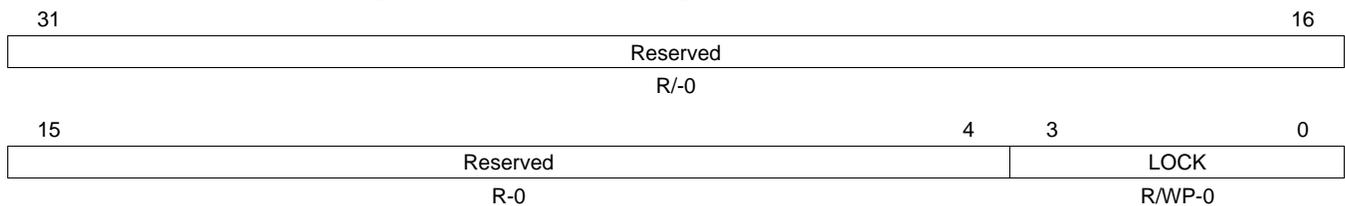
LEGEND: R = Read only; -n = value after reset

**Table 11-4. MPU Revision ID Register (MPUREV) Field Descriptions**

Bit	Field	Value	Description
31-30	SCHEME	1	Identification scheme.
29-28	Reserved	0	Reserved. Reads return 0.
27-16	FUNC	A0Ch	Indicates functionally equivalent module family. This value is dedicated to Hercules family from other general Texas Instruments MCU or MPU family.
15-11	RTL	0	RTL version number
10-8	MAJOR	1	Major revision number
7-6	CUSTOM	0	Indicates device-specific implementation.
5-0	MINOR	0	Minor revision number

### 11.4.2 MPU Lock Register (MPULOCK)

**Figure 11-5. MPU Lock Register (MPULOCK) (offset = 04h)**



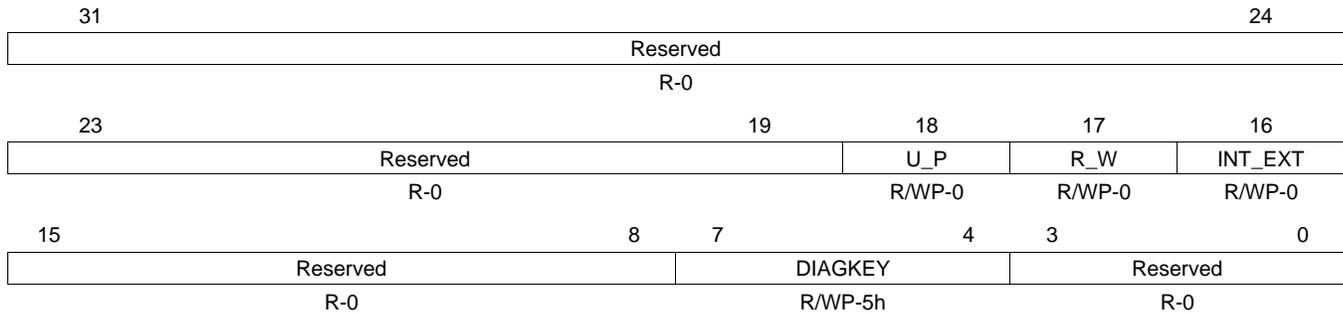
LEGEND: R/W = Read/Write; R = Read only; WP = Write in privileged mode only; -n = value after reset

**Table 11-5. MPU Lock Register (MPULOCK) Field Descriptions**

Bit	Field	Value	Description
31-4	Reserved	0	Reserved. Reads return 0.
3-0	LOCK		<p>MPU Register Lock Key. Lock feature prevents unintentional updates to MPU registers. Writes to registers other than MPUERRSTAT is possible only when MPU is unlocked. This field is updated only if the write data is 5h or Ah. Register writes are ignored for all other values of write data.</p> <p>A built-in correction logic detects single bit soft error on this field and corrects the value in the next cycle. Functionality and register read data remain the same during the correction cycle.</p> <p><b>Read:</b> Returns current value of LOCK bits.</p>
		5h	Writes to other MPU registers are blocked
		Ah	Writes to other MPU registers are allowed
		All other values	Reserved. The bits remain unchanged.

### 11.4.3 MPU Diagnostics Control Register (MPUDIAGCTRL)

**Figure 11-6. MPU Diagnostics Control Register (MPUDIAGCTRL) (offset = 08h)**



LEGEND: R/W = Read/Write; R = Read only; WP = Write in privileged mode only; -n = value after reset

**Table 11-6. MPU Diagnostics Control Register (MPUDIAGCTRL) Field Descriptions**

Bit	Field	Value	Description
31-19	Reserved	0	Reserved. Reads return 0.
18	U_P		User/Privilege transaction in internal diagnostic mode. This field is used only in internal diagnostic mode. <b>Read:</b> Returns the current value of U/P.
		0	<b>Write in Privilege:</b> For access permission checks, treat the transaction as user mode access.
		1	For access permission checks, treat the transaction as privilege mode access.
17	R_W		Read/Write transaction in internal diagnostic mode. This field is used only in internal diagnostic mode. <b>Read:</b> Returns the current value of R/W.
		0	<b>Write in Privilege:</b> For access permission checks, treat the transaction as read.
		1	For access permission checks, treat the transaction as write.
16	INT_EXT		Internal/External diagnostic mode. <b>Read:</b> Returns the current value of INT/EXT.
		0	<b>Write in Privilege:</b> Enable internal diagnostic mode.
		1	Enable external diagnostic mode.
15-8	Reserved	0	Reserved. Reads return 0.
7-4	DIAGKEY		<p>Diagnostics mode key. This is the key for enabling diagnostics mode. All other diagnostic configuration fields must be programmed before enabling this key. Diagnostic mode is entered by writing Ah to this key. Entering or exiting the diagnostic mode automatically clears the MPUERRSTAT and MPUERRADDR registers. This field is updated only if the write data is 5h or Ah. Register writes are ignored for all other values of write data.</p> <p>A built-in correction logic detects single bit soft error on this field and corrects the value in the next cycle. Functionality and register read data remain the same during the correction cycle.</p> <p><b>Read:</b> Returns the current value of DIAGKEY.</p>
		5h	<b>Write in Privilege:</b> Diagnostics mode is disabled.
		Ah	Diagnostics mode is enabled.
		All other values	Reserved. The bits remain unchanged.
3-0	Reserved	0	Reserved. Reads return 0.

### 11.4.4 MPU Diagnostic Address Register (MPUDIAGADDR)

**Figure 11-7. MPU Diagnostic Address Register (MPUDIAGADDR) (offset = 0Ch)**



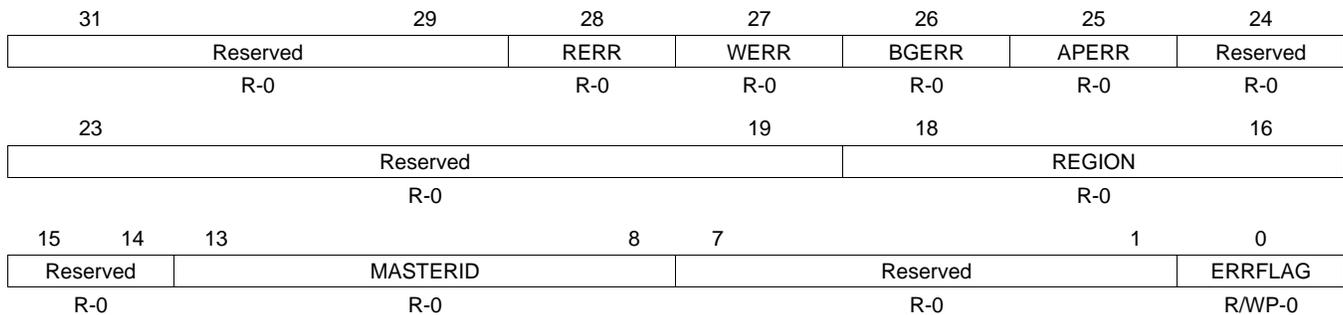
LEGEND: R/W = Read/Write; R = Read only; WP = Write in privileged mode only; -n = value after reset

**Table 11-7. MPU Diagnostic Address Register (MPUDIAGADDR) Field Descriptions**

Bit	Field	Description
31-0	DIAG ADDRESS	Diagnostic address. This register is used in diagnostic mode <b>Read:</b> Returns the current value of diagnostic address. <b>Write in Privilege:</b> Address to be used for diagnostic mode to check the address comparator logic.

### 11.4.5 MPU Error Status Register (MPUERRSTAT)

**Figure 11-8. MPU Error Status Register (MPUERRSTAT) (offset = 10h)**



LEGEND: R/W = Read/Write; R = Read only; WP = Write in privileged mode only; -n = value after reset

**Table 11-8. MPU Error Status Register (MPUERRSTAT) Field Descriptions**

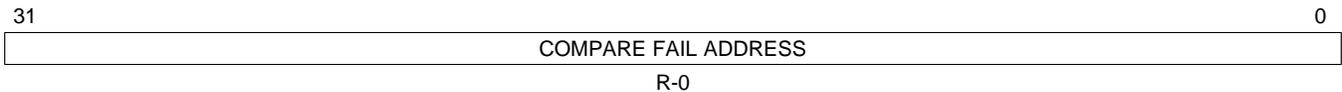
Bit	Field	Value	Description
31-29	Reserved	0	Reserved. Reads return 0.
28	RERR		Read Error. This field is valid only when the APERR or BGERR bit is 1. This field is read only and is automatically reset by clearing the ERRFLAG bit. This field is not updated when the ERRFLAG bit is set. Writes have no effect.
		0	MPU compare fail did not occur on a read access.
27	WERR	1	MPU compare fail occurred on a read access.
			Write Error. This field is valid only when the APERR or BGERR bit is 1. This field is read only and is automatically reset by clearing the ERRFLAG bit. This field is not updated when the ERRFLAG bit is set. Writes have no effect.
26	BGERR	0	MPU compare fail did not occur on a write access.
		1	MPU compare fail occurred on a write access.
26	BGERR		Background Error. This field is read only and is automatically reset by clearing the ERRFLAG bit. This field is not updated when the ERRFLAG bit is set. Writes have no effect.
		0	There was no memory access to addresses that are outside all the enabled MPU regions.
26	BGERR	1	MPU compare fail generated because of access to an address that is outside all the enabled MPU regions.

**Table 11-8. MPU Error Status Register (MPUERRSTAT) Field Descriptions (continued)**

Bit	Field	Value	Description
25	APERR		Access Permission Error. This field is read only and is automatically reset by clearing the ERRFLAG bit. This field is not updated when the ERRFLAG bit is set. Writes have no effect.
		0	Access permission violation did not occur in any of the enabled MPU regions.
		1	MPU compare fail generated because of access permission violation in one of the enabled MPU regions.
24-19	Reserved	0	Reserved. Reads return 0.
18-16	REGION		Region. This field is valid only when the APERR bit is 1. This field indicates the highest priority MPU region for which an access permission error was detected. This field is read only and is automatically reset by clearing the ERRFLAG bit. This field is not updated when the ERRFLAG bit is set. Writes have no effect.
		0	MPU compare fail generated because of access permission violation in region-0.
		1h	MPU compare fail generated because of access permission violation in region-1.
		2h	MPU compare fail generated because of access permission violation in region-2.
		3h	MPU compare fail generated because of access permission violation in region-3.
		4h	MPU compare fail generated because of access permission violation in region-4.
		5h	MPU compare fail generated because of access permission violation in region-5.
		6h	MPU compare fail generated because of access permission violation in region-6.
		7h	MPU compare fail generated because of access permission violation in region-7.
15-14	Reserved	0	Reserved. Reads return 0.
13-8	MASTERID		Master ID for MPU compare fail. This field is valid only when APERR or BGERR bit is 1. This field is read only and is automatically reset by clearing the ERRFLAG bit. This field is not updated when the ERRFLAG bit is set. Writes have no effect.  Shows the master ID for the first transaction that resulted in a compare fail. Master ID is taken from MReqInfo[8:3] bits.
7-1	Reserved	0	Reserved. Reads return 0.
0	ERRFLAG		MPU compare error flag.
			<b>Read:</b>
		0	No MPU compare fail was detected.
		1	At least one MPU compare fail was detected.
			<b>Write in Privilege:</b>
		0	Reserved. The bit remains unchanged.
		1	Clears the bit.

### 11.4.6 MPU Error Address Register (MPUERRADDR)

**Figure 11-9. MPU Error Address Register (MPUERRADDR) (offset = 14h)**



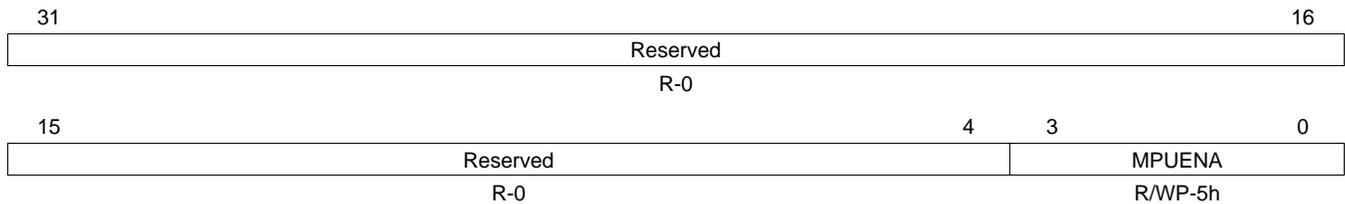
LEGEND: R = Read only; -n = value after reset

**Table 11-9. MPU Error Address Register (MPUERRADDR) Field Descriptions**

Bit	Field	Description
31-0	COMPARE FAIL ADDRESS	Address for MPU compare fail. This field is valid only when the ERRFLAG bit in the MPU error status register (MPUERRSTAT) is set and the APERR or BGERR bit in MPUERRSTAT register is 1. This field is read only and is automatically reset by clearing the ERRFLAG bit in MPUERRSTAT register. This field is not updated when the ERRFLAG bit is set. Once the ERRFLAG bit is cleared, this field gets updated for the next MPU compare fail after clearing the flag. Writes have no effect.  Shows the address for the first transaction which resulted in a compare fail.

### 11.4.7 MPU Control Register 1 (MPUCTRL1)

**Figure 11-10. MPU Control Register 1 (MPUCTRL1) (offset = 20h)**

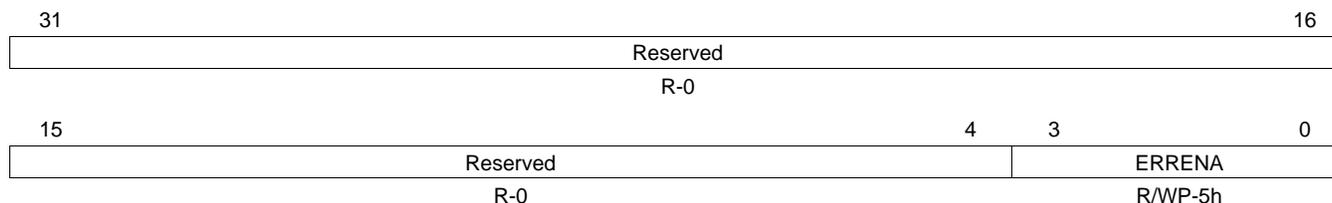


LEGEND: R/W = Read/Write; R = Read only; WP = Write in privileged mode only; -n = value after reset

**Table 11-10. MPU Control Register 1 (MPUCTRL1) Field Descriptions**

Bit	Field	Value	Description
31-4	Reserved	0	Reserved. Reads return 0.
3-0	MPUENA		MPU Enable Key. This is the key for enabling memory protection. This field is updated only if the write data is 5h or Ah. Register writes are ignored for all other values of write data. All other configuration registers must be programmed before enabling the MPU.  A built-in correction logic detects single bit soft error on this field and corrects the value in the next cycle. Functionality and register read data remain the same during the correction cycle.  <b>Read:</b> Returns current value of MPUENA.
		5h	<b>Write in Privilege:</b> Memory protection is disabled.
		Ah	Memory protection is enabled.
		All other values	Reserved. The bits remain unchanged.

### 11.4.8 MPU Control Register 2 (MPUCTRL2)

**Figure 11-11. MPU Control Register 2 (MPUCTRL2) (offset = 24h)**


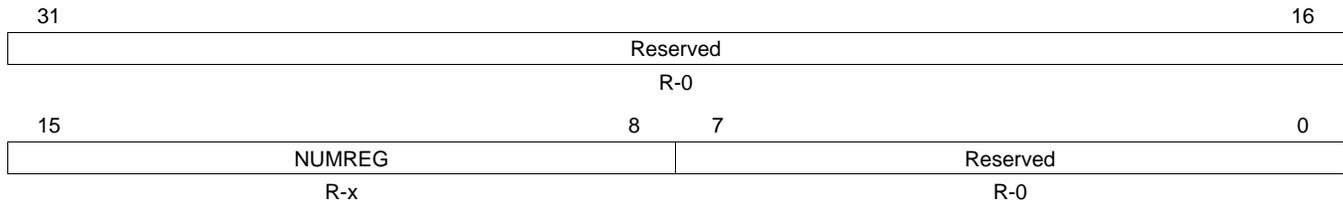
LEGEND: R/W = Read/Write; R = Read only; WP = Write in privileged mode only; -n = value after reset

**Table 11-11. MPU Control Register 2 (MPUCTRL2) Field Descriptions**

Bit	Field	Value	Description
31-4	Reserved	0	Reserved. Reads return 0.
3-0	ERRENA		MPU Error Pulse Enable. This is the key for enabling ERROR pulse output generation for the Error Signaling Module. This field is updated only if the write data is 5h or Ah. Register writes are ignored for all other values of write data.  A built-in correction logic detects single bit soft error on this field and corrects the value in the next cycle. Functionality and register read data remain the same during the correction cycle. <b>Read:</b> Returns current value of ERRENA.
		5h	Error pulse output to ESM is disabled.
		Ah	Error pulse output to ESM is enabled.
		All other values	Reserved. The bits remain unchanged.

### 11.4.9 MPU Type Register (MPUTYPE)

**Figure 11-12. MPU Type Register (MPUTYPE) (offset = 2Ch)**



LEGEND: R = Read only; -x = value is implementation defined

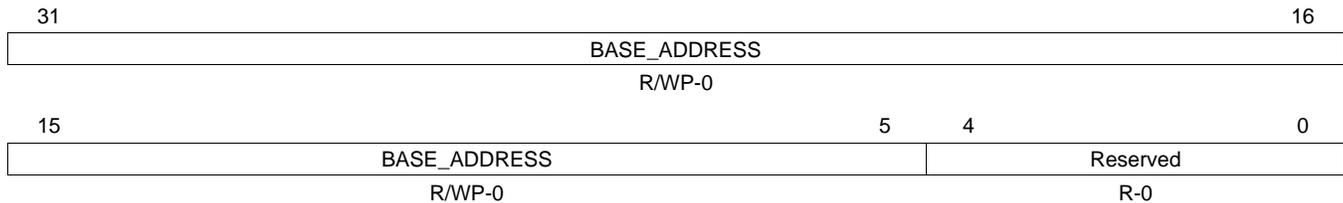
**Table 11-12. MPU Type Register (MPUTYPE) Field Descriptions**

Bit	Field	Value	Description
31-16	Reserved	0	Reserved. Reads return 0.
15-8	NUMREG	0	Reserved
		1h	1 MPU region is implemented.
		2h	2 MPU regions are implemented.
		3h	3 MPU regions are implemented.
		4h	4 MPU regions are implemented.
		5h	5 MPU regions are implemented.
		6h	6 MPU regions are implemented.
		7h	7 MPU regions are implemented.
		8h	8 MPU regions are implemented.
		All other values	Reserved
7-0	Reserved	0	Reserved. Reads return 0.

### 11.4.10 MPU Region Base Address Register (MPUREGBASE)

**NOTE:** MPUREGBASE0-7 registers are memory-mapped to the same address. Which region register is selected for read/write access is decided by the REGION field in the MPU region number register (MPUREGNUM).

**Figure 11-13. MPU Region Base Address Register (MPUREGBASE) (offset = 30h)**



LEGEND: R/W = Read/Write; R = Read only; WP = Write in privileged mode only; -n = value after reset

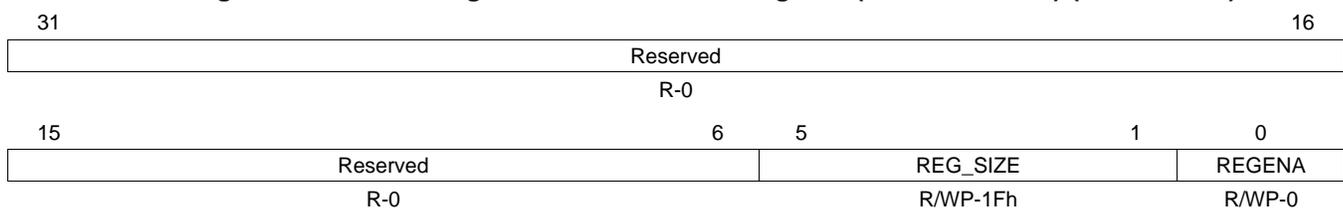
**Table 11-13. MPU Region Base Address Register (MPUREGBASE) Field Descriptions**

Bit	Field	Value	Description
3-0	BASE_ADDRESS		Base address. Defines the base address for an MPU region. <b>Read:</b> Returns current value of base address. <b>Write in Privilege:</b> Defines the base address for an MPU region.
4-0	Reserved	0	Reserved. Reads return 0.

### 11.4.11 MPU Region Size and Enable Register (MPUREGSENA)

**NOTE:** MPUREGSENA0-7 registers are memory-mapped to the same address. Which region register is selected for read/write access is decided by the REGION field in the MPU region number register (MPUREGNUM).

**Figure 11-14. MPU Region Size and Enable Register (MPUREGSENA) (offset = 34h)**



LEGEND: R/W = Read/Write; R = Read only; WP = Write in privileged mode only; -n = value after reset

**Table 11-14. MPU Region Size and Enable Register (MPUREGSENA) Field Descriptions**

Bit	Field	Value	Description
31-6	Reserved	0	Reserved. Reads return 0.

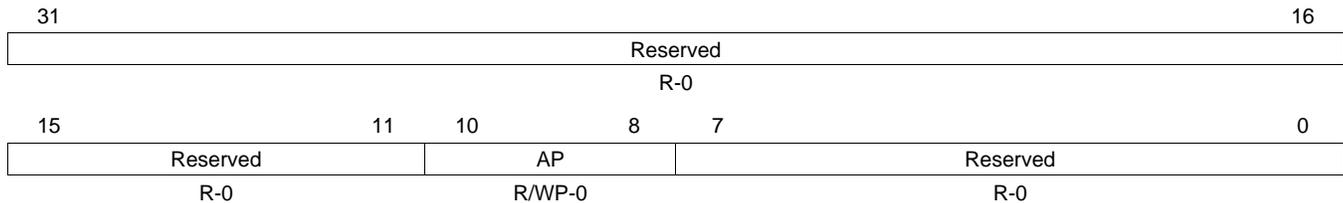
**Table 11-14. MPU Region Size and Enable Register (MPUREGSENA) Field Descriptions (continued)**

Bit	Field	Value	Description
5-1	REG_SIZE		MPU Region size. This field determines the size of an MPU region. <b>Read:</b> Returns current value of REG SIZE.
			<b>Write in Privilege:</b> Defines the size of an MPU region.
		0-3h	Reserved
		4h	32 bytes
		5h	64 bytes
		6h	128 bytes
		7h	256 bytes
		8h	512 bytes
		9h	1 KB
		Ah	2 KB
		Bh	4 KB
		Ch	8 KB
		Dh	16 KB
		Eh	32 KB
		Fh	64 KB
		10h	128 KB
		11h	256 KB
		12h	512 KB
		13h	1 MB
		14h	2 MB
15h	4 MB		
16h	8 MB		
17h	16 MB		
18h	32 MB		
19h	64 MB		
1Ah	128 MB		
1Bh	256 MB		
1Ch	512 MB		
1Dh	1 GB		
1Eh	2 GB		
1Fh	4 GB		
0	REGENA		MPU Region Enable. This is the register bit for enabling an MPU region. <b>Read:</b>
		0	MPU region is disabled.
		1	MPU region is enabled.
			<b>Write in Privilege:</b>
		0	Disable MPU region.
		1	Enable MPU region.

### 11.4.12 MPU Region Access Control Register (MPUREGACR)

**NOTE:** MPUREGACR0-7 registers are memory-mapped to the same address. Which region register is selected for read/write access is decided by the REGION field in the MPU region number register (MPUREGNUM).

**Figure 11-15. MPU Region Access Control Register (MPUREGACR) (offset = 38h)**



LEGEND: R/W = Read/Write; R = Read only; WP = Write in privileged mode only; -n = value after reset

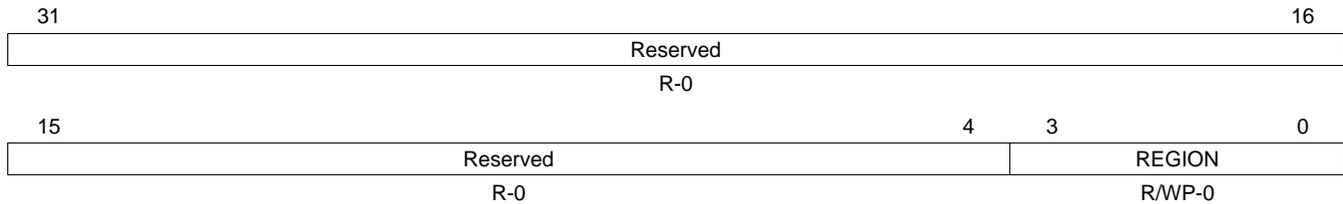
**Table 11-15. MPU Region Access Control Register (MPUREGACR) Field Descriptions**

Bit	Field	Value	Description
31-11	Reserved	0	Reserved. Reads return 0.
10-8	AP		MPU Region Access Permission. This field determines the access permission for memory accesses to addresses that are in an MPU region. <b>Read:</b> Returns current value of AP.
			<b>Write in Privilege:</b> Defines access permissions.
		0	No access
		1h	Read/write in privileged mode; No access in user mode.
		2h	Read/write in privileged mode; Read only in user mode.
		3h	Read/write
		4h	No access
		5h	Read only in privileged mode; No access in user mode.
		6h	Read only
		7h	No access
7-0	Reserved	0	Reserved. Reads return 0.

### 11.4.13 MPU Region Number Register (MPUREGNUM)

**NOTE:** MPUREGBASE0-7, MPUREGSENA0-7, MPUREGACR0-7, MPUREGAM0-7, MPUREGTA0-7, and MPUREGMT0-7 registers are memory-mapped to just six different addresses. Which region register is selected for read/write access is decided by the REGION field in the MPU region number register (MPUREGNUM).

**Figure 11-16. MPU Region Number Register (MPUREGNUM) (offset = 3Ch)**



LEGEND: R/W = Read/Write; R = Read only; WP = Write in privileged mode only; -n = value after reset

**Table 11-16. MPU Region Number Register (MPUREGNUM) Field Descriptions**

Bit	Field	Value	Description																
31-4	Reserved	0	Reserved. Reads return 0.																
3-0	REGION		<p>MPU Region Number. This field determines which MPU region registers are accessed. Writing this register with a value greater than or equal to the number of implemented MPU regions (indicated by MPU TYPE register) does not affect the NMPU functionality. Behavior will be same as that of reserved space.</p> <p><b>Read:</b> Returns current value of REGION.</p> <p><b>Write in Privilege:</b></p> <table style="width: 100%; border-collapse: collapse;"> <tr><td style="padding-left: 20px;">0</td><td>Access MPU region 0 registers</td></tr> <tr><td style="padding-left: 20px;">1h</td><td>Access MPU region 1 registers</td></tr> <tr><td style="padding-left: 20px;">2h</td><td>Access MPU region 2 registers</td></tr> <tr><td style="padding-left: 20px;">3h</td><td>Access MPU region 3 registers</td></tr> <tr><td style="padding-left: 20px;">4h</td><td>Access MPU region 4 registers</td></tr> <tr><td style="padding-left: 20px;">5h</td><td>Access MPU region 5 registers</td></tr> <tr><td style="padding-left: 20px;">6h</td><td>Access MPU region 6 registers</td></tr> <tr><td style="padding-left: 20px;">7h</td><td>Access MPU region 7 registers</td></tr> </table>	0	Access MPU region 0 registers	1h	Access MPU region 1 registers	2h	Access MPU region 2 registers	3h	Access MPU region 3 registers	4h	Access MPU region 4 registers	5h	Access MPU region 5 registers	6h	Access MPU region 6 registers	7h	Access MPU region 7 registers
0	Access MPU region 0 registers																		
1h	Access MPU region 1 registers																		
2h	Access MPU region 2 registers																		
3h	Access MPU region 3 registers																		
4h	Access MPU region 4 registers																		
5h	Access MPU region 5 registers																		
6h	Access MPU region 6 registers																		
7h	Access MPU region 7 registers																		

---

---

## **Error Profiling Controller (EPC)**

---

---

This chapter describes overall functionality and how to use the Error Profiling Controller (EPC).

<b>Topic</b>	<b>Page</b>
<b>12.1 Overview .....</b>	<b>465</b>
<b>12.2 Module Operation .....</b>	<b>465</b>
<b>12.3 How to Use EPC .....</b>	<b>468</b>
<b>12.4 EPC Control Registers .....</b>	<b>469</b>

## 12.1 Overview

The EPC is used as a diagnostic for functional safety purposes.

The primary goal of this module is to provide a unified correctable ECC error (single bit ECC fault) profiling capability and error address cache on ECC failures in system bus memory slaves like Flash, FEE, and SRAM.

The secondary goal of this module is to provide an ECC error reporting capability for bus masters which are not natively built to manage ECC error like the interconnect.

The EPC can not distinguish between memory failure and interconnect failure. A fault address may not always mean there is a true issue in the memory. EPC captures both the correctable and uncorrectable information.

The EPC supports the following features:

- Traps the correctable and uncorrectable faults from RAM, CPU, and Interconnect.
- For correctable fault, EPC will keep track of unique addresses through the usage of Content Address Memory (CAM).
- Allow CPU accessing CAM to set or clear any CAM entry index and/or content during execution run time as well as diagnosing the CAM.
- Trigger error event to Error Signaling Module (ESM) and keep track of error in status register for user query.

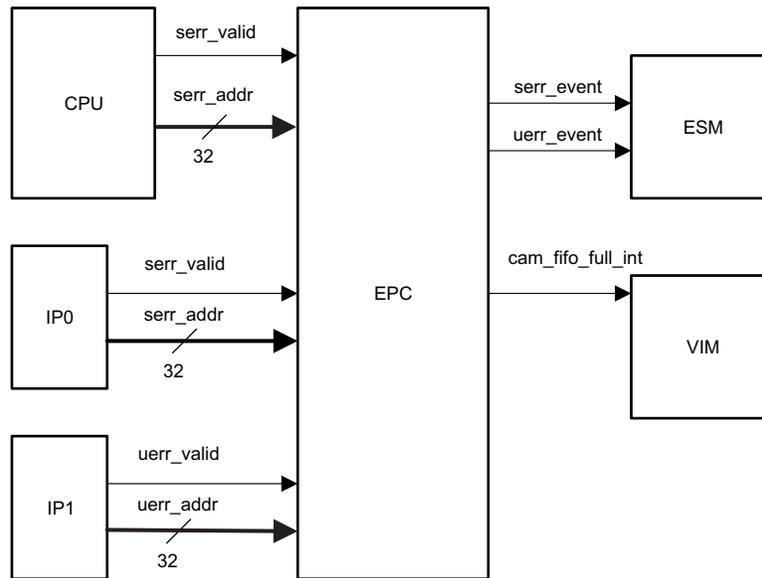
## 12.2 Module Operation

[Figure 12-1](#) shows the typical usage of EPC in device architecture. In the EPC chapter, the CPU, RAM, or Interconnect is referred to as IP. The Error Profiling Module section in the Architecture chapter indicates which IP correctable and uncorrectable event are hooked up to EPC. Each IP can provide either or both correctable and uncorrectable fault event to EPC. The EPC chapter will mention IP correctable or uncorrectable fault event with generic description of how EPC process these fault events.

EPC captures the uncorrectable address from IP that are not natively built to manage ECC error like interconnect and triggers `uerr_event` to ESM. See [Section 12.2.1](#) for more details.

EPC performs error profiling on the correctable fault and trigger `serr_event` to ESM if the address of the correctable fault is not part of the CAM and SERRENA control bits are set to enable values. Detail description of error profiling definition is described in [Section 12.2.2](#). Each single fault correctable IP has a FIFO to buffer correctable fault address input. Following is the behavior of FIFO and CAM operation:

1. If FIFO overflow happens on a particular ECC correctable IP, EPC will set the corresponding FIFO Overflow Bit in the Overflow Status Register (OVRFLWSTAT) and trigger `serr_event`.
2. If any of the FIFOs is full (any `FIFOFULLSTAT(x)` is set), EPC will trigger the `cam_fifo_full_int` port if CAM/FIFO full interrupt enable (`EPCCTRL(24)`) is set.
3. If CAM indexes are all occupied, EPC will set the CAM Full Bit in `EPCERRSTAT` register and trigger the `cam_fifo_full_int` port if CAM/FIFO full interrupt enable is set.
4. If CAM overflow happens, EPC will set CAM overflow status bit (`cam ovflw`) in `EPCERRSTAT` register.
5. You can access CAM content and CAM index during functional and diagnostic run time.

**Figure 12-1. EPC System Block Diagram**


### 12.2.1 Uncorrectable Fault Operation

EPC will capture full 32-bit addresses of uncorrectable fault from interconnect and RAM IP modules to UERRADDR\_(0,1) registers and set the corresponding uncorrectable status bit in UERRSTAT register. The first uncorrectable address from RAM and interconnect IP will be captured to the corresponding UERRADDR\_(0,1) and frozen until CPU in privilege mode write clears to the corresponding UERRSTAT bit.

Whenever any status bit in ERRSTAT just got set by the presence of a new uncorrectable fault, EPC will trigger uncorrectable fault event to ESM. The bits in UERRSTAT can only be cleared by device power on reset or CPU write clears in privilege mode.

### 12.2.2 Correctable Fault Operation

#### 12.2.2.1 Functional Mode

CPU, Interconnect, and RAM IP can trigger correctable fault event to EPC. The EPC provides a 4-entry FIFO to each of these IP(s) to capture correctable event and its 64-bit aligned addresses.

A FIFO full condition happens when all 4 entries of a particular FIFO are occupied. In this case, the corresponding FIFO full status bit of the IP will be set in FIFOFULLSTAT register. An interrupt will be generated if CAMFIFOFULLENA bit is set in EPCNTRL register.

A FIFO overflow can happen when all entries are occupied and there is a new correctable fault event just arrives to the same FIFO. In this case, the new correctable fault event and address will be discarded, but the overflow bit remained to be set. If the SERRENA bits in EPCNTRL register are enabled, the single-bit error correctable fault event will be triggered to ESM.

A FIFO full or overflow interrupt indicates to you that there is an abnormal condition on the number of correctable faults happening to the particular IP. It is up to application software to handle this situation by either putting the system in safe stage if the IP causing full or overflow interrupt happens to be a critical IP in safety application or doing extra diagnostic of the corresponding IP memory during diagnostic time. You can write clears the corresponding FIFO full or overflow status bit in privilege mode.

The 64-bit aligned address of the correctable fault from each IP FIFO is sent to the CAM to check if the correctable fault is unique or repetitive. If it is a repetitive address for the correctable fault, then the correctable fault and its address are discarded and no further indication to the CPU. If it is a unique address, then the address will be remembered in the CAM content and CAM index will be set to occupied. It is software configurable to raise an error event to ESM if SERRENA bits in EPCNTRL are enable.

If all CAM indexes are occupied, EPC will set the CAM full status bit in EPCERRSTAT register and trigger an interrupt to VIM if CAMFIFOFULLENA bit in EPCNTRL register is set. You can inspect CAM and set its indexes to available.

If all CAM indexes are occupied and there is a new correctable fault event to be checked, the EPC will set the CAM overflow status bit in EPCERRSTAT register and trigger an error event to ESM if correctable error event enable bits are set in EPCNTRL register. The CAM content and index are not updated when CAM overflow happens.

Reading a CAM index value of 5h indicates the CAM entry is available and reading a value of Ah indicates the CAM entry is occupied. You can also inspect the number of CAM indexes that are still in available state by reading the CAMAVAILSTAT register.

CAM content and index can only be updated in privilege mode.

In functional mode, CPU can only set CAM index to available state but not occupied state. Occupied state setting by CPU will be ignored.

CPU can also update the CAM content. In this case, once the CAM content is updated, the CAM index will auto set to occupied state, but there is no correctable error event generation to ESM. This is mainly used as a way to avoid correctable error event generation for hard fault on single (correctable) bit error address in functional mode. An example usage would be: Assume address 0x0800\_0000 has a hard fault single bit error in the RAM. You can write 0x0800\_0000 to the EPC CAM content. This write will update the corresponding CAM index to "occupied" by EPC hardware. You can avoid EPC generation of single bit error event every time the CPU accessing address 0x0800\_0000.

### 12.2.2.2 Diagnostic Mode

EPC allows you to diagnose the CAM content, CAM index, and correctable event generation to ensure the CAM operates correctly and to avoid latent fault.

You need to set DIAG\_ENA\_KEY in EPCNTRL register to Ah to enter diagnostic mode.

Once in diagnostic mode, you can change any CAM index to available or occupied state. Setting all CAM indexes to occupied will result in CAM full status bit to be set in EPCNTRL register. In this case, EPC will generate the CAM full interrupt if CAM/FIFO full interrupt enable is set. The NUMCAMAVAIL bits of CAMAVAILSTAT will also reflect the number of CAM index available when you change the CAM index values between available and occupied.

Writes to CAM content will also set the corresponding CAM index to occupied and trigger correctable error event to ESM. This is done to test the signal chain in CAM content update for unique address and triggering correctable event in functional mode.

## 12.3 How to Use EPC

### 12.3.1 Functional Mode

Following steps are the recommended sequences to initialize EPC:

1. Set up correct values for SERRENA and CAMFIFO FULL ENA bits in EPCCTRL. Setting SERRENA will enable correctable error event generation to ESM. Setting CAMFIFO FULL ENA will enable CAM full or FIFO full interrupt to the CPU. You need to set these values in according to their safety application requirement.
2. Read CAMAVAILSTAT to ensure that all CAM indexes are available after system reset.

On CAM or FIFO full interrupt, following sequences are recommended to query the EPC:

1. Read EPCERRSTAT and FIFOFULLSTAT to determine if this is CAM or FIFO full.
  - (a) If it is FIFO full, the FIFOFULLSTAT indicates which IP FIFO is full so you can make a decision on whether to put the system in safe state if the particular IP happens to be a critical IP in safety application or doing extra diagnostic of the corresponding IP RAM during diagnostic time. Clear the FIFO full by write clear to the FIFOFULLSTAT register.
  - (b) If it is CAM full, you need to read CAM content to find out if most of the correctable fault happens to be in the same IP or scatter among IP in order to take decision on whether to put the system in safe state or decides to run certain RAM test during diagnostic time. You can also keep track of the correctable fault in system RAM in order to clear the CAM index to avoid CAM overflow condition.

On correctable error event or CAM overflow or FIFO overflow from ESM interrupt CPU, following sequences are recommended to query the EPC:

1. Read EPCERRSTAT and OVRFLWSTAT registers to determine if this is CAM or FIFO overflow or a registration of new correctable fault event in CAM.
  - (a) If it is FIFO overflow, the OVRFLWSTAT indicates which IP FIFO has overflow so you can make decision on whether to put the system in safe state if the particular IP happens to be a critical IP in safety application or doing extra diagnostic of the corresponding IP RAM during diagnostic time. Clear the FIFO overflow by write clear to the OVRFLWSTAT register.
  - (b) If it is CAM overflow, that means you do not service the CAM full interrupt in time. You need to read CAM content to find out if most of the correctable fault happens to be in the same IP or scatter among IP in order to take decision on whether to put the system in safe state or decides to run certain RAM test during diagnostic time. You can also keep track of the correctable fault in system RAM in order to clear the CAM index to avoid CAM overflow condition.
  - (c) If it is none of the two above cases, then it is a new correctable fault event register on CAM. You can read the CAM index registers and CAM content registers to determine which IP RAM or RAM location that has the correctable fault and does a quick diagnose of that RAM location by backing up location content, write and read back new RAM value. If it is a transient fault, restores RAM backup data and clear the CAM index. Otherwise, mark it as permanent fault by not clearing the index to available so that it does not generate correctable error event again.

On uncorrectable error event, following sequences are recommended to query the EPC:

1. Read UERRSTAT register to determine which IP\_(n) causing uncorrectable fault.
2. Read the corresponding UERR\_ADDR\_(n) to determine the location of the fault.
3. Diagnose the corresponding location to determine if this is a permanent or transient fault. Depending on the criticality of this uncorrectable fault in safety application, it is up to you to bring the system to safe state or not.

### 12.3.2 CAM Diagnostic Mode

In order to test the CAM logic and error event generation functionality, you need to diagnose the CAM at diagnostic time in their control loop.

Following sequences are recommended to diagnose the CAM and error event generation:

1. Configure EPC in diagnostic mode by setting the DIAG\_ENA\_KEY to Ah in EPCCNTRL register.
2. Backing up the CAM content and CAM index to system RAM.
3. Change CAM index to available state from occupied state and vice versa and check the number of CAM available status correctly reflected in CAMAVAILSTAT register as well as the CAM index registers correctly reflecting the new state.
4. Write to CAM content of any available index and should observe a correctable error event set in ESM as well as CAM index set to occupied.
5. Restore the CAM content and CAM index values.
6. Exit diagnostic mode by writing 5h to DIAG\_ENA\_KEY.

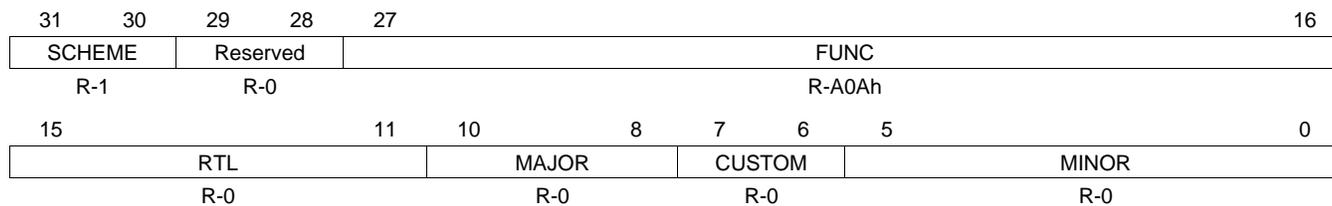
## 12.4 EPC Control Registers

The error profiling controller registers listed in [Table 12-1](#) are accessed through the system module register space in the Cortex-R5F CPUs memory map. All registers are 32-bit wide and are located on a 32-bit boundary. Reads and writes to registers are supported in 8-, 16-, and 32-bit accesses. The base address for the control registers is FFFF 0C00h.

**Table 12-1. EPC Control Registers**

Offset	Acronym	Register Description	Section
00h	EPCREVID	EPC REVID Register	<a href="#">Section 12.4.1</a>
04h	EPCCNTRL	EPC Control Register	<a href="#">Section 12.4.2</a>
08h	UERRSTAT	Uncorrectable Error Status Register	<a href="#">Section 12.4.3</a>
0Ch	EPCERRSTAT	EPC Error Status Register	<a href="#">Section 12.4.4</a>
10h	FIFOFULLSTAT	FIFO Full Status Register	<a href="#">Section 12.4.5</a>
14h	OVRFLWSTAT	IP Interface FIFO Overflow Status Register	<a href="#">Section 12.4.6</a>
18h	CAMAVAILSTAT	CAM Index Available Status Register	<a href="#">Section 12.4.7</a>
20h-24h	UERRADDR	Uncorrectable Error Address Registers	<a href="#">Section 12.4.8</a>
A0h-11Ch	CAM_CONTENT	CAM Content Update Registers	<a href="#">Section 12.4.9</a>
200h	CAM_INDEX0	CAM Index Register 0	<a href="#">Section 12.4.10</a>
204h	CAM_INDEX1	CAM Index Register 1	<a href="#">Section 12.4.10</a>
208h	CAM_INDEX2	CAM Index Register 2	<a href="#">Section 12.4.10</a>
20Ch	CAM_INDEX3	CAM Index Register 3	<a href="#">Section 12.4.10</a>
210h	CAM_INDEX4	CAM Index Register 4	<a href="#">Section 12.4.10</a>
214h	CAM_INDEX5	CAM Index Register 5	<a href="#">Section 12.4.10</a>
218h	CAM_INDEX6	CAM Index Register 6	<a href="#">Section 12.4.10</a>
21Ch	CAM_INDEX7	CAM Index Register 7	<a href="#">Section 12.4.10</a>

### 12.4.1 EPC REVID Register (EPCREVID)

**Figure 12-2. EPC REVID Register (EPCREVID) (offset = 00h)**


LEGEND: R = Read only; -n = value after synchronous reset on system reset

**Table 12-2. EPC REVID Register (EPCREVID) Field Descriptions**

Bit	Field	Value	Description
31-30	SCHEME	1	Identification scheme
29-28	Reserved	0	Reserved. Reads return 0.
27-16	FUNC	A0Ah	Indicates functionally equivalent module family.
15-11	RTL	0	RTL version number
10-8	MAJOR	0	Major revision number
7-6	CUSTOM	0	Indicates device-specific implementation.
5-0	MINOR	0	Minor revision number

## 12.4.2 EPC Control Register (EPCCNTRL)

**Figure 12-3. EPC Control Register (EPCCNTRL) (offset = 04h)**

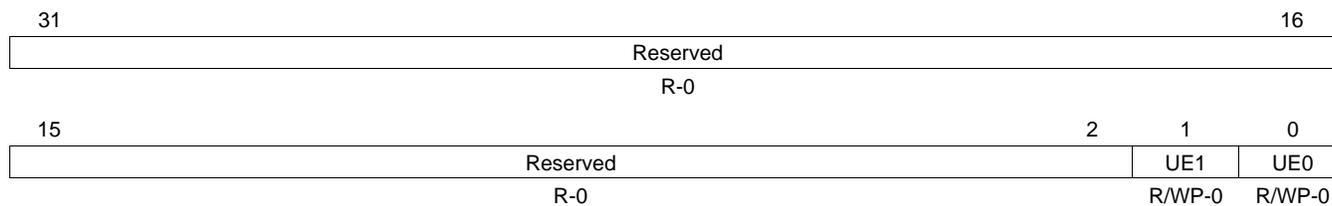
31	25	24	23	16
Reserved		CAM/FIFO_ FULL_ENA	Reserved	
R-0		R/WP-0	R-0	
15	12	11	8	7
Reserved		DIA_ENA_KEY	Reserved	
R-0		R/WP-5h	R-0	
		4	3	0
		SERRENA		
		R/WP-5h		

LEGEND: R/W = Read/Write; R = Read only; WP = Write in privileged mode only; -n = value after synchronous reset on system reset

**Table 12-3. EPC Control Register (EPCCNTRL) Field Descriptions**

Bit	Field	Value	Description
31-25	Reserved	0	Reserved. Reads return 0.
24	CAM/FIFO_FULL_ENA	0 1	CAM or FIFO full interrupt enable. If this bit is set and CAM is full, CAM Full Interrupt is generated. <b>Read:</b> 0 CAM/FIFO full interrupt is disabled. 1 CAM/FIFO full interrupt is enabled.
		0 1	<b>Write in Privilege:</b> 0 Disable CAM/FIFO full interrupt. 1 Enable CAM/FIFO full interrupt.
23-12	Reserved	0	Reserved. Reads return 0.
11-8	DIA_ENA_KEY	5h Ah All other values	CAM diagnostic enable key. These bits (when enabled) allow the CPU to access the CAM content to clear or set any entry (CAM index) or write any pattern to CAM content. Internal RTL will implement self-correction logic to avoid single bit flipping. <b>Read:</b> 5h CAM diagnostic is disabled. Ah CAM diagnostic is enabled. All other values Reserved
		5h Ah All other values	<b>Write in Privilege:</b> 5h CAM diagnostic is disabled. Ah CAM diagnostic is enabled. All other values Reserved
7-4	Reserved	0	Reserved. Reads return 0.
3-0	SERRENA	5h Ah All other values	Single (correctable) bit error event enable. These bits (when enable) cause EPC to generate the serr_event if there is a correctable ECC fault address arrives from one of the EPC-IP interface and the CAM has an empty entry. These bits also allow EPC to generate the serr_event if there is a correctable ECC fault address arrives from one of the EPC-IP interface and the CAM is full. In this case, CAM FULL status bit is set in EPCERRSTAT. Internal RTL will implement self-correction logic to avoid single bit flipping. <b>Read:</b> 5h serr_event generation is disabled. Ah serr_event generation is enabled. All other values Reserved
		5h Ah All other values	<b>Write in Privilege:</b> 5h serr_event generation is disabled. Ah serr_event generation is enabled. All other values Reserved

### 12.4.3 Uncorrectable Error Status Register (UERRSTAT)

**Figure 12-4. Uncorrectable Error Status Register (UERRSTAT) (offset = 08h)**


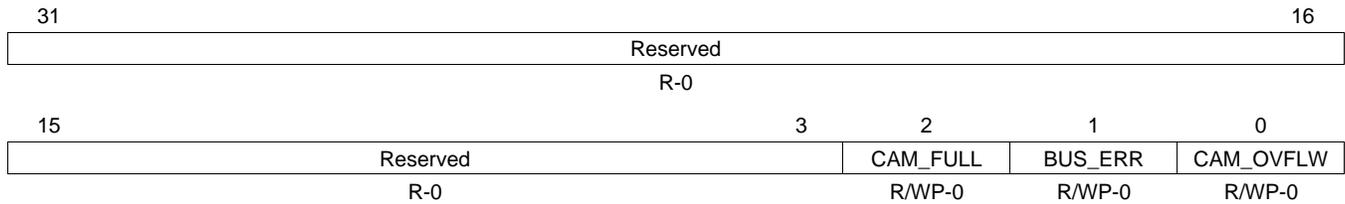
LEGEND: R/W = Read/Write; R = Read only; WP = Write in privileged mode only; -n = value after asynchronous reset by power-on reset

**Table 12-4. Uncorrectable Error Status Register (UERRSTAT) Field Descriptions**

Bit	Field	Value	Description
31-2	Reserved	0	Reserved. Reads return 0.
1-0	$UE_n$	0 1	<p>Uncorrectable ECC Fault Status Bit for interface <math>n</math>. Each bit corresponds to one uncorrectable EPC-IP interface. If the IP triggers uncorrectable error, one of these bits gets set. Once it is set, it can only be cleared by power-on reset or CPU write-clear in privilege mode or by reading the corresponding UERRADDR register. Any of these bits set causes an uncorrectable error event (uerr_event) to be triggered to ESM.</p> <p>The number of implemented bits depends on the number of implemented EPC IP uncorrectable address ports. Unimplemented bits are reserved and are not writable. Reserved bits are read as 0.</p> <p><b>Read:</b></p> <p>0    Uncorrectable ECC fault status bit is not active for interface <math>n</math>.</p> <p>1    Uncorrectable ECC fault status bit is active for interface <math>n</math>.</p>
		0 1	<p><b>Write in Privilege:</b></p> <p>0    No effect.</p> <p>1    Clear this flag bit.</p>

## 12.4.4 EPC Error Status Register (EPCERRSTAT)

Figure 12-5. EPC Error Status Register (EPCERRSTAT) (offset = 0Ch)



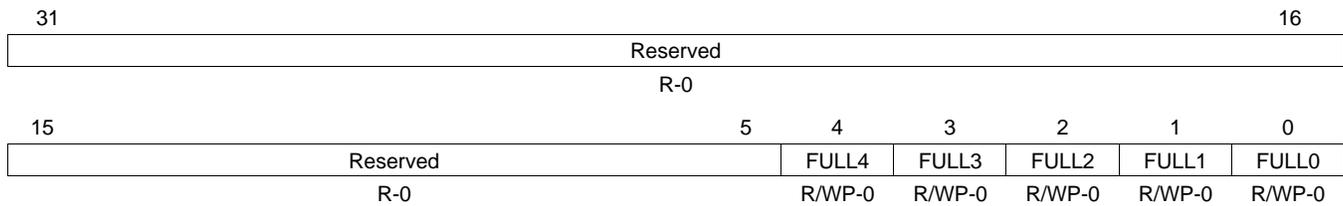
LEGEND: R/W = Read/Write; R = Read only; WP = Write in privileged mode only; -n = value after asynchronous reset by power-on reset

Table 12-5. EPC Error Status Register (EPCERRSTAT) Field Descriptions

Bit	Field	Value	Description
31-3	Reserved	0	Reserved. Reads return 0.
2	CAM_FULL		CAM full status bit. This bit is set when CAM has no more available index available to accept new correctable address.
		0	Read: CAM is not full.
		1	CAM is full.
			Write in Privilege: 0 No effect. 1 Clear this flag bit.
1	BUS_ERR		MMR interface bus error status bit. This bit is set if MMR interface receives unsupported bus commands like ReadLink-WriteConditional.
		0	Read: No MMR bus error.
		1	MMR unsupported bus command is detected.
			Write in Privilege: 0 No effect. 1 Clear this flag bit.
0	CAM_OVFLW		CAM overflow status bit. CAM is full and there is another correctable address arrives.
		0	Read: No CAM overflow.
		1	CAM overflow is detected.
			Write in Privilege: 0 No effect. 1 Clear this flag bit.

## 12.4.5 FIFO Full Status Register (FIFOFULLSTAT)

Figure 12-6. FIFO Full Status Register (FIFOFULLSTAT) (offset = 10h)



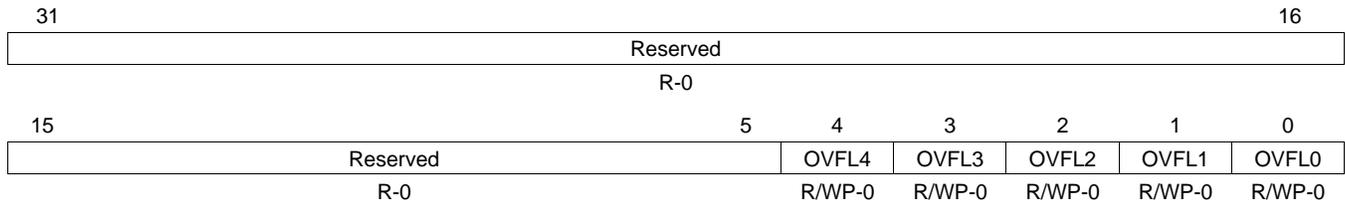
LEGEND: R/W = Read/Write; R = Read only; WP = Write in privileged mode only; -n = value after asynchronous reset by power-on reset

Table 12-6. FIFO Full Status Register (FIFOFULLSTAT) Field Descriptions

Bit	Field	Value	Description
31-5	Reserved	0	Reserved. Reads return 0.
4-0	FULL $n$	0	FIFO interface $n$ is full. If there is a FIFO full occurs on a particular interface, the corresponding bit is set. If any of these bits is set and the CAM/FIFO full ena (enabled) bits are set, EPC triggers cam_fifo_full_int.  The number of implemented bits depends on the number of implemented EPC IP correctable address ports. Unimplemented bits are reserved and are not writable. Reserved bits are read as 0.  <b>Read:</b> 0 FIFO interface $n$ is not full. 1 FIFO interface $n$ full occurred.
		1	

### 12.4.6 IP Interface FIFO Overflow Status Register (OVRFLWSTAT)

**Figure 12-7. IP Interface FIFO Overflow Status Register (OVRFLWSTAT) (offset = 14h)**



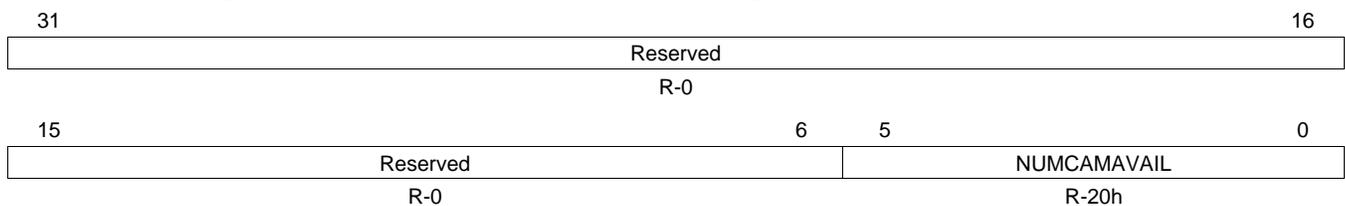
LEGEND: R/W = Read/Write; R = Read only; WP = Write in privileged mode only; -n = value after asynchronous reset by power-on reset

**Table 12-7. IP Interface FIFO Overflow Status Register (OVRFLWSTAT) Field Descriptions**

Bit	Field	Value	Description
31-5	Reserved	0	Reserved. Reads return 0.
4-0	OVFL $n$		Correctable EPC-IP interface $n$ FIFO overflow. Each bit corresponds to one correctable EPC-IP interface FIFO status. If there is a FIFO overflow occurs, this bit is set. If any of these bits is set and the FIFO overflow interrupt enable bit is set, EPC triggers FIFO overflow interrupt.  The number of implemented bits depends on the number of implemented EPC IP correctable address ports. Unimplemented bits are reserved and are not writable. Reserved bits are read as 0.
			<b>Read:</b>
		0	No FIFO overflow.
		1	FIFO overflow occurred.
			<b>Write in Privilege:</b>
		0	No effect.
		1	Clear this flag bit.

### 12.4.7 CAM Index Available Status Register (CAMAVAILSTAT)

**Figure 12-8. CAM Index Available Status Register (CAMAVAILSTAT) (offset = 18h)**



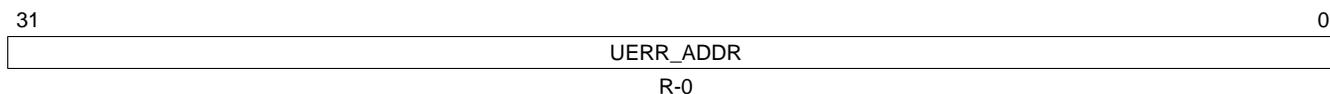
LEGEND: R = Read only; -n = value after synchronous reset on system reset

**Table 12-8. CAM Index Available Status Register (CAMAVAILSTAT) Field Descriptions**

Bit	Field	Value	Description
31-6	Reserved	0	Reserved. Reads return 0.
5-0	NUMCAMAVAIL		Number of current available CAM index. These bits indicate (binary encoded value) the number of currently available CAM index.
		0	Reserved
		1h	1 CAM index available.
		2h	2 CAM index available.
		:	:
		20h	32 CAM index available.

### 12.4.8 Uncorrectable Error Address Register $n$ (UERR\_ADDR)

**Figure 12-9. Uncorrectable Error Address Register  $n$  (UERR\_ADDR) (offset = 20h-24h)**



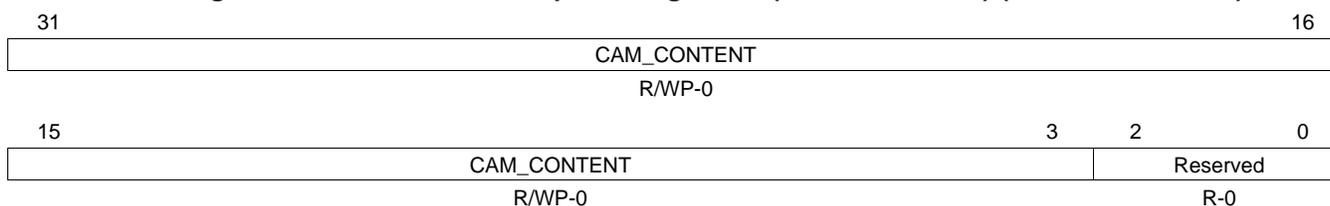
LEGEND: R = Read only;  $-n$  = value after asynchronous reset on power-on reset

**Table 12-9. Uncorrectable Error Address Register  $n$  (UERR\_ADDR) Field Descriptions**

Bit	Field	Description
31-0	UERR_ADDR	<p>Register <math>n</math> corresponds to uncorrectable port <math>n</math>. The number of uncorrectable ports is configured through the generic parameter: Number of EPC uncorrectable ports.</p> <p>This 32-bit register captures the uncorrectable address error from each EPC-IP uncorrectable interface. Once EPC-IP interface receives the <code>uerr_valid_x</code>, the corresponding address is captured and frozen. CPU read (privilege mode) of this address unfreezes this register. EMUDBG read access is non-intrusive (not unfreeze). Power-on reset, write-clear to the corresponding UERRSTAT bit or reading of the ERRADDR register also unfreezes this register for each interface. Unfreeze means that the register content can be updated whenever there is the next uncorrectable error address becomes active on this interface.</p>

### 12.4.9 CAM Content Update Register $n$ (CAM\_CONTENT)

**Figure 12-10. CAM Content Update Register  $n$  (CAM\_CONTENT) (offset = A0h-11Ch)**



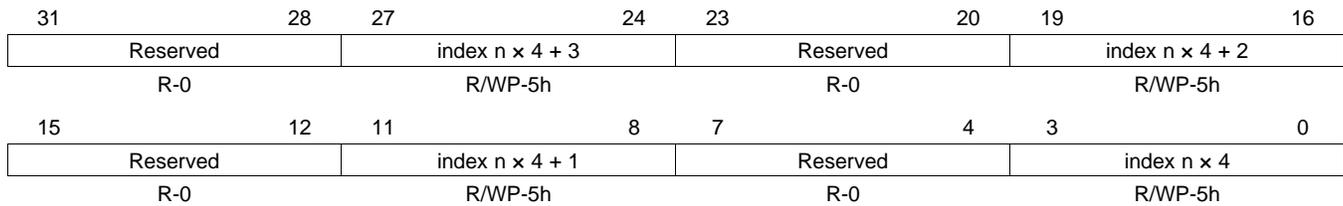
LEGEND: R/W = Read/Write; R = Read only; WP = Write in privileged mode only;  $-n$  = value after synchronous reset on system reset

**Table 12-10. CAM Content Update Register  $n$  (CAM\_CONTENT) Field Descriptions**

Bit	Field	Value	Description
31-3	CAM_CONTENT		CAM content register $n$ . CPU writes to this field in functional or diagnostic mode. The write data is masked with byten and stored into CAM on each index. Address A0h corresponds to index 0; address 11Ch corresponds to index 31. The number of active registers changes depending on the number of CAM indexes available upon configuration during device integration.
2-0	Reserved	0	Reserved. Reads return 0.

### 12.4.10 CAM Index Registers (CAM\_INDEX[0-7])

**Figure 12-11. CAM Index Registers (CAM\_INDEXn) (offset = 200h-21Ch)**



LEGEND: R/W = Read/Write; R = Read only; WP = Write in privileged mode only; -n = value after synchronous reset on system reset

**Table 12-11. CAM Index Registers (CAM\_INDEXn) Field Descriptions**

Field	Value	Description
Reserved	0	Reserved. Reads return 0.
index n		Entry valid tag for index n. See <a href="#">Table 12-12</a> . This is the 4-bit key that determines whether the current entry in CAM is occupied or not. A write (privilege mode) to A0h to 11Ch in diagnostic mode or functional mode does not only update the CAM content in corresponding index but also updates the corresponding bit field in the entry valid tags registers CAM_INDEXn.  The index has a self correction mechanism as follows: <ul style="list-style-type: none"> <li>• Key active if valid key = 1010 or 1011 or 1000 or 1110 or 0010</li> <li>• Key inactive if valid key = 0101 or 0100 or 0111 or 1101 or 0001</li> </ul>
	5h	Entry is clear and available for future CAM usage.
	Ah	Entry is occupied.
	All other values	Reserved
	5h	<b>Write in Diagnostic Mode:</b> Entry is cleared and available for future CAM usage.
	Ah	Entry is set and occupied.
All other values	Reserved	
5h	<b>Write in Functional Mode:</b> Entry is cleared and available for future CAM usage.	
All other values	Reserved	

**Table 12-12. CAM Index Register n**

Address Offset	CAM Index Register	CAM Index Register Bits			
		Bits 27-24	Bits 19-16	Bits 11-8	Bits 3-0
200h	CAM Index Register 0	index 3	index 2	index 1	index 0
204h	CAM Index Register 1	index 7	index 6	index 5	index 4
208h	CAM Index Register 2	index 11	index 10	index 9	index 8
20Ch	CAM Index Register 3	index 15	index 14	index 13	index 12
210h	CAM Index Register 4	index 19	index 18	index 17	index 16
214h	CAM Index Register 5	index 23	index 22	index 21	index 20
218h	CAM Index Register 6	index 27	index 26	index 25	index 24
21Ch	CAM Index Register 7	index 31	index 30	index 29	index 28

## CPU Compare Module for Cortex™-R5F (CCM-R5F)

---

---

This chapter describes the CPU compare module for Cortex-R5F (CCM-R5F). This device implements two instances of the Cortex-R5F CPU which are running in lockstep to detect faults which may result in unsafe operating conditions. The CCM-R5F detects faults and signals them to an error signaling module (ESM).

---

**NOTE:** In general, R5F is used when referencing the Cortex-R5F CPU used in the Hercules family of devices; however, the floating-point functionality is a device-specific option and may not be included in some devices. Consult your device-specific datasheet to determine which core is included on your specific device being used.

---

Topic	Page
<b>13.1 Overview</b> .....	<b>479</b>
<b>13.2 Module Operation</b> .....	<b>480</b>
<b>13.3 Control Registers</b> .....	<b>488</b>

## 13.1 Overview

Safety-critical applications require run-time detection of faults in critical components in the device such as the Central Processing Unit (CPU) and the Vectored Interrupt Controller Module (VIM). For this purpose, the CPU Compare Module for Cortex-R5F (CCM-R5F) compares the core bus outputs of two Cortex-R5F CPUs running in a 1oo1D (one-out-of-one, with diagnostics) lockstep configuration. This microcontroller also implements two VIM modules in 1oo1D (one-out-of-one, with diagnostic) lockstep configuration. Any difference in the core compare bus outputs of the CPUs or the VIMs is flagged as an error. For diagnostic purposes, the CCM-R5F also incorporates a self-test capability to allow for boot time checking of hardware faults within the CCM-R5F itself.

In addition to comparing the CPU's and VIM's outputs for fault detection during run-time, the CCM-R5F also incorporates two additional run-time diagnostic features.

The first additional measure is the Checker CPU Inactivity Monitor which will monitor the checker CPU's key bus signals to the interconnect. When the two CPUs are in lockstep configuration, several key bus signals from the checker CPU which would have indicated a valid bus transaction to the interconnect on the microcontroller will be monitored. A list of the signals to be monitored is provided in [Table 13-5](#). These signals from the checker CPU are expected to be inactive. All transactions between the lockstep CPUs and the rest of the system should only go through the main CPU. Any signals which indicate activity will be flagged as an error.

The second feature is the Power Domain (PD) Inactivity Monitor. Similar to the Checker CPU Inactivity Monitor in concept, the Power Domain Inactivity Monitor will monitor key bus signals for bus masters residing in power domains which are turned off. When a power domain is turned off, the boundary of the power domain is isolated from the rest of the system. Bus signals which would have indicated a valid bus transaction onto the interconnect are monitored. Any signals which indicate active state will be flagged as an error.

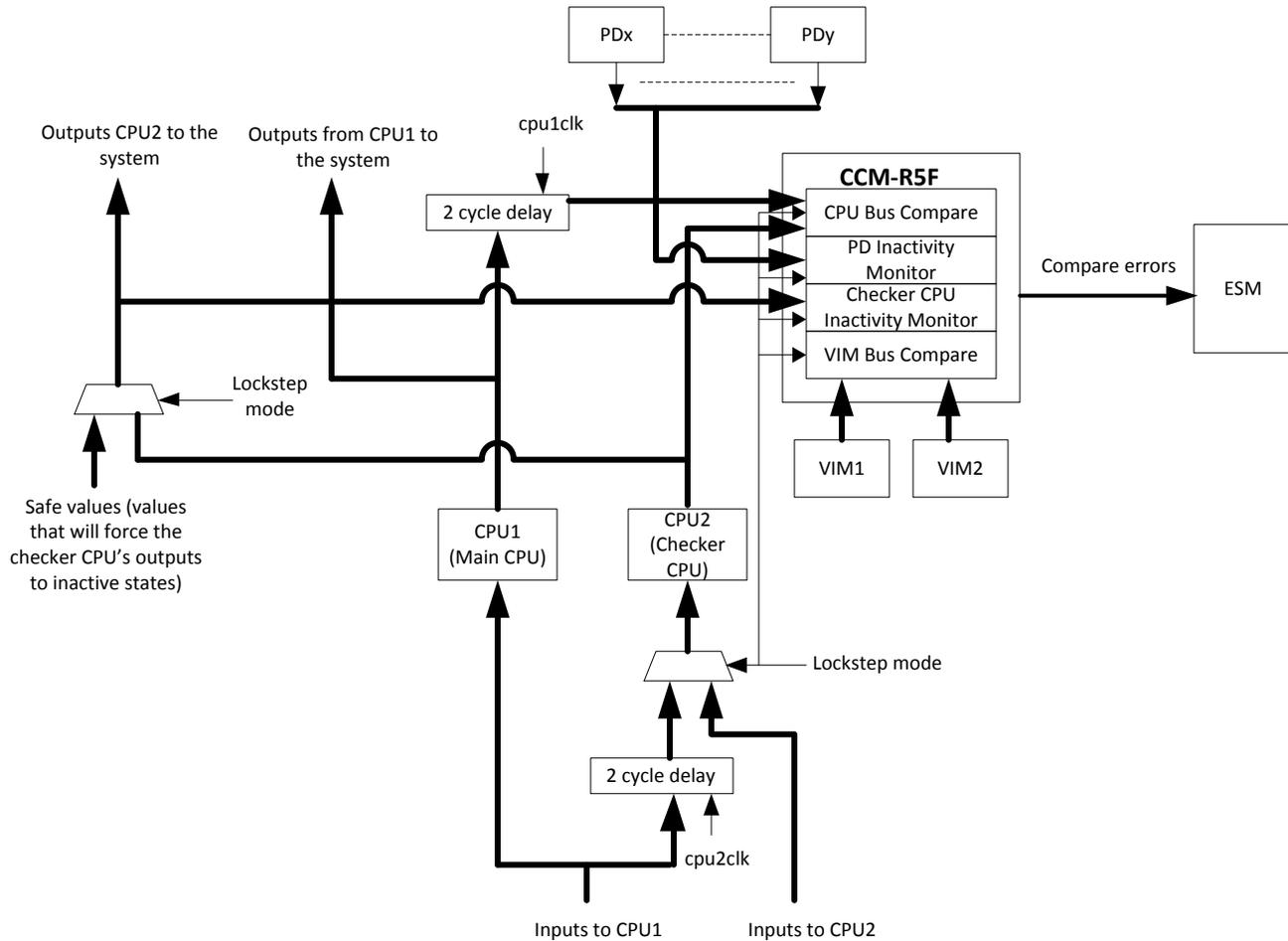
### 13.1.1 Main Features

The main features of the CCM-R5F are:

- Run-time detection of faults
  - Run-time compare of CPU's outputs
  - Run-time compare of VIM's outputs
  - Run-time inactivity monitor on the checker CPU's bus signals to the interconnect
  - Run-time inactivity monitor on the power domains' bus signals to the interconnect
- self-test capability
- error forcing capability

### 13.1.2 Block Diagram

[Figure 13-1](#) shows the interconnect diagram of the CCM-R5F with the two Cortex-R5F CPUs and the two VIMs. The core bus outputs of the CPUs are compared in the CCM-R5F. To avoid common mode impacts, the signals of the CPUs to be compared are temporally diverse. The output signals of the master CPU are delayed 2 cycles while the input signals of checker CPU are delayed 2 cycles. The two cycle delay strategy is also deployed between the two VIM modules. While in lockstep mode, the checker CPU's output signals to the system are clamped to inactive safe values. Key signals which would have indicated a valid bus transaction to the interconnect are monitored by the CCM-R5F. The same approach is used for the key power domains if inactive signals indicate that bus masters inside these power domains are asserting valid bus transactions.

**Figure 13-1. Block Diagram**


## 13.2 Module Operation

As described in [Section 13.1](#), there are four different run-time diagnostics supported by the CCM-R5F. The CCM-R5F compares the core bus outputs of the master and checker Cortex-R5F CPUs on the microcontroller and signals an error on any mismatch. This comparison is started 6 CPU clock cycles after the CPU comes out of reset to ensure that CPU output signals have propagated to a known value after reset. Once comparison is started, the CCM module continues to monitor the outputs of the two CPUs without any software intervention. If an error is detected by the CCM-R5F, a software handler is necessary to implement the appropriate response to the error dependent on application needs. The module principles of operation are applicable to both the CPU output compare as described above as well as to the VIM output compare.

### 13.2.1 CPU/VIM Output Compare Diagnostic

CPU / VIM Output Compare Diagnostic can run in one of the following four operating modes:

1. Active compare lockstep mode
2. Self-test
3. Error forcing
4. Self-test error forcing

The operating mode can be selected by writing a dedicated key to the key register (MKEYx) of the corresponding diagnostic.

---

**NOTE:** MKEY1 and MKEY2 are used to select the operating mode for the CPU Output Compare Diagnostic and VIM Output Compare Diagnostic, respectively.

---

#### 13.2.1.1 Active Compare lockstep Mode

This is the default mode on start-up. In lockstep mode, the bus output signals of both CPUs and VIMs are compared. A difference in the CPU compare bus outputs is indicated by signaling an error to the ESM, which sets the error flag "CCM-R5F - CPU compare" and "CCM-R5F - VIM compare", respectively.

- CPU types of output signals to be compared:
  - Global signals
  - Interrupt signals
  - All L1 cache interface signals
  - All cache coherency signals
  - All L1 TCM interface signals
  - All L2 AXI interface signals
  - ETM interface signals
  - FPU signals
  - All ACP interface signals
  - All AXI Peripheral port interface signals
  - All AHB Peripheral port interface signals
  - All status and control signals
- VIM output signals to be compared:
  - nFIQ
  - nIRQ
  - IRQADDRV
  - IRQVECTADDR

---

**NOTE:** The CPU compare error asserts "CCM-R5F self-test error" flag as well. By doing this, the CPU compare error has two paths ("CCM-R5F - CPU compare" and "CCM-R5F self-test error" flag) to the ESM, so that even if one of the paths fails, the error is still propagated to the ESM. This is also true for "CCM-R5F - VIM compare" error flag.

---

Not all internal registers of the Cortex-R5F CPU have fixed values upon reset. To avoid an erroneous CCM-R5F compare error, the application software needs to ensure that the CPU registers of both CPUs are initialized with the same values before the registers are used, including function calls where the register values are pushed onto the stack.

### 13.2.1.2 Self-Test Mode

In self-test mode, the CCM-R5F checks itself for faults. During self-test, the compare error module output signal is deactivated. Any fault detected inside the CCM-R5F will be flagged by ESM error “CCM-R5F - self-test”.

In self-test mode, the CCM-R5F automatically generates test patterns to look for any hardware faults. If a fault is detected, then a self-test error flag is set, a self-test error signal is asserted and sent to the ESM, and the self-test is terminated immediately. If no fault is found during self-test, the self-test complete flag is set. In both cases, the CCM-R5F CPU / VIM Output Compare Diagnostic remains in self-test mode after the test has been terminated or completed, and the application needs to switch the CCM-R5F mode by writing another key to the mode key register (MKEY1 or MKEY2 depending which diagnostic is selected for self-test). During the self-test operation, the compare error signal output to the ESM is inactive irrespective of the compare result.

There are two types of patterns generated by CCM-R5F during self-test mode:

1. Compare Match Test
2. Compare Mismatch Test

CCM-R5F first generates Compare Match Test patterns, followed by Compare Mismatch Test patterns. Each test pattern is applied on both CPU signal inputs of the CCM-R5F's compare block and clocked for one cycle. The duration of self-test for CPU Output Compare Diagnostic is 4947 CPU clock cycles (GCLK1) and 151 system peripheral clock cycles (VCLK) for VIM Output Compare Diagnostic.

---

**NOTE:** During self-test, both CPUs can execute normally, but the compare logic will not be checking any CPU signals. Also during self-test, only the compare unit logic is tested and not the memory-mapped register controls for the CCM-R5F. The self-test is not interruptible.

Self-test of all different diagnostics can be run at the same time.

---

#### 13.2.1.2.1 Compare Match Test

During the Compare Match Test, there are four different test patterns generated to stimulate the CCM-R5F. An identical vector is applied to both input ports at the same time expecting a compare match. These patterns cause the self-test logic to exercise every CPU compare bus output signal in parallel. If the compare unit produces a compare mismatch then the self-test error flag is set, the self-test error signal is generated, and the Compare Match Test is terminated.

The four test patterns used for the Compare Match Test are:

- All 1s on both CPU / VIM signal ports
- All 0s on both CPU / VIM signal ports
- 0xA on both CPU / VIM signal ports
- 0x5 on both CPU / VIM signal ports

These four test patterns will take four clock cycles to complete. [Table 13-1](#) illustrates the sequence of Compare Match Test.

**Table 13-1. Compare Match Test Sequence**

CPU 1 (Main CPU) Signal Position								CPU 2 (Checker CPU) Signal Position								Cycle		
n:8	7	6	5	4	3	2	1	0	n:8	7	6	5	4	3	2		1	0
1s	1	1	1	1	1	1	1	1	1s	1	1	1	1	1	1	1	1	0
0s	0	0	0	0	0	0	0	0	0s	0	0	0	0	0	0	0	0	1
0xA	1	0	1	0	1	0	1	0	0xA	1	0	1	0	1	0	1	0	2
0x5	0	1	0	1	0	1	0	1	0x5	0	1	0	1	0	1	0	1	3

### 13.2.1.2.2 Compare Mismatch Test

During the Compare Mismatch Test, the number of test patterns is equal to twice the number of CPU output signals to compare in lockstep mode. An all 1s vector is applied to the CCM-R5F's CPU1 / VIM1 input port and the same pattern is also applied to the CCM-R5F's CPU2 / VIM2 input port but with one bit flipped starting from signal position 0. The un-equal vector will cause the CCM-R5F to expect a compare mismatch at signal position 0, if the CCM-R5F logic is working correctly. If, however, the CCM-R5F logic reports a compare match, the self-test error flag is set, the self-test error signal is asserted, and the Compare Mismatch Test is terminated.

This Compare Mismatch Test algorithm repeats in a domino fashion with the next signal position flipped while forcing all other signals to logic level 1. This sequence is repeated until every single signal position is verified on both CPU signal ports.

The Compare Mismatch Test is terminated if the CCM-R5F reports a compare match versus the expected compare mismatch. This test ensures that the compare unit is able to detect a mismatch on every CPU signal being compared. Table 13-2 illustrates the sequence of Compare Mismatch Test. There is no error signal sent to ESM if the expected errors are seen with each pattern.

**Table 13-2. CPU / VIM Compare Mismatch Test Sequence**

CPU 1 (Main CPU) Signal Position										CPU 2 (Checker CPU) Signal Position										Cycle																				
n	n-1:8								7	6	5	4	3	2	1	0	n	n-1:8								7	6	5	4	3	2	1	0							
1	1	1s								1	1	1	1	1	1	1	1	1	1	1	1s	1	1	1	1	1	1	1	1	1	1	1	1	1	1	1	0	0		
1	1	1s								1	1	1	1	1	1	1	1	1	1	1	1s	1	1	1	1	1	1	1	1	1	1	1	1	1	1	0	1	1		
1	1	1s								1	1	1	1	1	1	1	1	1	1	1	1s	1	1	1	1	1	1	1	1	1	1	1	1	1	1	1	1	1	2	
1	1	1s								1	1	1	1	1	1	1	1	1	1	1	1s	1	1	1	1	1	1	1	1	1	1	1	1	1	1	1	1	1	1	3
::																																								
1	1	1s								1	1	1	1	1	1	1	1	1	1	1	1s	1	1	1	1	1	1	1	1	1	1	1	1	1	1	1	1	-1		
1	1	1s								1	1	1	1	1	1	1	1	1	1	1	1s	1	1	1	1	1	1	1	1	1	1	1	1	1	1	1	1	n		
1	1	1s								1	1	1	1	1	1	1	1	1	1	1	1s	1	1	1	1	1	1	1	1	1	1	1	1	1	1	1	1	n+1		
1	1	1s								1	1	1	1	1	1	1	1	1	1	1	1s	1	1	1	1	1	1	1	1	1	1	1	1	1	1	1	1	n+2		
1	1	1s								1	1	1	1	1	1	1	1	1	1	1	1s	1	1	1	1	1	1	1	1	1	1	1	1	1	1	1	1	n+3		
1	1	1s								1	1	1	1	1	1	1	1	1	1	1	1s	1	1	1	1	1	1	1	1	1	1	1	1	1	1	1	1	n+4		
::																																								
1	0	1s								1	1	1	1	1	1	1	1	1	1	1	1s	1	1	1	1	1	1	1	1	1	1	1	1	1	1	1	2n-1			
0	1	1s								1	1	1	1	1	1	1	1	1	1	1	1s	1	1	1	1	1	1	1	1	1	1	1	1	1	1	1	1	2n		

### 13.2.1.3 Error Forcing Mode

In error forcing mode, a test pattern is applied to the CPU / VIM related inputs of the CCM-R5F compare logic to force an error in the compare error output signal of the compare unit. Depending if error forcing mode is applied to the CPU Output Compare Diagnostic or VIM Output Compare Diagnostic, the ESM error flag “CCM-R5F - CPU compare” or “CCM-R5F - VIM compare” is expected after the error forcing mode completes. As a side effect, the “CCM-R5F self-test error” flag is also asserted whenever the CPU compare error is asserted.

Error forcing mode is similar to the Compare Mismatch Test operation of self-test mode in which an unequal vector is applied to the CCM-R5F CPU signal ports. The error forcing mode forces the compare mismatch to actually assert the compare error output signal. This ensures that a fault in the path between CCM-R5F and ESM is detected.

Only one hardcoded test pattern is applied into CCM-R5F during error forcing mode. A repeated 0x5 pattern is applied to CPU1 / VIM1 signal port of CCM-R5F input while a repeated 0xA pattern is applied to the CPU2 / VIM2 signal port of CCM-R5F input. The error forcing mode takes one cycle to complete. Hence, the failing signature is presented for one clock cycle. After that, the mode is automatically switched to lockstep mode. The key register (MKEY1 for CPU output compare and MKEY2 for VIM output compare) will indicate the lockstep key mode once it is switched to lockstep mode. During the one cycle required by the error forcing test, the CPU / VIM output signals are not compared. The user should expect the ESM to trigger a response (report the CCM-R5F fail). If no error is detected by the ESM, then a hardware fault is present.

### 13.2.1.4 Self-Test Error Forcing Mode

In self-test error forcing mode, an error is forced at the self-test error signal. The compare unit is still running in lockstep mode and the key is switched to lockstep after one clock cycle. The ESM error flag “CCM-R5F - self-test” is expected after the self-test error forcing mode completes. Once the expected errors are seen, the application can clean the error through the ESM module.

[Table 13-3](#) shows what error signals and flags are asserted in different operating mode. The behavior of different modes in this table for CPU compare is also valid for other diagnostics such as VIM compare, Checker CPU Inactivity Monitor and Power Domain monitor.

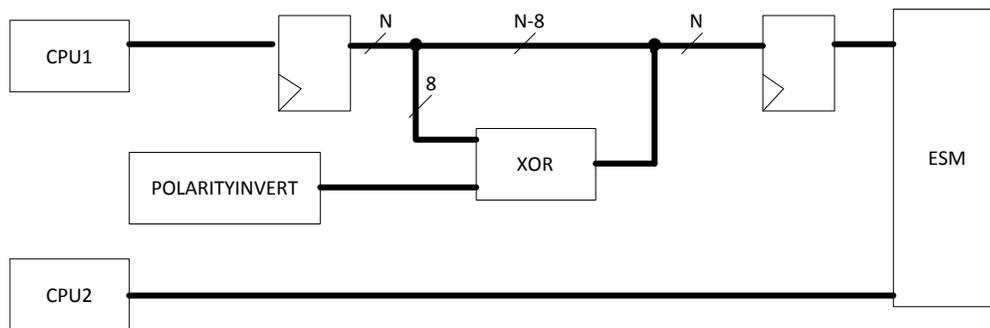
**Table 13-3. Error Flags and Error Signals Generation in Each Mode**

Mode	Key	Self Test Error Signal	Compare Error Signal	CMPE	STC	STET	STE
Active Compare Lockstep	0000	Enabled	Enabled	Enabled	Disabled	Disabled	Disabled
Self-Test	0110	Enabled	Disabled	Disabled	Enabled	Enabled	Enabled
Error Forcing	1001	Error	Error	Disabled	Disabled	Disabled	Disabled
Self-Test Error Forcing	1111	Error	Enabled	Enabled	Disabled	Disabled	Disabled

### 13.2.2 CPU Input Inversion Diagnostic

There is another way to intentionally create a mismatch between the two CPUs' outputs as a diagnostic test to self-test the CCM-R5F's CPU Output Compare Diagnostic block. Before the CPU1's outputs are taken to the CCM-R5F, eight of the output signals are first exclusive-ORed bitwise with the 8-bit POLARITYINVERT register. After reset, the default value of the POLARITYINVERT register is all zeros. The resultant values of the 8 signals after the XOR logic with the POLARITYINVERT register will still be the same as the original 8 signal values. However, by programming the POLARITYINVERT to a non-zero values it will have the effect to invert the signal values. This intentional inversion on the inputs to the CCM-R5F will cause the CPU Output Compare Diagnostic to detect a compare error. See [Figure 13-2](#) for illustration.

**Figure 13-2. CPU Input Inversion Scheme**



**Table 13-4. CPU1 (Main CPU) Signals Being Inverted Before Being Compared**

Signals	Remark
AWVALIDM	Indicates write address and control are valid
ARVALIDM	Indicates write address and control are valid
AWVALIDP	Indicates write address and control are valid
ARVALIDP	Indicates write address and control are valid
HTRANSP[1:0]	Indicates write address and control are valid

### 13.2.3 Checker CPU Inactivity Monitor

Similar to the CPU / VIM Output Compare Diagnostic, the Checker CPU Inactivity Monitor can also run in one of the following four operating modes:

1. Active compare
2. Self-test
3. Error forcing
4. Self-test error forcing

The operating mode can be selected by writing a dedicated key to the key register (MKEY3).

#### 13.2.3.1 Active Compare Mode

This is the default mode on start-up. In this mode, several key bus signals such as the bus valid control signals from the checker CPU which would have indicated a valid bus transaction onto the interconnect are compared against their clamped safe values. While the two CPUs are in lockstep configuration, the outputs of the checker CPU are supposed to clamp to the inactive state which is all zeros. A difference between the checker CPU compare bus outputs and their respective inactive states is indicated by signaling an error to the ESM which sets the error flag "CCM-R5F - CPU1 AXIM Bus Monitor Failure".

**Table 13-5. Checker CPU Signals to Monitor**

Signals	Remark
AWVALIDM	When asserted, indicates address and control are valid on the Checker CPU's AXI master port for write transaction.
ARVALIDM	When asserted, indicates address and control are valid on the Checker CPU's AXI master port for read transaction.
AWVALIDP	When asserted, indicates address and control are valid on the Checker CPU's AXI peripheral port for write transaction.
ARVALIDP	When asserted, indicates address and control are valid on the Checker CPU's AXI peripheral port for read transaction.
BVALIDS	When asserted, indicates that a valid write response is available on the Checker CPU's AXI slave port for write transaction
RVALIDS	When asserted, indicates address and control are valid on the Checker CPU's AXI slave port for read transaction

#### 13.2.3.2 Self-Test Mode

Similar to the other self-test described for CPU / VIM Output Compare Diagnostic, the Checker CPU Inactivity Monitor can be placed in self-test mode. In self-test mode, the CCM-R5F checks the Checker CPU Inactivity Monitor itself for faults. During self-test, the compare error module output signal is deactivated. Any fault detected inside the CCM-R5F will be flagged by ESM error "CCM-R5F - self-test".

In self-test mode, the CCM-R5F automatically generates test patterns to look for any hardware faults. If a fault is detected, then a self-test error flag is set, a self-test error signal is asserted and sent to the ESM, and the self-test is terminated immediately. If no fault is found during self-test, the self-test complete flag is set. In both cases, the CCM-R5F Checker CPU Inactivity Monitor Diagnostic remains in self-test mode after the test has been terminated or completed, and the application needs to switch the CCM-R5F mode by writing another key to the mode key register (MKEY3). During the self-test operation, the compare error signal output to the ESM is inactive irrespective of the compare result.

There are also two types of patterns generated by CCM-R5F during self-test mode for Check CPU Inactivity Monitor. The difference here is the number of test patterns applied during self-test.

- (i) Compare Match Test
- (ii) Compare Mismatch Test

CCM-R5F first generates Compare Match Test patterns, followed by Compare Mismatch Test patterns.

### 13.2.3.2.1 Compare Match Test

Since the comparison is done against the clamped values, and all compared signals are clamped to zero, only one test pattern is applied for the compare match test. A pattern of all-zeros are applied for the compare match test. The test will take one cycle. If the compare unit produces a compare mismatch then the self-test error flag is set, the self-test error signal is generated, and the Compare Match Test is terminated.

### 13.2.3.2.2 Compare Mismatch Test

During the Compare Mismatch Test, the number of test patterns is equal to the number of bus signals on the checker CPU to be monitored. There are a total of 6 signals being monitored on the checker CPU's level 2 interface and hence it takes 6 test patterns for the mismatch test. The mismatch test will take a total of 6 cycles to complete. An all 0's test vector is applied to the CCM-R5F's but with one bit flipped starting from signal position 0. The un-equal vector will cause the CCM-R5F to expect a compare mismatch at signal position 0, if the CCM-R5F logic is working correctly. If, however, the CCM-R5F logic reports a compare match, the self-test error flag is set, the self-test error signal is asserted, and the Compare Mismatch Test is terminated.

This Compare Mismatch Test algorithm repeats in a domino fashion with the next signal position flipped while forcing all other signals to logic level 0. This sequence is repeated until every inactivity monitor signal position is verified on the checker CPU .

Table 13-6 shows the sequence of Compare Mismatch Test. There is no error signal sent to ESM if the expected errors are seen with each pattern.

**Table 13-6. Checker CPU Inactivity Monitor Compare Mismatch Test**

Signal Position						Cycle
5	4	3	2	1	0	
0	0	0	0	0	1	0
0	0	0	0	1	0	1
0	0	0	1	0	0	2
0	0	1	0	0	0	3
0	1	0	0	0	0	4
1	0	0	0	0	0	5

### 13.2.3.3 Error Forcing Mode

In error forcing mode, a test pattern of all 1's is applied to the check CPU's compare logic to force an error in the compare error output signal of the compare unit. The ESM error flag "CCM-R5F - CPU1 AXIM Bus Inactivity failure" is expected after the error forcing mode completes. As a side effect, the "CCM-R5F self-test error" flag is also asserted whenever the CPU compare error is asserted.

The error forcing mode takes one cycle to complete. Hence, the failing signature is presented for one clock cycle. After that, the mode is automatically switched to active compare mode. The key register (MKEY3) will indicate the active compare mode once it is switched to active compare mode. During the one cycle required by the error forcing test, the checker CPU Inactivity Monitor is deactivated. User should expect the ESM to trigger a response (report the CCM-R5F fail). If no error is detected by ESM, then a hardware fault is present.

### 13.2.3.4 Self-Test Error Forcing Mode

In self-test error forcing mode, an error is forced at the self-test error signal. The compare unit is still running in active compare mode and the key is switched to active compare after one clock cycle. The ESM error flag "CCM-R5F - self-test" is expected after the self-test error forcing mode completes. Once the expected errors are seen, the application can clean the error through the ESM module.

### 13.2.4 Power Domain Inactivity Monitor

The Power Domain Inactivity Monitor is very similar to the Checker CPU Inactivity Monitor in concept. When a power domain is turned off, its outputs are isolated from the rest of the system. The outputs are clamped to inactive safe values. Depending on the signals, the clamp value of a signal may be 0 or 1. Some bus masters may be residing in the turned off power domains. Key bus signals from the power domains which would have indicated that the bus master is generating a valid bus transaction are compared against their clamped values.

The Power Domain Inactivity Monitor Diagnostic can also run in one of the following four operating modes:

1. Active compare
2. Self-test
3. Error forcing
4. Self-test error forcing

The operating mode can be selected by writing a dedicated key to the key register (MKEY4).

#### 13.2.4.1 Active Compare Mode

This is the default mode on start-up.

In this mode, several critical bus signals such as the bus request control signals from the power domains which would have indicated a valid bus transaction onto the interconnect are compared against their clamped safe values. If a power domain is turned off, the outputs of the power domain are expected to clamp to the inactive states. A difference between the power domain compare bus outputs and their respective inactive states is indicated by signaling an error to the ESM which sets the error flag "CCM-R5F - Power Domain Monitor Failure". In addition, the corresponding bus masters for which the compare block detected the monitor failure are also captured in the CCMPDSTAT0 register.

Self-test mode, Error forcing mode and Self-test error forcing mode for Power Domain Inactivity Monitor Diagnostic are the same as Checker CPU Inactivity Monitor Diagnostic. See [Section 13.2.3.2](#), [Section 13.2.3.3](#), and [Section 13.2.3.4](#) for details.

### 13.2.5 Operation During CPU Debug Mode

Certain debug operations place the CPU in a halting debug state where the code execution is halted. Because halting debug events are asynchronous, there is a possibility for the debug requests to cause loss of lockstep. CCM-R5F will disable all functional diagnostics upon detection of halting debug requests. Core compare error will not be generated and flags will not update. A CPU reset is needed to ensure the CPUs are again in lockstep and will also re-enable the CCM-R5F.

## 13.3 Control Registers

[Table 13-7](#) lists the CCM-R5F registers. Each register begins on a 32-bit word boundary. The registers support 32-bit, 16-bit, and 8-bit accesses. The base address for the control registers is FFFF F600h.

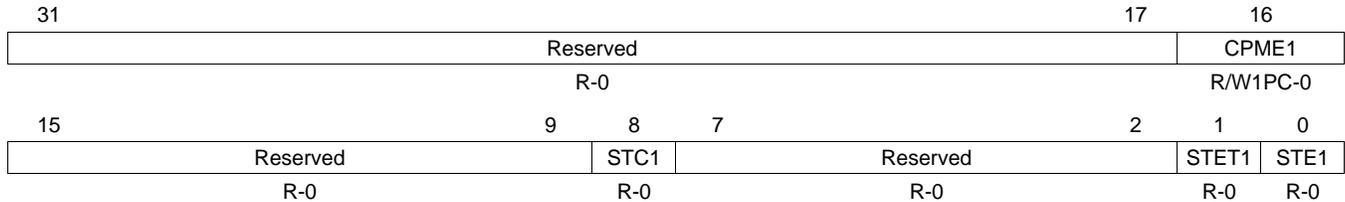
**Table 13-7. Control Registers**

Offset	Acronym	Register Description	Section
00h	CCMSR1	CCM-R5F Status Register 1	<a href="#">Section 13.3.1</a>
04h	CCMKEYR1	CCM-R5F Key Register 1	<a href="#">Section 13.3.2</a>
08h	CCMSR2	CCM-R5F Status Register 2	<a href="#">Section 13.3.3</a>
0Ch	CCMKEYR2	CCM-R5F Key Register 2	<a href="#">Section 13.3.4</a>
10h	CCMSR3	CCM-R5F Status Register 3	<a href="#">Section 13.3.5</a>
14h	CCMKEYR3	CCM-R5F Key Register 3	<a href="#">Section 13.3.6</a>
18h	CCMPOLCNTRL	Polarity Control Register	<a href="#">Section 13.3.7</a>
1Ch	CCMSR4	CCM-R5F Status Register 4	<a href="#">Section 13.3.8</a>
20h	CCMKEYR4	CCM-R5F Key Register 4	<a href="#">Section 13.3.9</a>
24h	CCMPDSTAT0	CCM-R5F Power Domain Status Register 0	<a href="#">Section 13.3.10</a>

### 13.3.1 CCM-R5F Status Register 1 (CCMSR1)

The contents of this register should be interpreted in context of what test was selected. That is, what mode is CCM operating.

**Figure 13-3. CCM-R5F Status Register 1 (CCMSR1) (Offset = 00h)**



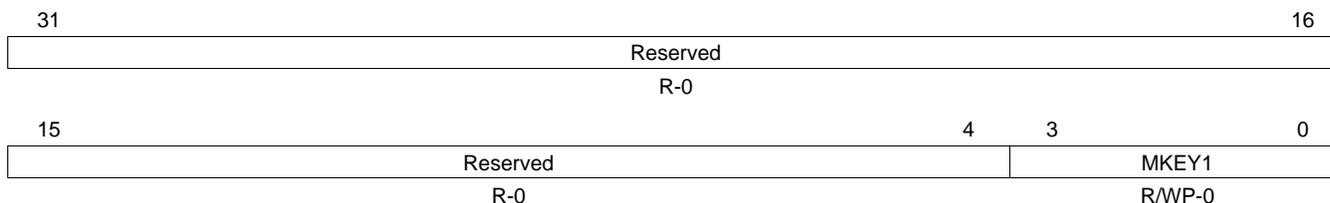
LEGEND: R/W = Read/Write; R = Read only; C = Clear; WP = Write in Privileged mode only; -n = value after reset

**Table 13-8. CCM-R5F Status Register 1 (CCMSR1) Field Descriptions**

Bit	Field	Value	Description
31-17	Reserved	0	Reads return zeros and writes have no effect.
16	CPME1	0	Compare Error for CPU Output Compare Diagnostic <b>Read in User and Privileged mode. Write in Privileged mode only.</b> Read: CPU signals are identical. Write: Leaves the bit unchanged.
		1	Read: CPU signal compare mismatch. Write: Clears the bit.
15-9	Reserved		Reads return zeros and writes have no effect.
8	STC1	0	Self-test Complete for CPU Output Compare Diagnostic <b>Note:</b> This bit is always 0 when not in self-test mode. Once set, switching from self-test mode to other modes will clear this bit. <b>Read/Write in User and Privileged mode.</b> Read: Self-test on-going if self-test mode is entered. Write: Writes have no effect.
		1	Read: Self-test is complete. Write: Writes have no effect.
7-2	Reserved		Reads return zeros and writes have no effect.
1	STET1	0	Self-test Error Type for CPU Output Compare Diagnostic <b>Read/Write in User and Privileged mode.</b> Read: Self-test failed during Compare Match Test if STE1 = 1. Write: Writes have no effect.
		1	Read: Self-test failed during Compare Mismatch Test if STE1 = 1. Write: Writes have no effect.
0	STE1	0	Self-test Error for CPU Output Compare Diagnostic <b>Note:</b> This bit gets updated when the self-test is complete or an error is detected. <b>Read/Write in User and Privileged mode.</b> Read: Self-test passed. Write: Writes have no effect.
		1	Read: Self-test failed. Write: Writes have no effect.

### 13.3.2 CCM-R5F Key Register 1 (CCMKEYR1)

Figure 13-4. CCM-R5F Key Register 1 (CCMKEYR1) (Offset = 04h)



LEGEND: R/W = Read/Write; R = Read only; WP = Write in Privileged mode only; -n = value after reset

Table 13-9. CCM-R5F Key Register 1 (CCMKEYR1) Field Descriptions

Bit	Field	Value	Description
31-4	Reserved	0	Reads return to zeros and writes have no effect.
3-0	MKEY1	0	Mode Key to select operation for CPU Output Compare Diagnostic <b>Read in User and Privileged mode. Write in Privileged mode only.</b> Read: Returns current value of the MKEY1. Write: Active Compare Lockstep mode
		6h	Read: Returns current value of the MKEY1. Write: Self-test mode.
		9h	Read: Returns current value of the MKEY1. Write: Error Forcing mode.
		Fh	Read: Returns current value of the MKEY1. Write: Self-test Error Forcing mode.
		Other values	<b>Note:</b> It is recommended to not write any other key combinations. Invalid keys will result in switching operation to lockstep mode.

### 13.3.3 CCM-R5F Status Register 2 (CCMSR2)

Figure 13-5. CCM-R5F Status Register 2 (CCMSR2) (Offset = 08h)

31	Reserved										17	CPME2			
R-0												R/W1PC-0			
15	Reserved						9	8	7	Reserved			2	1	0
R-0						STC2		R-0			STET2		STE2		
R-0						R-0		R-0			R-0		R-0		

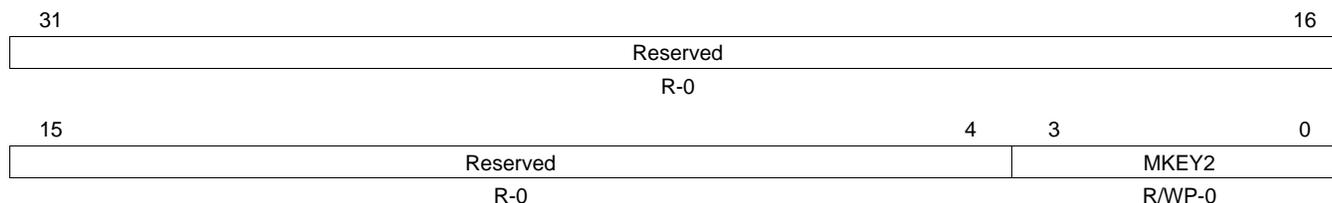
LEGEND: R/W = Read/Write; R = Read only; C = Clear; WP = Write in Privileged mode only; -n = value after reset

Table 13-10. CCM-R5F Status Register 2 (CCMSR2) Field Descriptions

Bit	Field	Value	Description
31-17	Reserved	0	Reads return zeros and writes have no effect.
16	CPME2	0	Compare Error for VIM Output Compare Diagnostic <b>Read in User and Privileged mode. Write in Privileged mode only.</b> Read: CPU signals are identical. Write: Leaves the bit unchanged.
		1	Read: CPU signal compare mismatch. Write: Clears the bit.
15-9	Reserved		Reads return zeros and writes have no effect.
8	STC2	0	Self-test Complete for VIM Output Compare Diagnostic <b>Note:</b> This bit is always 0 when not in self-test mode. Once set, switching from self-test mode to other modes will clear this bit. <b>Read/Write in User and Privileged mode.</b> Read: Self-test on-going if self-test mode is entered. Write: Writes have no effect.
		1	Read: Self-test is complete. Write: Writes have no effect.
7-2	Reserved		Reads return zeros and writes have no effect.
1	STET2	0	Self-test Error Type for VIM Output Compare Diagnostic <b>Read/Write in User and Privileged mode.</b> Read: Self-test failed during Compare Match Test if STE2 = 1. Write: Writes have no effect.
		1	Read: Self-test failed during Compare Mismatch Test if STE2 = 1. Write: Writes have no effect.
0	STE2	0	Self-test Error for VIM Output Compare Diagnostic <b>Note:</b> This bit gets updated when the self-test is complete or an error is detected. <b>Read/Write in User and Privileged mode.</b> Read: Self-test passed. Write: Writes have no effect.
		1	Read: Self-test failed. Write: Writes have no effect.

### 13.3.4 CCM-R5F Key Register 2 (CCMKEYR2)

Figure 13-6. CCM-R5F Key Register 2 (CCMKEYR2) (Offset = 0Ch)



LEGEND: R/W = Read/Write; R = Read only; WP = Write in Privileged mode only; -n = value after reset

Table 13-11. CCM-R5F Key Register 2 (CCMKEYR2) Field Descriptions

Bit	Field	Value	Description
31-4	Reserved	0	Reads return to zeros and writes have no effect.
3-0	MKEY2	0	Mode Key to select operation for VIM Output Compare Diagnostic <b>Read in User and Privileged mode. Write in Privileged mode only.</b> Read: Returns current value of the MKEY2. Write: Active Compare Lockstep mode
		6h	Read: Returns current value of the MKEY2. Write: Self-test mode.
		9h	Read: Returns current value of the MKEY2. Write: Error Forcing mode.
		Fh	Read: Returns current value of the MKEY2. Write: Self-test Error Forcing mode.
		Other values	<b>Note:</b> It is recommended to not write any other key combinations. Invalid keys will result in switching operation to lockstep mode.

### 13.3.5 CCM-R5F Status Register 3 (CCMSR3)

Figure 13-7. CCM-R5F Status Register 3 (CCMSR3) (Offset = 10h)

31	Reserved										17	16		
R-0											CPME3			
R-0											R/W1PC-0			
15	Reserved						9	8	7	Reserved		2	1	0
R-0						STC3		R-0		R-0		STET3	STE3	
R-0						R-0		R-0		R-0		R-0	R-0	

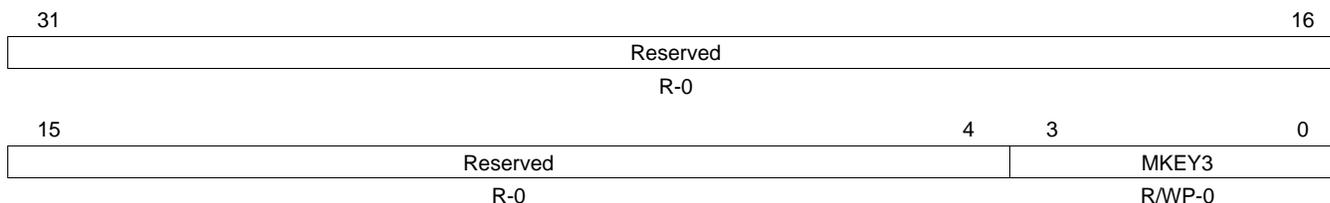
LEGEND: R/W = Read/Write; R = Read only; C = Clear; WP = Write in Privileged mode only; -n = value after reset

Table 13-12. CCM-R5F Status Register 3 (CCMSR3) Field Descriptions

Bit	Field	Value	Description
31-17	Reserved	0	Reads return zeros and writes have no effect.
16	CMPE3	0	Compare Error for Checker CPU Inactivity Monitor <b>Read in User and Privileged mode. Write in Privileged mode only.</b> Read: CPU signals are identical. Write: Leaves the bit unchanged.
		1	Read: CPU signal compare mismatch. Write: Clears the bit.
15-9	Reserved		Reads return zeros and writes have no effect.
8	STC3	0	Self-test Complete for Checker CPU Inactivity Monitor <b>Note:</b> This bit is always 0 when not in self-test mode. Once set, switching from self-test mode to other modes will clear this bit. <b>Read/Write in User and Privileged mode.</b> Read: Self-test on-going if self-test mode is entered. Write: Writes have no effect.
		1	Read: Self-test is complete. Write: Writes have no effect.
7-2	Reserved		Reads return zeros and writes have no effect.
1	STET3	0	Self-test Error Type for Checker CPU Inactivity Monitor <b>Read/Write in User and Privileged mode.</b> Read: Self-test failed during Compare Match Test if STE3 = 1. Write: Writes have no effect.
		1	Read: Self-test failed during Compare Mismatch Test if STE3 = 1. Write: Writes have no effect.
0	STE3	0	Self-test Error for Checker CPU Inactivity Monitor <b>Note:</b> This bit gets updated when the self-test is complete or an error is detected. <b>Read/Write in User and Privileged mode.</b> Read: Self-test passed. Write: Writes have no effect.
		1	Read: Self-test failed. Write: Writes have no effect.

### 13.3.6 CCM-R5F Key Register 3 (CCMKEYR3)

Figure 13-8. CCM-R5F Key Register 3 (CCMKEYR3) (Offset = 14h)



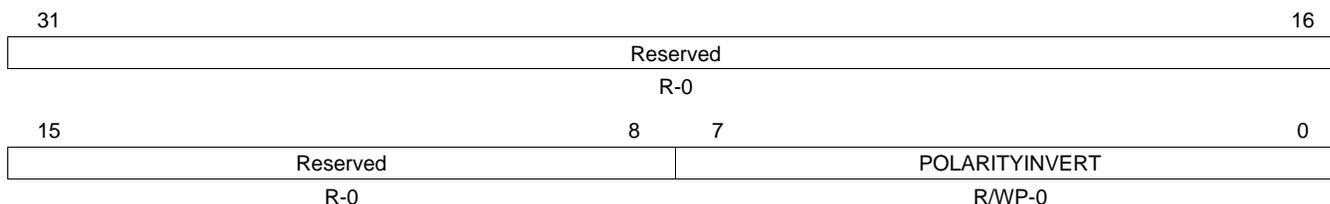
LEGEND: R/W = Read/Write; R = Read only; WP = Write in Privileged mode only; -n = value after reset

Table 13-13. CCM-R5F Key Register 2 (CCMKEYR2) Field Descriptions

Bit	Field	Value	Description
31-4	Reserved	0	Reads return to zeros and writes have no effect.
3-0	MKEY3	0	Mode Key to select operation for Checker CPU Inactivity Monitor <b>Read in User and Privileged mode. Write in Privileged mode only.</b> Read: Returns current value of the MKEY3. Write: Active Compare Lockstep mode
		6h	Read: Returns current value of the MKEY3. Write: Self-test mode.
		9h	Read: Returns current value of the MKEY3. Write: Error Forcing mode.
		Fh	Read: Returns current value of the MKEY3. Write: Self-test Error Forcing mode.
		Other values	<b>Note:</b> It is recommended to not write any other key combinations. Invalid keys will result in switching operation to lockstep mode.

### 13.3.7 CCM-R5F Polarity Control Register (CCMPOLCNTRL)

Figure 13-9. CCM-R5F Polarity Control Register (CCMPOLCNTRL) (Offset = 18h)



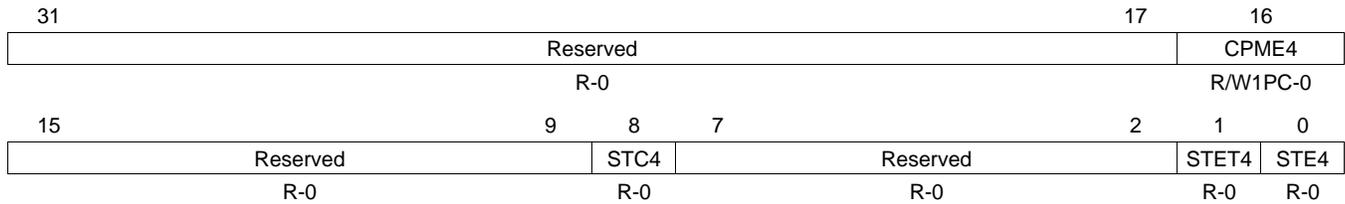
LEGEND: R/W = Read/Write; R = Read only; WP = Write in Privileged mode only; -n = value after reset

Table 13-14. CCM-R5F Polarity Control Register (CCMPOLCNTRL) Field Descriptions

Bit	Field	Value	Description
31-8	Reserved	0	Reads return to zeros and writes have no effect.
3-0	POLARITYINVERT		Polarity Inversion. This value is used to invert one of the 8 output compare signals from the CPU1 to the CCM-R5F. Inverting any one signal will lead to compare error by the CPU Output Compare Diagnostic. <b>Read in User and Privileged mode. Write in Privileged mode only.</b>

### 13.3.8 CCM-R5F Status Register 4 (CCMSR4)

Figure 13-10. CCM-R5F Status Register 4 (CCMSR4) (Offset = 1Ch)



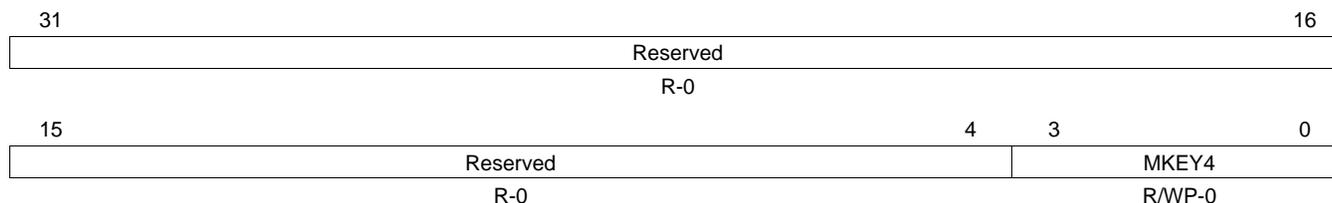
LEGEND: R/W = Read/Write; R = Read only; C = Clear; WP = Write in Privileged mode only; -n = value after reset

Table 13-15. CCM-R5F Status Register 4 (CCMSR4) Field Descriptions

Bit	Field	Value	Description
31-17	Reserved	0	Reads return zeros and writes have no effect.
16	CPME4	0	Compare Error for Power Domain Inactivity Monitor <b>Read in User and Privileged mode. Write in Privileged mode only.</b> Read: CPU signals are identical. Write: Leaves the bit unchanged.
		1	Read: CPU signal compare mismatch. Write: Clears the bit.
15-9	Reserved		Reads return zeros and writes have no effect.
8	STC4	0	Self-test Complete for Power Domain Inactivity Monitor <b>Note:</b> This bit is always 0 when not in self-test mode. Once set, switching from self-test mode to other modes will clear this bit. <b>Read/Write in User and Privileged mode.</b> Read: Self-test on-going if self-test mode is entered. Write: Writes have no effect.
		1	Read: Self-test is complete. Write: Writes have no effect.
7-2	Reserved		Reads return zeros and writes have no effect.
1	STET4	0	Self-test Error Type for Power Domain Inactivity Monitor <b>Read/Write in User and Privileged mode.</b> Read: Self-test failed during Compare Match Test if STE4 = 1. Write: Writes have no effect.
		1	Read: Self-test failed during Compare Mismatch Test if STE4 = 1. Write: Writes have no effect.
0	STE4	0	Self-test Error for Power Domain Inactivity Monitor <b>Note:</b> This bit gets updated when the self-test is complete or an error is detected. <b>Read/Write in User and Privileged mode.</b> Read: Self-test passed. Write: Writes have no effect.
		1	Read: Self-test failed. Write: Writes have no effect.

### 13.3.9 CCM-R5F Key Register 4 (CCMKEYR4)

Figure 13-11. CCM-R5F Key Register 4 (CCMKEYR4) (Offset = 20h)



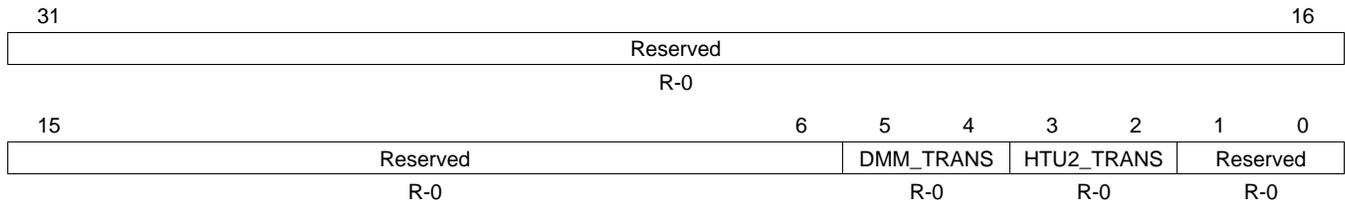
LEGEND: R/W = Read/Write; R = Read only; WP = Write in Privileged mode only; -n = value after reset

Table 13-16. CCM-R5F Key Register 4 (CCMKEYR4) Field Descriptions

Bit	Field	Value	Description
31-4	Reserved	0	Reads return to zeros and writes have no effect.
3-0	MKEY4	0	Mode Key to select operation for Power Domain Inactivity Monitor <b>Read in User and Privileged mode. Write in Privileged mode only.</b> Read: Returns current value of the MKEY4. Write: Active Compare Lockstep mode
		6h	Read: Returns current value of the MKEY4. Write: Self-test mode.
		9h	Read: Returns current value of the MKEY4. Write: Error Forcing mode.
		Fh	Read: Returns current value of the MKEY4. Write: Self-test Error Forcing mode.
		Other values	<b>Note:</b> It is recommended to not write any other key combinations. Invalid keys will result in switching operation to lockstep mode.

### 13.3.10 CCM-R5F Power Domain Status Register 0 (CCMPDSTAT0)

Figure 13-12. CCM-R5F Power Domain Status Register 0 (CCMPDSTAT0) (Offset = 24h)



LEGEND: R = Read only; -n = value after reset

Table 13-17. CCM-R5F Power Domain Status Register 0 (CCMPDSTAT0) Field Descriptions

Bit	Field	Value	Description
31-6	Reserved	0	Reads return to zeros and writes have no effect.
5-4	DMM_TRNS	0	DMM Transaction. When the power domain in which the DMM resides is turned off, an unexpected bus transaction is detected on DMM master. <b>Read in User and Privileged mode. Write has no effect.</b> Read: No bus transaction on the master when the power domain is turned off. Write: Has no effect
		Any non-zero value	Read: An unexpected bus transaction is detected on the master. Write: Has no effect
3-2	HTU2_TRNS	0	HTU2 Transaction. When the power domain in which the HTU2 resides is turned off, an unexpected bus transaction is detected on HTU2 master. <b>Read in User and Privileged mode. Write has no effect.</b> Read: No bus transaction on the master when the power domain is turned off. Write: Has no effect
		Any non-zero value	Read: An unexpected bus transaction is detected on the master. Write: Has no effect
1-0	Reserved	0	Reads return to zeros and writes have no effect.

## Oscillator and PLL

---

---

---

This chapter describes the oscillator and PLL clock source paths for the device.

Topic	Page
<b>14.1 Introduction .....</b>	<b>499</b>
<b>14.2 Quick Start.....</b>	<b>500</b>
<b>14.3 Oscillator.....</b>	<b>501</b>
<b>14.4 Low Power Oscillator and Clock Detect (LPOCLKDET) .....</b>	<b>503</b>
<b>14.5 PLL.....</b>	<b>506</b>
<b>14.6 Control Registers .....</b>	<b>515</b>
<b>14.7 Phase-Locked Loop Theory of Operation .....</b>	<b>519</b>
<b>14.8 Programming Example.....</b>	<b>521</b>

## 14.1 Introduction

The oscillator macro will pass a signal driven into the OSCIN pin to clock source 0 that is the device default clock source on reset. When a crystal or resonator with appropriate load circuitry is connected to OSCIN and OSCOUT, the oscillator macro drives the crystal/resonator to generate the input waveform. In addition to being directly usable as clock source 0, the oscillator clock is the input to the PLL.

The oscillator frequency is continuously monitored by a dedicated clock detect circuit. If the frequency falls out of a fixed range, the clock detect switches the clock from the oscillator to an internally generated, free-running frequency (generated by the low power oscillator (LPO)).

The phase lock loop (PLL), a circuit in the microcontroller, is used to multiply the input frequency to some higher (device operation) frequency. This frequency synthesis is useful for generating higher frequencies than can be conveniently achieved with an external crystal or resonator. Additionally, the PLL allows the flexibility to be able to synthesize one of multiple frequency options from a given crystal or resonator.

Frequency modulation can be superimposed on the synthesized frequency. The modulation provides a means to reduce the impact of electromagnetic radiation from the device; this reduction in measured radiation can be useful in sensitive applications.

### 14.1.1 Features

The main features of the source clock path are:

- The oscillator may drive a crystal/resonator or be driven from an external source
- The clock detect provides continuous monitoring of the oscillator frequency and provides an automatic switch over to a free-running clock in case of oscillator failure.
- The FM-PLL module can be operated in either modulation or non-modulation mode.
- The phase-frequency detector assures lock to the fundamental reference frequency.
- $$f_{PLL} = \frac{f_{OSCIN}}{NR} \frac{NF}{OD \times R}$$
 (3)
  - Configurable prescale divider (NR) for the input clock
  - Configurable multiplier (NF)
  - Configurable postscale dividers (OD, R)
- The PLL may be used with modulation enabled.
  - Configurable modulation frequency (NS)
  - Configurable modulation depth (NV)
- The slip control circuitry provides flexible response to a PLL failure (slip) including reset or automatic switch over to oscillator.

## 14.2 Quick Start

The purpose of this section is to provide an overview of how to configure the oscillator and PLL clock paths on power-up. More detailed descriptions are presented in later sections. [Figure 14-1](#) shows the oscillator and PLL clock paths.

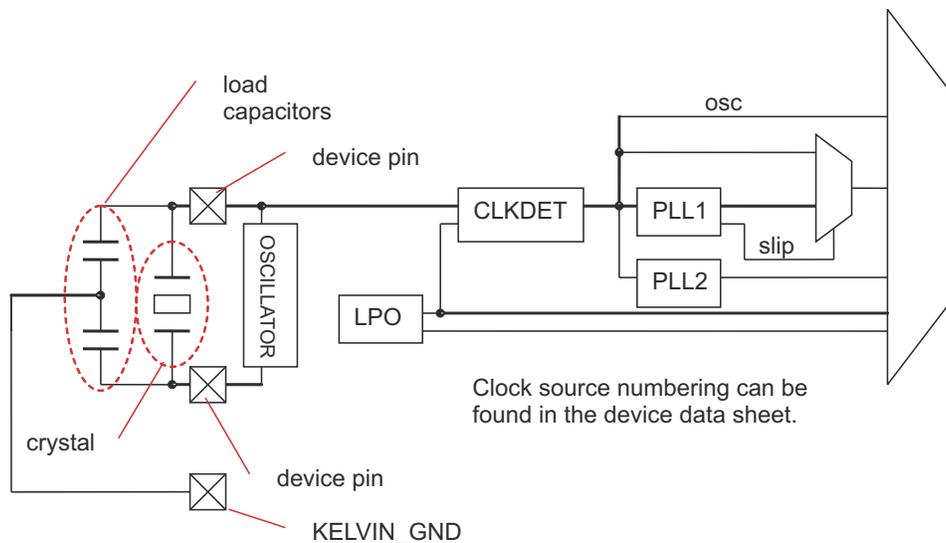
While power-on reset is asserted (low), the oscillator and low power oscillator (LPO) are enabled and start-up by default. After power-on reset is released to a high level, the clock detect circuit (CLKDET) begins to monitor the oscillator. If the oscillator is within a valid range, the oscillator becomes the default clock for the device as it exits reset; if the oscillator is not within a valid range, the clock detect selects the high-frequency low power oscillator as the default clock for the device.

The low power oscillator has a wide frequency range which also creates a large valid window for the clock detect; in order to refine the clock detect window, the low power oscillator can be trimmed. The initial trim value is stored in one-time programmable section of the flash memory, address 0xF008\_01B4. Bits 31:16 of this word contain a 16 bit value that may be programmed into LPOMONCTL(15:0) in order to initialize the trim for both HF LPO and LF LPO. Software should read the initial trim values from flash and write them to the control register.

The PLL is disabled by default on power-up. The PLL control registers (PLLCTL1 and PLLCTL2) must be configured to set the desired output frequency. Then, the system PLL may be enabled (CSDISCLR.1). Similarly, the second PLL must be configured in PLLCTL3 and enabled (CSDISCLR.6). Each PLL has a valid bit that indicates the PLL is locked (CLKSRnV bit in the Clock Source Valid Status Register (CSVSTAT) of the System and Peripheral Control Registers).

Prior to selecting the PLL clock as the source for a clock domain (GCLK, HCLK, ACLKV1), the domain and modules on the domain must be configured to accept the new frequency. An example of a module that should be configured prior to selecting the PLL as clock source for GCLK and HCLK is the memory wrapper to insure that access times are maintained correctly.

**Figure 14-1. Clock Path from Oscillator through PLL to Device**



### 14.3 Oscillator

The clock generation path through the PLL begins with the oscillator. The oscillator consists of three separate pads -- OSCIN, OSCOUT, and Kelvin\_GND (see Figure 14-2).

The oscillator is responsible for two independent functions:

1. The oscillator is responsible for generating positive feedback in the external crystal/resonator with appropriate load and tank circuitry. At start-up, the oscillator amplifies random noise. The external circuitry acts like a band-pass and selects the crystal/resonator frequency to provide as positive feedback into the amplifier. The positive feedback increases the amplitude of the output waveform into the crystal/resonator (and the load circuitry), and the voltage waveform shows an envelope of increasing amplitude. The oscillator can drive a crystal frequency that is within the data sheet range  $t_{c(OSC)}$ .

Looking at the input waveform into OSCIN, the voltage waveform is an AC-coupled, filtered version of the OSCOUT waveform. The band-pass functionality of the crystal/resonator removes distortion from the OSCOUT waveform, leaving a sinusoidal input waveform.

**NOTE: Vendor Validation of Resonators/Crystals**

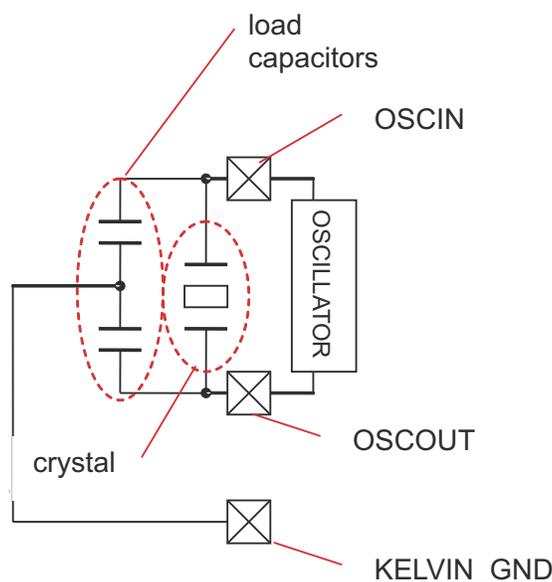
The crystal is a very tight bandpass filter while a resonator is a somewhat wider bandpass. The load circuitry pulls the center frequency of the bandpass.

Texas Instruments strongly encourages each customer to submit samples of the device to the resonator/crystal vendor for validation. The vendor is equipped to determine what load capacitances will best tune their resonator/crystal to the microcontroller device for optimum start-up and operation over temperature and voltage extremes. The vendor also factors in margins for variations in the microcontroller process.

2. The oscillator is also responsible for squaring-up the input waveform. This squaring-up converts the sinusoid into a square wave at the core logic levels. The input path limits the input frequency range as a low-pass filter with a cutoff frequency.

The oscillator has a frequency range that is determined by the driving capability of external crystals/resonators (feedback path). If a clock is driven directly into the oscillator, then the feedback path is not relevant and the frequency range is determined solely by the forward path (which typically allows a higher frequency); the device can support inputs within the data sheet range  $t_{c(OSC\_Sqr)}$ .

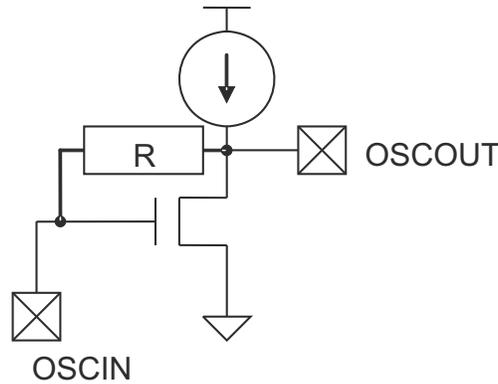
**Figure 14-2. Clock Generation Path**



### 14.3.1 Oscillator Implementation

The oscillator operates at 3.3V and uses a constant current source to drive current onto the OSCOUT node. An internal transistor shunts the current (and current from the external circuitry) to GND. This current steering drives the voltage waveform on OSCOUT.

Figure 14-3. Oscillator Implementation



### 14.3.2 Oscillator Enable

The oscillator is enabled asynchronously when nPORRST is low.

The oscillator is enabled by clearing bit 0 in the Clock Source Disable Register (CSDIS) or setting bit 0 in the Clock Source Disable Clear Register (CSDISCLR) of the System and Peripheral Control Registers. The bit sends a start signal to the oscillator. Bit 0 of CSDIS is cleared to 0 by default on a system or power-on reset so that the oscillator starts-up by default. After the oscillator swings at a high-enough amplitude to pass an input clock into the core domain and nPORRST is released, 1024 oscillator periods are counted before setting the CLKSR0V bit in the Clock Source Valid Status Register (CSVSTAT) of the System and Peripheral Control Registers. The oscillator generates clock source 0 in the global clock module (GCM).

### 14.3.3 Oscillator Disable

The clock sources (for example, OSC, PLL) are disabled by setting the appropriate bit in the Clock Source Disable Register (CSDIS) or setting the appropriate bit in the Clock Source Disable Set Register (CSDISSET) of the System and Peripheral Control Registers. These bits *allow* the clock source to disable but do not force the behavior until the clock is no longer used as the source for a clock domain (for example, GCLK, VCLK, VCLK2, RTICKL). The CLKSR0V bit in the Clock Source Valid Status Register (CSVSTAT), of the System and Peripheral Control Registers, is cleared after clock disable is asserted (which occurs after all clock domains are stopped).

The oscillator disable signal places the oscillator into a low-power state, disconnects the feedback (bias) resistor between OSCIN and OSCOUT, and OSCIN is grounded.

## 14.4 Low Power Oscillator and Clock Detect (LPOCLKDET)

The Low Power Oscillator (LPO) is comprised of two oscillators -- HF LPO and LF LPO -- in a single macro. The low power oscillator and clock detect (LPOCLKDET) uses a relaxation oscillator to generate an internal clock whose frequency is NOT tightly controlled. This frequency is used to monitor the oscillator input frequency and is also available as an independent clock source in the GCM.

The LPO produces two frequencies:

- High-frequency low-power oscillator (HF LPO) with a nominal frequency of 9.6MHz and a range from 5.5MHz to 19.5MHz; the HF LPO generates clock source 5 in the GCM.
- Low-frequency low-power oscillator (LF LPO) with a nominal frequency of 85kHz; the LF LPO generates clock source 4 in the GCM.

A single current source drives current onto a capacitor; when the voltage on the capacitor exceeds some threshold, the clock toggles. The LPO uses a single current source and the two different comparators to generate the HF LPO and LF LPO frequencies. The LPO is controlled by 4 different bit fields -- CSDIS.(5:4), HFTRIM(4:0), LFTRIM(4:0), and BIASEN.

- CSDIS.5 enables/disables the comparator that generates HF LPO.
- CSDIS.4 enables/disables the comparator that generates LF LPO.
- The HF TRIM and LF TRIM bit fields vary the current into the comparator to independently trim the HF LPO and LF LPO frequencies.
- BIAS ENABLE (LPOMONCTL.24) enables/disables the current source which drives the LPO.

### 14.4.1 Clock Detect

The LPO HF clock frequency is typically near 9.6MHz, but ranges from 5.5MHz to 19.5MHz. The clock detect establishes a window for the oscillator by:

$OSCIN > HF\ LPO_{min} / 4$	$OSCIN / 4 < HF\ LPO_{max}$
$OSCIN > 5.5[MHz] / 4 = 1.375[MHz]$	$OSCIN < 4 \times 19.5 = 78[MHz]$

The clock detect circuit works by checking for a rising edge on one clock (oscillator or HF LPO) between rising edges of the other clock. The result is that in addition to flagging incorrect, repeating frequencies, the circuit also fails due to transient conditions.

The low end of the clock detect window ignores a transient low phase of at least 12 HF LPO cycles.

---

**NOTE: Clock Detection of Oscillator MUST be Disabled Before Disabling HF LPO**

The HF LPO frequency is the comparison frequency for the oscillator. The clock detection must be disabled prior to disabling the HF LPO frequency.

If the clock detection is NOT disabled prior to disabling the HF LPO, the clock detect circuitry will fail the oscillator as too fast (compared to the non-existent HF LPO). The clock detect circuitry will switch to the non-existent clock, leaving the device without a valid clock.

---

### 14.4.2 Behavior on Oscillator Failure

If the oscillator frequency fails, the clock detects supplies:

- the HF LPO clock to GCM clock source 0 instead of the oscillator
- the HF LPO clock to GCM clock source 1 instead of the PLL

The HF LPO signal will be available as three different clock sources:

- GCM clock source 0 (replacing the oscillator)
- GCM clock source 1 (replacing the PLL)
- GCM clock source 5 as HF LPO

The automatic switch-over from oscillator to HF LPO allows the application to execute at a reduced frequency and respond to a problem with the external crystal/resonator. During and after an oscillator failure, the oscillator CLKSRnV bit in the Clock Source Valid Status Register (CSVSTAT), of the System and Peripheral Control Registers, is set along with the OSCFAIL flag in the Global Status Register (GLBSTAT), of the System and Peripheral Control Registers.

It is useful to explicitly change the GHVSRG register, defining the current clock source for GCLK/HCLK/VCLK domains, to the HF LPO after an oscillator failure.

When reset on oscillator failure is set, PLLCTL1.23 (ROF), the device responds to an oscillator failure by generating a device reset.

### 14.4.3 Recovery from Oscillator Failure

If the oscillator fails, the clock detect switches the HF LPO frequency onto the oscillator source into the GCM. The OSCFAIL flag in the Global Status Register (GLBSTAT) of the System and Peripheral Control Registers is also set.

The oscillator may be re-enabled (though if the failure was caused by a hard-fault, the re-enable will fail) through the following procedure:

1. Switch all clock domains from the oscillator to the HF LPO (for example, GHVSRG uses HF LPO, ACLKV uses HF LPO or VCLK, and so on).
2. If the PLL is used, disable the PLL by setting the appropriate bit in the Clock Source Disable Set Register (CSDISSET) of the System and Peripheral Control Registers.
3. Disable the oscillator by setting the appropriate bit in the Clock Source Disable Set Register (CSDISSET). This action resets the clock detect and allows the oscillator to propagate through GCM clock source 0.
4. Re-enable the oscillator by setting the appropriate bit in the Clock Source Disable Clear Register (CSDISCLR) of the System and Peripheral Control Registers.
5. Clear the OSCFAIL flag in the Global Status Register (GLBSTAT) by writing a 1 to the bit. The PLL slip bits may also be set on an oscillator failure. These can also be cleared.
6. Switch the clock domains back to the oscillator.
7. Re-enable the PLL by setting the appropriate bit in the Clock Source Disable Clear Register (CSDISCLR).

---

**NOTE: Clock Re-Enable Procedure Will Fail If Caused by a Hard Failure**

Although it is possible to re-enable the oscillator after a failure, if the oscillator failure was caused by a hard fault (for example, disconnected crystal/resonator terminal), the re-enable process will fail.

---

### 14.4.4 LPOCLKDET Enable

The LPO is enabled by default while nPORRST is low. During this time, the current source initializes, holding the relaxation oscillator in reset until initialized. After the current source releases the HF LPO and the LF LPO, these clock frequencies slew to their final frequencies; the final frequency may be achieved while nPORRST is active or after its release. After, nPORRST is released, the HF LPO Valid signal is set 32 HF LPO clock cycles later.

The clock detect is enabled once the oscillator and HF LPO are valid. Because an oscillator failure could occur from reset, the clock detect logic must provide an override path. If the HF LPO is valid and the oscillator is not valid, the clock detect circuitry will become active (overriding the oscillator invalid signal) after 16K LF LPO cycles (about 200 ms).

## 14.4.5 LPOCLKDET Disable

### 14.4.5.1 Disable Clock Detect

It is possible to disable the clock detect circuitry. For protection, this clock detect disable employs a 2-bit key:

- RANGE DET ENA SSET (CLKTEST.24) must be set to 1
- RANGE DET CTRL (CLKTEST.25) must be cleared to 0

In this case, the LPO HF and LF clocks are still active but the clock detect circuitry is disabled. The clock detect unconditionally switches GCM\_CLK\_SRC(0) back to the oscillator so care should be taken to insure that the oscillator is good before disabling the clock detect circuitry.

### 14.4.5.2 Disable LPO HF and LF Clocks

The LPO may be disabled by holding the relaxation oscillator clocks (HF and LF) in reset. The clock detect must be disabled, and any clock domains using either HF or LF clocks must be switched to a different clock source. The LPO HF clock is reset by setting CSDIS.5; CSDISSET.5 is an easy way to set specific bits without disturbing the rest of the register. The HF LPO clock disables several HF LPO cycles after CSDIS is set.

Similarly, the LPO LF clock is reset by setting CSDIS.4, and in a similar way CSDISSET.4 can set the specific CSDIS register bit without using a read-modify-write construction. The LF LPO disables several LF LPO cycles after CSDIS is set.

Restarting the LPO clocks from this condition is fast and is known as a warm re-start. The CSDISCLR register allows the user to clear CSDIS bits without using a read-modify-write code-construct.

### 14.4.5.3 Disable LPO Current Bias

The LPO current source may be disabled after the clock detect is disabled and HF and LF clock sources are disabled. Turning off this current source places the LPOCLKDET into its lowest power configuration. The bias may be disabled by clearing the BIAS ENABLE bit (LPOMONCTL.24).

Restarting the LPO when the bias current has been disabled requires the current source to initialize first and is, therefore slower than a warm re-start; re-enabling the LPO from this condition is known as a warm re-start (similar to what happens during nPORRST active).

## 14.4.6 Trimming the HF LPO Oscillator

The HF LPO range varies considerably around 9.6MHz from device to device. In order to provide tighter monitoring of the crystal/resonator, it is useful to trim the oscillator. During device test, a trim value is written into the one-time programmable section of the flash memory (OTP), address 0xF008\_01B4. Bits 31:16 of this OTP word contain a 16 bit value that may be programmed into LPOMONCTL(15:0) in order to initialize the trim for both HF LPO and LF LPO.

When trimming the HF LPO, it is recommended to step the trim value so as not to make a large change to any TRIM setting.

After the initial trim, further trimming may be done in LPOMONCTL, using the dual clock compare module (DCC, please see Dual Clock Compare User's Guide) in order to determine the resultant frequency. This module allows for comparison of two clock frequencies. Once the HF LPO is determined to be in-range with the initial HFTRIM setting from the OTP, the crystal oscillator may be used as a reference against which the HF LPO and LF LPO may be further adjusted.

## 14.5 PLL

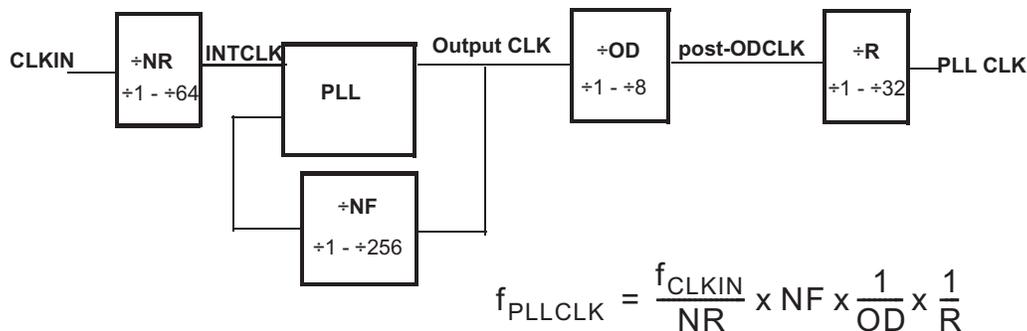
The following bit fields from PLLCTL1 and PLLCTL2 configure the PLL:

- REFCLKDIV[5:0]
- PLLMUL[15:0]
- ODPLL[2:0]
- PLLDIV[4:0]
- SPR\_AMOUNT[8:0]
- SPREADINGRATE[8:0]
- FMENA

The PLL is responsible for synthesizing an output frequency from the input clock (from the oscillator); [Figure 14-4](#) shows a simple block diagram of the PLL. The FM-PLL divides the reference input for a lower frequency input into the PLL ( $f_{\text{INTCLK}} = f_{\text{CLKIN}}/\text{NR}$ ). The PLL multiplies this internal frequency by NF to get the VCO output clock frequency ( $f_{\text{Output CLK}} = f_{\text{INTCLK}} * \text{NF}$ ). The PLL output is subsequently divided by two prescale values (OD and R). The value of OD is an integer from 1-8 and R is an integer from 1 to 32. This output clock, PLL CLK, sources GCM clock source 1. Valid frequencies are shown in [Table 14-1](#) while [Table 14-2](#) shows how that encoding is generated from the PLL bit fields.

[ $f_{\text{(post\_ODCLK)}}$  and  $f_{\text{(HCLK)}}$  are data sheet parameters.]

**Figure 14-4. Operation of the FM-PLL Module**



**Table 14-1. Valid Frequency Ranges for PLL**

	Frequency Limit
$f_{\text{CLKIN}}$	$f_{\text{(OSC\_Sqr)}}$
$f_{\text{INTCLK}}$	1MHz - $f_{\text{(OSC\_Sqr)}}$
$f_{\text{Output CLK}}$	150MHz - 550MHz
$f_{\text{post-ODCLK}}$	$f_{\text{(post\_ODCLK)}}$
$f_{\text{PLL CLK}}$	$f_{\text{(HCLK)}}$

**Table 14-2. PLL Value Encoding**

	PLL	
<b>NR</b>	$NR = REFCLKDIV[5...0] + 1$	(4)
	Non-modulated: $NF = \frac{(PLLMUL[15...0] + 1 \ll 8)}{256}$	(5)
<b>NF</b>	Modulated: $NF = \frac{(PLLMUL[15...0] + MULMOD[8...0] + 1 \ll 8)}{256}$	(6)
<b>NV</b>	$NV = \frac{(SPR\_AMOUNT[8...0] + 1)}{2048}$	(7)
<b>NS</b>	$NS = SPRRATE[8...0] + 1$	(8)
<b>OD</b>	$OD = ODPLL[2...0] + 1$	(9)

**NOTE: ODPLL change should occur prior to enabling asynchronous clock domains**

Since changing the ODPLL bit-field causes the PLL CLK to be gated, these changes to ODPLL should be completed before configuring a clock domain for an asynchronous clock source. Some clock domains (RTICKL, VCLK2) require a frequency relationship to the VCLK.

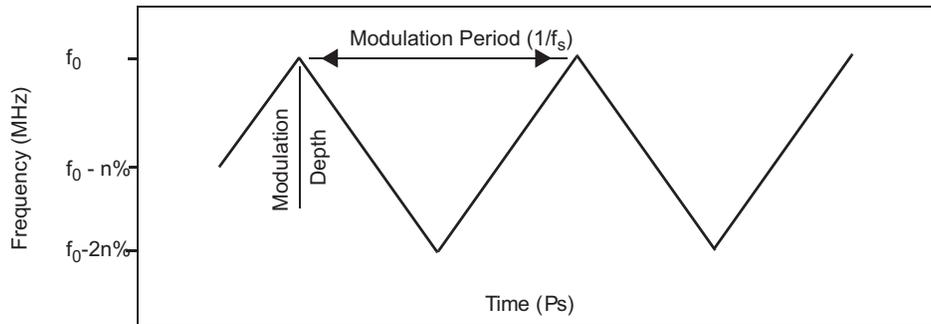
$$f_{VCLK} \geq 3 \times \frac{f_{RTISRC}}{RTIDIV}$$

If the PLL is clocking VCLK and it is stopped for some cycles, then the frequency relationship is temporarily violated.

Many asynchronous domains require frequency relationships between VCLK and the asynchronous domain. Therefore, if the PLL clock is the source for GCLK, HCLK, and VCLK, then the gating produces a short-term change in the PLL clock frequency (and hence also the VCLK frequency). As such, this frequency change could violate the requirements for an asynchronous clock domain.

### 14.5.1 Modulation

Optionally, the frequency can be modulated, that is, a controlled jitter is introduced onto the baseline frequency of the PLL. This modulation mechanism is not shown in Figure 14-4. When the PLL is used in the modulating mode, the programmable modulation block varies the PLL frequency from the baseline frequency ( $f_{\text{baseline}} = (f_{\text{CLKIN}}/\text{NR}) \times \text{NF}/(\text{OD} \times \text{R})$ ) to  $f_{\text{baseline}} \times (1 - 2 \times \text{Depth})$  in a period defined by  $1/f_s$ ; the modulation waveform is triangular and should be enabled after lock.



The modulation is digital and the spreading profile is triangular, down-spread which implies:

- the modulation waveform is composed of a series of frequency steps.
- the modulation frequency and modulation depth are both well controlled due to their digital character.
- the average frequency during modulation is lower than the average frequency prior to enabling modulation. The depth of modulation, however, sets the new average frequency.
- the modulation frequency must be selected slower than the loop bandwidth. From a practical perspective, NS should be near 20.

The modulation fields have a simple geometric meaning:

- the modulation step size is:

$$\frac{NV}{NF} \times f_{\text{OutputCLK}} \quad (10)$$

- the number of steps per modulation period is  $2 \times \text{NS}$
- the modulation depth is given by:

$$\Delta f = \frac{NS}{2} \times \frac{NV}{NF} \times f_{\text{OutputCLK}}$$

$$\text{Depth} [\%] = \frac{NS}{2} \times \frac{NV}{NF} \quad (11)$$

- the modulation frequency is:

$$T_{\text{mod}} = \frac{f_{\text{osc}}}{2 \times \text{NR} \times \text{NS}} \quad (12)$$

- MULMOD minimizes frequency offset when programmed as:

$$\frac{(\text{SPR\_AMOUNT}[8\dots 0] + 1)(\text{SPRRATE}[8\dots 0] + 1)}{16} \quad (13)$$

---

**NOTE: Modulation should be enabled after Lock**

Enable modulation after the lock is completed.

---

## 14.5.2 PLL Output Control

The outputs from the PLL are the output clock, slip signals and VALID.

- **RFSLIP** -- the RFSLIP signal indicates that the Output CLK is running *too fast* relative to INTCLK and sets a RFSLIP status flag in the Global Status Register (GLBSTAT), of the System and Peripheral Control Registers, if the slip signal is active during normal PLL operation; the RFSLIP flag is masked off while the PLL is not active and during the PLL's lock period.
- **FBSLIP** -- the FBSLIP signal indicates that the Output CLK is running *too slow* relative to INTCLK and sets a FBSLIP status flag in the Global Status Register (GLBSTAT), of the System and Peripheral Control Registers, if the slip signal is active during normal PLL operation; the FBSLIP flag is masked off while the PLL is not active and during the PLL's lock period.
- **PLL Slip** -- Logical-OR of the two PLL slip signals. Typically this signal is used to generate a consolidated slip signal to the device (for example, error logic or exception generation). Also used to gate VALID.

---

### NOTE: Clearing Slip Bits

In order to clear any of the slip bits, it is necessary to disable the PLL first.

---

- **VALID** -- is driven based upon whether the output clock, PLL CLK, is gated or is not gated. However, the VALID signal is dependent upon the PLL Slip signals so that VALID cannot be set if either slip signal is active.
- **PLL Clock** -- The PLL output clock runs at the programmed frequency. When enabled, it takes some time to acquire the programmed frequency (see [Section 14.5.2.1](#)). Similarly, the disable has some timing and constraints (see [Section 14.5.2.2](#)).

### 14.5.2.1 PLL Enable

After setting the PLL control registers, the clock source is enabled by clearing the appropriate bit in the Clock Source Disable Register (CSDIS) or setting the appropriate bit in the Clock Source Disable Clear Register (CSDISCLR) of the System and Peripheral Control Registers. The bit sends a signal to the PLL that starts the process of enabling the PLL.

1. The PLL checks to make sure that the oscillator is ON. If not, it turns the oscillator ON.
2. The PLL begins a locking process in which the PLL slews from a starting frequency point to the programmed frequency. During this lock period, the PLL slip signals are typically active, and the PLL masks off the signals during this phase. The lock phase takes the following length of time:

	<b>LPOMONCTRL.16 = 0 (OSCIN &lt;= 20MHz) Counters clocked by OSCIN /1</b>	<b>LPOMONCTRL.16 = 1 (OSCIN &gt; 20MHz) Counters clocked by OSCIN /4</b>
<b>Lock</b>	$T_{\text{Lock}} = (127 \times T_{\text{OSCIN}}) + (1024 \times \text{NR} \times T_{\text{OSCIN}})$	$T_{\text{Lock}} = (127 \times 4 \times T_{\text{OSCIN}}) + (1024 \times \text{NR} \times T_{\text{OSCIN}})$
<b>Enable clocks after lock</b>	$T_{\text{Enable}} = 6 \times T_{\text{OSCIN}}$	$T_{\text{Enable}} = 18 \times T_{\text{OSCIN}}$

3. After the lock phase is complete (when lock counters expire), the PLL releases the slip signals to the system.
4. Then after the slip signals are released and a delay to enable the clocks, the clock is released to the system and the appropriate CLKSRnV bit for the PLL is set in the Clock Source Valid Status Register (CSVSTAT) of the System and Peripheral Control Registers.

### 14.5.2.2 PLL Disable

The clock sources (for example, OSC, PLL) are disabled by setting the appropriate bit in the Clock Source Disable Register (CSDIS) or setting the appropriate bit in the Clock Source Disable Set Register (CSDISSET) of the System and Peripheral Control Registers. These bit allow the clock to disable but do not force the behavior until the clock is no longer used as the source for a clock domain (for example, GCLK, VCLK, VCLK2, RTICLK).

The PLL receives a signal to disable after the clock is no longer used by any clock domain. Within the PLL, the clock is disabled and the appropriate CLKSRnV bit for the PLL in the Clock Source Valid Status Register (CSVSTAT), of the System and Peripheral Control Registers, becomes inactive. Then the PLL is placed into a low power state after the following length of time:

	<b>LPOMONCTRL.16 = 0</b> Counters clocked by OSCIN /1	<b>LPOMONCTRL.16 = 1</b> Counters clocked by OSCIN /4
<b>Disable clocks after lock</b>	$T_{Enable} = 150 \times T_{OSCIN}$	$T_{Enable} = 582 \times T_{OSCIN}$

### 14.5.2.3 OD-Divider Change

The PLL gates the clock if the ODPLL bit-field is changed while the PLL is active. The output clock from the PLL is gated for 3 or 12 OSCIN clock cycles. As the post-ODCLK is gated in the low phase, the output clock to the device -- PLL CLK -- may be gated in a high or low phase though the transition is always glitchless.

	<b>LPOMONCTRL.16 = 0</b> Counters clocked by OSCIN /1	<b>LPOMONCTRL.16 = 1</b> Counters clocked by OSCIN /4
<b>Change ODPLL</b>	$T_{ODPLL} = 3 \times T_{OSCIN}$	$T_{ODPLL} = 3 \times 4 \times T_{OSCIN}$

---

**NOTE: ODPLL change should occur prior to enabling asynchronous clock domains**

Since changing the ODPLL bit-field causes the PLL CLK to be gated, these changes to ODPLL should be completed before configuring a clock domain for an asynchronous clock source. Some clock domains (RTICLK, VCLK2) require a frequency relationship to the VCLK.

$$f_{VCLK} \geq 3 \times \frac{f_{RTISRC}}{RTIDIV}$$

If the PLL is clocking VCLK and it is stopped for some cycles, then the frequency relationship is temporarily violated.

Many asynchronous domains require frequency relationships between VCLK and the asynchronous domain. Therefore, if the PLL clock is the source for GCLK, HCLK, and VCLK, then the gating produces a short-term change in the PLL clock frequency (and hence also the VCLK frequency). As such, this frequency change could violate the requirements for an asynchronous clock domain.

---

#### 14.5.2.4 Changing the PLL Operating Point While the PLL is Active

Once the valid bit (CLKSRnV bit in the Clock Source Valid Status Register (CSVSTAT) of the System and Peripheral Control Registers) is set, software may change values to the PLL. If the change of values results in a small percentage change to the VCO frequency ( $\Delta f_{\text{OutputCLK}} < 0.1 \times f_{\text{OutputCLK}}$ ), then these changes can be done on-the-fly. In this mode, the values are updated into the PLL synchronously, and the PLL re-locks to the new value without gating the clocks or the slip bits. If the operating point change is too large, then the slip bits will be set.

Conversely, if the changes to the VCO frequency are large, then the PLL should be disabled prior to changing the values. Typically, any change to the REFCLKDIV field or large changes to the PLLMUL field in the PLL Control Register 1 (PLLCTL1) of the System and Peripheral Control Registers requires a complete disable-and-relock strategy.

#### 14.5.2.5 Summary of PLL Timings

In addition to controlling the lock period and disabling the clock during an ODPLL change, the PLL also generates reset delays. When power-on reset is released (nPORRST 0 --> 1), that release is delayed by 1024 OSCIN cycles so that it is released at the same time that the oscillator valid is asserted. The system reset release is delayed by an additional 8 oscillator clock cycles.

**Table 14-3. State Machine Timings**

	<b>LPOMONCTRL.16 = 0</b> Counters clocked by OSCIN /1	<b>LPOMONCTRL.16 = 1</b> Counters clocked by OSCIN /4
<b>nPORRST delay</b>	$T_{\text{nPORRST}} = 1024 \times T_{\text{OSCIN}}$	$T_{\text{nPORRST}} = 1024 \times T_{\text{OSCIN}}$
<b>nRST delay</b>	$T_{\text{nRST}} = 1032 \times T_{\text{OSCIN}}$	$T_{\text{nRST}} = 1032 \times T_{\text{OSCIN}}$
<b>OSC valid</b>	$T_{\text{OSCVLID}} = 1024 \times T_{\text{OSCIN}}$	$T_{\text{OSCVLID}} = 1024 \times T_{\text{OSCIN}}$
<b>Lock</b>	$T_{\text{Lock}} = (127 \times T_{\text{OSCIN}}) + (1024 \times \text{NR} \times T_{\text{OSCIN}})$	$T_{\text{Lock}} = (127 \times 4 \times T_{\text{OSCIN}}) + (1024 \times \text{NR} \times T_{\text{OSCIN}})$
<b>Enable clocks after lock</b>	$T_{\text{Enable}} = 6 \times T_{\text{OSCIN}}$	$T_{\text{Enable}} = 18 \times T_{\text{OSCIN}}$
<b>Disable clocks after lock</b>	$T_{\text{Enable}} = 150 \times T_{\text{OSCIN}}$	$T_{\text{Enable}} = 582 \times T_{\text{OSCIN}}$
<b>Change ODPLL</b>	$T_{\text{ODPLL}} = 3 \times T_{\text{OSCIN}}$	$T_{\text{ODPLL}} = 3 \times 4 \times T_{\text{OSCIN}}$

### 14.5.3 Behavior on PLL Fail

The PLL allows flexible response to a PLL failure (slip). Like the oscillator, the PLL clock is configured by default to automatically switch-over to the oscillator in case of a PLL slip. (In this case, the oscillator sources GCM clock source 1 as well as GCM clock source 0. Also, if the oscillator fails, LPO HF is sourced to both GCM clock sources 0 and 1.)

The PLL slip outputs indicate that the PLL is running either too fast or too slow. These error output toggle when the PLL is locking and when the PLL is disabling. The PLL blocks these slip outputs during these times, leaving them active only while the PLL is active.

A slip after the PLL has locked and while it is active is an indication of a PLL failure. The PLL provides slip-filtering which enhances the flexibility of the PLL's response to failure. The slip-filtering circuit samples the slip based on HF LPO. The filter defines the number of consecutive HF LPO cycles for which the slip signal must be active before the slip is recognized. This slip is latched in the RFSLIP and FBSLIP status flags in the Global Status Register (GLBSTAT) of the System and Peripheral Control Registers.

The PLL may enable/disable the automatic switch over as well as the error signaling; if the error signaling is enabled, a PLL slip may be configured to generate a reset. The automatic switch-over and suppression of the error signals are controlled by the bypass on slip bit field -- BPOS[1:0] (PLLCTL1.(30:29)). When BPOS[1:0] is disabled (BPOS[1:0] = 10b):

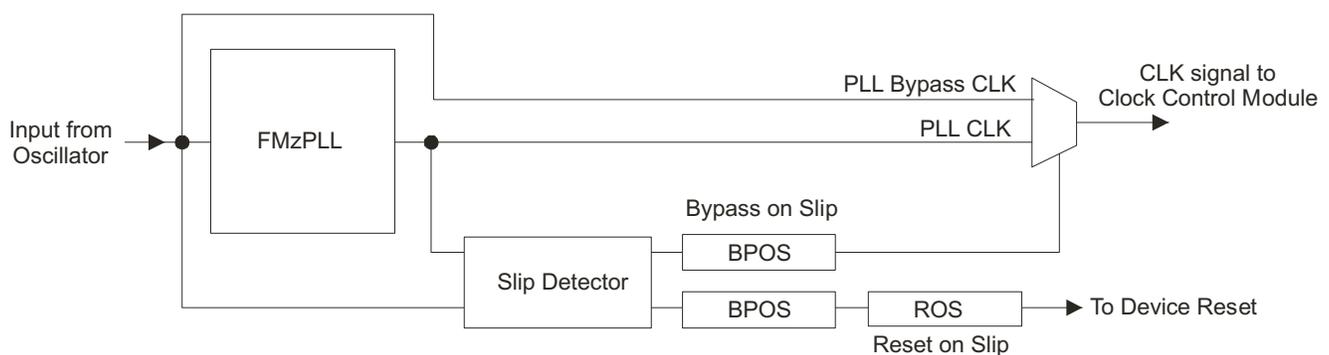
- automatic response to the PLL slip is prevented
- ESM/exception is NOT generated
- reset on slip is not generated regardless of the state of the ROS bit
- status bits are set on a PLL slip independent of BPOS[1:0]

When BPOS[1:0] is enabled (BPOS[1:0] = 00b OR 01b OR 11b):

- PLL slip causes the clock source into GCM clock source 1 to shift from the PLL to the oscillator
- ESM/exception is generated
- reset on slip is generated if ROS is set

The effect of BPOS[1:0] on the system is shown in [Figure 14-5](#).

**Figure 14-5. PLL Slip Detection and Reset/Bypass Block Diagram**



#### 14.5.4 Recovery from a PLL Failure

If PLL1 fails, the PLL's slip causes the valid flag to be locked and causes the clock source into GCM clock source 1 to shift from the PLL to the oscillator. The RFSLIP or FBSLIP status flags in the Global Status Register (GLBSTAT) of the System and Peripheral Control Registers are also set. PLL1 may be re-enabled (though if the failure was caused by a hard-fault, the re-enable will fail) through the following procedure:

1. Switch all clock domains from PLL1 to the oscillator (for example, GHVSRG uses oscillator, ACLKV uses oscillator or VCLK, and so on).
2. Disable PLL1 by setting the appropriate bit in the Clock Source Disable Set Register (CSDISSET) of the System and Peripheral Control Registers. This action disables the PLL and causes the slip signal to no longer be driven. Valid is not released until the slip is cleared.
3. Clear the RFSLIP or FBSLIP status flags in the Global Status Register (GLBSTAT) of the System and Peripheral Control Registers by writing a 1 to the bit.
4. Re-enable PLL1 by setting the appropriate bit in the Clock Source Disable Clear Register (CSDISCLR).
5. Switch the clock domains back to PLL1.

If PLL2 fails, the PLL's slip causes the valid flag to be locked. There is no autonomous change of clock source for PLL2. Neither the RFSLIP or FBSLIP status flags in the Global Status Register (GLBSTAT) of the System and Peripheral Control Registers is set. PLL2 may be re-enabled in a similar procedure to re-enabling PLL1 (though if the failure was caused by a hard-fault, the re-enable will fail):

1. Switch all clock domains from PLL2 to the oscillator (for example, GHVSRG uses oscillator, ACLKV uses oscillator or VCLK, and so on).
2. Disable PLL2 by setting the appropriate bit in the Clock Source Disable Set Register (CSDISSET) of the System and Peripheral Control Registers. This action disables the PLL and causes the slip signal to no longer be driven. Valid is not released until the slip is cleared.
3. Reset PLL2 Valid by writing a 1 to both RFSLIP and FBSLIP status flags in the Global Status Register (GLBSTAT) of the System and Peripheral Control Registers (even though they are not set by the slip).
4. Re-enable PLL2 by setting the appropriate bit in the Clock Source Disable Clear Register (CSDISCLR).
5. Switch the clock domains back to PLL2.

### 14.5.5 PLL Modulation Depth Measurement

The PLL contains a circuit for estimating the depth of the modulation. The circuit counts clock edges over a fixed window of the modulation waveform (SSW\_CAPTURE\_COUNT in SSWPLL2) and clock edges over the entire waveform (SSW\_CLKOUT\_COUNT in SSWPLL3). The capture ends after a pre-determined number of clock edges in SSW\_CLKOUT\_COUNTER as set in TAP\_COUNTER\_DIS. There are  $2 \times NR$  windows per modulation waveform. The procedure for estimating the modulation depth is:

1. While GCLK is sourced by the oscillator and the PLL is enabled with modulation, configure SSWPLL1 as follows:
  - (a) CAPTURE\_WINDOW\_INDEX is set equal to NR.
  - (b) COUNTER\_RESET is set.
  - (c) TAP\_COUNTER\_DIS is set to disable the measurement after SSW\_CLKOUT\_COUNT captures this number of clocks. The measurement is disabled after the set tap is set AND the modulation cycle ends.
  - (d) Ensure that EXT\_COUNTER\_EN is cleared.
2. Ensure that both SSW\_CAPTURE\_COUNT and SSW\_CLKOUT\_COUNT are cleared (by the COUNTER\_RESET).
3. Set COUNTER\_EN and clear COUNTER\_RESET. This step releases the reset and enables the counter to begin counting.
4. After a wait loop, poll for COUNTER\_READ\_READY to set. After the bit is set, read SSW\_CAPTURE\_COUNT and SSW\_CLKOUT\_COUNT.
5. Compute the modulation depth as:

$$Depth = abs\left(1 - \frac{2 \times NR \times SSW\_CAPTURE\_COUNT}{SSW\_CLKOUT\_COUNT}\right) \quad (14)$$

### 14.5.6 PLL Frequency Measurement Circuit

The same circuit that is used to measure modulation depth is also available to measure the average frequency of the PLL. In this mode, the PLL output (before the R-divider) is captured in SSW\_CLKOUT\_COUNT while the oscillator is captured in SSW\_CAPTURE\_COUNT. The procedure for using the PLL frequency measurement circuit is:

1. While the PLL is enabled, set EXT\_COUNTER\_EN.
2. Set COUNTER\_EN. This bit clears both SSW\_CAPTURE\_COUNT and SSW\_CLKOUT\_COUNT and then immediately enables for counting.
3. Wait for some software delay loop.
4. Clear COUNTER\_EN. Wait for COUNTER\_READ\_READY to set. Read both SSW\_CAPTURE\_COUNT and SSW\_CLKOUT\_COUNT and compute the ratio of PLL multiplication as:

$$\frac{NF}{NR \times OD} = \frac{SSW\_CLKOUT\_COUNT}{SSW\_CAPTURE\_COUNT} \quad (15)$$

5. Note that CAPTURE\_WINDOW\_INDEX, COUNTER\_RESET, TAP\_COUNTER\_DIS are not used in this procedure

### 14.5.7 PLL2

PLL2 drives GCM clock source 6.

The PLL is identical to PLL1, except modulation is disabled on this instance of the PLL. Also, the PLL typically does not clock the system, there is no automatic switch over feature. Any PLL error can be handled by the CPU.

PLL2 is programmed through PLLCTL3.

## 14.6 Control Registers

The clock module has two registers (PLLCTL1 and PLLCTL2) located within the System and Peripheral Control Registers, plus it has four bits located in other System and Peripheral Control Registers.

The FM-PLL is off at power-on. The clock source is enabled by clearing the appropriate bit in the Clock Source Disable Register (CSDIS) or setting the appropriate bit in the Clock Source Disable Clear Register (CSDISCLR) of the System and Peripheral Control Registers. [CSDISCLR and Clock Source Disable Set Register (CSDISSET) also enable/disable the PLL and oscillator (and other clock sources).]

The LPOCLKDET module generates the OSCFAIL flag in the Global Status Register (GLBSTAT), of the System and Peripheral Control Registers, if a problem with the reference oscillator is detected. The slip signals are also registered in the RFSLIP and FBSLIP status flags in the Global Status Register (GLBSTAT), of the System and Peripheral Control Registers, in order to indicate the source of a clock failure.

The appropriate CLKSrNv bit for the PLL is set in the Clock Source Valid Status Register (CSVSTAT) of the System and Peripheral Control Registers.

The following sections describe the two PLL registers used in the system module. These registers support 8-, 16-, and 32-bit write accesses. The reset values for these registers are configured so that an input frequency in the range from 5 MHz to 20 MHz generates a valid clock.

**Table 14-4. PLL Module Registers**

Address	Acronym	Register Description	Section
FFFF FF30h	CSDIS	Clock Source Disable Register	<a href="#">Section 2.5.1.10</a>
FFFF FF34h	CSDISSET	Clock Source Disable Set Register	<a href="#">Section 2.5.1.11</a>
FFFF FF38h	CSDISCLR	Clock Source Disable Clear Register	<a href="#">Section 2.5.1.12</a>
FFFF FF54h	CSVSTAT	Clock Source Valid Status Register	<a href="#">Section 2.5.1.19</a>
FFFF FF70h	PLLCTL1	PLL Control 1 Register	<a href="#">Section 2.5.1.25</a>
FFFF FF74h	PLLCTL2	PLL Control 2 Register	<a href="#">Section 2.5.1.26</a>
FFFF E100h	PLLCTL3	PLL Control 3 Register	<a href="#">Section 2.5.2.1</a>
FFFF FFA0h	GPREG1	General Purpose Register	<a href="#">Section 2.5.1.34</a>
FFFF FFECh	GLBSTAT	Global Status Register	<a href="#">Section 2.5.1.48</a>
FFFF E170h	CLKSLIP	Clock Slip Control Register	<a href="#">Section 2.5.2.7</a>
FFFF FF24h	SSWPLL1	PLL Modulation Depth Measurement Control Register	<a href="#">Section 14.6.1</a>
FFFF FF28h	SSWPLL2	SSW PLL BIST Control Register 2	<a href="#">Section 14.6.2</a>
FFFF FF2Ch	SSWPLL3	SSW PLL BIST Control Register 3	<a href="#">Section 14.6.3</a>

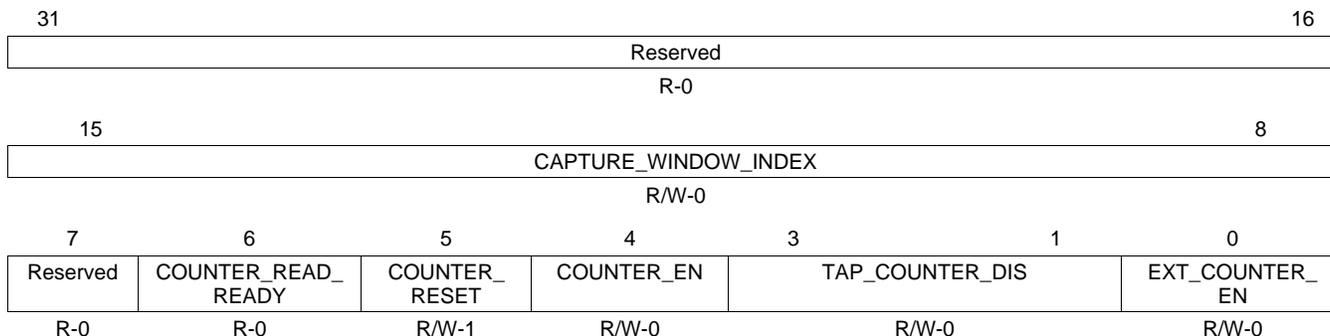
**Table 14-5. LPOCLKDET Module Registers**

Address	Acronym	Register Description	Section
FFFF FF88h	LPOMONCTL	LPO/CLock Monitor Control Register	<a href="#">Section 2.5.1.31</a>
FFFF FF8Ch	CLKTEST	Clock Test Register	<a href="#">Section 2.5.1.31</a>

### 14.6.1 PLL Modulation Depth Measurement Control Register (SSWPLL1)

Figure 14-6 illustrates this register and Table 14-6 provides the bit descriptions. This register applies to PLL1, but does not apply to PLL2.

**Figure 14-6. SSW PLL BIST Control Register 1 (SSWPLL1) [offset = 24h]**



LEGEND: R/W = Read/Write; R = Read only; -n = value after reset

**Table 14-6. SSW PLL BIST Control Register 1 (SSWPLL1) Field Descriptions**

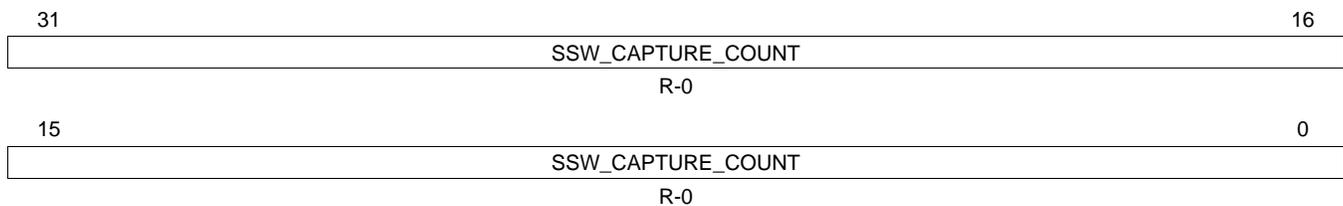
Bit	Field	Value	Description
31-16	Reserved	0	Read returns 0. Writes have no effect.
15-8	CAPTURE_WINDOW_INDEX	0-FFh	The capture counter present in the PLL wrapper will count the PLL clock edges when the current modulation phase capture window value is equal to these bits. Should be set equal to NR.
7	Reserved	0	Read returns 0. Writes have no effect.
6	COUNTER_READ_READY	0 1	Counter read ready. Indicates that SSW_CAPTURE_COUNT (SSWPLL2) and SSW_CLKOUT_COUNT (SSWPLL3) can be read. 0 Counter registers in SSWPLL2 and SSWPLL3 are not ready to read. 1 Counter registers in SSWPLL2 and SSWPLL3 are ready to read.
5	COUNTER_RESET	0 1	Counter reset. If EXT_COUNTER_EN = 0, COUNTER_RESET resets SSW_CAPTURE_COUNT (SSWPLL2) and SSW_CLKOUT_COUNT (SSWPLL3). If EXT_COUNTER_EN = 1, this bit is ignored. 0 No impact to counters 1 If the EXT_COUNTER_EN bit is 0, then counters SSW_CAPTURE_COUNT and SSW_CLKOUT_COUNT will be held in the reset state. If EXT_COUNTER_EN bit is 1, then this bit will be ignored by the PLL wrapper.
4	COUNTER_EN	0 1	Counter enable. If EXT_COUNTER_EN = 0, COUNTER_EN initializes the modulation depth measurement. (In this mode, the disable is set to occur automatically.) If EXT_COUNTER_EN = 1, the counters are enabled/disabled with COUNTER_EN. 0 If EXT_COUNTER_EN = 0, COUNTER_EN = 0 indicates that the counters are inactive. If EXT_COUNTER_EN = 1, COUNTER_EN = 0 disables the counters. 1 If EXT_COUNTER_EN = 0, COUNTER_EN = 1 indicates that the counters are still active. If EXT_COUNTER_EN = 1, COUNTER_EN = 1 enables the counters.

**Table 14-6. SSW PLL BIST Control Register 1 (SSWPLL1) Field Descriptions (continued)**

Bit	Field	Value	Description
3-1	TAP_COUNTER_DIS	0 1h 2h 3h 4h 5h 6h 7h	The value in this register is used to program a particular bit in CLKOUT counter. When that particular bit in CLKOUT counter becomes 1, then both the CLKOUT counter and the CAPTURE counter will stop counting when EXT_COUNTER_EN = 0. When EXT_COUNTER_EN = 1, this bit field is not used.  Bit 16 of CLKOUT counter is selected. When this bit is set and the modulation period finishes, the counters are disabled and READ_READY_FLAG is set  Bit 18 of CLKOUT counter is selected.  Bit 20 of CLKOUT counter is selected.  Bit 22 of CLKOUT counter is selected.  Bit 24 of CLKOUT counter is selected.  Bit 26 of CLKOUT counter is selected.  Bit 28 of CLKOUT counter is selected.  Bit 30 of CLKOUT counter is selected.
0	EXT_COUNTER_EN	0 1	Modulation Depth Measurement mode  Frequency Measurement mode

#### 14.6.2 SSW PLL BIST Control Register 2 (SSWPLL2)

This is an observation register used to log counter value for the capture counter inside the PLL wrapper. The SSWPLL2 register is shown in [Figure 14-7](#) and described in [Table 14-7](#). This register applies to PLL1, but does not apply to PLL2.

**Figure 14-7. SSW PLL BIST Control Register 2 (SSWPLL2) [offset = 28h]**


LEGEND: R = Read only; -n = value after reset

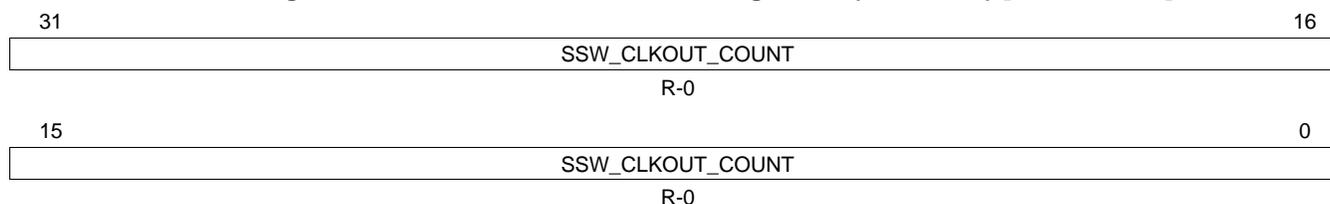
**Table 14-7. SSW PLL BIST Control Register 2 (SSWPLL2) Field Descriptions**

Bit	Field	Description
31-0	SSW_CAPTURE_COUNT	Capture count. This register returns the value of the capture count. When EXT_COUNTER_EN = 0, this counter increments within a fixed modulation window. When EXT_COUNTER_EN = 1, this counter increments based upon the oscillator.

### 14.6.3 SSW PLL BIST Control Register 3 (SSWPLL3)

This is observation register used to log counter value for CLKOUT counter inside PLL wrapper. The SSWPLL3 register is shown in [Figure 14-8](#) and described in [Table 14-8](#). This register applies to PLL1, but does not apply to PLL2.

**Figure 14-8. SSW PLL BIST Control Register 3 (SSWPLL3) [offset = 2Ch]**



LEGEND: R = Read only; -n = value after reset

**Table 14-8. SSW PLL BIST Control Register 3 (SSWPLL3) Field Descriptions**

Bit	Field	Description
31-0	SSW_CAPTURE_COUNT	Value of CLKout count register. This counter increments based upon the PLL output (prior to the R-divider).

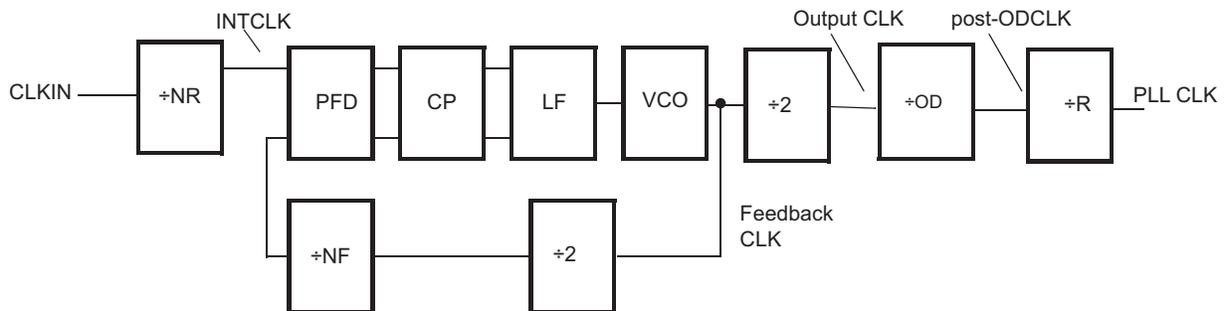
## 14.7 Phase-Locked Loop Theory of Operation

The PLL block consists of six logical sub-blocks:

- Phase-Frequency Detector (PFD)
- Charge Pump (CP)
- Loop Filter (LF)
- Voltage-Controlled Oscillator (VCO)
- Frequency Modulation
- Slip Detector

Figure 14-9 illustrates the sub-blocks in a basic PLL circuit. The VCO adjusts its frequency until the two signals into the PFD have the same phase and frequency. The feedback path (from VCO to PFD) divides the frequency of the feedback signal by  $2 \cdot NF$ ; this feedback divider requires the VCO to generate a frequency  $2 \cdot NF$  times greater than the internal frequency ( $OSCIN/NR$ ). In the forward path (from VCO to PLL CLK), the  $/2$  block creates a clean duty cycle.

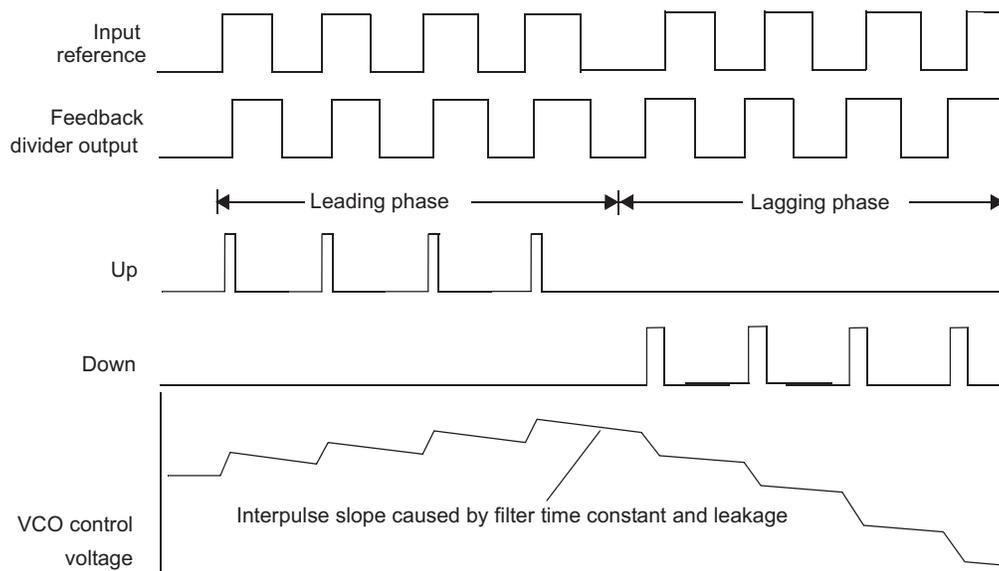
Figure 14-9. Basic PLL Circuit



### 14.7.1 Phase-Frequency Detector

The phase-frequency detector (PFD) compares the input reference phase/frequency to the phase/frequency of the feedback divider and generates two signals: an *up* pulse and a *down* pulse that drive a charge pump. The resulting charge, when integrated by the circuit at the LF pin, provides a VCO control voltage, as shown in Figure 14-10.

Figure 14-10. PFD Timing



The width of the up pulse and the down pulse depends on the difference in phase between the two inputs. For example, when the reference input leads the feedback input by 10 ns, then an up pulse of approximately 10 ns is generated (see Figure 14-10). On the other hand, when the reference input lags the feedback input by 10 ns, then a down pulse of approximately 10 ns is generated. When the two inputs are exactly in phase, the up pulse and down pulse become essentially zero-width. These pulses are fed to the charge pump block, which meters charge into the low-pass loop filter.

The advantage of a phase-frequency detector over a phase-only detector is that it cannot lock to a harmonic or subharmonic of the reference. This important property also ensures that the output frequency of the VCO is always exactly  $2 \cdot NF$  times the reference frequency.

The reference feedback frequency is based upon the VCO frequency and the feedback divider. Fractional multiplication is achieved by changing the feedback divider real-time in order to create the fractional multiplication. As an example, if a multiplier of 100.5 is selected, the feedback divider divides by 100 and 101 in equal proportions; in this case, the PLLMUL bit field would be programmed as 99.5 (0x6380). This fractional multiplication is useful when trying to achieve final frequencies that are non-integer to the input frequency (a final frequency that is a prime number). The fractional portion of the divider should be small compared to the multiplier and so it is recommended that the fractional portion relate to parts in 16, implying that the last 4 bits should always be 0.

### 14.7.2 Charge Pump and Loop Filter

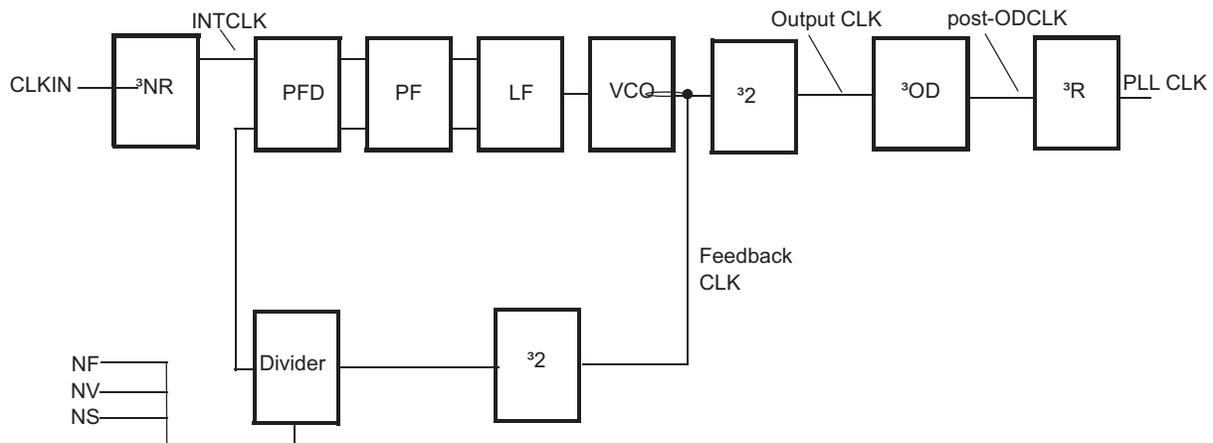
The charge pump (CP) add or remove charge from the loop filter based on the pulses coming from the phase-frequency detector (PFD).

Two components of the filter output signal are summed together: an integral component and a proportional component. The integral component maintains a DC level going to the VCO to set its frequency, and the proportional component makes the VCO track changes in phase to minimize jitter. The capacitors and resistors required for the filter are integrated in silicon.

### 14.7.3 Voltage-Controlled Oscillator

The output frequency of the VCO is proportional to its input control voltage, which is generated by the charge pump via the integrated loop filter. If the VCO oscillates too slowly, the feedback phase begins to lag the reference phase at the PFD, which increases the control voltage at the VCO. Conversely, if the VCO oscillates too fast, the feedback phase begins to lead the reference phase at the PFD, which decreases the control voltage at the VCO. These two actions keep the VCO running at the correct frequency multiple of the reference.

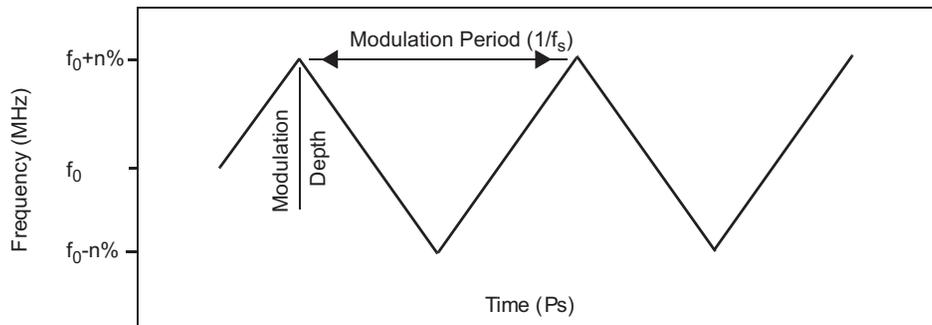
Figure 14-11. PLL Modulation Block Diagram



### 14.7.4 Frequency Modulation

The output clock of the PLL changes frequency in a controlled way, centered around the unmodulated output frequency. The modulation block directly modulates the VCO frequency at the loop filter, and creates the triangular frequency modulation (see Figure 14-12).

Figure 14-12. Frequency versus Time



### 14.8 Programming Example

This section provides an example of how to program the PLL. For non-modulation settings, the PLLCTL1 and PLLCTL2 settings from 130nm process devices can be used without modification.

Suppose that, using a 20 MHz crystal, the application requires:

- 180 MHz GCLK (and HCLK) frequency
- 100 kHz spreading frequency
- 0.5% spreading depth

1. Choose an NR and NS such that:

$$\bullet \frac{f_{CLKIN}}{NR \times f_s} \geq 40 \quad (16)$$

$$\bullet f_s \equiv \frac{f_{CLKIN}}{2 \times NR \times NS} \quad (17)$$

$$\bullet 2 \times NS = \frac{f_{CLKIN}}{NR \times f_s} \geq 40 \quad (18)$$

- (NR,NS) = {(5,20), (4,25), (2,50), (1,100)}
- Either NR = 5 and NS = 20 or NR = 4 and NS = 25 are reasonable. Another choice (NR, NS) = (3, 33) is possible if the modulation frequency can vary from 100 KHz.

2. Choose Output CLK frequency as integer divider of output frequency near to 330 MHz. Output CLK frequency shall not exceed 550 MHz or fall below 150 MHz.

The integer values for 180 MHz are 360 MHz or 540 MHz. 360 MHz is close to the target frequency of 330 MHz and we use this frequency.

3. In this case, either of the following equations are suitable choices for getting to 360 MHz. Choose NR = 5, NS = 20 and set NF = 90.

$$\frac{f_{CLKIN}}{NR} = \frac{20[MHz]}{4} = 5[MHz] \quad \text{or} \quad \frac{f_{CLKIN}}{NR} = \frac{20[MHz]}{5} = 4[MHz] \quad (19)$$

4. Select the output divider OD so that the post-ODCLK frequency does not exceed the maximum frequency of output divider R (device-specific frequency). In this case, choose OD = 2 and R = 1.

5. Compute the divider value NV:

$$Depth = \frac{0.5}{100} = \frac{NV}{NF} \times \frac{NS}{2} = \frac{NV}{90} \times \frac{20}{2} \quad (20)$$

$$NV = 0.045$$

6. If it is important to maintain the same average frequency in modulation as in non-modulation, either NF should be modified OR program the MULMOD bit field. The modulation fields create a multiplier offset equal to:

$$\Delta NF = \frac{NV \times NS}{2} \quad (21)$$

If using MULMOD[8:0], then:

$$\Delta NF = \frac{MULMOD[8...0]}{256} = \frac{NV \times NS}{2} = \frac{0.045 \times 20}{2} \quad (22)$$

$$MULMOD[8...0] = \frac{0.045 \times 20}{2} \times 256 = 115.2 \quad (23)$$

MULMOD will be set to 115.

7. Convert the PLL parameters into bit field values:
- NR = 5, implies that REFCLKDIV[5:0] = 4
  - NS = 20, implies that SPRATE[8:0] = 19 = 0x13
  - NF = 90, implies that PLLMUL[15:0] = 0x5900
  - OD = 2, implies that ODPLL[2:0] = 1
  - R = 1, implies that PLLDIV[4:0] = 0
  - NV = 0.045, implies that SPR\_AMOUNT[8:0] = 91 = 0x5B
  - MULMOD[8:0] = 115 = 0x73
8. Setting only these fields (that is, not BPOS, ROF, or ROS) yields:

PLLCTL1 = 0x00045900

PLLCTL2 = 0x04C7325B

When FM ENA is turned on, PLLCTL2 = 0x84C7325B.

The Output CLK is centered in the range from 150 MHz to 550 MHz at 360 MHz.

NF = 90 falls within the multiplier range from 1 to 256.

OD is selected so that post-ODCLK meets the device specification.

---

---

## Dual-Clock Comparator (DCC) Module

---

---

This chapter describes the dual-clock comparator (DCC) module.

Topic	Page
<b>15.1 Introduction .....</b>	<b>524</b>
<b>15.2 Module Operation .....</b>	<b>525</b>
<b>15.3 Clock Source Selection for Counter0 and Counter1 .....</b>	<b>529</b>
<b>15.4 DCC Control Registers .....</b>	<b>530</b>

## 15.1 Introduction

The primary purpose of a DCC module is to measure the frequency of a clock signal using a second known clock signal as a reference. This capability can be used to ensure the correct frequency range for several different device clock sources, thereby enhancing the system safety metrics.

### 15.1.1 Main Features

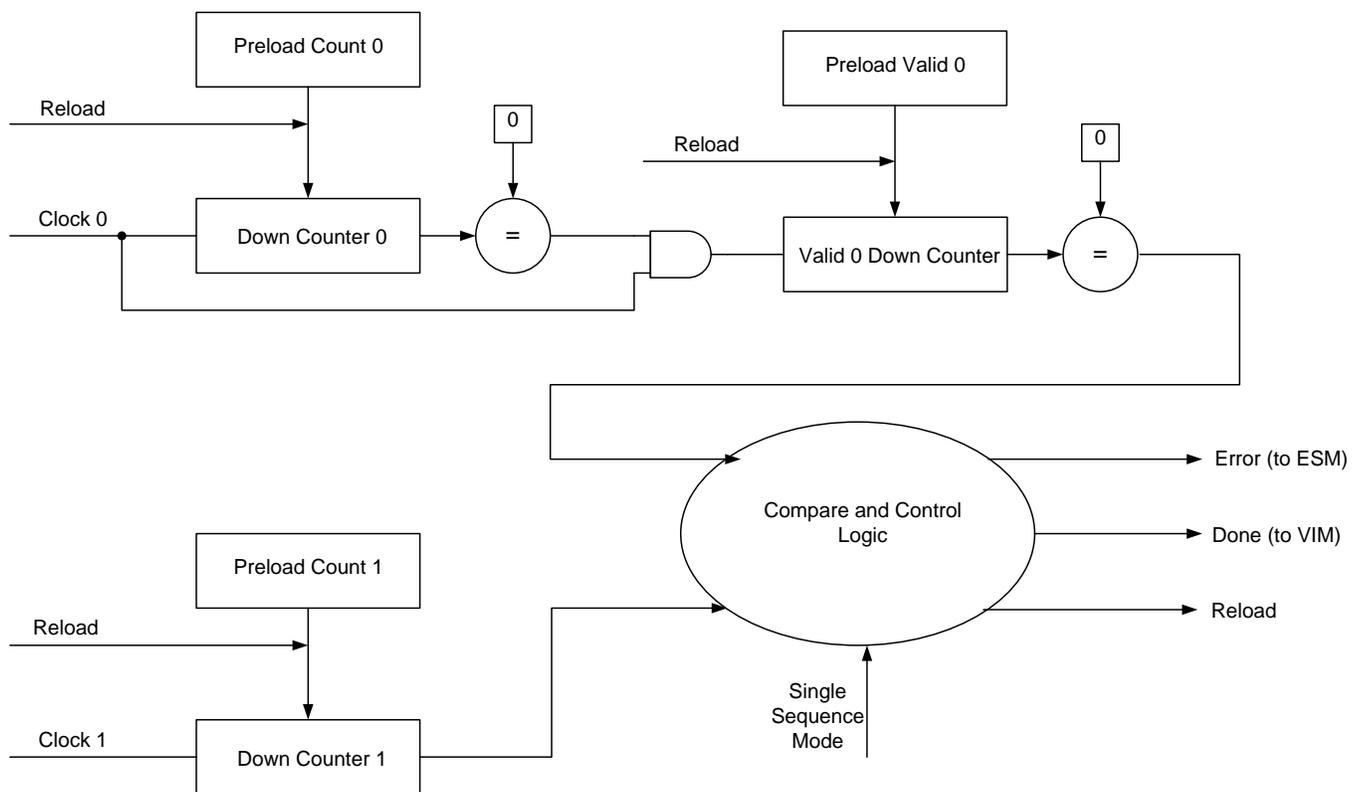
The main features of each of the DCC modules are:

- Allows application to ensure that a fixed ratio is maintained between frequencies of two clock signals
- Supports the definition of a programmable tolerance window in terms of number of reference clock cycles
- Supports continuous monitoring without requiring application intervention
- Also supports a single-sequence mode for spot measurements
- Allows selection of clock source for each of the counters resulting in several specific use cases

### 15.1.2 Block Diagram

Figure 15-1 illustrates the main concept of the DCC module.

Figure 15-1. DCC Operation



## 15.2 Module Operation

As shown in [Figure 15-1](#), the DCC contains two counters – counter0 and counter1, which are driven by two signals – clock0 and clock1. The application programs the seed values for both these counters. The application also configures the tolerance window time by configuring the valid counter for clock0.

Counter0 and counter1 both start counting simultaneously once the DCC is enabled. When counter0 counts down to zero, this automatically triggers the count down of the tolerance window counter (valid0).

The DCC module can be used in two different operating modes:

### Continuous Monitoring Mode

In this mode, the DCC is used by the application to ensure that two clock signals maintain the correct frequency ratio. Suppose the application wants to ensure that the PLL output signal (clock source # 1) always maintains a fixed frequency relationship with the main oscillator (clock source # 0).

- In this case, the application can use the main oscillator as the clock0 signal (for counter0 and valid0) and the PLL output as the clock1 (for counter1).
- The seed values of counter0, valid0 and counter1 are selected such that if the actual frequencies of clock0 and clock1 are equal to their expected frequencies, then the counter1 will reach zero either at the same time as counter0 or during the count down of the valid0 counter.
- If the counter1 reaches zero during the count down of the valid0 counter, then all the counters (counter0, valid0, counter1) are reloaded with their initial seed values once valid0 has also counted down to zero.
- This sequence of counting down and checking then continues as long as there is no error, or until the DCC module is disabled.
- The counters also all get reloaded if the application resets and restarts the DCC module.

### Error Conditions:

An error condition is generated by any one of the following:

1. Counter1 counts down to 0 before Counter0 reaches 0. This means that clock1 is faster than expected, or clock0 is slower than expected. It includes the case when clock0 is stuck at 1 or 0.
2. Counter1 does not reach 0 even when Counter0 and Valid0 have both reached 0. This means that clock1 is slower than expected. It includes the case when clock1 is stuck at 1 or 0.

Any error freezes the counters from counting. An application may then read out the counter values to help determine what caused the error.

#### 15.2.0.1 Error Conditions

While operating in continuous mode, the counters get reloaded with the seed values and continue counting down under the following conditions:

- The module is reset or restarted by the application, OR
- Counter0, Valid 0 and Counter1 all reach 0 without any error

Figure 15-2. Counter Relationship

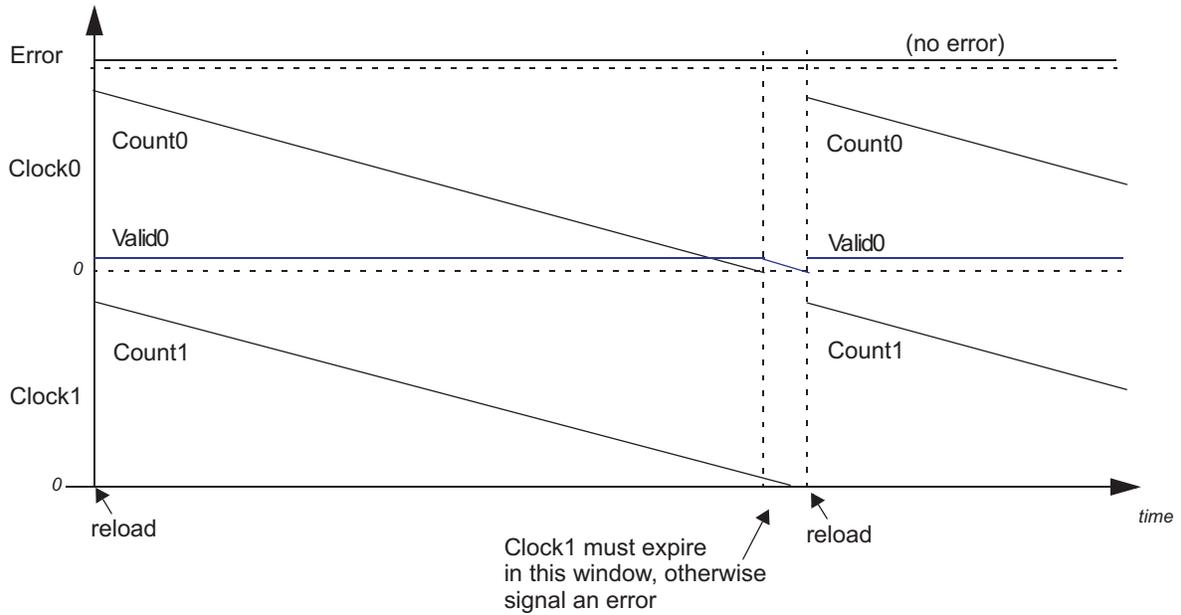
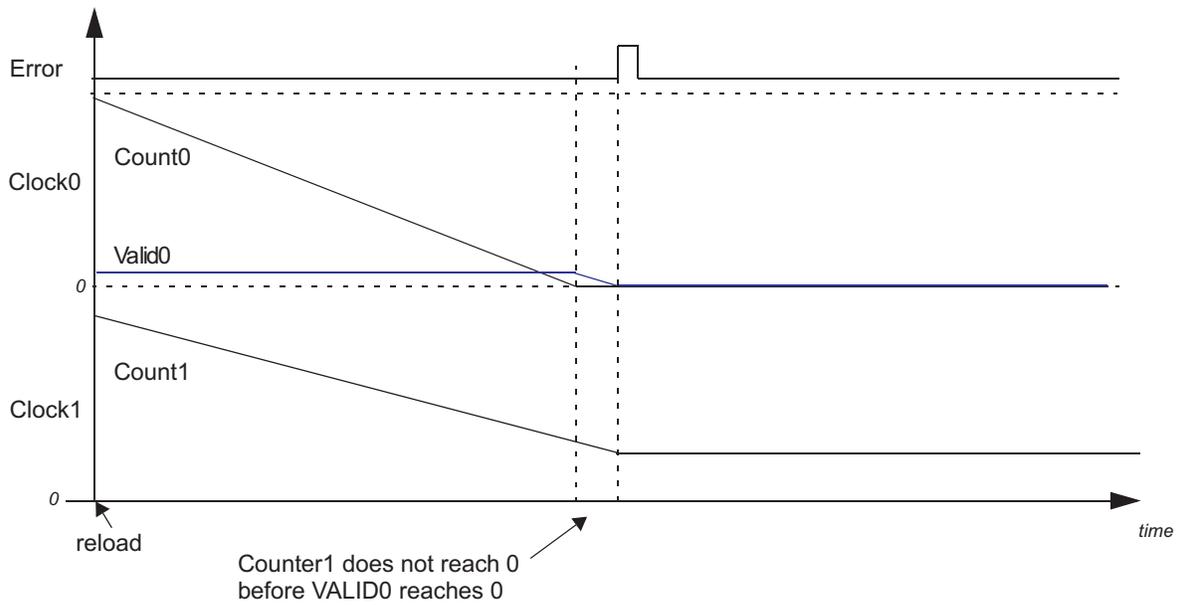
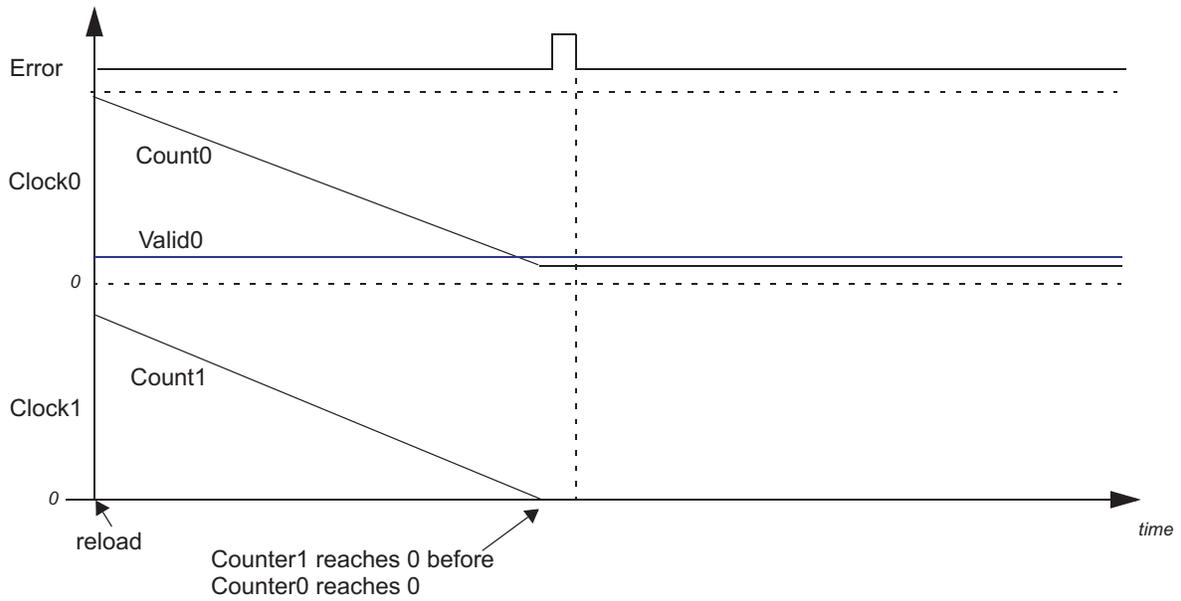


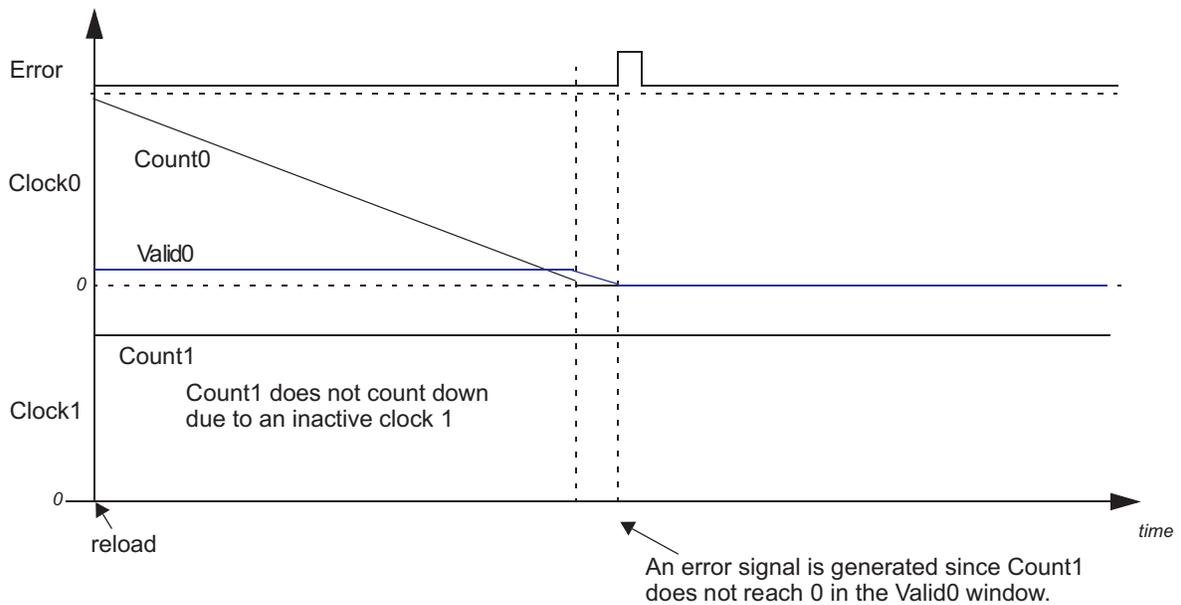
Figure 15-3. Clock1 Slower Than Clock0 - Results in an Error and Stops Counting

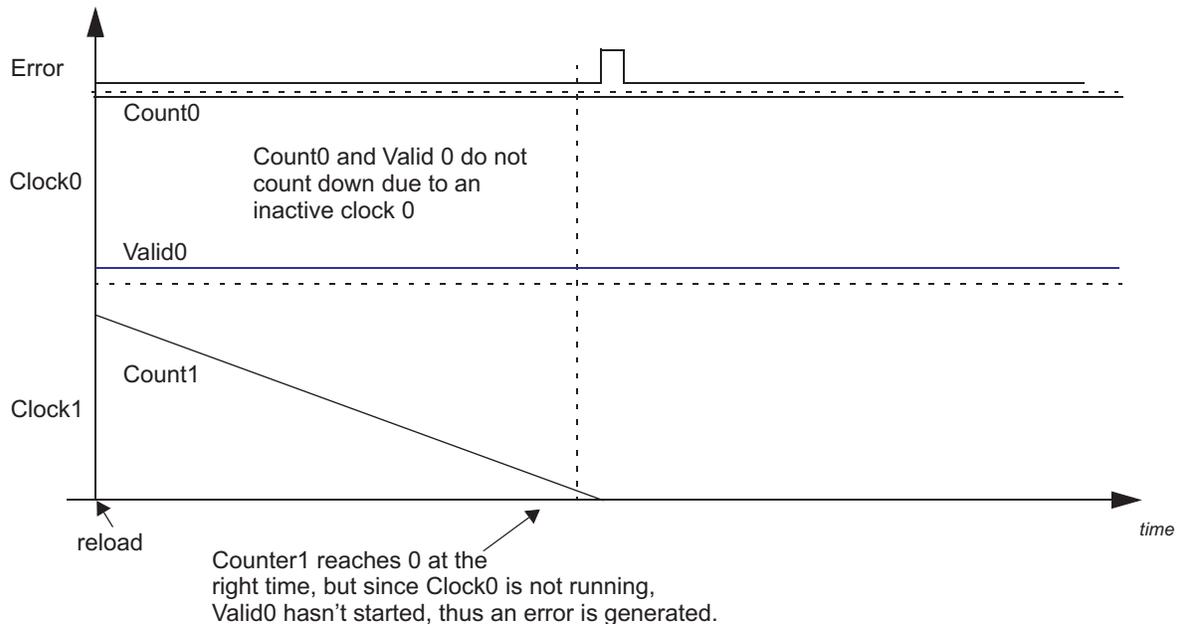


**Figure 15-4. Clock1 Faster Than Clock0 - Results in an Error and Stops Counting**



**Figure 15-5. Clock1 Not Present - Results in an Error and Stops Counting**



**Figure 15-6. Clock0 Not Present - Results in an Error and Stops Counting**


### 15.2.1 Single-Shot Measurement Mode

The DCC module can be programmed to count down one time by enabling the single-shot mode. In this mode, the DCC stops operating when the down counter0 and the valid counter0 reach 0. Alternatively, the DCC can be programmed to stop counting when the down counter1 reaches 0.

At the end of one sequence of counting down in this single-shot mode, the DCC gets disabled automatically, which prevents further counting. This mode is typically used for spot measurements of the frequency of a signal. This frequency could be an unknown for the application before the measurement.

#### Example Usage of Single-Shot Measurement Mode: Trimming the High-Frequency Low-Power Oscillator

A practical example of the usage of the spot measurement mode is in trimming the HF LPO (clock source # 5) using the main oscillator as a reference. This measurement sequence would proceed as follows:

- The application sets up the seed values for counter0 and valid0 for the duration of the measurement. Suppose the main oscillator frequency is 10MHz and the intended duration of the measurement is 500 $\mu$ s. The application needs to configure a seed value of 5000.
- These 5000 counts need to be divided between the counter0 and the valid0 counters. The minimum value for the valid0 seed is 4, so the application can configure counter0 seed value as 4996 and the valid0 seed value as 4.
- Suppose the HF LPO frequency is truly unknown. In this case the application can choose the maximum allowed seed value for counter1. This increases the probability of counter0 and valid0 counting down while the counter1 has still not fully counted down to zero. The maximum allowed seed value for counter1 is 1048575.
- Once the DCC is enabled, the counters counter0 and counter1 both start counting down from their seed values.
- When counter0 reaches zero, it automatically triggers the valid0 counter.
- When valid0 reaches zero, if counter1 is not zero as well, an ERROR status flag is set and a "DCC error" is sent to the ESM. Counter1 is also frozen so that it stops counting down any further. The application can enable an interrupt to be generated from the ESM whenever this DCC error is indicated. Refer the device datasheet to identify the ESM group and channel where the DCC error is connected.

- The DCC error interrupt service routine can then check the value of counter1 when the error was generated. Suppose that the counter1 now reads 1044575. This means that counter1 has counted 1048575 - 1044575, or 4000 cycles within the 500 $\mu$ s measurement period. This means that the average frequency of the HF LPO over this 500 $\mu$ s period was 4000 cycles / 500 $\mu$ s, or 8MHz.
- The application then needs to clear the ERROR status flag and restart the DCC module so that it is ready for the next spot measurement.

If there is no error generated at the end of the sequence, then the DONE status flag is set and a DONE interrupt is generated. The application must clear the DONE flag before restarting the DCC.

The conditions that cause a DCC error are identical between the continuous monitoring mode and the single-shot measurement mode.

#### **Error Conditions:**

An error condition is generated by any one of the following:

1. Counter1 counts down to 0 before Counter0 reaches 0. This means that clock1 is faster than expected, or clock0 is slower than expected. It includes the case when clock0 is stuck at 1 or 0.
2. Counter1 does not reach 0 even when Counter0 and Valid0 have both reached 0. This means that clock1 is slower than expected. It includes the case when clock1 is stuck at 1 or 0.

Any error freezes the counters from counting. An application may then read out the counter values to help determine what caused the error.

#### **Freezing Counters when Counter1 Reaches Zero:**

The DCC module also allows the counters to be frozen when the counter1 reaches zero. This allows one of the clock sources for counter1 to be used as a reference for measuring one of the clock sources for counter0. The error conditions are the same as those where (counter0=0 and valid0=0) define the condition when the DCC counters are frozen. That is, an error is indicated if counter0 and valid0 become zero while counter1 is still non-zero. In this case, however, the application would typically set up the seed values such that the counter1 will become zero before counter0. Essentially the measurement period is defined by the seed value of the counter1. Note that this is also an error condition, and the interrupt service routine can use the measurement period and the actual cycles counted by counter1 to determine the frequency of the clock0 signal.

### **15.3 Clock Source Selection for Counter0 and Counter1**

Refer the device datasheet to identify the available options for selecting the clock sources for both counters of the DCC module. Some microcontrollers may include multiple instances of the DCC module. This will also be identified in the device datasheet.

The selection of the clock sources for counter0 and counter1 is done by a combination of the KEY, CNT0 CLKSRC and CNT1 CLKSRC control fields of the CNT0CLKSRC and CNT1CLKSRC registers.

## 15.4 DCC Control Registers

This section describes the dual-clock comparator (DCC) module control and status registers. The registers support 8-bit, 16-bit or 32-bit writes and are aligned on a word (32-bit) boundary. [Table 15-1](#) shows address offsets from the module base address. The base address for the control registers is FFFF EC00h for DCC1 and FFFF F400h for DCC2.

**Table 15-1. DCC Control Registers**

Offset	Acronym	Register Description	Section
00h	DCCGCTRL	DCC Global Control Register	<a href="#">Section 15.4.1</a>
04h	DCCREV	DCC Revision Id Register	<a href="#">Section 15.4.2</a>
08h	DCCNT0SEED	DCC Counter0 Seed Register	<a href="#">Section 15.4.3</a>
0Ch	DCCVALID0SEED	DCC Valid0 Seed Register	<a href="#">Section 15.4.4</a>
10h	DCCNT1SEED	DCC Counter1 Seed Register	<a href="#">Section 15.4.5</a>
14h	DCCSTAT	DCC Status Register	<a href="#">Section 15.4.6</a>
18h	DCCDCNT0	DCC Counter0 Value Register	<a href="#">Section 15.4.7</a>
1Ch	DCCVALID0	DCC Valid0 Value Register	<a href="#">Section 15.4.8</a>
20h	DCCDCNT1	DCC Counter1 Value Register	<a href="#">Section 15.4.9</a>
24h	DCCNT1CLKSRC	DCC Counter1 Clock Source Selection Register	<a href="#">Section 15.4.10</a>
28h	DCCNT0CLKSRC	DCC Counter0 Clock Source Selection Register	<a href="#">Section 15.4.11</a>

### 15.4.1 DCC Global Control Register (DCCGCTRL)

Figure 15-7 and Table 15-2 describe the DCC Global Control register.

**Figure 15-7. DCC Control Register (DCCGCTRL) [offset = 00]**

31	Reserved												16
R-0													
15	12	11	8	7	4	3						0	
DONE INT ENA			SINGLE SHOT			ERR ENA			DCC ENA				
R/WP-5h			R/WP-5h			R/WP-5h			R/WP-5h				

LEGEND: R/W = Read/Write; R = Read only; WP = Write in privileged mode only; -n = value after reset

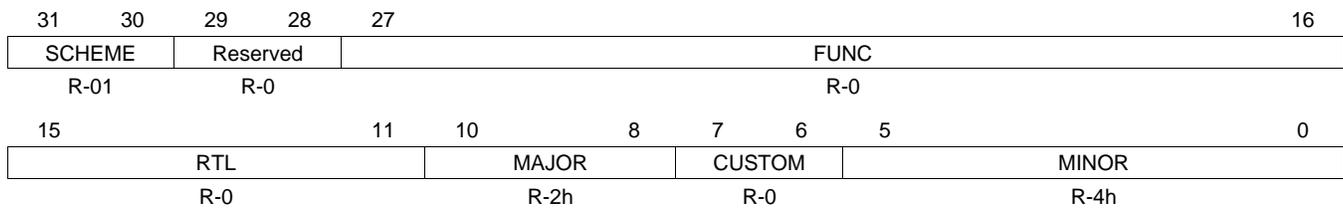
**Table 15-2. DCC Control Register (DCCGCTRL) Field Descriptions**

Bit	Field	Value	Description
31-16	Reserved	0	Read returns 0. Writes have no effect.
15-12	DONE INT ENA	5h Others	Done Interrupt Enable. Any operation mode read, privileged mode write: No interrupt is generated when the DONE flag is set in the DCC Status (DCCSTAT) register. DONE interrupt is generated when the DONE flag is set in the DCC Status (DCCSTAT) register.
11-8	SINGLE SHOT	Ah Bh Others	Single-Shot Mode Enable. Any operation mode read, privileged mode write: DCC stops counting when counter0 and valid0 both reach zero. DCC stops counting when counter1 reaches zero. DCC counts continuously and only stops when an error occurs.
7-4	ERR ENA	5h Others	Error Interrupt Enable. Any operation mode read, privileged mode write: No interrupt is generated when the ERR flag is set in the DCC Status (DCCSTAT) register. ERROR interrupt is generated when the ERR flag is set in the DCC Status (DCCSTAT) register.
3-0	DCC ENA	5h Others	DCC Enable. Any operation mode read, privileged mode write: All DCC counters are stopped and error-checking is disabled. When an error occurs, the counters stop and this field is set to 5h automatically disabling the DCC counter in hardware. Read: Counters are enabled. Write: Load counters with their seed values and begin counting. It is recommended to write Ah to enable counters to protect against single-bit errors.

### 15.4.2 DCC Revision Id Register (DCCREV)

Figure 15-8 and Table 15-3 describe the DCC Revision Id register.

**Figure 15-8. DCC Revision Id Register (DCCREV) [offset = 4h]**



LEGEND: R/W = Read/Write; R = Read only; -n = value after reset

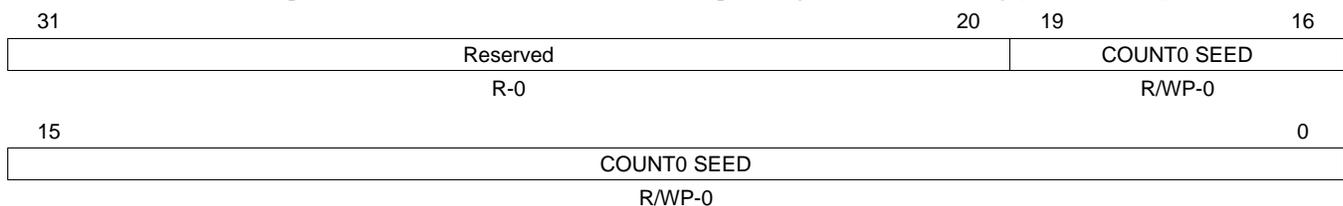
**Table 15-3. DCC Revision Id Register (DCCREV) Field Descriptions**

Bit	Field	Value	Description
31-30	SCHEME	01	Reads return 01, writes have no effect.
29-28	Reserved	0	Read returns 0. Writes have no effect.
27-16	FUNC	0	Functional release number. Reads return 0x000, writes have no effect.
15-11	RTL	0	Design release number. Reads return 0x00, writes have no effect.
10-8	MAJOR	2h	Major revision number. Reads return 0x2, writes have no effect.
7-6	CUSTOM	0	Custom version number. Reads return 0x0, writes have no effect.
5-0	MINOR	4h	Minor revision number. Reads return 0x4, writes have no effect.

### 15.4.3 DCC Counter0 Seed Register (DCCNT0SEED)

Figure 15-9 and Table 15-4 describe the DCC Counter0 Seed register.

**Figure 15-9. DCC Counter0 Seed Register (DCCNT0SEED) [offset = 8h]**



LEGEND: R/W = Read/Write; R = Read only; WP = Write in privileged mode only; -n = value after reset

**Table 15-4. DCC Counter0 Seed Register (DCCNT0SEED) Field Descriptions**

Bit	Field	Value	Description
31-20	Reserved	0	Read returns 0. Writes have no effect.
19-0	COUNT0 SEED		Seed value for DCC Counter0. Read in any operating mode returns the current value of Counter0. Writing in privileged mode only sets the current seed value for Counter0.

**NOTE: Seed for Counter0 must be non-zero**

The DCC must only be enabled after programming a non-zero value in the COUNT0 SEED register.

### 15.4.4 DCC Valid0 Seed Register (DCCVALID0SEED)

Figure 15-10 and Table 15-5 describe the DCC Valid0 Seed register.

**Figure 15-10. DCC Valid0 Seed Register (DCCVALID0SEED) [offset = Ch]**

31	Reserved	16
	R-0	
15	VALID0 SEED	0
	R/WP-0	

LEGEND: R/W = Read/Write; R = Read only; WP = Write in privileged mode only; -n = value after reset

**Table 15-5. DCC Valid0 Seed Register (DCCVALID0SEED) Field Descriptions**

Bit	Field	Value	Description
31-16	Reserved	0	Read returns 0. Writes have no effect.
15-0	VALID0 SEED		Seed value for DCC Valid0. This value defines the window within which the Counter1 must reach 0. This window needs to be at least 4 cycles wide. Read in any operating mode returns the current value of seed for Valid0. Writing in privileged mode only sets the current seed value for Valid0. Writes in user mode are ignored.

**NOTE: Seed for Valid0 must be at least 0x4**

The DCC must only be enabled after programming a value greater than or equal to 0x4 in the VALID0 SEED register.

### 15.4.5 DCC Counter1 Seed Register (DCCCNT1SEED)

Figure 15-11 and Table 15-6 describe the DCC Counter1 Seed register.

**Figure 15-11. DCC Counter1 Seed Register (DCCCNT1SEED) [offset = 10h]**

31	Reserved	20	19	16
	R-0		COUNT1 SEED	
			R/WP-0	
15	COUNT1 SEED			0
	R/WP-0			

LEGEND: R/W = Read/Write; R = Read only; WP = Write in privileged mode only; -n = value after reset

**Table 15-6. DCC Counter1 Seed Register (DCCCNT0SEED) Field Descriptions**

Bit	Field	Value	Description
31-20	Reserved	0	Read returns 0. Writes have no effect.
19-0	COUNT1 SEED		Seed value for DCC Counter1. Read in any operating mode returns the current value of seed for Counter1. Writing in privileged mode only sets the current seed value for Counter1. Writes in user mode are ignored.

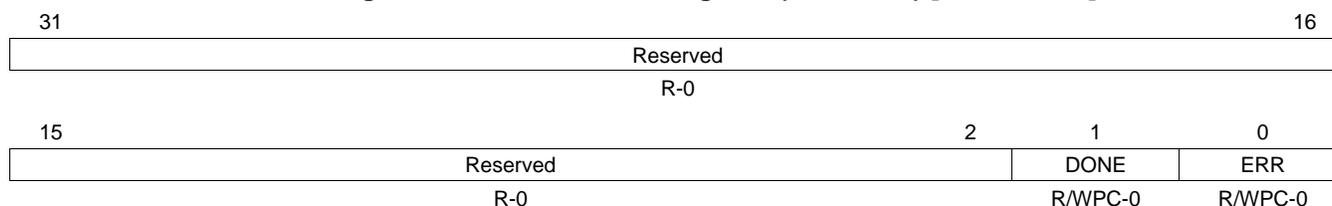
**NOTE: Seed for Counter0 must be non-zero**

The DCC must only be enabled after programming a non-zero value in the COUNT1 SEED register.

### 15.4.6 DCC Status Register (DCCSTAT)

Figure 15-7 and Table 15-2 describe the DCC Status register.

**Figure 15-12. DCC Status Register (DCCSTAT) [offset = 14h]**



LEGEND: R/W = Read/Write; R = Read only; C = Clear; WP = Write in privileged mode only; -n = value after reset

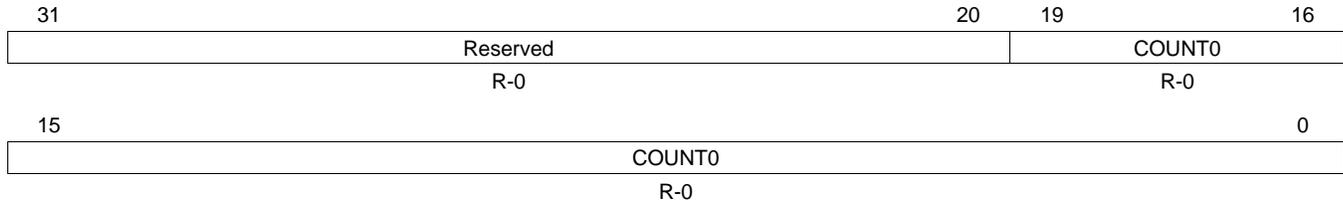
**Table 15-7. DCC Status Register (DCCSTAT) Field Descriptions**

Bit	Field	Value	Description
31-2	Reserved	0	Read returns 0. Writes have no effect.
1	DONE FLG	0	Single-Shot Sequence Done flag. Indicates that a single-shot DCC sequence is done without any error. Read: Single-shot sequence is not done. Write: Writing 0 has no effect.
		1	Read: Single-shot sequence is done without any error. Write: Writing 1 in privileged mode clears the DONE FLG.
0	ERR FLG	0	Error flag. Indicates that a DCC error has occurred. Read: DCC error has not occurred. Write: Writing 0 has no effect.
		1	Read: An error has occurred. Write: Writing 1 in privileged mode clears the ERR FLG.

### 15.4.7 DCC Counter0 Value Register (DCCCNT0)

Figure 15-13 and Table 15-8 describe the DCC Counter0 Value register.

**Figure 15-13. DCC Counter0 Value Register (DCCCNT0) [offset = 18h]**



LEGEND: R/W = Read/Write; R = Read only; -n = value after reset

**Table 15-8. DCC Counter0 Seed Register (DCCCNT0) Field Descriptions**

Bit	Field	Value	Description
31-20	Reserved	0	Read returns 0. Writes have no effect.
19-0	COUNT0		Current value of DCC Counter0. Read in any operating mode returns the current value of Counter0. Writes have no effect.

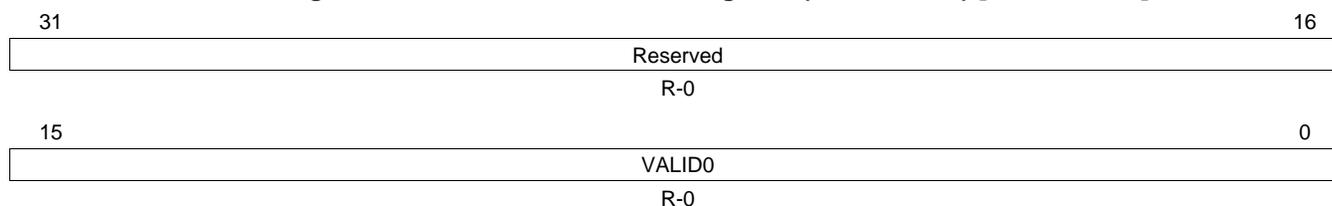
**NOTE: Reads may not return exact current value of counter**

Reading the counter0 value while counting is enabled may not return the exact value of the counter0.

### 15.4.8 DCC Valid0 Value Register (DCCVALID0)

Figure 15-14 and Table 15-9 describe the DCC Valid0 Value register.

**Figure 15-14. DCC Valid0 Value Register (DCCVALID0) [offset = 1Ch]**



LEGEND: R/W = Read/Write; R = Read only; -n = value after reset

**Table 15-9. DCC Valid0 Value Register (DCCVALID0) Field Descriptions**

Bit	Field	Value	Description
31-16	Reserved	0	Read returns 0. Writes have no effect.
15-0	VALID0		Current value for DCC Valid0. Read in any operating mode returns the current value of Valid0. Writes have no effect.

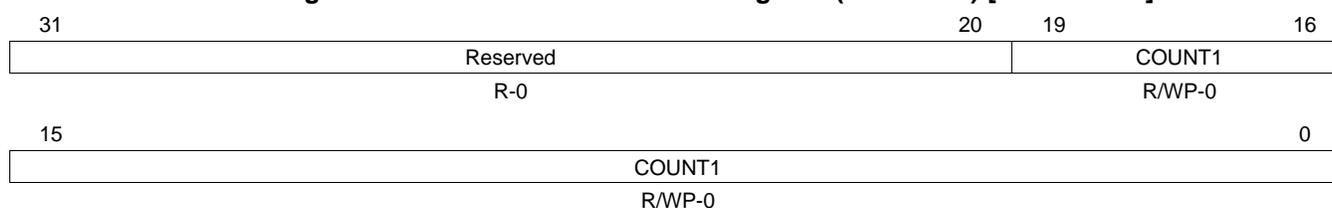
**NOTE: Reads may not return exact current value of Valid0**

Reading the Valid0 value while counting is enabled may not return the exact value of the Valid0.

### 15.4.9 DCC Counter1 Value Register (DCCCNT1)

Figure 15-15 and Table 15-10 describe the DCC Counter1 Value register.

**Figure 15-15. DCC Counter1 Value Register (DCCCNT1) [offset = 20h]**



LEGEND: R/W = Read/Write; R = Read only; WP = Write in privileged mode only; -n = value after reset

**Table 15-10. DCC Counter1 Value Register (DCCCNT1) Field Descriptions**

Bit	Field	Value	Description
31-20	Reserved	0	Read returns 0. Writes have no effect.
19-0	COUNT1		Current value for DCC Counter1. Read in any operating mode returns the current value of Counter1. Writes have no effect

**NOTE: Reads may not return exact current value of counter**

Reading the counter1 value while counting is enabled may not return the exact value of the counter1.

### 15.4.10 DCC Counter1 Clock Source Selection Register (DCCNT1CLKSRC)

Figure 15-15 and Table 15-10 describe the DCC Counter1 Value register.

**Figure 15-16. DCC Counter1 Clock Source Selection Register (DCCNT1CLKSRC) [offset = 24h]**

31	Reserved										16	
R-0												
15	12	11					4	3				0
KEY			Reserved				CNT1 CLKSRC					
R/WP-5h			R-0				R/WP-0					

LEGEND: R/W = Read/Write; R = Read only; WP = Write in privileged mode only; -n = value after reset

**Table 15-11. DCC Counter1 Value Register (DCCNT1) Field Descriptions**

Bit	Field	Value	Description
31-16	Reserved	0	Read returns 0. Writes have no effect.
15-12	KEY		Key to enable clock source selection for Counter1. Read in any operating mode returns the current value of the key.
		Ah	Writing in privileged mode sets the key value. Writing Ah as the key enables the CNT1 CLKSRC field to define the clock source for counter1.
		Any other value	Writing any other key value disables the clock source selection for counter1. Refer the device datasheet for available clock source options and the KEY required to enable these options for counter1.
11-4	Reserved	0	Read returns 0. Writes have no effect.
3-0	CNT1 CLKSRC		Clock Source for Counter1 when KEY is programmed to be Ah. Read in any operating mode returns the current value of CLKSRC. Writes in privileged mode select the clock source for Counter1. Refer the device datasheet for available clock source options and the KEY required to enable these options for Counter1.

### 15.4.11 DCC Counter0 Clock Source Selection Register (DCCNT0CLKSRC)

Figure 15-15 and Table 15-10 describe the DCC Counter0 Value register.

**Figure 15-17. DCC Counter0 Clock Source Selection Register (DCCNT0CLKSRC) [offset = 24h]**

31	Reserved										16	
R-0												
15					4	3						0
Reserved						CNT0 CLKSRC						
R-0						R/WP-5h						

LEGEND: R/W = Read/Write; R = Read only; WP = Write in privileged mode only; -n = value after reset

**Table 15-12. DCC Counter0 Clock Source Selection Register (DCCNT0CLKSRC) Field Descriptions**

Bit	Field	Value	Description
31-4	Reserved	0	Read returns 0. Writes have no effect.
3-0	CNT0 CLKSRC		Clock Source for Counter0 Read in any operating mode returns the current value of CLKSRC. Writes in privileged mode select the clock source for Counter0. Refer the device datasheet for available clock source options for Counter0.

## ***Error Signaling Module (ESM)***

---

---

This chapter provides the details of the error signaling module (ESM) which aggregates device errors and provides internal and external error response based on error severity.

<b>Topic</b>	<b>Page</b>
<b>16.1 Overview .....</b>	<b>539</b>
<b>16.2 Module Operation .....</b>	<b>541</b>
<b>16.3 Recommended Programming Procedure .....</b>	<b>544</b>
<b>16.4 ESM Control Registers .....</b>	<b>545</b>

## 16.1 Overview

The Error Signaling Module (ESM) collects and reports the various error conditions on the microcontroller. The error condition is categorized based on a severity level. Error response is then generated based on the category of the error. Possible error responses include a low priority interrupt, high priority interrupt, and an external pin action.

### 16.1.1 Feature List

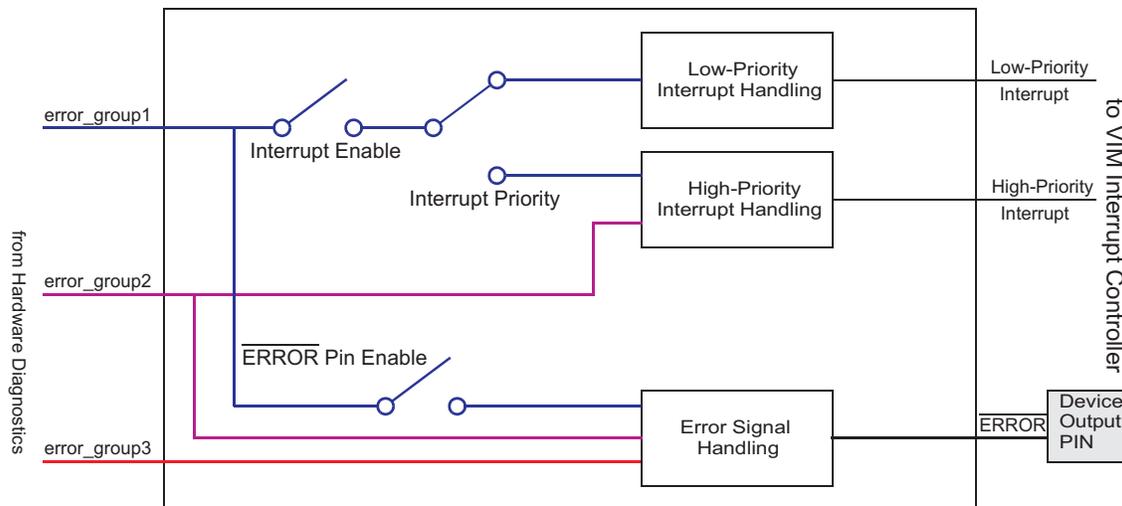
- Up to 160 error channels are supported, divided into 3 different groups:
  - 96 Group1 (low severity) channels with configurable interrupt generation and configurable  $\overline{\text{ERROR}}$  pin behavior
  - 32 Group2 (high severity) channels with predefined interrupt generation and predefined  $\overline{\text{ERROR}}$  pin behavior
  - 32 Group3 (high severity) channels with no interrupt generation and predefined  $\overline{\text{ERROR}}$  pin behavior. These channels have no interrupt response as they are reserved for CPU based diagnostics that generate aborts directly to the CPU.
- Dedicated device  $\overline{\text{ERROR}}$  pin to signal an external observer
- Configurable timebase for  $\overline{\text{ERROR}}$  pin output
- Error forcing capability for latent fault testing

### 16.1.2 Block Diagram

As shown in Figure 16-1, the ESM channels are divided into three groups. Group1 channels are considered to be low severity. Group1 errors have a configurable interrupt response and configurable  $\overline{\text{ERROR}}$  pin behavior. Note that the ESM Status Register 1 (ESMSR1) for error group 1 gets updated, regardless if the interrupt enable is active or not. Group2 channels are  $\overline{\text{ERROR}}$  high severity. Group2 errors always generate a high priority interrupt and an output on the  $\overline{\text{ERROR}}$  pin. Group3 errors are reserved for high severity errors generated by diagnostics which have already generated a CPU abort response. Because an abort response is generated, there is no need to generate an interrupt response. Group3 errors always generate an  $\overline{\text{ERROR}}$  pin output.

The ESM interrupt and  $\overline{\text{ERROR}}$  pin behavior are also summarized in Table 16-1.

Figure 16-1. Block Diagram



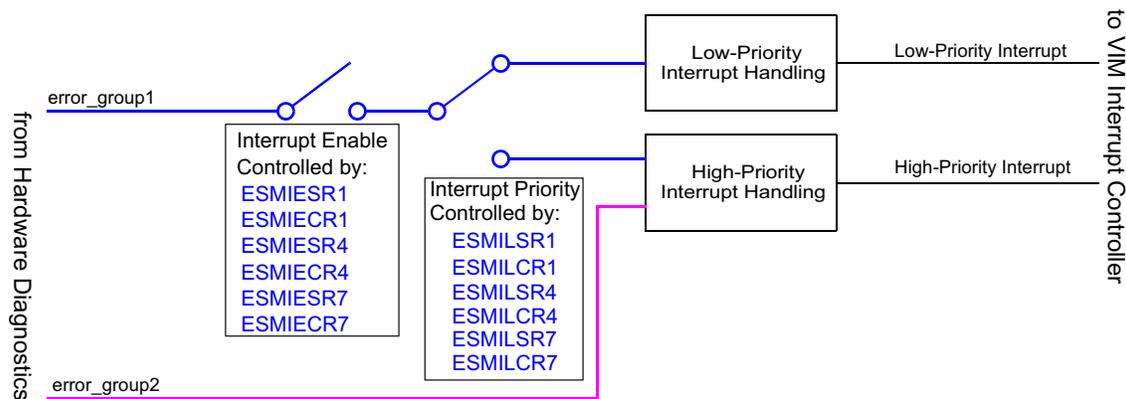
Note that the ESM Status Register 1 (ESMSR1) for error\_group1 gets updated, regardless if the interrupt enable is active or not.

**Table 16-1. ESM Interrupt and ERROR Pin Behavior**

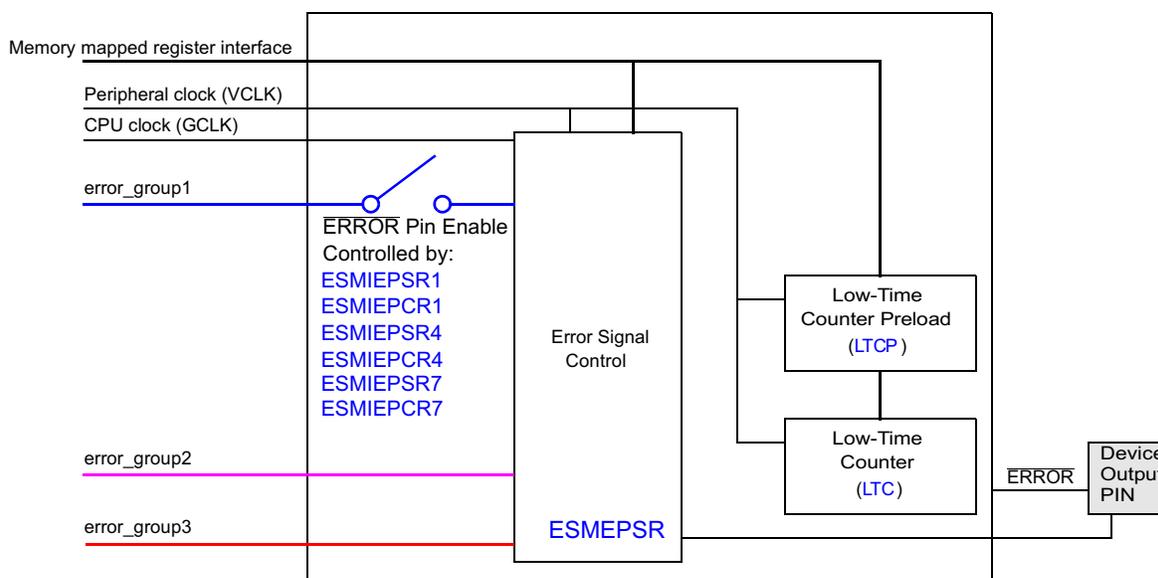
Error Group	Interrupt Generated	Interrupt Priority	ERROR Pin Response Generated
1	configurable interrupt	configurable priority	configurable output generation
2	interrupt generated	high priority	output generated
3	no interrupt	NA	output generated

Figure 16-2 and Figure 16-3 show the interrupt response handling and ERROR pin response handling with register configuration. The total active time of the ERROR pin is controlled by the Low-Time Counter Preload register (LTCP) and the key register (ESMEPSR) as shown in Figure 16-3. See Section 16.2.2 for details.

**Figure 16-2. Interrupt Response Handling**



**Figure 16-3. ERROR Pin Response Handling**



## 16.2 Module Operation

This device has 160 error channels, divided into 3 different error groups. Please refer to the device datasheet for ESM channel assignment details.

The ESM module has error flags for each error channel. The error status registers ESMSR1, ESMSR4, ESMSR7, ESMSR2, ESMSR3 provide status information on a pending error of Group1 (Channel 0-31), Group1 (Channel 32-63), Group1 (Channel 64-95), Group2, and Group3, respectively. The ESMEPSR register provides the current  $\overline{\text{ERROR}}$  status. The module also provides a status shadow register, ESMSR2, which maintains the error flags of Group2 until power-on reset ( $\overline{\text{PORRST}}$ ) is asserted. See [Section 16.2.1](#) for details of their behavior during power on reset and warm reset.

Once an error occurs, the ESM module will set the corresponding error flags. In addition, it can trigger an interrupt,  $\overline{\text{ERROR}}$  pin outputs low depending on the ESM settings. Once the  $\overline{\text{ERROR}}$  pin outputs low, a power on reset or a write of 0x5 to ESMEKR is required to release the ESM error pin back to normal state. See [Section 16.2.2](#) for details. The application can read the error status registers (ESMSR1, ESMSR4, ESMSR7, ESMSR2, and ESMSR3) to debug the error. If an  $\overline{\text{RST}}$  is triggered or the error interrupt has been served, the error flag of Group2 should be read from ESMSR2 because the error flag in ESMSR2 will be cleared by  $\overline{\text{RST}}$ .

You can also test the functionality of the  $\overline{\text{ERROR}}$  pin by forcing an error. See [Section 16.2.3](#) for details.

### 16.2.1 Reset Behavior

Power on reset:

- $\overline{\text{ERROR}}$  pin behavior

When nPORRST is active, the  $\overline{\text{ERROR}}$  pin is in a high impedance state (output drivers disabled).

- Register behavior

After  $\overline{\text{PORRST}}$ , all registers in ESM module will be re-initialized to the default value. All the error status registers are cleared to zero.

Warm reset ( $\overline{\text{RST}}$ ):

- $\overline{\text{ERROR}}$  pin behavior

During  $\overline{\text{RST}}$ , the  $\overline{\text{ERROR}}$  pin is in “output active” state with pull-down disabled. The  $\overline{\text{ERROR}}$  pin remains unchanged after  $\overline{\text{RST}}$ .

- Register behavior

After  $\overline{\text{RST}}$ , ESMSR1, ESMSR4, ESMSR7, ESMSR2, ESMSR3 and ESMEPSR register values remains un-changed. Since  $\overline{\text{RST}}$  does not clear the critical failure registers, the user can read those registers to debug the failures after  $\overline{\text{RST}}$  pin goes back to high.

After  $\overline{\text{RST}}$ , if one of the flags in ESMSR1, ESMSR4 and ESMSR7 is set, the interrupt service routine will be called once the corresponding interrupt is enabled.

---

**NOTE:** ESMSR2 is cleared after  $\overline{\text{RST}}$ . The flag in ESMSR2 gets cleared when reading the appropriate vector in the ESMIOFFHR offset register. Reading ESMIOFFHR will not clear the ESMSR1, ESMSR4, ESMSR7 and the shadow register ESMSR2. Reading ESMIOFFLR will also not clear the ESMSR1, ESMSR4 and ESMSR7.

---

### 16.2.2 $\overline{\text{ERROR}}$ Pin Timing

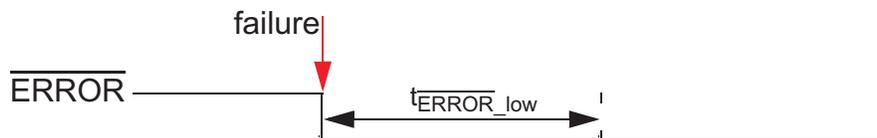
The  $\overline{\text{ERROR}}$  pin is an active low function. The state of the pin is also readable from  $\overline{\text{ERROR}}$  Pin Status Register (ESMEPSR). A warm reset ( $\overline{\text{RST}}$ ) does not affect the state of the pin. The pin is in a high-impedance state during power-on reset. Once the ESM module drives the  $\overline{\text{ERROR}}$  pin low, it remains in this state for the time specified by the Low-Time Counter Preload register (LTCPR). Based on the time period of the peripheral clock (VCLK), the total active time of the  $\overline{\text{ERROR}}$  pin can be calculated as:

$$t_{\overline{\text{ERROR}}\_low} = t_{VCLK} \times (LTCP + 1) \quad (24)$$

Once this period expires, the  $\overline{\text{ERROR}}$  pin is set to high in case the reset of the  $\overline{\text{ERROR}}$  pin was requested. This request is done by writing an appropriate key (0x5) to the key register (ESMEKR) during the  $\overline{\text{ERROR}}$  pin low time. Here are a few examples:

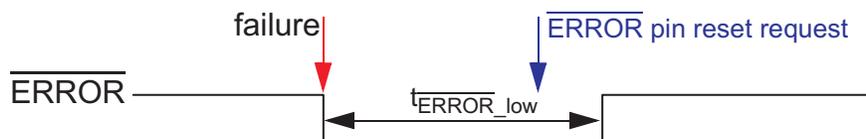
**Example 1:** ESM detects a failure and drives the  $\overline{\text{ERROR}}$  pin low. No  $\overline{\text{ERROR}}$  pin reset is requested. The  $\overline{\text{ERROR}}$  pin continues outputting low until power on reset occurs.

**Figure 16-4.  $\overline{\text{ERROR}}$  Pin Timing - Example 1**



**Example 2:** ESM detects a failure and drives the  $\overline{\text{ERROR}}$  pin low. An  $\overline{\text{ERROR}}$  pin reset request is received before  $t_{\overline{\text{ERROR}}\_low}$  expires. In this case, the  $\overline{\text{ERROR}}$  pin is set to high immediately after  $t_{\overline{\text{ERROR}}\_low}$  expires.

**Figure 16-5.  $\overline{\text{ERROR}}$  Pin Timing - Example 2**



**Example 3:** ESM detects a failure and drives the  $\overline{\text{ERROR}}$  pin low. An  $\overline{\text{ERROR}}$  pin reset request is received after  $t_{\overline{\text{ERROR}}\_low}$  expires. In this case, the  $\overline{\text{ERROR}}$  pin is set to high immediately after  $\overline{\text{ERROR}}$  pin reset request is received.

**Figure 16-6.  $\overline{\text{ERROR}}$  Pin Timing - Example 3**



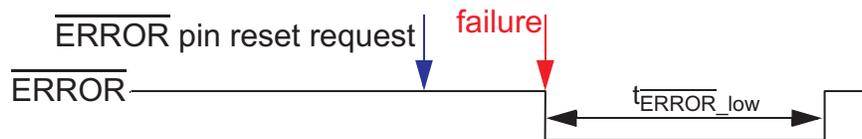
Example 4: ESM detects a failure and drives the  $\overline{\text{ERROR}}$  pin low. Another failure occurs within the time the pin stays low. In this case, the low time counter will be reset when the other failure occurs. In other words,  $t_{\overline{\text{ERROR}}\_low}$  should be counted from whenever the most recent failure occurs.

Figure 16-7.  $\overline{\text{ERROR}}$  Pin Timing - Example 4



Example 5: The reset of the  $\overline{\text{ERROR}}$  pin was requested by the software even before the failure occurs. In this case, the  $\overline{\text{ERROR}}$  pin is set to high immediately after  $t_{\overline{\text{ERROR}}\_low}$  expires. This case is not recommended and should be avoided by the application.

Figure 16-8.  $\overline{\text{ERROR}}$  Pin Timing - Example 5



### 16.2.3 Forcing an Error Condition

The error response generation mechanism is testable by software by forcing an error condition. This allows testing the  $\overline{\text{ERROR}}$  pin functionality. By writing a dedicated key to the error forcing key register (ESMEKR), the  $\overline{\text{ERROR}}$  pin is set to low for the specified time. The following steps describe how to force an error condition:

1. Check  $\overline{\text{ERROR}}$  Pin Status Register (ESMEPSR). This register must be 1 to switch into the error forcing mode.

The ESM module cannot be switched into the error forcing mode if a failure has already been detected in functional mode. The application command to switch to error forcing mode is ignored.

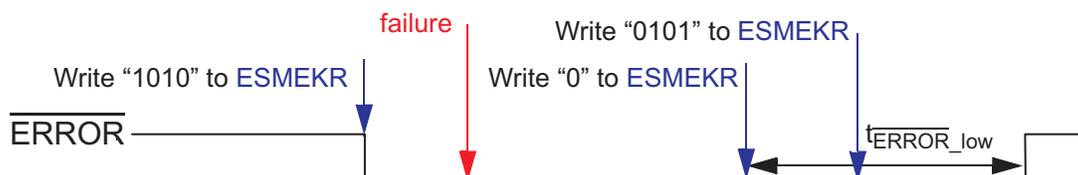
2. Write "1010b" to the error forcing key register (ESMEKR). After that, the  $\overline{\text{ERROR}}$  pin should output low (error force mode).

Once the application puts the ESM module in the error forcing mode, the  $\overline{\text{ERROR}}$  pin cannot indicate the normal error functionality. If a failure occurs during this time, it gets still latched and the LTC is reset and stopped. The error output pin is already driven low on account of the error forcing mode. When the ESM is forced back to normal functional mode, the LTC becomes active and forces the  $\overline{\text{ERROR}}$  pin low until the expiration of the LTC (see Figure 16-9).

3. Write "0000" to the error forcing key register (ESMEKR) back to the active normal mode.

If there are no errors detected while the ESM module is in the error forcing mode, the  $\overline{\text{ERROR}}$  pin goes high immediately after exiting the error forcing mode.

Figure 16-9.  $\overline{\text{ERROR}}$  Pin Timing - Example 6

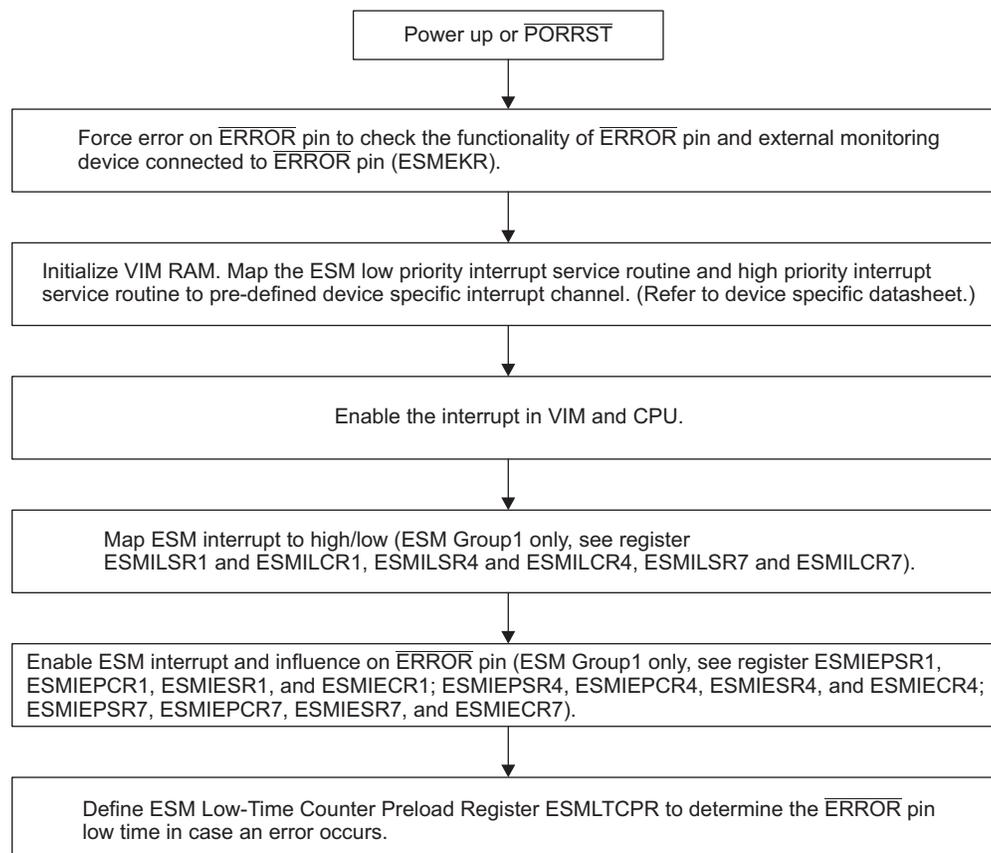


### 16.3 Recommended Programming Procedure

During the initialization stage, the application code should follow the recommendations in [Figure 16-10](#) to initialize the ESM.

Once an error occurs, it can trigger an interrupt,  $\overline{\text{ERROR}}$  pin outputs low depending on the ESM settings. Once the  $\overline{\text{ERROR}}$  pin outputs low, a power on reset or a write of 0x5 to ESMEKR is required to release the ESM back to normal state. The application can read the error status registers (ESMSR1, ESMSR4, ESMSR7, ESMSR2, and ESMSR3) to debug the error. If an  $\overline{\text{RST}}$  is triggered or the error interrupt has been served, the error flag of Group2 should be read from ESMSR2 because the error flag in ESMSR2 will be cleared by  $\overline{\text{RST}}$ .

**Figure 16-10. ESM Initialization**



## 16.4 ESM Control Registers

Table 16-2 lists the ESM registers. Each register begins on a 32-bit word boundary. The registers support 8-, 16-, and 32-bit accesses. The base address for the control registers is FFFF F500h.

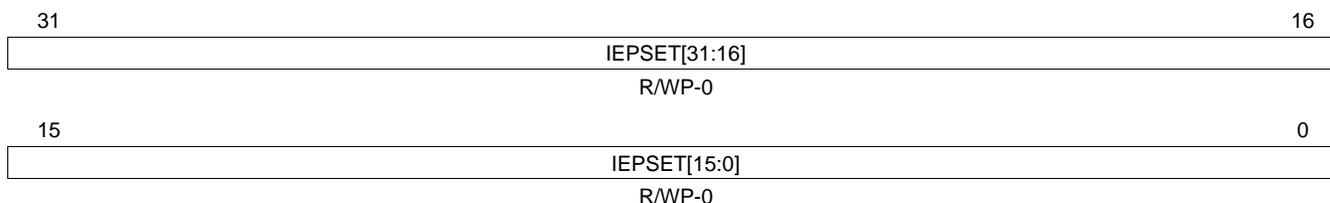
**Table 16-2. ESM Control Registers**

Offset	Acronym	Register Description	Section
00h	ESMEEPAPR1	ESM Enable $\overline{\text{ERROR}}$ Pin Action/Response Register 1	<a href="#">Section 16.4.1</a>
04h	ESMDEPAPR1	ESM Disable $\overline{\text{ERROR}}$ Pin Action/Response Register 1	<a href="#">Section 16.4.2</a>
08h	ESMIESR1	ESM Interrupt Enable Set/Status Register 1	<a href="#">Section 16.4.3</a>
0Ch	ESMIECR1	ESM Interrupt Enable Clear/Status Register 1	<a href="#">Section 16.4.4</a>
10h	ESMILSR1	Interrupt Level Set/Status Register 1	<a href="#">Section 16.4.5</a>
14h	ESMILCR1	Interrupt Level Clear/Status Register 1	<a href="#">Section 16.4.6</a>
18h	ESMSR1	ESM Status Register 1	<a href="#">Section 16.4.7</a>
1Ch	ESMSR2	ESM Status Register 2	<a href="#">Section 16.4.8</a>
20h	ESMSR3	ESM Status Register 3	<a href="#">Section 16.4.9</a>
24h	ESMEPSR	ESM $\overline{\text{ERROR}}$ Pin Status Register	<a href="#">Section 16.4.10</a>
28h	ESMIOFFHR	ESM Interrupt Offset High Register	<a href="#">Section 16.4.11</a>
2Ch	ESMIOFFLR	ESM Interrupt Offset Low Register	<a href="#">Section 16.4.12</a>
30h	ESMLTCR	ESM Low-Time Counter Register	<a href="#">Section 16.4.13</a>
34h	ESMLTCPR	ESM Low-Time Counter Preload Register	<a href="#">Section 16.4.14</a>
38h	ESMEKR	ESM Error Key Register	<a href="#">Section 16.4.15</a>
3Ch	ESMSSR2	ESM Status Shadow Register 2	<a href="#">Section 16.4.16</a>
40h	ESMIEPSR4	ESM Influence $\overline{\text{ERROR}}$ Pin Set/Status Register 4	<a href="#">Section 16.4.17</a>
44h	ESMIEPCR4	ESM Influence $\overline{\text{ERROR}}$ Pin Clear/Status Register 4	<a href="#">Section 16.4.18</a>
48h	ESMIESR4	ESM Interrupt Enable Set/Status Register 4	<a href="#">Section 16.4.19</a>
4Ch	ESMIECR4	ESM Interrupt Enable Clear/Status Register 4	<a href="#">Section 16.4.20</a>
50h	ESMILSR4	Interrupt Level Set/Status Register 4	<a href="#">Section 16.4.21</a>
54h	ESMILCR4	Interrupt Level Clear/Status Register 4	<a href="#">Section 16.4.22</a>
58h	ESMSR4	ESM Status Register 4	<a href="#">Section 16.4.23</a>
80h	ESMIEPSR7	ESM Influence $\overline{\text{ERROR}}$ Pin Set/Status Register 7	<a href="#">Section 16.4.24</a>
84h	ESMIEPCR7	ESM Influence $\overline{\text{ERROR}}$ Pin Clear/Status Register 7	<a href="#">Section 16.4.25</a>
88h	ESMIESR7	ESM Interrupt Enable Set/Status Register 7	<a href="#">Section 16.4.26</a>
8Ch	ESMIECR7	ESM Interrupt Enable Clear/Status Register 7	<a href="#">Section 16.4.27</a>
90h	ESMILSR7	Interrupt Level Set/Status Register 7	<a href="#">Section 16.4.28</a>
94h	ESMILCR7	Interrupt Level Clear/Status Register 7	<a href="#">Section 16.4.29</a>
98h	ESMSR7	ESM Status Register 7	<a href="#">Section 16.4.30</a>

### 16.4.1 ESM Enable $\overline{\text{ERROR}}$ Pin Action/Response Register 1 (ESMEEPAPR1)

This register is dedicated for Group1 Channel[31:0].

**Figure 16-11. ESM Enable  $\overline{\text{ERROR}}$  Pin Action/Response Register 1 (ESMEEPAPR1) [offset = 00h]**



LEGEND: R/W = Read/Write; R = Read; WP = Write in privileged mode only; -n = value after reset

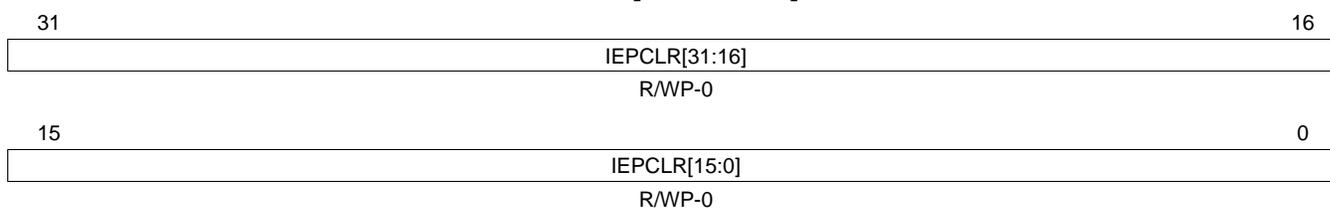
**Table 16-3. ESM Enable  $\overline{\text{ERROR}}$  Pin Action/Response Register 1 (ESMEEPAPR1) Field Descriptions**

Bit	Field	Value	Description
31-0	IEPSET	0	Enable $\overline{\text{ERROR}}$ Pin Action/Response on Group 1. <b>Read in User and Privileged mode. Write in Privileged mode only.</b> Read: Failure on channel x has no influence on $\overline{\text{ERROR}}$ pin. Write: Leaves the bit and the corresponding clear bit in the ESMIEPCR1 register unchanged.
		1	Read: Failure on channel x has influence on $\overline{\text{ERROR}}$ pin. Write: Enables failure influence on $\overline{\text{ERROR}}$ pin and sets the corresponding clear bit in the ESMIEPCR1 register.

### 16.4.2 ESM Disable $\overline{\text{ERROR}}$ Pin Action/Response Register 1 (ESMDEPAPR1)

This register is dedicated for Group1 Channel[31:0].

**Figure 16-12. ESM Disable  $\overline{\text{ERROR}}$  Pin Action/Response Register 1 (ESMDEPAPR1) [offset = 04h]**



LEGEND: R/W = Read/Write; R = Read; WP = Write in privileged mode only; -n = value after reset

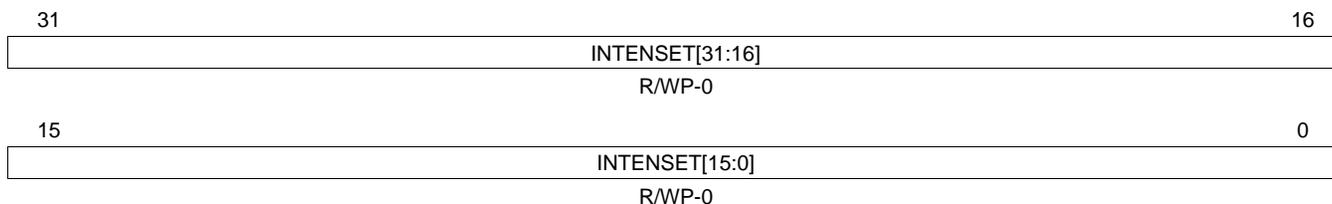
**Table 16-4. ESM Disable  $\overline{\text{ERROR}}$  Pin Action/Response Register 1 (ESMDEPAPR1) Field Descriptions**

Bit	Field	Value	Description
31-0	IEPCLR	0	Disable $\overline{\text{ERROR}}$ Pin Action/Response on Group 1. <b>Read in User and Privileged mode. Write in Privileged mode only.</b> Read: Failure on channel x has no influence on $\overline{\text{ERROR}}$ pin. Write: Leaves the bit and the corresponding set bit in the ESMIEPSR1 register unchanged.
		1	Read: Failure on channel x has influence on $\overline{\text{ERROR}}$ pin. Write: Disables failure influence on $\overline{\text{ERROR}}$ pin and clears the corresponding set bit in the ESMIEPSR1 register.

### 16.4.3 ESM Interrupt Enable Set/Status Register 1 (ESMIESR1)

This register is dedicated for Group1 Channel[31:0].

**Figure 16-13. ESM Interrupt Enable Set/Status Register 1 (ESMIESR1) [offset = 08h]**



LEGEND: R/W = Read/Write; R = Read; WP = Write in privileged mode only; -n = value after reset

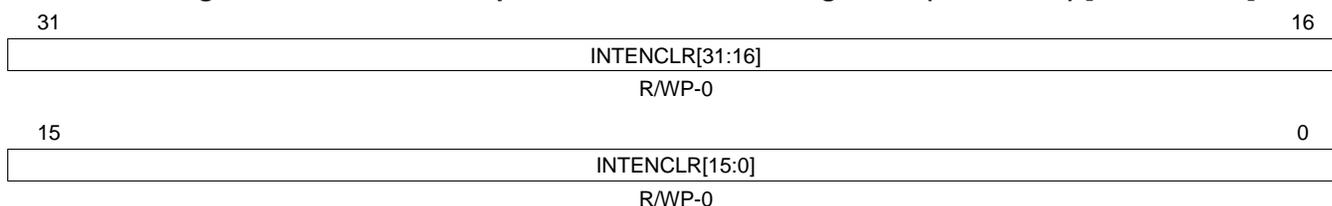
**Table 16-5. ESM Interrupt Enable Set/Status Register 1 (ESMIESR1) Field Descriptions**

Bit	Field	Value	Description
31-0	INTENSET	0	Set interrupt Enable <b>Read in User and Privileged mode. Write in Privileged mode only.</b> Read: Interrupt is disabled. Write: Leaves the bit and the corresponding clear bit in the ESMIECR1 register unchanged.
		1	Read: Interrupt is enabled. Write: Enables interrupt and sets the corresponding clear bit in the ESMIECR1 register.

### 16.4.4 ESM Interrupt Enable Clear/Status Register 1 (ESMIECR1)

This register is dedicated for Group1 Channel[31:0].

**Figure 16-14. ESM Interrupt Enable Clear/Status Register 1 (ESMIECR1) [offset = 0Ch]**



LEGEND: R/W = Read/Write; R = Read; WP = Write in privileged mode only; -n = value after reset

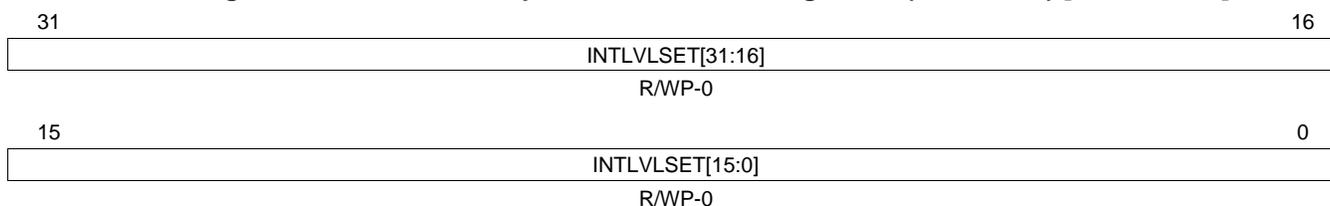
**Table 16-6. ESM Interrupt Enable Clear/Status Register 1 (ESMIECR1) Field Descriptions**

Bit	Field	Value	Description
31-0	INTENCLR	0	Clear Interrupt Enable <b>Read in User and Privileged mode. Write in Privileged mode only.</b> Read: Interrupt is disabled. Write: Leaves the bit and the corresponding set bit in the ESMIESR1 register unchanged.
		1	Read: Interrupt is enabled. Write: Disables interrupt and clears the corresponding set bit in the ESMIESR1 register.

### 16.4.5 ESM Interrupt Level Set/Status Register 1 (ESMILSR1)

This register is dedicated for Group1 Channel[31:0].

**Figure 16-15. ESM Interrupt Level Set/Status Register 1 (ESMILSR1) [offset = 10h]**



LEGEND: R/W = Read/Write; R = Read; WP = Write in privileged mode only; -n = value after reset

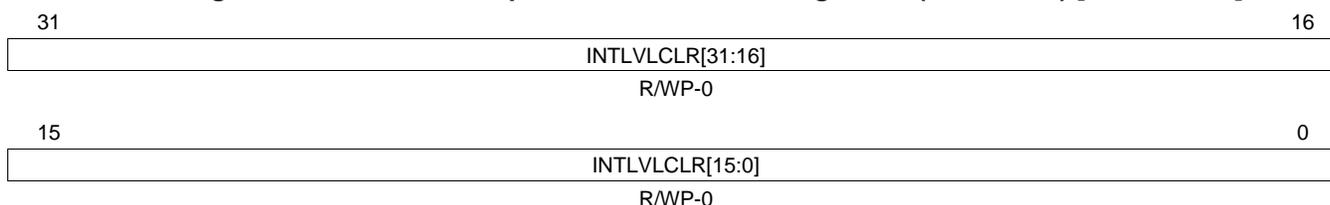
**Table 16-7. ESM Interrupt Level Set/Status Register 1 (ESMILSR1) Field Descriptions**

Bit	Field	Value	Description
31-0	INTLVLSET	0	Set Interrupt Priority <b>Read in User and Privileged mode. Write in Privileged mode only.</b> Read: Interrupt of channel x is mapped to low level interrupt line. Write: Leaves the bit and the corresponding clear bit in the ESMILCR1 register unchanged.
		1	Read: Interrupt of channel x is mapped to high level interrupt line. Write: Maps interrupt of channel x to high level interrupt line and sets the corresponding clear bit in the ESMILCR1 register.

### 16.4.6 ESM Interrupt Level Clear/Status Register 1 (ESMILCR1)

This register is dedicated for Group1 Channel[31:0].

**Figure 16-16. ESM Interrupt Level Clear/Status Register 1 (ESMILCR1) [offset = 14h]**



LEGEND: R/W = Read/Write; R = Read; WP = Write in privileged mode only; -n = value after reset

**Table 16-8. ESM Interrupt Level Clear/Status Register 1 (ESMILCR1) Field Descriptions**

Bit	Field	Value	Description
31-0	INTLVLCLR	0	Clear Interrupt Priority. <b>Read in User and Privileged mode. Write in Privileged mode only.</b> Read: Interrupt of channel x is mapped to low level interrupt line. Write: Leaves the bit and the corresponding set bit in the ESMILSR1 register unchanged.
		1	Read: Interrupt of channel x is mapped to high level interrupt line. Write: Maps interrupt of channel x to low level interrupt line and clears the corresponding set bit in the ESMILSR1 register.

### 16.4.7 ESM Status Register 1 (ESMSR1)

This register is dedicated for Group1 Channel[31:0]. Note that the ESMSR1 status register will get updated if an error condition occurs, regardless if the corresponding interrupt enable flag is set or not.

**Figure 16-17. ESM Status Register 1 (ESMSR1) [offset = 18h]**

31	ESF[31:16] R/WPC-X/0	16
15	ESF[15:0] R/WPC-X/0	0

LEGEND: R/W = Read/Write; R = Read; C = Clear; WP = Write in privileged mode only; -n = value after reset/PORRST; X = Value unchanged

**Table 16-9. ESM Status Register 1 (ESMSR1) Field Descriptions**

Bit	Field	Value	Description
31-0	ESF	0	Error Status Flag. Provides status information on a pending error. <b>Read in User and Privileged mode. Write in Privileged mode only.</b> Read: No error occurred; no interrupt is pending. Write: Leaves the bit unchanged.
		1	Read: Error occurred; interrupt is pending. Write: Clears the bit. <b>Note:</b> After nRST, if one of these flags are set and the corresponding interrupt are enabled, the interrupt service routine will be called.

### 16.4.8 ESM Status Register 2 (ESMSR2)

This register is dedicated for Group2.

**Figure 16-18. ESM Status Register 2 (ESMSR2) [offset = 1Ch]**

31	ESF2[31:16] R/WPC-0	16
15	ESF2[15:0] R/WPC-0	0

LEGEND: R/W = Read/Write; R = Read; C = Clear; WP = Write in privileged mode only; -n = value after reset

**Table 16-10. ESM Status Register 2 (ESMSR2) Field Descriptions**

Bit	Field	Value	Description
31-0	ESF2	0	Error Status Flag. Provides status information on a pending error. <b>Read in User and Privileged mode. Write in Privileged mode only.</b> Read: No error occurred; no interrupt is pending. Write: Leaves the bit unchanged.
		1	Read: Error occurred; interrupt is pending. Write: Clears the bit. ESMSR2 is not impacted by this action. <b>Note:</b> In normal operation the flag gets cleared when reading the appropriate vector in the ESMIOFFHR offset register. Reading ESMIOFFHR will not clear the ESMSR1 and the shadow register ESMSR2.

### 16.4.9 ESM Status Register 3 (ESMSR3)

This register is dedicated for Group3.

**Figure 16-19. ESM Status Register 3 (ESMSR3) [offset = 20h]**

31	ESF3[31:0] R/WPC-X/0	16
15	ESF3[15:0] R/WPC-X/0	0

LEGEND: R/W = Read/Write; R = Read; C = Clear; WP = Write in privileged mode only; -n = value after reset/PORRST; X = Value unchanged

**Table 16-11. ESM Status Register 3 (ESMSR3) Field Descriptions**

Bit	Field	Value	Description
31-0	ESF3	0	Error Status Flag. Provides status information on a pending error. <b>Read in User and Privileged mode. Write in Privileged mode only.</b> Read: No error occurred. Write: Leaves the bit unchanged.
		1	Read: Error occurred. Write: Clears the bit.

### 16.4.10 ESM ERROR Pin Status Register (ESMEPSR)

**Figure 16-20. ESM ERROR Pin Status Register (ESMEPSR) [offset = 24h]**

31	Reserved R-0	16
15	Reserved R-0	1 0 EPSF R-X/1

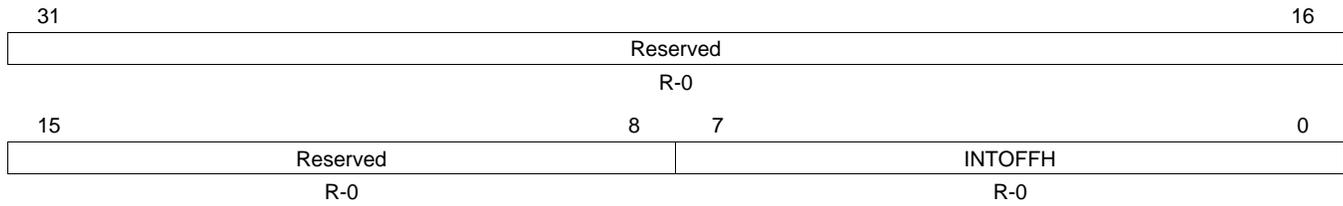
LEGEND: R = Read only; -n = value after reset/PORRST; X = Value unchanged

**Table 16-12. ESM ERROR Pin Status Register (ESMEPSR) Field Descriptions**

Bit	Field	Value	Description
31-1	Reserved	0	Read returns 0. Writes have no effect.
0	EPSF	0	ERROR Pin Status Flag. Provides status information for the ERROR Pin. <b>Read/Write in User and Privileged mode.</b> Read: ERROR Pin is low (active) if any error has occurred. Write: Writes have no effect.
		1	Read: ERROR Pin is high if no error has occurred. Write: Writes have no effect. <b>Note:</b> This flag will be set to 1 after PORRST. The value will be unchanged after nRST. The ERROR pin status remains un-changed during after nRST.

### 16.4.11 ESM Interrupt Offset High Register (ESMIOFFHR)

**Figure 16-21. ESM Interrupt Offset High Register (ESMIOFFHR) [offset = 28h]**

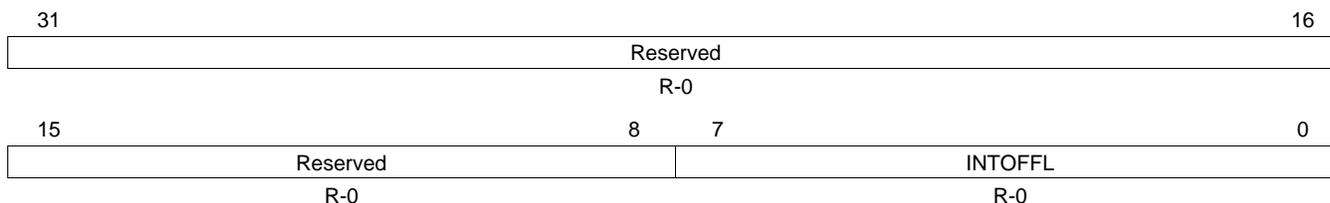


LEGEND: R = Read only; -n = value after reset

**Table 16-13. ESM Interrupt Offset High Register (ESMIOFFHR) Field Descriptions**

Bit	Field	Value	Description
31-8	Reserved	0	Read returns 0. Writes have no effect.
7-0	INTOFFH		<p>Offset High Level Interrupt. This vector gives the channel number of the highest pending interrupt request for the high level interrupt line. Interrupts of error Group2 have higher priority than interrupts of error Group1. Inside a group, channel 0 has highest priority and channel 31 has lowest priority.</p> <p><b>User and privileged mode (read):</b></p> <p>Returns number of pending interrupt with the highest priority for the high level interrupt line.</p> <p>0 No pending interrupt.</p> <p>1h Interrupt pending for channel 0, error Group1.</p> <p style="text-align: center;">:</p> <p>20h Interrupt pending for channel 31, error Group1.</p> <p>21h Interrupt pending for channel 0, error Group2.</p> <p style="text-align: center;">:</p> <p>40h Interrupt pending for channel 31, error Group2.</p> <p>41h Interrupt pending for channel 32, error Group1.</p> <p style="text-align: center;">:</p> <p>60h Interrupt pending for channel 63, error Group1.</p> <p>61h Reserved</p> <p style="text-align: center;">:</p> <p>80h Reserved</p> <p>81h Interrupt pending for channel 64, error Group1.</p> <p style="text-align: center;">:</p> <p>A0h Interrupt pending for channel 95, error Group1.</p> <p><b>Note:</b> Reading the interrupt vector will clear the corresponding flag in the ESMSR2 register; will <b>not</b> clear ESMSR1 and ESMSR2 and the offset register gets updated.</p> <p><b>User and privileged mode (write):</b></p> <p>Writes have no effect.</p>

### 16.4.12 ESM Interrupt Offset Low Register (ESMIOFFLR)

**Figure 16-22. ESM Interrupt Offset Low Register (ESMIOFFLR) [offset = 2Ch]**


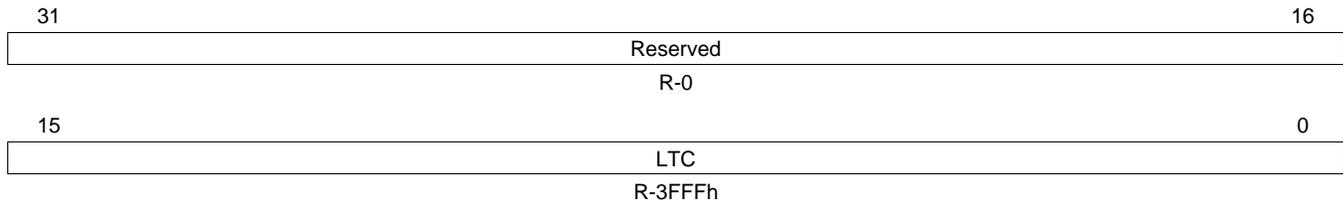
LEGEND: R = Read only; -n = value after reset

**Table 16-14. ESM Interrupt Offset Low Register (ESMIOFFLR) Field Descriptions**

Bit	Field	Value	Description
31-8	Reserved	0	Read returns 0. Writes have no effect.
7-0	INTOFFL		Offset Low Level Interrupt. This vector gives the channel number of the highest pending interrupt request for the low level interrupt line. Inside a group, channel 0 has highest priority and channel 31 has lowest priority.  <b>User and privileged mode (read):</b> Returns number of pending interrupt with the highest priority for the low level interrupt line. 0 No pending interrupt. 1h Interrupt pending for channel 0, error Group1. : : 20h Interrupt pending for channel 31, error Group1. 21h Reserved : : 40h Reserved 41h Interrupt pending for channel 32, error Group1. : : 60h Interrupt pending for channel 63, error Group1. 61h Reserved : : 80h Reserved 81h Interrupt pending for channel 64, error Group1. : : A0h Interrupt pending for channel 95, error Group1.  <b>Note:</b> Reading the interrupt vector will <b>not</b> clear the corresponding flag in the ESMSR1 register. Group2 interrupts are fixed to the high level interrupt line only.
			<b>User and privileged mode (write):</b> Writes have no effect.

### 16.4.13 ESM Low-Time Counter Register (ESMLTCR)

Figure 16-23. ESM Low-Time Counter Register (ESMLTCR) [offset = 30h]



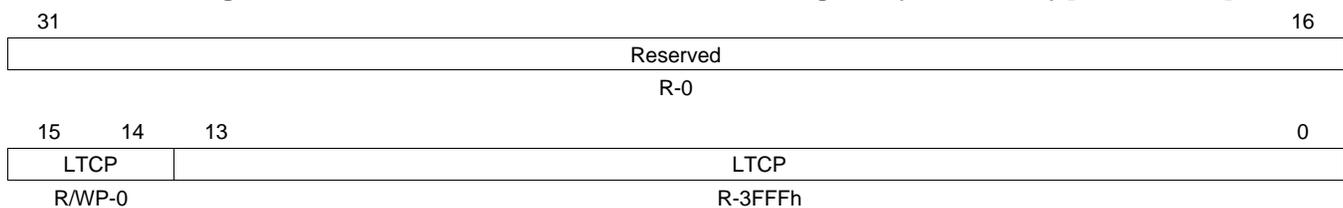
LEGEND: R = Read; -n = value after reset

Table 16-15. ESM Low-Time Counter Register (ESMLTCR) Field Descriptions

Bit	Field	Value	Description
31-16	Reserved	0	Read returns 0. Writes have no effect.
15-0	LTC		ERROR Pin Low-Time Counter 16bit pre-loadable down-counter to control low-time of $\overline{\text{ERROR}}$ pin. The low-time counter is triggered by the peripheral clock (VCLK). <b>Note:</b> Low time counter is set to the default preload value of the ESMLTCPR in the following cases: <ol style="list-style-type: none"> <li>1. Reset (power on reset or warm reset)</li> <li>2. An error occurs</li> <li>3. User forces an error</li> </ol>

### 16.4.14 ESM Low-Time Counter Preload Register (ESMLTCPR)

Figure 16-24. ESM Low-Time Counter Preload Register (ESMLTCPR) [offset = 34h]



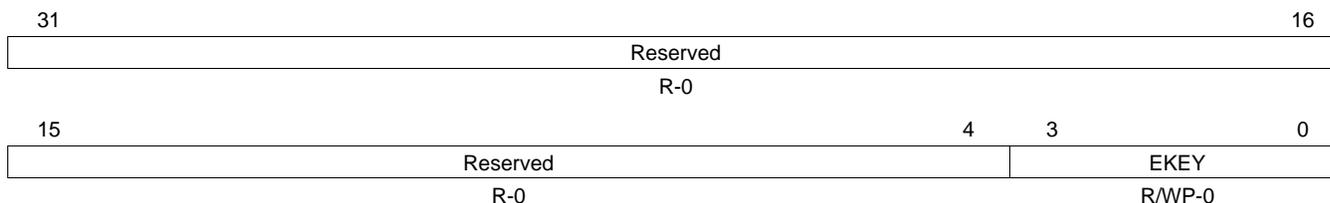
LEGEND: R/W = Read/Write; R = Read; WP = Write in privileged mode only; -n = value after reset

Table 16-16. ESM Low-Time Counter Preload Register (ESMLTCPR) Field Descriptions

Bit	Field	Value	Description
31-16	Reserved	0	Read returns 0. Writes have no effect.
15-0	LTCP		ERROR Pin Low-Time Counter Pre-load Value 16bit pre-load value for the $\overline{\text{ERROR}}$ pin low-time counter. <b>Note:</b> Only LTCP.15 and LTCP.14 are configurable (privileged mode write).

### 16.4.15 ESM Error Key Register (ESMEKR)

Figure 16-25. ESM Error Key Register (ESMEKR) [offset = 38h]



LEGEND: R/W = Read/Write; R = Read; WP = Write in privileged mode only; -n = value after reset

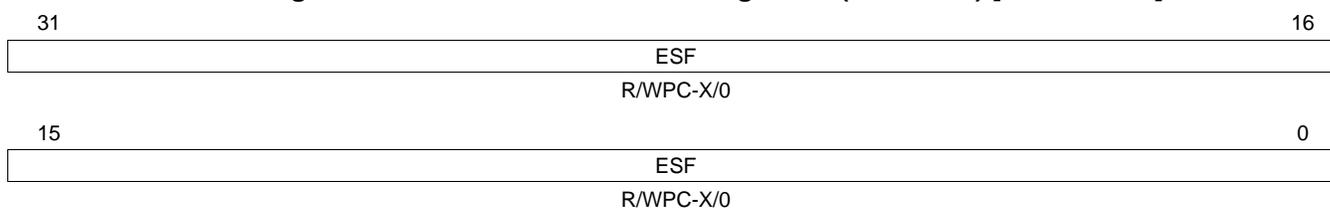
Table 16-17. ESM Error Key Register (ESMEKR) Field Descriptions

Bit	Field	Value	Description
31-4	Reserved	0	Read returns 0. Writes have no effect.
3-0	EKEY		Error Key. The key to reset the <b>ERROR</b> pin or to force an error on the <b>ERROR</b> pin. <b>User and privileged mode (read):</b> Returns current value of the EKEY.
			<b>Privileged mode (write):</b>
		0	Activates normal mode (recommended default mode).
		5h	The <b>ERROR</b> pin set to high when the low time counter (LTC) has completed; then the EKEY bit will switch back to normal mode (EKEY = 0000)
	Ah	Forces error on <b>ERROR</b> pin.	
	All other values	Activates normal mode.	

### 16.4.16 ESM Status Shadow Register 2 (ESMSSR2)

This register is dedicated for Group2.

Figure 16-26. ESM Status Shadow Register 2 (ESMSSR2) [offset = 3Ch]



LEGEND: R/W = Read/Write; R = Read; C = Clear; WP = Write in privileged mode only; -n = value after reset/**PORRST**; X = Value unchanged

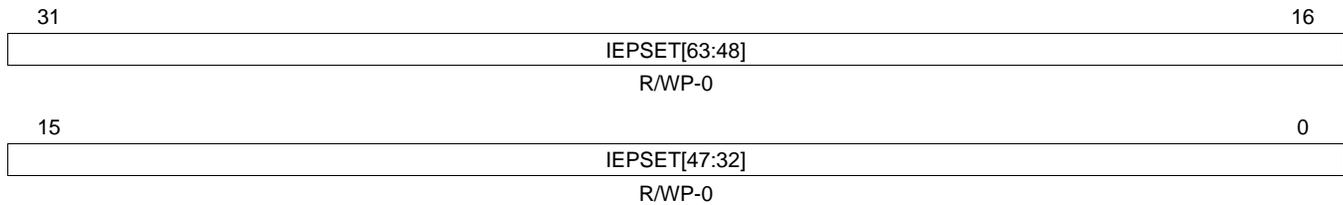
Table 16-18. ESM Status Shadow Register 2 (ESMSSR2) Field Descriptions

Bit	Field	Value	Description
31-0	ESF		Error Status Flag. Shadow register for status information on pending error. <b>Read in User and Privileged mode. Write in Privileged mode only.</b>
		0	Read: No error occurred. Write: Leaves the bit unchanged.
		1	Read: Error occurred. Write: Clears the bit. ESMSSR2 is not impacted by this action. <b>Note:</b> Errors are stored until they are cleared by the software or at power-on reset ( <b>PORRST</b> ).

### 16.4.17 ESM Influence $\overline{\text{ERROR}}$ Pin Set/Status Register 4 (ESMIEPSR4)

This register is dedicated for Group1 Channel[63:32].

**Figure 16-27. ESM Influence  $\overline{\text{ERROR}}$  Pin Set/Status Register 4 (ESMIEPSR4) [offset = 40h]**



LEGEND: R/W = Read/Write; R = Read; WP = Write in privileged mode only; -n = value after reset

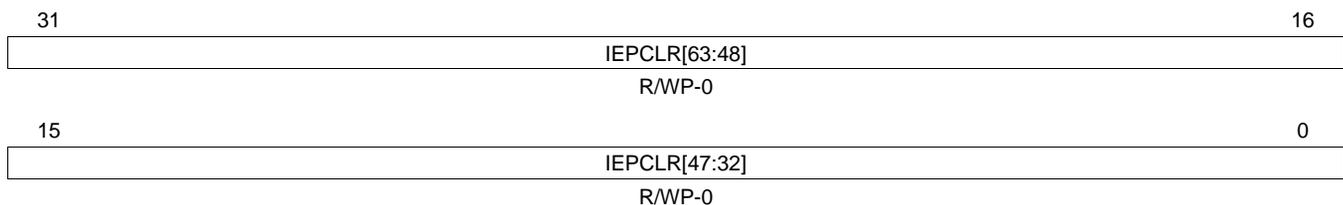
**Table 16-19. ESM Influence  $\overline{\text{ERROR}}$  Pin Set/Status Register 4 (ESMIEPSR4) Field Descriptions**

Bit	Field	Value	Description
63-32	IEPSET	0	Set Influence on $\overline{\text{ERROR}}$ Pin <b>Read in User and Privileged mode. Write in Privileged mode only.</b> Read: Failure on channel x has no influence on $\overline{\text{ERROR}}$ pin. Write: Leaves the bit and the corresponding clear bit in the ESMIEPCR4 register unchanged.
		1	Read: Failure on channel x has influence on $\overline{\text{ERROR}}$ pin. Write: Enables failure influence on $\overline{\text{ERROR}}$ pin and sets the corresponding clear bit in the ESMIEPCR4 register.

### 16.4.18 ESM Influence $\overline{\text{ERROR}}$ Pin Clear/Status Register 4 (ESMIEPCR4)

This register is dedicated for Group1 Channel[63:32].

**Figure 16-28. ESM Influence  $\overline{\text{ERROR}}$  Pin Clear/Status Register 4 (ESMIEPCR4) [offset = 44h]**



LEGEND: R/W = Read/Write; R = Read; WP = Write in privileged mode only; -n = value after reset

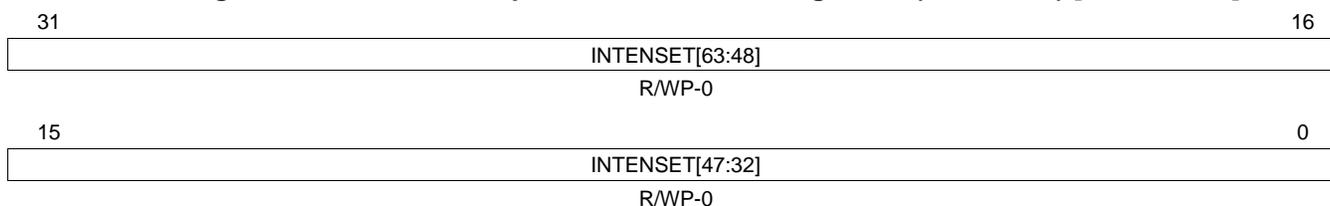
**Table 16-20. ESM Influence  $\overline{\text{ERROR}}$  Pin Clear/Status Register 4 (ESMIEPCR4) Field Descriptions**

Bit	Field	Value	Description
63-32	IEPCLR	0	Clear Influence on $\overline{\text{ERROR}}$ Pin <b>Read in User and Privileged mode. Write in Privileged mode only.</b> Read: Failure on channel x has no influence on $\overline{\text{ERROR}}$ pin. Write: Leaves the bit and the corresponding clear bit in the ESMIEPSR4 register unchanged.
		1	Read: Failure on channel x has influence on $\overline{\text{ERROR}}$ pin. Write: Disables failure influence on $\overline{\text{ERROR}}$ pin and clears the corresponding clear bit in the ESMIEPSR4 register.

### 16.4.19 ESM Interrupt Enable Set/Status Register 4 (ESMIESR4)

This register is dedicated for Group1 Channel[63:32].

**Figure 16-29. ESM Interrupt Enable Set/Status Register 4 (ESMIESR4) [offset = 48h]**



LEGEND: R/W = Read/Write; R = Read; WP = Write in privileged mode only; -n = value after reset

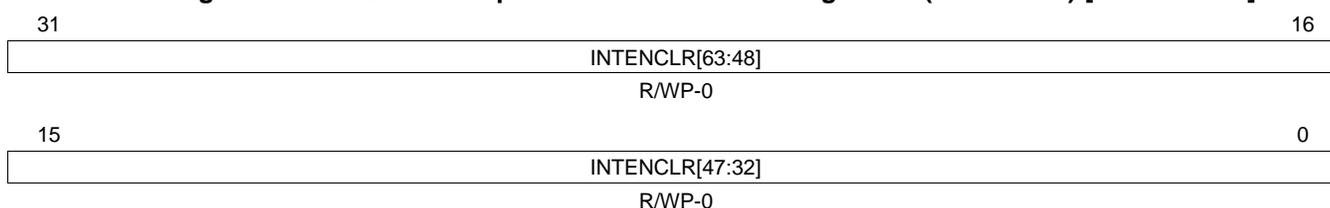
**Table 16-21. ESM Interrupt Enable Set/Status Register 4 (ESMIESR4) Field Descriptions**

Bit	Field	Value	Description
63-32	INTENSET	0	Set Interrupt Enable <b>Read in User and Privileged mode. Write in Privileged mode only.</b> Read: Interrupt is disabled. Write: Leaves the bit and the corresponding clear bit in the ESMIECR4 register unchanged.
		1	Read: Interrupt is enabled. Write: Enables interrupt and sets the corresponding clear bit in the ESMIECR4 register.

### 16.4.20 ESM Interrupt Enable Clear/Status Register 4 (ESMIECR4)

This register is dedicated for Group1 Channel[63:32].

**Figure 16-30. ESM Interrupt Enable Clear/Status Register 4 (ESMIECR4) [offset = 4Ch]**



LEGEND: R/W = Read/Write; R = Read; WP = Write in privileged mode only; -n = value after reset

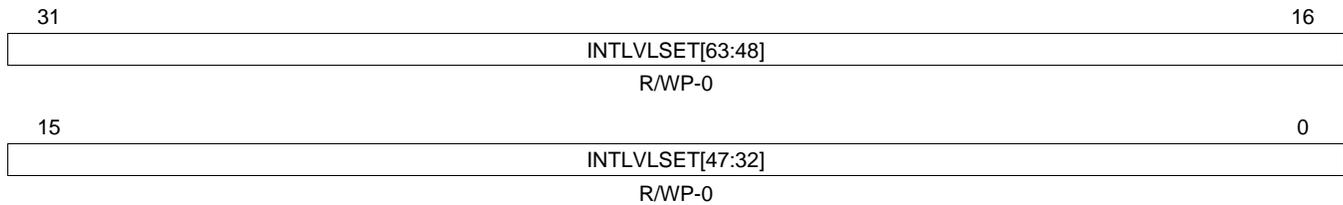
**Table 16-22. ESM Interrupt Enable Clear/Status Register 4 (ESMIECR4) Field Descriptions**

Bit	Field	Value	Description
63-32	INTENCLR	0	Clear Interrupt Enable <b>Read in User and Privileged mode. Write in Privileged mode only.</b> Read: Interrupt is disabled. Write: Leaves the bit and the corresponding clear bit in the ESMIESR4 register unchanged.
		1	Read: Interrupt is enabled. Write: Disables interrupt and clears the corresponding clear bit in the ESMIESR4 register.

### 16.4.21 ESM Interrupt Level Set/Status Register 4 (ESMILSR4)

This register is dedicated for Group1 Channel[63:32].

**Figure 16-31. ESM Interrupt Level Set/Status Register 4 (ESMILSR4) [offset = 50h]**



LEGEND: R/W = Read/Write; R = Read; WP = Write in privileged mode only; -n = value after reset

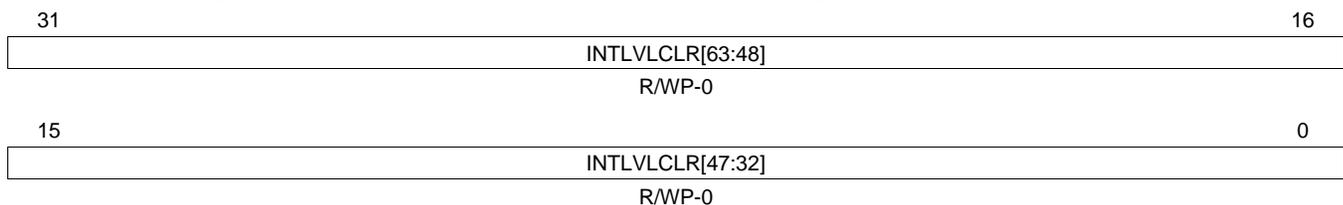
**Table 16-23. ESM Interrupt Level Set/Status Register 4 (ESMILSR4) Field Descriptions**

Bit	Field	Value	Description
63-32	INTLVLSET	0	Set Interrupt Level <b>Read in User and Privileged mode. Write in Privileged mode only.</b> Read: Read: Interrupt of channel x is mapped to low level interrupt line. Write: Leaves the bit and the corresponding clear bit in the ESMILCR4 register unchanged.
		1	Read: Interrupt of channel x is mapped to high level interrupt line. Write: Maps interrupt of channel x to high level interrupt line and sets the corresponding clear bit in the ESMILCR4 register.

### 16.4.22 ESM Interrupt Level Clear/Status Register 4 (ESMILCR4)

This register is dedicated for Group1 Channel[63:32].

**Figure 16-32. ESM Interrupt Level Clear/Status Register 4 (ESMILCR4) [offset = 54h]**



LEGEND: R/W = Read/Write; R = Read; WP = Write in privileged mode only; -n = value after reset

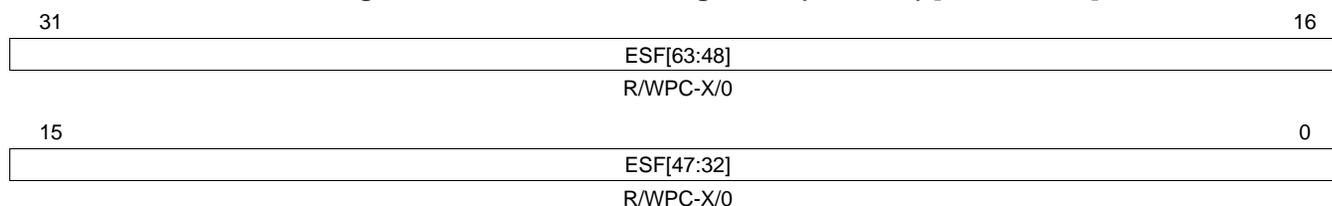
**Table 16-24. ESM Interrupt Level Clear/Status Register 4 (ESMILCR4) Field Descriptions**

Bit	Field	Value	Description
63-32	INTLVLCLR	0	Clear Interrupt Level <b>Read in User and Privileged mode. Write in Privileged mode only.</b> Read: Interrupt of channel x is mapped to low level interrupt line. Write: Leaves the bit and the corresponding set bit in the ESMILSR4 register unchanged.
		1	Read: Interrupt of channel x is mapped to high level interrupt line. Write: Maps interrupt of channel x to low level interrupt line and clears the corresponding set bit in the ESMILSR4 register.

### 16.4.23 ESM Status Register 4 (ESMSR4)

This register is dedicated for Group1 Channel[63:32].

**Figure 16-33. ESM Status Register 4 (ESMSR4) [offset = 58h]**



LEGEND: R/W = Read/Write; R = Read; C = Clear; WP = Write in privileged mode only; -n = value after reset/PORRST; X = Value unchanged

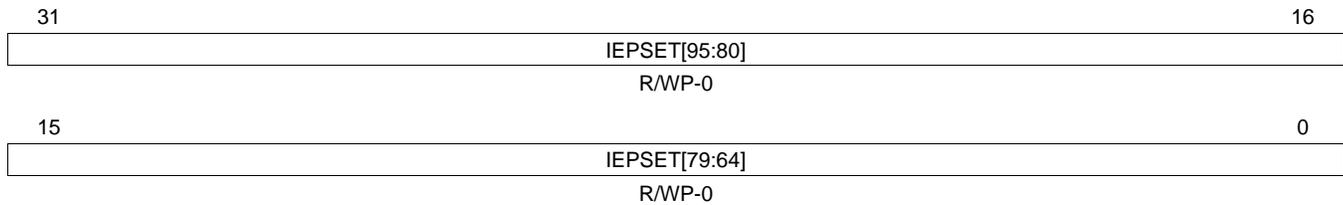
**Table 16-25. ESM Status Register 4 (ESMSR4) Field Descriptions**

Bit	Field	Value	Description
63-32	ESF	0	Error Status Flag. Provides status information on a pending error. <b>Read in User and Privileged mode. Write in Privileged mode only.</b> Read: No error occurred; no interrupt is pending. Write: Leaves the bit unchanged.
		1	Read: Error occurred; interrupt is pending. Write: Clears the bit. <b>Note:</b> After $\overline{\text{RST}}$ , if one of these flags are set and the corresponding interrupt are enabled, the interrupt service routine will be called.

### 16.4.24 ESM Influence $\overline{\text{ERROR}}$ Pin Set/Status Register 7 (ESMIEPSR7)

This register is dedicated for Group1 Channel[95:64].

**Figure 16-34. ESM Influence  $\overline{\text{ERROR}}$  Pin Set/Status Register 7 (ESMIEPSR7) [offset = 80h]**



LEGEND: R/W = Read/Write; R = Read; WP = Write in privileged mode only; -n = value after reset

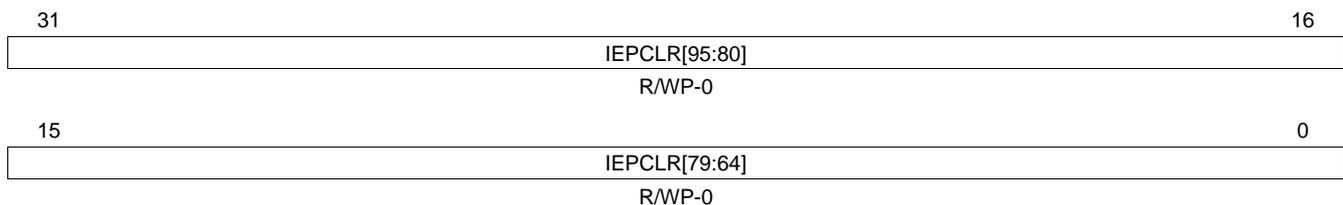
**Table 16-26. ESM Influence  $\overline{\text{ERROR}}$  Pin Set/Status Register 7 (ESMIEPSR7) Field Descriptions**

Bit	Field	Value	Description
95-64	IEPSET	0	Set Influence on $\overline{\text{ERROR}}$ Pin <b>Read in User and Privileged mode. Write in Privileged mode only.</b> Read: Failure on channel x has no influence on $\overline{\text{ERROR}}$ pin. Write: Leaves the bit and the corresponding clear bit in the ESMIEPCR7 register unchanged.
		1	Read: Failure on channel x has influence on $\overline{\text{ERROR}}$ pin. Write: Enables failure influence on $\overline{\text{ERROR}}$ pin and sets the corresponding clear bit in the ESMIEPCR7 register.

### 16.4.25 ESM Influence $\overline{\text{ERROR}}$ Pin Clear/Status Register 7 (ESMIEPCR7)

This register is dedicated for Group1 Channel[95:64].

**Figure 16-35. ESM Influence  $\overline{\text{ERROR}}$  Pin Clear/Status Register 7 (ESMIEPCR7) [offset = 84h]**



LEGEND: R/W = Read/Write; R = Read; WP = Write in privileged mode only; -n = value after reset

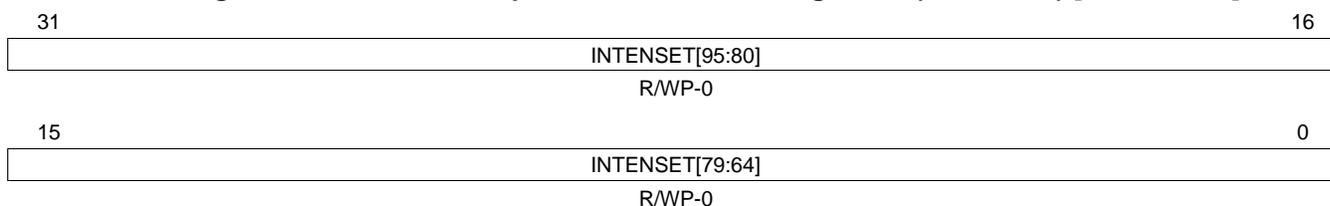
**Table 16-27. ESM Influence  $\overline{\text{ERROR}}$  Pin Clear/Status Register 7 (ESMIEPCR7) Field Descriptions**

Bit	Field	Value	Description
95-64	IEPCLR	0	Clear Influence on $\overline{\text{ERROR}}$ Pin <b>Read in User and Privileged mode. Write in Privileged mode only.</b> Read: Failure on channel x has no influence on $\overline{\text{ERROR}}$ pin. Write: Leaves the bit and the corresponding clear bit in the ESMIEPSR7 register unchanged.
		1	Read: Failure on channel x has influence on $\overline{\text{ERROR}}$ pin. Write: Disables failure influence on $\overline{\text{ERROR}}$ pin and clears the corresponding clear bit in the ESMIEPSR7 register.

### 16.4.26 ESM Interrupt Enable Set/Status Register 7 (ESMIESR7)

This register is dedicated for Group1 Channel[95:64].

**Figure 16-36. ESM Interrupt Enable Set/Status Register 7 (ESMIESR7) [offset = 88h]**



LEGEND: R/W = Read/Write; R = Read; WP = Write in privileged mode only; -n = value after reset

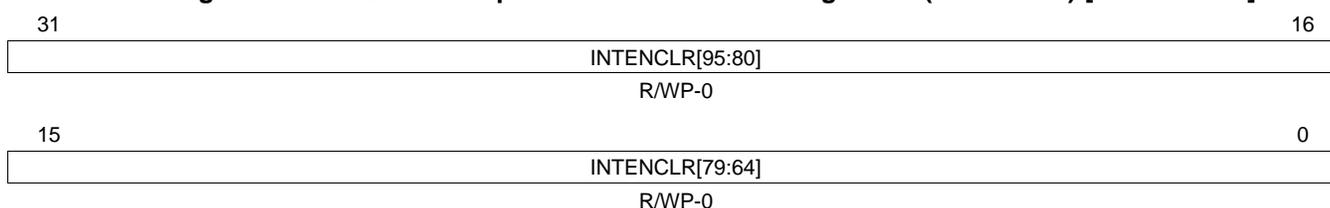
**Table 16-28. ESM Interrupt Enable Set/Status Register 7 (ESMIESR7) Field Descriptions**

Bit	Field	Value	Description
95-64	INTENSET	0	Set Interrupt Enable <b>Read in User and Privileged mode. Write in Privileged mode only.</b> Read: Interrupt is disabled. Write: Leaves the bit and the corresponding clear bit in the ESMIECR7 register unchanged.
		1	Read: Interrupt is enabled. Write: Enables interrupt and sets the corresponding clear bit in the ESMIECR7 register.

### 16.4.27 ESM Interrupt Enable Clear/Status Register 7 (ESMIECR7)

This register is dedicated for Group1 Channel[95:64].

**Figure 16-37. ESM Interrupt Enable Clear/Status Register 7 (ESMIECR7) [offset = 8Ch]**



LEGEND: R/W = Read/Write; R = Read; WP = Write in privileged mode only; -n = value after reset

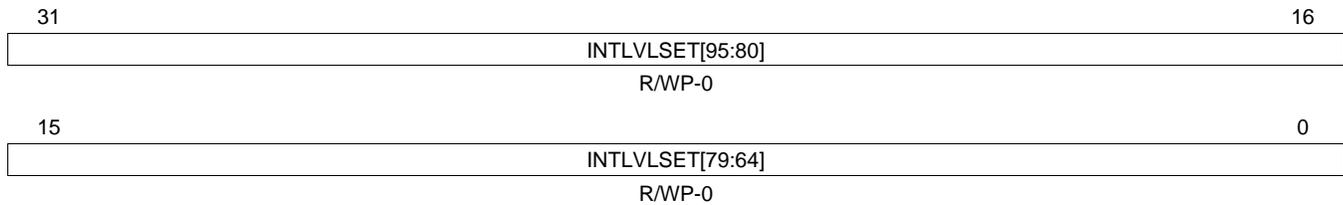
**Table 16-29. ESM Interrupt Enable Clear/Status Register 7 (ESMIECR7) Field Descriptions**

Bit	Field	Value	Description
95-64	INTENCLR	0	Clear Interrupt Enable <b>Read in User and Privileged mode. Write in Privileged mode only.</b> Read: Interrupt is disabled. Write: Leaves the bit and the corresponding clear bit in the ESMIESR7 register unchanged.
		1	Read: Interrupt is enabled. Write: Disables interrupt and clears the corresponding clear bit in the ESMIESR7 register.

### 16.4.28 ESM Interrupt Level Set/Status Register 7 (ESMILSR7)

This register is dedicated for Group1 Channel[95:64].

**Figure 16-38. ESM Interrupt Level Set/Status Register 7 (ESMILSR7) [offset = 90h]**



LEGEND: R/W = Read/Write; R = Read; WP = Write in privileged mode only; -n = value after reset

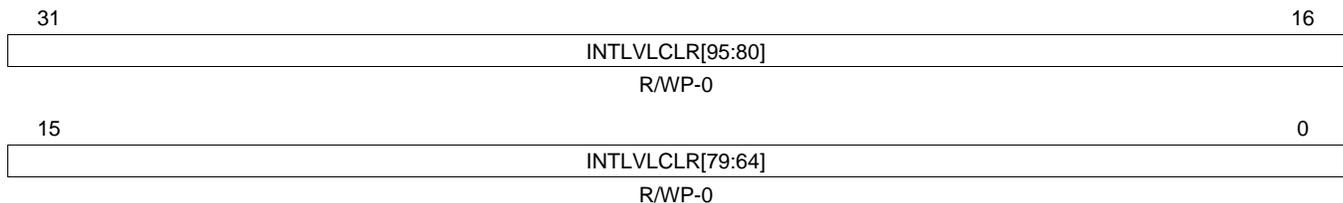
**Table 16-30. ESM Interrupt Level Set/Status Register 7 (ESMILSR7) Field Descriptions**

Bit	Field	Value	Description
95-64	INTLVLSET	0	Set Interrupt Level <b>Read in User and Privileged mode. Write in Privileged mode only.</b> Read: Read: Interrupt of channel x is mapped to low level interrupt line. Write: Leaves the bit and the corresponding clear bit in the ESMILCR7 register unchanged.
		1	Read: Interrupt of channel x is mapped to high level interrupt line. Write: Maps interrupt of channel x to high level interrupt line and sets the corresponding clear bit in the ESMILCR7 register.

### 16.4.29 ESM Interrupt Level Clear/Status Register 7 (ESMILCR7)

This register is dedicated for Group1 Channel[95:64].

**Figure 16-39. ESM Interrupt Level Clear/Status Register 7 (ESMILCR7) [offset = 94h]**



LEGEND: R/W = Read/Write; R = Read; WP = Write in privileged mode only; -n = value after reset

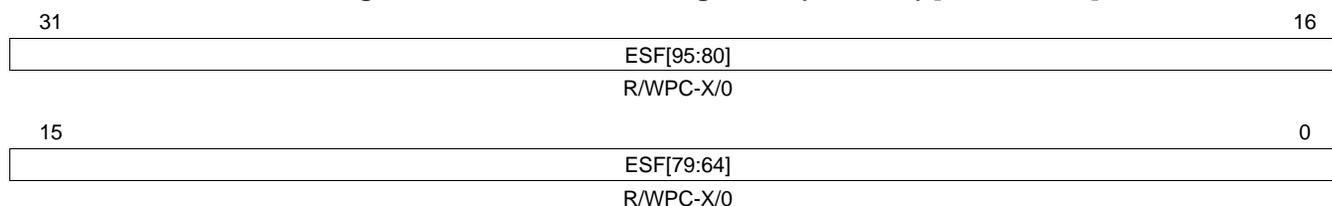
**Table 16-31. ESM Interrupt Level Clear/Status Register 7 (ESMILCR7) Field Descriptions**

Bit	Field	Value	Description
95-64	INTLVLCLR	0	Clear Interrupt Level <b>Read in User and Privileged mode. Write in Privileged mode only.</b> Read: Interrupt of channel x is mapped to low level interrupt line. Write: Leaves the bit and the corresponding set bit in the ESMILSR7 register unchanged.
		1	Read: Interrupt of channel x is mapped to high level interrupt line. Write: Maps interrupt of channel x to low level interrupt line and clears the corresponding set bit in the ESMILSR7 register.

### 16.4.30 ESM Status Register 7 (ESMSR7)

This register is dedicated for Group1 Channel[95:64].

**Figure 16-40. ESM Status Register 7 (ESMSR7) [offset = 98h]**



LEGEND: R/W = Read/Write; R = Read; C = Clear; WP = Write in privileged mode only; -n = value after reset/PORRST; X = Value unchanged

**Table 16-32. ESM Status Register 7 (ESMSR7) Field Descriptions**

Bit	Field	Value	Description
95-64	ESF	0	Error Status Flag. Provides status information on a pending error. <b>Read in User and Privileged mode. Write in Privileged mode only.</b> Read: No error occurred; no interrupt is pending. Write: Leaves the bit unchanged.
		1	Read: Error occurred; interrupt is pending. Write: Clears the bit. <b>Note:</b> After $\overline{RST}$ , if one of these flags are set and the corresponding interrupt are enabled, the interrupt service routine will be called.

## Real-Time Interrupt (RTI) Module

---

---

This chapter describes the functionality of the real-time interrupt (RTI) module. The RTI is designed as an operating system timer to support a real time operating system (RTOS).

---

**NOTE:** This chapter describes a superset implementation of the RTI module that includes features and functionality related to DMA, and Timbase control. These features are dependent on the device-specific feature content. Consult your device-specific datasheet to determine the applicability of these features to your device being used.

---

Topic	Page
17.1 Overview .....	564
17.2 Module Operation .....	565
17.3 Control Registers .....	575

## 17.1 Overview

The real-time interrupt (RTI) module provides timer functionality for operating systems and for benchmarking code. The RTI module can incorporate several counters that define the timebases needed for scheduling in the operating system.

The timers also allow you to benchmark certain areas of code by reading the values of the counters at the beginning and the end of the desired code range and calculating the difference between the values.

### 17.1.1 Features

The RTI module has the following features:

- Two independent 64 bit counter blocks
- Four configurable compares for generating operating system ticks or DMA requests. Each event can be driven by either counter block 0 or counter block 1.
- Fast enabling/disabling of events
- Two time stamp (capture) functions for system or peripheral interrupts, one for each counter block
- Digital windowed watchdog

### 17.1.2 Industry Standard Compliance Statement

This module is specifically designed to fulfill the requirements for OSEK (**O**ffene **S**ysteme und deren **S**chnittstellen für die **E**lektronik im **K**raftfahrzeug, or Open Systems and the Corresponding Interfaces for Automotive Electronics) as well as OSEK/time-compliant operating systems, but is not limited to it.

## 17.2 Module Operation

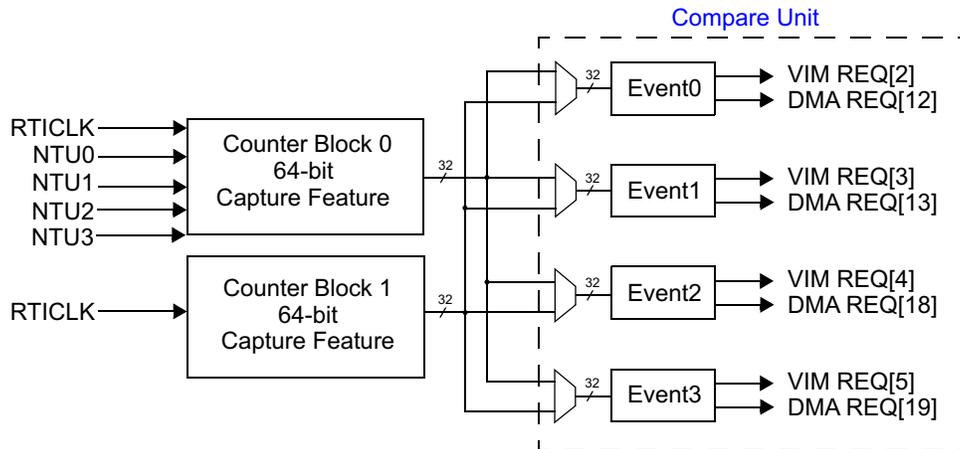
Figure 17-1 illustrates the high level block diagram of the RTI module.

The RTI module has two independent counter blocks for generating different timebases: counter block 0 and counter block 1.

A compare unit compares the counters with programmable values and generates four independent interrupt or DMA requests on compare matches. Each of the compare registers can be programmed to be compared to either counter block 0 or counter block 1.

The following sections describe the individual functions in more detail.

Figure 17-1. RTI Block Diagram



### 17.2.1 Counter Operation

Each counter block consists of the following (see Figure 17-2):

- One 32-bit prescale counter (RTIUC0 or RTIUC1)
- One 32-bit free running counter (RTIFRC0 or RTIFRC1)

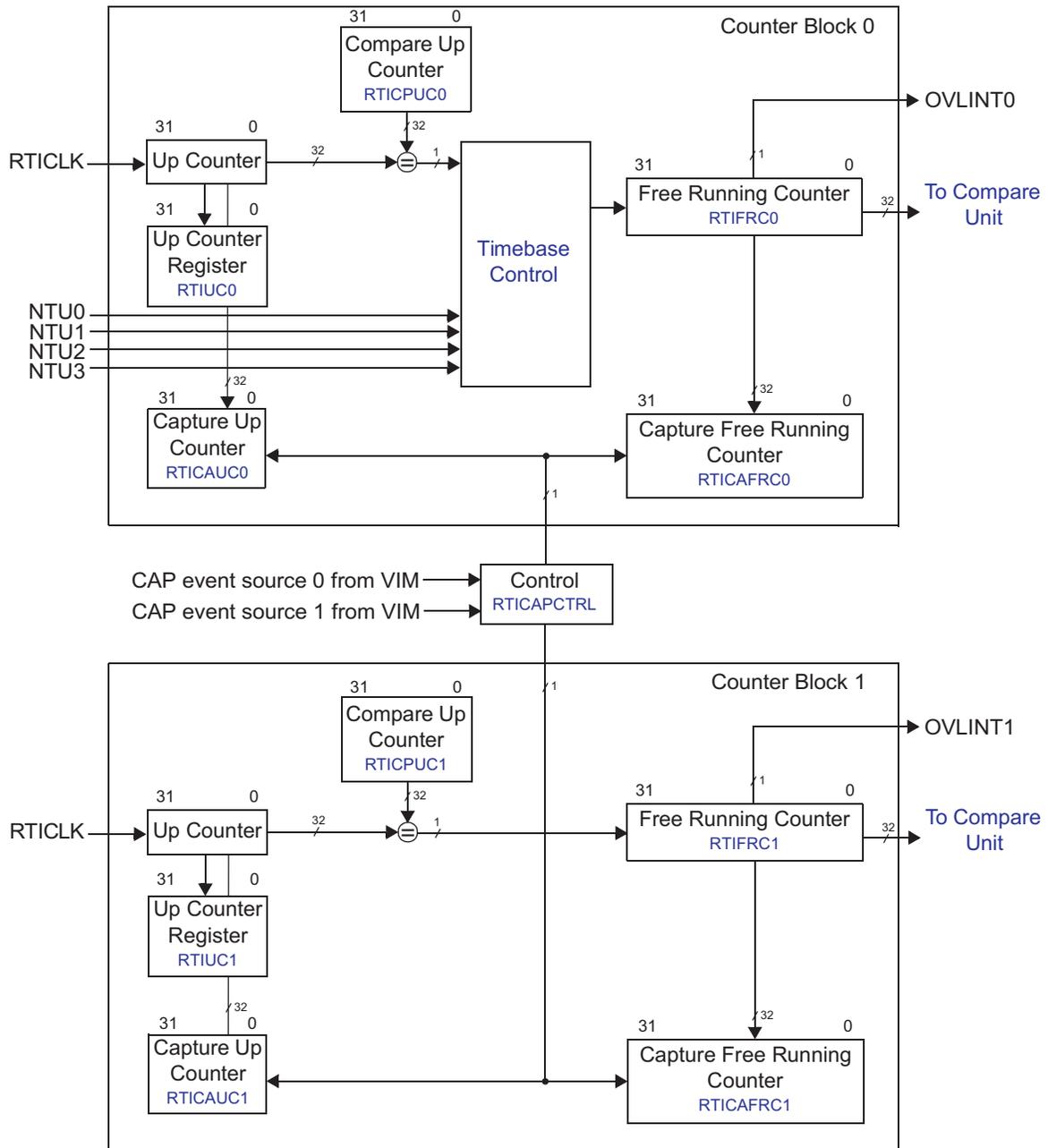
The RTIUC0/1 is driven by the RTICLK and counts up until the compare value in the compare up counter register (RTICPUC0 or RTICPUC1) is reached. When the compare matches, RTIFRC0/1 is incremented and RTIUC0/1 is reset to 0. If RTIFRC0/1 overflows, an interrupt is generated to the vectored interrupt manager (VIM). The overflow interrupt is not intended to generate the timebase for the operating system. See Section 17.2.2 for the timebase generation. The up counter together with the compare up counter value prescale the RTI clock. The resulting formula for the frequency of the free running counter (RTIFRC0/1) is:

$$f_{RTIFRCx} = \begin{cases} \frac{f_{RTICLK}}{RTICPUCx + 1} & \text{when } RTICPUCx \neq 0 \\ \frac{f_{RTICLK}}{2^{32} + 1} & \text{when } RTICPUCx = 0 \end{cases} \quad (25)$$

**NOTE:** Setting RTICPUCx equal to zero is not recommended. Doing so will hold the Up Counter at zero for two RTICLK cycles after it overflows from 0xFFFFFFFF to zero.

The counter values can be determined by reading the respective counter registers or by generating a hardware event which captures the counter value into the respective capture register. Both functions are described in the following sections.

Figure 17-2. Counter Block Diagram



### 17.2.1.1 Counter and Capture Read Consistency

Portions of the device internal databus is 32-bits wide. If the application wants to read the 64-bit counters or the 64-bit capture values, a certain order of 32-bit read operations needs to be followed. This is to prevent one counter incrementing in between the two separate read operations to both counters.

#### Reading the Counters

The free running counter (RTIFRCx) must be read first. This priority will ensure that in the cycle when the CPU reads RTIFRCx, the up counter value is stored in its counter register (RTIUCx). The second read has to access the up counter register (RTIUCx), which then holds the value which corresponds to the number of RTICLK cycles that have elapsed at the time reading the free running counter register (RTIFRCx).

---

**NOTE:** The up counters are implemented as shadow registers. Reading RTIUCx without having read RTIFRCx first will return always the same value. RTIUCx will only be updated when RTIFRCx is read.

---

#### Reading the Capture Values

The free running counter capture register (RTICAFRCx) must be read first. This priority will ensure that in the cycle when the CPU reads RTICAFRCx, the up counter value is stored in its counter register (RTICAUCx). The second read has to access the up counter register (RTICAUCx), which then holds the value captured at the time when reading the capture free running counter register (RTICAFRCx).

---

**NOTE:** The capture up counter registers are implemented as shadow registers. Reading RTICAUCx without having read RTICAFRCx first will return always the same value. RTICAUCx will only be updated when RTICAFRCx is read.

---

### 17.2.1.2 Capture Feature

Both counter blocks also provide a capture feature on external events. Two capture sources can trigger the capture event. The source triggering the block is configurable (RTICAPCTRL). The sources originate from the Vectored Interrupt Manager (VIM) and allow the generation of capture events when a peripheral module has generated an interrupt. Any of the peripheral interrupts can be selected as the capture event in the VIM.

When an event is detected, RTIUCx and RTIFRCx are stored in the capture up counter (RTICAUCx) and capture free running counter (RTICAFRCx) registers. The read order of the captured values must be the same as the read order of the actual counters (see [Section 17.2.1.1](#)).

### 17.2.2 Interrupt/DMA Requests

There are four compare registers (RTICOMP<sub>y</sub>) to generate interrupt requests to the VIM or DMA requests to the DMA controller. The interrupts can be used to generate different timebases for the operating system. Each of the compare registers can be configured to be compared to either RTIFRC0 or RTIFRC1. When the counter value matches the compare value, an interrupt is generated. To allow periodic interrupts, a certain value can be added to the compare value in RTICOMP<sub>y</sub> automatically. This value is stored in the update compare register (RTIUDCP<sub>y</sub>) and will be added after a compare is matched. The period of the generated interrupt/DMA request can be calculated with:

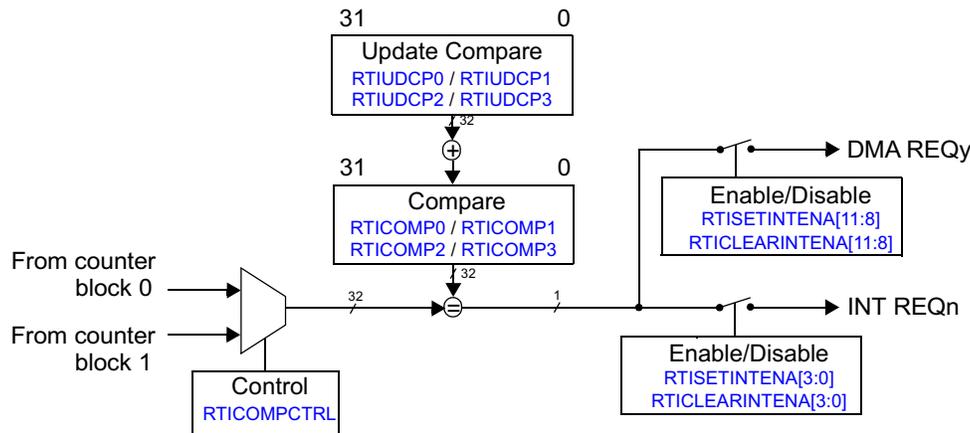
$$t_{\text{COMPx}} = t_{\text{RTICLK}} \times (\text{RTICPUCy} + 1) \times \text{RTIUDCPy}$$

if RTICPUC<sub>y</sub> = 0,

$$t_{\text{COMPx}} = t_{\text{RTICLK}} \times (2^{32} + 1) \times \text{RTIUDCPy}$$

if RTIUDCP<sub>y</sub> = 0,

$$t_{\text{COMPx}} = t_{\text{RTICLK}} \times (\text{RTICPUCy} + 1) \times 2^{32} \tag{26}$$

**Figure 17-3. Compare Unit Block Diagram (shows only 1 of 4 blocks for simplification)**


Another interrupt that can be generated is the overflow interrupt (OVLINTx) in case the RTIFRCx counter overflows.

The interrupts/DMA requests can be enabled in the RTISETINTENA register and disabled in the RTICLEARINTENA register. The RTIINTFLAG register shows the pending interrupts.

### 17.2.3 RTI Clocking

The counter blocks are clocked with RTICLK (for definition see [Section 2.4.2](#)).

A clock supervision for the NTUx clocking scheme is implemented to avoid missing operating system ticks.

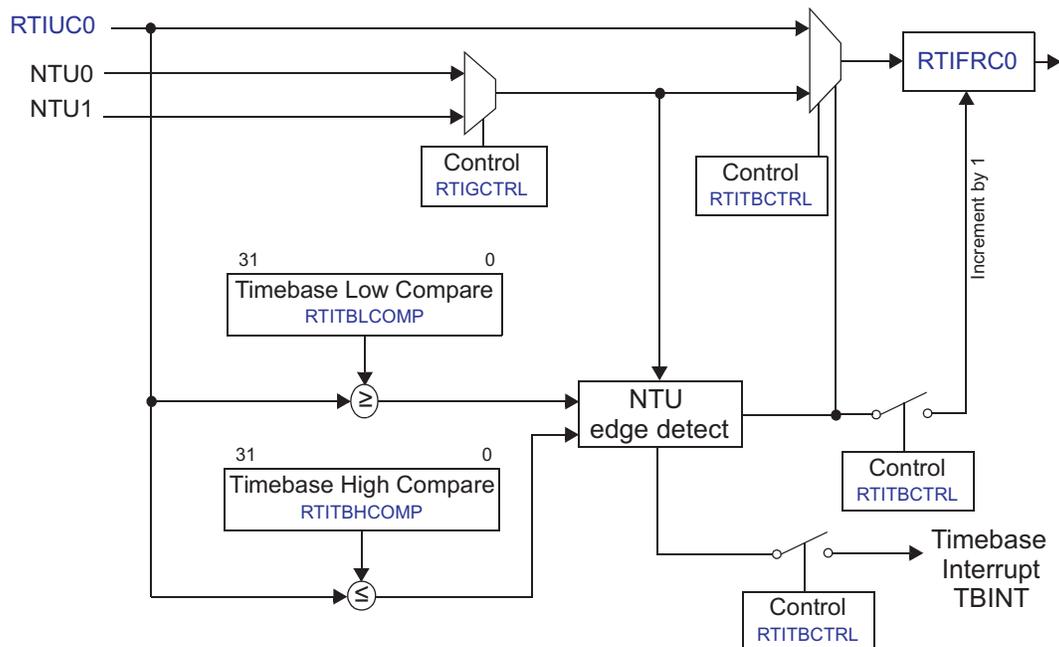
### 17.2.4 Synchronizing Timer Events to Network Time (NTU)

For applications which are participating on a time-triggered communication bus, it is often beneficial to synchronize the application or operating system to the network time. The RTI provides a feature to increment Free Running Counter 0 (RTIFRC0) by a periodic clock provided by the communication module. In this case two different clocks can be chosen.

The application has control over which clock (RTICLK, NTU0, NTU1) should be used for clocking RTIFRC0. If NTUx is used, a clock supervision circuit allows to monitor this clock and provides a fallback solution, should the clock be non-functional (missing). A too fast running NTUx cannot be detected.

RTIUC0 is utilized to monitor the NTUx signal. A detection window can be programmed in which a valid NTU clock pulse needs to occur. If no pulse is detected, the RTI automatically switches back to clock the Free Running Counter 0 with RTIUC0. In order to avoid a big jitter in the operating ticks, in case a switch back to RTIUC0 happens, RTICPUC0 should be set to a value so the clock frequency RTIUC0 outputs is approximately the same as the NTUx frequency.

Figure 17-4. Timebase Control



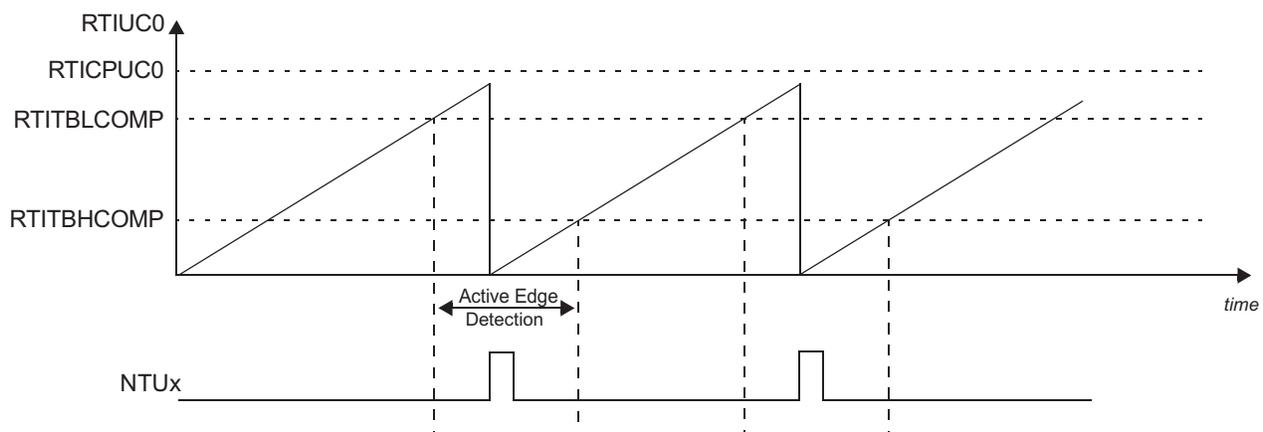
### 17.2.4.1 Detecting Clock Edges

To detect clock edges on the NTUx signal, the timebase low compare has to be set lower or equal than the value stored in the RTICPUC0 register and the timebase high compare has to be set higher than 0 and lower than the timebase low compare value. This effectively opens a window in which an edge of the NTUx signal is expected (see Figure 17-5). Outside this window, no edges will be detected. If no edge will occur inside the detection window, the multiplexer is switched to internal timebase. The application can select to generate a timebase interrupt (TBINT) and if the INC bit is set, also will automatically increment RTIFRC0 by one to compensate for the missed clock cycle of NTUx. If an edge occurs inside the window, RTIUC0 will be reset to synchronize the two timebases.

In order to make the edge detection work properly, the value in RTICPUC0 needs to be adapted so that RTIUC0 has a similar period as NTUx.

**NOTE:** To ensure the NTUx signal is properly detected, the NTUx period must be at least twice as long as the RTICLK period.

Figure 17-5. Clock Detection Scheme



### 17.2.4.2 Switching from Internal Source to External Source

If the application switches from an internal source to an external source, the two signals must be synchronized (see Figure 17-6). The synchronization will occur when the TBEXT bit is set. RTIUC0 will be reset and the edge detection circuit will be active for one (RTICPUC0 + RTITBHCOMP) period or until an edge is detected. If there is no pulse during this period, the source will be reset from an external clock source to an internal clock source. If an edge is detected, the windowed edge detection behavior will take place. Setting the TBEXT bit will not increment free running counter 0.

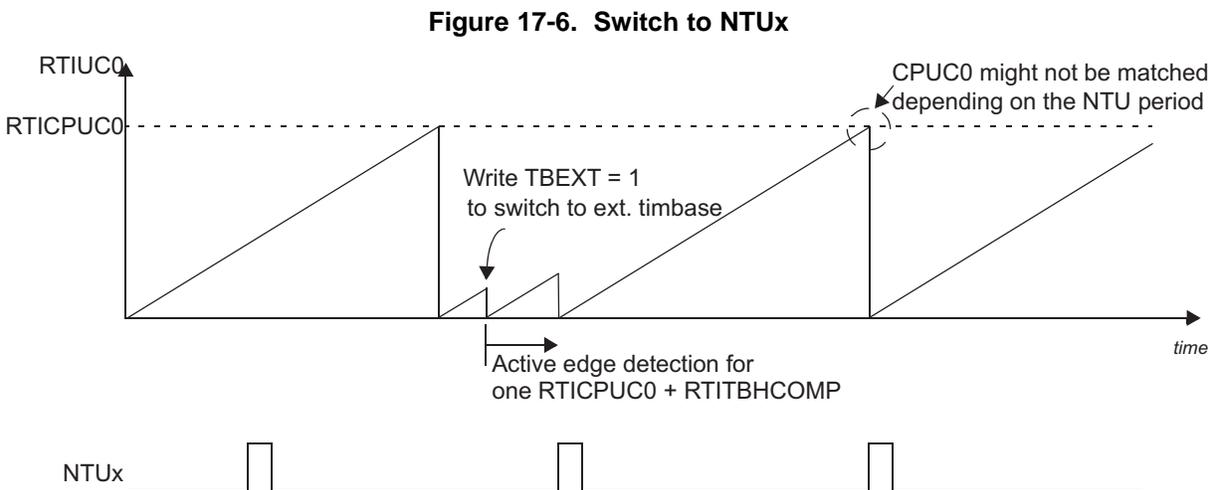
**NOTE:** If an external timebase is used, then the software must ensure that timebase low compare and timebase high compare are programmed to a valid state before switching TBEXT to an external source. This state is necessary to allow the timebase control circuit to operate correctly. The following condition must be met:

- $RTITBHCOMP < RTITBLCOMP \pm RTICPUC0$

RTITBHCOMP must be lower than RTICPUC0 because RTIUC0 will be reset if RTICPUC0 is reached. RTITBHCOMP will represent the number of RTICLK cycles from RTICPUC0 until the circuit switches to the internal timebase when no NTU edge is detected.

If an external timebase is used, RTIGCTRL[0] must be set to 1 (enable RTIUC0) to ensure that the timebase control circuit does not wait indefinitely for an incoming signal.

Figure 17-6 shows a timing example for the synchronization phase when the TBEXT bit is set.

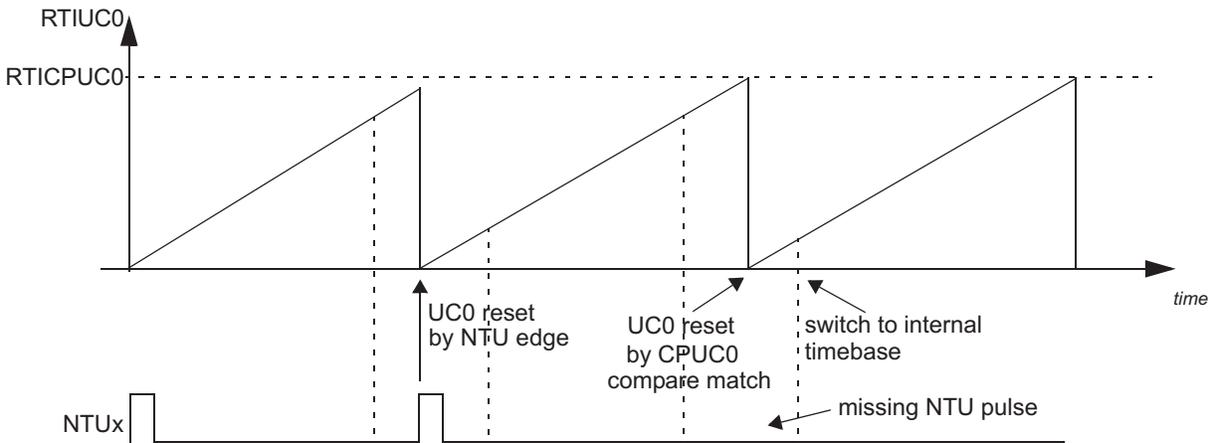


### 17.2.4.3 Switching from External Source to Internal Source

When the edge detection is active (TBEXT = 1) and no clock edge of NTUx is detected inside the programmed detection window, the RTI will automatically switch the timebase to RTIUC0. Figure 17-7 shows a timing example for a missing NTU signal. In the case where the INC bit is set, RTIFRC0 will automatically be incremented by one to compensate for the missed NTU pulse.

Setting TBEXT = 0 will also switch the clock source for RTIFRC0 to RTIUC0.

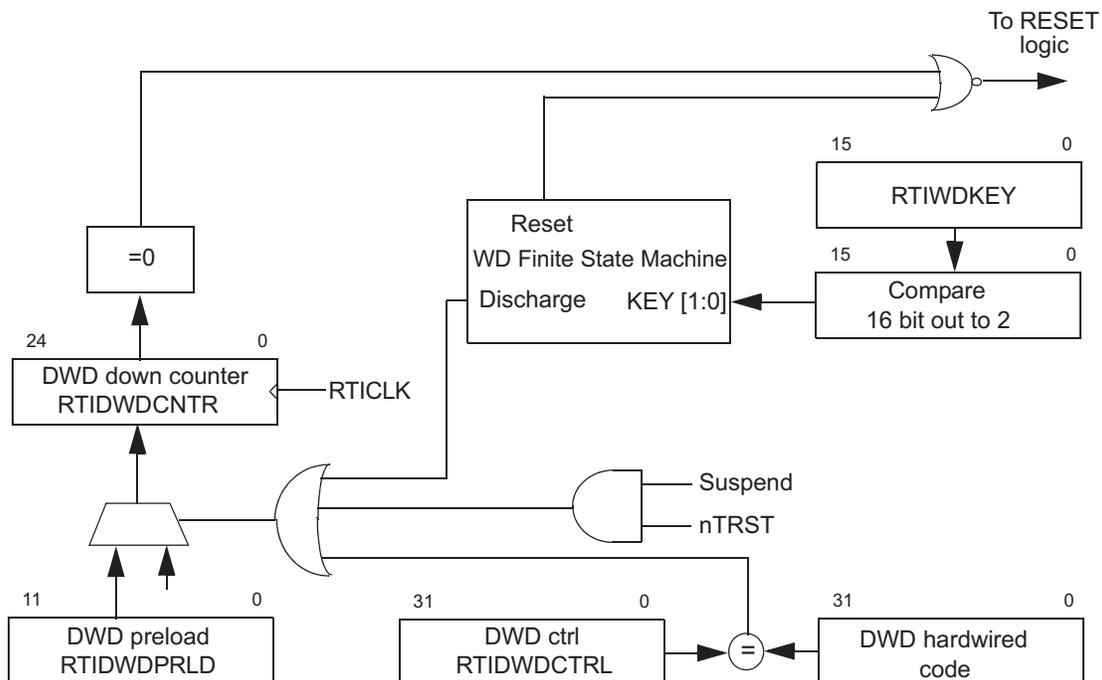
Figure 17-7. Missing NTUx Signal Example



### 17.2.5 Digital Watchdog (DWD)

The digital watchdog (DWD) is an optional safety diagnostic which can detect a runaway CPU and generate either a reset or NMI (non-maskable interrupt) response. It generates resets or NMIs after a programmable period, or if no correct key sequence was written to the RTIWDKEY register. Figure 17-8 illustrates the DWD.

Figure 17-8. Digital Watchdog



### 17.2.5.1 Digital Watchdog (DWD)

The DWD is disabled by default. If it should be used, it must be enabled by writing a 32-bit value, which is the inverted value of the hardwired code in the module, to the RTIDWDCTRL register.

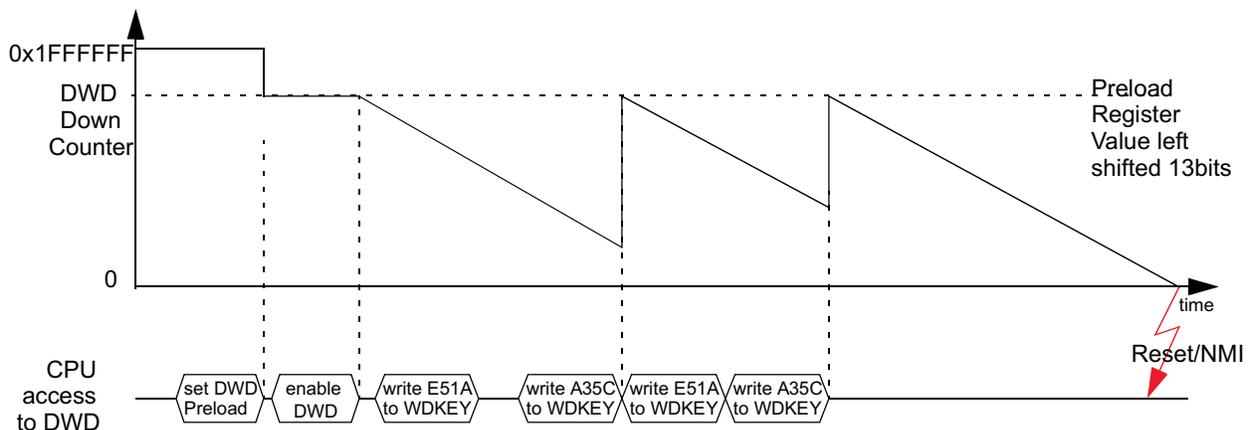
**NOTE:** Once the DWD is enabled, it cannot be disabled except by system reset or power on reset.

If the correct key sequence is written to the RTIWDKEY register (0xE51A followed by 0xA35C), the 25-bit DWD down counter is reloaded with the left justified 12-bit preload value stored in RTIDWDPRLD. If an incorrect value is written, a watchdog reset or NMI will occur immediately. A reset or NMI will also be generated when the DWD down counter is decremented to 0.

While the device is in suspend mode (halting debug mode), the DWD down counter keeps the value it had when entering suspend mode.

The DWD down counter will be decremented with the RTICLK frequency.

**Figure 17-9. DWD Operation**



The expiration time of the DWD down counter can be determined with the following equation:

$$t_{exp} = (DWDPRLD + 1) \times 2^{13}/RTICLK$$

where

$$DWDPRLD = 0...4095$$

**NOTE:** Care should be taken to ensure that the CPU write to the watchdog register is made allowing time for the write to propagate to the RTI.

### 17.2.5.2 Digital Windowed Watchdog (DWWD)

In addition to the time-out boundary configurable via the digital watchdog discussed in [Section 17.2.5.1](#), for enhanced safety metrics it is desirable to check for a watchdog "pet" within a time window rather than using a single time threshold. This is enabled by the digital windowed watchdog (DWWD) feature.

- Functional Behavior

The DWWD opens a configurable time window in which the watchdog must be serviced. Any attempt to service the watchdog outside this time window, or a failure to service the watchdog in this time window, will cause the watchdog to generate either a reset or a NMI to the CPU. This is controlled by configuring the RTIWWDRXNCTRL register. As with the DWD, the DWWD is disabled after power on reset. When the DWWD is configured to generate a non-maskable interrupt on a window violation, the watchdog counter continues to count down. The NMI handler needs to clear the watchdog violation status flag(s) and then

service the watchdog by writing the correct sequence in the watchdog key register. This service will cause the watchdog counter to get reloaded from the preload value and start counting down. If the NMI handler does not service the watchdog in time, it could count down all the way to zero and wrap around. If the NMI Handler does not service the watchdog in time, the NMI gets generated continuously, each time the counter counts to '0'.

The DWWD uses the Digital Watchdog (DWD) preload register (RTIDWDPRLD) setting to define the end-time of the window. The start-time of the window is defined by a window size configuration register(RTIWWDSIZECTRL).

The default window size is set to 100%, which corresponds to the DWD functionality of a time-out-only watchdog. The window size can be selected (through register RTIWWDSIZECTRL) from among 100%, 50%, 25%, 12.5%, 6.25% and 3.125% as shown in Figure 17-10. The window with the respective size will be opened before the end of the DWD expiration. The user has to serve the watchdog in the window. Otherwise, a reset or NMI will generate. Figure 17-11 shows an DWWD operation example (25% window).

- Configuration of DWWD

The DWWD preload value (same as DWD preload) can only be configured when the DWWD counter is disabled. The window size and watchdog reaction to a violation can be configured even after the watchdog has been enabled. Any changes to the window size and watchdog reaction configurations will only take effect after the next servicing of the DWWD. This feature can be utilized to dynamically set windows of different sizes based on task execution time, adding a program sequence element to the diagnostic which can improve fault coverage.

Figure 17-10. Digital Windowed Watchdog Timing Example

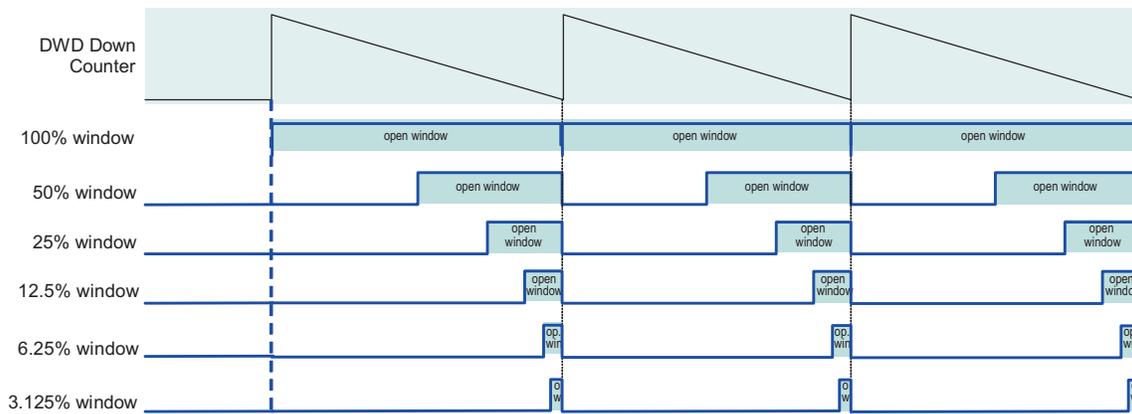
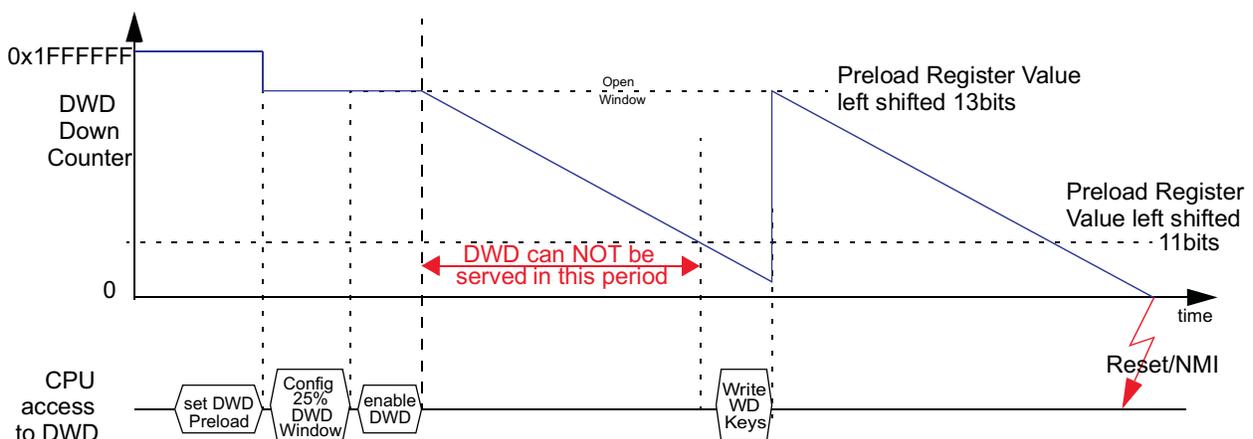


Figure 17-11. Digital Windowed Watchdog Operation Example (25% Window)



### 17.2.6 Low Power Modes

Low power modes allow the trade off of the current used during low power versus functionality and fast wakeup response. All low power modes have the following characteristics:

- CPU and system clocks are disabled.
- Flash banks and pump are in sleep mode.
- All peripheral modules are in low power modes and the clocks are disabled (exceptions to this may occur and would be documented in the specific device data sheet).

Flexibility in enabling and disabling clocks allows for many different low-power modes (see [Section 2.4.3](#)).

The operation of the RTI Module is guaranteed in Run, Doze and Snooze modes. In Sleep mode, all clocks will be switched off and the RTI will not work.

In Doze and Snooze modes, the RTI is active and is able to wake up the device with compare, timebase and overflow interrupts. The compare interrupts can be used to periodically wake up the device. The overflow interrupt can be used to notify the operating system that a counter overflow has occurred. Capturing events generated by the Vectored Interrupt Module (VIM) is also possible since, in both of these low power modes, the peripheral modules are able to generate interrupts that can trigger capture events. Capturing events while in Sleep mode is not supported as the clock to the RTI is not active.

When the device is put into low power mode, the peripheral which is generating the external clock NTU is no longer active, and the timebase control circuitry has to switch to an internal clocking scheme when it detects a missing clock on NTU. The timebase interrupt will wake up the device and the application software has to adapt the periodic interrupt generation to the internal clock source.

DMA transfers will be disabled, and DMA requests will not be generated after device wakeup since the DMA controller will be powered down.

---

**NOTE: RTICK in Doze Mode**

In the special case of Doze Mode with PLL off, RTICK might have a different period than with PLL enabled since RTICK will be derived from the oscillator output. It has to be ensured that the VCLK to RTICK ratio is at least 3:1.

---

### 17.2.7 Halting Debug Mode Behaviour

Once the system enters halting debug mode, the behavior of the RTI depends on the COS (continue on suspend) bit. If the bit is cleared and halting debug mode is active, all counters will stop operation. If the bit is set to one, all counters will be clocked normally and the RTI will work like in normal mode. However, if the external timebase (NTU) is used and the system is in halting debug mode, the timebase control circuit will switch to internal timebase once it detects the missing NTU signal of the suspended communication controller. This will be signaled with an TBINT interrupt so that software can resynchronize after the device exits halting debug mode.

## 17.3 Control Registers

[Table 17-1](#) provides a summary of the registers. The registers support 8-bit, 16-bit, and 32-bit writes. The offset is relative to the associated peripheral select. See the following sections for detailed descriptions of the registers. The base address for the control registers is FFFF FC00h. The address locations not listed are reserved.

**Table 17-1. RTI Registers**

Offset	Acronym	Register Description	Section
00h	RTIGCTRL	RTI Global Control Register	<a href="#">Section 17.3.1</a>
04h	RTITBCTRL	RTI Timebase Control Register	<a href="#">Section 17.3.2</a>
08h	RTICAPCTRL	RTI Capture Control Register	<a href="#">Section 17.3.3</a>
0Ch	RTICOMPCTRL	RTI Compare Control Register	<a href="#">Section 17.3.4</a>
10h	RTIFRC0	RTI Free Running Counter 0 Register	<a href="#">Section 17.3.5</a>
14h	RTIUC0	RTI Up Counter 0 Register	<a href="#">Section 17.3.6</a>
18h	RTICPUC0	RTI Compare Up Counter 0 Register	<a href="#">Section 17.3.7</a>
20h	RTICAFRC0	RTI Capture Free Running Counter 0 Register	<a href="#">Section 17.3.8</a>
24h	RTICAUC0	RTI Capture Up Counter 0 Register	<a href="#">Section 17.3.9</a>
30h	RTIFRC1	RTI Free Running Counter 1 Register	<a href="#">Section 17.3.10</a>
34h	RTIUC1	RTI Up Counter 1 Register	<a href="#">Section 17.3.11</a>
38h	RTICPUC1	RTI Compare Up Counter 1 Register	<a href="#">Section 17.3.12</a>
40h	RTICAFRC1	RTI Capture Free Running Counter 1 Register	<a href="#">Section 17.3.13</a>
44h	RTICAUC1	RTI Capture Up Counter 1 Register	<a href="#">Section 17.3.14</a>
50h	RTICOMP0	RTI Compare 0 Register	<a href="#">Section 17.3.15</a>
54h	RTIUDCP0	RTI Update Compare 0 Register	<a href="#">Section 17.3.16</a>
58h	RTICOMP1	RTI Compare 1 Register	<a href="#">Section 17.3.17</a>
5Ch	RTIUDCP1	RTI Update Compare 1 Register	<a href="#">Section 17.3.18</a>
60h	RTICOMP2	RTI Compare 2 Register	<a href="#">Section 17.3.19</a>
64h	RTIUDCP2	RTI Update Compare 2 Register	<a href="#">Section 17.3.20</a>
68h	RTICOMP3	RTI Compare 3 Register	<a href="#">Section 17.3.21</a>
6Ch	RTIUDCP3	RTI Update Compare 3 Register	<a href="#">Section 17.3.22</a>
70h	RTITBLCOMP	RTI Timebase Low Compare Register	<a href="#">Section 17.3.23</a>
74h	RTITBHCOMP	RTI Timebase High Compare Register	<a href="#">Section 17.3.24</a>
80h	RTISETINTENA	RTI Set Interrupt Enable Register	<a href="#">Section 17.3.25</a>
84h	RTICLEARINTENA	RTI Clear Interrupt Enable Register	<a href="#">Section 17.3.26</a>
88h	RTIINTFLAG	RTI Interrupt Flag Register	<a href="#">Section 17.3.27</a>
90h	RTIDWDCTRL	Digital Watchdog Control Register	<a href="#">Section 17.3.28</a>
94h	RTIDWDPRLD	Digital Watchdog Preload Register	<a href="#">Section 17.3.29</a>
98h	RTIWDSTATUS	Watchdog Status Register	<a href="#">Section 17.3.30</a>
9Ch	RTIWDKEY	RTI Watchdog Key Register	<a href="#">Section 17.3.31</a>
A0h	RTIDWDCNTR	RTI Digital Watchdog Down Counter Register	<a href="#">Section 17.3.32</a>
A4h	RTIWWDRXNCTRL	Digital Windowed Watchdog Reaction Control Register	<a href="#">Section 17.3.33</a>
A8h	RTIWWDSIZECTRL	Digital Windowed Watchdog Window Size Control Register	<a href="#">Section 17.3.34</a>
ACh	RTIINTCLRENABLE	RTI Compare Interrupt Clear Enable Register	<a href="#">Section 17.3.35</a>
B0h	RTICOMP0CLR	RTI Compare 0 Clear Register	<a href="#">Section 17.3.36</a>
B4h	RTICOMP1CLR	RTI Compare 1 Clear Register	<a href="#">Section 17.3.37</a>
B8h	RTICOMP2CLR	RTI Compare 2 Clear Register	<a href="#">Section 17.3.38</a>
BCh	RTICOMP3CLR	RTI Compare 3 Clear Register	<a href="#">Section 17.3.39</a>

**NOTE:** Writes to Reserved registers may clear the pending RTI interrupt.

### 17.3.1 RTI Global Control Register (RTIGCTRL)

The global control register starts/stops the counters and selects the signal compared with the timebase control circuit. This register is shown in [Figure 17-12](#) and described in [Table 17-2](#).

**Figure 17-12. RTI Global Control Register (RTIGCTRL) [offset = 00]**

31	Reserved										20	19	NTUSEL		16
	R-0												R/WP-0		
	15	14	Reserved						2	1	0				
	COS		R/WP-0						R-0		CNT1EN		CNT0EN		
			R-0								R/WP-0		R/WP-0		

LEGEND: R/W = Read/Write; R = Read only; WP = Write in privileged mode only; -n = value after reset

**Table 17-2. RTI Global Control Register (RTIGCTRL) Field Descriptions**

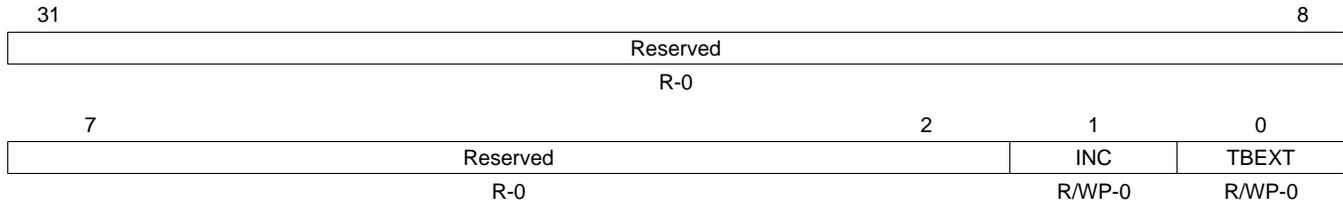
Bit	Field	Value	Description
31-20	Reserved	0	Reads return 0. Writes have no effect.
19-16	NTUSEL	0h 5h Ah Fh All other values	Select NTU signal. These bits determine which NTU input signal is used as external timebase NTU0 NTU1 NTU2 NTU3 Tied to 0
15	COS	0 1	Continue on suspend. This bit determines if both counters are stopped when the device goes into halting debug mode or if they continue counting. Counters are stopped while in halting debug mode. Counters are running while in halting debug mode.
14-2	Reserved	0	Reads return 0. Writes have no effect.
1	CNT1EN	0 1	Counter 1 enable. This bit starts and stops counter block 1 (RTIUC1 and RTIFRC1). Counter block 1 is stopped. Counter block 1 is running.
0	CNT0EN	0 1	Counter 0 enable. This bit starts and stops counter block 0 (RTIUC0 and RTIFRC0). Counter block 0 is stopped. Counter block 0 is running.

**NOTE:** If the application uses the timebase circuit for synchronization between the communications controller and the operating system and the device enters halting debug mode, the synchronization may be lost depending on the COS setting in the RTI module and the halting debug mode behavior of the communications controller.

### 17.3.2 RTI Timebase Control Register (RTITBCTRL)

The timebase control register selects if the free running counter 0 is incremented by RTICLK or NTU. This register is shown in [Figure 17-13](#) and described in [Table 17-3](#).

**Figure 17-13. RTI Timebase Control Register (RTITBCTRL) [offset = 04h]**



LEGEND: R/W = Read/Write; R = Read only; WP = Write in privileged mode only; -n = value after reset

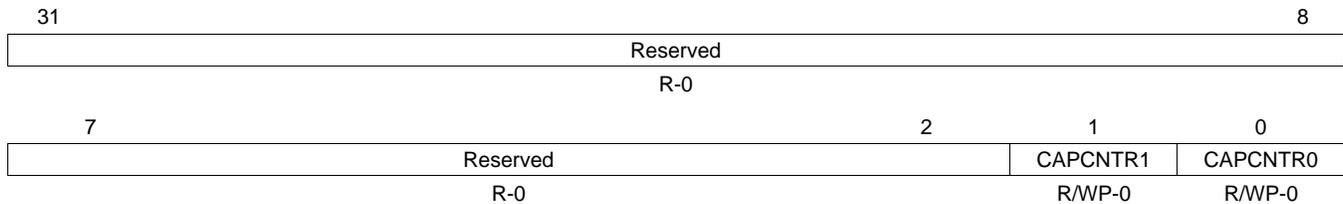
**Table 17-3. RTI Timebase Control Register (RTITBCTRL) Field Descriptions**

Bit	Field	Value	Description
31-2	Reserved	0	Reads return 0. Writes have no effect.
1	INC	0	Increment free running counter 0. This bit determines whether the free running counter 0 (RTIFRC0) is automatically incremented if a failing clock on the NTU signal is detected. RTIFRC0 will not be incremented on a failing external clock.
		1	RTIFRC0 will be incremented on a failing external clock.
0	TBEXT	0	Timebase external. This bit selects whether the free running counter 0 (RTIFRC0) is clocked by the internal up counter 0 (RTIUC0) or from the external signal NTU. Setting the TBEXT bit from 0 to 1 will not increment RTIFRC0, since RTIUC0 is reset. When the timebase supervisor circuit detects a missing clock edge, then the TBEXT bit is reset. Only the software can select whether the external signal should be used. RTIUC0 clocks RTIFRC0.
		1	NTU clocks RTIFRC0.

### 17.3.3 RTI Capture Control Register (RTICAPCTRL)

The capture control register controls the capture source for the counters. This register is shown in [Figure 17-14](#) and described in [Table 17-4](#).

**Figure 17-14. RTI Capture Control Register (RTICAPCTRL) [offset = 08h]**



LEGEND: R/W = Read/Write; R = Read only; WP = Write in privileged mode only; -n = value after reset

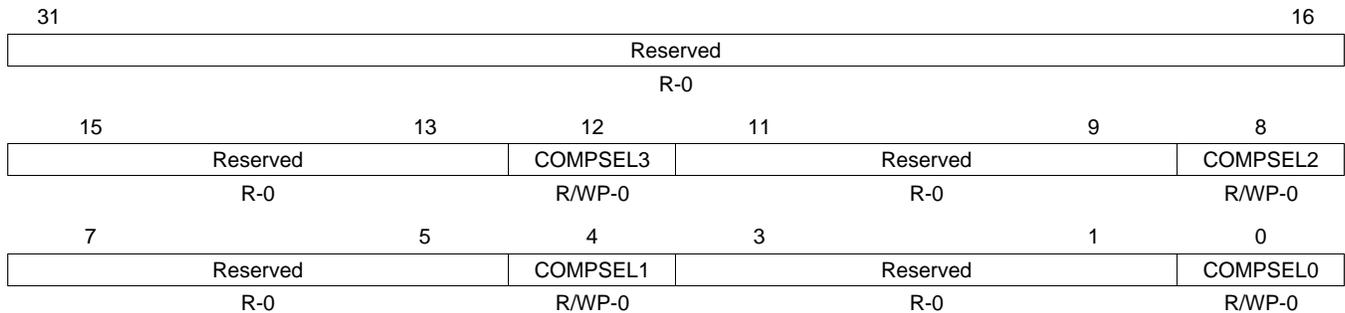
**Table 17-4. RTI Capture Control Register (RTICAPCTRL) Field Descriptions**

Bit	Field	Value	Description
31-2	Reserved	0	Reads return 0. Writes have no effect.
1	CAPCNTR1	0	Capture counter 1. This bit determines which external interrupt source triggers a capture event of RTIUC1 and RTIFRC1.
		0	Capture of RTIUC1/ RTIFRC1 is triggered by capture event source 0.
		1	Capture of RTIUC1/ RTIFRC1 is triggered by capture event source 1.
0	CAPCNTR0	0	Capture counter 0. This bit determines which external interrupt source triggers a capture event of RTIUC0 and RTIFRC0.
		0	Capture of RTIUC0/ RTIFRC0 is triggered by capture event source 0.
		1	Capture of RTIUC0/ RTIFRC0 is triggered by capture event source 1.

### 17.3.4 RTI Compare Control Register (RTICOMPCTRL)

The compare control register controls the source for the compare registers. This register is shown in Figure 17-15 and described in Table 17-5.

**Figure 17-15. RTI Compare Control Register (RTICOMPCTRL) [offset = 0Ch]**



LEGEND: R/W = Read/Write; R = Read only; WP = Write in privileged mode only; -n = value after reset

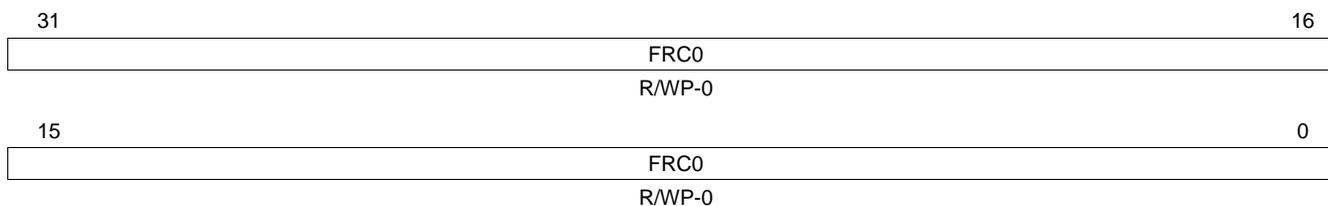
**Table 17-5. RTI Compare Control Register (RTICOMPCTRL) Field Descriptions**

Bit	Field	Value	Description
31-13	Reserved	0	Reads return 0. Writes have no effect.
12	COMPSEL3	0 1	Compare select 3. This bit determines the counter with which the compare value held in compare register 3 (RTICOMP3) is compared. Value will be compared with RTIFRC0. Value will be compared with RTIFRC1.
11-9	Reserved	0	Reads return 0. Writes have no effect.
8	COMPSEL2	0 1	Compare select 2. This bit determines the counter with which the compare value held in compare register 2 (RTICOMP2) is compared. Value will be compared with RTIFRC0. Value will be compared with RTIFRC1.
7-5	Reserved	0	Reads return 0. Writes have no effect.
4	COMPSEL1	0 1	Compare select 1. This bit determines the counter with which the compare value held in compare register 1 (RTICOMP1) is compared. Value will be compared with RTIFRC0. Value will be compared with RTIFRC1.
3-1	Reserved	0	Reads return 0. Writes have no effect.
0	COMPSEL0	0 1	Compare select 0. This bit determines the counter with which the compare value held in compare register 0 (RTICOMP0) is compared. Value will be compared with RTIFRC0. Value will be compared with RTIFRC1.

### 17.3.5 RTI Free Running Counter 0 Register (RTIFRC0)

The free running counter 0 register holds the current value of free running counter 0. This register is shown in [Figure 17-16](#) and described in [Table 17-6](#).

**Figure 17-16. RTI Free Running Counter 0 Register (RTIFRC0) [offset = 10h]**



LEGEND: R/W = Read/Write; R = Read only; WP = Write in privileged mode only; -n = value after reset

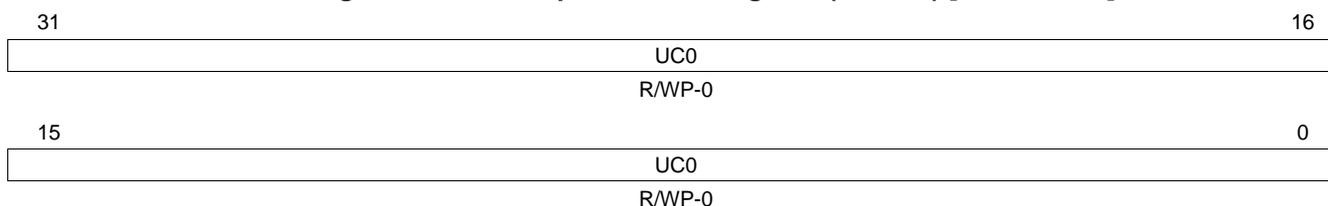
**Table 17-6. RTI Free Running Counter 0 Register (RTIFRC0) Field Descriptions**

Bit	Field	Value	Description
31-0	FRC0	0-FFFF FFFFh	Free running counter 0. This registers holds the current value of the free running counter 0. A read of this counter returns the current value of the counter.  The counter can be preset by writing (in privileged mode only) to this register. The counter increments then from this written value upwards.  <b>Note: If counters must be preset, they must be disabled in the RTIGCTRL register to ensure consistency between RTIUC0 and RTIFRC0.</b>

### 17.3.6 RTI Up Counter 0 Register (RTIUC0)

The up counter 0 register holds the current value of prescale counter. This register is shown in [Figure 17-17](#) and described in [Table 17-7](#).

**Figure 17-17. RTI Up Counter 0 Register (RTIUC0) [offset = 14h]**



LLEGEND: R/W = Read/Write; R = Read only; WP = Write in privileged mode only; -n = value after reset

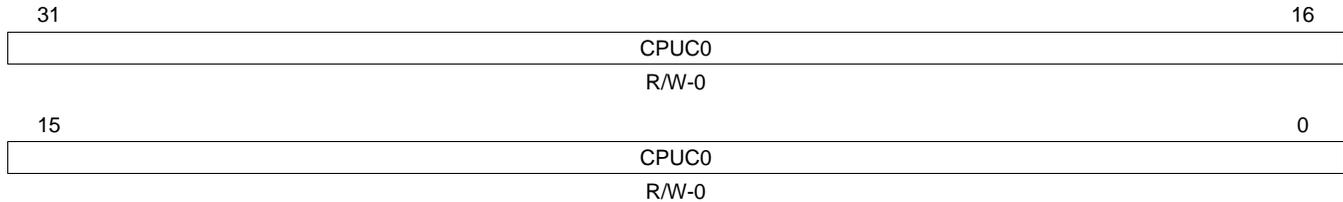
**Table 17-7. RTI Up Counter 0 Register (RTIUC0) Field Descriptions**

Bit	Field	Value	Description
31-0	UC0	0-FFFF FFFFh	Up counter 0. This register holds the current value of the up counter 0 and prescales the RTI clock. It will be only updated by a previous read of free running counter 0 (RTIFRC0). This method of updating effectively gives a 64-bit read of both counters, without having the problem of a counter being updated between two consecutive reads on up counter 0 (RTIUC0) and free running counter 0 (RTIFRC0).  A read of this counter returns the value of the counter at the time RTIFRC0 was read.  A write to this counter presets it with a value. The counter then increments from this written value upwards.  Note: If counters must be preset, they must be disabled in the RTIGCTRL register to ensure consistency between RTIUC0 and RTIFRC0.  <b>Note: If the preset value is bigger than the compare value stored in register RTICPUC0, then it can take a long time until a compare matches, since RTIUC0 has to count up until it overflows.</b>

### 17.3.7 RTI Compare Up Counter 0 Register (RTICPUC0)

The compare up counter 0 register holds the value to be compared with prescale counter 0 (RTIUC0). This register is shown in [Figure 17-18](#) and described in [Table 17-8](#).

**Figure 17-18. RTI Compare Up Counter 0 Register (RTICPUC0) [offset = 18h]**



LEGEND: R/W = Read/Write; R = Read only; -n = value after reset

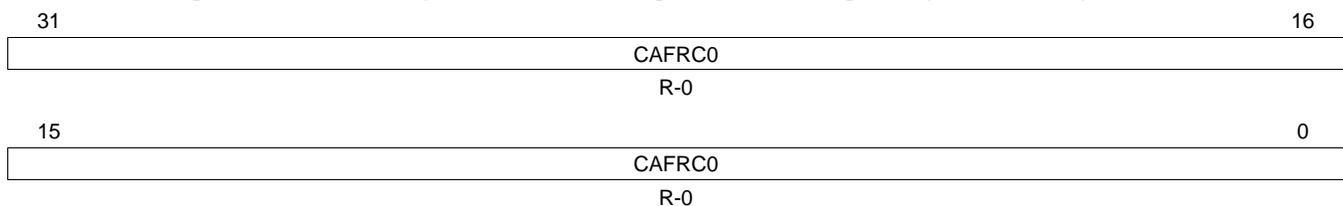
**Table 17-8. RTI Compare Up Counter 0 Register (RTICPUC0) Field Descriptions**

Bit	Field	Value	Description
31-0	CPUC0	0-FFFF FFFFh	<p>Compare up counter 0. This register holds the value that is compared with the up counter 0. When the compare shows a match, the free running counter 0 (RTIFRC0) is incremented. RTIUC0 is set to 0 when the counter value matches the RTICPUC0 value. The value set in this register prescales the RTI clock.</p> <p>If CPUC0 = 0, then  <math>f_{FRC0} = RTICLK / (2^{32} + 1)</math> (Setting CPUC0 equal to 0 is not recommended. Doing so will hold the Up Counter at 0 for 2 RTICLK cycles after it overflows from FFFF FFFFh to 0.)</p> <p>If CPUC0 ≠ 0, then  <math>f_{FRC0} = RTICLK / (RTICPUC0 + 1)</math></p> <p>A read of this register returns the current compare value.</p> <p>A write to this register:</p> <ul style="list-style-type: none"> <li>• If TBEXT = 0, the compare value is updated.</li> <li>• If TBEXT = 1, the compare value is unchanged.</li> </ul>

### 17.3.8 RTI Capture Free Running Counter 0 Register (RTICAFRC0)

The capture free running counter 0 register holds the free running counter 0 on external events. This register is shown in [Figure 17-19](#) and described in [Table 17-9](#).

**Figure 17-19. RTI Capture Free Running Counter 0 Register (RTICAFRC0) [offset = 20h]**



LEGEND: R/W = Read/Write; R = Read only; -n = value after reset

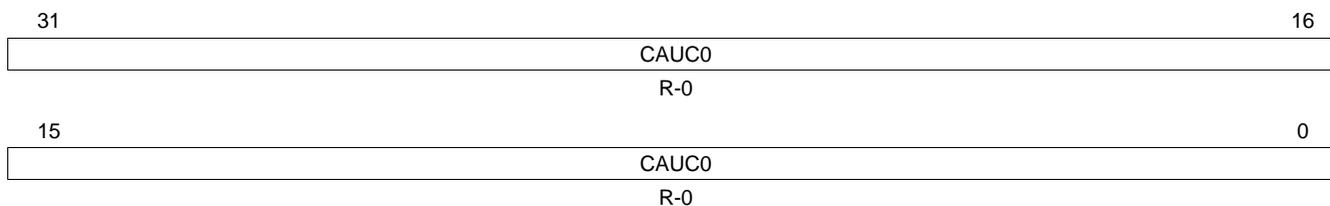
**Table 17-9. RTI Capture Free Running Counter 0 Register (RTICAFRC0) Field Descriptions**

Bit	Field	Value	Description
31-0	CAFRC0	0-FFFF FFFFh	<p>Capture free running counter 0. This register captures the current value of the free running counter 0 (RTIFRC0) when an event occurs, controlled by the external capture control block.</p> <p>A read of this register returns the value of RTIFRC0 on a capture event.</p>

### 17.3.9 RTI Capture Up Counter 0 Register (RTICAUC0)

The capture up counter 0 register holds the current value of prescale counter 0 on external events. This register is shown in [Figure 17-20](#) and described in [Table 17-10](#).

**Figure 17-20. RTI Capture Up Counter 0 Register (RTICAUC0) [offset = 24h]**



LEGEND: R/W = Read/Write; R = Read only; -n = value after reset

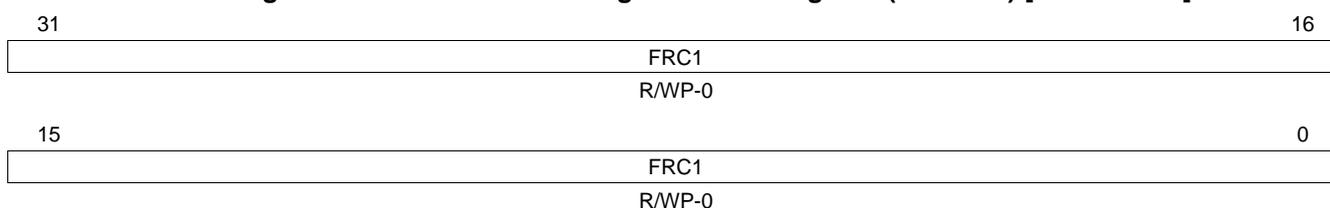
**Table 17-10. RTI Capture Up Counter 0 Register (RTICAUC0) Field Descriptions**

Bit	Field	Value	Description
31-0	CAUC0	0-FFFF FFFFh	<p>Capture up counter 0. This register captures the current value of the up counter 0 (RTIUC0) when an event occurs, controlled by the external capture control block.</p> <p><b>Note: The read sequence must be the same as with RTIUC0 and RTIFRC0. Therefore, the RTICAFRC0 register must be read before the RTICAUC0 register is read. This sequence ensures that the value of the RTICAUC0 register is the corresponding value to the RTICAFRC0 register, even if another capture event happens in between the two reads.</b></p> <p>A read of this register returns the value of RTIUC0 on a capture event.</p>

### 17.3.10 RTI Free Running Counter 1 Register (RTIFRC1)

The free running counter 1 register holds the current value of the free running counter 1. This register is shown in [Figure 17-21](#) and described in [Table 17-11](#).

**Figure 17-21. RTI Free Running Counter 1 Register (RTIFRC1) [offset = 30h]**



LEGEND: R/W = Read/Write; R = Read only; WP = Write in privileged mode only; -n = value after reset

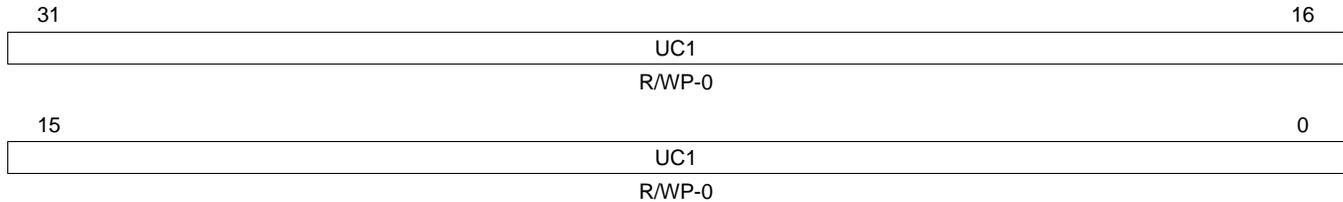
**Table 17-11. RTI Free Running Counter 1 Register (RTIFRC1) Field Descriptions**

Bit	Field	Value	Description
31-0	FRC1	0-FFFF FFFFh	<p>Free running counter 1. This register holds the current value of the free running counter 1 and will be updated continuously.</p> <p>A read of this register returns the current value of the counter.</p> <p>A write to this register presets the counter. The counter increments then from this written value upwards.</p> <p><b>Note: If counters must be preset, they must be disabled in the RTIGCTRL register to ensure consistency between RTIUC1 and RTIFRC1.</b></p>

### 17.3.11 RTI Up Counter 1 Register (RTIUC1)

The up counter 1 register holds the current value of the prescale counter 1. This register is shown in [Figure 17-22](#) and described in [Table 17-12](#).

**Figure 17-22. RTI Up Counter 1 Register (RTIUC1) [offset = 34h]**



LEGEND: R/W = Read/Write; R = Read only; WP = Write in privileged mode only; -n = value after reset

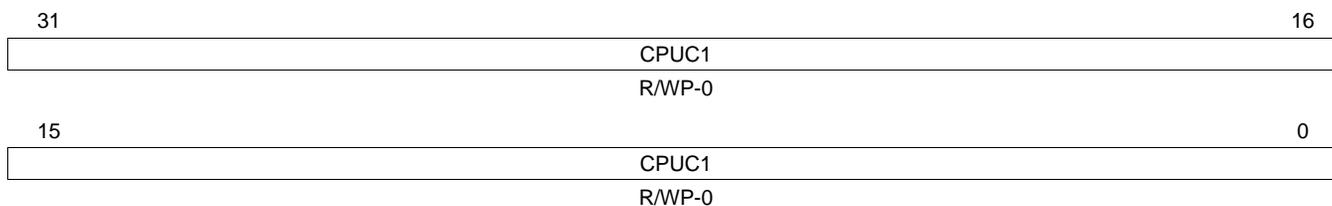
**Table 17-12. RTI Up Counter 1 Register (RTIUC1) Field Descriptions**

Bit	Field	Value	Description
31-0	UC1	0-FFFF FFFFh	<p>Up counter 1. This register holds the current value of the up counter 1 and prescales the RTI clock. It will be only updated by a previous read of free running counter 1 (RTIFRC1). This method of updating effectively gives a 64-bit read of both counters, without having the problem of a counter being updated between two consecutive reads on RTIUC1 and RTIFRC1.</p> <p>A read of this register will return the value of the counter when the RTIFRC1 was read.</p> <p>A write to this register presets the counter. The counter then increments from this written value upwards.</p> <p><b>Note: If counters must be preset, they must be disabled in the RTIGCTRL register to ensure consistency between RTIUC1 and RTIFRC1.</b></p> <p><b>Note: If the preset value is bigger than the compare value stored in register RTICPUC1, then it can take a long time until a compare matches, since RTIUC1 has to count up until it overflows.</b></p>

### 17.3.12 RTI Compare Up Counter 1 Register (RTICPUC1)

The compare up counter 1 register holds the value compared with prescale counter 1. This register is shown in [Figure 17-23](#) and described in [Table 17-13](#).

**Figure 17-23. RTI Compare Up Counter 1 Register (RTICPUC1) [offset = 38h]**



LEGEND: R/W = Read/Write; R = Read only; WP = Write in privileged mode only; -n = value after reset

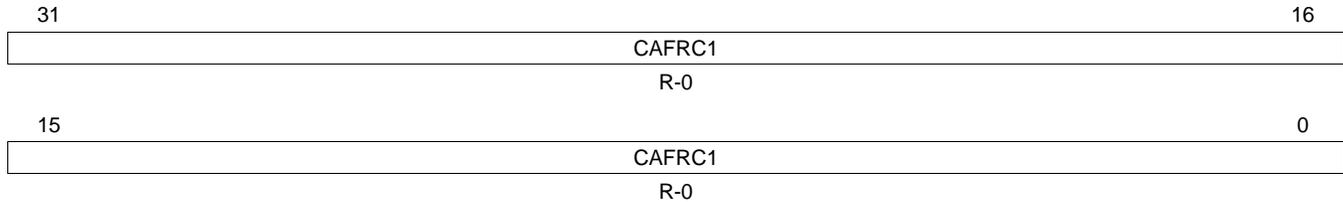
**Table 17-13. RTI Compare Up Counter 1 Register (RTICPUC1) Field Descriptions**

Bit	Field	Value	Description
31-0	CPUC1	0-FFFF FFFFh	<p>Compare up counter 1. This register holds the compare value, which is compared with the up counter 1. When the compare matches, the free running counter 1 (RTIFRC1) is incremented. The up counter is cleared to zero when the counter value matches the CPUC1 value. The value set in this prescales the RTI clock according to the following formula:</p> <p>If CPUC1 = 0, then  <math>f_{FRC0} = RTICLK / (2^{32} + 1)</math> (Setting CPUC1 equal to 0 is not recommended. Doing so will hold the Up Counter at 0 for 2 RTICLK cycles after it overflows from FFFF FFFFh to 0.)</p> <p>If CPUC1 ≠ 0, then  <math>f_{FRC1} = RTICLK / (RTICPUC1 + 1)</math></p> <p>A read of this register returns the current compare value.            A write to this register updates the compare value.</p>

### 17.3.13 RTI Capture Free Running Counter 1 Register (RTICAFRC1)

The capture free running counter 1 register holds the current value of free running counter 1 on external events. This register is shown in [Figure 17-24](#) and described in [Table 17-14](#).

**Figure 17-24. RTI Capture Free Running Counter 1 Register (RTICAFRC1) [offset = 40h]**



LEGEND: R/W = Read/Write; R = Read only; -n = value after reset

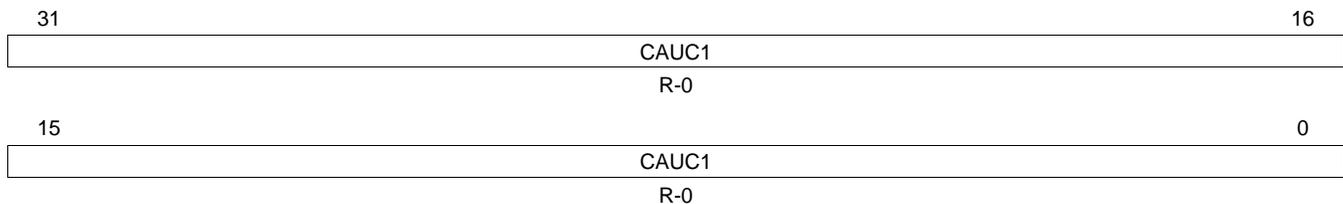
**Table 17-14. RTI Capture Free Running Counter 1 Register (RTICAFRC1) Field Descriptions**

Bit	Field	Value	Description
31-0	CAFRC1	0-FFFF FFFFh	Capture free running counter 1. This register captures the current value of the free running counter 1 (RTIFRC1) when an event occurs, controlled by the external capture control block. A read of this register returns the value of RTIFRC1 on a capture event.

### 17.3.14 RTI Capture Up Counter 1 Register (RTICAUC1)

The capture up counter 1 register holds the current value of prescale counter 1 on external events. This register is shown in [Figure 17-25](#) and described in [Table 17-15](#).

**Figure 17-25. RTI Capture Up Counter 1 Register (RTICAUC1) [offset = 44h]**



LEGEND: R/W = Read/Write; R = Read only; -n = value after reset

**Table 17-15. RTI Capture Up Counter 1 Register (RTICAUC1) Field Descriptions**

Bit	Field	Value	Description
31-0	CAUC1	0-FFFF FFFFh	Capture up counter 1. This register captures the current value of the up counter 1 (RTIUC1) when an event occurs, controlled by the external capture control block.  <b>Note: The RTICAFRC1 register must be read before the RTICAUC1 register is read. This sequence ensures that the value of the RTICAUC1 register is the corresponding value to the RTICAFRC1 register, even if another capture event happens in between the two reads.</b>  A read of this register returns the value of RTIUC1 on a capture event.

### 17.3.15 RTI Compare 0 Register (RTICOMP0)

The compare 0 register holds the value to be compared with the counters. This register is shown in [Figure 17-26](#) and described in [Table 17-16](#).

**Figure 17-26. RTI Compare 0 Register (RTICOMP0) [offset = 50h]**

31	16
COMP0	
R/WP-0	
15	0
COMP0	
R/WP-0	

LEGEND: R/W = Read/Write; R = Read only; WP = Write in privileged mode only; -n = value after reset

**Table 17-16. RTI Compare 0 Register (RTICOMP0) Field Descriptions**

Bit	Field	Value	Description
31-0	COMP0	0-FFFF FFFFh	<p>Compare 0. This registers holds a value that is compared with the counter selected in the compare control logic. If RTIFRC0 or RTIFRC1, depending on the counter selected, matches the compare value, an interrupt is flagged. With this register it is also possible to initiate a DMA request.</p> <p>A read of this register will return the current compare value.</p> <p>A write to this register (in privileged mode only) will update the compare register with a new compare value.</p>

### 17.3.16 RTI Update Compare 0 Register (RTIUDCP0)

The update compare 0 register holds the value to be added to the compare register 0 value on a compare match. This register is shown in [Figure 17-27](#) and described in [Table 17-17](#).

**Figure 17-27. RTI Update Compare 0 Register (RTIUDCP0) [offset = 54h]**

31	16
UDCP0	
R/WP-0	
15	0
UDCP0	
R/WP-0	

LEGEND: R/W = Read/Write; R = Read only; WP = Write in privileged mode only; -n = value after reset

**Table 17-17. RTI Update Compare 0 Register (RTIUDCP0) Field Descriptions**

Bit	Field	Value	Description
31-0	UDCP0	0-FFFF FFFFh	<p>Update compare 0. This register holds a value that is added to the value in the compare 0 (RTICOMP0) register each time a compare matches. This function allows periodic interrupts to be generated without software intervention.</p> <p>A read of this register will return the value to be added to the RTICOMP0 register on the next compare match.</p> <p>A write to this register will provide a new update value.</p>

### 17.3.17 RTI Compare 1 Register (RTICOMP1)

The compare 1 register holds the value to be compared to the counters. This register is shown in [Figure 17-28](#) and described in [Table 17-18](#).

**Figure 17-28. RTI Compare 1 Register (RTICOMP1) [offset = 58h]**

31	COMP1 R/WP-0	16
15	COMP1 R/WP-0	0

LEGEND: R/W = Read/Write; R = Read only; WP = Write in privileged mode only; -n = value after reset

**Table 17-18. RTI Compare 1 Register (RTICOMP1) Field Descriptions**

Bit	Field	Value	Description
31-0	COMP1	0-FFFF FFFFh	<p>Compare 1. This register holds a value that is compared with the counter selected in the compare control logic. If RTIFRC0 or RTIFRC1, depending on the counter selected, matches this compare value, an interrupt is flagged. With this register, it is possible to initiate a DMA request.</p> <p>A read of this register will return the current compare value.</p> <p>A write to this register will update the compare register with a new compare value.</p>

### 17.3.18 RTI Update Compare 1 Register (RTIUDCP1)

The update compare 1 register holds the value to be added to the compare register 1 value on a compare match. This register is shown in [Figure 17-29](#) and described in [Table 17-19](#).

**Figure 17-29. RTI Update Compare 1 Register (RTIUDCP1) [offset = 5Ch]**

31	UDCP1 R/WP-0	16
15	UDCP1 R/WP-0	0

LEGEND: R/W = Read/Write; R = Read only; WP = Write in privileged mode only; -n = value after reset

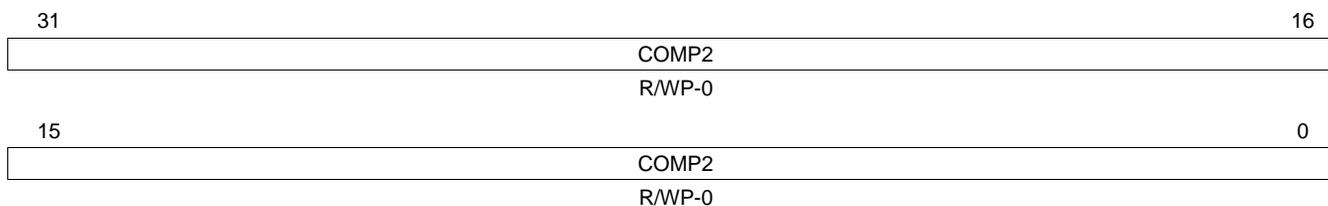
**Table 17-19. RTI Update Compare 1 Register (RTIUDCP1) Field Descriptions**

Bit	Field	Value	Description
31-0	UDCP1	0-FFFF FFFFh	<p>Update compare 1. This register holds a value that is added to the value in the RTICOMP1 register each time a compare matches. This process allows periodic interrupts to be generated without software intervention.</p> <p>A read of this register will return the value to be added to the RTICOMP1 register on the next compare match. .</p> <p>A write to this register will provide a new update value</p>

### 17.3.19 RTI Compare 2 Register (RTICOMP2)

The compare 2 register holds the value to be compared to the counters. This register is shown in [Figure 17-30](#) and described in [Table 17-20](#).

**Figure 17-30. RTI Compare 2 Register (RTICOMP2) [offset = 60h]**



LEGEND: R/W = Read/Write; R = Read only; WP = Write in privileged mode only; -n = value after reset

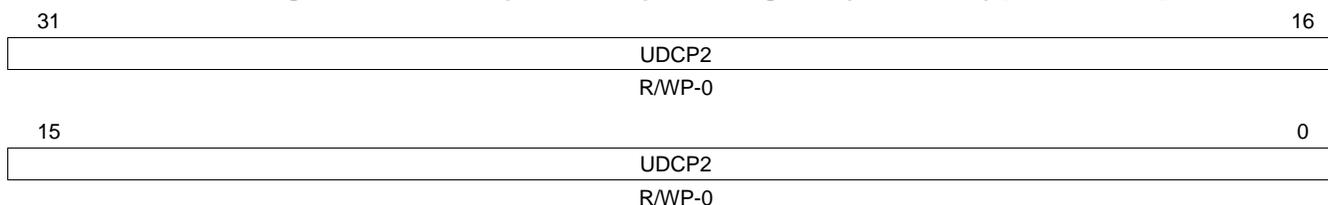
**Table 17-20. RTI Compare 2 Register (RTICOMP2) Field Descriptions**

Bit	Field	Value	Description
31-0	COMP2	0-FFFF FFFFh	Compare 2. This register holds a value that is compared with the counter selected in the compare control logic. If RTIFRC0 or RTIFRC1, depending on the counter selected, matches this compare value, an interrupt is flagged. With this register, it is possible to initiate a DMA request.  A read of this register will return the current compare value.  A write to this register (in privileged mode only) will provide a new compare value.

### 17.3.20 RTI Update Compare 2 Register (RTIUDCP2)

The update compare 2 register holds the value to be added to the compare register 2 value on a compare match. This register is shown in [Figure 17-31](#) and described in [Table 17-21](#).

**Figure 17-31. RTI Update Compare 2 Register (RTIUDCP2) [offset = 64h]**



LEGEND: R/W = Read/Write; R = Read only; WP = Write in privileged mode only; -n = value after reset

**Table 17-21. RTI Update Compare 2 Register (RTIUDCP2) Field Descriptions**

Bit	Field	Value	Description
31-0	UDCP2	0-FFFF FFFFh	Update compare 2. This register holds a value that is added to the value in the RTICOMP2 register each time a compare matches. This process makes it possible to generate periodic interrupts without software intervention.  A read of this register will return the value to be added to the RTICOMP2 register on the next compare match.  A write to this register will provide a new update value.

### 17.3.21 RTI Compare 3 Register (RTICOMP3)

The compare 3 register holds the value to be compared to the counters. This register is shown in [Figure 17-32](#) and described in [Table 17-22](#).

**Figure 17-32. RTI Compare 3 Register (RTICOMP3) [offset = 68h]**

31	COMP3 R/WP-0	16
15	COMP3 R/WP-0	0

LEGEND: R/W = Read/Write; R = Read only; WP = Write in privileged mode only; -n = value after reset

**Table 17-22. RTI Compare 3 Register (RTICOMP3) Field Descriptions**

Bit	Field	Value	Description
31-0	COMP3	0-FFFF FFFFh	<p>Compare 3. This register holds a value that is compared with the counter selected in the compare control logic. If RTIFRC0 or RTIFRC1, depending on the counter selected, matches this compare value, an interrupt is flagged. With this register, it is possible to initiate a DMA request.</p> <p>A read of this register will return the current compare value.</p> <p>A write to this register will provide a new compare value.</p>

### 17.3.22 RTI Update Compare 3 Register (RTIUDCP3)

The update compare 3 register holds the value to be added to the compare register 3 value on a compare match. This register is shown in [Figure 17-33](#) and described in [Table 17-23](#).

**Figure 17-33. RTI Update Compare 3 Register (RTIUDCP3) [offset = 6Ch]**

31	UDCP3 R/WP-0	16
15	UDCP3 R/WP-0	0

LEGEND: R/W = Read/Write; R = Read only; WP = Write in privileged mode only; -n = value after reset

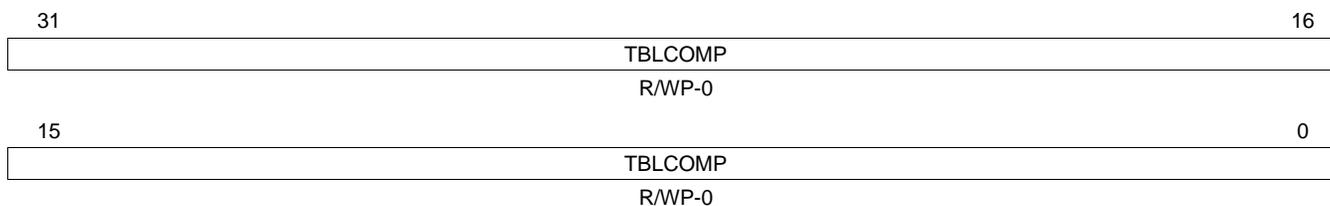
**Table 17-23. RTI Update Compare 3 Register (RTIUDCP3) Field Descriptions**

Bit	Field	Value	Description
31-0	UDCP3	0-FFFF FFFFh	<p>Update compare 3. This register holds a value that is added to the value in the RTICOMP3 register each time a compare matches. This process makes it possible to generate periodic interrupts without software intervention.</p> <p>A read of this register will return the value to be added to the RTICOMP3 register on the next compare match.</p> <p>A write to this register will provide a new update value.</p>

### 17.3.23 RTI Timebase Low Compare Register (RTITBLCOMP)

The timebase low compare register holds the value to activate the edge detection circuit. This register is shown in [Figure 17-34](#) and described in [Table 17-24](#).

**Figure 17-34. RTI Timebase Low Compare Register (RTITBLCOMP) [offset = 70h]**



LEGEND: R/W = Read/Write; R = Read only; WP = Write in privileged mode only; -n = value after reset

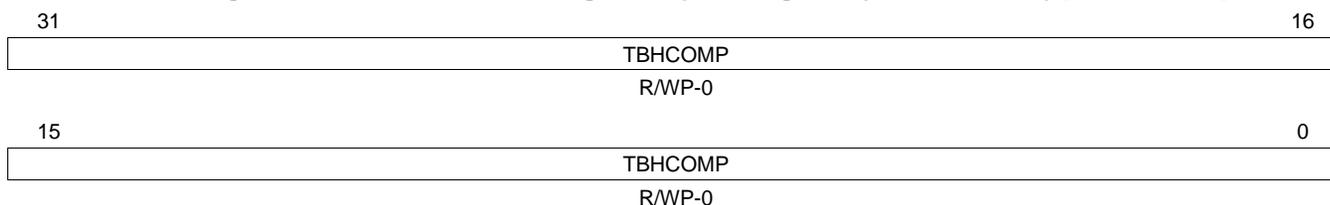
**Table 17-24. RTI Timebase Low Compare Register (RTITBLCOMP) Field Descriptions**

Bit	Field	Value	Description
31-0	TBLCOMP	0-FFFF FFFFh	<p>Timebase low compare value. This value determines when the edge detection circuit starts monitoring the NTU signal. It will be compared with RTIUC0.</p> <p>A read of this register will return the current compare value.</p> <p>A write to this register has the following effects:            If TBEXT = 0: The compare value is updated.            If TBEXT = 1: The compare value is not changed.</p>

### 17.3.24 RTI Timebase High Compare Register (RTITBHCMP)

The timebase high compare register holds the value to deactivate the edge detection circuit. This register is shown in [Figure 17-35](#) and described in [Table 17-25](#).

**Figure 17-35. RTI Timebase High Compare Register (RTITBHCMP) [offset = 74h]**



LEGEND: R/W = Read/Write; R = Read only; WP = Write in privileged mode only; -n = value after reset

**Table 17-25. RTI Timebase High Compare Register (RTITBHCMP) Field Descriptions**

Bit	Field	Value	Description
31-0	TBHCMP	0-FFFF FFFFh	<p>Timebase high compare value. This value determines when the edge detection circuit will stop monitoring the NTU signal. It will be compared with RTIUC0.</p> <p>RTITBHCMP must be less than RTICPUC0 because RTIUC0 will be reset when RTICPUC0 is reached.</p> <p>Example: The NTU edge detection circuit should be active <math>\pm 10</math> RTICLK cycles around RTICPUC0.</p> <ul style="list-style-type: none"> <li>• RTICPUC0 = 0050h</li> <li>• RTITBLCOMP = 0046h</li> <li>• RTITBHCMP = 0009h</li> </ul> <p>A read of this register will return the current compare value.</p> <p>A write to this register has the following effects:            If TBEXT = 0: The compare value is updated.            If TBEXT = 1: The compare value is not changed.</p>

### 17.3.25 RTI Set Interrupt Enable Register (RTISETINTENA)

This register prevents the necessity of a read-modify-write operation if a particular interrupt should be enabled. This register is shown in [Figure 17-36](#) and described in [Table 17-26](#).

**Figure 17-36. RTI Set Interrupt Control Register (RTISETINTENA) [offset = 80h]**

31	Reserved				24
R-0					
23	19	18	17	16	
Reserved		SETOVL1INT	SETOVL0INT	SETTBINT	
R-0		R/WP-0	R/WP-0	R/WP-0	
15	12	11	10	9	8
Reserved		SETDMA3	SETDMA2	SETDMA1	SETDMA0
R-0		R/WP-0	R/WP-0	R/WP-0	R/WP-0
7	4	3	2	1	0
Reserved		SETINT3	SETINT2	SETINT1	SETINT0
R-0		R/WP-0	R/WP-0	R/WP-0	R/WP-0

LEGEND: R/W = Read/Write; R = Read only; WP = Write in privileged mode only; -n = value after reset

**Table 17-26. RTI Set Interrupt Control Register (RTISETINTENA) Field Descriptions**

Bit	Field	Value	Description
31-19	Reserved	0	Reads return 0. Writes have no effect.
18	SETOVL1INT	0	Set free running counter 1 overflow interrupt. <i>Read:</i> Interrupt is disabled. <i>Write:</i> Corresponding bit is unchanged.
		1	<i>Read or Write:</i> Interrupt is enabled.
17	SETOVL0INT	0	Set free running counter 0 overflow interrupt. <i>Read:</i> Interrupt is disabled. <i>Write:</i> Corresponding bit is unchanged.
		1	<i>Read or Write:</i> Interrupt is enabled.
16	SETTBINT	0	Set timebase interrupt. <i>Read:</i> Interrupt is disabled. <i>Write:</i> Corresponding bit is unchanged.
		1	<i>Read or Write:</i> Interrupt is enabled.
15-12	Reserved	0	Reads return 0. Writes have no effect.
11	SETDMA3	0	Set compare DMA request 3. <i>Read:</i> DMA request is disabled. <i>Write:</i> DMA request is unchanged.
		1	<i>Read or Write:</i> DMA request is enabled.
10	SETDMA2	0	Set compare DMA request 2. <i>Read:</i> DMA request is disabled. <i>Write:</i> DMA request is unchanged.
		1	<i>Read or Write:</i> DMA request is enabled.
9	SETDMA1	0	Set compare DMA request 1. <i>Read:</i> DMA request is disabled. <i>Write:</i> DMA request is unchanged.
		1	<i>Read or Write:</i> DMA request is enabled.

**Table 17-26. RTI Set Interrupt Control Register (RTISETINTENA) Field Descriptions (continued)**

Bit	Field	Value	Description
8	SETDMA0	0	Set compare DMA request 0. <i>Read:</i> DMA request is disabled. <i>Write:</i> DMA request is unchanged.
		1	<i>Read or Write:</i> DMA request is enabled.
7-4	Reserved	0	Reads return 0. Writes have no effect.
3	SETINT3	0	Set compare interrupt 3. <i>Read:</i> Interrupt is disabled. <i>Write:</i> Corresponding bit is unchanged.
		1	<i>Read or Write:</i> Interrupt is enabled.
2	SETINT2	0	Set compare interrupt 2. <i>Read:</i> Interrupt is disabled. <i>Write:</i> Corresponding bit is unchanged.
		1	<i>Read or Write:</i> Interrupt is enabled.
1	SETINT1	0	Set compare interrupt 1. <i>Read:</i> Interrupt is disabled. <i>Write:</i> Corresponding bit is unchanged.
		1	<i>Read or Write:</i> Interrupt is enabled.
0	SETINT0	0	Set compare interrupt 0. <i>Read:</i> Interrupt is disabled. <i>Write:</i> Corresponding bit is unchanged.
		1	<i>Read or Write:</i> Interrupt is enabled.

### 17.3.26 RTI Clear Interrupt Enable Register (RTICLEARINTENA)

This register prevents the necessity of a read-modify-write operation if a particular interrupt should be disabled. This register is shown in [Figure 17-37](#) and described in [Table 17-27](#).

**Figure 17-37. RTI Clear Interrupt Control Register (RTICLEARINTENA) [offset = 84h]**

31	Reserved				24
R-0					
23	19	18	17	16	
Reserved		CLEAROVL1INT	CLEAROVL0INT	CLEARTBINT	
R-0		R/WP-0	R/WP-0	R/WP-0	
15	12	11	10	9	8
Reserved		CLEARDMA3	CLEARDMA2	CLEARDMA1	CLEARDMA0
R-0		R/WP-0	R/WP-0	R/WP-0	R/WP-0
7	4	3	2	1	0
Reserved		CLEARINT3	CLEARINT2	CLEARINT1	CLEARINT0
R-0		R/WP-0	R/WP-0	R/WP-0	R/WP-0

LEGEND: R/W = Read/Write; R = Read only; WP = Write in privileged mode only; -n = value after reset

**Table 17-27. RTI Clear Interrupt Control Register (RTICLEARINTENA) Field Descriptions**

Bit	Field	Value	Description
31-19	Reserved	0	Reads return 0. Writes have no effect.
18	CLEAROVL1INT	0	Clear free running counter 1 overflow interrupt. <i>Read:</i> Interrupt is disabled. <i>Write:</i> Corresponding bit is unchanged.
		1	<i>Read:</i> Interrupt is enabled. <i>Write:</i> Interrupt is disabled.
17	CLEAROVL0INT	0	Clear free running counter 0 overflow interrupt. <i>Read:</i> Interrupt is disabled. <i>Write:</i> Corresponding bit is unchanged.
		1	<i>Read:</i> Interrupt is enabled. <i>Write:</i> Interrupt is disabled.
16	CLEARTBINT	0	Clear timebase interrupt. <i>Read:</i> Interrupt is disabled. <i>Write:</i> Corresponding bit is unchanged.
		1	<i>Read:</i> Interrupt is enabled. <i>Write:</i> Interrupt is disabled.
15-12	Reserved	0	Reads return 0. Writes have no effect.
11	CLEARDMA3	0	Clear compare DMA request 3. <i>Read:</i> DMA request is disabled. <i>Write:</i> Corresponding bit is unchanged.
		1	<i>Read:</i> DMA request is enabled. <i>Write:</i> DMA request is disabled.
10	CLEARDMA2	0	Clear compare DMA request 2. <i>Read:</i> DMA request is disabled. <i>Write:</i> Corresponding bit is unchanged.
		1	<i>Read:</i> DMA request is enabled. <i>Write:</i> DMA request is disabled.

**Table 17-27. RTI Clear Interrupt Control Register (RTICLEARINTENA) Field Descriptions (continued)**

Bit	Field	Value	Description
9	CLEARDMA1	0	Clear compare DMA request 1. <i>Read:</i> DMA request is disabled. <i>Write:</i> Corresponding bit is unchanged.
		1	<i>Read:</i> DMA request is enabled. <i>Write:</i> DMA request is disabled.
8	CLEARDMA1	0	Clear compare DMA request 0. <i>Read:</i> DMA request is disabled. <i>Write:</i> Corresponding bit is unchanged.
		1	<i>Read:</i> DMA request is enabled. <i>Write:</i> DMA request is disabled.
7-4	Reserved	0	Reads return 0. Writes have no effect.
3	CLEARINT3	0	Clear compare interrupt 3. <i>Read:</i> Interrupt is disabled. <i>Write:</i> Corresponding bit is unchanged.
		1	<i>Read:</i> Interrupt is enabled. <i>Write:</i> Interrupt is disabled.
2	CLEARINT2	0	Clear compare interrupt 2. <i>Read:</i> Interrupt is disabled. <i>Write:</i> Corresponding bit is unchanged.
		1	<i>Read:</i> Interrupt is enabled. <i>Write:</i> Interrupt is disabled.
1	CLEARINT1	0	Clear compare interrupt 1. <i>Read:</i> Interrupt is disabled. <i>Write:</i> Corresponding bit is unchanged.
		1	<i>Read:</i> Interrupt is enabled. <i>Write:</i> Interrupt is disabled.
0	CLEARINT0	0	Clear compare interrupt 0. <i>Read:</i> Interrupt is disabled. <i>Write:</i> Corresponding bit is unchanged.
		1	<i>Read:</i> Interrupt is enabled. <i>Write:</i> Interrupt is disabled.

### 17.3.27 RTI Interrupt Flag Register (RTIINTFLAG)

The corresponding flags are set at every compare match of the RTIFRCx and RTICOMPx values, whether the interrupt is enabled or not. This register is shown in [Figure 17-38](#) and described in [Table 17-28](#).

**Figure 17-38. RTI Interrupt Flag Register (RTIINTFLAG) [offset = 88h]**

31	Reserved	19	OVL1INT	18	OVL0INT	17	TBINT	16
	R-0		R/CP-0		R/CP-0		R/CP-0	
15	Reserved	4	INT3	3	INT2	2	INT1	1
	R-0		R/CP-0		R/CP-0		R/CP-0	0
					INT0			
					R/CP-0			

LEGEND: R/W = Read/Write; R = Read only; CP = Clear in privileged mode only; -n = value after reset

**Table 17-28. RTI Interrupt Flag Register (RTIINTFLAG) Field Descriptions**

Bit	Field	Value	Description
31-19	Reserved	0	Reads return 0. Writes have no effect.
18	OVL1INT	0	Free running counter 1 overflow interrupt flag. This bit determines if an interrupt is pending. <i>Read:</i> No interrupt is pending. <i>Write:</i> Bit is unchanged.
		1	<i>Read:</i> Interrupt is pending. <i>Write:</i> Bit is cleared to 0.
17	OVL0INT	0	Free running counter 0 overflow interrupt flag. This bit determines if an interrupt is pending. <i>Read:</i> No interrupt is pending. <i>Write:</i> Bit is unchanged.
		1	<i>Read:</i> Interrupt is pending. <i>Write:</i> Bit is cleared to 0.
16	TBINT	0	Timebase interrupt flag. This flag is set when the TBEXT bit is cleared by detection of a missing external clock edge. It will not be set by clearing TBEXT by software. It determines if an interrupt is pending. <i>Read:</i> No interrupt is pending. <i>Write:</i> Bit is unchanged.
		1	<i>Read:</i> Interrupt is pending. <i>Write:</i> Bit is cleared to 0.
15-4	Reserved	0	Reads return 0. Writes have no effect.
3	INT3	0	Interrupt flag 3. These bits determine if an interrupt due to a Compare 3 match is pending. <i>Read:</i> No interrupt is pending. <i>Write:</i> Bit is unchanged.
		1	<i>Read:</i> Interrupt is pending. <i>Write:</i> Bit is cleared to 0.
2	INT2	0	Interrupt flag 2. These bits determine if an interrupt due to a Compare 2 match is pending. <i>Read:</i> No interrupt is pending. <i>Write:</i> Bit is unchanged.
		1	<i>Read:</i> Interrupt is pending. <i>Write:</i> Bit is cleared to 0.
1	INT1	0	Interrupt flag 1. These bits determine if an interrupt due to a Compare 1 match is pending. <i>Read:</i> No interrupt is pending. <i>Write:</i> Bit is unchanged.
		1	<i>Read:</i> Interrupt is pending. <i>Write:</i> Bit is cleared to 0.

**Table 17-28. RTI Interrupt Flag Register (RTIINTFLAG) Field Descriptions (continued)**

Bit	Field	Value	Description
0	INT0	0	Interrupt flag 0. These bits determine if an interrupt due to a Compare 0 match is pending. <i>Read:</i> No interrupt is pending. <i>Write:</i> Bit is unchanged.
		1	<i>Read:</i> Interrupt is pending. <i>Write:</i> Bit is cleared to 0.

### 17.3.28 Digital Watchdog Control Register (RTIDWDCTRL)

The software has to write to the DWDCTRL field in order to enable the DWD, as described below. Once enabled, the watchdog can only be disabled by a system reset. The application cannot disable the watchdog. However should the RTICLK source be changed to a source that is unimplemented it will have the same effect as disabling the watchdog. This register is shown in [Figure 17-38](#) and described in [Table 17-28](#).

**Figure 17-39. Digital Watchdog Control Register (RTIDWDCTRL) [offset = 90h]**

31	DWDCTRL R/WP-5312h	16
15	DWDCTRL R/WP-ACEDh	0

LEGEND: R/W = Read/Write; R = Read only; WP = Write in privileged mode only; -n = value after reset

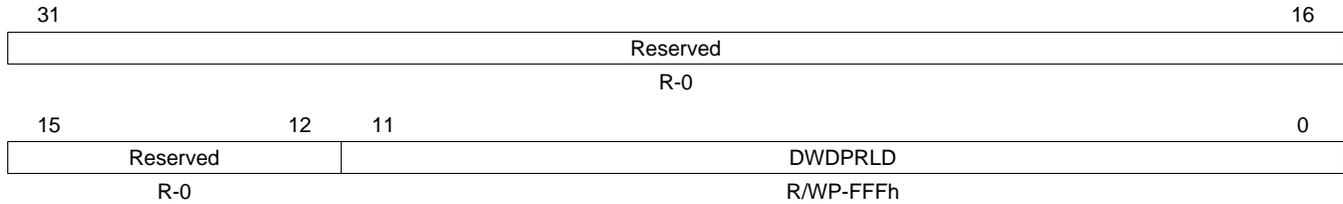
**Table 17-29. Digital Watchdog Control Register (RTIDWDCTRL) Field Descriptions**

Bit	Field	Value	Description
31-0	DWDCTRL	5312 ACEDh	Digital Watchdog Control. <i>Read:</i> DWD counter is disabled. <i>Write:</i> State of DWD counter is unchanged (stays enabled or disabled).
		A985 59DAh	<i>Read:</i> DWD counter is enabled. <i>Write:</i> DWD counter is enabled.
		All other values	<i>Read:</i> DWD counter state is unchanged (enabled or disabled). <i>Write:</i> State of DWD counter is unchanged (stays enabled or disabled). <b>Note:</b> Once the enable value is written, all other future writes are blocked. In other words, once DWD is enabled, it can only be disabled by system reset or power on reset. However should the RTICLK source be changed to a source that is unimplemented it will have the same effect as disabling the watchdog.

### 17.3.29 Digital Watchdog Preload Register (RTIDWDPRLD)

This register sets the expiration time of the DWD. This register is shown in [Figure 17-38](#) and described in [Table 17-28](#).

**Figure 17-40. Digital Watchdog Preload Register (RTIDWDPRLD) [offset = 94h]**



LEGEND: R/W = Read/Write; R = Read only; WP = Write in privileged mode only; -n = value after reset

**Table 17-30. Digital Watchdog Preload Register (RTIDWDPRLD) Field Descriptions**

Bit	Field	Value	Description
31-12	Reserved	0	Reads return 0 and writes have no effect.
11-0	DWDPRLD	0-FFFh	Digital Watchdog Preload Value. <i>Read:</i> The current preload value  <i>Write:</i> Set the preload value. The DWD preload register can be configured only when the DWD is disabled. Therefore, the application can only configure the DWD preload register before it enables the DWD down counter.  The expiration time of the DWD Down Counter can be determined with following equation: $\text{texp} = (\text{DWDPRLD} + 1) \times 2^{13} / \text{RTICK1}$ where: DWDPRLD = 0...4095

### 17.3.30 Watchdog Status Register (RTIWDSTATUS)

This register records the status of the DWD. The values of the following status bits will not be affected by a soft reset. These bits are cleared by a power up reset, or by a write of '1'. These bits can be used for debug purposes. This register is shown in [Figure 17-38](#) and described in [Table 17-28](#).

**Figure 17-41. Watchdog Status Register (RTIWDSTATUS) [offset = 98h]**

31	Reserved						8
R-0							
7	6	5	4	3	2	1	0
Reserved	Reserved	DWWD ST	END TIME VIOL	START TIME VIOL	KEY ST	DWD ST	Reserved
R-0	R-0	R/CP-x	R/CP-x	R/CP-x	R/CP-x	R/CP-x	R-0

LEGEND: R/W = Read/Write; R = Read only; C = Clear; P = Privilege mode; -n = value after reset

**Table 17-31. Watchdog Status Register (RTIWDSTATUS) Field Descriptions**

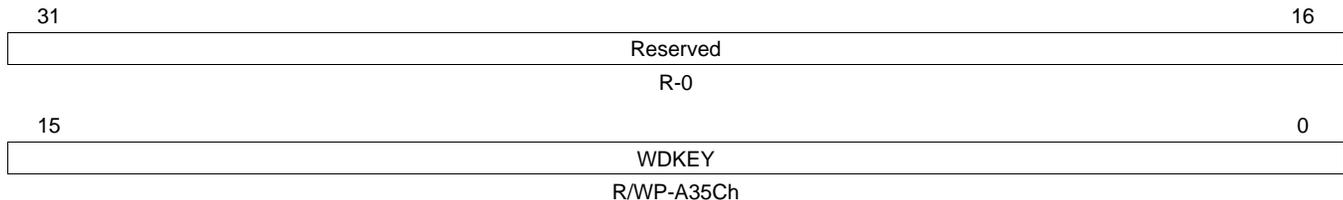
Bit	Field	Value	Description
31-6	Reserved	0	Reads return 0. Writes have no effect.
5	DWWD ST	0	Windowed Watchdog Status <i>Read:</i> No time-window violation has occurred. <i>Write:</i> Leaves the current value unchanged.
		1	<i>Read:</i> Time-window violation has occurred. The watchdog has generated either a system reset or a non-maskable interrupt to the CPU in this case. <i>Write:</i> Bit is cleared to 0. This will also clear all other status flags in the RTIWDSTATUS register. Clearing of the status flags will deassert the non-maskable interrupt generated due to violation of the DWWD.
4	END TIME VIOL	0	Windowed Watchdog End Time Violation Status. This bit indicates whether the Watchdog counter expired. <i>Read:</i> No end-time window violation has occurred. <i>Write:</i> Leaves the current value unchanged.
		1	<i>Read:</i> End-time defined by the windowed watchdog configuration has been violated. <i>Write:</i> Bit is cleared to 0.
3	START TIME VIOL	0	Windowed Watchdog Start Time Violation Status. This bit indicates whether the key is written before the watchdog window opened up. <i>Read:</i> No start-time window violation has occurred. <i>Write:</i> Leaves the current value unchanged.
		1	<i>Read:</i> Start-time defined by the windowed watchdog configuration has been violated. <i>Write:</i> Bit is cleared to 0.
2	KEY ST	0	Watchdog key status. This bit indicates a reset or NMI generated by a wrong key or key sequence written to the RTIWDKEY register. <i>Read:</i> No wrong key or key-sequence written. <i>Write:</i> Bit is unchanged.
		1	<i>Read:</i> Wrong key or key-sequence written to RTIWDKEY register. <i>Write:</i> Bit is cleared to 0.
1	DWD ST	0	DWD status. This bit is equivalent to bit END TIME VIOL. <i>Read:</i> No reset or NMI was generated. <i>Write:</i> Bit is unchanged.
		1	<i>Read:</i> Reset or NMI was generated. <i>Write:</i> Bit is cleared to 0.
0	Reserved	0	Reads return 0. Writes have no effect.

### 17.3.31 RTI Watchdog Key Register (RTIWDKEY)

This register must be written with the correct written key values to serve the watchdog. This register is shown in [Figure 17-42](#) and described in [Table 17-32](#).

**NOTE:** It has to be taken into account that the write to the RTIWDKEY register takes 3 VCLK cycles.

**Figure 17-42. RTI Watchdog Key Register (RTIWDKEY) [offset = 9Ch]**



LEGEND: R/W = Read/Write; R = Read only; WP = Write in privileged mode only; -n = value after reset

**Table 17-32. RTI Watchdog Key Register (RTIWDKEY) Field Descriptions**

Bit	Field	Value	Description
31-16	Reserved	0	Reads return 0 and writes have no effect.
15-0	WDKEY	0-FFFFh	<p>Watchdog key. These bits provide the key sequence location.</p> <p>Reads returns the current WDKEY value.</p> <p>A write of E51Ah followed by A35Ch in two separate write operations defines the key sequence and reloads the DWD. Writing any other value causes a reset or NMI, as shown in <a href="#">Table 17-33</a>. Writing any other value will cause the WDKEY to reset to A35Ch.</p>

**Table 17-33. Example of a WDKEY Sequence**

Step	Value Written to WDKEY	Result
1	A35Ch	No action
2	A35Ch	No action
3	E51Ah	WDKEY is enabled for reset or NMI by next A35Ch.
4	E51Ah	WDKEY is enabled for reset or NMI by next A35Ch.
5	E51Ah	WDKEY is enabled for reset or NMI by next A35Ch.
6	A35Ch	Watchdog is reset.
7	A35Ch	No action
8	E51Ah	WDKEY is enabled for reset or NMI by next A35Ch.
9	A35Ch	Watchdog is reset.
10	E51Ah	WDKEY is enabled for reset or NMI by next A35Ch.
11	2345h	System reset or NMI; incorrect value written to WDKEY.

### 17.3.32 RTI Digital Watchdog Down Counter (RTIDWDCNTR)

This register provides the current value of the DWD down counter. This register is shown in [Figure 17-43](#) and described in [Table 17-34](#).

**Figure 17-43. RTI Watchdog Down Counter Register (RTIDWDCNTR) [offset = A0h]**

31	Reserved	25	24	16
	R-0			DWDCNTR R-1FFh
15				0
	DWDCNTR R-FFFFh			

LEGEND: R/W = Read/Write; R = Read only; -n = value after reset

**Table 17-34. RTI Watchdog Down Counter Register (RTIDWDCNTR) Field Descriptions**

Bit	Field	Value	Description
31-25	Reserved	0	Reads return 0 and writes have no effect.
24-0	DWDCNTR	0-1FF FFFFh	DWD down counter. Reads return the current counter value.

### 17.3.33 Digital Windowed Watchdog Reaction Control (RTIWWDRXNCTRL)

This register selects the DWWD reaction if the watchdog is serviced outside the time window. This register is shown in [Figure 17-44](#) and described in [Table 17-35](#).

**Figure 17-44. Digital Windowed Watchdog Reaction Control (RTIWWDRXNCTRL) [offset = A4h]**

31	Reserved			16	
	R-0				
15	Reserved		4	3	0
	R-0		WWDRXN R/WP-5h		

LEGEND: R/W = Read/Write; R = Read only; WP = Write in privileged mode only; -n = value after reset

**Table 17-35. Digital Windowed Watchdog Reaction Control (RTIWWDRXNCTRL) Field Descriptions**

Bit	Field	Value	Description
31-4	Reserved	0	Reads return 0 and writes have no effect.
3-0	WWDRXN	5h	The windowed watchdog will cause a reset if the watchdog is serviced outside the time window defined by the configuration, or if the watchdog is not serviced at all.
		Ah	The windowed watchdog will generate a non-maskable interrupt to the CPU if the watchdog is serviced outside the time window defined by the configuration, or if the watchdog is not serviced at all.
		All other values	The windowed watchdog will cause a reset if the watchdog is serviced outside the time window defined by the configuration, or if the watchdog is not serviced at all. <b>Note:</b> The DWWD reaction can be selected by the application even when the DWWD counter is already enabled. If a change to the WWDRXN is made before the watchdog service window is opened, then the change in the configuration takes effect immediately. If a change to the WWDRXN is made when the watchdog service window is already open, then the change in configuration takes effect only after the watchdog is serviced.

### 17.3.34 Digital Windowed Watchdog Window Size Control (RTIWWDSIZECTRL)

This register selects the DWWD window size. This register is shown in [Figure 17-45](#) and described in [Table 17-36](#).

**Figure 17-45. Digital Windowed Watchdog Window Size Control (RTIWWDSIZECTRL) [offset = A8h]**



LEGEND: R/W = Read/Write; R = Read only; WP = Write in privileged mode only; -n = value after reset

**Table 17-36. Digital Windowed Watchdog Window Size Control (RTIWWDSIZECTRL)  
Field Descriptions**

Bit	Field	Value	Description
31-0	WWDSIZE	0	The DWWD window size
		0000 0005h	100% (The functionality is the same as the standard time-out digital watchdog.)
		0000 0050h	50%
		0000 0500h	25%
		0000 5000h	12.5%
		0005 0000h	6.25%
		All other values	3.125%
			<b>Note:</b> The DWWD window size can be selected by the application even when the DWWD counter is already enabled. If a change to the WWDSIZE is made before the watchdog service window is opened, then the change in the configuration takes effect immediately. If a change to the WWDSIZE is made when the watchdog service window is already open, then the change in configuration takes effect only after the watchdog is serviced.

### 17.3.35 RTI Compare Interrupt Clear Enable Register (RTIINTCLREENABLE)

When the RTI compare event is configured to generate a DMA request or triggers (all triggered by RTI compare interrupt request flag) to other peripherals, it is often desirable to clear the RTI compare flag automatically so that the requests can be generated repeatedly without any CPU intervention. This register works with the RTI compare clear registers to enable an "auto-clear" of the compare interrupt enable bit after a compare equal event. This register is shown in [Figure 17-46](#) and described in [Table 17-37](#).

**Figure 17-46. RTI Compare Interrupt Clear Enable Register (RTIINTCLREENABLE) [offset = ACh]**

31	28	27	24	23	20	19	16
Reserved	INTCLREENABLE3			Reserved	INTCLREENABLE2		
R-0	R/WP-5h			R-0	R/WP-5h		
15	12	11	8	7	4	3	0
Reserved	INTCLREENABLE1			Reserved	INTCLREENABLE0		
R-0	R/WP-5h			R-0	R/WP-5h		

LEGEND: R/W = Read/Write; R = Read only; WP = Write in privileged mode only; -n = value after reset

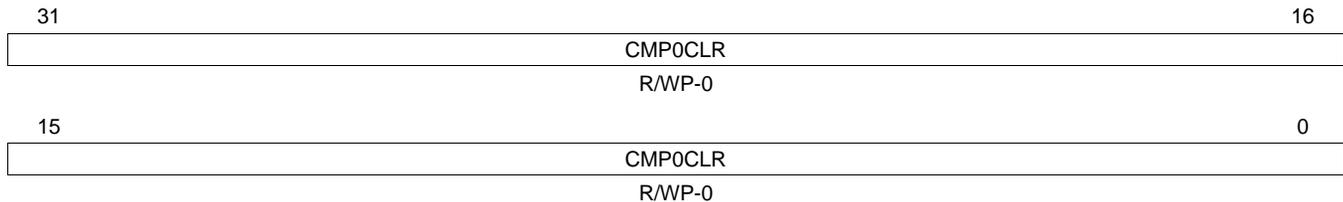
**Table 17-37. RTI Compare Interrupt Clear Enable Register (RTIINTCLREENABLE) Field Descriptions**

Bit	Field	Value	Description
31-28	Reserved	0	Reads return 0. Writes have no effect.
27-24	INTCLREENABLE3	5h	Enables the auto-clear functionality on the compare 3 interrupt. <i>Read:</i> Auto-clear for compare 3 interrupt is disabled. <i>Privileged Write:</i> Auto-clear for compare 3 interrupt becomes disabled
		All other values	<i>Read:</i> Auto-clear for compare 3 interrupt is enabled. <i>Privileged Write:</i> Auto-clear for compare 3 interrupt becomes enabled
23-20	Reserved	0	Reads return 0. Writes have no effect.
19-16	INTCLREENABLE2	5h	Enables the auto-clear functionality on the compare 2 interrupt. <i>Read:</i> Auto-clear for compare 2 interrupt is disabled. <i>Privileged Write:</i> Auto-clear for compare 2 interrupt becomes disabled
		All other values	<i>Read:</i> Auto-clear for compare 2 interrupt is enabled. <i>Privileged Write:</i> Auto-clear for compare 2 interrupt becomes enabled
15-12	Reserved	0	Reads return 0. Writes have no effect.
11-8	INTCLREENABLE1	5h	Enables the auto-clear functionality on the compare 1 interrupt. <i>Read:</i> Auto-clear for compare 1 interrupt is disabled. <i>Privileged Write:</i> Auto-clear for compare 1 interrupt becomes disabled
		All other values	<i>Read:</i> Auto-clear for compare 1 interrupt is enabled. <i>Privileged Write:</i> Auto-clear for compare 1 interrupt becomes enabled
7-4	Reserved	0	Reads return 0. Writes have no effect.
3-0	INTCLREENABLE0	5h	Enables the auto-clear functionality on the compare 0 interrupt. <i>Read:</i> Auto-clear for compare 0 interrupt is disabled. <i>Privileged Write:</i> Auto-clear for compare 0 interrupt becomes disabled
		All other values	<i>Read:</i> Auto-clear for compare 0 interrupt is enabled. <i>Privileged Write:</i> Auto-clear for compare 0 interrupt becomes enabled

### 17.3.36 RTI Compare 0 Clear Register (RTICMP0CLR)

This registers holds an initial value which is larger than the value in the RTI Compare 0 register [Section 17.3.4](#). The user needs to choose the value such that the compare clear 0 event occurs before next compare 0 event. If the Free Running Counter matches the compare value, the compare 0 interrupt request flag is cleared and the value in the RTIUDCP0 register [Section 17.3.16](#) is added to this register. This register is shown in [Figure 17-47](#) and described in [Table 17-38](#).

**Figure 17-47. RTI Compare 0 Clear Register (RTICMP0CLR) [offset = B0h]**



LEGEND: R/W = Read/Write; R = Read only; WP = Write in privileged mode only; -n = value after reset

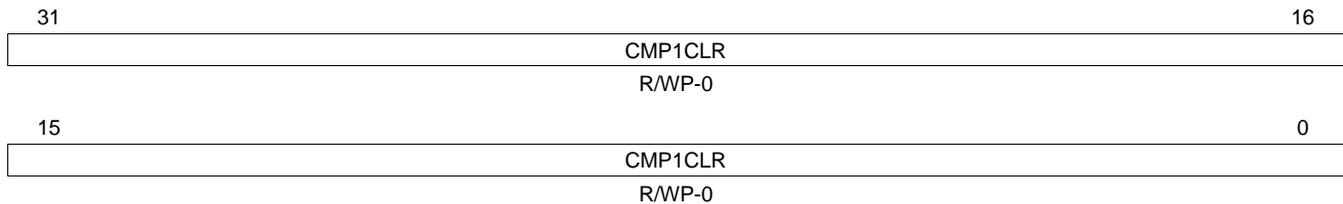
**Table 17-38. RTI Compare 0 Clear Register (RTICMP0CLR) Field Descriptions**

Bit	Field	Value	Description
31-0	CMP0CLR	0-FFFF FFFFh	Compare 0 clear. This registers holds a compare value. If the Free Running Counter matches the compare value, the compare 0 interrupt request flag is cleared and the value in the RTIUDCP0 register <a href="#">Section 17.3.16</a> is added to this register.  Reads return the current compare clear value.  A privileged write to this register updates the compare clear value.

### 17.3.37 RTI Compare 1 Clear Register (RTICMP1CLR)

This registers holds an initial value which is larger than the value in the RTI Compare 1 register [Section 17.3.4](#). The user needs to choose the value such that the compare clear 1 event occurs before next compare 1 event. If the Free Running Counter matches the compare value, the compare 1 interrupt request flag is cleared and the value in the RTIUDCP1 register [Section 17.3.18](#) is added to this register. This register is shown in [Figure 17-48](#) and described in [Table 17-39](#).

**Figure 17-48. RTI Compare 1 Clear Register (RTICMP1CLR) [offset = B4h]**



LEGEND: R/W = Read/Write; R = Read only; WP = Write in privileged mode only; -n = value after reset

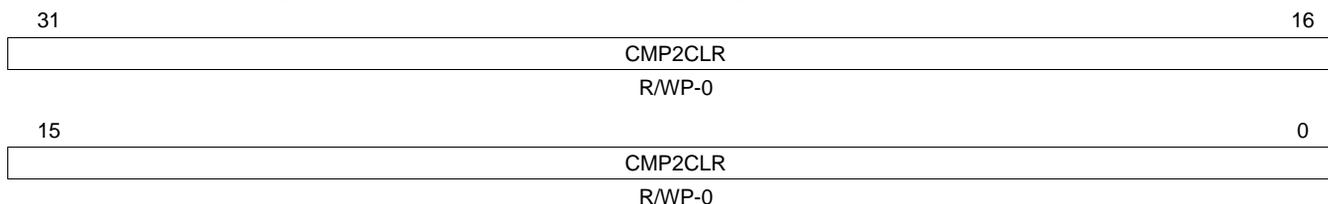
**Table 17-39. RTI Compare 1 Clear Register (RTICMP1CLR) Field Descriptions**

Bit	Field	Value	Description
31-0	CMP0CLR	0-FFFF FFFFh	Compare 1 clear. This registers holds a compare value. If the Free Running Counter matches the compare value, the compare 1 interrupt request flag is cleared and the value in the RTIUDCP1 register <a href="#">Section 17.3.18</a> is added to this register.  Reads return the current compare clear value.  A privileged write to this register updates the compare clear value.

### 17.3.38 RTI Compare 2 Clear Register (RTICMP2CLR)

This registers holds an initial value which is larger than the value in the RTI Compare 2 register [Section 17.3.4](#). The user needs to choose the value such that the compare clear 2 event occurs before next compare 2 event. If the Free Running Counter matches the compare value, the compare 2 interrupt request flag is cleared and the value in the RTIUDCP2 register [Section 17.3.20](#) is added to this register. This register is shown in [Figure 17-49](#) and described in [Table 17-40](#).

**Figure 17-49. RTI Compare 2 Clear Register (RTICMP2CLR) [offset = B8h]**



LEGEND: R/W = Read/Write; R = Read only; WP = Write in privileged mode only; -n = value after reset

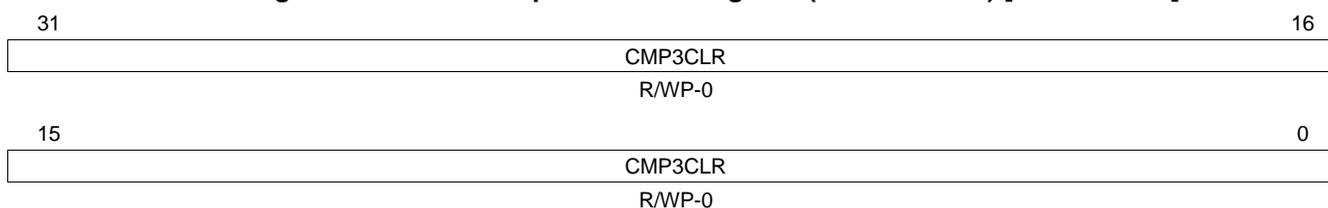
**Table 17-40. RTI Compare 2 Clear Register (RTICMP2CLR) Field Descriptions**

Bit	Field	Value	Description
31-0	CMP2CLR	0-FFFF FFFFh	Compare 2 clear. This registers holds a compare value. If the Free Running Counter matches the compare value, the compare 2 interrupt request flag is cleared and the value in the RTIUDCP2 register <a href="#">Section 17.3.20</a> is added to this register.  Reads return the current compare clear value.  A privileged write to this register updates the compare clear value.

### 17.3.39 RTI Compare 3 Clear Register (RTICMP3CLR)

This registers holds an initial value which is larger than the value in the RTI Compare 3 register [Section 17.3.4](#). The user needs to choose the value such that the compare clear 3 event occurs before next compare 3 event. If the Free Running Counter matches the compare value, the compare 3 interrupt request flag is cleared and the value in the RTIUDCP3 register [Section 17.3.22](#) is added to this register. This register is shown in [Figure 17-50](#) and described in [Table 17-41](#).

**Figure 17-50. RTI Compare 3 Clear Register (RTICMP3CLR) [offset = BCh]**



LEGEND: R/W = Read/Write; R = Read only; WP = Write in privileged mode only; -n = value after reset

**Table 17-41. RTI Compare 3 Clear Register (RTICMP3CLR) Field Descriptions**

Bit	Field	Value	Description
31-0	CMP3CLR	0-FFFF FFFFh	Compare 3 clear. This registers holds a compare value. If the Free Running Counter matches the compare value, the compare 3 interrupt request flag is cleared and the value in the RTIUDCP3 register <a href="#">Section 17.3.22</a> is added to this register.  Reads return the current compare clear value.  A privileged write to this register updates the compare clear value.

## Cyclic Redundancy Check (CRC) Controller Module

---

---

This chapter describes the cyclic redundancy check (CRC) controller module.

---

**NOTE:** This chapter describes a superset implementation of the CRC module that includes features and functionality that require DMA. Since not all devices have DMA capability, consult your device-specific datasheet to determine applicability of these features and functions to your device being used.

---

Topic	Page
18.1 Overview .....	606
18.2 Module Operation .....	608
18.3 Example .....	618
18.4 CRC Control Registers .....	621

## 18.1 Overview

The CRC controller is a module that is used to perform CRC (Cyclic Redundancy Check) to verify the integrity of memory system. A signature representing the contents of the memory is obtained when the contents of the memory are read into CRC controller. The responsibility of CRC controller is to calculate the signature for a set of data and then compare the calculated signature value against a pre-determined good signature value. CRC controller supports two channels to perform CRC calculation on multiple memories in parallel and can be used on any memory system.

### 18.1.1 Features

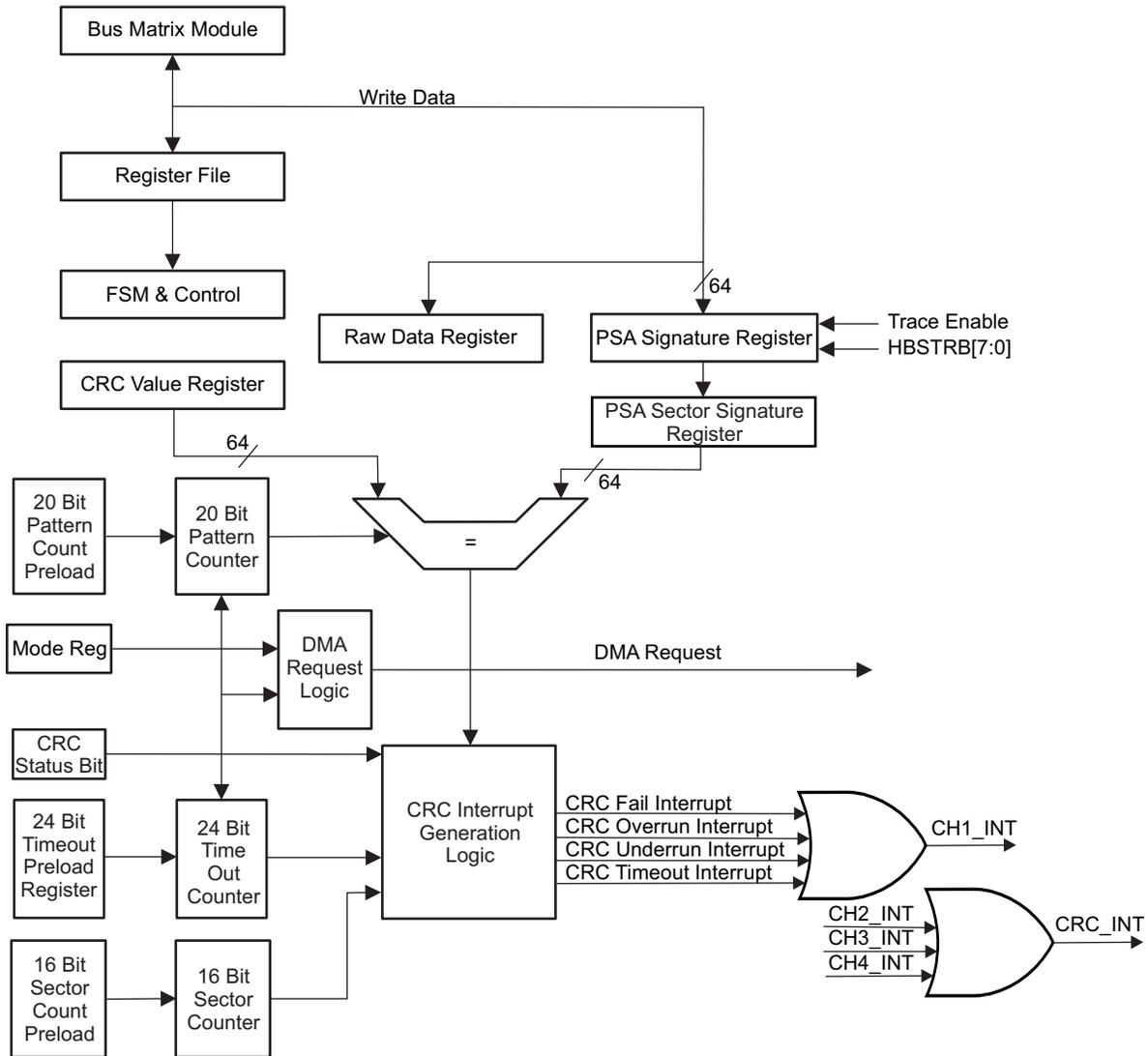
The CRC controller offers:

- Two channels to perform background signature verification on any memory sub-system.
- Data compression on 8, 16, 32, and 64 bit data size.
- Maximum-length PSA (Parallel Signature Analysis) register constructed based on 64 bit primitive polynomial.
- Each channel has a CRC Value Register which contains the pre-determined CRC value.
- Use timed base event trigger from timer to initiate DMA data transfer.
- Programmable 20-bit pattern counter per channel to count the number of data patterns for compression.
- Three modes of operation. Auto, Semi-CPU and Full-CPU.
- For each channel, CRC can be performed either by CRC Controller or by CPU.
- Automatically perform signature verification without CPU intervention in AUTO mode.
- Generate interrupt to CPU in Semi-CPU mode to allow CPU to perform signature verification itself.
- Generate CRC fail interrupt in AUTO mode if signature verification fails.
- Generate Timeout interrupt if CRC is not performed within the time limit.
- Generate DMA request per channel to initiate CRC value transfer.

### 18.1.2 Block Diagram

[Figure 18-1](#) shows a block diagram of the CRC controller.

Figure 18-1. CRC Controller Block Diagram For One Channel



## 18.2 Module Operation

### 18.2.1 General Operation

There are two channels in CRC controller and for each channel there is a memory mapped PSA (Parallel Signature Analysis) Signature Register and a memory mapped CRC (Cyclic Redundancy Check) Value register. A memory can be organized into multiple sectors with each sector consisting of multiple data patterns. A data pattern can be 8-, 16-, 32-, or 64-bit data. CRC module performs the signature calculation and compares the signature to a pre-determined value. The PSA Signature Register compresses an incoming data pattern into a signature when it is written. When one sector of data patterns are written into PSA Signature Register, a final signature corresponding to the sector is obtained. CRC Value Register stores the pre-determined signature corresponding to one sector of data patterns. The calculated signature and the pre-determined signature are then compared to each other for signature verification. To minimize CPU's involvement, data patterns transfer can be carried out at the background of CPU using DMA controller. DMA is setup to transfer data from memory from which the contents to be verified to the memory mapped PSA Signature Register. When DMA transfers data to the memory mapped PSA Signature Register, a signature is generated. A programmable 20-bit data pattern counter is used for each channel to define the number of data patterns to calculate for each sector. Signature verification can be performed automatically by CRC controller in AUTO mode or by CPU itself in Semi-CPU or Full-CPU mode. In AUTO mode, a self sustained CRC signature calculation can be achieved without any CPU intervention.

### 18.2.2 CRC Modes of Operation

CRC Controller can operate in AUTO, Semi-CPU, and Full-CPU modes.

#### 18.2.2.1 AUTO Mode

In AUTO mode, CRC Controller in conjunction with DMA controller can perform CRC totally without CPU intervention. A sustained transfer of data to both the PSA Signature Register and CRC Value Register are performed in the background of CPU. When a mismatch is detected, an interrupt is generated to CPU. A 16 bit current sector ID register is provided to identify which sector causes a CRC failure.

#### 18.2.2.2 Semi-CPU Mode

In Semi-CPU mode, DMA controller is also utilized to perform data patterns transfer to PSA Signature Register. Instead of performing signature verification automatically, the CRC controller generates an compression complete interrupt to CPU after each sector is compressed. Upon responding to the interrupt the CPU performs the signature verification by reading the calculated signature stored at the PSA Sector Signature Register and compare it to a pre-determined CRC value.

#### 18.2.2.3 Full CPU Mode

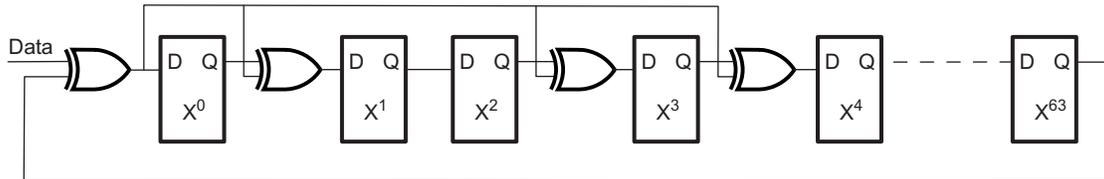
In Full-CPU mode, the CPU does the data patterns transfer and signature verification all by itself. When CPU has enough throughput, it can perform data patterns transfer by reading data from the memory system to the PSA Signature Register. After certain number of data patterns are compressed, the CPU can read from the PSA Signature Register and compare the calculated signature to the pre-determined CRC signature value. In Full-CPU mode, neither interrupt nor DMA request is generated. All counters are also disabled.

### 18.2.3 PSA Signature Register

The 64-bit PSA Signature Register is based on the primitive polynomial (as in the following equation) to produce the maximum length LFSR (Linear Feedback Shift Register), as shown in Figure 18-2.

$$f(x) = x^{64} + x^4 + x^3 + x + 1 \quad (27)$$

Figure 18-2. Linear Feedback Shift Register (LFSR)



The serial implementation of LFSF has a limitation that, it requires 'n' clock cycles to calculate the CRC values for an 'n' bit data stream. The idea is to produce the same CRC value operating on a multi-bit data stream, as would occur if the CRC were computed one bit at a time over the whole data stream. The algorithm involves looping to simulate the shifting, and concatenating strings to build the equations after 'n' shift.

The parallel CRC calculation based on the polynomial can be illustrated in the following HDL code:

```

for i in 63 to 0 loop
  NEXT_CRC_VAL(0) := CRC_VAL(63) xor DATA(i);
  for j in 1 to 63 loop
    case j is
      when 1|3|4 =>
        NEXT_CRC_VAL(j) :=
          CRC_VAL(j - 1) xor CRC_VAL(63) xor DATA(i);
      when others =>
        NEXT_CRC_VAL(j) := CRC_VAL(j - 1);
    end case;
  end loop;
  CRC_VAL := NEXT_CRC_VAL;
end loop;

```

- 
- NOTE:**
- 1) The inner loop is to calculate the next value of each shift register bit after one cycle
  - 2) The outer loop is to simulate 64 cycles of shifting. The equation for each shift register bit is thus built before it is compressed into the shift register.
  - 3) MSB of the DATA is shifted in first
- 

There is one PSA Signature Register per CRC channel. PSA Signature Register can be both read and written. When it is written, it can either compress the data or just capture the data depending on the state of CHx\_MODE bits. If CHx\_MODE=Data Capture, a seed value can be planted in the PSA Signature Register without compression. Other modes other than Data Capture will result with the data compressed by PSA Signature Register when it is written. Each channel can be planted with different seed value before compression starts. When PSA Signature Register is read, it gives the calculated signature.

CRC Controller should be used in conjunction with the on chip DMA controller to produce optimal system performance. The incoming data pattern to PSA Signature Register is typically initiated by the DMA master. When DMA is properly setup, it would read data from the pre-determined memory system and write them to the memory mapped PSA Signature Register. Each time PSA Signature Register is written a signature is generated. CPU itself can also perform data transfer by reading from the memory system and perform write operation to PSA Signature Register if CPU has enough throughput to handle data patterns transfer.

After system reset and when AUTO mode is enabled, CRC Controller automatically generates a DMA request to request the pre-determined CRC value corresponding to the first sector of memory to be checked.

In AUTO mode, when one sector of data patterns is compressed, the signature stored at the PSA Signature Register is first copied to the PSA Sector Signature Register and PSA Signature Register is then cleared out to all zeros. An automatic signature verification is then performed by comparing the signature stored at the PSA Sector Signature Register to the CRC Value Register. After the comparison the CRC Controller can generate a DMA request. Upon receiving the DMA request the DMA controller will update the CRC Value Register by transferring the next pre-determined signature value associated with the next sector of memory system. If the signature verification fails then CRC Controller can generate a CRC fail interrupt.

In Full-CPU mode, no DMA request and interrupt are generated at all. The number of data patterns to be compressed is determined by CPU itself. Full-CPU mode is useful when DMA controller is not available to perform background data patterns transfer. The OS can periodically generate a software interrupt to CPU and use CPU to accomplish data transfer and signature verification.

CRC Controller supports doubleword, word, half word and byte access to the PSA Signature Register. During a non-doubleword write access, all unwritten byte lanes are padded with zero's before compression. Note that comparison between PSA Sector Signature Register and CRC Value Register is always in 64 bit because a compressed value is always expressed in 64 bit.

There is a software reset per channel for PSA Signature Register. When set, the PSA Signature Register is reset to all zeros.

PSA Signature Register is reset to zero under the following conditions:

- System reset
- PSA Software reset
- One sector of data patterns are compressed

#### **18.2.4 PSA Sector Signature Register**

After one sector of data is compressed, the final resulting signature calculated by PSA Signature Register is transferred to the PSA Sector Signature Register. PSA Signature Register is a read only register. During Semi-CPU mode, the host CPU should read from the PSA Sector Signature Register instead of reading from PSA Signature Register for signature verification to avoid data coherency issue. The PSA Signature Register can be updated with new signature before the host CPU is able to retrieve it.

In Semi-CPU mode, no DMA request is generated. When one sector of data patterns is compressed, CRC controller first generates a compression complete interrupt. Responding to the interrupt, CPU will in the ISR read the PSA Sector Signature Register and compare it to the known good signature or write the signature value to another memory location to build a signature file. In Semi-CPU mode, CPU must perform the signature verification in a manner to prevent any overrun condition. The overrun condition occurs when the compression complete interrupt is generated after one sector of data patterns is compressed and CPU has not read from the PSA Sector Signature Register to perform necessary signature verification before PSA Sector Signature Register is overridden with a new value. An overrun interrupt can be enable to generate when overrun condition occurs. During Semi-CPU mode, the host CPU should read from the PSA Sector Signature Register instead of reading from PSA Signature Register for signature verification to avoid data coherency issue. The PSA Signature Register can be updated with new signature before the host CPU is able to retrieve it.

### 18.2.5 CRC Value Register

Associated with each channel there is a CRC Value Register. The CRC Value Register stores the pre-determined CRC value. After one sector of data patterns is compressed by PSA Signature Register, CRC Controller can automatically compare the resulting signature stored at the PSA Sector Signature Register with the pre-determined value stored at the CRC Value Register if AUTO mode is enabled. If the signature verification fails, CRC Controller can be enabled to generate a CRC fail interrupt. When the channel is set up for Semi-CPU mode, CRC controller first generates a compression complete interrupt to CPU. Upon servicing the interrupt, CPU will then read the PSA Sector Signature Register and then read the corresponding CRC value stored at another location and compare them. CPU should not read from the CRC Value Register during Semi-CPU or Full-CPU mode because the CRC Value Register is not updated during these two modes.

In AUTO mode, for first sector's signature, DMA request is generated when mode is programmed to AUTO. For subsequent sectors, DMA request is generated after each sector is compressed. Responding to the DMA request, DMA controller reloads the CRC Value Register for the next sector of memory system to be checked.

When CRC Value Register is updated with a new CRC value, an internal flag is set to indicate that CRC Value Register contains the most current value. This flag is cleared when CRC comparison is performed. Each time at the end of the final data pattern compression of a sector, CRC Controller first checks to see if the corresponding CRC Value Register has the most current CRC value stored in it by polling the flag. If the flag is set then the CRC comparison can be performed. If the flag is not set then it means the CRC Value Register contains stale information. A CRC underrun interrupt is generated. When an underrun condition is detected, signature verification is not performed.

CRC Controller supports doubleword, word, half word and byte access to the CRC Value Register. As noted before comparison between PSA Sector Signature Register and CRC Value Register during AUTO mode is carried out in 64 bit.

### 18.2.6 Raw Data Register

The raw or un-compressed data written to the PSA Signature Register is also saved in the Raw Data Register. This register is read only.

### 18.2.7 Example DMA Controller Setup

DMA controller needs to be setup properly in either either AUTO or Semi-CPU mode as DMA controller is used to transfer data patterns. Hardware or a combination of hardware and software DMA triggering are supported.

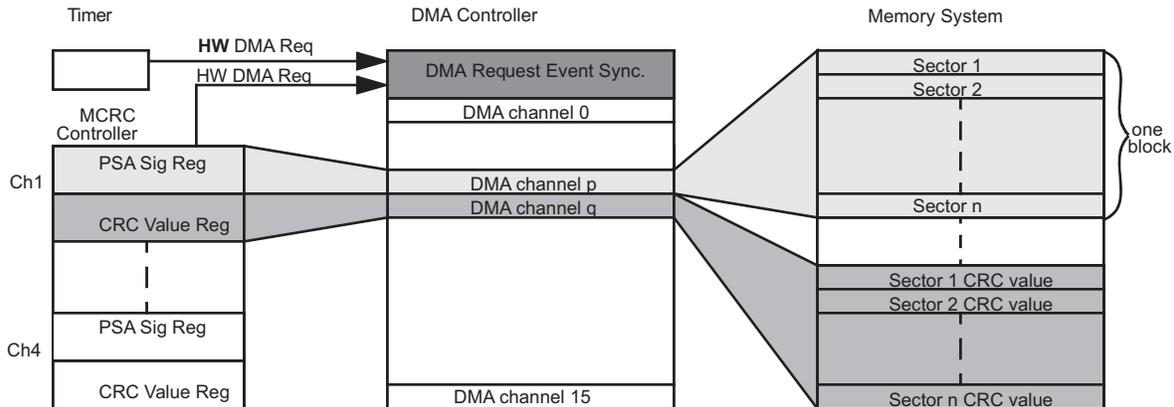
#### 18.2.7.1 AUTO Mode Using Hardware Timer Trigger

There are two DMA channels associated with each CRC channel when in AUTO mode. One DMA channel is setup to transfer data patterns from the source memory to the PSA Signature Register. The second DMA channel is setup to transfer the pre-determined signature to the CRC Value Register. The trigger source for the first DMA channel can be either by hardware or by software. As illustrated in [Figure 18-3](#) a timer can be used to trigger a DMA request to initiate transfer from the source memory system to PSA Signature Register. In AUTO mode, CRC Controller also generates DMA request after one sector of data patterns is compressed to initiate transfer of the next CRC value corresponding to the next sector of memory. Thus a new CRC value is always updated in the CRC Value Register by DMA synchronized to each sector of memory.

A block of memory system is usually divided into many sectors. All sectors are the same size. The sector size is programmed in the CRC\_PCOUNT\_REGx and the number of sectors in one block is programmed in the CRC\_SCOUNT\_REGx of the respective channel. CRC\_PCOUNT\_REGx multiplies CRC\_SCOUNT\_REGx and multiplies transfer size of each data pattern should give the total block size in number of bytes.

The total size of the memory system to be examined is also programmed in the respective transfer count register inside DMA module. The DMA transfer count register is divided into two parts. They are element count and frame count. Note that an HW DMA request can be programmed to trigger either one frame or one entire block transfer. In Figure 18-3, an HW DMA request from a timer is used as a trigger source to initiate DMA transfer. If all four CRC channels are active in AUTO mode then a total of four DMA requests would be generated by CRC Controller.

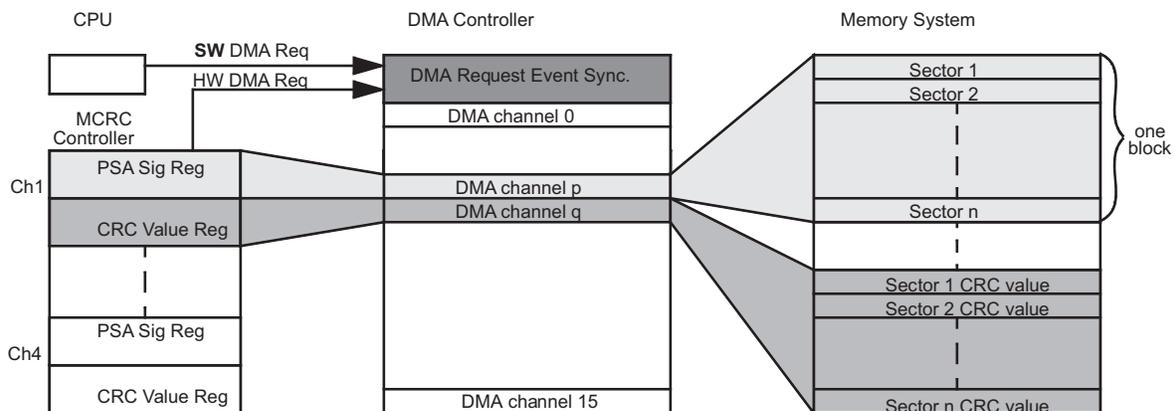
**Figure 18-3. AUTO Mode Using Hardware Timer Trigger**



**18.2.7.2 AUTO Mode Using Software Trigger**

The data patterns transfer can also be initiated by software. CPU can generate a software DMA request to activate the DMA channel to transfer data patterns from source memory system to the PSA Signature Register. To generate a software DMA request CPU needs to set the corresponding DMA channel in the DMA software trigger register. Note that just one software DMA request from CPU is enough to complete the entire data patterns transfer for all sectors. See Figure 18-4 for an illustration.

**Figure 18-4. AUTO Mode With Software CPU Trigger**



### 18.2.7.3 Semi-CPU Mode Using Hardware Timer Trigger

During semi-CPU mode, no DMA request is generated by CRC controller. Therefore, no DMA channel is allocated to update CRC Value Register. CPU should not read from CRC Value Register in semi-CPU mode as it contains stale value. Note that no signature verification is performed at all during this mode. Similar to AUTO mode, either by hardware or by software DMA request can be used as a trigger for data patterns transfer. Figure 18-5 illustrates the DMA setup using semi-CPU mode with hardware timer trigger.

Figure 18-5. Semi-CPU Mode With Hardware Timer Trigger

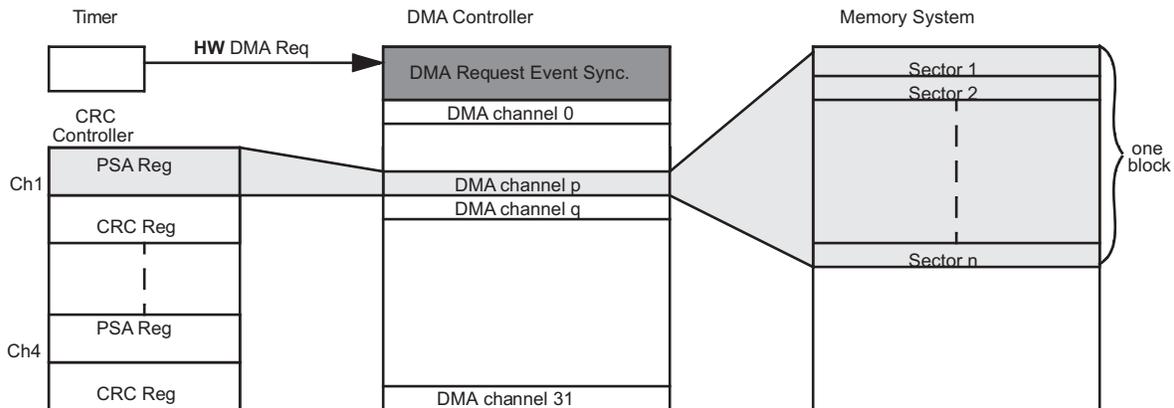


Table 18-1. CRC Modes in Which DMA Request and Counter Logic are Active or Inactive

Mode	DMA Request	Pattern Counter	Sector Counter	Timeout Counter
AUTO	Active	Active	Active	Active
Semi-CPU	Inactive	Active	Active	Active
Full-CPU	Inactive	Inactive	Inactive	Inactive

### 18.2.8 Pattern Count Register

There is a 20-bit data pattern counter for every CRC channel. The data pattern counter is a down counter and can be pre-loaded with a programmable value stored in the Pattern Count Register. When the data pattern counter reaches zero, a compression complete interrupt is generated in Semi-CPU mode and an automatic signature verification is performed in AUTO mode. In AUTO only, DMA request is generated to trigger the DMA controller to update the CRC Value Register.

**NOTE:** The data pattern count should be divisible by the total transfer count as programmed in DMA controller. The total transfer count is the product of element count and frame count.

### 18.2.9 Sector Count Register/Current Sector Register

Each channel contains a 16 bit sector counter. The sector count register stores the number of sectors. Sector counter is a free running counter and is incremented by one each time when one sector of data patterns is compressed. When the signature verification fails, the current value stored in the sector counter is saved into current sector register. If signature verification fails, CPU can read from the current sector register to identify the sector which causes the CRC mismatch. To aid and facilitate the CPU in determining the cause of a CRC failure, it is advisable to use the following equation during CRC and DMA setup:

$$CRC\ Pattern\ Count \times CRC\ Sector\ Count = DMA\ Element\ Count \times DMA\ Frame\ Count$$

The current sector register is frozen from being updated until both the current sector register is read and CRC fail status bit is cleared by CPU. If CPU does not respond to the CRC failure in a timely manner before another sector produces a signature verification failure, the current sector register is not updated with the new sector number. An overrun interrupt is generate instead. If current sector register is already frozen with an erroneous sector and emulation is entered with SUSPEND signal goes to high then the register still remains frozen even it is read.

In Semi-CPU mode, the current sector register is used to indicate the sector for which the compression complete has last happened.

The current sector register is reset when the PSA software reset is enabled.

---

**NOTE:** Both data pattern count and sector count registers must be greater than or equal to one for the counters to count. After reset, pattern count and sector count registers default to zero and the associated counters are inactive.

---

### 18.2.10 Interrupt

The CRC controller generates several types of interrupts per channel. Associated with each interrupt, there is an interrupt enable bit. No interrupt is generated in Full-CPU mode.

- Compression complete interrupt
- CRC fail interrupt
- Overrun interrupt
- Underrun interrupt
- Timeout interrupt

**Table 18-2. Modes in Which Interrupt Condition Can Occur**

	<b>AUTO</b>	<b>Semi-CPU</b>	<b>Full-CPU</b>
Compression Complete	no	yes	no
CRC Fail	yes	no	no
Overrun	yes	yes	no
Underrun	yes	no	no
Timeout	yes	yes	no

#### 18.2.10.1 Compression Complete Interrupt

Compression complete interrupt is generated in Semi-CPU mode only. When the data pattern counter reaches zero, the compression complete flag is set and the interrupt is generated.

#### 18.2.10.2 CRC Fail Interrupt

CRC fail interrupt is generated in AUTO mode only. When the signature verification fails, the CRC fail flag is set,. CPU should take action to address the fail condition and clear the CRC fail flag after it resolves the CRC mismatch.

#### 18.2.10.3 Overrun Interrupt

Overrun interrupt is generate in either either AUTO or Semi-CPU mode. During AUTO mode, if a CRC fail is detected then the current sector number is recorded in the current sector register. If CRC fail status bit is not cleared and current sector register is not read by the host CPU before another CRC fail is detected for another sector then an overrun interrupt is generated. During Semi-CPU mode, when the data pattern counter finishes counting, it generates a compression complete interrupt. At the same time the signature is copied into the PSA Sector Signature Register. If the host CPU does not read the signature from PSA Sector Signature Register before it is updated again with a new signature value then an overrun interrupt is generated.

### 18.2.10.4 Underrun Interrupt

Underrun interrupt only occurs in AUTO mode. The interrupt is generated when the CRC Value Register is not updated with the corresponding signature when the data pattern counter finishes counting. During AUTO mode, CRC Controller generates DMA request to update CRC Value Register in synchronization to the corresponding sector of the memory. Signature verification is also performed if underrun condition is detected. And CRC fail interrupt is generated at the same time as the underrun interrupt.

### 18.2.10.5 Timeout Interrupt

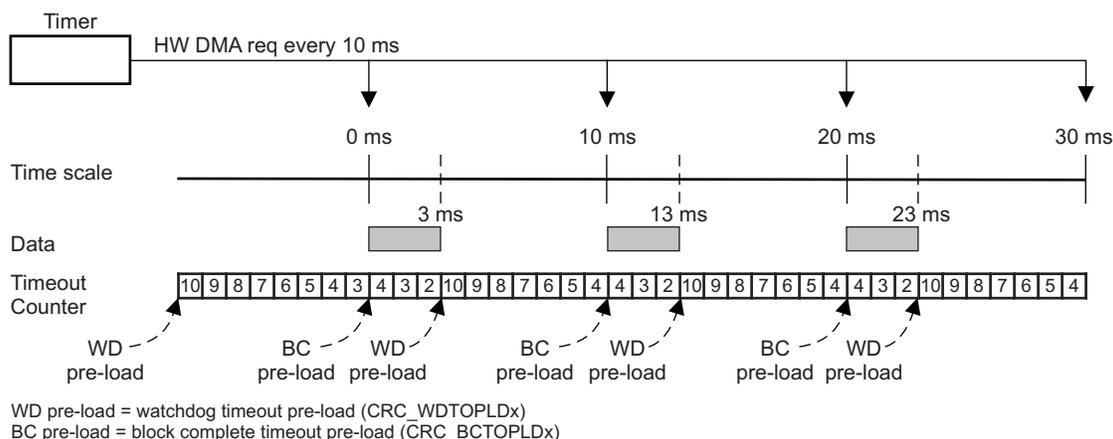
To ensure that the memory system is examined within a pre-defined time frame and no loss of incoming data there is a 24 bit timeout counter per CRC channel. The 24 bit timeout down counter can be pre-loaded with two different pre-load values, watchdog timeout pre-load value (CRC\_WDTPLDx) and block complete timeout pre-load value (CRC\_BCTOPLDx). The timeout counter is clocked by a prescaler clock which is permanently running at division 64 of HCLK clock.

First pattern of data must be transferred by the DMA before the timeout counter expires, Watchdog timeout pre-load register (CRC\_WDTPLDx) is used as timeout counter. Block complete timeout pre-load register (CRC\_BCTOPLDx) is used to check if one complete block of data patterns are compressed within a specific time frame. The timeout counter is first pre-loaded with CRC\_WDTPLDx after either AUTO or Semi-CPU mode is selected and starts to down count. If the timeout counter expires before DMA transfers any data pattern to PSA Signature Register then a timeout interrupt is generated. An incoming data pattern before the timeout counter expires will automatically pre-load the timeout counter with CRC\_BCTOPLDx the block complete timeout pre-load value.

Block complete timeout pre-load value is used to check if one block of data patterns are compressed within a given time limit. If the timeout counter pre-loaded with CRC\_BCTOPLDx value expires before one block of data patterns are compressed a timeout interrupt is generated. When one block (pattern count x sector count) of data patterns are compressed before the counter has expired, the counter is pre-loaded with CRC\_WDTPLDx value again. If the timeout counter is pre-loaded with zero then the counter is disabled and no timeout interrupt is generated.

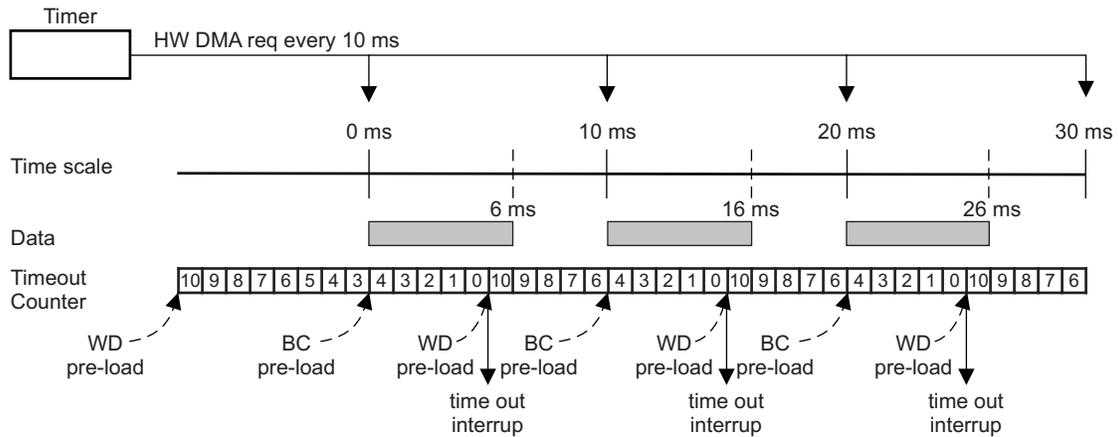
In Figure 18-6, a timer generates DMA request every 10ms to trigger one block (pattern count x sector count) transfer. Since we want to make sure that DMA does start to transfer a block every 10 ms we would set the first pre-load value to 10ms in CRC\_WDTPLDx. We also want to make sure that one block of data patterns are compressed within 4ms. With such a requirement, we would set the second pre-load value to 4ms in CRC\_BCTOPLDx register.

Figure 18-6. Timeout Example 1



Note: No timeout interrupt is generated in this example since each block of data patterns are compressed in 3 ms and DMA does initiate a block transfer every 10 ms.

Figure 18-7. Timeout Example 2

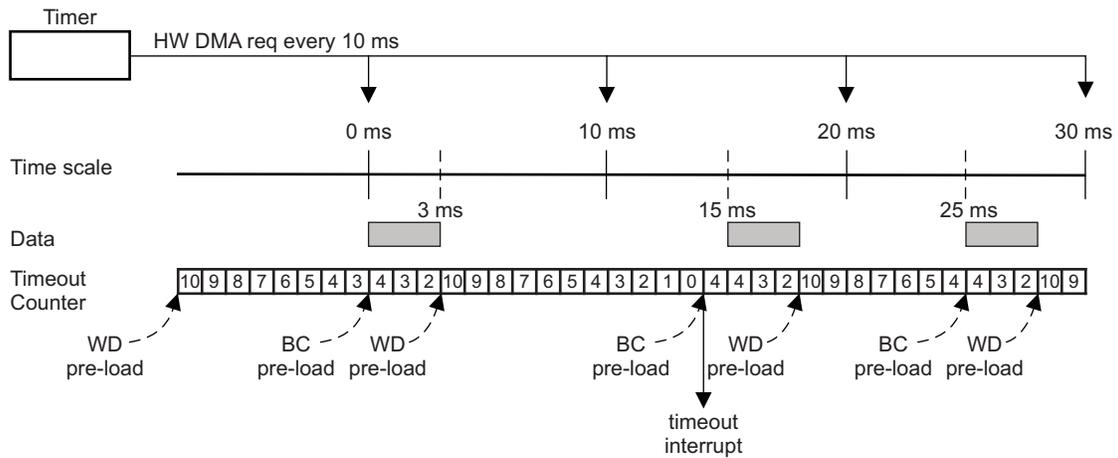


WD pre-load = watchdog timeout pre-load (CRC\_WDTPLDx)

BC pre-load = block complete timeout pre-load (CRC\_BCTOPLDx)

Note: Timeout interrupt is generated in this example since each block of data patterns are compressed in 6 ms and this is out of the 4ms time frame.

Figure 18-8. Timeout Example 3



WD pre-load = watchdog timeout pre-load (CRC\_WDTPLDx)

BC pre-load = block complete timeout pre-load (CRC\_BCTOPLDx)

Note: Timeout interrupt is generated in this example since DMA can not transfer the second block of data within 10ms time limit and the reason may be that DMA is set up in fixed priority scheme and DMA is serving other higher priority channels at the time before it can service the timer request.

### 18.2.10.6 Interrupt Offset Register

CRC Controller only generates one interrupt request to interrupt manager. A interrupt offset register is provided to indicate the source of the pending interrupt with highest priority. [Table 18-3](#) shows the offset interrupt vector address of each interrupt condition in an ascending order of priority.

**Table 18-3. Interrupt Offset Mapping**

Offset Value	Interrupt Condition
0	Phantom
1h	Ch1 CRC Fail
2h	Ch2 CRC Fail
3h-8h	Reserved
9h	Ch1 Compression Complete
Ah	Ch2 Compression Complete
Bh-10h	Reserved
11h	Ch1 Overrun
12h	Ch2 Overrun
13h-18h	Reserved
19h	Ch1 Underrun
1Ah	Ch2 Underrun
1Bh-20h	Reserved
21h	Ch1 Timeout
22h	Ch2 Timeout
23h-24h	Reserved

### 18.2.10.7 Error Handling

When an interrupt is generated, host CPU should take appropriate actions to identify the source of error and restart the respective channel in DMA and CRC module. To restart a CRC channel, the user should perform the following steps in the ISR:

1. Write to software reset bit in CRC\_CTRL register to reset the respective PSA Signature Register.
2. Reset the CHx\_MODE bits to 00 in CRC\_CTRL register as Data capture mode.
3. Set the CHx\_MODE bits in CRC\_CTRL register to desired new mode again.
4. Release software reset.

The host CPU should use byte write to restart each individual channel.

### 18.2.11 Power Down Mode

CRC module can be put into power down mode when the power down control bit PWDN is set. The module wakes up when the PWDN bit is cleared.

### 18.2.12 Emulation

A read access from a register in functional mode can sometimes trigger a certain internal event to follow. For example, reading an interrupt offset register triggers an event to clear the corresponding interrupt status flag. During emulation when SUSPEND signal is high, a read access from any register should only return the register contents to the bus and should not trigger or mask any event as it would have in functional mode. This is to prevent debugger from reading the interrupt offset register during refreshing screen and cause the corresponding interrupt status flag to get cleared. Timeout counters are stopped to generate timeout interrupts in emulation mode. No Peripheral Master bus error should be generated if reading from the unimplemented locations.

### 18.2.13 Peripheral Bus Interface

CRC is a Peripheral slave module. The register interface is similar to other peripheral modules. CRC supports following features:

- Different sizes of burst operation.
- Aligned and unaligned accesses.
- Abort is generated for any illegal address accesses.

## 18.3 Example

This section illustrates several of the ways in which the CRC Controller can be utilized to perform CRC.

### 18.3.1 Example: Auto Mode Using Time Based Event Triggering

A large memory area with 2Mbyte (256k doubleword) is to be checked in the background of CPU. CRC is to be performed every 1K byte (128 doubleword). Therefore there should be 2048 pre-recorded CRC values. For illustration purpose, we map channel 1 CRC Value Register to DMA channel 1 and channel 1 PSA Signature Register to DMA channel 2. Assume all DMA transfers are carried out in 64-bit transfer size.

#### 18.3.1.1 DMA Setup

- Set up DMA channel 1 with the starting address from which the pre-determined CRC values are stored. Set up the destination address to the memory mapped channel 1 CRC Value Register. Put the source address at post increment addressing mode and put the destination address at constant addressing mode. Use **hardware** DMA request for channel 1 to trigger a **frame** transfer.
- Set up DMA channel 2 with the source address from which the contents of memory to be verified. Set up the destination address to the memory mapped channel 1 PSA Signature Register. Program the element transfer count to 128 and the frame transfer count to 2048. Put the source address at post increment addressing mode and put the destination address at constant address mode. Use **hardware** DMA request for channel 2 to trigger an entire **block** transfer.

#### 18.3.1.2 Timer Setup

The timer can be any general purpose timer which is capable of generating a time-based DMA request.

- Set up timer to generate DMA request associated with DMA channel 2. For example, an OS can set up the timer to generate a DMA request every 10ms.

### 18.3.1.3 CRC Setup

- Program the pattern count to 128.
- Program the sector count to 2048.
- For example, we want the entire 2Mbytes to be compressed within 5ms. We can program the block complete timeout pre-load (CRC\_BCTOPLDx) value to 15625 (5 ms / (1 HCLK period × 64)) if CRC is operating at 200 MHz.
- Enable AUTO mode and all interrupts.

After AUTO mode is selected, CRC Controller automatically generates a DMA request on channel 1. Around the same time the timer module also generates a DMA request on DMA channel 2. When the first incoming data pattern arrives at the PSA Signature Register, the CRC Controller will compress it. After some time, the DMA controller would update the CRC Value Register with a pre-determined value matching the calculated signature for the first sector of 128 64 bit data patterns. After one sector of data patterns are compressed, the CRC Controller generate a CRC fail interrupt if signature stored at the PSA Sector Signature Register does not match the CRC Value Register. CRC Controller generates a DMA request on DMA channel 1 when one sector of data patterns are compressed. This routine will continue until the entire 2Mbyte are consumed. If the timeout counter reached zero before the entire 2Mbytes are compressed a timeout interrupt is generated. After 2MBytes are transferred, the DMA can generate an interrupt to CPU. The entire operation will continue again when DMA responds to the DMA request from both the timer and CRC Controller. The CRC is performed totally without any CPU intervention.

## 18.3.2 Example: Auto Mode Without Using Time Based Triggering

A small but highly secured memory area with 1kbytes is to be checked in the background of CPU. CRC is to be performed every 1Kbytes. Therefore there is only one pre-recorded CRC value. For illustration purpose, we map channel 1 CRC Value Register to DMA channel 1 and channel 1 PSA Signature Register to DMA channel 2. Assume all transfers carried out by DMA are in 64 bit transfer size.

### 18.3.2.1 DMA Setup

- Set up DMA channel 1 with the source address from which the pre-determined CRC value is stored. Set up the destination address to the memory mapped channel 1 CRC Value Register. Put the source address at constant addressing mode and put the destination address at constant addressing mode. Use **hardware** DMA request for channel 1.
- Set up DMA channel 2 with the source address from which the memory area to be verified. Set up the destination address to the memory mapped channel 1 PSA Signature Register. Program the element transfer count to 128 and the frame transfer count to 1. Put the source address at post increment addressing mode and put the destination address at constant address mode. Generate a **software** DMA request on channel 2 after CRC has completed its setup. Enable autoinitiation for DMA channel 2.

### 18.3.2.2 CRC Setup

- Program the pattern count to 128.
- Program the sector count to 1.
- Leaving the timeout count register with the reset value of zero means no timeout interrupt is generated.
- Enable AUTO mode and all interrupts.

After AUTO mode is selected, the CRC Controller automatically generates a DMA request on channel 1. At the same time the CPU generates a **software** DMA request on DMA channel 2. When the first incoming data pattern arrives at the PSA Signature Register, the CRC Controller will compress it. After some time, the DMA controller would update the CRC Value Register with a pre-determined value matching the calculated signature for the first sector of 128 64 bit data patterns. After one sector of data patterns are compressed, the CRC Controller generates a CRC fail interrupt if signature stored at the PSA Sector Signature Register does not match the CRC Value Register. CRC Controller generates a DMA request on DMA channel 1 again after one sector is compressed. After 1kbytes are transferred, the DMA can generate an interrupt to CPU. Responding to the DMA interrupt CPU can restart the CRC routine by generating a software DMA request onto channel 2 again.

### 18.3.3 Example: Semi-CPU Mode

If DMA controller is available in a system, the CRC module can also operate in semi-CPU mode. This means that CPU can still make use of the DMA to perform data patterns transfer to CRC controller in the background. The difference between semi-CPU mode and AUTO mode is that CRC controller does not automatically perform the signature verification. CRC controller generates a compression complete interrupt to CPU when the one sector of data patterns are compressed. CPU needs to perform the signature verification itself.

A memory area with 2Mbyte is to be verified with the help of the CPU. CRC operation is to be performed every 1K byte. Since there are 2Mbyte (256k doublewords) of memory to be check and we want to perform a CRC every 1Kbyte (128 doublewords) and therefore there should be 2048 pre-recorded CRC values. In Semi-CPU mode, the CRC Value Register is not updated and contains indeterminate data.

#### 18.3.3.1 DMA Setup

Set up DMA channel 1 with the source address from which the memory area to be verified are mapped. Set up the destination address to the memory mapped channel 1 PSA Signature Register. Put the starting address at post increment addressing mode and put the destination address at constant address mode. Use hardware DMA request to trigger an entire block transfer for channel 1. Disable autoinitiation for DMA channel 1.

#### 18.3.3.2 Timer Setup

The timer can be any general purpose timer which is capable of generating a time based DMA request.

Set up timer to generate DMA request associated with DMA channel 1. For example, an OS can set up the timer to generate a DMA request every 10ms.

#### 18.3.3.3 CRC Setup

- Program the pattern count to 128.
- Program the sector count to 2048.
- For example, we want the entire 2Mbytes to be compressed within 5ms. We can program the block complete timeout pre-load value to 15625 ( $5 \text{ ms} / (1 \text{ HCLK period} \times 64)$ ) if CRC is operating at 200 MHz.
- Enable Semi-CPU mode and enable all interrupts.

The timer module first generates a DMA request on DMA channel 1 when it is enabled. When the first incoming data pattern arrives at the PSA Signature Register, the CRC controller will compress it. After one sector of data patterns are compressed, the CRC controller generate a compression complete interrupt. Upon responding to the interrupt the CPU would read from the PSA Sector Signature Register. It is up to the CPU on how to deal with the PSA value just read. It can compare it to a known signature value or it can write it to another memory location to build a signature file or even transfer the signature out of the device via SCI or SPI. This routine will continue until the entire 2Mbyte are consumed. The latency of the interrupt response from CPU can cause overrun condition. If CPU does not read from PSA Sector Signature Register before the PSA value is overridden with the signature of the next sector of memory, an overrun interrupt will be generated by CRC controller.

### 18.3.4 Example: Full-CPU Mode

In a system without the availability of DMA controller, the CRC routine can be operated by CPU provided the CPU has enough throughput. CPU needs to read from the memory area from which CRC is to be performed.

A memory area with 2Mbyte is to be checked with the help of the CPU. CRC verification is to be performed every 1K byte. In CPU mode, the CRC Value Register is not updated and contains indeterminate data.

### 18.3.4.1 CRC Setup

- All control registers can be left in their reset state. Only enable Full-CPU mode.

CPU itself reads from the memory and write the data to the PSA Signature Register inside CRC Controller. When the first incoming data pattern arrives at the PSA Signature Register, the CRC Controller will compress it. After **2MBytes** data patterns are compressed, CPU can read from the PSA Signature Register. It is up to the CPU on how to deal with the PSA signature value just read. It can compare it to a known signature value stored at another memory location.

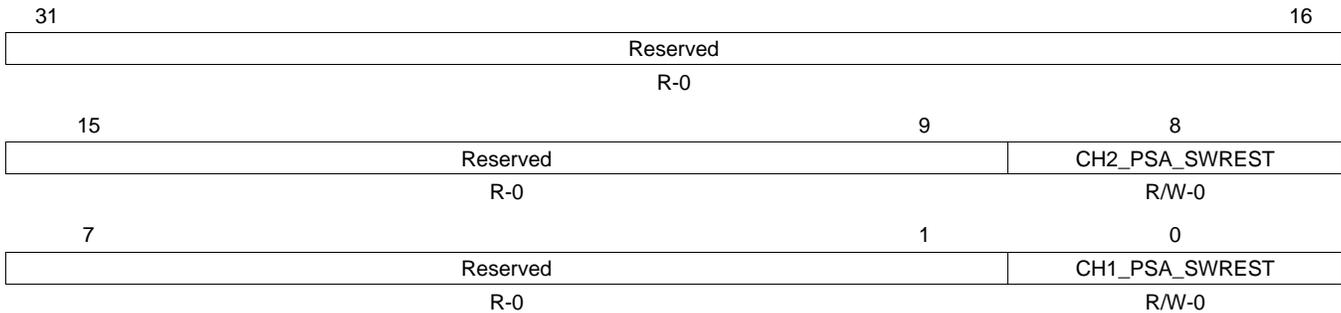
## 18.4 CRC Control Registers

All registers are in word boundary. 64, 32, 16, and 8 bit write accesses are supported to all registers. The base address for the control registers is FE00 0000h for CRC1 and FB00 0000h for CRC2.

**Table 18-4. CRC Control Registers**

Offset	Acronym	Register Description	Section
0h	CRC_CTRL0	CRC Global Control Register	<a href="#">Section 18.4.1</a>
8h	CRC_CTRL1	CRC Global Control Register 1	<a href="#">Section 18.4.2</a>
10h	CRC_CTRL2	CRC Global Control Register 2	<a href="#">Section 18.4.3</a>
18h	CRC_INTS	CRC Interrupt Enable Set Register	<a href="#">Section 18.4.4</a>
20h	CRC_INTR	CRC Interrupt Enable Reset Register	<a href="#">Section 18.4.5</a>
28h	CRC_STATUS	CRC Interrupt Status Register	<a href="#">Section 18.4.6</a>
30h	CRC_INT_OFFSET_REG	CRC Interrupt Offset Register	<a href="#">Section 18.4.7</a>
38h	CRC_BUSY	CRC Busy Register	<a href="#">Section 18.4.8</a>
40h	CRC_PCOUNT_REG1	CRC Channel 1 Pattern Counter Preload Register	<a href="#">Section 18.4.9</a>
44h	CRC_SCOUNT_REG1	CRC Channel 1 Sector Counter Preload Register	<a href="#">Section 18.4.10</a>
48h	CRC_CURSEC_REG1	CRC Channel 1 Current Sector Register	<a href="#">Section 18.4.11</a>
4Ch	CRC_WDTPD1	CRC Channel 1 Watchdog Timeout Preload Register	<a href="#">Section 18.4.12</a>
50h	CRC_BCTOPD1	CRC Channel 1 Block Complete Timeout Preload Register	<a href="#">Section 18.4.13</a>
60h	PSA_SIGREGL1	Channel 1 PSA Signature Low Register	<a href="#">Section 18.4.14</a>
64h	PSA_SIGREGH1	Channel 1 PSA Signature High Register	<a href="#">Section 18.4.15</a>
68h	CRC_REGL1	Channel 1 CRC Value Low Register	<a href="#">Section 18.4.16</a>
6Ch	CRC_REGH1	Channel 1 CRC Value High Register	<a href="#">Section 18.4.17</a>
70h	PSA_SECSIGREGL1	Channel 1 PSA Sector Signature Low Register	<a href="#">Section 18.4.18</a>
74h	PSA_SECSIGREGH1	Channel 1 PSA Sector Signature High Register	<a href="#">Section 18.4.19</a>
78h	RAW_DATAREGL1	Channel 1 Raw Data Low Register	<a href="#">Section 18.4.20</a>
7Ch	RAW_DATAREGH1	Channel 1 Raw Data High Register	<a href="#">Section 18.4.21</a>
80h	CRC_PCOUNT_REG2	CRC Channel 2 Pattern Counter Preload Register	<a href="#">Section 18.4.22</a>
84h	CRC_SCOUNT_REG2	CRC Channel 2 Sector Counter Preload Register	<a href="#">Section 18.4.23</a>
88h	CRC_CURSEC_REG2	CRC Current Sector Register 2	<a href="#">Section 18.4.24</a>
8Ch	CRC_WDTPD2	CRC Channel 2 Watchdog Timeout Preload Register A	<a href="#">Section 18.4.25</a>
90h	CRC_BCTOPD2	CRC Channel 2 Block Complete Timeout Preload Register B	<a href="#">Section 18.4.26</a>
A0h	PSA_SIGREGL2	Channel 2 PSA Signature Low Register	<a href="#">Section 18.4.27</a>
A4h	PSA_SIGREGH2	Channel 2 PSA Signature High Register	<a href="#">Section 18.4.28</a>
A8h	CRC_REGL2	Channel 2 CRC Value Low Register	<a href="#">Section 18.4.29</a>
ACh	CRC_REGH2	Channel 2 CRC Value High Register	<a href="#">Section 18.4.30</a>
B0h	PSA_SECSIGREGL2	Channel 2 PSA Sector Signature Low Register	<a href="#">Section 18.4.31</a>
B4h	PSA_SECSIGREGH2	Channel 2 PSA Sector Signature High Register	<a href="#">Section 18.4.32</a>
B8h	RAW_DATAREGL2	Channel 2 Raw Data Low Register	<a href="#">Section 18.4.33</a>
BCh	RAW_DATAREGH2	Channel 2 Raw Data High Register	<a href="#">Section 18.4.34</a>

### 18.4.1 CRC Global Control Register 0 (CRC\_CTRL0)

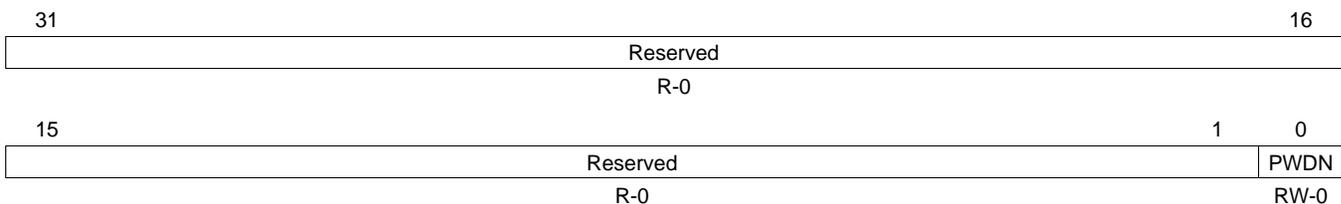
**Figure 18-9. CRC Global Control Register 0 (CRC\_CTRL0) [offset = 00h]**


LEGEND: R/W = Read/Write; R = Read only; -n = value after reset

**Table 18-5. CRC Global Control Register 0 (CRC\_CTRL0) Field Descriptions**

Bit	Field	Value	Description
31-9	Reserved	0	Reads return 0. Writes have no effect.
8	CH2_PSA_SWREST	0 1	<b>Channel 2 PSA Software Reset.</b> When set, the PSA Signature Register is reset to all zero. Software reset does not reset software reset bit itself. Therefore, CPU is required to clear this bit by writing a '0'. 0 PSA Signature Register not reset 1 PSA Signature Register reset
7-1	Reserved	0	Reads return 0. Writes have no effect.
0	CH1_PSA_SWREST	0 1	<b>Channel 1 PSA Software Reset.</b> When set, the PSA Signature Register is reset to all zero. Software reset does not reset software reset bit itself. Therefore, CPU is required to clear this bit by writing a '0'. 0 PSA Signature Register not reset 1 PSA Signature Register reset

### 18.4.2 CRC Global Control Register 1 (CRC\_CTRL1)

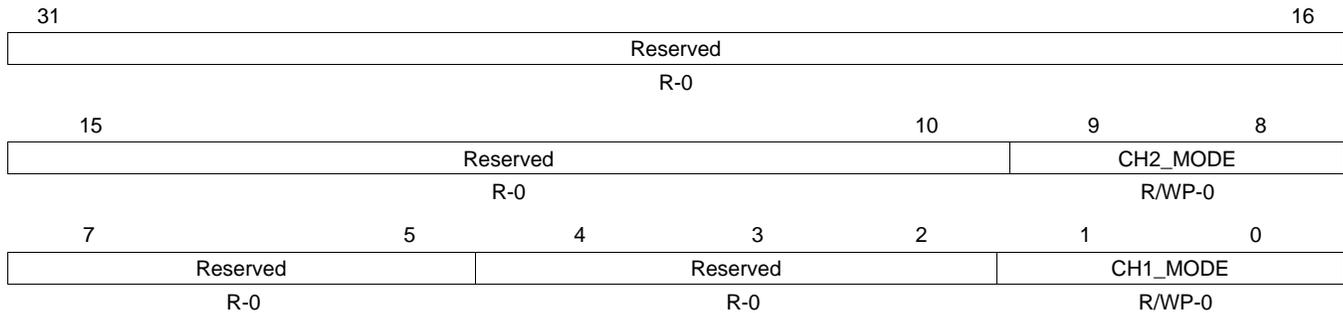
**Figure 18-10. CRC Global Control Register 1 (CRC\_CTRL1) [offset = 08h]**


LEGEND: R/W = Read/Write; R = Read only; -n = value after reset

**Table 18-6. CRC Global Control Register 1 (CRC\_CTRL1) Field Descriptions**

Bit	Field	Value	Description
31-1	Reserved	0	Reads return 0. Writes have no effect.
0	PWDN	0 1	<b>Power Down.</b> When set, CRC module is put in power-down mode 0 CRC is not in power-down mode 1 CRC is in power-down mode

### 18.4.3 CRC Global Control Register 2 (CRC\_CTRL2)

**Figure 18-11. CRC Global Control Register 2 (CRC\_CTRL2) [offset = 10h]**


LEGEND: R/W = Read/Write; R = Read only; WP = Write in privileged mode only; -n = value after reset

**Table 18-7. CRC Global Control Register 2 (CRC\_CTRL2) Field Descriptions**

Bit	Field	Value	Description	
31-10	Reserved	0	Reads return 0. Writes have no effect.	
9-8	CH2_MODE	0	<b>Channel 2 Mode Selection</b> Data Capture mode. In this mode, the PSA Signature Register does not compress data when it is written. Any data written to PSA Signature Register is simply captured by PSA Signature Register without any compression. This mode can be used to plant seed value into the PSA register.	
		1h		AUTO Mode
		2h		Semi-CPU Mode
		3h		Full-CPU Mode
7-2	Reserved	0	Reads return 0. Writes have no effect.	
1-0	CH1_MODE	0	<b>Channel 1 Mode Selection</b> Data Capture mode. In this mode, the PSA Signature Register does not compress data when it is written. Any data written to PSA Signature Register is simply captured by PSA Signature Register without any compression. This mode can be used to plant seed value into the PSA register.	
		1h		AUTO Mode
		2h		Semi-CPU Mode
		3h		Full-CPU Mode

**18.4.4 CRC Interrupt Enable Set Register (CRC\_INTS)**
**Figure 18-12. CRC Interrupt Enable Set Register (CRC\_INTS) [offset = 18h]**

	Reserved	
	R-0	
15	13	12
Reserved	CH2_ TIMEOUTENS	CH2_ UNDERENS
R-0	R/WP-0	R/WP-0
10	9	8
CH2_ OVERENS	CH2_ CRCFAILENS	CH2_ CCITENS
R/WP-0	R/WP-0	R/WP-0
7	5	4
Reserved	CH1_ TIMEOUTENS	CH1_ UNDERENS
R-0	R/WP-0	R/WP-0
3	2	1
CH1_ OVERENS	CH1_ CRCFAILENS	CH1_ CCITENS
R/WP-0	R/WP-0	R/WP-0
0		

LEGEND: R/W = Read/Write; R = Read only; WP = Write in privileged mode only; -n = value after reset

**Table 18-8. CRC Interrupt Enable Set Register (CRC\_INTS) Field Descriptions**

Bit	Field	Value	Description
31-13	Reserved	0	Reads return 0. Writes have no effect.
12	CH2_TIMEOUTENS		<b>Channel 2 Timeout Interrupt Enable Bit.</b>
			User and Privileged mode (read):
		0	Timeout Interrupt is disabled
		1	Timeout Interrupt is enabled
11	CH2_UNDERENS		Privileged mode (write):
		0	No effect
		1	Timeout Interrupt enable
			<b>Channel 2 Underrun Interrupt Enable Bit.</b>
10	CH2_OVERENS		User and Privileged mode (read):
		0	Underrun Interrupt is disabled
		1	Underrun Interrupt is enabled
			Privileged mode (write):
9	CH2_CRCFAILENS	0	No effect
		1	Underrun Interrupt enable
			<b>Channel 2 Overrun Interrupt Enable Bit.</b>
			User and Privileged mode (read):
8	CH1_TIMEOUTENS	0	Overrun Interrupt is disabled
		1	Overrun Interrupt is enabled
			Privileged mode (write):
		0	No effect
7	CH1_UNDERENS	1	Overrun Interrupt enable
			<b>Channel 2 CRC Compare Fail Interrupt Enable Bit.</b>
			User and Privileged mode (read):
		0	CRC Fail Interrupt is disabled
6	CH1_OVERENS	1	CRC Fail Interrupt is enabled
			Privileged mode (write):
		0	No effect
		1	CRC Fail Interrupt enable

**Table 18-8. CRC Interrupt Enable Set Register (CRC\_INTS) Field Descriptions (continued)**

Bit	Field	Value	Description
8	CH2_CCITENS		<b>Channel 2 Compression Complete Interrupt Enable Bit.</b>
		0	User and Privileged mode (read): Compression Complete Interrupt is disabled
		1	Compression Complete Interrupt is enabled
			Privileged mode (write):
		0	No effect
		1	Compression Complete Interrupt enable
7-5	Reserved	0	Reads return 0. Writes have no effect.
4	CH1_TIMEOUTENS		<b>Channel 1 Timeout Interrupt Enable Bit.</b>
		0	User and Privileged mode (read): Timeout Interrupt is disabled
		1	Timeout Interrupt is enabled
			Privileged mode (write):
		0	No effect
		1	Timeout Interrupt enable
3	CH1_UNDERENS		<b>Channel 1 Underrun Interrupt Enable Bit.</b>
		0	User and Privileged mode (read): Underrun Interrupt is disabled
		1	Underrun Interrupt is enabled
			Privileged mode (write):
		0	No effect
		1	Underrun Interrupt enable
2	CH1_OVERENS		<b>Channel 1 Overrun Interrupt Enable Bit.</b>
		0	User and Privileged mode (read): Overrun Interrupt is disabled
		1	Overrun Interrupt is enabled
			Privileged mode (write):
		0	No effect
		1	Overrun Interrupt enable
1	CH1_CRCFAILENS		<b>Channel 1 CRC Compare Fail Interrupt Enable Bit.</b>
		0	User and Privileged mode (read): CRC Fail Interrupt is disabled
		1	CRC Fail Interrupt is enabled
			Privileged mode (write):
		0	No effect
		1	CRC Fail Interrupt enable
0	CH1_CCITENS		<b>Channel 1 Compression Complete Interrupt Enable Bit.</b>
		0	User and Privileged mode (read): Compression Complete Interrupt is disabled
		1	Compression Complete Interrupt is enabled
			Privileged mode (write):
		0	No effect
		1	Compression Complete Interrupt enable

**18.4.5 CRC Interrupt Enable Reset Register (CRC\_INTR)**
**Figure 18-13. CRC Interrupt Enable Reset Register (CRC\_INTR) [offset = 20h]**

31	Reserved						16	
	R-0							
	15	13	12	11	10	9	8	
	Reserved		CH2_ TIMEOUTENR	CH2_ UNDERENR	CH2_ OVERENR	CH2_ CRCFAILENR	CH2_ CCITENR	
	R-0		R/WP-0	R/WP-0	R/WP-0	R/WP-0	R/WP-0	
	7	5	4	3	2	1	0	
	Reserved		CH1_ TIMEOUTENR	CH1_ UNDERENR	CH1_ OVERENR	CH1_ CRCFAILENR	CH1_ CCITENR	
	R-0		R/WP-0	R/WP-0	R/WP-0	R/WP-0	R/WP-0	

LEGEND: R/W = Read/Write; R = Read only; WP = Write in privileged mode only; -n = value after reset

**Table 18-9. CRC Interrupt Enable Reset Register (CRC\_INTR) Field Descriptions**

Bit	Field	Value	Description
31-13	Reserved	0	Reads return 0. Writes have no effect.
12	CH2_TIMEOUTENR		<b>Channel 2 Timeout Interrupt Enable Reset Bit.</b> User and Privileged mode (read):
		0	Timeout Interrupt is disabled
		1	Timeout Interrupt is enabled
			Privileged mode (write):
		0	No effect
		1	Timeout Interrupt disable
11	CH2_UNDERENR		<b>Channel 2 Underrun Interrupt Enable Reset Bit.</b> User and Privileged mode (read):
		0	Underrun Interrupt is disabled
		1	Underrun Interrupt is enabled
			Privileged mode (write):
		0	No effect
		1	Underrun Interrupt disable
10	CH2_OVERENR		<b>Channel 2 Overrun Interrupt Enable Reset Bit.</b> User and Privileged mode (read):
		0	Overrun Interrupt is disabled
		1	Overrun Interrupt is enabled
			Privileged mode (write):
		0	No effect
		1	Overrun Interrupt disable
9	CH2_CRCFAILENR		<b>Channel 2 CRC Compare Fail Interrupt Enable Reset Bit.</b> User and Privileged mode (read):
		0	CRC Fail Interrupt disable
		1	CRC Fail Interrupt is enabled
			Privileged mode (write):
		0	No effect
		1	CRC Fail Interrupt disable

**Table 18-9. CRC Interrupt Enable Reset Register (CRC\_INTR) Field Descriptions (continued)**

Bit	Field	Value	Description
8	CH2_CCITENR		<b>Channel 2 Compression Complete Interrupt Enable Reset Bit.</b>
		0	User and Privileged mode (read): Compression Complete Interrupt is disabled
		1	Compression Complete Interrupt is enabled
			Privileged mode (write):
		0	No effect
		1	Compression Complete Interrupt disable
7-5	Reserved	0	Reads return 0. Writes have no effect.
4	CH1_TIMEOUTENR		<b>Channel 1 Timeout Interrupt Enable Reset Bit.</b>
		0	User and Privileged mode (read): Timeout Interrupt is disabled
		1	Timeout Interrupt is enabled
			Privileged mode (write):
		0	No effect
		1	Timeout Interrupt disable
3	CH1_UNDERENR		<b>Channel 1 Underrun Interrupt Enable Reset Bit.</b>
		0	User and Privileged mode (read): Underrun Interrupt is disabled
		1	Underrun Interrupt is enabled
			Privileged mode (write):
		0	No effect
		1	Underrun Interrupt disable
2	CH1_OVERENR		<b>Channel 1 Overrun Interrupt Enable Reset Bit.</b>
		0	User and Privileged mode (read): Overrun Interrupt is disabled
		1	Overrun Interrupt is enabled
			Privileged mode (write):
		0	No effect
		1	Overrun Interrupt disable
1	CH1_CRCFAILENR		<b>Channel 1 CRC Compare Fail Interrupt Enable Reset Bit.</b>
		0	User and Privileged mode (read): CRC Fail Interrupt is disabled
		1	CRC Fail Interrupt is enabled
			Privileged mode (write):
		0	No effect
		1	CRC Fail Interrupt disable
0	CH1_CCITENR		<b>Channel 1 Compression Complete Interrupt Enable Reset Bit.</b>
		0	User and Privileged mode (read): Compression Complete Interrupt is disabled
		1	Compression Complete Interrupt is enabled
			Privileged mode (write):
		0	No effect
		1	Compression Complete Interrupt disable

### 18.4.6 CRC Interrupt Status Register (CRC\_STATUS)

Figure 18-14. CRC Interrupt Status Register (CRC\_STATUS) [offset = 28h]

	Reserved	
	R-0	
31		16
15	Reserved	8
13	CH2_TIMEOUT	7
12	CH2_UNDER	6
11	CH2_OVER	5
10	CH2_CRCFAIL	4
9	CH2_CCIT	3
8	R-0	2
7	R-0	1
5	CH1_TIMEOUT	0
4	CH1_UNDER	
3	CH1_OVER	
2	CH1_CRCFAIL	
1	CH1_CCIT	
0	R-0	

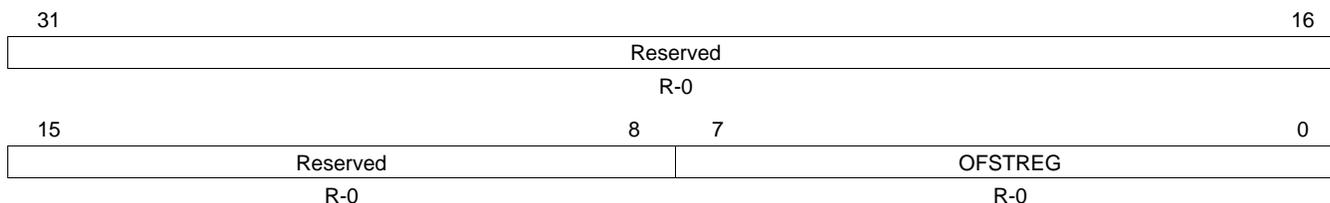
LEGEND: R/W = Read/Write; R = Read only; WP = Write in privileged mode only; -n = value after reset

Table 18-10. CRC Interrupt Status Register (CRC\_STATUS) Field Descriptions

Bit	Field	Value	Description
31-13	Reserved	0	Reads return 0. Writes have no effect.
12	CH2_TIMEOUT	0	<b>Channel 2 CRC Timeout Interrupt Status Flag.</b> This bit is set in both AUTO and Semi-CPU mode User and Privileged mode (read): No timeout interrupt is active Privileged mode (write): Bit is cleared
		1	
		0	
		1	
11	CH2_UNDER	0	<b>Channel 2 CRC Underrun Interrupt Status Flag.</b> This bit is set in AUTO mode only. User and Privileged mode (read): No Underrun Interrupt is active Privileged mode (write): Bit is cleared
		1	
		0	
		1	
10	CH2_OVER	0	<b>Channel 2 CRC Overrun Interrupt Status Flag.</b> This bit is set in either AUTO or Semi-CPU mode. User and Privileged mode (read): No Overrun Interrupt is active Privileged mode (write): Bit is cleared
		1	
		0	
		1	
9	CH2_CRCFAIL	0	<b>Channel 2 CRC Compare Fail Interrupt Status Flag.</b> This bit is set in AUTO mode only. User and Privileged mode (read): No CRC Fail Interrupt is active Privileged mode (write): Bit is cleared
		1	
		0	
		1	

**Table 18-10. CRC Interrupt Status Register (CRC\_STATUS) Field Descriptions (continued)**

Bit	Field	Value	Description
8	CH2_CCIT		<b>Channel 2 CRC Pattern Compression Complete Interrupt Status Flag.</b> This bit is only set in Semi-CPU mode.
		0	User and Privileged mode (read): No Compression Complete Interrupt is active
		1	Compression Complete Interrupt is active
			Privileged mode (write):
	0	No effect	
	1	Bit is cleared	
7-5	Reserved	0	Reads return 0. Writes have no effect.
4	CH1_TIMEOUT		<b>Channel 1 CRC Timeout Interrupt Status Flag.</b>
		0	User and Privileged mode (read): No timeout interrupt is active
		1	Timeout interrupt is active
			Privileged mode (write):
	0	No effect	
	1	Bit is cleared	
3	CH1_UNDER		<b>Channel 1 Underrun Interrupt Status Flag.</b>
		0	User and Privileged mode (read): No Underrun Interrupt is active
		1	Underrun Interrupt is active
			Privileged mode (write):
	0	No effect	
	1	Bit is cleared	
2	CH1_OVER		<b>Channel 1 Overrun Interrupt Status Flag.</b>
		0	User and Privileged mode (read): No Overrun Interrupt is active
		1	Overrun Interrupt is active
			Privileged mode (write):
	0	No effect	
	1	Bit is cleared	
1	CH1_CRCFAIL		<b>Channel 1 CRC Compare Fail Interrupt Status Flag.</b>
		0	User and Privileged mode (read): No CRC Fail Interrupt is active
		1	CRC Fail Interrupt is active
			Privileged mode (write):
	0	No effect	
	1	Bit is cleared	
0	CH1_CCIT		<b>Channel 1 CRC Pattern Compression Complete Interrupt Status Flag.</b>
		0	User and Privileged mode (read): No Compression Complete Interrupt is active
		1	Compression Complete Interrupt is active
			Privileged mode (write):
	0	No effect	
	1	Bit is cleared	

**18.4.7 CRC Interrupt Offset (CRC\_INT\_OFFSET\_REG)**
**Figure 18-15. CRC Interrupt Offset (CRC\_INT\_OFFSET\_REG) [offset = 30h]**


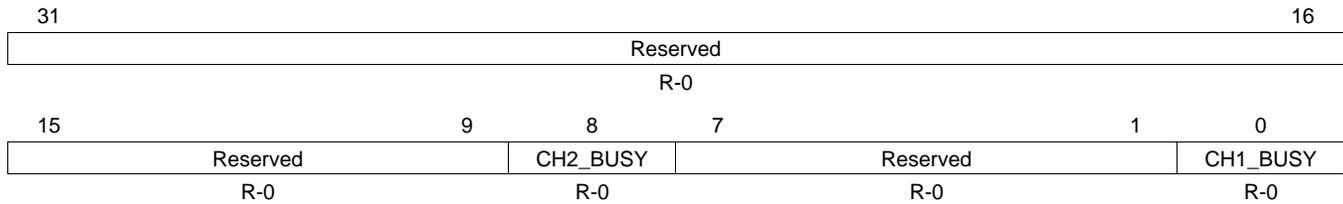
LEGEND: R/W = Read/Write; R = Read only; -n = value after reset

**Table 18-11. CRC Interrupt Offset (CRC\_INT\_OFFSET\_REG) Field Descriptions**

Bit	Field	Value	Description
31-8	Reserved	0	Reads return 0. Writes have no effect.
7-0	OFSTREG		<b>CRC Interrupt Offset.</b> This register indicates the highest priority pending interrupt vector address. Reading the offset register automatically clears the respective interrupt flag.
		0	Phantom
		1h	Ch1 CRC Fail
		2h	Ch2 CRC Fail
		3h-8h	Reserved
		9h	Ch1 Compression Complete
		Ah	Ch2 Compression Complete
		Bh-10h	Reserved
		11h	Ch1 Overrun
		12h	Ch2 Overrun
		13h-18h	Reserved
		19h	Ch1 Underrun
		1Ah	Ch2 Underrun
		1Bh-20h	Reserved
		21h	Ch1 Timeout
		22h	Ch2 Timeout
		23h-FFh	Reserved

### 18.4.8 CRC Busy Register (CRC\_BUSY)

**Figure 18-16. CRC Busy Register (CRC\_BUSY) [offset = 38h]**



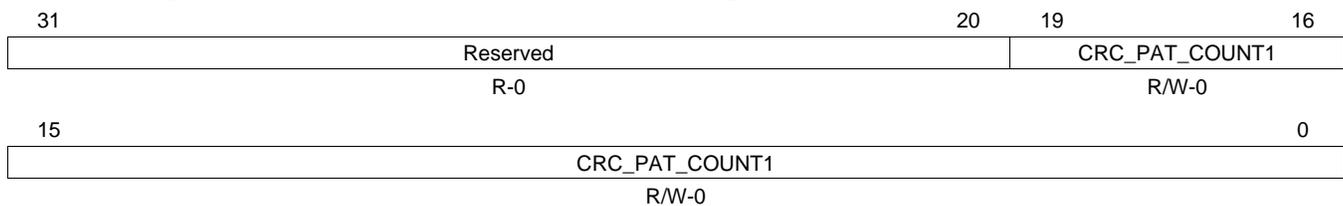
LEGEND: R/W = Read/Write; R = Read only; -n = value after reset

**Table 18-12. CRC Busy Register (CRC\_BUSY) Field Descriptions**

Bit	Field	Value	Description
31-9	Reserved	0	Reads return 0. Writes have no effect.
8	CH2_BUSY		<b>CH2_BUSY</b> . During AUTO or Semi-CPU mode, the busy flag is set when the first data pattern of the block is compressed and remains set until the last data pattern of the block is compressed. The flag is cleared when the last data pattern of the block is compressed.
7-1	Reserved	0	Reads return 0. Writes have no effect.
0	CH1_BUSY		<b>CH1_BUSY</b> . During AUTO or Semi-CPU mode, the busy flag is set when the first data pattern of the block is compressed and remains set until the last data pattern of the block is compressed. The flag is cleared when the last data pattern of the block is compressed.

### 18.4.9 CRC Pattern Counter Preload Register 1 (CRC\_PCOUNT\_REG1)

**Figure 18-17. CRC Pattern Counter Preload Register 1 (CRC\_PCOUNT\_REG1) [offset = 40h]**



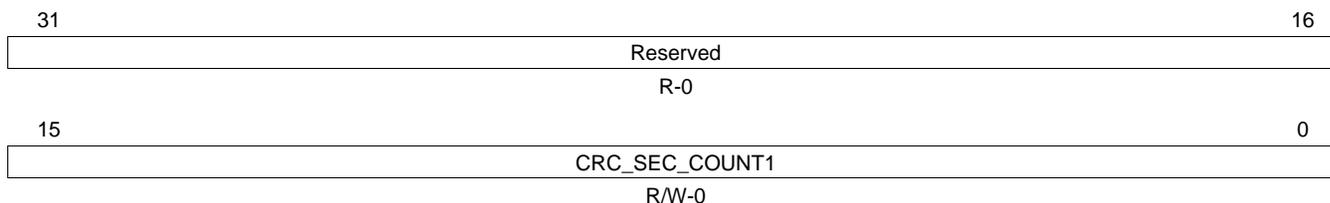
LEGEND: R/W = Read/Write; R = Read only; -n = value after reset

**Table 18-13. CRC Pattern Counter Preload Register 1 (CRC\_PCOUNT\_REG1) Field Descriptions**

Bit	Field	Value	Description
31-20	Reserved	0	Reads return 0. Writes have no effect.
19-0	CRC_PAT_COUNT1		<b>Channel 1 Pattern Counter Preload Register</b> . This register contains the number of data patterns in one sector to be compressed before a CRC is performed.

### 18.4.10 CRC Sector Counter Preload Register 1 (CRC\_SCOUNT\_REG1)

**Figure 18-18. CRC Sector Counter Preload Register 1 (CRC\_SCOUNT\_REG1) [offset = 44h]**



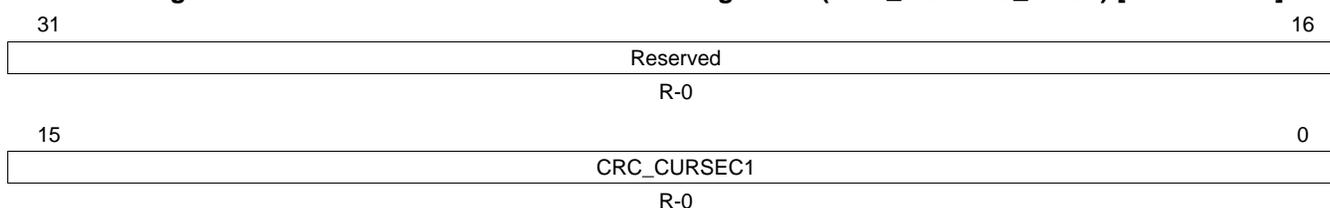
LEGEND: R/W = Read/Write; R = Read only; -n = value after reset

**Table 18-14. CRC Sector Counter Preload Register 1 (CRC\_SCOUNT\_REG1) Field Descriptions**

Bit	Field	Value	Description
31-16	Reserved	0	Reads return 0. Writes have no effect.
15-0	CRC_SEC_COUNT1		<b>Channel 1 Sector Counter Preload Register.</b> This register contains the number of sectors in one block of memory.

### 18.4.11 CRC Current Sector Register 1 (CRC\_CURSEC\_REG1)

**Figure 18-19. CRC Current Sector Preload Register 1 (CRC\_CURSEC\_REG1) [offset = 48h]**



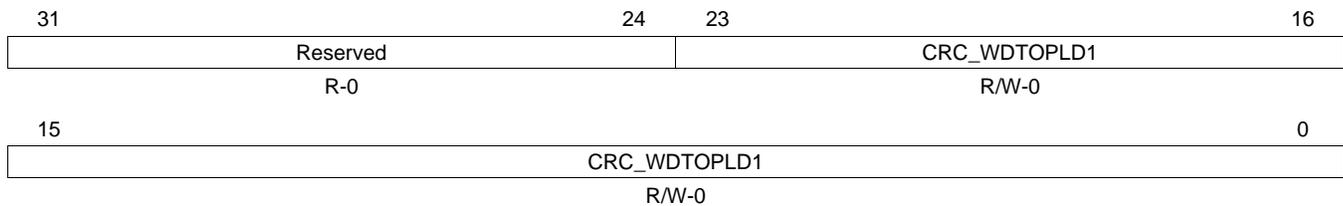
LEGEND: R/W = Read/Write; R = Read only; -n = value after reset

**Table 18-15. CRC Current Sector Register 1 (CRC\_CURSEC\_REG1) Field Descriptions**

Bit	Field	Value	Description
31-16	Reserved	0	Reads return 0. Writes have no effect.
15-0	CRC_CURSEC1		<b>Channel 1 Current Sector ID Register.</b> In AUTO mode, this register contains the current sector number of which the signature verification fails. The sector counter is a free running up counter. When a sector fails, the erroneous sector number is logged into current sector ID register and the CRC fail interrupt is generated. The sector ID register is frozen until it is read and the CRC fail status bit is cleared by CPU. While it is frozen, it does not capture another erroneous sector number. When this condition happens, an overrun interrupt is generated instead. Once the register is read and the CRC fail interrupt flag is cleared it can capture new erroneous sector number. In Semi-CPU mode, this register is used to indicate the sector number for which the compression complete has last happened.

### 18.4.12 CRC Channel 1 Watchdog Timeout Preload Register A (CRC\_WDTPLD1)

**Figure 18-20. CRC Channel 1 Watchdog Timeout Preload Register A (CRC\_WDTPLD1)  
[offset = 4Ch]**



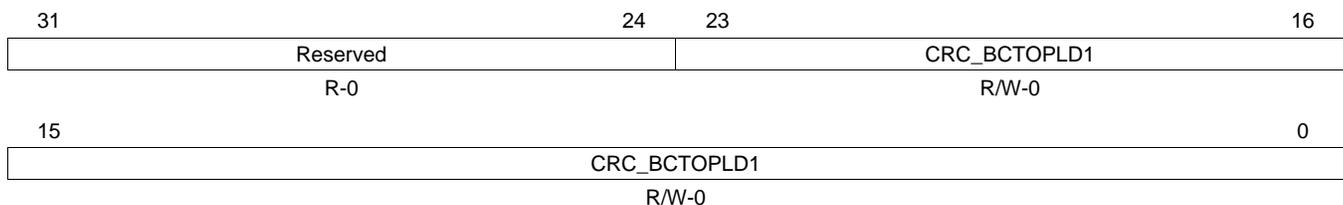
LEGEND: R/W = Read/Write; R = Read only; -n = value after reset

**Table 18-16. CRC Channel 1 Watchdog Timeout Preload Register A (CRC\_WDTPLD1) Field Descriptions**

Bit	Field	Value	Description
31-24	Reserved	0	Reads return 0. Writes have no effect.
23-0	CRC_WDTPLD1		<b>Channel 1 Watchdog Timeout Counter Preload Register.</b> This register contains the number of clock cycles within which the DMA must transfer the next block of data patterns. In Semi-CPU mode, this register is used to indicate the sector number for which the compression complete has last happened.

### 18.4.13 CRC Channel 1 Block Complete Timeout Preload Register B (CRC\_BCTOPLD1)

**Figure 18-21. CRC Channel 1 Block Complete Timeout Preload Register B (CRC\_BCTOPLD1)  
[offset = 50h]**



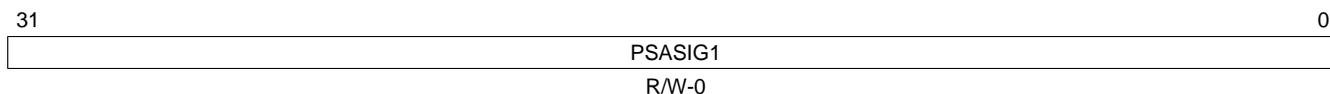
LEGEND: R/W = Read/Write; R = Read only; -n = value after reset

**Table 18-17. CRC Channel 1 Block Complete Timeout Preload Register B (CRC\_BCTOPLD1) Field Descriptions**

Bit	Field	Value	Description
31-24	Reserved	0	Reads return 0. Writes have no effect.
23-0	CRC_BCTOPLD1		<b>Channel 1 Block Complete Timeout Counter Preload Register.</b> This register contains the number of clock cycles within which the CRC for an entire block needs to complete before a timeout interrupt is generated.

### 18.4.14 Channel 1 PSA Signature Low Register (PSA\_SIGREGL1)

**Figure 18-22. Channel 1 PSA Signature Low Register (PSA\_SIGREGL1) [offset = 60h]**



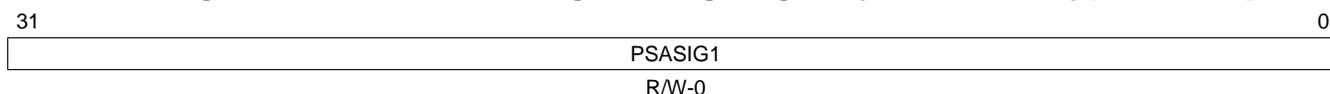
LEGEND: R/W = Read/Write; R = Read only; -n = value after reset

**Table 18-18. Channel 1 PSA Signature Low Register (PSA\_SIGREGL1) Field Descriptions**

Bit	Field	Description
31-0	PSASIG1	<b>Channel 1 PSA Signature Low Register.</b> This register contains the value stored at PSASIG1[31:0] register.

### 18.4.15 Channel 1 PSA Signature High Register (PSA\_SIGREGH1)

**Figure 18-23. Channel 1 PSA Signature High Register (PSA\_SIGREGH1) [offset = 64h]**



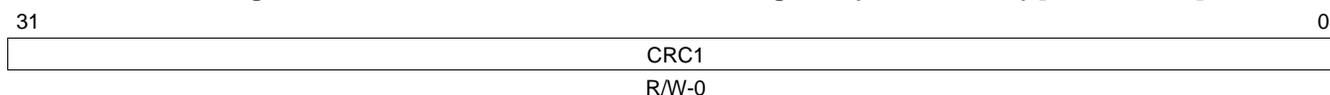
LEGEND: R/W = Read/Write; R = Read only; -n = value after reset

**Table 18-19. Channel 1 PSA Signature High Register (PSA\_SIGREGH1) Field Descriptions**

Bit	Field	Description
31-0	PSASIG1	<b>Channel 1 PSA Signature High Register.</b> This register contains the value stored at PSASIG1[63:32] register.

### 18.4.16 Channel 1 CRC Value Low Register (CRC\_REGL1)

**Figure 18-24. Channel 1 CRC Value Low Register (CRC\_REGL1) [offset = 68h]**



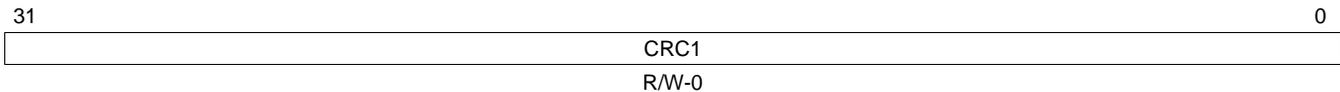
LEGEND: R/W = Read/Write; R = Read only; -n = value after reset

**Table 18-20. Channel 1 CRC Value Low Register (CRC\_REGL1) Field Descriptions**

Bit	Field	Description
31-0	CRC1	<b>Channel 1 CRC Value Low Register.</b> This register contains the current known good signature value stored at CRC1[31:0] register.

### 18.4.17 Channel 1 CRC Value High Register (CRC\_REGH1)

**Figure 18-25. Channel 1 CRC Value High Register (CRC\_REGH1) [offset = 6Ch]**



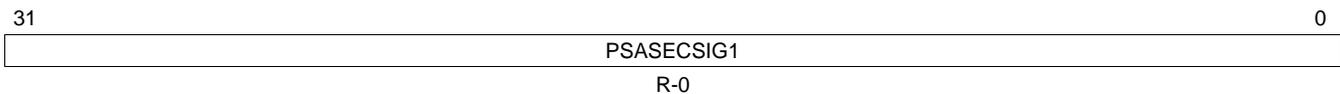
LEGEND: R/W = Read/Write; R = Read only; -n = value after reset

**Table 18-21. Channel 1 CRC Value High Register (CRC\_REGH1) Field Descriptions**

Bit	Field	Description
31-0	CRC1	<b>Channel 1 CRC Value Low Register.</b> This register contains the current known good signature value stored at CRC1[63:32] register.

### 18.4.18 Channel 1 PSA Sector Signature Low Register (PSA\_SECSIGREGL1)

**Figure 18-26. Channel 1 PSA Sector Signature Low Register (PSA\_SECSIGREGL1) [offset = 70h]**



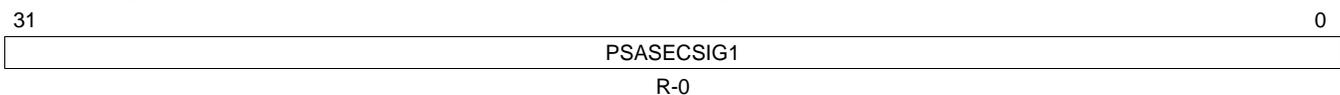
LEGEND: R = Read only; -n = value after reset

**Table 18-22. Channel 1 PSA Sector Signature Low Register (PSA\_SECSIGREGL1) Field Descriptions**

Bit	Field	Description
31-0	PSASECSIG1	<b>Channel 1 PSA Sector Signature Low Register.</b> This register contains the value stored at PSASECSIG1[31:0] register.

### 18.4.19 Channel 1 PSA Sector Signature High Register (PSA\_SECSIGREGH1)

**Figure 18-27. Channel 1 PSA Sector Signature High Register (PSA\_SECSIGREGH1) [offset = 74h]**



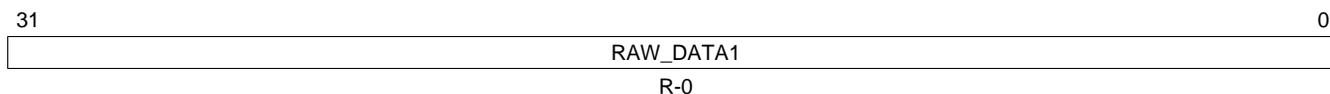
LEGEND: R = Read only; -n = value after reset

**Table 18-23. Channel 1 PSA Sector Signature High Register (PSA\_SECSIGREGH1) Field Descriptions**

Bit	Field	Description
31-0	PSASECSIG1	<b>Channel 1 PSA Sector Signature High Register.</b> This register contains the value stored at PSASECSIG1[63:32] register.

### 18.4.20 Channel 1 Raw Data Low Register (RAW\_DATA1)

Figure 18-28. Channel 1 Raw Data Low Register (RAW\_DATA1) [offset = 78h]



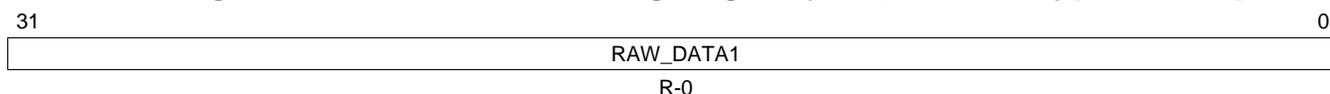
LEGEND: R = Read only; -n = value after reset

Table 18-24. Channel 1 Raw Data Low Register (RAW\_DATA1) Field Descriptions

Bit	Field	Description
31-0	RAW_DATA1	<b>Channel 1 Raw Data Low Register.</b> This register contains bits 31:0 of the uncompressed raw data.

### 18.4.21 Channel 1 Raw Data High Register (RAW\_DATA2)

Figure 18-29. Channel 1 Raw Data High Register (RAW\_DATA2) [offset = 7Ch]



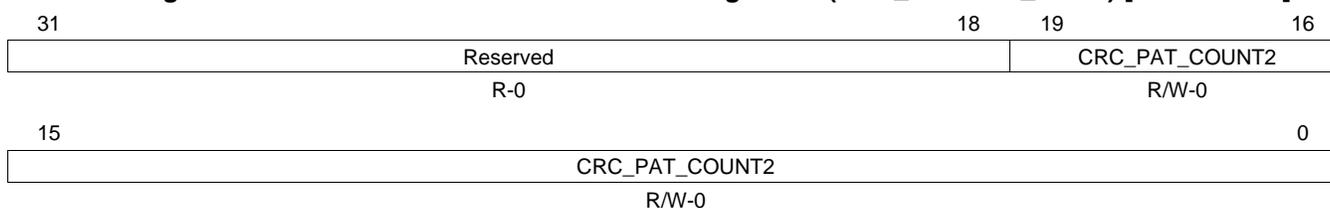
LEGEND: R = Read only; -n = value after reset

Table 18-25. Channel 1 Raw Data High Register (RAW\_DATA2) Field Descriptions

Bit	Field	Description
31-0	RAW_DATA2	<b>Channel 1 Raw Data High Register.</b> This register contains bits 63:32 of the uncompressed raw data.

### 18.4.22 CRC Pattern Counter Preload Register 2 (CRC\_PCOUNT\_REG2)

Figure 18-30. CRC Pattern Counter Preload Register 2 (CRC\_PCOUNT\_REG2) [offset = 80h]



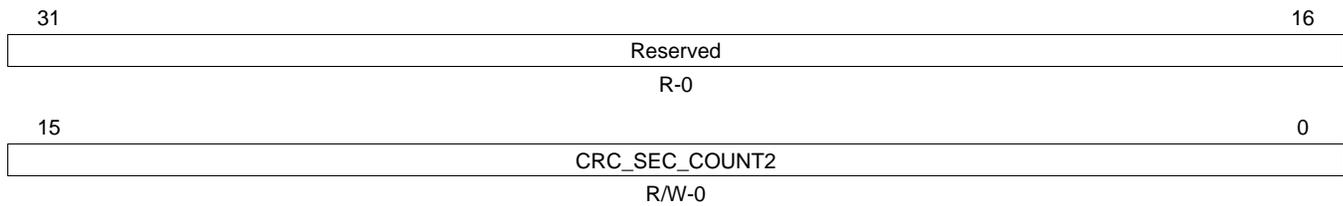
LEGEND: R/W = Read/Write; R = Read only; -n = value after reset

Table 18-26. CRC Pattern Counter Preload Register 2 (CRC\_PCOUNT\_REG2) Field Descriptions

Bit	Field	Value	Description
31-20	Reserved	0	Reads return 0. Writes have no effect.
19-0	CRC_PAT_COUNT2		<b>Channel 2 Pattern Counter Preload Register.</b> This register contains the number of data patterns in one sector to be compressed before a CRC is performed.

### 18.4.23 CRC Sector Counter Preload Register 2 (CRC\_SCOUNT\_REG2)

Figure 18-31. CRC Sector Counter Preload Register 2 (CRC\_SCOUNT\_REG2) [offset = 84h]



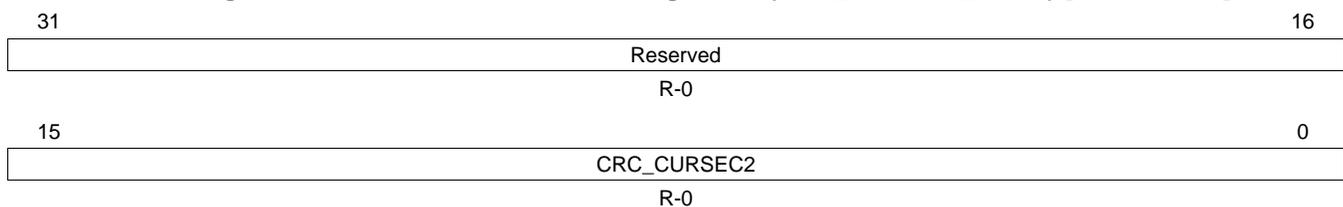
LEGEND: R/W = Read/Write; R = Read only; -n = value after reset

Table 18-27. CRC Sector Counter Preload Register 2 (CRC\_SCOUNT\_REG2) Field Descriptions

Bit	Field	Value	Description
31-16	Reserved	0	Reads return 0. Writes have no effect.
15-0	CRC_SEC_COUNT2		<b>Channel 2 Sector Counter Preload Register.</b> This register contains the number of sectors in one block of memory.

### 18.4.24 CRC Current Sector Register 2 (CRC\_CURSEC\_REG2)

Figure 18-32. CRC Current Sector Register 2 (CRC\_CURSEC\_REG2) [offset = 88h]



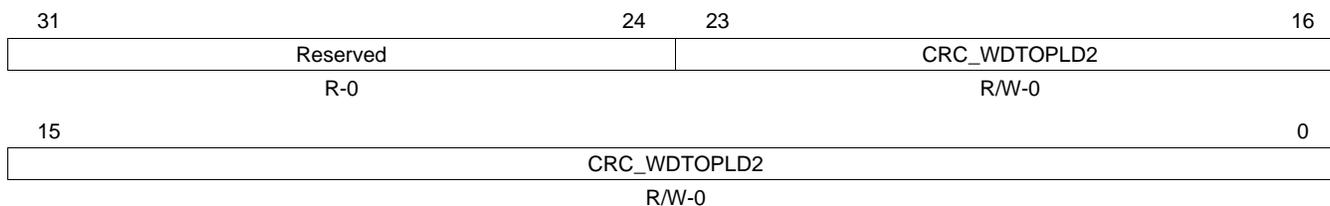
LEGEND: R/W = Read/Write; R = Read only; -n = value after reset

Table 18-28. CRC Current Sector Register 2 (CRC\_CURSEC\_REG2) Field Descriptions

Bit	Field	Value	Description
31-16	Reserved	0	Reads return 0. Writes have no effect.
15-0	CRC_CURSEC2		<b>Channel 2 Current Sector ID Register.</b> In AUTO mode, this register contains the current sector number of which the signature verification fails. The sector counter is a free running up counter. When a sector fails, the erroneous sector number is logged into current sector ID register and the CRC fail interrupt is generated. The sector ID register is frozen until it is read and the CRC fail status bit is cleared by CPU. While it is frozen, it does not capture another erroneous sector number. When this condition happens, an overrun interrupt is generated instead. Once the register is read and the CRC fail interrupt flag is cleared it can capture new erroneous sector number. In Semi-CPU mode, this register is used to indicate the sector number for which the compression complete has last happened.

### 18.4.25 CRC Channel 2 Watchdog Timeout Preload Register A (CRC\_WDTPLD2)

**Figure 18-33. CRC Channel 2 Watchdog Timeout Preload Register A (CRC\_WDTPLD2)  
[offset = 8Ch]**



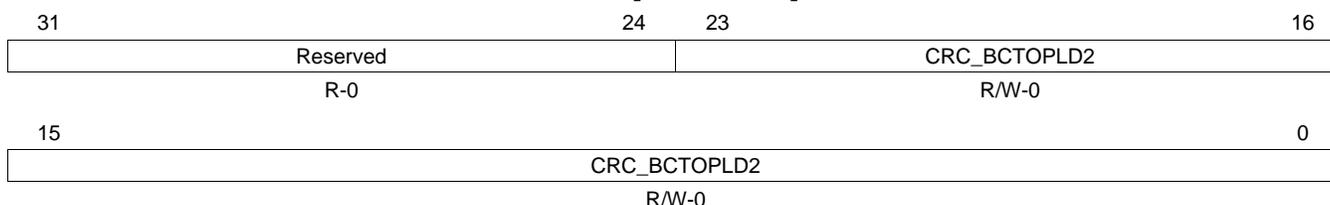
LEGEND: R/W = Read/Write; R = Read only; -n = value after reset

**Table 18-29. CRC Channel 2 Watchdog Timeout Preload Register A (CRC\_WDTPLD2)  
Field Descriptions**

Bit	Field	Value	Description
31-24	Reserved	0	Reads return 0. Writes have no effect.
23-0	CRC_WDTPLD2		<b>Channel 2 Watchdog Timeout Counter Preload Register.</b> This register contains the number of clock cycles within which the DMA must transfer the next block of data patterns. In Semi-CPU mode, this register is used to indicate the sector number for which the compression complete has last happened.

### 18.4.26 CRC Channel 2 Block Complete Timeout Preload Register B (CRC\_BCTOPLD2)

**Figure 18-34. CRC Channel 2 Block Complete Timeout Preload Register B (CRC\_BCTOPLD2)  
[offset = 90h]**



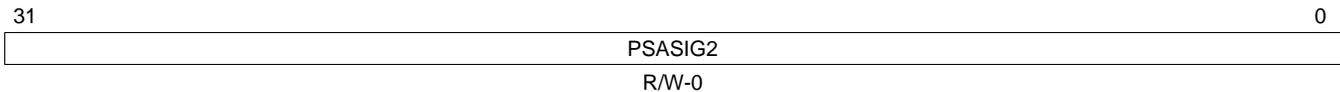
LEGEND: R/W = Read/Write; R = Read only; -n = value after reset

**Table 18-30. CRC Channel 2 Block Complete Timeout Preload Register B (CRC\_BCTOPLD2)  
Field Descriptions**

Bit	Field	Value	Description
31-24	Reserved	0	Reads return 0. Writes have no effect.
23-0	CRC_BCTOPLD2		<b>Channel 2 Block Complete Timeout Counter Preload Register.</b> This register contains the number of clock cycles within which the CRC for an entire block needs to complete before a timeout interrupt is generated.

### 18.4.27 Channel 2 PSA Signature Low Register (PSA\_SIGREGL2)

Figure 18-35. Channel 2 PSA Signature Low Register (PSA\_SIGREGL2) [offset = A0h]



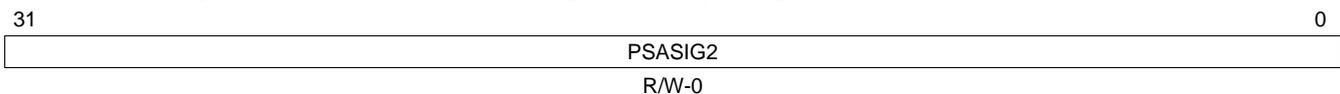
LEGEND: R/W = Read/Write; R = Read only; -n = value after reset

Table 18-31. Channel 2 PSA Signature Low Register (PSA\_SIGREGL2) Field Descriptions

Bit	Field	Description
31-0	PSASIG2	<b>Channel 2 PSA Signature Low Register.</b> This register contains the value stored at PSASIG2[31:0] register.

### 18.4.28 Channel 2 PSA Signature High Register (PSA\_SIGREGH2)

Figure 18-36. Channel 2 PSA Signature High Register (PSA\_SIGREGH2) [offset = A4h]



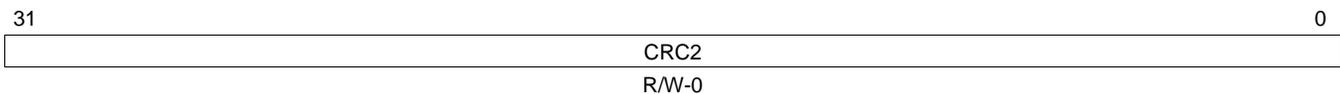
LEGEND: R/W = Read/Write; R = Read only; -n = value after reset

Table 18-32. Channel 2 PSA Signature High Register (PSA\_SIGREGH2) Field Descriptions

Bit	Field	Description
31-0	PSASIG2	<b>Channel 2 PSA Signature High Register.</b> This register contains the value stored at PSASIG2[63:32] register.

### 18.4.29 Channel 2 CRC Value Low Register (CRC\_REGL2)

Figure 18-37. Channel 2 CRC Value Low Register (CRC\_REGL2) [offset = A8h]



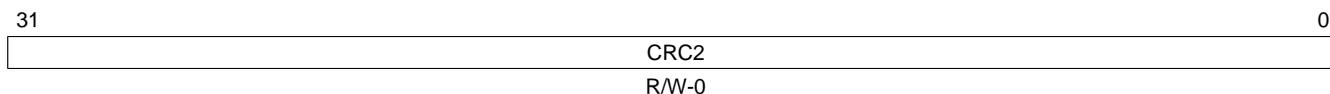
LEGEND: R/W = Read/Write; R = Read only; -n = value after reset

Table 18-33. Channel 2 CRC Value Low Register (CRC\_REGL2) Field Descriptions

Bit	Field	Description
31-0	CRC2	<b>Channel 2 CRC Value Low Register.</b> This register contains the current known good signature value stored at CRC2[31:0] register.

### 18.4.30 Channel 2 CRC Value High Register (CRC\_REGH2)

**Figure 18-38. Channel 2 CRC Value High Register (CRC\_REGH2) [offset = ACh]**



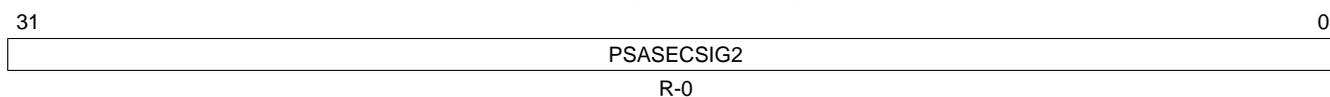
LEGEND: R/W = Read/Write; R = Read only; -n = value after reset

**Table 18-34. Channel 2 CRC Value High Register (CRC\_REGH2) Field Descriptions**

Bit	Field	Description
31-0	CRC2	<b>Channel 2 CRC Value High Register.</b> This register contains the current known good signature value stored at CRC2[63:32] register.

### 18.4.31 Channel 2 PSA Sector Signature Low Register (PSA\_SECSIGREGL2)

**Figure 18-39. Channel 2 PSA Sector Signature Low Register (PSA\_SECSIGREGL2) [offset = B0h]**



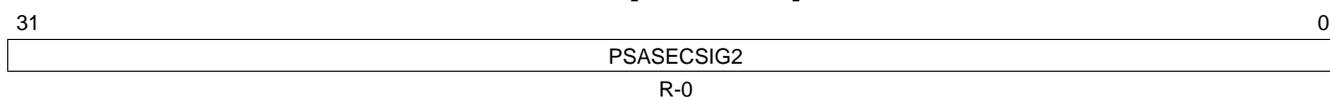
LEGEND: R = Read only; -n = value after reset

**Table 18-35. Channel 2 PSA Sector Signature Low Register (PSA\_SECSIGREGL2) Field Descriptions**

Bit	Field	Description
31-0	PSASECSIG2	<b>Channel 2 PSA Sector Signature Low Register.</b> This register contains the value stored at PSASECSIG2[31:0] register.

### 18.4.32 Channel 2 PSA Sector Signature High Register (PSA\_SECSIGREGH2)

**Figure 18-40. Channel 2 PSA Sector Signature High Register (PSA\_SECSIGREGH2) [offset = B4h]**



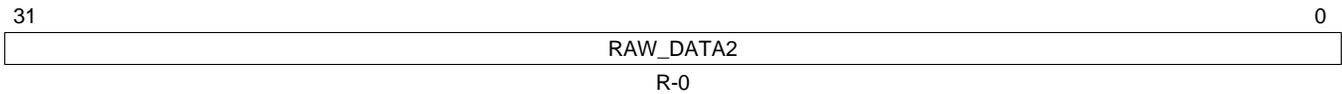
LEGEND: R = Read only; -n = value after reset

**Table 18-36. Channel 2 PSA Sector Signature High Register (PSA\_SECSIGREGH2) Field Descriptions**

Bit	Field	Description
31-0	PSASECSIG2	<b>Channel 2 PSA Sector Signature High Register.</b> This register contains the value stored at PSASECSIG2[63:32] register.

### 18.4.33 Channel 2 Raw Data Low Register (RAW\_DATAREGL2)

**Figure 18-41. Channel 2 Raw Data Low Register (RAW\_DATAREGL2) [offset = B8h]**



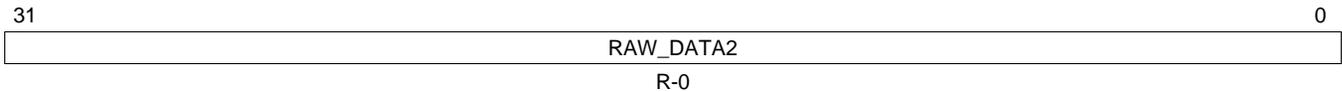
LEGEND: R = Read only; -n = value after reset

**Table 18-37. Channel 2 Raw Data Low Register (RAW\_DATAREGL2) Field Descriptions**

Bit	Field	Description
31-0	RAW_DATA2	<b>Channel 2 Raw Data Low Register.</b> This register contains bits 31:0 of the uncompressed raw data..

### 18.4.34 Channel 2 Raw Data High Register (RAW\_DATAREGH2)

**Figure 18-42. Channel 2 Raw Data High Register (RAW\_DATAREGH2) [offset = BCh]**



LEGEND: R = Read only; -n = value after reset

**Table 18-38. Channel 2 Raw Data High Register (RAW\_DATAREGH2) Field Descriptions**

Bit	Field	Description
31-0	RAW_DATA2	<b>Channel 2 Raw Data High Register.</b> This register contains bits 63:32 of the uncompressed raw data..

---

---

## ***Vectored Interrupt Manager (VIM) Module***

---

---

This chapter describes the behavior of the vectored interrupt manager (VIM) module of the device family.

<b>Topic</b>	<b>Page</b>
<b>19.1 Overview .....</b>	<b>643</b>
<b>19.2 Dual VIM for Safety .....</b>	<b>644</b>
<b>19.3 Device Level Interrupt Management .....</b>	<b>645</b>
<b>19.4 Interrupt Handling Inside VIM.....</b>	<b>648</b>
<b>19.5 Interrupt Vector Table (VIM RAM) .....</b>	<b>652</b>
<b>19.6 VIM Wakeup Interrupt.....</b>	<b>656</b>
<b>19.7 Capture Event Sources .....</b>	<b>657</b>
<b>19.8 Examples.....</b>	<b>657</b>
<b>19.9 VIM Control Registers .....</b>	<b>660</b>

## 19.1 Overview

The vectored interrupt manager (VIM) provides hardware assistance for prioritizing and controlling the many interrupt sources present on a device. Interrupts are caused by events outside of the normal flow of program execution. Normally, these events require a timely response from the central processing unit (CPU); therefore, when an interrupt occurs, the CPU switches execution from the normal program flow to an interrupt service routine (ISR).

The VIM module has the following features:

- Dual VIM for safety
- Supports 127 interrupt channels, in both register vectored interrupt and hardware vectored interrupt mode.
  - Provides IRQ vector directly to the CPU VIC port
  - Provides FIQ/IRQ vector through registers
  - Provides programmable priority and enable for interrupt request lines
- Provides a direct hardware dispatch mechanism for fastest IRQ dispatch.
- Provides two software dispatch mechanisms for backward compatibility with earlier generation of TI processors.
  - Index interrupt
  - Register vectored interrupt
- ECC (Error Code Correction) protected vector interrupt table against soft errors.

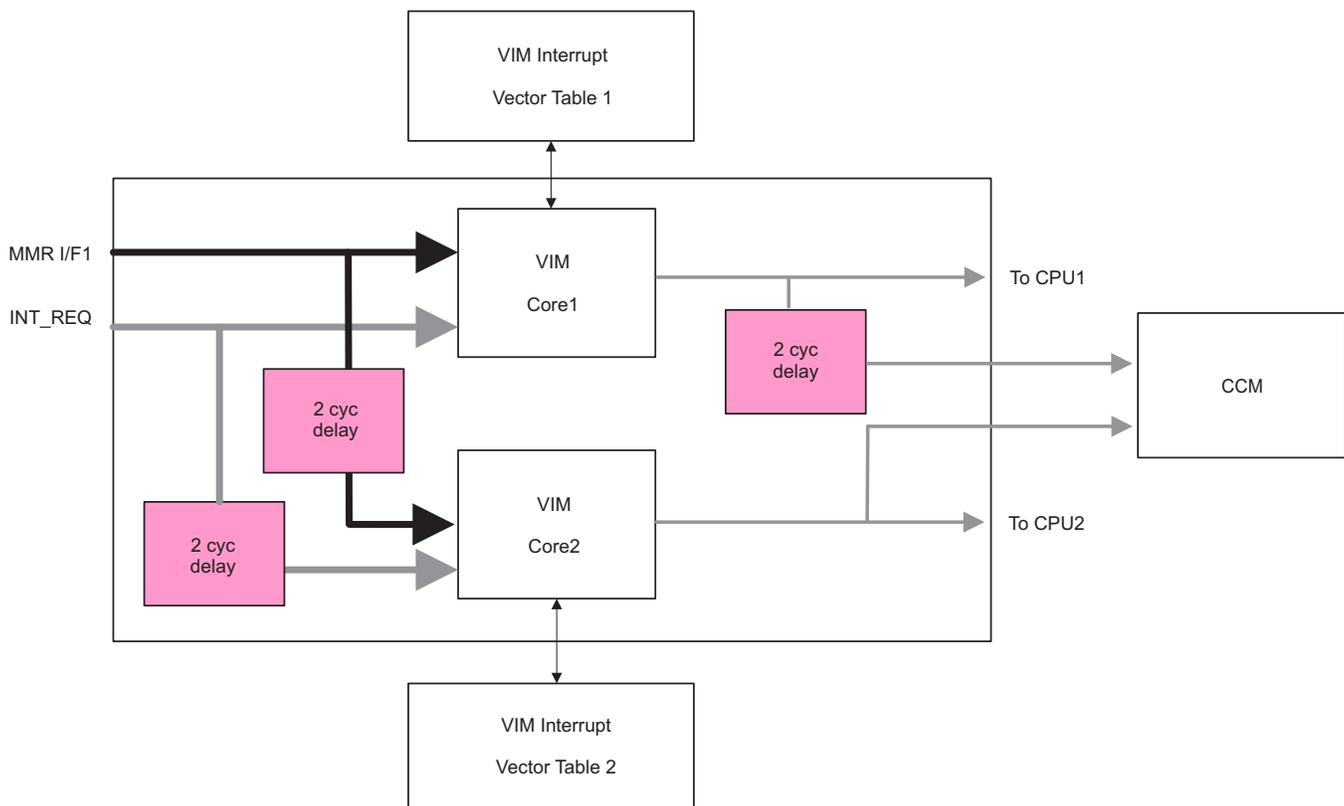
## 19.2 Dual VIM for Safety

A block diagram of Dual VIM for safety support is shown in [Figure 19-1](#). To reduce probability of common cause failure, the VIM module mimics the dual CPU scheme of two cycle delayed operation of the two cores. In this case, the MMR (Memory Mapped Register) interface to the second instance is delayed by two cycles. Similarly, the interrupt inputs are also delayed by two cycles to the second instance.

A separate set of “2 cycle” delayed versions of output ports for the CPU interrupt interface of the VIM1 are provided. These will be used as one of the compare inputs of CPU Compare Module (CCM). The CPU interface signals of VIM2 are used as second set of inputs of CCM.

VIM2 uses the same address space as that of VIM1. During LockStep mode, any write to VIM1 (including the Interrupt Vector Table) will be routed to VIM2 as well so that the secondary instance is programmed exactly as the first one and provide compare diagnostic support. Auto initialization of the VIM1 Interrupt Vector Table will result in VIM2 Interrupt Vector Table getting initialized as well in this mode. In this mode, reads from VIM will return only VIM1 data. VIM2 registers and Interrupt Vector Table cannot be read out in Locked mode.

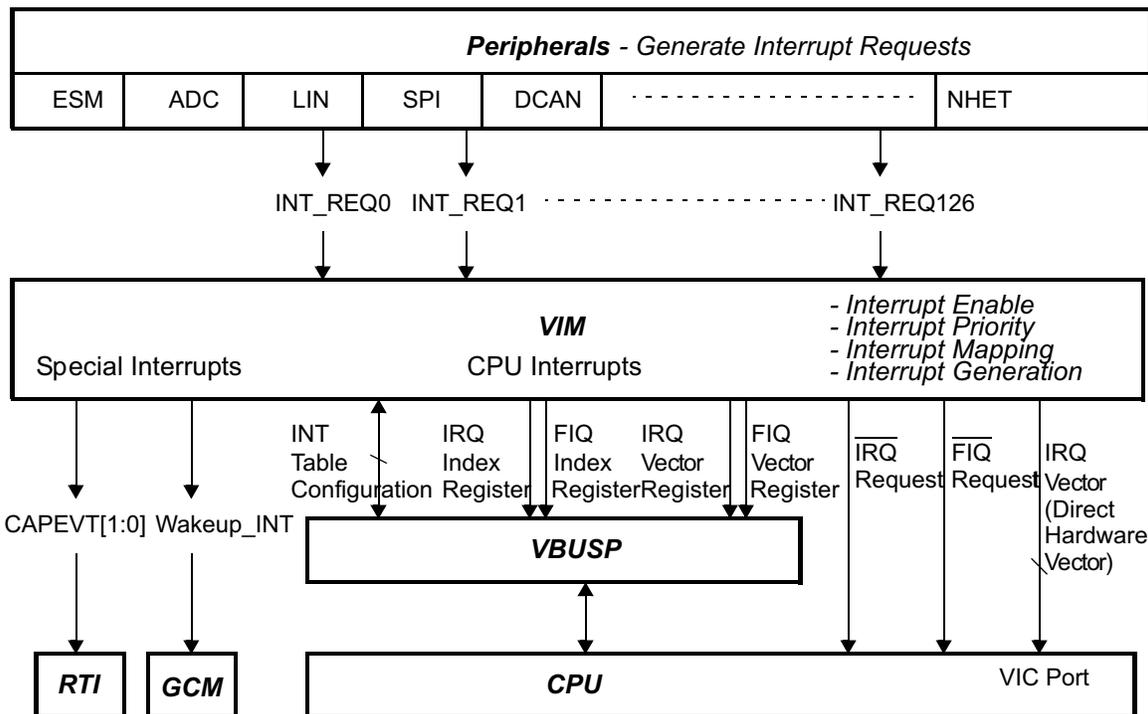
**Figure 19-1. Block Diagram of Dual VIM for Safety Support**



### 19.3 Device Level Interrupt Management

A block diagram of device level interrupt handling is shown in Figure 19-2. When an event occurs within a peripheral, the peripheral makes an interrupt request to the VIM. Then, VIM prioritizes the requests from peripherals and provides the address of the highest interrupt service routine (ISR) to the CPU. Finally, CPU starts executing the ISR instructions from that address in the ISR. Section 19.3.1 through Section 19.3.3 provide additional details about these three steps.

Figure 19-2. Device Level Interrupt Block Diagram



#### 19.3.1 Interrupt Generation at the Peripheral

Interrupt generation begins when an event occurs within a peripheral module. Some examples of interrupt-capable events are expiration of a counter within a timer module, receipt of a character in a communications module, and completion of a conversion in an analog-to-digital converter (ADC) module. Some device peripherals are capable of requesting interrupts on more than one interrupt request line.

Interrupts are not always generated when an event occurs; the peripheral must make an interrupt request to the VIM based on the event occurrence. Typically, the peripheral contains:

- An interrupt flag bit for each event to signify the event occurrence.
- An interrupt enable bit to control whether the event occurrence causes an interrupt request to the VIM.

### 19.3.2 Interrupt Handling at the CPU

The ARM CPU provides two vectors for interrupt requests—fast interrupt requests (FIQs) and normal interrupt requests (IRQs). FIQs are higher priority than IRQs, and FIQ interrupts may interrupt IRQ interrupts.

---

**NOTE:** The FIQ implemented in Cortex-R4F/R5F is Non-Maskable Fast Interrupts (NMFI). Once FIQ is enabled (by clearing F bit in CPSR), it can NOT be disabled by setting F bit in CPSR. Only a reset or an FIQ will be able to set the F bit in CPSR. By hardware, Non Maskable FIQ are not reentrant.

---

After reset (power reset or warm reset), both FIQ and IRQ are disabled. The CPU may enable these interrupt request channels individually within the CPSR (Current Program Status Register); CPSR bits 6 and 7 must be cleared to enable the FIQ (bit 6) and IRQ (bit 7) interrupt requests at the CPU. CPSR is writable in privilege mode only. [Example 19-2](#) shows how to enable the IRQ and FIQ through CPSR.

When the CPU receives an interrupt request, the CPSR mode field changes to either FIQ or IRQ mode. When an IRQ interrupt is received, the CPU disables other IRQ interrupts by setting CPSR bit 7. When an FIQ interrupt is received, the CPU disables both IRQ and FIQ interrupts by setting CPSR bits 6 and 7.

A write of 1 to CPSR bit 7 disables the IRQ from CPU. However, a write of 1 to CPSR bit 6 leaves it unchanged. [Example 19-2](#) also shows how to disable the IRQ through CPSR.

### 19.3.3 Software Interrupt Handling Options

The device supports three different possibilities for software to handle interrupts

1. Index interrupts mode (compatible with TMS470R1x legacy code)

After the interrupt is received by the CPU, the CPU branches to 0x18 (IRQ) or 0x1C (FIQ) to execute the main ISR. The main ISR routine reads the offset register (IRQINDEX, FIQINDEX) to determine the source of the interrupt.

This mode is compatible with the TMS470R1x (CIM) module and provides the same interrupt registers. This mode could be used if legacy code needs to be reused, porting it from the TMS470R1x family. However, imported software will not benefit from the VIM improvements.

To port legacy software, the interrupt vector at 0x18 (IRQ) or 0x1C (FIQ) only needs to be a branch statement to a software interrupt table. The software interrupt table reads the pending interrupt from a vector offset register (FIQINDEX[7:0] for FIQ interrupts and IRQINDEX[7:0] for IRQ interrupts). All pending interrupts can be viewed in the INTREQ register. [Example 19-4](#) shows how to respond to FIQ with short latency in this mode.

2. Register vectored interrupts (automatically provide vector address to application)

Before enabling interrupts, the application software also has to initiate the interrupt vector table (VIM RAM).

Once the VIM receives an interrupt, it loads the address of ISR from interrupt vector table, and store it into the interrupt vector register (IRQVECREG for IRQ interrupt, FIQVECREG for FIQ interrupt).

After the interrupt is received by the CPU, the CPU executes the instruction placed at 0x18 or 0x1C (IRQ or FIQ vector) to load the address of ISR (interrupt vector) from the interrupt vector register.

[Example 19-3](#) illustrates the configuration for the exception vectors using this mode.

3. Hardware vectored interrupts (automatically dispatch to ISR, IRQ only)

Before enabling interrupts, the application software must initiate the interrupt vector table (VIM RAM) pointing to the ISR for each interrupt channel.

After the interrupt (IRQ) is received by the CPU, CPU reads the address of ISR directly from the interface with VIM (VIC port) instead of branching to 0x18. The CPU will branch directly to the ISR.

The hardware vectored interrupt behavior must be explicitly enabled by setting the vector enable (VE) bit in the CP15 R1 register. This bit resets to 0, so that the default state after reset is backward compatible to earlier ARM CPU. [Example 19-1](#) shows how to enable the hardware vectored interrupt.

---

**NOTE:** This mode is NOT available for FIQ.

---

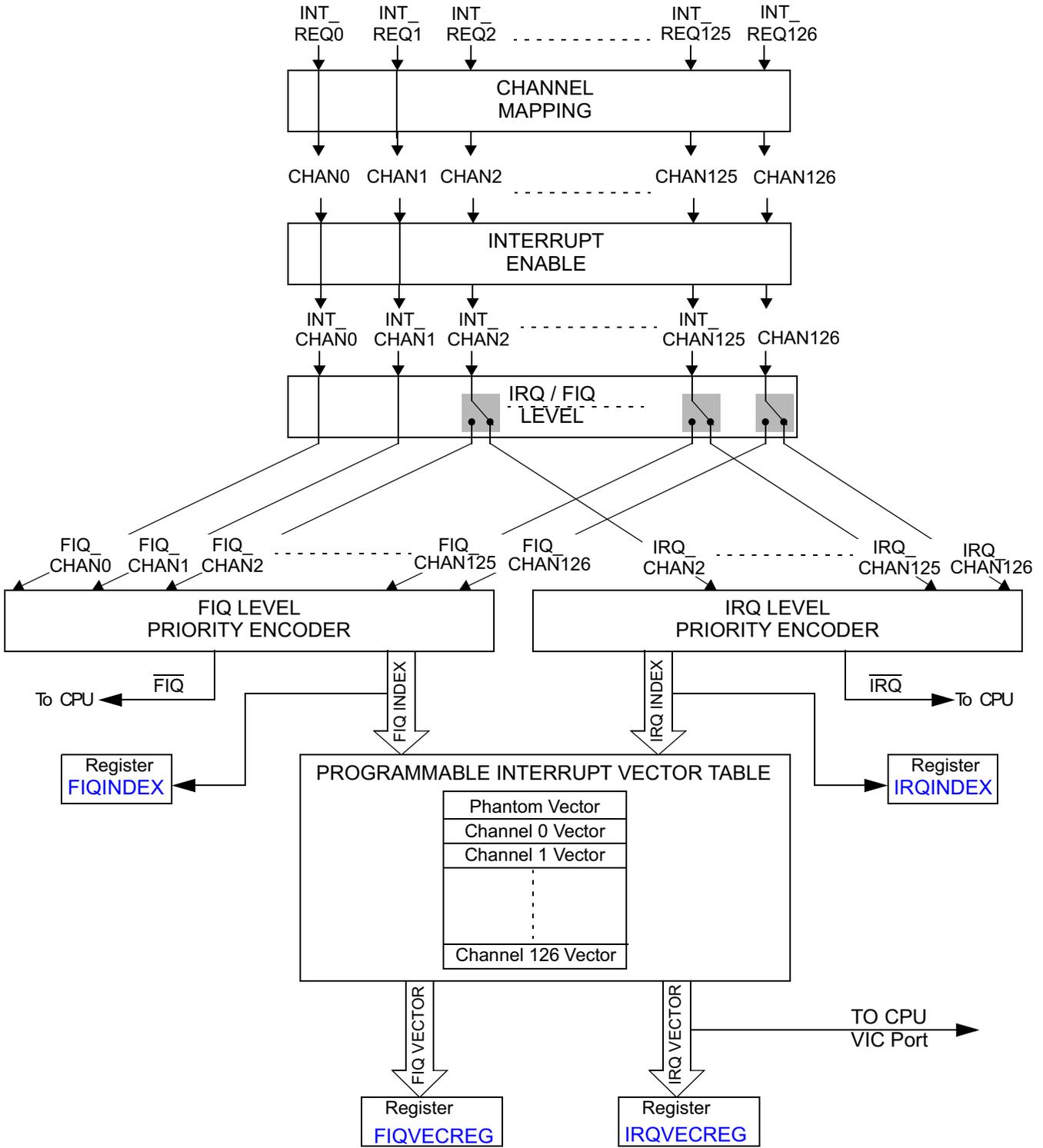
4. Software-Based Priority Decoding Scheme

If the application uses a software-based interrupt priority decoding scheme instead of the hardware vector capabilities, then there is an additional step which was not required on earlier devices. This version of the VIM will hold an interrupt request generated by a peripheral. When the software clears the interrupt condition in the source module (for example, RTI, GIO, and so on), then it must also perform an additional clear of the interrupt request in the VIM. This can be done by reading the IRQVECREG register ( [Section 19.9.15](#)) or FIQVECREG register ([Section 19.9.16](#)), or by writing a 1 to the INTREQ(i) bit ([Section 19.9.10](#)) in the VIM. This is not necessary if any of the three previous methods are used as the interrupt request bit in the VIM will be automatically cleared when the vector is read.

### 19.4 Interrupt Handling Inside VIM

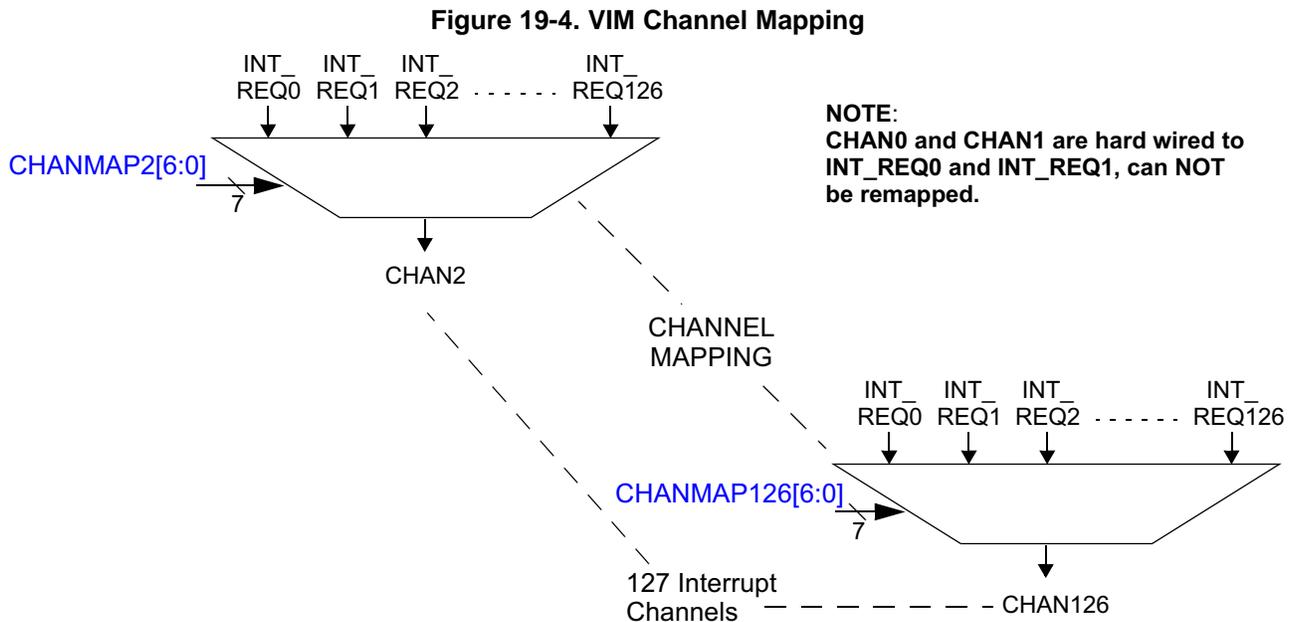
A block diagram of the interrupt handling inside VIM is shown in [Figure 19-3](#)

**Figure 19-3. VIM Interrupt Handling Block Diagram**



### 19.4.1 VIM Interrupt Channel Mapping

The VIM support 128 interrupt channels (including phantom interrupt). A block diagram of the VIM interrupt requests arrangement from peripheral modules to the interrupt channels is provided in [Figure 19-4](#). Each interrupt channel (CHANx) has a corresponding mapping register bit field (CHANMAPx[6:0]). This mapping register determines which interrupt channel it maps each VIM interrupt request. With this scheme, the same request can be mapped to multiple channels. A lower numbered channel in each FIQ and IRQ has higher priority. The programmability of the VIM allows software to control the interrupt priority.



**NOTE: CHAN127**

CHAN127 has no dedicated interrupt vector table entry. Therefore, CHAN127 shall NOT be remapped to other INT\_REQ (INT\_REQ127 is reserved at device level).

In the reset state, the VIM maps all of the interrupt requests in the system to their respective interrupt channels. [Figure 19-5](#) shows the default state following the reset.

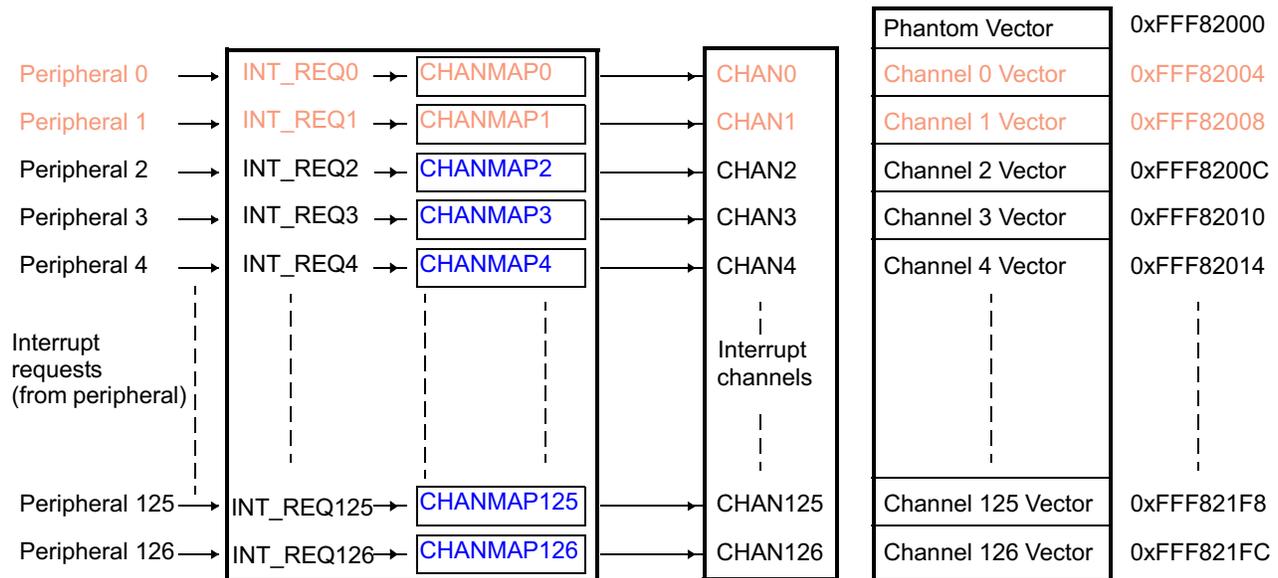
[Figure 19-6](#) shows the VIM INT2 is remapped to both Channel 2 and 4, and INT3 is mapped to channel 3.

**NOTE:** By mapping INT2 to channel 2 and channel 4, and mapping INT3 to channel 3, it is possible for the software to change the priority dynamically by changing the ENABLE register (REQENASET and REQENACLR). When channel 2 is enabled, the priority is:

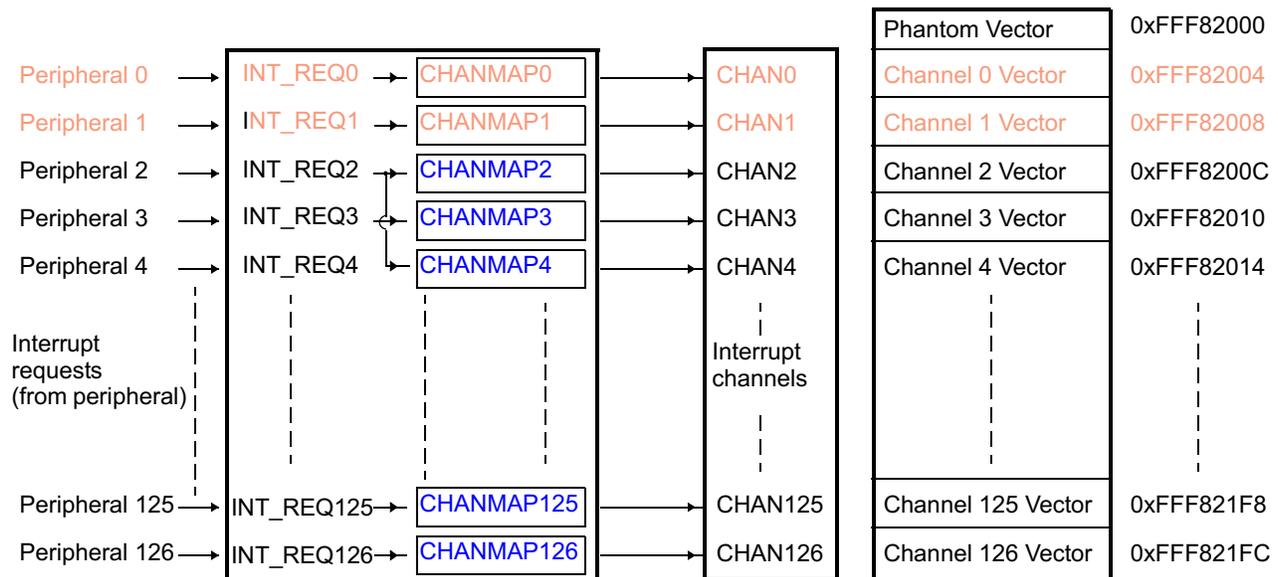
1. INT0
2. INT1
3. INT2
4. INT3

Disabling channel 2, the priority becomes:

1. INT0
2. INT1
3. INT3
4. INT2

**Figure 19-5. VIM in Default State**


**NOTE:** CHAN0 and CHAN1 are hardwired to INT\_REQ0 and INT\_REQ1, so they cannot be remapped.

**Figure 19-6. VIM in a Programmed State**


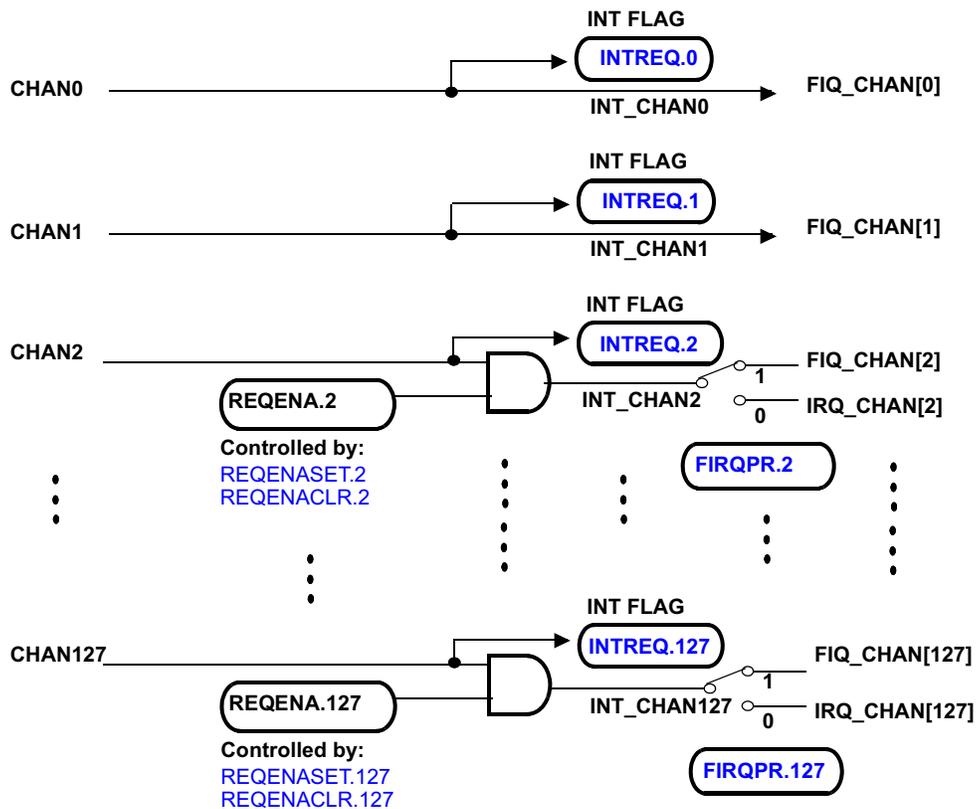
**NOTE:** CHAN0 and CHAN1 are hard wired to INT\_REQ0 and INT\_REQ1, so they cannot be remapped.

### 19.4.2 VIM Input Channel Management

As shown in Figure 19-7, the VIM enables channels on a channel-by-channel basis (in the REQENASET and REQENACLR registers); unused channels may be masked to prevent spurious interrupts.

**NOTE:** The interrupt ENABLE register does not affect the value of INTREQ.

Figure 19-7. Interrupt Channel Management



By default, interrupt CHAN0 is mapped to ESM (Error Signal Module) high level interrupt and CHAN1 is reserved for other NMI. For safety reasons, these two channels are mapped to FIQ only and can **NOT** be disabled through ENABLE registers.

**NOTE: NMI Channel**

Channel 0 and channel 1 are not maskable by the REQENASET / REQENACLR bit and both channel are routed exclusively to FIQ/NMI request line (FIRQPR0 and FIRQPR1 have no effect).

The VIM prioritizes the received interrupts based upon a programmed prioritization scheme. The VIM can send two interrupt requests to the CPU simultaneously—one IRQ and one FIQ. If both interrupt types are enabled at the CPU level, then the FIQ has greater priority and is handled first. Each interrupt channel, except channel 0 and 1, can be assigned to send either an FIQ or IRQ request to the CPU (in the FIRQPR register).

The VIM provides a default prioritization scheme, which sends the lowest numbered active channel (in each FIQ and IRQ classes) to the CPU. Within the FIQ and IRQ classes of interrupts, the lowest channel has the highest priority interrupt. The channel number is programmable through register CHANMAPx.

After the VIM has generated the vector corresponding to the highest active IRQ, it updates the FIQINDEX or the IRQINDEX register, depending on the class of interrupt. Then, it accesses the interrupt vector table using the vector value to fetch the address of the corresponding ISR. If the request is an FIQ class interrupt, the address read from the interrupt vector table, is written to the FIQVECREG register. If the request is an IRQ class interrupt, the address is written to the IRQVECREG register and put on the VIC port of the CPU (in case of hardware vectored interrupt is enabled).

All of the interrupt registers are updated when a new high priority interrupt line becomes active.

## 19.5 Interrupt Vector Table (VIM RAM)

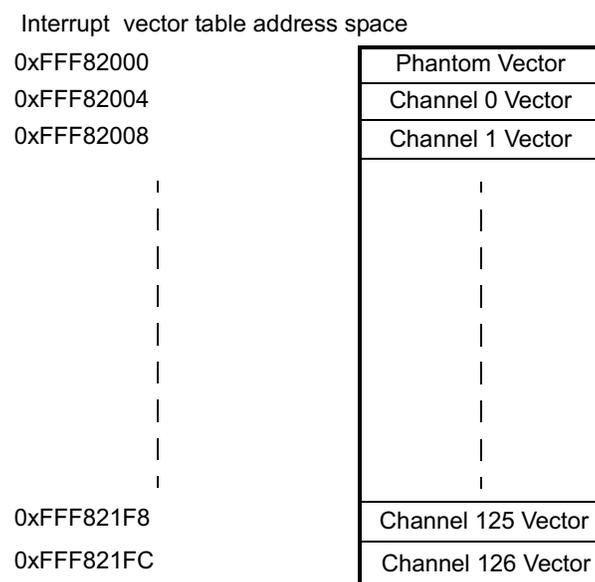
Interrupt vector table stores the address of ISRs. During register vectored interrupt and hardware vectored interrupt, VIM accesses the interrupt vector table using the vector value to fetch the address of the corresponding ISR.

For safety reasons, the interrupt vector table has protection by ECC to indicate corruption due to soft errors. The ECC scheme is implemented as a continuous background check based on memory access. The ECC logic inside VIM supports Single bit Error Correction and Double bit Error Detection (SECCDED). Section 19.5.1 through Section 19.5.4 describe how ECC works in the interrupt vector table.

### 19.5.1 Interrupt Vector Table Operation

The interrupt vector table is organized in 128 words of 32 bits. Figure 19-8 shows the interrupt memory mapping. The table base address is 0xFFF82000.

**Figure 19-8. VIM Interrupt Address Memory Map**




---

**NOTE:** The interrupt vector table only has 128 entries, one phantom vector and 127 interrupt channels. Channel 127 does not have a dedicated vector and shall not be used.

---

There are seven bits of ECC per 32-bit ISR address. When a write is performed into the interrupt vector table, the ECC bits are calculated for the 32-bit word and written into the corresponding ECC region of interrupt vector table if ECC is enabled in VIM.

---

**NOTE:** Only 32-bit write/read access are allowed on interrupt vector table if ECC is required. Non 32-bit access might result in ECC errors.

---

When a read occurs from the CPU or VIM, the VIM calculates the ECC bits from the data coming from the interrupt vector table and compares it to the known good ECC value stored in the table. If a single bit error is detected in the data, the SECDED block will automatically correct it. The read data will be a corrected one in this case. If double bit errors are detected, the read data will be the uncorrected one. The access of the data and the ECC bits are performed in the same clock cycle.

The Double Bit Error (DBE) and Single Bit Error (SBE) events will be generated only if the ECC feature is enabled by ECCENA field. Correction of the data upon a SBE event will be done only if enabled EDAC\_MODE field. Any double bit error will be flagged out to ESM module and as UERR flag in ECCSTAT register. The address of the data for which UERR is detected will also be stored as UERRADDR register.

Any single bit error will be registered into SBERR flag in ECCSTAT register and the corresponding address will be captured as SBERRADDR register. If SBE\_INT\_EN field on ECCCTL register is set to enable value, then it will be flagged out to ESM module.

Since the interrupt vector table may have an uncorrectable error (e.g. DBE), the FBVECADDR register will provide to the VIC port, IRQVECREG and FIQVECREG, a fall-back address to an ISR that can restore the interrupt vector table content. The FB\_VECADDR register should be set before initializing the interrupt in the interrupt vector table, to avoid branching to an unpredictable location.

The normal operation is restored when the ECCSTAT is cleared by the CPU. It is recommended to restore the content of the VIM before clearing the ECCSTAT.

### 19.5.2 VIM ECC Syndrome

The VIM ECC is controlled by the ECCENA bits of ECCCTL register. After reset, the SECDED feature is disabled. The SECDED feature can be enabled by writing 0xA (1010b) in the ECCENA[3:0] bit field of the ECCCTL register.

The ECC generation is done according to the ECC syndrome table as shown in [Table 19-1](#) and [Table 19-2](#). Each ECC bit is build by generating the parity of the 'XOR'ed bits of the data word, whereas ECC bit 2 and 3 are even parity and the other bits odd parity

**Table 19-1. ECC Syndrome Table**

3	3	2	2	2	2	2	2	2	2	2	2	1	1	1	1	1	1	1	1	1	0	9	8	7	6	5	4	3	2	1	0	ECC
x	x	x	x	x	x	x	x	x																x	x	x	x	x	x	x	x	6
x	x	x	x	x	x	x	x	x							x	x	x	x	x	x	x	x										5
x	x								x	x	x	x	x	x										x	x	x	x	x	x			4
		x	x	x					x	x	x				x	x								x	x	x				x	x	3
x		x			x	x			x			x	x			x							x				x	x			x	2
			x		x		x			x			x	x										x		x		x		x	x	1
x		x	x		x					x			x	x									x	x	x	x		x			x	0

**Table 19-2. ECC Error Bits for Syndrome Decode**

6	5	4	3	2	1	0	ECC
x							6
	x						5
		x					4
			x				3
				x			2
					x		1
						x	0

### 19.5.3 Interrupt Vector Table Initialization

After reset, the interrupt vector table content, including the ECC bits is not initialized. Therefore, the interrupt vector table has to be initialized first before enabling the corresponding interrupt channel. This can be done either using the hardware initialization mechanism (in Chapter Architecture Overview) or it can be done by writing known values into the interrupt vector table by software. If ECC is required, this initialization should be done after the ECC functionality is enabled. In this way, the corresponding ECC bits will be automatically updated. This initialization is only required when vectored interrupts are used, index interrupt management does not need the table to be initialized.

### 19.5.4 Interrupt Vector Table ECC Testing

To test the ECC checking mechanism, the ECC bits allows manual insertion of faults. This option is implemented using the TEST\_DIAG\_EN bit in the ECCCTL register control bit. Once TEST\_DIAG\_EN is enabled, the ECC bits are mapped to 0xFFFF82400. In this mode, the user can modify the ECC bits without changing the data bits. If ECCENA is disabled, writing to data bits does not automatically update ECC bits. The CPU reads and writes under different conditions are summarized in [Table 19-3](#) and [Table 19-4](#). After that, user can force faults into either the data or the ECC bits. Finally, the ECC error can be triggered by reading interrupt vector table (not ECC bits) from VIM or CPU. Please note that no ECC checking will be done for reads of ECC bits in test mode.

**Table 19-3. CPU Reads - Address Bit 10 Selects Between Normal Data and ECC Bits**

VBUSP_ADDR(10)	TEST_DIAG_EN	ECCENA	Action
0	x(don't care)	x(don't care)	Normal RAM location read
1	x	x	ECC bits read

**Table 19-4. CPU Writes - Address Bit 10 Selects Between Normal Data and ECC Bits**

VBUSP_ADDR(10)	TEST_DIAG_EN	ECCENA	Action
0	x	1	Normal RAM locations write with ECC bits
1	0	1	This write will be blocked
1	1	1	ECC bits write
0	x	0	Normal RAM locations write without ECC bits
1	0	0	This write will be blocked
1	1	0	This write is not allowed

Following sequence should be used for injecting faults to ECC bits and testing the ECC check feature.

1. Write the data locations of VIM RAM with the required patterns while keeping ECCENA active. The ECC bits will be automatically initialized along with data bits.
2. Enable ECC test mode using TEST\_DIAG\_EN field of ECCCTRL register.
3. In this mode, it is possible to corrupt ECC bits using any of the following methods.
  - Read the ECC bits, flip one bit and write back
  - Read the ECC bits, flip 2 bits and write back
4. Depending on the kind corruption created, read back the data bits and check for the correction error (single bit error or double bit error or no error).
5. Read the UERRADDR and SBERRADDR registers and check for the correct address capture as well.

Following sequence should be used for injecting faults to data bits and testing the ECC check feature.

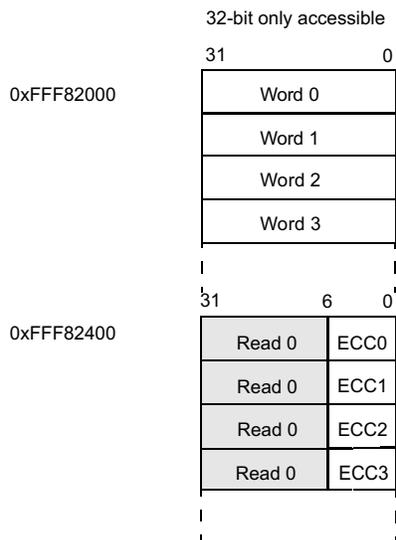
1. Write the data locations of VIM RAM with the required patterns while keeping ECCENA active. The ECC bits will be automatically initialized along with data bits.
2. Disable ECC by setting ECCENA=0 in ECCCTRL register. In this mode, writing to data bits does not automatically update ECC bits.
3. In this mode, it is possible to corrupt data bits using any of the following methods.
  - Read the data bits, flip one bit and write back
  - Read the data bits, flip 2 bits and write back
4. Depending on the kind corruption created, read back the data bits and check for the correction error (single bit error or double bit error or no error).
5. Read the UERRADDR and SBERRADDR registers and check for the correct address capture as well.

---

**NOTE:** After completing the tests for ECC check features, it should be ensured that VIM Interrupt Vector Table is initialized with valid data and corresponding check bits. Care should also be taken to clear the UERR and SBERR flag registers and the error address registers.

---

**Figure 19-9. ECC Bits Mapping**

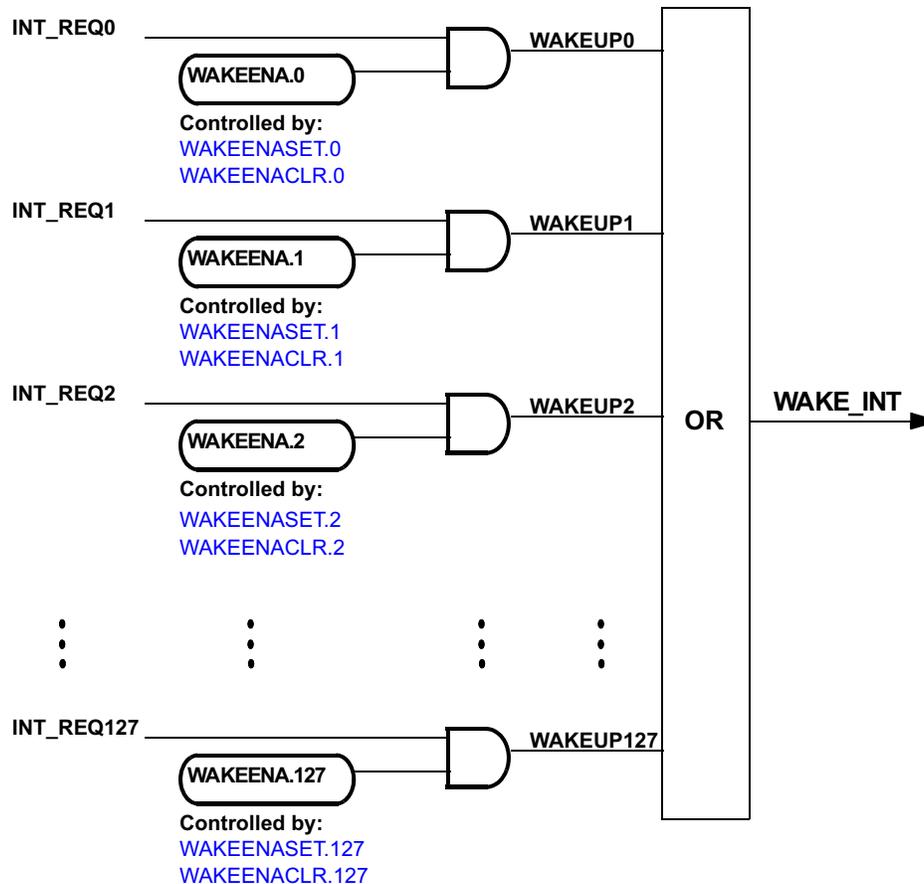


## 19.6 VIM Wakeup Interrupt

The wakeup interrupts are used to come out of low power mode (LPM). Any interrupt requests can be used to wake up the device. After reset, all interrupt requests are set to wake up from LPM. However, the VIM can mask unwanted interrupt lines for wake-up by using the WAKEENASET and WAKEENACLR register. The value in REQENASET / REQENACLR does NOT impact the wakeup interrupt.

As shown in Figure 19-10, the WAKEENASET and WAKEENACLR registers will enable/disable an interrupt for wake-up from lowpower mode. All wake-up interrupts are "ORed" into a single signal WAKE\_INT connected to the Global Clock Module.

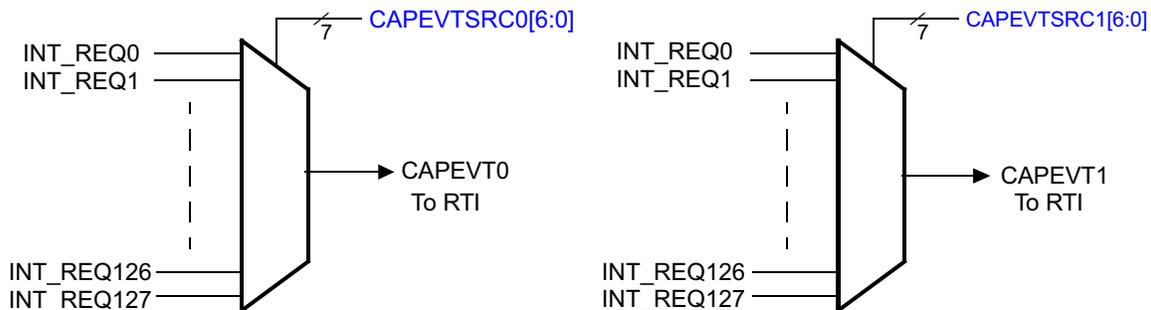
Figure 19-10. Detail of the IRQ Input



## 19.7 Capture Event Sources

The VIM can select any of the 128 interrupt request to generate up to two capture events for the real-time interrupt (RTI) module (see Figure 19-11). The value in REQENASET / REQENACLR does NOT impact the capture event. Two registers (Section 19.9.17) are available, one for each capture event source.

Figure 19-11. Capture Event Sources



## 19.8 Examples

The following sections provide examples about the operation of the VIM.

### 19.8.1 Examples - Configure CPU To Receive Interrupts

Example 19-1 shows how to set the vector enable (VE) bit in the CP15 R1 register to enable the hardware vector interrupt. Example 19-2 shows how to enable/disable the IRQ and FIQ through CPSR. As a convention, the program who calls these subroutines shall preserve register R1 if needed. Example 19-2 can ONLY run in privileged mode. However, in USER mode, the application software can force the program into software interrupt by instruction 'SWI'. Then, in the software interrupt service routine, user can write register SPSR, which is the copy of CPSR in this exception mode.

#### Example 19-1. Enable Hardware Vector Interrupt (IRQ Only)

```

_HW_Vec_Init
MRC p15 ,#0 ,R1 ,c1 ,c0 ,#0
ORR R1 ,R1 ,#0x01000000      ; Mask 0-31 bits except bit 24 in Sys
                             ; Ctrl Reg of CORTEX-R4
MCR p15 ,#0 ,R1 ,c1 ,c0 ,#0 ; Enable bit 24
MOV PC, LR

```

**Example 19-2. Enable/Disable IRQ/FIQ through CPSR**

```

FIQENABLE .equ 0x40
IRQENABLE .equ 0x80
.....
_Enable_Fiq
    MRS R1, CPSR
    BIC R1, R1, #FIQENABLE
    MSR CPSR, R1
    MOV PC, LR
.....
_Disable_Irq
    MRS R1, CPSR
    ORR R1, R1, #IRQENABLE
    MSR CPSR, R1
    MOV PC, LR
.....
_Enable_Irq
    MRS R1, CPSR
    BIC R1, R1, #IRQENABLE
    MSR CPSR, R1
    MOV PC, LR
  
```

**19.8.2 Examples - Register Vector Interrupt and Index Interrupt Handling**

**Example 19-3** illustrates the configuration for the exception vectors in Register Vector Interrupt handling. After the interrupt is received by the CPU, the CPU branches to 0x18 (IRQ) or 0x1C (FIQ). The instruction placed here should be *LDR PC, [PC,#-0x1B0]*. The pending ISR address is written into the corresponding vector register (IRQVECREG for IRQ, FIQVECREG for FIQ). The CPU reads the content of the register and branches to the ISR.

**Example 19-3. Exception Vector Configuration for VIM Vector**

```

        .sect ".intvecs"
00000000h b _RESET           ; RESET interrupt
00000004h b _UNDEF_INST_INT  ; UNDEFINED INSTRUCTION interrupt
00000008h b _SW_INT         ; SOFTWARE interrupt
0000000Ch b _ABORT_PREF_INT ; ABORT (PREFETCH) interrupt
00000010h b _ABORT_DATA_INT ; ABORT (DATA) interrupt
00000014h b #-8            ; Reserved
00000018h ldr pc,[pc,#-0x1B0] ; IRQ interrupt
0000001Ch ldr pc,[pc,#-0x1B0] ; FIQ interrupt
  
```

---

**NOTE:** Program Counter (PC) always pointers two instructions beyond the current executed instruction. In this case, PC equals to '0x18 or 0x1C + 0x08'. The *LDR* instruction load the memory at 'PC - 0x1B0', which is '0x18 or 0x1C + 0x08 - 0x1B0 = 0xFFFFFE70 or 0xFFFFFE74'. These are the address of IRQVECREG and FIQVECREG, which store the pending ISR address.

---

[Example 19-4](#) shows a fast response to the FIQ interrupt in Index Interrupt and can be applied to a system that has more than one channel assigned as a FIQ. It is built in Index Interrupt compatible with TMS470R1x legacy code.

**Example 19-4. How to Respond to FIQ With Short Latency**

```

        .sect ".intvecs"           ; Interrupt and exception vector sector
00000000h b _RESET                ; RESET interrupt
00000004h b _UNDEF_INST_INT      ; UNDEFINED INSTRUCTION interrupt
00000008h b _SW_INT              ; SOFTWARE interrupt
0000000Ch b _ABORT_PREF_INT     ; ABORT (PREFETCH) interrupt
00000010h b _ABORT_DATA_INT     ; ABORT (DATA) interrupt
00000014h b #-8                  ; Reserved
00000018h b _IRQ_ENTRY_0        ; IRQ interrupt
                                ;*****
                                ; INTERRUPT PROCESSING AREA
                                ;*****
0000001Ch ldrb R8, [PC,#-0x21d]  ; FIQ INTERRUPT ENTRY
                                ; R8 used to get the FIQ index
                                ; with address pointer to the
                                ; first FIQ banked register
00000020h ldr PC, [PC, R8, LSL#2] ; Branch to the indexed interrupt
                                ; routine. The prefetch
                                ; operation causes the PC to be 2
                                ; words (8 bytes) ahead of the
                                ; current instruction, so
                                ; pointing to _INT_TABLE.
                                ; Required due to pipeline.
00000024h nop                    ; Required due to pipeline.
                                ;=====
00000028h _INT_TABLE             ; FIQ INTERRUPT DISPATCH
                                ;=====
0000002Ch .word _FIQ_TABLE       ; beginning of FIQ Dispatch
00000030h .word _ISR1            ; dispatch to interrupt routine 1
00000034h .word _ISR2            ; dispatch to interrupt routine 2
        .
        .

```

Another way to improve the FIQ latency is to assign only one channel to the FIQ interrupt and to map the ISR code corresponding to this channel directly starting at 0x1C.

---

**NOTE:** When the CPU is in vector-enabled mode, [Example 19-3](#) and [Example 19-4](#) are still valid. The difference is that the CPU will not read from the 0x18 location during IRQ interrupt, but will jump directly to the corresponding ISR routine.

---

## 19.9 VIM Control Registers

Table 19-5 lists the VIM module registers. Each register begins on a word boundary. All registers are 32-bit, 16-bit, and 8-bit accessible for read and write. Write is only possible in privilege mode. The base address of the VIM module is FFFF FE00h. The base address of the ECC-related VIM registers is FFFF FD00h. The address locations not listed are reserved.

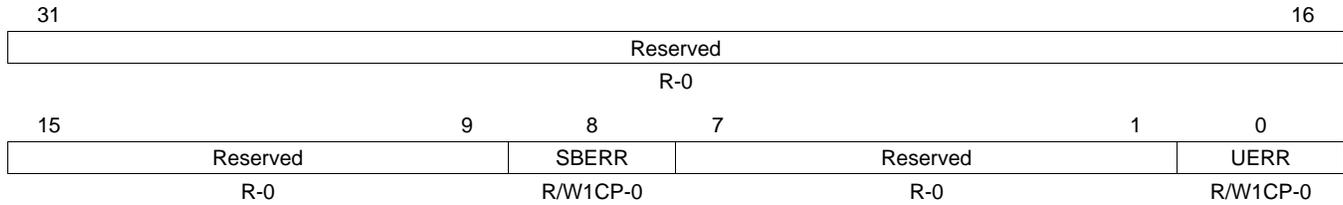
**Table 19-5. VIM Control Registers**

Offset	Acronym	Register Description	Section
<b>ECC-related Registers</b>			
ECh	ECCSTAT	Interrupt Vector Table ECC Status Register	<a href="#">Section 19.9.1</a>
F0h	ECCCTL	Interrupt Vector Table ECC Control Register	<a href="#">Section 19.9.2</a>
F4h	UERRADDR	Uncorrectable Error Address Register	<a href="#">Section 19.9.3</a>
F8h	FBVECADDR	Fallback Vector Address Register	<a href="#">Section 19.9.4</a>
FCh	SBERRADDR	Single Bit Error Address Register	<a href="#">Section 19.9.5</a>
<b>Control Registers</b>			
00h	IRQINDEX	IRQ Index Offset Vector Register	<a href="#">Section 19.9.7</a>
04h	FIQINDEX	FIQ Index Offset Vector Register	<a href="#">Section 19.9.8</a>
10h	FIRQPR0	FIQ/IRQ Program Control Register 0	<a href="#">Section 19.9.9</a>
14h	FIRQPR1	FIQ/IRQ Program Control Register 1	<a href="#">Section 19.9.9</a>
18h	FIRQPR2	FIQ/IRQ Program Control Register 2	<a href="#">Section 19.9.9</a>
1Ch	FIRQPR3	FIQ/IRQ Program Control Register 3	<a href="#">Section 19.9.9</a>
20h	INTREQ0	Pending Interrupt Read Location Register 0	<a href="#">Section 19.9.10</a>
24h	INTREQ1	Pending Interrupt Read Location Register 1	<a href="#">Section 19.9.10</a>
28h	INTREQ2	Pending Interrupt Read Location Register 2	<a href="#">Section 19.9.10</a>
2Ch	INTREQ3	Pending Interrupt Read Location Register 3	<a href="#">Section 19.9.10</a>
30h	REQENASET0	Interrupt Enable Set Register 0	<a href="#">Section 19.9.11</a>
34h	REQENASET1	Interrupt Enable Set Register 1	<a href="#">Section 19.9.11</a>
38h	REQENASET2	Interrupt Enable Set Register 2	<a href="#">Section 19.9.11</a>
3Ch	REQENASET3	Interrupt Enable Set Register 3	<a href="#">Section 19.9.11</a>
40h	REQENACLRO	Interrupt Enable Clear Register 0	<a href="#">Section 19.9.12</a>
44h	REQENACLRO	Interrupt Enable Clear Register 1	<a href="#">Section 19.9.12</a>
48h	REQENACLRO	Interrupt Enable Clear Register 2	<a href="#">Section 19.9.12</a>
4Ch	REQENACLRO	Interrupt Enable Clear Register 3	<a href="#">Section 19.9.12</a>
50h	WAKEENASET0	Wake-up Enable Set Register 0	<a href="#">Section 19.9.13</a>
54h	WAKEENASET1	Wake-up Enable Set Register 1	<a href="#">Section 19.9.13</a>
58h	WAKEENASET2	Wake-up Enable Set Register 2	<a href="#">Section 19.9.13</a>
5Ch	WAKEENASET3	Wake-up Enable Set Register 3	<a href="#">Section 19.9.13</a>
60h	WAKEENACLRO	Wake-up Enable Clear Register 0	<a href="#">Section 19.9.14</a>
64h	WAKEENACLRO	Wake-up Enable Clear Register 1	<a href="#">Section 19.9.14</a>
68h	WAKEENACLRO	Wake-up Enable Clear Register 2	<a href="#">Section 19.9.14</a>
6Ch	WAKEENACLRO	Wake-up Enable Clear Register 3	<a href="#">Section 19.9.14</a>
70h	IRQVECREG	IRQ Interrupt Vector Register	<a href="#">Section 19.9.15</a>
74h	FIQVECREG	FIQ Interrupt Vector Register	<a href="#">Section 19.9.16</a>
78h	CAPEVT	Capture Event Register	<a href="#">Section 19.9.17</a>
80h-FCh	CHANCTRL	VIM Interrupt Control Register	<a href="#">Section 19.9.18</a>

### 19.9.1 Interrupt Vector Table ECC Status Register (ECCSTAT)

Figure 19-12 and Table 19-6 describe this register.

**Figure 19-12. Interrupt Vector Table ECC Status Register (ECCSTAT) [offset = ECh]**



LEGEND: R/W = Read/Write; R = Read only; W1CP = Write 1 to clear in privilege mode only; -n = value after reset

**Table 19-6. Interrupt Vector Table ECC Status Register (ECCSTAT) Field Descriptions**

Bit	Field	Value	Description
31-9	Reserved	0	Read returns 0. Writes have no effect.
8	SBERR	0	The SBERR flag indicates that a single bit error has been detected and has been corrected by the SECDED logic and the Interrupt Vector Table is being used for normal operation (not bypassed). <i>Read:</i> No ECC error has occurred. <i>Write:</i> No effect.
		1	<i>Read:</i> A single bit error has occurred and was corrected by the SECDED logic <i>Write:</i> The SBERR is cleared.
7-1	Reserved	0	Read returns 0. Writes have no effect.
0	UERR	0	The UERR indicates that a double bit error has been found and that the Interrupt Vector Table is bypassed. The resulting vector of any IRQ/FRQ interrupt is then the value contained in the FBVECADDR register until this bit has been cleared. <i>Read:</i> No double bit error has occurred. <i>Write:</i> No effect.
		1	<i>Read:</i> A double bit error has occurred and the Interrupt Vector Table is bypassed. <i>Write:</i> The UERR is cleared and the interrupt vector can be read from the Interrupt Vector Table.

## 19.9.2 Interrupt Vector Table ECC Control Register (ECCCTL)

**Figure 19-13. Interrupt Vector Table ECC Control Register (ECCCTL) [offset = F0h]**

31	28	27	24	23	20	19	16
Reserved R-0		SBE_EVT_EN R/WP-5h		Reserved R-0		EDAC_MODE R/WP-Ah	
15	12	11	8	7	4	3	0
Reserved R-0		TEST_DIAG_EN R/WP-Ah		Reserved R-0		ECCENA R/WP-5h	

LEGEND: R/W = Read/Write; R = Read only; WP = Write in privilege mode only; -n = value after reset

**Table 19-7. Interrupt Vector Table ECC Control Register (ECCCTL) Field Descriptions**

Bit	Field	Value	Description
31-28	Reserved	0	Read returns 0. Writes have no effect.
27-24	SBE_EVT_EN	5h Ah All other values	These bits control the generation of Error signal out based on Single Bit Error (SBE) indications from SECDED logic for the Interrupt Vector Table. 5h Disable Error Event indication upon detection of SBE on the Interrupt Vector Table. Ah Enable Error Event upon detection of SBE the Interrupt Vector Table. All other values Writes are ignored and the values are not updated into this field. The state of the feature remains unchanged.
23-20	Reserved	0	Read returns 0. Writes have no effect.
19-16	EDAC_MODE	5h Ah All other values	These bits determine whether Single Bit Errors (SBE) detected by the SECDED block will be corrected or not. 5h Disable correction of SBE detected by the SECDED block Ah Enable correction of SBE detected by the SECDED block All other values Writes are ignored and the values are not updated into this field. The state of the feature remains unchanged. <b>Note: If an SBE is selected to be not corrected (using EDAC_MODE), then an SBE event will also cause VIM RAM to be bypassed just like UERR and the module to use the FBVECADDR register as the vector address.</b>
15-12	Reserved	0	Read returns 0. Writes have no effect.
11-8	TEST_DIAG_EN	5h All other values	This bit maps the ECC bits into the Interrupt Vector Table frame to make them accessible by the CPU. When enabled, the ECC bits are writable as well as readable independent of data bits. 5h Enable memory mapping of ECC bits for read/write operation All other values Disable memory mapping of ECC bits for read/write operation <b>Note: To avoid soft error to disable VIM ECC mapping, it is recommended to write Ah to disable ECC bits mapping.</b>
7-4	Reserved	0	Read returns 0. Writes have no effect.
3-0	ECCENA	5h All other values	VIM ECC enable. 5h VIM ECC is disabled. All other values VIM ECC is enabled. <b>Note: To avoid soft error to disable VIM ECC checking, it is recommended to write Ah to enable ECC checking.</b>

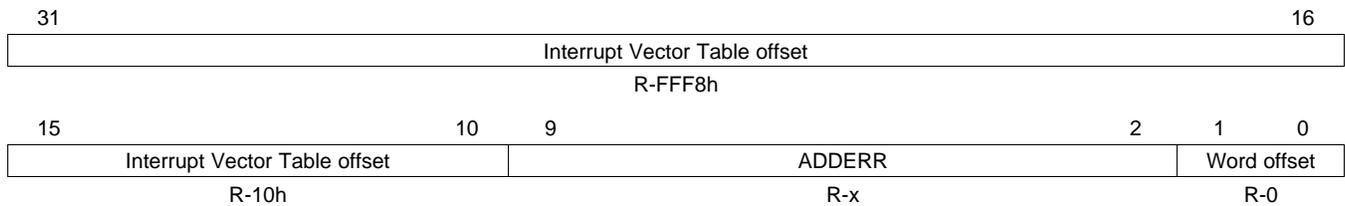
### 19.9.3 Uncorrectable Error Address Register (UERRADDR)

The uncorrectable error address register gives the address of the first uncorrectable error location.

**NOTE:** No computation is needed when reading the complete register to retrieve the address in the Interrupt Vector Table.

This register will never be reset by a power-on reset nor any other reset source.

**Figure 19-14. Uncorrectable Error Address Register (UERRADDR) [offset = F4h]**



LEGEND: R = Read only; -n = value after reset

**Table 19-8. Uncorrectable Error Address Register (UERRADDR) Field Descriptions**

Bit	Field	Description
31-10	Interrupt Vector Table offset	Interrupt Vector Table offset. Reads are always FF F820h; writes have no effect
9-2	ADDERR	Uncorrectable error address register. This register gives the address of the first encountered double bit error since the flag has been clear. Subsequent ECC errors will not update this register until the UERR flag has been cleared. <b>Note: This register is valid only when PARFLG is set (see Section 19.9.1).</b>
1-0	Word offset	Word offset. Reads are always 0; writes have no effect.

### 19.9.4 Fallback Vector Address Register (FBVECADDR)

This register provides a fall-back address to the VIM if a uncorrectable error has occurred in the Interrupt Vector Table. Figure 19-15 and Table 19-9 describe this register.

**NOTE:** This register will never be reset by a power-on reset nor any other reset source.

**Figure 19-15. Fallback Vector Address Register (FBVECADDR) [offset = F8h]**



LEGEND: R/W = Read/Write; WP = Write in privilege mode only; -n = value after reset; x = Indeterminate

**Table 19-9. Fallback Vector Address Register (FBVECADDR) Field Descriptions**

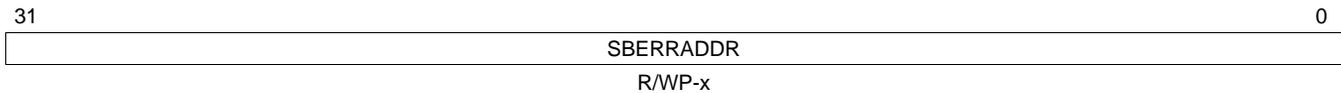
Bit	Field	Description
31-0	FBVECADDR	Fallback Vector Address Register. This register is used by the VIM if the Interrupt Vector Table has been corrupted. The contents of the IRQVECREG and FIQVECREG registers will reflect the value programmed in FBVECADDR. The value provided to the VIC port will also reflect FBVECADDR until the UERR register has been cleared. This register provides the address of the ISR that will restore the integrity of the Interrupt Vector Table.

### 19.9.5 Single Bit Error Address Register (SBERRADDR)

This register gives the address of the first single bit ECC error detected by the ECC logic. [Figure 19-16](#) and [Table 19-10](#) describe this register.

**NOTE:** This register will never be reset by a power-on reset nor any other reset source.

**Figure 19-16. Single Bit Error Address Register (SBERRADDR) [offset = FCh]**



LEGEND: R/W = Read/Write; WP = Write in privilege mode only; -n = value after reset; x = Indeterminate

**Table 19-10. Single Bit Error Address Register (SBERRADDR) Field Descriptions**

Bit	Field	Description
31-0	SBERRADDR	Single Bit Error Address Register. This register gives the address of the first single bit error detected by the SECEDED logic since the SBERR flag has been clear. Subsequent single bit ECC errors will not update this register until the SBERR flag has been cleared.  This register provides the Interrupt Vector Table address (offset from base address word aligned) of the ECC error location. This register is valid only when the SBERR flag is set.

### 19.9.6 VIM Offset Vector Registers

The VIM offset register provides the user with the numerical index value that represents the pending interrupt with the highest precedence. The register IRQINDEX holds the index to the highest priority IRQ interrupt; the register FIQINDEX holds the index to the highest priority FIQ interrupt. The index can be used to locate the interrupt routine in a dispatch table, as shown in [Table 19-11](#).

**Table 19-11. Interrupt Dispatch**

IRQINDEX / FIQINDEX Register Bit Field	Highest Priority Pending Interrupt Enabled
0x00	No interrupt
0x01	Channel 0
:	:
0x79	Channel 126
0x80	Channel 127

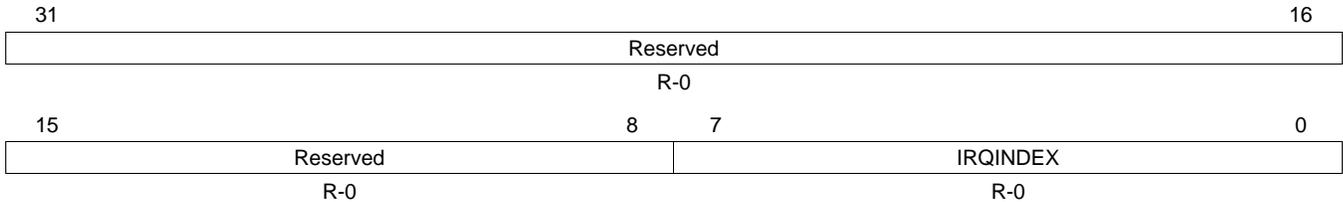
**NOTE:** Channel 127 has no dedicated interrupt vector table entry. Therefore, Channel 127 shall NOT be used in application.

The VIM offset registers are read only. They are updated continuously by the VIM. When an interrupt is serviced, the offset vectors show the index for the next highest pending interrupt or 0x0 if no interrupt is pending.

**19.9.7 IRQ Index Offset Vector Register (IRQINDEX)**

The IRQ offset register provides the user with the numerical index value that represents the pending IRQ interrupt with the highest priority. Figure 19-17 and Table 19-12 describe this register.

**Figure 19-17. IRQ Index Offset Vector Register (IRQINDEX) [offset = 00h]**



LEGEND: R = Read only; -n = value after reset

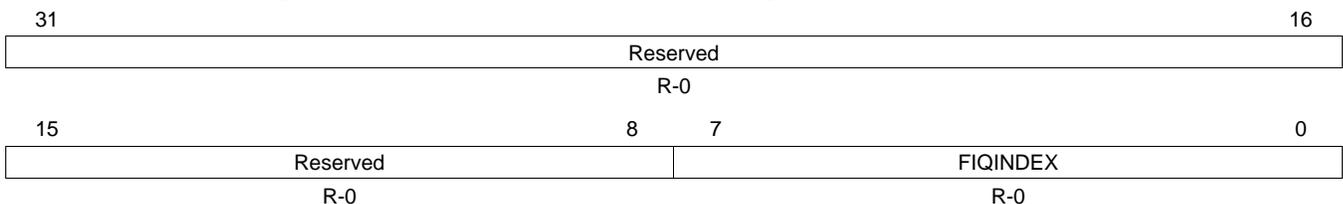
**Table 19-12. IRQ Index Offset Vector Register (IRQINDEX) Field Descriptions**

Bit	Field	Value	Description
31-8	Reserved	0	Read returns 0. Writes have no effect.
7-0	IRQINDEX	0-FFh	<b>IRQ index vector.</b> The least significant bits represent the index of the IRQ pending interrupt with the highest precedence, as shown in Table 19-11. When no interrupts are pending, the least significant byte of IRQINDEX is 0.

**19.9.8 FIQ Index Offset Vector Registers (FIQINDEX)**

The FIQINDEX register provides the user with a numerical index value that represents the pending FIQ interrupt with the highest priority. Figure 19-18 and Table 19-13 describe this register.

**Figure 19-18. FIQ Index Offset Vector Register (FIQINDEX) [offset = F04h]**



LEGEND: R = Read only; -n = value after reset

**Table 19-13. FIQ Index Offset Vector Register (FIQINDEX) Field Descriptions**

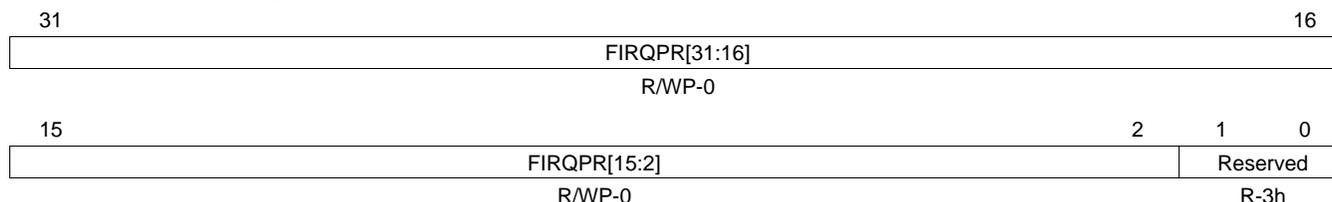
Bit	Field	Value	Description
31-8	Reserved	0	Read returns 0. Writes have no effect.
7-0	FIQINDEX	0-FFh	<b>FIQ index offset vector.</b> The least significant bits represent the index of the FIQ pending interrupt with the highest precedence, as shown in Table 19-11. When no interrupts are pending, the least significant byte of FIQINDEX is 0x00.

### 19.9.9 FIQ/IRQ Program Control Registers (FIRQPR[0:3])

The FIQ/IRQ program control registers determine whether a given interrupt request will be either FIQ or IRQ. Figure 19-19, Figure 19-20, Figure 19-21, Figure 19-22 and Table 19-14 describe these registers.

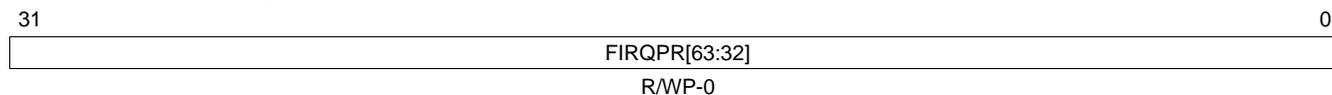
**NOTE:** Channel 0 and 1 are FIQ only, not impacted by this register.

**Figure 19-19. FIQ/IRQ Program Control Register 0 (FIRQPR0) [offset = 10h]**



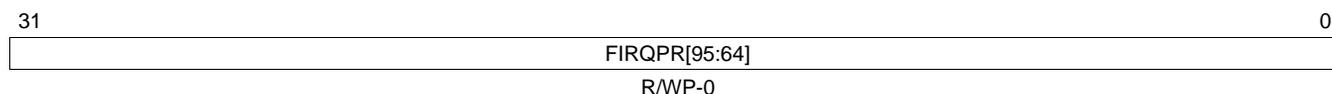
LEGEND: R/W = Read/Write; R = Read only; WP = Write in privilege mode only; -n = value after reset

**Figure 19-20. FIQ/IRQ Program Control Register 1 (FIRQPR1) [offset = F14h]**



LEGEND: R/W = Read/Write; WP = Write in privilege mode only; -n = value after reset

**Figure 19-21. FIQ/IRQ Program Control Register 2 (FIRQPR2) [offset = 18h]**



LEGEND: R/W = Read/Write; WP = Write in privilege mode only; -n = value after reset

**Figure 19-22. FIQ/IRQ Program Control Register 3 (FIRQPR3) [offset = 1Ch]**



LEGEND: R/W = Read/Write; WP = Write in privilege mode only; -n = value after reset

**Table 19-14. FIQ/IRQ Program Control Registers (FIRQPR) Field Descriptions**

Bit	Field	Value	Description
127-2	FIRQPR[n]	0 1	<b>FIQ/IRQ program control bits.</b> These bits determine whether an interrupt request from a peripheral is of type FIQ or IRQ. Bit FIRQPRx[127:2] corresponds to request channel[127:2]. Interrupt request is of IRQ type. Interrupt request is of FIQ type.
1-0	Reserved	3h	Read only. Writes have no effect.

### 19.9.10 Pending Interrupt Read Location Registers (INTREQ[0:3])

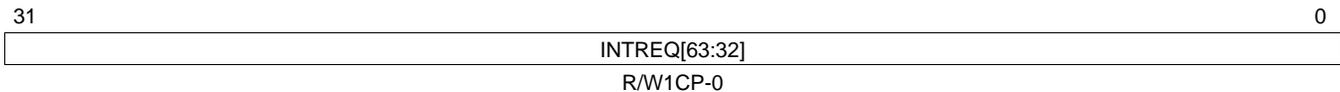
The pending interrupt register gives the pending interrupt requests. The register is updated every vbus clock cycle. Figure 19-23, Figure 19-24, Figure 19-25, Figure 19-26 and Table 19-15 describe this register.

**Figure 19-23. Pending Interrupt Read Location Register 0 (INTREQ0) [offset = 20h]**



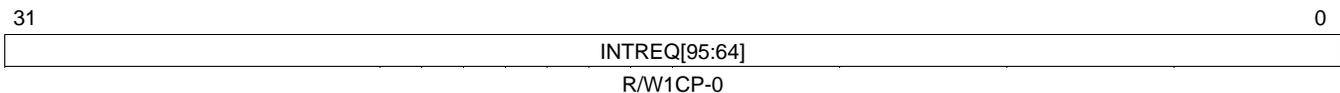
LEGEND: R/W = Read/Write; W1CP = Write 1 to clear in privilege mode only; -n = value after reset

**Figure 19-24. Pending Interrupt Read Location Register 1 (INTREQ1) [offset = 24h]**



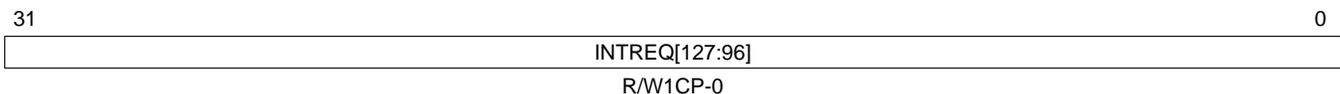
LEGEND: R/W = Read/Write; W1CP = Write 1 to clear in privilege mode only; -n = value after reset

**Figure 19-25. Pending Interrupt Read Location Register 2 (INTREQ2) [offset = 28h]**



LEGEND: R/W = Read/Write; W1CP = Write 1 to clear in privilege mode only; -n = value after reset

**Figure 19-26. Pending Interrupt Read Location Register 3 (INTREQ3) [offset = 2Ch]**



LEGEND: R/W = Read/Write; W1CP = Write 1 to clear in privilege mode only; -n = value after reset

**Table 19-15. Pending Interrupt Read Location Registers (INTREQ) Field Descriptions**

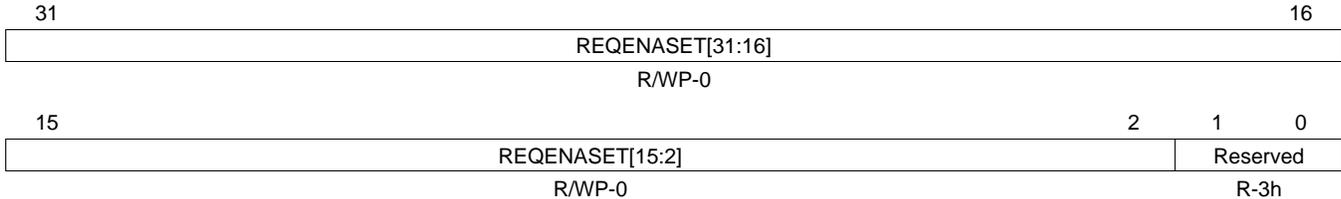
Bit	Field	Value	Description
127-0	FIRQPR[n]		Pending interrupt bits. These bits determine whether an interrupt request is pending for the request channel between 0 and 127. The interrupt ENABLE register does not affect the value of the interrupt pending bit. Bit INTREQx[127:0] corresponds to request channel[127:0].  <b>User and Privilege Mode read:</b>  0 No interrupt event has occurred. 1 An interrupt is pending.
			<b>Privilege Mode write only:</b>  0 Writing 0 has no effect. 1 Clears the "interrupt pending" status flag. This write-clear functionality is intended to allow clearing those interrupts which have been signaled to VIM before enabling the interrupt channel, if they are undesired.

### 19.9.11 Interrupt Enable Set Registers (REQENASET[0:3])

The interrupt register enable selectively enables individual request channels. Figure 19-27, Figure 19-28, Figure 19-29, Figure 19-30 and Table 19-16 describe these registers.

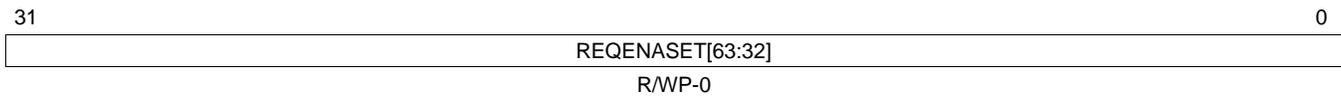
**NOTE:** Channel 0 and 1 are always enabled, not impacted by this register.

**Figure 19-27. Interrupt Enable Set Register 0 (REQENASET0) [offset = 30h]**



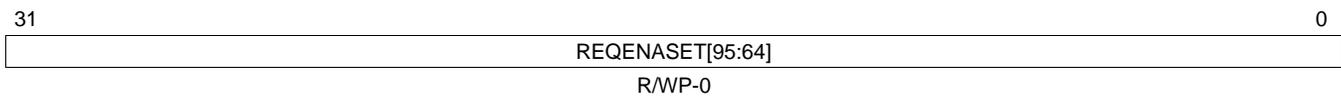
LEGEND: R/W = Read/Write; R = Read only; -n = value after reset

**Figure 19-28. Interrupt Enable Set Register 1 (REQENASET1) [offset = 34h]**



LEGEND: R/W = Read/Write; WP = Write in privilege mode only; -n = value after reset

**Figure 19-29. Interrupt Enable Set Register 2 (REQENASET2) [offset = 38h]**



LEGEND: R/W = Read/Write; WP = Write in privilege mode only; -n = value after reset

**Figure 19-30. Interrupt Enable Set Register 3 (REQENASET3) [offset = 3Ch]**



LEGEND: R/W = Read/Write; WP = Write in privilege mode only; -n = value after reset

**Table 19-16. Interrupt Enable Set Registers (REQENASET) Field Descriptions**

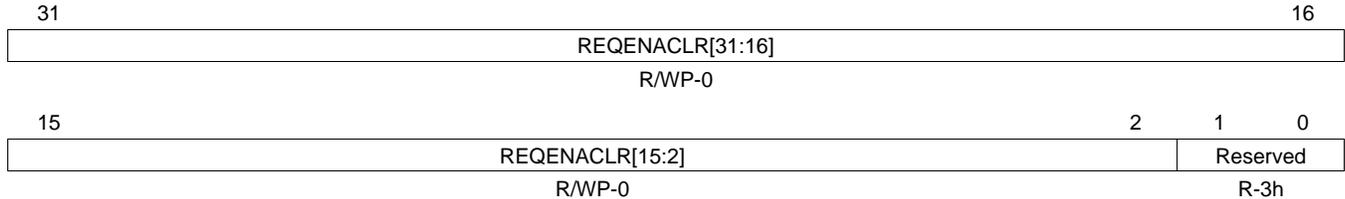
Bit	Field	Value	Description
127-2	REQENASET[n]	0	<b>Request enable set bits.</b> This vector determines whether the interrupt request channel is enabled. Bit REQENASETx[127:2] corresponds to request channel[127:2]. <i>Read:</i> Interrupt request channel is disabled. <i>Write:</i> No effect.
		1	<i>Read or Write:</i> The interrupt request channel is enabled.
1-0	Reserved	3h	Read only. Writes have no effect.

### 19.9.12 Interrupt Enable Clear Registers (REQENACLR[0:3])

The interrupt register enable selectively disables individual request channels. Figure 19-31, Figure 19-32, Figure 19-33, Figure 19-34 and Table 19-17 describe these registers.

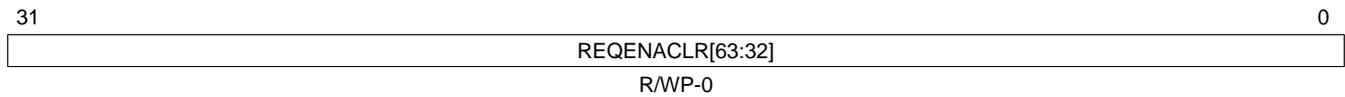
**NOTE:** Channel 0 and 1 are always enabled, not impacted by this register.

**Figure 19-31. Interrupt Enable Clear Register 0 (REQENACLR0) [offset = 40h]**



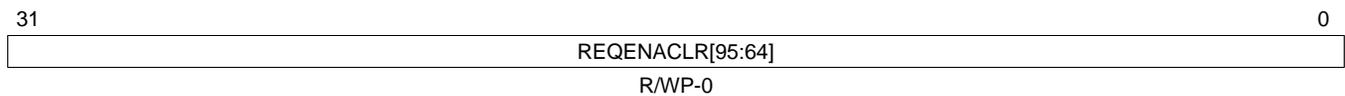
LEGEND: R/W = Read/Write; R = Read only; -n = value after reset

**Figure 19-32. Interrupt Enable Clear Register 1 (REQENACLR1) [offset = 44h]**



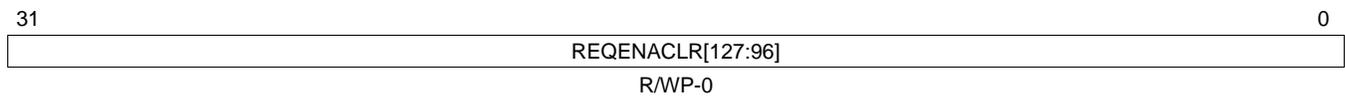
LEGEND: R/W = Read/Write; WP = Write in privilege mode only; -n = value after reset

**Figure 19-33. Interrupt Enable Clear Register 2 (REQENACLR2) [offset = 48h]**



LEGEND: R/W = Read/Write; WP = Write in privilege mode only; -n = value after reset

**Figure 19-34. Interrupt Enable Clear Register 3 (REQENACLR3) [offset = 4Ch]**



LEGEND: R/W = Read/Write; WP = Write in privilege mode only; -n = value after reset

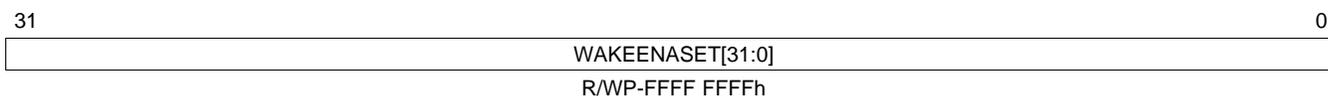
**Table 19-17. Request Enable Clear Registers (REQENACLR) Field Descriptions**

Bit	Field	Value	Description
127-2	REQENACLR[n]	0	<b>Request enable clear bits.</b> This vector determines whether the interrupt request channel is enabled. Bit REQENACLRx[127:2] corresponds to request channel[127:2]. <i>Read:</i> Interrupt request channel is disabled. <i>Write:</i> No effect.
		1	<i>Read:</i> The interrupt request channel is enabled. <i>Write:</i> The interrupt request channel is disabled.
1-0	Reserved	3h	Read only. Writes have no effect.

### 19.9.13 Wake-Up Enable Set Registers (WAKEENASET[0:3])

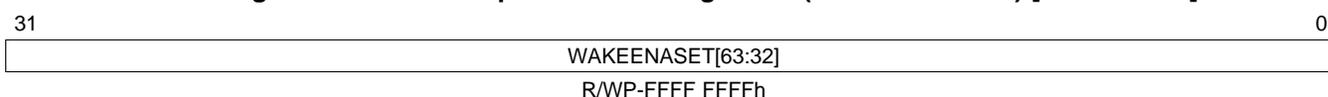
The wake-up enable registers selectively enables individual wake-up interrupt request lines. [Figure 19-35](#), [Figure 19-36](#), [Figure 19-37](#), [Figure 19-38](#) and [Table 19-18](#) describe these registers.

**Figure 19-35. Wake-Up Enable Set Register 0 (WAKEENASET0) [offset = 50h]**



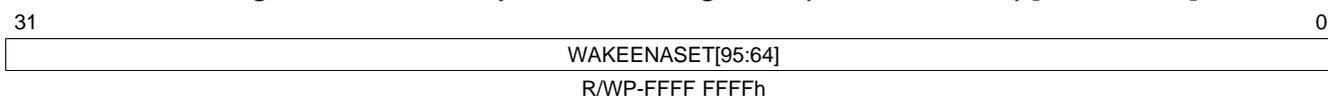
LEGEND: R/W = Read/Write; WP = Write in privilege mode only; -n = value after reset

**Figure 19-36. Wake-Up Enable Set Register 1 (WAKEENASET1) [offset = 54h]**



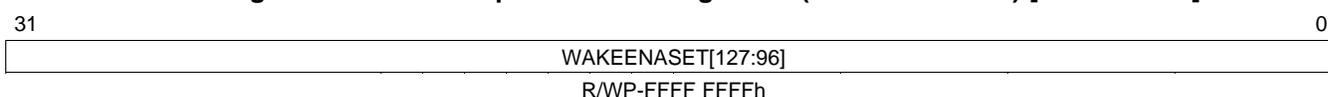
LEGEND: R/W = Read/Write; WP = Write in privilege mode only; -n = value after reset

**Figure 19-37. Wake-Up Enable Set Register 2 (WAKEENASET2) [offset = 58h]**



LEGEND: R/W = Read/Write; WP = Write in privilege mode only; -n = value after reset

**Figure 19-38. Wake-Up Enable Set Register 3 (WAKEENASET3) [offset = 5Ch]**



LEGEND: R/W = Read/Write; WP = Write in privilege mode only; -n = value after reset

**Table 19-18. Wake-Up Enable Set Registers (WAKEENASET) Field Descriptions**

Bit	Field	Value	Description
127-0	WAKEENASET[n]	0	Wake-up enable set bits. This vector determines whether the wake-up interrupt line is enabled. Bit WAKEENASETx[127:0] corresponds to interrupt request channel[127:0]. <i>Read:</i> Interrupt request channel is disabled. <i>Write:</i> No effect.
		1	<i>Read or Write:</i> The interrupt request channel is enabled.

### 19.9.14 Wake-Up Enable Clear Registers (WAKEENACLR[0:3])

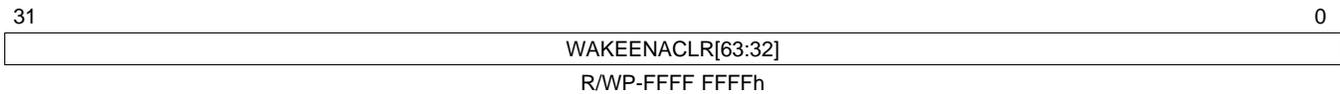
The wake-up enable register selectively disables individual wake-up interrupt request lines. [Figure 19-39](#), [Figure 19-40](#), [Figure 19-41](#), [Figure 19-42](#) and [Table 19-19](#) describe these registers.

**Figure 19-39. Wake-Up Enable Clear Register 0 (WAKEENACLR0) [offset = 60h]**



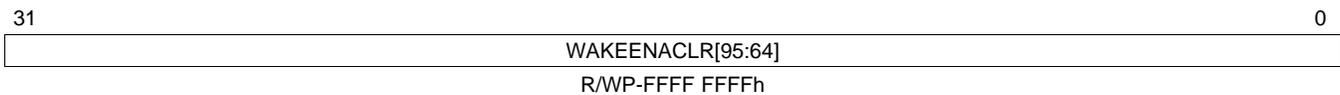
LEGEND: R/W = Read/Write; WP = Write in privilege mode only; -n = value after reset

**Figure 19-40. Wake-Up Enable Clear Register 1 (WAKEENACLR1) [offset = 64h]**



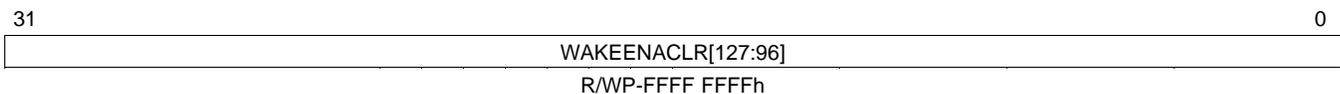
LEGEND: R/W = Read/Write; WP = Write in privilege mode only; -n = value after reset

**Figure 19-41. Wake-Up Enable Clear Register 2 (WAKEENACLR2) [offset = 68h]**



LEGEND: R/W = Read/Write; WP = Write in privilege mode only; -n = value after reset

**Figure 19-42. Wake-Up Enable Clear Register 3 (WAKEENACLR3) [offset = 6Ch]**



LEGEND: R/W = Read/Write; WP = Write in privilege mode only; -n = value after reset

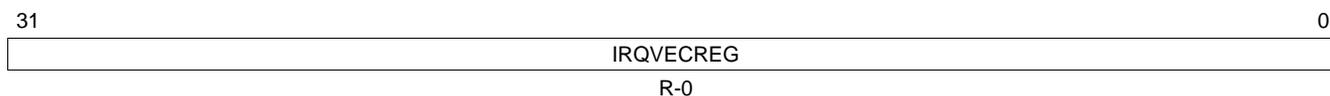
**Table 19-19. Wake-Up Enable Clear Registers (WAKEENACLR) Field Descriptions**

Bit	Field	Value	Description
127-0	WAKEENACLR[n]	0	Wake-up enable clear bits. This vector determines whether the wake-up interrupt line is enabled. Bit WAKEENACLRx[127:0] corresponds to interrupt request channel[127:0]. <i>Read:</i> Wake-up interrupt channel is disabled. <i>Write:</i> No effect.
		1	<i>Read:</i> The wake-up interrupt channel is enabled. <i>Write:</i> The wake-up interrupt channel is disabled.

### 19.9.15 IRQ Interrupt Vector Register (IRQVECREG)

The interrupt vector register gives the address of the enabled and active IRQ interrupt. [Figure 19-43](#) and [Table 19-20](#) describe these registers.

**Figure 19-43. IRQ Interrupt Vector Register (IRQVECREG) [offset = 70h]**



LEGEND: R = Read only; -n = value after reset

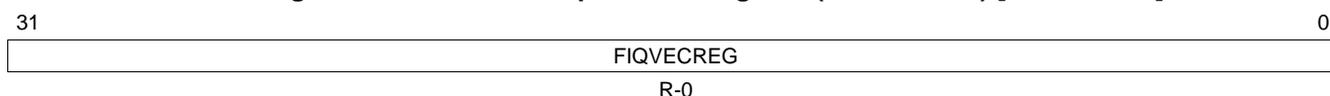
**Table 19-20. IRQ Interrupt Vector Register (IRQVECREG) Field Descriptions**

Bit	Field	Value	Description
31-0	IRQVECREG	From <a href="#">Section 19.5</a>	IRQ interrupt vector register. This vector gives the address of the ISR with the highest pending IRQ request. The CPU reads the address and branches to this location.

### 19.9.16 FIQ Interrupt Vector Register (FIQVECREG)

The interrupt vector register gives the address of the enabled and active FIQ interrupt. [Figure 19-44](#) and [Table 19-21](#) describe these registers.

**Figure 19-44. IRQ Interrupt Vector Register (FIQVECREG) [offset = 74h]**



LEGEND: R = Read only; -n = value after reset

**Table 19-21. FIQ Interrupt Vector Register (FIQVECREG) Field Descriptions**

Bit	Field	Value	Description
31-0	FIQVECREG	From <a href="#">Section 19.5</a>	FIQ interrupt vector register. This vector gives the address of the ISR with the highest pending FIQ request. The CPU reads the address and branches to this location.

### 19.9.17 Capture Event Register (CAPEVT)

Figure 19-45 and Table 19-22 describe this register.

**Figure 19-45. Capture Event Register (CAPEVT) [offset = 78h]**

31	23	22	16
Reserved		CAPEVTSRC1	
R-U		R/WP-0	
15	7	6	0
Reserved		CAPEVTSRC0	
R-U		R/WP-0	

LEGEND: R = Read only; WP = Write in privilege mode only; U = Undefined; -n = value after reset

**Table 19-22. Capture Event Register (CAPEVT) Field Descriptions**

Bit	Field	Value	Description
31-23	Reserved	0	Reads are indeterminate and writes have no effect.
22-16	CAPEVTSRC1	0 1h : 7Fh	Capture event source 1 mapping control. These bits determine which interrupt request maps to the capture event source 1 of the RTI: Interrupt request 0. Interrupt request 1. : Interrupt request 127.
15-7	Reserved	0	Reads are indeterminate and writes have no effect.
6-0	CAPEVTSRC0	0 1h : 7Fh	Capture event source 0 mapping control. These bits determine which interrupt request maps to the capture event source 0 of the RTI: Interrupt request 0. Interrupt request 1. : Interrupt request 127.

### 19.9.18 VIM Interrupt Control Registers (CHANCTRL[0:31])

Thirty-two interrupt control registers control the 128 interrupt channels of the VIM. Each register controls four interrupt channels: each of them is indexed from 0 to 127. [Table 19-23](#) shows the organization of all the registers and the reset value of each. Each four fields of the register has been named with a generic index that refers to the detailed register organization. [Figure 19-46](#) and [Table 19-24](#) describe these registers.

**Table 19-23. Interrupt Control Registers Organization**

Address	Register Acronym	Register Field 31:24 CHANMAP <sub>x</sub> <sub>0</sub>	Register Field 23:16 CHANMAP <sub>x</sub> <sub>1</sub>	Register Field 15:8 CHANMAP <sub>x</sub> <sub>2</sub>	Register Field 7:0 CHANMAP <sub>x</sub> <sub>3</sub>	Reset Value
FFFF FE80h	CHANCTRL0	CHANMAP0	CHANMAP1	CHANMAP2	CHANMAP3	0001 0203h
FFFF FE84h	CHANCTRL1	CHANMAP4	CHANMAP5	CHANMAP6	CHANMAP7	0405 0607h
:	:	:	:	:	:	:
FFFF FEF8h	CHANCTRL30	CHANMAP120	CHANMAP121	CHANMAP122	CHANMAP123	7879 7A7Bh
FFFF FEFC	CHANCTRL31	CHANMAP124	CHANMAP125	CHANMAP126	CHANMAP127	7C7D 7E7Fh

**NOTE:** CHANMAP0 and CHANMAP1 are not programmable. CHAN0 and CHAN1 are hard wired to INT\_REQ0 and INT\_REQ1.

Do NOT write any value other than 0x7F to CHANMAP127. Channel 127 is reserved because no interrupt vector table entry supports this channel.

**Figure 19-46. Interrupt Control Registers (CHANCTRL[0:31])  
[offset = 80h-FCh]**

31	30	24	23	22	16
Rsvd	CHANMAP <sub>x</sub> <sub>0</sub>			Rsvd	CHANMAP <sub>x</sub> <sub>1</sub>
R-U	R/WP-n			R-U	R/WP-n
15	14	8	7	6	0
Rsvd	CHANMAP <sub>x</sub> <sub>2</sub>			Rsvd	CHANMAP <sub>x</sub> <sub>3</sub>
R-U	R/WP-n			R-U	R/WP-n

LEGEND: R = Read only; WP = Write in privilege mode only; U = Undefined; -n = value after reset (see [Table 19-23](#))

**Table 19-24. Interrupt Control Registers (CHANCTRL[0:31]) Field Descriptions**

Bit	Field	Value	Description
31	Reserved	0	Reads are indeterminate and writes have no effect.
30-24	CHANMAP <sub>x</sub> <sub>0</sub>	0	CHANMAP <sub>x</sub> <sub>0</sub> (6-0). Interrupt CHAN <sub>x</sub> <sub>0</sub> mapping control. These bits determine which interrupt request the priority channel CHAN <sub>x</sub> <sub>0</sub> maps to: <i>Read:</i> Interrupt request 0 maps to channel priority CHAN <sub>x</sub> <sub>0</sub> . <i>Write:</i> The default value of this bit after reset is given in <a href="#">Table 19-23</a> . The channel priority CHAN <sub>x</sub> <sub>0</sub> is set with the interrupt request.
		1h	<i>Read:</i> Interrupt request 1 maps to channel priority CHAN <sub>x</sub> <sub>0</sub> . <i>Write:</i> The default value of this bit after reset is given in <a href="#">Table 19-23</a> . The channel priority CHAN <sub>x</sub> <sub>0</sub> is set with the interrupt request.
		:	:
		7Fh	<i>Read:</i> Interrupt request 127 maps to channel priority CHAN <sub>x</sub> <sub>0</sub> . <i>Write:</i> The default value of this bit after reset is given in <a href="#">Table 19-23</a> . The channel priority CHAN <sub>x</sub> <sub>0</sub> is set with the interrupt request.
23	Reserved	0	Reads are indeterminate and writes have no effect.

**Table 19-24. Interrupt Control Registers (CHANCTRL[0:31]) Field Descriptions (continued)**

Bit	Field	Value	Description
22-16	CHANMAPx <sub>1</sub>	0	CHANMAPx <sub>1</sub> (6-0). Interrupt CHANx <sub>1</sub> mapping control. These bits determine which interrupt request the priority channel CHANx <sub>1</sub> maps to: <i>Read:</i> Interrupt request 0 maps to channel priority CHANx <sub>1</sub> . <i>Write:</i> The default value of this bit after reset is given in <a href="#">Table 19-23</a> . The channel priority CHANx <sub>1</sub> is set with the interrupt request.
		1h	<i>Read:</i> Interrupt request 1 maps to channel priority CHANx <sub>1</sub> . <i>Write:</i> The default value of this bit after reset is given in <a href="#">Table 19-23</a> . The channel priority CHANx <sub>1</sub> is set with the interrupt request.
		:	:
		7Fh	<i>Read:</i> Interrupt request 127 maps to channel priority CHANx <sub>1</sub> . <i>Write:</i> The default value of this bit after reset is given in <a href="#">Table 19-23</a> . The channel priority CHANx <sub>1</sub> is set with the interrupt request.
15	Reserved	0	Reads are indeterminate and writes have no effect.
14-8	CHANMAPx <sub>2</sub>	0	CHANMAPx <sub>2</sub> (6-0). Interrupt CHANx <sub>2</sub> mapping control. These bits determine which interrupt request the priority channel CHANx <sub>2</sub> maps to: <i>Read:</i> Interrupt request 0 maps to channel priority CHANx <sub>2</sub> . <i>Write:</i> The default value of this bit after reset is given in <a href="#">Table 19-23</a> . The channel priority CHANx <sub>2</sub> is set with the interrupt request.
		1h	<i>Read:</i> Interrupt request 1 maps to channel priority CHANx <sub>2</sub> . <i>Write:</i> The default value of this bit after reset is given in <a href="#">Table 19-23</a> . The channel priority CHANx <sub>2</sub> is set with the interrupt request.
		:	:
		7Fh	<i>Read:</i> Interrupt request 127 maps to channel priority CHANx <sub>2</sub> . <i>Write:</i> The default value of this bit after reset is given in <a href="#">Table 19-23</a> . The channel priority CHANx <sub>2</sub> is set with the interrupt request.
7	Reserved	0	Reads are indeterminate and writes have no effect.
6-0	CHANMAPx <sub>3</sub>	0	CHANMAPx <sub>3</sub> (6-0). Interrupt CHANx <sub>3</sub> mapping control. These bits determine which interrupt request the priority channel CHANx <sub>3</sub> maps to: <i>Read:</i> Interrupt request 0 maps to channel priority CHANx <sub>3</sub> . <i>Write:</i> The default value of this bit after reset is given in <a href="#">Table 19-23</a> . The channel priority CHANx <sub>3</sub> is set with the interrupt request.
		1h	<i>Read:</i> Interrupt request 1 maps to channel priority CHANx <sub>3</sub> . <i>Write:</i> The default value of this bit after reset is given in <a href="#">Table 19-23</a> . The channel priority CHANx <sub>3</sub> is set with the interrupt request.
		:	:
		7Fh	<i>Read:</i> Interrupt request 127 maps to channel priority CHANx <sub>3</sub> . <i>Write:</i> The default value of this bit after reset is given in <a href="#">Table 19-23</a> . The channel priority CHANx <sub>3</sub> is set with the interrupt request.

---

---

## ***Direct Memory Access Controller (DMA) Module***

---

---

This chapter describes the direct memory access (DMA) controller.

<b>Topic</b>	<b>Page</b>
<b>20.1 Overview .....</b>	<b>677</b>
<b>20.2 Module Operation .....</b>	<b>679</b>
<b>20.3 Control Registers and Control Packets .....</b>	<b>700</b>

## 20.1 Overview

The DMA controller is used to transfer data between two locations in the memory map in the background of CPU operations. Typically, the DMA is used to:

- Transfer blocks of data between external and internal data memories
- Restructure portions of internal data memory
- Continually service a peripheral
- Page program sections to internal program memory

Since the DMA has two master ports, the selection for the port should be made using the table mentioning the port to be used for each address region.

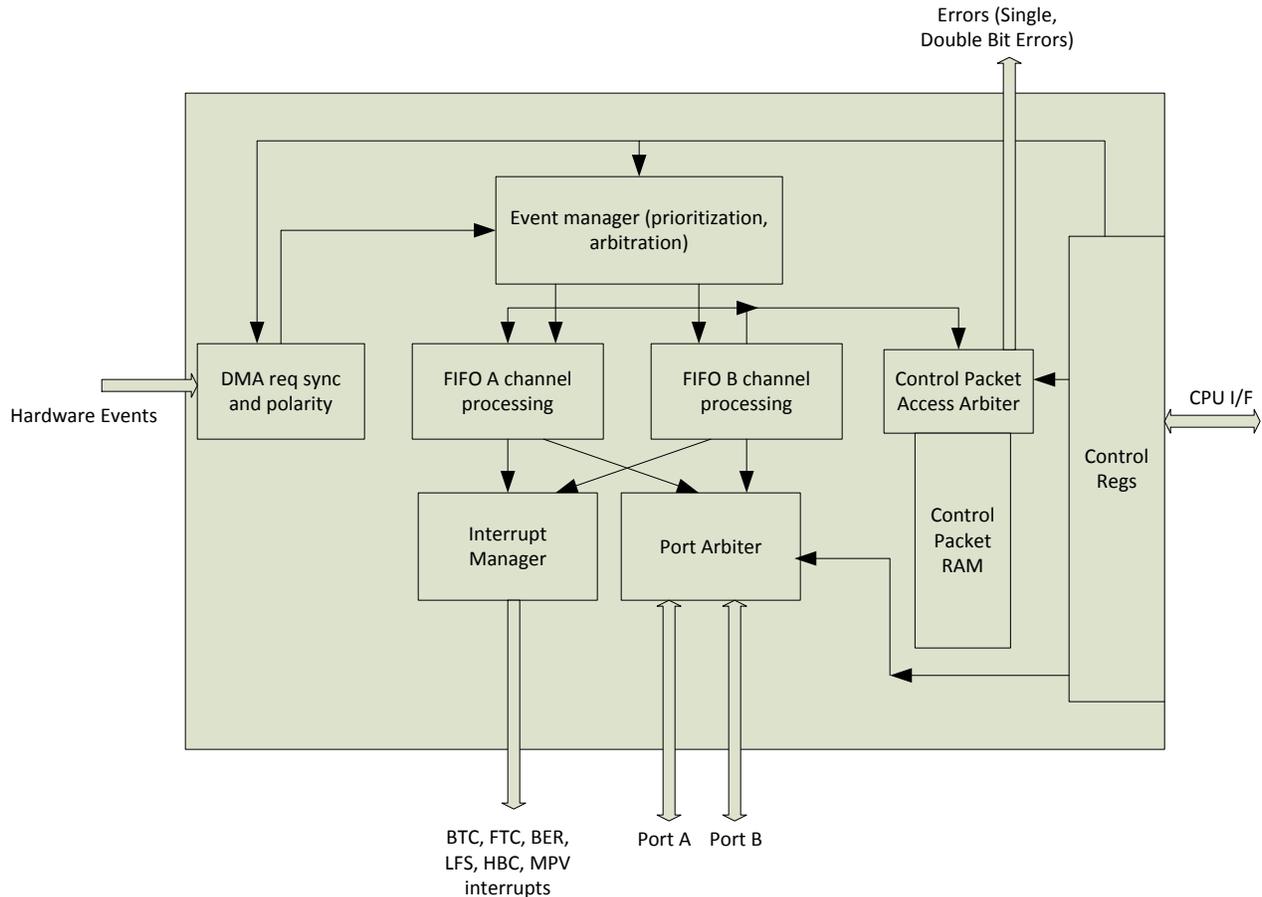
### 20.1.1 Main Features

- CPU independent data transfer
- Two master ports - PortA and PortB (64 bits wide each) that interface with the Microcontroller's Bus Matrix System.
- Support for concurrent transfers on up to two different channels
- FIFO buffer (4 entries deep and each 64bit wide)
- Channel control information is stored in RAM protected by ECC
- Multiple logical channels with individual enable (refer datasheet for number of channels on your device)
- Channel chaining capability
- Multiple peripheral DMA requests (refer datasheet for number of hardware requests on your device)
- Hardware and Software DMA requests
- 8, 16, 32 or 64-bit transactions supported
- Multiple addressing modes for source/destination (fixed, increment, offset)
- Auto-initiation
- Power-management mode
- Memory Protection for the address range DMA can access with multiple configurable memory regions (refer datasheet for number of memory regions on your device)

#### 20.1.1.1 Block Diagram

[Figure 20-1](#) gives a top view of the DMA internal architecture. DMA data read and write access happen through either Port A or B. Both FIFO buffers are each 4 levels deep and 64-bits wide thus allowing a maximum of 32 bytes to be buffered inside the DMA per channel. DMA requests go into the DMA that can trigger DMA transfers. Five interrupt request lines go out of the DMA to signal that a certain transfer status is reached. Register banks hold the memory mapped DMA configuration registers. Local RAM consists of DMA control packets and is secured by ECC. All the programming / configuration of the DMA controller is done via the Peripheral bus.

Figure 20-1. DMA Block Diagram



### 20.1.2 System Resources Mapping

[DMA Ports to System Resources Mapping](#) shows how the system resources are mapped to either of the two DMA ports. In order to properly transfer data from one resource to another the application must setup the PARx register according to the below table.

DMA Ports to System Resources Mapping

DMA Ports	System Resources
Port A	<ul style="list-style-type: none"> <li>L2 Flash</li> <li>L2 SRAM</li> <li>EMIF</li> </ul>
Port B	<ul style="list-style-type: none"> <li>All peripherals, i.e. MibSPI registers, DCAN registers</li> <li>All peripheral memories, i.e. MibSPI RAM, DCAN RAM</li> </ul>

- Example 1: To transfer data from either L2 Flash, L2 SRAM or EMIF to any peripheral registers or peripheral memories, write 0x1 (Port A read, Port B write ) to the respective channels in the PARx registers
- Example 2: To transfer data from any peripheral registers or peripheral memories to L2 SRAM or EMIF, write 0x0 (Port B read, Port A write ) to the respective channels in the PARx registers
- Example 3: To transfer data from L2 Flash to L2 SRAM, write 0x2 (Port A) to the respective channels in the PARx registers
- Example 4: To transfer data from peripherals to another peripherals, write 0x3 (Port B) to the

respective channels in the PARx registers.

## 20.2 Module Operation

The DMA acts as an independent master in the platform architecture. DMA will attempt to execute up to two channels at the same time to maximize system throughput. Each channel can be configured to utilize either Port A or B or both for the read and write accesses while storing the data in one of the FIFOs. Choice of Port A or Port B for a certain channel depends on the addresses chosen for the transfer and should be made by referring to [DMA Ports to System Resources Mapping](#). All DMA memory and register accesses are performed in user mode. If the DMA writes to registers which are only accessible in privileged mode, the write will not be performed.

The DMA registers and its local RAM can only be accessed in privilege mode. Therefore, it is not possible for the DMA to reprogram itself.

In order to further explain DMA operation, some terms are described below:

- Arbitration - A channel may get temporarily suspended in order to service a higher priority channel or when the channel is disabled on the fly. The channel is said to have been "arbitrated"
- Arbitration Boundary - Each time a channel finishes a chunk of transfer which can be a maximum of 32 bytes, it is said to have reached an arbitration boundary. The FIFO is empty at an arbitration boundary. The DMA will utilize this boundary to re-prioritize channels. Within an arbitration boundary, transfers can never be interrupted.

### 20.2.1 Memory Space

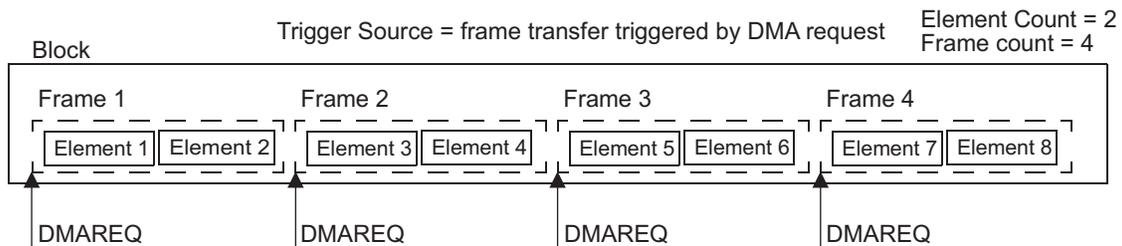
The DMA controller makes no distinction between program memory and data memory. The DMA controller can transfer to and from any space within the 4 Gbyte physical address map, by programming the absolute address for the source and destination in the control packet. Control packets store the transfer information such as source address, destination address, transfer count and control attributes for each channel.

### 20.2.2 DMA Data Access

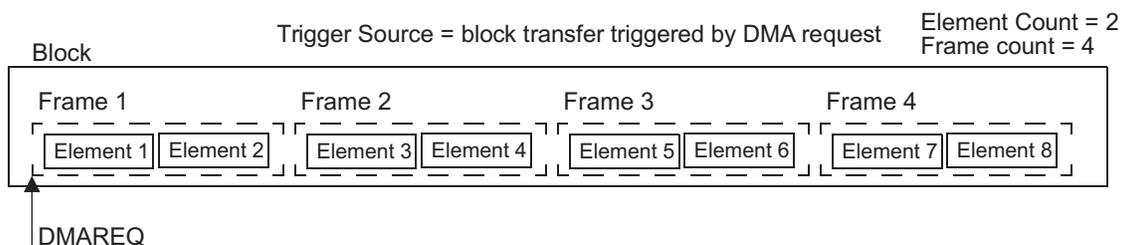
The DMA controller refers to data in three levels of granularity:

- **Element:** Depending on the programmed data type, an 8-bit, 16-bit, 32-bit, or a 64-bit value. The type can be individually selected for the source (read) and destination (write). See [Figure 20-2](#) and [Figure 20-3](#) for an example of the use of elements. An element transfer cannot be interrupted.
- **Frame:** One or more elements to be transferred as a unit. A frame transfer can be interrupted between element transfers. See [Figure 20-2](#) for an example.
- **Block:** One or more frames to be transferred as a unit. Each channel can transfer one block of data (once or multiple times). See [Figure 20-3](#) for an example.

**Figure 20-2. Example of a DMA Transfer Using Frame Trigger Source**



**Figure 20-3. Example of a DMA Transfer Using Block Trigger Source**



### 20.2.3 Addressing Modes

There are three addressing modes supported by the DMA controller that can be setup independent for the source and the destination address:

- Constant -- source and/or destination addresses do not change.
- Post incremented -- source and/or destination address are post-incremented by the element size.
- Indexed -- source and/or destination address is post-incremented as defined in the Element Index Offset Register ([Section 20.3.2.5](#)) and the Frame Index Offset Register ([Section 20.3.2.6](#)).

An unaligned address with respect to the element size is not supported. An address chosen during transfer must be divisible by the element size.

### 20.2.4 DMA Channel Control Packets

Corresponding to each logical channel is a control packet which is mapped in fixed numerical order. For example, control packet 0 stores channel information for channel 0. The DMA requests can be mapped to the individual channels as described in [Section 20.2.7](#). The mapping scheme between DMA requests and channels is shown in [Figure 20-4](#). Each control packet contains nine fields. The first six fields compose the primary control packet and are programmable during DMA setup. The last three fields compose working control packet and are only readable by the CPU. The working control packets are used to support auto-initiation and prioritization of channels.. The organization of control packets is shown in [Figure 20-5](#).

The primary control packet contains channel information such as source address, destination address, transfer count, element/frame index pointer and channel configuration. Source address, destination address and transfer count also have their respective working images. The three fields of working images compose a working control packet and are not accessible to the CPU in write access.

The first time a DMA channel is selected for a transaction, the following process occurs:

1. The primary control packet is first read by the DMA state machine.
2. Once the channel is arbitrated, the current source address, destination address and transfer count are then copied to their respective working images.
3. When the channel is serviced again by the DMA, the state machine will read both the primary control packet and the working control packet to continue the DMA transaction until the end of an entire block transfer.

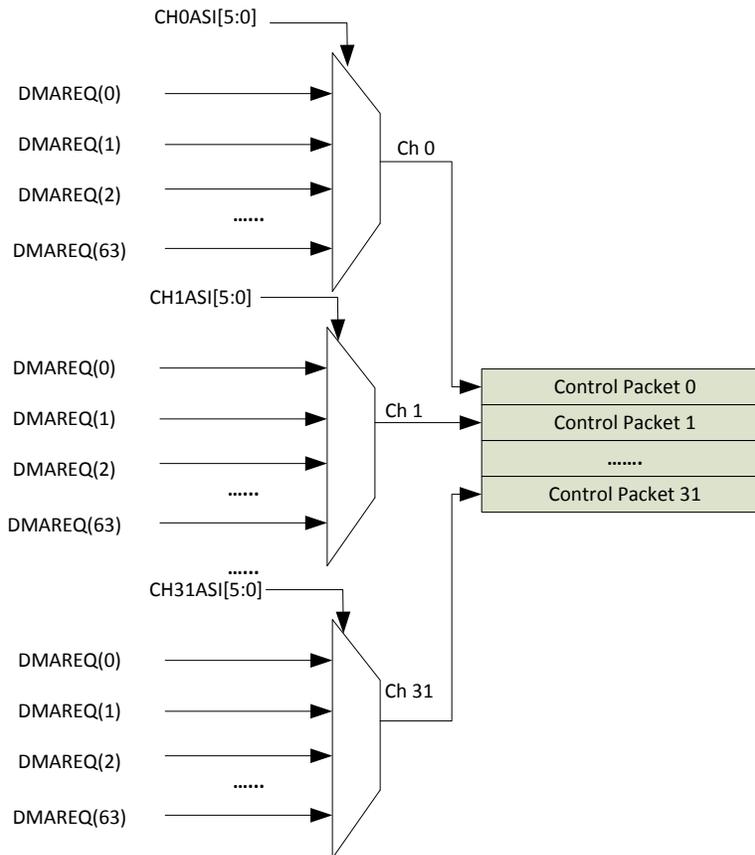
When the same channel is requested again, the state machine will start again by reading only the primary control packet and then continue the same process described above. The user software need not set up control packets again because the contents of the primary control packet were never lost. The working images of the control packets are reducing the software overhead and interaction with the DMA module to a minimum.

---

**NOTE:** Changing the contents of a channel control packet will clear the corresponding pending bit ([Section 20.3.1.2](#)) if the channel has a pending status. If the control packet of an active channel (as indicated in [Section 20.3.1.3](#)) is changed, then the channel will stop immediately at an arbitration boundary. When the same channel is triggered again, it will begin with the new control packet information.

---

**Figure 20-4. DMA Request Mapping and Control Packet Organization**



**Figure 20-5. Control Packet Organization and Memory Map**

	Base + 0XXX0	Base + 0XXX4	Base + 0XXX8		Base + 0XXXC
Base + 0x00	Initial Source Addr	Initial Destination Addr	Initial Transfer Count	} Primary CP0	Reserved
0x10	Channel Configuration	Element Index Pointer	Frame Index Pointer		
0x20	Initial Source Addr	Initial Destination Addr	Initial Transfer Count	} Primary CP1	
0x30	Channel Configuration	Element Index Pointer	Frame Index Pointer		
0x1E0	Initial Source Addr	Initial Destination Addr	Initial Transfer Count	} Primary CPn	
0x1F0	Channel Configuration	Element Index Pointer	Frame Index Pointer		
	Reserved	Reserved	Reserved		
0x800	Current Source Addr	Current Destination Addr	Current Transfer Count	} Working CP0	
0x810	Current Source Addr	Current Destination Addr	Current Transfer Count		} Working CP1
0x8F0	Current Source Addr	Current Destination Addr	Current Transfer Count	} Working CPn	

#### 20.2.4.1 Initial Source Address

This field stores the absolute 32-bit source address of the DMA transfer.

#### 20.2.4.2 Initial Destination Address

This field stores the absolute 32-bit destination address of the DMA transfer.

#### 20.2.4.3 Initial Transfer Count

The transfer count field is composed of two parts. The frame transfer count value and the element transfer count value. Each count value is 13 bits wide. As a Single Block transfer maximum of 512 Mbytes of data can be transferred. Element count and frame count are programmed according to the source data structure.

The total transfer size is calculated as stated below:

$$T_{sz} = E_{rsz} \cdot E_{tc} \cdot F_{tc} \quad (28)$$

where

$T_{sz}$  = Total Transfer Size

$E_{rsz}$  = Read Element Size

$E_{tc}$  = Element Transfer Count

$F_{tc}$  = Frame Transfer Count

---

**NOTE:** A zero element count with a non-zero frame count or a non-zero element count with a zero frame count are all considered as zero total transfer count. No DMA transaction is initiated with any of the counters set to 0.

---

#### 20.2.4.4 Channel Configuration Word

The channel configuration defines the following individual parameters

- Read element size
- Write element size
- Trigger type (frame or block)
- Addressing mode for source
- Addressing mode for destination
- Auto-initiation mode
- Next control packet to be triggered at control packet finish (Channel Chaining)

#### 20.2.4.5 Element/Frame Index Pointer

There are 4 index pointers that allow the creation of different types of buffers in RAM and address registers in a structured manner: an element index pointer for source and destination and a frame index pointer for source and destination.

The element index pointer for source and/or destination defines the offset to be added after each element transfer to the source and/or destination address. The frame index pointer for source and/or destination defines the offset to be added to the source and/or destination address after the element count reaches zero. The element and frame index pointers must be defined in terms of the number of bytes of offset. The DMA controller does not adjust the element/frame index number according to the element size. An index of 2 means *increment the address by 2* and not by 16 when the element size is 64 bits.

#### 20.2.4.6 Current Source Address

The current source address field contains the current working source address during a DMA transaction. The current source address is incremented during post increment addressing mode or indexing mode.

### 20.2.4.7 Current Destination Address

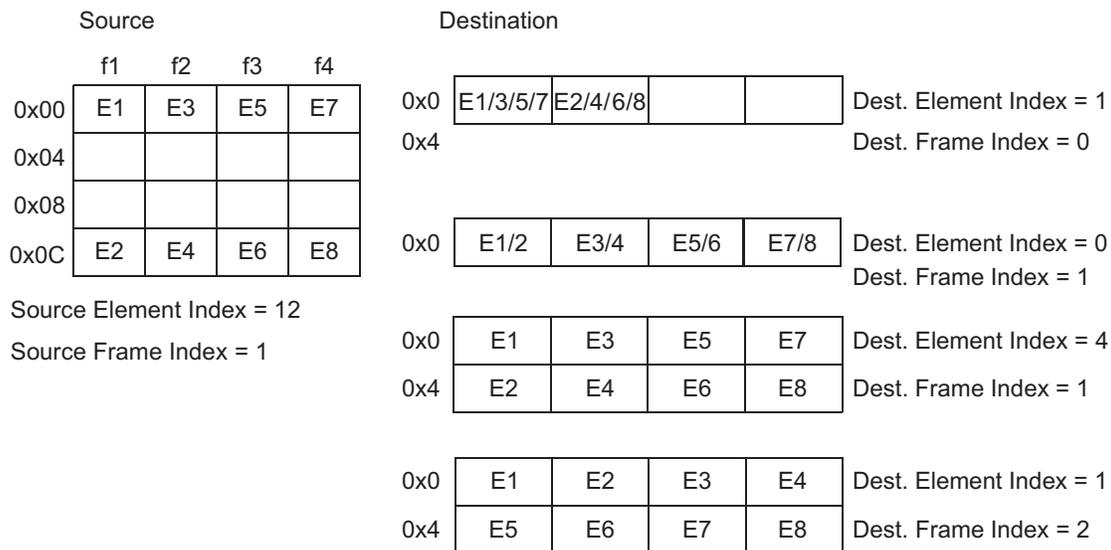
The current destination address field contains the current working destination address during a DMA transaction. The current destination address is incremented during post-increment addressing mode or indexing mode.

### 20.2.4.8 Current Transfer Count

The current transfer count stores the remaining number of elements to be transferred in a block. It is decremented by one for each element read from the source location.

Figure 20-6, Figure 20-7 and Figure 20-8 show some examples of DMA transfers.

**Figure 20-6. DMA Transfer Example 1**



The example assumes the following setup.

Read Element Size = 8 bit  
Write Element Size = 8 bit  
Element Count = 2  
Frame Count = 4

**Figure 20-7. DMA Indexing Example 1**

	f1	f2	f3	f4
0x0	E1	E5	E9	E13
0x10	E2	E6	E10	E14
0x20	E3	E7	E11	E15
0x30	E4	E8	E12	E16

Element Index = 16

Frame Index = 4

This example can be applied to either source or destination indexing and assumes the following setup.

Element Size = 16 bit  
Element Count = 4  
Frame Count = 4

**Figure 20-8. DMA Indexing Example 2**

0x0	E1	E4	E7	E10	E13	E16	E19	E22
0x20								
0x40	E2	E5	E8	E11	E14	E17	E20	E23
0x60								
0x80	E3	E6	E9	E12	E15	E18	E21	E23

Element Index = 64

Frame Index = 4

This example can be applied to either source or destination indexing and assumes the following setup.

Element Size = 32 bit

Element Count = 3

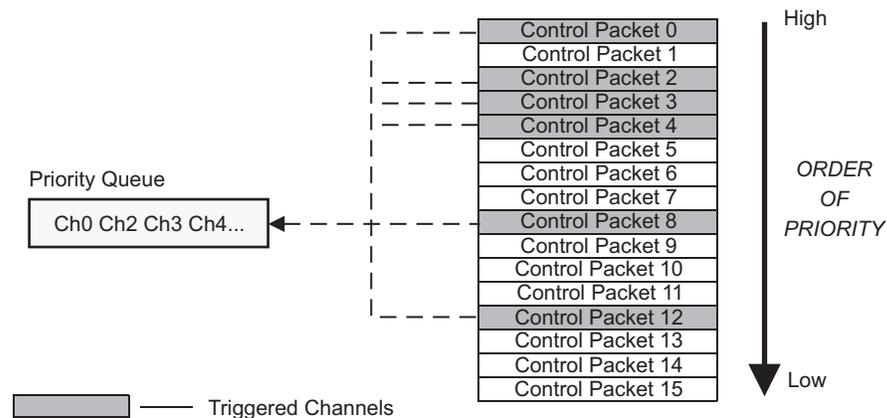
Frame Count = 8

### 20.2.5 Priority Queue

User can assign channels in to priority queues to facilitate request handling during arbitration. The port has two priority queues: a high and a low priority queue. Each queue can be configured to follow a fixed or rotating priority scheme. Fixed priority is such that the lower the channel number (Figure 20-9), the higher its priority. Rotating priority is based on a round-robin scheme. Initially, the priority list is sorted according to the fixed priority scheme. Channels assigned to the high priority queue are always serviced first according to the selected priority scheme before channels in the low priority queue are serviced. Table 20-1 describes how arbitration is performed according to different priority schemes.

**NOTE:** Since the DMA controller provides the capability to map any one of the hardware DMA request lines to any channel, the numerical order of the hardware DMA request does not imply any priority. The priority of each hardware DMA request is programmed and determined by software.

**Figure 20-9. Fixed Priority Scheme**



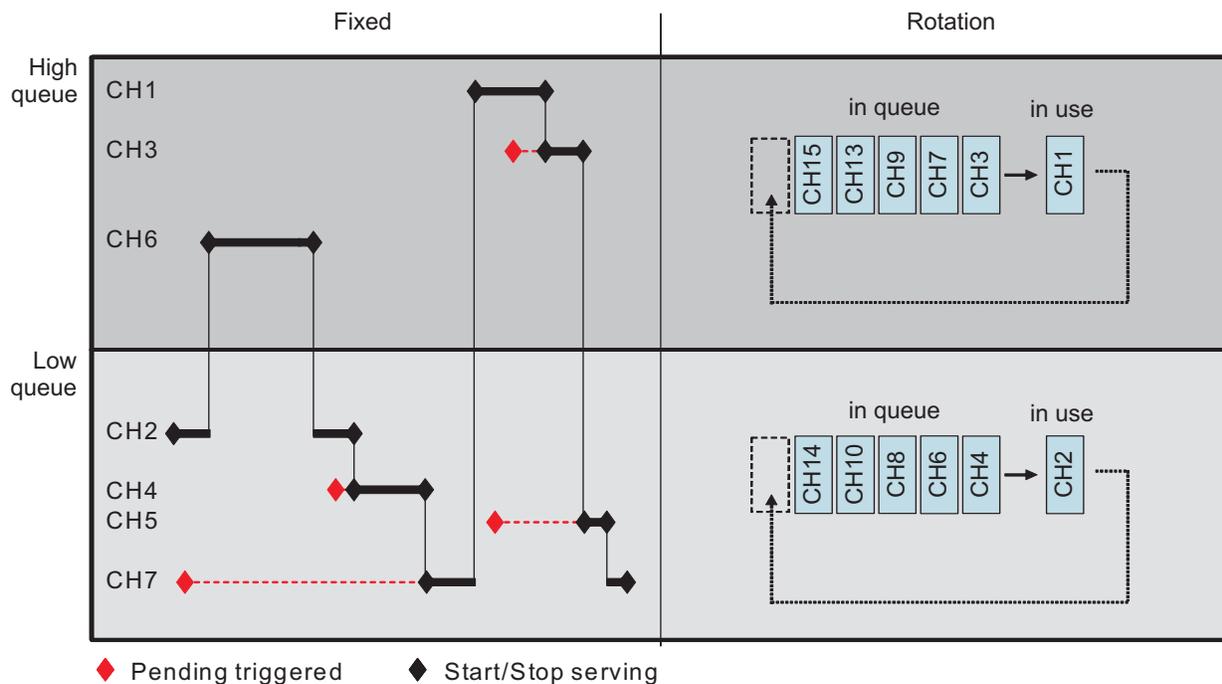
The above figure illustrates that by default Lower the channel number, higher the Priority.

**Table 20-1. Arbitration According to Priority Queues and Priority Schemes**

Queue	Priority Scheme	Remark
High priority	Fixed	Channels are serviced in an ascending order according to the channel number. The lower the channel number, the higher the priority. A channel will be arbitrated out whenever there is a higher pending channel. Otherwise a channel is completely serviced until its transfer count reaches zero before the next highest pending channel is serviced. When there is no pending channels left in high queue then the DMA switches to service low queue channels.
	Rotating	Channels are arbitrated by using the round-robin scheme. Arbitration is performed when the FIFO is empty. When there are no pending channels left in high queue then the DMA switches to service low queue channels.
Low priority	Fixed	Channels are serviced in an ascending order according to the channel number. The lower the channel number the higher the priority. A channel will be arbitrated out whenever there is a higher-priority pending channel. Otherwise a channel is completely serviced until its transfer count reaches zero, before the next highest pending channel is serviced. If there is a pending channel in the high-priority queue while DMA is servicing a low queue channel then DMA will switch back to service high queue channel after an arbitration boundary.
	Rotating	Channels are arbitrated by using round-robin scheme. Arbitration is performed when the FIFO is empty.

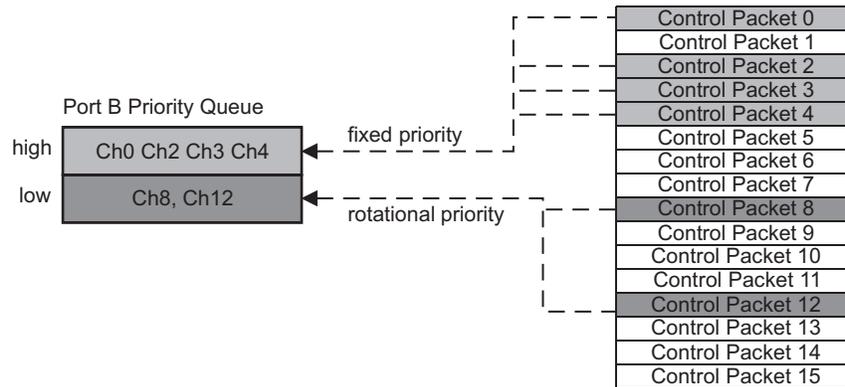
A Simple Priority Queues example in both Fixed and Rotation Scheme is shown in [Figure 20-10](#).

**Figure 20-10. Example of Priority Queues**



For optimal system performance, the high priority channels should be put in fixed arbitration scheme and low priority channels in the rotating priority scheme as illustrated in [Figure 20-11](#).

**Figure 20-11. Example Channel Assignments**



1 The above figure illustrates the channel assignments in a system with 16 channels. This approach can be scaled dependent on the total channels available.

### 20.2.6 Data Packing and Unpacking

The DMA controller automatically performs the necessary data packing and unpacking when the read element size differs from the write element size. Data packing is required when the read element size is smaller than the write element size; data unpacking is required when the read element size is larger than the write element size. When the read element size is equal to the write element size, no packing is performed during read, nor is any unpacking performed during write.

Figure 20-12 shows an example of data unpacking in which the DMA is used to transfer 128 transmit data elements to the MibSPI FIFO buffer. In this example, data unpacking is required because the read element size is 64 while the write element size is 16. The DMA first performs a 64-bit read from the source into its FIFO buffer. After the 64-bit data is read into the DMA FIFO buffer, it must unpack the data into four 16-bit data elements before writing out to the destination. Therefore the DMA would need to perform four 16 bit write operations to the destination.

---

**NOTE:** Examples are shown for Big Endian scheme.

---



---

**NOTE:** In the example in Figure 20-12, to transmit data at the lower bits of the MibSPI, bits 15:0, the destination address should be incremented by a factor of 2.

---

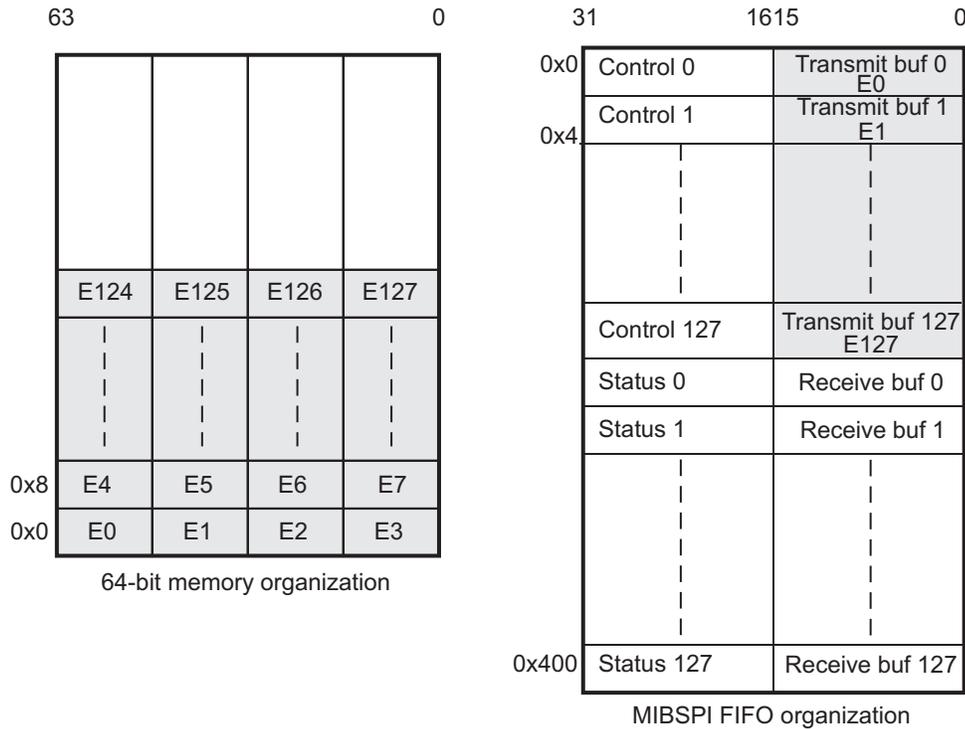


---

**NOTE:** 1) The element Count (Section 20.3.2.3) refers only to the read element.  
 2) Data unpacking does not require the DMA request. Once the DMA request is received, data from Source is moved in to FIFO and unpacking happens until the FIFO is empty.  
 3) DMA assumes the destination is always ready and will perform write immediately. In case of data unpacking and Constant Addressing Mode write (Section 20.3.2.4 (1 - 0) = 0) the destination data will be overwritten by next data or next data might be skipped in case the destination has overflow protection (for example, SCITD register). User should configure DMA to avoid data unpacking if the Destination is configured as Constant Addressing Mode write to avoid data loss.

---

**Figure 20-12. Example of DMA Data Unpacking**



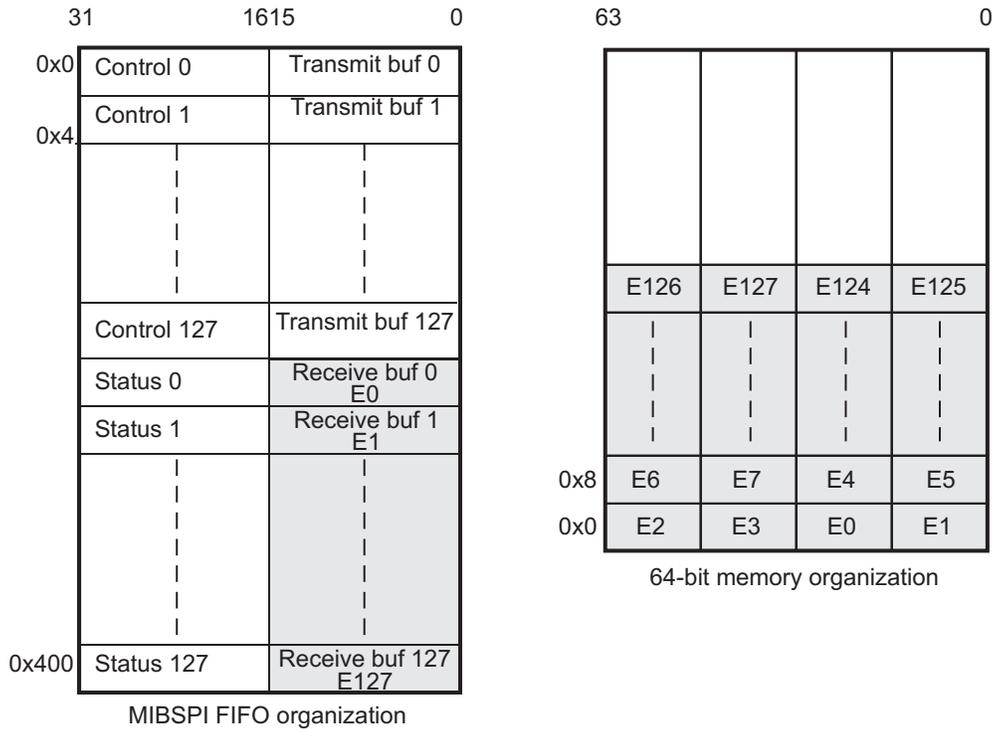
In this example, initialization of the MIBSPI FIFO is illustrated and assumes the following setup:

- Read Element Size = 64 bit
- Write Element Size = 16 bit
- Element Count = 32
- Frame Count = 1
- Source Element Index = n/a, use post increment addressing mode
- Source Frame Index = n/a, use post increment addressing mode
- Destination Element Index = 4
- Destination Frame Index = 0

When the read element size is smaller than the write element size, the DMA controller needs to perform data packing. The number of elements to pack is equal to the ratio between the write element size and read element size. In the example in [Figure 20-13](#), the read element size is 16 bits and the write element size is 64 bits. The DMA controller would first pack the first four elements by performing four consecutive 16-bit read accesses of E0, E1, E2, and E3 into the first word of the DMA's internal FIFO. The DMA controller would then perform one single 64-bit write operation to transfer the data to the 64-bit destination memory.

Normally, the DMA controller carries out bus transactions on the bus according to the element size. For example, the DMA controller would perform a 16-bit read transaction if the read element size is programmed as 16 bits, or an 8-bit write transaction if the write element size is programmed as 8 bit. The exception is when the total transfer size is as defined in [Equation 28](#) is not a multiple of the write element size.

**Figure 20-13. Example of DMA Data Packing**



In this example, a read of the MIBSPI FIFO is illustrated and assumes the following setup:

- Read Element Size = 16 bit
- Write Element Size = 64 bit
- Element Count = 128
- Frame Count = 1
- Source Element Index = 4
- Source Frame Index = 0
- Destination Element Index = n/a, use post increment addressing mode
- Destination Frame Index = n/a, use post increment addressing mode

For example, if the read element size is 8 bits, the element transfer count is equal to 9, and the write element size is 64 bit. The DMA controller would first perform eight 8-bit read transactions from the source. It would then perform a 64-bit write to the destination. When the same channel wins arbitration again, the DMA controller would first perform one 8-bit read from the source, followed by one 8-bit write to the destination, even though the write element size is 64 bit.

---

**NOTE:** Since peripherals are slower, it is advised to use data packing feature with caution for reading data from peripherals. Improper use might delay servicing other pending DMA channels.

---

### 20.2.7 DMA Request

There are three ways to start a DMA transfer:

- **Software request:** The transfer will be triggered by writing to SW Channel Enable Set and Status Register (Section 20.3.1.7). The software request can trigger either a block or a frame transfer depending on what the trigger type (TTYPE) bit is set to in the Channel Control Register (Section 20.3.2.4).
- **Hardware request:** The DMA controller can handle up to 32 DMA Request lines. A hardware request can trigger either a frame or a block transfer dependent on the setting of TTYPE control bit of the Channel Control Register (Section 20.3.2.4).
- **Triggered by other control packet:** When a control packet finishes the programmed number of transfers it can trigger another channel to initiate its transfers.

Each time a DMA request is made, either one frame transfer or one block transfer can be chosen. An active DMA request signal will trigger a DMA transaction.

The DMA controller has a two-level buffer to capture HW requests per channel. When a HW request is generated and the channel is enabled, the corresponding bit in the DMA Status Register (Section 20.3.1.3) is set. The pending register acts as a first-level buffer. Typically, a peripheral acting as a source of a transfer could initiate another request after its data registers have been read out by DMA, even though that data has not been completely transferred to the destination. If a second HW request is generated by the peripheral, the DMA controller has an extra request buffer to capture this second request and service it after the first request is complete.

---

**NOTE:** The DMA cannot capture more than two requests at the same time. Additional requests are ignored until at least one pending request is completely processed. it.

---

The DMA controller also supports a mix of hardware and software requests on the same channel. Note that such interchangeable usage may result into an out of sync for DMA channel and peripheral. The application needs to be careful as the DMA does not have a built-in mechanism to protect against this loss of synchronization.

If a software request is generated, the corresponding bit in the Channel Pending Register (Section 20.3.1.2) is set accordingly. If the pending request is not completely serviced by the DMA and a hardware request is generated by a peripheral onto the same channel, the DMA will capture and recognize this hardware request into its request buffer.

---

**NOTE:** The DMA controller cannot recognize two software requests on the same channel if the first software request is still pending. If such a request occurs, the DMA will discard it. Therefore, the user S/W should check the pending register before issue a new software request.

---

### 20.2.8 Auto-Initiation

When Auto-initiation Mode (AIM) bit of Channel Control Register (Section 20.3.2.4) is enabled for a channel and the channel is triggered by a software request for a block transfer, the channel will restart again using the same channel information stored at the respective control packet after one block transfer is completed. In the case of Hardware Request the channel needs to be retriggered each time after a block is complete even if auto-initiation is enabled.

### 20.2.9 Interrupts

Each channel can be configured to generate interrupts on several transfer conditions:

- Frame transfer complete (FTC) interrupt: an interrupt is issued after the last element of a frame has been transferred.
- Last frame transfer started (LFS) interrupt: an interrupt is issued before the first element of the last frame of a block transfer has started.
- First half of block complete (HBC) interrupt: an interrupt is issued if more than half of the block is transferred.
  - If the number of frames  $n$  is odd, then the HBC interrupt is generated at the end of the frame when  $(n+1)/2$  number of frames are left in the block.
  - If the number of frames  $n$  is even, then the HBC interrupt is generated at the end of the frame after  $n/2$  number of frames are left in the block.
- Block transfer complete (BTC) interrupt: an interrupt is issued after the last element of the last frame has been transferred.
- Bus error (BER) interrupt: an interrupt is issued when DMA detects an error on the bus. The BER interrupt is connected to the ESM module.
- Memory Protection Unit error (MPU): an interrupt is issued when the DMA detects that the access falls outside of a memory region programmed in the MPU registers of the DMA. The MPU interrupt is connected to the ESM module.
- Parity error (PAR): an interrupt is issued when the DMA detects a parity error when reading one of the control packets. The PAR interrupt is connected to the ESM module.

The DMA outputs 5 interrupt lines for control packet handling, a parity interrupt and a memory protection interrupt (Figure 20-14). Each type of transfer interrupt condition is grouped together. For example, all block-transfer complete interrupts that are routed to a port are combined (ORed). The channel that caused the interrupt is given in the corresponding interrupt channel offset register. Priority between interrupts among the same interrupt type is resolved by a fixed priority scheme. Priority between different interrupt types is resolved in the Vector Interrupt Manager. Figure 20-15 explains the Frame Transfer Complete Interrupt structure in detail.

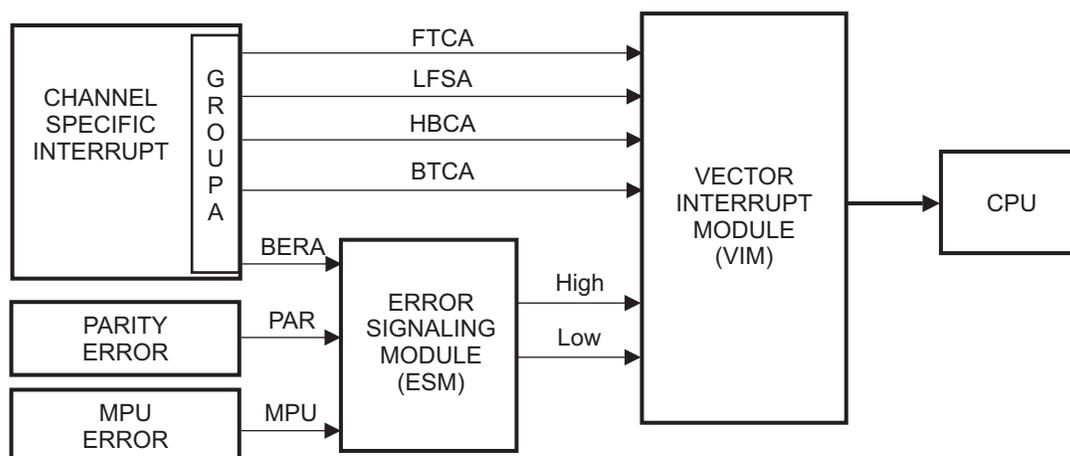
**NOTE:** Each Channel Specific interrupts in DMA module are routed towards Group A or B to support two different CPUs individually. For devices with Single CPU or Dual CPU where both CPUs are running same code in delayed lock-step as safety feature:

Group A - Interrupts (FTC, LFS, HBC, BTC, and BER) are routed to the ARM CPU.

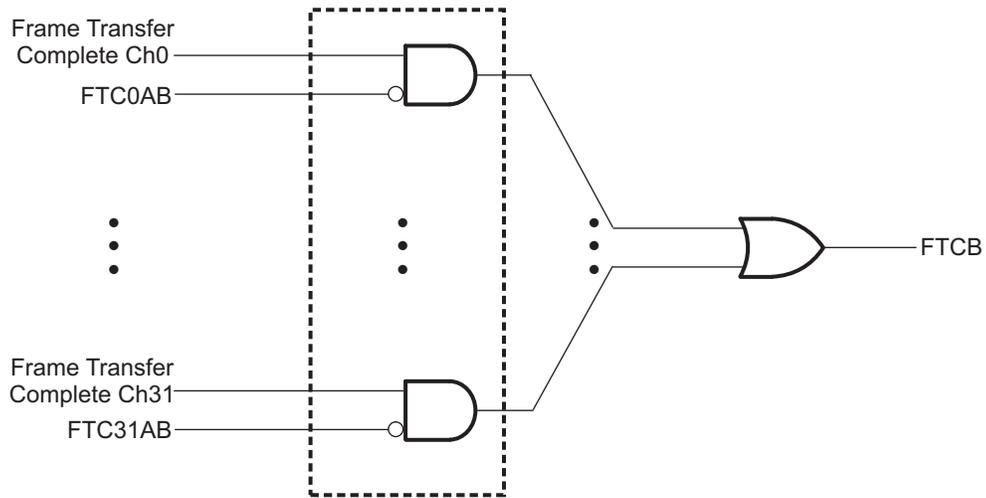
Group B - Interrupts (FTC, LFS, HBC, BTC, and BER) are not routed out.

User software should configure only Group A interrupts.

Figure 20-14. DMA Interrupts



**Figure 20-15. Detailed Interrupt Structure (Frame Transfer Complete Path)**



This figure is applicable for the HBC, LFS, BTC, and BER interrupt.

### 20.2.10 Debugging

The DMA supports four different behaviors in suspend mode. These behaviors can be configured by the user as per the application requirement.

- Immediate stop at a DMA channel arbitration boundary. Please refer to [Table 20-2](#) and [Table 20-3](#) for arbitration boundary definition.
- Finish current frame transfer and continue after suspend ends.
- Finish current block transfer and continue after suspend ends.
- Ignore the suspend. The DMA continues to be operational as in functional mode when debug mode is active.

When the DMA controller enters suspend mode, it continues to sample incoming hardware DMA requests, but the Channel Pending Register ([Section 20.3.1.2](#)) is frozen from being updated. After the suspend ends, all new requests that were received during suspend mode are reflected in the Channel Pending Register ([Section 20.3.1.2](#)).

Except when the DMA controller is configured to ignore suspend mode, no channel arbitration is performed during suspend mode. The current channel under which suspend mode was entered will finish its entire frame or block-transfer after suspend mode ends, depending how the debug option was chosen.

To facilitate debugging, a Watch Point Register ([Section 20.3.1.57](#)) and a Watch Mask Register ([Section 20.3.1.58](#)) are used. The watch point register together with the watch mask register can be configured to watch for a unique address or a range of addresses. When the condition to watch is true, the DMA freezes its state and generates a debug request signal to the host CPU so the state of the DMA can be examined.

### 20.2.11 Power Management

The DMA offers two power-management modes: run and sleep. In run mode, the DMA is fully operational.

The sleep mode shuts down the DMA if no pending channels are waiting to be serviced. If a DMA request is received or a software request is generated by the user software, then the DMA wakes up immediately.

The sleep mode may be used to optimize the DMA module power consumption.

When the system module issues a global low power mode request, the DMA will respond to the system module with an acknowledge as soon as an arbitration boundary is reached. If no DMA requests are pending, it will respond with an acknowledge immediately.

---

**NOTE:** When the DMA is in global low power mode, the clock is stopped and therefore it cannot detect any DMA request. The device must be woken up before a peripheral can generate a DMA request.

---

## 20.2.12 FIFO Buffer

DMA FIFO is 4 levels deep and 64-bit wide (can hold up to 4 × 64-bits of data). They are used for Data packing and unpacking.

The DMA FIFO has two states:

- **EMPTY:** The FIFO contains no data.
- **FULL:** The FIFO is filled or the element count has reached zero; the read operation has to be stopped.

DMA channels can only be switched when the FIFO is empty. This also implies that arbitration between channels is done when the FIFO is empty.

The DMA has two FIFOs viz. FIFO A and FIFO B each executing a channel providing the capability to execute a maximum of two channels concurrently.

The FIFO buffer may be bypassed through the use of the bypass feature in the port control register; see Port Control Register ([Section 20.3.1.54](#)) for register details. Writing 1 to this bit limits the FIFO depth to the size of one element. That means after one element is read, the write out to the destination will start. This feature is particularly useful to minimize switching latency in-between channels. When bypass mode is enabled, the DMA will perform minimal transfers within an arbitration boundary. In addition, the bypass feature allows arbitration between channels that can be carried out at a source element granularity.

However, it has to be considered that while in bypass mode, the DMA controller does not make optimal use of the bus bandwidth. Since the read and write element sizes can be different, then the number of read and write transactions will be different. [Table 20-2](#) and [Table 20-3](#) show a comparison between the number of read and write transactions performed by the DMA controller from one channel to another before arbitration in non-bypass and bypass mode.

**Table 20-2. Maximum Number of DMA Transactions per Channel in Non-Bypass Mode**

	Write Element Size	8 bit		16 bit		32 bit		64 bit	
Read Element Size	8 bit	4 read	4 write	4 read	2 write	4 read	1 write	8 read	1 write
	16 bit	2 read	4 write	4 read	4 write	4 read	2 write	4 read	1 write
	32 bit	1 read	4 write	2 read	4 write	4 read	4 write	4 read	2 write
	64 bit	1 read	8 write	1 read	4 write	2 read	4 write	4 read	4 write

**Table 20-3. Maximum Number of DMA Transactions per Channel in Bypass Mode**

	Write Element Size	8 bit		16 bit		32 bit		64 bit	
Read Element Size	8 bit	1 read	1 write	2 read	1 write	4 read	1 write	8 read	1 write
	16 bit	1 read	2 write	1 read	1 write	2 read	1 write	4 read	1 write
	32 bit	1 read	4 write	1 read	2 write	1 read	1 write	2 read	1 write
	64 bit	1 read	8 write	1 read	4 write	1 read	2 write	1 read	1 write

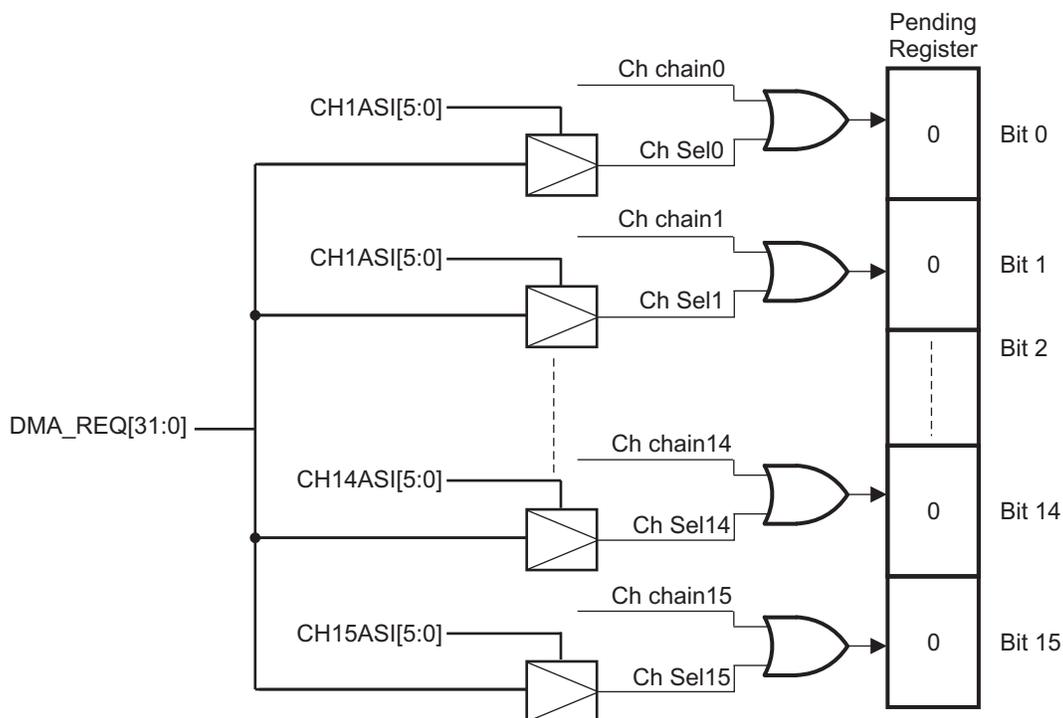
### 20.2.13 Channel Chaining

Channel chaining is used to trigger a single or multiple channels with out an external DMA request. This is possible by chaining one control packet to other. Chain[5:0] field of the Channel Control Register (Section 20.3.2.4) is used to program the chaining control packet. Chained control packets follow arbitration rules within the pending register. For example if CH1, CH2, CH4, CH5 are triggered together and CH3 is chained with CH1. The order of channels serviced in spite of chaining will be CH1 -> CH2 -> CH3 -> CH4 -> CH5.

In order to setup up channel chain feature, the Channel Control Register (Section 20.3.2.4) needs to be enabled for all chained channels before triggering first DMA request.

Figure 20-16 illustrates how internally chained request is generated after completing the required transfers and stored in pending register. In this example CH1 is Chained to CH0. When CH0 is triggered CH1 is captured as pending in the Channel Pending Register (Section 20.3.1.2) even when it is not triggered.

Figure 20-16. Example of Channel Chaining



### 20.2.14 Request Polarity

DMA supports both active high and active low hardware requests. This is configured through the registers DMAREQPS1 and DMAREQPS0.

The selection of request polarity should be done at the start of the program. In order to change the request polarity from active high to active low for a channel following sequence should be followed:

1. Disable channel for which polarity is to be changed using the HWCHENA bit.
2. Disable the peripheral in order that it may set the request line to inactive high state (since by default requests are active high).
3. Apply software reset to the DMA using the GCTRL register.
4. Program the request polarity for the channel.
5. Re-enable the DMA channel.
6. Re-enable the peripheral that triggers the DMA event.

## 20.2.15 Memory Protection

The DMA controller is capable of access to the full address range of the device. The protection mechanism allows the protection of multiple memory regions to restrict accesses to those address ranges. This will allow the application to protect critical application data from unintentionally being accessed by the DMA controller.

### 20.2.15.1 Protection Mechanism

The memory protection mechanism consists of the access privilege for a given memory region, the start and end address for the region, and notification of an access violation for the protected region.

Each region to be protected is configured by software by writing the start address and end address for each region into the DMA Memory Protection Registers, DMAMPxS and DMAMPxE. The definition of these registers can be found starting at [Section 20.3.1.67](#). Any region in the valid address space can be protected from inappropriate accesses.

The access privileges can be set to one of four permission settings as shown below:

- Full access
- Read only access
- Write only access
- No access

The permissions for a given region are selected by writing the appropriate values in the DMA Memory Protection Control Register ([Section 20.3.1.67](#)).

A region of memory not configured for access settings by the registers has "Full Access" privileges.

---

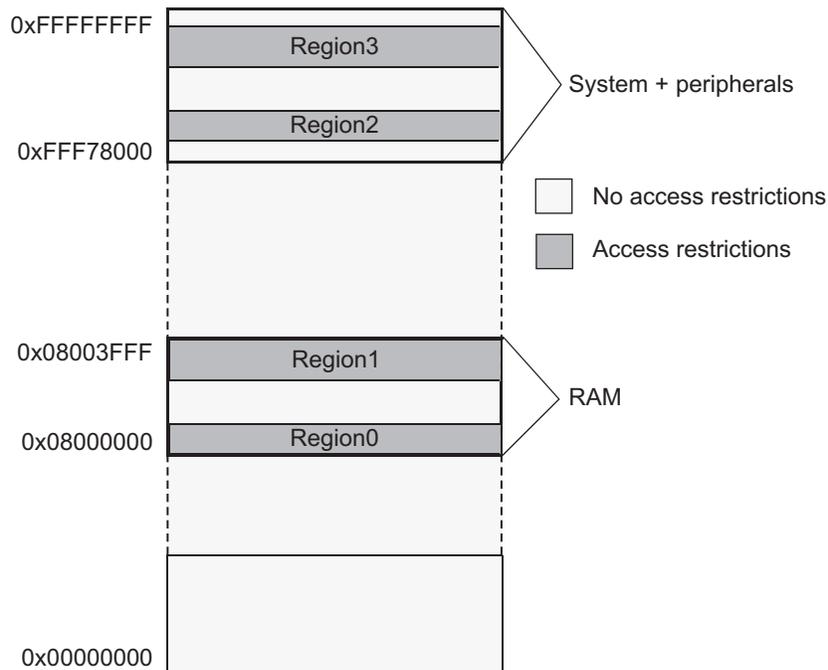
**NOTE:** If the regions defined by the start and end addresses overlap, the region defined first in the register space determines the access privilege. For example, if region 0 and region 1 overlap, the access permissions defined for region 0 will take precedence since region 0 registers are before region 1.

---

In a case where a memory protection violation occurs, a flag will be set and an interrupt will be generated, if interrupts are enabled. The DMA Memory Protection Status Register ([Section 20.3.1.68](#)) contains the status flags for the memory protection mechanism, and the DMA Memory Protection Control Register ([Section 20.3.1.67](#)) contains the interrupt enable bits. Upon detection of the memory protection violation, the DMA Channel that caused the violation will be stopped and the next available DMA channel will be serviced.

[Figure 20-17](#) illustrates a protection mechanism.

**Figure 20-17. Example of Protection Mechanism**



### 20.2.16 ECC Checking

The Control packet RAM is protected using a Single Error Correction Double Error Detection (SECEDED) scheme. This scheme is implemented using a total of 9 ECC check bits for every 128 bits of data stored in the DMA Control Packet RAM.

ECC checking can be enabled and disabled within the module by a 4-bit key. The key is located in the ECC Control Register ([Section 20.3.1.65](#)).

During write accesses to Control Packet RAM, ECC bits are generated automatically and stored along with the data bits to the memory.

During read accesses from the Control Packet RAM, the ECC bits in memory are checked against a computed ECC value for the 128 bits of data. Following two kinds of errors can occur during the read:

- **Single Bit Error** - If a single bit error occurs during the reads to the control packet either by the CPU or by DMA logic and the EDCAMODE[3:0] in DMAECCCTRL register is 0xA, the error is automatically corrected. The SBEFLG bit in the register is also set to 1 to indicate a single bit error was corrected. The DMAECCSBE register is updated to indicate the error address. In addition, if the SBE\_EVT\_EN[3:0] in DMAECCCTRL register is 0xA, the error is also indicated to ESM.
- **Double Bit Error** - If a double bit error occurs during the reads to the control packet either by the CPU or the DMA logic and the ECC\_ENA[3:0] in DMAPECR register is 0xA, the error is indicated to ESM. The EDFLG bit gets set and the error address is stored in DMAPAR register.

The DMA module automatically performs read-modify-write operations to the Control Packet RAM which are required during CPU configuration of the control packet RAM. Errors occurring during these reads are also covered by the SECEDED scheme. Also, reads to the Working Packet by CPU or DMA logic and writes to the Working Packet by the DMA logic are also protected by SECEDED.

During double bit errors, it is possible to configure the behavior of the channel using the ERRRA bit in DMAPECR register. Two options are available:

- If ERRRA bit is cleared, errors are ignored and channel operation will resume normally.
- If ERRRA bit is set, errors will cause the DMA to be disabled (DMA\_EN bit in GCTRL register is cleared). All channels will stop servicing at the next arbitration boundary. This action will be taken regardless of the origin of error being a CPU read or a DMA logic read.

### 20.2.17 ECC Testing

The ECC RAM is accessible to allow manually inserting faults so that the ECC checking feature can be tested. Test mode is entered by asserting the TEST bit in the ECC Control Register ([Section 20.3.1.65](#)). Once the bit is set, the ECC bits are mapped to the control packet RAM starting address A00h. The sequence to test the ECC is:

1. Write the data location of the Control Packet RAM while keeping ECC\_ENA active. The ECC bits will get automatically written with the correct values in this step.
2. Enable ECC test mode by setting the TEST bit of the DMAPECR register.
3. To test single bit error correction capability, read back one of the data written earlier, flip one of the bits and write it back. The same could be done for the ECC bits as well.
4. Similarly, to test double bit detection capability, read back one of the data written earlier, flip two bits and write it back. The same could be done for the ECC bits as well.
5. Now read back the same data bits which was corrupted or for which the ECC was corrupted in the earlier steps 3-4.
6. Depending on the kind of corruption created, for double bit error, read EDFLG and error address captured in DMAPAR; similarly for single bit error, read SBERR in DMASECCCTRL and error address in DMAECCSBE.
7. The check is successful if the flag and error address are updated successfully.
8. Clear the flags (EDFLG or SBERR as applicable) and read the error address.
9. To exit the test mode, initialize the data and ECC that were corrupted earlier, back to their original values.
10. Finally, clear the TEST bit of the DMAPECR register.

---

**NOTE:** When in test mode, no ECC checking will be done when reading from ECC memory, but ECC checking will be performed on the normal memory.

---

This offsets in [Table 20-4](#) must be used to run the ECC diagnostics.

**Table 20-4. ECC Mapping**

Offset	ECC of Control Packet (Only 9 bits are valid in the read)
A00h	0 (Lower 128 bits)
A04h	0 (Upper 128 bits)
A08h	1 (Lower 128 bits)
:	:
AFCh	31 (Upper 128 bits)

### 20.2.18 Initializing RAM with ECC

After power up, the RAM content including the ECC bits cannot be guaranteed. To avoid ECC failures when reading RAM, the RAM has to be initialized. The RAM can be initialized by writing known values into it. When the known value is written, the corresponding ECC bit will be automatically calculated and updated.

Another possibility to initialize the memory is to set a 4-bit key in the system module. This key triggers the automatic initialization of all RAMs on the microcontroller. The RAM will be initialized to 0 and the ECC will be initialized to their correct values.

To allow for ECC calculation during initialization, the ECC functionality has to be enabled as discussed in [Section 20.2.16](#).

### 20.2.19 Transaction Errors

DMA generates parity for all transactions and checks parity for responses to the transactions. Note that this feature is distinct from the ECC checking for the Control Packet RAM.

If a parity error is detected in these transactions and TER\_EN bit in TERECTRL register is enabled, DMA will stop processing the current channel at the arbitration boundary and will update TER\_ERR flag. The offset of the channel during which the parity failure was detected will get captured in the TEROFFSET register. Also, the error is indicated to the ESM module. This is shown in [Figure 20-18](#).

Since the channel stops due to an error and likely the peripheral and the DMA are out of synchronization, it is recommended to follow the sequence below to resume the channel:

1. Read the TEROFFSET register to find the channel number causing the transaction error. The register automatically clears to 0 once read.
2. Clear the TER\_ERR flag by writing 1 to the flag.
3. Disable the peripheral that triggered the DMA event.
4. Reinitialize the control packet. Note that this does not change the channel's HWCHEN bit.
5. Re-enable the peripheral to trigger the DMA event.
6. Re-enable the DMA channel (which was previously cleared by the DMA logic due to the error).

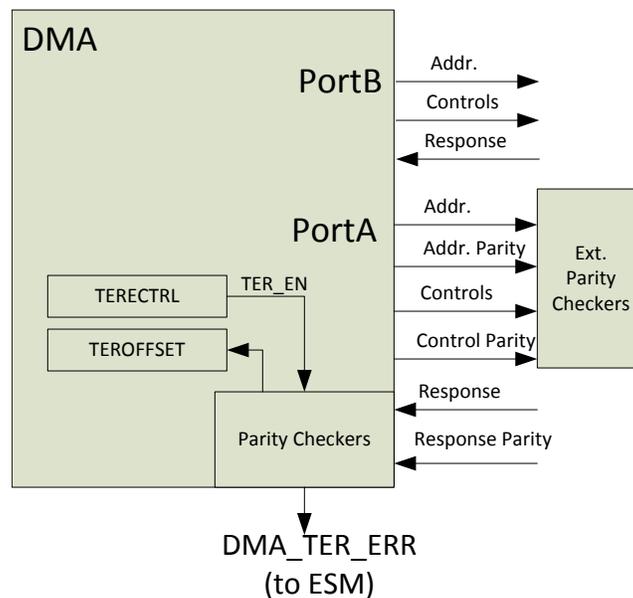
In certain cases, it is possible that DMA sets the TER\_ERR flag without updating the TEROFFSET register. This occurs due to parity errors when no channels are active. The recovery sequence in this case is to clear the TER\_ERR flag.

---

**NOTE:** Handling of a parity error at a system level may require additional operations that are not detailed here.

---

**Figure 20-18. DMA Transaction Parity**



**NOTE:** Only PortA supports transaction parity

## 20.3 Control Registers and Control Packets

The DMA control registers are summarized in [Table 20-5](#). The base address for the control registers is FFFF F000h. The control packets are summarized in [Table 20-6](#). The base address for the control packets is FFF8 0000h. Each register begins on a word boundary. All registers and control packets are accessible in 8, 16, and 32 bit.

**NOTE:** The register definitions are given for a full DMA module configuration (32 channels, 64 requests, 2 Ports, Dual CPU support). Writes and Reads of bits pertaining to features not included in the DMA implementation as defined in the device-specific datasheet are possible without error; however, they will have no affect on device operation.

**Table 20-5. DMA Control Registers**

Offset	Acronym	Register Description	Section
00h	GCTRL	Global Control Register	<a href="#">Section 20.3.1.1</a>
04h	PEND	Channel Pending Register	<a href="#">Section 20.3.1.2</a>
0Ch	DMASTAT	DMA Status Register	<a href="#">Section 20.3.1.3</a>
10h	DMAREVID	DMA revision ID Register	<a href="#">Section 20.3.1.4</a>
14h	HWCHENAS	HW Channel Enable Set and Status Register	<a href="#">Section 20.3.1.4</a>
1Ch	HWCHENAR	HW Channel Enable Reset and Status Register	<a href="#">Section 20.3.1.6</a>
24h	SWCHENAS	SW Channel Enable Set and Status Register	<a href="#">Section 20.3.1.7</a>
2Ch	SWCHENAR	SW Channel Enable Reset and Status Register	<a href="#">Section 20.3.1.8</a>
34h	CHPRIOS	Channel Priority Set Register	<a href="#">Section 20.3.1.9</a>
3Ch	CHPRIOR	Channel Priority Reset Register	<a href="#">Section 20.3.1.10</a>
44h	GCHIENAS	Global Channel Interrupt Enable Set Register	<a href="#">Section 20.3.1.11</a>
4Ch	GCHIENAR	Global Channel Interrupt Enable Reset Register	<a href="#">Section 20.3.1.12</a>
54h	DREQASI0	DMA Request Assignment Register 0	<a href="#">Section 20.3.1.13</a>
58h	DREQASI1	DMA Request Assignment Register 1	<a href="#">Section 20.3.1.14</a>
5Ch	DREQASI2	DMA Request Assignment Register 2	<a href="#">Section 20.3.1.15</a>
60h	DREQASI3	DMA Request Assignment Register 3	<a href="#">Section 20.3.1.16</a>
64h	DREQASI4	DMA Request Assignment Register 4	<a href="#">Section 20.3.1.13</a>
68h	DREQASI5	DMA Request Assignment Register 5	<a href="#">Section 20.3.1.13</a>
6Ch	DREQASI6	DMA Request Assignment Register 6	<a href="#">Section 20.3.1.13</a>
70h	DREQASI7	DMA Request Assignment Register 7	<a href="#">Section 20.3.1.13</a>
94h	PAR0	Port Assignment Register 0	<a href="#">Section 20.3.1.21</a>
98h	PAR1	Port Assignment Register 1	<a href="#">Section 20.3.1.22</a>
9Ch	PAR2	Port Assignment Register 2	<a href="#">Section 20.3.1.23</a>
A0h	PAR3	Port Assignment Register 3	<a href="#">Section 20.3.1.24</a>
B4h	FTCMAP	FTC Interrupt Mapping Register	<a href="#">Section 20.3.1.25</a>
BCh	LFSMAP	LFS Interrupt Mapping Register	<a href="#">Section 20.3.1.26</a>
C4h	HBCMAP	HBC Interrupt Mapping Register	<a href="#">Section 20.3.1.27</a>
CCh	BTCMAP	BTC Interrupt Mapping Register	<a href="#">Section 20.3.1.28</a>
D4h	BERMAP	BER Interrupt Mapping Register	<a href="#">Section 20.3.1.29</a>
DCh	FTCINTENAS	FTC Interrupt Enable Set Register	<a href="#">Section 20.3.1.30</a>
E4h	FTCINTENAR	FTC Interrupt Enable Reset Register	<a href="#">Section 20.3.1.31</a>
ECh	LFSINTENAS	LFS Interrupt Enable Set Register	<a href="#">Section 20.3.1.32</a>
F4h	LFSINTENAR	LFS Interrupt Enable Reset Register	<a href="#">Section 20.3.1.33</a>
FCh	HBCINTENAS	HBC Interrupt Enable Set Register	<a href="#">Section 20.3.1.34</a>
104h	HBCINTENAR	HBC Interrupt Enable Reset Register	<a href="#">Section 20.3.1.35</a>
10Ch	BTCINTENAS	BTC Interrupt Enable Set Register	<a href="#">Section 20.3.1.36</a>
114h	BTCINTENAR	BTC Interrupt Enable Reset Register	<a href="#">Section 20.3.1.37</a>

**Table 20-5. DMA Control Registers (continued)**

Offset	Acronym	Register Description	Section
11Ch	GINTFLAG	Global Interrupt Flag Register	<a href="#">Section 20.3.1.38</a>
124h	FTCFLAG	FTC Interrupt Flag Register	<a href="#">Section 20.3.1.39</a>
12Ch	LFSFLAG	LFS Interrupt Flag Register	<a href="#">Section 20.3.1.40</a>
134h	HBCFLAG	HBC Interrupt Flag Register	<a href="#">Section 20.3.1.41</a>
13Ch	BTCFLAG	BTC Interrupt Flag Register	<a href="#">Section 20.3.1.42</a>
144h	BERFLAG	BER Interrupt Flag Register	<a href="#">Section 20.3.1.43</a>
14Ch	FTCAOFFSET	FTCA Interrupt Channel Offset Register	<a href="#">Section 20.3.1.44</a>
150h	LFSAOFFSET	LFS Interrupt Channel Offset Register	<a href="#">Section 20.3.1.45</a>
154h	HBCAOFFSET	HBCA Interrupt Channel Offset Register	<a href="#">Section 20.3.1.46</a>
158h	BTCAOFFSET	BTCA Interrupt Channel Offset Register	<a href="#">Section 20.3.1.47</a>
15Ch	BERAOFFSET	BERA Interrupt Channel Offset Register	<a href="#">Section 20.3.1.48</a>
160h	FTCBOFFSET	FTCB Interrupt Channel Offset Register	<a href="#">Section 20.3.1.49</a>
164h	LFSBOFFSET	LFSB Interrupt Channel Offset Register	<a href="#">Section 20.3.1.50</a>
168h	HBCBOFFSET	HBCB Interrupt Channel Offset Register	<a href="#">Section 20.3.1.51</a>
16Ch	BTCBOFFSET	BTCB Interrupt Channel Offset Register	<a href="#">Section 20.3.1.52</a>
170h	BERBOFFSET	BERB Interrupt Channel Offset Register	<a href="#">Section 20.3.1.53</a>
178h	PTCRL	Port Control Register	<a href="#">Section 20.3.1.54</a>
17Ch	RTCTRL	RAM Test Control Register	<a href="#">Section 20.3.1.55</a>
180h	DCTRL	Debug Control Register	<a href="#">Section 20.3.1.56</a>
184h	WPR	Watch Point Register	<a href="#">Section 20.3.1.57</a>
188h	WMR	Watch Mask Register	<a href="#">Section 20.3.1.58</a>
18Ch	FAACSADDR	FIFO A Active Channel Source Address Register	
190h	FAACDADDR	FIFO A Active Channel Destination Address Register	
194h	FAACTC	FIFO A Active Channel Transfer Address Register	
198h	FBACSADDR	FIFO B Active Channel Source Address Register	<a href="#">Section 20.3.1.59</a>
19Ch	FBACDADDR	FIFO B Active Channel Destination Address Register	<a href="#">Section 20.3.1.60</a>
1A0h	FBACTC	FIFO B Active Channel Transfer Address Register	<a href="#">Section 20.3.1.61</a>
1A8h	DMAPECR	Parity Control Register	<a href="#">Section 20.3.1.65</a>
1ACh	DMAPAR	DMA Parity Error Address Register	<a href="#">Section 20.3.1.66</a>
1B0h	DMAMPCTRL1	DMA Memory Protection Control Register 1	<a href="#">Section 20.3.1.67</a>
1B4h	DMAMPST1	DMA Memory Protection Status Register 1	<a href="#">Section 20.3.1.68</a>
1B8h	DMAMPR0S	DMA Memory Protection Region 0 Start Address Register	<a href="#">Section 20.3.1.69</a>
1BCh	DMAMPR0E	DMA Memory Protection Region 0 End Address Register	<a href="#">Section 20.3.1.70</a>
1C0h	DMAMPR1S	DMA Memory Protection Region 1 Start Address Register	<a href="#">Section 20.3.1.71</a>
1C4h	DMAMPR1E	DMA Memory Protection Region 1 End Address Register	<a href="#">Section 20.3.1.72</a>
1C8h	DMAMPR2S	DMA Memory Protection Region 2 Start Address Register	<a href="#">Section 20.3.1.73</a>
1CCh	DMAMPR2E	DMA Memory Protection Region 2 End Address Register	<a href="#">Section 20.3.1.74</a>
1D0h	DMAMPR3S	DMA Memory Protection Region 3 Start Address Register	<a href="#">Section 20.3.1.75</a>
1D4h	DMAMPR3E	DMA Memory Protection Region 3 End Address Register	<a href="#">Section 20.3.1.76</a>
1D8h	DMAMPCTRL	DMA Memory Protection Control Register	<a href="#">Section 20.3.1.77</a>
1DCh	DMAMPST2	DMA Memory Protection Status Register 2	<a href="#">Section 20.3.1.78</a>
1E0h	DMAMPR4S	DMA Memory Protection Region 4 Start Address Register	<a href="#">Section 20.3.1.79</a>
1E4h	DMAMPR4E	DMA Memory Protection Region 4 End Address Register	<a href="#">Section 20.3.1.80</a>
1E8h	DMAMPR5S	DMA Memory Protection Region 5 Start Address Register	<a href="#">Section 20.3.1.81</a>
1ECh	DMAMPR5E	DMA Memory Protection Region 5 End Address Register	<a href="#">Section 20.3.1.82</a>
1F0h	DMAMPR6S	DMA Memory Protection Region 6 Start Address Register	<a href="#">Section 20.3.1.83</a>
1F4h	DMAMPR6E	DMA Memory Protection Region 6 End Address Register	<a href="#">Section 20.3.1.84</a>

**Table 20-5. DMA Control Registers (continued)**

Offset	Acronym	Register Description	Section
1F8h	DMAMPR7S	DMA Memory Protection Region 7 Start Address Register	<a href="#">Section 20.3.1.85</a>
1FCh	DMAMPR7E	DMA Memory Protection Region 7 End Address Register	<a href="#">Section 20.3.1.86</a>
228h	DMASECCCTRL	DMA Single bit ECC Control Register	<a href="#">Section 20.3.1.87</a>
230h	DMAECCSBE	DMA ECC Single bit Error Address Register	<a href="#">Section 20.3.1.88</a>
240h	FIFOASTATREG	FIFO A Status Register	<a href="#">Section 20.3.1.89</a>
244h	FIFOBSTATREG	FIFO B Status Register	<a href="#">Section 20.3.1.90</a>
330h	DMAREQPS1	DMA Request Polarity Select Register 1	<a href="#">Section 20.3.1.91</a>
334h	DMAREQPS0	DMA Request Polarity Select Register 0	<a href="#">Section 20.3.1.92</a>
340h	TERCTRL	TER Event Control Register	<a href="#">Section 20.3.1.93</a>
344h	TERFLAG	TER Event Flag Register	<a href="#">Section 20.3.1.94</a>
348h	TERROFFSET	TER Event Channel Offset Register	<a href="#">Section 20.3.1.95</a>

**Table 20-6. Control Packet Memory Map**

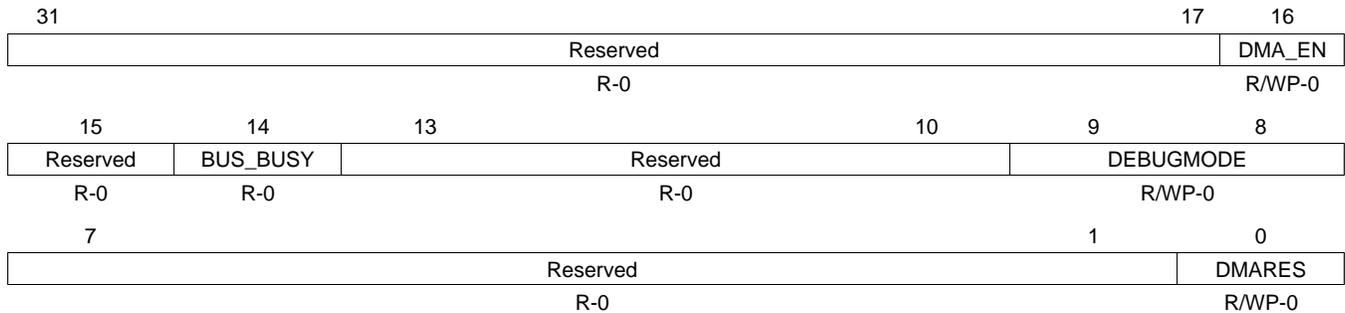
Offset	Acronym	Register Description	Section
<b>Primary Control Packet 0</b>			
00h	ISADDR	Initial Source Address Register	<a href="#">Section 20.3.2.1</a>
04h	IDADDR	Initial Destination Address Register	<a href="#">Section 20.3.2.2</a>
08h	ITCOUNT	Initial Transfer Count Register	<a href="#">Section 20.3.2.3</a>
10h	CHCTRL	Channel Control Register	<a href="#">Section 20.3.2.4</a>
14h	EIOFF	Element Index Offset Register	<a href="#">Section 20.3.2.5</a>
18h	FIOFF	Frame Index Offset Register	<a href="#">Section 20.3.2.6</a>
<b>Working Control Packet 0</b>			
800h	CSADDR	Current Source Address Register	<a href="#">Section 20.3.2.7</a>
804h	CDADDR	Current Destination Address Register	<a href="#">Section 20.3.2.8</a>
808h	CTCOUNT	Current Transfer Count Register	<a href="#">Section 20.3.2.9</a>

### 20.3.1 Global Configuration Registers

These registers control the overall behavior of the DMA controller.

#### 20.3.1.1 Global Control Register (GCTRL)

**Figure 20-19. Global Control Register (GCTRL) [offset = 00]**

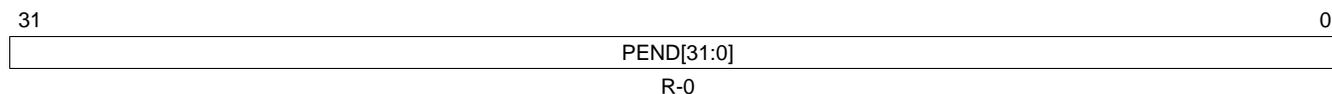


LEGEND: R/W = Read/Write; R = Read only; WP = Write in privilege mode only; -n = value after reset

**Table 20-7. Global Control Register (GCTRL) Field Descriptions**

Bit	Field	Value	Description
31-17	Reserved	0	Read returns 0. Writes have no effect.
16	DMA_EN	0 1	DMA enable bit. The configuration registers and channel control packets should be setup first before DMA_EN bit is set to one to prevent state machines from carrying out bus transactions. If DMA_EN bit is cleared in the middle of an bus transaction, the state machine will stop at an arbitration boundary. The DMA is disabled. The DMA is enabled.
15	Reserved	0	Read returns 0. Writes have no effect.
14	BUS_BUSY	0 1	This bit indicates status of DMA external AHB bus status. DMA's external bus is not busy in data transfers. DMA's external bus is busy in data transfers.
13-10	Reserved	0	Read returns 0. Writes have no effect.
9-8	DEBUGMODE	0 1h 2h 3h	Debug Mode. Ignore suspend. Finish current block transfer. Finish current frame transfer. Immediately stop at an DMA arbitration boundary and continue after suspend.
7-1	Reserved	0	Read returns 0. Writes have no effect.
0	DMARES	0 1	DMA software reset Software reset is disabled. The DMA state machine and all control registers are in software reset. Control packets are not reset when DMA software reset is active. <b>Note:</b> In the event a DMA slave does not respond, the DMA module will respond to the software reset upon reaching an arbitration boundary.

### 20.3.1.2 Channel Pending Register (PEND)

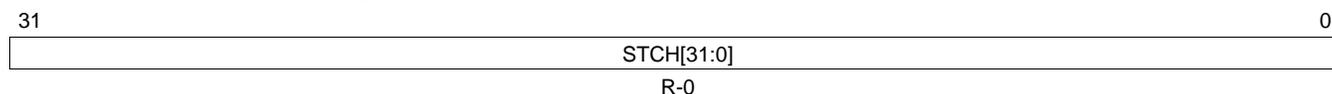
**Figure 20-20. Channel Pending Register (PEND) [offset = 04h]**


LEGEND: R = Read only; -n = value after reset

**Table 20-8. Channel Pending Register (PEND) Field Descriptions**

Bit	Field	Value	Description
31-0	PEND[n]		Channel pending register. Bit 0 corresponds to channel 0, bit 1 corresponds to channel 1, and so on. Reading from PEND gives the channel pending information no matter if the channel was initiated by SW or HW. Once set, it remains set even if the corresponding channel is disabled via HWCHENA or SWCHENA. The pending bit is automatically cleared for the following conditions: <ul style="list-style-type: none"> <li>At the end of a frame or a block transfer depending on how the channel is triggered as programmed in the TTYPE bit field of CHCTRL.</li> <li>The control packet is modified after the pending bit is set.</li> <li>A bus error occurs.</li> <li>A transaction parity error occurs</li> </ul>
		0	The corresponding channel is inactive.
		1	The corresponding channel is pending and is waiting for service.

### 20.3.1.3 DMA Status Register (DMASTAT)

**Figure 20-21. DMA Status Register (DMASTAT) [offset = 0Ch]**


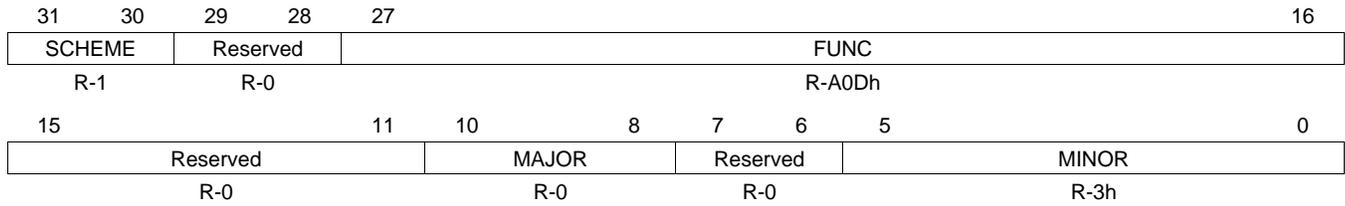
LEGEND: R = Read only; -n = value after reset

**Table 20-9. DMA Status Register (DMASTAT) Field Descriptions**

Bit	Field	Value	Description
31-0	STCH[n]		Status of DMA channels. Bit 0 corresponds to channel 0, bit 1 corresponds to channel 1, and so on.
		0	The channel is not being currently processed.
		1	The channel is currently being processed using one of the FIFOs.
			Note: The status of a channel currently being processed remains active even if emulation mode is entered or DMA is disabled via DMA_EN bit. Since there are two FIFOs, up to 2 bits can be set in this register at any given time.

### 20.3.1.4 DMA Revision ID Register (DMAREVID)

**Figure 20-22. DMA Revision ID Register (DMAREVID) [offset = 10h]**

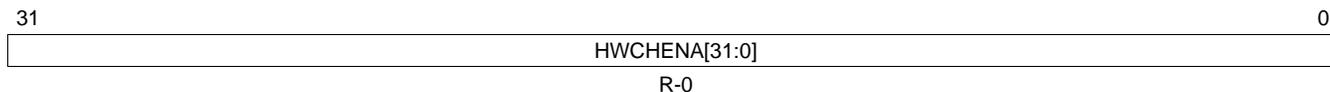


LEGEND: R/W = Read/Write; R = Read only; -n = value after reset

**Table 20-10. DMA Revision ID Register Description**

Bit	Field	Value	Description
31-30	SCHEME	1	Identification Scheme of REVID
29-28	Reserved	0	Read returns 0. Writes have no effect.
27-16	FUNC	A0Dh	Indicates module family
15-11	Reserved	0	Reserved
10-8	MAJOR	0	Major revision number
7-6	Reserved	0	Reserved
5-0	MINOR	3h	Minor revision number

### 20.3.1.5 HW Channel Enable Set and Status Register (HWCHENAS)

**Figure 20-23. HW Channel Enable Set and Status Register (HWCHENAS) [offset = 14h]**


R-0

LEGEND: R/W = Read/Write; WP = Write in privilege mode only; -n = value after reset

**Table 20-11. HW Channel Enable Set and Status Register (HWCHENAS) Field Descriptions**

Bit	Field	Value	Description
31-0	HWCHENA[n]		Hardware channel enable bit. Bit 0 corresponds to channel 0, bit 1 corresponds to channel 1, and so on. An active hardware DMA request cannot initiate a DMA transfer unless the corresponding hardware enable bit is set.  The corresponding hardware enable bit is cleared automatically for the following conditions: <ul style="list-style-type: none"> <li>• At the end of a block transfer if the auto-initiation bit AIM (see CHCTRL) is not active.</li> <li>• If a bus error is detected for an active channel.</li> </ul> Reading from HWCHENAS gives the status (enabled/disabled) of all channels.
		0	The corresponding channel is disabled for hardware triggering.
		1	The corresponding channel is enabled for hardware triggering.

### 20.3.1.6 HW Channel Enable Reset and Status Register (HWCHENAR)

**Figure 20-24. HW Channel Enable Reset and Status Register (HWCHENAR) [offset = 1Ch]**


R-0

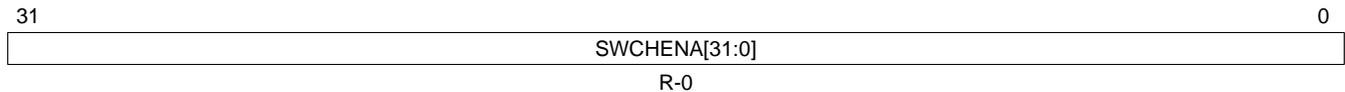
LEGEND: R/W = Read/Write; WP = Write in privilege mode only; -n = value after reset

**Table 20-12. HW Channel Enable Reset and Status Register (HWCHENAR) Field Descriptions**

Bit	Field	Value	Description
31-0	HWCHDIS[n]	0	HW channel disable bit. Bit 0 corresponds to channel 0, bit 1 corresponds to channel 1, and so on. Read: The corresponding channel is disabled for HW triggering. Write: No effect.
		1	Read: The corresponding channel is enabled for HW triggering. Write: The corresponding channel is disabled.

### 20.3.1.7 SW Channel Enable Set and Status Register (SWCHENAS)

**Figure 20-25. SW Channel Enable Set and Status Register (SWCHENAS) [offset = 24h]**



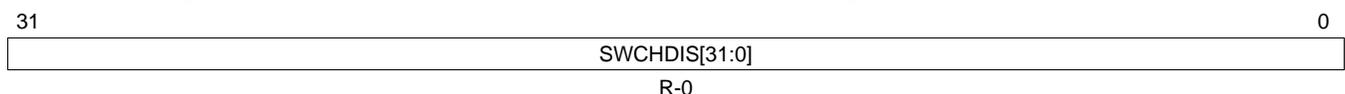
LEGEND: R/W = Read/Write; WP = Write in privilege mode only; -n = value after reset

**Table 20-13. SW Channel Enable Set and Status Register (SWCHENAS) Field Descriptions**

Bit	Field	Value	Description
31-0	SWCHENA[n]		<p>SW channel enable bit. Bit 0 corresponds to channel 0, bit 1 corresponds to channel 1, and so on. Writing a 1 to a bit triggers a SW request on the corresponding channel to start a DMA transaction. The corresponding bit is automatically cleared by the following conditions.</p> <ul style="list-style-type: none"> <li>• The corresponding bit is cleared after one frame transfer if the TTYPE bit in Channel Control Register (CHCTRL) is programmed for frame transfer.</li> <li>• The corresponding bit is cleared after one block transfer if the corresponding TTYPE bit is programmed for block transfer and the auto-initiation bit is not enabled.</li> <li>• The control packet is modified after the pending bit is set.</li> <li>• The corresponding bit is cleared after one block transfer when TTYPE bit is programmed for blocks transfer and if the corresponding bit in HW channel enable register (HWCHENAS) is enabled. When a channel is enabled for both HW and SW, the state machine will initiate transfers based on the SW first. After one block transfer is complete, the corresponding bit in the SWCHENA register is then cleared. The same channel is serviced again by a HW DMA request.</li> <li>• The corresponding bit is cleared if a bus error is detected.</li> <li>• A transaction parity error occurs</li> </ul> <p>Reading from SWCHENAS gives the status (enabled/disabled) of channels 0 through 31.</p>
		0	The corresponding channel is not triggered by SW request.
		1	The corresponding channel is triggered by SW request.

### 20.3.1.8 SW Channel Enable Reset and Status Register (SWCHENAR)

**Figure 20-26. SW Channel Enable Reset and Status Register (SWCHENAR) [offset = 2Ch]**



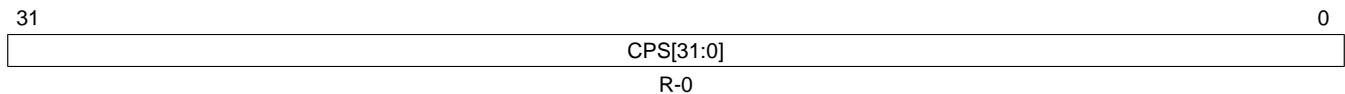
LEGEND: R/W = Read/Write; WP = Write in privilege mode only; -n = value after reset

**Table 20-14. SW Channel Enable Reset and Status Register (SWCHENAR) Field Descriptions**

Bit	Field	Value	Description
31-0	SWCHDIS[n]	0	<p>SW channel disable bit. Bit 0 corresponds to channel 0, bit 1 corresponds to channel 1, and so on.</p> <p>Read: The corresponding channel was not triggered by SW. Write: No effect.</p>
		1	<p>Read: The corresponding channel was triggered by SW. Write: The corresponding channel is disabled.</p>

### 20.3.1.9 Channel Priority Set Register (CHPRIOS)

**Figure 20-27. Channel Priority Set Register (CHPRIOS) [offset = 34h]**



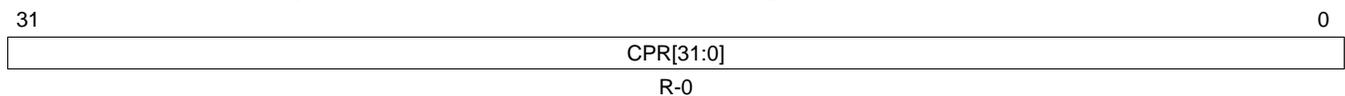
LEGEND: R/W = Read/Write; WP = Write in privilege mode only; -n = value after reset

**Table 20-15. Channel Priority Set Register (CHPRIOS) Field Descriptions**

Bit	Field	Value	Description
31-0	CPS[n]	0	Channel priority set bit. Bit 0 corresponds to channel 0, bit 1 corresponds to channel 1, and so on. Writing a 1 to a bit assigns the corresponding channel to the high priority queue. Read: The corresponding channel is assigned to the low priority queue. Write: No effect.
		1	Read and write: The corresponding channel is assigned to high priority queue.

### 20.3.1.10 Channel Priority Reset Register (CHPRIOR)

**Figure 20-28. Channel Priority Reset Register (CHPRIOR) [offset = 3Ch]**



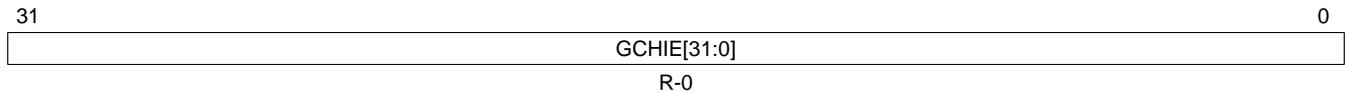
LEGEND: R/W = Read/Write; WP = Write in privilege mode only; -n = value after reset

**Table 20-16. Channel Priority Reset Register (CHPRIOR) Field Descriptions**

Bit	Field	Value	Description
31-0	CPR[n]	0	Channel priority reset bit. Bit 0 corresponds to channel 0, bit 1 corresponds to channel 1, and so on. Writing a 1 to a bit assigns the according channel to the low priority queue. Read: The corresponding channel is assigned to the low priority queue. Write: No effect.
		1	Read: The corresponding channel is assigned to the high priority queue. Write: The corresponding channel is assigned to the low priority queue.

### 20.3.1.11 Global Channel Interrupt Enable Set Register (GCHIENAS)

**Figure 20-29. Global Channel Interrupt Enable Set Register (GCHIENAS) [offset = 44h]**



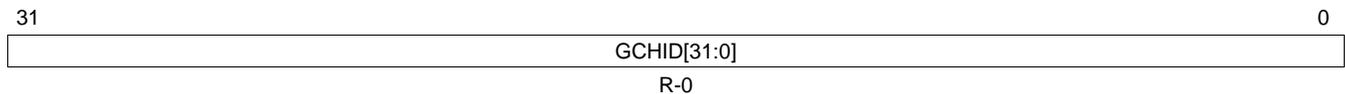
LEGEND: R/W = Read/Write; WP = Write in privilege mode only; -n = value after reset

**Table 20-17. Global Channel Interrupt Enable Set Register (GCHIENAS) Field Descriptions**

Bit	Field	Value	Description
31-0	GCHIE[n]	0	Global channel interrupt enable bit. Bit 0 corresponds to channel 0, bit 1 corresponds to channel 1, and so on. Read: The corresponding channel is disabled for interrupt. Write: No effect.
		1	Read and write: The corresponding channel is enabled for interrupt.

### 20.3.1.12 Global Channel Interrupt Enable Reset Register (GCHIENAR)

**Figure 20-30. Global Channel Interrupt Enable Reset Register (GCHIENAR) [offset = 4Ch]**



LEGEND: R/W = Read/Write; WP = Write in privilege mode only; -n = value after reset

**Table 20-18. Global Channel Interrupt Enable Reset Register (GCHIENAR) Field Descriptions**

Bit	Field	Value	Description
31-0	GCHID[n]	0	Global channel interrupt disable bit. Bit 0 corresponds to channel 0, bit 1 corresponds to channel 1, and so on. Read: The corresponding channel is disabled for interrupt. Write: No effect.
		1	Read: The corresponding channel is enabled for interrupt. Write: The corresponding channel is disabled for interrupt.

**20.3.1.13 DMA Request Assignment Register 0 (DREQASI0)**
**Figure 20-31. DMA Request Assignment Register 0 (DREQASI0) [offset = 54h]**

31	30	29	24	23	22	21	16
Reserved	CH0ASI			Reserved	CH1ASI		
R-0	R/WP-0			R-0	R/WP-1h		
15	14	13	8	7	6	5	0
Reserved	CH2ASI			Reserved	CH3ASI		
R-0	R/WP-2h			R-0	R/WP-3h		

LEGEND: R/W = Read/Write; R = Read only; WP = Write in privilege mode only; -n = value after reset

**Table 20-19. DMA Request Assignment Register 0 (DREQASI0) Field Descriptions**

Bit	Field	Value	Description
31-30	Reserved	0	Read returns 0. Writes have no effect.
29-24	CH0ASI	0 : 1Fh	Channel 0 assignment. This bit field chooses the DMA request assignment for channel 0. DMA request line 0 triggers channel 0. : DMA request line 31 triggers channel 0.
23-22	Reserved	0	Read returns 0. Writes have no effect.
21-16	CH1ASI	0 : 1Fh	Channel 1 assignment. This bit field chooses the DMA request assignment for channel 1. DMA request line 0 triggers channel 1. : DMA request line 31 triggers channel 1.
15-14	Reserved	0	Read returns 0. Writes have no effect.
13-8	CH2ASI	0 : 1Fh	Channel 2 assignment. This bit field chooses the DMA request assignment for channel 2. DMA request line 0 triggers channel 2. : DMA request line 31 triggers channel 2.
7-6	Reserved	0	Read returns 0. Writes have no effect.
5-0	CH3ASI	0 : 1Fh	Channel 3 assignment. This bit field chooses the DMA request assignment for channel 3. DMA request line 0 triggers channel 3. : DMA request line 31 triggers channel 3.

**20.3.1.14 DMA Request Assignment Register 1 (DREQASI1)**
**Figure 20-32. DMA Request Assignment Register 1 (DREQASI1) [offset = 58h]**

31	30	29	24	23	22	21	16
Reserved	CH4ASI				Reserved	CH5ASI	
R-0	R/WP-4h				R-0	R/WP-5h	
15	14	13	8	7	6	5	0
Reserved	CH6ASI				Reserved	CH7ASI	
R-0	R/WP-6h				R-0	R/WP-7h	

LEGEND: R/W = Read/Write; R = Read only; WP = Write in privilege mode only; -n = value after reset

**Table 20-20. DMA Request Assignment Register 1 (DREQASI1) Field Descriptions**

Bit	Field	Value	Description
31-30	Reserved	0	Read returns 0. Writes have no effect.
29-24	CH4ASI	0 : 1Fh	Channel 4 assignment. This bit field chooses the DMA request assignment for channel 4. DMA request line 0 triggers channel 4. : DMA request line 31 triggers channel 4.
23-22	Reserved	0	Read returns 0. Writes have no effect.
21-26	CH5ASI	0 : 1Fh	Channel 5 assignment. This bit field chooses the DMA request assignment for channel 5. DMA request line 0 triggers channel 5. : DMA request line 31 triggers channel 5.
15-14	Reserved	0	Read returns 0. Writes have no effect.
13-8	CH6ASI	0 : 1Fh	Channel 6 assignment. This bit field chooses the DMA request assignment for channel 6. DMA request line 0 triggers channel 6. : DMA request line 31 triggers channel 6.
7-6	Reserved	0	Read returns 0. Writes have no effect.
5-0	CH7ASI	0 : 1Fh	Channel 7 assignment. This bit field chooses the DMA request assignment for channel 7. DMA request line 0 triggers channel 7. : DMA request line 31 triggers channel 7.

**20.3.1.15 DMA Request Assignment Register 2 (DREQASI2)**
**Figure 20-33. DMA Request Assignment Register 2 (DREQASI2) [offset = 5Ch]**

31	30	29	24	23	22	21	16
Reserved	CH8ASI				Reserved	CH9ASI	
R-0	R/WP-8h				R-0	R/WP-9h	
15	14	13	8	7	6	5	0
Reserved	CH10ASI				Reserved	CH11ASI	
R-0	R/WP-Ah				R-0	R/WP-Bh	

LEGEND: R/W = Read/Write; R = Read only; WP = Write in privilege mode only; -n = value after reset

**Table 20-21. DMA Request Assignment Register 2 (DREQASI2) Field Descriptions**

Bit	Field	Value	Description
31-30	Reserved	0	Read returns 0. Writes have no effect.
29-24	CH8ASI	0 : 1Fh	Channel 8 assignment. This bit field chooses the DMA request assignment for channel 8. DMA request line 0 triggers channel 8. : DMA request line 31 triggers channel 8.
23-22	Reserved	0	Read returns 0. Writes have no effect.
21-16	CH9ASI	0 : 1Fh	Channel 9 assignment. This bit field chooses the DMA request assignment for channel 9. DMA request line 0 triggers channel 9. : DMA request line 31 triggers channel 9.
15-14	Reserved	0	Read returns 0. Writes have no effect.
13-8	CH10ASI	0 : 1Fh	Channel 10 assignment. This bit field chooses the DMA request assignment for channel 10. DMA request line 0 triggers channel 10. : DMA request line 31 triggers channel 10.
7-6	Reserved	0	Read returns 0. Writes have no effect.
5-0	CH11ASI	0 : 1Fh	Channel 11 assignment. This bit field chooses the DMA request assignment for channel 11. DMA request line 0 triggers channel 11. : DMA request line 31 triggers channel 11.

### 20.3.1.16 DMA Request Assignment Register 3 (DREQASI3)

**Figure 20-34. DMA Request Assignment Register 3 (DREQASI3) [offset = 60h]**

31	30	29	24	23	22	21	16
Reserved			CH12ASI		Reserved		CH13ASI
R-0			R/WP-Ch		R-0		R/WP-Dh
15	14	13	8	7	6	5	0
Reserved			CH14ASI		Reserved		CH15ASI
R-0			R/WP-Eh		R-0		R/WP-Fh

LEGEND: R/W = Read/Write; R = Read only; WP = Write in privilege mode only; -n = value after reset

**Table 20-22. DMA Request Assignment Register 3 (DREQASI3) Field Descriptions**

Bit	Field	Value	Description
31-30	Reserved	0	Read returns 0. Writes have no effect.
29-24	CH12ASI	0 : 1Fh	Channel 12 assignment. This bit field chooses the DMA request assignment for channel 12. DMA request line 0 triggers channel 12. : DMA request line 31 triggers channel 12.
23-22	Reserved	0	Read returns 0. Writes have no effect.
21-16	CH13ASI	0 : 1Fh	Channel 13 assignment. This bit field chooses the DMA request assignment for channel 13. DMA request line 0 triggers channel 13. : DMA request line 31 triggers channel 13.
15-14	Reserved	0	Read returns 0. Writes have no effect.
13-8	CH14ASI	0 : 1Fh	Channel 14 assignment. This bit field chooses the DMA request assignment for channel 14. DMA request line 0 triggers channel 14. : DMA request line 31 triggers channel 14.
7-6	Reserved	0	Read returns 0. Writes have no effect.
5-0	CH15ASI	0 : 1Fh	Channel 15 assignment. This bit field chooses the DMA request assignment for channel 15. DMA request line 0 triggers channel 15. : DMA request line 31 triggers channel 15.

**20.3.1.17 DMA Request Assignment Register 4 (DREQASI4)**
**Figure 20-35. DMA Request Assignment Register 4 (DREQASI4) [offset = 64h]**

31	30	29	24	23	22	21	16
Reserved		CH16ASI			Reserved		CH17ASI
R-0		R/WP-10h			R-0		R/WP-11h
15	14	13	8	7	6	5	0
Reserved		CH18ASI			Reserved		CH19ASI
R-0		R/WP-12h			R-0		R/WP-13h

LEGEND: R/W = Read/Write; R = Read only; WP = Write in privilege mode only; -n = value after reset

**Table 20-23. DMA Request Assignment Register 4 (DREQASI4) Field Descriptions**

Bit	Field	Value	Description
31-30	Reserved	0	Read returns 0. Writes have no effect.
29-24	CH16ASI	0 : 1Fh	Channel 16 assignment. This bit field chooses the DMA request assignment for channel 16. DMA request line 0 triggers channel 16. : DMA request line 31 triggers channel 16.
23-22	Reserved	0	Read returns 0. Writes have no effect.
21-16	CH17ASI	0 : 1Fh	Channel 17 assignment. This bit field chooses the DMA request assignment for channel 17. DMA request line 0 triggers channel 17. : DMA request line 31 triggers channel 17.
15-14	Reserved	0	Read returns 0. Writes have no effect.
13-8	CH18ASI	0 : 1Fh	Channel 18 assignment. This bit field chooses the DMA request assignment for channel 18. DMA request line 0 triggers channel 18. : DMA request line 31 triggers channel 18.
7-6	Reserved	0	Read returns 0. Writes have no effect.
5-0	CH19ASI	0 : 1Fh	Channel 3 assignment. This bit field chooses the DMA request assignment for channel 19. DMA request line 0 triggers channel 19. : DMA request line 31 triggers channel 19.

**20.3.1.18 DMA Request Assignment Register 5 (DREQASI5)**
**Figure 20-36. DMA Request Assignment Register 5 (DREQASI5) [offset = 68h]**

31	30	29	24	23	22	21	16
Reserved			CH20ASI		Reserved		CH21ASI
R-0			R/WP-14h		R-0		R/WP-15h
15	14	13	8	7	6	5	0
Reserved			CH22ASI		Reserved		CH23ASI
R-0			R/WP-16h		R-0		R/WP-17h

LEGEND: R/W = Read/Write; R = Read only; WP = Write in privilege mode only; -n = value after reset

**Table 20-24. DMA Request Assignment Register 5 (DREQASI5) Field Descriptions**

Bit	Field	Value	Description
31-30	Reserved	0	Read returns 0. Writes have no effect.
29-24	CH20ASI	0 : 1Fh	Channel 20 assignment. This bit field chooses the DMA request assignment for channel 20. DMA request line 0 triggers channel 4. : DMA request line 31 triggers channel 4.
23-22	Reserved	0	Read returns 0. Writes have no effect.
21-26	CH21ASI	0 : 1Fh	Channel 21 assignment. This bit field chooses the DMA request assignment for channel 21. DMA request line 0 triggers channel 5. : DMA request line 31 triggers channel 5.
15-14	Reserved	0	Read returns 0. Writes have no effect.
13-8	CH22ASI	0 : 1Fh	Channel 22 assignment. This bit field chooses the DMA request assignment for channel 22. DMA request line 0 triggers channel 6. : DMA request line 31 triggers channel 6.
7-6	Reserved	0	Read returns 0. Writes have no effect.
5-0	CH23ASI	0 : 1Fh	Channel 23 assignment. This bit field chooses the DMA request assignment for channel 23. DMA request line 0 triggers channel 7. : DMA request line 31 triggers channel 7.

**20.3.1.19 DMA Request Assignment Register 6 (DREQASI6)**
**Figure 20-37. DMA Request Assignment Register 6 (DREQASI6) [offset = 6Ch]**

31	30	29	24	23	22	21	16
Reserved		CH24ASI			Reserved		CH25ASI
R-0		R/WP-18h			R-0		R/WP-19h
15	14	13	8	7	6	5	0
Reserved		CH26ASI			Reserved		CH27ASI
R-0		R/WP-1Ah			R-0		R/WP-1Bh

LEGEND: R/W = Read/Write; R = Read only; WP = Write in privilege mode only; -n = value after reset

**Table 20-25. DMA Request Assignment Register 6 (DREQASI6) Field Descriptions**

Bit	Field	Value	Description
31-30	Reserved	0	Read returns 0. Writes have no effect.
29-24	CH24ASI	0 : 1Fh	Channel 24 assignment. This bit field chooses the DMA request assignment for channel 24. DMA request line 0 triggers channel 8. : DMA request line 31 triggers channel 8.
23-22	Reserved	0	Read returns 0. Writes have no effect.
21-16	CH25ASI	0 : 1Fh	Channel 9 assignment. This bit field chooses the DMA request assignment for channel 9. DMA request line 0 triggers channel 9. : DMA request line 31 triggers channel 9.
15-14	Reserved	0	Read returns 0. Writes have no effect.
13-8	CH26ASI	0 : 1Fh	Channel 10 assignment. This bit field chooses the DMA request assignment for channel 10. DMA request line 0 triggers channel 10. : DMA request line 31 triggers channel 10.
7-6	Reserved	0	Read returns 0. Writes have no effect.
5-0	CH27ASI	0 : 1Fh	Channel 11 assignment. This bit field chooses the DMA request assignment for channel 11. DMA request line 0 triggers channel 11. : DMA request line 31 triggers channel 11.

**20.3.1.20 DMA Request Assignment Register 7 (DREQASI7)**
**Figure 20-38. DMA Request Assignment Register 7 (DREQASI7) [offset = 70h]**

31	30	29	24	23	22	21	16
Reserved	CH28ASI				Reserved	CH29ASI	
R-0	R/WP-1Ch				R-0	R/WP-1Dh	
15	14	13	8	7	6	5	0
Reserved	CH30ASI				Reserved	CH31ASI	
R-0	R/WP-1Eh				R-0	R/WP-1Fh	

LEGEND: R/W = Read/Write; R = Read only; WP = Write in privilege mode only; -n = value after reset

**Table 20-26. DMA Request Assignment Register 7 (DREQASI7) Field Descriptions**

Bit	Field	Value	Description
31-30	Reserved	0	Read returns 0. Writes have no effect.
29-24	CH28ASI	0 : 1Fh	Channel 28 assignment. This bit field chooses the DMA request assignment for channel 28. DMA request line 0 triggers channel 28. : DMA request line 31 triggers channel 28.
23-22	Reserved	0	Read returns 0. Writes have no effect.
21-16	CH29ASI	0 : 1Fh	Channel 29 assignment. This bit field chooses the DMA request assignment for channel 29. DMA request line 0 triggers channel 29. : DMA request line 31 triggers channel 29.
15-14	Reserved	0	Read returns 0. Writes have no effect.
13-8	CH30ASI	0 : 1Fh	Channel 30 assignment. This bit field chooses the DMA request assignment for channel 30. DMA request line 0 triggers channel 30. : DMA request line 31 triggers channel 30.
7-6	Reserved	0	Read returns 0. Writes have no effect.
5-0	CH31ASI	0 : 1Fh	Channel 31 assignment. This bit field chooses the DMA request assignment for channel 31. DMA request line 0 triggers channel 31. : DMA request line 31 triggers channel 31.

**20.3.1.21 Port Assignment Register 0 (PAR0)**
**Figure 20-39. Port Assignment Register 0 (PAR0) [offset = 94h]**

31	30	28	27	26	24	23	22	20	19	18	16
Rsvd	CH0PA		Rsvd	CH1PA		Rsvd	CH2PA		Rsvd	CH3PA	
R-0	R/WP-0		R-0	R/WP-0		R-0	R/WP-0		R-0	R/WP-0	
15	14	12	11	10	8	7	6	4	3	2	0
Rsvd	CH4PA		Rsvd	CH5PA		Rsvd	CH6PA		Rsvd	CH7PA	
R-0	R/WP-0		R-0	R/WP-0		R-0	R/WP-0		R-0	R/WP-0	

LEGEND: R/W = Read/Write; R = Read only; WP = Write in privilege mode only; -n = value after reset

**Table 20-27. Port Assignment Register 0 (PAR0) Field Descriptions**

Bit	Field	Value	Description
31	Reserved	0	Read returns 0. Writes have no effect.
30-28	CH0PA	1h 2h 3h Others	These bit fields determine to which port(s) channel 0 is assigned. Port A and B combined, A read/B write Port A only Port B only Port A and B combined, B read/A write
27	Reserved	0	Read returns 0. Writes have no effect.
26-24	CH1PA		These bit fields determine to which port channel 1 is assigned. Refer CH0PA for description.
23	Reserved	0	Read returns 0. Writes have no effect.
22-20	CH2PA		These bit fields determine to which port channel 2 is assigned. Refer CH0PA for description.
19	Reserved	0	Read returns 0. Writes have no effect.
18-16	CH3PA		These bit fields determine to which port channel 3 is assigned. Refer CH0PA for description.
15	Reserved	0	Read returns 0. Writes have no effect.
14-12	CH4PA		These bit fields determine to which port channel 4 is assigned. Refer CH0PA for description.
11	Reserved	0	Read returns 0. Writes have no effect.
10-8	CH5PA		These bit fields determine to which port channel 5 is assigned. Refer CH0PA for description.
7	Reserved	0	Read returns 0. Writes have no effect.
6-4	CH6PA		These bit fields determine to which port channel 6 is assigned. Refer CH0PA for description.
3	Reserved	0	Read returns 0. Writes have no effect.
2-0	CH7PA		These bit fields determine to which port channel 7 is assigned. Refer CH0PA for description.

### 20.3.1.22 Port Assignment Register 1 (PAR1)

**Figure 20-40. Port Assignment Register 1 (PAR1) [offset = 98h]**

31	30	28	27	26	24	23	22	20	19	18	16
Rsvd	CH8PA		Rsvd	CH9PA		Rsvd	CH10PA		Rsvd	CH11PA	
R-0	R/WP-0		R-0	R/WP-0		R-0	R/WP-0		R-0	R/WP-0	
15	14	12	11	10	8	7	6	4	3	2	0
Rsvd	CH12PA		Rsvd	CH13PA		Rsvd	CH14PA		Rsvd	CH15PA	
R-0	R/WP-0		R-0	R/WP-0		R-0	R/WP-0		R-0	R/WP-0	

LEGEND: R/W = Read/Write; R = Read only; WP = Write in privilege mode only; -n = value after reset

**Table 20-28. Port Assignment Register 1 (PAR1) Field Descriptions**

Bit	Field	Value	Description
31	Reserved	0	Read returns 0. Writes have no effect.
30-28	CH8PA	1h 2h 3h Others	These bit fields determine to which port channel 8 is assigned. Port A and B combined, A read/B write Port A only Port B only Port A and B combined, B read/A write
27	Reserved	0	Read returns 0. Writes have no effect.
26-24	CH9PA		These bit fields determine to which port channel 9 is assigned. Refer CH8PA for description.
23	Reserved	0	Read returns 0. Writes have no effect.
22-20	CH10PA		These bit fields determine to which port channel 10 is assigned. Refer CH8PA for description.
19	Reserved	0	Read returns 0. Writes have no effect.
18-16	CH11PA		These bit fields determine to which port channel 11 is assigned. Refer CH8PA for description.
15	Reserved	0	Read returns 0. Writes have no effect.
14-12	CH12PA		These bit fields determine to which port channel 12 is assigned. Refer CH8PA for description.
11	Reserved	0	Read returns 0. Writes have no effect.
10-8	CH13PA		These bit fields determine to which port channel 13 is assigned. Refer CH8PA for description.
7	Reserved	0	Read returns 0. Writes have no effect.
6-4	CH14PA		These bit fields determine to which port channel 14 is assigned. Refer CH8PA for description.
3	Reserved	0	Read returns 0. Writes have no effect.
2-0	CH15PA		These bit fields determine to which port channel 15 is assigned. Refer CH8PA for description.

**20.3.1.23 Port Assignment Register 2 (PAR2)**
**Figure 20-41. Port Assignment Register 2 (PAR2) [offset = 9Ch]**

31	30	28	27	26	24	23	22	20	19	18	16
Rsvd	CH0PA		Rsvd	CH1PA		Rsvd	CH2PA		Rsvd	CH3PA	
R-0	R/WP-0		R-0	R/WP-0		R-0	R/WP-0		R-0	R/WP-0	
15	14	12	11	10	8	7	6	4	3	2	0
Rsvd	CH4PA		Rsvd	CH5PA		Rsvd	CH6PA		Rsvd	CH7PA	
R-0	R/WP-0		R-0	R/WP-0		R-0	R/WP-0		R-0	R/WP-0	

LEGEND: R/W = Read/Write; R = Read only; WP = Write in privilege mode only; -n = value after reset

**Table 20-29. Port Assignment Register 2 (PAR2) Field Descriptions**

Bit	Field	Value	Description
31	Reserved	0	Read returns 0. Writes have no effect.
30-28	CH16PA	1h 2h 3h Others	These bit fields determine to which port(s) channel 16 is assigned. Port A and B combined, A read/B write Port A only Port B only Port A and B combined, B read/A write
27	Reserved	0	Read returns 0. Writes have no effect.
26-24	CH17PA		These bit fields determine to which port channel 17 is assigned. Refer CH16PA for description.
23	Reserved	0	Read returns 0. Writes have no effect.
22-20	CH18PA		These bit fields determine to which port channel 18 is assigned. Refer CH16PA for description.
19	Reserved	0	Read returns 0. Writes have no effect.
18-16	CH19PA		These bit fields determine to which port channel 19 is assigned. Refer CH16PA for description.
15	Reserved	0	Read returns 0. Writes have no effect.
14-12	CH20PA		These bit fields determine to which port channel 20 is assigned. Refer CH16PA for description.
11	Reserved	0	Read returns 0. Writes have no effect.
10-8	CH21PA		These bit fields determine to which port channel 21 is assigned. Refer CH16PA for description.
7	Reserved	0	Read returns 0. Writes have no effect.
6-4	CH22PA		These bit fields determine to which port channel 22 is assigned. Refer CH16PA for description.
3	Reserved	0	Read returns 0. Writes have no effect.
2-0	CH23PA		These bit fields determine to which port channel 23 is assigned. Refer CH16PA for description.

### 20.3.1.24 Port Assignment Register 3 (PAR3)

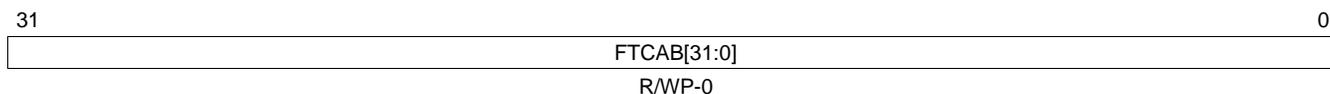
**Figure 20-42. Port Assignment Register 3 (PAR3) [offset = a0h]**

31	30	28	27	26	24	23	22	20	19	18	16
Rsvd	CH24PA		Rsvd	CH25PA		Rsvd	CH26PA		Rsvd	CH27PA	
R-0	R/WP-0		R-0	R/WP-0		R-0	R/WP-0		R-0	R/WP-0	
15	14	12	11	10	8	7	6	4	3	2	0
Rsvd	CH28PA		Rsvd	CH29PA		Rsvd	CH30PA		Rsvd	CH31PA	
R-0	R/WP-0		R-0	R/WP-0		R-0	R/WP-0		R-0	R/WP-0	

LEGEND: R/W = Read/Write; R = Read only; WP = Write in privilege mode only; -n = value after reset

**Table 20-30. Port Assignment Register 3 (PAR3) Field Descriptions**

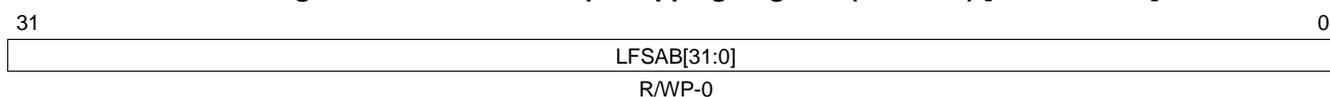
Bit	Field	Value	Description
31	Reserved	0	Read returns 0. Writes have no effect.
30-28	CH24PA	1h 2h 3h Others	These bit fields determine to which port channel 24 is assigned. Port A and B combined, A read/B write Port A only Port B only Port A and B combined, B read/A write
27	Reserved	0	Read returns 0. Writes have no effect.
26-24	CH25PA		These bit fields determine to which port channel 25 is assigned. Refer CH24PA for description.
23	Reserved	0	Read returns 0. Writes have no effect.
22-20	CH26PA		These bit fields determine to which port channel 26 is assigned. Refer CH24PA for description.
19	Reserved	0	Read returns 0. Writes have no effect.
18-16	CH27PA		These bit fields determine to which port channel 27 is assigned. Refer CH24PA for description.
15	Reserved	0	Read returns 0. Writes have no effect.
14-12	CH28PA		These bit fields determine to which port channel 28 is assigned. Refer CH24PA for description.
11	Reserved	0	Read returns 0. Writes have no effect.
10-8	CH29PA		These bit fields determine to which port channel 29 is assigned. Refer CH24PA for description.
7	Reserved	0	Read returns 0. Writes have no effect.
6-4	CH30PA		These bit fields determine to which port channel 30 is assigned. Refer CH24PA for description.
3	Reserved	0	Read returns 0. Writes have no effect.
2-0	CH31PA		These bit fields determine to which port channel 31 is assigned. Refer CH24PA for description.

**20.3.1.25 FTC Interrupt Mapping Register (FTCMAP)**
**Figure 20-43. FTC Interrupt Mapping Register (FTCMAP) [offset = B4h]**


LEGEND: R/W = Read/Write; WP = Write in privilege mode only; -n = value after reset

**Table 20-31. FTC Interrupt Mapping Register (FTCMAP) Field Descriptions**

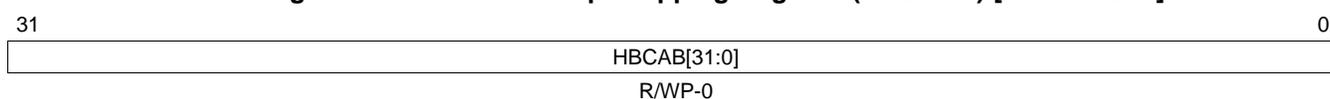
Bit	Field	Value	Description
31-0	FTCAB[n]		Frame transfer complete (FTC) interrupt to Group A or Group B. Bit 0 corresponds to channel 0, bit 1 corresponds to channel 1, and so on.
		0	FTC interrupt of the corresponding channel is routed to Group A.
		1	FTC interrupt of the corresponding channel is routed to Group B.

**20.3.1.26 LFS Interrupt Mapping Register (LFSMAP)**
**Figure 20-44. LFS Interrupt Mapping Register (LFSMAP) [offset = BCh]**


LEGEND: R/W = Read/Write; WP = Write in privilege mode only; -n = value after reset

**Table 20-32. LFS Interrupt Mapping Register (LFSMAP) Field Descriptions**

Bit	Field	Value	Description
31-0	LFSAB[n]		Last frame started (LFS) interrupt to Group A or Group B. Bit 0 corresponds to channel 0, bit 1 corresponds to channel 1, and so on.
		0	LFS interrupt of the corresponding channel is routed to Group A.
		1	LFS interrupt of the corresponding channel is routed to Group B.

**20.3.1.27 HBC Interrupt Mapping Register (HBCMAP)**
**Figure 20-45. HBC Interrupt Mapping Register (HBCMAP) [offset = C4h]**


LEGEND: R/W = Read/Write; WP = Write in privilege mode only; -n = value after reset

**Table 20-33. HBC Interrupt Mapping Register (HBCMAP) Field Descriptions**

Bit	Field	Value	Description
31-0	HBCAB[n]		Half block complete (HBC) interrupt to Group A or Group B. Bit 0 corresponds to channel 0, bit 1 corresponds to channel 1, and so on.
		0	HBC interrupt of the corresponding channel is routed to Group A.
		1	HBC interrupt of the corresponding channel is routed to Group B.

### 20.3.1.28 BTC Interrupt Mapping Register (BTCMAP)

**Figure 20-46. BTC Interrupt Mapping Register (BTCMAP) [offset = CCh]**



LEGEND: R/W = Read/Write; WP = Write in privilege mode only; -n = value after reset

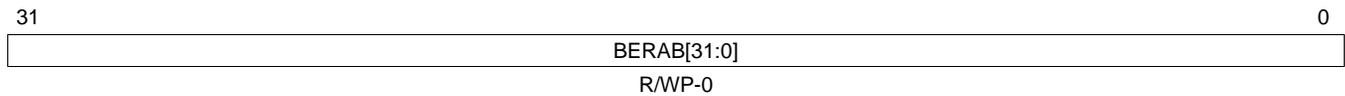
**Table 20-34. BTC Interrupt Mapping Register (BTCMAP) Field Descriptions**

Bit	Field	Value	Description
31-0	BTCAB[n]		Block transfer complete (BTC) interrupt to Group A or Group B. Bit 0 corresponds to channel 0, bit 1 corresponds to channel 1, and so on.
		0	BTC interrupt of the corresponding channel is routed to Group A.
		1	BTC interrupt of the corresponding channel is routed to Group B.

### 20.3.1.29 BER Interrupt Mapping Register (BERMAP)

**NOTE:** On this device, Group B Interrupts are not implemented; therefore, user software should configure only Group A interrupts.

**Figure 20-47. BER Interrupt Mapping Register (BERMAP) [offset = D4h]**



LEGEND: R/W = Read/Write; WP = Write in privilege mode only; -n = value after reset

**Table 20-35. BER Interrupt Mapping Register (BERMAP) Field Descriptions**

Bit	Field	Value	Description
31-0	BERAB[n]		Bus error (BER) interrupt to Group A or Group B. Bit 0 corresponds to channel 0, bit 1 corresponds to channel 1, and so on.
		0	BER interrupt of the corresponding channel is routed to Group A.
		1	BER interrupt of the corresponding channel is routed to Group B.

**20.3.1.30 FTC Interrupt Enable Set Register (FTCINTENAS)**
**Figure 20-48. FTC Interrupt Enable Set Register (FTCINTENAS) [offset = DCh]**

31	0
FTCINTENA[31:0]	
R/WP-0	

LEGEND: R/W = Read/Write; WP = Write in privilege mode only; -n = value after reset

**Table 20-36. FTC Interrupt Enable Set Register (FTCINTENAS) Field Descriptions**

Bit	Field	Value	Description
31-0	FTCINTENA[n]	0	Frame transfer complete (FTC) interrupt enable. Bit 0 corresponds to channel 0, bit 1 corresponds to channel 1, and so on. Read: Corresponding FTC interrupt of a channel is disabled. Write: No effect.
		1	Read and write: FTC interrupt of the corresponding channel is enabled.

**20.3.1.31 FTC Interrupt Enable Reset Register (FTCINTENAR)**
**Figure 20-49. FTC Interrupt Enable Reset (FTCINTENAR) [offset = E4h]**

31	0
FTCINTDIS[31:0]	
R/WP-0	

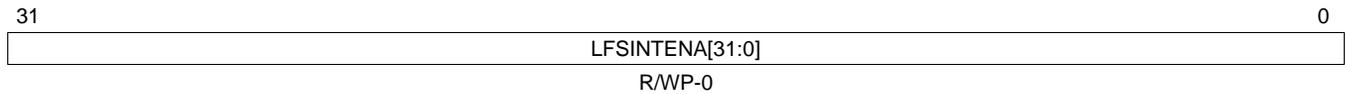
LEGEND: R/W = Read/Write; WP = Write in privilege mode only; -n = value after reset

**Table 20-37. FTC Interrupt Enable Reset (FTCINTENAR) Field Descriptions**

Bit	Field	Value	Description
31-0	FTCINTDIS[n]	0	Frame transfer complete (FTC) interrupt disable. Bit 0 corresponds to channel 0, bit 1 corresponds to channel 1, and so on. Read: Corresponding FTC interrupt of a channel is disabled. Write: No effect.
		1	Read: Corresponding FTC interrupt of a channel is enabled. Write: Corresponding FTC interrupt is disabled.

### 20.3.1.32 LFS Interrupt Enable Set Register (LFSINTENAS)

**Figure 20-50. LFS Interrupt Enable Set Register (LFSINTENAS) [offset = ECh]**



LEGEND: R/W = Read/Write; WP = Write in privilege mode only; -n = value after reset

**Table 20-38. LFS Interrupt Enable Set Register (LFSINTENAS) Field Descriptions**

Bit	Field	Value	Description
31-0	LFSINTENA[n]	0	Last frame started (LFS) interrupt enable. Bit 0 corresponds to channel 0, bit 1 corresponds to channel 1, and so on. Read: Corresponding LFS interrupt of a channel is disabled. Write: No effect.
		1	Read and write: LFS interrupt of the corresponding channel is disabled.

### 20.3.1.33 LFS Interrupt Enable Reset Register (LFSINTENAR)

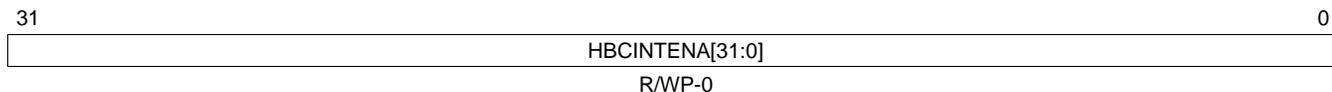
**Figure 20-51. LFS Interrupt Enable Reset Register (LFSINTENAR) [offset = F4h]**



LEGEND: R/W = Read/Write; WP = Write in privilege mode only; -n = value after reset

**Table 20-39. LFS Interrupt Enable Reset Register (LFSINTENAR) Field Descriptions**

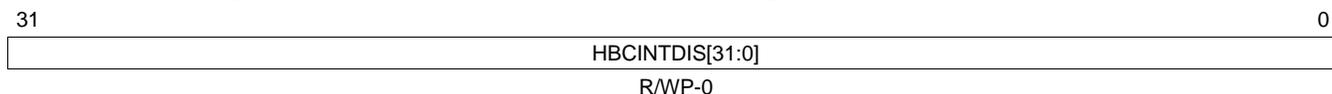
Bit	Field	Value	Description
31-0	LFSINTDIS[n]	0	Last frame started (LFS) interrupt disable. Bit 0 corresponds to channel 0, bit 1 corresponds to channel 1, and so on. Read: LFS interrupt of the corresponding channel is disabled. Write: No effect.
		1	Read: LFS interrupt of the corresponding channel is enabled. Write: LFS interrupt of the corresponding channel is disabled.

**20.3.1.34 HBC Interrupt Enable Set Register (HBCINTENAS)**
**Figure 20-52. HBC Interrupt Enable Set Register (HBCINTENAS) [offset = FCh]**


LEGEND: R/W = Read/Write; WP = Write in privilege mode only; -n = value after reset

**Table 20-40. HBC Interrupt Enable Set Register (HBCINTENAS) Field Descriptions**

Bit	Field	Value	Description
31-0	HBCINTENA[n]	0	Half block complete (HBC) interrupt enable. Bit 0 corresponds to channel 0, bit 1 corresponds to channel 1, and so on. Read: HBC interrupt of the corresponding channel is disabled. Write: No effect.
		1	Read and write: HBC interrupt of the corresponding channel is enabled.

**20.3.1.35 HBC Interrupt Enable Reset Register (HBCINTENAR)**
**Figure 20-53. HBC Interrupt Enable Reset Register (HBCINTENAR) [offset = 104h]**


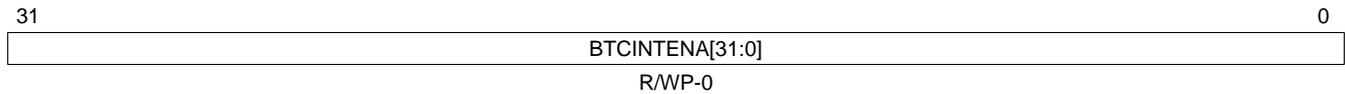
LEGEND: R/W = Read/Write; WP = Write in privilege mode only; -n = value after reset

**Table 20-41. HBC Interrupt Enable Reset Register (HBCINTENAR) Field Descriptions**

Bit	Field	Value	Description
31-0	HBCINTDIS[n]	0	Half block complete (HBC) interrupt disable. Bit 0 corresponds to channel 0, bit 1 corresponds to channel 1, and so on. Read: HBC interrupt of the corresponding channel is disabled. Write: No effect.
		1	Read: HBC interrupt of the corresponding channel is enabled. Write: HBC interrupt of the corresponding channel is disabled.

### 20.3.1.36 BTC Interrupt Enable Set Register (BTCINTENAS)

**Figure 20-54. BTC Interrupt Enable Set Register (BTCINTENAS) [offset = 10Ch]**



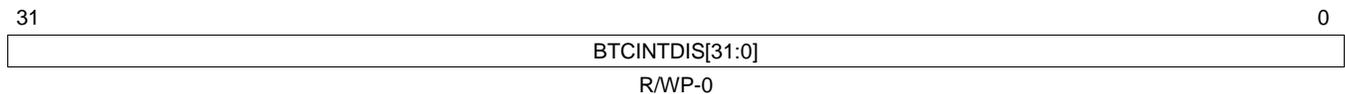
LEGEND: R/W = Read/Write; WP = Write in privilege mode only; -n = value after reset

**Table 20-42. BTC Interrupt Enable Reset Register (BTCINTENAS) Field Descriptions**

Bit	Field	Value	Description
31-0	BTCINTENA[n]	0	Block transfer complete (BTC) interrupt enable. Bit 0 corresponds to channel 0, bit 1 corresponds to channel 1, and so on. Read: BTC interrupt of the corresponding channel is disabled. Write: No effect.
		1	Read and write: BTC interrupt of the corresponding channel is enabled.

### 20.3.1.37 BTC Interrupt Enable Reset Register (BTCINTENAR)

**Figure 20-55. BTC Interrupt Enable Reset Register (BTCINTENAR) [offset = 114h]**



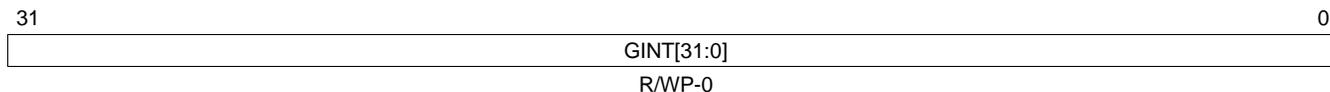
LEGEND: R/W = Read/Write; WP = Write in privilege mode only; -n = value after reset

**Table 20-43. BTC Interrupt Enable Reset Register (BTCINTENAR) Field Descriptions**

Bit	Field	Value	Description
31-0	BTCINTDIS[n]	0	Block transfer complete (BTC) interrupt disable. Bit 0 corresponds to channel 0, bit 1 corresponds to channel 1, and so on. Read: BTC interrupt of the corresponding channel is enabled. Write: No effect.
		1	Read: BTC interrupt of the corresponding channel is disabled. Write: BTC interrupt of the corresponding channel is disabled.

### 20.3.1.38 Global Interrupt Flag Register (GINTFLAG)

**Figure 20-56. Global Interrupt Flag Register (GINTFLAG) [offset = 11Ch]**



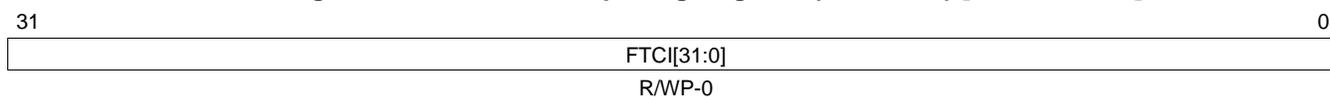
LEGEND: R/W = Read/Write; WP = Write in privilege mode only; -n = value after reset

**Table 20-44. Global Interrupt Flag Register (GINTFLAG) Field Descriptions**

Bit	Field	Value	Description
31-0	GINT[n]		Global interrupt flags. Bit 0 corresponds to channel 0, bit 1 corresponds to channel 1, and so on. A global interrupt flag bit is an OR function of FTC, LFS, HBC, BTC and BER interrupt flags.
		0	No interrupt is pending on the corresponding channel.
		1	One or more of the five interrupt types (FTC, LFS, HBC, BTC, or BER) is pending on the corresponding channel.

### 20.3.1.39 FTC Interrupt Flag Register (FTCFLAG)

**Figure 20-57. FTC Interrupt Flag Register (FTCFLAG) [offset = 124h]**



LEGEND: R/W = Read/Write; WP = Write in privilege mode only; -n = value after reset

**Table 20-45. FTC INTERRUPT FLAG Register (FTCFLAG) Field Descriptions**

Bit	Field	Value	Description
31-0	FTCI[n]		Frame transfer complete (FTC) flags. Bit 0 corresponds to channel 0, bit 1 corresponds to channel 1, and so on.  <b>Note: Reading from the respective interrupt channel offset register also clears the corresponding flag (see <a href="#">Section 20.3.1.44</a> and <a href="#">Section 20.3.1.49</a>).</b>  <b>Note: The state of the flag bit can be polled even if the corresponding interrupt enable bit is cleared.</b>
		0	Read: FTC interrupt of the corresponding channel is not pending. Write: No effect.
		1	Read: FTC interrupt of the corresponding channel is pending. Write: The flag is cleared.

### 20.3.1.40 LFS Interrupt Flag Register (LFSFLAG)

**Figure 20-58. LFS Interrupt Flag Register (LFSFLAG) [offset = 12Ch]**



LEGEND: R/W = Read/Write; WP = Write in privilege mode only; -n = value after reset

**Table 20-46. LFS Interrupt Flag Register (LFSFLAG) Field Descriptions**

Bit	Field	Value	Description
31-0	LFSI[n]		<p>Last frame started (LFS) flags. Bit 0 corresponds to channel 0, bit 1 corresponds to channel 1, and so on.</p> <p><b>Note: Reading from the respective interrupt channel offset register also clears the corresponding flag (see <a href="#">Section 20.3.1.45</a> and <a href="#">Section 20.3.1.50</a> ).</b></p> <p><b>Note: The state of the flag bit can be polled even if the corresponding interrupt enable bit is cleared.</b></p>
		0	<p>Read: LFS interrupt of the corresponding channel is not pending.</p> <p>Write: No effect.</p>
		1	<p>Read: LFS interrupt of the corresponding channel is pending.</p> <p>Write: The flag is cleared.</p>

### 20.3.1.41 HBC Interrupt Flag Register (HBCFLAG)

**Figure 20-59. HBC Interrupt Flag Register (HBCFLAG) [offset = 134h]**

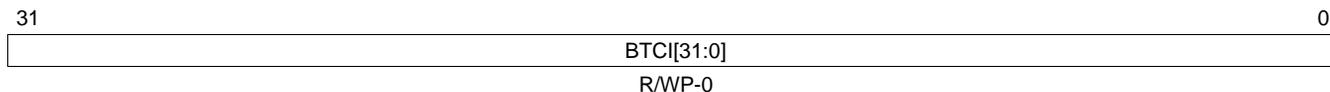


LEGEND: R/W = Read/Write; WP = Write in privilege mode only; -n = value after reset

**Table 20-47. HBC Interrupt Flag Register (HBCFLAG) Field Descriptions**

Bit	Field	Value	Description
31-0	HBCI[n]		<p>Half block transfer (HBC) complete flags. Bit 0 corresponds to channel 0, bit 1 corresponds to channel 1, and so on.</p> <p><b>Note: Reading from the respective interrupt channel offset register also clears the corresponding flag (see <a href="#">Section 20.3.1.46</a> and <a href="#">Section 20.3.1.51</a> ).</b></p> <p><b>Note: The state of the flag bit can be polled even if the corresponding interrupt enable bit is cleared.</b></p>
		0	<p>Read: HBC interrupt of the corresponding channel is not pending.</p> <p>Write: No effect.</p>
		1	<p>Read: HBC interrupt of the corresponding channel is pending.</p> <p>Write: The flag is cleared.</p>

### 20.3.1.42 BTC Interrupt Flag Register (BTCFLAG)

**Figure 20-60. BTC Interrupt Flag Register (BTCFLAG) [offset = 13Ch]**


LEGEND: R/W = Read/Write; WP = Write in privilege mode only; -n = value after reset

**Table 20-48. BTC Interrupt Flag Register (BTCFLAG) Field Descriptions**

Bit	Field	Value	Description
31-0	BTCI[n]		Block transfer complete (BTC) flags. Bit 0 corresponds to channel 0, bit 1 corresponds to channel 1, and so on.  <b>Note: Reading from the respective interrupt channel offset register also clears the corresponding flag (see Section 20.3.1.47 and Section 20.3.1.52).</b> <b>Note: The state of the flag bit can be polled even if the corresponding interrupt enable bit is cleared.</b>
		0	Read: BTC interrupt of the corresponding channel is not pending. Write: No effect.
		1	Read: BTC interrupt of the corresponding channel is pending. Write: The flag is cleared.

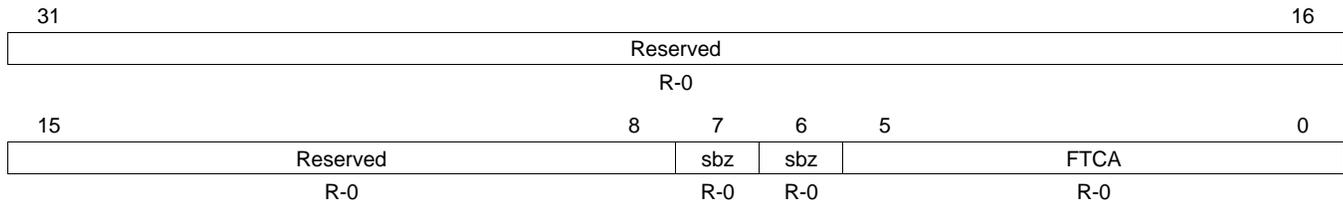
### 20.3.1.43 BER Interrupt Flag Register (BERFLAG)

**Figure 20-61. BER Interrupt Flag Register (BERFLAG) [offset = 144h]**


LEGEND: R/W = Read/Write; WP = Write in privilege mode only; -n = value after reset

**Table 20-49. BER Interrupt Flag Register (BERFLAG) Field Descriptions**

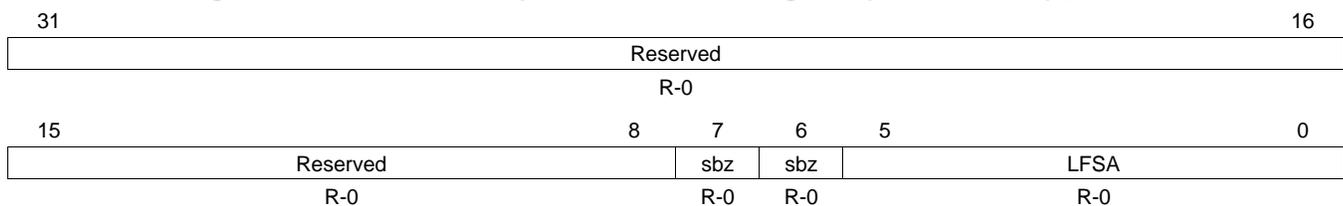
Bit	Field	Value	Description
31-0	BERI[n]		Bus error (BER) flags. Bit 0 corresponds to channel 0, bit 1 corresponds to channel 1, and so on.  <b>Note: Reading from the respective interrupt channel offset register also clears the corresponding flag (see Section 20.3.1.48 and Section 20.3.1.53).</b> <b>Note: The state of the flag bit can be polled even if the corresponding interrupt enable bit is cleared.</b>
		0	Read: BER interrupt of the corresponding channel is not pending. Write: No effect.
		1	Read: BER interrupt of the corresponding channel is pending. Write: The flag is cleared.

**20.3.1.44 FTCA Interrupt Channel Offset Register (FTCAOFFSET)**
**Figure 20-62. FTCA Interrupt Channel Offset Register (FTCAOFFSET) [offset = 14Ch]**


LEGEND: R = Read only; -n = value after reset

**Table 20-50. FTCA Interrupt Channel Offset Register (FTCAOFFSET) Field Descriptions**

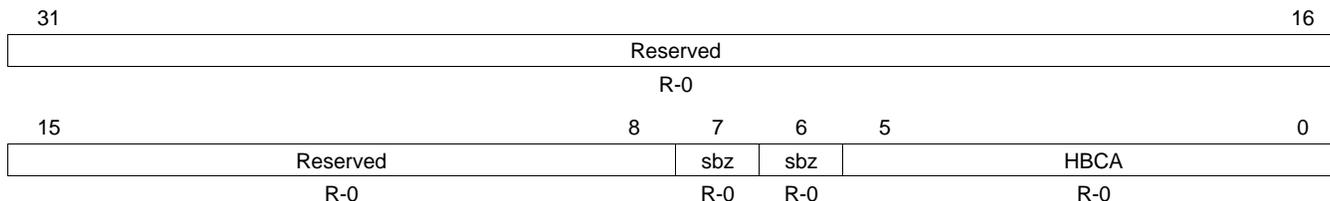
Bit	Field	Value	Description
31-16	Reserved	0	Read returns 0. Writes have no effect.
7-6	sbz	0	These bits should always be programmed as zero.
5-0	FTCA		Channel causing FTC interrupt Group A. These bits contain the channel number of the pending interrupt for Group A if the corresponding interrupt enable is set. <b>Note: Reading this location clears the corresponding interrupt pending flag (see <a href="#">Section 20.3.1.39</a>) with the highest priority.</b>
		0	No interrupt is pending.
		1h	Channel 0 is causing the pending interrupt Group A.
		:	:
		20h	Channel 31 is causing the pending interrupt Group A.

**20.3.1.45 LFSA Interrupt Channel Offset Register (LFSAOFFSET)**
**Figure 20-63. LFSA Interrupt Channel Offset Register (LFSAOFFSET) [offset = 150h]**


LEGEND: R = Read only; -n = value after reset

**Table 20-51. LFSA Interrupt Channel Offset Register (LFSAOFFSET) Field Descriptions**

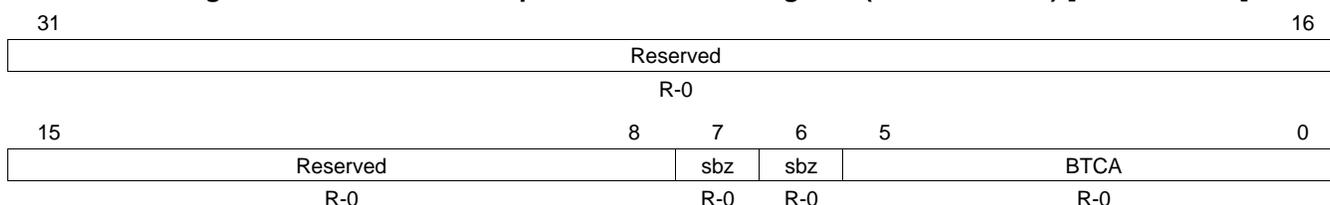
Bit	Field	Value	Description
31-16	Reserved	0	Read returns 0. Writes have no effect.
7-6	sbz	0	These bits should always be programmed as zero.
5-0	LFSA		Channel causing LFS interrupt Group A. These bits contain the channel number of the pending interrupt for Group A if the corresponding interrupt enable is set. <b>Note: Reading this location clears the corresponding interrupt pending flag (see <a href="#">Section 20.3.1.40</a>) with the highest priority.</b>
		0	No interrupt is pending.
		1h	Channel 0 is causing the pending interrupt Group A.
		:	:
		20h	Channel 31 is causing the pending interrupt Group A.

**20.3.1.46 HBCA Interrupt Channel Offset Register (HBCAOFFSET)**
**Figure 20-64. HBCA Interrupt Channel Offset Register (HBCAOFFSET) [offset = 154h]**


LEGEND: R = Read only; -n = value after reset

**Table 20-52. HBCA Interrupt Channel Offset Register (HBCAOFFSET) Field Descriptions**

Bit	Field	Value	Description
31-16	Reserved	0	Read returns 0. Writes have no effect.
7-6	sbz	0	These bits should always be programmed as zero.
5-0	HBCA		Channel causing HBC interrupt Group A. These bits contain the channel number of the pending interrupt for Group A if the corresponding interrupt enable is set. <b>Note: Reading this location clears the corresponding interrupt pending flag (see <a href="#">Section 20.3.1.41</a>) with the highest priority.</b>
		0	No interrupt is pending.
		1h	Channel 0 is causing the pending interrupt Group A.
		:	:
		20h	Channel 31 is causing the pending interrupt Group A.

**20.3.1.47 BTCA Interrupt Channel Offset Register (BTCAOFFSET)**
**Figure 20-65. BTCA Interrupt Channel Offset Register (BTCAOFFSET) [offset = 158h]**


LEGEND: R = Read only; -n = value after reset

**Table 20-53. BTCA Interrupt Channel Offset Register (BTCAOFFSET) Field Descriptions**

Bit	Field	Value	Description
31-16	Reserved	0	Read returns 0. Writes have no effect.
7-6	sbz	0	These bits should always be programmed as zero.
5-0	BTCA		Channel causing BTC interrupt Group A. These bits contain the channel number of the pending interrupt for Group A if the corresponding interrupt enable is set. <b>Note: Reading this location clears the corresponding interrupt pending flag (see <a href="#">Section 20.3.1.42</a>) with the highest priority.</b>
		0	No interrupt is pending.
		1h	Channel 0 is causing the pending interrupt Group A.
		:	:
		20h	Channel 31 is causing the pending interrupt Group A.

20.3.1.48 BERA Interrupt Channel Offset Register (BERAOFFSET)

Figure 20-66. BERA Interrupt Channel Offset Register (BERAOFFSET) [offset = 15Ch]



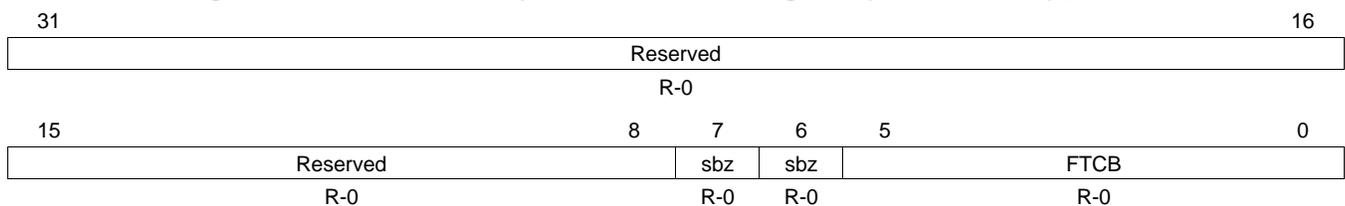
LEGEND: R = Read only; -n = value after reset

Table 20-54. BERA Interrupt Channel Offset Register (BERAOFFSET) Field Descriptions

Bit	Field	Value	Description
31-16	Reserved	0	Read returns 0. Writes have no effect.
7-6	sbz	0	These bits should always be programmed as zero.
5-0	BERA		Channel causing BER interrupt Group A. These bits contain the channel number of the pending interrupt for Group A if the corresponding interrupt enable is set. <b>Note: Reading this location clears the corresponding interrupt pending flag (see Section 20.3.1.43) with the highest priority.</b>
		0	No interrupt is pending.
		1h	Channel 0 is causing the pending interrupt Group A.
		:	:
		20h	Channel 31 is causing the pending interrupt Group A.

20.3.1.49 FTCB Interrupt Channel Offset Register (FTCBOFFSET)

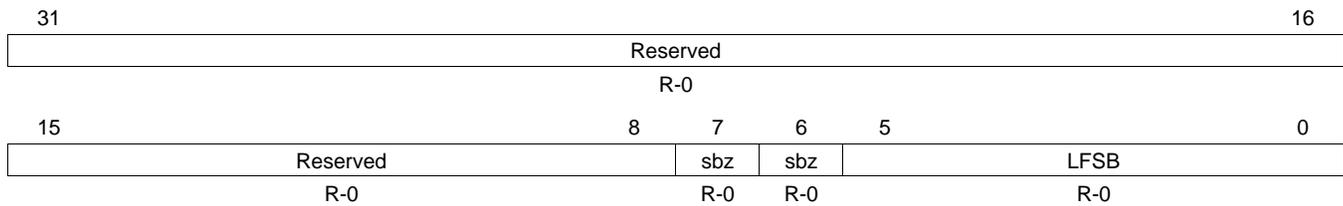
Figure 20-67. FTCB Interrupt Channel Offset Register (FTCBOFFSET) [offset = 160h]



LEGEND: R = Read only; -n = value after reset

Table 20-55. FTCB Interrupt Channel Offset Register (FTCBOFFSET) Field Descriptions

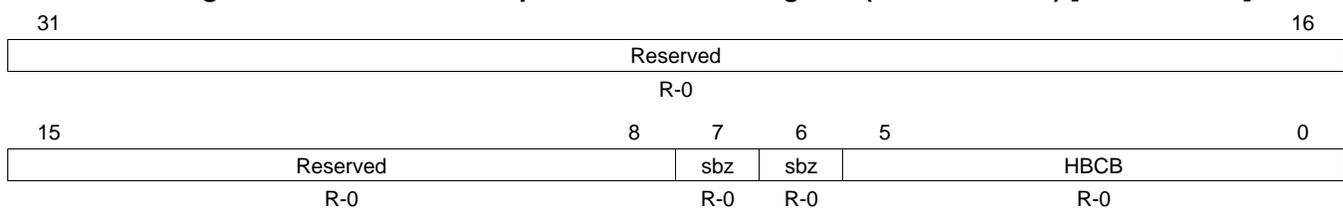
Bit	Field	Value	Description
31-16	Reserved	0	Read returns 0. Writes have no effect.
7-6	sbz	0	These bits should always be programmed as zero.
5-0	FTCB		Channel causing FTC interrupt Group B. These bits contain the channel number of the pending interrupt for Group B if the corresponding interrupt enable is set. <b>Note: Reading this location clears the corresponding interrupt pending flag (see Section 20.3.1.39) with the highest priority.</b>
		0	No interrupt is pending.
		1h	Channel 0 is causing the pending interrupt Group B.
		:	:
		20h	Channel 31 is causing the pending interrupt Group B.

**20.3.1.50 LFSB Interrupt Channel Offset Register (LFSBOFFSET)**
**Figure 20-68. LFSB Interrupt Channel Offset Register (LFSBOFFSET) [offset = 164h]**


LEGEND: R = Read only; -n = value after reset

**Table 20-56. LFSB Interrupt Channel Offset Register (LFSBOFFSET) Field Descriptions**

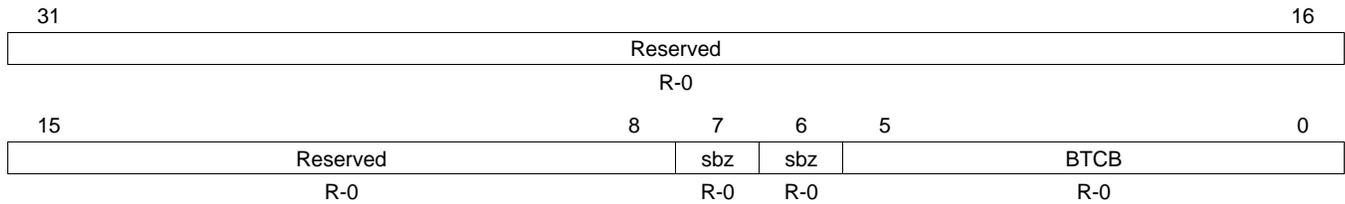
Bit	Field	Value	Description
31-16	Reserved	0	Read returns 0. Writes have no effect.
7-6	sbz	0	These bits should always be programmed as zero.
5-0	LFSB		Channel causing LFS interrupt Group B. These bits contain the channel number of the pending interrupt for Group B if the corresponding interrupt enable is set. <b>Note: Reading this location clears the corresponding interrupt pending flag (see <a href="#">Section 20.3.1.40</a>) with the highest priority.</b>
		0	No interrupt is pending.
		1h	Channel 0 is causing the pending interrupt Group B.
		:	:
		20h	Channel 31 is causing the pending interrupt Group B.

**20.3.1.51 HBCB Interrupt Channel Offset Register (HBCBOFFSET)**
**Figure 20-69. HBCB Interrupt Channel Offset Register (HBCBOFFSET) [offset = 168h]**


LEGEND: R = Read only; -n = value after reset

**Table 20-57. HBCB Interrupt Channel Offset Register (HBCBOFFSET) Field Descriptions**

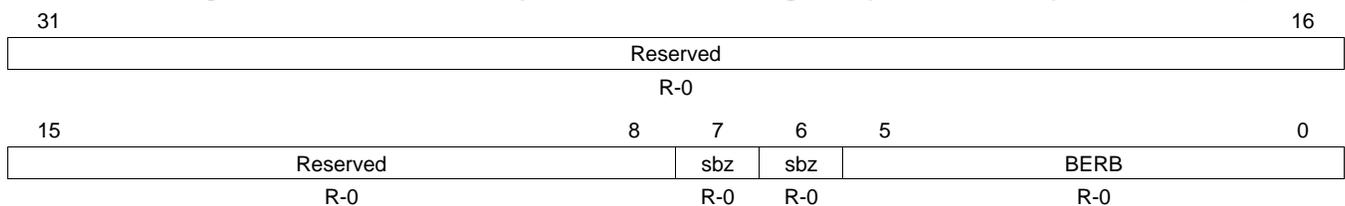
Bit	Field	Value	Description
31-16	Reserved	0	Read returns 0. Writes have no effect.
7-6	sbz	0	These bits should always be programmed as zero.
5-0	HBCB		Channel causing HBC interrupt Group B. These bits contain the channel number of the pending interrupt for Group B if the corresponding interrupt enable is set. <b>Note: Reading this location clears the corresponding interrupt pending flag (see <a href="#">Section 20.3.1.41</a>) with the highest priority.</b>
		0	No interrupt is pending.
		1h	Channel 0 is causing the pending interrupt Group B.
		:	:
		20h	Channel 31 is causing the pending interrupt Group B.

**20.3.1.52 BTCB Interrupt Channel Offset Register (BTCBOFFSET)**
**Figure 20-70. BTCB Interrupt Channel Offset Register (BTCBOFFSET) [offset = 16Ch]**


LEGEND: R = Read only; -n = value after reset

**Table 20-58. BTCB Interrupt Channel Offset Register (BTCBOFFSET) Field Descriptions**

Bit	Field	Value	Description
31-16	Reserved	0	Read returns 0. Writes have no effect.
7-6	sbz	0	These bits should always be programmed as zero.
5-0	BTCB		Channel causing BTC interrupt Group B. These bits contain the channel number of the pending interrupt for Group B if the corresponding interrupt enable is set. <b>Note: Reading this location clears the corresponding interrupt pending flag (see <a href="#">Section 20.3.1.42</a>) with the highest priority.</b>
		0	No interrupt is pending.
		1h	Channel 0 is causing the pending interrupt Group B.
		:	:
		20h	Channel 31 is causing the pending interrupt Group B.

**20.3.1.53 BERB Interrupt Channel Offset Register (BERBOFFSET)**
**Figure 20-71. BERB Interrupt Channel Offset Register (BERBOFFSET) [offset = 170h]**


LEGEND: R = Read only; -n = value after reset

**Table 20-59. BERB Interrupt Channel Offset Register (BERBOFFSET) Field Descriptions**

Bit	Field	Value	Description
31-16	Reserved	0	Read returns 0. Writes have no effect.
7-6	sbz	0	These bits should always be programmed as zero.
5-0	BERB		Channel causing BER interrupt Group B. These bits contain the channel number of the pending interrupt for Group B if the corresponding interrupt enable is set. <b>Note: Reading this location clears the corresponding interrupt pending flag (see <a href="#">Section 20.3.1.43</a>) with the highest priority.</b>
		0	No interrupt is pending.
		1h	Channel 0 is causing the pending interrupt Group B.
		:	:
		20h	Channel 31 is causing the pending interrupt Group B.

### 20.3.1.54 Port Control Register (PTCRL)

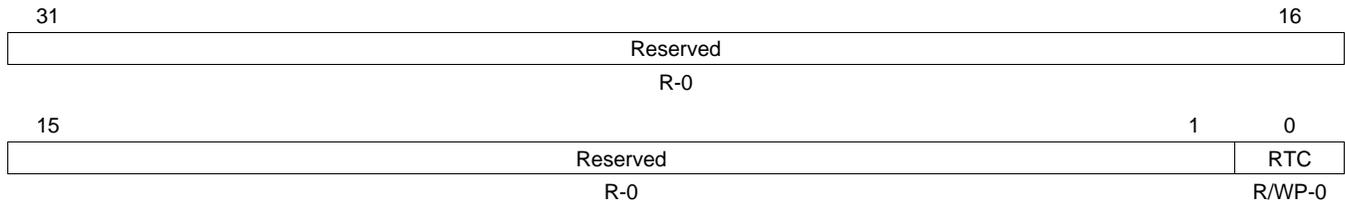
**Figure 20-72. Port Control Register (PTCRL) [offset = 178h]**

31	Reserved				25			24	
R-0								PENDB	
R-0								R-0	
23	Reserved				19	18	17	16	
R-0					BYB		Reserved		
R-0					R/WP-0		R-0		
15	9		8	7	3	2	1	0	
Reserved			PENDA	Reserved			BYA	PSFRHQ	PSFRLQ
R-0			R-0	R-0			R/WP-0	R/WP-0	R/WP-0

LEGEND: R/W = Read/Write; R = Read only; WP = Write in privilege mode only; -n = value after reset

**Table 20-60. Port Control Register (PTCRL) Field Descriptions**

Bit	Field	Value	Description
31-25	Reserved	0	Read returns 0. Writes have no effect.
24	PENDB	0	Transfers pending for Port B. This flag determines if transfers are ongoing on port B. The flag will be cleared if no transfers are performed. It can be used to determine if there is still data transferred while DMA_EN is cleared to 0 in GCTCRL. In this case, once all transfers are finished, the flag will be cleared to 0.
		0	No transfers are pending.
		1	Transfers are pending.
23-19	Reserved	0	Read returns 0. Writes have no effect.
18	BYB	0	Bypass FIFO B.
		0	FIFO B is not bypassed.
		1	FIFO B is bypassed. Writing 1 to this bit limits the FIFO depth to the size of one element. That means that after one element is read, the write-out to the destination will begin. This feature is particularly useful to minimize switching latency between channels.
			<b>Note: This feature does not make optimal use of bus bandwidth.</b>
17-9	Reserved	0	Read returns 0. Writes have no effect.
8	PENDA	0	Transfers pending for Port A. This flag determines if transfers are ongoing on port A. The flag will be cleared if no transfers are performed. It can be used to determine if there is still data transferred while DMA_EN is cleared to 0 in GCTCRL. In this case, once all transfers are finished, the flag will be cleared to 0.
		0	No transfers are pending.
		1	Transfers are pending.
7-3	Reserved	0	Read returns 0. Writes have no effect.
2	BYA	0	Bypass FIFO A.
		0	FIFO A is not bypassed.
		1	FIFO A is bypassed. Writing 1 to this bit limits the FIFO depth to the size of one element. That means that after one element is read, the write-out to the destination will begin. This feature is particularly useful to minimize switching latency between channels.
			<b>Note: This feature does not make optimal use of bus bandwidth.</b>
1	PSFRHQ	0	Priority scheme fix or rotate for high priority queue.
		0	Fixed priority is used.
		1	Rotation priority is used.
0	PSFRLQ	0	Priority scheme fix or rotate for low priority queue.
		0	The fixed priority scheme is used.
		1	The rotation priority scheme is used.

**20.3.1.55 RAM Test Control Register (RTCTRL)**
**Figure 20-73. RAM Test Control Register (RTCTRL) [offset = 17Ch]**


LEGEND: R/W = Read/Write; R = Read only; WP = Write in privilege mode only; -n = value after reset

**Table 20-61. RAM Test Control Register (RTCTRL) Field Descriptions**

Bit	Field	Value	Description
31-1	Reserved	0	Read returns 0. Writes have no effect.
0	RTC	0	RAM Test Control Disabled.
		1	RAM Test Control Enabled..

**20.3.1.56 Debug Control Register (DCTRL)**
**Figure 20-74. Debug Control Register (DCTRL) [offset = 180h]**

31	29	28	24	23	17	16	
Reserved		CHNUM		Reserved		DMADBGS	
R-0		R-0		R-0		R/WC-0	
Reserved						1	0
R-0						DBGEN	
R-0						R/WC-0	

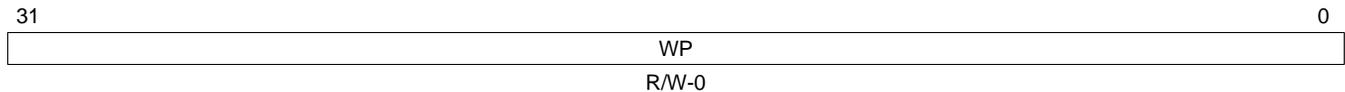
LEGEND: R/W = Read/Write; R = Read only; C = Clear; -n = value after reset

**Table 20-62. Debug Control Register (DCTRL) Field Descriptions**

Bit	Field	Value	Description
31-29	Reserved	0	Read returns 0. Writes have no effect.
28-24	CHNUM	0-1Fh	Channel Number. This bit field indicates the channel number that causes the watch point to match.
23-17	Reserved	0	Read returns 0. Writes have no effect.
16	DMADBGS	0	DMA debug status. When a watch point is set up to watch for a unique bus address or a range of addresses is true on one of the three bus ports, then the DMA debug status bit is set to 1 and a debug request signal is asserted to the main CPU. The CPU must write a 1 to clear this bit for the DMA controller to release the debug request signal. Read: No watch point condition is detected. Write: No effect.
		1	Read: The watch point condition is detected. Write: The bit is cleared.
15-1	Reserved	0	Read returns 0. Writes have no effect.
0	DBGEN		Debug Enable. <b>Note: This bit can only be set when using a debugger.</b> <b>Note: This bit is reset when Test reset (nTRST) is low.</b>
		0	Debug is disabled.
		1	The watch point checking logics is enabled.

### 20.3.1.57 Watch Point Register (WPR)

**Figure 20-75. Watch Point Register (WPR) [offset = 184h]**



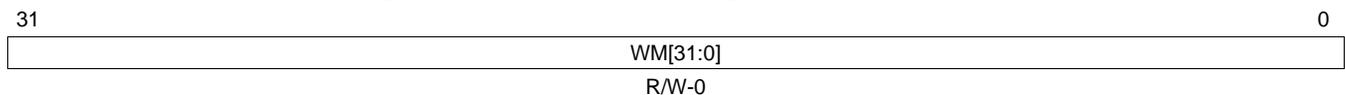
LEGEND: R/W = Read/Write; -n = value after reset

**Table 20-63. Watch Point Register (WPR) Field Descriptions**

Bit	Field	Description
31-0	WP	Watch point. <b>Note: These bits can only be set when using a debugger.</b> This register is only reset by a test reset (nTRST). A 32-bit address can be programmed into this register as a watch point. This register is used with the watch mask register (WMR). When the DBGEN bit in the DCTRL register is set and a unique address or a range of addresses are detected on the AHB address bus of Port B, a debug request signal is sent to the ARM CPU. The state machine of the port in which the watch point condition is true is frozen.

### 20.3.1.58 Watch Mask Register (WMR)

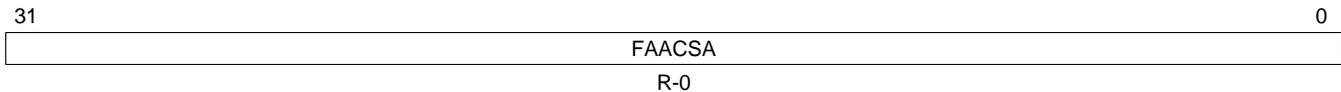
**Figure 20-76. Watch Mask Register (WMR) [offset = 188h]**



LEGEND: R/W = Read/Write; -n = value after reset

**Table 20-64. Watch Mask Register (WMR) Field Descriptions**

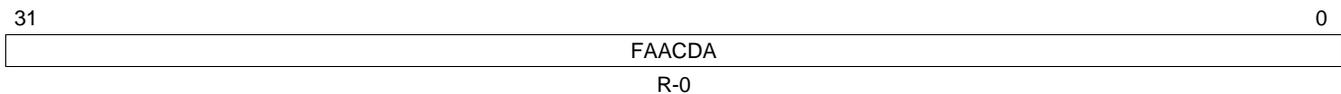
Bit	Field	Value	Description
31-0	WM[n]		Watch mask. <b>Note: These bits can only be set when using a debugger.</b> This register is only reset by a test reset (nTRST).
		0	Setting a bit to 0 allows the bit in the WPR register to be used for address matching for a watch point.
		1	Setting a bit to 1 in the WMR register masks the corresponding bit in the WPR register and is disregarded in the comparison.

**20.3.1.59 FIFO A Active Channel Source Address Register (FAACSADDR)**
**Figure 20-77. FIFO A Active Channel Source Address Register (FAACSADDR) [offset = 18ch]**


LEGEND: R = Read only; -n = value after reset

**Table 20-65. FIFO A Active Channel Source Address Register (FAACSADDR) Field Descriptions**

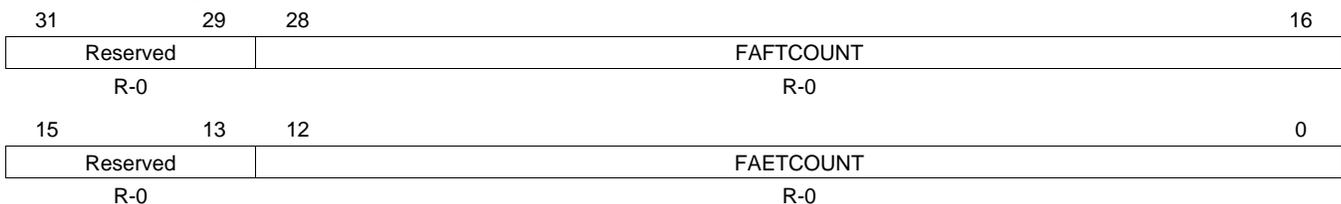
Bit	Field	Description
31-0	FAACSA	FIFO B Active Channel Source Address. This register contains the current source address of the active channel as broadcasted in <a href="#">Section 20.3.1.3</a> for FIFO B.

**20.3.1.60 FIFO A Active Channel Destination Address Register (FAACDADDR)**
**Figure 20-78. FIFO A Active Channel Destination Address Register (FAACDADDR) [offset = 190h]**


LEGEND: R = Read only; -n = value after reset

**Table 20-66. FIFO A Active Channel Destination Address Register (PBCDADDR) Field Descriptions**

Bit	Field	Description
31-0	FAACDA	FIFO A Active Channel Destination Address. This register contains the current destination address of the active channel as broadcasted in <a href="#">Section 20.3.1.3</a> for FIFO A.

**20.3.1.61 FIFO A Active Channel Transfer Count Register (FAACTC)**
**Figure 20-79. FIFO A Active Channel Transfer Count Register (FAACTC) [offset = 194h]**


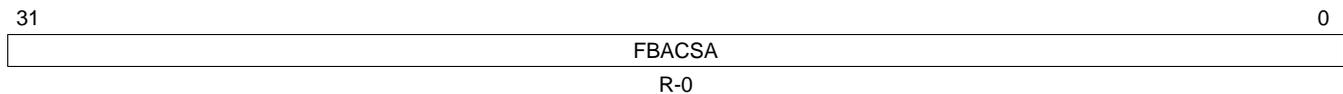
LEGEND: R = Read only; -n = value after reset

**Table 20-67. Port B Active Channel Transfer Count Register (PBACTC) Field Descriptions**

Bit	Field	Value	Description
31-29	Reserved	0	Read returns 0. Writes have no effect.
28-16	FAFTCOUNT	0-1FFFh	FIFO A active channel frame count. These bits contain the current frame count value of the active channel as broadcasted in <a href="#">Section 20.3.1.3</a> for FIFO A.
15-13	Reserved	0	Read returns 0. Writes have no effect.
12-0	FAETCOUNT	0-1FFFh	FIFO A active channel element count. These bits contain the current element count value of the active channel as broadcasted in <a href="#">Section 20.3.1.3</a> for FIFO A.

### 20.3.1.62 FIFO B Active Channel Source Address Register (FBACSADDR)

**Figure 20-80. FIFO B Active Channel Source Address Register (FBACSADDR) [offset = 198h]**



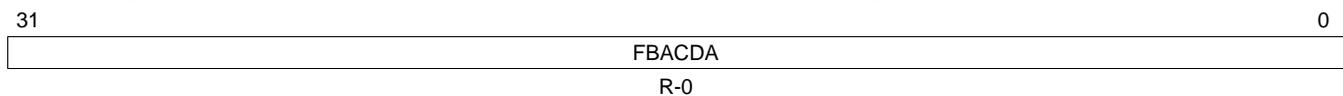
LEGEND: R = Read only; -n = value after reset

**Table 20-68. FIFO B Active Channel Source Address Register (FBACSADDR) Field Descriptions**

Bit	Field	Description
31-0	FBACSA	FIFO B Active Channel Source Address. This register contains the current source address of the active channel as broadcasted in <a href="#">Section 20.3.1.3</a> for FIFO B.

### 20.3.1.63 FIFO B Active Channel Destination Address Register (FBACDADDR)

**Figure 20-81. FIFO B Active Channel Destination Address Register (FBACDADDR) [offset = 19Ch]**



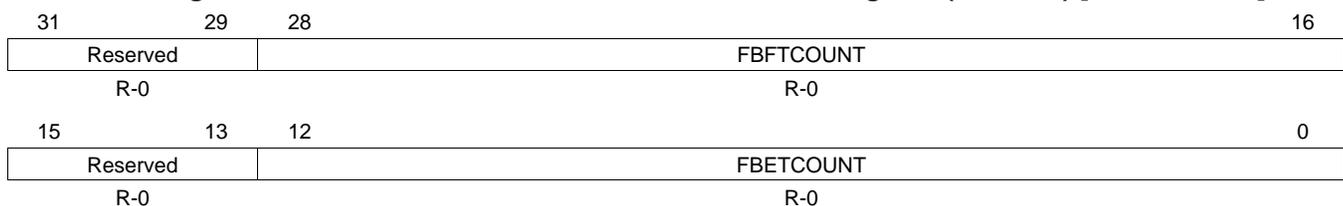
LEGEND: R = Read only; -n = value after reset

**Table 20-69. FIFO B Active Channel Destination Address Register (FBACDADDR) Field Descriptions**

Bit	Field	Description
31-0	FBACDA	FIFO B Active Channel Destination Address. This register contains the current destination address of the active channel as broadcasted in <a href="#">Section 20.3.1.3</a> for FIFO B.

### 20.3.1.64 FIFO B Active Channel Transfer Count Register (FBACTC)

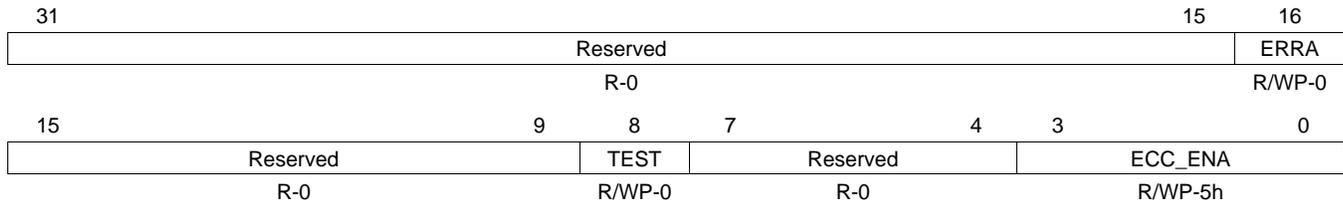
**Figure 20-82. FIFO B Active Channel Transfer Count Register (FBACTC) [offset = 1A0h]**



LEGEND: R = Read only; -n = value after reset

**Table 20-70. FIFO B Active Channel Transfer Count Register (FBACTC) Field Descriptions**

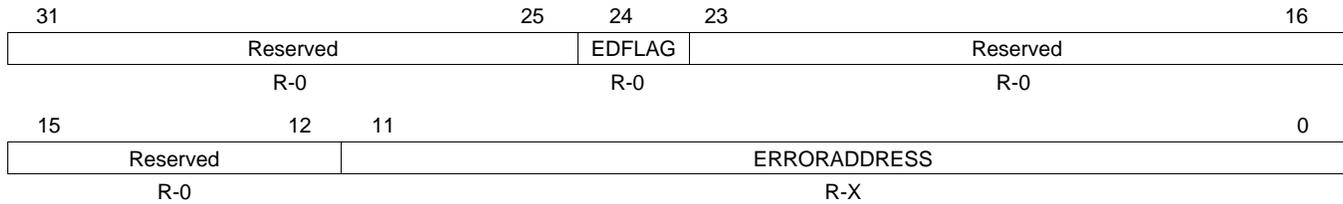
Bit	Field	Value	Description
31-29	Reserved	0	Read returns 0. Writes have no effect.
28-16	FBFTCOUNT	0-1FFFh	FIFO B active channel frame count. These bits contain the current frame count value of the active channel as broadcasted in <a href="#">Section 20.3.1.3</a> for FIFO B.
15-13	Reserved	0	Read returns 0. Writes have no effect.
12-0	FBETCOUNT	0-1FFFh	FIFO B active channel element count. These bits contain the current element count value of the active channel as broadcasted in <a href="#">Section 20.3.1.3</a> for FIFO B.

**20.3.1.65 ECC Control Register (DMAPECR)**
**Figure 20-83. ECC Control Register (DMAPECR) [offset = 1A8h]**


LEGEND: R/W = Read/Write; R = Read only; WP = Write in privilege mode only; -n = value after reset

**Table 20-71. ECC Control Register (DMAPECR) Field Descriptions**

Bit	Field	Value	Description
31-17	Reserved	0	Read returns 0. Writes have no effect.
16	ERRA	0	If a parity error is detected on control packet x (x = 0, 1, ... n), then the enable/disable state of control packet x remains unchanged.
		1	If a parity error is detected on control packet x (x = 0, 1, ...n), then the DMA controller is disabled immediately. If a frame on control packet x is processed at the time the parity error is detected, then remaining elements of this frame will not be transferred anymore. The DMA will be disabled regardless of whether the error was detected during a read to the control packet RAM performed by the DMA state machine or by a different master.
15-9	Reserved	0	Read returns 0. Writes have no effect.
8	TEST	0	When this bit is set, the parity bits are memory mapped to make them accessible by the CPU. The parity bits are not memory mapped.
		1	The parity bits are memory mapped.
7-4	Reserved	0	Read returns 0. Writes have no effect.
3-0	ECC_ENA	5h	ECC enable. This bit field enables or disables the ECC check on read operations and the ECC calculation on write operations. If ECC checking is enabled and an ECC double-bit error is detected the DMA_UERR signal is activated. The ECC check is disabled.
		All other values	The ECC check is enabled.
			<b>Note: It is recommended to write Ah to enable ECC check, to guard against soft error from flipping ECC_ENA to a disable state.</b>

**20.3.1.66 DMA ECC Error Address Register (DMAPAR)**
**Figure 20-84. DMA ECC Error Address Register (DMAPAR) [offset = 1ACh]**


LEGEND: R/W = Read/Write; R = Read only; X= Undefined; -n = value after reset

**Table 20-72. DMA ECC Error Address Register (DMAPAR) Field Descriptions**

Bit	Field	Value	Description
31-25	Reserved	0	Read returns 0. Writes have no effect.
24	EDFLAG	0	ECC Error Detection Flag. This flag indicates if an ECC error occurred on reading DMA Control packet RAM. Read: No error occurred. Write: No effect.
		1	Read: Error detected and the address is captured in DMAPAR's ERROR_ADDRESS field Write: Clears the bit.
23-12	Reserved	0	Read returns 0. Writes have no effect.
11-0	ERRORADDRESS	0-FFFh	Error address. These bits hold the address of the first ECC error generated in the RAM. This error address is frozen from being updated until it is read by the CPU. During emulation mode when SUSPEND is high, this address is frozen even when read. <b>Note: The error address register will not be reset by PORRST nor by any other reset source.</b>

**20.3.1.67 DMA Memory Protection Control Register 1 (DMAMPCTRL1)**
**Figure 20-85. DMA Memory Protection Control Register 1 (DMAMPCTRL1) [offset = 1B0h]**

31	29	28	27	26	25	24
Reserved		INT3AB	INT3ENA	REG3AP		REG3ENA
R-0		R/WP-0	R/WP-0	R/WP-0		R/WP-0
23	21	20	19	18	17	16
Reserved		INT2AB	INT2ENA	REG2AP		REG2ENA
R-0		R/WP-0	R/WP-0	R/WP-0		R/WP-0
15	13	12	11	10	9	8
Reserved		INT1AB	INT1ENA	REG1AP		REG1ENA
R-0		R/WP-0	R/WP-0	R/WP-0		R/WP-0
7	5	4	3	2	1	0
Reserved		INT0AB	INT0ENA	REG0AP		REG0ENA
R-0		R/WP-0	R/WP-0	R/WP-00		R/WP-0

LEGEND: R/W = Read/Write; R = Read only; WP = Write in privilege mode only; -n = value after reset

**Table 20-73. DMA Memory Protection Control Register 1 (DMAMPCTRL1) Field Descriptions**

Bit	Field	Value	Description
31-29	Reserved	0	Read returns 0. Writes have no effect.
28	INT3AB	0 1	Interrupt assignment of region 3 to Group A or Group B. The interrupt is routed to the VIM (Group A). The interrupt is routed to the second CPU (Group B).
27	INT3ENA	0 1	Interrupt enable of region 3. The interrupt is disabled. The interrupt is enabled.
26-25	REG3AP	0 1h 2h 3h	Region 3 access permission. These bits determine the access permission for region 3 All accesses are allowed. Read only accesses are allowed. Write only accesses are allowed. No accesses are allowed.
24	REG3ENA	0 1	Region 3 enable. The region is disabled (no address checking done). The region is enabled (address and access permission checking done).
23-21	Reserved	0	Read returns 0. Writes have no effect.
20	INT2AB	0 1	Interrupt assignment of region 2 to Group A or Group B. The interrupt is routed to the VIM (Group A). The interrupt is routed to the second CPU (Group B).
19	INT2ENA	0 1	Interrupt enable of region 2. The interrupt is disabled. The interrupt is enabled.
18-17	REG2AP	0 1h 2h 3h	Region 2 access permission. These bits determine the access permission for region 2. All accesses are allowed. Read only accesses are allowed. Write only accesses are allowed. No accesses are allowed.
16	REG2ENA	0 1	Region 2 enable. The region is disabled (no address checking done). The region is enabled (address and access permission checking done).

**Table 20-73. DMA Memory Protection Control Register 1 (DMAMPCTRL1) Field Descriptions (continued)**

Bit	Field	Value	Description
15-13	Reserved	0	Reads return 0. Writes have no effect.
12	INT1AB	0 1	Interrupt assignment of region 1 to Group A or Group B. The interrupt is routed to the VIM (Group A). The interrupt is routed to the second CPU (Group B).
11	INT1ENA	0 1	Interrupt enable of region 1. The interrupt is disabled. The interrupt is enabled.
10-9	REG1AP	0 1h 2h 3h	Region 1 access permission. These bits determine the access permission for region 3 All accesses are allowed. Read only accesses are allowed. Write only accesses are allowed. No accesses are allowed.
8	REG1ENA	0 1	Region 1 enable. The region is disabled (no address checking done). The region is enabled (address and access permission checking done).
7-5	Reserved	0	Reads return zeros and writes have no effect.
4	INT0AB	0 1	Interrupt assignment of region 0 to Group A or Group B. The interrupt is routed to the VIM (Group A). The interrupt is routed to the second CPU (Group B).
3	INT0ENA	0 1	Interrupt enable of region 0. The interrupt is disabled. The interrupt is enabled.
2-1	REG0AP	0 1h 2h 3h	Region 0 access permission. These bits determine the access permission for region 0. All accesses are allowed. Read only accesses are allowed. Write only accesses are allowed. No accesses are allowed.
0	REG0ENA	0 1	Region 0 enable. The region is disabled (no address checking done). The region is enabled (address and access permission checking done).

**20.3.1.68 DMA Memory Protection Status Register 1 (DMAMPST1)**
**Figure 20-86. DMA Memory Protection Status Register 1 (DMAMPST1) [offset = 1B4h]**

31	25	24	23	17	16
Reserved		REG3FT	Reserved		REG2FT
R-0		R/WC-0	R-0		R/WC-0
15	9	8	7	1	0
Reserved		REG1FT	Reserved		REG0FT
R-0		R/WC-0	R-0		R/WC-0

LEGEND: R/W = Read/Write; R = Read only; -n = value after reset

**Table 20-74. DMA Memory Protection Status Register 1 (DMAMPST1) Field Descriptions**

Bit	Field	Value	Description
31-25	Reserved	0	Read returns 0. Writes have no effect.
24	REG3FT	0	Region 3 fault. This bit determines whether an access permission violation was detected in this region. Read and write: No fault was detected.
		1	Read: A fault was detected. Write: The bit was cleared.
23-17	Reserved	0	Read returns 0. Writes have no effect.
16	REG2FT	0	Region 2 fault. This bit determines whether a access permission violation was detected in this region. Read and write: No fault was detected.
		1	Read: A fault was detected. Write: The bit was cleared.
15-9	Reserved	0	Read returns 0. Writes have no effect.
8	REG1FT	0	Region 1 fault. This bit determines whether an access permission violation was detected in this region. Read and write: No fault was detected.
		1	Read: A fault was detected. Write: The bit was cleared.
7-1	Reserved	0	Read returns 0. Writes have no effect.
0	REG0FT	0	Region 0 fault. This bit determines whether a access permission violation was detected in this region. Read and write: No fault was detected.
		1	Read: A fault was detected. Write: The bit was cleared.

**20.3.1.69 DMA Memory Protection Region 0 Start Address Register (DMAMPR0S)**
**Figure 20-87. DMA Memory Protection Region 0 Start Address Register (DMAMPR0S) [offset = 1B8h]**


LEGEND: R/W = Read/Write; WP = Write in privilege mode only; -n = value after reset

**Table 20-75. DMA Memory Protection Region 0 Start Address Register (DMAMPR0S) Field Descriptions**

Bit	Field	Description
31-0	STARTADDRESS	Start Address defines the address at which the region begins.

**20.3.1.70 DMA Memory Protection Region 0 End Address Register (DMAMPR0E)**
**Figure 20-88. DMA Memory Protection Region 0 End Address Register (DMAMPR0E) [offset = 1BCh]**


LEGEND: R/W = Read/Write; WP = Write in privilege mode only; -n = value after reset

**Table 20-76. DMA Memory Protection Region 0 End Address Register (DMAMPR0E) Field Descriptions**

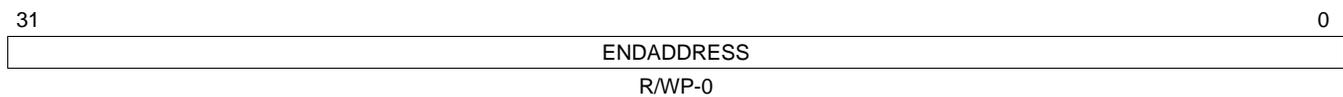
Bit	Field	Description
31-0	ENDADDRESS	End Address defines the address at which the region ends. The end address usually is larger than the start address for this region; otherwise, the region will wrap around at the end of the address space.

**20.3.1.71 DMA Memory Protection Region 1 Start Address Register (DMAMPR1S)**
**Figure 20-89. DMA Memory Protection Region 1 Start Address Register (DMAMPR1S) [offset = 1C0h]**


LEGEND: R/W = Read/Write; WP = Write in privilege mode only; -n = value after reset

**Table 20-77. DMA Memory Protection Region 1 Start Address Register (DMAMPR1S) Field Descriptions**

Bit	Field	Description
31-0	STARTADDRESS	Start Address defines the address at which the region begins.

**20.3.1.72 DMA Memory Protection Region 1 End Address Register (DMAMPR1E)**
**Figure 20-90. DMA Memory Protection Region 1 End Address Register (DMAMPR1E) [offset = 1C4h]**


LEGEND: R/W = Read/Write; WP = Write in privilege mode only; -n = value after reset

**Table 20-78. DMA Memory Protection Region 1 End Address Register (DMAMPR1E) Field Descriptions**

Bit	Field	Description
31-0	ENDADDRESS	End Address defines the address at which the region ends. The end address usually is larger than the start address for this region; otherwise the region will wrap around at the end of the address space.

### 20.3.1.73 DMA Memory Protection Region 2 Start Address Register (DMAMPR2S)

**Figure 20-91. DMA Memory Protection Region 2 Start Address Register (DMAMPR2S) [offset = 1C8h]**



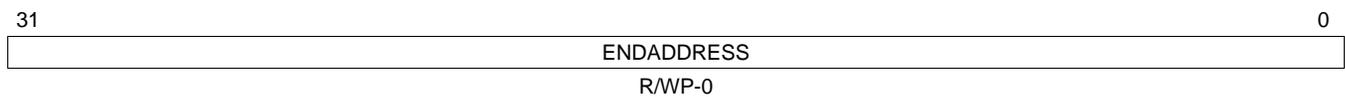
LEGEND: R/W = Read/Write; WP = Write in privilege mode only; -n = value after reset

**Table 20-79. DMA Memory Protection Region 2 Start Address Register (DMAMPR2S) Field Descriptions**

Bit	Field	Description
31-0	STARTADDRESS	Start Address defines the address at which the region begins.

### 20.3.1.74 DMA Memory Protection Region 2 End Address Register (DMAMPR2E)

**Figure 20-92. DMA Memory Protection Region 2 End Address Register (DMAMPR2E) [offset = 1CCh]**



LEGEND: R/W = Read/Write; WP = Write in privilege mode only; -n = value after reset

**Table 20-80. DMA Memory Protection Region 2 End Address Register (DMAMPR2E) Field Descriptions**

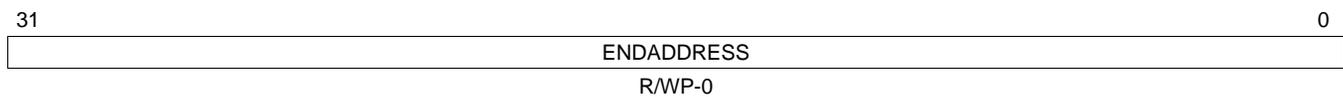
Bit	Field	Description
31-0	ENDADDRESS	End Address defines the address at which the region ends. The end address usually is larger than the start address for this region; otherwise the region will wrap around at the end of the address space.

**20.3.1.75 DMA Memory Protection Region 3 Start Address Register (DMAMPR3S)**
**Figure 20-93. DMA Memory Protection Region 3 Start Address Register (DMAMPR3S) [offset = 1D0h]**


LEGEND: R/W = Read/Write; WP = Write in privilege mode only; -n = value after reset

**Table 20-81. DMA Memory Protection Region 3 Start Address Register (DMAMPR3S) Field Descriptions**

Bit	Field	Description
31-0	STARTADDRESS	Start Address defines the address at which the region begins.

**20.3.1.76 DMA Memory Protection Region 3 End Address Register (DMAMPR3E)**
**Figure 20-94. DMA Memory Protection Region 3 End Address Register (DMAMPR3E) [offset = 1D4h]**


LEGEND: R/W = Read/Write; WP = Write in privilege mode only; -n = value after reset

**Table 20-82. DMA Memory Protection Region 3 End Address Register (DMAMPR3E) Field Descriptions**

Bit	Field	Description
31-0	ENDADDRESS	End Address defines the address at which the region ends. The end address usually is larger than the start address for this region; otherwise, the region will wrap around at the end of the address space.

### 20.3.1.77 DMA Memory Protection Control Register 2 (DMAMPCTRL2)

**Figure 20-95. DMA Memory Protection Control Register 2 (DMAMPCTRL2) [offset = 1D8h]**

31	29	28	27	26	25	24
Reserved		INT7AB	INT7ENA	REG7AP		REG7ENA
R-0		R/WP-0	R/WP-0	R/WP-0		R/WP-0
23	21	20	19	18	17	16
Reserved		INT6AB	INT6ENA	REG6AP		REG6ENA
R-0		R/WP-0	R/WP-0	R/WP-0		R/WP-0
15	13	12	11	10	9	8
Reserved		INT5AB	INT5ENA	REG5AP		REG5ENA
R-0		R/WP-0	R/WP-0	R/WP-0		R/WP-0
7	5	4	3	2	1	0
Reserved		INT4AB	INT4ENA	REG4AP		REG4ENA
R-0		R/WP-0	R/WP-0	R/WP-0		R/WP-0

LEGEND: R/W = Read/Write; R = Read only; WP = Write in privilege mode only; -n = value after reset

**Table 20-83. DMA Memory Protection Control Register 2 (DMAMPCTRL2) Field Descriptions**

Bit	Field	Value	Description
31-29	Reserved	0	Read returns 0. Writes have no effect.
28	INT7AB	0 1	Interrupt assignment of region 7 to Group A or Group B. The interrupt is routed to the VIM (Group A). The interrupt is routed to the second CPU (Group B).
27	INT7ENA	0 1	Interrupt enable of region 7. The interrupt is disabled. The interrupt is enabled.
26-25	REG7AP	0 1h 2h 3h	Region 7 access permission. These bits determine the access permission for region 3 All accesses are allowed. Read only accesses are allowed. Write only accesses are allowed. No accesses are allowed.
24	REG7ENA	0 1	Region 7 enable. The region is disabled (no address checking done). The region is enabled (address and access permission checking done).
23-21	Reserved	0	Read returns 0. Writes have no effect.
20	INT6AB	0 1	Interrupt assignment of region 2 to Group A or Group B. The interrupt is routed to the VIM (Group A). The interrupt is routed to the second CPU (Group B).
19	INT6ENA	0 1	Interrupt enable of region 6. The interrupt is disabled. The interrupt is enabled.
18-17	REG6AP	0 1h 2h 3h	Region 6 access permission. These bits determine the access permission for region 6. All accesses are allowed. Read only accesses are allowed. Write only accesses are allowed. No accesses are allowed.
16	REG6ENA	0 1	Region 6 enable. The region is disabled (no address checking done). The region is enabled (address and access permission checking done).

**Table 20-83. DMA Memory Protection Control Register 2 (DMAMPCTRL2) Field Descriptions (continued)**

Bit	Field	Value	Description
15-13	Reserved	0	Reads return 0. Writes have no effect.
12	INT5AB	0 1	Interrupt assignment of region 5 to Group A or Group B. The interrupt is routed to the VIM (Group A). The interrupt is routed to the second CPU (Group B).
11	INT5ENA	0 1	Interrupt enable of region 5. The interrupt is disabled. The interrupt is enabled.
10-9	REG5AP	0 1h 2h 3h	Region 5 access permission. These bits determine the access permission for region 5 All accesses are allowed. Read only accesses are allowed. Write only accesses are allowed. No accesses are allowed.
8	REG5ENA	0 1	Region 5 enable. The region is disabled (no address checking done). The region is enabled (address and access permission checking done).
7-5	Reserved	0	Reads return zeros and writes have no effect.
4	INT4AB	0 1	Interrupt assignment of region 4 to Group A or Group B. The interrupt is routed to the VIM (Group A). The interrupt is routed to the second CPU (Group B).
3	INT4ENA	0 1	Interrupt enable of region 4. The interrupt is disabled. The interrupt is enabled.
2-1	REG4AP	0 1h 2h 3h	Region 4 access permission. These bits determine the access permission for region 4. All accesses are allowed. Read only accesses are allowed. Write only accesses are allowed. No accesses are allowed.
0	REG4ENA	0 1	Region 4enable. The region is disabled (no address checking done). The region is enabled (address and access permission checking done).

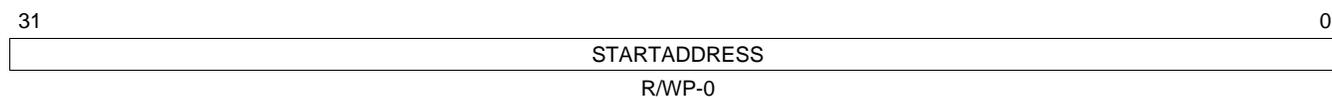
**20.3.1.78 DMA Memory Protection Status Register 2 (DMAMPST2)**
**Figure 20-96. DMA Memory Protection Status Register 2 (DMAMPST2) [offset = 1DCh]**

31	25	24	23	17	16
Reserved		REG7FT	Reserved		REG6FT
R-0		R/WC-0	R-0		R/WC-0
15	9	8	7	1	0
Reserved		REG5FT	Reserved		REG4FT
R-0		R/WC-0	R-0		R/WC-0

LEGEND: R/W = Read/Write; R = Read only; -n = value after reset

**Table 20-84. DMA Memory Protection Status Register 2 (DMAMPST2) Field Descriptions**

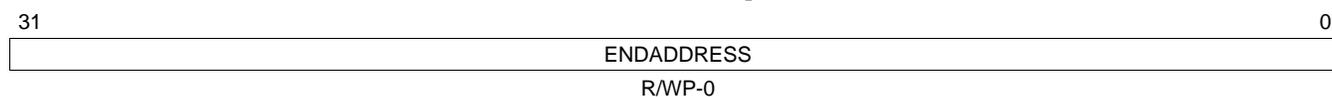
Bit	Field	Value	Description
31-25	Reserved	0	Read returns 0. Writes have no effect.
24	REG7FT	0	Region 7 fault. This bit determines whether an access permission violation was detected in this region. Read and write: No fault was detected.
		1	Read: A fault was detected. Write: The bit was cleared.
23-17	Reserved	0	Read returns 0. Writes have no effect.
16	REG6FT	0	Region 6 fault. This bit determines whether a access permission violation was detected in this region. Read and write: No fault was detected.
		1	Read: A fault was detected. Write: The bit was cleared.
15-9	Reserved	0	Read returns 0. Writes have no effect.
8	REG5FT	0	Region 5 fault. This bit determines whether an access permission violation was detected in this region. Read and write: No fault was detected.
		1	Read: A fault was detected. Write: The bit was cleared.
7-1	Reserved	0	Read returns 0. Writes have no effect.
0	REG4FT	0	Region 4 fault. This bit determines whether a access permission violation was detected in this region. Read and write: No fault was detected.
		1	Read: A fault was detected. Write: The bit was cleared.

**20.3.1.79 DMA Memory Protection Region 4 Start Address Register (DMAMPR4S)**
**Figure 20-97. DMA Memory Protection Region 4 Start Address Register (DMAMPR4S) [offset = 1E0h]**


LEGEND: R/W = Read/Write; WP = Write in privilege mode only; -n = value after reset

**Table 20-85. DMA Memory Protection Region 4 Start Address Register (DMAMPR4S) Field Descriptions**

Bit	Field	Description
31-0	STARTADDRESS	Start Address defines the address at which the region begins.

**20.3.1.80 DMA Memory Protection Region 4 End Address Register (DMAMPR4E)**
**Figure 20-98. DMA Memory Protection Region 4 End Address Register (DMAMPR4E) [offset = 1E4h]**


LEGEND: R/W = Read/Write; WP = Write in privilege mode only; -n = value after reset

**Table 20-86. DMA Memory Protection Region 4 End Address Register (DMAMPR4E) Field Descriptions**

Bit	Field	Description
31-0	ENDADDRESS	End Address defines the address at which the region ends. The end address usually is larger than the start address for this region; otherwise, the region will wrap around at the end of the address space.

### 20.3.1.81 DMA Memory Protection Region 5 Start Address Register (DMAMPR5S)

**Figure 20-99. DMA Memory Protection Region 5 Start Address Register (DMAMPR5S) [offset = 1E8h]**



LEGEND: R/W = Read/Write; WP = Write in privilege mode only; -n = value after reset

**Table 20-87. DMA Memory Protection Region 1 Start Address Register (DMAMPR1S) Field Descriptions**

Bit	Field	Description
31-0	STARTADDRESS	Start Address defines the address at which the region begins.

### 20.3.1.82 DMA Memory Protection Region 5 End Address Register (DMAMPR5E)

**Figure 20-100. DMA Memory Protection Region 5 End Address Register (DMAMPR5E) [offset = 1ECh]**



LEGEND: R/W = Read/Write; WP = Write in privilege mode only; -n = value after reset

**Table 20-88. DMA Memory Protection Region 1 End Address Register (DMAMPR1E) Field Descriptions**

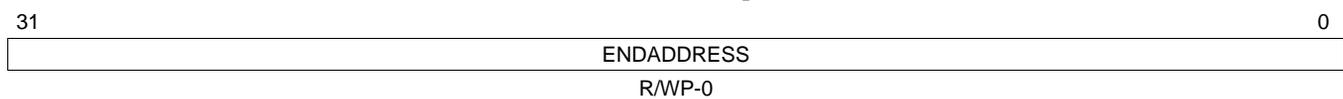
Bit	Field	Description
31-0	ENDADDRESS	End Address defines the address at which the region ends. The end address usually is larger than the start address for this region; otherwise the region will wrap around at the end of the address space.

**20.3.1.83 DMA Memory Protection Region 6 Start Address Register (DMAMPR6S)**
**Figure 20-101. DMA Memory Protection Region 6 Start Address Register (DMAMPR6S) [offset = 1F0h]**


LEGEND: R/W = Read/Write; WP = Write in privilege mode only; -n = value after reset

**Table 20-89. DMA Memory Protection Region 6 Start Address Register (DMAMPR6S) Field Descriptions**

Bit	Field	Description
31-0	STARTADDRESS	Start Address defines the address at which the region begins.

**20.3.1.84 DMA Memory Protection Region 6 End Address Register (DMAMPR6E)**
**Figure 20-102. DMA Memory Protection Region 6 End Address Register (DMAMPR6E) [offset = 1F4h]**


LEGEND: R/W = Read/Write; WP = Write in privilege mode only; -n = value after reset

**Table 20-90. DMA Memory Protection Region 6 End Address Register (DMAMPR6E) Field Descriptions**

Bit	Field	Description
31-0	ENDADDRESS	End Address defines the address at which the region ends. The end address usually is larger than the start address for this region; otherwise the region will wrap around at the end of the address space.

### 20.3.1.85 DMA Memory Protection Region 7 Start Address Register (DMAMPR7S)

**Figure 20-103. DMA Memory Protection Region 7 Start Address Register (DMAMPR7S) [offset = 1F8h]**



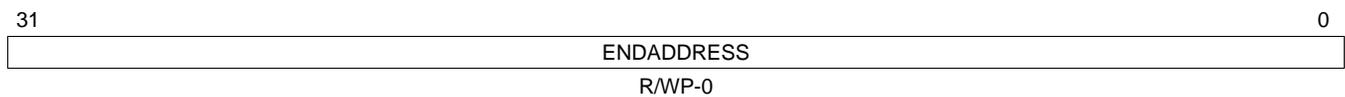
LEGEND: R/W = Read/Write; WP = Write in privilege mode only; -n = value after reset

**Table 20-91. DMA Memory Protection Region 7 Start Address Register (DMAMPR7S) Field Descriptions**

Bit	Field	Description
31-0	STARTADDRESS	Start Address defines the address at which the region begins.

### 20.3.1.86 DMA Memory Protection Region 7 End Address Register (DMAMPR7E)

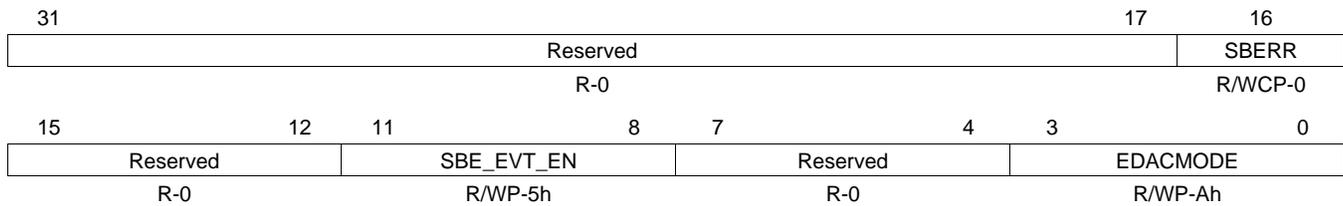
**Figure 20-104. DMA Memory Protection Region 7 End Address Register (DMAMPR7E) [offset = 1FCh]**



LEGEND: R/W = Read/Write; WP = Write in privilege mode only; -n = value after reset

**Table 20-92. DMA Memory Protection Region 7 End Address Register (DMAMPR7E) Field Descriptions**

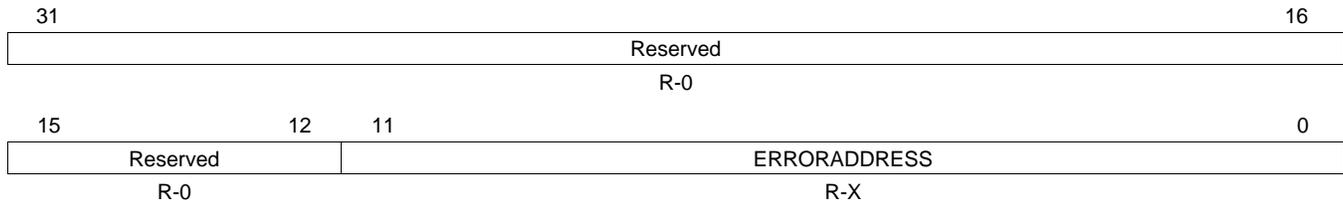
Bit	Field	Description
31-0	ENDADDRESS	End Address defines the address at which the region ends. The end address usually is larger than the start address for this region; otherwise, the region will wrap around at the end of the address space.

**20.3.1.87 DMA Single Bit ECC Control Register (DMASECCCTRL)**
**Figure 20-105. DMA Single Bit ECC Control Register (DMASECCCTRL) [offset = 228h]**


LEGEND: R/W = Read/Write; R = Read only; -n = value after reset

**Table 20-93. DMA Single Bit ECC Control Register (DMASECCCTRL) Field Description**

Bit	Field	Value	Description
31-17	Reserved	0	Read returns 0. Writes have no effect.
16	SBERR	0	Error action. Read and write: No RAM check error has occurred.
		1	Read: A single bit error has occurred and was corrected by the SECDED logic. Write: Clears the SBERR flag.
15-12	Reserved	0	Read returns 0. Writes have no effect.
11-8	SBE_EVT_EN	5h	Single bit error enable. Disable generation of single bit error to ESM.
		Ah	Enable generation of single bit error to ESM.
7-4	Reserved	0	Read returns 0. Writes have no effect.
3-0	EDACMODE	5h	Disable correction of SBE detected by the SECDED block.
		Ah	Enable correction of SBE detected by the SECDED block.

**20.3.1.88 DMA ECC Single Bit Error Address Register (DMAECCSBE)**
**Figure 20-106. DMA ECC Single Bit Error Address Register (DMAECCSBE) [offset = 230h]**


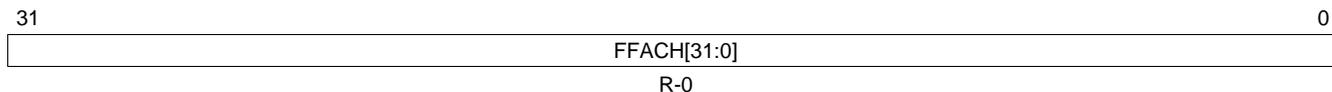
LEGEND: R/W = Read/Write; R = Read only; X= Undefined; -n = value after reset

**Table 20-94. DMA ECC Single Bit Error Address Register (DMAECCSBE) Field Descriptions**

Bit	Field	Value	Description
31-12	Reserved	0	Read returns 0. Writes have no effect.
11-0	ERRORADDRESS	0-FFFh	The DMA RAM address (offset from base address word aligned) of the ECC error location. This register gives the address of the first encountered single bit ECC error since the SBERR flag has been clear. Subsequent single bit ECC errors will not update this register until the SBERR flag has been cleared. This register is valid only when the SBERR flag is set. Read: This register clears to 0x0000 once it is read by the CPU. For a read issued by the debugger this address is frozen even when read. Write: No effect <b>Note: The error address register will not be reset by PORRST nor by any other reset source.</b>

### 20.3.1.89 FIFO A Status Register (FIFOASTAT)

**Figure 20-107. FIFO A Status Register (FIFOASTAT) [offset = 240h]**



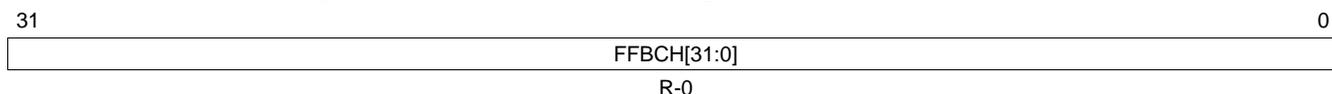
LEGEND: R = Read only; -n = value after reset

**Table 20-95. FIFO A Status Register (FIFOASTAT) Field Descriptions**

Bit	Field	Value	Description
31-0	FFACH[n]		Status of DMA channel running using FIFO A. Bit 0 corresponds to channel 0, bit 1 corresponds to channel 1, and so on.
		0	The channel is not being currently processed.
		1	The channel is currently being processed using FIFO A
			Note: The status of a channel currently being processed remains active even if emulation mode is entered or DMA is disabled via DMA_EN bit. Up to 1 bit can be set in this register at any given time.

### 20.3.1.90 FIFO B Status Register (FIFOBSTAT)

**Figure 20-108. FIFO B Status Register (FIFOBSTAT) [offset = 244h]**



LEGEND: R = Read only; -n = value after reset

**Table 20-96. FIFO B Status Register (FIFOBSTAT) Field Descriptions**

Bit	Field	Value	Description
31-0	FFBCH[n]		Status of DMA channel running using FIFO B. Bit 0 corresponds to channel 0, bit 1 corresponds to channel 1, and so on.
		0	The channel is not being currently processed.
		1	The channel is currently being processed using FIFO B
			Note: The status of a channel currently being processed remains active even if emulation mode is entered or DMA is disabled via DMA_EN bit. Up to 1 bit can be set in this register at any given time.

### 20.3.1.91 DMA Request Polarity Select Register 1 (DMAREQPS1)

**Figure 20-109. DMA Request Polarity Select Register (DMAREQPS1) [offset = 330h]**



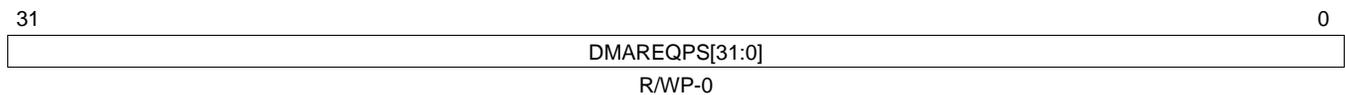
LEGEND: R/W = Read/Write; WP = Write in privilege mode only; -n = value after reset

**Table 20-97. DMA Request Polarity Select Register (DMAREQPS1) Field Descriptions**

Bit	Field	Value	Description
31-0	DMAREQOS[n]		Polarity selection for DMA request lines for upper 32 requests, that is, request lines 63 to 32. Bit 0 corresponds to DMA Request line 32, bit 1 corresponds to DMA Request line 33, and so on.
		0	DMA Request polarity is active high.
		1	DMA Request polarity is active low.

### 20.3.1.92 DMA Request Polarity Select Register 0 (DMAREQPS0)

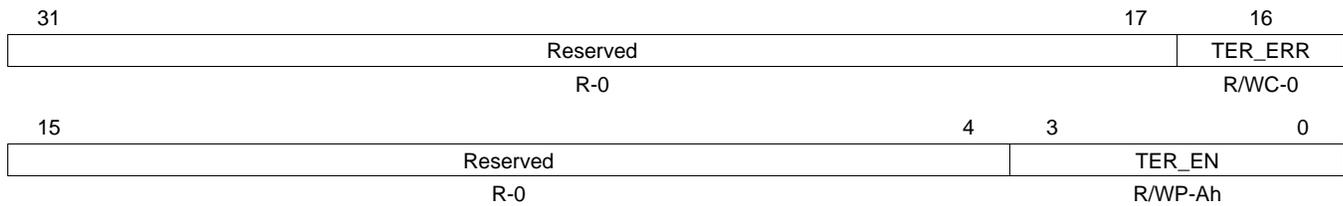
**Figure 20-110. DMA Request Polarity Select Register (DMAREQPS0) [offset = 334h]**



LEGEND: R/W = Read/Write; WP = Write in privilege mode only; -n = value after reset

**Table 20-98. DMA Request Polarity Select Register (DMAREQPS1) Field Descriptions**

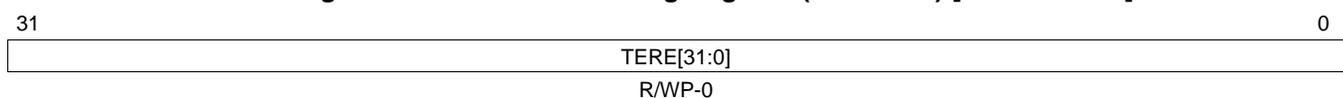
Bit	Field	Value	Description
31-0	DMAREQOS[n]		Polarity selection for DMA request lines for lower 32 requests, that is, request lines 31 to 0. Bit 0 corresponds to DMA Request line 0, bit 1 corresponds to DMA Request line 1, and so on.
		0	DMA Request polarity is active high.
		1	DMA Request polarity is active low.

**20.3.1.93 Transaction Parity Error Event Control Register (TERECTRL)**
**Figure 20-111. Transaction Parity Error Event Control Register (TERECTRL) [offset = 340h]**


LEGEND: R/W = Read/Write; R = Read only; -n = value after reset

**Table 20-99. Transaction Parity Error Event Control Register (TERECTRL) Field Descriptions**

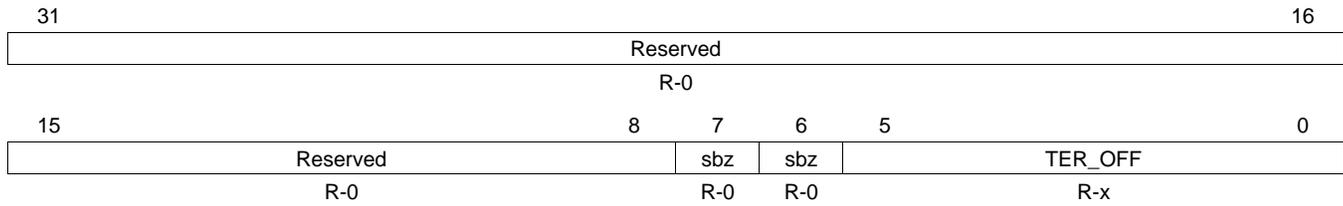
Bit	Field	Value	Description
31-17	Reserved	0	Read returns 0. Writes have no effect.
16	TER_ERR	0	Transactions parity error status. Read: No error occurred. Write: No effect.
		1	Read: A transaction error has occurred Write: Clears the bit.
15-4	Reserved	0	Read returns 0. Writes have no effect.
3-0	TER_EN	5h	Transaction error event detection enable. Write: Disable transaction error event detection by DMA . Read: Transaction error event will not be detected by DMA.
		Ah	Write: Enable transaction error event detection by DMA. Read: Transaction error event will be detected by DMA.

**20.3.1.94 TER Event Flag Register (TERFLAG)**
**Figure 20-112. TER Event Flag Register (TERFLAG) [offset = 344h]**


LEGEND: R/W = Read/Write; WP = Write in privilege mode only; -n = value after reset

**Table 20-100. TER Event Flag Register (TERFLAG) Field Descriptions**

Bit	Field	Value	Description
31-0	TERE[n]	0	If the bit is set, a TER event of the corresponding channel is pending. Bit 0 corresponds to channel 0, bit 1 corresponds to channel 1, and so on. Read: The associated TER Event of a channel is NOT pending. Write: No effect
		1	Read: The associated TER Event of a channel is pending. Write: Clear this bit

**20.3.1.95 TER Event Channel Offset Register (TERROFFSET)**
**Figure 20-113. TER Event Channel Offset Register (TERROFFSET) [offset = 348h]**


LEGEND: R = Read only; -n = value after reset

**Table 20-101. TER Event Channel Offset Register (TERROFFSET) Field Descriptions**

Bit	Field	Value	Description
31-8	Reserved	0	Read returns 0. Writes have no effect.
7-6	sbz	0	These bits should always be programmed as zero.
5-0	TER_OFF	0 1h : 20h	This register provides the offset of the first channel number that encountered bus parity failure on either port of DMA. Once this register is updated, it will not be changed by subsequent bus parity failures until TER_ERR flag is cleared. Writes have no effect.  No interrupt is pending. Channel 0 is causing the pending interrupt. (Read clears the register to 0 except when issued by a debugger) : Channel 31 is causing the pending interrupt.  <b>Note:</b> If both DMA ports encounter bus parity failure at the same time than lower channel number (assuming higher priority) will be stored and the other one will be ignored.

### 20.3.2 Channel Configuration

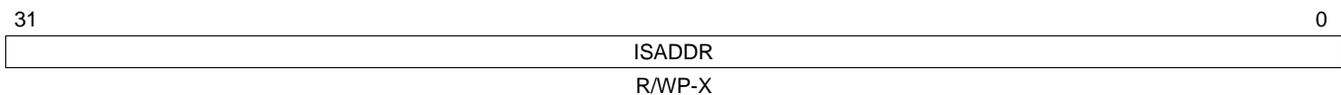
The channel configuration is defined by the channel control packet: channel control, transfer count, index pointers, source/destination address.

- It is stored in local RAM, which is protected by parity.
- Each control packet contains a total of nine fields.
- The first six fields are programmable, while the last three fields are read only.
- The RAM is accessible by queue A and queue B state machines as well as CPU.
- When there are simultaneous accesses, the priority is resolved in a fixed priority scheme with the CPU having the highest priority.

All the control packets look the same. Following, there is the detailed layout of these registers shown for control packet 0.

#### 20.3.2.1 Initial Source Address Register (ISADDR)

**Figure 20-114. Initial Source Address Register (ISADDR) [offset = 00]**



LEGEND: R/W = Read/Write; WP = Write in privilege mode only; -n = value after reset; X = Unknown

**Table 20-102. Initial Source Address Register (ISADDR) Field Descriptions**

Bit	Field	Description
31-0	ISADDR	Initial source address. These bits give the absolute 32-bit source address (physical).

#### 20.3.2.2 Initial Destination Address Register (IDADDR)

**Figure 20-115. Initial Destination Address Register (IDADDR) [offset = 04h]**



LEGEND: R/W = Read/Write; WP = Write in privilege mode only; -n = value after reset; X = Unknown

**Table 20-103. Initial Destination Address Register (IDADDR) Field Descriptions**

Bit	Field	Description
31-0	IDADDR	Initial destination address. These bits give the absolute 32-bit destination address (physical).

### 20.3.2.3 Initial Transfer Count Register (ITCOUNT)

**Figure 20-116. Initial Transfer Count Register (ITCOUNT) [offset = 08h]**

31	29	28	16
Reserved		ITCOUNT	
R-X		R/WP-X	
15	13	12	0
Reserved		IETCOUNT	
R-X		R/WP-X	

LEGEND: R/W = Read/Write; R = Read only; WP = Write in privilege mode only; -n = value after reset; X = Unknown

**Table 20-104. Initial Transfer Count Register (ITCOUNT) Field Descriptions**

Bit	Field	Value	Description
31-29	Reserved	0	Reads are undefined. Writes have no effect.
28-16	IFTCOUNT	0-1FFFh	Initial frame transfer count. These bits define the number of frame transfers.
15-13	Reserved	0	Reads are undefined. Writes have no effect.
12-0	IETCOUNT	0-1FFFh	Initial element transfer count. These bits define the number of element transfers. The block transfer size will be IETCOUNT x IFTCOUNT

### 20.3.2.4 Channel Control Register (CHCTRL)

**Figure 20-117. Channel Control Register (CHCTRL) [offset = 10h]**

31											22	21	16
Reserved											CHAIN		
R-X											R/WP-X		
15	14	13	12	11	9	8	7	5	4	3	2	1	0
RES	WES	Reserved		TTYPE	Reserved		ADDMR	ADDMW	AIM				
R/WP-X	R/WP-X	R-X		R/WP-X	R-X		R/WP-X	R/WP-X	R/WP-X	R/WP-X			

LEGEND: R/W = Read/Write; R = Read only; WP = Write in privilege mode only; -n = value after reset; X = Unknown

**Table 20-105. Channel Control Register (CHCTRL) Field Descriptions**

Bit	Field	Value	Description
31-22	Reserved	0	Reads are undefined. Writes have no effect.
21-16	CHAIN	0 1h : 20h 21h-3Fh	Next channel to be triggered. At the end of the programmed number of frames, the specified channel will be triggered.  <b>Note: The programmer must program the CHAIN bits before initiating a DMA transfer.</b>  No channel is selected. Channel 0 is selected. : Channel 31 is selected. Reserved
15-14	RES	0 1h 2h 3h	Read element size.  The element is byte, 8-bit. The element is half-word, 16-bit. The element is word, 32-bit. The element is double-word, 64-bit.
13-12	WES	0 1h 2h 3h	Write element size.  The element is byte, 8-bit. The element is half-word, 16-bit. The element is word, 32-bit. The element is double-word, 64-bit.
11-9	Reserved	0	Reads are undefined. Writes have no effect.
8	TTYPE	0 1	Transfer type.  A hardware request triggers one frame transfer. A hardware request triggers one block transfer.
7-5	Reserved	0	Reads are undefined. Writes have no effect.
4-3	ADDMR	0 1h 2h 3h	Addressing mode read.  Constant Post-increment Reserved Indexed
2-1	ADDMW	0 1h 2h 3h	Addressing mode write.  Constant Post-increment Reserved Indexed
0	AIM	0 1	Auto-initiation mode.  Auto-initiation mode is disabled. Auto-initiation mode is enabled.

### 20.3.2.5 Element Index Offset Register (EIOFF)

**Figure 20-118. Element Index Offset Register (EIOFF) [offset = 14h]**

31	29	28	16
Reserved		EIDX	
R-X		R/WP-X	
15	13	12	0
Reserved		EIDX	
R-X		R/WP-X	

LEGEND: R/W = Read/Write; R = Read only; WP = Write in privilege mode only; -n = value after reset; X = Unknown

**Table 20-106. Element Index Offset Register (EIOFF) Field Descriptions**

Bit	Field	Value	Description
31-29	Reserved	0	Reads are undefined. Writes have no effect.
28-16	EIDX	0-1FFFh	Destination address element index. These bits define the offset to be added to the destination address after each element transfer.
15-13	Reserved	0	Reads are undefined. Writes have no effect.
12-0	EIDX	0-1FFFh	Source address element index. These bits define the offset to be added to the source address after each element transfer.

### 20.3.2.6 Frame Index Offset Register (FIOFF)

**Figure 20-119. Frame Index Offset Register (FIOFF) [offset = 18h]**

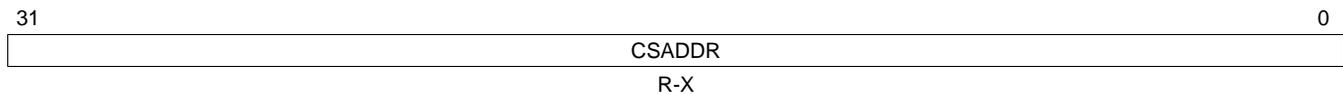
31	29	28	16
Reserved		FIDX	
R-X		R/WP-X	
15	13	12	0
Reserved		FIDX	
R-X		R/WP-X	

LEGEND: R/W = Read/Write; R = Read only; WP = Write in privilege mode only; -n = value after reset; X = Unknown

**Table 20-107. Frame Index Offset Register (FIOFF) Field Descriptions**

Bit	Field	Value	Description
31-29	Reserved	0	Reads are undefined. Writes have no effect.
28-16	FIDX	0-1FFFh	Destination address frame index. These bits define the offset to be added to the destination address after element count reached one.
15-13	Reserved	0	Reads are undefined. Writes have no effect.
12-0	FIDX	0-1FFFh	Source address frame index. These bits define the offset to be added to the source address after element count reached one.

### 20.3.2.7 Current Source Address Register (CSADDR)

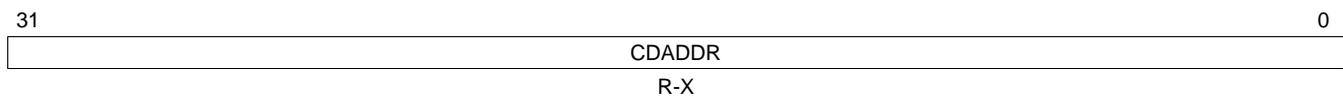
**Figure 20-120. Current Source Address Register (CSADDR) [offset = 800h]**


LEGEND: R = Read only; -n = value after reset; X = Unknown

**Table 20-108. Current Source Address Register (CSADDR) Field Descriptions**

Bit	Field	Description
31-0	CSADDR	Current source address. These bits contain the current working absolute 32-bit source address (physical). These bits are only updated after a channel is arbitrated out from the priority queue.

### 20.3.2.8 Current Destination Address Register (CDADDR)

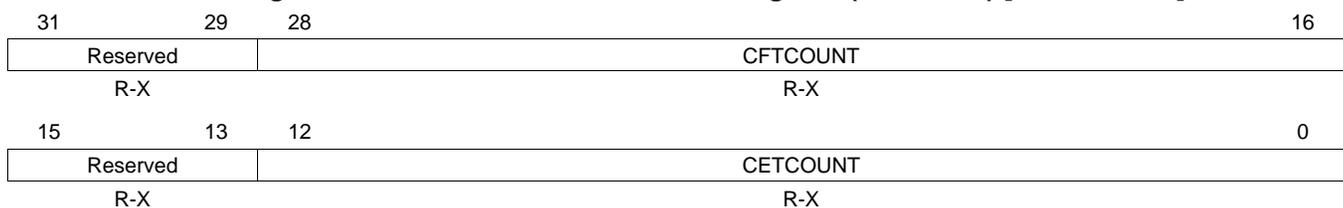
**Figure 20-121. Current Destination Address Register (CDADDR) [offset = 804h]**


LEGEND: R = Read only; -n = value after reset; X = Unknown

**Table 20-109. Current Destination Address Register (CDADDR) Field Descriptions**

Bit	Field	Description
31-0	CDADDR	Current destination address. These bits contain the current working absolute 32-bit destination address (physical). These bits are only updated after a channel is arbitrated out of the priority queue.

### 20.3.2.9 Current Transfer Count Register (CTCOUNT)

**Figure 20-122. Current Transfer Count Register (CTCOUNT) [offset = 808h]**


LEGEND: R = Read only; -n = value after reset; X = Unknown

**Table 20-110. Current Transfer Count Register (CTCOUNT) Field Descriptions**

Bit	Field	Value	Description
31-29	Reserved	0	Reads are undefined. Writes have no effect.
28-16	CFTCOUNT	0-1FFFh	Current frame transfer count. Returned the current remaining frame counts.
15-13	Reserved	0	Reads are undefined. Writes have no effect.
12-0	CETCOUNT	0-1FFFh	Current element transfer count. These bits return the current remaining element counts. CTCOUNT register is only updated after a channel is arbitrated out of the priority queue.

## ***External Memory Interface (EMIF)***

---

---

This chapter describes the external memory Interface (EMIF).

<b>Topic</b>	<b>Page</b>
<b>21.1 Introduction .....</b>	<b>770</b>
<b>21.2 EMIF Module Architecture .....</b>	<b>772</b>
<b>21.3 Registers .....</b>	<b>804</b>
<b>21.4 Example Configuration.....</b>	<b>816</b>

## 21.1 Introduction

### 21.1.1 Purpose of the Peripheral

This EMIF memory controller is compliant with the JESD21-C SDR SDRAM memories utilizing a 16-bit data bus. The purpose of this EMIF is to provide a means for the CPU to connect to a variety of external devices including:

- Single data rate (SDR) SDRAM
- Asynchronous devices including NOR Flash and SRAM

The most common use for the EMIF is to interface with both a flash device and an SDRAM device simultaneously. contains an example of operating the EMIF in this configuration.

### 21.1.2 Features

The EMIF includes many features to enhance the ease and flexibility of connecting to external SDR SDRAM and asynchronous devices.

#### 21.1.2.1 Asynchronous Memory Support

EMIF supports asynchronous:

- SRAM memories
- NOR Flash memories

The EMIF data bus width is up to 16 bits and there are up to 22 address lines. There is an external wait input that allows slower asynchronous memories to extend the memory access. The EMIF module supports up to 3 chip selects (EMIF\_nCS[4:2]). Each chip select has the following individually programmable attributes:

- Data Bus Width
- Read cycle timings: setup, hold, strobe
- Write cycle timings: setup, hold, strobe
- Bus turn-around time
- Extended Wait Option with Programmable Timeout
- Select Strobe option

#### 21.1.2.2 Synchronous DRAM Memory Support

The EMIF module supports 16-bit SDRAM in addition to the asynchronous memories listed in [Section 21.1.2.1](#). It has a single SDRAM chip select (EMIF\_nCS[0]). SDRAM configurations that are supported are:

- One, Two and Four Bank SDRAM devices
- Devices with Eight, Nine, Ten, and Eleven Column Address
- CAS Latency of two or three clock cycles
- 16-bit Data Bus Width
- 3.3V LVCMOS Interface

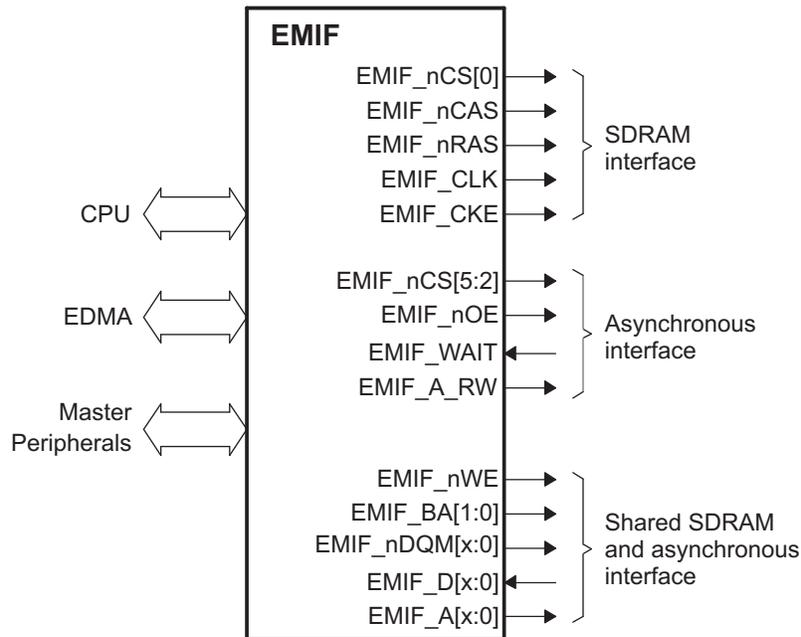
Additionally, the EMIF supports placing the SDRAM in Self-Refresh and Powerdown modes. Self-refresh mode allows the SDRAM to be put in a low-power state while still retaining memory contents; since the SDRAM will continue to refresh itself even without clocks from the microcontroller. Powerdown mode achieves even lower power, except the microcontroller must periodically wake up and issue refreshes if data retention is required.

Note that the EMIF module does not support Mobile SDRAM devices.

### 21.1.3 Functional Block Diagram

Figure 21-1 illustrates the connections between the EMIF and its internal requesters, along with the external EMIF pins. Section 21.2.2 contains a description of the entities internal to the SoC that can send requests to the EMIF, along with their prioritization. Section 21.2.3 describes the EMIF external pins and summarizes their purpose when interfacing with SDRAM and asynchronous devices.

Figure 21-1. EMIF Functional Block Diagram



## 21.2 EMIF Module Architecture

This section provides details about the architecture and operation of the EMIF. Both, SDRAM and asynchronous Interface are covered, along with other system-related issues such as clock control.

### 21.2.1 EMIF Clock Control

The EMIF clock is output on the EMIF\_CLK pin and should be used when interfacing to external SDRAM devices. The EMIF module gets the VCLK3 clock domain as the input. This clock domain is running at half the frequency of the main oscillator by default, that is, between 2.5MHz to 10MHz. The VCLK3 frequency is divided down from the HCLK domain frequency by a programmable divider (/1 to /16). Refer the Architecture chapter of the device technical reference manual for more information on configuring the VCLK3 domain frequency.

### 21.2.2 EMIF Requests

Different sources within the SoC can make requests to the EMIF. These requests consist of accesses to SDRAM memory, asynchronous memory, and EMIF registers. The EMIF can process only one request at a time. Therefore a high performance crossbar switch exists within the SoC to provide prioritized requests from the different sources to the EMIF. The sources are:

1. CPU
2. DMA
3. Other master peripherals

If a request is submitted from two or more sources simultaneously, the crossbar switch will forward the highest priority request to the EMIF first. Upon completion of a request, the crossbar switch again evaluates the pending requests and forwards the highest priority pending request to the EMIF.

When the EMIF receives a request, it may or may not be immediately processed. In some cases, the EMIF will perform one or more auto refresh cycles before processing the request. For details on the EMIF's internal arbitration between performing requests and performing auto refresh cycles, see [Section 21.2.13](#).

### 21.2.3 EMIF Signal Descriptions

This section describes the function of each of the EMIF signals.

**Table 21-1. EMIF Pins Used to Access Both SDRAM and Asynchronous Memories**

Pins(s)	I/O	Description
EMIF_D[15:0]	I/O	<b>EMIF data bus.</b>
EMIF_A[21:0]	O	<b>EMIF address bus.</b> When interfacing to an SDRAM device, these pins are primarily used to provide the row and column address to the SDRAM. The mapping from the internal program address to the external values placed on these pins can be found in <a href="#">Table 21-13</a> . EMIF_A[10] is also used during the PRE command to select which banks to deactivate. When interfacing to an asynchronous device, these pins are used in conjunction with the EMIF_BA pins to form the address that is sent to the device. The mapping from the internal program address to the external values placed on these pins can be found in <a href="#">Section 21.2.6.1</a> .
EMIF_BA[1:0]	O	<b>EMIF bank address.</b> When interfacing to an SDRAM device, these pins are used to provide the bank address inputs to the SDRAM. The mapping from the internal program address to the external values placed on these pins can be found in <a href="#">Table 21-13</a> . When interfacing to an asynchronous device, these pins are used in conjunction with the EMIF_A pins to form the address that is sent to the device. The mapping from the internal program address to the external values placed on these pins can be found in <a href="#">Section 21.2.6.1</a> .
EMIF_nDQM[1:0]	O	<b>Active-low byte enables.</b> When interfacing to SDRAM, these pins are connected to the DQM pins of the SDRAM to individually enable/disable each of the bytes in a data access. When interfacing to an asynchronous device, these pins are connected to byte enables. See <a href="#">Section 21.2.6</a> for details.

**Table 21-1. EMIF Pins Used to Access Both SDRAM and Asynchronous Memories (continued)**

Pin(s)	I/O	Description
EMIF_nWE	O	<b>Active-low write enable.</b> When interfacing to SDRAM, this pin is connected to the nWE pin of the SDRAM and is used to send commands to the device. When interfacing to an asynchronous device, this pin provides a signal which is active-low during the strobe period of an asynchronous write access cycle.

**Table 21-2. EMIF Pins Specific to SDRAM**

Pin(s)	I/O	Description
EMIF_nCS[0]	O	<b>Active-low chip enable pin for SDRAM devices.</b> This pin is connected to the chip-select pin of the attached SDRAM device and is used for enabling/disabling commands. By default, the EMIF keeps this SDRAM chip select active, even if the EMIF is not interfaced with an SDRAM device. This pin is deactivated when accessing the asynchronous memory bank and is reactivated on completion of the asynchronous access.
EMIF_nRAS	O	<b>Active-low row address strobe pin.</b> This pin is connected to the nRAS pin of the attached SDRAM device and is used for sending commands to the device.
EMIF_nCAS	O	<b>Active-low column address strobe pin.</b> This pin is connected to the nCAS pin of the attached SDRAM device and is used for sending commands to the device.
EMIF_CKE	O	<b>Clock enable pin.</b> This pin is connected to the CKE pin of the attached SDRAM device and is used for issuing the SELF REFRESH command which places the device in self refresh mode. See <a href="#">Section 21.2.5.7</a> for details.
EMIF_CLK	O	<b>SDRAM clock pin.</b> This pin is connected to the CLK pin of the attached SDRAM device. See <a href="#">Section 21.2.1</a> for details on the clock signal.

**Table 21-3. EMIF Pins Specific to Asynchronous Memory**

Pin(s)	I/O	Description
EMIF_nCS[4:2]	O	<b>Active-low chip enable pins for asynchronous devices.</b> These pins are meant to be connected to the chip-select pins of the attached asynchronous device. These pins are active only during accesses to the asynchronous memory.
EMIF_nWAIT	I	<b>Wait input with programmable polarity.</b> A connected asynchronous device can extend the strobe period of an access cycle by asserting the EMIF_nWAIT input to the EMIF as described in <a href="#">Section 21.2.6.6</a> . To enable this functionality, the EW bit in the asynchronous 1 configuration register (CE2CFG) must be set to 1. In addition, the WPO bit in CE2CFG must be configured to define the polarity of the EMIF_nWAIT pin.
EMIF_nOE	O	<b>Active-low pin enable for asynchronous devices.</b> This pin provides a signal which is active-low during the strobe period of an asynchronous read access cycle.
EMIF_RnW	O	<b>EMIF asynchronous read/write control.</b> This pin stays high during reads and stays low during writes (same duration as CS).

#### 21.2.4 EMIF Signal Multiplexing Control

Several EMIF signals are multiplexed with other functions on this microcontroller. Please refer to the I/O Multiplexing Module chapter of the technical reference manual for more information on how to enable the output of these EMIF signals.

## 21.2.5 SDRAM Controller and Interface

The EMIF can gluelessly interface to most standard SDR SDRAM devices and supports such features as self refresh mode and prioritized refresh. In addition, it provides flexibility through programmable parameters such as the refresh rate, CAS latency, and many SDRAM timing parameters. The following sections include details on how to Interface and properly configure the EMIF to perform read and write operations to externally connected SDR SDRAM devices. Also, provides a detailed example of interfacing the EMIF to a common SDRAM device.

### 21.2.5.1 SDRAM Commands

The EMIF supports the SDRAM commands described in [Table 21-4](#). [Table 21-5](#) shows the truth table for the SDRAM commands, and an example timing waveform of the PRE command is shown in [Figure 21-2](#). EMIF\_A[10] is pulled low in this example to deactivate only the bank specified by the EMIF\_BA pins.

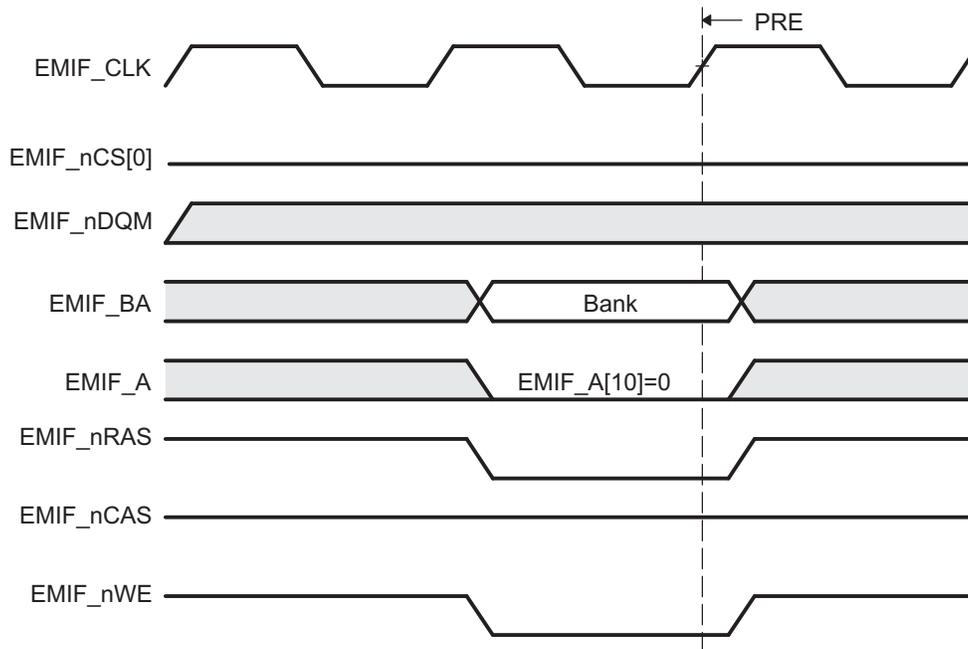
**Table 21-4. EMIF SDRAM Commands**

Command	Function
PRE	<b>Precharge.</b> Depending on the value of EMIF_A[10], the PRE command either deactivates the open row in all banks (EMIF_A[10] = 1) or only the bank specified by the EMIF_BA[1:0] pins (EMIF_A[10] = 0).
ACTV	<b>Activate.</b> The ACTV command activates the selected row in a particular bank for the current access.
READ	<b>Read.</b> The READ command outputs the starting column address and signals the SDRAM to begin the burst read operation. Address EMIF_A[10] is always pulled low to avoid auto precharge. This allows for better bank interleaving performance.
WRT	<b>Write.</b> The WRT command outputs the starting column address and signals the SDRAM to begin the burst write operation. Address EMIF_A[10] is always pulled low to avoid auto precharge. This allows for better bank interleaving performance.
BT	<b>Burst terminate.</b> The BT command is used to truncate the current read or write burst request.
LMR	<b>Load mode register.</b> The LMR command sets the mode register of the attached SDRAM devices and is only issued during the SDRAM initialization sequence described in <a href="#">Section 21.2.5.4</a> .
REFR	<b>Auto refresh.</b> The REFR command signals the SDRAM to perform an auto refresh according to its internal address.
SLFR	<b>Self refresh.</b> The self refresh command places the SDRAM into self refresh mode, during which it provides its own clock signal and auto refresh cycles.
NOP	<b>No operation.</b> The NOP command is issued during all cycles in which one of the above commands is not issued.

**Table 21-5. Truth Table for SDRAM Commands**

SDRAM Pins:	CKE	nCS	nRAS	nCAS	nWE	BA[1:0]	A[12:11]	A[10]	A[9:0]
EMIF Pins:	EMIF_CKE	EMIF_nCS[0]	EMIF_nRAS	EMIF_nCAS	EMIF_nWE	EMIF_BA[1:0]	EMIF_A[12:11]	EMIF_A[10]	EMIF_A[9:0]
PRE	H	L	L	H	L	Bank/X	X	L/H	X
ACTV	H	L	L	H	H	Bank	Row	Row	Row
READ	H	L	H	L	H	Bank	Column	L	Column
WRT	H	L	H	L	L	Bank	Column	L	Column
BT	H	L	H	H	L	X	X	X	X
LMR	H	L	L	L	L	X	Mode	Mode	Mode
REFR	H	L	L	L	H	X	X	X	X
SLFR	L	L	L	L	H	X	X	X	X
NOP	H	L	H	H	H	X	X	X	X

**Figure 21-2. Timing Waveform of SDRAM PRE Command**



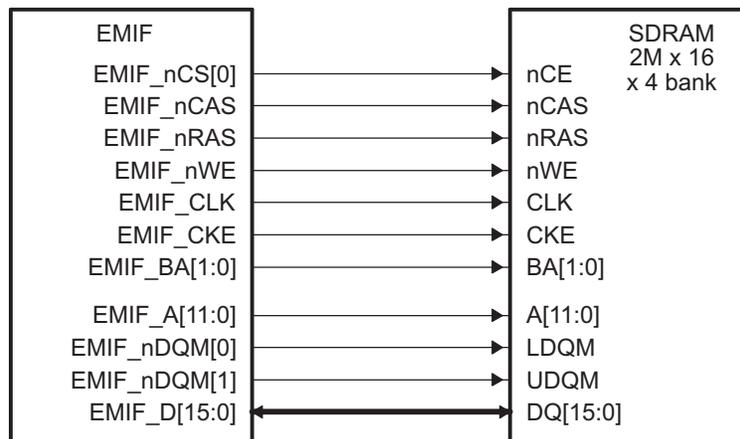
**21.2.5.2 Interfacing to SDRAM**

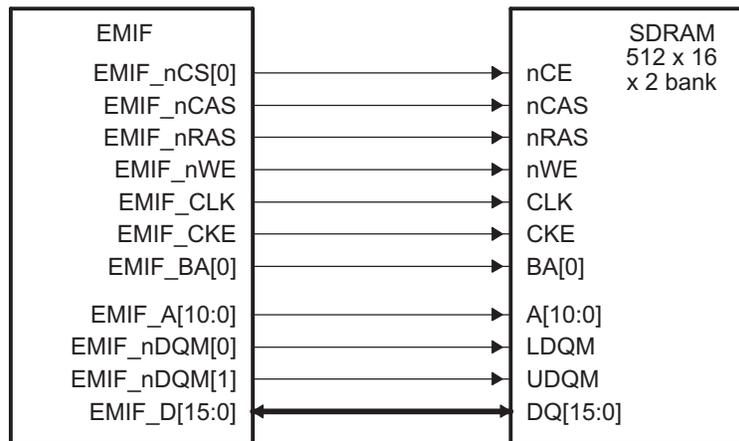
The EMIF supports a glueless interface to SDRAM devices with the following characteristics:

- Pre-charge bit is A[10]
- The number of column address bits is 8, 9, 10, or 11.
- The number of row address bits is 13, 14, 15, or 16.
- The number of internal banks is 1, 2, or 4.

Figure 21-3 shows an interface between the EMIF and a 2M x 16 x 4 bank SDRAM device, and Figure 21-4 shows an interface between the EMIF and a 512K x 16 x 2 bank SDRAM device. For devices supporting 16-bit interface, refer to Table 21-6 for list of commonly-supported SDRAM devices and the required connections for the address pins.

**Figure 21-3. EMIF to 2M x 16 x 4 bank SDRAM Interface**



**Figure 21-4. EMIF to 512K x 16 x 2 bank SDRAM Interface**

**Table 21-6. 16-bit EMIF Address Pin Connections**

SDRAM Size	Width	Banks	Device	Address Pins
16M bits	x16	2	SDRAM	A[10:0]
			EMIF	EMIF_A[10:0]
64M bits	x16	4	SDRAM	A[11:0]
			EMIF	EMIF_A[11:0]
128M bits	x16	4	SDRAM	A[11:0]
			EMIF	EMIF_A[11:0]
256M bits	x16	4	SDRAM	A[12:0]
			EMIF	EMIF_A[12:0]
512M bits	x16	4	SDRAM	A[12:0]
			EMIF	EMIF_A[12:0]

### 21.2.5.3 SDRAM Configuration Registers

The operation of the EMIF's SDRAM interface is controlled by programming the appropriate configuration registers. This section describes the purpose and function of each configuration register, but [Section 21.3](#) should be referred for a more detailed description of each register, including the default registers values and bit-field positions. The following tables list the four such configuration registers, along with a description of each of their programmable fields.

**NOTE:** Writing to any of the fields: NM, CL, IBANK, and PAGESIZE in the SDRAM configuration register (SDCR) causes the EMIF to abandon whatever it is currently doing and trigger the SDRAM initialization procedure described in [Section 21.2.5.4](#).

**Table 21-7. Description of the SDRAM Configuration Register (SDCR)**

Parameter	Description
SR	This bit controls entering and exiting of the Self-Refresh mode. The field should be written using a byte-write to the upper byte of SDCR to avoid triggering the SDRAM initialization sequence.
PD	This bit controls entering and exiting of the Power down mode. The field should be written using a byte-write to the upper byte of SDCR to avoid triggering the SDRAM initialization sequence. If both SR and PD bits are set, the EMIF will go into Self Refresh.
PDWR	Perform refreshes during Power Down. Writing a 1 to this bit will cause the EMIF to exit the power down state and issue an AUTO REFRESH command every time Refresh May level is set. The field should be written using a byte-write to the upper byte of SDCR to avoid triggering the SDRAM initialization sequence. This bit should be set along with PD when entering power-down mode.
NM	<b>Narrow Mode.</b> This bit defines the width of the data bus between the EMIF and the attached SDRAM device. When set to 1, the data bus is set to 16-bits. When set to 0, the data bus is set to 32-bits. This bit must always be set to 1.
CL	<b>CAS latency.</b> This field defines the number of clock cycles between when an SDRAM issues a READ command and when the first piece of data appears on the bus. The value in this field is sent to the attached SDRAM device via the LOAD MODE REGISTER command during the SDRAM initialization procedure as described in <a href="#">Section 21.2.5.4</a> . Only, values of 2h (CAS latency = 2) and 3h (CAS latency = 3) are supported and should be written to this field. A 1 must be simultaneously written to the BIT11_9LOCK bit field of SDCR in order to write to the CL bit field.
IBANK	<b>Number of Internal SDRAM Banks.</b> This field defines the number of banks inside the attached SDRAM devices in the following way: <ul style="list-style-type: none"> <li>When IBANK = 0, 1 internal bank is used</li> <li>When IBANK = 1h, 2 internal banks are used</li> <li>When IBANK = 2h, 4 internal banks are used</li> </ul> This field value affects the mapping of logical addresses to SDRAM row, column, and bank addresses. See <a href="#">Section 21.2.5.11</a> for details.
PAGESIZE	<b>Page Size.</b> This field defines the internal page size of the attached SDRAM devices in the following way: <ul style="list-style-type: none"> <li>When PAGESIZE = 0, 256-word pages are used</li> <li>When PAGESIZE = 1h, 512-word pages are used</li> <li>When PAGESIZE = 2h, 1024-word pages are used</li> <li>When PAGESIZE = 3h, 2048-word pages are used</li> </ul> This field value affects the mapping of logical addresses to SDRAM row, column, and bank addresses. See <a href="#">Section 21.2.5.11</a> for details.

**Table 21-8. Description of the SDRAM Refresh Control Register (SDRCR)**

Parameter	Description
RR	<b>Refresh Rate.</b> This field controls the rate at which attached SDRAM devices will be refreshed. The following equation can be used to determine the required value of RR for an SDRAM device: <ul style="list-style-type: none"> <li><math>RR = f_{EMIF\_CLK} / (\text{Required SDRAM Refresh Rate})</math></li> </ul> More information about the operation of the SDRAM refresh controller can be found in <a href="#">Section 21.2.5.6</a> .

**Table 21-9. Description of the SDRAM Timing Register (SDTIMR)**

Parameter	Description
T_RFC	<b>SDRAM Timing Parameters.</b> These fields configure the EMIF to comply with the AC timing requirements of the attached SDRAM devices. This allows the EMIF to avoid violating SDRAM timing constraints and to more efficiently schedule its operations. More details about each of these parameters can be found in the register description in <a href="#">Section 21.3.6</a> . These parameters should be set to satisfy the corresponding timing requirements found in the SDRAM's datasheet.
T_RP	
T_RCD	
T_WR	
T_RAS	
T_RC	
T_RRD	

**Table 21-10. Description of the SDRAM Self Refresh Exit Timing Register (SDSRETR)**

Parameter	Description
T_XS	<b>Self Refresh Exit Parameter.</b> The T_XS field of this register informs the EMIF about the minimum number of EMIF_CLK cycles required between exiting Self Refresh and issuing any command. This parameter should be set to satisfy the $t_{XSR}$ value for the attached SDRAM device.

#### 21.2.5.4 SDRAM Auto-Initialization Sequence

The EMIF automatically performs an SDRAM initialization sequence, regardless of whether it is interfaced to an SDRAM device, when either of the following two events occur:

- The EMIF comes out of reset. No memory accesses to the SDRAM and Asynchronous interfaces are performed until this auto-initialization is complete.
- A write is performed to any of the three least significant bytes of the SDRAM configuration register (SDCR)

An SDRAM initialization sequence consists of the following steps:

1. If the initialization sequence is activated by a write to SDCR, and if any of the SDRAM banks are open, the EMIF issues a PRE command with EMIF\_A[10] held high to indicate all banks. This is done so that the maximum ACTV to PRE timing for an SDRAM is not violated.
2. The EMIF drives EMIF\_CKE high and begins continuously issuing NOP commands until eight SDRAM refresh intervals have elapsed. An SDRAM refresh interval is equal to the value of the RR field of SDRAM refresh control register (SDRCR), divided by the frequency of EMIF\_CLK ( $RR/f_{EMIF\_CLK}$ ). This step is used to avoid violating the Power-up constraint of most SDRAM devices that requires 200  $\mu$ s (sometimes 100  $\mu$ s) between receiving stable Vdd and CLK and the issuing of a PRE command. Depending on the frequency of EMIF\_CLK, this step may or may not be sufficient to avoid violating the SDRAM constraint. See [Section 21.2.5.5](#) for more information.
3. After the refresh intervals have elapsed, the EMIF issues a PRE command with EMIF\_A[10] held high to indicate all banks.
4. The EMIF issues eight AUTO REFRESH commands.
5. The EMIF issues the LMR command with the EMIF\_A[9:0] pins set as described in [Table 21-11](#).
6. Finally, the EMIF performs a refresh cycle, which consists of the following steps:
  - (a) Issuing a PRE command with EMIF\_A[10] held high if any banks are open
  - (b) Issuing an REF command

**Table 21-11. SDRAM LOAD MODE REGISTER Command**

EMIF_A[9:7]	EMIF_A[6:4]	EMIF_A[3]	EMIF_A[2:0]
0 (Write bursts are of the programmed burst length in EMIF_A[2:0])	These bits control the CAS latency of the SDRAM and are set according to CL field in the SDRAM configuration register (SDCR) as follows: <ul style="list-style-type: none"> <li>• If CL = 2, EMIF_A[6:4] = 2h (CAS latency = 2)</li> <li>• If CL = 3, EMIF_A[6:4] = 3h (CAS latency = 3)</li> </ul>	0 (Sequential Burst Type. Interleaved Burst Type not supported)	These bits control the burst length of the SDRAM and are set according to the NM field in the SDRAM configuration register (SDCR) as follows: <ul style="list-style-type: none"> <li>• If NM = 0, EMIF_A[2:0] = 2h (Burst Length = 4)</li> <li>• If NM = 1, EMIF_A[2:0] = 3h (Burst Length = 8)</li> </ul>

### 21.2.5.5 SDRAM Configuration Procedure

There are two different SDRAM configuration procedures. Although EMIF automatically performs the SDRAM initialization sequence described in [Section 21.2.5.4](#) when coming out of reset, it is recommended to follow one of the procedures listed below before performing any EMIF memory requests. Procedure A should be followed if it is determined that the SDRAM Power-up constraint was not violated during the SDRAM Auto-Initialization Sequence detailed in [Section 21.2.5.4](#) on coming out of Reset. The SDRAM Power-up constraint specifies that 200  $\mu$ s (sometimes 100  $\mu$ s) should exist between receiving stable V<sub>dd</sub> and CLK and the issuing of a PRE command. Procedure B should be followed if the SDRAM Power-up constraint was violated. The 200  $\mu$ s (100  $\mu$ s) SDRAM Power-up constraint will be violated if the frequency of EMIF\_CLK is greater than 50 MHz (100 MHz for 100  $\mu$ s SDRAM power-up constraint) during SDRAM Auto-Initialization Sequence. Procedure B should be followed if there is any doubt that the Power-up constraint was not met.

**Procedure A** — Following is the procedure to be followed if the SDRAM Power-up constraint was NOT violated:

1. Place the SDRAM into Self-Refresh Mode by setting the SR bit of SDCR to 1. A byte-write to the upper byte of SDCR should be used to avoid restarting the SDRAM Auto-Initialization Sequence described in [Section 21.2.5.4](#). The SDRAM should be placed into Self-Refresh mode when changing the frequency of EMIF\_CLK to avoid incurring the 200  $\mu$ s Power-up constraint again.
2. Configure the desired EMIF\_CLK clock frequency. The frequency of the memory clock must meet the timing requirements in the SDRAM manufacturer's documentation and the timing limitations shown in the electrical specifications of the device datasheet.
3. Remove the SDRAM from Self-Refresh Mode by clearing the SR bit of SDCR to 0. A byte-write to the upper byte of SDCR should be used to avoid restarting the SDRAM Auto-Initialization Sequence described in [Section 21.2.5.4](#).
4. Program SDTIMR and SDSRETR to satisfy the timing requirements for the attached SDRAM device. The timing parameters should be taken from the SDRAM datasheet.
5. Program the RR field of SDCRCR to match that of the attached device's refresh interval. See [Section 21.2.5.6.1](#) details on determining the appropriate value.
6. Program SDCR to match the characteristics of the attached SDRAM device. This will cause the auto-initialization sequence in [Section 21.2.5.4](#) to be re-run. This second initialization generally takes much less time due to the increased frequency of EMIF\_CLK.

**Procedure B** — Following is the procedure to be followed if the SDRAM Power-up constraint was violated:

1. Configure the desired EMIF\_CLK clock frequency. The frequency of the memory clock must meet the timing requirements in the SDRAM manufacturer's documentation and the timing limitations shown in the electrical specifications of the device datasheet.
2. Program SDTIMR and SDSRETR to satisfy the timing requirements for the attached SDRAM device. The timing parameters should be taken from the SDRAM datasheet.
3. Program the RR field of SDCRCR such that the following equation is satisfied:  $(RR \times 8)/(f_{EMIF\_CLK}) > 200 \mu s$  (sometimes 100  $\mu$ s). For example, an EMIF\_CLK frequency of 100 MHz would require setting RR to 2501 (9C5h) or higher to meet a 200  $\mu$ s constraint.

4. Program SDCR to match the characteristics of the attached SDRAM device. This will cause the auto-initialization sequence in [Section 21.2.5.4](#) to be re-run with the new value of RR.
5. Perform a read from the SDRAM to assure that step 5 of this procedure will occur after the initialization process has completed. Alternatively, wait for 200  $\mu$ s instead of performing a read.
6. Finally, program the RR field to match that of the attached device's refresh interval. See [Section 21.2.5.6.1](#) details on determining the appropriate value.

After following the above procedure, the EMIF is ready to perform accesses to the attached SDRAM device. See for an example of configuring the SDRAM interface.

### 21.2.5.6 EMIF Refresh Controller

An SDRAM device requires that each of its rows be refreshed at a minimum required rate. The EMIF can meet this constraint by performing auto refresh cycles at or above this required rate. An auto refresh cycle consists of issuing a PRE command to all banks of the SDRAM device followed by issuing a REFR command. To inform the EMIF of the required rate for performing auto refresh cycles, the RR field of the SDRAM refresh control register (SDRCR) must be programmed. The EMIF will use this value along with two internal counters to automatically perform auto refresh cycles at the required rate. The auto refresh cycles cannot be disabled, even if the EMIF is not interfaced with an SDRAM. The remainder of this section details the EMIF's refresh scheme and provides an example for determining the appropriate value to place in the RR field of SDRCR.

The two counters used to perform auto-refresh cycles are a 13-bit refresh interval counter and a 4-bit refresh backlog counter. At reset and upon writing to the RR field, the refresh interval counter is loaded with the value from RR field and begins decrementing, by one, each EMIF clock cycle. When the refresh interval counter reaches zero, the following actions occur:

- The refresh interval counter is reloaded with the value from the RR field and restarts decrementing.
- The 4-bit refresh backlog counter increments unless it has already reached its maximum value.

The refresh backlog counter records the number of auto refresh cycles that the EMIF currently has outstanding. This counter is decremented by one each time an auto refresh cycle is performed and incremented by one each time the refresh interval counter expires. The refresh backlog counter saturates at the values of 0000b and 1111b. The EMIF uses the refresh backlog counter to determine the urgency with which an auto refresh cycle should be performed. The four levels of urgency are described in [Table 21-12](#). This refresh scheme allows the required refreshes to be performed with minimal impact on access requests.

**Table 21-12. Refresh Urgency Levels**

Urgency Level	Refresh Backlog Counter Range	Action Taken
Refresh May	1-3	An auto-refresh cycle is performed only if the EMIF has no requests pending and none of the SDRAM banks are open.
Refresh Release	4-7	An auto-refresh cycle is performed if the EMIF has no requests pending, regardless of whether any SDRAM banks are open.
Refresh Need	8-11	An auto-refresh cycle is performed at the completion of the current access unless there are read requests pending.
Refresh Must	12-15	Multiple auto-refresh cycles are performed at the completion of the current access until the Refresh Release urgency level is reached. At that point, the EMIF can begin servicing any new read or write requests.

### 21.2.5.6.1 Determining the Appropriate Value for the RR Field

The value that should be programmed into the RR field of SDCR can be calculated by using the frequency of the EMIF\_CLK signal ( $f_{EMIF\_CLK}$ ) and the required refresh rate of the SDRAM ( $f_{Refresh}$ ). The following formula can be used:

$$RR = f_{EMIF\_CLK} / f_{Refresh}$$

The SDRAM datasheet often communicates the required SDRAM Refresh Rate in terms of the number of REFR commands required in a given time interval. The required SDRAM Refresh Rate in the formula above can therefore be calculated by dividing the number of required cycles per time interval ( $n_{cycles}$ ) by the time interval given in the datasheet ( $t_{Refresh\ Period}$ ):

$$f_{Refresh} = n_{cycles} / t_{Refresh\ Period}$$

Combining these formulas, the value that should be programmed into the RR field can be computed as:

$$RR = f_{EMIF\_CLK} \times t_{Refresh\ Period} / n_{cycles}$$

The following example illustrates calculating the value of RR. Given that:

- $f_{EMIF\_CLK} = 100\text{ MHz}$  (frequency of the EMIF clock)
- $t_{Refresh\ Period} = 64\text{ ms}$  (required refresh interval of the SDRAM)
- $n_{cycles} = 8192$  (number of cycles in a refresh interval for the SDRAM)

RR can be calculated as:

$$RR = 100\text{ MHz} \times 64\text{ ms} / 8192$$

$$RR = 781.25$$

$$RR = 782\text{ cycles} = 30\text{Eh cycles}$$

### 21.2.5.7 Self-Refresh Mode

The EMIF can be programmed to enter the self-refresh state by setting the SR bit of SDCR to 1. This will cause the EMIF to issue the SLFR command after completing any outstanding SDRAM access requests and clearing the refresh backlog counter by performing one or more auto refresh cycles. This places the attached SDRAM device into self-refresh mode in which it consumes a minimal amount of power while performing its own refresh cycles. The SR bit should be set and cleared using a byte-write to the upper byte of the SDRAM configuration register (SDCR) to avoid triggering the SDRAM initialization sequence.

While in the self-refresh state, the EMIF continues to service asynchronous bank requests and register accesses as normal, with one caveat. The EMIF will not park the data bus following a read to asynchronous memory while in the self-refresh state. Instead, the EMIF tri-states the data bus. Therefore, it is not recommended to perform asynchronous read operations while the EMIF is in the self-refresh state, in order to prevent floating inputs on the data bus. More information about data bus parking can be found in [Section 21.2.7](#).

The EMIF will exit from the self-refresh state if either of the following events occur:

- The SR bit of SDCR is cleared to 0.
- An SDRAM accesses is requested.

The EMIF exits from the self-refresh state by driving EMIF\_CKE high and performing an auto refresh cycle.

The attached SDRAM device should also be placed into Self-Refresh Mode when changing the frequency of EMIF\_CLK. If the frequency of EMIF\_CLK changes while the SDRAM is not in Self-Refresh Mode, Procedure B in [Section 21.2.5.5](#) should be followed to reinitialize the device.

### 21.2.5.8 Power Down Mode

To support low-power modes, the EMIF can be requested to issue a POWER DOWN command to the SDRAM by setting the PD bit in the SDRAM configuration register (SDCR). When this bit is set, the EMIF will continue normal operation until all outstanding memory access requests have been serviced and the SDRAM refresh backlog (if there is one) has been cleared. At this point the EMIF will enter the power-down state. Upon entering this state, the EMIF will issue a POWER DOWN command (same as a NOP command but driving EMIF\_CKE low on the same cycle). The EMIF then maintains EMIF\_CKE low until it exits the power-down state.

Since the EMIF services the refresh backlog before it enters the power-down state, all internal banks of the SDRAM are closed (precharged) prior to issuing the POWER DOWN command. Therefore, the EMIF only supports Precharge Power Down. The EMIF does not support Active Power Down, where internal banks of the SDRAM are open (active) before the POWER DOWN command is issued.

During the power-down state, the EMIF services the SDRAM, asynchronous memory, and register accesses as normal, returning to the power-down state upon completion.

The PDWR bit in SDCR indicates whether the EMIF should perform refreshes in power-down state. If the PDWR bit is set, the EMIF exits the power-down state every time the Refresh Must level is set, performs AUTO REFRESH commands to the SDRAM, and returns back to the power-down state. This evenly distributes the refreshes to the SDRAM in power-down state. If the PDWR bit is not set, the EMIF does not perform any refreshes to the SDRAM. Therefore, the data integrity of the SDRAM is not assured upon power down exit if the PDWR bit is not set.

If the PD bit is cleared while in the power-down state, the EMIF will come out of the power-down state. The EMIF:

- Drives EMIF\_CKE high.
- Enters its idle state.

### 21.2.5.9 SDRAM Read Operation

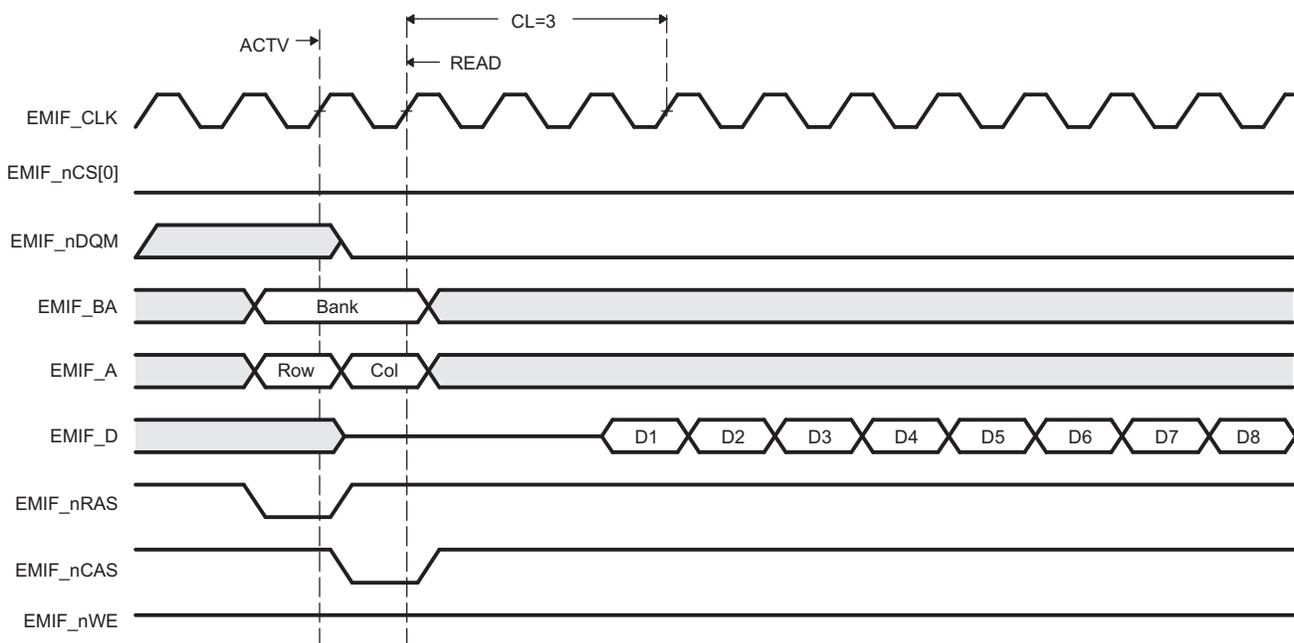
When the EMIF receives a read request to SDRAM from one of the requesters listed in [Section 21.2.2](#), it performs one or more read access cycles. A read access cycle begins with the issuing of the ACTV command to select the desired bank and row of the SDRAM device. After the row has been opened, the EMIF proceeds to issue a READ command while specifying the desired bank and column address. EMIF\_A[10] is held low during the READ command to avoid auto-precharging. The READ command signals the SDRAM device to start bursting data from the specified address while the EMIF issues NOP commands. Following a READ command, the CL field of the SDRAM configuration register (SDCR) defines how many delay cycles will be present before the read data appears on the data bus. This is referred to as the CAS latency.

[Figure 21-5](#) shows the signal waveforms for a basic SDRAM read operation in which a burst of data is read from a single page. When the EMIF SDRAM interface is configured to 16 bit by setting the NM bit of the SDRAM configuration register (SDCR) to 1, a burst size of eight is used. [Figure 21-5](#) shows a burst size of eight.

The EMIF will truncate a series of bursting data if the remaining addresses of the burst are not required to complete the request. The EMIF can truncate the burst in three ways:

- By issuing another READ to the same page in the same bank.
- By issuing a PRE command in order to prepare for accessing a different page of the same bank.
- By issuing a BT command in order to prepare for accessing a page in a different bank.

**Figure 21-5. Timing Waveform for Basic SDRAM Read Operation**



Several other pins are also active during a read access. The EMIF\_nDQM[1:0] pins are driven low during the READ commands and are kept low during the NOP commands that correspond to the burst request. The state of the other EMIF pins during each command can be found in [Table 21-5](#).

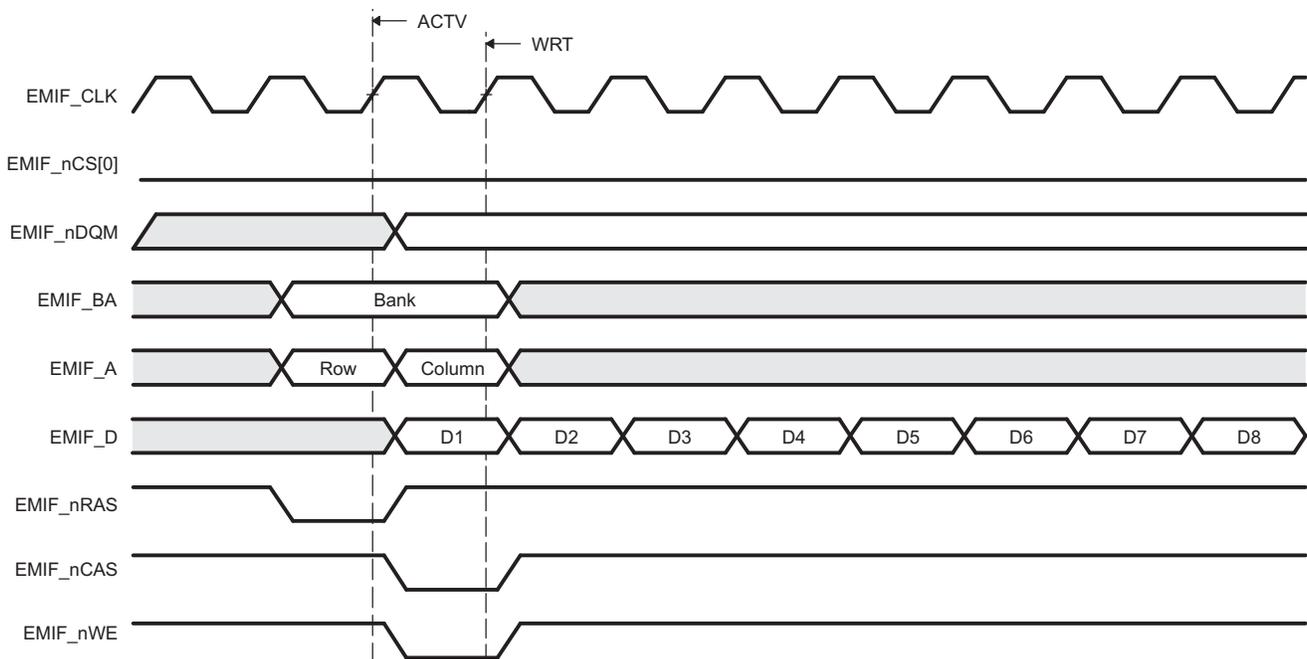
The EMIF schedules its commands based on the timing information that is provided to it in the SDRAM timing register (SDTIMR). The values for the timing parameters in this register should be chosen to satisfy the timing requirements listed in the SDRAM datasheet. The EMIF uses this timing information to avoid violating any timing constraints related to issuing commands. This is commonly accomplished by inserting NOP commands between various commands during an access. Refer to the register description of SDTIMR in [Section 21.3.6](#) for more details on the various timing parameters.

### 21.2.5.10 SDRAM Write Operations

When the EMIF receives a write request to SDRAM from one of the requesters listed in [Section 21.2.2](#), it performs one or more write-access cycles. A write-access cycle begins with the issuing of the ACTV command to select the desired bank and row of the SDRAM device. After the row has been opened, the EMIF proceeds to issue a WRT command while specifying the desired bank and column address. EMIF\_A[10] is held low during the WRT command to avoid auto-precharging. The WRT command signals the SDRAM device to start writing a burst of data to the specified address while the EMIF issues NOP commands. The associated write data will be placed on the data bus in the cycle concurrent with the WRT command and with subsequent burst continuation NOP commands.

[Figure 21-6](#) shows the signal waveforms for a basic SDRAM write operation in which a burst of data is read from a single page. When the EMIF SDRAM interface is configured to 16-bit by setting the NM bit of the SDRAM configuration register (SDCR) to 1, a burst size of eight is used. [Figure 21-6](#) shows a burst size of eight.

**Figure 21-6. Timing Waveform for Basic SDRAM Write Operation**



The EMIF will truncate a series of bursting data if the remaining addresses of the burst are not part of the write request. The EMIF can truncate the burst in three ways:

- By issuing another WRT to the same page
- By issuing a PRE command in order to prepare for accessing a different page of the same bank
- By issuing a BT command in order to prepare for accessing a page in a different bank

Several other pins are also active during a write access. The EMIF\_nDQM[1:0] pins are driven to select which bytes of the data word will be written to the SDRAM device. They are also used to mask out entire undesired data words during a burst access. The state of the other EMIF pins during each command can be found in [Table 21-5](#).

The EMIF schedules its commands based on the timing information that is provided to it in the SDRAM timing register (SDTIMR). The values for the timing parameters in this register should be chosen to satisfy the timing requirements listed in the SDRAM datasheet. The EMIF uses this timing information to avoid violating any timing constraints related to issuing commands. This is commonly accomplished by inserting NOP commands during various cycles of an access. Refer to the register description of SDTIMR in [Section 21.3.6](#) for more details on the various timing parameters.

### 21.2.5.11 Mapping from Logical Address to EMIF Pins

When the EMIF receives an SDRAM access request, it must convert the address of the access into the appropriate signals to send to the SDRAM device. The details of this address mapping are shown in [Table 21-13](#) for 16-bit operation. Using the settings of the IBANK and PAGESIZE fields of the SDRAM configuration register (SDCR), the EMIF determines which bits of the logical address will be mapped to the SDRAM row, column, and bank addresses.

As the logical address is incremented by one halfword (16-bit operation), the column address is likewise incremented by one until a page boundary is reached. When the logical address increments across a page boundary, the EMIF moves into the same page in the next bank of the attached device by incrementing the bank address EMIF\_BA and resetting the column address. The page in the previous bank is left open until it is necessary to close it. This method of traversal through the SDRAM banks helps maximize the number of open banks inside of the SDRAM and results in an efficient use of the device. There is no limitation on the number of banks that can be open at one time, but only one page within a bank can be open at a time.

The EMIF uses the EMIF\_nDQM[1:0] pins during a WRT command to mask out selected bytes or entire words. The EMIF\_nDQM[1:0] pins are always low during a READ command.

**Table 21-13. Mapping from Logical Address to EMIF Pins for 16-bit SDRAM**

IBANK	PAGESIZE	Logical Address													
		31:27	26	25	24	23	22	21:14	13	12	11	10	9	8:1	0
0	0	Row Address											Col Address	EMIF_nDQM[0]	
1	0	Row Address											EMIF_BA[0]	Col Address	EMIF_nDQM[0]
2	0	Row Address											EMIF_BA[1:0]	Col Address	EMIF_nDQM[0]
0	1	Row Address											Column Address		EMIF_nDQM[0]
1	1	Row Address											EMIF_BA[0]	Column Address	EMIF_nDQM[0]
2	1	Row Address											EMIF_BA[1:0]	Column Address	EMIF_nDQM[0]
0	2	Row Address											Column Address		EMIF_nDQM[0]
1	2	Row Address											EMIF_BA[0]	Column Address	EMIF_nDQM[0]
2	2	Row Address											EMIF_BA[1:0]	Column Address	EMIF_nDQM[0]
0	3	Row Address											Column Address		EMIF_nDQM[0]
1	3	Row Address											EMIF_BA[0]	Column Address	EMIF_nDQM[0]
2	3	Row Address											EMIF_BA[1:0]	Column Address	EMIF_nDQM[0]

---

**NOTE:** The upper bit of the Row Address is used only when addressing 256-Mbit and 512-Mbit SDRAM memories.

---

### 21.2.6 Asynchronous Controller and Interface

The EMIF easily interfaces to a variety of asynchronous devices including NOR Flash, NAND Flash, and SRAM. It can be operated in two major modes (see [Table 21-14](#)):

- Normal Mode
- Select Strobe Mode

**Table 21-14. Normal Mode vs. Select Strobe Mode**

Mode	Function of EMIF_nDQM pins	Operation of EMIF_nCS[4:2]
Normal Mode	Byte enables	Active during the entire asynchronous access cycle
Select Strobe Mode	Byte enables	Active only during the strobe period of an access cycle

The first mode of operation is Normal Mode, in which the EMIF\_nDQM pins of the EMIF function as byte enables. In this mode, the EMIF\_nCS[4:2] pins behaves as typical chip select signals, remaining active for the duration of the asynchronous access. See [Section 21.2.6.1](#) for an example interface with multiple 8-bit devices.

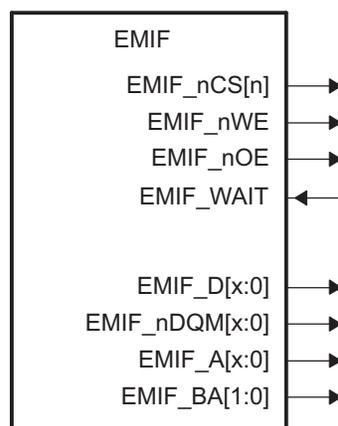
The second mode of operation is Select Strobe Mode, in which the EMIF\_nCS[4:2] pins act as a strobe, active only during the strobe period of an access. In this mode, the EMIF\_nDQM pins of the EMIF function as standard byte enables for reads and writes. A summary of the differences between the two modes of operation are shown in [Table 21-14](#). Refer to [Section 21.2.6.4](#) for the details of asynchronous operations in Normal Mode, and to [Section 21.2.6.5](#) for the details of asynchronous operations in Select Strobe Mode. The EMIF hardware defaults to Normal Mode, but can be manually switched to Select Strobe Mode by setting the SS bit in the asynchronous  $m$  ( $m = 1, 2, 3,$  or  $4$ ) configuration register (CE $n$ CFG) ( $n = 2, 3,$  or  $4$ ). Throughout the chapter,  $m$  can hold the values 1, 2, 3 or 4; and  $n$  can hold the values 2, 3, or 4.

The EMIF also provides configurable cycle timing parameters and an Extended Wait Mode that allows the connected device to extend the strobe period of an access cycle. The following sections describe the features related to interfacing with external asynchronous devices.

#### 21.2.6.1 Interfacing to Asynchronous Memory

[Figure 21-7](#) shows the EMIF's external pins used in interfacing with an asynchronous device. In EMIF\_nCS[ $n$ ],  $n = 2, 3,$  or  $4$ .

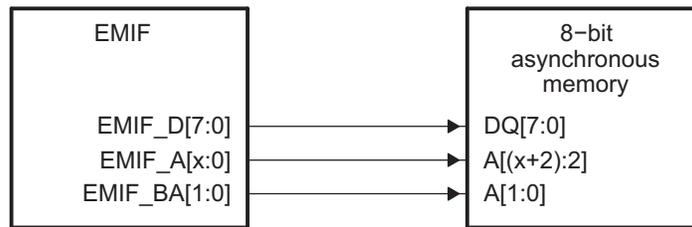
**Figure 21-7. EMIF Asynchronous Interface**



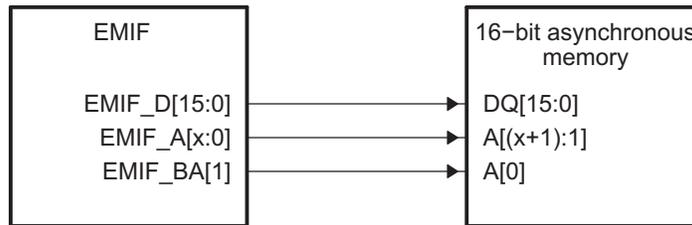
Of special note is the connection between the EMIF and the external device's address bus. The EMIF address pin EMIF\_A[0] always provides the least significant bit of a 32-bit word address. Therefore, when interfacing to a 16-bit or 8-bit asynchronous device, the EMIF\_BA[1] and EMIF\_BA[0] pins provide the least-significant bits of the halfword or byte address, respectively. Additionally, when the EMIF interfaces to a 16-bit asynchronous device, the EMIF\_BA[0] pin can serve as the upper address line EMIF\_A[22]. Figure 21-8 and Figure 21-9 show the mapping between the EMIF and the connected device's data and address pins for various programmed data bus widths. The data bus width may be configured in the asynchronous *n* configuration register (CE<sub>n</sub>CFG).

Figure 21-9 shows a common interface between the EMIF and external asynchronous memory. Figure 21-9 shows an interface between the EMIF and an external memory with byte enables. The EMIF should be operated in either Normal Mode or Select Strobe Mode when using this interface, so that the EMIF\_nDQM signals operate as byte enables.

**Figure 21-8. EMIF to 8-bit/16-bit Memory Interface**

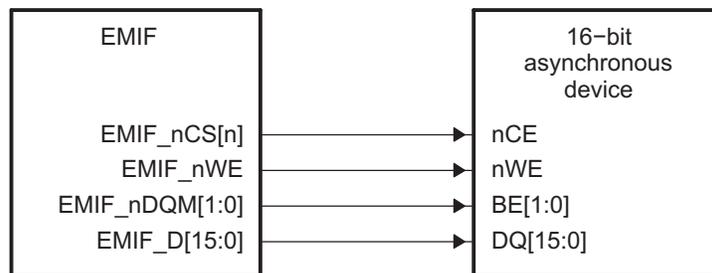


a) EMIF to 8-bit memory interface



b) EMIF to 16-bit memory interface

**Figure 21-9. Common Asynchronous Interface**



### 21.2.6.2 Accessing Larger Asynchronous Memories

The device has 22 dedicated EMIF address lines. If a device such as a large asynchronous flash needs to be attached to the EMIF, then GPIO pins may be used to control the flash device's upper address lines.

### 21.2.6.3 Configuring the EMIF for Asynchronous Accesses

The operation of the EMIF's asynchronous interface can be configured by programming the appropriate register fields. The reset value and bit position for each register field can be found in [Section 21.3](#). The following tables list the register fields that can be programmed and describe the purpose of each field. These registers can be programmed prior to accessing the external memory, and the transfer following a write to these registers will use the new configuration.

**Table 21-15. Description of the Asynchronous *m* Configuration Register (CE<sub>*n*</sub>CFG)**

Parameter	Description
SS	<p><b>Select Strobe mode.</b> This bit selects the EMIF's mode of operation in the following way:</p> <ul style="list-style-type: none"> <li>• SS = 0 selects Normal Mode <ul style="list-style-type: none"> <li>– EMIF_nDQM pins function as byte enables</li> <li>– EMIF_nCS[4:2] active for duration of access</li> </ul> </li> <li>• SS = 1 selects Select Strobe Mode <ul style="list-style-type: none"> <li>– EMIF_nDQM pins function as byte enables</li> <li>– EMIF_nCS[4:2] acts as a strobe.</li> </ul> </li> </ul>
EW	<p><b>Extended Wait Mode enable.</b></p> <ul style="list-style-type: none"> <li>• EW = 0 disables Extended Wait Mode</li> <li>• EW = 1 enables Extended Wait Mode</li> </ul> <p>When set to 1, the EMIF enables its Extended Wait Mode in which the strobe width of an access cycle can be extended in response to the assertion of the EMIF_nWAIT pin. The WP<sub><i>n</i></sub> bit in the asynchronous wait cycle configuration register (AWCC) controls to polarity of EMIF_nWAIT pin. See <a href="#">Section 21.2.6.6</a> for more details on this mode of operation.</p>
W_SETUP/R_SETUP	<p><b>Read/Write setup widths.</b></p> <p>These fields define the number of EMIF clock cycles of setup time for the address pins (EMIF_A and EMIF_BA), byte enables (EMIF_nDQM), and asynchronous chip enable (EMIF_nCS[4:2]) before the read strobe pin (EMIF_nOE) or write strobe pin (EMIF_nWE) falls, minus one cycle. For writes, the W_SETUP field also defines the setup time for the data pins (EMIF_D). Refer to the datasheet of the external asynchronous device to determine the appropriate setting for this field.</p>
W_STROBE/R_STROBE	<p><b>Read/Write strobe widths.</b></p> <p>These fields define the number of EMIF clock cycles between the falling and rising of the read strobe pin (EMIF_nOE) or write strobe pin (EMIF_nWE), minus one cycle. If Extended Wait Mode is enabled by setting the EW field in the asynchronous <i>n</i> configuration register (CE<sub><i>n</i></sub>CFG), these fields must be set to a value greater than zero. Refer to the datasheet of the external asynchronous device to determine the appropriate setting for this field.</p>
W_HOLD/R_HOLD	<p><b>Read/Write hold widths.</b></p> <p>These fields define the number of EMIF clock cycles of hold time for the address pins (EMIF_A and EMIF_BA), byte enables (EMIF_nDQM), and asynchronous chip enable (EMIF_nCS[4:2]) after the read strobe pin (EMIF_nOE) or write strobe pin (EMIF_nWE) rises, minus one cycle. For writes, the W_HOLD field also defines the hold time for the data pins (EMIF_D). Refer to the datasheet of the external asynchronous device to determine the appropriate setting for this field.</p>
TA	<p><b>Minimum turnaround time.</b></p> <p>This field defines the minimum number of EMIF clock cycles between asynchronous reads and writes, minus one cycle. The purpose of this feature is to avoid contention on the bus. The value written to this field also determines the number of cycles that will be inserted between asynchronous accesses and SDRAM accesses. Refer to the datasheet of the external asynchronous device to determine the appropriate setting for this field.</p>

**Table 21-15. Description of the Asynchronous *m* Configuration Register (CE<sub>n</sub>CFG) (continued)**

Parameter	Description
ASIZE	<p><b>Asynchronous Device Bus Width.</b> This field determines the data bus width of the asynchronous interface in the following way:</p> <ul style="list-style-type: none"> <li>ASIZE = 0 selects an 8-bit bus</li> <li>ASIZE = 1 selects a 16-bit bus</li> </ul> <p>The configuration of ASIZE determines the function of the EMIF_A and EMIF_BA pins as described in <a href="#">Section 21.2.6.1</a>. This field also determines the number of external accesses required to fulfill a request generated by one of the sources mentioned in <a href="#">Section 21.2.2</a>. For example, a request for a 32-bit word would require four external access when ASIZE = 0. Refer to the datasheet of the external asynchronous device to determine the appropriate setting for this field.</p>

**Table 21-16. Description of the Asynchronous Wait Cycle Configuration Register (AWCC)**

Parameter	Description
WP <sub>n</sub>	<p><b>EM_WAIT Polarity.</b></p> <ul style="list-style-type: none"> <li>WP<sub>n</sub> = 0 selects active-low polarity</li> <li>WP<sub>n</sub> = 1 selects active-high polarity</li> </ul> <p>When set to 1, the EMIF will wait if the EMIF_nWAIT pin is high. When cleared to 0, the EMIF will wait if the EMIF_nWAIT pin is low. The EMIF must have the Extended Wait Mode enabled for the EMIF_nWAIT pin to affect the width of the strobe period.</p>
MAX_EXT_WAIT	<p><b>Maximum Extended Wait Cycles.</b> This field configures the number of EMIF clock cycles the EMIF will wait for the EMIF_nWAIT pin to be deactivated during the strobe period of an access cycle. The maximum number of EMIF clock cycles it will wait is determined by the following formula: Maximum Extended Wait Cycles = (MAX_EXT_WAIT + 1) × 16 If the EMIF_nWAIT pin is not deactivated within the time specified by this field, the EMIF resumes the access cycle, registering whatever data is on the bus and proceeding to the hold period of the access cycle. This situation is referred to as an Asynchronous Timeout. An Asynchronous Timeout generates an interrupt, if it has been enabled in the EMIF interrupt mask set register (INTMSKSET). Refer to <a href="#">Section 21.2.9.1</a> for more information about the EMIF interrupts.</p>

**Table 21-17. Description of the EMIF Interrupt Mask Set Register (INTMSKSET)**

Parameter	Description
WR_MASK_SET	<p><b>Wait Rise Mask Set.</b> Writing a 1 enables an interrupt to be generated when a rising edge on EMIF_nWAIT occurs while in NAND Flash Mode</p>
AT_MASK_SET	<p><b>Asynchronous Timeout Mask Set.</b> Writing a 1 to this bit enables an interrupt to be generated when an Asynchronous Timeout occurs.</p>

**Table 21-18. Description of the EMIF Interrupt Mast Clear Register (INTMSKCLR)**

Parameter	Description
WR_MASK_CLR	<p><b>Wait Rise Mask Clear.</b> Writing a 1 to this bit disables the interrupt, clearing the WR_MASK_SET bit in the EMIF interrupt mask set register (INTMSKSET).</p>

**Table 21-18. Description of the EMIF Interrupt Mast Clear Register (INTMSKCLR) (continued)**

Parameter	Description
AT_MASK_CLR	<b>Asynchronous Timeout Mask Clear.</b> Writing a 1 to this bit prevents an interrupt from being generated when an Asynchronous Timeout occurs.

#### 21.2.6.4 Read and Write Operations in Normal Mode

Normal Mode is the asynchronous interface's default mode of operation. It is selected when the SS bit in the asynchronous *n* configuration register (CE<sub>n</sub>CFG) is cleared to 0. In this mode, the EMIF\_nDQM pins operate as byte enables. [Section 21.2.6.4.1](#) and [Section 21.2.6.4.2](#) explain the details of read and write operations while in Normal Mode.

##### 21.2.6.4.1 Asynchronous Read Operations (Normal Mode)

**NOTE:** During an entire asynchronous read operation, the EMIF\_nWE pin is driven high.

An asynchronous read is performed when any of the requesters mentioned in [Section 21.2.2](#) request a read from the attached asynchronous memory. After the request is received, a read operation is initiated once it becomes the EMIF's highest priority task, according to the priority scheme detailed in [Section 21.2.13](#). In the event that the read request cannot be serviced by a single access cycle to the external device, multiple access cycles will be performed by the EMIF until the entire request is fulfilled. The details of an asynchronous read operation in Normal Mode are described in [Table 21-19](#). Also, [Figure 21-10](#) shows an example timing diagram of a basic read operation.

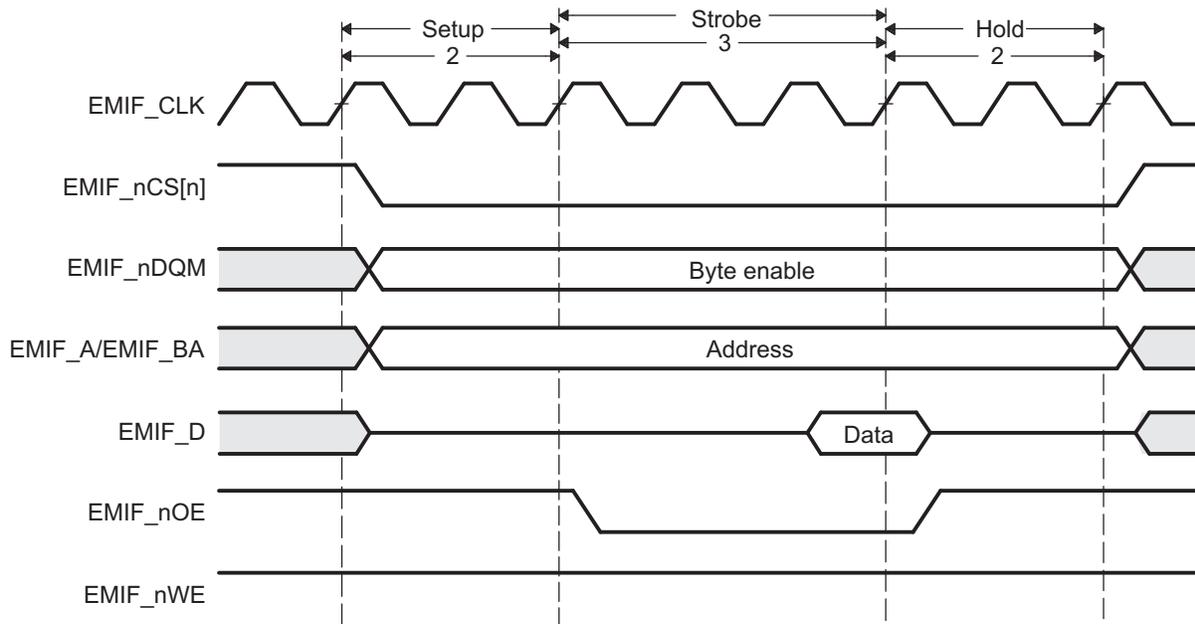
**Table 21-19. Asynchronous Read Operation in Normal Mode**

Time Interval	Pin Activity in Normal Mode
Turn-around period	Once the read operation becomes the highest priority task for the EMIF, the EMIF waits for the programmed number of turn-around cycles before proceeding to the setup period of the operation. The number of wait cycles is taken directly from the TA field of the asynchronous <i>n</i> configuration register (CE <sub>n</sub> CFG). There are two exceptions to this rule: <ul style="list-style-type: none"> <li>If the current read operation was directly preceded by another read operation, no turnaround cycles are inserted.</li> <li>If the current read operation was directly preceded by a write operation and the TA field has been cleared to 0, one turn-around cycle will be inserted.</li> </ul> After the EMIF has waited for the turnaround cycles to complete, it again checks to make sure that the read operation is still its highest priority task. If so, the EMIF proceeds to the setup period of the operation. If it is no longer the highest priority task, the EMIF terminates the operation.
Start of the setup period	The following actions occur at the start of the setup period: <ul style="list-style-type: none"> <li>The setup, strobe, and hold values are set according to the R_SETUP, R_STROBE, and R_HOLD values in CE<sub>n</sub>CFG.</li> <li>The address pins EMIF_A and EMIF_BA become valid and carry the values described in <a href="#">Section 21.2.6.1</a>.</li> <li>EMIF_nCS[4:2] falls to enable the external device (if not already low from a previous operation)</li> </ul>
Strobe period	The following actions occur during the strobe period of a read operation: <ol style="list-style-type: none"> <li>EMIF_nOE falls at the start of the strobe period</li> <li>On the rising edge of the clock which is concurrent with the end of the strobe period: <ul style="list-style-type: none"> <li>EMIF_nOE rises</li> <li>The data on the EMIF_D bus is sampled by the EMIF.</li> </ul> </li> </ol> In <a href="#">Figure 21-10</a> , EMIF_nWAIT is inactive. If EMIF_nWAIT is instead activated, the strobe period can be extended by the external device to give it more time to provide the data. <a href="#">Section 21.2.6.6</a> contains more details on using the EMIF_nWAIT pin.

**Table 21-19. Asynchronous Read Operation in Normal Mode (continued)**

Time Interval	Pin Activity in Normal Mode
End of the hold period	<p>At the end of the hold period:</p> <ul style="list-style-type: none"> <li>The address pins EMIF_A and EMIF_BA become invalid</li> <li>EMIF_nCS[4:2] rises (if no more operations are required to complete the current request)</li> </ul> <p>EMIF may be required to issue additional read operations to a device with a small data bus width in order to complete an entire word access. In this case, the EMIF immediately re-enters the setup period to begin another operation without incurring the turn-round cycle delay. The setup, strobe, and hold values are not updated in this case. If the entire word access has been completed, the EMIF returns to its previous state unless another asynchronous request has been submitted and is currently the highest priority task. If this is the case, the EMIF instead enters directly into the turnaround period for the pending read or write operation.</p>

**Figure 21-10. Timing Waveform of an Asynchronous Read Cycle in Normal Mode**



### 21.2.6.4.2 Asynchronous Write Operations (Normal Mode)

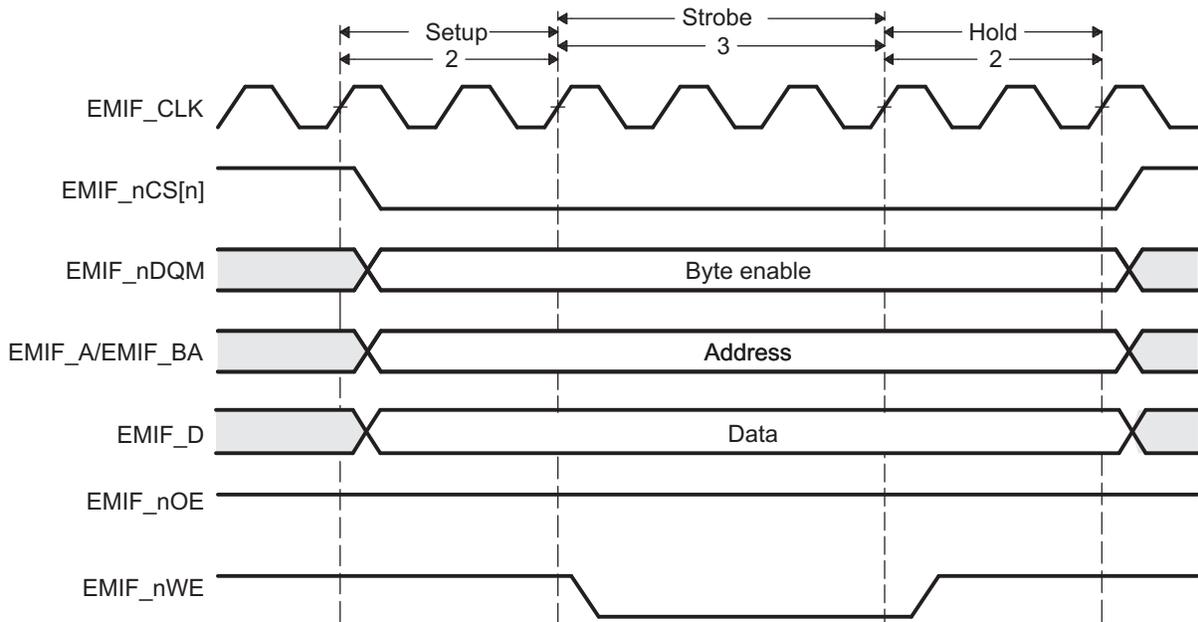
**NOTE:** During an entire asynchronous write operation, the EMIF\_nOE pin is driven high.

An asynchronous write is performed when any of the requesters mentioned in [Section 21.2.2](#) request a write to memory in the asynchronous bank of the EMIF. After the request is received, a write operation is initiated once it becomes the EMIF's highest priority task, according to the priority scheme detailed in [Section 21.2.13](#). In the event that the write request cannot be serviced by a single access cycle to the external device, multiple access cycles will be performed by the EMIF until the entire request is fulfilled. The details of an asynchronous write operation in Normal Mode are described in [Table 21-20](#). Also, [Figure 21-11](#) shows an example timing diagram of a basic write operation.

**Table 21-20. Asynchronous Write Operation in Normal Mode**

Time Interval	Pin Activity in Normal Mode
Turnaround period	<p>Once the write operation becomes the highest priority task for the EMIF, the EMIF waits for the programmed number of turn-around cycles before proceeding to the setup period of the operation. The number of wait cycles is taken directly from the TA field of the asynchronous <i>n</i> configuration register (CE<sub>n</sub>CFG). There are two exceptions to this rule:</p> <ul style="list-style-type: none"> <li>• If the current write operation was directly preceded by another write operation, no turn-around cycles are inserted.</li> <li>• If the current write operation was directly preceded by a read operation and the TA field has been cleared to 0, one turnaround cycle will be inserted.</li> </ul> <p>After the EMIF has waited for the turn-around cycles to complete, it again checks to make sure that the write operation is still its highest priority task. If so, the EMIF proceeds to the setup period of the operation. If it is no longer the highest priority task, the EMIF terminates the operation.</p>
Start of the setup period	<p>The following actions occur at the start of the setup period:</p> <ul style="list-style-type: none"> <li>• The setup, strobe, and hold values are set according to the W_SETUP, W_STROBE, and W_HOLD values in CE<sub>n</sub>CFG.</li> <li>• The address pins EMIF_A and EMIF_BA and the data pins EMIF_D become valid. The EMIF_A and EMIF_BA pins carry the values described in <a href="#">Section 21.2.6.1</a>.</li> <li>• EMIF_nCS[4:2] falls to enable the external device (if not already low from a previous operation).</li> </ul>
Strobe period	<p>The following actions occur at the start of the strobe period of a write operation:</p> <ol style="list-style-type: none"> <li>1. EMIF_nWE falls</li> <li>2. The EMIF_nDQM pins become valid as byte enables.</li> </ol> <p>The following actions occur on the rising edge of the clock which is concurrent with the end of the strobe period:</p> <ol style="list-style-type: none"> <li>1. EMIF_nWE rises</li> <li>2. The EMIF_nDQM pins deactivate</li> </ol> <p>In <a href="#">Figure 21-11</a>, EMIF_nWAIT is inactive. If EMIF_nWAIT is instead activated, the strobe period can be extended by the external device to give it more time to accept the data. <a href="#">Section 21.2.6.6</a> contains more details on using the EMIF_nWAIT pin.</p>
End of the hold period	<p>At the end of the hold period:</p> <ul style="list-style-type: none"> <li>• The address pins EMIF_A and EMIF_BA become invalid</li> <li>• The data pins become invalid</li> <li>• EMIF_nCS[n] (n = 2, 3, or 4) rises (if no more operations are required to complete the current request)</li> </ul> <p>The EMIF may be required to issue additional write operations to a device with a small data bus width in order to complete an entire word access. In this case, the EMIF immediately re-enters the setup period to begin another operation without incurring the turnaround cycle delay. The setup, strobe, and hold values are not updated in this case. If the entire word access has been completed, the EMIF returns to its previous state unless another asynchronous request has been submitted and is currently the highest priority task. If this is the case, the EMIF instead enters directly into the turnaround period for the pending read or write operation.</p>

**Figure 21-11. Timing Waveform of an Asynchronous Write Cycle in Normal Mode**



### 21.2.6.5 Read and Write Operation in Select Strobe Mode

Select Strobe Mode is the EMIF's second mode of operation. It is selected when the SS bit of the asynchronous  $n$  configuration register (CE $n$ CFG) is set to 1. In this mode, the EMIF\_nDQM pins operate as byte enables and the EMIF\_nCS[n] ( $n = 2, 3, \text{ or } 4$ ) pin is only active during the strobe period of an access cycle. [Section 21.2.6.4.1](#) and [Section 21.2.6.4.2](#) explain the details of read and write operations while in Select Strobe Mode.

#### 21.2.6.5.1 Asynchronous Read Operations (Select Strobe Mode)

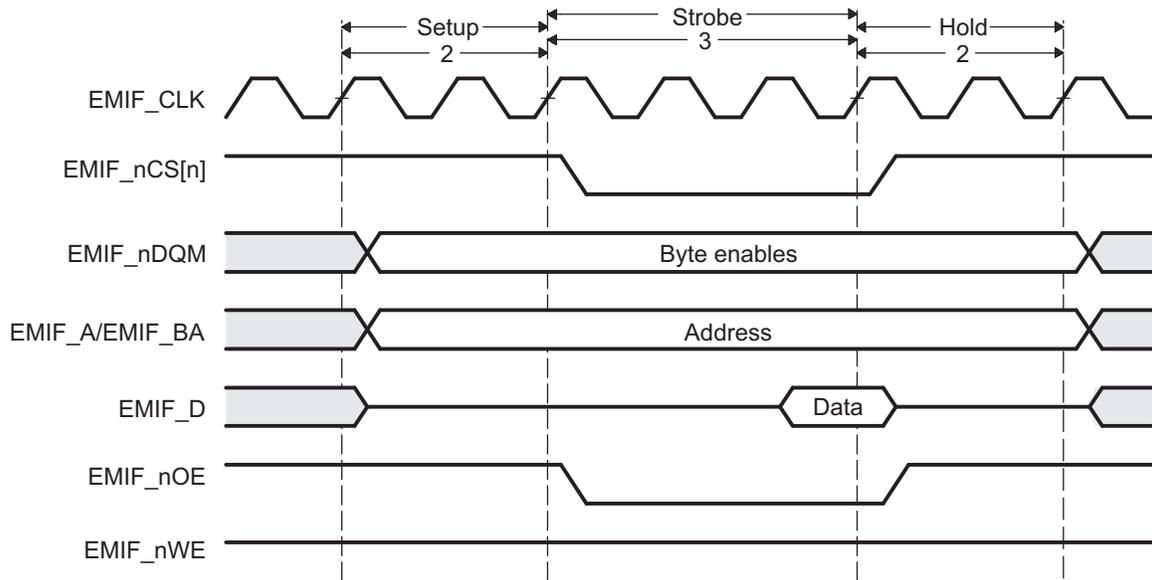
**NOTE:** During the entirety of an asynchronous read operation, the EMIF\_nWE pin is driven high.

An asynchronous read is performed when any of the requesters mentioned in [Section 21.2.2](#) request a read from the attached asynchronous memory. After the request is received, a read operation is initiated once it becomes the EMIF's highest priority task, according to the priority scheme detailed in [Section 21.2.13](#). In the event that the read request cannot be serviced by a single access cycle to the external device, multiple access cycles will be performed by the EMIF until the entire request is fulfilled. The details of an asynchronous read operation in Select Strobe Mode are described in [Table 21-21](#). Also, [Figure 21-12](#) shows an example timing diagram of a basic read operation.

**Table 21-21. Asynchronous Read Operation in Select Strobe Mode**

Time Interval	Pin Activity in Select Strobe Mode
Turnaround period	<p>Once the read operation becomes the highest priority task for the EMIF, the EMIF waits for the programmed number of turn-around cycles before proceeding to the setup period of the operation. The number of wait cycles is taken directly from the TA field of the asynchronous <math>n</math> configuration register (CE<math>n</math>CFG). There are two exceptions to this rule:</p> <ul style="list-style-type: none"> <li>If the current read operation was directly preceded by another read operation, no turn-around cycles are inserted.</li> <li>If the current read operation was directly preceded by a write operation and the TA field has been cleared to 0, one turn-around cycle will be inserted.</li> </ul> <p>After the EMIF has waited for the turn-around cycles to complete, it again checks to make sure that the read operation is still its highest priority task. If so, the EMIF proceeds to the setup period of the operation. If it is no longer the highest priority task, the EMIF terminates the operation.</p>
Start of the setup period	<p>The following actions occur at the start of the setup period:</p> <ul style="list-style-type: none"> <li>The setup, strobe, and hold values are set according to the R_SETUP, R_STROBE, and R_HOLD values in CE<math>n</math>CFG.</li> <li>The address pins EMIF_A and EMIF_BA become valid and carry the values described in <a href="#">Section 21.2.6.1</a>.</li> <li>The EMIF_nDQM pins become valid as byte enables.</li> </ul>
Strobe period	<p>The following actions occur during the strobe period of a read operation:</p> <ol style="list-style-type: none"> <li>EMIF_nCS[n] (<math>n = 2, 3, \text{ or } 4</math>) and EMIF_nOE fall at the start of the strobe period</li> <li>On the rising edge of the clock which is concurrent with the end of the strobe period: <ul style="list-style-type: none"> <li>EMIF_nCS[n] (<math>n = 2, 3, \text{ or } 4</math>) and EMIF_nOE rise</li> <li>The data on the EMIF_D bus is sampled by the EMIF.</li> </ul> </li> </ol> <p>In <a href="#">Figure 21-12</a>, EMIF_nWAIT is inactive. If EMIF_nWAIT is instead activated, the strobe period can be extended by the external device to give it more time to provide the data. <a href="#">Section 21.2.6.6</a> contains more details on using the EMIF_nWAIT pin.</p>
End of the hold period	<p>At the end of the hold period:</p> <ul style="list-style-type: none"> <li>The address pins EMIF_A and EMIF_BA become invalid</li> <li>The EMIF_nDQM pins become invalid</li> </ul> <p>The EMIF may be required to issue additional read operations to a device with a small data bus width in order to complete an entire word access. In this case, the EMIF immediately re-enters the setup period to begin another operation without incurring the turnaround cycle delay. The setup, strobe, and hold values are not updated in this case. If the entire word access has been completed, the EMIF returns to its previous state unless another asynchronous request has been submitted and is currently the highest priority task. If this is the case, the EMIF instead enters directly into the turnaround period for the pending read or write operation.</p>

**Figure 21-12. Timing Waveform of an Asynchronous Read Cycle in Select Strobe Mode**



### 21.2.6.5.2 Asynchronous Write Operations (Select Strobe Mode)

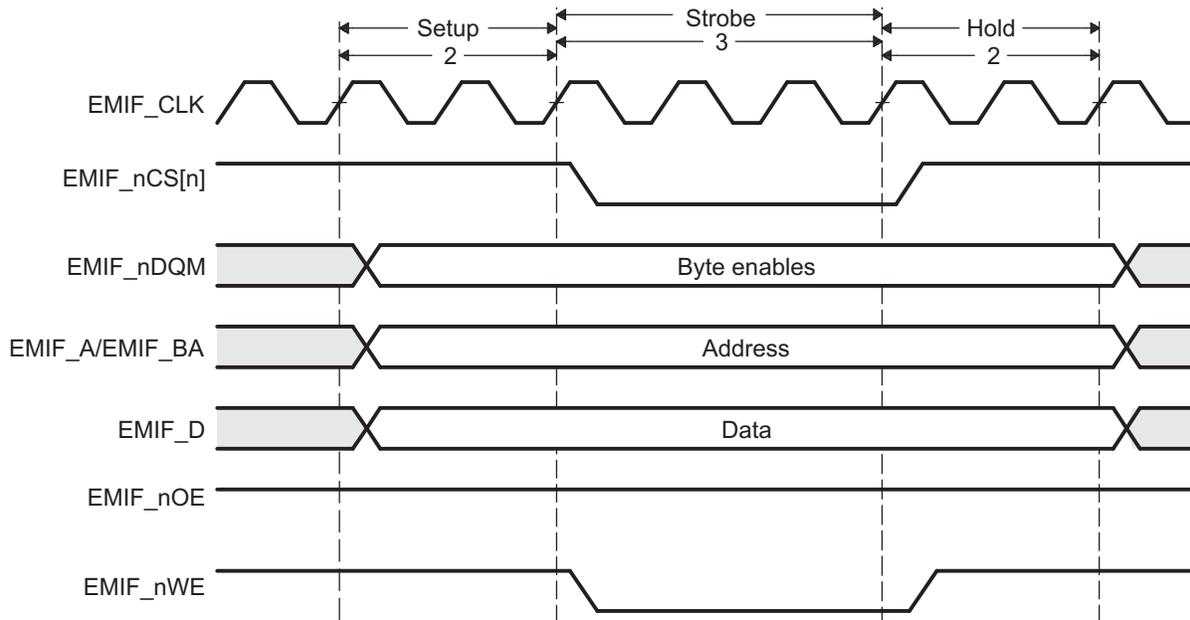
**NOTE:** During the entirety of an asynchronous write operation, the EMIF\_nOE pin is driven high.

An asynchronous write is performed when any of the requesters mentioned in [Section 21.2.2](#) request a write to memory in the asynchronous bank of the EMIF. After the request is received, a write operation is initiated once it becomes the EMIF's highest priority task, according to the priority scheme detailed in [Section 21.2.13](#). In the event that the write request cannot be serviced by a single access cycle to the external device, multiple access cycles will be performed by the EMIF until the entire request is fulfilled. The details of an asynchronous write operation in Select Strobe Mode are described in [Table 21-22](#). Also, [Figure 21-13](#) shows an example timing diagram of a basic write operation.

**Table 21-22. Asynchronous Write Operation in Select Strobe Mode**

Time Interval	Pin Activity in Select Strobe Mode
Turnaround period	<p>Once the write operation becomes the highest priority task for the EMIF, the EMIF waits for the programmed number of turnaround cycles before proceeding to the setup period of the operation. The number of wait cycles is taken directly from the TA field of the asynchronous <i>n</i> configuration register (CE<sub>n</sub>CFG). There are two exceptions to this rule:</p> <ul style="list-style-type: none"> <li>• If the current write operation was directly preceded by another write operation, no turn-around cycles are inserted.</li> <li>• If the current write operation was directly preceded by a read operation and the TA field has been cleared to 0, one turnaround cycle will be inserted.</li> </ul> <p>After the EMIF has waited for the turnaround cycles to complete, it again checks to make sure that the write operation is still its highest priority task. If so, the EMIF proceeds to the setup period of the operation. If it is no longer the highest priority task, the EMIF terminates the operation.</p>
Start of the setup period	<p>The following actions occur at the start of the setup period:</p> <ul style="list-style-type: none"> <li>• The setup, strobe, and hold values are set according to the W_SETUP, W_STROBE, and W_HOLD values in CE<sub>n</sub>CFG.</li> <li>• The address pins EMIF_A and EMIF_BA and the data pins EMIF_D become valid. The EMIF_A and EMIF_BA pins carry the values described in <a href="#">Section 21.2.6.1</a>.</li> <li>• The EMIF_nDQM pins become active as byte enables.</li> </ul>
Strobe period	<p>The following actions occur at the start of the strobe period of a write operation:</p> <ul style="list-style-type: none"> <li>• EMIF_nCS[n] (n = 2, 3, or 4) and EMIF_nWE fall</li> </ul> <p>The following actions occur on the rising edge of the clock which is concurrent with the end of the strobe period:</p> <ul style="list-style-type: none"> <li>• EMIF_nCS[n] (n = 2, 3, or 4) and EMIF_nWE rise</li> </ul> <p>In <a href="#">Figure 21-13</a>, EMIF_nWAIT is inactive. If EMIF_nWAIT is instead activated, the strobe period can be extended by the external device to give it more time to accept the data. <a href="#">Section 21.2.6.6</a> contains more details on using the EMIF_nWAIT pin.</p>
End of the hold period	<p>At the end of the hold period:</p> <ul style="list-style-type: none"> <li>• The address pins EMIF_A and EMIF_BA become invalid</li> <li>• The data pins become invalid</li> <li>• The EMIF_nDQM pins become invalid</li> </ul> <p>The EMIF may be required to issue additional write operations to a device with a small data bus width in order to complete an entire word access. In this case, the EMIF immediately re-enters the setup period to begin another operation without incurring the turnaround cycle delay. The setup, strobe, and hold values are not updated in this case. If the entire word access has been completed, the EMIF returns to its previous state unless another asynchronous request has been submitted and is currently the highest priority task. If this is the case, the EMIF instead enters directly into the turn-around period for the pending read or write operation.</p>

**Figure 21-13. Timing Waveform of an Asynchronous Write Cycle in Select Strobe Mode**



#### 21.2.6.6 Extended Wait Mode and the EMIF\_nWAIT Pin

The EMIF supports the Extend Wait Mode. This is a mode in which the external asynchronous device may assert control over the length of the strobe period. The Extended Wait Mode can be entered by setting the EW bit in the asynchronous  $n$  configuration register (CE $n$ CFG) ( $n = 2, 3, \text{ or } 4$ ). When this bit is set, the EMIF monitors the EMIF\_nWAIT pin to determine if the attached device wishes to extend the strobe period of the current access cycle beyond the programmed number of clock cycles.

When the EMIF detects that the EMIF\_nWAIT pin has been asserted, it will begin inserting extra strobe cycles into the operation until the EMIF\_nWAIT pin is deactivated by the external device. The EMIF will then return to the last cycle of the programmed strobe period and the operation will proceed as usual from this point. Please refer to the device data manual for details on the timing requirements of the EMIF\_nWAIT signal.

The EMIF\_nWAIT pin cannot be used to extend the strobe period indefinitely. The programmable MAX\_EXT\_WAIT field in the asynchronous wait cycle configuration register (AWCC) determines the maximum number of EMIF\_CLK cycles the strobe period may be extended beyond the programmed length. When the counter expires, the EMIF proceeds to the hold period of the operation regardless of the state of the EMIF\_nWAIT pin. The EMIF can also generate an interrupt upon expiration of this counter. See [Section 21.2.9.1](#) for details on enabling this interrupt.

For the EMIF to function properly in the Extended Wait mode, the WP $n$  bit of AWCC must be programmed to match the polarity of the EMIF\_nWAIT pin. In its reset state of 1, the EMIF will insert wait cycles when the EMIF\_nWAIT pin is sampled high. When set to 0, the EMIF will insert wait cycles only when EMIF\_nWAIT is sampled low. This programmability allows for a glueless connection to larger variety of asynchronous devices.

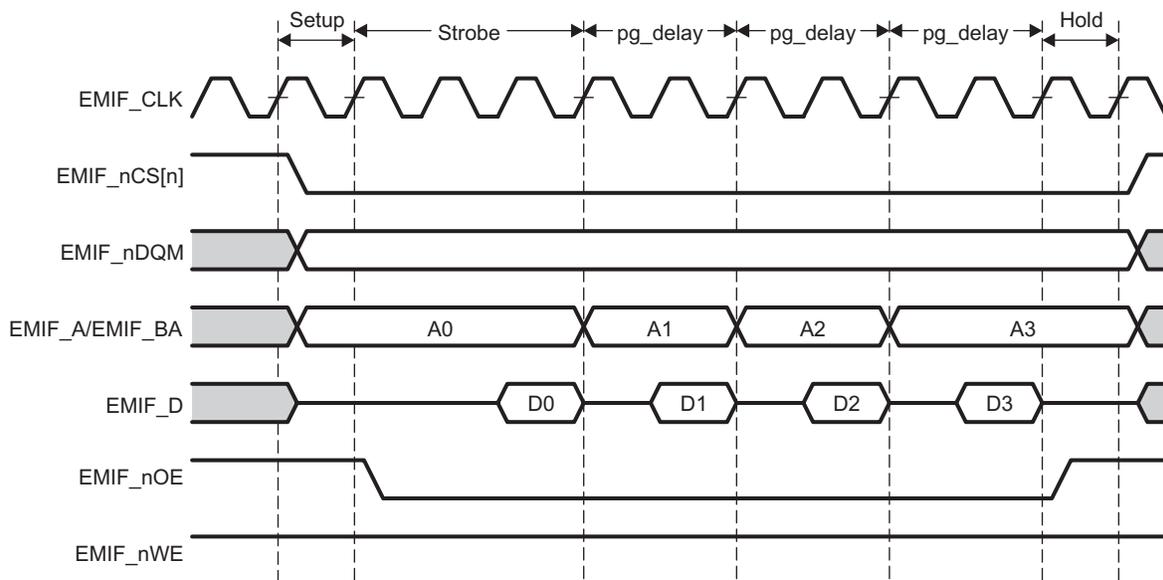
Finally, a restriction is placed on the strobe period timing parameters when operating in Extended Wait mode. Specifically, the sum of the W\_SETUP and W\_STROBE fields must be greater than 4, and the sum of the R\_SETUP and R\_STROBE fields must be greater than 4 for the EMIF to recognize the EMIF\_nWAIT pin has been asserted. The W\_SETUP, W\_STROBE, R\_SETUP, and R\_STROBE fields are in CE $n$ CFG.

### 21.2.6.7 NOR Flash Page Mode

EMIF supports Page mode reads for NOR Flash on its asynchronous memory chip selects. This mode can be enabled by writing a 1 to the  $CS_n\_PG\_MD\_EN$  ( $n = 2, 3, \text{ or } 4$ ) field in the Page Mode Control register for the chip select in consideration. Whenever Page Mode for reads is enabled for a particular chip select, the page size for the device connected must also be programmed in the  $CS_n\_PG\_SIZE$  field of the Page Mode Control register. The address change to valid read data available timing must be programmed in the  $CS_n\_PG\_DEL$  field of the Page Control register. All other asynchronous memory timings must be programmed in the asynchronous configuration register ( $CE_nCFG$ ). See [Figure 21-14](#) for read in asynchronous page mode.

**NOTE:** The Extended Wait mode and the Select Strobe mode must be disabled when using the asynchronous interface in Page mode.

**Figure 21-14. Asynchronous Read in Page Mode**



### 21.2.7 Data Bus Parking

The EMIF always drives the data bus to the previous write data value when it is idle. This feature is called data bus parking. Only when the EMIF issues a read command to the external memory does it stop driving the data bus. After the EMIF latches the last read data, it immediately parks the data bus again.

The one exception to this behavior occurs after performing an asynchronous read operation while the EMIF is in the self-refresh state. In this situation, the read operation is not followed by the EMIF parking the data bus. Instead, the EMIF tri-states the data bus. Therefore, it is not recommended to perform asynchronous read operations while the EMIF is in the self-refresh state, in order to prevent floating inputs on the data bus. External pull-ups, such as 10kΩ resistors, should be placed on the 16 EMIF data bus pins (which do not have internal pull-ups) if it is required to perform reads in this situation. The precise resistor value should be chosen so that the worst case combined off-state leakage currents do not cause the voltage levels on the associated pins to drop below the high-level input voltage requirement.

For information about the self-refresh state, see [Section 21.2.5.7](#).

## 21.2.8 Reset and Initialization Considerations

The EMIF memory controller has two active-low reset signals, CHIP\_RST\_n and MOD\_G\_RST\_n. Both these reset signals are driven by the device system reset signal. This device does not offer the flexibility to reset just the EMIF state machine without also resetting the EMIF controller's memory-mapped registers. As soon as the device system reset is released (driven High), the EMIF memory controller immediately begins its initialization sequence. Command and data stored in the EMIF memory controller FIFOs are lost. Refer the Architecture chapter of the technical reference manual (TRM) for more information on conditions that can cause a device system reset to be asserted.

When system reset is released, the EMIF automatically begins running the SDRAM initialization sequence described in [Section 21.2.5.4](#). Even though the initialization procedure is automatic, a special procedure, found in [Section 21.2.5.5](#) must still be followed.

## 21.2.9 Interrupt Support

The EMIF supports a single interrupt to the CPU. [Section 21.2.9.1](#) details the generation and internal masking of EMIF interrupts.

### 21.2.9.1 Interrupt Events

There are three conditions that may cause the EMIF to generate an interrupt to the CPU. These conditions are:

- A rising edge on the EMIF\_nWAIT signal (wait rise interrupt)
- An asynchronous time out
- Usage of unsupported addressing mode (line trap interrupt)

The wait rise interrupt occurs when a rising edge is detected on EMIF\_nWAIT signal. This interrupt generation is not affected by the WP<sub>n</sub> bit in the asynchronous wait cycle configuration register (AWCC). The asynchronous time out interrupt condition occurs when the attached asynchronous device fails to deassert the EMIF\_nWAIT pin within the number of cycles defined by the MAX\_EXT\_WAIT bit in AWCC (this happens only in extended wait mode). EMIF supports only linear incrementing and cache line wrap addressing modes. If an access request for an unsupported addressing mode is received, the EMIF will set the LT bit in the EMIF interrupt raw register (INTRAW) and treat the request as a linear incrementing request.

Only when the interrupt is enabled by setting the appropriate bit (WR\_MASK\_SET/AT\_MASK\_SET/LT\_MASK\_SET) in the EMIF interrupt mask set register (INTMSKSET) to 1, will the interrupt be sent to the CPU. Once enabled, the interrupt may be disabled by writing a 1 to the corresponding bit in the EMIF interrupt mask clear register (INTMSKCLR). The bit fields in both the INTMSKSET and INTMSKCLR may be used to indicate whether the interrupt is enabled. When the interrupt is enabled, the corresponding bit field in both the INTMSKSET and INTMSKCLR will have a value of 1; when the interrupt is disabled, the corresponding bit field will have a value of 0.

The EMIF interrupt raw register (INTRAW) and the EMIF interrupt mask register (INTMSK) indicate the status of each interrupt. The appropriate bit (WR/AT/LT) in INTRAW is set when the interrupt condition occurs, whether or not the interrupt has been enabled. However, the appropriate bit (WR\_MASKED/AT\_MASKED/LT\_MASKED) in INTMSK is set only when the interrupt condition occurs and the interrupt is enabled. Writing a 1 to the bit in INTRAW clears the INTRAW bit as well as the corresponding bit in INTMSK. [Table 21-23](#) contains a brief summary of the interrupt status and control bit fields. See [Section 21.3](#) for complete details on the register fields.

**Table 21-23. Interrupt Monitor and Control Bit Fields**

Register Name	Bit Name	Description
EMIF interrupt raw register (INTRAW)	WR	This bit is set when a rising edge on the EMIF_nWAIT signal occurs. Writing a 1 clears the WR bit as well as the WR_MASKED bit in INTMSK.
	AT	This bit is set when an asynchronous timeout occurs. Writing a 1 clears the AT bit as well as the AT_MASKED bit in INTMSK.
	LT	This bit is set when an unsupported addressing mode is used. Writing a 1 clears LT bit as well as the LT_MASKED bit in INTMSK.
EMIF interrupt mask register (INTMSK)	WR_MASKED	This bit is set only when a rising edge on the EMIF_nWAIT signal occurs and the interrupt has been enabled by writing a 1 to the WR_MASK_SET bit in INTMSKSET.
	AT_MASKED	This bit is set only when an asynchronous timeout occurs and the interrupt has been enabled by writing a 1 to the AT_MASK_SET bit in INTMSKSET.
	LT_MASKED	This bit is set only when line trap interrupt occurs and the interrupt has been enabled by writing a 1 to the LT_MASK_SET bit in INTMSKSET.
EMIF interrupt mask set register (INTMSKSET)	WR_MASK_SET	Writing a 1 to this bit enables the wait rise interrupt.
	AT_MASK_SET	Writing a 1 to this bit enables the asynchronous timeout interrupt.
	LT_MASK_SET	Writing a 1 to this bit enables the line trap interrupt.
EMIF interrupt mask clear register (INTMSKCLR)	WR_MASK_CLR	Writing a 1 to this bit disables the wait rise interrupt.
	AT_MASK_CLR	Writing a 1 to this bit disables the asynchronous timeout interrupt.
	LT_MASK_CLR	Writing a 1 to this bit disables the line trap interrupt.

### 21.2.10 DMA Event Support

EMIF memory controller is a DMA slave peripheral and therefore does not generate DMA events. Data read and write requests may be made directly, by masters and the DMA.

### 21.2.11 EMIF Signal Multiplexing

For details on EMIF signal multiplexing, see the I/O Multiplexing Module chapter of the technical reference manual.

### 21.2.12 Memory Map

For information describing the device memory-map, see your device-specific datasheet.

### 21.2.13 Priority and Arbitration

[Section 21.2.2](#) describes the external prioritization and arbitration among requests from different sources within the microcontroller. The result of this external arbitration is that only one request is presented to the EMIF at a time. Once the EMIF completes a request, the external arbiter then provides the EMIF with the next pending request.

Internally, the EMIF undertakes memory device transactions according to a strict priority scheme. The highest priority events are:

- A device reset.
- A write to any of the three least significant bytes of the SDRAM configuration register (SDCR).

Either of these events will cause the EMIF to immediately commence its initialization sequence as described in [Section 21.2.5.4](#).

Once the EMIF has completed its initialization sequence, it performs memory transactions according to the following priority scheme (highest priority listed first):

1. If the EMIF's backlog refresh counter is at the Refresh Must urgency level, the EMIF performs multiple SDRAM auto refresh cycles until the Refresh Release urgency level is reached.
2. If an SDRAM or asynchronous read has been requested, the EMIF performs a read operation.
3. If the EMIF's backlog refresh counter is at the Refresh Need urgency level, the EMIF performs an SDRAM auto refresh cycle.
4. If an SDRAM or asynchronous write has been requested, the EMIF performs a write operation.
5. If the EMIF's backlog refresh counter is at the Refresh May or Refresh Release urgency level, the EMIF performs an SDRAM auto refresh cycle.
6. If the value of the SR bit in SDCR has been set to 1, the EMIF will enter the self-refresh state as described in [Section 21.2.5.7](#).

After taking one of the actions listed above, the EMIF then returns to the top of the priority list to determine its next action.

Because the EMIF does not issue auto-refresh cycles when in the self-refresh state, the above priority scheme does not apply when in this state. See [Section 21.2.5.7](#) for details on the operation of the EMIF when in the self-refresh state.

## **21.2.14 System Considerations**

This section describes various system considerations to keep in mind when operating the EMIF.

### **21.2.14.1 Asynchronous Request Times**

In a system that interfaces to both SDRAM and asynchronous memory, the asynchronous requests must not take longer than the smaller of the following two values:

- $t_{\text{RAS}}$  (typically 120  $\mu\text{s}$ ) - to avoid violating the maximum time allowed between issuing an ACTV and PRE command to the SDRAM.
- $t_{\text{Refresh Rate}} \times 11$  (typically 15.7  $\mu\text{s} \times 11 = 172.7 \mu\text{s}$ ) - to avoid refresh violations on the SDRAM.

The length of an asynchronous request is controlled by multiple factors, the primary factor being the number of access cycles required to complete the request. For example, an asynchronous request for 4 bytes will require four access cycles using an 8-bit data bus and only two access cycle using a 16-bit data bus. The maximum request size that the EMIF can be sent is 16 words, therefore the maximum number of access cycles per memory request is 64 when the EMIF is configured with an 8-bit data bus. The length of the individual access cycles that make up the asynchronous request is determined by the programmed setup, strobe, hold, and turnaround values, but can also be extended with the assertion of the EMIF\_nWAIT input signal up to a programmed maximum limit. It is up to the user to make sure that an entire asynchronous request does not exceed the timing values listed above when also interfacing to an SDRAM device. This can be done by limiting the asynchronous timing parameters.

### **21.2.14.2 Interface to External Peripheral or FIFO Memory**

If EMIF is used to interface to an external peripheral or FIFO logic (for example, UHPI), it is recommended to use the host CPU's Memory Protection Unit (MPU) to define this external memory range as a region that is either strongly-ordered or of device type.

### **21.2.14.3 Interface to External SDRAM**

If EMIF is used to interface to an external SDRAM, it is recommended to burst as much as possible to normal memory to improve the interface bandwidth.

### 21.2.15 Power Management

Power dissipation from the EMIF memory controller may be managed by following methods:

- Self-refresh mode
- Power-down mode
- Gating input clocks to the module off

Gating input clocks off to the EMIF memory controller achieves higher power savings when compared to the power savings of self-refresh or power down mode. The input clock VCLK3 can be turned off through the use of the Global Clock Module (GCM). Before gating clocks off, the EMIF memory controller must place the SDR SDRAM memory in self-refresh mode. If the external memory requires a continuous clock, the VCLK3 clock domain must not be turned off because this may result in data corruption. See the following subsections for the proper procedures to follow when stopping the EMIF memory controller clocks.

#### 21.2.15.1 Power Management Using Self-Refresh Mode

The EMIF can be placed into a self-refresh state in order to place the attached SDRAM devices into self-refresh mode, which consumes less power for most SDRAM devices. In this state, the attached SDRAM device uses an internal clock to perform its own auto refresh cycles. This maintains the validity of the data in the SDRAM without the need for any external commands. Refer to [Section 21.2.5.7](#) for more details on placing the EMIF into the self-refresh state.

#### 21.2.15.2 Power Management Using Power Down Mode

In the power down mode, EMIF drives EMIF\_CKE low to lower the power consumption. EMIF\_CKE goes high when there is a need to send refresh (REFR) commands, after which EMIF\_CKE is again driven low. EMIF\_CKE remains low until any request arrives. Refer to [Section 21.2.5.8](#) for more details on placing EMIF in power down mode.

### 21.2.16 Emulation Considerations

EMIF memory controller remains fully functional during emulation halts in order to allow emulation access to external memory.

## 21.3 Registers

The external memory interface (EMIF) is controlled by programming its internal memory-mapped registers (MMRs). [Table 21-24](#) lists the memory-mapped registers for the EMIF.

**NOTE:** All EMIF MMRs, except SDCR, support only word (32-bit) accesses. Performing a byte (8-bit) or halfword (16-bit) write to these registers results in undefined behavior. The SDCR is byte writable to allow the setting of the SR, PD and PDWR bits without triggering the SDRAM initialization sequence.

The EMIF registers must always be accessed using 32-bit accesses (unless otherwise specified in this chapter). The base address of the EMIF memory-mapped registers is FCFE E800h.

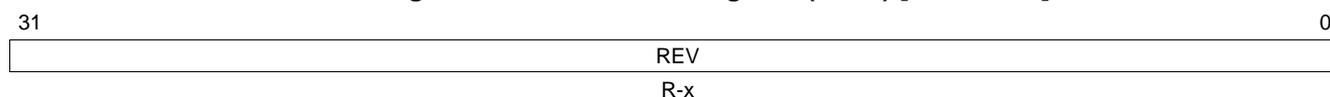
**Table 21-24. External Memory Interface (EMIF) Registers**

Offset	Acronym	Register Description	Section
00h	MIDR	Module ID Register	<a href="#">Section 21.3.1</a>
04h	AWCC	Asynchronous Wait Cycle Configuration Register	<a href="#">Section 21.3.2</a>
08h	SDCR	SDRAM Configuration Register	<a href="#">Section 21.3.3</a>
0Ch	SDRCR	SDRAM Refresh Control Register	<a href="#">Section 21.3.4</a>
10h	CE2CFG	Asynchronous 1 Configuration Register	<a href="#">Section 21.3.5</a>
14h	CE3CFG	Asynchronous 2 Configuration Register	<a href="#">Section 21.3.5</a>
18h	CE4CFG	Asynchronous 3 Configuration Register	<a href="#">Section 21.3.5</a>
1Ch	CE5CFG	Asynchronous 4 Configuration Register	<a href="#">Section 21.3.5</a>
20h	SDTIMR	SDRAM Timing Register	<a href="#">Section 21.3.6</a>
3Ch	SDSRETR	SDRAM Self Refresh Exit Timing Register	<a href="#">Section 21.3.7</a>
40h	INTRAW	EMIF Interrupt Raw Register	<a href="#">Section 21.3.8</a>
44h	INTMSK	EMIF Interrupt Mask Register	<a href="#">Section 21.3.9</a>
48h	INTMSKSET	EMIF Interrupt Mask Set Register	<a href="#">Section 21.3.10</a>
4Ch	INTMSKCLR	EMIF Interrupt Mask Clear Register	<a href="#">Section 21.3.11</a>
68h	PMCR	Page Mode Control Register	<a href="#">Section 21.3.12</a>

### 21.3.1 Module ID Register (MIDR)

This is a read-only register indicating the module ID of the EMIF. The MIDR is shown in [Figure 21-15](#) and described in [Table 21-25](#).

**Figure 21-15. Module ID Register (MIDR) [offset = 00]**



LEGEND: R = Read only; -n = value after reset

**Table 21-25. Module ID Register (MIDR) Field Descriptions**

Bit	Field	Value	Description
31-0	REV	x	Module ID of EMIF. See the device-specific data manual.

### 21.3.2 Asynchronous Wait Cycle Configuration Register (AWCC)

The asynchronous wait cycle configuration register (AWCC) is used to configure the parameters for extended wait cycles. Both the polarity of the EMIF\_nWAIT pin(s) and the maximum allowable number of extended wait cycles can be configured. The AWCC is shown in Figure 21-16 and described in Table 21-26. Not all devices support both EMIF\_nWAIT[1] and EMIF\_nWAIT[0], see the device-specific data manual to determine support on each device.

**NOTE:** The EW bit in the asynchronous *n* configuration register (CE<sub>*n*</sub>CFG) must be set to allow for the insertion of extended wait cycles.

**Figure 21-16. Asynchronous Wait Cycle Configuration Register (AWCCR) [offset = 04h]**

31	30	29	28	27	24	23	22	21	20	19	18	17	16
Reserved			WP1	WP0	Reserved			CS5_WAIT	CS4_WAIT	CS3_WAIT	CS2_WAIT		
R-3h			R/W-1	R/W-1	R-0			R/W-0	R/W-0	R/W-0			
15					8	7	0						
Reserved								MAX_EXT_WAIT					
R-0								R/W-80h					

LEGEND: R/W = Read/Write; R = Read only; -*n* = value after reset

**Table 21-26. Asynchronous Wait Cycle Configuration Register (AWCCR) Field Descriptions**

Bit	Field	Value	Description
31-30	Reserved	3h	Reserved
29	WP1	0 1	EMIF_nWAIT[1] polarity bit. This bit defines the polarity of the EMIF_nWAIT[1] pin. 0 Insert wait cycles if EMIF_nWAIT[1] pin is low. 1 Insert wait cycles if EMIF_nWAIT[1] pin is high.
28	WP0	0 1	EMIF_nWAIT[0] polarity bit. This bit defines the polarity of the EMIF_nWAIT[0] pin. 0 Insert wait cycles if EMIF_nWAIT[0] pin is low. 1 Insert wait cycles if EMIF_nWAIT[0] pin is high.
27-24	Reserved	0	Reserved
23-22	CS5_WAIT	0-3h	Chip Select 5 WAIT signal selection. This signal determines which EMIF_nWAIT[ <i>n</i> ] signal will be used for memory accesses to chip select 5 memory space. This device does not support chip select 5, so any value written to this field has no effect.
21-20	CS4_WAIT	0 1h 2h-3h	Chip Select 4 WAIT signal selection. This signal determines which EMIF_nWAIT[ <i>n</i> ] signal will be used for memory accesses to chip select 4 memory space. 0 EMIF_nWAIT[0] pin is used to control external wait states. 1h EMIF_nWAIT[1] pin is used to control external wait states. 2h-3h Reserved
19-18	CS3_WAIT	0 1h 2h-3h	Chip Select 3 WAIT signal selection. This signal determines which EMIF_nWAIT[ <i>n</i> ] signal will be used for memory accesses to chip select 3 memory space. 0 EMIF_nWAIT[0] pin is used to control external wait states. 1h EMIF_nWAIT[1] pin is used to control external wait states. 2h-3h Reserved
17-16	CS2_WAIT	0 1h 2h-3h	Chip Select 2 WAIT signal selection. This signal determines which EMIF_nWAIT[ <i>n</i> ] signal will be used for memory accesses to chip select 2 memory space. 0 EMIF_nWAIT[0] pin is used to control external wait states.. 1h EMIF_nWAIT[1] pin is used to control external wait states. 2h-3h Reserved
15-8	Reserved	0	Reserved
7-0	MAX_EXT_WAIT	0-FFh	Maximum extended wait cycles. The EMIF will wait for a maximum of (MAX_EXT_WAIT + 1) × 16 clock cycles before it stops inserting asynchronous wait cycles and proceeds to the hold period of the access.

### 21.3.3 SDRAM Configuration Register (SDCR)

The SDRAM configuration register (SDCR) is used to configure various parameters of the SDRAM controller such as the number of internal banks, the internal page size, and the CAS latency to match those of the attached SDRAM device. In addition, this register is used to put the attached SDRAM device into Self-Refresh mode. The SDCR is shown in [Figure 21-17](#) and described in [Table 21-27](#).

**NOTE:** Writing to the lower three bytes of this register will cause the EMIF to start the SDRAM initialization sequence described in [Section 21.2.5.4](#).

**Figure 21-17. SDRAM Configuration Register (SDCR) [offset = 08h]**

31	30	29	28	24		
SR	PD	PDWR	Reserved			
R/W-0	R/W-0	R/W-0	R-0			
23	Reserved			16		
R-0						
15	14	13	12	11	9	8
Reserved	NM <sup>(A)</sup>	Reserved		CL		BIT11_9LOCK
R-0	R/W-0	R-0		R/W-3h		R/W-0
7	6	4	3	2	0	
Reserved	IBANK		Reserved	PAGESIZE		
R-0	R/W-2h		R-0	R/W-0		

LEGEND: R/W = Read/Write; R = Read only; -n = value after reset

A. The NM bit must be set to 1 if the EMIF on your device only has 16 data bus pins.

**Table 21-27. SDRAM Configuration Register (SDCR) Field Descriptions**

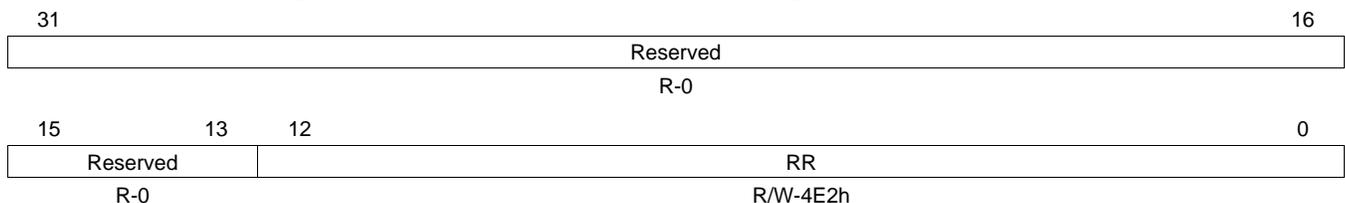
Bit	Field	Value	Description
31	SR		Self-Refresh mode bit. This bit controls entering and exiting of the Self-Refresh mode described in <a href="#">Section 21.2.5.7</a> . The field should be written using a byte-write to the upper byte of SDCR to avoid triggering the SDRAM initialization sequence.
		0	Writing a 0 to this bit will cause connected SDRAM devices and the EMIF to exit the Self-Refresh mode.
		1	Writing a 1 to this bit will cause connected SDRAM devices and the EMIF to enter the Self-Refresh mode.
30	PD		Power Down bit. This bit controls entering and exiting of the power-down mode. The field should be written using a byte-write to the upper byte of SDCR to avoid triggering the SDRAM initialization sequence. If both SR and PD bits are set, the EMIF will go into Self Refresh.
		0	Writing a 0 to this bit will cause connected SDRAM devices and the EMIF to exit the power-down mode.
		1	Writing a 1 to this bit will cause connected SDRAM devices and the EMIF to enter the power-down mode.
29	PDWR		Perform refreshes during power down. Writing a 1 to this bit will cause EMIF to exit power-down state and issue and AUTO REFRESH command every time Refresh May level is set.
28-15	Reserved	0	Reserved. The reserved bit location is always read as 0. If writing to this field, always write the default value of 0.
14	NM		Narrow mode bit. This bit defines whether a 16- or 32-bit-wide SDRAM is connected to the EMIF. This bit field must always be set to 1. Writing to this field triggers the SDRAM initialization sequence.
		0	32-bit SDRAM data bus is used.
		1	16-bit SDRAM data bus is used.
13-12	Reserved	0	Reserved. The reserved bit location is always read as 0. If writing to this field, always write the default value of 0.

**Table 21-27. SDRAM Configuration Register (SDCR) Field Descriptions (continued)**

Bit	Field	Value	Description
11-9	CL	0-1h 2h 3h 4h-7h	CAS Latency. This field defines the CAS latency to be used when accessing connected SDRAM devices. A 1 must be simultaneously written to the BIT11_9LOCK bit field of this register in order to write to the CL bit field. Writing to this field triggers the SDRAM initialization sequence. Reserved CAS latency = 2 EMIF_CLK cycles CAS latency = 3 EMIF_CLK cycles Reserved
8	BIT11_9LOCK	0 1	Bits 11 to 9 lock. CL can only be written if BIT11_9LOCK is simultaneously written with a 1. BIT11_9LOCK is always read as 0. Writing to this field triggers the SDRAM initialization sequence. CL cannot be written. CL can be written.
7	Reserved	0	Reserved. The reserved bit location is always read as 0. If writing to this field, always write the default value of 0.
6-4	IBANK	0 1 2 3h-7h	Internal SDRAM Bank size. This field defines number of banks inside the connected SDRAM devices. Writing to this field triggers the SDRAM initialization sequence. 1 bank SDRAM devices. 2 bank SDRAM devices. 4 bank SDRAM devices. Reserved.
3	Reserved	0	Reserved. The reserved bit location is always read as 0. If writing to this field, always write the default value of 0.
2-0	PAGESIZE	0 1h 2h 3h 4h-7h	Page Size. This field defines the internal page size of connected SDRAM devices. Writing to this field triggers the SDRAM initialization sequence. 8 column address bits (256 elements per row) 9 column address bits (512 elements per row) 10 column address bits (1024 elements per row) 11 column address bits (2048 elements per row) Reserved

### 21.3.4 SDRAM Refresh Control Register (SDRCR)

The SDRAM refresh control register (SDRCR) is used to configure the rate at which connected SDRAM devices will be automatically refreshed by the EMIF. Refer to [Section 21.2.5.6](#) on the refresh controller for more details. The SDRCR is shown in [Figure 21-18](#) and described in [Table 21-28](#).

**Figure 21-18. SDRAM Refresh Control Register (SDRCR) [offset = 0Ch]**

LEGEND: R/W = Read/Write; R = Read only; -n = value after reset

**Table 21-28. SDRAM Refresh Control Register (SDRCR) Field Descriptions**

Bit	Field	Value	Description
31-16	Reserved	0	Reserved. The reserved bit location is always read as 0. If writing to this field, always write the default value of 0.
12-0	RR	0-1FFFh	Refresh Rate. This field is used to define the SDRAM refresh period in terms of EMIF_CLK cycles. Writing a value < 0x0020 to this field will cause it to be loaded with $(2 \times T_{RFC}) + 1$ value from the SDRAM timing register (SDTIMR).

### 21.3.5 Asynchronous *n* Configuration Registers (CE2CFG-CE5CFG)

The asynchronous *n* configuration registers (CE2CFG, CE3CFG, CE4CFG, and CE5CFG) are used to configure the shaping of the address and control signals during an access to asynchronous memory connected to CS2, CS3, CS4, and CS5, respectively. CS5 is not available on this device. It is also used to program the width of asynchronous interface and to select from various modes of operation. This register can be written prior to any transfer, and any asynchronous transfer following the write will use the new configuration. The CE $n$ CFG is shown in [Figure 21-19](#) and described in [Table 21-29](#).

**Figure 21-19. Asynchronous *n* Configuration Register (CE $n$ CFG) [offset = 10h - 1Ch]**

31	30	29	26	25	24
SS	EW <sup>(A)</sup>	W_SETUP		W_STROBE <sup>(B)</sup>	
R/W-0	R/W-0	R/W-Fh		R/W-3Fh	
23	20		19	17	16
W_STROBE <sup>(B)</sup>			W_HOLD		R_SETUP
R/W-3Fh			R/W-7h		R/W-Fh
15	13	12	7	6	4
R_SETUP		R_STROBE <sup>(B)</sup>		R_HOLD	TA
R/W-Fh		R/W-3Fh		R/W-7h	R/W-3h
				3	2
				1	0
				ASIZE	
				R/W-0	

LEGEND: R/W = Read/Write; R = Read only; -*n* = value after reset

A. The EW bit must be cleared to 0 when operating in NAND Flash mode.

B. This bit field must be cleared to 0 if the EMIF on your device does not have an EMIF\_nWAIT pin.

**Table 21-29. Asynchronous *n* Configuration Register (CE $n$ CFG) Field Descriptions**

Bit	Field	Value	Description
31	SS	0 1	Select Strobe bit. This bit defines whether the asynchronous interface operates in Normal Mode or Select Strobe Mode. See <a href="#">Section 21.2.6</a> for details on the two modes of operation. Normal Mode enabled. Select Strobe Mode enabled.
30	EW	0 1	Extend Wait bit. This bit defines whether extended wait cycles will be enabled. See <a href="#">Section 21.2.6.6</a> on extended wait cycles for details. This bit field must be set to 0 if the EMIF on your device does not have an EMIF_nWAIT pin. Extended wait cycles disabled. Extended wait cycles enabled.
29-26	W_SETUP	0-Fh	Write setup width in EMIF_CLK cycles, minus one cycle. See <a href="#">Section 21.2.6.3</a> for details.
25-20	W_STROBE	0-3Fh	Write strobe width in EMIF_CLK cycles, minus one cycle. See <a href="#">Section 21.2.6.3</a> for details.
19-17	W_HOLD	0-7h	Write hold width in EMIF_CLK cycles, minus one cycle. See <a href="#">Section 21.2.6.3</a> for details.
16-13	R_SETUP	0-Fh	Read setup width in EMIF_CLK cycles, minus one cycle. See <a href="#">Section 21.2.6.3</a> for details.
12-7	R_STROBE	0-3Fh	Read strobe width in EMIF_CLK cycles, minus one cycle. See <a href="#">Section 21.2.6.3</a> for details.
6-4	R_HOLD	0-7h	Read hold width in EMIF_CLK cycles, minus one cycle. See <a href="#">Section 21.2.6.3</a> for details.
3-2	TA	0-3h	Minimum Turn-Around time. This field defines the minimum number of EMIF_CLK cycles between reads and writes, minus one cycle. See <a href="#">Section 21.2.6.3</a> for details.
1-0	ASIZE	0 1h 2h-3h	Asynchronous Data Bus Width. This field defines the width of the asynchronous device's data bus. 8-bit data bus 16-bit data bus Reserved

### 21.3.6 SDRAM Timing Register (SDTIMR)

The SDRAM timing register (SDTIMR) is used to program many of the SDRAM timing parameters. Consult the SDRAM datasheet for information on the appropriate values to program into each field. The SDTIMR is shown in [Figure 21-20](#) and described in [Table 21-30](#).

**Figure 21-20. SDRAM Timing Register (SDTIMR) [offset = 20h]**

31	27	26	24	23	22	20	19	18	16
T_RFC			T_RP		Rsvd	T_RCD		Rsvd	T_WR
R/W-8h			R/W-2h		R-0	R/W-2h		R-0	R/W-1h
15	12	11	8	7	6	4	3	0	
T_RAS		T_RC		Rsvd	T_RRD		Reserved		
R/W-5h		R/W-8h		R-0	R/W-1h		R-0		

LEGEND: R/W = Read/Write; R = Read only; -n = value after reset

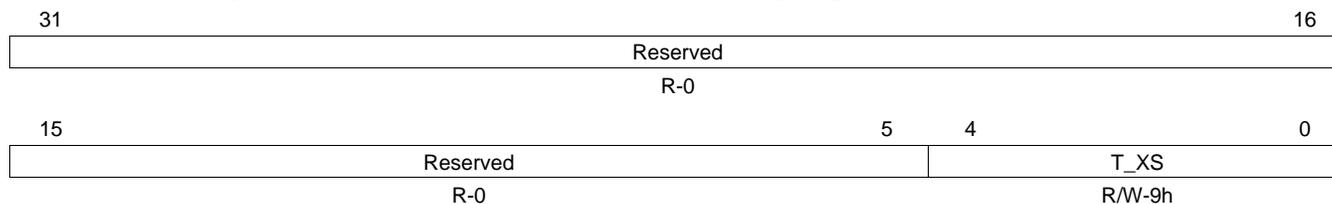
**Table 21-30. SDRAM Timing Register (SDTIMR) Field Descriptions**

Bit	Field	Value	Description
31-27	T_RFC	0-1Fh	Specifies the Trfc value of the SDRAM. This defines the minimum number of EMIF_CLK cycles from Refresh (REFR) to Refresh (REFR), minus 1: $T\_RFC = (Trfc/t_{EMIF\_CLK}) - 1$
26-24	T_RP	0-7h	Specifies the Trp value of the SDRAM. This defines the minimum number of EMIF_CLK cycles from Precharge (PRE) to Activate (ACTV) or Refresh (REFR) command, minus 1: $T\_RP = (Trp/t_{EMIF\_CLK}) - 1$
23	Reserved	0	Reserved. The reserved bit location is always read as 0. If writing to this field, always write the default value of 0.
22-20	T_RCD	0-7h	Specifies the Trcd value of the SDRAM. This defines the minimum number of EMIF_CLK cycles from Active (ACTV) to Read (READ) or Write (WRT), minus 1: $T\_RCD = (Trcd/t_{EMIF\_CLK}) - 1$
19	Reserved	0	Reserved. The reserved bit location is always read as 0. If writing to this field, always write the default value of 0.
18-16	T_WR	0-7h	Specifies the Twr value of the SDRAM. This defines the minimum number of EMIF_CLK cycles from last Write (WRT) to Precharge (PRE), minus 1: $T\_WR = (Twr/t_{EMIF\_CLK}) - 1$
15-12	T_RAS	0-Fh	Specifies the Tras value of the SDRAM. This defines the minimum number of EMIF_CLK clock cycles from Activate (ACTV) to Precharge (PRE), minus 1: $T\_RAS = (Tras/t_{EMIF\_CLK}) - 1$
11-8	T_RC	0-Fh	Specifies the Trc value of the SDRAM. This defines the minimum number of EMIF_CLK clock cycles from Activate (ACTV) to Activate (ACTV), minus 1: $T\_RC = (Trc/t_{EMIF\_CLK}) - 1$
7	Reserved	0	Reserved. The reserved bit location is always read as 0. If writing to this field, always write the default value of 0.
6-4	T_RRD	0-7h	Specifies the Trrd value of the SDRAM. This defines the minimum number of EMIF_CLK clock cycles from Activate (ACTV) to Activate (ACTV) for a different bank, minus 1: $T\_RRD = (Trrd/t_{EMIF\_CLK}) - 1$
3-0	Reserved	0	Reserved. The reserved bit location is always read as 0. If writing to this field, always write the default value of 0.

### 21.3.7 SDRAM Self Refresh Exit Timing Register (SDSRETR)

The SDRAM self refresh exit timing register (SDSRETR) is used to program the amount of time between when the SDRAM exits Self-Refresh mode and when the EMIF issues another command. The SDSRETR is shown in [Figure 21-21](#) and described in [Table 21-31](#).

**Figure 21-21. SDRAM Self Refresh Exit Timing Register (SDSRETR) [offset = 3Ch]**



LEGEND: R/W = Read/Write; R = Read only; -n = value after reset

**Table 21-31. SDRAM Self Refresh Exit Timing Register (SDSRETR) Field Descriptions**

Bit	Field	Value	Description
31-5	Reserved	0	Reserved. The reserved bit location is always read as 0.
4-0	T_XS	0-1Fh	This field specifies the minimum number of ECLKOUT cycles from Self-Refresh exit to any command, minus one. $T\_XS = T_{xsr} / t_{EMIF\_CLK} - 1$

### 21.3.8 EMIF Interrupt Raw Register (INTRAW)

The EMIF interrupt raw register (INTRAW) is used to monitor and clear the EMIF's hardware-generated Asynchronous Timeout Interrupt. The AT bit in this register will be set when an Asynchronous Timeout occurs regardless of the status of the EMIF interrupt mask set register (INTMSKSET) and EMIF interrupt mask clear register (INTMSKCLR). Writing a 1 to this bit will clear it. The EMIF on some devices does not have the EMIF\_nWAIT pin; therefore, these registers and fields are reserved on those devices. The INTRAW is shown in [Figure 21-22](#) and described in [Table 21-32](#).

**Figure 21-22. EMIF Interrupt Raw Register (INTRAW) [offset = 40h]**

31	Reserved				8
R-0					
7	3	2	1	0	
Reserved		WR	LT	AT	
R-0		R/W1C-0	R/W1C-0	R/W1C-0	

LEGEND: R/W = Read/Write; R = Read only; W1C = Write 1 to clear (writing 0 has no effect); -n = value after reset

**Table 21-32. EMIF Interrupt Raw Register (INTRAW) Field Descriptions**

Bit	Field	Value	Description
31-3	Reserved	0	Reserved. The reserved bit location is always read as 0. If writing to this field, always write the default value of 0.
2	WR	0 1	Wait Rise. This bit is set to 1 by hardware to indicate that a rising edge on the EMIF_nWAIT pin has occurred. 0 Indicates that a rising edge has not occurred on the EMIF_nWAIT pin. Writing a 0 has no effect. 1 Indicates that a rising edge has occurred on the EMIF_nWAIT pin. Writing a 1 will clear this bit and the WR_MASKED bit in the EMIF interrupt masked register (INTMSK).
1	LT	0 1	Line Trap. Set to 1 by hardware to indicate illegal memory access type or invalid cache line size. 0 Writing a 0 has no effect. 1 Indicates that a line trap has occurred. Writing a 1 will clear this bit as well as the LT_MASKED bit in the EMIF interrupt masked register (INTMSK).
0	AT	0 1	Asynchronous Timeout. This bit is set to 1 by hardware to indicate that during an extended asynchronous memory access cycle, the EMIF_nWAIT pin did not go inactive within the number of cycles defined by the MAX_EXT_WAIT field in the asynchronous wait cycle configuration register (AWCC). 0 Indicates that an Asynchronous Timeout has not occurred. Writing a 0 has no effect. 1 Indicates that an Asynchronous Timeout has occurred. Writing a 1 will clear this bit as well as the AT_MASKED bit in the EMIF interrupt masked register (INTMSK).

### 21.3.9 EMIF Interrupt Masked Register (INTMSK)

Like the EMIF interrupt raw register (INTRAW), the EMIF interrupt masked register (INTMSK) is used to monitor and clear the status of the EMIF's hardware-generated Asynchronous Timeout Interrupt. The main difference between the two registers is that when the AT\_MASKED bit in this register is set, an active-high pulse will be sent to the CPU interrupt controller. Also, the AT\_MASKED bit field in INTMSK is only set to 1 if the associated interrupt has been enabled in the EMIF interrupt mask set register (INTMSKSET). The EMIF on some devices does not have the EMIF\_nWAIT pin, therefore, these registers and fields are reserved on those devices. The INTMSK is shown in [Figure 21-23](#) and described in [Table 21-33](#).

**Figure 21-23. EMIF Interrupt Mask Register (INTMSK) [offset = 44h]**

31	Reserved				8
R-0					
7	3	2	1	0	
Reserved		WR_MASKED	LT_MASKED	AT_MASKED	
R-0		R/W1C-0	R/W1C-0	R/W1C-0	

LEGEND: R/W = Read/Write; R = Read only; W1C = Write 1 to clear (writing 0 has no effect); -n = value after reset

**Table 21-33. EMIF Interrupt Mask Register (INTMSK) Field Descriptions**

Bit	Field	Value	Description
31-3	Reserved	0	Reserved. The reserved bit location is always read as 0. If writing to this field, always write the default value of 0.
2	WR_MASKED	0 1	Wait Rise Masked. This bit is set to 1 by hardware to indicate a rising edge has occurred on the EMIF_nWAIT pin, provided that the WR_MASK_SET bit is set to 1 in the EMIF interrupt mask set register (INTMSKSET).  0 Indicates that a wait rise interrupt has not been generated. Writing a 0 has no effect. 1 Indicates that a wait rise interrupt has been generated. Writing a 1 will clear this bit and the WR bit in the EMIF interrupt raw register (INTRAW).
1	LT_MASKED	0 1	Masked Line Trap. Set to 1 by hardware to indicate illegal memory access type or invalid cache line size, only if the LT_MASK_SET bit in the EMIF interrupt mask set register (INTMSKSET) is set to 1.  0 Writing a 0 has no effect. 1 Writing a 1 will clear this bit as well as the LT bit in the EMIF interrupt raw register (INTRAW).
0	AT_MASKED	0 1	Asynchronous Timeout Masked. This bit is set to 1 by hardware to indicate that during an extended asynchronous memory access cycle, the EMIF_nWAIT pin did not go inactive within the number of cycles defined by the MAX_EXT_WAIT field in the asynchronous wait cycle configuration register (AWCC), provided that the AT_MASK_SET bit is set to 1 in the EMIF interrupt mask set register (INTMSKSET).  0 Indicates that an Asynchronous Timeout Interrupt has not been generated. Writing a 0 has no effect. 1 Indicates that an Asynchronous Timeout Interrupt has been generated. Writing a 1 will clear this bit as well as the AT bit in the EMIF interrupt raw register (INTRAW).

### 21.3.10 EMIF Interrupt Mask Set Register (INTMSKSET)

The EMIF interrupt mask set register (INTMSKSET) is used to enable the Asynchronous Timeout Interrupt. If read as 1, the AT\_MASKED bit in the EMIF interrupt masked register (INTMSK) will be set and an interrupt will be generated when an Asynchronous Timeout occurs. If read as 0, the AT\_MASKED bit will always read 0 and no interrupt will be generated when an Asynchronous Timeout occurs. Writing a 1 to the AT\_MASK\_SET bit enables the Asynchronous Timeout Interrupt. The EMIF on some devices does not have the EMIF\_nWAIT pin; therefore, these registers and fields are reserved on those devices. The INTMSKSET is shown in [Figure 21-24](#) and described in [Table 21-34](#).

**Figure 21-24. EMIF Interrupt Mask Set Register (INTMSKSET) [offset = 48h]**

31	Reserved				16
R-0					
15	3	2	1	0	
Reserved		WR_MASK_SET	Reserved	AT_MASK_SET	
R-0		R/W-0	R-0	R/W-0	

LEGEND: R/W = Read/Write; R = Read only; -n = value after reset

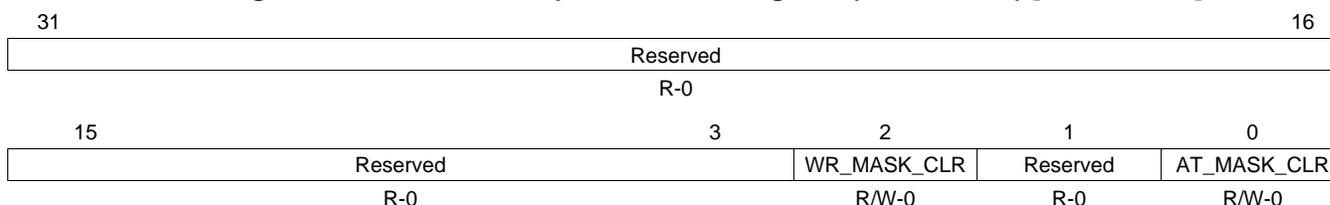
**Table 21-34. EMIF Interrupt Mask Set Register (INTMSKSET) Field Descriptions**

Bit	Field	Value	Description
31-3	Reserved	0	Reserved. The reserved bit location is always read as 0. If writing to this field, always write the default value of 0.
2	WR_MASK_SET	0	Indicates that the wait rise interrupt is disabled. Writing a 0 has no effect.
		1	Indicates that the wait rise interrupt is enabled. Writing a 1 sets this bit and the WR_MASK_CLR bit in the EMIF interrupt mask clear register (INTMSKCLR).
1	LT_MASK_SET	0	Indicates that the line trap interrupt is disabled. Writing a 0 has no effect.
		1	Indicates that the line trap interrupt is enabled. Writing a 1 sets this bit and the LT_MASK_CLR bit in the EMIF interrupt mask clear register (INTMSKCLR).
0	AT_MASK_SET	0	Indicates that the Asynchronous Timeout Interrupt is disabled. Writing a 0 has no effect.
		1	Indicates that the Asynchronous Timeout Interrupt is enabled. Writing a 1 sets this bit and the AT_MASK_CLR bit in the EMIF interrupt mask clear register (INTMSKCLR).

### 21.3.11 EMIF Interrupt Mask Clear Register (INTMSKCLR)

The EMIF interrupt mask clear register (INTMSKCLR) is used to disable the Asynchronous Timeout Interrupt. If read as 1, the AT\_MASKED bit in the EMIF interrupt masked register (INTMSK) will be set and an interrupt will be generated when an Asynchronous Timeout occurs. If read as 0, the AT\_MASKED bit will always read 0 and no interrupt will be generated when an Asynchronous Timeout occurs. Writing a 1 to the AT\_MASK\_CLR bit disables the Asynchronous Timeout Interrupt. The EMIF on some devices does not have the EMIF\_nWAIT pin, therefore, these registers and fields are reserved on those devices. The INTMSKCLR is shown in [Figure 21-25](#) and described in [Table 21-35](#).

**Figure 21-25. EMIF Interrupt Mask Clear Register (INTMSKCLR) [offset = 4Ch]**



LEGEND: R/W = Read/Write; R = Read only; -n = value after reset

**Table 21-35. EMIF Interrupt Mask Clear Register (INTMSKCLR) Field Descriptions**

Bit	Field	Value	Description
31-3	Reserved	0	Reserved. The reserved bit location is always read as 0. If writing to this field, always write the default value of 0.
2	WR_MASK_CLR	0 1	Wait Rise Mask Clear. This bit determines whether or not the wait rise interrupt is enabled. Writing a 1 to this bit clears this bit, clears the WR_MASK_SET bit in the EMIF interrupt mask set register (INTMSKSET), and disables the wait rise interrupt. To set this bit, a 1 must be written to the WR_MASK_SET bit in INTMSKSET.  0 Indicates that the wait rise interrupt is disabled. Writing a 0 has no effect. 1 Indicates that the wait rise interrupt is enabled. Writing a 1 clears this bit and the WR_MASK_SET bit in the EMIF interrupt mask set register (INTMSKSET).
1	LT_MASK_CLR	0 1	Line trap Mask Clear. This bit determines whether or not the line trap interrupt is enabled. Writing a 1 to this bit clears this bit, clears the LT_MASK_SET bit in the EMIF interrupt mask set register (INTMSKSET), and disables the line trap interrupt. To set this bit, a 1 must be written to the LT_MASK_SET bit in INTMSKSET.  0 Indicates that the line trap interrupt is disabled. Writing a 0 has no effect. 1 Indicates that the line trap interrupt is enabled. Writing a 1 clears this bit and the LT_MASK_SET bit in the EMIF interrupt mask set register (INTMSKSET).
0	AT_MASK_CLR	0 1	Asynchronous Timeout Mask Clear. This bit determines whether or not the Asynchronous Timeout Interrupt is enabled. Writing a 1 to this bit clears this bit, clears the AT_MASK_SET bit in the EMIF interrupt mask set register (INTMSKSET), and disables the Asynchronous Timeout Interrupt. To set this bit, a 1 must be written to the AT_MASK_SET bit of the EMIF interrupt mask set register (INTMSKSET).  0 Indicates that the Asynchronous Timeout Interrupt is disabled. Writing a 0 has no effect. 1 Indicates that the Asynchronous Timeout Interrupt is enabled. Writing a 1 clears this bit and the AT_MASK_SET bit in the EMIF interrupt mask set register (INTMSKSET).

### 21.3.12 Page Mode Control Register (PMCR)

The page mode control register (PMCR) is shown in [Figure 21-26](#) and described in [Table 21-36](#). This register is configured when using NOR Flash page mode.

**Figure 21-26. Page Mode Control Register (PMCR) [offset = 68h]**

31	26	25	24
CS5_PG_DEL		CS5_PG_SIZE	CS5_PG_MD_EN
R/W-3Fh		R/W-0	R/W-0
23	18	17	16
CS4_PG_DEL		CS4_PG_SIZE	CS4_PG_MD_EN
R/W-3Fh		R/W-0	R/W-0
15	10	9	8
CS3_PG_DEL		CS3_PG_SIZE	CS3_PG_MD_EN
R/W-3Fh		R/W-0	R/W-0
7	2	1	0
CS2_PG_DEL		CS2_PG_SIZE	CS2_PG_MD_EN
R/W-3Fh		R/W-0	R/W-0

LEGEND: R/W = Read/Write; -n = value after reset

**Table 21-36. Page Mode Control Register (PMCR) Field Descriptions**

Bit	Field	Value	Description
31-26	CS5_PG_DEL	1-3Fh	Page access delay for NOR Flash connected on CS5. CS5 is not available on this device.
25	CS5_PG_SIZE		Page Size for NOR Flash connected on CS5. CS5 is not available on this device.
24	CS5_PG_MD_EN		Page Mode enable for NOR Flash connected on CS5. CS5 is not available on this device.
23-18	CS4_PG_DEL	1-3Fh	Page access delay for NOR Flash connected on CS4. Number of EMIF_CLK cycles required for the page read data to be valid, minus one cycle. This value must not be cleared to 0.
17	CS4_PG_SIZE		Page Size for NOR Flash connected on CS4.
		0	Page size is 4 words
		1	Page size is 8 words
16	CS4_PG_MD_EN		Page Mode enable for NOR Flash connected on CS4.
		0	Page mode disabled for this chip select
		1	Page mode enabled for this chip select
15-10	CS3_PG_DEL	1-3Fh	Page access delay for NOR Flash connected on CS3. Number of EMIF_CLK cycles required for the page read data to be valid, minus one cycle. This value must not be cleared to 0.
9	CS3_PG_SIZE		Page Size for NOR Flash connected on CS3.
		0	Page size is 4 words
		1	Page size is 8 words
8	CS3_PG_MD_EN		Page Mode enable for NOR Flash connected on CS3.
		0	Page mode disabled for this chip select
		1	Page mode enabled for this chip select
7-2	CS2_PG_DEL	1-3Fh	Page access delay for NOR Flash connected on CS2. Number of EMIF_CLK cycles required for the page read data to be valid, minus one cycle. This value must not be cleared to 0.
1	CS2_PG_SIZE		Page Size for NOR Flash connected on CS2.
		0	Page size is 4 words
		1	Page size is 8 words
0	CS2_PG_MD_EN		Page Mode enable for NOR Flash connected on CS2.
		0	Page mode disabled for this chip select
		1	Page mode enabled for this chip select

## 21.4 Example Configuration

This section presents an example of interfacing the EMIF to both an SDR SDRAM device and an asynchronous flash device.

### 21.4.1 Hardware Interface

Figure 21-27 shows the hardware interface between the EMIF, a Samsung K4S641632H-TC(L)70 64Mb SDRAM device, and two SHARP LH28F800BJE-PTTL90 8Mb Flash memory. The connection between the EMIF and the SDRAM is straightforward, but the connection between the EMIF and the flash deserves a detailed look.

The address inputs for the flash are provided by three sources. The A[18:0] address inputs are provided by a combination of the EMIF\_A and EMIF\_BA pins according to Section 21.2.6.1. RD/nBY signal from one flash is connected to EMIF\_nWAIT pin of EMIF.

Finally, this example configuration connects the EMIF\_nWE pin to the nWE input of the flash and operates the EMIF in Select Strobe Mode.

### 21.4.2 Software Configuration

The following sections describe how to configure the EMIF registers and bit fields to interface the EMIF with the Samsung K4S641632H-TC(L)70 SDRAM and the SHARP LH28F800BJE-PTTL90 8Mb Flash memory.

#### 21.4.2.1 Configuring the SDRAM Interface

This section describes how to configure the EMIF to interface with the Samsung K4S641632H-TC(L)70 SDRAM with a clock frequency of  $f_{EMIF\_CLK} = 100$  MHz. Procedure A described in Section 21.2.5.5 is followed which assumes that the SDRAM power-up timing constraint were met during the SDRAM Auto-Initialization sequence after Reset.

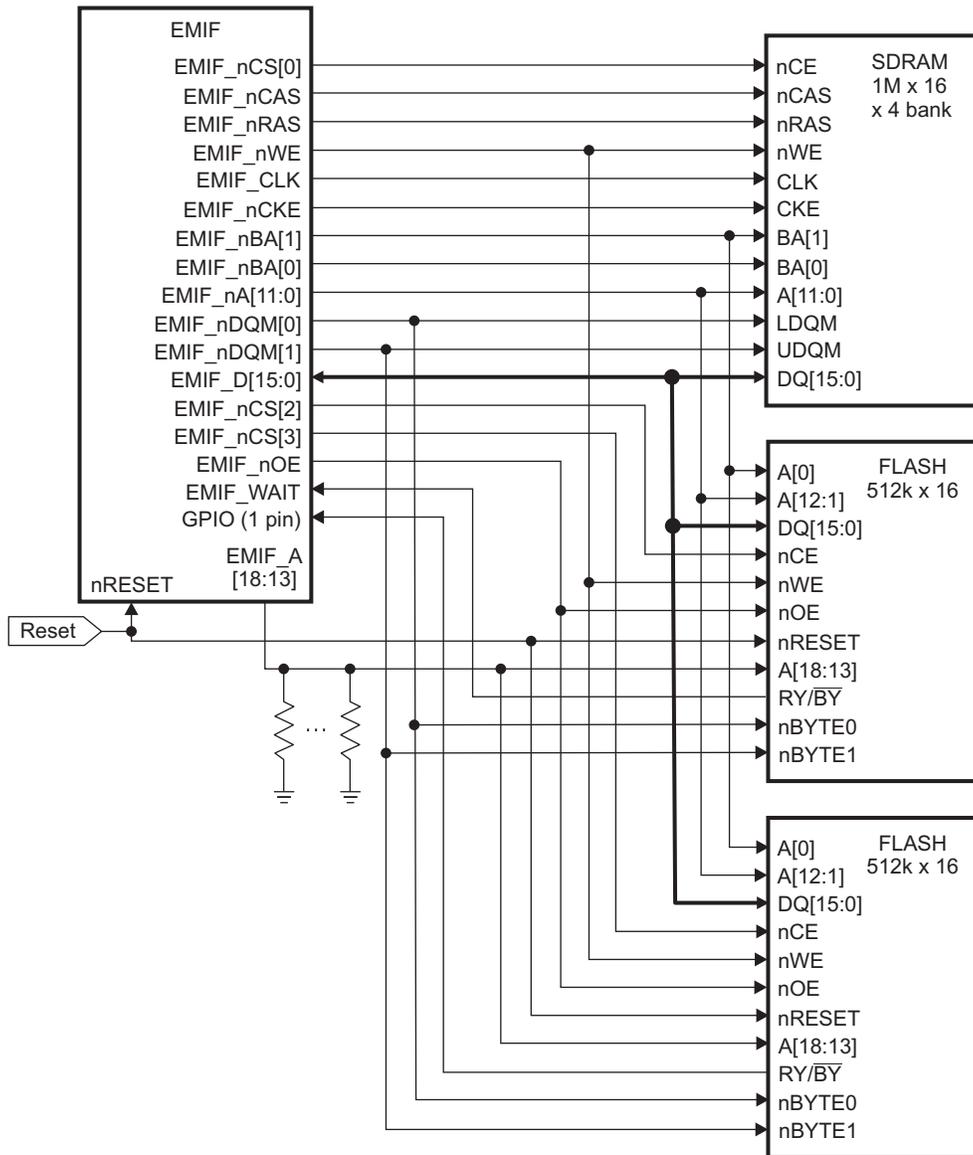
##### 21.4.2.1.1 PLL Programming for the EMIF to K4S641632H-TC(L)70 Interface

The device global clock module (GCM) should first be programmed to select the desired EMIF\_CLK frequency. Before doing this, the SDRAM should be placed in Self-Refresh Mode by setting the SR bit in the SDRAM configuration register (SDCR). The SR bit should be set using a byte-write to the upper byte of the SDCR to avoid triggering the SDRAM Initialization Sequence. The EMIF\_CLK frequency can now be configured to the desired value by selecting the appropriate clock source for the VCLK3 domain. Once the VCLK3 domain frequency has been configured, remove the SDRAM from Self-Refresh by clearing the SR bit in SDCR, again with a byte-write.

**Table 21-37. SR Field Value For the EMIF to K4S641632H-TC(L)70 Interface**

Field	Value	Purpose
SR	1 then 0	To place the EMIF into the self refresh state

**Figure 21-27. Example Configuration Interface**



### 21.4.2.1.2 SDRAM Timing Register (SDTIMR) Settings for the EMIF to K4S641632H-TC(L)70 Interface

The fields of the SDRAM timing register (SDTIMR) should be programmed first as described in [Table 21-38](#) to satisfy the required timing parameters for the K4S641632H-TC(L)70. Based on these calculations, a value of 6111 4610h should be written to SDTIMR. [Figure 21-28](#) shows a graphical description of how SDTIMR should be programmed.

**Table 21-38. SDTIMR Field Calculations for the EMIF to K4S641632H-TC(L)70 Interface**

Field Name	Formula	Value from K4S641632H-TC(L)70 Datasheet	Value Calculated for Field
T_RFC	$T\_RFC \geq (t_{RFC} \times f_{EMIF\_CLK}) - 1$	$t_{RC} = 68 \text{ ns (min)}^{(1)}$	6
T_RP	$T\_RP \geq (t_{RP} \times f_{EMIF\_CLK}) - 1$	$t_{RP} = 20 \text{ ns (min)}$	1
T_RCD	$T\_RCD \geq (t_{RCD} \times f_{EMIF\_CLK}) - 1$	$t_{RCD} = 20 \text{ ns (min)}$	1
T_WR	$T\_WR \geq (t_{WR} \times f_{EMIF\_CLK}) - 1$	$t_{RDL} = 2 \text{ CLK} = 20 \text{ ns (min)}^{(2)}$	1
T_RAS	$T\_RAS \geq (t_{RAS} \times f_{EMIF\_CLK}) - 1$	$t_{RAS} = 49 \text{ ns (min)}$	4
T_RC	$T\_RC \geq (t_{RC} \times f_{EMIF\_CLK}) - 1$	$t_{RC} = 68 \text{ ns (min)}$	6
T_RRD	$T\_RRD \geq (t_{RRD} \times f_{EMIF\_CLK}) - 1$	$t_{RRD} = 14 \text{ ns (min)}$	1

<sup>(1)</sup> The Samsung datasheet does not specify a  $t_{RFC}$  value. Instead, Samsung specifies  $t_{RC}$  as the minimum auto refresh period.

<sup>(2)</sup> The Samsung datasheet does not specify a  $t_{WR}$  value. Instead, Samsung specifies  $t_{RDL}$  as last data in to row precharge minimum delay.

**Figure 21-28. SDRAM Timing Register (SDTIMR)**

31	27	26	24	23	22	20	19	18	16
0 0110		001		0	001		0	001	
T_RFC		T_RP		Rsvd	T_RCD		Rsvd	T_WR	
15	12	11	8	7	6	4	3	0	
0100		0110		0	001		0000		
T_RAS		T_RC		Rsvd	T_RRD		Reserved		

### 21.4.2.1.3 SDRAM Self Refresh Exit Timing Register (SDSRETR) Settings for the EMIF to K4S641632H-TC(L)70 Interface

The SDRAM self refresh exit timing register (SDSRETR) should be programmed second to satisfy the  $t_{XSR}$  timing requirement from the K4S641632H-TC(L)70 datasheet. [Table 21-39](#) shows the calculation of the proper value to program into the T\_XS field of this register. Based on this calculation, a value of 6h should be written to SDSRETR. [Figure 21-29](#) shows how SDSRETR should be programmed.

**Table 21-39. RR Calculation for the EMIF to K4S641632H-TC(L)70 Interface**

Field Name	Formula	Value from K4S641632H-TC(L)70 Datasheet	Value Calculated for Field
T_XS	$T\_XS \geq (t_{XSR} \times f_{EMIF\_CLK}) - 1$	$t_{RC} = 68 \text{ ns (min)}^{(1)}$	6

<sup>(1)</sup> The Samsung datasheet does not specify a  $t_{XSR}$  value. Instead, Samsung specifies  $t_{RC}$  as the minimum required time after CKE going high to complete self refresh exit.

**Figure 21-29. SDRAM Self Refresh Exit Timing Register (SDSRETR)**

31	0000 0000 0000 0000	16
	Reserved	
15	000 0000 0000	0
	Reserved	T_XS

### 21.4.2.1.4 SDRAM Refresh Control Register (SDRCR) Settings for the EMIF to K4S641632H-TC(L)70 Interface

The SDRAM refresh control register (SDRCR) should next be programmed to satisfy the required refresh rate of the K4S641632H-TC(L)70. [Table 21-40](#) shows the calculation of the proper value to program into the RR field of this register. Based on this calculation, a value of 61Ah should be written to SDRCR. [Figure 21-30](#) shows how SDRCR should be programmed.

**Table 21-40. RR Calculation for the EMIF to K4S641632H-TC(L)70 Interface**

Field Name	Formula	Values	Value Calculated for Field
RR	$RR \leq \frac{f_{EMIF\_CLK} \times t_{Refresh\ Period}}{n_{cycles}}$	From SDRAM datasheet: $t_{Refresh\ Period} = 64 \text{ ms}$ ; $n_{cycles} = 4096$ EMIF clock rate: $f_{EMIF\_CLK} = 100 \text{ MHz}$	RR = 1562 cycles = 61Ah cycles

**Figure 21-30. SDRAM Refresh Control Register (SDRCR)**

31	0 0000 0000 0000	19	18	16
	Reserved		000	Reserved
15	000	13	12	0
	Reserved		0 0110 0001 1010 (61Ah)	RR

### 21.4.2.1.5 SDRAM Configuration Register (SDCR) Settings for the EMIF to K4S641632H-TC(L)70 Interface

Finally, the fields of the SDRAM configuration register (SDCR) should be programmed as described in [Table 21-37](#) to properly interface with the K4S641632H-TC(L)70 device. Based on these settings, a value of 4720h should be written to SDCR. [Figure 21-31](#) shows how SDCR should be programmed. The EMIF is now ready to perform read and write accesses to the SDRAM.

**Table 21-41. SDCR Field Values For the EMIF to K4S641632H-TC(L)70 Interface**

Field	Value	Purpose
SR	0	To avoid placing the EMIF into the self refresh state
NM	1	To configure the EMIF for a 16-bit data bus
CL	011b	To select a CAS latency of 3
BIT11_9LOCK	1	To allow the CL field to be written
IBANK	010b	To select 4 internal SDRAM banks
PAGESIZE	0	To select a page size of 256 words

**Figure 21-31. SDRAM Configuration Register (SDCR)**

31	30	29	28	24
0	0	0	0 0000	
SR	Reserved	Reserved	Reserved	
23	00 0000		18	17
Reserved		Reserved		Reserved
15	14	13	12	11
0	1	0	0	011
Reserved	NM	Reserved	Reserved	CL
7	6	4	3	2
0	010		0	000
Reserved	IBANK		Reserved	PAGESIZE
8	0			
BIT11_9LOCK				

### 21.4.2.2 Configuring the Flash Interface

This section describes how to configure the EMIF to interface with the two of SHARP LH28F800BJE-PTTL90 8Mb Flash memory with a clock frequency of  $f_{EMIF\_CLK} = 100$  MHz. The example assumes that one flash is connected to EMIF\_nCS2 and the other to EMIF\_nCS3.

#### 21.4.2.2.1 Asynchronous 1 Configuration Register (CE2CFG) Settings for the EMIF to LH28F800BJE-PTTL90 Interface

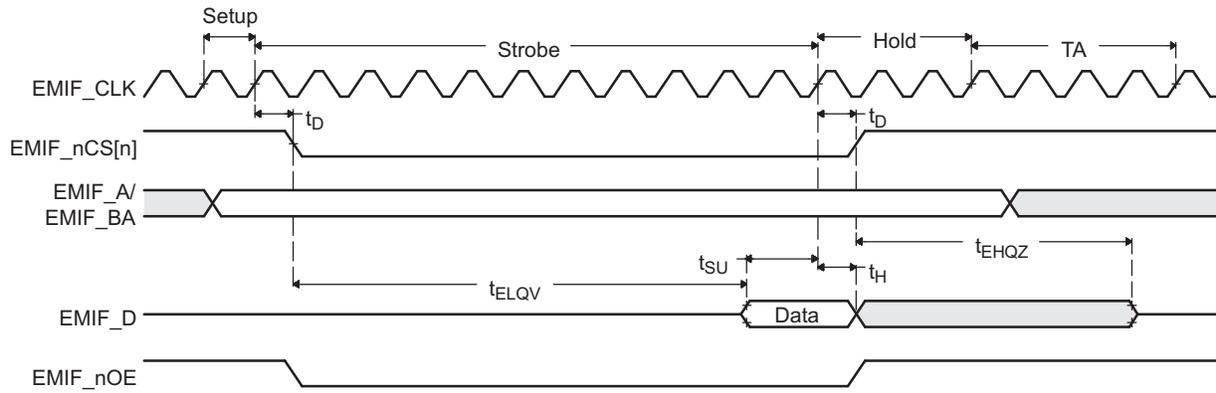
The asynchronous 1 configuration register (CE2CFG) and asynchronous 2 configuration register (CE3CFG) are the only registers that is necessary to program for this asynchronous interface (assuming that one Flash is connected to EMIF\_nCS[2] and the other to EMIF\_nCS[3]). The SS bit (in both registers) should be set to 1 to enable Select Strobe Mode and the ASIZE field (in both registers) should be set to 1 to select a 16-bit interface. The other fields in this register control the shaping of the EMIF signals, and the proper values can be determined by referring to the AC Characteristics in the Flash datasheet and the device datasheet. Based on the following calculations, a value of 8862 25BDh should be written to CE2CFG. [Table 21-42](#) and [Table 21-43](#) show the pertinent AC Characteristics for reads and writes to the Flash device, and [LH28F800BJE-PTTL90 to EMIF Read Timing Waveforms](#) and [LH28F800BJE-PTTL90 to EMIF Write Timing Waveforms](#) show the associated timing waveforms. Finally, [Figure 21-32](#) shows programming the CE $n$ CFG ( $n = 2, 3$ ) with the calculated values.

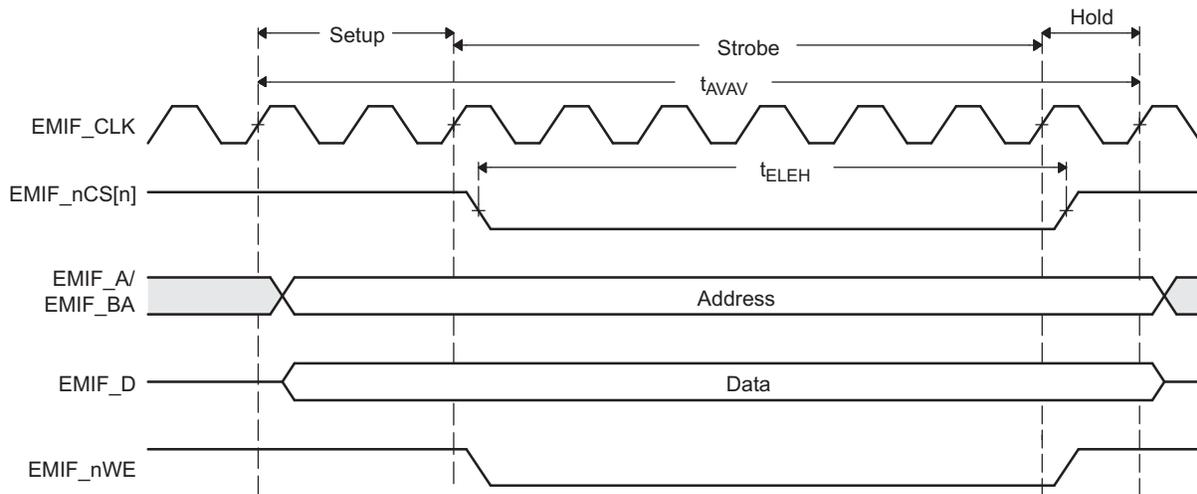
**Table 21-42. AC Characteristics for a Read Access**

AC Characteristic	Device	Definition	Min	Max	Unit
$t_{SU}$	EMIF	Setup time, read EMIF_D before EMIF_CLK high	6.5		ns
$t_H$	EMIF	Data hold time, read EMIF_D after EMIF_CLK high	1		ns
$t_D$	EMIF	Output delay time, EMIF_CLK high to output signal valid		7	ns
$t_{ELQV}$	Flash	nCE to Output Delay		90	ns
$t_{EHQZ}$	Flash	nCE High to Output in High Impedance		55	ns

**Table 21-43. AC Characteristics for a Write Access**

AC Characteristic	Device	Definition	Min	Max	Unit
$t_{AVAV}$	Flash	Write Cycle Time	90		ns
$t_{ELEH}$	Flash	nCE Pulse Width Low	50		ns
$t_{EHEL}$	Flash	nCE Pulse Width High (not shown in <a href="#">LH28F800BJE-PTTL90 to EMIF Write Timing Waveforms</a> )	30		ns

**LH28F800BJE-PTTL90 to EMIF Read Timing Waveforms**


**LH28F800BJE-PTTL90 to EMIF Write Timing Waveforms**


The R\_STROBE field should be set to meet the following equation:

$$R\_STROBE \geq (t_D + t_{ELQV} + t_{SU}) \times f_{EMIF\_CLK} - 1$$

$$R\_STROBE \geq (7 \text{ ns} + 90 \text{ ns} + 6.5 \text{ ns}) \times 100 \text{ MHz} - 1$$

$$R\_STROBE \geq 9.35$$

$$R\_STROBE = 10$$

The R\_HOLD field must be large enough to satisfy the EMIF Data hold time,  $t_H$ :

$$R\_HOLD \geq t_H \times f_{EMIF\_CLK} - 1$$

$$R\_HOLD \geq 1 \text{ ns} \times 100 \text{ MHz} - 1$$

$$R\_HOLD \geq -0.9$$

The R\_HOLD field must also combine with the TA field to satisfy the Flash's nCE High to Output in High Impedance time,  $t_{EHQZ}$ :

$$R\_HOLD + TA \geq (t_D + t_{EHQZ}) \times f_{EMIF\_CLK} - 2$$

$$R\_HOLD + TA \geq (7 \text{ ns} + 55 \text{ ns}) \times 100 \text{ MHz} - 2$$

$$R\_HOLD + TA \geq 4.2$$

The largest value that can be programmed into the TA field is 3h, therefore the following values can be used:

$$R\_HOLD = 2$$

$$TA = 3$$

For Writes, the W\_STROBE field should be set to satisfy the Flash's nCE Pulse Width constraint,  $t_{ELEH}$ :

$$W\_STROBE \geq t_{ELEH} \times f_{EMIF\_CLK} - 1$$

$$W\_STROBE \geq 50 \text{ ns} \times 100 \text{ MHz} - 1$$

$$W\_STROBE \geq 4$$

**LH28F800BJE-PTTL90 to EMIF Write Timing Waveforms (continued)**

The W\_SETUP and W\_HOLD fields should combine to satisfy the Flash's nCE Pulse Width High constraint,  $t_{EHEL}$ , when performing back-to-back writes:

$$W\_SETUP + W\_HOLD > = t_{EHEL} \times f_{EMIF\_CLK} - 2$$

$$W\_SETUP + W\_HOLD > = 30 \text{ ns} \times 100 \text{ MHz} - 2$$

$$W\_SETUP + W\_HOLD > = 1$$

In addition, the entire Write access length must satisfy the Flash's minimum Write Cycle Time,  $t_{AVAV}$ :

$$W\_SETUP + W\_STROBE + W\_HOLD > = t_{AVAV} \times f_{EMIF\_CLK} - 3$$

$$W\_SETUP + W\_STROBE + W\_HOLD > = 90 \text{ ns} \times 100 \text{ MHz} - 3$$

$$W\_SETUP + W\_STROBE + W\_HOLD > = 6$$

Solving the above equations for the Write fields results in the following possible solution:

$$W\_SETUP = 1$$

$$W\_STROBE = 5$$

$$W\_HOLD = 0$$

Adding a 10 ns (1 cycle) margin to each of the periods (excluding TA which is already at its maximum) in this example produces the following recommended values:

$$W\_SETUP = 2h$$

$$W\_STROBE = 6h$$

$$W\_HOLD = 1h$$

$$R\_SETUP = 1h$$

$$R\_STROBE = 6h$$

$$R\_HOLD = 3h$$

$$TA = 3h$$

**Figure 21-32. Asynchronous *m* Configuration Register (*m* = 1, 2) (CE<sub>*n*</sub>CFG (*n* = 2, 3))**

31	30	29	26	25	24		
1	0	0010		00			
SS	EW	W_SETUP		W_STROBE			
23	20	19	17	16			
0110		001		0			
W_STROBE		W_HOLD		R_SETUP			
15	13	12	7	6	4 3 2 1 0		
001		001011		011		11	01
R_SETUP		R_STROBE		R_HOLD		TA	ASIZE

## ***Analog To Digital Converter (ADC) Module***

---

---

This chapter describes the analog to digital converter (ADC) interface module.

<b>Topic</b>	<b>Page</b>
<b>22.1 Overview .....</b>	<b>826</b>
<b>22.2 Basic Operation.....</b>	<b>829</b>
<b>22.3 ADC Registers.....</b>	<b>857</b>

## 22.1 Overview

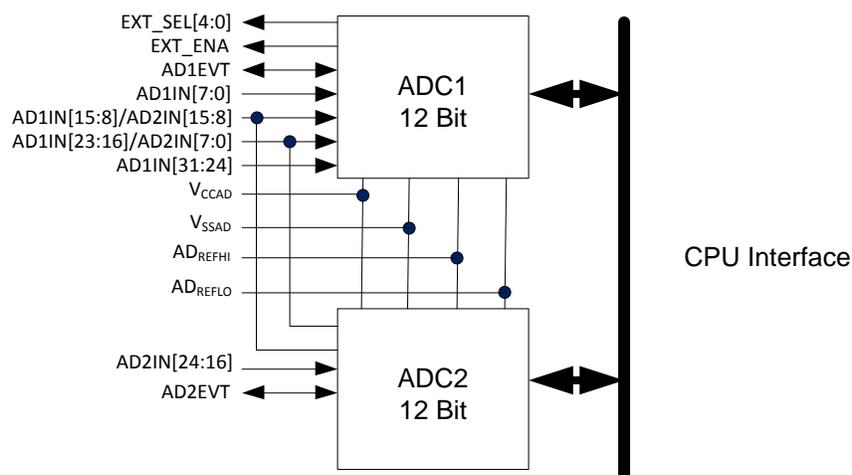
This microcontrollers implements up to two instances of the ADC module. The main features of the ADC module are:

- Selectable 10-bit or 12-bit resolution
- Successive-approximation-register architecture
- Three conversion groups – Group1, Group2, and Event Group
- All three conversion groups can be configured to be hardware-triggered; group1 and group2 can also be triggered by software
- Conversion results are stored in a 64-word memory (SRAM)
  - These 64 words are divided between the three conversion groups and are configurable by software
  - Accesses to the conversion result RAM are protected by parity
- Flexible options for generating DMA requests for transferring conversion results
- Selectable channel conversion order
  - Sequential conversions in ascending order of channel number, OR
  - User-defined channel conversion order with the Enhanced Channel Selection Mode
    - The Enhanced Channel Selection Mode is only available to ADC1.
- Single or continuous conversion modes
- Embedded self-test logic for input channel failure detection (open / short to power / short to ground)
- Embedded calibration logic for offset error correction
- Enhanced Power-down mode
- External event pin (ADEVT) to trigger conversions
  - ADEVT is also programmable as general-purpose I/O
- Eight hardware events to trigger conversions

The two instances of the 12-bit ADC modules on the microcontroller share 16 analog input channels. The connections are shown in [Figure 22-1](#).

- ADC1 supports 32 channels.
- ADC2 supports 25 channels, of which 16 channels are shared with ADC1.
- When using both ADC1 and ADC2 on a shared channel, the sample windows must be identical such that the sample windows completely match each other or non-overlapping with a minimum of 2 ADC cycles buffer between the end of one ADC's sample window and the start of the other ADC's sample window.
- The reference voltages, as well as operating supply and ground, are shared between the two ADC cores.

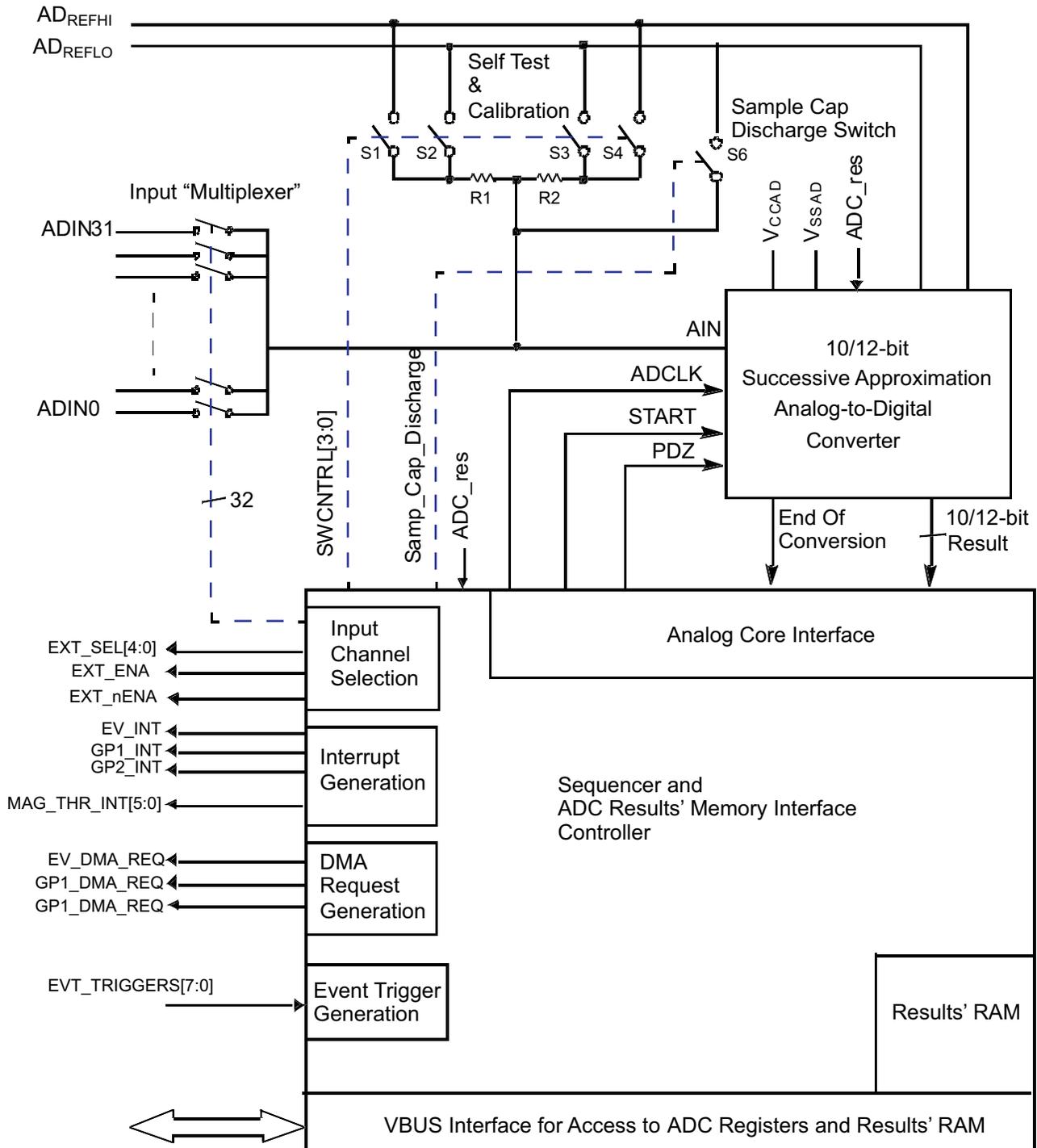
**Figure 22-1. Channel Assignments of Two ADC Cores**



### 22.1.1 Introduction

This section presents a brief functional description of the analog-to-digital converter (ADC) module. Figure 22-2 shows the components of the ADC module.

Figure 22-2. ADC Block Diagram



### 22.1.1.1 Input Multiplexor

The input multiplexor (MUX) connects the selected input channel to the AIN input of the ADC core. The ADC1 module supports up to 32 inputs as shown in [Figure 22-2](#). The ADC2 module supports up to 25 inputs. The sequencer selects the channel to be converted. Enabling the enhanced channel selection mode also allows one or more of the analog input channels to be connected to the output of an external analog switch or multiplexor.

### 22.1.1.2 Self-Test and Calibration Cell

The ADC includes specific hardware that allows a software algorithm to detect open/short on an ADC analog input. It also allows the application program to calibrate the ADC. Also see [Section 22.2.6.1](#) and [Section 22.2.6.2](#).

### 22.1.1.3 Analog-to-Digital Converter Core

The ADC core is a combination voltage scaling, charge redistribution Successive Approximation Register (SAR) based analog-to-digital converter. The core can be configured for operation in 10-bit resolution (default) or 12-bit resolution. This is controlled by the sequencer logic. This selection applies to all conversions performed by the ADC module. It is not possible to convert some channels with a 12-bit resolution and some with a 10-bit resolution.

A single conversion from an analog input to a digital conversion result occurs in two distinct periods:

- Sampling Period:
  - The sequencer generates a START signal to the ADC core to signal the start of the sampling period.
  - The analog input signal is sampled directly on to the switched capacitor array during this period, providing an inherent sample-and-hold function.
  - The sampling period ends one full ADCLK after the falling edge of the START signal.
  - The sequencer can control the sampling period duration by configuring the conversion group's sample time control register (ADEVSAMP, ADG1SAMP, ADG2SAMP). This register controls the time for which the START signal stays high.
- Conversion Period:
  - The conversion period starts one full ADCLK after the falling edge of START.
  - One bit of the conversion result is output on each rising edge of ADCLK in the conversion period, starting with the most-significant bit first.
  - The conversion period is 12 ADCLK cycles in case of a 12-bit ADC, and is 10 ADCLK cycles in case of a 10-bit ADC.
  - The ADC core generates an End-Of-Conversion (EOC) signal to the sequencer at the end of the conversion period. At this time the complete 12-, or 10-bit conversion result is available.
  - The sequencer captures the ADC core conversion result output as soon as EOC is driven High.

The analog conversion range is determined by the reference voltages:  $AD_{REFHI}$  and  $AD_{REFLO}$ .  $AD_{REFHI}$  is the top reference voltage and is the maximum analog voltage that can be converted. An analog input voltage equal to  $AD_{REFHI}$  results in an output code of 0x3FF for 10-bit resolution and 0xFFF for 12-bit resolution.  $AD_{REFLO}$  is the bottom reference voltage and is the minimum analog voltage that can be converted. Applying an input equal to  $AD_{REFLO}$  results in an output code of 0x000. Both  $AD_{REFHI}$  and  $AD_{REFLO}$  must be chosen not to exceed the analog power supplies:  $V_{CCAD}$  and  $V_{SSAD}$  respectively. Input voltages between  $AD_{REFHI}$  and  $AD_{REFLO}$  produce a conversion result given by ([Equation 29](#)) for 10-bit resolution and ([Equation 30](#)) for 12-bit resolution.

$$DigitalResult = \frac{1024 \times (InputVoltage - AD_{REFLO})}{AD_{REFHI} - AD_{REFLO}} - 0.5 \quad (29)$$

$$DigitalResult = \frac{4096 \times (InputVoltage - AD_{REFLO})}{(AD_{REFHI} - AD_{REFLO})} - 0.5 \quad (30)$$

#### 22.1.1.4 Sequencer

The sequencer coordinates the operations of the ADC, including the input multiplexor, the ADC core, and the result memory. In addition, the logic of the sequencer sets the status register flags when the conversion is ongoing, stopped, or finished.

All the features of the sequencer are discussed in detail in the following sections of this document.

#### 22.1.1.5 Conversion Groups

Several applications require groups of channels to be converted using a single trigger source for example. There could also be some groups of channels identified which require a specific setting of the acquisition time. The ADC module supports three conversion groups for this purpose – Group1, Group2 and the Event Group.

Any of the available analog input channels can be assigned to any of the conversion groups. This also allows a particular channel to be repeatedly sampled by selecting it in multiple groups. There is an inherent priority scheme used when multiple conversion groups are triggered at once. The Event Group is the highest-priority, followed by the Group1 and then the Group2.

The Event Group is always hardware event-triggered. Group1 and Group2 are software-triggered by default and can be configured to be hardware-, or event-triggered as well. The triggering of conversions in each group is discussed in [Section 22.2.1.6](#).

Each conversion group has a separate set of control registers to:

- Select the input channels to be converted
- Configure the mode of conversion: single conversion sequence or continuous conversions
- Configure the input channel sampling time
- Configure the interrupt and/or DMA request generation conditions

## 22.2 Basic Operation

### 22.2.1 Basic Features and Usage of the ADC

This section describes the usage of the basic features of the ADC module.

#### 22.2.1.1 How to Select Between 12-bit and 10-bit Resolutions

The 10\_12\_BIT field of the ADC Operating Mode Control Register (ADOPMODECR) configures the ADC to be in 10-bit or 12-bit resolution mode:

- If 10\_12\_BIT = 0, the module is in 10-bit resolution mode. This is the default mode of operation.
- If 10\_12\_BIT = 1, the module is in 12-bit resolution mode.

#### 22.2.1.2 How to Set Up the ADCLK Speed

The ADC sequencer generates the clock for the ADC core, ADCLK. The ADC core uses the ADCLK signal for its timing. The ADCLK is generated by dividing down the input clock to the ADC module, which is the VBUSP interface clock, VCLK. A 5-bit field (PS) in the ADC Clock Control Register (ADCLOCKCR) is used to divide down the VCLK by 1 up to 32. The ADCLK valid frequency range is specified in the device datasheet.

$$f_{ADCLK} = f_{VCLK} / (PS + 1)$$

The maximum frequency for ADCLK is specified in the device datasheet.

### 22.2.1.3 How to Set Up the Input Channel Acquisition Time

The signal acquisition time for each group is separately configurable using the ADG1SAMP[11:0], ADG2SAMP[11:0], and ADEVSAMP[11:0] registers.

The acquisition time is specified in terms of ADCLK cycles and ranges from a minimum of 2 ADCLK cycles to a maximum of 4098 ADCLK cycles.

For example, Group1 acquisition time,  $t_{ACQ1} = G1SAMP[11:0] + 2$ , in ADCLK cycles.

The minimum acquisition time is specified in the device datasheet. This time also depends on the impedance of the circuit connected to the analog input channel being converted.

### 22.2.1.4 How to Select an Input Channel for Conversion

The ADC module needs to be enabled first before selecting an input channel for conversion. The ADC module can be enabled by setting the ADC\_EN bit in the ADC Operating Mode Control Register (ADOPMODECR). Multiple input channels can be selected for conversion in each group. Only one input channel is converted at a time. The channels to be converted are configured in one or more of the three conversion groups' channel selection registers. Channels to be converted in Group1 are configured in the Group1 Channel-Select Register (ADG1SEL), those to be converted in Group2 are configured in the Group2 Channel-Select Register (ADG2SEL), and those to be converted in the Event Group are configured in the Event Group Channel-Select Register (ADEVSEL).

The description in this section only refers to the case when the enhanced channel selection mode is not enabled. Input channel selection in the enhanced channel selection mode is defined in [Section 22.2.2](#).

### 22.2.1.5 How to Select Between Single Conversion Sequence or Continuous Conversions

Each group has its own mode control register. The MODE field of these control registers allow the application to select between a single conversion sequence or continuous conversion mode.

---

**NOTE: Selecting continuous conversion mode for all three groups**

All three conversion groups cannot be configured to be in a continuous conversion mode. If the application configures the group mode control registers to enable continuous conversion mode for all three groups, then the Group2 will be automatically be configured to be in a single conversion sequence mode.

---

With conversions ongoing in continuous conversion mode, if the MODE field of a group is cleared, then that group switches to the single conversion sequence mode. Conversions for this group will stop once all channels selected for that group have been converted.

### 22.2.1.6 How to Start a Conversion

The conversion groups Group1 and Group2 are software-triggered by default. A conversion in these groups can be started just by writing the desired channels to the respective Channel-Select Registers. For example, in order to convert channels 0, 1, 2, and 3 in Group1 and channels 8, 9, 10, and 11 in Group2, the application just has to write 0x0000000F to ADG1SEL and 0x00000F00 to ADG2SEL. The ADC module will start by servicing the group that was triggered first, Group1 in this example.

The conversions for all groups are performed in ascending order of the channel number. For the Group1 the conversions will be performed in the order: channel 0 first, followed by channel 1, then channel 2, and then channel 3. The Group2 conversions will be performed in the order: channels 8, 9, 10, and 11.

The Event Group is only hardware-triggered. There are up to eight hardware event trigger sources defined for the ADC module. Check the device datasheet for a complete listing of these eight hardware trigger options.

The trigger source to be used needs to be configured in the ADEVSRC register. Similar registers also exist for the Group1 and Group2 as these can also be configured to be event-triggered.

The polarity of the event trigger is also configurable, with a falling edge being the default.

An Event Group conversion starts when at least one channel is selected for conversion in this group, and when the defined event trigger occurs.

If any conversion group is configured to be in a continuous conversion mode, then it needs to only be triggered once. All the channels selected for conversion in that group will be converted repeatedly.

### 22.2.1.7 How to Know When the Group Conversion is Completed

Each conversion group has a status flag to indicate when its conversion has ended. See ADEVSR, ADG1SR, and ADG2SR. This bit is set when a conversion sequence for a group ends. This bit does is always set if a group is configured for continuous conversions.

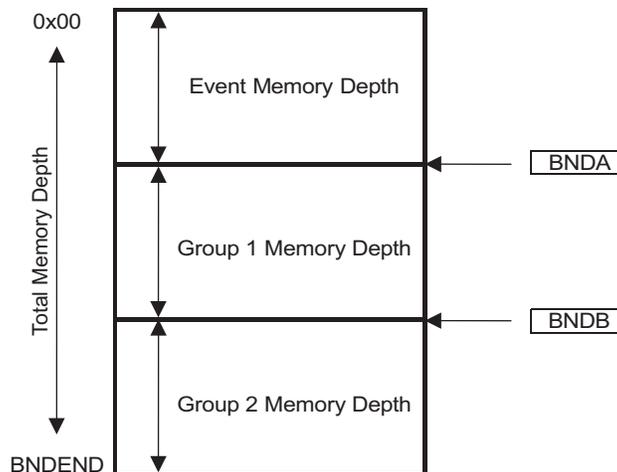
### 22.2.1.8 How Results are Stored in the Results' Memory

The ADC stores the conversion results in three separate memory regions in the ADC Results' RAM, one region for each group. Each memory region is a stack of buffers, with each buffer capable of holding one conversion result. The number of buffers allocated for each group is programmed by configuring the ADC module registers ADBNDCR and ADBNDEND.

ADBNDCR contains two 9-bit pointers BNDA and BNDB. BNDA, BNDB, and BNDEND are used to partition the total memory available into three memory regions as shown in [Figure 22-3](#). Both BNDA and BNDB are pointers referenced from the start of the results' memory. BNDA specifies the number of buffers allocated for the Event Group conversion results in units of two buffers; BNDB specifies the number of buffers allocated for the Event Group plus Group1 in units of two buffers. Refer to [Section 22.3.23](#) for more details on configuring the ADC results' memory.

ADBNDEND contains a 3-bit field called BNDEND that configures the total memory available. The ADC module can support up to 1024 buffers. The device supports a maximum of 64 buffers for both the ADC modules.

Figure 22-3. FIFO Implementation



- Number of buffers for Event Group =  $2 \times \text{BNDA}$
- Number of buffers for Group1 =  $2 \times (\text{BNDB} - \text{BNDA})$
- Number of buffers for Group2 = Total number of buffers –  $2 \times \text{BNDB}$

### 22.2.1.9 How to Read the Results from the Results' Memory

The CPU can read the conversion results in one of two ways:

1. By using the conversion results memory as a FIFO queue
2. By accessing the conversion results memory directly

### 22.2.1.9.1 Reading Conversion Results from a FIFO

The conversion results for each group can be accessed via a range of addresses provided to facilitate the use of the ARM Cortex-R4 CPU's Load-Multiple (LDM) instruction. A single read performed using the LDR instruction can also be used to read out a single conversion result. The results are read out from the group's memory region as a FIFO queue by reading from any location inside this address range. The conversion result that got stored first gets read first. A result that is read from the memory in this method is removed from the memory. For example, a read from any address in the range ADEVBUFFER (offset 90h to AFh) pulls out one conversion result from the Event Group memory.

**Figure 22-4. Format of Conversion Result Read from FIFO, 12-bit ADC**

Offset Address Register	31	30	29	28	27	26	25	24	23	22	21	20	19	18	17	16
0x90 to 0xAF ADEVBUFFER	15	14	13	12	11	10	9	8	7	6	5	4	3	2	1	0
	EV_EMPTY		Reserved										EV_CHID			
	Reserved						EV_DR									
0xB0 to 0xCF ADG1BUFFER	G1_EMPTY		Reserved										G1_CHID			
	Reserved						G1_DR									
0xD0 to 0xEF ADG2BUFFER	G2_EMPTY		Reserved										G2_CHID			
	Reserved						G2_DR									

**Figure 22-5. Format of Conversion Result Read from FIFO, 10-bit ADC**

Offset Address Register	31	30	29	28	27	26	25	24	23	22	21	20	19	18	17	16
0x90 to 0xAF ADEVBUFFER	15	14	13	12	11	10	9	8	7	6	5	4	3	2	1	0
	Reserved															
	EV_EMPTY		EV_CHID						EV_DR							
0xB0 to 0xCF ADG1BUFFER	Reserved															
	G1_EMPTY		G1_CHID						G1_DR							
0xD0 to 0xEF ADG2BUFFER	Reserved															
	G2_EMPTY		G2_CHID						G2_DR							

#### **Option to read channel id along with conversion result:**

The application has an option to read the channel id along with the conversion result. This is controlled by the CHID field of the group's mode control register. If the option to read the channel id is not selected, the channel id field of the conversion result reads as zeros.

#### **Protection against reading from empty FIFO:**

There is also a hardware mechanism to protect the application from reading past the number of new conversion results held in the FIFO. Once all available conversion results have been read out of the FIFO by the application, a subsequent read from the FIFO causes the mechanism to indicate that the FIFO is empty by setting the EMPTY field.

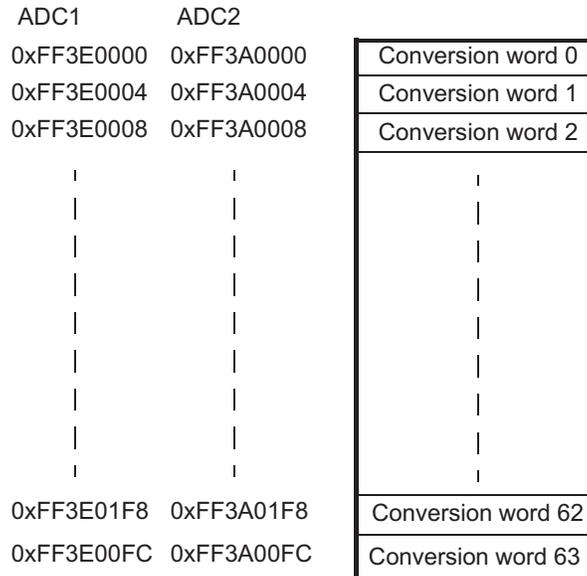
#### **Debug / Emulation Support:**

For debug purposes, each conversion group also provides an address that the application can read from for extracting the group's conversion results. However, no status flags for a conversion group are affected by reading from these emulation buffer addresses. For example, reading from ADEVEMUBUFFER (offset F0h) returns the next result in the Event Group buffer but does not actually remove that result from the buffer or change the amount of data held in the buffer.

**22.2.1.9.2 Reading Conversion Results Directly from the Conversion Results' Memory**

The conversion result memory is part of the device's memory map. The base address for the ADC1 result memory is FF3E 0000h and for the ADC2 result memory is FF3A 0000h.

**Figure 22-6. ADC Memory Mapping**



The application can identify the address ranges for each of the three memory regions for the three conversion groups after performing the segmentation as described in Section 22.2.1.8. It is up to the application to read the desired results from the three conversion groups. The formats of the conversion results when reading from RAM directly are shown in Figure 22-7 and Figure 22-8.

**Figure 22-7. Format of Conversion Result Directly Read from ADC RAM, 12-bit ADC**

	31	30	29	28	27	26	25	24	23	22	21	20	19	18	17	16	0
	15	14	13	12	11	10	9	8	7	6	5	4	3	2	1		
ADC RAM address	Reserved															channel id [4]	
	channel id [3-0]					12-bit conversion result											

**Figure 22-8. Format of Conversion Result Directly Read from ADC RAM, 10-bit ADC**

	31	30	29	28	27	26	25	24	23	22	21	20	19	18	17	16	0
	15	14	13	12	11	10	9	8	7	6	5	4	3	2	1		
ADC RAM address	Reserved																
	Rsvd	channel id [4-0]					10-bit conversion result										

Note that there is no EMPTY field to protect the application from reading data that has been previously read.

Each group does have a separate register which holds the address in the group's result memory where the ADC will write the next conversion result. These are the ADEV RAMWRADDR, ADG1RAMWRADDR, and ADG2RAMWRADDR registers. The application can use this information to calculate how many valid conversion results are available to be read.

**Benefit of reading conversion results directly from ADC RAM:**

The application does not have to read out conversion results sequentially as in the case of reading from a FIFO. As a result, the application can selectively read the conversion results for any particular input channel of interest without having to read other channels' conversion results.

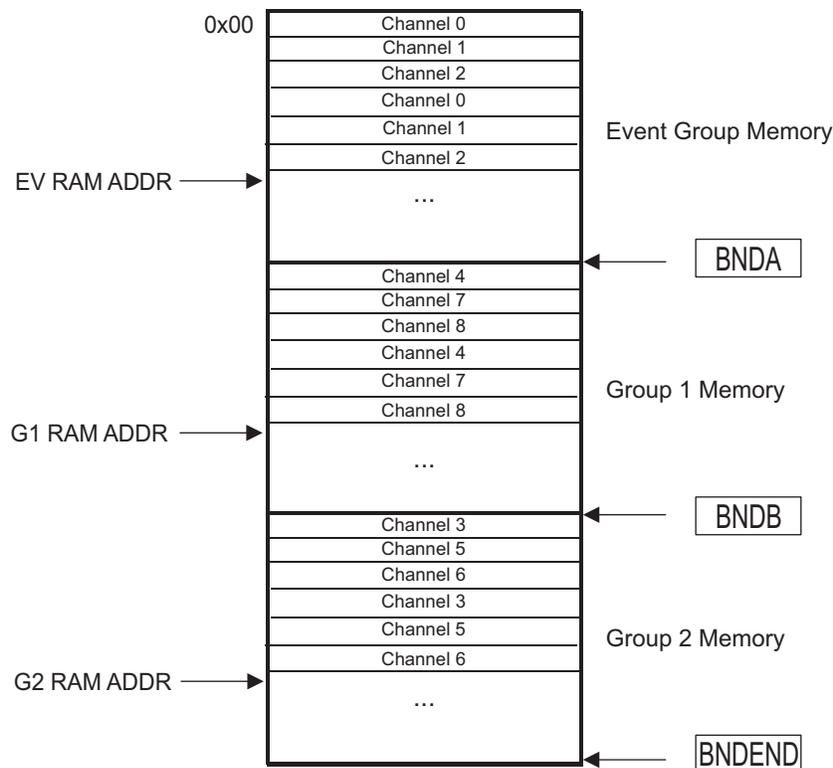
### 22.2.1.9.3 Example

Suppose that channels 0, 1, and 2 are selected for conversion in the Event Group, channels 4, 7, and 8 are selected for conversion in group 1, and channels 3, 5, and 6 are selected for conversion in group 2. The conversion results will get stored in the three memory regions as shown in Figure 22-9.

Suppose that the CPU wants to read out the results for the Event Group from a FIFO queue. The CPU needs to read from any address in the range ADEVBUFFER (offset 90h to AFh) multiple times, or do a “load multiple” from this range of addresses. This will cause the ADC to return the results for channel 0, then channel 1, then channel 2, then channel 0, and so on for each read access to this address range.

Now suppose that the application wants to read out the results for the group 1 from the RAM directly. The conversion results for the group 1 are accessible starting from address ADC RAM Base Address + BNDA. Also, it is known that the first result at this address is for the input channel 4, the next one is for input channel 7, and so on. So the application can selectively read the conversion results for only one channel if so desired.

**Figure 22-9. Conversion Results Storage**



### 22.2.1.10 How to Stop a Conversion

A group's conversion can be stopped by clearing the group's channel select register.

### 22.2.1.11 Example Sequence for Basic Configuration of ADC Module

The following sequence is necessary to configure the ADC to convert channels 0, 2, 4, and 8 in single-conversion mode using Group1:

1. Write 0 to the Reset Control Register (ADRSTCR) to release the module from the reset state
2. Write 1 to the ADC\_EN bit of the Operating Mode Control Register (ADOPMODECR) to enable the ADC state machine
3. Configure the ADCLK frequency by programming the desired divider into the Clock Control Register (ADCLOCKCR)
4. Configure the acquisition time for the group that is to be used. For example, configure the Group1 Sampling Time Control Register (ADG1SAMP) to set the acquisition time for Group1.
5. Select the channels that need to be converted in Group1 by writing to the Group1 Channel Select Register (ADG1SEL). In this example, a value of 0x115 needs to be written to ADG1SEL in order to select channels 0, 2, 4, and 8 for conversion in Group1.
  - The ADC sequencer will start the Group1 conversions as soon as the write to the ADG1SEL register is completed.
6. Wait for the GP1\_END bit to be set in the Group1 Conversion Status Register (ADG1SR). This bit gets set when all the channels selected for conversion in Group1 are converted and the results are stored in the Group1 memory.
7. Read the conversion results by reading from the Group1 FIFO access location (ADG1BUFFER) or by reading directly from the Group1 results' memory.

## 22.2.2 Advanced Conversion Group Configuration Options

Figure 22-10 shows the operating mode control registers and the status registers for each of the three conversion groups. The register addresses shown are offsets from the base address. The ADC1 register frame base address is FFF7 C000h and the ADC2 register frame base address is FFF7 C200h.

**Figure 22-10. ADC Groups' Operating Mode Control and Status Registers**

Offset Address Register	31	30	29	28	27	26	25	24	23	22	21	20	19	18	17	16
	15	14	13	12	11	10	9	8	7	6	5	4	3	2	1	0
0x010 ADEVMODECR	Reserved															No Reset On ChnSel
	Reserved						EV_DATA_FMT	Reserved			EV_CHID	OVR_ EV_ RAM_ IGN	Rsvd	EV_8BIT	EV_MODE	FRZ_EV
0x014 ADG1MODECR	Reserved															No Reset On ChnSel
	Reserved						G1_DATA_FMT	Reserved			G1_CHID	OVR_ G1_ RAM_ IGN	Rsvd	G1_8BIT	G1_MODE	FRZ_G1
0x018 ADG2MODECR	Reserved															No Reset On ChnSel
	Reserved						G2_DATA_FMT	Reserved			G2_CHID	OVR_ G2_ RAM_ IGN	Rsvd	G2_8BIT	G2_MODE	FRZ_G2
0x06C ADEVSR	Reserved															
	Reserved												EV_MEM_EMPTY	EV_BUSY	EV_STOP	EV_END
0x070 ADG1SR	Reserved															
	Reserved												G1_MEM_EMPTY	G1_BUSY	G1_STOP	G1_END
0x074 ADG2SR	Reserved															
	Reserved												G2_MEM_EMPTY	G2_BUSY	G2_STOP	G2_END
0x19C ADEVCURRCOUNT	Reserved															
	Reserved												EV_CURRENT_COUNT			
0x1A0 ADEVMAXCOUNT	Reserved															
	Reserved												EV_MAX_COUNT			
0x1A4 ADG1CURRCOUNT	Reserved															
	Reserved												G1_CURRENT_COUNT			
0x1A8 ADG1MAXCOUNT	Reserved															
	Reserved												G1_MAX_COUNT			
0x1AC ADG2CURRCOUNT	Reserved															
	Reserved												G2_CURRENT_COUNT			
0x1B0 ADG2MAXCOUNT	Reserved															
	Reserved												G2_MAX_COUNT			

### 22.2.2.1 Group Trigger Options

The Group1 and Group2 operating mode control registers have an extra control bit: HW\_TRIG. This bit configures the group to be hardware event-triggered instead of software-triggered, which is the default.

When a group is configured to be event-triggered, the group conversion starts when at least one channel is selected for conversion in this group, and when the defined event trigger occurs. The event trigger source is defined for each group in the ADEVSRC, ADG1SRC, and the ADG2SRC registers. The actual connections used as the event trigger sources are defined in the device datasheet for both the ADC modules.

### 22.2.2.2 Analog Input Channel Selection Mode Options

The ADC1 module on this device supports two different modes for selecting the analog input channel to be converted:

- Sequential channel selection mode (default)
- Enhanced channel selection mode

---

**NOTE:** ADC2 module only supports the sequential channel selection mode (the default).

---

#### 22.2.2.2.1 Sequential Channel Selection Mode

This is the default mode and allows the ADC module to be used in a backwards compatible mode to the ADC module on other Hercules™ ARM® Safety MCUs from Texas Instruments. As discussed in [Section 22.2.1.4](#), an analog input channel can be selected for conversion in one or more conversion groups by setting the bit corresponding to that channel number in the group's channel select register.

#### 22.2.2.2.2 Enhanced Channel Selection Mode

There are some important concepts related to the enhanced channel selection mode. These are defined first:

- Look-Up Table

This is a 32-word deep memory-mapped region used to define the analog input channel number to be converted. The LUTs for the three groups are stacked together so that the entire LUT occupies 96 words. Each word is aligned on a 32-bit boundary. The LUTs for ADC1 start at FF3E 2000h and the LUTs for ADC2 start at FF3A 2000h.

- Conversion Group Sub-Sequence

A group sub-sequence is defined as the conversion for a set of channels that is converted on each conversion trigger. The number of channels selected for conversion in a group sub-sequence is defined by the number of bits that are set in the group's channel select register. For example, setting bits 0, 1, 29 and 31 in ADG1SEL means that each Group1 conversion sub-sequence consists of 4 conversions.

- LUT Index

A "CURRENT\_COUNT" register for each group is maintained as an index into that group's LUT. This register increments each time a channel conversion is completed. Therefore, as its name suggests, a read from this register returns the number of conversions completed since the last write to the group's channel select register. The CURRENT\_COUNT register resets to all zeros under any of the following conditions:

1. The ADC peripheral is reset via a global peripheral reset
2. The ADC peripheral is reset via the ADC Reset Control Register
3. The CURRENT\_COUNT becomes equal to the MAX\_COUNT defined for that conversion group
4. The application writes zeros to the CURRENT\_COUNT register
5. The conversion group's result RAM is reset

- Maximum Number of Conversions

A MAX\_COUNT register for each conversion group stores the maximum number of conversions to be performed before the index into a group's LUT is reset to zero. This register can be programmed to a value between 0 and 31. It is recommended to program the MAX\_COUNT register with a value that is one less than a multiple of the number of channels in that group's conversion sub-sequence (number of bits that are set in the group's channel select register).

### 22.2.2.2.1 Look-Up Table Details

As described earlier, each conversion group has a look-up table (LUT) which is used when the enhanced channel selection mode is enabled. This look-up table starts at an offset of 8kB from the base of the ADC results RAM. The LUT holds 32 entries for each of the three conversion groups. The first 32 entries are for the event group, the next 32 entries are for Group1 and the last 32 entries are for Group2. [Figure 22-11](#) shows an example LUT entry for the Event group.

**Figure 22-11. Example Look-Up Table Entry**

31	Reserved												16
R-0													
15	13	12					8	7			5	4	0
Reserved		EV_EXT_CHN_MUX_SEL				Reserved		EV_INT_CHN_MUX_SEL					
R-0		R/W-0				R-0		R/W-0					

LEGEND: R/W = Read/Write; R = Read only; -n = value after reset

**Table 22-1. ADC Look-Up Table Field Descriptions**

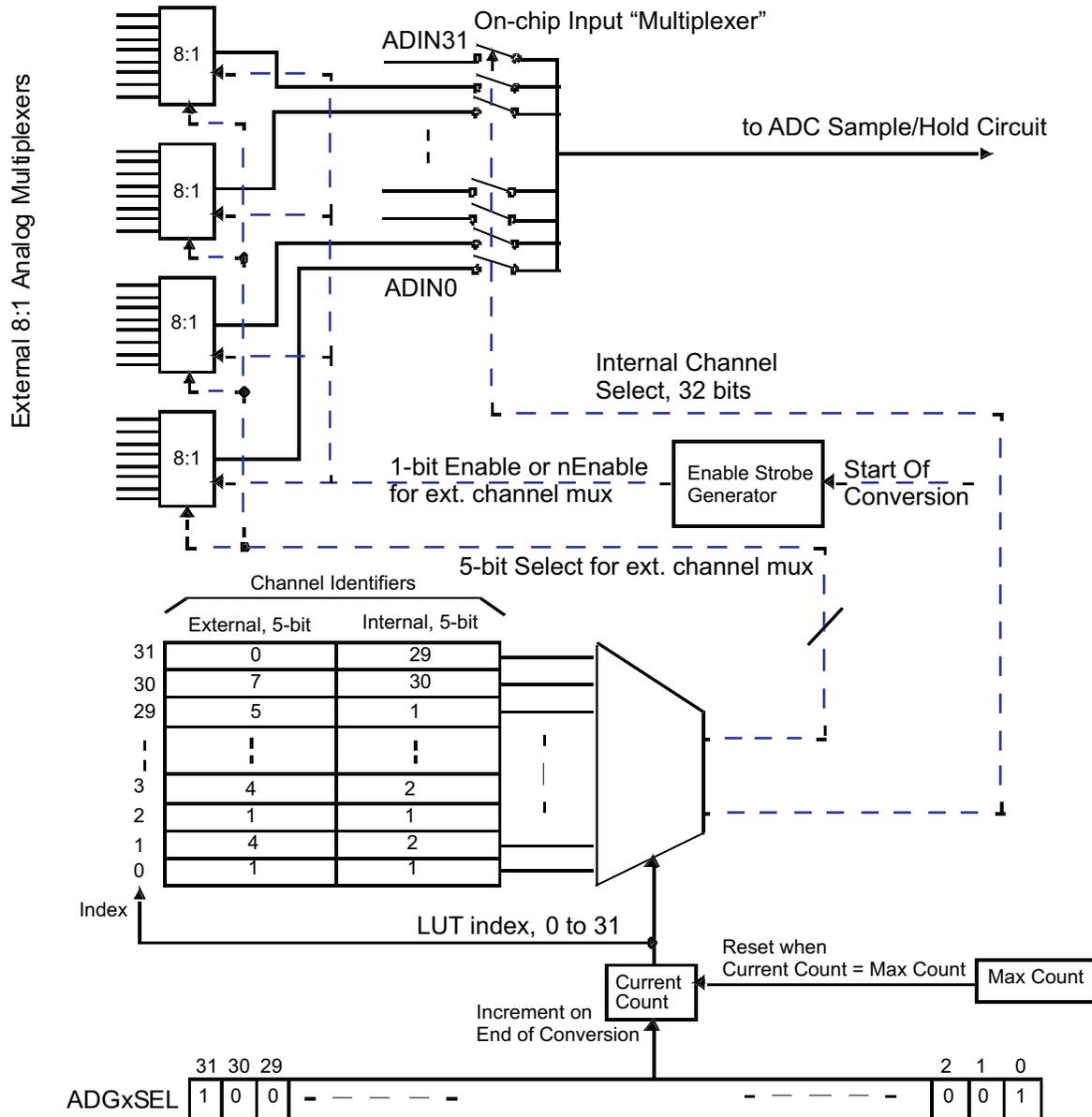
Bit	Field	Value	Description
31–13	Reserved	0	Reads return zeros, writes have no effect.
12–8	EV_EXT_CHN_MUX_SEL		This field defines the external analog mux select that is output from the ADC module when the Event group CURRENT_COUNT register points to this LUT entry, and when the Event group conversion is triggered with the enhanced channel selection mode enabled.
7–5	Reserved	0	Reads return zeros, writes have no effect.
4–0	EV_INT_CHN_MUX_SEL		This field defines the internal analog mux select that is output from the ADC module when the Event group CURRENT_COUNT register points to this LUT entry, and when the Event group conversion is triggered with the enhanced channel selection mode enabled.  This can be a value between 0 and 31, which corresponds to the internal analog input channel number between 0 and 31. Note that this device only supports 24 input channels for ADC1 and 16 input channels for ADC2. If the application configures an unavailable channel number in the EV_INT_CHN_MUX_SEL field, the ADC will still perform the conversion and the result will be indeterminate.

**22.2.2.2.2 Example ADC Conversion Sequence Using Enhanced Channel Selection Mode**

Consider the example conversion Group1 configuration shown in Figure 22-12. Only bits 0 and 31 of ADG1SEL are set. Assume that all other bits in this register are zeros.

In case of the default sequential channel selection mode, the write to the ADG1SEL register would cause the Group1 conversions to start with channel 0 followed by channel 31. The conversions would then stop or repeat in this order depending on whether Group1 is in single or continuous conversion mode.

**Figure 22-12. Group1 Enhanced Channel Selection Mode Example**



Now suppose that the application has enabled the enhanced channel selection mode for Group1 with the G1\_MAX\_COUNT register configured to be 3. Also suppose that the application has programmed the Group1 LUT as shown in [Figure 22-12](#). Now suppose that the application triggers Group1 conversions by writing 0x80000001 to ADG1SEL, that is, bits 0 and 31 are set and all others are zeros. The ADC conversions will proceed in the following sequence:

- **Input Channel Selection**

The initial value of G1\_CURRENT\_COUNT is 0, which is used as the index into the Group1 LUT. The row 0 of Group1's LUT has values of 1 for the G1\_EXT\_CHN\_MUX\_SEL and a value of 1 for the G1\_INT\_CHN\_MUX\_SEL. The 5-bit external channel id of 0b00001 is driven out on the AWM\_EXT\_SEL terminals. This selects channel 1 for all the connected external analog multiplexors, as shown in [Figure 22-12](#). The ADC module also outputs an enable signal to the external analog multiplexors via the AWM\_EXT\_ENA terminal.

Now consider the fact that the internal channel id is also configured to be 1 in row 0 of the Group1 LUT. This causes the switch for ADC's internal channel 1 (ADIN1) to be closed. All other internal ADC input switches (ADIN0, ADIN2, ADIN3, ..., ADIN31) will be open. Note that the ADIN1 input channel is actually connected to the output of an 8:1 analog multiplexor.

In effect, the ADC will convert channel 1 of the 8:1 analog multiplexor connected to the ADIN1 terminal of the microcontroller.

- **After Completion of Conversion**

Once the first conversion is completed, the CURRENT\_COUNT value of 0 is stored in the "channel id" field of the conversion result RAM of Group1 along with the actual conversion result from the ADC core. Then the G1\_CURRENT\_COUNT value of 0 is compared against the G1\_MAX\_COUNT value of 3. The values do not match, so that G1\_CURRENT\_COUNT is incremented from 0 to 1.

- **Next Channel Selection**

There are two bits set in the ADG1SEL register, so that the ADC module now uses the G1\_CURRENT\_COUNT value of 1 to index the Group1 LUT. As shown in [Figure 22-12](#), this row in Group1 LUT contains 4 as the G1\_EXT\_CHN\_MUX\_SEL and 2 as the G1\_INT\_CHN\_MUX\_SEL.

ADC input channel ADIN2 is not connected to any external analog multiplexor and is connected directly to the analog signal to be converted. Note that the ADC module still drives the AWM\_EXT\_ENA and the AWM\_EXT\_SEL (value of 4, that is, 0b00100) to all the external analog multiplexors connected to the microcontroller.

- **End of Conversion Sub-Sequence**

Once the conversion of the internal channel ADIN2 is completed, the G1\_CURRENT\_COUNT of 1 is stored in the "channel id" field of the Group1 result RAM along with the actual conversion result. This value of 1 is compared against the G1\_MAX\_COUNT value of 3. The values do not match, so that G1\_CURRENT\_COUNT is incremented from 1 to 2.

There are no more conversions required in this sub-sequence as only two bits are set in ADG1SEL.

- **Continuation on Next Group1 Trigger**

When the ADC Group1 is triggered again or if Group1 is in continuous conversion mode, the G1\_CURRENT\_COUNT of 2 is again used to index the Group1 LUT. Following the same reasoning as before, this will cause the channel 1 of the 8:1 analog multiplexor connected to ADIN1 to be converted.

Once this conversion is done, the G1\_CURRENT\_COUNT value of 2 is stored in the "channel id" field of the result RAM along with the conversion result. This still does not match the G1\_MAX\_COUNT of 3, so that G1\_CURRENT\_COUNT is now incremented from 2 to 3.

This index value of 3 is used to again convert channel ADIN2, following the same reasoning as before.

When this conversion is completed, the G1\_CURRENT\_COUNT of 3 is stored as the "channel id" field of the result RAM along with the conversion result.

Also, now this G1\_CURRENT\_COUNT value of 3 matches the G1\_MAX\_COUNT. This resets the G1\_CURRENT\_COUNT to zero.

The sequence proceeds as described whenever Group1 is next triggered, or if Group1 is configured to be in a continuous conversion mode.

### 22.2.2.3 Single or Continuous Conversion Modes

The EV\_MODE, G1\_MODE, and G2\_MODE bits are used to select between either single or continuous conversion mode for each of the three groups.

#### 22.2.2.3.1 Single Conversion Mode

A conversion group configured to be in single-conversion mode gets serviced only once by the ADC for each group trigger. The trigger can be a software trigger as in the case of Group1 and Group2 by default, or it could be a hardware event trigger as in the case of the Event Group or Group1 or Group2.

The entire conversion sequence, from the acceptance of the group conversion request to the end of the last channel's conversion, is flagged for each group by the corresponding BUSY bit in that group's status register. After single-conversion mode is started, the BUSY bit is read as 1 until the conversion of the last channel is complete. The END bit for the group is set once all the channels in that group are converted.

For example, say channels 0, 2, 4, and 6 are selected for conversion in Group1 in single-conversion mode. When the Group1 gets serviced, the ADC will start conversion for channel 0, then channel 2, then channel 4, and then channel 6. It will then stop servicing the Group1, set the GP1\_END status bit, and look to service the Event Group or the Group2, if required.

#### 22.2.2.3.2 Continuous Conversion Mode

A conversion group configured to be in continuous-conversion mode gets serviced by the ADC continuously. The group still needs to be triggered appropriately for the first conversion to start. The conversions are performed continuously thereafter.

The entire conversion sequence, from the acceptance of the group conversion request to the end of the last channel's conversion, is flagged for each group by the corresponding BUSY bit in that group's status register. After continuous-conversion mode is started, the BUSY bit is read as 1 as long as the continuous-conversion mode for this group is selected.

As an example, say the channels 0, 2, 4, and 6 are selected for conversion in Group1, now in continuous-conversion mode. When the Group1 gets serviced, the ADC will complete conversions for channels 0, 2, 4 and 6, and then look to service the Event Group or the Group2. Once it is done servicing the Event Group or the Group2, it will return to service the Group1 again. The Group1 does not need to be triggered again for the repeated conversion.

---

**NOTE: Configuring all conversion groups in continuous conversion mode**

All the three groups cannot operate in continuous-conversion mode at the same time. If the application program configures all three groups to be in continuous-conversion mode, the Group2 is automatically reset to single-conversion mode, and the G2 MODE bit in the ADG2MODECR register is cleared to reflect the single-conversion mode of Group2.

---

### 22.2.2.4 Conversion Group Freeze Capability

The ADC module has an inherent priority order between the three conversion groups. This group priority determines the order of conversion in case multiple groups are triggered. The priority of conversions between the three groups in descending order is:

1. Event Group
2. Group1
3. Group2

Examples of conversion group priority:

- If an Event Group conversion is ongoing in single conversion sequence mode and Group2 and Group1 conversions are requested, then the ADC will finish conversion of channels selected in Event Group, then switch over to converting channels selected in Group1, and then convert channels selected in Group2.
- If Group1 conversions are ongoing in continuous conversion mode and Group2 conversion is requested, then the ADC will complete converting the current channel for Group1 and switch over to converting channels selected in Group2. The new conversion request for Group2 has a higher priority than the pending continuous conversion request for Group1.

The conversion group freeze capability allows the application to override this default priority between the conversion groups. Enabling the freeze capability allows the ADC to freeze a higher-priority conversion group's conversions whenever there is a request for conversion in another (lower-priority) group.

For example, setting the FRZ\_EV bit in the ADEVMODECR register will allow the ADC to freeze ongoing Event Group conversions whenever there is a pending request, or a new request for a Group1 or Group2 conversion. The conversions for the Event Group will be frozen as long as the Group1 or Group2 conversions are active. Once the Group1 or Group2 conversions are completed, the Event Group conversions start from where they were frozen.

While a group's conversions are frozen, the group's STOP status bit is set. This bit is cleared once the group's conversions are restarted.

#### **22.2.2.5 Conversion Group Memory Overrun Option**

An overrun condition occurs when the ADC module tries to store more conversion results to a group's results' memory which is already full. In this case, the ADC allows two options.

If the OVR\_RAM\_IGN bit in the group's operating mode control register (ADEVMODECR, ADG1MODECR, ADG2MODECR) is set, then the ADC module ignores the contents of the group's results' memory and wraps around to overwrite the memory with the results of new conversions.

If the OVR\_RAM\_IGN bit is not set, then the application program has to read out the group's results' memory upon an overrun condition; only then can the ADC continue to write new results to the memory.

#### **22.2.2.6 Response on Writing Non-Zero Value to Conversion Group's Channel Select Register**

If the application writes a non-zero value to a group's channel select register while that group's conversions are already being serviced, then that group's conversions will be restarted with the new configuration programmed in the channel select registers.

The following rules apply in terms of the effect on the ADC conversion sequence:

- If the new conversion request comes from the same group as the ongoing conversion, then the ongoing conversion will be stopped in whichever stage it is in, and the new sequence of conversions will be started.
- If the new conversion request comes from a separate group, then the ongoing channel's conversion will be completed before starting the new sequence of conversions.

The following rules apply in terms of the effect on the group's results memory:

- If a group conversion is ongoing or is frozen, writing a non-zero value to the group's channel select register will also reset its results FIFO. This does not clear the contents of the results FIFO; only the ADC module is allowed to overwrite the FIFO's contents with new conversion results starting from the first location.
- If the group conversion is completed (<GRP>\_END flag is set), or the group is not being used, then writing a non-zero value to the group's channel select register will either be reset or not depending on the value of the NoResetOnChnSel bit for that group (ADEVMODECR, ADG1MODECR, ADG2MODECR).
  - If the NoResetOnChnSel bit is 0, then the group's FIFO will be reset.
  - If the NoResetOnChnSel bit is 1, then the group's FIFO will not be reset.

### 22.2.2.7 Conversion Result Size on Reading: 8-bit, 10-bit, or 12-bit

Some applications do not need the full 12-bit resolution of the ADC modules on the device and can work with 8-bit or 10-bit conversion results.

#### 22.2.2.7.1 ADC Configured in 12-bit Resolution

The mode control register for each conversion group contains a field called DATA\_FMT, which defines the format of the conversion result read out of the result RAM, when accessed as a FIFO.

The DATA\_FMT field is encoded as follows:

- If DATA\_FMT = 0, the complete 12-bit conversion result is read out of the FIFO.
- If DATA\_FMT = 1h, the 12-bit conversion result is right-shifted by 2 and the resulting 10-bit result is read out of the FIFO.
- If DATA\_FMT = 2h, the 12-bit conversion result is right-shifted by 4 and the resulting 8-bit result is read out of the FIFO.

This control field is not effective when the application chooses to access the conversion result memory directly. In that case, the application can choose to mask off the number of bits as required.

#### 22.2.2.7.2 ADC Configured in 10-bit Resolution

The DATA\_FMT field is not effective in this mode and the application has the choice to read either the full 10-bit conversion result or an 8-bit conversion result. This is controlled by the 8BIT field of the group's operating mode control register.

- If 8BIT = 0, the complete 10-bit conversion result is read out of the FIFO.
- If 8BIT = 1, the 10-bit conversion result is right-shifted by 2 and the resulting 8-bit result is read out of the FIFO.

### 22.2.2.8 Option to Read Group Channel ID Along With Conversion Result

The ADC module allows the application program to also read out the analog input channel number along with its conversion result. This capability is enabled by setting the CHID bit in the group's operating mode control register.

- If CHID = 0, bits [14-10] are forced to 00000 when the conversion results are read out from the group's results' FIFO.
- If CHID = 1, bits [14-10] in the group's results' memory contain the input channel number to which the conversion result belongs.

---

**NOTE: Actual Storage of Channel ID**

Regardless of whether the CHID bit is set or not, the channel number is **always stored** in the memory along with the conversion result. The CHID bit only affects whether the channel number is available with the conversion result **when the group's memory is read**. Therefore, the CHID bit for a group can be changed dynamically without affecting that group's ongoing conversions.

---

### 22.2.3 ADC Module Basic Interrupts

This section describes the basic interrupts generated by the ADC module.

#### 22.2.3.1 Group Conversion End Interrupt

The ADC module sets the group's conversion end flag (EV\_END, G1\_END, or G2\_END) in that group's interrupt flag register (ADEVINTFLG, ADG1INTFLG, ADG2INTFLG) when all the channels selected for conversion in that group are converted. This causes a group conversion end interrupt to be generated if this interrupt is enabled by setting the group's END\_INT\_EN control bit (EV\_END\_INT\_EN, G1\_END\_INT\_EN, or G2\_END\_INT\_EN).

This interrupt can be easily used for conversion groups configured to be in the single-conversion mode. The application program can read out the conversion results, change the group's configuration if necessary, and restart the conversions by triggering the group from within the interrupt service routine.

For groups configured to be in continuous conversion mode, this interrupt condition is not practical as the conversions are always in progress. In this case, the Group Memory Threshold Interrupt is more practical as the application can allow a programmable number of conversion results to accumulate before interrupting the CPU.

#### 22.2.3.2 Group Memory Threshold Interrupt

The ADC module has the ability to generate an interrupt for a fixed number of conversions for each group. A group memory threshold register determines how many conversion results must be in a group's memory region before the CPU is interrupted. This feature can be used to significantly reduce the CPU load when using interrupts for reading the conversion results.

The group's threshold register needs to be configured before the group conversions are triggered. This threshold register value behaves like a down-counter, which decrements each time the ADC writes a conversion result to this group's memory. This counter is incremented each time the application program reads a conversion result from the results' memory by accessing the FIFO queue. Simultaneous read (by application program) and write (by ADC module) operations from the group's results' memory leave the threshold counter unchanged.

The threshold counter can decrement past 0 and become negative. It always increments back to its original value when the memory region is emptied. To determine how many samples are in the memory region at a given moment, the threshold counter can be subtracted from the originally configured threshold count.

Whenever the threshold counter transitions from +1 to 0, it sets the group's threshold interrupt flag, and the CPU is interrupted if the group's threshold interrupt is enabled. The CPU is expected to clear the interrupt flag after reading the conversion results from the memory.

The interrupt flag is not set when the threshold counter stays at 0 or transitions from -1 to 0.

#### 22.2.3.3 Group Memory Overrun Interrupt

An interrupt can be generated for each group if the number of ADC conversions for that group exceed the number of buffers allocated for that conversion group. The application program can choose to read out all the conversion results using the CPU or the DMA. Alternatively, the application program can set the group's OVR\_RAM\_IGN bit and allow the ADC module to overwrite the group's results' memory contents with new conversion results.

## 22.2.4 ADC Module DMA Requests

This section describes the capabilities of the ADC module to take advantage of the Platform DMA controller module. The ADC module can generate a DMA request under two conditions:

### 22.2.4.1 DMA Request for Each Conversion Result Written to the Results' Memory

In this mode, the ADC module will generate the first DMA request as soon as a conversion result gets written to the group's results' memory. Subsequent writes to the results' memory will cause DMA requests to be generated. This mode allows a smaller amount of ADC results' memory to suffice for an application.

This DMA request generation is enabled by setting the group's DMA\_EN bit in the group's DMA control register. The BLK\_XFER bit in this register must be left cleared (default), if a DMA request is desired to be generated for new results getting written to the results' memory.

### 22.2.4.2 DMA Request for a Fixed Number of Conversion Results

This mode is enabled by setting both the group's DMA\_EN and the group's BLK\_XFER bits in the group's DMA control registers.

In this mode, a DMA request will be generated for a specified number of conversion results being available in the group's results' memory. The number of conversion results desired are configured using the group's BLOCKS field in the control registers.

For example, if the BLOCK count is configured for 10, then ADC module will generate a DMA request at the end of 10th conversion. DMA controller should complete reading out 10 data before next set of 10 conversions complete.

---

**NOTE: Usage of Block DMA transfers with Threshold Interrupts**

It is not recommended to enable the block DMA transfers for a group at the same time as the group threshold interrupt. The group's BLOCKS field is essentially the same as the group's THRESHOLD field in the group's interrupt control register described in [Section 22.2.3.2](#).

---

## 22.2.5 ADC Magnitude Threshold Interrupts

The ADC allows up to three magnitude threshold interrupts to be generated. The comparison parameters are programmed via the Magnitude Threshold Control Register (ADMAGINTxCR).

### 22.2.5.1 Magnitude Threshold Interrupt Configuration

The following fields are configurable for each of the three available magnitude threshold interrupts:

1. CHN\_THR\_COMP: Specifies whether to compare two channels' conversion results, or to compare a channel's conversion result to a programmable threshold value. A value of 0 will select the programmable threshold to be compared, and a value of 1 will select the conversion result of the channel identified by the COMP\_CHID field to be compared.
2. MAG\_CHID: Specifies the channel number from 0 to 31 whose conversion result needs to be monitored.
3. COMP\_CHID: Specifies the channel number from 0 to 31 whose last conversion result is used for the comparison with the conversion result of the channel being monitored.
4. MAG\_THRESHOLD: Specifies the value for comparison with the conversion result of the channel identified by the MAG\_CHID field.
5. CMP\_GE\_LT: Specifies whether the conversion result of the channel identified by MAG\_CHID is compared to be "greater than or equal to", or "less than" the reference value. The reference value can be the conversion result of another channel identified by the COMP CHID field, or it could be a threshold value specified in the MAG\_THRESHOLD field. A value of 0 in the CMP\_GE\_LT field indicates a "less than" comparison and a value of 1 indicates a "greater than or equal to" comparison.

### 22.2.5.2 Magnitude Threshold Interrupt Comparison Mask Configuration

There is also a separate comparison mask register (ADMAGINTxMASK) for each of the three magnitude threshold interrupts. This register is used to specify the bits that are masked off for the sake of the comparison. For example, the lower 4 bits of the conversion result can be masked off by writing 0xf to the interrupt comparison mask register, allowing a gross comparison to be made. By default, the full 10/12-bit conversion results are compared.

### 22.2.5.3 Magnitude Threshold Interrupt Enable / Disable Control

Each of the three magnitude interrupts also have separate interrupt enable set (ADMAGTHRINTENASET) and clear (ADMAGTHRINTENACLR) registers. These are used to respectively enable and disable that particular magnitude threshold interrupt from being generated. To enable a magnitude threshold interrupt, write a 1 to the corresponding bit of the interrupt enable set register. Conversely, to disable a magnitude threshold interrupt, write a 1 to the corresponding bit of the interrupt enable clear register.

### 22.2.5.4 Magnitude Threshold Interrupt Flags

There is a separate Magnitude Interrupt Flag register (ADMAGINTFLG) that holds the flags for these three interrupts. This flag gets set whenever the comparison condition for the corresponding interrupt is met. A magnitude threshold interrupt is generated if the corresponding flag is set inside the flag register, and the interrupt generation is enabled. This flag can be cleared by writing a 1 to the flag or by reading from the interrupt offset register in case of this interrupt being the current highest-priority pending interrupt.

### 22.2.5.5 Magnitude Threshold Interrupt Offset Register

It is possible to have multiple magnitude threshold interrupts pending at the same time. The magnitude threshold interrupt offset register (ADMAGINTOFF) holds the index of the currently pending highest priority magnitude threshold interrupt. The magnitude threshold interrupt 1 has the highest priority while the magnitude threshold interrupt 3 has the lowest priority. This is a read-only register and returns zeros if none of the magnitude threshold interrupts are pending. Writes to this register have no effect.

A read from this register updates the register to the next highest-priority pending magnitude threshold interrupt. This read also clears the corresponding flag from the magnitude threshold interrupt flag register. However, a read from the magnitude threshold interrupt offset register in emulation mode does not affect the interrupt flag register or the interrupt offset register.

## 22.2.6 ADC Special Modes

The ADC module supports some special modes for diagnostics and power saving purposes.

### 22.2.6.1 ADC Error Calibration Mode

The application program can activate a calibration sequence any time self-test mode is disabled (`SELF_TEST = 0`). This calibration sequence includes the conversion of an embedded calibration reference voltage followed by the calculation of an offset error correction value.

**NOTE: Disable Self-Test Mode Before Calibration**

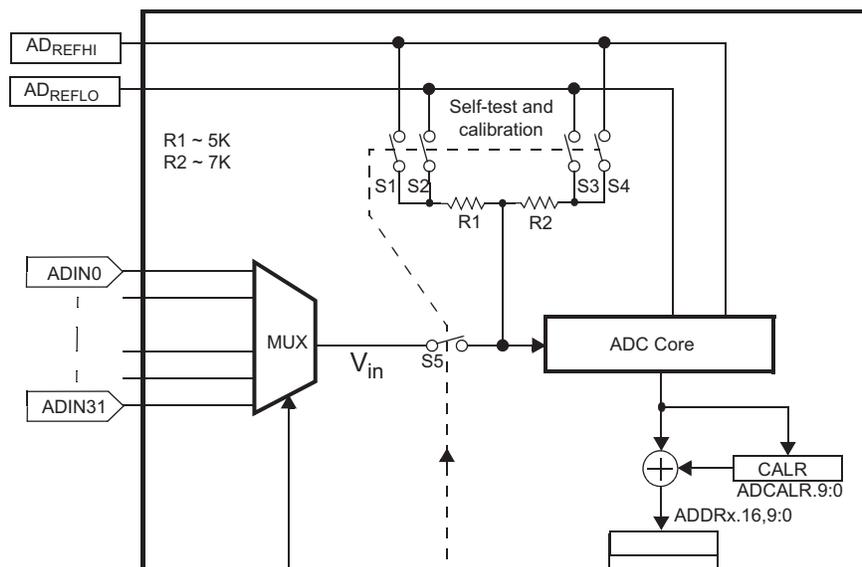
To avoid errors during the calibration operation, self-test mode must *not* be enabled during a calibration sequence. In addition, to ensure accurate results, calibrate the ADC in an environment with minimum noise.

Calibration mode is enabled by setting the `CAL_EN` bit (`ADCALCR.0`). The application needs to ensure that no conversion group is being serviced when the calibration mode is enabled.

The input multiplexor gets disabled and only the reference voltage is connected to the ADC core input. Switch `S5` of [Figure 22-13](#) is opened. In addition, the digital result issued from a conversion is output from the ADC core to the calibration and offset error correction register, `ADCALR`. The ADC results' memory is not affected by the calibration conversion.

When calibration mode is disabled, the ADC can be configured for normal conversions.

**Figure 22-13. Self-Test and Calibration Logic**



#### 22.2.6.1.1 Calibration Conversion

The calibration conversion also needs to meet the minimum sampling time specification for the ADC. This value is typically 1  $\mu$ s. The Event Group sample time register (`ADEVSAMP`) is used to specify the number of `ADCLK` cycles for the calibration conversion.

The `BRIDGE_EN` and `HILO` bits (`ADCALCR.9:8`) control the voltage to the calibration reference device shown in [Figure 22-15](#). The positions of the switches in calibration mode are listed in [Table 22-2](#).

**Table 22-2. Calibration Reference Voltages<sup>(1)</sup>**

CAL_EN	BRIDGE_EN	HILO	S1	S2	S3	S4	S5	Reference Voltage
1	0	0	1	0	1	0	0	$(AD_{REFHI} \times R1 + AD_{REFLO} \times R2) / (R1 + R2)$
1	0	1	0	1	0	1	0	$(AD_{REFLO} \times R1 + AD_{REFHI} \times R2) / (R1 + R2)$
1	1	0	0	1	1	0	0	$AD_{REFLO}$
1	1	1	1	0	0	1	0	$AD_{REFHI}$
0	X	X	0	0	0	0	1	$V_{in}$

<sup>(1)</sup> The state of the switches in this table assumes that self-test mode is not enabled.

When CAL\_ST (ADCALCR.16) is set, a calibration conversion is started. The voltage source selected via the bits BRIDGE\_EN and HILO is converted once (single conversion mode) and the digital result is returned to the calibration and correction register, ADCALR, where it can be read by the CPU. The CAL\_ST bit acts as a flag and must be polled by the CPU. It is held set during the conversion process and automatically clears to indicate the end of the reference voltage conversion.

**NOTE: No Interrupt for end of calibration**

The ADC does not generate an interrupt to signal the end of the calibration conversion. The application must poll the CAL\_ST bit to determine the end of the calibration conversion.

After the CAL\_ST bit is set by the application program, it can only be reset by the end of the ongoing conversion generated by the ADC core. If the calibration conversion is interrupted (CAL\_EN bit is cleared), the CAL\_ST bit is held at 1 until a new calibration conversion has been set and completed. Setting the CAL\_ST bit while calibration is disabled (CAL\_EN = 0) has no effect; however, in this situation, setting CAL\_EN immediately starts a calibration conversion. When the calibration conversion is interrupted by an ADC\_Enable (ADC\_EN = 0, CAL\_EN = 1, and CAL\_ST = 1), a new conversion is automatically restarted as soon as the ADC\_Enable bit is released (ADC\_EN = 1).

**22.2.6.1.2 Calibration and Offset Error Correction Sequences**

The number of measurements and the source to measure for an ADC calibration are application dependent. The CAL\_ST bit must be set for each calibration source to be measured. While calibration mode is enabled, any available calibration sources can be converted according to the BRIDGE\_EN and HILO bits (see Table 22-2). The digital results of the calibration measurements should be read from ADCALR by the application after each reference conversion so that a correction value can be computed and written back into ADCALR.

When the application has the necessary calibration data, it should compute the offset error correction value and load it into the calibration and correction register, ADCALR. After the CAL\_EN bit is cleared, normal conversion mode restarts, continuing from where it was frozen, but with the addition of self-correction data.

In normal mode, the self-correction system adds the correction value stored in ADCALR to each digital result before it is written to the respective group's FIFO.

The basic calibration routine is as follows:

1. Enable calibration via CAL\_EN (ADCALCR.0).
2. Select the voltage source via BRIDGE\_EN and HILO (ADCALCR.9:8).
3. Start the conversion with CAL\_ST (ADCALCR.16).
4. Wait for CAL\_ST to go to 0.
5. Get the results from ADCALR and save to memory.
6. Loop to step 2 until the calibration conversion data is collected for the desired reference voltages.
7. Compute the error correction value using calibration data saved in memory.
8. Load the ADCALR register with the 2s complement of the computed error correction value.
9. Disable calibration mode.

At this point, the ADC can be configured for normal operation, and it corrects each digital result with the error correction value loaded in ADCALR.

---

**NOTE: Prevent ADC Calibration Data From Being Overwritten**

In calibration mode, the conversion result is written to ADCALR that overwrites any previous calibration data; therefore, the ADCALR register must be read before a new conversion is started.

---

For no correction, a value of 0x0000 must be written to ADCALR. In noncalibration mode, the ADCALR register can be read and written. Any value written to ADCALR in normal mode (CAL\_EN = 0) is added to each digital result from the ADC core.

### 22.2.6.1.3 Mid-Point Calibration

Because of its connections to the ADC's reference voltage (VrefHi, VrefLo), the precision of the calibration reference is voltage independent. On the other hand, the accuracy of the switched bridge resistor (R1 & R2) relies on the manufacturing process deviation. Consequently, the mid-point voltage's accuracy can be affected due to the imperfections in the two resistors (expected mismatch error is around 1.5%).

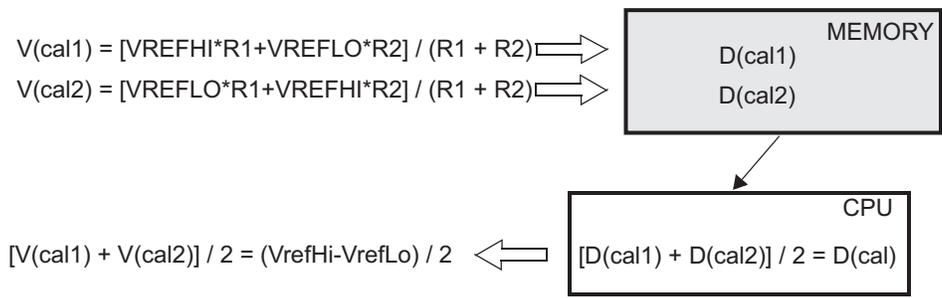
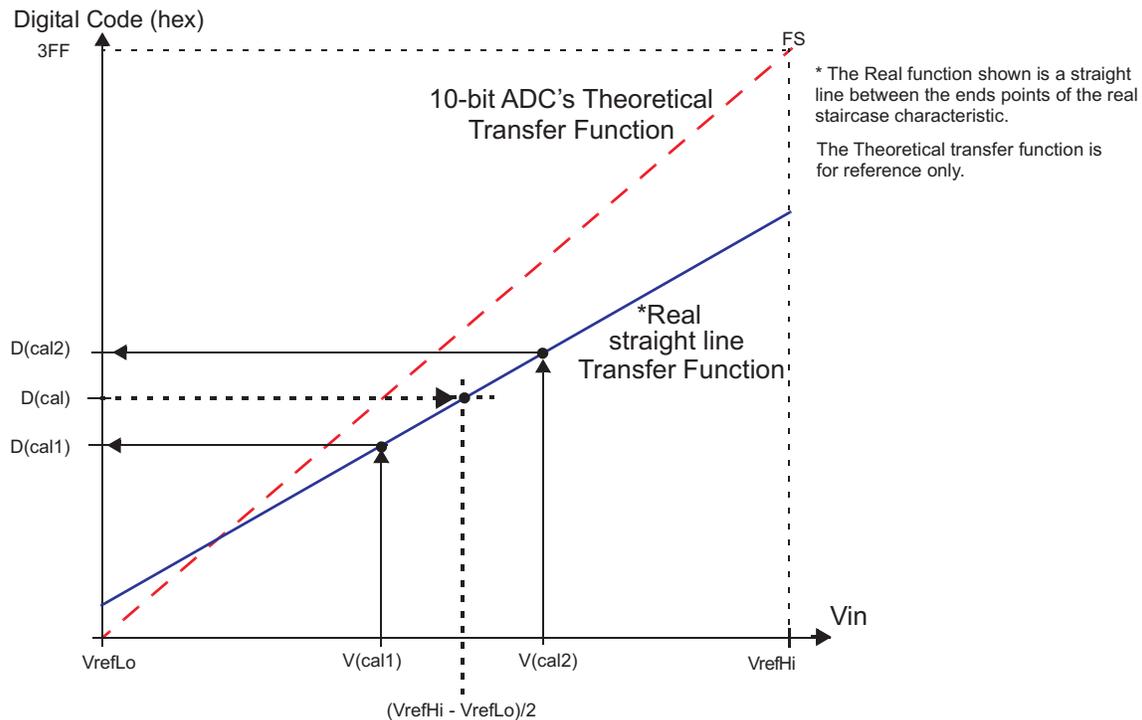
The switched reference voltage device has been specially designed to support a differential measurement of its mid-point voltage. This ensures the accuracy of the mid-point reference, and hence the efficiency of the calibration.

The differential mid-point calibration is software controlled; the algorithm (voltage source measurements and associated calculation) is inserted within the calibration software module included in the application program.

The basic differential mid-point calibration flow is illustrated here after:

1. The application program connects the voltage VrefHi to R1 and VrefLo to R2, (BRIDGE\_EN = 0, HILO = 0), launches a conversion of the input voltage V(cal1), and stores the digital result D(cal1) into the memory.
2. Then the application program switches the voltage VrefHi to R2 and VrefLo to R1 (BRIDGE\_EN = 0, HILO = 1), converts this new input voltage V(cal2) and again stores the issued digital result D(cal2) into the memory.
3. The actual value of the real middle point is obtained by computing the average of these two results.  $[D(cal1)+D(cal2)] / 2$ ; [Figure 22-14](#) summarizes the mid-point calibration flow.

Figure 22-14. Mid-point Value Calculation

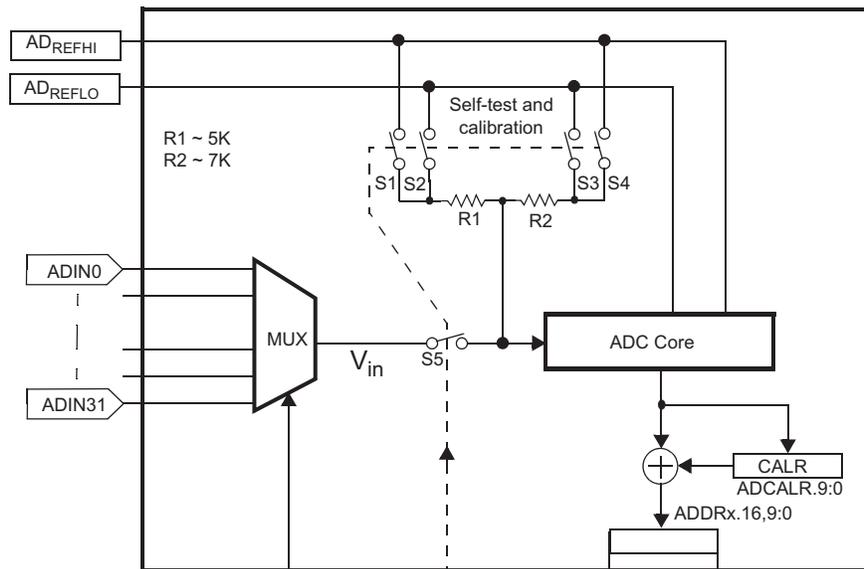


### 22.2.6.2 ADC Self-Test Mode

The ADC module supports a self-test mode which can be used to detect an open or a short on the ADC input channels. Self-test mode is enabled by setting the SELF\_TEST bit (ADCALCR.24). Any conversion type (continuous or single conversion, freeze enabled or non-freeze enabled, interrupts enabled or disabled) can be performed in this mode.

In normal mode, setting the self-test mode while a conversion sequence is in process can corrupt the current channel conversion results. However, the next channel in the sequence is converted correctly during the additional self-test cycle. The logic associated with both self-test and calibration is shown in Figure 22-15.

Figure 22-15. Self-Test and Calibration Logic



In self-test mode, a test voltage defined by the HILO bit (ADCALCR.8) is provided to the ADC core input through a resistor (see Table 22-3). To change the test source, this bit can be toggled before any single conversion mode request. Changing this bit while a conversion is in progress *can* corrupt the results if the source switches during the acquisition period.

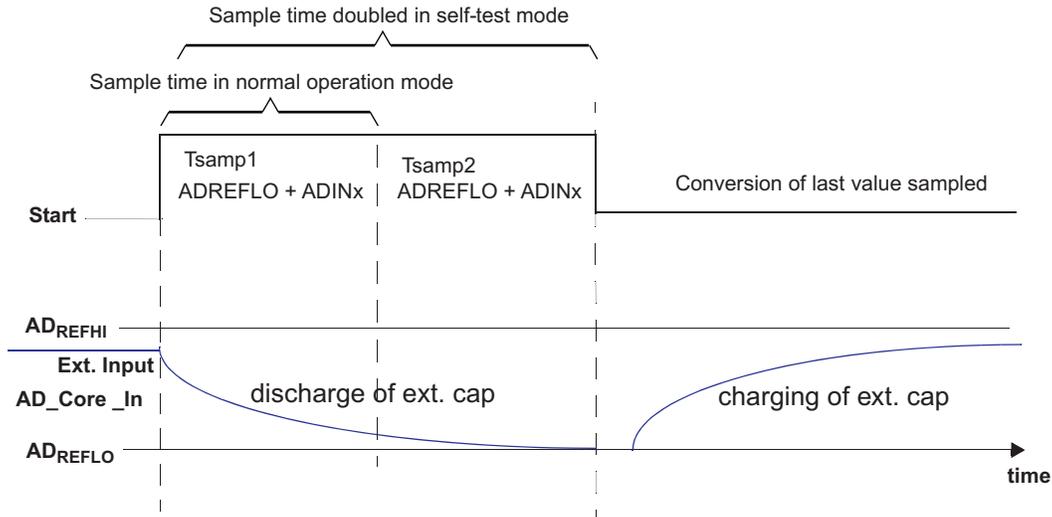
Note that the switch S5 shown in Figure 22-15 is only for the purpose of explaining the self-test sequence. There is no physical switch.

Table 22-3. Self-Test Reference Voltages<sup>(1)</sup>

SELF_TEST	HILO	S1	S2	S3	S4	S5	Reference Voltage
1	0	0	1	1	0	1	ADREFLO via R1    R2 connected to $V_{in}$
1	1	1	0	0	1	1	ADREFHI via R1    R2 connected to $V_{in}$
0	X	0	0	0	0	1	$V_{in}$

<sup>(1)</sup> Switches refer to Figure 22-15.

Conversions in self-test mode are started just as they are in the normal operating mode (see Section 22.2.1.6). The conversion starts according to the configuration set in the three mode control registers (ADEVMODECR, ADG1MODECR, ADG2MODECR) and the sampling time control registers (ADEVSAMP, ADG1SAMP, ADG2SAMP). The acquisition time for each conversion in self-test mode is extended to twice the normal configured acquisition time. The selected reference voltage and the input voltage from the ADINx input channel are both connected to the ADC internal sampling capacitor throughout this extended acquisition period. Figure 22-16 shows the self-test mode timing when the ADREFLO is chosen as the reference voltage for the self-test mode conversion. It also assumes an external capacitor connected to the ADC input channel.

**Figure 22-16. Timing for Self-Test Mode**


### 22.2.6.2.1 Use of Self-Test Mode to Determine Open/Short on ADC Input Channels

The following sequence needs to be used to deduce the ADC pin status:

- Convert the channel with self test enabled and with the reference voltage as  $V_{reflo}$ . Store the conversion result, say  $V_d$ .
- Convert the channel with self test enabled and with the reference voltage as  $V_{refhi}$ . Store the conversion result, say  $V_u$ .
- Convert the channel with self test disabled. Store the conversion result, say  $V_n$ .

The results can be interpreted using the following table.

**Table 22-4. Determination of ADC Input Channel Condition**

Normal Conversion Result, $V_n$	Self-test Conversion Result, $V_u$	Self-test Conversion Result, $V_d$	Pin Condition
$V_n$	$V_n < V_u < AD_{REFHI}$	$AD_{REFLO} < V_d < V_n$	Good
$AD_{REFHI}$	$AD_{REFHI}$	approx. $AD_{REFHI}$	Shorted to $AD_{REFHI}$
$AD_{REFLO}$	approx. $AD_{REFLO}$	$AD_{REFLO}$	Shorted to $AD_{REFLO}$
Unknown	$AD_{REFHI}$	$AD_{REFLO}$	Open

### 22.2.6.3 ADC Power-Down Mode

This is an inactive mode in which the clocks to the ADC module are stopped leaving the module in a static state. The clock to the ADC core ( $ADCLK$ ) is stopped whenever there are no ongoing conversions. This is the clock-gating implementation requirement. Also, the ADC module places the ADC core into the power down mode such that there is minimal current drawn from the ADC operating and reference supplies.

#### 22.2.6.3.1 Powering Down Just The ADC Core

The ADC core can be individually powered down without stopping the clocks to the ADC module. This can be done by setting the  $POWERDOWN$  bit of the ADC Operating Mode Control Register ( $ADOPMODECR.3$ ). Whenever a conversion is required the  $POWERDOWN$  bit must be cleared, and a minimum time  $t_{d(PU-ADV)}$ , (see the specific device data sheet for actual value) has to be allowed before starting a new conversion. This wait must be implemented in the application software.

### 22.2.6.3.2 Enhanced Power-Down Mode

A bit in the ADC operating mode control register, IDLE\_PWRDN (ADOPMODECR.4) enables the enhanced power-down mode of the ADC.

Once this bit is set, the ADC module will power down the ADC core whenever there are no more ongoing or pending ADC conversions. The ADC core will be powered down regardless of the state of the POWERDOWN bit (ADOPMODECR.3).

The ADC module releases the ADC core from power down mode as soon as a new conversion is requested. The ADC logic state machine then has to wait for at least  $t_{d(PU-ADV)}$  (see the device data sheet for actual value) before starting a new conversion. The IDLE\_PWRDN bit will remain set at all times. The logic state machine can use this bit to determine that it needs to wait for a programmable number of VCLK cycles before it allows the input channel to be sampled. This time is configured by the ADC Power Up Delay Control register (ADPWRUPDLYCTRL).

If IDLE\_PWRDN is not set, the ADC module does not wait for any additional delay before sampling the input channel and the application software has to take account of this required delay.

### 22.2.6.3.3 Managing Clocks to the ADC Module

The clock to the ADC module can be turned off via the appropriate Peripheral Central Resource (PCR) controller PSPWRDNSET register (check the specific device datasheet to identify the register and the bit to be set). If a conversion is ongoing when this bit is set, the ADC module will wait until the current conversion completes before allowing the ADC module clock to be stopped.

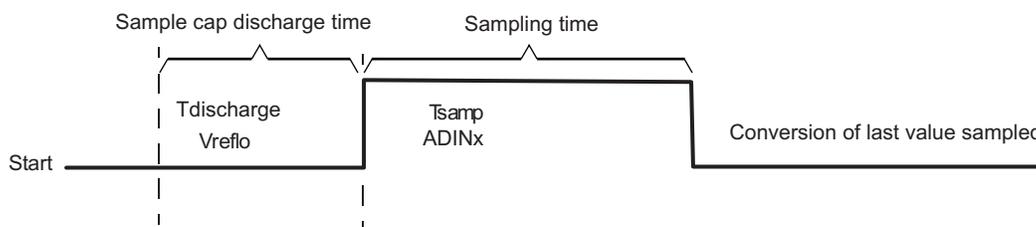
### 22.2.6.4 ADC Sample Capacitor Discharge Mode

This mode allows the charge on the ADC core's internal sampling capacitor to be discharged before starting the sampling phase of the next channel.

The ADC Sample Cap Discharge Mode is enabled by setting the SAMP\_DIS\_EN bit of the group's ADSAMPDISEN register. A discharge period for the sampling capacitor is added before the sampling period for each channel as shown in Figure 22-17. The duration of this discharge period is configurable via the corresponding group's \_SAMP\_DIS\_CYC field in the ADSAMPDISEN register. The discharge time is specified in terms of number of ADCLK cycles.

During the sample capacitor discharge period, the  $V_{REFLO}$  reference voltage is connected to the input voltage terminal of the ADC core. This allows any charge collected on the sampling capacitor from the previous conversion to be discharged to ground. The  $V_{REFLO}$  reference voltage is usually connected to ground.

Figure 22-17. Timing for Sample Capacitor Discharge Mode



## 22.2.7 ADC Results' RAM Special Features

The following section describes some of the special features supported by the ADC module to enhance the results' RAM testability and integrity.

### 22.2.7.1 ADC Results' RAM Auto-Initialization

The ADC module allows the application to auto-initialize the ADC results' RAM to all zeros. The application must ensure that the ADC module is not in any of the conversion modes before triggering off the auto-initialization process.

The auto-initialization sequence is as follows:

1. Enable the global hardware memory initialization key by programming a value of 1010 to the bits [3-0] of the MINITGCR register of the System module.
2. Set the control bit for the ADC results' RAM in the MSINENA System module register. The bit 8 of the MSINENA register is used to control the initialization of the ADC1 results' RAM, while bit 14 controls the initialization of the ADC2 results' RAM. This starts the initialization process. The BUF\_INIT\_ACTIVE flag in the ADBNDEND register will get set to reflect that the initialization is ongoing.
3. When the memory initialization is completed, the corresponding status bit in the MINISTAT register will be set. Also, the BUF\_INIT\_ACTIVE flag will get cleared.

### 22.2.7.2 ADC Results' RAM Test Mode

In the defined conversion modes of the ADC, the application can only read from the ADC results' RAM. Only the ADC module is allowed to write to the results' RAM. A special test mode is defined to allow the application to also write into the ADC results' RAM - this mode is the ADC Results' RAM Test Mode. Only 32-bit reads and writes are allowed to the ADC results' RAM in this test mode.

---

**NOTE: Contention on access to ADC Results' RAM**

The ADC module cannot handle a contention between the application write to the results' RAM and the ADC writing a conversion result to the results' RAM. The application must ensure that the ADC is not likely to write a new conversion result to the results' RAM when the ADC Results' RAM Test Mode is enabled.

---

The ADC Results' RAM Test Mode is enabled by setting the RAM\_TEST\_EN bit in the ADOPMODECR.

### 22.2.7.3 ADC Results' RAM Parity

The following shows the ADC Results' RAM parity control registers.

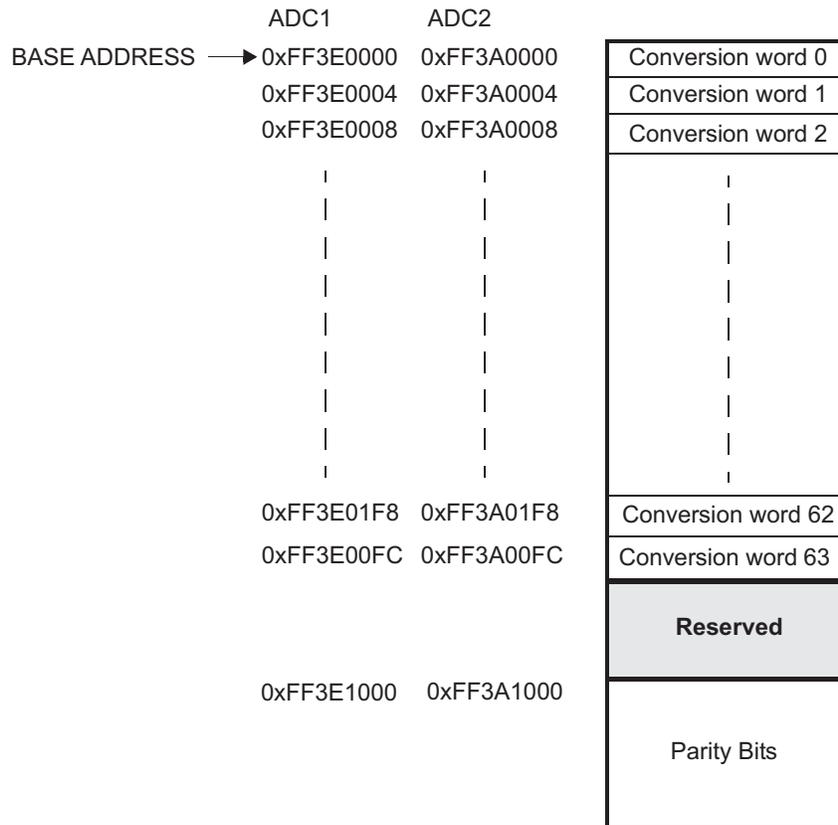
Parity checking is implemented using parity on a per-half word basis for the ADC RAM. That is, there is one parity bit for 16 bits of the ADC RAM. The polarity of the ADC RAM parity is controlled by the DEVCR1 register in the system module (address = 0xFFFFFDC). The parity checking is enabled by the ADPARCR register. After reset, the parity checking is disabled and must be enabled if parity protection is required.

During a read access, the parity is calculated based on the data read from the ADC RAM and compared with the good parity value stored in the parity bits. If any word fails the parity check then the ADC generates an error signal hooked up to the Error Signaling Module (ESM). The ADC RAM address which generated the parity error is captured for host system debugging, and is frozen from being updated until it is read by the application.

**Testing the Parity Checking Mechanism:**

To test the parity checking mechanism itself, the parity RAM is made writable by the CPU in a special test mode. This is done by a control bit called TEST in the AD PAR CR register. Once this bit is set, the parity bits are mapped to an address starting at an address offset of 4KB from the base address of the ADC RAM. See [Figure 22-18](#). The CPU can now manually insert parity errors. Note that the ADC RAM only supports 32-bit accesses.

**Figure 22-18. ADC Memory Map in Parity Test Mode**



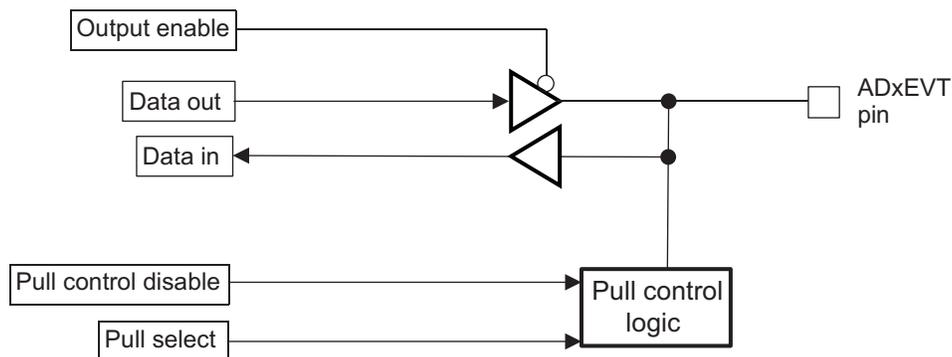
**22.2.8 ADEVT Pin General Purpose I/O Functionality**

The AD1EVT pin for ADC1 and AD2EVT pin for ADC2 can be configured as general-purpose I/O signals. The following sections describe the different ways in which the application can configure the ADxEVT pins.

**22.2.8.1 GPIO Functionality**

Figure 22-19 illustrates the GPIO functionality of the ADxEVT pin.

**Figure 22-19. GPIO Functionality of ADxEVT**



Once the device power-on reset is released, the ADC module controls the state of the ADxEVT pin.

- **Pull control:** The pull control can either be enabled or disabled by default (while system reset is active and after it is released). The actual default state of the pull control is specified in the device datasheet. The application can enable pull control by clearing the PDIS (pull control disable) bit in the ADEVTPDIS register. In this case, if the PSEL (pull select) bit in the ADEVTPSEL register is set, the pin will have a pull-up. If the PSEL bit is cleared, the pin will have a pull-down. If the PDIS bit is set in the control register, there is no pull-up or pull-down on the pin.

---

**NOTE: Pull Behavior when ADxEVT is configured as output**

If the ADxEVT pin is configured as output, then the pulls are disabled automatically. If the pin is configured as input, the pulls are enabled or disabled depending on bit PDIS in the pull disable register ADEVTPDIS.

---

- **Output buffer:** The ADxEVT pin can be driven as an output pin if the ADEVTDIR bit is set in the pin direction control register.
- **Open-Drain Feature:** The open drain output capability is enabled via the ADEVTPDR control register. The ADxEVT pin must be also configured to be an output pin for this mode.
  - The output buffer is enabled if a low signal is being driven on to the pin.
  - The output buffer is disabled if a high signal is being driven on to the pin.

### 22.2.8.2 Summary

The behavior of the output buffer, and the pull control is summarized in [Table 22-5](#). The input buffer for the ADxEVT pins are enabled once the device power-on reset is released.

**Table 22-5. Output Buffer and Pull Control Behavior for ADxEVT as GPIO Pins<sup>(1)</sup>**

System Reset Active?	Pin Direction (DIR) <sup>(2)</sup>	Pull Disable (PDIS) <sup>(3)</sup>	Pull Select (PSEL) <sup>(4)</sup>	Pull Control	Output Buffer
Yes	X	X	X	Enabled	Disabled
No	0	0	0	Pull down	Disabled
No	0	0	1	Pull up	Disabled
No	0	1	0	Disabled	Disabled
No	0	1	1	Disabled	Disabled
No	1	X	X	Disabled	Enabled

<sup>(1)</sup> X = Don't care

<sup>(2)</sup> DIR = 0 for input, 1 for output

<sup>(3)</sup> PULDIS = 0 for enabling pull control, 1 for disabling pull control

<sup>(4)</sup> PULSEL = 0 for pull-down functionality, 1 for pull-up functionality

## 22.3 ADC Registers

All registers in the ADC module are 32-bit, word-aligned; 8-bit, 16-bit and 32-bit accesses are allowed. The application must ensure that the reserved bits are always written as 0 to ensure software compatibility to future revisions of the module. [Table 22-6](#) shows register address offsets from the base address of the ADC modules. The base address of ADC1 registers is FFF7 C000h and the base address of ADC2 registers is FFF7 C200h.

**Table 22-6. ADC Registers**

Offset	Acronym	Register Description	Section
00h	ADRSTCR	ADC Reset Control Register	<a href="#">Section 22.3.1</a>
04h	ADOPMODECR	ADC Operating Mode Control Register	<a href="#">Section 22.3.2</a>
08h	ADCLOCKCR	ADC Clock Control Register	<a href="#">Section 22.3.3</a>
0Ch	ADCALCR	ADC Calibration Mode Control Register	<a href="#">Section 22.3.4</a>
10h	ADEVMODECR	ADC Event Group Operating Mode Control Register	<a href="#">Section 22.3.5</a>
14h	ADG1MODECR	ADC Group1 Operating Mode Control Register	<a href="#">Section 22.3.6</a>
18h	ADG2MODECR	ADC Group2 Operating Mode Control Register	<a href="#">Section 22.3.7</a>
1Ch	ADEVSR	ADC Trigger Source Select Register	<a href="#">Section 22.3.8</a>
20h	ADG1SRC	ADC Group1 Trigger Source Select Register	<a href="#">Section 22.3.9</a>
24h	ADG2SRC	ADC Group2 Trigger Source Select Register	<a href="#">Section 22.3.10</a>
28h	ADEVINTENA	ADC Event Interrupt Enable Control Register	<a href="#">Section 22.3.11</a>
2Ch	ADG1INTENA	ADC Group1 Interrupt Enable Control Register	<a href="#">Section 22.3.12</a>
30h	ADG2INTENA	ADC Group2 Interrupt Enable Control Register	<a href="#">Section 22.3.13</a>
34h	ADEVINTFLG	ADC Event Group Interrupt Flag Register	<a href="#">Section 22.3.14</a>
38h	ADG1INTFLG	ADC Group1 Interrupt Flag Register	<a href="#">Section 22.3.15</a>
3Ch	ADG2INTFLG	ADC Group2 Interrupt Flag Register	<a href="#">Section 22.3.16</a>
40h	ADEVTHRINTCR	ADC Event Group Threshold Interrupt Control Register	<a href="#">Section 22.3.17</a>
44h	ADG1THRINTCR	ADC Group1 Threshold Interrupt Control Register	<a href="#">Section 22.3.18</a>
48h	ADG2THRINTCR	ADC Group2 Threshold Interrupt Control Register	<a href="#">Section 22.3.19</a>
4Ch	ADEVDMACR	ADC Event Group DMA Control Register	<a href="#">Section 22.3.20</a>
50h	ADG1DMACR	ADC Group1 DMA Control Register	<a href="#">Section 22.3.21</a>
54h	ADG2DMACR	ADC Group2 DMA Control Register	<a href="#">Section 22.3.22</a>
58h	ADBNDCR	ADC Results Memory Configuration Register	<a href="#">Section 22.3.23</a>
5Ch	ADBNDEND	ADC Results Memory Size Configuration Register	<a href="#">Section 22.3.24</a>
60h	ADEVSAMP	ADC Event Group Sampling Time Configuration Register	<a href="#">Section 22.3.25</a>
64h	ADG1SAMP	ADC Group1 Sampling Time Configuration Register()	<a href="#">Section 22.3.26</a>
68h	ADG2SAMP	ADC Group2 Sampling Time Configuration Register	<a href="#">Section 22.3.27</a>
6Ch	ADEVSR	ADC Event Group Status Register	<a href="#">Section 22.3.28</a>
70h	ADG1SR	ADC Group1 Status Register	<a href="#">Section 22.3.29</a>
74h	ADG2SR	ADC Group2 Status Register	<a href="#">Section 22.3.30</a>
78h	ADEVSEL	ADC Event Group Channel Select Register	<a href="#">Section 22.3.31</a>
7Ch	ADG1SEL	ADC Group1 Channel Select Register	<a href="#">Section 22.3.32</a>
80h	ADG2SEL	ADC Group2 Channel Select Register	<a href="#">Section 22.3.33</a>
84h	ADCALR	ADC Calibration and Error Offset Correction Register	<a href="#">Section 22.3.34</a>
88h	ADSMSTATE	ADC State Machine Status Register	<a href="#">Section 22.3.35</a>
8Ch	ADLASTCONV	ADC Channel Last Conversion Value Register	<a href="#">Section 22.3.36</a>
90h-AFh	ADEVBUFFER	ADC Event Group Results FIFO Register	<a href="#">Section 22.3.37</a>
B0h-CFh	ADG1BUFFER	ADC Group1 Results FIFO Register	<a href="#">Section 22.3.38</a>
D0h-EFh	ADG2BUFFER	ADC Group2 Results FIFO Register	<a href="#">Section 22.3.39</a>
F0h	ADEVEMUBUFFER	ADC Event Group Results Emulation FIFO Register	<a href="#">Section 22.3.40</a>
F4h	ADG1EMUBUFFER	ADC Group1 Results Emulation FIFO Register	<a href="#">Section 22.3.41</a>

**Table 22-6. ADC Registers (continued)**

Offset	Acronym	Register Description	Section
F8h	ADG2EMUBUFFER	ADC Group2 Results Emulation FIFO Register	<a href="#">Section 22.3.42</a>
FCh	ADEVTDIR	ADC ADEVT Pin Direction Control Register	<a href="#">Section 22.3.43</a>
100h	ADEVTOUT	ADC ADEVT Pin Output Value Control Register	<a href="#">Section 22.3.44</a>
104h	ADEVTIN	ADC ADEVT Pin Input Value Register	<a href="#">Section 22.3.45</a>
108h	ADEVTSET	ADC ADEVT Pin Set Register	<a href="#">Section 22.3.46</a>
10Ch	ADEVTCLR	ADC ADEVT Pin Clear Register	<a href="#">Section 22.3.47</a>
110h	ADEVTPDR	ADC ADEVT Pin Open Drain Enable Register	<a href="#">Section 22.3.48</a>
114h	ADEVTPDIS	ADC ADEVT Pin Pull Control Disable Register	<a href="#">Section 22.3.49</a>
118h	ADEVTPSEL	ADC ADEVT Pin Pull Control Select Register	<a href="#">Section 22.3.50</a>
11Ch	ADEVSAMPDISEN	ADC Event Group Sample Cap Discharge Control Register	<a href="#">Section 22.3.51</a>
120h	ADG1SAMPDISEN	ADC Group1 Sample Cap Discharge Control Register	<a href="#">Section 22.3.52</a>
124h	ADG2SAMPDISEN	ADC Group2 Sample Cap Discharge Control Register	<a href="#">Section 22.3.53</a>
128h-138h	ADMAGINTxCR	ADC Magnitude Compare Interrupt Control Register	<a href="#">Section 22.3.54</a>
12Ch-13Ch	ADMAGxMASK	ADC Magnitude Compare Mask Register	<a href="#">Section 22.3.55</a>
158h	ADMAGINTENASET	ADC Magnitude Compare Interrupt Enable Set Register	<a href="#">Section 22.3.56</a>
15Ch	ADMAGINTENACLR	ADC Magnitude Compare Interrupt Enable Clear Register	<a href="#">Section 22.3.57</a>
160h	ADMAGINTFLG	ADC Magnitude Compare Interrupt Flag Register	<a href="#">Section 22.3.58</a>
164h	ADMAGINTOFF	ADC Magnitude Compare Interrupt Offset Register	<a href="#">Section 22.3.59</a>
168h	ADEVFIFORESETCR	ADC Event Group FIFO Reset Control Register	<a href="#">Section 22.3.60</a>
16Ch	ADG1FIFORESETCR	ADC Group1 FIFO Reset Control Register	<a href="#">Section 22.3.61</a>
170h	ADG2FIFORESETCR	ADC Group2 FIFO Reset Control Register	<a href="#">Section 22.3.62</a>
174h	ADEVRAMWRADDR	ADC Event Group RAM Write Address Register	<a href="#">Section 22.3.63</a>
178h	ADG1RAMWRADDR	ADC Group1 RAM Write Address Register	<a href="#">Section 22.3.64</a>
17Ch	ADG2RAMWRADDR	ADC Group2 RAM Write Address Register	<a href="#">Section 22.3.65</a>
180h	ADPARCR	ADC Parity Control Register	<a href="#">Section 22.3.66</a>
184h	ADPARADDR	ADC Parity Error Address Register	<a href="#">Section 22.3.67</a>
188h	ADPWRUPDLYCTRL	ADC Power-Up Delay Control Register	<a href="#">Section 22.3.68</a>
190h	ADEVCHNSELMODECTRL	ADC Event Group Channel Selection Mode Control Register	<a href="#">Section 22.3.69</a>
194h	ADG1CHNSELMODECTRL	ADC Group1 Channel Selection Mode Control Register	<a href="#">Section 22.3.70</a>
198h	ADG2CHNSELMODECTRL	ADC Group2 Channel Selection Mode Control Register	<a href="#">Section 22.3.71</a>
19Ch	ADEVCURRCOUNT	ADC Event Group Current Count Register	<a href="#">Section 22.3.72</a>
1A0h	ADEVMAXCOUNT	ADC Event Group Max Count Register	<a href="#">Section 22.3.73</a>
1A4h	ADG1CURRCOUNT	ADC Group1 Current Count Register	<a href="#">Section 22.3.74</a>
1A8h	ADG1MAXCOUNT	ADC Group1 Max Count Register	<a href="#">Section 22.3.75</a>
1ACh	ADG2CURRCOUNT	ADC Group2 Current Count Register	<a href="#">Section 22.3.76</a>
1B0h	ADG2MAXCOUNT	ADC Group2 Max Count Register	<a href="#">Section 22.3.77</a>

### 22.3.1 ADC Reset Control Register (ADRSTCR)

Figure 22-20 and Table 22-7 describe the ADRSTCR register.

**Figure 22-20. ADC Reset Control Register (ADRSTCR) [offset = 00]**

31	Reserved	1	0
	R-0		RESET R/WP-0

LEGEND: R/W = Read/Write; R = Read only; WP = Write in privileged mode only; -n = value after reset

**Table 22-7. ADC Reset Control Register (ADRSTCR) Field Descriptions**

Bit	Field	Value	Description
31-1	Reserved	0	Reads return zeros, writes have no effect.
0	RESET	0	This bit is used to reset the ADC internal state machines and control/status registers. This reset state is held until this bit is cleared. Read in all modes, write in privileged mode. Module is released from the reset state.
		1	All the module's internal state machines and the control/status registers are reset.

### 22.3.2 ADC Operating Mode Control Register (ADOPMODECR)

Figure 22-21 and Table 22-8 describe the ADOPMODECR register.

**Figure 22-21. ADC Operating Mode Control Register (ADOPMODECR) [offset = 04]**

31	30	25	24
10_12_BIT	Reserved		COS
R/W-0	R-0		RW-0
23	21	20	17
Reserved		CHN_TEST_EN	RAM_TEST_EN
	R-0	R/W-Ah	R/W-0
15		9	8
	Reserved		POWER DOWN
	R-0		RW-0
7	5	4	3
Reserved		IDLE_PWRDN	Reserved
R-0		R/W-0	R-0
			1
			0
			ADC_EN
			RW-0

LEGEND: R/W = Read/Write; R = Read only; -n = value after reset

**Table 22-8. ADC Operating Mode Control Register (ADOPMODECR) Field Descriptions**

Bit	Field	Value	Description
31	10_12_BIT	0	This bit controls the resolution of the ADC core. It also affects the size of the conversion results stored in the results' RAM. Any operation mode read/write: The ADC core and digital logic are configured to be in 10-bit resolution. This is the default mode of operation.
		1	The ADC core and digital logic are configured to be in 12-bit resolution.
30-25	Reserved	0	Read returns 0. Writes have no effect.

**Table 22-8. ADC Operating Mode Control Register (ADOPMODECR) Field Descriptions (continued)**

Bit	Field	Value	Description
24	COS	0 1	<p>This bit affects <i>emulation operation only</i>. It defines whether the ADC core clock (ADCLK) is immediately halted when the emulation system enters suspend mode or if it should continue operating normally.</p> <p><b>Note:</b> If COS = 0 when the ADC module enters the emulation mode, then the accuracy of the conversion results can be affected depending on how long the module stays in the emulation mode.</p> <p>Any operation mode read/write:</p> <p>0 ADC module halts all ongoing conversions immediately after emulation mode is entered.</p> <p>1 ADC module continues all ongoing conversions as per the configurations of the three conversion groups.</p>
23-21	Reserved	0	Read returns 0. Writes have no effect.
20-17	CHN_TEST_EN	Ah 5h other values	<p>Enable the input channels' impedance measurement mode.</p> <p><b>This mode is reserved for use by TI.</b></p> <p>Any operation mode read/write:</p> <p>Ah Input impedance measurement mode is disabled.</p> <p>5h Input impedance measurement mode is enabled.</p> <p>other values Input impedance measurement mode is disabled.</p>
16	RAM_TEST_EN	0 1	<p>Enable the ADC Results' RAM Test Mode.</p> <p>Refer to <a href="#">Section 22.2.7.2</a> for more details.</p> <p>Any operation mode read/write:</p> <p>0 ADC RAM Test Mode is disabled. The application cannot write to the ADC RAM by the CPU or the DMA.</p> <p>1 ADC RAM Test Mode is enabled. The application can directly write to the ADC RAM by the CPU or the DMA.</p>
15-9	Reserved	0	Read returns 0. Writes have no effect.
8	POWERDOWN	0 1	<p>ADC Power Down. This bit powers down only the ADC core; the digital logic in the sequencer stays active. To release the core from power down mode, this bit must be cleared. If a conversion is ongoing, the ADC module will wait until the current conversion is completed before powering down the ADC core.</p> <p>Also refer to <a href="#">Section 22.3.68</a>, ADC Power-Up Delay Control Register (ADPWRUPDLYCTRL).</p> <p>Any operation mode read/write:</p> <p>0 The state of the ADC core is controlled by the IDLE_PWRDN bit, or by a global power down mode entry.</p> <p>1 ADC core is in the power-down state.</p>
7-5	Reserved	0	Read returns 0. Writes have no effect.
4	IDLE_PWRDN	0 1	<p>ADC Power Down When Idle. When this bit is set, the ADC module will automatically power down the ADC core whenever there are no conversions ongoing or pending. This is the enhanced power down mode.</p> <p>Also refer to <a href="#">Section 22.3.68</a>, ADC Power-Up Delay Control Register (ADPWRUPDLYCTRL).</p> <p>Any operation mode read/write:</p> <p>0 The ADC stays in the normal operating mode even if no conversions are ongoing or pending. The power down state is entered only by configuring the POWER DOWN bit or via a global power down mode entry.</p> <p>1 Enhanced power down mode is enabled.</p>
3-1	Reserved	0	Read returns 0. Writes have no effect.
0	ADC_EN	0 1	<p>ADC Enable. This bit must be set to allow the ADC module to be configured to perform any conversions.</p> <p>Any operation mode read/write:</p> <p>0 No ADC conversions can occur. The input channel select registers: ADEVSEL, ADG1SEL, and ADG2SEL are held at their reset values.</p> <p>1 ADC conversions can now proceed as configured.</p>

### 22.3.3 ADC Clock Control Register (ADCLOCKCR)

Figure 22-22 and Table 22-9 describe the ADCLOCKCR register.

**Figure 22-22. ADC Clock Control Register (ADCLOCKCR) [offset = 08h]**

31	Reserved	5	4	0
	R-0			PS R/W-0

LEGEND: R/W = Read/Write; R = Read only; -n = value after reset

**Table 22-9. ADC Clock Control Register (ADCLOCKCR) Field Descriptions**

Bit	Field	Value	Description
31-5	Reserved	0	Reads return zeros, writes have no effect.
4-0	PS	0-1Fh	<p>ADC Clock Prescaler. These bits define the prescaler value for the ADC core clock (ADCLK). The ADCLK is generated by dividing down the input bus clock (VCLK) to the ADC module.</p> <p><b>Note:</b> The supported range for the ADC clock frequency is specified in the device datasheet. The ADC clock prescaler must be configured to meet this datasheet specification.</p> <p>Any operation mode read/write:</p> $t_{C(ADCLK)} = t_{C(VCLK)} \times (PS[4:0] + 1),$ <p>where <math>t_{C(ADCLK)}</math> is the period of the ADCLK and <math>t_{C(VCLK)}</math> is the period of the VCLK.</p>

### 22.3.4 ADC Calibration Mode Control Register (ADCALCR)

Figure 22-23 and Table 22-10 describe the ADCALCR register.

**Figure 22-23. ADC Calibration Mode Control Register (ADCALCR) [offset = 0Ch]**

31	Reserved	25	24
	R-0		SELF_TEST RW-0
23	Reserved	17	16
	R-0		CAL_ST R/S-0
15	Reserved	10	9
	R-0		BRIDGE_EN RW-0
7	Reserved	1	0
	R-0		CAL_EN RW-0

LEGEND: R/W = Read/Write; R = Read only; S = Set; -n = value after reset

**Table 22-10. ADC Calibration Mode Control Register (ADCALCR) Field Descriptions**

Bit	Field	Value	Description
31-25	Reserved	0	Read returns 0. Writes have no effect.
24	SELF_TEST	0 1	ADC Self Test Enable. When this bit is Set, either AD <sub>REFHI</sub> or AD <sub>REFLO</sub> is connected through a resistor to the selected input channel. The desired conversion mode is configured in the group mode control registers. For more details on the ADC Self Test Mode, refer to <a href="#">Section 22.2.6.2</a> . Any operation mode read/write: 0 ADC Self Test mode is disabled. 1 ADC Self Test mode is enabled.
23-17	Reserved	0	Read returns 0. Writes have no effect.
16	CAL_ST	0 1	ADC Calibration Conversion Start. Setting the CAL_ST bit while the CAL_EN bit is set starts conversion of the selected reference voltage. The ADC module uses the sample time configured in the Event Group sample time configuration register (ADEVAMP) for the calibration conversion. Any operation mode: 0 Read: Calibration conversion has completed, or has not yet been started. Write: No effect. 1 Read: Calibration conversion is in progress. Write: ADC module starts calibration conversion.
15-10	Reserved	0	Read returns 0. Writes have no effect.
9	BRIDGE_EN		Bridge Enable. When set with the HILO bit, BRIDGE_EN allows a reference voltage to be converted in calibration mode. <a href="#">Table 22-2</a> defines the four different reference voltages that can be selected.
8	HILO		ADC Self Test mode and Calibration Mode Reference Source Selection. In the ADC Self Test mode, this bit defines the test voltage to be combined through a resistor with the selected input pin voltage. Refer to <a href="#">Section 22.2.6.2</a> for details on the ADC Self Test Mode. In the ADC Calibration Mode, this bit defines the reference source polarity. Refer to <a href="#">Section 22.2.6.1</a> for details on the ADC Calibration Mode. In the ADC module's normal operating mode, this bit has no effect.
7-1	Reserved	0	Read returns 0. Writes have no effect.
0	CAL_EN	0 1	ADC Calibration Enable. When this bit is Set, the input channel multiplexor is disconnected and the calibration reference voltage is connected to the ADC core input. The calibration reference voltage is selected by the combination of the BRIDGE_EN and HILO. The actual conversion of this reference voltage starts when the CAL_ST bit is set. If the CAL_ST bit is already set when the CAL_EN bit is set, then the calibration conversion is immediately started. Refer to <a href="#">Section 22.2.6.1</a> for more details on the ADC calibration mode. Any operation mode read/write: 0 Calibration mode is disabled. 1 Calibration mode is enabled.

### 22.3.5 ADC Event Group Operating Mode Control Register (ADEVMODECR)

ADC Event Group Operating Mode Control Register (ADEVMODECR) is shown in [Figure 22-24](#) and [Figure 22-25](#), and described in [Table 22-11](#). As shown, the format of the ADEVMODECR is different based on whether the ADC module is configured to be a 12-bit or a 10-bit ADC module.

**Figure 22-24. 12-bit ADC Event Group Operating Mode Control Register (ADEVMODECR)  
[offset = 10h]**

31	Reserved						24
R-0							
23	Reserved					17	16
R-0						No Reset on ChnSel	R/W-0
15	Reserved				10	9	8
R-0					EV_DATA_FMT		
R-0					R/W-0		
7	6	5	4	3	2	1	0
Reserved	EV_CHID	OVR_EV_ RAM_IGN	Reserved		EV_MODE	FRZ_EV	
R-0	R/W-0	R/W-0	R-0		R/W-0	R/W-0	

LEGEND: R/W = Read/Write; R = Read only; -n = value after reset

**Figure 22-25. 10-bit ADC Event Group Operating Mode Control Register (ADEVMODECR)  
[offset = 10h]**

31	Reserved						24
R-0							
23	Reserved					17	16
R-0						No Reset on ChnSel	R/W-0
15	Reserved						8
R-0							
7	6	5	4	3	2	1	0
Reserved	EV_CHID	OVR_EV_ RAM_IGN	Reserved	EV_8BIT	EV_MODE	FRZ_EV	
R-0	R/W-0	R/W-0	R-0	R/W-0	R/W-0	R/W-0	

LEGEND: R/W = Read/Write; R = Read only; -n = value after reset

**Table 22-11. ADC Event Group Operating Mode Control Register (ADEVMODECR)  
Field Descriptions**

Field	Value	Description
Reserved	0	Reads return zeros, writes have no effect.
No Reset on ChnSel	<p>0</p> <p>1</p>	<p>No Event Group Results Memory Reset on New Channel Select.</p> <p>This bit determines whether the event group results' RAM is reset whenever a non-zero value is written to the event group channel select register.</p> <p>Any operation mode read/write:</p> <p>0 Event group results RAM is reset when a non-zero value is written to event group channel select register, even if event group conversions are completed.</p> <p>1 Event group results RAM is not reset when a non-zero value is written to event group channel select register, and event group conversions are completed.</p> <p>If the event group conversions are ongoing (active or frozen), then writing a non-zero value to the event group channel select register will always reset the event group results RAM.</p>
EV_DATA_FMT	<p>0</p> <p>1h</p> <p>2h</p> <p>3h</p>	<p>Event Group Read Data Format.</p> <p>This field is only applicable when the ADC module is configured to be in the 12-bit ADC module. This field is reserved when the module is configured as a 10-bit ADC module.</p> <p>This field determines the format in which the conversion results are read out of the Event group results RAM when using the FIFO interface, that is, when reading from the ADEVBUFFER or ADEVEMUBUFFER locations.</p> <p>Any operation mode read/write:</p> <p>0 Conversion results are read out in full 12-bit format. This is the default mode.</p> <p>1h Conversion results are read out in 10-bit format. Bits 11–2 of the 12-bit conversion result are returned as the 10-bit conversion result.</p> <p>2h Conversion results are read out in 8-bit format. Bits 11–4 of the 12-bit conversion result are returned as the 8-bit conversion result.</p> <p>3h Reserved. The full 12-bit conversion result is returned if programmed.</p>
EV_CHID	<p>0</p> <p>1</p>	<p>Enable Channel Id for the Event Group conversion results to be read. This bit only affects the “read from FIFO” mode. The ADC always stores the channel id in the results RAM. Any 16-bit read performed in the “read from RAM” mode will return the 5-bit channel id along with the 10-bit conversion result.</p> <p>Any operation mode read/write:</p> <p>0 Bits 14-10, the channel id field, of the data read from the Event Group results' FIFO is read as 00000b.</p> <p>1 Bits 14-10, the channel id field, of the data read from the Event Group results' FIFO contains the number of the ADC analog input to which the conversion result belongs.</p>
OVR_EV_RAM_IGN	<p>0</p> <p>1</p>	<p>This bit allows the ADC module to overwrite the contents of the Event Group results memory under an overrun condition.</p> <p>Any operation mode read/write:</p> <p>0 The ADC cannot overwrite the contents of the Event Group results memory. When an overrun of this memory occurs, the software needs to read out all the contents of this memory before the ADC is able to write a new conversion result for the Event Group.</p> <p>1 When an overrun of the Event Group results memory occurs, the ADC proceeds to overwrite the contents with any new conversion results for the Event Group, starting with the first location in this memory.</p>
EV_8BIT	<p>0</p> <p>1</p>	<p>Event Group 8-bit result mode.</p> <p>This bit is only applicable when the ADC module is configured to be a 10-bit ADC module. This field is reserved when the module is configured as a 12-bit ADC module.</p> <p>This bit allows the Event Group conversion results to be read out in an 8-bit format. This bit only applies to the “read from FIFO” mode. The lower 2 bits of the 10-bit conversion result are discarded and the upper 8 bits are shifted right two places to form the 8-bit conversion result.</p> <p>Any operation mode read/write:</p> <p>0 The Event Group conversion result is read out as a 10-bit value in the “read from Event Group FIFO” mode.</p> <p>1 The Event Group conversion result is read out as an 8-bit value in the “read from Event Group FIFO” mode.</p>

**Table 22-11. ADC Event Group Operating Mode Control Register (ADEVMODECR)  
Field Descriptions (continued)**

Field	Value	Description
EV_MODE		Event Group Conversion Mode. This bit defines whether the input channels selected for conversion in the Event Group are converted only once per trigger, or are continuously converted.  Any operation mode read/write:
	0	The channels selected for conversion in the Event Group are converted only once when the selected event trigger condition occurs.
	1	The channels selected for conversion in the Event Group are converted continuously when the selected event trigger condition occurs.
FRZ_EV		Event Group Freeze Enable. This bit allows an Event Group conversion sequence to be frozen if a Group1 or a Group2 conversion is requested. The Event Group conversion is kept frozen until the Group1 or Group2 conversion is active, and continues from where it was frozen once the Group1 or Group2 conversions are completed.  While the Event Group conversion is frozen, the EV_STOP status flag in the ADEVSR register indicates that the Event Group conversions have stopped. This bit gets cleared when the Event Group conversions resume.  Any operation mode read/write:
	0	Event Group conversions cannot be frozen. All the channels selected for conversion in the Event Group are converted before the ADC can switch over to servicing any other conversion group.
	1	Event Group conversions are frozen whenever there is a request for conversion from Group1 or Group2.

### 22.3.6 ADC Group1 Operating Mode Control Register (ADG1MODECR)

ADC Group1 Operating Mode Control Register (ADG1MODECR) is shown in [Figure 22-26](#) and [Figure 22-27](#), and described in [Table 22-12](#). As shown, the format of the ADG1MODECR is different based on whether the ADC module is configured to be a 12-bit or a 10-bit ADC module.

**Figure 22-26. 12-bit ADC Group1 Operating Mode Control Register (ADG1MODECR)  
[offset = 14h]**

31	Reserved						24
R-0							
23	Reserved					17	16
R-0						No Reset on ChnSel	
R/W-0						R/W-0	
15	Reserved				10	9	8
R-0					G1_DATA_FMT		
R/W-0					R/W-0		
7	6	5	4	3	2	1	0
Reserved	G1_CHID	OVR_G1_RAM_IGN	G1_HW_TRIG	Reserved	G1_MODE	FRZ_G1	
R-0	R/W-0	R/W-0	R/W-0	R-0	R/W-0	R/W-0	

LEGEND: R/W = Read/Write; R = Read only; -n = value after reset

**Figure 22-27. 10-bit ADC Group1 Operating Mode Control Register (ADG1MODECR)  
[offset = 14h]**

31	Reserved						24
R-0							
23	Reserved					17	16
R-0						No Reset on ChnSel	
R/W-0						R/W-0	
15	Reserved						8
R-0							
7	6	5	4	3	2	1	0
Reserved	G1_CHID	OVR_G1_RAM_IGN	G1_HW_TRIG	G1_8BIT	G1_MODE	FRZ_G1	
R-0	R/W-0	R/W-0	R/W-0	R/W-0	R/W-0	R/W-0	

LEGEND: R/W = Read/Write; R = Read only; -n = value after reset

**Table 22-12. ADC Group1 Operating Mode Control Register (ADG1MODECR)  
Field Descriptions**

Field	Value	Description
Reserved	0	Reads return zeros, writes have no effect.
No Reset on ChnSel	0 1	<p>No Group1 Results Memory Reset on New Channel Select.</p> <p>This bit determines whether the group1 results' RAM is reset whenever a non-zero value is written to the group1 channel select register.</p> <p>Any operation mode read/write:</p> <p>0 Group1 results RAM is reset when a non-zero value is written to group1 channel select register, even if group1 conversions are completed.</p> <p>1 Group1 results RAM is not reset when a non-zero value is written to group1 channel select register, and group1 conversions are completed.</p> <p>If the group1 conversions are ongoing (active or frozen), then writing a nonzero value to the group1 channel select register will always reset the group1 results RAM.</p>
G1_DATA_FMT	0 1h 2h 3h	<p>Group1 Read Data Format.</p> <p>This field is only applicable when the ADC module is configured to be in the 12-bit ADC module. This field is reserved when the module is configured as a 10-bit ADC module.</p> <p>This field determines the format in which the conversion results are read out of the group1 results RAM when using the FIFO interface, that is, when reading from the ADG1BUFFER or ADG1EMUBUFFER locations.</p> <p>Any operation mode read/write:</p> <p>0 Conversion results are read out in full 12-bit format. This is the default mode.</p> <p>1h Conversion results are read out in 10-bit format. Bits 11–2 of the 12-bit conversion result are returned as the 10-bit conversion result.</p> <p>2h Conversion results are read out in 8-bit format. Bits 11–4 of the 12-bit conversion result are returned as the 8-bit conversion result.</p> <p>3h Reserved. The full 12-bit conversion result is returned if programmed.</p>
G1_CHID	0 1	<p>Enable Channel Id for the Group1 conversion results to be read. This bit only affects the "read from FIFO" mode. The ADC always stores the channel id in the results RAM. Any 16-bit read performed in the "read from RAM" mode will return the 5-bit channel id along with the 10-bit conversion result.</p> <p>Any operation mode read/write:</p> <p>0 Bits 14-10, the channel id field, of the data read from the Group1 results' FIFO is read as 00000b.</p> <p>1 Bits 14-10, the channel id field, of the data read from the Group1 results' FIFO contains the number of the ADC analog input to which the conversion result belongs.</p>
OVR_G1_RAM_IGN	0 1	<p>This bit allows the ADC module to overwrite the contents of the Group1 results memory under an overrun condition.</p> <p>Any operation mode read/write:</p> <p>0 The ADC cannot overwrite the contents of the Group1 results memory. When an overrun of this memory occurs, the software needs to read out all the contents of this memory before the ADC is able to write a new conversion result for the Group1.</p> <p>1 When an overrun of the Group1 results memory occurs, the ADC proceeds to overwrite the contents with any new conversion results for the Group1, starting with the first location in this memory.</p>
G1_HW_TRIG	0 1	<p>Group1 Hardware Triggered. This bit allows the Group1 to be hardware triggered. The Group1 is software triggered by default. For more details on how to trigger a conversion group, refer to <a href="#">Section 22.2.1.6</a>.</p> <p>Any operation mode read/write:</p> <p>0 The Group1 is software-triggered. A Group1 conversion starts whenever the Group1 channel select register (ADG1SEL) is written with a non-zero value.</p> <p>1 The Group1 is hardware-triggered. A Group1 conversion starts whenever the Group1 channel select register has a non-zero value, and the specified hardware trigger occurs. The hardware trigger for the Group1 is specified in the Group1 Trigger Source register (ADG1SRC).</p>

**Table 22-12. ADC Group1 Operating Mode Control Register (ADG1MODECR)  
Field Descriptions (continued)**

Field	Value	Description
G1_8BIT		Group1 8-bit result mode.  This field is only applicable when the ADC module is configured to be in the 10-bit ADC module. This field is reserved when the module is configured as a 12-bit ADC module.  This bit allows the Group1 conversion results to be read out in an 8-bit format. This bit only applies to the "read from FIFO" mode. The lower 2 bits of the 10-bit conversion result are discarded and the upper 8 bits are shifted right two places to form the 8-bit conversion result.  Any operation mode read/write:
	0	The Group1 conversion result is read out as a 10-bit value in the "read from Group1 FIFO" mode.
	1	The Group1 conversion result is read out as an 8-bit value in the "read from Group1 FIFO" mode.
G1_MODE		Group1 Conversion Mode. This bit defines whether the input channels selected for conversion in the Group1 are converted only once, or are continuously converted.  Any operation mode read/write:
	0	The channels selected for conversion in the Group1 are converted only once.
	1	The channels selected for conversion in the Group1 are converted continuously.
FRZ_G1		Group1 Freeze Enable. This bit allows a Group1 conversion sequence to be frozen if an Event Group or a Group2 conversion is requested. The Group1 conversion is kept frozen until the Event Group or Group2 conversion is active, and continues from where it was frozen once the Event Group or Group2 conversions are completed.  While the Group1 conversion is frozen, the G1_STOP status flag in the ADG1SR register indicates that the Group1 conversions have stopped. This bit gets cleared when the Group1 conversions resume.  Any operation mode read/write:
	0	Group1 conversions cannot be frozen. All the channels selected for conversion in the Group1 are converted before the ADC can switch over to servicing any other conversion group.
	1	Group1 conversions are frozen whenever there is a request for conversion from Event Group or Group2.

### 22.3.7 ADC Group2 Operating Mode Control Register (ADG2MODECR)

ADC Group2 Operating Mode Control Register (ADG2MODECR) is shown in Figure 22-28 and Figure 22-29, described in Table 22-13. As shown, the format of the ADG2MODECR is different based on whether the ADC module is configured to be a 12-bit or a 10-bit ADC module.

**Figure 22-28. 12-bit ADC Group2 Operating Mode Control Register (ADG2MODECR)  
[offset = 18h]**

31	Reserved						24
R-0							
23	Reserved					No Reset on ChnSel	16
R-0						R/W-0	
15	Reserved				10	9	8
R-0					G2_DATA_FMT		
R-0					R/W-0		
7	6	5	4	3	2	1	0
Reserved	G2_CHID	OVR_G2_ RAM_IGN	G2_HW_TRIG	Reserved	G2_MODE	FRZ_G2	
R-0	R/W-0	R/W-0	R/W-0	R-0	R/W-0	R/W-0	

LEGEND: R/W = Read/Write; R = Read only; -n = value after reset

**Figure 22-29. 10-bit ADC Group2 Operating Mode Control Register (ADG2MODECR)  
[offset = 18h]**

31	Reserved						24
R-0							
23	Reserved					No Reset on ChnSel	16
R-0						R/W-0	
15	Reserved						8
R-0							
7	6	5	4	3	2	1	0
Reserved	G2_CHID	OVR_G2_ RAM_IGN	G2_HW_TRIG	G2_8BIT	G2_MODE	FRZ_G2	
R-0	R/W-0	R/W-0	R/W-0	R/W-0	R/W-0	R/W-0	

LEGEND: R/W = Read/Write; R = Read only; -n = value after reset

**Table 22-13. ADC Group 2 Operating Mode Control Register (ADG2MODECR)  
Field Descriptions**

Field	Value	Description
Reserved	0	Reads return zeros, writes have no effect.
No Reset on ChnSel	0 1	<p>No Group2 Results Memory Reset on New Channel Select.</p> <p>This bit determines whether the group2 results' RAM is reset whenever a non-zero value is written to the group2 channel select register.</p> <p>Any operation mode read/write:</p> <p>0 Group2 results RAM is reset when a non-zero value is written to group2 channel select register, even if group2 conversions are completed.</p> <p>1 Group2 results RAM is not reset when a non-zero value is written to group2 channel select register, and group2 conversions are completed.</p> <p>If the group2 conversions are ongoing (active or frozen), then writing a nonzero value to the group2 channel select register will always reset the group2 results RAM.</p>
G2_DATA_FMT	0 1h 2h 3h	<p>Group2 Read Data Format.</p> <p>This field is only applicable when the ADC module is configured to be in the 12-bit ADC module. This field is reserved when the module is configured as a 10-bit ADC module.</p> <p>This field determines the format in which the conversion results are read out of the group1 results RAM when using the FIFO interface, that is, when reading from the ADG2BUFFER or ADG2EMUBUFFER locations.</p> <p>Any operation mode read/write:</p> <p>0 Conversion results are read out in full 12-bit format. This is the default mode.</p> <p>1h Conversion results are read out in 10-bit format. Bits 11–2 of the 12-bit conversion result are returned as the 10-bit conversion result.</p> <p>2h Conversion results are read out in 8-bit format. Bits 11–4 of the 12-bit conversion result are returned as the 8-bit conversion result.</p> <p>3h Reserved. The full 12-bit conversion result is returned if programmed.</p>
G2_CHID	0 1	<p>Enable Channel Id for the Group2 conversion results to be read. This bit only affects the "read from FIFO" mode. The ADC always stores the channel id in the results RAM. Any 16-bit read performed in the "read from RAM" mode will return the 5-bit channel id along with the 10-bit conversion result.</p> <p>Any operation mode read/write:</p> <p>0 Bits 14-10, the channel id field, of the data read from the Group2 results' FIFO is read as 00000b.</p> <p>1 Bits 14-10, the channel id field, of the data read from the Group2 results' FIFO contains the number of the ADC analog input to which the conversion result belongs.</p>
OVR_G2_RAM_IGN	0 1	<p>This bit allows the ADC module to overwrite the contents of the Group2 results memory under an overrun condition.</p> <p>Any operation mode read/write:</p> <p>0 The ADC cannot overwrite the contents of the Group2 results memory. When an overrun of this memory occurs, the software needs to read out all the contents of this memory before the ADC is able to write a new conversion result for the Group2.</p> <p>1 When an overrun of the Group2 results memory occurs, the ADC proceeds to overwrite the contents with any new conversion results for the Group2, starting with the first location in this memory.</p>
G2_HW_TRIG	0 1	<p>Group2 Hardware Triggered. This bit allows the Group2 to be hardware triggered. The Group2 is software triggered by default. For more details on how to trigger a conversion group, refer to <a href="#">Section 22.2.1.6</a>.</p> <p>Any operation mode read/write:</p> <p>0 The Group2 is software-triggered. A Group2 conversion starts whenever the Group2 channel select register (ADG2SEL) is written with a non-zero value.</p> <p>1 The Group2 is hardware-triggered. A Group2 conversion starts whenever the Group2 channel select register has a non-zero value, and the specified hardware trigger occurs. The hardware trigger for the Group2 is specified in the Group2 Trigger Source register (ADG2SRC).</p>

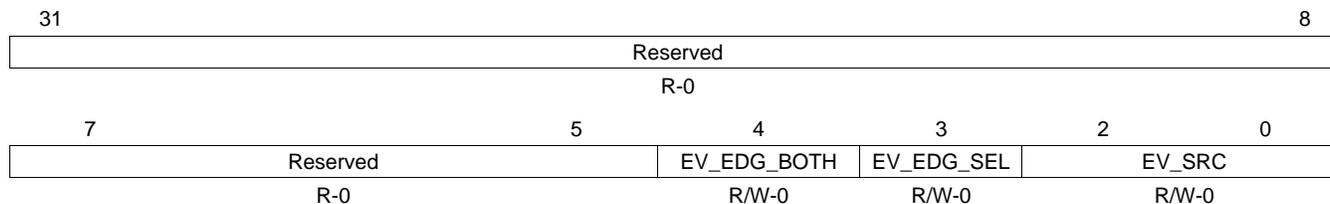
**Table 22-13. ADC Group 2 Operating Mode Control Register (ADG2MODECR)  
Field Descriptions (continued)**

Field	Value	Description
G2_8BIT	0 1	<p>Group2 8-bit result mode.</p> <p>This field is only applicable when the ADC module is configured to be in the 10-bit ADC module. This field is reserved when the module is configured as a 12-bit ADC module.</p> <p>This bit allows the Group2 conversion results to be read out in an 8-bit format. This bit only applies to the “read from FIFO” mode. The lower 2 bits of the 10-bit conversion result are discarded and the upper 8 bits are shifted right two places to form the 8-bit conversion result.</p> <p>Any operation mode read/write:</p> <p>0 The Group2 conversion result is read out as a 10-bit value in the “read from Group2 FIFO” mode.</p> <p>1 The Group2 conversion result is read out as an 8-bit value in the “read from Group2 FIFO” mode.</p>
G2_MODE	0 1	<p>Group2 Conversion Mode. This bit defines whether the input channels selected for conversion in the Group2 are converted only once, or are continuously converted.</p> <p>Any operation mode read/write:</p> <p>0 The channels selected for conversion in the Group2 are converted only once.</p> <p>1 The channels selected for conversion in the Group2 are converted continuously.</p>
FRZ_G2	0 1	<p>Group2 Freeze Enable. This bit allows a Group2 conversion sequence to be frozen if an Event Group or a Group1 conversion is requested. The Group2 conversion is kept frozen until the Event Group or Group1 conversion is active, and continues from where it was frozen once the Event Group or Group1 conversions are completed.</p> <p>While the Group2 conversion is frozen, the G2_STOP status flag in the ADG2SR register indicates that the Group2 conversions have stopped. This bit gets cleared when the Group2 conversions resume.</p> <p>Any operation mode read/write:</p> <p>0 Group2 conversions cannot be frozen. All the channels selected for conversion in the Group2 are converted before the ADC can switch over to servicing any other conversion group.</p> <p>1 Group2 conversions are frozen whenever there is a request for conversion from Event Group or Group1.</p>

### 22.3.8 ADC Event Group Trigger Source Select Register (ADEVSR)

ADC Event Group Trigger Source Select Register (ADEVSR) is shown in [Figure 22-30](#) and described in [Table 22-14](#).

**Figure 22-30. ADC Event Group Trigger Source Select Register (ADEVSR) [offset = 1Ch]**



LEGEND: R/W = Read/Write; R = Read only; -n = value after reset

**Table 22-14. ADC Event Group Trigger Source Select Register (ADEVSR) Field Descriptions**

Bit	Field	Value	Description
31-5	Reserved	0	Reads return zeros, writes have no effect.
4	EV_EDG_BOTH	0 1	EV Group Trigger Edge Polarity Select. This bit configures the event group to be triggered on both rising and falling edge detected on the selected trigger source. Any operation mode read/write: 0 The conversion is triggered only upon detecting an edge defined by the EV_EDG_SEL bit. 1 The conversion is triggered upon detecting either a rising or falling edge.
3	EV_EDG_SEL	0 1	Event Group Trigger Edge Polarity Select. This bit determines the polarity of the transition on the selected source that triggers the Event Group conversion. Any operation mode read/write: 0 A high-to-low transition on the selected source will trigger the Event Group conversion. 1 A low-to-high transition on the selected source will trigger the Event Group conversion.
2-0	EV_SRC	0-7h	Event Group Trigger Source. Any operation mode read/write: The ADC module allows a trigger source to be selected for the Event Group from up to eight options. These options are device-specific and the device specification must be referred to identify the actual trigger sources.

### 22.3.9 ADC Group1 Trigger Source Select Register (ADG1SRC)

ADC Group1 Trigger Source Select Register (ADG1SRC) is shown in [Figure 22-31](#) and described in [Table 22-15](#).

**Figure 22-31. ADC Group1 Trigger Source Select Register (ADG1SRC) [offset = 20h]**



LEGEND: R/W = Read/Write; R = Read only; -n = value after reset

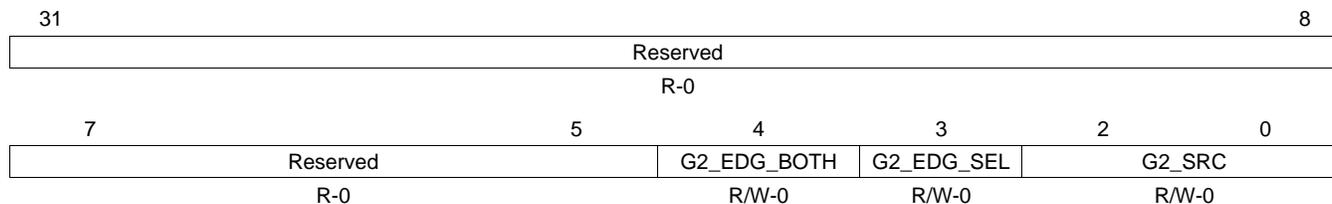
**Table 22-15. ADC Group1 Trigger Source Select Register (ADG1SRC) Field Descriptions**

Bit	Field	Value	Description
31-5	Reserved	0	Reads return zeros, writes have no effect.
4	G1_EDG_BOTH	0 1	Group1 Trigger Edge Polarity Select. This bit configures the group1 to be triggered on both rising and falling edge detected on the selected trigger source. Any operation mode read/write: 0 The conversion is triggered only upon detecting an edge defined by the G1_EDG_SEL bit. 1 The conversion is triggered upon detecting either a rising or falling edge.
3	G1_EDG_SEL	0 1	Group1 Trigger Edge Polarity Select. This bit determines the polarity of the transition on the selected source that triggers the Group1 conversion. Any operation mode read/write: 0 A high-to-low transition on the selected source will trigger the Group1 conversion. 1 A low-to-high transition on the selected source will trigger the Group1 conversion.
2-0	G1_SRC	0-7h	Group1 Trigger Source. Any operation mode read/write: The ADC module allows a trigger source to be selected for the Group1 from up to eight options. These options are device-specific and the device specification must be referred to identify the actual trigger sources.

### 22.3.10 ADC Group2 Trigger Source Select Register (ADG2SRC)

ADC Group2 Trigger Source Select Register (ADG2SRC) is shown in [Figure 22-32](#) and described in [Table 22-16](#).

**Figure 22-32. ADC Group2 Trigger Source Select Register (ADG2SRC) [offset = 24h]**



LEGEND: R/W = Read/Write; R = Read only; -n = value after reset

**Table 22-16. ADC Group2 Trigger Source Select Register (ADG2SRC) Field Descriptions**

Bit	Field	Value	Description
31-5	Reserved	0	Reads return zeros, writes have no effect.
4	G2_EDG_BOTH	0 1	Group2 Trigger Edge Polarity Select. This bit configures the group2 to be triggered on both rising and falling edge detected on the selected trigger source. Any operation mode read/write: 0 The conversion is triggered only upon detecting an edge defined by the G2_EDG_SEL bit. 1 The conversion is triggered upon detecting either a rising or falling edge.
3	G2_EDG_SEL	0 1	Group2 Trigger Edge Polarity Select. This bit determines the polarity of the transition on the selected source that triggers the Group2 conversion. Any operation mode read/write: 0 A high-to-low transition on the selected source will trigger the Group2 conversion. 1 A low-to-high transition on the selected source will trigger the Group2 conversion.
2-0	G2_SRC	0-7h	Group2 Trigger Source. Any operation mode read/write: The ADC module allows a trigger source to be selected for the Group2 from up to eight options. These options are device-specific and the device specification must be referred to identify the actual trigger sources.

### 22.3.11 ADC Event Interrupt Enable Control Register (ADEVINTENA)

ADC Event Group Interrupt Enable Control Register (ADEVINTENA) is shown in [Figure 22-33](#) and described in [Table 22-17](#).

**Figure 22-33. ADC Event Group Interrupt Enable Control Register (ADEVINTENA) [offset = 28h]**

31	Reserved					8
R-0						
7	4	3	2	1	0	
Reserved		EV_END_ INT_EN	Reserved	EV_OVR_ INT_EN	EV_THR_ INT_EN	
R-0		R/W-0	R-0	R/W-0	R/W-0	

LEGEND: R/W = Read/Write; R = Read only; -n = value after reset

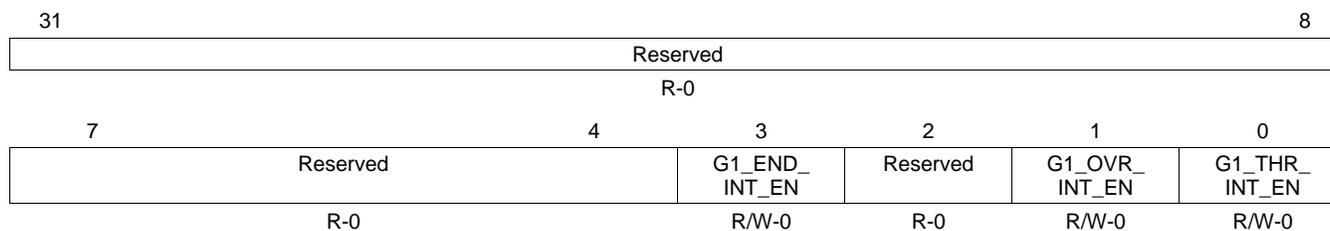
**Table 22-17. ADC Event Group Interrupt Enable Control Register (ADEVINTENA) Field Descriptions**

Bit	Field	Value	Description
31-4	Reserved	0	Reads return zeros, writes have no effect.
3	EV_END_INT_EN	0 1	Event Group Conversion End Interrupt Enable. Refer to <a href="#">Section 22.2.3.1</a> for more details on the conversion end interrupts. Any operation mode read/write: 0 No interrupt is generated when conversion of all the channels selected for conversion in the Event Group is done. 1 An Event Group conversion end interrupt is generated when conversion of all the channels selected for conversion in the Event Group is done.
2	Reserved	0	Reads return zeros, writes have no effect.
1	EV_OVR_INT_EN	0 1	Event Group Memory Overrun Interrupt Enable. A memory overrun occurs when the ADC tries to write a new conversion result to the Event Group results memory which is already full. For more details on the overrun interrupts, refer to <a href="#">Section 22.2.3.3</a> . Any operation mode read/write: 0 No interrupt is generated if an Event Group memory overrun occurs. 1 An Event Group memory overrun interrupt is generated if an Event Group memory overrun condition occurs.
0	EV_THR_INT_EN	0 1	Event Group Threshold Interrupt Enable. An Event Group threshold interrupt occurs when the programmed Event Group threshold counter counts down to zero. Refer to <a href="#">Section 22.2.3.2</a> for more details. Any operation mode read/write: 0 No interrupt is generated if the Event Group threshold counter reaches zero. 1 An Event Group threshold interrupt is generated if the Event Group threshold counter reaches zero.

### 22.3.12 ADC Group1 Interrupt Enable Control Register (ADG1INTENA)

ADC Group1 Interrupt Enable Control Register (ADG1INTENA) is shown in [Figure 22-34](#) and described in [Table 22-18](#).

**Figure 22-34. ADC Group1 Interrupt Enable Control Register (ADG1INTENA) [offset = 2Ch]**



LEGEND: R/W = Read/Write; R = Read only; -n = value after reset

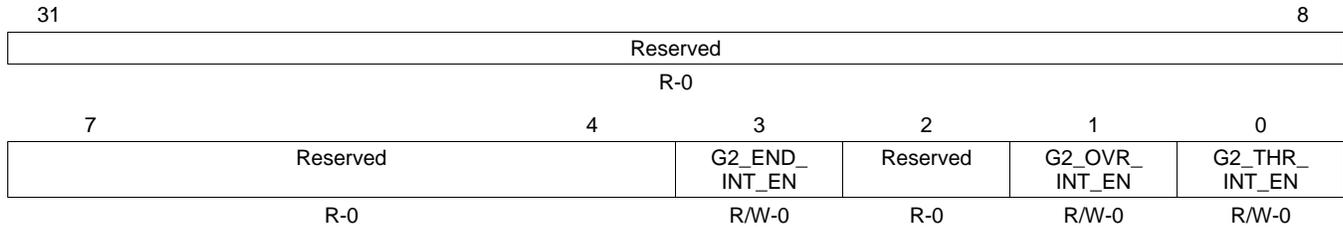
**Table 22-18. ADC Group1 Interrupt Enable Control Register (ADG1INTENA) Field Descriptions**

Bit	Field	Value	Description
31-4	Reserved	0	Reads return zeros, writes have no effect.
3	G1_END_INT_EN	0 1	Group1 Conversion End Interrupt Enable. Refer to <a href="#">Section 22.2.3.1</a> for more details on the conversion end interrupts. Any operation mode read/write: 0 No interrupt is generated when conversion of all the channels selected for conversion in the Group1 is done. 1 A Group1 conversion end interrupt is generated when conversion of all the channels selected for conversion in the Group1 is done.
2	Reserved	0	Reads return zeros, writes have no effect.
1	G1_OVR_INT_EN	0 1	Group1 Memory Overrun Interrupt Enable. A memory overrun occurs when the ADC tries to write a new conversion result to the Group1 results memory which is already full. For more details on the overrun interrupts Refer to <a href="#">Section 22.2.3.3</a> . Any operation mode read/write: 0 No interrupt is generated if a Group1 memory overrun occurs. 1 A Group1 memory overrun interrupt is generated if a Group1 memory overrun condition occurs.
0	G1_THR_INT_EN	0 1	Group1 Threshold Interrupt Enable. A Group1 threshold interrupt occurs when the programmed Group1 threshold counter counts down to zero. Refer to <a href="#">Section 22.2.3.2</a> for more details. Any operation mode read/write: 0 No interrupt is generated if the Group1 threshold counter reaches zero. 1 A Group1 threshold interrupt is generated if the Group1 threshold counter reaches zero.

### 22.3.13 ADC Group2 Interrupt Enable Control Register (ADG2INTENA)

ADC Group2 Interrupt Enable Control Register (ADG2INTENA) is shown in [Figure 22-35](#) and described in [Table 22-19](#).

**Figure 22-35. ADC Group2 Interrupt Enable Control Register (ADG2INTENA) [offset = 30h]**



LEGEND: R/W = Read/Write; R = Read only; -n = value after reset

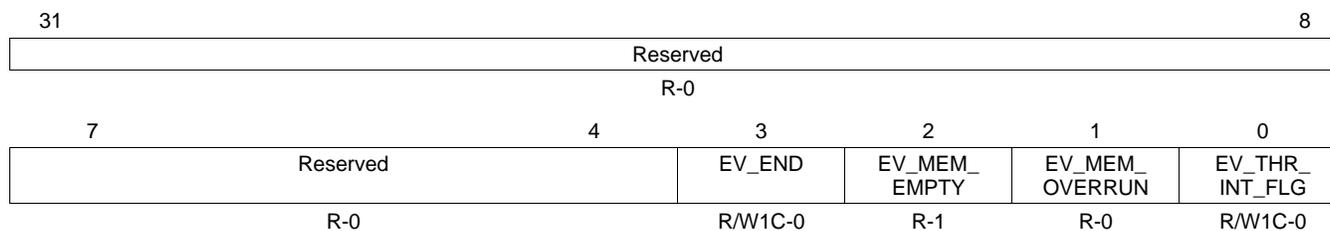
**Table 22-19. ADC Group2 Interrupt Enable Control Register (ADG2INTENA) Field Descriptions**

Bit	Field	Value	Description
31-4	Reserved	0	Reads return zeros, writes have no effect.
3	G2_END_INT_EN	0 1	Group2 Conversion End Interrupt Enable. Refer to <a href="#">Section 22.2.3.1</a> for more details on the conversion end interrupts. Any operation mode read/write: 0 No interrupt is generated when conversion of all the channels selected for conversion in the Group2 is done. 1 A Group2 conversion end interrupt is generated when conversion of all the channels selected for conversion in the Group2 is done.
2	Reserved	0	Reads return zeros, writes have no effect.
1	G2_OVR_INT_EN	0 1	Group2 Memory Overrun Interrupt Enable. A memory overrun occurs when the ADC tries to write a new conversion result to the Group2 results memory which is already full. For more details on the overrun interrupts, refer to <a href="#">Section 22.2.3.3</a> . Any operation mode read/write: 0 No interrupt is generated if a Group2 memory overrun occurs. 1 A Group2 memory overrun interrupt is generated if a Group2 memory overrun condition occurs.
0	G2_THR_INT_EN	0 1	Group2 Threshold Interrupt Enable. A Group2 threshold interrupt occurs when the programmed Group2 threshold counter counts down to zero. Refer to <a href="#">Section 22.2.3.2</a> for more details. Any operation mode read/write: 0 No interrupt is generated if the Group2 threshold counter reaches zero. 1 A Group2 threshold interrupt is generated if the Group2 threshold counter reaches zero.

### 22.3.14 ADC Event Group Interrupt Flag Register (ADEVINTFLG)

ADC Event Group Interrupt Enable Control Register (ADEVINTENA) is shown in [Figure 22-36](#) and described in [Table 22-20](#).

**Figure 22-36. ADC Event Group Interrupt Flag Register (ADEVINTFLG) [offset = 34h]**



LEGEND: R/W = Read/Write; R = Read only; C = Clear; -n = value after reset

**Table 22-20. ADC Event Group Interrupt Flag Register (ADEVINTFLG) Field Descriptions**

Bit	Field	Value	Description
31-4	Reserved	0	Reads return zeros, writes have no effect.
3	EV_END	0 1	Event Group Conversion End. This bit will be set only if the Event Group conversions are configured to be in the single-conversion mode. Any operation mode read: 0 All the channels selected for conversion in the Event Group have not yet been converted. 1 All the channels selected for conversion in the Event Group have been converted. An Event Group conversion end interrupt is generated, if enabled, when this bit gets set. This bit can be cleared by any one of the following ways: <ul style="list-style-type: none"> <li>By writing a 1 to this bit</li> <li>By writing a 1 to the Event Group status register (ADEVSR) bit 0 (EV_END)</li> <li>By reading one conversion result from the Event Group results' memory in the "read from FIFO" mode</li> <li>By writing a new set of channels to the Event Group channel select register</li> </ul>
2	EV_MEM_EMPTY	0 1	Event Group Results Memory Empty. This is a read-only bit; writes have no effect. It is not a source of an interrupt from the ADC module. Any operation mode read: 0 The Event Group results memory is not empty. 1 The Event Group results memory is empty.
1	EV_MEM_OVERRUN	0 1	Event Group Memory Overrun. This is a read-only bit; writes have no effect. Any operation mode read: 0 Event Group results memory has not overrun. 1 Event Group results memory has overrun.
0	EV_THR_INT_FLG	0 1	Event Group Threshold Interrupt Flag. Any operation mode read: 0 The number of conversions completed for the Event Group is smaller than the threshold programmed in the Event Group interrupt threshold register. 1 The number of conversions completed for the Event Group is equal to or greater than the threshold programmed in the Event Group interrupt threshold register. This bit can be cleared by writing a 1; writing a 0 has no effect.

### 22.3.15 ADC Group1 Interrupt Flag Register (ADG1INTFLG)

ADC Group1 Interrupt Flag Register (ADG1INTFLG) is shown in [Figure 22-37](#) and described in [Table 22-21](#).

**Figure 22-37. ADC Group1 Interrupt Flag Register (ADG1INTFLG) [offset = 38h]**

31	Reserved					8
R-0						
7	4	3	2	1	0	
Reserved		G1_END	G1_MEM_EMPTY	G1_MEM_OVERRUN	G1_THR_INT_FLG	
R-0		R/W1C-0	R-1	R-0	R/W1C-0	

LEGEND: R/W = Read/Write; R = Read only; C = Clear; -n = value after reset

**Table 22-21. ADC Group1 Interrupt Flag Register (ADG1INTFLG) Field Descriptions**

Bit	Field	Value	Description
31-4	Reserved	0	Reads return zeros, writes have no effect.
3	G1_END	0 1	Group1 Conversion End. This bit will be set only if the Group1 conversions are configured to be in the single-conversion mode. Any operation mode read: 0 All the channels selected for conversion in the Group1 have not yet been converted. 1 All the channels selected for conversion in the Group1 have been converted. A Group1 conversion end interrupt is generated, if enabled, when this bit gets set. This bit can be cleared by any one of the following ways: <ul style="list-style-type: none"> <li>• By writing a 1 to this bit</li> <li>• By writing a 1 to the Group1 status register (ADG1SR) bit 0 (G1_END)</li> <li>• By reading one conversion result from the Group1 results' memory in the "read from FIFO" mode</li> <li>• By writing a new set of channels to the Group1 channel select register</li> </ul>
2	G1_MEM_EMPTY	0 1	Group1 Results Memory Empty. This is a read-only bit; writes have no effect. It is not a source of an interrupt from the ADC module. Any operation mode read: 0 The Group1 results memory is not empty. 1 The Group1 results memory is empty.
1	G1_MEM_OVERRUN	0 1	Group1 Memory Overrun. This is a read-only bit; writes have no effect. Any operation mode read: 0 Group1 results memory has not overrun. 1 Group1 results memory has overrun.
0	G1_THR_INT_FLG	0 1	Group1 Threshold Interrupt Flag. Any operation mode read: 0 The number of conversions completed for the Group1 is smaller than the threshold programmed in the Group1 interrupt threshold register. 1 The number of conversions completed for the Group1 is equal to or greater than the threshold programmed in the Group1 interrupt threshold register. This bit can be cleared by writing a 1; writing a 0 has no effect.

### 22.3.16 ADC Group2 Interrupt Flag Register (ADG2INTFLG)

ADC Group2 Interrupt Flag Register (ADG2INTFLG) is shown in [Figure 22-38](#) and described in [Table 22-22](#).

**Figure 22-38. ADC Group2 Interrupt Flag Register (ADG2INTFLG) [offset = 3Ch]**

31	Reserved					8
R-0						
7	4	3	2	1	0	
Reserved		G2_END	G2_MEM_EMPTY	G2_MEM_OVERRUN	G2_THR_INT_FLG	
R-0		R/W1C-0	R-1	R-0	R/W1C-0	

LEGEND: R/W = Read/Write; R = Read only; C = Clear; -n = value after reset

**Table 22-22. ADC Group2 Interrupt Flag Register (ADG2INTFLG) Field Descriptions**

Bit	Field	Value	Description
31-4	Reserved	0	Reads return zeros, writes have no effect.
3	G2_END	0 All the channels selected for conversion in the Group2 have not yet been converted. 1 All the channels selected for conversion in the Group2 have been converted. A Group2 conversion end interrupt is generated, if enabled, when this bit gets set.  This bit can be cleared by any one of the following ways: <ul style="list-style-type: none"> <li>• By writing a 1 to this bit</li> <li>• By writing a 1 to the Group2 status register (ADG2SR) bit 0 (G2_END)</li> <li>• By reading one conversion result from the Group2 results' memory in the "read from FIFO" mode</li> <li>• By writing a new set of channels to the Group2 channel select register</li> </ul>	
2	G2_MEM_EMPTY	0 The Group2 results memory is not empty. 1 The Group2 results memory is empty.	Group2 Results Memory Empty. This is a read-only bit; writes have no effect. It is not a source of an interrupt from the ADC module.  Any operation mode read:
1	G2_MEM_OVERRUN	0 Group2 results memory has not overrun. 1 Group2 results memory has overrun.	Group2 Memory Overrun. This is a read-only bit; writes have no effect.  Any operation mode read:
0	G2_THR_INT_FLG	0 The number of conversions completed for the Group2 is smaller than the threshold programmed in the Group2 interrupt threshold register. 1 The number of conversions completed for the Group2 is equal to or greater than the threshold programmed in the Group2 interrupt threshold register.  This bit can be cleared by writing a 1; writing a 0 has no effect.	Group2 Threshold Interrupt Flag.  Any operation mode read:

### 22.3.17 ADC Event Group Threshold Interrupt Control Register (ADEVTHRINTCR)

ADC Event Group Threshold Interrupt Control Register (ADEVTHRINTCR) is shown in [Figure 22-39](#) and described in [Table 22-23](#).

**Figure 22-39. ADC Event Group Threshold Interrupt Control Register (ADEVTHRINTCR)  
[offset = 40h]**

31	16	15	9	8	0
Reserved		Sign Extension		EV_THR	
R-0		R-0		R/W-0	

LEGEND: R/W = Read/Write; R = Read only; -n = value after reset

**Table 22-23. ADC Event Group Threshold Interrupt Control Register (ADEVTHRINTCR)  
Field Descriptions**

Bit	Field	Value	Description
31-16	Reserved	0	Reads return zeros, writes have no effect.
15-9	Sign Extension		These bits always read the same as the bit 8 of this register.
8-0	EV_THR		<p>Event Group Threshold Counter.</p> <p>Before ADC conversions begin on the Event Group, this field is initialized to the number of conversion results that the Event Group memory should contain before interrupting the CPU. This counter decrements when the ADC module writes a new conversion result to the Event Group results' memory. The counter increments for each read of a conversion result from the Event Group results' memory in the "read from FIFO" mode. The threshold counter is not affected for a direct read from the Event Group results' memory. Also, a simultaneous ADC write and a CPU/DMA read from the Event Group FIFO will leave the threshold counter unchanged. In case of an Event Group Results' memory overrun condition, if new conversion results are not allowed to overwrite the existing memory contents, then the Event Group threshold counter is not decremented.</p> <p>Refer to <a href="#">Section 22.2.3.2</a> for more details on the threshold interrupts.</p>

### 22.3.18 ADC Group1 Threshold Interrupt Control Register (ADG1THRINTCR)

ADC Group1 Threshold Interrupt Control Register (ADG1THRINTCR) is shown in [Figure 22-40](#) and described in [Table 22-24](#).

**Figure 22-40. ADC Group1 Threshold Interrupt Control Register (ADG1THRINTCR) [offset = 44h]**

31	16	15	9	8	0
Reserved		Sign Extension		G1_THR	
R-0		R-0		R/W-0	

LEGEND: R/W = Read/Write; R = Read only; -n = value after reset

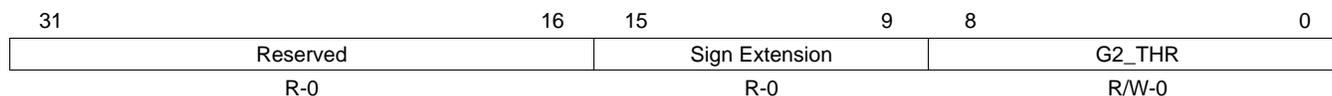
**Table 22-24. ADC Group1 Threshold Interrupt Control Register (ADG1THRINTCR)  
Field Descriptions**

Bit	Field	Value	Description
31-16	Reserved	0	Reads return zeros, writes have no effect.
15-9	Sign Extension		These bits always read the same as the bit 8 of this register.
8-0	G1_THR		<p>Group1 Threshold Counter.</p> <p>Before ADC conversions begin on the Group1, this field is initialized to the number of conversion results that the Group1 memory should contain before interrupting the CPU. This counter decrements when the ADC module writes a new conversion result to the Group1 results' memory. The counter increments for each read of a conversion result from the Group1 results' memory in the "read from FIFO" mode. The threshold counter is not affected for a direct read from the group1 results' memory. Also, a simultaneous ADC write and a CPU/DMA read from the Group1 FIFO will leave the threshold counter unchanged. In case of an Group1 Results' memory overrun condition, if new conversion results are not allowed to overwrite the existing memory contents, then the Group1 threshold counter is not decremented.</p> <p>Refer to <a href="#">Section 22.2.3.2</a> for more details on the threshold interrupts.</p>

### 22.3.19 ADC Group2 Threshold Interrupt Control Register (ADG2THRINTCR)

The ADC Group2 Threshold Interrupt Control Register (ADG2THRINTCR) is shown in [Figure 22-41](#) and described in [Table 22-25](#).

**Figure 22-41. ADC Group2 Threshold Interrupt Control Register (ADG2THRINTCR) [offset = 48h]**



LEGEND: R/W = Read/Write; R = Read only; -n = value after reset

**Table 22-25. ADC Group2 Threshold Interrupt Control Register (ADG2THRINTCR)  
Field Descriptions**

Bit	Field	Value	Description
31-16	Reserved	0	Reads return zeros, writes have no effect.
15-9	Sign Extension		These bits always read the same as the bit 8 of this register.
8-0	G2_THR		Group2 Threshold Counter.  Before ADC conversions begin on the Group2, this field is initialized to the number of conversion results that the Group2 memory should contain before interrupting the CPU. This counter decrements when the ADC module writes a new conversion result to the Group2 results' memory. The counter increments for each read of a conversion result from the Group2 results' memory in the "read from FIFO" mode. The threshold counter is not affected for a direct read from the group2 results' memory. Also, a simultaneous ADC write and a CPU/DMA read from the Group2 FIFO will leave the threshold counter unchanged. In case of an Group2 Results' memory overrun condition, if new conversion results are not allowed to overwrite the existing memory contents, then the Group2 threshold counter is not decremented.  Refer to <a href="#">Section 22.2.3.2</a> for more details on the threshold interrupts.

### 22.3.20 ADC Event Group DMA Control Register (ADEVDMACR)

ADC Event Group DMA Control Register (ADEVDMACR) is shown in [Figure 22-42](#) and described in [Table 22-26](#).

**Figure 22-42. ADC Event Group DMA Control Register (ADEVDMACR) [offset = 4Ch]**



LEGEND: R/W = Read/Write; R = Read only; -n = value after reset

**Table 22-26. ADC Event Group DMA Control Register (ADEVDMACR) Field Descriptions**

Bit	Field	Value	Description
31-25	Reserved	0	Reads return zeros, writes have no effect.
24-16	EV_BLOCKS	0 1h-1FFh	<p>Number of Event Group Result buffers to be transferred using DMA if the ADC module is configured to generate a DMA request. If the Event Group is configured to use the block transfer mode of the DMA module, then the ADC module generates a DMA request after the Event Group results' memory accumulates EV_BLOCKS number of conversion results.</p> <p>This feature is designed to be used in place of the threshold interrupt for the Event Group. As a result, the EV_THR field of the Event Group Interrupt Threshold Control Register and the EV_BLOCKS field of the Event Group DMA Control Register are the same.</p> <p>Any operation mode read/write:</p> <p>0 No DMA transfer occurs even if EV_BLK_XFER is set to 1.</p> <p>1h-1FFh One DMA request is generated if the EV_BLK_XFER is set to 1 and the specified number of Event Group conversion results have been accumulated.</p>
15-4	Reserved	0	Reads return zeros, writes have no effect.
3	DMA_EV_END	0 1	<p>Event Group Conversion End DMA Transfer Enable.</p> <p>Any operation mode read:</p> <p>0 ADC module generates a DMA request for each write to the Event group results RAM if EV_DMA_EN is set.</p> <p>1 ADC module generates a DMA request when the ADC has completed the conversions for all channels selected for conversion in the event group.</p> <p>If DMA_EV_END bit is set to 1, EV_DMA_EN bit is ignored and DMA requests will be generated every time the DMA_EV_END flag in the event group status register is set. The DMA_EV_END bit must be set before enabling conversions for the event group.</p>
2	EV_BLK_XFER	0 1	<p>Event Group Block DMA Transfer Enable.</p> <p>Any operation mode read:</p> <p>0 ADC module generates a DMA request for each write to the Event Group memory if EV_DMA_EN is set.</p> <p>1 ADC module generates a DMA request when the ADC has written EV_BLOCKS number of buffers into the Event Group memory.</p> <p>If EV_BLK_XFER bit is set to 1, EV_DMA_EN bit is ignored and DMA requests will be generated every time the Threshold Counter reaches 0 from a count value of 1.</p>
1	Reserved	0	Reads return zeros, writes have no effect.

**Table 22-26. ADC Event Group DMA Control Register (ADEVDMACR) Field Descriptions (continued)**

Bit	Field	Value	Description
0	EV_DMA_EN		Event Group DMA Transfer Enable.
			Any operation mode read:
		0	ADC module does not generate a DMA request when it writes the conversion result to the Event Group memory.
		1	ADC module generates a DMA transfer when the ADC has written to the Event Group memory. The EV_BLK_XFER bit must be cleared to 0 for this DMA request to be generated.

### 22.3.21 ADC Group1 DMA Control Register (ADG1DMACR)

ADC Group1 DMA Control Register (ADG1DMACR) is shown in [Figure 22-43](#) and described in [Table 22-27](#).

**Figure 22-43. ADC Group1 DMA Control Register (ADG1DMACR) [offset = 50h]**

31	25	24			16
Reserved			G1_BLOCKS		
R-0			R/W-0		
15					8
Reserved					
R-0					
7	4	3	2	1	0
Reserved		DMA_G1_END	G1_BLK_XFER	Reserved	G1_DMA_EN
R-0		R/W-0	R/W-0	R-0	R/W-0

LEGEND: R/W = Read/Write; R = Read only; -n = value after reset

**Table 22-27. ADC Group1 DMA Control Register (ADG1DMACR) Field Descriptions**

Bit	Field	Value	Description
31-25	Reserved	0	Reads return zeros, writes have no effect.
24-16	G1_BLOCKS	0 1h-1FFh	<p>Number of Group1 Result buffers to be transferred using DMA if the ADC module is configured to generate a DMA request. If the Group1 is configured to use the block transfer mode of the DMA module, then the ADC module generates a DMA request after the Group1 results' memory accumulates G1_BLOCKS number of conversion results.</p> <p>This feature is designed to be used in place of the threshold interrupt for the Group1. As a result, the G1_THR field of the Group1 Interrupt Threshold Control Register and the G1_BLOCKS field of the Group1 DMA Control Register are the same.</p> <p>Any operation mode read/write:</p> <p>0 No DMA transfer occurs even if G1_BLK_XFER is set to 1.</p> <p>1h-1FFh One DMA request is generated if the G1_BLK_XFER is set to 1 and the specified number of Group1 conversion results have been accumulated.</p>
15-4	Reserved	0	Reads return zeros, writes have no effect.
3	DMA_G1_END	0 1	<p>Group1 Conversion End DMA Transfer Enable.</p> <p>Any operation mode read:</p> <p>0 ADC module generates a DMA request for each write to the group1 results RAM if G1_DMA_EN is set.</p> <p>1 ADC module generates a DMA request when the ADC has completed the conversions for all channels selected for conversion in the group1.</p> <p>If DMA_G1_END bit is set to 1, G1_DMA_EN bit is ignored and DMA requests will be generated every time the DMA_G1_END flag in the group 1 status register is set. The DMA_G1_END bit must be set before enabling conversions for the group 1.</p>
2	G1_BLK_XFER	0 1	<p>Group1 Block DMA Transfer Enable.</p> <p>Any operation mode read:</p> <p>0 ADC module generates a DMA request for each write to the Group1 memory if G1_DMA_EN is set.</p> <p>1 ADC module generates a DMA request when the ADC has written G1_BLOCKS number of buffers into the Group1 memory.</p> <p>If G1_BLK_XFER bit is set to 1, G1_DMA_EN bit is ignored and DMA requests will be generated every time the Threshold Counter reaches 0 from a count value of 1.</p>
1	Reserved	0	Reads return zeros, writes have no effect.

**Table 22-27. ADC Group1 DMA Control Register (ADG1DMACR) Field Descriptions (continued)**

Bit	Field	Value	Description
0	G1_DMA_EN		Group1 DMA Transfer Enable.
			Any operation mode read:
		0	ADC module does not generate a DMA request when it writes the conversion result to the Group1 memory.
		1	ADC module generates a DMA transfer when the ADC has written to the Group1 memory. The G1_BLK_XFER bit must be cleared to 0 for this DMA request to be generated.

### 22.3.22 ADC Group2 DMA Control Register (ADG2DMACR)

ADC Group2 DMA Control Register (ADG2DMACR) is shown in [Figure 22-44](#) and described in [Table 22-28](#).

**Figure 22-44. ADC Group2 DMA Control Register (ADG2DMACR) [offset = 54h]**

31	25	24			16
Reserved			G2_BLOCKS		
R-0			R/W-0		
15					8
Reserved					
R-0					
7	4	3	2	1	0
Reserved		DMA_G2_END	G2_BLK_XFER	Reserved	G2_DMA_EN
R-0		R/W-0	R/W-0	R-0	R/W-0

LEGEND: R/W = Read/Write; R = Read only; -n = value after reset

**Table 22-28. ADC Group2 DMA Control Register (ADG2DMACR) Field Descriptions**

Bit	Field	Value	Description
31-25	Reserved	0	Reads return zeros, writes have no effect.
24-16	G2_BLOCKS	0 1h-1FFh	<p>Number of Group2 Result buffers to be transferred using DMA if the ADC module is configured to generate a DMA request. If the Group2 is configured to use the block transfer mode of the DMA module, then the ADC module generates a DMA request after the Group2 results' memory accumulates G2_BLOCKS number of conversion results.</p> <p>This feature is designed to be used in place of the threshold interrupt for the Group2. As a result, the G2_THR field of the Group2 Interrupt Threshold Control Register and the G2_BLOCKS field of the Group2 DMA Control Register are the same.</p> <p>Any operation mode read/write:</p> <p>0 No DMA transfer occurs even if G2_BLK_XFER is set to 1.</p> <p>1h-1FFh One DMA request is generated if the G2_BLK_XFER is set to 1 and the specified number of Group2 conversion results have been accumulated.</p>
15-4	Reserved	0	Reads return zeros, writes have no effect.
3	DMA_G2_END	0 1	<p>Group2 Conversion End DMA Transfer Enable.</p> <p>Any operation mode read:</p> <p>0 ADC module generates a DMA request for each write to the group2 results RAM if G2_DMA_EN is set.</p> <p>1 ADC module generates a DMA request when the ADC has completed the conversions for all channels selected for conversion in the group2.</p> <p>If DMA_G2_END bit is set to 1, G2_DMA_EN bit is ignored and DMA requests will be generated every time the DMA_G2_END flag in the group 1 status register is set. The DMA_G2_END bit must be set before enabling conversions for the group 1.</p>
2	G2_BLK_XFER	0 1	<p>Group2 Block DMA Transfer Enable.</p> <p>Any operation mode read:</p> <p>0 ADC module generates a DMA request for each write to the Group2 memory if G2_DMA_EN is set.</p> <p>1 ADC module generates a DMA request when the ADC has written G2_BLOCKS number of buffers into the Group2 memory.</p> <p>If G2_BLK_XFER bit is set to 1, G2_DMA_EN bit is ignored and DMA requests will be generated every time the Threshold Counter reaches 0 from a count value of 1.</p>
1	Reserved	0	Reads return zeros, writes have no effect.

**Table 22-28. ADC Group2 DMA Control Register (ADG2DMACR) Field Descriptions (continued)**

Bit	Field	Value	Description
0	G2_DMA_EN		Group2 DMA Transfer Enable.
			Any operation mode read:
		0	ADC module does not generate a DMA request when it writes the conversion result to the Group2 memory.
		1	ADC module generates a DMA transfer when the ADC has written to the Group2 memory. The G2_BLK_XFER bit must be cleared to 0 for this DMA request to be generated.

### 22.3.23 ADC Results Memory Configuration Register (ADBNDCR)

ADC Results Memory Configuration Register (ADBNDCR) [offset = 0x58] is shown in [Figure 22-45](#) and described in [Table 22-29](#).

Refer to [Section 22.2.7](#) for further details on how the conversion results are stored in the ADC results' RAM.

**Figure 22-45. ADC Results Memory Configuration Register (ADBNDCR) [offset = 58h]**

31	25	24	16
Reserved		BND A	
R-0		R/W-0	
15	9	8	0
Reserved		BND B	
R-0		R/W-0	

LEGEND: R/W = Read/Write; R = Read only; -n = value after reset

**Table 22-29. ADC Results Memory Configuration Register (ADBNDCR) Field Descriptions**

Bit	Field	Value	Description
31-25	Reserved	0	Reads return zeros, writes have no effect.
24-16	BND A	0 0-1FFh	Buffer Boundary A. These bits determine the memory available for the Event Group conversion results. The memory available is specified in terms of pairs of result buffers.  Any operation mode read/write:  0 Event Group conversions are not required. If Event Group conversions are performed with the BND A value of zero, then the Event Group memory size will default to 1024 words. For proper usage of the ADC results memory, configure the BND A value to be non-zero and lower than the BND B value.  0-1FFh A total of (2 × BND A) buffers are available in the ADC results memory for storing Event Group conversion results.
15-9	Reserved	0	Reads return zeros, writes have no effect.
8-0	BND B	0 0-1FFh	Buffer Boundary B. These bits specify the number of buffers allocated for the Event Group plus the number of buffers allocated for the Group1. The number of buffer pairs allocated for storing Group1 conversion results can be determined by subtracting BND A from BND B. As a result, BND B must always be specified as greater than or equal to BND A.  Any operation mode read/write:  0 Event Group as well as Group1 conversions are not required.  0-1FFh A total of 2 × (BND B - BND A) buffers are available in the ADC results memory for storing Group1 conversion results.

### 22.3.24 ADC Results Memory Size Configuration Register (ADBNDEND)

ADC Results Memory Size Configuration Register (ADBNDEND) is shown in [Figure 22-46](#) and described in [Table 22-30](#).

**Figure 22-46. ADC Results Memory Size Configuration Register (ADBNDEND) [offset = 5Ch]**

31	17	16
Reserved		BUF_INIT_ACTIVE
R-0		R-0
15	3	2      0
Reserved		BNDEND
R-0		R/W-0

LEGEND: R/W = Read/Write; R = Read only; -n = value after reset

**Table 22-30. ADC Results Memory Size Configuration Register (ADBNDEND) Field Descriptions**

Bit	Field	Value	Description
31-17	Reserved	0	Reads return zeros, writes have no effect.
16	BUF_INIT_ACTIVE	0	ADC Results Memory Auto-initialization Status. Any operation mode read/write: ADC Results Memory is currently not being initialized, and the ADC is available. If this bit is read as '0' after triggering an auto-initialization of the ADC results memory, then the ADC results memory has been completely initialized to zeros. For devices requiring parity checking on the ADC results memory, the parity bit in the results memory will also be initialized according to the parity polarity. The parity polarity as well as the auto-initialization process is controlled by the System module. Please refer to <a href="#">Chapter 2</a> for more details.
		1	ADC results memory is being initialized, and the ADC is not available for conversion.
15-3	Reserved	0	Reads return zeros, writes have no effect.
2-0	BNDEND	0	Buffer Boundary End. These bits specify the total number of memory buffers available for storing the ADC conversion results. These bits should be programmed to match the number of ADC conversion result buffers required to be used for the application. Any operation mode read/write: 16 words available for storing ADC conversion results.
		1h	32 words available for storing ADC conversion results.
		2h	64 words available for storing ADC conversion results. This is the maximum configuration allowed since the device supports 64 buffers each for ADC1 as well as ADC2.
		4h-7h	Reserved. These combinations must not be used.

### 22.3.25 ADC Event Group Sampling Time Configuration Register (ADEVSAAMP)

ADC Event Group Sampling Time Configuration Register (ADEVSAAMP) is shown in [Figure 22-47](#) and described in [Table 22-31](#).

**Figure 22-47. ADC Event Group Sampling Time Configuration Register (ADEVSAAMP) [offset = 60h]**

31	Reserved	12	11	0
R-0			EV_ACQ	
R-0			R/W-0	

LEGEND: R/W = Read/Write; R = Read only; -n = value after reset

**Table 22-31. ADC Event Group Sampling Time Configuration Register (ADEVSAAMP) Field Descriptions**

Bit	Field	Value	Description
31-12	Reserved	0	Reads return zeros, writes have no effect.
11-0	EV_ACQ		<p>Event Group Acquisition Time. These bits define the sampling window (SW) for the Event Group conversions.</p> <p><math>SW = EV\_ACQ + 2</math> in terms of ADCLK cycles.</p> <p>There are two factors that determine the minimum sampling window value required:</p> <p>First, the ADC module design requires that <math>SW \geq 3</math> ADCLK cycles.</p> <p>Second, the ADC input impedance necessitates a certain minimum sampling time. This needs to be guaranteed by configuring the EV_ACQ value properly considering the frequency of the ADCLK signal. Refer to the device datasheet to determine the minimum sampling time for this device.</p>

### 22.3.26 ADC Group1 Sampling Time Configuration Register (ADG1SAMP)

ADC Group1 Sampling Time Configuration Register (ADG1SAMP) is shown in [Figure 22-48](#) and described in [Table 22-32](#).

**Figure 22-48. ADC Group1 Sampling Time Configuration Register (ADG1SAMP) [offset = 64h]**

31	Reserved	12	11	0
R-0			G1_ACQ	
R-0			R/W-0	

LEGEND: R/W = Read/Write; R = Read only; -n = value after reset

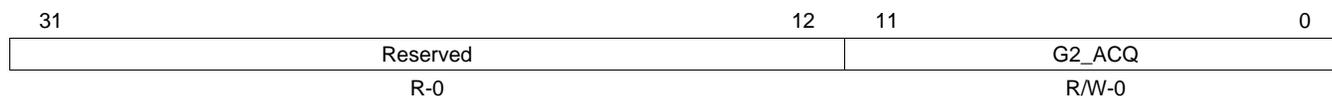
**Table 22-32. ADC Group1 Sampling Time Configuration Register (ADG1SAMP) Field Descriptions**

Bit	Field	Value	Description
31-12	Reserved	0	Reads return zeros, writes have no effect.
11-0	G1_ACQ		<p>Group1 Acquisition Time. These bits define the sampling window (SW) for the Group1 conversions.</p> <p><math>SW = G1\_ACQ + 2</math> in terms of ADCLK cycles.</p> <p>There are two factors that determine the minimum sampling window value required:</p> <p>First, the ADC module design requires that <math>SW \geq 3</math> ADCLK cycles.</p> <p>Second, the ADC input impedance necessitates a certain minimum sampling time. This needs to be guaranteed by configuring the G1_ACQ value properly considering the frequency of the ADCLK signal. Refer to the device datasheet to determine the minimum sampling time for this device.</p>

### 22.3.27 ADC Group2 Sampling Time Configuration Register (ADG2SAMP)

ADC Group2 Sampling Time Configuration Register (ADG2SAMP) is shown in [Figure 22-49](#) and described in [Table 22-33](#).

**Figure 22-49. ADC Group2 Sampling Time Configuration Register (ADG2SAMP) [offset = 68h]**



LEGEND: R/W = Read/Write; R = Read only; -n = value after reset

**Table 22-33. ADC Group2 Sampling Time Configuration Register (ADG2SAMP) Field Descriptions**

Bit	Field	Value	Description
31-12	Reserved	0	Reads return zeros, writes have no effect.
11-0	G2_ACQ		Group2 Acquisition Time. These bits define the sampling window (SW) for the Group2 conversions. $SW = G2\_ACQ + 2$ in terms of ADCLK cycles.  There are two factors that determine the minimum sampling window value required: First, the ADC module design requires that $SW \geq 3$ ADCLK cycles.  Second, the ADC input impedance necessitates a certain minimum sampling time. This needs to be guaranteed by configuring the G2_ACQ value properly considering the frequency of the ADCLK signal. Refer to the device datasheet to determine the minimum sampling time for this device.

### 22.3.28 ADC Event Group Status Register (ADEVSR)

ADC Event Group Status Register (ADEVSR) is shown in [Figure 22-50](#) and described in [Table 22-34](#).

**Figure 22-50. ADC Event Group Status Register (ADEVSR) [offset = 6Ch]**

31	Reserved					8
R-0						
7	4	3	2	1	0	
Reserved		EV_MEM_EMPTY	EV_BUSY	EV_STOP	EV_END	
R-0		R-1	R-0	R-0	RW1C-0	

LEGEND: R/W = Read/Write; R = Read only; -n = value after reset

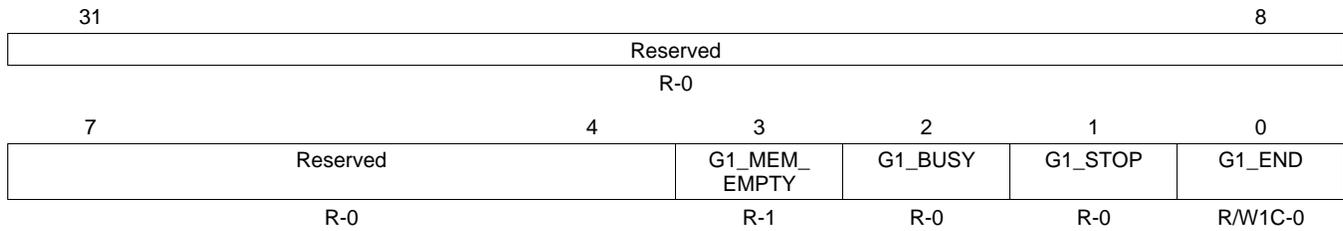
**Table 22-34. ADC Event Group Status Register (ADEVSR) Field Descriptions**

Bit	Field	Value	Description
31-4	Reserved	0	Reads return zeros, writes have no effect.
3	EV_MEM_EMPTY	0 1	Event Group Results Memory Empty. This bit can be effectively used only when the conversion results are read out of the Event Group results memory in the "read from FIFO" mode. Any operation mode read: 0 The Event Group results memory has valid conversion results. 1 The Event Group results memory is empty, or does not contain any unread conversion results.
2	EV_BUSY	0 1	Event Group Conversion Busy. Any operation mode read: 0 Event Group conversions are neither in progress nor frozen. 1 Event Group conversions are either in progress, or are frozen for servicing some other group. This bit will always be set when the Event Group is configured to be in the continuous conversion mode.
1	EV_STOP	0 1	Event Group Conversion Stopped. Any operation mode read: 0 Event Group conversions are not currently frozen. 1 Event Group conversions are currently frozen.
0	EV_END	0 1	Event Group Conversions Ended. Any operation mode read: 0 Event Group conversions have either not been started or have not yet completed since the last time this status bit was cleared. 1 The conversion for all the channels selected in the Event Group has completed. This bit can be cleared under the following conditions: <ul style="list-style-type: none"> <li>By reading a conversion result from the Event Group results memory in the "read from FIFO" mode.</li> <li>By writing a new value to the Event Group channel select register (ADEVSEL).</li> <li>By writing a 1 to this bit.</li> <li>By disabling the ADC module by clearing the ADC_EN bit in the ADC operating mode control register (ADOPMODECR).</li> </ul>

### 22.3.29 ADC Group1 Status Register (ADG1SR)

ADC Group1 Status Register (ADG1SR) is shown in [Figure 22-51](#) and described in [Table 22-35](#).

**Figure 22-51. ADC Group1 Status Register (ADG1SR) [offset = 70h]**



LEGEND: R/W = Read/Write; R = Read only; -n = value after reset

**Table 22-35. ADC Group1 Status Register (ADG1SR) Field Descriptions**

Bit	Field	Value	Description
31-4	Reserved	0	Reads return zeros, writes have no effect.
3	G1_MEM_EMPTY	0 1	Group1 Results Memory Empty. This bit can be effectively used only when the conversion results are read out of the Group1 results memory in the "read from FIFO" mode. Any operation mode read: 0 The Group1 results memory has valid conversion results. 1 The Group1 results memory is empty, or does not contain any unread conversion results.
2	G1_BUSY	0 1	Group1 Conversion Busy. Any operation mode read: 0 Group1 conversions are neither in progress nor frozen. 1 Group1 conversions are either in progress, or are frozen for servicing some other group. This bit will always be set when the Group1 is configured to be in the continuous conversion mode.
1	G1_STOP	0 1	Group1 Conversion Stopped. Any operation mode read: 0 Group1 conversions are not currently frozen. 1 Group1 conversions are currently frozen.
0	G1_END	0 1	Group1 Conversions Ended. Any operation mode read: 0 Group1 conversions have either not been started or have not yet completed since the last time this status bit was cleared. 1 The conversion for all the channels selected in the Group1 has completed. This bit can be cleared under the following conditions: <ul style="list-style-type: none"> <li>• By reading a conversion result from the Group1 results memory in the "read from FIFO" mode.</li> <li>• By writing a new value to the Group1 channel select register (ADG1SEL).</li> <li>• By writing a 1 to this bit.</li> <li>• By disabling the ADC module by clearing the ADC_EN bit in the ADC operating mode control register (ADOPMODECR).</li> </ul>

### 22.3.30 ADC Group2 Status Register (ADG2SR)

ADC Group2 Status Register (ADG2SR) is shown in [Figure 22-52](#) and described in [Table 22-36](#).

**Figure 22-52. ADC Group2 Status Register (ADG2SR) [offset = 74h]**

31	Reserved					8
R-0						
7	4	3	2	1	0	
Reserved		G2_MEM_EMPTY	G2_BUSY	G2_STOP	G2_END	
R-0		R-1	R-0	R-0	RW1C-0	

LEGEND: R/W = Read/Write; R = Read only; -n = value after reset

**Table 22-36. ADC Group2 Status Register (ADG2SR) Field Descriptions**

Bit	Field	Value	Description
31-4	Reserved	0	Reads return zeros, writes have no effect.
3	G2_MEM_EMPTY	0 1	Group2 Results Memory Empty. This bit can be effectively used only when the conversion results are read out of the Group2 results memory in the "read from FIFO" mode. Any operation mode read: 0 The Group2 results memory has valid conversion results. 1 The Group2 results memory is empty, or does not contain any unread conversion results.
2	G2_BUSY	0 1	Group2 Conversion Busy. Any operation mode read: 0 Group2 conversions are neither in progress nor frozen. 1 Group2 conversions are either in progress, or are frozen for servicing some other group. This bit will always be set when the Group2 is configured to be in the continuous conversion mode.
1	G2_STOP	0 1	Group2 Conversion Stopped. Any operation mode read: 0 Group2 conversions are not currently frozen. 1 Group2 conversions are currently frozen.
0	G2_END	0 1	Group2 Conversions Ended. Any operation mode read: 0 Group2 conversions have either not been started or have not yet completed since the last time this status bit was cleared. 1 The conversion for all the channels selected in the Group2 has completed. This bit can be cleared under the following conditions: <ul style="list-style-type: none"> <li>By reading a conversion result from the Group2 results memory in the "read from FIFO" mode.</li> <li>By writing a new value to the Group2 channel select register (ADG2SEL).</li> <li>By writing a 1 to this bit.</li> <li>By disabling the ADC module by clearing the ADC_EN bit in the ADC operating mode control register (ADOPMODECR).</li> </ul>

### 22.3.31 ADC Event Group Channel Select Register (ADEVSEL)

ADC Event Group Channel Select Register (ADEVSEL) is shown in [Figure 22-53](#) and described in [Table 22-37](#).

---

**NOTE: Clearing ADEVSEL During a Conversion**

Writing 0x0000 to ADEVSEL stops the Event Group conversions. This does not cause the ADC Event Group Results Memory pointer or the Event Group Threshold Register to be reset.

---

**NOTE: Writing A Non-Zero Value To ADEVSEL During a Conversion**

Writing a new value to ADEVSEL while a Channel in Event Group is being converted results in a new conversion sequence starting immediately with the highest priority channel in the new ADEVSEL selection. This also causes the ADC Event Group Results Memory pointer to be reset so that the memory allocated for storing the Event Group conversion results gets overwritten. Care should be taken to re-program the corresponding Interrupt Threshold Counter or DMA Threshold Counter again so that correct number of conversions happen before a Threshold interrupt or Block DMA request is generated.

---

ADC1 supports up to 32 channels and ADC2 supports up to 25 channels on the microcontroller.

**Figure 22-53. ADC Event Group Channel Select Register (ADEVSEL) [offset = 78h]**



LEGEND: R/W = Read/Write; R = Read only; -n = value after reset

**Table 22-37. ADC Event Group Channel Select Register (ADEVSEL) Field Descriptions**

Bit	Field	Value	Description
31-16	Reserved	0	Reads return zeros, writes have no effect.
15-0	EV_SEL	0 Non-zero	Event Group channels selected. Any operation mode read/write: No ADC input channel is selected for conversion in the Event Group. The channels marked by the bit positions that are set to 1 will be converted in ascending order when the Event Group is triggered.

### 22.3.32 ADC Group1 Channel Select Register (ADG1SEL)

ADC Group1 Channel Select Register (ADG1SEL) is shown in [Figure 22-54](#) and described in [Table 22-38](#).

---

**NOTE: Clearing ADG1SEL During a Conversion**

Writing 0x0000 to ADG1SEL stops the Group1 conversions. This does not cause the ADC Group1 Results Memory pointer or the Group1 Threshold Register to be reset.

---

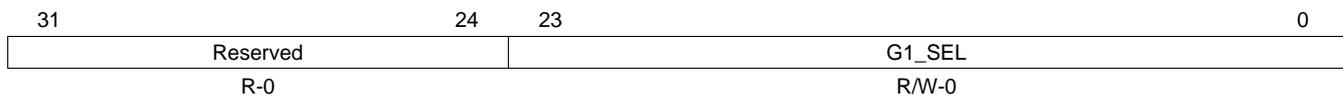
**NOTE: Writing A Non-Zero Value To ADG1SEL During a Conversion**

Writing a new value to ADG1SEL while a Channel in Group1 is being converted results in a new conversion sequence starting immediately with the highest priority channel in the new ADG1SEL selection. This also causes the ADC Group1 Results Memory pointer to be reset so that the memory allocated for storing the Group1 conversion results gets overwritten. Care should be taken to re-program the corresponding Interrupt Threshold Counter or DMA Threshold Counter again so that correct number of conversions happen before a Threshold interrupt or Block DMA request is generated.

---

ADC1 supports up to 32 channels and ADC2 supports up to 25 channels on the microcontroller.

**Figure 22-54. ADC Group1 Channel Select Register (ADG1SEL) [offset = 7Ch]**



LEGEND: R/W = Read/Write; R = Read only; -n = value after reset

**Table 22-38. ADC Group1 Channel Select Register (ADG1SEL) Field Descriptions**

Bit	Field	Value	Description
31-16	Reserved	0	Reads return zeros, writes have no effect.
15-0	G1_SEL	0	Group1 channels selected. Any operation mode read/write: No ADC input channel is selected for conversion in the Group1.
		Non-zero	The channels marked by the bit positions that are set to 1 will be converted in ascending order when the Group1 is triggered.

### 22.3.33 ADC Group2 Channel Select Register (ADG2SEL)

ADC Group2 Channel Select Register (ADG2SEL) is shown in [Figure 22-55](#) and described in [Table 22-39](#).

---

**NOTE: Clearing ADG2SEL During a Conversion**

Writing 0x0000 to ADG2SEL stops the Group2 conversions. This does not cause the ADC Group2 Results Memory pointer or the Group2 Threshold Register to be reset.

---

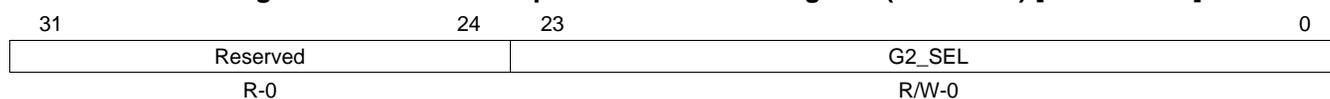
**NOTE: Writing A Non-Zero Value To ADG2SEL During a Conversion**

Writing a new value to ADG2SEL while a Channel in Group2 is being converted results in a new conversion sequence starting immediately with the highest priority channel in the new ADG2SEL selection. This also causes the ADC Group2 Results Memory pointer to be reset so that the memory allocated for storing the Group2 conversion results gets overwritten. Care should be taken to re-program the corresponding Interrupt Threshold Counter or DMA Threshold Counter again so that correct number of conversions happen before a Threshold interrupt or Block DMA request is generated.

---

ADC1 supports up to 32 channels and ADC2 supports up to 25 channels on the microcontroller.

**Figure 22-55. ADC Group2 Channel Select Register (ADG2SEL) [offset = 80h]**



LEGEND: R/W = Read/Write; R = Read only; -n = value after reset

**Table 22-39. ADC Group2 Channel Select Register (ADG2SEL) Field Descriptions**

Bit	Field	Value	Description
31-16	Reserved	0	Reads return zeros, writes have no effect.
15-0	G2_SEL	0	Group2 channels selected. Any operation mode read/write: No ADC input channel is selected for conversion in the Group2.
		Non-zero	The channels marked by the bit positions that are set to 1 will be converted in ascending order when the Group2 is triggered.

### 22.3.34 ADC Calibration and Error Offset Correction Register (ADCALR)

ADC Calibration and Error Offset Correction Register (ADCALR) is shown in [Figure 22-56](#) and [Figure 22-57](#), and described in [Table 22-40](#). As shown, the format of the ADCALR is different based on whether the ADC module is configured to be a 12-bit or a 10-bit ADC module.

**Figure 22-56. 12-bit ADC Calibration and Error Offset Correction Register (ADCALR) [offset = 84h]**

31	12	11	0
Reserved		ADCALR	
R-0		R/W-0	

LEGEND: R/W = Read/Write; R = Read only; -n = value after reset

**Figure 22-57. 10-bit ADC Calibration and Error Offset Correction Register (ADCALR) [offset = 84h]**

31	10	9	0
Reserved		ADCALR	
R-0		R/W-0	

LEGEND: R/W = Read/Write; R = Read only; -n = value after reset

**Table 22-40. ADC Calibration and Error Offset Correction Register (ADCALR) Field Descriptions**

Field	Value	Description
Reserved	0	Reads return zeros, writes have no effect.
ADCALR		<p>ADC Calibration Result and Offset Error Correction Value.</p> <p>The ADC module writes the results of the calibration conversions to this register. The application is required to use these conversion results and determine the ADC offset error. The application can then compute the correction for the offset error and this correction value needs to be written back to the ADCALR register in the 2's complement form.</p> <p>During normal conversion (when calibration is disabled), the ADCALR register contents are automatically added to each digital output from the ADC core before it is stored in the ADC results memory. For more details on error calibration, refer to <a href="#">Section 22.2.6.1</a>.</p>

### 22.3.35 ADC State Machine Status Register (ADSMSTATE)

[Figure 22-58](#) and [Table 22-41](#) describe the ADSMSTATE register.

**Figure 22-58. ADC State Machine Status Register (ADSMSTATE) [offset = 88h]**

31	4	3	0
Reserved		SMSTATE	
R-0		R-0	

LEGEND: R/W = Read/Write; R = Read only; -n = value after reset

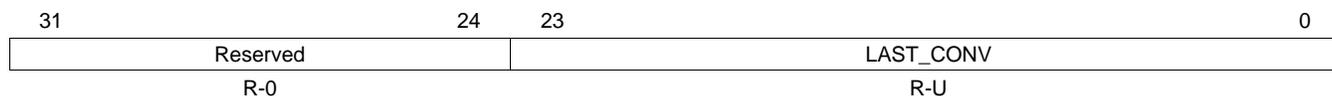
**Table 22-41. ADC State Machine Status Register (ADSMSTATE) Field Descriptions**

Bit	Field	Value	Description
31-4	Reserved	0	Reads return zeros, writes have no effect.
3-0	SMSTATE		<p>ADC State Machine Current State.</p> <p>These bits reflect the current state of the state machine and are reserved for use by TI for debug purposes.</p>

### 22.3.36 ADC Channel Last Conversion Value Register (ADLASTCONV)

ADC Channel Last Conversion Value Register (ADLASTCONV) is shown in [Figure 22-59](#) and described in [Table 22-42](#).

**Figure 22-59. ADC Channel Last Conversion Value Register (ADLASTCONV) [offset = 8Ch]**



LEGEND: R/W = Read/Write; R = Read only; -n = value after reset; -U = value after reset is unknown

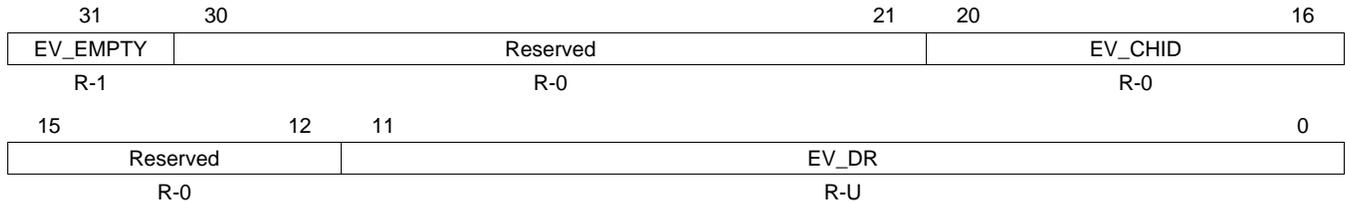
**Table 22-42. ADC Channel Last Conversion Value Register (ADLASTCONV) Field Descriptions**

Bit	Field	Value	Description
31-24	Reserved	0	Reads return zeros, writes have no effect.
23-0	LAST_CONV	0  1	ADC Input Channel's Last Converted Value.  This register indicates whether the last converted value for a particular input channel was lower or higher than the mid-point of the reference voltage. In other words, this register acts as a digital input register and can be read by the application to determine the digital level at the input pins.  This data is only valid for an input channel if it has been converted at least once.  Any operation mode read for each bit of this register:  0 A level lower than the midpoint reference voltage was measured at the last conversion for this channel.  1 A level higher than the midpoint reference voltage was measured at the last conversion for this channel.

**22.3.37 ADC Event Group Results' FIFO Register (ADEVBUFFER)**

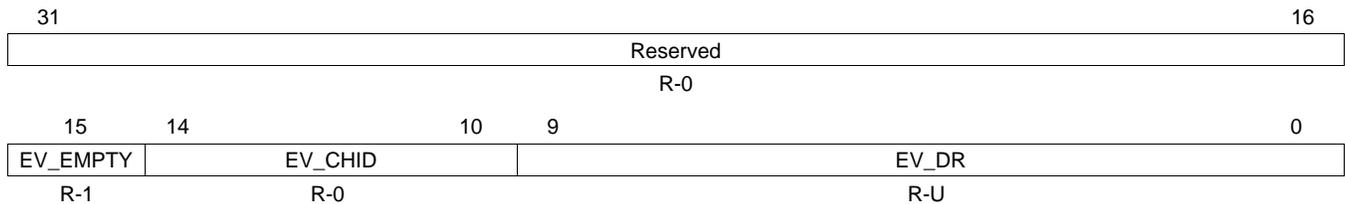
ADC Event Group Results' FIFO Register (ADEVBUFFER) is shown in Figure 22-60 and Figure 22-61, and described in Table 22-43. As shown, the format of the data read from the ADEVBUFFER locations is different based on whether the ADC module is configured to be a 12-bit or a 10-bit ADC module.

**Figure 22-60. 12-bit ADC Event Group Results' FIFO Register (ADEVBUFFER)  
[offset = 90h-AFh]**



LEGEND: R/W = Read/Write; R = Read only; -n = value after reset; -U = value after reset is unknown

**Figure 22-61. 10-bit ADC Event Group Results' FIFO Register (ADEVBUFFER)  
[offset = 90h-AFh]**



LEGEND: R/W = Read/Write; R = Read only; -n = value after reset; -U = value after reset is unknown

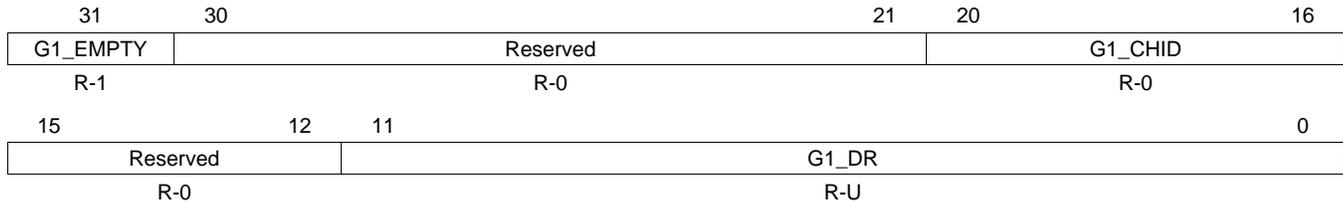
**Table 22-43. ADC Event Group Results' FIFO Register (ADEVBUFFER) Field Descriptions**

Field	Value	Description
Reserved	0	Reads return zeros, writes have no effect.
EV_EMPTY	0 1	Event Group FIFO Empty. This bit is applicable only when the "read from FIFO" mode is used for reading the Event Group conversion results. Any operation mode read: 0 The data in the EV_DR field of this buffer is valid. 1 The data in the EV_DR field of this buffer is not valid and there are no valid data in the Event Group results memory.
EV_CHID	0 1h-1Fh	Event Group Channel Id. These bits are also applicable only when the "read from FIFO" mode is used for reading the Event Group conversion results. Any operation mode read: 0 The conversion result in the EV_DR field of this buffer is from the ADC input channel 0, or the channel id mode is disabled in the Event Group mode control register (ADEVMODECR). 1h-1Fh The conversion result in the EV_DR field of this buffer is from the ADC input channel number denoted by the EV_CHID field.
EV_DR		Event Group Digital Conversion Result. The Event Group results' FIFO location is aliased eight times, so that any word-aligned read from the address range 90h to AFh results in one conversion result to be read from the Event Group results' memory. This allows the ARM LDMIA instruction to read out up to 8 conversion results from the Event Group results' memory with just one instruction.

### 22.3.38 ADC Group1 Results FIFO Register (ADG1BUFFER)

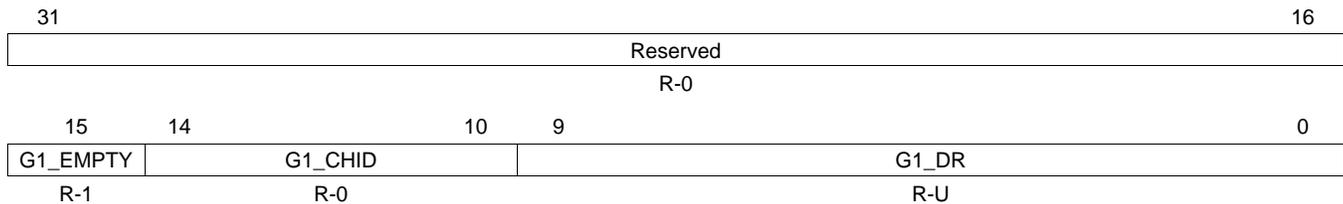
ADC Group1 Results FIFO Register (ADG1BUFFER) is shown in [Figure 22-62](#) and [Figure 22-63](#), described in [Table 22-44](#). As shown, the format of the data read from the ADG1BUFFER locations is different based on whether the ADC module is configured to be a 12-bit or a 10-bit ADC module.

**Figure 22-62. 12-bit ADC Group1 Results FIFO Register (ADG1BUFFER)  
[offset = B0h-CFh]**



LEGEND: R/W = Read/Write; R = Read only; -n = value after reset; -U = value after reset is unknown

**Figure 22-63. 10-bit ADC Group1 Results' FIFO Register (ADG1BUFFER)  
[offset = B0h-CFh]**



LEGEND: R/W = Read/Write; R = Read only; -n = value after reset; -U = value after reset is unknown

**Table 22-44. ADC Group1 Results FIFO Register (ADG1BUFFER) Field Descriptions**

Field	Value	Description
Reserved	0	Reads return zeros, writes have no effect.
G1_EMPTY	0 1	Group1 FIFO Empty. This bit is applicable only when the "read from FIFO" mode is used for reading the Group1 conversion results. Any operation mode read: The data in the G1_DR field of this buffer is valid. The data in the G1_DR field of this buffer is not valid and there are no valid data in the Group1 results memory.
G1_CHID	0 1h-1Fh	Group1 Channel Id. These bits are also applicable only when the "read from FIFO" mode is used for reading the Group1 conversion results. Any operation mode read: The conversion result in the G1_DR field of this buffer is from the ADC input channel 0, or the channel id mode is disabled in the Group1 mode control register (ADG1MODECR). The conversion result in the G1_DR field of this buffer is from the ADC input channel number denoted by the G1_CHID field.
G1_DR		Group1 Digital Conversion Result. The Group1 results' FIFO location is aliased eight times, so that any word-aligned read from the address range B0h to CFh results in one conversion result to be read from the Group1 results' memory. This allows the ARM LDMIA instruction to read out up to 8 conversion results from the Group1 results' memory with just one instruction.

### 22.3.39 ADC Group2 Results FIFO Register (ADG2BUFFER)

ADC Group2 Results FIFO Register (ADG2BUFFER) is shown in [Figure 22-64](#) and [Figure 22-65](#), described in [Table 22-45](#). As shown, the format of the data read from the ADG2BUFFER locations is different based on whether the ADC module is configured to be a 12-bit or a 10-bit ADC module.

**Figure 22-64. 12-bit ADC Group2 Results FIFO Register (ADG2BUFFER)  
[offset = D0h-EFh]**

31	30	21	20	16
G2_EMPTY	Reserved		G2_CHID	
R-1	R-0		R-0	
15	12	11	0	
Reserved		G2_DR		
R-0		R-U		

LEGEND: R/W = Read/Write; R = Read only; -n = value after reset; -U = value after reset is unknown

**Figure 22-65. 10-bit ADC Group2 Results' FIFO Register (ADG2BUFFER)  
[offset = D0h-EFh]**

31	Reserved				16
R-0					
15	14	10	9	0	
G2_EMPTY	G2_CHID		G2_DR		
R-1	R-0		R-U		

LEGEND: R/W = Read/Write; R = Read only; -n = value after reset; -U = value after reset is unknown

**Table 22-45. ADC Group2 Results FIFO Register (ADG2BUFFER) Field Descriptions**

Field	Value	Description
Reserved	0	Reads return zeros, writes have no effect.
G2_EMPTY	0 1	Group2 FIFO Empty. This bit is applicable only when the "read from FIFO" mode is used for reading the Group2 conversion results. Any operation mode read: 0 The data in the G2_DR field of this buffer is valid. 1 The data in the G2_DR field of this buffer is not valid and there are no valid data in the Group2 results memory.
G2_CHID	0 1h-1Fh	Group2 Channel Id. These bits are also applicable only when the "read from FIFO" mode is used for reading the Group2 conversion results. Any operation mode read: 0 The conversion result in the G2_DR field of this buffer is from the ADC input channel 0, or the channel id mode is disabled in the Group2 mode control register (ADG2MODECR). 1h-1Fh The conversion result in the G2_DR field of this buffer is from the ADC input channel number denoted by the G2_CHID field.
G2_DR		Group2 Digital Conversion Result. The Group2 results' FIFO location is aliased eight times, so that any word-aligned read from the address range D0h to EFh results in one conversion result to be read from the Group2 results' memory. This allows the ARM LDMIA instruction to read out up to 8 conversion results from the Group2 results' memory with just one instruction.

### 22.3.40 ADC Event Group Results Emulation FIFO Register (ADEVEMUBUFFER)

ADC Event Group Results Emulation FIFO Register (ADEVEMUBUFFER) is shown in [Figure 22-66](#) and [Figure 22-67](#), and described in [Table 22-46](#). As shown, the format of the data read from the ADEVEMUBUFFER locations is different based on whether the ADC module is configured to be a 12-bit or a 10-bit ADC module.

A read from this location also gives out one conversion result from the Event Group results' memory along with the EV\_EMPTY status bit and the optional channel id. However, this read will not affect any of the status flags in the Event Group interrupt flag register or the Event Group status register. This register is useful for debuggers.

**Figure 22-66. 12-bit ADC Event Group Results Emulation FIFO Register (ADEVEMUBUFFER)  
[offset = F0h]**

31	30	21	20	16
EV_EMPTY	Reserved		EV_CHID	
R-1	R-0		R-0	
15	12	11	0	
Reserved		EV_DR		
R-0		R-U		

LEGEND: R/W = Read/Write; R = Read only; -n = value after reset; -U = value after reset is unknown

**Figure 22-67. 10-bit ADC Event Group Results Emulation FIFO Register (ADEVEMUBUFFER)  
[offset = F0h]**

31	Reserved				16
R-0					
15	14	10	9	0	
EV_EMPTY	EV_CHID		EV_DR		
R-1	R-0		R-U		

LEGEND: R/W = Read/Write; R = Read only; -n = value after reset; -U = value after reset is unknown

**Table 22-46. ADC Event Group Results Emulation FIFO Register (ADEVEMUBUFFER)  
Field Descriptions**

Field	Value	Description
Reserved	0	Reads return zeros, writes have no effect.
EV_EMPTY		Event Group FIFO Empty. This bit is applicable only when the "read from FIFO" mode is used for reading the Event Group conversion results.
	0	Any operation mode read: The data in the EV_DR field of this buffer is valid.
	1	The data in the EV_DR field of this buffer is not valid and there are no valid data in the Event Group results memory.
EV_CHID		Event Group Channel Id. These bits are also applicable only when the "read from FIFO" mode is used for reading the Event Group conversion results.
	0	Any operation mode read: The conversion result in the EV_DR field of this buffer is from the ADC input channel 0, or the channel id mode is disabled in the Event Group operating mode control register (ADEVMODECR).
	1h-1Fh	The conversion result in the EV_DR field of this buffer is from the ADC input channel number denoted by the EV_CHID field.
EV_DR		Event Group Digital Conversion Result.  These bits contain the digital result output from the Event Group FIFO buffer. The result can be presented in an 8-bit, 10-bit, or 12-bit format for a 12-bit ADC module, or in an 8-bit or 10-bit format for a 10-bit ADC module. The conversion result data is automatically shifted right by the appropriate number of bits when using a reduced-size data format with the upper bits reading as zeros.

### 22.3.41 ADC Group1 Results Emulation FIFO Register (ADG1EMUBUFFER)

ADC Group1 Results Emulation FIFO Register (ADG1EMUBUFFER) is shown in [Figure 22-68](#) and [Figure 22-69](#), described in [Table 22-47](#). As shown, the format of the data read from the ADG1EMUBUFFER locations is different based on whether the ADC module is configured to be a 12-bit or a 10-bit ADC module.

A read from this location also gives out one conversion result from the Group1 results' memory along with the G1\_EMPTY status bit and the optional channel id. However, this read will not affect any of the status flags in the Group1 interrupt flag register or the Group1 status register. This register is useful for debuggers.

**Figure 22-68. 12-bit ADC Group1 Results Emulation FIFO Register (ADG1EMUBUFFER)  
[offset = F4h]**

31	30	21	20	16
G1_EMPTY	Reserved		G1_CHID	
R-1	R-0		R-0	
15	12	11	0	
Reserved		G1_DR		
R-0		R-U		

LEGEND: R/W = Read/Write; R = Read only; -n = value after reset; -U = value after reset is unknown

**Figure 22-69. 10-bit ADC Group1 Results Emulation FIFO Register (ADG1EMUBUFFER)  
[offset = F4h]**

31	Reserved				16
R-0					
15	14	10	9	0	
G1_EMPTY	G1_CHID		G1_DR		
R-1	R-0		R-U		

LEGEND: R/W = Read/Write; R = Read only; -n = value after reset; -U = value after reset is unknown

**Table 22-47. ADC Group1 Results Emulation FIFO Register (ADG1EMUBUFFER) Field Descriptions**

Field	Value	Description
Reserved	0	Reads return zeros, writes have no effect.
G1_EMPTY	0 1	Group1 FIFO Empty. This bit is applicable only when the "read from FIFO" mode is used for reading the Group1 conversion results. Any operation mode read: 0 The data in the G1_DR field of this buffer is valid. 1 The data in the G1_DR field of this buffer is not valid and there are no valid data in the Group1 results memory.
G1_CHID	0 1h-1Fh	Group1 Channel Id. These bits are also applicable only when the "read from FIFO" mode is used for reading the Group1 conversion results. Any operation mode read: 0 The conversion result in the G1_DR field of this buffer is from the ADC input channel 0, or the channel id mode is disabled in the Group1 operating mode control register (ADG1MODECR). 1h-1Fh The conversion result in the G1_DR field of this buffer is from the ADC input channel number denoted by the G1_CHID field.
G1_DR		Group1 Digital Conversion Result. These bits contain the digital result output from the Group 1 FIFO buffer. The result can be presented in an 8-bit, 10-bit, or 12-bit format for a 12-bit ADC module, or in an 8-bit or 10-bit format for a 10-bit ADC module. The conversion result data is automatically shifted right by the appropriate number of bits when using a reduced-size data format with the upper bits reading as zeros.

### 22.3.42 ADC Group2 Results Emulation FIFO Register (ADG2EMUBUFFER)

ADC Group2 Results Emulation FIFO Register (ADG2EMUBUFFER) is shown in [Figure 22-70](#) and [Figure 22-71](#), described in [Table 22-48](#). As shown, the format of the data read from the ADG2EMUBUFFER locations is different based on whether the ADC module is configured to be a 12-bit or a 10-bit ADC module.

A read from this location also gives out one conversion result from the Group2 results' memory along with the G2\_EMPTY status bit and the optional channel id. However, this read will not affect any of the status flags in the Group2 interrupt flag register or the Group2 status register. This register is useful for debuggers.

**Figure 22-70. 12-bit ADC Group2 Results Emulation FIFO Register (ADG2EMUBUFFER)  
[offset = F8h]**

31	30	21	20	16
G2_EMPTY	Reserved		G2_CHID	
R-1	R-0		R-0	
15	12	11	0	
Reserved		G2_DR		
R-0		R-U		

LEGEND: R/W = Read/Write; R = Read only; -n = value after reset; -U = value after reset is unknown

**Figure 22-71. 10-bit ADC Group2 Results Emulation FIFO Register (ADG2EMUBUFFER)  
[offset = F8h]**

31	Reserved				16
R-0					
15	14	10	9	0	
G2_EMPTY	G2_CHID		G2_DR		
R-1	R-0		R-U		

LEGEND: R/W = Read/Write; R = Read only; -n = value after reset; -U = value after reset is unknown

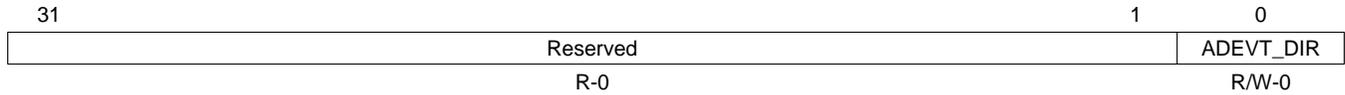
**Table 22-48. ADC Group2 Results Emulation FIFO Register (ADG2EMUBUFFER) Field Descriptions**

Field	Value	Description
Reserved	0	Reads return zeros, writes have no effect.
G2_EMPTY	0 1	Group2 FIFO Empty. This bit is applicable only when the "read from FIFO" mode is used for reading the Group2 conversion results. Any operation mode read: The data in the G2_DR field of this buffer is valid. The data in the G2_DR field of this buffer is not valid and there are no valid data in the Group2 results memory.
G2_CHID	0 1h-1Fh	Group2 Channel Id. These bits are also applicable only when the "read from FIFO" mode is used for reading the Group2 conversion results. Any operation mode read: The conversion result in the G2_DR field of this buffer is from the ADC input channel 0, or the channel id mode is disabled in the Group2 operating mode control register (ADG2MODECR). The conversion result in the G2_DR field of this buffer is from the ADC input channel number denoted by the G2_CHID field.
G2_DR		Group2 Digital Conversion Result. These bits contain the digital result output from the Group 2 FIFO buffer. The result can be presented in an 8-bit, 10-bit, or 12-bit format for a 12-bit ADC module, or in an 8-bit or 10-bit format for a 10-bit ADC module. The conversion result data is automatically shifted right by the appropriate number of bits when using a reduced-size data format with the upper bits reading as zeros.

### 22.3.43 ADC ADEVT Pin Direction Control Register (ADEVTDIR)

ADC ADEVT Pin Direction Control Register (ADEVTDIR) is shown in [Figure 22-72](#) and described in [Table 22-49](#).

**Figure 22-72. ADC ADEVT Pin Direction Control Register (ADEVTDIR) [offset = FCh]**



LEGEND: R/W = Read/Write; R = Read only; -n = value after reset

**Table 22-49. ADC ADEVT Pin Direction Control Register (ADEVTDIR) Field Descriptions**

Bit	Field	Value	Description
31-1	Reserved	0	Reads return zeros, writes have no effect.
0	ADEVT_DIR		ADEVT Pin Direction. Any operating mode read/write:
		0	ADEVT is an input pin; the output buffer is disabled.
		1	ADEVT is an output pin; the output buffer is enabled.

### 22.3.44 ADC ADEVT Pin Output Value Control Register (ADEVTOUT)

ADC ADEVT Pin Output Value Control Register (ADEVTOUT) is shown in [Figure 22-73](#) and described in [Table 22-50](#).

**Figure 22-73. ADC ADEVT Pin Output Value Control Register (ADEVTOUT) [offset = 100h]**

31	Reserved	1	0
			ADEVT_OUT
R-0			R/W-0

LEGEND: R/W = Read/Write; R = Read only; -n = value after reset

**Table 22-50. ADC ADEVT Pin Output Value Control Register (ADEVTOUT) Field Descriptions**

Bit	Field	Value	Description
31-1	Reserved	0	Reads return zeros, writes have no effect.
0	ADEVT_OUT		ADEVT Pin Output Value. This bit determines the logic level to be output to the ADEVT pin when the pin is configured to be an output pin. Any operating mode read/write:
		0	Output logic LOW on the ADEVT pin.
		1	Output logic HIGH on the ADEVT pin.

### 22.3.45 ADC ADEVT Pin Input Value Register (ADEVTIN)

ADC ADEVT Pin Input Value Register (ADEVTIN) is shown in [Figure 22-74](#) and described in [Table 22-51](#).

**Figure 22-74. ADC ADEVT Pin Input Value Register (ADEVTIN) [offset = 104h]**

31	Reserved	1	0
			ADEVT_IN
R-0			R-U

LEGEND: R/W = Read/Write; R = Read only; -n = value after reset; -U = value after reset is unknown

**Table 22-51. ADC ADEVT Pin Input Value Register (ADEVTIN) Field Descriptions**

Bit	Field	Value	Description
31-1	Reserved	0	Reads return zeros, writes have no effect.
0	ADEVT_IN		ADEVT Pin Input Value. This is a read-only bit which reflects the logic level on the ADEVT pin. Any operating mode read:
		0	Logic LOW present on the ADEVT pin.
		1	Logic HIGH present on the ADEVT pin.

### 22.3.46 ADC ADEVT Pin Set Register (ADEVTSET)

ADC ADEVT Pin Set Register (ADEVTSET) is shown in [Figure 22-75](#) and described in [Table 22-52](#).

**Figure 22-75. ADC ADEVT Pin Set Register (ADEVTSET) [offset = 108h]**

31	Reserved	1	0
R-0			ADEVT_SET R/W-0

LEGEND: R/W = Read/Write; R = Read only; -n = value after reset

**Table 22-52. ADC ADEVT Pin Set Register (ADEVTSET) Field Descriptions**

Bit	Field	Value	Description
31-1	Reserved	0	Reads return zeros, writes have no effect.
0	ADEVT_SET		ADEVT Pin Set. This bit drives the output of the ADEVT pin high. A read from this bit always returns the current state of the ADEVT pin. Any operating mode read/write:
		0	Output value on the ADEVT pin is unchanged.
		1	Output logic HIGH on the ADEVT pin, if the pin is configured to be an output pin.

### 22.3.47 ADC ADEVT Pin Clear Register (ADEVTCLR)

ADC ADEVT Pin Clear Register (ADEVTCLR) is shown in [Figure 22-76](#) and described in [Table 22-53](#).

**Figure 22-76. ADC ADEVT Pin Clear Register (ADEVTCLR) [offset = 10Ch]**

31	Reserved	1	0
R-0			ADEVT_CLR R/W-0

LEGEND: R/W = Read/Write; R = Read only; -n = value after reset

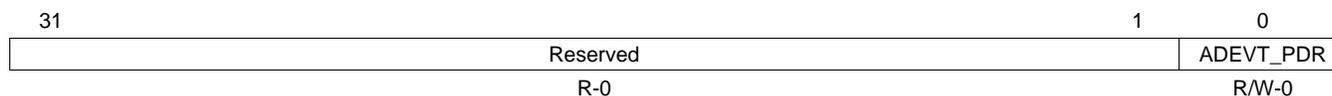
**Table 22-53. ADC ADEVT Pin Clear Register (ADEVTCLR) Field Descriptions**

Bit	Field	Value	Description
31-1	Reserved	0	Reads return zeros, writes have no effect.
0	ADEVT_CLR		ADEVT Pin Clear. A read from this bit always returns the current state of the ADEVT pin. Any operating mode read/write:
		0	Output value on the ADEVT pin is unchanged.
		1	Output logic LOW on the ADEVT pin, if the pin is configured to be an output pin.

### 22.3.48 ADC ADEVT Pin Open Drain Enable Register (ADEVTPDR)

ADC ADEVT Pin Open Drain Enable Register (ADEVTPDR) is shown in [Figure 22-77](#) and described in [Table 22-54](#).

**Figure 22-77. ADC ADEVT Pin Open Drain Enable Register (ADEVTPDR) [offset = 110h]**



LEGEND: R/W = Read/Write; R = Read only; -n = value after reset

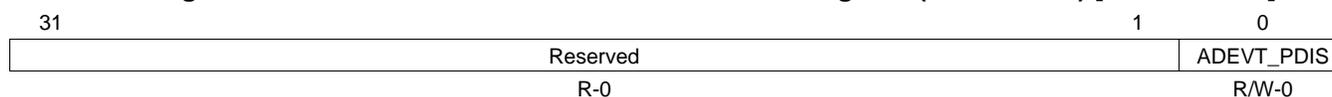
**Table 22-54. ADC ADEVT Pin Open Drain Enable Register (ADEVTPDR) Field Descriptions**

Bit	Field	Value	Description
31-1	Reserved	0	Reads return zeros, writes have no effect.
0	ADEVT_PDR		ADEVT Pin Open Drain Enable. This bit enables the open-drain capability for the ADEVT pin if it is configured to be an output and a logic HIGH is being driven on to the pin. Any operating mode read/write:
		0	Output value on the ADEVT pin is logic HIGH.
		1	The ADEVT pin is tristated.

### 22.3.49 ADC ADEVT Pin Pull Control Disable Register (ADEVTPDIS)

ADC ADEVT Pin Pull Control Disable Register (ADEVTPDIS) is shown in [Figure 22-78](#) and described in [Table 22-55](#).

**Figure 22-78. ADC ADEVT Pin Pull Control Disable Register (ADEVTPDIS) [offset = 114h]**



LEGEND: R/W = Read/Write; R = Read only; -n = value after reset

**Table 22-55. ADC ADEVT Pin Pull Control Disable Register (ADEVTPDIS) Field Descriptions**

Bit	Field	Value	Description
31-1	Reserved	0	Reads return zeros, writes have no effect.
0	ADEVT_PDIS		ADEVT Pin Pull Control Disable. This bit enables or disables the pull control on the ADEVT pin if it is configured to be an input pin. Any operating mode read/write:
		0	Pull on ADEVT pin is enabled.
		1	Pull on ADEVT pin is disabled.

### 22.3.50 ADC ADEVT Pin Pull Control Select Register (ADEVTPSEL)

ADC ADEVT Pin Pull Control Select Register (ADEVTPSEL) is shown in [Figure 22-79](#) and described in [Table 22-56](#).

**Figure 22-79. ADC ADEVT Pin Pull Control Select Register (ADEVTPSEL) [offset = 118h]**

31	Reserved	1	0
			ADEVT_PSEL
R-0			R/W-0

LEGEND: R/W = Read/Write; R = Read only; -n = value after reset

**Table 22-56. ADC ADEVT Pin Pull Control Select Register (ADEVTPSEL) Field Descriptions**

Bit	Field	Value	Description
31-1	Reserved	0	Reads return zeros, writes have no effect.
0	ADEVT_PSEL		ADEVT Pin Pull Control Select. This bit selects a pull-down or pull-up on the ADEVT pin if it is configured to be an input pin. Any operating mode read/write:
		0	Pull down is selected on ADEVT pin.
		1	Pull up is selected on ADEVT pin.

### 22.3.51 ADC Event Group Sample Cap Discharge Control Register (ADEVSAMPDISEN)

ADC Event Group Sample Cap Discharge Control Register (ADEVSAMPDISEN) is shown in [Figure 22-80](#) and described in [Table 22-57](#).

**Figure 22-80. ADC Event Group Sample Cap Discharge Control Register (ADEVSAMPDISEN) [offset = 11Ch]**

31	Reserved			16
R-0				
15	8	7	1	0
		EV_SAMP_DIS_CYC	Reserved	EV_SAMP_DIS_EN
R/W-0		R-0		R/W-0

LEGEND: R/W = Read/Write; R = Read only; -n = value after reset

**Table 22-57. ADC Event Group Sample Cap Discharge Control Register (ADEVSAMPDISEN) Field Descriptions**

Bit	Field	Value	Description
31-16	Reserved	0	Reads return zeros, writes have no effect.
15-8	EV_SAMP_DIS_CYC		Event Group sample cap discharge cycles. These bits specify the duration in terms of ADCLK cycles for which the ADC internal sampling capacitor is allowed to discharge before sampling the input channel voltage.
7-1	Reserved	0	Reads return zeros, writes have no effect.
0	EV_SAMP_DIS_EN		Event Group sample cap discharge enable. Any operation mode read/write:
		0	Event Group sample cap discharge mode is disabled.
		1	Event Group sample cap discharge mode is enabled. The ADC internal sampling capacitor is connected to the $V_{REFLO}$ reference voltage for a duration specified by the EV_SAMP_DIS_CYC field. After this discharge time has expired the selected ADC input channel is sampled and converted normally based on the Event Group settings.

### 22.3.52 ADC Group1 Sample Cap Discharge Control Register (ADG1SAMPDISEN)

ADC Group1 Sample Cap Discharge Control Register (ADG1SAMPDISEN) is shown in [Figure 22-81](#) and described in [Table 22-58](#).

**Figure 22-81. ADC Group1 Sample Cap Discharge Control Register (ADG1SAMPDISEN)  
[offset = 120h]**

31	Reserved										16	
R-0												
15	G1_SAMP_DIS_CYC						8	7	Reserved		1	0
R/W-0						R-0		G1_SAMP_DIS_EN				R/W-0

LEGEND: R/W = Read/Write; R = Read only; -n = value after reset

**Table 22-58. ADC Group1 Sample Cap Discharge Control Register (ADG1SAMPDISEN)  
Field Descriptions**

Bit	Field	Value	Description
31-16	Reserved	0	Reads return zeros, writes have no effect.
15-8	G1_SAMP_DIS_CYC		Group1 sample cap discharge cycles. These bits specify the duration in terms of ADCLK cycles for which the ADC internal sampling capacitor is allowed to discharge before sampling the input channel voltage.
7-1	Reserved	0	Reads return zeros, writes have no effect.
0	G1_SAMP_DIS_EN		Group1 sample cap discharge enable. Any operation mode read/write: 0 Group1 sample cap discharge mode is disabled. 1 Group1 sample cap discharge mode is enabled. The ADC internal sampling capacitor is connected to the $V_{REFLO}$ reference voltage for a duration specified by the G1_SAMP_DIS_CYC field. After this discharge time has expired the selected ADC input channel is sampled and converted normally based on the Group1 settings.

### 22.3.53 ADC Group2 Sample Cap Discharge Control Register (ADG2SAMPDISEN)

ADC Group2 Sample Cap Discharge Control Register (ADG2SAMPDISEN) is shown in [Figure 22-82](#) and described in [Table 22-59](#).

**Figure 22-82. ADC Group2 Sample Cap Discharge Control Register (ADG2SAMPDISEN)  
[offset = 124h]**

31	Reserved										16	
R-0												
15	G2_SAMP_DIS_CYC						8	7	Reserved		1	0
R/W-0						R-0		G2_SAMP_DIS_EN				R/W-0

LEGEND: R/W = Read/Write; R = Read only; -n = value after reset

**Table 22-59. ADC Group2 Sample Cap Discharge Control Register (ADG2SAMPDISEN)  
Field Descriptions**

Bit	Field	Value	Description
31-16	Reserved	0	Reads return zeros, writes have no effect.
15-8	G2_SAMP_DIS_CYC		Group2 sample cap discharge cycles. These bits specify the duration in terms of ADCLK cycles for which the ADC internal sampling capacitor is allowed to discharge before sampling the input channel voltage.
7-1	Reserved	0	Reads return zeros, writes have no effect.
0	G2_SAMP_DIS_EN	0 1	Group2 sample cap discharge enable. Any operation mode read/write: 0 Group2 sample cap discharge mode is disabled. 1 Group2 sample cap discharge mode is enabled. The ADC internal sampling capacitor is connected to the $V_{REFLO}$ reference voltage for a duration specified by the G2_SAMP_DIS_CYC field. After this discharge time has expired the selected ADC input channel is sampled and converted normally based on the Group2 settings.

### 22.3.54 ADC Magnitude Compare Interrupt Control Registers (ADMAGINTxCR)

ADC Magnitude Compare Interrupt Control Registers (ADMAGINTxCR) are shown in [Figure 22-83](#) and [Figure 22-84](#), and described in [Table 22-60](#). As shown, the format of the ADMAGINTxCR is different based on whether the ADC module is configured to be a 12-bit or a 10-bit ADC module. The ADC module supports up to three magnitude compare interrupts. These registers are at offset addresses 128h, 130h, and 138h.

**Figure 22-83. 12-bit ADC Magnitude Compare Interrupt Control Registers (ADMAGINTxCR)  
[offset = 128h-138h]**

31	28	27	16
Reserved		MAG_THRx	
R-0		R/W-0	
15	14	13	8
CHN_THR_ COMPx	CMP_GE_LTx	Reserved	COMP_CHIDx
R/W-0	R/W-0	R-0	R/W-0
7	5	4	0
Reserved		MAG_CHIDx	
R-0		R/W-0	

LEGEND: R/W = Read/Write; R = Read only; -n = value after reset

**Figure 22-84. 10-bit ADC Magnitude Compare Interrupt Control Registers (ADMAGINTxCR)  
[offset = 128h-138h]**

31	30	26	25	16
Rsvd	MAG_CHIDx		MAG_THRx	
R-0	R/W-0		R/W-0	
15	13		12	8
Reserved		COMP_CHIDx		
R-0		R/W-0		
7	Reserved		2	1
R-0			CHN_THR_ COMPx	0
R-0			R/W-0	CMP_GE_LTx R/W-0

LEGEND: R/W = Read/Write; R = Read only; -n = value after reset

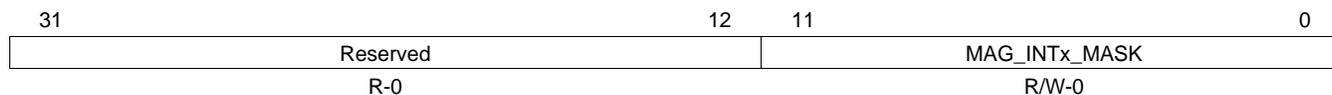
**Table 22-60. ADC Magnitude Compare Interrupt Control Registers (ADMAGINTxCR)  
Field Descriptions**

Field	Value	Description
Reserved	0	Reads return zeros, writes have no effect.
MAG_CHIDx		These bits specify the channel number from 0 to 31 for which the conversion result needs to be monitored by the ADC.
MAG_THRx		These bits specify the 12-bit or 10-bit compare value that the ADC will use for the comparison with the MAG_CHIDx channel's conversion result.
COMP_CHIDx		These bits specify the channel number from 0 to 31 whose last conversion result is compared with the MAG_CHIDx channel's conversion result.
CHN_THR_COMPx	0  1	Channel OR Threshold comparison. Any operation mode read/write: 0 The ADC module will compare the MAG_CHIDx channel's conversion result with the fixed threshold value specified by the MAG_THRx field 1 The ADC module will compare the MAG_CHIDx channel's conversion result with the last conversion result for the COMP_CHIDx channel. Both the MAG_CHIDx and the COMP_CHIDx channel must have been converted at least once for the ADC to perform the comparison.
CMP_GE_LTx	0  1	"Greater than or equal to" OR "Less than" comparison operator. Any operation mode read/write: 0 The ADC module will check if the conversion result is lower than the reference value (fixed threshold or COMP_CHIDx conversion result). 1 The ADC module will check if the conversion result is greater than or equal to the reference value (fixed threshold or COMP_CHIDx conversion result).

### 22.3.55 ADC Magnitude Compare Interruptx Mask Register (ADMAGINTxMASK)

ADC Magnitude Compare Interruptx Mask Register (ADMAGINTxMASK) is shown in [Figure 22-85](#) and [Figure 22-86](#), and described in [Table 22-61](#). As shown, the format of the ADMAGINTxMASK is different based on whether the ADC module is configured to be a 12-bit or a 10-bit ADC module. There are three mask registers for the three magnitude compare interrupts. These registers are at offset addresses 12Ch, 134h, and 13Ch.

**Figure 22-85. 12-bit ADC Magnitude Compare Mask Register (ADMAGINTxMASK)  
[offset = 12Ch-13Ch]**



LEGEND: R/W = Read/Write; R = Read only; -n = value after reset

**Figure 22-86. 10-bit ADC Magnitude Compare Mask Register (ADMAGINTxMASK)  
[offset = 12Ch-13Ch]**



LEGEND: R/W = Read/Write; R = Read only; -n = value after reset

**Table 22-61. ADC Magnitude Compare Interruptx Mask Register (ADMAGINTxMASK)  
Field Descriptions**

Field	Value	Description
Reserved	0	Reads return zeros, writes have no effect.
MAG_INTx_MASK		These bits specify the mask for the comparison in order to generate the magnitude compare interrupt # x. Any operation mode read/write:
	0	The ADC module will not mask the corresponding bit for the comparison.
	1	The ADC module will mask the corresponding bit for the comparison.

### 22.3.56 ADC Magnitude Compare Interrupt Enable Set Register (ADMAGINTENASET)

ADC Magnitude Compare Interrupt Enable Set Register (ADMAGINTENASET) is shown in [Figure 22-87](#) and described in [Table 22-62](#).

**Figure 22-87. ADC Magnitude Compare Interrupt Enable Set Register (ADMAGINTENASET)  
[offset = 158h]**

31	Reserved	3	2	0
R-0			MAG_INT_ENA_SET R/W-0	

LEGEND: R/W = Read/Write; R = Read only; -n = value after reset

**Table 22-62. ADC Magnitude Compare Interrupt Enable Set Register (ADMAGINTENASET)  
Field Descriptions**

Bit	Field	Value	Description
31-3	Reserved	0	Reads return zeros, writes have no effect.
2-0	MAG_INT_ENA_SET		Each of these three bits, when set, enable the corresponding magnitude compare interrupt. Any operation mode read/write for each bit:
		0	The enable status of the corresponding magnitude compare interrupt is left unchanged.
		1	The corresponding magnitude compare interrupt is enabled.

### 22.3.57 ADC Magnitude Compare Interrupt Enable Clear Register (ADMAGINTENACLRL)

ADC Magnitude Compare Interrupt Enable Clear Register (ADMAGINTENACLRL) is shown in [Figure 22-88](#) and described in [Table 22-63](#).

**Figure 22-88. ADC Magnitude Compare Interrupt Enable Clear Register (ADMAGINTENACLRL)  
[offset = 15Ch]**

31	Reserved	3	2	0
R-0			MAG_INT_ENA_CLR R/W-0	

LEGEND: R/W = Read/Write; R = Read only; -n = value after reset

**Table 22-63. ADC Magnitude Compare Interrupt Enable Clear Register (ADMAGINTENACLRL)  
Field Descriptions**

Bit	Field	Value	Description
31-3	Reserved	0	Reads return zeros, writes have no effect.
2-0	MAG_INT_ENA_CLR		Each of these three bits, when set, enable the corresponding magnitude compare interrupt. Any operation mode read/write for each bit:
		0	The enable status of the corresponding magnitude compare interrupt is left unchanged.
		1	The corresponding magnitude compare interrupt is disabled.

### 22.3.58 ADC Magnitude Compare Interrupt Flag Register (ADMAGINTFLG)

ADC Magnitude Compare Interrupt Flag Register (ADMAGINTFLG) is shown in [Figure 22-89](#) and described in [Table 22-64](#).

**Figure 22-89. ADC Magnitude Compare Interrupt Flag Register (ADMAGINTFLG) [offset = 160h]**

31	Reserved	3	2	0
R-0			MAG_INT_FLG R/W-0	

LEGEND: R/W = Read/Write; R = Read only; -n = value after reset

**Table 22-64. ADC Magnitude Compare Interrupt Flag Register (ADMAGINTFLG) Field Descriptions**

Bit	Field	Value	Description
31-3	Reserved	0	Reads return zeros, writes have no effect.
2-0	MAG_INT_FLG	0	Magnitude Compare Interrupt Flags. These bits can be polled by the application to determine if the magnitude compares have been evaluated as true. When a magnitude compare interrupt flag is set, the corresponding magnitude compare interrupt will be generated if enabled.  Any operation mode, for each bit:  Read: The condition for the corresponding magnitude threshold interrupt was false. Write: The corresponding flag is left unchanged.
		1	Read: The condition for the corresponding magnitude threshold interrupt was true. Write: The corresponding flag is cleared. The flag can also be cleared by reading from the magnitude compare interrupt offset register.

### 22.3.59 ADC Magnitude Compare Interrupt Offset Register (ADMAGINTOFF)

ADC Magnitude Compare Interrupt Offset Register (ADMAGINTOFF) is shown in [Figure 22-90](#) and described in [Table 22-65](#).

**Figure 22-90. ADC Magnitude Compare Interrupt Offset Register (ADMAGINTOFF) [offset = 164h]**

31	Reserved	4	3	0
R-0			MAG_INT_OFF R/C-0	

LEGEND: R/W = Read/Write; R = Read only; C = Clear; -n = value after reset

**Table 22-65. ADC Magnitude Compare Interrupt Offset Register (ADMAGINTOFF) Field Descriptions**

Bit	Field	Value	Description
31-4	Reserved	0	Reads return zeros, writes have no effect.
3-0	MAG_INT_OFF		Magnitude Compare Interrupt Offset. This field indexes the currently highest-priority magnitude compare interrupt. Interrupt 1 has the highest priority and interrupt 3 has the lowest priority among the magnitude compare interrupts.  Writes to these bits have no effect. A read from this register clears this register as well as the corresponding magnitude compare interrupt flag in the ADMAGINTFLG register. However, a read from this register in emulation mode does not affect this register or the interrupt status flags.  Any operation mode read:
		0	No magnitude compare interrupt is pending.
		1h	Magnitude compare interrupt # 1 is pending.
		2h	Magnitude compare interrupt # 2 is pending.
		3h	Magnitude compare interrupt # 3 is pending.
4h-Fh		Reserved.	

**22.3.60 ADC Event Group FIFO Reset Control Register (ADEVFIFORESETCR)**

ADC Event Group FIFO Reset Control Register (ADEVFIFORESETCR) is shown in [Figure 22-91](#) and described in [Table 22-66](#).

**Figure 22-91. ADC Event Group FIFO Reset Control Register (ADEVFIFORESETCR) [offset = 168h]**



LEGEND: R/W = Read/Write; R = Read only; -n = value after reset

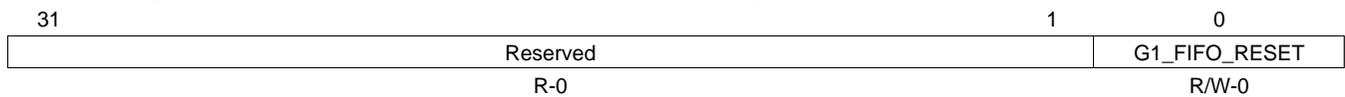
**Table 22-66. ADC Event Group FIFO Reset Control Register (ADEVFIFORESETCR) Field Descriptions**

Bit	Field	Value	Description
31-1	Reserved	0	Reads return zeros, writes have no effect.
0	EV_FIFO_RESET		<p>ADC Event Group FIFO Reset. The application can set this bit in case of an overrun condition. This allows the ADC module to overwrite the contents of the Event Group results memory starting from the first location.</p> <p>When this bit is set to 1, the ADC module resets its internal Event Group results memory pointers. Then this bit automatically gets cleared, so that the ADC module allows the Event Group results memory to be overwritten only once each time this bit is set to 1. As a result, the EV_FIFO_RESET bit will always be read as a 0.</p> <p>The EV_FIFO_RESET bit will only have the desired effect when the Event Group results memory is in an overrun condition. It must be used when the data already available in the results memory can be discarded.</p> <p>If the application needs the Event Group memory to always be overwritten with the latest available conversion results, then the OVR_EV_RAM_IGN bit in the Event Group operating mode control register (ADEVMODECR) needs to be set to 1.</p>

**22.3.61 ADC Group1 FIFO Reset Control Register (ADG1FIFORESETCR)**

ADC Group1 FIFO Reset Control Register (ADG1FIFORESETCR) is shown in [Figure 22-92](#) and described in [Table 22-67](#).

**Figure 22-92. ADC Group1 FIFO Reset Control Register (ADG1FIFORESETCR) [offset = 16Ch]**



LEGEND: R/W = Read/Write; R = Read only; -n = value after reset

**Table 22-67. ADC Group1 FIFO Reset Control Register (ADG1FIFORESETCR) Field Descriptions**

Bit	Field	Value	Description
31-1	Reserved	0	Reads return zeros, writes have no effect.
0	G1_FIFO_RESET		<p>ADC Group1 FIFO Reset. The application can set this bit in case of an overrun condition. This allows the ADC module to overwrite the contents of the Group1 results memory starting from the first location.</p> <p>When this bit is set to 1, the ADC module resets its internal Group1 results memory pointers. Then this bit automatically gets cleared, so that the ADC module allows the Group1 results memory to be overwritten only once each time this bit is set to 1. As a result, the G1_FIFO_RESET bit will always be read as a 0.</p> <p>The G1_FIFO_RESET bit will only have the desired effect when the Group1 results memory is in an overrun condition. It must be used when the data already available in the results memory can be discarded.</p> <p>If the application needs the Group1 memory to always be overwritten with the latest available conversion results, then the OVR_G1_RAM_IGN bit in the Group1 operating mode control register (ADG1MODECR) needs to be set to 1.</p>

### 22.3.62 ADC Group2 FIFO Reset Control Register (ADG2FIFORESETCR)

ADC Group2 FIFO Reset Control Register (ADG2FIFORESETCR) is shown in [Figure 22-93](#) and described in [Table 22-68](#).

**Figure 22-93. ADC Group2 FIFO Reset Control Register (ADG2FIFORESETCR) [offset = 170h]**

31	Reserved	1	0
	R-0		G2_FIFO_RESET R/W-0

LEGEND: R/W = Read/Write; R = Read only; -n = value after reset

**Table 22-68. ADC Group2 FIFO Reset Control Register (ADG2FIFORESETCR) Field Descriptions**

Bit	Field	Value	Description
31-1	Reserved	0	Reads return zeros, writes have no effect.
0	G2_FIFO_RESET		<p>ADC Group2 FIFO Reset. The application can set this bit in case of an overrun condition. This allows the ADC module to overwrite the contents of the Group2 results memory starting from the first location.</p> <p>When this bit is set to 1, the ADC module resets its internal Group2 results memory pointers. Then this bit automatically gets cleared, so that the ADC module allows the Group2 results memory to be overwritten only once each time this bit is set to 1. As a result, the G2_FIFO_RESET bit will always be read as a 0.</p> <p>The G2_FIFO_RESET bit will only have the desired effect when the Group2 results memory is in an overrun condition. It must be used when the data already available in the results memory can be discarded.</p> <p>If the application needs the Group2 memory to always be overwritten with the latest available conversion results, then the OVR_G2_RAM_IGN bit in the Group2 operating mode control register (ADG2MODECR) needs to be set to 1.</p>

### 22.3.63 ADC Event Group RAM Write Address Register (ADEVAMWRADDR)

ADC Event Group RAM Write Address Register (ADEVAMWRADDR) is shown in [Figure 22-94](#) and described in [Table 22-69](#).

**Figure 22-94. ADC Event Group RAM Write Address Register (ADEVAMWRADDR) [offset = 174h]**

31	Reserved	9	8	0
	R-0			EV_RAM_ADDR R/W-0

LEGEND: R/W = Read/Write; R = Read only; -n = value after reset

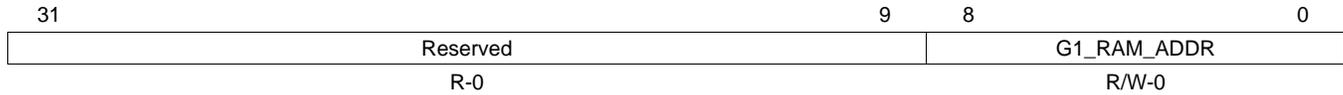
**Table 22-69. ADC Event Group RAM Write Address Register (ADEVAMWRADDR) Field Descriptions**

Bit	Field	Value	Description
31-9	Reserved	0	Reads return zeros, writes have no effect.
8-0	EV_RAM_ADDR		<p>Event Group results memory write pointer. This field shows the address of the location where the next Event Group conversion result will be stored. This is specified in terms of the buffer number.</p> <p>The application can read this register to determine the number of valid Event Group conversion results available until that time.</p>

### 22.3.64 ADC Group1 RAM Write Address Register (ADG1RAMWRADDR)

ADC Group1 RAM Write Address Register (ADG1RAMWRADDR) is shown in [Figure 22-95](#) and described in [Table 22-70](#).

**Figure 22-95. ADC Group1 RAM Write Address Register (ADG1RAMWRADDR) [offset = 178h]**



LEGEND: R/W = Read/Write; R = Read only; -n = value after reset

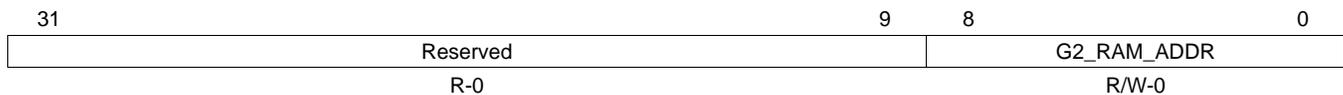
**Table 22-70. ADC Group1 RAM Write Address Register (ADG1RAMWRADDR) Field Descriptions**

Bit	Field	Value	Description
31-9	Reserved	0	Reads return zeros, writes have no effect.
8-0	G1_RAM_ADDR		Group1 results memory write pointer. This field shows the address of the location where the next Group1 conversion result will be stored. This is specified in terms of the buffer number. The application can read this register to determine the number of valid Group1 conversion results available until that time.

### 22.3.65 ADC Group2 RAM Write Address Register (ADG2RAMWRADDR)

ADC Group2 RAM Write Address Register (ADG2RAMWRADDR) is shown in [Figure 22-96](#) and described in [Table 22-71](#).

**Figure 22-96. ADC Group2 RAM Write Address Register (ADG2RAMWRADDR) [offset = 17Ch]**



LEGEND: R/W = Read/Write; R = Read only; -n = value after reset

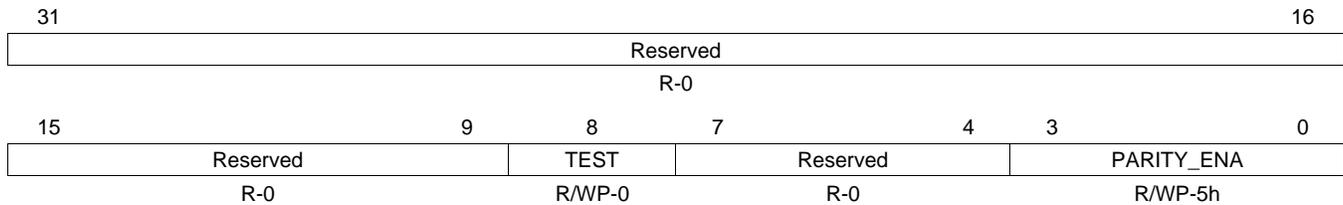
**Table 22-71. ADC Group2 RAM Write Address Register (ADG2RAMWRADDR) Field Descriptions**

Bit	Field	Value	Description
31-9	Reserved	0	Reads return zeros, writes have no effect.
8-0	G2_RAM_ADDR		Group2 results memory write pointer. This field shows the address of the location where the next Group2 conversion result will be stored. This is specified in terms of the buffer number. The application can read this register to determine the number of valid Group2 conversion results available until that time.

### 22.3.66 ADC Parity Control Register (ADPARCR)

ADC Parity Control Register (ADPARCR) is shown in [Figure 22-97](#) and described in [Table 22-72](#).

**Figure 22-97. ADC Parity Control Register (ADPARCR) [offset = 180h]**



LEGEND: R/W = Read/Write; R = Read only; WP = Write in privileged mode only; -n = value after reset

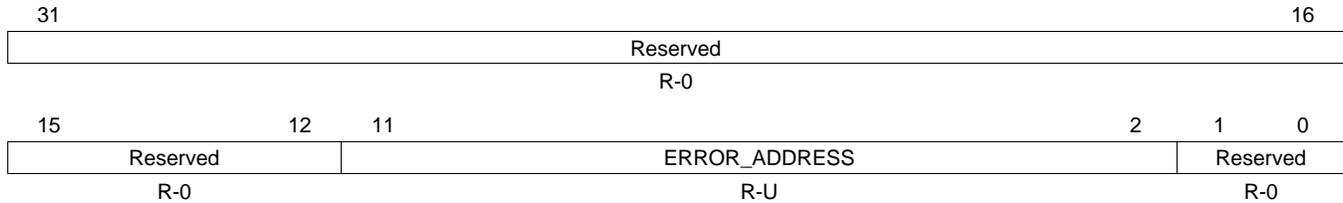
**Table 22-72. ADC Parity Control Register (ADPARCR) Field Descriptions**

Bit	Field	Value	Description
31-9	Reserved	0	Reads return zeros, writes have no effect.
8	TEST	0 1	This bit maps the parity bits into the ADC results' RAM frame so that the application can access them.  Any operation mode read, privileged mode write: 0 The parity bits are not memory-mapped. 1 The parity bits are memory mapped.
7-4	Reserved	0	Reads return zeros, writes have no effect.
3-0	PARITY_ENA	5h All other values	Enable/disable parity checking. These bits enable/disable the parity check on read operations and the parity calculation on write operations to the ADC results memory.  If parity checking is enabled and a parity error is detected the ADC module sends a parity error signal to the System module.  Any operation mode read, privileged mode write: 5h Parity check is disabled. All other values Parity check is enabled.

### 22.3.67 ADC Parity Error Address Register (ADPARADDR)

ADC Parity Error Address Register (ADPARADDR) is shown in [Figure 22-98](#) and described in [Table 22-73](#).

**Figure 22-98. ADC Parity Error Address Register (ADPARADDR) [offset = 184h]**



LEGEND: R/W = Read/Write; R = Read only; -n = value after reset; -U = value after reset is unknown

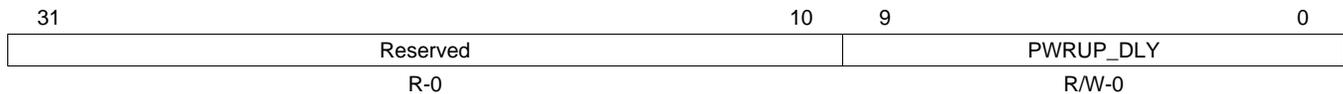
**Table 22-73. ADC Parity Error Address Register (ADPARADDR) Field Descriptions**

Bit	Field	Value	Description
31-12	Reserved	0	Reads return zeros, writes have no effect.
11-2	ERROR_ADDRESS		These bits hold the address of the first parity error generated in the ADC results' RAM. This error address is frozen from being updated until it is read by the application. In emulation mode, this address is maintained frozen even when read.
1-0	Reserved	0	Reads return zeros, writes have no effect. Reading [11:0] provides the 32-bit aligned address.

### 22.3.68 ADC Power-Up Delay Control Register (ADPWRUPDLYCTRL)

[Figure 22-99](#) and [Table 22-74](#) describe the ADPWRDLYCTRL register.

**Figure 22-99. ADC Power-Up Delay Control Register (ADPWRUPDLYCTRL) [offset = 188h]**



LEGEND: R/W = Read/Write; R = Read only; -n = value after reset

**Table 22-74. ADC Power-Up Delay Control Register (ADPWRUPDLYCTRL) Field Descriptions**

Bit	Field	Value	Description
31-10	Reserved	0	Reads return zeros, writes have no effect.
9-0	PWRUP_DLY		This register defines the number of VCLK cycles that the ADC state machine has to wait after releasing the ADC core from power down before starting a new conversion. Refer to <a href="#">Section 22.2.6.3</a> for more details.

### 22.3.69 ADC Event Group Channel Selection Mode Control Register (ADEVCHNSELMODECTRL)

Figure 22-100 and Table 22-75 describe the ADEVCHNSELMODECTRL register.

**Figure 22-100. ADC Event Group Channel Selection Mode Control Register (ADEVCHNSELMODECTRL) (offset = 190h)**

31	Reserved	4	3	0
	R-0			EV_ENH_CHNSEL_MODE_ENABLE
				R/W-5h

LEGEND: R/W = Read/Write; R = Read only; -n = value after reset

**Table 22-75. ADC Event Group Channel Selection Mode Control Register (ADEVCHNSELMODECTRL) Field Descriptions**

Bit	Field	Value	Description
31-4	Reserved	0	Reads return zeros, writes have no effect.
3-0	EV_ENH_CHNSEL_MODE_ENABLE	5h	Enable enhanced channel selection mode for Event group. Refer to <a href="#">Section 22.2.2.2.2</a> for a description of the enhanced channel selection mode. Read: Indicates that the enhanced channel selection mode for Event group is not enabled. The default sequential channel selection mode is used for Event group conversions. Write: Disables the enhanced channel selection mode for Event group and enables the sequential channel selection mode.
		Ah	Read: Indicates that the enhanced channel selection mode for Event group is enabled. Write: Enables the enhanced channel selection mode for Event group.
		All other values	Writing any value other than 5h or Ah to this field has no effect on the selected channel selection mode for the Event group, and the ADC module continues to use the channel selection mode that was previously programmed channel selection mode.

### 22.3.70 ADC Group1 Channel Selection Mode Control Register (ADG1CHNSELMODECTRL)

Figure 22-101 and Table 22-76 describe the ADG1CHNSELMODECTRL register.

**Figure 22-101. ADC Group1 Channel Selection Mode Control Register (ADG1CHNSELMODECTRL) (offset = 194h)**

31	Reserved	4	3	0
	R-0			G1_ENH_CHNSEL_MODE_ENABLE
				R/W-5h

LEGEND: R/W = Read/Write; R = Read only; -n = value after reset

**Table 22-76. ADC Group1 Channel Selection Mode Control Register (ADG1CHNSELMODECTRL) Field Descriptions**

Bit	Field	Value	Description
31-4	Reserved	0	Reads return zeros, writes have no effect.
3-0	G1_ENH_CHNSEL_MODE_ENABLE	5h	Enable enhanced channel selection mode for Group1. Refer to <a href="#">Section 22.2.2.2.2</a> for a description of the enhanced channel selection mode. Read: Indicates that the enhanced channel selection mode for Group1 is not enabled. The default sequential channel selection mode is used for Group1 conversions. Write: Disables the enhanced channel selection mode for Group1 and enables the sequential channel selection mode.
		Ah	Read: Indicates that the enhanced channel selection mode for Group1 is enabled. Write: Enables the enhanced channel selection mode for Group1.
		All other values	Writing any value other than 5h or Ah to this field has no effect on the selected channel selection mode for the Group1, and the ADC module continues to use the channel selection mode that was previously programmed channel selection mode.

### 22.3.71 ADC Group2 Channel Selection Mode Control Register (ADG2CHNSELMODECTRL)

Figure 22-102 and Table 22-77 describe the ADG2CHNSELMODECTRL register.

**Figure 22-102. ADC Group2 Channel Selection Mode Control Register (ADG1CHNSELMODECTRL)  
(offset = 198h)**

31	Reserved	4	3	0
	R-0		G2_ENH_CHNSEL_MODE_ENABLE R//W-5h	

LEGEND: R/W = Read/Write; R = Read only; -n = value after reset

**Table 22-77. ADC Group2 Channel Selection Mode Control Register (ADG2CHNSELMODECTRL)  
Field Descriptions**

Bit	Field	Value	Description
31-4	Reserved	0	Reads return zeros, writes have no effect.
3-0	G2_ENH_CHNSEL_MODE_ENABLE	5h	Enable enhanced channel selection mode for Group2. Refer to <a href="#">Section 22.2.2.2.2</a> for a description of the enhanced channel selection mode.  Read: Indicates that the enhanced channel selection mode for Group2 is not enabled. The default sequential channel selection mode is used for Group2 conversions.  Write: Disables the enhanced channel selection mode for Group2 and enables the sequential channel selection mode.
		Ah	Read: Indicates that the enhanced channel selection mode for Group2 is enabled.  Write: Enables the enhanced channel selection mode for Group2.
		All other values	Writing any value other than 5h or Ah to this field has no effect on the selected channel selection mode for the Group2, and the ADC module continues to use the channel selection mode that was previously programmed channel selection mode.

### 22.3.72 ADC Event Group Current Count Register (ADEVCCRRCOUNT)

Figure 22-103 and Table 22-78 describe the ADEVCCRRCOUNT register.

**Figure 22-103. ADC Event Group Current Count Register (ADEVCCRRCOUNT) (offset = 19Ch)**

31	Reserved	5	4	0
R-0			EV_CURRENT_COUNT	
R-0			R/W-0	

LEGEND: R/W = Read/Write; R = Read only; -n = value after reset

**Table 22-78. ADC Event Group Current Count Register (ADEVCCRRCOUNT) Field Descriptions**

Bit	Field	Value	Description
31-5	Reserved	0	Reads return zeros, writes have no effect.
4-0	EV_CURRENT_COUNT		CURRENT_COUNT value for the Event group conversions when enhanced channel selection mode is enabled. Refer to <a href="#">Section 22.2.2.2.2</a> for a description of the enhanced channel selection mode. This register resets to zero on any of the following conditions: <ul style="list-style-type: none"> <li>• A peripheral reset occurs</li> <li>• An ADC software reset occurs via the ADC Reset Control Register (ADRSTCR)</li> <li>• EV_CURRENT_COUNT becomes equal to EV_MAX_COUNT</li> <li>• Application writes zeros to ADEVCCRRCOUNT register</li> <li>• Event group's result RAM is reset</li> </ul> A read from the ADEVCCRRCOUNT register returns the value of the current index into the Event group's look-up table.

### 22.3.73 ADC Event Group Maximum Count Register (ADEVMAXCOUNT)

Figure 22-104 and Table 22-79 describe the ADEVMAXCOUNT register.

**Figure 22-104. ADC Event Group Maximum Count Register (ADEVMAXCOUNT) (offset = 1A0h)**

31	Reserved	5	4	0
R-0			EV_MAX_COUNT	
R-0			R/W-0	

LEGEND: R/W = Read/Write; R = Read only; -n = value after reset

**Table 22-79. ADC Event Group Maximum Count Register (ADEVMAXCOUNT) Field Descriptions**

Bit	Field	Value	Description
31-5	Reserved	0	Reads return zeros, writes have no effect.
4-0	EV_MAX_COUNT		MAX_COUNT value for the Event group conversions when enhanced channel selection mode is enabled. Refer to <a href="#">Section 22.2.2.2.2</a> for a description of the enhanced channel selection mode. It is recommended to clear the Event group's CURRENT_COUNT register (ADEVCCRRCOUNT) whenever the EV_MAX_COUNT is changed.

### 22.3.74 ADC Group1 Current Count Register (ADG1CURRCOUNT)

Figure 22-105 and Table 22-80 describe the ADG1CURRCOUNT register.

**Figure 22-105. ADC Group1 Current Count Register (ADG1CURRCOUNT) (offset = 1A4h)**

31	Reserved	5	4	0
R-0			G1_CURRENT_COUNT	
			R/W-0	

LEGEND: R/W = Read/Write; R = Read only; -n = value after reset

**Table 22-80. ADC Group1 Current Count Register (ADG1CURRCOUNT) Field Descriptions**

Bit	Field	Value	Description
31-5	Reserved	0	Reads return zeros, writes have no effect.
4-0	G1_CURRENT_COUNT		<p>CURRENT_COUNT value for the Group1 conversions when enhanced channel selection mode is enabled. Refer to <a href="#">Section 22.2.2.2.2</a> for a description of the enhanced channel selection mode.</p> <p>This register resets to zero on any of the following conditions:</p> <ul style="list-style-type: none"> <li>• A peripheral reset occurs</li> <li>• An ADC software reset occurs via the ADC Reset Control Register (ADRSTCR)</li> <li>• G1_CURRENT_COUNT becomes equal to G1_MAX_COUNT</li> <li>• Application writes zeros to ADG1CURRCOUNT register</li> <li>• Group1's result RAM is reset</li> </ul> <p>A read from the ADG1CURRCOUNT register returns the value of the current index into the Group1's look-up table.</p>

### 22.3.75 ADC Group1 Maximum Count Register (ADG1MAXCOUNT)

Figure 22-106 and Table 22-81 describe the ADG1MAXCOUNT register.

**Figure 22-106. ADC Group1 Maximum Count Register (ADG1MAXCOUNT) (offset = 1A8h)**

31	Reserved	5	4	0
R-0			G1_MAX_COUNT	
			R/W-0	

LEGEND: R/W = Read/Write; R = Read only; -n = value after reset

**Table 22-81. ADC Group1 Maximum Count Register (ADG1MAXCOUNT) Field Descriptions**

Bit	Field	Value	Description
31-5	Reserved	0	Reads return zeros, writes have no effect.
4-0	G1_MAX_COUNT		<p>MAX_COUNT value for the Group1 conversions when enhanced channel selection mode is enabled. Refer to <a href="#">Section 22.2.2.2.2</a> for a description of the enhanced channel selection mode.</p> <p>It is recommended to clear the Group1's CURRENT_COUNT register (ADG1CURRCOUNT) whenever the G1_MAX_COUNT is changed.</p>

### 22.3.76 ADC Group2 Current Count Register (ADG2CURRCOUNT)

Figure 22-107 and Table 22-82 describe the ADG2CURRCOUNT register.

**Figure 22-107. ADC Group2 Current Count Register (ADG2CURRCOUNT) (offset = 1ACh)**

31	Reserved	5	4	0
R-0			G2_CURRENT_COUNT	
			R/W-0	

LEGEND: R/W = Read/Write; R = Read only; -n = value after reset

**Table 22-82. ADC Group2 Current Count Register (ADG2CURRCOUNT) Field Descriptions**

Bit	Field	Value	Description
31-5	Reserved	0	Reads return zeros, writes have no effect.
4-0	G2_CURRENT_COUNT		CURRENT_COUNT value for the Group2 conversions when enhanced channel selection mode is enabled. Refer to <a href="#">Section 22.2.2.2.2</a> for a description of the enhanced channel selection mode.  This register resets to zero on any of the following conditions: <ul style="list-style-type: none"> <li>• A peripheral reset occurs</li> <li>• An ADC software reset occurs via the ADC Reset Control Register (ADRSTCR)</li> <li>• G2_CURRENT_COUNT becomes equal to G2_MAX_COUNT</li> <li>• Application writes zeros to ADG2CURRCOUNT register</li> <li>• Group2's result RAM is reset</li> </ul> A read from the ADG2CURRCOUNT register returns the value of the current index into the Group2's look-up table.

### 22.3.77 ADC Group2 Maximum Count Register (ADG2MAXCOUNT)

Figure 22-108 and Table 22-83 describe the ADG2MAXCOUNT register.

**Figure 22-108. ADC Group2 Maximum Count Register (ADG2MAXCOUNT) (offset = 1B0h)**

31	Reserved	5	4	0
R-0			G2_MAX_COUNT	
			R/W-0	

LEGEND: R/W = Read/Write; R = Read only; -n = value after reset

**Table 22-83. ADC Group2 Maximum Count Register (ADG2MAXCOUNT) Field Descriptions**

Bit	Field	Value	Description
31-5	Reserved	0	Reads return zeros, writes have no effect.
4-0	G2_MAX_COUNT		MAX_COUNT value for the Group2 conversions when enhanced channel selection mode is enabled. Refer to <a href="#">Section 22.2.2.2.2</a> for a description of the enhanced channel selection mode.  It is recommended to clear the Group2's CURRENT_COUNT register (ADG2CURRCOUNT) whenever the G2_MAX_COUNT is changed.

## High-End Timer (N2HET) Module

---



---

This chapter provides a general description of the High-End Timer (N2HET). The N2HET is a software-controlled timer with a dedicated specialized timer micromachine and a set of 30 instructions. The N2HET micromachine is connected to a port of up to 32 input/output (I/O) pins.

---

**NOTE:** This chapter describes a superset implementation of the N2HET module that includes features and functionality that require DMA. Since not all devices have DMA capability, consult your device-specific datasheet to determine the applicability of these features and functions to your device being used.

---

Topic	Page
<b>23.1 Features</b> .....	<b>930</b>
<b>23.2 N2HET Functional Description</b> .....	<b>935</b>
<b>23.3 Angle Functions</b> .....	<b>964</b>
<b>23.4 N2HET Control Registers</b> .....	<b>968</b>
<b>23.5 Instruction Set</b> .....	<b>994</b>

## 23.1 Features

- Programmable timer for input and output timing functions
- Reduced instruction set (30 instructions) for dedicated time and angle functions
- Up to maximum of 128 96-bit words of instruction RAM protected by parity. Check your datasheet for the actual number of words implemented.
- User defined configuration of 25-bit virtual counters for timer, event counters and angle counters
- 7-bit hardware counters for each pin allow up to 32-bit resolution in conjunction with the 25-bit virtual counters
- Up to 32 pins usable for input signal measurements or output signal generation
- Programmable suppression filter for each input pin with adjustable suppression window
- Low CPU overhead and interrupt load
- Efficient data transfer to or from the CPU memory with dedicated High-End-Timer Transfer Unit (HTU) or DMA
- Diagnostic capabilities with different loopback mechanisms and pin status readback functionality
- Hardware Angle Generator (HWAG)

### 23.1.1 Overview

The N2HET is a fifth-generation Texas Instruments (TI) advanced intelligent timer module. It provides an enhanced feature set compared to previous generations.

This timer module provides sophisticated timing functions for real-time applications such as engine management or motor control. The high resolution hardware channels allow greater accuracy for widely used timing functions such as period and pulse measurements, output compare, and PWMs.

The reduced instruction set, based mostly on very simple, but comprehensive instructions, improves the definition and development cycle time of an application and its derivatives. The N2HET breakpoint feature, combined with various stop capabilities, makes the N2HET software application easy to debug.

#### 23.1.1.1 Major Advantages

In addition to classic time functions such as input capture or multiple PWMs, higher-level time functions can be easily implemented in the timer program main loop. Higher-level time functions include angle driven wave forms, angle- and time-driven pulses, and input pulse width modulation (PWM) duty cycle measurement.

Because of these high-level functions, data exchanges with the CPU are limited to the fundamental parameters of the application (periods, pulse widths, angle values, etc.); and the real-time constraints for parameter communication are dramatically minimized; for example, few interrupts are required and asynchronous parameter updates are allowed.

The reduced instruction set and simple execution flow control make it simple and easy to develop and modify programs. Simple algorithms can embed the entire flow control inside the N2HET program itself. More complex algorithms can take advantage of the CPU access to the N2HET RAM. With this, the CPU program can make calculations and can modify the timer program flow by changing the data and control fields of the N2HET RAM. CPU access to the N2HET RAM also improves the debug and development of timer programs. The CPU program can stop the N2HET and view the contents of the program, control, and data fields that reside in the N2HET RAM.

Finally, the modular structure provides maximum flexibility to address a wide range of applications. The timer resolution can be selected from two cascaded prescalers to adjust the loop resolution and HR clocks. The 32 I/O pins can provide any combination of input, period or pulse capture, and output compare, including high resolution for each channel.

### 23.1.1.2 Timer Module Structure and Execution

The timer consists of a specialized micromachine that operates a reduced instruction set. Two 25-bit registers and three 32-bit registers are available to manipulate information such as time, event counts, and angle values. System performance is improved by a wide instruction format (96 bits) that allows the N2HET to fetch the instructional operation code and data in one system cycle, thus increasing the speed at which data can be processed. The typical operations performed in the ALU are additions (count), compares, and magnitude compares (higher or same).

Each instruction is made up of a 32-bit program field, a 32-bit control field and a 32-bit data field. The N2HET execution unit fetches the complete 96-bit instruction in one cycle and executes it. All instructions include a 9-bit field for specifying the address of the next instruction to be executed. Some instructions also include a 9-bit conditional address, which is used as the next address whenever a particular condition is true. This makes controlling the flow of an N2HET program inexpensive; in many cases a separate branch instruction is not required.

The interface to the host CPU is based on both communication memory and control registers. The communication memory includes timer instructions (program and data). This memory is typically initialized by the CPU or DMA after reset before the timer starts execution. Once the timer program is loaded into the memory, the CPU starts the timer execution, and typically data parameters are then read or written into the timer memory. The control registers include bits for selecting timer clock, configuring I/O pins, and controlling the timer module.

The programmer implements timer functions by combining instructions in specific sequences. For instance, a single count (CNT) instruction implements a timer. A simple PWM generator can be implemented with a two instruction sequence: CNT and compare (ECMP or MCMP). A complex time function may include many instructions in the sequence. The total timer program is a set of instructions executed sequentially, one after the other. Reaching the end, the program must roll to the first instruction so that it behaves as a loop. The time for a loop to execute is referred to as a *loop resolution clock cycle* or *loop resolution period (LRP)*. When the N2HET rolls over to the first instruction, the timer waits for the loop resolution clock to restart the execution of the loop to ensure that only one loop is executed for each loop resolution clock.

The longest path through an N2HET program must be completed within the loop resolution clock (LRP). Otherwise, the program will execute unpredictably because some instructions will not be executed each time through the loop. This effect creates a strong link between the accuracy of the timer functions and the number of functions (the number of instructions) the timer can perform. High resolution (HR) hardware timer extensions are available for each of the N2HET pins to help overcome this limitation.

The high resolution hardware timers operate from the *high resolution clock*, which may be configured for frequency multiples between 2 and 128 times the loop resolution clock frequency. This extending the resolution of timer events and measurements well beyond what is possible with only loop resolution instructions.

Most of the commonly used N2HET instructions can operate either at loop resolution or high resolution; with the restriction that for each pin at most one high resolution instruction can be executed per loop resolution period.

Certain instructions (MOV32, ADM32, ...) can modify the data fields of other instructions. This feature enables the N2HET program to implement double buffering on capture and compare functions. For example, an ECMP compare instruction can be followed by a MOV32 instruction that is conditionally executed when the ECMP instruction matches. The host CPU can update the next compare value by writing asynchronously to the data field of the MOV32 instruction instead of writing directly to the data field of the ECMP instruction. The copy from the buffer (MOV32 data field) to the compare register (ECMP data field) will occur when the MOV32 instruction is actually executed which occurs after the ECMP instruction matches its current compare value. This is the same behavior as one would expect from a double buffered hardware compare register.

Other instructions (MOV64, RADM64) can modify both the control and data fields of other instructions. This allows the N2HET to implement toggle functionality. For example, an ECMP instruction can be followed by a pair of MOV64 instructions. The MOV64 instruction updates the data field of the ECMP instruction to implement the double buffering behavior. But it also updates the control field of the ECMP instruction which allows it to change things like pin action and the conditional address. If one MOV64 instruction configures the ECMP pin action to SET while the second changes it to CLEAR, and the two MOV64 instructions update the conditional address to point to each other, then a single ECMP instruction can be used to toggle a pin each time the compare match occurs.

### 23.1.1.3 Performance

Most instructions execute in one cycle, but a few take two or three cycles.

The N2HET can generate many complex output waveforms without CPU interrupts. Where special algorithms are needed following a specific event (for example, missing teeth or a short/long input signal), a minimal number of interrupts to the CPU are needed freeing the CPU for other tasks.

### 23.1.1.4 N2HET Compared to NHET

N2HET Enhancements from NHET include:

- Eight new instructions: ADD, ADC, SUB, SBB, AND, OR, XOR, RCNT
- Full set of ALU flags Carry (C), Negative (N), Zero (Z), Overflow (V)
- Branch instruction (BR) extended to support signed and unsigned arithmetic comparison conditions
- Two additional 32-bit temporary working registers R, S.
- New HETAND register for AND-Sharing of High Resolution structure between pairs of pins
- Improved high resolution PCNT instruction

### 23.1.1.5 NHET and N2HET Compared to HET

Compared to the HET module, the N2HET contains all of the enhancements described in [Section 23.1.1.4](#) plus the following additional enhancements:

- New Interrupt Enable Set and Clear registers
- Capability to generate requests to the DMA module or the HET Transfer Unit (HTU) including new Request Enable Set and Clear registers
- NHET RAM parity error detection
- Suppression filters for each of the 32 I/O channel and control register to configure the limiting frequency and counter clock
- Enhanced edge detection hardware that does not rely on the previous bit field in the control word of the NHET instruction.
- The next, conditional and remote addresses are extended from 8 to 9 bits
- The loop resolution data fields are extended from 20 to 25 bits
- The high resolution data fields are extended from 5 to 7 bits
- Instructions with an adequate condition are able to specify the number of the request line, which triggers either the HET Transfer Unit (HTU) or the DMA module
- The CNT instruction provides a bit, which allows to configure either an equal comparison or a greater or equal comparison when comparing the selected register value with the Max-value
- The MOV32 instruction provides a new bit. If set to one the MOV32 will only perform the move, when the Z-flag is set. If set to zero the MOV32 will perform the move whenever it is executed (independent on the state of the Z-flag)
- There is a new instruction WCAPE, which is a combination of a time stamp and an edge counter
- New Open Drain, Pull Disable, and Pull Select registers

### 23.1.1.6 Instructions Features

The N2HET has the following instructions features:

- N2HET uses a RISC-based specialized timer micromachine to carry out a set of 30 instructions
- Instructions are implemented in a Very Long Instruction Word (VLIW) format (96 bits wide)
- The N2HET program execution is self-driven by external or internal events, branching to special routines based on input edges or output compares
- Instructions point to the next instruction executed, eliminating the need for a program counter
- Several instructions can change the program flow based on internal or external conditions

### 23.1.1.7 Program Usage

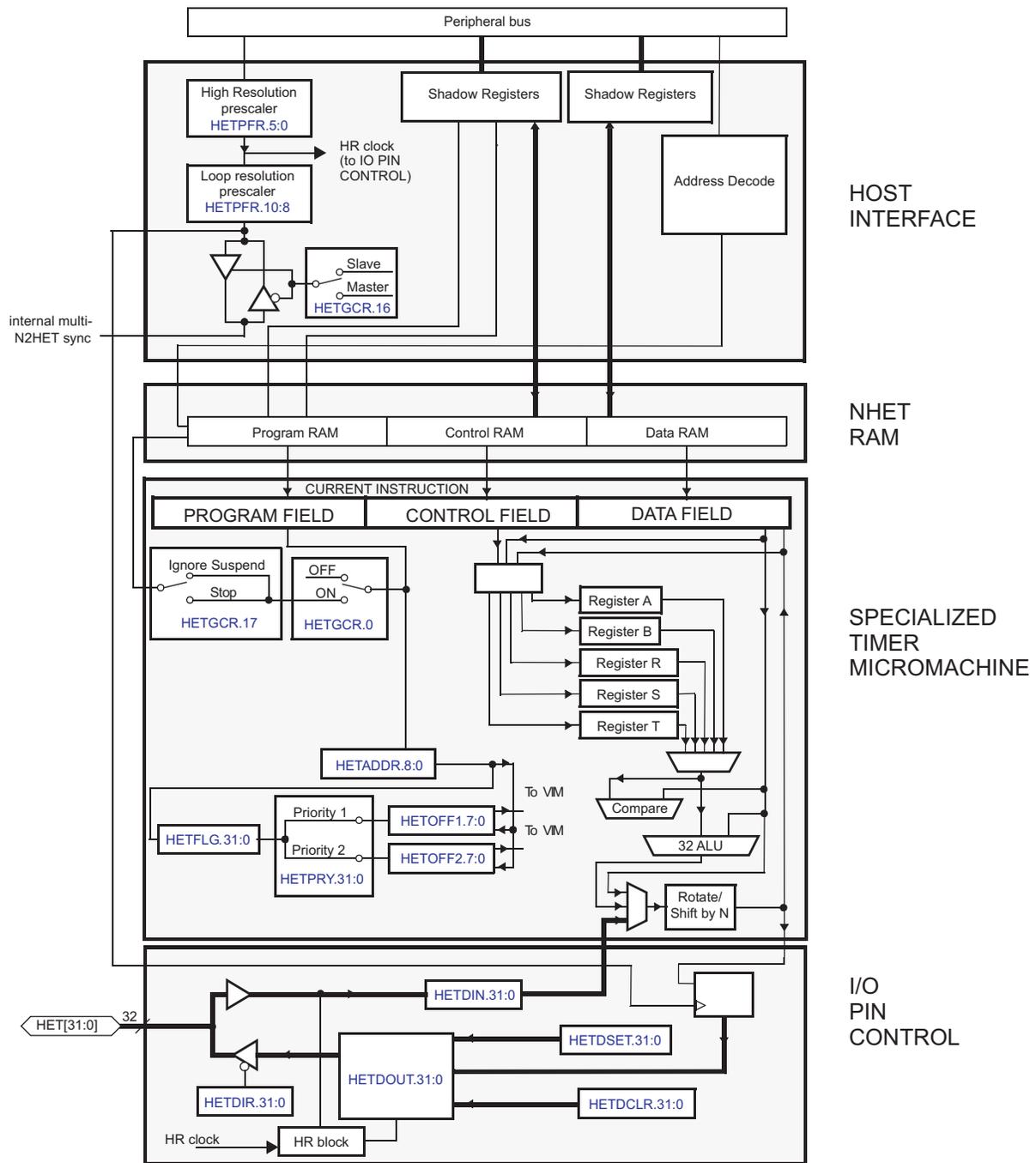
The N2HET instructions/program can be assembled with the N2HET assembler. The assembler generates a C-structure which can be included into the main application program. The application has to copy the content of the structure into the N2HET RAM, set up necessary registers and start the N2HET program execution. In addition to the C-structure, the assembler generates also a header file which makes it easy for the main application to access the different instructions and change for example the duty cycle of a PWM or read out the captured value of a specific signal edge.

### 23.1.2 Block Diagram

The N2HET module (see [Figure 23-1](#)) comprises four separate components:

- Host interface
- N2HET RAM
- Specialized timer micromachine
- I/O control (the N2HET is attached to an I/O port of up to 32 pins)

Figure 23-1. N2HET Block Diagram



## 23.2 N2HET Functional Description

The N2HET contains RAM into which N2HET code is loaded. The N2HET code is run by the specialized timer micromachine. The host interface and I/O control provide an interface to the CPU and external pins respectively.

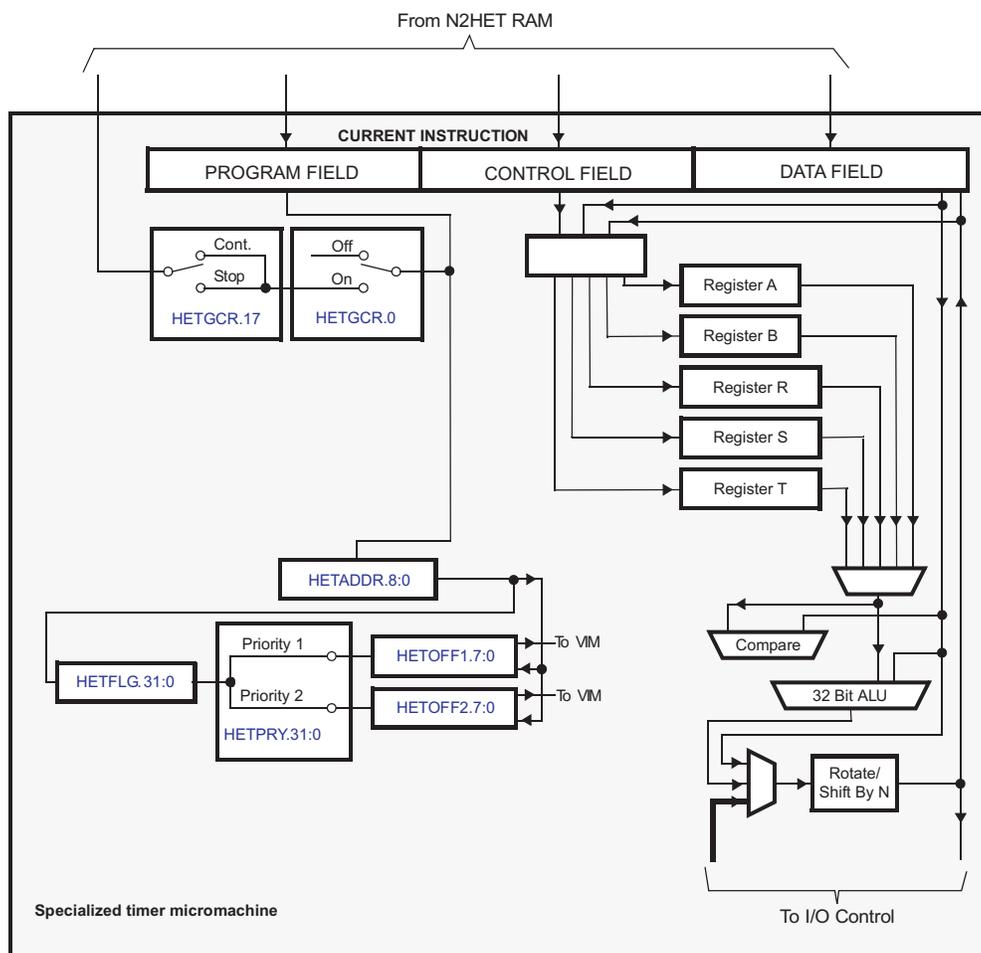
### 23.2.1 Specialized Timer Micromachine

The N2HET has its own instruction set, detailed in [Section 23.5.1](#). The timer micromachine reads each instruction from the N2HET RAM. The program and control fields contain the instructions for how the specialized timer micromachine executes the command. For most instructions, the data field stores the information that needs to be manipulated.

The specialized timer micromachine executes the instructions stored in the N2HET RAM sequentially. The N2HET program execution is self-driven by external or internal events. This means that input edges or output compares may force the program to branch to special routines using a conditional address.

[Figure 23-2](#) shows some of the major operations that the N2HET can carry out, namely compares, captures, angle functions, additions, and shifts. The N2HET contains five registers (A, B, R, S, and T) used to hold compare or counter values and are used by the N2HET instructions. Data may be taken from the registers or the data field for manipulation; likewise, the data may be returned to the registers or the data field.

**Figure 23-2. Specialized Timer Micromachine**



### 23.2.1.1 Time Slots and Resolution Loop

Each instruction requires a specific number of cycles or time slots to execute. The resolution specified in the prescaler bitfields determines the timer accuracy. All input captures, event counts, and output compares are executed once in each resolution loop. HR captures and compares are possible (up to N2HET clock accuracy) on the HR I/O pins. For more information about the HR I/O structure, see [Section 23.2.5](#).

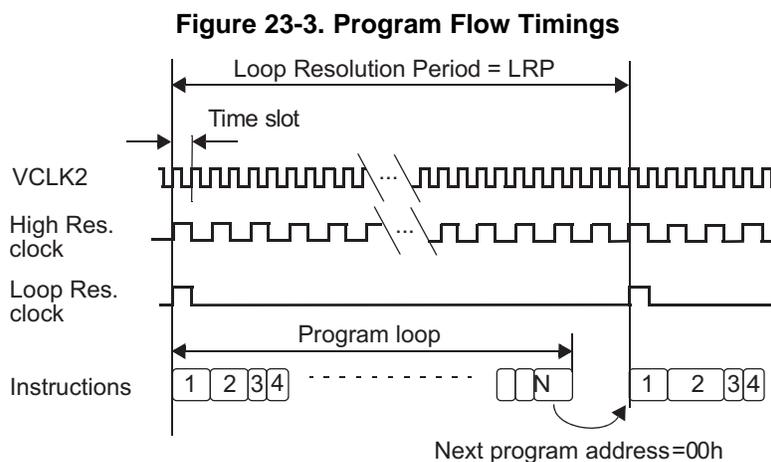
### 23.2.1.2 Program Loop Time

The program loop time is the sum of all cycles used for instruction execution. This time may vary from one loop to another if the N2HET program includes conditionally executed instructions.

The timer program restarts on every resolution loop. The start address is fixed at N2HET RAM address 00h. The longest path through a program must fit within one loop resolution period to guarantee complete accuracy.

The last instruction of a program must branch back to the fixed start address (next program address = 00h). When an N2HET program branches back to address 00h before the end of a loop resolution period, the N2HET detects this and pauses instruction execution until the beginning of the next loop resolution period.

The timing diagram in [Figure 23-3](#) illustrates the program flow execution.



### 23.2.1.3 Instruction Execution Sequence

The execution of a N2HET program begins with the first occurrence of the loop resolution clock, after the N2HET is turned on. At the first and subsequent occurrences of the loop resolution, the instruction at location address 00h is prefetched. The program execution begins at the occurrence of the loop resolution clock and continues executing the instructions until the program branches to 00h location. The instruction is prefetched at location 00h and execution flag is reset. The N2HET pauses instruction execution until the occurrence of the loop resolution clock and resumes normal execution.

N2HET programs must be written so that they complete execution and return to address 00h before the occurrence of the next loop resolution clock. If the N2HET program exceeds this execution time limit, then a program overflow condition occurs as described in [Section 23.2.1.4](#).

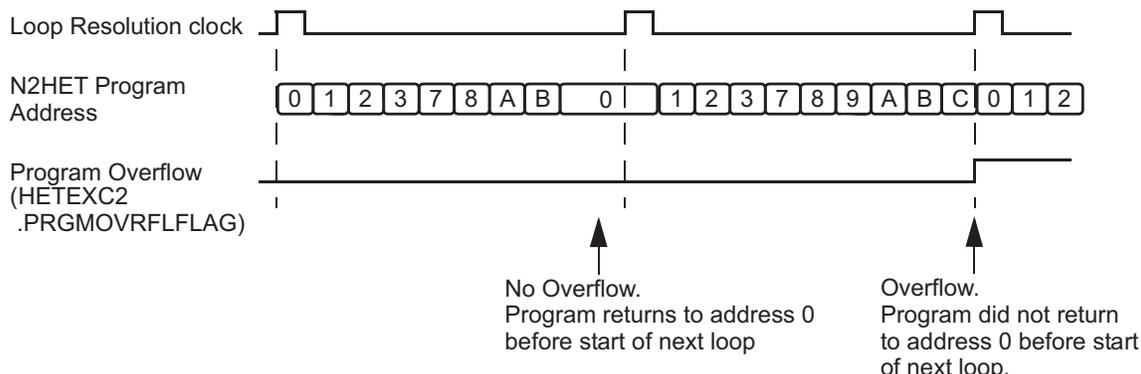
### 23.2.1.4 Program Overflow Condition

If the number of time slots used in a program loop exceeds the number available time slots in one loop resolution, the timer sets the program overflow interrupt flag located in the HETEXC2 register. To maintain synchronization of the I/Os, this condition should never be allowed to occur in a normal operation. The HETEXC2.PRGMOVRFLAG flag provides a mechanism for checking that the condition does not occur during the debug and validation phases.

As Figure 23-4 illustrates, when a program overflow occurs, the currently executing N2HET program sequence is interrupted and restarted at N2HETAddress 0 for the beginning of the next loop resolution clock period. Also, HETEXC2.PRGMOVRFLFLAG is set.

If the instruction that caused the overflow (instruction at address 0xC in Figure 23-4) has any pin actions selected, these pin actions will not be performed. However other actions of the instruction including register and RAM updates will still be performed.

Figure 23-4. Use of the Overflow Interrupt Flag (HETEXC2)



### 23.2.1.5 Architectural Restrictions on N2HET Programs

Certain architectural restrictions apply to N2HET programs:

1. The size of an N2HET program must be greater than one instruction.
2. An extra wait state is incurred by any instruction that modifies a field in the next instruction to be executed.
3. Only one instruction (using high resolution) is allowed per high resolution pin.
4. Consecutive break points are not supported. Instructions with break points must have at least a distance of two instructions (for example, at addresses 1, 3, 5, 7, and so on, assuming the program executes linearly)

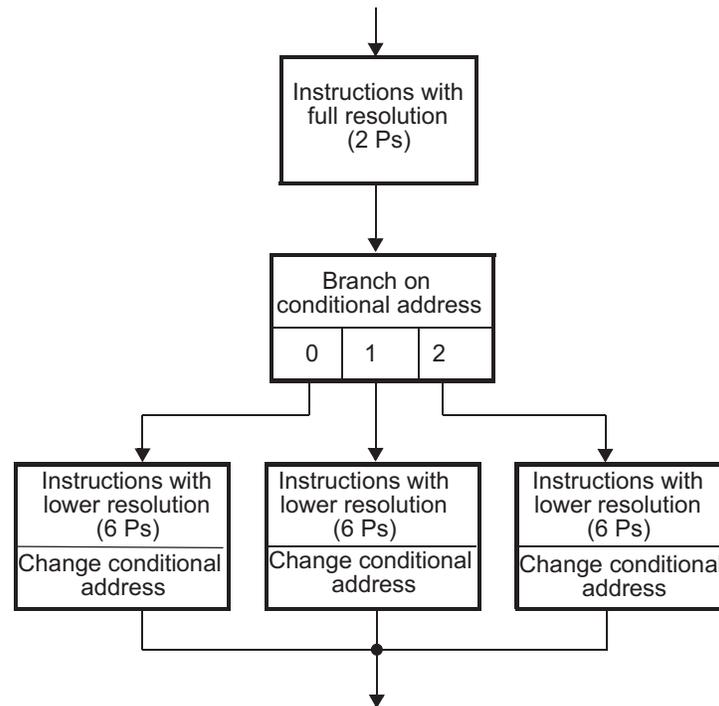
**NOTE:** While it would be unusual to code an N2HET program that is only one instruction long, it is trivial to modify such a program to meet the requirement of restriction 1. Simply add a second instruction to the program, which may be a simple branch to zero.

To enforce restriction 3, the high resolution pin structures respond only to the first instruction that is executed matching their pin number with `hr_lr=HIGH`, regardless of whether or not the `en_pin_action` field is ON. Subsequent instructions are ignored by the high resolution pin structure for the remainder of the loop resolution period.

### 23.2.1.6 Multi-Resolution Scheme

The N2HET has the capability to virtually extend the counter width by executing instructions only once every N loop resolution periods. This decreases the timer resolution, but extends the counter range which may be useful when generating or measuring slow signals. Figure 23-5 illustrates how a multi-resolution scheme may be implemented in an N2HET program. An unconditional Branch instruction and an index sequence, using a MOV64 instruction in each low resolution loop, is required to control this particular program flow.

**NOTE:** HR instructions must be placed in the main (full resolution) loop to ensure proper operation.

**Figure 23-5. Multi-Resolution Operation Flow Example**


### 23.2.1.7 Debug Capability

The N2HET supports breakpoints to allow you to more easily debug your N2HET program. [Figure 23-6](#) provides an illustration of the breakpoint mechanism.

The steps to enable an N2HET breakpoint are:

1. Make sure the device nTRST pin is high, since N2HET breakpoints are disabled whenever this pin is low. (Normally this is handled automatically when a JTAG debugger is attached).
2. Attach a JTAG debugger and connect to the device that has been already programmed with the N2HET code that needs to be debugged. (downloading to on-chip flash is outside the scope of this section).
3. Execute the CPU program at least until the point where the N2HET program RAM has been initialized by the CPU.
4. Open a memory window in the N2HET registers.
5. Make sure NHETEXC2.DEBUGSTATUSFLAG is cleared.
6. Open a memory window on the N2HET RAM
7. Set bit 22 in the program field of the instruction(s) on which you wish to break. Note that this instruction will be executed **before** the N2HET is halted - slightly different from how CPU breakpoints behave.
8. Make sure the CPU and N2HET are running, if they are halted then restart the CPU through the JTAG emulator (N2HET will start when the CPU starts).
9. Both the CPU and N2HET will halt when breakpoint is reached.

When the N2HET is halted, its state machines are frozen but all of the N2HET control registers can be accessed through the JTAG emulator interface.

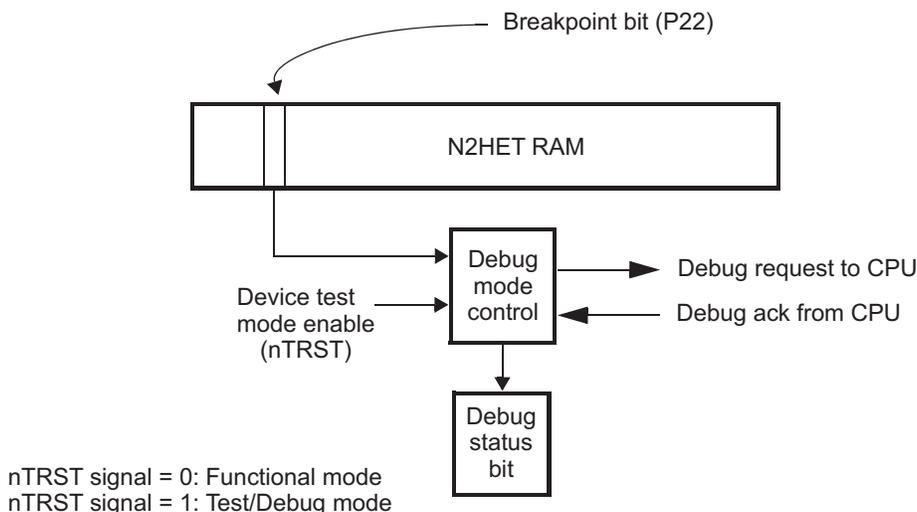
The current N2HET instruction address can be inspected by reading the HETADDR register; this should be pointing to the instruction that caused the breakpoint.

The N2HET internal working registers (A,B,R,S,T) are not directly visible through the JTAG emulator interface. If the content of these registers needs to be inspected, it is best to add an instruction like MOV32 which copies the register value to the N2HET RAM. This RAM location can be inspected when the N2HET halts.

To restart execution of both the CPU and the N2HET from the halted state:

1. Clear NHETEXC2.DEBUGSTATUSFLAG.
2. Clear bit 22 in the program field of the instruction on which the breakpoint was reached.
3. Restart the CPU through the normal JTAG emulator procedure ('Run' or 'Go'). The N2HET will automatically start executing when it sees that the CPU has exited the debug state.

**Figure 23-6. Debug Control Configuration**



**NOTE:** Consecutive break points are not supported. Instructions with break points must have at least a distance of two instructions (for example, at N2HET addresses 1, 3, 5, 7, and so on)

### 23.2.2 N2HET RAM Organization

The N2HET RAM is organized into two sections. The first contains the N2HET program itself. The second contains parity protection bits for the N2HET program.

Each N2HET instruction is 96-bits wide but aligned to a 128-bit boundary. Instructions consist of three 32-bit fields: Program, Control, and Data. Instructions are separated by a fourth unimplemented address to force alignment to 128-bit boundaries.

The integrity of the N2HET program can be protected by Parity. Parity protection is enabled through the N2HET Parity Control Register (HETPCR).

Table 23-1 shows the base addresses for N2HET RAM and N2HET Parity RAM.

**Table 23-1. N2HET RAM Base Addresses**

N2HET1 Base Address	N2HET2 Base Address	Memory
0xFF46_0000	0xFF44_0000	N2HET Instruction RAM (Program/Control/Data)
0xFF46_2000	0xFF44_2000	N2HET Parity RAM

### 23.2.2.1 N2HET RAM Banking

Because the CPU must make updates to the N2HET RAM while the N2HET is executing, for example to update the duty cycle value of a PWM, it is important to understand how the N2HET RAM organization facilitates simultaneous accesses by both the HOST CPU and the N2HET.

The N2HET RAM is implemented as 4 banks of 96-bit wide two port RAM. This means that there a total of 8 ports available; four read and four write. Normally the N2HET will use up to two of these ports at a time. One read port is used to allow the N2HET to prefetch the next N2HET instruction while a write port may be used to update the data or control fields that have changed as a result of executing the current instruction.

N2HET accesses to its own internal RAM are given priority over accesses from an external host (CPU or DMA), this makes N2HET program execution deterministic which is a critical requirement for a timer.

Most N2HET instructions execute in a single cycle. Cases where a wait state impacts the N2HET program execution time are:

- The current N2HET instruction writes data back to the next N2HET in the execution sequence.
- The external host reads from an N2HET instruction where the automatic read-clear option is set, while the N2HET is executing from/on the same address (See [Section 23.2.4.3](#)).

Except for the case of automatic read-clear, the external host is stalled when the host and N2HET have a bank conflict. However this will typically only result in a stall of one cycle, due to the N2HET bank ordering which is organized on the N2HET Address least significant bit boundaries (See [Table 23-2](#)).

Assuming most of the N2HET program executes linearly through the N2HET Address space; if a bank conflict does exist it is usually resolved in the next cycle as the N2HET program moves to the next bank. N2HET programmers should avoid writing a program that accesses the same bank of N2HET RAM on every cycle, as this could lock the external host out of the N2HET memory completely.

[Table 23-2](#) describes the N2HET memory map, as viewed by the N2HET as well as from the memory space of the host CPU and DMA.

**Table 23-2. N2HET RAM Bank Structure**

N2HET Address	Host CPU or DMA Address Space				N2HET RAM Bank
	Program Field Address	Control Field Address	Data Field Address	Reserved Address	
000h	XX0000h	XX0004h	XX0008h	XX000Ch	A
001h	XX0010h	XX0014h	XX0018h	XX001Ch	B
002h	XX0020h	XX0024h	XX0028h	XX002Ch	C
003h	XX0030h	XX0034h	XX0038h	XX003Ch	D
004h	XX0040h	XX0044h	XX0048h	XX004Ch	A
:	:	:	:	:	:
03Fh	XX03F0h	XX03F4h	XX03F8h	XX03FCh	D
040h	XX0400h	XX0404h	XX0408h	XX040Ch	A
:	:	:	:	:	:
1FFh	XX1FF0h	XX1FF4h	XX1FF8h	XX1FFCh	D

---

**NOTE:** The external host interface supports any access size for reads, but only 32-bit writes to the N2HET RAM are supported. Reserved addresses should not be accessed, the result of doing so is indeterminate.

---

### 23.2.2.2 Parity Checking

The N2HET module can detect parity errors in N2HET RAM. As described in [Section 23.2.2](#) the N2HET allows 32-bit writes only. Therefore N2HET RAM parity checking is implemented using one parity bit per 32-bit field in N2HET RAM.

Even or odd parity selection for N2HET parity detection can be configured in the system module. Parity calculation and checking can be enabled/disabled by a 4-bit key in HETPCR.

During a read access to the N2HET RAM, the parity is calculated based on the data read from the RAM and compared with the good parity value stored in the parity bits. The parity check is performed when the N2HET execution unit makes a read access to N2HET RAM, but also when a different master (for example, CPU, HTU, DMA) performs the read access. If any 32-bit-word fails the parity check then an error is signaled to the ESM module. The N2HET address, which generated the error is detected and is captured in HETPAR for host system debugging. The address is frozen from being updated until it is read by the bus master.

The N2HET execution unit reads the instructions, which are 96-bit wide. They contain the program-, control- and data-field whereby each is 32-bit wide. So when fetching N2HET instructions parity checking is performed on three words in parallel.

If a parity error is detected in two or more words in the same cycle then only one address (word at the lower address) is captured. The captured N2HET address is always aligned to a 32-bit word boundary.

During debug, parity checking is still performed on accesses originating from the on-chip host CPU and DMA. However, parity errors that are detected during an access initiated by the debugger itself are ignored.

### 23.2.2.3 Parity Error Detection Actions

Detection of a N2HET parity error causes the following actions:

1. An error is signaled to the ESM module.
2. The Parity Address Register (HETPAR) is loaded with the address of the faulty N2HET field.
3. N2HET execution immediately stops. (The instruction that triggered the parity error is not executed.)
4. The Turn-On/Off-Bit in the N2HET Global Configuration Register (HETGCR) is automatically cleared.
5. All N2HET internal flags are cleared.
6. All N2HET pins selected by N2HET Parity Pin Register (HETPPR) enter a predefined safe state.
7. Register HETDOUT is also updated to reflect changes in pin state due to HETPPR.

The safe state for N2HET pins selected through the HETPPR register depends on how the pin is configured in the HETDIR, HETPDR, and HETPSL registers. [Table 23-3](#) explains how the safe state is determined.

**Table 23-3. Pin Safe State Upon Parity Error Detection**

Safe State	HETDIR	HETPDR	HETPSL
Drive Low	1	0	0
Drive High	1	0	1
High Impedance	1	1	x

### 23.2.2.4 Testing Parity Detection Logic

To test the parity detection logic, the parity RAM has to be made accessible to the CPU in order to allow a diagnostic program to insert parity errors. The control register bit HETPCR.TEST must be set in order to make the parity RAM accessible. Once HETPCR.TEST is set, the parity bits are accessible as described in [Table 23-4](#).

**Table 23-4. N2HET Parity Bit Mapping**

Address N2HET1	Address N2HET2	Bits	
		[31:1]	[0]
0xFF46_2000	0xFF44_2000	Reads 0, Writes have no effect	Instruction 0 Program Field Parity Bit
0xFF46_2004	0xFF44_2004	Reads 0, Writes have no effect	Instruction 0 Control Field Parity Bit
0xFF46_2008	0xFF44_2008	Reads 0, Writes have no effect	Instruction 0 Data Field Parity Bit

**Table 23-4. N2HET Parity Bit Mapping (continued)**

Address N2HET1	Address N2HET2	Bits	
		[31:1]	[0]
0xFF46_200C	0xFF44_200C	Reads 0, Writes have no effect	Read 0
0xFF46_2010	0xFF44_2010	Reads 0, Writes have no effect	Instruction 1 Program Field Parity Bit
....	....	...	...

Each 32-bit N2HET field has its own parity bit in the N2HET Parity RAM as shown in Table 23-4. There are no parity bits for the reserved fields, since there is no physical N2HET RAM for these fields.

**23.2.2.5 Initialization of Parity RAM**

After device power up, the N2HET RAM contents including the parity bits cannot be guaranteed. In order to avoid false parity failures due to the random state in which RAM powers up, the RAM has to be initialized.

Before initializing the N2HET RAM, enable the N2HET parity logic by writing to HETPCR. Then the N2HET Instruction RAM should be initialized. With parity enabled, the N2HET parity RAM will be initialized automatically by N2HET at the same time that the N2HET instruction RAM is initialized by the CPU. Note that loading the N2HET program with parity enabled is also effective.

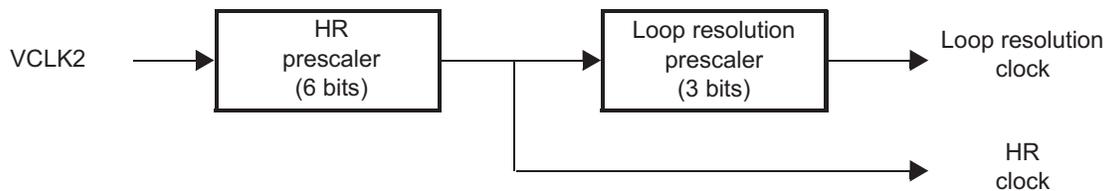
Another possibility to initialize the N2HET memory and its parity bits is, to use the system module to start the automatic initialization of all RAMs on the microcontroller. The RAMs will be initialized to '0'. Depending on the even/odd parity selection, the parity bit will be calculated accordingly.

**23.2.3 Time Base**

All N2HET timings are derived from VCLK2 (see Figure 23-7). Internally N2HET instructions execute at the VCLK2 rate; but the timer loop clock and the high-resolution hardware timer clock can be scaled down from VCLK2. Two prescalers are available to adjust the timer loop resolution clock for the program loop, and the high resolution (HR) clock for the HR I/O counters.

- **Time Slots:** The number of cycles available for instruction execution per loop. Time Slots is the number of VCLK2 cycles in a Loop Resolution Clock.
- **High Resolution Clock:** The high resolution clock is the smallest time increment with which a pin can change it's state or can be measured in the case of input signals. A 6-bit prescaler dividing VCLK2 by a user-defined HR prescale divide rate (hr) stored in the 6-bit HR prescale factor code (HETPFR). See Table 23-5.
- **Loop Resolution Clock:** The loop resolution clock defines the timebase for executing all instructions in a N2HET program. Since instructions can be conditionally executed, the longest path through the N2HET program must fit into one loop resolution clock period (LRP). A 3-bit prescaler dividing the HR clock by a user-defined loop-resolution prescale divide rate (lr) stored in the 3-bit loop-resolution prescale factor code (HETPFR). See Table 23-5.

**Figure 23-7. Prescaler Configuration**



The following abbreviations and relations are used in this document:

1. hr: high resolution prescale factor (1, 2, 3, 4, ..., 63, 64)
2. lr: loop resolution prescale factor (1, 2, 4, 8, 16, 32, 64, 128)
3. ts: Time slots (cycles) available for instruction execution per loop.  $ts = hr \times lr$
4. HRP = high resolution clock period  $HRP = hr \cdot T_{VCLK2}$  (ns)

5. LRP = loop resolution clock period  $LRP = l_r \cdot HRP$  (ns)

The loop resolution period (LRP) must be selected to be larger than the number of Time slots (VCLK2 cycles) required to complete the worst-case execution path through the N2HET program. Otherwise a program overflow condition may occur (see [Section 23.2.1.4](#)). Because of the relationship of time slots to the  $h_r$  and  $l_r$  prescalers as described in item 3 above, increasing either  $h_r$  or  $l_r$  increases the number of time slots available for program execution. However,  $l_r$  would typically be increased first, since increasing  $h_r$  results in a decrease in timer resolution since it reduces the clock to the High Resolution IO structures.

The divide rates  $h_r$  and  $l_r$  can be defined in the HETPFR register. [Table 23-5](#) lists the bit field encodings for the prescale options.

**Table 23-5. Prescale Factor Register Encoding**

LRPFC - Loop Resolution		HRPFC - High Resolution	
HETPFR[10:8]	Prescale Factor $l_r$	HETPFR[5:0]	Prescale Factor $h_r$
000	/1	000000	/1
001	/2	000001	/2
010	/4	000010	/3
011	/8	000011	/4
100	/16	:	:
101	/32	111101	/62
110	/64	111110	/63
111	/128	111111	/64

### 23.2.3.1 Determining Loop Resolution

As an example, consider an application that requires high resolution of  $HRP = 62.5$  ns, and loop resolution of  $LRP = 8$   $\mu$ s, and needs at least 250 time slots for the N2HET application program.

Assuming  $VCLK2 = 32$  MHz, the following shows which divide-by rates and which value in the Prescale Factor Register (HETPFR) is required for the above requirements:

$$h_r = 2 \rightarrow HRP = \frac{h_r}{VCLK2} = \frac{2}{32MHz} = 62.5ns$$

$$l_r = 128 \rightarrow l_r \times HRP = 128 \times 62.5ns = 8 \mu s$$

$$ts = h_r \times l_r = 2 \times 128 = 256$$

$$h_r = 2, l_r = 128 \rightarrow HETPFR[31:0] = 0x00000701 \quad (31)$$

In the example above, if the loop resolution period needs to decrease from 8  $\mu$ s to 4  $\mu$ s, then only 128 time slots will be available for program execution. The program may need to be restructured as suggested in [Section 23.2.1.6](#).

### 23.2.3.2 The 7-Bit HR Data Field

The instruction execution examples of ECMP ([Section 23.2.5.9](#)), MCMP ([Section 23.2.5.10](#)), PCNT ([Section 23.2.5.12](#)), PWCNT ([Section 23.2.5.11](#)), and WCAP ([Section 23.2.5.13](#)) show that the 7-bit HR data field can generate or measure high resolution delays (HR delay) relative to the start of an LRP within one N2HET loop LRP. The last section showed that:

$$LRP = l_r \times HRP$$

There are  $l_r$  high resolution clock periods (HRP) within the N2HET loop resolution clock period (LRP). If  $l_r = 128$  then the HR delay can range from 0 to 127 HRP clocks within LRP and all 7 bits of the HR data field are needed. Instead of being limited to measuring and triggering events based on the loop resolution clock period (LRP) the HR extension allows measurements and events to be described in terms fractions of an LRP (down to  $1/128$  of an LRP). The only limitation is that a maximum of one HR delay can be specified per pin during each loop resolution period.

Table 23-6 shows which bits of the HR data field are not used by the high resolution IO structures if  $l_r$  is less than 128. In this case the non-relevant bits (LSBs) of the HR data fields will be one of the following:

- Written as 0 for HR capture (for PCNT, WCAP)
- Or interpreted as 0 for HR compare (for ECMP, MCMP, PWCNT)

**Table 23-6. Interpretation of the 7-Bit HR Data Field**

Loop Resolution Prescale divide rate ( $l_r$ )	Bits of the HR data field <sup>(1)</sup>							HRP Cycles delay range
	D[6]	D[5]	D[4]	D[3]	D[2]	D[1]	D[0]	
1	X X X X X X X							0
2	1/2	X X X X X X						0 to 1
4	1/2	1/4	X X X X X				0 to 3	
8	1/2	1/4	1/8	X X X X			0 to 7	
16	1/2	1/4	1/8	1/16	X X X		0 to 15	
32	1/2	1/4	1/8	1/16	1/32	X X	0 to 31	
64	1/2	1/4	1/8	1/16	1/32	1/64	X	0 to 63
128	1/2	1/4	1/8	1/16	1/32	1/64	1/128	0 to 127

<sup>(1)</sup> X = Non-relevant bit (treated as '0')

### 23.2.3.2.1 Example:

Prescale Factor Register (HETPFR) = 0x0300

→  $l_r = 8$  → LRP =  $8 \cdot \text{HRP}$

Assumption: HR data field = 0x50 = 1010000b

$l_r = 8$  → Bits D[3:0] are ignored → HR delay = 101b = 5 HRP

or by using the calculation with weight factors:

HR Delay

$$= l_r \cdot (D[6] \cdot 1/2 + D[5] \cdot 1/4 + D[4] \cdot 1/8 + D[3] \cdot 1/16 + D[2] \cdot 1/32 + D[1] \cdot 1/64 + D[0] \cdot 1/128)$$

$$= 8 \cdot (1 \cdot 1/2 + 0 \cdot 1/4 + 1 \cdot 1/8 + 0 \cdot 1/16 + 0 \cdot 1/32 + 0 \cdot 1/64 + 0 \cdot 1/128)$$

$$= 5 \text{ HRP}$$

## 23.2.4 Host Interface

The host interface controls all communications between timer-RAM and masters accessing the N2HET RAM. It includes following components:

### 23.2.4.1 Host Accesses to N2HET RAM

The host interface supports the following types of accesses to N2HET RAM:

- Read accesses of 8, 16, or 32 bits
- Read accesses of 64-bits that follow the shadow register sequence described in [Section 23.2.4.2](#).
- Write accesses of 32 bits

Writes of 8 or 16 bits to N2HET RAM by an external host are not supported.

### 23.2.4.2 64-bit Read Access

The consecutive read of a control field CF(n) and a data field DF(n) of the same instruction (n) performed by the same master (for example, CPU, DMA, or any other master) is always done as a simultaneous 64-bit read access. This means that at the same time CF(n) is read, DF(n) is loaded in a shadow register. So the second access will read DF(n) from the shadow register instead of the N2HET RAM.

In general a 64-bit read access of one master could be interrupted by a 64-bit read access of another master. A total of three shadow registers are available. Therefore up to three masters can perform 64-bit reads in an interleaved manner (Master1 CF, Master2 CF, Master3 CF, Master1 DF, Master2 DF, Master3 DF).

If all three shadow registers are activated and a 4th master performs a CF or DF read it will result in an address error and the RAM access will not happen. Other access types by a fourth master (reads from the PF field or writes to any of the fields) will occur because these access types do not require an available shadow register resource to complete.

### 23.2.4.3 Automatic Read Clear Feature

The N2HET provides a feature allowing to automatically clear the data field immediately after the data field is read by the external host CPU (or DMA). This feature is implemented via the *control bit*, which is located in the control field (bit C26). This is a static bit that can be used by any instruction, and specified in the N2HET program by adding the option (control = ON) to the N2HET instruction. The automatic read clear feature works for both 32 and 64 bit reads that follow the sequence described in [Section 23.2.4.2](#).

When the host CPU reads the data field of that instruction, the current data value is returned to the host CPU but the field is cleared automatically as a side effect of the read. In case the master reads data from an instruction currently executing, any new capture result is stored and this takes priority over the automatic read clear feature, so that the new capture result is not lost.

As an example of where the automatic read clear feature is useful, consider the PCNT instruction. If this instruction is configured for automatic read clear, then when the host CPU reads the PCNT data field it will be cleared automatically. The host CPU can then poll the PCNT data field again, and as long as the field returns a value of zero the host CPU program knows a new capture event has not occurred. If the data field were not cleared, it would be impossible for the host CPU to determine whether the data field holds data from the previous capture event, or if it happens to be data from a new capture event with the same value.

### 23.2.4.4 Emulation Mode

Emulation mode, used by the software debugger, is specified in the global configuration register. When the host CPU debugger hits a breakpoint, the CPU sends a suspend signal to the modules. Two modes of operation are provided: suspend and ignore suspend.

- Suspend

When a suspend is issued, the timer operation stops at the end of the current timer instruction. However, the CPU accesses to the timer RAM or control registers are freely executed.

- Ignore suspend

The timer RAM ignores the suspend signal and operates real time as normal.

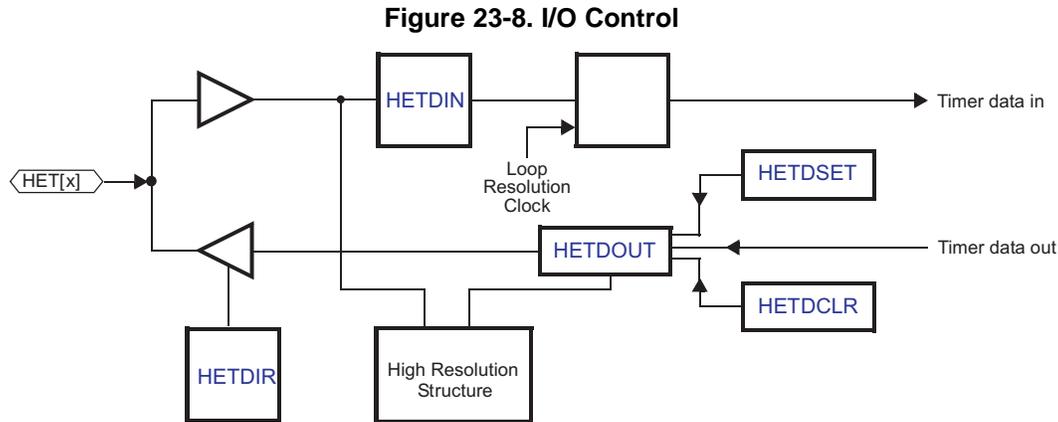
### 23.2.4.5 Power-Down

After setting the turn-off bit in the Global Configuration Register (HETGCR), it is required to delay until the end of the timer program loop before putting the N2HET in power-down mode. This can be done by waiting until the N2HET Current Address (HETADDR) becomes zero, before disabling the N2HET clock source in the device's Global Clock Module (GCM).

## 23.2.5 I/O Control

The N2HET has up to 32 pins. Refer to device specific data sheets for information concerning the number of N2HETIO available. All of the N2HET pins available are programmable as either inputs or outputs.

These 32 I/Os have an identical structure connected to pins HET[31] to HET[0]. See [Figure 23-8](#) for an illustration of the I/O control. In addition all 32 I/Os have a special HR structure based on the HR clock. This structure allows any N2HET instruction to use any of these I/Os with an accuracy of either loop resolution or high resolution accuracy.



Pins N2HET [31] to N2HET [0] can be used by the CPU as general purpose inputs or outputs using the N2HET Data Input Register (HETDIN) for reading and N2HET Data Output Register (HETDOUT), N2HET Data Set Register (HETDSET) or N2HET Data Clear Register (HETDCLR) for writing, depending on the type of action to perform. The N2HET pins used as general purpose inputs are sampled on each VCLK2 period.

### 23.2.5.1 Using General Purpose I/O Data Set and Clear Registers

The N2HET Data Clear Register (HETDCLR) and N2HET Data Set Register (HETDSET) can be used to minimize the number of accesses to the peripheral to modify the output register and output pins. When the application needs to set or to reset some N2HET pins without changing the value of the others pins, the first possibility is to read N2HET Data Output Register (HETDOUT), modify the content (AND, OR, etc.), and write the result into N2HET Data Output Register (HETDOUT). However, this read-modify-write sequence could be interrupted by a different function modifying the same register which will result in a data coherency problem.

Using the N2HET Data Set Register (HETDSET) or N2HET Data Clear Register (HETDCLR), the application program must write the mask value (same mask value for the first option) to the register to set or reset the desired pins. Any bits written as 0 to HETDSET and HETDCLR are left unchanged, which avoids the possible coherency problem of the read-modify-write approach.

Coding Example (C program): Set pins using the 2 methods.

```

unsigned int MASK;                               /* Variable that content the bit mask */
volatile unsigned int *HETDOUT,*HETDSET;        /* Pointer to HET registers */
...
*HETDOUT = *HETDOUT | MASK;                      /* Read-modify-write of HETDOUT */
*HETDSET = MASK;                                 /* Set the pin without reading HETDOUT */

```

### 23.2.5.2 Loop Resolution Structure

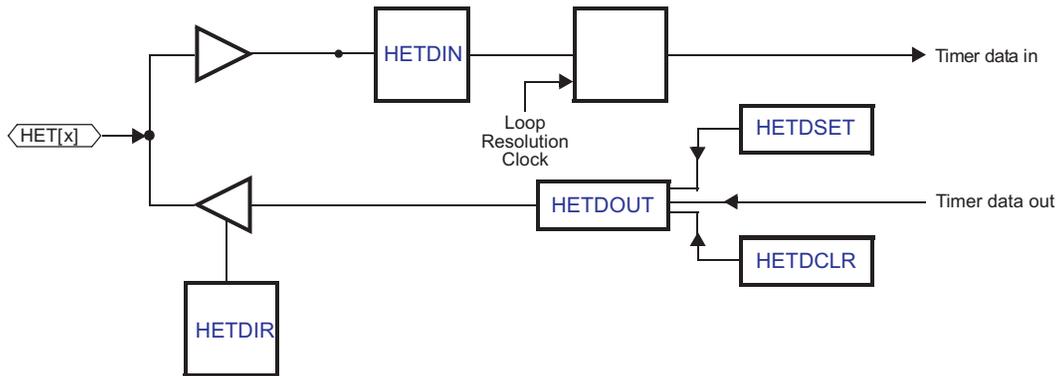
The N2HET uses the pins N2HET [31:0] as input and/or output by the way of the instruction set. Actually, each pin could monitor the N2HET program or could be monitored by the N2HET program. By using the I/O register of the N2HET, the CPU is able to interact with the N2HET program flow.

When an action (set or reset) is taken on a pin by the N2HET program, the N2HET will modify the pin at the rising edge of the next loop resolution clock.

When an event occurs on a N2HET I/O pin, it is taken into account at the next rising edge of the loop resolution clock.

The structure of each pin is shown in [Figure 23-9](#).

Figure 23-9. N2HET Loop Resolution Structure for Each Bit



The example in Figure 23-10 shows a simple PWM generation with loop resolution accuracy. The corresponding program is:

```
HETPFR[31:0] register = 0x201 --> lr=4 and hr=2 --> ts = 8
```

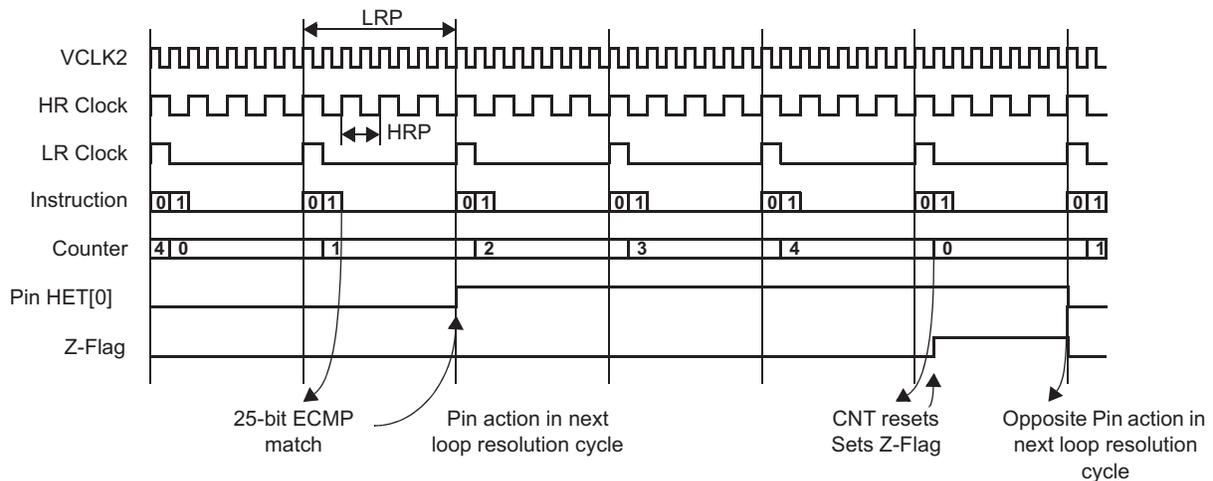
**N2HET Program:**

```
L00 CNT { next= L01, reg=A, irq=OFF, max = 4 }
L01 ECMP { next= L00, cond_addr= L00, hr_lr=LOW, en_pin_action=ON, pin=0,
          action=PULSEHI, reg=A, irq=OFF, data= 1, hr_data = 0x0 }

; 25 bit compare value is 1 and the 7-bit HR compare value is 0
```

The CNT and ECMP instructions are executed once each loop resolution cycle. When the CNT instruction is executed, the specified register (A) and the CNT instruction data field are both incremented by one. Next the ECMP is executed and the data field of the ECMP is compared with the specified register (A). If both values match, then the pin action (PULSEHI in this case) will be performed in the next loop resolution cycle. The CNT continues incrementing each loop resolution cycle. When the data field overflows (max + 1), then the Z-flag is set by the CNT instruction. In the next loop resolution cycle, the Z-flag is evaluated and the opposite pin action is performed if it is set. The Z-flag will only be active for one loop resolution cycle.

Figure 23-10. Loop Resolution Instruction Execution Example



### 23.2.5.3 High Resolution Structure

All 32 I/Os provide the HR structure based on the HR clock. The HR clock frequency is programmed through the Prescale Factor Register (HETPFR). In addition to the standard I/O structure, all pins have HR hardware so that these pins can be used as HR input captures (using the HR instructions PCNT or WCAP) or HR output compares (using the HR instructions ECMP, MCMP or PWCNT).

All five HR instructions (PCNT, WCAP, ECMP, MCMP and PWCNT) have a dedicated hr\_lr bit (high resolution/low resolution; program field bit 8) allowing operation either in HR mode or in standard resolution mode by ignoring the HR field. By default, the hr\_lr bit value is 0 which implies HR operation mode. However, setting this bit to one allows the use of several HR instructions on a single HR pin. Only one instruction is allowed to operate in HR mode (bit cleared to 0), but the other instructions can be used in standard resolution mode (bit set to 1).

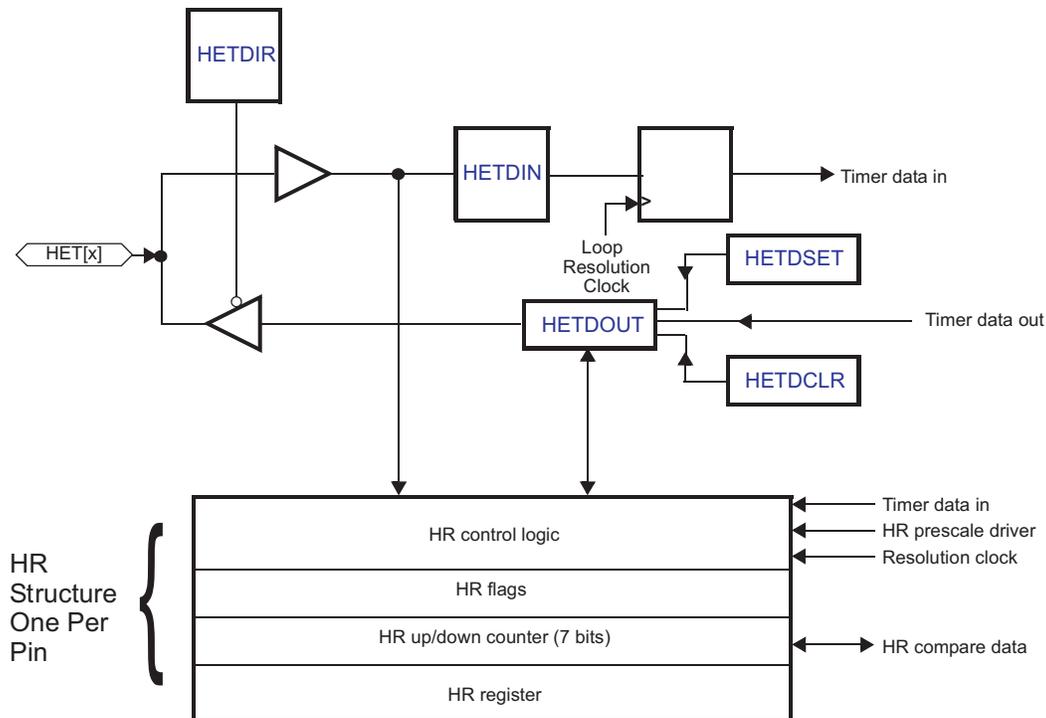
### 23.2.5.4 HR Block Diagram

Each time an HR instruction is executed on a given pin, the HR structure for that pin is programmed (which HR function to perform and on which edges it should take an action) with the information given by the instruction. The HR structure for each pin decodes the pin select field of the instruction and programs its HR structure if it matches.

**NOTE:** For each N2HET pin, only one instruction specifying a high resolution operation (hr\_lr=HIGH) is allowed to execute per loop resolution period. This includes any instructions where (hr\_lr=HIGH) but (en\_pin\_action=OFF).

The first high resolution instruction that executes and specifies a particular pin locks out subsequent high resolution instructions from operating on the same pin until the end of the current loop resolution period.

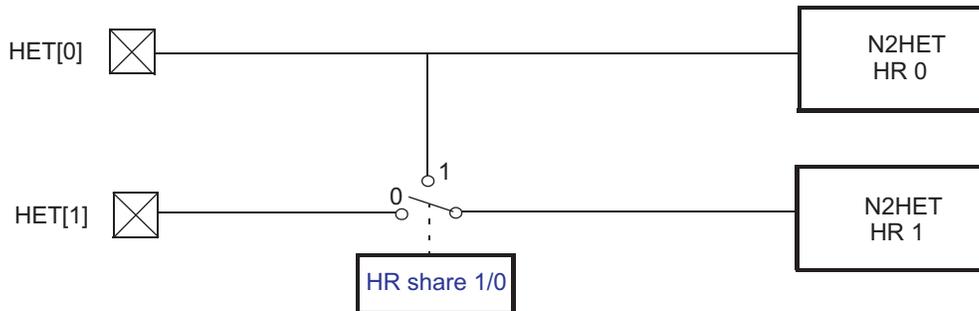
Figure 23-11. HR I/O Architecture



### 23.2.5.5 HR Structures Sharing (Input)

The HR Share Control Register (HETHRSH) allows two HR structures to share the same pin **for input capture only**. If these bits are set, the HR structures N and N+1 are connected to pin N. In this structure, pin N+1 remains available for general purpose input/output. See [Figure 23-12](#).

**Figure 23-12. Example of HR Structure Sharing for N2HET Pins 0/1**



The following program gives an example how the HR share feature (HET[0] HR structure and HET[1] HR structure shared) can be used for the PCNT instruction:

```
L00 PCNT { next=L01, type=rise2fall, pin=0 }
L01 PCNT { next=L00, type=fall2rise, pin=1 }
```

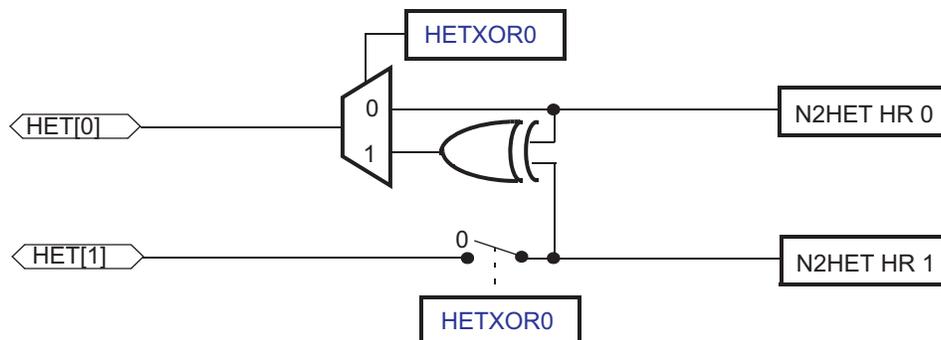
The HET[1] HR structure is also connected to the HET[0] pin. The L00\_PCNT data field is able to capture a high pulse and the L01\_PCNT captures a low pulse on the **same** pin (N2HET [0] pin).

### 23.2.5.6 AND / XOR-shared HR Structure (Output)

Usually the N2HET design allows only one HR structure to generate HR edges on a pin configured as output pin. The HETXOR register allows a logical XOR of the output signals of two consecutive HR structures N (even) and N+1 (odd). See [Figure 23-13](#). In this way, it is possible to generate pulses smaller than the loop resolution clock since both edges can be generated by two independent HR structures. This is especially required for symmetrical PWM. See [Figure 23-14](#).

The hardware provides a XOR gate that is connected to the outputs of the HR structure of two consecutive pins. In this structure, pin N+1 remains available for general purpose input/output.

**Figure 23-13. XOR-shared HR I/O**



The following N2HET program gives an example for **one** channel of the symmetrical PWM. The generated timing is given in [Figure 23-14](#).

```

MAXC .equ 22
A_ .equ 0 ; HR structure HR0
B_ .equ 1 ; HR structure HR1

CN CNT { next=EA, reg=A, max=MAXC }

EA ECMP { next=EB, cond_addr=MA, hr_lr=HIGH, en_pin_action=ON, pin=A_,
          action=PULSELO, reg=A, data=17, hr_data=115 }

MA MOV32 { next=EB, remote=EA, type=IMTOREG&REM, reg=NONE, data=17, hr_data=19 }

EB ECMP { next=CN, cond_addr=MB, hr_lr=HIGH, en_pin_action=ON, pin=B_,
          action=PULSELO, reg=A, data=5, hr_data=13 }

MB MOV32 { next=CN, remote=EB, type=IMTOREG&REM, reg=NONE, data=5, hr_data=13 }

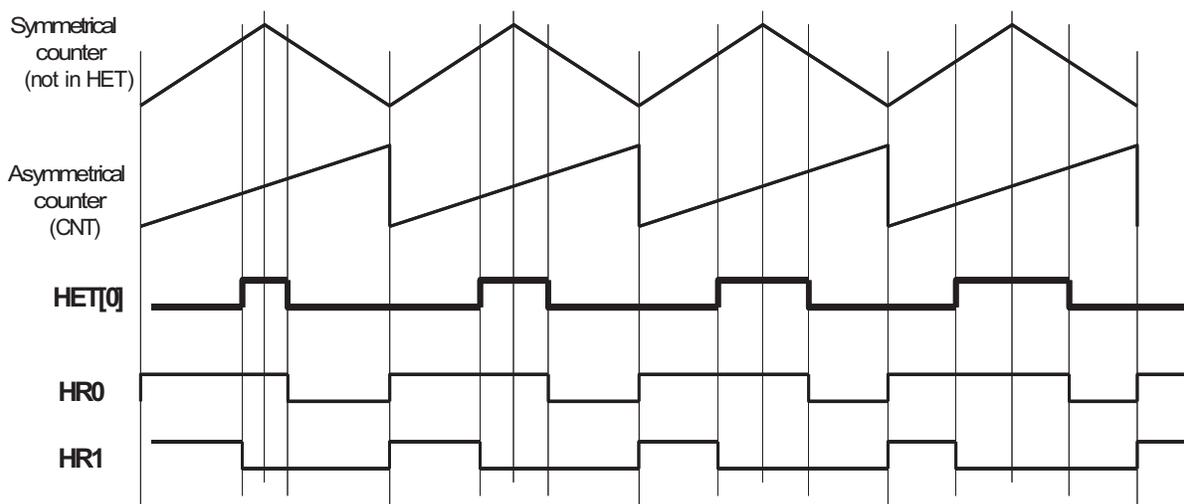
```

N2HET Settings and output signal calculation for this example program:

- Pin HET[0] and HET[1] are XOR-shared.
- HETPFR[31:0] register = 0x700: lr=128, hr=1, time slots ts = 128
- PWM period (determined by CNT\_max field) = (22+1) · LRP = 2944 HRP
- Length of high pulse of (HET[0] XOR HET[1]) =  
 $LH = (17 \cdot LRP + 115 \cdot HRP) - (5 \cdot LRP + 13 \cdot HRP)$   
 With lr=128 there is  $LRP = 128 \cdot HRP$ , so  
 $LH = (2291 - 653) \cdot HRP = 1638 \text{ HRP}$
- Duty cycle = DC =  $LH / \text{PWM\_period} = 1638 \text{ HRP} / (2944 \cdot \text{HRP}) = 55.6 \%$

[Figure 23-14](#) graphically shows the implementation of the XOR-shared feature. The first 2 waveforms (symmetrical counter and CNT) show a symmetric counter and asymmetric counter. The symmetric counter is shown only to highlight the axis of symmetry and is not implemented in the N2HET. The asymmetric counter, which is implemented with a CNT instruction, needs to be set to the period of the symmetric counter. The next two waveforms (HR [0] and HR [1]) show the output of the HR structures, which are the inputs for the XOR gate to create the PWM output on pin HET[0]. Notice that the pulses of signal HET[0] are centered about the axis of symmetry.

**Figure 23-14. Symmetrical PWM with XOR-sharing Output**



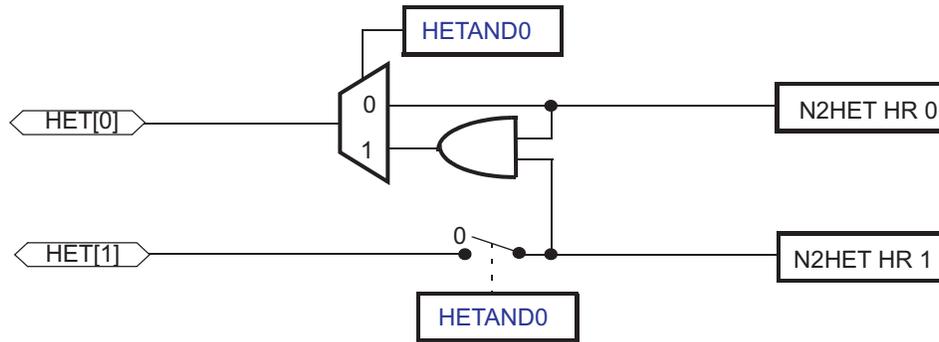
As an alternative, HR structures may be shared using a logical AND function to combine the effects of the pin structures. The HETAND allows sharing two consecutive HR structures N (even) and N+1 (odd). See [Figure 23-15](#). In this structure, pin N+1 remains available for general purpose input/output.

---

**NOTE:** Setting both the HETAND bit and HETXOR bits at the same time for a given pair of N2HET pins is not supported, must be avoided by the application program.

---

**Figure 23-15. AND-shared HR I/O**



### 23.2.5.7 Loop Back Mode

The loop back feature can be used by the application to monitor an N2HET output signal. For example, if a PWM is generated by HR structure 0, then a PCNT instruction assigned to HR structure 1 can measure back the pulse length or periods of the PWM output signal.

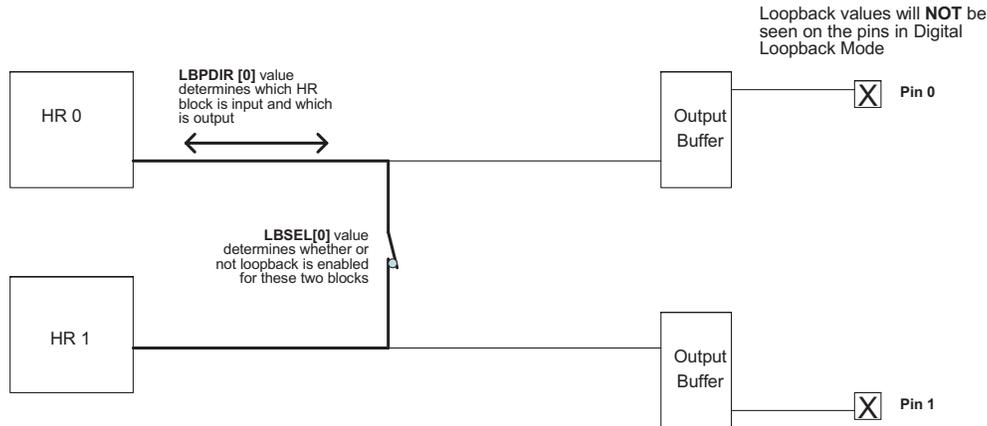
Loopback mode is activated between two high resolution structures by setting LBPSEL[x] to '1' in the HETLBPSEL Register for the corresponding structure pair. The **direction** of the loopback between the two structures in the structure pair is determined by the value of LBPDIR[x] in the HETLBPDIR Register.

For example, if bit LBPSEL[0] is set to '1', then HR structures 0 and 1 will be internally connected in loop back mode. If bit LBPDIR[0] is set to '0' then structure 0 will be the input and structure 1 will be the output.

#### Digital Loopback

Digital loopback mode is enabled by setting LBPTYPE[x] to '0' in the HETLBPSEL Register for the corresponding structure pairs. In digital loopback mode, the structure pairs are connected directly and the output buffers are bypassed. Therefore, the loopback values will NOT be seen on the corresponding pins. [Figure 23-16](#) shows an example of digital loopback between structures HR0 and HR1. LBSEL[0] has been set to '1' to enable loopback between the two structures. LBTYPE[0] has been set to '0' to select digital mode for the loopback pair. The LBPDIR[0] value will determine the direction of the loopback by selecting which of the HR blocks is output, and which is input. The bold lines show the digital loopback path.

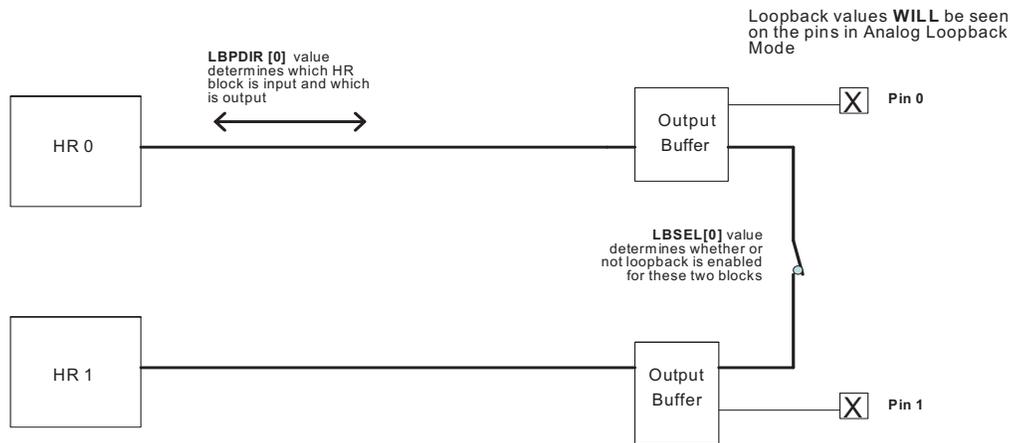
**Figure 23-16. HR0 to HR1 Digital Loopback Logic: LBTYPE[0] = 0**



**Analog Loopback**

Analog loopback mode is enabled by setting LBTYPE[x] to '1' in the HETLBPSEL Register for the corresponding structure pairs. In analog loopback mode, the structure pairs are connected outside of the output buffers. Therefore, the loopback values **WILL** be seen on the corresponding pins. [Figure 23-17](#) shows an example of analog loopback between structures HR0 and HR1. LBSEL[0] has been set to '1' to enable loopback between the two structures. LBTYPE[0] has been set to '1' to select analog mode for the loopback pair. The LPBDIR[0] value will determine the direction of the loopback by selecting which of the HR blocks is output, and which is input. The bold lines show the analog loopback path.

**Figure 23-17. HR0 to HR1 Analog Loop Back Logic: LBTYPE[0] = 1**



**Note:**

- The loop back direction can be selected independent of the HETDIR register setting.
- The pin which is not driven by the N2HET output pin actions can still be used as normal GIO pin.

### 23.2.5.8 Edge Detection Input Timing

There are several timing requirements for input signals in order to be captured correctly by N2HET. Figure 23-18 illustrates these requirements, with min and max values described in Table 23-7 (Loop Resolution) and Table 23-8 (High Resolution).

Figure 23-18. N2HET Input Edge Detection

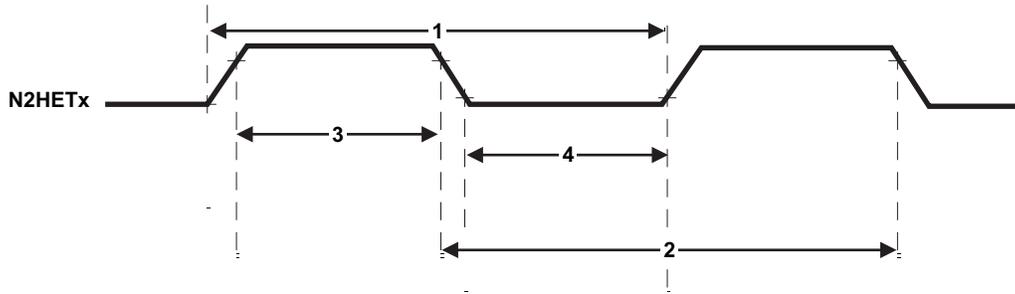


Table 23-7. Edge Detection Input Timing for Loop Resolution Instructions

Parameter #	Description	min	max
1	Input Signal Period, rising edge to rising edge	$> 2 \text{ (hr) (lr) } t_{c(VCLK2)}$	$< 2^{25} \text{ (hr) (lr) } t_{c(VCLK2)}$
2	Input Signal Period, falling edge to falling edge		
3	Input Signal, high phase	$> \text{(hr) (lr) } t_{c(VCLK2)}$	
4	Input Signal, high phase		

Table 23-8. Edge Detection Input Timing for High Resolution Instructions

Parameter #	Description	min	max
1	Input Signal Period, rising edge to rising edge	$> \text{(hr) (lr) } t_{c(VCLK2)}$	$< 2^{25} \text{ (hr) (lr) } t_{c(VCLK2)}$
2	Input Signal Period, falling edge to falling edge		
3	Input Signal, high phase	$> 2 \text{ (hr) } t_{c(VCLK2)}$	
4	Input Signal, high phase		

These are the N2HET architectural limitations. Actual limitations will be slightly different due to on chip routing and IO buffer delays, usually by several nanoseconds. Be sure to consult the device datasheet for actual timings that apply to that device. Also, certain devices place additional restrictions on which pins support the high resolution timings of Table 23-8, if present these additional limitations will also be called out in the device datasheet.

Note that the max limit in Table 23-7 and Table 23-8 is based on the counter range of a single N2HET instruction. The max value could be extended by employing an additional N2HET instruction to keep track of counter overflows of the input counter / capture instruction.

### 23.2.5.9 PWM Generation Example 1 (in HR Mode)

The following example shows how an ECMP instruction works in high resolution mode. The example assumes a VCLK2 of 32 MHz and the following values for the prescale divide rates (hr and lr), number of time slots (ts), high and loop resolution period (HRP and LRP):

$$\text{hr} = 2, \text{lr} = 4, \text{ts} = \text{hr} \cdot \text{lr} = 8$$

$$\text{HRP} = \text{hr} / \text{VCLK2} = 2 / 32 \text{ MHz} = 62.5 \text{ ns}$$

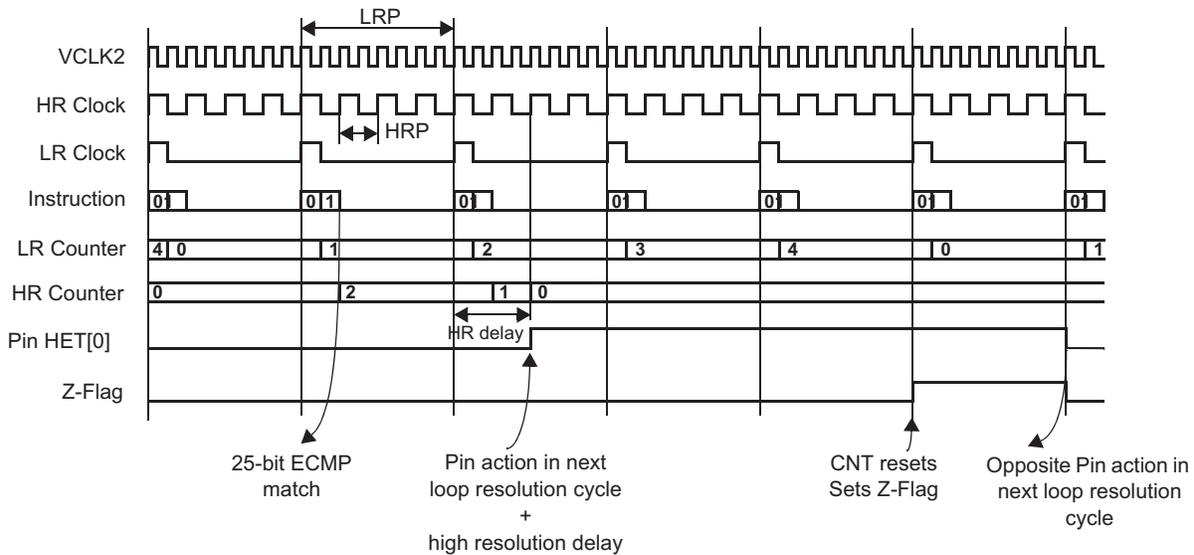
$$\text{LRP} = (\text{hr} \cdot \text{lr}) / \text{VCLK2} = 8 / 32 \text{ MHz} = 250 \text{ ns}$$

With  $\text{ts}=8$  there are eight time slots available for the program execution, which in this case will consist of one CNT and one ECMP instruction as shown below. The data field of the ECMP instruction is the 32-bit compare value, whereby the lower 7 bits represent the high resolution compare field.

When the 25-bit (loop resolution) compare matches, the HR compare value will be loaded from the 7 lower bits of the instruction data field to the HR counter. At the next loop resolution clock, the HR counter will count down at the HR clock frequency and perform the pin action when it reaches zero.

In the example illustrated by Figure 23-19, the 25-bit compare value is 1 and the 7-bit HR compare value is 2. According to Section 23.2.3.2, depending on the loop resolution divide rate (lr), only certain bits of the 7-bit HR compare value are valid. In this example only the upper 2 bits (D[6:5]) are taken into account. The example program below has a setting of `hr_data = 100000b`. Shifting this value right by 5 bits, results in 10b which equals the two HR clock cycles delay mentioned above.

**Figure 23-19. ECMP Execution Timings**



HETPFR[31:0] register = 0x201 --> lr=4 and hr=2 --> ts = 8

**N2HET Program:**

```
L00  CNT  { next= L01, reg=A, irq=OFF, max = 4 }
L01  ECMP { next= L00, cond_addr= L00, hr_lr=HIGH, en_pin_action=ON, pin=0,
         action=PULSEHI, reg=A, irq=OFF, data= 1, hr_data = 0x40 }
```

```
; 25 bit compare value is 1 and the 7-bit HR compare value is 2
; (Because of lr=4 the D[4:0] of the 7-bit HR field are ignored )
```

**NOTE: ECMP Opposite Actions**

ECMP opposite pin actions are always synchronized to the loop resolution clock.

Changing the duty cycle of a PWM generated by an ECMP instruction, can lead to a missing pulse if the data field of the instruction is updated directly. This can happen when it is changed from a high value to a lower value while the CNT instruction has already passed the new updated lower value. To avoid this a synchronous duty cycle update can be performed with the use of an additional instruction (MOV32). This instruction is only executed when the compare of the ECMP matches. For this the `cond_addr` of the ECMP needs to point to the MOV32. On execution of the MOV32, it moves its data field into the data field of the ECMP. The update of the duty cycle has to be made to the MOV32 data field instead of the ECMP data field.

### 23.2.5.10 PWM Generation Example 2 (in HR Mode)

The MCMP instruction can also be used in HR mode. In this case operation is exactly the same as for the ECMP instruction except that the 25-bit low resolution is now the result of a magnitude compare (greater or equal) rather than an equality compare. When the 25-bit (loop resolution) magnitude compare matches, the HR compare value will be loaded from the 7 lower bits of the instruction data field to the HR counter. At the next loop resolution clock, the HR counter will count down at the HR clock frequency and perform the pin action when it reaches zero.

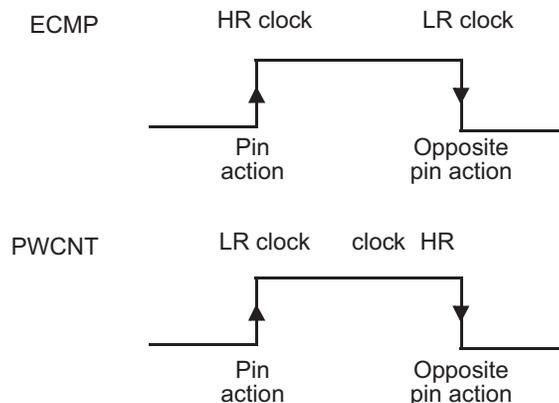
The MCMP instruction avoids the missing pulse problem of the ECMP instruction (see previous example), however the duty cycle of the signal might not be exact for one PWM period. The benefit of the MCMP is that it avoids adding another instruction to do the duty cycle update synchronously.

### 23.2.5.11 Pulse Generation Example (in HR Mode)

The PWCNT instruction may also be used in HR mode to generate pulse outputs with HR width. It generates a single pulse when the data field of the instruction is non-zero. It remains at the opposite pin action when the data field is zero.

The PWCNT instruction operates conversely to the ECMP instruction. See Figure 23-20. For PWCNT, the opposite pin action is synchronous with the HR clock and for ECMP the pin action is synchronous with the HR clock. The PWCNT pin action is synchronous with the loop resolution clock.

Figure 23-20. High/Low Resolution Modes for ECMP and PWCNT



### 23.2.5.12 Pulse Measurement Example (in HR Mode)

The PCNT instruction captures HR measurement of the high/low pulse time or periods of the input. As shown in Figure 23-21, at marker (1) the input goes HIGH and the HR counter immediately begins to count. The counter increments and rolls over until the falling edge on the input pin, where it captures the counter value into the HR capture register (marker (2)). The PCNT instruction begins counting when the synchronized input signal goes HIGH and captures both the 25-bit data field and the HR capture register into RAM when the synchronized input falls (marker (3)).

**NOTE:** The HR capture value written into RAM is shifted appropriately depending on the loop resolution prescale divide rate ( $I_r$ ). (See also Section 23.2.3.2).

Figure 23-21 shows what happens when the capture edge arrives *after* the HR counter overflows. This causes the incremented value to be captured by the PCNT instruction.

**Figure 23-21. PCNT Instruction Timing (With Capture Edge After HR Counter Overflow)**

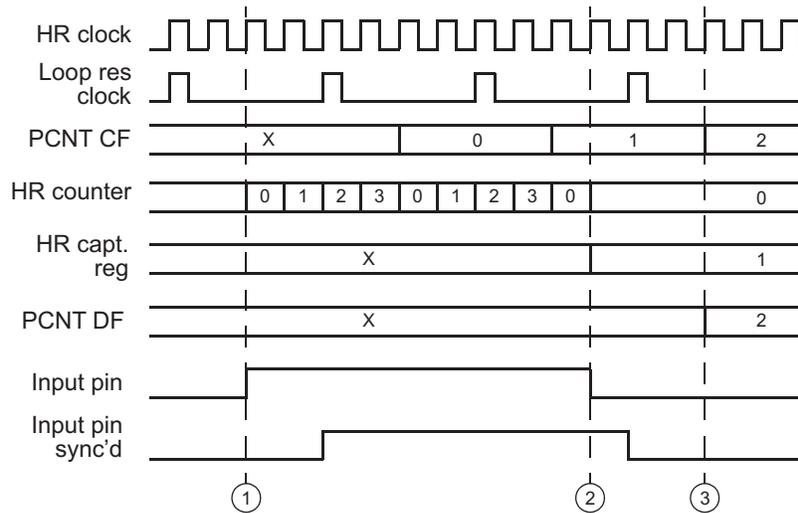
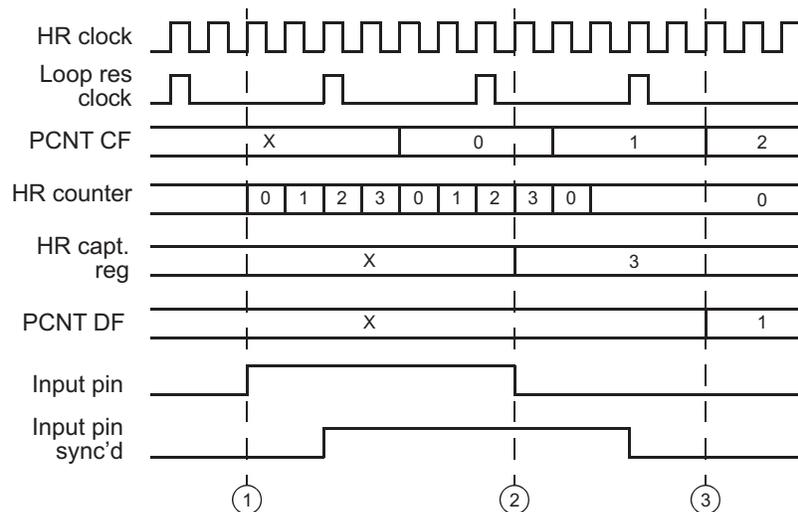


Figure 23-22 shows what happens when the capture edge arrives *before* the HR counter overflows. This causes the non-incremented value to be captured by the PCNT instruction.

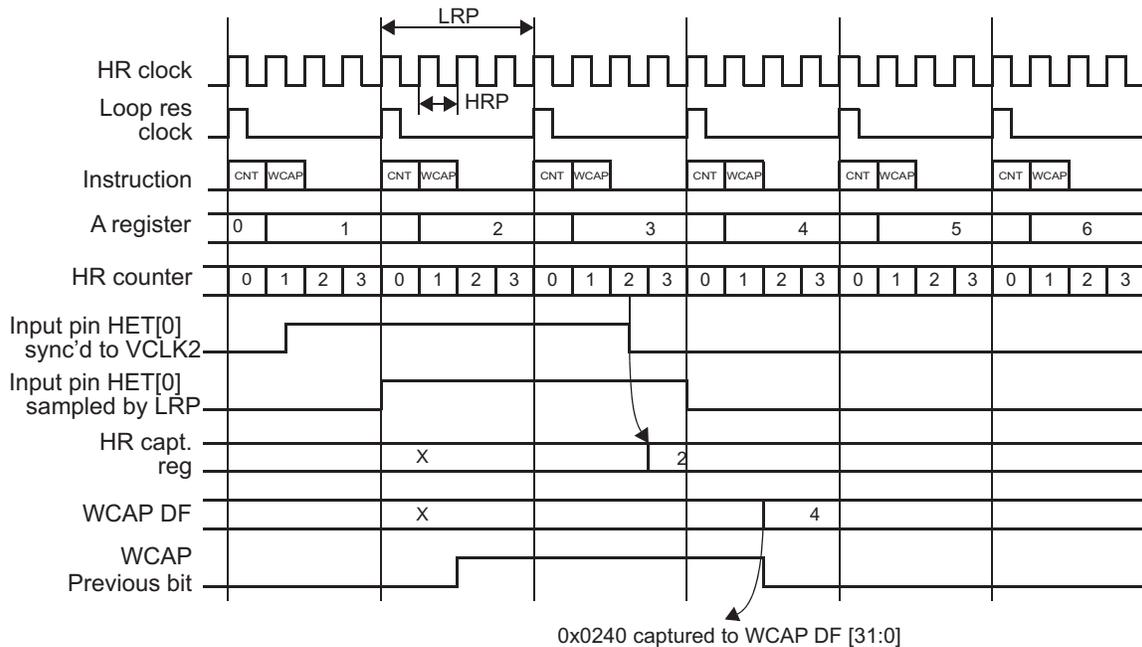
**Figure 23-22. PCNT Instruction Timing (With Capture Edge Before HR Counter Overflow)**



**23.2.5.13 WCAP Execution Example (in HR Mode)**

The HR capability is enabled for WCAP, if its *hr\_lr* bit is zero. In this case the HR counter is always enabled and is synchronized with the resolution loop. When the specified edge is detected, the current value of the HR counter is captured in the HR capture register and written into the RAM after the next WCAP execution. The WCAP instruction effectively time stamps the free running timer saved in a register (for example, register A shown in Figure 23-23).

Figure 23-23. WCAP Instruction Timing



0x0240 captured to WCAP DF [31:0]

HETPFR\_register = 0x0200 --> lr = 4, hr = 1, ts = 4

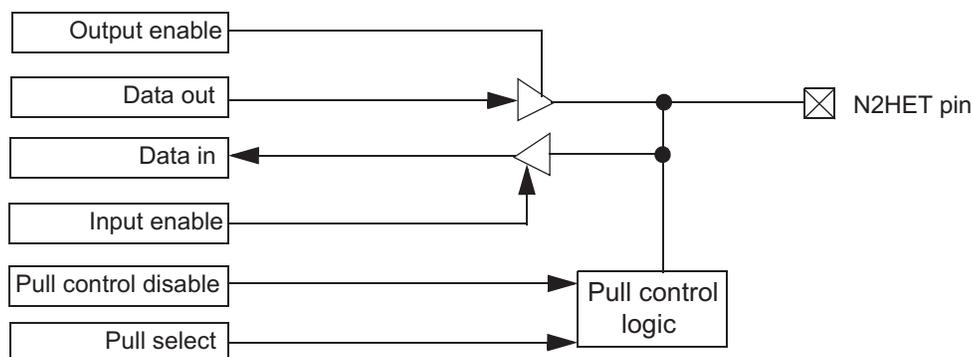
**N2HET Program:**

```
L00 CNT {reg=A, max=01ffffffh}
L01 WCAP {next=L00, cond_addr=L00, hr_lr=high, reg=A, event= FALL, pin=0,
data=0}
```

In the example, the WCAP is configured to capture the counter when a **falling** edge occurs. The WCAP data field (WCAP\_DF) is updated in the loop succeeding the loop in which the edge occurred. The WCAP instruction evaluates an edge by comparing its Previous bit with the sync'd input signal. In Figure 23-23, the current value of the counter (4) is captured to WCAP\_DF[31:7] and the value of the HR capture register (2) is transferred to the valid bits (according the lr prescaler) of WCAP\_DF[6:0]. Therefore, in the example 0x0240 is captured in WCAP\_DF[31:0].

**23.2.5.14 I/O Pull Control Feature**

Figure 23-24. I/O Block Diagram Including Pull Control Logic



The following apply if the device is under reset:

- Pull control: The reset pull control on the pins is enabled and a pulldown is configured.
- Input buffer: The input buffer is enabled.
- Output buffer: The output buffer is disabled.

The following apply if the device is out of reset:

- Pull control: The pull control is enabled by clearing the corresponding bit in the N2HET Pull Disable Register (HETPULDIS). In this case, if the corresponding bit in the N2HET Pull Select Register (HETPSL) is set, the pin will have a pull-up; if the bit in the N2HET Pull Select Register (HETPSL) is cleared, the pin will have a pull-down. If the bit in the N2HET Pull Disable Register (HETPULDIS) is set, there is no pull-up or pull-down on the pin.
- Input buffer: The input buffer is disabled only if the pin direction is set to input AND the pull control is disabled AND pull down is selected as the pull bias. In all other cases, the input buffer is enabled.

---

**NOTE:** The pull-disable logic depends on the pin direction. If the pin is configured as output, then the pulls are disabled automatically. If the pin is configured as input, the pulls are enabled or disabled depending on the pull disable register bit.

---

- Output buffer: A pin can be driven as an output pin if the corresponding bit in the N2HET Direction Register (HETDIR) is set AND the open-drain feature (N2HET Open Drain Register (HETPDR)) is not enabled. See [Section 23.2.5.15](#) for more details.

The behavior of the input buffer, output buffer, and the pull control is summarized in [Table 23-9](#). When an input buffer is disabled, it appears as a logic low to on-chip logic.

**Table 23-9. Input Buffer, Output Buffer and Pull Control Behavior<sup>(1)</sup>**

Device under Reset?	Pin Direction (DIR)	Pull Disable (PULDIS)	Pull Select (PULSEL)	Pull Control	Output Buffer	Input Buffer
Yes	X	X	X	Device- and module-specific	Disabled	Disabled
No	0	0	0	Pull down	Disabled	Enabled
No	0	0	1	Pull up	Disabled	Enabled
No	0	1	0	Disabled	Disabled	Disabled
No	0	1	1	Disabled	Disabled	Enabled
No	1	X	X	Disabled	Enabled	Enabled

<sup>(1)</sup> X = Don't care

### 23.2.5.15 Open-Drain Feature

The following apply if the open-drain feature is enabled on a pin, that is, the corresponding bit in the N2HET Open Drain Register (HETPDR) is set

- Output buffer is enabled if a low signal is being driven internally to the pin.
- The output buffer is disabled if a high signal is being driven internally to the pin.

### 23.2.5.16 N2HET Pin Disable Feature

This feature is provided for the safe operation of systems such as power converters and motor drives. It can be used to inform the monitoring software of motor drive abnormalities such as over-voltage, over-current, and excessive temperature rise.

Figure 23-25. N2HET Pin Disable Feature Diagram

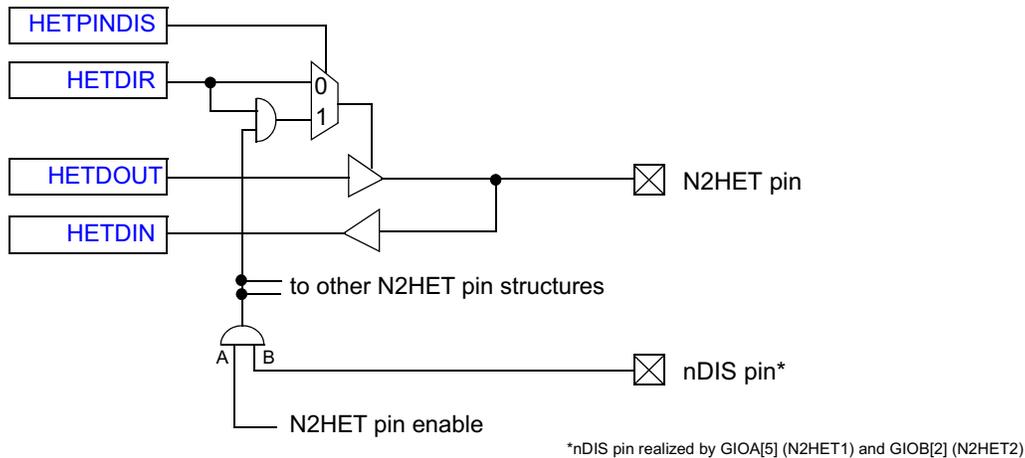


Table 23-10 shows the conditions for the output buffer to be enabled/disabled.

Table 23-10. N2HET Pin Disable Feature

HETPINDIS.x	nDIS Pin (Input)	HET PIN ENA (HETGCR.24)	HETDIR.x	Output Buffer
0	X	X	0	Disabled
0	X	X	1	Enabled
1	0	X	0	Disabled
1	0	X	1	Disabled
1	1	X	0	Disabled
1	1	0	1	Disabled
1	1	1	1	Enabled

An interrupt capable device I/O pin can share the same pin as the N2HET nDIS signal. Normally GIOA[5] serves as nDIS for N2HET1 and GIOB[2] as nDIS for N2HET2. Check the device datasheet for the actual implementation. Sharing a pin with a GIO pin that is Interrupt capable allows the N2HET nDIS input to also generate an interrupt to the CPU. An active low level on nDIS is intended to signal an abnormal situation as described above. All N2HET pins, which are selected with the N2HET Pin Disable Register (HETPINDIS), will be put in the high-impedance state by hardware immediately after the nDIS signal is pulled low. At this time a CPU interrupt is issued, if it is enabled in the GIO pin logic.

The bit HET PIN ENA is automatically cleared in the failure condition and this state remains as long as the software explicitly sets the bit again. The steps to do this are:

- Software detects, by reading the HETDIN register of the GIO pin, that the level on nDIS is inactive (high).
- Software sets bit HET PIN ENA to deactivate the high impedance state of the pins.

### 23.2.6 Suppression Filters

Each N2HET pin is equipped with a suppression filter. If the pin is configured as an input it enables to filter out pulses shorter than a programmable duration. Each filter consists of a 10-bit down counter, which starts counting at a programmable preloaded value and is decremented using the VCLK2 clock.

- The counter starts counting when the filter input signal has the opposite state of the filter output signal. The output signal is preset to the same input signal state after reset, in order to ensure proper operation after device reset.
- Once the counter reaches zero without detecting an opposite pin state on the filter input signal, the output signal is set to the opposite state.
- When the counter detects an opposite pin action on the filter input signal before reaching zero, the counter is loaded with its preload value and the opposite pin action on the filter output signal does not take place. The counter resumes at the preload value until it detects an opposite pin action on the input signal again.
- Therefore the filter output signal is delayed compared to the filter input signal. The amount of delay depends on the counter clock frequency (VCLK2) and the programmed preload value.
- The accuracy of the output signal is +/- the counter clock frequency.

**Figure 23-26. Suppression Filter Counter Operation**

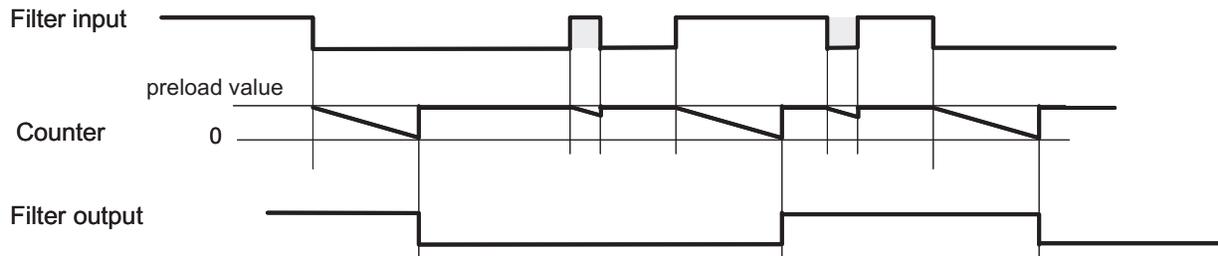


Table 23-11 gives examples for a 100 MHz VCLK2 frequency.

**Table 23-11. Pulse Length Examples for Suppression Filter**

Divider CCDIV	VCLK2	Possible values for the suppressed pulse length / frequency resulting from the programmable 10 bit preload value (0,1,...,1023)	
1	100.0 MHz	10 ns, 20 ns, ..., 10.22 μs, 10.23 μs	50 MHz, 25 MHz, ..., 48.924 kHz, 48.876 kHz
2	50.0 MHz	20 ns, 40 ns, ..., 20.44 μs, 20.48 μs	25 MHz, 12.5 MHz, ..., 24.462 kHz, 24.414 kHz
3	33.3 MHz	30 ns, 60 ns, ..., 30.66 μs, 30.69 μs	16.7 MHz, 8.3 MHz, ..., 16.308 kHz, 16.292 kHz

### 23.2.7 Interrupts and Exceptions

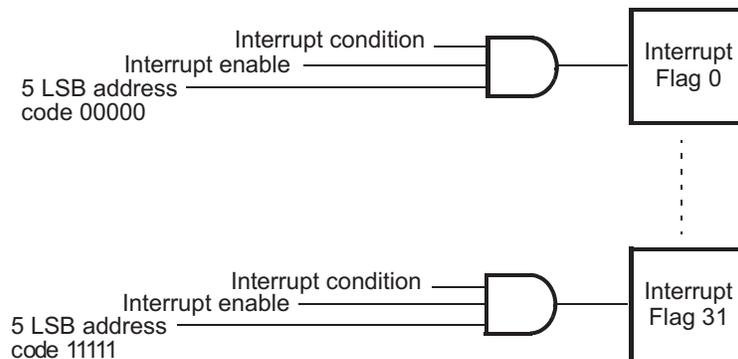
N2HET interrupts can be generated by any instruction that has an interrupt enable bit in its instruction format. When the interrupt condition in an instruction is true and the interrupt enable bit of that instruction is set an interrupt flag is then set in the N2HET Interrupt Flag Register (HETFLG). The address code for this flag is determined by the five LSBs of the current timer program address. The flag in the N2HET Interrupt Flag Register (HETFLG) is set even if the corresponding bit in the N2HET Interrupt Enable Set Register (HETINTENAS) is zero. To generate an interrupt the corresponding bit in the N2HET Interrupt Enable Set Register (HETINTENAS) must be one. In the N2HET interrupt service routine, the main CPU must first determine which source inside the N2HET created the interrupt request. This operation is accelerated by the N2HET Offset Index Priority Level 1 Register (HETOFF1) or N2HET Offset Index Priority Level 2 Register (HETOFF2) which automatically provide the number of the highest priority source within each priority level. Reading the offset register will automatically clear the corresponding N2HET interrupt flag which created the request. However, if the offset registers are not used by the N2HET interrupt service routine, the flag should be cleared explicitly by the CPU once the interrupt has been serviced.

**Table 23-12. Interrupt Sources and Corresponding Offset Values in Registers HETOFFx**

Source No.	Offset Value
no interrupt	0
Instruction 0, 32, 64...	1
Instruction 1, 33, 65...	2
:	:
Instruction 31, 63, 95...	32
Program Overflow	33
APCNT underflow:	34
APCNT overflow	35

The instructions capable of generating interrupts are listed in [Table 23-51](#).

**Figure 23-27. Interrupt Functionality on Instruction Level**



Each interrupt source is associated with a priority level (level 1 or level 2). When multiple interrupts with the same priority level occur during the same loop resolution the lowest flag bit is serviced first.

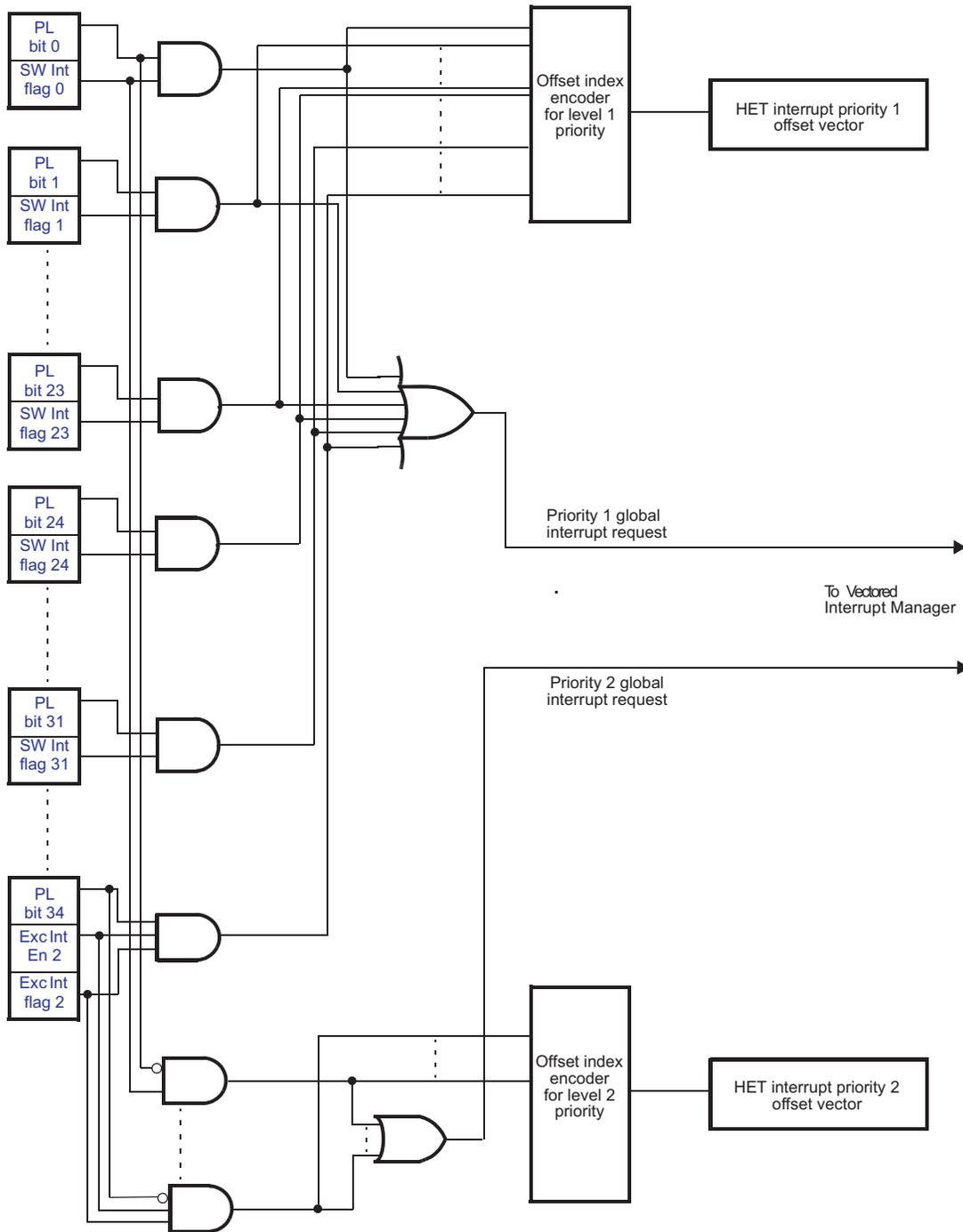
In addition to the interrupts generated by the instructions the N2HET can generate three additional exceptions:

- Program overflow
- APCNT underflow (see [Section 23.3.1.2](#))
- APCNT overflow (see [Section 23.3.1.3](#))

**23.2.8 Hardware Priority Scheme:**

If two or more software interrupts are pending on the same priority level, the offset value will show the one with the highest priority. The interrupt with the highest priority is the one with the lower offset value. This scheme is hard-wired in the offset encoder. See [Figure 23-28](#).

Figure 23-28. Interrupt Flag/Priority Level Architecture

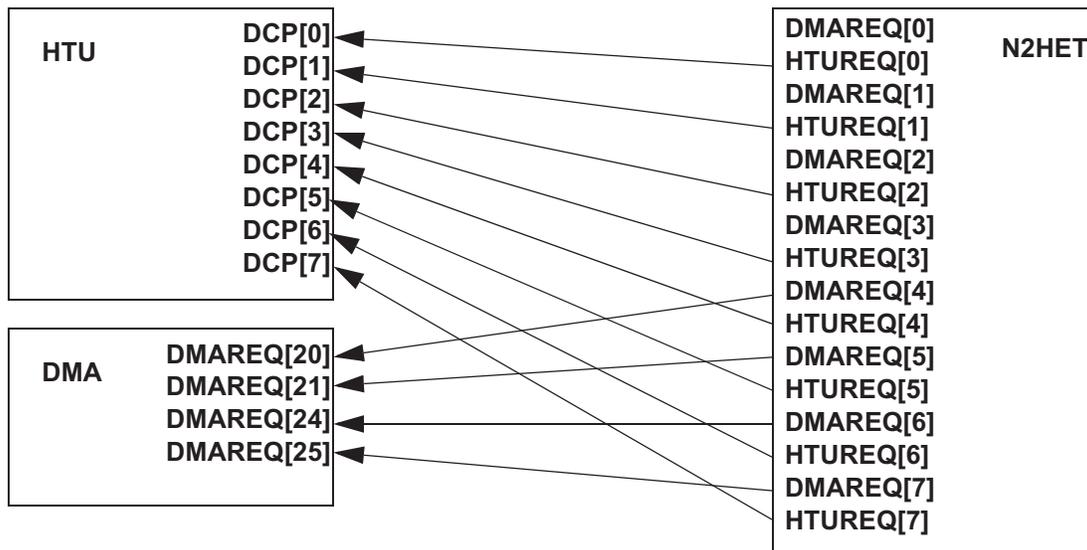


### 23.2.9 N2HET Requests to DMA and HTU

As described in [Section 23.5.3](#) the majority of the N2HET instructions are able to generate a transfer request to the High End Timer Transfer Unit (HTU) and/or to the DMA module when an instruction-specific condition is true. One N2HET instruction can select one of 8 request lines by programming the “reqnum” parameter (see [Section 23.5.3](#)). The “request” field in an instruction is used to enable, disable, or to generate a quiet request (see [Section 23.5.2](#)) on the selected request line. Quiet requests can be used by the HTU, but not by the DMA. For quiet request please refer to the HTU users guide.

The configuration of the N2HET Request Destination Select Register (HETREQDS) bits determines if a request line triggers an HTU-DCP, a DMA channel or both. This means the register bits will determine whether an N2HET instruction triggers DMAREQ[x], HTUREQ[x] or both signals (shown in [Figure 23-29](#)). The request line number x corresponds to the “reqnum” parameter used in the instruction.

**Figure 23-29. Request Line Assignment Example**



## 23.3 Angle Functions

Engine management systems require an angle-referenced time base to synchronize signals to the engine toothed wheel. The N2HET has a method to provide such a time base for low-end engine systems. The reference is created by the N2HET using three dedicated instructions with fractional angle steps equal to  $/8$ ,  $/16$ ,  $/32$ ,  $/64$ .

### 23.3.1 Software Angle Generator

The N2HET provides three specialized count instructions to generate an angle referenced time base synchronized to an external reference signal (the toothed wheel signal) that defines angular reference points.

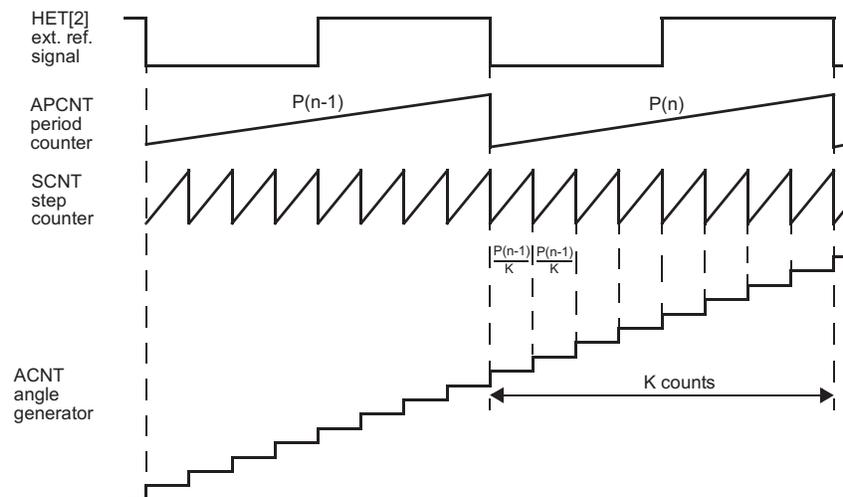
The time base is used to generate fractional angle steps between the reference points. The step width  $K$  ( $= 8, 16, 32, \text{ or } 64$ ) programmed by the user defines the angle accuracy of the time base. These fractional steps are then accumulated in an angle counter to form the absolute angle value.

The first counter, APCNT, incremented on each loop resolution clock measures the periods  $P(n)$  of the external signal. The second counter SCNT counts by step  $K$  up to the previous period value  $P(n-1)$ , measured by APCNT, and then recycles. The resulting period of SCNT is the fraction  $P(n-1) / K$ . The third counter ACNT accumulates the fractions generated by SCNT.

[Figure 23-30](#) illustrates the basic operation of APCNT, SCNT, and ACNT.

A N2HET timer program can only have one angle generator.

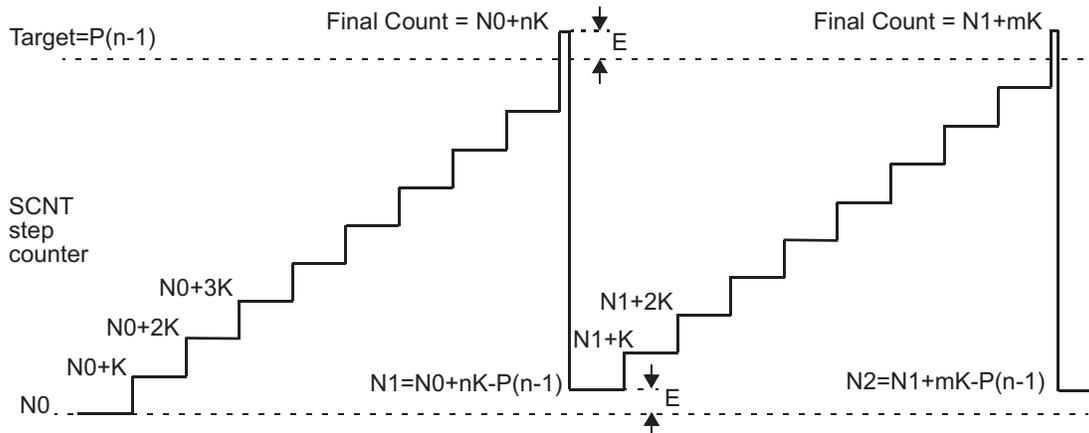
**Figure 23-30. Operation of N2HET Count Instructions**



Due to stepping, the final count of SCNT does not usually exactly match the target value  $P(n-1)$ .

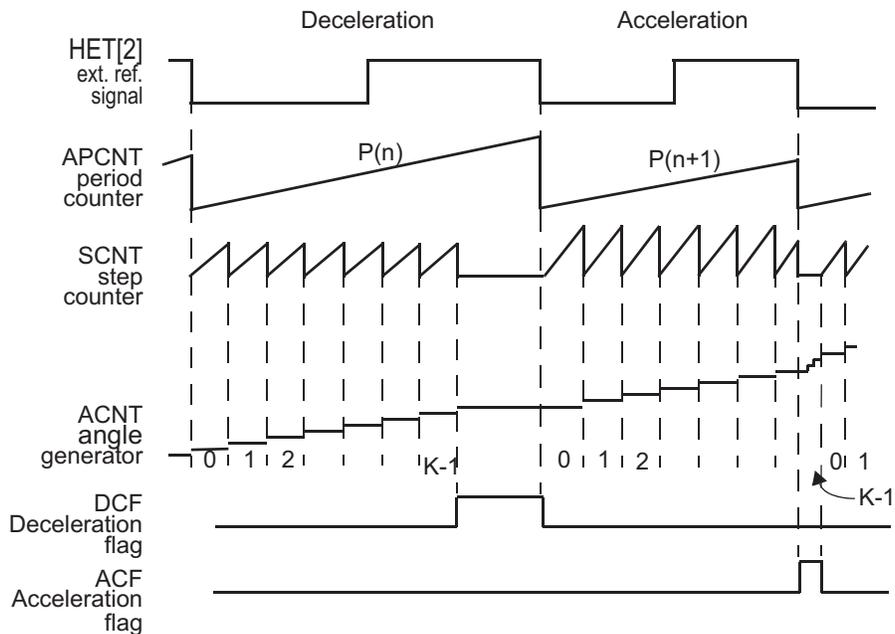
[Figure 23-31](#) illustrates how SCNT compensates for this feature by starting each cycle with the remainder (final count - target) of the previous cycle.

**Figure 23-31. SCNT Count Operation**



ACNT detects period variations of the external signal measured by APCNT and compensates related counting errors. A period increase is flagged in the deceleration flag. A period decrease is flagged in the acceleration flag. If no variation is flagged, ACNT increments the counter value each time SCNT reaches its target. If acceleration is detected, ACNT increments the counter value on each timer resolution (fast mode). If deceleration is detected, ACNT is stopped. Figure 23-32 illustrates how the compensations for acceleration and deceleration operate.

**Figure 23-32. ACNT Period Variation Compensations**



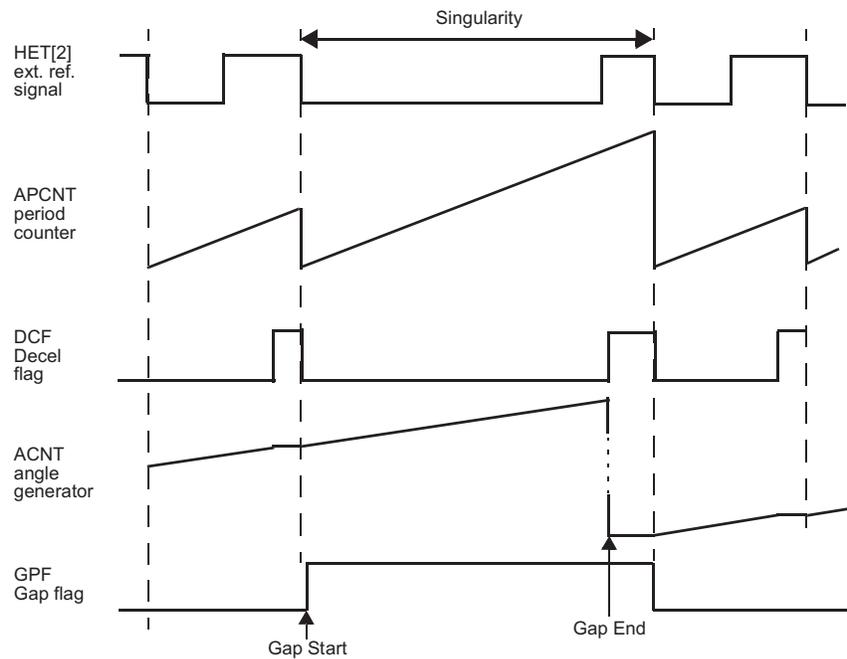
### 23.3.1.1 Singularities

Singularities (gaps, in this case, from missing teeth in a toothed wheel) in the external reference signal can be masked. The start and end of singularities are defined by gap start and gap end values specified in SCNT and ACNT. When ACNT reaches gap start or gap end, it sets/resets the gap flag.

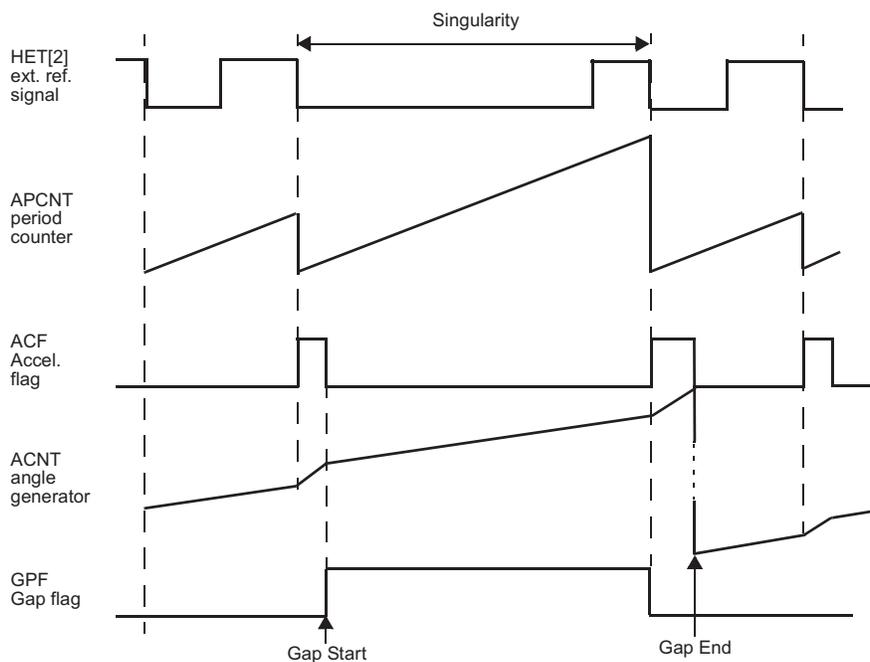
While the gap flag is set, new periods of the external reference signal are ignored for angle computation. SCNT uses the last period measured by APCNT just before gap start.

Figure 23-33 and Figure 23-34 illustrate the behavior of the angle generator during a gap after a deceleration or acceleration of the N2HET.

**Figure 23-33. N2HET Timings Associated with the Gap Flag (ACNT Deceleration)**



**Figure 23-34. N2HET Timings Associated with the Gap Flag (ACNT Acceleration)**



### 23.3.1.2 APCNT Underflow

The fastest valid external signal APCNT can accept must satisfy the following condition:

$$\text{Step Width } K < \text{Period Min. Resolution (LRP)}$$

This condition fixes the maximum possible step width once the minimum period and the resolution of an application are specified.

If a period value accidentally falls below the minimum allowed, APCNT stops the capture of these periods and sets the APCNT underflow interrupt flag located in the exceptions interrupt control register. In such a situation, SCNT and ACNT continue to be executed using the last valid period captured by APCNT.

### 23.3.1.3 APCNT Overflow

The slowest valid external signal APCNT can measure must satisfy the following condition:

$$\text{Period Max Resolution} < 33554431$$

When this limit is reached (APCNT Count equals all 1's), APCNT stays at a maximum count (stops counting). APCNT remains in this position until the next specified capture edge is detected on the selected pin and sets the APCNT overflow interrupt flag located in the exceptions interrupt control register. In this situation, SCNT and ACNT continue to be executed using the maximum APCNT period count.

## 23.4 N2HET Control Registers

Table 23-13 summarizes all the N2HET registers. The base address for the control registers is FFF7 B800h for N2HET1 and FFF7 B900h for N2HET2.

**Table 23-13. N2HET Registers**

Offset	Acronym	Register Description	Section
00h	HETGCR	Global Configuration Register	<a href="#">Section 23.4.1</a>
04h	HETPFR	Prescale Factor Register	<a href="#">Section 23.4.2</a>
08h	HETADDR	NHET Current Address Register	<a href="#">Section 23.4.3</a>
0Ch	HETOFF1	Offset Index Priority Level 1 Register	<a href="#">Section 23.4.4</a>
10h	HETOFF2	Offset Index Priority Level 2 Register	<a href="#">Section 23.4.5</a>
14h	HETINTENAS	Interrupt Enable Set Register	<a href="#">Section 23.4.6</a>
18h	HETINTENAC	Interrupt Enable Clear Register	<a href="#">Section 23.4.7</a>
1Ch	HETEXC1	Exception Control Register 1	<a href="#">Section 23.4.8</a>
20h	HETEXC2	Exception Control Register 2	<a href="#">Section 23.4.9</a>
24h	HETPRY	Interrupt Priority Register	<a href="#">Section 23.4.10</a>
28h	HETFLG	Interrupt Flag Register	<a href="#">Section 23.4.11</a>
2Ch	HETAND	AND Share Control Register	<a href="#">Section 23.4.12</a>
34h	HETHRSH	HR Share Control Register	<a href="#">Section 23.4.13</a>
38h	HETXOR	HR XOR-Share Control Register	<a href="#">Section 23.4.14</a>
3Ch	HETREQENS	Request Enable Set Register	<a href="#">Section 23.4.15</a>
40h	HETREQENC	Request Enable Clear Register	<a href="#">Section 23.4.16</a>
44h	HETREQDS	Request Destination Select Register	<a href="#">Section 23.4.17</a>
4Ch	HETDIR	NHET Direction Register	<a href="#">Section 23.4.18</a>
50h	HETDIN	NHET Data Input Register	<a href="#">Section 23.4.19</a>
54h	HETDOUT	NHET Data Output Register	<a href="#">Section 23.4.20</a>
58h	HETDSET	NHET Data Set Register	<a href="#">Section 23.4.21</a>
5Ch	HETDCLR	NHET Data Clear Register	<a href="#">Section 23.4.22</a>
60h	HETPDR	NHET Open Drain Register	<a href="#">Section 23.4.23</a>
64h	HETPULDIS	NHET Pull Disable Register	<a href="#">Section 23.4.24</a>
68h	HETPSL	NHET Pull Select Register	<a href="#">Section 23.4.25</a>
74h	HETPCR	Parity Control Register	<a href="#">Section 23.4.26</a>
78h	HETPAR	Parity Address Register	<a href="#">Section 23.4.27</a>
7Ch	HETPPR	Parity Pin Register	<a href="#">Section 23.4.28</a>
80h	HETSFPRLD	Suppression Filter Preload Register	<a href="#">Section 23.4.29</a>
84h	HETSFENA	Suppression Filter Enable Register	<a href="#">Section 23.4.30</a>
8Ch	HETLBPSEL	Loop Back Pair Select Register	<a href="#">Section 23.4.31</a>
90h	HETLBPDIR	Loop Back Pair Direction Register	<a href="#">Section 23.4.32</a>
94h	HETPINDIS	NHET Pin Disable Register	<a href="#">Section 23.4.33</a>

### 23.4.1 Global Configuration Register (HETGCR)

N2HET1: offset = FFF7 B800h; N2HET2: offset = FFF7 B900h

**Figure 23-35. Global Configuration Register (HETGCR)**

31	25	24	23	22	21	20	19	18	17	16
Reserved		HET PIN ENA	Rsvd.	MP		Reserved		PPF	IS	CMS
R-0		R/W-1	R-0	R/W-0		R-0		R/W-0	R/W-0	R/W-0
15	Reserved								1	0
R-0										TO
R-0										R/W-0

LEGEND: R/W = Read/Write; R = Read only; -n = value after reset

**Table 23-14. Global Configuration Register (HETGCR) Field Descriptions**

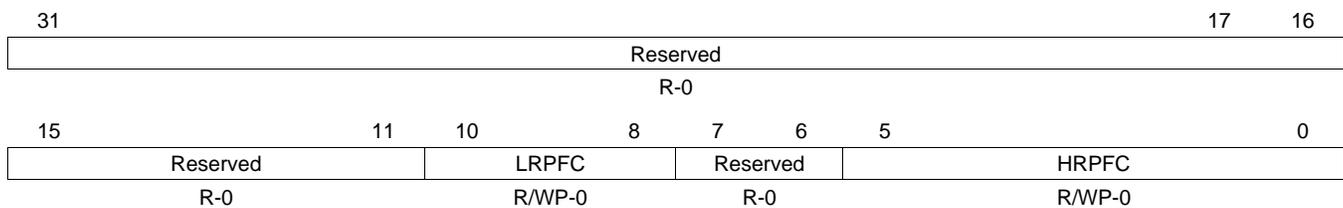
Bit	Field	Value	Description
31-25	Reserved	0	Read returns 0. Writes have no effect.
24	HET PIN ENA	0 1	Enables the output buffers of the pin structures depending on the value of nDIS and DIR.x when PINDIS.x is set. <b>Note:</b> This bit will automatically get cleared when nDIS pin (input port) value is "0". No affect on the pin output buffer structure. Enables the pin output buffer structure when DIR = output, PINDIS.x is set and nDIS = 1.
23	Reserved	0	Read returns 0. Writes have no effect.
22-21	MP	0 1h 2h 3h	Master Priority The NHET can prioritize master accesses to N2HET RAM between the HET Transfer Unit and another arbiter, which outputs the access of one of the remaining masters. The MP bits allow the following selections: 0 The HTU has lower priority to access the N2HET RAM than the arbiter output. 1h The HTU has higher priority to access the N2HET RAM than the arbiter output. 2h The HTU and the arbiter output use a round robin scheme to access the N2HET RAM. 3h Reserved
20-19	Reserved	0	Read returns 0. Writes have no effect.
18	PPF	0 (TO = 0) 0 (TO = 1) 1 (TO = 0) 1 (TO = 1)	Protect Program Fields The PPF bit together with the Turn On/Off bit (TO) allows to protect the program fields of all instructions in N2HET RAM. 0 (TO = 0) All masters can read and write the program fields. 0 (TO = 1) All masters can read and write the program fields. 1 (TO = 0) All masters can read and write the program fields. 1 (TO = 1) The program fields are readable but not writable for all masters, which could access the N2HET RAM. Possible masters are the CPU, HTU, DMA and a secondary CPU (if available). Writes initiated by these masters are discarded.
17	IS	0 1	Ignore Suspend When Ignore Suspend = 0, the timer operation is stopped on suspend (the current timer instruction is completed). Timer RAM can be freely accessed during suspend. When set to 1, the suspend is ignored and the N2HET continues operating. 0 N2HET stops when in suspend mode. 1 N2HET ignores suspend mode and continues operation.
16	CMS	0 1	Clk_master/slave This bit is used to synchronize multi-N2HETs. If set (N2HET is master), the N2HET outputs a signal to synchronize the prescalers of the slave N2HET. By default, this bit is reset, which means a slave configuration. <b>Note:</b> This bit must be set to one (1) for single-N2HET configuration. 0 N2HET is configured as a slave. 1 N2HET is configured as a master.
15-1	Reserved	0	Read returns 0. Writes have no effect.

**Table 23-14. Global Configuration Register (HETGCR) Field Descriptions (continued)**

Bit	Field	Value	Description
0	TO		Turn On/Off When TO = 0, the timer program stops executing. Turn-off is automatically delayed until the current timer program loop is completed. Turn-off does not affect the content of the timer RAM, ALU registers, or control registers. Turn-off resets all flags. TO does not affect the state of the pins. You must set/reset the timer pins when they are turned off, or re-initialize the timer RAM and control registers before a reset. After a device reset, the timer is turned off by default. When TO = 1, timer program execution starts synchronously to the Loop clock. In case of multiple N2HETs configuration, the slave N2HETs are waiting for the loop clock to come from the master before starting execution. Then, the timer address points automatically address 00h (corresponding to program start).
		0	N2HET is OFF.
		1	N2HET is ON.

### 23.4.2 Prescale Factor Register (HETPFR)

N2HET1: offset = FFF7 B804h; N2HET2: offset = FFF7 B904h

**Figure 23-36. Prescale Factor Register (HETPFR)**


LEGEND: R/W = Read/Write; R = Read only; WP = Write in privileged mode only; -n = value after reset

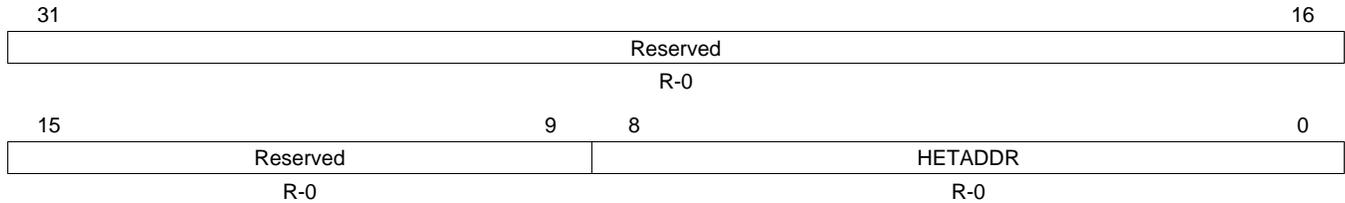
**Table 23-15. Prescale Factor Register (HETPFR) Field Descriptions**

Bit	Field	Value	Description
31-11	Reserved	0	Read returns 0. Writes have no effect.
10-8	LRPFC		Loop Resolution Pre-scale Factor Code LRPFC determines the loop resolution prescale divide rate (lr). See <a href="#">Table 23-5</a> .
7-6	Reserved	0	Read returns 0. Writes have no effect.
5-0	HRPFC		High Resolution Pre-scale Factor Code HRPFC determines the high resolution prescale divide rate (hr). See <a href="#">Table 23-5</a> .

### 23.4.3 N2HET Current Address Register (HETADDR)

N2HET1: offset = FFF7 B808h; N2HET2: offset = FFF7 B908h

**Figure 23-37. N2HET Current Address (HETADDR)**



LEGEND: R/W = Read/Write; R = Read only; -n = value after reset

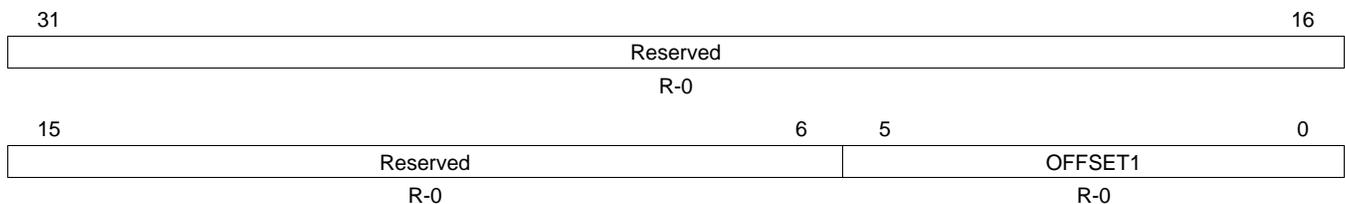
**Table 23-16. N2HET Current Address (HETADDR) Field Descriptions**

Bit	Field	Value	Description
31-9	Reserved	0	Read returns 0. Writes have no effect.
8-0	HETADDR		N2HET Current Address Read: Returns the current N2HET program address. Write: Writes have no effect.

### 23.4.4 Offset Index Priority Level 1 Register (HETOFF1)

N2HET1: offset = FFF7 B80Ch; N2HET2: offset = FFF7 B90Ch

**Figure 23-38. Offset Index Priority Level 1 Register (HETOFF1)**



LEGEND: R/W = Read/Write; R = Read only; -n = value after reset

**Table 23-17. Offset Index Priority Level 1 Register (HETOFF1) Field Descriptions**

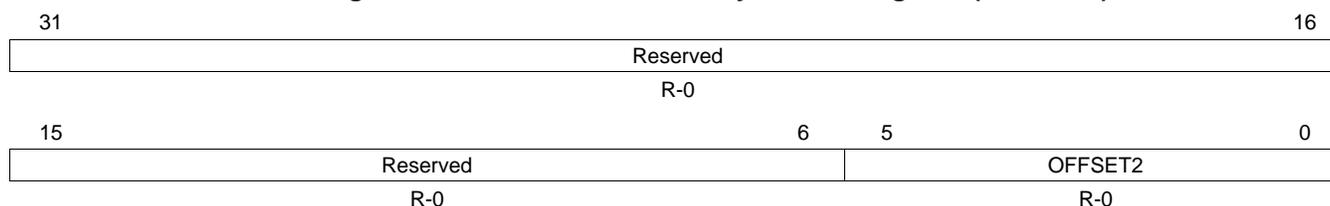
Bit	Field	Value	Description
31-6	Reserved	0	Read returns 0. Writes have no effect.
5-0	OFFSET1		HETOFF1[5:0] indexes the currently pending high-priority interrupt. Offset values and sources are listed below and the interrupt encoding format is presented in <a href="#">Table 23-18</a> . Read: Read of these bits determines the pending N2HET interrupt. Write: Writes have no effect. <b>Note:</b> In any read operation mode, the corresponding flag (in the HETFLG) is also cleared. In Emulation mode the corresponding flag is not cleared.

**Table 23-18. Interrupt Offset Encoding Format**

Source No.	Offset Value
No interrupt	0
Instruction 0, 32, 64...	1
Instruction 1, 33, 65...	2
:	:
Instruction 31, 63, 95...	32
Program Overflow	33
APCNT Underflow	34
APCNT Overflow	35

### 23.4.5 Offset Index Priority Level 2 Register (HETOFF2)

N2HET1: offset = FFF7 B810h; N2HET2: offset = FFF7 B910h

**Figure 23-39. Offset Index Priority Level 2 Register (HETOFF2)**


LEGEND: R/W = Read/Write; R = Read only; -n = value after reset

**Table 23-19. Offset Index Priority Level 2 Register (HETOFF2) Field Descriptions**

Bit	Field	Value	Description
31-6	Reserved	0	Read returns 0. Writes have no effect.
5-0	OFFSET2		<p>HETOFF2[5:0] indexes the currently pending low-priority interrupt. Offset values and sources are listed above and the interrupt encoding format is presented in <a href="#">Table 23-18</a>.</p> <p>Read: Read of these bits determines the pending N2HET interrupt.</p> <p>Write: Writes have no effect.</p> <p><b>Note:</b> In any read operation mode, the corresponding flag (in the HETFLG) is also cleared. In Emulation mode the corresponding flag is not cleared.</p>

### 23.4.6 Interrupt Enable Set Register (HETINTENAS)

N2HET1: offset = FFF7 B814h; N2HET2: offset = FFF7 B914h

**Figure 23-40. Interrupt Enable Set Register (HETINTENAS)**

31	HETINTENAS	16
R/W-0		
15	HETINTENAS	0
R/W-0		

LEGEND: R/W = Read/Write; R = Read only; -n = value after reset

**Table 23-20. Interrupt Enable Set Register (HETINTENAS) Field Descriptions**

Bit	Field	Value	Description
31-0	HETINTENAS		Interrupt Enable Set bits. HETINTENAS is readable and writable in any operation mode. Writing a one to bit x enables the interrupts of the N2HET instructions at N2HET addresses x+0, x+32, x+64... Generating an interrupt requires to set bit x in HETINTENAS and to enable the interrupt bit in one of the instructions at addresses x+0, x+32, x+64... To avoid ambiguity only one of the instructions x+0, x+32, x+64... should have the interrupt enable bit (inside the instruction) set. Writing a zero to HETINTENAS has no effect. When reading from HETINTENAS bit x gives the information, if N2HET instructions x+0, x+32, x+64... have the interrupt enabled or disabled.
		0	Read: Interrupt is disabled. Write: Writes have no effect.
		1	Read: Interrupt is enabled. Write: Interrupt will be enabled.

### 23.4.7 Interrupt Enable Clear Register (HETINTENAC)

N2HET1: offset = FFF7 B818h; N2HET2: offset = FFF7 B918h

**Figure 23-41. Interrupt Enable Clear (HETINTENAC)**

31	HETINTENAC	16
R/W-0		
15	HETINTENAC	0
R/W-0		

LEGEND: R/W = Read/Write; R = Read only; -n = value after reset

**Table 23-21. NHET Interrupt Enable Clear (HETINTENAC) Field Descriptions**

Bit	Field	Value	Description
31-0	HETINTENAC		Interrupt Enable Clear bits. HETINTENAC is readable and writable in any operation mode. Writing a one to bit x disables the interrupts of the N2HET instructions at N2HET addresses x+0, x+32, x+64... (See also description in <a href="#">Table 23-20</a> ). Writing a zero to HETINTENAC has no effect. When reading from HETINTENAC bit x gives the information, if N2HET instructions x+0, x+32, x+64... have the interrupt enabled or disabled.
		0	Read: Interrupt is disabled. Write: Writes have no effect.
		1	Read: Interrupt is enabled. Write: Interrupt will be disabled.

### 23.4.8 Exception Control Register 1 (HETEXC1)

**N2HET1:** offset = FFF7 B81Ch; **N2HET2:** offset = FFF7 B91Ch

**Figure 23-42. Exception Control Register (HETEXC1)**

31	25	24			
Reserved		APCNT OVRFL ENA			
R-0		R/W-0			
23	17	16			
Reserved		APCNT UNRFL ENA			
R-0		R/W-0			
15	9	8			
Reserved		PRGM OVRFL ENA			
R-0		R/W-0			
7	3	2	1	0	
Reserved			APCNT OVRFL PRY	APCNT UNRFL PRY	PRGM OVRFL PRY
R-0			R/W-0	R/W-0	R/W-0

LEGEND: R/W = Read/Write; R = Read only; -n = value after reset

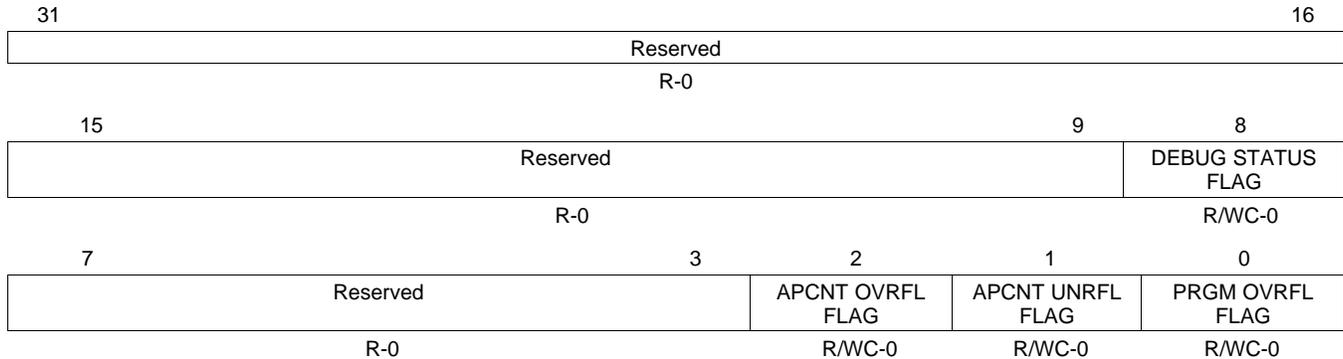
**Table 23-22. Exception Control Register 1 (HETEXC1) Field Descriptions**

Bit	Field	Value	Description
31-17	Reserved	0	Read returns 0. Writes have no effect.
24	APCNT OVRFL ENA	0	APCNT Overflow Enable APCNT overflow exception is not enabled.
		1	Enables the APCNT overflow exception.
23-17	Reserved	0	Read returns 0. Writes have no effect.
16	APCNT UNRFL ENA	0	APCNT Underflow Enable APCNT underflow exception is not enabled.
		1	Enables the APCNT underflow exception.
15-9	Reserved	0	Read returns 0. Writes have no effect.
8	PRGM OVRFL ENA	0	Program Overflow Enable The program overflow exception is not enabled.
		1	Enables the program overflow exception.
7-3	Reserved	0	Read returns 0. Writes have no effect.
2	APCNT OVRFL PRY	0	APCNT Overflow Exception Interrupt Priority Exception priority level 2
		1	Exception priority level 1
1	APCNT UNRFL PRY	0	APCNT Underflow Exception Interrupt Priority Exception priority level 2
		1	Exception priority level 1
0	PRGM OVRFL PRY	0	ProgramOverflow Exception Interrupt Priority Exception priority level 2
		1	Exception priority level 1

### 23.4.9 Exception Control Register 2 (HETEXC2)

N2HET1: offset = FFF7 B820h; N2HET2: offset = FFF7 B920h

**Figure 23-43. Exception Control Register 2 (HETEXC2)**



LEGEND: R/W = Read/Write; R = Read only; C = Clear; -n = value after reset

**Table 23-23. Exception Control Register 2 (HETEXC2) Field Descriptions**

Bit	Field	Value	Description
31-9	Reserved	0	Read returns 0. Writes have no effect.
8	DEBUG STATUS FLAG	0	Debug Status Flag. This flag is set when N2HET has stopped at a breakpoint. Also generates a debug request to halt the ARM CPU. Read: N2HET is either running, or stopped, flag cleared but not yet restarted. Write: No effect.
		1	Read: N2HET is stopped at a breakpoint. Write: Clears the bit. To restart N2HET clear this bit and then restart the ARM CPU. The N2HET and ARM CPU will start synchronously.
7-3	Reserved	0	Read returns 0. Writes have no effect.
2	APCNT OVRFL FLAG	0	APCNT Overflow Flag Read: Exception has not occurred since the flag was cleared. Write: No effect.
		1	Read: Exception has occurred since the flag was cleared. Write: Clears the bit.
1	APCNT UNDFL FLAG	0	APCNT Underflow Flag Read: Exception has not occurred since the flag was cleared. Write: No effect.
		1	Read: Exception has occurred since the flag was cleared. Write: Clears the bit.
0	PRGM OVERFL FLAG	0	Program Overflow Flag Read: Exception has not occurred since the flag was cleared. Write: No effect.
		1	Read: Exception has occurred since the flag was cleared Write: Clears the bit.

### 23.4.10 Interrupt Priority Register (HETPRY)

**N2HET1:** offset = FFF7 B824h; **N2HET2:** offset = FFF7 B924h

**Figure 23-44. Interrupt Priority Register (HETPRY)**

31	HETPRY R/WP-0	16
15	HETPRY R/WP-0	0

LEGEND: R/W = Read/Write; R = Read only; WP = Write in privileged mode only; -n = value after reset

**Table 23-24. Interrupt Priority Register (HETPRY) Field Descriptions**

Bit	Field	Value	Description
31-0	HETPRY		HET Interrupt Priority Level bits Used to select the priority of any of the 32 potential interrupt sources coming from N2HET instructions.
		0	Interrupt priority level 2.
		1	Interrupt priority level 1.

### 23.4.11 Interrupt Flag Register (HETFLG)

**N2HET1:** offset = FFF7 B828h; **N2HET2:** offset = FFF7 B928h

**Figure 23-45. Interrupt Flag Register (HETFLG)**

31	HETFLAG R/WC-0	16
15	HETFLAG R/WC-0	0

LEGEND: R/W = Read/Write; R = Read only; C = Clear; -n = value after reset; X = Unknown

**Table 23-25. Interrupt Flag Register (HETFLG) Field Descriptions**

Bit	Field	Value	Description
31-0	HETFLAG		Interrupt Flag Register Bits Bit x is set when an interrupt condition has occurred on one of the instructions x+0, x+32, x+64.... The flag position x (in the register) is decoded from the five LSBs of the instruction address that generated the interrupt. The hardware will set the flag only if the interrupt enable bit (in the corresponding instruction) is set. The flag will be set even if bit x in the Interrupt Enable Set Register (HETINTENAS) is not enabled. Enabling bit x in HETINTENAS is required if an interrupt should be generated.  Clearing the flag can be done by writing a one to the flag. Alternatively reading the corresponding Offset Index Priority Level 1 Register (HETOFF1) or Offset Index Priority Level 2 Register (HETOFF2) will automatically clear the flag.
		0	Read: No N2HET instruction with an interrupt has been reached since the flag was cleared. Write: No effect.
		1	Read: A N2HET instruction with an interrupt has been reached since the flag was cleared. Write: Clears the bit.

### 23.4.12 AND Share Control Register (HETAND)

N2HET1: offset = FFF7 B82Ch; N2HET2: offset = FFF7 B92Ch

**Figure 23-46. AND Share Control Register (HETAND)**

Reserved							
R-0							
15	14	13	12	11	10	9	8
ANDSHARE31/30	ANDSHARE29/28	ANDSHARE27/26	ANDSHARE25/24	ANDSHARE23/22	ANDSHARE21/20	ANDSHARE19/18	ANDSHARE17/16
R/W-0	R/W-0	R/W-0	R/W-0	R/W-0	R/W-0	R/W-0	R/W-0
7	6	5	4	3	2	1	0
ANDSHARE15/14	ANDSHARE13/12	ANDSHARE11/10	ANDSHARE9/8	ANDSHARE7/6	ANDSHARE5/4	ANDSHARE3/2	ANDSHARE1/0
R/W-0	R/W-0	R/W-0	R/W-0	R/W-0	R/W-0	R/W-0	R/W-0

LEGEND: R/W = Read/Write; R = Read only; -n = value after reset

**Table 23-26. AND Share Control Register (HETAND) Field Descriptions**

Bit	Field	Value	Description
31-16	Reserved	0	Read returns 0. Writes have no effect.
15-0	AND SHARE n+1 / n	0	AND Share Enable Enable the AND sharing of the same pin for two HR structures. For example, if bit AND SHARE 1/0 is set, the pin HET[0] will then be commanded by a logical AND of both HR structures 0 and 1. <b>Note:</b> If HR AND SHARE bits are used, pins not connected to HR structures (the odd number pin in each pair) can be accessed as general inputs/outputs.
		1	HR Output of HET[n+1] and HET[n] are not AND shared
		1	HR Output of HET[n+1] and HET[n] are AND shared onto pin HET[n]

### 23.4.13 HR Share Control Register (HETHRSH)

**N2HET1:** offset = FFF7 B834h; **N2HET2:** offset = FFF7 B934h

**Figure 23-47. HR Share Control Register (HETHRSH)**

31								16							
Reserved															
R-0															
15		14		13		12		11		10		9		8	
HRSHARE31/30	HRSHARE29/28	HRSHARE27/26	HRSHARE25/24	HRSHARE23/22	HRSHARE21/20	HRSHARE19/18	HRSHARE17/16	HRSHARE15/14	HRSHARE13/12	HRSHARE11/10	HRSHARE9/8	HRSHARE7/6	HRSHARE5/4	HRSHARE3/2	HRSHARE1/0
R/W-0		R/W-0		R/W-0		R/W-0		R/W-0		R/W-0		R/W-0		R/W-0	
7		6		5		4		3		2		1		0	
HRSHARE15/14	HRSHARE13/12	HRSHARE11/10	HRSHARE9/8	HRSHARE7/6	HRSHARE5/4	HRSHARE3/2	HRSHARE1/0	HRSHARE15/14	HRSHARE13/12	HRSHARE11/10	HRSHARE9/8	HRSHARE7/6	HRSHARE5/4	HRSHARE3/2	HRSHARE1/0
R/W-0		R/W-0		R/W-0		R/W-0		R/W-0		R/W-0		R/W-0		R/W-0	

LEGEND: R/W = Read/Write; R = Read only; -n = value after reset

**Table 23-27. HR Share Control Register (HETHRSH) Field Descriptions**

Bit	Field	Value	Description
31-16	Reserved	0	Read returns 0. Writes have no effect.
15-0	HR SHARE n+1 / n	0  1	HR Share Bits  Enables the share of the same pin for two HR structures. For example, if bit HR share 1/0 is set, the pin HET[0] will then be connected to both HR input structures 0 and 1.  <b>Note:</b> If HR share bits are used, pins not connected to HR structures (the odd number pin in each pair) can be accessed as general inputs/outputs.  0 HR Input of HET[n+1] and HET[n] are not shared. 1 HR Input of HET[n+1] and HET[n] are shared; both measure pin HET[n]

### 23.4.14 XOR Share Control Register (HETXOR)

N2HET1: offset = FFF7 B838h; N2HET2: offset = FFF7 B938h

**Figure 23-48. XOR Share Control Register (HETXOR)**

Reserved							
R-0							
15	14	13	12	11	10	9	8
XORSHARE31/30	XORSHARE29/28	XORSHARE27/26	XORSHARE25/24	XORSHARE23/22	XORSHARE21/20	XORSHARE19/18	XORSHARE17/16
R/W-0	R/W-0	R/W-0	R/W-0	R/W-0	R/W-0	R/W-0	R/W-0
7	6	5	4	3	2	1	0
XORSHARE15/14	XORSHARE13/12	XORSHARE11/10	XORSHARE9/8	XORSHARE7/6	XORSHARE5/4	XORSHARE3/2	XORSHARE1/0
R/W-0	R/W-0	R/W-0	R/W-0	R/W-0	R/W-0	R/W-0	R/W-0

LEGEND: R/W = Read/Write; R = Read only; -n = value after reset

**Table 23-28. XOR Share Control Register (HETXOR) Field Descriptions**

Bit	Field	Value	Description
31-16	Reserved	0	Read returns 0. Writes have no effect.
15-0	XOR SHARE n+1 / n		<p>XOR Share Enable</p> <p>Enable the XOR-share of the same pin for two output HR structures. For example, if bit XOR SHARE 1/0 is set, the pin HET[0] will then be commanded by a logical XOR of both HR structures 0 and 1.</p> <p><b>Note:</b> If XOR share bits are used, pins not connected to HR structures (the odd number pin in each pair) can be accessed as general inputs/outputs.</p>
		0	HR Output of HET[n+1] and HET[n] are not XOR shared
		1	HR Output of HET[n+1] and HET[n] are XOR shared onto pin HET[n]

### 23.4.15 Request Enable Set Register (HETREQENS)

N2HET1: offset = FFF7 B83Ch; N2HET2: offset = FFF7 B93Ch

**Figure 23-49. Request Enable Set Register (HETREQENS)**

Reserved							
R-0							
7	6	5	4	3	2	1	0
REQ ENA 7	REQ ENA 6	REQ ENA 5	REQ ENA 4	REQ ENA 3	REQ ENA 2	REQ ENA 1	REQ ENA 0
R/W-0	R/W-0	R/W-0	R/W-0	R/W-0	R/W-0	R/W-0	R/W-0

LEGEND: R/W = Read/Write; R = Read only; -n = value after reset

**Table 23-29. Request Enable Set Register (HETREQENS) Field Descriptions**

Bit	Field	Value	Description
31-8	Reserved	0	Read returns 0. Writes have no effect.
7-0	REQ ENA n	0	Request Enable Bits Read: Returns the information that request line n is disabled. Write: Writing a 0 has no effect.
		1	Read: Returns the information that request line n is enabled. Write: Writing a 1 to bit n enables the N2HET request line n. <b>Note:</b> The request line can trigger a DMA control packet (DMA channel), an HTU double control packet (DCP) or both simultaneously. The HETREQDS register determines to which module(s) the N2HET request line n is assigned. <b>Note:</b> A disabled request line does not memorize old requests. So there are no pending requests to service after enabling request line n.

### 23.4.16 Request Enable Clear Register (HETREQENC)

N2HET1: offset = FFF7 B840h; N2HET2: offset = FFF7 B940h

**Figure 23-50. Request Enable Clear Register (HETREQENC)**

Reserved							
R-0							
7	6	5	4	3	2	1	0
REQ DIS 7	REQ DIS 6	REQ DIS 5	REQ DIS 4	REQ DIS 3	REQ DIS 2	REQ DIS 1	REQ DIS 0
R/W-0	R/W-0	R/W-0	R/W-0	R/W-0	R/W-0	R/W-0	R/W-0

LEGEND: R/W = Read/Write; R = Read only; -n = value after reset

**Table 23-30. Request Enable Clear Register (HETREQENC) Field Descriptions**

Bit	Field	Value	Description
31-8	Reserved	0	Read returns 0. Writes have no effect.
7-0	REQ DIS n	0	Request Disable Bits Read: Returns the information that request line n is disabled. Write: Writing a 0 has no effect.
		1	Read: Returns the information that request line n is enabled. Write: Writing a 1 to bit n disables the N2HET request line n.

### 23.4.17 Request Destination Select Register (HETREQDS)

N2HET1: offset = FFF7 B844h; N2HET2: offset = FFF7 B944h

**Figure 23-51. Request Destination Select Register (HETREQDS) [offset = FFF7 B844h]**

31	24	23	22	21	20	19	18	17	16	
Reserved			TDBS 7	TDBS 6	TDBS 5	TDBS 4	TDBS 3	TDBS 2	TDBS 1	TDBS 0
R-0			R/W-0	R/W-0	R/W-0	R/W-0	R/W-0	R/W-0	R/W-0	R/W-0
15	8	7	6	5	4	3	2	1	0	
Reserved			TDS 7	TDS 6	TDS 5	TDS 4	TDS 3	TDS 2	TDS 1	TDS 0
R-0			R/W-0	R/W-0	R/W-0	R/W-0	R/W-0	R/W-0	R/W-0	R/W-0

LEGEND: R/W = Read/Write; R = Read only; -n = value after reset

**Table 23-31. Request Destination Select Register (HETREQDS) Field Descriptions**

Bit	Field	Value	Description
31-24	Reserved	0	Read returns 0. Writes have no effect.
23-16	TDBS n	0	HTU, DMA or Both Select Bits N2HET request line n is assigned to the module specified by TDS bit n.
		1	N2HET request line n is assigned to both DMA and HTU. TDS bit n is ignored in this case.
15-8	Reserved	0	Read returns 0. Writes have no effect.
7-0	TDS n		HTU or DMA Select Bits <b>Note:</b> It must be ensured in the N2HET program, that one request line is triggered by only one N2HET instruction.
		0	N2HET request line n is assigned to HTU (TDBS bit n is zero).
		1	N2HET request line n is assigned to DMA (TDBS bit n is zero).

**NOTE:** Please refer to the device data sheet how each of the 8 N2HET request lines are connected to these modules. See also [Section 23.2.9](#).

### 23.4.18 NHET Direction Register (HETDIR)

N2HET1: offset = FFF7 B84Ch; N2HET2: offset = FFF7 B94Ch

**Figure 23-52. N2HET Direction Register (HETDIR)**



LEGEND: R/W = Read/Write; R = Read only; -n = value after reset

**Table 23-32. N2HET Direction Register (HETDIR) Field Descriptions**

Bit	Field	Value	Description
31-0	HETDIR n		Data direction of NHET pins
		0	Pin HET[n] is an input (and its output buffer is tristated)
		1	Pin HET[n] is an output

**NOTE:** [Table 23-9](#) shows how the register bits of DIR, PULDIS and PULSEL are affecting the N2HET pins.

### 23.4.19 N2HET Data Input Register (HETDIN)

**N2HET1:** offset = FFF7 B850h; **N2HET2:** offset = FFF7 B950h

**Figure 23-53. N2HET Data Input Register (HETDIN)**

31	HETDIN	16
R-x		
15	HETDIN	0
R-x		

LEGEND: R/W = Read/Write; R = Read only; -n = value after reset;

**Table 23-33. N2HET Data Input Register (HETDIN) Field Descriptions**

Bit	Field	Value	Description
31-0	HETDIN n	0	Data input. This bit displays the logic state of the pin. Pin HET[n] is at logic low (0)
		1	Pin HET[n] is at logic high (1)

### 23.4.20 N2HET Data Output Register (HETDOUT)

**N2HET1:** offset = FFF7 B854h; **N2HET2:** offset = FFF7 B954h

**Figure 23-54. N2HET Data Output Register (HETDOUT)**

31	HETDOUT	16
R/W-0		
15	HETDOUT	0
R/W-0		

LEGEND: R/W = Read/Write; R = Read only; -n = value after reset

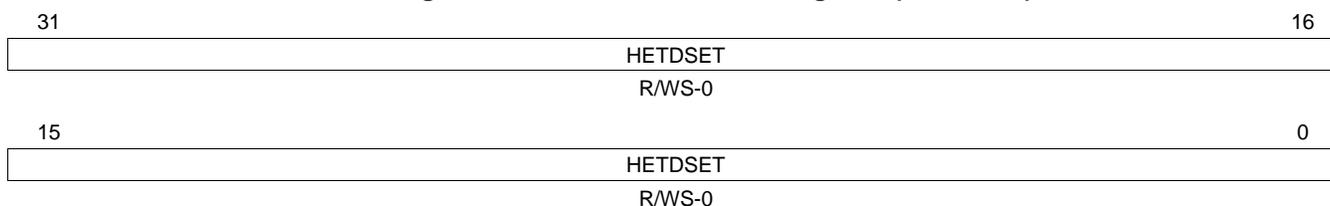
**Table 23-34. N2HET Data Output Register (HETDOUT) Field Descriptions**

Bit	Field	Value	Description
31-0	HETDOUT n	0	Data out write. Writes to this bit will only take effect when the pin is configured as an output. The current logic state of the pin will be displayed by this bit even when the pin state is changed by writing to HETDSET or HETDCLR.
		1	Pin HET[n] is at logic high (1) if the HETPDR[n] bit = 0 or the output is in high impedance state if the HETPDR[n] bit = 1

### 23.4.21 NHET Data Set Register (HETDSET)

**N2HET1:** offset = FFF7 B858h; **N2HET2:** offset = FFF7 B958h

**Figure 23-55. N2HET Data Set Register (HETDSET)**



LEGEND: R/W = Read/Write; R = Read only; S = Set; -n = value after reset

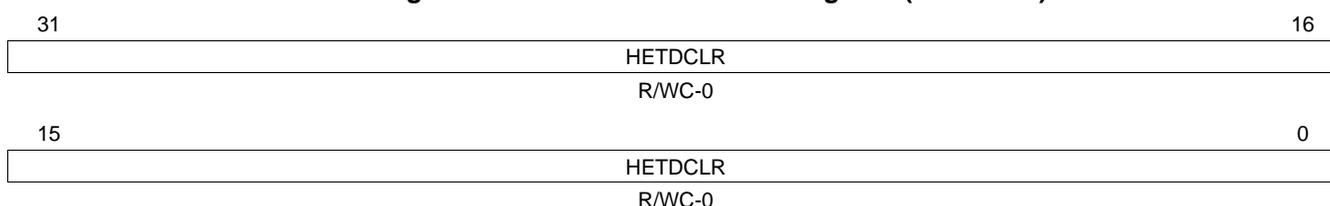
**Table 23-35. N2HET Data Set Register (HETDSET) Field Descriptions**

Bit	Field	Value	Description
31-0	HETDSET n		This register allows bits of HETDOUT to be set while avoiding the pitfalls of a read-modify-write sequence in a multitasking environment.
		0	Bits written as a logic 1 set the same bit in the HETDOUT register; while bits written as logic 0 leave the same bit in HETDOUT unchanged. Reads from this address return the value of the HETDOUT register.
		1	Write: HETDOUT[n] is unchanged.
			Write: HETDOUT[n] is set.

### 23.4.22 N2HET Data Clear Register (HETDCLR)

**N2HET1:** offset = FFF7 B85Ch; **N2HET2:** offset = FFF7 B95Ch

**Figure 23-56. N2HET Data Clear Register (HETDCLR)**



LEGEND: R/W = Read/Write; R = Read only; C = Clear; -n = value after reset

**Table 23-36. N2HET Data Clear Register (HETDCLR) Field Descriptions**

Bit	Field	Value	Description
31-0	HETDCLR n		This register allows bits of HETDOUT to be cleared while avoiding the pitfalls of a read-modify-write sequence in a multitasking environment.
		0	Bits written as a logic 1 clear the same bit in the HETDOUT register; while bits written as logic 0 leave the same bit in HETDOUT unchanged. Reads from this address return the value of the HETDOUT register.
		1	Write: HETDOUT[n] is unchanged.
			Write: HETDOUT[n] is cleared.

### 23.4.23 N2HET Open Drain Register (HETPDR)

Values in this register enable or disable the open drain capability of the data pins.  
**N2HET1:** offset = FFF7 B860h; **N2HET2:** offset = FFF7 B960h

**Figure 23-57. N2HET Open Drain Register (HETPDR)**

31	HETPDR	16
	R/W-0	
15	HETPDR	0
	R/W-0	

LEGEND: R/W = Read/Write; R = Read only; -n = value after reset

**Table 23-37. N2HET Open Drain Register (HETPDR) Field Descriptions**

Bit	Field	Value	Description
31-0	HETPDR n	0	Open drain control for HET[n] pins The pin is configured in push/pull mode.
		1	The pin is configured in open drain mode. The HETDOUT register controls the state of the output buffer: HETDOUT[n] = 0 The output buffer of pin HET[n] is driven low. HETDOUT[n] = 1 The output buffer of pin HET[n] is tristated.

### 23.4.24 N2HET Pull Disable Register (HETPULDIS)

Values in this register enable or disable the pull-up/-down functionality of the pins.  
**N2HET1:** offset = FFF7 B864h; **N2HET2:** offset = FFF7 B964h

**Figure 23-58. N2HET Pull Disable Register (HETPULDIS)**

31	HETPULDIS	16
	R/W-n	
15	HETPULDIS	0
	R/W-n	

LEGEND: R/W = Read/Write; R = Read only; -n = value after reset; n is device dependent, see device specific data sheet

**Table 23-38. N2HET Pull Disable Register (HETPULDIS) Field Descriptions**

Bit	Field	Value	Description
31-0	HETPULDIS n	0	Pull disable for N2HET pins The pull functionality is enabled on pin HET[n].
		1	The pull functionality is disabled on pin HET[n].

**NOTE:** See device data sheet for which pins provide programmable pullups/pulldowns.

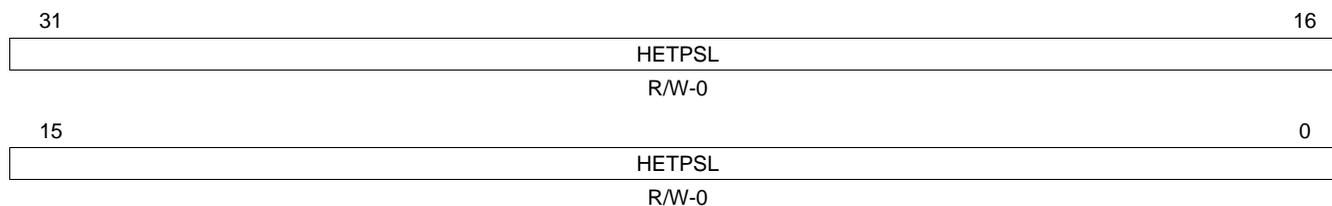
[Table 23-9](#) shows how the register bits of HETDIR, HETPULDIS and HETPSL are affecting the N2HET pins.

### 23.4.25 N2HET Pull Select Register (HETPSL)

Values in this register select the pull-up or pull-down functionality of the pins.

**N2HET1:** offset = FFF7 B868h; **N2HET2:** offset = FFF7 B968h

**Figure 23-59. N2HET Pull Select Register (HETPSL)**



LEGEND: R/W = Read/Write; R = Read only; -n = value after reset

**Table 23-39. N2HET Pull Select Register (HETPSL) Field Descriptions**

Bit	Field	Value	Description
31-0	HETPSL n	0	Pull select for NHET pins The pull down functionality is enabled if corresponding bit in HETPULDIS is 0.
		1	The pull up functionality is enabled if corresponding bit in HETPULDIS is 0.

**NOTE:** See device data sheet for which pins provide programmable pullups/pulldowns.

[Table 23-9](#) shows how the register bits of HETDIR, HETPULDIS and HETPSL are affecting the N2HET pins.

The information of this register is also used to define the pin states after a parity error:

After a parity error all N2HET pins, which are

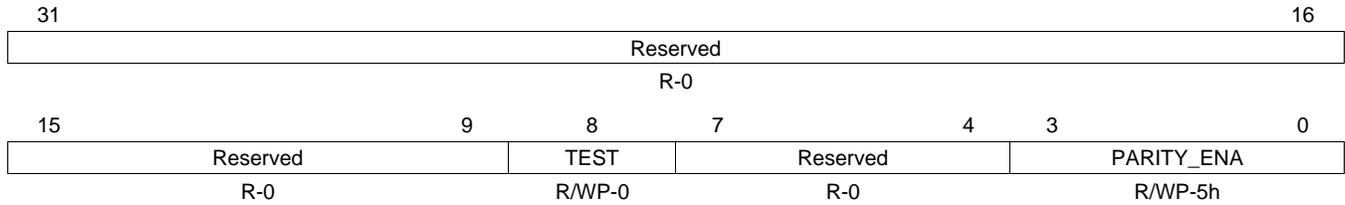
1. Defined as output pins in the HETDIR register
2. Not defined as open drain pins (with the HETPDR register)
3. Selected with the HETPPR register, will remain outputs, but automatically change their levels in the following way:
  - If the HETPSL register specifies 0 for the pin, it will switch to low level.
  - If the HETPSL register specifies 1 for the pin, it will switch to high level.

This behavior is independent of the value, which register HETPULDIS specifies for the corresponding pin.

### 23.4.26 Parity Control Register (HETPCR)

N2HET1: offset = FFF7 B874h; N2HET2: offset = FFF7 B974h

**Figure 23-60. Parity Control Register (HETPCR)**



LEGEND: R/W = Read/Write; R = Read only; WP = Write in privileged mode only; -n = value after reset

**Table 23-40. Parity Control Register (HETPCR) Field Descriptions**

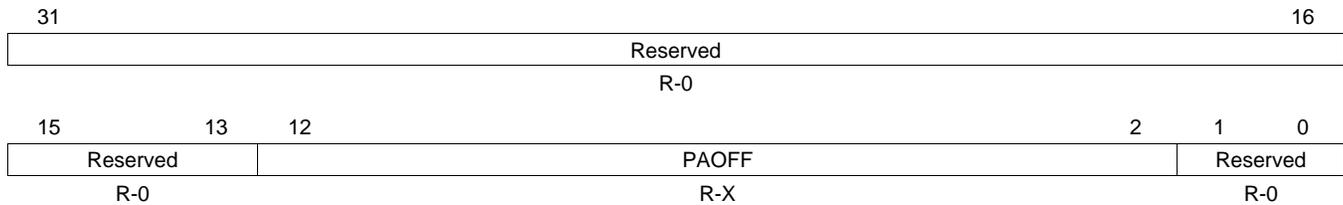
Bit	Field	Value	Description
31-9	Reserved	0	Read returns 0. Writes have no effect.
8	TEST	0	Test Bit. When this bit is set, the parity bits are mapped into the peripheral RAM frame to make them accessible by the CPU. Read: Parity bits are not memory mapped. Write: Disable mapping.
		1	Read: Parity bits are memory mapped. Write: Enable mapping.
7-4	Reserved	0	Read returns 0. Writes have no effect.
3-0	PARITY_ENA	5h	Enable/disable parity checking. This bit field enables or disables the parity check on read operations and the parity calculation on write operations. If parity checking is enabled and a parity error is detected the N2HET_UERR signal is activated. Read: Parity check is disabled. Write: Disable checking.
		Others	Read: Parity check is enabled. Write: Enable checking.

**NOTE:** It is recommended to write an "Ah" to enable error detection, to guard against soft errors flipping PARITY\_ENA to a disable state.

### 23.4.27 Parity Address Register (HETPAR)

**N2HET1:** offset = FFF7 B878h; **N2HET2:** offset = FFF7 B978h

**Figure 23-61. Parity Address Register (HETPAR)**



LEGEND: R/W = Read/Write; R = Read only; -n = value after reset; X = Value unchanged after reset

**Table 23-41. Parity Address Register (HETPAR) Field Descriptions**

Bit	Field	Value	Description
31-13	Reserved	0	Read returns 0. Writes have no effect.
12-2	PAOFF		Parity Error Address Offset. This register holds the offset address of the first parity error, which is detected in N2HET RAM. This error address is frozen from being updated until it is read by the CPU. During emulation mode, this address is frozen even when read.  In case of a N2HET RAM parity error, PAOFF will contain the offset address of the erroneous 32-bit N2HET RAM field counted from the beginning of the N2HET RAM.  Examples: The 32-bit program field of instruction 0 will return 0, the 32-bit control field of instruction 0 will return 1, ..., the 32-bit control field of instruction 1 will return 5, and so on.  Read: Returns the offset address of the erroneous 32-bit word in bytes from the beginning of the N2HET RAM.  Write: Writes have no effect.
1-0	Reserved	0	Read returns 0. Writes have no effect.

---

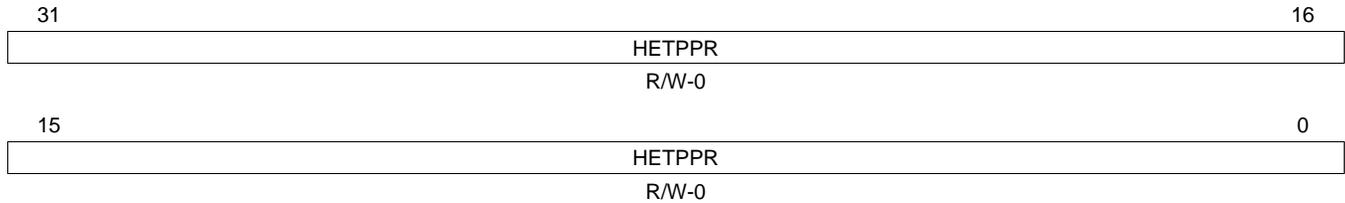
**NOTE:** The Parity Error Address Register will not be reset, neither by PORRST nor by any other reset source.

---

### 23.4.28 Parity Pin Register (HETPPR)

N2HET1: offset = FFF7 B87Ch; N2HET2: offset = FFF7 B97Ch

**Figure 23-62. Parity Pin Register (HETPPR)**



LEGEND: R/W = Read/Write; R = Read only; -n = value after reset

**Table 23-42. Parity Pin Register (HETPPR) Field Descriptions**

Bit	Field	Value	Description
31-0	HETPPR n		NHET Parity Pin Select Bits - Allows HET[n] pins to be configured to drive to a known state when an N2HET parity error is detected.
		0	Pin HET[n] is not affected by the detection of an N2HET parity error.
		1	Pin HET[n] is driven to a known state when an N2HET parity error is detected. The known state is a function of bits HETDIR[n], HETPSL[n], HETPDR[n] as described in <a href="#">Table 23-43</a> (this state is also independent of HETPULDIS[n]).

**Table 23-43. Known State on Parity Error**

HETDIR[n]	HETPDR[n]	HETPSL[n]	Known State on Parity Error
0	x	x	High Impedance
1	0	0	Drive Logic 0
1	0	1	Drive Logic 1
1	1	x	High Impedance

### 23.4.29 Suppression Filter Preload Register (HETSFPRLD)

N2HET1: offset = FFF7 B880h; N2HET2: offset = FFF7 B980h

**Figure 23-63. Suppression Filter Preload Register (HETSFPRLD)**

31	Reserved	18	17	16
			CCDIV	
R-0				
R/W-0				
15	10	9		
Reserved		CPRLD		
R-0		R/W-0		

LEGEND: R/W = Read/Write; R = Read only; -n = value after reset

**Table 23-44. Suppression Filter Preload Register (HETSFPRLD) Field Descriptions**

Bit	Field	Value	Description
31-18	Reserved	0	Read returns 0. Writes have no effect.
17-16	CCDIV	0 1h 2h 3h	Counter Clock Divider CCDIV determines the ratio between the counter clock and VCLK2. CCLK = VCLK2 CCLK = VCLK2 / 2 CCLK = VCLK2 / 3 CCLK = VCLK2 / 4
15-10	Reserved	0	Read returns 0. Writes have no effect.
9-0	CPRLD		Counter Preload Value CPRLD contains the preload value for the counter clock.

### 23.4.30 Suppression Filter Enable Register (HETSFENA)

N2HET1: offset = FFF7 B884h; N2HET2: offset = FFF7 B984h

**Figure 23-64. Suppression Filter Enable Register (HETSFENA)**

31	HETSFENA	16
R/W-0		
15	HETSFENA	0
R/W-0		

LEGEND: R/W = Read/Write; R = Read only; -n = value after reset

**Table 23-45. Suppression Filter Enable Register (HETSFENA) Field Descriptions**

Bit	Field	Value	Description
31-0	HETSFENA n	0 1	Suppression Filter Enable Bits <b>Note:</b> If the pin is configured as an output by the N2HET Direction Register (HETDIR), the filter is automatically disabled independent on the bit in HETSFENA. The input noise suppression filter for pin HET[n] is disabled. The input noise suppression filter for pin HET[n] is enabled.

### 23.4.31 Loop Back Pair Select Register (HETLBPSEL)

Refer to [Section 23.2.5.7](#) for a description of loopback test functions.

**N2HET1:** offset = FFF7 B88Ch; **N2HET2:** offset = FFF7 B98Ch

**Figure 23-65. Loop Back Pair Select Register (HETLBPSEL)**

31	30	29	28	27	26	25	24
LBPTYPE31/30	LBPTYPE29/28	LBPTYPE27/26	LBPTYPE25/24	LBPTYPE23/22	LBPTYPE21/20	LBPTYPE19/18	LBPTYPE17/16
R/W-0	R/W-0	R/W-0	R/W-0	R/W-0	R/W-0	R/W-0	R/W-0
23	22	21	20	19	18	17	16
LBPTYPE15/14	LBPTYPE13/12	LBPTYPE11/10	LBPTYPE9/8	LBPTYPE7/6	LBPTYPE5/4	LBPTYPE3/2	LBPTYPE1/0
R/W-0	R/W-0	R/W-0	R/W-0	R/W-0	R/W-0	R/W-0	R/W-0
15	14	13	12	11	10	9	8
LBPSEL 31/30	LBPSEL 29/28	LBPSEL 27/26	LBPSEL 25/24	LBPSEL 23/22	LBPSEL 21/20	LBPSEL 19/18	LBPSEL 17/16
R/W-0	R/W-0	R/W-0	R/W-0	R/W-0	R/W-0	R/W-0	R/W-0
7	6	5	4	3	2	1	0
LBPSEL 15/14	LBPSEL 13/12	LBPSEL 11/10	LBPSEL 9/8	LBPSEL 7/6	LBPSEL 5/4	LBPSEL 3/2	LBPSEL 1/0
R/W-0	R/W-0	R/W-0	R/W-0	R/W-0	R/W-0	R/W-0	R/W-0

LEGEND: R/W = Read/Write; R = Read only; -n = value after reset

**Table 23-46. Loop Back Pair Select Register (HETLBPSEL) Field Descriptions**

Bit	Field	Value	Description
31-16	LBPTYPE n+1 / n	0 1	<p>Loop Back Pair Type Select Bits</p> <p>These bits are valid only when Loopback mode is enabled (HETLBPDIR[19:16] = "1010").</p> <p>Digital loopback is selected for HR structures on pins HET[n+1] and HET[n].</p> <p>Analog loopback is selected for HR structures on pins HET[n+1] and HET[n].</p>
15-0	LBPSEL n+1 / n		<p>Loop Back Pair Select Bits</p> <p>These bits are valid only when Loopback mode is enabled (HETLBPDIR[19:16] = "Ah").</p> <p>If bit x is set, the HR structures on pins HET[n+1] and HET[n] are connected in a loop back mode. The direction is given by LBPDIR n+1/n and type is selected by LBPTYPE n+1/n.</p> <p>The pin which is not driven by the N2HET pin actions can still be used as normal GIO pin.</p>

### 23.4.32 Loop Back Pair Direction Register (HETLBPDIR)

Refer to [Section 23.2.5.7](#) for a description of loopback test functions.

**N2HET1:** offset = FFF7 B890h; **N2HET2:** offset = FFF7 B990h

**Figure 23-66. Loop Back Pair Direction Register (HETLBPDIR)**

31										20										19										16									
Reserved																				LBPTSTENA																			
R-0																				R/WP-5h																			
15					14					13					12					11					10					9					8				
LBPDIR 31/30					LBPDIR 29/28					LBPDIR 27/26					LBPDIR 25/24					LBPDIR 23/22					LBPDIR 21/20					LBPDIR 19/18					LBPDIR 17/16				
R/W-0					R/W-0					R/W-0					R/W-0					R/W-0					R/W-0					R/W-0									
7					6					5					4					3					2					1					0				
LBPDIR 15/14					LBPDIR 13/12					LBPDIR 11/10					LBPDIR 9/8					LBPDIR 7/6					LBPDIR 5/4					LBPDIR 3/2					LBPDIR 1/0				
R/W-0					R/W-0					R/W-0					R/W-0					R/W-0					R/W-0					R/W-0									

LEGEND: R/W = Read/Write; R = Read only; WP = Write in privileged mode only; -n = value after reset

**Table 23-47. Loop Back Pair Direction Register (HETLBPDIR) Field Descriptions**

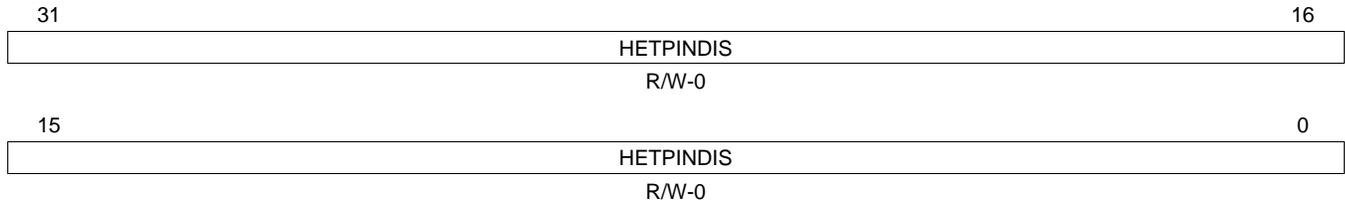
Bit	Field	Value	Description
31-20	Reserved	0	Read returns 0. Writes have no effect.
19-16	LBPTSTENA	5h	Loopback Test is disabled.
		Ah	Loopback Test is enabled.
		Others	Loopback Test is disabled
15-0	LBPDIR n+1 / n	0	The HR structures on pins HET[n+1] and HET[n] are internally connected with HET[n] as input and HET[n+1] as output.
		1	The HR structures on pins HET[n+1] and HET[n] connected with HET[n] as output and HET[n+1] as input.

**NOTE:** The loop back direction can be selected independent on the HETDIR register setting.

### 23.4.33 N2HET Pin Disable Register (HETPINDIS)

**N2HET1:** offset = FFF7 B894h; **N2HET2:** offset = FFF7 B994h

**Figure 23-67. N2HET Pin Disable Register (HETPINDIS)**



LEGEND: R/W = Read/Write; R = Read only; -n = value after reset

**Table 23-48. NHET Pin Disable Register (HETPINDIS) Field Descriptions**

Bit	Field	Value	Description
31-0	HETPINDIS n	0	N2HET Pin Disable Bits Logic low: No affect on the output buffer enable of the pin (is controlled by the value of the HETDIR[n] bit).
		1	Logic high: Output buffer of the pin is enabled if pin nDIS = 1, HET PIN ENA = 1 and HETDIR = 1, or else disabled if nDIS = 0 or HETDIR = 0 or HET PIN ENA = 0.

## 23.5 Instruction Set

### 23.5.1 Instruction Summary

Table 23-49 presents a list of the instructions in the N2HET instruction set. The pages following describe each instruction in detail.

**Table 23-49. Instruction Summary**

Abbreviation	Instruction Name	Opcode	Sub-Opcode	Cycles <sup>(1)</sup>
ACMP	Angle Compare	Ch	-	1
ACNT	Angle Count	9h	-	2
ADCNST	Add Constant	5h	-	2
ADC	Add with Carry and Shift	4h	C[25:23]=001, C5 = 1	1 - 3
ADD	Add and Shift	4h	C[25:23]=011, C5 = 1	1 - 3
ADM32	Add Move 32	4h	C[25:23]=000, C5 = 1	1 - 2
AND	Bitwise AND and Shift	4h	C[25:23]=010, C5 = 1	1 - 3
APCNT	Angle Period Count	Eh	-	1 - 2
BR	Branch	Dh	-	1
CNT	Count	6h	-	1 - 2
DADM64	Data Add Move 64	2h	-	2
DJZ	Decrement and Jump if -zero	Ah	P[7:6] = 10	1
ECMP	Equality Compare	0h	C[6:5] = 00	1
ECNT	Event Count	Ah	P[7:6] = 01	1
MCMP	Magnitude Compare	0h	C[6] = 1	1
MOV32	Move 32	4h	C[5] = 0	1 - 2
MOV64	Move 64	1h	-	1
PCNT	Pulse/Period Count	7h	-	1
PWCNT	Pulse Width Count	Ah	P[7:6]=11	1
RADM64	Register Add Move 64	3h	-	1
RCNT	Ratio Count	Ah	P[7:6]=00, P[0]=1	3
SBB	Subtract with Borrow and Shift	4h	C[25:23] = 110 C[5] = 1	1 - 3
SCMP	Sequence Compare	0h	C[6:5] = 01	1
SCNT	Step Count	Ah	P[7:6] = 00, P[0] = 0	3
SHFT	Shift	Fh	C[3]=0	1
SUB	Subtract and Shift	4h	C[25:23]=101, C[5] = 1	1 - 3
WCAP	Software Capture Word	Bh	-	1
WCAPE	Software Capture Word and Event Count	8h	-	1
XOR	Bitwise Exclusive-Or and Shift	4h	C[25:23] , C[5] = 1	1 - 3

<sup>(1)</sup> Cycles refers to the clock cycle of the N2HET module; which on most devices is VCLK2. (Check the device datasheet description of clock domains to confirm). If the high resolution prescale value is set to /1, then this is also the same as the number of HR clock cycles.

**Table 23-50. FLAGS Generated by Instruction**

Abbreviation	Flag Name	Set/Reset by	Used by
C	Carry Flag	ADC, ADD, AND, OR, RCNT, SBB, SUB, XOR	ADC, BR, SBB
N	Negative Flag	ADC, ADD, AND, OR, SBB, SUB, XOR	BR
V	Overflow Flag	ADC, ADD, AND, OR, SBB, SUB, XOR	BR
Z	Zero flag	ACNT, ADC, ADD, AND, APCNT, CNT, OR, PCNT, SBB, SCNT, SHFT, XOR,	ACMP, ACNT, BR, ECMP, MCMP, MOV32, RCNT, SCMP, SHFT
X	Angle Compare Match Flag	ACMP	SCMP
SWF 0-1	Step width flags	SCNT	ACNT
NAF	New Angle Flag	ACNT	NAF_global
NAF_global	New Angle flag (global)	<i>HWAG or NAF</i>	ACMP, BR, CNT, ECMP, ECNT
ACF	Acceleration flag	ACNT	,ACNT, SCNT
DCF	Deceleration flag	ACNT	,ACNT, SCNT
GPF	Gap flag	ACNT	ACNT, APCNT

The instructions capable of generating SW interrupts are listed in [Table 23-51](#).

**Table 23-51. Interrupt Capable Instructions**

Interrupt Capable Instructions	Non Interrupt Capable Instructions
ACMP	ADC
ACNT	ADCNST
APCNT	ADD
BR	ADM32
CNT	AND
DJZ	DADM32
ECMP	MOV32
ECNT	MOV64
MCMP	OR
PCNT	RADM64
PWCNT	RCNT
SCMP	SBB
SHFT	SCNT
WCAP	SUB
WCAPE	XOR

### 23.5.2 Abbreviations, Encoding Formats and Bits

Abbreviations marked with a star (\*) are available only on specific instructions.

<b>U</b>	Reading a bit marked with U will return an indeterminate value.
<b>BRK</b>	Defines the software breakpoint for the device software debugger. Default: OFF Location: Program field [22]
<b>next</b>	Defines the program address of the next instruction in the program flow. This value may be a label or an 9-bit unsigned integer. Default: Current instruction + 1 Location: Program field [21:13]
<b>reqnum*</b>	Defines the number of the request line (0,1,...,7) to trigger either the HTU or the DMA. Default: 0 Location: Program field [25:23]
<b>request*</b>	Allows to select between no request (NOREQ), request (GENREQ) and quiet request (QUIET). See <a href="#">Section 23.2.9</a> . Default: No request Location: Control Field [28:27]

Request	C[28]	C[27]	To HTU	To DMA
NOREQ	0	0	no request	no request
	1	0		
GENREQ	0	1	request	request
QUIET	1	1	quiet request	no request

<b>remote*</b>	Determines the 9-bit address of the remote address for the instruction. Default: Current instruction + 1 Location: Program field [8:0]
<b>control</b>	Determines whether the immediate data field [31:0] is cleared when it is read. When the bit is not set, reads do not clear the immediate data field. Default: OFF Location: Control field [26]
<b>en_pin_action*</b>	Determines whether the selected pin is ON so that the action occurs on the chosen pin Default: OFF Location: Control field [22]
<b>Cond_addr*</b>	Conditional address (optional): Defines the address of the next instruction when the condition occurs. Default: Current address + 1 Location: Control field [21:13]
<b>Pin*</b>	Pin Select: Selects the pin on which the action occurs. Enter the pin number. Default: pin 0 Location: Control field [12:8] except PCNT

The format CC{pin number} is also supported.

MSB				LSB		Description
0	0	0	0	0	0	Select HET[0]
0	0	0	0	0	1	Select HET[1]
(Each pin may be selected by writing its number in binary)						
1	1	1	1	0	0	Select HET[30]
1	1	1	1	1	1	Select HET[31]

**Reg\*** Register select: Selects the register for data comparison and storage  
 Default: No register (None)  
 Location: Control field [2:1] except for CNT instruction.  
 Extended Register Select C[7] is available for ACMP, ADC, ADD, ADM32, AND, DADM64, ECMP, ECNT, MCMP, MOV32, MOV64, OR, RADM64, SBB, SHFT, SUB, WCAP, WCAPE instructions.

Register	Ext Reg. C[7]	C[2]	C[1]
A	0	0	0
B	0	0	1
T	0	1	0
None	0	1	1
R	1	0	0
S	1	0	1
Reserved	1	1	0
Reserved	1	1	1

**Action\*** (2 Action Option) Either sets or clears the pin  
 Default: Clear  
 Location: Control Field [4]

Action	C[4]
Clear	0
Set	1

**Action\*** (4 Action Option) Either sets, clears, pulse high or pulse low on the pin. Set/clear are single pin actions, pulse high/low include the opposite pin action.  
 Default: Clear  
 Location: Control Field [4:3]

Action	Action Type	C[4]	C[3]
Clear	Set low on match	0	0
Set	Set high on match	1	0
Pulse Low	Set low on match + reset to high on Z=1 (opposite action)	0	1
Pulse High	Set high on match + reset to low on Z=1 (opposite action)	1	1

**hr\_lr\*** Specifies HIGH/LOW data resolution. If the hr\_lr field is HIGH, the instruction uses the hr\_data field. If the hr\_lr field is LOW, the hr\_data field is ignored.  
 Default: HIGH  
 Location: Program Field [8]

hr_lr	Prog. field [8]
LOW	1
HIGH	0

**prv\*** Specifies the initial value defining the previous bit (see [Section 23.2.5.8](#)). A value of ON sets the previous pin-level bit to 1. A value of OFF sets the initial value of the previous (prv) bit to 0. The prv bit is overwritten (set or reset) by the N2HET the first time the instruction is executed.

Default: OFF  
 Location: Control Field [25]

**cntl\_val\*** Available for DADM64, MOV64, and RADM64, this bit field allows the user to specify the replacement value for the remote control field.

**comp\_mode\*** Specifies the compare mode. This field is used with the 64-bit move instructions. This field ensures that the sub-opcodes are moved correctly.

Default: ECMP  
 Location: Control Field [6:5]

Action	C[6]	C[5]	order
ECMP	0	0	
SCMP	0	1	
MCMP1	1	0	REG_GE_DATA
MCMP2	1	1	DATA_GE_REG

### 23.5.3 Instruction Description

The following sections provide information for individual instructions.

Parameters in [] are optional. Refer to the N2HET assembler user guide for the default values when parameters are omitted.

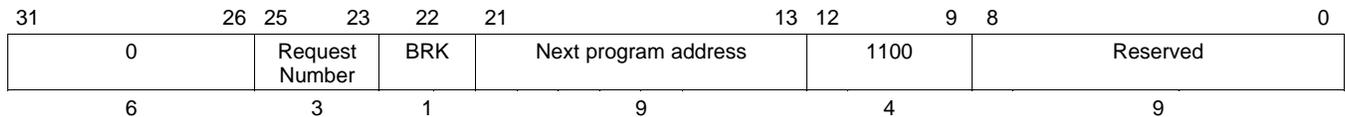
#### 23.5.3.1 ACMP (Angle Compare)

**Syntax**

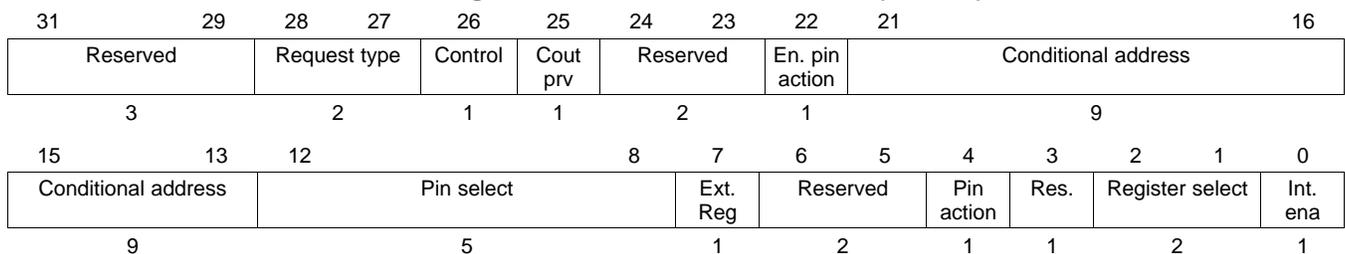
```

ACMP {
  [brk={OFF | ON}]
  [next={label | 9-bit unsigned integer}]
  [reqnum={3-bit unsigned integer}]
  [request={NOREQ | GENREQ | QUIET}]
  [control={OFF | ON}]
  [en_pin_action={OFF | ON}]
  [cond_addr={label | 9-bit unsigned integer}]
  pin={pin number}
  [action={CLEAR | SET}]
  reg={A | B | R | S | T | NONE}
  [irq ={OFF | ON}]
  data={25-bit unsigned integer}
}
    
```

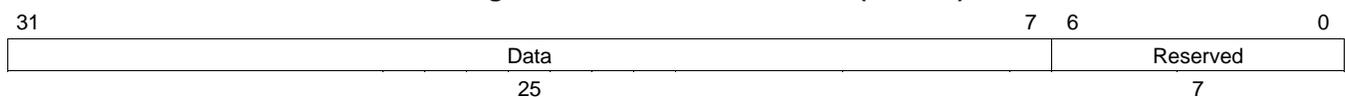
**Figure 23-68. ACMP Program Field (P31:P0)**



**Figure 23-69. ACMP Control Field (C31:C0)**



**Figure 23-70. ACMP Data Field (D31:D0)**



**Cycles** One

**Register modified** Selected register (A, B, R, S, or T)

The purpose of the comparison is to assert pin action when the angle compare value lies between the old counter value and the new counter value (held in the selected register). Since the angle increment varies from one loop resolution clock to another, an exact equality test cannot be applied. Instead, the following inequality is used to determine the occurrence of a match:

$$\text{Old counter value} < \text{Angle compare value} \leq \text{New counter value}$$

This is done by performing following comparisons:

Selected register value minus angle increment < angle compare value

Angle compare value ≤ Selected register value

<b>register</b>	Register B is recommended for typical applications with ACMP.
<b>irq</b>	Specifies whether or not an interrupt is generated. Specifying ON generates an interrupt when the edge state is satisfied and the gap flag is set. Specifying OFF prevents an interrupt from being generated. Default: OFF.
<b>data</b>	Specifies the 25-bit angle compare value.

### Execution

```

X = 0;
If (Data <= Selected Register)
    Cout = 0;
else
    Cout = 1;
If (Z == 0 AND (Selected Register - Angle Inc. < Data ) AND Cout == 0) OR
    (Z == 1 AND (Cout_prv == 1 OR Cout == 0))
{
    X = 1;
    If (Enable Pin Action == 1)
        Selected Pin = Pin Action AT next loop resolution clock;

    If (Interrupt Enable == 1)
        HETFLG[n] = 1; /* n depends on address */
    If ([C28:C27] == 01)
        Generate request on request line [P25:P23];
    If ([C28:C27] == 11)
        Generate quiet request on request line [P25:P23];

    Jump to Conditional Address;
}
else
    Jump to Next Program Address;

Cout_prv = Cout (always executed)

```

---

#### NOTE: Carry-Out Signal (Cout)

Cout is the carry-out signal of the adder. Even if it is not a flag, it is valid all along ACMP instruction execution.

---

Angle inc. = NAF\_global or hardware angle generator 11-bit input.

The specific interrupt flag that is triggered depends on the address from which the instruction is executed, see [Section 23.2.7](#).

**23.5.3.2 ACNT (Angle Count)**

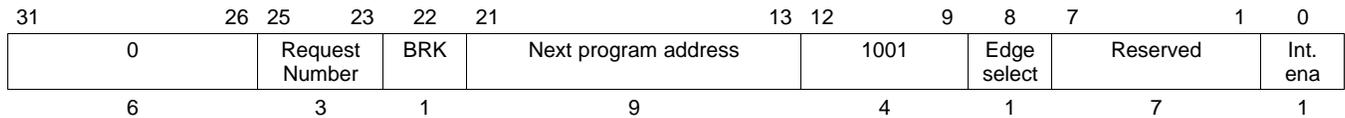
**Syntax**

```

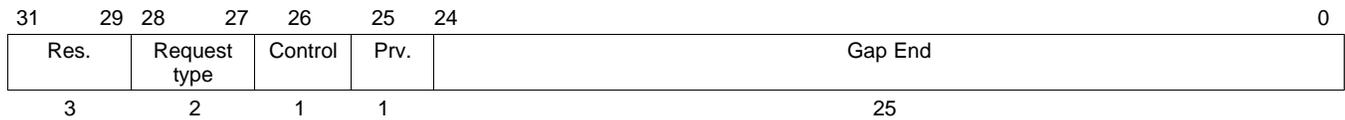
ACNT {
  [brk={OFF | ON}]
  [next={label | 9-bit unsigned integer}]
  [reqnum={3-bit unsigned integer}]
  [request={NOREQ | GENREQ | QUIET}]
  edge={RISING | FALLING}
  [irq ={OFF | ON}]
  [control={OFF | ON}]
  [prv={OFF | ON}]
  gapend ={25-bit unsigned integer}
  data={25-bit unsigned integer}
}

```

**Figure 23-71. ACNT Program Field (P31:P0)**



**Figure 23-72. ACNT Control Field (C31:C0)**



**Figure 23-73. ACNT Data Field (D31:D0)**



**Cycles** Two, as follows:

- First cycle: Angle increment condition and gap end comparison.
- Second cycle: Gap start comparison.

**Register modified** Register B (angle value)

**Description** This instruction defines a specialized virtual timer used after SCNT and APCNT to generate an angle-referenced time base that is synchronized to an external signal (that is, a toothed wheel signal). ACNT uses pin HET[2] exclusively. The edge select must be the same as the HET[2] edge which was selected in the previous APCNT.

ACNT refers to the same step width selection that the previous SCNT saved in flags SWF0 and SWF1 (see information on SCNT).

ACNT detects period variations of the external signal measured by APCNT and compensates related count errors.

A period increase is flagged in the deceleration flag (DCF). A period decrease is flagged in the acceleration flag (ACF). If no variation is detected, ACNT increments the counter value each time SCNT reaches its target.

If acceleration is detected, ACNT increments the counter value on each timer resolution. If deceleration is detected ACNT does not increment and is thus saturated.

ACNT also specifies the gap end angle value defining the end value of a gap range in ACNT where period measurements in APCNT are temporarily stopped to mask singularities in the external signal. ACNT uses register A containing gap start and register B to store the counter value.

**Edge** Specifies the edge for the input capture pin (HET[2]).

Action	P8	Edge Select
Rising	1	Detects a rising edge of HET[2]
Falling	0	Detects a falling edge of HET[2]

**irq** ON generates an interrupt when the edge state is satisfied and the gap flag is set. OFF prevents an interrupt from being generated.  
Default: OFF.

**gapend** Defines the 25-bit end value of a gap range. The start value is defined in the SCNT instruction.  
 $GAPEND = (\text{Step Value} * (\# \text{ of teeth on the toothed wheel} + \# \text{ of missing teeth})) - 1$

**data** Specifies the 25-bit initial count value for the data field.  
Default: 0.

---

#### NOTE: Target Edge Field

The target edge field represents the three LSBs of data field register in case of step width = 8, four LSBs for step width = 16, five LSBs for step width = 32 and six LSBs for step width = 64.

---

#### Execution

**Increment Condition:** ((Z = 1 AND DCF = 0) OR ACF = 1)

**Pin Edge Condition:** Specified edge detected on HET[2]

**Target Edge Condition:** (Target Edge field in data field = 0) AND (Angle Increment condition is true) AND (GPF = 0)

```

If (Angle Increment Condition) is false
{
    NAF = 0;
    Register B = Data field register;
}
else
{
    NAF = 1;
    If (Counter value != GapEnd)
    {
        Register B = Data field register + 1;
        Data Field Register = Counter value + 1;
    }
}

```

```

        else
        {
            Register B = 0;
            Data Field Register = 0;
            If (ACF == 0) DCF = 1;
        }
    }

Z = 0;

If (Data field register == GapStart)
{
    GPF = 1;
    If (Target Edge condition is true)
    {
        ACF = 0;
        If ((specified edge is not detected on pin HET[2]) AND (data
        field register != 0) AND (ACF == 0) AND (angle increment condition
        is true))
            DCF = 1;
    }
    If (specified edge is detected on pin HET[2])
    {
        DCF = 0;
        If ((target_edge_field != 0) AND (DCF == 0)) ACF = 1;
        If (GPF == 1)
        {
            GPF = 0;
            Z = 1;
            If (Interrupt Enable == 1)
                HETFLG[n] = 1;          /* n depends on address */
            If ([C28:C27] == 01)
                Generate request on request line [P25:P23];;
            If ([C28:C27] == 11)
                Generate quiet request on request line
                [P25:P23];
        }
    }
}

If ((target_edge_field != 0) and (pin_edge_cond == 1))
{
    pin_update = 0;
}
else if (target_edge_field == 0)
{
    pin_update = 1;
}

If (pin_update is true in next loop clock cycle)
{
    Prv bit = Current Lx value of HET[2] pin;
}

Jump to next program address;

```

The specific interrupt flag that is triggered depends on the address from which the instruction is executed, see [Section 23.2.7](#).

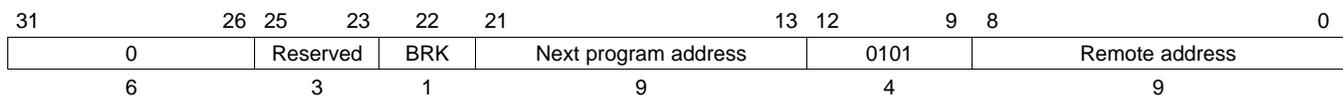
### 23.5.3.3 ADCNST (Add Constant)

**Syntax**

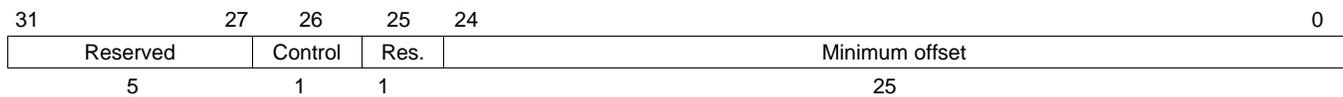
```

ADCNST {
    [brk={OFF | ON}]
    [next={label | 9-bit unsigned integer}]
    [control={OFF | ON}]
    remote={label | 9-bit unsigned integer}
    min_off={25-bit unsigned integer}
    data={25-bit unsigned integer}
    [hr_data={7-bit unsigned integer}]
}
    
```

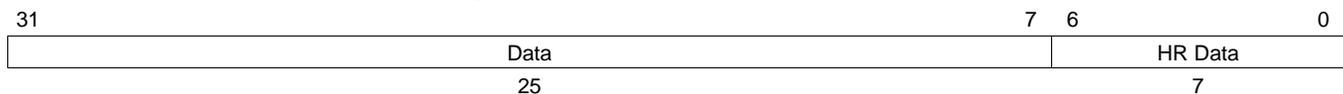
**Figure 23-74. ADCNST Program Field (P31:P0)**



**Figure 23-75. ADCNST Control Field (C31:C0)**



**Figure 23-76. ADCNST Data Field (D31:D0)**



**Cycles** Two

**Register modified** Register T (implicity)

**Description** ADCNST is an extension of ADM32. ADCNST first checks whether the data field value at the remote address is zero; it then performs different adds and moves on the result. ADCNST is typically used to extend the counter value of PWCNT.

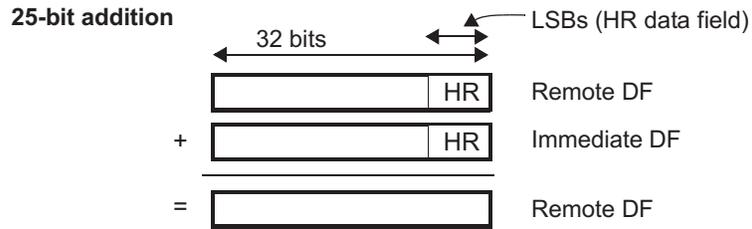
**min\_off** A 25-bit constant value that is added to the data field value if the remote data field is null.

**data** A 25-bit value that is always added to the remote data field.  
Default: 0.

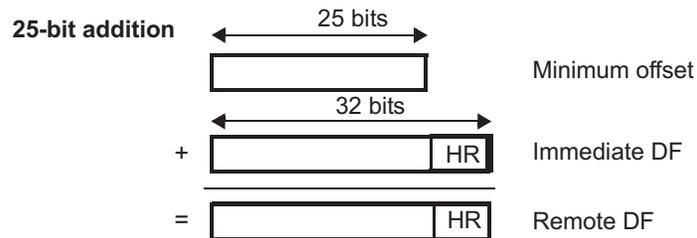
**hr\_data** Seven least significant bits of the data addition to the remote data field.  
Default: 0.

Figure 23-77 and Figure 23-78 illustrate the behavior of ADCNST if the remote data field is or is not zero.

**Figure 23-77. ADCNST Operation If Remote Data Field[31:7] Is Not Zero**



**Figure 23-78. ADCNST Operation if Remote Data Field [31:7] Is Zero**



**Execution**

```

If (Remote Data Field Value [31:7] != 0)
    Remote Data Field = Immediate Data Field + Remote Data Field;
else
    Remote Data Field = Immediate Data Field + min. offset(bits C24:C0);

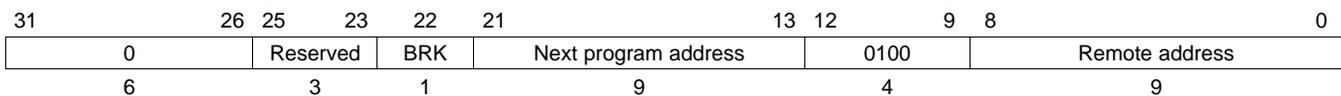
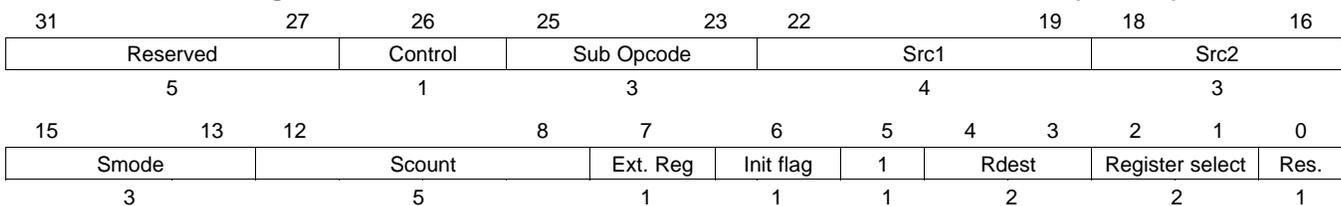
Jump to Next Program Address;
    
```

**23.5.3.4 ADC, ADD, AND, OR, SBB, SUB, XOR**

**Syntax**

```

ADC | ADD | AND | OR | SBB | SUB | XOR {
src1 = { ZERO | IMM | A | B | R | S | T | ONES | REM | REMP }
src2 = { ZERO | IMM | A | B | R | S | T | ONES }
dest = { NONE | IMM | A | B | R | S | T }
[rdest = { NONE | REM | REMP }]
[brk={OFF | ON}]
[next={label | 9-bit unsigned integer}]
[remote={label | 9-bit unsigned integer}]
[control={OFF | ON}]
[init={OFF | ON}]
[smode = {LSL | CSL | LSR | CSR | RR | CRR | ASR }]
[scount = {5 bit unsigned integer}]
[data={25-bit unsigned integer}]
[hr_data={7-bit unsigned integer}]
}
    
```

**Figure 23-79. ADC, ADD, AND, OR, SBB, SUB, XOR Program Field (P31:P0)**

**Figure 23-80. ADC, ADD, AND, OR, SBB, SUB, XOR Control Field (C31:C0)**

**Figure 23-81. ADC, ADD, AND, OR, SBB, SUB, XOR Data Field (D31:D0)**


**Cycles** One to three cycles, depending on operands selected. (See [Table 23-56](#))

**Register modified** Selected register (A, B, R, S, T, or NONE)

**Description** This instruction performs the specified 32-bit arithmetic or logical operation on operands src1 and src2, followed by an optional shift/rotate step. The result of this operation is then stored to either an N2HET register or the immediate data field of the instruction. In addition, the same result may be stored in a remote data field or the least significant bits of a remote instruction program field (P[8:0]). Bits P[8:0] of the program field are used by most instructions formats to hold the remote address that the instruction operates on, so the ability to update this field programatically makes it easier to write subroutines that operate on different data sets.

The Sub-Opcode field C[25:3] determines which type of operation (ADD, ADC, AND, OR, SBB, SUB, XOR) is executed by the instruction. A list of these operations and the corresponding Sub-Opcode encoding can be found in [Table 23-52](#).

All arithmetic is performed using 32-bit integer math. However, source and destination operands vary in width and can be 9 bits (REMP), 25 bits (A, B) or 32 bits (R,S,T, IMM, REM). Source operands REMP, A,B are extended to 32-bits before being operated on. Also the result of the computation needs to be truncated before being written back to REMP, A, or B when these are selected as destination operands. [Table 23-53](#) provides a list of source operand options, how they are expanded to 32-bit integers (if applicable) and the control field encoding to select the option for src1 and src2 operands.

[Table 23-54](#) provides a similar list of destination operands and their encodings. Up to two destination operands may be selected for each instruction, a register/immediate destination and a remote destination may be selected simultaneously. Truncation is performed independently for each destination operand as appropriate to its size.

An optional shift step following the arithmetic or logical operation may be selected through the smode and scout operands. The shift or rotate type is selected by the smode field; [Table 23-55](#) illustrates the options that are available for smode. The number of bits shifted is determined by the scout operand.

**Table 23-52. Arithmetic / Bitwise Logic Sub-Opcodes**

Instruction	Description	Operation	Sub-Opcode
ADC	Add with Carry	result = src1 + src2 + C	C[25:23] = 011
ADD	Add	result = src1 + src2	C[25:23] = 001
AND	Bitwise Logic And	result = src1 & src2	C[25:23] = 010
OR	Bitwise Logic Or	result = src1   src2	C[25:23] = 100
SBB	Subtract with Borrow	result = src1 - src2 - C	C[25:23] = 110
SUB	Subtract	result = src1 - src2	C[25:23] = 101
XOR	Bitwise Logic Exclusive Or	result = src1 ^ src2	C[25:23] = 111

**Table 23-53. Source Operand Choices**

Source Operand	32-bit value	Address	src1	src2
A	{A[24:0], 0x00}	n/a	C[22:19] = 0010	C[18:16] = 010
B	{B[24:0], 0x00}	n/a	C[22:19] = 0011	C[18:16] = 011
R	R[31:0]	n/a	C[22:19] = 0100	C[18:16] = 100
S	S[31:0]	n/a	C[22:19] = 0101	C[18:16] = 101
T	T[31:0]	n/a	C[22:19] = 0110	C[18:16] = 110
IMM	D[31:0]	current instruction address	C[22:19] = 0001	C[18:16] = 001
ZERO	0x00000000	n/a	C[22:19] = 0000	C[18:16] = 000
ONES	0xFFFFFFFF	n/a	C[22:19] = 0111	C[18:16] = 111
REM	D[31:0]	specified by remote[8:0]	C[22:19] = 1000	n/a
REMP	{0x000000, P[8:0]}	specified by remote[8:0]	C[22:19] = 1001	n/a

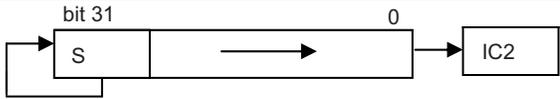
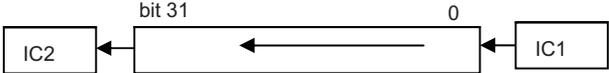
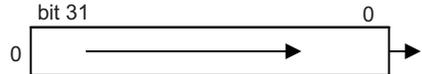
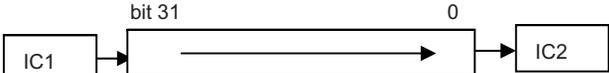
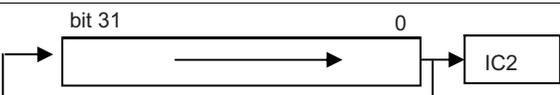
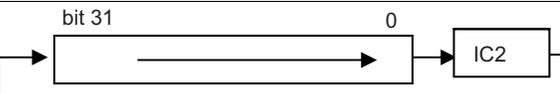
**Table 23-54. Destination Operand Choices**

Destination Operand	Stored Value	Address	dest	rdest
A	A[24:0] = result [31:8]	n/a	C[7] = 0, C[2:1] = 00	n/a
B	B[24:0] = result [31:8]	n/a	C[7] = 0, C[2:1] = 01	n/a
R	R[24:0] = result [31:0]	n/a	C[7] = 1, C[2:1] = 00	n/a
S	S[24:0] = result [31:0]	n/a	C[7] = 1, C[2:1] = 01	n/a
T	T[24:0] = result [31:0]	n/a	C[7] = 0, C[2:1] = 10	n/a

**Table 23-54. Destination Operand Choices (continued)**

Destination Operand	Stored Value	Address	dest	rdest
IMM	D[31:0] = result [31:0]	current instruction address	C[7] = 1, C[2:1] = 10	n/a
NONE	n/a	n/a	C[7] = 0, C[2:1] = 11	C[4:3] = 00
REM	D[31:0] = result [31:0]	specified by remote[8:0]	n/a	C[4:3] = 01
REMP	P[8:0] = result [8:0]	specified by remote[8:0]	n/a	C[4:3] = 10

**Table 23-55. Shift Encoding**

Shift Type	C[15:13] smode	Operation Illustrated <sup>(1)</sup>
No Shift Applied	0 0 0	n/a - no shift
ASR-Arithmetic Shift Right	0 0 1	
LSL-Logical Shift Left	0 1 0	
CSL-Carry Shift Left	0 1 1	
LSR-Logical Shift Right	1 0 0	
CSR-Carry Shift Right	1 0 1	
RR - Rotate Right	1 1 0	
CRR - Carry Rotate Right	1 1 1	

<sup>(1)</sup> IC1 is the carry flag after the arithmetic / logical operation is performed. IC2 is the updated carry flag after the shift operation is performed. s is the sign bit.

**Table 23-56. Execution Time for ADC, ADD, AND, OR, SBB, SUB, XOR Instructions**

src1	dest	rdest	remote[8:0]	Cycle s
ZERO, IMM, A, B, R, S, T, or ONES	A,B,R,S,T, or NONE	NONE	!= next[8:0]	1
REM or REMP	A,B,R,S,T, or NONE	NONE	!= next[8:0]	2
ZERO, IMM, A, B, R, S, T, or ONES	IMM	REM	!= next[8:0]	2
ZERO, IMM, A, B, R, S, T, or ONES	A,B,R,S,T, or NONE	REMP	!= next[8:0]	2
ZERO, IMM, A, B, R, S, T, or ONES	A,B,R,S,T, or NONE	NONE	== next[8:0]	2
REM or REMP	IMM	REM	x	3
x	IMM	REMP	x	3
REM or REMP	x	REM	== next[8:0]	3
x	x	REMP	== next[8:0]	3

## Execution

```

    / Notes: IR1, IR2 are 32-bit intermediate results
    // SRC1, SRC2 are 32-bit sources selected
    //          by fields src1, src2
    // IC1, IC2 are intermediate values of the carry flag
    // IZ1, IZ2 are intermediate values of the zero flag
    // IN1, IN2 are intermediate values of the negative flag
    // IV1, IV2 are intermediate values of the overflow flag
    // scout is the shift count (0 to 31) specified by C12:C8

    /***** SOURCE OPERAND DECODING STAGE *****/
    switch (C22:C19)
    {
        case 0000:SRC1[31:0] = 0x00000000
        case 0001:SRC1[31:0] = Immediate Data Field D[31:0]
        case 0010:SRC1[31:8] = A[24:0]; SRC1[6:0] = 0
        case 0011:SRC1[31:8] = B[24:0]; SRC1[6:0] = 0
        case 0100:SRC1[31:0] = R[31:0]
        case 0101:SRC1[31:0] = S[31:0]
        case 0110:SRC1[31:0] = T[31:0]
        case 0111:SRC1[31:0] = 0xFFFFFFFF
        case 1000:SRC1[31:0] = Remote Data Field D[31:0]
        case 1001:SRC1[31:9] = 0; SRC1[8:0] = Remote Program Field P[8:0]
    }

    switch (C18:C16)
    {
        case 000:SRC2[31:0] = 0x00000000
        case 001:SRC2[31:0] = Immediate Data Field[31:0]
        case 010:SRC2[31:8] = A[24:0]; SRC2[6:0] = 0
        case 011:SRC2[31:8] = B[24:0]; SRC2[6:0] = 0
        case 100:SRC2[31:0] = R[31:0]
        case 101:SRC2[31:0] = S[31:0]
        case 110:SRC2[31:0] = T[31:0]
        case 111:SRC2[31:0] = 0xFFFFFFFF
    }

    /***** ARITHMETIC / LOGICAL OPERATION STAGE *****/
    switch (C[25:23])
    {
        case 011:IR1 = src1 + src2 + C // ADC
        case 001:IR1 = src1 + src2 // ADD
        case 010:IR1 = src1 & src2 // AND
        case 100:IR1 = src1 | src2 // OR
        case 110:IR1 = src1 - src2 - C // SBB
        case 101:IR1 = src1 - src2 // SUB
        case 111:IR1 = src1 ^ src2 // XOR
    }

    IC1 = Carry Out if Operation is ADD, ADC, SUB, SBB
         = 0 if Operation is AND, OR, XOR
    IZ1 = Set if IR1 is zero, Clear if IR1 is non-zero
    IN1 = IR[31]
    IV1 = (IC1 XOR IR1[31]) AND NOT(SRC1[31] XOR SRC2[31])

    /***** SHIFT STAGE *****/
    switch (C15:C13)
    {
        case 000: // smode = No Shift
            IR2 = IR1
            IC2 = IC1; IZ2 = IZ1; IN2 = IN1; IV2 = IV1;

        case 001: // smode = Arithmetic Shift Right
            IR2[31 - scout : 0] = IR1[31:scout]

            if (scout>0) {
                IR2[31 : 31 - scout + 1] = IR1[31]
            }
    }

```

```

        IC2 = IR1[scount-1]
    }
    else {
        IC2 = IC1
    }

    IN2 = IR2[31];
    if (IR2 == 0) { IZ2 = 1 } else {IZ2 = 0};
    IV2 = (IR2[31] XOR IR1[31]) OR IV1

case 010: // smode = Logical Shift Left
    IR2[31 : scount] = IR1[31 - scount: 0]

    if (scount > 0) {
        IR2[scount - 1 : 0] = 0
    }

    IC2 = IC1
    IN2 = IR2[31];
    if (IR2 == 0) { IZ2 = 1 } else {IZ2 = 0};
    IV2 = (IR2[31] XOR IR1[31]) OR IV1

case 011: // smode = Carry Shift Left
    IR2[31 : scount] = IR1[31 - scount: 0]

    if (scount>0) {
        IR2[scount - 1 : 0] = [IC1,...IC1]
        IC2 = IR1[31 - scount + 1]
    }
    else
    {
        IC2 = IC1
    }

    IN2 = IR2[31];
    if (IR2 == 0) { IZ2 = 1 } else {IZ2 = 0};
    IV2 = (IR2[31] XOR IR1[31]) OR IV1

case 100: // smode = Logical Shift Right
    IR2[31 - scount : 0] = IR1[31:scount]

    if (scount>0) {
        IR2[31 : 31 - scount + 1] = 0
    }

    IC2 = IC1
    IN2 = IR2[31];
    if (IR2 == 0) { IZ2 = 1 } else {IZ2 = 0};
    IV2 = (IR2[31] XOR IR1[31]) OR IV1

case 101: // smode = Carry Shift Right
    IR2[31 - scount : 0] = IR1[31:scount]

    if(scount>0) {
        IR2[31:31-scount + 1] = [IC1,...IC1]
        IC2 = IR1[scount-1]
    }
    else {
        IC2 = IC1
    }

    IN2 = IR2[31];
    IZ2 = Set if IR2 == 0;
    IV2 = (IR2[31] XOR IR1[31]) OR IV1

case 110: // smode = Rotate Right

```

```

    IR2[31 - scount : 0] = IR1[31:scount]

    if(scount>0) {
        IR2[31:31-scount+1] = IR1[scount-1:0]
        IC2 = IR1[scount-1]
    }
    else {
        IC2 = IC1
    }

    IN2 = IR2[31];
    if (IR2 == 0) { IZ2 = 1 } else {IZ2 = 0};
    IV2 = (IR2[31] XOR IR1[31]) OR IV1

case 111: // smode = Carry Rotate Right
    IR2[31 - scount : 0] = IR1[31:scount]

    if (scount == 0) {
        IC2 = IC1
    }
    else if (scount == 1) {
        IR2[31] = IC1
        IC2 = IR1[0]
    }
    else {
        IR2[31:31-scount+1] = {IR1[scount-2:0],IC1}
        IC2 = IR1[scount - 1]
    }

    IN2 = IR2[31];
    if (IR2 == 0) { IZ2 = 1 } else {IZ2 = 0};
    IV2 = (IR2[31] XOR IR1[31]) OR IV1
}
/***** WRITE REGISTER DESTINATION STAGE *****/
switch (C7, C2:C1)
{
    case 000:A[24:0] = IR2[31:8]
    case 001:B[24:0] = IR2[31:8]
    case 010:T[31:0] = IR2[31:0]
    case 011:IR2 is not stored in register, immediate
    case 100:R[31:0] = IR2[31:0]
    case 101:S[31:0] = IR2[31:0]
    case 110:Immediate Data Field[31:0] = IR2
    case 111:IR2 is not stored in register, immediate
}
/***** WRITE REMOTE DESTINATION STAGE *****/
switch (C4:3)
{
    case 00:IR2 is not stored in remote field
    case 01:Remote Data Field D[31:0] = IR2
    case 10:Remote Program Field P[8:0] = IR2[8:0]
    case 11:IR2 is not stored in remote field
}
/***** UPDATE FLAGS STAGE *****/
C FLAG = IC2
N FLAG = IN2
Z FLAG = IZ2
V FLAG = IV2
If (Init Flag == 1)
{
    ACF = 0;
    DCF = 1;
    GPF = 0;
    NAF = 0;
}
else ACF, DCF, GPF, NAF remain unchanged;

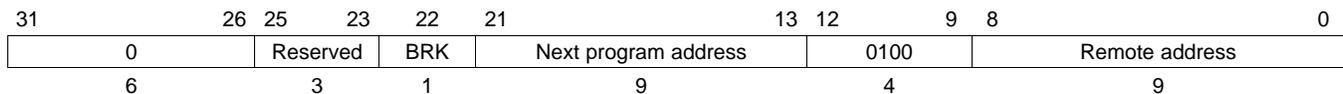
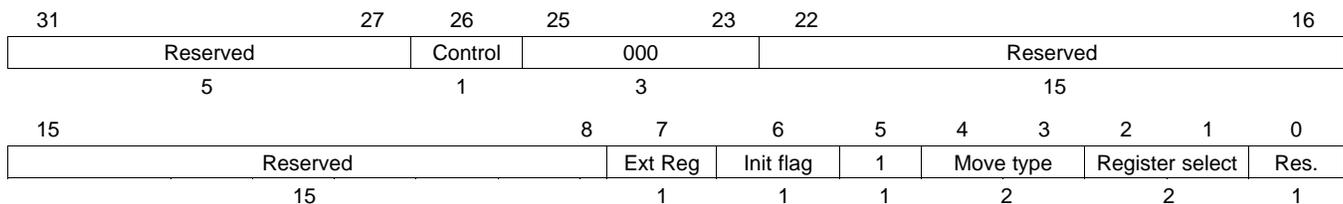
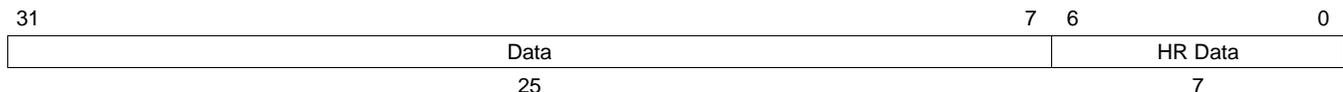
```

**23.5.3.5 ADM32 (Add Move 32)**

**Syntax**

```

ADM32 {
    [brk={OFF | ON}]
    [next={label | 9-bit unsigned integer}]
    remote={label | 9-bit unsigned integer}
    [control={OFF | ON}]
    [init={OFF | ON}]
    type={IM&REGTOREG | REM&REGTOREG | IM&REMTOREG |
    IM&REGTOREM}
    reg={A | B | R | S | T }
    data={25-bit unsigned integer}
    [hr_data={7-bit unsigned integer}]
}
    
```

**Figure 23-82. ADM32 Program Field (P31:P0)**

**Figure 23-83. ADM32 Control Field (C31:C0)**

**Figure 23-84. ADM32 Data Field (D31:D0)**


**Cycles** One or two cycles (see [Table 23-57](#))

**Register modified** Selected register (A, B, R, S, or T)

**Description** This instruction modifies the selected ALU register or data field values at the remote address depending on the move type. The modified value results from adding the immediate or remote data field to the ALU register or the remote data field, depending on the move type. Table description shows the C2 and C1 bit encoding for determining which register is selected.

**init** (Optional) Determines whether or not system flags are initialized. A value of ON reinitializes the following system flags to these states:

- Acceleration flag (ACF) = 0
- Deceleration flag (DCF) = 1
- Gap flag (GPF) = 0

**type** New angle flag (NAF) = 0  
 A value of OFF results in no change to the system flags.  
 Default: OFF  
 Specifies the move type to be executed.

**Table 23-57. Move Types for ADM32**

Type	C4	C3	Add	Destination(s)	Cycles
IM&REGTOREG	0	0	Imm. data field + Reg. A, B, R, S, or T	Register A, B, R, S, or T	1
REM&REGTOREG	0	1	Remote data field + Reg. A, B, R, S, or T	Register A, B, R, S, or T	2
IM&REMTOREG	1	0	Imm. data field + Remote data field	Register A, B, R, S, or T	2
IM&REGTOREM	1	1	Imm. data field + Reg. A, B, R, S, or T	Remote data field	1

If selected register is R, S, or T, the operation is a 32-bit Addition/move. If A or B register is selected, it is limited to 25-bit operation since A and B only support 25-bit.

**data** Specifies the 25-bit integer value for the immediate data field.  
**hr\_data** Specifies the 7 least significant bits of the immediate data field.  
 Default: 0.

### Execution

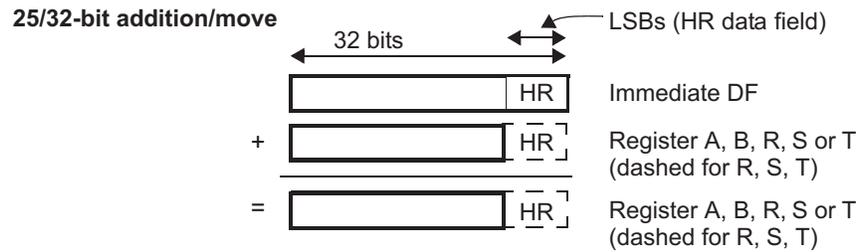
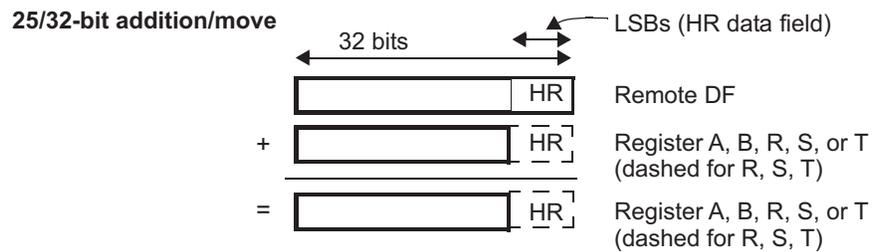
```

switch (C4:C3)
{
  case 00:
    Selected register = Selected register + Immediate Data Field;
  case 01:
    Selected register = Selected register + Remote Data Field;
  case 10:
    Selected register = Immediate Data Field + Remote Data Field;
  case 11:
    Remote Data Field = Selected register + Immediate Data Field;
}

If (Init Flag == 1)
{
  ACF = 0;
  DCF = 1;
  GPF = 0;
  NAF = 0;
}
else
  All flags remain unchanged;

Jump to Next Program Address;
  
```

Figure 23-85 and Figure 23-86 illustrate the ADM32 operation for various cases.

**Figure 23-85. ADM32 Add and Move Operation for IM&REGTOREG (Case 00)**

**Figure 23-86. ADM32 Add and Move Operation for REM&REGTOREG (Case 01)**


**23.5.3.6 APCNT (Angle Period Count)**

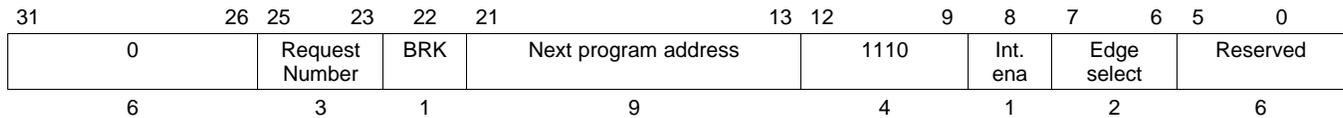
**Syntax**

```

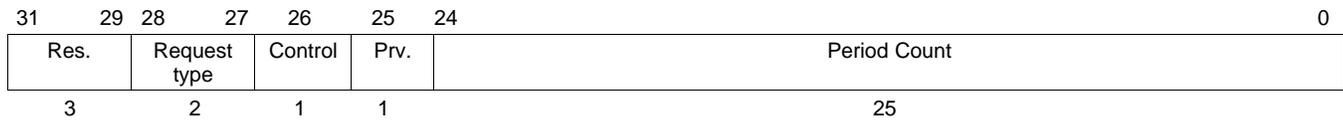
APCNT {
  [brk={OFF | ON}]
  [next={label | 9-bit unsigned integer}]
  [reqnum={3-bit unsigned integer}]
  [request={NOREQ | GENREQ | QUIET}]
  [irq={OFF | ON}]
  type={FALL2FALL | RISE2RISE}
  [control={OFF | ON}]
  prv={OFF | ON}}
  period={25-bit unsigned integer}
  data={25-bit unsigned integer}
}

```

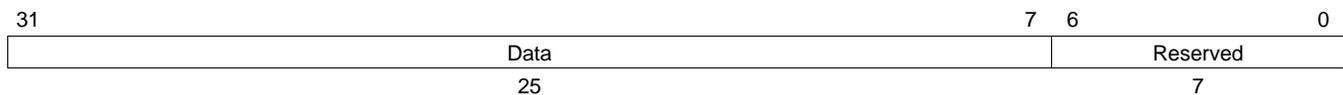
**Figure 23-87. APCNT Program Field (P31:P0)**



**Figure 23-88. APCNT Control Field (C31:C0)**



**Figure 23-89. APCNT Data Field (D31:D0)**



**Cycles**

One or two cycles

- Cycle 1: edge detected (normal operation)
- Cycle 2: edge detected and GPF = 1 and underflow condition is true

One cycle (normal operation) two cycles (edge detected)

**Register modified** Register A and T (implicitly)

**Description**

This instruction is used before SCNT and ACNT to generate an angle-referenced time base synchronized to an external signal (that is, a toothed wheel signal). It is assumed that the pin and edge selections are the same for APCNT and ACNT.

APCNT is restricted to pin HET[2]. The toothed wheel must then be connected to pin HET[2].

APCNT uses the gap flag (GPF) defined by ACNT to start or stop captures in the period count field [C24:C0]. When GPF = 1, the previous period value is held in the control field and in register T. When GPF = 0, the current period value is captured in the control field and in register T.

APCNT uses the step width flags (SWF0 and SWF1) defined by SCNT to detect period durations shorter than one step, and then disables capture. The edge select encoding is shown in [Table 23-58](#).

<b>irq</b>	ON generates an interrupt when the edge state is satisfied. OFF prevents an interrupt from being generated. Default: OFF.
<b>type</b>	Specifies the edge type that triggers the instruction. Default: Fall2Fall.

**Table 23-58. Edge Select Encoding for APCNT**

type	P7	P6	Selected Condition
Fall2Fall	1	0	Falling edge
Rise2Rise	1	1	Rising edge

<b>period</b>	Contains the 25-bit count value from the previous APCNT period.
<b>data</b>	25-bit value serving as a counter. Default: 0.

### Execution

```

Z = 0;

If (Data field register != 1FFFFFFh)
{
  Register A = Data field register + 1;
  Data field register = Data field register + 1;
}
elseif (specified edge not detected on HET[2])
{
  Register A = 1FFFFFFh;
  APCNT Ovflw flag = 1;
}

If (specified edge detected on HET[2])
{
  Z = 1;

  If (Data field register == 1FFFFFFh)
  {
    Register A = 1FFFFFFh;
    Register T = 1FFFFFFh; Period count = 1FFFFFFh;
    Period count = 1FFFFFFh;
  }
  elseif (GPF == 0 AND Data Field register >= Step width)
  {
    Register A = Data field register + 1;
    Register T = Register A;
    Period count = Register T;

    If (Interrupt Enable == 1)
      HETFLG[n] = 1; /* n depends on address */
    If ([C28:C27] == 01)
      Generate request on request line [P25:P23];
    If ([C28:C27] == 11)
      Generate quiet request on request line [P25:P23];
  }
}

```

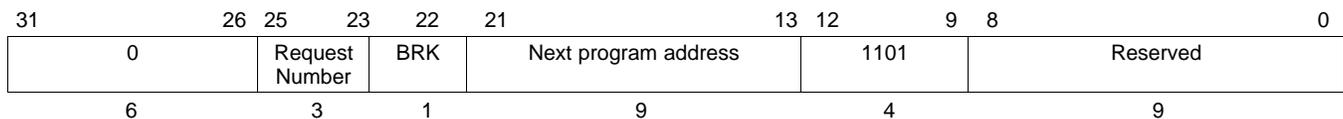
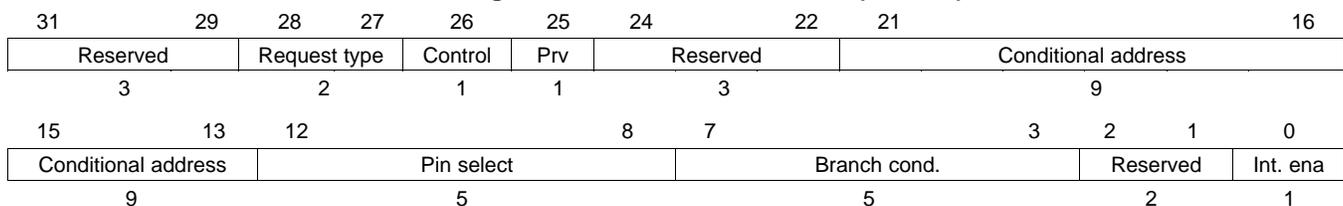
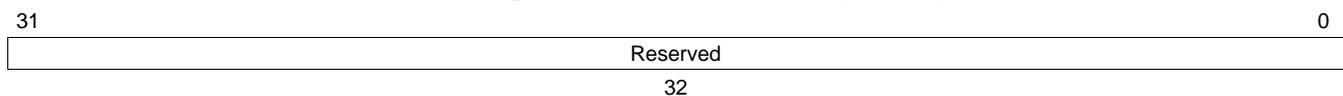
```
    }  
  
    If (GPF == 1)  
        Register T = Period count;  
    If (Data Field register < Step width)  
    {  
        Register T = Period count;  
        APCNT Undflw flag = 1;  
        Period Count = 000000h;  
    }  
  
    Data field register = 000000h;  
}  
else  
{  
    Register T = Period count;  
}  
  
Prv bit = Current Lx value of HET[2] pin;  
  
Jump to Next Program Address;
```

The specific interrupt flag that is triggered depends on the address from which the instruction is executed, see [Section 23.2.7](#).

**23.5.3.7 BR (Branch)**
**Syntax**

```

BR {
  [brk={OFF | ON}]
  [next={label | 9-bit unsigned integer}]
  [reqnum={3-bit unsigned integer}]
  [request={NOREQ | GENREQ | QUIET}]
  [control={OFF | ON}]
  [prv={OFF | ON}]
  cond_addr={label | 9-bit unsigned integer}
  [pin= {pin number}]
  event={NOCOND | FALL | RISE | BOTH | ZERO | NAF | LOW | HIGH | C | NC
  | EQ | Z | NE | NZ | N | PZ | V | NV | ZN | P | GE | LT | GT | LE | LO | HS }
  [irq={OFF | ON}]
}
    
```

**Figure 23-90. BR Program Field (P31:P0)**

**Figure 23-91. BR Control Field (C31:C0)**

**Figure 23-92. BR Data Field (D31:D0)**

**Cycles**

One

**Register modified**

None

**Description**

This instruction executes a jump to the conditional address [C21:C13] on a pin or a flag condition, and can be used with all pins.

[Table 23-59](#) provides the branch condition encoding.

**event**

Specifies the event that triggers a jump to the indexed program address.

Default: FALL

**irq** ON generates an interrupt when the event occurs that triggers the jump. If irq is set to OFF, no interrupt is generated.  
Default: OFF.

**Table 23-59. Branch Condition Encoding for BR**

event	C7	C6	C5	C4	C3	Branch Condition
NOCOND	0	0	0	0	0	Always
FALL	0	0	1	0	0	On falling edge on the selected pin
RISE	0	1	0	0	0	On rising edge on selected pin
BOTH	0	1	1	0	0	On rising or falling edge on selected pin
ZERO	1	0	0	0	0	If Zero flag is set
NAF	1	0	1	0	0	If NAF_global flag is set
LOW	1	1	0	0	0	On LOW level on selected pin
HIGH	1	1	1	0	0	On HIGH level on selected pin
C	0	0	0	0	1	Carry Set: C==1
NC	0	0	0	1	1	Carry Not Set: C==0
EQ, Z	0	0	1	0	1	Equal or Zero: Z==1
NE, NZ	0	0	1	1	1	Not Equal or Not Zero: Z==0
N	0	1	0	0	1	Negative: N==1
PZ	0	0	1	1	1	Positive or Zero: N==0
V	0	1	1	0	1	Overflow: V==1
NV	0	1	1	1	1	No Overflow: V==0
ZN	1	0	0	0	1	Zero or Negative: (Z OR N) == 1
P	1	0	0	1	1	Positive: (Z OR N) == 0
GE	1	0	1	1	1	Signed Greater Than or Equal: (N XOR V) == 0
L	1	0	1	0	1	Signed Less Than (N XOR V) == 1
G	1	1	0	1	1	Signed Greater Than (Z OR (N XOR V)) == 0
LE	1	1	0	0	1	Signed Less Than (Z OR (N XOR V)) == 1
LO	1	1	1	1	1	Unsigned Less Than: (C OR Z) == 0
HS	1	1	1	0	1	Unsigned Higher or Same (C OR Z) == 1

## Execution

```

If (Condition is true)
{
  If (Interrupt Enable == 1) HETFLG[n] = 1; /* n depends on address */
  If ([C28:C27] == 01) Generate request on request line [P25:P23];
  If ([C28:C27] == 11) Generate quiet request on request line [P25:P23];
  Jump to Conditional Address;
}
else
{
  Jump to Next Program Address;
}

```

Prv bit = Current Lx value of selected pin; (Always Executed)

The specific interrupt flag that is triggered depends on the address from which the instruction is executed, see [Section 23.2.7](#).

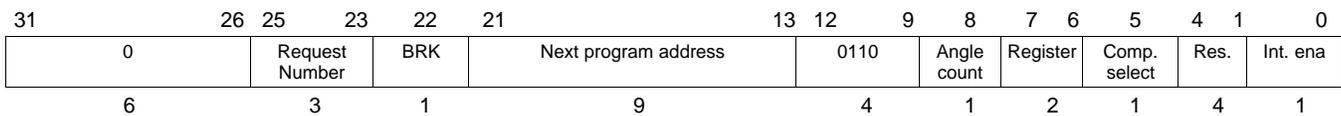
### 23.5.3.8 CNT (Count)

**Syntax**

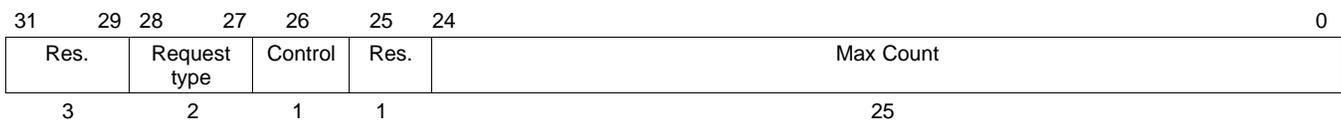
```

CNT {
    [brk={OFF | ON}]
    [next={label | 9-bit unsigned integer}]
    [reqnum={3-bit unsigned integer}]
    [request={NOREQ | GENREQ | QUIET}]
    [angle_count={OFF | ON}]
    [reg={A | B | T | NONE}]
    [comp ={EQ | GE}]
    [irq={OFF | ON}]
    [control={OFF | ON}]
    max={25-bit unsigned integer}
    [data={25-bit unsigned integer}]
}
    
```

**Figure 23-93. CNT Program Field (P31:P0)**



**Figure 23-94. CNT Control Field (C31:C0)**



**Figure 23-95. CNT Data Field (D31:D0)**



**Cycles** One or two  
One cycle (time mode), two cycles (angle mode)

**Register modified** Selected register (A, B or T)

**Description** This instruction defines a virtual timer. The counter value stored in the data field [D31:7] is incremented unconditionally on each resolution when in time mode (angle count bit [P8] = 0). When the count reaches the maximum count specified in the control field, the counter is reset. It takes one cycle in this mode.

In angle mode (angle count bit [P8] = 1), CNT needs data from the software angle generator (SWAG). When in angle count mode the angle increment value will be 0 or 1. It takes two cycles in this mode.

<b>angle_count</b>	Specifies when the counter is incremented. A value of ON causes the counter value to be incremented only if the new angle flag is set (NAF_global = 1). A value of OFF increments the counter each time the CNT instruction is executed. Default value for this field is OFF.
<b>comp</b>	When set to EQ the counter is reset, when it is equal to the maximum count. When set to GE the counter is reset, when it is greater or equal to the maximum count. Default: GE.
<b>irq</b>	ON generates an interrupt when the counter overflows to zero. The interrupt is not generated until the data field is reset to zero. If irq is set to OFF, no interrupt is generated. Default: OFF.
<b>max</b>	Specifies the 25-bit integer value that defines the maximum count value allowed in the data field. When the count in the data field is equal to max, the data field is reset to 0 and the Z system flag is set to 1.
<b>data</b>	Specifies the 25-bit integer value serving as a counter. Default: 0.

### Execution

```

Z = 0;

If (Angle Count (bit P8 == 1))
{
  If (NAF_global == 0)
  {
    Selected register = immediate data field;
    Jump to Next Program Address;
  }
  else
  {
    If ((Immediate Data Field + Angle Increment) >= Max count)
    {
      Z = 1;
      Selected register = ((Immediate Data Field + Angle Inc.) - Max count);
      Immediate Data Field = ((Immediate Data Field + Angle Inc.) - Max count);

      If (Interrupt Enable == 1) HETFLG[n] = 1;      /* n depends on address */
      If ([C28:C27] == 01) Generate request on request line [P25:P23];
      If ([C28:C27] == 11) Generate quiet request on request line [P25:P23];
    }
    else
    {
      Selected register = Immediate Data Field + Angle Increment;
      Immediate Data Field = Immediate Data Field + Angle Increment;
    }
  }
}

else if(Time mode (bit P8 == 0))
{
  If [(P5==0) AND (Immediate Data Field == Max count)]
  OR [(P5==1) AND (Immediate Data Field >= Max count)]
  {
    Z = 1;
  }
}

```

```
Selected register = 00000;
Immediate Data Field = 00000;

If (Interrupt Enable == 1) HETFLG[n] = 1;      /* n depends on address */
If ([C28:C27] == 01) Generate request on request line [P25:P23];
If ([C28:C27] == 11) Generate quiet request on request line [P25:P23];
}
else
{
Selected register = Immediate Data Field + 1;
Immediate Data Field = Immediate Data Field + 1;
}
}

Jump to Next Program Address;
```

The specific interrupt flag that is triggered depends on the address from which the instruction is executed, see [Section 23.2.7](#).

**23.5.3.9 DADM64 (Data Add Move)**

**Syntax**

```

DADM64 {
  [brk={OFF | ON}]
  [next={label | 9-bit unsigned integer}]
  remote={label | 9-bit unsigned integer}
  [request={NOREQ | GENREQ | QUIET}]
  [control={OFF | ON}]
  [en_pin_action={OFF | ON}]
  [cond_addr={label | 9-bit unsigned integer}]
  [pin={pin number}]
  comp_mode={ECMP | SCMP | MCMP1 | MCMP2}
  [action={CLEAR | SET | PULSELO | PULSEHI}]
  [reg={A | B | R | S | T | NONE}]
  [irq={OFF | ON}]
  [data={25-bit unsigned integer}]
  [hr_data= {7-bit unsigned integer}]
}

```

-or-

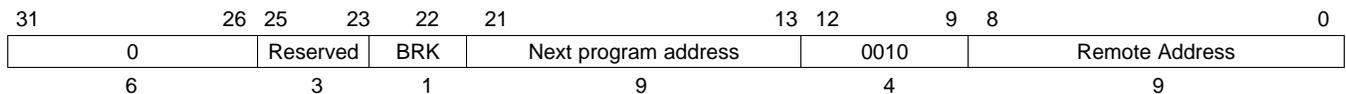
**Syntax**

```

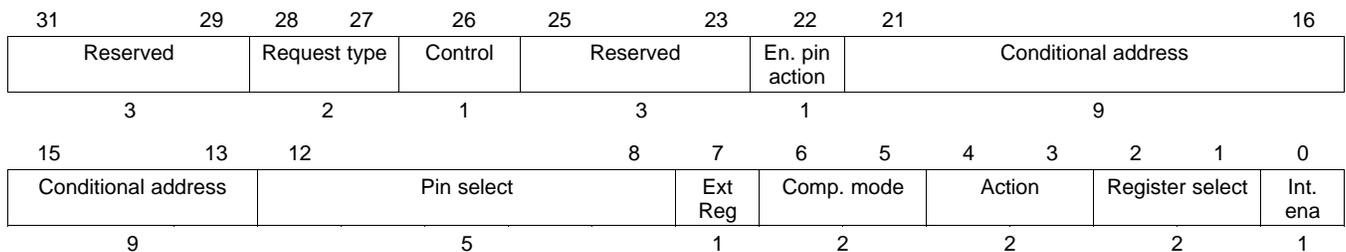
DADM64 {
  [brk={OFF | ON}]
  [next={label | 9-bit unsigned integer}]
  remote={label | 9-bit unsigned integer}
  cntl_val={29-bit unsigned integer}
  data={25-bit unsigned integer}
  [hr_data= {7-bit unsigned integer}]
}

```

**Figure 23-96. DADM64 Program Field (P31:P0)**



**Figure 23-97. DADM64 Control Field (C31:C0)**



**Figure 23-98. DADM64 Data Field (D31:D0)**



**Cycles** Two

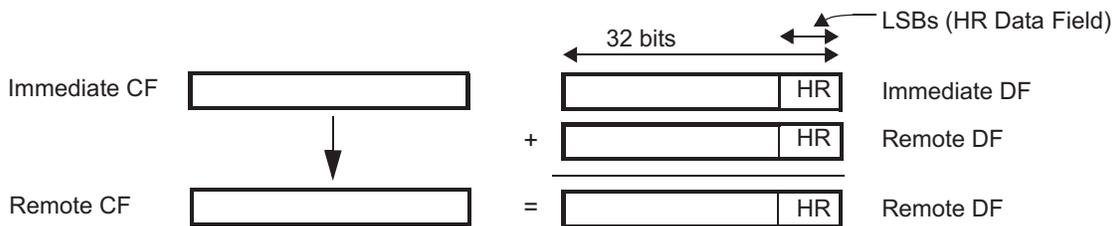
**Register modified** Register T (implicitly)

**Description** This instruction modifies the data field and the control field at the remote address. The remote data field value is not just replaced, but is added with the DADM64 data field.

DADM64 has two distinct syntaxes. In the first syntax, bit values may be set by assigning a value to each of the control fields. This syntax is convenient for modifying control fields that are arranged similarly to the format of the DADM64 control field. A second syntax, in which the entire 29-bit control field is specified by the cntl\_val field, is convenient when the remote control field is dissimilar to the DADM64 control field. Either syntax may be used, but you must use one or the other but not a combination of syntaxes.

Figure 23-99 shows the DADM64 add and move operation.

**Figure 23-99. DADM64 Add and Move Operation**



**Table 23-60. DADM64 Control Field Description**

request	maintains the control field for the remote instruction
control	maintains the control field for the remote instruction
en_pin_action	maintains the control field for the remote instruction
cond_addr	maintains the control field for the remote instruction
pin	maintains the control field for the remote instruction
register	maintains the control field for the remote instruction
action	maintains the control field for the remote instruction
irq	maintains the control field for the remote instruction
data	Specifies the 25-bit initial value for the data field.
hr_data	Seven least significant bits of the 32 bit data field. Default: 0
cntl_val	Specifies the 29 least significant bits of the Control field.

**Execution**

```
Remote Data Field = Remote Data Field + Immediate Data Field;
Register T = Immediate Data Field;
Remote Control Field = Immediate Control Field;
Jump to Next Program Address;
```

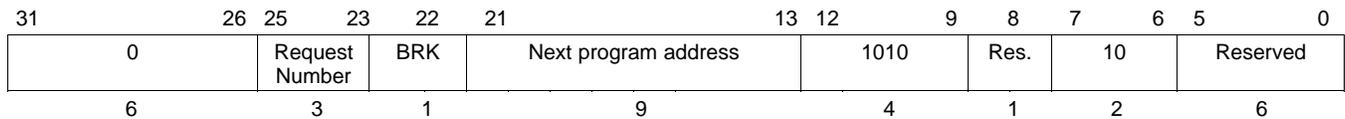
**23.5.3.10 DJZ (Decrement and Jump if Zero)†**

**Syntax**

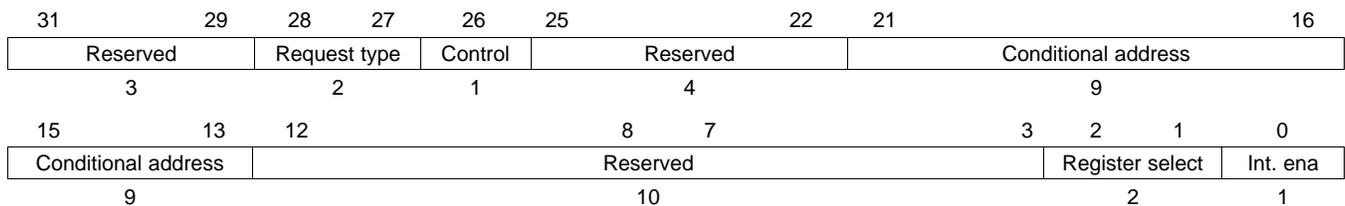
```

DJZ {
  [brk={OFF | ON}]
  [next={label | 9-bit unsigned integer}]
  [reqnum={3-bit unsigned integer}]
  [request={NOREQ | GENREQ | QUIET}]
  [control={OFF | ON}]
  [cond_addr={label | 9-bit unsigned integer}]
  [reg={A | B | T | NONE}]
  [irq={OFF | ON}]
  [data={25-bit unsigned integer}]
}
    
```

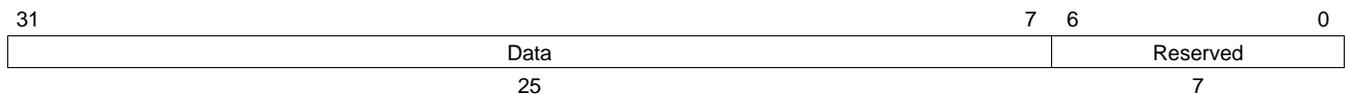
**Figure 23-100. DJZ Program Field (P31:P0)**



**Figure 23-101. DJZ Control Field (C31:C0)**



**Figure 23-102. DJZ Data Field (D31:D0)**



**Cycles** One

**Register modified** Selected register (A, B, or T)

† DJNZ is also supported syntax. The functionality of the two instruction names is identical.

**Description**

This instruction defines a virtual down counter used for delayed execution of certain instructions (to generate minimum on/off times). When DJZ is executed with counter value not zero, the counter value is decremented. If the counter value is zero, the counter remains zero until it is reloaded with a non-zero value. The program flow can be modified when down counter value is zero by using the conditional address.

<b>cond_addr</b>	This field is not optional for the DJZ instruction.
<b>irq</b>	ON generates an interrupt when the data field reaches zero. No interrupt is generated when the bit is OFF. Default: OFF.
<b>data</b>	Specifies the 25-bit integer value used as a counter. This counter is decremented each time the DJZ instruction is executed until the counter reaches 0. Default: 0.

### Execution

```

If (Data != 0)
{
    Data = Selected register = Data - 1;
    Jump to Next Program Address;
}
else
{
    Selected register = 000000h;

    If (Interrupt Enable == 1) HETFLG[n] = 1;          /* n depends on address */
    If ([C28:C27] == 01) Generate request on request line [P25:P23];
    If ([C28:C27] == 11) Generate quiet request on request line [P25:P23];

    Jump to conditional Address;
}

```

The specific interrupt flag that is triggered depends on the address from which the instruction is executed, see [Section 23.2.7](#).

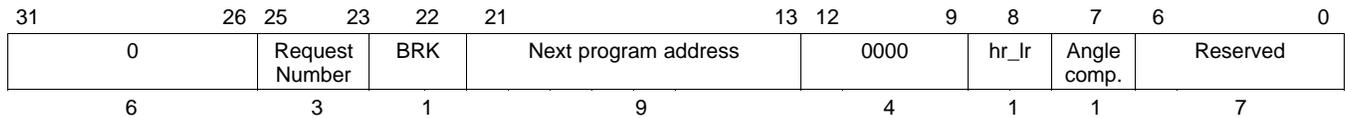
**23.5.3.11 ECMP (Equality Compare)**

**Syntax**

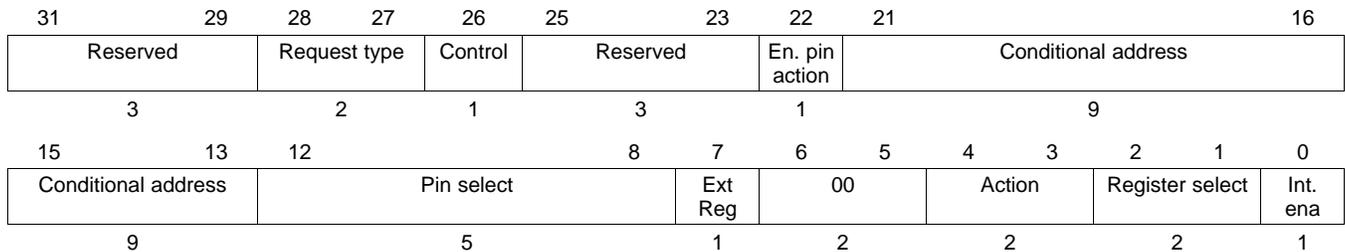
```

ECMP {
  [brk={OFF | ON}]
  [next={label | 9-bit unsigned integer}]
  [reqnum={3-bit unsigned integer}]
  [request={NOREQ | GENREQ | QUIET}]
  [hr_lr={HIGH | LOW}]
  [angle_comp={OFF | ON}]
  [control={OFF | ON}]
  [en_pin_action={OFF | ON}]
  [cond_addr={label | 9-bit unsigned integer}]
  pin={pin number}
  [action={CLEAR | SET | PULSELO | PULSEHI}]
  [reg={A | B | R | S | T | NONE}]
  [irq={OFF | ON}]
  [data={25-bit unsigned integer}]
  [hr_data={7-bit unsigned integer}]
}
    
```

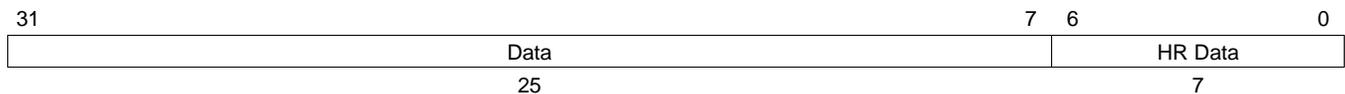
**Figure 23-103. ECMP Program Field (P31:P0)**



**Figure 23-104. ECMP Control Field (C31:C0)**



**Figure 23-105. ECMP Data Field (D31:D0)**



**Cycles** One

**Register modified** Register A, B, R, S or T if selected

**Description** ECMP can use all pins. This instruction compares a 25-bit data value stored in the data field (D31–D7) to the value stored in the selected ALU register (A, B, R, S, or T). Register select encoding can be found in [Section 23.5.2](#).

If R, S, or T registers are selected, and if the 25-bit data field matches, ECMP updates the register with the 32-bit value (D31-D0).

If the hr\_lr bit is cleared, the pin action will occur after a high resolution delay from the next loop resolution clock. If the hr\_lr bit is set, the delay is ignored. This delay is programmed in the data field (D6-D0).

The behavior of the pins is governed by the four action options in bits C4:C3. ECMP uses the zero flag to generate opposite pin action (synchronized to the loop resolution clock).

<b>angle_comp</b>	Determines if an angle compare is performed. A value of ON causes the comparison to be performed only if the new angle flag is set (NAF = 1). If OFF is specified, the compare is then performed regardless of the state of the new angle flag. Default: OFF.
<b>irq</b>	Specifies whether or not an interrupt is generated. A value of ON sends an interrupt if register and data field values are equivalent. If OFF is selected, no interrupt is generated. Default: OFF.
<b>data</b>	Specifies the value for the data field. This value is compared with the selected register.
<b>hr_data</b>	Specifies the HR delay. Default: 0.

## Execution

```

If (Angle Comp. bit == 0 OR (Angle Comp. bit == 1 AND NAF_global == 1))
{
    If (Selected register value == Immediate data field value)
    {
        If (hr_lr bit == 0)
        {
            If (Enable Pin action == 1)
            {
                Selected Pin = Pin Action AT next loop resolution clock + HR delay;
            }
        }
        else
        {
            If (Enable Pin action == 1)
            {
                Selected Pin = Pin Action AT next loop resolution clock;
            }
        }
    }

    If (Z == 1 AND Opposite action == 1)
    {
        If (Enable Pin action == 1)
        {
            Selected Pin = opposite Pin Action AT next loop resolution clock;
        }
    }

    If (Interrupt Enable == 1) HETFLG[n] = 1;          /* n depends on address */
    If ([C28:C27] == 01) Generate request on request line [P25:P23];
    If ([C28:C27] == 11) Generate quiet request on request line [P25:P23];

    If (register R is selected) R register = Compare value (32 bit);
    If (register S is selected) S register = Compare value (32 bit);

```

```
        If (register T is selected) T register = Compare value (32 bit);  
        Jump to Conditional Address;  
    }  
}   
elseif (Z == 1 AND Opposite action == 1)  
{  
    If (Enable Pin action == 1)  
    {  
        Selected Pin = opposite Pin Action AT next loop resolution clock;  
    }  
    Jump to Next Program Address;  
}  
else // Angle Comp. bit == 1 AND NAF_global == 0  
{  
    Jump to Next Program Address;  
}
```

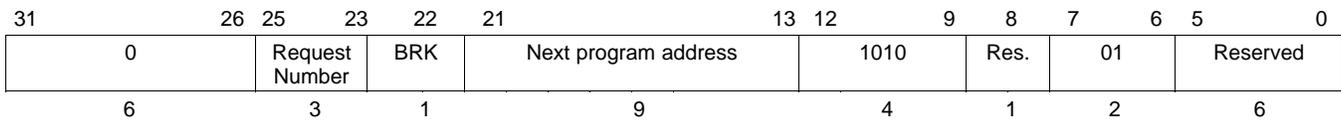
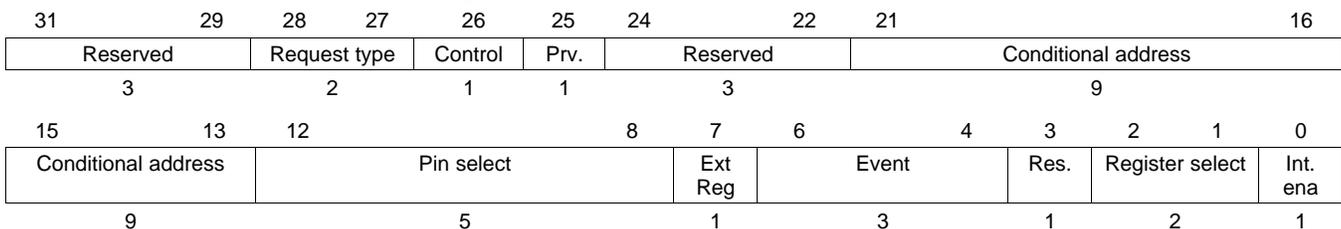
The specific interrupt flag that is triggered depends on the address from which the instruction is executed, see [Section 23.2.7](#).

**23.5.3.12 ECNT (Event Count)**

**Syntax**

```

ECNT {
[brk={OFF | ON}]
[next={label | 9-bit unsigned integer}]
[reqnum={3-bit unsigned integer}
[request={NOREQ | GENREQ | QUIET}]
[control={OFF | ON}]
[prv={OFF | ON}]
[cond_addr={label | 9-bit unsigned integer}]
pin={pin number}
event={NAF | FALL | RISE | BOTH | ACCUHIGH | ACCULOW}
[reg={A | B | R | S | T | NONE}]
[irq={OFF | ON}]
[data={25-bit unsigned integer}
}
    
```

**Figure 23-106. ECNT Program Field (P31:P0)**

**Figure 23-107. ECNT Control Field (C31:C0)**

**Figure 23-108. ECNT Data Field (D31:D0)**


**Cycles** One cycle

**Register modified** Selected Register (A, B, R, S, T or none)

**Description** This instruction defines a specialized 25-bit virtual counter used as an event counter or pulse accumulator (see [Table 23-61](#)). The counter value is stored in the data field [D31:D7] and the selected register. If one of the 32-bit registers (R,S,T) is selected, the 25 bit count value is stored left justified in the register with zeros in the seven least significant bits.

When an event count condition is specified, the counter value is incremented on a pin edge condition or on the NAF condition (NAF is defined in ACNT). This instruction can be used with all pins.

**event** The event that triggers the counter.

**Table 23-61. Event Encoding Format for ECNT**

event	C6	C5	C4	Count Conditions	Mode	Int. Available
NAF	0	0	0	NAF flag is Set	Angle counter	Y
FALL	0	0	1	Falling edge on selected pin	Event counter	Y
RISE	0	1	0	Rising edge on selected pin	Event counter	Y
BOTH	0	1	1	Rising and Falling edge on selected pin	Event counter	Y
ACCUHIGH	1	0	-	while pin is high level	Pulse accumulation	N
ACCULOW	1	1	-	while pin is low level	Pulse accumulation	N

**irq** ON generates an interrupt when event in counter mode occurs. No interrupt is generated with OFF.  
Default: OFF.

**data** 25-bit integer value serving as a counter.  
Default: 0.

### Execution

```

If (event occurs)
{
  If (Register A or B Selected) {
    Selected register = Immediate Data Field + 1;
  }

  If (Register R, S or T Selected)
  {
    Selected register[31:7] = Immediate Data Field + 1;
    Selected register[6:0] = 0;
  }

  Immediate Data Field = Immediate Data Field + 1;

  If (Interrupt Enable == 1) HETFLG[n] = 1; /* n depends on address */
  If ([C28:C27] == 01) Generate request on line [P25:P23];
  If ([C28:C27] == 11) Generate quiet request on line [P25:P23];

  Jump to Conditional Address;
}
else
{
  Jump to Next Program Address;
}

Prv bit = Current Logic (Lx) value of selected pin; (Always executed)

```

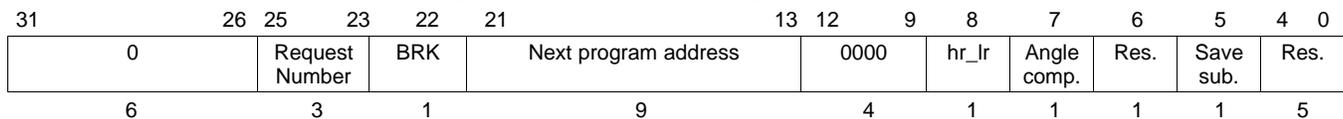
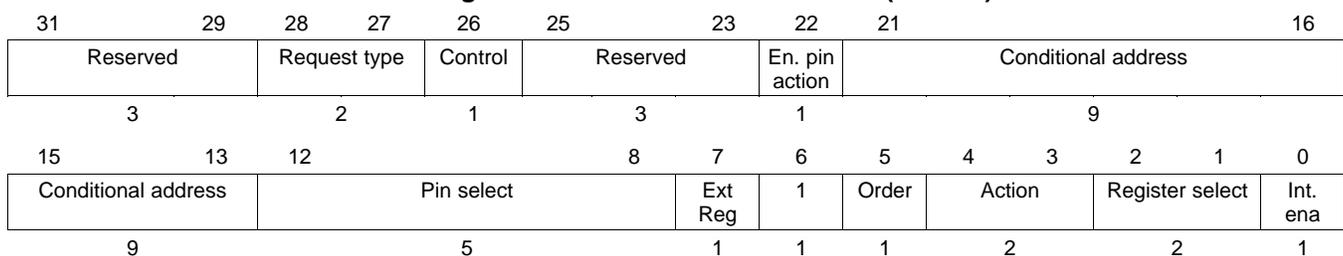
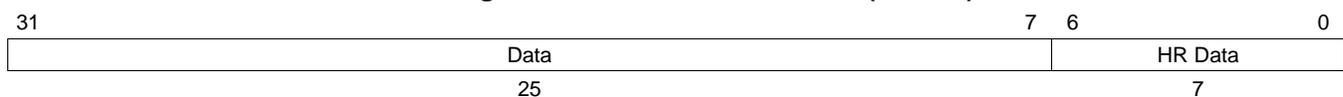
The specific interrupt flag that is triggered depends on the address from which the instruction is executed, see [Section 23.2.7](#).

**23.5.3.13 MCMP (Magnitude Compare)**

**Syntax**

```

MCMP {
  [brk={OFF | ON}]
  [next={label | 9-bit unsigned integer}]
  [reqnum={3-bit unsigned integer}]
  [request={NOREQ | GENREQ | QUIET}]
  [hr_lr={LOW | HIGH}]
  [angle_comp={OFF | ON}]
  [savesub={OFF | ON}]
  [control={OFF | ON}]
  [en_pin_action={OFF | ON}]
  [cond_addr={label | 9-bit unsigned integer}]
  pin={pin number}
  order={REG_GE_DATA | DATA_GE_REG}
  [action={CLEAR | SET | PULSELO | PULSEHI}]
  reg={A | B | R | S | T | NONE}
  [irq={OFF | ON}]
  [data={25-bit unsigned integer}]
  [hr_data={7-bit unsigned integer}]
}
    
```

**Figure 23-109. MCMP Program Field (P31:P0)**

**Figure 23-110. MCMP Control Field (C31:C0)**

**Figure 23-111. MCMP Data Field (D31:D0)**


<b>Cycles</b>	One
<b>Register modified</b>	T (if save sub bit P[5] is set)
<b>Description</b>	<p>This instruction compares the magnitude of the 25-bit data value stored in the data field (D31-D7) and the 25-bit value stored in the selected ALU register (A, B, R, S, or T).</p> <p>If the hr_lr bit is reset, pin action will occur after a delay from the next loop resolution clock. If the hr_lr bit is set, the delay is ignored. This delay is programmed in the data field (D6-D0).</p> <p>When the data value matches, an output pin can be set or reset according to the pin action bit (C[4]). The pin will not change states if the enable pin action bit (C[22]) is reset.</p> <p>MCMP uses the zero flag set to generate opposite pin action (synchronized to the loop resolution clock). The save sub bit (P[5]) provides the option to save the result of a subtraction into register T.</p>

---

**NOTE: The Difference Between Compare Values**

The difference between the two data values must not exceed  $(2^{24}) - 1$ .

---

<b>angle_comp</b>	<p>Determines whether or not an angle compare is performed. A value of ON causes the comparison to be performed only if the new angle flag is set (NAF = 1). If OFF is specified, the compare is then performed regardless of the state of the new angle flag.</p> <p>Default: OFF.</p>
<b>savesub</b>	<p>When set, the comparison result is saved into the T register (upper 25 bits).</p> <p>Default: OFF.</p>
<b>order</b>	Specifies the order of the operands for the comparison.

**Table 23-62. Magnitude Compare Order for MCMP**

Order	C5	Description
REG_GE_DATA	0	Evaluates to true if the register value is greater than or equal to the data field value.
DATA_GE_REG	1	Evaluates to true if the data field value is greater than or equal to the register value.

<b>irq</b>	Specifies whether or not an interrupt is generated. A value of ON sends an interrupt if the compare match occurs according to the order selected. If OFF is selected, no interrupt is generated.
<b>data</b>	Specifies the value for the data field. This value is compared with the selected register.
<b>hr_data</b>	HR delay. The default value for an unspecified bit is 0.

**Execution**

```

If (Angle Compare P[7] == 0 OR (P[7] == 1 AND NAF_global == 1))
{
  If( (Order C[5] == 1) AND (Data[31:7]- Selected register[31:7]) >= 0))
  OR ( (Order C[5] == 0) AND Selected register[31:7] - Data[31:7]) >= 0))
  {
    If (Order C[5] == 1 AND Save subtract P[5] == 1)
    {
      Register T[31:7] = Data[31:7] - Selected register[31:7];
      Register T[6:0] = 0;
    }

    If (Order C[5] == 0 AND Save subtract P[5] == 1)
    {
      Register T[31:7] = Selected register[31:7] - Data[31:7];
      Register T[6:0] = 0;
    }

    If (Enable Pin Action C[22] == 1)
    {
      If (hr_lr P[8] = 0) {
        Schedule Action on Selected Pin C[12:8] at start of next loop
        + HR Delay D[6:0];
      }
      else
      {
        Schedule Pin Action on Selected Pin C[12:8] at start of next loop;
      }
    }

    If (Interrupt Enable == 1) HETFLG[n] = 1; /* n depends on address */
    If ([C28:C27] == 01) Generate request on request line [P25:P23];
    If ([C28:C27] == 11) Generate quiet request on request line [P25:P23];

    Jump to Conditional Address;
  }
  else if (Z == 1 AND Opposite Action C[3] == 1 )
  {
    If (Enable Pin Action C[22] == 1)
    {
      Schedule Opposite Pin Action on Selected Pin C[12:8] at start of next loop;
    }

    Jump to Next Program Address;
  }
  else
  Jump to Next Program Address;
}
else // Angle Comp. bit == 1 AND NAF_global == 0
  Jump to Next Program Address;

```

The specific interrupt flag that is triggered depends on the address from which the instruction is executed, see [Section 23.2.7](#).

23.5.3.14 MOV32 (MOVE 32)

**Syntax**

```
MOV32 {
[brk={OFF | ON}]
[next={label | 9-bit unsigned integer}]
[remote={label | 9-bit unsigned integer}]
[control={OFF | ON}]
[z_cond={OFF | ON}]
[init={OFF | ON}]| ON}}
type={IMTOREG | IMTOREG&REM | REGTOREM | REMTOREG}
[reg={A | B | R | S | T | NONE}]
[data={25-bit unsigned integer}]
[hr_data={7-bit unsigned integer}]
}
```

Figure 23-112. MOV32 Program Field (P31:P0)

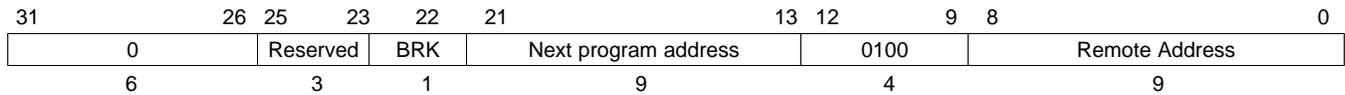
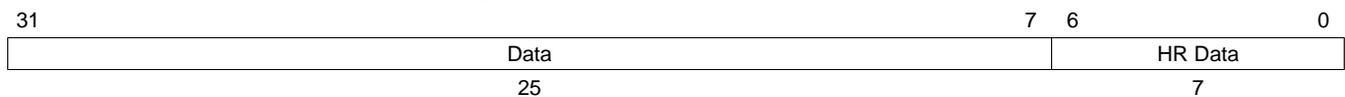


Figure 23-113. MOV32 Control Field (C31:C0)



Figure 23-114. MOV32 Data Field (D31:D0)



**Cycles** One or two cycles

**Register modified** Selected register (A, B, R, S, or T)

**Description** MOV32 replaces the selected ALU register and/or the data field values at the remote address location depending on the move type. Figure 23-115 through Figure 23-118 illustrate these operations. If *no register* is selected, the move is not executed, except for configuration C4:C3 = 01, where the remote data field is written with the immediate data field value.

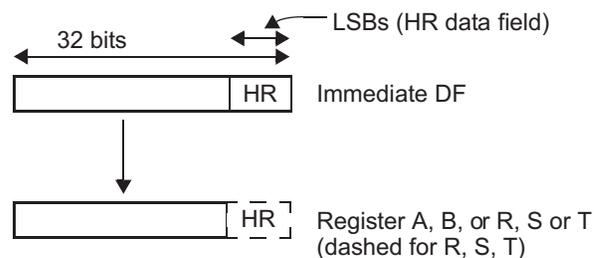
<b>remote</b>	Determines the location of the remote address. Default: Current instruction + 1.
<b>z_cond</b>	When set to OFF the MOV32 performs the move operation specified by the move type whenever it is executed (independent on the state of the Z-Flag). When set to ON the MOV32 performs the move operation specified by the move type only when the Z-Flag is set.
<b>init</b>	(Optional) Determines whether or not system flags are initialized. A value of ON reinitializes the following system flags to these states: Acceleration flag (ACF) = 0 Deceleration flag (DCF) = 1 Gap flag (GPF) = 0 New angle flag (NAF) = 0 A value of OFF results in no change to the system flags.
<b>type</b>	Specifies the move type to be executed.

**Table 23-63. Move Type Encoding Selection**

Move Type	C4	C3	Source	Destination(s)	Cycles
IMTOREG	0	0	Immediate data field	Register A, B, or T	1
IMTOREG&REM	0	1	Immediate data field	Remote data field & register A, B, or T	1
REGTOREM	1	0	Register A, B, or T	Remote data field	1
REMTOREG	1	1	Remote data field	Register A, B, or T	2

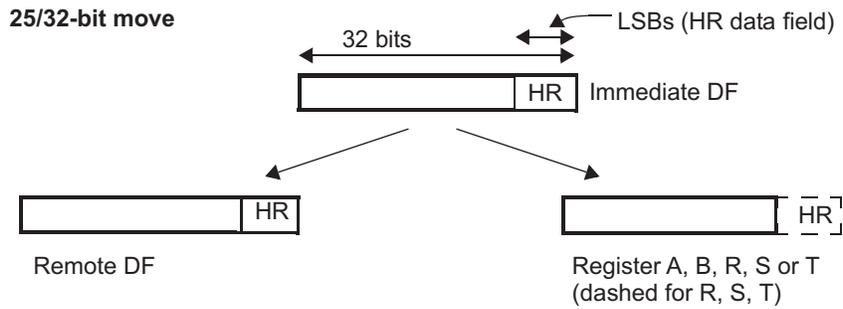
**Figure 23-115. MOV32 Move Operation for IMTOREG (Case 00)**

25/32-bit move



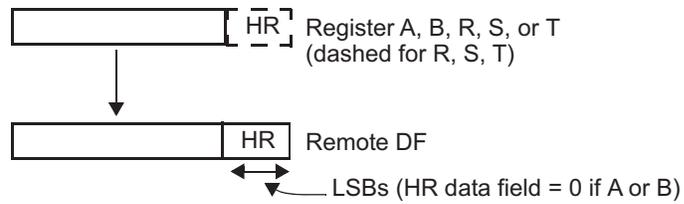
<b>reg</b>	Specifies which register (A, B, T, or NONE) is involved in the move. A register (A, B, or T) must be specified for every move type except IMTOREG&REM. If <i>NONE</i> is used with move type IMTOREG&REM, the MOV32 executes a move from the immediate data field to the remote data field. If <i>NONE</i> is used with any other move type, no move is executed.
<b>data</b>	Specifies a 25-bit integer value to be written to the remote data field or selected register.
<b>hr_data</b>	(Optional) HR delay. The default value for an unspecified bit is 0.

**Figure 23-116. MOV32 Move Operation for IMTOREG&REM (Case 01)**



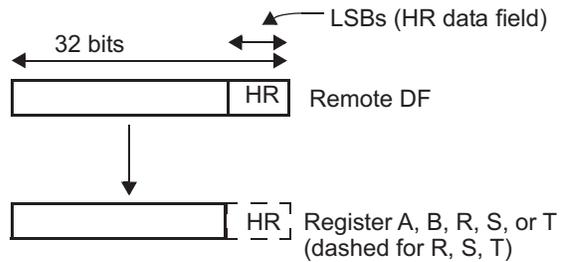
**Figure 23-117. MOV32 Move Operation for REGTOREM (Case 10)**

25/32-bit move



**Figure 23-118. MOV32 Move Operation for REMTOREG (Case 11)**

25/32-bit move



**Execution**

```
If [(z_cond C[22] ==0) OR ((z_cond C[22] == 1) AND (Z Flag == 1))]  
{  
  switch (type C[4:3])  
  {  
    case 00: // IMTOREG  
      Selected register = Immediate Data Field;  
    case 01: // IMTOREG&REM  
      Selected register = Immediate Data Field;  
      Remote Data Field = Immediate Data Field;  
    case 10: // REGTOREM  
      Remote Data Field = Selected register;  
    case 11: // REMTOREG  
      Selected register = Remote Data Field;  
  }  
}  
  
If (Init Flag == 1)  
{  
  ACF = 0;  
  DCF = 1;  
  GPF = 0;  
  NAF = 0;  
}  
else  
  All flags remain unchanged;  
  
Jump to Next Program Address;
```

**23.5.3.15 MOV64 (Data Move)**

**Syntax**

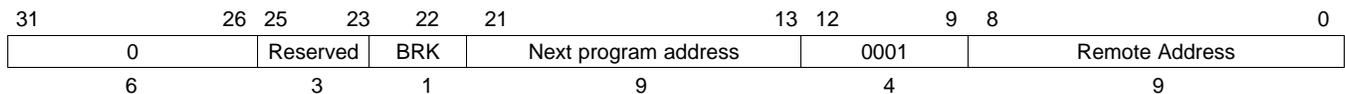
```
MOV64 {
[brk={OFF | ON}]
[next={label | 9-bit unsigned integer}]
[remote={label | 9-bit unsigned integer}]
[request={NOREQ | GENREQ | QUIET}]
[control={OFF | ON}]
[en_pin_action={OFF | ON}]
[cond_addr={label | 9-bit unsigned integer}]
[pin={pin number}]
comp_mode={ECMP | SCMP | MCMP1 | MCMP2}
[action={CLEAR | SET | PULSELO | PULSEHI}]
[reg={A | B | R | S | T | NONE}]
[irq={OFF | ON}]
[data={25-bit unsigned integer}]
[hr_data= {7-bit unsigned integer}]
}
```

-or-

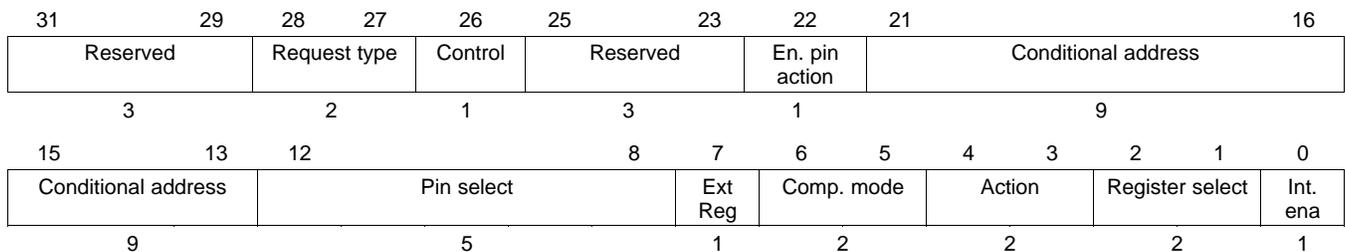
**Syntax**

```
MOV64 {
[brk={OFF | ON}]
[next={label | 9-bit unsigned integer}]
[remote={label | 9-bit unsigned integer}]
cntl_val={29-bit unsigned integer}
[data={25-bit unsigned integer}]
[hr_data= {7-bit unsigned integer}]
}
```

**Figure 23-119. MOV64 Program Field (P31:P0)**



**Figure 23-120. MOV64 Control Field (C31:C0)**



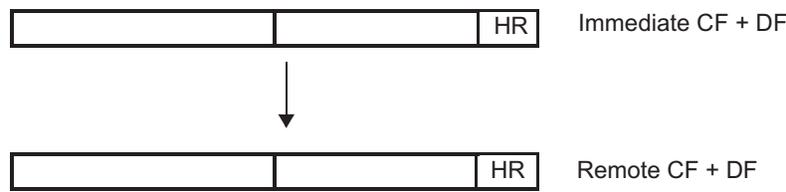
**Figure 23-121. MOV64 Data Field (D31:D0)**


**Cycles** One

**Register modified** None

**Description** This instruction modifies the data field and the control field at the remote address.

MOV64 has two distinct syntaxes. In the first syntax, bit values may be set by assigning a value to each of the control fields. This syntax is convenient for modifying control fields that are arranged similarly to the format of the MOV64 control field. A second syntax, in which the entire 29-bit control field is specified by the `cntl_val` field, is convenient when the remote control field is dissimilar to the MOV64 control field. Either syntax may be used, but you must use one or the other but not a combination of syntaxes. See [Figure 23-122](#).

**Figure 23-122. MOV64 Move Operation**

**Table 23-64. MOV64 Control Field Descriptions**

request	Maintains the control field for the remote instruction.
control	Maintains the control field for the remote instruction.
en_pin_action	Maintains the control field for the remote instruction.
cond_addr	Maintains the control field for the remote instruction.
pin	Maintains the control field for the remote instruction.
register, ext reg	Maintains the control field for the remote instruction.
comp_mode	Selects the comparison mode type to be used by the remote instruction.
action	Maintains the control field for the remote instruction.
irq	Maintains the control field for the remote instruction.
data	Specifies the 25-bit initial count value for the data field. If omitted, the field defaults to 0.
hr_data	(Optional) HR delay. The default value for an unspecified bit is 0.

**Table 23-65. Comparison Type Encoding Format**

comp_mode	C[6]	C[5]	MCMP order
ECMP	0	0	
SCMP	0	1	
MCMP1	1	0	REG_GE_DATA
MCMP2	1	1	DATA_GE_REG

**Execution**

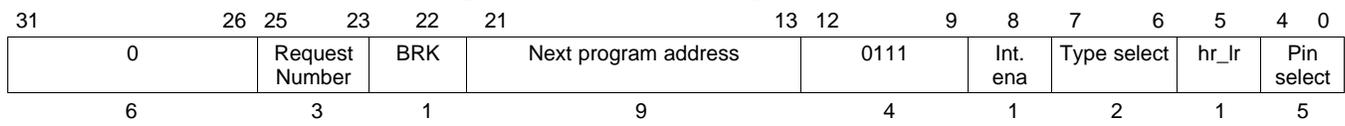
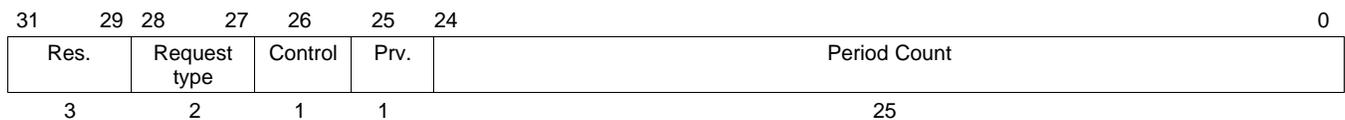
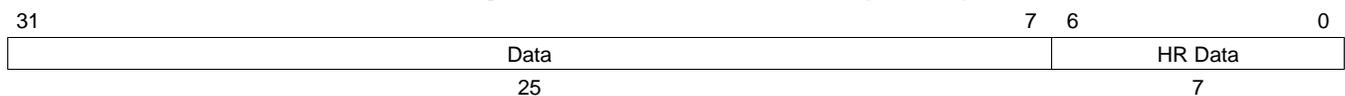
Remote Data Field = Immediate Data Field;  
Remote Control Field = Immediate control Field;  
Jump to Next Program Address;

**23.5.3.16 PCNT (Period/Pulse Count)**

**Syntax**

```

PCNT {
  [hr_lr={HIGH | LOW}]
  [brk={OFF | ON}]
  [next={label | 9-bit unsigned integer}]
  [reqnum={3-bit unsigned integer}]
  [request={NOREQ | GENREQ | QUIET}]
  [irq={OFF | ON}]
  type={FALL2RISE | RISE2FALL | FALL2FALL | RISE2RISE}
  pin={pin number}
  [control={OFF | ON}]
  [prv={OFF | ON}]
  [period={25-bit unsigned integer}]
  [data={25-bit unsigned integer}]
  [hr_data= {7-bit unsigned integer}]
}
    
```

**Figure 23-123. PCNT Program Field (P31:P0)**

**Figure 23-124. PCNT Control Field (C31:C0)**

**Figure 23-125. PCNT Data Field (D31:D0)**


**Cycles** One

**Register modified** Register A

**Description** This instruction detects the edges of the external signal at loop start and measures its period or pulse duration. The counter value stored in the control field C[24:0] and in the register A is incremented each N2HET loop. PCNT uses the HR structure on the pin to measure an HR period/pulse count value.

**hr\_lr** (Optional) Specifies whether the PCNT instruction captures the HR delay into the HR data field on the selected edge condition. If hr\_lr is 0 (HIGH) then PCNT captures the HR delay. If hr\_lr is 1 (LOW) then PCNT only captures at loop resolution.

<b>irq</b>	(Optional) Specifies whether or not an interrupt is generated. A value of ON sends an interrupt when a new value is captured. If OFF is selected, no interrupt is generated.
<b>type</b>	(Optional) Determines the type of counter that is implemented.

**Table 23-66. Counter Type Encoding Format**

	P7	P6	Period/Pulse Select	Reset On	Capture On
FALL2RISE	0	0	Count low pulse duration on selected pin	Falling edge	Rising edge
RISE2FALL	0	1	Count high pulse duration on selected pin	Rising edge	Falling edge
FALL2FALL	1	0	Count period between falling edges on selected pin	Falling edge	Falling edge
RISE2RISE	1	1	Count period between rising edges on selected pin	Rising edge	Rising edge

<b>period</b>	Specifies the 25-bit integer value that holds the counter value. The counter value is also stored in register A. Default: 0.
<b>data</b>	25-bit integer representing the last captured counter value. Default: 0.
<b>hr_data</b>	HR delay. Default: 0.

If *period-measure* is selected, PCNT captures the counter value into the period/pulse data field [D31:D7] on the selected edge. The HR structure provides HR capture field [D6:D0]. The counter value [C24:C0] is reset on the same edge. The captured period value is a 32-bit value.

If *pulse-measure* is selected, PCNT captures the counter value into the period/pulse count field [D31:D7] on the selected edge. The HR structure provides HR capture field [D6:D0]. The counter value [C24:C0] is reset on the next opposite edge. The captured pulse value is a 32-bit value.

When the overflow count (all 1's in the counter value) is reached, PCNT stops counting until the next reset edge is detected.

Note: For FALL2FALL/RISE2RISE, the user should always discard the first interrupt/HTU request if interrupt/request are enabled before HET\_ON. For both the types, reset edge and capture edge are the same and the interrupt or HTU request is triggered on capture edge (which is nothing but the reset edge). Once the execution unit is enabled, the first edge generates an interrupt but the value of the counter is of no use as this is not the period between 2 edges. So first edge after turning on N2HET is used mainly for resetting the counter and start the period count.

### Execution

```

Z = 0;

If (Period C[24:0] != 1FF_FFFFh) {
    Period C[24:0] = Period C[24:0] + 1;
}

Register A = Period C[24:0];

If (specified capture edge detected on selected pin)
{
    Z = 1;
}

```

```
    If (Period value != 1FF_FFFFh)
    {
        HR Capture Value = selected HR counter;
    }
    else
    {
        HR Capture Value = 7Fh;
    }

    If (Interrupt Enable == 1) HETFLG[n] = 1;      /* n depends on address */
    If ([C28:C27] == 01) Generate request on request line [P25:P23];
    If ([C28:C27] == 11) Generate quiet request on request line [P25:P23];
}

If (specified reset edge detected on selected pin)
{
    Period value = 0000000h;
}

Prv bit = Current Logic (Lx) value of selected pin;

Jump to Next Program Address;
```

The specific interrupt flag that is triggered depends on the address from which the instruction is executed, see [Section 23.2.7](#).

**23.5.3.17 PWCNT (Pulse Width Count)**

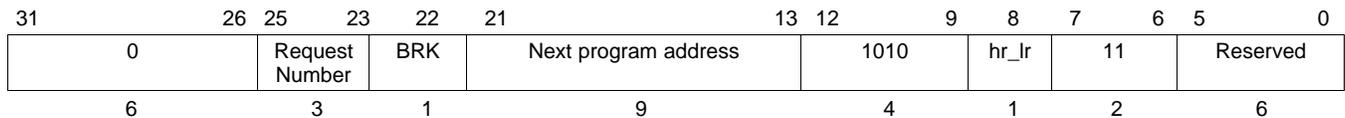
**Syntax**

```

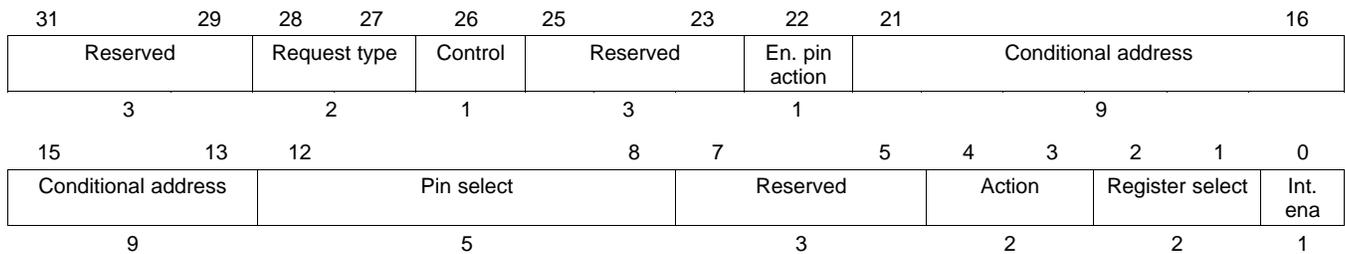
PWCNT {
  [brk={OFF | ON}]
  [next={label | 9-bit unsigned integer}]
  [reqnum={3-bit unsigned integer}]
  [request={NOREQ | GENREQ | QUIET}]
  [hr_lr={HIGH | LOW}]
  [control={OFF | ON}]
  [cond_addr={label | 9-bit unsigned integer}]
  [en_pin_action={OFF | ON}]
  pin = {pin number}
  [action={CLEAR | SET | PULSELO | PULSEHI}]
  [reg={A | B | T | NONE}]
  [irq={OFF | ON}]
  [data={25-bit unsigned integer}]
  [hr_data={7-bit unsigned integer}]
}

```

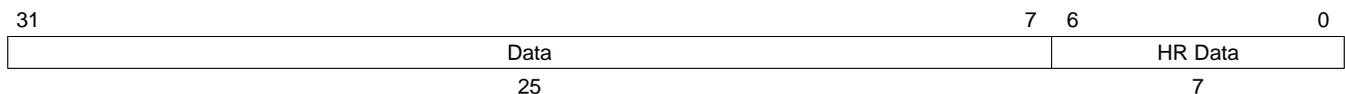
**Figure 23-126. PWCNT Program Field (P31:P0)**



**Figure 23-127. PWCNT Control Field (C31:C0)**



**Figure 23-128. PWCNT Data Field (D31:D0)**



**Cycles** One

**Register modified** Selected register (A, B or T)

**Description** This instruction defines a virtual timer used to generate variable length pulses. The counter value stored in the data field is decremented unconditionally on each timer resolution until it reaches zero, and it then stays at zero until it is reloaded with a non-zero value.

The specified pin action is performed as long as the count after count value is decremented is greater than 0. The opposite pin action is performed when the count after decrement just reaches 0.

If the hr\_lr bit is reset, the opposite pin action will be taken after a HR delay from the next loop resolution clock. If the hr\_lr bit is set, the delay is ignored. This delay is programmed in bits [D6:D0].

<b>irq</b>	ON generates an interrupt when the data field value reaches 0. No interrupt is generated for OFF. Default: OFF.
<b>data</b>	25-bit integer value serving as a counter.
<b>hr_data</b>	HR delay. Default: 0.

### Execution

```

If (Data field value == 0)
{
    Selected register = 0;
    Jump to Next Program Address;
}

If (Data field value > 1)
{
    Selected register = Data field value - 1;
    Data field value = Counter value - 1;

    If (Enable Pin action == 1)
    {
        Selected Pin = Pin Action AT next loop resolution clock;
    }

    Jump to Next Program Address;
}

If (Data field value == 1)
{
    Selected register = 0000000h;
    Data field value = 0000000h;

    If (Opposite action == 1)
    {
        If (hr_lr bit == 0)
        {
            If (Enable Pin action == 1)
            {
                Selected Pin = Opposite level of Pin Action AT next loop resolution clock
                + HR delay;
            }
        }
        else
        {
            If (Enable Pin action == 1)
            {
                Selected Pin = Opposite level of Pin Action AT next loop
                resolution clock;
            }
        }
    }

    If (Interrupt Enable == 1) HETFLG[n] = 1;      /* n depends on address */
    If ([C28:C27] == 01) Generate request on request line [P25:P23];
}

```

```
    If ([C28:C27] == 11) Generate quiet request on request line [P25:P23];  
    }  
    Jump to Conditional Address  
}
```

The specific interrupt flag that is triggered depends on the address from which the instruction is executed, see [Section 23.2.7](#).

### 23.5.3.18 RADM64 (Register Add Move)

**Syntax**

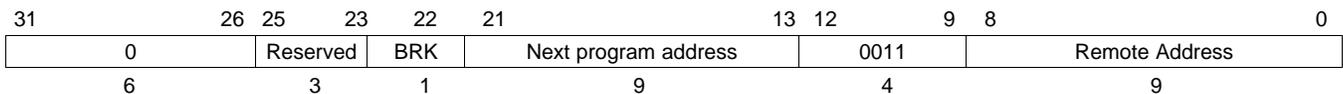
```
RADM64 {
  [brk={OFF | ON}]
  [next={label | 9-bit unsigned integer}]
  remote={label | 9-bit unsigned integer}
  [request={NOREQ | GENREQ | QUIET}]
  [control={OFF | ON}]
  [en_pin_action={OFF | ON}]
  [cond_addr={label | 9-bit unsigned integer}]
  [pin={pin number}]
  comp_mode={ECMP | SCMP | MCMP1 | MCMP2}
  [action={CLEAR | SET | PULSELO | PULSEHI}]
  [reg={A | B | R | S | T | NONE}]
  [irq={OFF | ON}]
  [data={25-bit unsigned integer}]
  [hr_data= {7-bit unsigned integer}]
}
```

-or-

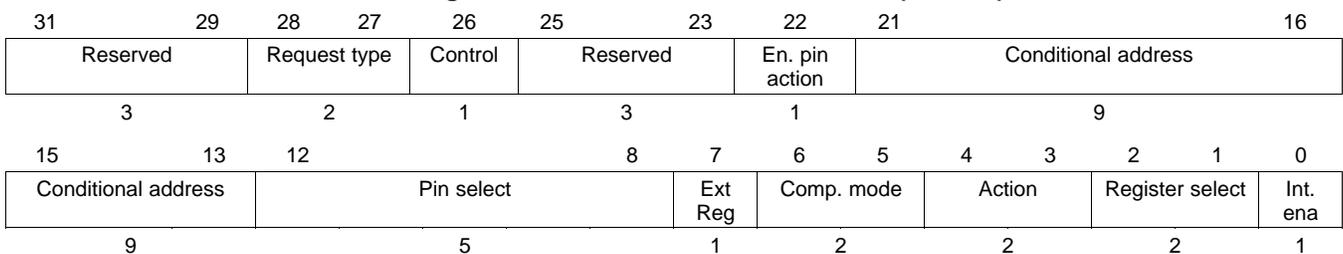
**Syntax**

```
RADM64 {
  [brk={OFF | ON}]
  [next={label | 9-bit unsigned integer}]
  remote={label | 9-bit unsigned integer}
  cntl_val={29-bit unsigned integer}
  [data={25-bit unsigned integer}]
  [hr_data= {7-bit unsigned integer}]
}
```

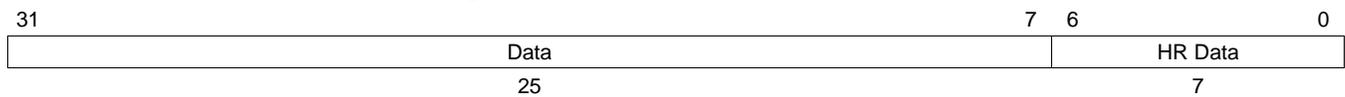
**Figure 23-129. RADM64 Program Field (P31:P0)**



**Figure 23-130. RADM64 Control Field (C31:C0)**

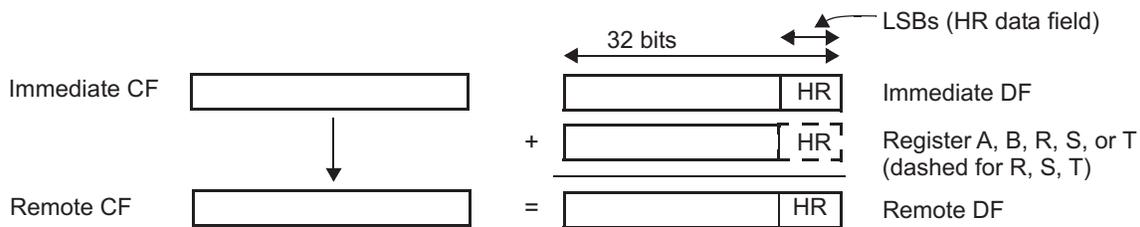


**Figure 23-131. RADM64 Data Field (D31:D0)**



- Cycles** Normally One Cycle. Two cycles if writing to remote address that is also the next address.
- Register modified** None
- Description** This instruction modifies the data field, the HR data field and the control field at the remote address. The advantage over DADM64 is that It executes one cycle faster. In case the R, S, or T register is selected, the addition is a 32-bit addition. The table description shows the bit encoding for determining which ALU register is selected.  
 RADM64 has two distinct syntaxes. In the first syntax, bit values may be set by assigning a value to each of the control fields. This syntax is convenient for modifying control fields that are arranged similar to the format of the RADM64 control field. A second syntax, in which the entire 29-bit control field is specified by the cntl\_val field, is convenient when the remote control field is dissimilar from the RADM64 control field. Either syntax may be used, but you must use one or the other but not a combination of syntaxes. See [Figure 23-132](#).

**Figure 23-132. RADM64 Add and Move Operation**



**comp\_mode** Selects the comparison mode type to be used.

**Table 23-67. Comparison Type Encoding Format**

comp_mode	C[6]	C[5]	MCMP order
ECMP	0	0	
SCMP	0	1	
MCMP1	1	0	REG_GE_DATA
MCMP2	1	1	DATA_GE_REG

**Table 23-68. RADM64 Control Field Descriptions**

- request Maintains the control field for the remote instruction.
- Control Maintains the control field for the remote instruction.
- en\_pin\_action Maintains the control field for the remote instruction.
- cond\_addr Maintains the control field for the remote instruction.
- pin Maintains the control field for the remote instruction.
- register Maintains the control field for the remote instruction.
- action Maintains the control field for the remote instruction.

**Table 23-68. RADM64 Control Field Descriptions (continued)**

irq	Maintains the control field for the remote instruction.
data	Specifies the 25-bit initial value for the data field. If omitted, the field defaults to 0.
hr_data	Seven least significant bits of the 32-bit data field. Default: 0.
cntl_val	Specifies the 29 least significant bits of the Control field.

**Execution**

Remote Data Field = Selected register + Immediate Data Field (including HR field);  
Remote Control Field = Immediate Control Field;  
Jump to Next Program Address;

23.5.3.19 RCNT (Ratio Count)

**Syntax**

```
RCNT {
  [brk={OFF | ON}]
  [next={label | 9-bit unsigned integer}]
  [control={OFF | ON}]
  divisor={25-bit unsigned integer}
  [data={25-bit unsigned integer}]
}
```

Figure 23-133. RCNT Program Field (P31:P0)

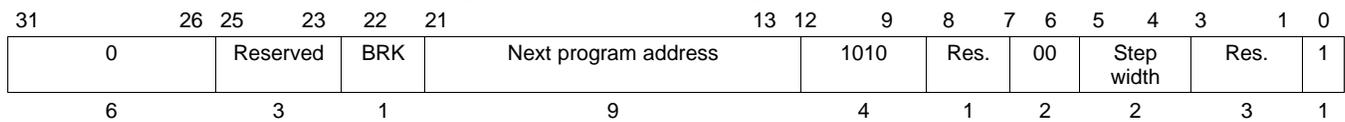


Figure 23-134. RCNT Control Field (C31:C0)

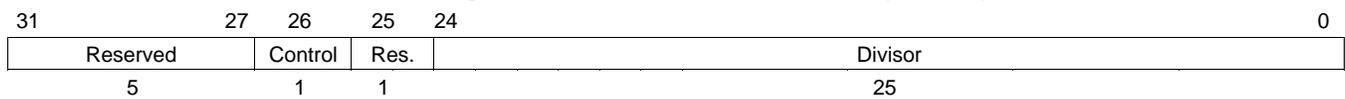
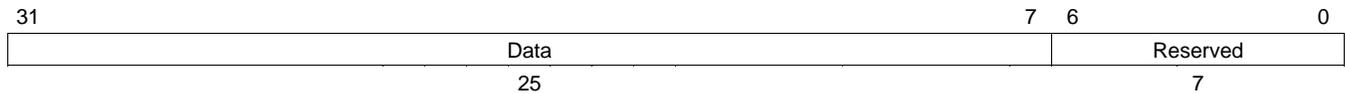


Figure 23-135. RCNT Data Field (D31:D0)



**Cycles** Two Cycles (One Cycle if T=0)  
**Register modified** None  
**Description** RCNT is used with other instructions to convert an input period measurement  $T_{Input}$  to the form of (Equation 32) where the input period is expressed as a fraction of a reference period  $T_{Reference}$ .

$$T_{Input} = T_{Reference} \cdot \left( \frac{N}{M} \right) \tag{32}$$

RCNT computes the numerator N of (Equation 32). The denominator M of (Equation 32) is a constant that is of interest. For example, choosing allows the input period to be expressed as a percentage (%) of the reference period. Note that if  $T_{Input} > T_{Reference}$ , then RCNT will return  $N > M$ ; which would be correct if for example the input pulse period is 110% of the reference pulse period.

RCNT expects that register T is loaded with the value of  $T_{Reference}$ . The input period  $T_{Input}$  is determined by counting the number of loop resolution periods between edges on the input pin. This information is conveyed through the Z flag from a PCNT instruction that precedes the RCNT instruction.

The divisor field of the RCNT instruction should be chosen as:  
 Divisor = M ·  $l_r$ , where M is the desired denominator from (Equation 32) and  $l_r$  is the loop resolution prescale value.

An example N2HET program that makes use of the RCNT instruction is:

```
L0: MOV32 { remote=dummy, type=IMTOREG, reg=T, data=0x8, hr_data=0 };

L1: PCNT { hr_lr=HIGH, brk=OFF, type=FALL2FALL, pin=0 };

L2: RCNT { divisor=320, data=0x4 };

L3: BR { cond_addr=L5, event = Z }

L4: ADC { src1=ZERO, src2=IMM, dest=IMM, next=L0, data=0, hr_data=0 };

L5: ADD { src1=REM, src2=ZERO, dest=IMM, remote=L4, data=0, hr_data=0 };

L6: ADD { src1=ZERO, src2=ZERO, dest=NONE, rdest=REM,
        next=L0, remote=L4, data=0, hr_data=0 };
```

dummy

In this small program an input signal on pin 0 is measured both in terms of absolute cycles by the PCNT instruction at L1 and as in 1/10ths of the reference period by the RCNT instruction at L2. In this example the reference period is a constant 0x400 cycles; this value is loaded into register T by the MOV32 instruction at L0. (0x400 is data=8, hr\_data=0)

RCNT follows PCNT and is initialized to a working count of T/2 (0x200) whenever the PCNT instruction detects a falling edge on pin 0. Between falling edges on pin0, RCNT accumulates counts 10x faster than PCNT; so that the working data field of RCNT will reach the reference value of 0x400 in 1/10th the time that a PCNT instruction would. Each time the RCNT instruction passes the reference value, it sets the carry out flag and subtracts the reference value from the working count. By accumulating carry-outs from RCNT, the add with carry instruction at L4 effectively counts in increments of 1/10th of the reference period. Note that the divisor value 320 is 10 times 32; this assumes Ir=32.

When the next falling edge is detected on pin 0, PCNT sets the Z flag and the RCNT instruction resets again to the initial data field of T/2. RCNT does not modify the Z flag, so that the branch instruction at L3 can execute instructions at L5, L6 instead of L4. The instructions at L5 and L6 capture the final result from L4 and reset the ADC instruction at L4 to zero for the start of the next period measurement.

### Execution

```
If (register T[31:0] != 00000000h)
{
    C = 0;

    If (Z == 0)
    {
        Data Field[31:0] = Data Field[31:0] + Divisor[24:0];

        If (Data Field[31:0] >= Reg T[31:0])
        {
            Data Field[31:0]=Data Field[31:0] - Reg T[31:0];
            C = 1;
        }
    }
    else
    {
        Data Field[31:0] = T[31:0] >> 1; /* T/2 */
    }
}
Jump to Next Program Address;
```

**23.5.3.20 SCMP (Sequence Compare)**

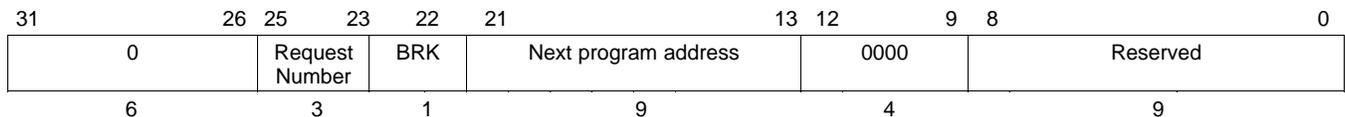
**Syntax**

```

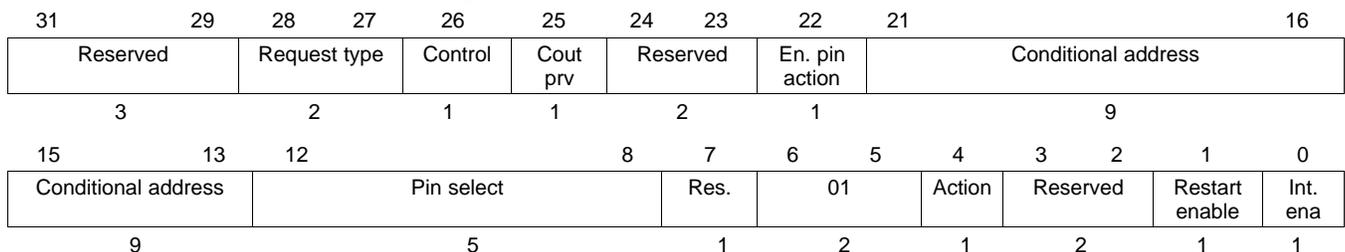
SCMP {
  [brk={OFF | ON}]
  [next={label | 9-bit unsigned integer}]
  [reqnum={3-bit unsigned integer}]
  [request={NOREQ | GENREQ | QUIET}]
  [control={OFF | ON}]
  [en_pin_action={OFF | ON}]
  cond_addr={label | 9-bit unsigned integer}
  pin = {pin number}
  [action={CLEAR | SET}]
  [restart={OFF | ON}]
  [irq={OFF | ON}]
  [data={25-bit unsigned integer}]
}

```

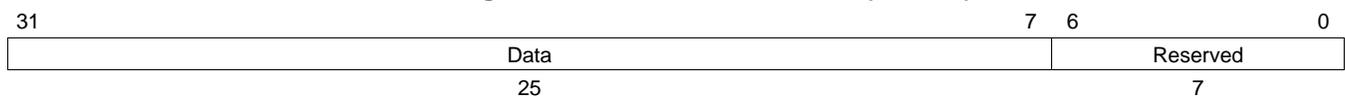
**Figure 23-136. SCMP Program Field (P31:P0)**



**Figure 23-137. SCMP Control Field (C31:C0)**



**Figure 23-138. SCMP Data Field (D31:D0)**



**Cycles** One

**Register modified** Register T (implicitly)

**Description** This instruction alternately performs angle- and time-based operations to generate pulse sequences, using the angle referenced time base. These pulse sequences last for a relative duration using a free running time base. Generally, register B holds the angle values and register A holds the time values. Bit 0 of the conditional address field (C13) specifies whether the instruction is operating in angle or time operation mode.

When the compared values match in angle mode, a pin can be set or reset according to the pin action bit (C4). The pin does not change states if the enable pin action bit (C22) is reset.

The restart enable bit (C1) provides the option to unconditionally restart a sequence using the X-flag bit of ACMP.

<b>restart</b>	If restart is set to ON and the X flag = 1, the assembler writes a value of 1 into the immediate index field, writes the value in register A into the immediate data field, and jumps to the next program address. The X flag is set or cleared by the ACMP instruction. If restart is set to OFF, the X flag is ignored; no special action is performed. Default: OFF.
<b>irq</b>	ON generates an interrupt if the compare match occurs in angle mode. No interrupt is generated when the field is OFF. Default: OFF.
<b>data</b>	Specifies the 25-bit compare value.
<b>cond_addr</b>	Since the LSB of the conditional address is used to select between time mode and angle mode, and since the conditional address is taken only in time mode, the destination for the conditional address must be odd.

## Execution

```

If (Data field value <= Selected register value) Cout = 0; else Cout = 1;

If (Restart Enable == 1 AND X == 1)
{
  C13 = 1;
  Immediate Data Field = Register A;
  Cout = 0;
  Jump to Next Program Address;
}

If (Angle Mode (C13 == 0) AND ((Restart En. == 1 AND X == 0) OR Restart En. == 0))
{
  If (Z == 0 AND (Register B value - Angle Inc. < Data field value) AND Cout == 0) OR
  (Z == 1 AND (Cout_prv == 1 OR Cout == 0))
  {
    If (Enable Pin Action == 1) Selected Pin = Pin Action;
    If (Interrupt Enable == 1) HETFLG[n] = 1; /* n depends on address */
    If ([C28:C27] == 01) Generate request on request line [P25:P23];
    If ([C28:C27] == 11) Generate quiet request on request line [P25:P23];

    Immediate Data Field = Register A;
    C13 = 1; /** switch to Time Mode ***/
  }
  Jump to Next Program Address;
}
Else If (Time Mode (C13 == 1)) AND ((Restart En. == 1 AND X == 0) OR Restart En. == 0)
{
  /* Result of subtract must not exceed 2^24 - 1 */
  Register T = Register A - Immediate Data Field;
  Jump to Conditional Program Address;
}
Cout_prv = Cout; (always executed)
  
```

The specific interrupt flag that is triggered depends on the address from which the instruction is executed, see [Section 23.2.7](#).

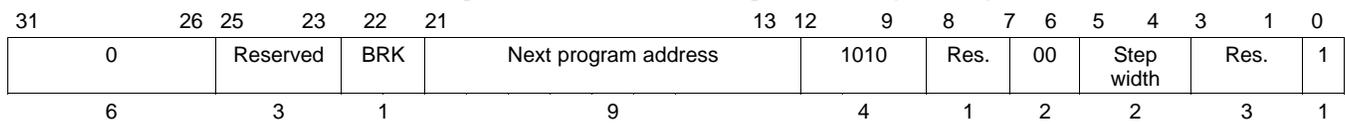
**23.5.3.21 SCNT (Step Count)**

**Syntax**

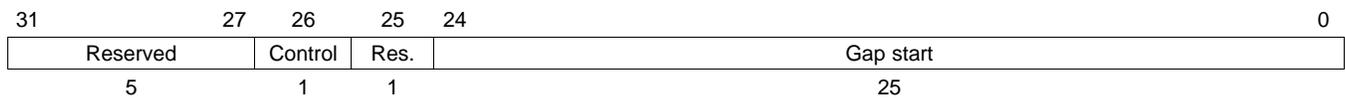
```

SCNT {
  [brk={OFF | ON}]
  [next={label | 9-bit unsigned integer}]
  step={8 | 16 | 32 | 64}
  [control={OFF | ON}]
  gapstart={25-bit unsigned integer}
  [data={25-bit unsigned integer}]
}
    
```

**Figure 23-139. SCNT Program Field (P31:P0)**



**Figure 23-140. SCNT Control Field (C31:C0)**



**Figure 23-141. SCNT Data Field (D31:D0)**



**Cycles** One or two cycles (two cycles when DF is involved in the calculations)

**Register modified** Register A

**Description** This instruction can be used only once in a program and defines a specialized virtual timer used after APCNT and before ACNT to generate an angle-referenced time base synchronized to an external signal (that is, a toothed wheel signal) as defined in APCNT and ACNT. Step width selection bits are saved in two flags, SWF0, and SWF1, to be re-used in ACNT. SCNT multiplies the frequency of the external signal by a constant *K* defined in the step width field, [P5:P4]. The bit encoding for this field is defined in [Table 23-69](#):

**step** Specifies the step increment to be added to the counter value each program resolution. These two bits provide the values for the SWF0 and SWF1 flags. The valid values are listed in [Table 23-69](#).

**Table 23-69. Step Width Encoding for SCNT**

P5	P4	Step Width (K)
0	0	8

**Table 23-69. Step Width Encoding for SCNT (continued)**

P5	P4	Step Width (K)
0	1	16
1	0	32
1	1	64

<b>gapstart</b>	Defines the gap start angle, which SCNT writes to register A. The gap start value has no effect on the SCNT instruction, but if the ACNT instruction is being used, register A must contain the correct gap start value. For a typical toothed wheel gear: $GAPSTART = (stepwidth \times (actual\ teeth\ on\ gear - 1)) + 1.$
<b>data</b>	Specifies the 25-bit integer value serving as a counter. Default: 0.

This instruction is incremented by the step value K on each timer resolution up to the previous period value P(n-1) measured by APCNT (stored in register T). The resulting period of SCNT is:  $P(n - 1)/K$

Due to stepping, the final count of SCNT will not usually exactly match the target p(n-1). SCNT compensates for this error by starting each cycle with the remainder of the previous cycle.

When SCNT reaches the target p(n-1), the zero flag is set as an increment condition for ACNT. SCNT also specifies a gap start angle, defining the start of a range in ACNT where period measurements in APCNT are temporarily stopped to mask singularities in the external signal.

SCNT uses register A to store the gap start value. Gap start has no effect for SCNT.

### Execution

```

SWF1 = P5;
SWF0 = P4;
Z = 0;

If (register T != 0000000h)
{
  If (DCF == 1 OR ACF == 1)
  {
    Data Field register = 0000000h;
    Counter value = 0000000h;
  }

  If (DCF == 0 AND ACF == 0)
  {
    Data Field register = Data field register + Step Width;
  }

  If ((Data Field register - register T) >= 0)
  {
    Data field register = Data Field register - register T;
    Z = 1;
  }

  Register A = Gap start value;
}

Jump to Next Program Address;

```

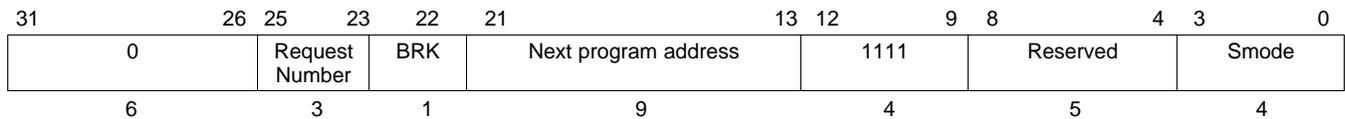
**23.5.3.22 SHFT (Shift)**

**Syntax**

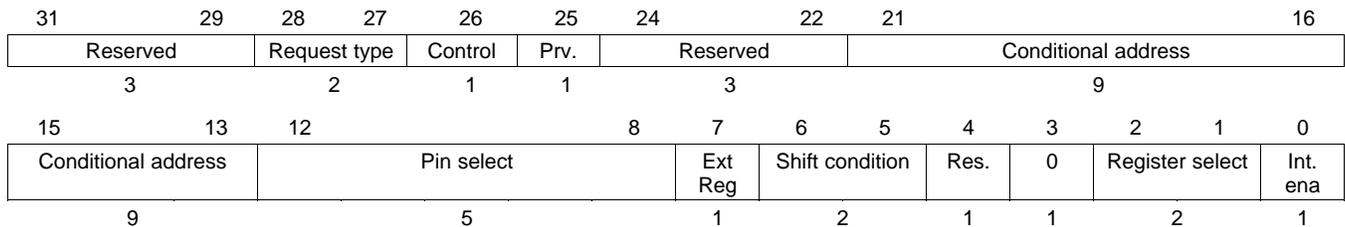
```

SHFT {
  [brk={OFF | ON}]
  [next={label | 9-bit unsigned integer}]
  [reqnum={3-bit unsigned integer}]
  [request={NOREQ | GENREQ | QUIET}]
  smode={OR0 | OL0 | OR1 | OL1 | ORZ | OLZ | IRM | ILL | IRZ | ILZ}
  [control={OFF | ON}]
  [prv={OFF | ON}]
  [cond_addr={label | 9-bit unsigned integer}]
  cond={UNC | FALL | RISE}
  pin = {pin number}
  [reg={A | B | R | S | T | NONE}]
  [irq={OFF | ON}]
  [data={25-bit unsigned integer}]
}
    
```

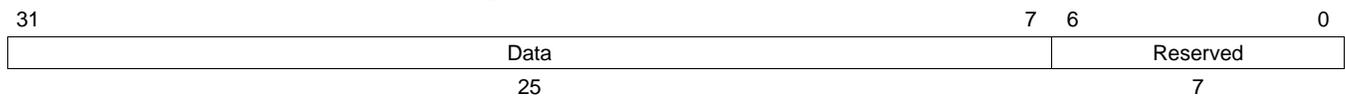
**Figure 23-142. SHFT Program Field (P31:P0)**



**Figure 23-143. SHFT Control Field (C31:C0)**



**Figure 23-144. SHFT Data Field (D31:D0)**



**Cycles** One

**Register modified** Selected register (A, B, R, S or T)

**Description** This instruction shifts the data field of the Instruction. N2HET pins can be used for data in or data out. SHFT includes parameters to select the shift direction (in, out, left, right), shift condition (shift on a defined clock edge on HET[0] or shift always), register for data storage (A, B, R, S or T), and the data pin.

**smode** Shift mode

**Table 23-70. SHIFT MODE Encoding Format**

smode	P3	P2	P1	P0	Operation	
OR0	0	0	0	0	Shift Out / Right	LSB 1st on HETx / 0 into MSB
OL0	0	0	0	1	Shift Out / Left	MSB 1st on HETx / 0 into LSB
OR1	0	0	1	0	Shift Out / Right	LSB 1st on HETx / 1 into MSB
OL1	0	0	1	1	Shift Out / Left	MSB 1st on HETx / 1 into LSB
ORZ	0	1	0	0	Shift Out / Right	LSB 1st on HETx / Z into MSB
OLZ	0	1	0	1	Shift Out / Left	MSB 1st on HETx / Z into LSB
IRM	1	0	0	0	Shift In / Right	HETx into MSB
ILL	1	0	0	1	Shift In / Left	HETx into LSB
IRZ	1	0	1	0	Shift In / Right	HETx in MSB / LSB into Z
ILZ	1	0	1	1	Shift In / Left	HETx in LSB / MSB into Z

**cond** Specifies the shift condition.

**Table 23-71. SHIFT Condition Encoding**

C6	C5	Shift condition
0	X	Always
1	0	Rising edge of HET[0]
1	1	Falling edge of HET[0]

**irq** ON generates an interrupt if the Z flag is set. A value of OFF does not generate an interrupt.  
Default: OFF.

**data** Specifies the 25-bit value for the data field.

### Execution

```

If (SHIFT condition == 0X)
OR (SHIFT condition == 10 AND HET[0] rising edge)
OR (SHIFT condition == 11 AND HET[0] falling edge)
{
    If ([P3:P2] == 00)
    {
        If ((Immediate Data Field == all 0's AND [P3:P0] == 000X)
            OR (Immediate Data Field == all 1's AND [P3:P0] == 001X))
        {
            Z = 1;
        }
        else
        {
            Z = 0;
        }
    }
}
    
```

```

    }
    else If ([P3:P0] == 1010)
    {
        Z = LSB of the Immediate Data Field;
    }
    else if ([P3:P0] == 1011)
    {
        Z = MSB of the Immediate Data Field;
    }
}

If( (Immediate Data Field == all 0's) OR
    (Immediate Data Field == all 1's))
{
    if (Interrupt Enable == 1)
    {
        HETFLG[n] = 1;      /* n depends on address */
    }
    Jump to Conditional Address;
}
else
{
    Jump to Next Program Address;
}

Prv. bit = HET[0] Pin level; (Always executed)

Shift Immediate Data Field once according to P[3:0];

Immediate Data Field = Result of the shift;

Selected register = Result of the shift;

Jump to Next Program Address;

```

---

**NOTE:** The immediate data field evaluates all 0s or all 1s and is performed before the shift operation.

---

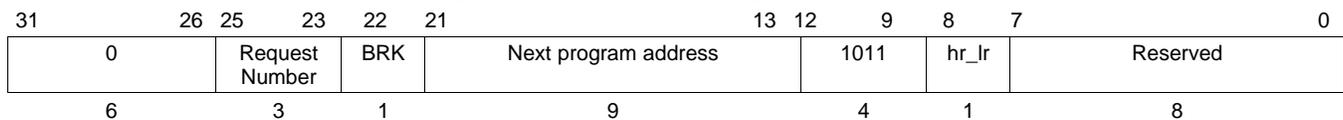
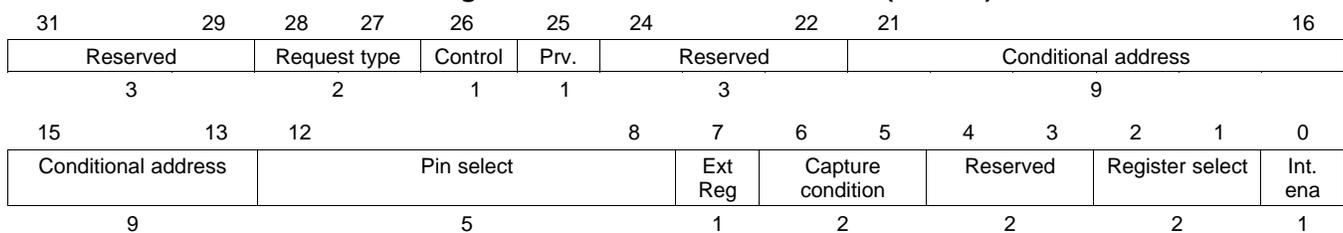
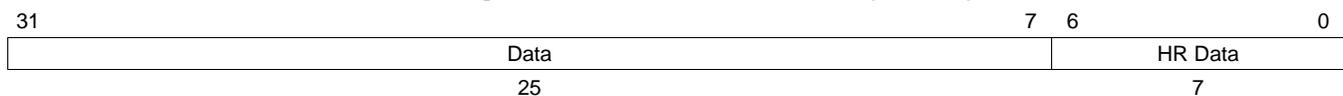
The specific interrupt flag that is triggered depends on the address from which the instruction is executed, see [Section 23.2.7](#).

**23.5.3.23 WCAP (Software Capture Word)**

**Syntax**

```

WCAP {
  [brk={OFF | ON}]
  [next={label | 9-bit unsigned integer}]
  [reqnum={3-bit unsigned integer}]
  [request={NOREQ | GENREQ | QUIET}]
  [hr_lr={HIGH | LOW}]
  [control={OFF | ON}]
  [prv={OFF | ON}]
  [cond_addr={label | 9-bit unsigned integer}]
  pin = {pin number}
  event={NOCOND | FALL | RISE | BOTH}
  reg={A | B | R | S | T | NONE}
  [irq={OFF | ON}]
  [data={25-bit unsigned integer}]
  [hr_data={7-bit unsigned integer}]
}
    
```

**Figure 23-145. WCAP Program Field (P31:P0)**

**Figure 23-146. WCAP Control Field (C31:C0)**

**Figure 23-147. WCAP Data Field (D31:D0)**


**Cycles** One

**Register modified** None

**Description** This instruction captures the selected register into the data field if the specified capture condition is true on the selected pin. This instruction can be used with all pins.

If the hr\_lr bit is reset, the WCAP instruction will capture an HR time stamp into the data field on the selected edge condition. If the hr\_lr bit is set, the HR capture is ignored.

**event** Specifies the event that triggers the capture.

**Table 23-72. Event Encoding Format for WCAP**

C6	C5	Capture Condition
0	0	Always
0	1	Capture on falling edge
1	0	Capture on rising edge
1	1	Capture on rising and falling edge

**irq** ON generates an interrupt when the capture condition is met. No interrupt is generated for OFF.  
Default: OFF.

**data** Specifies the 25-bit integer value to be written to the data field or selected register.

**hr\_data** HR capture value.  
Default: 0.

---

**NOTE:** WCAP in HR Mode: The HR Counter starts on a WCAP instruction execution (in the first loop clock) and will synchronize to the next loop clock. When N2HET is turned on and a capture edge occurs in the first loop clock (where the HR counter hasn't been synchronized to the loop clock), then the captured HR counter value is wrong and is of no use. So the captured HR data in the first loop clock should be ignored.

---

## Execution

```

If (Specified Capture Condition is true on Selected Pin
OR Unconditional capture is selected)
{
    Immediate Data Field = Selected register value;

    If (hr_lr bit == 0) Capture the HR value in Immediate HR Data Field;

    If (Interrupt Enable == 1) HETFLG[n] = 1;          /* n depends on address */
    If ([C28:C27] == 01) Generate request on request line [P25:P23];
    If ([C28:C27] == 11) Generate quiet request on request line [P25:P23];

    Jump to Conditional Address;
}

Jump to Next Program Address;

Prv bit = Current Logic (Lx) value of selected pin; (always executed)

```

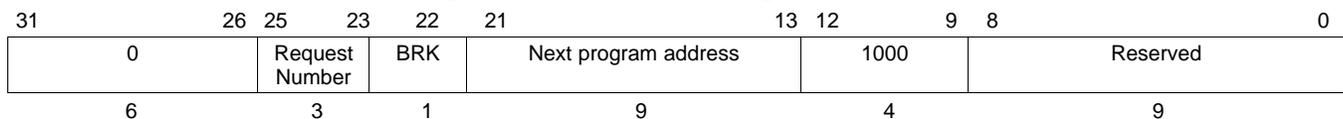
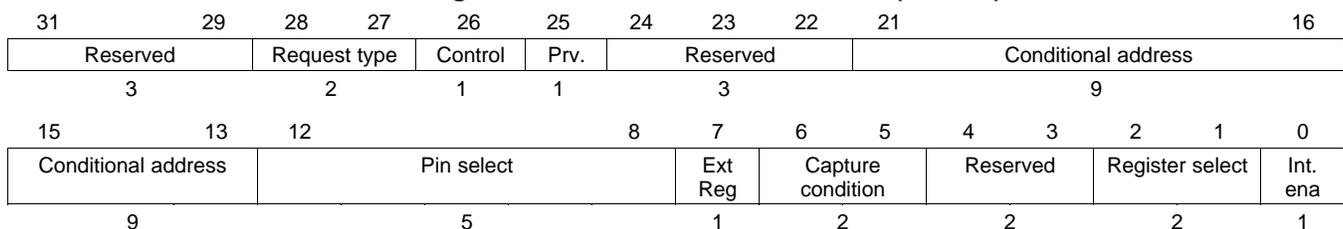
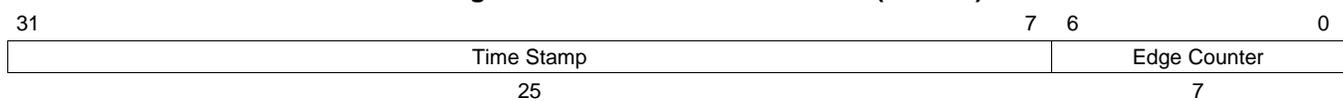
The specific interrupt flag that is triggered depends on the address from which the instruction is executed, see [Section 23.2.7](#).

**23.5.3.24 WCAPE (Software Capture Word and Event Count)**

**Syntax**

```

WCAPE {
  [brk={OFF | ON}]
  [next={label | 9-bit unsigned integer}]
  [reqnum={3-bit unsigned integer}]
  [request={NOREQ | GENREQ | QUIET}]
  [control={OFF | ON}]
  [prv={OFF | ON}]
  [cond_addr={label | 9-bit unsigned integer}]
  pin = {pin number}
  event={NOCOND | FALL | RISE | BOTH}
  [reg={A | B | R | S | T | NONE}]
  [irq={OFF | ON}]
  [ts_data={25-bit unsigned integer}]
  [ec_data={7-bit unsigned integer}]
}
    
```

**Figure 23-148. WCAPE Program Field (P31:P0)**

**Figure 23-149. WCAPE Control Field (C31:C0)**

**Figure 23-150. WCAPE Data Field (D31:D0)**


**Cycles** One

**Register modified** None

**Description** This instruction captures the selected register into the data field [D31:D7] and increments an event counter [D6:D0] if the specified capture condition is true on the selected pin. This instruction can be used with all pins, but the time stamp [D31:D7] has loop resolution only.

**event** Specifies the event that triggers the capture.

**Table 23-73. Event Encoding Format for WCAPE**

C6	C5	Capture Condition
0	0	Always
0	1	Capture on falling edge
1	0	Capture on rising edge
1	1	Capture on rising and falling edge

**irq** ON generates an interrupt when the capture condition is met. No interrupt is generated for OFF.  
Default: OFF.

**ts\_data** Specifies the 25-bit integer value for [D31:D7]  
Default: 0.

**ec\_data** Specifies the initial 7-bit integer value for [D6:D0].  
Default: 0.

## Execution

```

If (Specified Capture Condition is true on Selected Pin
OR Unconditional capture is selected)
{
    Immediate Data Field[31:7] = Selected register value;
    Immediate Data Field [6:0] = Immediate Data Field [6:0] + 1;

    If (Interrupt Enable == 1) HETFLG[n] = 1;          /* n depends on address */
    If ([C28:C27] == 01) Generate request on request line [P25:P23];
    If ([C28:C27] == 11) Generate quiet request on request line [P25:P23];

    Jump to Conditional Address;
}

Jump to Next Program Address;

Prv bit = Current Logic (Lx) value of selected pin; (always executed)

```

The specific interrupt flag that is triggered depends on the address from which the instruction is executed, see [Section 23.2.7](#).

## *High-End Timer Transfer Unit (HTU) Module*

---



---

This chapter describes the high-end timer transfer unit (HTU) module. The HTU is similar to the DMA (Direct Memory Access) module, but it is specialized to transfer NHET (High End Timer) data to or from the microcontroller RAM.

---

**NOTE:** This chapter describes a superset implementation of the HTU module that includes features and functionality that require DMA. Since not all devices have DMA capability, consult your device-specific datasheet to determine applicability of these features and functions to your device being used.

---

Topic	Page
<b>24.1 Overview</b> .....	<b>1065</b>
<b>24.2 Module Operation</b> .....	<b>1066</b>
<b>24.3 Use Cases</b> .....	<b>1079</b>
<b>24.4 HTU Control Registers</b> .....	<b>1082</b>
<b>24.5 Double Control Packet Configuration Memory</b> .....	<b>1108</b>
<b>24.6 Examples</b> .....	<b>1115</b>

## 24.1 Overview

The HET transfer unit is a dedicated direct memory access controller which transfers data between the NHET RAM and RAM buffers located in the main memory address range. This eliminates time consuming CPU accesses to the NHET RAM to gather measurement data or creating output waveforms and thus freeing up the CPU to perform other tasks.

### 24.1.1 Features

- Independently transfers data between the NHET and the main memory
- 8 double control packets supporting dual buffer configuration
- Transfer requests generated by NHET instructions/events
- One shot, circular and auto switch buffer transfer modes for each double control packet for flexible buffer handling
- Constant and post-increment addressing modes
- 32- or 64-bit transactions
- Programmable memory protection region
- Parity protect control packet RAM
- Extensive diagnostic functionality

## 24.2 Module Operation

The HTU is tightly coupled to the NHET and is not intended to transfer data from other peripheral modules. It initiates transfers with the help of requests generated by the NHET program and configurable control packets. Figure 24-1 shows a system block diagram of the HTU and the main path for the data transfer. The tight coupling and the dedicated bus into the SCR (Switched Central Resource) reduces the amount of data transferred on the peripheral bus, which increases the overall system performance. However if the application decides to use the direct CPU access method to the NHET RAM, it is free to do so.

Figure 24-2 shows a more detailed block diagram of the HTU module.

Figure 24-1. System Block Diagram

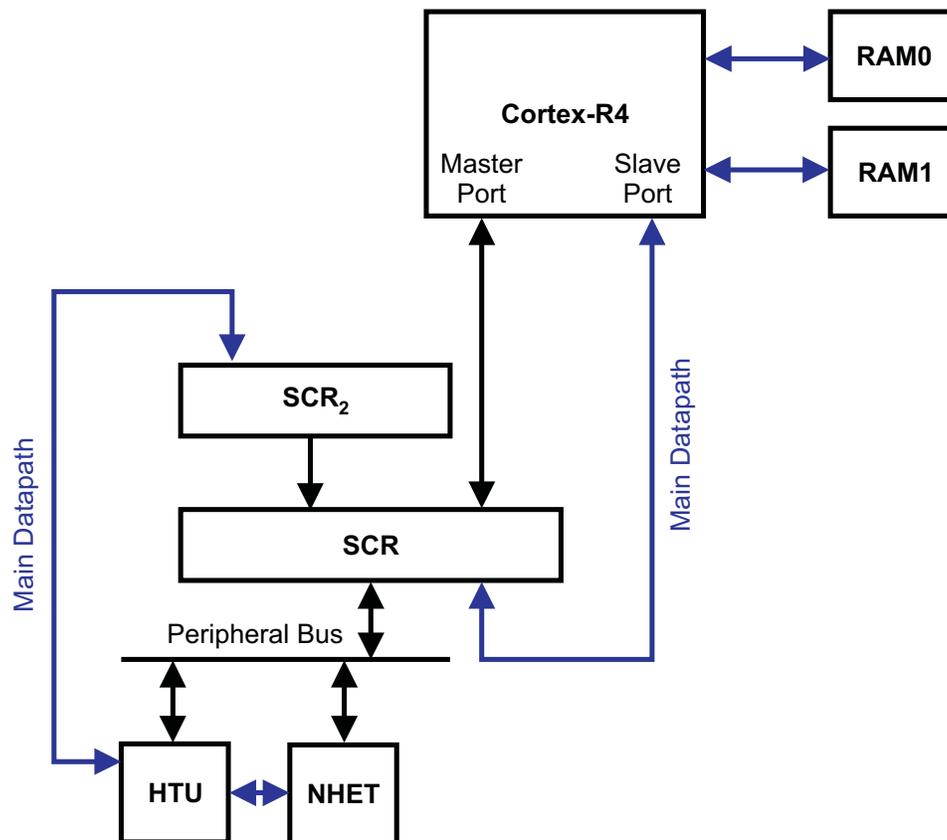
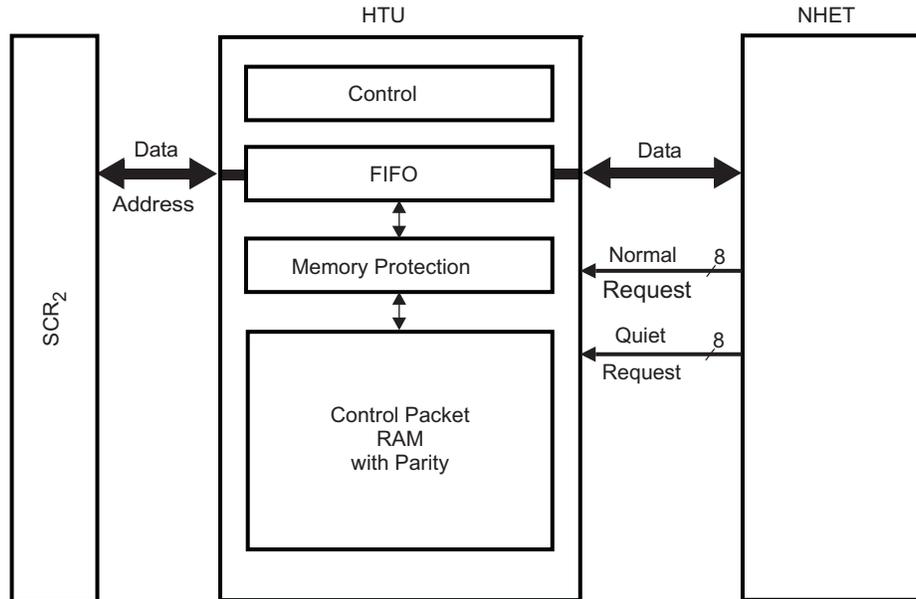


Figure 24-2. HTU Block Diagram



Transfers between NHET RAM and the main memory are triggered by 8 different normal NHET requests. Quiet requests are used for specific cases and are discussed in [Section 24.2.4.1](#). Control packets, which store the source and destination addresses, the transfer count and other information (see [Section 24.5](#)), are associated with the requests. A FIFO decouples the read- and write-path and allows to do data-packing in the case of different read- and write-data sizes. The application can specify a section of memory into or from which the data is transferred. This serves as memory protection in the case that information in the control packet RAM was unintentionally altered and avoids that the HTU can overwrite important application data.

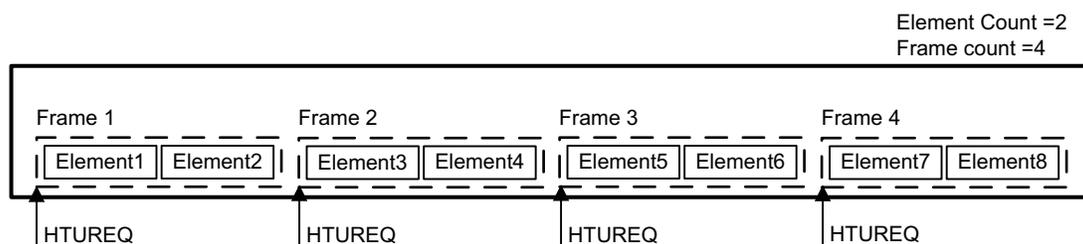
Control packets are implemented as double control packets (DCP) which allow to specify two buffers for the data transfer. This enables the CPU to work with one buffer, while new data is transferred to/from the other buffer.

The control packet defines:

- the start address of the source/destination buffers
- the NHET instruction address location
- how many elements need to be transferred
- the buffer handling

A transfer is triggered when a certain condition (for example, capture, compare condition) is detected by a NHET instruction. The NHET instruction specifies which request line to the HTU will be triggered at the event. The DCPs have a fixed assignment to the request lines and the corresponding assignment can be found in the device datasheet. Once a request is triggered, it starts a frame transfer. A frame can contain one or more elements. Elements are defined as 32-bit or 64-bit words of data.

Figure 24-3. Example of a HTU Transfer



## 24.2.1 Data Transfers between Main RAM and NHET RAM

### 24.2.1.1 Addressing Modes

The addressing modes of a control packet need to be distinguished between the main RAM of the CPU and the NHET RAM.

#### Main RAM

For each double control packet (see [Section 24.2.1.3](#)) the addressing mode for the main RAM (RAM0/1) can be configured to constant or post-increment mode in register IHADDRCT.

- **Constant Addressing:** In constant mode, the HTU writes/reads the data to/from the same address in the main RAM.
- **Post-increment Addressing:** In post-increment mode, the HTU writes/reads the data to/from the main RAM by incrementing through the addresses after each transfer. If 32-bit transfers are selected it will automatically increment by 4 Byte, if 64-bit transfers are selected, it will increment by 8 Byte. The examples of Use Cases illustrate the post-increment mode, where the elements of consecutive frames are transferred to/from consecutive locations in the main RAM buffer.

#### NHET RAM

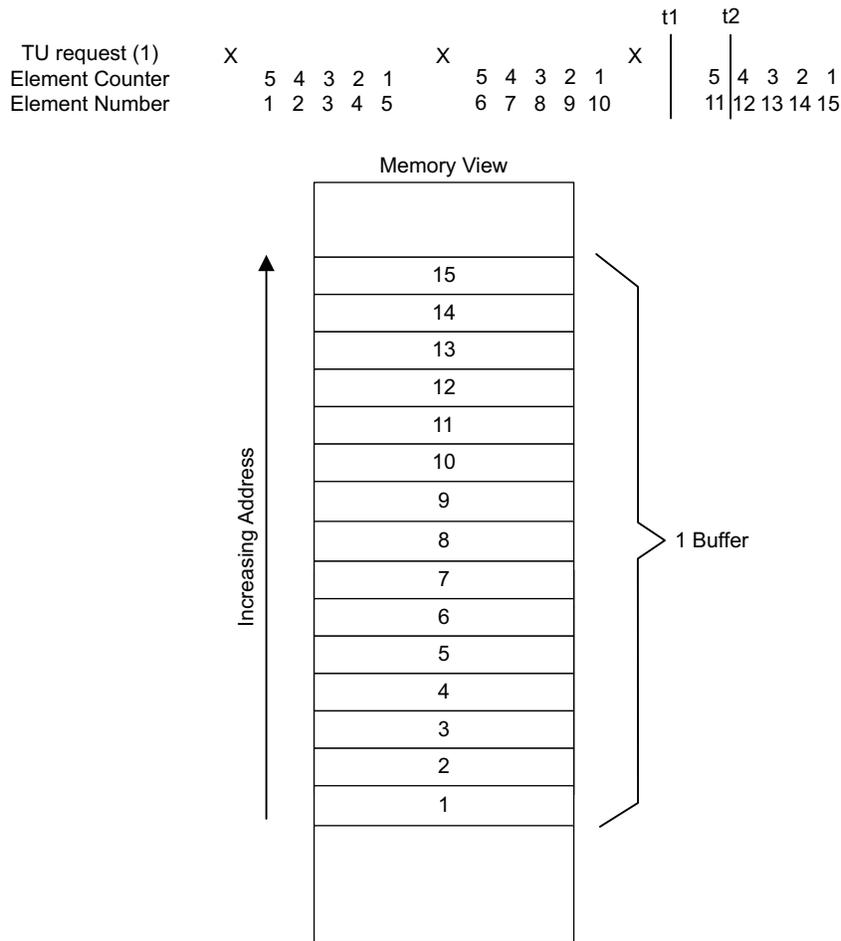
How a DCP addresses the NHET RAM is determined by the initial NHET address, the initial element counter (IETCOUNT) and the NHET addressing mode (ADDMH). The main difference to the main RAM addressing mode is that the HET address is reset to the initial HET address for every first element of a frame. To implement constant addressing, the initial element counter needs to be set to 1. Post-increment addressing is selected by programming the initial element counter to a value other than 1.

### 24.2.1.2 Single Buffer Implementation

In a single buffer implementation, the DCP is set up to transfer data to/from a single buffer in the main RAM. With each transfer request, the programmed number of elements is transferred and the buffer pointer is reset to its starting address after the programmed number of frame transfers have completed.

[Figure 24-4](#) shows the request on one request line of the HTU and the frame running on the assigned control packet visualized by the element counter. In the diagram, the frame has 5 element transfers (element count = 5).

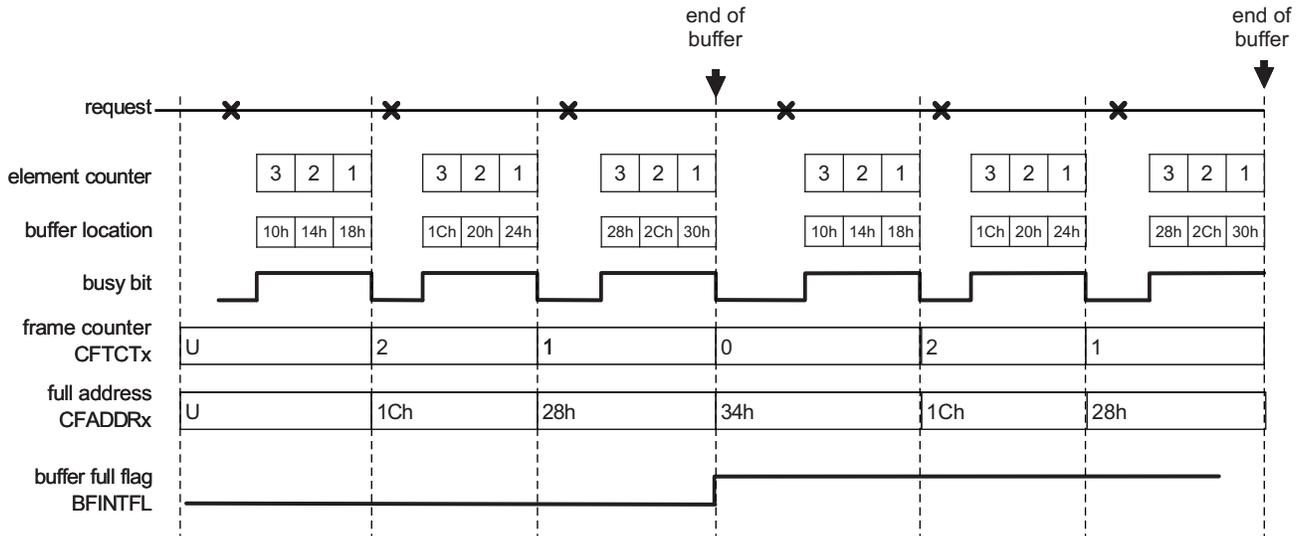
**Figure 24-4. Single Buffer Timing and Memory Representation**



Before the application reads the buffer, it has to disable the control packet to avoid that new data overwrites the buffer while it's being accessed by the application. Regardless of the control packet being disabled at t1 or t2 the last frame will always be completed, since the trigger request has been received already. The application can determine any ongoing transfers by the TIPF flag and the NACP bits.

- One Shot Buffer Mode:** If TMBA or TMBB is set to one shot buffer mode then the data stream will stop after all elements of buffer A or buffer B have been transferred. This means that the corresponding DCP will be disabled after the last frame was transferred to/from buffer A or B and CFTCTA or CFTCTB decrements to zero.
- Circular Buffer Mode:** If TMBA or TMBB is set to circular buffer mode, then the data stream will continue back at the start of buffer A or B after all elements of buffer A or B have been transferred. The example of Timing Example for Circular Buffer Mode assumes IETCOUNT=3 (Initial Element Transfer Count), IFTCOUNT=3 (Initial Frame Transfer Count, SIZE=0 (Size of Transfer = 32-bit) and ADDFM=0 (Addressing Mode Main Memory = Post Increment). So there are in total 9 32-bit values in the buffer. It also assumes IFADDRx=10h. "U" means uninitialized.

Figure 24-5. Timing Example for Circular Buffer Mode



### 24.2.1.3 Dual Buffer Implementation

The transfer unit provides **double control packets (DCPs)** supporting the use of two buffers per data stream (per HTU request source). If one buffer should be read by the CPU or DMA, the data stream is directed to the other buffer and the first buffer is frozen. Switching to the other buffer can be triggered with a write access to the CPENA register or with the DCP configured to automatically switch to the other buffer when the programmed number of frames has been transmitted. Freezing the buffer avoids this buffer to be overwritten with new HET data while the CPU or DMA reads this buffer.

Figure 24-6 shows a timing example of two HET instructions 1 and 2, which are the request sources for the HTU (and are controlled by DCP 1 and DCP 2). Each generated frame has 5 element transfers. Request source 1 has two RAM buffers, controlled by two control packets 1A and 1B. Request source 2 has two RAM buffers, controlled by two control packets 2A and 2B.

**Figure 24-6. Dual Buffer Timing**

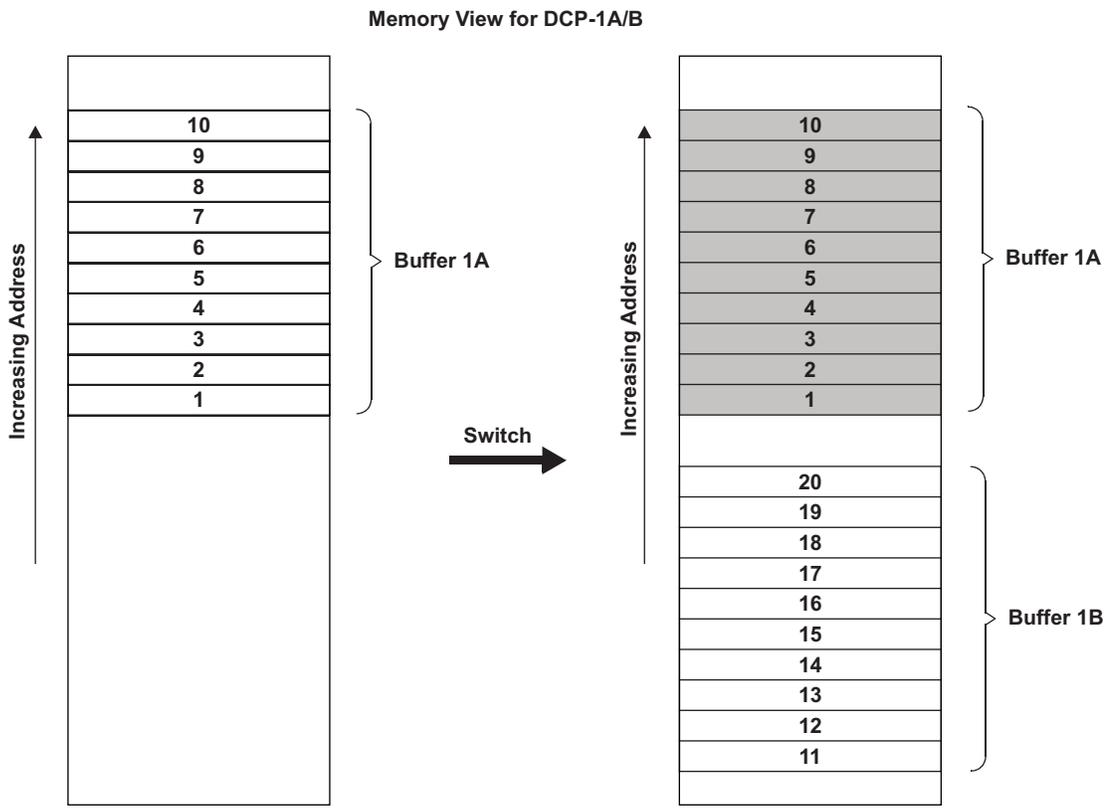
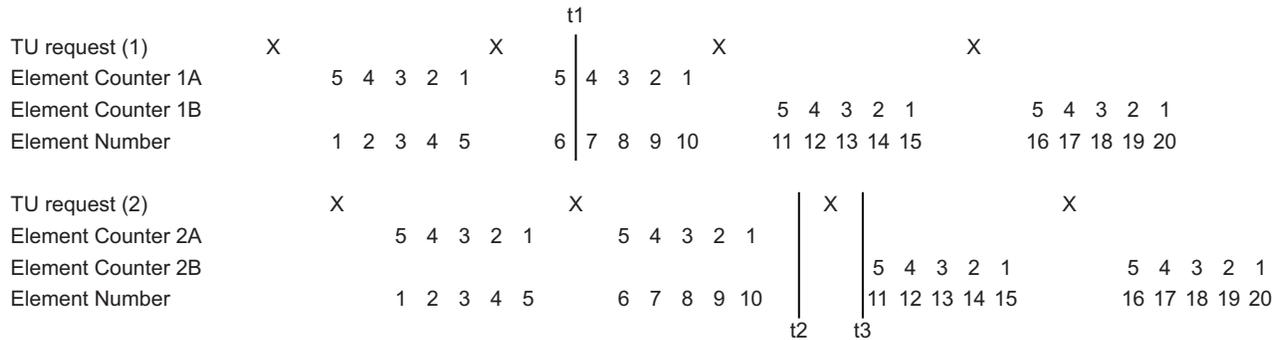
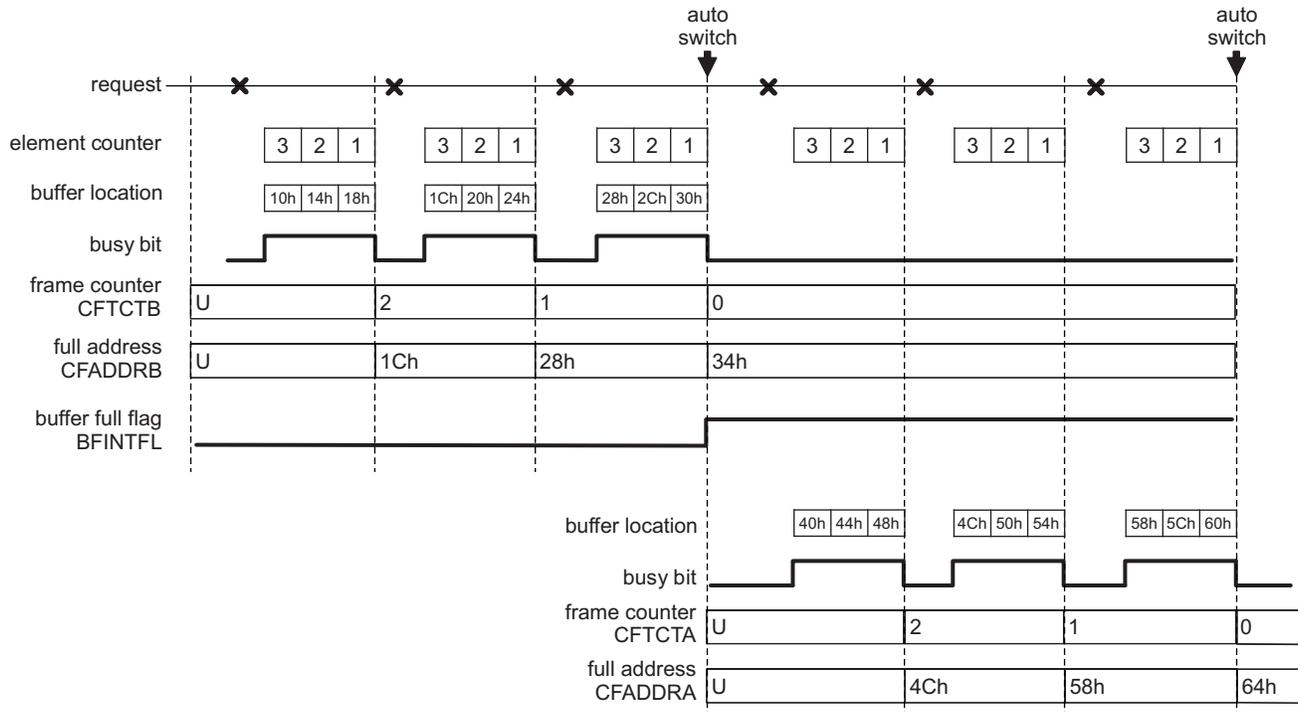


Figure 24-6 shows a switch at time  $t_1$ , where buffer 1A is frozen and data stream 1 is directed to buffer 1B, but only after the frame has been completed. It also shows the time ( $t_2$  or  $t_3$ ) where 2A is frozen and data stream 2 is directed to buffer 2B. If the switch happens between the request and the start of the frame (for example, time  $t_3$ ), then the frame is processed by the new control packet (although the old control packet was active at the time of the request). The delays between the HTU requests and the start of the element transfers result from the fact that the HTU can process only one transfer at a time.

**Auto Switch Buffer Mode**

If TMBA is set to auto switch mode, then the data stream will continue at the start of buffer B after all elements of buffer A have been transferred. This means that in the CPENA register, CP A is disabled and CP B is enabled automatically and buffer B uses its initial main memory address and initial frame counter to start. The same principle is valid for TMBB and buffer B.

The examples of Figure 24-7 assumes IETCOUNT=3 (Initial Element Transfer Count), IFTCOUNT=3 (Initial Frame Transfer Count, SIZE=0 (Size of Transfer = 32-bit) and ADDFM=0 (Addressing Mode Main Memory = Post Increment). So there are in total 9 32-bit values in buffer A and B. It also assumes IFADDRB=10h and IFADDRA=40h. "U" means uninitialized.

**Figure 24-7. Timing Example for Auto Switch Buffer Mode**


#### 24.2.1.4 General Control Packet Behavior

The action defined by the selected mode will be performed at the end of the last frame, which has the frame counter value of 1. The one shot and auto switch mode will automatically update the CPENA register at this time. Note, that for all three modes listed above, it is possible to switch to the other buffer by writing to CPENA before the end of the current buffer is reached.

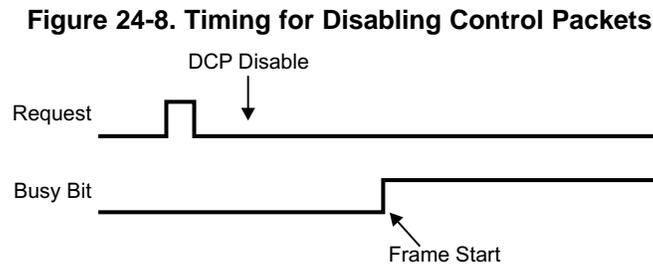
If a write access to CPENA happens while the last frame of DCP x (with frame counter = 1) is transferred then the priority is defined by Table 24-1.

**Table 24-1. CPENA / TMBx Priority Rules**

Write access to CPENA bits ( $2^x+1$ ) and ( $2^x$ ) during the frame with frame counter = 1 <sup>(1)</sup>	Priority Rule
Disable: 01 --> 00 or 10 --> 00	Disabling the DCP by the write to CPENA has priority, TMBx is ignored.
Stay: 01 --> 01 or 10 --> 10	The write access to CPENA is ignored, TMBx has priority and defines the action.
Switch: 01 --> 10 or 10 --> 01	Switching the DCP by the write to CPENA has priority, TMBx is ignored.

<sup>(1)</sup> See read table of CPENA register

There could be a case where the CPU wants to do main memory operations, but does not want the HTU modifying the main memory. It could happen that a request was already active, but the frame transfer hasn't started yet when the application disabled the control packets. The timing diagram in [Figure 24-8](#) shows this scenario.



Since the request for the transfer was already received before the DCPx is disabled, the HTU will still start the frame transfer. The application would poll the BUSYx bit during the time the DCPx was disabled and before the frame was started and would read a non-busy information. It then would start the main memory operations thinking all transfers have completed, however after some time the HTU will start the outstanding frame transfer and corrupt the main memory.

To avoid this, the application can set the VBUSHOLD bit to disable all transactions between the HTU and the main memory. It has to poll the BUSBUSY bit to ensure that no outstanding transactions on the bus are pending. The HTU will still receive all transfer requests from the NHET, but it will not be able to transfer any data to or from the main memory, while the VBUSHOLD bit is set.

### 24.2.2 Arbitration of HTU Elements and Frames

- Frames do not interrupt each other. If a request occurs on DCP x while another frame runs on DCP y (and  $x \neq y$ ), then the current frame completes before the new frame starts.
- If two or more request lines are active, the request line with the lower number (specified in the request number field of the corresponding NHET instruction) is serviced first.

### 24.2.3 Conditions for Frame Transfer Interruption

If a frame is currently transferred on DCP x and one of the events listed below happens, then the event will (1.) clear the element counter of DCP x, (2.) stop new element transfers on DCP x (3.) clear the active busy bit of DCP x and (4.) disable DCP x in the CPENA register. The DCPs other than DCP x will not be affected.

- Request Lost Error of DCP x (with CORL bit set to zero).
- Parity Error of DCP x (with parity check enabled and COPE bit set to zero). See also [Section 24.2.6](#).
- Bus Error of DCP x.
- Memory Protection Error of DCP x (with memory protection enabled). See also [Section 24.2.5](#).
- Writing a one to a BUSY bit (belonging to DCP x) if that bit is one. There is no effect if the BUSY bit is zero.
- Writing a one to the HTURES bit.

When a memory protection error occurs, the access to the protected address is blocked. The frame is stopped before the element, which caused the violation transfer, starts. All other errors will let the current element transfer finish.

In case of the Request Lost and Bus Error, one more element transfer goes on the bus, before the frame is actually stopped. Accordingly, the busy bit is cleared after the element, which follows the element that caused the error.

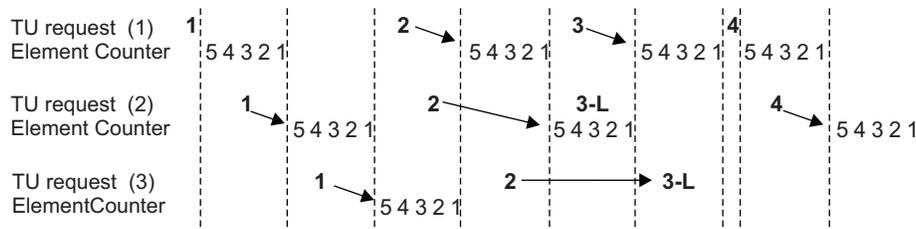
In case of the Bus Error, the counter for the element, which follows the element that caused the error, is captured to the ERRETC register field.

**NOTE:** If the HTUEN bit is cleared during a frame is transferred, then the frame will be completed before the HTU is disabled.

### 24.2.4 HTU Overload and Request Lost Detection

If the number of different HTU request sources is "high", the period between the requests is "short" and/or the initial element counter values are "big", then the HTU could get into a overload situation. In [Figure 24-9](#), all requests marked with "L" are lost, since their frame is not completed at the time the next request occurs. Each number in the rows "TU request (x)" represents a time, where the associated NHET instruction generates a request on DCP x. The arrows in [Figure 24-9](#) point to the associated frame, which could be delayed compared to the request. The delays are caused by different frames, which are currently processed. The figure assumes that the CORL bit in the RLBECTRL register is set, which causes the DCP to stay enabled and let the data stream continue after a request lost error occurred on the DCP (see 3-L for TU request (2)).

**Figure 24-9. Timing Example Including Lost Requests**



Lost requests are signaled with the RLOSTFL register, and if enabled, can generate request lost interrupts.

If the CORL bit is set, a frame will be completed and the corresponding DCP stays enabled even if a request lost was generated during this frame.

In dual buffer mode, the request lost detection works continuously, independent of the CP switches.

#### 24.2.4.1 Requests and Quiet Requests

In addition to generating too many transfer requests and thus overloading the HTU and not being able to transfer data at all, it can happen that inconsistent data is transferred. The following examples illustrate such scenarios.

In the examples below, the HTU reads a frame of three elements from the datafield of three different instructions. In [Figure 24-10](#), the L3-Instruction generates the HTU request at time t<sub>2</sub>, t<sub>7</sub>, etc. and the according frame (at t<sub>3</sub>). The frame is delayed because of the HTU load. However, as shown in [Figure 24-10](#), the delay still allows the frame to complete before the datafield of instruction L1 is updated again. However, when the delay is longer (as shown in [Figure 24-11](#)), then the frame could fall into the NHET loop (LRP), in which the NHET updates the data fields of the L1, L2 and L3 instructions. In this case, the HTU could read inconsistent data as shown in the diagram. A wrong (new) value is read from L1 (at time t<sub>3</sub>), but correct ("old") values are read from L2 and L3 (at times t<sub>4</sub> and t<sub>5</sub>).

Figure 24-10. Timing which Generates No Request Lost Error

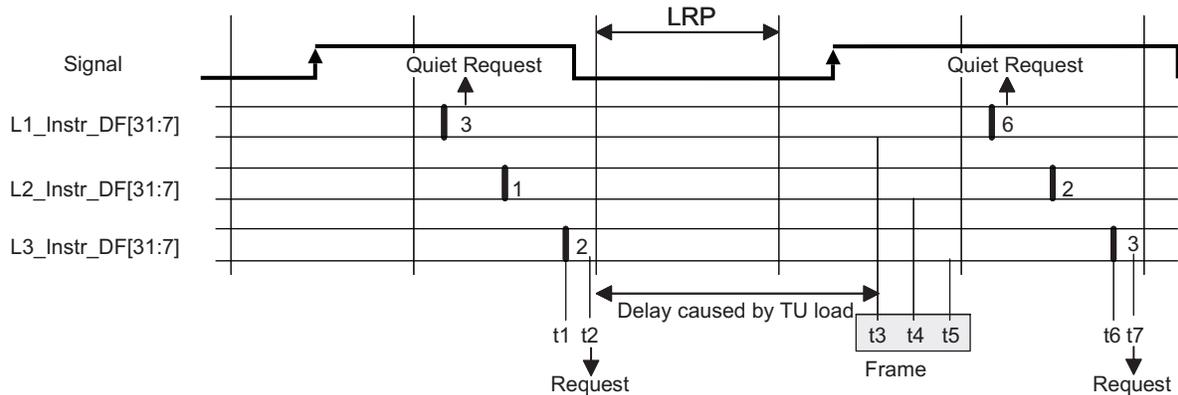
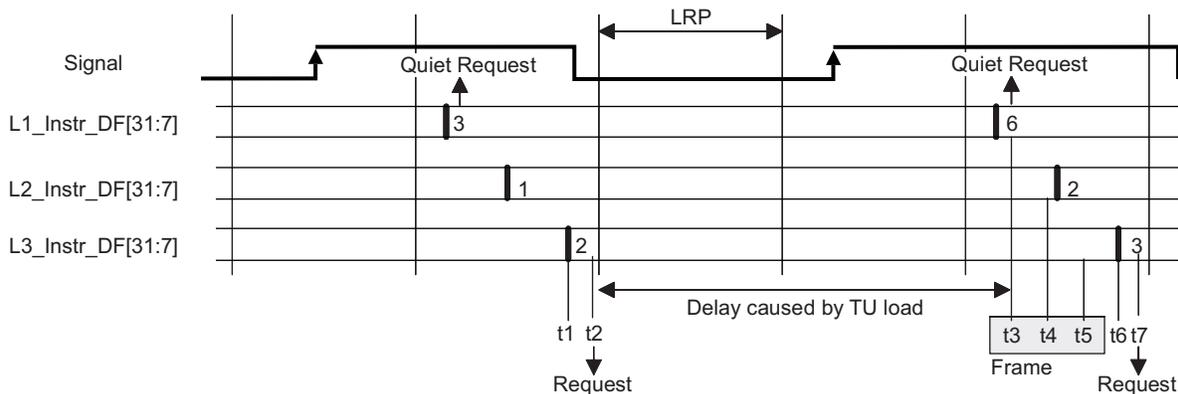


Figure 24-11. Timing which Generates a Request Lost Error



To ensure consistent data, the NHET instructions are able to generate a **quiet request**, which does not originate a transfer but is only used by the HTU for consistency check. If a frame has not completed since the last request (or has not even started) at the time the quiet request occurs, then the HTU signals a request lost error. All instructions, which allow to generate a request can be configured to generate a quiet request instead. So in the examples of [Figure 24-10](#) and [Figure 24-11](#), instruction L1 should be configured to generate a quiet request and instruction L3 to generate a normal request. In the case of [Figure 24-11](#), the corresponding bit in the RLOSTFL register will be set.

It is the responsibility of the NHET software to enable a quiet request for the first instruction of an instruction block, which is addressed by DCP x, and to enable a normal request only for the last instruction of this block. Since enabling the quiet request should enable a proper request lost detection for DCP x, both NHET instructions need to specify the same DCP x (reqnum=x).

The control fields of the HET instructions provide a 2-bit field to configure one of the following possibilities (as shown in [Table 24-2](#)). A 3-bit field in the program field will select which of the 8 Double Control Packets will be triggered by the request.

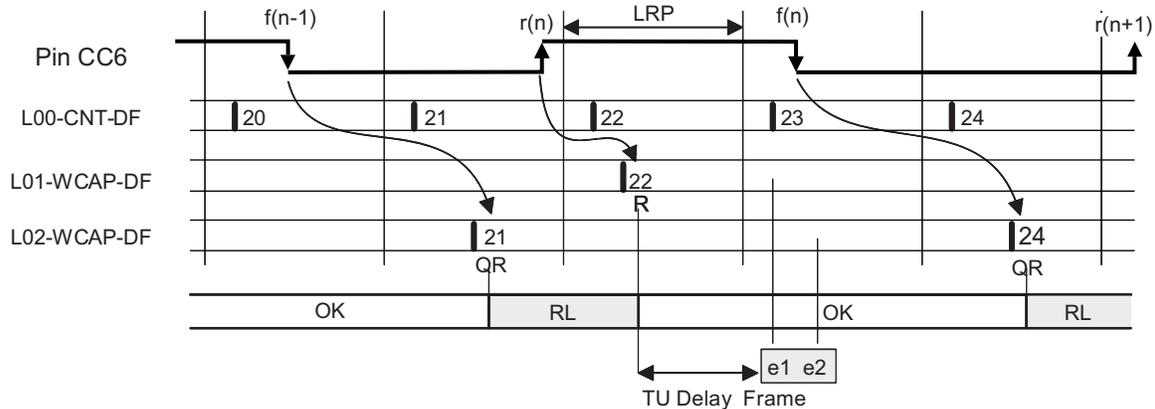
Table 24-2. Triggered Control Packets

Request Type Bit 1	Request Type Bit 0		Request Number
Don't care	0	No request	Specify number 0, 1,... or 7, which selects the HTU or DMA request line
0	1	Generate normal request	
1	1	Generate quiet request	

In the case of very light HTU load, but higher signal requirements (for example, high frequency), the quiet request could also be used to define periods in which the data read by a control packet is safe. The following HET code will capture counter time stamps to the L1-WCAP data field after rising edges (at pin CC6) and to the L2-WCAP data field after falling edges (at pin CC6):

```
L0 CNT {reg=A, max=0x1FFFFFFF}
L1 WCAP {reqnum=3, request=GENREQ, event=RISE, reg=A, pin=CC6}
L2 WCAP {reqnum=3, request=QUIET, event=FALL, reg=A, pin=CC6}
; HET HRSHARE feature configured to assign both WCAPs to pin CC6
```

**Figure 24-12. Timing Example for Two WCAP Instructions**



The HTU frame will have two elements: The first gives the time stamp of the rising edge  $r(n)$  and the second gives the time stamp of the previous falling edge  $f(n-1)$ . Using the code above, requests (R) and the quiet requests (QR) will occur at the times shown in Figure 24-12, and a request lost will only be signaled when the frame makes an access during the times marked with RL. So reading [22, 21] as frame elements is correct. If the signal frequency would increase, then a wrong pair [22, 24] could be read, but this will be signaled by a request lost error since at least e2 falls into the RL period.

### 24.2.5 Memory Protection

This feature allows restricting accesses to certain areas in memory in order to protect critical application data from unintentionally being manipulated by the HTU.

If the HTU memory protection feature is disabled, the full 4 GB address range can be accessed by the HTU without exception. There are two memory regions which start and end addresses can be configured. With the memory protection feature enabled, read and write accesses by the HTU inside the defined regions are allowed. For accesses outside the regions, one of two modes is configurable:

- Any access performed by the HTU is forbidden and will be signaled to the ESM module. Write accesses will be blocked.
- Read access is allowed but write access will be blocked and signaled to the ESM module.

To use one region only, REG01ENA must be zero. Bits ACCR01, INTENA01, and register settings of MP1S, and MP1E will be ignored.

To use both regions, the rules below must be followed:

1. Memory mapped region 0 covers a lower memory area as Memory mapped region 1.
2. REG01ENA is a one and REG0ENA is a zero.
3. ACCR01 is set for the desired access type, ACCR0 is ignored.
4. INTENA01 is set for the desired action, INTENA0 is ignored.

If an element transfer of DCP x generates a memory protection error, then:

1. The element counter of DCP x is cleared.
2. All new element transfers on DCP x are stopped.
3. The active busy bit of DCP x is cleared.
4. DCP x is disabled in the CPENA register. The DCPs other than DCP x will not be affected.
5. The FT flag will be set.
6. An error is signaled to the ESM module.

#### **24.2.6 Control Packet RAM Parity Checking**

The HTU module can detect parity errors in the DCP (Double Control Packet) RAM. DCP RAM parity checking is implemented using one parity bit per byte. Even or odd parity checking can be selected in the DEVCR1 register of the system module and can be enabled/disabled by a 4-bit key in the PCR register.

During a read access to the DCP RAM, the parity is calculated based on the data read from the RAM and compared with the good parity value stored in the parity bits. The parity check is performed when the HTU or any other master (for example, CPU) makes a read access to the DCP RAM. A read access within the RAM section of an initial or current DCP checks all 16 bytes of the DCP at a time (see also DCP memory map). For example, if a byte read access happens for DCP RAM address 0, but there is a parity error at byte address Ch then the parity error will occur and the captured parity address will be Ch and not 0. The address of the byte in which the error occurred can be read from the PAR register. If successive DCP RAM read accesses generate multiple parity errors, only the address of the first detected error will be captured and the PAR register will not be updated by subsequent errors until it is read by the application. When multiple errors in a 16 byte word are detected, only the address of the lowest byte will be captured.

The application can decide whether to stop any transfers when a parity error is detected or to continue transferring data. If the COPE (Continue On Parity Error) bit is zero and parity checking is enabled, then the HTU will not start the frame and the corresponding DCP will be automatically disabled in the CPENA register. If a master other than the HTU (for example, CPU) reads the RAM section of DCP x and a parity error is detected during this read access, while the parity check is enabled and the COPE bit is zero, then the DCP x will be automatically disabled in the CPENA register. If a frame for this DCP x is ongoing during this read access, then in addition the element counter of DCP x is cleared, all new element transfers on DCP x are stopped and the active busy bit of DCP x is cleared. With COPE set to one and the parity check enabled, the parity checking will still be performed, but the data transfer of an active DCP continues after a parity error was detected for this DCP. So neither the DCP with the parity error will be disabled nor the frame will be stopped.

After a DCP is enabled (with CPENA using BIM=0), then at the start of the first frame, the HTU performs the parity check only on the initial DCP, since it does not need the current DCP information. For further frames, the HTU performs the parity check for both initial and current DCP, since it needs both information.

On a parity error detection, an error will also be signaled to the ESM module.

### 24.2.6.1 Parity Bit Mapping and Testing

To test the parity checking mechanism, the parity RAM can be made accessible in order to allow manual fault insertion. Once the TEST bit is set, the parity bits are mapped to address FF4E 0200h.

When in test mode (the parity RAM is accessible), no parity checking will be done when reading from parity RAM, but parity checking will still be performed for read accesses to the DCP RAM.

Table 24-3 and Table 24-4 show how the corresponding parity bits of the DCP RAM bytes are mapped into the memory.

**Table 24-3. DCP RAM**

Bit	31	24	23	16	15	8	7	0
FF4E 0000h	Byte 0		Byte 1		Byte 2		Byte 3	
FF4E 0004h	Byte 4		Byte 5		Byte 6		Byte 7	
FF4E 0008h	Byte 8		Byte 9		Byte 10		Byte 11	
FF4E 000Ch	Byte 12		Byte 13		Byte 14		Byte 15	

**Table 24-4. DCP Parity RAM**

Bit	24	16	8	0
FF4E 0200h	P0	P1	P2	P3
FF4E 0204h	P4	P5	P6	P7
FF4E 0208h	P8	P9	P10	P11
FF4E 020Ch	P12	P13	P14	P15

Each byte in DCP RAM has its own parity bit in the DCP Parity RAM. P0 is the parity bit for byte 0, P1 is the parity bit for byte 1, and so on.

### 24.2.6.2 Initializing Parity Bits

After device power up, the DCP RAM content including the parity bit cannot be guaranteed. In order to avoid parity failures, when reading DCP RAM, the RAM has to be initialized first. This can simply be done by writing known values into the RAM by software and the corresponding parity bit will be automatically calculated.

Another possibility to initialize the DCP memory and its parity bits is to use the system module, which is an on-chip module external to the HTU. This module can start the automatic initialization of all RAMs on the microcontroller including the HTU DCP RAM. This function initializes the complete DCP RAM to "0" when activated by the system module. Depending on the even/odd parity selection, all parity bits will be calculated accordingly. The HTUEN bit must be cleared and the parity functionality must be enabled (by PARITY\_ENA) during the automatic DCP RAM initialization. If HTUEN is one when the initialization is triggered by the system module, then the initialization will not be performed and the HTU operation is not affected. If a one is written to HTUEN during the initialization, then the HTUEN bit will be set but the HTU will not be enabled before the initialization completes.

## 24.3 Use Cases

### 24.3.1 Example: Single Element Transfer with One Trigger Request

This example considers the case that the HTU fills a RAM buffer in the main (CPU) data RAM. The HTU reads from the instruction which generates the HTU requests.

This example uses a PCNT instruction. Every time the PCNT has captured a new pulse or period value, it will automatically generate a transfer request to the HTU, which then transfers the value from the NHET RAM to the buffer RAM. So over time consecutive locations in the RAM buffer can be filled with consecutive measurement values captured into the NHET RAM data field of the same PCNT instruction without loading or interrupting the CPU.

### 24.3.2 Example: Multiple Element Transfer with One Trigger Request

The following example shows how the HTU could be used to fill a RAM buffer with a data stream including different types of measurement values belonging to the same NHET input signal (on one pin): Time stamp values (WCAP), edge counter values (ECNT) and last period values (PCNT).

Figure 24-13 shows the timing and Table 24-5 shows the byte addresses of the program- (PF), control- (CF), data- (DF) and reserved field (res) of the WCAP-ECNT-PCNT instruction block. The timing and code example assumes that all three instructions are assigned to the same NHET pin.

Figure 24-13. Timing of the WCAP, ECNT, PCNT Example

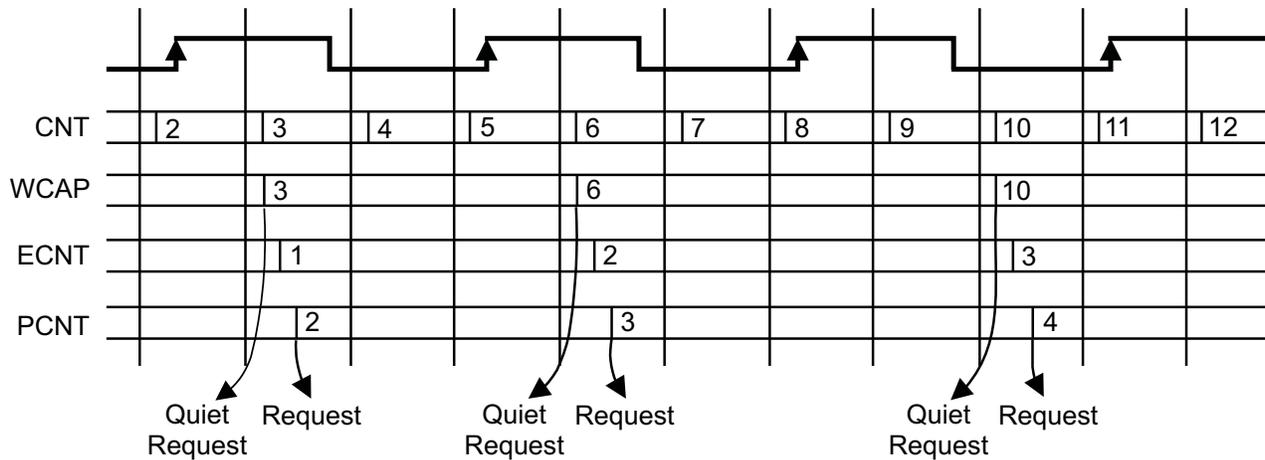


Table 24-5. Field Addresses of the WCAP, ECNT, PCNT Example

	PF	CF	DF	Res
WCAP	30h	34h	38h	3Ch
ECNT	40h	44h	48h	4Ch
PCNT	50h	54h	58h	5Ch

In the HET code the HTU request is enabled only for the last instruction (PCNT) of the WCAP-ECNT-PCNT block. When the PCNT condition is true, it will cause the generated HTU frame to perform three HTU element reads from the data fields of WCAP, ECNT and PCNT.

### 32-Bit-Transfer of data fields:

Table 24-6 shows how the internal element counter, frame counter and the address registers change over time for the example described above. Every time the PCNT instruction captures a new value it generates a request to the HTU, which starts a frame. At the end of each frame the frame counter decrements.

**Table 24-6. 32-Bit-Transfer of Data Fields <sup>(1)</sup>**

Frame Counter	3			2			1		
Element Counter	3	2	1	3	2	1	3	2	1
Source Address (HET)	38h	48h	58h	38h	48h	58h	38h	48h	58h
Destination Address (main CPU RAM)	70h	74h	78h	7Ch	80h	84h	88h	8Ch	90h

<sup>(1)</sup> Shows the byte addresses

The destination buffer is filled with the WCAP, ECNT, and PCNT data field values as shown in Table 24-7.

**Table 24-7. Destination Buffer Values**

Address	Frame Count	Instruction	Value
70h	3	WCAP	3
74h	3	ECNT	1
78h	3	PCNT	2
7Ch	2	WCAP	6
80h	2	ECNT	2
84h	2	PCNT	3
88h	1	WCAP	10
8Ch	1	ECNT	3
90h	1	PCNT	4

The corresponding setup of the HTU control packet for this example is as follows:

```

IHADDR    = 0x38                // points to WCAP data field
IFADDRA   = 0x70                // points to buffer
ITCOUNT  [frame count = 3] [element count = 3]
IHADDRCT  = [DIR: Read HET and write to full address]
           [SIZE: 32 bit]
           [ADDMH: Increment HET address by 16 bytes]
           [ADDMF: Post increment full address mode]
           [Any transfer mode]
    
```

### 24.3.3 Example: 64-Bit-Transfer of Control Field and Data Fields

Table 24-8 shows how the internal element counter, frame counter and the address registers change over time assuming the same example as in Section 24.3.2, but now with a transfer size set to 64-bit. The HET address now points to the control field of the instruction, so CF and DF are transferred as 64 bit data.

**Table 24-8. 64-Bit-Transfer of Control Field and Data Fields <sup>(1)</sup>**

Frame Counter	3			2			1		
Element Counter	3	2	1	3	2	1	3	2	1
HET (Source) Address	34h	44h	54h	34h	44h	54h	34h	44h	54h
Full (Destination) Address	70h	78h	80h	88h	90h	98h	A0h	A8h	B0h

<sup>(1)</sup> Shows the byte addresses.

The destination buffer is filled with the WCAP, ECNT, and PCNT control and data field values as shown on the right in Table 24-9.

**Table 24-9. Destination Buffer Values**

Address	Frame Count	Instruction	Value
70h	3	WCAP	Control Field Value
74h	3	WCAP	3
78h	3	ECNT	Control Field Value
7Ch	3	ECNT	1
80h	3	PCNT	Control Field Value
84h	3	PCNT	2
88h	2	WCAP	Control Field Value
8Ch	2	WCAP	6
90h	2	ECNT	Control Field Value
94h	2	ECNT	2
98h	2	PCNT	Control Field Value
9Ch	2	PCNT	3
A0h	1	WCAP	Control Field Value
A4h	1	WCAP	10
A8h	1	ECNT	Control Field Value
ACh	1	ECNT	3
B0h	1	PCNT	Control Field Value
B4h	1	PCNT	4

The necessary setup of the HTU control packet (see Section 24.5) for this example is as follows:

```

IHADDR = 0x34 (points to WCAP control field)
IFADDR = 0x70 (points to buffer)
ITCOUNT [frame count = 3] [element count = 3]
IHADDRCT = [DIR: Read HET and write to full address]
           [SIZE: 64 bit]
           [ADDMH: Increment HET address by 16 bytes]
           [ADDMF: post increment full address mode]
           [Any transfer mode]

```

For different applications, which have the transfer direction set for reading the buffer and writing to HET fields, the 64-bit transfer could be used to change the conditional addresses together with a new data field.

## 24.4 HTU Control Registers

Table 24-10 provides a summary of the registers. The registers support 8-bit, 16-bit, and 32-bit writes. The offset is relative to the associated peripheral select. See the following sections for detailed descriptions of the registers. The base address for the control registers is FFF7 A400h for HTU1 and FFF7 A500h for HTU2. The address locations not listed, are reserved.

**Table 24-10. HTU Control Registers**

Offset	Acronym	Register Description	Section
00	HTU GC	Global Control Register	<a href="#">Section 24.4.1</a>
04h	HTU CPENA	Control Packet Enable Register	<a href="#">Section 24.4.2</a>
08h	HTU BUSY0	Control Packet Busy Register 0	<a href="#">Section 24.4.3</a>
0Ch	HTU BUSY1	Control Packet Busy Register 1	<a href="#">Section 24.4.4</a>
10h	HTU BUSY2	Control Packet Busy Register 2	<a href="#">Section 24.4.5</a>
14h	HTU BUSY3	Control Packet Busy Register 3	<a href="#">Section 24.4.6</a>
18h	HTU ACPE	Active Control Packet and Error Register	<a href="#">Section 24.4.7</a>
20h	HTU RLBCTRL	Request Lost and Bus Error Control Register	<a href="#">Section 24.4.8</a>
24h	HTU BFINTS	Buffer Full Interrupt Enable Set Register	<a href="#">Section 24.4.9</a>
28h	HTU BFINTC	Buffer Full Interrupt Enable Clear Register	<a href="#">Section 24.4.10</a>
2Ch	HTU INTMAP	Interrupt Mapping Register	<a href="#">Section 24.4.11</a>
34h	HTU INTOFF0	Interrupt Offset Register 0	<a href="#">Section 24.4.12</a>
38h	HTU INTOFF1	Interrupt Offset Register 1	<a href="#">Section 24.4.13</a>
3Ch	HTU BIM	Buffer Initialization Mode Register	<a href="#">Section 24.4.14</a>
40h	HTU RLOSTFL	Request Lost Flag Register	<a href="#">Section 24.4.15</a>
44h	HTU BFINTFL	Buffer Full Interrupt Flag Register	<a href="#">Section 24.4.16</a>
48h	HTU BERINTFL	BER Interrupt Flag Register	<a href="#">Section 24.4.17</a>
4Ch	HTU MP1S	Memory Protection 1 Start Address Register	<a href="#">Section 24.4.18</a>
50h	HTU MP1E	Memory Protection 1 End Address Register	<a href="#">Section 24.4.19</a>
54h	HTU DCTRL	Debug Control Register	<a href="#">Section 24.4.20</a>
58h	HTU WPR	Watch Point Register	<a href="#">Section 24.4.21</a>
5Ch	HTU WMR	Watch Mask Register	<a href="#">Section 24.4.22</a>
60h	HTU ID	Module Identification Register	<a href="#">Section 24.4.23</a>
64h	HTU PCR	Parity Control Register	<a href="#">Section 24.4.24</a>
68h	HTU PAR	Parity Address Register	<a href="#">Section 24.4.25</a>
70h	HTU MPCS	Memory Protection Control and Status Register	<a href="#">Section 24.4.26</a>
74h	HTU MP0S	Memory Protection 0 Start Address Register	<a href="#">Section 24.4.27</a>
78h	HTU MP0E	Memory Protection 0 End Address Register	<a href="#">Section 24.4.28</a>

### 24.4.1 Global Control Register (HTU GC)

**Figure 24-14. Global Control Register (HTU GC) [offset = 00]**

31	25	24	23	17	16
Reserved		VBUSHOLD	Reserved		HTUEN
R-0		R/WP-0	R-0		R/WP-0
15	9	8	7	1	0
Reserved		DEBM	Reserved		HTURES
R-0		R/WP-0	R-0		R/WP-0

LEGEND: R/W = Read/Write; R = Read only; WP = Write in privilege mode only; -n = value after reset

**Table 24-11. Global Control Register (HTU GC) Field Descriptions**

Bit	Field	Value	Description
31-25	Reserved	0	Read returns 0. Writes have no effect.
24	VBUSHOLD	0 1	Hold the VBUS bus The VBUS is not held The VBUSHOLD bit holds the bus used to transfer data between the HTU and the NHET module. When the BUS_BUSY bit is zero then the bus is no longer busy. While the bus is held, requests will still be accepted. They will be acted upon when the VBUSHOLD is zero. Request lost conditions will be detected and interrupts generated if they are enabled.
23-17	Reserved	0	Read returns 0. Writes have no effect.
16	HTUEN	0 1	Transfer Unit Enable Bit The Transfer Unit is disabled The Transfer Unit is enabled  The configuration registers and control packets should be set up first before the HTUEN bit is set to 1 to prevent it from carrying out unintended bus transactions. If the HTUEN bit is cleared to 0 during a frame is transferred, then the frame will be completed before the HTU is disabled.  The HTUEN bit must be cleared to 0 and the parity functionality must be enabled (by PARITY_ENA) during the automatic DCP RAM initialization (see Initializing Parity Bits). If HTUEN is one when the initialization is triggered by the system module, then the initialization will not be performed and the HTU operation is not affected. If a 1 is written to HTUEN during the initialization, then the HTUEN bit will be set but the HTU will not be enabled before the initialization completes.  <b>Note: If HTU is disabled during a frame transfer, then the ongoing current frame will be completed before the HTU module is disabled. If enabled again, then the transfer will restart from the initial frame count for the CP programmed.</b>
15-9	Reserved	0	Read returns 0. Writes have no effect.
8	DEBM	0 1	Debug Mode The Transfer Unit is stopped in debug mode. The HTU will complete the current frame, but not start any new frames. It will also ignore all requests from the HET and not generate any request lost signals. The Transfer Unit continues operation in debug mode <b>Note:</b> Since the HET has also an "ignore suspend" bit, there a several possibilities for the behavior of the HET and HTU in suspend mode.
7-1	Reserved	0	Read returns 0. Writes have no effect.
0	HTURES	0 1	HTU Software Reset Request Reset request is not issued to the HTU module. Writing a zero has no effect. Reset request is issued to the HTU module.  Ongoing element transfers will be completed, before resetting the complete HTU module, similar to a hardware reset. The HTURES bit will also be cleared. The recommended order of operations is: <ul style="list-style-type: none"> <li>Set the software reset bit. This also clears HTUEN.</li> <li>Wait for the HTURES bit to clear.</li> <li>Configure the HTU registers and packets.</li> <li>Set the HTUEN bit to begin operation.</li> </ul>

### 24.4.2 Control Packet Enable Register (HTU CPENA)

This register enables or disables the individual double control packets (DCP).

**Figure 24-15. Control Packet Enable Register (HTU CPENA) [offset = 04h]**

31	Reserved	16
	R-0	
15	CPENA	0
	R/WP-0	

LEGEND: R/W = Read/Write; R = Read only; WP = Write in privilege mode only; -n = value after reset

**Table 24-12. Control Packet Enable Register (HTU CPENA) Field Descriptions**

Bit	Field	Value	Description
31-16	Reserved	0	Read returns 0. Writes have no effect.
15-0	CPENA		CP Enable Bits Bits (2*x) and (2*x+1) of CPENA control the double control packet (DCP) x (whereby x must be within 0,1,...,7). See <a href="#">Table 24-13</a> for write rules. See <a href="#">Table 24-14</a> for read rules.

**Table 24-13. CPENA Write Results**

Bit (2*x+1)	Bit (2*x)	Control packets (CP) B and A of DCP x are affected as follows:
0	0	CP B and A are not changed
0	1	CP B is disabled and CP A are enabled simultaneously
1	0	CP B is enabled and CP A are disabled simultaneously
1	1	CP B and CP A are both disabled simultaneously

**Table 24-14. CPENA Read Results**

Bit (2*x+1)	Bit (2*x)	State of DCP:
0	0	The DCP is disabled
0	1	CP B is disabled and CP A is enabled
1	0	CP B is enabled and CP A is disabled
1	1	Cannot be read

- The conditions listed in [Section 24.2.3](#) can automatically disable DCP x. In this case bits (2\*x) and (2\*x+1) are both automatically set to zero.
- When bits (2\*x) and (2\*x+1) change from 00 to 01 or from 00 to 10 caused by a write access to CPENA, then old pending requests on the corresponding request line are cleared. This means only new requests which occur **after** this write access cause the first HTU transfer for this DCP. This is **not** the case when **switching** CPs (from 10 to 01 or from 01 to 10).
- CP A and/or CP B of a DCP can be configured to one-shot, circular or auto-switch transfer mode via the TMBA or TMBB bits in the IHADDRCT control packet configuration. If a write access to CPENA occurs during the last frame of a buffer (with frame counter = 1) then the action defined by the write access to CPENA and the action defined by TMBx can contradict. The priority rules for this case are given in [Table 24-1](#).

### 24.4.3 Control Packet (CP) Busy Register 0 (HTU BUSY0)

This register displays the status of individual control packets.

**Figure 24-16. Control Packet (CP) Busy Register 0 (HTU BUSY0) [offset = 08h]**

31	25	24	23	17	16
Reserved		BUSY0A	Reserved		BUSY0B
R-0		R/WPC-0	R-0		R/WPC-0
15	9	8	7	1	0
Reserved		BUSY1A	Reserved		BUSY1B
R-0		R/WPC-0	R-0		R/WPC-0

LEGEND: R/W = Read/Write; R = Read only; WPC = Write 1 in privilege mode only to clear the bit; -n = value after reset

**Table 24-15. Control Packet (CP) Busy Register 0 (HTU BUSY0) Field Descriptions**

Bit	Field	Value	Description
31-25	Reserved	0	Read returns 0. Writes have no effect.
24	BUSY0A		Busy Flag for CP A of DCP 0
23-17	Reserved	0	Read returns 0. Writes have no effect.
16	BUSY0B		Busy Flag for CP B of DCP 0
15-9	Reserved	0	Read returns 0. Writes have no effect.
8	BUSY1A		Busy Flag for CP A of DCP 1
7-1	Reserved	0	Read returns 0. Writes have no effect.
0	BUSY1B		Busy Flag for CP B of DCP 1

The bit is **set** when the frame on the according control packet **starts** (as shown in the diagram below, there could be a delay between the request and the start of the frame).

The bit is automatically **cleared** at any of the following conditions:

1. At the end of a frame.
2. Writing a 1 to a BUSY bit (of DCP x) if that bit is 1. This will:
  - (a) clear the element counter of DCP x,
  - (b) stop all new element transfers on DCP x
  - (c) clear the busy bit and (4.) disable DCP x in the CPENA register.
  - (d) there is no effect if the BUSY bit is zero.
3. At the conditions listed in [Section 24.2.3, Conditions for Frame Transfer Interruption](#).

A write access to the CPENA register can stop a control packet (CP) in single buffer mode or it can switch to the other CP of a DCP in dual buffer mode. If stopping or switching occurs while a frame runs on the currently active control packet, the CPU can poll the busy bit to determine when it is safe to read the buffer.

### 24.4.4 Control Packet (CP) Busy Register 1 (HTU BUSY1)

This register displays the status of individual control packets.

**Figure 24-17. Control Packet (CP) Busy Register 1 (HTU BUSY1) [offset = 0Ch]**

31	25	24	23	17	16
Reserved		BUSY2A	Reserved		BUSY2B
R-0		R/WPC-0	R-0		R/WPC-0
15	9	8	7	1	0
Reserved		BUSY3A	Reserved		BUSY3B
R-0		R/WPC-0	R-0		R/WPC-0

LEGEND: R/W = Read/Write; R = Read only; WPC = Write 1 in privilege mode only to clear the bit; -n = value after reset

**Table 24-16. Control Packet (CP) Busy Register 1 (HTU BUSY1) Field Descriptions**

Bit	Field	Value	Description
31-25	Reserved	0	Read returns 0. Writes have no effect.
24	BUSY2A		Busy Flag for CP A of DCP 2
23-17	Reserved	0	Read returns 0. Writes have no effect.
16	BUSY2B		Busy Flag for CP B of DCP 2
15-9	Reserved	0	Read returns 0. Writes have no effect.
8	BUSY3A		Busy Flag for CP A of DCP 3
7-1	Reserved	0	Read returns 0. Writes have no effect.
0	BUSY3B		Busy Flag for CP B of DCP 3

See [Section 24.4.3](#) for more details.

### 24.4.5 Control Packet (CP) Busy Register 2 (HTU BUSY2)

**Figure 24-18. Control Packet (CP) Busy Register 2 (HTU BUSY2) [offset = 10h]**

31	25	24	23	17	16
Reserved		BUSY4A	Reserved		BUSY4B
R-0		R/WPC-0	R-0		R/WPC-0
15	9	8	7	1	0
Reserved		BUSY5A	Reserved		BUSY5B
R-0		R/WPC-0	R-0		R/WPC-0

LEGEND: R/W = Read/Write; R = Read only; WPC = Write 1 in privilege mode only to clear the bit; -n = value after reset

**Table 24-17. Control Packet (CP) Busy Register 2 (HTU BUSY2) Field Descriptions**

Bit	Field	Value	Description
31-25	Reserved	0	Read returns 0. Writes have no effect.
24	BUSY4A		Busy Flag for CP A of DCP 4
23-17	Reserved	0	Read returns 0. Writes have no effect.
16	BUSY4B		Busy Flag for CP B of DCP 4
15-9	Reserved	0	Read returns 0. Writes have no effect.
8	BUSY5A		Busy Flag for CP A of DCP 5
7-1	Reserved	0	Read returns 0. Writes have no effect.
0	BUSY5B		Busy Flag for CP B of DCP 5

### 24.4.6 Control Packet (CP) Busy Register 3 (HTU BUSY3)

**Figure 24-19. Control Packet (CP) Busy Register 3 (HTU BUSY3) [offset = 14h]**

31	25	24	23	17	16
Reserved		BUSY6A	Reserved		BUSY6B
R-0		R/WPC-0	R-0		R/WPC-0
15	9	8	7	1	0
Reserved		BUSY7A	Reserved		BUSY7B
R-0		R/WPC-0	R-0		R/WPC-0

LEGEND: R/W = Read/Write; R = Read only; WPC = Write 1 in privilege mode only to clear the bit; -n = value after reset

**Table 24-18. Control Packet (CP) Busy Register 3 (HTU BUSY3) Field Descriptions**

Bit	Field	Value	Description
31-25	Reserved	0	Read returns 0. Writes have no effect.
24	BUSY6A		Busy Flag for CP A of DCP 6
23-17	Reserved	0	Read returns 0. Writes have no effect.
16	BUSY6B		Busy Flag for CP B of DCP 6
15-9	Reserved	0	Read returns 0. Writes have no effect.
8	BUSY7A		Busy Flag for CP A of DCP 7
7-1	Reserved	0	Read returns 0. Writes have no effect.
0	BUSY7B		Busy Flag for CP B of DCP 7

### 24.4.7 Active Control Packet and Error Register (HTU ACPE)

**Figure 24-20. Active Control Packet and Error Register (HTU ACPE) [offset = 18h]**

31	30	29	28	24	23	20	19	16
ERRF	Reserved		ERRETC		Reserved		ERRCPN	
R/WPC-0	R-0		R-0		R-0		R-0	
15	14	13	12	8	7	4	3	0
TIPF	BUSBUSY	Rsvd	CETCOUNT		Reserved		NACP	
R-0	R-0	R-0	R-0		R-0		R-0	

LEGEND: R/W = Read/Write; R = Read only; WPC = Write 1 in privilege mode only to clear the bit; -n = value after reset

**Table 24-19. Active Control Packet and Error Register (HTU ACPE) Field Descriptions**

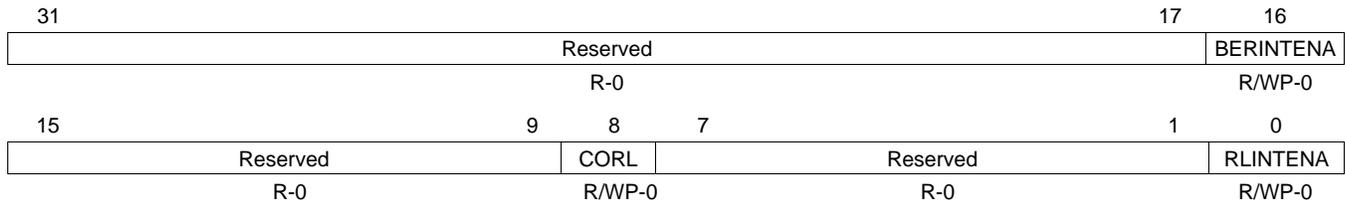
Bit	Field	Value	Description
31	ERRF	0 1	Error Flag No error occurred This bit is set when one of the conditions listed at ERRETC is fulfilled and ERRETC and ERRCPN are captured. Once ERRF is set, it is cleared when reading the upper 16-bit word of the ACPE register or the complete 32-bit register. It is also cleared when writing a one to ERRF. ERRF can be used to indicate if ERRETC and ERRCPN contain new unread data.
30-29	Reserved	0	Read returns 0. Writes have no effect.

**Table 24-19. Active Control Packet and Error Register (HTU ACPE) Field Descriptions (continued)**

Bit	Field	Value	Description						
28-24	ERRETC		<p>Error Element Transfer Count</p> <p>If one of the following conditions happens the current element transfer counter of the control packet (specified by ERRCPN) is captured to ERRETC. Please see also Conditions for Frame Transfer Interruption.</p> <ul style="list-style-type: none"> <li>Request Lost Error of control packet specified by ERRCPN. This is independent of the CORL bit.</li> <li>Parity Error of control packet specified by ERRCPN. This requires the parity check to be enabled, but is independent of the COPE bit.</li> <li>Bus Error of control packet specified by ERRCPN.</li> <li>Memory Protection Error of control packet specified by ERRCPN. This requires the memory protection to be enabled.</li> <li>Writing a one to a BUSY bit, which belongs to the control packet specified by ERRCPN, if that bit is one. There is no effect if the BUSY bit is zero.</li> </ul> <p>ERRETC is frozen from being updated until the upper 16-bit word of the ACPE register or the complete 32-bit register is read by the CPU. After this read the HTU will update ERRETC if one of the above conditions is fulfilled again. During debugging, ERRETC stays frozen even when reading the upper 16-bit word or the 32-bit register.</p>						
23-20	Reserved	0	Read returns 0. Writes have no effect.						
19-16	ERRCPN		<p>Error Control Packet Number</p> <p>If one of the conditions listed at ERRETC happens the number of the control packet, which caused the condition, is captured to ERRCPN.</p> <table border="0"> <tr> <td><b>Control Packet</b></td> <td><b>ERRCPN Value</b></td> </tr> <tr> <td>CP A of DCP x</td> <td>2 x</td> </tr> <tr> <td>CP B of DCP x</td> <td>2 x+1</td> </tr> </table> <p>With x = 0,1,...or 7</p> <p>ERRCPN is frozen from being updated until the upper 16-bit word of the ACPE register or the complete 32-bit register is read by the CPU. After this read the HTU will update ERRCPN if one of the above conditions is fulfilled again. During debugging, ERRCPN stays frozen even when reading the upper 16-bit word or the 32-bit register. If one of the conditions is fulfilled ERRETC and ERRCPN are updated simultaneously.</p>	<b>Control Packet</b>	<b>ERRCPN Value</b>	CP A of DCP x	2 x	CP B of DCP x	2 x+1
<b>Control Packet</b>	<b>ERRCPN Value</b>								
CP A of DCP x	2 x								
CP B of DCP x	2 x+1								
15	TIPF	0 1	<p>Transfer in Progress Flag</p> <p>0 No transfers are in progress</p> <p>1 A transfer is currently active. This bit is the result of a logical OR function of all BUSYxx flags of the 4 BUSYx registers.</p>						
14	BUSBUSY	0 1	<p>Bus is Busy</p> <p>0 Bus between NHET and HTU is not busy</p> <p>1 When BUSBUSY is one the bus is busy with a transfer. It is different from TIPF above because BUSBUSY will go low after VBUSHOLD is set to one and no transfers are pending between the HTU and the main memory. TIPF will remain one if a transfer is still pending and VBUSHOLD is one.</p>						
13	Reserved	0	Read returns 0. Writes have no effect.						
12-8	CETCOUNT		<p>Current Element Transfer Count</p> <p>CETCOUNT shows the current element transfer counter for the frame which is currently processed. If the HTU doesn't currently transfer any frame CETCOUNT is zero.</p> <p>CETCOUNT is updated after the write part of a transfer. There is a period of up to 7 cycles between the time the CETCOUNT is zero and the HTU is finished updating the current DCP (and the CPENA registers if the required conditions are fulfilled).</p>						
7-4	Reserved	0	Read returns 0. Writes have no effect.						
3-0	NACP		<p>Number of Active Control Packet</p> <p>Indicates which CP currently processes a frame.</p> <table border="0"> <tr> <td><b>Active or Recent DCP</b></td> <td><b>NACP Value</b></td> </tr> <tr> <td>CP A of DCP x</td> <td>2 x</td> </tr> <tr> <td>CP B of DCP x</td> <td>2 x+1</td> </tr> </table> <p>With x = 0,1,...or 7</p> <p>NACP is updated at the time the frame starts on the according CP, and it is updated with a new value when a frame starts on a different CP. Note, that there can be a delay between the request and the start of the frame.</p>	<b>Active or Recent DCP</b>	<b>NACP Value</b>	CP A of DCP x	2 x	CP B of DCP x	2 x+1
<b>Active or Recent DCP</b>	<b>NACP Value</b>								
CP A of DCP x	2 x								
CP B of DCP x	2 x+1								

### 24.4.8 Request Lost and Bus Error Control Register (HTU RLBECTRL)

**Figure 24-21. Request Lost and Bus Error Control Register (HTU RLBECTRL) [offset = 20h]**



LEGEND: R/W = Read/Write; R = Read only; WP = Write in privilege mode only; -n = value after reset

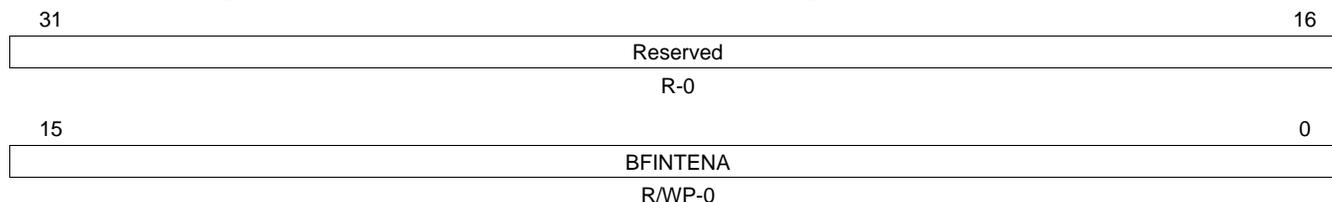
**Table 24-20. Request Lost and Bus Error Control Register (HTU RLBECTRL) Field Descriptions**

Bit	Field	Value	Description
31-17	Reserved	0	Read returns 0. Writes have no effect.
16	BERINTENA	0	Bus Error Interrupt Enable Bit The bus error interrupt is disabled for all DCPs
		1	The bus error interrupt is enabled for all DCPs
15-9	Reserved	0	Read returns 0. Writes have no effect.
8	CORL	0	Continue On Request Lost Error Stop current frame on request lost detection. Please see Conditions for Frame Transfer Interruption
		1	If CORL is one and DCP x is enabled, then DCP x will stay enabled after a request lost condition on DCP x and element transfers will continue.
7-1	Reserved	0	Read returns 0. Writes have no effect.
0	RLINTENA	0	Request Lost Interrupt Enable Bit The request lost interrupt is disabled for all DCPs. Disabling RLINTENA will not clear the flags in the RLOSTFL register.
		1	The request lost interrupt is enabled for all DCPs. If bits are set in the RLOSTFL flag register at the time RLINTENA is (re-) enabled, then the according interrupt(s) will occur (in the order of the priority of the request lines).

### 24.4.9 Buffer Full Interrupt Enable Set Register (HTU BFINTS)

This registers allows to enable the buffer full interrupts for the different control packets. Reading registers BFINTS and BFINTC will return the same bits indicating the status which interrupt is enabled (1) or disabled (0).

**Figure 24-22. Buffer Full Interrupt Enable Set Register (HTU BFINTS) [offset = 24h]**



LEGEND: R/W = Read/Write; R = Read only; WP = Write in privilege mode only; -n = value after reset

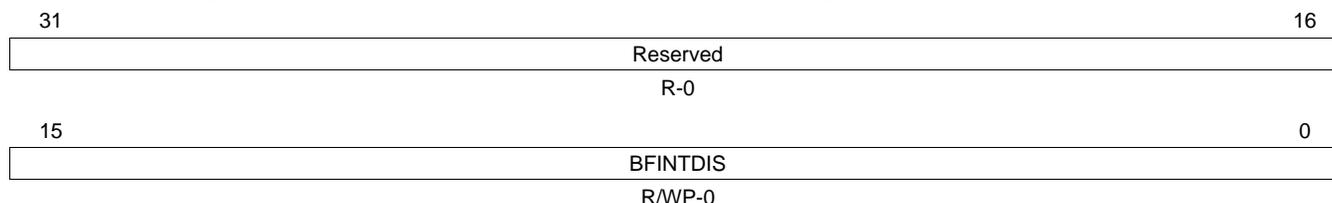
**Table 24-21. Buffer Full Interrupt Enable Set Register (HTU BFINTS) Field Descriptions**

Bit	Field	Value	Description
31-16	Reserved	0	Read returns 0. Writes have no effect.
15-0	BFINTENA	0	Interrupt disabled. Writing a zero has no effect.
		1	Writing to bit (2*x) enables the interrupt for CP A of DCP x. Writing to bit (2*x+1) enables the interrupt for CP B of DCP x.

### 24.4.10 Buffer Full Interrupt Enable Clear Register (HTU BFINTC)

This registers allows to disable the buffer full interrupts for the different control packets. Reading registers BFINTS and BFINTC will return the same bits indicating the status which interrupt is enabled (1) or disabled (0)

**Figure 24-23. Buffer Full Interrupt Enable Clear Register (HTU BFINTC) [offset = 28h]**



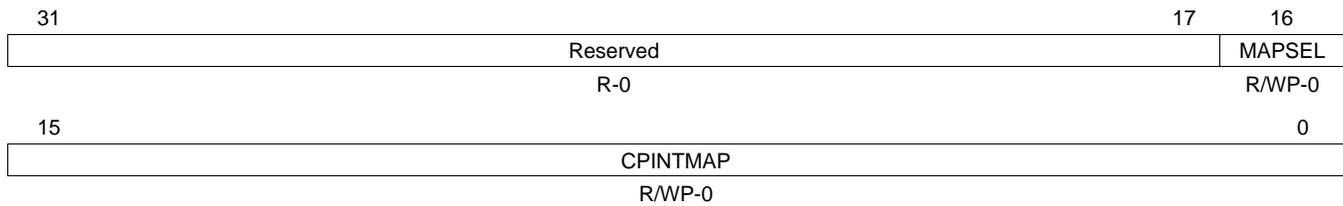
LEGEND: R/W = Read/Write; R = Read only; WP = Write in privilege mode only; -n = value after reset

**Table 24-22. Buffer Full Interrupt Enable Clear Register (HTU BFINTC) Field Descriptions**

Bit	Field	Value	Description
31-16	Reserved	0	Read returns 0. Writes have no effect.
15-0	BFINTDIS	0	Interrupt disabled. Writing a zero has no effect.
		1	Writing to bit (2*x) disables the interrupt for CP A of DCP x. Writing to bit (2*x+1) disables the interrupt for CP B of DCP x.

### 24.4.11 Interrupt Mapping Register (HTU INTMAP)

**Figure 24-24. Interrupt Mapping Register (HTU INTMAP) [offset = 2Ch]**



LEGEND: R/W = Read/Write; R = Read only; WP = Write in privilege mode only; -n = value after reset

**Table 24-23. Interrupt Mapping Register (HTU INTMAP) Field Descriptions**

Bit	Field	Value	Description
31-17	Reserved	0	Read returns 0. Writes have no effect.
16	MAPSEL	0	Interrupt Mapping Select Bit If MAPSEL is zero then one bit of CPINTMAP selects one of two interrupt priorities 0 or 1 for the <b>buffer full</b> interrupt for the according CP. The <b>request lost</b> and <b>bus error</b> interrupts of all CPs are set to priority 0, independent of CPINTMAP.
		1	If MAPSEL is one then one bit of CPINTMAP determines if the <b>buffer full</b> , <b>request lost</b> and <b>bus error</b> interrupts of the according CP are assigned either to interrupt line 0 or to 1.
15-0	CPINTMAP	0	CP Interrupt Mapping Bits Interrupt of CP A (bit 2-x) of DCP x is mapped to interrupt line 0. Interrupt of CP B (bit 2*x+1) of DCP x is mapped to interrupt line 0.
		1	Interrupt of CP A (bit 2-x) of DCP x is mapped to interrupt line 1. Interrupt of CP B (bit 2*x+1) of DCP x is mapped to interrupt line 1.

### 24.4.12 Interrupt Offset Register 0 (HTU INTOFF0)

The INTOFF0 register reflects the highest priority interrupt flag bit set in the BERINTFL, RLOSTFL or BFINTFL flag registers with the appropriate CPINTMAP bit set to 0. The priority order (from high to low) is: BER, RLOST, buffer-full. Interrupts for request lines with lower number (higher row in the table next page) have higher priority.

**Figure 24-25. Interrupt Offset Register 0 (HTU INTOFF0) [offset = 34h]**

31	Reserved										16		
R-0													
15	Reserved			10	9	8	7	Reserved		4	3	1	0
R-0				INTTYPE0			R-0			CPOFF0			
R-0				R-0			R-0			R-0			

LEGEND: R/W = Read/Write; R = Read only; -n = value after reset

**Table 24-24. Interrupt Offset Register 0 (HTU INTOFF0) Field Descriptions**

Bit	Field	Value	Description
31-11	Reserved	0	Read returns 0. Writes have no effect.
10-8	INTTYPE0	0 1h 2h 3h	Interrupt Type of Interrupt Line 0. Indicates whether a buffer-full, RLOST or BER interrupt - assigned to interrupt line 0 - is currently pending. No interrupt Interrupt caused by full buffer on CP/DCP specified by CPOFF0 RLOST interrupt generated by CP/DCP specified by CPOFF0 BER interrupt generated by CP/DCP specified by bits CPOFF0
7-5	Reserved	0	Read returns 0. Writes have no effect.
4-0	CPOFF0	0 1h 2h 3h 4h 5h 6h 7h 8h 9h Ah Bh Ch Dh Eh Fh	CP Offset. Indicates for which control packet the interrupt is pending, which is classified by INTTYPE0 and is assigned to interrupt line 0. DCP 0, CP A DCP 0, CP B DCP 1, CP A DCP 1, CP B DCP 2, CP A DCP 2, CP B DCP 3, CP A DCP 3, CP B DCP 4, CP A DCP 4, CP B DCP 5, CP A DCP 5, CP B DCP 6, CP A DCP 6, CP B DCP 7, CP A DCP 7, CP B

---

**NOTE:** Reading CPOFF0 will clear the bit generating the current interrupt from appropriate flag register (BERINTFL, RLOSTFL, or BFINTFL) except when in debug mode where reading CPOFF0 will have no effect on the flag registers.

---



---

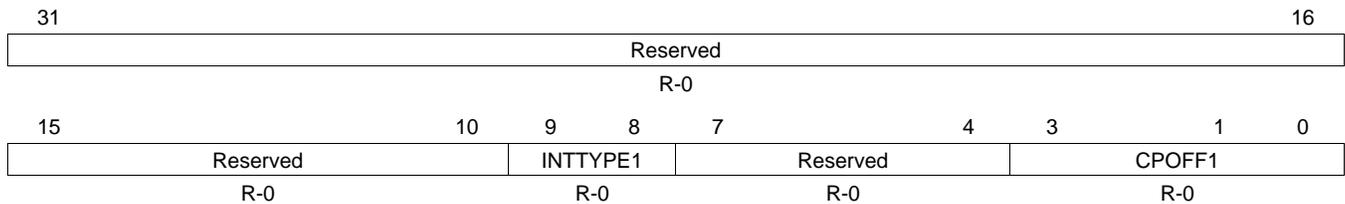
**NOTE:** In order to read INTTYPE0 and CPOFF0 simultaneously always read this register using word or half-word but not using byte accesses.

---

**24.4.13 Interrupt Offset Register 1 (HTU INTOFF1)**

This register is organized identically to the INTOFF0 register. The difference is that INTOFF1 reflects the highest priority interrupt flag bit set in the BERINTFL, RLOSTFL or BFINTFL flag registers with the appropriate CPINTMAP bit set to 1.

**Figure 24-26. Interrupt Offset Register 1 (HTU INTOFF1) [offset = 38h]**



LEGEND: R/W = Read/Write; R = Read only; -n = value after reset

**Table 24-25. Interrupt Offset Register 1 (HTU INTOFF1) Field Descriptions**

Bit	Field	Value	Description
31-11	Reserved	0	Read returns 0. Writes have no effect.
10-8	INTTYPE1	0 1h 2h 3h	Interrupt Type of Interrupt Line 1. Indicates whether a buffer-full, RLOST or BER interrupt - assigned to interrupt line 1 - is currently pending. No interrupt Interrupt caused by full buffer on CP/DCP specified by CPOFF1 RLOST interrupt generated by CP/DCP specified by CPOFF1 BER interrupt generated by CP/DCP specified by bits CPOFF1
7-5	Reserved	0	Read returns 0. Writes have no effect.
4-0	CPOFF1	0 1h 2h 3h 4h 5h 6h 7h 8h 9h Ah Bh Ch Dh Eh Fh	CP Offset. Indicates for which DCP / CP the interrupt is pending, which is classified by INTTYPE1 and is assigned to interrupt line 1 DCP 0, CP A DCP 0, CP B DCP 1, CP A DCP 1, CP B DCP 2, CP A DCP 2, CP B DCP 3, CP A DCP 3, CP B DCP 4, CP A DCP 4, CP B DCP 5, CP A DCP 5, CP B DCP 6, CP A DCP 6, CP B DCP 7, CP A DCP 7, CP B

---

**NOTE:** Reading CPOFF1 will clear the bit generating the current interrupt from appropriate flag register BERINTFL, RLOSTFL, or BFINTFL except when in debug mode where reading CPOFF1 will have no effect on the flag registers.

---



---

**NOTE:** In order to read INTTYPE1 and CPOFF1 simultaneously always read this register using word or half-word but not using byte accesses.

---

### 24.4.14 Buffer Initialization Mode Register (HTU BIM)

This register enables special applications, where one CP is temporarily disabled, but after having re-enabled the CP, filling the buffer should not start back at its beginning, but should continue after the last element of the previous run.

**Figure 24-27. Buffer Initialization Mode Register (HTU BIM) [offset = 3Ch]**

31	Reserved			16
R-0				
15	8	7	0	
Reserved			BIM	
R-0			R/WP-0	

LEGEND: R/W = Read/Write; R = Read only; WP = Write in privilege mode only; -n = value after reset

**Table 24-26. Buffer Initialization Mode Register (HTU BIM) Field Descriptions**

Bit	Field	Value	Description
31-8	Reserved	0	Read returns 0. Writes have no effect.
7-0	BIM		Buffer Initialization Mode The BIM bits and the TMBx bits determine when a buffer is initialized, that means when its initial full address IFADDRx and its initial frame counter IFTCOUNT is used. When initializing (restarting) a buffer the information in the corresponding initial DCP RAM is loaded to a internal state machine but not to the current DCP RAM (CFADDRx, CFTCTx). The current DCP RAM is updated the first time when the first frame has finished. A buffer is initialized: <ul style="list-style-type: none"> <li>• In circular buffer transfer mode (defined by TMBx) when the end of the buffer is reached.</li> <li>• When CPs are switched or enabled according to Buffer Initialization. The CPENA bits (2*x+1) and (2*x) are changed by write access to CPENA. For the first two rows of the table the change of the CPENA bits could also be the result of the auto switch feature (as defined by TMBx).</li> </ul> BIM bit x only affects DCP x (with x = 0,1,...or 7).

Table 24-27 shows more details on the BIM usage.

**Table 24-27. Buffer Initialization**

Case	Change of CPENA bits (2*x+1) and (2*x)		Action on buffer A or B (of DCP x)		
	Old state <sup>(1)</sup>	New state <sup>(2)</sup>		BIM bit x = 0 (normal mode)	BIM bit x = 1 (special mode)
A	01	10	Switch from CP A to B	Next frame starts at the initial address of buffer B <sup>(3)</sup>	Same as for BIM bit x = 0
B	10	01	Switch from CP B to A	Next frame starts at the initial address of buffer A <sup>(3)</sup>	Same as for BIM bit x = 0
C	01	01	Stay at CP A	Write to CPENA bits (2*x+1) and (2*x) is ignored	Same as for BIM bit x = 0
E	10	10	Stay at CP B	Write to CPENA bits (2*x+1) and (2*x) is ignored	Same as for BIM bit x = 0
E	00	01	Enable CP A	Next frame starts at the initial address of buffer A	Next frame continues at the current address of buffer A
F	00	10	Enable CP B	Next frame starts at the initial address of buffer B	Next frame continues at the current address of buffer B
G	xx	11	Disable both CPs	Stop DCP x	Same as for BIM bit x = 0

<sup>(1)</sup> See read table of CPENA register.

<sup>(2)</sup> See write table of CPENA register.

<sup>(3)</sup> This is regardless of whether the switch is done by a write access to CPENA or by the auto switch feature.

---

**NOTE:** For cases E and F above, after the last frame of a buffer, the HTU sets CFTCTx to zero and CFADDRx to the next address after the buffer. If the DCP was disabled during this state, then both CFTCTx and CFADDRx would contain invalid initialization values. Therefore, if a DCP should continue at its current address, then the software should use one of the following two procedures before it (re-) enables the DCP (as per [Table 24-27](#)):

1. If CFTCTx  $\neq$  0 then set BIM=1  
    If CFTCTx = 0 then set  
        BIM=0
2. If CFTCTx  $\neq$  0 then set  
    BIM=1  
    If CFTCTx = 0 then {set  
        BIM=1;

```
set CFTCTx = IFTCOUNT;
set CFADDRx = IFADDRx}
```

But note that these procedures are only required for the cases E and F and not for all the other cases shown in the table. Also, when a buffer reaches its end in circular mode, it uses the initial DCP information to restart independently of the BIM setting (assuming it is not temporarily disabled during CFTCTx = 0).

---

**NOTE:** Similarly, care needs to be taken when BIM is set to one and a DCP is enabled for the very first time. Also, in this case, CFTCTx and CFADDRx usually contain invalid initialization values. The software can either solve this by setting BIM=0 for the first time or setting CFADDRx to IFADDRx and CFTCTx to IFTCOUNT before the DCP is enabled.

---

**NOTE:** If

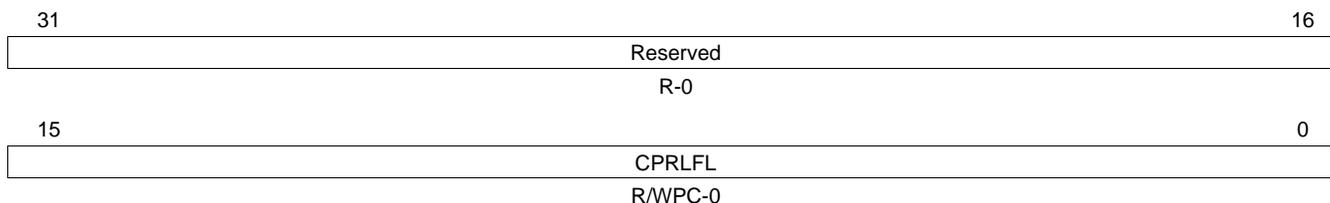
- the HTUEN bit is changed to one after the HTU was disabled HTUEN=0
- the CPENA bit pair is 01 or 10 (during this HTUEN change)

then the corresponding BIM bit will decide if the corresponding buffer continues at its initial or current address. Cases E and F in [Table 24-27](#) also apply for this situation. The software should use the procedures explained in the first note before setting HTUEN.

---

### 24.4.15 Request Lost Flag Register (HTU RLOSTFL)

Figure 24-28. Request Lost Flag Register (HTU RLOSTFL) [offset = 40h]



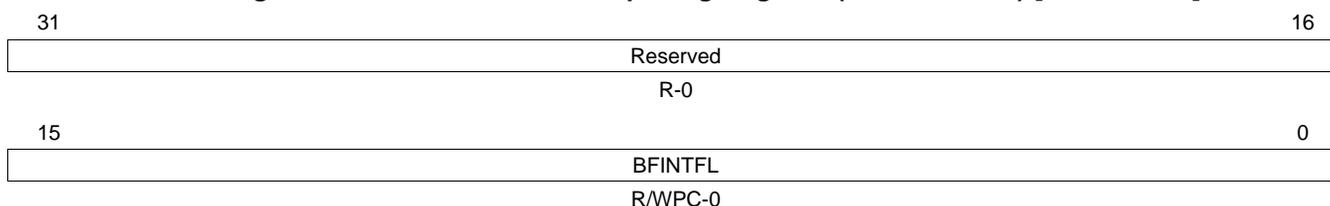
LEGEND: R/W = Read/Write; R = Read only; WPC = Write 1 in privilege mode to clear the bit; -n = value after reset

Table 24-28. Request Lost Flag Register (HTU RLOSTFL) Field Descriptions

Bit	Field	Value	Description
31-16	Reserved	0	Read returns 0. Writes have no effect.
15-0	CPRLFL	0	CP Request Lost Flags No request was lost. Writing a zero has no effect.
		1	If bit (2*x) is set, a request was lost on CP A of DCP x. If bit (2*x+1) is set, a request was lost on CP B of DCP x. Reading from INTOFFx in case of a RLOST interrupt clears the corresponding flag. The state of the flag bit can be polled even if RLINTENA is cleared. <ul style="list-style-type: none"> <li>• Reading CPRLFL will not clear the flags or</li> <li>• Reading from INTOFFx clears the corresponding flag.</li> <li>• Writing a one clears the corresponding flag.</li> </ul>

### 24.4.16 Buffer Full Interrupt Flag Register (HTU BFINTFL)

Figure 24-29. Buffer Full Interrupt Flag Register (HTU BFINTFL) [offset = 44h]



LEGEND: R/W = Read/Write; R = Read only; WPC = Write 1 in privilege mode to clear the bit; -n = value after reset

Table 24-29. Buffer Full Interrupt Flag Register (HTU BFINTFL) Field Descriptions

Bit	Field	Value	Description
31-16	Reserved	0	Read returns 0. Writes have no effect.
15-0	BFINTFL	0	Buffer Full Interrupt Flags No buffer full condition detected. Writing a zero has no effect.
		1	If bit (2*x) is set, a buffer full condition on CP A of DCP x has been detected. If bit (2*x+1) is set, a buffer full condition on CP B of DCP x has been detected. The BFINTFL flag is set after the last frame finishes on the corresponding buffer regardless of whether the buffer is configured to one shot, circular or auto-switch mode. If BFINTFL is set in circular mode, then a circular overrun has occurred on the corresponding buffer. This can be used to indicate whether the buffer section after the frozen full address contains valid data or not. Reading from INTOFFx in case of a buffer-full interrupt clears the corresponding flag. The state of the flag bit can be polled even if the corresponding interrupt enable bit is cleared. <ul style="list-style-type: none"> <li>• Reading BFINTFL will not clear the flags or</li> <li>• Reading INTOFFx will clear the corresponding flags or</li> <li>• Writing a one clears the corresponding flag.</li> </ul>

### 24.4.17 BER Interrupt Flag Register (HTU BERINTFL)

A bus error interrupt results due to an address error or a timeout condition on the main memory access. A bus error will stop the frame transfer. Please see [Section 24.2.3](#).

**Figure 24-30. BER Interrupt Flag Register (HTU BERINTFL) [offset = 48h]**

31	Reserved	16
R-0		
15	BERINTFL	0
R/WPC-0		

LEGEND: R/W = Read/Write; R = Read only; WPC = Write 1 in privilege mode to clear the bit; -n = value after reset

**Table 24-30. BER Interrupt Flag Register (HTU BERINTFL) Field Descriptions**

Bit	Field	Value	Description
31-16	Reserved	0	Read returns 0. Writes have no effect.
15-0	BERINTFL	0	Bus Error Interrupt Flags No bus error condition detected. Writing a zero has no effect.
		1	If bit (2*x) is set, then a BER interrupt is pending on CP A of DCP x. If bit (2*x+1) is set, then a BER interrupt is pending on CP B of DCP x. The state of the flag bit can be polled even if BERINTENA is cleared. <ul style="list-style-type: none"> <li>• Reading BERINTFL will not clear the flags or</li> <li>• Reading from INTOFFx in case of a BER interrupt clears the corresponding flag or</li> <li>• Writing a one clears the corresponding flag.</li> </ul>

### 24.4.18 Memory Protection 1 Start Address Register (HTU MP1S)

This register configures the start address of memory protection region 1.

**Figure 24-31. Memory Protection 1 Start Address Register (HTU MP1S) [offset = 4Ch]**



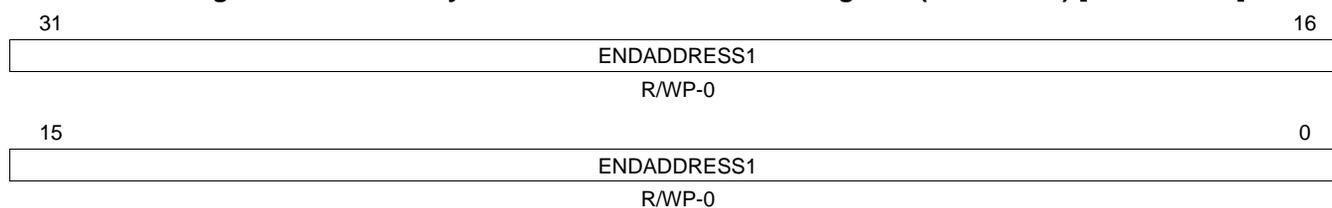
LEGEND: R/W = Read/Write; R = Read only; WP = Write in privilege mode only; -n = value after reset

**Table 24-31. Memory Protection 1 Start Address Register (HTU MP1S) Field Descriptions**

Bit	Field	Description
31-0	STARTADDRESS1	The start address defines at which main memory address the region begins. A memory protection error will be triggered, if the HTU accesses an address smaller than STARTADDRESS1 and the MPCS bit REG01ENA register is configured accordingly.

### 24.4.19 Memory Protection 1 End Address Register (HTU MP1E)

**Figure 24-32. Memory Protection 1 End Address Register (HTU MP1E) [offset = 50h]**



LEGEND: R/W = Read/Write; R = Read only; WP = Write in privilege mode only; -n = value after reset

**Table 24-32. Memory Protection 1 End Address Register (HTU MP1E) Field Descriptions**

Bit	Field	Description
31-0	ENDADDRESS1	The end address defines at which address the region ends. A memory protection error will be triggered, if the HTU accesses an address bigger than ENDADDRESS1 and the register bit REG01ENA is configured accordingly.

### 24.4.20 Debug Control Register (HTU DCTRL)

This register allows to create watchpoints on access to a certain location. It is intended to help debug the application execution during program development.

**Figure 24-33. Debug Control Register (HTU DCTRL) [offset = 54h]**

31	28	27	24	23	17	16	
Reserved		CPNUM		Reserved		HTUDBGS	
R-0		R-0		R-0		R/WS-0	
15						1	0
Reserved						DBREN	
R-0						R/WS-0	

LEGEND: R/W = Read/Write; R = Read only; WS = Write in suspend mode only; -n = value after reset

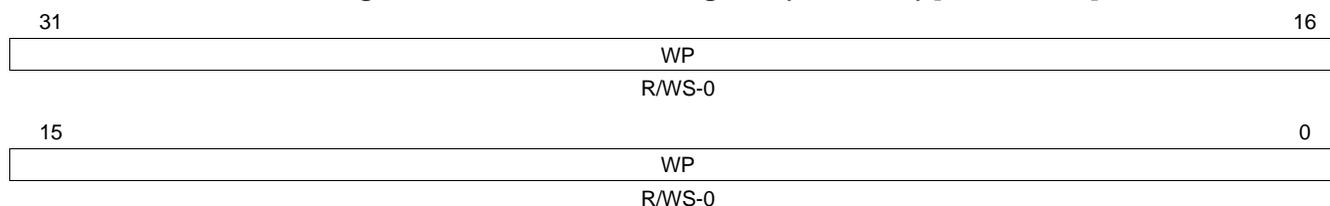
**Table 24-33. Debug Control Register (HTU DCTRL) Field Descriptions**

Bit	Field	Value	Description
31-28	Reserved	0	Read returns 0. Writes have no effect.
27-24	CPNUM	0 1h 2h 3h 4h 5h 6h 7h 8h 9h Ah Bh Ch Dh Eh Fh	CP Number. These bit fields indicate the CP which should cause the watch point to match. CP A of DCP0 CP B of DCP0 CP A of DCP1 CP B of DCP1 CP A of DCP2 CP B of DCP2 CP A of DCP3 CP B of DCP3 CP A of DCP4 CP B of DCP4 CP A of DCP5 CP B of DCP5 CP A of DCP6 CP B of DCP6 CP A of DCP7 CP B of DCP7
23-17	Reserved	0	Read returns 0. Writes have no effect.
16	HTUDBGS	0 1	HTU Debug Status. When the main memory address is equal to the unique address defined by WPR, or lies in the specified range resulting from WMR, then the HTUDBGS is set. If in addition DBREN is set, then the application code execution will be stopped. A one must be written to this bit in order to clear it and to release the CPU from debug halting state. Read: No watch point condition was detected. Write: No effect. Read: A watch point condition was detected. Write: Clears the bit.
15-1	Reserved	0	Read returns 0. Writes have no effect.
0	DBREN		Debug Request Enable If a watch point matches and DBREN is set, then the application code execution will be stopped. This bit can only be set or cleared when in debug mode. This bit and all other bits of the DCTRL, WPR and WMR registers are reset by the test reset (nTRST) but not by the normal device reset.

### 24.4.21 Watch Point Register (HTU WPR)

This register defines the main memory address of the watchpoint.

**Figure 24-34. Watch Point Register (HTU WPR) [offset = 58h]**



LEGEND: R/W = Read/Write; R = Read only; WS = Write in suspend mode only; -n = value after reset

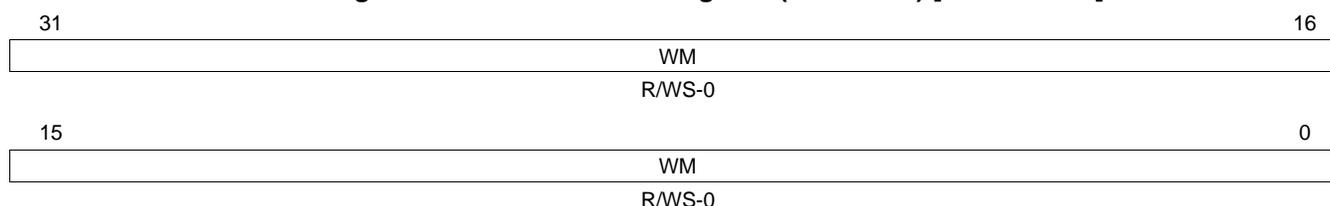
**Table 24-34. Watch Point Register (HTU WPR) Field Descriptions**

Bit	Field	Description
31-0	WP	Watch Point Register A 32-bit address can be programmed into this register as a watch point. The WPR register is used along with the Watch Mask Register (WMR). When the main memory address is equal to the unique address defined by WPR, or lies in the specified range resulting from WMR, then the HTUDBGS is set. If in addition DBREN is set, then the application code execution is stopped. This register can only be programmed during debug mode. This register and all other bits of the DCTRL and WMR registers are reset by the test reset (nTRST) but not by the normal device reset.

### 24.4.22 Watch Mask Register (HTU WMR)

This register defines a mask of the main memory address of the watchpoint. It can be used to define a memory range in conjunction with the WPR register.

**Figure 24-35. Watch Mask Register (HTU WMR) [offset = 5Ch]**



LEGEND: R/W = Read/Write; R = Read only; WS = Write in suspend mode only; -n = value after reset

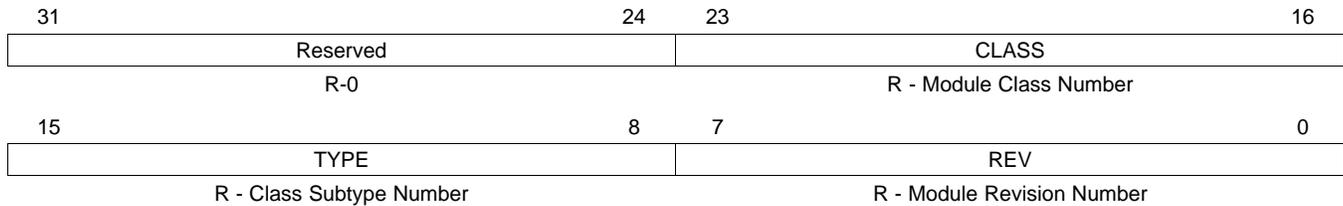
**Table 24-35. Watch Mask Register (HTU WMR) Field Descriptions**

Bit	Field	Description
31-0	WM	Watch Mask Register Setting a bit in the WMR register to one has the effect of masking the corresponding bit in of the main memory address, so that this bit is ignored for the address comparison. This register can only be programmed during debug mode. This register and all other bits of the DCTRL and WPR registers are reset by the test reset (nTRST) but not by the normal device reset.

### 24.4.23 Module Identification Register (HTU ID)

This register is for TI internal purposes and allows to keep track of the HTU module version on different devices.

**Figure 24-36. Module Identification Register (HTU ID) [offset = 60h]**



LEGEND: R = Read only; -n = value after reset

**Table 24-36. Module Identification Register (HTU ID) Field Descriptions**

Bit	Field	Value	Description
31-24	Reserved	0	Read returns 0. Writes have no effect.
23-16	CLASS		Module Class This field defines the module class number as read-only constant value for the HTU module. Writes have no effect.
15-8	TYPE		Subtype within a Class This field defines the subtype within a class as read-only constant value for the HTU module. Writes have no effect.
7-0	REV		Module Revision Number This field defines the module revision number as read-only constant value for the HTU module. Writes have no effect.

**24.4.24 Parity Control Register (HTU PCR)**
**Figure 24-37. Parity Control Register (HTU PCR) [offset = 64h]**

31	Reserved	17	16
	R-0		COPE R/WP-0
15	9	8	7
	4	3	0
	Reserved R-0	TEST R/WP-0	Reserved R-0
			PARITY_ENA R/WP-5h

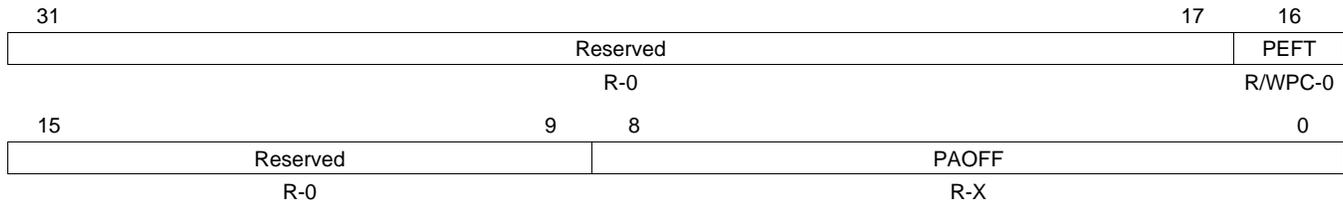
LEGEND: R/W = Read/Write; R = Read only; WP = Write in privilege mode only; -n = value after reset

**Table 24-37. Parity Control Register (HTU PCR) Field Descriptions**

Bit	Field	Value	Description
31-17	Reserved	0	Read returns 0. Writes have no effect.
16	COPE	0	Continue on Parity Error  The HTU performs parity checks every time it reads the RAM section of DCP x (with x = 0, 1,... or 7), before the next frame (of DCP x) is started. If a parity error is detected during this read access and if the parity check is enabled, then the frame will not be started and DCP x will be automatically disabled in the CPENA register.  If a master different than the HTU (for example, CPU) reads the RAM section of DCP x and a parity error is detected during this read access, while the parity check is enabled, then the DCP x will automatically be disabled in the CPENA register. If a frame is active on DCP x during this read access, then in addition the element counter of DCP x is cleared and all new element transfers on DCP x are stopped and the active busy bit of DCP x is cleared.
1		1	The difference to COPE=0 is, that the data transfer on a active DCP continues after a parity error was detected on this DCP. So neither the DCP with the parity error will be disabled nor the frame will be stopped.
15-9	Reserved	0	Read returns 0. Writes have no effect.
8	TEST	0	Test. When this bit is set, the parity bits are mapped into the peripheral RAM frame to make them accessible by the CPU.  Parity bits are not memory mapped
		1	Parity bits are memory mapped
7-4	Reserved	0	Read returns 0. Writes have no effect.
3-0	PARITY_ENA	5h	Enable/Disable Parity Checking. This bit field enables or disables the parity check on read operations and the parity calculation on write operations. If parity checking is enabled and a parity error is detected, then the PEFT flag is set, PAOFF is captured if it is not currently frozen and an interrupt is generated if it is enabled.  Parity check is disabled
		All Others	Parity check is enabled  <b>Note:</b> It is recommended to write Ah to enable error detection, to guard against single bit changes from flipping PARITY_ENA to a disable state.

### 24.4.25 Parity Address Register (HTU PAR)

**Figure 24-38. Parity Address Register (HTU PAR) [offset = 68h]**



LEGEND: R/W = Read/Write; R = Read only; WPC = Write 1 in privilege mode to clear the bit; -n = value after reset; X = undefined

**Table 24-38. Parity Address Register (HTU PAR) Field Descriptions**

Bit	Field	Value	Description
31-10	Reserved	0	Read returns 0. Writes have no effect.
16	PEFT	0 1	Parity Error Fault Flag. This bit is set, when the HTU detects a parity error and parity checking is enabled.  No fault detected Fault detected  <b>Note:</b> Once PEFT is set, a read access to the lower 16 bits or to the complete 32-bit HTUPAR register will clear the PEFT flag in non-debug mode. Another possibility to clear PEFT is to write a 1 to the PEFT bit.
15-9	Reserved	0	Read returns 0. Writes have no effect.
8-0	PAOFF		Parity Error Address Offset. This bit field holds the address of the first parity error, which is detected in the DCP RAM. PAOFF provides the offset address of the erroneous byte counted from the beginning of the DCP memory. This error address is frozen from being updated until a read access to the lower 16 bits or to the complete 32-bit HTUPAR register happens. During debug mode, this address is frozen even when read.  <b>Note:</b> The Parity Error Address bits will not be reset, neither by PORRST nor by any other reset source.

**24.4.26 Memory Protection Control and Status Register (HTU MPCS)**
**Figure 24-39. Memory Protection Control and Status Register (HTU MPCS) [offset = 70h]**

31		28	27		24			
Reserved			CPNUM0					
R-0			R-0					
23				18	17	16		
Reserved					MPEFT1	MPEFT0		
R-0					R/WCP-0	R/WCP-0		
15				12	11			
Reserved			CPNUM1					
R-0			R-0					
7	6	5	4	3	2	1	0	
Reserved	INT ENA01	ACCR01	REG01ENA	INT ENA0	ACCR0	REG0ENA		
R-0	R/WP-0	R/WP-0	R/WP-0	R/WP-0	R/WP-0	R/WP-0	R/WP-0	

LEGEND: R/W = Read/Write; R = Read only; WP = Write in privilege mode only; WPC = Write 1 in privilege mode to clear the bit; -n = value after reset

**Table 24-39. Memory Protection Control and Status Register (HTU MPCS) Field Descriptions**

Bit	Field	Value	Description
31-28	Reserved	0	Read returns 0. Writes have no effect.
27-24	CPNUM0		Control Packet Number for single memory protection region configuration. CPNUM0 holds the number of the CP, which has caused the first memory protection error when only one memory protection region is used. This number is not updated for multiple access violations until it is read by the CPU. During debug mode, CPNUM0 is frozen even when read.
		0	CP A of DCP0
		1h	CP B of DCP0
		2h	CP A of DCP1
		3h	CP B of DCP1
		4h	CP A of DCP2
		5h	CP B of DCP2
		6h	CP A of DCP3
		7h	CP B of DCP3
		8h	CP A of DCP4
		9h	CP B of DCP4
		Ah	CP A of DCP5
		Bh	CP B of DCP5
		Ch	CP A of DCP6
		Dh	CP B of DCP6
		Eh	CP A of DCP7
		Fh	CP B of DCP7
23-18	Reserved	0	Read returns 0. Writes have no effect.
17	MPEFT1		Memory Protection Error Fault Flag 1. This bit is set, when the HTU performs an access outside the region defined by the MP0S and MP0E and the MP1S and MP0E registers, when the access violates the rights defined by ACCR01 and when the REG01ENA bit is set.
		0	No fault detected. Writing a zero has no effect.
		1	Fault detected. Writing a one will clear the bit.
16	MPEFT0		Memory Protection Error Fault Flag 0. This bit is set, when the HTU performs an access outside the region defined by the MP0S and MP0E registers, when the access violates the rights defined by ACCR and when the REG0ENA bit is set.
		0	No fault detected. Writing a zero has no effect.
		1	Fault detected. Writing a one will clear the bit.

**Table 24-39. Memory Protection Control and Status Register (HTU MPCS) Field Descriptions (continued)**

Bit	Field	Value	Description
15-12	Reserved	0	Read returns 0. Writes have no effect.
11-8	CPNUM1	0	Control Packet Number for single memory protection region configuration. CPNUM1 holds the number of the CP, which has caused the first memory protection error when only one memory protection region is used. This number is not updated for multiple access violations until it is read by the CPU. During debug mode, CPNUM1 is frozen even when read.
		1h	CP B of DCP0
		2h	CP A of DCP1
		3h	CP B of DCP1
		4h	CP A of DCP2
		5h	CP B of DCP2
		6h	CP A of DCP3
		7h	CP B of DCP3
		8h	CP A of DCP4
		9h	CP B of DCP4
		Ah	CP A of DCP5
		Bh	CP B of DCP5
		Ch	CP A of DCP6
		Dh	CP B of DCP6
		Eh	CP A of DCP7
		Fh	CP B of DCP7
7-6	Reserved	0	Read returns 0. Writes have no effect.
5	INTENA01	0	Interrupt Enable 01. This bit needs to be set when working with two memory mapped regions and a error should be generated to the ESM module on an access violation. Error signaling is disabled
		1	Error signaling is enabled
4	ACCR01	0	Access Rights 01. This bit defines the access rights for the HTU for accesses outside the region defined by the MP0S and MP0E and the MP1S and MP0E registers. HTU read access is allowed but write access will be signaled
		1	Any access performed by the HTU is forbidden and will be signaled
3	REG01ENA	0	Region Enable 01. This bit needs to be set when working with two memory mapped regions. <b>REG0ENA must be set to zero</b> if this bit is set to a one. Memory region 0 must be less than memory region 1. The protection outside the memory region defined by the MP0S and MP0E and the MP1S and MP0E registers is not enabled. This means the HTU can access any implemented memory space. REG0ENA could still enabled to give protection outside the MP0S : MP0E region.
		1	The protection outside the memory region defined by the MP0S and MP0E and the MP1S and MP0E registers is enabled. This means the HTU can perform any access within the regions, but if it attempts to perform a forbidden access outside of both of the regions (according to the ACCR01 configuration), the access is signaled by the MPEFT1 flag. The number of the CP, which has caused the memory protection error, is captured to CPNUM1 if it is not currently frozen and an error is generated if it is enabled.
2	INTENA00	0	Interrupt Enable 0. This bit needs to be set when working with one memory mapped region and a error should be generated to the ESM module on an access violation. Error signaling is disabled
		1	Error signaling is enabled
1	ACCR	0	Access Rights 0. This bit defines the access rights for the HTU for accesses outside the region defined by the MP0S and MP0E registers for a single memory protection region configuration. HTU read access is allowed but write access will be signaled
		1	Any access performed by the HTU is forbidden and will be signaled

**Table 24-39. Memory Protection Control and Status Register (HTU MPCS) Field Descriptions (continued)**

Bit	Field	Value	Description
0	REG0ENA	0	Region Enable 0 The protection outside the memory region defined by the MP0S and MP0E registers is not enabled. This means the HTU can access any implemented memory space.
		1	The protection outside the memory region defined by the MP0S and MP0E registers is enabled. This means the HTU can perform any access within the region, but if it attempts to perform a forbidden access outside the region (according to the ACCR configuration), the access is signaled by the MPEFT0 flag, the number of the CP, which has caused the memory protection error, is captured to CPNUM0 if it is not currently frozen and an error is generated if it is enabled.

### 24.4.27 Memory Protection Start Address Register 0 (HTU MP0S)

This register configures the start address of memory protection region 0

**Figure 24-40. Memory Protection Start Address Register 0 (HTU MP0S) [offset = 74h]**



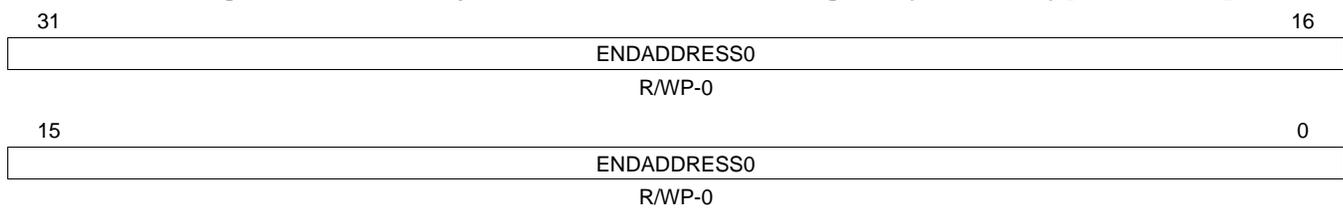
LEGEND: R/W = Read/Write; R = Read only; WP = Write in privilege mode only; -n = value after reset

**Table 24-40. Memory Protection 0 Start address Register (HTU MP0S) Field Descriptions**

Bit	Field	Description
31-0	ISTARTADDRESS0	The start address defines at which main memory address the region begins. A memory protection error will be triggered, if the HTU accesses an address smaller than STARTADDRESS0 and the MPCS register is configured accordingly.

### 24.4.28 Memory Protection End Address Register (HTU MP0E)

**Figure 24-41. Memory Protection End Address Register (HTU MP0E) [offset = 78h]**



LEGEND: R/W = Read/Write; R = Read only; WP = Write in privilege mode only; -n = value after reset

**Table 24-41. Memory Protection End Address Register (HTU MP0E) Field Descriptions**

Bit	Field	Description
31-0	ENDADDRESS0	The end address defines at which address the region ends. A memory protection error will be triggered, if the HTU accesses an address bigger than ENDADDRESS0 and the register bit MPCS register is configured accordingly.

## 24.5 Double Control Packet Configuration Memory

All bits marked "reserved" are implemented in RAM and will be initialized to unknown values after power on. Reserved locations can be written and read but should be written with zero to ensure future compatibility. The HTU RAM can be cleared with the system RAM initialization function.

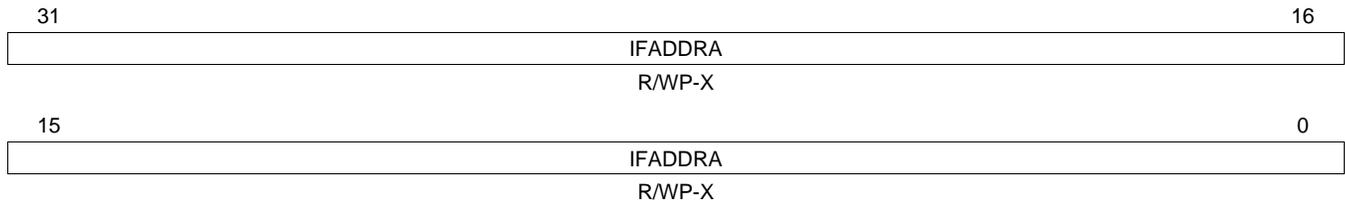
[Table 24-42](#) provides a summary of the memory configuration. There are eight sets of DCP registers and eight sets of CF registers. The base address for the DCP registers is FF4E 0000h for HTU1 and FF4C 0000h for HTU2.

**Table 24-42. Double Control Packet Memory Map**

Offset	Acronym	Register Description	Section
00h	HTU DCP0 IFADDRA	Initial Full Address A Register	<a href="#">Section 24.5.1</a>
04h	HTU DCP0 IFADDRB	Initial Full Address B Register	<a href="#">Section 24.5.2</a>
08h	HTU DCP0 IHADDRCT	Initial NHET Address and Control Register	<a href="#">Section 24.5.3</a>
0Ch	HTU DCP0 ITCOUNT	Initial Transfer Count Register	<a href="#">Section 24.5.4</a>
10h	HTU DCP1 IFADDRA	Initial Full Address A Register	<a href="#">Section 24.5.1</a>
14h	HTU DCP1 IFADDRB	Initial Full Address B Register	<a href="#">Section 24.5.2</a>
18h	HTU DCP1 IHADDRCT	Initial NHET Address and Control Register	<a href="#">Section 24.5.3</a>
1Ch	HTU DCP1 ITCOUNT	Initial Transfer Count Register	<a href="#">Section 24.5.4</a>
:	:	:	
70h	HTU DCP7 IFADDRA	Initial Full Address A Register	<a href="#">Section 24.5.1</a>
74h	HTU DCP7 IFADDRB	Initial Full Address B Register	<a href="#">Section 24.5.2</a>
78h	HTU DCP7 IHADDRCT	Initial NHET Address and Control Register	<a href="#">Section 24.5.3</a>
7Ch	HTU DCP7 ITCOUNT	Initial Transfer Count Register	<a href="#">Section 24.5.4</a>
100h	HTU CDCP0 CFADDRA	Current Full Address A Register	<a href="#">Section 24.5.5</a>
104h	HTU CDCP0 CFADDRB	Current Full Address B Register	<a href="#">Section 24.5.6</a>
108h	HTU CDCP0 CFCOUNT	Current Frame Count Register	<a href="#">Section 24.5.7</a>
110h	HTU CDCP1 CFADDRA	Current Full Address A Register	<a href="#">Section 24.5.5</a>
114h	HTU CDCP1 CFADDRB	Current Full Address B Register	<a href="#">Section 24.5.6</a>
118h	HTU CDCP1 CFCOUNT	Current Frame Count Register	<a href="#">Section 24.5.7</a>
:	:	:	
170h	HTU CDCP7 CFADDRA	Current Full Address A Register	<a href="#">Section 24.5.5</a>
174h	HTU CDCP7 CFADDRB	Current Full Address B Register	<a href="#">Section 24.5.6</a>
178h	HTU CDCP7 CFCOUNT	Current Frame Count Register	<a href="#">Section 24.5.7</a>

### 24.5.1 Initial Full Address A Register (HTU IFADDRA)

**Figure 24-42. Initial Full Address A Register (HTU IFADDRA)**



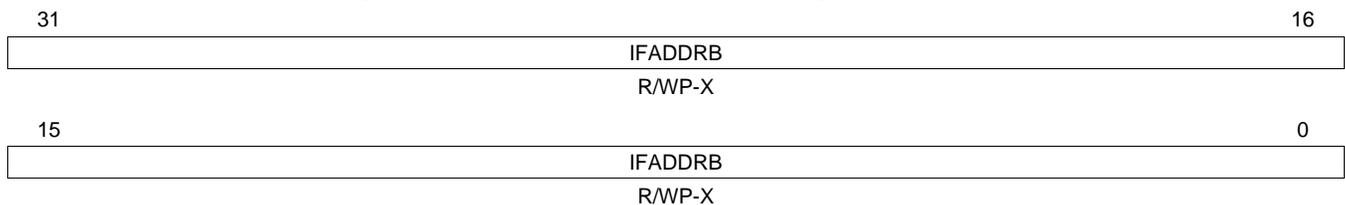
LEGEND: R/W = Read/Write; R = Read only; WP = Write in privilege mode only; -n = value after reset; X = Unknown

**Table 24-43. Initial Full Address A Register (HTU IFADDRA) Field Descriptions**

Bit	Field	Description
31-0	IFADDRA	Initial Address of Buffer A in main memory. Initial (byte) address of buffer A placed in the main memory address range. Bits 0 and 1 are ignored by the logic, due to 32 bit alignment.

### 24.5.2 Initial Full Address B Register (HTU IFADDRB)

**Figure 24-43. Initial Full Address B Register (HTU IFADDRB)**



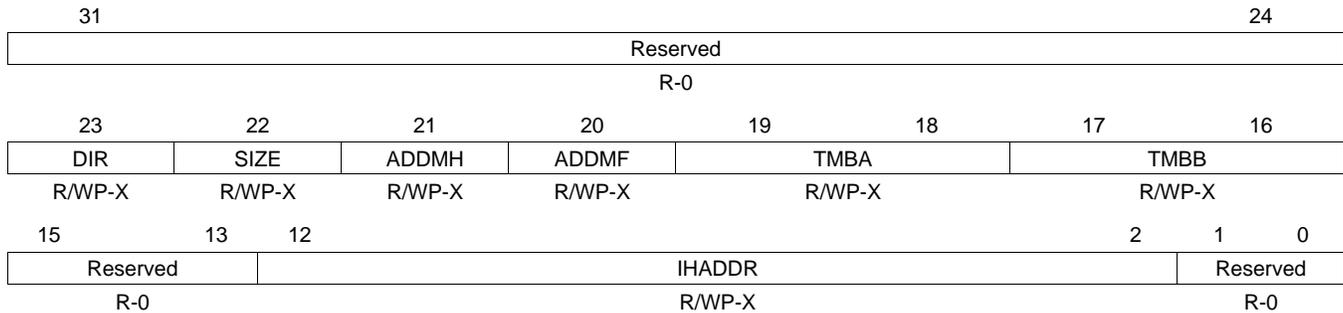
LEGEND: R/W = Read/Write; R = Read only; WP = Write in privilege mode only; -n = value after reset; X = Unknown

**Table 24-44. Initial Full Address B Register (HTU IFADDRB) Field Descriptions**

Bit	Field	Description
31-0	IFADDRB	Initial Address of Buffer B in main memory. Initial (byte) address of buffer B placed in the main memory address range. Bits 0 and 1 are ignored by the logic, due to 32 bit alignment.

### 24.5.3 Initial NHET Address and Control Register (HTU IHADDRCT)

**Figure 24-44. Initial NHET Address and Control Register (HTU IHADDRCT)**



LEGEND: R/W = Read/Write; R = Read only; WP = Write in privilege mode only; -n = value after reset; X = Unknown

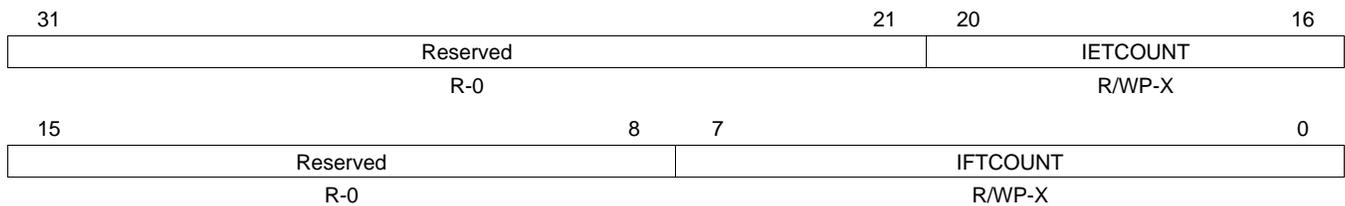
**Table 24-45. Initial NHET Address and Control Register (HTU IHADDRCT) Field Descriptions**

Bit	Field	Value	Description
31-24	Reserved	0	Read returns 0. Writes have no effect.
23	DIR	0	NHET address is read and main memory address is written
		1	Main memory address is read and NHET address is written
22	SIZE	0	32-bit transfer
		1	64-bit transfer
21	ADDMH	0	Addressing Mode NHET Address. This bit determines the NHET address index from one to the next element of a frame. Increment by 16 bytes
		1	Increment by 8 bytes  This mode is intended to be used together with the 64-bit transfer size to load short NHET instruction blocks into the NHET RAM. So the sequence of transferred 64-bit elements could be: [PF and CF of instruction (n)], [DF and RF of instruction (n)], [PF and CF of instruction (n+1)], [DF and RF of instruction (n+1)] and so on.
20	ADDFM	0	Addressing Mode Main Memory Address Post-increment
		1	Constant  <b>Note:</b> When post-increment is selected the HTU will automatically increment by 4 bytes for a 32-bit data size and by 8 bytes for a 64-bit data size.
19-18	TMBA	0	Transfer Mode for Buffer A One Shot buffer mode
		1h	Circular buffer mode
		All Others	Auto Switch mode
17-16	TMBB	0	Transfer Mode for Buffer B One Shot buffer mode
		1h	Circular buffer mode
		All Others	Auto Switch mode

**Table 24-45. Initial NHET Address and Control Register (HTU IHADDRCT) Field Descriptions (continued)**

Bit	Field	Value	Description
15-13	Reserved	0	Read returns 0. Writes have no effect.
12-2	IHADDR		Initial NHET Address The initial NHET Address points to the NHET field, which is the first element of the frame. The NHET address (Bits 12:2) increments by one for each 32-bit NHET field and starts with zero at the first 32-bit field in the NHET RAM. <b>Note:</b> When the HTU addresses the NHET RAM it uses only the number of address bits required for the actual NHET RAM size. If the NHET address exceeds the actual NHET RAM size, the unused MSB bits of the address will be ignored and the address rolls over to the start of the NHET RAM.
1-0	Reserved	0	Read returns 0. Writes have no effect.

#### 24.5.4 Initial Transfer Count Register (HTU ITCOUNT)

**Figure 24-45. Initial Transfer Count Register (HTU ITCOUNT)**


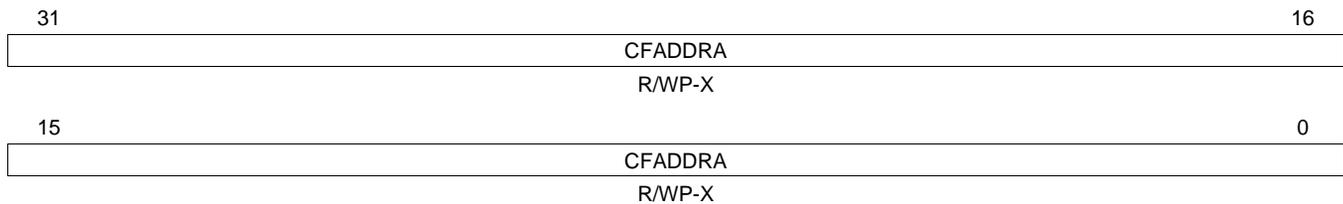
LEGEND: R/W = Read/Write; R = Read only; WP = Write in privilege mode only; -n = value after reset; X = Unknown

**Table 24-46. Initial Transfer Count Register (HTU ITCOUNT) Field Descriptions**

Bit	Field	Value	Description
31-21	Reserved	0	Read returns 0. Writes have no effect.
20-16	IETCOUNT		Initial Element Transfer Count Defines the number of element transfers.
15-8	Reserved	0	Read returns 0. Writes have no effect.
7-0	IFTCOUNT		Initial Frame Transfer Count Defines the number of frame transfers.

### 24.5.5 Current Full Address A Register (HTU CFADDRA)

**Figure 24-46. Current Full Address A Register (HTU CFADDRA)**



LEGEND: R/W = Read/Write; R = Read only; WP = Write in privilege mode only; -n = value after reset; X = Unknown

**Table 24-47. Current Full Address A Register (HTU CFADDRA) Field Descriptions**

Bit	Field	Description
31-0	CFADDRA	<p>Current (byte) Address of Buffer A</p> <p>The current main memory address register is updated at the end of each frame. Therefore it points to the start address of the frame, which is the next to transfer, if currently no frame is transferred on this DCP. For an ongoing frame transfer, it points to the start address of this frame. After the last element of a buffer was transferred it will point to the buffer end address plus 0x4.</p> <p>The main purpose of the current full address registers for buffer A and buffer B (see next section) is to enable the software to find out the recently transferred element in the frozen buffer while the address of the active buffer increments.</p> <p><b>Note:</b> A frame can be automatically stopped if any of the events listed in Conditions for Frame Transfer Interruption happens. If a frame is stopped before it could complete, then the current full address register is not updated and it will point to the start of the bad frame after the DCP was automatically disabled.</p>

To transfer the first frame of buffer x, the information in the corresponding initial DCP RAM (IFADDRx, IHADDRCT, ITCOUNT) is loaded to an internal state machine but not to the current DCP RAM (CFADDRx, CFTCTx).

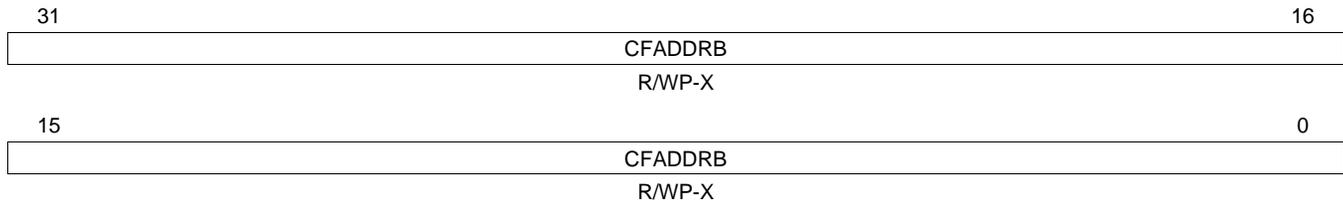
This is valid for all of the following modes:

- Buffer x has reached its end in circular mode and rolls back to its start address.
- CP x is enabled by a CPENA access (and corresponding BIM bit is zero).
- A CPENA access or auto-switch mode causes a switch from CP y to CP x

This means after starting the transfer to/from buffer x, CFADDRx and CFTCTx is not updated before the end of the first frame. So before the software switches from CP y to CP x using a write access to the CPENA register, it needs to initialize CFADDRx, CFTCTx. This allows the software to find out if the next request on CP x after the switching to CP x was delayed or never occurring.

## 24.5.6 Current Full Address B Register (HTU CFADDRB)

**Figure 24-47. Current Full Address B Register (HTU CFADDRB)**



LEGEND: R/W = Read/Write; R = Read only; WP = Write in privilege mode only; -n = value after reset; X = Unknown

**Table 24-48. Current Full Address B Register (HTU CFADDRB) Field Descriptions**

Bit	Field	Description
31-0	CFADDRB	<p>Current (byte) Address of Buffer B</p> <p>The current main memory address register is updated at the end of each frame. Therefore it points to the start address of the frame, which is the next to transfer, if currently no frame is transferred on this DCP. If currently a frame is transferred, then it points to the start address of this frame. After the last element of a buffer was transferred it will point to the buffer end address plus 0x4.</p> <p>The main purpose of the current full address registers for buffer A and buffer B (see next section) is to enable the software to find out the recently transferred element in the frozen buffer while the address of the active buffer increments.</p> <p><b>Note:</b> A frame can be automatically stopped if any of the events listed in Conditions for Frame Transfer Interruption happens. If a frame is stopped before it could complete, then the current full address register is not updated and it will point to the start of the bad frame after the DCP was automatically disabled.</p>

To transfer the first frame of buffer x, the information in the corresponding initial DCP RAM (IFADDRx, IHADDRCT, ITCOUNT) is loaded to an internal state machine but not to the current DCP RAM (CFADDRx, CFTCTx).

This is valid for all of the following modes:

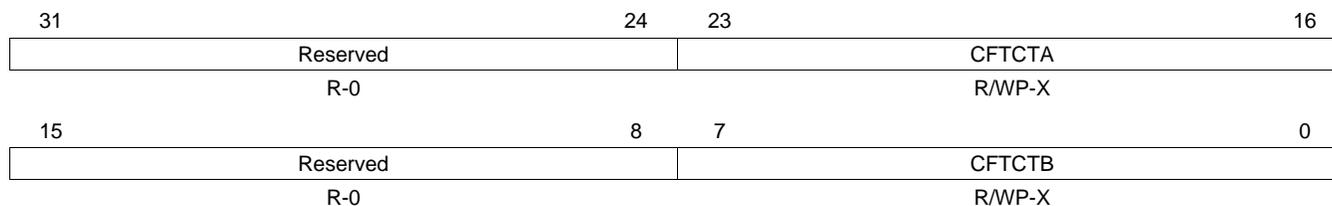
- Buffer x has reached its end in circular mode and rolls back to its start address.
- CP x is enabled by a CPENA access (and corresponding BIM bit is zero).
- A CPENA access or auto-switch mode causes a switch from CP y to CP x

This means after starting the transfer to/from buffer x, CFADDRx and CFTCTx is not updated before the end of the first frame. So before the software switches from CP y to CP x using a write access to the CPENA register, it needs to initialize CFADDRx, CFTCTx. This allows the software to find out if the next request on CP x after the switching to CP x was delayed or never occurring.

### 24.5.7 Current Frame Count Register (HTU CFCOUNT)

The current frame count register enables the software to find out the recent element in the frozen buffer while the counter of the active buffer decrements.

**Figure 24-48. Current Frame Count Register (HTU CFCOUNT)**



LEGEND: R/W = Read/Write; R = Read only; WP = Write in privilege mode only; -n = value after reset; X = Unknown

**Table 24-49. Initial Transfer Count Register (HTU CFCOUNT) Field Descriptions**

Bit	Field	Value	Description
31-24	Reserved	0	Read returns 0. Writes have no effect.
23-16	CFTCTA		Current Frame Transfer Count for CP A. It is updated at the end of each frame.
15-8	Reserved	0	Read returns 0. Writes have no effect.
7-0	CFTCTB		Current Frame Transfer Count for CP B. It is updated at the end of each frame.

## 24.6 Examples

### 24.6.1 Application Examples for Setting the Transfer Modes of CP A and B of a DCP

**Table 24-50. Application Examples for Setting the Transfer Modes of CP A and B of a DCP**

CP A	CP B	
One shot	Not used	Buffer A can be used as a "one shot" buffer. A buffer full interrupt enabled for CP A can signal reaching the end of the buffer.
Auto switch	One shot	Can double the buffer size for a "one shot" buffer. A buffer full interrupt enabled for CP B can signal reaching the end of the buffer.
Circular	Circular	The CPU can switch the buffers at arbitrary times. It will fill or read the frozen buffer during the other buffer is filled or read by the HTU. Interrupts are not required for this case.
Auto switch	Auto switch	Buffer full interrupts (enabled for CP A and B) signal when the end of a buffer is reached. After one buffer is completed the according CPU interrupt routine will read or refill this buffer. At the same time the other buffer is read or filled by the HTU. Here the time when the buffer must be read is determined by the time of the interrupt (determined by the frequency of the NHET transfer requests).

### 24.6.2 Software Example Sequence Assuming Circular Mode for Both CP A and B

The example assumes the NHET address to be read and the main memory address to be written.

- I1 CPU initializes initial DCP: IFADDRA, IFADDRB, IHADDRCT, ITCOUNT
- I2 CPU clears current DCP: CFADDRA, CFADDRB, CFTCTA, CFTCTB
- I3 CPU clears BFINTFL flag of CP A and B
- I4 Enable CP A with the CPENA register. Now the HTU fills buffer A

After some time the CPU intends to read buffer A:

- A1 CPU enables CP B and disables CP A by writing to the CPENA register. After this switch, the HTU fills buffer B. Filling buffer B starts with its initial full address and initial frame counter
- A2 CPU waits for CP A busy bit equals zero
- A3 Optional: CPU verifies that the CP A request lost flag is not set. The bus error flag of CP A could also be checked
- A4 CPU reads the frozen CFTCTA, which indicates the fill level in the buffer
- A5 CPU sets current CP A (CFTCTA and/or CFADDRA) to zero. This allows to find out if any request has happened during the next time buffer A is active
- A6 CPU reads BFINTFL flag of buffer A
- A7 CPU clears the BFINTFL flag of buffer A. This is an initialization for the next time buffer A is used
- A8 CPU reads valid values of frozen buffer A. After reading the CPU does not need to clear the frozen buffer A

After some time the CPU intends to read buffer B:

- |    |   |
|----|---|
| B1 | CPU enables CP A and disables CP B by writing to the CPENA register. After this switch, the HTU fills buffer A. Filling buffer A starts with its initial full address and initial frame counter |
| B2 | CPU waits for CP B busy bit equals zero   |
| B3 | Optional: CPU verifies that the CP B request lost flag is not set. The bus error flag of CP B could also be checked   |
| B4 | CPU reads the frozen CFTCTB, which indicates the fill level in the buffer   |
| B5 | CPU sets current CP B (CFTCTB and/or CFADDRB) to zero. This allows to find out if any request has happened during the next time buffer B is active  |
| B6 | CPU reads BFINTFL flag of buffer B  |
| B7 | CPU clears the BFINTFL flag of buffer B. This is an initialization for the next time buffer B is used   |
| B8 | CPU reads valid values of frozen buffer B. After reading the CPU does not need to clear the frozen buffer B   |

After some time the CPU intends to read buffer A:

A1) ... see above...

---

**NOTE:** The buffer full interrupt doesn't need to be enabled. The BFINTFL flag is used to indicate a circular overrun of the buffer. If the BFINTFL flag is set, also the buffer section after the frozen full address could be read.

---

Steps A3 and B3 in the example sequence above imply that request lost interrupts are disabled. The example below assumes that request lost interrupts are enabled.

Request lost detection with interrupt enabled.

### **24.6.3 Example of an Interrupt Dispatch Flow for a Request Lost Interrupt**

- A request lost occurs and the interrupt routine starts.
- Reading INTOFFx.INTYPEx shows that RLOSTFL is the interrupt source.
- Reading INTOFFx.CPOFFx = Ah shows that DCP 5 / CP A has caused the RLOSTFL interrupt. The hardware automatically clears bit (2·5+0) in RLOSTFL.
- Reading RLOSTFL= 84h shows that also another request lost event happened on DCP 1 / CP A [bit (2·1+0)] and on DCP 3 / CP B [bit (2·3+1)] at the same time or after the request lost occurred on DCP 5 / CP A.
- Writing back 84h to RLOSTFL clears bits 2 and 7 and the according pending interrupts.

## ***General-Purpose Input/Output (GIO) Module***

---



---

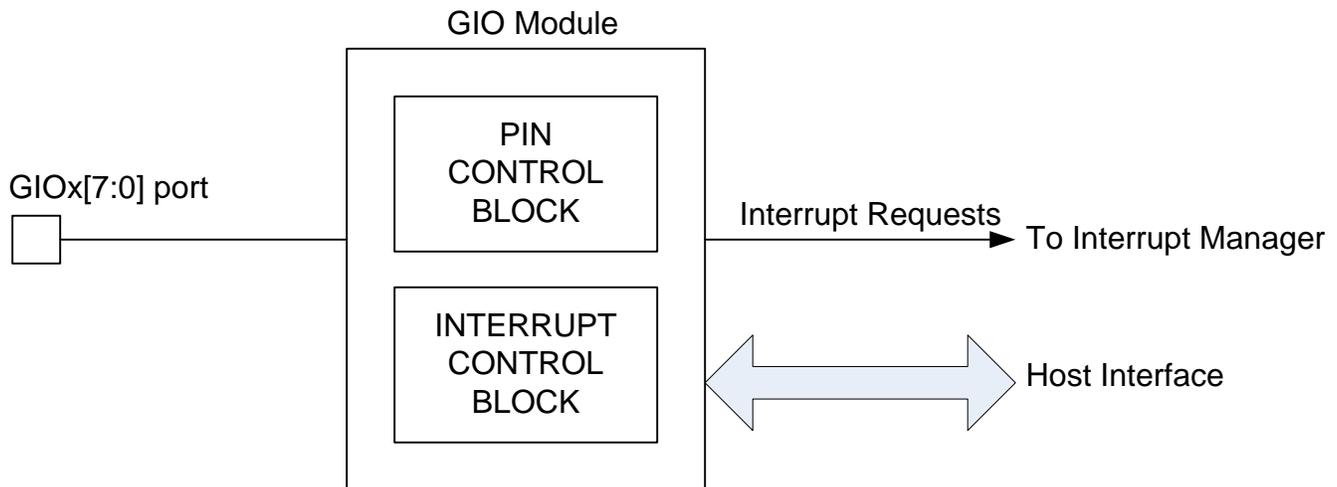
This chapter describes the general-purpose input/output (GIO) module. The GIO module provides the family of devices with input/output (I/O) capability. The I/O pins are bidirectional and bit-programmable. The GIO module also supports external interrupt capability.

<b>Topic</b>	<b>Page</b>
<b>25.1 Overview</b> .....	<b>1118</b>
<b>25.2 Quick Start Guide</b> .....	<b>1119</b>
<b>25.3 Functional Description of GIO Module</b> .....	<b>1121</b>
<b>25.4 Device Modes of Operation</b> .....	<b>1123</b>
<b>25.5 GIO Control Registers</b> .....	<b>1124</b>
<b>25.6 I/O Control Summary</b> .....	<b>1142</b>

## 25.1 Overview

The GIO module offers general-purpose input and output capability. It supports up to eight 8-bit ports for a total of up to 64 GIO terminals. Each of these 64 terminals can be independently configured as input or output and configured as required by the application. The GIO module also supports generation of interrupts whenever a rising edge or falling edge or any toggle is detected on up to 32 of these GIO terminals. Refer to the device datasheet for identifying the number of GIO ports supported and the GIO terminals capable of generating an interrupt.

**Figure 25-1. GIO Block Diagram**



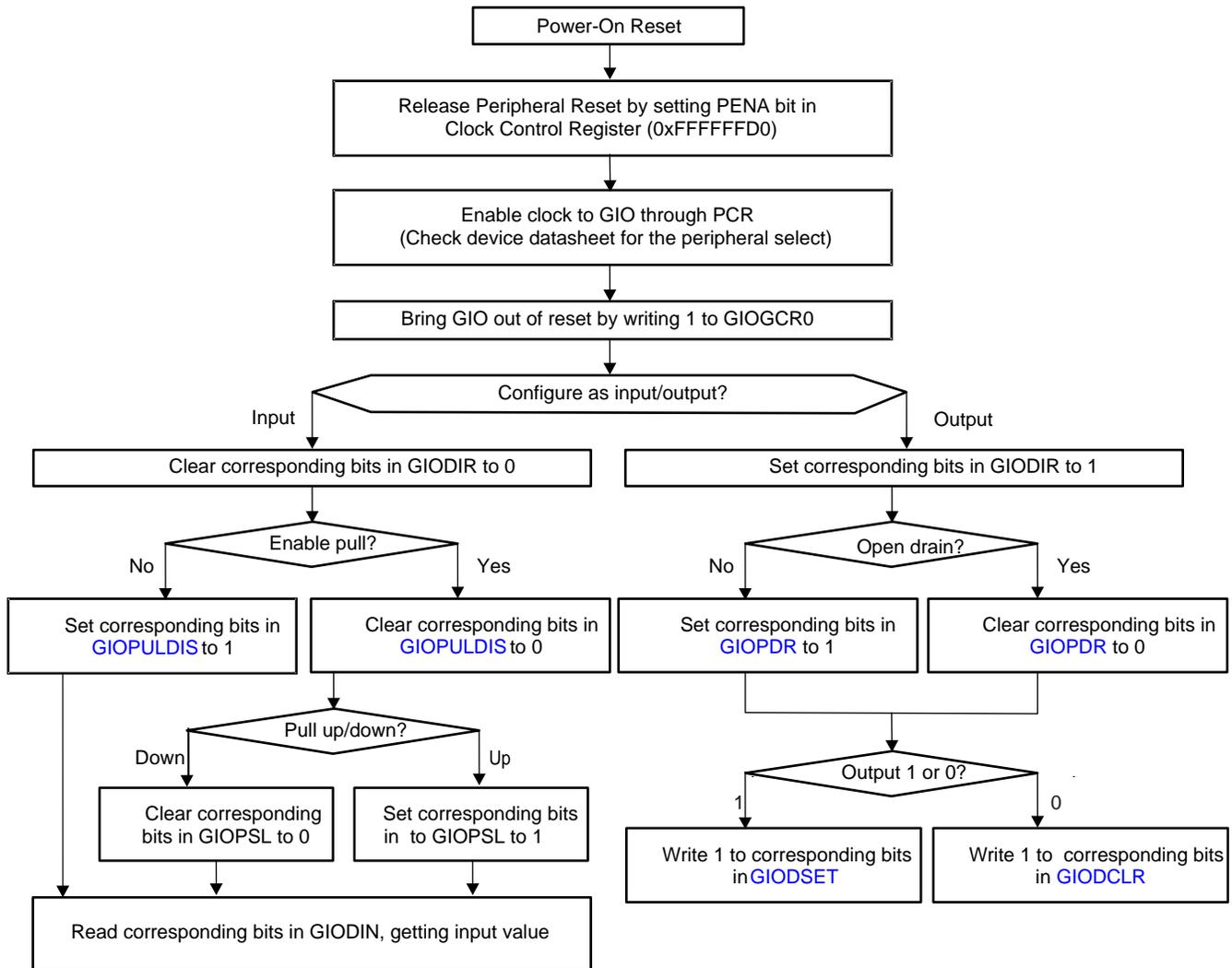
The main features of the GIO module are summarized as follows:

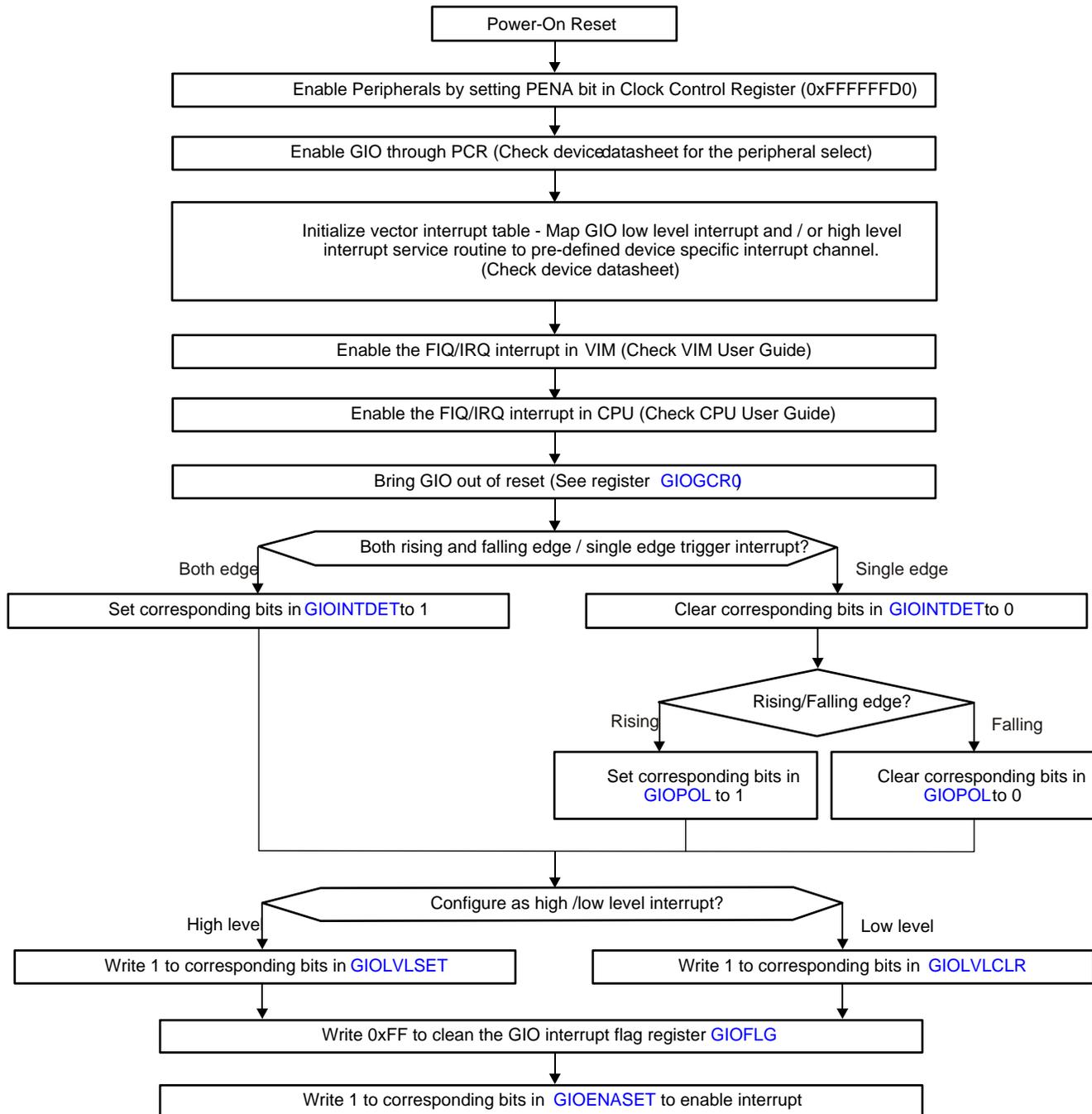
- Allows each GIO terminal to be configured for general-purpose input or output functions
- Supports programmable pull directions on each input GIO terminal
- Supports GIO output in push/pull or open-drain modes
- Allows up to 32 GIO terminals to be used for generating interrupt requests

## 25.2 Quick Start Guide

The GIO module comprises two separate components: an input/output (I/O) block and an interrupt generation block. [Figure 25-2](#) and [Figure 25-3](#) show what the user should do after reset to configure the GIO module as I/O or for generating interrupts.

**Figure 25-2. I/O Function Quick Start Flow Chart**



**Figure 25-3. Interrupt Generation Function Quick Start Flow Chart**


In GIO interrupt service routine, user shall read the GIO offset register [GIOFFFA](#) / [GIOFFB](#) (depending on high/low level interrupt) to clear the flag and find the pending interrupt GIO channel.

## 25.3 Functional Description of GIO Module

As shown earlier in [Figure 25-1](#) the GIO module comprises of two separate components: an input/output (I/O) block and an interrupt block.

### 25.3.1 I/O Functions

The I/O block allows each GIO terminal to be configured for use as a general-purpose input or output in the application. The GIO module supports multiple registers to control the various aspects of the input and output functions. These are described as follows.

- **Data direction ( [GIODIR](#) )**  
Configures GIO terminal(s) as input or output through the GIODIRx registers.
- **Data input ( [GIODIN](#) )**  
Reflects the logic level on GIO terminals in the GIODINx registers. A high voltage ( $V_{IH}$  or greater) applied to the pin causes a high value (1) in the data input register ( [GIODIN\[7:0\]](#)). When a low voltage ( $V_{IL}$  or less) is applied to the pin, the data input register reads a low value (0). The  $V_{IH}$  and  $V_{IL}$  values are device specific and can be found in the device datasheet.
- **Data output ( [GIODOUT](#) )**  
Configures the logic level to be output on GIO terminal(s) configured as outputs. A low value (0) written to the data output register forces the pin to a low output voltage ( $V_{OL}$  or lower). A high value (1) written to the data output register ([GIODOUTx](#)) forces the pin to a high output voltage ( $V_{OH}$  or higher) if the open drain functionality is disabled ([GIOPDRx\[7:0\]](#)). If open drain functionality is enabled, a high value (1) written to the data output register forces the pin to a high-impedance state (Z).
- **Data set ( [GIODSET](#) )**  
Allows logic HIGH to be output on GIO terminal(s) configured as outputs by writing 1's to the required bits in the GIODSETx registers. If open drain functionality is enabled, a high value (1) written to the data output register forces the pin to a high-impedance state (Z). The GIODSETx registers eliminate the need for the application to perform a read-modify-write operation when it needs to set one or more GIO pin(s).
- **Data clear ( [GIODCLR](#) )**  
Allows logic LOW to be output on GIO terminal(s) configured as outputs by writing 1s to the required bits in the GIODCLR registers. The GIODCLR registers eliminate the need for the application to perform a read-modify-write operation when it needs to clear one or more GIO pin(s).
- **Open drain ( [GIOPDR](#) )**  
Open drain functionality is enabled or disabled using the open drain register [GIOPDR\[7:0\]](#) register. If open-drain mode output is enabled on a pin, a high value (1) written to the data output register ([GIODOUTx\[7:0\]](#)) forces the pin to a high impedance state (Z).
- **Pull disable ( [GIOPULDIS](#) )**  
Disables the internal pull on GIO terminal(s) configured as inputs by writing to the [GIOPULDISx](#) registers.
- **Pull select ( [GIOSPL](#) )**  
Selects internal pull down or pull up on GIO terminal(s) configured as inputs by writing to the [GIOPULSELx](#) registers.

Refer to the specific device's datasheet to identify the number of GIO ports as well as the input and output functions supported. Some devices may not support the programmable pull controls. In that case, the pull disable and the pull select register controls will not work.

### 25.3.2 Interrupt Function

The GIO module supports up to 32 terminals to be configured for generating an interrupt to the host processor through the Vectored Interrupt Manager (VIM). The main functions of the interrupt block are:

- Select the GIO pin(s) that is/are used to generate interrupt(s)  
This is done via the interrupt enable set and clear registers, [GIOENASET](#) and [GIOENACL](#)
- Select the edge on the selected GIO pin(s) that is/are used to generate interrupt(s): rising/falling/both

Rising or falling edge can be selected via the GIOPOL register (Section 25.5.3). If interrupt is required to be generated on both rising and falling edges, this can be configured via the GIOINTDET register (Section 25.5.2).

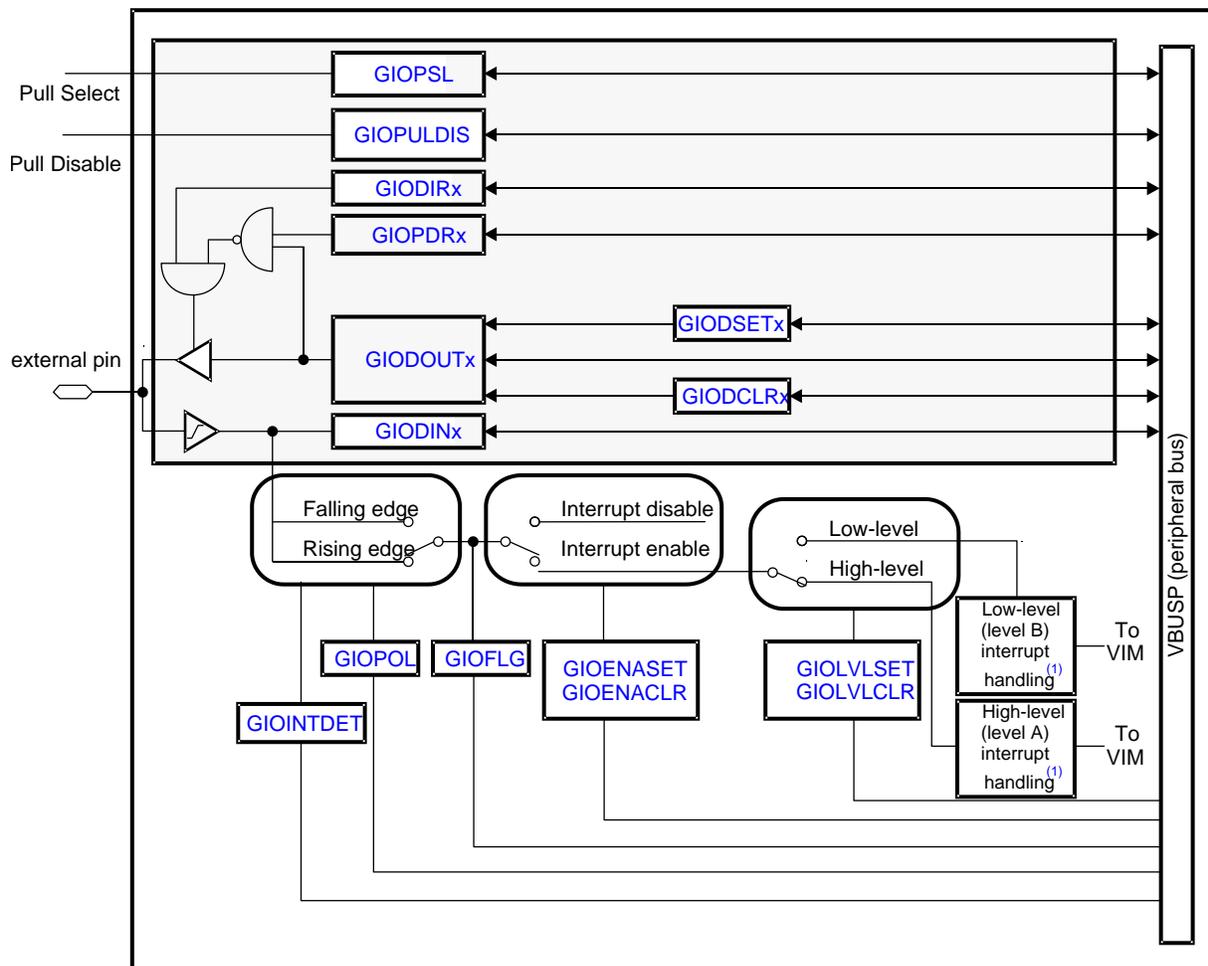
- Select the interrupt priority  
Low or High-level interrupt can be selected through the GIOLVLSET and GIOLVLCLR registers (Section 25.5.5.1 and Section 25.5.5.2).
- Individual interrupt flags are set in the GIOFLG register (Section 25.5.6)

The terminals on GIO ports A through D are all interrupt-capable and can be used to handle either general I/O functions or interrupt requests. Each interrupt request can be connected to the VIM at one of two different levels – High (or A) and Low (or B), depending on the VIM channel number. The VIM has an inherent priority scheme so that a request on a lower number channel has a higher priority than a request on a higher number channel. Refer the device datasheet to identify the VIM channel numbers for the GIO level A and level B interrupt requests. Also note that the interrupt priority of level A and level B interrupt handling blocks can be re-programmed in the VIM.

### 25.3.3 GIO Block Diagram

The GIO block diagram (see Figure 25-4) represents the flow of information through a pin. The shaded area corresponds to the I/O block; the unshaded area corresponds to the interrupt block.

Figure 25-4. GIO Block Diagram



- (1) A single low-level-interrupt-handling block and a single high-level-interrupt-handling block service all of the interrupt-capable external pins, but only one pin can be serviced by an interrupt block at a time.

## 25.4 Device Modes of Operation

The GIO module behaves differently in different modes of operation. There are two main modes:

- Emulation mode
- Power-down mode (low-power mode)

### 25.4.1 Emulation Mode

Emulation mode is used by debugger tools to stop the CPU at breakpoints to read registers.

---

**NOTE: Emulation Mode and Emulation Registers**

Emulation mode is a mode of operation of the device and is separate from the GIO emulation registers (GIOEMU1 and GIOEMU2). The contents of these emulation registers are identical to the contents of GIO offset registers (GIOOFF1 and GIOOFF2). Both emulation registers and GIO offset registers are NOT cleared when they are read in emulation mode. GIO offset registers are cleared when they are read in normal mode (other than emulation mode). The emulation registers are NOT cleared when they are read in normal mode. The intention for the emulation registers is that software can use them without clearing the flags.

---

During emulation mode:

- External interrupts are not captured because the VIM is unable to service interrupts.
- Any register can be read without affecting the state of the system.
- A write to a register still does affect the state of the system.

### 25.4.2 Power-Down Mode (Low-Power Mode)

In the power-down mode, the clock signal to the GIO module is disabled. Thus, there is no switching and the only current draw comes from leakage current. In power-down mode, interrupt pins become level-sensitive rather than edge sensitive. The polarity bit changes function from falling-edge-triggered to low-level-triggered and rising-edge-triggered to high-level-triggered. A corresponding level on an interrupt pin pulls the module out of low-power mode.

#### 25.4.2.1 Module-Level Power Down

The GIO module can be placed into a power down state by disabling the GIO peripheral module via the appropriate bit in the peripheral power down register. Please refer to the Peripheral Central Resource Registers ([Section 2.5.3](#)) for details.

#### 25.4.2.2 Device-Level Power Down

The entire device can be placed in one of the pre-defined low-power modes: doze, snooze, or sleep using the clock source and clock domain disable registers in the system module.

## 25.5 GIO Control Registers

Table 25-1 shows the summary of the GIO registers. The registers are accessible in 8-, 16-, and 32-bit reads or writes.

The start address for the GIO module is FFF7 BC00h.

The GIO module supports up to 8 ports. Refer the device datasheet to identify the actual number of GIO ports and the number of pins in each GIO port implemented on this device.

The GIO module supports up to 4 interrupt-capable ports. Refer the device datasheet to identify the actual number of interrupt-capable GIO ports and the number of pins in each GIO port implemented on this device.

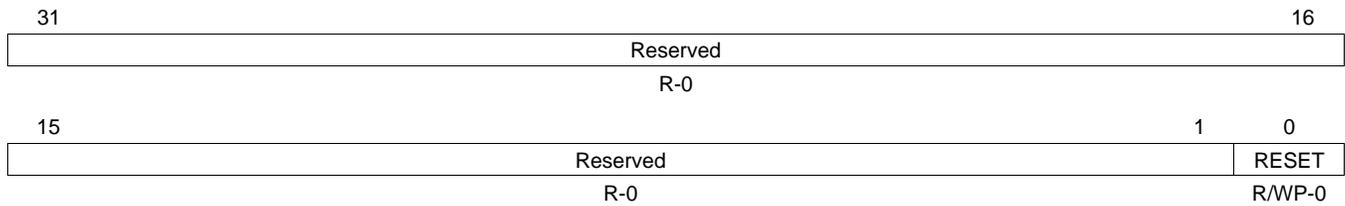
**Table 25-1. GIO Control Registers**

Offset	Acronym	Register Description	Section
00h	GIOGCR0	GIO Global Control Register	<a href="#">Section 25.5.1</a>
08h	GIOINTDET	GIO Interrupt Detect Register	<a href="#">Section 25.5.2</a>
0Ch	GIOPOL	GIO Interrupt Polarity Register	<a href="#">Section 25.5.3</a>
10h	GIOENASET	GIO Interrupt Enable Set Register	<a href="#">Section 25.5.4.1</a>
14h	GIOENACLR	GIO Interrupt Enable Clear Register	<a href="#">Section 25.5.4.2</a>
18h	GIOLVLSET	GIO Interrupt Priority Set Register	<a href="#">Section 25.5.5.1</a>
1Ch	GIOLVLCLR	GIO Interrupt Priority Clear Register	<a href="#">Section 25.5.5.2</a>
20h	GIOFLG	GIO Interrupt Flag Register	<a href="#">Section 25.5.6</a>
24h	GIOOFF1	GIO Offset 1 Register	<a href="#">Section 25.5.7</a>
28h	GIOOFF2	GIO Offset 2 Register	<a href="#">Section 25.5.8</a>
2Ch	GIOEMU1	GIO Emulation 1 Register	<a href="#">Section 25.5.9</a>
30h	GIOEMU2	GIO Emulation 2 Register	<a href="#">Section 25.5.10</a>
34h	GIODIRA	GIO Data Direction Register	<a href="#">Section 25.5.11</a>
38h	GIODINA	GIO Data Input Register	<a href="#">Section 25.5.12</a>
3Ch	GIODOUTA	GIO Data Output Register	<a href="#">Section 25.5.13</a>
40h	GIODSETA	GIO Data Set Register	<a href="#">Section 25.5.14</a>
44h	GIODCLR	GIO Data Clear Register	<a href="#">Section 25.5.15</a>
48h	GIOPDRA	GIO Open Drain Register	<a href="#">Section 25.5.16</a>
4Ch	GIOPULDISA	GIO Pull Disable Register	<a href="#">Section 25.5.17</a>
50h	GIOPSLA	GIO Pull Select Register	<a href="#">Section 25.5.18</a>
54h	GIODIRB	GIO Data Direction Register	<a href="#">Section 25.5.11</a>
58h	GIODINB	GIO Data Input Register	<a href="#">Section 25.5.12</a>
5Ch	GIODOUTB	GIO Data Output Register	<a href="#">Section 25.5.13</a>
60h	GIODSETB	GIO Data Set Register	<a href="#">Section 25.5.14</a>
64h	GIODCLRB	GIO Data Clear Register	<a href="#">Section 25.5.15</a>
68h	GIOPDRB	GIO Open Drain Register	<a href="#">Section 25.5.16</a>
6Ch	GIOPULDISB	GIO Pull Disable Register	<a href="#">Section 25.5.17</a>
70h	GIOPSLB	GIO Pull Select Register	<a href="#">Section 25.5.18</a>

### 25.5.1 GIO Global Control Register (GIOGCR0)

The GIOGCR0 register contains one bit that controls the module reset status. Writing a zero (0) to this bit puts the module in a reset state. After system reset, this bit must be set to 1 before normal operations can begin on this module. [Figure 25-5](#) and [Table 25-2](#) describe this register.

**Figure 25-5. GIO Global Control Register (GIOGCR0) [offset = 00h]**



LEGEND: R/W = Read/Write; R = Read only; WP = Write in privileged mode only; -n = value after reset

**Table 25-2. GIO Global Control Register (GIOGCR0) Field Descriptions**

Bit	Field	Value	Description
31-1	Reserved	0	Read returns 0. Writes have no effect.
0	RESET	0	GIO reset. The GIO is in reset state.
		1	The GIO is operating normally.

---

**NOTE:** Note that putting the GIO module in reset state is not the same as putting it in a low-power state.

---

### 25.5.2 GIO Interrupt Detect Register (GIOINTDET)

The GIOINTDET register provides the flexibility to either ignore the polarity of the edges that are recognized as an interrupt, in which case both rising and falling edges are recognized, or recognizing the interrupt on specifically a rising or falling edge as determined by the GIOPOL register. To ensure recognition of the signal as an edge, the signal must maintain the new level for at least one VCLK cycle. Figure 25-6 and Table 25-3 describe this register.

**Figure 25-6. GIO Interrupt Detect Register (GIOINTDET) [offset = 08h]**

31	24	23	16
GIOINTDET 3		GIOINTDET 2	
R/W-0		R/W-0	
15	8	7	0
GIOINTDET 1		GIOINTDET 0	
R/W-0		R/W-0	

LEGEND: R/W = Read/Write; R = Read only; -n = value after reset

**Table 25-3. GIO Interrupt Detect Register (GIOINTDET) Field Descriptions**

Bit	Field	Value	Description
31-24	GIOINTDET 3	0	Interrupt detection select for pins GIOD[7:0] The flag sets on either a falling or a rising edge on the corresponding pin, depending on the polarity setup in the polarity register (GIOPOL).
		1	The flag sets on both the rising and falling edges on the corresponding pin.
23-16	GIOINTDET 2	0	Interrupt detection select for pins GIOC[7:0] The flag sets on either a falling or a rising edge on the corresponding pin, depending on the polarity setup in the polarity register (GIOPOL).
		1	The flag sets on both the rising and falling edges on the corresponding pin.
15-8	GIOINTDET 1	0	Interrupt detection select for pins GIOB[7:0] The flag sets on either a falling or a rising edge on the corresponding pin, depending on the polarity setup in the polarity register (GIOPOL).
		1	The flag sets on both the rising and falling edges on the corresponding pin.
7-0	GIOINTDET 0	0	Interrupt detection select for pins GIOA[7:0] The flag sets on either a falling or a rising edge on the corresponding pin, depending on the polarity setup in the polarity register (GIOPOL).
		1	The flag sets on both the rising and falling edges on the corresponding pin.

### 25.5.3 GIO Interrupt Polarity Register (GIOPOL)

The GIOPOL register controls the polarity - rising edge (low to high) or falling edge (high to low) - that sets the flag. To ensure recognition of the signal as an edge, the signal must maintain the new level for at least one VCLK cycle. When the device is in low power mode, the interrupts are no longer triggered by an edge, but instead by a level. Therefore, in low power mode, the GIOPOL register controls the **level**, high or low, which will trigger the interrupt. [Figure 25-7](#) and [Table 25-4](#) describe this register.

**Figure 25-7. GIO Interrupt Polarity Register (GIOPOL) [offset = 0Ch]**

31	24	23	16
GIOPOL 3		GIOPOL 2	
R/W-0		R/W-0	
15	8	7	0
GIOPOL 1		GIOPOL 0	
R/W-0		R/W-0	

LEGEND: R/W = Read/Write; R = Read only; -n = value after reset

**Table 25-4. GIO Interrupt Polarity Register (GIOPOL) Field Descriptions**

Bit	Field	Value	Description
31-24	GIOPOL 3		Interrupt polarity select for pins GIOD[7:0] Normal operation (user or privileged mode):
		0	The flag is set on the falling edge on the corresponding pin.
		1	The flag is set on the rising edge on the corresponding pin.
			Low-power mode (GIO module clocks off):
		0	The interrupt is triggered on the low level.
		1	The interrupt is triggered on the high level.
23-16	GIOPOL 2		Interrupt polarity select for pins GIOC[7:0] Normal operation (user or privileged mode):
		0	The flag is set on the falling edge on the corresponding pin.
		1	The flag is set on the rising edge on the corresponding pin.
			Low-power mode (GIO module clocks off):
		0	The interrupt is triggered on the low level.
		1	The interrupt is triggered on the high level.
15-8	GIOPOL 1		Interrupt polarity select for pins GIOB[7:0] Normal operation (user or privileged mode):
		0	The flag is set on the falling edge on the corresponding pin.
		1	The flag is set on the rising edge on the corresponding pin.
			Low-power mode (GIO module clocks off):
		0	The interrupt is triggered on the low level.
		1	The interrupt is triggered on the high level.
7-0	GIOPOL 0		Interrupt polarity select for pins GIOA[7:0] Normal operation (user or privileged mode):
		0	The flag is set on the falling edge on the corresponding pin.
		1	The flag is set on the rising edge on the corresponding pin.
			Low-power mode (GIO module clocks off):
		0	The interrupt is triggered on the low level.
		1	The interrupt is triggered on the high level.

## 25.5.4 GIO Interrupt Enable Registers (GIOENASET and GIOENACLR)

The GIOENASET and GIOENACLR registers control which interrupt-capable pins are actually configured as interrupts. If the interrupt is enabled, the rising or falling or both edges on the selected pin lead to an interrupt.

### 25.5.4.1 GIOENASET Register

Figure 25-8 and Table 25-5 describe this register.

**NOTE: Enabling Interrupt at the Device Level**

GIO can be mapped to two different device level interrupts, the GIO high-level (level A) and low-level (level B) interrupts through programming registers GIOLVLSET and GIOLVLCR. The corresponding bit to the mapped device level interrupt must be set within the vectored interrupt manager (VIM) in the interrupt mask register (REQMASK) to enable the appropriate interrupts. Additionally, the ARM CPU (CPSR bit 7 or 6) must be cleared to recognize interrupt requests (IRQ/FIQ).

**Figure 25-8. GIO Interrupt Enable Set Register (GIOENASET) [offset = 10h]**

31	24	23	16
GIOENASET 3		GIOENASET 2	
R/W-0		R/W-0	
15	8	7	0
GIOENASET 1		GIOENASET 0	
R/W-0		R/W-0	

LEGEND: R/W = Read/Write; R = Read only; -n = value after reset

**Table 25-5. GIO Interrupt Enable Set Register (GIOENASET) Field Descriptions**

Bit	Field	Value	Description
31-24	GIOENASET 3	0	Interrupt enable for pins GIOD[7:0] Read: The interrupt is disabled. Write: Writing a 0 to this bit has no effect.
		1	Read: The interrupt is enabled. Write: Enables the interrupt.
23-16	GIOENASET 2	0	Interrupt enable for pins GIOC[7:0] Read: The interrupt is disabled. Write: Writing a 0 to this bit has no effect.
		1	Read: The interrupt is enabled. Write: Enables the interrupt.
15-8	GIOENASET 1	0	Interrupt enable for pins GIOB[7:0] Read: The interrupt is disabled. Write: Writing a 0 to this bit has no effect.
		1	Read: The interrupt is enabled. Write: Enables the interrupt.
7-0	GIOENASET 0	0	Interrupt enable for pins GIOA[7:0] Read: The interrupt is disabled. Write: Writing a 0 to this bit has no effect.
		1	Read: The interrupt is enabled. Write: Enables the interrupt.

### 25.5.4.2 GIOENACLR Register

This register disables the interrupt. [Figure 25-9](#) and [Table 25-6](#) describe this register.

**Figure 25-9. GIO Interrupt Enable Clear Register (GIOENACLR) [offset = 14h]**

31	24	23	16
GIOENACLR 3		GIOENACLR 2	
R/W-0		R/W-0	
15	8	7	0
GIOENACLR 1		GIOENACLR 0	
R/W-0		R/W-0	

LEGEND: R/W = Read/Write; R = Read only; -n = value after reset

**Table 25-6. GIO Interrupt Enable Clear Register (GIOENACLR) Field Descriptions**

Bit	Field	Value	Description
31-24	GIOENACLR 3	0	Interrupt disable for pins GIOD[7:0] Read: The interrupt is disabled. Write: Writing a 0 to this bit has no effect.
		1	Read: The interrupt is enabled. Write: Disables the interrupt.
23-16	GIOENACLR 2	0	Interrupt disable for pins GIOE[7:0] Read: The interrupt is disabled. Write: Writing a 0 to this bit has no effect.
		1	Read: The interrupt is enabled. Write: Disables the interrupt.
15-8	GIOENACLR 1	0	Interrupt disable for pins GIOB[7:0] Read: The interrupt is disabled. Write: Writing a 0 to this bit has no effect.
		1	Read: The interrupt is enabled. Write: Disables the interrupt.
7-0	GIOENACLR 0	0	Interrupt disable for pins GIOA[7:0] Read: The interrupt is disabled. Write: Writing a 0 to this bit has no effect.
		1	Read: The interrupt is enabled. Write: Disables the interrupt.

### 25.5.5 GIO Interrupt Priority Registers (GIOLVLSET and GIOLVLCR)

The GIOLVLSET and GIOLVLCR registers configure the interrupts as high-level (level 1) or low-level (level 2) going to the VIM. Each interrupt is individually configured.

- The high-level interrupts are recorded to GIOFF1 and GIOEMU1.
- The low-level interrupts are recorded to GIOFF2 and GIOEMU2.

#### 25.5.5.1 GIOLVLSET Register

The GIOLVLSET register is used to configure an interrupt as a high-level interrupt going to the VIM. An interrupt can be configured as a high-level interrupt by writing a 1 into the corresponding bit of the GIOLVLSET register. Writing a 0 has no effect. [Figure 25-10](#) and [Table 25-7](#) describe this register.

**Figure 25-10. GIO Interrupt Priority Register (GIOLVLSET) [offset = 18h]**

31	GIOLVLSET 3 R/W-0	GIOLVLSET 2 R/W-0	16
15	GIOLVLSET 1 R/W-0	GIOLVLSET 0 R/W-0	0

LEGEND: R/W = Read/Write; R = Read only; -n = value after reset

**Table 25-7. GIO Interrupt Priority Register (GIOLVLSET) Field Descriptions**

Bit	Field	Value	Description
31-24	GIOLVLSET 3	0	GIO high-priority interrupt for pins GIOD[7:0]. Read: The interrupt is a low-level interrupt. The low-level interrupts are recorded to GIOFF2 and GIOEMU2. Write: Writing a 0 to this bit has no effect.
		1	Read: The interrupt is set as a high-level interrupt. The high-level interrupts are recorded to GIOFF1 and GIOEMU1. Write: Sets the interrupt as a high-level interrupt. The high-level interrupts are recorded to GIOFF1 and GIOEMU1.
23-16	GIOLVLSET 2	0	GIO high-priority interrupt for pins GIOC[7:0]. Read: The interrupt is a low-level interrupt. The low-level interrupts are recorded to GIOFF2 and GIOEMU2. Write: Writing a 0 to this bit has no effect.
		1	Read: The interrupt is set as a high-level interrupt. The high-level interrupts are recorded to GIOFF1 and GIOEMU1. Write: Sets the interrupt as a high-level interrupt. The high-level interrupts are recorded to GIOFF1 and GIOEMU1.
15-8	GIOLVLSET 1	0	GIO high-priority interrupt for pins GIOB[7:0]. Read: The interrupt is a low-level interrupt. The low-level interrupts are recorded to GIOFF2 and GIOEMU2. Write: Writing a 0 to this bit has no effect.
		1	Read: The interrupt is set as a high-level interrupt. The high-level interrupts are recorded to GIOFF1 and GIOEMU1. Write: Sets the interrupt as a high-level interrupt. The high-level interrupts are recorded to GIOFF1 and GIOEMU1.

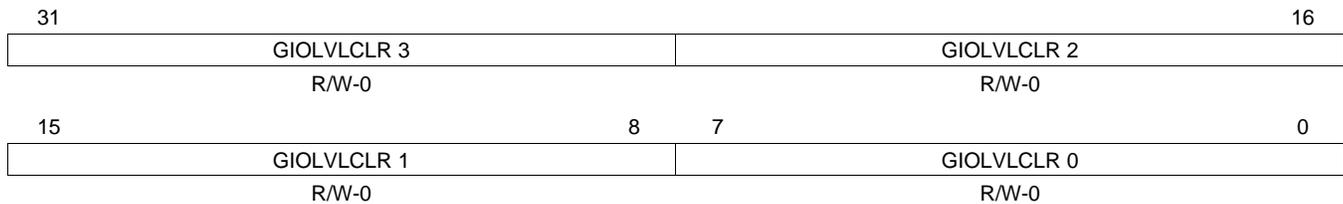
**Table 25-7. GIO Interrupt Priority Register (GIOLVLSET) Field Descriptions (continued)**

Bit	Field	Value	Description
7-0	GIOLVLSET 0	0	GIO high-priority interrupt for pins GIOA[7:0]. Read: The interrupt is a low-level interrupt. The low-level interrupts are recorded to GIOOFF2 and GIOEMU2. Write: Writing a 0 to this bit has no effect.
		1	Read: The interrupt is set as a high-level interrupt. The high-level interrupts are recorded to GIOOFF1 and GIOEMU1. Write: Sets the interrupt as a high-level interrupt. The high-level interrupts are recorded to GIOOFF1 and GIOEMU1.

### 25.5.5.2 GIOLVLCLR Register

The GIOLVLCLR register is used to configure an interrupt as a low-level interrupt going to the VIM. An interrupt can be configured as a low-level interrupt by writing a 1 into the corresponding bit of the GIOLVLCLR register. Writing a 0 has no effect. [Figure 25-11](#) and [Table 25-8](#) describe this register.

**Figure 25-11. GIO Interrupt Priority Register (GIOLVLCLR) [offset = 1Ch]**



LEGEND: R/W = Read/Write; R = Read only; -n = value after reset

**Table 25-8. GIO Interrupt Priority Register (GIOLVLCLR) Field Descriptions**

Bit	Field	Value	Description
31-24	GIOLVLCLR 3	0	GIO low-priority interrupt for pins GIOD[7:0] Read: The interrupt is a low-level interrupt. Write: Writing a 0 to this bit has no effect.
		1	Read: The interrupt is set as a high-level interrupt. The high-level interrupts are recorded to GIOFF1 and GIOEMU1. Write: Sets the interrupt as a low-level interrupt. The low-level interrupts are recorded to GIOFF2 and GIOEMU2.
23-16	GIOLVLCLR 2	0	GIO low-priority interrupt for pins GIOC[7:0] Read: The interrupt is a low-level interrupt. Write: Writing a 0 to this bit has no effect.
		1	Read: The interrupt is set as a high-level interrupt. The high-level interrupts are recorded to GIOFF1 and GIOEMU1. Write: Sets the interrupt as a low-level interrupt. The low-level interrupts are recorded to GIOFF2 and GIOEMU2.
15-8	GIOLVLCLR 1	0	GIO low-priority interrupt for pins GIOB[7:0] Read: The interrupt is a low-level interrupt. Write: Writing a 0 to this bit has no effect.
		1	Read: The interrupt is set as a high-level interrupt. The high-level interrupts are recorded to GIOFF1 and GIOEMU1. Write: Sets the interrupt as a low-level interrupt. The low-level interrupts are recorded to GIOFF2 and GIOEMU2.
7-0	GIOLVLCLR 0	0	GIO low-priority interrupt for pins GIOA[7:0] Read: The interrupt is a low-level interrupt. Write: Writing a 0 to this bit has no effect.
		1	Read: The interrupt is set as a high-level interrupt. The high-level interrupts are recorded to GIOFF1 and GIOEMU1. Write: Sets the interrupt as a low-level interrupt. The low-level interrupts are recorded to GIOFF2 and GIOEMU2.

### 25.5.6 GIO Interrupt Flag Register (GIOFLG)

The GIOFLG register contains flags indicating that the transition edge (as set in GIOINTDET and GIOPOL) has occurred. The flag is also cleared by reading the appropriate interrupt offset register (GIOOFF1 or GIOOFF2). [Figure 25-12](#) and [Table 25-9](#) describe this register.

**Figure 25-12. GIO Interrupt Flag Register (GIOFLG) [offset = 20h]**

31	24	23	16
GIOFLG 3			GIOFLG 2
R/WC-0			R/WC-0
15	8	7	0
GIOFLG 1			GIOFLG 0
R/WC-0			R/WC-0

LEGEND: R/W = Read/Write; R = Read only; C = Clear; -n = value after reset

**Table 25-9. GIO Interrupt Flag Register (GIOFLG) Field Descriptions**

Bit	Field	Value	Description
31-24	GIOFLG 3	0	GIO flag for pins GIOD[7:0] Read: A transition has not occurred since the last clear. Write: Writing a 0 to this bit has no effect.
		1	Read: The selected transition on the corresponding pin has occurred. Write: The corresponding bit is cleared to 0. <b>Note: This bit is also cleared by a read to the corresponding bit in the appropriate offset register.</b>
23-16	GIOFLG 2	0	GIO flag for pins GIOC[7:0] Read: A transition has not occurred since the last clear. Write: Writing a 0 to this bit has no effect.
		1	Read: The selected transition on the corresponding pin has occurred. Write: The corresponding bit is cleared to 0. <b>Note: This bit is also cleared by a read to the corresponding bit in the appropriate offset register.</b>
15-8	GIOFLG 1	0	GIO flag for pins GIOB[7:0] Read: A transition has not occurred since the last clear. Write: Writing a 0 to this bit has no effect.
		1	Read: The selected transition on the corresponding pin has occurred. Write: The corresponding bit is cleared to 0. <b>Note: This bit is also cleared by a read to the corresponding bit in the appropriate offset register.</b>
7-0	GIOFLG 0	0	GIO flag for pins GIOA[7:0] Read: A transition has not occurred since the last clear. Write: Writing a 0 to this bit has no effect.
		1	Read: The selected transition on the corresponding pin has occurred. Write: The corresponding bit is cleared to 0. <b>Note: This bit is also cleared by a read to the corresponding bit in the appropriate offset register.</b>

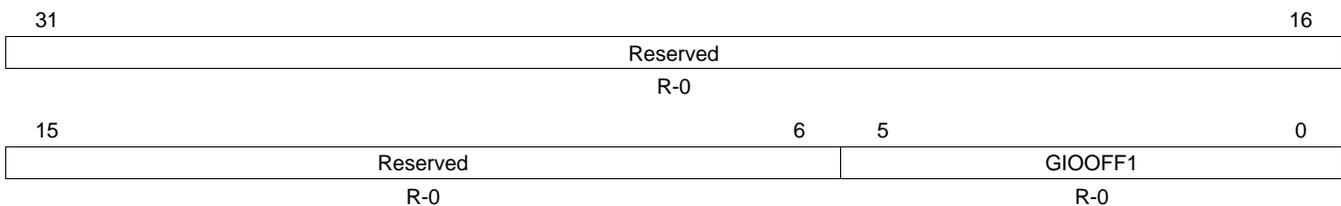
**NOTE:** An interrupt flag gets set when the selected transition happens on the corresponding GIO pin **regardless of whether the interrupt generation is enabled or not**. It is recommended to clear a flag before enabling the interrupt generation for a transition on the corresponding GIO pin.

### 25.5.7 GIO Offset Register 1 (GIOOFF1)

The GIOOFF1 register provides a numerical offset value that represents the pending external interrupt with high priority. The offset value can be used to locate the position of the interrupt routine in a vector table in application software. [Figure 25-13](#) and [Table 25-10](#) describe this register.

**NOTE:** Reading this register clears it, GIOEMU1 and the corresponding flag bit in the GIOFLG register. However, in emulation mode, a read to this register does not clear any register or flag. If more than one GIO interrupts are pending, then reading the GIOOFF1 register will change the contents of GIOOFF1 and GIOEMU1 to show the offset value for the next highest priority pending interrupt. The application can choose to service all GIO interrupts from the same service routine by continuing to read the GIOOFF1 register until it reads zeros.

**Figure 25-13. GIO Offset 1 Register (GIOOFF1) [offset = 24h]**



LEGEND: R = Read only; -n = value after reset

**Table 25-10. GIO Offset 1 Register (GIOOFF1) Field Descriptions**

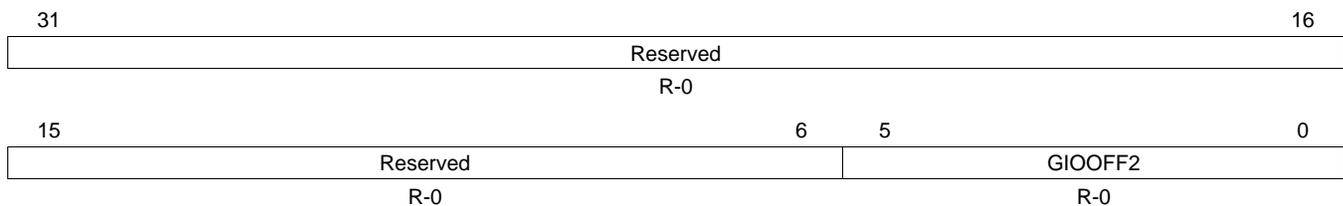
Bit	Field	Value	Description
31-6	Reserved	0	Read returns 0. Writes have no effect.
5-0	GIOOFF1	0	No interrupt is pending.
		1h	Interrupt 0 (corresponding to GIOA0) is pending with a high priority.
		:	:
		8h	Interrupt 7 (corresponding to GIOA7) is pending with a high priority.
		9h	Interrupt 8 (corresponding to GIOB0) is pending with a high priority.
		:	:
		10h	Interrupt 16 (corresponding to GIOB7) is pending with a high priority.
		:	:
		20h	Interrupt 32 (corresponding to GIOD7) is pending with a high priority.
		21h-3Fh	Reserved

### 25.5.8 GIO Offset B Register (GIOFF2)

The GIOFF2 register provides a numerical offset value that represents the pending external interrupt with low priority. The offset value can be used to locate the position of the interrupt routine in a vector table in application software. [Figure 25-14](#) and [Table 25-11](#) describe this register.

**NOTE:** Reading this register clears it, GIOEMU2 and the corresponding flag bit in the GIOFLG register. However, in emulation mode, a read to this register does not clear any register or flag. If more than one GIO interrupts are pending, then reading the GIOFF1 register will change the contents of GIOFF2 and GIOEMU2 to show the offset value for the next highest priority pending interrupt. The application can choose to service all GIO interrupts from the same service routine by continuing to read the GIOFF1 register until it reads zeros.

**Figure 25-14. GIO Offset 2 Register (GIOFF2) [offset = 28h]**



LEGEND: R = Read only; -n = value after reset

**Table 25-11. GIO Offset 2 Register (GIOFF2) Field Descriptions**

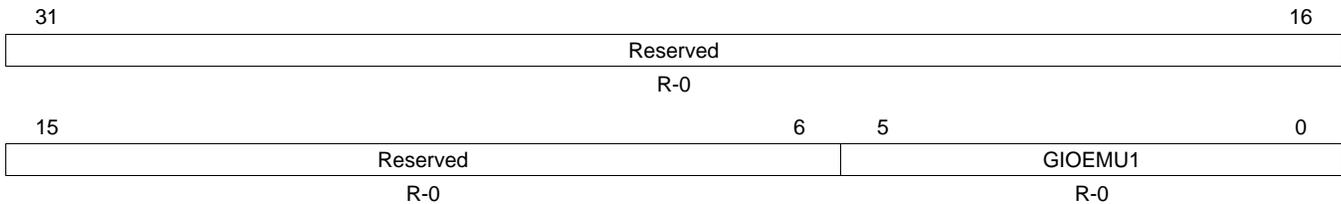
Bit	Field	Value	Description
31-6	Reserved	0	Read returns 0. Writes have no effect.
5-0	GIOFF2	0	No interrupt is pending.
		1h	Interrupt 0 (corresponding to GIOA0) is pending with a low priority.
		:	:
		8h	Interrupt 7 (corresponding to GIOA7) is pending with a low priority.
		9h	Interrupt 8 (corresponding to GIOB0) is pending with a low priority.
		:	:
		10h	Interrupt 16 (corresponding to GIOB7) is pending with a low priority.
		:	:
		20h	Interrupt 32 (corresponding to GIOD7) is pending with a low priority.
		21h-3Fh	Reserved

### 25.5.9 GIO Emulation A Register (GIOEMU1)

The GIOEMU1 register is a read-only register. The contents of this register are identical to the contents of GIOOFF1. The intention for the this register is that software can use it without clearing the flags. Figure 25-15 and Table 25-12 describe this register.

**NOTE:** The corresponding flag in the GIOFLG register is not cleared when the GIOEMU1 register is read.

**Figure 25-15. GIO Emulation 1 Register (GIOEMU1) [offset = 2Ch]**



LEGEND: R = Read only; -n = value after reset

**Table 25-12. GIO Emulation 1 Register (GIOEMU1) Field Descriptions**

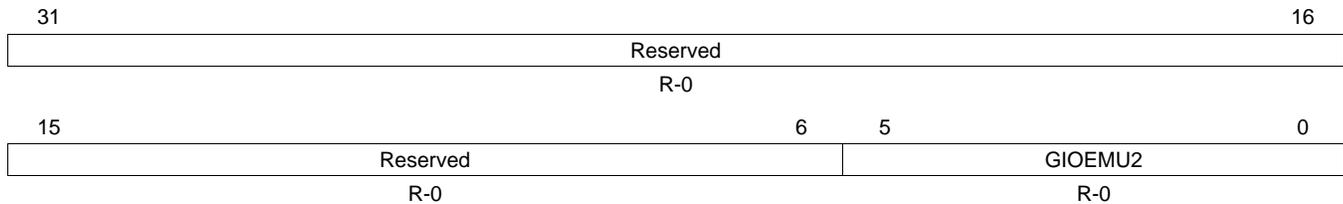
Bit	Field	Value	Description
31-6	Reserved	0	Read returns 0. Writes have no effect.
5-0	GIOEMU1	0	GIO offset emulation 1. These bits index the currently pending high-priority interrupt. No register or flag is cleared by reading this register.
		1h	Interrupt 0 (corresponding to GIOA0) is pending with a high priority.
		:	:
		8h	Interrupt 7 (corresponding to GIOA7) is pending with a high priority.
		9h	Interrupt 8 (corresponding to GIOB0) is pending with a high priority.
		:	:
		10h	Interrupt 16 (corresponding to GIOB7) is pending with a high priority.
		:	:
		20h	Interrupt 32 (corresponding to GIOD7) is pending with a high priority.
		21h-3Fh	Reserved

### 25.5.10 GIO Emulation B Register (GIOEMU2)

The GIOEMU2 register is a read-only register. The contents of this register are identical to the contents of GIOOFF2. The intention for this register is that software can use it without clearing the flags. Figure 25-16 and Table 25-13 describe this register.

**NOTE:** The corresponding flag in the GIOFLG register is not cleared when the GIOEMU2 register is read.

**Figure 25-16. GIO Emulation 2 Register (GIOEMU2) [offset = 30h]**



LEGEND: R = Read only; -n = value after reset

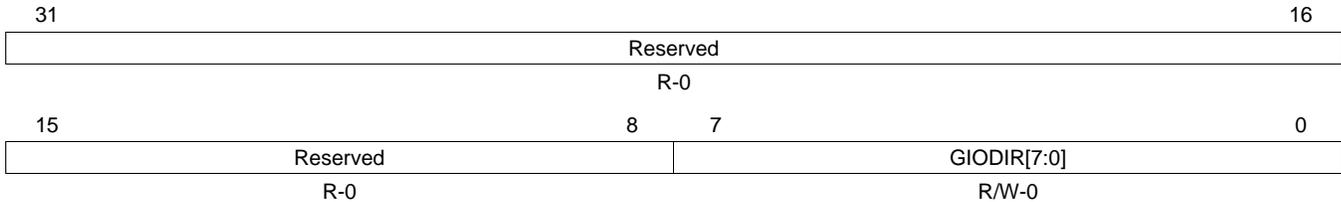
**Table 25-13. GIO Emulation 2 Register (GIOEMU2) Field Descriptions**

Bit	Field	Value	Description
31-6	Reserved	0	Read returns 0. Writes have no effect.
5-0	GIOEMU2	0	GIO offset emulation 2. These bits index the currently pending low-priority interrupt. No register or flag is cleared by reading this register.
		1h	Interrupt 0 (corresponding to GIOA0) is pending with a low priority.
		:	:
		8h	Interrupt 7 (corresponding to GIOA7) is pending with a low priority.
		9h	Interrupt 8 (corresponding to GIOB0) is pending with a low priority.
		:	:
		10h	Interrupt 16 (corresponding to GIOB7) is pending with a low priority.
		:	:
		20h	Interrupt 32 (corresponding to GIOD7) is pending with a low priority.
		21h-3Fh	Reserved

### 25.5.11 GIO Data Direction Registers (GIODIR[A-B])

The GIODIR register controls whether the pins of a given port are configured as inputs or outputs. Figure 25-17 and Table 25-14 describe this register.

**Figure 25-17. GIO Data Direction Registers (GIODIR[A-B]) [offset = 34h, 54h]**



LEGEND: R/W = Read/Write; R = Read only; -n = value after reset

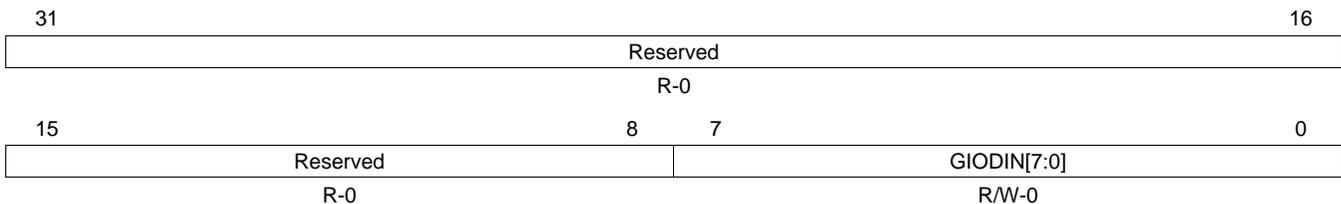
**Table 25-14. GIO Data Direction Registers (GIODIR[A-B]) Field Descriptions**

Bit	Field	Value	Description
31-8	Reserved	0	Read returns 0. Writes have no effect.
7-0	GIODIR[n]	0	The GIO pin is an input. Note: If the pin direction is set as an input, the output buffer is tristated.
		1	The GIO pin is an output.

### 25.5.12 GIO Data Input Registers (GIODIN[A-B])

Values in the GIODIN register reflect the current state (high = 1 or low = 0) on the pins of the port. Figure 25-18 and Table 25-15 describe this register.

**Figure 25-18. GIO Data Input Registers (GIODIN[A-B]) [offset = 38h, 58h]**



LEGEND: R/W = Read/Write; R = Read only; -n = value after reset

**Table 25-15. GIO Data Input Registers (GIODIN[A-B]) Field Descriptions**

Bit	Field	Value	Description
31-8	Reserved	0	Read returns 0. Writes have no effect.
7-0	GIODIN[n]	0	The pin is at logic low (0).
		1	The pin is at logic high (1).

### 25.5.13 GIO Data Output Registers (GIODOUT[A-B])

Values in the GIODOUT register specify the output state (high = 1 or low = 0) of the pins of the port when they are configured as outputs. [Figure 25-19](#) and [Table 25-16](#) describe this register.

**NOTE:** Values in the GIODSET register set the data output control register bits to 1 regardless of the current value in the GIODOUT bits.

**Figure 25-19. GIO Data Output Registers (GIODOUT[A-B]) [offset = 3Ch, 5Ch]**

31	Reserved		16
	R-0		
15	8	7	0
	Reserved	GIODOUT[7:0]	
	R-0	R/W-0	

LEGEND: R/W = Read/Write; R = Read only; -n = value after reset

**Table 25-16. GIO Data Output Registers (GIODOUT[A-B]) Field Descriptions**

Bit	Field	Value	Description
31-8	Reserved	0	Read returns 0. Writes have no effect.
7-0	GIODOUT[n]	0	GIO data output of port n, pins[7:0]. The pin is driven to logic low (0).
		1	The pin is driven to logic high (1). <b>Note: Output is in high impedance state if the GIOPDRx bit = 1 and GIODOUTx bit = 1.</b> <b>Note: GIO pin is placed in output mode by setting the GIODIRx bit to 1.</b>

### 25.5.14 GIO Data Set Registers (GIODSET[A-B])

Values in this register set the data output control register bits to 1 regardless of the current value in the GIODOUT bits. The contents of this register reflect the contents of GIODOUT. [Figure 25-20](#) and [Table 25-17](#) describe this register.

**Figure 25-20. GIO Data Set Registers (GIODSET[A-B]) [offset = 40h, 60h]**

31	Reserved		16
	R-0		
15	8	7	0
	Reserved	GIODSET[7:0]	
	R-0	R/W-0	

LEGEND: R/W = Read/Write; R = Read only; -n = value after reset

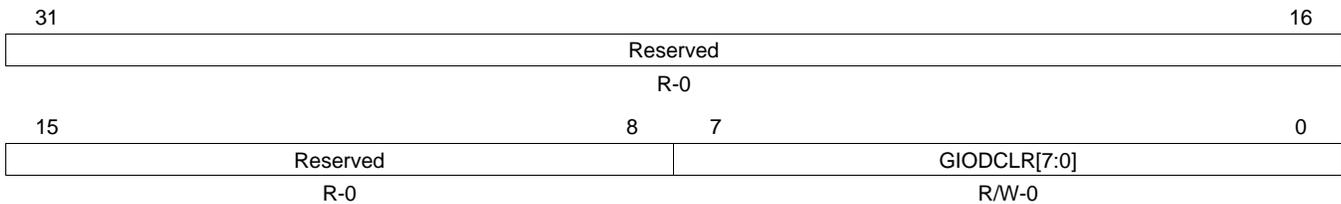
**Table 25-17. GIO Data Set Registers (GIODSET[A-B]) Field Descriptions**

Bit	Field	Value	Description
31-8	Reserved	0	Read returns 0. Writes have no effect.
7-0	GIODSET[n]	0	GIO data set for port n, pins[7:0]. This bit drives the output of GIO pin high. Write: Writing a 0 has no effect.
		1	Write: The corresponding GIO pin is driven to logic high (1). <b>Note: The current logic state of the GIODOUT bit will also be displayed by this bit.</b> <b>Note: GIO pin is placed in output mode by setting the GIODIRx bit to 1.</b>

### 25.5.15 GIO Data Clear Registers (GIODCLR[A-B])

Values in this register clear the data output register (GIO Data Output Register [A-H]) bit to 0 regardless of its current value. The contents of this register reflect the contents of GIODOUT. [Figure 25-21](#) and [Table 25-18](#) describe this register.

**Figure 25-21. GIO Data Clear Registers (GIODCLR[A-B]) [offset = 44h, 64h]**



LEGEND: R/W = Read/Write; R = Read only; -n = value after reset

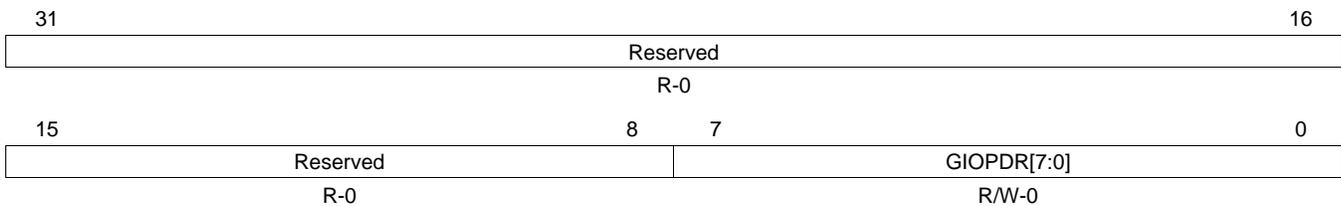
**Table 25-18. GIO Data Clear Registers (GIODCLR[A-B]) Field Descriptions**

Bit	Field	Value	Description
31-8	Reserved	0	Read returns 0. Writes have no effect.
7-0	GIODCLR[n]	0	GIO data clear for port n, pins[7:0]. This bit drives the output of GIO pin low. Write: Writing a 0 has no effect.
		1	Write: The corresponding GIO pin is driven to logic low (0). <b>Note: The current logic state of the GIODOUT bit will also be displayed by this bit.</b> <b>Note: GIO pin is placed in output mode by setting the GIODIRx bit to 1.</b>

### 25.5.16 GIO Open Drain Registers (GIOPDR[A-B])

Values in this register enable or disable the open drain capability of the data pins. [Figure 25-22](#) and [Table 25-19](#) describe this register.

**Figure 25-22. GIO Open Drain Registers (GIOPDR[A-B]) [offset = 48h, 68h]**



LEGEND: R/W = Read/Write; R = Read only; -n = value after reset

**Table 25-19. GIO Open Drain Registers (GIOPDR[A-B]) Field Descriptions**

Bit	Field	Value	Description
31-8	Reserved	0	Read returns 0. Writes have no effect.
7-0	GIOPDR[n]	0	GIO open drain for port n, pins[7:0] The GIO pin is configured in push/pull (normal GIO) mode. The output voltage is V <sub>OL</sub> or lower if GIODOUT bit = 0 and V <sub>OH</sub> or higher if GIODOUT bit = 1.
		1	The GIO pin is configured in open drain mode. The GIODOUTx bit controls the state of the GIO output buffer: GIODOUTx = 0, the GIO output buffer is driven low; GIODOUTx = 1, the GIO output buffer is tristated.

### 25.5.17 GIO Pull Disable Registers (GIOPULDIS[A-B])

Values in this register enable or disable the pull control capability of the pins. [Figure 25-23](#) and [Table 25-20](#) describe this register.

**Figure 25-23. GIO Pull Disable Registers (GIOPULDIS[A-B]) [offset = 4Ch, 6Ch]**

31	Reserved			16
R-0				
15	8	7	0	
Reserved			GIOPULDIS[7:0]	
R-0			R/W-0	

LEGEND: R/W = Read/Write; R = Read only; -n = value after reset

**Table 25-20. GIO Pull Disable Registers (GIOPULDIS[A-B]) Field Descriptions**

Bit	Field	Value	Description
31-8	Reserved	0	Read returns 0. Writes have no effect.
7-0	GIOPULDIS[n]	0	GIO pull disable for port n, pins[7:0]. Writes to this bit will only take effect when the GIO pin configured as an input pin. The pull functionality is enabled.
		1	The pull functionality is disabled. <b>Note: The GIO pin is placed in input mode by clearing the GIODIRx bit to 0.</b>

### 25.5.18 GIO Pull Select Registers (GIOPSL[A-B])

Values in this register select the pull up or pull down functionality of the pins. [Figure 25-24](#) and [Table 25-21](#) describe this register.

**Figure 25-24. GIO Pull Select Registers (GIOPSL[A-B]) [offset = 50h, 70h]**

31	Reserved			16
R-0				
15	8	7	0	
Reserved			GIOPSL[7:0]	
R-0			R/W-0	

LEGEND: R/W = Read/Write; R = Read only; -n = value after reset

**Table 25-21. GIO Pull Select Registers (GIOPSL[A-B]) Field Descriptions**

Bit	Field	Value	Description
31-8	Reserved	0	Read returns 0. Writes have no effect.
7-0	GIOPSL[n]	0	GIO pull select for port n, pins[7:0] The pull down functionality is select, when pull up/pull down logic is enabled.
		1	The pull up functionality is select, when pull up/pull down logic is enabled. <b>Note: The pull up/pull down functionality is enabled by clearing corresponding bit in GIOPULDIS to 0.</b>

## 25.6 I/O Control Summary

The behavior of the output buffer and the pull control is summarized in [Table 25-22](#).

**Table 25-22. Output Buffer, and Pull Control Behavior for GIO Pins** <sup>(1)</sup>

Module under Reset?	Pin Direction (GIODIR) <sup>(2)</sup>	Open Drain Enable (GIOPDR) <sup>(3)</sup>	Pull Disable (GIOPULDIS) <sup>(4)</sup>	Pull Select (GIOPSL) <sup>(5)</sup>	Pull Control	Output Buffer <sup>(6)</sup>
Yes	X	X	X	X	Device- and module-specific	Disabled
No	0	X	0	0	Pull down	Disabled
No	0	X	0	1	Pull up	Disabled
No	0	X	1	0	Disabled	Disabled
No	0	X	1	1	Disabled	Disabled
No	1	0	X	X	Disabled	Enabled
No	1	1	X	X	Disabled	Enabled

<sup>(1)</sup> X = Don't care

<sup>(2)</sup> GIODIR = 0 for input; 1 for output

<sup>(3)</sup> See [Section 25.5.16](#)

<sup>(4)</sup> GIOPULDIS = 0 for enabling pull control; 1 for disabling pull control

<sup>(5)</sup> GIOPSL = 0 for pull-down functionality; 1 for pull-up functionality

<sup>(6)</sup> If open drain is enabled, output buffer will be disabled if a High level (1) is being output.

## Controller Area Network (DCAN) Module

---



---

This chapter describes the controller area network (DCAN) module.

---

**NOTE:** This chapter describes a superset implementation of the DCAN module. Consult your device-specific datasheet to identify the applicability of the DMA-related features, the number of instantiations of the DCAN IP, and the number of mailboxes supported on your specific device being used.

---

Topic	Page
26.1 Overview.....	1144
26.2 CAN Blocks.....	1145
26.3 CAN Bit Timing.....	1147
26.4 CAN Module Configuration .....	1151
26.5 Message RAM.....	1154
26.6 Message Interface Register Sets.....	1159
26.7 Message Object Configurations.....	1162
26.8 Message Handling.....	1164
26.9 CAN Message Transfer .....	1169
26.10 Interrupt Functionality.....	1170
26.11 Global Power Down Mode.....	1172
26.12 Local Power Down Mode .....	1173
26.13 GIO Support.....	1173
26.14 Test Modes .....	1175
26.15 SECEDED Mechanism.....	1179
26.16 Debug/Suspend Mode .....	1180
26.17 DCAN Control Registers.....	1180

## 26.1 Overview

The Controller Area Network is a high-integrity, serial, multi-master communication protocol for distributed real-time applications. This CAN module is implemented according to ISO 11898-1 and is suitable for industrial, automotive and general embedded communications.

### 26.1.1 Features

The DCAN module provides the following features:

#### Protocol

- Supports CAN protocol version 2.0 part A, B

#### Speed

- Bit rates up to 1 MBit/s

#### MailBox

- Configurable Message objects
- Individual identifier masks for each message object
- Programmable FIFO mode for message objects

#### High Speed MailBox Access

- DMA access to Message RAM.

#### Power

- Global power down and wakeup support
- Local power down and wakeup support

#### Debug

- Suspend mode for debug support
- Programmable loop-back modes for self-test operation
- Direct access to Message RAM in test mode
- Supports Two interrupt lines - Level 0 and Level 1

#### Others

- Automatic Message RAM initialization
- Automatic bus on after Bus-Off state by a programmable 32-bit timer
- CAN Rx / Tx pins configurable as general purpose IO pins
- Software module reset
- Message RAM with SECDED mechanism
- Dual clock source to reduce jitter

### 26.1.2 Functional Description

The CAN protocol is an ISO standard (ISO 11898) for serial data communication. This protocol uses Non-Return To Zero (NRZ) with bit-stuffing. And the communication is carried over a two-wire balanced signaling scheme.

The DCAN data communication happens through the CAN\_TX and CAN\_RX pins. An additional transceiver hardware is required for the connection to the physical layer (CAN bus) CAN\_High and CAN\_Low.

The DCAN register set can be accessed directly by the CPU. These registers are used to control and configure the CAN module and the Message RAM.

Individual CAN message objects should be configured for communication over a CAN network. The message objects and identifier masks are stored in the Message RAM.

The CAN module internally handles functions such acceptance filtering, transfer of messages from and to the Message RAM, handling of transmission requests as well as the generation of interrupts or DMA requests.

## 26.2 CAN Blocks

The DCAN Module, shown in [Figure 26-1](#), comprises of the following basic blocks.

### 26.2.1 CAN Core

The CAN Core consists of the CAN Protocol Controller and the Rx/Tx Shift Register. It handles all ISO 11898-1 protocol functions.

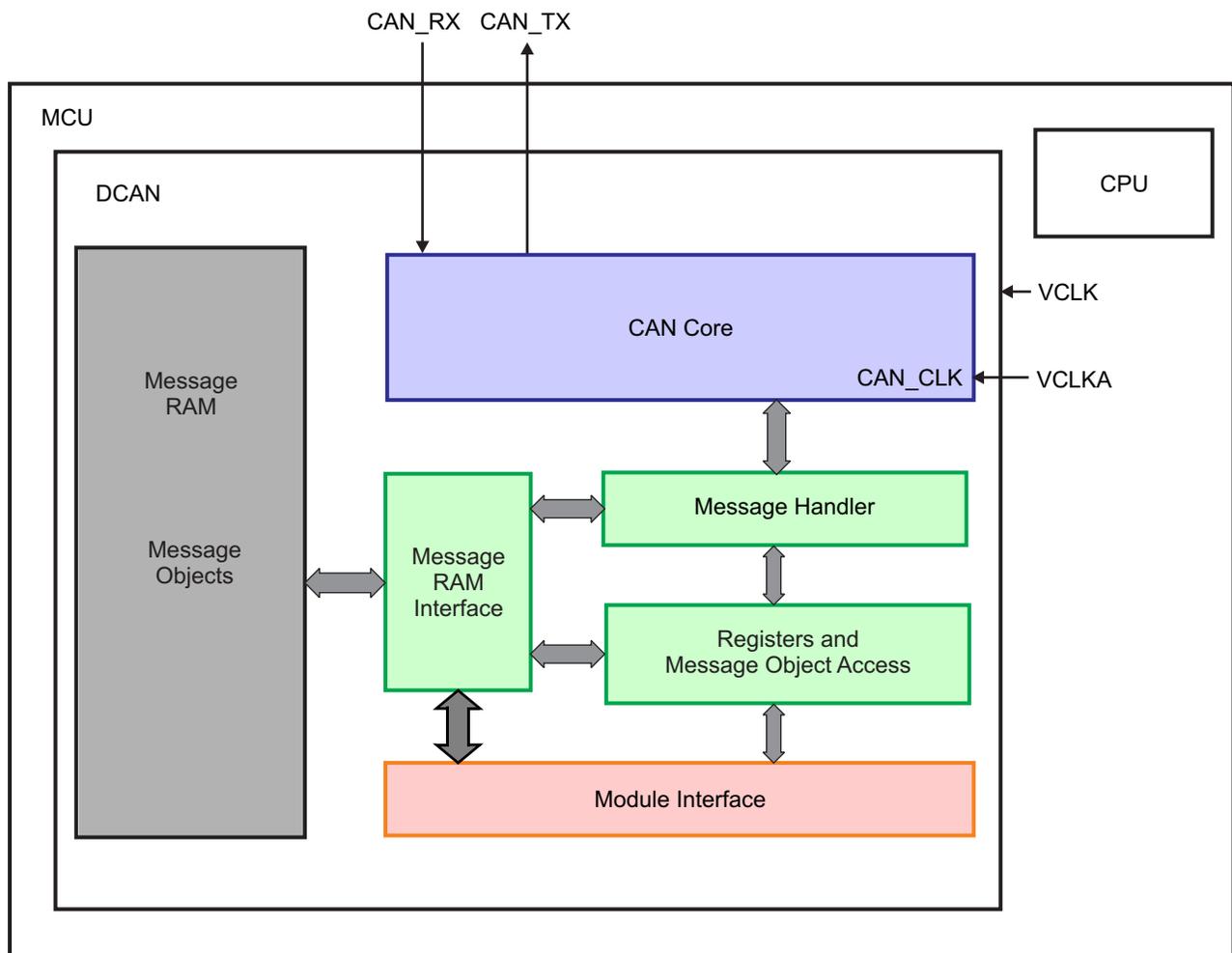
### 26.2.2 Message RAM

The DCAN Message RAM enables storage of CAN messages. Actual Device datasheet provides the details of the Message RAM address.

### 26.2.3 Message Handler

The Message Handler is a state machine that controls the data transfer between the single ported Message RAM and the CAN Core's Rx/Tx Shift Register. It also handles acceptance filtering and the interrupt/DMA request generation as programmed in the control registers.

Figure 26-1. DCAN Block Diagram



### 26.2.4 Message RAM Interface

The Interface Register sets control the CPU read and write accesses to the Message RAM. There are three interface registers IF1, IF2, and IF3:

- IF1 and IF2 Interface Registers sets for read and write access.
- IF3 Interface Register set for read access only.

The Interface Registers have the same word-length as the Message RAM. Additional information can be found in [Section 26.6](#).

### 26.2.5 Register and Message Object Access

During normal operation, data consistency of the message objects is guaranteed by indirectly accessing the message objects through the interface registers IF1 and IF2.

In order to be able to perform tests on the message object memory, a dedicated test mode has been implemented, which allows direct access by either the CPU or DMA. During normal operation direct access has to be avoided.

### 26.2.6 Dual Clock Source

Two clock domains are provided to the DCAN module:

1. VCLK - The peripheral synchronous clock domain as the general module clock source.
2. VCLKA - The peripheral asynchronous clock source domain provided to the CAN core as clock source (CAN\_CLK) for generating the CAN Bit Timing.

If a frequency modulated clock output from FMPLL is used as the VCLK source, then VCLKA should be derived from an unmodulated clock source (for example, OSCIN source).

The clock source for VCLKA is selected by the Peripheral Asynchronous Clock Source Register in the system module.

Both clock domains can be derived from the same clock source (so that VCLK = VCLKA). However, if frequency modulation in the FMPLL is enabled (spread spectrum clock), then due to the high precision clocking requirements of the CAN Core, the FMPLL clock source should not be used for VCLKA. Alternatively, a separate clock without any modulation (for example, derived directly from the OSCIN clock) should be used for VCLKA.

Refer to the system module reference guide and the device datasheet for more information how to configure the relevant clock source registers in the system module.

Between the two clock domains, a synchronization mechanism is implemented in the DCAN module in order to ensure correct data transfer.

---

**NOTE:** If the dual clock functionality is used, then VCLK must always be higher or equal to CAN\_CLK (derived from the asynchronous clock source), in order to achieve a stable functionality of the DCAN. Here also the frequency shift of the modulated VCLK has to be considered:

$$f_{0, \text{VCLK}} \pm \Delta f_{\text{FM, VCLK}} \geq f_{\text{CANCLK}}$$

The CAN Core has to be programmed to at least 8 clock cycles per bit time. To achieve a transfer rate of 1 MBaud when using the asynchronous clock domain as the clock source for CAN\_CLK, an oscillator frequency of 8MHz or higher has to be used.

---

## 26.3 CAN Bit Timing

The DCAN supports bit rates between less than 1 kBit/s and 1000 kBit/s.

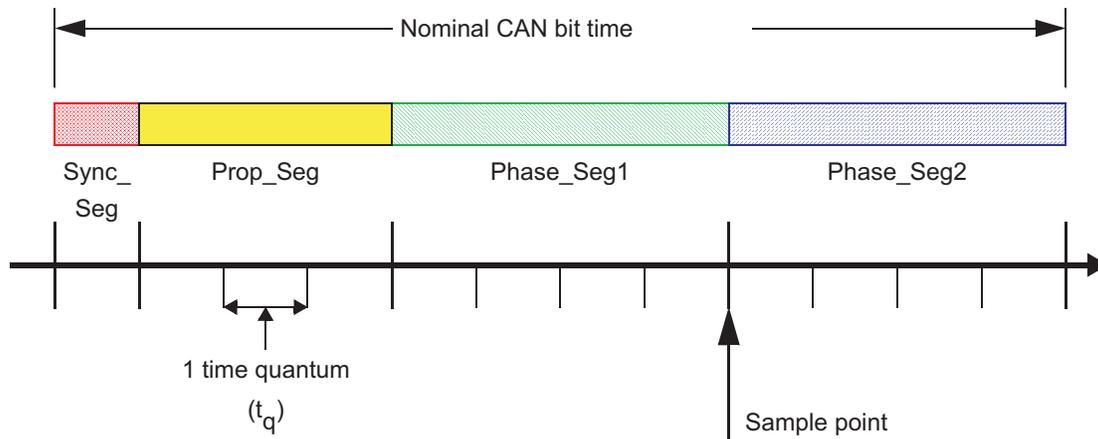
Each member of the CAN network has its own clock generator, typically derived from a crystal oscillator. The Bit timing parameters can be configured individually for each CAN node, creating a common Bit rate even though the CAN nodes' oscillator periods ( $f_{osc}$ ) may be different.

### 26.3.1 Bit Time and Bit Rate

According to the CAN specification, the Bit time is divided into four segments (see Figure 26-2):

- Synchronization Segment (Sync\_Seg)
- Propagation Time Segment (Prop\_Seg)
- Phase Buffer Segment 1 (Phase\_Seg1)
- Phase Buffer Segment 2 (Phase\_Seg2)

Figure 26-2. Bit Timing



Each segment consists of a specific number of time quanta. The length of one time quantum ( $t_q$ ), which is the basic time unit of the bit time, is given by the CAN\_CLK and the Baud Rate Prescalers (BRPE and BRP). With these two Baud Rate Prescalers combined, divider values from 1 to 1024 can be programmed:

$$t_q = \text{Baud Rate Prescaler} / \text{CAN\_CLK}$$

Apart from the fixed length of the synchronization segment, these numbers are programmable.

Table 26-1 describes the minimum programmable ranges required by the CAN protocol. A given bit rate may be met by different Bit time configurations.

**NOTE:** For proper functionality of the CAN network, the physical delay times and the oscillator's tolerance range have to be considered.

Table 26-1. Parameters of the CAN Bit Time

Parameter	Range	Remark
Sync_Seg	1 $t_q$ (fixed)	Synchronization of bus input to CAN_CLK
Prop_Seg	[1 ... 8] $t_q$	Compensates for the physical delay times
Phase_Seg1	[1 ... 8] $t_q$	May be lengthened temporarily by synchronization
Phase_Seg2	[1 ... 8] $t_q$	May be shortened temporarily by synchronization
Synchronization Jump Width (SJW)	[1 ... 4] $t_q$	May not be longer than either Phase Buffer Segment

### 26.3.1.1 Synchronization Segment

The Synchronization Segment (Sync\_Seg) is the part of the bit time where edges of the CAN bus level are expected to occur. If an edge occurs outside of Sync\_Seg, its distance to the Sync\_Seg is called the phase error of this edge.

### 26.3.1.2 Propagation Time Segment

This part of the bit time is used to compensate physical delay times within the CAN network. These delay times consist of the signal propagation time on the bus and the internal delay time of the CAN nodes.

### 26.3.1.3 Phase Buffer Segments and Synchronization

The Phase Buffer Segments (Phase\_Seg1 and Phase\_Seg2) and the Synchronization Jump Width (SJW) are used to compensate for the oscillator tolerance.

The Phase Buffer Segments surround the sample point. The Phase Buffer Segments may be lengthened or shortened by synchronization.

The Synchronization Jump Width (SJW) defines how far the resynchronizing mechanism may move the sample point inside the limits defined by the Phase Buffer Segments to compensate for edge phase errors.

Synchronizations occur on edges from recessive to dominant. Their purpose is to control the distance between edges and sample points.

Edges are detected by sampling the actual bus level in each time quantum and comparing it with the bus level at the previous sample point. A synchronization may be done only if a recessive bit was sampled at the previous sample point and if the actual time quantum's bus level is dominant.

An edge is synchronous if it occurs inside of Sync\_Seg, otherwise its distance to the Sync\_Seg is the edge phase error, measured in time quanta. If the edge occurs before Sync\_Seg, the phase error is negative, else it is positive.

### 26.3.1.4 Oscillator Tolerance Range

With the introduction of CAN protocol version 1.2, the option to synchronize on edges from dominant to recessive became obsolete. Only edges from recessive to dominant are considered for synchronization. The protocol update to version 2.0 (A and B) had no influence on the oscillator tolerance.

The tolerance range  $df$  for an oscillator's frequency  $f_{osc}$  around the nominal frequency  $f_{nom}$  with:

$$(1-df) \times f_{nom} \leq f_{osc} \leq (1+df) \times f_{nom} \quad (33)$$

depends on the proportions of Phase\_Seg1, Phase\_Seg2, SJW, and the bit time. The maximum tolerance  $df$  is defined by two conditions (both shall be met):

$$I: df \leq \frac{\min(\text{Phase\_Seg1}, \text{Phase\_Seg2})}{[2 \times (13 \times \text{bit\_time} - \text{Phase\_Seg2})]}$$

$$II: df \leq \frac{\text{SJW}}{20 \times \text{bit\_time}} \quad (34)$$

It has to be considered that SJW may not be larger than the smaller of the Phase Buffer Segments and that the Propagation Time Segment limits that part of the bit time that may be used for the Phase Buffer Segments.

The combination Prop\_Seg = 1 and Phase\_Seg1 = Phase\_Seg2 = SJW = 4 allows the largest possible oscillator tolerance of 1.58%. This combination with a Propagation Time Segment of only 10% of the bit time is not suitable for short bit times; it can be used for bit rates of up to 125 kBit/s (bit time = 8  $\mu$ s) with a bus length of 40 m.

### 26.3.2 DCAN Bit Timing Registers

In the DCAN, the bit timing configuration is programmed in two register bytes, additionally a third byte for a baud rate prescaler extension of 4 bits (BREP) is provided. The sum of Prop\_Seg and Phase\_Seg1 (as TSEG1) is combined with Phase\_Seg2 (as TSEG2) in one byte, SJW and BRP (plus BRPE in third byte) are combined in the other byte

In this bit timing register, the components TSEG1, TSEG2, SJW and BRP have to be programmed to a numerical value that is one less than its functional value; so instead of values in the range of [1 ... n], values in the range of [0 ... n-1] are programmed. That way, SJW (functional range of [1 ... 4]) is represented by only two bits.

Therefore the length of the Bit time is (programmed values)  $[TSEG1 + TSEG2 + 3] t_q$  or (functional values)  $[Sync\_Seg + Prop\_Seg + Phase\_Seg1 + Phase\_Seg2] t_q$ .

The data in the Bit Timing Register (BTR) is the configuration input of the CAN protocol controller. The Baud Rate Prescaler (configured by BRPE/BRP) defines the length of the time quantum (the basic time unit of the bit time); the Bit Timing Logic (configured by TSEG1, TSEG2, and SJW) defines the number of time quanta in the bit time.

#### 26.3.2.1 Calculation of the Bit Timing Parameters

Usually, the calculation of the bit timing configuration starts with a desired bit rate or bit time. The resulting Bit time (1 / Bit rate) must be an integer multiple of the CAN clock period.

---

**NOTE:** 8 MHz is the minimum CAN clock frequency required to operate the DCAN at a bit rate of 1 MBit/s.

---

The bit time may consist of 8 to 25 time quanta. The length of the time quantum  $t_q$  is defined by the Baud Rate Prescaler with  $t_q = (\text{Baud Rate Prescaler}) / \text{CAN\_CLK}$ . Several combinations may lead to the desired bit time, allowing iterations of the following steps.

First part of the bit time to be defined is the Prop\_Seg. Its length depends on the delay times measured in the system. A maximum bus length as well as a maximum node delay has to be defined for expandible CAN bus systems. The resulting time for Prop\_Seg is converted into time quanta (rounded up to the nearest integer multiple of  $t_q$ ).

The Sync\_Seg is 1  $t_q$  long (fixed), leaving  $(\text{bit time} - \text{Prop\_Seg} - 1) t_q$  for the two Phase Buffer Segments. If the number of remaining  $t_q$  is even, the Phase Buffer Segments have the same length,  $\text{Phase\_Seg2} = \text{Phase\_Seg1}$ , else  $\text{Phase\_Seg2} = \text{Phase\_Seg1} + 1$ .

The minimum nominal length of Phase\_Seg2 has to be regarded as well. Phase\_Seg2 may not be shorter than any CAN controller's Information Processing Time in the network, which is device dependent and can be in the range of [0 ... 2]  $t_q$ .

The length of the Synchronization Jump Width is set to its maximum value, which is the minimum of 4 and Phase\_Seg1.

If more than one configurations are possible to reach a certain Bit rate, it is recommended to choose the configuration that allows the highest oscillator tolerance range.

CAN nodes with different clocks require different configurations to come to the same bit rate. The calculation of the propagation time in the CAN network, based on the nodes with the longest delay times, is done once for the whole network.

The CAN system's oscillator tolerance range is limited by the node with the lowest tolerance range.

The calculation may show that bus length or bit rate have to be decreased or that the oscillator frequencies' stability has to be increased in order to find a protocol compliant configuration of the CAN bit timing.

The resulting configuration is written into the Bit Timing Register:

$T_{seg2} = Phase\_Seg2 - 1$   
 $T_{seg1} = Phase\_Seg1 + Prop\_Seg - 1$   
 $SJW = SynchronizationJumpWidth - 1$   
 $BRP = Prescaler - 1$

### 26.3.2.2 Calculation of BRP Values

If Baud and CAN\_CLK(VCLK) are already known, the BRP/BRPE values need to be calculated to be programmed into the register. It is calculated using the following equation:

$$BRP = CAN\_CLK / (BAUD)(1 + TSEG1 + TSEG2) \quad (35)$$

### 26.3.2.3 Example for Bit Timing at High Baudrate

In this example, the frequency of CAN\_CLK is 10 MHz, BRP is 0, the bit rate is 1 MBit/s.

$t_q$	100	ns	=	$t_{CAN\_CLK}$	
delay of bus driver	60	ns			
delay of receiver circuit	40	ns			
delay of bus line (40m)	220	ns			
$t_{Prop}$	700	ns	=	$INT(2 \cdot \text{delays} + 1) = 7 \cdot t_q$	
$t_{SJW}$	100	ns	=	$1 \cdot t_q$	
$t_{TSeg1}$	800	ns	=	$t_{Prop} + t_{SJW}$	
$t_{TSeg2}$	100	ns	=	Information Processing Time + $1 \cdot t_q$	
$t_{Sync-Seg}$	100	ns	=	$1 \cdot t_q$	
bit time	1000	ns	=	$t_{Sync-Seg} + t_{TSeg1} + t_{TSeg2}$	
tolerance for CAN_CLK	1.58	%	=	$\frac{\min(TSeg1, TSeg2)}{2x(13x(\text{bit\_time} - TSeg2))}$	(36)
			=	$\frac{0.1 \mu s}{2x(13x(1 \mu s - 0.1 \mu s))}$	(37)

In this example, the concatenated bit time parameters are  $(1-1)_3 \& (8-1)_4 \& (1-1)_2 \& (1-1)_6$ , so the Bit Timing Register is programmed to 0000 0700h.

### 26.3.2.4 Example for Bit Timing at Low Baudrate

In this example, the frequency of CAN\_CLK is 2 MHz, BRP is 1, the bit rate is 100 KBit/s.

$t_q$	100	ns	=	$2 \cdot t_{CAN\_CLK}$	
delay of bus driver	200	ns			
delay of receiver circuit	80	ns			
delay of bus line (40m)	220	ns			
$t_{Prop}$	1	$\mu s$	=	$1 \cdot t_q$	
$t_{SJW}$	4	$\mu s$	=	$4 \cdot t_q$	
$t_{TSeg1}$	5	$\mu s$	=	$t_{Prop} + t_{SJW}$	
$t_{TSeg2}$	3	$\mu s$	=	Information Processing Time + $3 \cdot t_q$	
$t_{Sync-Seg}$	1	$\mu s$	=	$1 \cdot t_q$	
bit time	9	$\mu s$	=	$t_{Sync-Seg} + t_{TSeg1} + t_{TSeg2}$	
tolerance for CAN_CLK	0.43	%	=	$\frac{\min(TSeg1, TSeg2)}{2x(13x(bit\_time - TSeg2))}$	(38)
			=	$\frac{3\mu s}{2x(13x(9\mu s - 3\mu s))}$	(39)

In this example, the concatenated bit time parameters are  $(3-1)_3 \& (5-1)_4 \& (4-1)_2 \& (2-1)_6$ , so the Bit Timing Register is programmed to 0000 24C1h.

## 26.4 CAN Module Configuration

After a hardware reset all CAN protocol functions are disabled. The CAN module must be initialized and configured before it can participate on the CAN bus.

### 26.4.1 DCAN RAM Initialization Through Hardware

To start with a clean DCAN RAM, the complete DCAN RAM has to be initialized with zeros and the ECC bits set accordingly by configuring the following registers in the system module:

1. Memory Hardware Initialization Global Control Register (MINITGCR)
2. Memory Initialization Enable Register (MSINENA)

For more details on RAM hardware initialization support, refer to the system module reference guide.

### 26.4.2 CAN Module Initialization

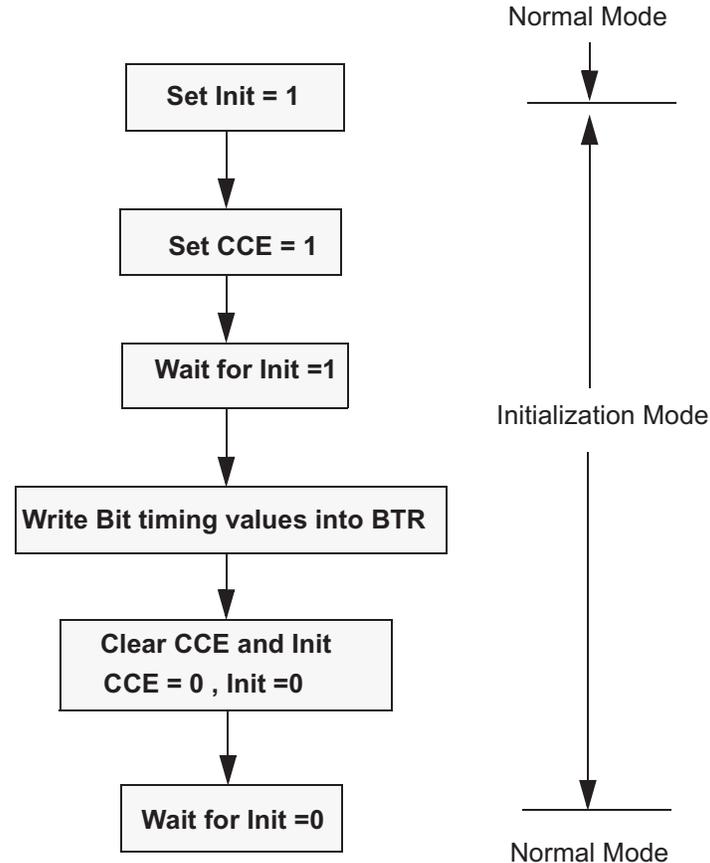
To initialize the CAN Controller, you have to set up the CAN Bit timing and those message objects that have to be used for CAN communication. Message objects that are not needed, can be deactivated.

So the two critical steps are:

1. Configuration of CAN Bit Timings
2. Configuration of Message Objects

#### 26.4.2.1 Software Configuration of CAN Bit Timings

This step involves configuring the CAN baud rate register with the calculated CAN bit timing value. The calculation procedure of CAN bit timing values for BTR register are mentioned in [Section 26.3](#). Refer to [Figure 26-3](#) for CAN bit timing software configuration flow.

**Figure 26-3. CAN Bit-timing Configuration**


**Step 1:** Enter “initialization mode” by setting the Init (Initialization) bit in the CAN Control Register.

While the Init bit is set, the message transfer from and to the CAN bus is stopped, and the status of the CAN\_TX output is recessive (high).

The CAN error counters are not updated. Setting the Init bit does not change any other configuration register.

Also note that the CAN module is also in initialization mode on hardware reset and during Bus-Off.

**Step 2:** Set the CCE (Configure Change Enable) bit in the CAN Control Register.

The access to the Bit Timing Register for the configuration of the Bit timing is enabled when both Init and CCE bits in the CAN Control Register are set.

**Step 3:** Wait for the Init bit to get set. This would make sure that the module has entered “Initialization mode”.

**Step 4:** Write the Bit-Timing values into the Bit-Timing Register (BTR).

Refer to [Section 26.3.2.1](#) for BTR value calculation for a given bit-timing.

**Step 5:** Clear the CCE bit followed by Init bit.

**Step 6:** Wait for the Init bit to clear. This would make sure that the module has come out of “initialization mode”.

After step 6 (Init bit cleared), the module will attempt a synchronization on the CAN bus, provided that the BTR settings are meeting the CAN bus parameters.

---

**NOTE:** The module would not come out of the “initialization mode” if any incorrect BTR values are written in step 4.

---

#### 26.4.2.2 Configuration of Message Objects

The whole Message RAM should be configured before putting the CAN into operation. All the message objects are deactivated by default. You should configure the message object that are to be used to a particular identifier. you can change the configuration of any message object or deactivate it when required.

The message objects can be configured only through the Interface registers (IFx) and the CPU does not have direct access to the message object (Message RAM) when DCAN is in operation.

To configure the message objects, you must know about:

1. The message object structure ([Section 26.5](#))
2. The interface register set (IFx) ([Section 26.6](#))

---

**NOTE:** The message objects initialization is independent of the bit-timing configuration procedure.

---

## 26.5 Message RAM

The DCAN Message RAM contains message objects and ECC bits for the message objects.

### 26.5.1 Structure of Message Objects

Figure 26-4 shows the structure of a message object.

The grayed fields are those parts of the message object which are represented in dedicated registers. For example, the transmit request flags of all message objects are represented in centralized transmit request registers.

**Figure 26-4. Structure of a Message Object**

Message Object												
UMask	Msk[28:0]	MXtd	MDir	EoB	unused	NewDat	MsgLst	RxIE	TxIE	IntPnd	RmtEn	TxRqst
MsgVal	ID[28:0]	Xtd	Dir	DLC[3:0]	Data 0	Data 1	Data 2	Data 3	Data 4	Data 5	Data 6	Data 7

**Table 26-2. Message Object Field Descriptions**

Name	Value	Description
MsgVal	0	Message valid The message object is ignored by the Message Handler.
	1	The message object is to be used by the Message Handler.
		Note: The CPU should reset the MsgVal bit of all unused Messages Objects during the initialization before it resets bit Init in the CAN Control Register. MsgVal must also be reset if the messages object is no longer used in operation. For reconfiguration of message objects during normal operation see <a href="#">Section 26.7.6</a> and <a href="#">Section 26.7.7</a> .
UMask	0	Use Acceptance Mask Mask bits (Msk[28:0], MXtd and MDir) are ignored and not used for acceptance filtering.
	1	Mask bits are used for acceptance filtering.
		Note: If the UMask bit is set to 1, the message object's mask bits have to be programmed during initialization of the message object before MsgVal is set to 1.
ID[28:0]	ID[28:0]	Message Identifier 29-bit ("extended") identifier bits
	ID[28:18]	11-bit ("standard") identifier bits
Msk[28:0]	0	Identifier Mask The corresponding bit in the message identifier is not used for acceptance filtering (don't care).
	1	The corresponding bit in the message identifier is used for acceptance filtering.
Xtd	0	Extended Identifier The 11-bit ("standard") identifier will be used for this message object.
	1	The 29-bit ("extended") identifier will be used for this message object.
MXtd	0	Mask Extended Identifier The extended identifier bit (IDE) has no effect on the acceptance filtering.
	1	The extended identifier bit (IDE) is used for acceptance filtering.
		Note: When 11-bit ("standard") identifiers are used for a message object, the identifiers of received data frames are written into bits ID[28:18]. For acceptance filtering, only these bits together with mask bits Msk[28:18] are considered.
Dir	0	Message Direction Direction = receive: On TxRqst, a remote frame with the identifier of this message object is transmitted. On reception of a data frame with matching identifier, the message is stored in this message object.
	1	Direction = transmit: On TxRqst, a data frame is transmitted. On reception of a remote frame with matching identifier, the TxRqst bit of this message object is set (if RmtEn = 1).
MDir	0	Mask Message Direction The message direction bit (Dir) has no effect on the acceptance filtering.
	1	The message direction bit (Dir) is used for acceptance filtering.

**Table 26-2. Message Object Field Descriptions (continued)**

Name	Value	Description
EOB	0	End of Block The message object is part of a FIFO Buffer block and is not the last message object of this FIFO Buffer block.
	1	The message object is a single message object or the last message object in a FIFO Buffer Block. Note: This bit is used to concatenate multiple message objects to build a FIFO Buffer. For single message objects (not belonging to a FIFO Buffer), this bit must always be set to 1.
NewDat	0	New Data No new data has been written into the data bytes of this message object by the Message Handler since the last time when this flag was cleared by the CPU.
	1	The Message Handler or the CPU has written new data into the data bytes of this message object.
MsgLst	0	Message Lost (only valid for message objects with direction = receive) No message was lost since the last time when this bit was reset by the CPU.
	1	The Message Handler stored a new message into this message object when NewDat was still set, so the previous message has been overwritten.
RxIE	0	Receive Interrupt Enable IntPnd will not be triggered after the successful reception of a frame.
	1	IntPnd will be triggered after the successful reception of a frame.
TxIE	0	Transmit Interrupt Enable IntPnd will not be triggered after the successful transmission of a frame.
	1	IntPnd will be triggered after the successful transmission of a frame.
IntPnd	0	Interrupt Pending This message object is not the source of an interrupt.
	1	This message object is the source of an interrupt. The Interrupt Identifier in the Interrupt Register will point to this message object if there is no other interrupt source with higher priority.
RmtEn	0	Remote Enable At the reception of a Remote Frame, TxRqst is not changed.
	1	At the reception of a Remote Frame, TxRqst is set.
TxRqst	0	Transmit Request This message object is not waiting for a transmission.
	1	The transmission of this message object is requested and is not yet done.
DLC[3:0]	0-8	Data Length Code Data Frame has 0-8 data bytes.
	9-15	Data Frame has 8 data bytes. Note: The Data Length Code of a message object must be defined to the same value as in the corresponding objects with the same identifier at other nodes. When the Message Handler stores a data frame, it will write the DLC to the value given by the received message.
Data 0		1st data byte of a CAN Data Frame
Data 1		2nd data byte of a CAN Data Frame
Data 2		3rd data byte of a CAN Data Frame
Data 3		4th data byte of a CAN Data Frame
Data 4		5th data byte of a CAN Data Frame
Data 5		6th data byte of a CAN Data Frame
Data 6		7th data byte of a CAN Data Frame
Data 7		8th data byte of a CAN Data Frame <b>Note:</b> Byte Data 0 is the first data byte shifted into the shift register of the CAN Core during a reception, byte Data 7 is the last. When the Message Handler stores a data frame, it will write all the eight data bytes into a message object. If the Data Length Code is less than 8, the remaining bytes of the message object may be overwritten by undefined values.

## 26.5.2 Addressing Message Objects in RAM

The starting location of a particular message object in RAM is:

Message RAM base address + (message object number) × 0x20.

This means that Message Object 1 starts at offset 0x0020; Message Object 2 starts at offset 0x0040, and so on.

**NOTE:** 0 is not a valid message object number. At address 0x0000, message object number 64 is located. Writing to the address of an unimplemented message object may overwrite an implemented message object.

The base address for DCAN1 RAM is FF1E 0000h, DCAN2 RAM is FF1C 0000h, DCAN3 RAM is FF1A 0000h, and DCAN4 RAM base address is FF18 0000h.

Message Object number 1 has the highest priority.

**Table 26-3. Message RAM Addressing in Debug/Suspend and RDA Mode**

Message Object Number	Base Address Offset	Word Number	Debug/Suspend mode, see <a href="#">Section 26.5.3</a>	RDA mode, see <a href="#">Section 26.5.4</a>
1	0x0020	1	Reserved	Data Bytes 4-7
	0x0024	2	MXtd, MDir, Mask	Data Bytes 0-3
	0x0028	3	Xtd, Dir, ID	ID[27:0], DLC
	0x002C	4	Ctrl	Mask, Xtd, Dir, ID[28]
	0x0030	5	Data Bytes 3-0	Reserved, Ctrl, MXtd, MDir
	0x0034	6	Data Bytes 7-4	--
:	:	:	:	:
31	0x03E0	1	Reserved	Data Bytes 4-7
	0x03E4	2	MXtd, MDir, Mask	Data Bytes 0-3
	0x03E8	3	Xtd, Dir, ID	ID[27]:0, DLC
	0x03EC	4	Ctrl	Mask, Xtd, Dir, ID[28]
	0x03F0	5	Data Bytes 3-0	Reserved, Ctrl, MXtd, MDir
	0x03F4	6	Data Bytes 7-4	--
:	:	:	:	:
63	0x07E0	1	Reserved	Data Bytes 4-7
	0x07E4	2	MXtd, MDir, Mask	Data Bytes 0-3
	0x07E8	3	Xtd, Dir, ID	ID[27:0], DLC
	0x07EC	4	Ctrl	Mask, Xtd, Dir, ID[28]
	0x07F0	5	Data Bytes 3-0	Reserved, Ctrl, MXtd, MDir
	0x07F4	6	Data Bytes 7-4	--
64	0x0000	1	Reserved	Data Bytes 4-7
	0x0004	2	MXtd, MDir, Mask	Data Bytes 0-3
	0x0008	3	Xtd, Dir, ID	ID[27]:0, DLC
	0x000C	4	Ctrl	Mask, Xtd, Dir, ID[28]
	0x0010	5	Data Bytes 3-0	Reserved, Ctrl, MXtd, MDir
	0x0014	6	Data Bytes 7-4	--

### 26.5.3 Message RAM Representation in Debug/Suspend Mode

In Debug/Suspend mode, the Message RAM will be memory mapped. This allows the external debug unit to access the Message RAM.

**NOTE:** During Debug/Suspend Mode, the Message RAM cannot be accessed via the IFx register sets.

**Figure 26-5. Message RAM Representation in Debug/Suspend Mode**

Bit	31	30	29	28	27	26	25	24	23	22	21	20	19	18	17	16	
MsgAddr + 0x00	Reserved																
MsgAddr + 0x04	MXtd	MDir	Rsvd	Msk[28:16]													
MsgAddr + 0x08	Rsvd	Xtd	Dir	ID[28:16]										ID[15:0]			
MsgAddr + 0x0C	Reserved																
MsgAddr + 0x10	Rsvd	MsgLst	Rsvd	UMask	TxIE	RxTE	RmtEn	Rsvd	EOB	Reserved					DLC[3:0]		
MsgAddr + 0x14	Data 3								Data 2								
	Data 1								Data 0								
	Data 7								Data 6								
	Data 5								Data 4								

### 26.5.4 Message RAM Representation in Direct Access Mode

When the RDA bit in Test Register is set while the DCAN module is in Test Mode (Test bit in CAN control register is set), the CPU has direct access to the Message RAM. Due to the 32-bit bus structure, the RAM is split into word lines to support this feature. The CPU has access to one word line at a time only.

In RAM Direct Access mode, the RAM is represented by a continuous memory space within the address frame of the DCAN module, starting at the Message RAM base address.

**NOTE:** During Direct Access Mode, the Message RAM cannot be accessed via the IFx register sets. Before entering RDA mode, it must be ensured that the Init bit is set to avoid any conflicts with the message handler accessing the message RAM.

Any read or write to the RAM addresses for RamDirectAccess during normal operation mode (TestMode bit or RDA bit is not set) will be ignored.

Writes to Reserved bits have no effect.

**Figure 26-6. Message RAM Representation in RAM Direct Access Mode**

Bit	31	30	29	28	27	26	25	24	23	22	21	20	19	18	17	16	
MsgAddr + 0x00	Data 4								Data 5								
	Data 6								Data 7								
MsgAddr + 0x04	Data 0								Data 1								
	Data 2								Data 3								
MsgAddr + 0x08	ID[27:12]																
	ID[11:0]										DLC[3:0]						
MsgAddr + 0x0C	Msk[28:13]																
	Msk[12:0]												Xtd	Dir	ID[28]		
MsgAddr + 0x10	Reserved																
	Reserved				Reserved				MsgLst	UMask	TxIE	RxTE	RmtEn	EOB	MXtd	MDir	

### 26.5.5 ECC RAM

On devices with SECDED implementation for the message RAM, the ECC bits are stored in a dedicated ECC RAM area which is memory mapped as follows: The location of the ECC bits for a particular message object in RAM is: Message RAM base address + 0x1000 + (message object number) \* 0x20.

---

**NOTE:** '0' is not a valid message object number. At address 0x1000, the ECC bits of the last implemented message object are located.

---

As shown in [Figure 26-7](#), the ECC bits for the last implemented Message Object (here: 128) are located at offset 0x1000; the ECC bits for Message Object 1 are located at offset 0x1020, and the ECC bits for Message Object 127 are located at offset 0x1FE0. The ECC RAM is only memory mapped if SECDED diagnostic mode is enabled.

**Figure 26-7. ECC RAM Representation**

Bit	31	30	29	28	27	26	25	24	23	22	21	20	19	18	17	16	0
Msg RAM base + 0x1000	Reserved																
	Reserved								ECC[8:0] last implemented Message Object (here: 128)								
Msg RAM base + 0x1020	Reserved																
	Reserved								ECC[8:0] Message Object 1								
:																	
Msg RAM base + 0x1FE0	Reserved																
	Reserved								ECC[8:0] Message Object 127								

## 26.6 Message Interface Register Sets

Accesses to the Message RAM are performed via the Interface Register sets:

- Interface Register 1 and 2 (IF1 and IF2)
- Interface Register 3 (IF3)

The IF3 register set can be configured to automatically receive control and user data from the Message RAM when a message object has been updated after reception of a CAN message. The CPU does not need to initiate the transfer from Message RAM to IF3 register set.

The Message Handler avoids potential conflicts between concurrent accesses to Message RAM and CAN frame reception/transmission.

There are two modes where the Message RAM can be directly accessed by the CPU:

1. In Debug/Suspend mode (see [Section 26.5.3](#))
2. In RAM Direct Access (RDA) mode (see [Section 26.5.4](#))

For the Message RAM Base address, refer to the device datasheet.

A complete message object (see [Section 26.5.1](#)) or parts of the message object may be transferred between the Message RAM and the IF1/IF2 Register set (see [Section 26.17.23](#)) in one single transfer.

### 26.6.1 Message Interface Register Sets 1 and 2

The Interface Register sets IF1 and IF2 provide indirect read/write access from the CPU to the Message RAM. The IF1 and IF2 register sets can buffer control and user data to be transferred to and from the message objects.

**Table 26-4. Message Interface Register Sets 1 and 2**

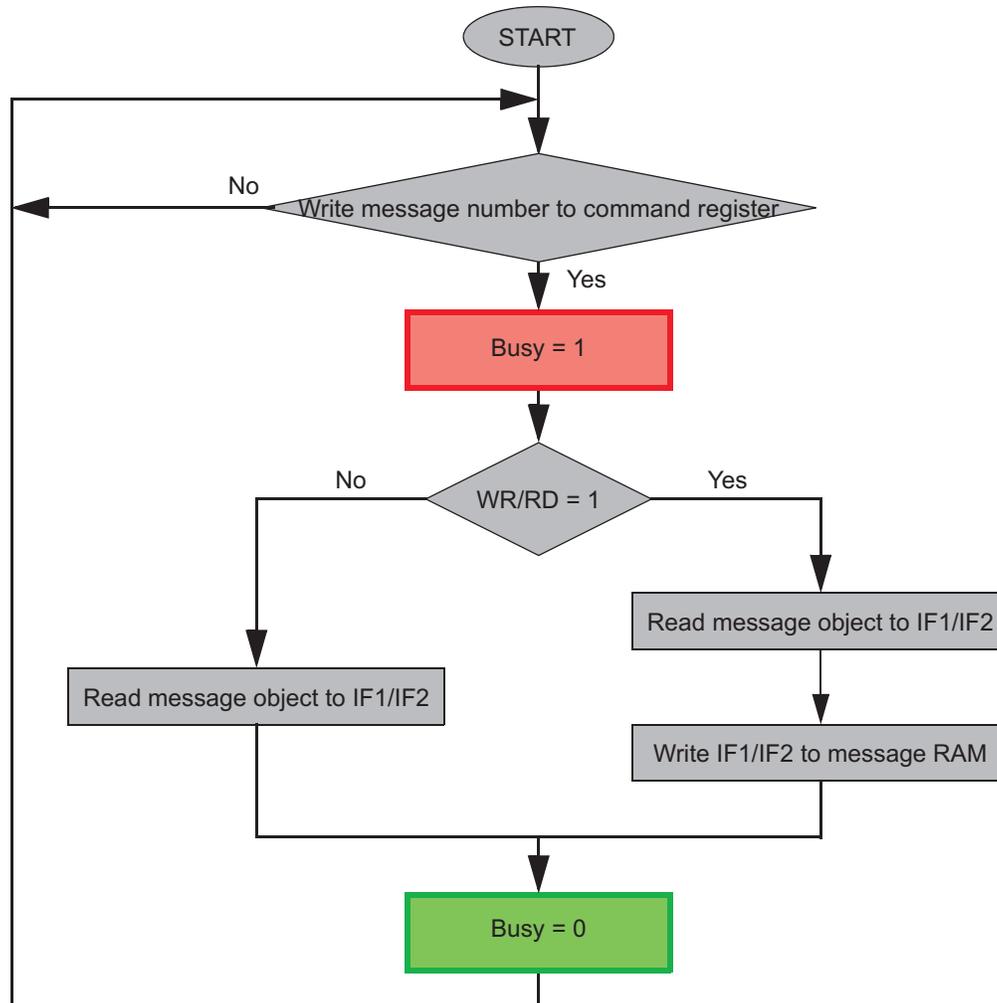
Address [CAN Base +]	IF1 Register Set			Address [CAN Base +]	IF2 Register Set		
	31	16 15	0		31	16 15	0
0x100	IF1 Command Mask		IF1 Command Request	0x120	IF2 Command Mask		IF2 Command Request
0x104	IF1 Mask 2		IF1 Mask 1	0x124	IF2 Mask 2		IF2 Mask 1
0x108	IF1 Arbitration 2		IF1 Arbitration 1	0x128	IF2 Arbitration 2		IF2 Arbitration 1
0x10C	Rsvd		IF1 Message Control	0x12C	Rsvd		IF2 Message Control
0x110	IF1 Data A 2		IF1 Data A 1	0x130	IF2 Data A 2		IF2 Data A 1
0x114	IF1 Data B 2		IF1 Data B 1	0x134	IF2 Data B 2		IF2 Data B 1

### 26.6.2 Using Message Interface Register Sets 1 and 2

The Command Register addresses the desired message object in the Message RAM and specifies whether a complete message object or only parts should be transferred. The data transfer is initiated by writing the message number to the bits [7:0] of the Command Register.

When the CPU initiates a data transfer between the IF1/IF2 Registers and Message RAM, the Message Handler sets the Busy bit in the respective Command Register to '1'. After the transfer has completed, the Busy bit is set back to '0' (see [Figure 26-8](#)).

**Figure 26-8. Data Transfer Between IF1 / IF2 Registers and Message RAM**



### 26.6.3 Message Interface Register 3

The IF3 register set can automatically be updated with received message objects without the need to initiate the transfer from Message RAM by CPU. The intention of this feature of IF3 is to provide an interface for the DMA to read packets efficiently.

**Table 26-5. Message Interface Register 3**

Address [CAN Base +]	IF3 Register Set	
	31	16 15 0
0x140	reserved	IF3 Observation
0x144	IF3 Mask 2	IF3 Mask 1
0x148	IF3 Arbitration 2	IF3 Arbitration 1
0x14C	reserved	IF3 Message Control
0x150	IF3 Data A 2	IF3 Data A 1
0x154	IF3 Data B 2	IF3 Data B 1
:	:	:
0x160	IF3 Update Enable 2	IF3 Update Enable 1
0x164	IF3 Update Enable 4	IF3 Update Enable 3
0x168	IF3 Update Enable 6	IF3 Update Enable 5
0x16C	IF3 Update Enable 8	IF3 Update Enable 7

The automatic update functionality can be programmed for each message object (see IF3 Update Enable Register, [Section 26.17.32](#)).

All valid message objects in Message RAM which are configured for automatic update, will be checked for active NewDat flags. If such a message object is found, it will be transferred to the IF3 register (if no previous DMA transfers are ongoing), controlled by IF3 Observation register. If more than one NewDat flag is active, the message object with the lowest number has the highest priority for automatic IF3 update.

The NewDat bit in the message object will be reset by a transfer to IF3.

If DCAN internal IF3 update is complete, a DMA request is generated. The DMA request stays active until first read access to one of the IF3 registers. The DMA functionality has to be enabled by setting bit DE3 in CAN Control register. Please refer to the device datasheet to find out if this DMA source is available.

---

**NOTE:** The IF3 register set can not be used for transferring data into message objects.

---

## 26.7 Message Object Configurations

This section describes the possible message object configurations for CAN communication.

### 26.7.1 Configuration of a Transmit Object for Data Frames

Figure 26-9 shows how a Transmit Object can be initialized.

**Figure 26-9. Initialization of a Transmit Object**

MsgVal	Arb	Data	Mask	EoB	Dir	NewDat	MsgLst	RxIE	TxIE	IntPnd	RmtEn	TxRqst
1	appl.	appl.	appl.	1	1	0	0	0	appl.	0	appl.	0

The Arbitration bits (ID[28:0] and Xtd bit) are given by the application. They define the identifier and type of the outgoing message. If an 11-bit Identifier (Standard Frame) is used (Xtd = 0), it is programmed to ID[28:18]. In this case, ID[17:0] can be ignored.

The Data Registers (DLC[3:0] and Data0-7) are given by the application, TxRqst and RmtEn should not be set before the data is valid.

If the TxIE bit is set, the IntPnd bit will be set after a successful transmission of the message object.

If the RmtEn bit is set, a matching received Remote Frame will cause the TxRqst bit to be set; the Remote Frame will autonomously be answered by a Data Frame.

The Mask bits (Msk[28:0], UMask, MXtd, and MDir bits) may be used (UMask = 1) to allow groups of Remote Frames with similar identifiers to set the TxRqst bit. The Dir bit should not be masked. For details, see Section 26.8.8. Identifier masking must be disabled (UMask = 0) if no Remote Frames are allowed to set the TxRqst bit (RmtEn = 0).

### 26.7.2 Configuration of a Transmit Object for Remote Frames

It is not necessary to configure Transmit Objects for the transmission of Remote Frames. Setting TxRqst for a Receive Object will cause the transmission of a Remote Frame with the same identifier as the Data Frame for which this receive Object is configured.

### 26.7.3 Configuration of a Single Receive Object for Data Frames

Figure 26-10 shows how a Receive Object for Data Frames can be initialized.

**Figure 26-10. Initialization of a Single Receive Object for Data Frames**

MsgVal	Arb	Data	Mask	EoB	Dir	NewDat	MsgLst	RxIE	TxIE	IntPnd	RmtEn	TxRqst
1	appl.	appl.	appl.	1	0	0	0	appl.	0	0	0	0

The Arbitration bits (ID[28:0] and Xtd bit) are given by the application. They define the identifier and type of accepted received messages. If an 11-bit Identifier (Standard Frame) is used (Xtd = 0), it is programmed to ID[28:18]. In this case, ID[17:0] can be ignored. When a Data Frame with an 11-bit Identifier is received, ID[17:0] will be set to 0.

The Data Length Code (DLC[3:0]) is given by the application. When the Message Handler stores a Data Frame in the message object, it will store the received Data Length Code and eight data bytes. If the Data Length Code is less than 8, the remaining bytes of the message object may be overwritten by non specified values.

The Mask bits (Msk[28:0], UMask, MXtd, and MDir bits) may be used (UMask = '1') to allow groups of Data Frames with similar identifiers to be accepted. The Dir bit should not be masked in typical applications. If some bits of the Mask bits are set to "don't care", the corresponding bits of the Arbitration Register will be overwritten by the bits of the stored Data Frame.

If the RxIE bit is set, the IntPnd bit will be set when a received Data Frame is accepted and stored in the message object.

If the TxRqst bit is set, the transmission of a Remote Frame with the same identifier as actually stored in the Arbitration bits will be triggered. The content of the Arbitration bits may change if the Mask bits are used (UMask = 1 for acceptance filtering).

### 26.7.4 Configuration of a Single Receive Object for Remote Frames

Figure 26-11 shows how a Receive Object for Remote Frames can be initialized.

**Figure 26-11. Initialization of a Single Receive Object for Remote Frames**

MsgVal	Arb	Data	Mask	EoB	Dir	NewDat	MsgLst	RxIE	TxIE	IntPnd	RmtEn	TxRqst
1	appl.	appl.	appl.	1	1	0	0	appl.	0	0	0	0

Receive Objects for Remote Frames may be used to monitor Remote Frames on the CAN bus. The Remote Frame stored in the Receive Object will not trigger the transmission of a Data Frame. Receive Objects for Remote Frames may be expanded to a FIFO buffer, see [Section 26.7.5](#).

UMask must be set to 1. The Mask bits (Msk[28:0], UMask, MXtd, and MDir bits) may be set to “must-match” or to “don’t care”, to allow groups of Remote Frames with similar identifiers to be accepted. The Dir bit should not be masked in typical applications. For details, see [Section 26.8.8](#).

The Arbitration bits (ID[28:0] and Xtd bit) may be given by the application. They define the identifier and type of accepted received Remote Frames. If some bits of the Mask bits are set to “don’t care”, the corresponding bits of the Arbitration bits will be overwritten by the bits of the stored Remote Frame. If an 11-bit Identifier (Standard Frame) is used (Xtd = 0), it is programmed to ID[28:18]. In this case, ID[17:0] can be ignored. When a Remote Frame with an 11-bit Identifier is received, ID[17:0] will be set to 0.

The Data Length Code (DLC[3:0]) may be given by the application. When the Message Handler stores a Remote Frame in the message object, it will store the received Data Length Code. The data bytes of the message object will remain unchanged.

If the RxIE bit is set, the IntPnd bit will be set when a received Remote Frame is accepted and stored in the message object.

### 26.7.5 Configuration of a FIFO Buffer

With the exception of the EoB bit, the configuration of Receive Objects belonging to a FIFO Buffer is the same as the configuration of a single Receive Object.

To concatenate multiple message objects to a FIFO Buffer, the identifiers and masks (if used) of these message objects have to be programmed to matching values. Due to the implicit priority of the message objects, the message object with the lowest number will be the first message object of the FIFO Buffer. The EoB bit of all message objects of a FIFO Buffer except the last one have to be programmed to zero. The EoB bits of the last message object of a FIFO Buffer is set to one, configuring it as the end of the block.

### 26.7.6 Reconfiguration of Message Objects for the Reception of Frames

A message object with Dir = ‘0’ is configured for the reception of data frames, with Dir = ‘1’ AND Umask = ‘1’ AND RmtEn = ‘0’ it is configured for the reception of remote frames.

It is necessary to reset MsgVal to not valid before changing any of the following configuration and control bits: ID[28:0], Xtd, Dir, DLC[3:0], RxIE, TxIE, RmtEn, EoB, Umask, Msk[28:0], MXtd, and MDir.

These parts of a message object may be changed without clearing MsgVal: Data[7:0], TxRqst, NewDat, MsgLst, and IntPnd.

### 26.7.7 Reconfiguration of Message Objects for the Reception of Frames

A message object with Dir = ‘1’ AND (Umask = ‘0’ OR RmtEn = ‘1’) is configured for the transmission of data frames.

It is necessary to reset MsgVal to not valid before changing any of the following configuration and control bits: Dir, RxIE, TxIE, RmtEn, EoB, Umask, Msk[28:0], MXtd, and MDir.

These parts of a message object may be changed without clearing MsgVal: ID[28:0], Xtd, DLC[3:0], Data[7:0], TxRqst, NewDat, MsgLst, and IntPnd.

## 26.8 Message Handling

When initialization is finished, the DCAN module synchronizes itself to the traffic on the CAN bus. It does acceptance filtering on received messages and stores those frames that are accepted into the designated message objects.

The application has to update the data of the messages to be transmitted and enable and request their transmission. The transmission is requested automatically when a matching Remote Frame is received.

The application may read messages which are received and accepted. Messages that are not read before the next messages is accepted for the same message object will be overwritten.

Messages may be read based on interrupts or by polling.

### 26.8.1 Message Handler Overview

The Message Handler state machine controls the data transfer between the Rx/Tx Shift Register of the CAN Core and the Message RAM. It performs the following tasks:

- Data Transfer from Message RAM to CAN Core (messages to be transmitted).
- Data Transfer from CAN Core to the Message RAM (received messages).
- Data Transfer from CAN Core to the Acceptance Filtering unit.
- Scanning of Message RAM for a matching message object (acceptance filtering).
- Scanning the same message object after being changed by IF1/IF2 registers when priority is same or higher as message the object found by last scanning.
- Handling of TxRqst flags.
- Handling of interrupt flags.

The Message Handler registers contains status flags of all message objects grouped into the following topics:

- Transmission Request flags
- New Data flags
- Interrupt Pending Flags
- Message Valid Registers

Instead of collecting the listed status information of each message object via IFx registers separately, these Message Handler registers provides a fast and easy way to get an overview (for example, about all pending transmission requests).

All Message Handler registers are read-only.

### 26.8.2 Receive/Transmit Priority

The receive/transmit priority for the message objects is attached to the message number, not to the CAN identifier. Message object 1 has the highest priority, while the last implemented message object has the lowest priority. If more than one transmission request is pending, they are serviced due to the priority of the corresponding message object, so messages with the highest priority can be placed in the message objects with the lowest numbers.

The acceptance filtering for received Data Frames or Remote Frames is also done in ascending order of message objects, so a frame that has been accepted by a message object cannot be accepted by another message object with a higher Message Number. The last message object may be configured to accept any Data Frame or Remote Frame that was not accepted by any other message object, for nodes that need to log the complete message traffic on the CAN bus.

### 26.8.3 Transmission of Messages in Event Driven CAN Communication

If the shift register of the CAN Core is ready for loading and if there is no data transfer between the IFx Registers and Message RAM, the d bits in the Message Valid Register and the TxRqst bits in the Transmission Request Register are evaluated. The valid message object with the highest priority pending transmission request is loaded into the shift register by the Message Handler and the transmission is started. The message object's NewDat bit is reset.

After a successful transmission and if no new data was written to the message object (NewDat = '0') since the start of the transmission, the TxRqst bit will be reset. If TxIE is set, IntPnd will be set after a successful transmission. If the DCAN has lost the arbitration or if an error occurred during the transmission, the message will be retransmitted as soon as the CAN bus is free again. If meanwhile the transmission of a message with higher priority has been requested, the messages will be transmitted in the order of their priority.

If Automatic Retransmission mode is disabled by setting the DAR bit in the CAN Control Register, the behavior of bits TxRqst and NewDat in the Message Control Register of the Interface Register set is as follows:

- When a transmission starts, the TxRqst bit of the respective Interface Register set is reset, while bit NewDat remains set.
- When the transmission has been successfully completed, the NewDat bit is reset.

When a transmission failed (lost arbitration or error) bit NewDat remains set. To restart the transmission, the application has to set TxRqst again.

Received Remote Frames do not require a Receive Object. They will automatically trigger the transmission of a Data Frame, if in the matching Transmit Object the RmtEn bit is set.

### 26.8.4 Updating a Transmit Object

The CPU may update the data bytes of a Transmit Object any time via the IF1/IF2 Interface Registers, neither d nor TxRqst have to be reset before the update.

Even if only a part of the data bytes are to be updated, all four bytes in the corresponding IF1/IF2 Data A Register or IF1/IF2 Data B Register have to be valid before the content of that register is transferred to the message object. Either the CPU has to write all four bytes into the IF1/IF2 Data Register or the message object is transferred to the IF1/IF2 Data Register before the CPU writes the new data bytes.

When only the data bytes are updated, first 0x87 can be written to bits [23:16] of the Command Register and then the number of the message object is written to bits [7:0] of the Command Register, concurrently updating the data bytes and setting TxRqst with NewDat.

To prevent the reset of TxRqst at the end of a transmission that may already be in progress while the data is updated, NewDat has to be set together with TxRqst in event driven CAN communication. For details, see [Section 26.8.3](#).

When NewDat is set together with TxRqst, NewDat will be reset as soon as the new transmission has started.

### 26.8.5 Changing a Transmit Object

If the number of implemented message objects is not sufficient to be used as permanent message objects only, the Transmit Objects may be managed dynamically. The CPU can write the whole message (Arbitration, Control, and Data) into the Interface Register. The bits [23:16] of the Command Register can be set to 0xB7 for the transfer of the whole message object content into the message object. Before changing the configuration of a message object, MsgVal has to be reset (see [Section 26.7.7](#)).

If a previously requested transmission of this message object is not completed but already in progress, it will be continued; however it will not be repeated if it is disturbed.

To only update the data bytes of a message to be transmitted, bits [23:16] of the Command Register should be set to 0x87.

**NOTE:** After the update of the Transmit Object, the Interface Register set will contain a copy of the actual contents of the object, including the part that had not been updated.

### 26.8.6 Acceptance Filtering of Received Messages

When the arbitration and control bits (Identifier + IDE + RTR + DLC) of an incoming message is completely shifted into the shift register of the CAN Core, the Message Handler starts to scan of the Message RAM for a matching valid message object:

- The Acceptance Filtering unit is loaded with the arbitration bits from the CAN Core shift register.
- Then the arbitration and mask bits (including MsgVal, UMask, NewDat, and EoB) of Message Object 1 are loaded into the Acceptance Filtering unit and are compared with the arbitration bits from the shift register. This is repeated for all following message objects until a matching message object is found, or until the end of the Message RAM is reached.
- If a match occurs, the scanning is stopped and the Message Handler proceeds depending on the type of the frame (Data Frame or Remote Frame) received.

### 26.8.7 Reception of Data Frames

The Message Handler stores the message from the CAN Core shift register into the respective message object in the Message RAM. Not only the data bytes, but all arbitration bits and the Data Length Code are stored into the corresponding message object. This ensures that the data bytes stay associated to the identifier even if arbitration mask registers are used.

The NewDat bit is set to indicate that new data (not yet seen by the CPU) has been received. The CPU should reset the NewDat bit when it reads the message object. If at the time of the reception the NewDat bit was already set, MsgLst is set to indicate that the previous data (supposedly not seen by the CPU) is lost. If the RxIE bit is set, the IntPnd bit is set, causing the Interrupt Register to point to this message object.

The TxRqst bit of this message object is reset to prevent the transmission of a Remote Frame, while the requested Data Frame has just been received.

### 26.8.8 Reception of Remote Frames

When a Remote Frame is received, three different configurations of the matching message object have to be considered:

1. Dir = 1 (direction = transmit), RmtEn = 1, UMask = 1 or 0: The TxRqst bit of this message object is set at the reception of a matching Remote Frame. The rest of the message object remains unchanged.
2. Dir = 1 (direction = transmit), RmtEn = 0, UMask = 0: The Remote Frame is ignored, this message object remains unchanged.
3. Dir = 1 (direction = transmit), RmtEn = 0, UMask = 1: The Remote Frame is treated similar to a received Data Frame. At the reception of a matching Remote Frame, the TxRqst bit of this message object is reset. The arbitration and control bits (Identifier + IDE + RTR + DLC) from the shift register are stored in the message object in the Message RAM and the NewDat bit of this message object is set. The data bytes of the message object remain unchanged.

### 26.8.9 Reading Received Messages

The CPU may read a received message any time via the IFx Interface Registers, the data consistency is guaranteed by the Message Handler state machine.

Typically the CPU will write first 0x7F to bits [23:16] and then the number of the message object to bits [7:0] of the Command Register. That combination will transfer the whole received message from the Message RAM into the Interface Register set. Additionally, the bits NewDat and IntPnd are cleared in the Message RAM (not in the Interface Register set). The values of these bits in the Message Control Register always reflect the status before resetting the bits.

If the message object uses masks for acceptance filtering, the arbitration bits show which of the different matching messages has been received.

The actual value of NewDat shows whether a new message has been received since last time when this message object was read. The actual value of MsgLst shows whether more than one message have been received since the last time when this message object was read. MsgLst will not be automatically reset.

### 26.8.10 Requesting New Data for a Receive Object

By means of a Remote Frame, the CPU may request another CAN node to provide new data for a receive object. Setting the TxRqst bit of a receive object will cause the transmission of a Remote Frame with the receive object's identifier. This Remote Frame triggers the other CAN node to start the transmission of the matching Data Frame. If the matching Data Frame is received before the Remote Frame could be transmitted, the TxRqst bit is automatically reset.

Setting the TxRqst bit without changing the contents of a message object requires the value 0x84 in bits [23:16] of the Command Register.

### 26.8.11 Storing Received Messages in FIFO Buffers

Several message objects may be grouped to form one or more FIFO Buffers. Each FIFO Buffer configured to store received messages with a particular (group of) Identifier(s). Arbitration and Mask Registers of the FIFO Buffer's message objects are identical. The EoB (End of Buffer) bits of all but the last of the FIFO Buffer's message objects are '0', in the last one the EoB bit is 1.

Received messages with identifiers matching to a FIFO Buffer are stored into a message object of this FIFO Buffer, starting with the message object with the lowest message number.

When a message is stored into a message object of a FIFO Buffer the NewDat bit of this message object is set. By setting NewDat while EoB is 0 the message object is locked for further write accesses by the Message Handler until the CPU has cleared the NewDat bit.

Messages are stored into a FIFO Buffer until the last message object of this FIFO Buffer is reached. If none of the preceding message objects is released by writing NewDat to 0, all further messages for this FIFO Buffer will be written into the last message object of the FIFO Buffer (EoB = 1) and therefore overwrite previous messages in this message object.

### 26.8.12 Reading from a FIFO Buffer

Several messages may be accumulated in a set of message objects which are concatenated to form a FIFO Buffer before the application program is required (in order to avoid the loss of data) to empty the buffer.

A FIFO Buffer of length N will store N-1 plus the last received message since last time it was cleared.

A FIFO Buffer is cleared by reading and resetting the NewDat bits of all its message objects, starting at the FIFO Object with the lowest message number. This should be done in a subroutine following the example shown in [Figure 26-12](#).

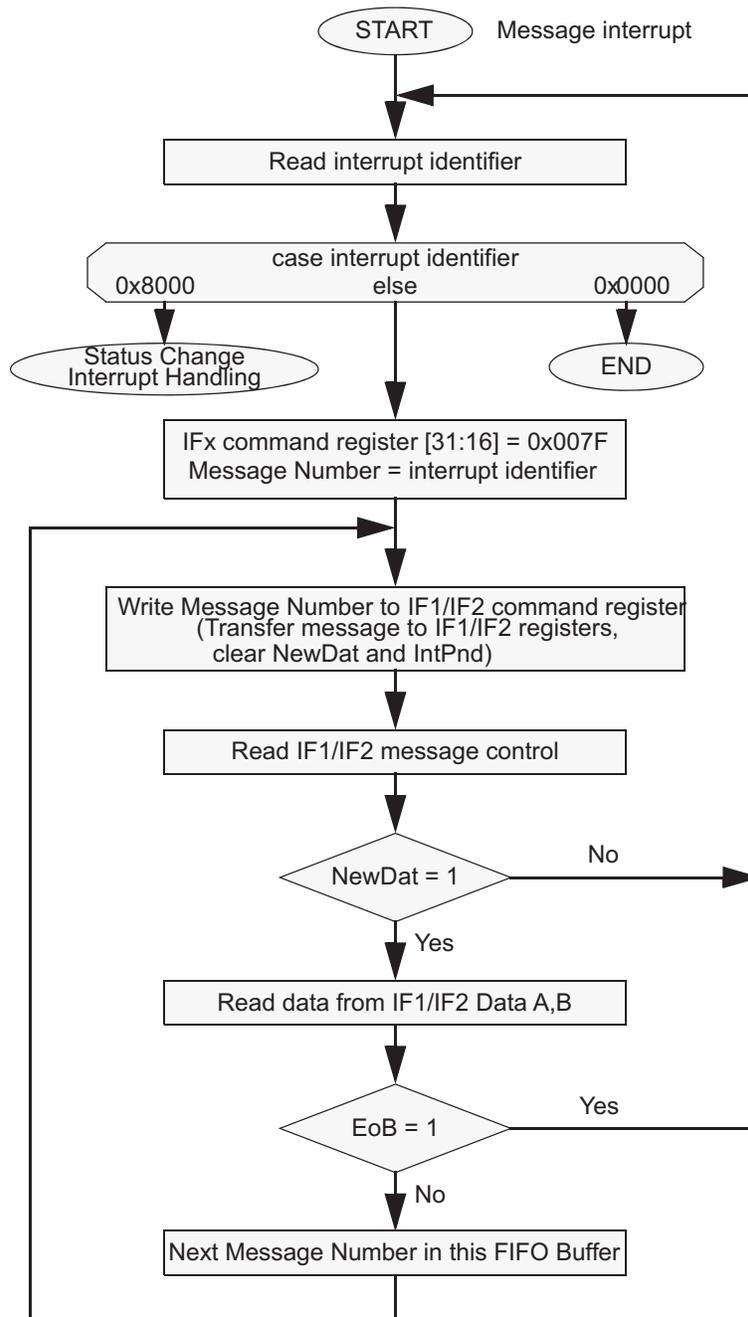
---

**NOTE:** All message objects of a FIFO buffer needs to be read and cleared before the next batch of messages can be stored. Otherwise true FIFO functionality can not be guaranteed, since the message objects of a partly read buffer will be re-filled according to the normal (descending) priority.

---

Reading from a FIFO Buffer message object and resetting its NewDat bit is handled the same way as reading from a single message object.

Figure 26-12. CPU Handling of a FIFO Buffer (Interrupt Driven)



## 26.9 CAN Message Transfer

Once the DCAN is initialized and Init bit is reset to zero, the CAN Core synchronizes itself to the CAN bus and is ready for message transfer as per the configured message objects.

The CPU may enable the interrupt lines (setting IE0 and IE1 to 1) at the same time when it clears Init and CCE. The status interrupts EIE and SIE may be enabled simultaneously.

The CAN communication can be carried out in any of the following two modes:

1. Interrupt mode
2. Polling mode.

The Interrupt Register points to those message objects with IntPnd = 1. It is updated even if the interrupt lines to the CPU are disabled (IE0 / IE1 are zero).

The CPU may poll all Message Object's NewDat and TxRqst bits in parallel from the NewData X Registers and the Transmission Request X Registers. Polling can be made easier if all Transmit Objects are grouped at the low numbers, all Receive Objects are grouped at the high numbers.

Received messages are stored into their appropriate message objects if they pass acceptance filtering.

The whole message (including all arbitration bits, DLC and up to eight data bytes) is stored into the message object. As a consequence, when the identifier mask is used, the arbitration bits which are masked to "don't care" may change in the message object when a received message is stored.

The CPU may read or write each message at any time via the Interface Registers, as the Message Handler guarantees data consistency in case of concurrent accesses (for reconfiguration, see [Section 26.7.6](#))

If a permanent message object (arbitration and control bits set up during configuration and leaving unchanged for multiple CAN transfers) exists for the message, it is possible to only update the data bytes.

If several transmit messages should be assigned to one message object, the whole message object has to be configured before the transmission of this message is requested.

The transmission of multiple message objects may be requested at the same time. They are subsequently transmitted, according to their internal priority.

Messages may be updated or set to not valid at any time, even if a requested transmission is still pending (for reconfiguration, see [Section 26.7.7](#)). However, the data bytes will be discarded if a message is updated before a pending transmission has started.

Depending on the configuration of the message object, a transmission may be automatically requested by the reception of a remote frame with a matching identifier.

### 26.9.1 Automatic Retransmission

According to the CAN Specification (ISO11898), the DCAN provides a mechanism to automatically retransmit frames which have lost arbitration or have been disturbed by errors during transmission. The frame transmission service will not be confirmed to you before the transmission is successfully completed.

By default, this automatic retransmission is enabled. It can be disabled by setting bit DAR (Disable Automatic Retransmission) in CAN Control Register. Further details to this mode are provided in [Section 26.8.3](#).

### 26.9.2 Auto-Bus-On

Per default, after the DCAN has entered Bus-Off state, the CPU can start a Bus-Off-Recovery sequence by resetting Init bit. If this is not done, the module will stay in Bus-Off state.

The DCAN provides an automatic Auto-Bus-On feature which is enabled by bit ABO in CAN Control Register. If set, the DCAN will automatically start the Bus-Off-Recovery sequence. The sequence can be delayed by a user-defined number of VCLK cycles which can be defined in Auto-Bus-On Time Register.

---

**NOTE:** If the DCAN goes Bus-Off due to massive occurrence of CAN bus errors, it stops all bus activities and automatically sets the Init bit. Once the Init bit has been reset by the CPU or due to the Auto-Bus-On feature, the device will wait for 129 occurrences of Bus Idle (equal to  $129 \times 11$  consecutive recessive bits) before resuming normal operation. At the end of the Bus-Off recovery sequence, the error counters will be reset.

---

## 26.10 Interrupt Functionality

Interrupts can be generated on two interrupt lines:

1. DCAN0INT line
2. DCAN1INT line

These lines can be enabled by setting IE0 and IE1 bits respectively in CAN Control Register.

The DCAN provides three groups of interrupt sources: Message Object Interrupts, Status Change Interrupts and Error Interrupts (see [Figure 26-13](#) and [Figure 26-14](#)).

The source of an interrupt can be determined by the interrupt identifiers Int0ID / Int1ID in the Interrupt Register (see [Section 26.17.5](#)). When no interrupt is pending, the register will hold the value zero.

Each interrupt line remains active until the dedicated field in the Interrupt Register DCAN INT (Int0ID / Int1ID) again reach zero (this means the cause of the interrupt is reset), or until IE0 / IE1 are reset.

The value 0x8000 in the Int0ID field indicates that an interrupt is pending because the CAN Core has updated (not necessarily changed) the Error and Status Register (Error Interrupt or Status Interrupt). This interrupt has the highest priority. The CPU can update (reset) the status bits WakeUpPnd, RxOk, TxOk and LEC by reading the Error and Status Register DCAN ES, but a write access of the CPU will never generate or reset an interrupt.

Values between 1 and the number of the last message object indicates that the source of the interrupt is one of the message objects, Int0ID resp. Int1ID will point to the pending message interrupt with the highest priority. The Message Object 1 has the highest priority, the last message object has the lowest priority.

An interrupt service routine which reads the message that is the source of the interrupt, may read the message and reset the message object's IntPnd at the same time (ClrIntPnd bit in the IF1/IF2 Command Register). When IntPnd is cleared, the Interrupt Register will point to the next message object with a pending interrupt.

### 26.10.1 Message Object Interrupts

Message Object interrupts are generated by events from the message objects. They are controlled by the flags IntPND, TxIE and RxIE, which are described in [Section 26.5.1](#).

Message Object interrupts can be routed to either DCAN0INT or DCAN1INT line, controlled by the Interrupt Multiplexer Register (see [Section 26.17.21](#)).

### 26.10.2 Status Change Interrupts

The events WakeUpPnd, RxOk, TxOk and LEC in Error and Status Register (DCAN ES) belong to the Status Change Interrupts. The Status Change Interrupt group can be enabled by bit in CAN Control Register.

If SIE is set, a Status Change Interrupt will be generated at each CAN frame, independent of bus errors or valid CAN communication, and also independent of the Message RAM configuration.

Status Change interrupts can only be routed to interrupt line DCAN0INT which has to be enabled by setting IE0 in the CAN Control Register.

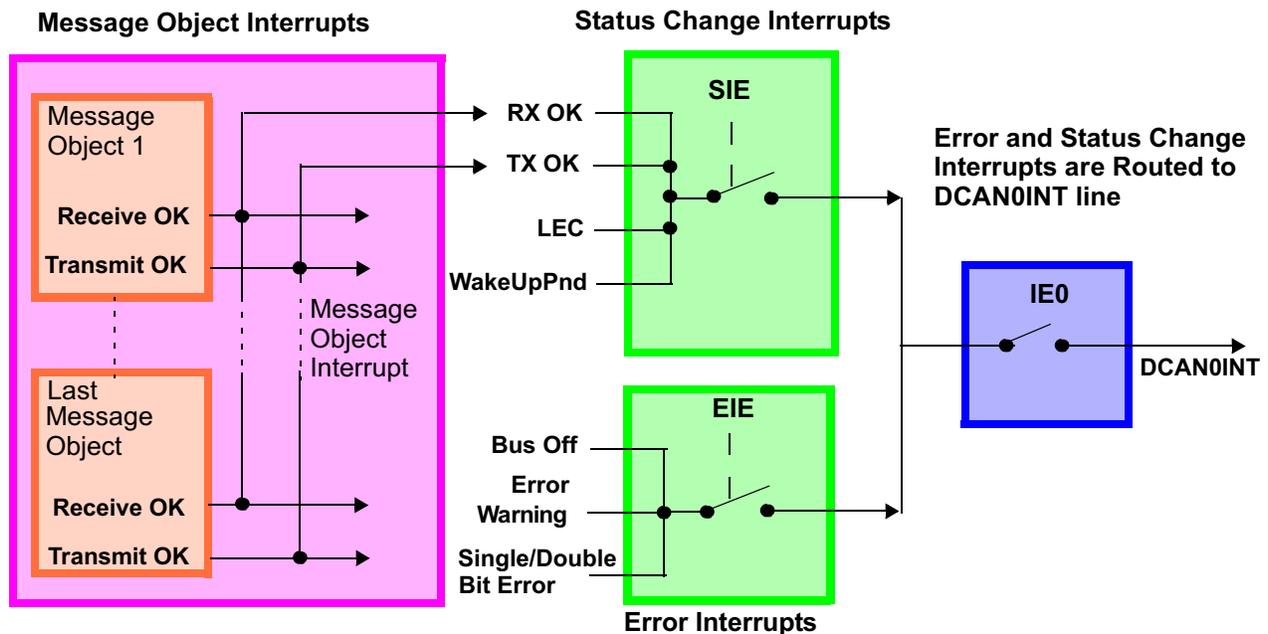
**NOTE:** Reading the Error and Status Register will clear the WakeUpPnd flag. If in global power down mode, the WakeUpPnd flag is cleared by such a read access before the DCAN module has been waken up by the system, the DCAN may re-assert the WakeUpPnd flag, and a second interrupt may occur (additional information can be found in [Section 26.11.2](#)).

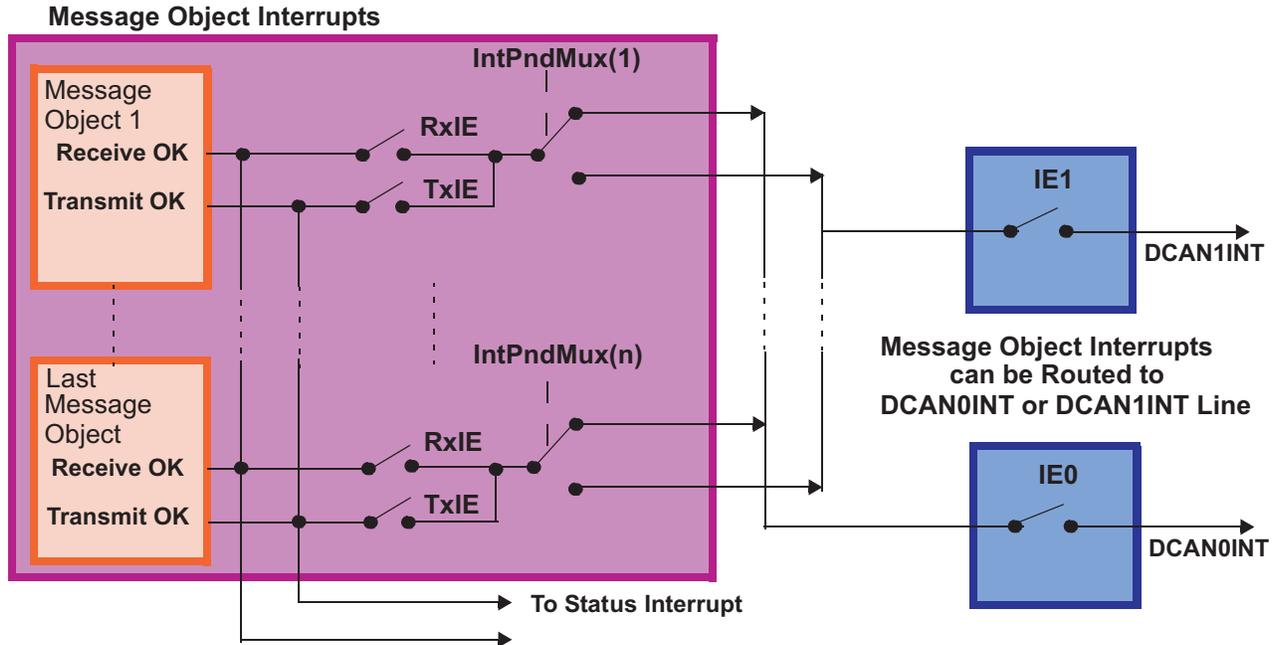
### 26.10.3 Error Interrupts

The events PER, BOff and EWarn (monitored in Error and Status Register, DCAN ES) belong to the Error Interrupts. The Error Interrupt group can be enabled by setting bit EIE in CAN Control Register.

Error interrupts can only be routed to interrupt line DCAN0INT that has to be enabled by setting IE0 in the CAN Control Register.

Figure 26-13. CAN Interrupt Topology 1



**Figure 26-14. CAN Interrupt Topology 2**


Details of Interrupt Mapping for actual device will be described in the device specific data sheet.

## 26.11 Global Power Down Mode

The device architecture supports a centralized global power down control over the peripheral modules through the Peripheral Central Resource (PCR) module (Additional information can be found in Platform Architecture Specification).

### 26.11.1 Entering Global Power Down Mode

The global power down mode for the DCAN is requested by setting the appropriate Peripheral Power Down Set bit (**PSPWRDWNSETx**) in the PCR module.

The DCAN then finishes all transmit requests of the message objects. When all requests are done, the DCAN waits until a bus idle state is recognized. Then it will automatically set the Initbit to indicate that the global power down mode has been entered.

### 26.11.2 Wakeup From Global Power Down Mode

When the DCAN module is in global power down mode, a CAN bus activity detection circuit exists, which can be active, if enabled. If this circuit is active, on occurrence of a dominant CAN bus level, the DCAN will set the **WakeUpPnd** bit in Error and Status Register (DCAN ES).

If Status Interrupts are enabled, also an interrupt will be generated. This interrupt could be used by the application to wakeup the DCAN. For this, the application needs to set the appropriate Peripheral Power Down Clear bit (**PSPWRDWNCLR<sub>x</sub>**) in the PCR module, and to clear the Init bit in CAN Control Register.

After the Init bit has been cleared, the DCAN module waits until it detects 11 consecutive recessive bits on the CAN\_RX pin and then goes Bus-Active again.

---

**NOTE:** The CAN transceiver circuit has to stay active during CAN bus activity detection. The first CAN message, which initiates the bus activity, cannot be received. This means that the first message received in power down mode is lost.

---

## 26.12 Local Power Down Mode

Besides the centralized power down mechanism controlled by the PCR module (global power down, see [Section 26.15](#)), the DCAN supports a local power down mode which can be controlled within the DCAN control registers.

### 26.12.1 Entering Local Power Down Mode

The local power down mode is requested by setting the PDR bit in CAN Control Register.

The DCAN then finishes all transmit requests of the message objects. When all requests are done, DCAN waits until a bus idle state is recognized. Then it will automatically set the Initbit in CAN Control Register to prevent any further CAN transfers, and it will also set the PDA bit in CAN Error and Status Register. With setting the PDA bits, the DCAN module indicates that the local power down mode has been entered.

During local power down mode, the internal clocks of the DCAN module are turned off, but there is a wake up logic (see [Section 26.12.2](#)) that can be active, if enabled. Also the actual contents of the control registers can be read back.

---

**NOTE:** In local low power mode, the application should not clear the Init bit while PDR is set. If there are any messages in the Message RAM configured as to be transmitted and the application resets the init bit, these messages may be sent.

---

### 26.12.2 Wakeup From Local Power Down

There are two ways to wake up the DCAN from local power down mode:

1. The application could wake up the DCAN module manually by clearing the PDR bit and then clearing the Init bit in CAN Control Register.
2. Alternatively, a CAN bus activity detection circuit can be activated by setting the wake up on bus activity bit (WUBA) in CAN Control Register. If this circuit is active, on occurrence of a dominant CAN bus level, the DCAN will automatically start the wake up sequence. It will clear the PDR bit in CAN Control Register and also clear the PDA bit in Error and Status Register. The WakeUpPnd bit in CAN Error and Status Register will be set. If Status Interrupts are enabled, also an interrupt will be generated. Finally the Init bit in CAN control register will be cleared.

After the Init bit has been cleared, the module waits until it detects 11 consecutive recessive bits on the CAN\_RX pin and then goes Bus-Active again.

---

**NOTE:** The CAN transceiver circuit has to stay active while CAN bus observation. The first CAN message, which initiates the bus activity, cannot be received. This means that the first message received in power down and automatic wake-up mode, is lost.

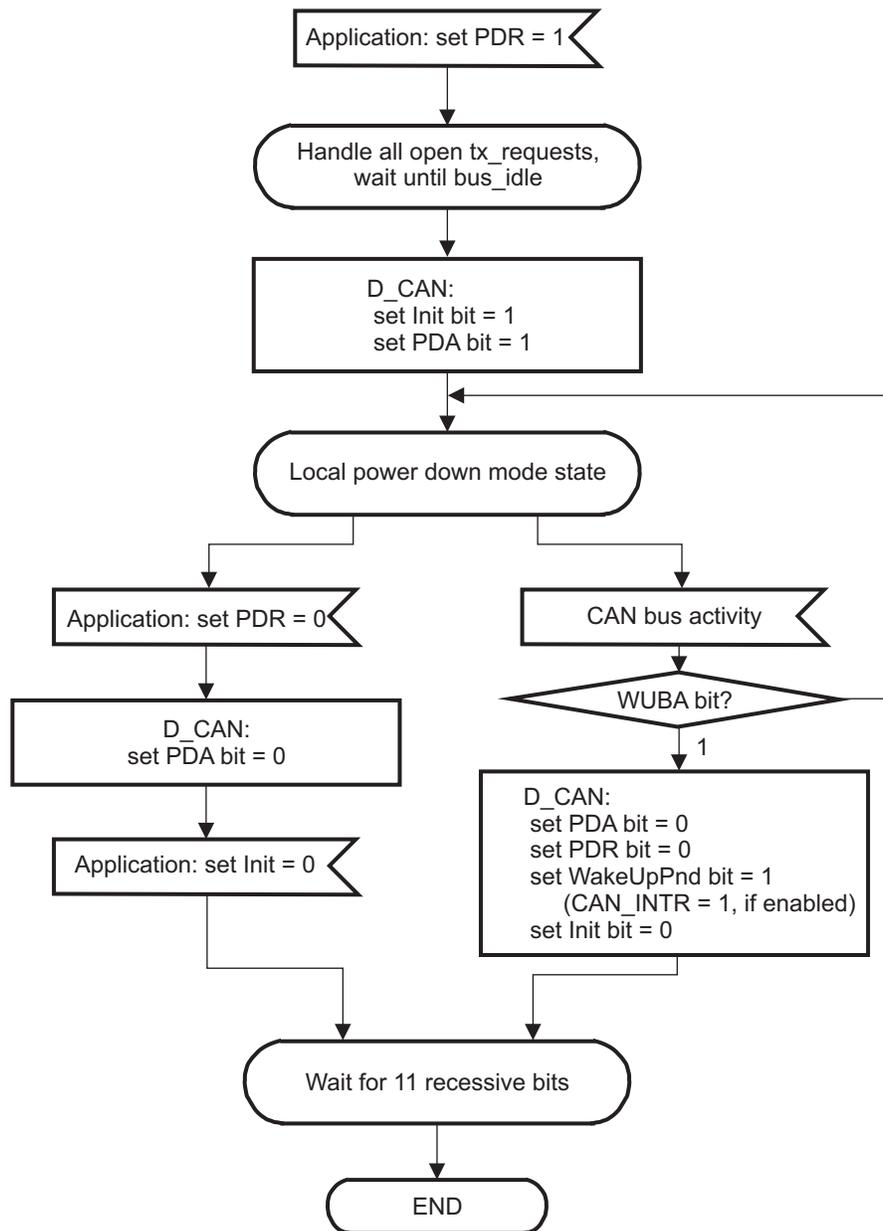
---

[Figure 26-15](#) shows a flow diagram about entering and leaving local power down mode.

## 26.13 GIO Support

The CAN\_RX and CAN\_TX pins of each DCAN module can be used as general purpose IO pins, if CAN functionality is not needed. This function is controlled by the CAN TX IO Control register (see [Section 26.17.33](#)) and the CAN RX IO Control register (see [Section 26.17.34](#)).

Figure 26-15. Local Power Down Mode Flow Diagram



## 26.14 Test Modes

The DCAN provides several test modes which are mainly intended for production tests or self test.

For all test modes, Test bit in the CAN Control Register needs to be set to one. This enables write access to the Test Register.

---

**NOTE:** When using any of the Loop Back modes, it must be ensured by software that all message transfers are finished before setting the Init bit to '1'.

---

### 26.14.1 Silent Mode

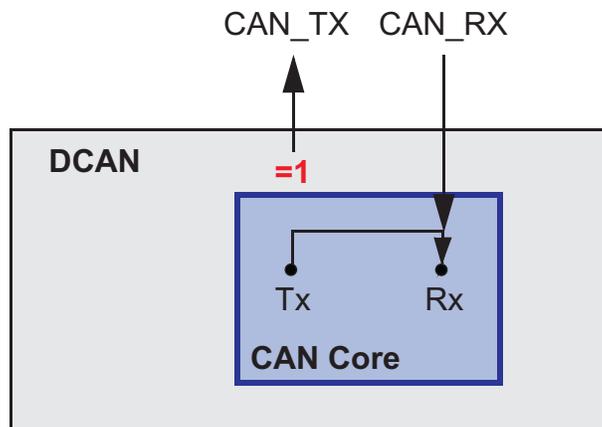
The Silent Mode may be used to analyze the traffic on the CAN bus without affecting it by sending dominant bits (for example, acknowledge bit, overload flag, active error flag). The DCAN is still able to receive valid data frames and valid remote frames, but it will not send any dominant bits. However, these are internally routed to the CAN Core.

Figure 26-16 shows the connection of signals CAN\_TX and CAN\_RX to the CAN Core in Silent Mode.

Silent Mode can be activated by setting the Silent bit in Test Register to 1.

In ISO 11898-1, the Silent Mode is called the Bus Monitoring Mode.

**Figure 26-16. CAN Core in Silent Mode**



### 26.14.2 Loop Back Mode

The Loop Back Mode is mainly intended for hardware self-test functions. In this mode, the CAN Core uses internal feedback from Tx output to Rx input. Transmitted messages are treated as received messages, and can be stored into message objects if they pass acceptance filtering. The actual value of the CAN\_RX input pin is disregarded by the CAN Core. Transmitted messages still can be monitored at the CAN\_TX pin.

In order to be independent from external stimulation, the CAN Core ignores acknowledge errors (recessive bit sampled in the acknowledge slot of a data/remote frame) in Loop Back Mode.

Figure 26-17 shows the connection of signals CAN\_TX and CAN\_RX to the CAN Core in Loop Back Mode.

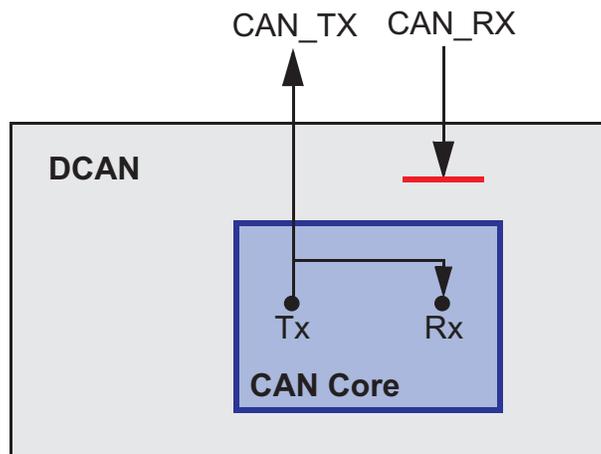
Loop Back Mode can be activated by setting bit LBack in Test Register to 1.

---

**NOTE:** In Loop Back mode, the signal path from CAN Core to Tx pin, the Tx pin itself, and the signal path from Tx pin back to CAN Core are disregarded. For including these into the testing, see External Loop Back mode (Section 26.14.3).

---

**Figure 26-17. CAN Core in Loop Back Mode**



### 26.14.3 External Loop Back Mode

The External Loop Back Mode is similar to the Loop Back Mode, however it includes the signal path from CAN Core to Tx pin, the Tx pin itself, and the signal path from Tx pin back to CAN Core. When External Loop Back Mode is selected, the input of the CAN core is connected to the input buffer of the Tx pin.

With this configuration, the Tx pin IO circuit can be tested.

External Loop Back Mode can be activated by setting bit ExL in Test Register to 1.

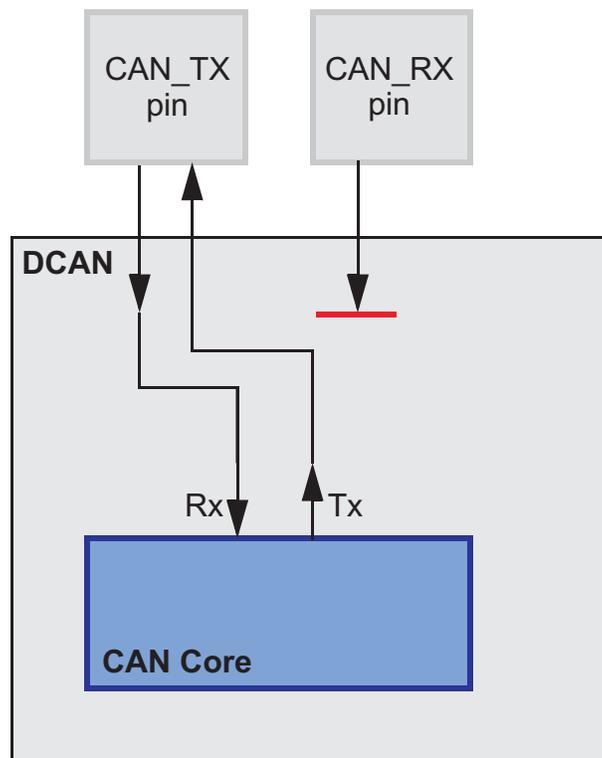
Figure 26-18 shows the connection of signals CAN\_TX and CAN\_RX to the CAN Core in External Loop Back Mode.

---

**NOTE:** When Loop Back Mode is active (LBack bit set), the ExL bit will be ignored.

---

**Figure 26-18. CAN Core in External Loop Back Mode**

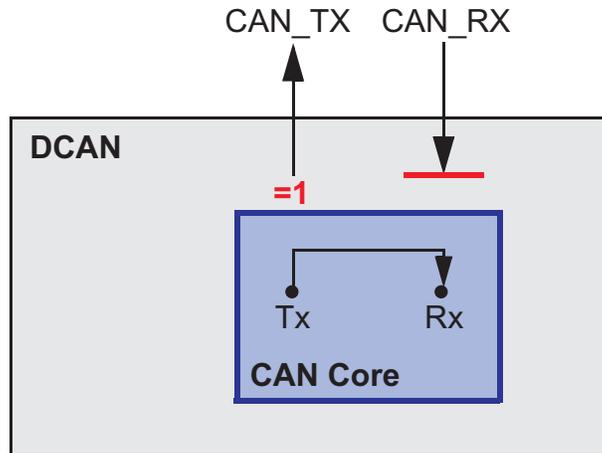


### 26.14.4 Loop Back Combined with Silent Mode

It is also possible to combine Loop Back Mode and Silent Mode by setting bits LBack and Silent at the same time. This mode can be used for a “Hot Selftest”, that is, the DCAN hardware can be tested without affecting the CAN network. In this mode, the CAN\_RX pin is disconnected from the CAN Core and no dominant bits will be sent on the CAN\_TX pin.

Figure 26-19 shows the connection of the signals CAN\_TX and CAN\_RX to the CAN Core in case of the combination of Loop Back Mode with Silent Mode.

**Figure 26-19. CAN Core in Loop Back Combined with Silent Mode**



### 26.14.5 Software Control of CAN\_TX Pin

Four output functions are available for the CAN transmit pin CAN\_TX. Additionally to its default function (serial data output), the CAN\_TX pin can drive constant dominant or recessive values, or it can drive the CAN Sample Point signal to monitor the CAN Core’s bit timing.

Combined with the readable value of the CAN\_RX pin, this can be used to check the physical layer of the CAN bus.

The output mode of pin CAN\_TX is selected by programming the Test Register bits Tx[1:0] as described in [Section 26.17.6](#).

---

**NOTE:** The software control for pin CAN\_TX interferes with CAN protocol functions. For CAN message transfer or any of the test modes Loop Back Mode, External Loop Back Mode or Silent Mode, the CAN\_TX pin should operate in its default functionality.

---

## 26.15 SECEDED Mechanism

The DCAN module provides a single error correction and double error detection (SECEDED) mechanism to ensure data integrity of Message RAM data. For each message object (136 bits) in the Message RAM, 9 ECC bits will be calculated. See [Section 26.5.5](#).

The ECC bits are stored in a dedicated RAM. They will be generated on write accesses and will be checked on read accesses.

The SECEDED functionality can be enabled or disabled by PMD bit field in CAN Control Register. If SECEDED is enabled, ECC bits will be automatically generated and checked.

With the ECCMODE field in the ECC Control and Status register the single bit error correction can be enabled or disabled (default: enabled).

---

**NOTE:** During RAM initialization, no ECC check will be done, but if the PMD bit is set, the ECC bits will be generated.

---

### 26.15.1 Behavior on Single Bit Error

If a single bit error is detected with single bit error correction enabled, the correction will be done and the SEFLG in the ECC Control and Status register will be set.

If single bit error correction is disabled and a single bit error is detected then the SEFLG in the ECC Control and Status register and the PER bit in the Error and Status register will be set. If error interrupts are enabled, also an interrupt would be generated. In order to avoid the transmission of invalid data over the CAN bus, the MsgVal bit of the message object will be reset.

The message object number where the single bit error has occurred will be indicated in the ECC Single Bit Error Code Register.

When single bit error correction is disabled the message object data can be read by the host CPU, independently of single bit errors. Thus, the application has to ensure that the read data is valid, for example, by immediately checking the ECC Single Bit Error Code Register on single bit error interrupt.

### 26.15.2 Behavior on Double Bit Error

If a double bit error is detected, then the DEFLG in the ECC Control and Status register and the PER bit in Error and Status Register will be set. If error interrupts are enabled, also an interrupt would be generated. In order to avoid the transmission of invalid data over the CAN bus, the MsgVal bit of the message object will be reset. The message object number will be indicated in the Parity Error Code Register.

The message object data can be read by the host CPU, independently of double bit errors. Thus, the application has to ensure that the read data is valid, for example, by immediately checking the Parity Error Code register on double bit error interrupt.

### 26.15.3 SECEDED Testing

Testing of the SECEDED mechanism can be implemented by using the diagnostic mode, which is enabled with the ECCDIAG register. The following procedure can be used:

1. Disable SECEDED using DCAN control register. Enable diagnostic mode using the ECCDIAG register
2. Write to corrupt the data (in RDA mode) or ECC bits.
3. Enable SECEDED and read data for which ECC is corrupted (either in RDA mode or via IFx registers).
4. Single bit error or double bit error flag will be set in the diagnostic status register (ECCDIAG STAT) and in the ECC Control and Status register accordingly. A double bit error or a single bit error with single bit error correction disabled also triggers the PER flag.
5. Disable diagnostic mode.

## 26.16 Debug/Suspend Mode

The module supports the usage of an external debug unit by providing functions like pausing DCAN activities and making Message RAM content accessible via VBUSP interface.

Before entering debug/suspend mode, the circuit will either wait until a started transmission or reception will be finished and Bus idle state is recognized, or immediately interrupt a current transmission or reception. This is depending on bit IDS in CAN Control Register.

Afterwards, the DCAN enters debug/suspend mode, indicated by InitDbg flag in CAN Control Register.

During Debug/Suspend mode, all DCAN registers can be accessed. Reading reserved bits will return 0; writing to reserved bits will have no effect.

Also, the Message RAM will be memory mapped. This allows the external debug unit to read the Message RAM. For the memory organization, see [Section 26.5.3](#).

---

**NOTE:** During Debug/Suspend Mode, the Message RAM cannot be accessed via the IFx register sets.

Writing to control registers in debug/suspend mode may influence the CAN state machine and further message handling.

---

For debug support, the auto clear functionality of the following DCAN registers is disabled:

- Error and Status Register (clear of status flags by read)
- IF1/IF2 Command Registers (clear of DMAActive flag by read/write)

## 26.17 DCAN Control Registers

[Table 26-6](#) lists the control registers of the DCAN. After hardware reset, the registers of the DCAN hold the values shown in the register descriptions. The base address for the control registers is FFF7 DC00h for DCAN1, FFF7 DE00h for DCAN2, FFF7 E000h for DCAN3, and FFF7 E200h for DCAN4.

Additionally, the Bus-Off state is reset and the CAN\_TX pin is set to recessive (HIGH). The Init bit in the CAN Control Register is set to enable the software initialization. The DCAN will not influence the CAN bus until the CPU resets Init to 0.

**Table 26-6. DCAN Control Registers**

Offset	Acronym	Register Description	Section
00h	DCAN CTL	CAN Control Register	<a href="#">Section 26.17.1</a>
04h	DCAN ES	Error and Status Register	<a href="#">Section 26.17.2</a>
08h	DCAN ERRC	Error Counter Register	<a href="#">Section 26.17.3</a>
0Ch	DCAN BTR	Bit Timing Register	<a href="#">Section 26.17.4</a>
10h	DCAN INT	Interrupt Register	<a href="#">Section 26.17.5</a>
14h	DCAN TEST	Test Register	<a href="#">Section 26.17.6</a>
1Ch	DCAN PERR	Parity Error Code Register	<a href="#">Section 26.17.7</a>
24h	DCAN ECCDIAG	ECC Diagnostic Register	<a href="#">Section 26.17.8</a>
28h	DCAN ECCDIAG STAT	ECC Diagnostic Status Register	<a href="#">Section 26.17.9</a>
2Ch	DCAN ECC CS	ECC Control and Status Register	<a href="#">Section 26.17.10</a>
30h	DCAN ECC SERR	ECC Single Bit Error Code Register	<a href="#">Section 26.17.11</a>
80h	DCAN ABOTR	Auto-Bus-On Time Register	<a href="#">Section 26.17.12</a>
84h	DCAN TXRQX	Transmission Request X Register	<a href="#">Section 26.17.13</a>
88h	DCAN TXRQ12	Transmission Request 12 Register	<a href="#">Section 26.17.14</a>
8Ch	DCAN TXRQ34	Transmission Request 34 Register	<a href="#">Section 26.17.14</a>
90h	DCAN TXRQ56	Transmission Request 56 Register	<a href="#">Section 26.17.14</a>
94h	DCAN TXRQ78	Transmission Request 78 Register	<a href="#">Section 26.17.14</a>
98h	DCAN NWDATX	New Data X Register	<a href="#">Section 26.17.15</a>

**Table 26-6. DCAN Control Registers (continued)**

Offset	Acronym	Register Description	Section
9Ch	DCAN NWDAT12	New Data 12 Register	<a href="#">Section 26.17.16</a>
A0h	DCAN NWDAT34	New Data 34 Register	<a href="#">Section 26.17.16</a>
A4h	DCAN NWDAT56	New Data 56 Register	<a href="#">Section 26.17.16</a>
A8h	DCAN NWDAT78	New Data 78 Register	<a href="#">Section 26.17.16</a>
ACH	DCAN INTPNDX	Interrupt Pending X Register	<a href="#">Section 26.17.17</a>
B0h	DCAN INTPND12	Interrupt Pending 12 Register	<a href="#">Section 26.17.18</a>
B4h	DCAN INTPND34	Interrupt Pending 34 Register	<a href="#">Section 26.17.18</a>
B8h	DCAN INTPND56	Interrupt Pending 56 Register	<a href="#">Section 26.17.18</a>
BCh	DCAN INTPND78	Interrupt Pending 78 Register	<a href="#">Section 26.17.18</a>
C0h	DCAN MSGVALX	Message Valid X Register	<a href="#">Section 26.17.19</a>
C4h	DCAN MSGVAL12	Message Valid 12 Register	<a href="#">Section 26.17.20</a>
C8h	DCAN MSGVAL34	Message Valid 34 Register	<a href="#">Section 26.17.20</a>
CCh	DCAN MSGVAL56	Message Valid 56 Register	<a href="#">Section 26.17.20</a>
D0h	DCAN MSGVAL78	Message Valid 78 Register	<a href="#">Section 26.17.20</a>
D8h	DCAN INTMUX12	Interrupt Multiplexer 12 Register	<a href="#">Section 26.17.21</a>
DCh	DCAN INTMUX34	Interrupt Multiplexer 34 Register	<a href="#">Section 26.17.21</a>
E0h	DCAN INTMUX56	Interrupt Multiplexer 56 Register	<a href="#">Section 26.17.21</a>
E4h	DCAN INTMUX78	Interrupt Multiplexer 78 Register	<a href="#">Section 26.17.21</a>
100h	DCAN IF1CMD	IF1 Command Register	<a href="#">Section 26.17.22</a>
104h	DCAN IF1MSK	IF1 Mask Register	<a href="#">Section 26.17.23</a>
108h	DCAN IF1ARB	IF1 Arbitration Register	<a href="#">Section 26.17.24</a>
10Ch	DCAN IF1MCTL	IF1 Message Control Register	<a href="#">Section 26.17.25</a>
110h	DCAN IF1DATA	IF1 Data A Register	<a href="#">Section 26.17.26</a>
114h	DCAN IF1DATB	IF1 Data B Register	<a href="#">Section 26.17.26</a>
120h	DCAN IF2CMD	IF2 Command Register	<a href="#">Section 26.17.22</a>
124h	DCAN IF2MSK	IF2 Mask Register	<a href="#">Section 26.17.23</a>
128h	DCAN IF2ARB	IF2 Arbitration Register	<a href="#">Section 26.17.24</a>
12Ch	DCAN IF2MCTL	IF2 Message Control Register	<a href="#">Section 26.17.25</a>
130h	DCAN IF2DATA	IF2 Data A Register	<a href="#">Section 26.17.26</a>
134h	DCAN IF2DATB	IF2 Data B Register	<a href="#">Section 26.17.26</a>
140h	DCAN IF3OBS	IF3 Observation Register	<a href="#">Section 26.17.27</a>
144h	DCAN IF3MSK	IF3 Mask Register	<a href="#">Section 26.17.28</a>
148h	DCAN IF3ARB	IF3 Arbitration Register	<a href="#">Section 26.17.29</a>
14Ch	DCAN IF3MCTL	IF3 Message Control Register	<a href="#">Section 26.17.30</a>
150h	DCAN IF3DATA	IF3 Data A Register	<a href="#">Section 26.17.31</a>
154h	DCAN IF3DATB	IF3 Data B Register	<a href="#">Section 26.17.31</a>
160h	DCAN IF3UPD12	IF3 Update Enable 12 Register	<a href="#">Section 26.17.32</a>
164h	DCAN IF3UPD34	IF3 Update Enable 34 Register	<a href="#">Section 26.17.32</a>
168h	DCAN IF3UPD56	IF3 Update Enable 56 Register	<a href="#">Section 26.17.32</a>
16Ch	DCAN IF3UPD78	IF3 Update Enable 78 Register	<a href="#">Section 26.17.32</a>
1E0h	DCAN TIOC	CAN TX IO Control Register	<a href="#">Section 26.17.33</a>
1E4h	DCAN RIOC	CAN RX IO Control Register	<a href="#">Section 26.17.34</a>

### 26.17.1 CAN Control Register (DCAN CTL)

**NOTE:** The Bus-Off recovery sequence (see CAN specification) cannot be shortened by setting or resetting Init bit. If the module goes Bus-Off, it will automatically set the Init bit and stop all bus activities.

When the Init bit is cleared by the application again, the module will then wait for 129 occurrences of Bus Idle (129 × 11 consecutive recessive bits) before resuming normal operation. At the end of the Bus-Off recovery sequence, the error counters will be reset.

After the Init bit is reset, each time when a sequence of 11 recessive bits is monitored, a Bit0 error code is written to the Error and Status Register, enabling the CPU to check whether the CAN bus is stuck at dominant or continuously disturbed, and to monitor the proceeding of the Bus-Off recovery sequence.

**Figure 26-20. CAN Control Register (DCAN CTL) [offset = 00h]**

31		Reserved				26	25	24
		R-0					WUBA	PDR
							R/W-0	R/W-0
23		21	20	19	18	17	16	
Reserved		DE3	DE2	DE1	IE1	InitDbg		
		R-0	R/W-0	R/W-0	R/W-0	R/W-0	R-0	
15		14	13	10		9	8	
SWR	Reserved	PMD			ABO	IDS		
R/WP-0	R-0	R/W-5h			R/W-0	R/W-0		
7		6	5	4	3	2	1	0
Test	CCE	DAR	Reserved	EIE	SIE	IE0	Init	
R/W-0	R/W-0	R/W-0	R-0	R/W-0	R/W-0	R/W-0	R/W-1	

LEGEND: R/W = Read/Write; R = Read only; WP = Write protected by init bit; -n = value after reset

**Table 26-7. CAN Control Register (DCAN CTL) Field Descriptions**

Bit	Field	Value	Description
31-26	Reserved	0	These bits are always read as 0. Writes have no effect.
25	WUBA	0	Automatic wake up on bus activity when in local power down mode No detection of a dominant CAN bus level while in local power down mode.
		1	Detection of a dominant CAN bus level while in local power down mode is enabled. On occurrence of a dominant CAN bus level, the wake up sequence is started. (Additional information can be found in <a href="#">Section 26.12</a> .) <b>Note:</b> The CAN message, which Initiates the bus activity, cannot be received. This means that the first message received in power down and automatic wake-up mode, will be lost.
24	PDR	0	Request for local low power down mode No application request for local low power down mode. If the application has cleared this bit while DCAN in local power down mode, also the Init bit has to be cleared.
		1	Local power down mode has been requested by application. The DCAN will acknowledge the local power down mode by setting bit PDA in Error and Status Register. The local clocks will be turned off by DCAN internal logic (Additional information can be found in <a href="#">Section 26.12</a> ).
23-21	Reserved	0	These bits are always read as 0. Writes have no effect.
20	DE3	0	Enable DMA request line for IF3 Disabled
		1	Enabled <b>Note:</b> A pending DMA request for IF3 remains active until first access to one of the IF3 registers.

**Table 26-7. CAN Control Register (DCAN CTL) Field Descriptions (continued)**

Bit	Field	Value	Description
19	DE2	0 1	Enable DMA request line for IF2 Disabled Enabled <b>Note:</b> A pending DMA request for IF2 remains active until first access to one of the IF2 registers.
18	DE1	0 1	Enable DMA request line for IF1 Disabled Enabled <b>Note:</b> A pending DMA request for IF1 remains active until first access to one of the IF1 registers.
17	IE1	0 1	Interrupt line 1 Enable Disabled - Module Interrupt DCAN1INT is always low. Enabled - Interrupts will assert line DCAN1INT to one; line remains active until pending interrupts are processed.
16	InitDbg	0 1	Internal Init state while debug access 0 Not in debug mode, or debug mode requested but not entered. 1 Debug mode requested and internally entered; the DCAN is ready for debug accesses.
15	SWR	0 1	SW Reset Enable 0 Normal Operation 1 Module is forced to reset state. This bit will automatically get cleared after execution of SW reset after one VBUSP clock cycle. <b>Note:</b> To execute SW reset the following procedure is necessary: 1. Set Init bit to shut down CAN communication. 2. Set SWR bit additionally to Init bit.
14	Reserved	0	This bit is always read as 0. Writes have no effect.
13-10	PMD	5h All other values	SECEDED on/off 5h SECEDED function disabled All other values SECEDED function enabled
9	ABO	0 1	Auto-Bus-On Enable 0 The Auto-Bus-On feature is disabled 1 The Auto-Bus-On feature is enabled
8	IDS	0 1	Interruption Debug Support Enable 0 When Debug/Suspend mode is requested, DCAN will wait for a started transmission or reception to be completed before entering Debug/Suspend mode 1 When Debug/Suspend mode is requested, DCAN will interrupt any transmission or reception, and enter Debug/Suspend mode immediately.
7	Test	0 1	Test Mode Enable 0 Normal Operation 1 Test Mode
6	CCE	0 1	Configuration Change Enable 0 The CPU has no write access to the BTR Config register. 1 The CPU has write access to the BTR configuration register (when Init bit is set).
5	DAR	0 1	Disable Automatic Retransmission 0 Automatic Retransmission of not successful messages enabled. 1 Automatic Retransmission disabled.
4	Reserved	0	This bit is always read as 0. Writes have no effect.

**Table 26-7. CAN Control Register (DCAN CTL) Field Descriptions (continued)**

Bit	Field	Value	Description
3	EIE		Error Interrupt Enable
		0	Disabled - PER, BOff and EWarn bits cannot generate an interrupt.
		1	Enabled - PER, BOff and EWarn bits can generate an interrupt at DCAN0INT line and affect the Interrupt Register.
2	SIE		Status Change Interrupt Enable
		0	Disabled - WakeUpPnd, RxOk, TxOk and LEC bits cannot generate an interrupt.
		1	Enabled - WakeUpPnd, RxOk, TxOk and LEC can generate an interrupt at DCAN0INT line and affect the Interrupt Register.
1	IE0		Interrupt line 0 Enable
		0	Disabled - Module Interrupt DCAN0INT is always low.
		1	Enabled - Interrupts will assert line DCAN0INT to one; line remains active until pending interrupts are processed.
0	Init		Initialization
		0	Normal Operation
		1	Initialization mode is entered

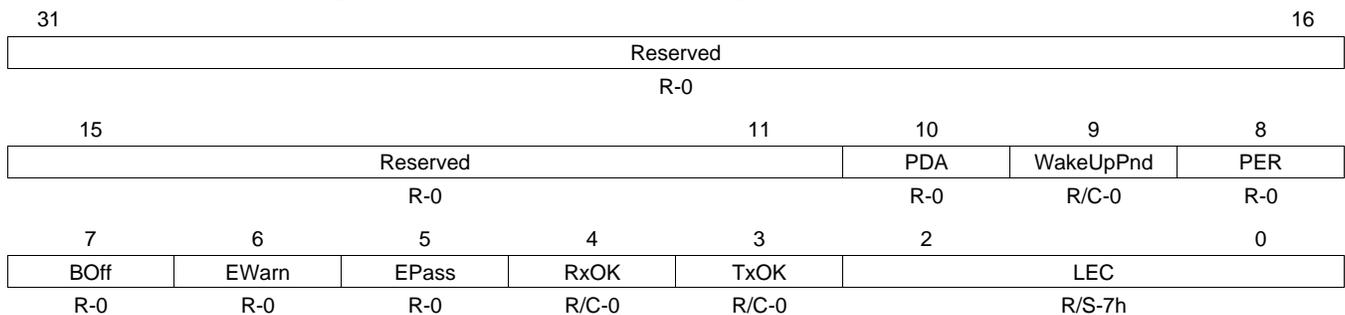
### 26.17.2 Error and Status Register (DCAN ES)

Interrupts are generated by bits PER, BOff, and EWarn (if EIE bit in CAN Control Register is set) and by bits WakeUpPnd, RxOk, TxOk, and LEC (if SIE bit in CAN Control Register is set). A change of bit EPass will not generate an Interrupt.

**NOTE:** Reading the Error and Status Register clears the WakeUpPnd, PER, RxOk and TxOk bits and set the LEC to value of 7. Additionally, the Status Interrupt value (8000h) in the Interrupt Register will be replaced by the next lower priority interrupt value.

For debug support, the auto clear functionality of Error and Status Register (clear of status flags by read) is disabled when in Debug/Suspend mode.

**Figure 26-21. Error and Status Register (DCAN ES) [offset = 04h]**



LEGEND: R/W = Read/Write; R = Read only; C = Clear; S = Set; -n = value after reset

**Table 26-8. Error and Status Register (DCAN ES) Field Descriptions**

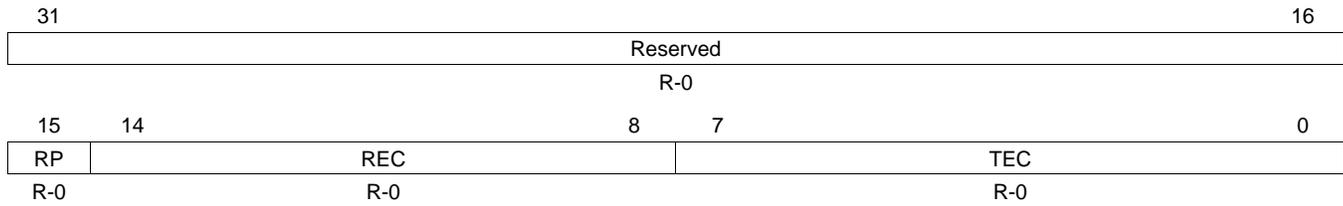
Bit	Field	Value	Description
31-11	Reserved	0	These bits are always read as 0. Writes have no effect.
10	PDA	0	Local power down mode acknowledge DCAN is not in local power down mode.
		1	Application request for setting DCAN to local power down mode was successful. DCAN is in local power down mode.
9	WakeUp Pnd	0	Wake Up Pending This bit can be used by the CPU to identify the DCAN as the source to wake up the system. No Wake Up is requested by DCAN.
		1	DCAN has initiated a wake up of the system due to dominant CAN bus while module power down. This bit will be reset if Error and Status Register is read.
8	PER	0	Single/Double bit error detected. This bit is set on double bit errors and additionally on single bit errors if single bit error correction is disabled with the ECCMODE bitfield in the ECC Control and Status register. No single/double bit error has been detected since last read access.
		1	The SECDED mechanism has detected a single/double bit error in the Message RAM. This bit will be reset if Error and Status Register is read.
7	BOff	0	Bus-Off State The CAN module is not Bus-Off state.
		1	The CAN module is in Bus-Off state.
6	EWarn	0	Warning State Both error counters are below the error warning limit of 96.
		1	At least one of the error counters has reached the error warning limit of 96.
5	EPass	0	Error Passive State On CAN Bus error, the DCAN could send active error frames.
		1	The CAN Core is in the error passive state as defined in the CAN Specification.

**Table 26-8. Error and Status Register (DCAN ES) Field Descriptions (continued)**

Bit	Field	Value	Description
4	RxOK		Received a message successfully
		0	No message has been successfully received since the last time when this bit was read by the CPU. This bit is never reset by DCAN internal events.
		1	A message has been successfully received since the last time when this bit was reset by a read access of the CPU (independent of the result of acceptance filtering). This bit will be reset if Error and Status Register is read.
3	TxOK		Transmitted a message successfully
		0	No message has been successfully transmitted since the last time when this bit was read by the CPU. This bit is never reset by DCAN internal events.
		1	A message has been successfully transmitted (error free and acknowledged by at least one other node) since the last time when this bit was reset by a read access of the CPU. This bit will be reset if Error and Status Register is read.
2-0	LEC		Last Error Code
			The LEC field indicates the type of the last error on the CAN bus. This field will be cleared to 0 when a message has been transferred (reception or transmission) without error.
		0	No Error
		1h	Stuff Error: More than five equal bits in a row have been detected in a part of a received message where this is not allowed.
		2h	Form Error: A fixed format part of a received frame has the wrong format.
		3h	Ack Error: The message this CAN Core transmitted was not acknowledged by another node.
		4h	Bit1 Error: During the transmission of a message (with the exception of the arbitration field), the device wanted to send a recessive level (bit of logical value 1), but the monitored bus value was dominant.
		5h	Bit0 Error: During the transmission of a message (or acknowledge bit, or active error flag, or overload flag), the device wanted to send a dominant level (logical value 0), but the monitored bus level was recessive. During Bus-Off recovery, this status is set each time a sequence of 11 recessive bits has been monitored. This enables the CPU to monitor the proceeding of the Bus-Off recovery sequence (indicating the bus is not stuck at dominant or continuously disturbed).
6h	CRC Error: In a received message, the CRC check sum was incorrect. (CRC received for an incoming message does not match the calculated CRC for the received data).		
		7h	No CAN bus event was detected since the last time when CPU has read the Error and Status Register. Any read access to the Error and Status Register re-Initializes the LEC to value of 7.

### 26.17.3 Error Counter Register (DCAN ERRC)

**Figure 26-22. Error Counter Register (DCAN ERRC) [offset = 08h]**



LEGEND: R = Read only; -n = value after reset

**Table 26-9. Error Counter Register (DCAN ERRC) Field Descriptions**

Bit	Field	Value	Description
31-16	Reserved	0	These bits are always read as 0. Writes have no effect.
15	RP	0 1	Receive Error Passive The Receive Error Counter is below the error passive level. The Receive Error Counter has reached the error passive level as defined in the CAN Specification.
14-8	REC	0-FFh	Receive Error Counter. Actual state of the Receive Error Counter. (values from 0 to 255).
7-0	TEC	0-FFh	Transmit Error Counter. Actual state of the Transmit Error Counter. (values from 0 to 255).

### 26.17.4 Bit Timing Register (DCAN BTR)

**NOTE:** This register is only writable if CCE and Init bits in the CAN Control Register are set.

The CAN bit time may be programmed in the range of 8 to 25 time quanta.

The CAN time quantum may be programmed in the range of 1 to 1024 CAN\_CLK periods.

With a CAN\_CLK of 8 MHz and BRPE = 00, the reset value of 2301h configures the DCAN for a bit rate of 500kBit/s.

For details see [Section 26.3.2.1](#).

**Figure 26-23. Bit Timing Register (DCAN BTR) [offset = 0Ch]**

31	Reserved	20 19 16
	R-0	BRPE R/WP-0
15 14	TSeg2	12 11 8 7 6 5 0
Rsvd	TSeg1	SJW
R-0	R/WP-2h	R/WP-3h
	R/WP-0	BRP R/WP-1h

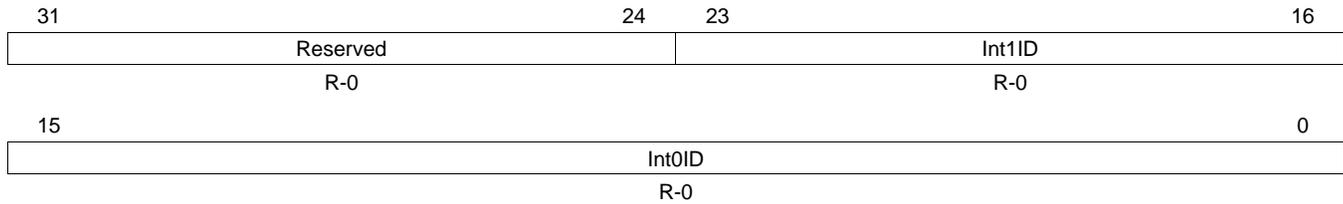
LEGEND: R/W = Read/Write; R = Read only; WP = Write Protected by CCE bit; -n = value after reset

**Table 26-10. Bit Timing Register (DCAN BTR) Field Descriptions**

Bit	Field	Value	Description
31-20	Reserved	0	These bits are always read as 0. Writes have no effect.
	BRPE	0-Fh	Baud Rate Prescaler Extension. Valid programmed values are 0 to 15. By programming BRPE the Baud Rate Prescaler can be extended to values up to 1024.
15	Reserved	0	This bit is always read as 0. Writes have no effect.
14-12	TSeg2	0-7h	Time segment after the sample point Valid programmed values are 0 to 7. The actual TSeg2 value which is interpreted for the Bit Timing will be the programmed TSeg2 value + 1.
11-8	TSeg1	1h-Fh	Time segment before the sample point Valid programmed values are 1 to 15. The actual TSeg1 value interpreted for the Bit Timing will be the programmed TSeg1 value + 1.
7-6	SJW	0-3h	Synchronization Jump Width Valid programmed values are 0 to 3. The actual SJW value interpreted for the Synchronization will be the programmed SJW value + 1.
5-0	BRP	0-3Fh	Baud Rate Prescaler Value by which the CAN_CLK frequency is divided for generating the bit time quanta. The bit time is built up from a multiple of this quanta. Valid programmed values are 0 to 63. The actual BRP value interpreted for the Bit Timing will be the programmed BRP value + 1.

### 26.17.5 Interrupt Register (DCAN INT)

**Figure 26-24. Interrupt Register (DCAN INT) [offset = 10h]**



LEGEND: R/W = Read/Write; R = Read only; -n = value after reset

**Table 26-11. Interrupt Register (DCAN INT) Field Descriptions**

Bit	Field	Value	Description
31-24	Reserved	0	These bits are always read as 0. Writes have no effect.
23-16	Int1ID	0 1h-80h 81h-FFh	Interrupt 1 Identifier (indicates the message object with the highest pending interrupt)  No interrupt is pending  Number of message object which caused the interrupt.  Unused  If several interrupts are pending, the CAN Interrupt Register will point to the pending interrupt with the highest priority. The DCAN1INT interrupt line remains active until Int1ID reaches value 0 (the cause of the interrupt is reset) or until IE1 is cleared.  A message interrupt is cleared by clearing the message object's IntPnd bit.  Among the message interrupts, the message object's interrupt priority decreases with increasing message number.
15-0	Int0ID	0 1h-80h 81h-7FFFh 8000h 8001h-FFFFh	Interrupt Identifier (the number here indicates the source of the interrupt)  No interrupt is pending  Number of message object which caused the interrupt.  Unused  Error and Status Register value is not 7h.  Unused  If several interrupts are pending, the CAN Interrupt Register will point to the pending interrupt with the highest priority. The DCAN0INT interrupt line remains active until Int0ID reaches value 0 (the cause of the interrupt is reset) or until IE0 is cleared.  The Status Interrupt has the highest priority. Among the message interrupts, the message object's interrupt priority decreases with increasing message number.

### 26.17.6 Test Register (DCAN TEST)

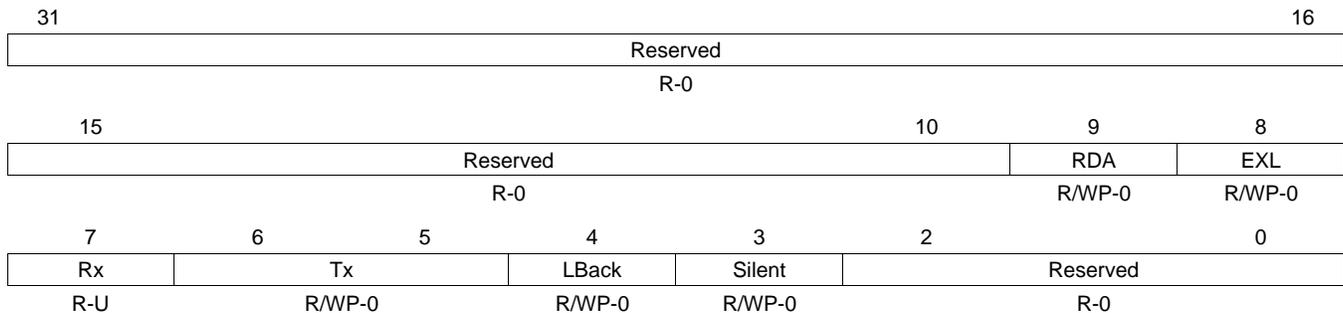
For all test modes, the Test bit in CAN Control Register needs to be set to one. If Test bit is set, the RDA, EXL, Tx1, Tx0, LBack and Silent bits are writable. Bit Rx monitors the state of pin CAN\_RX and therefore is only readable. All Test Register functions are disabled when Test bit is cleared.

**NOTE:** The Test Register is only writable if Test bit in CAN Control Register is set.

Setting Tx[1:0] other than '00' will disturb message transfer.

When the internal loop back mode is active (bit LBack is set), bit EXL will be ignored.

**Figure 26-25. Test Register (DCAN TEST) [offset = 14h]**



LEGEND: R/W = Read/Write; R = Read only; WP = Write Protected by Test bit; -n = value after reset; U = Undefined

**Table 26-12. Test Register (DCAN TEST) Field Descriptions**

Bit	Field	Value	Description
31-10	Reserved	0	These bits are always read as 0. Writes have no effect.
9	RDA	0	RAM Direct Access Enable
		0	Normal Operation
		1	Direct access to the RAM is enabled while in Test Mode.
8	EXL	0	External Loop Back Mode
		0	Disabled
		1	Enabled
7	Rx	0	Receive Pin. Monitors the actual value of the CAN_RX pin.
		0	The CAN bus is dominant.
		1	The CAN bus is recessive.
6-5	Tx	0	Control of CAN_TX pin
		0	Normal operation, CAN_TX is controlled by the CAN Core.
		1h	Sample Point can be monitored at CAN_TX pin.
		2h	CAN_TX pin drives a dominant value.
		3h	CAN_TX pin drives a recessive value.
4	LBack	0	Loop Back Mode
		0	Disabled
		1	Enabled
3	Silent	0	Silent Mode
		0	Disabled
		1	Enabled
2-0	Reserved	0	These bits are always read as 0. Writes have no effect.

### 26.17.7 Parity Error Code Register (DCAN PERR)

If a double bit error is detected, the PER flag will be set in the Error and Status Register. This bit is not reset by the SECCDED mechanism; it must be reset by reading the Error and Status Register. In addition to the PER flag, the SECCDED Error Code Register will indicate the memory area where the double bit error has been detected (message number). After a double bit error has been detected, the register will hold the last error code until power is removed.

**Figure 26-26. Parity Error Code Register (DCAN PERR) [offset = 1Ch]**

31	Reserved										16
R-0											
15	14				11	10			8	7	0
Reserved				Word Number				Message Number			
R-0				R-U				R-U			

LEGEND: R/W = Read/Write; R = Read only; -n = value after reset; U = Undefined

**Table 26-13. Parity Error Code Register (DCAN PERR) Field Descriptions**

Bit	Field	Value	Description
31-11	Reserved	0	These bits are always read as 0. Writes have no effect.
10-8	Word Number	0	Word Number is reserved and it will always read as 0.
7-0	Message Number	1h-80h	Message object number where double bit error has been detected

### 26.17.8 ECC Diagnostic Register (DCAN ECCDIAG)

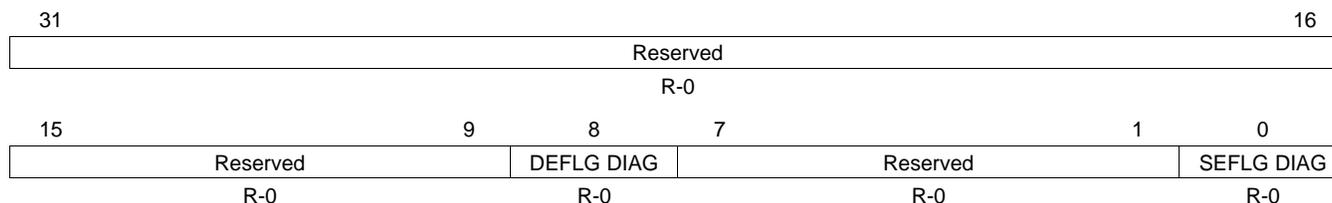
**Figure 26-27. ECC Diagnostic Register (DCAN ECCDIAG) [offset = 24h]**

31	Reserved										16	
R-0												
15							4	3				0
Reserved							ECCDIAG					
R-0							R/WP-Ah					

LEGEND: R/W = Read/Write; R = Read only; WP = Write in privileged mode only; -n = value after reset; U = Undefined

**Table 26-14. ECC Diagnostic Register (DCAN ECCDIAG) Field Descriptions**

Bit	Field	Value	Description
31-4	Reserved	0	These bits are always read as 0. Writes have no effect.
3-0	ECCDIAG	5h	SECCDED diagnostic mode enable/disable Diagnostic mode is enabled. Single and double bit errors are shown in the ECCDIAG STAT and the ECC Control and Status register. A double bit error (or single bit error with single bit error correction disabled) also triggers the parity interrupt flag (PER). Memory mapping of ECC RAM is enabled
		Ah	Diagnostic mode is disabled, single and double bit errors are shown only in the ECC Control and Status register.
		All other values	Reserved

**26.17.9 ECC Diagnostic Status Register (DCAN ECCDIAG STAT)**
**Figure 26-28. ECC Diagnostic Status Register (DCAN ECCDIAG STAT) [offset = 28h]**


LEGEND: R = Read only; -n = value after reset; U = Undefined

**Table 26-15. ECC Diagnostic Status Register (DCAN ECCDIAG STAT) Field Descriptions**

Bit	Field	Value	Description
31-9	Reserved	0	These bits are always read as 0. Writes have no effect.
8	DEFLG DIAG	0	Read: No double bit error detected. Write: The bit is unchanged.
		1	Read: Double bit error detected in diagnostic mode. Write: The bit is cleared to 0.
7-1	Reserved	0	These bits are always read as 0. Writes have no effect.
0	SEFLG DIAG	0	Read: No single bit error detected. Write: The bit is unchanged.
		1	Read: Single bit error detected in diagnostic mode Write: The bit is cleared to 0.

### 26.17.10 ECC Control and Status Register (DCAN ECC CS)

**Figure 26-29. ECC Control and Status Register (DCAN ECC CS) [offset = 2Ch]**

31	28	27	24	23	20	19	16	
Reserved		SBE_EVT_EN		Reserved		ECCMODE		
R-0		R/WP-5h		R-0		R/WP-Ah		
15				9	8	7	1	0
Reserved				DEFLG	Reserved			SEFLG
R-0				R-0	R-0			R-0

LEGEND: R/W = Read/Write; R = Read only; WP = Write in privileged mode only; -n = value after reset; U = Undefined

**Table 26-16. ECC Control and Status Register (DCAN ECC CS) Field Descriptions**

Bit	Field	Value	Description
31-9	Reserved	0	These bits are always read as 0. Writes have no effect.
27-24	SBE_EVT_EN	5h All other values	Enable/disable SECEDED single bit error event (CAN_SERR signal). SECEDED single bit error event is disabled, single bit errors are not signaled with a high pulse on DCAN_SERR signal. SECEDED single bit error event is enabled, single bit errors are signaled with a high pulse on DCAN_SERR signal.
23-20	Reserved	0	These bits are always read as 0. Writes have no effect.
19-16	ECCMODE	5h All other values	Enable/disable SECEDED single bit error correction SECEDED single bit error correction disabled SECEDED single bit error correction enabled
15-9	Reserved	0	These bits are always read as 0. Writes have no effect.
8	DEFLG	0 1	Double bit error flag Read: No double bit error detected. Write: The bit is unchanged. Read: Double bit error detected. Write: The bit is cleared to 0.
7-1	Reserved	0	These bits are always read as 0. Writes have no effect.
0	SEFLG	0 1	Single bit error flag Read: No single bit error detected. Write: The bit is unchanged. Read: Single bit error detected Write: The bit is cleared to 0.

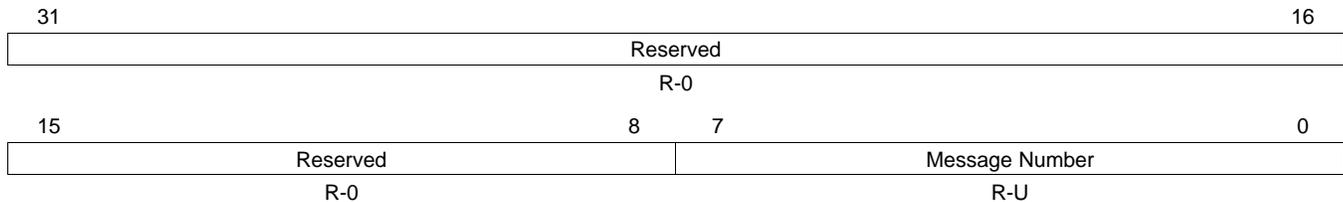
### 26.17.11 ECC Single Bit Error Code Register (DCAN ECC SERR)

If an ECC single bit error is detected, the SEFLG flag will be set in the ECC Control and Status Register. In addition to the SEFLG flag, the ECC Single Bit Error Code Register will indicate the memory area where the single bit error has been detected (message object number only).

If more than one word with an ECC single bit error was detected, the highest word number with an ECC single bit error error will be displayed.

After an ECC single bit error has been detected, the register will hold the last error code until power is removed.

**Figure 26-30. ECC Single Bit Error Code Register (DCAN ECC SERR) [offset = 30h]**



LEGEND: R = Read only; -n = value after reset; U = Undefined

**Table 26-17. ECC Single Bit Error Code Register (DCAN ECC SERR) Field Descriptions**

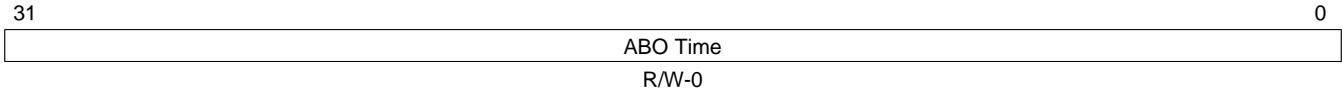
Bit	Field	Value	Description
31-8	Reserved	0	These bits are always read as 0. Writes have no effect.
7-0	Message Number	1h-80h	Message object number where ECC single bit error has been detected

**26.17.12 Auto-Bus-On Time Register (DCAN ABOTR)**

**NOTE:** On write access to the CAN Control register while Auto-Bus-On timer is running, the Auto-Bus-On procedure will be aborted.

During Debug/Suspend mode, running Auto-Bus-On timer will be paused.

**Figure 26-31. Auto-Bus-On Time Register (DCAN ABOTR) [offset = 80h]**



LEGEND: R/W = Read/Write; -n = value after reset

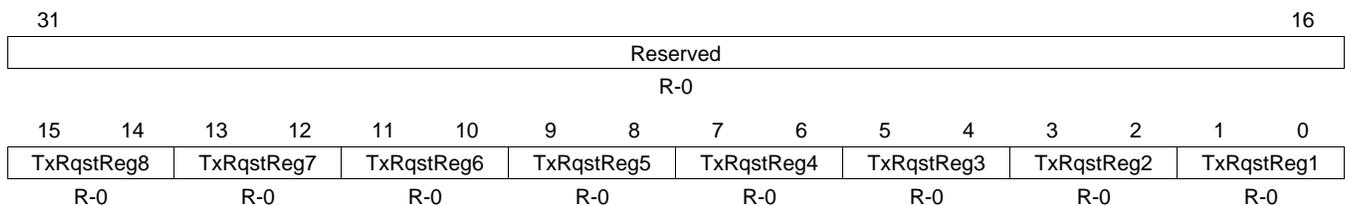
**Table 26-18. Auto-Bus-On Time Register (DCAN ABOTR) Field Descriptions**

Bit	Field	Description
31-0	ABO Time	Number of VBUS clock cycles before a Bus-Off recovery sequence is started by clearing the Init bit .This function has to be enabled by setting bit ABO in CAN Control Register. The Auto-Bus-On timer is realized by a 32-bit counter which starts to count down to zero when the module goes Bus-Off. The counter will be reloaded with the preload value of the ABO Time register after this phase.

**26.17.13 Transmission Request X Register (DCAN TXRQ X)**

With the Transmission Request X Register, the CPU can detect if one or more bits in the different Transmission Request Registers are set. Each register bit represents a group of eight message objects. If at least one of the TxRqst bits of these message objects are set, the corresponding bit in the Transmission Request X Register will be set.

**Figure 26-32. Transmission Request X Register (DCAN TXRQ X) [offset = 84h]**



LEGEND: R = Read only; -n = value after reset

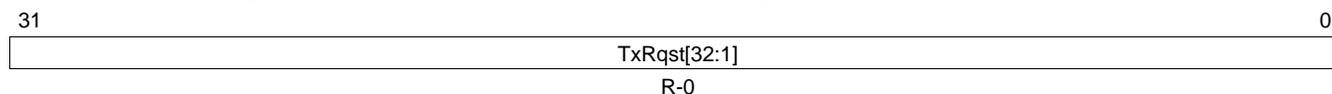
**Example 1**

Bit 0 of the Transmission Request X Register represents byte 0 of the Transmission Request 1 Register. If one or more bits in this byte are set, bit 0 of the Transmission Request X Register will be set.

### 26.17.14 Transmission Request Registers (DCAN TXRQ12 to DCAN TXRQ78)

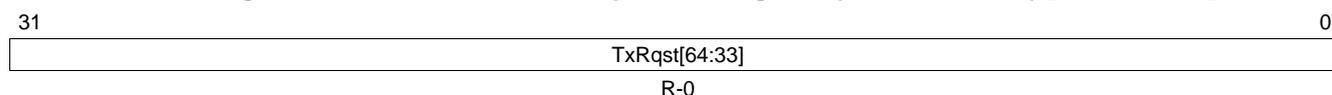
These registers hold the TxRqst bits of the implemented message objects. By reading out these bits, the CPU can check for pending transmission requests. The TxRqst bit in a specific message object can be set/reset by the CPU via the IF1/IF2 Message Interface Registers, or by the Message Handler after reception of a remote frame or after a successful transmission.

**Figure 26-33. Transmission Request 12 Register (DCAN TXRQ12) [offset = 88h]**



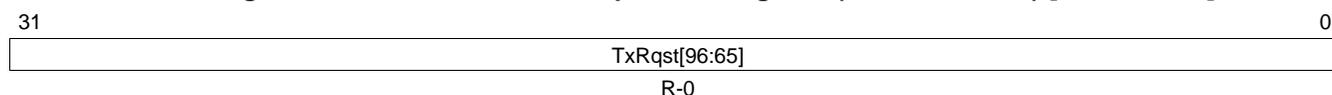
LEGEND: R = Read only; -n = value after reset

**Figure 26-34. Transmission Request 34 Register (DCAN TXRQ34) [offset = 8Ch]**



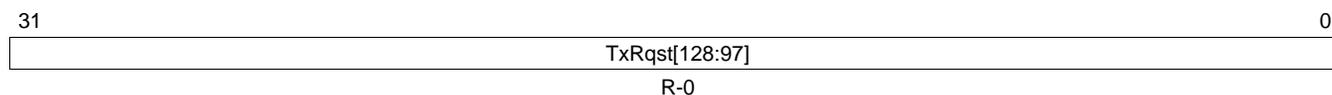
LEGEND: R = Read only; -n = value after reset

**Figure 26-35. Transmission Request 56 Register (DCAN TXRQ56) [offset = 90h]**



LEGEND: R = Read only; -n = value after reset

**Figure 26-36. Transmission Request 78 Register (DCAN TXRQ78) [offset = 94h]**



LEGEND: R = Read only; -n = value after reset

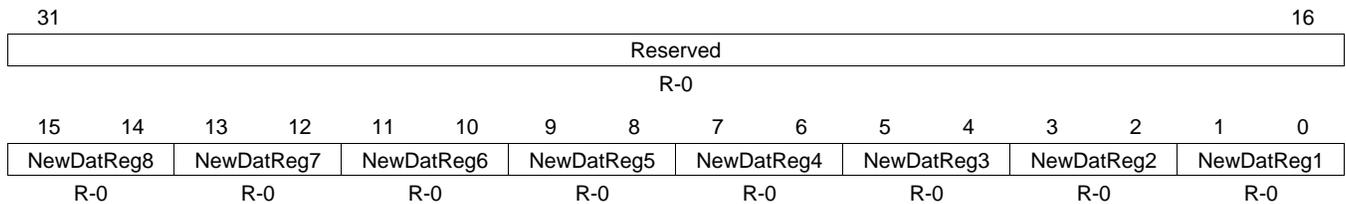
**Table 26-19. Transmission Request Registers Field Descriptions**

Bit	Name	Value	Description
31-0	TxRqst[128:1]		Transmission Request Bits (for all message objects)
		0	No transmission has been requested for this message object.
		1	The transmission of this message object is requested and is not yet done.

**26.17.15 New Data X Register (DCAN NWDAT X)**

With the New Data X Register, the CPU can detect if one or more bits in the different New Data Registers are set. Each register bit represents a group of eight message objects. If at least one of the NewDat bits of these message objects are set, the corresponding bit in the New Data X Register will be set.

**Figure 26-37. New Data X Register (DCAN NWDAT X) [offset = 98h]**



LEGEND: R = Read only; -n = value after reset

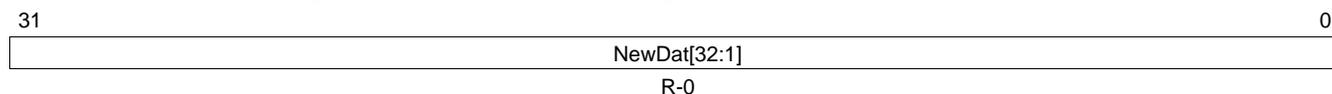
**Equation 1**

Bit 0 of the New Data X Register represents byte 0 of the New Data 1 Register. If one or more bits in this byte are set, bit 0 of the New Data X Register will be set.

### 26.17.16 New Data Registers (DCAN NWDAT12 to DCAN NWDAT78)

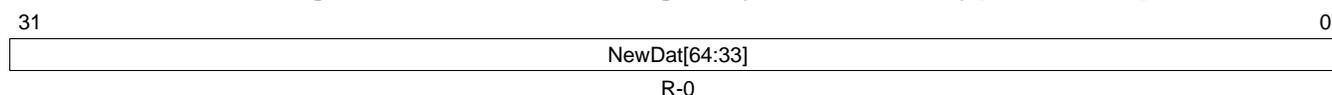
These registers hold the NewDat bits of the implemented message objects. By reading out these bits, the CPU can check for new data in the message objects. The NewDat bit of a specific message object can be set/reset by the CPU via the IF1/IF2 Interface Register sets, or by the Message Handler after reception of a data frame or after a successful transmission.

**Figure 26-38. New Data 12 Register (DCAN NWDAT12) [offset = 9Ch]**



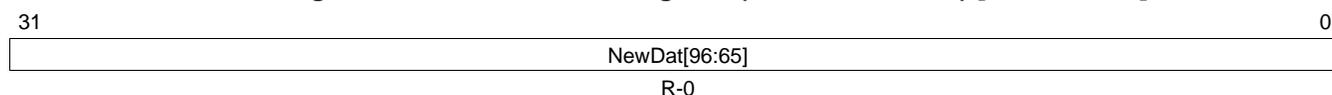
LEGEND: R = Read only; -n = value after reset

**Figure 26-39. New Data 34 Register (DCAN NWDAT34) [offset = A0h]**



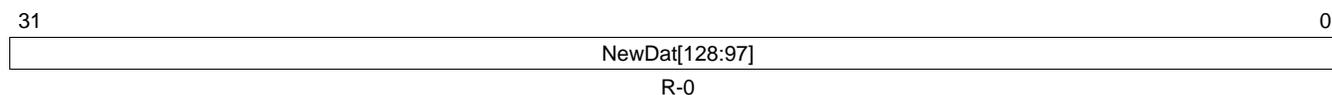
LEGEND: R = Read only; -n = value after reset

**Figure 26-40. New Data 56 Register (DCAN NWDAT56) [offset = A4h]**



LEGEND: R = Read only; -n = value after reset

**Figure 26-41. New Data 78 Register (DCAN NWDAT78) [offset = A8h]**



LEGEND: R = Read only; -n = value after reset

**Table 26-20. New Data Registers Field Descriptions**

Bit	Name	Value	Description
31-0	NewDat[128:1]	0	New Data Bits (for all message objects) No new data has been written into the data portion of this message object by the Message Handler since the last time when this flag was cleared by the CPU.
		1	The Message Handler or the CPU has written new data into the data portion of this message object.

**26.17.17 Interrupt Pending X Register (DCAN INTPND X)**

With the Interrupt Pending X Register, the CPU can detect if one or more bits in the different Interrupt Pending Registers are set. Each bit of this register represents a group of eight message objects. If at least one of the IntPnd bits of these message objects are set, the corresponding bit in the Interrupt Pending X Register will be set.

**Figure 26-42. Interrupt Pending X Register (DCAN INTPND X) [offset = ACh]**



LEGEND: R = Read only; -n = value after reset

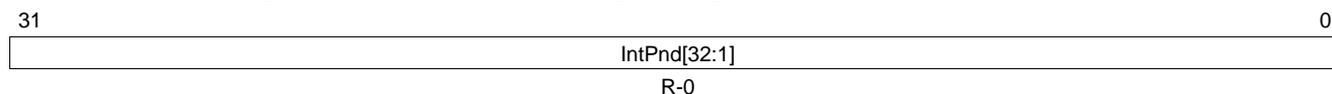
**Example 2**

Bit 0 of the Interrupt Pending X Register represents byte 0 of the Interrupt Pending 1 Register. If one or more bits in this byte are set, bit 0 of the Interrupt Pending X Register will be set.

### 26.17.18 Interrupt Pending Registers (DCAN INTPND12 to DCAN INTPND78)

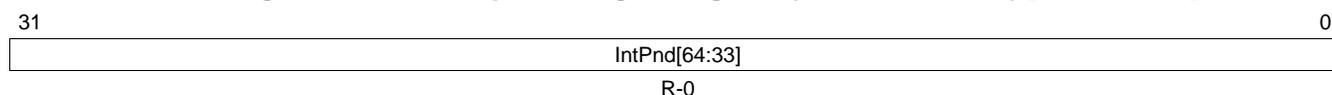
These registers hold the IntPnd bits of the implemented message objects. By reading out these bits, the CPU can check for pending interrupts in the message objects. The IntPnd bit of a specific message object can be set/reset by the CPU via the IF1/IF2 Interface Register sets, or by the Message Handler after a reception or a successful transmission.

**Figure 26-43. Interrupt Pending 12 Register (DCAN INTPND12) [offset = B0h]**



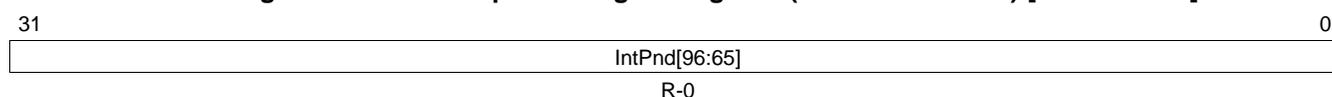
LEGEND: R = Read only; -n = value after reset

**Figure 26-44. Interrupt Pending 34 Register (DCAN INTPND34) [offset = B4h]**



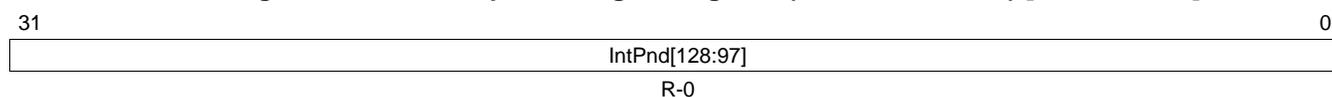
LEGEND: R = Read only; -n = value after reset

**Figure 26-45. Interrupt Pending 56 Register (DCAN INTPND56) [offset = B8h]**



LEGEND: R = Read only; -n = value after reset

**Figure 26-46. Interrupt Pending 78 Register (DCAN INTPND78) [offset = BCh]**



LEGEND: R = Read only; -n = value after reset

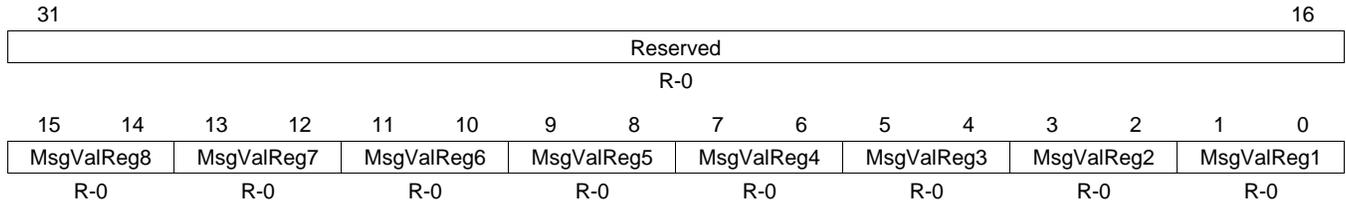
**Table 26-21. Interrupt Pending Registers Field Descriptions**

Bit	Name	Value	Description
31-0	IntPnd[128:1]		Interrupt Pending Bits (for all message objects)
		0	This message object is not the source of an interrupt.
		1	This message object is the source of an interrupt.

**26.17.19 Message Valid X Register (DCAN MSGVAL X)**

With the Message Valid X Register, the CPU can detect if one or more bits in the different Message Valid Registers are set. Each bit of this register represents a group of eight message objects. If at least one of the MsgVal bits of these message objects are set, the corresponding bit in the Message Valid X Register will be set.

**Figure 26-47. Message Valid X Register (DCAN MSGVAL X) [offset = C0h]**



LEGEND: R = Read only; -n = value after reset

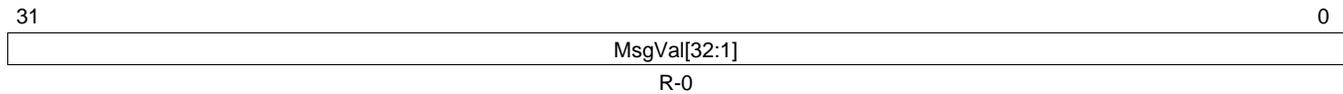
**Example 3**

Bit 0 of the Message Valid X Register represents byte 0 of the Message Valid 1 Register. If one or more bits in this byte are set, bit 0 of the Message Valid X Register will be set.

### 26.17.20 Message Valid Registers (DCAN MSGVAL12 to DCAN MSGVAL78)

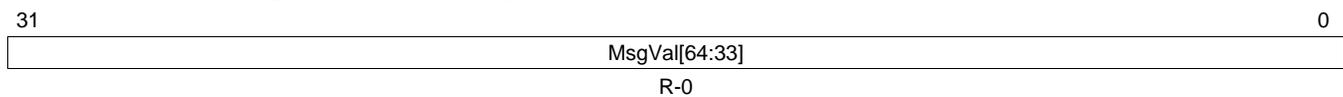
These registers hold the MsgVal bits of the implemented message objects. By reading out these bits, the CPU can check which message objects are valid. The MsgVal bit of a specific message object can be set/reset by the CPU via the IF1/IF2 Interface Register sets, or by the Message Handler after a reception or a successful transmission.

**Figure 26-48. Message Valid 12 Register (DCAN MSGVAL12) [offset = C4h]**



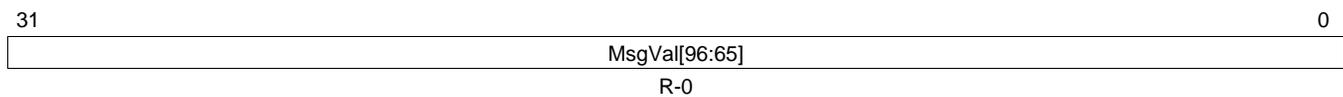
LEGEND: R = Read only; -n = value after reset

**Figure 26-49. Message Valid 34 Register (DCAN MSGVAL34) [offset = C8h]**



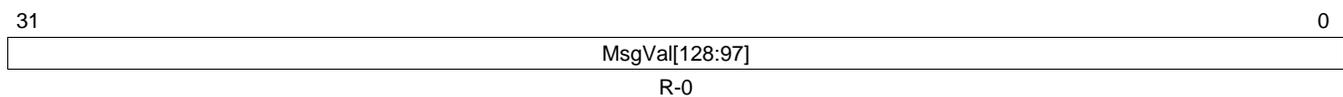
LEGEND: R = Read only; -n = value after reset

**Figure 26-50. Message Valid 56 Register (DCAN MSGVAL56) [offset = CCh]**



LEGEND: R = Read only; -n = value after reset

**Figure 26-51. Message Valid 78 Register (DCAN MSGVAL78) [offset = D0h]**



LEGEND: R = Read only; -n = value after reset

**Table 26-22. Message Valid Registers Field Descriptions**

Bit	Name	Value	Description
31-0	MsgVal[128:1]		Message Valid Bits (for all message objects)
		0	This message object is ignored by the Message Handler.
		1	This message object is configured and will be considered by the Message Handler.

### 26.17.21 Interrupt Multiplexer Registers (DCAN INTMUX12 to DCAN INTMUX78)

The IntMux flag determine for each message object, which of the two interrupt lines (DCAN0INT or DCAN1INT) will be asserted when the IntPnd of this message object is set. Both interrupt lines can be globally enabled or disabled by setting or clearing IE0 and IE1 bits in CAN Control Register.

The IntPnd bit of a specific message object can be set or reset by the CPU via the IF1/IF2 Interface Register sets, or by Message Handler after reception or successful transmission of a frame. This will also affect the Int0ID resp Int1ID flags in the Interrupt Register.

**Figure 26-52. Interrupt Multiplexer 12 Register (DCAN INTMUX12) [offset = D8h]**

31	IntMux[32:1]	0
R/W-0		

LEGEND: R/W = Read/Write; -n = value after reset

**Figure 26-53. Interrupt Multiplexer 34 Register (DCAN INTMUX34) [offset = DCh]**

31	IntMux[64:33]	0
R/W-0		

LEGEND: R/W = Read/Write; -n = value after reset

**Figure 26-54. Interrupt Multiplexer 56 Register (DCAN INTMUX56) [offset = E0h]**

31	IntMux[96:65]	0
R/W-0		

LEGEND: R/W = Read/Write; -n = value after reset

**Figure 26-55. Interrupt Multiplexer 78 Register (DCAN INTMUX78) [offset = E4h]**

31	IntMux[128:97]	0
R/W-0		

LEGEND: R/W = Read/Write; -n = value after reset

**Table 26-23. Interrupt Multiplexer Registers Field Descriptions**

Bit	Name	Value	Description
31-0	IntMux[128:1]		Multiplexes IntPnd value to either DCAN0INT or DCAN1INT interrupt lines. The mapping from the bits to the message objects is as follows: Bit 0 -> last implemented message object. Bit 1 -> message object number 1 Bit 2 -> message object number 2
		0	DCAN0INT line is active if corresponding IntPnd flag is one.
		1	DCAN1INT line is active if corresponding IntPnd flag is one.

### 26.17.22 IF1/IF2 Command Registers (DCAN IF1CMD, DCAN IF2CMD)

The IF1/IF2 Command Register configure and Initiate the transfer between the IF1/IF2 Register sets and the Message RAM. It is configurable which portions of the message object should be transferred.

A transfer is started when the CPU writes the message number to bits [7:0] of the IF1/IF2 Command Register. With this write operation, the Busy bit is automatically set to 1 to indicate that a transfer is in progress.

After 4 to 14 VBUS clock cycles, the transfer between the Interface Register and the Message RAM will be completed and the Busy bit is cleared. The maximum number of cycles is needed when the message transfer concurs with a CAN message transmission, acceptance filtering, or message storage.

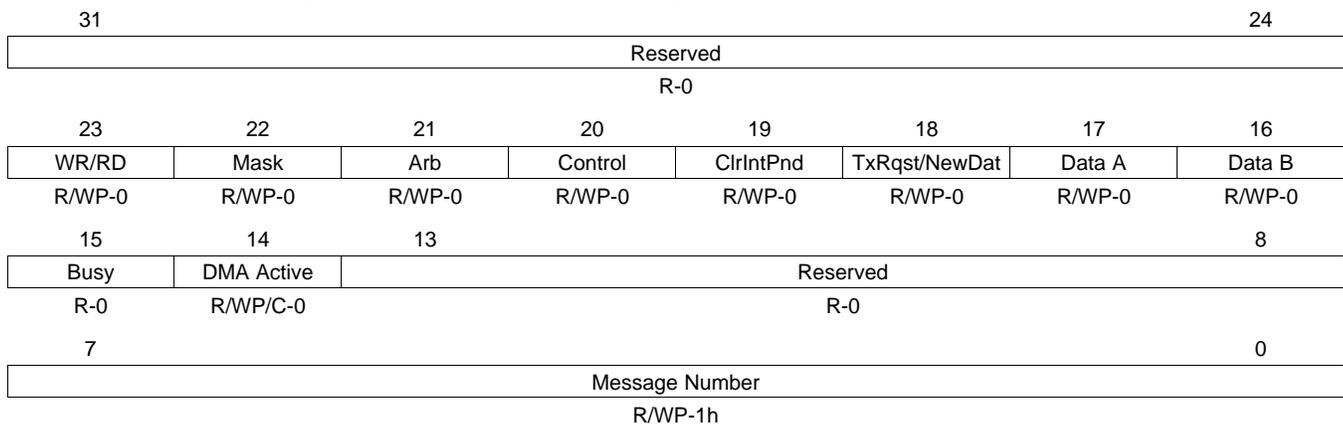
If the CPU writes to both IF1/IF2 Command Registers consecutively (request of a second transfer while first transfer is still in progress), the second transfer will start after the first one has been completed.

**NOTE:** While Busy bit is one, IF1/IF2 Register sets are write protected.

For debug support, the auto clear functionality of the IF1/IF2 Command Registers (clear of DMAactive flag by r/w) is disabled during Debug/Suspend mode.

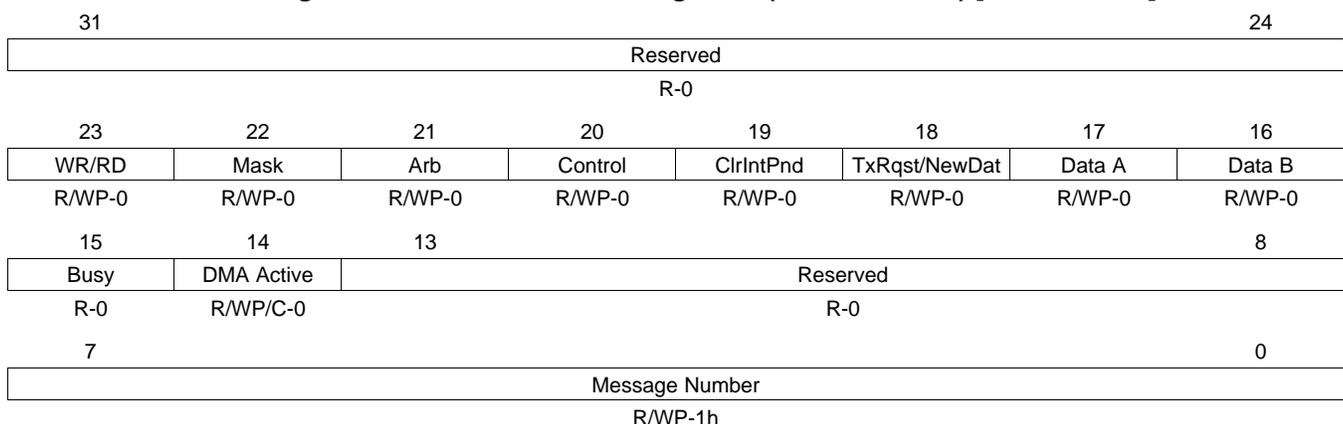
If an invalid Message Number is written to bits [7:0] of the IF1/IF2 Command Register, the Message Handler may access an implemented (valid) message object instead.

**Figure 26-56. IF1 Command Registers (DCAN IF1CMD) [offset = 100h]**



LEGEND: R/W = Read/Write; R = Read; WP = Protected Write (protected by Busy bit); C = Clear by IF1 Access; -n = value after reset

**Figure 26-57. IF2 Command Registers (DCAN IF2CMD) [offset = 120h]**



LEGEND: R/W = Read/Write; R = Read; WP = Protected Write (protected by Busy bit); C = Clear by IF1 Access; -n = value after reset

**Table 26-24. IF1/IF2 Command Register Field Descriptions**

Bit	Field	Value	Description
31-24	Reserved	0	These bits are always read as 0. Writes have no effect.
23	WR/RD	0	Write/Read Direction = Read: Transfer direction is from the message object addressed by Message Number (Bits [7:0]) to the IF1/IF2 register set
		1	Direction = Write: Transfer direction is from the IF1/IF2 register set to the message object addressed by Message Number (Bits [7:0])
22	Mask	0	Access Mask bits Mask bits will not be changed
		1	Direction = Read: The Mask bits (Identifier Mask + MDir + MXtd) will be transferred from the message object addressed by Message Number (Bits [7:0]) to the IF1/IF2 Register set. Direction = Write: The Mask bits (Identifier Mask + MDir + MXtd) will be transferred from the IF1/IF2 Register set to the message object addressed by Message Number (Bits [7:0])
21	Arb	0	Access Arbitration bits Arbitration bits will not be changed
		1	Direction = Read: The Arbitration bits (Identifier + Dir + Xtd + MsgVal) will be transferred from the message object addressed by Message Number (Bits [7:0]) to the corresponding IF1/IF2 Register set Direction = Write: The Arbitration bits (Identifier + Dir + Xtd + MsgVal) will be transferred from the IF1/IF2 Register set to the message object addressed by Message Number (Bits [7:0])
20	Control	0	Access Control bits Control bits will not be changed
		1	Direction = Read: The Message Control bits will be transferred from the message object addressed by Message Number (Bits [7:0]) to the corresponding IF1/IF2 Register set Direction = Write: The Message Control bits will be transferred from the IF1/IF2 Register set to the message object addressed by Message Number (Bits [7:0]) If the TxRqst/NewDat bit in this register (Bit [18]) is set, the TxRqst/NewDat bit in the IF1/IF2 Message Control Register will be ignored
19	ClrIntPnd	0	Clear Interrupt Pending bit IntPnd bit will not be changed
		1	Direction = Read: Clears IntPnd bit in the message object Direction = Write: This bit is ignored. Copying of IntPnd flag from IF1/IF2 Registers to Message RAM can be controlled by only the Control flag (Bit [20])
18	TxRqst/NewDat	0	Access Transmission Request bit Direction = Read: NewDat bit will not be changed. Direction = Write: TxRqst/NewDat bit will be handled according to the Control bit
		1	Direction = Read: Clears NewDat bit in the message object. Direction = Write: Sets TxRqst/NewDat in the message object <b>Note:</b> If a CAN transmission is requested by setting TxRqst/NewDat in this register, the TxRqst/NewDat bits in the message object will be set to 1 and independent of the values in IF1/IF2 Message Control Register. A read access to a message object can be combined with the reset of the control bits IntPnd and NewDat. The values of these bits transferred to the IF1/IF2 Message Control Register always reflect the status before resetting them.
17	Data A	0	Access Data Bytes 0–3 Data Bytes 0–3 will not be changed
		1	Direction = Read: The Data Bytes 0–3 will be transferred from the message object addressed by the Message Number (Bits [7:0]) to the corresponding IF1/IF2 Register set Direction = Write: The Data Bytes 0–3 will be transferred from the IF1/IF2 Register set to the message object addressed by the Message Number (Bits [7:0]) <b>Note:</b> The duration of the message transfer is independent of the number of bytes to be transferred.

**Table 26-24. IF1/IF2 Command Register Field Descriptions (continued)**

Bit	Field	Value	Description
16	Data B	0 1	Access Data Bytes 4–7 Data Bytes 4–7 will not be changed Direction = Read: The Data Bytes 4–7 will be transferred from the message object addressed by the Message Number (Bits [7:0]) to the corresponding IF1/IF2 Register set Direction = Write: The Data Bytes 4–7 will be transferred from the IF1/IF2 Register set to the message object addressed by the Message Number (Bits [7:0]) <b>Note:</b> The duration of the message transfer is independent of the number of bytes to be transferred.
15	Busy	0 1	Busy flag No transfer between IF1/IF2 Register set and Message RAM is in progress Transfer between IF1/IF2 Register set and Message RAM is in progress. This bit is set to 1 after the message number has been written to bits [7:0]. IF1/IF2 Register set will be write-protected. The bit is cleared after read/write action has finished.
14	DMA Active	0 1	Activation of DMA feature for subsequent internal IF1/IF2 update DMA request line is independent of IF1/IF2 activities DMA is requested after completed transfer between IF1/IF2 Register set and Message RAM. The DMA request remains active until the first read or write to one of the IF1/IF2 registers. An exception is a write to Message Number (Bits [7:0]) when DMA Active is 1. <b>Note:</b> Due to the auto reset feature of the DMA Active bit, this bit has to be separately set for each subsequent DMA cycle.
13-8	Reserved	0	These bits are always read as 0. Writes have no effect.
7-0	Message Number	0 1h-80h 81h-FFh	Number of message object in Message RAM that is used for data transfer Invalid message number Valid message numbers, if 128 message objects are implemented Invalid message numbers, if 128 message objects are implemented <b>Note:</b> When an invalid message number is written to the IF1/IF2 Command Register which is higher than the last implemented message object number, a modulo addressing will occur. For example, when accessing message object 33 in a DCAN module with 32 message objects only, the message object 1 will be accessed instead.

### 26.17.23 IF1/IF2 Mask Registers (DCAN IF1MSK, DCAN IF2MSK)

The bits of the IF1/IF2 Mask Registers mirror the mask bits of a message object. The function of the relevant message objects bits is described in [Section 26.5.1](#).

**NOTE:** While Busy bit of IF1/IF2 Command Register is one, IF1/IF2 Register Set is write protected.

**Figure 26-58. IF1 Mask Register (DCAN IF1MSK) [offset = 104h]**

31	30	29	28	16
MXtd	MDir	Rsvd	Msk[28:16]	
R/WP-1	R/WP-1	R-1	R/WP-1FFFh	
15				0
Msk[15:0]				
R/WP-FFFFh				

LEGEND: R/W = Read/Write; R = Read; WP = Protected Write (protected by Busy bit); -n = value after reset

**Figure 26-59. IF2 Mask Register (DCAN IF2MSK) [offset = 124h]**

31	30	29	28	16
MXtd	MDir	Rsvd	Msk[28:16]	
R/WP-1	R/WP-1	R-1	R/WP-1FFFh	
15				0
Msk[15:0]				
R/WP-FFFFh				

LEGEND: R/W = Read/Write; R = Read; WP = Protected Write (protected by Busy bit); -n = value after reset

**Table 26-25. IF1/IF2 Mask Register Field Descriptions**

Bit	Field	Value	Description
31	MXtd	0	Mask Extended Identifier The extended identifier bit (IDE) has no effect on the acceptance filtering.
		1	The extended identifier bit (IDE) is used for acceptance filtering. When 11-bit ("standard") identifiers are used for a message object, the identifiers of received Data Frames are written into bits ID[28:18]. For acceptance filtering, only these bits with mask bits Msk[28:18] are considered.
30	MDir	0	Mask Message Direction The message direction bit (Dir) has no effect on the acceptance filtering.
		1	The message direction bit (Dir) is used for acceptance filtering.
29	Reserved	0	These bits are always read as 1. Writes have no effect.
28-0	Msk[n]	0	Identifier Mask The corresponding bit in the identifier of the message object is not used for acceptance filtering (don't care).
		1	The corresponding bit in the identifier of the message object is used for acceptance filtering

### 26.17.24 IF1/IF2 Arbitration Registers (DCAN IF1ARB, DCAN IF2ARB)

The bits of the IF1/IF2 Arbitration Registers mirror the arbitration bits of a message object. The function of the relevant message objects bits is described in [Section 26.5.1](#).

The Arbitration bits ID, Xtd, and Dir are used to define the identifier and type of outgoing messages and (together with the Mask bits Msk, MXtd, and MDir) for acceptance filtering of incoming messages.

A received message is stored into the valid message object with matching identifier and Direction = receive (Data Frame) or Direction = transmit (Remote Frame).

Extended frames can be stored only in message objects with Xtd = 1, standard frames in message objects with Xtd = 0.

If a received message (Data Frame or Remote Frame) matches more than one valid message objects, it is stored into the one with the lowest message number.

---

**NOTE:** While Busy bit of IF1/IF2 Command Register is one, IF1/IF2 Register Set is write protected.

---

**Figure 26-60. IF1 Arbitration Register (DCAN IF1ARB) [offset = 108h]**

31	30	29	28	16
MsgVal	Xtd	Dir	ID[28:16]	
R/WP-0	R/WP-0	R/WP-0	R/WP-0	
15				0
ID[15:0]				
R/WP-0				

LEGEND: R/W = Read/Write; R = Read; WP = Protected Write (protected by Busy bit); -n = value after reset

**Figure 26-61. IF2 Arbitration Register (DCAN IF2ARB) [offset = 128h]**

31	30	29	28	16
MsgVal	Xtd	Dir	ID[28:16]	
R/WP-0	R/WP-0	R/WP-0	R/WP-0	
15				0
ID[15:0]				
R/WP-0				

LEGEND: R/W = Read/Write; R = Read; WP = Protected Write (protected by Busy bit); -n = value after reset

**Table 26-26. IF1/IF2 Arbitration Register Field Descriptions**

Bit	Field	Value	Description
31	MsgVal	0 1	<p>Message Valid</p> <p>0 The message object is ignored by the Message Handler.</p> <p>1 The message object is used by the Message Handler.</p> <p>Note: The CPU should reset the MsgVal bit of all unused Messages Objects during the initialization before it resets bit Init in the CAN Control Register. MsgVal must also be reset if the messages object is no longer used in operation. For reconfiguration of message objects during normal operation, see <a href="#">Section 26.7.6</a> and <a href="#">Section 26.7.7</a>.</p>
30	Xtd	0 1	<p>Extended Identifier</p> <p>0 The 11-bit ("standard") identifier is used for this message object.</p> <p>1 The 29-bit ("extended") identifier is used for this message object.</p>
29	Dir	0 1	<p>Message direction</p> <p>0 Direction = Receive: On TxRqst, a Remote Frame with the identifier of this message object is transmitted. On receiving a Data Frame with a matching identifier, this message is stored in this message object.</p> <p>1 Direction = Transmit: On TxRqst, the respective message object is transmitted as a Data Frame. On receiving a Remote Frame with a matching identifier, the TxRqst bit of this message object is set (if RmtEn = 1).</p>
28-0	ID	ID[28:0] ID[28:18]	<p>Message Identifier</p> <p>ID[28:0] 29-bit Identifier ("Extended Frame")</p> <p>ID[28:18] 11-bit Identifier ("Standard Frame")</p>

### 26.17.25 IF1/IF2 Message Control Registers (DCAN IF1MCTL, DCAN IF2MCTL)

The bits of the IF1/IF2 Message Control Registers mirror the message control bits of a message object. The function of the relevant message objects bits is described in [Section 26.5.1](#).

**NOTE:** While Busy bit of IF1/IF2 Command Register is one, IF1/IF2 Register Set is write protected.

**Figure 26-62. IF1 Message Control Register (DCAN IF1MCTL) [offset = 10Ch]**

Reserved							
R-0							
31							16
15	14	13	12	11	10	9	8
NewDat	MsgLst	IntPnd	UMask	TxIE	RxIE	RmtEn	TxRqst
R/WP-0	R/WP-0	R/WP-0	R/WP-0	R/WP-0	R/WP-0	R/WP-0	R/WP-0
7	6	4		3			0
EoB	Reserved			DLC			
R/WP-0	R-0			R/WP-0			

LEGEND: R/W = Read/Write; R = Read; WP = Protected Write (protected by Busy bit); -n = value after reset

**Figure 26-63. IF2 Message Control Register (DCAN IF2MCTL) [offset = 12Ch]**

Reserved							
R-0							
31							16
15	14	13	12	11	10	9	8
NewDat	MsgLst	IntPnd	UMask	TxIE	RxIE	RmtEn	TxRqst
R/WP-0	R/WP-0	R/WP-0	R/WP-0	R/WP-0	R/WP-0	R/WP-0	R/WP-0
7	6	4		3			0
EoB	Reserved			DLC			
R/WP-0	R-0			R/WP-0			

LEGEND: R/W = Read/Write; R = Read; WP = Protected Write (protected by Busy bit); -n = value after reset

**Table 26-27. IF1/IF2 Message Control Register Field Descriptions**

Bit	Field	Value	Description
31-16	Reserved	0	These bits are always read as 0. Writes have no effect.
15	NewDat	0 1	<b>New Data</b> 0 No new data has been written into the data portion of this message object by the Message Handler since the last time this flag was cleared by the CPU. 1 The Message Handler or the CPU has written new data into the data portion of this message object.
14	MsgLst	0 1	<b>Message Lost (only valid for message objects with direction = receive)</b> 0 No message lost since the last time when this bit was reset by the CPU. 1 The Message Handler stored a new message into this object when NewDat was still set, so the previous message has been overwritten.
13	IntPnd	0 1	<b>Interrupt Pending</b> 0 This message object is not the source of an interrupt. 1 This message object is the source of an interrupt. The interrupt identifier in the interrupt register will point to this message object if there is no other interrupt source with higher priority.
12	UMask	0 1	<b>Use Acceptance Mask</b> 0 Mask ignored 1 Use Mask (Msk[28:0], MXtd, and MDir) for acceptance filtering. If the UMask bit is set to 1, the message object's mask bits have to be programmed during initialization of the message object before MsgVal is set to 1.
11	TxE	0 1	<b>Transmit Interrupt Enable</b> 0 IntPnd will not be triggered after the successful transmission of a frame. 1 IntPnd will be triggered after the successful transmission of a frame.
10	RxE	0 1	<b>Receive Interrupt Enable</b> 0 IntPnd will not be triggered after the successful reception of a frame. 1 IntPnd will be triggered after the successful reception of a frame.
9	RmtEn	0 1	<b>Remote Enable</b> 0 At the reception of a Remote Frame, TxRqst is not changed. 1 At the reception of a Remote Frame, TxRqst is set.
8	TxRqst	0 1	<b>Transmit Request</b> 0 This message object is not waiting for a transmission. 1 The transmission of this message object is requested and not yet done.
7	EoB	0 1	<b>Data Frame has 0–8 data bits</b> 0 Data Frame has 8 data bytes 1 <b>Note:</b> This bit is used to concatenate multiple message objects to build a FIFO Buffer. For single message objects (not belonging to a FIFO Buffer), this bit must always be set to one.
6-4	Reserved	0	These bits are always read as 0. Writes have no effect.
3-0	DLC	0-8h 9h-Fh	<b>Data Length Code</b> 0-8h Data Frame has 0–8 data bits. 9h-Fh Data Frame has 8 data bytes. <b>Note:</b> The Data Length Code of a message object must be defined the same as in all the corresponding objects with the same identifier at other nodes. When the message handler stores a data frame, it will write the DLC to the value given by the received message.

**26.17.26 IF1/IF2 Data A and Data B Registers (DCAN IF1DATA/DATB, DCAN IF2DATA/DATB)**

The data bytes of CAN messages are stored in the IF1/IF2 registers in the following order.

In a CAN Data Frame, Data 0 is the first, and Data 7 is the last byte to be transmitted or received. In CAN's serial bit stream, the MSB of each byte will be transmitted first

**Figure 26-64. IF1 Data A Register (DCAN IF1DATA) [offset = 110h]**

31	24	23	16
Data 3			Data 2
R/WP-0			R/WP-0
15	8	7	0
Data 1			Data 0
R/WP-0			R/WP-0

LEGEND: R/W = Read/Write; WP = Protected Write (protected by Busy bit); -n = value after reset

**Figure 26-65. IF1 Data B Register (DCAN IF1DATB) [offset = 114h]**

31	24	23	16
Data 7			Data 6
R/WP-0			R/WP-0
15	8	7	0
Data 5			Data 4
R/WP-0			R/WP-0

LEGEND: R/W = Read/Write; WP = Protected Write (protected by Busy bit); -n = value after reset

**Figure 26-66. IF2 Data A Register (DCAN IF2DATA) [offset = 130h]**

31	24	23	16
Data 3			Data 2
R/WP-0			R/WP-0
15	8	7	0
Data 1			Data 0
R/WP-0			R/WP-0

LEGEND: R/W = Read/Write; WP = Protected Write (protected by Busy bit); -n = value after reset

**Figure 26-67. IF2 Data B Register (DCAN IF2DATB) [offset = 134h]**

31	24	23	16
Data 7			Data 6
R/WP-0			R/WP-0
15	8	7	0
Data 5			Data 4
R/WP-0			R/WP-0

LEGEND: R/W = Read/Write; WP = Protected Write (protected by Busy bit); -n = value after reset

### 26.17.27 IF3 Observation Register (DCAN IF3OBS)

The IF3 register set can automatically be updated with received message objects without the need to initiate the transfer from Message RAM by CPU (Additional information can be found in [Section 26.5.1](#)).

The observation flags (Bits [4:0]) in the IF3 Observation register are used to determine, which data sections of the IF3 Interface Register set have to be read in order to complete a DMA read cycle. After all marked data sections are read, the DCAN is enabled to update the IF3 Interface Register set with new data.

Any access order of single bytes or half-words is supported. When using byte or half-word accesses, a data section is marked as completed, if all bytes are read.

**NOTE:** If IF3 Update Enable is used and no Observation flag is set, the corresponding message objects will be copied to IF3 without activating the DMA request line and without waiting for DMA read accesses.

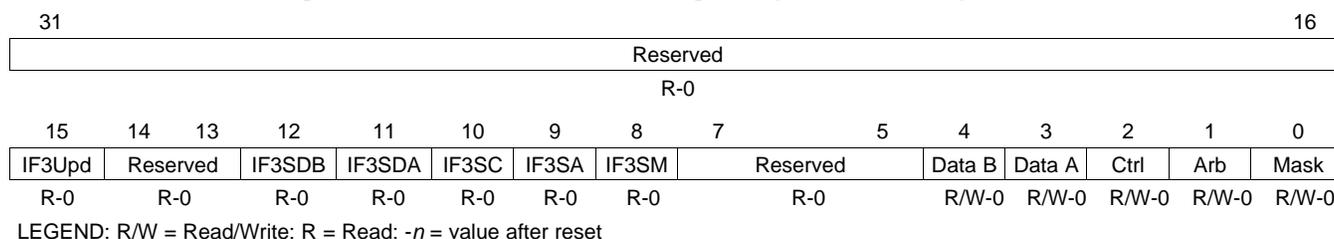
A write access to this register aborts a pending DMA cycle by resetting the DMA line and enables updating of IF3 Interface Register set with new data. To avoid data inconsistency, the DMA controller should be disabled before reconfiguring IF3 observation register.

The status of the current read-cycle can be observed via status flags (Bits [12:8]).

If an interrupt line is available for IF3, an interrupt will be generated by IF3Upd flag. See the device data sheet to find out if this interrupt source is available

With this, the observation status bits and the IF3Upd bit could be used by the application to realize the notification about new IF3 content in polling or interrupt mode.

**Figure 26-68. IF3 Observation Register (DCAN IF3OBS) [offset = 140h]**



**Table 26-28. IF3 Observation Register (DCAN IF3OBS) Field Descriptions**

Bit	Field	Value	Description
31-16	Reserved	0	These bits are always read as 0. Writes have no effect.
15	IF3 Upd	0	No new data has been loaded since IF3 was last read
		1	New data has been loaded since IF3 was last read
14-13	Reserved	0	These bits are always read as 0. Writes have no effect
12	IF3 SDB	0	All Data B bytes are already read or are not marked to be read
		1	Data B section still has data to read
11	IF3 SDA	0	All Data A bytes are already read or are not marked to be read
		1	Data A section still has data to read
10	IF3 SC	0	All Control section bytes are already read or are not marked to be read
		1	Control section still has data to read

**Table 26-28. IF3 Observation Register (DCAN IF3OBS) Field Descriptions (continued)**

Bit	Field	Value	Description
9	IF3 SA		IF3 Status of Arbitration data read access
		0	All Arbitration data bytes are already read or are not marked to be read
		1	Arbitration section still has data to read
8	IF3 SM		IF3 Status of Mask data read access
		0	All Mask data bytes are already read or are not marked to be read
		1	Mask section still has data to read
7-5	Reserved	0	These bits are always read as 0. Writes have no effect
4	Data B		Data B read observation
		0	Data B section does not need to be read
		1	Data B section has to be read to enable next IF3 update
3	Data A		Data A read observation
		0	Data A section does not need to be read
		1	Data A section has to be read to enable next IF3 update
2	Ctrl		Ctrl read observation
		0	Ctrl section does not need to be read
		1	Ctrl section has to be read to enable next IF3 update
1	Arb		Arbitration data read observation
		0	Arbitration data does not need to be read
		1	Arbitration data has to be read to enable next IF3 update
0	Mask		Mask data read observation
		0	Mask data does not need to be read
		1	Mask data has to be read to enable next IF3 update

### 26.17.28 IF3 Mask Register (DCAN IF3MSK)

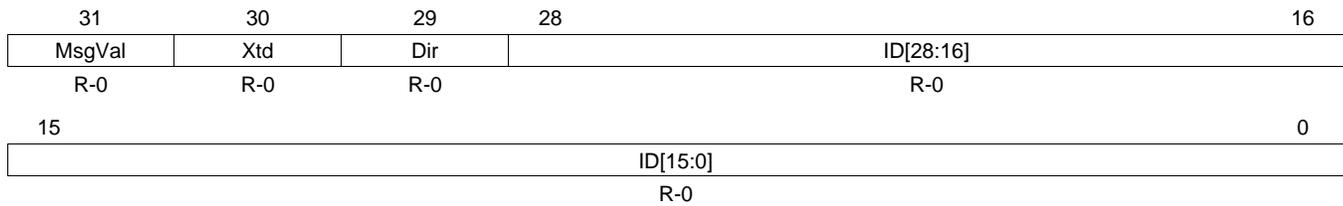
**Figure 26-69. IF3 Mask Register (DCAN IF3MSK) [offset = 144h]**

31	30	29	28	16
MXtd	MDir	Rsvd	Msk[28:16]	
R-1	R-1	R-1	R-1FFFh	
15	Msk[15:0]			0
R-FFFFh				

LEGEND: R = Read; -n = value after reset

**Table 26-29. IF3 Mask Register (DCAN IF3MSK) Field Descriptions**

Bit	Field	Value	Description
31	MXtd	0	Mask Extended Identifier The extended identifier bit (IDE) has no effect on acceptance filtering.
		1	The extended identifier bit (IDE) is used for acceptance filtering <b>Note:</b> When 11-bit ("standard") identifiers are used for a message object, the identifiers of received Data Frames are written into bits ID[28:18]. For acceptance filtering, only these bits, together with mask bits Msk[28:18], are considered.
30	MDir	0	Mask Message Direction The message direction bit (Dir) has no effect on acceptance filtering.
		1	The message direction bit (Dir) is used for acceptance filtering.
29	Reserved	0	These bits are always read as 0. Writes have no effect.
28-0	Msk[n]	0	Identifier Mask The corresponding bit in the identifier of the message object is not used for acceptance filtering (don't care).
		1	The corresponding bit in the identifier of the message object is used for acceptance filtering.

**26.17.29 IF3 Arbitration Register (DCAN IF3ARB)**
**Figure 26-70. IF3 Arbitration Register (DCAN IF3ARB) [offset = 148h]**


LEGEND: R = Read; -n = value after reset

**Table 26-30. IF3 Arbitration Register (DCAN IF3ARB) Field Descriptions**

Bit	Field	Value	Description
31	MsgVal	0 1	Message Valid  The message object is ignored by the Message Handler. The message object is to be used by the Message Handler.  <b>Note:</b> The CPU should reset the MsgVal bit of all unused Messages Objects during the initialization before it resets bit Init in the CAN Control Register. MsgVal must also be reset if the messages object is no longer used in operation. For reconfiguration of message objects during normal operation, see <a href="#">Section 26.7.6</a> and <a href="#">Section 26.7.7</a> .
30	Xtd	0 1	Extended Identifier  The 11-bit ("standard") identifier is used for this message object. The 29-bit ("extended") identifier is used for this message object.
29	Dir	0 1	Message direction  0 Direction = Receive: On TxRqst, a remote frame with the identifier of this message object is transmitted. On receiving a data frame with a matching identifier, the message is stored in this message object.  1 Direction = Transmit: On TxRqst, the respective message object is transmitted as a data frame. On receiving a remote frame with a matching identifier, the TxRqst bit of this message object is set (if RmtEn = 1).
28-0	ID	ID[28:0] ID[28:18]	Message Identifier  29-bit Identifier ("Extended Frame") 11-bit Identifier ("Standard Frame")

### 26.17.30 IF3 Message Control Register (DCAN IF3MCTL)

**Figure 26-71. IF3 Message Control Register (DCAN IF3MCTL) [offset = 14Ch]**

31								16							
Reserved															
R-0															
15		14		13		12		11		10		9		8	
NewDat		MsgLst		IntPnd		UMask		TxIE		RxIE		RmtEn		TxRqst	
R-0		R-0		R-0		R-0		R-0		R-0		R-0		R-0	
7		6		4				3		0					
EoB		Reserved						DLC							
R-0		R-0						R-0							

LEGEND: R = Read; -n = value after reset

**Table 26-31. IF3 Message Control Register (DCAN IF3MCTL) Field Descriptions**

Bit	Field	Value	Description
31-16	Reserved	0	These bits are always read as 0. Writes have no effect.
15	NewDat	0	New Data No new data has been written into the data portion of this message object by the Message Handler since the last time this flag was cleared by the CPU.
		1	The Message Handler or the CPU has written new data into the data portion of this message object.
14	MsgLst	0	Message Lost (only valid for message objects with direction = receive) No message lost since the last time when this bit was reset by the CPU.
		1	The Message Handler stored a new message into this object when NewDat was still set, so the previous message has been overwritten.
13	IntPnd	0	Interrupt Pending This message object is not the source of an interrupt.
		1	This message object is the source of an interrupt. The interrupt identifier in the interrupt register will point to this message object if there is no other interrupt source with higher priority.
12	UMask	0	Use Acceptance Mask Mask ignored
		1	Use Mask (Msk[28:0], MXtd, and MDir) for acceptance filtering. If the UMask bit is set to 1, the message object's mask bits have to be programmed during initialization of the message object before MsgVal is set to 1.
11	TxIE	0	Transmit Interrupt Enable IntPnd will not be triggered after the successful transmission of a frame.
		1	IntPnd will be triggered after the successful transmission of a frame.
10	RxIE	0	Receive Interrupt Enable IntPnd will not be triggered after the successful transmission of a frame.
		1	IntPnd will be triggered after the successful transmission of a frame.
9	RmtEn	0	Remote Enable At the reception of a Remote Frame, TxRqst is not changed.
		1	At the reception of a Remote Frame, TxRqst is set.
8	TxRqst	0	Transmit Request This message object is not waiting for a transmission.
		1	The transmission of this message object is requested and not yet done.

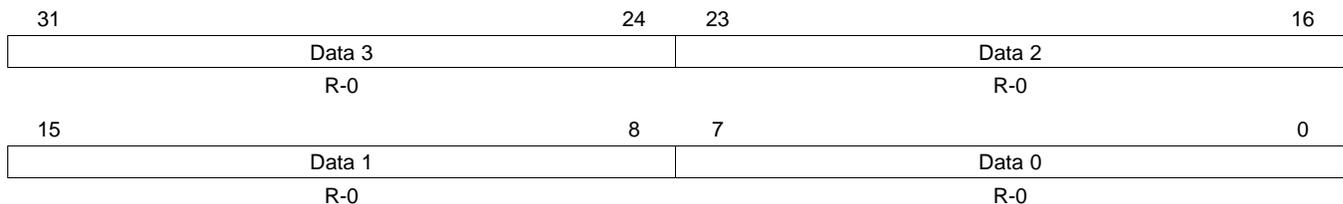
**Table 26-31. IF3 Message Control Register (DCAN IF3MCTL) Field Descriptions (continued)**

Bit	Field	Value	Description
7	EoB	0 1	End of Block  The message object is part of a FIFO Buffer block and is not the last message object of the FIFO Buffer block  The message object is a single message object or the last message object in a FIFO Buffer block  <b>Note:</b> This bit is used to concatenate multiple message objects to build a FIFO Buffer. For single message objects (not belonging to a FIFO Buffer), this bit must always be set to one.
6-4	Reserved	0	These bits are always read as 0. Writes have no effect.
3-0	DLC	0-8h 9h-Fh	Data Length Code  Data Frame has 0–8 data bits.  Data Frame has 8 data bytes.  <b>Note:</b> The Data Length Code of a message object must be defined the same as in all the corresponding objects with the same identifier at other nodes. When the message handler stores a data frame, it will write the DLC to the value given by the received message.

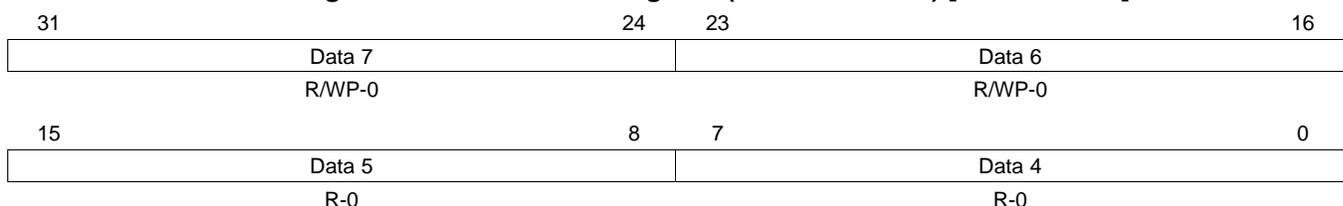
### 26.17.31 IF3 Data A and Data B Registers (DCAN IF3DATA/DATB)

The data bytes of CAN messages are stored in the IF3 registers in the following order.

In a CAN Data Frame, Data 0 is the first, and Data 7 is the last byte to be transmitted or received. In CAN's serial bit stream, the MSB of each byte will be transmitted first.

**Figure 26-72. IF3 Data A Register (DCAN IF3DATA) [offset = 150h]**


LEGEND: R = Read; -n = value after reset

**Figure 26-73. IF3 Data B Register (DCAN IF3DATB) [offset = 154h]**


LEGEND: R = Read; -n = value after reset

**26.17.32 IF3 Update Enable Registers (DCAN IF3UPD12 to DCAN IF3UPD78)**

The automatic update functionality of the IF3 register set can be configured for each message object. A message object is enabled for automatic IF3 update, if the dedicated IF3UpdEn flag is set. This means that an active NewDat flag of this message object (for example, due to reception of a CAN frame) will trigger an automatic copy of the whole message object to IF3 register set.

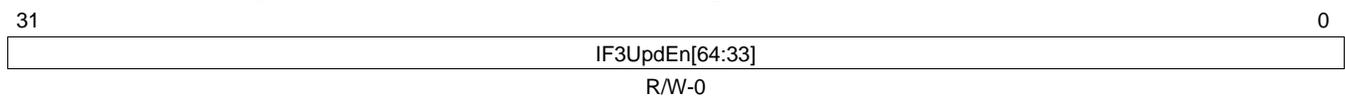
**NOTE:** IF3 Update enable should not be set for transmit objects.

**Figure 26-74. IF3 Update Enable 12 Register (DCAN IF3UPD12) [offset = 160h]**



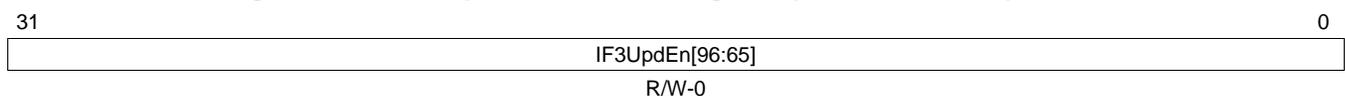
LEGEND: R/W = Read/Write; R = Read only; -n = value after reset

**Figure 26-75. IF3 Update Enable 34 Register (DCAN IF3UPD34) [offset = 164h]**



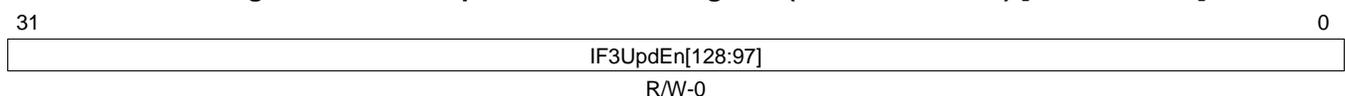
LEGEND: R/W = Read/Write; R = Read only; -n = value after reset

**Figure 26-76. IF3 Update Enable 56 Register (DCAN IF3UPD56) [offset = 168h]**



LEGEND: R/W = Read/Write; R = Read only; -n = value after reset

**Figure 26-77. IF3 Update Enable 78 Register (DCAN IF3UPD78) [offset = 16Ch]**



LEGEND: R/W = Read/Write; R = Read only; -n = value after reset

**Table 26-32. IF3 Update Control Register Field Descriptions**

Bit	Name	Value	Description
31-0	IF3UpdEn[128:1]	0	IF3 Update Enabled (for all message objects) Automatic IF3 update is disabled for this message object.
		1	Automatic IF3 update is enabled for this message object. A message object is scheduled to be copied to IF3 register set, if NewDat flag of the message object is active.

### 26.17.33 CAN TX IO Control Register (DCAN TIOC)

The CAN\_TX pin of the DCAN module can be used as general-purpose IO pin if CAN function is not needed.

**NOTE:** The values of the IO Control registers are only writable if Init bit of CAN Control Register is set.

The OD, Func, Dir, and Out bits of the CAN TX IO Control register are forced to certain values when Init bit of CAN Control Register is reset (see bit descriptions).

**Figure 26-78. CAN TX IO Control Register (DCAN TIOC) [offset = 1E0h]**

31	19	18	17	16
Reserved		PU	PD	OD
R-0		R/W-D	R/W-D	R/WP-0
15	4	3	2	1
Reserved		Func	Dir	Out
R-0		R/WP-0	R/WP-0	R/WP-0
				0
				In
				R-U

LEGEND: R/W = Read/Write; R = Read; WP = Protected Write (protected by Init bit); D = Device-dependent; -n = value after reset

**Table 26-33. CAN TX IO Control Register (DCAN TIOC) Field Descriptions**

Bit	Field	Value	Description
31-19	Reserved	0	These bits are always read as 0. Writes have no effect.
18	PU	0	CAN_TX Pullup/Pulldown select. This bit is only active when CAN_TX is configured to be an input. CAN_TX Pulldown is selected, when pull logic is active (PD = 0).
		1	CAN_TX Pullup is selected, when pull logic is active (PD = 0).
17	PD	0	CAN_TX pull disable. This bit is only active when CAN_TX is configured to be an input. CAN_TX pull is active.
		1	CAN_TX pull is disabled.
16	OD	0	CAN_TX open drain enable. This bit is only active when CAN_TX is configured to be in GIO mode (TIOC.Func = 0). The CAN_TX pin is configured in push/pull mode.
		1	The CAN_TX pin is configured in open drain mode. Forced to 0, if Init bit of CAN control register is reset.
15-4	Reserved	0	These bits are always read as 0. Writes have no effect.
3	Func	0	CAN_TX function. This bit changes the function of the CAN_TX pin. CAN_TX pin is in GIO mode.
		1	CAN_TX pin is in functional mode (as an output to transmit CAN data). Forced to 1, if Init bit of CAN control register is reset.
2	Dir	0	CAN_TX data direction. This bit controls the direction of the CAN_TX pin when it is configured to be in GIO mode only (TIOC.Func = 0). The CAN_TX pin is an input.
		1	The CAN_TX pin is an output. Forced to 1, if Init bit of CAN control register is reset.
1	Out	0	CAN_TX data out write. This bit is only active when CAN_TX pin is configured to be in GIO mode (TIOC.Func = 0) and configured to be an output pin (TIOC.Dir = 1). The value of this bit indicates the value to be output to the CAN_TX pin. The CAN_TX pin is driven to logic low (0).
		1	The CAN_TX pin is at logic high (1). Forced to Tx output of the CAN Core, if Init bit of CAN Control register is reset.

**Table 26-33. CAN TX IO Control Register (DCAN TIOC) Field Descriptions (continued)**

Bit	Field	Value	Description
0	In	0	CAN_TX data in. The CAN_TX pin is at logic low (0).
		1	The CAN_TX pin is at logic high (1). <b>Note:</b> When CAN_TX pin is connected to a CAN transceiver, an external pullup resistor has to be used to ensure that the CAN bus will not be disturbed (for example, while the DCAN module is reset).

**26.17.34 CAN RX IO Control Register (DCAN RIOC)**

The CAN\_RX pin of the DCAN module can be used as general-purpose IO pin if CAN function is not needed.

**NOTE:** The values of the IO Control registers are writable only if Init bit of CAN Control Register is set.

The OD, Func, and Dir bits of the CAN RX IO Control register are forced to certain values when Init bit of CAN Control Register is reset, see bit description.

**Figure 26-79. CAN RX IO Control Register (DCAN RIOC) [offset = 1E4h]**

31	Reserved	19	18	17	16
	R-0		PU	PD	OD
			R/W-D	R/W-D	R/WP-0
15	Reserved	4	3	2	1
	R-0		Func	Dir	Out
			R/WP-0	R/WP-0	R/WP-0
					In
					R-U

LEGEND: R/W = Read/Write; R = Read; WP = Protected Write (protected by Init bit); D = Device-dependent; -n = value after reset

**Table 26-34. CAN RX IO Control Register (DCAN RIOC) Field Descriptions**

Bit	Field	Value	Description
31-19	Reserved	0	These bits are always read as 0. Writes have no effect.
18	PU	0	CAN_RX Pullup/Pulldown select. This bit is only active when CAN_RX is configured to be an input. CAN_RX Pulldown is selected, when pull logic is active (PD = 0).
		1	CAN_RX Pullup is selected, when pull logic is active (PD = 0).
17	PD	0	CAN_RX pull disable. This bit is only active when CAN_RX is configured to be an input. CAN_RX pull is active.
		1	CAN_RX pull is disabled.
16	OD	0	CAN_RX open drain enable. This bit is only active when CAN_RX is configured to be in GIO mode (RIOC.Func = 0). The CAN_RX pin is configured in push/pull mode.
		1	The CAN_RX pin is configured in open drain mode. Forced to 0, if Init bit of CAN control register is reset.
15-4	Reserved	0	These bits are always read as 0. Writes have no effect.
3	Func	0	CAN_RX function. This bit changes the function of the CAN_RX pin. CAN_RX pin is in GIO mode.
		1	CAN_RX pin is in functional mode (as an output to transmit CAN data). Forced to 1, if Init bit of CAN control register is reset.

**Table 26-34. CAN RX IO Control Register (DCAN RIOC) Field Descriptions (continued)**

Bit	Field	Value	Description
2	Dir	0 1	<p>CAN_RX data direction. This bit controls the direction of the CAN_RX pin when it is configured to be in GIO mode only (RIOC.Func = 0).</p> <p>The CAN_RX pin is an input. The CAN_RX pin is an output.</p> <p>Forced to 0, if Init bit of CAN control register is reset.</p>
1	Out	0 1	<p>CAN_RX data out write. This bit is only active when CAN_RX pin is configured to be in GIO mode (RIOC.Func = 0) and configured to be an output pin (RIOC.Dir = 1). The value of this bit indicates the value to be output to the CAN_RX pin.</p> <p>The CAN_RX pin is driven to logic low (0). The CAN_RX pin is at logic high (1).</p>
0	In	0 1	<p>CAN_RX data in.</p> <p>The CAN_RX pin is at logic low (0). The CAN_RX pin is at logic high (1).</p> <p><b>Note:</b> When CAN_RX pin is connected to a CAN transceiver, an external pullup resistor has to be used to ensure that the CAN bus will not be disturbed (for example, while the DCAN module is reset).</p>

# **Multi-Buffered Serial Peripheral Interface Module (MibSPI) with Parallel Pin Option (MibSPIP)**

---



---

This chapter provides the specifications for a 16-bit configurable synchronous multi-buffered multi-pin serial peripheral interface (MibSPI). This chapter also provides the specifications for MibSPI with Parallel Pin Option (MibSPIP). The MibSPI is a programmable-length shift register used for high-speed communication between external peripherals or other microcontrollers.

Throughout this chapter, all references to SPI also apply to MibSPI/MibSPIP, unless otherwise noted.

---

**NOTE:** This chapter describes a superset implementation of the MibSPI/SPI modules that includes features and functionality that may not be available on some devices. Device-specific content that should be determined by referencing the datasheet includes DMA functionality, MibSPI RAM size, number of transfer groups, number of chip selects, parallel mode support, and availability of 5-pin operation (SPInENA).

---

Topic	Page
<b>27.1 Overview</b> .....	<b>1224</b>
<b>27.2 Basic Operation</b> .....	<b>1226</b>
<b>27.3 Control Registers</b> .....	<b>1261</b>
<b>27.4 Multi-buffer RAM</b> .....	<b>1327</b>
<b>27.5 ParityECC Memory</b> .....	<b>1333</b>
<b>27.6 MibSPI Pin Timing Parameters</b> .....	<b>1338</b>

## 27.1 Overview

### 27.1.1 Features

The MibSPI/SPI is a high-speed synchronous serial input/output port that allows a serial bit stream of programmed length (two to 16 bits) to be shifted into and out of the device at a programmed bit-transfer rate. The MibSPI/SPI is normally used for communication between the microcontroller and external peripherals or another microcontroller. Typical applications include interface to external I/O or peripheral expansion via devices such as shift registers, display drivers, and analog-to-digital converters. MibSPI is an Extension of SPI. MibSPI works in 2 Modes.

- Compatibility Mode
- Multi-buffer Mode

The Compatibility mode of MibSPI makes it behave exactly like that of SPI and ensures full compatibility with the same. Everything described about compatibility mode of MibSPI, in this document, is directly applicable to SPI.

The Multi-buffer mode of operation is specific to MibSPI alone. This feature is not available in SPI.

The MibSPI supports memory fault detection/correction via internal Parity/ECC circuit. MibSPI is configurable to include or not include Memory Parity/ECC logic during circuit synthesis.

The SPI / MibSPI can be configured in three pin, four pin or five pin mode of operation. The SPI / MibSPI allows multiple programmable chip-selects.

The MibSPI has a programmable Multi-buffer array that enables programmed transmission to be completed without CPU intervention. The buffers are combined in different transfer groups that could be triggered by external events (Timers, I/O, and so on) or by the internal tick counter. The internal tick counter can support periodic trigger events. Each buffer of the MibSPI can be associated with different DMA channels in different transfer group, allowing the user to move data from/to internal memory to/from external slave with a minimal CPU interaction.

The pins SPICLK, SPISIMO and SPISOMI are used in all MibSPI pin modes. The pins SPIENA and SPISCS[7:0] are optional and may be used if the pin are present on a given device.

The SPI has the following attributes:

- 16-bit shift register
- Receive buffer register
- 8-bit baud clock generator
- Serial Clock (SPICLK) I/O pin
- Up to 8 Slave out, Master in (SPISOMI) I/O pins for faster data transfers
- SPI enable ( $\overline{\text{SPIENA}}$ ) pin (4 or 5-pin mode only)
- Up to 8 slave chip select (Slave Chip Select  $\overline{\text{SPISCS}}[7:0]$ ) pin (4 or 5-pin mode only).
- pins (GIOs)

The SPI / MibSPI allows software to program the following options:

- SPISOMI/SPISIMO pin direction configuration
- SPICLK pin source (external/internal)
- MibSPI pins as functional or digital I/O pins. For each Buffer, following features can be selected from 4 different combinations of Formats using the control fields in the buffer.
  - SPICLK frequency
  - Character length
  - Phase, Polarity
  - Enable/Disable parity for transmit and receive
  - Enable/Disable timers for ChipSelect Hold and Setup timers
  - Direction of shifting, MSBit first or LSBit first
  - Configurable Parallel modes to use multiple SIMO/SOMI pin

- Configurable number of ChipSelects
- In Multi-buffer Mode, in addition to the above, many other features are configurable
- Number of buffers for each peripheral(or data source/destination, up to 256 buffers supported) or group(up to 8 groupings)
  - Number of DMA controlled buffers & number of DMA request channels(up to 8 for each of transmit & receive)
  - Triggers for each groups, trigger types, trigger sources for individual groups(up to 14 external trigger sources & 1 internal trigger source)
  - Number of DMA transfers for each buffer(up to 65536 for up to 8 buffers)
  - Un-interrupted DMA buffer transfer(NOBREAK buffer).

---

**NOTE:** SIMO - Slave In Master Out Pin  
SOMI - Slave Out Master In Pin  
CS - SPI Chip Select Pin  
ENA - SPI Enable Pin.

---

### 27.1.2 Pin Configurations

The SPI supports data connections as shown in [Table 27-1](#).

**Table 27-1. Pin Configurations**

Pin	Master Mode		Slave Mode	
SPICLK	Drives the clock to external devices		Receives the clock from the external master	
SPISOMI	Receives data from the external slave		Sends data to the external master	
SPISIMO	Transmits data to the external slave		Receives data from the external master	
SPIENA	<b>SPIENA disabled:</b> GIO	<b>SPIENA enabled:</b> Receives ENA signal from the external slave	<b>SPIENA disabled:</b> GIO	<b>SPIENA enabled:</b> Receives ENA signal from the external master
SPICS[7:0]	<b>SPICS disabled:</b> GIO	<b>SPICS enabled:</b> Selects one or more slave devices	<b>SPICS disabled:</b> GIO	<b>SPICS enabled:</b> Receives the CS signal from the external master

**NOTE:**

1. When the SPICS[3:0] signals are disabled, the chip-select field in the transmit data is not used.
  2. When the SPIENA signal is disabled, the SPIENA pin is ignored in master mode, and not driven as part of the SPI transaction in slave mode.
-

### 27.1.3 MibSPI /SPI Configurations

**Table 27-2. MibSPI/SPI Configurations**

MibSPIx/SPIx	I/Os
MibSPI1	MIBSPI1SIMO[1:0], MIBSPI1SOMI[1:0], MIBSPI1CLK, MIBSPI1nCS[5:0], MIBSPI1nENA
MibSPI2	MIBSPI2SIMO[1:0], MIBSPI2SOMI[1:0], MIBSPI2CLK, MIBSPI2nCS[5:0], MIBSPI2nENA
MibSPI3	MIBSPI3SIMO[1:0], MIBSPI3SOMI[1:0], MIBSPI3CLK, MIBSPI3nCS[5:0], MIBSPI3nENA
MibSPI4	MIBSPI4SIMO[1:0], MIBSPI4SOMI[1:0], MIBSPI4CLK, MIBSPI4nCS[5:0], MIBSPI4nENA
MibSPI5	MIBSPI5SIMO[1:0], MIBSPI5SOMI[1:0], MIBSPI5CLK, MIBSPI5nCS[5:0], MIBSPI5nENA
SPI1	SPI1SIMO, ZSPI1SOMI, SPI1CLK, SPI2nCS[1:0], SPI1nENA
SPI2	SPI2SIMO, ZSPI2SOMI, SPI2CLK, SPI2nCS[1:0], SPI2nENA
SPI3	SPI3SIMO, ZSPI3SOMI, SPI3CLK, SPI3nCS[1:0], SPI3nENA

## 27.2 Basic Operation

This section details the basic operation principle of the SPI mode and the MibSPI mode operation of the device.

### 27.2.1 SPI Mode

The SPI can be configured via software to operate as either a master or a slave. The MASTER bit (SPIGCR1[0]) selects the configuration of the SPISIMO and SPISOMI pins. CLKMOD bit (SPIGCR1[1]) determines whether an internal or external clock source will be used.

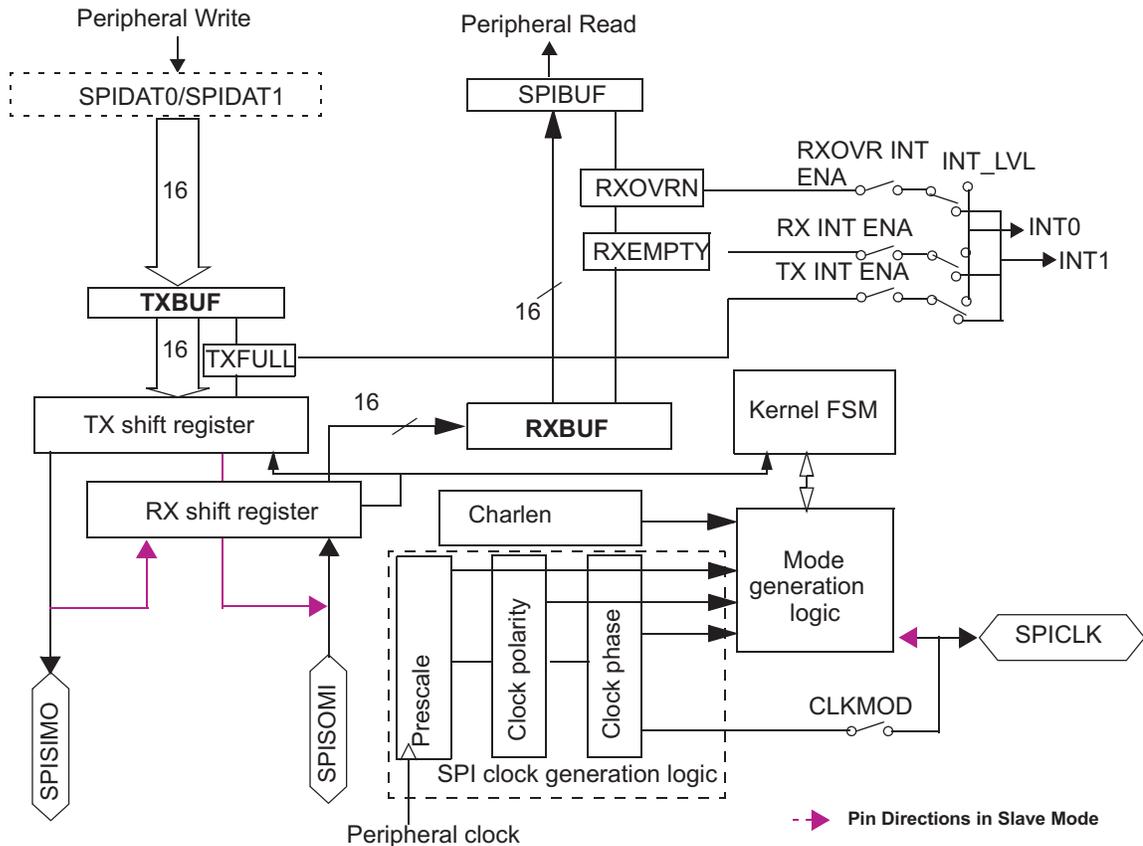
The slave chip select ( $\overline{\text{SPISCS}}[7:0]$ ) pins, are used when communicating with multiple slave devices. When the a write occurs to SPIDAT1 in master mode, the  $\overline{\text{SPISCS}}$  pins are automatically driven to select the specified slave.

Handshaking mechanism, provided by the  $\overline{\text{SPIENA}}$  pin, enables a slave SPI to delay the generation of the clock signal supplied by the master if it is not prepared for the next exchange of data.

#### 27.2.1.1 SPI Mode Operation Block Diagram

Figure 27-1 shows the SPI transaction hardware. TXBUF and RXBUF are internal buffers that are intended to improve the overall throughput of data transfer. TXBUF is a transmit buffer, while RXBUF is a receive buffer.

Figure 27-1. SPI Functional Logic Diagram



- 1 This is a representative diagram, which shows three-pin mode hardware.
- 2 TXBUF, RXBUF, and SHIFT\_REGISTER are user-invisible registers.
- 3 SPIDAT0 and SPIDAT1 are user-visible, and are physically mapped to the contents of TXBUF.
- 4 SPISIMO, SPISOMI, SPICLK pin directions depend on the Master or Slave Mode.

## 27.2.1.2 Data Flow and Handling for TX and RX

### 27.2.1.2.1 Data Sequencing when SPIDAT0 or SPIDAT1 is Written

- If both the TX shift register and TXBUF are empty, then the data is directly copied to the TX shift register. For devices with DMA, if DMA is enabled, a transmit DMA request (TX\_DMA\_REQ) is generated to cause the next word to be fetched. If transmit interrupts are enabled, a transmitter-empty interrupt is generated.
- If the TX shift register is already full or is in the process of shifting and if TXBUF is empty then the data written to SPIDAT0 / SPIDAT1 is copied to TXBUF and TXFULL flag is set to 1 at the same time.
- When a shift operation is complete, data from the TXBUF (if it is full) is copied into TX shift register and the TXFULL flag is cleared to 0 to indicate that next data can be fetched. A transmit DMA request (if enabled) or a transmitter-empty interrupt (if enabled) is generated at the same time.

**27.2.1.2.2 Data Sequencing when All Bits Shifted into RXSHIFT Register**

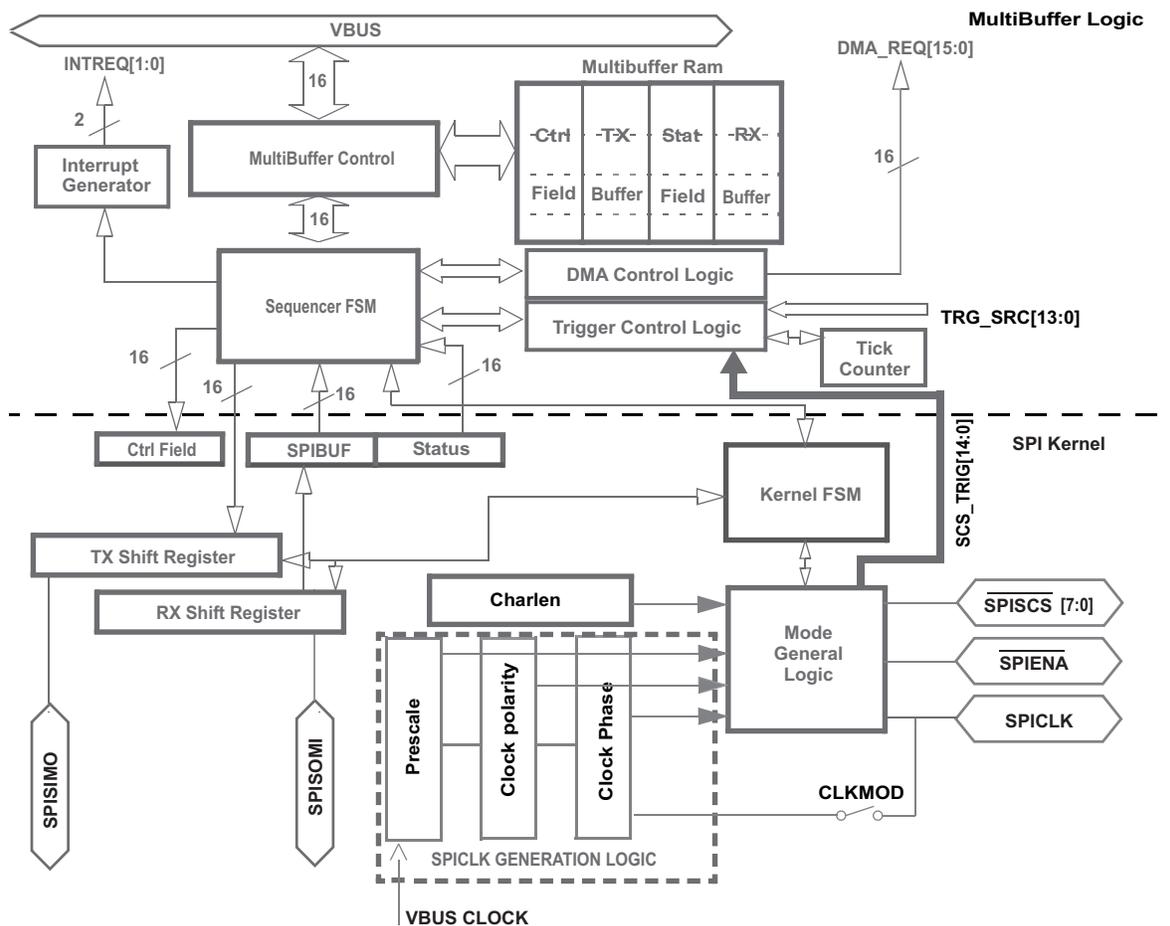
- If both SPIBUF and RXBUF are empty, the received data in RX shift register is directly copied into SPIBUF and the receive DMA request (if enabled) is generated and the receive-interrupt (if enabled) is generated. The RXEMPTY flag in SPIBUF is cleared at the same time.
- If SPIBUF is already full at the end of receive completion, the RX shift register contents is copied to RXBUF. A receive DMA request is generated, if enabled. The receive complete interrupt line remains high.
- If SPIBUF is read by the CPU or DMA and if RXBUF is full, then the contents of RXBUF are copied to SPIBUF as soon as SPIBUF is read. RXEMPTY flag remains cleared, indicating that SPIBUF is still full.
- If both SPIBUF and RXBUF are full, then RXBUF will be overwritten and the RXOVR interrupt flag is set and an interrupt is generated, if enabled.

**NOTE:** Prefetching is done only in Master mode. In Slave mode, since the TG to be serviced is known only after a valid ChipSelect assertion, no prefetching is done.

**27.2.2 MibSPI Mode**

Figure 27-2 shows multi-buffered mode operation. In Multi-buffer mode the transmit data has to be written to the TXRAM locations and the receive data has to be read from RXRAM locations of the multi-buffer RAM. A MibSPI supports up to 256 locations each for Transmit and Receive Data.

**Figure 27-2. MibSPI Functional Logic Diagram**



## 27.2.2.1 Data Handling for TX and RX Transfer Groups

### 27.2.2.1.1 Data Sequencing of a Transmit Data

In multi-buffer mode, any buffer that needs to be transmitted over by the SPI, should be associated with a Transfer Group. Each TG (Transfer Group) will have a Trigger Source based on which it'll be triggered. Once a TG is triggered, the buffers belonging to it will be transmitted.

Sequencer(FSM) controls the data flow from the multi-buffer RAM to the Shift Register. The Multi-buffer Control Logic has arbitration logic between VBUS and the Sequencer accessing the multi-buffer RAM. Sequencer picks up a highest priority Transfer Group from among the active TGs to be serviced. For the selected TG the starting buffer to be transferred is obtained from the PSTART of the respective TGxCTRL register.

Sequencer requests for the selected buffer through the Multi-buffer Control Logic, and once it receives the data, it reads the control fields to determine the subsequent action. Once the buffer is determined to be ready for transfer, the data is written to the TX SHIFT REGISTER by the Sequencer. This triggers the Kernel FSM to initiate the SPI transfer.

Once the Sequencer is finished writing to the TX SHIFT REGISTER, it prefetches the next buffer to be transferred from the multi-buffer RAM and stores the Data.

Once the Sequencer is finished writing to the TX SHIFT REGISTER, it prefetches the next buffer to be transferred from the multi-buffer RAM and stores the Data.

Sequencer writes the prefetched Transmit Data to the Shift Register immediately upon request by the Kernel. This way, the throughput of the SPI transfer is increased in Master mode of operation. In case of Slave mode, after the Receive data is copied to the RX RAM, Sequencer waits for the next active Chip Select trigger to fetch the next data.

### 27.2.2.1.2 Data Sequencing of the Received Data

At the end of a SPI transfer, the received Data is copied to SPIBUF register and then forwarded to the Sequencer. The Sequencer then, requests the Multi-buffer Control Logic to write the received data to the respective RXRAM location. Along with Received Data, the Status fields like Transmission Error Flags and the Last Chip Select Number (LCSNR) are forwarded to be updated in the Status Field of the RXRAM.

Sequencer clears the RXEMPTY bit while writing a new Received Data in the RXRAM. If the RXEMPTY bit is already 0, then the Sequencer sets the RCVR\_OVRN bit to 1 to indicate that this particular location has been overwritten in the RXRAM.

## 27.2.3 DMA Requests

In order to reduce CPU overhead in handling SPI message traffic on a character-by-character basis, SPI can use the DMA controller to transfer the data

### 27.2.3.1 SPI/MibSPI Compatibility Mode DMA Requests

. The DMA request enable bit (DMA REQ EN) controls the assertion of requests to the DMA controller module. When a character is being transmitted or received, the SPI will signal the DMA via the DMA request signals, TX\_DMA\_REQ and RX\_DMA\_REQ. The DMA controller will then perform the required data transfer.

For efficient behavior during DMA operations, the transmitter empty and receive-buffer full interrupts can be disabled. For specific DMA features, see the DMA controller specification.

The SPI generates a request on the TX\_DMA\_REQ line each time the TX data is copied to the TX shift register either from the TXBUF or from peripheral data bus (when TXBUF is empty).

The first TX\_DMA\_REQ pulse is generated when either of the following is true:

- DMA REQ EN (SPIINT0[16]) is set to 1 while SPIEN (SPIGCR1[24]) is already 1.
- SPIEN (SPIGCR1[24]) is set to 1 while DMA REQ EN (SPIINT0[16]) is already 1.

The SPI generates a request on the RX\_DMA\_REQ line each time the received data is copied to the SPIBUF.

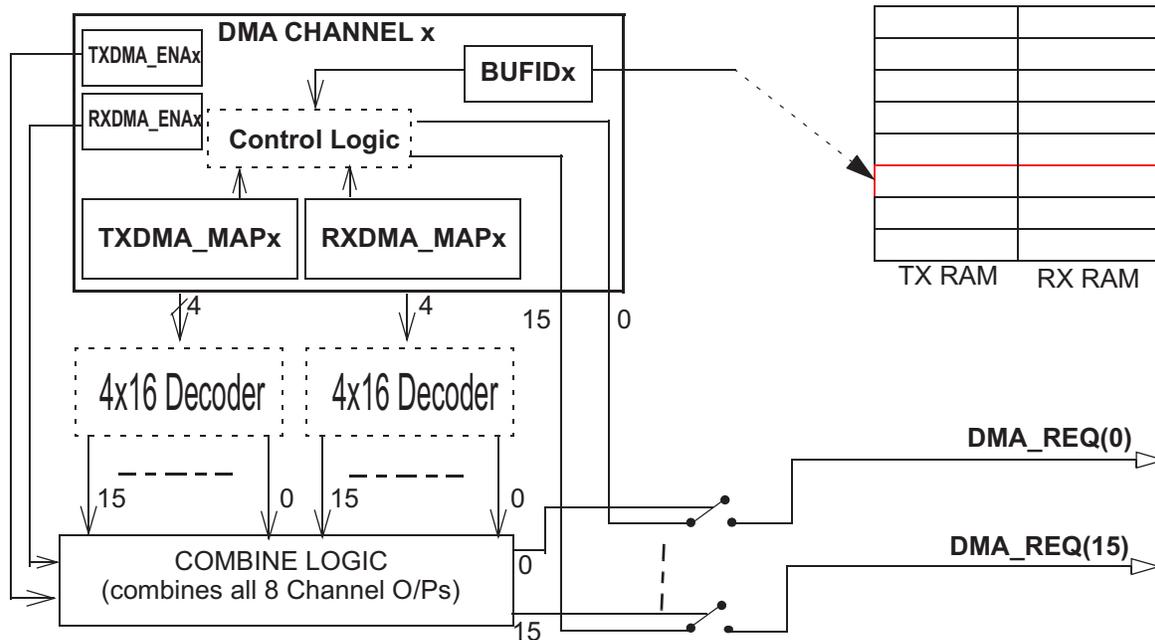
### 27.2.3.2 DMA in Multi-Buffer Mode

The MibSPI provides sophisticated programmable DMA control logic that completely eliminates the necessity of CPU intervention for data transfers, once programmed. When the multi-buffer mode is used, the DMA enable bit in the SPIINT0 register is ignored. DMA source or destination should be only the multi-buffer RAM and not SPIDAT0 / SPIDAT1 or SPIBUF register as in case of compatibility mode DMA.

The MibSPI offers up to eight DMA channels (for SEND and RECEIVE). All of the DMA channels are programmable individually and can be hooked to any buffer. The MibSPI provides up to 16 DMA request lines, and DMA requests from any channel can be programmed to be routed through any of these 16 lines. A DMA transfer can trigger both transmit and receive.

Each DMA channel has the capability to transfer a block of up to 32 data words without interruption using only one buffer of the array by configuring the DMAxCTRL register. Using the DMAxCOUNT and DMACTNTLEN register, up to 65535 (64K) words of data can be transferred without any interruption using just one buffer of the array. This enables the transfer of memory blocks from or into an external SPI memory.

Figure 27-3. DMA Channel and Request Line (Logical) Structure in Multi-buffer Mode



## 27.2.4 Interrupts

There are two levels of vectorized interrupts supported by the SPI. These interrupts can be caused under the following circumstances:

- Transmission error
- Receive overrun
- Receive complete (receive buffer full)
- Transmit buffer empty

These interrupts may be enabled or disabled via the SPIINT0 register.

During transmission, if one of the following errors occurs: BITERR, DESYNC, DLENERR, PARITYERR, or TIMEOUT, the corresponding bit in the SPIFLG register is set. If the corresponding enable bit is set, then an interrupt is generated. The level of all the above interrupts is set by the bit fields in the SPILVL register.

The error interrupts are enabled and prioritized independently from each other, but the interrupt generated will be the same if multiple errors are enabled on the same level. The SPIFLG register should be used to determine the actual cause of an error.

---

**NOTE:** Since there are two interrupt lines, one each for Level 0 and Level 1, it is possible for a programmer to separate out the interrupts for receive buffer full and transmit buffer empty. By programming one to Level 0 and the other to Level 1, it is possible to avoid a check on whether an interrupt occurred for transmit or for receive. A programmer can also choose to group all of the error interrupts into one interrupt line and both TX-empty and RX-full interrupts into another interrupt line using the LVL control register. In this way, it is possible to separate error-checking from normal data handling.

---

### 27.2.4.1 Interrupts in Multi-Buffer Mode

In multi-buffer mode, the SPI can generate interrupts on two levels.

In normal multi-buffer operation, the receive and transmit are not used and therefore the enable bits of SPIINT0 are not used.

The interrupts available in multi-buffer mode are:

- Transmission error interrupt
- Receive overrun interrupt
- TG suspended interrupt
- TG completed interrupt

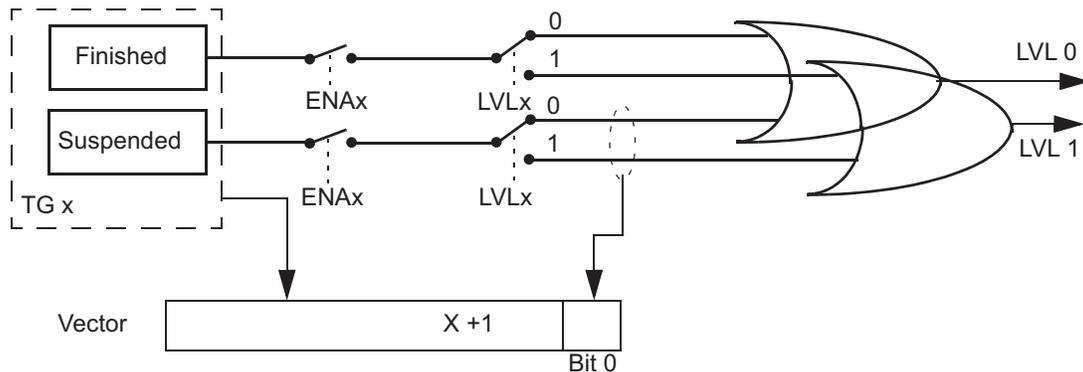
When a TG has finished and the corresponding enable bit in the TGINTENA register is set, a transfer-finished interrupt is generated. The level of priority of the interrupt is determined by the corresponding bit in the TGINTLVL register.

When a TG is suspended by a buffer that has been set as suspend to wait until TXFULL flag or/and RXEMPTY flag are set, and if the corresponding bit in the TGINTENA register is set, an transfer-suspended interrupt is generated. The level of priority of the interrupt is determined by the corresponding bit in the TGINTLVL register.

[Figure 27-4](#) illustrates the TG interrupts.

During transmission, if one of the following errors occurs, BITERR, DESYNC, PARITYERR, TIMEOUT, DLENERR, the corresponding flag in the SPIFLG register is set. If the enable bit is set, then an interrupt is generated. The level of the interrupts could be generated according to the bit field in SPILVL register.

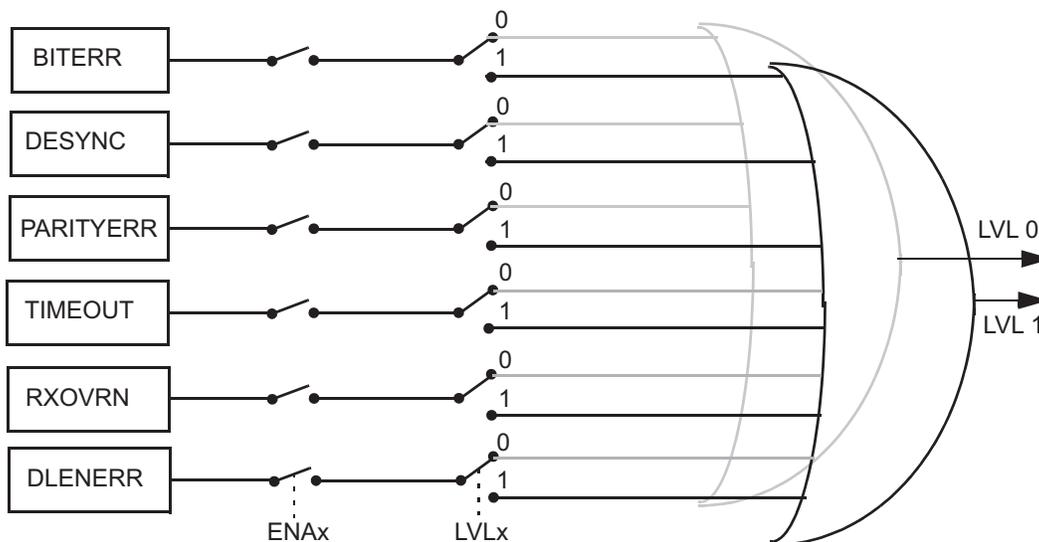
Figure 27-4. TG Interrupt Structure



The RXOVRN interrupt is generated when a buffer in the RXRAM is overwritten by a new received word. While writing newly received data to a RXRAM location, if the RXEMPTY bit of the corresponding location is 0, then the RXOVR bit will be set to 1 during the write operation, so that the buffer starts to indicate an overrun. This RXOVR flag is also reflected in SPIFLG register as RXOVRNINTFLG and the corresponding vector number is updated in TGINTVECT0/TGINTVECT1 register. If an overrun interrupt is enabled, then an interrupt will be generated indicating an overrun condition.

The error interrupts are enabled and prioritized independently from each other, but the vector generated by the SPI will be the same if multiple errors are enabled on the same level.

Figure 27-5. SPIFLG Interrupt Structure



Since the priority of an error interrupt is lower than a completion/suspend interrupt for a TG, the interrupts can be split into two levels. By programming all the error interrupts into Level 0 and TG-complete / TG-suspend interrupts into Level 1, it is possible to get a clear indication of the source of error interrupts. However, when a vector register shows an error interrupt, the actual buffer for which the error has occurred is not readily identifiable. Since each buffer in the multi-buffer RAM is stored along with its individual status flags, each buffer should be read until a buffer with any error flag set is found.

A separate interrupt line is provided to indicate the uncorrectable error condition in the MibSPI. This line is available (and valid) only in the multi-buffer mode of the MibSPI module and if the parity error detection feature for multi-buffer RAM is enabled.

## 27.2.5 Physical Interface

The SPI can be configured via software to operate as either a master or a slave. The MASTER bit (SPIGCR1[0]) selects the configuration of the SPISIMO and SPISOMI pins. CLKMOD bit (SPIGCR1[1]) determines whether an internal or external clock source will be used.

The slave chip select ( $\overline{\text{SPISCS}}[7:0]$ ) pins, are used when communicating with multiple slave devices. When the a write occurs to SPIDAT1 in master mode, the  $\overline{\text{SPISCS}}$  pins are automatically driven to select the specified slave.

Handshaking mechanism, provided by the  $\overline{\text{SPIENA}}$  pin, enables a slave SPI to delay the generation of the clock signal supplied by the master if it is not prepared for the next exchange of data.

### 27.2.5.1 Three-Pin Mode

In master mode configuration (MASTER = 1 and CLKMOD = 1), the SPI provides the serial clock on the SPICLK pin. Data is transmitted on the SPISIMO pin and received on the SPISOMI pin (see Figure 27-6).

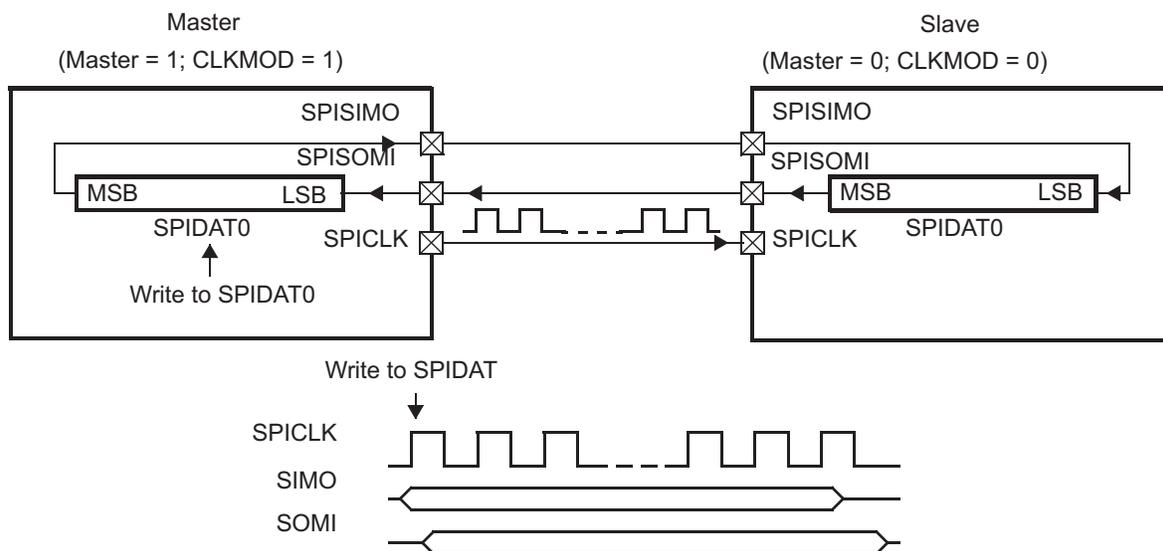
Data written to the shift register (SPIDAT0 / SPIDAT1) initiates data transmission on the SPISIMO pin, MSB first. Simultaneously, received data is shifted through the SPISOMI pin into the LSB of the SPIDAT0 register. When the selected number of bits have been transmitted, the received data in the shift register is transferred to the SPIBUF register for the CPU to read. Data is stored right-justified in SPIBUF.

See Section 27.2.1.2.2 and Section 27.2.2 for details about the data handling for transmit and receive operations.

In slave mode configuration (MASTER = 0 and CLKMOD = 0), data shifts out on the SPISOMI pin and in on the SPISIMO pin. The SPICLK pin is used as the input for the serial shift clock, which is supplied from the external network master. The transfer rate is defined by this clock.

Data written to the SPIDAT0 or SPIDAT1 register is transmitted to the network when the SPICLK signal is received from the network master. To receive data, the SPI waits for the network master to send the SPICLK signal and then shifts data on the SPISIMO pin into the RX shift register. If data is to be transmitted by the slave simultaneously, it must be written to the SPIDAT0 or SPIDAT1 register before the beginning of the SPICLK signal.

Figure 27-6. SPI Three-Pin Operation



### 27.2.5.2 Four-Pin Mode with Chip Select

The three-pin option and the four-pin options of the SPI / MibSPI are identical in the master mode (CLKMOD = 1), except that the four-pin option uses either  $\overline{\text{SPIENA}}$  or  $\overline{\text{SPISCS}}$  [7:0] pins. The I/O directions of these pins are determined by the CLKMOD control bit as SPI / MibSPI and not general purpose I/O.

#### 27.2.5.2.1 Four-Pin Option with $\overline{\text{SPISCS}}$

In master mode, each chip select signal is used to select a specific slave. In slave mode, chip select signal is used to enable/disable the transfer. Chip-select functionality is enabled by setting one of the  $\overline{\text{SPISCS}}$  [7:0] pins as chip selects. It is disabled by setting all  $\overline{\text{SPISCS}}$  [7:0] pins as GIOs in SPIPC0[3:0]

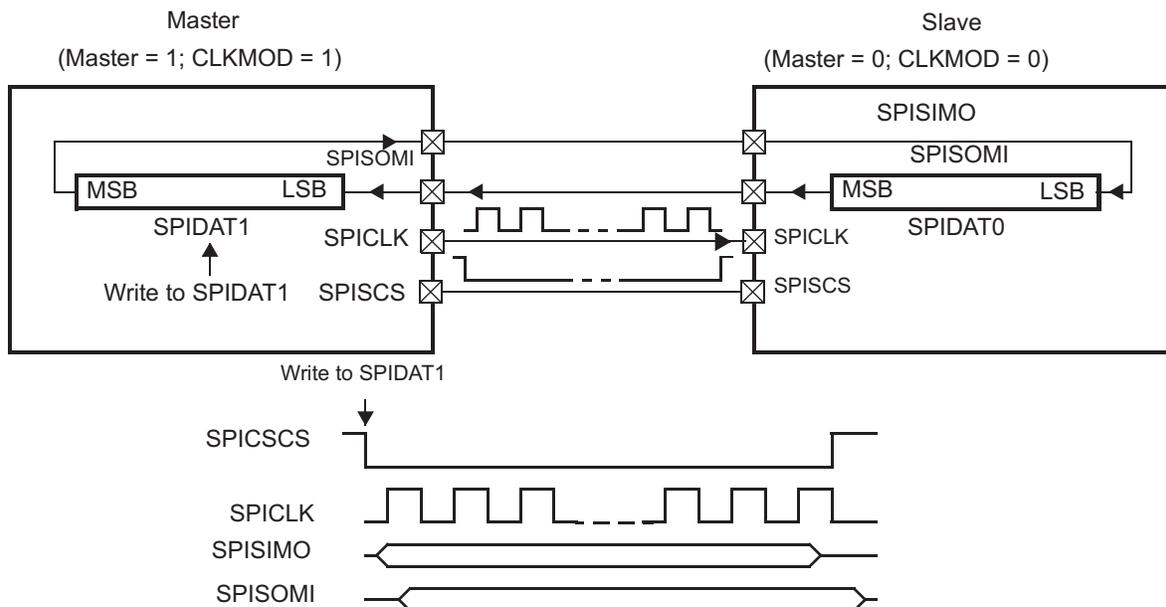
##### 27.2.5.2.1.1 Multiple Chip Selects

The  $\overline{\text{SPISCS}}$  [7:0] pins that are used must be configured as functional pins in the SPIPC0[7:0] register. The default pattern to be put on the  $\overline{\text{SPISCS}}$  [7:0] when all the slaves are deactivated is set in the SPIDEF register. This pattern allows different slaves with different chip-select polarity to be activated by the SP/MibSPI.

The master-mode SPI is capable of driving either 0 or 1 as the active value for any  $\overline{\text{SPISCS}}$ [3:0] output pin. The drive state for  $\overline{\text{SPISCS}}$ [7:0] pins is controlled by the CSNR field of SPIDAT1. The pattern that is driven will select the slave to which the transmission is dedicated.

In slave mode, the SPI can only be selected by an active value of 0 on any of its selected  $\overline{\text{SPISCS}}$  input pin.

Figure 27-7. Operation with  $\overline{\text{SPISCS}}$



### 27.2.5.2.2 Four-Pin Option with $\overline{\text{SPIENA}}$

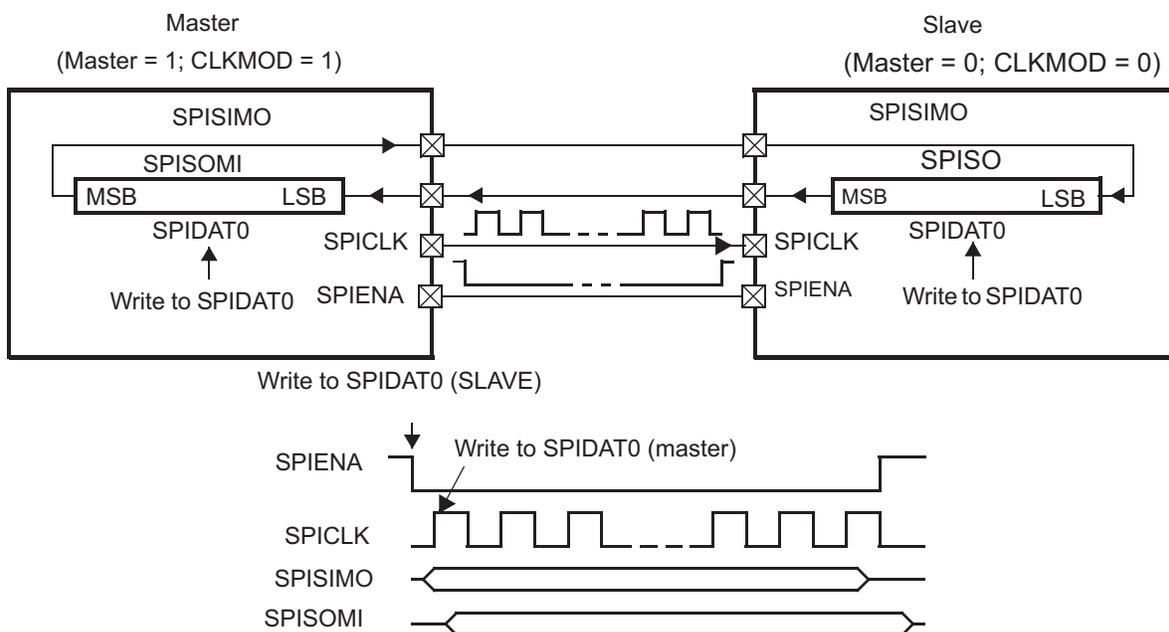
The  $\overline{\text{SPIENA}}$  operates as a WAIT signal pin. For both the slave and the master, the  $\overline{\text{SPIENA}}$  pin must be configured to be functional ( $\text{SPIPC0}[8] = 1$ ). In this mode, an active low signal from the slave on the  $\overline{\text{SPIENA}}$  pin allows the master SPI to drive the clock pulse stream. A high signal tells the master to hold the clock signal (and delay SPI activity).

If the  $\overline{\text{SPIENA}}$  pin is in high-z mode ( $\text{ENABLE\_HIGHZ} = 1$ ), the slave will put  $\overline{\text{SPIENA}}$  into the high-impedance once it completes receiving a new character. If the  $\overline{\text{SPIENA}}$  pin is in push-pull mode ( $\text{ENABLE\_HIGHZ} = 0$ ), the slave will drive  $\overline{\text{SPIENA}}$  to 1 once it completes receiving a new character. The slave will drive  $\overline{\text{SPIENA}}$  low again for the next word to transfer, after new data is written to the slave TX shift register.

In master mode ( $\text{CLKMOD} = 1$ ), if the  $\overline{\text{SPIENA}}$  pin is configured as functional, then the pin will act as an input pin. If configured as a slave SPI and as functional, the  $\overline{\text{SPIENA}}$  pin acts as an output pin.

**NOTE:** During a transfer, if a slave-mode SPI detects a deassertion of its chip select before its internal character length counter overflows, then it places  $\text{SPISOMI}$  and  $\overline{\text{SPIENA}}$  (if  $\text{ENABLE\_HIGHZ}$  bit is set to 1) in high-z mode. Once this condition has occurred, if a  $\text{SPICLK}$  edge is detected while the chip select is deasserted, then the SPI stops that transfer and sets a  $\text{DLENERR}$  error flag and generates an interrupt (if enabled).

Figure 27-8. Operation with  $\overline{\text{SPIENA}}$



### 27.2.5.3 Five-Pin Operation (Hardware Handshaking)

Five-pin operation combines the functionality of three-pin mode, plus the enable pin and one or more chip select pins. The result is full hardware handshaking. To use this mode, both the  $\overline{\text{SPIENA}}$  pin and the required number of  $\overline{\text{SPISCS}}$  [3:0] pins must be configured as functional pins.

If the  $\overline{\text{SPIENA}}$  pin is in high-z mode ( $\text{ENABLE\_HIGHZ} = 1$ ), the slave SPI will put this signal into the high-impedance state by default. The slave will drive the signal  $\overline{\text{SPIENA}}$  low when new data is written to the slave shift register and the slave has been selected by the master ( $\overline{\text{SPISCS}}$  is low).

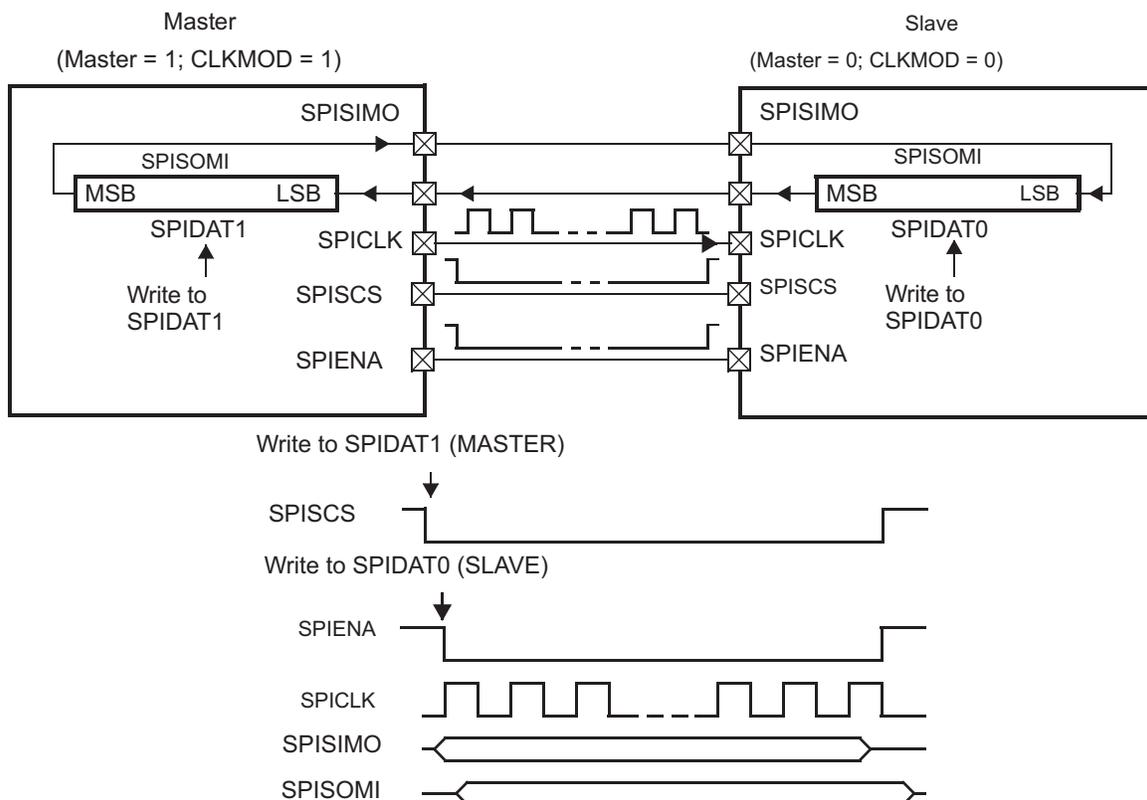
If the  $\overline{\text{SPIENA}}$  pin is in push-pull mode ( $\text{ENABLE\_HIGHZ} = 0$ ), the slave SPI drives this pin high by default when it is in functional mode. The slave SPI will drive the  $\overline{\text{SPIENA}}$  signal low when new data is written to the slave shift register ( $\text{SPIDAT0}/\text{SPIDAT1}$ ) and the slave is selected by the master ( $\overline{\text{SPISCS}}$  is low). If the slave is deselected by the master ( $\overline{\text{SPISCS}}$  goes high), the slave  $\overline{\text{SPIENA}}$  signal is driven high.

**NOTE:** Push-pull mode of the  $\overline{\text{SPIENA}}$  pin can be used only when there is a single slave in the system. When multiple SPI slave devices are connected to the common  $\overline{\text{SPIENA}}$  pin, all of the slaves should configure their  $\overline{\text{SPIENA}}$  pins in high-Z mode.

In master mode, if the  $\overline{\text{SPISCS}}$  pins are configured as functional pins, then the pins will be in output mode. A write to the master's  $\text{SPIDAT1}/\text{SPIDAT0}$  register will automatically drive the  $\overline{\text{SPISCS}}$  signals low. The master will drive the  $\overline{\text{SPISCS}}$  signals high again after completing the transfer of the bits of the data.

In slave mode ( $\text{CLKMOD} = 0$ ), the  $\overline{\text{SPISCS}}$  pins will act as SPI functional inputs.

**Figure 27-9. SPI Five-Pin Option with  $\overline{\text{SPIENA}}$  and  $\overline{\text{SPISCS}}$**



## 27.2.6 Advanced Module Configuration Options

### 27.2.6.1 Data Formats

To support multiple different types of slaves in one SPI network, four independent data word formats are implemented that allow configuration of individual data word length, polarity, phase, and bit rate. Each word transmitted can select which data format to use via the bits DFSEL[1:0] in its control field from one of the four data word formats. Same data format can be supported on multiple chip selects.

Data formats 0, 1, 2, and 3 can be configured through SPIFMTx control registers.

Each SPI data format includes the standard SPI data format with enhanced features:

- Individually-configurable shift direction can be used to select MSB first or LSB first, whereas the position of the MSB depends on the configured data word length.
- Receive data is automatically right-aligned, independent of shift direction and data word length. Transmit data has to be written right-aligned into the SPI and the internal shift register will transmit according to the selected shift direction and data word length for correct transfer.
- To increase fault detection of data transmission and reception, an odd or even parity bit can be added at the end of a data word. The parity generator can be enabled or disabled individually for each data format. If a received parity bit does not match with the locally calculated parity bit, the parity error flag (PARITYERR) is set and an interrupt is asserted (if enabled).

Since the master-mode SPI can drive two consecutive accesses to the same slave, an 8-bit delay counter is available to satisfy the delay time for data to be refreshed in the accessed slave. The delay counter can be programmed as part of the data format.

CHARLEN[4:0] specifies the number of bits (2 to 16) in the data word. The CHARLEN[4:0] value directs the state control logic to count the number of bits received or transmitted to determine when a complete word is transferred.

Data word length **must** be programmed to the same length for both the **master** and the **slave**. However, when chip selects are used, there may be multiple targets with different lengths in the system.

---

**NOTE:** Data must be right-justified when it is written to the SPI for transmission irrespective of its character length or word length.

---

Figure 27-10 shows how a 12-bit word (0xEC9) needs to be written to the transmit buffer to be transmitted correctly.

**Figure 27-10. Format for Transmitting an 8-Bit Word**

D15	D14	D13	D12	D11	D10	D9	D8	D7	D6	D5	D4	D3	D2	D1	D0
x	x	x	x	x	x	x	x	1	1	0	0	1	0	0	1

---

**NOTE:** The received data is always stored right-justified regardless of the character length or direction of shifting and is padded with leading 0s when the character length is less than 16 bits.

---

Figure 27-11 shows how a 10-bit word (0x0A2) is stored in the buffer once it is received.

**Figure 27-11. Format for Receiving an 8-Bit Word**

D15	D14	D13	D12	D11	D10	D9	D8	D7	D6	D5	D4	D3	D2	D1	D0
0	0	0	0	0	0	0	0	1	0	1	0	0	0	1	0

### 27.2.6.2 Clocking Modes

**SPICLK** may operate in four different modes, depending on the choice of phase (delay/no delay) and the polarity (rising edge/falling edge) of the clock.

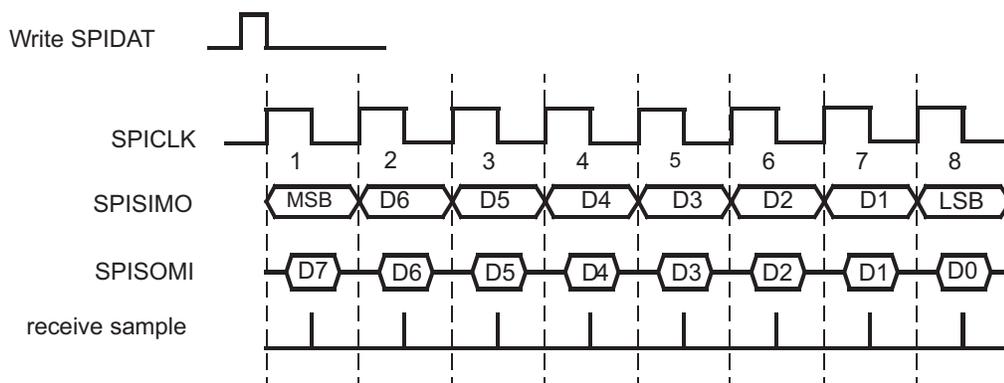
The data input and output edges depend on the values of both POLARITY and PHASE as shown in [Table 27-3](#).

**Table 27-3. Clocking Modes**

POLARITY	PHASE	Action
0	0	Data is output on the rising edge of SPICLK. Input data is latched on the falling edge.
0	1	Data is output one half-cycle before the first rising edge of SPICLK and on subsequent falling edges. Input data is latched on the rising edge of SPICLK.
1	0	Data is output on the falling edge of SPICLK. Input data is latched on the rising edge.
1	1	Data is output one half-cycle before the first falling edge of SPICLK and on subsequent rising edges. Input data is latched on the falling edge of SPICLK.

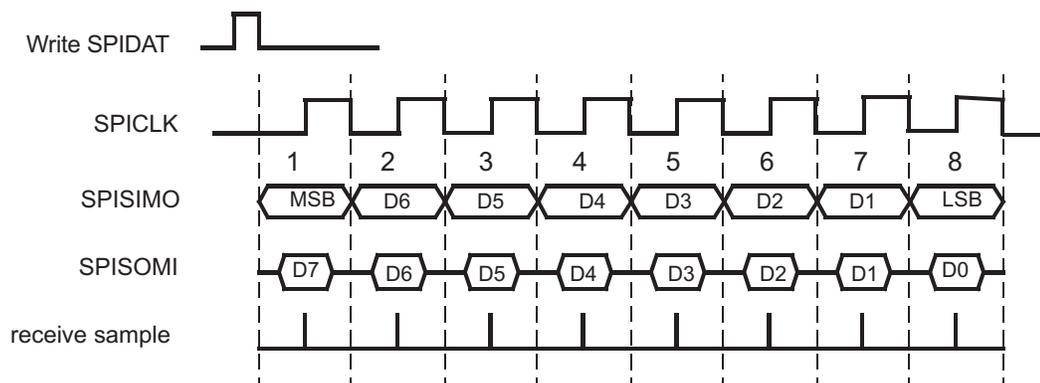
[Figure 27-12](#) to [Figure 27-15](#) illustrate the four possible configurations of **SPICLK** corresponding to each mode. Having four signal options allows the SPI to interface with many different types of serial devices.

**Figure 27-12. Clock Mode with Polarity = 0 and Phase = 0**



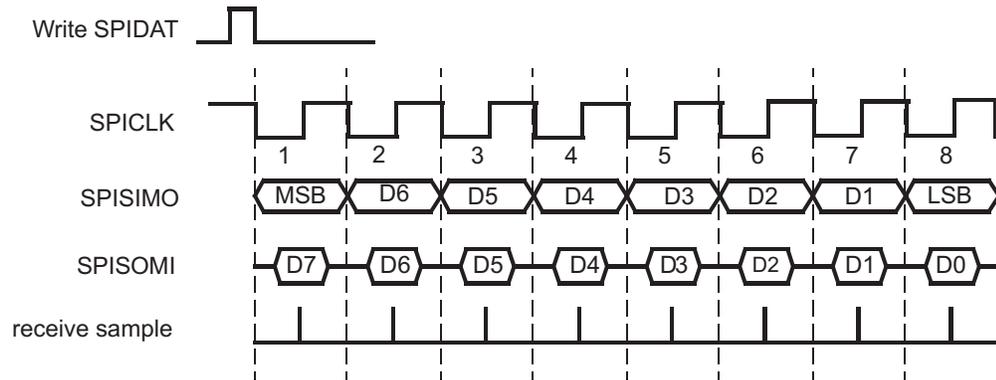
Data is output on the rising edge of SPICLK.  
Input data is latched on the falling edge of SPICLK.

**Figure 27-13. Clock Mode with Polarity = 0 and Phase = 1**



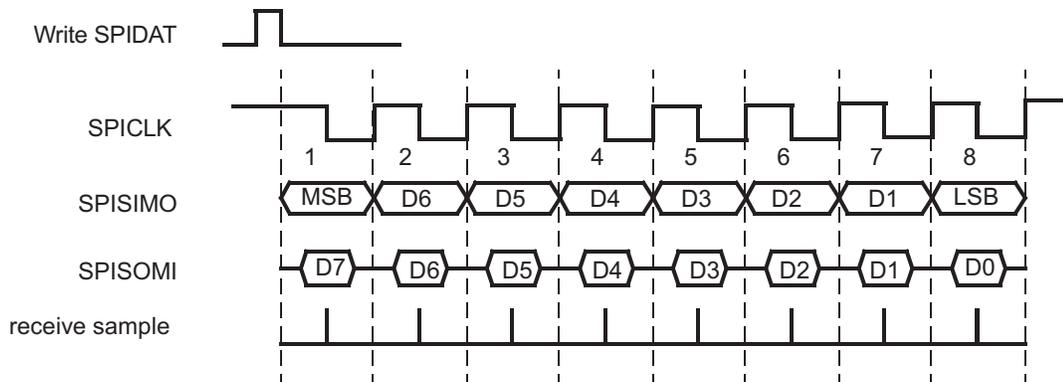
Data is output one-half cycle before the first rising edge of SPICLK and on subsequent falling edges of SPICLK  
Input data is latched on the rising edge of SPICLK

**Figure 27-14. Clock Mode with Polarity = 1 and Phase = 0**



Data is output on the falling edge of SPICLK.  
Input data is latched on the rising edge of SPICLK.

**Figure 27-15. Clock Mode with Polarity = 1 and Phase = 1**

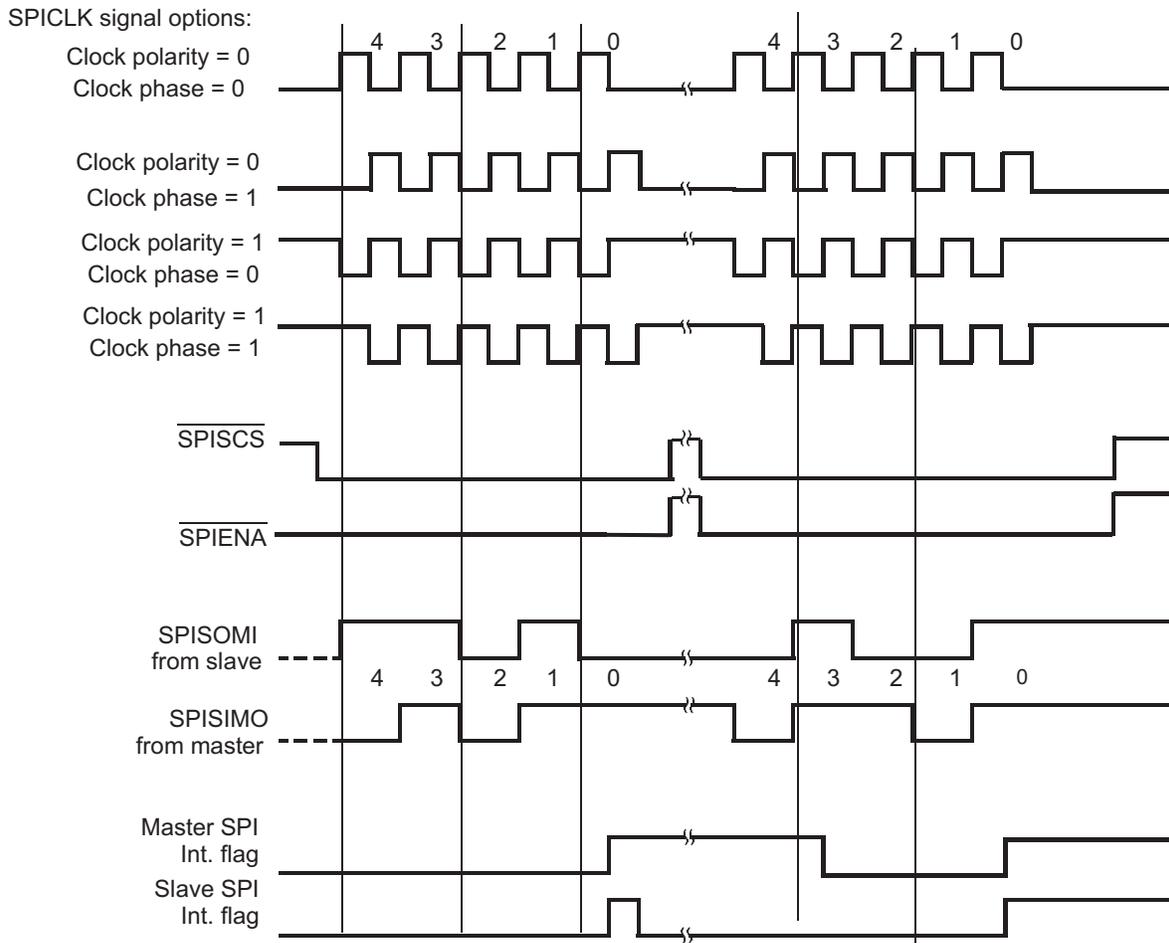


Data is output one-half cycle before the first falling edge of SPICLK and on the subsequent rising edges of SPICLK.  
Input data is latched on the falling edge of SPICLK.

### 27.2.6.2.1 Data Transfer Example

Figure 27-16 illustrates a SPI data transfer between two devices using a character length of five bits.

**Figure 27-16. Five Bits per Character (5-Pin Option)**



### 27.2.6.3 Decoded and Encoded Chip Select (Master Only)

In this device the SPI can connect to up to 4 individual slave devices using chip-selects by routing one wire to each slave. The 4 chip selects in the control field are directly connected to the 4 pins. The default value of each chip select (not active) can be configured via the register CSDEF. During a transmission, the value of the chip select control field (CSNR[7:0]) of the SPIDAT1 register (SPIDAT1[23:16]) is driven on the SPISCS [4:0] pins. When the transmission finishes the default chip-select value (defined by the CSDEF register) is put on the SPISCS [4:0] pins.

The SPI can support more than 4 slaves by using encoded chip selects. To connect the SPI with encoded slaves devices, the CSNR field allows multiple active SPISCS pins at the same time, which enables binary encoded chip selects from 0 to 16. To use encoded chip selects, all four chip select lines have to be connected to each slave device and each slave needs to have a unique chip-select address. The CSDEF register is used to provide the address at which slaves devices are all de-selected.

Users can combine decoded and encoded chip selects. For example,  $n$  SPISCS pins can be used for encoding a  $n$ -bit address and the remaining pins can be connected to decoded-mode slaves.

### 27.2.6.4 Chip Select Timing Control

This section describes few fields of the control register SPIDELAY this register decides the chip select and timing control for the device

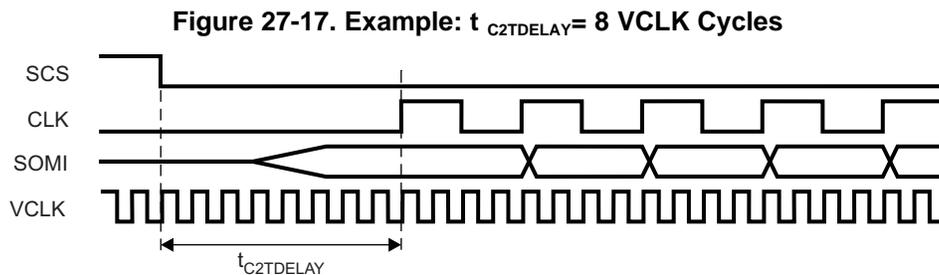
#### 27.2.6.4.1 Chip-Select-Active-to-Transmit-Start-Delay (C2TDELAY)

C2TDELAY is used in master mode only. It defines a setup time for the slave device that delays the data transmission from the chip select active edge by a multiple of VBUSPCLK cycles. ChipSelect-active-to-transmission delays between 2 to 257 VBUSPCLK cycles can be achieved.

The setup time value is calculated as:

$$t_{C2TDELAY} = (C2TDELAY + 2) \times VCLK \text{ Period}$$

Figure 27-17 is the timing diagram when C2TDELAY of 8 VCLK Cycles.



### 27.2.6.4.2 Transmit-End-to-Chip-Select-Inactive-Delay (T2CDELAY)

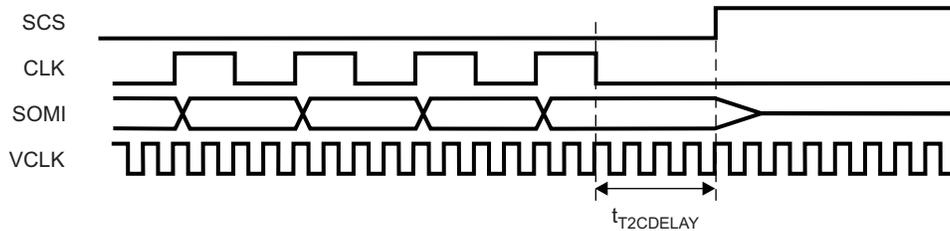
T2CDELAY is used in master mode only. It defines a hold time for the slave device that delays the chip select deactivation by a multiple of VBUSPCLK cycles after the last bit is transferred. T2CDELAY can be configured between 2 and 256 VBUSPCLK cycles.

The hold time value is calculated as:

$$t_{T2CDELAY} = (T2CDELAY + 1) \times VCLK \text{ Period}$$

Figure 27-18 is the timing diagram when T2CDELAY of 4 VCLK Cycles.

**Figure 27-18. Example:  $t_{T2CDELAY} = 4$  VCLK Cycles**



### 27.2.6.4.3 Transmit-Data-Finished-to-ENA-Pin-Inactive-Time-Out (T2EDELAY)

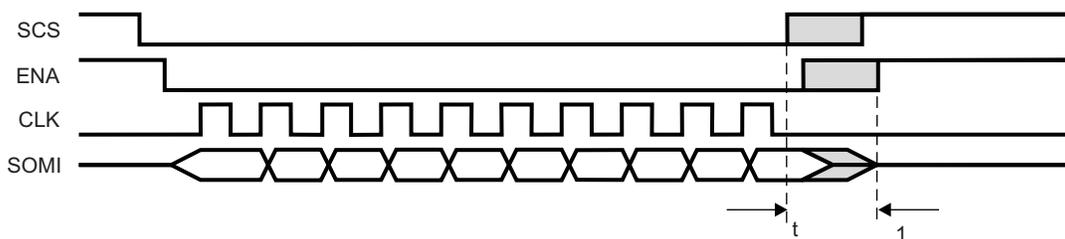
T2EDELAY is used in master mode only. It defines a time-out value as a multiple of SPI clock before the ENA signal has to become inactive and after the CS becomes inactive. The SPI clock depends on which data format is selected. If the slave device is missing one or more clock edges, it is becoming de-synchronized. Although the master has finished the data transfer the

The T2EDELAY defines a time-out value that triggers the DESYNC flag, if the ENA signal isn't deactivated in time. DESYNC flag is set to indicate that the Slave device did not deassert its SPIENA pin in time to acknowledge that it has received all the bits of the sent character.

The timeout value is calculated as:

$$t_{T2EDELAY} = T2EDELAY / SPIclock$$

**Figure 27-19. Transmit-Data-Finished-to-ENA-Inactive-Timeout**



**NOTE:** If T2CDELAY is programmed a non-zero value, then T2EDELAY will start only after the T2CDELAY completes. This should be taken into consideration to determine an optimum value of T2EDELAY.

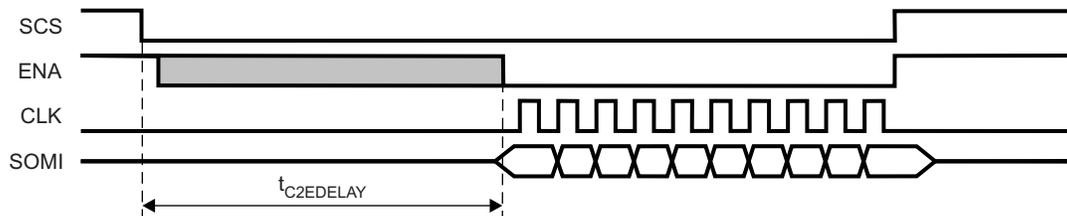
#### 27.2.6.4.4 Chip-Select-Active-to-ENA-Signal-Active-Time-Out (C2EDELAY)

C2EDELAY is utilized only in master mode and it applies only if the addressed slave generates an ENA signal as a hardware handshake response. C2EDELAY defines the maximum time between the SPI / MibSPI activating the chip select signal and the addressed slave responding by activating the ENA signal. C2EDELAY defines a time-out value as a multiple of SPI clocks. The SPI clock depends on whether data format 0 or data format 1 is selected.

The timeout value is calculated as:

$$t_{C2EDELAY} = C2EDELAY/SPIclock$$

Figure 27-20. Chip-Select-Active-to-ENA-Signal-Active-Timeout



**NOTE:**

- If the slave device is not responding with the ENA signal before the time-out value is reached, the TIMEOUT flag in SPIFLG register is set and an interrupt is asserted if enabled.
- If a time-out occurs the MibSPI clears the transmit request of the timed-out buffer, sets the TIMEOUT flag for the current buffer and continues with the transfer of the next buffer in the sequence that is enabled.
- If C2TDELAY is programmed a non-zero value, then C2EDELAY will start only after the C2TDELAY completes. This should be taken into consideration to determine an optimum value of C2EDELAY.

#### 27.2.6.5 Multiple Transfers to Same Slave and Variable Chip Select Setup and Hold Timing

This section gives information on the Variable chip select setup and it shows how CSHOLD bit is used and how the multiple transfers to same slave is enabled in the device

##### 27.2.6.5.1 Variable Chip Select Setup and Hold Timing (Master Only)

In order to support slow slave devices a delay counter can be configured to delay data transmission after the chip select is activated. A second delay counter can be configured to delay the chip select deactivation after the last data bit is transferred. Both delay counters are clocked with peripheral clock(VCLK).

If a particular data format specifically does not require these additional set-up or hold times for the chip select pin(s), then they can be disabled in the corresponding SPIFMTx register.

##### 27.2.6.5.2 Hold Chip-Select Active

Some slave devices require the chip select signal to be held continuously active during several consecutive data word transfers. Other slave devices require the chip select signal to be deactivated between consecutive data word transfers.

CSHOLD is programmable in both master and slave modes of the multi-buffer mode of SPI. However, the meaning of CSHOLD in master mode and slave mode are different.

- NOTE:** If the CSHOLD bit is set within the current data control field, the programmed hold time and the following programmed set-up time will not be applied between transactions.

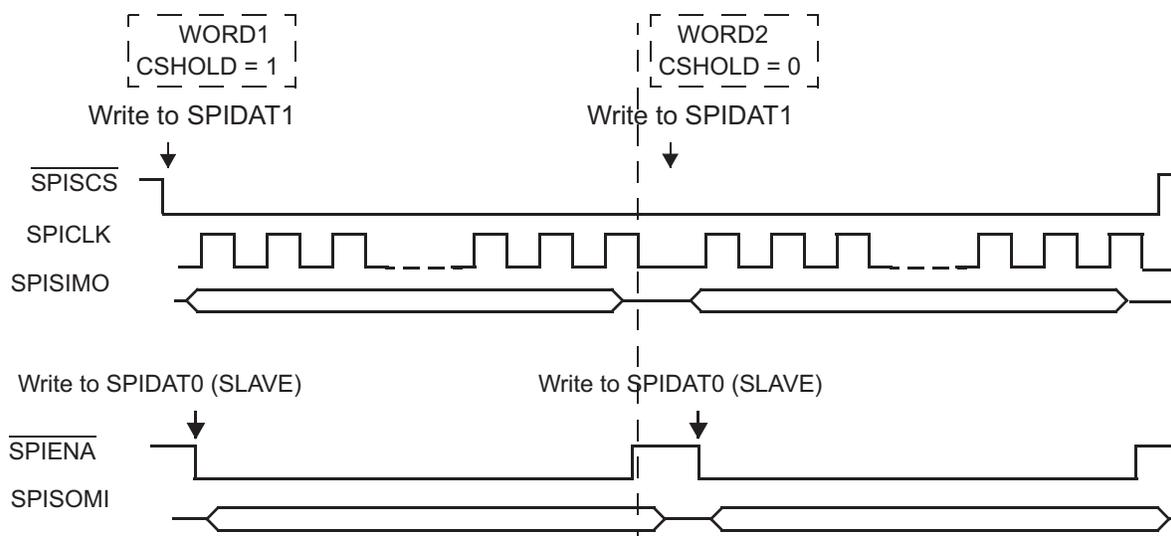
### 27.2.6.5.2.1 CSHOLD Bit in Master Mode

Each word in a master-mode SPI can be individually initialized for one of the two modes via the CSHOLD bit in its control field.

If the CSHOLD bit is set in the control field of a word, the chip select signal will not be deactivated until the next control field is loaded with new chip select information. Since the chip-select is maintained active between two transfers, the chip-select hold delay (T2CDELAY) is not applied at the end of the current transaction, and the chip-select set-up time delay (C2TDELAY) is not applied as well at the beginning of the following transaction. However, the wait delay (WDELAY) will be still applied between the two transactions, if the WDEL bit is set within the control field.

Figure 27-21 shows the SPI pins when a master-mode SPI transfers a word that has its CSHOLD bit set. The chip-select pins will not be deasserted after the completion of this word. If the next word to transmit has the same chip-select number (CSNR) value, the chip select pins will be maintained until the completion of the second word, regardless of whether the CSHOLD bit is set or not.

**Figure 27-21. Typical Diagram when a Buffer in Master is in CSHOLD Mode (SPI-SPI)**



### 27.2.6.5.2.2 CSHOLD Bit in Slave Mode (Multi-buffered Mode)

If the CSHOLD bit in a buffer is set to 1, then the MibSPI does not wait for the  $\overline{\text{SPISCS}}$  pins to be deasserted at the end of the shift operation to copy the received data to the receive RAM. With this feature, it is possible for a slave in multi-buffer mode to do multiple data transfers without requiring the  $\overline{\text{SPISCS}}$  pins to be deasserted between two buffer transfers.

If the CSHOLD bit in a buffer is cleared to 0 in a slave MibSPI, even after the shift operation is done, the MibSPI waits until the  $\overline{\text{SPISCS}}$  pin (if functional) is deasserted to copy the received data to the RXRAM.

If the CSHOLD bit is maintained as 0 across all the buffers, then the slave in multi-buffer mode requires its  $\overline{\text{SPISCS}}$  pins to be deasserted between any two buffer transfers; otherwise, the Slave SPI will be unable to respond to the next data transfer.

---

**NOTE:** In compatibility mode, the slave does not require the  $\overline{\text{SPISCS}}$  pin to be deasserted between two buffer transfers. The CSHOLD bit of the slave will be ignored in compatibility mode.

---

### 27.2.6.6 Parallel Mode (Multiple SIMO/SOMI Support, not available on all devices)

In order to increase throughput, the parallel mode of the SPI enables the module to send data over more than one data line (Parallel 2, 4 or 8). When parallel mode is used, the data length must be set as 16 bits. Only module MIBSPIP5 supports Parallel Mode.

This feature increases throughput by 2 for 2 pins, by 4 for 4 pins, or by 8 for 8 pins.

Parallel mode supports the following features:

- Scalable data lines (1, 2, 4, 8) per direction. (SOMI and SIMO lines)
- All clock schemes are supported (clock phase and polarity)
- Parity is supported. The parity bit will be transmitted on bit0 of the SIMO/SOMI lines. The receive parity is expected on bit0 of the SOMI/SIMO pins.

Parallel mode can be programmed using the PMODEx[1:0] bits of SPIPMCTRL register. See [Section 27.3.24](#) for details about this register.

After reset the parallel mode selection bits are cleared (single SIMO/SOMI lines).

27.2.6.6.1 Parallel Mode Block Diagram

Figure 27-22 and Figure 27-23 show the parallel connections to the SPI shift register.

Figure 27-22. Block Diagram Shift Register, MSB First

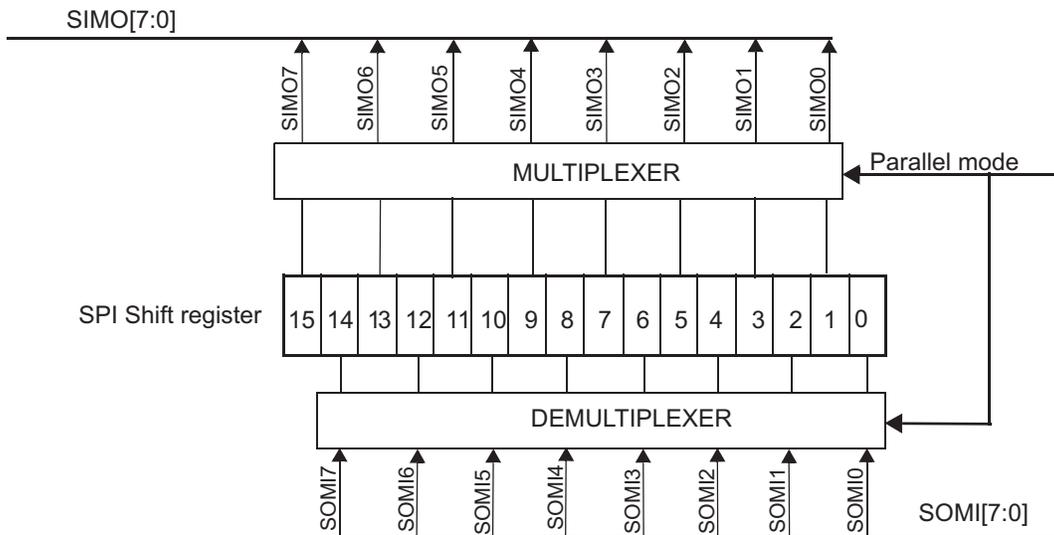
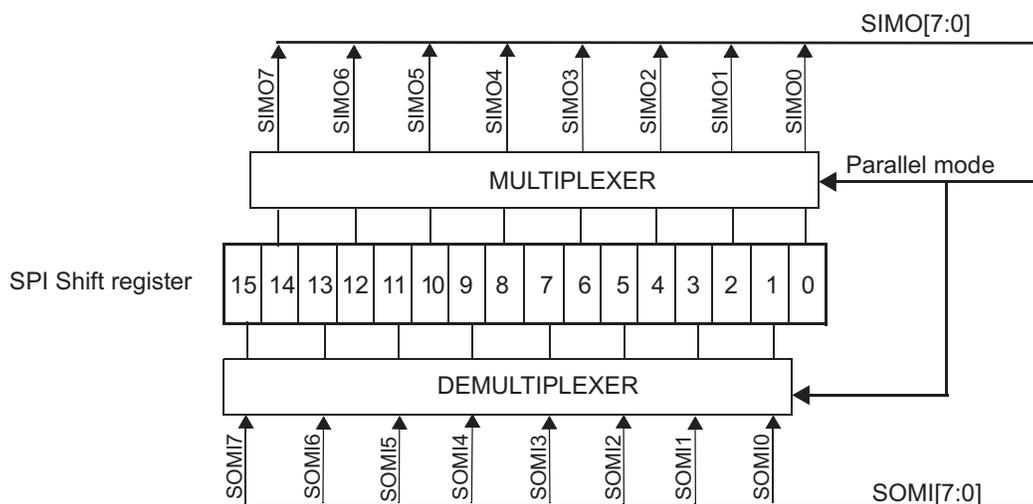


Figure 27-23. Block Diagram Shift Register, LSB First



**27.2.6.6.2 Parallel Mode Pin Mapping, MSB First**

Table 27-4 and Table 27-5 describe the SOMI and SIMO pin mapping when the SPI is used in parallel mode (1, 2, 4, 8) pin mode, MSB first.

**NOTE:** MSB-first or LSB-first can be configured using the SHIFTDIRx bit of the SPIFMTx registers.

**Table 27-4. Pin Mapping for SIMO Pin with MSB First**

Parallel Mode	Shift Register Bit	SIMO[7:0]
1	15	0
2	15	1
	7	0
4	15	3
	11	2
	7	1
	3	0
8	15	7
	13	6
	11	5
	9	4
	7	3
	5	2
	3	1
	1	0

**Table 27-5. Pin Mapping for SOMI Pin with MSB First**

Parallel Mode	Shift Register Bit	SOMI[7:0]
1	0	0
2	0	0
	8	1
4	0	0
	4	1
	8	2
	12	3
8	0	0
	2	1
	4	2
	6	3
	8	4
	10	5
	12	6
	14	7

**27.2.6.6.3 Parallel Mode Pin Mapping, MSB-First, LSB-First**

Table 27-6 and Table 27-7 describe the SIMO and SOMI pin mapping when SPI is used in parallel mode (1, 2, 4, 8) pin mode, LSB first.

**Table 27-6. Pin Mapping for SIMO Pin with LSB First**

Parallel Mode	Shift Register Bit	SIMO[7:0]
1	0	0
2	8	1
	0	0
4	12	3
	8	2
	4	1
	0	0
8	14	7
	12	6
	10	5
	8	4
	6	3
	4	2
	2	1
	0	0

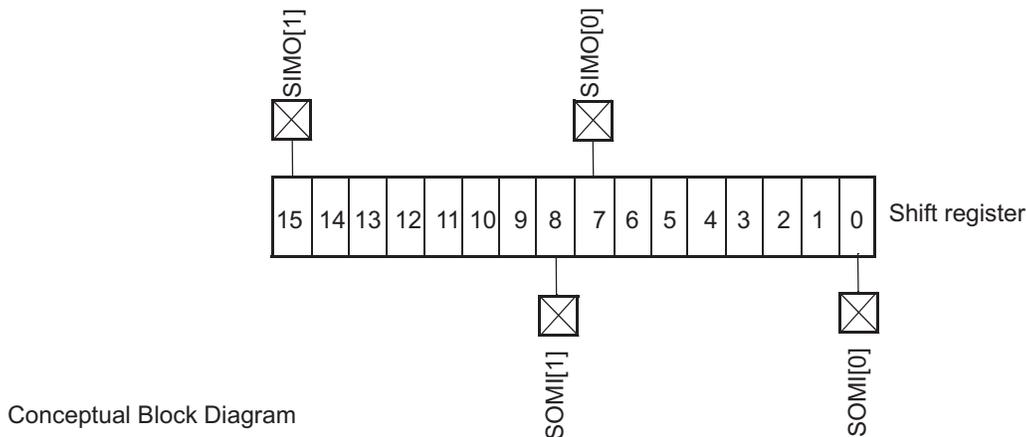
**Table 27-7. Pin Mapping for SOMI Pin with LSB First**

Parallel Mode	Shift Register Bit	SOMI[7:0]
1	15	0
2	7	0
	15	1
4	3	0
	7	1
	11	2
	15	3
8	1	0
	3	1
	5	2
	7	3
	9	4
	11	5
	13	6
	15	7

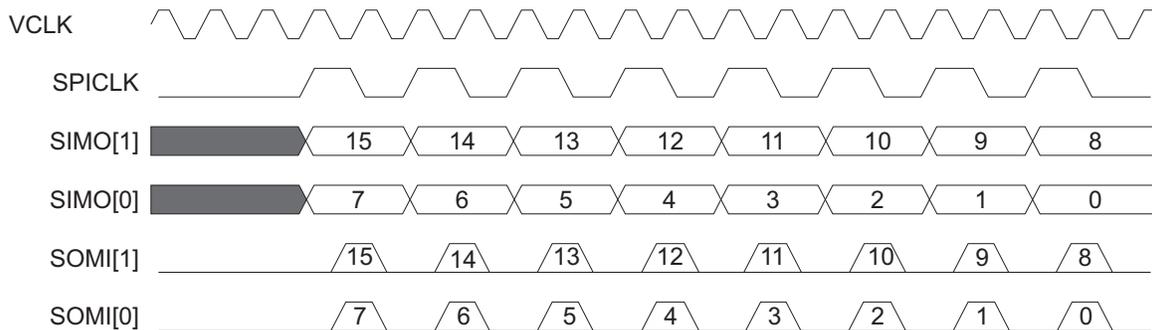
**27.2.6.6.4 2-Data Line Mode (MSB First, Phase 0, Polarity 0)**

In 2-data line mode (master mode) the shift register bits 15 and 7 will be connected to the pins SIMO[1] and SIMO[0], and the shift register bits 8 and 0 will be connected to the pins SOMI[1] and SOMI[0] or vice versa in slave mode. After writing to the SPIDAT0/SPIDAT1 register, the bits 15 and 7 will be output on SIMO[1] and SIMO[0] on the rising edge of SPICLK. With the falling clock edge of the SPICLK, the received data on SOMI[1] and SOMI[0] will be latched to the shift register bits 8 and 0. The subsequent rising edge of SPICLK will shift the data in the shift register by 1 bit to the left. ( SIMO[1] will shift the data out from bit 15 to 8, SIMO[0] will shift the data out from bit 7 to 0). After eight SPICLK cycles, when the full data word is transferred, the shift register (16 bits) is copied to the receive buffer, and the RXINT flag will be set. Figure 27-24 shows the clock /data diagram of the 2-data line mode. Figure 27-25 shows the timing of a two-pin parallel transfer.

**Figure 27-24. 2-data Line Mode (Phase 0, Polarity 0)**



**Figure 27-25. Two-Pin Parallel Mode Timing Diagram (Phase 0, Polarity 0)**

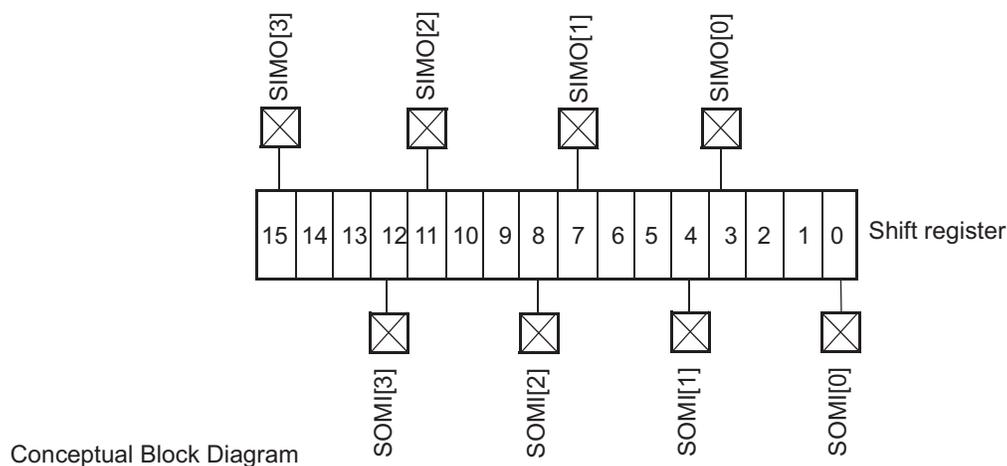


### 27.2.6.6.5 4-Data Line Mode (MSB First, Phase 0, Polarity 0)

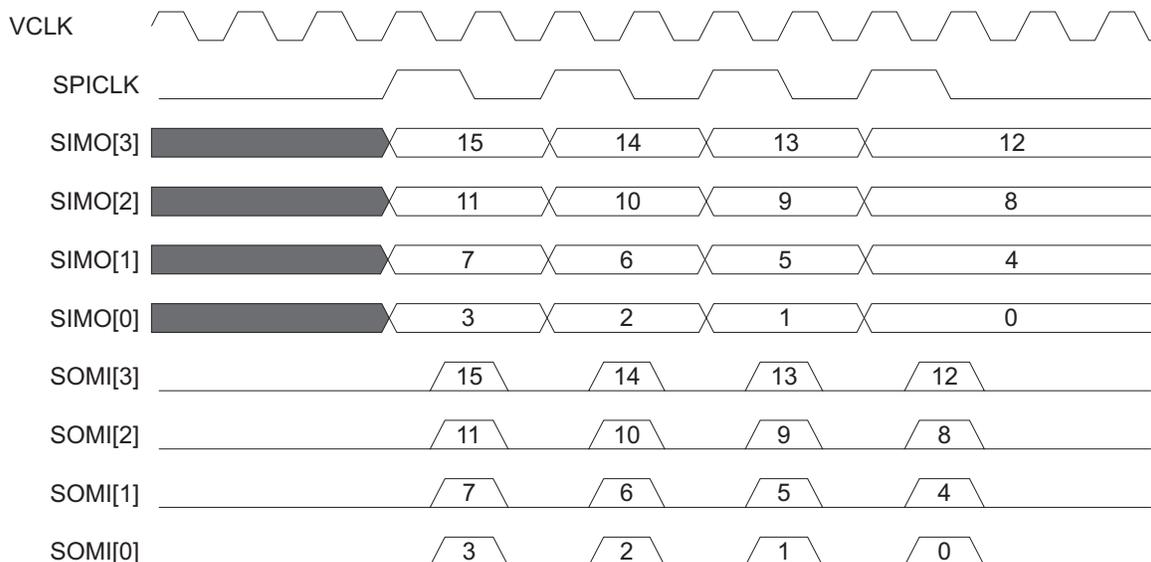
In 4-data line mode (master mode) the shift register bits 15, 11, 7, and 3 will be connected to the pins SIMO[3], SIMO[2], SIMO[1], and SIMO[0], and the shift register bits 12, 8, 4, and 0 will be connected to the pins SOMI[3], SOMI[2], SOMI[1], and SOMI[0] (or vice versa in slave mode). After writing to SPIDAT1/SPIDAT0, the bits 15, 11, 7, and 3 will be output on SIMO[3], SIMO[2], SIMO[1], and SIMO[0] on the rising edge of SPICLK. With the falling clock edge of the SPICLK, the received data on SOMI[3], SOMI[2], SOMI[1] and SOMI[0] will be latched to shift register bits 12, 8, 4, and 0. The subsequent rising edge of SPICLK will shift data in the shift register by 1 bit to the left (SIMO[3] will shift the data out from bit 15 to 12, SIMO[2] will shift the data out from bit 11 to 8, SIMO[1] will shift the data out from bit 7 to 4, SIMO[0] will shift the data out from bit 3 to 0). After four SPICLK cycles, when the full data word is transferred, the shift register (16 bits) is copied to the receive buffer, and the RXINT flag will be set.

Figure 27-26 shows the clock/data diagram of the four-data line mode. Figure 27-27, shows the timing diagram for four-data line mode.

**Figure 27-26. 4-Data Line Mode (Phase 0, Polarity 0)**



**Figure 27-27. 4 Pins Parallel Mode Timing Diagram (Phase 0, Polarity 0)**



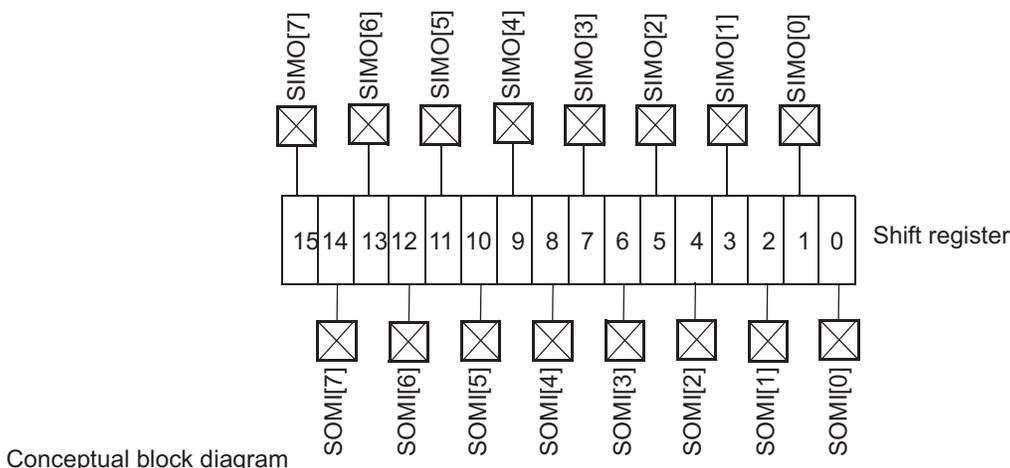
**27.2.6.6.6 8-Data Line Mode (MSB First, Phase 0, Polarity 0)**

In 8-data line mode (master mode) the shift register bits 15, 13, 11, 9, 7, 5 and 3 will be connected to the pins SIMO[7], SIMO[6], SIMO[5], SIMO[4], SIMO[3], SIMO[2], SIMO[1], and SIMO[0], and the shift-register bits 14, 12, 10, 8, 6, 4, and 0 will be connected to the pins SOMI[7], SOMI[6], SOMI[5], SOMI[4], SOMI[3], SOMI[2], SOMI[1], and SOMI[0] (or vice versa in slave mode).

After writing to SPIDAT0/SPIDAT1, the bits 15, 13, 11, 9, 7, 5, 3, and 1 will be output on SIMO[7], SIMO[6], SIMO[5], SIMO[4], SIMO[3], SIMO[2], SIMO[1], and SIMO[0], on the rising edge of SPICLK. On the falling clock edge of the SPICLK, the received data on SOMI[8], SOMI[7], SOMI[6], SOMI[5], SOMI[4], SOMI[3], SOMI[2], SOMI[1], and SOMI[0] will be latched to the shift register bits 14, 12, 10, 8, 6, 4, 2, and 0.

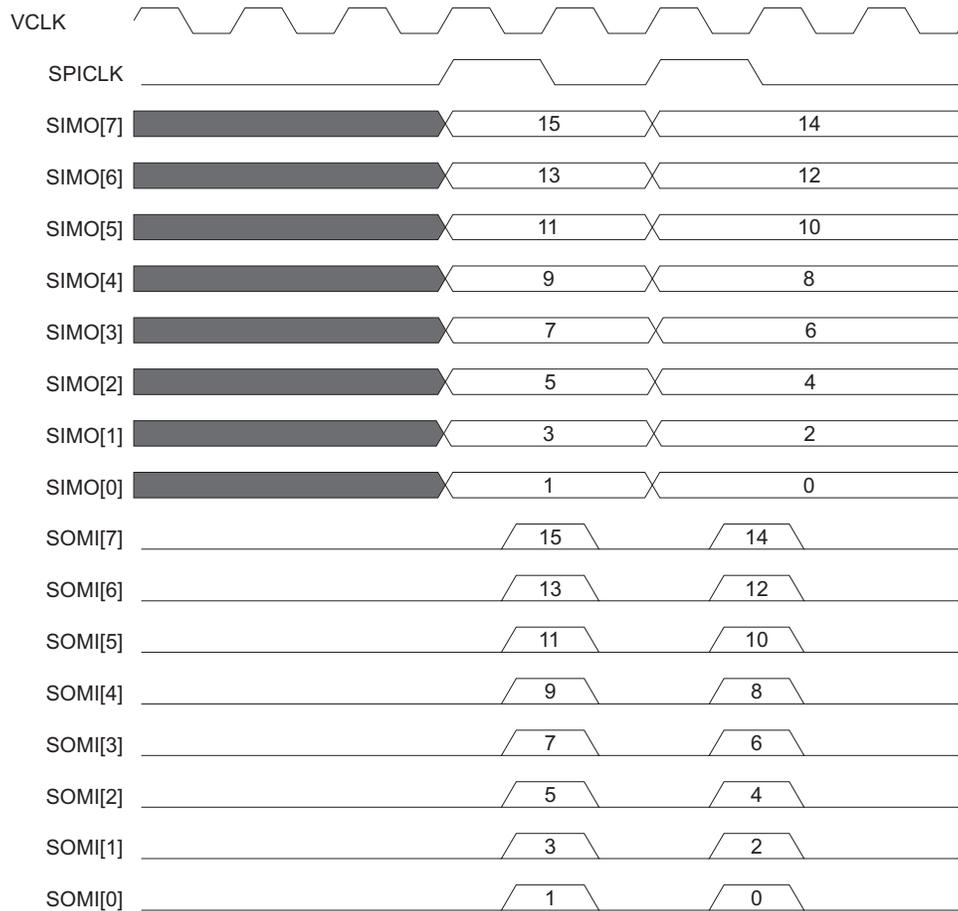
The subsequent rising edge of SPICLK will shift the data in the shift register by one bit to the left. After two SPICLK cycles, when the full data word is transferred the shift register (16 bits) is copied to the receive buffer, and the RXINT flag will be set. Figure 27-28 shows the clock/data diagram of the 8-data line mode. Figure 27-29 shows the pin timings for 8-data line mode.

**Figure 27-28. Eight-data Line Mode (Phase 0, Polarity 0)**



**NOTE: Parity Support**

Using the parity support in parallel mode may seriously affect throughput. For an eight-line mode to transfer 16 bits of data, only two SPICLK pulses are enough. If parity is enabled, one extra SPICLK pulse will be used to transfer and receive the parity bit. Parity will be transmitted and received on the 0th line regardless of 1/2/4/8-line modes. During the parity bit transfer, other data bits are not valid.

**Figure 27-29. 8 Pins Parallel Mode Timing Diagram (Phase 0, Polarity 0)**


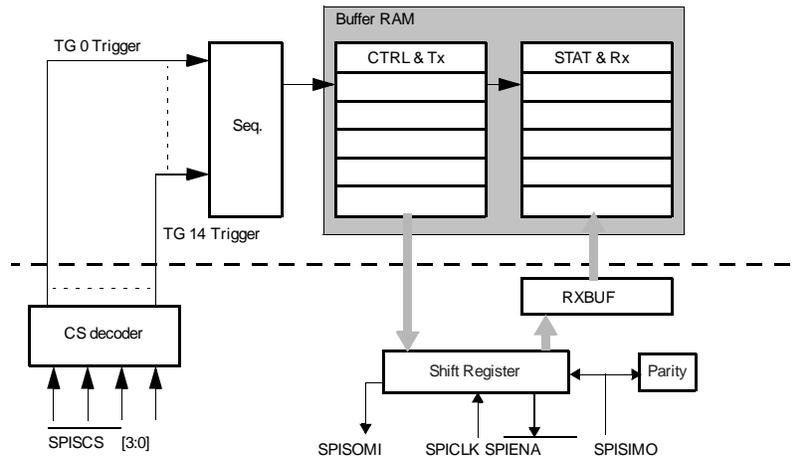
**NOTE:** Modulo Count Parallel Mode is not supported in this device.

### 27.2.6.7 MibSPI Slave in Multi-buffer Configuration

When operating in slave mode, the MibSPI uses the chip-select pins 0 to 3 to generate a trigger to the corresponding Transfer Group. For example, putting “0000” on the chip-select pins triggers Transfer Groups 0 and putting “0001” triggers TG 1. When the value “1111” is set to the chip-select, the MibSPI is deselected, that is Transfer Group 15 is not available in slave mode. The chip-select pins 4 to 7 should stay in GPIO mode. In slave mode, the fields like trigger source and trigger event are not taken into account by the sequencer. Only the SPISCS pins can trigger a Transfer Group. The chip-select trigger operates as a level-sensitive trigger. However, when the MibSPI is in 3-pin or 4-pin with SPIENA mode, just one Transfer Group can be triggered and it is restricted to Transfer Group 0 (TG 0). In Slave mode, the PRST field should be cleared to 0. If the corresponding Transfer Group is enabled, the Multi-buffer reads the current buffer of the TG and writes it into SPIDAT1. If Transfer Group is disabled, the Multi-buffer does not update the SPIDAT1 register.

**NOTE:** If the selected Transfer Group is disabled and no update of the SPIDAT1 register has been done, the data to be transferred is meaningless. Even the received data will not be copied to the multi-buffer RAM. However it will be available on SPIBUF register until it is overwritten by the subsequent receive data.

**Figure 27-30. Multi-buffer in Slave Mode**



When the SPIDAT1 register is updated, the enable signal is released, and the transaction could begin. If the enable signal is not used, the master should wait for 6 VBUSPCLK cycles before sending the clock to begin the transaction. This time allows the MibSPI to update the SPIDAT1 register.

Once the transaction is finished, the MibSPI writes back the content of the shift-register into the Rx buffer and updates the status field.

**NOTE:** If all the Transfer Groups are not needed, the number of SPISCS that need to be in functional mode could be reduced to 3, 2 or 1 by using the SPIPC0 register. In these cases, the maximum number of Transfer Group accessible are respectively 7, 3 and 1. The pins that are set in GPIO mode are not decoded.

MibSPI in 3-pin and 4pin (with SPIENA) configuration, supports multi-buffer mode too. However it is restricted to have just one transfer group. Only the transfer group0 (TG0) can be used in this mode. Entire multi-buffer RAM can be configured for TG0 alone. "PSTART" field in TG1CTRL register should be used to configure the size of the multi-buffer (end of the buffers) for TG0.

**NOTE:** The maximum input frequency on the SPICLK pin when in slave mode is VBUSPCLK frequency /2. If the Slave is configured in either 3-pin or 4-pin (without SPIENA) modes, then, between end of last SPICLK and the start of SPICLK for next buffer, there should be at least 6 VCLK cycles of delay.

### 27.2.6.8 Transfer Groups

The size of the multi-buffer RAM depends on the implementation. It comprises 0 to 128/256 buffers, whereas 0 buffers considers the special case of no multi-buffer RAM. Each entry in the multi-buffer RAM consists of 4 parts: a 16-bit transmit field, a 16-bit receive field, a 16-bit control field and a 16-bit status field. The multi-buffer RAM can be partitioned into multiple transfer group with variable number of buffers each.

#### 27.2.6.8.1 Configuring Transfer Groups and Trigger Events

Each TG can be configured via one dedicated control register, TGxCTRL. This register even configures the trigger events for the transfer group. The register is described in [Section 27.3.33](#). The actual number of available control registers varies by device.

#### 27.2.6.8.2 Sequencer-Which Handled the Sequencing of Triggered Transfer Groups

Sequencer(FSM) controls the data flow from the multi-buffer RAM to the Shift Register. The Multi-buffer Control Logic has arbitration logic between VBUS and the Sequencer accessing the multi-buffer RAM. Sequencer picks up a highest priority Transfer Group from among the active TGs to be serviced. For the selected TG the starting buffer to be transferred is obtained from the PSTART of the respective TGxCTRL register.

Sequencer requests for the selected buffer through the Multi-buffer Control Logic, and once it receives the data, it reads the control fields to determine the subsequent action. Once the buffer is determined to be ready for transfer, the data is written to the TX SHIFT REGISTER by the Sequencer. This triggers the Kernel FSM to initiate the SPI transfer.

#### 27.2.6.8.3 Inter-group Prioritization and Arbitration

Transfer Group0 (TG0) has the highest priority and TG15 has the lowest priority among the transfer groups TG0 to TG15. Where as under the following conditions under the following conditions a lower priority Transfer Group cannot be interrupted by a higher priority TG.

- When there's a CSHOLD or LOCK buffer, until the completion of the next buffer transfer which is a non-CSHOLD or non-LOCK buffer, the Transfer Group cannot be interrupted by any higher priority TGs.
- An entire sequence of buffer transfer for NOBRK DMA buffer cannot be interrupted by any higher priority TG.
- Once the last buffer in a Transfer Group is prefetched, a higher priority TG cannot interrupt it until the completion of the Transfer Group.

These prioritizations made among the transfer groups also decide the arbitration logic among the multiple transfer groups which are active

#### 27.2.6.8.4 Transmission Lock Capability

Some slave devices require to have "command" followed by "data". In this case the SPI transaction should not be interrupted by another group transfer. The LOCK bit within each buffer allows consecutive transfer to happen without being interrupted by another higher priority group transfer.

### 27.2.7 General-Purpose I/O

All of the SPI pins may be programmed via the SPIPCx control registers to be either functional or general-purpose I/O pins.

If the SPI function is to be used, application software must ensure that at least the SPICLK pin and the SOMI and/or SIMO pins are configured as SPI functional pins, and not as GIO pins, or else the SPI state machine will be held in reset, preventing SPI transactions.

SPI pins support:

- internal pull-up resistors
- internal pull-down resistors
- open-drain or push-pull mode
- input-buffer enabling/disabling (controlled by the PULDIS and PSEL bits)

### 27.2.8 Low-Power Mode

The SPI can be put into either local or global low-power mode. Global low-power mode is asserted by the system and is not controlled by the SPI. During global low-power mode, all clocks to the SPI are turned off, making the module completely inactive.

Local low-power mode is asserted by setting the POWERDOWN (SPIGCR1[8]) bit; setting this bit stops the clocks to the SPI internal logic and registers. Setting the POWERDOWN bit causes the SPI to enter local low-power mode and clearing the POWERDOWN bit causes SPI to exit from local low-power mode. All registers remain accessible during local power-down mode, since the clock to the SPI registers is temporarily re-enabled for each access. RAM buffers are also accessible during low power mode.

---

**NOTE:** Since entering a low-power mode has the effect of suspending all state-machine activities, care must be taken when entering such modes to ensure that a valid state is entered when low-power mode is active. Application software must ensure that a low power mode is not entered during a data transfer.

---

### 27.2.9 Safety Features

#### 27.2.9.1 Detection of Slave Desynchronization (Master Only)

When a slave supports generation of an enable signal (ENA), de-synchronization can be detected. With the enable signal a slave indicates to the master that it is ready to exchange data. A de-synchronization can occur if one or more clock edges are missed by the slave. In this case the slave may block the SOMI line until it detects clock edges corresponding to the next data word. This would corrupt the data word of the de-synchronized slave and the consecutive data word. A configurable 8 bit time-out counter, which is clocked with SPICLK, is implemented to detect this slave malfunction. After the transmission has finished (end of last bit transferred: either last data bit or parity bit) the counter is started. If the ENA signal generated by the slave does not become inactive before the counter overflows, the DESYNC flag is set and an interrupt is asserted (if enabled).

---

**NOTE: Inconsistency of Desync Flag in Compatibility Mode MibSPI**

Because of the nature of this error, under some circumstances it is possible for a desync error detected for the previous buffer to be visible in the current buffer. This is due to the fact that receive completion flag/interrupt will be generated when the buffer transfer is completed. But desync will be detected after the buffer transfer is completed. So, if VBUS master reads the received data quickly when an RXINT is detected, then the status flag may not reflect the correct desynchronization condition. This inconsistency in the desync flag is valid only in compatibility mode of MibSPI. In multi-buffer mode, the desync flag is always guaranteed to be for the current buffer.

---

### 27.2.9.2 ENA Signal Time-Out (Master Only)

The SPI in master mode waits for the hardware handshake signal (ENA) coming from the addressed slave before performing a data transfer. To avoid stalling the SPI by a non-responsive slave device a time-out value can be configured. If the time-out counter overflows before an active ENA signal is sampled the TIMEOUT flag in the status register SPIFLG is set and the TIMEOUT flag in the status field of the corresponding buffer is set.

---

**NOTE:** When the chip select signal becomes active, no breaks in transmission are allowed. The next arbitration is performed while waiting for the time-out to occur.

---

### 27.2.9.3 Data-Length Error

A SPI can generate an error flag by detecting any mismatch in length of received or transmitted data and the programmed character length under certain conditions.

**Data-Length Error in Master Mode:** During a data transfer, if the SPI detects a de-assertion of the  $\overline{\text{SPIENA}}$  pin (by the slave) while the character counter is not overflowed, then an error flag is set to indicate a data-length error. This can be caused by a slave receiving extra clocks (for example, due to noise on the SPICLK line).

---

**NOTE:** In a master mode SPI, the data length error will be generated only if the  $\overline{\text{SPIENA}}$  pin is enabled as a functional pin.

---

**Data-Length Error in Slave Mode:** During a transfer, if the SPI detects a de-assertion of the  $\overline{\text{SPISCS}}$  pin before its character length counter overflows, then an error flag is set to indicate a data-length error. This situation can arise if the slave SPI misses one or more SPICLK pulses from the master. This error in slave mode implies that both the transmitted and received data were not complete.

---

**NOTE:** In a slave-mode SPI, the data-length error flag will be generated only if at least one of the  $\overline{\text{SPISCS}}(x)$  pins are configured as functional, and are being used for selecting the slave.

---

### 27.2.9.4 Continuous Self-Test (Master/Slave)

During data transfer, the SPI compares its own internal transmit data with its transmit data on the bus. The sample point for the compare is at one-half SPI clock after transmit point. If the data on the bus does not match the expected value, the bit-error (BITERR) flag is set and an interrupt is asserted if enabled.

---

**NOTE:** The compare is made from the output pin using its input buffer.

---

## 27.2.10 Test Features

### 27.2.10.1 Internal Loop-Back Test Mode (Master Only)

The internal loop-back self-test mode can be utilized to test the SPI transmit and receive paths, including the shift registers, the SPI buffer registers, and the parity generator. In this mode the transmit signal is internally feedback to the receiver, whereas the SIMO, SOMI, and CLK pin are disconnected; that is, the transmitted data is internally transferred to the corresponding receive buffer while external signals remain unchanged.

This mode allows the CPU to write into the transmit buffer, and check that the receive buffer contains the correct transmit data. If an error occurs the corresponding error is set within the status field.

---

**NOTE:** This mode cannot be changed during transmission.

---

### 27.2.10.2 Input/Output Loopback Test Mode

Input/Output Loopback Test mode supports the testing of all Input/Output pins without the aid of an external interface. Loopback can be configured as either analog-loopback (loopback through the pin-level input/output buffers) or digital loopback (internal to the SPI module). With Input/Output Loopback, all functional features of the SPI can be tested. Transmit data is fed back through the receive-data line(s). See [Figure 27-31](#) for a diagram of the types of feedback available. The IOLPBKTSTCR register defines all of the available control fields.

In loopback mode, it is also possible to induce various error conditions. See [Section 27.3.42](#) for details of the register field controlling these features.

In Input/Output loopback test modes, even when the module is in slave mode, the SPICLK is generated internally. This SPICLK is used for all loopback-mode SPI transactions. Slave-mode features can be tested without the help of another master SPI, using the internally-generated SPICLK. Chip selects are also generated by the slave itself while it is in Input/Output loopback mode.

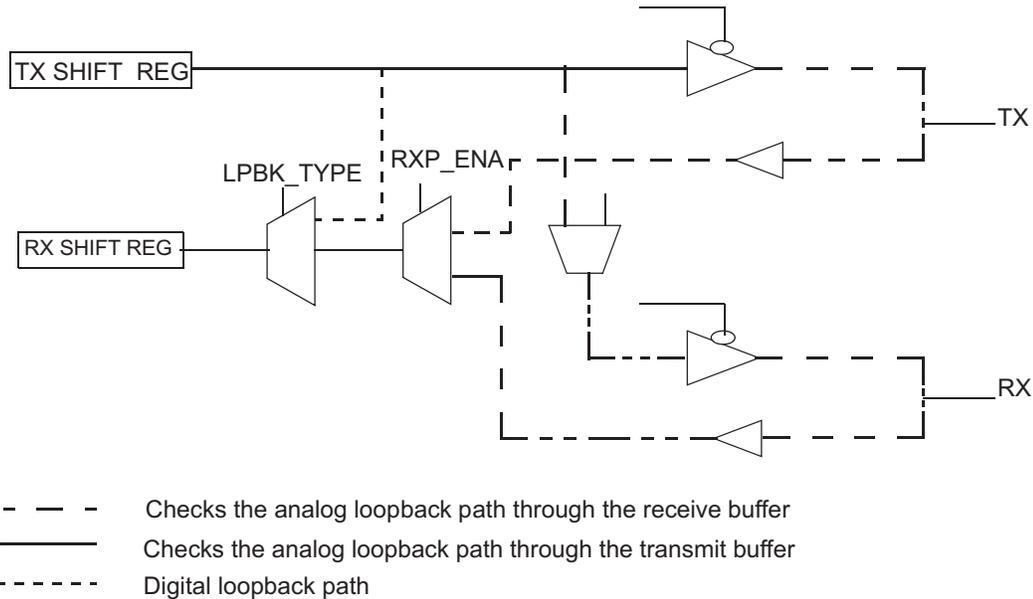
In Input/Output loopback test modes, if the module is in master mode, the nENA signal is also generated by internal logic so that an external interface is not required.

---

**NOTE: Usage Guideline for Input/Output Loopback**

Input/Output Loopback mode should be used with caution because, in some configurations, even the receive pins will be driven with transmit data. During testing, it should be ensured that none of the SPI pins are driven by any other device connected to them. Otherwise, if analog loopback is selected in I/O Loopback mode, then testing may damage the device.

---

**Figure 27-31. I/O Paths During I/O Loopback Modes**


1 This diagram is intended to illustrate loopback paths and therefore may omit some normal-mode paths.

### 27.2.10.2.1 IO Loopback Mode Operation in Slave Mode

In multi-buffer slave mode, there are some additional requirements for using I/O loopback mode (IOLPBK). In multi-buffer slave mode, the chip-select pins are the triggers for various TGs. Enabling the IOLPBK mode by writing 0xA to the IOLPBTSTENA bits of the IOLPBKTSTCR register triggers TG0 by driving SPIPCS[3:0] to 0x0. The actual number of chip selects can be programmed to have any or all of the SPIPCS pins as functional. All other configurations should be completed before enabling the IOLPBK mode in multi-buffer slave mode since it triggers TG0.

After the first buffer transfer is completed, the CSNR[3:0] field of the current buffer is used to trigger the next buffer. So, if multiple TGs are desired to be tested, then the CSNR field of the final buffer in each TG should hold the number of the next TG to be triggered. As long as TG boundaries are well defined and are enabled, the completion of one TG will trigger the next TG.

To stop the transfer in multi-buffer slave mode in I/O Loopback configuration, either IOLPBK mode can be disabled by writing 0x5 to the IOLPBTSTENA bits or all of the TGs can be disabled.

## 27.2.11 Module Configuration

MibSPI/MibSPIP can be configured to function as Normal SPI and Multi-buffered SPI. Upon power-up or a system-level reset, each bit in the module registers is set to a default state. The registers are writable only after the RESET bit is set to 1.

### 27.2.11.1 Compatibility (SPI) Mode Configuration

The following list details the configuration steps that software should perform prior to the transmission or reception of data. As long as SPIENA is held low the entire time that the SPI is being configured, the order in which the registers are programmed is not important.

- Enable SPI by setting RESET bit.
- Configure the SIMO, SOMI, CLK and optional CSx, ENA pins for SPI functionality by setting the corresponding bit in SPIPC0 register.
- Configure the module to function as Master or Slave using CLKMOD and MASTER bits.
- Configure the required SPI data format using SPIFMTx register.
- If the module is selected to function as Master, the delay parameters can be configured using SPIDELAY register.
- Enable the Interrupts using SPIINT0 register if required.
- Select the CS to be used by setting CSNR bits in SPIDAT1 register.
- Configure CSHOLD and WDEL bits in SPIDAT1 register if required.
- Select the Data word format by setting DFSEL bits. Select the Number of the configured SPIFMTx register ( 0 to 3) to used for the communication.
- Set LOOPBACK bit to connect the transmitter to the receiver internally. (This feature is used to perform a self-test. Do not configure for normal communication to external devices).
- Set SPIENA to 1 after the SPI is configured.
- Perform Transmit and receive data, using SPIDAT1 and SPIBUF register.
- User must wait for TXFULL to reset or TXINT before writing next data to SPIDAT1 register.
- User must wait for RXEMPTY to reset or RXINT before reading the data from SPIBUF register.

### 27.2.11.2 MibSPI Mode Configuration

The following list details the configuration steps that software should perform prior to the transmission or reception of data in MIBSPI mode. As long as SPIENA is held low the entire time that the SPI is being configured, the order in which the registers are programmed is not important.

- Enable SPI by setting RESET bit.
- Set MSPIENA to 1 to get access to multi-buffer mode registers.
- Configure the SIMO, SOMI, CLK and optional CSx, ENA pins for SPI functionality by setting the corresponding bit in SPIPC0 register.
- Configure the module to function as Master or Slave using CLKMOD and MASTER bits.
- Configure the required SPI data format using SPIFMTx register.
- If the module is selected to function as Master, the delay parameters can be configured using SPIDELAY register.
- Check for BUFINITACTIVE bit to be active before configuring MIBSPI RAM. (From Device Power On it take Number of Buffers × Peripheral clock period to initialize complete RAM.)
- Enable the Transfer Group interrupts using TGITENST register if required.
- Enable error interrupts using SPIINT0 register if required.
- Set SPIENA to 1 after the SPI is configured.
- The Trigger Source, Trigger Event, Transfer Group start address for the corresponding Transfer groups can be configured using the corresponding TGxCTRL register.
- Configure LPEND to specify the end address of the last TG.
- Similar to SPIDAT1 register 16 Bit Control fields in every TXRAM buffer in the TG has to be configured.
- Configure one of the eight BUFMODE available for each buffer.
- Fill the data to be transmitted in TXDATA field in TXRAM buffers.
- Configure TGENA bit to enable the required Transfer groups. (In case of Trigger event always setting TGENA will trigger the transfer group).
- At the occurrence of the correct trigger event the Transfer group will be triggered and data gets transmitted and received one after the other with out any CPU intervention.
- User can poll Transfer-group interrupt flag or wait for a transfer-completed interrupt to read and write new data to the buffers.

## 27.3 Control Registers

This section describes the SPI control, data, and pin registers. The registers support 8-bit, 16-bit and 32-bit writes. The offset is relative to the associated base address of this module in a system. The base address for the control registers is FFF7 F400h for MibSPI1, FFF7 F600h for MibSPI2, FFF7 F800h for MibSPI3, FFF7 FA00h for MibSPI4, and FFF7 FC00h for MibSPI5.

**NOTE:** TI highly recommends that write values corresponding to the reserved locations of registers be maintained as 0 consistently. This allows future enhancements to use these reserved bits as control bits without affecting the functionality of the module with any older versions of software.

**Table 27-8. SPI Registers**

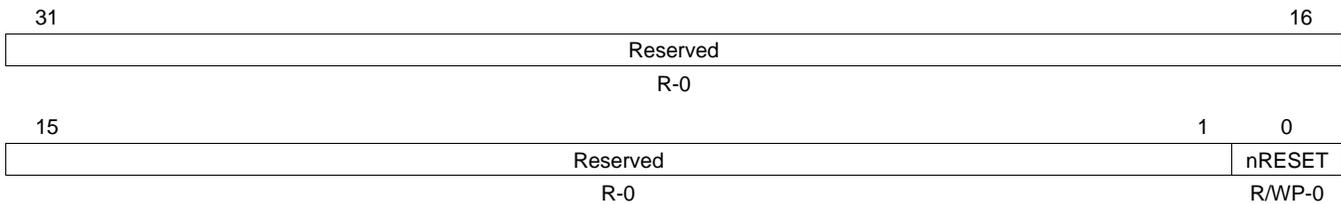
Offset	Acronym	Register Description	Section
00h	SPIGCR0	SPI Global Control Register 0	<a href="#">Section 27.3.1</a>
04h	SPIGCR1	SPI Global Control Register 1	<a href="#">Section 27.3.2</a>
08h	SPIINT0	SPI Interrupt Register	<a href="#">Section 27.3.3</a>
0Ch	SPILVL	SPI Interrupt Level Register	<a href="#">Section 27.3.4</a>
10h	SPIFLG	SPI Flag Register	<a href="#">Section 27.3.5</a>
14h	SPIPC0	SPI Pin Control Register 0	<a href="#">Section 27.3.6</a>
18h	SPIPC1	SPI Pin Control Register 1	<a href="#">Section 27.3.7</a>
1Ch	SPIPC2	SPI Pin Control Register 2	<a href="#">Section 27.3.8</a>
20h	SPIPC3	SPI Pin Control Register 3	<a href="#">Section 27.3.9</a>
24h	SPIPC4	SPI Pin Control Register 4	<a href="#">Section 27.3.10</a>
28h	SPIPC5	SPI Pin Control Register 5	<a href="#">Section 27.3.11</a>
2Ch	SPIPC6	SPI Pin Control Register 6	<a href="#">Section 27.3.12</a>
30h	SPIPC7	SPI Pin Control Register 7	<a href="#">Section 27.3.13</a>
34h	SPIPC8	SPI Pin Control Register 8	<a href="#">Section 27.3.14</a>
38h	SPIDAT0	SPI Transmit Data Register 0	<a href="#">Section 27.3.15</a>
3Ch	SPIDAT1	SPI Transmit Data Register 1	<a href="#">Section 27.3.16</a>
40h	SPIBUF	SPI Receive Buffer Register	<a href="#">Section 27.3.17</a>
44h	SPIEMU	SPI Emulation Register	<a href="#">Section 27.3.18</a>
48h	SPIDELAY	SPI Delay Register	<a href="#">Section 27.3.19</a>
4Ch	SPIDEF	SPI Default Chip Select Register	<a href="#">Section 27.3.20</a>
50h-5Ch	SPIFMT	SPI Data Format Registers	<a href="#">Section 27.3.21</a>
60h	INTVECT0	Interrupt Vector 0	<a href="#">Section 27.3.22</a>
64h	INTVECT1	Interrupt Vector 1	<a href="#">Section 27.3.23</a>
6Ch	SPIPMCTRL	Parallel/Modulo Mode Control Register	<a href="#">Section 27.3.24</a>
70h	MIBSPIE	Multi-buffer Mode Enable Register	<a href="#">Section 27.3.25</a>
74h	TGITENST	TG Interrupt Enable Set Register	<a href="#">Section 27.3.26</a>
78h	TGITENCR	TG Interrupt Enable Clear Register	<a href="#">Section 27.3.27</a>
7Ch	TGITLVST	Transfer Group Interrupt Level Set Register	<a href="#">Section 27.3.28</a>
80h	TGITLVCR	Transfer Group Interrupt Level Clear Register	<a href="#">Section 27.3.29</a>
84h	TGINTFLG	Transfer Group Interrupt Flag Register	<a href="#">Section 27.3.30</a>
90h	TICKCNT	Tick Count Register	<a href="#">Section 27.3.31</a>
94h	LTGPEND	Last TG End Pointer	<a href="#">Section 27.3.32</a>
98h-D4h	TGxCTRL	TGx Control Registers	<a href="#">Section 27.3.33</a>
D8h-F4h	DMAxCTRL	DMA Channel Control Registers	<a href="#">Section 27.3.34</a>
F8h-114h	ICOUNT	DMAxCOUNT Registers	<a href="#">Section 27.3.35</a>
118h	DMACNTLEN	DMA Large Count Register	<a href="#">Section 27.3.36</a>
120h	PAR_ECC_CTRL	Parity/ECC Control Register	<a href="#">Section 27.3.37</a>

**Table 27-8. SPI Registers (continued)**

Offset	Acronym	Register Description	Section
124h	PAR_ECC_STAT	Parity/ECC Status Register	<a href="#">Section 27.3.38</a>
128h	UERRADDR1	Uncorrectable Parity or Double Bit ECC Error Address Register - RXRAM	<a href="#">Section 27.3.39</a>
12Ch	UERRADDR0	Uncorrectable Parity or Double Bit ECC Error Address Register - TXRAM	<a href="#">Section 27.3.40</a>
130h	RXOVRN_BUF_ADDR	RXRAM Overrun Buffer Address Register	<a href="#">Section 27.3.41</a>
134h	IOLPBKTSTCR	I/O Loopback Test Control Register	<a href="#">Section 27.3.42</a>
138h	EXTENDED_PRESCALE1	SPI Extended Prescale Register 1	<a href="#">Section 27.3.43</a>
13Ch	EXTENDED_PRESCALE2	SPI Extended Prescale Register 2	<a href="#">Section 27.3.44</a>
140h	ECCDIAG_CTRL	ECC Diagnostic Control Register	<a href="#">Section 27.3.45</a>
144h	ECCDIAG_STAT	ECC Diagnostic Status Register	<a href="#">Section 27.3.46</a>
148h	SBERRADDR1	Single Bit Error Address Register - RXRAM	<a href="#">Section 27.3.47</a>
152h	SBERRADDR0	Single Bit Error Address Register - TXRAM	<a href="#">Section 27.3.48</a>

**27.3.1 SPI Global Control Register 0 (SPIGCR0)**

**Figure 27-32. SPI Global Control Register 0 (SPIGCR0) [offset = 00h]**



LEGEND: R/W = Read/Write; R = Read only; WP = Write in privilege mode only; -n = value after reset

**Table 27-9. SPI Global Control Register 0 (SPIGCR0) Field Descriptions**

Bit	Field	Value	Description
31-1	Reserved	0	Read returns 0. Writes have no effect.
0	nRESET	0	This is the local reset control for the module. This bit needs to be set to 1 before any operation on SPI / MibSPI can be done. Only after setting this bit to 1, the Auto Initialization of Multi-buffer RAM starts. Clearing this bit to 0 will result in all of the control and status register values to return to their default values.. SPI is in the reset state.
		1	SPI is out of the reset state.

### 27.3.2 SPI Global Control Register 1 (SPIGCR1)

**Figure 27-33. SPI Global Control Register 1 (SPIGCR1) [offset = 04h]**

31	25	24	23	17	16		
Reserved	SPIEN		Reserved		LOOPBACK		
R-0	R/W-0		R-0		R/WP-0		
15	9	8	7	2	1	0	
Reserved		POWERDOWN		Reserved		CLKMOD	MASTER
R-0		R/W-0		R-0		R/W-0	R/W-0

LEGEND: R/W = Read/Write; R = Read only; WP = Write in privilege mode only; -n = value after reset

**Table 27-10. SPI Global Control Register 1 (SPIGCR1) Field Descriptions**

Bit	Field	Value	Description
31-25	Reserved	0	Read returns 0. Writes have no effect.
24	SPIEN	0 1	<p>SPI enable. This bit enables SPI transfers. This bit must be set to 1 after all other SPI configuration bits have been written. When the SPIEN bit is 0 or cleared to 0, the following SPI registers get forced to their default states:</p> <ul style="list-style-type: none"> <li>Both TX and RX shift registers</li> <li>The TXDATA fields of the SPI Transmit Data Register 0 (SPIDAT0) and the SPI Transmit Data Register 1 (SPIDAT1)</li> <li>All the fields of the SPI Flag Register (SPIFLG)</li> <li>Contents of SPIBUF and the internal RXBUF registers</li> </ul> <p>0 The SPI is not activated for transfers. 1 Activates SPI</p>
23-17	Reserved	0	Reads returns 0. Writes have no effect.
16	LOOPBACK	0 1	<p>Internal loop-back test mode. The internal self-test option can be enabled by setting this bit. If the SPISIMO and SPISOMI pins are configured with SPI functionality, then the SPISIMO[7:0] pins are internally connected to the SPISOMI[7:0] pins (transmit data is looped back as receive data). GIO mode for these pins is not supported in loopback mode. Externally, during loop-back operation, the SPICLK pin outputs an inactive value and SPISOMI[7:0] remains in the high-impedance state. If the SPI is initialized in slave mode or a data transfer is ongoing, errors may result.</p> <p><b>Note: This loopback mode can only be used in master mode. Master mode must be selected before setting LOOPBACK. When this mode is selected, the CLKMOD bit should be set to 1, meaning that SPICLK is internally generated.</b></p> <p>0 Internal loop-back test mode disabled. 1 Internal loop-back test mode enabled.</p>
15-9	Reserved	0	Reads returns 0. Writes have no effect.
8	POWERDOWN	0 1	<p>When active, the SPI state machine enters a power-down state.</p> <p>0 The SPI is in active mode. 1 The SPI is in power-down mode.</p>
7-2	Reserved	0	Reads returns 0. Writes have no effect.
1	CLKMOD	0 1	<p>Clock mode. This bit selects either an internal or external clock source. This bit also determines the I/O direction of the <math>\overline{\text{SPIENA}}</math> and <math>\overline{\text{SPISCS}}[3:0]</math> pins in functional mode.</p> <p>0 Clock is external.</p> <ul style="list-style-type: none"> <li><math>\overline{\text{SPIENA}}</math> is an output.</li> <li><math>\overline{\text{SPISCS}}[3:0]</math> are inputs.</li> </ul> <p>1 Clock is internally-generated.</p> <ul style="list-style-type: none"> <li><math>\overline{\text{SPIENA}}</math> is an output.</li> <li><math>\overline{\text{SPISCS}}[3:0]</math> are outputs.</li> </ul>

**Table 27-10. SPI Global Control Register 1 (SPIGCR1) Field Descriptions (continued)**

Bit	Field	Value	Description
0	MASTER		SPISIMO/SPISOMI pin direction determination. Sets the direction of the SPISIMO and SPISOMI pins. <b>Note: For master-mode operation of the SPI, MASTER bit should be set to 1 and CLKMOD bit can be set either 1 or 0. The master-mode SPI can run on an external clock on SPICLK. For slave mode operation, both the MASTER and CLKMOD bits should be cleared to 0. Any other combinations may result in unpredictable behavior of the SPI. In slave mode, SPICLK will not be generated internally in slave mode.</b>
		0	SPISIMO[7:0] pins are inputs, SPISOMI[7:0] pins are outputs
		1	SPISOMI[7:0] pins are inputs, SPISIMO[7:0] pins are outputs

### 27.3.3 SPI Interrupt Register (SPIINT0)

**Figure 27-34. SPI Interrupt Register (SPIINT0) [offset = 08h]**

31						25	24	
		Reserved					ENABLEHIGHZ	
		R-0					R/W-0	
23						17	16	
		Reserved					DMAREQEN	
		R-0					R/W-0	
15				10	9	8		
		Reserved			TXINTENA	RXINTENA		
		R-0			R/W-0	R/W-0		
7	6	5	4	3	2	1	0	
Reserved	RXOVRNINT ENA	Reserved	BITERR ENA	DESYNC ENA	PARERR ENA	TIMEOUT ENA	DLENERR ENA	
R-0	R/W-0	R-0	R/W-0	R/W-0	R/W-0	R/W-0	R/W-0	

LEGEND: R/W = Read/Write; R = Read only; -n = value after reset

**Table 27-11. SPI Interrupt Register (SPIINT0) Field Descriptions**

Bit	Field	Value	Description
31-25	Reserved	0	Read returns 0. Writes have no effect.
24	ENABLEHIGHZ		$\overline{\text{SPIEN}}\overline{\text{A}}$ pin high-impedance enable. When active, the $\overline{\text{SPIEN}}\overline{\text{A}}$ pin (when it is configured as a WAIT functional output signal in a slave SPI) is forced to high-impedance when not driving a low signal. If inactive, then the pin will output both a high and a low signal.
		0	$\overline{\text{SPIEN}}\overline{\text{A}}$ pin is pulled high when not active.
		1	$\overline{\text{SPIEN}}\overline{\text{A}}$ pin remains high-impedance when not active.
23-17	Reserved	0	Read returns 0. Writes have no effect.
16	DMAREQEN		DMA request enable. Enables the DMA request signal to be generated for both receive and transmit channels. Enable DMA REQ only after setting the SPIEN bit to 1.
		0	DMA is not used.
		1	DMA requests will be generated.
			<b>Note: A DMA request will be generated on the TX DMA REQ line each time a word is copied to the shift register either from TXBUF or directly from SPIDAT0/SPIDAT1 writes.</b>
			<b>Note: A DMA request will be generated on the RX DMA REQ line each time a word is copied to the SPIBUF register either from RXBUF or directly from the shift register.</b>
15-10	Reserved	0	Read returns 0. Writes have no effect.

**Table 27-11. SPI Interrupt Register (SPIINT0) Field Descriptions (continued)**

Bit	Field	Value	Description
9	TXINTENA	0 No interrupt will be generated upon TXINTFLG being set to 1. 1 An interrupt will be generated upon TXINTFLG being set to 1.	Causes an interrupt to be generated every time data is written to the shift register, so that the next word can be written to TXBUF. Setting this bit will generate an interrupt if the TXINTFLG bit (SPI Flag Register (SPIFLG)[9]) is set to 1.  The transmitter empty interrupt is valid in compatibility mode of SPI only. In multi-buffered mode, this interrupts will not be generated, even if it is enabled.  <b>Note: An interrupt request will be generated as soon as this bit is set to 1. By default it will be generated on the INT0 line. The SPILVL register can be programmed to change the interrupt line.</b>
8	RXINTENA	0 Interrupt will not be generated. 1 Interrupt will be generated.	Causes an interrupt to be generated when the RXINTFLAG bit (SPI Flag Register (SPIFLG)[8]) is set by hardware.  The receiver full interrupt is valid in compatibility mode of SPI only. In multi-buffered mode, this interrupts will not be generated, even if it is enabled.
7	Reserved	0	Read returns 0. Writes have no effect.
6	RXOVRNINTENA	0 Overrun interrupt will not be generated. 1 Overrun interrupt will be generated.	Overrun interrupt enable.
5	Reserved	0	Read returns 0. Writes have no effect.
4	BITERRENA	0 No interrupt asserted upon bit error. 1 Enables interrupt on bit error.	Enables interrupt on bit error.
3	DESYNCENA	0 No interrupt asserted upon desynchronization error. 1 An interrupt is asserted on desynchronization of the slave (DESYNC = 1).	Enables interrupt on desynchronized slave. DESYNCENA is used in master mode only.
2	PARERRENA	0 No interrupt asserted on parity error. 1 An interrupt is asserted on a parity error.	Enables interrupt-on-parity-error.
1	TIMEOUTENA	0 No interrupt asserted upon ENA signal time-out. 1 An interrupt is asserted on a time-out of the ENA signal.	Enables interrupt on ENA signal time-out.
0	DLENERRENA	0 No interrupt is generated upon data length error. 1 An interrupt is asserted when a data-length error occurs.	Data length error interrupt enable. A data length error occurs under the following conditions. <b>Master:</b> When $\overline{\text{SPIENA}}$ is used, if the $\overline{\text{SPIENA}}$ pin from the slave is deasserted before the master has completed its transfer, the data length error is set. That is, if the character length counter has not overflowed while $\overline{\text{SPIENA}}$ deassertion is detected, then it means that the slave has neither received full data from the master nor has it transmitted complete data. <b>Slave:</b> When SPISCS pins are used, if the incoming valid SPISCS pin is deactivated before the character length counter overflows, then the data length error is set.

### 27.3.4 SPI Interrupt Level Register (SPILVL)

**Figure 27-35. SPI Interrupt Level Register (SPILVL) [offset = 0Ch]**

31	Reserved								16
R-0									
15	Reserved						10	9	8
R-0						TXINTLVL	RXINTLVL		
R-0						R/W-0		R/W-0	
7	6	5	4	3	2	1	0		
Reserved	RXOVRNINTL	Reserved	BITERRLVL	DESYNCLVL	PARERRLVL	TIMEOUTLVL	DLENERLVL		
R-0	R/W-0	R-0	R/W-0	R/W-0	R/W-0	R/W-0	R/W-0		

LEGEND: R/W = Read/Write; R = Read only; -n = value after reset

**Table 27-12. SPI Interrupt Level Register (SPILVL) Field Descriptions**

Bit	Field	Value	Description
31-10	Reserved	0	Read returns 0. Writes have no effect.
9	TXINTLVL	0	Transmit interrupt level.
		1	Transmit interrupt is mapped to interrupt line INT0.
8	RXINTLVL	0	Transmit interrupt is mapped to interrupt line INT1.
		1	Receive interrupt level.
7	Reserved	0	Receive interrupt is mapped to interrupt line INT0.
		1	Receive interrupt is mapped to interrupt line INT1.
6	RXOVRNINTLVL	0	Receive overrun interrupt level.
		1	Receive overrun interrupt is mapped to interrupt line INT0.
5	Reserved	0	Receive overrun interrupt is mapped to interrupt line INT1.
		1	Read returns 0. Writes have no effect.
4	BITERRLVL	0	Bit error interrupt level.
		1	Bit error interrupt is mapped to interrupt line INT0.
3	DESYNCLVL	0	Bit error interrupt is mapped to interrupt line INT1.
		1	Desynchronized slave interrupt level. (master mode only).
2	PARERRLVL	0	An interrupt caused by desynchronization of the slave is mapped to interrupt line INT0.
		1	An interrupt caused by desynchronization of the slave is mapped to interrupt line INT1.
1	TIMEOUTLVL	0	Parity error interrupt level.
		1	A parity error interrupt is mapped to interrupt line INT0.
0	DLENERLVL	0	A parity error interrupt is mapped to interrupt line INT1.
		1	SPIEN $\bar{A}$ pin time-out interrupt level.
		0	An interrupt on a time-out of the ENA signal (TIMEOUT = 1) is mapped to interrupt line INT0.
		1	An interrupt on a time-out of the ENA signal (TIMEOUT = 1) is mapped to interrupt line INT1.
		0	Data length error interrupt level (line) select.
		1	An interrupt on data length error is mapped to interrupt line INT0.
		1	An interrupt on data length error is mapped to interrupt line INT1.

### 27.3.5 SPI Flag Register (SPIFLG)

Software must check all flag bits when reading this register.

**Figure 27-36. SPI Flag Register (SPIFLG) [offset = 10h]**

31	25	24	23	16			
Reserved			BUFINIT ACTIVE	Reserved			
R-0			R-0	R-0			
15				10	9	8	
Reserved				TXINTFLG	RXINTFLG		
R-0				R-0	R/W1C-0		
7	6	5	4	3	2	1	0
Reserved	RXOVRNINT FLG	Reserved	BITERR FLG	DESYNC FLG	PARERR FLG	TIMEOUT FLG	DLENERR FLG
R-0	R/W1C-0	R-0	R/W1C-0	R/W1C-0	R/W1C-0	R/W1C-0	R/W1C-0

LEGEND: R/W = Read/Write; R = Read only; C = Clear; -n = value after reset

**Table 27-13. SPI Flag Register (SPIFLG) Field Descriptions**

Bit	Field	Value	Description
31-25	Reserved	0	Read returns 0. Writes have no effect.
24	BUFINITACTIVE	0 1	<p>Indicates the status of multi-buffer initialization process. Software can poll for this bit to determine if it can proceed with the register configuration of multi-buffer mode registers or buffer handling.</p> <p><b>Note: If the SPIFLG register is read while the multi-buffer RAM is being initialized, the BUF INIT ACTIVE bit will be read as 1. If SPIFLG is read after the internal automatic buffer initialization is complete, this bit will be read as 0. This bit will show a value of 1 as long as the nRESET bit is 0, but does not really indicate that buffer initialization is underway. Buffer initialization starts only when the nRESET bit is set to 1.</b></p> <p>0 Multi-buffer RAM initialization is complete.</p> <p>1 Multi-buffer RAM is still being initialized. Do not attempt to write to either multi-buffer RAM or any multi-buffer mode registers.</p>
23-10	Reserved	0	Read returns 0. Writes have no effect.
9	TXINTFLG	0 1	<p>Transmitter-empty interrupt flag. Serves as an interrupt flag indicating that the transmit buffer (TXBUF) is empty and a new word can be written to it. This flag is set when a word is copied to the shift register either directly from SPIDAT0/SPIDAT1 or from the TXBUF register. This bit is cleared by one of following methods:</p> <ul style="list-style-type: none"> <li>• Writing a new data to either SPIDAT0 or SPIDAT1</li> <li>• Writing a 0 to SPIEN (SPIGCR1[24])</li> </ul> <p>0 Transmit buffer is now full. No interrupt pending for transmitter empty.</p> <p>1 Transmit buffer is empty. An interrupt is pending to fill the transmitter.</p>

**Table 27-13. SPI Flag Register (SPIFLG) Field Descriptions (continued)**

Bit	Field	Value	Description
8	RXINTFLG	0 1	<p>Receiver-full interrupt flag. This flag is set when a word is received and copied into the buffer register (SPIBUF). If RXINTEN is enabled, an interrupt is also generated. This bit is cleared under the following methods:</p> <ul style="list-style-type: none"> <li>• Reading the SPIBUF register</li> <li>• Reading TGINTVECT0 or TGINTVECT1 register when there is a receive buffer full interrupt</li> <li>• Writing a 1 to this bit</li> <li>• Writing a 0 to SPIEN (SPIGCR1[24])</li> <li>• System reset</li> </ul> <p>During emulation mode, however, a read to the emulation register (SPIEMU) does not clear this flag bit.</p> <p>0 No new received data pending. Receive buffer is empty.</p> <p>1 A newly received data is ready to be read. Receive buffer is full.</p> <p><b>Note: Clearing RXINTFLG bit by writing a 1 before reading the SPIBUF sets the RXEMPTY bit of the SPIBUF register too. In this way, one can ignore a received word. However, if the internal RXBUF is already full, the data from RXBUF will be copied to SPIBUF and the RXEMPTY bit will be cleared again. The SPIBUF contents should be read first if this situation needs to be avoided.</b></p>
7	Reserved	0	Read returns 0. Writes have no effect.
6	RXOVRNINTFLG	0 1	<p>Receiver overrun flag. The SPI hardware sets this bit when a receive operation completes before the previous character has been read from the receive buffer. The bit indicates that the last received character has been overwritten and therefore lost. The SPI will generate an interrupt request if this bit is set and the RXOVRN INTEN bit (SPIINT0.6) is set high. This bit is cleared under the following conditions in compatibility mode of MibSPI:</p> <ul style="list-style-type: none"> <li>• Reading TGINTVECT0 or TGINTVECT1 register when there is a receive-buffer-overrun interrupt</li> <li>• Writing a 1 to RXOVRNINTFLG in the SPI Flag Register (SPIFLG) itself</li> <li>• Writing a 0 to SPIEN</li> <li>• Reading the data field of the SPIBUF register</li> </ul> <p><b>Note: Reading the SPIBUF register does not clear this RXOVRNINTFLG bit. If an RXOVRN interrupt is detected, then the SPIBUF may need to be read twice to get to the overrun buffer. This is due to the fact that the overrun will always occur to the internal RXBUF. Each read to the SPIBUF will result in RXBUF contents (if it is full) getting copied to SPIBUF.</b></p> <p><b>Note: There is a special condition under which the RXOVRNINTFLG flag gets set. If both SPIBUF and RXBUF are already full and while another reception is underway, if any errors (TIMEOUT, BITERR, and DLEN_ERR) occur, then RXOVRN in RXBUF and RXOVRNINTFLG in SPIFLG registers will be set to indicate that the status flags are getting overwritten by the new transfer. This overrun should be treated like a receive overrun.</b></p> <p>In multi-buffer mode of MibSPI, this bit is cleared under the following conditions:</p> <ul style="list-style-type: none"> <li>• Reading the RXOVRN_BUF_ADDR register</li> <li>• Writing a 1 to RXOVRNINTFLG in the SPI Flag Register (SPIFLG) itself</li> </ul> <p>In multi-buffer mode, if RXOVRNINTFLG is set, then the address of the buffer which experienced the overrun is available in RXOVRN_BUF_ADDR.</p> <p>0 Overrun condition did not occur.</p> <p>1 Overrun condition has occurred.</p>
5	Reserved	0	Read returns 0. Writes have no effect.
4	BITERRFLG	0 1	<p>Mismatch of internal transmit data and transmitted data. This flag can be cleared by one of the following methods:</p> <ul style="list-style-type: none"> <li>• Write a 1 to this bit.</li> <li>• Set the SPIENA bit to 0.</li> </ul> <p>0 No bit error occurred.</p> <p>1 A bit error occurred. The SPI samples the signal of the transmit pin (master: SIMO, slave: SOMI) at the receive point (half clock cycle after transmit point). If the sampled value differs from the transmitted value a bit error is detected and the flag BITERRFLG is set. If BITERRFLG is set an interrupt is asserted. Possible reasons for a bit error can be an excessively high bit rate, capacitive load, or another master/slave trying to transmit at the same time.</p>

**Table 27-13. SPI Flag Register (SPIFLG) Field Descriptions (continued)**

Bit	Field	Value	Description
3	DESYNCFLG	0 No slave desynchronization detected. 1 A slave device is desynchronized. The master monitors the ENABLE signal coming from the slave device and sets the DESYNC flag after the last bit is transmitted plus $t_{TZEDELAY}$ . If DESYNCEA is set an interrupt is asserted. Desynchronization can occur if a slave device misses a clock edge coming from the master.	
2	PARERRFLG	0 No parity error detected. 1 A parity error occurred.	
1	TIMEOUTFLG	0 No ENA-signal time-out occurred. 1 An ENA signal time-out occurred. The SPI generates a time-out because the slave hasn't responded in time by activating the ENA signal after the chip select signal has been activated. If a time-out condition is detected the corresponding chip select is deactivated immediately and the TIMEOUT flag is set. In addition the TIMEOUT flag in the status field of the corresponding buffer is set. The transmit request of the concerned buffer is cleared, that is, the SPI does not re-start a data transfer from this buffer.	
0	DLENERRFLG	0 No data length error has occurred. 1 A data length error has occurred.	

### 27.3.6 SPI Pin Control Register 0 (SPIPC0)

**NOTE: Register bits vary by device**

Register bits 31:24 and 23:16 of SPIPC0 to SPIPC9 reflect the number of SIMO/SOMI data lines per device. On devices with 8 data-line support, all of bits 31 to 16 are implemented. On devices with less than 8 data lines, only a subset of these bits are available. Unimplemented bits return 0 upon read and are not writable.

**Figure 27-37. SPI Pin Control Register 0 (SPIPC0) [offset = 14h]**

31	24	23				16
SOMIFUN			SIMOFUN			
R/W-0			R/W-0			
15	12	11	10	9	8	
Reserved		SOMIFUN0	SIMOFUN0	CLKFUN	ENAFUN	
R-0		R/W-0	R/W-0	R/W-0	R/W-0	
7	SCSFUN				0	
R/W-0						

LEGEND: R/W = Read/Write; R = Read only; -n = value after reset

**Table 27-14. SPI Pin Control (SPIPC0) Field Descriptions**

Bit	Field	Value	Description
31-24	SOMIFUN		Slave out, master in function. Determines whether SPISOMI[x] is to be used as a general-purpose I/O pin or as a SPI functional pin.
		0	SPISOMI[x] pin is a GIO pin
		1	SPISOMI[x] pin is a SPI functional pin
23-16	SIMOFUN		Slave in, master out function. Determines whether SPISIMO[x] is to be used as a general-purpose I/O pin or as a SPI functional pin.
		0	The SPISIMOx pin is a GIO pin.
		1	The SPISIMOx pin is a SPI functional pin
15-12	Reserved	0	Read returns 0. Writes have no effect.
11	SOMIFUN0		Slave out, master in function. This bit determines whether the SPISOMI0 pin is to be used as a general-purpose I/O pin or as a SPI functional pin.
		0	The SPISOMI0 pin is a GIO pin.
		1	The SPISOMI0 pin is a SPI functional pin.
10	SIMOFUN0		Slave in, master out function. This bits determine whether each SPISIMO0 pin is to be used as a general-purpose I/O pin or as a SPI functional pin.
		0	The SPISIMO0 pin is a GIO pin.
		1	The SPISIMO0 pin is a SPI functional pin.

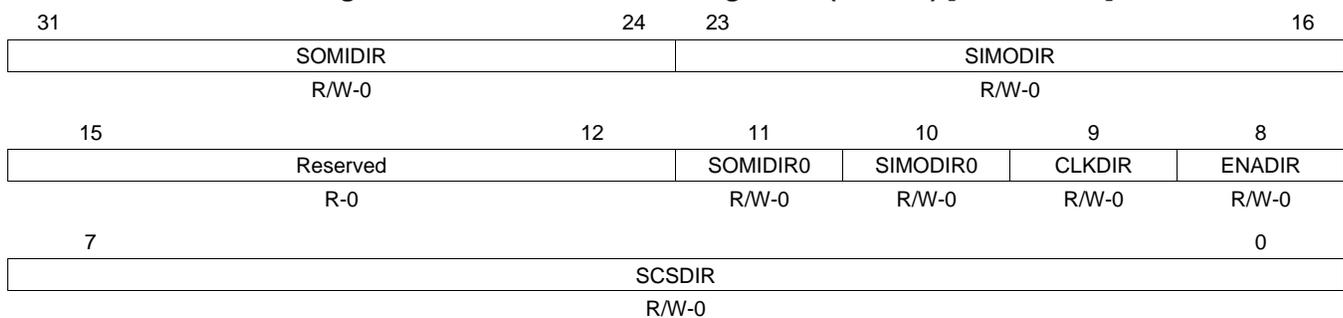
**Table 27-14. SPI Pin Control (SPIPC0) Field Descriptions (continued)**

Bit	Field	Value	Description
9	CLKFUN		SPI clock function. This bit determines whether the SPICLK pin is to be used as a general-purpose I/O pin, or as a SPI functional pin.
		0	The SPICLK pin is a GIO pin.
8	ENAFUN		$\overline{\text{SPIEN}}\overline{\text{A}}$ function. This bit determines whether the $\overline{\text{SPIEN}}\overline{\text{A}}$ pin is to be used as a general-purpose I/O pin or as a SPI functional pin.
		0	The $\overline{\text{SPIEN}}\overline{\text{A}}$ pin is a GIO pin.
7-0	SCSFUN		$\overline{\text{SPISCS}}\overline{\text{x}}$ function. Determines whether each $\overline{\text{SPISCS}}\overline{\text{x}}$ pin is to be used as a general-purpose I/O pin or as a SPI functional pin. If the slave $\overline{\text{SPISCS}}\overline{\text{x}}$ pins are in functional mode and receive an inactive high signal, the slave SPI will place its output in high-z and disable shifting.
		0	The $\overline{\text{SPISCS}}\overline{\text{x}}$ pin is a GIO pin.
		1	The $\overline{\text{SPISCS}}\overline{\text{x}}$ pin is a SPI functional pin.

### 27.3.7 SPI Pin Control Register 1 (SPIPC1)

**NOTE:** Register bits vary by device

Register bits 31:24 and 23:16 of this register reflect the number of SIMO/SOMI data lines per device. On devices with 8 data-line support, all of bits 31 to 16 are implemented. On devices with less than 8 data lines, only a subset of these bits are available. Unimplemented bits return 0 upon read and are not writable.

**Figure 27-38. SPI Pin Control Register 1 (SPIPC1) [offset = 18h]**

LEGEND: R/W = Read/Write; R = Read only; -n = value after reset

**Table 27-15. SPI Pin Control Register (SPIPC1) Field Descriptions**

Bit	Field	Value	Description
31-24	SOMIDIR		SPISOMIx direction. Controls the direction of SPISOMIx when used for general-purpose I/O. If SPISOMIx pin is used as a SPI functional pin, the I/O direction is determined by the MASTER bit in the SPIGCR1 register.
		0	SPISOMIx pin is an input
		1	SPISOMIx pin is an output

**Table 27-15. SPI Pin Control Register (SPIPC1) Field Descriptions (continued)**

Bit	Field	Value	Description
23-16	SIMODIR		<p>SPISIMOX direction. Controls the direction of SPISIMOX when used for general-purpose I/O. If SPISIMOX pin is used as a SPI functional pin, the I/O direction is determined by the MASTER bit in the SPIGCR1 register.</p> <p><b>Note: Duplicate Control Bits for SPISIMO. Bit 16 is not physically implemented. It is a mirror of Bit 10. Any write to bit 16 will be reflected on bit 10. When bit 16 and bit 10 are simultaneously written, the value of bit 10 will control the SPISOMI pin. The read value of Bit 16 always reflects the value of bit 10.</b></p> <p>0 SPISOMIOx pin is an input</p> <p>1 SPISOMIOx pin is an output</p>
15-12	Reserved	0	Read returns 0. Writes have no effect.
11	SOMIDIR0		<p>SPISOMI0 direction. This bit controls the direction of the SPISOMI0 pin when it is used as a general-purpose I/O pin. If the SPISOMI0 pin is used as a SPI functional pin, the I/O direction is determined by the MASTER bit in the SPIGCR1 register.</p> <p>0 The SPISOMI0 pin is an input.</p> <p>1 The SPISOMI0 pin is an output.</p>
10	SIMODIR0		<p>SPISIMO0 direction. This bit controls the direction of the SPISIMO0 pin when it is used as a general-purpose I/O pin. If the SPISIMO0 pin is used as a SPI functional pin, the I/O direction is determined by the MASTER bit in the SPIGCR1 register.</p> <p>0 The SPISIMO0 pin is a GIO pin.</p> <p>1 The SPISIMO0 pin is a SPI functional pin.</p>
9	CLKDIR		<p>SPICLK direction. This bit controls the direction of the SPICLK pin when it is used as a general-purpose I/O pin. In functional mode, the I/O direction is determined by the CLKMOD bit.}</p> <p>0 The SPICLK pin is an input.</p> <p>1 The SPICLK pin is an output.</p>
8	ENADIR		<p><math>\overline{\text{SPIENA}}</math> direction. This bit controls the direction of the <math>\overline{\text{SPIENA}}</math> pin when it is used as a general-purpose I/O. If the <math>\overline{\text{SPIENA}}</math> pin is used as a functional pin, then the I/O direction is determined by the CLKMOD bit (SPIGCR1[1]).</p> <p>0 The <math>\overline{\text{SPIENA}}</math> pin is an input.</p> <p>1 The <math>\overline{\text{SPIENA}}</math> pin is an output.</p>
7-0	SCSDIR		<p><math>\overline{\text{SPISCSx}}</math> direction. These bits control the direction of each <math>\overline{\text{SPISCSx}}</math> pin when it is used as a general-purpose I/O pin. Each pin could be configured independently from the others. If the <math>\overline{\text{SPISCSx}}</math> is used as a SPI functional pin; the I/O direction is determined by the CLKMOD bit (SPIGCR1[1]).</p> <p>0 The <math>\overline{\text{SPISCSx}}</math> pin is an input.</p> <p>1 The <math>\overline{\text{SPISCSx}}</math> pin is an output.</p>

### 27.3.8 SPI Pin Control Register 2 (SPIPC2)

**NOTE: Register bits vary by device**

Register bits 31:24 and 23:16 of this register reflect the number of SIMO/SOMI data lines per device. On devices with 8 data-line support, all of bits 31 to 16 are implemented. On devices with less than 8 data lines, only a subset of these bits are available. Unimplemented bits return 0 upon read and are not writable.

**Figure 27-39. SPI Pin Control Register 2 (SPIPC2) [offset = 1Ch]**

31					24	23				16
SOMIDIN						SIMODIN				
R/W-U						R/W-U				
15					12	11	10	9	8	
Reserved						SOMIDIN0	SIMODIN0	CLKDIN	ENADIN	
R-0						R-U	R-U	R-U	R-U	
7										0
SCSDIN										
R/W-U										

LEGEND: R/W = Read/Write; R = Read only; U = Undefined; -n = value after reset

**Table 27-16. SPI Pin Control Register 2 (SPIPC2) Field Descriptions**

Bit	Field	Value	Description
31-24	SOMIDIN	0	SPISOMIx data in. The value of the SPISOMIx pins. The SPISOMIx pin is logic 0.
		1	The SPISOMIx pin is logic 1.
23-16	SIMODIN	0	SPISIMOX data in. The value of the SPISIMOX pins. The SPISIMOX pin is logic 0.
		1	The SPISIMOX pin is logic 1.
15-12	Reserved	0	Read returns 0. Writes have no effect.
11	SOMIDIN0	0	SPISOMI0 data in. The value of the SPISOMI0 pin. The SPISOMI0 pin is logic 0.
		1	The SPISOMI0 pin is logic 1.
10	SIMODIN0	0	SPISIMO0 data in. The value of the SPISIMO0 pin. The SPISIMO0 pin is logic 0.
		1	The SPISIMO0 pin is logic 1.
9	CLKDIN	0	Clock data in. The value of the SPICLK pin. pin. The SPICLK pin is logic 0.
		1	The SPICLK pin is logic 1.
8	ENADIN	0	$\overline{\text{SPIEN}}\overline{\text{A}}$ data in. The the value of the $\overline{\text{SPIEN}}\overline{\text{A}}$ pin. The $\overline{\text{SPIEN}}\overline{\text{A}}$ pin is logic 0.
		1	The $\overline{\text{SPIEN}}\overline{\text{A}}$ pin is logic 1.
7-0	SCSDIN	0	$\overline{\text{SPISCS}}\overline{\text{x}}$ data in. The value of the $\overline{\text{SPISCS}}\overline{\text{x}}$ pin. The $\overline{\text{SPISCS}}\overline{\text{x}}$ pin is logic 0.
		1	The $\overline{\text{SPISCS}}\overline{\text{x}}$ pin is logic 1.

### 27.3.9 SPI Pin Control Register 3 (SPIPC3)

**NOTE: Register bits vary by device**

Register bits 31:24 and 23:16 of this register reflect the number of SIMO/SOMI data lines per device. On devices with 8 data-line support, all of bits 31 to 16 are implemented. On devices with less than 8 data lines, only a subset of these bits are available. Unimplemented bits return 0 upon read and are not writable.

**Figure 27-40. SPI Pin Control Register 3 (SPIPC3) [offset = 20h]**

31					24	23					16
SOMIDOUT						SIMODOUT					
R/W-U						R/W-U					
15					12	11	10	9	8		
Reserved				SOMIDOUT0		SIMODOUT0	CLKDOUT	ENADOUT			
R-0				R/W-U		R/W-U	R/W-U	R/W-U			
7											0
SCSDOUT											
R/W-U											

LEGEND: R/W = Read/Write; R = Read only; U = Undefined; -n = value after reset

**Table 27-17. SPI Pin Control Register 3 (SPIPC3) Field Descriptions**

Bit	Field	Value	Description
31-24	SOMIDOUT	0 1	SPISOMIx data out write. This bit is only active when the SPISOMIx pin is configured as a general-purpose I/O pin and configured as an output pin. The value of this bit indicates the value sent to the pin. <b>Bit 11 or bit 24 can be used to set the direction for pin SPISOMI0. If a 32-bit write is performed, bit 11 will have priority over bit 24.</b> Current value on SPISOMIx pin is logic 0. Current value on SPISOMIx pin is logic 1
23-16	SIMODOUT	0 1	SPISIMOX data out write. This bit is only active when the SPISIMOX pin is configured as a general-purpose I/O pin and configured as an output pin. The value of this bit indicates the value sent to the pin. <b>Bit 10 or bit 16 can be used to set the direction for pin SPISOMI0. If a 32-bit write is performed, bit 10 will have priority over bit 16.</b> Current value on SPISIMOX pin is logic 0. Current value on SPISIMOX pin is logic 1.
15-12	Reserved	0	Read returns 0. Writes have no effect.
11	SOMIDOUT0	0 1	SPISOMI0 data out write. This bit is only active when the SPISOMI0 pin is configured as a general-purpose I/O pin and configured as an output pin. The value of this bit indicates the value sent to the pin. Current value on SPISOMI0 pin is logic 0. Current value on SPISOMI0 pin is logic 1.
10	SIMODOUT0	0 1	SPISIMO0 data out write. This bit is only active when the SPISIMO0 pin is configured as a general-purpose I/O pin and configured as an output pin. The value of this bit indicates the value sent to the pin. The SPISIMO0 pin is logic 0. The SPISIMO0 pin is logic 1.
9	CLKDOUT	0 1	SPICLK data out write. This bit is only active when the SPICLK pin is configured as a general-purpose I/O pin and configured as an output pin. The value of this bit indicates the value sent to the pin. The SPICLK pin is logic 0. The SPICLK pin is logic 1.

**Table 27-17. SPI Pin Control Register 3 (SPIPC3) Field Descriptions (continued)**

Bit	Field	Value	Description
8	ENADOUT	0 1	$\overline{\text{SPIENA}}$ data out write. Only active when the $\overline{\text{SPIENA}}$ pin is configured as a general-purpose I/O pin and configured as an output pin. The value of this bit indicates the value sent to the pin. The $\overline{\text{SPIENA}}$ pin is logic 0. The $\overline{\text{SPIENA}}$ pin is logic 1.
7-0	SCSDOUT	0 1	$\overline{\text{SPISCSx}}$ data out write. Only active when the $\overline{\text{SPISCSx}}$ pins are configured as a general-purpose I/O pins and configured as an output pins. The value of these bits indicates the value sent to the pins. The $\overline{\text{SPISCSx}}$ pin is logic 0. The $\overline{\text{SPISCSx}}$ pin is logic 1.

### 27.3.10 SPI Pin Control Register 4 (SPIPC4)

**NOTE: Register bits vary by device**

Register bits 31:24 and 23:16 of this register reflect the number of SIMO/SOMI data lines per device. On devices with 8 data-line support, all of bits 31 to 16 are implemented. On devices with less than 8 data lines, only a subset of these bits are available. Unimplemented bits return 0 upon read and are not writable.

**Figure 27-41. SPI Pin Control Register 4 (SPIPC4) [offset = 24h]**

31	24				23	16				
SOMISET					SIMOSET					
R/W-U					R/W-U					
15	12				11	10	9	8		
Reserved					SOMISET0	SIMOSET0	CLKSET	ENASET		
R-0					R/W-U	R/W-U	R/W-U	R/W-U		
7	SCSSET								0	
R/W-U										

LEGEND: R/W = Read/Write; R = Read only; U = Undefined; -n = value after reset

**Table 27-18. SPI Pin Control Register 4 (SPIPC4) Field Descriptions**

Bit	Field	Value	Description
31-24	SOMISET	0 1	SPISOMIx data out set. This pin is only active when the SPISOMIx pin is configured as a general-purpose output pin. <b>Bit 11 or bit 24 can be used to set the SOMI0 pin. If a 32-bit write is performed, bit 11 will have priority over bit 24.</b> Read: SPISIMOx is logic 0. Write: No effect. Read: SPISOMIx is logic 1. Write: Logic 1 is placed on SPISOMIx pin if it is in general-purpose output mode.

**Table 27-18. SPI Pin Control Register 4 (SPIPC4) Field Descriptions (continued)**

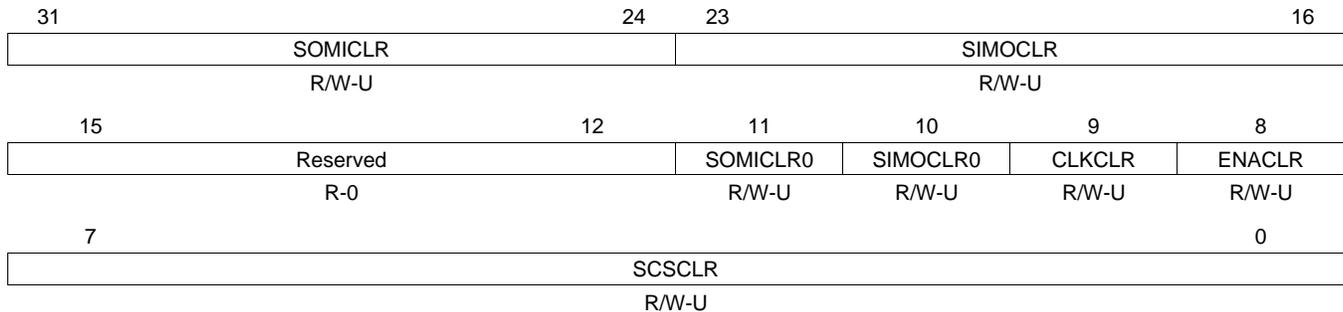
Bit	Field	Value	Description
23-16	SIMOSET	0	SPISIM0x data out set. This bit is only active when the SPISIM0x pin is configured as a general-purpose output pin. <b>Bit 10 or bit 16 can be used to set the SOMI0 pin. If a 32-bit write is performed, bit 10 will have priority over bit 16.</b> Read: SPISIMlx is logic 0. Write: No effect.
		1	Read: SPISIMlx is logic 1. Write: Logic 1 is placed on SPISIMlx pin if it is in general-purpose output mode.
15-12	Reserved	0	Read returns 0. Writes have no effect.
11	SOMISET0	0	SPISOMI0 data out set. This pin is only active when the SPISOMI0 pin is configured as a general-purpose output pin. Read: SPISOMI0 is logic 0. Write: No effect.
		1	Read: SPISOMI0 is logic 1. Write: Logic 1 is placed on SPISOMI0 pin if it is in general-purpose output mode.
10	SIMOSET0	0	SPISIMO0 data out set. This pin is only active when the SPISIMO0 pin is configured as a general-purpose output pin. Read: SPISIMO0 is logic 0. Write: No effect.
		1	Read: SPISIMO0 is logic 1. Write: Logic 1 is placed on SPISIMO0 pin if it is in general-purpose output mode.
9	CLKSET	0	SPICLK data out set. This bit is only active when the SPICLK pin is configured as a general-purpose output pin. Read: SPICLK is logic 0. Write: No effect.
		1	Read: SPICLK is logic 1. Write: Logic 1 is placed on SPICLK pin if it is in general-purpose output mode.
8	ENASET	0	$\overline{\text{SPIENA}}$ data out set. This bit is only active when the $\overline{\text{SPIENA}}$ pin is configured as a general-purpose output pin. Read: The $\overline{\text{SPIENA}}$ pin is logic 0. Write: No effect.
		1	Read: The $\overline{\text{SPIENA}}$ pin is logic 1. Write: Logic 1 is placed on $\overline{\text{SPIENA}}$ pin if it is in general-purpose O/P mode.
7-0	SCSSET	0	$\overline{\text{SPISCSx}}$ data out set. This bit is only active when the $\overline{\text{SPISCSx}}$ pin is configured as a general-purpose output pin. A value of 1 written to this bit sets the corresponding SCSDOUT bit to 1. Read: The $\overline{\text{SPISCSx}}$ pin is logic 0. Write: No effect.
		1	Read: The $\overline{\text{SPISCSx}}$ pin is logic 1. Write: Logic 1 placed on $\overline{\text{SPISCSx}}$ pin if it is in general-purpose output mode.

### 27.3.11 SPI Pin Control Register 5 (SPIPC5)

**NOTE: Register bits vary by device**

Register bits 31:24 and 23:16 of this register reflect the number of SIMO/SOMI data lines per device. On devices with 8 data-line support, all of bits 31 to 16 are implemented. On devices with less than 8 data lines, only a subset of these bits are available. Unimplemented bits return 0 upon read and are not writable.

**Figure 27-42. SPI Pin Control Register 5 (SPIPC5) [offset = 28h]**



LEGEND: R/W = Read/Write; R = Read only; U = Undefined; -n = value after reset

**Table 27-19. SPI Pin Control Register 5 (SPIPC5) Field Descriptions**

Bit	Field	Value	Description
31-24	SOMICLR	0	SPISOMIx data out clear. This pin is only active when the SPISOMIx pin is configured as a general-purpose output pin. <b>Bit 11 or bit 24 can be used to set the SOMI0 pin. If a 32-bit write is performed, bit 11 will have priority over bit 24.</b> Read: The current value on SOMIDOUTx is 0. Write: No effect.
		1	Read: The current value on SOMIDOUTx is 1. Write: Logic 0 is placed on SPISOMIx pin if it is in general-purpose output mode.
23-16	SIMOCLR	0	SPISIMOX data out clear. This bit is only active when the SPISIMOX pin is configured as a general-purpose output pin. <b>Bit 10 or bit 16 can be used to set the SOMI0 pin. If a 32-bit write is performed, bit 10 will have priority over bit 16.</b> Read: The current value on SOMODOUTx is 0. Write: No effect.
		1	Read: The current value on SOMODOUTx is 1. Write: Logic 0 is placed on SPISIMIx pin if it is in general-purpose output mode.
15-12	Reserved	0	Read returns 0. Writes have no effect.
11	SOMICLR0	0	SPISOMI0 data out clear. This pin is only active when the SPISOMI0 pin is configured as a general-purpose output pin. Read: The current value on SPISOMI0 is 0. Write: No effect.
		1	Read: The current value on SPISOMI0 is 1. Write: Logic 0 is placed on SPISOMI0 pin if it is in general-purpose output mode.
10	SIMOCLR0	0	SPISIMO0 data out clear. This pin is only active when the SPISIMO0 pin is configured as a general-purpose output pin. Read: The current value on SPISIMO0 is 0. Write: No effect.
		1	Read: The current value on SPISIMO0 is 1. Write: Logic 0 is placed on SPISIMO0 pin if it is in general-purpose output mode.

**Table 27-19. SPI Pin Control Register 5 (SPIPC5) Field Descriptions (continued)**

Bit	Field	Value	Description
9	CLKCLR	0	SPICLK data out clear. This bit is only active when the SPICLK pin is configured as a general-purpose output pin. Read: The current value on SPICLK is 0. Write: No effect.
		1	Read: The current value on SPICLK is 1. Write: Logic 0 is placed on SPICLK pin if it is in general-purpose output mode.
8	ENACLK	0	$\overline{\text{SPIEN}}\overline{\text{A}}$ data out clear. This bit is only active when the $\overline{\text{SPIEN}}\overline{\text{A}}$ pin is configured as a general-purpose output pin. A value of 1 written to this bit clears the corresponding ENABLEDOUT bit to 0. Read: The current value on ENA is 0. Write: No effect.
		1	Read: The current value on ENA is 1. Write: Logic 0 is placed on $\overline{\text{SPIEN}}\overline{\text{A}}$ pin if it is in general-purpose O/P mode.
7-0	SCSCLR	0	$\overline{\text{SPISCS}}\overline{\text{x}}$ data out clear. This bit is only active when the $\overline{\text{SPISCS}}\overline{\text{x}}$ pin is configured as a general-purpose output pin. Read: The current value on SCSDOUTx is 0. Write: No effect.
		1	Read: The current value on SCSDOUTx is 1. Write: Logic 0 placed on $\overline{\text{SPISCS}}\overline{\text{x}}$ pin if it is in general-purpose output mode.

### 27.3.12 SPI Pin Control Register 6 (SPIPC6)

**NOTE: Register bits vary by device**

Register bits 31:24 and 23:16 of SPIPC0 to SPIPC9 reflect the number of SIMO/SOMI data lines per device. On devices with 8 data-line support, all of bits 31 to 16 are implemented. On devices with less than 8 data lines, only a subset of these bits are available. Unimplemented bits return 0 upon read and are not writable.

**Figure 27-43. SPI Pin Control Register 6 (SPIPC6) [offset = 2Ch]**

31	24	23				16
SOMIPDR		SIMOPDR				
R/W-0		R/W-0				
15	12	11	10	9	8	
Reserved		SOMIPDR0	SIMOPDR0	CLKPDR	ENAPDR	
R-0		R/W-0	R/W-0	R/W-0	R/W-0	
7					0	
SCSPDR						
R/W-0						

LEGEND: R/W = Read/Write; R = Read only; -n = value after reset

**Table 27-20. SPI Pin Control Register 6 (SPIPC6) Field Descriptions**

Bit	Field	Value	Description
31-24	SOMIPDR	0 1	<p>SPISOMIx open drain enable. This bit enables open drain capability for the SPISOMIx pin if the following conditions are met:</p> <ul style="list-style-type: none"> <li>• SOMIDIRx = 1 (SPISOMIx pin configured in GIO mode as an output)</li> <li>• SOMIDOUTx = 1</li> </ul> <p><b>Bit 11 or bit 24 can both be used to enable open-drain for SOMI0. If a 32-bit write is performed, bit 11 will have priority over bit 24.</b></p> <p>The output value on the SPISOMIx pin is logic 1.</p> <p>Output pin SPISOMIx is in a high-impedance state.</p>
23-16	SIMOPDR	0 1	<p>SPISIMOX open drain enable. This bit enables open drain capability for the SPISIMOX pin if the following conditions are met:</p> <ul style="list-style-type: none"> <li>• SIMODIRx = 1 (SPISIMOX pin configured in GIO mode as an output)</li> <li>• SIMODOUTx = 1</li> </ul> <p><b>Bit 10 or bit 16 can both be used to enable open-drain for SIMO0. If a 32-bit write is performed, bit 10 will have priority over bit 16.</b></p> <p>The output value on SPISIMOX pin is logic 1.</p> <p>Output pin SPISIMOX is in a high-impedance state.</p>
15-12	Reserved	0	Read returns 0. Writes have no effect.
11	SOMIPDR0	0 1	<p>SOMI0 open-drain enable. This bit enables open-drain capability for SOMI0 if the following conditions are met:</p> <ul style="list-style-type: none"> <li>• SOMI0 pin configured in GIO mode as output pin</li> <li>• Output value on SPISOMI0 pin is logic 1.</li> </ul> <p>Output value 1 of SPISOMI0 pin is logic 1.</p> <p>Output value 1 of SPISOMI0 is high-impedance.</p>
10	SIMOPDR0	0 1	<p>SPISIMO0 open-drain enable. This bit enables open -drain capability for the SPISIMO0 pin if the following conditions are met:</p> <ul style="list-style-type: none"> <li>• SIMO0 pin configured in GIO mode as output pin</li> <li>• Output value on SPISIMO0 pin is logic 1.</li> </ul> <p>Output value 1 of SPISIMO0 pin is logic 1.</p> <p>Output value 1 of SPISIMO0 is high-impedance.</p>
9	CLKPDR	0 1	<p>CLK open drain enable. This bit enables open drain capability for the pin CLK if the following conditions are met:</p> <ul style="list-style-type: none"> <li>• SPICLK pin configured in GIO mode as an output pin</li> <li>• SPICLKDOUT = 1</li> </ul> <p>Output value on CLK pin is logic 1.</p> <p>Output pin CLK is in a high-impedance state.</p>
8	ENAPDR	0 1	<p>SPIENA pin open drain enable. This bit enables open drain capability for SPIENA if the following conditions are met:</p> <ul style="list-style-type: none"> <li>• SPIENA pin configured in GIO mode as an output pin</li> <li>• SPIENADOUT = 1</li> </ul> <p>Output value SPIENA on pin is logic 1.</p> <p>Output pin SPIENA is in a high-impedance state.</p>
7-0	SCSPDR	0 1	<p>SPISCSx open drain enable. This bit enables open drain capability for the SPISCSx pin if the following conditions are met:</p> <ul style="list-style-type: none"> <li>• SPISCS pin configured in GIO mode as an output pin</li> <li>• SPISCSOUTx = 1</li> </ul> <p>Output value on SCSx pin is logic 1.</p> <p>Output pin SCSx is in a high-impedance state.</p>

### 27.3.13 SPI Pin Control Register 7 (SPIPC7)

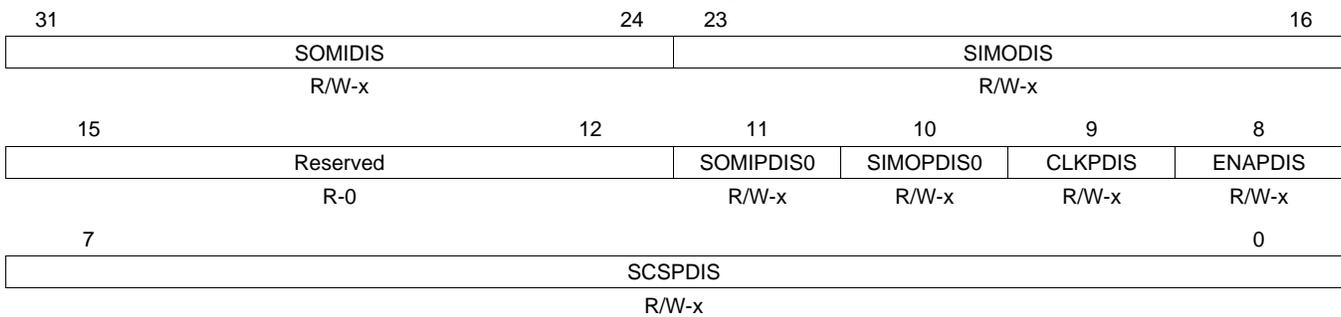
**NOTE: Register bits vary by device**

Register bits 31:24 and 23:16 of this register reflect the number of SIMO/SOMI data lines per device. On devices with 8 data-line support, all of bits 31 to 16 are implemented. On devices with less than 8 data lines, only a subset of these bits are available. Unimplemented bits return 0 upon read and are not writable.

**NOTE: Default Register Value**

The default values of these register bits vary by device. See your device datasheet for information about default pin states, which correspond to the register reset values (see the pin-list table).

**Figure 27-44. SPI Pin Control Register 7 (SPIPC7) [offset = 30h]**



LEGEND: R/W = Read/Write; R = Read only; -n = value after reset; -x = value varies by device

**Table 27-21. SPI Pin Control Register 7 (SPIPC7) Field Descriptions**

Bit	Field	Value	Description
31-24	SOMIDIS		SOMIx pull control enable/disable. This bit enables pull control capability for the SOMIx pin if it is in input mode regardless of whether it is in functional or GIO mode. <b>Note: Bit 11 or bit 24 can be used to set pull-disable for SOMIO. If a 32-bit write is performed, bit 11 will have priority over bit 24.</b>
		0	Pull control on the SPISOMIx pin is enabled.
		1	Pull control on the SPISOMIx pin is disabled.
23-16	SIMODIS		SIMOX pull control enable/disable. This bit enables pull control capability for the SIMOX pin if it is in input mode regardless of whether it is in functional or GIO mode. <b>Note: Bit 10 or bit 16 can be used to set pull-disable for SIMO0. If a 32-bit write is performed, bit 10 will have priority over bit 16.</b>
		0	Pull control on SPISIMOX pin is enabled.
		1	Pull control on SPISIMOX pin is disabled.
15-12	Reserved	0	Read returns 0. Writes have no effect.
11	SOMIPDIS0		SPISOMI0 pull control enable/disable. This bit enables pull control capability for the pin SPISOMI0 pin if it is in input mode regardless of whether it is in functional or GIO mode.
		0	Pull control on the SPISOMI0 pin is enabled.
		1	Pull control on the SPISOMI0 pin is disabled.
10	SIMOPDIS0		SPISIMO0 pull control enable/disable. This bit enables pull control capability for the pin SPISIMO0 pin if it is in input mode regardless of whether it is in functional or GIO mode.
		0	Pull control on the SPISIMO0 pin is enabled.
		1	Pull control on the SPISIMO0 pin is disabled.

**Table 27-21. SPI Pin Control Register 7 (SPIPC7) Field Descriptions (continued)**

Bit	Field	Value	Description
9	CLKPDIS	0 1	CLK pull control enable/disable. This bit enables pull control capability for the pin SPICLK pin if it is in input mode regardless of whether it is in functional or GIO mode. Pull control on the CLK pin is enabled. Pull control on the CLK pin is disabled.
8	ENAPDIS	0 1	ENABLE pull control enable/disable. This bit enables pull control capability for the pin SPIEN $\bar{A}$ pin if it is in input mode regardless of whether it is in functional or GIO mode. Pull control on ENABLE pin is enabled. Pull control on ENABLE pin is disabled.
7-0	SCSPDIS	0 1	SCSx pull control enable/disable. This bit enables pull control capability for the pin SPISCS $\bar{x}$ pin if it is in input mode regardless of whether it is in functional or GIO mode. Pull control on SCSx pin is enabled. Pull control on SCSx pin is disabled.

### 27.3.14 SPI Pin Control Register 8 (SPIPC8)

---

**NOTE: Register bits vary by device**

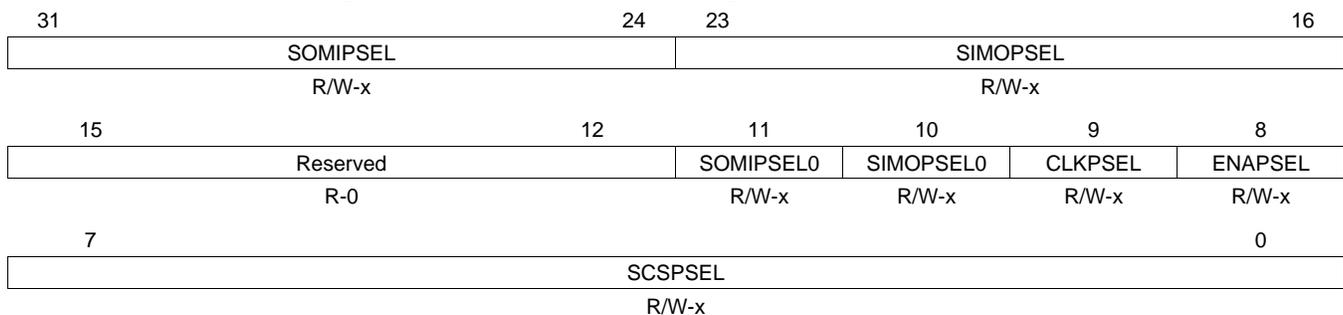
Register bits 31:24 and 23:16 of this register reflect the number of SIMO/SOMI data lines per device. On devices with 8 data-line support, all of bits 31 to 16 are implemented. On devices with less than 8 data lines, only a subset of these bits are available. Unimplemented bits return 0 upon read and are not writable.

---

**NOTE: Default Register Value**

The default values of these register bits vary by device. See your device datasheet for information about default pin states, which correspond to the register reset values (see the pin-list table).

---

**Figure 27-45. SPI Pin Control Register 8 (SPIPC8) [offset = 34h]**


LEGEND: R/W = Read/Write; R = Read only; -n = value after reset; -x = value varies by device

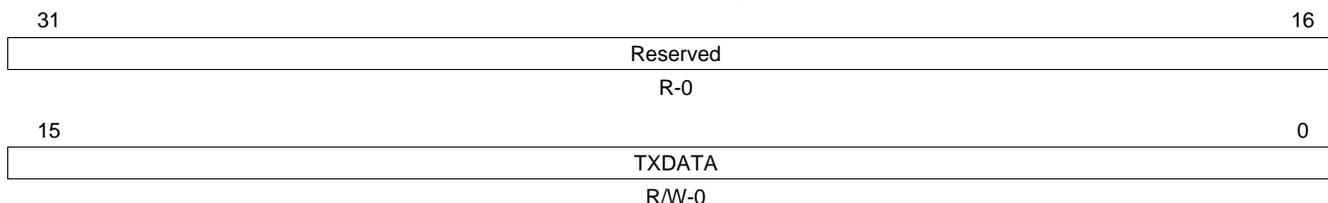
**Table 27-22. SPI Pin Control Register 8 (SPIPC8) Field Descriptions**

Bit	Field	Value	Description
31-24	SOMIPSEL	0 1	SPISOMIx pull select. This bit selects the type of pull logic at the SOMIx pin. <b>Note: Bit 11 or bit 24 can be used to set pull-select for SPISOMI0. If a 32-bit write is performed, bit 11 will have priority over bit 24.</b> Pull down on SOMIx pin Pull up on SOMIx pin

**Table 27-22. SPI Pin Control Register 8 (SPIPC8) Field Descriptions (continued)**

Bit	Field	Value	Description
23-16	SIMOPSEL	0 1	SPISIMOX pull select. This bit selects the type of pull logic at the SPISIMOX pin. <b>Note: Bit 10 or bit 16 can be used to set pull-select for SPISOMIO. If a 32-bit write is performed, bit 10 will have priority over bit 16.</b> Pull down on SPISIMOX pin Pull up on SPISIMOX pin
15-12	Reserved	0	Read returns 0. Writes have no effect.
11	SOMIPSEL0	0 1	SOMI pull select. This bit selects the type of pull logic at the SOMI pin. Pull down on the SPISOMI pin Pull up on the SPISOMI pin
10	SIMOPSEL0	0 1	SPISIMO pull select. This bit selects the type of pull logic at the SPISIMO pin. Pull down on SPISIMO pin Pull up on SPISIMO pin
9	CLKPSEL	0 1	CLK pull select. This bit selects the type of pull logic at the CLK pin. Pull down on CLK pin Pull up on CLK pin
8	ENAPSEL	0 1	ENABLE pull select. This bit selects the type of pull logic at the ENABLE pin. Pull down on ENABLE pin Pull up on ENABLE pin
7-0	SCSPSEL	0 1	SCSx pull select. This bit selects the type of pull logic at the SCSx pin. Pull down on SCSx pin Pull up on SCSx pin

### 27.3.15 SPI Transmit Data Register 0 (SPIDAT0)

**Figure 27-46. SPI Transmit Data Register 0 (SPIDAT0) [offset = 38h]**


LEGEND: R/W = Read/Write; R = Read only; -n = value after reset

**Table 27-23. SPI Transmit Data Register 0 (SPIDAT0) Field Descriptions**

Bit	Field	Value	Description
31-16	Reserved	0	Read returns 0. Writes have no effect.
15-0	TXDATA	0-FFFFh	<b>SPI transmit data.</b> When written, these bits will be copied to the shift register if it is empty. If the shift register is not empty, TXBUF holds the written data. SPIEN (SPICGR1[24]) must be set to 1 before this register can be written to. Writing a 0 to the SPIEN register forces the lower 16 bits of the SPIDAT0 to 0x00. <b>Note: When this register is read, the contents TXBUF, which holds the latest written data, will be returned.</b> <b>Note: Regardless of character length, the transmit word should be right-justified before writing to the SPIDAT1 register.</b> <b>Note: The default data format control register for SPIDAT0 is SPIFMT0. However, it is possible to reprogram the DFSEL[1:0] fields of SPIDAT1 before using SPIDAT0, to select a different SPIFMTx register.</b>

### 27.3.16 SPI Transmit Data Register 1 (SPIDAT1)

**Figure 27-47. SPI Transmit Data Register 1 (SPIDAT1) [offset = 3Ch]**

31	29	28	27	26	25	24	23	16
Reserved		CSHOLD	Rsvd	WDEL	DFSEL		CSNR	
R-0		R/W-0	R-0	R/W-0	R/W-0		R/W-0	
TXDATA								0
R/W-0								

LEGEND: R/W = Read/Write; R = Read only; -n = value after reset

**Table 27-24. SPI Transmit Data Register 1 (SPIDAT1) Field Descriptions**

Bit	Field	Value	Description
31-29	Reserved	0	Read returns 0. Writes have no effect.
28	CSHOLD	0 1	<p>Chip select hold mode. The CSHOLD bit is supported in master mode only in compatibility-mode of SPI, (it is ignored in slave mode). CSHOLD defines the behavior of the chip select line at the end of a data transfer.</p> <p>0 The chip select signal is deactivated at the end of a transfer after the T2CDELAY time has passed. If two consecutive transfers are dedicated to the same chip select this chip select signal will be deactivated for at least 2VCLK cycles before it is activated again.</p> <p>1 The chip select signal is held active at the end of a transfer until a control field with new data and control information is loaded into SPIDAT1. If the new chip select number equals the previous one, the active chip select signal is extended until the end of transfer with CSHOLD cleared, or until the chip-select number changes.</p>
27	Reserved	0	Reads returns 0. Writes have no effect.
26	WDEL	0 1	<p>Enable the delay counter at the end of the current transaction.</p> <p><b>Note: The WDEL bit is supported in master mode only. In slave mode, this bit will be ignored.</b></p> <p>0 No delay will be inserted. However, SPISCS pins will still be de-activated for at least for 2VCLK cycles if CSHOLD = 0.</p> <p><b>Note: The duration for which the SPISCS pin remains deactivated depends upon the time taken to supply a new word after completing the shift operation. If TXBUF is already full, then the SPISCS will be deasserted for at least two VCLK cycles (if WDEL = 0).</b></p> <p>1 After a transaction, WDELAY of the corresponding data format will be loaded into the delay counter. No transaction will be performed until the WDELAY counter overflows. The SPISCS pins will be de-activated for at least (WDELAY + 2) × VCLK_Period duration.</p>
25-24	DFSEL	0 1h 2h 3h	<p>Data word format select</p> <p>0 Data word format 0 is selected</p> <p>1h Data word format 1 is selected</p> <p>2h Data word format 2 is selected</p> <p>3h Data word format 3 is selected</p>
23-16	CSNR	0-FFh	<p>Chip select number. CSNR defines the chip-select that will be activated during the data transfer.</p> <p><b>Note: Writing to only the control field does not initiate any SPI transfer in master mode. This feature can be used to set up SPICLK phase or polarity before actually starting the transfer by only updating the DFSEL fields in the control field to select the required phase/polarity combination.</b></p>
15-0	TXDATA	0-FFFFh	<p><b>Transfer data.</b>When written, these bits are copied to the shift register if it is empty. If the shift register is not empty, then they are held in TXBUF.</p> <p>SPIEN must be set to 1 before this register can be written to. Writing a 0 to SPIEN forces the lower 16 bits of SPIDAT1 to 0x0000.</p> <p>Write to this register ONLY when using the automatic slave chip-select feature (see <a href="#">Section 27.2.1.1</a>). A write to this register will drive the contents of CSNR[3:0] on the SPISCS[3:0] pins, if they are configured as functional pins.</p> <p>When this register is read, the contents of TXBUF, which holds the latest data written, will be returned.</p> <p><b>Note: Regardless of the character length, the transmit data should be right-justified before writing to the SPIDAT1 register.</b></p>

### 27.3.17 SPI Receive Buffer Register (SPIBUF)

**Figure 27-48. SPI Receive Buffer Register (SPIBUF) [offset = 40h]**

31	30	29	28	27	26	25	24
RXEMPTY	RXOVR	TXFULL	BITERR	DESYNC	PARITYERR	TIMEOUT	DLENERR
R-1	R-0	R-0	R-0	R-0	R-0	R-0	R-0
23							16
LCSNR							
R-0							
15							0
RXDATA							
R-0							

LEGEND: R/W = Read/Write; R = Read only; -n = value after reset

**Table 27-25. SPI Receive Buffer Register (SPIBUF) Field Descriptions**

Bit	Field	Value	Description
31	RXEMPTY		<b>Receive data buffer empty.</b> When the host reads the SPIBUF field or the entire SPIBUF register, it automatically sets the RXEMPTY flag. When a data transfer is completed, the received data is copied into SPIBUF, and the RXEMPTY flag is cleared.
		0	New data has been received and copied into the SPIBUF field.
		1	No data has been received since the last read of SPIBUF.  This flag gets set to 1 under the following conditions: <ul style="list-style-type: none"> <li>Reading the RXDATA portion of the SPIBUF register.</li> <li>Writing a 1 to clear the RXINTFLG bit in the SPI Flag Register (SPIFLG).</li> </ul> Write-clearing the RXINTFLG bit before reading the SPIBUF indicates the received data is being ignored. Conversely, RXINTFLG can be cleared by reading the RXDATA portion of SPIBUF (or the entire register).
30	RXOVR		Receive data buffer overrun. When a data transfer is completed and the received data is copied into RXBUF while it is already full, RXOVR is set. Overruns always occur to RXBUF, not to SPIBUF; the contents of SPIBUF are overwritten only after it is read by the Peripheral (VBUSP) master (CPU, DMA, or other host processor).  If enabled, the RXOVRN interrupt is generated when RXBUF is overwritten, and reading either SPI Flag Register (SPIFLG) or SPIVEXTx shows the RXOVRN condition. Two read operations from the SPIBUF register are required to reach the overwritten buffer word (one to read SPIBUF, which then transfers RXDATA into SPIBUF for the second read).  This flag is cleared to 0 when the RXDATA is read.
		0	No receive data overrun condition occurred since last read of the data field.
		1	A receive data overrun condition occurred since last read of the data field.
29	TXFULL		<b>Transmit data buffer full.</b> This flag is a read-only flag. Writing into the SPIDAT0 or SPIDAT1 field while the TX shift register is full will automatically set the TXFULL flag. Once the word is copied to the shift register, the TXFULL flag will be cleared. Writing to SPIDAT0 or SPIDAT1 when both TXBUF and the TX shift register are empty does not set the TXFULL flag.
		0	The transmit buffer is empty; SPIDAT0/SPIDAT1 is ready to accept a new data.
		1	The transmit buffer is full; SPIDAT0/SPIDAT1 is not ready to accept new data.

**Table 27-25. SPI Receive Buffer Register (SPIBUF) Field Descriptions (continued)**

Bit	Field	Value	Description
28	BITERR	0	<b>Bit error.</b> There was a mismatch of internal transmit data and transmitted data. No bit error occurred.
		1	<b>Note: This flag is cleared to 0 when the RXDATA portion of the SPIBUF register is read.</b> A bit error occurred. The SPI samples the signal of the transmit pins (master: SIMOx, slave: SOMIx) at the receive point (one-half clock cycle after the transmit point). If the sampled value differs from the transmitted value, a bit error is detected and the BITERR flag is set. Possible reasons for a bit error include noise, an excessively high bit rate, capacitive load, or another master/slave trying to transmit at the same time.
27	DESYNC	0	<b>Desynchronization of slave device.</b> This bit is valid in master mode only. The master monitors the ENA signal coming from the slave device and sets the DESYNC flag if ENA is deactivated before the last reception point or after the last bit is transmitted plus $t_{T2EDELAY}$ . If DESYNCENA is set, an interrupt is asserted. Desynchronization can occur if a slave device misses a clock edge coming from the master. <b>Note: In the Compatibility Mode MibSPI, under some circumstances it is possible for a desync error detected for the previous buffer to be visible in the current buffer. This is because the receive completion flag/interrupt is generated when the buffer transfer is completed. But desynchronization is detected after the buffer transfer is completed. So, if the VBUS master reads the received data quickly when an RXINT is detected, then the status flag may not reflect the correct desync condition. In multi-buffer mode, the desync flag is always guaranteed to be for the current buffer.</b>
		1	No slave desynchronization detected. <b>Note: This flag is cleared to 0 when the RXDATA portion of the SPIBUF register is read.</b> A slave device is desynchronized.
26	PARITYERR	0	<b>Parity error.</b> The calculated parity differs from the received parity bit. If the parity generator is enabled (selected individually for each buffer) an even or odd parity bit is added at the end of a data word. During reception of the data word, the parity generator calculates the reference parity and compares it to the received parity bit. If a mismatch is detected, the PARITYERR flag is set.
		1	<b>Note: This flag is cleared to 0 when the RXDATA portion of the SPIBUF register is read.</b> No parity error detected. A parity error occurred.
25	TIMEOUT	0	Time-out because of non-activation of ENA pin. The SPI generates a time-out when the slave does not respond in time by activating the ENA signal after the chip select signal has been activated. If a time-out condition is detected, the corresponding chip select is deactivated immediately and the TIMEOUT flag is set. In addition, the TIMEOUT flag in the status field of the corresponding buffer and in the SPI Flag Register (SPIFLG) is set. <b>This bit is valid only in master mode.</b> This flag is cleared to 0 when RXDATA portion of the SPIBUF register is read.
		1	No ENA pin time-out occurred. An ENA signal time-out occurred.
24	DLENERR	0	<b>Data length error flag.</b> <b>Note: This flag is cleared to 0 when the RXDATA portion of the SPIBUF register is read.</b> No data-length error has occurred.
		1	A data length error has occurred.
23-16	LCSNR	0-FFh	<b>Last chip select number.</b> LCSNR in the status field is a copy of CSNR in the corresponding control field. It contains the chip select number that was activated during the last word transfer.
15-0	RXDATA	0-FFFFh	<b>SPI receive data.</b> This is the received word, transferred from the receive shift-register at the end of a transfer. Regardless of the programmed character length and the direction of shifting, the received data is stored right-justified in the register.

### 27.3.18 SPI Emulation Register (SPIEMU)

Figure 27-49. SPI Emulation Register (SPIEMU) [offset = 44h]

31	Reserved	16
R-8000h		
15	EMU_RXDATA	0
R-0		

LEGEND: R/W = Read/Write; R = Read only; -n = value after reset

Table 27-26. SPI Emulation Register (SPIEMU) Field Descriptions

Bit	Field	Value	Description
31-16	Reserved	8000h	Reserved
15-0	EMU_RXDATA	0-FFFFh	<b>SPI receive data.</b> The SPI emulation register is a mirror of the SPIBUF register. The only difference between SPIEMU and SPIBUF is that a read from SPIEMU does not clear any of the status flags.

### 27.3.19 SPI Delay Register (SPIDELAY)

Figure 27-50. SPI Delay Register (SPIDELAY) [offset = 48h]

31	24	23	16
C2TDELAY		T2CDELAY	
R/W-0		R/W-0	
15	8	7	0
T2EDELAY		C2EDELAY	
R/W-0		R/W-0	

LEGEND: R/W = Read/Write; R = Read only; -n = value after reset

Table 27-27. SPI Delay Register (SPIDELAY) Field Descriptions

Bit	Field	Value	Description
31-24	C2TDELAY	0-1FFh	<p><b>Chip-select-active to transmit-start delay.</b> See <a href="#">Figure 27-51</a> for an example. C2TDELAY is used only in master mode. It defines a setup time (for the slave device) that delays the data transmission from the chip select active edge by a multiple of VCLK cycles.</p> <p>The setup time value is calculated as follows.  <math>t_{C2TDELAY} = (C2TDELAY + 2) \times VCLK \text{ Period}</math></p> <p>Note: If C2TDELAY = 0, then <math>t_{C2TDELAY} = 0</math>.</p> <p>Example: VCLK = 25 MHz -&gt; VCLK Period = 40ns; C2TDELAY = 07h;  <math>&gt; t_{C2TDELAY} = 360 \text{ ns}</math></p> <p>When the chip select signal becomes active, the slave has to prepare data transfer within 360 ns.</p> <p><b>Note: If phase = 1, the delay between SPICS falling edge to the first edge of SPICLK will have an additional 0.5 SPICLK period delay. This delay is as per the SPI protocol.</b></p>

**Table 27-27. SPI Delay Register (SPIDELAY) Field Descriptions (continued)**

Bit	Field	Value	Description
23-16	T2CDELAY	0-1FFh	<p><b>Transmit-end-to-chip-select-inactive-delay.</b> See <a href="#">Figure 27-52</a> for an example. T2CDELAY is used only in master mode. It defines a hold time for the slave device that delays the chip select deactivation by a multiple of VCLK cycles after the last bit is transferred. The hold time value is calculated as follows:</p> $t_{T2CDELAY} = (T2CDELAY + 1) \times VCLK \text{ Period}$ <p>Note: If T2CDELAY = 0, then <math>t_{T2CDELAY} = 0</math></p> <p>Example: VCLK = 25 MHz → VCLK Period = 40ns; T2CDELAY = 03h;  <math>&gt; t_{T2CDELAY} = 160 \text{ ns}</math>;</p> <p>After the last data bit (or parity bit) is being transferred the chip select signal is held active for 160 ns.</p> <p><b>Note: If phase = 0, then between the last edge of SPICLK and rise-edge of SPICS there will be an additional delay of 0.5 SPICLK period. This is as per the SPI protocol.</b></p> <p>Both C2TDELAY and T2CDELAY counters do not have any dependency on the <math>\overline{\text{SPIENA}}</math> pin value. Even if the <math>\overline{\text{SPIENA}}</math> pin is asserted by the slave, the master will continue to delay the start of SPICLK until the C2TDELAY counter overflows.</p> <p>Similarly, even if the <math>\overline{\text{SPIENA}}</math> pin is deasserted by the slave, the master will continue to hold the <math>\overline{\text{SPISCS}}</math> pins active until the T2CDELAY counter overflows. In this way, it is guaranteed that the setup and hold times of the <math>\overline{\text{SPISCS}}</math> pins are determined by the delay timers alone. To achieve better throughput, it should be ensured that these two timers are kept at the minimum possible values.</p>
15-8	T2EDELAY	0-1FFh	<p><b>Transmit-data-finished to ENA-pin-inactive time-out.</b> T2EDELAY is used in master mode only. It defines a time-out value as a multiple of SPI clock before SPIENA signal has to become inactive and after <math>\overline{\text{SPISCS}}</math> becomes inactive. SPICLK depends on which data format is selected. If the slave device is missing one or more clock edges, it becomes de-synchronized. In this case, although the master has finished the data transfer, the slave is still waiting for the missed clock pulses and the ENA signal isn't disabled.</p> <p>The T2EDELAY defines a time-out value that triggers the DESYNC flag, if the SPIENA signal isn't deactivated in time. The DESYNC flag is set to indicate that the slave device did not de-assert its <math>\overline{\text{SPIENA}}</math> pin in time to acknowledge that it received all bits of the sent word. See <a href="#">Figure 27-53</a> for an example of this condition.</p> <p><b>Note: DESYNC is also set if the SPI detects a de-assertion of <math>\overline{\text{SPIENA}}</math> before the end of the transmission. The time-out value is calculated as follows:</b></p> $t_{T2EDELAY} = T2EDELAY / \text{SPIClock}$ <p>Example: SPIClock = 8 Mbit/s; T2EDELAY = 10h;  <math>&gt; t_{T2EDELAY} = 2 \mu\text{s}</math>;</p> <p>The slave device has to disable the ENA signal within 2, otherwise DESYNC is set and an interrupt is asserted (if enabled).</p>
7-0	C2EDELAY	0-1FFh	<p><b>Chip-select-active to ENA-signal-active time-out.</b> C2EDELAY is used only in master mode and it applies only if the addressed slave generates an ENA signal as a hardware handshake response. C2EDELAY defines the maximum time between when the SPI activates the chip-select signal and the addressed slave has to respond by activating the ENA signal. C2EDELAY defines a time-out value as a multiple of SPI clocks. The SPI clock depends on whether data format 0 or data format 1 is selected. See <a href="#">Figure 27-54</a> for an example of this condition.</p> <p><b>Note: If the slave device does not respond with the ENA signal before the time-out value is reached, the TIMEOUT flag in the SPIFLG register is set and a interrupt is asserted (if enabled).</b></p> <p>If a time-out occurs, the SPI clears the transmit request of the timed-out buffer, sets the TIMEOUT flag for the current buffer, and continues with the transfer of the next buffer in the sequence that is enabled.</p> <p>The timeout value is calculated as follows: <math>t_{C2EDELAY} = C2EDELAY / \text{SPIClock}</math></p> <p>Example: SPIClock = 8 Mbit/s; C2EDELAY = 30 h;  <math>&gt; t_{C2EDELAY} = 6 \text{ ms}</math>;</p> <p>The slave device has to activate the ENA signal within 6 ms after the SPI has activated the chip select signal (<math>\overline{\text{SPISCS}}</math>), otherwise the TIMEOUT flag is set and an interrupt is asserted (if enabled).</p>

Figure 27-51. Example:  $t_{C2TDELAY} = 8$  VCLK Cycles

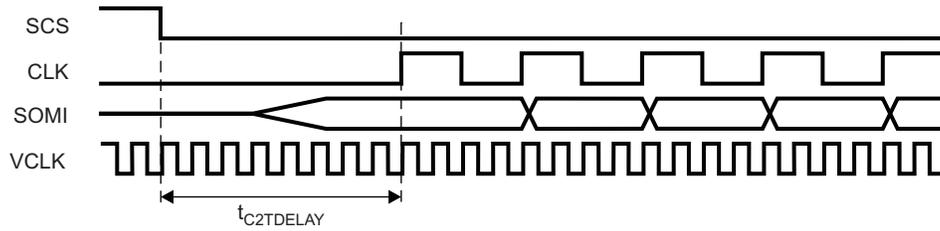


Figure 27-52. Example:  $t_{T2CDELAY} = 4$  VCLK Cycles

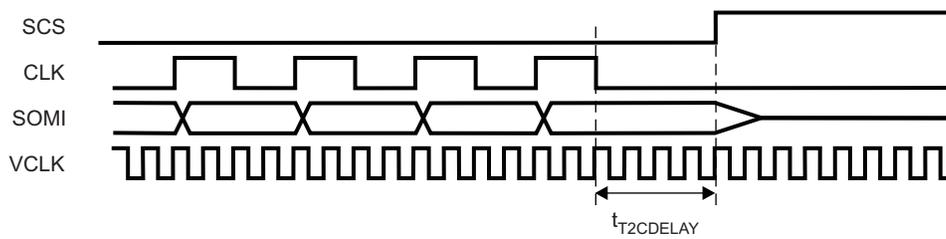


Figure 27-53. Transmit-Data-Finished-to-ENA-Inactive-Timeout

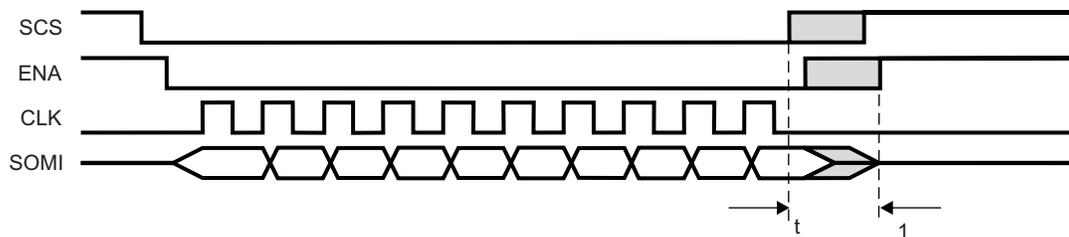
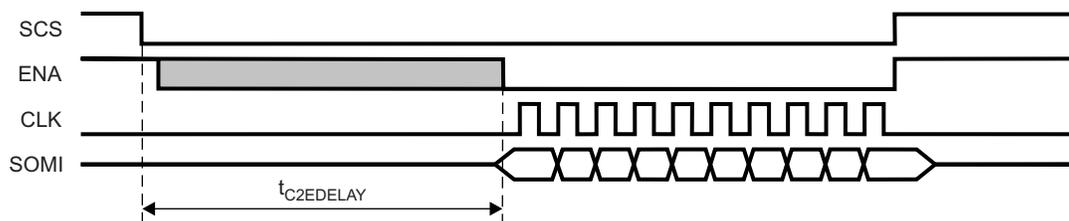
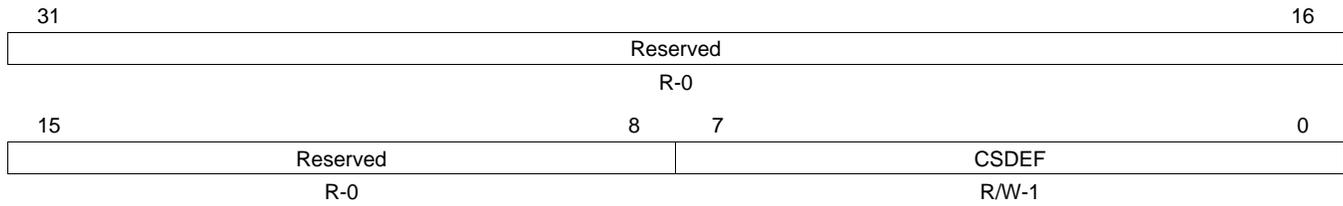


Figure 27-54. Chip-Select-Active-to-ENA-Signal-Active-Timeout



### 27.3.20 SPI Default Chip Select Register (SPIDEF)

**Figure 27-55. SPI Default Chip Select Register (SPIDEF) [offset = 4Ch]**



LEGEND: R/W = Read/Write; R = Read only; -n = value after reset

**Table 27-28. SPI Default Chip Select Register (SPIDEF) Field Descriptions**

Bit	Field	Value	Description
31-8	Reserved	0	Read returns 0. Writes have no effect.
7-0	CDEF	0	Chip select default pattern. Master-mode only. The CSDEFx bits are output to the $\overline{\text{SPISCS}}$ pins when no transmission is being performed. It allows the user to set a programmable chip-select pattern that deselects all of the SPI slaves. $\overline{\text{SPISCS}}_x$ is set to 0 when no transfer is active.
		1	$\overline{\text{SPISCS}}_x$ is set to 1 when no transfer is active.

### 27.3.21 SPI Data Format Registers (SPIFMT[3:0])

**Figure 27-56. SPI Data Format Registers (SPIFMTn) [offset = 5Ch-50h]**

WDELAY							
R/WP-0							
23	22	21	20	19	18	17	16
PARPOL	PARITYENA	WAITENA	SHIFTDIR	HDUPLEX_ ENAx	DIS_CS_ TIMERS	POLARITY	PHASE
R/WP-0	R/WP-0	R/WP-0	R/WP-0	R/WP-0	R/WP-0	R/WP-0	R/WP-0
PRESCALE			Reserved			CHARLEN	
R/WP-0			R-0			R/WP-0	

LEGEND: R/W = Read/Write; R = Read only; WP = Write in privilege mode only; -n = value after reset

**Table 27-29. SPI Data Format Registers (SPIFMTn) Field Descriptions**

Bit	Field	Value	Description
31-24	WDELAY	0-FFh	Delay in between transmissions for data format x (x= 0,1,2,3). Idle time that will be applied at the end of the current transmission if the bit WDEL is set in the current buffer. The delay to be applied is equal to: $WDELAY \times P_{VCLK} + 2 \times P_{VCLK}$ $P_{VCLK} \rightarrow$ Period of VCLK.
23	PARPOL	0 1	Parity polarity: even or odd. PARPOLx can be modified in privilege mode only. It can be used for data format x (x= 0,1,2,3). 0 An even parity flag is added at the end of the transmit data stream. 1 An odd parity flag is added at the end of the transmit data stream.
22	PARITYENA	0 1	Parity enable for data format x. No parity generation/ verification is performed for this data format. 0 A parity bit is transmitted at the end of each transmitted word. At the end of a transfer the parity generator compares the received parity bit with the locally-calculated parity flag. If the parity bits do not match the RXERR flag is set in the corresponding control field. The parity type (even or odd) can be selected via the PARPOL bit. 1 <b>Note: If an uncorrectable error flag is set in a slave-mode SPI, then the wrong parity bit will be transmitted to indicate to the master that there has been some issue with the data parity. The SOMI pins will be forced to transmit all 0s, and the parity bit will be transmitted as 1 if even parity is selected and as 0 if odd parity is selected (using the PARPOLx bit of this register). This behavior occurs regardless of an uncorrectable parity error on either TXRAM or RXRAM.</b>
21	WAITENA	0 1	The master waits for the ENA signal from slave for data format x. WAITENA is valid in master mode only. WAITENA enables a flexible SPI network where slaves with ENA signal and slaves without ENA signal can be mixed. WAITENA defines, for each transferred word, whether the addressed slave generates the ENA signal or not. 0 The SPI does not wait for the ENA signal from the slave and directly starts the transfer. 1 Before the SPI starts the data transfer it waits for the ENA signal to become low. If the ENA signal is not pulled down by the addressed slave before the internal time-out counter (C2EDELAY) overflows, then the master aborts the transfer and sets the TIMEOUT error flag.
20	SHIFTDIR	0 1	<b>Shift direction for data format x.</b> With bit SHIFTDIRx, the shift direction for data format x (x=0,1,2,3) can be selected. 0 MSB is shifted out first. 1 LSB is shifted out first.

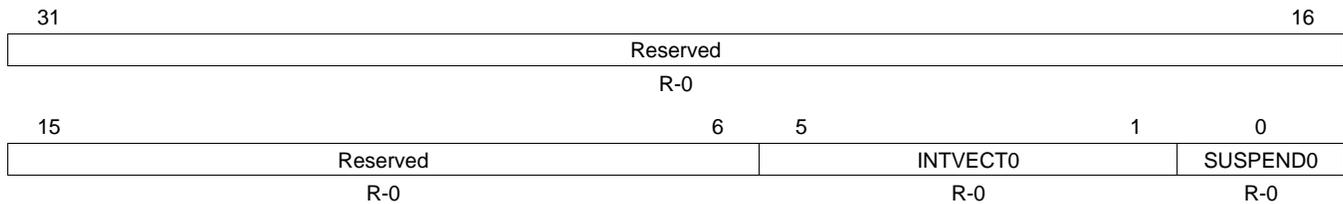
**Table 27-29. SPI Data Format Registers (SPIFMTn) Field Descriptions (continued)**

Bit	Field	Value	Description
19	HDUPLEX_ENAx	0 1	<p><b>Half Duplex transfer mode enable for Data Format x.</b> This bit controls the I/O function of SOMI/SIMO lines for a specific requirement where in the case of Master mode, TX pin - SIMO will act as an RX pin, and in the case of Slave mode, RX pin - SIMO will act as a TX pin..</p> <p>0 Normal Full Duplex transfer.</p> <p>1 If MASTER = 1, SIMO pin will act as an RX pin (No TX possible) If MASTER = 0, SIMO pin will act as a TX pin (No RX possible).</p> <p>For all normal operations, HDUPLEX_ENAx bits should always remain 0. It is intended for the usage when the SIMO pin is used for both TX &amp; RX operations at different times.</p>
18	DIS_CS_TIMERS	0 1	<p><b>Disable chip-select timers for this format.</b>The C2TDELAY and T2CDELAY timers are by default enabled for all the data format registers. Using this bit, these timers can be disabled for a particular data format, if they are not required. When a master is handling multiple slaves, with varied set-up hold requirement, the application can selectively choose to include or not include the chip-select delay timers for any slaves.</p> <p>0 Both C2TDELAY and T2CDELAY counts are inserted for the chip selects.</p> <p>1 No C2TDELAY or T2CDELAY is inserted in the chip select timings.</p>
17	POLARITY	0 1	<p><b>SPI data format x clock polarity.</b> POLARITYx defines the clock polarity of data format x. The following restrictions apply when switching clock phase and/or polarity:</p> <ul style="list-style-type: none"> <li>In 3-pin/4-pin with nENA pin configuration of a slave SPI, the clock phase and polarity cannot be changed on-the-fly between two transfers. The slave should be reset and reconfigured if clock phase/polarity needs to be switched. In summary, SPI format switching is not fully supported in slave mode.</li> <li>Even while using chip select pins, the polarity of SPICLK can be switched only while the slave is not selected by a valid chip select. The master SPI should ensure that while switching SPICLK polarity, it has deselected all of its slaves. Otherwise, the switching of SPICLK polarity may be incorrectly treated as a clock edge by some slaves.</li> </ul> <p>0 If POLARITYx is cleared to 0, the SPI clock signal is low-inactive, that is, before and after data transfer the clock signal is low.</p> <p>1 If POLARITYx is set to 1, the SPI clock signal is high-inactive, that is, before and after data transfer the clock signal is high.</p>
16	PHASE	0 1	<p><b>SPI data format x clock delay.</b> PHASEx defines the clock delay of data format x.</p> <p>0 If PHASEx is cleared to 0, the SPI clock signal is not delayed versus the transmit/receive data stream. The first data bit is transmitted with the first clock edge and the first bit is received with the second (inverse) clock edge.</p> <p>1 If PHASEx is set to 1, the SPI clock signal is delayed by a half SPI clock cycle versus the transmit/receive data stream. The first transmit bit has to output prior to the first clock edge. The master and slave receive the first bit with the first edge.</p>
15-8	PRESCALE		<p>SPI data format x prescaler. PRESCALEx determines the bit transfer rate of data format x if the SPI is the network master. PRESCALEx is use to derive SPICLK from VCLK. If the SPI is configured as slave, PRESCALEx <b>does not need</b> to be configured. The clock rate for data format x can be calculated as:</p> $BR_{\text{Formatx}} = \text{VBUSPCLK} / (\text{PRESCALEx} + 1)$ <p><b>Note: When PRESCALEx is set to 0, the SPI clock rate defaults to VCLK/2.</b></p>
7-5	Reserved	0	Read returns 0. Writes have no effect.
4-0	CHARLEN	0-1Fh	SPI data format x data-word length. CHARLENx defines the word length of data format x. Legal values are 0x02 (data word length = 2 bit) to 10h (data word length = 16). Illegal values, such as 00 or 1Fh are not allowed; their effect is indeterminate.

### 27.3.22 Interrupt Vector 0 (INTVECT0)

**NOTE:** The TG interrupt is not available in MibSPI in compatibility mode. Therefore, there is no possibility to access this register in compatibility mode.

**Figure 27-57. Interrupt Vector 0 (INTVECT0) [offset = 60h]**



LEGEND: R/W = Read/Write; R = Read only; -n = value after reset

**Table 27-30. Transfer Group Interrupt Vector 0 (INTVECT0)**

Bit	Field	Value	Description
31-6	Reserved	0	Read returns 0. Writes have no effect.
5-1	INTVECT0	0	INTVECT0. Interrupt vector for interrupt line INT0. Returns the vector of the pending interrupt at interrupt line INT0. If more than one interrupt is pending, INTVECT0 always references the highest prior interrupt source first. <b>Note: This field reflects the status of the SPIFLG register in vector format. Any updates to the SPIFLG register will automatically cause updates to this field.</b>
		1h ÷ x	There is no pending interrupt.
		11h	Transfer group x (x=0,...,15) has a pending interrupt. SUSPEND0 reflects the type of interrupt ( <i>suspended or finished</i> ).
		13h	Error Interrupt pending. The lower half of SPIFLG contains more details about the type of error.
		12h	The pending interrupt is a "Receive Buffer Overrun" interrupt.
		14h	<b>SPI mode:</b> The pending interrupt is a "Receive Buffer Full" interrupt. <b>Mib mode:</b> Reserved. This bit combination should not occur.
		All Other Combinations	<b>SPI mode:</b> The pending interrupt is a "Transmit Buffer Empty" interrupt. <b>Mib mode:</b> Reserved. This bit combination should not occur.
0	SUSPEND0		<b>SPI mode:</b> Reserved. These bit combinations should not occur.
			Transfer suspended / Transfer finished interrupt flag. Every time INTVECT0 is read by the host, the corresponding interrupt flag of the referenced transfer group is cleared and INTVECT0 is updated with the vector coming next in the priority chain.
		0	The interrupt type is a "transfer finished" interrupt. In other words, the buffer array referenced by INTVECT0 has asserted an interrupt because all of data from the transfer group has been transferred.
		1	The interrupt type is a "transfer suspended" interrupt. In other words, the transfer group referenced by INTVECT0 has asserted an interrupt because the buffer to be transferred next is in "suspend-to-wait" mode.

**NOTE:** Reading from the INTVECT0 register when "Transmit Empty" is indicated does not clear the TXINTFLG flag in the SPI Flag Register (SPIFLG). Writing a new word to the SPIDATx register clears the "Transmit Empty" interrupt.

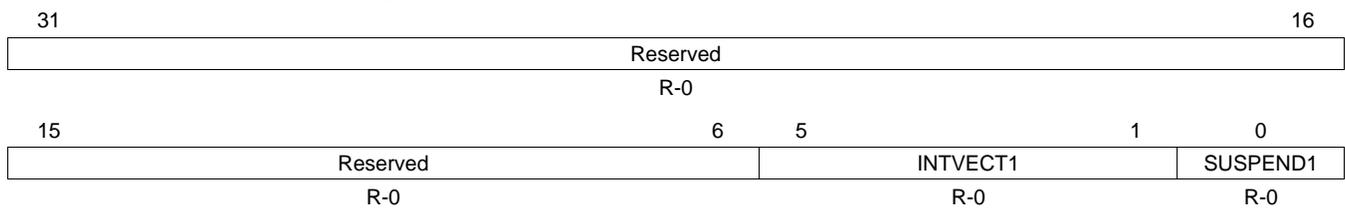
**NOTE:** In multi-buffer mode, INTVECT0 contains the interrupt for the highest priority transfer group. A read from INTVECT0 automatically causes the next-highest priority transfer group's interrupt status to get loaded into INTVECT0 and its corresponding SUSPEND0 flag to get loaded into SUSPEND0. The transfer group with the lowest number has the highest priority, and the transfer group with the highest number has the lowest priority.

Reading the INTVECT0 register when the RXOVRN interrupt is indicated in multi-buffer mode does not clear the RXOVRN flag and hence does not clear the vector. The RXOVRN interrupt vector may be cleared in multi-buffer mode either by write-clearing the RXOVRN flag in the SPI Flag Register (SPIFLG) or by reading the RXRAM Overrun Buffer Address Register (RXOVRN\_BUF\_ADDR).

### 27.3.23 Interrupt Vector 1 (INTVECT1)

**NOTE:** The TG interrupt is not available in SPI in compatibility mode. Therefore, there is no possibility to access this register in compatibility mode.

**Figure 27-58. Interrupt Vector 1 (INTVECT1) [offset = 64h]**



LEGEND: R/W = Read/Write; R = Read only; -n = value after reset

**Table 27-31. Transfer Group Interrupt Vector 1 (INTVECT1)**

Bit	Field	Value	Description
31-6	Reserved	0	Read returns 0. Writes have no effect.
5-1	INTVECT1	0	INTVECT1. Interrupt vector for interrupt line INT1. Returns the vector of the pending interrupt at interrupt line INT1. If more than one interrupt is pending, INTVECT1 always references the highest prior interrupt source first. <b>Note: This field reflects the status of the SPIFLG register in vector format. Any updates to the SPIFLG register will automatically cause updates to this field.</b>
		11h	There is no pending interrupt. <b>SPI mode only.</b>
		13h	Error Interrupt pending. The lower half of SPIINT1 contains more details about the type of error. <b>SPI mode only.</b>
		12h	The pending interrupt is a "Receive Buffer Overrun" interrupt. <b>SPI mode only.</b>
		14h	The pending interrupt is a "Receive Buffer Full" interrupt. <b>SPI mode only.</b>
		All Other Combinations	The pending interrupt is a "Transmit Buffer Empty" interrupt. <b>SPI mode only.</b> Reserved. These bit combinations should not occur. <b>SPI mode only.</b>
0	SUSPEND1	0	Transfer suspended / Transfer finished interrupt flag. Every time INTVECT1 is read by the host, the corresponding interrupt flag of the referenced transfer group is cleared and INTVECT1 is updated with the vector coming next in the priority chain.
		0	The interrupt type is a "transfer finished" interrupt. In other words, the buffer array referenced by INTVECT1 has asserted an interrupt because all of data from the transfer group has been transferred.
		1	The interrupt type is a "transfer suspended" interrupt. In other words, the transfer group referenced by INTVECT1 has asserted an interrupt because the buffer to be transferred next is in "suspend-to-wait" mode.

**NOTE:** Reading from the INTVECT1 register when "Transmit Empty" is indicated does not clear the TXINTFLG flag in the SPI Flag Register (SPIFLG). Writing a new word to the SPIDATx register clears the "Transmit Empty" interrupt.

**NOTE:** In multi-buffer mode, INTVECT1 contains the interrupt for the highest priority transfer group. A read from INTVECT1 automatically causes the next-highest priority transfer group's interrupt status to get loaded into INTVECT1 and its corresponding SUSPEND flag to get loaded into SUSPEND1. The transfer group with the lowest number has the highest priority, and the transfer group with the highest number has the lowest priority.

Reading the INTVECT1 register when the RXOVRN interrupt is indicated in multi-buffer mode does not clear the RXOVRN flag and hence does not clear the vector. The RXOVRN interrupt vector may be cleared in multi-buffer mode either by write-clearing the RXOVRN flag in the SPI Flag Register (SPIFLG) or by reading the RXRAM Overrun Buffer Address Register (RXOVRN\_BUF\_ADDR).

### 27.3.24 Parallel/Modulo Mode Control Register (SPIPMCTRL)

**NOTE:** Do not configure MODCLKPOLx and MMODEx bits since this device does not support modulo mode.

**NOTE:** The bits of this register are used in conjunction with the SPIFMTx registers. Each byte of this register corresponds to one of the SPIFMTx registers.

1. Byte0 (Bits 7:0) are used when SPIFMT0 register is selected by DFSEL[1:0] = 00 in the control field of a buffer.
2. Byte1 (Bits 15:8) are used when SPIFMT1 register is selected by DFSEL[1:0] = 01 in the control field of a buffer.
3. Byte2 (Bits 23:16) are used when SPIFMT2 register is selected by DFSEL[1:0] = 10 in the control field of a buffer.
4. Byte3 (Bits 31:24) are used when SPIFMT3 register is selected by DFSEL[1:0] = 11 in the control field of a buffer.

**Figure 27-59. Parallel/Modulo Mode Control Register (SPIPMCTRL) [offset = 6Ch]**

31	30	29	28	26	25	24
Reserved		MODCLKPOL3	MMODE3		PMODE3	
R-0		R/WP-0	R/WP-0		R/WP-0	
23	22	21	20	18	17	16
Reserved		MODCLKPOL2	MMODE2		PMODE2	
R-0		R/WP-0	R/WP-0		R/WP-0	
15	14	13	12	10	9	8
Reserved		MODCLKPOL1	MMODE1		PMODE1	
R-0		R/WP-0	R/WP-0		R/WP-0	
7	6	5	4	2	1	0
Reserved		MODCLKPOL0	MMODE0		PMODE0	
R-0		R/WP-0	R/WP-0		R/WP-0	

LEGEND: R/W = Read/Write; R = Read only; WP = Write in privilege mode only; -n = value after reset

**Table 27-32. SPI Parallel/Modulo Mode Control Register (SPIMCTRL) Field Descriptions**

Bit	Field	Value	Description
31-30	Reserved	0	Read returns 0. Writes have no effect.
29	MODCLKPOL3	0 1	Modulo mode SPICLK polarity. This bit determines the polarity of the SPICLK in modulo mode only. If the MMODE[2:0] bits are 000, this bit will be ignored. Normal SPICLK in all the modes. Polarity of the SPICLK will be inverted if Modulo mode is selected.
28-26	MMODE3	0 1h 2h 3h 4h 5h 6h-7h	These bits determine whether the SPI/MibSPI operates with 1, 2, 4, 5, or 6 data lines (if modulo option is supported by the module). Normal single dataline mode - Default (PMODE should be set to 00) 2-data line mode (PMODE should be set to 00) 3-data line mode (PMODE should be set to 00) 4-data line mode (PMODE should be set to 00) 5-data line mode (PMODE should be set to 00) 6-data line mode (PMODE should be set to 01) Reserved
25-24	PMODE3	0 1h 2h 3h	Parallel mode bits determine whether the SPI/MibSPI operates with 1, 2, 4 or 8 data lines. 0 = normal operation/1-data line (MMODE should be set to 000) 1h = 2-data line mode (MMODE should be set to 000) 2h = 4-data line mode (MMODE should be set to 000) 3h = 8-data line mode (MMODE should be set to 000)
23-22	Reserved	0	Read returns 0. Writes have no effect.
21	MODCLKPOL2	0 1	Modulo mode SPICLK polarity. This bit determines the polarity of the SPICLK in modulo mode only. If the MMODE[2:0] bits are 000, this bit will be ignored. Normal SPICLK in all the modes. Polarity of the SPICLK will be inverted if Modulo mode is selected.
20-18	MMODE2	0 1h 2h 3h 4h 5h 6h-7h	These bits determine whether the SPI/MibSPI operates with 1, 2, 4, 5, or 6 data lines (if modulo option is supported by the module). 000 = 1-data line Mode - Default (PMODE should be set to 00) 001 = 2-data line Mode (PMODE should be set to 00) 3-data line mode (PMODE should be set to 00) 4-data line mode (PMODE should be set to 00) 5-data line mode (PMODE should be set to 00) 6-data line mode (PMODE should be set to 01) Reserved
17-16	PMODE2	0 1h 2h 3h	Parallel mode bits determine whether the SPI/MibSPI operates with 1, 2, 4 or 8 data lines. 0 = normal operation/1-data line (MMODE should be set to 000) 1h = 2-data line mode (MMODE should be set to 000) 2h = 4-data line mode (MMODE should be set to 000) 3h = 8-data line mode (MMODE should be set to 000)
15-12	Reserved	0	Read returns 0. Writes have no effect.
13	MODCLKPOL1	0 1	Modulo mode SPICLK polarity. This bit determines the polarity of the SPICLK in modulo mode only. If the MMODE[2:0] bits are 000, this bit will be ignored. Normal SPICLK in all the modes. Polarity of the SPICLK will be inverted if Modulo mode is selected.

**Table 27-32. SPI Parallel/Modulo Mode Control Register (SPIPMCTRL) Field Descriptions (continued)**

Bit	Field	Value	Description
12-10	MMODE1	0 1h 2h 3h 4h 5h 6h-7h	These bits determine whether the SPI/MibSPI operates with 1, 2, 4, 5, or 6 data lines (if modulo option is supported by the module). 1-data line mode - default (PMODE should be set to 00) 2-data line mode (PMODE should be set to 00) 3-data line mode (PMODE should be set to 00) 4-data line mode (PMODE should be set to 00) 5-data line mode (PMODE should be set to 00) 6-data line mode (PMODE should be set to 01) Reserved
9-8	PMODE1	0 1h 2h 3h	Parallel mode bits determine whether the SPI/MibSPI operates with 1, 2, 4 or 8 data lines. 0 = normal operation/1-data line (MMODE should be set to 000) 1h = 2-data line mode (MMODE should be set to 000) 2h = 4-data line mode (MMODE should be set to 000) 3h = 8-data line mode (MMODE should be set to 000)
7-6	Reserved	0	Read returns 0. Writes have no effect.
5	MODCLKPOL0	0 1	Modulo mode SPICLK polarity. This bit determines the polarity of the SPICLK in modulo mode only. If the MMODE[2:0] bits are 000, this bit will be ignored. 0 Normal SPICLK in all the modes. 1 Polarity of the SPICLK will be inverted if Modulo mode is selected.
4-2	MMODE0	0 1h 2h 3h 4h 5h 6h-7h	These bits determine whether the SPI/MibSPI operates with 1, 2, 4, 5, or 6 data lines (if modulo option is supported by the module). 1-data line mode - default (PMODE should be set to 00) 2-data line mode (PMODE should be set to 00) 3-data line mode (PMODE should be set to 00) 4-data line mode (PMODE should be set to 00) 5-data line mode (PMODE should be set to 00) 6-data line mode (PMODE should be set to 01) Reserved
1-0	PMODE0	0 1h 2h 3h	Parallel mode bits determine whether the SPI/MibSPI operates with 1, 2, 4 or 8 data lines. 0 = normal operation/1-data line (MMODE should be set to 000) 1h = 2-data line mode (MMODE should be set to 000) 2h = 4-data line mode (MMODE should be set to 000) 3h = 8-data line mode (MMODE should be set to 000)

**NOTE: Accessibility of Registers**

Registers from this offset address onwards are not accessible in SPI compatibility mode. They are accessible only in the multi-buffer mode.

**27.3.25 Multi-buffer Mode Enable Register (MIBSPIE)****NOTE: Accessibility of Multi-Buffer RAM**

The multi-buffer RAM is not accessible unless the MSPIENA bit set to 1. The only exception to this is in test mode, where, by setting RXRAMACCESS to 1, the multi-buffer RAM can be fully accessed for both read and write.

**Figure 27-60. Multi-buffer Mode Enable Register (MIBSPIE) [offset = 70h]**

31	Reserved										17	RXRAM_ACCESS		
	R-0											R/WP-0		
15	Reserved			12	11	10	9	8	7	Reserved		1	MSPIENA	
	R-0			EXTENDED_BUF_ENA					R/WP-5h		R/WP-0		R/WP-0	

LEGEND: R/W = Read/Write; R = Read only; WP = Write in privilege mode only; -n = value after reset

**Table 27-33. Multi-buffer Mode Enable Register (MIBSPIE) Field Descriptions**

Bit	Field	Value	Description
31-17	Reserved	0	Reads returns 0. Writes have no effect.
16	RXRAM_ACCESS	0 1	<p><b>Receive-RAM access control.</b> During normal operating mode of SPI, the receive data/status portion of multi-buffer RAM is read-only. To enable testing of receive RAM, direct read/write access is enabled by setting this bit.</p> <p>The RX portion of multi-buffer RAM is not writable by the CPU.</p> <p>The whole of multi-buffer RAM is fully accessible for read/write by the CPU.</p> <p><b>Note: The RX RAM ACCESS bit remains 0 after reset and it should remain set to 0 at all times, except when testing the RAM. SPI should be given a local reset by using the nRESET (SPIGCR0[0]) bit after RAM testing is performed so that the multi-buffer RAM gets re-initialized.</b></p>
15-12	Reserved	0	Reads returns 0. Writes have no effect.
11-8	EXTENDED_BUF_ENA	5h Ah all others	<p>Enables the support for 256 buffers. By default MibSPI supports up to 128 buffers for both TX and RX. Refer to the device specific datasheet if 256 buffer extension is implemented for the specific MibSPI instance in the device.</p> <p>Write: Disables the Extended Buffer mode - MibSPI supports only 128 buffers (default)</p> <p>Write: Enables the Extended Buffer mode - up to 256 buffers can be used.</p> <p>All other values - writes are ignored and the values are not updated into this field. The state of the feature remains unchanged.</p> <p>Read: Returns the current value of this field</p>
7-1	Reserved	0	Reads returns 0. Writes have no effect.
0	MSPIENA	0 1	<p>Multi-buffer mode enable. After power-up or reset, MSPIENA remains cleared, which means that the SPI runs in compatibility mode by default. If multi-buffer mode is desired, this register should be configured first after configuring the SPIGCR0 register. If MSPIENA is not set to 1, the multi-buffer mode registers are not writable.</p> <p>The SPI runs in compatibility mode, that is, in this mode the MibSPI is fully code-compliant to the standard device SPI. No multi-buffered-mode features are supported.</p> <p>The SPI is configured to run in multi-buffer mode.</p>

### 27.3.26 TG Interrupt Enable Set Register (TGITENST)

The register TGITENST contains the TG interrupt enable flags for transfer-finished and for transfer-suspended events. Each of the enable bits in the higher half-word and the lower half-word of TGITENST belongs to one TG.

The register map shown in [Figure 27-61](#) and [Table 27-34](#) represents a super-set device with the maximum number of TGs (16) assumed. The actual number of bits available varies per device.

**Figure 27-61. TG Interrupt Enable Set Register (TGITENST) [offset = 74h]**

31	SETINTENRDY	16
	R/W-0	
15	SETINTENSUS	0
	R/W-0	

LEGEND: R/W = Read/Write; R = Read only; -n = value after reset

**Table 27-34. TG Interrupt Enable Set Register (TGITENST) Field Descriptions**

Bit	Field	Value	Description
31-16	SETINTENRDY	0	TG interrupt set (enable) when transfer finished. Read: The TGx-completed interrupt is disabled. This interrupt does not get generated when TGx completes. Write: A write of 0 to this bit has no effect.
		1	Read: The TGx-completed interrupt is enabled. The interrupt gets generated when TGx completes. Write: Enable the TGx-completed interrupt. The interrupt gets generated when TGx completes.
15-0	SETINTENSUS	0	TG interrupt set (enabled) when transfer suspended Read: The TGx-completed interrupt is disabled. This interrupt does not get generated when TGx is suspended. Write: A write of 0 to this bit has no effect.
		1	Read: The TGx-completed interrupt is enabled. The interrupt gets generated when TGx is suspended. Write: Enable the TGx-completed interrupt. The interrupt gets generated when TGx is suspended.

### 27.3.27 TG Interrupt Enable Clear Register (TGITENCR)

The register TGITENCR is used to clear the interrupt enables for the TG-completed interrupt and the TG-suspended interrupts.

The register map shown in [Figure 27-62](#) and [Table 27-35](#) represents a super-set device with the maximum number of TGs (16) assumed. The actual number of bits available varies per device.

**Figure 27-62. TG Interrupt Enable Clear Register (TGITENCR) [offset = 78h]**

31	CLRINTENRDY	16
R/W-0		
15	CLRINTENSUS	0
R/W-0		

LEGEND: R/W = Read/Write; R = Read only; -n = value after reset

**Table 27-35. TG Interrupt Enable Clear Register (TGITENCR) Field Descriptions**

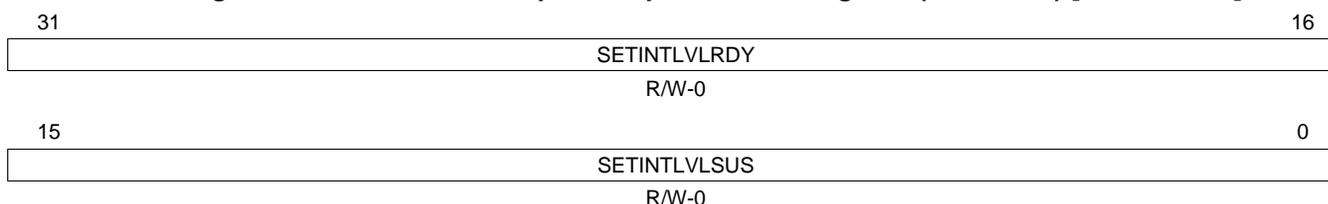
Bit	Field	Value	Description
31-16	CLRINTENRDY	0	TG interrupt clear (disabled) when transfer finished. Read: The TGx-completed interrupt is disabled. This interrupt does not get generated when TGx completes. Write: A write of 0 to this bit has no effect.
		1	Read: The TGx-completed interrupt is enabled. The interrupt gets generated when TGx completes. Write: Disable the TGx-completed interrupt. The interrupt gets generated when TGx completes.
15-0	CLRINTENSUS	0	TG interrupt clear (disabled) when transfer suspended. Read: The TGx-completed interrupt is disabled. This interrupt does not get generated when TGx is suspended. Write: A write of 0 to this bit has no effect.
		1	Read: The TGx-completed interrupt is enabled. The interrupt gets generated when TGx is suspended. Write: Disable the TGx-completed interrupt. The interrupt gets generated when TGx is suspended.

### 27.3.28 Transfer Group Interrupt Level Set Register (TGITLVST)

The register TGITLVST sets the level of interrupts for transfer completed interrupt and for transfer suspended interrupt to level 1.

The register map shown in [Figure 27-63](#) and [Table 27-36](#) represents a super-set device with the maximum number of TGs (16) assumed. The actual number of bits available varies per device.

**Figure 27-63. Transfer Group Interrupt Level Set Register (TGITLVST) [offset = 7Ch]**



LEGEND: R/W = Read/Write; R = Read only; -n = value after reset

**Table 27-36. Transfer Group Interrupt Level Set Register (TGITLVST) Field Descriptions**

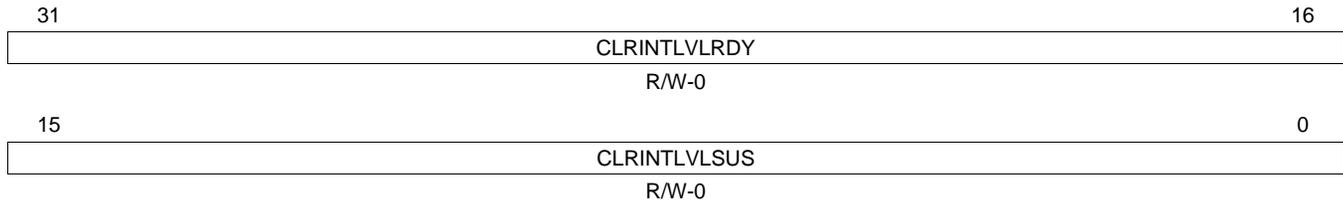
Bit	Field	Value	Description
31-16	SETINTLVLRDY	0	Transfer-group completed interrupt level set. Read: The TGx-completed interrupt is set to INT0. Write: A write of 0 to this bit has no effect.
		1	Read: The TGx-completed interrupt is set to INT1. Write: Set the TGx-completed interrupt to INT1.
15-0	SETINTLVLSUS	0	Transfer-group suspended interrupt level set. Read: TGx-suspended interrupt is set to INT0. Write: A write of 0 to this bit has no effect.
		1	Read: The TGx-suspended interrupt is set to INT1. Write: Set the TG-x suspended interrupt INT1.

### 27.3.29 Transfer Group Interrupt Level Clear Register (TGITLVCR)

The register TGITLVCR clears the level of interrupts for transfer completed interrupt and for transfer suspended interrupt to level 0.

The register map shown in [Figure 27-64](#) and [Table 27-37](#) represents a super-set device with the maximum number of TGs (16) assumed. The actual number of bits available varies per device.

**Figure 27-64. Transfer Group Interrupt Level Clear Register (TGITLVCR) [offset = 80h]**



LEGEND: R/W = Read/Write; R = Read only; -n = value after reset

**Table 27-37. Transfer Group Interrupt Level Clear Register (TGITLVCR) Field Descriptions**

Bit	Field	Value	Description
31-16	CLRINTLVLRDY	0	Transfer-group completed interrupt level clear. Read: The TGx-completed interrupt is set to INT0. Write: A write of 0 to this bit has no effect.
		1	Read: The TGx-completed interrupt is set to INT1. Write: Set the TGx-completed interrupt to INT0.
15-0	CLRINTLVLSUS	0	Transfer group suspended interrupt level clear. Read: TGx-suspended interrupt is set to INT0. Write: A write of 0 to this bit has no effect.
		1	Read: The TGx-suspended interrupt is set to INT1. Write: Set the TG-x suspended interrupt INT0.

### 27.3.30 Transfer Group Interrupt Flag Register (TGINTFLAG)

The TGINTFLAG register comprises the transfer group interrupt flags for transfer-completed interrupts (INTFLGRDY<sub>x</sub>) and for transfer-suspended interrupts (INTFLGSUS<sub>x</sub>). Each of the interrupt flags in the higher half-word and the lower half-word of TGINTFLAG belongs to one TG.

The register map shown in [Figure 27-65](#) and [Table 27-38](#) represents a super-set device with the maximum number of TGs (16) assumed. The actual number of bits available varies per device.

**Figure 27-65. Transfer Group Interrupt Flag Register (TGINTFLAG) [offset = 84h]**

31	INTFLGRDY	16
	R/WC-0	
15	INTFLGSUS	0
	R/WC-0	

LEGEND: R/W = Read/Write; R = Read only; C = Clear; -n = value after reset

**Table 27-38. Transfer Group Interrupt Level Clear Register (TGITLVCR) Field Descriptions**

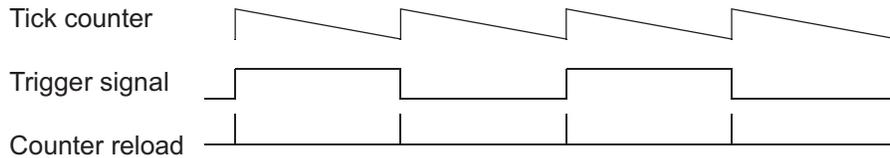
Bit	Field	Value	Description
31-16	INTFLGRDY	0	Transfer-group interrupt flag for a transfer-completed interrupt.  <b>Note: Read Clear Behavior. Reading the interrupt vector registers TGINTVECT0 or TGINTVECT1 automatically clears the interrupt flag bit INTFLGRDY<sub>x</sub> referenced by the vector number given by INTVECT0/INTVECT1 bits, if the SUSPEND[0:1] bit in the vector registers is 0.</b>  Read: No transfer-completed interrupt occurred since last clearing of the INTFLGRDY <sub>x</sub> flag. Write: A write of 0 to this bit has no effect.
		1	Read: A transfer finished interrupt from transfer group x occurred. No matter whether the interrupt is enabled or disabled (INTENRDY <sub>x</sub> = don't care) or whether the interrupt is mapped to INT0 or INT1, INTFLGRDY <sub>x</sub> is set right after the transfer from TG <sub>x</sub> is finished. Write: The corresponding bit flag is cleared.
15-0	INTFLGSUS	0	Transfer-group interrupt flag for a transfer-suspend interrupt.  <b>Note: Read Clear Behavior. Reading the interrupt vector registers TGINTVECT0 or TGINTVECT1 automatically clears the interrupt flag bit INTFLGSUS<sub>x</sub> referenced by the vector number given by INTVECT0/INTVECT1 bits, if the SUSPEND[0:1] bit in the corresponding vector registers is 1.</b>  Read: No transfer-suspended interrupt occurred since the last clearing of the INTFLGSUS <sub>x</sub> flag. Write: A write of 0 to this bit has no effect.
		1	Read: A transfer-suspended interrupt from TG <sub>x</sub> occurred. No matter whether the interrupt is enabled or disabled (INTENSUS <sub>x</sub> = don't care) or whether the interrupt is mapped to INT0 or INT1, INTFLGSUS <sub>x</sub> is set right after the transfer from transfer group x is suspended. Write: The corresponding bit flag is cleared.

### 27.3.31 Tick Count Register (TICKCNT)

One of the trigger sources for TGs is an internal periodic time trigger. This time trigger is called a tick counter and is basically a down-counter with a preload/reload value. Every time the tick counter detects an underflow it reloads the initial value and toggles the trigger signal provided to the TGs.

The trigger signal, shown in Figure 27-66 as a square wave, illustrates the different trigger event types for the TGs (for example, rising edge, falling edge, and both edges).

Figure 27-66. Tick Counter Operation



This register is shown in Figure 27-67 and described in Table 27-39.

Figure 27-67. Tick Count Register (TICKCNT) [offset = 90h]

31	30	29	28	27	16
TICKENA	RELOAD	CLKCTRL	Reserved		
R/W-0	R/S-0	R/W-0	R-0		
15	TICKVALUE				0
R/W-0					

LEGEND: R = Read only; R/W = Read/Write; S = Set; -n = value after reset

Table 27-39. Tick Count Register (TICKCNT) Field Descriptions

Bit	Field	Value	Description
31	TICKENA	0	Tick counter enable. The internal tick counter is disabled. The counter value remains unchanged. <b>Note: When the tick counter is disabled, the trigger signal is forced low.</b>
		1	The internal tick counter is enabled and is clocked by the clock source selected by CLKCTRL[1:0]. When the tick counter is enabled it starts down-counting from its current value. When TICKENA goes from 0 to 1, the tick counter is automatically loaded with the contents of TICKVALUE.
30	RELOAD		<b>Pre-load the tick counter.</b> RELOAD is a set-only bit; writing a 1 reloads the tick counter with the value stored in TICKVALUE. Reading RELOAD always returns a 0. <b>Note: When the tick counter is reloaded by the RELOAD bit, the trigger signal is not toggled.</b>
29-28	CLKCTRL	0	<b>Tick counter clock source control.</b> CLKCTRL defines the clock source that is used to clock the internal tick counter. SPICLK of data word format 0 is selected as the clock source of the tick counter
		1h	SPICLK of data word format 1 is selected as the clock source of the tick counter
		2h	SPICLK of data word format 2 is selected as the clock source of the tick counter
		3h	SPICLK of data word format 3 is selected as the clock source of the tick counter
27-16	Reserved	0	Read returns 0. Writes have no effect.
15-0	TICKVALUE	0-FFFFh	<b>Initial value for the tick counter.</b> TICKVALUE stores the initial value for the tick counter. The tick counter is loaded with the contents of TICKVALUE every time an underflow condition occurs and every time the RELOAD flag is set by the host.

### 27.3.32 Last TG End Pointer (LTGPEND)

**Figure 27-68. Last TG End Pointer (LTGPEND) [offset = 94h]**

31	29	28	24	23	16
Reserved		TG IN SERVICE			Reserved
R-0		R-0			R-0
15	14			8	7
Rsvd	LPEND			Reserved	
R-0	R/W-0			R-0	

LEGEND: R/W = Read/Write; R = Read only; -n = value after reset

**Table 27-40. Last TG End Pointer (LTGPEND) Field Descriptions**

Bit	Field	Value	Description
31-29	Reserved	0	Reads returns 0. Writes have no effect.
28-24	TG IN SERVICE	0 1h : 10h 11h-1Fh	<p>The TG number currently being serviced by the sequencer. These bits indicate the current TG that is being serviced. This field can generally be used for code debugging.</p> <p>No TG is being serviced by the sequencer.</p> <p>TG0 is being serviced by the sequencer.</p> <p>:</p> <p>TG15 is being serviced by the sequencer.</p> <p><b>Note: The number of transfer groups varies by device.</b></p> <p>Invalid values</p>
23-15	Reserved	0	Reads returns 0. Writes have no effect.
14-8	LPEND	0-7Fh	<p><b>Last TG end pointer.</b> Usually the TG end address (PEND) is inherently defined by the start value of the starting pointer of the subsequent TG (PSTART). The TG ends one word before the next TG starts (PEND[x]=PSTART[x+1] - 1). For a full configuration of MibSPI, the last TG has no subsequent TG, that is, no end address is defined. Therefore LPEND has to be programmed to specify explicitly the end address of the last TG.</p> <p><b>Note: LPEND allows SW compatibility for MibSPI variants. Because of software compatibility reasons, the last TG end address has to be configurable; otherwise a super-set MibSPI cannot emulate a MibSPI with less TGs without software changes.</b></p> <p><b>Note: The number of transfer groups varies by device, thus the last TG also varies by device.</b></p>
7-0	Reserved	0	Reads returns 0. Writes have no effect.

### 27.3.33 TGx Control Registers (TGxCTRL)

Each TG can be configured via one dedicated control register. The register description below shows one control register(x) which is identical for all TGs. For example, the control register for TG 2 is named TG2CTRL and is located at *base address + 98h + 4 × 2*. The actual number of available control registers varies by device.

**Figure 27-69. MibSPI TG Control Registers (TGxCTRL) [offsets = 98h-D4h]**

31	30	29	28	27	24	23	20	19	16
TGENA	ONESHOT	PRST	TGTD	Reserved		TRIG EVT		TRIG SRC	
R/W-0	R/W-0	R/W-0	R-0	R-0		R/W-0		R/W-0	
15	14	8			7	6	0		
Rsvd	PSTART				Rsvd	PCURRENT			
R-0	R/W-0				R-0	R-0			

LEGEND: R/W = Read/Write; R = Read only; -n = value after reset

**Table 27-41. TG Control Registers (TGxCTRL) Field Descriptions**

Bit	Field	Value	Description
31	TGENA	0 1	TGx enable.  If the correct event (TRIG EVTx) occurs at the selected source (TRIG SRCx) a group transfer is initiated if no higher priority TG is in active transfer mode or if one or more higher-priority TGs are in transfer-suspend mode.  Disabling a TG while a transfer is ongoing will finish the ongoing word transfer but not the whole group transfer.  0 TGx is disabled. 1 TGx is enabled.
30	ONESHOTx	0 1	Single transfer for TGx.  0 TGx initiates a transfer every time a trigger event occurs and TGENA is set. 1 A transfer from TGx will be performed only once (one shot) after a valid trigger event at the selected trigger source. After the transfer is finished the TGENAx control bit will be cleared and therefore no additional transfer can be triggered before the host enables the TG again. This one shot mode ensures that after one group transfer the host has enough time to read the received data and to provide new transmit data.
29	PRSTx	0 1	TGx pointer reset mode. Configures the way to resolve trigger events during an ongoing transfer. This bit is meaningful only for level-triggered TGs. Edge-triggered TGs cannot be restarted before their completion by another edge. The PRST bit will have no effect on this behavior.  <b>Note: When the PRST bit is set, if the buffer being transferred at the time of a new trigger event is a LOCK, CSHOLD or NOBRK buffer, then only after finishing those transfers, the TG will be restarted. This means that even if the TG is retriggered, the TG will only be restarted after finishing the transfer of the first non-LOCK or non-CSHOLD buffer. In the case of the NOBRK buffer, after completing the ICOUNT number of transfers, the TG will be restarted from its PSTART.</b>  This means that TX control fields such as LOCK and CSHOLD, and DMA control fields such as NOBRK have higher priority over anything else. They have the capability to delay the restart of the TG even if it is retriggered when PRST is 1.  0 If a trigger event occurs during a transfer from TGx, the event is ignored and is not stored internally. The TGx transfer has priority over additional trigger events. 1 The TGx pointer (PCURRENTx) will be reset to the start address (PSTARTx) when a valid trigger event occurs at the selected trigger source while a transfer from the same TG is ongoing. Every trigger event resets PCURRENTx no matter whether the concerned TG is in transfer mode or not. The trigger events have priority over the ongoing transfer.
28	TGTDx	0 1	TG triggered.  0 TGx has not been triggered or is no longer waiting for service. 1 TGx has been triggered and is either currently being serviced or waiting for servicing.
27-24	Reserved	0	Read returns 0. Writes have no effect.

**Table 27-41. TG Control Registers (TGxCTRL) Field Descriptions (continued)**

Bit	Field	Value	Description
23-20	TRIGEVTx		<p>Type of trigger event. A level-triggered TG can be stopped by de-activating the level trigger. However, the following restrictions apply.</p> <ul style="list-style-type: none"> <li>Deactivating the level trigger for a TG during a NOBRK transfer does not stop the transfers until all of the ICOUNT number of buffers are transferred for the NOBRK buffer. Once a NOBRK buffer is prefetched, the trigger event loses control over the TG until the NOBRK buffer transfer is completed.</li> <li>Once the transfer of a buffer with CSHOLD or LOCK bit set starts, deactivating the trigger level does not stop the transfer until the sequencer completes the transfer of the next non-CSHOLD or non-LOCK buffer in the same TG.</li> <li>Once the last buffer in a TG is pre-fetched, de-activating the trigger level does not stop the transfer group until the last buffer transfer is completed. This means even if the trigger level is deactivated at the beginning of the penultimate (one-before-last) buffer transfer, the sequencer continues with the same TG until it is completed.</li> </ul>
		0	never Never trigger TGx. This is the default value after reset.
		1h	rising edge A rising edge (0 to 1) at the selected trigger source (TRIGSRCx) initiates a transfer for TGx
		2h	falling edge A falling edge (1 to 0) at the selected trigger source (TRIGSRCx) initiates a transfer for TGx
		3h	both edges Rising and falling edges at the selected trigger source (TRIGSRCx) initiates a transfer for TGx
		4h	Rsvd Reserved
		5h	high-active While the selected trigger source (TRIGSRCx) is at a logic high level (1) the group transfer is continued and at the end of one group transfer restarted at the beginning. If the logic level changes to low (0) during an ongoing group transfer, the whole group transfer will be stopped. <b>Note: If ONESHOTx is set the transfer is performed only once.</b>
		6h	low-active While the selected trigger source (TRIGSRCx) is at a logic low level (0) the group transfer is continued and at the end of one restarted at the beginning. If the logic level changes to high (1) during an ongoing group transfer, the whole group transfer will be stopped. <b>Note: If ONESHOTx is set the transfer is performed only once.</b>
		7h	always A repetitive group transfer will be performed. <b>Note: By setting the TRIGSRC to 0, the TRIGEVt to 7h (ALWAYS), and the ONESHOTx bit to 1, software can trigger this TG. Upon setting the TGENA bit, the TG is immediately triggered.</b> <b>Note: If ONESHOTx is set the transfer is performed only once.</b>
		1xxx	Rsvd Reserved

**Table 27-41. TG Control Registers (TGxCTRL) Field Descriptions (continued)**

Bit	Field	Value	Description
19-16	TRIGSRCx		<b>Trigger source.</b> After reset, the trigger sources of all TGs are disabled.
		0	Disabled
		1h	EXT0 External trigger source 0. The actual source varies per device (for example, HET I/O channel, event pin).
		2h	EXT1 External trigger source 1. The actual source varies per device (for example, HET I/O channel, event pin).
		3h	EXT2 External trigger source 2. The actual source varies per device (for example, HET I/O channel, event pin).
		4h	EXT3 External trigger source 3. The actual source varies per device (for example, HET I/O channel, event pin).
		5h	EXT4 External trigger source 4. The actual source varies per device (for example, HET I/O channel, event pin).
		6h	EXT5 External trigger source 5. The actual source varies per device (for example, HET I/O channel, event pin).
		7h	EXT6 External trigger source 6. The actual source varies per device (for example, HET I/O channel, event pin).
		8h	EXT7 External trigger source 7. The actual source varies per device (for example, HET I/O channel, event pin).
		9h	EXT8 External trigger source 8. The actual source varies per device (for example, HET I/O channel, event pin).
		Ah	EXT9 External trigger source 9. The actual source varies per device (for example, HET I/O channel, event pin).
		Bh	EXT10 External trigger source 10. The actual source varies per device (for example, HET I/O channel, event pin).
		Ch	EXT11 External trigger source 11. The actual source varies per device (for example, HET I/O channel, event pin).
		Dh	EXT12 External trigger source 12. The actual source varies per device (for example, HET I/O channel, event pin).
Eh	EXT13 External trigger source 13. The actual source varies per device (for example, HET I/O channel, event pin).		
Fh	TICK Internal periodic event trigger. The tick counter can initiate periodic group transfers.		
15	Reserved	0	Read returns 0. Writes have no effect.
14-8	PSTARTx	0-7Fh	<b>TG start address.</b> PSTARTx stores the start address of the corresponding TG. The corresponding end address is inherently defined by the subsequent TG's start address minus one (PENDx[TGx] = PSTARTx[TGx+1]-1). PSTARTx is copied into PCURRENTx when: <ul style="list-style-type: none"> <li>• The TG is enabled.</li> <li>• The end of the TG is reached during a transfer.</li> <li>• A trigger event occurs while PRST is set to 1.</li> </ul>
7	Reserved	0	Read returns 0. Writes have no effect.
6-0	PCURRENTx	0-7Fh	Pointer to current buffer. PCURRENT is read-only. PCURRENTx stores the address (0...127) of the buffer that corresponds to this TG. If the TG switches from active transfer mode to suspend to wait, PCURRENTx contains the address of the currently suspended word. After the TG resumes from suspend to wait mode, the next buffer will be transferred; that is, no buffer data is transferred because of suspend to wait mode.

**NOTE: Register bits vary by device**

TG0 has the highest priority and TG15 has the lowest priority. Under the following conditions a lower priority TG cannot be interrupted by a higher priority TG.

1. When there is a CSHOLD or LOCK buffer, until the completion of the next buffer transfer which is a non-CSHOLD or non-LOCK buffer.
2. An entire sequence of words transferred for a NOBRK DMA buffer.
3. Once the last word in a TG is pre-fetched.

### 27.3.34 DMA Channel Control Register (DMAxCTRL)

Each DMA channel can be configured via one dedicated control register. The register description below shows one exemplary control register that is identical for all DMA channels; for example, the control register for DMA channel 0 is named DMA0CTRL. The MibSPI supports up to 8 bidirectional DMA channels.

The number of bidirectional DMA channels varies by device. The number of DMA channels and hence the number of DMA channel control registers may vary.

**Figure 27-70. DMA Channel Control Register (DMAxCTRL) [offset = D8h-F4h]**

31	30	24	23	20	19	16
ONESHOT		BUFID		RXDMA_MAP		TXDMA_MAP
R/W-0		R/W-0		R/W-0		R/W-0
15	14	13	12	8		
RXDMAENA	TXDMAENA	NOBRK	ICOUNT			
R/W-0	R/W-0	R/W-0	R/W-0			
7	6	5	0			
Reserved	COUNT BIT17	COUNT				
R-0	R-0	R-0				

LEGEND: R/W = Read/Write; R = Read only; -n = value after reset

**Table 27-42. DMA Channel Control Register (DMAxCTRL) Field Descriptions**

Bit	Field	Value	Description
31	ONESHOT	0 1	Auto-disable of DMA channel after ICOUNT+1 transfers. The length of the block transfer is fully controlled by the DMA controller. The enable bits RXDMAENAx and TXDMAENAx are not modified by the MibSPI. ONESHOT allows a block transfer of defined length (ICOUNTx+1), mainly controlled by the MibSPI and not by the DMA controller. After ICOUNTx +1 transfers, the enable bits RXDMAENAx and TXDMAENAx are automatically cleared by the MibSPI, hence no more DMA requests are generated. In conjunction with NOBRKx, a burst transfer can be initiated without any other transfer through another buffer.
30-24	BUFIDx	0-7Fh	Buffer utilized for DMA transfer. BUFIDx defines the buffer that is utilized for the DMA transfer. In order to synchronize the transfer with the DMA controller with the NOBRK condition the "suspend to wait until..." modes must be used.
23-20	RXDMA_MAPx	0-Fh	Each MibSPI DMA channel can be linked to two physical DMA Request lines of the DMA controller. One request line for receive data and the other for request line for transmit data. RXDMA_MAPx[3:0] defines the number of the physical DMA Request line that is connected to the receive path of the MibSPI DMA channel. If RXDMAENAx and TXDMAENAx are both set to "1", then RXDMA_MAPx[3:0] shall differ from TXDMA_MAPx[3:0] and shall differ from any other used physical DMA Request line. Otherwise unexpected interference may occur.
19-16	TXDMA_MAPx	0-Fh	Each MibSPI DMA channel can be linked to two physical DMA Request lines of the DMA controller. One request line for receive data and the other for request line for transmit data. TXDMA_MAPx[3:0] defines the number of the physical DMA Request line that is connected to the transmit path of the MibSPI DMA channel. If RXDMAENAx and TXDMAENAx are both set then TXDMA_MAPx[3:0] shall differ from RXDMA_MAPx[3:0] and shall differ from any other used physical DMA Request line. Otherwise unexpected interference may occur.
15	RXDMAENAx	0 1	Receive data DMA channel enable. 0 No DMA request upon new receive data. 1 The physical DMA channel for the receive path is enabled. The first DMA request pulse is generated after the first transfer from the referenced buffer (BUFIDx) is finished. The buffer should be configured in as "skip until RXEMPTY is set" or "suspend to wait until RXEMPTY is set" in order to ensure synchronization between the DMA controller and the MibSPI sequencer.

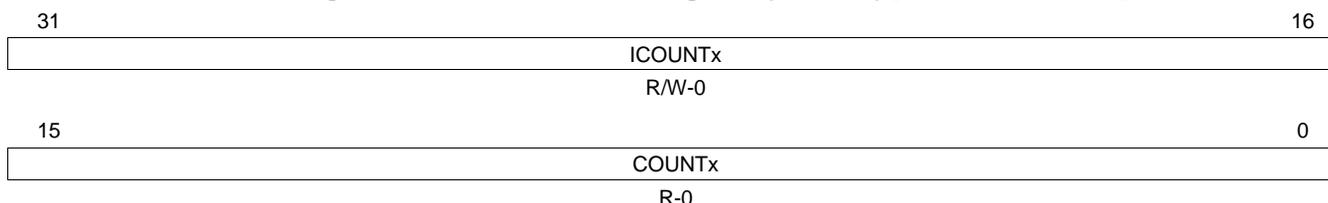
**Table 27-42. DMA Channel Control Register (DMAxCTRL) Field Descriptions (continued)**

Bit	Field	Value	Description
14	TXDAMENAx	0 1	<p>Transmit data DMA channel enable.</p> <p>0 No DMA request upon new transmit data.</p> <p>1 The physical DMA channel for the transmit path is enabled. The first DMA request pulse is generated right after setting TXDMAENAx to load the first transmit data. The buffer should be configured in the as "skip until TXFULL is set" or "suspend to wait until TXFULL is set" in order to ensure synchronization between the DMA controller and the MibSPI sequencer.</p>
13	NOBRKx	0 1	<p>Non-interleaved DMA block transfer. This bit is available in master mode only.</p> <p><b>Note: Special Conditions during a NOBRK Buffer Transfer. If a NOBRK DMA buffer is currently being serviced by the sequencer, then it is not allowed to be disabled prematurely.</b></p> <p><b>During a NOBRK transfer, the following operations are not allowed:</b></p> <ul style="list-style-type: none"> <li>• Clearing the NOBRKx bit to 0</li> <li>• Clearing the RXDMAENAx to 0 (if it is already 1)</li> <li>• Clearing the TXDMAENAx to 0 (if it is already 1)</li> <li>• Clearing the BUFMODE[2:0] bits to 000</li> </ul> <p><b>Any attempts to perform these actions during a NOBRK transfer will produce unpredictable results.</b></p> <p>0 DMA transfers through the buffer referenced by BUFIDx are interleaved by data transfers from other active buffers or TGs. Every time the sequencer checks the DMA buffer, it performs one transfer and then steps to the next buffer.</p> <p>1 NOBRKx ensures that ICOUNTx+1 data transfers are performed from the buffer referenced by BUFIDx without a data transfer from any other buffer. The sequencer remains at the DMA buffer until ICOUNTx+1 transfers have been processed. For example, this can be used to generate a burst transfer to one device without disabling the chip select signal in-between (the concerned buffer has to be configured with CSHOLD=1). Another example would be to have a defined block data transfer in slave mode, synchronous to the master SPI.</p> <p><b>Note: Triggering of higher priority TGs or enabling of higher priority DMA channels will not interrupt a NOBRK block transfer.</b></p>
12-8	ICOUNTx	0-1Fh	<p><b>Initial count of DMA transfers.</b> ICOUNTx is used to preset the transfer counter COUNTx[4:0]. Every time COUNTx hits zero it is reloaded with ICOUNTx. The real number of transfers equals ICOUNTx plus one.</p> <p>If ONESHOTx is set, ICOUNTx defines the number of DMA transfers that are performed before the MibSPI automatically disables the DMA channels. If NOBRKx is set, ICOUNTx defines the number of DMA transfers that are performed in one sequence without a transfer from any other buffer.</p> <p><b>Note: See Section 27.3.35 (ICOUNT) and Section 27.3.36 (DMACNTLEN) about how to increase the ICOUNT to a 16-bit value. With this extended capability, MibSPI can transfer a block of up to 65535 (65K) words without interleaving (if NOBRK is used) or without deasserting the chip select between the buffers (if CSHOLD is used).</b></p>
7	Reserved	0	Read returns 0. Writes have no effect.
6	COUNT BIT17x		The 17th bit of the COUNT field of DMAxCOUNT register.
5-0	COUNTx	0-3Fh	<p>Actual number of remaining DMA transfers. This field contains the actual number of DMA transfers that remain, until the DMA channel is disabled, if ONESHOTx is set.</p> <p><b>Note: If the TX and RX DMA requests are enabled, the COUNT register will be decremented when the RX has been serviced.</b></p>

### 27.3.35 DMAxCOUNT Register (ICOUNT)

**NOTE:** These registers are used only if the LARGE COUNT bit in the DMACNTLEN register is set. The number of bidirectional DMA channels varies by device. The number of DMA channels and hence the number of DMA registers varies by device.

**Figure 27-71. DMAxCOUNT Register (ICOUNT) [offset = F8h-114h]**



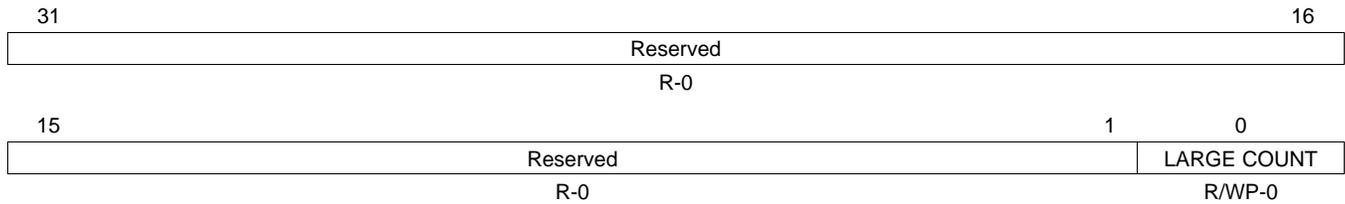
LEGEND: R/W = Read/Write; R = Read only; -n = value after reset

**Table 27-43. MibSPI DMAxCOUNT Register (ICOUNT) Field Descriptions**

Bit	Field	Value	Description
31-16	ICOUNTx	0-FFFFh	<p><b>Initial number of DMA transfers.</b> ICOUNTx is used to preset the transfer counter COUNTx. Every time COUNTx hits zero, it is reloaded with ICOUNTx. The real number of transfer equals ICOUNTx plus one. If ONESHOTx is set, ICOUNTx defines the number of DMA transfers that are performed before the MibSPI automatically disables the corresponding DMA channel. If NOBRKx is set, ICOUNTx defines the number of DMA transfers that are performed in one sequence without a transfer from any other buffer</p>
15-0	COUNTx	0-FFFFh	<p><b>The actual number of remaining DMA transfers.</b> COUNTx Contains the actual number of DMA transfers that remain, until the DMA channel is disabled, if ONESHOTx is set. Since the real counter value is always ICOUNTx +1, the 17th bit of COUNTx is available on DMACTRLx[6] bit.</p> <p><b>Note: Usage Tip for Block Transfer Using a Single DMA Request.</b> It is possible to use the multi-buffer RAM to transfer chunks of data to/from an external SPI. A DMA Controller can be used to handle the data in bursts. Suppose a chunk of 64 bytes of data needs to be transferred and a single DMA request needs to be generated at the end of transferring the 64 bytes. This can be easily achieved by configuring a TG register for the 64 buffer locations and using the DMAxCTRL/DMAxCOUNT registers to configure the last buffer (64th) of the TG as the BUFID and enable RXDMA (NOBRK = 0). At the end of the transfer of the 64th buffer, a DMA request will be generated on the selected DMA request channel. The DMA controller can do a burst read of all 64 bytes from RXRAM and/or then do a burst write to all 64 bytes to the TXRAM for the next chunk.</p>

### 27.3.36 DMA Large Count (DMACNTLEN)

Figure 27-72. DMA Large Count Register (DMACNTLEN) [offset = 118h]



LEGEND: R/W = Read/Write; R = Read only; WP = Write in privilege mode only; -n = value after reset

Table 27-44. MibSPI DMA Large Count Register (DMACNTLEN) Field Descriptions

Bit	Field	Value	Description
31-1	Reserved	0	Read returns 0. Writes have no effect.
0	LARGE COUNT	0	<b>Select the DMAxCTRL counters.</b> Writes to the DMAxCTRL register will modify the ICOUNT value. Reading ICOUNT and COUNT can be done from the DMAxCTRL register. The DMAxCOUNT register should not be used since any write to this register will be overwritten by a subsequent write to the DMAxCTRL register to set the TXDMAENA or RXDMAENA bits.
		1	<b>Select the DMAxCOUNT counters.</b> Writes to the DMAxCTRL register will not modify the ICOUNT value. The ICOUNT value must be written to in the DMAxCOUNT register before the RXDMAENA or TXDMAENA bits are set in the DMAxCTRL register. The DMAxCOUNT register should be used for reading COUNT or ICOUNT.

### 27.3.37 Parity/ECC Control Register (PAR\_ECC\_CTRL)

**Figure 27-73. Parity/ECC Control Register (PAR\_ECC\_CTRL) [offset = 120]**

31	28	27	24	23	20	19	16	
Reserved		SBE_EVT_EN		Reserved		EDAC_MODE		
R-0		R/W-5h		R-0		R/WP-Ah		
15			9	8	7	4	3	
Reserved			PTESTEN		Reserved		EDEN	
R-0			R/WP-0		R-0		R/W-5h	

LEGEND: R/W = Read/Write; R = Read only; WP = Write in privilege mode only; -n = value after reset

**Table 27-45. MibSPI Parity/ECC Control Register (PAR\_ECC\_CTRL) Field Descriptions**

Bit	Field	Value	Description
31-28	Reserved	0	Read returns 0. Writes have no effect.
27-24	SBE_EVT_EN	5h Ah	<p>Single Bit Error Event Enable This bit controls the generation of Error signaling (on MIBSPI_SBERR port) whenever a Single Bit Errors (SBE) is detected on TXRAM/RXRAM. This signal can be used to generate interrupt if required.</p> <p>Write: Disable Error Event indication upon detection of SBE on TXRAM/RXRAM</p> <p>Write: Enable Error Event upon detection of SBE on TXRAM/RXRAM</p> <p>All other values - writes are ignored and the values are not updated into this field. The state of the feature remains unchanged.</p> <p>Read: Returns the current value of the field</p>
23-20	Reserved	0	Read returns 0. Writes have no effect.
19-16	EDAC_MODE	5h Ah	<p>These bits determine whether Single Bit Errors (SBE) detected by the SECDED block will be corrected or not.</p> <p>Write: Disable correction of SBE detected by the SECDED block</p> <p>Write: Enable correction of SBE detected by the SECDED block</p> <p>All other values - writes are ignored and the values are not updated into this field. The state of the feature remains unchanged.</p> <p>Read: Returns the current value of the field</p>
15-9	Reserved	0	Read returns 0. Writes have no effect.
8	PTESTEN	0 1	<p>Parity/ECC memory Test Enable. This bit, maps the parity/ECC bits corresponding to Multi-buffer RAM locations into the peripheral RAM frame to make them accessible by the CPU.</p> <p><i>User and privilege mode (read):</i></p> <p>0 Parity/ECC bits are not memory mapped</p> <p>1 Parity/ECC bits are memory mapped</p>
		0 1	<p><i>Privilege mode (write):</i></p> <p>0 Disable memory mapping of Parity/ECC locations</p> <p>1 Enable memory mapping of Parity/ECC locations</p>
7-4	Reserved	0	Read returns 0. Writes have no effect.
3-0	EDEN	5h All other values	<p>Error Detection Enable These bits enable Parity/ECC Error Detection.</p> <p>Write: Disables Parity/ECC Error Detection Logic(default)</p> <p>Write: Others Enables Parity/ECC Error Detection Logic.</p> <p>Read: Returns the current value of this field</p>

### 27.3.38 Parity/ECC Status Register (PAR\_ECC\_STAT)

**Figure 27-74. Parity/ECC Status Register (PAR\_ECC\_STAT) [offset = 124]**

31	Reserved				16	
R-0						
15	Reserved			10	9	8
R-0				R/W1C-0	R/W1C-0	
7	Reserved			2	1	0
R-0				R/W1C-0	R/W1C-0	

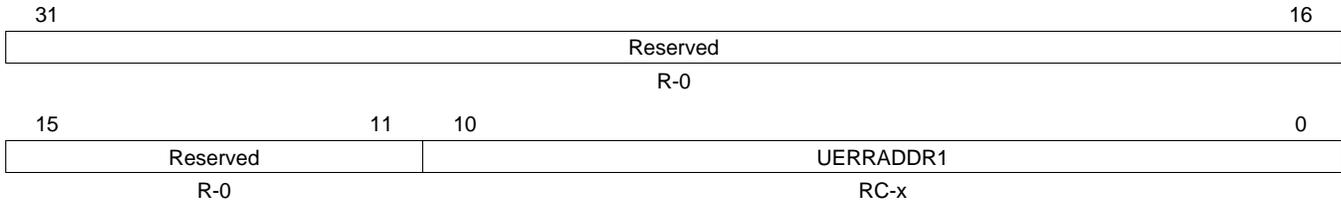
LEGEND: R/W = Read/Write; R = Read only; W1C = Clear type flag; -n = value after reset

**Table 27-46. Parity/ECC Status Register (PAR\_ECC\_STAT) Field Descriptions**

Bit	Field	Value	Description
31-10	Reserved	0	Read returns 0. Writes have no effect.
9	SBE_FLG1	0	Single Bit Error in RXRAM. This flag indicates if a single bit ECC Error occurred on reading RXRAM. Read: No error occurred Write: No effect.
		1	Read: Single bit error is detected in RXRAM and the address is captured in SBERRADDR1 register. Write: Clears the bit.
8	SBE_FLG0	0	Single Bit Error in TXRAM. This flag indicates if a single bit ECC Error occurred on reading TXRAM. Read: No error occurred Write: No effect.
		1	Read: Single bit error is detected in TXRAM and the address is captured in SBERRADDR0 register Write: Clears the bit
7-2	Reserved	0	Read returns 0. Writes have no effect.
1	UERR_FLG1	0	Uncorrectable Parity or double bit ECC error detection flag. This flag indicates if a Parity or double bit ECC error occurred on reading RXRAM Read: No error occurred. Write: No effect.
		1	Read: Error detected and the address is captured in UERRADDR1 register. Write: Clears the bit.
0	UERR_FLG0	0	Uncorrectable Parity or double bit ECC error detection flag. This flag indicates if a Parity or ECC error occurred on reading TXRAM Read: No error occurred. Write: No effect.
		1	Read: Error detected and the address is captured in UERRADDR0 register. Write: Clears the bit.

### 27.3.39 Uncorrectable Parity or Double Bit ECC Error Address Register - RXRAM (UERRADDR1)

**Figure 27-75. Uncorrectable Parity or Double Bit ECC Error Address Register - RXRAM (UERRADDR1) [offset = 128h]**



LEGEND: R/W = Read/Write; R = Read only; RC = Read to clear; -n = value after reset

**Table 27-47. Uncorrectable Parity or Double Bit ECC Error Address Register - RXRAM (UERRADDR1) Field Descriptions**

Bit	Field	Value	Description
31-11	Reserved	0	Read returns 0. Writes have no effect.
10-0	UERRADDR1		Uncorrectable Parity or double bit ECC error address This register holds the address of the RAM location if a parity or double bit ECC error is detected when reading the MibSPI (Receive) RXRAM. The address captured is byte aligned when RAM Parity Check is supported. This error address is frozen from being updated until it is read by the VBUS host.  Reading this register clears its contents to the default value. The default value is 400h if Extended Buffer feature is enabled; else, it is 200h. Writes to this register are ignored.

**NOTE: UERRADDR1 values**

The offset address of RXRAM can vary from 000h-1FFh, if EXTENDED\_BUF mode is disabled. If the EXTENDED\_BUF mode is enabled, the offset address can vary from 000h-3FFh.

The register does not clear its contents during and after any of the module level reset, System level resets or even Power-up Reset.

**NOTE:** A read to UERRADDR1 register will clear the UERR\_FLG1 in PAR\_ECC\_STAT register. However, in emulation mode (VBUSP\_EMUDBG = 1), the read to UERRADDR1 register does not clear the corresponding UERR\_FLG1.

After a power-up reset the contents of this register will be unpredictable. So, a read operation can be performed after power-up to clear its contents if required. Contents of this register are meaningful only when UERR\_FLG1 is set to 1.

If ECC feature is implemented, the Sequencer FSM clearing the TXFULL flag (after a TXRAM location read out and written to the shift register for transfer) will trigger read-modify-write operation to the RXRAM. Similarly, each time FSM reads a TXRAM to transfer it out, the corresponding RXRAM location is also automatically read to determine the status of the buffer. A double bit error could be detected during these FSM read operations and result in error address and flags getting captured.

**NOTE: Clearing of UERR status and address registers**

After completing a memory test sequence, specifically where parity or ECC features are tested, user must read back the status flags in PAR\_ECC\_STAT and UERRADDRx registers and ensure that they are in normal clear state by reading/writing appropriately. This can be performed before the start of a normal multi-buffer mode transactions as well.

If RAM Parity Check is supported, UERRADDR1[1:0] values will reflect the byte positions of failed byte based on the following scheme to take care of Endianness of memory organization.

**Table 27-48. Effect of BIG\_ENDIAN Port on UERRADDR1[1:0] Bits**

	Endianness		Fault Location is Among the RAM Bits
	1 (Big Endian)	0 (Little Endian)	
UERRADDR1[1:0]	00	11	7:0
	01	10	15:8
	10	01	23:16
	11	00	31:24

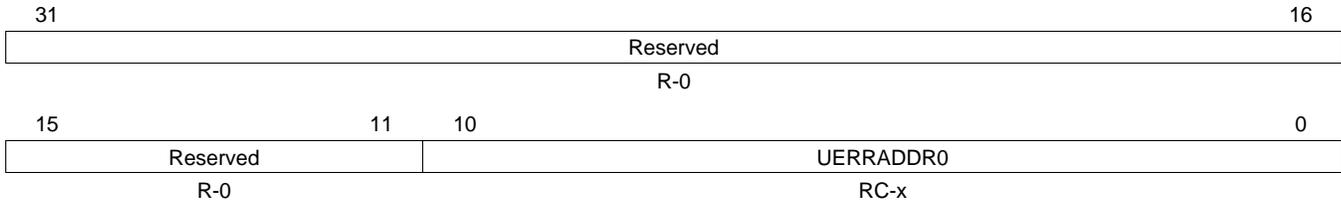
---

**NOTE:** When ECC is supported, UERRADDR0 will indicate only word address. UERRADDR0[1:0] will always be 00.

---

### 27.3.40 Uncorrectable Parity or Double Bit ECC Error Address Register - TXRAM (UERRADDR0)

**Figure 27-76. Uncorrectable Parity or Double Bit ECC Error Address Register - TXRAM (UERRADDR0) [offset = 12Ch]**



LEGEND: R/W = Read/Write; R = Read only; RC = Read to clear; -n = value after reset

**Table 27-49. Uncorrectable Parity or Double Bit ECC Error Address Register - TXRAM (UERRADDR0) Field Descriptions**

Bit	Field	Value	Description
31-11	Reserved	0	Read returns 0. Writes have no effect.
10-0	UERRADDR0		Uncorrectable Parity or double bit ECC error address. This register holds the address when a parity error is generated while reading the MibSPI (Transmit) TXRAM. The TXRAM can be read either by CPU or by the MibSPI Sequencer FSM logic for transmission. The address captured is byte aligned. This error address is frozen from being updated until it is read by the VBUSP host. Reading this register clears its contents to the default value of 000. Writes to this register are ignored.

**NOTE: UERRADDR0 values**

The offset address of TXRAM can vary from 200h-3FFh, if EXTENDED\_BUF mode is disabled. If the EXTENDED\_BUF mode is enabled, the offset address can vary from 400h-7FFh.

The register does not clear its contents during and after any of the module level reset, System level resets or even Power-up Reset.

**NOTE:** A Read to UERRADDR0 register will clear the UERR\_FLG0 in PAR\_ECC\_STAT register. However, in emulation mode (VBUSP\_EMUDBG = 1), the read to UERRADDR0 register does not clear the corresponding UERR\_FLG0.

After a power-up reset the contents will be unpredictable. A read operation can be performed after power-up to keep the register at its default value if required. Contents of this register are meaningful only when UERR\_FLG0 is set to 1.

If ECC feature is implemented, the Sequencer FSM clearing the TXFULL flag (after a TXRAM location read out and written to the shift register for transfer) will trigger read-modify-write operation to the RXRAM. Similarly, each time FSM reads a TXRAM to transfer it out, the corresponding RXRAM location is also automatically read to determine the status of the buffer. A double bit error could be detected during these FSM read operations and result in error address and flags getting captured.

**NOTE: Clearing of UERR status and address registers**

After completing a memory test sequence, specifically where parity or ECC features are tested, user must read back the status flags in PAR\_ECC\_STAT and UERRADDRx registers and ensure that they are in normal clear state by reading/writing appropriately. This can be performed before the start of a normal multi-buffer mode transactions as well.

If RAM Parity Check is supported, UERRADDR0[1:0] values will reflect the byte positions of failed byte based on the following scheme to take care of Endianness of memory organization.

**Table 27-50. Effect of BIG\_ENDIAN Port on UERRADDR0[1:0] Bits**

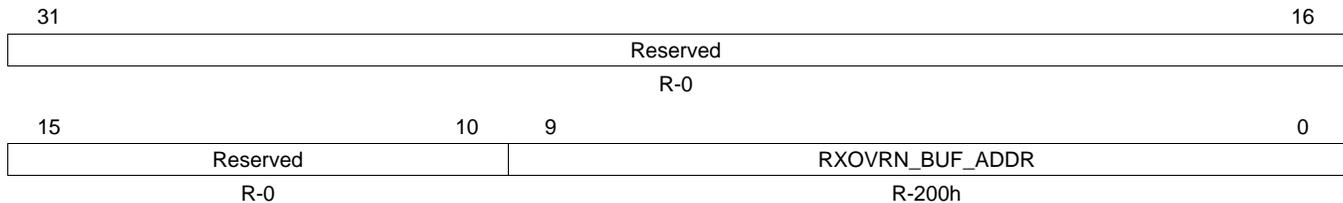
	Endianness		Fault Location is Among the RAM Bits
	1 (Big Endian)	0 (Little Endian)	
UERRADDR0[1:0]	00	11	7:0
	01	10	15:8
	10	01	23:16
	11	00	31:24

**NOTE:** When ECC is supported, UERRADDR0 will indicate only word address. UERRADDR0[1:0] will always be 00.

**27.3.41 RXRAM Overrun Buffer Address Register (RXOVRN\_BUF\_ADDR)**

In multi-buffer mode, if a particular RXRAM location is written by the MibSPI sequencer logic after the completion of a new transfer when that location already contains valid data, the RX\_OVR bit will be set to 1 while the data is being written. The RXOVRN\_BUF\_ADDR register captures the address of the RXRAM location for which a receiver overrun condition occurred.

**Figure 27-77. RXRAM Overrun Buffer Address Register (RXOVRN\_BUF\_ADDR) [offset = 130h]**



LEGEND: R/W = Read/Write; R = Read only; C = Clear; -n = value after reset

**Table 27-51. RXRAM Overrun Buffer Address Register (RXOVRN\_BUF\_ADDR) Field Descriptions**

Bit	Field	Value	Description
31-10	Reserved	0	Read returns 0. Writes have no effect.
9-0	RXOVRN_BUF_ADDR	200h-3FCh	<p><b>Address in RXRAM at which an overwrite occurred.</b> This address value will show only the offset address of the RAM location in the multi-buffer RAM address space. Refer to the device-specific data sheet for the actual absolute address of RXRAM.</p> <p>This word-aligned address can vary from 200h-3FCh. Contents of this register are valid only when any of the INTVECT0 or INTVECT1 and SPIFLG registers show an RXOVRN error vector while in multi-buffer mode. If there are multiple overrun errors, then this register holds the address of first overrun address until it is read.</p> <p><b>Note: Reading this register clears the RXOVRN interrupt flag in the SPIFLG register and the TGINTVECTx.</b></p> <p><b>Note: Receiver overrun errors in multi-buffer mode can be completely avoided by using the SUSPEND until RXEMPTY feature, which can be programmed into each buffer of any TG. However, using the SUSPEND until RXEMPTY feature will make the sequencer wait until the current RXRAM location is read by the VBUS master before it can start the transfer for the same buffer location again. This may affect the overall throughput of the SPI transfer. By enabling the interrupt on RXOVRN in multi-buffer mode, the user can rely on interrupts to know if a receiver overrun has occurred. The address of the overrun in RXRAM is indicated in this RXOVRN_BUF_ADDR register.</b></p>

### 27.3.42 I/O-Loopback Test Control Register (IOLPBKTSTCR)

This register controls test mode for I/O pins. It also controls whether loop-back should be digital or analog. In addition, it contains control bits to induce error conditions into the module. These are to be used only for module testing.

All of the control/status bits in this register are valid only when the IOLPBKTSTENA field is set to Ah.

**Figure 27-78. I/O-Loopback Test Control Register (IOLPBKTSTCR) [offset = 134h]**

31						25	24
Reserved						SCS FAIL FLG	
R-0						RW1C-0	
23	21	20	19	18	17	16	
Reserved		CTRL BITERR	CTRL DESYNC	CTRL PARERR	CTRL TIMEOUT	CTRL DLENERR	
R-0		R/WP-0	R/WP-0	R/WP-0	R/WP-0	R/WP-0	
15				12	11	8	
Reserved				IOLPBKTSTENA			
R-0				R/WP-0			
7	6	5	3		2	1	0
Reserved		ERR SCS PIN		CTRL SCS PINERR	LPBKTYPE	RXPENA	
R-0		R/WP-0		R/WP-0	R/WP-0	R/WP-0	

LEGEND: R/W = Read/Write; R = Read only; C = Clear; WP = Write in privilege mode only; -n = value after reset

**Table 27-52. I/O-Loopback Test Control Register (IOLPBKTSTCR) Field Descriptions**

Bit	Field	Value	Description
31-25	Reserved	0	Read returns 0. Writes have no effect.
24	SCS FAIL FLG	0	Bit indicating a failure on $\overline{\text{SP1SCS}}$ pin compare during analog loopback. Read: No mismatches occurred on any of the eight chip select pins (vs. the internal chip select number CSNR during transfers). Write: Writing a zero to this bit has no effect.
		1	Read: A comparison between the internal CSNR field and the analog looped-back value of one or more of the $\overline{\text{SP1SCS}}[3:0]$ pins failed. A stuck-at fault is detected on one of the $\overline{\text{SP1SCS}}[3:0]$ . Comparison is done only on the pins that are configured as functional and during transfer operation. Write: This flag bit is cleared.
23-21	Reserved	0	Read returns 0. Writes have no effect.
20	CTRL BITERR	0	Controls inducing of BITERR during I/O loopback test mode. Do not interfere with looped-back data.
		1	Induces bit errors by inverting the value of the incoming data during loopback.
19	CTRL DESYNC	0	Controls inducing of the desync error during I/O loopback test mode. Do not cause a desync error.
		1	Induce a desync error by forcing the incoming $\overline{\text{SP1ENA}}$ pin (if functional) to remain 0 even after the transfer is complete. This forcing will be retained until the kernel reaches the idle state.
18	CTRL PARERR	0	Controls inducing of the parity errors during I/O loopback test mode. Do not cause a parity error.
		1	Induce a parity error by inverting the polarity of the parity bit.
17	CTRL TIMEOUT	0	Controls inducing of the timeout error during I/O loopback test mode. Do not cause a timeout error.
		1	Induce a timeout error by forcing the incoming $\overline{\text{SP1ENA}}$ pin (if functional) to remain 1 when transmission is initiated. The forcing will be retained until the kernel reaches the idle state.

**Table 27-52. I/O-Loopback Test Control Register (IOLPBKTSTCR) Field Descriptions (continued)**

Bit	Field	Value	Description
16	CTRL DLENERR	0 1	Controls inducing of the data length error during I/O loopback test mode. Do not cause a data-length error. Induce a data-length error. <i>Master mode:</i> The $\overline{\text{SPIEN}}\overline{\text{A}}$ pin (if functional) is forced to 1 when the module starts shifting data. <i>Slave mode:</i> The incoming $\overline{\text{SPISCS}}$ pin (if functional) is forced to 1 when the module starts shifting data.
15-12	Reserved	0	Read returns 0. Writes have no effect.
11-8	IOLPBKSTENA	Ah All Other Values	Module I/O loopback test enable key. Enable I/O loopback test mode. Disable I/O loopback test mode.
7-6	Reserved	0	Read returns 0. Writes have no effect.
5-3	ERR SCS PIN	0 1h : 7h	Inject error on chip-select pin number x. The value in this field is decoded as the number of the chip select pin on which to inject an error. During analog loopback, if CTRL SCS PIN ERR bit is set to 1, then the chip select pin selected by this field is forced to the opposite of its value in the CSNR. Select $\overline{\text{SPISCS}}[0]$ for injecting error Select $\overline{\text{SPISCS}}[1]$ for injecting error : Select $\overline{\text{SPISCS}}[7]$ for injecting error.
2	CTRL SCS PINERR	0 1	Enable/disable the injection of an error on the $\overline{\text{SPISCS}}[3:0]$ pins. The individual $\overline{\text{SPISCS}}[3:0]$ pins can be chosen using the ERR SCS PIN field. Disable the $\overline{\text{SPISCS}}[3:0]$ error-inducing logic. Enable the $\overline{\text{SPISCS}}[3:0]$ error-inducing logic.
1	LPBK TYPE	0 1	<b>Module I/O loopback type (analog/digital).</b> See <a href="#">Figure 27-31</a> for the different types of loopback modes. Enable Digital loopback when IOLPBKSTENA = 1010. Enable Analog loopback when IOLPBKSTENA = 1010.
0	RXP ENA	0 1	Enable analog loopback through the receive pin. <b>Note: This bit is valid only when LPBK TYPE = 1, which chooses analog loopback mode.</b> Analog loopback is through the transmit pin. Analog loopback is through the receive pin.

### 27.3.43 SPI Extended Prescale Register 1 (EXTENDED\_PRESCALE1 for SPIFMT0 and SPIFMT1)

This register provides an extended Prescale values for SPICLK generation to be able to interface with much slower SPI Slaves. This is an extension of SPIFMT0 and SPIFMT1 registers. For example, EPRESCALE\_FMT1(7:0) of EXTENDED\_PRESCALE1 and PRESCALE1(7:0) of SPIFMT1 register will always reflect the same contents. Similarly EPRESCALE\_FMT0(7:0) and PRESCALE0(7:0) of SPIFMT0 reflect the same contents.

**Figure 27-79. SPI Extended Prescale Register 1 (EXTENDED\_PRESCALE1 for SPIFMT0 and SPIFMT1) [offset = 138h]**

31	27	26	16
Reserved		EPRESCALE_FMT1	
R-0		R/WP-0	
15	11	10	0
Reserved		EPRESCALE_FMT0	
R-0		R/WP-0	

LEGEND: R/W = Read/Write; R = Read only; WP = Write in privilege mode only; -n = value after reset

**Table 27-53. SPI Extended Prescale Register 1 (EXTENDED\_PRESCALE1) Field Descriptions**

Bit	Field	Value	Description
31-27	Reserved	0	Read returns 0. Writes have no effect.
26-16	EPRESCALE_FMT1	0-7FFh	<p>EPRESCALE_FMT1. Extended Prescale value for SPIFMT1. EPRESCALE_FMT1 determines the bit transfer rate of data format 1 if the SPI/MibSPI is the network master. EPRESCALE_FMT1 is use to derive SPICLK from VCLK. If the SPI is configured as slave, EPRESCALE_FMT1 <b>does not need</b> to be configured. These EPRESCALE_FMT1(7:0) bits and PRESCALE1(7:0) bits of SPIFMT1 register will point to the same physically implemented register. The clock rate for data format 1 can be calculated as:</p> $BR_{Format1} = VBUSPCLK / (EPRESCALE_FMT1 + 1)$ <p>Write: This register field should be written if a SPICLK prescaler of more VBUSPCLK/256 is required. This field provides a prescaler of up to VBUSPCLK/2048 for SPICLK. Writing to this register field will also get reflected in SPIFMT1(15:8).</p> <p>Read: Reading this field will reflect the PRESCALE value based on the last written register field, that is, EXTENDED_PRESCALE1(26:16) or SPIFMT1(15:8) register.</p> <p><b>Note: If Extended Prescaler is required, it should be ensured that EXTENDED_PRESCALE1 register is programmed after SPIFMT1 register is programmed. This is to ensure that the final SPICLK prescale value is controlled by EXTENDED_PRESCALE1 register when a prescale of more 256 is intended on SPICLK. Writing to PRESCALE1 field of SPIFMT1 will automatically clear EPRESCALE_FMT1(10:8) bits to '000' so that the integrity of PRESCALE value is maintained.</b></p>
15-11	Reserved	0	Read returns 0. Writes have no effect.

**Table 27-53. SPI Extended Prescale Register 1 (EXTENDED\_PRESCALE1) Field Descriptions (continued)**

Bit	Field	Value	Description
10-0	EPRESCALE_FMT0	0-7FFh	<p>EPRESCALE_FMT0. Extended Prescale value for SPIFMT0. EPRESCALE_FMT0 determines the bit transfer rate of data format 0 if the SPI/MibSPI is the network master. EPRESCALE_FMT0 is use to derive SPICLK from VCLK. If the SPI is configured as slave, EPRESCALE_FMT0 <b>does not need</b> to be configured. These EPRESCALE_FMT0(7:0) bits and PRESCALE0(7:0) bits of SPIFMT0 register will point to the same physically implemented register. The clock rate for data format 0 can be calculated as:</p> $BR_{Format0} = VBUSPCLK / (EPRESCALE_FMT0 + 1)$ <p>Write: This register field should be written if a SPICLK prescaler of more VBUSPCLK/256 is required. This field provides a prescaler of up to VBUSPCLK/2048 for SPICLK. Writing to this register field will also get reflected in SPIFMT0(15:8).</p> <p>Read: Reading this field will reflect the PRESCALE value based on the last written register field, that is, EXTENDED_PRESCALE0(10:0) or SPIFMT0(15:8) register.</p> <p><b>Note: If Extended Prescaler is required, it should be ensured that EXTENDED_PRESCALE1 register is programmed after SPIFMT0 register is programmed. This is to ensure that the final SPICLK prescale value is controlled by EXTENDED_PRESCALE1 register when a prescale of more 256 is intended on SPICLK. Writing to PRESCALE0 field of SPIFMT0 will automatically clear EPRESCALE_FMT0(10:8) bits to '000' so that the integrity of PRESCALE value is maintained.</b></p>

### 27.3.44 SPI Extended Prescale Register 2 (EXTENDED\_PRESCALE2 for SPIFMT2 and SPIFMT3)

This register provides an extended Prescale values for SPICLK generation to be able to interface with much slower SPI Slaves. This is an extension of SPIFMT2 and SPIFMT3 registers. For example, EPRESCALE\_FMT3(7:0) of EXTENDED\_PRESCALE2 and PRESCALE3(7:0) of SPIFMT3 register will always reflect the same contents. Similarly EPRESCALE\_FMT2(7:0) and PRESCALE2(7:0) of SPIFMT2 reflect the same contents.

**Figure 27-80. SPI Extended Prescale Register 2 (EXTENDED\_PRESCALE2 for SPIFMT2 and SPIFMT3) [offset = 13Ch]**

31	27	26	16
Reserved		EPRESCALE_FMT3	
R-0		R/WP-0	
15	11	10	0
Reserved		EPRESCALE_FMT2	
R-0		R/WP-0	

LEGEND: R/W = Read/Write; R = Read only; WP = Write in privilege mode only; -n = value after reset

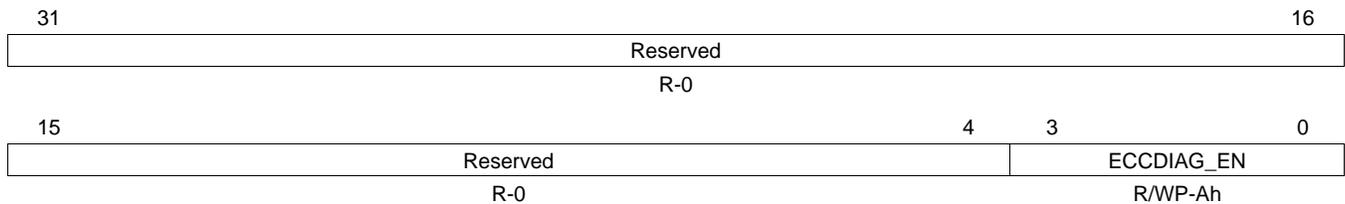
**Table 27-54. SPI Extended Prescale Register 2 (EXTENDED\_PRESCALE2) Field Descriptions**

Bit	Field	Value	Description
31-27	Reserved	0	Read returns 0. Writes have no effect.
26-16	EPRESCALE_FMT3	0-7FFh	<p>EPRESCALE_FMT3. Extended Prescale value for SPIFMT1. EPRESCALE_FMT1 determines the bit transfer rate of data format 3 if the SPI/MibSPI is the network master. EPRESCALE_FMT3 is use to derive SPICLK from VCLK. If the SPI is configured as slave, EPRESCALE_FMT3 <b>does not need</b> to be configured. These EPRESCALE_FMT3(7:0) bits and PRESCALE3(7:0) bits of SPIFMT1 register will point to the same physically implemented register. The clock rate for data format 1 can be calculated as:</p> $BR_{\text{Format3}} = \text{VBUSPCLK} / (\text{EPRESCALE\_FMT3} + 1)$ <p>Write: This register field should be written if a SPICLK prescaler of more VBUSPCLK/256 is required. This field provides a prescaler of up to VBUSPCLK/2048 for SPICLK. Writing to this register field will also get reflected in SPIFMT3(15:8).</p> <p>Read: Reading this field will reflect the PRESCALE value based on the last written register field, that is, EXTENDED_PRESCALE3(26:16) or SPIFMT3(15:8) register.</p> <p><b>Note: If Extended Prescaler is required, it should be ensured that EXTENDED_PRESCALE2 register is programmed after SPIFMT3 register is programmed. This is to ensure that the final SPICLK prescale value is controlled by EXTENDED_PRESCALE2 register when a prescale of more 256 is intended on SPICLK. Writing to PRESCALE3 field of SPIFMT3 will automatically clear EPRESCALE_FMT3(10:8) bits to '000' so that the integrity of PRESCALE value is maintained.</b></p>
15-11	Reserved	0	Read returns 0. Writes have no effect.

**Table 27-54. SPI Extended Prescale Register 2 (EXTENDED\_PRESCALE2) Field Descriptions (continued)**

Bit	Field	Value	Description
10-0	EPRESCALE_FMT2	0-7FFh	<p>EPRESCALE_FMT2. Extended Prescale value for SPIFMT2. EPRESCALE_FMT0 determines the bit transfer rate of data format 2 if the SPI/MibSPI is the network master. EPRESCALE_FMT2 is use to derive SPICLK from VCLK. If the SPI is configured as slave, EPRESCALE_FMT2 <b>does not need</b> to be configured. These EPRESCALE_FMT2(7:0) bits and PRESCALE2(7:0) bits of SPIFMT2 register will point to the same physically implemented register. The clock rate for data format 0 can be calculated as:</p> $BR_{Format2} = VBUSPCLK / (EPRESCALE_FMT2 + 1)$ <p>Write: This register field should be written if a SPICLK prescaler of more VBUSPCLK/256 is required. This field provides a prescaler of up to VBUSPCLK/2048 for SPICLK. Writing to this register field will also get reflected in SPIFMT2(15:8).</p> <p>Read: Reading this field will reflect the PRESCALE value based on the last written register field, that is, EXTENDED_PRESCALE2(10:0) or SPIFMT2(15:8) register.</p> <p><b>Note: If Extended Prescaler is required, it should be ensured that EXTENDED_PRESCALE2 register is programmed after SPIFMT2 register is programmed. This is to ensure that the final SPICLK prescale value is controlled by EXTENDED_PRESCALE2 register when a prescale of more 256 is intended on SPICLK. Writing to PRESCALE2 field of SPIFMT2 will automatically clear EPRESCALE_FMT2(10:8) bits to '000' so that the integrity of PRESCALE value is maintained.</b></p>

### 27.3.45 ECC Diagnostic Control Register (ECCDIAG\_CTRL)

**Figure 27-81. ECC Diagnostic Control Register (ECCDIAG\_CTRL) [offset = 140h]**


LEGEND: R/W = Read/Write; R = Read only; WP = Write in privilege mode only; -n = value after reset

**Table 27-55. ECC Diagnostic Control Register (ECCDIAG\_CTRL) Field Descriptions**

Bit	Field	Value	Description
31-4	Reserved		Read returns 0. Writes have no effect.
3-0	ECCDIAG_EN	5h  All other values	<p>ECC Diagnostic mode Enable Key bits.</p> <p>Write: Diagnostic mode is enabled. Writes and reads from ECC bits allowed from the ECC address space.</p> <p>Write: Diagnostic mode is disabled. No writes to ECC bits are ignored.</p> <p>Read: Returns 0.</p>

### 27.3.46 ECC Diagnostic Status Register (ECCDIAG\_STAT)

**NOTE: ECCDIAG\_STAT Validity**

Both SEFLG[1:0] and DEFLG[1:0] are valid only during Diagnostic Mode (when ECCDIAG\_EN = 5h). This status register should be write-cleared after coming out of Diagnostic Mode.

**Figure 27-82. ECC Diagnostic Status Register (ECCDIAG\_STAT) [offset = 144h]**

31	Reserved	18	17	16
	R-0			DEFLG
				R/W1C-0
15	Reserved	2	1	0
	R-0			SEFLG
				R/W1C-0

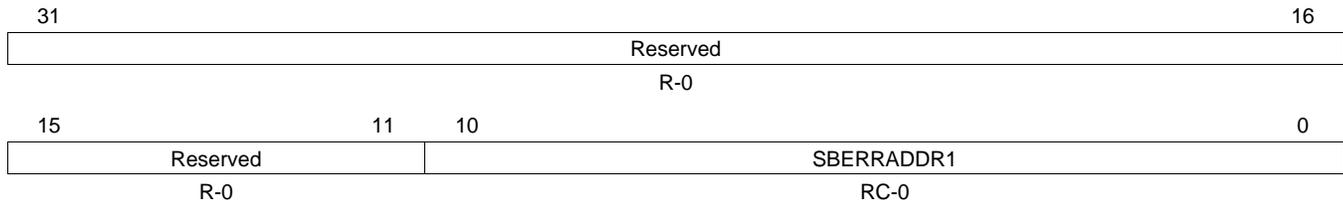
LEGEND: R/W = Read/Write; R = Read only; W1C = Clear type flag; -n = value after reset

**Table 27-56. ECC Diagnostic Status Register (ECCDIAG\_STAT) Field Descriptions**

Bit	Field	Value	Description
31-18	Reserved	0	Read returns 0. Writes have no effect.
17	DEFLG[1]	0	Double bit error flag. Read: No error Write: No effect.
		1	Read: A double bit Error is detected for RXRAM bank during diagnostic mode tests. Write: Clears the bit.
16	DEFLG[0]	0	Double bit error flag. Read: No error Write: No effect.
		1	Read: A double bit Error is detected for TXRAM bank during diagnostic mode tests. Write: Clears the bit.
15-2	Reserved	0	Read returns 0. Writes have no effect.
1	SEFLG[1]	0	Single bit error flag. Read: No error Write: No effect.
		1	Read: A single bit Error is detected for RXRAM bank during diagnostic mode tests. Write: Clears the bit.
0	SEFLG[0]	0	Single bit error flag. Read: No error Write: No effect.
		1	Read: A single bit Error is detected for TXRAM bank during diagnostic mode tests.
		1	Write: Clears the bit.

### 27.3.47 Single Bit Error Address Register - RXRAM (SBERRADDR1)

**Figure 27-83. Single Bit Error Address Register - RXRAM (SBERRADDR1) [offset = 148h]**



LEGEND: R = Read only; RC = Read to clear; -n = value after reset

**Table 27-57. Single Bit Error Address Register - RXRAM (SBERRADDR1) Field Descriptions**

Bit	Field	Value	Description
31-11	Reserved	0	Read returns 0. Writes have no effect.
10-0	SBERRADDR1		This register holds the address of the RAM location when a single bit error is generated by SECDED block while reading the MibSPI (Receive) RXRAM. This error address is frozen from being updated until it is read by the VBUS host. Reading this register clears its contents to the default value. The default value is 400h if Extended Buffer feature is enabled; else, it is 200h. Writes to this register are ignored.

**NOTE: SBERRADDR1 values**

The offset address of RXRAM can vary from 200h-3FFh, if EXTENDED\_BUF mode is disabled. If the EXTENDED\_BUF mode is enabled, the offset address can vary from 400h-7FFh.

The register does not clear its contents during and after any of the module level reset, System level resets or even Power-up Reset.

**NOTE:** A Read to SBERRADDR1 Register will clear the SBE\_FLG1 in PAR\_ECC\_STAT register. However, in emulation mode (VBUSP\_EMUDBG = 1), the read to SBERRADDR1 register does not clear the corresponding SBE\_FLG1.

After a power-up reset the contents will be unpredictable. A read operation can be performed after power-up to keep the register at its default value if required. Contents of this register are meaningful only when SBE\_FLG1 is set to 1.

If ECC feature is implemented, the Sequencer FSM clearing the TXFULL flag (after a TXRAM location read out and written to the shift register for transfer) will trigger read-modify-write operation to the RXRAM. Similarly, each time FSM reads a TXRAM to transfer it out, the corresponding RXRAM location is also automatically read to determine the status of the buffer. A single bit error could be detected during these FSM read operations and result in error address and flags getting captured.

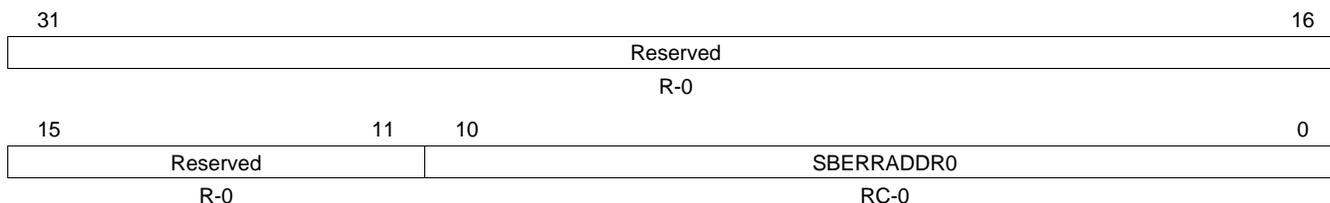
**NOTE: Clearing of SBERR status and address registers**

After completing a memory test sequence, specifically where ECC features are tested, user must read back the status flags in ECC\_STAT and SBERRADDRx registers and ensure that they are in normal clear state by reading/writing appropriately. This can be performed before the start of a normal multi-buffer mode transactions as well.

**NOTE:** When ECC is supported, SBERRADDR1 will indicate only word address. SBERRADDR1[1:0] will always be 00.

### 27.3.48 Single Bit Error Address Register - TXRAM (SBERRADDR0)

**Figure 27-84. Single Bit Error Address Register - TXRAM (SBERRADDR0) [offset = 14Ch]**



LEGEND: R = Read only; RC = Read to clear; -n = value after reset

**Table 27-58. Single Bit Error Address Register - TXRAM (SBERRADDR0) Field Descriptions**

Bit	Field	Value	Description
31-11	Reserved	0	Read returns 0. Writes have no effect.
10-0	SBERRADDR0		This register holds the address when a single bit error is generated from SECDED block while reading the MibSPI (Transmit) TXRAM. The TXRAM can be read either by CPU or by the MibSPI Sequencer logic for transmission. This error address is frozen from being updated until it is read by the VBUSP host. Reading this register clears its contents to the default value of 0x000. Writes to this register are ignored.

**NOTE: SBERRADDR0 values**

The offset address of TXRAM can vary from 000h-1FFh, if EXTENDED\_BUF mode is disabled. If the EXTENDED\_BUF mode is enabled, the offset address can vary from 000h-3FFh.

The register does not clear its contents during and after any of the module level reset, System level resets or even Power-up Reset. A Read operation to this register clears its contents to all 0s.

**NOTE:** A read to SBERRADDR0 register will clear the SBE\_FLG0 in PAR\_ECC\_STAT register. However, in emulation mode (VBUSP\_EMUDBG = 1), the read to SBERRADDR0 register does not clear the corresponding SBE\_FLG0.

After a power-up reset the contents of this register will be unpredictable. So, a read operation can be performed after power-up to clear its contents if required. Contents of this register are meaningful only when SBE\_FLG0 is set to 1.

**NOTE: Clearing of SBERR status and address registers**

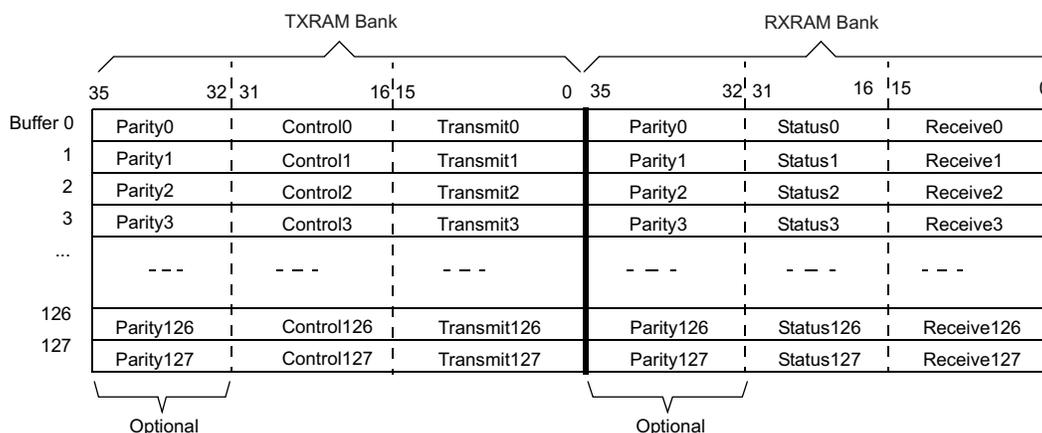
After completing a memory test sequence, specifically where ECC features are tested, user must read back the status flags in ECC\_STAT and SBERRADDRx registers to ensure that they are in normal clear state by reading/writing appropriately. This can be performed before the start of a normal multi-buffer mode transactions as well.

**NOTE:** When ECC is supported, SBERRADDR0 will indicate only word address. SBERRADDR0[1:0] will always be 00.

## 27.4 Multi-buffer RAM

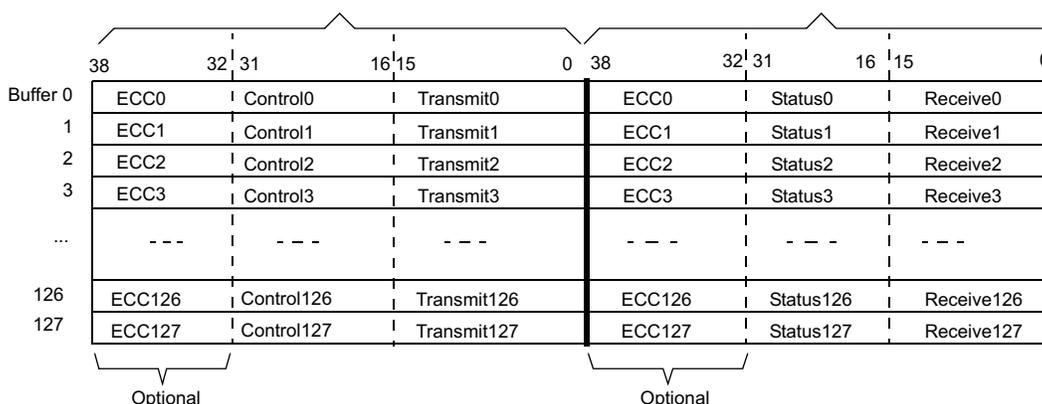
The multi-buffer RAM comprises of all buffers, which can be configured identically. The multi-buffer RAM contains two banks of up to 128/256 words of 32 bits for a maximum configuration, one each for TXRAM (replicating the SPIDAT1 register) and RXRAM (replicating the SPIBUF register). The buffers can be partitioned into multiple transfer groups, each containing a variable number of buffers. Each of the buffers can be sub-divided into a 16-bit transmit field, a 16-bit receive field, a 16-bit control field, and a 16-bit status field. A 4-bit parity field per word is also included in each RAM bank, as shown in Figure 27-85. If ECC support is implemented for RAM fault detection, then a 7-bit ECC field per word is also included in each RAM bank, as shown in Figure 27-86.

**Figure 27-85. Multi-buffer RAM Configuration When Parity Check is Supported**



Depth will be up to 256 buffers, if EXTENDED\_BUF feature is implemented.

**Figure 27-86. Multi-buffer RAM Configuration When ECC Check is Supported**



Depth will be up to 256 buffers, if EXTENDED\_BUF feature is implemented.

All fields can be read and written with 8-bit, 16-bit, or 32-bit accesses.

The transmit fields can be written and read in the address range 000h to 1FFh. The transmit words contain data and control fields.

The receive RAM fields are read-only and can be accessed through the address range 200h to 3FCh. The receive words contain data and status fields.

The chip select number bit field CSNR[7:0] of the control field for a given word is mirrored into the corresponding receive-buffer status field after transmission.

The Parity is automatically calculated and copied to Parity location

**NOTE:** Refer to the specific device datasheet for the actual number of transmit and receive buffers.

Write to unimplemented buffer is overwriting the corresponding implemented buffer. In MIBSPI, if the RAM SIZE specified is 32 buffers, write to 33rd buffer overwrites 1st buffer, write to 34th buffer overwrites 2nd buffer, and so on.

### 27.4.1 Multi-buffer RAM Auto Initialization

When the MIBSPI is out of reset mode, auto initialization of multi-buffer RAM starts. The application code must check for BUFINITACTIVE bit to be 0 (multi-buffer RAM initialization is complete) before configuring multi-buffer RAM.

Besides the default auto initialization after reset, the auto-initialization sequence can also be done in following ways:

1. Enable the global hardware memory initialization key by programming a value of 1010b to the bits [3:0] of the MINITGCR register of the System module.
2. Set the control bit for the multi-buffer RAM in the MSINENA System module register. This bit is device-specific for each memory that support auto-initialization. Please refer to the device datasheet to identify the control bit for the multi-buffer RAM. This starts the initialization process. The BUFINITACTIVE bit will get set to reflect that the initialization is ongoing.
3. When the memory initialization is completed, the corresponding status bit in the MINISTAT register will be set. Also, the BUFINITACTIVE bit will get cleared.
4. Disable the global hardware memory initialization key by programming a value of 0101 to the bits [3:0] of the MINITGCR register of the System module.

Please refer to the Architecture User Guide for more details on the memory auto-initialization process.

**NOTE:** During Auto Initialization process, all the multi-buffer mode registers (except MIBSPIE) will be reset to their default values. So, it should be ensured that Auto Initialization is completed before configuring the multi-buffer mode register.

### 27.4.2 Multi-buffer RAM Register Summary

This section describes the multi-buffer RAM control and transmit-data fields of each word of TXRAM, and the status and receive-data fields of each word of RXRAM. The base address for multi-buffer RAM is FF0E 0000h for MibSPI1 RAM, FF08 0000h for MibSPI2 RAM, FF0C 000h for MibSPI3 RAM, FF06 0000h for MibSPI4 RAM, and FF0A 0000h for MibSPI5 RAM.

**Table 27-59. Multi-buffer RAM Register**

Offset	Acronym	Register Description	Section
Base + 0h-1FFh	TXRAM	Multi-buffer RAM Transmit Data Register	<a href="#">Section 27.4.3</a>
Base + 200h-3FFh	RXRAM	Multi-buffer RAM Receive Buffer Register	<a href="#">Section 27.4.4</a>

### 27.4.3 Multi-buffer RAM Transmit Data Register

Each word of TXRAM is a transmit-buffer register.

**Figure 27-87. Multi-buffer RAM Transmit Data Register [offset = Base + 000-1FFh]**

31	29	28	27	26	25	24	23	16
BUFMODE	CSHOLD	LOCK	WDEL	DFSEL	CSNR			
R/W-0	R/W-0	R/W-0	R/W-0	R/W-0	R/W-0			
15	TXDATA						0	
	R/W-0							

LEGEND: R/W = Read/Write; -n = value after reset

**Table 27-60. Multi-buffer RAM Transmit Data Register Field Descriptions**

Bit	Field	Value	Description
31-29	BUFMODE		Specify conditions that are recognized by the sequencer to initiate transfers of each buffer word. When one of the "skip" modes is selected, the sequencer checks the buffer status every time it reads from this buffer. If the current buffer status (TXFULL, RXEMPTY) does not match, the buffer is skipped without a data transfer. When one of the "suspend" modes is selected, the sequencer checks the buffer status when it reads from this buffer. If TXFULL and/or RXEMPTY do not match, the sequencer waits until a match occurs. No data transfer is initiated until the status condition of this buffer changes.
		0	<b>disabled.</b> The buffer is disabled
		1h	<b>skip single-transfer mode.</b> Skip this buffer until the corresponding TXFULL flag is set (new transmit data is available).
		2h	<b>skip overwrite-protect mode.</b> Skip this buffer until the corresponding RXEMPTY flag is set (new receive data can be stored in RXDATA without data loss).
		3h	<b>skip single-transfer overwrite-protect mode.</b> Skip this buffer until both of the corresponding TXFULL and RXEMPTY flags are set. (new transmit data available and previous data received by the host).
		4h	<b>continuous mode.</b> Initiate a transfer each time the sequencer checks this buffer. Data words are retransmitted if the buffer has not been updated. Receive data is overwritten, even if it has not been read.
		5h	<b>suspend single-transfer mode.</b> Suspend-to-wait until the corresponding TXFULL flag is set (the sequencer stops at the current buffer until new transmit data is written in the TXDATA field).
		6h	<b>suspend overwrite-protect mode.</b> Suspend-to-wait until the corresponding RXEMPTY flag is set (the sequencer stops at the current buffer until the previously-received data is read by the host).
		7h	<b>suspend single-transfer overwrite-protect mode.</b> Suspend-to-wait until the corresponding TXFULL and RXEMPTY flags are set (the sequencer stops at the current buffer until new transmit data is written into the TXDATA field and the previously-received data is read by the host).
28	CSHOLD		Chip select hold mode. The CSHOLD bit is supported in master mode only in compatibility-mode of MibSPI, (it is ignored in slave mode). CSHOLD defines the behavior of the chip select line at the end of a data transfer.
		0	The chip select signal is deactivated at the end of a transfer after the T2CDELAY time has passed. If two consecutive transfers are dedicated to the same chip select this chip select signal will be deactivated for at least 2VCLK cycles before it is activated again.
		1	The chip select signal is held active at the end of a transfer until a control field with new data and control information is loaded into SPIDAT1. If the new chip select number equals the previous one, the active chip select signal is extended until the end of transfer with CSHOLD cleared, or until the chip-select number changes.
27	LOCK		Lock two consecutive buffer words. Do not allow interruption by TG's with higher priority.
		0	Any higher-priority TG can begin at the end of the current transaction.
		1	A higher-priority TG cannot occur until after the next unlocked buffer word is transferred.

**Table 27-60. Multi-buffer RAM Transmit Data Register Field Descriptions (continued)**

Bit	Field	Value	Description
26	WDEL	0  1	<p>Enable the delay counter at the end of the current transaction.</p> <p>Note: The WDEL bit is supported in master mode only. In slave mode, this bit will be ignored.</p> <p>0 No delay will be inserted. However, SPISCS pins will still be de-activated for at least for 2VCLK cycles if CSHOLD = 0.</p> <p>Note: The duration for which the SPISCS pin remains deactivated also depends upon the time taken to supply a new word after completing the shift operation (in compatibility mode). If TXBUF is already full, then the SPISCS will be deasserted for at least two VCLK cycles (if WDEL = 0).</p> <p>1 After a transaction, WDELAY of the corresponding data format will be loaded into the delay counter. No transaction will be performed until the WDELAY counter overflows. The SPISCS pins will be de-activated for at least (WDELAY + 2) * VCLK_Period duration.</p>
25-24	DFSEL	0 1h 2h 3h	<p>Data word format select</p> <p>0 Data word format 0 is selected</p> <p>1h Data word format 1 is selected</p> <p>2h Data word format 2 is selected</p> <p>3h Data word format 3 is selected</p>
23-16	CSNR	0-FFh	<p>Chip select number. CSNR defines the chip-select that will be activated during the data transfer.</p> <p><b>Note: Writing to only the control field (using byte writes) does not initiate any SPI transfer in master mode. This feature can be used to set up SPICLK phase or polarity before actually starting the transfer by only updating the DFSEL fields in the control field to select the required phase/polarity combination.</b></p>
15-0	TXDATA	0-7FFFh	<p><b>Transfer data.</b> When written, these bits are copied to the shift register if it is empty. If the shift register is not empty, then they are held in TXBUF.</p> <p>SPIEN must be set to 1 before this register can be written to. Writing a 0 to SPIEN forces the lower 16 bits of SPIDAT1 to 0.</p> <p>Write to this register ONLY when using the automatic slave chip-select feature (see <a href="#">Section 27.2.1.1</a> for more information). A write to this register will drive the contents of CSNR[7:0] on the SPISCS[3:0] pins, if they are configured as functional pins.</p> <p>When this register is read, the contents of TXBUF, which holds the latest data written, will be returned.</p> <p><b>Note: Regardless of the character length, the transmit data should be right-justified before writing to the SPIDAT1 register.</b></p>

### 27.4.4 Multi-buffer RAM Receive Buffer Register

Each word of RXRAM is a receive-buffer register.

**Figure 27-88. Multi-buffer RAM Receive Buffer Register [offset = RAM Base + 200-3FFh]**

31	30	29	28	27	26	25	24
RXEMPTY	RXOVR	TXFULL	BITERR	DESYNC	PARITYERR	TIMEOUT	DLENERR
RS-1	RC-0	R-0	RC-0	RC-0	RC-0	RC-0	RC-0
23							16
LCSNR							
R-0							
15							0
RXDATA							
R/W-0							

LEGEND: R = Read only; R/W = Read/Write; C = Clear; S = Set; -n = value after reset

**Table 27-61. Multi-buffer Receive Buffer Register Field Descriptions**

Bit	Field	Value	Description
31	RXEMPTY	0 1	<p><b>Receive data buffer empty.</b>When the host reads the SPIBUF field or the entire SPIBUF register, it automatically sets the RXEMPTY flag. When a data transfer is completed, the received data is copied into SPIBUF, and the RXEMPTY flag is cleared.</p> <p>New data has been received and copied into the SPIBUF field.</p> <p>No data has been received since the last read of SPIBUF.</p> <p>This flag gets set to 1 under the following conditions:</p> <ul style="list-style-type: none"> <li>Reading the RXDATA portion of the SPIBUF register.</li> <li>Writing a 1 to clear the RXINTFLG bit in the SPI Flag Register (SPIFLG).</li> </ul> <p>Write-clearing the RXINTFLG bit before reading the SPIBUF indicates the received data is being ignored. Conversely, RXINTFLG can be cleared by reading the RXDATA portion of SPIBUF (or the entire register).</p>
30	RXOVR	0 1	<p><b>Receive data buffer overrun.</b> When a data transfer is completed and the received data is copied into RXBUF while it is already full, RXOVR is set. Overruns always occur to RXBUF, not to SPIBUF; the contents of SPIBUF are overwritten only after it is read by the Peripheral (VBUSP) master (CPU, DMA, or other host processor).</p> <p>If enabled, the RXOVRN interrupt is generated when RXBUF is overwritten, and reading either SPI Flag Register (SPIFLG) or SPIVEXTx shows the RXOVRN condition. Two read operations from the SPIBUF register are required to reach the overwritten buffer word (one to read SPIBUF, which then transfers RXDATA into SPIBUF for the second read).</p> <p>This flag is cleared to 0 when the RXDATA is read.</p> <p><b>Note: A special condition under which RXOVR flag gets set.</b>If both SPIBUF and RXBUF are already full and while another buffer receive is underway, if any errors such as TIMEOUT, BITERR and DLEN_ERR occur, then RXOVR in RXBUF and SPI Flag Register (SPIFLG) will be set to indicate that the status flags are getting overwritten by the new transfer. This overrun should be treated like a normal receive overrun.</p> <p>0 No receive data overrun condition occurred since last read of the data field.</p> <p>1 A receive data overrun condition occurred since last read of the data field.</p>
29	TXFULL	0 1	<p><b>Transmit data buffer full.</b>This flag is a read-only flag. Writing into the SPIDAT0 or SPIDAT1 field while the TX shift register is full will automatically set the TXFULL flag. Once the word is copied to the shift register, the TXFULL flag will be cleared. Writing to SPIDAT0 or SPIDAT1 when both TXBUF and the TX shift register are empty does not set the TXFULL flag.</p> <p>0 The transmit buffer is empty; SPIDAT0/SPIDAT1 is ready to accept a new data.</p> <p>1 The transmit buffer is full; SPIDAT0/SPIDAT1 is not ready to accept new data.</p>

**Table 27-61. Multi-buffer Receive Buffer Register Field Descriptions (continued)**

Bit	Field	Value	Description
28	BITERR	0	<b>Bit error.</b> There was a mismatch of internal transmit data and transmitted data. No bit error occurred.
		1	<b>Note: This flag is cleared to 0 when the RXDATA portion of the SPIBUF register is read.</b> A bit error occurred. The SPI samples the signal of the transmit pins (master: SIMOx, slave: SOMIx) at the receive point (one-half clock cycle after the transmit point). If the sampled value differs from the transmitted value, a bit error is detected and the BITERR flag is set. Possible reasons for a bit error include noise, an excessively high bit rate, capacitive load, or another master/slave trying to transmit at the same time.
27	DESYNC	0	<b>Desynchronization of slave device.</b> This bit is valid in master mode only. The master monitors the ENA signal coming from the slave device and sets the DESYNC flag if ENA is deactivated before the last reception point or after the last bit is transmitted plus $t_{2EDELAY}$ . If DESYNCENA is set, an interrupt is asserted. Desynchronization can occur if a slave device misses a clock edge coming from the master.
		1	<b>Note: In the Compatibility Mode MibSPI, under some circumstances it is possible for a desync error detected for the previous buffer to be visible in the current buffer. This is because the receive completion flag/interrupt is generated when the buffer transfer is completed. But desynchronization is detected after the buffer transfer is completed. So, if the VBUS master reads the received data quickly when an RXINT is detected, then the status flag may not reflect the correct desync condition. In multi-buffer mode, the desync flag is always guaranteed to be for the current buffer.</b> No slave desynchronization detected. <b>Note: This flag is cleared to 0 when the RXDATA portion of the SPIBUF register is read.</b>
26	PARITYERR	0	<b>Parity error.</b> The calculated parity differs from the received parity bit. If the parity generator is enabled (selected individually for each buffer) an even or odd parity bit is added at the end of a data word. During reception of the data word, the parity generator calculates the reference parity and compares it to the received parity bit. If a mismatch is detected, the PARITYERR flag is set.
		1	<b>Note: This flag is cleared to 0 when the RXDATA portion of the SPIBUF register is read.</b> No parity error detected. A parity error occurred.
25	TIMEOUT	0	Time-out because of non-activation of ENA pin. The SPI generates a time-out when the slave does not respond in time by activating the ENA signal after the chip select signal has been activated. If a time-out condition is detected, the corresponding chip select is deactivated immediately and the TIMEOUT flag is set. In addition, the TIMEOUT flag in the status field of the corresponding buffer and in the SPI Flag Register (SPIFLG) is set.
		1	<b>This bit is valid only in master mode.</b> This flag is cleared to 0 when RXDATA portion of the SPIBUF register is read. No ENA-pin time-out occurred. An ENA signal time-out occurred.
24	DLENERR	0	<b>Data length error flag.</b> <b>Note: This flag is cleared to 0 when the RXDATA portion of the SPIBUF register is read.</b> No data-length error has occurred.
		1	A data length error has occurred.
23-16	LCSNR	0-FFh	<b>Last chip select number.</b> LCSNR in the status field is a copy of CSNR in the corresponding control field. It contains the chip select number that was activated during the last word transfer.
15-0	RXDATA	0-FFFFh	<b>SPI receive data.</b> This is the received word, transferred from the receive shift-register at the end of a transfer. Regardless of the programmed character length and the direction of shifting, the received data is stored right-justified in the register.

## 27.5 Parity/ECC Memory

Parity/ECC portion of multi-buffer RAM is not accessible by the CPU during normal operating modes. However each read or write operation to the Control/Data/Status portion of the multi-buffer RAM causes reads/writes to the parity/ECC portion as well.

- Each write to the multi-buffer RAM (either from the VBUS interface or by the MibSPI itself) causes a write operation to the Parity/ECC portion of RAM simultaneously to update the equivalent parity/ECC bits.
- Each read operation from the multi-buffer RAM (either from the VBUS interface or by the MibSPI itself) causes a read operation from the Parity/ECC portion of the RAM for parity/ECC comparison purpose.
- Reads/Writes to multi-buffer RAM could either be caused by any CPU/DMA accesses or by the Sequencer logic of MibSPI itself.

For testing the Parity/ECC portion of the multi-buffer RAM which is a 4bit or 7bit field per word address, a separate Parity/ECC Memory Test mode is available. Parity Memory Test Mode can be selecting the PTESTEN bit in PAR\_ECC\_CTRL register in addition to PAR\_ECC\_CTRL.PTESTEN bit, ECCDIAG\_REG(3:0) should be enabled

During the parity test mode, the parity locations are addressable at the address between RAM\_BASE\_ADDR + 0x400h and RAM\_BASE\_ADDR + 0x7FFh. Each location corresponds, sequentially, to each TXRAM word, then to each RXRAM word. See [Figure 27-89](#) for a diagram of the memory map of parity memory during normal operating mode and during parity test mode while EXTENDED\_BUF mode is disabled or the feature is not implemented. See [Figure 27-90](#) for a diagram of the memory map of parity memory during normal operating mode and during parity test mode while EXTENDED\_BUF mode is enabled.

During Parity/ECC test mode, after writing the Data/Control portion of the RAM, the Parity/ECC locations can be written with wrong parity/ECC bits to intentionally cause Parity/ECC Errors.

See the device-specific data sheet to get the actual base address of the multi-buffer RAM.

---

**NOTE:** The RX\_RAM\_ACCESS bit can also be set to 1 during the Parity/ECC Test mode to be able to write to RXRAM locations for test purpose. Both Parity/ECC bits testing and RXRAM testing can be done together.

---

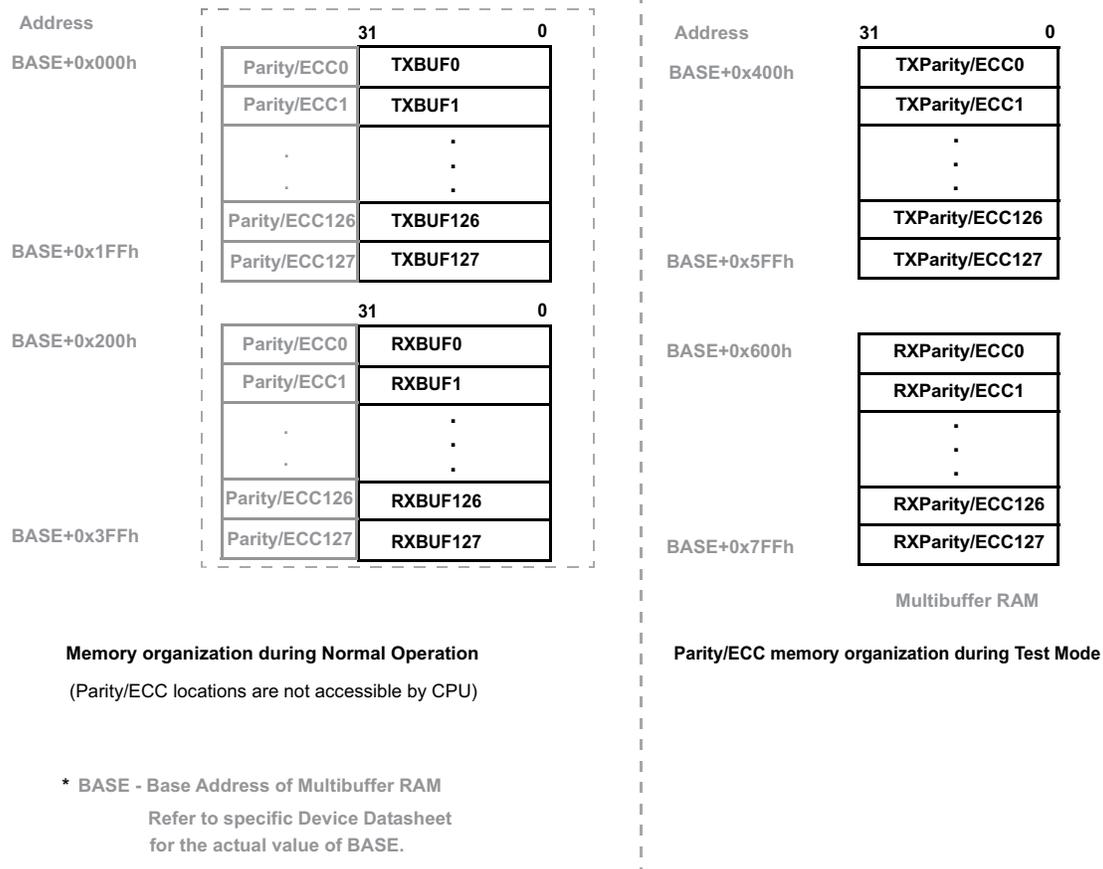
There are 4 bits of parity corresponding to each of the 32-bit multi-buffer locations. Individual bits in the parity memory are byte-addressable in parity test mode. See the example in [Section 27.5.1](#) for further details.

If ECC is enabled, there are 7 ECC-bits corresponding to each of the 32-bit multi-buffer locations. See the example in [Section 27.5.1](#) for further details.

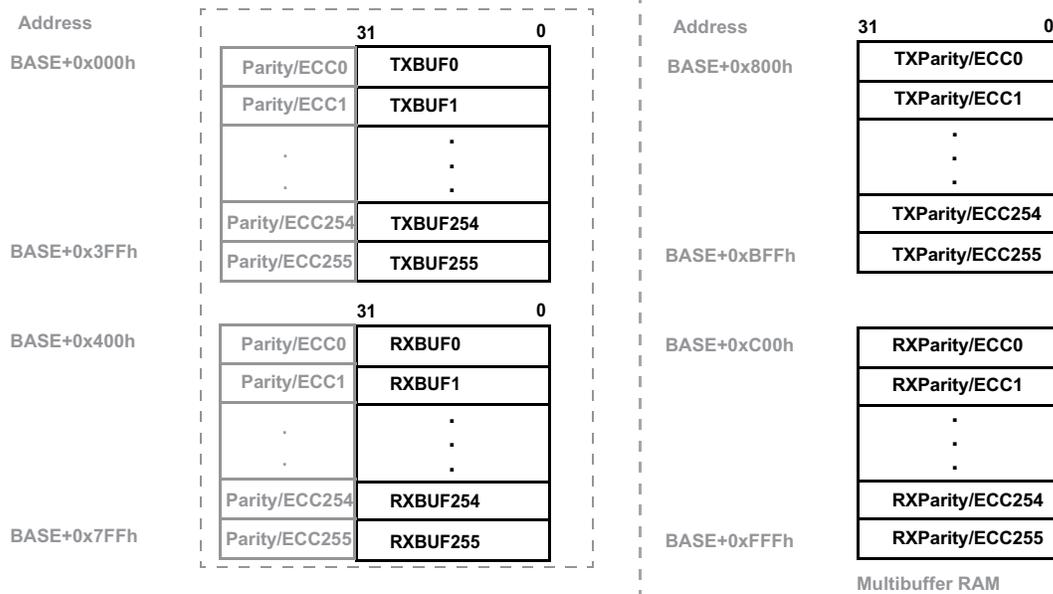
---

**NOTE:** Polarity of the parity (odd/even) varies by device. In some devices, a control register in the system module can be used to select odd or even parity.

---

**Figure 27-89. Memory-Map for Parity Locations During Normal and Test Mode While EXTENDED\_BUF Mode is Disabled or the Feature is Not Implemented**


**Figure 27-90. Memory-Map for Parity Locations During Normal and Test Mode While EXTENDED\_BUF Mode is Enabled**



**Memory organization during Normal Operation**  
(Parity/ECC locations are not accessible by CPU)

\* BASE - Base Address of Multibuffer RAM  
Refer to specific Device Datasheet for the actual value of BASE.

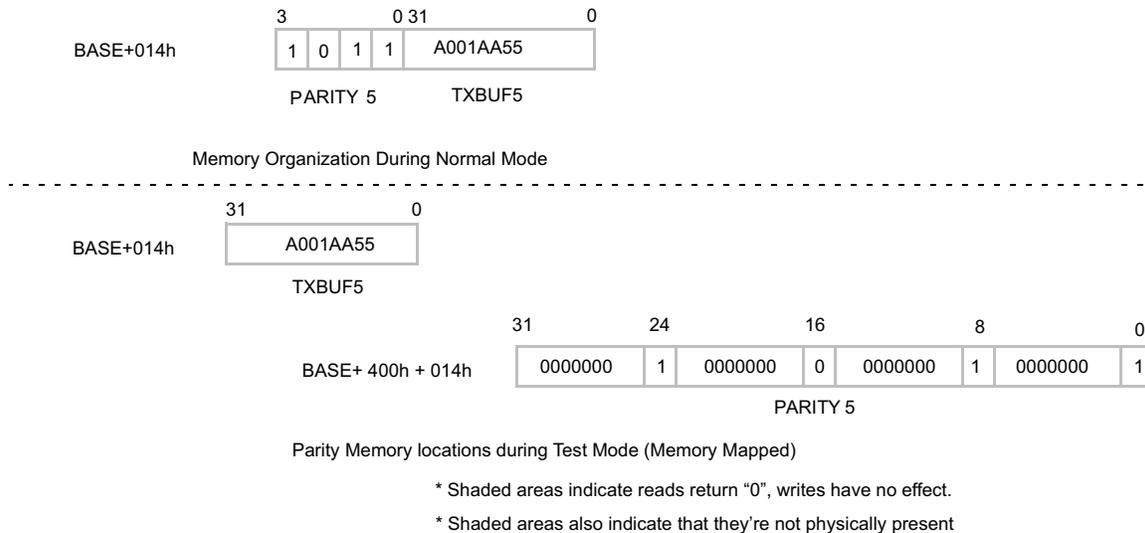
**Parity/ECC memory organization during Test Mode**

### 27.5.1 Example of Parity Memory Organization

Suppose TXBUF5 (6th location in TXRAM) in the multi-buffer RAM is written with a value of A001\_AA55. If the polarity of the parity is set to odd, the corresponding parity location parity5 will get updated with equivalent parity of 1011 in its field.

During parity-memory test mode, these bits can be individually byte addressed. The return data will be a byte adjusted with actual parity bit in the LSB of the byte. If a word is read from the word-boundary address of parity locations, then each bit of the 4-bit parity is byte-adjusted and a 32-bit word is returned. 0s will be padded into the parity bits to get each byte. See [Figure 27-91](#) for a diagram.

**Figure 27-91. Example of Memory-Mapped Parity Locations During Test Mode**



**NOTE: Read Access to Parity Memory Locations**

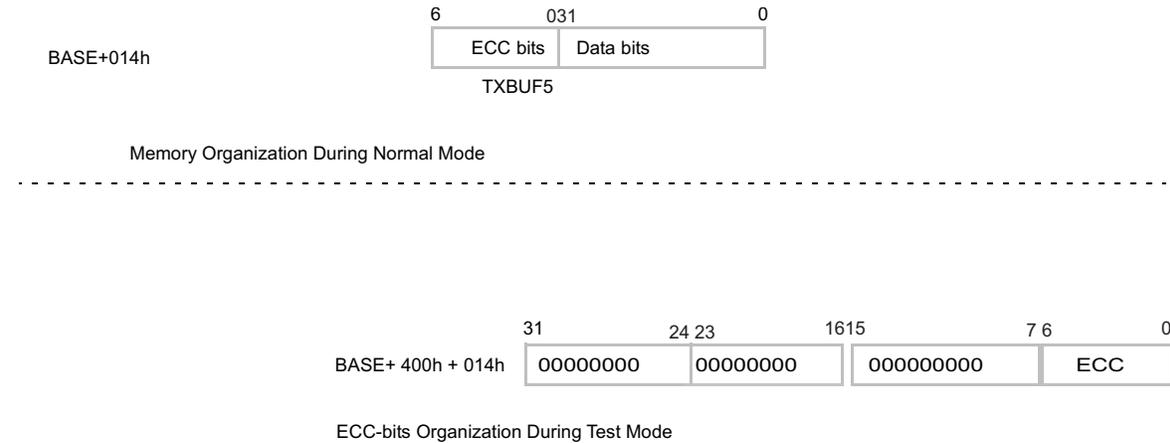
Parity memory locations can be read even without entering into parity memory test mode. Their address remains as in memory test mode. It is only to enter parity-memory test mode to enable write access to the parity memory locations.

### 27.5.2 Example of ECC Memory Organization

Suppose TXBUF5 (6th location in TXRAM portion) in the multi-buffer RAM is written with a value of A001\_AA55, then the corresponding ECC-bits will be updated in ECC location.

The ECC bits can be accessed by user, when Memory Test mode is enabled and additionally diagnostic mode is also enabled. The actual ECC bits will be aligned as shown in [Figure 27-92](#).

**Figure 27-92. Example of ECC Bit Locations During Test Mode**



**NOTE: Access to ECC locations**

ECC locations can be read/write only when Parity Memory Test mode and diagnostic mode is enabled

## 27.6 MibSPI Pin Timing Parameters

The pin timings of SPI can be classified based on its mode of operation. In each mode, different configurations like Phase & Polarity affect the pin timings.

The pin directions are based on the mode of operation.

### Master mode SPI:

- SPICLK (SPI Clock) - Output
- SPISIMO (SPI Slave In Master Out) - Output
- $\overline{\text{SPISCS}}[7:0]$  (SPI Slave Chip Selects) - Output
- SPISOMI (SPI Slave Out Master In) - Input
- $\overline{\text{SPIENA}}$  (SPI slave ready Enable) - Input

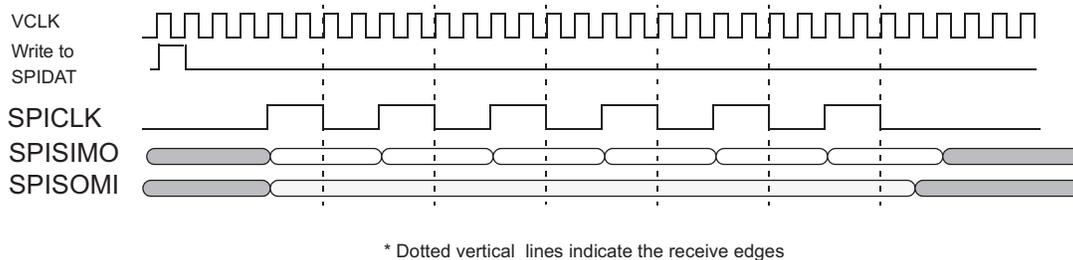
### Slave mode SPI:

- SPICLK - Input
- SPISIMO - Input
- $\overline{\text{SPISCS}}$  - Input
- SPISOMI - Output
- $\overline{\text{SPIENA}}$  - Output

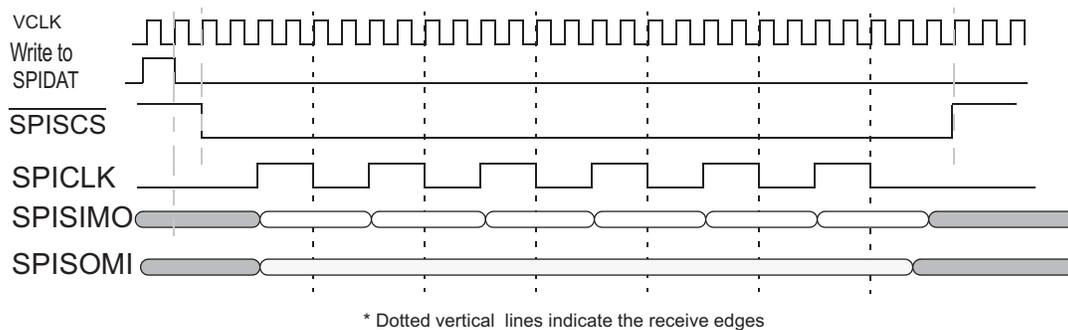
**NOTE:** All the following timing diagrams are with Phase = 0 and Polarity = 0, unless explicitly stated otherwise.

### 27.6.1 Master Mode Timings for SPI/MibSPI

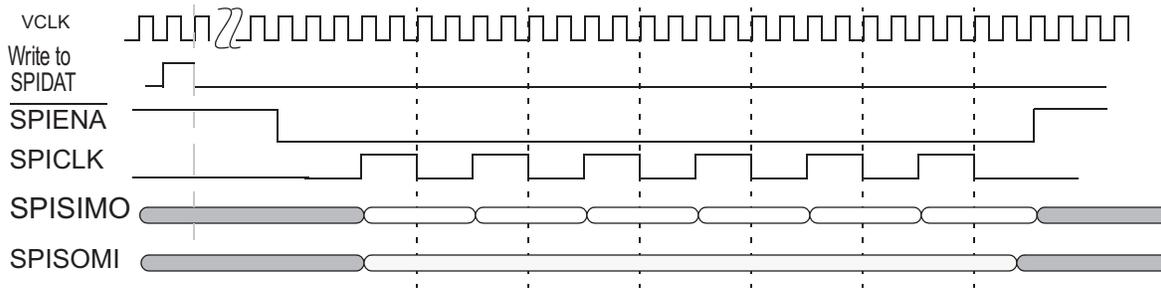
**Figure 27-93. SPI/MibSPI Pins During Master Mode 3-Pin Configuration**



**Figure 27-94. SPI/MibSPI Pins During Master Mode 4-Pin with  $\overline{\text{SPISCS}}$  Configuration**



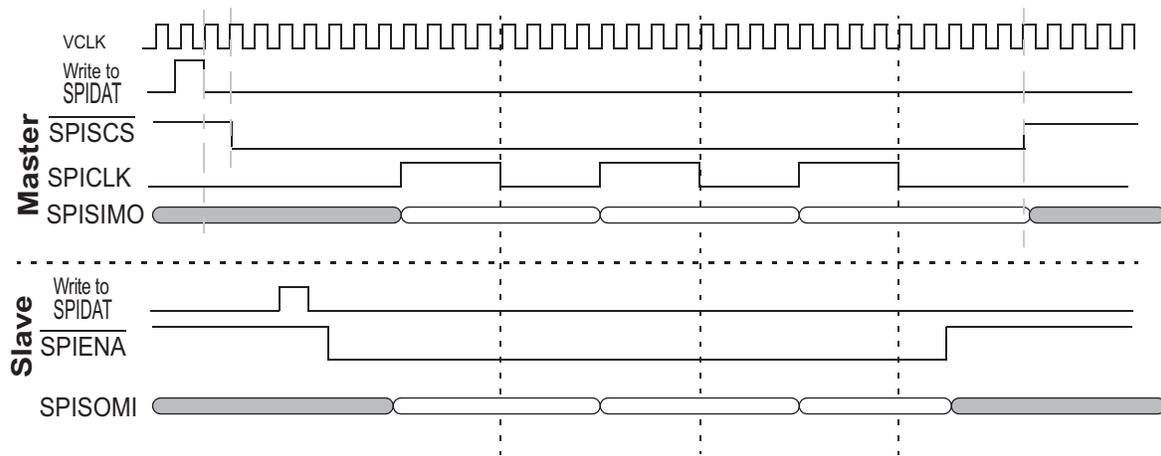
**Figure 27-95. SPI/MibSPI Pins During Master Mode in 4-Pin with  $\overline{\text{SPIENA}}$  Configuration**



\* De-activation of  $\overline{\text{SPIENA}}$  pin is controlled by the Slave.

\* Dotted vertical lines indicate the receive edges

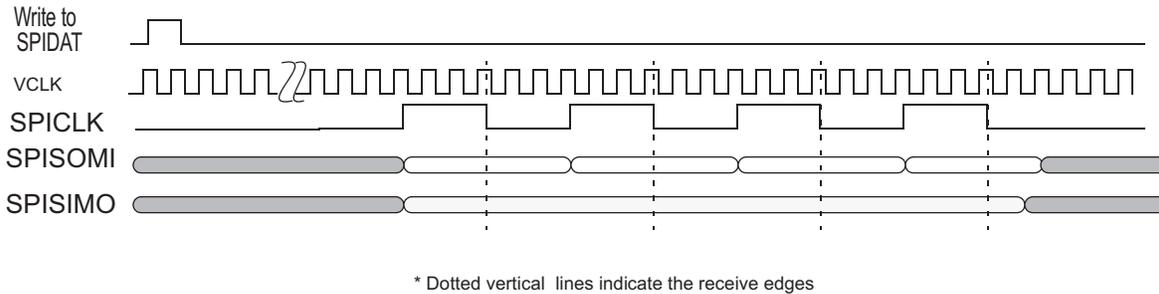
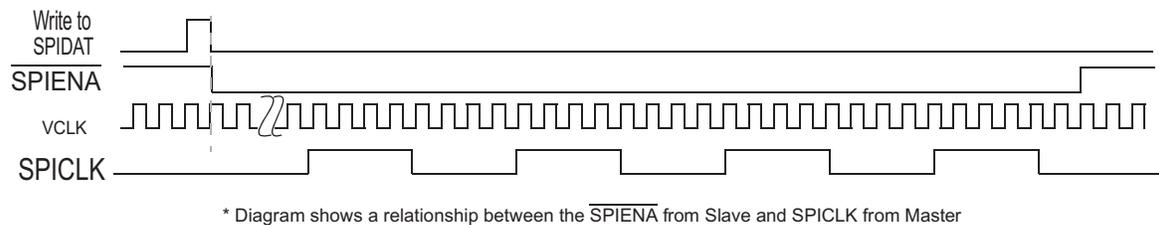
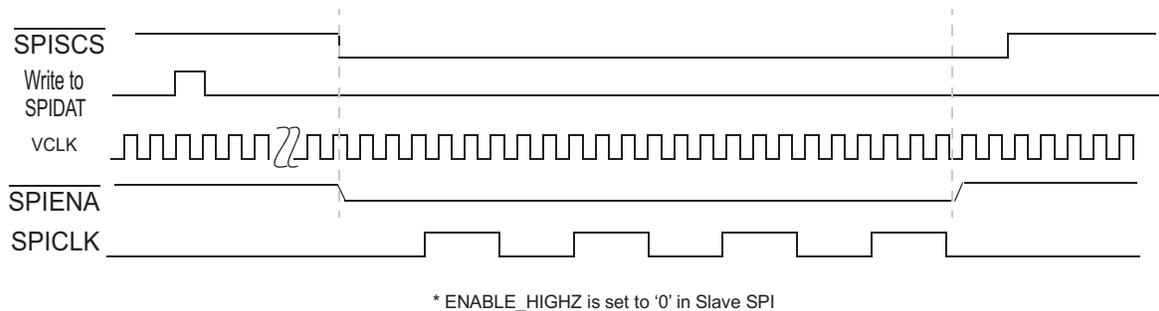
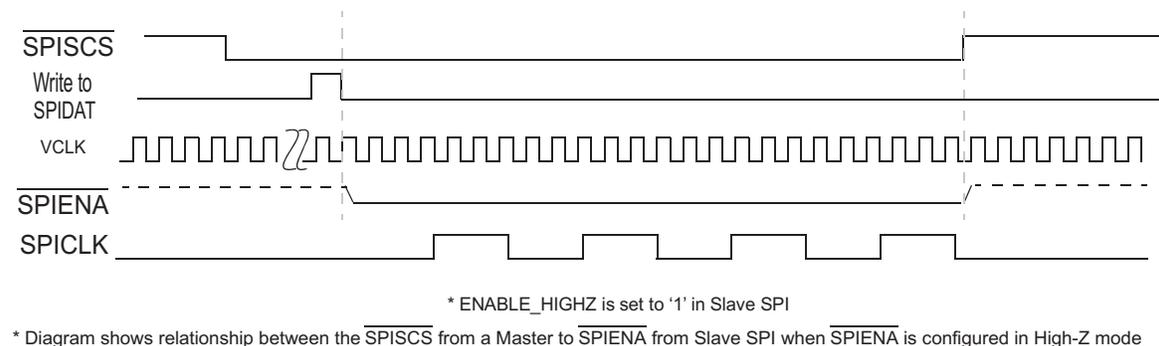
**Figure 27-96. SPI/MibSPI Pins During Master/Slave Mode with 5-Pin Configuration**



\* Dotted vertical lines indicate the receive edges for the Master

\* ENABLE\_HIGHZ is set to '0' in Slave SPI

## 27.6.2 Slave Mode Timings for SPI/MibSPI

**Figure 27-97. SPI/MibSPI Pins During Slave Mode 3-Pin Configuration**

**Figure 27-98. SPI/MibSPI Pins During Slave Mode in 4-Pin with  $\overline{\text{SPIENA}}$  Configuration**

**Figure 27-99. SPI/MibSPI Pins During Slave Mode in 5-Pin Configuration (Single Slave)**

**Figure 27-100. SPI/MibSPI Pins During Slave Mode in 5-Pin Configuration (Single/Multi-Slave)**


### 27.6.3 Master Mode Timing Parameter Details

In case of Master, the module drives out SPICLK. It also drives out the Transmit data on SPISIMO with respect to its internal SPICLK. In case of Master mode, the RX data on SPISOMI pin is registered with respect to SPICLK received through Input buffer from the I/O pad.

If Chip Select pin is functional, then Master will drive out  $\overline{\text{SPISCS}}$  pin(s) before starting the SPICLK. If  $\overline{\text{SPIENA}}$  pin is functional, then Master will wait for an active 'low' from Slave on the input pin to start the SPICLK.

### 27.6.4 Slave Mode Timing Parameter Details

In case of Slave mode, the module will drive only SPISOMI and SPIENA pins. All other pins are inputs to it. The RX data on SPISIMO pin will be registered with respect to SPICLK pin. Slave will use  $\overline{\text{SPISCS}}$  pin to drive out  $\overline{\text{SPIENA}}$  pin if both are functional. If 4pin with  $\overline{\text{SPIENA}}$  is configured, then Slave will drive out active low signal on  $\overline{\text{SPIENA}}$  pin when a new data is written to the TX Shift Register. Irrespective of 4pin with  $\overline{\text{SPIENA}}$  or 5pin configuration, the Slave will deassert the  $\overline{\text{SPIENA}}$  pin after the last bit is received. If ENABLE\_HIGHZ (SPIINT0.24) bit is 0, the de-asserted value of  $\overline{\text{SPIENA}}$  pin will be 1. Otherwise, it will depend upon the internal PullUp or PullDown resistor (if implemented) depending upon the Specification of the Chip.

# Serial Communication Interface (SCI)/Local Interconnect Network (LIN) Module

---



---



---

This chapter describes the serial communication interface (SCI) / local interconnect network (LIN) module. The SCI/LIN is compliant to the LIN 2.1 protocol specified in the *LIN Specification Package*. This module can be configured to operate in either SCI (UART) or LIN mode.

---

**NOTE:** This chapter describes a superset implementation of the LIN/SCI module that includes features and functionality that require DMA. Since not all devices have DMA capability, consult your device-specific datasheet to determine applicability of these features and functions to your device being used.

---

Topic	Page
28.1 Introduction and Features .....	1343
28.2 SCI .....	1348
28.3 LIN .....	1363
28.4 Low-Power Mode .....	1383
28.5 Emulation Mode .....	1385
28.6 GPIO Functionality .....	1386
28.7 SCI/LIN Control Registers .....	1388

## 28.1 Introduction and Features

The SCI/LIN module can be programmed to work either as an SCI or as a LIN. The core of the module is an SCI. The SCI's hardware features are augmented to achieve LIN compatibility.

The SCI module is a universal asynchronous receiver-transmitter that implements the standard nonreturn to zero format. The SCI can be used to communicate, for example, through an RS-232 port or over a K-line.

The LIN standard is based on the SCI (UART) serial data link format. The communication concept is single-master/multiple-slave with a message identification for multi-cast transmission between any network nodes.

Throughout the chapter Compatibility Mode refers to SCI Mode functionality of SCI/LIN Module. [Section 28.2](#) explains about the SCI functionality and [Section 28.3](#) explains about the LIN functionality. Though the registers are common for LIN and SCI, the register descriptions has notes to identify the register/bit usage in different modes.

### 28.1.1 SCI Features

The following are the features of the SCI module:

- Standard universal asynchronous receiver-transmitter (UART) communication
- Supports full- or half-duplex operation
- Standard nonreturn to zero (NRZ) format
- Double-buffered receive and transmit functions in compatibility mode
- Supports two individually enabled interrupt lines: level 0 and level 1
- Configurable frame format of 3 to 13 bits per character based on the following:
  - Data word length programmable from one to eight bits
  - Additional address bit in address-bit mode
  - Parity programmable for zero or one parity bit, odd or even parity
  - Stop programmable for one or two stop bits
- Asynchronous or isosynchronous communication modes
- Two multiprocessor communication formats allow communication between more than two devices
- Sleep mode is available to free CPU resources during multiprocessor communication and then wake up to receive an incoming message
- The 24-bit programmable baud rate supports  $2^{24}$  different baud rates provide high accuracy baud rate selection
- At 100-MHz peripheral clock, 3.125 Mbits/s is the Max Baud Rate achievable
- Capability to use Direct Memory Access (DMA) for transmit and receive data
- Five error flags and Seven status flags provide detailed information regarding SCI events
- Two external pins: LINRX and LINTX
- Multi-buffered receive and transmit units

---

**NOTE:** SCI/LIN module does not support UART hardware flow control. This feature can be implemented in software using a general purpose I/O pin.

---

### 28.1.2 LIN Features

The following are the features of the LIN module:

- Compatibility with LIN 1.3, 2.0, and 2.1 protocols
- Configurable Baud Rate up to 20 Kbits/s
- Two external pins: LINRX and LINTX.
- Multi-buffered receive and transmit units
- Identification masks for message filtering
- Automatic master header generation
  - Programmable synchronization break field
  - Synchronization field
  - Identifier field
- Slave automatic synchronization
  - Synchronization break detection
  - Optional baud rate update
  - Synchronization validation
- $2^{31}$  programmable transmission rates with 7 fractional bits
- Wakeup on LINRX dominant level from transceiver
- Automatic wakeup support
  - Wakeup signal generation
  - Expiration times on wakeup signals
- Automatic bus idle detection
- Error detection
  - Bit error
  - Bus error
  - No-response error
  - Checksum error
  - Synchronization field error
  - Parity error
- Capability to use Direct Memory Access (DMA) for transmit and receive data.
- 2 Interrupt lines with priority encoding for:
  - Receive
  - Transmit
  - ID, error, and status
- Support for LIN 2.0 checksum
- Enhanced synchronizer finite state machine (FSM) support for frame processing
- Enhanced handling of extended frames
- Enhanced baud rate generator
- Update wakeup/go to sleep

### 28.1.3 Block Diagram

The SCI/LIN module contains core SCI block with added sub-blocks to support LIN protocol.

Three Major components of the SCI Module are:

- Transmitter
- Baud Clock Generator
- Receiver

**Transmitter (TX)** contains two major registers to perform the double- buffering:

- The transmitter data buffer register (SCITD) contains data loaded by the CPU to be transferred to the shift register for transmission.
- The transmitter shift register (SCITXSHF) loads data from the data buffer (SCITD) and shifts data onto the LINTX pin, one bit at a time.

#### **Baud Clock Generator**

- A programmable baud generator produces either a baud clock scaled from VBUSP CLK.

**Receiver (RX)** contains two major registers to perform the double- buffering:

- The receiver shift register (SCIRXSHF) shifts data in from the LINRX pin one bit at a time and transfers completed data into the receive data buffer.
- The receiver data buffer register (SCIRD) contains received data transferred from the receiver shift register

The SCI receiver and transmitter are double-buffered, and each has its own separate enable and interrupt bits. The receiver and transmitter may each be operated independently or simultaneously in full duplex mode.

To ensure data integrity, the SCI checks the data it receives for breaks, parity, overrun, and framing errors. The bit rate (baud) is programmable to over 16 million different rates through a 24-bit baud-select register. [Figure 28-1](#) shows the detailed SCI block diagram.

The SCI/LIN module is based on the standalone SCI with the addition of an error detector (parity calculator, checksum calculator, and bit monitor), a mask filter, a synchronizer, and a multi-buffered receiver and transmitter. The SCI interface, the DMA control subblocks and the baud generator are modified as part of the hardware enhancements for LIN compatibility. [Figure 28-2](#) shows the SCI/LIN block diagram.

Figure 28-1. SCI Block Diagram

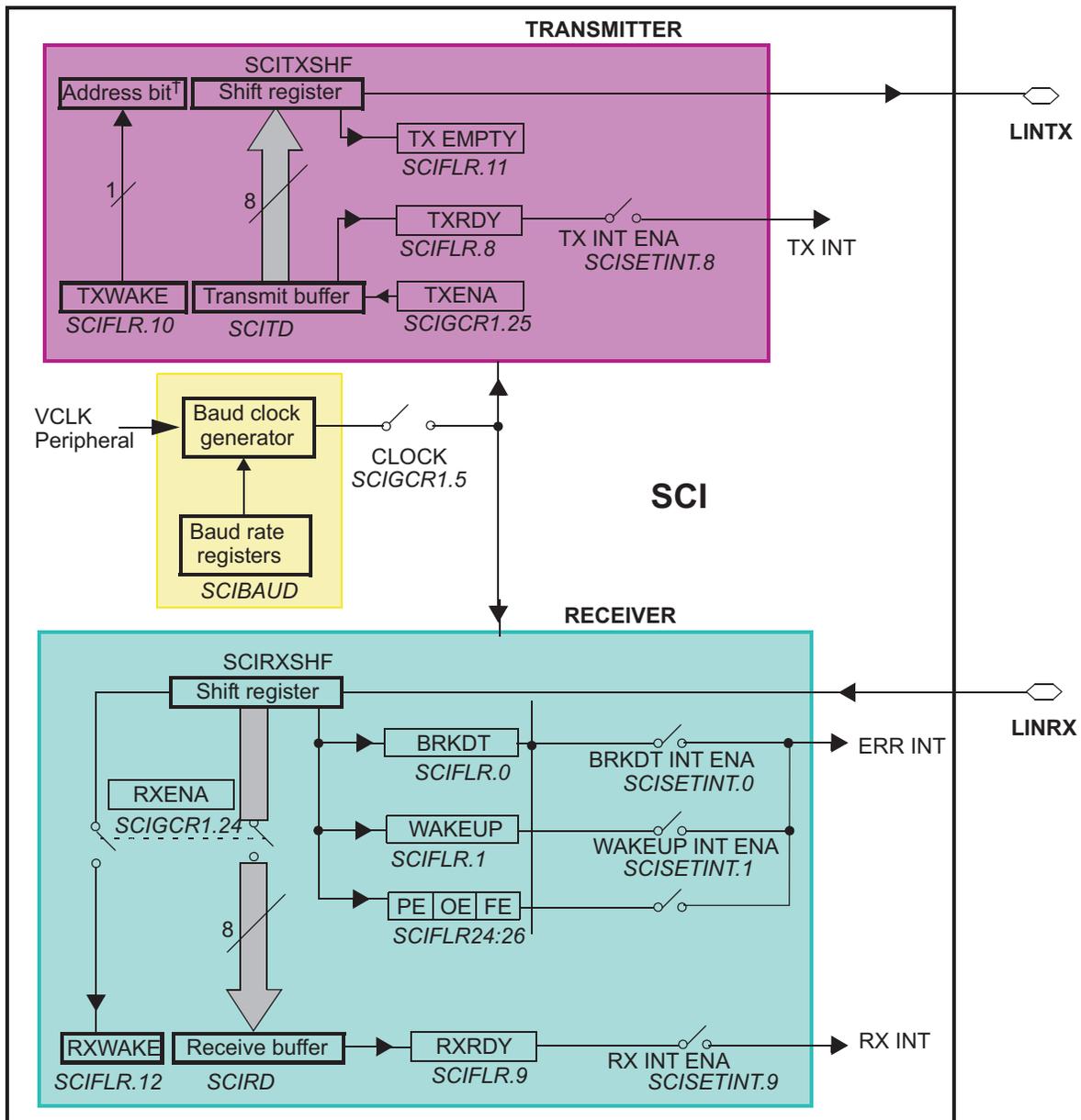
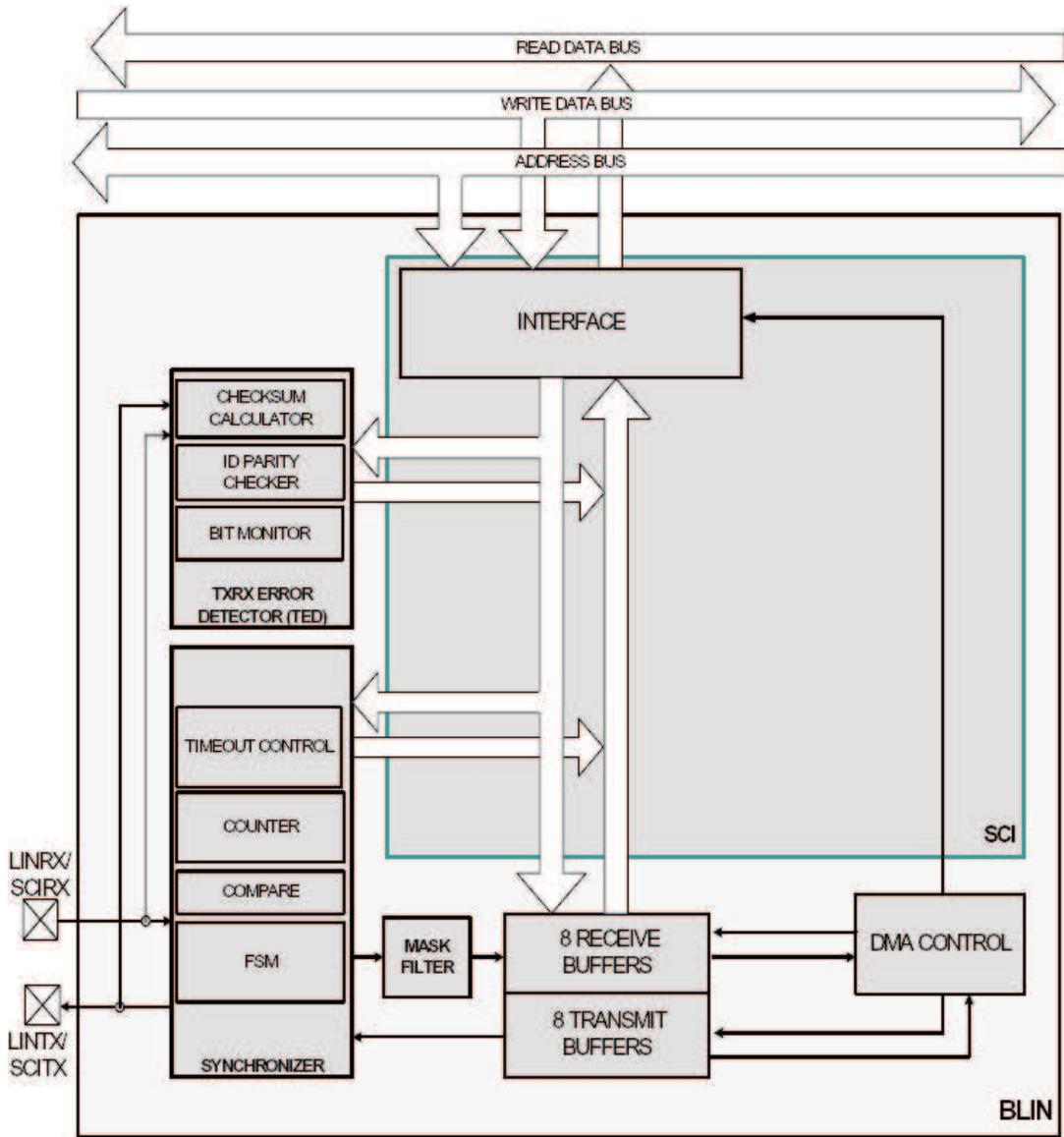


Figure 28-2. SCI/LIN Block Diagram



## 28.2 SCI

### 28.2.1 SCI Communication Formats

The SCI module can be configured to meet the requirements of many applications. Because communication formats vary depending on the specific application, many attributes of the SCI/LIN are user configurable. The list below describes these configuration options:

- SCI Frame format
- SCI Timing modes
- SCI Baud rate
- SCI Multiprocessor modes

#### 28.2.1.1 SCI Frame Formats

The SCI uses a programmable frame format. All frames consist of the following:

- One start bit
- One to eight data bits
- Zero or one address bit
- Zero or one parity bit
- One or two stop bits

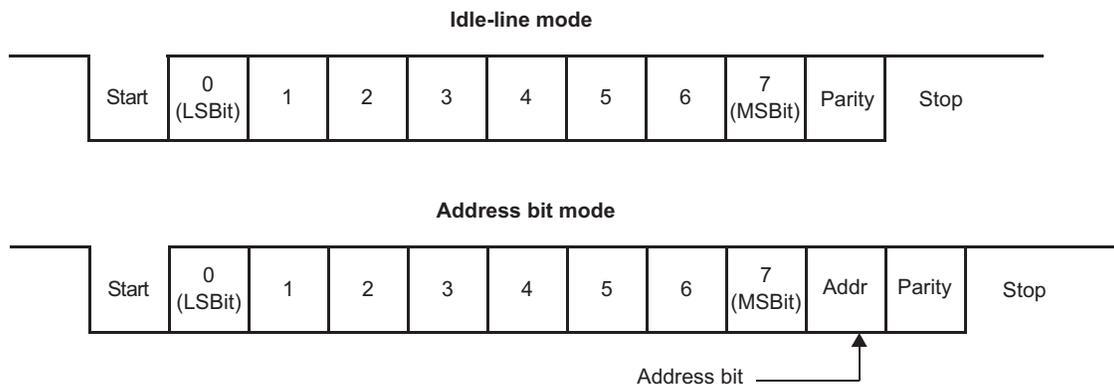
The frame format for both the transmitter and receiver is programmable through the bits in the SCIGCR1 register. Both receive and transmit data is in nonreturn to zero (NRZ) format, which means that the transmit and receive lines are at logic high when idle. Each frame transmission begins with a start bit, in which the transmitter pulls the SCI line low (logic low). Following the start bit, the frame data is sent and received least significant bit first (LSB).

An address bit is present in each frame if the SCI is configured to be in address-bit mode but is not present in any frame if the SCI is configured for idle-line mode. The format of frames with and without the address bit is illustrated in [Figure 28-3](#).

A parity bit is present in every frame when the PARITY ENA bit is set. The value of the parity bit depends on the number of one bits in the frame and whether odd or even parity has been selected via the PARITY ENA bit. Both examples in [Figure 28-3](#) have parity enabled.

All frames include one stop bit, which is always a high level. This high level at the end of each frame is used to indicate the end of a frame to ensure synchronization between communicating devices. Two stop bits are transmitted if the STOP bit in SCIGCR1 register is set. The examples shown in [Figure 28-3](#) use one stop bit per frame.

**Figure 28-3. Typical SCI Data Frame Formats**



### 28.2.1.2 SCI Timing Mode

The SCI can be configured to use asynchronous or isosynchronous timing using TIMING MODE bit in SCIGCR1 register.

#### 28.2.1.2.1 Asynchronous Timing Mode

The asynchronous timing mode uses only the receive and transmit data lines to interface with devices using the standard universal asynchronous receiver-transmitter (UART) protocol.

In the asynchronous timing mode, each bit in a frame has a duration of 16 SCI baud clock periods. Each bit therefore consists of 16 samples (one for each clock period). When the SCI is using asynchronous mode, the baud rates of all communicating devices must match as closely as possible. Receive errors result from devices communicating at different baud rates.

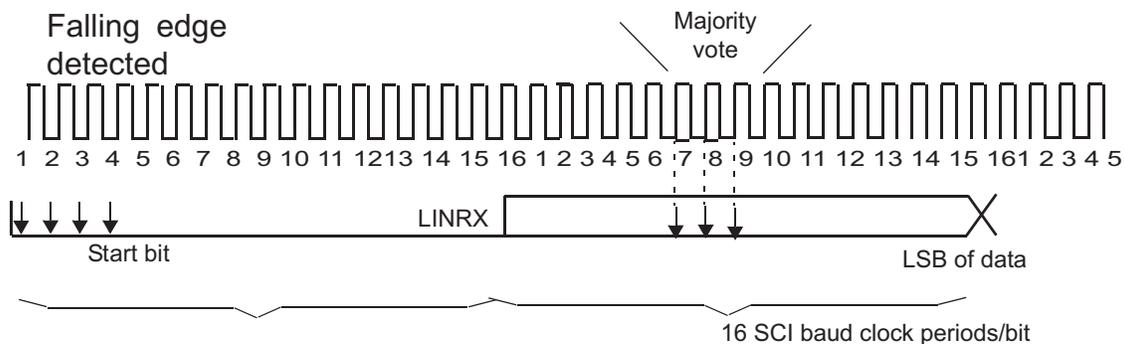
With the receiver in the asynchronous timing mode, the SCI detects a valid start bit if the first four samples after a falling edge on the LINRX pin are of logic level 0. As soon as a falling edge is detected on LINRX, the SCI assumes that a frame is being received and synchronizes itself to the bus.

To prevent interpreting noise as Start bit SCI expects LINRX line to be low for at least four contiguous SCI baud clock periods to detect a valid start bit. The bus is considered idle if this condition is not met. When a valid start bit is detected, the SCI determines the value of each bit by sampling the LINRX line value during the seventh, eighth, and ninth SCI baud clock periods. A majority vote of these three samples is used to determine the value stored in the SCI receiver shift register. By sampling in the middle of the bit, the SCI reduces errors caused by propagation delays and rise and fall times and data line noises.

Figure 28-4 illustrates how the receiver samples a start bit and a data bit in asynchronous timing mode.

The transmitter transmits each bit for a duration of 16 SCI baud clock periods. During the first clock period for a bit, the transmitter shifts the value of that bit onto the LINTX pin. The transmitter then holds the current bit value on LINTX for 16 SCI baud clock periods.

Figure 28-4. Asynchronous Communication Bit Timing



#### 28.2.1.2.2 Isosynchronous Timing Mode

In isosynchronous timing mode, each bit in a frame has a duration of exactly 1 baud clock period and therefore consists of a single sample. With this timing configuration, the transmitter and receiver are required to make use of the SCICLK pin to synchronize communication with other SCI. **This mode is not supported on this device because SCICLK pin is not available.**

#### 28.2.1.3 SCI Baud Rate

The SCI/LIN has an internally generated serial clock determined by the peripheral VCLK and the prescalers P and M in this register. The SCI uses the 24-bit integer prescaler P value of BRSR register to select the required baud rates. The additional 4-bit fractional divider M refines the baud rate selection.

In asynchronous timing mode, the SCI generates a baud clock according to the following formula:

$$SCICLK \text{ Frequency} = \frac{VCLK \text{ Frequency}}{P + 1 + \frac{M}{16}}$$

$$\text{Asynchronous baud value} = \frac{SCICLK \text{ Frequency}}{16}$$

For P = 0,

$$\text{Asynchronous baud value} = \frac{VCLK \text{ Frequency}}{32} \quad (40)$$

### 28.2.1.3.1 Superfractional Divider, SCI Asynchronous Mode

The superfractional divider is available in SCI asynchronous mode (idle-line and address-bit mode). Building on the 4-bit fractional divider M (BRSR[27:24]), the superfractional divider uses an additional 3-bit modulating value (see [Table 28-2](#)). The bits with a 1 in the table will have an additional VCLK period added to their  $T_{bit}$ . If the character length is more than 10, then the modulation table will be a rolled-over version of the original table ([Table 28-1](#)), as shown in [Table 28-2](#).

The baud rate will vary over a data field to average according to the BRSR[30:28] value by a “d” fraction of the peripheral internal clock:  $0 < d < 1$ . See [Figure 28-5](#) for a simple Average “d” calculation based on “U” value(BRSR[30:28]).

The instantaneous bit time is expressed in terms of  $T_{VCLK}$  as follows:

For all P other than 0, and all M and d (0 or 1),

$$T^i \text{ bit} = \left[ 16 \left( P + 1 + \frac{M}{16} \right) + d \right] T_{VCLK} \quad (41)$$

For P = 0  $T_{bit} = 32T_{VCLK}$

The averaged bit time is expressed in terms of  $T_{VCLK}$  as follows:

For all P other than 0, and all M and d ( $0 < d < 1$ ),

$$T^a \text{ bit} = \left[ 16 \left( P + 1 + \frac{M}{16} \right) + d \right] T_{VCLK} \quad (42)$$

For P = 0  $T_{bit} = 32T_{VCLK}$

**Table 28-1. Superfractional Bit Modulation for SCI Mode (Normal Configuration) <sup>(1)</sup>**

BRS[30:28]	Start Bit	D[0]	D[1]	D[2]	D[3]	D[4]	D[5]	D[6]	D[7]	Stop Bit
0	0	0	0	0	0	0	0	0	0	0
1	1	0	0	0	0	0	0	0	1	0
2	1	0	0	0	1	0	0	0	1	0
3	1	0	1	0	1	0	0	0	1	0
4	1	0	1	0	1	0	1	0	1	0
5	1	1	1	0	1	0	1	0	1	1
6	1	1	1	0	1	1	1	0	1	1
7	1	1	1	1	1	1	1	0	1	1

<sup>(1)</sup> Normal configuration = Start + 8 Data Bits + Stop Bit

**Table 28-2. Superfractional Bit Modulation for SCI Mode (Maximum Configuration) <sup>(1)</sup>**

BRS[30:28]	Start Bit	D[0]	D[1]	D[2]	D[3]	D[4]	D[5]	D[6]	D[7]	Addr	Parity	Stop0	Stop1
0	0	0	0	0	0	0	0	0	0	0	0	0	0
1	1	0	0	0	0	0	0	0	1	0	0	0	0
2	1	0	0	0	1	0	0	0	1	0	0	0	1
3	1	0	1	0	1	0	0	0	1	0	1	0	1
4	1	0	1	0	1	0	1	0	1	0	1	0	1
5	1	1	1	0	1	0	1	0	1	1	1	0	1
6	1	1	1	0	1	1	1	0	1	1	1	0	1
7	1	1	1	1	1	1	1	0	1	1	1	1	1

<sup>(1)</sup> Maximum configuration = Start + 8 Data Bits + Addr Bit + Parity Bit + Stop Bit 0 + Stop Bit 1

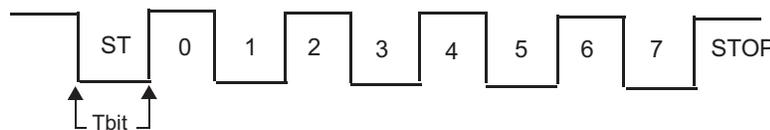
**Table 28-3. SCI Mode (Minimum Configuration) <sup>(1)</sup>**

BRS[30:28]	Start Bit	D[0]	Stop
0	0	0	0
1	1	0	0
2	1	0	0
3	1	0	1
4	1	0	1
5	1	1	1
6	1	1	1
7	1	1	1

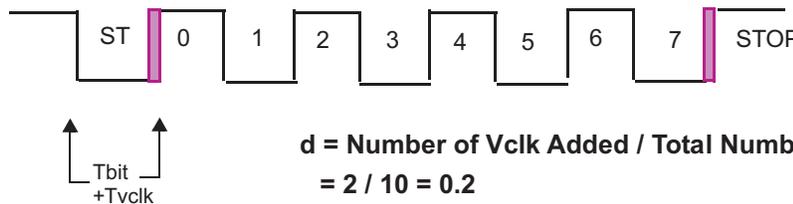
<sup>(1)</sup> Minimum configuration = Start + 1 Data Bits + Stop Bit

**Figure 28-5. Superfractional Divider Example**

**Normal Data Frame with BRS[31:28] = 0**



**Normal Data Frame with BRS[31:28] = 1**



### 28.2.1.4 SCI Multiprocessor Communication Modes

In some applications, the SCI may be connected to more than one serial communication device. In such a multiprocessor configuration, several frames of data may be sent to all connected devices or to an individual device. In the case of data sent to an individual device, the receiving devices must determine when they are being addressed. When a message is not intended for them, the devices can ignore the following data. When only two devices make up the SCI network, addressing is not needed, so multiprocessor communication schemes are not required.

SCI supports two multiprocessor communication modes which can be selected using COMM MODE bit:

- Idle-Line Mode
- Address Bit Mode

When the SCI is not used in a multiprocessor environment, software can consider all frames as data frames. In this case, the only distinction between the idle-line and address-bit modes is the presence of an extra bit (the address bit) in each frame sent with the address-bit protocol.

The SCI allows full-duplex communication where data can be sent and received via the transmit and receive pins simultaneously. However, the protocol used by the SCI assumes that only one device transmits data on the same bus line at any one time. No arbitration is done by the SCI.

#### 28.2.1.4.1 Idle-Line Multiprocessor Modes

In idle-line multiprocessor mode, a frame that is preceded by an idle period (10 or more idle bits) is an address frame. A frame that is preceded by fewer than 10 idle bits is a data frame. [Figure 28-6](#) illustrates the format of several blocks and frames with idle-line mode.

There are two ways to transmit an address frame using idle-line mode:

**Method 1:** In software, deliberately leave an idle period between the transmission of the last data frame of the previous block and the address frame of the new block.

**Method 2:** Configure the SCI to automatically send an idle period between the last data frame of the previous block and the address frame of the new block.

Although Method 1 is only accomplished by a delay loop in software, Method 2 can be implemented by using the transmit buffer and the TXWAKE bit in the following manner:

Step 1: Write a 1 to the TXWAKE bit.

Step 2: Write a dummy data value to the SCITD register. This triggers the SCI to begin the idle period as soon as the transmitter shift register is empty.

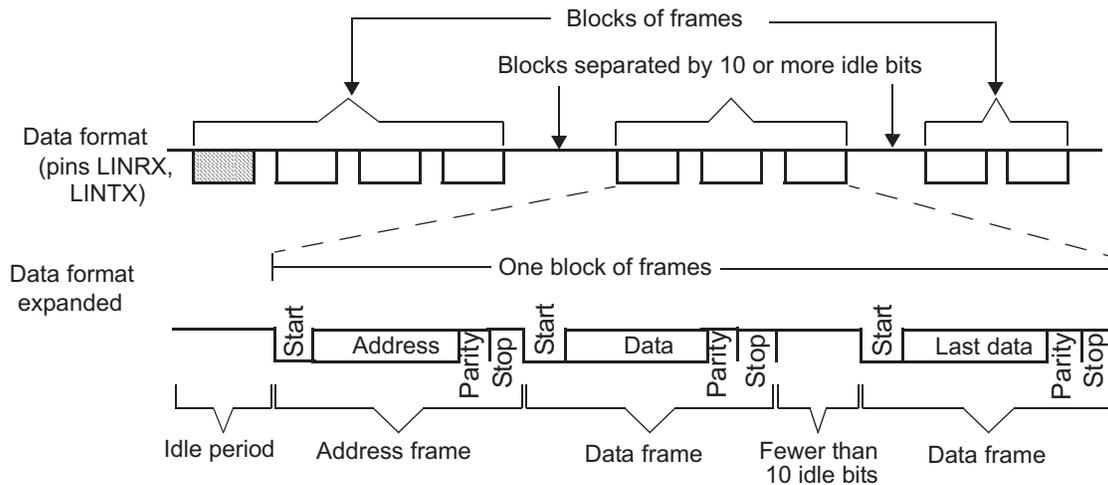
Step 3: Wait for the SCI to clear the TXWAKE flag.

Step 4: Write the address value to SCITD.

As indicated by Step 3, software should wait for the SCI to clear the TXWAKE bit. However, the SCI clears the TXWAKE bit at the same time it sets TXRDY (that is, transfers data from SCITD into SCITXSHF). Therefore, if the TX INT ENA bit is set, the transfer of data from SCITD to SCITXSHF causes an interrupt to be generated at the same time that the SCI clears the TXWAKE bit. If this interrupt method is used, software is not required to poll the TXWAKE bit waiting for the SCI to clear it.

When idle-line multiprocessor communications are used, software must ensure that the idle time exceeds 10 bit periods before addresses (using one of the methods mentioned above), and software must also ensure that data frames are written to the transmitter quickly enough to be sent without a delay of 10 bit periods between frames. Failure to comply with these conditions will result in data interpretation errors by other devices receiving the transmission.

**Figure 28-6. Idle-Line Multiprocessor Communication Format**



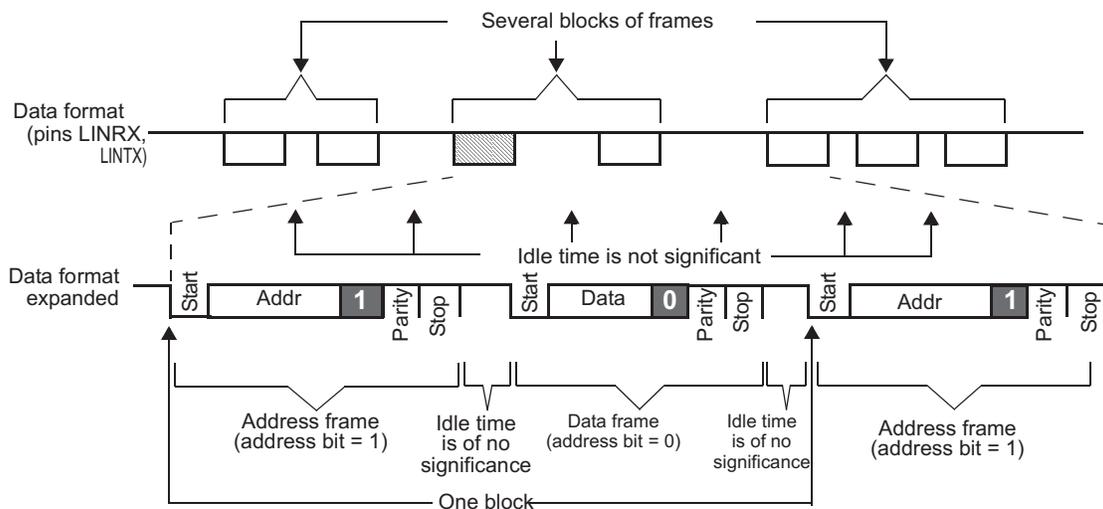
**28.2.1.4.2 Address-Bit Multiprocessor Mode**

In the address-bit protocol, each frame has an extra bit immediately following the data field called an address bit. A frame with the address bit set to 1 is an address frame; a frame with the address bit set to 0 is a data frame. The idle period timing is irrelevant in this mode. Figure 28-7 illustrates the format of several blocks and frames with the address-bit mode.

When address-bit mode is used, the value of the TXWAKE bit is the value sent as the address bit. To send an address frame, software must set the TXWAKE bit. This bit is cleared as the contents of the SCITD are shifted from the TXWAKE register so that all frames sent are data except when the TXWAKE bit is written as a 1.

No dummy write to SCITD is required before an address frame is sent in address-bit mode. The first byte written to SCITD after the TXWAKE bit is written to 1 is transmitted with the address bit set when address-bit mode is used.

**Figure 28-7. Address-Bit Multiprocessor Communication Format**



### 28.2.1.5 SCI Multi Buffered Mode

To reduce CPU load when Receiving or Transmitting data in interrupt mode or DMA mode, the SCI/LIN module has eight separate Receive and transmit buffers. Multi buffered mode is enabled by setting the MBUF MODE bit.

The multi-buffer 3-bit counter counts the data bytes transferred from the SCIRXSHF register to the RDy receive buffers and TDy transmit buffers register to SCITXSHF register. The 3-bit compare register contains the number of data bytes expected to be received or transmitted. the LENGTH value in SCIFORMAT register indicates the expected length and is used to load the 3-bit compare register.

A receive interrupt (RX interrupt; see the SCIINTVECT0 and SCIINTVECT1 registers), and a receive ready RXRDY flag set in SCIFLR register, as well as a DMA request (RXDMA) could occur after receiving a response if there are no response receive errors for the frame (such as, there is, frame error, and overrun error).

A transmit interrupt (TX interrupt), and a transmit ready flag (TXRDY flag in SCIFLR register), and a DMA request (TXDMA) could occur after transmitting a response.

Figure 28-8 and Figure 28-9 shows the receive and transmit multi-buffer functional block diagram.

Figure 28-8. Receive Buffers

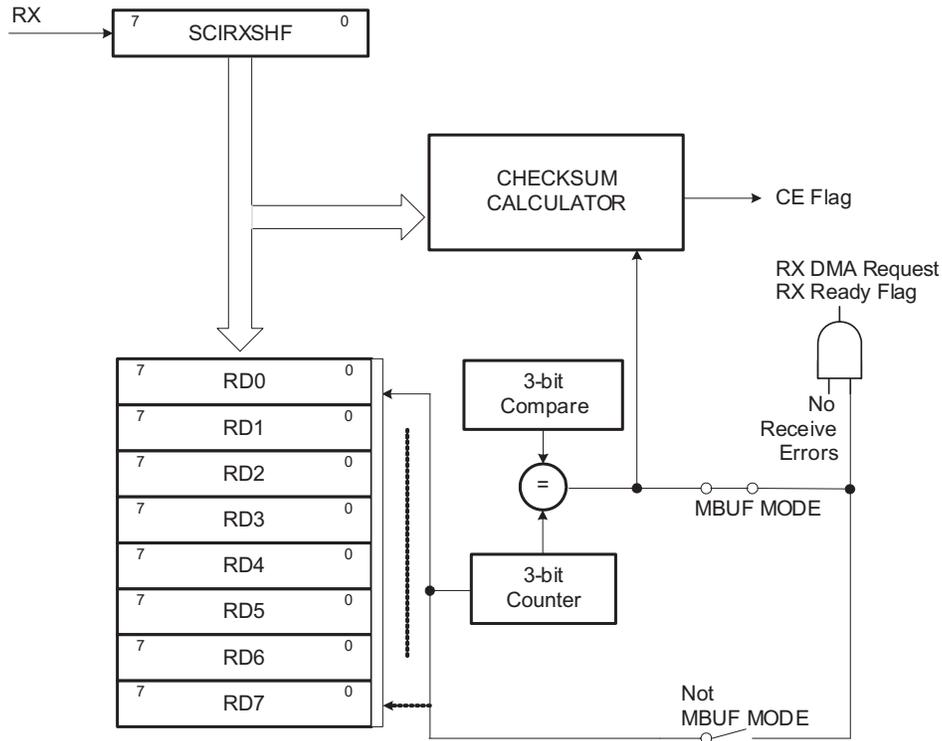
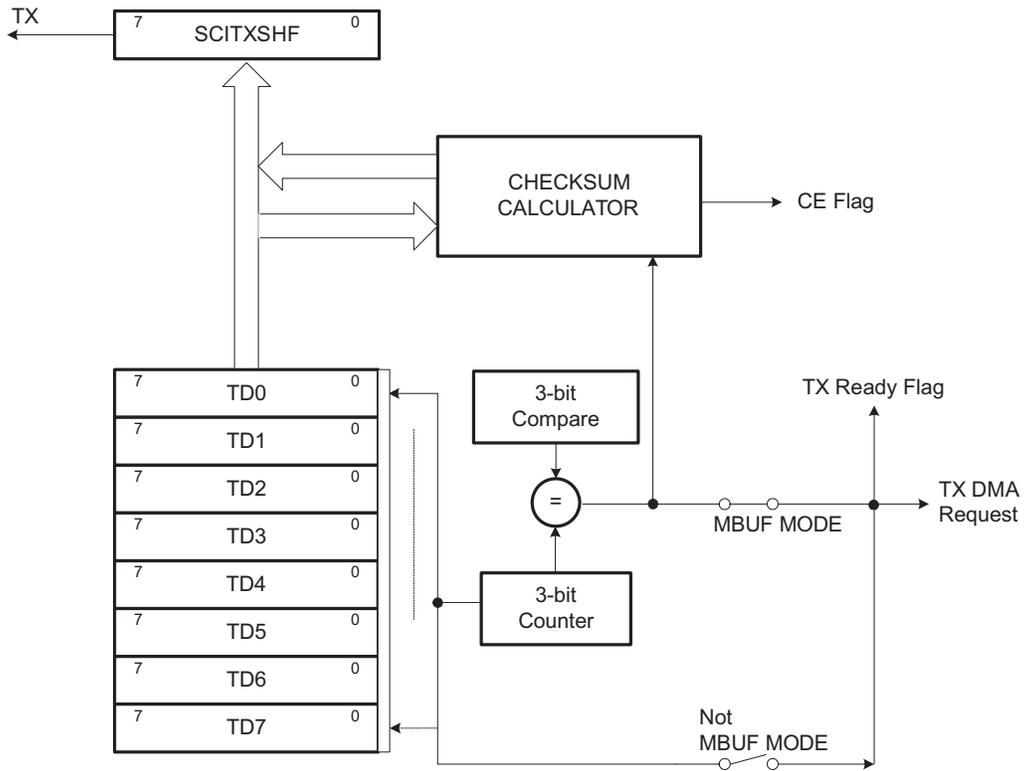


Figure 28-9. Transmit Buffers



### 28.2.2 SCI Interrupts

The SCI/LIN module has two interrupt lines, level 0 and level 1, to the vectored interrupt manager (VIM) module (see [Figure 28-10](#)). Two offset registers SCIINTVECT0 and SCIINTVECT1 determine which flag triggered the interrupt according to the respective priority encoders. Each interrupt condition has a bit to enable/disable the interrupt in the SCISSETINT and SCICLRINT registers respectively.

Each interrupt also has a bit that can be set as interrupt level 0 (INT0) or as interrupt level 1 (INT1). By default, interrupts are in interrupt level 0. SCISSETINTLVL sets a given interrupt to level 1. SCICLEARINTLVL resets a given interrupt level to the default level 0.

The interrupt vector registers SCIINTVECT0 and SCIINTVECT1 return the vector of the pending interrupt line INT0 or INT1. If more than one interrupt is pending, the interrupt vector register holds the highest priority interrupt.

**Figure 28-10. General Interrupt Scheme**

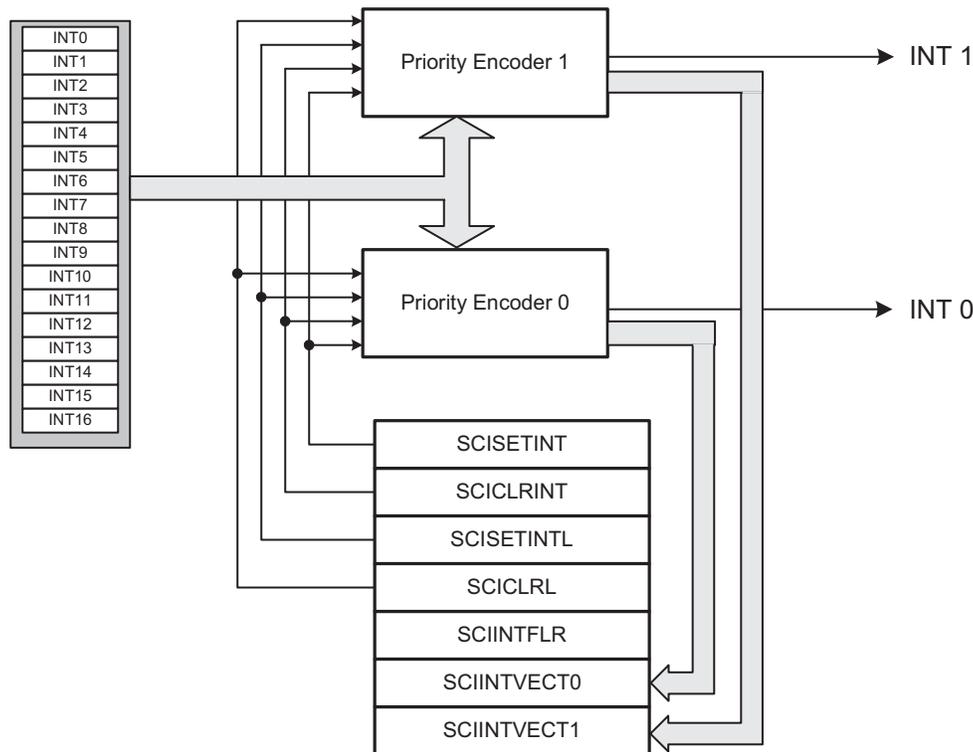
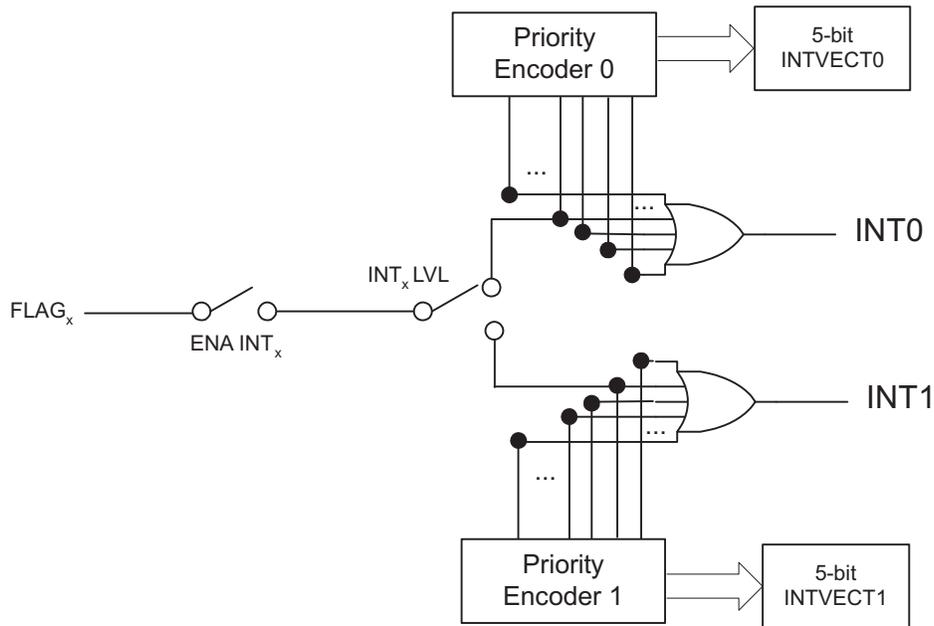


Figure 28-11. Interrupt Generation for Given Flags



### 28.2.2.1 Transmit Interrupt

To use transmit interrupt functionality, SET TX INT bit must be enabled and SET TX DMA bit must be cleared. The transmit ready (TXRDY) flag is set when the SCI transfers the contents of SCITD to the shift register, SCITXSHF. The TXRDY flag indicates that SCITD is ready to be loaded with more data. In addition, the SCI sets the TX EMPTY bit if both the SCITD and SCITXSHF registers are empty. If the SET TX INT bit is set, then a transmit interrupt is generated when the TXRDY flag goes high. Transmit Interrupt is not generated immediately after setting the SET TX INT bit unlike transmit DMA request. Transmit Interrupt is generated only after the first transfer from SCITD to SCITXSHF, that is first data has to be written to SCITD by you before any interrupt gets generated. To transmit further data, you can write data to SCITD in the transmit Interrupt service routine.

Writing data to the SCITD register clears the TXRDY bit. When this data has been moved to the SCITXSHF register, the TXRDY bit is set again. The interrupt request can be suspended by setting the CLR TX INT bit; however, when the SET TX INT bit is again set to 1, the TXRDY interrupt is asserted again. The transmit interrupt request can be eliminated until the next series of values is written to SCITD, by disabling the transmitter via the TXENA bit, by a software reset SWnRST, or by a device hardware reset.

### 28.2.2.2 Receive Interrupt

The receive ready (RXRDY) flag is set when the SCI transfers newly received data from SCIRXSHF to SCIRD. The RXRDY flag therefore indicates that the SCI has new data to be read. Receive interrupts are enabled by the SET RX INT bit. If the SET RX INT is set when the SCI sets the RXRDY flag, then a receive interrupt is generated. The received data can be read in the Interrupt Service routine.

On a device with both SCI and a DMA controller, the bits SET RX DMA ALL and SET RX DMA must be cleared to select interrupt functionality.

### 28.2.2.3 WakeUp Interrupt

SCI sets the WAKEUP flag if bus activity on the RX line either prevents power-down mode from being entered, or RX line activity causes an exit from power-down mode. If enabled (SET WAKEUP INT), wakeup interrupt is triggered once WAKEUP flag is set.

### 28.2.2.4 Error Interrupts

The following error detection are supported with Interrupt by the SCI module:

- Parity errors (PE)
- Frame errors (FE)
- Break Detect errors (BRKDT)
- Overrun errors (OE)
- Bit errors (BE)

If all of these errors (PE, FE, BRKDT, OE, BE) are flagged, an interrupt for the flagged errors will be generated if enabled. A message is valid for both the transmitter and the receiver if there is no error detected until the end of the frame. Each of these flags is located in the receiver status (SCIFLR) register.

There are 16 interrupt sources in the SCI/LIN module, In SCI mode 8 interrupts are supported, as seen in [Table 28-4](#).

**Table 28-4. SCI/LIN Interrupts**

Offset <sup>(1)</sup>	Interrupt	Applicable to SCI	Applicable to LIN
0	No interrupt		
1	Wakeup	Yes	Yes
2	Inconsistent-synch-field error	No	Yes
3	Parity error	Yes	Yes
4	ID	No	Yes
5	Physical bus error	No	Yes
6	Frame error	Yes	Yes
7	Break detect	Yes	No
8	Checksum error	No	Yes
9	Overrun error	Yes	Yes
10	Bit error	Yes	Yes
11	Receive	Yes	Yes
12	Transmit	Yes	Yes
13	No-response error	No	Yes
14	Timeout after wakeup signal (150 ms)	No	Yes
15	Timeout after three wakeup signals (1.5 s)	No	Yes
16	Timeout (Bus Idle, 4s)	No	Yes

<sup>(1)</sup> Offset 1 is the highest priority. Offset 16 is the lowest priority.

### 28.2.3 SCI DMA Interface

DMA requests for receive (RXDMA request) and transmit (TXDMA request) are available for the SCI/LIN module. The DMA transfers depending on whether multi-buffer mode bit (MBUF MODE) is enabled or not. For DMA module configuration refer

#### 28.2.3.1 Receive DMA Requests

This DMA functionality is enabled/disabled by the CPU using the SET RX DMA/CLR RX DMA bits, respectively.

In Multi Buffered SCI mode with DMA enabled, the receiver loads the RDy buffers for each received character. RX DMA request is triggered once the last character of the programmed number of characters (LENGTH) are received and copied to the corresponding RDy buffer successfully.

If the multi-buffer option is disabled, then DMA requests will be generated on a byte-per-byte basis until all the expected response data fields are received.

In multiprocessor mode, the SCI can generate receiver interrupts for address frames and DMA requests for data frames or DMA requests for both. This is controlled by the SET RX DMA ALL bit.

In multiprocessor mode with the SLEEP bit set, no DMA is generated for received data frames. The software must clear the SLEEP bit before data frames can be received.

#### 28.2.3.2 Transmit DMA Requests

DMA functionality is enabled/disabled by the CPU with SET TX DMA/CLR TX DMA bits, respectively.

In Multi Buffered SCI mode once TXRDY bit is set or after a transmission of programmed number of characters (LENGTH) (up to eight data bytes stored in the transmit buffer(s) TDy in the LINTD0 and LINTD1 registers), a DMA request is generated in order to reload the transmit buffer for the next transmission. If the multi-buffer option is disabled, then DMA requests will be generated on a byte-per-byte basis until all bytes are transferred.

## 28.2.4 SCI Configurations

Before the SCI sends or receives data, its registers should be properly configured. Upon power-up or a system-level reset, each bit in the SCI registers is set to a default state. The registers are writable only after the RESET bit is set to 1. Of particular importance is the SWnRST bit. This active-low bit is initialized to 0 and keeps the SCI in a reset state until it is programmed to 1. Therefore, all SCI configuration should be completed before a 1 (one) is written to the SWnRST bit.

The following list details the configuration steps that software should perform prior to the transmission or reception of data. As long as SWnRST is held low the entire time that the SCI is being configured, the order in which the registers are programmed is not important.

- Enable SCI by setting RESET bit.
- Clear SWnRST to 0 before configuring the SCI.
- Select the desired frame format by programming SCIGCR1.
- Configure the LINRX and LINTX pins for SCI functionality by setting the RX FUNC and TX FUNC bit.
- Select the baud rate to be used for communication by programming BRSR.
- Select internal clock by programming the CLOCK bit.
- Set the CONT bit to make SCI not to halt for an emulation breakpoint until its current reception or transmission is complete (this bit is used only in an emulation environment).
- Set LOOP BACK bit to connect the transmitter to the receiver internally (this feature is used to perform a self-test).
- Select the receiver enable RXENA bit if data is to be received.
- Select the transmit enable TXENA bit if data is to be transmitted.
- Set SWnRST to 1 after the SCI is configured.
- Perform Receive or Transmit data (see [Section 28.2.4.1](#) and [Section 28.2.4.2](#)).

### 28.2.4.1 Receiving Data

The SCI receiver is enabled to receive messages if the RX FUNC bit and the RXENA bit are set to 1. If the RX FUNC bit is not set, the LINRX pin functions as a general purpose I/O pin rather than as an SCI function pin.

SCI module can receive data in one of the following modes:

- Single-Buffer (Normal) Mode
- Multi-Buffer Mode

After a valid idle period is detected, data is automatically received as it arrives on the LINRX pin.

#### 28.2.4.1.1 Receiving Data in Single-Buffer Mode

Single Buffer Mode is selected when MBUF MODE bit is 0. In this mode SCI sets the RXRDY bit when it transfers newly received data from SCIRXSHF to SCIRD. The SCI clears the RXRDY bit after the new data in SCIRD has been read. Also, as data is transferred from SCIRXSHF to SCIRD, the SCI sets FE, OE, or PE if any of these error conditions were detected in the received data. These error conditions are supported with configurable Interrupt capability. The wake-up and break-detect status bits are also set if one of these errors occurs, but they do not necessarily occur at the same time that new data is being loaded into SCIRD.

You can receive data by:

1. Polling Receive Ready Flag
2. Receive Interrupt
3. DMA

In polling method, software can poll for RXRDY bit and read the data from SCIRD register once RXRDY is set high. CPU is unnecessarily overloaded by selecting Polling mode. To avoid this, you can use either Interrupt or DMA method. To use interrupt method SET RX INT bit should be set and to use DMA SET RX DMA bit should be set. Either an Interrupt or a DMA request is generated the moment RXRDY is set.

### 28.2.4.1.2 Receiving Data in Multi-Buffer Mode

Multi-Buffer Mode is selected when MBUF MODE bit is 1. In this mode SCI sets the RXRDY bit when programmed number of data are received in the receive buffer, the complete frame. The error condition detection logic is same as Single Buffer Mode, except that it monitors for the complete frame. Like Single Buffer Mode, you can use either Interrupt, DMA or polling method to read the data. The received data has to be read from the LINRD0 and LINRD1 register, based on the number of bytes. For LENGTH less than or equal to 4, Read to LINRD0 register will clear the “RXRDY” flag. For LENGTH greater than 4, Read to LINRD1 register will clear the “RXRDY” flag.

### 28.2.4.2 Transmitting Data

The SCI transmitter is enabled if the TX FUNC bit and the TXENA bit are set to 1. If the TX FUNC bit is not set, the LINTX pin functions as a general purpose I/O pin rather than as an SCI function pin. Any value written to the SCITD before TXENA is set to 1 is not transmitted. Both of these control bits allow for the SCI transmitter to be held inactive independently of the receiver.

SCI module can transmit data in one of the following modes:

- Single-Buffer (Normal) Mode
- Multi-Buffered or Buffered SCI Mode.

#### 28.2.4.2.1 Transmitting Data in Single-Buffer Mode

Single Buffer Mode is selected when MBUF MODE bit is 0. In this mode SCI waits for data to be written to SCITD, transfers it to SCITXSHF, and transmits it. The flags TXRDY and TX EMPTY indicate the status of the transmit buffers. That is, when the transmitter is ready for data to be written to SCITD, the TXRDY bit is set. Additionally, if both SCITD and SCITXSHF are empty, then the TX EMPTY bit is also set.

You can transmit data by:

1. Polling Transmit Ready Flag
2. Receive Interrupt
3. DMA

In polling method, software can poll for TXRDY bit to go high before writing the data to SCITD register. CPU is unnecessarily overloaded by doing this Polling method. To avoid this, you can use either Interrupt or DMA method. To use interrupt method SET TX INT bit should be set and to use DMA SET TX DMA bit should be set. Either an Interrupt or a DMA request is generated the moment TXRDY is set. When the SCI has completed transmission of all pending frames, the SCITXSHF register and SCITD are empty, the TXRDY bit is set, and an interrupt/DMA request is generated, if enabled. Because all data has been transmitted, the interrupt/DMA request should be halted. This can be done by either disabling the transmit interrupt (CLR TX INT) / DMA request (CLR TX DMA bit) or by disabling the transmitter (clear TXENA bit).

---

**NOTE:** The TXRDY flag cannot be cleared by reading the corresponding interrupt offset in the SCIINTVECT0 or SCIINTVECT1 register.

---

#### 28.2.4.2.2 Transmitting Data in Multi-Buffer Mode

Multi-Buffer Mode is selected when MBUF MODE bit is 1. Similar to Single Buffer Mode the software can use polling, Interrupt or DMA method to write the data to be transmitted. The data to be transmitted has to be written to LINTD0 and LINTD1 register, based on the number of bytes. SCI waits for data to be written to Byte 0(TD0) of LINTD0 register and transfers the programmed number of bytes to SCITXSHF to transmit one by one automatically.

### 28.2.5 SCI Low Power Mode

The SCI/LIN can be put in either local or global low-power mode. Global low-power mode is asserted by the system and is not controlled by the SCI/LIN. During global low-power mode, all clocks to the SCI/LIN are turned off so the module is completely inactive.

Local low-power mode is asserted by setting the POWERDOWN bit; setting this bit stops the clocks to the SCI/LIN internal logic and the module registers. Setting the POWERDOWN bit causes the SCI to enter local low-power mode and clearing the POWERDOWN bit causes SCI/LIN to exit from local low-power mode. All the registers are accessible during local power-down mode as any register access enables the clock to SCI for that particular access alone.

The wake-up interrupt is used to allow the SCI to exit low-power mode automatically when a low level is detected on the LINRX pin and also this clears the POWERDOWN bit. If wake-up interrupt is disabled, then the SCI/LIN immediately enters low-power mode whenever it is requested and also any activity on the LINRX pin does not cause the SCI to exit low-power mode.

---

**NOTE: Enabling Local Low-Power Mode During Receive and Transmit**

If the wake-up interrupt is enabled and low-power mode is requested while the receiver is receiving data, then the SCI immediately generates a wake-up interrupt to clear the powerdown bit and prevents the SCI from entering low-power mode and thus completes the current reception. Otherwise, if the wake-up interrupt is disabled, then the SCI completes the current reception and then enters the low-power mode.

---

#### 28.2.5.1 Sleep Mode for Multiprocessor Communication

When the SCI receives data and transfers that data from SCIRXSHF to SCIRD, the RXRDY bit is set and if RX INT ENA is set, the SCI also generates an interrupt. The interrupt triggers the CPU to read the newly received frame before another one is received. In multiprocessor communication modes, this default behavior may be enhanced to provide selective indication of new data. When SCI receives an address frame that does not match its address, the device can ignore the data following this non-matching address until the next address frame by using sleep mode. Sleep mode can be used with both idle-line and address-bit multiprocessor modes.

If sleep mode is enabled by the SLEEP bit, then the SCI transfers data from SCIRXSHF to SCIRD only for address frames. Therefore, in sleep mode, all data frames are assembled in the SCIRXSHF register without being shifted into the SCIRD and without initiating a receive interrupt or DMA request. Upon reception of an address frame, the contents of the SCIRXSHF are moved into SCIRD, and the software must read SCIRD and determine if the SCI is being addressed by comparing the received address against the address previously set in the software and stored somewhere in memory (the SCI does not have hardware available for address comparison). If the SCI is being addressed, the software must clear the SLEEP bit so that the SCI will load SCIRD with the data of the data frames that follow the address frame.

When the SCI has been addressed and sleep mode has been disabled (in software) to allow the receipt of data, the SCI should check the RXWAKE bit (SCIFLR.12) to determine when the next address has been received. This bit is set to 1 if the current value in SCIRD is an address and set to 0 if SCIRD contains data. If the RXWAKE bit is set, then software should check the address in SCIRD against its own address. If it is still being addressed, then sleep mode should remain disabled. Otherwise, the SLEEP bit should be set again.

Following is a sequence of events typical of sleep mode operation:

- The SCI is configured and both sleep mode and receive actions are enabled.
- An address frame is received and a receive interrupt is generated.
- Software compares the received address frame against that set by software and determines that the SCI is not being addressed, so the value of the SLEEP bit is not changed.
- Several data frames are shifted into SCIRXSHF, but no data is moved to SCIRD and no receive interrupts are generated.
- A new address frame is received and a receive interrupt is generated.
- Software compares the received address frame against that set by software and determines that the SCI is being addressed and clears the SLEEP bit.
- Data shifted into SCIRXSHF is transferred to SCIRD, and a receive interrupt is generated after each data frame is received.
- In each interrupt routine, software checks RXWAKE to determine if the current frame is an address frame.
- Another address frame is received, RXWAKE is set, software determines that the SCI is not being addressed and sets the SLEEP bit back to 1. No receive interrupts are generated for the data frames following this address frame.

By ignoring data frames that are not intended for the device, fewer interrupts are generated. These interrupts would otherwise require CPU intervention to read data that is of no significance to this specific device. Using sleep mode can help free some CPU resources.

Except for the RXRDY flag, the SCI continues to update the receiver status flags (see [Table 28-13](#)) while sleep mode is active. In this way, if an error occurs on the receive line, an application can immediately respond to the error and take the appropriate corrective action.

Because the RXRDY bit is not updated for data frames when sleep mode is enabled, the SCI can enable sleep mode and use a polling algorithm if desired. In this case, when RXRDY is set, software knows that a new address has been received. If the SCI is not being addressed, then the software should not change the value of the SLEEP bit and should continue to poll RXRDY.

## 28.3 LIN

### 28.3.1 LIN Communication Formats

The SCI/LIN module can be used in LIN mode or SCI mode. The enhancements for baud generation, DMA controls and additional receive/transmit buffers necessary for LIN mode operation are also part of the enhanced buffered SCI module. LIN mode is selected by enabling LIN MODE bit in SCIGCR1 register.

---

**NOTE:** The SCI/LIN is built around the SCI platform and uses a similar sampling scheme: 16 samples for each bit with majority vote on samples 8, 9, and 10.

---

The SCI/LIN control registers are located at the SCI/LIN base address. For a detailed description of each register, see [Section 28.7](#).

#### 28.3.1.1 LIN Standards

For compatibility with LIN2.0 standard the following additional features are implemented over LIN1.3:

- (i) Support for LIN 2.0 checksum
- (ii) Enhanced synchronizer FSM support for frame processing
- (iii) Enhanced handling of extended frames
- (iv) Enhanced baudrate generator
- (v) Update wakeup/go to sleep

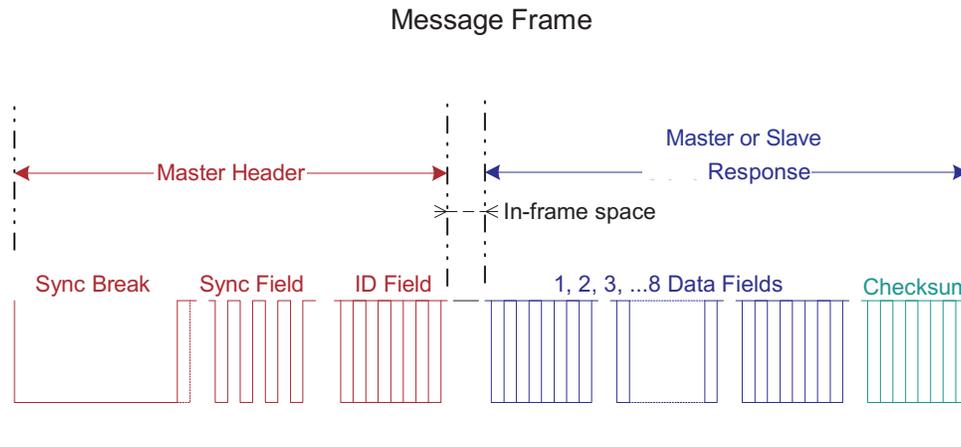
The LIN module covers the CPU performance-consuming features, defined in the *LIN Specification Package* Revision 1.3 and 2.0 by hardware.

The Master Mode of LIN module is compatible with LIN 2.1 standard.

### 28.3.1.2 Message Frame

The LIN protocol defines a message frame format, illustrated in [Figure 28-12](#). Each frame includes one master header, one response, one in-frame response space, and inter-byte spaces. In-frame-response and inter-byte spaces may be 0.

**Figure 28-12. LIN Protocol Message Frame Format: Master Header and Slave Response**



There is no arbitration in the definition of the LIN protocol; therefore, multiple slave nodes responding to a header might be detected as an error.

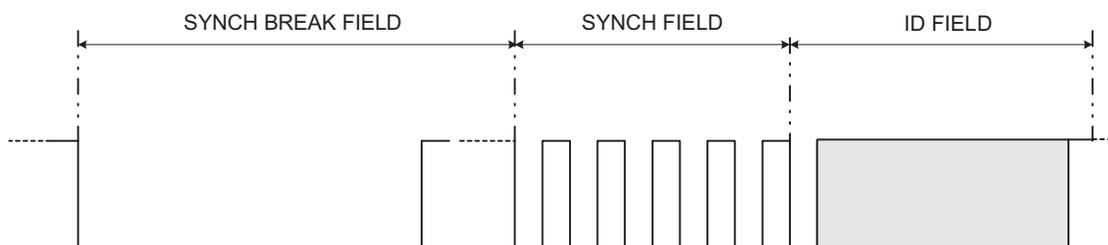
The LIN bus is a single channel wired-AND. The bus has a binary level: either dominant for a value of 0, or recessive for a value of 1.

#### 28.3.1.2.1 Message Header

The header of a message is initiated by a master (see [Figure 28-13](#)) and consists of a three field-sequence:

- The synch break field signaling the beginning of a message
- The synch field conveying bit rate information of the LIN bus
- The ID field denoting the content of a message

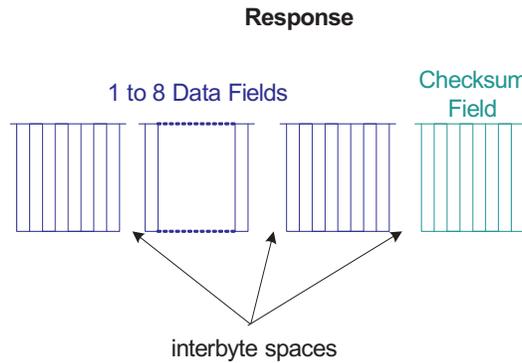
**Figure 28-13. Header 3 Fields: Synch Break, Synch, and ID**



**28.3.1.2.2 Response**

The format of the response is as illustrated in [Figure 28-14](#). There are two types of fields in a response: data and checksum. The data field consists of exactly one data byte, one start bit, and one stop bit, for a total of 10 bits. The LSB is transmitted first. The checksum field consists of one checksum byte, one start bit and one stop bit. The checksum byte is the inverted modulo-256 sum over all data bytes in the data fields of the response.

**Figure 28-14. Response Format of LIN Message Frame**



The format of the response is a stream of N data fields and one checksum field. Typically N is from 1 to 8, with the exception of the extended command frames ([Section 28.3.1.6](#)). The length N of the response is indicated either with the optional length control bits of the ID Field (this is used in standards earlier than LIN 1.x); see [Table 28-5](#), or by LENGTH value in SCIFORMAT[18:16] register; see [Table 28-6](#). The SCI/LIN module supports response lengths from 1 to 8 bytes in compliance with LIN 2.0.

**Table 28-5. Response Length Info Using IDBYTE Field Bits [5:4] for LIN Standards Earlier than 1.3**

ID5	ID4	Number of Data bytes
0	0	2
0	1	2
1	0	4
1	1	8

**Table 28-6. Response Length with SCIFORMAT[18:16] Programming**

SCIFORMAT[18:16]	No. of Bytes
000	1
001	2
010	3
011	4
100	5
101	6
110	7
111	8

### 28.3.1.3 Synchronizer

The synchronizer has three major functions in the messaging between master and slave nodes. It generates the master header data stream, it synchronizes to the LIN bus for responding, and it locally detects timeouts. A bit rate is programmed using the prescalers in the BRSR register to match the indicated LIN\_speed value in the LIN description file.

The LIN synchronizer will perform the following functions: master header signal generation, slave detection and synchronization to message header with optional baud rate adjustment, response transmission timing and timeout control.

The LIN synchronizer is capable of detecting an incoming break and initializing communication at all times.

### 28.3.1.4 Baud Rate

The transmission baud rate of any node is configured by the CPU at the beginning; this defines the bit time  $T_{bit}$ . The bit time is derived from the fields P and M in the baud rate selection register (BRSR). There is an additional 3-bit fractional divider value, field U in the BRSR, which further fine-tunes the data field baud rate.

The ranges for the prescaler values in the BRSR register are:

$$P = 0, 1, 2, 3, \dots, 2^{24} - 1$$

$$M = 0, 1, 2, \dots, 15$$

$$U = 0, 1, 2, 3, 4, 5, 6, 7$$

The P, M, and U values in the BRSR register are user programmable. The P and M dividers could be used for both SCI mode and LIN mode to select a baud rate. The U value is an additional 3-bit value determining that “a TVCLK” (with a = 0,1) is added to each  $T_{bit}$  as explained in [Section 28.3.1.4.2](#). If the ADAPT bit is set and the LIN slave is in adaptive baud rate mode, then all these divider values are automatically obtained during header reception when the synchronization field is measured.

The LIN protocol defines baud rate boundaries as follows:

$$1\text{kHz} \leq F_{LINCLK} \leq 20\text{kHz}$$

All transmitted bits are shifted in and out at  $T_{bit}$  periods.

#### 28.3.1.4.1 Fractional Divider

The M field of the BRSR register modifies the integer prescaler P for finer tuning of the baud rate. The M value adds in increments of 1/16 of the P value.

The bit time,  $T_{bit}$  is expressed in terms of the VCLK period  $T_{VCLK}$  as follows:

For all P other than 0, and all M,

$$T_{bit} = 16 \left( P + 1 + \frac{M}{16} \right) T_{VCLK} \quad (43)$$

For P= 0 :  $T_{bit} = 32T_{VCLK}$

Therefore, the LINCLK frequency is given by:

$$F_{LINCLK} = \frac{F_{VCLK}}{16 \left( P + 1 + \frac{M}{16} \right)} \quad \text{For all } P \text{ other than zero}$$

$$F_{LINCLK} = \frac{F_{VCLK}}{32} \quad \text{For } P = 0 \quad (44)$$

### 28.3.1.4.2 Superfractional Divider

The superfractional divider scheme applies to the following modes:

- LIN master mode (synch field + identifier field + response field + checksum field)
- LIN slave mode (response field + checksum field)

### 28.3.1.4.3 Superfractional Divider In LIN Mode

Building on the 4-bit fractional divider M (BRSR[27:24], the superfractional divider uses an additional 3-bit modulating value, illustrated in Table 28-7. The sync field (0x55), the identifier field and the response field can all be seen as 8-bit data bytes flanked by a start bit and a stop bit. The bits with a 1 in the table will have an additional VCLK period added to their  $T_{bit}$ .

**Table 28-7. Superfractional Bit Modulation for LIN Master Mode and Slave Mode <sup>(1)</sup>**

BRS[30:28]	Start Bit	D[0]	D[1]	D[2]	D[3]	D[4]	D[5]	D[6]	D[7]	Stop Bit
0	0	0	0	0	0	0	0	0	0	0
1	1	0	0	0	0	0	0	0	1	0
2	1	0	0	0	1	0	0	0	1	0
3	1	0	1	0	1	0	0	0	1	0
4	1	0	1	0	1	0	1	0	1	0
5	1	1	1	0	1	0	1	0	1	1
6	1	1	1	0	1	1	1	0	1	1
7	1	1	1	1	1	1	1	0	1	1

<sup>(1)</sup>

1. In LIN master mode bit modulation applies to synch field + identifier field + response field
2. In LIN slave mode bit modulation applies to identifier field + response field

The baud rate will vary over a LIN data field to average according to the BRSR[30:28] value by a  $d$  fraction of the peripheral internal clock:  $0 < d < 1$ .

The instantaneous bit time is expressed in terms of  $T_{VCLK}$  as follows:

For all P other than 0, and all M and d (0 or 1),

$$T^{i}bit = \left[ 16 \left( P + 1 + \frac{M}{16} \right) + d \right] T_{VCLK} \quad (45)$$

For P = 0  $T_{bit} = 32T_{VCLK}$

The averaged bit time is expressed in terms of  $T_{VCLK}$  as follows:

For all P other than 0, and all M and d ( $0 < d < 1$ ),

$$T^{a}bit = \left[ 16 \left( P + 1 + \frac{M}{16} \right) + d \right] T_{VCLK} \quad (46)$$

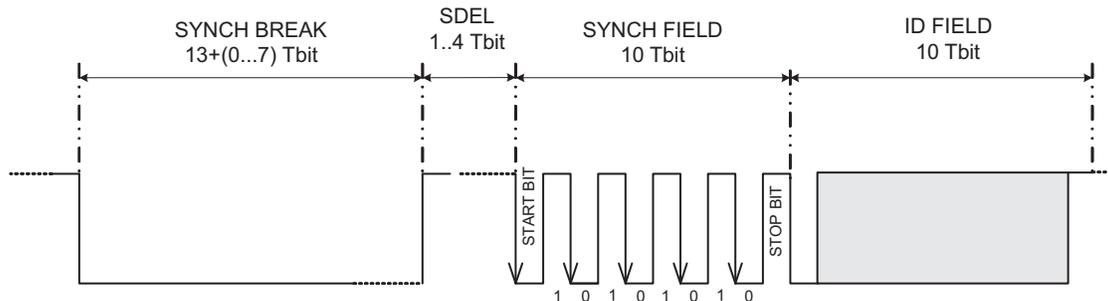
For P = 0  $T_{bit} = 32T_{VCLK}$

With the superfractional divider, a LIN baud rate of 20 kbps is achievable with an internal clock VCLK of 726 kHz. Furthermore, a rate of 400 kbps is achievable with an VCLK of 14.6 MHz.

### 28.3.1.5 Header Generation

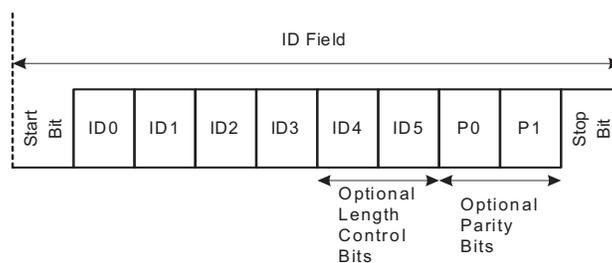
Automatic generation of the LIN protocol header data stream is supported without CPU interaction. The CPU or the DMA will trigger a message header generation and the LIN state machine will handle the generation itself. A master node initiates header generation on CPU or DMA writes to the IDBYTE in the LINID register. The header is always sent by the master to initiate a LIN communication and consists of three fields: break field, synchronization field, and identification field, as seen in [Figure 28-15](#).

**Figure 28-15. Message Header in Terms of  $T_{bit}$**



- The break field consists of two components:
  - The synchronization break (SYNCH BREAK) consists of a minimum of 13 (dominant) low bits to a maximum of 20 dominant bits. The synch break length may be extended from the minimum with the 3-bit SBREAK value in the LINCOMP register.
  - The synchronization break delimiter (SDEL) consists of a minimum of 1 (recessive) high bit to a maximum of 4 recessive bits. The delimiter marks the end of the synchronization break field. The synch break delimiter length depends on the 2-bit SDEL value in the LINCOMP register.
- The synchronization field (SYNCH FIELD) consists of one start bit, byte 0x55, and a stop bit. It is used to convey  $T_{bit}$  information and resynchronize LIN bus nodes.
- The identifier field's ID byte may use six bits as an identifier, with optional length control (see *Note: Optional Control Length Bits*), and two optional bits as parity of the identifier. The identifier parity is used and checked if the PARITY ENA bit is set. If length control bits are not used, then there can be a total of 64 identifiers plus parity. If neither length control or parity are used there can be up to 256 identifiers. See [Figure 28-16](#) for an illustration of the ID field.

**Figure 28-16. ID Field**



**NOTE: Optional Control Length Bits**

The control length bits only apply to LIN standards prior to LIN 1.3. IDBYTE field conveys response length information if compliant to standards earlier than LIN1.3. The SCIFORMAT register stores the length of the response for later versions of the LIN protocol.

**NOTE:** If the BLIN module, configured as Slave in multi-buffer mode, is in the process of transmitting data while a new header comes in, the module might end up in responding with the data from the previous interrupted response (not the data corresponding to the new ID). To avoid this scenario the following procedure could be used:

1. Check for the Bit Error (BE) during the response transmission. If the BE flag is set, this indicates that a collision has happened on the LIN bus (here because of the new Synch Break).
2. In the Bit Error ISR, configure the TD0 and TD1 registers with the next set of data to be transmitted on a TX Match for the incoming ID. Before writing to TD0/TD1 make sure that there was not already an update because of a Bit Error; otherwise TD0/TD1 might be written twice for one ID.
3. Once the complete ID is received, based on the match, the newly configured data will be transmitted by the node.

### 28.3.1.5.1 Event Triggered Frame Handling Proposal

The LIN 2.0 protocol uses event-triggered frames that may occasionally cause collisions. Event-triggered frames have to be handled in software.

If no slave answers to an event triggered frame header, the master node will set the NRE flag, and a NRE interrupt will occur if enabled. If a collision occurs, a frame error and checksum error may arise before the NRE error. Those errors are flagged and the appropriate interrupts will occur, if enabled.

Frame errors and checksum errors depend on the behavior and synchronization of the responding slaves. If the slaves are totally synchronized and stop transmission once the collision occurred, it is possible that only the NRE error is flagged despite the occurrence of a collision. To detect if there has been a reception of one byte before the NRE error is flagged, the BUS BUSY flag can be used as an indicator.

The bus busy flag is set on the reception of the first bit of the header and remains set until the header reception is complete, and again is set on the reception of the first bit of the response. In the case of a collision the flag is cleared in the same cycle as the NRE flag is set.

Software could implement the following sequence:

- Once the reception of the header is done (poll for RXID flag), wait for the bus busy flag to get set or NRE flag to get set.
- If bus busy flag is not set before NRE flag, then it is a true no response case (no data has been transmitted onto the bus).
- If bus busy flag gets set, then wait for NRE flag to get set or for successful reception. If NRE flag is set, then in this case a collision has occurred on the bus.

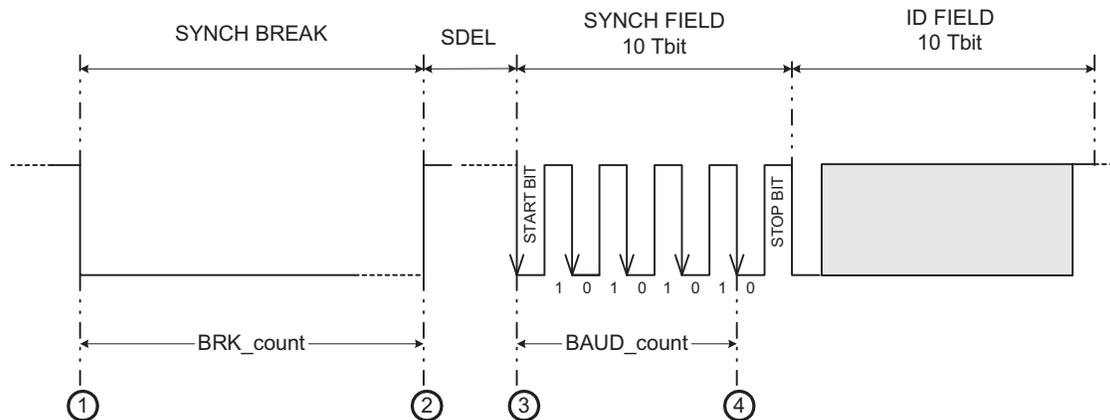
Even in the case of a collision, the received (corrupted) data is accessible in the RX buffers; registers LINRD0 and LINRD1.

### 28.3.1.5.2 Header Reception and Adaptive Baud Rate

A slave node baud rate can optionally be adjusted to the detected bit rate as an option to the LIN module. The adaptive baud rate option is enabled by setting the ADAPT bit. During header reception, a slave measures the baud rate during detection of the synch field. If ADAPT bit is set, then the measured baud rate is compared to the slave node's programmed baud rate and adjusted to the LIN bus baud rate if necessary.

The LIN synchronizer determines two measurements: BRK\_count and BAUD\_count (Figure 28-17). These values are always calculated during the Header reception for synch field validation (Figure 28-18).

**Figure 28-17. Measurements for Synchronization**



By measuring the values BRK\_count and BAUD\_count, a valid synch break sequence can be detected as described in Figure 28-18. The four numbered events in Figure 28-17 signal the start/stop of the synchronizer counter. The synchronizer counter uses VCLK as the time base.

The synchronizer counter is used to measure the synch break relative to the detecting node  $T_{bit}$ . For a slave node receiving the synch break, a threshold of 11  $T_{bit}$  is used as required by the LIN protocol. For detection of the dominant data stream of the synch break, the synchronizer counter is started on a falling edge and stopped on a rising edge of the LINRX. On detection of the synch break delimiter, the synchronizer counter value is saved and then reset.

On detection of five consecutive falling edges, the BAUD\_count is measured. Bit timing calculation and consistency to required accuracy is implemented following the recommendations of LIN revision 2.0. A slave node can calculate a single  $T_{bit}$  time by division of BAUD\_count by 8. In addition, for consistency between the detected edges the following is evaluated:

$$BAUD\_count + BAUD\_count \gg 2 + BAUD\_count \gg 3 \leq BRK\_count$$

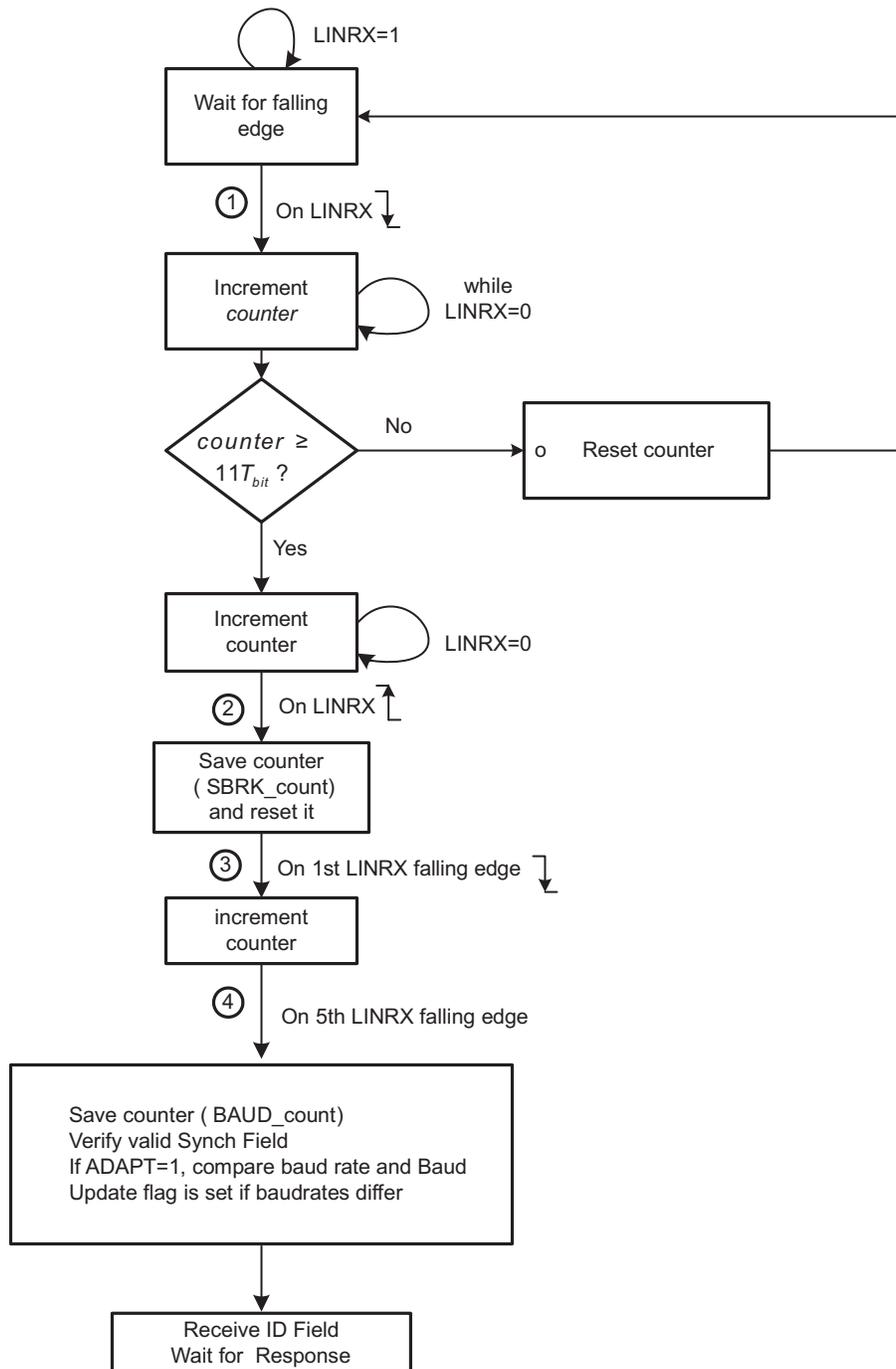
The BAUD\_count value is shifted 3 times to the right and rounded using the first insignificant bit to obtain a  $T_{bit}$  unit. If the ADAPT bit is set, then the detected baud rate is compared to the programmed baud rate.

During the header reception processing as illustrated in Figure 28-18, if the measured BRK\_count value is less than 11  $T_{bit}$ , the synch break is not valid according to the protocol for a fixed rate. If the ADAPT bit is set, then the MBRS is used for measuring BRK\_count and BAUD\_count values and automatically adjusts to any allowed LIN bus rate (refer to *LIN Specification Package 2.0*).

**NOTE:** In adaptive mode the MBRS divider should be set to allow a maximum baud rate that is not more than 10% above the expected operating baud rate in the LIN network. Otherwise, a 0x00 data byte could mistakenly be detected as a synch break.

The break-threshold relative to the slave node is 11  $T_{bit}$ . The break is 13  $T_{bit}$  as specified in LIN version 1.3.

Figure 28-18. Synchronization Validation Process and Baud Rate Adjustment



If the synch field is not detected within the given tolerances, the inconsistent-synch-field-error (ISFE) flag will be set. An ISFE interrupt will be generated, if enabled by its respective bit in the SCISSETINT register. The ID byte should be received after the synch field validation was successful. Any time a valid break (larger than  $11 T_{bit}$ ) is detected, the receiver's state machine should reset to reception of this new frame. This reset condition is only valid during response state, not if an additional synch break occurs during header reception.

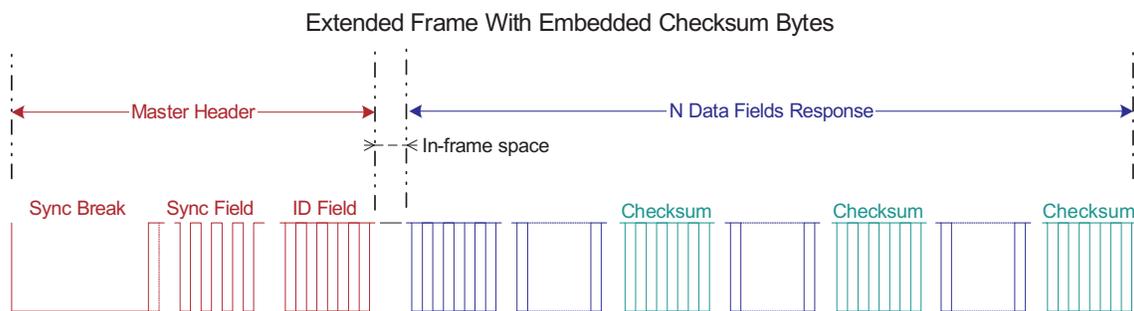
**NOTE:** When an inconsistent synch field (ISFE) error occurs, suggested action for the application is to Reset the SWnRST bit and set the SWnRST bit to make sure that the internal state machines are back to their normal states

### 28.3.1.6 Extended Frames Handling

The LIN protocol 2.0 and prior includes two extended frames with identifiers 62 (user-defined) and 63 (reserved extended). The response data length of the user-defined frame (ID 62, or 0x3E) is unlimited. The length for this identifier will be set at network configuration time to be shared with the LIN bus nodes.

Extended frame communication is triggered on reception of a header with identifier 0x3E; see [Figure 28-19](#). Once the extended frame communication is triggered, unlike normal frames, this communication needs to be stopped before issuing another header. To stop the extended frame communication the STOP EXT FRAME bit must be set.

**Figure 28-19. Optional Embedded Checksum in Response for Extended Frames**



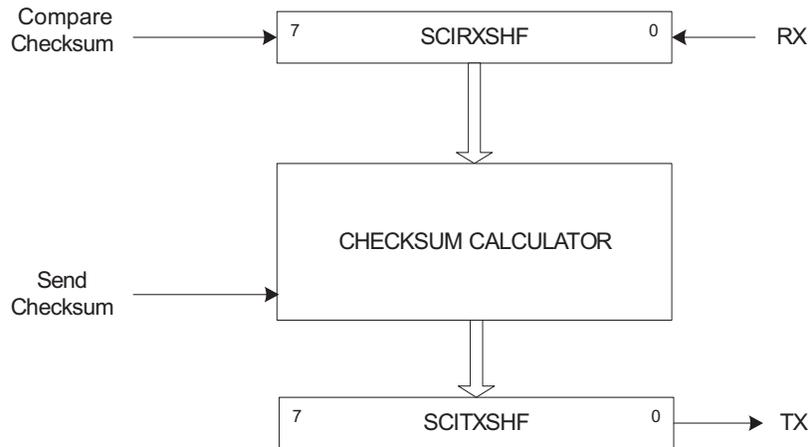
An ID interrupt will be generated (if enabled and there is a match) on reception of ID 62 (0x3E). This interrupt allows the CPU using a software counter to keep track of the bytes that are being sent out and decides when to calculate and insert a checksum byte (recommended at periodic rates). To handle this procedure, SC bit is used. A write to the send checksum bit SC will initiate an automatic send of the checksum byte. The last data field should always be a checksum in compliance with the LIN protocol.

The periodicity of the checksum insertion, defined at network configuration time, is used by the receiving node to evaluate the checksum of the ongoing message, and has the benefit of enhanced reliability.

For the sending node, the checksum is automatically embedded each time the send checksum bit SC is set. For the receiving node, the checksum is compared each time the compare checksum bit CC is set; see [Figure 28-20](#).

**NOTE:** The LIN 2.0 enhanced checksum does not apply to the reserved identifiers. The reserved identifiers always use the classic checksum.

**Figure 28-20. Checksum Compare and Send for Extended Frames**



### 28.3.1.7 Timeout Control

Any LIN node listening to the bus and expecting a response initiated from a master node could flag a no-response error timeout event. The LIN protocol defines four types of timeout events, which are all handled by the hardware of the LIN module. The four LIN protocol events are:

- No-response timeout error
- Bus idle detection
- Timeout after wakeup signal
- Timeout after three wakeup signals

#### 28.3.1.7.1 No-Response Error (NRE)

The no-response error will occur when any node expecting a response waits for  $T_{\text{FRAME\_MAX}}$  time and the message frame is not fully completed within the maximum length allowed,  $T_{\text{FRAME\_MAX}}$ . After this time a no-response error (NRE) is flagged in the NRE bit of the SCIFLR register. An interrupt is triggered if enabled.

As specified in the LIN 1.3 standard, the minimum time to transmit a frame is:

$$T_{\text{FRAME\_MIN}} = T_{\text{HEADER\_MIN}} + T_{\text{DATA\_FIELD}} + T_{\text{CHECKSUM\_FIELD}}$$

$$= 44 + 10N$$

where  $N$  = number of data fields.

And the maximum time frame is given by:

$$T_{\text{FRAME\_MAX}} = T_{\text{FRAME\_MIN}} * 1.4$$

$$= (44 + 10N) * 1.4$$

The timeout value  $T_{\text{FRAME\_MAX}}$  is derived from the  $N$  number of data fields value. The  $N$  value is either embedded in the header's ID field for messages or is part of the description file. In the latter case, the 3-bit CHAR value in SCIFORMAT register, will indicate the value for  $N$ .

---

**NOTE:** The length coding of the ID field does not apply to two extended frame identifiers, ID fields of 0x3E (62) and 0x3F (63). In these cases, the ID field can be followed by an arbitrary number of data byte fields. Also, the LIN 2.0 protocol specification mentions that ID field 0x3F (63) cannot be used. For these two cases, the NRE will not be handled by the LIN controller hardware.

---

**Table 28-8. Timeout Values in  $T_{bit}$  Units**

N	$T_{DATA\_FIELD}$	$T_{FRAME\_MIN}$	$T_{FRAME\_MAX}$
1	10	54	76
2	20	64	90
3	30	74	104
4	40	84	118
5	50	94	132
6	60	104	146
7	70	114	160
8	80	124	174

### 28.3.1.7.2 Bus Idle Detection

The second type of timeout can occur when a node detects an inactive LIN bus: no transitions between recessive and dominant values are detected on the bus. This happens after a minimum of 4 s (this is 80,000  $F_{LINCLK}$  cycles with the fastest bus rate of 20 kbps). If a node detects no activity in the bus as the TIMEOUT bit is set, then it can be assumed that the LIN bus is in sleep mode. Application software can use the Timeout flag to determine when the LIN bus is inactive and put the LIN into sleep mode by writing the POWERDOWN bit.

---

**NOTE:** After the timeout was flagged, a SW nRESET should be asserted before entering Low Power Mode. This is required to reset the receiver in case that an incomplete frame was on the bus before the idle period.

---

### 28.3.1.7.3 Timeout after Wakeup Signal and Timeout after Three Wakeup Signals

The third and fourth types of timeout are related to the wakeup signal. A node initiating a wakeup should expect a header from the master within a defined amount of time: timeout after wakeup signal. See [Section 28.4.3](#) for more details.

### 28.3.1.8 TXRX Error Detector (TED)

The following sources of error are detected by the TXRX error detector logic (TED). The TED logic consists of a bit monitor, an ID parity checker, and a checksum error. The following errors are detected:

- Bit errors (BE)
- Physical bus errors (PBE)
- Identifier parity errors (PE)
- Checksum errors (CE)

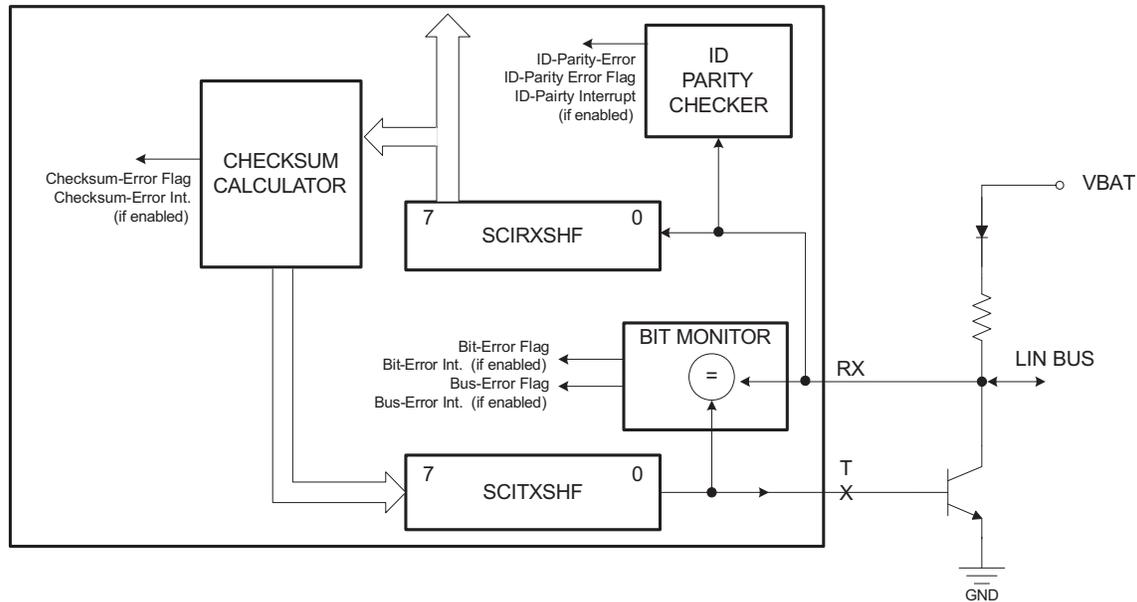
All of these errors (BE, PBE, PE, CE) are flagged. An interrupt for the flagged errors will be generated if enabled. A message is valid for both the transmitter and the receiver if there is no error detected until the end of the frame.

**28.3.1.8.1 Bit Errors**

A bit error (BE) is detected at the bit time when the bit value that is monitored is different from the bit value that is sent. A bit error is indicated by the BE flag in SCIFLR. After signaling a BE, the transmission is aborted no later than the next byte. The bit monitor ensures that the transmitted bit in LINTX is the correct value on the LIN bus by reading back on the LINRX pin as shown in Figure 28-21.

**NOTE:** If BE Occurs due to New Header reception during a Slave Response, NRE/TIMEOUT flag will not be set for the new Frame.

**Figure 28-21. TXRX Error Detector**



**28.3.1.8.2 Physical Bus Errors**

A Physical Bus Error (PBE) has to be detected by a master if no valid message can be generated on the bus (Bus shorted to GND or VBAT). The bit monitor detects a PBE during the header transmission, if no Synch Break can be generated (for example, because of a bus shortage to VBAT) or if no Synch Break Delimiter can be generated (for example, because of a bus shortage to GND). Once the Synch Break Delimiter was validated, all other deviations between the monitored and the sent bit value are flagged as Bit Errors (BE) for this frame.

**28.3.1.8.3 ID Parity Errors**

If parity is enabled, an ID parity error (PE) is detected if any of the two parity bits of the sent ID byte are not equal to the calculated parity on the receiver node. The two parity bits are generated using the following mixed parity algorithm.

$$P0 = ID0 \oplus ID1 \oplus ID2 \oplus ID4 \text{ (even Parity)}$$

$$P1 = ID1 \oplus ID3 \oplus ID4 \oplus ID5 \text{ (odd Parity)}$$

(47)

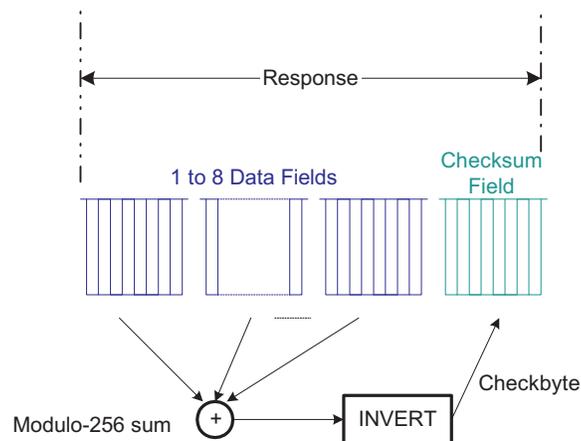
If an ID-parity error is detected, the ID-parity error is flagged, and the received ID is not valid. See Section 28.3.1.9 for details.

### 28.3.1.8.4 Checksum Errors

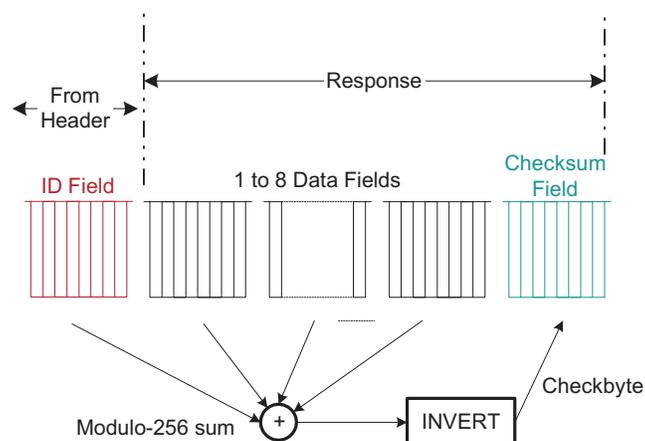
A checksum error (CE) is detected and flagged at the receiving end if the calculated modulo-256 sum over all received data bytes (including the ID byte if it is the enhanced checksum type) plus the checksum byte does not result in 0xFF. The modulo-256 sum is calculated over each byte by adding with carry, where the carry bit of each addition is added to the LSB of its resulting sum.

For the transmitting node, the checksum byte sent at the end of a message is the inverted sum of all the data bytes (see Figure 28-22) for classic checksum implementation. The checksum byte is the inverted sum of the identifier byte and all the data bytes (see Figure 28-23) for the LIN 2.0 compliant enhanced checksum implementation. The classic checksum implementation should always be used for reserved identifiers 60 to 63; therefore, the CTYPE bit will be overridden in this case. For signal-carrying-frame identifiers (0 to 59) the type of checksum used depends on the CTYPE bit.

**Figure 28-22. Classic Checksum Generation at Transmitting Node**



**Figure 28-23. LIN 2.0-Compliant Checksum Generation at Transmitting Node**



### 28.3.1.9 Message Filtering and Validation

Message filtering uses the entire identifier to determine which nodes will participate in a response, either receiving or transmitting a response. Therefore, two acceptance masks are used as shown in [Figure 28-24](#). During header reception, all nodes filter the ID-Field (ID-Field is the part of the header explained in [Figure 28-16](#)) to determine whether they transmit a response or receive a response for the current message. There are two masks for message ID filtering: one to accept a response reception, the other to initiate a response transmission. See [Figure 28-24](#). All nodes compare the received ID to the identifier stored in the ID-SlaveTask BYTE of the LINID register and use the RX ID MASK and the TX ID MASK fields in the LINMASK register to filter the bits of the identifier that should not be compared.

If there is an RX match with no parity error and the RXENA bit is set, there will be an ID RX flag and an interrupt will be triggered if enabled. If there is a TX match with no parity error and the TXENA bit is set, there will be an ID TX flag and an interrupt will be triggered if enabled in the SCISSETINT register.

The masked bits become don't cares for the comparison. To build a mask for a set of identifiers, an XOR function could be used.

For example, to build a mask to accept IDs 0x26 and 0x25 using LINID[7:0] = 0x20; that is, compare 5 most significant bits (MSBs) and filter 3 least significant bits (LSBs), the acceptance mask could be:

$$(0x26 + 0x25) \oplus 0x20 = 0x07 \quad (48)$$

A mask of all zeros will compare all bits of the received identifier in the shift register with the ID-BYTE in LINID[7:0]. If HGEN CTRL is set to 1, a mask of 0xFF will always cause a match. A mask of all 1s will filter all bits of the received identifier, and thus there will be an ID match regardless of the content of the ID-SlaveTask BYTE field in the LINID register.

---

**NOTE:** When the HGEN CTRL bit = 0, the LIN nodes compare the received ID to the ID-BYTE field in the LINID register, and use the RX ID MASK and the TX ID MASK in the LINMASK register to filter the bits of the identifier that should not be compared.

If there is an RX match with no parity error and the RXENA bit is set, there will be an ID RX flag and an interrupt will be triggered if enabled. A mask of all 0s will compare all bits of the received identifier in the shift register with the ID-BYTE field in LINID[7:0]. A mask of all 1s will filter all bits of the received identifier and there will be no match.

---

During header reception, the received identifier is copied to the Received ID field LINID[23:16]. If there is no parity error and there is either a TX match or an RX match, then the corresponding TX or RX ID flag is set. If the ID interrupt is enabled, then an ID interrupt is generated.

After the ID interrupt is generated, the CPU may read the Received ID field LINID[23:16] and determine what response to load into the transmit buffers.

---

**NOTE:** When byte 0 is written to TD0 (LINTD0[31:24]), the response transmission is automatically generated.

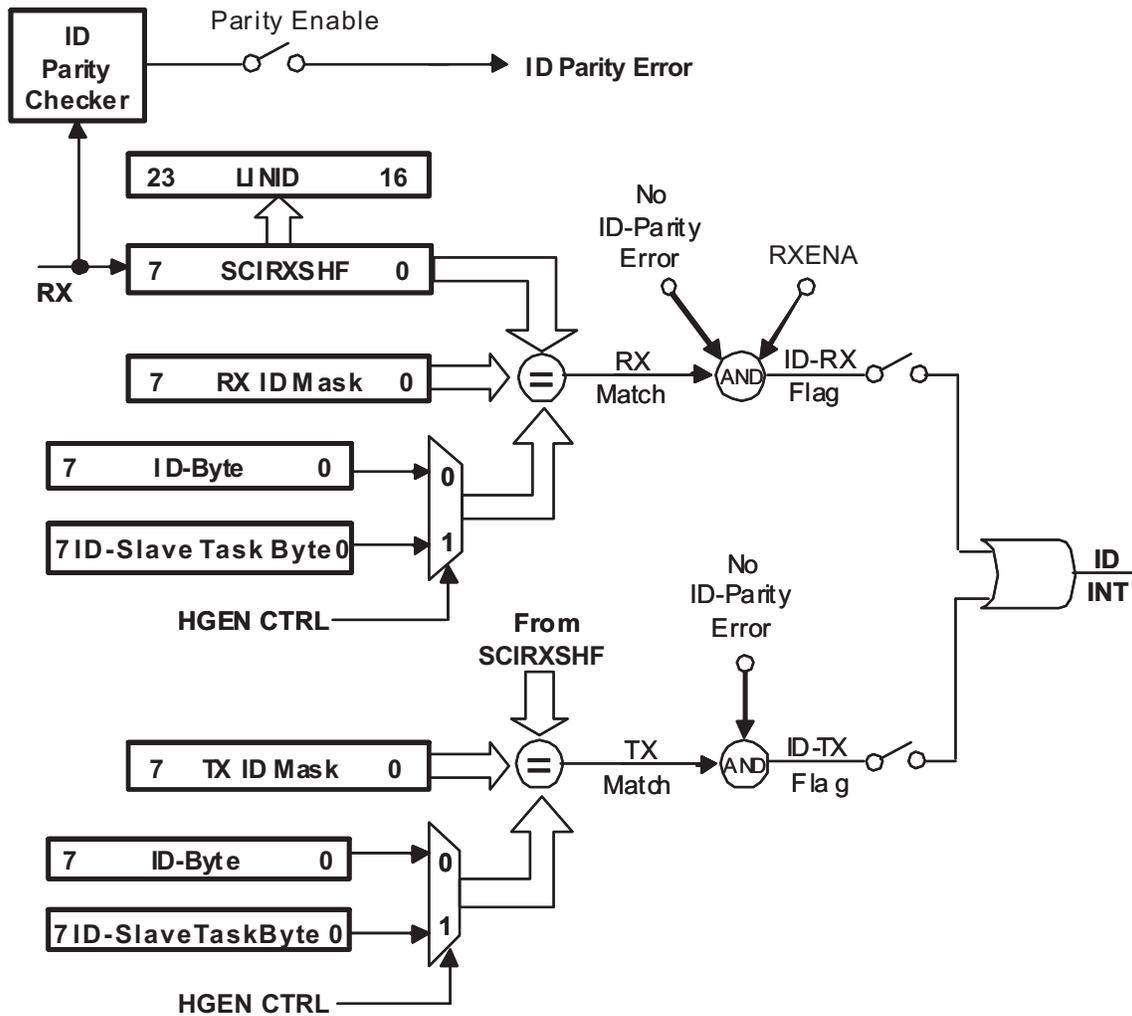
---

In multi-buffer mode, the TXRDY flag will be set when all the response data bytes and checksum byte are copied to the shift register SCITXSHF. In non-multi-buffer mode, the TXRDY flag is set each time a byte is copied to the SCITXSHF register, and also for the last byte of the frame after the checksum byte is copied to the SCITXSHF register.

In multi-buffer mode, the TXEMPTY flag is set when both the transmit buffer(s) TDy and the SCITXSHF shift register are emptied and the checksum has been sent. In nonmulti-buffer mode, TXEMPTY is set each time TD0 and SCITXSHF are emptied, except for the last byte of the frame where the checksum byte must also be transmitted.

If parity is enabled, all slave receiving nodes will validate the identifier using all eight bits of the received ID byte. The SCI/LIN will flag a corrupted identifier if an ID-parity error is detected.

Figure 28-24. ID Reception, Filtering and Validation



### 28.3.1.10 Receive Buffers

To reduce CPU load when receiving a LIN N-byte (with  $N = 1-8$ ) response in interrupt mode or DMA mode, the SCI/LIN module has eight receive buffers. These buffers can store an entire LIN response in the RDy receive buffers. [Figure 28-8](#) illustrates the receive buffers.

The checksum byte following the data bytes is validated by the internal checksum calculator. The checksum error (CE) flag indicates a checksum error and a CE interrupt will be generated if enabled in the SCISSETINT register.

The multi-buffer 3-bit counter counts the data bytes transferred from the SCIRXSHF register to the RDy receive buffers if multi-buffer mode is enabled, or to RD0 if multi-buffer mode is disabled. The 3-bit compare register contains the number of data bytes expected to be received. In cases where the ID BYTE field does not convey message length (see *Note: Optional Control Length Bits* in [Section 28.3.1.5](#)), the LENGTH value, indicates the expected length and is used to load the 3-bit compare register. Whether the length control field or the LENGTH value is used is selectable with the COMM MODE bit.

A receive interrupt, and a receive ready RXRDY flag set as well as a DMA request (RXDMA) could occur after receiving a response if there are no response receive errors for the frame (such as, there is no checksum error, frame error, and overrun error). The checksum byte will be compared before acknowledging a reception. A DMA request can be generated for each received byte or for the entire response depending on whether the multi-buffer mode is enabled or not (MBUF MODE bit).

---

**NOTE:** In multi-buffer mode following are the scenarios associated with clearing the "RXRDY" flag bit:

1. The RXRDY flag cannot be cleared by reading the corresponding interrupt offset in the SCIINTVECT0/1 register.
  2. For LENGTH less than or equal to 4, Read to RD0 register will clear the "RXRDY" flag.
  3. For LENGTH greater than 4, Read to RD1 register will clear the "RXRDY" flag.
- 

### 28.3.1.11 Transmit Buffers

To reduce the CPU load when transmitting a LIN N-byte (with  $N = 1-8$ ) response in interrupt mode or DMA mode, the SCI/LIN module has eight transmit buffers, TD0–TD7 in LINTD0 and LINTD1. With these transmit buffers, an entire LIN response field can be preloaded in the TXy transmit buffers. Optionally, a DMA transfer could be done on a byte-per-byte basis when multi-buffer mode is not enabled (MBUF MODE bit). [Figure 28-9](#) illustrates the transmit buffers.

The multi-buffer 3-bit counter counts the data bytes transferred from the TDy transmit buffers register if multi-buffer mode is enabled, or from TD0 to SCITXSHF if multi-buffer mode is disabled. The 3-bit compare register contains the number of data bytes expected to be transmitted. If the ID field is not used to convey message length (see *Note: Optional Control Length Bits* in [Section 28.3.1.5](#)), the LENGTH value indicates the expected length and is used instead to load the 3-bit compare register. Whether the length control field or the LENGTH value is used is selectable with the COMM MODE bit.

A transmit interrupt (TX interrupt), and a transmit ready flag (TXRDY flag), and a DMA request (TXDMA) could occur after transmitting a response. A DMA request can be generated for each transmitted byte or for the entire response depending on whether multi-buffer mode is enabled or not (MBUF MODE bit).

The checksum byte will be automatically generated by the checksum calculator and sent after the data-fields transmission is finished. The multi-buffer 3-bit counter counts the data bytes transferred from the TDy buffers into the SCITXSHF register.

---

**NOTE:** The transmit interrupt request can be eliminated until the next series of data is written into the transmit buffers LINTD0 and LINTD1, by disabling the corresponding interrupt via the SCICLRINT register or by disabling the transmitter via the TXENA bit.

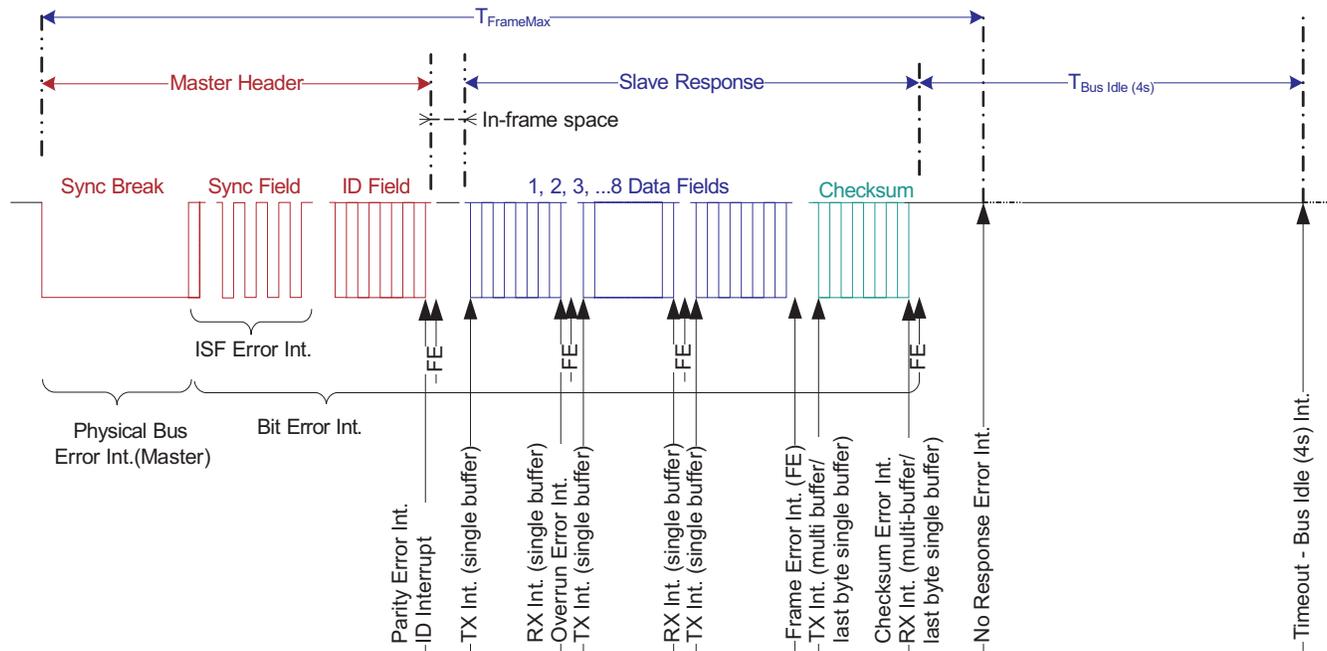
---

### 28.3.2 LIN Interrupts

LIN and SCI mode have a common Interrupt block as explained in [Section 28.2.2](#). There are 16 interrupt sources in the SCI/LIN module, with 8 of them being LIN mode only, as seen in [Table 28-4](#).

A LIN message frame indicating the timing and sequence of the LIN interrupts that could occur is shown in [Figure 28-25](#).

**Figure 28-25. LIN Message Frame Showing LIN Interrupt Timing and Sequence**



### 28.3.3 LIN DMA Interface

LIN DMA Interface uses the SCI DMA interface logic. DMA requests for receive (RXDMA request) and transmit (TXDMA request) are available for the SCI/LIN module. There are two modes for DMA transfers depending on whether multi-buffer mode is enabled or not via the multi-buffer enable control bit (MBUF MODE).

#### 28.3.3.1 LIN Receive DMA Requests

In LIN mode, when the multi-buffer option is enabled, if a received response (up to eight data bytes) is transferred to the receive buffers (RDy), then a DMA request is generated. If the multi-buffer option is disabled, then DMA requests will be generated on a byte-per-byte basis until all the expected response data fields are received. This DMA functionality is enabled and disabled using the SET RX DMA and CLR RX DMA bits, respectively.

#### 28.3.3.2 LIN Transmit DMA Requests

In LIN mode with the multi-buffer option enabled, after a transmission (up to eight data bytes stored in the transmit buffer(s) TDy in the LINTD0 and LINTD1 registers), a DMA request is generated in order to reload the transmit buffer for the next transmission. If the multi-buffer option is disabled, then DMA requests will be generated on a byte-per-byte basis until all bytes are transferred. This DMA functionality is enabled and disabled using the SET TX DMA and CLR TX DMA bits, respectively.

### 28.3.4 LIN Configurations

The following list details the configuration steps that software should perform prior to the transmission or reception of data in LIN mode. As long as SWnRST is held low the entire time that the LIN is being configured, the order in which the registers are programmed is not important.

- Enable LIN by setting RESET bit.
- Clear SWnRST to 0 before configuring the LIN.
- Configure the LINRX and LINTX pins as SCI functional by setting the RX FUNC and TX FUNC bit.
- Select LIN mode by programming LIN MODE bit.
- Select Master or Slave mode by programming the CLOCK bit.
- Select the desired frame format (checksum, parity, length control) by programming SCIGCR1.
- Select multi-buffer mode by programming MBUF MODE bit.
- Select the baud rate to be used for communication by programming BRSR.
- Set the Maximum baud rate to be used for communication by programming BRSR.
- Set the CONT bit to make LIN not to halt for an emulation breakpoint until its current reception or transmission is complete (this bit is used only in an emulation environment).
- Set LOOP BACK bit to connect the transmitter to the receiver internally (this feature is used to perform a self-test).
- Select the receiver enable RXENA bit if data is to be received.
- Select the transmit enable TXENA bit if data is to be transmitted.
- Select the RX ID MASK and the TX ID MASK fields in the LINMASK register.
- Set SWnRST to 1 after the SCI is configured.
- Perform Receive or Transmit data (see [Section 28.3.1.9](#), [Section 28.3.1.10](#), and [Section 28.3.4.2](#)).

#### 28.3.4.1 Receiving Data

The LIN receiver is enabled to receive messages if the RX FUNC bit and the RXENA bit are set to 1. If the RX FUNC bit is not set, the LINRX pin functions as a general purpose I/O pin rather than as an SCI/LIN function pin.

ID RX flag is set after a valid LIN ID is received with RX Match, generated ID interrupt if enabled.

##### 28.3.4.1.1 Receiving Data in Single-Buffer Mode

Single Buffer Mode is selected when MBUF MODE bit is 0. In this mode SCI/LIN sets the RXRDY bit when it transfers newly received data from SCIRXSHF to RD0. The SCI clears the RXRDY bit after the new data in RD0 has been read. Also, as data is transferred from SCIRXSHF to RD0, the LIN sets FE, OE, or PE if any of these error conditions were detected in the received data. These error conditions are supported with configurable Interrupt capability.

You can read the Received data by:

1. Polling Receive Ready Flag
2. Receive Interrupt
3. DMA

In polling method, software can poll for RXRDY bit and read the data from RD0 byte of LINRD0 register once RXRDY is set high. CPU is unnecessarily overloaded by selecting Polling mode. To avoid this, you can use either Interrupt or DMA method. To use interrupt method SET RX INT bit should be set and to use DMA SET RX DMA bit should be set. Either an Interrupt or a DMA request is generated the moment RXRDY is set. If checksum scheme is used once Compare Checksum CC bit is set, the checksum will be compared on the byte that is currently being received, expected to be the checkbyte be enabled during the last byte of the data. CC bit will be cleared once Checksum is received. A CE will immediately be flagged if there is a checksum error.

### 28.3.4.1.2 Receiving Data in Multi-Buffer Mode

Multi-Buffer Mode is selected when MBUF MODE bit is 1. In this mode SCI/LIN sets the RXRDY bit after receiving the programmed number of data in the receive buffer and the checksum field, the complete frame. The error condition detection logic is same as Single Buffer mode, except that it monitors for the complete frame. Like Single Buffer mode, you can use either Interrupt, DMA or polling method to read the data. The received data has to be read from the LINRD0 and LINRD1 register, based on the number of bytes. For LENGTH less than or equal to 4, Read to LINRD0 register will clear the “RXRDY” flag. For LENGTH greater than 4, Read to LINRD1 register will clear the “RXRDY” flag. If checksum scheme is enabled by setting CC bit during the reception of the data, then the byte that is received after the reception of the programmed no. of data bytes indicated by LENGTH is treated as a checksum byte and compared.

### 28.3.4.2 Transmitting Data

The SCI transmitter is enabled if the TX FUNC bit and the TXENA bit are set to 1. If the TX FUNC bit is not set, the LINTX pin functions as a general purpose I/O pin rather than as an SCI function pin. Any value written to the TD0 before TXENA is set to 1 is not transmitted. Both of these control bits allow for the SCI transmitter to be held inactive independently of the receiver.

ID TX flag is set after a valid LIN ID is received with TX Match, generated ID interrupt if enabled.

#### 28.3.4.2.1 Transmitting Data in Single-Buffer Mode

Single Buffer Mode is selected when MBUF MODE bit is 0. In this mode LIN waits for data to be written to TD0, transfers it to SCITXSHF, and transmits it. The flags TXRDY and TX EMPTY indicate the status of the transmit buffers. That is, when the transmitter is ready for data to be written to TD0, the TXRDY bit is set. Additionally, if both TD0 and SCITXSHF are empty, then the TX EMPTY bit is also set.

You can transmit data by:

1. Polling Transmit Ready Flag
2. Receive Interrupt
3. DMA

In polling method, software can poll for TXRDY bit to go high before writing the data to TD0 register. CPU is unnecessarily overloaded by doing this Polling method. To avoid this, you can use either Interrupt or DMA method. To use interrupt method SET TX INT bit should be set and to use DMA SET TX DMA bit should be set. Either an Interrupt or a DMA request is generated the moment TXRDY is set. When the SCI has completed transmission of all pending frames, the SCITXSHF register and TD0 are empty, the TXRDY bit is set, and an interrupt/DMA request is generated, if enabled. Because all data has been transmitted, the interrupt/DMA request should be halted. This can be done by either disabling the transmit interrupt (CLR TX INT) / DMA request (CLR TX DMA bit) or by disabling the transmitter (clear TXENA bit). In checksum scheme once Send Checksum SC bit is set, the checksum will be sent after the current transmission.

---

**NOTE:** The TXRDY flag cannot be cleared by reading the corresponding interrupt offset in the SCIINTVECT0 or SCIINTVECT1 register.

---

#### 28.3.4.2.2 Transmitting Data in Multi-Buffer Mode

Multi-Buffer Mode is selected when MBUF MODE bit is 1. Similar to Single Buffer mode the software can use polling, Interrupt or DMA method to write the data to be transmitted. The data to be transmitted has to be written to LINTD0 and LINTD1 register, based on the number of bytes. SCI/LIN waits for data to be written to Byte 0(TD0) of LINTD0 register and transfers the programmed number of bytes to SCITXSHF to transmit one by one automatically. In checksum scheme once Send Checksum SC bit is set, the checksum will be sent after transmission of programmed no. of data bytes indicated by LENGTH field.

## 28.4 Low-Power Mode

The SCI/LIN module can be put in either local or global low-power mode. Global low-power mode is asserted by the system and is not controlled by the SCI/LIN module. During global low-power mode, all clocks to the SCI/LIN are turned off so the module is completely inactive. If global low-power mode is requested while the receiver is receiving data, then the SCI/LIN completes the current reception and then enters the low-power mode, that is, module enters low power mode only when Busy bit (SCIFLR.3) is cleared.

The BLIN module may enter low power mode either when there was no activity on the LINRX pin for more than 4s (this can be either a constant recessive or dominant level) or when a Sleep Command frame was received. Once the Timeout flag (SCIFLR.4) was set or once a Sleep Command was received, the POWERDOWN bit (SCIGCR2.0) must be set by the application software to make the module enter local low-power mode. A wakeup signal will terminate the sleep mode of the LIN bus.

---

**NOTE: Enabling Local Low-Power Mode During Receive and Transmit**

If the wakeup interrupt is enabled and low-power mode is requested while the receiver is receiving data, then the SCI/LIN immediately generates a wake-up interrupt to clear the powerdown bit. Thus, the SCI/LIN is prevented from entering low-power mode and completes the current reception. Otherwise, if the wakeup interrupt is disabled, the SCI/LIN completes the current reception and then enters the low-power mode.

---

### 28.4.1 Entering Sleep Mode

In LIN protocol, a sleep command is used to broadcast the sleep mode to all nodes. The sleep command consists of a diagnostic master request frame with identifier 0x3C (60), with the first data field as 0x00. There should be no activity in the bus once all nodes receive the sleep command: the bus is in sleep mode.

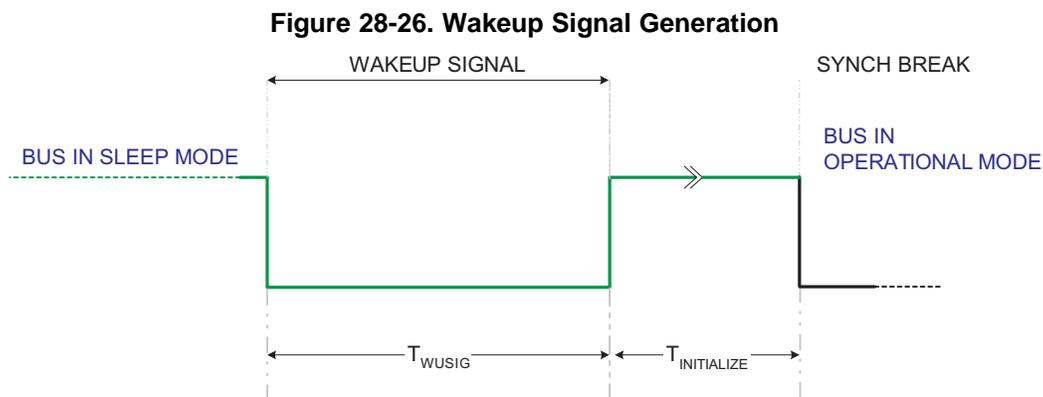
Local low-power mode is asserted by setting the POWERDOWN bit; setting this bit stops the clocks to the SCI/LIN internal logic and registers. Clearing the POWERDOWN bit causes SCI/LIN to exit from local low-power mode. All the registers are accessible during local power-down mode. If a register is accessed in low-power mode, this access results in enabling the clock to the module for that particular access alone.

### 28.4.2 Wakeup

The wakeup interrupt is used to allow the SCI/LIN module to automatically exit low-power mode. A SCI/LIN wakeup is triggered when a low level is detected on the receive RX pin, and this clears the POWERDOWN bit.

**NOTE:** If the wakeup interrupt is disabled then the SCI/LIN enters low-power mode whenever it is requested to do so, but a low level on the receive RX pin does NOT cause the SCI/LIN to exit low-power mode.

In LIN mode, any node can terminate sleep mode by sending a wakeup signal; see [Figure 28-26](#). A slave node that detects the bus in sleep mode, and with a wakeup request pending, will send a wakeup signal. The wakeup signal is a dominant value on the LIN bus for  $T_{WUSIG}$ ; this is at least  $5 T_{bits}$  for the LIN bus baud rates. The wakeup signal is generated by sending an 0xF0 byte containing 5 dominant  $T_{bits}$  and 5 recessive  $T_{bits}$ .



$$0.25ms \leq T_{WUSIG} \leq 5ms \tag{49}$$

Assuming a perfect bus with no noise or loading effects, a write of 0xF0 to TD0 will load the transmitter to meet the wakeup signal timing requirement for  $T_{WUSIG}$ . Then, setting the GENWU bit will transmit the preloaded value in TD0 for a wakeup signal transmission.

**NOTE:** The GENWU bit can be set/reset only when SWnRST is set to '1' and the node is in power down mode. The bit will be cleared on a valid synch break detection. A master sending a wakeup request, will exit power down mode upon reception of the wakeup pulse. The bit will be cleared on a SWnRST. This can be used to stop a master from sending further wakeup requests.

The TI TPIC1021 LIN transceiver, upon receiving a wakeup signal, will translate it to the microcontroller for wakeup with a dominant level on the RX pin, or a signal to the voltage regulator. While the POWERDOWN bit is set, if the LIN module detects a recessive-to-dominant edge (falling edge) on the RX pin, it will generate a wakeup interrupt if enabled in the SCISSETINT register.

According to LIN protocol 2.0, the TI TPIC1021 LIN transceiver detecting a dominant level on the bus longer than 150 ms will detect it as a wakeup request. The LIN controller's slave is ready to listen to the bus in less than 100 ms ( $T_{INITIALIZE} < 100ms$ ) after a dominant-to-recessive edge (end-of-wakeup signal).

### 28.4.3 Wakeup Timeouts

The LIN protocol defines the following timeouts for a wakeup sequence. After a wakeup signal has been sent to the bus, all nodes wait for the master to send a header. If no synch field is detected before 150 ms (3,000 cycles at 20 kHz) after wakeup signal is transmitted, a new wakeup is sent by the same node that requested the first wakeup. This sequence is not repeated more than two times. After three attempts to wake up the LIN bus, wakeup signal generation is suspended for a 1.5 s (30,000 cycles at 20 kHz) period after three breaks.

---

**NOTE:** To achieve compatibility to LIN1.3 timeout conditions, the MBRS register must be set to assure that the LIN 2.0 (real-time-based) timings meet the LIN 1.3 bit time base. A node triggering the wakeup should set the MBRS register accordingly to meet the targeted time as  $128 \text{ Tbits} \times \text{programmed prescaler}$ .

The LIN controller handles the wakeup expiration times defined by the LIN protocol with a hardware implementation.

---

### 28.5 Emulation Mode

In emulation mode, the CONT bit determines how the SCI/LIN operates when the program is suspended. The SCI/LIN counters are affected by this bit during debug mode. When set, the counters are not stopped and when cleared, the counters are stopped debug mode.

Any reads in emulation mode to a SCI/LIN register will not have any effect on the flags in the SCIFLR register.

---

**NOTE:** When emulation mode is entered during the Frame transmission or reception of the frame and CONT bit is not set, Communication is not expected to be successful. The suggested usage is to set CONT bit during emulation mode for successful communication.

---

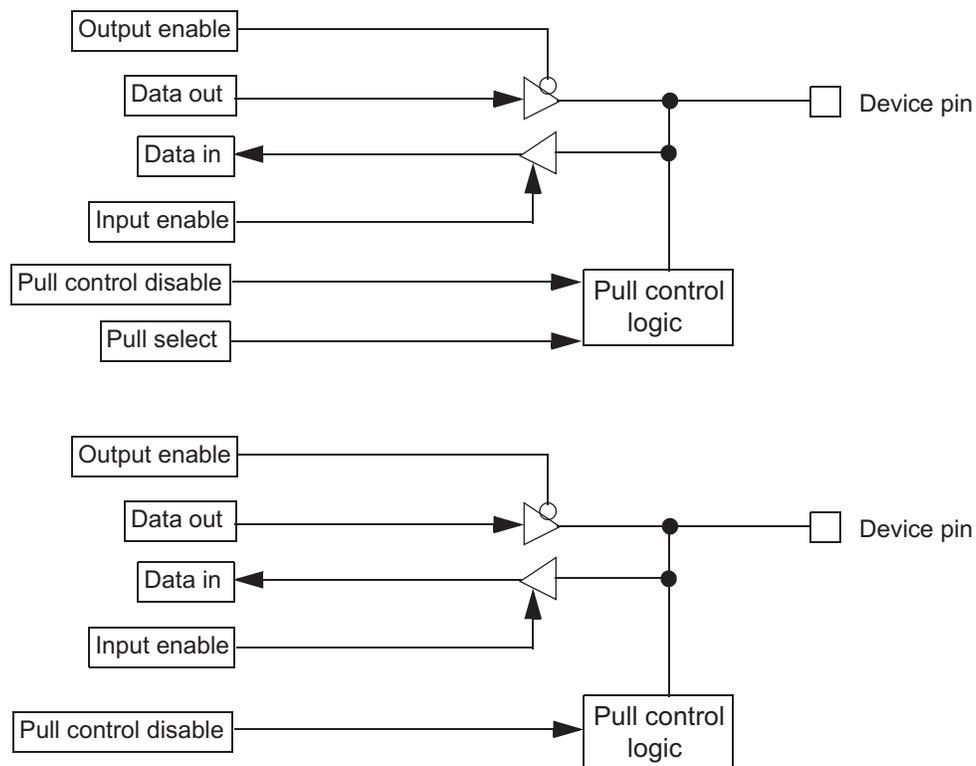
## 28.6 GPIO Functionality

The following section applies to all device pins that can be configured as functional or general-purpose I/O pins.

### 28.6.1 GPIO Functionality

Figure 28-27 illustrates the GPIO functionality.

**Figure 28-27. GPIO Functionality**



### 28.6.2 Under Reset

The following apply if a device is under reset:

- Pull control. The reset pull control on the pins is enabled or disabled depending on a device-specific option. This feature is configurable for each module separately.
- Input buffer. The input buffer is enabled.
- Output buffer. The output buffer is disabled.

### 28.6.3 Out of Reset

The following apply if the device is out of reset:

- Pull control. The pull control is enabled by clearing the PD (pull control disable) bit in the SCIO7 register (Section 28.7.21). In this case, if the PSL (pull select) bit in the SCIO8 register (Section 28.7.22) is set, the pin will have a pull-up. If the PSL bit is cleared, the pin will have a pull-down. If the PD bit is set in the control register, there is no pull-up or pull-down on the pin.
- Input buffer. The input buffer is permanently enabled in this device.

---

**NOTE:** The pull-disable logic depends on the pin direction. It is independent of whether the device is in I/O or functional mode. If the pin is configured as output or transmit, then the pulls are disabled automatically.

---

- Output buffer. A pin can be driven as an output pin if the TX DIR bit is set in the pin direction control register (SCIO1; Section 28.7.15) AND the open-drain feature is not enabled in the SCIO6 register (Section 28.7.20).

### 28.6.4 Open-Drain Feature Enabled on a Pin

The following apply if the open-drain feature is enabled on a pin:

- The output buffer is enabled if a low signal is being driven on to the pin.
- The output buffer is disabled (the direction control signal DIR is internally forced low) if a high signal is being driven on to the pin.

---

**NOTE:** The open-drain feature is available only in I/O mode (SCIO0; Section 28.7.14).

---

### 28.6.5 Summary

The behavior of the input buffer, output buffer, and the pull control is summarized in Table 28-9.

**Table 28-9. Input Buffer, Output Buffer, and Pull Control Behavior as GPIO Pins <sup>(1)</sup>**

Device under Reset?	Pin Direction (DIR) <sup>(2)</sup>	Pull Disable (PULDIS) <sup>(3)</sup>	Pull Select (PULSEL) <sup>(4)</sup>	Pull Control	Output Buffer	Input Buffer
Yes	X	X	X	Device- and module-specific	Disabled	Enabled
No	0	0	0	Pull down	Disabled	Enabled
No	0	0	1	Pull up	Disabled	Enabled
No	0	1	0	Disabled	Disabled	Enabled
No	0	1	1	Disabled	Disabled	Enabled
No	1	X	X	Disabled	Enabled	Enabled

<sup>(1)</sup> X = Don't care

<sup>(2)</sup> DIR = 0 for input, 1 for output

<sup>(3)</sup> PULDIS = 0 for enabling pull control= 1 for disabling pull control

<sup>(4)</sup> PULSEL= 0 for pull-down functionality= 1 for pull-up functionality

## 28.7 SCI/LIN Control Registers

The SCI/LIN module registers are based on the SCI registers, with added functionality registers enabled by the LIN MODE bit in the SCIGCR1 register.

These registers are accessible in 8-, 16-, and 32-bit reads or writes. The SCI/LIN is controlled and accessed through the registers listed in [Table 28-10](#). Among the features that can be programmed are the LIN protocol mode, communication and timing modes, baud rate value, frame format, DMA requests, and interrupt configuration. The base address for the control registers is FFF7 E400h for LIN1/SCI1 and FFF7 E600h for LIN2/SCI2.

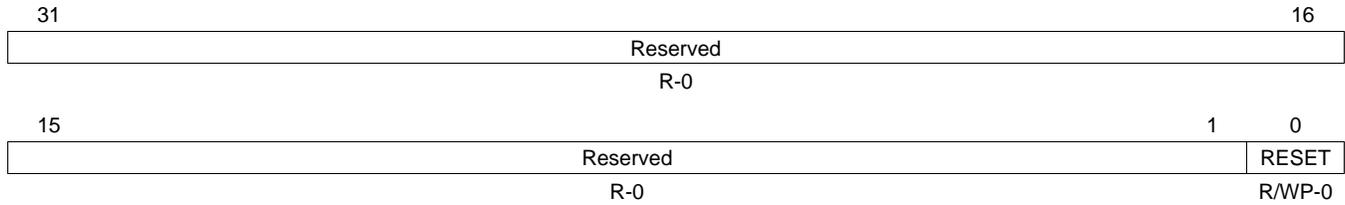
**Table 28-10. SCI/LIN Control Registers**

Offset	Acronym	Register Description	Section
00h	SCIGCR0	SCI Global Control Register 0	<a href="#">Section 28.7.1</a>
04h	SCIGCR1	SCI Global Control Register 1	<a href="#">Section 28.7.2</a>
08h	SCIGCR2	SCI Global Control Register 2	<a href="#">Section 28.7.3</a>
0Ch	SCISSETINT	SCI Set Interrupt Register	<a href="#">Section 28.7.4</a>
10h	SCICLEARINT	SCI Clear Interrupt Register	<a href="#">Section 28.7.5</a>
14h	SCISSETINTLVL	SCI Set Interrupt Level Register	<a href="#">Section 28.7.6</a>
18h	SCICLEARINTLVL	SCI Clear Interrupt Level Register	<a href="#">Section 28.7.7</a>
1Ch	SCIFLR	SCI Flags Register	<a href="#">Section 28.7.8</a>
20h	SCIINTVECT0	SCI Interrupt Vector Offset 0	<a href="#">Section 28.7.9</a>
24h	SCIINTVECT1	SCI Interrupt Vector Offset 1	<a href="#">Section 28.7.10</a>
28h	SCIFORMAT	SCI Format Control Register	<a href="#">Section 28.7.11</a>
2Ch	BRS	Baud Rate Selection Register	<a href="#">Section 28.7.12</a>
30h	SCIED	Receiver Emulation Data Buffer	<a href="#">Section 28.7.13.1</a>
34h	SCIRD	Receiver Data Buffer	<a href="#">Section 28.7.13.2</a>
38h	SCITD	Transmit Data Buffer	<a href="#">Section 28.7.13.3</a>
3Ch	SCIPIO0	SCI Pin I/O Control Register 0	<a href="#">Section 28.7.14</a>
40h	SCIPIO1	SCI Pin I/O Control Register 1	<a href="#">Section 28.7.15</a>
44h	SCIPIO2	SCI Pin I/O Control Register 2	<a href="#">Section 28.7.16</a>
48h	SCIPIO3	SCI Pin I/O Control Register 3	<a href="#">Section 28.7.17</a>
4Ch	SCIPIO4	SCI Pin I/O Control Register 4	<a href="#">Section 28.7.18</a>
50h	SCIPIO5	SCI Pin I/O Control Register 5	<a href="#">Section 28.7.19</a>
54h	SCIPIO6	SCI Pin I/O Control Register 6	<a href="#">Section 28.7.20</a>
58h	SCIPIO7	SCI Pin I/O Control Register 7	<a href="#">Section 28.7.21</a>
5Ch	SCIPIO8	SCI Pin I/O Control Register 8	<a href="#">Section 28.7.22</a>
60h	LINCOMPARE	LIN Compare Register	<a href="#">Section 28.7.23</a>
64h	LINRD0	LIN Receive Buffer 0 Register	<a href="#">Section 28.7.24</a>
68h	LINRD1	LIN Receive Buffer 1 Register	<a href="#">Section 28.7.25</a>
5Ch	LINMASK	LIN Mask Register	<a href="#">Section 28.7.26</a>
70h	LINID	LIN Identification Register	<a href="#">Section 28.7.27</a>
74h	LINTD0	LIN Transmit Buffer 0	<a href="#">Section 28.7.28</a>
78h	LINTD1	LIN Transmit Buffer 1	<a href="#">Section 28.7.29</a>
7Ch	MBRS	Maximum Baud Rate Selection Register	<a href="#">Section 28.7.30</a>
90h	IODFTCTRL	Input/Output Error Enable Register	<a href="#">Section 28.7.31</a>

### 28.7.1 SCI Global Control Register 0 (SCIGCR0)

The SCIGCR0 register defines the module reset. [Figure 28-28](#) and [Table 28-11](#) illustrate this register.

**Figure 28-28. SCI Global Control Register 0 (SCIGCR0) (offset = 00)**



LEGEND: R = Read only; R/WP = Read/Write in privileged mode only; -n = value after reset

**Table 28-11. SCI Global Control Register 0 (SCIGCR0) Field Descriptions**

Bit	Field	Value	Description
31-1	Reserved	0	Read returns 0. Writes have no effect.
0	RESET	0 1	This bit resets the SCI/LIN module. This bit is effective in SCI and LIN mode. SCI/LIN module is in reset. SCI/LIN module is out of reset. <b>Note: Read/Write in privileged mode only.</b>

### 28.7.2 SCI Global Control Register 1 (SCIGCR1)

The SCIGCR1 register defines the frame format, protocol, and communication mode used by the SCI. Figure 28-29 and Table 28-12 illustrate this register.

**Figure 28-29. SCI Global Control Register 1 (SCIGCR1) (offset = 04h)**

31		Reserved				26	25	24
		R-0					TXENA	RXENA
							R/W-0	R/W-0
23		Reserved				18	17	16
		R-0					CONT	LOOP BACK
							R/W-0	R/W-0
15	14	13	12	11	10	9	8	
Reserved		STOP EXT FRAME	HGENCTRL	CTYPE	MBUFMODE	ADAPT	SLEEP	
R-0		R/WL-0	R/WL-0	R/WL-0	R/W-0	R/WL-0	R/W-0	
7	6	5	4	3	2	1	0	
SW nRST	LIN MODE	CLOCK	STOP	PARITY	PARITY ENA	TIMING MODE	COMM MODE	
R/W-0	RW-0	R/W-0	R/WC-0	R/WC-0	R/W-0	R/WC-0	R/W-0	

LEGEND: R/W = Read/Write; R = Read only; WL = Write in LIN mode only; WC = Write in SCI-compatible mode only; -n = value after reset

**Table 28-12. SCI Global Control Register 1 (SCIGCR1) Field Descriptions**

Bit	Field	Value	Description
31-26	Reserved	0	Read returns 0. Writes have no effect.
25	TXENA	0 1	<p>Transmit enable. This bit is effective in LIN and SCI modes. Data is transferred from SCITD, or the TDy (with y=0, 1,...7) buffers in LIN mode to the SCITXSHF shift out register only when the TXENA bit is set.</p> <p>0 Transfers from SCITD or TDy to SCITXSHF are disabled. 1 Transfers from SCITD or TDy to SCITXSHF are enabled.</p> <p><b>Note: Data written to SCITD or the transmit multi-buffer before TXENA is set is not transmitted. If TXENA is cleared while transmission is ongoing, the data previously written to SCITD is sent (including the checksum byte in LIN mode).</b></p>
24	RXENA	0 1	<p>Receive enable. This bit is effective in LIN and SCI modes. RXENA allows or prevents the transfer of data from SCIRXSHF to SCIRD or the receive multi-buffers.</p> <p>0 The receiver will not transfer data from the shift buffer to the receive buffer or multi-buffers. 1 The receiver will transfer data from the shift buffer to the receive buffer or multi-buffers.</p> <p><b>Note: Clearing RXENA stops received characters from being transferred into the receive buffer or multi-buffers, prevents the RX status flags from being updated by receive data, and inhibits both receive and error interrupts. However, the shift register continues to assemble data regardless of the state of RXENA.</b></p> <p><b>Note: If RXENA is cleared before a frame is completely received, the data from the frame is not transferred into the receive buffer.</b></p> <p><b>Note: If RXENA is set before a frame is completely received, the data from the frame is transferred into the receive buffer. If RXENA is set while SCIRXSHF is in the process of assembling a frame, the status flags are not guaranteed to be accurate for that frame. To ensure that the status flags correctly reflect what was detected on the bus during a particular frame, RXENA should be set before the detection of that frame.</b></p>
23-18	Reserved	0	Read returns 0. Writes have no effect.
17	CONT	0 1	<p>Continue on suspend. This bit is effective in LIN and SCI modes. This bit has an effect only when a program is being debugged with an emulator, and it determines how the SCI/LIN operates when the program is suspended. The SCI/LIN counters are affected by this bit: when the bit is set the counters are not stopped, when the bit is cleared the counters are stopped during debug mode.</p> <p>0 When debug mode is entered, the SCI/LIN state machine is frozen. Transmissions and LIN counters are halted and resume when debug mode is exited. 1 When debug mode is entered, the SCI/LIN continues to operate until the current transmit and receive functions are complete.</p>

**Table 28-12. SCI Global Control Register 1 (SCIGCR1) Field Descriptions (continued)**

Bit	Field	Value	Description
16	LOOP BACK	0 1	<p>Loopback bit. This bit is effective in LIN and SCI modes. The self-checking option for the SCI/LIN can be selected with this bit. If the LINITX and LINRX pins are configured with SCI/LIN functionality, then the LINTX pin is internally connected to the LINRX pin. Externally, during loop back operation, the LINTX pin outputs a high value and the LINRX pin is in a high-impedance state. If this bit value is changed while the SCI/LIN is transmitting or receiving data, errors may result.</p> <p>0 Loop back mode is disabled. 1 Loop back mode is enabled.</p>
15-14	Reserved	0	Read returns 0. Writes have no effect.
13	STOP EXT FRAME	0 1	<p>Stop extended frame communication. This bit is effective in LIN mode only. This bit can be written only during extended frame communication. When the extended frame communication is stopped, this bit is cleared automatically.</p> <p>0 This bit has no effect. 1 Extended frame communication will be stopped when current frame transmission/reception is completed.</p>
12	HGEN CTRL	0 1	<p>HGEN control. This bit is effective in LIN mode only. This bit controls the type of mask filtering comparison</p> <p>0 ID filtering using the ID-BYTE field in LIN Identification Register (LINID) occurs. Mask of FFh in LIN Mask Register (LINMASK) register will result in no match. 1 ID filtering uses ID-SlaveTask BYTE (recommended). Mask of FFh in LIN Mask Register (LINMASK) register will result in ALWAYS match.</p> <p><b>Note: For software compatibility with future LIN modules the HGEN CTRL bit must be set to 1, the RX ID MASK must be set to FFh and the TX ID MASK must be set to FFh.</b></p>
11	CTYPE	0 1	<p>Checksum type. This bit is effective in LIN mode only. This bit controls the type of checksum to be used: classic or enhanced.</p> <p>0 Classic checksum is used. 1 Enhanced checksum is used.</p>
10	MBUF MODE	0 1	<p>Multi-buffer mode. This bit is effective in LIN and SCI modes. This bit controls receive/transmit buffer usage, that is, whether the RX/TX multi-buffers are used or a single register, RD0/TD0, is used.</p> <p>0 The multi-buffer mode is disabled. 1 The multi-buffer mode is enabled.</p>
9	ADAPT	0 1	<p>Adapt. This mode is effective in LIN mode only. This bit has an effect during the detection of the synch field. Two LIN protocol bit rate modes could be enabled with this bit according to the node capability file definition: automatic or select. The software and network configuration will decide which of these two modes are enabled. When this bit is cleared, the LIN 2.0 protocol fixed bit rate should be used. If the ADAPT bit is set, a SCI/LIN slave node detecting the baud rate will compare it to the prescalers in BRS register and update it if they are different. The BRS register will be updated with the new value. If this bit is not set there will be no adjustment to the BRS register.</p> <p>0 Automatic baud rate adjustment is disabled. 1 Automatic baud rate adjustment is enabled.</p>
8	SLEEP	0 1	<p>SCI sleep. This bit is effective in SCI mode only. In a multiprocessor configuration, this bit controls the receive sleep function. Clearing this bit brings the SCI/LIN out of sleep mode.</p> <p>0 Sleep mode is disabled. 1 Sleep mode is enabled.</p> <p><b>Note: The receiver still operates when the SLEEP bit is set; however, RXRDY is updated and SCIRD is loaded with new data only when an address frame is detected. The remaining receiver status flags are updated and an error interrupt is requested if the corresponding interrupt enable bit is set, regardless of the value of the SLEEP bit. In this way, if an error is detected on the receive data line while the SCI is asleep, software can promptly deal with the error condition.</b></p> <p><b>Note: The SLEEP bit is <i>not</i> automatically cleared when an address byte is detected.</b></p> <p>See <a href="#">Section 28.2.5.1</a> for more information on using the SLEEP bit for multiprocessor communication.</p>

**Table 28-12. SCI Global Control Register 1 (SCIGCR1) Field Descriptions (continued)**

Bit	Field	Value	Description
7	SWnRST	0	Software reset (active low). This bit is effective in LIN and SCI modes. The SCI/LIN is in its reset state; no data will be transmitted or received. Writing a 0 to this bit initializes the SCI/LIN state machines and operating flags as defined in <a href="#">Table 28-13</a> and <a href="#">Table 28-14</a> . All affected logic is held in the reset state until a 1 is written to this bit.
		1	The SCI/LIN is in its ready state; transmission and reception can be done. After this bit is set to 1, the configuration of the module should not change. <b>Note: The SCI/LIN should only be configured while SW nRESET = 0.</b>
6	LIN MODE	0	LIN mode is disabled; SCI mode is enabled.
		1	LIN mode is enabled; SCI mode is disabled.
5	CLOCK		SCI internal clock enable. The CLOCK bit determines the source of the module clock on the SCICLK pin. It also determines whether a LIN node is a slave or master. <b>SCI mode:</b>
		0	The external SCICLK is the clock source. <b>Note: If an external clock is selected, then the internal baud rate generator and baud rate registers are bypassed. The maximum frequency allowed for an externally sourced SCI clock is VCLK/16.</b>
		1	The internal SCICLK is the clock source.
			<b>LIN mode:</b>
	0	The node is in slave mode.	
	1	The node is in master mode.	
4	STOP	0	SCI number of stop bits per frame. This bit is effective in SCI mode only. One stop bit is used.
		1	Two stop bits are used. <b>Note: The receiver checks for only one stop bit. However in idle-line mode, the receiver waits until the end of the second stop bit (if STOP = 1) to begin checking for an idle period.</b>
3	PARITY	0	SCI parity odd/even selection. This bit is effective in SCI mode only. If the PARITY ENA bit is set, PARITY designates odd or even parity. Odd parity is used.
		1	Even parity is used. <b>The parity bit is calculated based on the data bits in each frame and the address bit (in address-bit mode). The start and stop fields in the frame are not included in the parity calculation.</b> <b>For odd parity, the SCI transmits and expects to receive a value in the parity bit that makes odd the total number of bits in the frame with the value of 1.</b> <b>For even parity, the SCI transmits and expects to receive a value in the parity bit that makes even the total number of bits in the frame with the value of 1.</b>
2	PARITY ENA		Parity enable. This bit enables or disables the parity function. <b>SCI or buffered SCI mode:</b>
		0	Parity is disabled; no parity bit is generated during transmission or is expected during reception.
		1	Parity is enabled. A parity bit is generated during transmission and is expected during reception.
			<b>LIN mode:</b>
	0	ID field parity verification is disabled.	
	1	ID field parity verification is enabled.	
1	TIMING MODE	0	SCI timing mode bit. This bit is effective in SCI mode only. it selects the SCI timing mode. Synchronous timing is used.
		1	Asynchronous timing is used.

**Table 28-12. SCI Global Control Register 1 (SCIGCR1) Field Descriptions (continued)**

Bit	Field	Value	Description
0	COMM MODE		SCI/LIN communication mode bit. In compatibility mode it selects the SCI communication mode. In LIN mode it selects length control option for ID-field bits ID4 and ID5.
		0	<b>SCI mode:</b> Idle-line mode is used.
		1	Address-bit mode is used.
			<b>LIN mode:</b>
		0	ID4 and ID5 are not used for length control.
		1	ID4 and ID5 are used for length control.

**Table 28-13. SCI Receiver Status Flags**

SCI Flag	Register	Bit	Value After SW nRESET <sup>(1)</sup>
CE	SCIFLR	29	0
ISFE	SCIFLR	28	0
NRE	SCIFLR	27	0
FE	SCIFLR	26	0
OE	SCIFLR	25	0
PE	SCIFLR	24	0
RXWAKE	SCIFLR	12	0
RXRDY	SCIFLR	9	0
BUSY	SCIFLR	3	0
IDLE	SCIFLR	2	0
WAKE UP	SCIFLR	1	0
BRKDT	SCIFLR	0	0

<sup>(1)</sup> The flags are frozen with their reset value while SW nRESET = 0.

**Table 28-14. SCI Transmitter Status Flags**

SCI Flag	Register	Bit	Value After SW nRESET <sup>(1)</sup>
BE	SCIFLR	31	0
PBE	SCIFLR	30	0
TX WAKE	SCIFLR	10	0
TX EMPTY	SCIFLR	11	1
TXRDY	SCIFLR	8	1

<sup>(1)</sup> The flags are frozen with their reset value while SW nRESET = 0.

### 28.7.3 SCI Global Control Register 2 (SCIGCR2)

The SCIGCR2 register is used to send or compare a checksum byte during extended frames, to generate a wakeup and for low-power mode control of the LIN module. [Figure 28-30](#) and [Table 28-15](#) illustrate this register.

**Figure 28-30. SCI Global Control Register 2 (SCIGCR2) (offset = 08h)**

31	Reserved										18	17	16
R-0										R/WL-0		R/WL-0	
15	Reserved						9	8	7	Reserved		1	0
R-0						R/W-0			R-0		R/W-0		
						GEN WU						POWERDOWN	

LEGEND: R/W = Read/Write; R = Read only; WL = Write in LIN mode only; -n = value after reset

**Table 28-15. SCI Global Control Register 2 (SCIGCR2) Field Descriptions**

Bit	Field	Value	Description
31-18	Reserved	0	Read returns 0. Writes have no effect.
17	CC	0 1	<p>Compare checksum. LIN mode only. This bit is used by the receiver for extended frames to trigger a checksum compare. You initiate this transaction by writing a one to this bit. CC bit has to be set only after RX_RDY flag is set for the last received data.</p> <p>In non-multi-buffer mode, when the CC bit is set, the checksum will be compared on the byte that is expected to be the checksum byte.</p> <p>During multi-buffer mode, the following scenarios are associated with the CC bit:</p> <p>a) If the CC bit is set during the reception of the data, then the byte that is received after the reception of the programmed number of data bytes as indicated by SCIFORMAT[18:16] is treated as a checksum byte.</p> <p>b) If the CC bit is set during the idle period (that is, during the inter-frame space), then the immediate next byte will be treated as a checksum byte.</p> <p>c) CC bit will be auto cleared after the checkbyte has been received and compared. Checksum reception is not guaranteed if CC bit is write cleared by software during the checksum reception. See <a href="#">Section 28.3.1.6</a> for more details.</p>
16	SC	0 1	<p>Send checksum byte. This bit is effective in LIN mode only. This bit is used by the transmitter with extended frames to send a checksum byte. In non-multi-buffer mode, the checksum byte will be sent after the current byte transmission. In multi-buffer mode, the checksum byte will be sent after the last byte count, indicated by the SCIFORMAT[18:16]). See <a href="#">Section 28.3.1.6</a> for more details. This byte will be cleared after the checksum byte has been transmitted.</p> <p>In non-multi-buffer mode, the checksum byte will be sent after the current byte transmission.</p> <p>During multi-buffer mode, the following scenarios are associated with the SC bit:</p> <p>a) The checkbyte will be sent after the last byte count, indicated by the SCIFORMAT[18:16]).</p> <p>b) Checksum will not be sent if SC is set before transmitting the very first byte(that is, during interframe space).</p> <p>c) SC bit will be auto cleared after the checkbyte has been transmitted. Checksum transmission is not guaranteed if SC bit is write cleared by software during the checksum transmission. See <a href="#">Section 28.3.1.6</a> for more details.</p>
15-9	Reserved	0	Read returns 0. Writes have no effect.
8	GEN WU	0 1	<p>Generate wakeup signal. This bit is effective in LIN mode only. This bit controls the generation of a wakeup signal, by transmitting the TDO buffer value. The LIN protocol specifies that this signal should be a dominant for T<sub>WUSIG</sub>. This bit is cleared on reception of a valid synch break.</p>
7-1	Reserved	0	Read returns 0. Writes have no effect.

**Table 28-15. SCI Global Control Register 2 (SCIGCR2) Field Descriptions (continued)**

Bit	Field	Value	Description
0	POWERDOWN		Power down. This bit is effective in LIN or SCI mode. When this bit is set, the SCI/LIN module attempts to enter local low-power mode. If the POWERDOWN bit is set while the receiver is actively receiving data and the wakeup interrupt is disabled, then the SCI/LIN will delay entering low-power mode until the reception is completed. In LIN mode, you may set the POWERDOWN bit after receiving a sleep command or on idle bus detection (more than 4 seconds). See <a href="#">Section 28.4</a> for more information on low-power mode.
		0	The SCI/LIN module is in normal operation.
		1	The SCI/LIN module enters local low-power mode.

### 28.7.4 SCI Set Interrupt Register (SCISSETINT)

Figure 28-31 and Table 28-16 illustrate this register. Refer Figure 28-31 for details on when different interrupt flags get set in a frame during LIN Mode.

**Figure 28-31. SCI Set Interrupt Register (SCISSETINT) (offset = 0Ch)**

31	30	29	28	27	26	25	24
SET BE INT	SET PBE INT	SET CE INT	SET ISFE INT	SET NRE INT	SET FE INT	SET OE INT	SET PE INT
R/WL-0	R/WL-0	R/WL-0	R/WL-0	R/WL-0	R/W-0	R/W-0	R/W-0
23				19	18	17	16
Reserved					SET RX DMA ALL	SET RX DMA	SET TX DMA
		R-0			R/WC-0	R/W-0	R/W-0
15	14	13	12		10	9	8
Reserved		SET ID INT	Reserved			SET RX INT	SET TX INT
R-0		R/WL-0	R-0			R/W-0	R/W-0
7	6	5	4	3	2	1	0
SET TOA3WUS INT	SET TOAWUS INT	Reserved	SET TIMEOUT INT	Reserved		SET WAKEUP INT	SET BRKDT INT
R/WL-0	R/WL-0	R-0	R/WL-0	R-0		R/W-0	R/WC-0

LEGEND: R/W = Read/Write; R = Read only; WL = Write in LIN mode only; WC = Write in SCI-compatible mode only; -n = value after reset

**Table 28-16. SCI Set Interrupt Register (SCISSETINT) Field Descriptions**

Bit	Field	Value	Description
31	SET BE INT	0	Set bit error interrupt. This bit is effective in LIN mode only. Setting this bit enables the SCI/LIN module to generate an interrupt when there is a bit error. <i>Read:</i> The interrupt is disabled. <i>Write:</i> No effect.
		1	<i>Read or write:</i> The interrupt is enabled.
30	SET PBE INT	0	Set physical bus error interrupt. This bit is effective in LIN mode only. Setting this bit enables the SCI/LIN module to generate an interrupt when a physical bus error occurs. <i>Read:</i> The interrupt is disabled. <i>Write:</i> No effect.
		1	<i>Read or write:</i> The interrupt is enabled.
29	SET CE INT	0	Set checksum-error interrupt. This bit is effective in LIN mode only. Setting this bit enables the SCI/LIN module to generate an interrupt when there is a checksum error. <i>Read:</i> The interrupt is disabled. <i>Write:</i> No effect.
		1	<i>Read or write:</i> The interrupt is enabled.
28	SET ISFE INT	0	Set inconsistent-synch-field-error interrupt. This bit is effective in LIN mode only. Setting this bit enables the SCI/LIN module to generate an interrupt when there is an inconsistent synch field error. <i>Read:</i> The interrupt is disabled. <i>Write:</i> No effect.
		1	<i>Read or write:</i> The interrupt is enabled.
27	SET NRE INT	0	Set no-response-error interrupt. This bit is effective in LIN mode only. Setting this bit enables the SCI/LIN module to generate an interrupt when a no-response error occurs. <i>Read:</i> The interrupt is disabled. <i>Write:</i> No effect.
		1	<i>Read or write:</i> The interrupt is enabled.

**Table 28-16. SCI Set Interrupt Register (SCISSETINT) Field Descriptions (continued)**

Bit	Field	Value	Description
26	SET FE INT	0	Set framing-error interrupt. This bit is effective in LIN or SCI-compatible mode. Setting this bit enables the SCI/LIN module to generate an interrupt when a framing error occurs. <i>Read:</i> The interrupt is disabled. <i>Write:</i> No effect.
		1	<i>Read or write:</i> The interrupt is enabled.
25	SET OE INT	0	Set overrun-error interrupt. This bit is effective in LIN or SCI-compatible mode. Setting this bit enables the SCI/LIN module to generate an interrupt when an overrun error occurs. <i>Read:</i> The interrupt is disabled. <i>Write:</i> No effect.
		1	<i>Read or write:</i> The interrupt is enabled.
24	SET PE INT	0	Set parity interrupt. This bit is effective in LIN or SCI-compatible mode. Setting this bit enables the SCI/LIN module to generate an interrupt when a parity error occurs. <i>Read:</i> The interrupt is disabled. <i>Write:</i> No effect.
		1	<i>Read or write:</i> The interrupt is enabled.
23-19	Reserved	0	Read returns 0. Writes have no effect.
18	SET RX DMA ALL	0	Set receive DMA all. This bit is effective in SCI-compatible mode only. This bit determines if a separate interrupt is generated for the address frames sent in multiprocessor communications. When this bit is 0, RX interrupt requests are generated for address frames and DMA requests are generated for data frames. When this bit is 1, RX DMA requests are generated for both address and data frames. <i>Read:</i> The DMA request is disabled for address frames (the receive interrupt request is enabled for address frames). <i>Write:</i> No effect.
		1	<i>Read and write:</i> The DMA request is enabled for address and data frames.
17	SET RX DMA	0	Set receiver DMA. This bit is effective in LIN or SCI-compatible mode. To enable receiver DMA requests, this bit must be set. If it is cleared, interrupt requests are generated depending on bit SCISSETINT. <i>Read:</i> The DMA request is disabled. <i>Write:</i> No effect.
		1	<i>Read and write:</i> The DMA request is enabled for address and data frames.
16	SET TX DMA	0	Set transmit DMA. This bit is effective in LIN or SCI-compatible mode. To enable DMA requests for the transmitter, this bit must be set. If it is cleared, interrupt requests are generated depending on SET TX INT bit (SCISSETINT). <i>Read:</i> Transmit DMA request is disabled. <i>Write:</i> No effect.
		1	<i>Read and write:</i> Transmit DMA request is enabled.
15-14	Reserved	0	Read returns 0. Writes have no effect.
13	SET ID INT	0	Set identification interrupt. This bit is effective in LIN mode only. This bit is set to enable an interrupt when a valid matching identifier is received. See <a href="#">Section 28.3.1.9</a> for more details. <i>Read:</i> The interrupt is disabled. <i>Write:</i> No effect.
		1	<i>Read or write:</i> The interrupt is enabled.
12-10	Reserved	0	Read returns 0. Writes have no effect.
9	SET RX INT	0	Receiver interrupt enable. This bit is effective in LIN or SCI-compatible mode. Setting this bit enables the SCI/LIN to generate a receive interrupt after a frame has been completely received and the data is being transferred from SCIRXSHF to SCIRD. <i>Read:</i> The interrupt is disabled. <i>Write:</i> No effect.
		1	<i>Read or write:</i> The interrupt is enabled.

**Table 28-16. SCI Set Interrupt Register (SCISSETINT) Field Descriptions (continued)**

Bit	Field	Value	Description
8	SET TX INT	0	Set transmitter interrupt. This bit is effective in LIN or SCI-compatible mode. Setting this bit enables the SCI/LIN to generate a transmit interrupt as data is being transferred from SCITD to SCITXSHF and the TXRDY bit is being set. <i>Read:</i> The interrupt is disabled. <i>Write:</i> No effect.
		1	<i>Read or write:</i> The interrupt is enabled.
7	SET TOA3WUS INT	0	Set timeout after three wakeup signals interrupt. This bit is effective in LIN mode only. Setting this bit enables the SCI/LIN to generate an interrupt when a timeout occurs after three wakeup signals have been sent. <i>Read:</i> The interrupt is disabled. <i>Write:</i> No effect.
		1	<i>Read or write:</i> The interrupt is enabled.
6	SET TOAWUS INT	0	Set timeout after wakeup signal interrupt. This bit is effective in LIN mode only. Setting this bit enables the SCI/LIN to generate an interrupt when a timeout occurs after one wakeup signal has been sent. <i>Read:</i> The interrupt is disabled. <i>Write:</i> No effect.
		1	<i>Read or write:</i> The interrupt is enabled.
5	Reserved	0	Read returns 0. Writes have no effect.
4	SET TIMEOUT INT	0	Set timeout interrupt. This bit is effective in LIN mode only. Setting this bit enables the SCI/LIN to generate an interrupt when there is no LIN bus activity (bus idle) for at least four seconds. <i>Read:</i> The interrupt is disabled. <i>Write:</i> No effect.
		1	<i>Read or write:</i> The interrupt is enabled.
3-2	Reserved	0	Read returns 0. Writes have no effect.
1	SET WAKEUP INT	0	Set wake-up interrupt. This bit is effective in LIN or SCI-compatible mode. Setting this bit enables the SCI/LIN to generate a wakeup interrupt and thereby exit low-power mode. If enabled, the wakeup interrupt is asserted when local low-power mode is requested while the receiver is busy or if a low level is detected on the LINRX pin during low-power mode. <i>Read:</i> The interrupt is disabled. <i>Write:</i> No effect.
		1	<i>Read or write:</i> The interrupt is enabled.
0	SET BRKDT INT	0	Set break-detect interrupt. This bit is effective in SCI-compatible mode only. Setting this bit enables the SCI/LIN to generate an error interrupt if a break condition is detected on the LINRX pin. <i>Read:</i> The interrupt is disabled. <i>Write:</i> No effect.
		1	<i>Read or write:</i> The interrupt is enabled.

### 28.7.5 SCI Clear Interrupt Register (SCICLEARINT)

Figure 28-32 and Table 28-17 illustrate this register. SCICLEARINT register is used to clear the enabled interrupts without accessing SCISSETINT register.

**Figure 28-32. SCI Clear Interrupt Register (SCICLEARINT) (offset = 10h)**

31	30	29	28	27	26	25	24
CLRBE INT	SET PBE INT	CLR CE INT	CLR ISFE INT	CLR RE INT	CLR FE INT	CLR OE INT	CLR PE INT
R/WL-0	R/WL-0	R/WL-0	R/WL-0	R/WL-0	R/W-0	R/W-0	R/W-0
23				19	18	17	16
Reserved					CLR RX DMA ALL	CLR RX DMA	CLR TX DMA
		R-0			R/WC-0	R/W-0	R/W-0
15	14	13	12		10	9	8
Reserved		CLR ID INT	Reserved			CLR RX INT	CLR TX INT
R-0		R/WL-0	R-0			R/W-0	R/W-0
7	6	5	4	3	2	1	0
CLR TOA3WUS INT	CLR TOAWUS INT	Reserved	CLR TIMEOUT INT	Reserved		CLR WAKEUP INT	CLR BRKDT INT
R/WL-0	R/WL-0	R-0	R/WL-0	R-0		R/W-0	R/WC-0

LEGEND: R/W = Read/Write; R = Read only; WL = Write in LIN mode only; WC = Write in SCI-compatible mode only; -n = value after reset

**Table 28-17. SCI Clear Interrupt Register (SCICLEARINT) Field Descriptions**

Bit	Field	Value	Description
31	CLR BE INT	0	Clear bit error interrupt. This bit is effective in LIN mode only. This bit disables the bit error interrupt when set. <i>Read:</i> The interrupt is disabled. <i>Write:</i> No effect.
		1	<i>Read:</i> The interrupt is enabled. <i>Write:</i> The interrupt is disabled.
30	CLR PBE INT	0	Clear physical bus error interrupt. This bit is effective in LIN mode only. This bit disables the physical-bus error interrupt when set. <i>Read:</i> The interrupt is disabled. <i>Write:</i> No effect.
		1	<i>Read:</i> The interrupt is enabled. <i>Write:</i> The interrupt is disabled.
29	CLR CE INT	0	Clear checksum-error interrupt. This bit is effective in LIN mode only. This bit disables the checksum interrupt when set. <i>Read:</i> The interrupt is disabled. <i>Write:</i> No effect.
		1	<i>Read:</i> The interrupt is enabled. <i>Write:</i> The interrupt is disabled.
28	CLR ISFE INT	0	Clear inconsistent-synch-field-error (ISFE) interrupt. This bit is effective in LIN mode only. This bit disables the ISFE interrupt when set. <i>Read:</i> The interrupt is disabled. <i>Write:</i> No effect.
		1	<i>Read:</i> The interrupt is enabled. <i>Write:</i> The interrupt is disabled.

**Table 28-17. SCI Clear Interrupt Register (SCICLEARINT) Field Descriptions (continued)**

Bit	Field	Value	Description
27	CLR NRE INT	0	Clear no-response-error interrupt. This bit is effective in LIN mode only. This bit disables the NRE interrupt when set. <i>Read:</i> The interrupt is disabled. <i>Write:</i> No effect.
		1	<i>Read:</i> The interrupt is enabled. <i>Write:</i> The interrupt is disabled.
26	CLR FE INT	0	Clear framing-error interrupt. This bit is effective in LIN or SCI mode. This bit disables the framing-error interrupt when set. <i>Read:</i> The interrupt is disabled. <i>Write:</i> No effect.
		1	<i>Read:</i> The interrupt is enabled. <i>Write:</i> The interrupt is disabled.
25	CLR OE INT	0	Clear overrun-error interrupt. This bit is effective in LIN or SCI mode. This bit disables the SCI/LIN overrun error interrupt when set. <i>Read:</i> The interrupt is disabled. <i>Write:</i> No effect.
		1	<i>Read:</i> The interrupt is enabled. <i>Write:</i> The interrupt is disabled.
24	CLR PE INT	0	Clear parity interrupt. This bit is effective in LIN or SCI mode. This bit disables the parity error interrupt when set. <i>Read:</i> The interrupt is disabled. <i>Write:</i> No effect.
		1	<i>Read:</i> The interrupt is enabled. <i>Write:</i> The interrupt is disabled.
23-19	Reserved	0	Read returns 0. Writes have no effect.
18	CLR RX DMA ALL	0	Clear receive DMA all. This bit is effective in SCI mode only. This bit clears the receive DMA request for address frames when set. Only receive data frames generate a DMA request. <i>Read:</i> The interrupt is disabled. <i>Write:</i> No effect.
		1	<i>Read:</i> The receive DMA request for address and data frames is enabled. <i>Write:</i> The receive DMA request for address and data frames is disabled.
17	CLR RX DMA	0	Clear receive DMA request. This bit is effective in LIN or SCI mode. This bit disables the receive DMA request when set. <i>Read:</i> The DMA request is disabled. <i>Write:</i> No effect.
		1	<i>Read:</i> The receive DMA request is enabled. <i>Write:</i> The receive DMA request for is disabled.
16	CLR TX DMA	0	Clear transmit DMA request. This bit is effective in LIN or SCI mode. This bit disables the transmit DMA request when set. No effect. <i>Write:</i> No effect.
		1	<i>Read:</i> The transmit DMA request is enabled. <i>Write:</i> The transmit DMA request for is disabled.
15-14	Reserved	0	Read returns 0. Writes have no effect.
13	CLR ID INT	0	Clear ID interrupt. This bit is effective in LIN mode only. This bit disables the ID interrupt when set. <i>Read:</i> The interrupt is disabled. <i>Write:</i> No effect.
		1	<i>Read:</i> The interrupt is enabled. <i>Write:</i> The interrupt is disabled.

**Table 28-17. SCI Clear Interrupt Register (SCICLEARINT) Field Descriptions (continued)**

Bit	Field	Value	Description
12-10	Reserved	0	Read returns 0. Writes have no effect.
9	CLR RX INT	0	Clear receiver interrupt. This bit is effective in LIN or SCI mode. This bit disables the receiver interrupt when set. <i>Read:</i> The interrupt is disabled. <i>Write:</i> No effect.
		1	<i>Read:</i> The interrupt is enabled. <i>Write:</i> The interrupt is disabled.
8	CLR TX INT	0	Clear transmitter interrupt. This bit is effective in LIN or SCI mode. This bit disables the transmitter interrupt when set. <i>Read:</i> The interrupt is disabled. <i>Write:</i> No effect.
		1	<i>Read:</i> The interrupt is enabled. <i>Write:</i> The interrupt is disabled.
7	CLR TOA3WUS INT	0	Clear timeout after three wakeup signals interrupt. This bit is effective in LIN mode only. This bit disables the timeout after three wakeup signals interrupt when set. <i>Read:</i> The interrupt is disabled. <i>Write:</i> No effect.
		1	<i>Read:</i> The interrupt is enabled. <i>Write:</i> The interrupt is disabled.
6	CLR TOAWUS INT	0	Clear timeout after wakeup signal interrupt. This bit is effective in LIN mode only. This bit disables the timeout after one wakeup signal interrupt when set. <i>Read:</i> The interrupt is disabled. <i>Write:</i> No effect.
		1	<i>Read:</i> The interrupt is enabled. <i>Write:</i> The interrupt is disabled.
5	Reserved	0	Read returns 0. Writes have no effect.
4	CLR TIMEOUT INT	0	Clear timeout interrupt. This bit is effective in LIN mode only. This bit disables the timeout (LIN bus idle) interrupt when set. <i>Read:</i> The interrupt is disabled. <i>Write:</i> No effect.
		1	<i>Read:</i> The interrupt is enabled. <i>Write:</i> The interrupt is disabled.
3-2	Reserved	0	Read returns 0. Writes have no effect.
1	CLR WAKEUP INT	0	Clear wake-up interrupt. This bit is effective in LIN or SCI-compatible mode. This bit disables the wakeup interrupt when set. <i>Read:</i> The interrupt is disabled. <i>Write:</i> No effect.
		1	<i>Read:</i> The interrupt is enabled. <i>Write:</i> The interrupt is disabled.
0	CLR BRKDT INT	0	Clear break-detect interrupt. This bit is effective in SCI-compatible mode only. This bit disables the break-detect interrupt when set. <i>Read:</i> The interrupt is disabled. <i>Write:</i> No effect.
		1	<i>Read:</i> The interrupt is enabled. <i>Write:</i> The interrupt is disabled.

## 28.7.6 SCI Set Interrupt Level Register (SCISSETINTLVL)

Figure 28-33 and Table 28-18 illustrate this register.

**Figure 28-33. SCI Set Interrupt Level Register (SCISSETINTLVL) (offset = 14h)**

31	30	29	28	27	26	25	24	
SET BE INT LVL	SET PBE INT LVL	SET CE INT LVL	SET ISFE INT LVL	SET NRE INT LVL	SET FE INT LVL	SET OE INT LVL	SET PE INT LVL	
R/WL-0	R/WL-0	R/WL-0	R/WL-0	R/WL-0	R/W-0	R/W-0	R/W-0	
23					19	18	17	16
Reserved					SET RX DMA ALL INT LVL	Reserved		
R-0				R/WC-0		R-0		
15	14	13	12	10		9	8	
Reserved		SET ID INT LVL	Reserved		SET RX INT LVL	SET TX INT LVL		
R-0		R/WL-0	R-0		R/W-0	R/W-0		
7	6	5	4	3	2	1	0	
SET TOA3WUS INT LVL	SET TOAWUS INT LVL	Reserved	SET TIMEOUT INT LVL	Reserved		SET WAKEUP INT LVL	SET BRKDT INT LVL	
R/WL-0	R/WL-0	R-0	R/WL-0	R-0		R/W-0	R/WC-0	

LEGEND: R/W = Read/Write; R = Read only; WL = Write in LIN mode only; WC = Write in SCI-compatible mode only; -n = value after reset

**Table 28-18. SCI Set Interrupt Level Register (SCISSETINTLVL) Field Descriptions**

Bit	Field	Value	Description
31	SET BE INT LVL	0	Set bit error interrupt level. This bit is effective in LIN mode only. <i>Read:</i> The interrupt level is mapped to the INT0 line. <i>Write:</i> No effect.
		1	<i>Read or write:</i> The interrupt level is mapped to the INT1 line.
30	SET PBE INT LVL	0	Set physical bus error interrupt level. This bit is effective in LIN mode only. <i>Read:</i> The interrupt level is mapped to the INT0 line. <i>Write:</i> No effect.
		1	<i>Read or write:</i> The interrupt level is mapped to the INT1 line.
29	SET CE INT LVL	0	Set checksum-error interrupt level. This bit is effective in LIN mode only. <i>Read:</i> The interrupt level is mapped to the INT0 line. <i>Write:</i> No effect.
		1	<i>Read or write:</i> The interrupt level is mapped to the INT1 line.
28	SET ISFE INT LVL	0	Set inconsistent-synch-field-error interrupt level. This bit is effective in LIN mode only. <i>Read:</i> The interrupt level is mapped to the INT0 line. <i>Write:</i> No effect.
		1	<i>Read or write:</i> The interrupt level is mapped to the INT1 line.
27	SET NRE INT LVL	0	Set no-response-error interrupt level. This bit is effective in LIN mode only. <i>Read:</i> The interrupt level is mapped to the INT0 line. <i>Write:</i> No effect.
		1	<i>Read or write:</i> The interrupt level is mapped to the INT1 line.
26	SET FE INT LVL	0	Set framing-error interrupt level. This bit is effective in LIN or SCI-compatible mode. <i>Read:</i> The interrupt level is mapped to the INT0 line. <i>Write:</i> No effect.
		1	<i>Read or write:</i> The interrupt level is mapped to the INT1 line.

**Table 28-18. SCI Set Interrupt Level Register (SCISSETINTLVL) Field Descriptions (continued)**

Bit	Field	Value	Description
25	SET OE INT LVL	0	Set overrun-error interrupt level. This bit is effective in LIN or SCI-compatible mode. <i>Read:</i> The interrupt level is mapped to the INT0 line. <i>Write:</i> No effect.
		1	<i>Read or write:</i> The interrupt level is mapped to the INT1 line.
24	SET PE INT LVL	0	Set parity error interrupt level. This bit is effective in LIN or SCI-compatible mode. <i>Read:</i> The interrupt level is mapped to the INT0 line. <i>Write:</i> No effect.
		1	<i>Read or write:</i> The interrupt level is mapped to the INT1 line.
23-19	Reserved	0	Read returns 0. Writes have no effect.
18	SET RX DMA ALL LVL	0	Set receive DMA all interrupt levels. This bit is effective in SCI mode only. <i>Read:</i> The receive interrupt request for address frames is mapped to the INT0 line. <i>Write:</i> No effect.
		1	<i>Read or write:</i> The receive interrupt request for address frames is mapped to the INT1 line.
17-14	Reserved	0	Read returns 0. Writes have no effect.
13	SET ID INT LVL	0	Set ID interrupt level. This bit is effective in LIN mode only. <i>Read:</i> The interrupt level is mapped to the INT0 line. <i>Write:</i> No effect.
		1	<i>Read or write:</i> The interrupt level is mapped to the INT1 line.
12-10	Reserved	0	Read returns 0. Writes have no effect.
9	SET RX INT LVL	0	Set receiver interrupt level. This bit is effective in LIN or SCI-compatible mode. <i>Read:</i> The interrupt level is mapped to the INT0 line. <i>Write:</i> No effect.
		1	<i>Read or write:</i> The interrupt level is mapped to the INT1 line.
8	SET TX INT LVL	0	Set transmitter interrupt level. This bit is effective in LIN or SCI-compatible mode. <i>Read:</i> The interrupt level is mapped to the INT0 line. <i>Write:</i> No effect.
		1	<i>Read or write:</i> The interrupt level is mapped to the INT1 line.
7	SET TOA3WUS INT LVL	0	Set timeout after three wakeup signals interrupt level. This bit is effective in LIN mode only. <i>Read:</i> The interrupt level is mapped to the INT0 line. <i>Write:</i> No effect.
		1	<i>Read or write:</i> The interrupt level is mapped to the INT1 line.
6	SET TOAWUS INT LVL	0	Set timeout after wakeup signal interrupt level. This bit is effective in LIN mode only. <i>Read:</i> The interrupt level is mapped to the INT0 line. <i>Write:</i> No effect.
		1	<i>Read or write:</i> The interrupt level is mapped to the INT1 line.
5	Reserved	0	Read returns 0. Writes have no effect.
4	SET TIMEOUT INT LVL	0	Set timeout interrupt level. This bit is effective in LIN mode only. <i>Read:</i> The interrupt level is mapped to the INT0 line. <i>Write:</i> No effect.
		1	<i>Read or write:</i> The interrupt level is mapped to the INT1 line.
3-2	Reserved	0	Read returns 0. Writes have no effect.
1	SET WAKEUP INT LVL	0	Set wake-up interrupt level. This bit is effective in LIN or SCI-compatible mode. <i>Read:</i> The interrupt level is mapped to the INT0 line. <i>Write:</i> No effect.
		1	<i>Read or write:</i> The interrupt level is mapped to the INT1 line.

**Table 28-18. SCI Set Interrupt Level Register (SCISSETINTLVL) Field Descriptions (continued)**

Bit	Field	Value	Description
0	SET BRKDT INT LVL	0	Set break-detect interrupt level. This bit is effective in SCI-compatible mode only. <i>Read:</i> The interrupt level is mapped to the INT0 line. <i>Write:</i> No effect.
		1	<i>Read or write:</i> The interrupt level is mapped to the INT1 line.

## 28.7.7 SCI Clear Interrupt Level Register (SCICLEARINTLVL)

Figure 28-34 and Table 28-19 illustrate this register.

**Figure 28-34. SCI Clear Interrupt Level Register (SCICLEARINTLVL) (offset = 18h)**

31	30	29	28	27	26	25	24	
CLR BE INT LVL	CLR PBE INT LVL	CLR CE INT LVL	CLR ISFE INT LVL	CLR NRE INT LVL	CLR FE INT LVL	CLR OE INT LVL	CLR PE INT LVL	
R/WL-0	R/WL-0	R/WL-0	R/WL-0	R/WL-0	R/W-0	R/W-0	R/W-0	
23	Reserved				19	18	17	16
R-0					CLR RX DMA ALL INT LVL	Reserved		
R-0					R/WC-0		R-0	
15	14	13	12	10		9	8	
Reserved		CLR ID INT LVL	Reserved			CLR RX INT LVL	CLR TX INT LVL	
R-0		R/WL-0	R-0			R/W-0	R/W-0	
7	6	5	4	3	2	1	0	
CLR TOA3WUS INT LVL	CLR TOAWUS INT LVL	Reserved	CLR TIMEOUT INT LVL	Reserved		CLR WAKEUP INT LVL	CLR BRKDT INT LVL	
R/WL-0	R/WL-0	R-0	R/WL-0	R-0		R/W-0	R/WC-0	

LEGEND: R/W = Read/Write; R = Read only; WL = Write in LIN mode only; WC = Write in SCI-compatible mode only; -n = value after reset

**Table 28-19. SCI Clear Interrupt Level Register (SCICLEARINTLVL) Field Descriptions**

Bit	Field	Value	Description
31	CLR BE INT LVL	0	Clear bit error interrupt. This bit is effective in LIN mode only. <i>Read:</i> The interrupt level is mapped to the INT0 line. <i>Write:</i> No effect.
		1	<i>Read:</i> The interrupt level is mapped to the INT1 line. <i>Write:</i> The interrupt level is mapped to the INT0 line.
30	CLR PBE INT LVL	0	Clear physical bus error interrupt. This bit is effective in LIN mode only. <i>Read:</i> The interrupt level is mapped to the INT0 line. <i>Write:</i> No effect.
		1	<i>Read:</i> The interrupt level is mapped to the INT1 line. <i>Write:</i> The interrupt level is mapped to the INT0 line.
29	CLR CE INT LVL	0	Clear checksum-error interrupt. This bit is effective in LIN mode only. <i>Read:</i> The interrupt level is mapped to the INT0 line. <i>Write:</i> No effect.
		1	<i>Read:</i> The interrupt level is mapped to the INT1 line. <i>Write:</i> The interrupt level is mapped to the INT0 line.
28	CLR ISFE INT LVL	0	Clear inconsistent-synch-field-error (ISFE) interrupt. This bit is effective in LIN mode only. <i>Read:</i> The interrupt level is mapped to the INT0 line. <i>Write:</i> No effect.
		1	<i>Read:</i> The interrupt level is mapped to the INT1 line. <i>Write:</i> The interrupt level is mapped to the INT0 line.
27	CLR NRE INT LVL	0	Clear no-response-error interrupt. This bit is effective in LIN mode only. <i>Read:</i> The interrupt level is mapped to the INT0 line. <i>Write:</i> No effect.
		1	<i>Read:</i> The interrupt level is mapped to the INT1 line. <i>Write:</i> The interrupt level is mapped to the INT0 line.

**Table 28-19. SCI Clear Interrupt Level Register (SCICLEARINTLVL) Field Descriptions (continued)**

Bit	Field	Value	Description
26	CLR FE INT LVL	0	Clear framing-error interrupt. This bit is effective in LIN or SCI-compatible mode. <i>Read:</i> The interrupt level is mapped to the INT0 line. <i>Write:</i> No effect.
		1	<i>Read:</i> The interrupt level is mapped to the INT1 line. <i>Write:</i> The interrupt level is mapped to the INT0 line.
25	CLR OE INT LVL	0	Clear overrun-error interrupt. This bit is effective in LIN or SCI-compatible mode. <i>Read:</i> The interrupt level is mapped to the INT0 line. <i>Write:</i> No effect.
		1	<i>Read:</i> The interrupt level is mapped to the INT1 line. <i>Write:</i> The interrupt level is mapped to the INT0 line.
24	CLR PE INT LVL	0	Clear parity interrupt. This bit is effective in LIN or SCI-compatible mode. <i>Read:</i> The interrupt level is mapped to the INT0 line. <i>Write:</i> No effect.
		1	<i>Read:</i> The interrupt level is mapped to the INT1 line. <i>Write:</i> The interrupt level is mapped to the INT0 line.
23-19	Reserved	0	Read returns 0. Writes have no effect.
18	CLR RX DMA ALL LVL	0	Clear receive DMA interrupt level. This bit is effective in SCI-compatible mode only. <i>Read:</i> The receive interrupt request for address frames is mapped to the INT0 line. <i>Write:</i> No effect.
		1	<i>Read:</i> The receive interrupt request for address frames is mapped to the INT1 line. <i>Write:</i> The receive interrupt request for address frames is mapped to the INT0 line.
17-14	Reserved	0	Read returns 0. Writes have no effect.
13	CLR ID INT LVL	0	Clear ID interrupt. This bit is effective in LIN mode only. <i>Read:</i> The interrupt level is mapped to the INT0 line. <i>Write:</i> No effect.
		1	<i>Read:</i> The interrupt level is mapped to the INT1 line. <i>Write:</i> The interrupt level is mapped to the INT0 line.
12-10	Reserved	0	Read returns 0. Writes have no effect.
9	CLR RX INT LVL	0	Clear receiver interrupt. This bit is effective in LIN or SCI-compatible mode. <i>Read:</i> The interrupt level is mapped to the INT0 line. <i>Write:</i> No effect.
		1	<i>Read:</i> The interrupt level is mapped to the INT1 line. <i>Write:</i> The interrupt level is mapped to the INT0 line.
8	CLR TX INT LVL	0	Clear transmitter interrupt. This bit is effective in LIN or SCI-compatible mode. <i>Read:</i> The interrupt level is mapped to the INT0 line. <i>Write:</i> No effect.
		1	<i>Read:</i> The interrupt level is mapped to the INT1 line. <i>Write:</i> The interrupt level is mapped to the INT0 line.
7	CLR TOA3WUS INT LVL	0	Clear timeout after three wakeup signals interrupt. This bit is effective in LIN mode only. <i>Read:</i> The interrupt level is mapped to the INT0 line. <i>Write:</i> No effect.
		1	<i>Read:</i> The interrupt level is mapped to the INT1 line. <i>Write:</i> The interrupt level is mapped to the INT0 line.

**Table 28-19. SCI Clear Interrupt Level Register (SCICLEARINTLVL) Field Descriptions (continued)**

Bit	Field	Value	Description
6	CLR TOAWUS INT LVL	0	Clear timeout after wakeup signal interrupt. This bit is effective in LIN mode only. <i>Read:</i> The interrupt level is mapped to the INT0 line. <i>Write:</i> No effect.
		1	<i>Read:</i> The interrupt level is mapped to the INT1 line. <i>Write:</i> The interrupt level is mapped to the INT0 line.
5	Reserved	0	Read returns 0. Writes have no effect.
4	CLR TIMEOUT INT LVL	0	Clear timeout interrupt. This bit is effective in LIN mode only. <i>Read:</i> The interrupt level is mapped to the INT0 line. <i>Write:</i> No effect.
		1	<i>Read:</i> The interrupt level is mapped to the INT1 line. <i>Write:</i> The interrupt level is mapped to the INT0 line.
3-2	Reserved	0	Read returns 0. Writes have no effect.
1	CLR WAKEUP INT LVL	0	Clear wake-up interrupt. This bit is effective in LIN or SCI-compatible mode. <i>Read:</i> The interrupt level is mapped to the INT0 line. <i>Write:</i> No effect.
		1	<i>Read:</i> The interrupt level is mapped to the INT1 line. <i>Write:</i> The interrupt level is mapped to the INT0 line.
0	CLR BRKDT INT LVL	0	Clear break-detect interrupt. This bit is effective in SCI-compatible mode only. <i>Read:</i> The interrupt level is mapped to the INT0 line. <i>Write:</i> No effect.
		1	<i>Read:</i> The interrupt level is mapped to the INT1 line. <i>Write:</i> The interrupt level is mapped to the INT0 line.

## 28.7.8 SCI Flags Register (SCIFLR)

Figure 28-35 and Table 28-20 illustrate this register.

**Figure 28-35. SCI Flags Register (SCIFLR) (offset = 1Ch)**

31	30	29	28	27	26	25	24
BE	PBE	CE	ISFE	NRE	FE	OE	PE
R/WL-0	R/WL-0	R/WL-0	R/WL-0	R/WL-0	R/W-0	R/W-0	R/W-0
23	Reserved						16
R-0							
15	14	13	12	11	10	9	8
Reserved	ID RX	ID TX	RX WAKE	TX EMPTY	TX WAKE	RX RDY	TX RDY
R-0	R/WL-0	R/WL-0	R/WC-0	R/W-1	R/WC-0	R/W-0	R/W-1
7	6	5	4	3	2	1	0
TOA3WUS	TOAWUS	Reserved	TIMEOUT	BUSY	IDLE	WAKE UP	BRKDT
R/WL-0	R/WL-0	R-0	R/WL-0	R/W-0	R-0	R/WL-0	R/WC-0

LEGEND: R/W = Read/Write; R = Read only; WC = Write in SCI-compatible mode only; WL = Write in LIN mode only; -n = value after reset

**Table 28-20. SCI Flags Register (SCIFLR) Field Descriptions**

Bit	Field	Value	Description
31	BE	0	Bit error flag. This bit is effective in LIN mode only. This bit is set when a bit error has occurred. This is detected by the internal bit monitor. See <a href="#">Section 28.3.1.8</a> for more information. The bit error flag is cleared by any of the following: <ul style="list-style-type: none"> <li>Setting of the SW nRST bit</li> <li>Setting of the RESET bit</li> <li>A system reset</li> <li>Writing a 1 to this bit</li> <li>On reception of a new synch break</li> <li>Reading the corresponding interrupt offset in SCIINTVECT0/1</li> </ul> Read: No error has been detected since this bit was last cleared. Write: No effect.
		1	Read: An error has been detected since this bit was last cleared. Write: The bit is cleared to 0.
30	PBE	0	Physical bus error flag. This bit is effective in LIN mode only. This bit is set when a physical bus error has been detected by the bit monitor in TED. See <a href="#">Section 28.3.1.8</a> for more information. The physical bus error flag is cleared by the following: <ul style="list-style-type: none"> <li>Setting of the SW nRST bit</li> <li>Setting of the RESET bit</li> <li>A system reset</li> <li>Writing a 1 to this bit</li> <li>On reception of a new synch break</li> <li>Reading the corresponding interrupt offset in SCIINTVECT0/1</li> </ul> Note: The PBE will only be flagged, if no Synch Break can be generated (for example, because of a bus shortage to VBAT) or if no Synch Break Delimiter can be generated (for example, because of a bus shortage to GND). Read: No error has been detected since this bit was last cleared. Write: No effect.
		1	Read: An error has been detected since this bit was last cleared. Write: The bit is cleared to 0.

**Table 28-20. SCI Flags Register (SCIFLR) Field Descriptions (continued)**

Bit	Field	Value	Description
29	CE	0	Checksum error flag. This bit is effective in LIN mode only. This bit is set when a checksum error has been detected by a receiving node. This error is detected by the TED logic. See <a href="#">Section 28.3.1.8</a> for more information. The type of checksum to be used depends on the CTYPE bit in SCIGCR1. The checksum error flag is cleared by the following: <ul style="list-style-type: none"> <li>Setting of the SW nRST bit</li> <li>Setting of the RESET bit</li> <li>A system reset</li> <li>Writing a 1 to this bit</li> <li>Reception of a new synch break</li> <li>Reading the corresponding interrupt offset in SCIINTVECT0/1</li> </ul> <i>Read:</i> No error has been detected since this bit was last cleared. <i>Write:</i> No effect.
		1	<i>Read:</i> An error has been detected since this bit was last cleared. <i>Write:</i> The bit is cleared to 0.
28	ISFE	0	Inconsistent synch field error flag. This bit is effective in LIN mode only. This bit is set when an inconsistent synch field error has been detected by the synchronizer during header reception. See <a href="#">Section 28.3.1.5.2</a> for more information. The inconsistent synch field error flag is cleared by the following: <ul style="list-style-type: none"> <li>Setting of the SW nRST bit</li> <li>Setting of the RESET bit</li> <li>A system reset</li> <li>Writing a 1 to this bit</li> <li>Reception of a new synch break</li> <li>Reading the corresponding interrupt offset in SCIINTVECT0/1</li> </ul> <i>Read:</i> No inconsistent synch field error has been detected. <i>Write:</i> No effect.
		1	<i>Read:</i> An inconsistent synch field error has been detected. <i>Write:</i> The bit is cleared to 0.
27	NRE	0	No-response error flag. This bit is effective in LIN mode only. This bit is set when there is no response to a master's header completed within TFRAME_MAX. This timeout period is applied for message frames of known length (identifiers 0 to 61). This error is detected by the synchronizer. See <a href="#">Section 28.3.1.7</a> for more information. The no-response error flag is cleared by the following: <ul style="list-style-type: none"> <li>Setting of the SW nRST bit</li> <li>Setting of the RESET bit</li> <li>A system reset</li> <li>Writing a 1 to this bit</li> <li>Reception of a new synch break</li> <li>Reading the corresponding interrupt offset in SCIINTVECT0/1</li> </ul> <i>Read:</i> No no-response error has been detected since the last clear. <i>Write:</i> No effect.
		1	<i>Read:</i> A no-response error has been detected. <i>Write:</i> The bit is cleared to 0.

**Table 28-20. SCI Flags Register (SCIFLR) Field Descriptions (continued)**

Bit	Field	Value	Description
26	FE	0	Framing error flag. This bit is effective in LIN or SCI-compatible mode. This bit is set when an expected stop bit is not found. In SCI compatibility mode, only the first stop bit is checked. The missing stop bit indicates that synchronization with the start bit has been lost and that the character is incorrectly framed. Detection of a framing error causes the SCI/LIN to generate an error interrupt if the SET FE INT bit is set in the register SCISSETINT. The framing error flag is cleared by the following: <ul style="list-style-type: none"> <li>• Setting of the SW nRST bit</li> <li>• Setting of the RESET bit</li> <li>• A system reset</li> <li>• Writing a 1 to this bit</li> <li>• Reading the corresponding interrupt offset in SCIINTVECT0/1</li> <li>• Reception of a new character/frame, depending on whether the module is in SCI compatible or LIN mode</li> </ul> In multi-buffer mode the frame is defined in the SCIFORMAT register. <i>Read:</i> No framing error has been detected since the last clear. <i>Write:</i> No effect.
		1	<i>Read:</i> A framing error has been detected since the last clear. <i>Write:</i> The bit is cleared to 0.
25	OE	0	Overrun error flag. This bit is effective in LIN or SCI-compatible mode. This bit is set when the transfer of data from SCIRXSHF to SCIRD overwrites unread data already in SCIRD or the RDy buffers in LINRD0 and LINRD1. Detection of an overrun error causes the LIN to generate an error interrupt if the SET OE INT bit = 1. The OE flag is reset by the following: <ul style="list-style-type: none"> <li>• Setting of the SW nRST bit</li> <li>• Setting of the RESET bit</li> <li>• A system reset</li> <li>• Writing a 1 to this bit</li> <li>• Reading the corresponding interrupt offset in SCIINTVECT0/1</li> </ul> <i>Read:</i> No overrun error has been detected since the last clear. <i>Write:</i> No effect.
		1	<i>Read:</i> An overrun error has been detected. <i>Write:</i> The bit is cleared to 0.
24	PE	0	Parity error flag. This bit is effective in LIN or SCI-compatible mode. This bit is set when a parity error is detected in the received data. In SCI address-bit mode, the parity is calculated on the data and address bit fields of the received frame. In idle-line mode, only the data is used to calculate parity. An error is generated when a character is received with a mismatch between the number of 1s and its parity bit. If the parity function is disabled (SCIGCR[2] = 0), the PE flag is disabled and read as 0. Detection of a parity error causes the LIN to generate an error interrupt if the SET PE INT bit = 1. The PE bit is reset by the following: <ul style="list-style-type: none"> <li>• Setting of the SW nRST bit</li> <li>• Setting of the RESET bit</li> <li>• A system reset</li> <li>• Writing a 1 to this bit</li> <li>• Reception of a new character or frame, depending on whether the module is in SCI compatible or LIN mode, respectively.</li> <li>• Reading the corresponding interrupt offset in SCIINTVECT0/1</li> </ul> <i>Read:</i> No parity error has been detected since the last clear. <i>Write:</i> No effect.
		1	<i>Read:</i> A parity error has been detected. <i>Write:</i> The bit is cleared to 0.
23-15	Reserved	0	Read returns 0. Writes have no effect.

**Table 28-20. SCI Flags Register (SCIFLR) Field Descriptions (continued)**

Bit	Field	Value	Description
14	ID RX FLAG	0	<p>Identifier on receive flag. This bit is effective in LIN mode only. This flag is set once an identifier is received with an receive match and no ID-parity error. See <a href="#">Section 28.3.1.9</a> for more details. This flag indicates that a new valid identifier has been received on an RX match. This bit is cleared by the following:</p> <ul style="list-style-type: none"> <li>Setting of the SW nRST bit</li> <li>Setting of the RESET bit</li> <li>A system reset</li> <li>Writing a 1 to this bit</li> <li>Reading the LINID register</li> <li>Reception of a new synch break</li> <li>Reading the corresponding interrupt offset in SCIINTVECT0/1</li> </ul> <p><i>Read:</i> No valid ID has been received since the last clear. <i>Write:</i> No effect.</p>
		1	<p><i>Read:</i> A valid ID RX has been received in LINID[23:16] on an RX match. <i>Write:</i> The bit is cleared to 0.</p>
13	ID TX FLAG	0	<p>Identifier on transmit flag. This bit is effective in LIN mode only. This flag is set when an identifier is received with a transmit match and no ID-parity error. See <a href="#">Section 28.3.1.9</a> for more details. This flag indicates that a new valid identifier has been received on a TX match. This bit is cleared by the following:</p> <ul style="list-style-type: none"> <li>Setting the SW nRST bit</li> <li>Setting of the RESET bit</li> <li>A system reset</li> <li>Writing a 1 to this bit</li> <li>Reading the LINID register</li> <li>Receiving a new synch break</li> <li>Reading the corresponding interrupt offset in SCIINTVECT0/1</li> </ul> <p><i>Read:</i> No valid ID has been received since the last clear. <i>Write:</i> No effect.</p>
		1	<p><i>Read:</i> A valid ID TX has been received in LINID[23:16] on an TX match. <i>Write:</i> The bit is cleared to 0.</p>
12	RXWAKE	0	<p>Receiver wakeup detect flag. This bit is effective in SCI-compatible mode only. The SCI sets this bit to indicate that the data currently in SCIRD is an address. RXWAKE is cleared by the following:</p> <ul style="list-style-type: none"> <li>Setting of the SW nRST bit</li> <li>Setting of the RESET bit</li> <li>A system reset</li> <li>Upon receipt of a data frame.</li> </ul> <p>The data in SCIRD is not an address.</p>
		1	<p>The data in SCIRD is an address.</p>
11	TX EMPTY	0	<p>Transmitter empty flag. This flag indicates the transmitter's buffer register(s) (SCITD/TDy) and shift register (SCITXSHF) are empty. In multi-buffer mode, this flag indicates the TDx registers and shift register (SCITXSHF) are empty. In non-multi-buffer mode, this flag indicates the LINTD0 byte and the shift register (SCITXSHF) are empty.</p> <p><b>Note: The RESET bit, an active SW nRESET (SCIGCR1[7]) or a system reset sets this bit. This bit does not cause an interrupt request.</b></p> <p><i>SCI mode or LIN non-multi-buffer mode</i></p>
		1	<p>Transmitter buffer or shift register (or both) are loaded with data.</p>
		1	<p>Transmitter buffer and shift registers are both empty.</p>
		0	<p><i>In LIN mode using multi-buffer mode</i></p> <p>Multi-buffer or shift register (or all) are loaded with data</p>
1	<p>Multi-buffer and shift registers are all empty.</p>		

**Table 28-20. SCI Flags Register (SCIFLR) Field Descriptions (continued)**

Bit	Field	Value	Description
10	TXWAKE		Transmitter wakeup method select. This bit is effective in SCI mode only. The TXWAKE bit controls whether the data in SCITD should be sent as an address or data frame using multiprocessor communication format. This bit is set to 1 or 0 by software before a byte is written to SCITD and is cleared by the SCI when data is transferred from SCITD to SCITXSHF or by a system reset.  <b>Note: TXWAKE is not cleared by the SW nRESET bit.</b> <i>Address-bit mode</i>
		0	Frame to be transmitted will be data (address bit = 0).
		1	Frame to be transmitted will be an address (address bit = 1).
			<i>Idle-line mode</i>
9	RXRDY		Receiver ready flag. In SCI-compatible mode, the receiver sets this bit to indicate that the SCIRD contains new data and is ready to be read by the CPU. In <i>LIN mode</i> , RXRDY is set once a valid frame is received in multi-buffer mode, a valid frame being a message frame received with no errors. In <i>non-multi-buffer mode</i> , RXRDY is set for each received byte and will be set for the last byte of the frame if there are no errors. The SCI/LIN generates a receive interrupt when RXRDY flag bit is set if the interrupt-enable bit is set (SCISSETINT[9]); RXRDY is cleared by the following: <ul style="list-style-type: none"> <li>• Setting of the SW nRST bit</li> <li>• Setting of the RESET bit</li> <li>• A system reset</li> <li>• Writing a 1 to this bit</li> <li>• Reading the SCIRD register in compatibility mode</li> <li>• Reading the last data byte RDy of the response in LIN mode</li> </ul> <b>Note: The RXRDY flag cannot be cleared by reading the corresponding interrupt offset in the SCIINTVECT0/1 register.</b>
		0	<i>Read:</i> No new data is in SCIRD. <i>Write:</i> No effect.
		1	<i>Read:</i> New data is ready to be read from SCIRD. <i>Write:</i> The bit is cleared to 0.
8	TXRDY		Transmitter buffer register ready flag. When set, this bit indicates that the transmit buffer(s) register(s) (SCITD in compatibility mode and LINTD0/LINTD1 in multi-buffer mode) are ready to get another character from a CPU write.  <i>In SCI</i> , writing data to SCITD automatically clears this bit. <i>In LIN mode</i> , this bit is cleared once byte 0 (TD0) is written to LINTD0. This bit is set after the data of the TX buffer is shifted into the SCITXSHF register. This event can trigger a transmit interrupt after data is copied to the TX shift register SCITXSHF, if the interrupt enable bit TXINT is set.  <b>Note:</b> 1) TXRDY is also set to 1 either by setting of the RESET bit, enabling SW nRST or by a system reset. 2) The TXRDY flag cannot be cleared by reading the corresponding interrupt offset in the SCIINTVECT0/1 register. 3) The transmit interrupt request can be eliminated until the next series of data written into the transmit buffers LINTD0 and LINTD1, by disabling the corresponding interrupt via the SCICLEARINT register or by disabling the transmitter via the TXENA bit.
			<i>SCI mode</i>
		0	SCITD is full.
		1	SCITD is ready to receive the next character.
			<i>LIN mode</i>
			0 The multi-buffers are full. 1 The multi-buffers are ready to receive the next character(s).  For more information on transmit interrupt handling, see the SCI document for compatibility mode and <a href="#">Section 28.3.1.9</a> for LIN mode.

**Table 28-20. SCI Flags Register (SCIFLR) Field Descriptions (continued)**

Bit	Field	Value	Description
7	TOA3WUS	0	<p>Timeout after three wakeup signals flag. This bit is effective in LIN mode only. This flag is set if there is no synch break received after three wakeup signals and a period of 1.5 seconds has passed. Such expiration time is used before issuing another round of wakeup signals. This bit is cleared by the following:</p> <ul style="list-style-type: none"> <li>Setting of the SW nRST bit</li> <li>Setting of the RESET bit</li> <li>A system reset</li> <li>Writing a 1 to this bit</li> <li>Reading the corresponding interrupt offset in SCIINTVECT0/1</li> </ul> <p>See <a href="#">Section 28.4.3</a> for more information.</p> <p><i>Read:</i> No timeout occurred after three wakeup signals. <i>Write:</i> No effect.</p>
		1	<p><i>Read:</i> Timeout occurred after three wakeup signals and 1.5 seconds time. <i>Write:</i> The bit is cleared to 0.</p>
6	TOAWUS	0	<p>Timeout after wakeup signal flag. This bit is effective in LIN mode only. This bit is set if there is no synch break received after a wakeup signal has been sent. A minimum of 150 ms expiration time is used before issuing another wakeup signal. This bit is cleared by the following:</p> <ul style="list-style-type: none"> <li>Setting the SW nRST bit</li> <li>Setting of the RESET bit</li> <li>A system reset occurring</li> <li>Writing a 1 to this bit</li> <li>Reading the corresponding interrupt offset in SCIINTVECT0/1</li> </ul> <p>See <a href="#">Section 28.4.3s</a> for more information.</p> <p><i>Read:</i> No timeout occurred after one wakeup signal (150ms). <i>Write:</i> No effect.</p>
		1	<p><i>Read:</i> Timeout occurred after one wakeup signal. <i>Write:</i> The bit is cleared to 0.</p>
5	Reserved	0	Read returns 0. Writes have no effect.
4	TIMEOUT	0	<p>LIN bus idle timeout flag. This bit is effective in LIN mode only. This bit is set earliest after at least four seconds of bus inactivity. Bus inactivity is defined as no transactions between recessive and dominant (and vice versa). This bit is cleared by the following:</p> <ul style="list-style-type: none"> <li>Setting the SW nRST bit</li> <li>Setting of the RESET bit</li> <li>A system reset occurring</li> <li>Writing a 1 to this bit</li> <li>Reading the corresponding interrupt offset in SCIINTVECT0/1</li> </ul> <p>See <a href="#">Section 28.3.1.7</a> for more information.</p> <p><i>Read:</i> No bus idle has been detected since this bit was last cleared. <i>Write:</i> No effect.</p>
		1	<p><i>Read:</i> A LIN bus idle has been detected. <i>Write:</i> The bit is cleared to 0.</p>
3	BUSY	0	<p>Bus busy flag. This bit is effective in LIN mode and SCI-compatible mode. This bit indicates whether the receiver is in the process of receiving a frame. As soon as the receiver detects the beginning of a start bit, the BUSY bit is set to 1. When the reception of a frame is complete, the SCI/LIN clears the BUSY bit. If SET WAKEUP INT is set and power down is requested while this bit is set, the SCI/LIN automatically prevents low-power mode from being entered and generates wakeup interrupt. The BUSY bit is controlled directly by the SCI/LIN receiver, but this bit can also be cleared by the following:</p> <ul style="list-style-type: none"> <li>Setting the SW nRST bit</li> <li>Setting of the RESET bit</li> <li>A system reset occurring</li> </ul> <p>The receiver is not currently receiving a frame.</p>
		1	<p>The receiver is currently receiving a frame.</p>

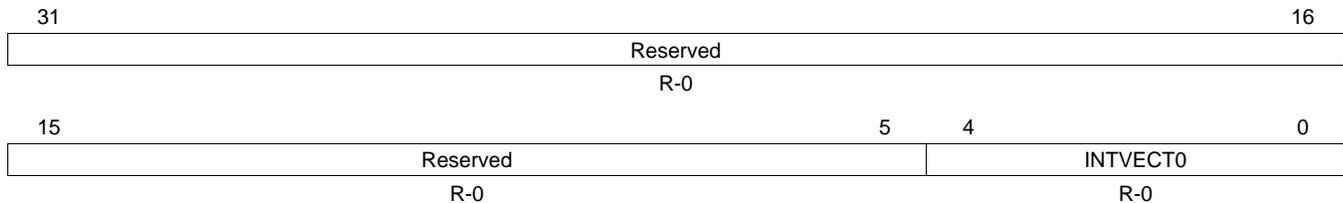
**Table 28-20. SCI Flags Register (SCIFLR) Field Descriptions (continued)**

Bit	Field	Value	Description
2	IDLE		SCI receiver in idle state. This bit is effective in SCI-compatible mode only. While this bit is set, the SCI looks for an idle period to resynchronize itself with the bit stream. The receiver does not receive any data while the bit is set. The bus must be idle for 11 bit periods to clear this bit. The SCI enters the idle state if one of the following events occurs: <ul style="list-style-type: none"> <li>• A system reset</li> <li>• An SCI software reset</li> <li>• A power down</li> <li>• The RX pin is configured as a general I/O pin</li> </ul>
		0	The idle period has been detected; the SCI is ready to receive.
1	WAKEUP		Wakeup flag. This bit is effective in LIN mode only. This bit is set by the SCI/LIN when receiver or transmitter activity has taken the module out of power-down mode. An interrupt is generated if the SET WAKEUP INT bit (SCISSETINT[2]) is set. It is cleared by the following: <ul style="list-style-type: none"> <li>• Setting of the SW nRST bit</li> <li>• Setting of the RESET bit</li> <li>• A system reset</li> <li>• Writing a 1 to this bit</li> <li>• Reading the corresponding interrupt offset in SCIINTVECT0/1</li> </ul> For compatibility mode, see the SCI document for more information on low-power mode.
		0	<i>Read:</i> The module will not wake up from power-down mode. <i>Write:</i> No effect.
0	BRKDT		SCI break-detect flag. This bit is effective in SCI-compatible mode only. This bit is set when the SCI detects a break condition on the LINRX pin. A break condition occurs when the LINRX pin remains continuously low for at least 10 bits after a missing first stop bit, that is, after a framing error. Detection of a break condition causes the SCI to generate an error interrupt if the BRKDT INT ENA bit is set. The BRKDT bit is reset by the following: <ul style="list-style-type: none"> <li>• Setting of the SW nRST bit</li> <li>• Setting of the RESET bit</li> <li>• A system reset</li> <li>• Writing a 1 to this bit</li> <li>• Reading the corresponding interrupt offset in SCIINTVECT0/1</li> </ul>
		0	<i>Read:</i> No break condition has been detected since the last clear. <i>Write:</i> No effect.
		1	<i>Read:</i> A break condition has been detected. <i>Write:</i> The bit is cleared to 0.

### 28.7.9 SCI Interrupt Vector Offset 0 (SCIINTVECT0)

Figure 28-36 and Table 28-21 illustrate this register.

**Figure 28-36. SCI Interrupt Vector Offset 0 (SCIINTVECT0) (offset = 20h)**



LEGEND: R/W = Read/Write; R = Read only; -n = value after reset

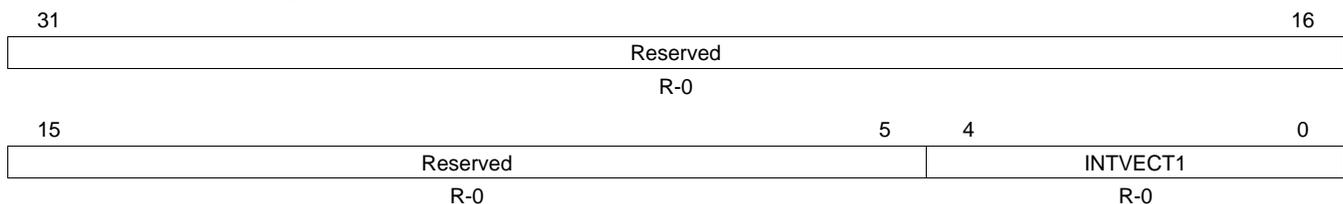
**Table 28-21. SCI Interrupt Vector Offset 0 (SCIINTVECT0) Field Descriptions**

Bit	Field	Value	Description
31-5	Reserved	0	Read returns 0. Writes have no effect.
4-0	INVECT0	0-1Fh	Interrupt vector offset for INT0. This register indicates the offset for interrupt line INT0. A read to this register updates its value to the next highest priority pending interrupt in SCIFLR and clears the flag in SCIFLR corresponding to the offset that was read. See Table 28-4 for a list of the interrupts.  <b>Note: The flags for the receive (SCIFLR[9]) and the transmit (SCIFLR[8]) interrupt cannot be cleared by reading the corresponding offset vector in this register (see detailed description in SCIFLR register).</b>

### 28.7.10 SCI Interrupt Vector Offset 1 (SCIINTVECT1)

Figure 28-37 and Table 28-22 illustrate this register.

**Figure 28-37. SCI Interrupt Vector Offset 1 (SCIINTVECT1) (offset = 24h)**



LEGEND: R/W = Read/Write; R = Read only; -n = value after reset

**Table 28-22. SCI Interrupt Vector Offset 1 (SCIINTVECT1) Field Descriptions**

Bit	Field	Value	Description
31-5	Reserved	0	Read returns 0. Writes have no effect.
4-0	INVECT1	0-1Fh	Interrupt vector offset for INT1. This register indicates the offset for interrupt line INT1. A read to this register updates its value to the next highest priority pending interrupt in SCIFLR and clears the flag in SCIFLR corresponding to the offset that was read. See Table 28-4 for list of interrupts.  <b>Note: The flags for the receive (SCIFLR[9]) and the transmit (SCIFLR[8]) interrupt cannot be cleared by reading the corresponding offset vector in this register (see detailed description in SCIFLR register).</b>

### 28.7.11 SCI Format Control Register (SCIFORMAT)

Figure 28-38 and Table 28-23 illustrate this register.

**Figure 28-38. SCI Format Control Register (SCIFORMAT) (offset = 28h)**

31	19	18	16
Reserved		LENGTH	
R-0		R/W-0	
15	3	2	0
Reserved		CHAR	
R-0		R/WC-0	

LEGEND: R/W = Read/Write; R = Read only; WC = Write in SCI-compatible mode only; -n = value after reset

**Table 28-23. SCI Format Control Register (SCIFORMAT) Field Descriptions**

Bit	Field	Value	Description
31-19	Reserved	0	Read returns 0. Writes have no effect.
18-16	LENGTH	0-3h	<p>Frame length control bits. In <i>LIN mode</i>, these bits indicate the number of bytes in the response field from 1 to 8 bytes. In <i>buffered SCI mode</i>, these bits indicate the number of characters, with the number of bits per character specified in CHAR (SCIFORMAT[2:0]).</p> <p>When these bits are used to indicate LIN response length (SCIGCR1[0] = 1), then when there is an ID RX match, this value should be updated with the expected length of the response. In buffered SCI mode, these bits indicate the transmitter/receiver format for the number of characters: 1 to 8. There can be up to eight characters with eight bits each.</p> <p>0 The response field has 1 byte/character.            1h The response field has 2 bytes/characters.            2h The response field has 3 bytes/characters.            3h The response field has 4 bytes/characters.            4h The response field has 5 bytes/characters.            5h The response field has 6 bytes/characters.            6h The response field has 7 bytes/characters.            7h The response field has 8 bytes/characters.</p>
15-3	Reserved	0	Read returns 0. Writes have no effect.
2-0	CHAR	0-7h	<p>Character length control bits. These bits are effective in non-buffered SCI and buffered SCI modes only. These bits set the SCI character length from 1 to 8 bits.</p> <p><b>In non-buffered SCI and buffered SCI mode, when data of fewer than eight bits in length is received, it is left justified in SCIRD/RDy and padded with trailing zeros. Data read from the SCIRD should be shifted by software to make the received data right justified.</b></p> <p><b>Data written to the SCITD should be right justified but does not need to be padded with leading zeros.</b></p> <p>0 The character is 1 bit long.            1h The character is 2 bits long.            2h The character is 3 bits long.            3h The character is 4 bits long.            4h The character is 5 bits long.            5h The character is 6 bits long.            6h The character is 7 bits long.            7h The character is 8 bits long.</p>

### 28.7.12 Baud Rate Selection Register (BRS)

This section describes the baud rate selection register. [Figure 28-39](#) and [Table 28-24](#) illustrate this register.

**Figure 28-39. Baud Rate Selection Register (BRS) (offset = 2Ch)**

31	30	28	27	24	23	16
Rsvd	U		M		PRESCALER P	
R-0	R/W-0		R/W-0		R/W-0	
15						0
PRESCALER P						
R/W-0						

LEGEND: R/W = Read/Write; R = Read only; -n = value after reset

**Table 28-24. Baud Rate Selection Register (BRS) Field Descriptions**

Bit	Field	Value	Description
31	Reserved	0	Read returns 0. Writes have no effect.
30-28	U	0-2h	SCI/LIN super fractional divider selection. These bits are effective in LIN or SCI asynchronous mode. These bits are an additional fractional part for the baud rate specification. These bits allow a super-fine tuning of the fractional baud rate with seven more intermediate values for each of the M fractional divider values. See <a href="#">Section 28.3.1.4.1</a> for more details.
27-24	M	0-3h	SCI/LIN 4-bit fractional divider selection. These bits are effective in LIN or SCI asynchronous mode. These bits are used to select a baud rate for the SCI/LIN module, and they are a fractional part for the baud rate specification. The M divider allows fine-tuning of the baud rate over the P prescaler with 15 additional intermediate values for each of the P integer values. See <a href="#">Section 28.3.1.4.1</a> for more details.
23-0	PRESCALER P	0-FF FFFFh	<p>These bits are used to select a baud rate for the SCI/LIN module. These bits are effective in LIN mode and SCI compatibility..</p> <p>The SCI/LIN has an internally generated serial clock determined by the VCLK and the prescalers P and M in this register. The LIN uses the 24-bit integer prescaler P value of this register to select one of over 16,700,000. The additional 4-bit fractional divider M refines the baudrate selection PRESCALER[27:24].</p> <p><b>NOTE: In LIN mode, ONLY the asynchronous mode and baudrate values are used.</b></p> <p>The baud rate can be calculated using the following formulas:</p> $\text{Asynchronous baud value} = \left( \frac{\text{VCLK Frequency}}{16 \left( P + 1 + \frac{M}{16} \right)} \right) \quad (50)$ $\text{Isosynchronous baud value} = \left( \frac{\text{VCLK Frequency}}{P + 1} \right) \quad (51)$ <p>For P = 0,</p> $\text{Asynchronous baud value} = \left( \frac{\text{VCLK Frequency}}{32} \right) \quad (52)$ $\text{Isosynchronous baud value} = \left( \frac{\text{VCLK Frequency}}{2} \right) \quad (53)$ <p><a href="#">Table 28-25</a> contains comparative baud values for different P values, with VCLK = 50 MHz, for asynchronous mode.</p>

**Table 28-25. Comparative Baud Values for Different P Values, Asynchronous Mode<sup>(1)(2)</sup>**

24-Bit Register Value		Baud Selected		Percent Error
Decimal	Hex	Ideal	Actual	
26	00001A	115200	115740	0.47
53	000035	57600	57870	0.47
80	000050	38400	38580	0.47
162	0000A2	19200	19172	-0.15
299	00012B	10400	10417	0.16
325	000145	9600	9586	-0.15
399	00018F	7812.5	7812.5	0.00
650	00028A	4800	4800	0.00
15624	003BA0	200	200	0.00
624999	098967	5	5	0.00

<sup>(1)</sup> VCLK = 50 MHz

<sup>(2)</sup> Values are in decimal except for column 2.

### 28.7.13 SCI Data Buffers (SCIED, SCIRD, SCITD)

The SCI has three addressable registers in which transmit and receive data is stored. These three registers are available in SCI mode only.

#### 28.7.13.1 Receiver Emulation Data Buffer (SCIED)

The SCIED register is addressed at a location different from SCIRD, but is physically the same register. [Figure 28-40](#) and [Table 28-26](#) illustrate this register.

**Figure 28-40. Receiver Emulation Data Buffer (SCIED) (offset = 30h)**

31	Reserved			16
R-0				
15	8	7	0	
Reserved			ED	
R-0			R-0	

LEGEND: R/W = Read/Write; R = Read only; -n = value after reset

**Table 28-26. Receiver Emulation Data Buffer (SCIED) Field Descriptions**

Bit	Field	Value	Description
31-8	Reserved	0	Read returns 0. Writes have no effect.
7-0	ED	0-FFh	Emulator data. This bit is effective in SCI-compatible mode only. Reading SCIED[7:0] does not clear the RXRDY flag, unlike reading SCIRD. This register should be used only by an emulator that must continually read the data buffer without affecting the RXRDY flag.

#### 28.7.13.2 Receiver Data Buffer (SCIRD)

This register provides a location for the receiver data. [Figure 28-41](#) and [Table 28-27](#) illustrate this register.

**Figure 28-41. Receiver Data Buffer (SCIRD) (offset = 34h)**

31	Reserved			16
R-0				
15	8	7	0	
Reserved			RD	
R-0			R-0	

LEGEND: R/W = Read/Write; R = Read only; -n = value after reset

**Table 28-27. Receiver Data Buffer (SCIRD) Field Descriptions**

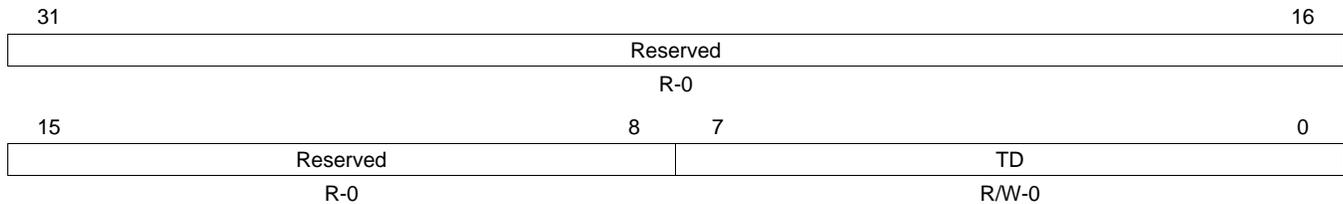
Bit	Field	Value	Description
31-8	Reserved	0	Read returns 0. Writes have no effect.
7-0	RD	0-FFh	Receiver data. This bit is effective in SCI-compatible mode only. When a frame has been completely received, the data in the frame is transferred from the receiver shift register SCIRXSHF to this register. As this transfer occurs, the RXRDY flag is set and a receive interrupt is generated if SET RX INT is set.  <b>Note: When the data is read from SCIRD, the RXRDY flag is automatically cleared.</b>

**NOTE:** When the SCI receives data that is fewer than eight bits in length, it loads the data into this register in a left justified format padded with trailing zeros. Therefore, your software should perform a logical shift on the data by the correct number of positions to make it right justified.

### 28.7.13.3 Transmit Data Buffer Register (SCITD)

Data to be transmitted is written to the SCITD register. [Figure 28-42](#) and [Table 28-28](#) illustrate this register.

**Figure 28-42. Transmit Data Buffer Register (SCITD) (offset = 38h)**



LEGEND: R/W = Read/Write; R = Read only; -n = value after reset

**Table 28-28. Transmit Data Buffer Register (SCITD) Field Descriptions**

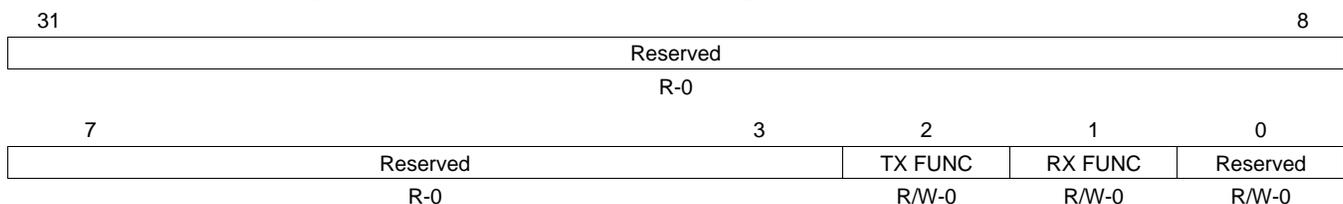
Bit	Field	Value	Description
31-8	Reserved	0	Read returns 0. Writes have no effect.
7-0	TD	0-FFh	Transmit data. This bit is effective in SCI-compatible mode only. Data to be transmitted is written to the SCITD register. The transfer of data from this register to the transmit shift register SCITXSHF sets the TXRDY flag, which indicates that SCITD is ready to be loaded with another byte of data.  <b>Note: If TX INT ENA is set, this data transfer also causes an interrupt.</b>

**NOTE:** Data written to the SCITD register that is fewer than eight bits long must be right justified, but it does not need to be padded with leading zeros.

### 28.7.14 SCI Pin I/O Control Register 0 (SCIPIO0)

[Figure 28-43](#) and [Table 28-29](#) illustrate this register.

**Figure 28-43. SCI Pin I/O Control Register 0 (SCIPIO0) (offset = 3Ch)**



LEGEND: R/W = Read/Write; R = Read only; -n = value after reset

**Table 28-29. SCI Pin I/O Control Register 0 (SCIPIO0) Field Descriptions**

Bit	Field	Value	Description
31-3	Reserved	0	Read returns 0. Writes have no effect.
2	TX FUNC	0	Transfer function. This bit is effective in LIN or SCI mode. This bit defines the function of pin LINTX. LINTX is a general-purpose digital I/O pin.
		1	LINTX is the SCI/LIN transmit pin.
1	RX FUNC	0	Receive function. This bit is effective in LIN or SCI mode. This bit defines the function of pin LINRX. LINRX is a general-purpose digital I/O pin.
		1	LINRX is the SCI/LIN receive pin.
0	Reserved	0	Writes have no effect.

### 28.7.15 SCI Pin I/O Control Register 1 (SCIPIO1)

Figure 28-44 and Table 28-30 illustrate this register.

**Figure 28-44. SCI Pin I/O Control Register 1 (SCIPIO1) (offset = 40h)**

	Reserved	
	R-0	
7	Reserved	0
	R-0	
	TX DIR	1
	R/W-0	
	RX DIR	0
	R/W-0	
	Reserved	8
	R/W-0	

LEGEND: R/W = Read/Write; R = Read only; -n = value after reset

**Table 28-30. SCI Pin I/O Control Register 1 (SCIPIO1) Field Descriptions**

Bit	Field	Value	Description
31-3	Reserved	0	Read returns 0. Writes have no effect.
2	TX DIR	0 1	Transmit pin direction. This bit is effective in LIN or SCI mode. This bit determines the data direction on the LINTX pin if it is configured with general-purpose I/O functionality (TX FUNC = 0). See <a href="#">Table 28-31</a> for the LINTX pin control with this bit and others. 0 LINTX is a general-purpose input pin. 1 LINTX is a general-purpose output pin.
1	RX DIR	0 1	Receive pin direction. This bit is effective in LIN or SCI mode. This bit determines the data direction on the LINRX pin if it is configured with general-purpose I/O functionality (RX FUNC = 0). See <a href="#">Table 28-32</a> for the LINRX pin control with this bit and others. 0 LINRX is a general-purpose input pin. 1 LINRX is a general-purpose output pin.
0	Reserved	0	Writes have no effect.

**Table 28-31. LINTX Pin Control**

Function	TX IN <sup>(1)</sup>	TX OUT	TX FUNC	TX DIR
LINTX	X	X	1	X
General purpose input	X	X	0	0
General purpose output, high	X	1	0	1
General purpose output, low	X	0	0	1

<sup>(1)</sup> TX IN is a read-only bit. Its value always reflects the level of the SCITX pin.

**Table 28-32. LINRX Pin Control**

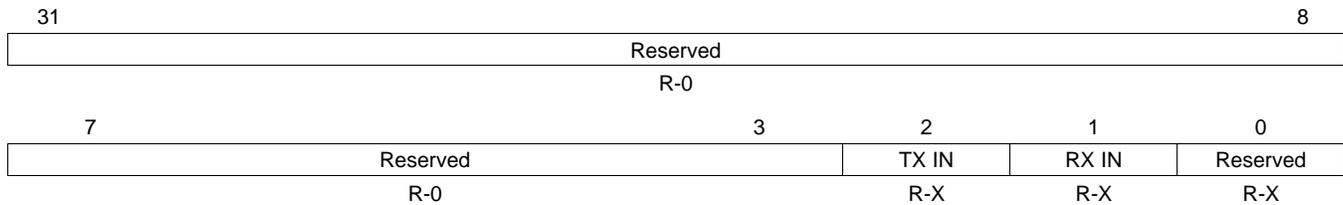
Function	RX IN <sup>(1)</sup>	RX OUT	RX FUNC	RX DIR
LINRX	X	X	1	X
General purpose input	X	X	0	0
General purpose output, high	X	1	0	1
General purpose output, low	X	0	0	1

<sup>(1)</sup> RX IN is a read-only bit. Its value always reflects the level of the SCIRX pin.

### 28.7.16 SCI Pin I/O Control Register 2 (SCIPIO2)

Figure 28-45 and Table 28-33 illustrate this register.

**Figure 28-45. SCI Pin I/O Control Register 2 (SCIPIO2) (offset = 44h)**



LEGEND: R/W = Read/Write; R = Read only; -n = value after reset; -x = Indeterminate

**Table 28-33. SCI Pin I/O Control Register 2 (SCIPIO2) Field Descriptions**

Bit	Field	Value	Description
31-3	Reserved	0	Read returns 0. Writes have no effect.
2	TX IN	0	Transmit pin in. This bit is effective in LIN or SCI mode. This bit contains the current value on the LINTX pin. The LINTX pin is at logic low (0).
		1	The LINTX pin is at logic high (1).
1	RX IN	0	Receive pin in. This bit is effective in LIN or SCI mode. This bit contains the current value on the LINRX pin. The LINRX pin is at logic low (0).
		1	The LINRX pin is at logic high (1).
0	Reserved	0	Writes have no effect.

### 28.7.17 SCI Pin I/O Control Register 3 (SCIPIO3)

Figure 28-46 and Table 28-34 illustrate this register.

**Figure 28-46. SCI Pin I/O Control Register 3 (SCIPIO3) (offset = 48h)**

31	Reserved				8
R-0					
7	3	2	1	0	
Reserved		TX OUT	RX OUT	Reserved	
R-0		R/W-0	R/W-0	R/W-0	

LEGEND: R/W = Read/Write; R = Read only; -n = value after reset

**Table 28-34. SCI Pin I/O Control Register 3 (SCIPIO3) Field Descriptions**

Bit	Field	Value	Description
31-3	Reserved	0	Read returns 0. Writes have no effect.
2	TX OUT	0 1	<p>Transmit pin out. This bit is effective in LIN or SCI mode. This pin specifies the logic to be output on pin LINTX if the following conditions are met:</p> <ul style="list-style-type: none"> <li>TX FUNC = 0 (LINTX pin is a general-purpose I/O.)</li> <li>TX DIR = 1 (LINTX pin is a general-purpose output.)</li> </ul> <p>See Table 28-31 for an explanation of this bit's effect in combination with other bits.</p> <p>0 The output on the LINTX is at logic low (0).</p> <p>1 The output on the LINTX pin is at logic high (1). (Output voltage is <math>V_{OH}</math> or higher if TXPDR = 0 and output is in high impedance state if TXPDR = 1)</p>
1	RX OUT	0 1	<p>Receive pin out. This bit is effective in LIN or SCI mode. This bit specifies the logic to be output on pin LINRX if the following conditions are met:</p> <ul style="list-style-type: none"> <li>RX FUNC = 0 (LINRX pin is a general-purpose I/O.)</li> <li>RX DIR = 1 (LINRX pin is a general-purpose output.)</li> </ul> <p>See Table 28-32 for an explanation of this bit's effect in combination with the other bits.</p> <p>0 The output on the LINRX pin is at logic low (0).</p> <p>1 The output on the LINRX pin is at logic high (1). (Output voltage is <math>V_{OH}</math> or higher if RXPDR = 0, and output is in high impedance state if RXPDR = 1)</p>
0	Reserved	0	Writes have no effect.

### 28.7.18 SCI Pin I/O Control Register 4 (SCIPIO4)

Figure 28-47 and Table 28-35 illustrate this register.

**Figure 28-47. SCI Pin I/O Control Register 4 (SCIPIO4) (offset = 4Ch)**

31	Reserved				8
R-0					
7	Reserved	3	2	1	0
R-0		TX SET R/W-0		RX SET R/W-0	Reserved R-0

LEGEND: R/W = Read/Write; R = Read only; -n = value after reset

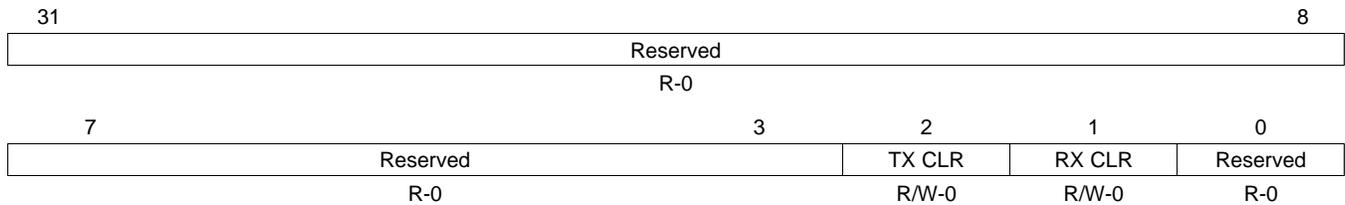
**Table 28-35. SCI Pin I/O Control Register 4 (SCIPIO4) Field Descriptions**

Bit	Field	Value	Description
31-3	Reserved	0	Read returns 0. Writes have no effect.
2	TX SET	0	Transmit pin set. This bit is effective in LIN or SCI mode. This bit sets the logic to be output on pin LINTX if the following conditions are met: <ul style="list-style-type: none"> <li>• TX FUNC = 0 (LINTX pin is a general-purpose I/O.)</li> <li>• TX DIR = 1 (LINTX pin is a general-purpose output.)</li> </ul> See <a href="#">Table 28-31</a> for an explanation of this bit's effect in combination with other bits.
		1	<i>Read and write:</i> The output on LINTX is at logic high (1).
1	RX SET	0	Receive pin set. This bit is effective in LIN or SCI mode. This bit sets the data to be output on pin LINRX if the following conditions are met: <ul style="list-style-type: none"> <li>• RX FUNC = 0 (LINRX pin is a general-purpose I/O.)</li> <li>• RX DIR = 1 (LINRX pin is a general-purpose output.)</li> </ul> See <a href="#">Table 28-32</a> for an explanation of this bit's effect in combination with the other bits.
		1	<i>Read and write:</i> The output on LINRX is at logic high (1).
0	Reserved	0	Read returns 0. Writes have no effect.

### 28.7.19 SCI Pin I/O Control Register 5 (SCIPIO5)

Figure 28-48 and Table 28-36 illustrate this register.

**Figure 28-48. SCI Pin I/O Control Register 5 (SCIPIO5) (offset = 50h)**



LEGEND: R/W = Read/Write; R = Read only; -n = value after reset

**Table 28-36. SCI Pin I/O Control Register 5 (SCIPIO5) Field Descriptions**

Bit	Field	Value	Description
31-3	Reserved	0	Read returns 0. Writes have no effect.
2	TX CLR	0	Transmit pin clear. This bit is effective in LIN or SCI mode. This bit clears the logic to be output on pin LINTX if the following conditions are met: <ul style="list-style-type: none"> <li>• TX FUNC = 0 (LINTX pin is a general-purpose I/O.)</li> <li>• TX DIR = 1 (LINTX pin is a general-purpose output.)</li> </ul> <i>Read:</i> The output on LINTX is at logic low (0). <i>Write:</i> No effect.
		1	<i>Read:</i> The output on LINTX is at logic high (1). <i>Write:</i> The output on LINTX is at logic low (0).
1	RX CLR	0	Receive pin clear. This bit is effective in LIN or SCI mode. This bit clears the logic to be output on pin LINRX if the following conditions are met: <ul style="list-style-type: none"> <li>• RX FUNC = 0 (LINRX pin is a general-purpose I/O.)</li> <li>• RX DIR = 1 (LINRX pin is a general-purpose output.)</li> </ul> <i>Read:</i> The output on LINRX is at logic low (0). <i>Write:</i> No effect.
		1	<i>Read:</i> The output on LINRX is at logic high (1). <i>Write:</i> The output on LINRX is at logic low (0).
0	Reserved	0	Read returns 0. Writes have no effect.

## 28.7.20 SCI Pin I/O Control Register 6 (SCIPIO6)

Figure 28-49 and Table 28-37 illustrate this register.

**Figure 28-49. SCI Pin I/O Control Register 6 (SCIPIO6) (offset = 54h)**

31	Reserved							8
	R-0							
		3	2	1	0			
	Reserved	TX PDR	RX PDR	Reserved				
	R-0	R/W-0	R/W-0	R/W-0				

LEGEND: R/W = Read/Write; R = Read only; -n = value after reset

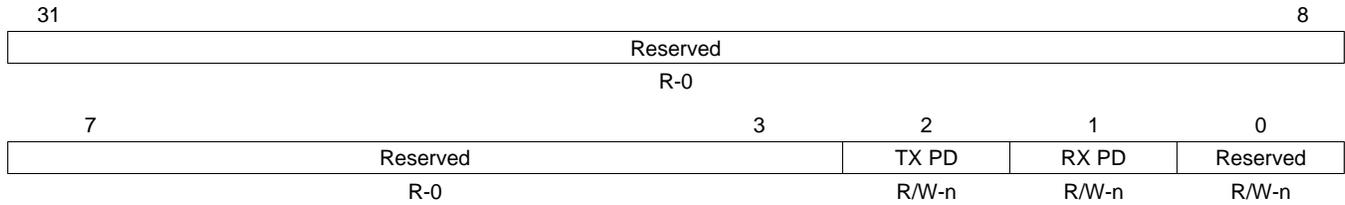
**Table 28-37. SCI Pin I/O Control Register 6 (SCIPIO6) Field Descriptions**

Bit	Field	Value	Description
31-3	Reserved	0	Read returns 0. Writes have no effect.
2	TX PDR	0	Transmit pin open drain enable. This bit is effective in LIN or SCI mode. This bit enables open-drain capability in the output pin LINTX if the following conditions are met: <ul style="list-style-type: none"> <li>• TX FUNC = 0 (LINTX pin is a general-purpose I/O.)</li> <li>• TX DIR = 1 (LINTX pin is a general-purpose output.)</li> </ul> Open drain functionality is disabled; the output voltage is $V_{OL}$ or lower if TXOUT =0 and $V_{OH}$ or higher if TXOUT =1.
		1	Open drain functionality is enabled; the output voltage is $V_{OL}$ or lower if TXOUT =0 and high impedance if TXOUT =1.
1	RX PDR	0	Receive pin open train enable. This bit is effective in LIN or SCI mode. This bit enables open-drain capability in the output pin LINRX if the following conditions are met: <ul style="list-style-type: none"> <li>• RX FUNC = 0 (LINRX pin is a general-purpose I/O.)</li> <li>• RX DIR = 1 (LINRX pin is a general-purpose output.)</li> </ul> Open drain functionality is disabled; the output voltage is $V_{OL}$ or lower if RXOUT =0 and $V_{OH}$ or higher if RXOUT =1.
		1	Open drain functionality is enabled; the output voltage is $V_{OL}$ or lower if RXOUT =0 and high impedance if RXOUT =1.
0	Reserved	0	Writes have no effect.

### 28.7.21 SCI Pin I/O Control Register 7 (SCIPIO7)

Figure 28-50 and Table 28-38 illustrate this register.

**Figure 28-50. SCI Pin I/O Control Register 7 (SCIPIO7) (offset = 58h)**



LEGEND: R/W = Read/Write; R = Read only; -n = value after reset, Refer to the Terminal Functions in the device datasheet for default pin settings.

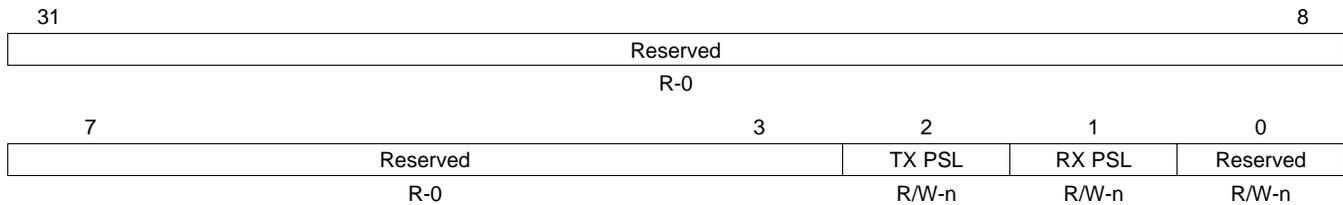
**Table 28-38. SCI Pin I/O Control Register 7 (SCIPIO7) Field Descriptions**

Bit	Field	Value	Description
31-3	Reserved	0	Read returns 0. Writes have no effect.
2	TX PD	0	Transmit pin pull control disable. This bit is effective in LIN or SCI mode. This bit disables pull control capability on the input pin LINTX. The pull control on the LINTX pin is enabled.
		1	The pull control on the LINTX pin is disabled.
1	RX PD	0	Receive pin pull control disable. This bit is effective in LIN or SCI mode. This bit disables pull control capability on the input pin LINRX. Pull control on the LINRX pin is enabled.
		1	Pull control on the LINRX pin is disabled.
0	Reserved	0	Writes have no effect.

### 28.7.22 SCI Pin I/O Control Register 8 (SCIPIO8)

Figure 28-51 and Table 28-39 illustrate this register.

**Figure 28-51. SCI Pin I/O Control Register 8 (SCIPIO8) (offset = 5Ch)**



LEGEND: R/W = Read/Write; R = Read only; -n = value after reset, Refer to the Terminal Functions in the device datasheet for default pin settings.

**Table 28-39. SCI Pin I/O Control Register 8 (SCIPIO8) Field Descriptions**

Bit	Field	Value	Description
31-3	Reserved	0	Read returns 0. Writes have no effect.
2	TX PSL	0	The LINTX pin is a pull down.
		1	The LINTX pin is a pull up.
1	RX PSL	0	The LINRX pin is a pull down.
		1	The LINRX pin is a pull up.
0	Reserved	0	Writes have no effect.

### 28.7.23 LIN Compare Register (LINCOMPARE)

Figure 28-52 and Table 28-40 illustrate this register.

**Figure 28-52. LIN Compare Register (LINCOMPARE) (offset = 60h)**

31	Reserved																16
R-0																	
15	10				9	8	7	3				2	0				
Reserved						SDEL		Reserved						SBREAK			
R-0						RWP-0		R-0						RWP-0			

LEGEND: R/W = Read/Write; R = Read only; RWP = Read/Write in privileged mode only; -n = value after reset

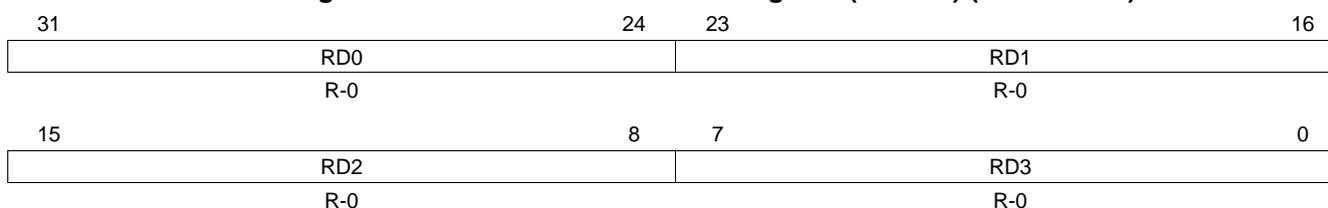
**Table 28-40. LIN Compare Register (LINCOMPARE) Field Descriptions**

Bit	Field	Value	Description
31-19	Reserved	0	Read returns 0. Writes have no effect.
18-16	SDEL	0 1h 2h 3h	2-bit synch delimiter compare. These bits are effective in LIN mode only. These bits are used to configure the number of $T_{bit}$ for the synch delimiter in the synch field. The default value is 00.  The formula to program the value (in $T_{bits}$ ) for the synchronization delimiter is: $T_{SDEL} = (SDEL + 1) T_{bit}$  The synch delimiter has 1 $T_{bit}$ . The synch delimiter has 2 $T_{bit}$ . The synch delimiter has 3 $T_{bit}$ . The synch delimiter has 4 $T_{bit}$ .
15-3	Reserved	0	Read returns 0. Writes have no effect.
2-0	SBREAK	0 1h 2h 3h 4h 5h 6h 7h	Synch break extend. These bits are effective in LIN mode only. These bits are used to configure the number of $T_{bit}$ for the synch break to extend the minimum 13 $T_{bit}$ break field to a maximum of 20 $T_{bit}$ long.  Note: The default value is 0x0, which adds nothing to the automatically generated SYNCH BREAK.  The formula to program the value (in $T_{bits}$ ) for the SYNCH BREAK is: $T_{SYNBRK} = 13T_{bit} + SBREAK \times T_{bit}$  The synch break has no additional $T_{bit}$ . The synch break has 1 additional $T_{bit}$ . The synch break has 2 additional $T_{bit}$ . The synch break has 3 additional $T_{bit}$ . The synch break has 4 additional $T_{bit}$ . The synch break has 5 additional $T_{bit}$ . The synch break has 6 additional $T_{bit}$ . The synch break has 7 additional $T_{bit}$ .

### 28.7.24 LIN Receive Buffer 0 Register (LINRD0)

Figure 28-53 and Table 28-41 illustrate this register.

**Figure 28-53. LIN Receive Buffer 0 Register (LINRD0) (offset = 64h)**



LEGEND: R/W = Read/Write; R = Read only; -n = value after reset

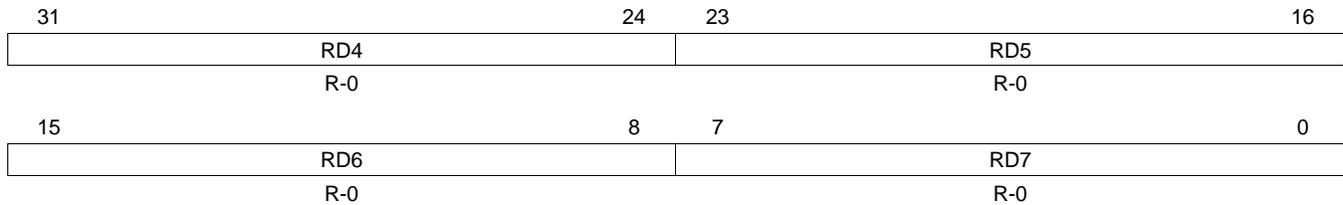
**Table 28-41. LIN Receive Buffer 0 Register (LINRD0) Field Descriptions**

Bit	Field	Value	Description
31-24	RD0	0-FFh	Receive buffer 0. Byte 0 of the response data byte. Each response data-byte that is received in the SCIRXSHFT register is transferred to the corresponding RDy bit field according to the number of bytes received. A read of this byte clears the RXDY byte. <b>Note: RD&lt;x-1&gt; is equivalent to data byte &lt;x&gt; of the LIN frame.</b>
23-16	RD1	0-FFh	Receive buffer 1. Byte 1 of the response data byte. Each response data-byte that is received in the SCIRXSHFT register is transferred to the corresponding RDy register according to the number of bytes received.
15-8	RD2	0-FFh	Receive buffer 2. Byte 2 of the response data byte. Each response data-byte that is received in the SCIRXSHFT register is transferred to the corresponding RDy register according to the number of bytes received.
7-0	RD3	0-FFh	Receive buffer 3. Byte 3 of the response data byte. Each response data-byte that is received in the SCIRXSHFT register is transferred to the corresponding RDy register according to the number of bytes received.

### 28.7.25 LIN Receive Buffer 1 Register (LINRD1)

Figure 28-54 and Table 28-42 illustrate this register.

**Figure 28-54. LIN Receive Buffer 1 Register (RD1) (offset = 68h)**



LEGEND: R/W = Read/Write; R = Read only; -n = value after reset

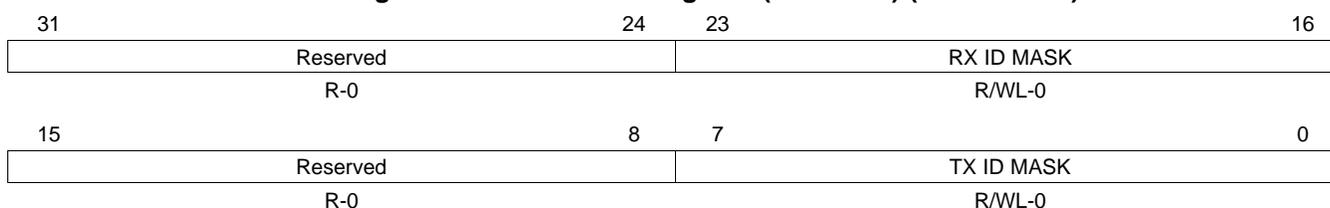
**Table 28-42. LIN Receive Buffer 1 Register (RD1) Field Descriptions**

Bit	Field	Value	Description
31-24	RD4	0-FFh	Receive buffer 4. Byte 4 of the response data byte. Each response data-byte that is received in the SCIRXSHFT register is transferred to the corresponding register according to the number of bytes received. <b>Note: RD&lt;x-1&gt; is equivalent to data byte &lt;x&gt; of the LIN frame.</b>
23-16	RD5	0-FFh	Receive buffer 5. Byte 5 of the response data byte. Each response data-byte that is received in the SCIRXSHFT register is transferred to the corresponding register according to the number of bytes received.
15-8	RD6	0-FFh	Receive buffer 6. Byte 6 of the response data byte. Each response data-byte that is received in the SCIRXSHFT register is transferred to the corresponding register according to the number of bytes received.
7-0	RD7	0-FFh	Receive buffer 7. Byte 7 of the response data byte. Each response data-byte that is received in the SCIRXSHFT register is transferred to the corresponding register according to the number of bytes received.

## 28.7.26 LIN Mask Register (LINMASK)

Figure 28-55 and Table 28-43 illustrate this register.

**Figure 28-55. LIN Mask Register (LINMASK) (offset = 6Ch)**



LEGEND: R/W = Read/Write; R = Read only; WL = Write in LIN mode only; -n = value after reset

**Table 28-43. LIN Mask Register (LINMASK) Field Descriptions**

Bit	Field	Value	Description
31-24	Reserved	0	Reads return 0. Writes have no effect.
23-16	RX ID MASK	0-FFh	Receive ID mask. These bits are effective in LIN mode only. This 8-bit mask is used for filtering an incoming ID message and comparing it to the ID-byte. A compare match of the received ID with the RX ID mask will set the ID RX flag and trigger an ID interrupt if enabled (SET ID INT in SCISSETINT). A 0 bit in the mask indicates that bit is compared to the ID-byte. A 1 bit in the mask indicates that bit is filtered and therefore is not used in the compare.
15-8	Reserved	0	Reads return 0. Writes have no effect.
7-0	TX ID MASK	0-FFh	Transmit ID mask. These bits are effective in LIN mode only. This 8-bit mask is used for filtering an incoming ID message and comparing it to the ID-byte. A compare match of the received ID with the TX ID mask will set the ID TX flag and trigger an ID interrupt if enabled (SET ID INT in SCISSETINT). A 0 bit in the mask indicates that bit is compared to the ID-byte. A 1 bit in the mask indicates that bit is filtered and therefore is not used for the compare.

### 28.7.27 LIN Identification Register (LINID)

Figure 28-56 and Table 28-44 illustrate this register.

**Figure 28-56. LIN Identification Register (LINID) (offset = 70h)**

31	24	23	16
Reserved		RECEIVED ID	
R-0		R-0	
15	8	7	0
ID-SlaveTask BYTE		ID BYTE	
R/WL-0		R/WL-0	

LEGEND: R/W = Read/Write; R = Read only; WL = Write in LIN mode only; -n = value after reset

**Table 28-44. LIN Identification Register (LINID) Field Descriptions**

Bit	Field	Value	Description
31-24	Reserved	0	Reads return 0. Writes have no effect.
23-16	RECEIVED ID	0-FFh	Received identification. These bits are effective in LIN mode only. This byte contains the current message identifier. During header reception the received ID is copied from the SCIRXSHF register to this byte if there is no ID-parity error and there has been an RX/TX match.
15-8	ID-SLAVETASK BYTE	0-FFh	ID-SlaveTask Byte. These bits are effective in LIN mode only. This field contains the identifier to which the received ID of an incoming header will be compared to decide whether a receive response, a transmit response, or no action needs to be performed by the LIN node when a header with that particular ID is received.
7-0	ID BYTE	0-FFh	ID byte. This field is effective in LIN mode only. This byte is the LIN mode message ID. On a master node, a write to this register by the CPU initiates a header transmission. For a slave task, this byte is used for message filtering when HGENCTRL = 0.

**NOTE:** For software compatibility with future LIN modules the HGEN CTRL bit must be set to 1, the RX ID MASK must be set to FFh and the TX ID MASK must be set to FFh.

### 28.7.28 LIN Transmit Buffer 0 Register (LINTD0)

Figure 28-57 and Table 28-45 illustrate this register.

**Figure 28-57. LIN Transmit Buffer 0 Register (LINTD0) (offset = 74h)**

31	24	23	16
TD0		TD1	
R/W-0		R/W-0	
15	8	7	0
TD2		TD3	
R/W-0		R/W-0	

LEGEND: R/W = Read/Write; R = Read only; -n = value after reset

**Table 28-45. LIN Transmit Buffer 0 Register (LINTD0) Field Descriptions**

Bit	Field	Value	Description
31-24	TD0	0-FFh	8-Bit transmit buffer 0. Byte 0 to be transmitted is written into this register and then copied to SCITXSHF for transmission. Once byte 0 is written in TD0 buffer, transmission will be initiated. <b>Note: TD&lt;x-1&gt; is equivalent to data byte &lt;x&gt; of the LIN frame.</b>
23-16	TD1	0-FFh	8-Bit transmit buffer 1. Byte 1 to be transmitted is written into this register and then copied to SCITXSHF for transmission.
15-8	TD2	0-FFh	8-Bit transmit buffer 2. Byte 2 to be transmitted is written into this register and then copied to SCITXSHF for transmission.
7-0	TD3	0-FFh	8-Bit transmit buffer 3. Byte 3 to be transmitted is written into this register and then copied to SCITXSHF for transmission.

### 28.7.29 LIN Transmit Buffer 1 Register (LINTD1)

Figure 28-58 and Table 28-46 illustrate this register.

**Figure 28-58. LIN Transmit Buffer 1 Register (LINTD1) (offset = 78h)**

31	24	23	16
TD4		TD5	
R/W-0		R/W-0	
15	8	7	0
TD6		TD7	
R/W-0		R/W-0	

LEGEND: R/W = Read/Write; R = Read only; -n = value after reset

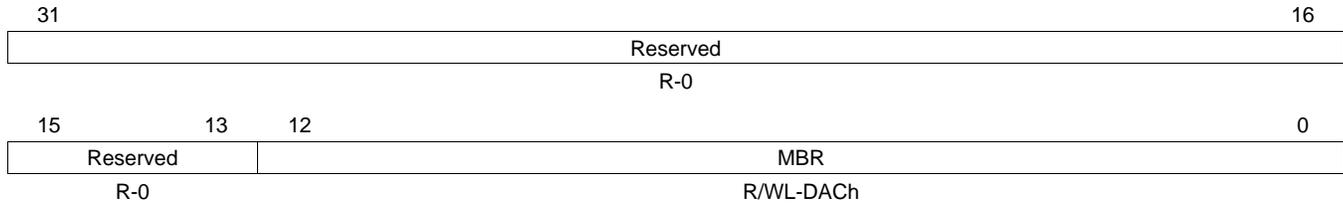
**Table 28-46. LIN Transmit Buffer 1 Register (LINTD1) Field Descriptions**

Bit	Field	Value	Description
31-24	TD4	0-FFh	8-Bit transmit buffer 4. Byte 4 to be transmitted is written into this register and then copied to SCITXSHF for transmission. <b>Note: TD&lt;x-1&gt; is equivalent to data byte &lt;x&gt; of the LIN frame.</b>
23-16	TD5	0-FFh	8-Bit transmit buffer 5. Byte 5 to be transmitted is written into this register and then copied to SCITXSHF for transmission.
15-8	TD6	0-FFh	8-Bit transmit buffer 6. Byte 6 to be transmitted is written into this register and then copied to SCITXSHF for transmission.
7-0	TD7	0-FFh	8-Bit transmit buffer 7. Byte 7 to be transmitted is written into this register and then copied to SCITXSHF for transmission.

### 28.7.30 Maximum Baud Rate Selection Register (MBRS)

Figure 28-59 and Table 28-47 illustrate this register.

**Figure 28-59. Maximum Baud Rate Selection Register (MBRS) (offset = 7Ch)**



LEGEND: R/W = Read/Write; R = Read only; WL = Write in LIN mode only; -n = value after reset

**Table 28-47. Maximum Baud Rate Selection Register (MBRS) Field Descriptions**

Bit	Field	Value	Description
31-13	Reserved	0	Read returns 0. Writes have no effect.
12-0	MBR	0-1FFFh	<p>Maximum baud rate prescaler. This bit is effective in LIN mode only. This 13-bit prescaler is used during the synchronization phase (see <a href="#">Section 28.3.1.5.2</a>) of a slave module if the ADAPT bit is set. In this way, a SCI/LIN slave using an automatic or select bit rate modes detects any LIN bus legal rate automatically.</p> <p>The MBR value should be programmed to allow a maximum baud rate that is not more than 10% above the expected operating baud rate in the LIN network. Otherwise, a 00h data byte could mistakenly be detected as a sync break.</p> <p>The default value for a 70-MHz VCLK is DACH.</p> <p>This MBR prescaler is used by the wake-up and idle time counters for a constant expiration time relative to a 20-kHz rate.</p> $MBR = \frac{0.9 \times VCLK}{maxbaudrate}$

(54)

### 28.7.31 Input/Output Error Enable (IODFTCTRL) Register

Figure 28-60 and Table 28-48 illustrate this register. After the basic SCI/LIN module configuration, enable the required Error mode to be created followed by IODFT Key enable.

- NOTE:**
- 1) All the bits are used in IODFT mode only.
  - 2) Each IODFT are expected to be checked individually.
  - 3) ISFE Error will not be Flagged during IODFT mode.

**Figure 28-60. Input/Output Error Enable Register (IODFTCTRL) (offset = 90h)**

31	30	29	28	27	26	25	24
BEN	PBEN	CEN	ISFE	Reserved	FEN	PEN	BRKDTENA
R/WL-0	R/WL-0	R/WL-0	R/WL-0	R-0	R/W-0	R/WC-0	R/WC-0
23		21	20	19	18		16
Reserved			PIN SAMPLE MASK		TX SHIFT		
	R-0		R/W-0			R/W-0	
15			12	11			8
Reserved				IODFTENA			
	R-0			R/WP-5h			
7					2	1	0
Reserved						LPB ENA	RXPENA
	R-0				R/WP-0		R/WP-0

LEGEND: R/W = Read/Write; R = Read only; WL = Write in LIN mode only; WC = Write in SCI-compatible mode only; WP = Write in privilege mode only; -n = value after reset

**Table 28-48. Input/Output Error Enable Register (IODFTCTRL) Field Descriptions**

Bit	Field	Value	Description
31	BEN	0	Bit error enable. This bit is effective in LIN mode only. This bit is used to create a bit error. No bit error is created.
		1	The bit received is ORed with 1 and passed to the bit monitor circuitry.
30	PBEN	0	Physical bus error enable. This bit is effective in LIN mode only. This bit is used to create a physical bus error. No error is created.
		1	The bit received during synch break field transmission is ORed with 1 and passed to the bit monitor circuitry.
29	CEN	0	Checksum error enable. This bit is effective in LIN mode only. This bit is used to create a checksum error. No error is created.
		1	The polarity of the CTYPE (checksum type) in the receive checksum calculator is changed so that a checksum error is occurred.
28	ISFE	0	Inconsistent synch field (ISF) error enable. This bit is effective in LIN mode only. This bit is used to create an ISF error. No error is created.
		1	The bit widths in the synch field are varied so that the ISF check fails and the error flag is set.
27	Reserved	0	Read returns 0. Writes have no effect.
26	FEN	0	Frame error enable. This bit is used to create a frame error. No error is created.
		1	The stop bit received is ANDed with 0 and passed to the stop bit check circuitry.

**Table 28-48. Input/Output Error Enable Register (IODFTCTRL) Field Descriptions (continued)**

Bit	Field	Value	Description
25	PEN	0 1	Parity error enable. This bit is effective in SCI-compatible mode only. This bit is used to create a parity error. No parity error occurs. The parity bit received is toggled so that a parity error occurs.
24	BRKD TENA	0 1	Break detect error enable. This bit is effective in SCI-compatible mode only. This bit is used to create a BRKDT error. No error is created. The stop bit of the frame is ANDed with 0 and passed to the RSM so that a frame error occurs. Then the RX pin is forced to continuous low for 10 T <sub>BITS</sub> so that a BRKDT error occurs.
32-21	Reserved	0	Read returns 0. Writes have no effect.
20-19	PIN SAMPLE MASK	0 1h 2h 3h	Pin sample mask. These bits define the sample number at which the TX pin value that is being transmitted will be inverted to verify the receive pin samples majority detection circuitry. <b>Note: In IODFT mode testing for pin_sample mask must be done with prescalar P programmed greater than 2 (P &gt; 2).</b> No mask is used. Invert the TX Pin value at TBIT_CENTER. Invert the TX Pin value at TBIT_CENTER + SCLK. Invert the TX Pin value at TBIT_CENTER + 2 SCLK.
18-16	TX SHIFT	0 1h 2h 3h 4h 5h 6h 7h	Transmit shift. These bits define the amount by which the value on TX pin is delayed so that the value on the RX pin is asynchronous. This feature is not applicable to the start bit. No delay occurs. The value is delayed by 1 SCLK. The value is delayed by 2 SCLK. The value is delayed by 3 SCLK. The value is delayed by 4 SCLK. The value is delayed by 5 SCLK. The value is delayed by 6 SCLK. The value is delayed by 7 SCLK.
15-12	Reserved	0	Read returns 0. Writes have no effect.
11-8	IODFTENA	Ah All other values	IODFT enable key. Write access permitted in Privilege mode only. IODFT is enabled. IODFT is disabled.
7-2	Reserved	0	Read returns 0. Writes have no effect.
1	LPBENA	0 1	Module loopback enable. Write access permitted in Privilege mode only. <b>Note: In analog loopback mode the complete communication path through the I/Os can be tested, whereas in digital loopback mode the I/O buffers are excluded from this path.</b> Digital loopback is enabled. Analog loopback is enabled in module I/O DFT mode when IODFTENA = 1010.
0	RXPENA	0 1	Module analog loopback through receive pin enable. Write access permitted in Privilege mode only. This bit defines whether the I/O buffers for the transmit or the receive pin are included in the communication path (in analog loopback mode). Analog loopback through the transmit pin is enabled. Analog loopback through the receive pin is enabled.

## ***Serial Communication Interface (SCI) Module***

---

---

This chapter contains the description of the serial communication interface (SCI) module.

<b>Topic</b>	<b>Page</b>
<b>29.1 Introduction .....</b>	<b>1439</b>
<b>29.2 SCI Communication Formats.....</b>	<b>1441</b>
<b>29.3 SCI Interrupts .....</b>	<b>1446</b>
<b>29.4 SCI DMA Interface.....</b>	<b>1449</b>
<b>29.5 SCI Configurations.....</b>	<b>1451</b>
<b>29.6 SCI Low Power Mode .....</b>	<b>1452</b>
<b>29.7 SCI Control Registers .....</b>	<b>1454</b>
<b>29.8 GPIO Functionality.....</b>	<b>1484</b>

## 29.1 Introduction

The SCI module is a universal asynchronous receiver-transmitter that implements the standard nonreturn to zero format. The SCI can be used to communicate, for example, through an RS-232 port or over a K-line.

### 29.1.1 SCI Features

The following are the features of the SCI module:

- Standard universal asynchronous receiver-transmitter (UART) communication
- Supports full- or half-duplex operation
- Standard nonreturn to zero (NRZ) format
- Double-buffered receive and transmit functions
- Supports two individually enabled interrupt lines: level 0 and level 1
- Configurable frame format of 3 to 13 bits per character based on the following:
  - Data word length programmable from one to eight bits
  - Additional address bit in address-bit mode
  - Parity programmable for zero or one parity bit, odd or even parity
  - Stop programmable for one or two stop bits
- Asynchronous or isosynchronous communication modes with no CLK pin
- Two multiprocessor communication formats allow communication between more than two devices
- Sleep mode is available to free CPU resources during multiprocessor communication and then wake up to receive an incoming message
- The 24-bit programmable baud rate supports  $2^{24}$  different baud rates provide high accuracy baud rate selection
- Capability to use Direct Memory Access (DMA) for transmit and receive data
- Four error flags and Five status flags provide detailed information regarding SCI events
- Two external pins: SCIRX and SCITX

---

**NOTE:** SCI module does not support UART Hardware Flow Control. This feature can be implemented in Software using a General Purpose I/O pin.

---

### 29.1.2 Block Diagram

Three Major components of the SCI Module are:

- Transmitter
- Baud Clock Generator
- Receiver

**Transmitter (TX)** contains two major registers to perform double buffering:

- The transmitter data buffer register (SCITD) contains data loaded by the CPU to be transferred to the shift register for transmission.
- The transmitter shift register (SCITXSHF) loads data from the data buffer (SCITD) and shifts data onto the SCITX pin, one bit at a time.

#### Baud Clock Generator

- A programmable baud generator produces a baud clock scaled from VBUSP CLK.

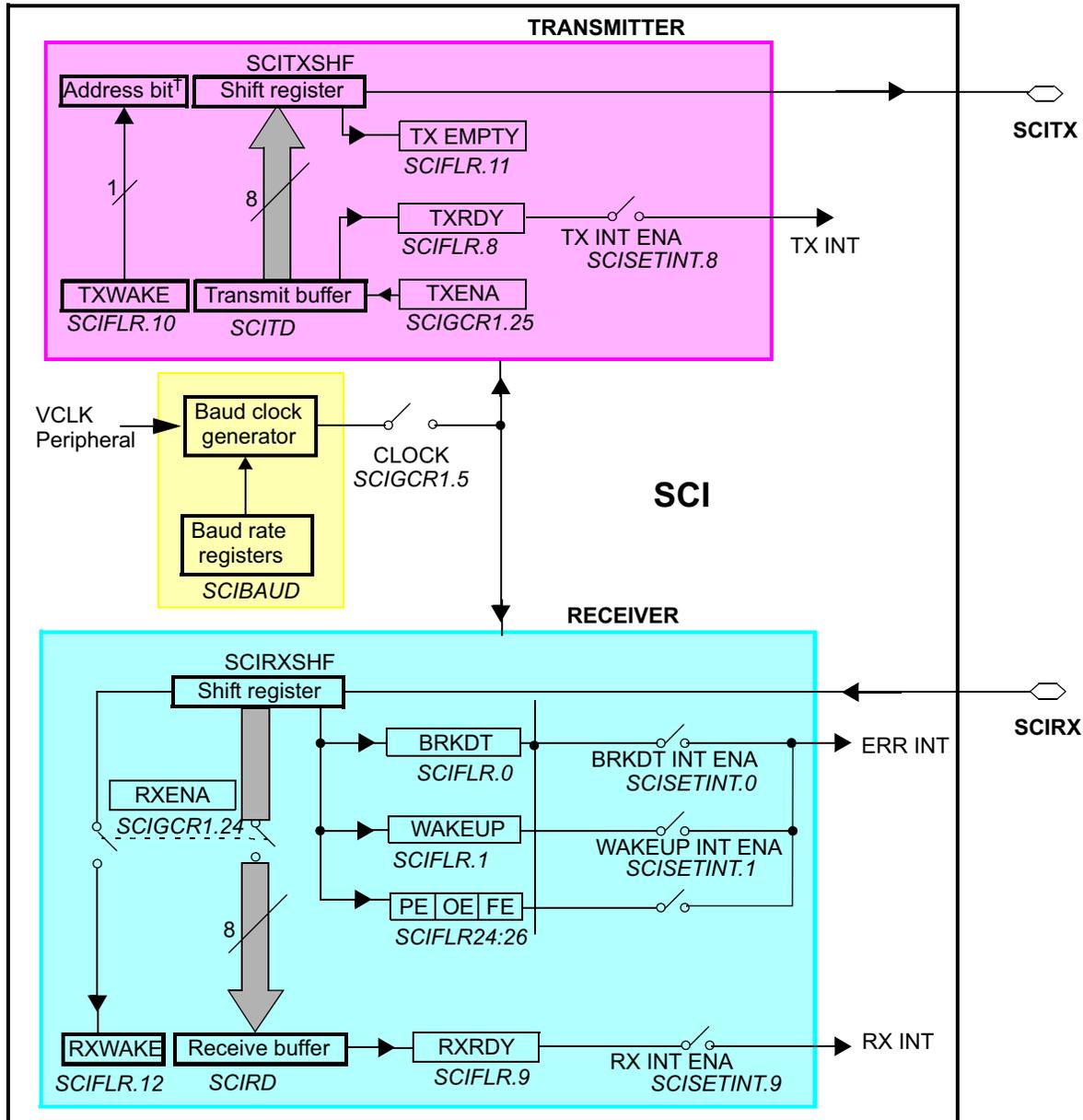
**Receiver (RX)** contains two major registers to perform double buffering:

- The receiver shift register (SCIRXSHF) shifts data in from the SCIRX pin one bit at a time and transfers completed data into the receive data buffer.
- The receiver data buffer register (SCIRD) contains received data transferred from the receiver shift register

The SCI receiver and transmitter are double-buffered, and each has its own separate enable and interrupt bits. The receiver and transmitter may each be operated independently or simultaneously in full duplex mode.

To ensure data integrity, the SCI checks the data it receives for breaks, parity, overrun, and framing errors. The bit rate (baud) is programmable to over 16 million different rates through a 24-bit baud-select register. Figure 29-1 shows the detailed SCI block diagram.

Figure 29-1. Detailed SCI Block Diagram



## 29.2 SCI Communication Formats

The SCI module can be configured to meet the requirements of many applications. Because communication formats vary depending on the specific application, many attributes of the SCI are user configurable. The list below describes these configuration options:

- SCI Frame format
- SCI Timing modes
- SCI Baud rate
- SCI Multiprocessor modes

### 29.2.1 SCI Frame Formats

The SCI uses a programmable frame format. All frames consist of the following:

- One start bit
- One to eight data bits
- Zero or one address bit
- Zero or one parity bit
- One or two stop bits

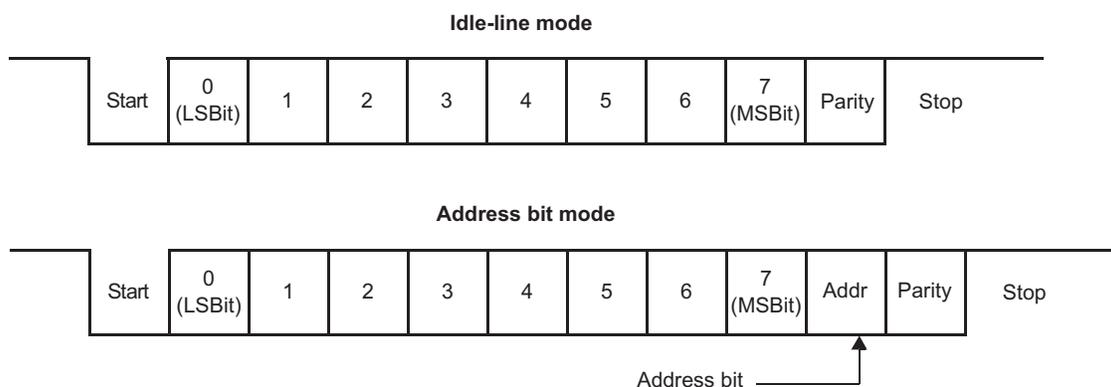
The frame format for both the transmitter and receiver is programmable through the bits in the SCIGCR1 register. Both receive and transmit data is in nonreturn to zero (NRZ) format, which means that the transmit and receive lines are at logic high when idle. Each frame transmission begins with a start bit, in which the transmitter pulls the SCI line low (logic low). Following the start bit, the frame data is sent and received least significant bit first (LSB).

An address bit is present in each frame if the SCI is configured to be in address-bit mode but is not present in any frame if the SCI is configured for idle-line mode. The format of frames with and without the address bit is illustrated in [Figure 29-2](#).

A parity bit is present in every frame when the PARITY ENA bit is set. The value of the parity bit depends on the number of one bits in the frame and whether odd or even parity has been selected via the PARITY ENA bit. Both examples in [Figure 29-2](#) have parity enabled.

All frames include one stop bit, which is always a high level. This high level at the end of each frame is used to indicate the end of a frame to ensure synchronization between communicating devices. Two stop bits are transmitted if the STOP bit in SCIGCR1 register is set. The examples shown in [Figure 29-2](#) use one stop bit per frame.

**Figure 29-2. Typical SCI Data Frame Formats**



### 29.2.2 SCI Timing Mode

The SCI can be configured to use asynchronous or isosynchronous timing using TIMING MODE bit in SCIGCR1 register.

### 29.2.2.1 Asynchronous Timing Mode

The asynchronous timing mode uses only the receive and transmit data lines to interface with devices using the standard universal asynchronous receiver-transmitter (UART) protocol.

In the asynchronous timing mode, each bit in a frame has a duration of 16 SCI baud clock periods. Each bit therefore consists of 16 samples (one for each clock period). When the SCI is using asynchronous mode, the baud rates of all communicating devices must match as closely as possible. Receive errors result from devices communicating at different baud rates.

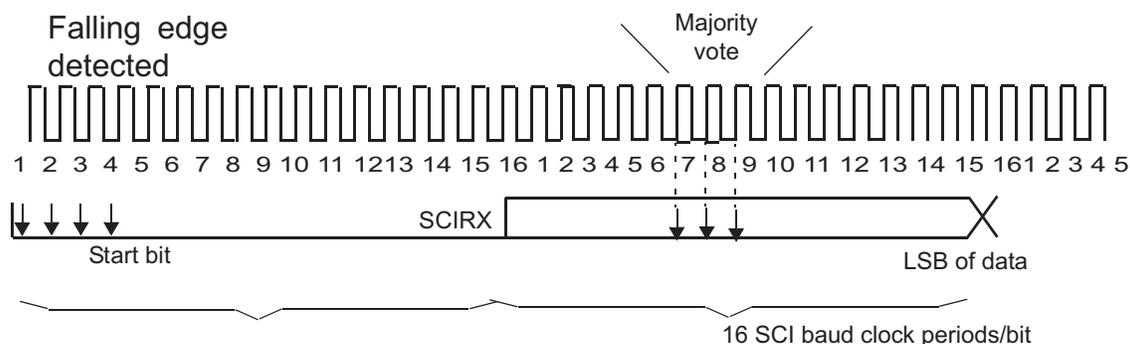
With the receiver in the asynchronous timing mode, the SCI detects a valid start bit if the first four samples after a falling edge on the SCIRX pin are of logic level 0. As soon as a falling edge is detected on SCIRX, the SCI assumes that a frame is being received and synchronizes itself to the bus.

To prevent interpreting noise as Start bit SCI expects SCIRX line to be low for at least four contiguous SCI baud clock periods to detect a valid start bit. The bus is considered idle if this condition is not met. When a valid start bit is detected, the SCI determines the value of each bit by sampling the SCIRX line value during the seventh, eighth, and ninth SCI baud clock periods. A majority vote of these three samples is used to determine the value stored in the SCI receiver shift register. By sampling in the middle of the bit, the SCI reduces errors caused by propagation delays and rise and fall times and data line noises.

Figure 29-3 illustrates how the receiver samples a start bit and a data bit in asynchronous timing mode.

The transmitter transmits each bit for a duration of 16 SCI baud clock periods. During the first clock period for a bit, the transmitter shifts the value of that bit onto the SCITX pin. The transmitter then holds the current bit value on SCITX for 16 SCI baud clock periods.

**Figure 29-3. Asynchronous Communication Bit Timing**



### 29.2.2.2 Isosynchronous Timing Mode

In isosynchronous timing mode, each bit in a frame has a duration of exactly 1 baud clock period and therefore consists of a single sample. With this timing configuration, the transmitter and receiver are required to make use of the SCICLK pin to synchronize communication with other SCI. **This mode is not fully supported on this device because SCICLK pin is not available.**

### 29.2.3 SCI Baud Rate

The SCI has an internally generated serial clock determined by the peripheral VCLK and the prescalers BAUD. The SCI uses the 24-bit integer prescaler BAUD value of BRSR register to select the required baud rates.

In asynchronous timing mode, the SCI generates a baud clock according to the following formula:

$$\text{Asynchronous baud value} = \frac{\text{VBUSPCLK Frequency}}{16 \text{ BAUD} + 1}$$

For BAUD = 0,

$$\text{Asynchronous baud value} = \frac{\text{VCLK Frequency}}{32} \quad (55)$$

In isosynchronous timing mode, the SCI generates a baud clock according to the following formula:

$$\text{Isosynchronous baud value} = \frac{\text{VBUSPCLK Frequency}}{\text{BAUD} + 1}$$

For BAUD = 0,

$$\text{Isosynchronous baud value} = \frac{\text{VCLK Frequency}}{32} \quad (56)$$

## 29.2.4 SCI Multiprocessor Communication Modes

In some applications, the SCI may be connected to more than one serial communication device. In such a multiprocessor configuration, several frames of data may be sent to all connected devices or to an individual device. In the case of data sent to an individual device, the receiving devices must determine when they are being addressed. When a message is not intended for them, the devices can ignore the following data. When only two devices make up the SCI network, addressing is not needed, so multiprocessor communication schemes are not required.

SCI supports two multiprocessor Communication Modes which can be selected using COMM MODE bit:

- Idle-Line Mode
- Address Bit Mode

When the SCI is not used in a multiprocessor environment, software can consider all frames as data frames. In this case, the only distinction between the idle-line and address-bit modes is the presence of an extra bit (the address bit) in each frame sent with the address-bit protocol.

The SCI allows full-duplex communication where data can be sent and received via the transmit and receive pins simultaneously. However, the protocol used by the SCI assumes that only one device transmits data on the same bus line at any one time. No arbitration is done by the SCI.

---

**NOTE: Avoid Transmitting Simultaneously on the Same Serial Bus**

The system designer must ensure that devices connected to the same serial bus line do not attempt to transmit simultaneously. If two devices are transmitting different data, the resulting bus conflict could damage the device..

---

### 29.2.4.1 Idle-Line Multiprocessor Modes

In idle-line multiprocessor mode, a frame that is preceded by an idle period (10 or more idle bits) is an address frame. A frame that is preceded by fewer than 10 idle bits is a data frame. [Figure 29-4](#) illustrates the format of several blocks and frames with idle-line mode.

There are two ways to transmit an address frame using idle-line mode:

**Method 1:** In software, deliberately leave an idle period between the transmission of the last data frame of the previous block and the address frame of the new block.

**Method 2:** Configure the SCI to automatically send an idle period between the last data frame of the previous block and the address frame of the new block.

Although Method 1 is only accomplished by a delay loop in software, Method 2 can be implemented by using the transmit buffer and the TXWAKE bit in the following manner:

Step1 : Write a 1 to the TXWAKE bit.

Step2 : Write a dummy data value to the SCITD register. This triggers the SCI to begin the idle period as soon as the transmitter shift register is empty.

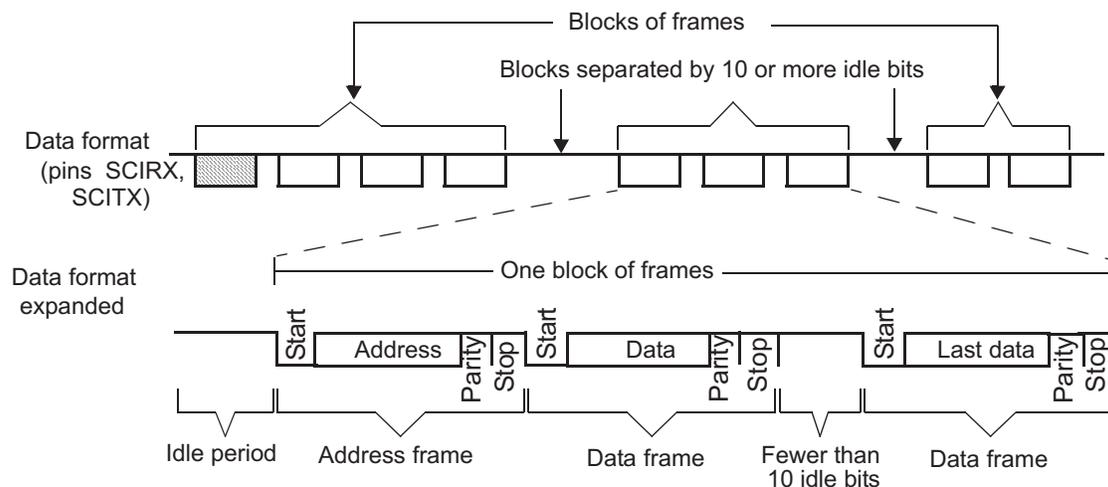
Step3 : Wait for the SCI to clear the TXWAKE flag.

Step4 : Write the address value to SCITD.

As indicated by Step 3, software should wait for the SCI to clear the TXWAKE bit. However, the SCI clears the TXWAKE bit at the same time it sets TXRDY (that is, transfers data from SCITD into SCITXSHF). Therefore, if the TX INT ENA bit is set, the transfer of data from SCITD to SCITXSHF causes an interrupt to be generated at the same time that the SCI clears the TXWAKE bit. If this interrupt method is used, software is not required to poll the TXWAKE bit waiting for the SCI to clear it.

When idle-line multiprocessor communications are used, software must ensure that the idle time exceeds 10 bit periods before addresses (using one of the methods mentioned above), and software must also ensure that data frames are written to the transmitter quickly enough to be sent without a delay of 10 bit periods between frames. Failure to comply with these conditions will result in data interpretation errors by other devices receiving the transmission.

**Figure 29-4. Idle-Line Multiprocessor Communication Format**



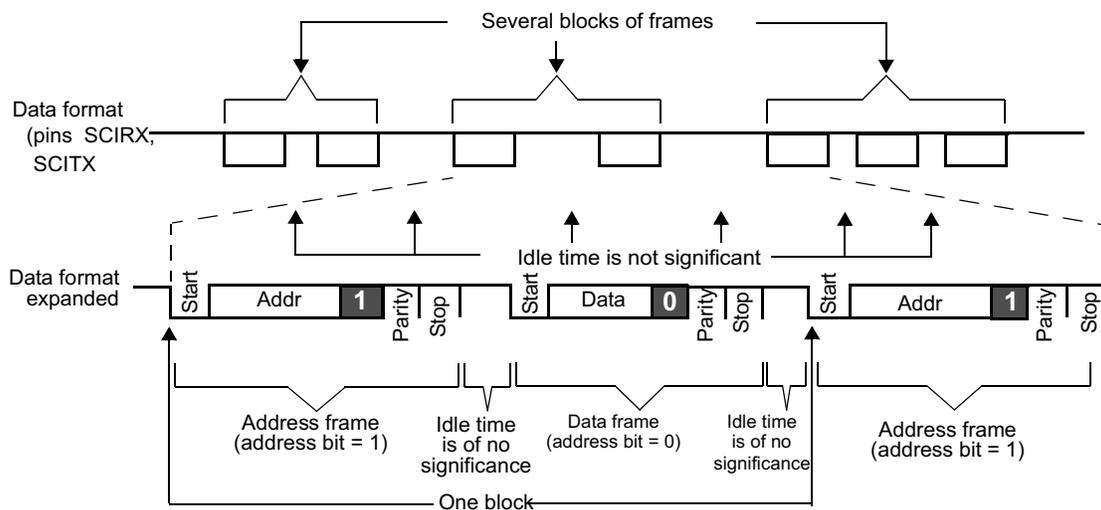
### 29.2.4.2 Address-Bit Multiprocessor Mode

In the address-bit protocol, each frame has an extra bit immediately following the data field called an address bit. A frame with the address bit set to 1 is an address frame; a frame with the address bit set to 0 is a data frame. The idle period timing is irrelevant in this mode. Figure 29-5 illustrates the format of several blocks and frames with the address-bit mode.

When address-bit mode is used, the value of the TXWAKE bit is the value sent as the address bit. To send an address frame, software must set the TXWAKE bit. This bit is cleared as the contents of the SCITD are shifted from the TXWAKE register so that all frames sent are data except when the TXWAKE bit is written as a 1.

No dummy write to SCITD is required before an address frame is sent in address-bit mode. The first byte written to SCITD after the TXWAKE bit is written to 1 is transmitted with the address bit set when address-bit mode is used.

Figure 29-5. Address-Bit Multiprocessor Communication Format



### 29.3 SCI Interrupts

The SCI module has two interrupt lines, level 0 and level 1, to the vectored interrupt manager (VIM) module (see [Figure 29-6](#)). Two offset registers SCIINTVECT0 and SCIINTVECT1 determine which flag triggered the interrupt according to the respective priority encoders. Each interrupt condition has a bit to enable/disable the interrupt in the SCISSETINT and SCICLRINT registers, respectively.

Each interrupt also has a bit that can be set as interrupt level 0 (INT0) or as interrupt level 1 (INT1). By default, interrupts are in interrupt level 0. SCISSETINTLVL sets a given interrupt to level1. SCICLEARINTLVL resets a given interrupt level to the default level 0.

The interrupt vector registers SCIINTVECT0 and SCIINTVECT1 return the vector of the pending interrupt line INT0 or INT1. If more than one interrupt is pending, the interrupt vector register holds the highest priority interrupt.

**Figure 29-6. General Interrupt Scheme**

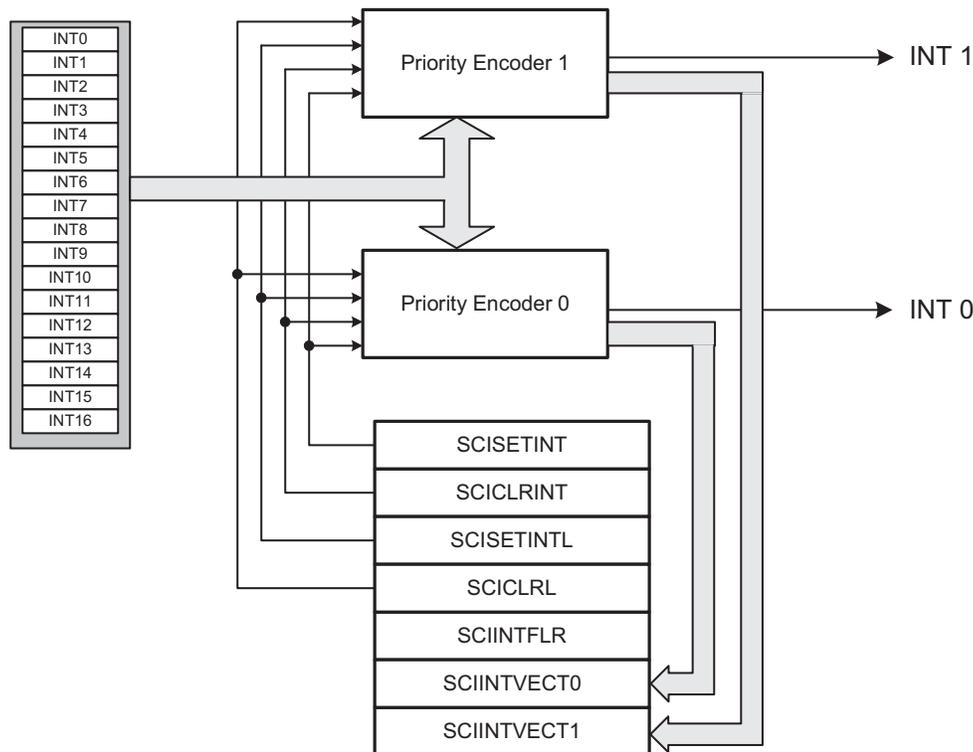
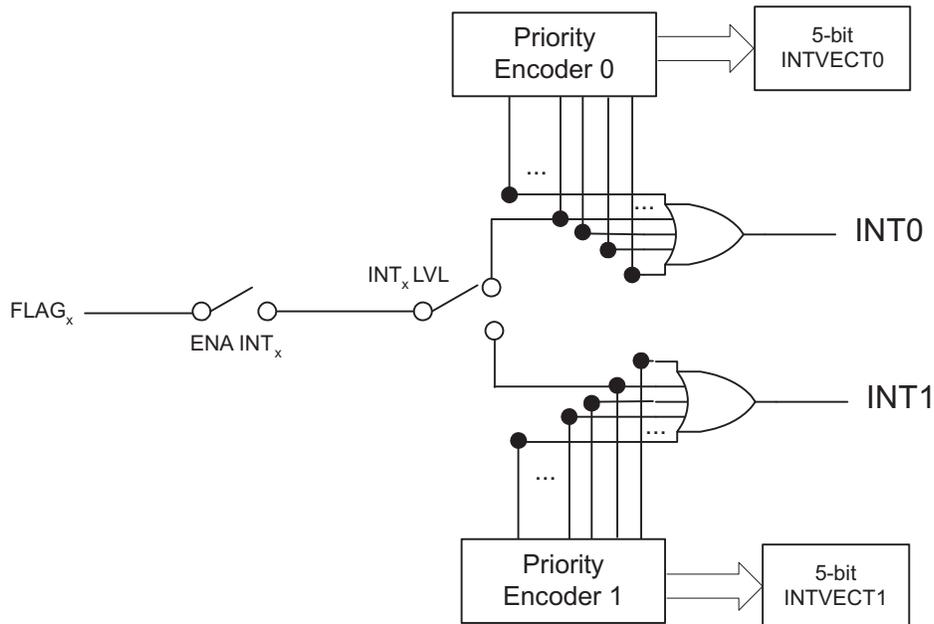


Figure 29-7. Interrupt Generation for Given Flags



### 29.3.1 Transmit Interrupt

To use transmit interrupt functionality, SET TX INT bit must be enabled and SET TX DMA bit must be cleared. The transmit ready (TXRDY) flag is set when the SCI transfers the contents of SCITD to the shift register, SCITXSHF. The TXRDY flag indicates that SCITD is ready to be loaded with more data. In addition, the SCI sets the TX EMPTY bit if both the SCITD and SCITXSHF registers are empty. If the SET TX INT bit is set, then a transmit interrupt is generated when the TXRDY flag goes high. Transmit Interrupt is not generated immediately after setting the SET TX INT bit unlike transmit DMA request. Transmit Interrupt is generated only after the first transfer from SCITD to SCITXSHF, that is first data has to be written to SCITD by the User before any interrupt gets generated. To transmit further data the user can write data to SCITD in the transmit Interrupt service routine.

Writing data to the SCITD register clears the TXRDY bit. When this data has been moved to the SCITXSHF register, the TXRDY bit is set again. The interrupt request can be suspended by setting the CLR TX INT bit; however, when the SET TX INT bit is again set to 1, the TXRDY interrupt is asserted again. The transmit interrupt request can be eliminated until the next series of values is written to SCITD, by disabling the transmitter via the TXENA bit, by a software reset SWnRST, or by a device hardware reset.

### 29.3.2 Receive Interrupt

The receive ready (RXRDY) flag is set when the SCI transfers newly received data from SCIRXSHF to SCIRD. The RXRDY flag therefore indicates that the SCI has new data to be read. Receive interrupts are enabled by the SET RX INT bit. If the SET RX INT is set when the SCI sets the RXRDY flag, then a receive interrupt is generated. The received data can be read in the Interrupt Service routine.

On a device with both SCI and a DMA controller, the bits SET RX DMA ALL and SET RX DMA must be cleared to select interrupt functionality.

### 29.3.3 WakeUp Interrupt

SCI sets the WAKEUP flag if bus activity on the RX line either prevents power-down mode from being entered, or RX line activity causes an exit from power-down mode. If enabled (SET WAKEUP INT), wakeup interrupt is triggered once WAKEUP flag is set.

### 29.3.4 Error Interrupts

The following error detection features are supported with Interrupt by the SCI module:

- Parity errors (PE)
- Frame errors (FE)
- Break Detect errors (BRKDT)
- Overrun errors (OE)

If any of these errors (PE, FE, BRKDT, OE) is flagged, an interrupt for the flagged errors will be generated if enabled. A message is valid for both the transmitter and the receiver if there is no error detected until the end of the frame. Each of these flags is located in the receiver status (SCIFLR) register. Further details on these flags are explained in SCIFLR register description.

The SCI module supports following 7 interrupts as seen in [Table 29-1](#).

**Table 29-1. SCI Interrupts**

Offset <sup>(1)</sup>	Interrupt
0	Reserved
1	Wakeup
2	Reserved
3	Parity error
4	Reserved
5	Reserved
6	Frame error
7	Break detect error
8	Reserved
9	Overrun error
10	Reserved
11	Receive
12	Transmit
13 - 15	Reserved

<sup>(1)</sup> Offset 1 is the highest priority. Offset 16 is the lowest priority.

## 29.4 SCI DMA Interface

DMA requests for receive (RXDMA request) and transmit (TXDMA request) are available for the SCI module. Refer to the DMA module chapter for DMA module configurations.

### 29.4.1 Receive DMA Requests

This DMA functionality is enabled/disabled by the CPU using the SET RX DMA/CLR RX DMA bits, respectively.

The receiver DMA request is set when a frame is received successfully and DMA functionality has been previously enabled. The RXRDY flag is set when the SCI transfers newly received data from the SCIRXSHF register to the SCIRD buffer. The RXRDY flag therefore indicates that the SCI has new data to be read. Receive DMA requests are enabled by the SET RX INT bit.

Parity, overrun, break detect, wake-up, and framing errors generate an error interrupt request immediately upon detection, if enabled, even if the device is in the process of a DMA data transfer. The DMA transfer is postponed until the error interrupt is served. The error interrupt can delete this particular DMA request by reading the receive buffer.

In multiprocessor mode, the SCI can generate receiver interrupts for address frames and DMA requests for data frames. This is controlled by an extra select bit SET RX DMA ALL.

If the SET RX DMA ALL bit is set and the SET RX DMA bit is set when the SCI sets the RXRDY flag, then a receive DMA request is generated for address and data frames.

If the SET RX DMA ALL bit is cleared and the SET RX DMA bit is set when the SCI sets the RXRDY flag upon receipt of a data frame, then a receive DMA request is generated. Receive interrupt requests are generated for address frames.

In multiprocessor mode with the SLEEP bit set, no DMA is generated for received data frames. The software must clear the SLEEP bit before data frames can be received. [Table 29-2](#) specifies the bit values for DMA requests in multiprocessor modes.

**Table 29-2. DMA and Interrupt Requests in Multiprocessor Modes**

SET RX INT	SET RX DMA	SET RX DMA ALL	ADDR FRAME INT	ADDR FRAME DMA	DATA FRAME INT	DATA FRAME DMA
0	0	x	N	N	N	N
0	1	0	Y	N	N	Y
0	1	1	N	Y	N	Y
1	0	x	Y	N	Y	N
1	1	0	Y	N	Y	Y
1	1	1	Y	Y	Y	Y

In multiprocessor mode, the SCI can generate receiver interrupts for address frames and DMA requests for data frames or DMA requests for both. This is controlled by the SET RX DMA ALL bit.

In multiprocessor mode with the SLEEP bit set, no DMA is generated for received data frames. The software must clear the SLEEP bit before data frames can be received.

### 29.4.2 Transmit DMA Requests

DMA functionality is enabled/disabled by the CPU with SET TX DMA/CLR TX DMA bits, respectively.

The TXRDY flag is set when the SCI transfers the contents of SCITD to SCITXSHF. The TXRDY flag indicates that SCITD is ready to be loaded with more data. In addition, the SCI sets the TX EMPTY bit if both the SCITD and SCITXSHF registers are empty.

Transmit DMA requests are enabled by the setting SET TX DMA and SET TX INT bits. If the SET TX DMA bit is set, then a TX DMA request is sent to the DMA when data is written to SCITD and TXRDY is set. In other words, CPU needs to write the first data to start a DMA block transfer. For example, we want to transmit a data buffer of 20 bytes. DMA will be set up to transmit 19 bytes. The first data for DMA to transfer is the second byte in the buffer. CPU will have to write the first byte in the buffer to the SCITD register to start the transfer.

## 29.5 SCI Configurations

Before the SCI sends or receives data, its registers should be properly configured. Upon power-up or a system-level reset, each bit in the SCI registers is set to a default state. The registers are writable only after the RESET bit is set to 1. Of particular importance is the SWnRST bit. This active-low bit is initialized to 0 and keeps the SCI in a reset state until it is programmed to 1. Therefore, all SCI configuration should be completed before a 1 (one) is written to the SWnRST bit.

The following list details the configuration steps that software should perform prior to the transmission or reception of data. As long as SWnRST is held low the entire time that the SCI is being configured, the order in which the registers are programmed is not important.

- Enable SCI by setting RESET bit.
- Clear SWnRST to 0 before configuring the SCI.
- Select the desired frame format by programming SCIGCR1.
- Configure the SCIRX and SCITX pins for SCI functionality by setting the RX FUNC and TX FUNC bit.
- Select the baud rate to be used for communication by programming BRSR.
- Select internal clock by programming the CLOCK bit.
- Set the CONT bit to make SCI not to halt for an emulation breakpoint until its current reception or transmission is complete (this bit is used only in an emulation environment).
- Set LOOP BACK bit to connect the transmitter to the receiver internally (this feature is used to perform a self-test).
- Select the receiver enable RXENA bit if data is to be received.
- Select the transmit enable TXENA bit if data is to be transmitted.
- Set SWnRST to 1 after the SCI is configured.
- Perform Receive or Transmit data (see [Section 29.5.1](#) / [Section 29.5.2](#)).

### 29.5.1 Receiving Data

The SCI receiver is enabled to receive messages if the RX FUNC bit and the RXENA bit are set to 1. If the RX FUNC bit is not set, the SCIRX pin functions as a general purpose I/O pin rather than as an SCI function pin. After a valid idle period is detected, data is automatically received as it arrives on the SCIRX pin.

SCI sets the RXRDY bit when it transfers newly received data from SCIRXSHF to SCIRD. The SCI clears the RXRDY bit after the new data in SCIRD has been read. Also, as data is transferred from SCIRXSHF to SCIRD, the SCI sets FE, OE, or PE if any of these error conditions were detected in the received data. These error conditions are supported with configurable Interrupt capability. The wake-up and break-detect status bits are also set if one of these errors occurs, but they do not necessarily occur at the same time that new data is being loaded into SCIRD.

User can receive data by:

1. Polling Receive Ready Flag
2. Receive Interrupt
3. DMA

In polling method, software can poll for RXRDY bit and read the data from SCIRD register once RXRDY is set high. CPU is unnecessarily overloaded by selecting Polling mode. To avoid this user can use either Interrupt or DMA method. To use interrupt method SET RX INT bit should be set and to use DMA SET RX DMA bit should be set. Either an Interrupt or a DMA request is generated the moment RXRDY is set.

### 29.5.2 Transmitting Data

The SCI transmitter is enabled if the TX FUNC bit and the TXENA bit are set to 1. If the TX FUNC bit is not set, the SCITX pin functions as a general purpose I/O pin rather than as an SCI function pin. Any value written to the SCITD before TXENA is set to 1 is not transmitted. Both of these control bits allow for the SCI transmitter to be held inactive independently of the receiver.

SCI waits for data to be written to SCITD, transfers it to SCITXSHF, and transmits it. The flags TXRDY and TX EMPTY indicate the status of the transmit buffers. That is, when the transmitter is ready for data to be written to SCITD, the TXRDY bit is set. Additionally, if both SCITD and SCITXSHF are empty, then the TX EMPTY bit is also set.

User can transmit data by:

1. Polling Transmit Ready Flag
2. Receive Interrupt
3. DMA

In polling method, software can poll for TXRDY bit to go high before writing the data to SCITD register. CPU is unnecessarily overloaded by doing this Polling method. To avoid this user can use either Interrupt or DMA method. To use interrupt method SET TX INT bit should be set and to use DMA SET TX DMA bit should be set. Either an Interrupt or a DMA request is generated the moment TXRDY is set. When the SCI has completed transmission of all pending frames, the SCITXSHF register and SCITD are empty, the TXRDY bit is set, and an interrupt/DMA request is generated, if enabled. Because all data has been transmitted, the interrupt/DMA request should be halted. This can be done by either disabling the transmit interrupt (CLR TX INT) / DMA request (CLR TX DMA bit) or by disabling the transmitter (clear TXENA bit).

---

**NOTE:** The TXRDY flag cannot be cleared by reading the corresponding interrupt offset in the SCIINTVECT0 or SCIINTVECT1 register.

---

### 29.6 SCI Low Power Mode

The SCI can be put in either local or global low-power mode. Global low-power mode is asserted by the system and is not controlled by the SCI. During global low-power mode, all clocks to the SCI are turned off so the module is completely inactive.

Local low-power mode is asserted by setting the POWERDOWN bit; setting this bit stops the clocks to the SCI internal logic and the module registers. Setting the POWERDOWN bit causes the SCI to enter local low-power mode and clearing the POWERDOWN bit causes SCI to exit from local low-power mode. All the registers are accessible during local power-down mode as any register access enables the clock to SCI for that particular access alone.

The wake-up interrupt is used to allow the SCI to exit low-power mode automatically when a low level is detected on the SCIRX pin and also this clears the POWERDOWN bit. If wake-up interrupt is disabled, then the SCI immediately enters low-power mode whenever it is requested and also any activity on the SCIRX pin does not cause the SCI to exit low-power mode.

---

**NOTE: Enabling Local Low-Power Mode During Receive and Transmit**

If the wake-up interrupt is enabled and low-power mode is requested while the receiver is receiving data, then the SCI immediately generates a wake-up interrupt to clear the powerdown bit and prevents the SCI from entering low-power mode and thus completes the current reception. Otherwise, if the wake-up interrupt is disabled, then the SCI completes the current reception and then enters the low-power mode.

---

### 29.6.1 Sleep Mode for Multiprocessor Communication

When the SCI receives data and transfers that data from SCIRXSHF to SCIRD, the RXRDY bit is set and if RX INT ENA is set, the SCI also generates an interrupt. The interrupt triggers the CPU to read the newly received frame before another one is received. In multiprocessor communication modes, this default behavior may be enhanced to provide selective indication of new data. When SCI receives an address frame that does not match its address, the device can ignore the data following this non-matching address until the next address frame by using sleep mode. Sleep mode can be used with both idle-line and address-bit multiprocessor modes.

If sleep mode is enabled by the SLEEP bit, then the SCI transfers data from SCIRXSHF to SCIRD only for address frames. Therefore, in sleep mode, all data frames are assembled in the SCIRXSHF register without being shifted into the SCIRD and without initiating a receive interrupt or DMA request. Upon reception of an address frame, the contents of the SCIRXSHF are moved into SCIRD, and the software must read SCIRD and determine if the SCI is being addressed by comparing the received address against the address previously set in the software and stored somewhere in memory (the SCI does not have hardware available for address comparison). If the SCI is being addressed, the software must clear the SLEEP bit so that the SCI will load SCIRD with the data of the data frames that follow the address frame.

When the SCI has been addressed and sleep mode has been disabled (in software) to allow the receipt of data, the SCI should check the RXWAKE bit (SCIFLR.12) to determine when the next address has been received. This bit is set to 1 if the current value in SCIRD is an address and set to 0 if SCIRD contains data. If the RXWAKE bit is set, then software should check the address in SCIRD against its own address. If it is still being addressed, then sleep mode should remain disabled. Otherwise, the SLEEP bit should be set again.

Following is a sequence of events typical of sleep mode operation:

- The SCI is configured and both sleep mode and receive actions are enabled.
- An address frame is received and a receive interrupt is generated.
- Software compares the received address frame against that set by software and determines that the SCI is not being addressed, so the value of the SLEEP bit is not changed.
- Several data frames are shifted into SCIRXSHF, but no data is moved to SCIRD and no receive interrupts are generated.
- A new address frame is received and a receive interrupt is generated.
- Software compares the received address frame against that set by software and determines that the SCI is being addressed and clears the SLEEP bit.
- Data shifted into SCIRXSHF is transferred to SCIRD, and a receive interrupt is generated after each data frame is received.
- In each interrupt routine, software checks RXWAKE to determine if the current frame is an address frame.
- Another address frame is received, RXWAKE is set, software determines that the SCI is not being addressed and sets the SLEEP bit back to 1. No receive interrupts are generated for the data frames following this address frame.

By ignoring data frames that are not intended for the device, fewer interrupts are generated. These interrupts would otherwise require CPU intervention to read data that is of no significance to this specific device. Using sleep mode can help free some CPU resources.

Except for the RXRDY flag, the SCI continues to update the receiver status flags (see [Table 29-11](#)) while sleep mode is active. In this way, if an error occurs on the receive line, an application can immediately respond to the error and take the appropriate corrective action.

Because the RXRDY bit is not updated for data frames when sleep mode is enabled, the SCI can enable sleep mode and use a polling algorithm if desired. In this case, when RXRDY is set, software knows that a new address has been received. If the SCI is not being addressed, then the software should not change the value of the SLEEP bit and should continue to poll RXRDY.

## 29.7 SCI Control Registers

These registers are accessible in 8-, 16-, and 32-bit reads or writes. The SCI is controlled and accessed through the registers listed in [Table 29-3](#). Among the features that can be programmed are the SCI communication and timing modes, baud rate value, frame format, DMA requests, and interrupt configuration. The base address for the control registers is FFF7 E500h for SCI3 and FFF7 E700h for SCI4.

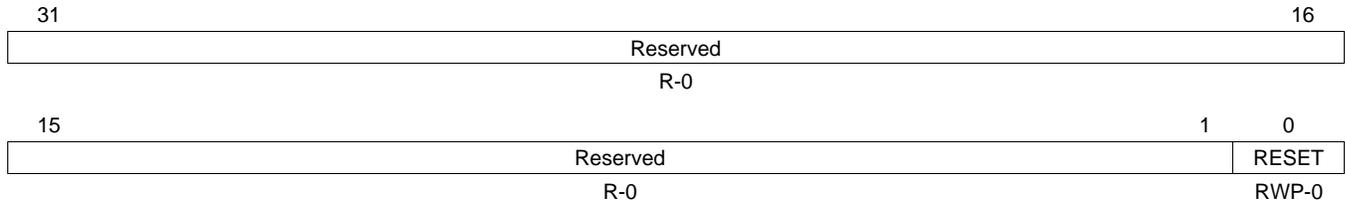
**Table 29-3. SCI Control Registers Summary**

Offset	Acronym	Register Description	Section
00h	SCIGCR0	SCI Global Control Register 0	<a href="#">Section 29.7.1</a>
04h	SCIGCR1	SCI Global Control Register 1	<a href="#">Section 29.7.2</a>
0Ch	SCISSETINT	SCI Set Interrupt Register	<a href="#">Section 29.7.3</a>
10h	SCICLEARINT	SCI Clear Interrupt Register	<a href="#">Section 29.7.4</a>
14h	SCISSETINTLVL	SCI Set Interrupt Level Register	<a href="#">Section 29.7.5</a>
18h	SCICLEARINTLVL	SCI Clear Interrupt Level Register	<a href="#">Section 29.7.6</a>
1Ch	SCIFLR	SCI Flags Register	<a href="#">Section 29.7.7</a>
20h	SCIINTVECT0	SCI Interrupt Vector Offset 0	<a href="#">Section 29.7.8</a>
24h	SCIINTVECT1	SCI Interrupt Vector Offset 1	<a href="#">Section 29.7.9</a>
28h	SCIFORMAT	SCI Format Control Register	<a href="#">Section 29.7.10</a>
2Ch	BRS	Baud Rate Selection Register	<a href="#">Section 29.7.11</a>
30h	SCIED	Receiver Emulation Data Buffer	<a href="#">Section 29.7.12.1</a>
34h	SCIRD	Receiver Data Buffer	<a href="#">Section 29.7.12.2</a>
38h	SCITD	Transmit Data Buffer	<a href="#">Section 29.7.12.3</a>
3Ch	SCIPIO0	SCI Pin I/O Control Register 0	<a href="#">Section 29.7.13</a>
40h	SCIPIO1	SCI Pin I/O Control Register 1	<a href="#">Section 29.7.14</a>
44h	SCIPIO2	SCI Pin I/O Control Register 2	<a href="#">Section 29.7.15</a>
48h	SCIPIO3	SCI Pin I/O Control Register 3	<a href="#">Section 29.7.16</a>
4Ch	SCIPIO4	SCI Pin I/O Control Register 4	<a href="#">Section 29.7.17</a>
50h	SCIPIO5	SCI Pin I/O Control Register 5	<a href="#">Section 29.7.18</a>
54h	SCIPIO6	SCI Pin I/O Control Register 6	<a href="#">Section 29.7.19</a>
58h	SCIPIO7	SCI Pin I/O Control Register 7	<a href="#">Section 29.7.20</a>
5Ch	SCIPIO8	SCI Pin I/O Control Register 8	<a href="#">Section 29.7.21</a>
90h	IODFTCTRL	Input/Output Error Enable Register	<a href="#">Section 29.7.22</a>

### 29.7.1 SCI Global Control Register 0 (SCIGCR0)

The SCIGCR0 register defines the module reset. [Figure 29-8](#) and [Table 29-4](#) illustrate this register.

**Figure 29-8. SCI Global Control Register 0 (SCIGCR0) [offset = 00]**



LEGEND: R/W = Read/Write; R = Read only; RWP = Read/Write in privileged mode only; -n = value after reset

**Table 29-4. SCI Global Control Register 0 (SCIGCR0) Field Descriptions**

Bit	Field	Value	Description
31-1	Reserved	0	Read returns 0. Writes have no effect.
0	RESET	0	This bit resets the SCI module. SCI module is in reset.
		1	SCI module is out of reset.
			<b>Note: Read/Write in privileged mode only.</b>

### 29.7.2 SCI Global Control Register 1 (SCIGCR1)

The SCIGCR1 register defines the frame format, protocol, and communication mode used by the SCI. Figure 29-9 and Table 29-5 illustrate this register.

**Figure 29-9. SCI Global Control Register 1 (SCIGCR1) [offset = 04h]**

31				26				25		24					
Reserved						TXENA		RXENA							
R-0						R/W-0		R/W-0							
23				18				17		16					
Reserved						CONT		LOOP BACK							
R-0						R/W-0		R/W-0							
15				10				9		8					
Reserved						POWERDOWN		SLEEP							
R-0						R/WP-0		R/W-0							
7		6		5		4		3		2		1		0	
SW nRST		Reserved		CLOCK		STOP		PARITY		PARITY ENA		TIMING MODE		COMM MODE	
R/W-0		R-0		R/W-0		R/W-0		R/W-0		R/W-0		R/W-0		R/W-0	

LEGEND: R/W = Read/Write; R = Read only; WP = Write in privileged mode only; -n = value after reset

**NOTE:** The SCIGCR1 Control Register Bits should not be changed during Frame Transmission or Reception.

**Table 29-5. SCI Global Control Register 1 (SCIGCR1) Field Descriptions**

Bit	Field	Value	Description
31-26	Reserved	0	Read returns 0. Writes have no effect.
25	TXENA	0 1	Transmit enable. Data is transferred from SCITD to the SCITXSHF shift out register only when the TXENA bit is set. 0 Disable transfers from SCITD to SCITXSHF. 1 Enable SCI to transfer data from SCITD to SCITXSHF. <b>Note: Data written to SCITD or the transmit multi-buffer before TXENA is set is not transmitted. If TXENA is cleared while transmission is ongoing, the data previously written to SCITD is sent.</b>
24	RXENA	0 1	Receive enable. RXENA allows or prevents the transfer of data from SCIRXSHF to SCIRD. 0 The receiver will not transfer data from the shift buffer to the receive buffer. 1 The receiver will transfer data from the shift buffer to the receive buffer. <b>Note: Clearing RXENA stops received characters from being transferred into the receive buffer or multi-buffers, prevents the RX status flags from being updated by receive data, and inhibits both receive and error interrupts. However, the shift register continues to assemble data regardless of the state of RXENA.</b> <b>Note: If RXENA is cleared before a frame is completely received, the data from the frame is not transferred into the receive buffer.</b> <b>Note: If RXENA is set before a frame is completely received, the data from the frame is transferred into the receive buffer. If RXENA is set while SCIRXSHF is in the process of assembling a frame, the status flags are not guaranteed to be accurate for that frame. To ensure that the status flags correctly reflect what was detected on the bus during a particular frame, RXENA should be set before the detection of that frame.</b>
23-18	Reserved	0	Read returns 0. Writes have no effect.
17	CONT	0 1	Continue on suspend. This bit has an effect only when a program is being debugged with an emulator, and it determines how the SCI operates when the program is suspended. The 0 When debug mode is entered, the SCI state machine is frozen. Transmissions are halted and resume when debug mode is exited. 1 When debug mode is entered, the SCI continues to operate until the current transmit and receive functions are complete.

**Table 29-5. SCI Global Control Register 1 (SCIGCR1) Field Descriptions (continued)**

Bit	Field	Value	Description
16	LOOP BACK	0 1	<p>Loopback bit. The self-checking option for the SCI can be selected with this bit. If the SCITX and SCIRX pins are configured with SCI functionality, then the SCITX pin is internally connected to the SCIRX pin. Externally, during loop back operation, the SCITX pin outputs a high value and the SCIRX pin is in a high-impedance state. If this bit value is changed while the SCI is transmitting or receiving data, errors may result.</p> <p>0 Loop back mode is disabled. 1 Loop back mode is enabled.</p>
15-10	Reserved	0	Read returns 0. Writes have no effect.
9	POWERDOWN	0 1	<p>Power down. When the POWERDOWN bit is set, the SCI attempts to enter local low-power mode. If the POWERDOWN bit is set while the receiver is actively receiving data and the wake-up interrupt is enabled, then the SCI immediately asserts an error interrupt to prevent low-power mode from being entered. Only Privilege mode writes allowed.</p> <p>0 Normal operation. 1 Low-power mode is enabled.</p>
8	SLEEP	0 1	<p>SCI sleep. In a multiprocessor configuration, this bit controls the receive sleep function. Clearing this bit brings the SCI out of sleep mode.</p> <p>0 Sleep mode is disabled. 1 Sleep mode is enabled.</p> <p><b>Note: The receiver still operates when the SLEEP bit is set; however, RXRDY is updated and SCIRD is loaded with new data only when an address frame is detected. The remaining receiver status flags are updated and an error interrupt is requested if the corresponding interrupt enable bit is set, regardless of the value of the SLEEP bit. In this way, if an error is detected on the receive data line while the SCI is asleep, software can promptly deal with the error condition.</b></p> <p><b>Note: The SLEEP bit is not automatically cleared when an address byte is detected.</b></p> <p>See <a href="#">Section 29.6.1</a> for more information on using the SLEEP bit for multiprocessor communication.</p>
7	SWnRST	0 1	<p>Software reset (active low). This bit is effective in LIN and SCI modes.</p> <p>0 The SCI is in its reset state; no data will be transmitted or received. Writing a 0 to this bit initializes the SCI state machines and operating flags as defined in <a href="#">Table 29-11</a> and <a href="#">Table 29-12</a>. All affected logic is held in the reset state until a 1 is written to this bit.</p> <p>1 The SCI is in its ready state; transmission and reception can be done. After this bit is set to 1, the configuration of the module should not change.</p> <p><b>Note: The SCI should only be configured while SWnRESET = 0.</b></p>
6	Reserved	0	Read returns 0. Writes have no effect.
5	CLOCK	0 1	<p>SCI internal clock enable. The CLOCK bit determines the source of the module clock on the SCICLK pin.</p> <p>0 The external SCICLK is the clock source. 1 The internal SCICLK is the clock source.</p> <p><b>Note: If an external clock is selected, then the internal baud rate generator and baud rate registers are bypassed. The maximum frequency allowed for an externally sourced SCI clock is VCLK/16.</b></p>
4	STOP	0 1	<p>SCI number of stop bits per frame.</p> <p>0 One stop bit is used. 1 Two stop bits are used.</p> <p><b>Note: The receiver checks for only one stop bit. However in idle-line mode, the receiver waits until the end of the second stop bit (if STOP = 1) to begin checking for an idle period.</b></p>

**Table 29-5. SCI Global Control Register 1 (SCIGCR1) Field Descriptions (continued)**

Bit	Field	Value	Description
3	PARITY	0 1	<p>SCI parity odd/even selection. If the PARITY ENA bit is set, PARITY designates odd or even parity.</p> <p>0 Odd parity is used. 1 Even parity is used.</p> <p><b>The parity bit is calculated based on the data bits in each frame and the address bit (in address-bit mode). The start and stop fields in the frame are not included in the parity calculation.</b></p> <p><b>For odd parity, the SCI transmits and expects to receive a value in the parity bit that makes odd the total number of bits in the frame with the value of 1.</b></p> <p><b>For even parity, the SCI transmits and expects to receive a value in the parity bit that makes even the total number of bits in the frame with the value of 1.</b></p>
2	PARITY ENA	0 1	<p>Parity enable. This bit enables or disables the parity function.</p> <p>0 Parity is disabled; no parity bit is generated during transmission or is expected during reception. 1 Parity is enabled. A parity bit is generated during transmission and is expected during reception.</p>
1	TIMING MODE	0 1	<p>SCI timing mode bit.</p> <p>0 Synchronous timing is used. 1 Asynchronous timing is used.</p>
0	COMM MODE	0 1	<p>SCI communication mode bit.</p> <p>0 Idle-line mode is used. 1 Address-bit mode is used.</p>

### 29.7.3 SCI Set Interrupt Register (SCISSETINT)

Figure 29-10 and Table 29-6 illustrate this register. SCISSETINT register is used to enable the required interrupts supported by the module.

**Figure 29-10. SCI Set Interrupt Register (SCISSETINT) [offset = 0Ch]**

31	27	26	25	24
Reserved		SET FE INT	SET OE INT	SET PE INT
R-0		R/W-0	R/W-0	R/W-0
23	19	18	17	16
Reserved		SET RX DMA ALL	SET RX DMA	SET TX DMA
R-0		R/W-0	R/W-0	R/W-0
15			10	9
Reserved			SET RX INT	SET TX INT
R-0			R/W-0	R/W-0
7			2	1
Reserved			SET WAKEUP INT	SET BRKDT INT
R-0			R/W-0	R/W-0

LEGEND: R/W = Read/Write; R = Read only; -n = value after reset

**Table 29-6. SCI Set Interrupt Register (SCISSETINT) Field Descriptions**

Bit	Field	Value	Description
31-27	Reserved	0	Read returns 0. Writes have no effect.
26	SET FE INT	0	Set framing-error interrupt. Setting this bit enables the SCI module to generate an interrupt when a framing error occurs. <i>Read:</i> The interrupt is disabled. <i>Write:</i> No effect.
		1	<i>Read or write:</i> The interrupt is enabled.
25	SET OE INT	0	Set overrun-error interrupt. Setting this bit enables the SCI module to generate an interrupt when an overrun error occurs. <i>Read:</i> The interrupt is disabled. <i>Write:</i> No effect.
		1	<i>Read or write:</i> The interrupt is enabled.
24	SET PE INT	0	Set parity interrupt. Setting this bit enables the SCI module to generate an interrupt when a parity error occurs. <i>Read:</i> The interrupt is disabled. <i>Write:</i> No effect.
		1	<i>Read or write:</i> The interrupt is enabled.
23-19	Reserved	0	Read returns 0. Writes have no effect.
18	SET RX DMA ALL	0	Set receive DMA all. This bit determines if a separate interrupt is generated for the address frames sent in multiprocessor communications. When this bit is 0, RX interrupt requests are generated for address frames and DMA requests are generated for data frames. When this bit is 1, RX DMA requests are generated for both address and data frames. <i>Read:</i> The DMA request is disabled for address frames (the receive interrupt request is enabled for address frames). <i>Write:</i> No effect.
		1	<i>Read or write:</i> The DMA request is enabled for address and data frames
17	SET RX DMA	0	Set receiver DMA. To enable receiver DMA requests, this bit must be set. If it is cleared, interrupt requests are generated depending on bit SCISSETINT. <i>Read:</i> The DMA request is disabled. <i>Write:</i> No effect.
		1	<i>Read or write:</i> The DMA request is enabled for address and data frames

**Table 29-6. SCI Set Interrupt Register (SCISSETINT) Field Descriptions (continued)**

Bit	Field	Value	Description
16	SET TX DMA	0	Set transmit DMA. To enable DMA requests for the transmitter, this bit must be set. If it is cleared, interrupt requests are generated depending on SET TX INT bit (SCISSETINT). <i>Read:</i> Transmit DMA request is disabled. <i>Write:</i> No effect.
		1	<i>Read or write:</i> Transmit DMA request is enabled.
15-10	Reserved	0	Read returns 0. Writes have no effect.
9	SET RX INT	0	Receiver interrupt enable. Setting this bit enables the SCI to generate a receive interrupt after a frame has been completely received and the data is being transferred from SCIRXSHF to SCIRD. <i>Read:</i> The interrupt is disabled. <i>Write:</i> No effect.
		1	<i>Read or write:</i> The interrupt is enabled.
8	SET TX INT	0	Set transmitter interrupt. Setting this bit enables the SCI to generate a transmit interrupt as data is being transferred from SCITD to SCITXSHF and the TXRDY bit is being set. <i>Read:</i> The interrupt is disabled. <i>Write:</i> No effect.
		1	<i>Read or write:</i> The interrupt is enabled.
7-2	Reserved	0	Read returns 0. Writes have no effect.
1	SET WAKEUP INT	0	Set wakeup interrupt. Setting this bit enables the SCI to generate a wakeup interrupt and thereby exit lowpower mode. If enabled, the wakeup interrupt is asserted when local lowpower mode is requested while the receiver is busy or if a low level is detected on the SCIRX pin during lowpower mode. <i>Read:</i> The interrupt is disabled. <i>Write:</i> No effect.
		1	<i>Read or write:</i> The interrupt is enabled.
0	SET BRKDT INT	0	Set breakdetect interrupt. Setting this bit enables the SCI to generate an error interrupt if a break condition is detected on the SCIRX pin. <i>Read:</i> The interrupt is disabled. <i>Write:</i> No effect.
		1	<i>Read or write:</i> The interrupt is enabled.

### 29.7.4 SCI Clear Interrupt Register (SCICLEARINT)

Figure 29-11 and Table 29-7 illustrate this register. SCICLEARINT register is used to clear the selected enabled interrupts with out accessing SCISSETINT register.

**Figure 29-11. SCI Clear Interrupt Register (SCICLEARINT) [offset = 10h]**

31	27	26	25	24
Reserved		CLR FE INT	CLR OE INT	CLR PE INT
R-0		R/W-0	R/W-0	R/W-0
23	19	18	17	16
Reserved		CLR RX DMA ALL	CLR RX DMA	CLR TX DMA
R-0		R/W-0	R/W-0	R/W-0
15			10	9
Reserved			CLR RX INT	CLR TX INT
R-0			R/W-0	R/W-0
7			2	1
Reserved			CLR WAKEUP INT	CLR BRKDT INT
R-0			R/W-0	R/W-0

LEGEND: R/W = Read/Write; R = Read only; -n = value after reset

**Table 29-7. SCI Clear Interrupt Register (SCICLEARINT) Field Descriptions**

Bit	Field	Value	Description
31-27	Reserved	0	Read returns 0. Writes have no effect.
26	CLR FE INT	0	Clear framing-error interrupt. This bit disables the framing-error interrupt when set. <i>Read:</i> The interrupt is disabled. <i>Write:</i> No effect.
		1	<i>Read:</i> The interrupt is enabled. <i>Write:</i> The interrupt is disabled.
25	CLR CE INT	0	Clear overrun-error interrupt. This bit disables the SCI overrun error interrupt when set. <i>Read:</i> The interrupt is disabled. <i>Write:</i> No effect.
		1	<i>Read:</i> The interrupt is enabled. <i>Write:</i> The interrupt is disabled.
24	CLR PE INT	0	Clear parity interrupt. This bit disables the parity error interrupt when set. <i>Read:</i> The interrupt is disabled. <i>Write:</i> No effect.
		1	<i>Read:</i> The interrupt is enabled. <i>Write:</i> The interrupt is disabled.
23-19	Reserved	0	Read returns 0. Writes have no effect.
18	CLR RX DMA ALL	0	Clear receive DMA all. This bit clears the receive DMA request for address frames when set. Only receive data frames generate a DMA request. <i>Read:</i> Receive DMA request for address frames is disabled; Instead, RX interrupt requests are enabled for address frames. Receive DMA requests are still enabled for data frames. <i>Write:</i> No effect.
		1	<i>Read:</i> The receive DMA request for address and data frames is enabled. <i>Write:</i> The receive DMA request for address and data frames is disabled.

**Table 29-7. SCI Clear Interrupt Register (SCICLEARINT) Field Descriptions (continued)**

Bit	Field	Value	Description
17	CLR RX DMA	0	Clear receive DMA request. This bit disables the receive DMA request when set. <i>Read:</i> The DMA request is disabled. <i>Write:</i> No effect.
		1	<i>Read:</i> The receive DMA request is enabled. <i>Write:</i> The receive DMA request for is disabled.
16	CLR TX DMA	0	Clear transmit DMA request. This bit disables the transmit DMA request when set. <i>Read:</i> Transmit DMA request is disabled. <i>Write:</i> No effect.
		1	<i>Read:</i> The transmit DMA request is enabled. <i>Write:</i> The transmit DMA request for is disabled.
15-10	Reserved	0	Read returns 0. Writes have no effect.
9	CLR RX INT	0	Clear receiver interrupt. This bit disables the receiver interrupt when set. <i>Read:</i> The interrupt is disabled. <i>Write:</i> No effect.
		1	<i>Read:</i> The interrupt is enabled. <i>Write:</i> The interrupt is disabled.
8	CLR TX INT	0	Clear transmitter interrupt. This bit disables the transmitter interrupt when set. <i>Read:</i> The interrupt is disabled. <i>Write:</i> No effect.
		1	<i>Read:</i> The interrupt is enabled. <i>Write:</i> The interrupt is disabled.
7-2	Reserved	0	Read returns 0. Writes have no effect.
1	CLR WAKEUP INT	0	Clear wakeup interrupt. This bit disables the wakeup interrupt when set. <i>Read:</i> The interrupt is disabled. <i>Write:</i> No effect.
		1	<i>Read:</i> The interrupt is enabled. <i>Write:</i> The interrupt is disabled.
0	CLR BRKDT INT	0	Clear breakdetect interrupt. This bit disables the break-detect interrupt when set. <i>Read:</i> The interrupt is disabled. <i>Write:</i> No effect.
		1	<i>Read:</i> The interrupt is enabled. <i>Write:</i> The interrupt is disabled.

### 29.7.5 SCI Set Interrupt Level Register (SCISSETINTLVL)

Figure 29-12 and Table 29-8 illustrate this register. This register is used to set the interrupt level for the supported interrupts.

**Figure 29-12. SCI Set Interrupt Level Register (SCISSETINTLVL) [offset = 14h]**

31	27	26	25	24
Reserved		SET FE INT LVL	SET OE INT LVL	SET PE INT LVL
R-0		R/W-0	R/W-0	R/W-0
23	19	18	17	16
Reserved		SET RX DMA ALL INT LVL	Reserved	
R-0		R/W-0	R-0	
15			10	9
Reserved			SET RX INT LVL	SET TX INT LVL
R-0			R/W-0	R/W-0
7			2	1
Reserved			SET WAKEUP INT LVL	SET BRKDT INT LVL
R-0			R/W-0	R/W-0

LEGEND: R/W = Read/Write; R = Read only; -n = value after reset

**Table 29-8. SCI Set Interrupt Level Register (SCISSETINTLVL) Field Descriptions**

Bit	Field	Value	Description
31-27	Reserved	0	Read returns 0. Writes have no effect.
26	SET FE INT LVL	0	Set framing-error interrupt level. <i>Read:</i> The interrupt level is mapped to the INT0 line. <i>Write:</i> No effect.
		1	<i>Read or write:</i> The interrupt level is mapped to the INT1 line.
25	SET CE INT LVL	0	Set overrun-error interrupt level. <i>Read:</i> The interrupt level is mapped to the INT0 line. <i>Write:</i> No effect.
		1	<i>Read or write:</i> The interrupt level is mapped to the INT1 line.
24	SET PE INT LVL	0	Set parity error interrupt level. <i>Read:</i> The interrupt level is mapped to the INT0 line. <i>Write:</i> No effect.
		1	<i>Read or write:</i> The interrupt level is mapped to the INT1 line.
23-19	Reserved	0	Read returns 0. Writes have no effect.
18	SET RX DMA ALL LVL	0	Set receive DMA all interrupt levels. <i>Read:</i> The receive interrupt request for address frames is mapped to the INT0 line. <i>Write:</i> No effect.
		1	<i>Read or write:</i> The receive interrupt request for address frames is mapped to the INT1 line.
17-14	Reserved	0	Read returns 0. Writes have no effect.
9	SET RX INT LVL	0	Set receiver interrupt level. <i>Read:</i> The interrupt level is mapped to the INT0 line. <i>Write:</i> No effect.
		1	<i>Read or write:</i> The interrupt level is mapped to the INT1 line.

**Table 29-8. SCI Set Interrupt Level Register (SCISSETINTLVL) Field Descriptions (continued)**

Bit	Field	Value	Description
8	SET TX INT LVL	0	Set transmitter interrupt level. <i>Read:</i> The interrupt level is mapped to the INT0 line. <i>Write:</i> No effect.
		1	<i>Read or write:</i> The interrupt level is mapped to the INT1 line.
7-2	Reserved	0	Read returns 0. Writes have no effect.
1	SET WAKEUP INT LVL	0	Set wakeup interrupt level. <i>Read:</i> The interrupt level is mapped to the INT0 line. <i>Write:</i> No effect.
		1	<i>Read or write:</i> The interrupt level is mapped to the INT1 line.
0	SET BRKDT INT LVL	0	Set breakdetect interrupt level. <i>Read:</i> The interrupt level is mapped to the INT0 line. <i>Write:</i> No effect.
		1	<i>Read or write:</i> The interrupt level is mapped to the INT1 line.

### 29.7.6 SCI Clear Interrupt Level Register (SCICLEARINTLVL)

Figure 29-13 and Table 29-9 illustrate this register.

**Figure 29-13. SCI Clear Interrupt Level Register (SCICLEARINTLVL) [offset = 18h]**

31	27	26	25	24	
Reserved		CLR FE INT LVL	CLR OE INT LVL	CLR PE INT LVL	
R-0		R/W-0	R/W-0	R/W-0	
23	19	18	17	16	
Reserved		CLR RX DMA ALL INT LVL	Reserved		
R-0		R/W-0	R-0		
15			10	9	8
Reserved			CLR RX INT LVL	CLR TX INT LVL	
R-0			R/W-0	R/W-0	
7			2	1	0
Reserved			CLR WAKEUP INT LVL	CLR BRKDT INT LVL	
R-0			R/W-0	R/W-0	

LEGEND: R/W = Read/Write; R = Read only; -n = value after reset

**Table 29-9. SCI Clear Interrupt Level Register (SCICLEARINTLVL) Field Descriptions**

Bit	Field	Value	Description
31-27	Reserved	0	Read returns 0. Writes have no effect.
26	CLR FE INT LVL	0	Clear framing-error interrupt. <i>Read:</i> The interrupt level is mapped to the INT0 line. <i>Write:</i> No effect.
		1	<i>Read:</i> The interrupt level is mapped to the INT1 line. <i>Write:</i> The interrupt level is mapped to the INT0 line.

**Table 29-9. SCI Clear Interrupt Level Register (SCICLEARINTLVL) Field Descriptions (continued)**

Bit	Field	Value	Description
25	CLR CE INT LVL	0	Clear overrun-error interrupt. <i>Read:</i> The interrupt level is mapped to the INT0 line. <i>Write:</i> No effect.
		1	<i>Read:</i> The interrupt level is mapped to the INT1 line. <i>Write:</i> The interrupt level is mapped to the INT0 line.
24	CLR PE INT LVL	0	Clear parity interrupt. <i>Read:</i> The interrupt level is mapped to the INT0 line. <i>Write:</i> No effect.
		1	<i>Read:</i> The interrupt level is mapped to the INT1 line. <i>Write:</i> The interrupt level is mapped to the INT0 line.
23-19	Reserved	0	Read returns 0. Writes have no effect.
18	CLR RX DMA ALL LVL	0	Clear receive DMA interrupt level. <i>Read:</i> The receive interrupt request for address frames is mapped to the INT0 line. <i>Write:</i> No effect.
		1	<i>Read:</i> The receive interrupt request for address frames is mapped to the INT1 line. <i>Write:</i> The receive interrupt request for address frames is mapped to the INT0 line.
17-10	Reserved	0	Read returns 0. Writes have no effect.
9	CLR RX INT LVL	0	Clear receiver interrupt. <i>Read:</i> The interrupt level is mapped to the INT0 line. <i>Write:</i> No effect.
		1	<i>Read:</i> The interrupt level is mapped to the INT1 line. <i>Write:</i> The interrupt level is mapped to the INT0 line.
8	CLR TX INT LVL	0	Clear transmitter interrupt. <i>Read:</i> The interrupt level is mapped to the INT0 line. <i>Write:</i> No effect.
		1	<i>Read:</i> The interrupt level is mapped to the INT1 line. <i>Write:</i> The interrupt level is mapped to the INT0 line.
7-2	Reserved	0	Read returns 0. Writes have no effect.
1	CLR WAKEUP INT LVL	0	Clear wakeup interrupt. <i>Read:</i> The interrupt level is mapped to the INT0 line. <i>Write:</i> No effect.
		1	<i>Read:</i> The interrupt level is mapped to the INT1 line. <i>Write:</i> The interrupt level is mapped to the INT0 line.
0	CLR BRKDT INT LVL	0	Clear breakdetect interrupt. <i>Read:</i> The interrupt level is mapped to the INT0 line. <i>Write:</i> No effect.
		1	<i>Read:</i> The interrupt level is mapped to the INT1 line. <i>Write:</i> The interrupt level is mapped to the INT0 line.

### 29.7.7 SCI Flags Register (SCIFLR)

Figure 29-14 and Table 29-10 illustrate this register.

**Figure 29-14. SCI Flags Register (SCIFLR) [offset = 1Ch]**

31				27	26	25	24	
Reserved					FE	OE	PE	
R-0					R/W-0	R/W-0	R/W-0	
23							16	
Reserved								
R-0								
15			13	12	11	10	9	8
Reserved				RX WAKE	TX EMPTY	TX WAKE	RX RDY	TX RDY
R-0				R/W-0	R/W-1	R/W-0	R/W-0	R/W-1
7				4	3	2	1	0
Reserved					BUSY	IDLE	WAKE UP	BRKDT
R-0					R/W-0	R-0	R/WL-0	R/W-0

LEGEND: R/W = Read/Write; R = Read only; -n = value after reset

**Table 29-10. SCI Flags Register (SCIFLR) Field Descriptions**

Bit	Field	Value	Description
31-27	Reserved		Read returns 0. Writes have no effect.
26	FE	0	<p>Framing error flag. This bit is effective in LIN or SCI-compatible mode. This bit is set when an expected stop bit is not found. In SCI compatibility mode, only the first stop bit is checked. The missing stop bit indicates that synchronization with the start bit has been lost and that the character is incorrectly framed. Detection of a framing error causes the SCI/LIN to generate an error interrupt if the SET FE INT bit is set in the register SCISSETINT (SCI Set Interrupt Register (SCISSETINT)). The framing error flag is cleared by the following:</p> <ul style="list-style-type: none"> <li>Setting of the SW nRST bit</li> <li>Setting of the RESET bit</li> <li>A system reset</li> <li>Writing a 1 to this bit</li> <li>Reading the corresponding interrupt offset in SCIINTVECT0/1</li> <li>Reception of a new character/frame, depending on whether the module is in SCI compatible or LIN mode</li> </ul> <p>In multi-buffer mode the frame is defined in the SCIFORMAT register.</p> <p><i>Read:</i> No framing error has been detected since the last clear. <i>Write:</i> No effect.</p>
		1	<p><i>Read:</i> A framing error has been detected since the last clear. <i>Write:</i> The bit is cleared to 0.</p>
25	OE	0	<p>Overrun error flag. This bit is set when the transfer of data from SCIRXSHF to SCIRD overwrites unread data already in SCIRD. Detection of an overrun error causes the LIN to generate an error interrupt if the SET OE INT bit = 1. The OE flag is reset by the following:</p> <ul style="list-style-type: none"> <li>Setting of the SW nRST bit</li> <li>Setting of the RESET bit</li> <li>A system reset</li> <li>Writing a 1 to this bit</li> <li>Reading the corresponding interrupt offset in SCIINTVECT0/1</li> </ul> <p><i>Read:</i> No overrun error has been detected since the last clear. <i>Write:</i> No effect.</p>
		1	<p><i>Read:</i> An overrun error has been detected since the last clear. <i>Write:</i> The bit is cleared to 0.</p>

**Table 29-10. SCI Flags Register (SCIFLR) Field Descriptions (continued)**

Bit	Field	Value	Description
24	PE	0	Parity error flag. This bit is set when a parity error is detected in the received data. In SCI address-bit mode, the parity is calculated on the data and address bit fields of the received frame. In idle-line mode, only the data is used to calculate parity. An error is generated when a character is received with a mismatch between the number of 1s and its parity bit. If the parity function is disabled (SCIGCR[2] = 0), the PE flag is disabled and read as 0. Detection of a parity error causes the LIN to generate an error interrupt if the SET PE INT bit = 1. The PE bit is reset by the following: <ul style="list-style-type: none"> <li>• Setting of the SW nRST bit</li> <li>• Setting of the RESET bit</li> <li>• A system reset</li> <li>• Writing a 1 to this bit</li> <li>• Reception of a new character or frame, depending on whether the module is in SCI compatible or LIN mode, respectively.</li> <li>• Reading the corresponding interrupt offset in SCIINTVECT0/1</li> </ul> <i>Read:</i> No parity error has been detected since the last clear. <i>Write:</i> No effect.
		1	<i>Read:</i> A parity error has been detected since the last clear. <i>Write:</i> The bit is cleared to 0.
23-13	Reserved	0	Read returns 0. Writes have no effect.
12	RXWAKE	0	Receiver wakeup detect flag. The SCI sets this bit to indicate that the data currently in SCIRD is an address. RXWAKE is cleared by the following: <ul style="list-style-type: none"> <li>• Setting of the SW nRST bit</li> <li>• Setting of the RESET bit</li> <li>• A system reset</li> <li>• Upon receipt of a data frame.</li> </ul>
		1	The data in SCIRD is an address.
11	TX EMPTY	0	Transmitter empty flag. This flag indicates the transmitter's buffer register(s) (SCITD/TDy) and shift register (SCITXSHF) are empty.  <b>Note: The RESET bit, an active SW nRESET (SCIGCR1[7]) or a system reset sets this bit. This bit does not cause an interrupt request.</b>
		1	Transmitter buffer or shift register (or both) are loaded with data.
10	TXWAKE	0	Transmitter wakeup method select. The TXWAKE bit controls whether the data in SCITD should be sent as an address or data frame using multiprocessor communication format. This bit is set to 1 or 0 by software before a byte is written to SCITD and is cleared by the SCI when data is transferred from SCITD to SCITXSHF or by a system reset.  <b>Note: TXWAKE is not cleared by the SW nRESET bit.</b>
		1	<i>Address-bit mode</i> Frame to be transmitted will be data (address bit = 0).
		0	<i>Idle-line mode</i> The frame to be transmitted will be data.
		1	The following frame to be transmitted will be an address (writing a 1 to this bit followed by writing dummy data to the SCITD will result in a idle period of 11 bit periods before the next frame is transmitted).

**Table 29-10. SCI Flags Register (SCIFLR) Field Descriptions (continued)**

Bit	Field	Value	Description
9	RXRDY	0	Receiver ready flag. The receiver sets this bit to indicate that the SCIRD contains new data and is ready to be read by the CPU or DMA. The SCI generates a receive interrupt when RXRDY flag bit is set if the interrupt-enable bit is set (SCISSETINT[9]); RXRDY is cleared by the following: <ul style="list-style-type: none"> <li>• Setting of the SW nRST bit</li> <li>• Setting of the RESET bit</li> <li>• A system reset</li> <li>• Writing a 1 to this bit</li> <li>• Reading the SCIRD register in compatibility mode</li> <li>• Reading the last data byte RDy of the response in LIN mode</li> </ul> <b>Note: The RXRDY flag cannot be cleared by reading the corresponding interrupt offset in the SCIINTVECT0/1 register.</b> <i>Read:</i> No new data is in SCIRD. <i>Write:</i> No effect.
		1	<i>Read:</i> New data is ready to be read from SCIRD. <i>Write:</i> The bit is cleared to 0.
8	TXRDY	0	Transmitter buffer register ready flag. When set, this bit indicates that the transmit buffer is ready to get another character from a CPU or DMA write. Writing data to SCITD automatically clears this bit. This bit is set after the data of the TX buffer is shifted into the SCITXSHF register. This event can trigger a transmit interrupt after data is copied to the TX shift register SCITXSHF, if the interrupt enable bit TXINT is set.
		1	<b>Note: 1) TXRDY is also set to 1 either by setting of the RESET bit, enabling SW nRST or by a system reset.</b> <b>2) The TXRDY flag cannot be cleared by reading the corresponding interrupt offset in the SCIINTVECT0/1 register.</b> <b>3) The transmit interrupt request can be eliminated until the next series of data written into the transmit buffers LINTD0 and LINTD1, by disabling the corresponding interrupt via the SCICLEARINT register or by disabling the transmitter via the TXENA bit.</b> SCITD is full.
7-4	Reserved	0	Read returns 0. Writes have no effect.
3	BUSY	0	Bus busy flag. This bit indicates whether the receiver is in the process of receiving a frame. As soon as the receiver detects the beginning of a start bit, the BUSY bit is set to 1. When the reception of a frame is complete, the SCI clears the BUSY bit. If SET WAKEUP INT is set and power down is requested while this bit is set, the SCI automatically prevents lowpower mode from being entered and generates wakeup interrupt. The BUSY bit is controlled directly by the SCI receiver, but this bit can also be cleared by the following: <ul style="list-style-type: none"> <li>• Setting the SW nRST bit</li> <li>• Setting of the RESET bit</li> <li>• A system reset occurring</li> </ul>
		1	The receiver is currently receiving a frame.
2	IDLE	0	SCI receiver in idle state. While this bit is set, the SCI looks for an idle period to resynchronize itself with the bit stream. The receiver does not receive any data while the bit is set. The bus must be idle for 11 bit periods to clear this bit. The SCI enters the idle state if one of the following events occurs: <ul style="list-style-type: none"> <li>• A system reset</li> <li>• An SCI software reset</li> <li>• A power down</li> <li>• The RX pin is configured as a general I/O pin</li> </ul>
		1	The idle period has not been detected; the SCI will not receive any data.

**Table 29-10. SCI Flags Register (SCIFLR) Field Descriptions (continued)**

Bit	Field	Value	Description
1	WAKEUP		Wakeup flag. This bit is set by the SCI when receiver or transmitter activity has taken the module out of power-down mode. An interrupt is generated if the SET WAKEUP INT bit (SCISSETINT[2]) is set. It is cleared by the following: <ul style="list-style-type: none"> <li>Setting of the SW nRST bit</li> <li>Setting of the RESET bit</li> <li>A system reset</li> <li>Writing a 1 to this bit</li> <li>Reading the corresponding interrupt offset in SCIINTVECT0/1</li> </ul> For compatibility mode, see the SCI document for more information on lowpower mode.
		0	<i>Read:</i> The module will not wake up from power-down mode. <i>Write:</i> No effect.
		1	<i>Read:</i> Wake up from power-down mode. <i>Write:</i> The bit is cleared to 0.
0	BRKDT		SCI break-detect flag. This bit is set when the SCI detects a break condition on the LINRX pin. A break condition occurs when the SCIRX pin remains continuously low for at least 10 bits after a missing first stop bit, that is, after a framing error. Detection of a break condition causes the SCI to generate an error interrupt if the BRKDT INT ENA bit is set. The BRKDT bit is reset by the following: <ul style="list-style-type: none"> <li>Setting of the SW nRST bit</li> <li>Setting of the RESET bit</li> <li>A system reset</li> <li>Writing a 1 to this bit</li> <li>Reading the corresponding interrupt offset in SCIINTVECT0/1</li> </ul>
		0	<i>Read:</i> No break condition has been detected since the last clear. <i>Write:</i> No effect.
		1	<i>Read:</i> A break condition has been detected. <i>Write:</i> The bit is cleared to 0.

**Table 29-11. SCI Receiver Status Flags**

SCI Flag	Register	Bit	Value After SW nRESET <sup>(1)</sup>
FE	SCIFLR	26	0
OE	SCIFLR	25	0
PE	SCIFLR	24	0
RXWAKE	SCIFLR	12	0
RXRDY	SCIFLR	9	0
BRKDT	SCIFLR	0	0

<sup>(1)</sup> The flags are frozen with their reset value while SW nRESET = 0.

**Table 29-12. SCI Transmitter Status Flags**

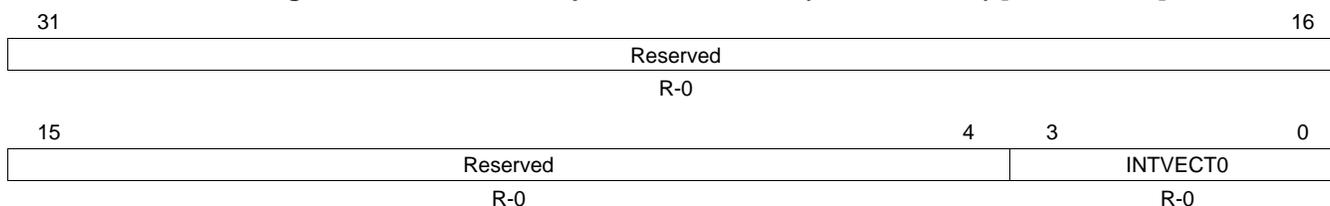
SCI Flag	Register	Bit	Value After SW nRESET <sup>(1)</sup>
TX EMPTY	SCIFLR	11	1
TXRDY	SCIFLR	8	1

<sup>(1)</sup> The flags are frozen with their reset value while SW nRESET = 0.

### 29.7.8 SCI Interrupt Vector Offset 0 (SCIINTVECT0)

Figure 29-15 and Table 29-13 illustrate this register.

**Figure 29-15. SCI Interrupt Vector Offset 0 (SCIINTVECT0) [offset = 20h]**



LEGEND: R/W = Read/Write; R = Read only; -n = value after reset

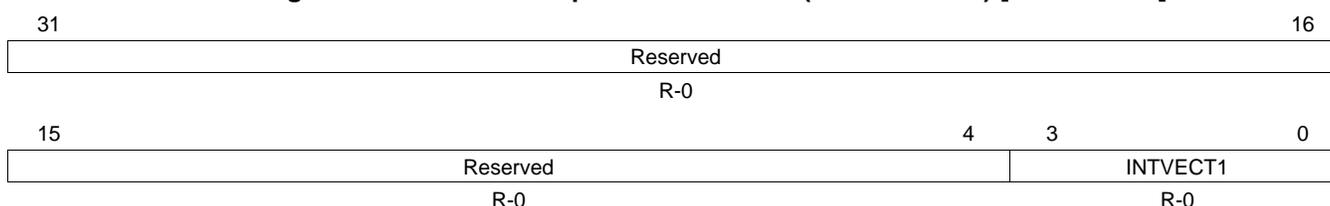
**Table 29-13. SCI Interrupt Vector Offset 0 (SCIINTVECT0) Field Descriptions**

Bit	Field	Value	Description
31-4	Reserved	0	Read returns 0. Writes have no effect.
3-0	INVECT0	0-Fh	Interrupt vector offset for INT0. This register indicates the offset for interrupt line INT0. A read to this register updates its value to the next highest priority pending interrupt in SCIFLR and clears the flag in SCIFLR corresponding to the offset that was read. See <a href="#">Table 29-1</a> for a list of the interrupts.  <b>Note: The flags for the receive (SCIFLR[9]) and the transmit (SCIFLR[8]) interrupt cannot be cleared by reading the corresponding offset vector in this register (see detailed description in SCIFLR register).</b>

### 29.7.9 SCI Interrupt Vector Offset 1 (SCIINTVECT1)

Figure 29-16 and Table 29-14 illustrate this register.

**Figure 29-16. SCI Interrupt Vector Offset 1 (SCIINTVECT1) [offset = 24h]**



LEGEND: R/W = Read/Write; R = Read only; -n = value after reset

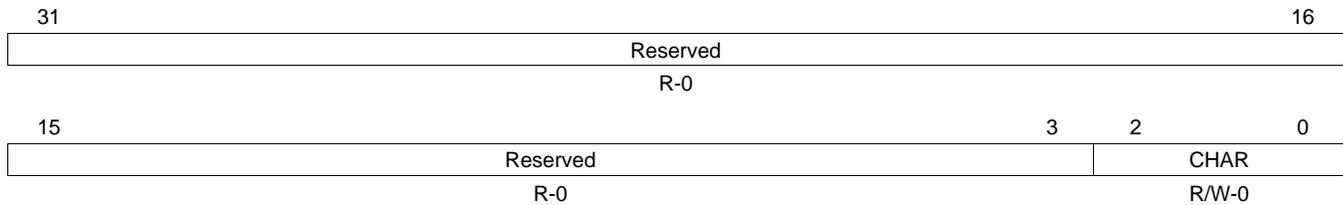
**Table 29-14. SCI Interrupt Vector Offset 1 (SCIINTVECT1) Field Descriptions**

Bit	Field	Value	Description
31-4	Reserved	0	Read returns 0. Writes have no effect.
3-0	INVECT1	0-Fh	Interrupt vector offset for INT1. This register indicates the offset for interrupt line INT1. A read to this register updates its value to the next highest priority pending interrupt in SCIFLR and clears the flag in SCIFLR corresponding to the offset that was read. See <a href="#">Table 29-1</a> for list of interrupts.  <b>Note: The flags for the receive (SCIFLR[9]) and the transmit (SCIFLR[8]) interrupt cannot be cleared by reading the corresponding offset vector in this register (see detailed description in SCIFLR register).</b>

### 29.7.10 SCI Format Control Register (SCIFORMAT)

Figure 29-17 and Table 29-15 illustrate this register.

**Figure 29-17. SCI Format Control Register (SCIFORMAT) [offset = 28h]**



LEGEND: R/W = Read/Write; R = Read only; -n = value after reset

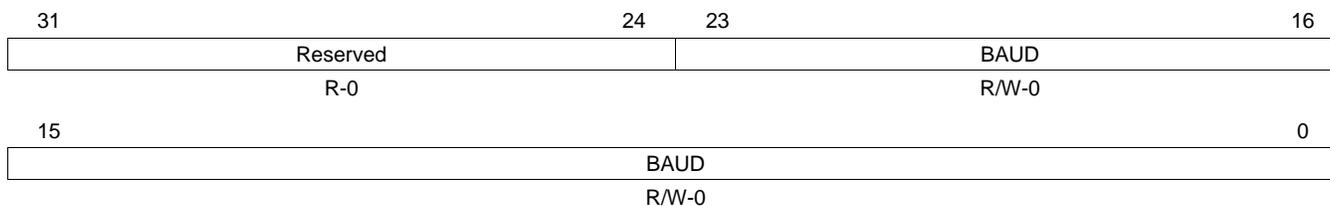
**Table 29-15. SCI Format Control Register (SCIFORMAT) Field Descriptions**

Bit	Field	Value	Description
31-3	Reserved	0	Read returns 0. Writes have no effect.
2-0	CHAR	0 1h 2h 3h 4h 5h 6h 7h	Character length control bits. These bits set the SCI character length from 1 to 8 bits. <b>When data of fewer than eight bits in length is received, it is left justified in SCIRD and padded with trailing zeros. Data read from the SCIRD should be shifted by software to make the received data right justified.</b> <b>Data written to the SCITD should be right justified but does not need to be padded with leading zeros.</b> The character is 1 bit long. The character is 2 bits long. The character is 3 bits long. The character is 4 bits long. The character is 5 bits long. The character is 6 bits long. The character is 7 bits long. The character is 8 bits long.

### 29.7.11 Baud Rate Selection Register (BRS)

This section describes the baud rate selection register. [Figure 29-18](#) and [Table 29-16](#) illustrate this register.

**Figure 29-18. Baud Rate Selection Register (BRS) [offset = 2Ch]**



LEGEND: R/W = Read/Write; R = Read only; -n = value after reset

**Table 29-16. Baud Rate Selection Register (BRS) Field Descriptions**

Bit	Field	Value	Description
31-24	Reserved	0	Read returns 0. Writes have no effect.
23-0	BAUD	0-FF FFFFh	SCI 24-bit baud selection. The SCI has an internally generated serial clock determined by the VCLK and the prescalers BAUD in this register. The SCI uses the 24-bit integer prescaler BAUD value of this register to select one of over 16,700,000. The baud rate can be calculated using the following formulas: $\text{Asynchronous baud value} = \left( \frac{\text{VBUSPLCK Frequency}}{16(\text{Baud} + 1)} \right) \quad (57)$ $\text{Isosynchronous baud value} = \left( \frac{\text{VBUSPLCK Frequency}}{\text{Baud} + 1} \right) \quad (58)$ For BAUD = 0, $\text{Asynchronous baud value} = \left( \frac{\text{VCLK Frequency}}{32} \right) \quad (59)$ $\text{Isosynchronous baud value} = \left( \frac{\text{VCLK Frequency}}{2} \right) \quad (60)$ <a href="#">Table 29-17</a> contains comparative baud values for different P values, with VCLK = 50 MHz, for asynchronous mode..

**Table 29-17. Comparative Baud Values for Different P Values, Asynchronous Mode <sup>(1)(2)</sup>**

24-Bit Register Value		Baud Selected		Percent Error
Decimal	Hex	Ideal	Actual	
26	00001A	115200	115740	0.47
53	000035	57600	57870	0.47
80	000050	38400	38580	0.47
162	0000A2	19200	19172	-0.15
299	00012B	10400	10417	0.16
325	000145	9600	9586	-0.15
399	00018F	7812.5	7812.5	0.00
650	00028A	4800	4800	0.00
15624	003BA0	200	200	0.00
624999	098967	5	5	0.00

<sup>(1)</sup> VCLK = 50 MHz

<sup>(2)</sup> Values are in decimal except for column 2.

### 29.7.12 SCI Data Buffers (SCIED, SCIRD, SCITD)

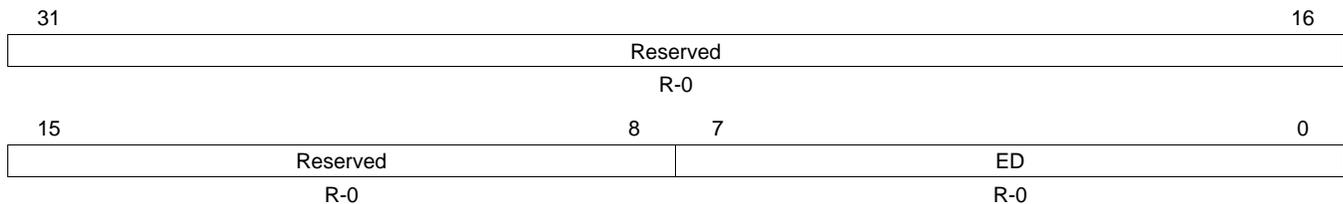
The SCI has three addressable registers in which transmit and receive data is stored.

#### 29.7.12.1 Receiver Emulation Data Buffer (SCIED)

The SCIED register is addressed at a location different from SCIRD, but is physically the same register.

Figure 29-19 and Table 29-18 illustrate this register.

**Figure 29-19. Receiver Emulation Data Buffer (SCIED) [offset = 30h]**



LEGEND: R/W = Read/Write; R = Read only; -n = value after reset

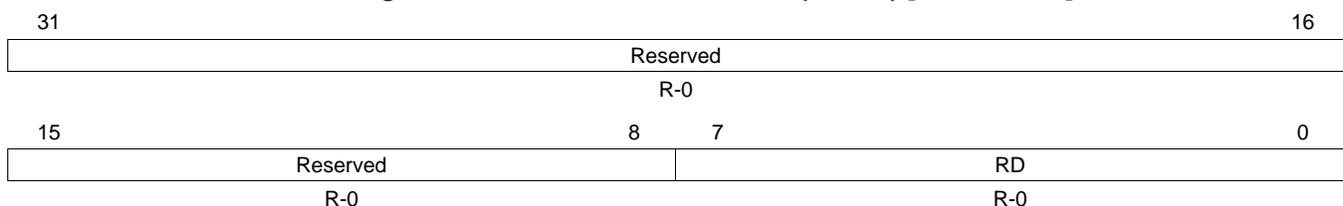
**Table 29-18. Receiver Emulation Data Buffer (SCIED) Field Descriptions**

Bit	Field	Value	Description
31-8	Reserved	0	Read returns 0. Writes have no effect.
7-0	ED	0-FFh	Emulator data. Reading SCIED[7:0] does not clear the RXRDY flag, unlike reading SCIRD. This register should be used only by an emulator that must continually read the data buffer without affecting the RXRDY flag.

#### 29.7.12.2 Receiver Data Buffer (SCIRD)

This register provides a location for the receiver data. Figure 29-20 and Table 29-19 illustrate this register.

**Figure 29-20. Receiver Data Buffer (SCIRD) [offset = 34h]**



LEGEND: R/W = Read/Write; R = Read only; -n = value after reset

**Table 29-19. Receiver Data Buffer (SCIRD) Field Descriptions**

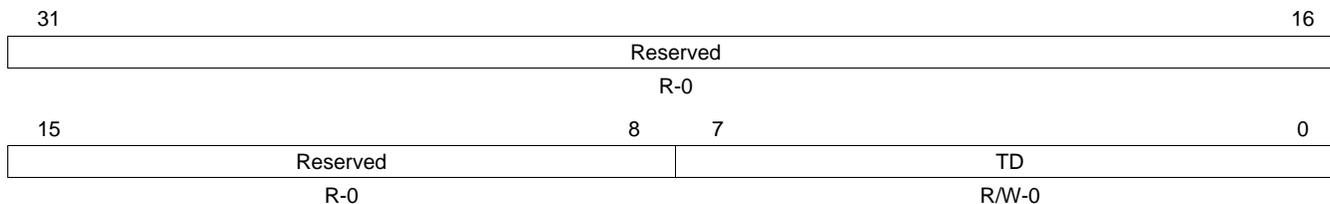
Bit	Field	Value	Description
31-8	Reserved	0	Read returns 0. Writes have no effect.
7-0	RD	0-FFh	Receiver data. When a frame has been completely received, the data in the frame is transferred from the receiver shift register SCIRXSHF to this register. As this transfer occurs, the RXRDY flag is set and a receive interrupt is generated if SET RX INT is set. <b>Note: When the data is read from SCIRD, the RXRDY flag is automatically cleared.</b>

**NOTE:** When the SCI receives data that is fewer than eight bits in length, it loads the data into this register in a left-justified format padded with trailing zeros. Therefore, the user software should perform a logical shift on the data by the correct number of positions to make it right justified.

### 29.7.12.3 Transmit Data Buffer Register (SCITD)

Data to be transmitted is written to the SCITD register. [Figure 29-21](#) and [Table 29-20](#) illustrate this register.

**Figure 29-21. Transmit Data Buffer Register (SCITD) [offset = 38h]**



LEGEND: R/W = Read/Write; R = Read only; -n = value after reset

**Table 29-20. Transmit Data Buffer Register (SCITD) Field Descriptions**

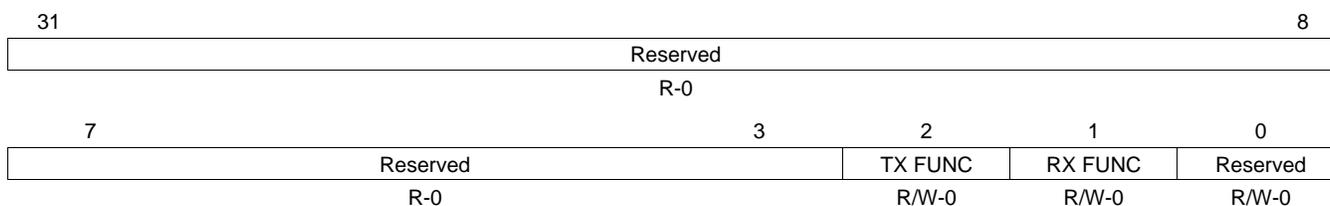
Bit	Field	Value	Description
31-8	Reserved	0	Read returns 0. Writes have no effect.
7-0	TD	0-FFh	Transmit data. Data to be transmitted is written to the SCITD register. The transfer of data from this register to the transmit shift register SCITXSHF sets the TXRDY flag, which indicates that SCITD is ready to be loaded with another byte of data. <b>Note: If TX INT ENA is set, this data transfer also causes an interrupt.</b>

**NOTE:** Data written to the SCITD register that is fewer than eight bits long must be right justified, but it does not need to be padded with leading zeros.

### 29.7.13 SCI Pin I/O Control Register 0 (SCIPIO0)

[Figure 29-22](#) and [Table 29-21](#) illustrate this register.

**Figure 29-22. SCI Pin I/O Control Register 0 (SCIPIO0) [offset = 3Ch]**



LEGEND: R/W = Read/Write; R = Read only; -n = value after reset

**Table 29-21. SCI Pin I/O Control Register 0 (SCIPIO0) Field Descriptions**

Bit	Field	Value	Description
31-3	Reserved	0	Read returns 0. Writes have no effect.
2	TX FUNC	0 1	Transfer function. This bit defines the function of pin SCITX. 0 SCITX is a general-purpose digital I/O pin. 1 SCITX is the SCI transmit pin.
1	RX FUNC	0 1	Receive function. This bit defines the function of pin SCIRX. 0 SCIRX is a general-purpose digital I/O pin. 1 SCIRX is the SCI receive pin.
0	Reserved	0	Writes have no effect.

### 29.7.14 SCI Pin I/O Control Register 1 (SCIPIO1)

Figure 29-23 and Table 29-22 illustrate this register.

**Figure 29-23. SCI Pin I/O Control Register 1 (SCIPIO1) [offset = 40h]**

31	Reserved				8
R-0					
7	3	2	1	0	
Reserved			TX DIR	RX DIR	Reserved
R-0			R/W-0	R/W-0	R/W-0

LEGEND: R/W = Read/Write; R = Read only; -n = value after reset

**Table 29-22. SCI Pin I/O Control Register 1 (SCIPIO1) Field Descriptions**

Bit	Field	Value	Description
31-3	Reserved	0	Read returns 0. Writes have no effect.
2	TX DIR	0 1	Transmit pin direction. This bit determines the data direction on the SCITX pin if it is configured with general-purpose I/O functionality (TX FUNC = 0). See Table 29-23 for the SCITX pin control with this bit and others. 0 SCITX is a general-purpose input pin. 1 SCITX is a general-purpose output pin.
1	RX DIR	0 1	Receive pin direction. This bit determines the data direction on the SCIRX pin if it is configured with general-purpose I/O functionality (RX FUNC = 0). See Table 29-24 for the SCIRX pin control with this bit and others. 0 SCIRX is a general-purpose input pin. 1 SCIRX is a general-purpose output pin.
0	Reserved	0	Writes have no effect.

**Table 29-23. SCITX Pin Control**

Function	TX IN <sup>(1)</sup>	TX OUT	TX FUNC	TX DIR
SCITX	X	X	1	X
General-purpose input	X	X	0	0
General-purpose output, high	X	1	0	1
General-purpose output, low	X	0	0	1

<sup>(1)</sup> TX IN is a read-only bit. Its value always reflects the level of the SCITX pin.

**Table 29-24. SCIRX Pin Control**

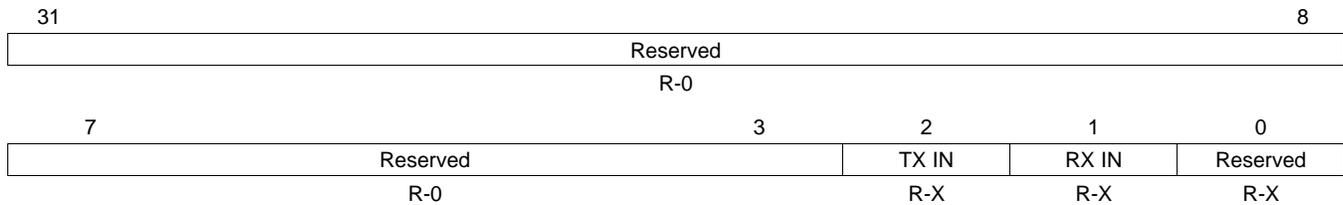
Function	RX IN <sup>(1)</sup>	RX OUT	RX FUNC	RX DIR
SCIRX	X	X	1	X
General-purpose input	X	X	0	0
General-purpose output, high	X	1	0	1
General-purpose output, low	X	0	0	1

<sup>(1)</sup> RX IN is a read-only bit. Its value always reflects the level of the SCIRX pin.

### 29.7.15 SCI Pin I/O Control Register 2 (SCIPIO2)

Figure 29-24 and Table 29-25 illustrate this register.

**Figure 29-24. SCI Pin I/O Control Register 2 (SCIPIO2) [offset = 44h]**



LEGEND: R/W = Read/Write; R = Read only; -n = value after reset; -x = Indeterminate

**Table 29-25. SCI Pin I/O Control Register 2 (SCIPIO2) Field Descriptions**

Bit	Field	Value	Description
31-3	Reserved	0	Read returns 0. Writes have no effect.
2	TX IN	0	Transmit pin in. This bit contains the current value on the SCITX pin. The SCITX pin is at logic low (0).
		1	The SCITX pin is at logic high (1).
1	RX IN	0	Receive pin in. This bit contains the current value on the SCIRX pin. The SCIRX pin is at logic low (0).
		1	The SCIRX pin is at logic high (1).
0	Reserved	0	Writes have no effect.

### 29.7.16 SCI Pin I/O Control Register 3 (SCIPIO3)

Figure 29-25 and Table 29-26 illustrate this register.

**Figure 29-25. SCI Pin I/O Control Register 3 (SCIPIO3) [offset = 48h]**

31	Reserved				8
R-0					
7	3	2	1	0	
Reserved		TX OUT	RX OUT	Reserved	
R-0		R/W-0	R/W-0	R/W-0	

LEGEND: R/W = Read/Write; R = Read only; -n = value after reset

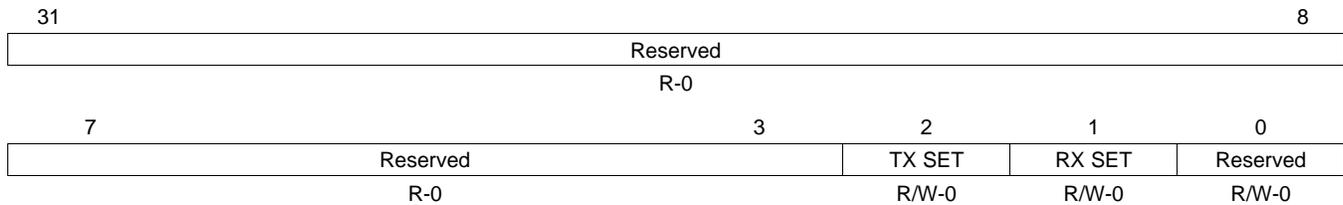
**Table 29-26. SCI Pin I/O Control Register 3 (SCIPIO3) Field Descriptions**

Bit	Field	Value	Description
31-3	Reserved	0	Read returns 0. Writes have no effect.
2	TX OUT	0 1	Transmit pin out. This pin specifies the logic to be output on pin SCITX if the following conditions are met: <ul style="list-style-type: none"> <li>• TX FUNC = 0 (SCITX pin is a general-purpose I/O.)</li> <li>• TX DIR = 1 (SCITX pin is a general-purpose output.)</li> </ul> See Table 29-23 for an explanation of this bit's effect in combination with other bits. 0 The output on the SCITX is at logic low (0). 1 The output on the SCITX pin is at logic high (1). (Output voltage is $V_{OH}$ or higher if TXPDR = 0 and output is in high impedance state if TXPDR = 1)
1	RX OUT	0 1	Receive pin out. This bit specifies the logic to be output on pin SCIRX if the following conditions are met: <ul style="list-style-type: none"> <li>• RX FUNC = 0 (SCIRX pin is a general-purpose I/O.)</li> <li>• RX DIR = 1 (SCIRX pin is a general-purpose output.)</li> </ul> See Table 29-24 for an explanation of this bit's effect in combination with the other bits. 0 The output on the SCIRX pin is at logic low (0). 1 The output on the SCIRX pin is at logic high (1). (Output voltage is $V_{OH}$ or higher if RXPDR = 0, and output is in high impedance state if RXPDR = 1)
0	Reserved	0	Writes have no effect.

### 29.7.17 SCI Pin I/O Control Register 4 (SCIPIO4)

Figure 29-26 and Table 29-27 illustrate this register.

**Figure 29-26. SCI Pin I/O Control Register 4 (SCIPIO4) [offset = 4Ch]**



LEGEND: R/W = Read/Write; R = Read only; -n = value after reset

**Table 29-27. SCI Pin I/O Control Register 4 (SCIPIO4) Field Descriptions**

Bit	Field	Value	Description
31-3	Reserved	0	Read returns 0. Writes have no effect.
2	TX SET	0	Transmit pin set. This bit sets the logic to be output on pin SCITX if the following conditions are met: <ul style="list-style-type: none"> <li>• TX FUNC = 0 (SCITX pin is a general-purpose I/O.)</li> <li>• TX DIR = 1 (SCITX pin is a general-purpose output.)</li> </ul> See Table 29-23 for an explanation of this bit's effect in combination with other bits.
		1	<i>Read:</i> The output on SCITX is at logic low (0). <i>Write:</i> No effect.
1	RX SET	0	Receive pin set. This bit sets the data to be output on pin SCIRX if the following conditions are met: <ul style="list-style-type: none"> <li>• RX FUNC = 0 (SCIRX pin is a general-purpose I/O.)</li> <li>• RX DIR = 1 (SCIRX pin is a general-purpose output.)</li> </ul> See Table 29-24 for an explanation of this bit's effect in combination with the other bits.
		1	<i>Read or write:</i> The output on SCIRX is at logic high (1).
0	Reserved	0	Writes have no effect.

### 29.7.18 SCI Pin I/O Control Register 5 (SCIPIO5)

Figure 29-27 and Table 29-28 illustrate this register.

**Figure 29-27. SCI Pin I/O Control Register 5 (SCIPIO5) [offset = 50h]**

31	Reserved				8
R-0					
7	3	2	1	0	
Reserved		TX CLR	RX CLR	Reserved	
R-0		R/W-0	R/W-0	R/W-0	

LEGEND: R/W = Read/Write; R = Read only; -n = value after reset

**Table 29-28. SCI Pin I/O Control Register 5 (SCIPIO5) Field Descriptions**

Bit	Field	Value	Description
31-3	Reserved	0	Read returns 0. Writes have no effect.
2	TX CLR	0	Transmit pin clear. This bit clears the logic to be output on pin SCITX if the following conditions are met: <ul style="list-style-type: none"> <li>TX FUNC = 0 (SCITX pin is a general-purpose I/O.)</li> <li>TX DIR = 1 (SCITX pin is a general-purpose output.)</li> </ul> <i>Read:</i> The output on SCITX is at logic low (0). <i>Write:</i> No effect.
		1	<i>Read:</i> The output on SCITX is at logic high (1). <i>Write:</i> The output on SCITX is at logic low (0).
1	RX CLR	0	Receive pin clear. This bit clears the logic to be output on pin SCIRX if the following conditions are met: <ul style="list-style-type: none"> <li>RX FUNC = 0 (SCIRX pin is a general-purpose I/O.)</li> <li>RX DIR = 1 (SCIRX pin is a general-purpose output.)</li> </ul> <i>Read:</i> The output on SCIRX is at logic low (0). <i>Write:</i> No effect.
		1	<i>Read:</i> The output on SCIRX is at logic high (1). <i>Write:</i> The output on SCIRX is at logic low (0).
0	Reserved	0	Writes have no effect.

### 29.7.19 SCI Pin I/O Control Register 6 (SCIPIO6)

Figure 29-28 and Table 29-29 illustrate this register.

**Figure 29-28. SCI Pin I/O Control Register 6 (SCIPIO6) [offset = 54h]**

31	Reserved				8
R-0					
7	3	2	1	0	
Reserved		TX PDR	RX PDR	Reserved	
R-0		R/W-0	R/W-0	R/W-0	

LEGEND: R/W = Read/Write; R = Read only; -n = value after reset

**Table 29-29. SCI Pin I/O Control Register 6 (SCIPIO6) Field Descriptions**

Bit	Field	Value	Description
31-3	Reserved	0	Read returns 0. Writes have no effect.
2	TX PDR	0 1	Transmit pin open drain enable. This bit enables open-drain capability in the output pin SCITX if the following conditions are met: <ul style="list-style-type: none"> <li>TX FUNC = 0 (SCITX pin is a general-purpose I/O.)</li> <li>TX DIR = 1 (SCITX pin is a general-purpose output.)</li> </ul> 0 Open drain functionality is disabled; the output voltage is $V_{OL}$ or lower if TXOUT = 0 and $V_{OH}$ or higher if TXOUT = 1. 1 Open drain functionality is enabled; the output voltage is $V_{OL}$ or lower if TXOUT = 0 and high impedance if TXOUT = 1.
1	RX PDR	0 1	Receive pin open drain enable. This bit enables open-drain capability in the output pin SCIRX if the following conditions are met: <ul style="list-style-type: none"> <li>RX FUNC = 0 (SCIRX pin is a general-purpose I/O.)</li> <li>RX DIR = 1 (SCIRX pin is a general-purpose output.)</li> </ul> 0 Open drain functionality is disabled; the output voltage is $V_{OL}$ or lower if RXOUT = 0 and $V_{OH}$ or higher if RXOUT = 1. 1 Open drain functionality is enabled; the output voltage is $V_{OL}$ or lower if RXOUT = 0 and high impedance if RXOUT = 1.
0	Reserved	0	Writes have no effect.

### 29.7.20 SCI Pin I/O Control Register 7 (SCIPIO7)

Figure 29-29 and Table 29-30 illustrate this register.

**Figure 29-29. SCI Pin I/O Control Register 7 (SCIPIO7) [offset = 58h]**

31	Reserved				8
R-0					
7	3	2	1	0	
Reserved		TX PD	RX PD	Reserved	
R-0		R/W-n	R/W-n	R/W-n	

LEGEND: R/W = Read/Write; R = Read only; -n = value after reset, Refer to the Terminal Functions in the device datasheet for default pin settings.

**Table 29-30. SCI Pin I/O Control Register 7 (SCIPIO7) Field Descriptions**

Bit	Field	Value	Description
31-3	Reserved	0	Read returns 0. Writes have no effect.
2	TX PD	0	Transmit pin pull control disable. This bit disables pull control capability on the input pin SCITX. The pull control on the SCITX pin is enabled.
		1	The pull control on the SCITX pin is disabled.
1	RX PD	0	Receive pin pull control disable. This bit disables pull control capability on the input pin SCIRX. Pull control on the SCIRX pin is enabled.
		1	Pull control on the SCIRX pin is disabled.
0	Reserved	0	Writes have no effect.

### 29.7.21 SCI Pin I/O Control Register 8 (SCIPIO8)

Figure 29-30 and Table 29-31 illustrate this register.

**Figure 29-30. SCI Pin I/O Control Register 8 (SCIPIO8) [offset = 5Ch]**

31	Reserved				8
R-0					
7	3	2	1	0	
Reserved		TX PSL	RX PSL	Reserved	
R-0		R/W-n	R/W-n	R/W-n	

LEGEND: R/W = Read/Write; R = Read only; -n = value after reset, Refer to the Terminal Functions in the device datasheet for default pin settings.

**Table 29-31. SCI Pin I/O Control Register 8 (SCIPIO8) Field Descriptions**

Bit	Field	Value	Description
31-3	Reserved	0	Read returns 0. Writes have no effect.
2	TX PSL	0	TX pin pull select. This bit selects pull type in the input pin SCITX. The SCITX pin is a pull down.
		1	The SCITX pin is a pull up.
1	RX PSL	0	RX pin pull select. This bit selects pull type in the input pin SCIRX. The SCIRX pin is a pull down.
		1	The SCIRX pin is a pull up.
0	Reserved	0	Writes have no effect.

### 29.7.22 Input/Output Error Enable (IODFTCTRL) Register

Figure 29-31 and Table 29-32 illustrate this register. After the basic SCI module configuration, enable the required Error mode to be created followed by IODFT Key enable.

**NOTE:**

1. All the bits are used in IODFT mode only.
2. Each IODFT are expected to be checked individually.

**Figure 29-31. Input/Output Error Enable Register (IODFTCTRL) [offset = 90h]**

31	Reserved			FEN	PEN	BRKDTENA			
	R-0			R/W-0	R/W-0	R/W-0			
23	Reserved		PIN SAMPLE MASK	TX SHIFT					
	R-0		R/W-0	R/W-0					
15	Reserved			IODFTENA					
	R-0			R/WP-0	R/WP-1	R/WP-0	R/WP-1		
7	Reserved				LPB ENA	RXPENA			
	R-0				R/WP-0	R/WP-0			

LEGEND: R/W = Read/Write; R = Read only; WP = Write in privilege mode only; -n = value after reset

**Table 29-32. Input/Output Error Enable Register (IODFTCTRL) Field Descriptions**

Bit	Field	Value	Description
31-27	Reserved	0	Read returns 0. Writes have no effect.
26	FEN	0	Frame error enable. This bit is used to create a frame error. No error is created.
		1	The stop bit received is ANDed with 0 and passed to the stop bit check circuitry.
25	PEN	0	Parity error enable. This bit is used to create a parity error. No parity error occurs.
		1	The parity bit received is toggled so that a parity error occurs.
24	BRKD TENA	0	Break detect error enable. This bit is used to create a BRKDT error. No error is created.
		1	The stop bit of the frame is ANDed with 0 and passed to the RSM so that a frame error occurs. Then the RX pin is forced to continuous low for 10 T <sub>BITS</sub> so that a BRKDT error occurs.
32-21	Reserved	0	Read returns 0. Writes have no effect.
20-19	PIN SAMPLE MASK	0	Pin sample mask. These bits define the sample number at which the TX pin value that is being transmitted will be inverted to verify the receive pin samples majority detection circuitry. No mask is used.
		1h	Invert the TX Pin value at 7th SCLK.
		2h	Invert the TX Pin value at 8th SCLK.
		3h	Invert the TX Pin value at 9th SCLK.

**Table 29-32. Input/Output Error Enable Register (IODFTCTRL) Field Descriptions (continued)**

Bit	Field	Value	Description
18-16	TX SHIFT		Transmit shift. These bits define the amount by which the value on TX pin is delayed so that the value on the RX pin is asynchronous. This feature is not applicable to the start bit.
		0	No delay occurs.
		1h	The value is delayed by 1 SCLK.
		2h	The value is delayed by 2 SCLK.
		3h	The value is delayed by 3 SCLK.
		4h	The value is delayed by 4 SCLK.
		5h	The value is delayed by 5 SCLK.
		6h	The value is delayed by 6 SCLK.
7h	No delay occurs.		
15-12	Reserved	0	Read returns 0. Writes have no effect.
11-8	IODFTENA		IODFT enable key. Write access permitted in Privilege mode only.
		Ah	IODFT is enabled.
		All Others	IODFT is disabled.
7-2	Reserved	0	Read returns 0. Writes have no effect.
1	LPBENA		Module loopback enable. Write access permitted in Privilege mode only.
			<b>Note: In analog loopback mode the complete communication path through the I/Os can be tested, whereas in digital loopback mode the I/O buffers are excluded from this path.</b>
		0	Digital loopback is enabled.
		1	Analog loopback is enabled in module I/O DFT mode when IODFTENA = 1010.
0	RXPENA		Module analog loopback through receive pin enable. Write access permitted in Privilege mode only.
			This bit defines whether the I/O buffers for the transmit or the receive pin are included in the communication path (in analog loopback mode)
		0	Analog loopback through the transmit pin is enabled.
		1	Analog loopback through the receive pin is enabled.

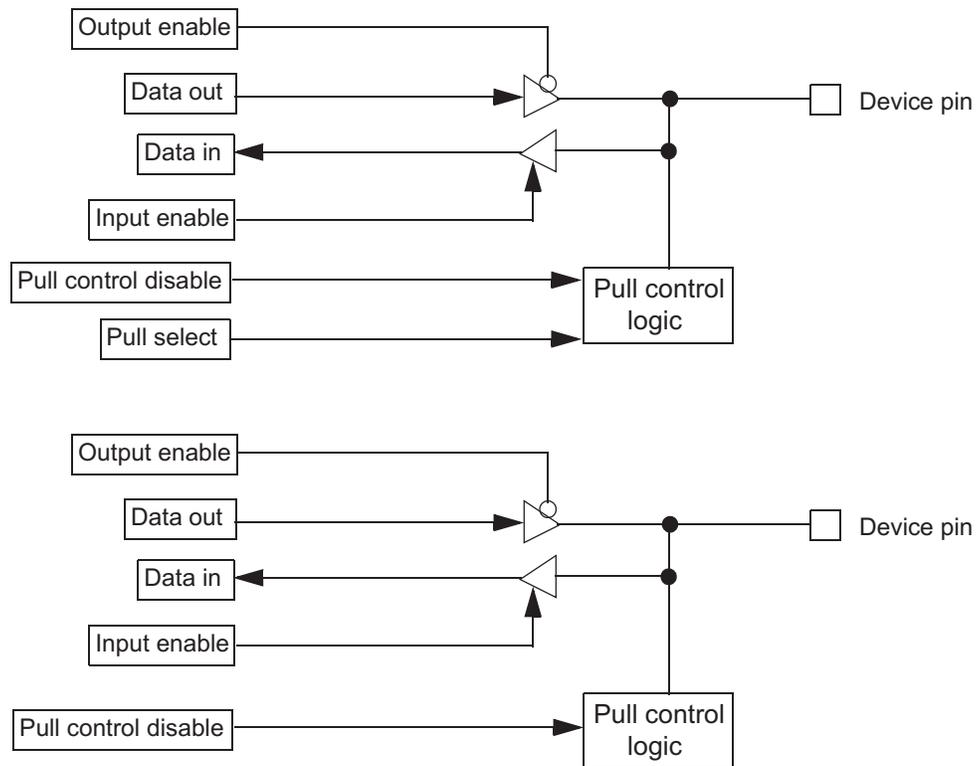
## 29.8 GPIO Functionality

The following sections apply to all device pins that can be configured as functional or general-purpose I/O pins.

### 29.8.1 GPIO Functionality

Figure 29-32 illustrates the GPIO functionality.

**Figure 29-32. GPIO Functionality**



### 29.8.2 Under Reset

The following apply if a device is under reset:

- Pull control. The reset pull control on the pins is enabled or disabled depending on a device-specific option. This feature is configurable for each module separately.
- Input buffer. The input buffer is enabled.
- Output buffer. The output buffer is disabled.

### 29.8.3 Out of Reset

The following apply if the device is out of reset:

- Pull control. The pull control is enabled by clearing the PD (pull control disable) bit in the SCIO7 register (Section 29.7.20). In this case, if the PSL (pull select) bit in the SCIO8 register (Section 29.7.21) is set, the pin will have a pull-up. If the PSL bit is cleared, the pin will have a pull-down. If the PD bit is set in the control register, there is no pull-up or pull-down on the pin.
- Input buffer. The input buffer is always enabled in functional mode.

---

**NOTE:** The pull-disable logic depends on the pin direction. It is independent of whether the device is in I/O or functional mode. If the pin is configured as output or transmit, then the pulls are disabled automatically. If the pin is configured as input or receive, the pulls are enabled or disabled depending on bit PD in the pull disable register SCIO7 (Section 29.7.20).

---

- Output buffer. A pin can be driven as an output pin if the TX DIR bit is set in the pin direction control register (SCIO1; Section 29.7.14) AND the open-drain feature is not enabled in the SCIO6 register (Section 29.7.19).

### 29.8.4 Open-Drain Feature Enabled on a Pin

The following apply if the open-drain feature is enabled on a pin:

- The output buffer is enabled if a low signal is being driven on to the pin.
- The output buffer is disabled (the direction control signal DIR is internally forced low) if a high signal is being driven on to the pin.

---

**NOTE:** The open-drain feature is available only in I/O mode (SCIO0; Section 29.7.13).

---

### 29.8.5 Summary

The behavior of the input buffer, output buffer, and the pull control is summarized in Table 29-33.

**Table 29-33. Input Buffer, Output Buffer, and Pull Control Behavior as GPIO Pins <sup>(1)</sup>**

Device under Reset?	Pin Direction (DIR) <sup>(2)</sup>	Pull Disable (PULDIS) <sup>(3)</sup>	Pull Select (PULSEL) <sup>(4)</sup>	Pull Control	Output Buffer	Input Buffer
Yes	X	X	X	Device- and module-specific	Disabled	Enabled
No	0	0	0	Pull down	Disabled	Enabled
No	0	0	1	Pull up	Disabled	Enabled
No	0	1	0	Disabled	Disabled	Enabled
No	0	1	1	Disabled	Disabled	Enabled
No	1	X	X	Disabled	Enabled	Enabled

<sup>(1)</sup> X = Don't care

<sup>(2)</sup> DIR = 0 for input, 1 for output

<sup>(3)</sup> PULDIS = 0 for enabling pull control  
= 1 for disabling pull control

<sup>(4)</sup> PULSEL = 0 for pull-down functionality  
= 1 for pull-up functionality

## ***Inter-Integrated Circuit (I2C) Module***

---

---

This chapter describes the inter-integrated circuit (I2C or I<sup>2</sup>C) module. The I2C is a multi-master communication module providing an interface between the Texas Instruments (TI) microcontroller and devices compliant with Philips Semiconductor I<sup>2</sup>C-bus specification version 2.1 and connected by an I2C-bus. This module will support any slave or master I2C compatible device.

<b>Topic</b>	<b>Page</b>
<b>30.1 Overview.....</b>	<b>1487</b>
<b>30.2 I2C Module Operation.....</b>	<b>1491</b>
<b>30.3 I2C Operation Modes.....</b>	<b>1495</b>
<b>30.4 I2C Module Integrity.....</b>	<b>1497</b>
<b>30.5 Operational Information.....</b>	<b>1499</b>
<b>30.6 I2C Control Registers.....</b>	<b>1502</b>
<b>30.7 Sample Waveforms.....</b>	<b>1523</b>

### 30.1 Overview

The I2C has the following features:

- Compliance to the Philips I<sup>2</sup>C bus specification, v2.1 (*The I2C Specification*, Philips document number 9398 393 40011)
  - Bit/Byte format transfer
  - 7-bit and 10-bit device addressing modes
  - General call
  - START byte
  - Multi-master transmitter/ slave receiver mode
  - Multi-master receiver/ slave transmitter mode
  - Combined master transmit/receive and receive/transmit mode
  - Transfer rates of 10 kbps up to 400 kbps (Phillips fast-mode rate)
- Free data format
- Two DMA events (transmit and receive)
- DMA event enable/disable capability
- Seven interrupts that can be used by the CPU
- Operates with VBUS frequency from 6.7 MHz up
- Operates with module frequency between 6.7 MHz to 13.3 MHz
- Module enable/disable capability
- The SDA and SCL are optionally configurable as general purpose I/O
- Slew rate control of the outputs
- Open drain control of the outputs
- Programmable pullup/pulldown capability on the inputs
- Supports Ignore NACK mode

---

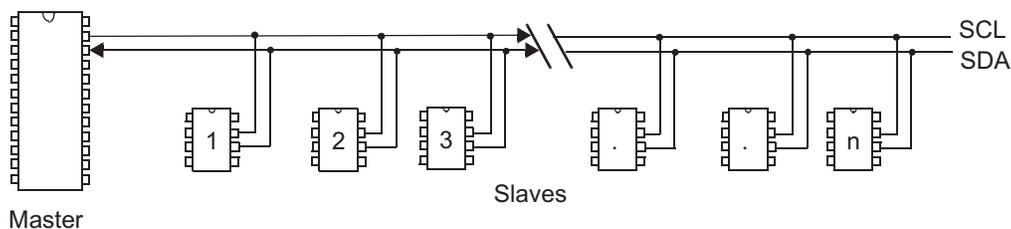
**NOTE:** This I2C module does **not** support:

- High-speed (HS) mode
  - C-bus compatibility mode
  - The combined format in 10-bit address mode (the I2C sends the slave address second byte every time it sends the slave address first byte)
- 

#### 30.1.1 Introduction to the I2C Module

The I2C module supports any slave or master I2C-compatible device. [Figure 30-1](#) shows an example of multiple I2C serial ports connected for a two-way transfer from one device to another device.

**Figure 30-1. Multiple I2C Modules Connection Diagram**



### 30.1.2 Functional Overview

The I2C module is a serial bus that supports multiple master devices. In multimaster mode, one or more devices can be connected to the same bus and are capable of controlling the bus. Each I2C device on the bus is recognized by a unique address and can operate as either a transmitter or a receiver, depending on the function of the device. In addition to being a transmitter or receiver, a device connected to the I2C bus can also be considered a master or a slave when performing data transfers.

---

**NOTE:** A master device is the device that initiates the data transfer on a bus and generates the clock signal that permits the transfer. During the transmission, any device addressed by the master is considered the slave.

---

Data is communicated to devices interfacing to the I2C module using the serial data pin (SDA) and the serial clock pin (SCL) as shown in [Figure 30-2](#). These two wires carry information between the device and the other devices connected to the I2C bus. Both SDA and SCL pins on the device are bidirectional. They must be connected to a positive supply voltage through a pull-up resistor. When the bus is free, both pins are high. The driver of these two pins has an open-drain configuration to perform the wired-AND function.

The device has a special mode that can be entered to ignore a NACK generated from non-compliant I2C devices that are incapable of generating an ACK.

The I2C module consists of the following primary blocks:

- A serial Interface: one data pin (SDA) and one clock pin (SCL)
- The device register interface
  - Data registers to temporarily hold received data and transmitted data traveling between the SDA pin and the CPU or the DMA
  - Control and status registers
- A prescaler to divide down the input clock that is driven to the I2C module
- A peripheral bus interface to enable the CPU and DMA to access the I2C module registers
- An arbitrator to handle arbitration between the I2C module (when configured as a master) and another master
- Interrupt generation logic (interrupts can be sent to the CPU)
- A clock synchronizer that synchronizes the I2C input clock (from the system module) and the clock on the SCL pin, and synchronizes data transfers with masters of different clock speeds.
- A noise filter on each of the two serial pins
- DMA event generation logic that synchronizes data reception and data transmission in the I2C module for DMA transmission

In [Figure 30-2](#), the CPU or the DMA writes data for transmission to I2CDXR and reads received data from I2CDRR. When the I2C module is configured as a transmitter, data written to I2CDXR is copied to I2CXSR and shifted out one bit at a time. When the I2C module is configured as a receiver, received data is shifted into I2CRSR and then copied to I2CDRR.

When the I2C function is not needed, the pins may be controlled as general-purpose input/output (GPIO) pins. The I/O structure of each pin includes:

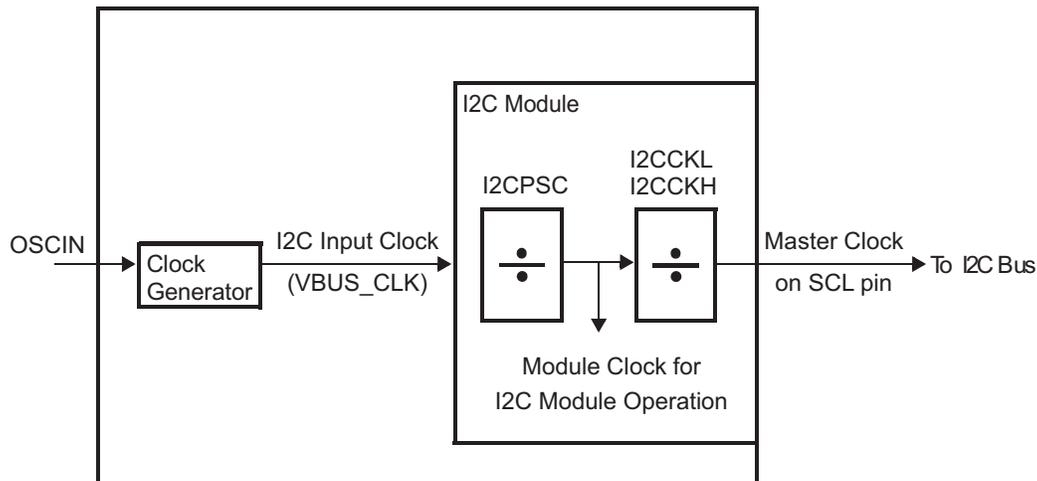
- programmable slew rate control of the outputs
- open drain mode
- programmable pull enable/disable on the input
- programmable pull up/pull down function on the input



### 30.1.3 Clock Generation

As shown in Figure 30-3, the I2C module uses the input clock generated from the device clock generator to generate the module clock and master clock. The I2C input clock is the device peripheral clock (VBUS\_CLK). The clock is then divided twice more inside the I2C module to produce the module clock and the master clock.

**Figure 30-3. Clocking Diagram for the I2C Module**



The module clock determines the frequency at which the I2C module operates. A programmable prescaler in the I2C module divides down the input clock to produce the module clock. To specify the divide-down value, initialize the I2CPSC field of the prescaler register, I2CPSC. The resulting frequency is:

$$\text{ModuleClockFrequency} = \frac{\text{I2CInputClockFrequency}}{(\text{I2CPSC} + 1)} \quad (61)$$

The module clock frequency must be between 6.7MHz and 13.3MHz. The prescaler can only be initialized while the I2C module is in the reset state (IRS = 0 in I2CMDR). The prescaled frequency takes effect only when IRS is changed to 1. Changing the I2CPSC value while IRS = 1 has no effect.

The master clock appears on the SCL pin when the I2C module is configured to be a master on the I2C bus. This clock controls the timing of the communication between the I2C module and a slave. As shown in Figure 30-3, a second clock divider in the I2C module divides down the module clock to produce the master clock. The clock divider uses the I2CCKL to divide down the low portion of the module clock signal and uses the I2CCKH to divide down the high portion of the module clock signal.

The resulting frequency is:

$$\text{MasterClockFrequency} = \frac{\text{ModuleClockFrequency}}{(\text{I2CCKL} + d) + (\text{I2CCKH} + d)} \quad (62)$$

$$\text{MasterClockFrequency} = \frac{\text{I2CInputClockFrequency}}{(\text{I2CPSC} + 1)((\text{I2CCKL} + d) + (\text{I2CCKH} + d))} \quad (63)$$

where  $d$  depends on the value of I2CPSC:

I2CPSC	$d$
0	7
1	6
Greater than 1	5

---

**NOTE:** The master clock frequency defined above does not include rise/fall time and latency of the synchronizer inside the module. The actual transfer rate will be slower than the value calculated from the formula above. Also, due to the nature of SCL synchronization, the SCL clock period could change if SCL synchronization is taking place.

---

## 30.2 I2C Module Operation

The following section discusses how the I2C module operates.

### 30.2.1 Input and Output Voltage Levels

One clock pulse is generated by the master device for each data bit transferred. Because of a variety of different technology devices that can be connected to the I2C-bus, the levels of logic 0 (low) and logic 1 (high) are not fixed and depend on the associated level of  $V_{CCIO}$ . For details, see the device specific data sheet.

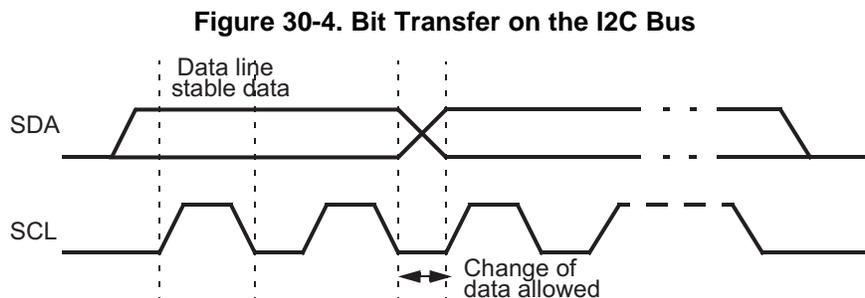
### 30.2.2 I2C Module Reset Conditions

The I2C module can be reset in the following two ways:

- Through the global peripheral reset. A device reset causes a global peripheral reset.
- By clearing the  $\overline{IRS}$  bit in the I2C mode register (I2CMDR). When the global peripheral reset is removed, the  $\overline{IRS}$  bit is cleared to 0, keeping the I2C module in the reset state.

### 30.2.3 I2C Module Data Validity

The data on the SDA must be stable during the high period of the clock. See [Figure 30-4](#). The high and low state of the data line, the SDA, can only change when the clock signal is low.

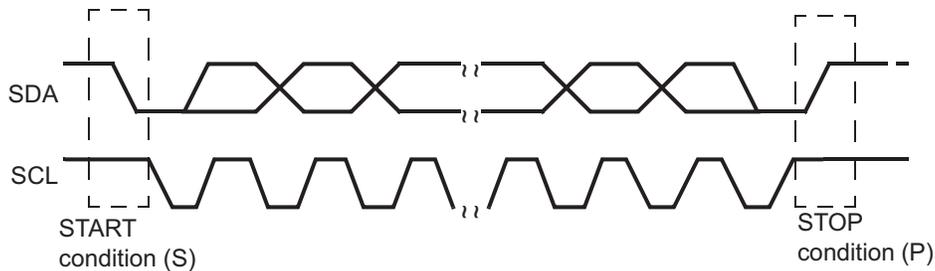


### 30.2.4 I2C Module Start and Stop Conditions

START and STOP conditions are generated by a master I2C module.

- The START condition is defined as a high-to-low transition on the SDA line while SCL is high. A master drives this condition to indicate the start of data transfer. The bus is considered to be busy after the START condition, and the bus busy bit (BB) in I2CSR is set to 1.
- The STOP condition is defined as a low-to-high transition on the SDA line while SCL is high. A master drives this condition to indicate the end of data transfer. The bus is considered to be free after the STOP condition, therefore the BB bit in I2CSR is cleared to 0.

**Figure 30-5. I2C Module START and STOP Conditions**

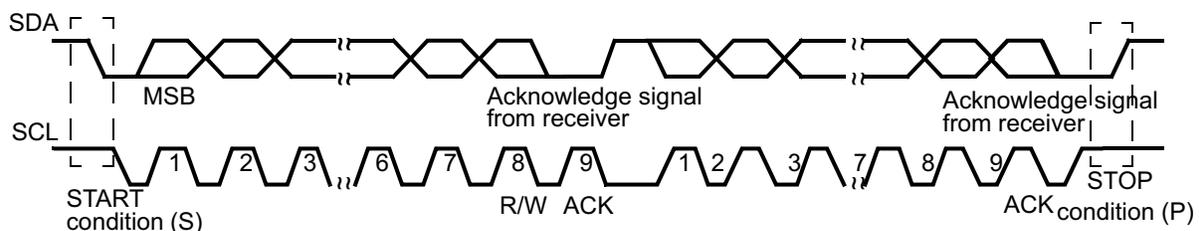


For the I2C module to start a data transfer with a START condition, the master mode bit (MST) and the START condition bit (STT) in the I2CMDR must both be set to 1. For the I2C module to end a data transfer with a STOP condition, the STOP condition bit (STP) must be set to 1. When the BB bit is set to 1 and the STT bit is set to 1, a repeated START condition is generated.

### 30.2.5 Serial Data Formats

The I2C module operates in byte data format. Each message put on the SDA line is 2 to 8-bits long. The number of messages that can be transmitted or received is unrestricted. The data is transferred with the most significant bit (MSB) first (Figure 30-6). Each message is followed by an acknowledge bit from the I2C if it is in receiver mode. The I2C module does not support little endian systems.

**Figure 30-6. I2C Module Data Transfer**



The first byte after a START condition (S) always consists of 8 bits that comprise either a 7-bit address plus the R/W bit, or 8 data bits. The eighth bit, R/W, in the first byte determines the direction of the data. When the R/W bit is 0, the master writes (transmits) data to a selected slave device; when the R/W bit is 1, the master reads (receives) data from the slave device. In acknowledge mode, an extra bit dedicated for the acknowledgement (ACK) bit is inserted after each message.

The I2C module supports the following formats:

- 7-bit addressing format (Figure 30-7)
- 10-bit addressing format (Figure 30-8)
- 7-bit/10-bit addressing format with repeated START condition (Figure 30-9)
- Free-data format (Figure 30-10)

### 30.2.5.1 7-Bit Addressing Format

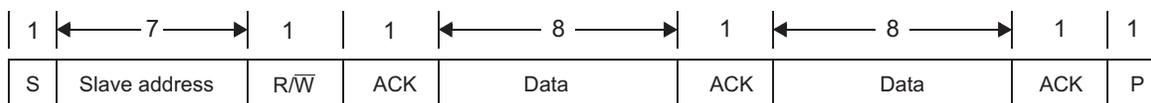
In the 7-bit addressing format (Figure 30-7), the first byte after the START condition consists of a 7-bit slave address followed by the  $R/\overline{W}$  bit (in the LSB). The  $R/\overline{W}$  bit determines the direction of the data transfer:

- $R/\overline{W} = 0$ : The master writes (transmits) data to the addressed slave.
- $R/\overline{W} = 1$ : The master reads (receives) data from the slave.

An extra clock cycle dedicated for acknowledgement (ACK) is inserted after each byte. If the ACK is inserted by the slave after the first byte from the master, it is followed by n bits of data from the transmitter (master or slave, depending on the  $R/\overline{W}$  bit). The device I2C allows n to be a number between 2 to 8, programmable by the bit count (BC) field of I2CMDR. After the data bits have been transferred, the receiver inserts an ACK bit.

To select the 7-bit addressing format, write 0 to the expanded address enable (XA) bit of I2CMDR and make sure the free data format mode is off (FDF = 0 in I2CMDR).

Figure 30-7. I2C Module 7-Bit Addressing Format

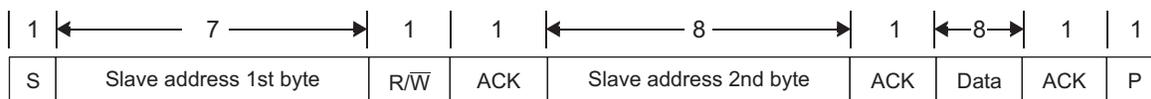


### 30.2.5.2 10-Bit Addressing Format

The 10-bit addressing format is similar to the 7-bit addressing format, but the master sends the slave address in two separate byte transfers. In the 10-bit addressing format (Figure 30-8), the first byte is 11110b, the two MSBs of the 10-bit slave address, and the  $R/\overline{W}$  bit. The ACK bit is inserted after each byte. The second byte is the remaining 8 bits of the 10-bit slave address. The slave must send an acknowledgement after each of the two byte transfers. Once the master has written the second byte to the slave, the master can either write data or use repeated a START condition to change the data direction.

To select the 10-bit addressing format, write 1 to the expanded address enable (XA) bit of I2CMDR and make sure the free data format mode is off (FDF = 0 in I2CMDR).

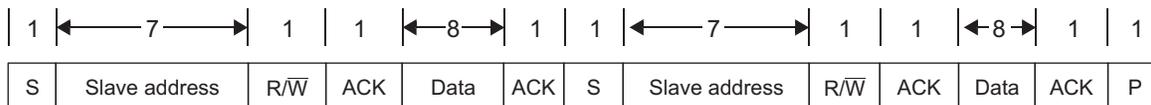
Figure 30-8. I2C Module 10-bit Addressing Format



### 30.2.5.3 Using the Repeated START Condition

At the end of each byte, the master can drive another START condition (Figure 30-9). Using this capability, a master can transmit/receive any number of data bytes before generating a STOP condition. The length of a data byte can be from 2 to 8 bits. The repeated START condition can be used with the 7-bit addressing, 10-bit addressing, or the free data formats.

Figure 30-9. I2C Module 7-Bit Addressing Format with Repeated START

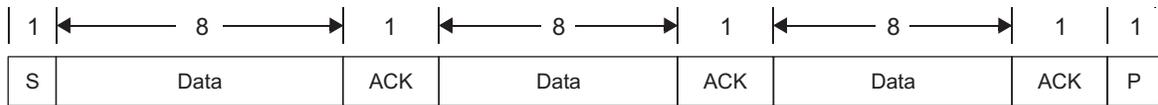


### 30.2.5.4 Free Data Format

In this format (Figure 30-10), the first byte after a START condition is a data byte. The ACK bit is inserted after each byte, followed by another 8 bits of data. No address or data direction bit is sent. Therefore, the transmitter and receiver must both support the free data format. The direction of data transmission (transmit or receive) remains constant throughout the transfer.

To select the free data format, write a 1 to the free data format (FDF) bit of the I2CMDR. The free data format is not supported in the digital loop back mode.

**Figure 30-10. I2C Module in Free Data Format**



### 30.2.6 NACK Bit Generation

When the I2C module is a receiver (master or slave), it can acknowledge or ignore bits sent by the transmitter. To ignore any new bits, the I2C module must send a no-acknowledge (NACK) bit during the acknowledge cycle on the bus. Table 30-1 summarizes the various ways a NACK can be generated.

**Table 30-1. Ways to Generate a NACK Bit**

I2C Module Condition	Basic NACK Bit Generation Options	Additional Option
Slave receiver mode	Disable data transfers (STT = 0) Allow an overrun condition (RSFULL = 1) Reset the module (IRS = 0)	Set the NACKMOD bit before the rising edge of the last data bit you intend to receive.
Master receiver mode and repeat mode (RM = 1)	Generate a STOP condition (STP = 1) Reset the module (IRS = 0)	Set the NACKMOD bit before the rising edge of the last data bit you intend to receive.
Master receiver mode with non-repeat mode (RM = 0)	If STP = 1, allow the internal data counter to count down to 0 and thus force a STOP condition. If STP = 0, make STP = 1 to generate a STOP condition. Reset the module (IRS = 0)	Set the NACKMOD bit before the rising edge of the last data bit you intend to receive.

In some applications, the slave cannot generate the ACK signal. If the IGNACK bit is set in the I2CEMDR register, the resulting NACK will be ignored and the I2C block will continue the data transfer.

## 30.3 I2C Operation Modes

### 30.3.1 Master Transmitter Mode

All masters begin in this mode. The I2C module is a master and transmits control information and data to a slave. In this mode, data assembled in any of the addressing formats shown in [Figure 30-7](#), [Figure 30-8](#), or [Figure 30-9](#) is shifted out onto the SDA pin and synchronized with the self-generated clock pulses on the SCL pin. The clock pulses are inhibited and the SCL pin is held low when the intervention of the device is required ( $\overline{XSMT} = 0$ ) after a byte has been transmitted.

---

**NOTE:** If the I2C is configured for two simultaneous master transmissions, wait until the MST and BB have been reset before performing the second master transmission.

---

Failure to wait for the MST and BB to reset will prevent the start condition on the second transfer from being issued and the bus BB will not be set. Typically the end of the first transfer is handled by polling BB. However, the MST bit is not reset at the same instant as the BB bit. As a result, when the second master transmission is initiated before the resetting of the MST, the MST bit for the second transfer is reset. This prevents the I2C from recognizing itself as the master, thus failing to occupy the bus.

### 30.3.2 Master Receiver Mode

In this mode, the I2C module is a master and receives data from a slave. This mode can only be entered from the master transmitter mode (the I2C module must first transmit a command to the slave). In any of the addressing formats shown in [Figure 30-7](#), [Figure 30-8](#), or [Figure 30-9](#), the master receiver mode is entered after the slave address byte and the R/W bit have been transmitted (if the R/W bit is 1). Serial data bits received on the SDA pin are shifted in with the self-generated clock pulses on the SCL pin. The clock pulses are inhibited and the SCL is held low when the intervention of the device is required ( $RSFULL = 1$ ) after a byte has been received. At the end of the transfer, the master-receiver signals the end of data to the slave-transmitter by not generating an acknowledge on the last byte that was clocked out of the slave. The slave-transmitter then releases the data line allowing the master-receiver to generate a STOP condition or a repeated START condition.

In many applications, the size of the message is in the initial bytes of the message itself. Since the size of the message is not known to the master before the transmission/reception starts, the master must use the repeat mode in order to force the stop condition when the reception is completed. The repeat mode is enabled by setting the RM bit to 1. Due to the double buffer implementation on the receive side, the master must generate the stop condition ( $STP = 1$ ) after reading the (message size - 1)<sup>th</sup> data.

### 30.3.3 Slave Transmitter Mode

In this mode, the I2C module is a slave and transmits data to a master. This mode can only be entered from the slave receiver mode (The I2C module must first receive a command from the master). In any of the addressing formats shown in [Figure 30-7](#), [Figure 30-8](#), or [Figure 30-9](#), the slave transmitter mode is entered if the slave address byte is the same as its own address and the R/W bit has been transmitted (if the R/W bit is set to 1). The slave transmitter shifts the serial data out on the SDA pin with the clock pulses that are generated by the master device. The slave device does not generate the clock, but it can hold the SCL pin low when intervention of the device is required ( $\overline{XSMT} = 0$ ) after a byte has been transmitted.

### 30.3.4 Slave Receiver Mode

In this mode, the I2C module is a slave and receives data from a master. All slaves begin in this mode. Serial data bits received on the SDA pin are shifted in with the clock pulses that are generated by the master device. The slave device does not generate the clock, but it can hold the SCL pin low while intervention of the device is required ( $RSFULL = 1$ ) after a byte has been received.

### 30.3.5 Low Power Mode

The I2C module can be placed in low-power mode by a global low-power mode initiated by the system (by writing to the Peripheral Power-Down Set Register in the Peripheral Central Resource (PCR) module.

In effect, low-power mode shuts down all the clocks to the module. In global low-power mode, no registers are visible to the software; nothing can be written to or read from any register.

### 30.3.6 Free Run Mode

The I2C module can be placed in free run mode when the FREE bit (I2CMDR.14) is set to 1. This bit is primarily used on an emulator when encountering a breakpoint while debugging software. When the FREE bit is set to 0, the I2C responds differently depending on whether the SCL is high or low. If the SCL is low, the I2C stops immediately and keeps driving the SCL low whether the I2C is the master transmitter or receiver. If the SCL is high, the I2C waits until the SCL becomes a low and then stops. If the I2C is a slave, it stops when the transmission/reception completes.

### 30.3.7 Ignore NACK Mode

The I2C module can be placed in the ignore NACK mode by setting the IGNACK bit in the I2CEMDR register. This mode allows an I2C module that is configured as a master transmitter to ignore a NACK from a slave device that is not capable of generating a proper ACK signal.

### 30.4 I2C Module Integrity

The following section discusses how the I2C module maintains priorities and order among signals and commands.

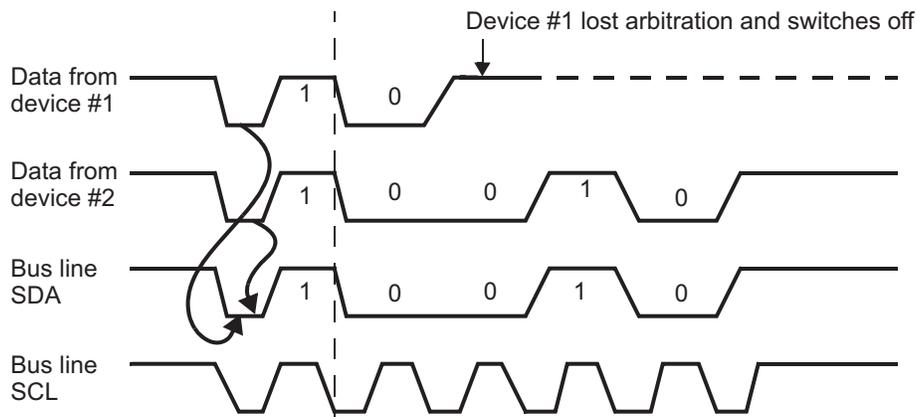
#### 30.4.1 Arbitration

If two or more master transmitters simultaneously start a transmission on the same bus, an arbitration procedure is invoked. Figure 30-11 illustrates the arbitration procedure between two devices. The arbitration procedure uses the data presented on the SDA bus by the competing transmitters. The first master transmitter that generates a high is overruled by the other master that generates a low. The arbitration procedure gives priority to the device that transmits the serial data stream with the lowest binary value. The master transmitter that loses the arbitration switches to the slave receiver mode, sets the arbitration lost (AL) flag, and generates the arbitration-lost interrupt. The data transmitted by the other master module is salvaged, and the I2C continues to receive data from the master module. Should two or more devices send identical first bytes, arbitration continues on the subsequent bytes.

If, during a serial transfer, the arbitration procedure is still in progress when a repeated START condition or STOP condition is transmitted to I2C bus, the master transmitters involved must send the repeated START condition or STOP condition at the same position in the format frame. In other words, arbitration is not allowed between:

- A repeated START condition and a data bit
  - A STOP condition and a data bit
  - A repeated START condition and a STOP condition
- Slaves are not involved in the arbitration procedure.

**Figure 30-11. Arbitration Procedure Between Two Master Transmitters**



### 30.4.2 I2C Clock Generation and Synchronization

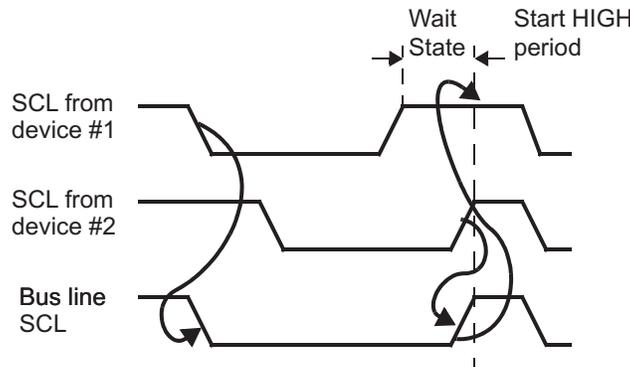
Under normal conditions only one master device generates the clock signal; the SCL. During the arbitration procedure, however, there are two or more master devices and the clock must be synchronized so that the data output can be compared. Figure 30-12 illustrates clock synchronization. The wired-AND property of the SCL line means that a device that first generates a low period on the SCL overrules the other devices. At this high-to-low transition, the clock generators of the other devices are forced to start their own low period. The SCL line is held low by the device with the longest low period. The other devices that finish their low periods must wait for the SCL line to be released before starting their high periods. A synchronized signal on the SCL is obtained where the slowest device determines the length of the low period and the fastest device determines the length of the high period.

If a device pulls down the clock line for a longer time, the result is that all clock generators must enter the wait state. In this way, a slave slows down a fast master and the slow device creates enough time to store a received byte or to prepare a byte to be transmitted.

**NOTE: I2C Protocol Fault**

The following conditions violate the clock spec as defined in the Philips I<sup>2</sup>C bus specification, v2.1 (*The I2C Specification*, Philips document number 9398 393 40011), and will result in an I2C protocol fault:  $I2CCLKH = 2 I2CCLKL = 2I2CPSC = 2$ . This will cause the SDA data transition to occur while the SCL is high.

**Figure 30-12. Synchronization of Two I2C Clock Generators During Arbitration**



### 30.4.3 Prescaler

The I2C module is operated by the module clock. This clock is generated by way of the I2C prescaler block. The prescaler block consists of a 8-bit register, I2CPSC, used for dividing down the device peripheral clock (VBUS\_CLK) to obtain a module clock between 6.7 MHz and 13.3 MHz.

### 30.4.4 Noise Filter

The noise filter is used to suppress any noises that are 50ns or less. It is designed to suppress noise with one module clock, assuming the lower and upper limits of the module clock are 6.7MHz and 13.3MHz, respectively.

## 30.5 Operational Information

The following section provides specific information about how the I2C module operates.

### 30.5.1 I2C Module Interrupts

The I2C module generates seven types of interrupts. These seven interrupts are accompanied with seven interrupt mask bits in the interrupt mask register (I2CIMR) and with seven interrupt flag bits in the status register (I2CSR).

#### 30.5.1.1 I2C Interrupt Requests

The I2C module generates the interrupt requests described below. All requests are multiplexed through an arbiter into a single I2C interrupt request to the CPU. Each interrupt request has a flag bit and an enable bit. Interrupts must be enabled prior to the occurrence of the expected interrupt condition. When one of the specified events occurs, the flag bit is set. If the corresponding enable bit is 0, the interrupt request is blocked. If the enable bit is 1, the interrupt request is forwarded to the CPU as an I2C interrupt request. As an alternative, the CPU can poll all of the bits shown in [Table 30-2](#).

**Table 30-2. Interrupt Requests Generated by I2C Module**

Flag	Name	Generated
AL	Arbitration-lost interrupt	Generated when the I2C module has lost an arbitration contest with another master-transmitter
NACK	No-acknowledge interrupt	Generated when the master I2C does not receive an acknowledge from the receiver
ARDY	Register-access-ready interrupt	Generated when the previously programmed address, data and command have been performed and the status bits have been updated. The interrupt is used to notify the device that the I2C registers are ready to be accessed.
RXRDY	Receive-data-ready interrupt	Generated when the received data in the receive-shift register (I2CSR) has been copied into the data receive register (I2CDRR). The RXRDY bit can also be polled by the device to determine when to read the received data in the I2CDRR.
TXRDY	Transmit-data-ready interrupt	Generated when the transmitted data has been copied from the data transmit register (I2CDXR) into the transmit-shift register (I2CXSR). The TXRDY bit can also be polled by the device to determine when to write the next data into I2CDXR.
SCD	Stop-condition-detect interrupt	Generated when a STOP condition has been detected.
AAS	Address-as-slave interrupt	Generated when the I2C has recognized its own slave address or an address of all zeroes.

The interrupt vector register (I2CIVR) contains the binary-coded-interrupt vector that indicates the highest priority interrupt that is pending and enabled. When I2CIVR is read, the corresponding interrupt flags for AL, NACK and SCD are automatically cleared, if their interrupts are enabled. Reading the I2CIVR will not clear the AAS, ARDY, RXRDY, or TXRDY interrupt pending flags. Please see [Section 30.6.3](#) for the method to clear these four flags.

If more than one interrupt is pending, a new interrupt will be generated for the next highest priority pending interrupt when you re-enable the I2C interrupt.

A transmit interrupt is generated just after the START condition in master transmitter mode. This ensures that the CPU will get an interrupt even if no slave returns an ACK to the slave address following the START condition.

It is important to note that when the I2C is configured to generate interrupts as a slave transmitter and the backward compatibility mode (BCM) bit is set to 1, an extra transmit interrupt occurs. The application should monitor the ACK from the master to determine whether to load another byte into I2CDXR.

### 30.5.2 DMA Controller Events

The I2C module has two events that use the DMA controller to synchronously read received data (I2CREVNT) from I2CDRR, and synchronously write data (I2CWEVNT) to the transmit buffer, I2CDXR. The read and write events have the same timing as I2CRRDY (I2CRINT) and I2CXRDY (I2CXINT), respectively.

The CPU or the DMA controller reads the received data from I2CDRR and writes the data to be transmitted to I2CDXR. The RXRDY bit is automatically cleared when the DMA controller reads the I2CDRR register, and the TXRDY bit is automatically cleared when the DMA controller writes to the I2CDXR register.

Data written to I2CDXR is copied to I2CXSR and shifted out from the SDA pin when the I2C module is configured as a transmitter. When the I2C module is configured as a receiver, received data is shifted into ICRSR and copied to I2CDRR, which can be read by the CPU or the DMA controller.

A transmit event (I2CWEVNT) is generated after a START condition in master transmitter mode. This ensures that the DMA gets an event even if no slave returns an ACK to the slave address following the START condition.

---

**NOTE: Unexpected DMA transmit and receive event**

An unexpected DMA transmit event (ICXEVT) and a DMA receive event (ICXRDY) are generated in 10-bit, master transmit, repeat mode. This event occurs soon after the start condition but before the first bit of the address is transmitted. In this event, no DMA activity should be initiated without the slave ACK being received.

---

### 30.5.3 I2C Enable/Disable

The I2C module can be enabled or disabled with the I2C reset enable bit (IRS) in the I2C module register (I2CMMDR). This occurs in one of two ways:

- Write 0 to the I2C reset bit (IRS) in I2CMMDR. All status bits are forced to the default values and the I2C mode remains disabled until IRS is changed to 1. The SDA and SCL pins are in the high impedance state.
- Initiate a device reset by driving the  $\overline{\text{PORRST}}$  pin low. The entire device is reset and is held in the reset state until the pin is released and is driven high. When  $\overline{\text{PORRST}}$  is released, all I2C module registers are reset to their default values. The IRS bit is forced to 0, which resets the I2C module. The I2C module stays in the reset state until a 1 is written to the IRS bit.

IRS must be 0 while the I2C module is being configured. Forcing IRS to 0 can be used to save power and also clear error conditions.

### 30.5.4 General Purpose I/O

Both of the I2C pins can be programmed to be general-purpose I/O pins via the I2C pin control registers (I2CPFNC, I2CDIR, I2CDOOUT, and I2CDIN).

When the I2C module is not used, the I2C pins may be programmed to be either general purpose input or general-purpose output pins. This function is controlled in the I2CDIR and I2CPFNC registers. Note that each pin can be programmed to be either an I2C pin or a GIO pin.

If the I2C function is to be used, the application software must ensure that each pin is configured as an I2C pin and not a GIO pin, or else unexpected behavior may result.

### 30.5.5 Pull Up/Pull Down Function

I2C module pins can have either an active pull up or active pull down that makes it possible to leave the pins unconnected externally. The pins can be programmed to have the active pull function enabled or disabled by writing to the corresponding bit in the I2CPDIS register. Please see the device-specific data sheet for the default internal pull (pull-up, pull-down or no pull) on the pins.

The pull on the pins is programmable to a setting other than the default internal pull as specified in the data sheet. The pins can be programmed to have either an active pull up or an active pull down function by writing to the corresponding bit in I2CPSEL register. The pull up/pull down function is active on the pin only when the pull enabled is programmed in the I2CPDIS register.

The pull up/pull down functions are deactivated when a bidirectional pin is configured as an output. At system reset, the pull up function of all the pins is disabled. Please see the device-specific data sheet for the current supplied by the pull up/pull down.

### 30.5.6 Open Drain Function

The I2C pins can be programmed to include an open drain function when they are configured as output pins. This is done by writing to the corresponding bit of the I2CPDR register. When the open drain function is enabled, a low value (0) written to the data output register forces the pin to a low output voltage ( $V_{OL}$  or lower), whereas a high value (1) written to the data output register forces the pin to a high-impedance state. The open drain function is disabled when the pin is configured as an input pin.

## 30.6 I2C Control Registers

**Table 30-3** provides a summary of the control registers. The upper word (upper 16 bits) of the registers all read as 0s. Writes have no effect on these bits. The base address for the control registers is FFF7 D400h for I2C1 and FFF7 D500h for I2C2.

**Table 30-3. I2C Control Registers**

Offset	Acronym	Register Description	Section
00h	I2COAR	I2C Own Address Manager	<a href="#">Section 30.6.1</a>
04h	I2CIMR	I2C Interrupt Mask Register	<a href="#">Section 30.6.2</a>
08h	I2CSTR	I2C Status Register	<a href="#">Section 30.6.3</a>
0Ch	I2CCKL	I2C Clock Divider Low Register	<a href="#">Section 30.6.4</a>
10h	I2CCKH	I2C Clock Control High Register	<a href="#">Section 30.6.5</a>
14h	I2CCNT	I2C Data Count Register	<a href="#">Section 30.6.6</a>
18h	I2CDRR	I2C Data Receive Register	<a href="#">Section 30.6.7</a>
1Ch	I2CSAR	I2C Slave Address Register	<a href="#">Section 30.6.8</a>
20h	I2CDXR	I2C Data Transmit Register	<a href="#">Section 30.6.9</a>
24h	I2CMDR	I2C Mode Register	<a href="#">Section 30.6.10</a>
28h	I2CIVR	I2C Interrupt Vector Register	<a href="#">Section 30.6.11</a>
2Ch	I2CEMDR	I2C Extended Mode Register	<a href="#">Section 30.6.12</a>
30h	I2CPSC	I2C Prescale Register	<a href="#">Section 30.6.13</a>
34h	I2CPID1	I2C Peripheral ID Register 1	<a href="#">Section 30.6.14</a>
38h	I2CPID2	I2C Peripheral ID Register 2	<a href="#">Section 30.6.15</a>
3Ch	I2CDMACR	I2C DMA Control Register	<a href="#">Section 30.6.16</a>
48h	I2CPFNC	I2C Pin Function Register	<a href="#">Section 30.6.17</a>
4Ch	I2CPDIR	I2C Pin Direction Register	<a href="#">Section 30.6.18</a>
50h	I2CDIN	I2C Data Input Register	<a href="#">Section 30.6.19</a>
54h	I2CDOUT	I2C Data Output Register	<a href="#">Section 30.6.20</a>
58h	I2CDSET	I2C Data Set Register	<a href="#">Section 30.6.21</a>
5Ch	I2CDCLR	I2C Data Clear Register	<a href="#">Section 30.6.22</a>
60h	I2CPDR	I2C Pin Open Drain Register	<a href="#">Section 30.6.23</a>
64h	I2CPDIS	I2C Pull Disable Register	<a href="#">Section 30.6.24</a>
68h	I2CPSEL	I2C Pull Select Register	<a href="#">Section 30.6.25</a>
6Ch	I2CSRS	I2C Pins Slew Rate Select Register	<a href="#">Section 30.6.26</a>

### 30.6.1 I2C Own Address Manager (I2COAR)

The 16-bit memory-mapped I2C own address register is used to specify its own address. [Figure 30-13](#) and [Table 30-4](#) describe this register.

**Figure 30-13. I2C Own Address Manager Register (I2COAR) [offset = 00]**



LEGEND: R/W = Read/Write; R = Read only; -n = value after reset

**Table 30-4. I2C Own Address Manager Register (I2COAR) Field Descriptions**

Bit	Field	Value	Description
15-10	Reserved	0	Read returns 0. Writes have no effect.
9-0	OA	0-3FFh	Own address  These bits reflect the bus address of the I2C module. When the expand address (XA) bit I2CMDR.8 is set to 1, the I2C is in expand address mode (10-bit addressing mode). In either 7 or 10-bit address mode, all 10-bits are both readable and writable. Bits 7, 8, and 9 should only be used in 10-bit address mode. <a href="#">Table 30-5</a> provides the correct modes for these bits. Note that the user can program the I2C own address to any value as long as it does not conflict with other components in the system.

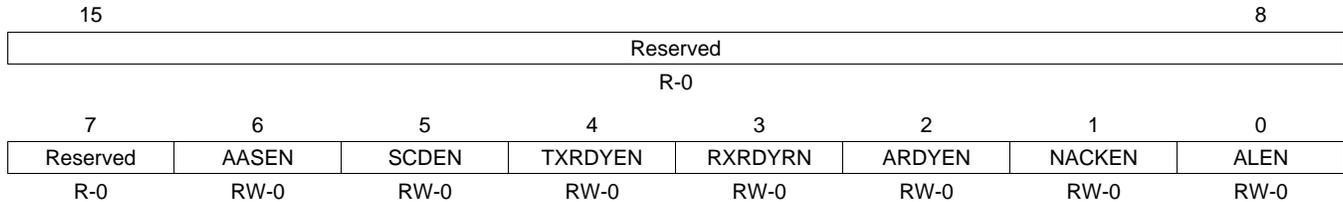
**Table 30-5. Correct Mode for OA Bits**

Bits Used	Mode	Value of XA
OA.6:0	7 Bit Addressing	0
OA.9:0	10 Bit Addressing	1

### 30.6.2 I2C Interrupt Mask Register (I2CIMR)

The 7-bit memory mapped I2C interrupt mask register is used by the device to enable/disable the interrupts. [Figure 30-14](#) and [Table 30-6](#) describe this register.

**Figure 30-14. I2C Interrupt Mask Register (I2CIMR) [offset = 04h]**



LEGEND: R/W = Read/Write; R = Read only; -n = value after reset

**Table 30-6. I2C Interrupt Mask Register (I2CIMR) Field Descriptions**

Bit	Field	Value	Description
15-7	Reserved	0	Read returns 0. Writes have no effect.
6	AASEN	0	Address As Slave Interrupt Enable AASEN interrupt is disabled.
		1	AASEN interrupt is enabled.
5	SCDEN	0	Stop Condition Interrupt Enable SCDEN interrupt is disabled.
		1	SCDEN interrupt is enabled.
4	TXRDYEN	0	Transmit Data Ready Interrupt Enable TXRDYEN interrupt is disabled.
		1	TXRDYEN interrupt is enabled.
3	RXRDYRN	0	Receive Data Ready Interrupt Enable RXRDYRN interrupt is disabled.
		1	RXRDYRN interrupt is enabled.
2	ARDYEN	0	Register Access Ready Interrupt Enable ARDYEN interrupt is disabled.
		1	ARDYEN interrupt is enabled.
1	NACKEN	0	No Acknowledgement Interrupt Enable NACKEN interrupt is disabled.
		1	NACKEN interrupt is enabled.
0	ALEN	0	Arbitration Lost Interrupt Enable ALEN interrupt is disabled.
		1	ALEN interrupt is enabled.

### 30.6.3 I2C Status Register (I2CSTR)

Figure 30-15 and Table 30-7 describe this register.

**Figure 30-15. I2C Status Register (I2CSR) [offset = 08h]**

15	14	13	12	11	10	9	8
Reserved	SDIR	NACKSNT	BB	RSFULL	XSMT	AAS	AD0
R-0	R/W1C-0	R/W1C-0	R-0	R-0	R/W-1	R-0	R-0
7	6	5	4	3	2	1	0
Reserved	SCD	TXRDY	RXRDY	ARDY	NACK	AL	
R-0	R/W1C-0	R/W-1	R/W1C-0	R/W1C-0	R/W1C-0	R/W1C-0	R/W1C-0

LEGEND: R/W = Read/Write; R = Read only; -n = value after reset

**Table 30-7. I2C Status Register (I2CSTR) Field Descriptions**

Bit	Field	Value	Description
15	Reserved	0	Read returns 0. Writes have no effect.
14	SDIR		Slave direction Setting this bit to 1 indicates that the I2C slave is a transmitter. Clearing this bit to 0 indicates that the I2C is a master transmitter/receiver or a slave receiver. This bit is also cleared by the STOP or START conditions. In DLB mode (in which the configuration should be master-transmitter slave-receiver), this bit is cleared to 0. <b>Writing a 1 to this bit will clear it.</b>
		0	The I2C is a master transmitter/receiver or a slave receiver.
		1	The I2C is a slave transmitter.
13	NACKSNT		No acknowledge sent This bit is set to 1 to indicate that a no acknowledgement (NACK) has been sent because the NACKMOD bit was set to 1. <b>Writing a 1 to this bit will clear it.</b>
		0	A NACK has not been sent.
		1	A NACK was sent because the NACKMOD was set to 1.
12	BB		Bus busy This bit indicates the state of the serial bus. On reception of a START condition or if the I2C detects a low state on I2CSCL, the device sets BB = 1. If the nIRS is set to 1 during transaction between other I2C devices, the BB bit is set at the first falling edge of SCL or START condition. BB is cleared to 0 after the reception of a STOP condition. BB is kept to 0 regardless of the SCL state when the I2C is in reset (nIRS = 0).
		0	The bus is free.
		1	The bus is busy.
11	RSFULL		Receiver shift full This bit is set to 1 to indicate that the receiver has experienced overrun. Overrun occurs when the receive shift register is full and I2CDRR has not been read since the receive shift register to I2CDRR transfer. The contents of I2CDRR are not lost. The I2C core logic is holding for I2CDRR read access. This bit is also set when, in master-repeat-mode, the I2C receives a byte of data. There is no difference between RXRDY and RSFULL in this case. The I2C master will not continue the transfer as long as the received data is in the I2CDRR or receive shift register. <b>RSFULL is cleared when reading the I2CDRR, resetting the I2C (IRS = 0), or resetting the device.</b>
		0	No overrun has occurred.
		1	An overrun has occurred.

**Table 30-7. I2C Status Register (I2CSTR) Field Descriptions (continued)**

Bit	Field	Value	Description
10	XSMT		<p>Transmit shift empty</p> <p>This bit is cleared to 0 to indicate that the transmitter has experienced underflow. Underflow occurs when the transmit shift register is empty and I2CDXR has not been loaded since the last I2CDXR to transmit shift register transfer. The I2C core logic is waiting for I2CDXR write access.</p> <p><b>XMSTn is set to 1 as a result of writing to I2CDXR, by resetting the I2C block (IRS = 0), or by resetting the device.</b></p> <p>In repeat mode, if the I2C in master transmitter mode is holding transfer with XSMTn = 0 (that is, waiting for further action) and the STT or STP bit is set, XSMTn is set to 1 by hardware.</p> <p>0 An underflow has occurred.</p> <p>1 No underflow has occurred.</p>
9	AAS		<p>Address as slave</p> <p><b>This bit cannot be cleared by writing a 1 to the bit or by reading the I2CIVR register.</b></p> <p>0 This bit is cleared by a STOP condition or detection of any address byte that does not match I2COAR.</p> <p>1 This bit is set to 1 by the device when it has recognized its own slave address or an address of all zeros (general call).</p>
8	AD0		<p>Address zero status</p> <p>0 A START or STOP condition was detected. No general call was detected.</p> <p>1 An address of all zeros (general call) was detected.</p>
7-6	Reserved	0	Read returns 0. Writes have no effect.
5	SCD		<p>Stop condition detect interrupt flag</p> <p>This bit is set to 1 when the I2C receives or sends a STOP condition.</p> <p><b>This bit is cleared to 0 by writing a 1 to this bit or reading the value 0x0006 from I2CIVR. Writing a 1 to this bit will clear the value 0x0006 from I2CIVR.</b></p> <p>0 No STOP condition has been sent or received.</p> <p>1 A STOP condition has been sent or received.</p>
4	TXRDY		<p>Transmit data ready interrupt flag</p> <p>This bit is set to 1 to indicate when data in the transmit data register, I2CDXR, has been copied into the transmit shift register. This bit can also be polled by the device to indicate when to write the next transmitted data into the I2CDXR. <b>Writing a 1 to this bit will set it.</b></p> <p><b>This bit is cleared to 0 and code 0x0005 in I2CIVR is cleared when the I2CDXR is written. This bit cannot be cleared by reading the I2CIVR register.</b></p> <p>0 I2CDXR contains data to transmit.</p> <p>1 I2CDXR is empty.</p>
3	RXRDY		<p>Receive data ready interrupt flag</p> <p>This bit is set to 1 to indicate when the data in the receive shift register has been copied into the data receive register (I2CDRR). This bit can also be polled by the device to indicate when to read the received data in the I2CDRR.</p> <p><b>Writing a 1 to this bit or reading from I2CDRR will clear this bit, and will also clear code 0x0004 from I2CIVR. This bit cannot be cleared by reading the I2CIVR register.</b></p> <p>0 The I2CDRR has been read.</p> <p>1 The received data has been written into the I2CDRR.</p>

**Table 30-7. I2C Status Register (I2CSTR) Field Descriptions (continued)**

Bit	Field	Value	Description
2	ARDY		<p>Register access ready interrupt flag</p> <p>This bit is set to 1 when the previously programmed address, data and command has been performed and the status bit has been updated. The flag is used by the device to indicate that the I2C registers are ready to be accessed again.</p> <p><b>This bit is automatically cleared by hardware when writing data to I2CDXR in transmit mode, reading data from I2CDRR in receive mode, or setting STT or STP bit. Writing a 1 to this bit will clear this bit. This bit cannot be cleared by reading the I2CIVR register.</b></p> <p>When RM = 0, ARDY is set when I2CCNT is passed 0 if STP register bit has not been set. When RM = 1, ARDY is set at each byte end.</p> <p>When FDF = 0, ARDY is asserted after the ACK for the slave address. When FDF = 1, there is no slave address. Therefore, ARDY is asserted after sending the start condition.</p>
		0	<p><i>Nonrepeat mode, (RM = 0):</i> I2C registers are not ready to be accessed.</p> <p><i>Repeat mode (RM = 1):</i> I2C registers are not ready to be accessed.</p>
		1	<p><i>Nonrepeat mode, (RM = 0):</i> ICCNT passes 0 (if STP bit has not been set).</p> <p><i>Repeat mode (RM = 1):</i> The end of each byte was transmitted from I2CDXR.</p>
1	NACK		<p>No acknowledgement interrupt</p> <p>This bit is set to 1 when the master I2C does not receive an acknowledgement from the receiver. This bit is set only when the I2C has received a no-acknowledge in master mode. This bit is NOT set by no-acknowledgement after Start byte. In master start byte mode, the first byte (address of all zeroes) receives a NACK but does not clear the stop bit.</p> <p><b>Writing a 1 to this bit or reading the value 0x0002 from I2CIVR will clear this bit.</b></p>
		0	An acknowledge was detected.
		1	No acknowledge was detected or the I2C is operating in the general call, even though an acknowledgement was received. This value clears the STP bit.
0	AL		<p>Arbitration lost interrupt flag</p> <p>This bit is set to 1 when arbitration has been lost.</p> <p><b>Writing a 1 to this bit or reading the value 0x0001 from I2CIVR will clear this bit.</b></p>
		0	No loss of arbitration has been detected.
		1	The device in the master transmitter mode senses it has lost an arbitration. This occurs when two or more transmitters start a transmission almost simultaneously or when the I2C attempts to start a transfer while BB=1. When this is set to 1 due to arbitration lost, the device becomes a slave receiver and the MST, STT and STP bits in I2CMDR are cleared to 0.

### 30.6.4 I2C Clock Divider Low Register (I2CCKL)

The I2C clock divider low register is a 16-bit memory mapped register used to divide the master clock down to obtain the I2C serial clock low time. [Figure 30-16](#) and [Table 30-8](#) describe this register.

**Figure 30-16. I2C Clock Divider Low Register (I2CCKL) [offset = 0Ch]**



LEGEND: R/W = Read/Write; R = Read only; -n = value after reset

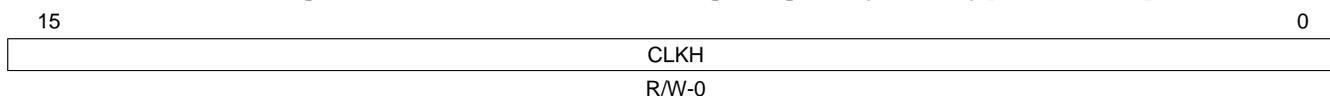
**Table 30-8. I2C Clock Divider Low Register (I2CCKL) Field Descriptions**

Bit	Field	Description
15-0	CLKL	Low time clock division factor Used to divide down the module clock to create the low time portion of the master clock signal that will appear on the SCL pin.: $LowTime = \left( \frac{I2CCKL + d}{ModuleClockFrequency} \right)$ (64) where <i>d</i> is the value that depends on the I2CPSC (see <a href="#">Section 30.1.3</a> ). This register must be configured while the I2C is still in reset (nIRS = 0).

### 30.6.5 I2C Clock Control High Register (I2CCKH)

The I2C clock divider high register is a 16-bit memory mapped register used to divide the master clock down to obtain the I2C serial clock high time. [Figure 30-17](#) and [Table 30-9](#) describe this register.

**Figure 30-17. I2C Clock Control High Register (I2CCKH) [offset = 10h]**



LEGEND: R/W = Read/Write; R = Read only; -n = value after reset

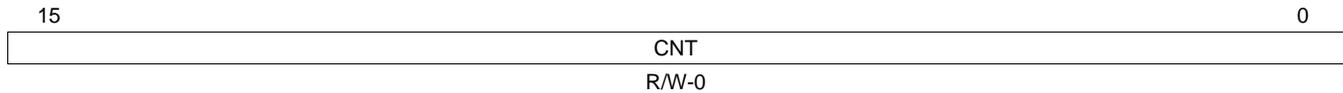
**Table 30-9. I2C Clock Control High Register (I2CCKH) Field Descriptions**

Bit	Field	Description
15-0	CLKH	High time clock division factor Used to divide down the module clock to create the high time portion of the master clock signal that will appear on the SCL pin: $HighTime = \left( \frac{I2CCKH + d}{ModuleClockFrequency} \right)$ (65) where <i>d</i> is the value that depends on the I2CPSC (see <a href="#">Section 30.1.3</a> ). This register must be configured while the I2C is still in reset (nIRS = 0).

### 30.6.6 I2C Data Count Register (I2CCNT)

The I2C data count register is a 16-bit memory-mapped register used to count received or transmitted data bytes. This register is also used to generate the STOP condition which terminates the transfer after the counter reaches zero. [Figure 30-18](#) and [Table 30-10](#) describe this register.

**Figure 30-18. I2C Data Count Register (I2CCNT) [offset = 14h]**



LEGEND: R/W = Read/Write; R = Read only; -n = value after reset

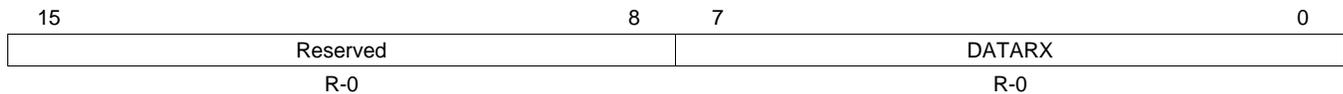
**Table 30-10. I2C Data Count Register (I2CCNT) Field Descriptions**

Bit	Field	Value	Description
15-0	CNT		Data counter This down counter is used to generate a stop condition if a stop condition is specified (STP = 1). <b>Note: ICCNT is a don't care when RM is set to 1.</b>
		0	The data counter is 65536.
		1	The data counter is 1.

### 30.6.7 I2C Data Receive Register (I2CDRR)

The I2C data receive register is a 16-bit memory mapped register used by the device to read the received data. [Figure 30-19](#) and [Table 30-11](#) describe this register.

**Figure 30-19. I2C Data Receive Register (I2CDRR) [offset = 18h]**



LEGEND: R/W = Read/Write; R = Read only; -n = value after reset

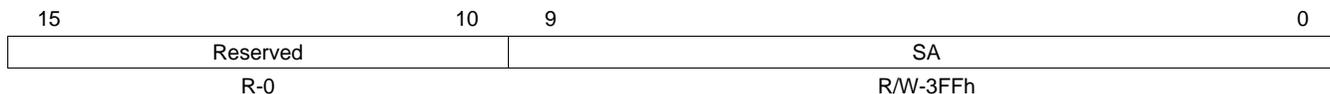
**Table 30-11. I2C Data Receive Register (I2CDRR) Field Descriptions**

Bit	Field	Value	Description
15-8	Reserved	0	Read returns 0. Writes have no effect.
7-0	DATARX	0-FFh	Receive data A read from this register clears the RXRDY bit and clears code 4h from the I2CIVR register.

### 30.6.8 I2C Slave Address Register (I2CSAR)

The I2C slave address register is a 16-bit memory-mapped register used to specify the address of the slave device to communicate to on the I2C bus. [Figure 30-20](#) and [Table 30-12](#) describe this register.

**Figure 30-20. I2C Slave Address Register (I2CSAR) [offset = 1Ch]**



LEGEND: R/W = Read/Write; R = Read only; -n = value after reset

**Table 30-12. I2C Slave Address Register (I2CSAR) Field Descriptions**

Bit	Field	Value	Description
15-10	Reserved	0	Read returns 0. Writes have no effect.
9-0	SA		7- or 10-bit programmable slave address In either mode, all 10-bits are readable and writable. Bits 7, 8, and 9 should only be used in 10-bit address mode. <a href="#">Table 30-13</a> illustrates the correct mode for each bit.

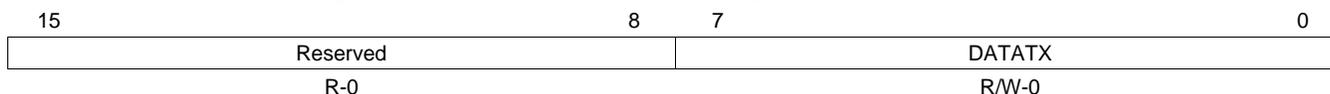
**Table 30-13. Correct Mode for SA Bits**

Bits Used	Mode	Value of XA
SA(6–0)	7-bit addressing	0
SA(9–0)	10-bit addressing	1

### 30.6.9 I2C Data Transmit Register (I2CDXR)

[Figure 30-21](#) and [Table 30-14](#) describe this register.

**Figure 30-21. I2C Data Transmit Register (I2CDXR) [offset = 20h]**



LEGEND: R/W = Read/Write; R = Read only; -n = value after reset

**Table 30-14. I2C Data Transmit Register (I2CDXR) Field Descriptions**

Bit	Field	Value	Description
15-8	Reserved	0	Read returns 0. Writes have no effect.
7-0	DATATX	0-FFh	Transmit data Data written to this register will be transmitted on the I2C bus. A write to this register clears the TXRDY bit and clears code 0x05 from the I2CIVR register.

### 30.6.10 I2C Mode Register (I2CMDR)

Figure 30-22 and Table 30-15 describe this register.

**Figure 30-22. I2C Mode Register (I2CMDR) [offset = 24h]**

15	14	13	12	11	10	9	8
NACKMOD	FREE	STT	Reserved	STP	MST	TRX	XA
R/W-0	R/W-0	R/W-0	R-0	R/W-0	R/W-0	R/W-0	R/W-0
7	6	5	4	3	2	0	
RM	DLB	nIRS	STB	FDF	BC		
R/W-0	R/W-0	R/W-0	R/W-0	R/W-0	R/W-0		

LEGEND: R/W = Read/Write; R = Read only; -n = value after reset

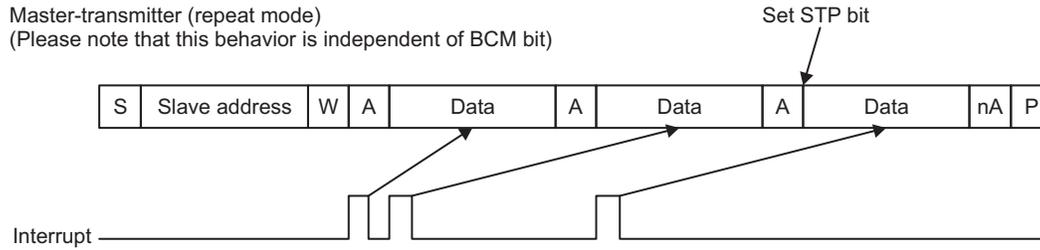
**Table 30-15. I2C Mode Register (I2CMDR) Field Descriptions**

Bit	Field	Value	Description
15	NACKMOD	0 1	<p>No-acknowledge (NACK) mode</p> <p>This bit is used to send an acknowledge (ACK) or a no-acknowledge (NACK) to the transmitter. This bit is only applicable when the I2C is in receiver mode. In master receiver mode, when the internal data counter decrements to zero, the I2C sends a NACK. The master receiver I2C finishes a transfer when it sends a NACK. The I2C ignores ICCNT when NACKMOD is 1. The NACKMOD bit should be set before the rising edge of the last data bit if a NACK must be sent, and this bit is cleared once a NACK has been sent.</p> <p>0 The I2C sends an ACK to the transmitter during the acknowledge cycle.</p> <p>1 The I2C sends a NACK to the transmitter during the acknowledge cycle.</p>
14	FREE	0 1	<p>Free running bit</p> <p>This bit is used to determine the state of the I2C when a breakpoint is encountered in the high level language (HLL) debugger.</p> <p>0 The I2C stops immediately if SCL is low and keeps driving SCL low if the I2C master is a transmitter/receiver. If SCL is high, I2C waits until SCL becomes low and then stops. If the I2C is a slave, it will stop when the transmission/reception completes.</p> <p>1 The I2C runs free.</p>
13	STT	0 1	<p>Start condition</p> <p>The start condition bit works with the STP bit (master only mode). The STT and STP bits are configured to generate different transfer formats (see Table 30-16). The STT and STP bits can be used to terminate the repeat mode. This bit takes one I2C module clock cycle to set.</p> <p>0 The STT is reset to 0 by the hardware after the START condition has been generated.</p> <p>1 STT is set to 1 by the device to generate a START condition. In master mode, setting STT to 1 generates a START condition.</p>
12	Reserved	0	Read returns 0. Writes have no effect.
11	STP	0 1	<p>Stop condition</p> <p>1(Master mode only) This bit can be set to a 1 by the CPU to generate a stop condition. It is reset to 0 by the hardware after the stop condition has been generated. The stop condition is generated when ICCNT passes 0 when the I2C is in non-repeat mode (RM=0). In repeat mode (RM=1), the stop condition is generated if STP bit is 1. In transmitter mode, I2CTXRDY needs to be 1 (i.e. you have to set STP bit unless you write data into I2CDXR).</p> <p>0 STP is reset to 0 by the hardware after the STOP condition has been generated.</p> <p>1 STP is set to 1 by the device to generate a STOP condition.</p>
10	MST	0 1	<p>Master/slave mode bit</p> <p>This bit determines whether the module will operate in master or slave mode; see Table 30-17. This bit is cleared after generating a STOP condition. The BB bit is cleared first, and MST bit is cleared second. Before starting the next transaction in master mode, this bit must be confirmed to be cleared.</p> <p>0 The module is in the slave mode and the clock is received from the master device.</p> <p>1 The module is in the master mode and it generates the clock. This bit is cleared when the transfer has completed.</p>

**Table 30-15. I2C Mode Register (I2CMDR) Field Descriptions (continued)**

Bit	Field	Value	Description
9	TRX	0 1	<p>Transmit/receive bit</p> <p>This bit determines the direction of data transmission of the I2C module. See <a href="#">Table 30-17</a>.</p> <p>0 The module is in the receive mode and data on the SDA line is shifted into the data register I2CDRR.</p> <p>1 The module is in the transmit mode and the data in the I2CDXR is shifted out on the SDA line.</p>
8	XA	0 1	<p>Expand address enable bit</p> <p>This bit controls the addressing mode. When XA is set to 1, the I2C does not support the combined format in master mode operations. However, the I2C will acknowledge and support the formats when configured as a slave. This bit needs to be configured even if the I2C is in slave mode.</p> <p>0 The mode is set to 7-bit addressing mode (normal address mode).</p> <p>1 The mode is set to 10-bit addressing mode (expanded address mode).</p>
7	RM	0 1	<p>Repeat mode enable bit (Master mode only)</p> <p>This bit is a 'don't care' if the module is configured in slave mode (MST = 0); see <a href="#">Table 30-16</a>. Each time a byte of data is received, the user should decide whether or not to continue receiving more data. See <a href="#">Figure 30-23</a> for a diagram of this function.</p> <p>0 The mode is not in repeat mode.</p> <p>1 In repeat mode, data is continuously transmitted out of the ICDXR or received into the ICDRR until the STP bit is set to 1 regardless of ICCNT value. See <a href="#">Table 30-16</a> for module conditions.</p>
6	DLB	0 1	<p>Digital loop back enable bit</p> <p>This bit disables or enables the digital loopback mode of the I2C. This bit only applies in Master transmitter mode.</p> <p>0 Digital loop back mode is disabled.</p> <p>1 Digital loop back mode is enabled. In digital loop back mode, data transmitted out of the I2CDXR will be received in the I2CDRR. The address of the I2COAR is output on SDA.</p>
5	nIRS	0 1	<p>I2C reset enable bit</p> <p>When set to 0, this bit will place all status registers in this module to their default state. Resetting nIRS during a data transfer can hang the I2C bus.</p> <p>0 I2C is in reset.</p> <p>1 I2C is out of reset.</p>
4	STB	0 1	<p>Start byte mode enable bit (Master mode only)</p> <p>The Start byte mode bit is set to 1 by the CPU to configure the I2C in Start byte mode. The I2C sends "00000001" regardless of the I2CSAR value. Refer to the Philips I2C specification for more details.</p> <p>0 The module is not in START byte mode.</p> <p>1 The module is in START byte mode.</p>
3	FDF	0 1	<p>Free data format enable bit</p> <p>This bit configures the module to operate in free data format mode (see <a href="#">Table 30-17</a>) in both master and slave modes. When FDF is 0, ARDY is asserted after ACK for the slave address. When FDF is 1, there is no slave address. Therefore, ARDY is asserted after sending the start condition. FDF mode is not supported in digital loop back mode.</p> <p>0 The module is not in free data format mode.</p> <p>1 The module is in free data format mode.</p>
2-0	BC		<p>Bit count</p> <p>This bit defines the number of bits starting from the LSB (excluding the acknowledge bit) that are sent on the bus when data is written to the data transmit register.</p> <p>If the bits BC0, BC1, and BC2 are all 0, then the number of bits sent on the bus is 8. If the bit count bits are a non-zero value, then the number of bits sent on the bus is that value. The value "001" is reserved. When performing a transfer using the bit count of, for example, n (where n is nonzero), only the n least significant bits in the data receive register are valid and correct. The rest of the bits should be disregarded. See <a href="#">Table 30-18</a> for more information.</p>

**Figure 30-23. Typical Timing Diagram of Repeat Mode**



**Table 30-16. I2C Module Condition, Bus Activity, and Mode**

RM	STT	STP	Condition	Bus Activities <sup>(1)</sup>	Mode
0	0	0	Idle	None	N/A
0	0	1	Stop	P	N/A
0	1	0	(Repeat) Start	S-A-D..(n)..D	Repeat n
0	1	1	(Repeat) Start-Stop	S-A-D..(n)..D-P	Repeat n
1	0	0	Idle	none	N/A
1	0	1	Stop	P	N/A
1	1	0	(Repeat) Start	S-A-D-D-D-....	Continuous
1	1	1	Reserved	none	N/A

<sup>(1)</sup> P = Stop condition; S = Start condition; A = Acknowledge bit; D = data

**Table 30-17. I2C Module Operating Modes**

FDF	MST	TRX	Operating Mode
0	0	x	Slave in non-FDF mode
0	1	0	Master receive in non-FDF mode
0	1	1	Master transmit in non-FDF mode
1	0	0	Slave receive in FDF mode
1	0	1	Slave transmit in FDF mode
1	1	0	Master receive in FDF mode
1	1	1	Master transmit in FDF mode

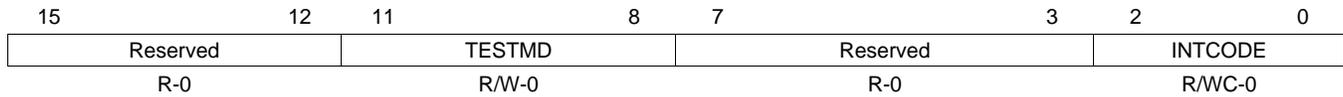
**Table 30-18. Number of Bits Sent on Bus**

BC2	BC1	BC0	Bits in FDF	Bits with ACK
0	0	0	8	9
0	0	1	NA (reserved)	NA (reserved)
0	1	0	2	3
0	1	1	3	4
1	0	0	4	5
1	0	1	5	6
1	1	0	6	7
1	1	1	7	8

### 30.6.11 I2C Interrupt Vector Register (I2CIVR)

The I2C interrupt vector register is a 16-bit memory-mapped register used to indicate the occurrence of an interrupt. [Figure 30-24](#) and [Table 30-19](#) describe this register.

**Figure 30-24. I2C Interrupt Vector Register (I2CIVR) [offset = 28h]**



LEGEND: R/W = Read/Write; R = Read only; C = Clear; -n = value after reset

**Table 30-19. I2C Interrupt Vector Register (I2CIVR) Field Descriptions**

Bit	Field	Value	Description
15-12	Reserved	0	Read returns 0. Writes have no effect.
11-8	TESTMD	0-3h	Reserved for internal testing.
7-3	Reserved	0	Read returns 0. Writes have no effect.
2-0	INTCODE	0-3h	<p>Interrupt Code Bits</p> <p>This binary coded interrupt vector indicates which interrupt has occurred. If there is more than one interrupt pending, reading I2CIVR provides the vector for the highest priority interrupt that is pending.</p> <p>Reading the I2CIVR will clear the corresponding flags in I2CSTR for AL, NACK and SCD as long as those interrupts are enabled. A new interrupt will be generated for each pending source.</p> <p>Reading I2CIVR will clear the INTCODE for AL, NACK, SCD, AAS, RXRDY and TXRDY. Reading I2CIVR <b>will not</b> clear the INTCODE for ARDY.</p> <p>The INTCODE for certain codes can also be cleared by either writing a 1 to the corresponding interrupt flag bits in I2CSTR, or by reading and writing to the receive or transmit registers. See <a href="#">Section 30.6.3</a> for more details.</p> <p>Users must read (clear) the I2CIVR before doing another start otherwise the I2CIVR could contain incorrect (old interrupt flag) value.</p>

**Table 30-20. Interrupt Codes for INTCODE Bits**

Code	INTCODE(2-0)	Interrupt Occurred
00h	000	none
01h	001 (highest priority)	Arbitration lost (AL)
02h	010	No acknowledgement (NACK)
03h	011	Receive access ready (ARDY)
04h	100	Receive data ready (RXRDY)
05h	101	Transmit data ready (TXRDY)
06h	110	Stop condition detection (SCD)
07h	111 (lowest priority)	Address as slave (AAS)

### 30.6.12 I2C Extended Mode Register (I2CEMDR)

The I2C extended mode register is a 16-bit memory-mapped register that contains additional mode select bits. [Figure 30-25](#) and [Table 30-21](#) describe this register.

**Figure 30-25. I2C Extended Mode Register (I2CEMDR) [offset = 2Ch]**

15	Reserved	2	1	0
R-0			IGNACK	BCM
			R/W-0	R/W-1

LEGEND: R/W = Read/Write; R = Read only; -n = value after reset

**Table 30-21. I2C Extended Mode Register (I2CEMDR) Field Descriptions**

Bit	Field	Value	Description
15-2	Reserved	0	Read returns 0. Writes have no effect.
1	IGNACK	0	The master transmitter will operate normally, discontinue the data transfer, and set the ARDY and NACK status bits when a NACK signal is received from the slave.
		1	The master transmitter will ignore a NACK received from the slave.
0	BCM		Backwards compatibility mode  When set to 1, the I2C is compatible with previous versions of the I2C. This means the TXRDY interrupt is generated in slave-transmit mode when TXRDY is set and the I2C needs more data to transmit. This behavior causes an extra TXRDY interrupt to be generated because the I2C recognizes the end of transfer after generating an interrupt for the next byte of data.  When BCM is 0, the TXRDY interrupt in slave-transmit mode is generated when XSMT = 1. In this case, the I2C generates an interrupt for the next byte after receiving the ACK from previous data. The setting of this bit only applies to slave transmit mode.
		0	The I2C is not in compatibility mode.
		1	The I2C is in compatibility mode.

### 30.6.13 I2C Prescale Register (I2CPSC)

The I2C prescaler register is a 16-bit memory-mapped register used for dividing down the VBUS\_CLK to obtain a module clock frequency between 6.7 MHz and 13.3 MHz. [Figure 30-26](#) and [Table 30-22](#) describe this register.

**Figure 30-26. I2C Prescale Register (I2CPSC) [offset = 30h]**

15	Reserved	8	7	0
R-0			PSC	
			R/W-0	

LEGEND: R/W = Read/Write; R = Read only; -n = value after reset

**Table 30-22. I2C Prescale Register (I2CPSC) Field Descriptions**

Bit	Field	Value	Description
15-8	Reserved	0	Read returns 0. Writes have no effect.
7-0	PSC	0-FFh	Prescale  8-bit prescaler to divide down the VBUS clock to obtain the I2C module clock. This register must be initialized while the I2C is still in reset (nIRS = 0). The value takes effect on the rising edge of nIRS. See <a href="#">Section 30.1.3</a> for more information.

### 30.6.14 I2C Peripheral ID Register 1 (I2CPID1)

Figure 30-27 and Table 30-23 describe this register.

**Figure 30-27. I2C Peripheral ID Register 1 (I2CPID1) [offset = 34h]**

15	8	7	0
CLASS		REVISION	
R-1		R-46h	

LEGEND: R/W = Read/Write; R = Read only; -n = value after reset

**Table 30-23. I2C Peripheral ID Register 1 (I2CPID1) Field Descriptions**

Bit	Field	Value	Description
15-8	CLASS	0-FFh	Peripheral class These bits identify the class of peripheral.
7-0	REVISION	0-FFh	Revision level of the I2C These bits identify the revision level of the I2C.

### 30.6.15 I2C Peripheral ID Register 2 (I2CPID2)

Figure 30-28 and Table 30-24 describe this register.

**Figure 30-28. I2C Peripheral ID Register 2 (I2CPID2) [offset = 38h]**

15	8	7	0
Reserved		TYPE	
R-0		R-5h	

LEGEND: R/W = Read/Write; R = Read only; -n = value after reset

**Table 30-24. I2C Peripheral ID Register 2 (I2CPID2) Field Descriptions**

Bit	Field	Value	Description
15-8	Reserved	0	Read returns 0. Writes have no effect.
7-0	TYPE	0-FFh	Peripheral type These bits identify the type of peripheral.

### 30.6.16 I2C DMA Control Register (I2CDMACR)

This register contains the transmit and receive DMA enable bits. [Figure 30-29](#) and [Table 30-25](#) describe this register.

**Figure 30-29. I2C DMA Control Register (I2CDMACR) [offset = 3Ch]**

15	Reserved	2	1	0
R-0			TXDMAEN	RXDMAEN
			R/W-1	R/W-1

LEGEND: R/W = Read/Write; R = Read only; -n = value after reset

**Table 30-25. I2C DMA Control Register (I2CDMACR) Field Descriptions**

Bit	Field	Value	Description
15-2	Reserved	0	Read returns 0. Writes have no effect.
1	TXDMAEN	0	Transmitter DMA enable This bit controls the transmit DMA event pin to the system. When this bit is a 1, the DMA transmit event is enabled and the DMA can occur. When this bit is a 0, the DMA transmit event is disabled. Writing a 1 to this bit will send a TXDMA request to the DMA module, if PINFUNC is also cleared to 0.
		0	The transmit DMA is disabled.
		1	The transmit DMA is enabled.
0	RXDMAEN	0	Receive DMA enable This bit controls the receive DMA event pin to the system. When this bit is 1, the DMA receive event is enabled and the DMA can occur. When this bit is a 0, the DMA receive event is disabled.
		0	The receive DMA is disabled.
		1	The receive DMA is enabled.

### 30.6.17 I2C Pin Function Register (I2CPFNC)

[Figure 30-30](#) and [Table 30-26](#) describe this register.

**Figure 30-30. I2C Pin Function Register (I2CPFNC) [offset = 48h]**

15	Reserved	1	0
R-0			PINFUNC
			R/W-0

LEGEND: R/W = Read/Write; R = Read only; -n = value after reset

**Table 30-26. I2C Pin Function Register (I2CPFNC) Field Descriptions**

Bit	Field	Value	Description
15-1	Reserved	0	Read returns 0. Writes have no effect.
0	PINFUNC	0	SDA and SCL Pin Function This bit controls whether the SDA and SCL pins function as I2C pins or as I/O pins.
		0	SDA and SCL pins function as I2C pins.
		1	SDA and SCL pins function as I/O pins.

### 30.6.18 I2C Pin Direction Register (I2CPDIR)

This register is used to independently configure each I2C pin, when configured as a general purpose I/O, as either an input or output. [Figure 30-31](#) and [Table 30-27](#) describe this register.

**Figure 30-31. I2C Pin Direction Register (I2CPDIR) [offset = 4Ch]**

15	Reserved	2	1	0
R-0			SDADIR	SCLDIR
			R/W-0	R/W-0

LEGEND: R/W = Read/Write; R = Read only; -n = value after reset

**Table 30-27. I2C Pin Direction Register (I2CPDIR) Field Descriptions**

Bit	Field	Value	Description
15-2	Reserved	0	Read returns 0. Writes have no effect.
1	SDADIR	0	SDA direction This bit controls the direction of the I2C SDA pin when configured as a GPIO. SDA pin functions as an input.
		1	SDA pin functions as an output.
0	SCLDIR	0	SCL direction This bit controls the direction of the I2C SCL pin when configured as a GPIO. SCL pin functions as an input.
		1	SCL pin functions as an output.

### 30.6.19 I2C Data Input Register (I2CDIN)

[Figure 30-32](#) and [Table 30-28](#) describe this register.

**Figure 30-32. I2C Data Input Register (I2CDIN) [offset = 50h]**

15	Reserved	2	1	0
R-0			SDAIN	SCLIN
			R-X	R-X

LEGEND: R/W = Read/Write; R = Read only; -x = value after reset

**Table 30-28. I2C Data Input Register (I2CDIN) Field Descriptions**

Bit	Field	Value	Description
15-2	Reserved	0	Read returns 0. Writes have no effect.
1	SDAIN		Serial data in The value of this bit reflects the value on the SDA pin.
0	SCLIN		Serial clock data in The value of this bit reflects the value on the SCL pin.

### 30.6.20 I2C Data Output Register (I2CDOOUT)

This register contains the values sent to the I2C pins. [Figure 30-33](#) and [Table 30-29](#) describe this register.

**Figure 30-33. I2C Data Output Register (I2CDOOUT) [offset 0x54]**

15	Reserved	2	1	0
			SDAOUT	SCLOUT
	R-0		R/W-0	R/W-0

LEGEND: R/W = Read/Write; R = Read only; -n = value after reset

**Table 30-29. I2C Data Output Register (I2CDOOUT) Field Descriptions**

Bit	Field	Value	Description
15-2	Reserved	0	Read returns 0. Writes have no effect.
1	SDAOUT	0	SDA Data Output This function is only active if the SDA pin is configured as an I/O pin with PINFUNC = 1. This bit contains the value sent to the SDA pin. The pin is driven low.
		1	The pin is driven high.
0	SCLOUT	0	SCL Data Output This function is only active if the SCL pin is configured as an I/O pin with PINFUNC = 1. This bit contains the value sent to the SCL pin. The pin is driven low.
		1	The pin is driven high.

### 30.6.21 I2C Data Set Register (I2CDSET)

The I2CDSET register is an alias of the I2CDOOUT register. When written to at this address, writing a 1 to a bit sets the corresponding bit in I2CDOOUT to a 1, while writing a 0 leaves it unchanged. [Figure 30-34](#) and [Table 30-30](#) describe this register.

**Figure 30-34. I2C Data Set Register (I2CDSET) [offset = 58h]**

15	Reserved	2	1	0
			SDASET	SCLSET
	R-0		R/W-0	R/W-0

LEGEND: R/W = Read/Write; R = Read only; -n = value after reset

**Table 30-30. I2C Data Set Register (I2CDSET) Field Description**

Bit	Field	Value	Description
15-2	Reserved	0	Read returns 0. Writes have no effect.
1	SDASET	0	Serial Data Set This bit is used to set the SDA GPIO pin. Read: Reads return value of SDAOUT. Write: No effect.
		1	Read: Reads return value of SDAOUT. Write: SDAOUT is set to logic high (1).
0	SCLSET	0	Serial Clock Set This bit is used to set the SCL GPIO pin. Read: Reads return value of SCLOUT. Write: No effect.
		1	Read: Reads return value of SCLOUT. Write: SCLOUT is set to logic high (1).

### 30.6.22 I2C Data Clear Register (I2CDCLR)

The I2CDCLR register is an alias of the I2CDOUT register. When written to at this address, writing a 1 to a bit clears the corresponding bit in I2CDOUT to a 0, while writing a 0 leaves it unchanged. [Figure 30-35](#) and [Table 30-31](#) describe this register.

**Figure 30-35. I2C Data Clear Register (I2CDCLR) [offset = 5Ch]**

15	Reserved	2	1	0
	R-0		R/W-0	R/W-0

LEGEND: R/W = Read/Write; R = Read only; -n = value after reset

**Table 30-31. I2C Data Clear Register (I2CDSET) Field Descriptions**

Bit	Field	Value	Description
15-2	Reserved	0	Read returns 0. Writes have no effect.
1	SDACLRL	0	Serial Data Clear This bit is used to clear the SDA GPIO pin. Read: Reads return value of SDAOUT. Write: No effect.
		1	Read: Reads return value of SDAOUT. Write: SDAOUT is cleared to logic low.
0	SCLCLR	0	Serial Clock Clear This bit is used to clear the SCL GPIO pin. Read: Reads return value of SCLOUT. Write: No effect.
		1	Read: Reads return value of SCLOUT. Write: SCLOUT is cleared to logic low.

### 30.6.23 I2C Pin Open Drain Register (I2CPDR)

A value of 1 in the I2CPDR register configures the corresponding pin for open drain capability. A value of 0 disables this open drain capability of the pin. [Figure 30-36](#) and [Table 30-32](#) describe this register.

**Figure 30-36. I2C Pin Open Drain Register (I2CPDR) [offset = 60h]**

15	Reserved	2	1	0
	R-0		R/W-0	R/W-0

LEGEND: R/W = Read/Write; R = Read only; -n = value after reset

**Table 30-32. I2C Pin Open Drain Register (I2CPDR) Field Descriptions**

Bit	Field	Value	Description
15-2	Reserved	0	Read returns 0. Writes have no effect.
1	SDAPDR	0	SDA pin open drain enable The open drain function is disabled (the output voltage is $V_{OL}$ or lower if SDAOUT = 0 and high-impedance if SDAOUT = 1)
		1	The open drain function is enabled (output voltage is $V_{OL}$ or lower if SDAOUT = 0; $V_{OH}$ or higher if SDAOUT = 1)
0	SCLPDR	0	SCL pin open drain enable The open drain function is disabled (the output voltage is $V_{OL}$ or lower if SCLOUT = 0 and high-impedance if SCLOUT = 1)
		1	The open drain function is enabled (output voltage is $V_{OL}$ or lower if SCLOUT = 0; $V_{OH}$ or higher if SCLOUT = 1)

### 30.6.24 I2C Pull Disable Register (I2CPDIS)

Values in the I2CPDIS register enable or disable the pull control capability of the pins. A 0 in the I2CPDIS register enables the pull function of the corresponding pin, while a 1 disables the pull function. [Figure 30-37](#) and [Table 30-33](#) describe this register.

**Figure 30-37. I2C Pull Disable Register (I2CPDIS) [offset = 64h]**

15	Reserved	2	1	0
	R-0		SDAPDIS	SCLPDIS
			R/W-1	R/W-1

LEGEND: R/W = Read/Write; R = Read only; -n = value after reset

**Table 30-33. I2C Pull Disable Register (I2CPDIS) Field Descriptions**

Bit	Field	Value	Description
15-2	Reserved	0	Read returns 0. Writes have no effect.
1	SDAPDIS	0	The pull function is enabled.
		1	The pull function is disabled.
0	SCLPDIS	0	The pull function is enabled.
		1	The pull function is disabled.

### 30.6.25 I2C Pull Select Register (I2CPSEL)

Values in the I2CPSEL register select the pull up or pull down functions of the corresponding pins. A 0 in the I2CPSEL register enables the pull down function of the corresponding pin, while a 1 enables the pull up function of the corresponding pin. [Figure 30-38](#) and [Table 30-34](#) describe this register.

**Figure 30-38. I2C Pull Select Register (I2CPSEL) [offset = 68h]**

15	Reserved	2	1	0
	R-0		SDAPSEL	SCLPSEL
			R/W-0	R/W-0

LEGEND: R/W = Read/Write; R = Read only; -n = value after reset

**Table 30-34. I2C Pull Select Register (I2CPSEL) Field Descriptions**

Bit	Field	Value	Description
15-2	Reserved	0	Read returns 0. Writes have no effect.
1	SDAPSEL	0	The pull down function is enabled.
		1	The pull up function is enabled.
0	SCLPSEL	0	The pull down function is enabled.
		1	The pull up function is enabled.

### 30.6.25.1 Summary

The behavior of the input buffer, output buffer, and the pull control is summarized in [Table 30-35](#).

**Table 30-35. Input Buffer, Output Buffer, and Pull Control Behavior as GPIO Pins**

Device under Reset?	Pin Direction (DIR) <sup>(1)(2)</sup>	Pull Disable (PULDIS) <sup>(1)(3)</sup>	Pull Select (PULSEL) <sup>(1)(4)</sup>	Pull Control	Output Buffer	Input Buffer
Yes	X	X	X	Device-specific, check device datasheet	Disabled	Enabled
No	0	0	0	Pull down	Disabled	Enabled
No	0	0	1	Pull up	Disabled	Enabled
No	0	1	0	Disabled	Disabled	Enabled
No	0	1	1	Disabled	Disabled	Enabled
No	1	X	X	Disabled	Enabled	Enabled

<sup>(1)</sup> X = Don't care

<sup>(2)</sup> DIR = 0 for input, 1 for output

<sup>(3)</sup> PULDIS = 0 for enabling pull control  
= 1 for disabling pull control

<sup>(4)</sup> PULSEL = 0 for pull-down functionality  
= 1 for pull-up functionality

### 30.6.26 I2C Pins Slew Rate Select Register (I2CSRS)

This register controls the slew rate of the signal on the I2C pins. [Figure 30-39](#) and [Table 30-36](#) describe this register.

**Figure 30-39. I2C Pins Slew Rate Select Register (I2CSRS) [offset = 6Ch]**

15	Reserved	2	1	0
R-0			SDASRS	SCLSRS
			R/W-0	R/W-0

LEGEND: R/W = Read/Write; R = Read only; -n = value after reset

**Table 30-36. I2C Pins Slew Rate Select Register (I2CSRS) Field Descriptions**

Bit	Field	Value	Description
15-2	Reserved	0	Read returns 0. Writes have no effect.
1	SDASRS	0	SDA Slew Rate select The slow buffer is selected.
		1	The normal buffer is selected.
0	SCLSRS	0	SCL Slew Rate select The slow buffer is selected.
		1	The normal buffer is selected.

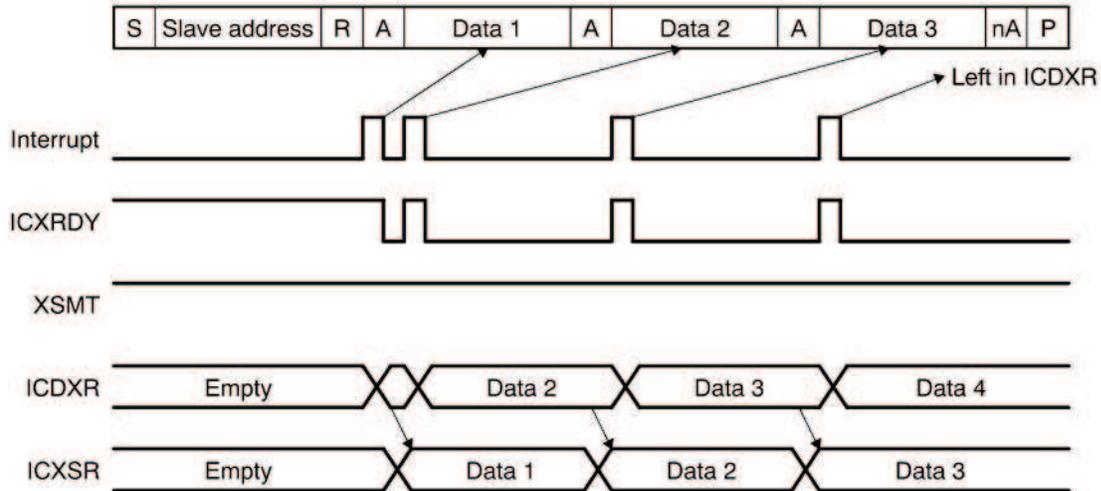
### 30.7 Sample Waveforms

Figure 30-40 provides waveforms to illustrate the difference between normal operation and backward compatibility mode.

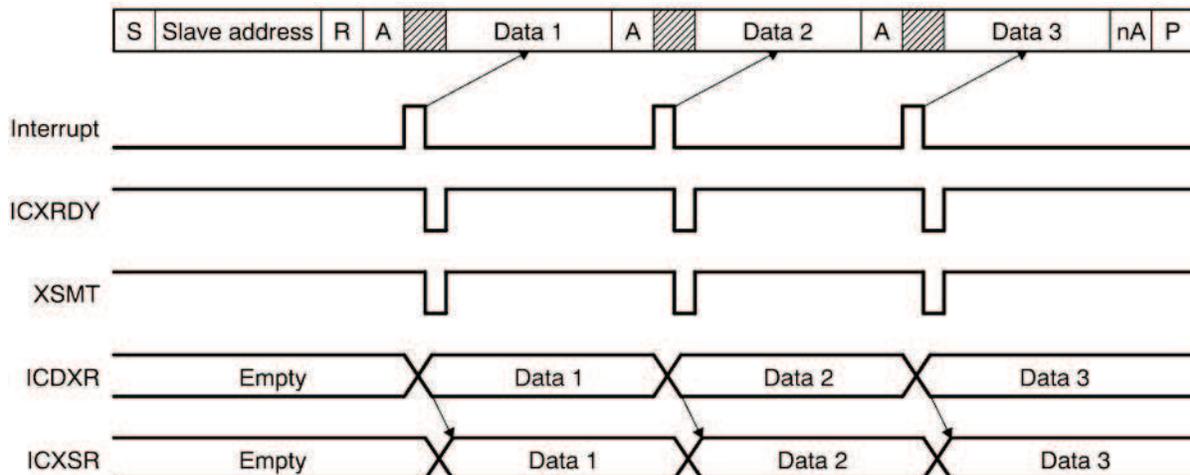
**Figure 30-40. Difference between Normal Operation and Backward Compatibility Mode**

Slave transmitter

a) BCM=1



b) BCM=0



## ***EMAC/MDIO Module***

---

---

This chapter describes the Ethernet Media Access Controller (EMAC) and physical layer (PHY) device Management Data Input/Output (MDIO) module.

<b>Topic</b>	<b>Page</b>
<b>31.1 Introduction .....</b>	<b>1525</b>
<b>31.2 Architecture .....</b>	<b>1527</b>
<b>31.3 EMAC Control Module Registers.....</b>	<b>1571</b>
<b>31.4 MDIO Registers.....</b>	<b>1584</b>
<b>31.5 EMAC Module Registers .....</b>	<b>1597</b>

## 31.1 Introduction

This document provides a functional description of the Ethernet Media Access Controller (EMAC) and physical layer (PHY) device Management Data Input/Output (MDIO) module integrated in the microcontroller. Included are the features of the EMAC and MDIO modules, a discussion of their architecture and operation, how these modules connect to the outside world, and a description of the registers for each module.

The EMAC controls the flow of packet data from the system to the PHY. The MDIO module controls PHY configuration and status monitoring.

Both the EMAC and the MDIO modules interface to the system core through a custom interface that allows efficient data transmission and reception. This custom interface is referred to as the EMAC control module and is considered integral to the EMAC/MDIO peripheral.

### 31.1.1 Purpose of the Peripheral

The EMAC module is used to move data between the device and another host connected to the same network, in compliance with the Ethernet protocol.

### 31.1.2 Features

The EMAC/MDIO has the following features:

- Synchronous 10/100 Mbps operation.
- Standard Media Independent Interface (MII) and/or Reduced Media Independent Interface (RMII) to physical layer device (PHY).
- EMAC acts as DMA master to either internal or external device memory space.
- Eight receive channels with VLAN tag discrimination for receive quality-of-service (QOS) support.
- Eight transmit channels with round-robin or fixed priority for transmit quality-of-service (QOS) support.
- Ether-Stats and 802.3-Stats statistics gathering.
- Transmit CRC generation selectable on a per channel basis.
- Broadcast frames selection for reception on a single channel.
- Multicast frames selection for reception on a single channel.
- Promiscuous receive mode frames selection for reception on a single channel (all frames, all good frames, short frames, error frames).
- Hardware flow control.
- 8k-byte local EMAC descriptor memory that allows the peripheral to operate on descriptors without affecting the CPU. The descriptor memory holds enough information to transfer up to 512 Ethernet packets without CPU intervention. (This memory is also known as CPPI RAM.)
- Programmable interrupt logic permits the software driver to restrict the generation of back-to-back interrupts, which allows more work to be performed in a single call to the interrupt service routine.

### 31.1.3 Functional Block Diagram

Figure 31-1 shows the three main functional modules of the EMAC/MDIO peripheral:

- EMAC control module
- EMAC module
- MDIO module

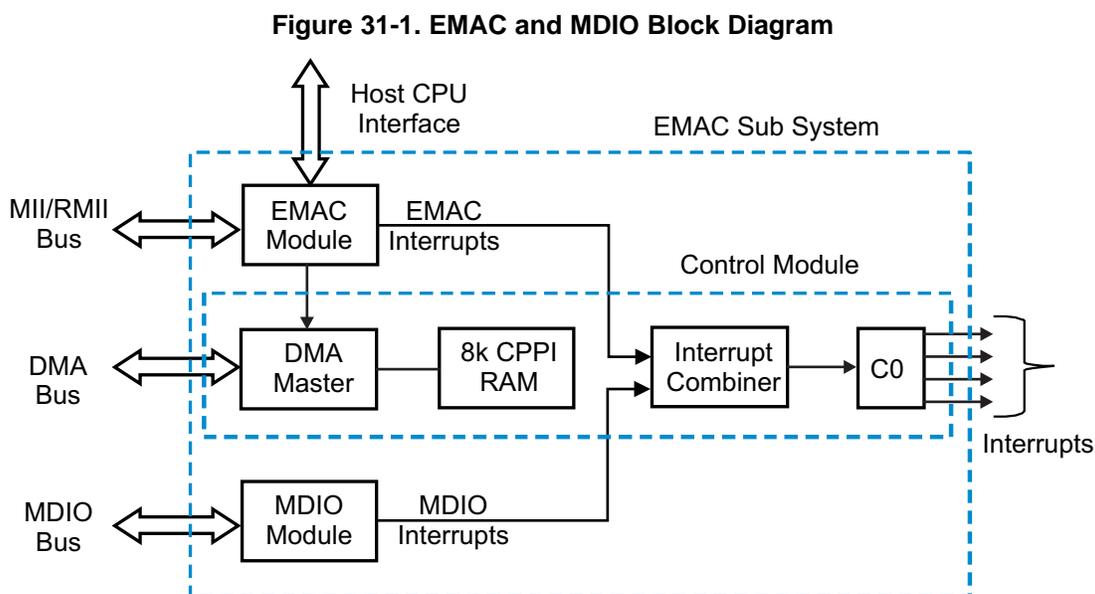
The EMAC control module is the main interface between the device core processor to the EMAC and MDIO modules. The EMAC control module controls device interrupts and incorporates an 8k-byte internal RAM to hold EMAC buffer descriptors (also known as CPPI RAM).

The MDIO module implements the 802.3 serial management interface to interrogate and control up to 32 Ethernet PHYs connected to the device by using a shared two-wire bus. Host software uses the MDIO module to configure the autonegotiation parameters of each PHY attached to the EMAC, retrieve the negotiation results, and configure required parameters in the EMAC module for correct operation. The module is designed to allow almost transparent operation of the MDIO interface, with very little maintenance from the core processor.

The EMAC module provides an efficient interface between the processor and the network. The EMAC on this device supports 10Base-T (10 Mbits/sec) and 100BaseTX (100 Mbits/sec), half-duplex and full-duplex mode, and hardware flow control and quality-of-service (QOS) support.

Figure 31-1 shows the main interface between the EMAC control module and the CPU. The following connections are made to the device core:

- The DMA bus connection from the EMAC control module allows the EMAC module to read and write both internal and external memory through the DMA memory transfer controller.
- The EMAC control, EMAC, and MDIO modules all have control registers. These registers are memory-mapped into device memory space. Along with these registers, the control module's internal CPPI RAM is mapped into this same range.
- The EMAC and MDIO interrupts are combined into four interrupt signals within the control module. The Vectored Interrupt Manager (VIM) receives all four interrupt signals from the combiner and submits these interrupt requests to the CPU.



### 31.1.4 Industry Standard(s) Compliance Statement

The EMAC peripheral conforms to the IEEE 802.3 standard, describing the Carrier Sense Multiple Access with Collision Detection (CSMA/CD) Access Method and Physical Layer specifications. The IEEE 802.3 standard has also been adopted by ISO/IEC and re-designated as ISO/IEC 8802-3:2000(E).

However, the EMAC deviates from the standard in the way it handles transmit underflow errors. The EMAC MII interface does not use the Transmit Coding Error signal MTXER. Instead of driving the error pin when an underflow condition occurs on a transmitted frame, the EMAC intentionally generates an incorrect checksum by inverting the frame CRC, so that the transmitted frame is detected as an error by the network.

## 31.2 Architecture

This section discusses the architecture and basic function of the EMAC peripheral.

### 31.2.1 Clock Control

All internal EMAC logic is clocked synchronously on the VCLKA4\_DIVR domain. Please refer to the "Architecture" chapter of the technical reference manual for more details.

The MDIO clock is based on a divide-down of the VCLK3 peripheral bus clock and is specified to run up to 2.5 MHz (although typical operation would be 1.0 MHz). Because the VCLK3 peripheral clock frequency is configurable, the application software or driver must control the divide-down value.

The transmit and receive clock sources are provided by the external PHY to the MII\_TXCLK and MII\_RXCLK pins or to the RMI reference clock pin. Data is transmitted and received with respect to the reference clocks of the interface pins.

The MII interface frequencies for the transmit and receive clocks are fixed by the IEEE 802.3 specification as:

- 2.5 MHz at 10 Mbps
- 25 MHz at 100 Mbps

The RMI interface frequency for the transmit and receive clocks are fixed at 50 MHz for both 10 Mbps and 100 Mbps.

### 31.2.2 Memory Map

The EMAC peripheral includes internal memory that is used to hold buffer descriptions of the Ethernet packets to be received and transmitted. This internal RAM is 2K × 32 bits in size. Data can be written to and read from the EMAC internal memory by either the EMAC or the CPU. It is used to store buffer descriptors that are 4-words (16-bytes) deep. This 8K local memory holds enough information to transfer up to 512 Ethernet packets without CPU intervention. This EMAC RAM is also referred to as the CPPI buffer descriptor memory because it complies with the Communications Port Programming Interface (CPPI) v3.0 standard.

The packet buffer descriptors can also be placed in other on- and off-chip memories such as the CPU RAM. There are some tradeoffs in terms of interconnect bandwidth when descriptors are placed in the CPU RAM, versus when they are placed in the EMAC's internal memory. In general, the EMAC throughput is better when the descriptors are placed in the local EMAC CPPI RAM.

### 31.2.3 Signal Descriptions

The microcontrollers support both the MII and the RMI interface. Only one of these two interfaces can be used at a time. A separate control register in the I/O Multiplexing Module (IOMM) allows the application to indicate the actual interface being used. This is the bit 24 of the PINMMR160 control register. This bit is set by default and selects the RMI interface. The application can select the MII interface by clearing this bit. Please refer the I/O Multiplexing Module chapter of the technical reference manual for more details on the procedure to configure the PINMMR registers.

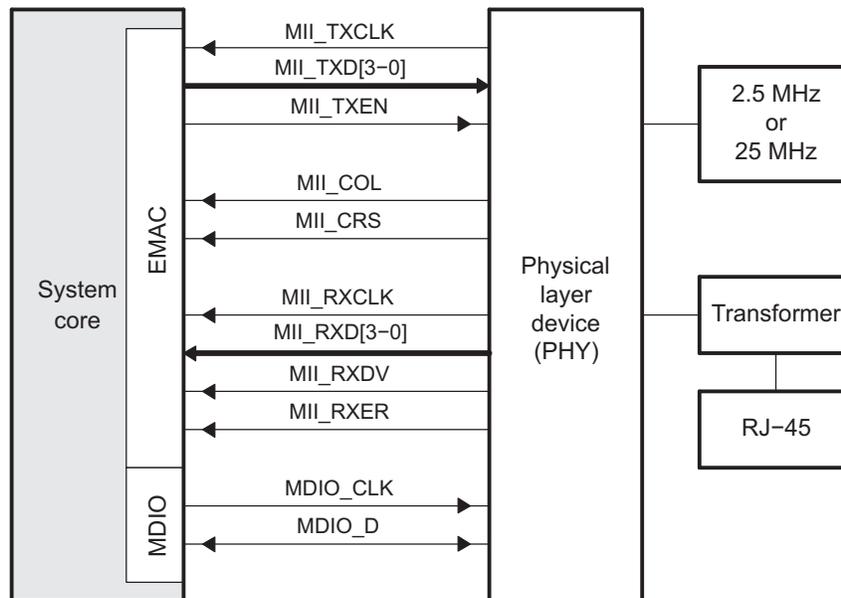
Each of the EMAC and MDIO signals for the MII and RMI interfaces are multiplexed with other I/O functions on this microcontroller. Please refer to [Section 31.2.4](#) for information on configuration of the multiplexing control registers to enable the MII / RMI connections to these I/Os.

#### 31.2.3.1 Media Independent Interface (MII) Connections

[Figure 31-2](#) shows a device with integrated EMAC and MDIO interfaced via a MII connection in a typical system. The EMAC module does not include a transmit error (MTXER) pin. In the case of transmit error, CRC inversion is used to negate the validity of the transmitted frame.

The individual EMAC and MDIO signals for the MII interface are summarized in [Table 31-1](#). For more information, refer to either the IEEE 802.3 standard or ISO/IEC 8802-3:2000(E).

**Figure 31-2. Ethernet Configuration—MII Connections**



**Table 31-1. EMAC and MDIO Signals for MII Interface**

Signal	Type	Description
MII_TXCLK	I	Transmit clock (MII_TXCLK). The transmit clock is a continuous clock that provides the timing reference for transmit operations. The MII_TXD and MII_TXEN signals are tied to this clock. The clock is generated by the PHY and is 2.5 MHz at 10 Mbps operation and 25 MHz at 100 Mbps operation.
MII_TXD[3-0]	O	Transmit data (MII_TXD). The transmit data pins are a collection of 4 data signals comprising 4 bits of data. MTDX0 is the least-significant bit (LSB). The signals are synchronized by MII_TXCLK and valid only when MII_TXEN is asserted.
MII_TXEN	O	Transmit enable (MII_TXEN). The transmit enable signal indicates that the MII_TXD pins are generating nibble data for use by the PHY. It is driven synchronously to MII_TXCLK.
MII_COL	I	Collision detected (MII_COL). In half-duplex operation, the MII_COL pin is asserted by the PHY when it detects a collision on the network. It remains asserted while the collision condition persists. This signal is not necessarily synchronous to MII_TXCLK nor MII_RXCLK.  In full-duplex operation, the MII_COL pin is used for hardware transmit flow control. Asserting the MII_COL pin will stop packet transmissions; packets in the process of being transmitted when MII_COL is asserted will complete transmission. The MII_COL pin should be held low if hardware transmit flow control is not used.
MII_CRS	I	Carrier sense (MII_CRS). In half-duplex operation, the MII_CRS pin is asserted by the PHY when the network is not idle in either transmit or receive. The pin is deasserted when both transmit and receive are idle. This signal is not necessarily synchronous to MII_TXCLK nor MII_RXCLK.  In full-duplex operation, the MII_CRS pin should be held low.
MII_RXCLK	I	Receive clock (MII_RXCLK). The receive clock is a continuous clock that provides the timing reference for receive operations. The MII_RXD, MII_RXDV, and MII_RXER signals are tied to this clock. The clock is generated by the PHY and is 2.5 MHz at 10 Mbps operation and 25 MHz at 100 Mbps operation.
MII_RXD[3-0]	I	Receive data (MII_RXD). The receive data pins are a collection of 4 data signals comprising 4 bits of data. MRDX0 is the least-significant bit (LSB). The signals are synchronized by MII_RXCLK and valid only when MII_RXDV is asserted.
MII_RXDV	I	Receive data valid (MII_RXDV). The receive data valid signal indicates that the MII_RXD pins are generating nibble data for use by the EMAC. It is driven synchronously to MII_RXCLK.
MII_RXER	I	Receive error (MII_RXER). The receive error signal is asserted for one or more MII_RXCLK periods to indicate that an error was detected in the received frame. This is meaningful only during data reception when MII_RXDV is active.
MDIO_CLK	O	Management data clock (MDIO_CLK). The MDIO data clock is sourced by the MDIO module on the system. It is used to synchronize MDIO data access operations done on the MDIO pin. The frequency of this clock is controlled by the CLKDIV bits in the MDIO control register (CONTROL).
MDIO_D	I/O	Management data input output (MDIO_D). The MDIO data pin drives PHY management data into and out of the PHY by way of an access frame consisting of start of frame, read/write indication, PHY address, register address, and data bit cycles. The MDIO_D pin acts as an output for all but the data bit cycles at which time it is an input for read operations.

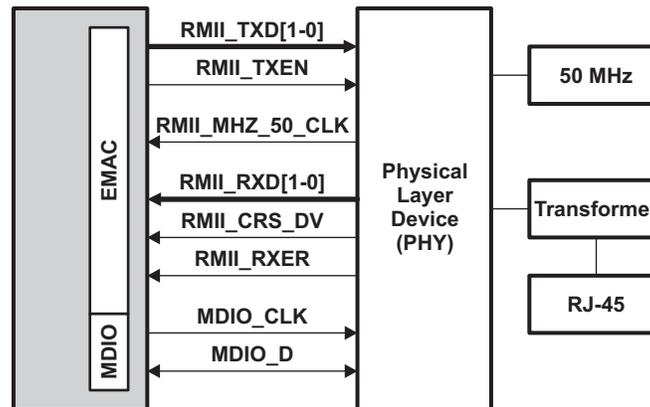
**NOTE:** The MII interface of this device is bonded out to two different sets of package pins. In one set of package pins, the interface is multiplexed with other functions on this device. The application must configure the control registers in the I/O multiplexing module in order to enable the MII functionality on the corresponding I/Os. The IO pins to which the MII interface is brought are pin compatible with other devices in the family. Please refer to [Section 31.2.4](#) for information. This device also has a second set of package pins that brings out the MII interface. The second set of package pins for the MII interface allows the MII interface to operate in parallel with other non-MII functions in the first set of package pins. Please see the device datasheet terminal function table for detail.

### 31.2.3.2 Reduced Media Independent Interface (RMII) Connections

Figure 31-3 shows a device with integrated EMAC and MDIO interfaced via a RMII connection in a typical system.

The individual EMAC and MDIO signals for the RMII interface are summarized in Table 31-2. For more information, refer to either the IEEE 802.3 standard or ISO/IEC 8802-3:2000(E).

**Figure 31-3. Ethernet Configuration—RMII Connections**



**Table 31-2. EMAC and MDIO Signals for RMII Interface**

Signal	Type	Description
RMII_TXD[1-0]	O	Transmit data (RMII_TXD). The transmit data pins are a collection of 2 bits of data. RMTDX0 is the least-significant bit (LSB). The signals are synchronized by RMII_MHZ_50_CLK and valid only when RMII_TXEN is asserted.
RMII_TXEN	O	Transmit enable (RMII_TXEN). The transmit enable signal indicates that the RMII_TXD pins are generating data for use by the PHY. RMII_TXEN is synchronous to RMII_MHZ_50_CLK.
RMII_MHZ_50_CLK	I	RMII reference clock (RMII_MHZ_50_CLK). The reference clock is used to synchronize all RMII signals. RMII_MHZ_50_CLK must be continuous and fixed at 50 MHz.
RMII_RXD[1-0]	I	Receive data (RMII_RXD). The receive data pins are a collection of 2 bits of data. RMRDX0 is the least-significant bit (LSB). The signals are synchronized by RMII_MHZ_50_CLK and valid only when RMII_CRS_DV is asserted and RMII_RXER is deasserted.
RMII_CRS_DV	I	Carrier sense/receive data valid (RMII_CRS_DV). Multiplexed signal between carrier sense and receive data valid.
RMII_RXER	I	Receive error (RMII_RXER). The receive error signal is asserted to indicate that an error was detected in the received frame.
MDIO_CLK	O	Management data clock (MDIO_CLK). The MDIO data clock is sourced by the MDIO module on the system. It is used to synchronize MDIO data access operations done on the MDIO pin. The frequency of this clock is controlled by the CLKDIV bits in the MDIO control register (CONTROL).
MDIO_D	I/O	Management data input output (MDIO_D). The MDIO data pin drives PHY management data into and out of the PHY by way of an access frame consisting of start of frame, read/write indication, PHY address, register address, and data bit cycles. The MDIO_D pin acts as an output for all but the data bit cycles at which time it is an input for read operations.

### 31.2.4 MII / RMII Signal Multiplexing Control

In Each of the MII and RMII interface signals are multiplexed with other functions on this microcontroller. The application must configure the control registers in the I/O multiplexing module in order to enable the MII/RMII functionality on the corresponding I/Os. [Table 31-3](#) shows the byte to be configured to enable the MDIO functions. [Table 31-4](#) shows the byte to be configured to enable the MII or RMII functions. Please refer the I/O Multiplexing Module chapter of the technical reference manual for more details on the procedure to configure the PINMMR registers.

**Table 31-3. MDIO Multiplexing Control**

MDIO Signal Name	Control for Selecting EMAC / MDIO Signal
MDIO_CLK	PINMMR21[31:24] = 0b00000100
MDIO_D	PINMMR23 [7:0] = 0b00000100

**Table 31-4. MII/RMII Multiplexing Control**

MII / RMII Signal Name	Control for Selecting MII Signal	Control for Selecting RMII Signal
MII_TXCLK	PINMMR30 [23:16] = 0b00000010	-
MII_TXD[3]	PINMMR30 [7:0] = 0b00000100	-
MII_TXD[2]	PINMMR21 [15:8] = 0b00000100	-
MII_TXD[1] / RMII_TXD[1]	PINMMR26 [7:0] = 0b00000100	PINMMR26 [7:0] = 0b00001000
MII_TXD[0] / RMII_TXD[0]	PINMMR27 [7:0] = 0b00000100	PINMMR27 [7:0] = 0b00001000
MII_TXEN / RMII_TXEN	PINMMR24 [23:16] = 0b00000100	PINMMR24 [23:16] = 0b00001000
MII_COL	PINMMR21 [23:16] = 0b00000100	-
MII_CRSDV / RMII_CRSDV	PINMMR31 [7:0] = 0b00000100	PINMMR31 [7:0] = 0b00001000
MII_RXCLK / RMII_50MHZ_CLK	PINMMR34 [15:8] = 0b00000100	PINMMR34 [15:8] = 0b00001000
MII_RXD[3]	PINMMR25 [31:24] = 0b00000100	-
MII_RXD[2]	PINMMR22 [15:8] = 0b00000100	-
MII_RXD[1] / RMII_RXD[1]	PINMMR34 [7:0] = 0b00000010	PINMMR34 [7:0] = 0b00000100
MII_RXD[0] / RMII_RXD[0]	PINMMR33 [31:24] = 0b00000100	PINMMR33 [31:24] = 0b00000100
MII_RXDV	PINMMR34 [23:16] = 0b00000100	-
MII_RXER / RMII_RXER	PINMMR0 [7:0] = 0b00000100	PINMMR0 [7:0] = 0b00000100

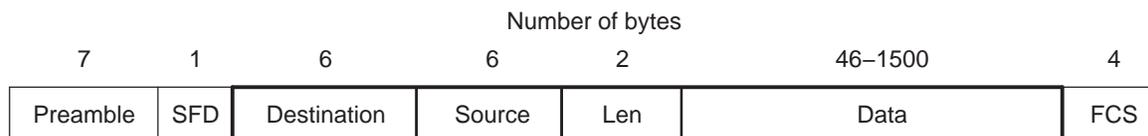
### 31.2.5 Ethernet Protocol Overview

A brief overview of the Ethernet protocol is given in the following subsections. See the IEEE 802.3 standard document for in-depth information on the Carrier Sense Multiple Access with Collision Detection (CSMA/CD) Access Method.

#### 31.2.5.1 Ethernet Frame Format

All the Ethernet technologies use the same frame structure. The format of an Ethernet frame is shown in [Figure 31-4](#) and described in [Table 31-5](#). The Ethernet packet, which is the collection of bytes representing the data portion of a single Ethernet frame on the wire, is shown outlined in bold. The Ethernet frames are of variable lengths, with no frame smaller than 64 bytes or larger than RXMAXLEN bytes (header, data, and CRC).

**Figure 31-4. Ethernet Frame Format**



Legend: SFD=Start Frame Delimeter; FCS=Frame Check Sequence (CRC)

**Table 31-5. Ethernet Frame Description**

Field	Bytes	Description
Preamble	7	Preamble. These 7 bytes have a fixed value of 55h and serve to wake up the receiving EMAC ports and to synchronize their clocks to that of the sender's clock.
SFD	1	Start of Frame Delimiter. This field with a value of 5Dh immediately follows the preamble pattern and indicates the start of important data.
Destination	6	Destination address. This field contains the Ethernet MAC address of the EMAC port for which the frame is intended. It may be an individual or multicast (including broadcast) address. When the destination EMAC port receives an Ethernet frame with a destination address that does not match any of its MAC physical addresses, and no promiscuous, multicast or broadcast channel is enabled, it discards the frame.
Source	6	Source address. This field contains the MAC address of the Ethernet port that transmits the frame to the Local Area Network.
Len	2	Length/Type field. The length field indicates the number of EMAC client data bytes contained in the subsequent data field of the frame. This field can also be used to identify the type of data the frame is carrying.
Data	46 to (RXMAXLEN - 18)	Data field. This field carries the datagram containing the upper layer protocol frame, that is, IP layer datagram. The maximum transfer unit (MTU) of Ethernet is (RXMAXLEN - 18) bytes. This means that if the upper layer protocol datagram exceeds (RXMAXLEN - 18) bytes, then the host has to fragment the datagram and send it in multiple Ethernet packets. The minimum size of the data field is 46 bytes. This means that if the upper layer datagram is less than 46 bytes, the data field has to be extended to 46 bytes by appending extra bits after the data field, but prior to calculating and appending the FCS.
FCS	4	Frame Check Sequence. A cyclic redundancy check (CRC) is used by the transmit and receive algorithms to generate a CRC value for the FCS field. The frame check sequence covers the 60 to 1514 bytes of the packet data. Note that this 4-byte field may or may not be included as part of the packet data, depending on how the EMAC is configured.

### 31.2.5.2 Ethernet's Multiple Access Protocol

Nodes in an Ethernet Local Area Network are interconnected by a broadcast channel -- when an EMAC port transmits a frame, all the adapters on the local network receive the frame. Carrier Sense Multiple Access with Collision Detection (CSMA/CD) algorithms are used when the EMAC operates in half-duplex mode. When operating in full-duplex mode, there is no contention for use of a shared medium because there are exactly two ports on the local network.

Each port runs the CSMA/CD protocol without explicit coordination with the other ports on the Ethernet network. Within a specific port, the CSMA/CD protocol works as follows:

1. The port obtains data from upper layer protocols at its node, prepares an Ethernet frame, and puts the frame in a buffer.
2. If the port senses that the medium is idle, it starts to transmit the frame. If the port senses that the transmission medium is busy, it waits until it no longer senses energy (plus an Inter-Packet Gap time) and then starts to transmit the frame.
3. While transmitting, the port monitors for the presence of signal energy coming from other ports. If the port transmits the entire frame without detecting signal energy from other Ethernet devices, the port is done with the frame.
4. If the port detects signal energy from other ports while transmitting, it stops transmitting its frame and instead transmits a 48-bit jam signal.
5. After transmitting the jam signal, the port enters an exponential backoff phase. If a data frame encounters back-to-back collisions, the port chooses a random value that is dependent on the number of collisions. The port then waits an amount of time that is a multiple of this random value and returns to step 2.

### 31.2.6 Programming Interface

#### 31.2.6.1 Packet Buffer Descriptors

The buffer descriptor is a central part of the EMAC module and is how the application software describes Ethernet packets to be sent and empty buffers to be filled with incoming packet data. The basic descriptor format is shown in [Figure 31-5](#) and described in [Table 31-6](#).

For example, consider three packets to be transmitted: Packet A is a single fragment (60 bytes), Packet B is fragmented over three buffers (1514 bytes total), and Packet C is a single fragment (1514 bytes). The linked list of descriptors to describe these three packets is shown in [Figure 31-6](#).

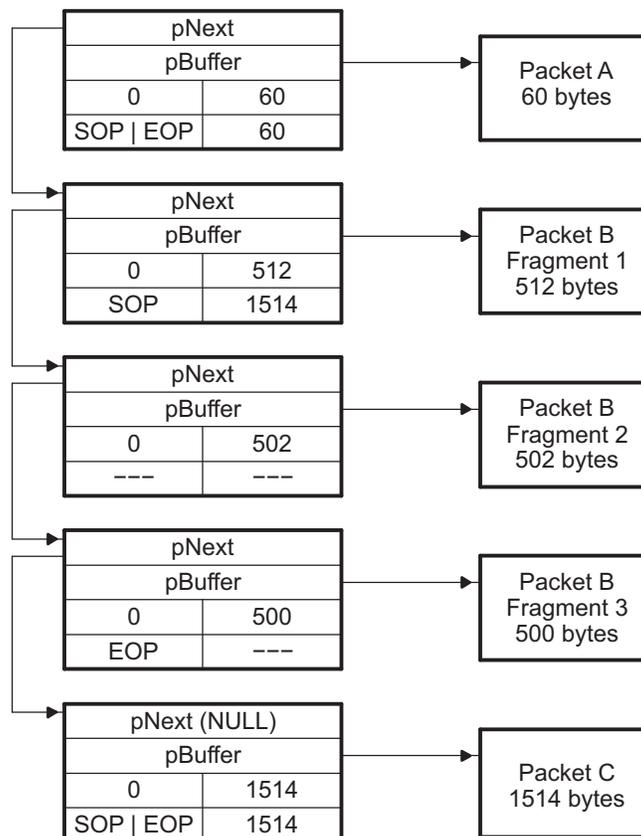
**Figure 31-5. Basic Descriptor Format**

Word Offset	Bit Fields		
	31	16   15	0
0	Next Descriptor Pointer		
1	Buffer Pointer		
2	Buffer Offset	Buffer Length	
3	Flags	Packet Length	

**Table 31-6. Basic Descriptor Description**

Word Offset	Field	Field Description
0	Next Descriptor Pointer	The next descriptor pointer is used to create a single linked list of descriptors. Each descriptor describes a packet or a packet fragment. When a descriptor points to a single buffer packet or the first fragment of a packet, the start of packet (SOP) flag is set in the flags field. When a descriptor points to a single buffer packet or the last fragment of a packet, the end of packet (EOP) flag is set. When a packet is fragmented, each fragment must have its own descriptor and appear sequentially in the descriptor linked list.
1	Buffer Pointer	The buffer pointer refers to the actual memory buffer that contains packet data during transmit operations, or is an empty buffer ready to receive packet data during receive operations.
2	Buffer Offset	The buffer offset is the offset from the start of the packet buffer to the first byte of valid data. This field only has meaning when the buffer descriptor points to a buffer that actually contains data.
	Buffer Length	The buffer length is the actual number of valid packet data bytes stored in the buffer. If the buffer is empty and waiting to receive data, this field represents the size of the empty buffer.
3	Flags	The flags field contains more information about the buffer, such as, is it the first fragment in a packet (SOP), the last fragment in a packet (EOP), or contains an entire contiguous Ethernet packet (both SOP and EOP). The flags are described in <a href="#">Section 31.2.6.4</a> and <a href="#">Section 31.2.6.5</a> .
	Packet Length	The packet length only has meaning for buffers that both contain data and are the start of a new packet (SOP). In the case of SOP descriptors, the packet length field contains the length of the entire Ethernet packet, regardless if it is contained in a single buffer or fragmented over several buffers.

**Figure 31-6. Typical Descriptor Linked List**



### 31.2.6.2 Transmit and Receive Descriptor Queues

The EMAC module processes descriptors in linked lists as discussed in [Section 31.2.6.1](#). The lists used by the EMAC are maintained by the application software through the use of the head descriptor pointer registers (HDP). The EMAC supports eight channels for transmit and eight channels for receive. The corresponding head descriptor pointers are:

- TX $n$ HDP - Transmit Channel  $n$  DMA Head Descriptor Pointer Register
- RX $n$ HDP - Receive Channel  $n$  DMA Head Descriptor Pointer Register

After an EMAC reset and before enabling the EMAC for send and receive, all 16 head descriptor pointer registers must be initialized to 0.

The EMAC uses a simple system to determine if a descriptor is currently owned by the EMAC or by the application software. There is a flag in the buffer descriptor flags called OWNER. When this flag is set, the packet that is referenced by the descriptor is considered to be owned by the EMAC. Note that ownership is done on a packet based granularity, not on descriptor granularity, so only SOP descriptors make use of the OWNER flag. As packets are processed, the EMAC patches the SOP descriptor of the corresponding packet and clears the OWNER flag. This is an indication that the EMAC has finished processing all descriptors up to and including the first with the EOP flag set, indicating the end of the packet (note this may only be one descriptor with both the SOP and EOP flags set).

To add a descriptor or a linked list of descriptors to an EMAC descriptor queue for the first time, the software application simply writes the pointer to the descriptor or first descriptor of a list to the corresponding HDP register. Note that the last descriptor in the list must have its “next” pointer cleared to 0. This is the only way the EMAC has of detecting the end of the list. Therefore, in the case where only a single descriptor is added, its “next descriptor” pointer must be initialized to 0.

The HDP must never be written to while a list is active. To add additional descriptors to a descriptor list already owned by the EMAC, the NULL “next” pointer of the last descriptor of the previous list is patched with a pointer to the first descriptor of the new list. The list of new descriptors to be appended to the existing list must itself be NULL terminated before the pointer patch is performed.

There is a potential race condition where the EMAC may read the “next” pointer of a descriptor as NULL in the instant before an application appends additional descriptors to the list by patching the pointer. This case is handled by the software application always examining the buffer descriptor flags of all EOP packets, looking for a special flag called end of queue (EOQ). The EOQ flag is set by the EMAC on the last descriptor of a packet when the descriptor’s “next” pointer is NULL. This is the way the EMAC indicates to the software application that it believes it has reached the end of the list. When the software application sees the EOQ flag set, the application may at that time submit the new list, or the portion of the appended list that was missed by writing the new list pointer to the same HDP that started the process.

This process applies when adding packets to a transmit list, and empty buffers to a receive list.

### 31.2.6.3 Transmit and Receive EMAC Interrupts

The EMAC processes descriptors in linked list chains as discussed in [Section 31.2.6.1](#), using the linked list queue mechanism discussed in [Section 31.2.6.2](#).

The EMAC synchronizes descriptor list processing through the use of interrupts to the software application. The interrupts are controlled by the application using the interrupt masks, global interrupt enable, and the completion pointer register (CP). The CP is also called the interrupt acknowledge register.

The EMAC supports eight channels for transmit and eight channels for receive. The corresponding completion pointer registers are:

- TX $n$ CP - Transmit Channel  $n$  Completion Pointer (Interrupt Acknowledge) Register
- RX $n$ CP - Receive Channel  $n$  Completion Pointer (Interrupt Acknowledge) Register

These registers serve two purposes. When read, they return the pointer to the last descriptor that the EMAC has processed. When written by the software application, the value represents the last descriptor processed by the software application. When these two values do not match, the interrupt is active.

Interrupts in the EMAC control module are routed to the Vectored Interrupt Manager (VIM) as four separate interrupt requests. The interrupt configuration determines whether or not an active interrupt request actually interrupts the CPU. In general the following settings are required for basic EMAC transmit and receive interrupts:

1. EMAC transmit and receive interrupts are enabled by setting the mask registers RXINTMASKSET and TXINTMASKSET
2. Global interrupts are set in the EMAC control module: C0RXEN and C0TXEN
3. The VIM is configured to accept C0\_RX\_PULSE and C0\_TX\_PULSE interrupts from the EMAC control module
4. The normal mode (IRQ) interrupts are enabled in the Cortex-R4F CPU

Whether or not the interrupt is enabled, the current state of the receive or transmit channel interrupt can be examined directly by the software application reading the EMAC receive interrupt status (unmasked) register (RXINTSTATRAW) and transmit interrupt status (unmasked) register (TXINTSTATRAW).

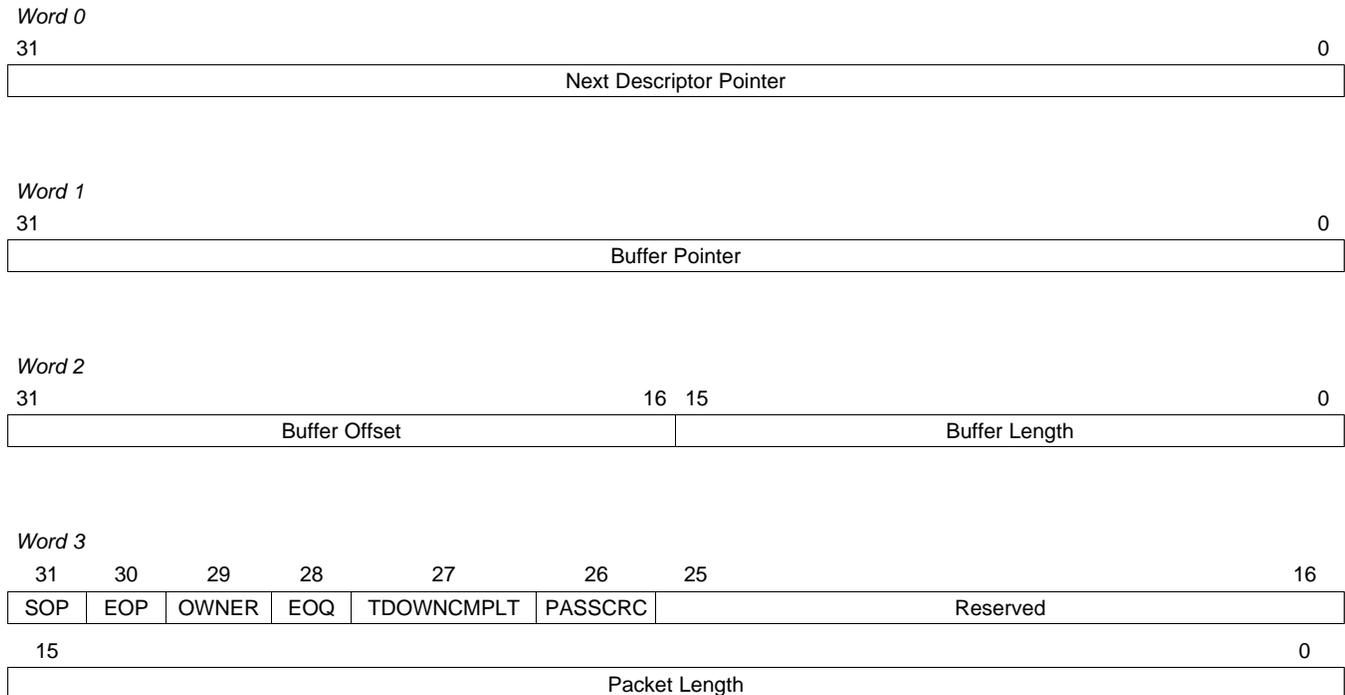
After servicing transmit or receive interrupts, the application software must acknowledge both the EMAC and EMAC control module interrupts.

EMAC interrupts are acknowledged when the application software updates the value of TX $n$ CP or RX $n$ CP with a value that matches the internal value kept by the EMAC. This mechanism ensures that the application software never misses an EMAC interrupt because the interrupt acknowledgment is tied directly to the buffer descriptor processing.

EMAC control module interrupts are acknowledged when the application software writes the appropriate C0TX or C0RX key to the EMAC End-Of-Interrupt Vector register (MACEOIVECTOR). The MACEOIVECTOR behaves as an interrupt pulse interlock -- once the EMAC control module has issued an interrupt pulse to the CPU, it will not generate further pulses of the same type until the original pulse has been acknowledged.

### 31.2.6.4 Transmit Buffer Descriptor Format

A transmit (TX) buffer descriptor ([Figure 31-7](#)) is a contiguous block of four 32-bit data words aligned on a 32-bit boundary that describes a packet or a packet fragment. [Example 31-1](#) shows the transmit buffer descriptor described by a C structure.

**Figure 31-7. Transmit Buffer Descriptor Format**

**Example 31-1. Transmit Buffer Descriptor in C Structure Format**

```

/*
// EMAC Descriptor
//
// The following is the format of a single buffer descriptor
// on the EMAC.
*/
typedef struct _EMAC_Desc {
    struct _EMAC_Desc *pNext; /* Pointer to next descriptor in chain */
    Uint8 *pBuffer; /* Pointer to data buffer */
    Uint32 BufOffLen; /* Buffer Offset(MSW) and Length(LSW) */
    Uint32 PktFlgLen; /* Packet Flags(MSW) and Length(LSW) */
} EMAC_Desc;

/* Packet Flags */
#define EMAC_DSC_FLAG_SOP 0x80000000u
#define EMAC_DSC_FLAG_EOP 0x40000000u
#define EMAC_DSC_FLAG_OWNER 0x20000000u
#define EMAC_DSC_FLAG_EOQ 0x10000000u
#define EMAC_DSC_FLAG_TDOWNCMPLT 0x08000000u
#define EMAC_DSC_FLAG_PASSCRC 0x04000000u

```

#### 31.2.6.4.1 Next Descriptor Pointer

The next descriptor pointer points to the 32-bit word aligned memory address of the next buffer descriptor in the transmit queue. This pointer is used to create a linked list of buffer descriptors. If the value of this pointer is zero, then the current buffer is the last buffer in the queue. The software application must set this value prior to adding the descriptor to the active transmit list. This pointer is not altered by the EMAC.

The value of pNext should never be altered once the descriptor is in an active transmit queue, unless its current value is NULL. If the pNext pointer is initially NULL, and more packets need to be queued for transmit, the software application may alter this pointer to point to a newly appended descriptor. The EMAC will use the new pointer value and proceed to the next descriptor unless the pNext value has already been read. In this latter case, the transmitter will halt on the transmit channel in question, and the software application may restart it at that time. The software can detect this case by checking for an end of queue (EOQ) condition flag on the updated packet descriptor when it is returned by the EMAC.

#### 31.2.6.4.2 Buffer Pointer

The buffer pointer is the byte-aligned memory address of the memory buffer associated with the buffer descriptor. The software application must set this value prior to adding the descriptor to the active transmit list. This pointer is not altered by the EMAC.

#### 31.2.6.4.3 Buffer Offset

This 16-bit field indicates how many unused bytes are at the start of the buffer. For example, a value of 0000h indicates that no unused bytes are at the start of the buffer and that valid data begins on the first byte of the buffer, while a value of 000Fh indicates that the first 15 bytes of the buffer are to be ignored by the EMAC and that valid buffer data starts on byte 16 of the buffer. The software application must set this value prior to adding the descriptor to the active transmit list. This field is not altered by the EMAC.

Note that this value is only checked on the first descriptor of a given packet (where the start of packet (SOP) flag is set). It can not be used to specify the offset of subsequent packet fragments. Also, since the buffer pointer may point to any byte-aligned address, this field may be entirely superfluous, depending on the device driver architecture.

The range of legal values for this field is 0 to (Buffer Length – 1).

#### 31.2.6.4.4 Buffer Length

This 16-bit field indicates how many valid data bytes are in the buffer. On single fragment packets, this value is also the total length of the packet data to be transmitted. If the buffer offset field is used, the offset bytes are not counted as part of this length. This length counts only valid data bytes. The software application must set this value prior to adding the descriptor to the active transmit list. This field is not altered by the EMAC.

#### 31.2.6.4.5 Packet Length

This 16-bit field specifies the number of data bytes in the entire packet. Any leading buffer offset bytes are not included. The sum of the buffer length fields of each of the packet's fragments (if more than one) must be equal to the packet length. The software application must set this value prior to adding the descriptor to the active transmit list. This field is not altered by the EMAC. This value is only checked on the first descriptor of a given packet (where the start of packet (SOP) flag is set).

#### 31.2.6.4.6 Start of Packet (SOP) Flag

When set, this flag indicates that the descriptor points to a packet buffer that is the start of a new packet. In the case of a single fragment packet, both the SOP and end of packet (EOP) flags are set. Otherwise, the descriptor pointing to the last packet buffer for the packet sets the EOP flag. This bit is set by the software application and is not altered by the EMAC.

#### **31.2.6.4.7 End of Packet (EOP) Flag**

When set, this flag indicates that the descriptor points to a packet buffer that is last for a given packet. In the case of a single fragment packet, both the start of packet (SOP) and EOP flags are set. Otherwise, the descriptor pointing to the last packet buffer for the packet sets the EOP flag. This bit is set by the software application and is not altered by the EMAC.

#### **31.2.6.4.8 Ownership (OWNER) Flag**

When set, this flag indicates that all the descriptors for the given packet (from SOP to EOP) are currently owned by the EMAC. This flag is set by the software application on the SOP packet descriptor before adding the descriptor to the transmit descriptor queue. For a single fragment packet, the SOP, EOP, and OWNER flags are all set. The OWNER flag is cleared by the EMAC once it is finished with all the descriptors for the given packet. Note that this flag is valid on SOP descriptors only.

#### **31.2.6.4.9 End of Queue (EOQ) Flag**

When set, this flag indicates that the descriptor in question was the last descriptor in the transmit queue for a given transmit channel, and that the transmitter has halted. This flag is initially cleared by the software application prior to adding the descriptor to the transmit queue. This bit is set by the EMAC when the EMAC identifies that a descriptor is the last for a given packet (the EOP flag is set), and there are no more descriptors in the transmit list (next descriptor pointer is NULL).

The software application can use this bit to detect when the EMAC transmitter for the corresponding channel has halted. This is useful when the application appends additional packet descriptors to a transmit queue list that is already owned by the EMAC. Note that this flag is valid on EOP descriptors only.

#### **31.2.6.4.10 Teardown Complete (TDOWNCMPLT) Flag**

This flag is used when a transmit queue is being torn down, or aborted, instead of allowing it to be transmitted. This would happen under device driver reset or shutdown conditions. The EMAC sets this bit in the SOP descriptor of each packet as it is aborted from transmission.

Note that this flag is valid on SOP descriptors only. Also note that only the first packet in an unsent list has the TDOWNCMPLT flag set. Subsequent descriptors are not processed by the EMAC.

#### **31.2.6.4.11 Pass CRC (PASSCRC) Flag**

This flag is set by the software application in the SOP packet descriptor before it adds the descriptor to the transmit queue. Setting this bit indicates to the EMAC that the 4 byte Ethernet CRC is already present in the packet data, and that the EMAC should not generate its own version of the CRC.

When the CRC flag is cleared, the EMAC generates and appends the 4-byte CRC. The buffer length and packet length fields do not include the CRC bytes. When the CRC flag is set, the 4-byte CRC is supplied by the software application and is already appended to the end of the packet data. The buffer length and packet length fields include the CRC bytes, as they are part of the valid packet data. Note that this flag is valid on SOP descriptors only.

### 31.2.6.5 Receive Buffer Descriptor Format

A receive (RX) buffer descriptor (Figure 31-8) is a contiguous block of four 32-bit data words aligned on a 32-bit boundary that describes a packet or a packet fragment. Example 31-2 shows the receive buffer descriptor described by a C structure.

#### 31.2.6.5.1 Next Descriptor Pointer

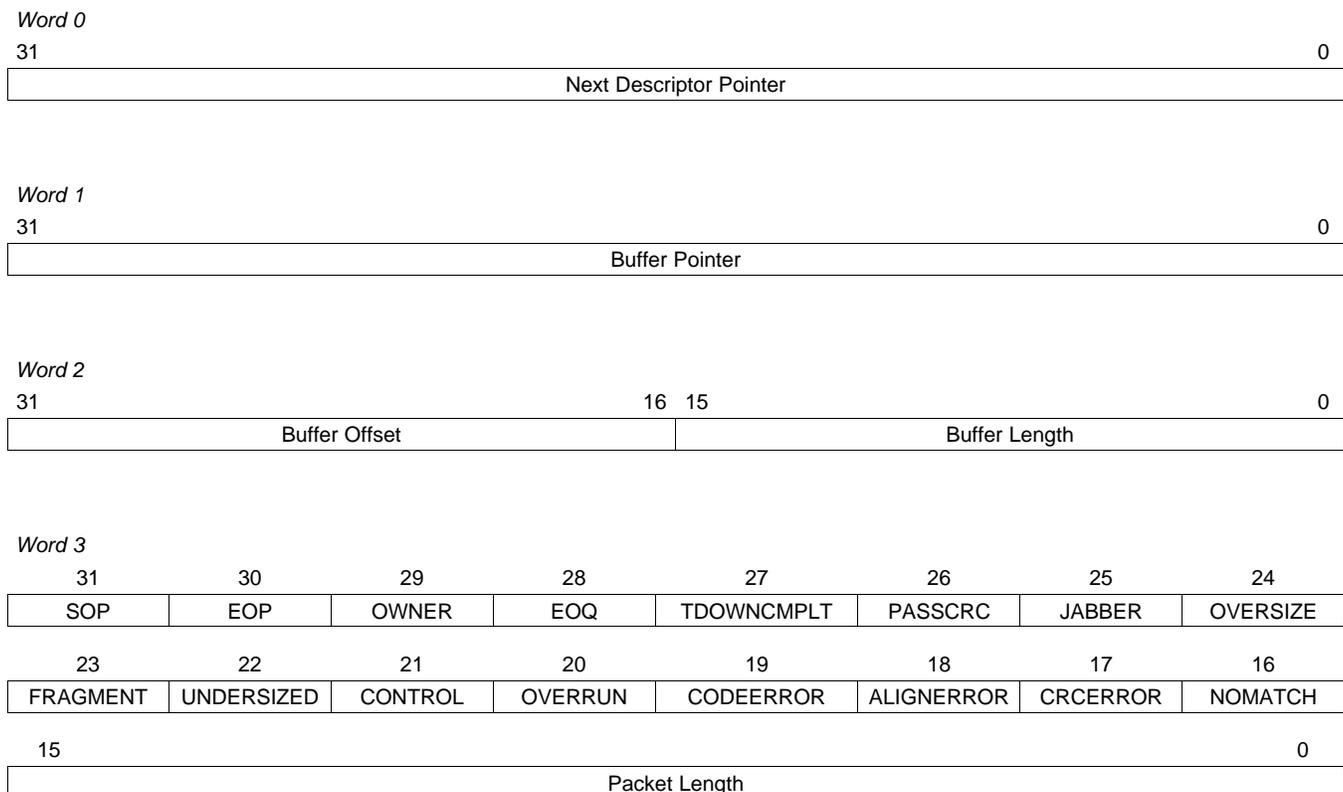
This pointer points to the 32-bit word aligned memory address of the next buffer descriptor in the receive queue. This pointer is used to create a linked list of buffer descriptors. If the value of this pointer is zero, then the current buffer is the last buffer in the queue. The software application must set this value prior to adding the descriptor to the active receive list. This pointer is not altered by the EMAC.

The value of pNext should never be altered once the descriptor is in an active receive queue, unless its current value is NULL. If the pNext pointer is initially NULL, and more empty buffers can be added to the pool, the software application may alter this pointer to point to a newly appended descriptor. The EMAC will use the new pointer value and proceed to the next descriptor unless the pNext value has already been read. In this latter case, the receiver will halt the receive channel in question, and the software application may restart it at that time. The software can detect this case by checking for an end of queue (EOQ) condition flag on the updated packet descriptor when it is returned by the EMAC.

#### 31.2.6.5.2 Buffer Pointer

The buffer pointer is the byte-aligned memory address of the memory buffer associated with the buffer descriptor. The software application must set this value prior to adding the descriptor to the active receive list. This pointer is not altered by the EMAC.

**Figure 31-8. Receive Buffer Descriptor Format**



**Example 31-2. Receive Buffer Descriptor in C Structure Format**

```

/*
// EMAC Descriptor
//
// The following is the format of a single buffer descriptor
// on the EMAC.
*/
typedef struct _EMAC_Desc {
    struct _EMAC_Desc *pNext; /* Pointer to next descriptor in chain */
    Uint8 *pBuffer; /* Pointer to data buffer */
    Uint32 BufOffLen; /* Buffer Offset(MSW) and Length(LSW) */
    Uint32 PktFlgLen; /* Packet Flags(MSW) and Length(LSW) */
} EMAC_Desc;

/* Packet Flags */
#define EMAC_DSC_FLAG_SOP 0x80000000u
#define EMAC_DSC_FLAG_EOP 0x40000000u
#define EMAC_DSC_FLAG_OWNER 0x20000000u
#define EMAC_DSC_FLAG_EOQ 0x10000000u
#define EMAC_DSC_FLAG_TDOWNCMPLT 0x08000000u
#define EMAC_DSC_FLAG_PASSCRC 0x04000000u
#define EMAC_DSC_FLAG_JABBER 0x02000000u
#define EMAC_DSC_FLAG_OVERSIZE 0x01000000u
#define EMAC_DSC_FLAG_FRAGMENT 0x00800000u
#define EMAC_DSC_FLAG_UNDERSIZED 0x00400000u
#define EMAC_DSC_FLAG_CONTROL 0x00200000u
#define EMAC_DSC_FLAG_OVERRUN 0x00100000u
#define EMAC_DSC_FLAG_CODEERROR 0x00080000u
#define EMAC_DSC_FLAG_ALIGNERROR 0x00040000u
#define EMAC_DSC_FLAG_CRCERROR 0x00020000u
#define EMAC_DSC_FLAG_NOMATCH 0x00010000u

```

**31.2.6.5.3 Buffer Offset**

This 16-bit field must be initialized to zero by the software application before adding the descriptor to a receive queue.

Whether or not this field is updated depends on the setting of the RXBUFFEROFFSET register. When the offset register is set to a non-zero value, the received packet is written to the packet buffer at an offset given by the value of the register, and this value is also written to the buffer offset field of the descriptor.

When a packet is fragmented over multiple buffers because it does not fit in the first buffer supplied, the buffer offset only applies to the first buffer in the list, which is where the start of packet (SOP) flag is set in the corresponding buffer descriptor. In other words, the buffer offset field is only updated by the EMAC on SOP descriptors.

The range of legal values for the BUFFEROFFSET register is 0 to (Buffer Length – 1) for the smallest value of buffer length for all descriptors in the list.

#### 31.2.6.5.4 Buffer Length

This 16-bit field is used for two purposes:

- Before the descriptor is first placed on the receive queue by the application software, the buffer length field is first initialized by the software to have the physical size of the empty data buffer pointed to by the buffer pointer field.
- After the empty buffer has been processed by the EMAC and filled with received data bytes, the buffer length field is updated by the EMAC to reflect the actual number of valid data bytes written to the buffer.

#### 31.2.6.5.5 Packet Length

This 16-bit field specifies the number of data bytes in the entire packet. This value is initialized to zero by the software application for empty packet buffers. The value is filled in by the EMAC on the first buffer used for a given packet. This is signified by the EMAC setting a start of packet (SOP) flag. The packet length is set by the EMAC on all SOP buffer descriptors.

#### 31.2.6.5.6 Start of Packet (SOP) Flag

When set, this flag indicates that the descriptor points to a packet buffer that is the start of a new packet. In the case of a single fragment packet, both the SOP and end of packet (EOP) flags are set. Otherwise, the descriptor pointing to the last packet buffer for the packet has the EOP flag set. This flag is initially cleared by the software application before adding the descriptor to the receive queue. This bit is set by the EMAC on SOP descriptors.

#### 31.2.6.5.7 End of Packet (EOP) Flag

When set, this flag indicates that the descriptor points to a packet buffer that is last for a given packet. In the case of a single fragment packet, both the start of packet (SOP) and EOP flags are set. Otherwise, the descriptor pointing to the last packet buffer for the packet has the EOP flag set. This flag is initially cleared by the software application before adding the descriptor to the receive queue. This bit is set by the EMAC on EOP descriptors.

#### 31.2.6.5.8 Ownership (OWNER) Flag

When set, this flag indicates that the descriptor is currently owned by the EMAC. This flag is set by the software application before adding the descriptor to the receive descriptor queue. This flag is cleared by the EMAC once it is finished with a given set of descriptors, associated with a received packet. The flag is updated by the EMAC on SOP descriptor only. So when the application identifies that the OWNER flag is cleared on an SOP descriptor, it may assume that all descriptors up to and including the first with the EOP flag set have been released by the EMAC. (Note that in the case of single buffer packets, the same descriptor will have both the SOP and EOP flags set.)

#### 31.2.6.5.9 End of Queue (EOQ) Flag

When set, this flag indicates that the descriptor in question was the last descriptor in the receive queue for a given receive channel, and that the corresponding receiver channel has halted. This flag is initially cleared by the software application prior to adding the descriptor to the receive queue. This bit is set by the EMAC when the EMAC identifies that a descriptor is the last for a given packet received (also sets the EOP flag), and there are no more descriptors in the receive list (next descriptor pointer is NULL).

The software application can use this bit to detect when the EMAC receiver for the corresponding channel has halted. This is useful when the application appends additional free buffer descriptors to an active receive queue. Note that this flag is valid on EOP descriptors only.

#### 31.2.6.5.10 Teardown Complete (TDOWNCMPLT) Flag

This flag is used when a receive queue is being torn down, or aborted, instead of being filled with received data. This would happen under device driver reset or shutdown conditions. The EMAC sets this bit in the descriptor of the first free buffer when the tear down occurs. No additional queue processing is performed.

#### **31.2.6.5.11 Pass CRC (PASSCRC) Flag**

This flag is set by the EMAC in the SOP buffer descriptor if the received packet includes the 4-byte CRC. This flag should be cleared by the software application before submitting the descriptor to the receive queue.

#### **31.2.6.5.12 Jabber Flag**

This flag is set by the EMAC in the SOP buffer descriptor, if the received packet is a jabber frame and was not discarded because the RXCEFEN bit was set in the RXMBPENABLE. Jabber frames are frames that exceed the RXMAXLEN in length, and have CRC, code, or alignment errors.

#### **31.2.6.5.13 Oversize Flag**

This flag is set by the EMAC in the SOP buffer descriptor, if the received packet is an oversized frame and was not discarded because the RXCEFEN bit was set in the RXMBPENABLE.

#### **31.2.6.5.14 Fragment Flag**

This flag is set by the EMAC in the SOP buffer descriptor, if the received packet is only a packet fragment and was not discarded because the RXCEFEN bit was set in the RXMBPENABLE.

#### **31.2.6.5.15 Undersized Flag**

This flag is set by the EMAC in the SOP buffer descriptor, if the received packet is undersized and was not discarded because the RXCSFEN bit was set in the RXMBPENABLE.

#### **31.2.6.5.16 Control Flag**

This flag is set by the EMAC in the SOP buffer descriptor, if the received packet is an EMAC control frame and was not discarded because the RXCMFEN bit was set in the RXMBPENABLE.

#### **31.2.6.5.17 Overrun Flag**

This flag is set by the EMAC in the SOP buffer descriptor, if the received packet was aborted due to a receive overrun.

#### **31.2.6.5.18 Code Error (CODEERROR) Flag**

This flag is set by the EMAC in the SOP buffer descriptor, if the received packet contained a code error and was not discarded because the RXCEFEN bit was set in the RXMBPENABLE.

#### **31.2.6.5.19 Alignment Error (ALIGNERROR) Flag**

This flag is set by the EMAC in the SOP buffer descriptor, if the received packet contained an alignment error and was not discarded because the RXCEFEN bit was set in the RXMBPENABLE.

#### **31.2.6.5.20 CRC Error (CRCERROR) Flag**

This flag is set by the EMAC in the SOP buffer descriptor, if the received packet contained a CRC error and was not discarded because the RXCEFEN bit was set in the RXMBPENABLE.

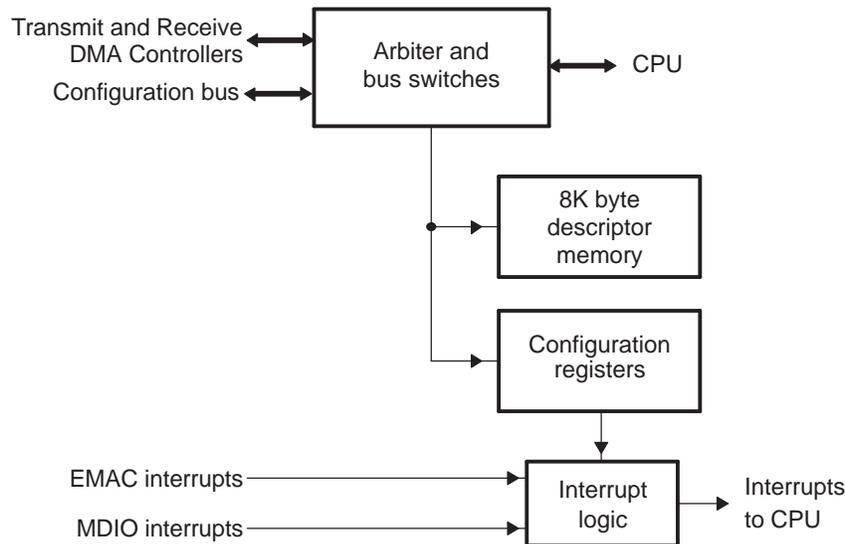
#### **31.2.6.5.21 No Match (NOMATCH) Flag**

This flag is set by the EMAC in the SOP buffer descriptor, if the received packet did not pass any of the EMAC's address match criteria and was not discarded because the RXCAFEN bit was set in the RXMBPENABLE. Although the packet is a valid Ethernet data packet, it was only received because the EMAC is in promiscuous mode.

### 31.2.7 EMAC Control Module

The EMAC control module (Figure 31-9) interfaces the EMAC and MDIO modules to the rest of the system, and also provides a local memory space to hold EMAC packet buffer descriptors. Local memory is used to help avoid contention with device memory spaces. Other functions include the bus arbiter and the interrupt logic control.

**Figure 31-9. EMAC Control Module Block Diagram**



#### 31.2.7.1 Internal Memory

The EMAC control module includes 8K bytes of internal memory (CPPI buffer descriptor memory). The internal memory block is essential for allowing the EMAC to operate more independently of the CPU. It also prevents memory underflow conditions when the EMAC issues read or write requests to descriptor memory. (Memory accesses to read or write the actual Ethernet packet data are protected by the EMAC's internal FIFOs).

A descriptor is a 16-byte memory structure that holds information about a single Ethernet packet buffer, which may contain a full or partial Ethernet packet. Thus with the 8K memory block provided for descriptor storage, the EMAC module can send and received up to a combined 512 packets before it needs to be serviced by application or driver software.

#### 31.2.7.2 Interrupt Control

Interrupt conditions generated by the EMAC and MDIO modules are combined into four interrupt signals that are routed to the Vectored Interrupt Manager (VIM); the VIM then relays the interrupt signals to the CPU. The EMAC control module uses two sets of registers to control the interrupt signals to the CPU:

- C0RXTHRESHEN, C0RXEN, C0TXEN, and C0MISCEN registers enable the pulse signals that are mapped to the VIM
- INTCONTROL, C0RXIMAX, and C0TXIMAX registers enable interrupt pacing to limit the number of interrupt pulses generated per millisecond

Interrupts must be acknowledged by writing the appropriate value to the EMAC End-Of-Interrupt Vector (MACEOIVECTOR). The MACEOIVECTOR behaves as an interrupt pulse interlock -- once the EMAC control module has issued an interrupt pulse to the CPU, it will not generate further pulses of the same type until the original pulse has been acknowledged.

### 31.2.7.3 Bus Arbiter

The EMAC control module bus arbiter operates transparently to the rest of the system. It is used:

- To arbitrate between the CPU and EMAC buses for access to internal descriptor memory.
- To arbitrate between internal EMAC buses for access to system memory.

### 31.2.8 MDIO Module

The MDIO module is used to manage up to 32 physical layer (PHY) devices connected to the Ethernet Media Access Controller (EMAC). The device supports a single PHY being connected to the EMAC at any given time. The MDIO module is designed to allow almost transparent operation of the MDIO interface with little maintenance from the CPU.

The MDIO module continuously polls 32 MDIO addresses in order to enumerate all PHY devices in the system. Once a PHY device has been detected, the MDIO module reads the MDIO PHY link status register (LINK) to monitor the PHY link state. Link change events are stored in the MDIO module, which can interrupt the CPU. This storing of the events allows the CPU to poll the link status of the PHY device without continuously performing MDIO module accesses. However, when the CPU must access the MDIO module for configuration and negotiation, the MDIO module performs the MDIO read or write operation independent of the CPU. This independent operation allows the processor to poll for completion or interrupt the CPU once the operation has completed.

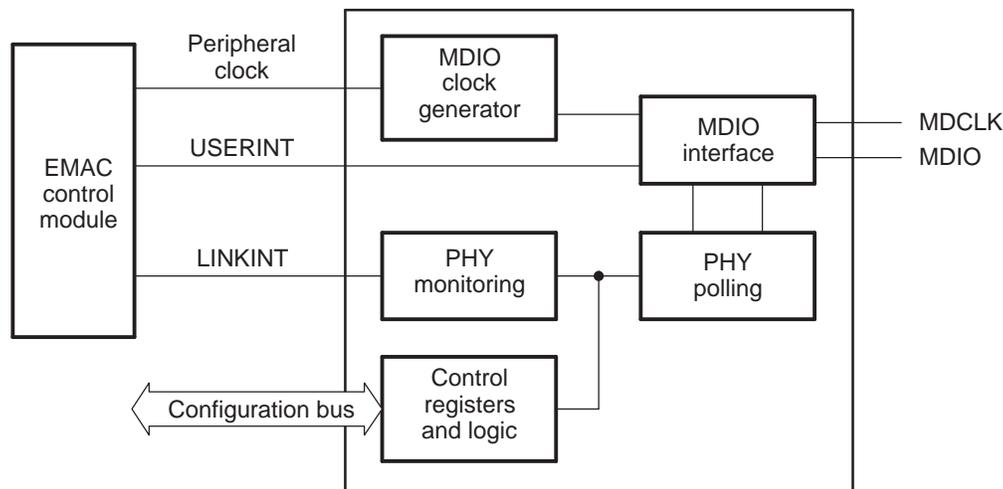
The MDIO module does not support the "Clause 45" interface.

#### 31.2.8.1 MDIO Module Components

The MDIO module (Figure 31-10) interfaces to the PHY components through two MDIO pins (MDIO\_CLK and MDIO), and to the CPU through the EMAC control module and the configuration bus. The MDIO module consists of the following logical components:

- MDIO clock generator
- Global PHY detection and link state monitoring
- Active PHY monitoring
- PHY register user access

Figure 31-10. MDIO Module Block Diagram



### **31.2.8.1.1 MDIO Clock Generator**

The MDIO clock generator controls the MDIO clock based on a divide-down of the VCLK3 peripheral clock in the EMAC control module. The MDIO clock is specified to run up to 2.5 MHz, although typical operation would be 1.0 MHz. Since the VCLK3 peripheral clock frequency is configurable, the application software or driver controls the divide-down amount. See the device datasheet for peripheral clock speed specifications.

### **31.2.8.1.2 Global PHY Detection and Link State Monitoring**

The MDIO module continuously polls all 32 MDIO addresses in order to enumerate the PHY devices in the system. The module tracks whether or not a PHY on a particular address has responded, and whether or not the PHY currently has a link. Using this information allows the software application to quickly determine which MDIO address the PHY is using.

### **31.2.8.1.3 Active PHY Monitoring**

Once a PHY candidate has been selected for use, the MDIO module transparently monitors its link state by reading the MDIO PHY link status register (LINK). Link change events are stored on the MDIO device and can optionally interrupt the CPU. This allows the system to poll the link status of the PHY device without continuously performing costly MDIO accesses.

### **31.2.8.1.4 PHY Register User Access**

When the CPU must access MDIO for configuration and negotiation, the PHY access module performs the actual MDIO read or write operation independent of the CPU. This allows the CPU to poll for completion or receive an interrupt when the read or write operation has been performed. The user access registers USERACCESS $n$  allows the software to submit the access requests for the PHY connected to the device.

### 31.2.8.2 MDIO Module Operational Overview

The MDIO module implements the 802.3 serial management interface to interrogate and control an Ethernet PHY, using a shared two-wired bus. It separately performs autodetection and records the current link status of up to 32 PHYs, polling all 32 MDIO addresses.

Application software uses the MDIO module to configure the autonegotiation parameters of the PHY attached to the EMAC, retrieve the negotiation results, and configure required parameters in the EMAC.

In this device, the Ethernet PHY attached to the system can be directly controlled and queried. The Media Independent Interface (MII) address of this PHY device is specified in one of the PHYADDRMON bits in the MDIO user PHY select register (USERPHYSEL $n$ ). The MDIO module can be programmed to trigger a CPU interrupt on a PHY link change event, by setting the LINKINTENB bit in USERPHYSEL $n$ . Reads and writes to registers in this PHY device are performed using the MDIO user access register (USERACCESS $n$ ).

The MDIO module powers-up in an idle state until specifically enabled by setting the ENABLE bit in the MDIO control register (CONTROL). At this time, the MDIO clock divider and preamble mode selection are also configured. The MDIO preamble is enabled by default, but can be disabled when the connected PHY does not require it. Once the MDIO module is enabled, the MDIO interface state machine continuously polls the PHY link status (by reading the generic status register) of all possible 32 PHY addresses and records the results in the MDIO PHY alive status register (ALIVE) and MDIO PHY link status register (LINK). The corresponding bit for the connected PHY (0-31) is set in ALIVE, if the PHY responded to the read request. The corresponding bit is set in LINK, if the PHY responded and also is currently linked. In addition, any PHY register read transactions initiated by the application software using USERACCESS $n$  causes ALIVE to be updated.

The USERPHYSEL $n$  is used to track the link status of the connected PHY address. A change in the link status of the PHY being monitored sets the appropriate bit in the MDIO link status change interrupt registers (LINKINTRAW and LINKINTMASKED), if enabled by the LINKINTENB bit in USERPHYSEL $n$ .

While the MDIO module is enabled, the host issues a read or write transaction over the MII management interface using the DATA, PHYADR, REGADR, and WRITE bits in USERACCESS $n$ . When the application sets the GO bit in USERACCESS $n$ , the MDIO module begins the transaction without any further intervention from the CPU. Upon completion, the MDIO module clears the GO bit and sets the corresponding USERINTRAW bit (0 or 1) in the MDIO user command complete interrupt register (USERINTRAW) corresponding to USERACCESS $n$  used. The corresponding USERINTMASKED bit (0 or 1) in the MDIO user command complete interrupt register (USERINTMASKED) may also be set, depending on the mask setting configured in the MDIO user command complete interrupt mask set register (USERINTMASKSET) and the MDIO user interrupt mask clear register (USERINTMASKCLEAR).

A round-robin arbitration scheme is used to schedule transactions that may be queued using both USERACCESS0 and USERACCESS1. The application software must check the status of the GO bit in USERACCESS $n$  before initiating a new transaction, to ensure that the previous transaction has completed. The application software can use the ACK bit in USERACCESS $n$  to determine the status of a read transaction.

### 31.2.8.2.1 Initializing the MDIO Module

The following steps are performed by the application software or device driver to initialize the MDIO device:

1. Configure the PREAMBLE and CLKDIV bits in the MDIO control register (CONTROL).
2. Enable the MDIO module by setting the ENABLE bit in CONTROL.
3. The MDIO PHY alive status register (ALIVE) can be read in polling fashion until a PHY connected to the system responded, and the MDIO PHY link status register (LINK) can determine whether this PHY already has a link.
4. Setup the appropriate PHY addresses in the MDIO user PHY select register (USERPHYSEL $n$ ), and set the LINKINTENB bit to enable a link change event interrupt if desirable.
5. If an interrupt on general MDIO register access is desired, set the corresponding bit in the MDIO user command complete interrupt mask set register (USERINTMASKSET) to use the MDIO user access register (USERACCESS $n$ ). Since only one PHY is used in this device, the application software can use one USERACCESS $n$  to trigger a completion interrupt; the other USERACCESS $n$  is not setup.

### 31.2.8.2.2 Writing Data To a PHY Register

The MDIO module includes a user access register (USERACCESS $n$ ) to directly access a specified PHY device. To write a PHY register, perform the following:

1. Check to ensure that the GO bit in the MDIO user access register (USERACCESS $n$ ) is cleared.
2. Write to the GO, WRITE, REGADR, PHYADR, and DATA bits in USERACCESS $n$  corresponding to the PHY and PHY register you want to write.
3. The write operation to the PHY is scheduled and completed by the MDIO module. Completion of the write operation can be determined by polling the GO bit in USERACCESS $n$  for a 0.
4. Completion of the operation sets the corresponding USERINTRAW bit (0 or 1) in the MDIO user command complete interrupt register (USERINTRAW) corresponding to USERACCESS $n$  used. If interrupts have been enabled on this bit using the MDIO user command complete interrupt mask set register (USERINTMASKSET), then the bit is also set in the MDIO user command complete interrupt register (USERINTMASKED) and an interrupt is triggered on the CPU.

### 31.2.8.2.3 Reading Data From a PHY Register

The MDIO module includes a user access register (USERACCESS $n$ ) to directly access a specified PHY device. To read a PHY register, perform the following:

1. Check to ensure that the GO bit in the MDIO user access register (USERACCESS $n$ ) is cleared.
2. Write to the GO, REGADR, and PHYADR bits in USERACCESS $n$  corresponding to the PHY and PHY register you want to read.
3. The read data value is available in the DATA bits in USERACCESS $n$  after the module completes the read operation on the serial bus. Completion of the read operation can be determined by polling the GO and ACK bits in USERACCESS $n$ . Once the GO bit has cleared, the ACK bit is set on a successful read.
4. Completion of the operation sets the corresponding USERINTRAW bit (0 or 1) in the MDIO user command complete interrupt register (USERINTRAW) corresponding to USERACCESS $n$  used. If interrupts have been enabled on this bit using the MDIO user command complete interrupt mask set register (USERINTMASKSET), then the bit is also set in the MDIO user command complete interrupt register (USERINTMASKED) and an interrupt is triggered on the CPU.

### 31.2.8.2.4 Example of MDIO Register Access Code

The MDIO module uses the MDIO user access register (USERACCESS $n$ ) to access the PHY control registers. Software functions that implement the access process may simply be the following four macros:

- PHYREG\_read( regadr, phyadr )                      Start the process of reading a PHY register
- PHYREG\_write( regadr, phyadr, data )              Start the process of writing a PHY register
- PHYREG\_wait( )                                         Synchronize operation (make sure read/write is idle)
- PHYREG\_waitResults( results )                      Wait for read to complete and return data read

Note that it is not necessary to wait after a write operation, as long as the status is checked before every operation to make sure the MDIO hardware is idle. An alternative approach is to call PHYREG\_wait() after every write, and PHYREG\_waitResults( ) after every read, then the hardware can be assumed to be idle when starting a new operation.

The implementation of these macros using the chip support library (CSL) is shown in [Example 31-3](#) (USERACCESS0 is assumed).

Note that this implementation does not check the ACK bit in USERACCESS $n$  on PHY register reads (does not follow the procedure outlined in [Section 31.2.8.2.3](#)). Since the MDIO PHY alive status register (ALIVE) is used to initially select a PHY, it is assumed that the PHY is acknowledging read operations. It is possible that a PHY could become inactive at a future point in time. An example of this would be a PHY that can have its MDIO addresses changed while the system is running. It is not very likely, but this condition can be tested by periodically checking the PHY state in ALIVE.

#### Example 31-3. MDIO Register Access Macros

```
#define PHYREG_read(regadr, phyadr)
    MDIO_REGS->USERACCESS0 =
        CSL_FMK(MDIO_USERACCESS0_GO,1u)           | /
        CSL_FMK(MDIO_USERACCESS0_REGADR,regadr)   | /
        CSL_FMK(MDIO_USERACCESS0_PHYADR,phyadr)
#define PHYREG_write(regadr, phyadr, data)
    MDIO_REGS->USERACCESS0 =
        CSL_FMK(MDIO_USERACCESS0_GO,1u)           | /
        CSL_FMK(MDIO_USERACCESS0_WRITE,1)         | /
        CSL_FMK(MDIO_USERACCESS0_REGADR,regadr)   | /
        CSL_FMK(MDIO_USERACCESS0_PHYADR,phyadr)   | /
        CSL_FMK(MDIO_USERACCESS0_DATA, data)
#define PHYREG_wait()
    while( CSL_FEXT(MDIO_REGS->USERACCESS0,MDIO_USERACCESS0_GO) )
#define PHYREG_waitResults( results ) {
    while( CSL_FEXT(MDIO_REGS->USERACCESS0,MDIO_USERACCESS0_GO) );
    results = CSL_FEXT(MDIO_REGS->USERACCESS0, MDIO_USERACCESS0_DATA); }
```

## 31.2.9 EMAC Module

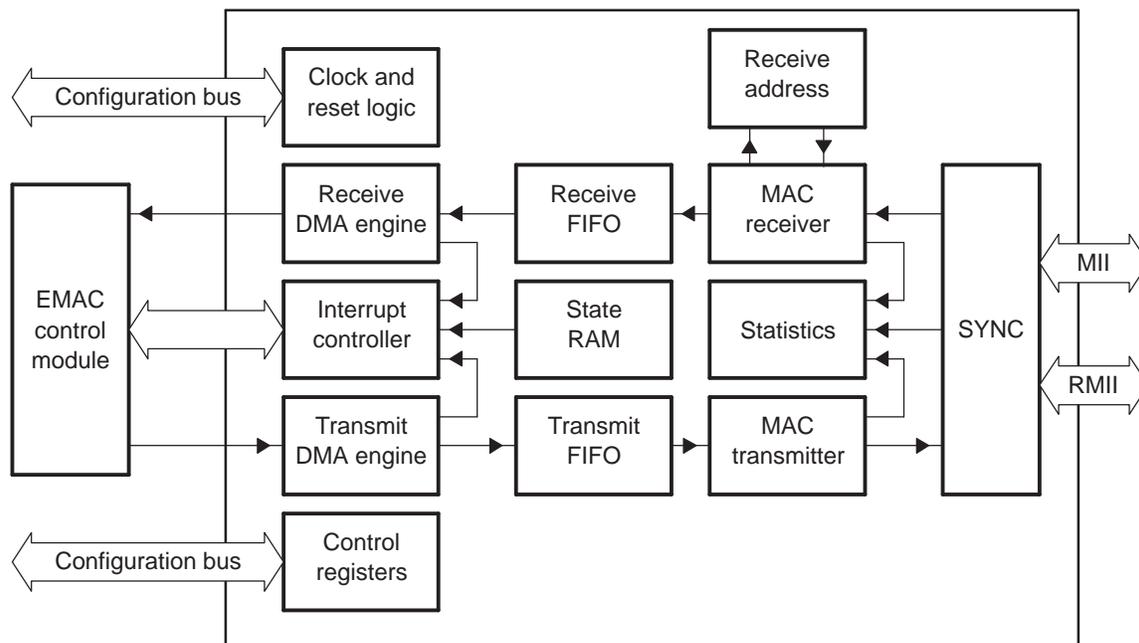
This section discusses the architecture and basic function of the EMAC module.

### 31.2.9.1 EMAC Module Components

The EMAC module (Figure 31-11) interfaces to the outside world through the Media Independent Interface (MII) or Reduced Media Independent Interface (RMII). The interface between the EMAC module and the system core is provided through the EMAC control module. The EMAC consists of the following logical components:

- The receive path includes: receive DMA engine, receive FIFO, and MAC receiver
- The transmit path includes: transmit DMA engine, transmit FIFO, and MAC transmitter
- Statistics logic
- State RAM
- Interrupt controller
- Control registers and logic
- Clock and reset logic

**Figure 31-11. EMAC Module Block Diagram**



#### 31.2.9.1.1 Receive DMA Engine

The receive DMA engine is the interface between the receive FIFO and the system core. It interfaces to the CPU through the bus arbiter in the EMAC control module. This DMA engine is totally independent of the device DMA.

#### 31.2.9.1.2 Receive FIFO

The receive FIFO consists of three cells of 64-bytes each and associated control logic. The FIFO buffers receive data in preparation for writing into packet buffers in device memory.

### 31.2.9.1.3 MAC Receiver

The MAC receiver detects and processes incoming network frames, de-frames them, and puts them into the receive FIFO. The MAC receiver also detects errors and passes statistics to the statistics RAM.

### 31.2.9.1.4 Transmit DMA Engine

The transmit DMA engine is the interface between the transmit FIFO and the CPU. It interfaces to the CPU through the bus arbiter in the EMAC control module.

### 31.2.9.1.5 Transmit FIFO

The transmit FIFO consists of three cells of 64-bytes each and associated control logic. The FIFO buffers data in preparation for transmission.

### 31.2.9.1.6 MAC Transmitter

The MAC transmitter formats frame data from the transmit FIFO and transmits the data using the CSMA/CD access protocol. The frame CRC can be automatically appended, if required. The MAC transmitter also detects transmission errors and passes statistics to the statistics registers.

### 31.2.9.1.7 Statistics Logic

The Ethernet statistics are counted and stored in the statistics logic RAM. This statistics RAM keeps track of 36 different Ethernet packet statistics.

### 31.2.9.1.8 State RAM

State RAM contains the head descriptor pointers and completion pointers registers for both transmit and receive channels.

### 31.2.9.1.9 EMAC Interrupt Controller

The interrupt controller contains the interrupt related registers and logic. The 26 raw EMAC interrupts are input to this submodule and masked module interrupts are output.

### 31.2.9.1.10 Control Registers and Logic

The EMAC is controlled by a set of memory-mapped registers. The control logic also signals transmit, receive, and status related interrupts to the CPU through the EMAC control module.

### 31.2.9.1.11 Clock and Reset Logic

The clock and reset submodule generates all the EMAC clocks and resets. For more details on reset capabilities, see [Section 31.2.15.1](#).

## 31.2.9.2 EMAC Module Operational Overview

After reset, initialization, and configuration, the host may initiate transmit operations. Transmit operations are initiated by host writes to the appropriate transmit channel head descriptor pointer contained in the state RAM block. The transmit DMA controller then fetches the first packet in the packet chain from memory. The DMA controller writes the packet into the transmit FIFO in bursts of 64-byte cells. When the threshold number of cells, configurable using the TXCELLTHRESH bit in the FIFO control register (FIFOCONTROL), have been written to the transmit FIFO, or a complete packet, whichever is smaller, the MAC transmitter then initiates the packet transmission. The SYNC block transmits the packet over the MII or RMII interfaces in accordance with the 802.3 protocol. Transmit statistics are counted by the statistics block.

Receive operations are initiated by host writes to the appropriate receive channel head descriptor pointer after host initialization and configuration. The SYNC submodule receives packets and strips off the Ethernet related protocol. The packet data is input to the MAC receiver, which checks for address match and processes errors. Accepted packets are then written to the receive FIFO in bursts of 64-byte cells. The receive DMA controller then writes the packet data to memory. Receive statistics are counted by the statistics block.

The EMAC module operates independently of the CPU. It is configured and controlled by its register set mapped into device memory. Information about data packets is communicated by use of 16-byte descriptors that are placed in an 8K-byte block of RAM in the EMAC control module (CPPI buffer descriptor memory).

For transmit operations, each 16-byte descriptor describes a packet or packet fragment in the system's internal or external memory. For receive operations, each 16-byte descriptor represents a free packet buffer or buffer fragment. On both transmit and receive, an Ethernet packet is allowed to span one or more memory fragments, represented by one 16-byte descriptor per fragment. In typical operation, there is only one descriptor per receive buffer, but transmit packets may be fragmented, depending on the software architecture.

An interrupt is issued to the CPU whenever a transmit or receive operation has completed. However, it is not necessary for the CPU to service the interrupt while there are additional resources available. In other words, the EMAC continues to receive Ethernet packets until its receive descriptor list has been exhausted. On transmit operations, the transmit descriptors need only be serviced to recover their associated memory buffer. Thus, it is possible to delay servicing of the EMAC interrupt if there are real-time tasks to perform.

Eight channels are supplied for both transmit and receive operations. On transmit, the eight channels represent eight independent transmit queues. The EMAC can be configured to treat these channels as an equal priority "round-robin" queue or as a set of eight fixed-priority queues. On receive, the eight channels represent eight independent receive queues with packet classification. Packets are classified based on the destination MAC address. Each of the eight channels is assigned its own MAC address, enabling the EMAC module to act like eight virtual MAC adapters. Also, specific types of frames can be sent to specific channels. For example, multicast, broadcast, or other (promiscuous, error, etc.), can each be received on a specific receive channel queue.

The EMAC keeps track of 36 different statistics, plus keeps the status of each individual packet in its corresponding packet descriptor.

### **31.2.10 MAC Interface**

The following sections discuss the operation of the Media Independent Interface (MII) and Reduced Media Independent Interface (RMII) in 10 Mbps and 100 Mbps mode. An IEEE 802.3 compliant Ethernet MAC controls the interface.

#### **31.2.10.1 Data Reception**

##### **31.2.10.1.1 Receive Control**

Data received from the PHY is interpreted and output to the EMAC receive FIFO. Interpretation involves detection and removal of the preamble and start-of-frame delimiter, extraction of the address and frame length, data handling, error checking and reporting, cyclic redundancy checking (CRC), and statistics control signal generation. Address detection and frame filtering is performed outside the MAC interface.

##### **31.2.10.1.2 Receive Inter-Frame Interval**

The 802.3 standard requires an interpacket gap (IPG), which is 96 bit times. However, the EMAC can tolerate a reduced IPG of 8 bit times with a correct preamble and start frame delimiter. This interval between frames must comprise (in the following order):

1. An Interpacket Gap (IPG).
2. A 7-byte preamble (all bytes 55h).
3. A 1-byte start of frame delimiter (5Dh).

### 31.2.10.1.3 Receive Flow Control

When enabled and triggered, receive flow control is initiated to limit the EMAC from further frame reception. Two forms of receive buffer flow control are available:

- Collision-based flow control for half-duplex mode
- IEEE 802.3x pause frames flow control for full-duplex mode

In either case, receive flow control prevents frame reception by issuing the flow control appropriate for the current mode of operation. Receive flow control prevents reception of frames on the EMAC until all of the triggering conditions clear, at which time frames may again be received by the EMAC.

Receive flow control is enabled by the RXBUFFERFLOWEN bit in the MAC control register (MACCONTROL). The EMAC is configured for collision or IEEE 802.3X flow control using the FULLDUPLEX bit in MACCONTROL. Receive flow control is triggered when the number of free buffers in any enabled receive channel free buffer count register (RXnFREEBUFFER) is less than or equal to the receive channel flow control threshold register (RXnFLOWTHRESH) value. Receive flow control is independent of receive QOS, except that both use the free buffer values.

#### 31.2.10.1.3.1 Collision-Based Receive Buffer Flow Control

Collision-based receive buffer flow control provides a means of preventing frame reception when the EMAC is operating in half-duplex mode (the FULLDUPLEX bit is cleared in MACCONTROL). When receive flow control is enabled and triggered, the EMAC generates collisions for received frames. The jam sequence transmitted is the 12-byte sequence C3.C3.C3.C3.C3.C3.C3.C3.C3.C3.C3.C3h. The jam sequence begins no later than approximately as the source address starts to be received. Note that these forced collisions are not limited to a maximum of 16 consecutive collisions, and are independent of the normal back-off algorithm.

Receive flow control does not depend on the value of the incoming frame destination address. A collision is generated for any incoming packet, regardless of the destination address, if any EMAC enabled channel's free buffer register value is less than or equal to the channel's flow threshold value.

#### 31.2.10.1.3.2 IEEE 802.3x-Based Receive Buffer Flow Control

IEEE 802.3x-based receive buffer flow control provides a means of preventing frame reception when the EMAC is operating in full-duplex mode (the FULLDUPLEX bit is set in MACCONTROL). When receive flow control is enabled and triggered, the EMAC transmits a pause frame to request that the sending station stop transmitting for the period indicated within the transmitted pause frame.

The EMAC transmits a pause frame to the reserved multicast address at the first available opportunity (immediately if currently idle or following the completion of the frame currently being transmitted). The pause frame contains the maximum possible value for the pause time (FFFFh). The EMAC counts the receive pause frame time (decrements FF00h to 0) and retransmits an outgoing pause frame, if the count reaches 0. When the flow control request is removed, the EMAC transmits a pause frame with a zero pause time to cancel the pause request.

Note that transmitted pause frames are only a request to the other end station to stop transmitting. Frames that are received during the pause interval are received normally (provided the receive FIFO is not full).

Pause frames are transmitted if enabled and triggered, regardless of whether or not the EMAC is observing the pause time period from an incoming pause frame.

The EMAC transmits pause frames as described below:

- The 48-bit reserved multicast destination address 01.80.C2.00.00.01h.
- The 48-bit source address (set using the MACSRCADDRLO and MACSRCADDRHI registers).
- The 16-bit length/type field containing the value 88.08h.
- The 16-bit pause opcode equal to 00.01h.
- The 16-bit pause time value of FF.FFh. A pause-quantum is 512 bit-times. Pause frames sent to cancel a pause request have a pause time value of 00.00h.
- Zero padding to 64-byte data length (EMAC transmits only 64-byte pause frames).

- The 32-bit frame-check sequence (CRC word).

All quantities are hexadecimal and are transmitted most-significant byte first. The least-significant bit (LSB) is transferred first in each byte.

If the RXBUFFERFLOWEN bit in MACCONTROL is cleared to 0 while the pause time is nonzero, then the pause time is cleared to 0 and a zero count pause frame is sent.

### 31.2.10.2 Data Transmission

The EMAC passes data to the PHY from the transmit FIFO (when enabled). Data is synchronized to the transmit clock rate. Transmission begins when there are TXCELLTHRESH cells of 64 bytes each, or a complete packet, in the FIFO.

#### 31.2.10.2.1 Transmit Control

A jam sequence is output if a collision is detected on a transmit packet. If the collision was late (after the first 64 bytes have been transmitted), the collision is ignored. If the collision is not late, the controller will back off before retrying the frame transmission. When operating in full-duplex mode, the carrier sense (MII\_CRFS) and collision-sensing (MII\_COL) modes are disabled.

#### 31.2.10.2.2 CRC Insertion

If the SOP buffer descriptor PASSCRC flag is cleared, the EMAC generates and appends a 32-bit Ethernet CRC onto the transmitted data. For the EMAC-generated CRC case, a CRC (or placeholder) at the end of the data is allowed but not required. The buffer byte count value should not include the CRC bytes, if they are present.

If the SOP buffer descriptor PASSCRC flag is set, then the last four bytes of the transmit data are transmitted as the frame CRC. The four CRC data bytes should be the last four bytes of the frame and should be included in the buffer byte count value. The MAC performs no error checking on the outgoing CRC.

#### 31.2.10.2.3 Adaptive Performance Optimization (APO)

The EMAC incorporates adaptive performance optimization (APO) logic that may be enabled by setting the TXPACE bit in the MAC control register (MACCONTROL). Transmission pacing to enhance performance is enabled when the TXPACE bit is set. Adaptive performance pacing introduces delays into the normal transmission of frames, delaying transmission attempts between stations, reducing the probability of collisions occurring during heavy traffic (as indicated by frame deferrals and collisions), thereby, increasing the chance of successful transmission.

When a frame is deferred, suffers a single collision, multiple collisions, or excessive collisions, the pacing counter is loaded with an initial value of 31. When a frame is transmitted successfully (without experiencing a deferral, single collision, multiple collision, or excessive collision), the pacing counter is decremented by 1, down to 0.

With pacing enabled, a new frame is permitted to immediately (after one interpacket gap) attempt transmission only if the pacing counter is 0. If the pacing counter is nonzero, the frame is delayed by the pacing delay of approximately four interpacket gap (IPG) delays. APO only affects the IPG preceding the first attempt at transmitting a frame; APO does not affect the back-off algorithm for retransmitted frames.

#### 31.2.10.2.4 Interpacket-Gap (IPG) Enforcement

The measurement reference for the IPG of 96 bit times is changed depending on frame traffic conditions. If a frame is successfully transmitted without collision and MII\_CRFS is deasserted within approximately 48 bit times of MII\_TXEN being deasserted, then 96 bit times is measured from MII\_TXEN. If the frame suffered a collision or MII\_CRFS is not deasserted until more than approximately 48 bit times after MII\_TXEN is deasserted, then 96 bit times (approximately, but not less) is measured from MII\_CRFS.

#### 31.2.10.2.5 Back Off

The EMAC implements the 802.3 binary exponential back-off algorithm.

### 31.2.10.2.6 Transmit Flow Control

Incoming pause frames are acted upon, when enabled, to prevent the EMAC from transmitting any further frames. Incoming pause frames are only acted upon when the FULLDUPLEX and TXFLOWEN bits in the MAC control register (MACCONTROL) are set. Pause frames are not acted upon in half-duplex mode. Pause frame action is taken if enabled, but normally the frame is filtered and not transferred to memory. MAC control frames are transferred to memory, if the RXCMFEN bit in the receive multicast/broadcast/promiscuous channel enable register (RXMBPENABLE) is set. The TXFLOWEN and FULLDUPLEX bits affect whether or not MAC control frames are acted upon, but they have no affect upon whether or not MAC control frames are transferred to memory or filtered.

Pause frames are a subset of MAC control frames with an opcode field of 0001h. Incoming pause frames are only acted upon by the EMAC if:

- TXFLOWEN bit is set in MACCONTROL
- The frame's length is 64 to RXMAXLEN bytes inclusive
- The frame contains no CRC error or align/code errors

The pause time value from valid frames is extracted from the two bytes following the opcode. The pause time is loaded into the EMAC transmit pause timer and the transmit pause time period begins. If a valid pause frame is received during the transmit pause time period of a previous transmit pause frame then:

- If the destination address is not equal to the reserved multicast address or any enabled or disabled unicast address, then the transmit pause timer immediately expires, or
- If the new pause time value is 0, then the transmit pause timer immediately expires, else
- The EMAC transmit pause timer immediately is set to the new pause frame pause time value. (Any remaining pause time from the previous pause frame is discarded).

If the TXFLOWEN bit in MACCONTROL is cleared, then the pause timer immediately expires.

The EMAC does not start the transmission of a new data frame any sooner than 512 bit-times after a pause frame with a nonzero pause time has finished being received (MII\_RXDV going inactive). No transmission begins until the pause timer has expired (the EMAC may transmit pause frames in order to initiate outgoing flow control). Any frame already in transmission when a pause frame is received is completed and unaffected.

Incoming pause frames consist of:

- A 48-bit destination address equal to one of the following:
  - The reserved multicast destination address 01.80.C2.00.00.01h
  - Any EMAC 48-bit unicast address. Pause frames are accepted, regardless of whether the channel is enabled or not.
- The 16-bit length/type field containing the value 88.08h.
- The 48-bit source address of the transmitting device.
- The 16-bit pause opcode equal to 00.01h.
- The 16-bit pause time. A pause-quantum is 512 bit-times.
- Padding to 64-byte data length.
- The 32-bit frame-check sequence (CRC word).

All quantities are hexadecimal and are transmitted most-significant byte first. The least-significant bit (LSB) is transferred first in each byte.

The padding is required to make up the frame to a minimum of 64 bytes. The standard allows pause frames longer than 64 bytes to be discarded or interpreted as valid pause frames. The EMAC recognizes any pause frame between 64 bytes and RXMAXLEN bytes in length.

### 31.2.10.2.7 Speed, Duplex, and Pause Frame Support

The MAC operates at 10 Mbps or 100 Mbps, in half-duplex or full-duplex mode, and with or without pause frame support as configured by the host.

## 31.2.11 Packet Receive Operation

### 31.2.11.1 Receive DMA Host Configuration

To configure the receive DMA for operation the host must:

- Initialize the receive addresses.
- Initialize the receive channel  $n$  DMA head descriptor pointer registers (RX $n$ HDP) to 0.
- Write the MAC address hash  $n$  registers (MACHASH1 and MACHASH2), if multicast addressing is desired.
- If flow control is to be enabled, initialize:
  - the receive channel  $n$  free buffer count registers (RX $n$ FREEBUFFER)
  - the receive channel  $n$  flow control threshold register (RX $n$ FLOWTHRESH)
  - the receive filter low priority frame threshold register (RXFILTERLOWTHRESH)
- Enable the desired receive interrupts using the receive interrupt mask set register (RXINTMASKSET) and the receive interrupt mask clear register (RXINTMASKCLEAR).
- Set the appropriate configuration bits in the MAC control register (MACCONTROL).
- Write the receive buffer offset register (RXBUFFEROFFSET) value (typically zero).
- Setup the receive channel(s) buffer descriptors and initialize RX $n$ HDP.
- Enable the receive DMA controller by setting the RXEN bit in the receive control register (RXCONTROL).
- Configure and enable the receive operation, as desired, in the receive multicast/broadcast/promiscuous channel enable register (RXMBPENABLE) and by using the receive unicast set register (RXUNICASTSET) and the receive unicast clear register (RXUNICASTCLEAR).

### 31.2.11.2 Receive Channel Enabling

Each of the eight receive channels has an enable bit (RXCH $n$ EN) in the receive unicast set register (RXUNICASTSET) that is controlled using RXUNICASTSET and the receive unicast clear register (RXUNICASTCLEAR). The RXCH $n$ EN bits determine whether the given channel is enabled (when set to 1) to receive frames with a matching unicast or multicast destination address.

The RXBROADEN bit in the receive multicast/broadcast/promiscuous channel enable register (RXMBPENABLE) determines if broadcast frames are enabled or filtered. If broadcast frames are enabled (when set to 1), then they are copied to only a single channel selected by the RXBROADCH bit in RXMBPENABLE.

The RXMULTEN bit in RXMBPENABLE determines if hash matching multicast frames are enabled or filtered. Incoming multicast addresses (group addresses) are hashed into an index in the hash table. If the indexed bit is set then the frame hash matches and will be transferred to the channel selected by the RXMULTCH bit in RXMBPENABLE when multicast frames are enabled. The multicast hash bits are set in the MAC address hash  $n$  registers (MACHASH1 and MACHASH2).

The RXPROMCH bit in RXMBPENABLE selects the promiscuous channel to receive frames selected by the RXCMFEN, RXCSFEN, RXCEFEN, and RXCAFEN bits. These four bits allow reception of MAC control frames, short frames, error frames, and all frames (promiscuous), respectively.

### 31.2.11.3 Receive Address Matching

All eight MAC addresses corresponding to the eight receive channels share the upper 40 bits. Only the lower byte is unique for each address. All eight receive addresses should be initialized, because pause frames are acted upon regardless of whether a channel is enabled or not.

A MAC address is written by first writing the address number (channel) to be written into the MAC index register (MACINDEX). The upper 32 bits of address are then written to the MAC address high bytes register (MACADDRHI), which is followed by writing the lower 16 bits of address to the MAC address low bytes register (MACADDRLO). Since all eight MAC addresses share the upper 40 bits of address, MACADDRHI needs to be written only the first time (for the first channel configured).

### 31.2.11.4 Hardware Receive QOS Support

Hardware receive quality of service (QOS) is supported, when enabled, by the Tag Protocol Identifier format and the associated Tag Control Information (TCI) format priority field. When the incoming frame length/type value is equal to 81.00h, the EMAC recognizes the frame as an Ethernet Encoded Tag Protocol Type. The two octets immediately following the protocol type contain the 16-bit TCI field. Bits 15-13 of the TCI field contain the received frames priority (0 to 7). The received frame is a low-priority frame, if the priority value is 0 to 3; the received frame is a high-priority frame, if the priority value is 4 to 7. All frames that have a length/type field value not equal to 81.00h are low-priority frames. Received frames that contain priority information are determined by the EMAC as:

- A 48-bit (6 bytes) destination address equal to:
  - The destination station's individual unicast address.
  - The destination station's multicast address (MACHASH1 and MACHASH2).
  - The broadcast address of all ones.
- A 48-byte (6 bytes) source address.
- The 16-bit (2 bytes) length/type field containing the value 81.00h.
- The 16-bit (2 bytes) TCI field with the priority field in the upper 3 bits.
- Data bytes
- The 4 bytes CRC.

The receive filter low priority frame threshold register (RXFILTERLOWTHRESH) and the receive channel  $n$  free buffer count registers (RX $n$ FREEBUFFER) are used in conjunction with the priority information to implement receive hardware QOS. Low-priority frames are filtered if the number of free buffers (RX $n$ FREEBUFFER) for the frame channel is less than or equal to the filter low threshold (RXFILTERLOWTHRESH) value. Hardware QOS is enabled by the RXQOSEN bit in the receive multicast/broadcast/promiscuous channel enable register (RXMBPENABLE).

### 31.2.11.5 Host Free Buffer Tracking

The host must track free buffers for each enabled channel (including unicast, multicast, broadcast, and promiscuous), if receive QOS or receive flow control is used. Disabled channel free buffer values are do not cares. During initialization, the host should write the number of free buffers for each enabled channel to the appropriate receive channel  $n$  free buffer count registers (RX $n$ FREEBUFFER). The EMAC decrements the appropriate channel's free buffer value for each buffer used. When the host reclaims the frame buffers, the host should write the channel free buffer register with the number of reclaimed buffers (write to increment). There are a maximum of 65,535 free buffers available. RX $n$ FREEBUFFER only needs to be updated by the host if receive QOS or flow control is used.

### 31.2.11.6 Receive Channel Teardown

The host commands a receive channel teardown by writing the channel number to the receive teardown register (RXTEARDOWN). When a teardown command is issued to an enabled receive channel, the following occurs:

- Any current frame in reception completes normally.
- The TDOWNCMPLT flag is set in the next buffer descriptor in the chain, if there is one.
- The channel head descriptor pointer is cleared to 0.
- A receive interrupt for the channel is issued to the host.
- The corresponding receive channel  $n$  completion pointer register (RX $n$ CP) contains the value FFFF FFCh.

Channel teardown may be commanded on any channel at any time. The host is informed of the teardown completion by the set teardown complete (TDOWNCMPLT) buffer descriptor bit. The EMAC does not clear any channel enables due to a teardown command. A teardown command to an inactive channel issues an interrupt that software should acknowledge with an FFFF FFFCh acknowledge value to RX $n$ CP (note that there is no buffer descriptor in this case). Software may read RX $n$ CP to determine if the interrupt was due to a commanded teardown. The read value is FFFF FFFCh, if the interrupt was due to a teardown command.

### 31.2.11.7 Receive Frame Classification

Received frames are proper (good) frames, if they are between 64 bytes and the value in the receive maximum length register (RXMAXLEN) bytes in length (inclusive) and contain no code, align, or CRC errors.

Received frames are long frames, if their frame count exceeds the value in RXMAXLEN. The RXMAXLEN reset (default) value is 5EEh (1518 in decimal). Long received frames are either oversized or jabber frames. Long frames with no errors are oversized frames; long frames with CRC, code, or alignment errors are jabber frames.

Received frames are short frames, if their frame count is less than 64 bytes. Short frames that address match and contain no errors are undersized frames; short frames with CRC, code, or alignment errors are fragment frames. If the frame length is less than or equal to 20, then the frame CRC is passed, regardless of whether the RXPASSCRC bit is set or cleared in the receive multicast/broadcast/promiscuous channel enable register (RXMBPENABLE).

A received long packet always contains RXMAXLEN number of bytes transferred to memory (if the RXCEFEN bit is set in RXMBPENABLE), regardless of the value of the RXPASSCRC bit. Following is an example with RXMAXLEN set to 1518:

- If the frame length is 1518, then the packet is not a long packet and there are 1514 or 1518 bytes transferred to memory depending on the value of the RXPASSCRC bit.
- If the frame length is 1519, there are 1518 bytes transferred to memory regardless of the RXPASSCRC bit value. The last three bytes are the first three CRC bytes.
- If the frame length is 1520, there are 1518 bytes transferred to memory regardless of the RXPASSCRC bit value. The last two bytes are the first two CRC bytes.
- If the frame length is 1521, there are 1518 bytes transferred to memory regardless of the RXPASSCRC bit value. The last byte is the first CRC byte.
- If the frame length is 1522, there are 1518 bytes transferred to memory. The last byte is the last data byte.

### 31.2.11.8 Promiscuous Receive Mode

When the promiscuous receive mode is enabled by setting the RXCAFEN bit in the receive multicast/broadcast/promiscuous channel enable register (RXMBPENABLE), nonaddress matching frames that would normally be filtered are transferred to the promiscuous channel. Address matching frames that would normally be filtered due to errors are transferred to the address match channel when the RXCAFEN and RXCEFEN bits in RXMBPENABLE are set. A frame is considered to be an address matching frame only if it is enabled to be received on a unicast, multicast, or broadcast channel. Frames received to disabled unicast, multicast, or broadcast channels are considered nonaddress matching.

MAC control frames address match only if the RXCMFEN bit in RXMBPENABLE is set. The RXCEFEN and RXCSFEN bits in RXMBPENABLE determine whether error frames are transferred to memory or not, but they do not determine whether error frames are address matching or not. Short frames are a special type of error frames.

A single channel is selected as the promiscuous channel by the RXPROMCH bit in RXMBPENABLE. The promiscuous receive mode is enabled by the RXCMFEN, RXCEFEN, RXCSFEN, and RXCAFEN bits in RXMBPENABLE. [Table 31-7](#) shows the effects of the promiscuous enable bits. Proper frames are frames that are between 64 bytes and the value in the receive maximum length register (RXMAXLEN) bytes in length inclusive and contain no code, align, or CRC errors.

**Table 31-7. Receive Frame Treatment Summary**

Address Match	RXCAFEN	RXCEFEN	RXCMFEN	RXCSFEN	Receive Frame Treatment
0	0	X	X	X	No frames transferred.
0	1	0	0	0	Proper frames transferred to promiscuous channel.
0	1	0	0	1	Proper/undersized data frames transferred to promiscuous channel.
0	1	0	1	0	Proper data and control frames transferred to promiscuous channel.
0	1	0	1	1	Proper/undersized data and control frames transferred to promiscuous channel.
0	1	1	0	0	Proper/oversize/jabber/code/align/CRC data frames transferred to promiscuous channel. No control or undersized/fragment frames are transferred.
0	1	1	0	1	Proper/undersized/fragment/oversize/jabber/code/align/CRC data frames transferred to promiscuous channel. No control frames are transferred.
0	1	1	1	0	Proper/oversize/jabber/code/align/CRC data and control frames transferred to promiscuous channel. No undersized frames are transferred.
0	1	1	1	1	All nonaddress matching frames with and without errors transferred to promiscuous channel.
1	X	0	0	0	Proper data frames transferred to address match channel.
1	X	0	0	1	Proper/undersized data frames transferred to address match channel.
1	X	0	1	0	Proper data and control frames transferred to address match channel.
1	X	0	1	1	Proper/undersized data and control frames transferred to address match channel.
1	X	1	0	0	Proper/oversize/jabber/code/align/CRC data frames transferred to address match channel. No control or undersized frames are transferred.
1	X	1	0	1	Proper/oversize/jabber/fragment/undersized/code/align/CRC data frames transferred to address match channel. No control frames are transferred.
1	X	1	1	0	Proper/oversize/jabber/code/align/CRC data and control frames transferred to address match channel. No undersized/fragment frames are transferred.
1	X	1	1	1	All address matching frames with and without errors transferred to the address match channel

### 31.2.11.9 Receive Overrun

The types of receive overrun are:

- FIFO start of frame overrun (FIFO\_SOF)
- FIFO middle of frame overrun (FIFO\_MOF)
- DMA start of frame overrun (DMA\_SOF)
- DMA middle of frame overrun (DMA\_MOF)

The statistics counters used to track these types of receive overrun are:

- Receive start of frame overruns register (RXSOFOVERRUNS)
- Receive middle of frame overruns register (RXMOFOVERRUNS)
- Receive DMA overruns register (RXDMAOVERRUNS)

Start of frame overruns happen when there are no resources available when frame reception begins. Start of frame overruns increment the appropriate overrun statistic(s) and the frame is filtered.

Middle of frame overruns happen when there are some resources to start the frame reception, but the resources run out during frame reception. In normal operation, a frame that overruns after starting the frame reception is filtered and the appropriate statistic(s) are incremented; however, the RXCEFEN bit in the receive multicast/broadcast/promiscuous channel enable register (RXMBPENABLE) affects overrun frame treatment. [Table 31-8](#) shows how the overrun condition is handled for the middle of frame overrun.

**Table 31-8. Middle of Frame Overrun Treatment**

Address Match	RXCAFEN	RXCEFEN	Middle of Frame Overrun Treatment
0	0	X	Overrun frame filtered.
0	1	0	Overrun frame filtered.
0	1	1	As much frame data as possible is transferred to the promiscuous channel until overrun. The appropriate overrun statistic(s) is incremented and the OVERRUN and NOMATCH flags are set in the SOP buffer descriptor. Note that the RXMAXLEN number of bytes cannot be reached for an overrun to occur (it would be truncated and be a jabber or oversize).
1	X	0	Overrun frame filtered with the appropriate overrun statistic(s) incremented.
1	X	1	As much frame data as possible is transferred to the address match channel until overrun. The appropriate overrun statistic(s) is incremented and the OVERRUN flag is set in the SOP buffer descriptor. Note that the RXMAXLEN number of bytes cannot be reached for an overrun to occur (it would be truncated).

### 31.2.12 Packet Transmit Operation

The transmit DMA is an eight channel interface. Priority between the eight queues may be either fixed or round-robin as selected by the TXPTYPE bit in the MAC control register (MACCONTROL). If the priority type is fixed, then channel 7 has the highest priority and channel 0 has the lowest priority. Round-robin priority proceeds from channel 0 to channel 7.

#### 31.2.12.1 Transmit DMA Host Configuration

To configure the transmit DMA for operation the host must perform:

- Write the MAC source address low bytes register (MACSRCADDRLO) and the MAC source address high bytes register (MACSRCADDRHI) (used for pause frames on transmit).
- Initialize the transmit channel  $n$  DMA head descriptor pointer registers (TX $n$ HDP) to 0.
- Enable the desired transmit interrupts using the transmit interrupt mask set register (TXINTMASKSET) and the transmit interrupt mask clear register (TXINTMASKCLEAR).
- Set the appropriate configuration bits in the MAC control register (MACCONTROL).
- Setup the transmit channel(s) buffer descriptors in host memory.
- Enable the transmit DMA controller by setting the TXEN bit in the transmit control register (TXCONTROL).
- Write the appropriate TX $n$ HDP with the pointer to the first descriptor to start transmit operations.

#### 31.2.12.2 Transmit Channel Teardown

The host commands a transmit channel teardown by writing the channel number to the transmit teardown register (TXTEARDOWN). When a teardown command is issued to an enabled transmit channel, the following occurs:

- Any frame currently in transmission completes normally.
- The TDOWNCMPLT flag is set in the next SOP buffer descriptor in the chain, if there is one.
- The channel head descriptor pointer is cleared to 0.
- A transmit interrupt is issued to inform the host of the channel teardown.
- The corresponding transmit channel  $n$  completion pointer register (TX $n$ CP) contains the value FFFF FFFCh.
- The host should acknowledge a teardown interrupt with an FFFF FFFCh acknowledge value.

Channel teardown may be commanded on any channel at any time. The host is informed of the teardown completion by the set teardown complete (TDOWNCMPLT) buffer descriptor bit. The EMAC does not clear any channel enables due to a teardown command. A teardown command to an inactive channel issues an interrupt that software should acknowledge with an FFFF FFFCh acknowledge value to TX $n$ CP (note that there is no buffer descriptor in this case). Software may read the interrupt acknowledge location (TX $n$ CP) to determine if the interrupt was due to a commanded teardown. The read value is FFFF FFFCh, if the interrupt was due to a teardown command.

### 31.2.13 Receive and Transmit Latency

The transmit and receive FIFOs each contain three 64-byte cells. The EMAC begins transmission of a packet on the wire after TXCELLTHRESH (configurable through the FIFO control register) cells, or a complete packet, are available in the FIFO.

Transmit underrun cannot occur for packet sizes of TXCELLTHRESH times 64 bytes (or less). For larger packet sizes, transmit underrun occurs if the memory latency is greater than the time required to transmit a 64-byte cell on the wire; this is 5.12  $\mu$ s in 100 Mbps mode and 51.2  $\mu$ s in 10 Mbps mode. The memory latency time includes all buffer descriptor reads for the entire cell data.

Receive overrun is prevented if the receive memory cell latency is less than the time required to transmit a 64-byte cell on the wire: 5.12  $\mu$ s in 100 Mbps mode, or 51.2  $\mu$ s in 10 Mbps mode. The latency time includes any required buffer descriptor reads for the cell data.

Latency to system's internal and external RAM can be controlled through the use of the transfer node priority allocation register available at the device level. Latency to descriptor RAM is low because RAM is local to the EMAC, as it is part of the EMAC control module.

### 31.2.14 Transfer Node Priority

The device contains a chip-level master priority register that is used to set the priority of the transfer node used in issuing memory transfer requests to system memory.

Although the EMAC has internal FIFOs to help alleviate memory transfer arbitration problems, the average transfer rate of data read and written by the EMAC to internal or external processor memory must be at least that of the Ethernet wire rate. In addition, the internal FIFO system can not withstand a single memory latency event greater than the time it takes to fill or empty a TXCELLTHRESH number of internal 64 byte FIFO cells.

For 100 Mbps operation, these restrictions translate into the following rules:

- The short-term average, each 64-byte memory read/write request from the EMAC must be serviced in no more than 5.12  $\mu$ s.
- Any single latency event in request servicing can be no longer than  $(5.12 \times \text{TXCELLTHRESH}) \mu$ s.

## 31.2.15 Reset Considerations

### 31.2.15.1 Software Reset Considerations

The peripheral clock is controlled by the Global Clock Module (GCM), while the reset to the EMAC, MDIO and EMAC control module is controlled by the system module. See the "Architecture" chapter of the Technical Reference Manual for more on how to enable or disable the peripheral clock to the EMAC, MDIO and EMAC control module. For more on how the EMAC, MDIO, and EMAC control module are disabled or placed in reset at runtime, see [Section 31.2.18](#).

Within the peripheral itself, the EMAC component of the Ethernet MAC peripheral can be placed in a reset state by writing to the soft reset register (SOFTRESET). Writing a 1 to the SOFTRESET bit causes the EMAC logic to be reset and the register values to be set to their default values. Software reset occurs when the receive and transmit DMA controllers are in an idle state to avoid locking up the configuration bus; it is the responsibility of the software to verify that there are no pending frames to be transferred. After writing a 1 to the SOFTRESET bit, it may be polled to determine if the reset has occurred. If a 1 is read, the reset has not yet occurred; if a 0 is read, then a reset has occurred.

After a software reset operation, all the EMAC registers need to be reinitialized for proper data transmission, including the FULLDUPLEX bit setting in the MAC control register (MACCONTROL).

Unlike the EMAC module, the MDIO and EMAC control modules cannot be placed in reset from a register inside their memory map.

### 31.2.15.2 Hardware Reset Considerations

When a hardware reset occurs, the EMAC peripheral has its register values reset and all the components return to their default state. After the hardware reset, the EMAC needs to be initialized before being able to resume its data transmission, as described in [Section 31.2.16](#).

A hardware reset is the only means of recovering from the error interrupts (HOSTPEND), which are triggered by errors in packet buffer descriptors. Before doing a hardware reset, you should inspect the error codes in the MAC status register (MACSTATUS) that gives information about the type of software error that needs to be corrected. For detailed information on error interrupts, see [Section 31.2.17.1.4](#).

## 31.2.16 Initialization

### 31.2.16.1 Enabling the EMAC/MDIO Peripheral

When the device is powered on, the EMAC peripheral becomes enabled as soon as the system reset is released, and the EMAC peripheral registers are set to their default values. The application software can configure the EMAC peripheral registers as required.

### 31.2.16.2 EMAC Control Module Initialization

The EMAC control module is used for global interrupt enables and to pace interrupts using 1 ms time windows. There is also an 8K block of CPPI RAM local to the EMAC that is used to hold packet buffer descriptors.

Note that although the EMAC control module and the EMAC module have slightly different functions, in practice, the type of maintenance performed on the EMAC control module is more commonly conducted from the EMAC module software (as opposed to the MDIO module).

The initialization of the EMAC control module consists of two parts:

1. Configuration of the interrupt to the CPU.
2. Initialization of the EMAC control module:
  - Setting the interrupt pace counts using the EMAC control module registers INTCONTROL, CORXIMAX, and COTXIMAX
  - Initializing the EMAC and MDIO modules
  - Enabling interrupts in the EMAC control module using the EMAC control module interrupt control registers CORXTHRESHEN, CORXEN, COTXEN, and COMISCEN.

The process of mapping the EMAC interrupts to the CPU is done through the Vectored Interrupt Manager (VIM). Once the interrupt is mapped to a CPU interrupt, general masking and unmasking of interrupts (to control reentrancy) should be done at the chip level by manipulating the interrupt core enable mask registers.

### 31.2.16.3 MDIO Module Initialization

The MDIO module is used to initially configure and monitor one or more external PHY devices. Other than initializing the software state machine (details on this state machine can be found in the IEEE 802.3 standard), all that needs to be done for the MDIO module is to enable the MDIO engine and to configure the clock divider. To set the clock divider, supply an MDIO clock of 1 MHz. For example, if the peripheral clock is 50 MHz, the divider can be set to 50.

Both the state machine enable and the MDIO clock divider are controlled through the MDIO control register (CONTROL). If none of the potentially connected PHYs require the access preamble, the PREAMBLE bit in CONTROL can also be set to speed up PHY register access.

If the MDIO module is to operate on an interrupt basis, the interrupts can be enabled at this time using the MDIO user command complete interrupt mask set register (USERINTMASKSET) for register access and the MDIO user PHY select register (USERPHYSEL $n$ ) if a target PHY is already known.

Once the MDIO state machine has been initialized and enabled, it starts polling all 32 PHY addresses on the MDIO bus, looking for an active PHY. Since it can take up to 50  $\mu$ s to read one register, it can be some time before the MDIO module provides an accurate representation of whether a PHY is available. Also, a PHY can take up to 3 seconds to negotiate a link. Thus, it is advisable to run the MDIO software off a time-based event rather than polling.

For more information on PHY control registers, see your PHY device documentation.

### 31.2.16.4 EMAC Module Initialization

The EMAC module is used to send and receive data packets over the network. This is done by maintaining up to eight transmit and receive descriptor queues. The EMAC module configuration must also be kept up-to-date based on PHY negotiation results returned from the MDIO module. Most of the work in developing an application or device driver for Ethernet is programming this module.

The following is the initialization procedure a device driver would follow to get the EMAC to the state where it is ready to receive and send Ethernet packets. Some of these steps are not necessary when performed immediately after device reset.

1. If enabled, clear the device interrupt enable bits in the EMAC control module interrupt control registers C0RXTHRESHEN, C0RXEN, C0TXEN, and C0MISCEN.
2. Clear the MAC control register (MACCONTROL), receive control register (RXCONTROL), and transmit control register (TXCONTROL) (not necessary immediately after reset).
3. Initialize all 16 header descriptor pointer registers (RX $n$ HDP and TX $n$ HDP) to 0.
4. Clear all 36 statistics registers by writing 0 (not necessary immediately after reset).
5. Setup the local Ethernet MAC address by programming the MAC index register (MACINDEX), MAC address high bytes register (MACADDRHI), and MAC address low bytes register (MACADDRLO). Be sure to program all eight MAC address registers - whether the receive channel is to be enabled or not. Duplicate the same MAC address across all unused channels. When using more than one receive channel, start with channel 0 and progress upwards.
6. If buffer flow control is to be enabled, initialize the receive channel  $n$  free buffer count registers (RX $n$ FREEBUFFER), receive channel  $n$  flow control threshold register (RX $n$ FLOWTHRESH), and receive filter low priority frame threshold register (RXFILTERLOWTHRESH).
7. Most device drivers open with no multicast addresses, so clear the MAC address hash registers (MACHASH1 and MACHASH2) to 0.
8. Write the receive buffer offset register (RXBUFFEROFFSET) value (typically zero).
9. Initially clear all unicast channels by writing FFh to the receive unicast clear register (RXUNICASTCLEAR). If unicast is desired, it can be enabled now by writing the receive unicast set register (RXUNICASTSET). Some drivers will default to unicast on device open while others will not.
10. Setup the receive multicast/broadcast/promiscuous channel enable register (RXMBPENABLE) with an initial configuration. The configuration is based on the current receive filter settings of the device driver. Some drivers may enable things like broadcast and multicast packets immediately, while others may not.
11. Set the appropriate configuration bits in MACCONTROL (do not set the GMIEN bit yet).
12. Clear all unused channel interrupt bits by writing the receive interrupt mask clear register (RXINTMASKCLEAR) and the transmit interrupt mask clear register (TXINTMASKCLEAR).
13. Enable the receive and transmit channel interrupt bits in the receive interrupt mask set register (RXINTMASKSET) and the transmit interrupt mask set register (TXINTMASKSET) for the channels to be used, and enable the HOSTMASK and STATMASK bits using the MAC interrupt mask set register (MACINTMASKSET).
14. Initialize the receive and transmit descriptor list queues.
15. Prepare receive by writing a pointer to the head of the receive buffer descriptor list to RX $n$ HDP.
16. Enable the receive and transmit DMA controllers by setting the RXEN bit in RXCONTROL and the TXEN bit in TXCONTROL. Then set the GMIEN bit in MACCONTROL.
17. Enable the device interrupt in EMAC control module registers C0RXTHRESHEN, C0RXEN, C0TXEN, and C0MISCEN.

## 31.2.17 Interrupt Support

### 31.2.17.1 EMAC Module Interrupt Events and Requests

The EMAC module generates 26 interrupt events:

- TXPEND $n$ : Transmit packet completion interrupt for transmit channels 0 through 7
- RXPEND $n$ : Receive packet completion interrupt for receive channels 0 through 7
- RXTRESHPEND $n$ : Receive packet completion interrupt for receive channels 0 through 7 when flow control is enabled and the number of free buffers is below the threshold
- STATPEND: Statistics interrupt
- HOSTPEND: Host error interrupt

#### 31.2.17.1.1 Transmit Packet Completion Interrupts

The transmit DMA engine has eight channels, with each channel having a corresponding interrupt (TXPEND $n$ ). The transmit interrupts are level interrupts that remain asserted until cleared by the CPU.

Each of the eight transmit channel interrupts may be individually enabled by setting the appropriate bit in the transmit interrupt mask set register (TXINTMASKSET) to 1. Each of the eight transmit channel interrupts may be individually disabled by clearing the appropriate bit by writing a 1 to the transmit interrupt mask clear register (TXINTMASKCLEAR). The raw and masked transmit interrupt status may be read by reading the transmit interrupt status (unmasked) register (TXINTSTATRAW) and the transmit interrupt status (masked) register (TXINTSTATMASKED), respectively.

When the EMAC completes the transmission of a packet, the EMAC issues an interrupt to the CPU (via the EMAC control module) when it writes the packet's last buffer descriptor address to the appropriate channel queue's transmit completion pointer located in the state RAM block. The interrupt is generated by the write when enabled by the interrupt mask, regardless of the value written.

Upon interrupt reception, the CPU processes one or more packets from the buffer chain and then acknowledges an interrupt by writing the address of the last buffer descriptor processed to the queue's associated transmit completion pointer in the transmit DMA state RAM.

The data written by the host (buffer descriptor address of the last processed buffer) is compared to the data in the register written by the EMAC port (address of last buffer descriptor used by the EMAC). If the two values are not equal (which means that the EMAC has transmitted more packets than the CPU has processed interrupts for), the transmit packet completion interrupt signal remains asserted. If the two values are equal (which means that the host has processed all packets that the EMAC has transferred), the pending interrupt is cleared. The value that the EMAC is expecting is found by reading the transmit channel  $n$  completion pointer register (TX $n$ CP).

The EMAC write to the completion pointer actually stores the value in the state RAM. The CPU written value does not actually change the register value. The host written value is compared to the register content (which was written by the EMAC) and if the two values are equal then the interrupt is removed; otherwise, the interrupt remains asserted. The host may process multiple packets prior to acknowledging an interrupt, or the host may acknowledge interrupts for every packet.

The application software must acknowledge the EMAC control module after processing packets by writing the appropriate C0RX key to the EMAC End-Of-Interrupt Vector register (MACEOIVECTOR). See [Section 31.5.12](#) for the acknowledge key values.

#### 31.2.17.1.2 Receive Packet Completion Interrupts

The receive DMA engine has eight channels, which each channel having a corresponding interrupt (RXPEND $n$ ). The receive interrupts are level interrupts that remain asserted until cleared by the CPU.

Each of the eight receive channel interrupts may be individually enabled by setting the appropriate bit in the receive interrupt mask set register (RXINTMASKSET) to 1. Each of the eight receive channel interrupts may be individually disabled by clearing the appropriate bit by writing a 1 in the receive interrupt mask clear register (RXINTMASKCLEAR). The raw and masked receive interrupt status may be read by reading the receive interrupt status (unmasked) register (RXINTSTATRAW) and the receive interrupt status (masked) register (RXINTSTATMASKED), respectively.

When the EMAC completes a packet reception, the EMAC issues an interrupt to the CPU by writing the packet's last buffer descriptor address to the appropriate channel queue's receive completion pointer located in the state RAM block. The interrupt is generated by the write when enabled by the interrupt mask, regardless of the value written.

Upon interrupt reception, the CPU processes one or more packets from the buffer chain and then acknowledges one or more interrupt(s) by writing the address of the last buffer descriptor processed to the queue's associated receive completion pointer in the receive DMA state RAM.

The data written by the host (buffer descriptor address of the last processed buffer) is compared to the data in the register written by the EMAC (address of last buffer descriptor used by the EMAC). If the two values are not equal (which means that the EMAC has received more packets than the CPU has processed interrupts for), the receive packet completion interrupt signal remains asserted. If the two values are equal (which means that the host has processed all packets that the EMAC has received), the pending interrupt is de-asserted. The value that the EMAC is expecting is found by reading the receive channel  $n$  completion pointer register (RX $n$ CP).

The EMAC write to the completion pointer actually stores the value in the state RAM. The CPU written value does not actually change the register value. The host written value is compared to the register content (which was written by the EMAC) and if the two values are equal then the interrupt is removed; otherwise, the interrupt remains asserted. The host may process multiple packets prior to acknowledging an interrupt, or the host may acknowledge interrupts for every packet.

The application software must acknowledge the EMAC control module after processing packets by writing the appropriate C0TX key to the EMAC End-Of-Interrupt Vector register (MACEOIVECTOR). See [Section 31.5.12](#) for the acknowledge key values.

#### 31.2.17.1.3 Statistics Interrupt

The statistics level interrupt (STATPEND) is issued when any statistics value is greater than or equal to 8000 0000h, if enabled by setting the STATMASK bit in the MAC interrupt mask set register (MACINTMASKSET) to 1. The statistics interrupt is removed by writing to decrement any statistics value greater than 8000 0000h. As long as the most-significant bit of any statistics value is set, the interrupt remains asserted.

The application software must acknowledge the EMAC control module after receiving statistics interrupts by writing the appropriate COMISC key to the EMAC End-Of-Interrupt Vector register (MACEOIVECTOR). See [Section 31.5.12](#) for the acknowledge key values.

#### 31.2.17.1.4 Host Error Interrupt

The host error interrupt (HOSTPEND) is issued, if enabled, under error conditions dealing with the handling of buffer descriptors, detected during transmit or receive DMA transactions. The failure of the software application to supply properly formatted buffer descriptors results in this error. The error bit can only be cleared by resetting the EMAC module in hardware.

The host error interrupt is enabled by setting the HOSTMASK bit in the MAC interrupt mask set register (MACINTMASKSET) to 1. The host error interrupt is disabled by clearing the appropriate bit by writing a 1 in the MAC interrupt mask clear register (MACINTMASKCLEAR). The raw and masked host error interrupt status may be read by reading the MAC interrupt status (unmasked) register (MACINTSTATRAW) and the MAC interrupt status (masked) register (MACINTSTATMASKED), respectively.

The transmit host error conditions are:

- SOP error
- Ownership bit not set in SOP buffer
- Zero next buffer descriptor pointer with EOP
- Zero buffer pointer
- Zero buffer length
- Packet length error

The receive host error conditions are:

- Ownership bit not set in input buffer
- Zero buffer pointer

The application software must acknowledge the EMAC control module after receiving host error interrupts by writing the appropriate COMISC key to the EMAC End-Of-Interrupt Vector (MACEOIVECTOR). See [Section 31.5.12](#) for the acknowledge key values.

### 31.2.17.1.5 Receive Threshold Interrupts

Each of the eight receive channels have a corresponding receive threshold interrupt (RX $n$ THRESHPEND). The receive threshold interrupts are level interrupts that remain asserted until the triggering condition is cleared by the host. Each of the eight threshold interrupts may be individually enabled by setting to 1 the appropriate bit in the RXINTMASKSET register. Each of the eight channel interrupts may be individually disabled by clearing to zero the appropriate bit by writing a 1 in the receive interrupt mask clear register (RXINTMASKCLEAR). The raw and masked interrupt receive interrupt status may be read by reading the receive interrupt status (unmasked) register (RXINTSTATRAW) and the receive interrupt status (masked) register (RXINTSTATMASKED), respectively.

An RX $n$ THRESHPEND interrupt bit is asserted when enabled and when the channel's associated free buffer count (RX $n$ FREEBUFFER) is less than or equal to the channel's associated flow control threshold register (RX $n$ FLOWTHRESH). The receive threshold interrupts use the same free buffer count and threshold logic as does flow control, but the interrupts are independently enabled from flow control. The threshold interrupts are intended to give the host an indication that resources are running low for a particular channel(s).

The applications software must acknowledge the EMAC control module after receiving threshold interrupts by writing the appropriate CORXTHRESH key to the EMAC End-Of-Interrupt Vector (MACEOIVECTOR). See [Section 31.5.12](#) for the acknowledge key values.

### 31.2.17.2 MDIO Module Interrupt Events and Requests

The MDIO module generates two interrupt events:

- LINKINT0: Serial interface link change interrupt. Indicates a change in the state of the PHY link selected by the USERPHYSEL0 register
- USERINT0: Serial interface user command event complete interrupt selected by the USERACCESS0 register

#### 31.2.17.2.1 Link Change Interrupt

The MDIO module asserts a link change interrupt (LINKINT0) if there is a change in the link state of the PHY corresponding to the address in the PHYADRMON bit in the MDIO register USERPHYSEL0, and if the LINKINTENB bit is also set in USERPHYSEL0. This interrupt event is also captured in the LINKINTRAW bit in the MDIO link status change interrupt register (LINKINTRAW). LINKINTRAW bits 0 and 1 correspond to USERPHYSEL0 and USERPHYSEL1, respectively.

When the interrupt is enabled and generated, the corresponding LINKINTMASKED bit is also set in the MDIO link status change interrupt register (LINKINTMASKED). The interrupt is cleared by writing back the same bit to LINKINTMASKED (write to clear).

The application software must acknowledge the EMAC control module after receiving MDIO interrupts by writing the appropriate COMISC key to the EMAC End-Of-Interrupt Vector (MACEOIVECTOR). See [Section 31.5.12](#) for the acknowledge key values.

### 31.2.17.2.2 User Access Completion Interrupt

When the GO bit in one of the MDIO register USERACCESS0 transitions from 1 to 0 (indicating completion of a user access) and the corresponding USERINTMASKSET bit in the MDIO user command complete interrupt mask set register (USERINTMASKSET) corresponding to USERACCESS0 is set, a user access completion interrupt (USERINT) is asserted. This interrupt event is also captured in the USERINTRAW bit in the MDIO user command complete interrupt register (USERINTRAW). USERINTRAW bits 0 and bit 1 correspond to USERACCESS0 and USERACCESS1, respectively.

When the interrupt is enabled and generated, the corresponding USERINTMASKED bit is also set in the MDIO user command complete interrupt register (USERINTMASKED). The interrupt is cleared by writing back the same bit to USERINTMASKED (write to clear).

The application software must acknowledge the EMAC control module after receiving MDIO interrupts by writing the appropriate COMISC key to the EMAC End-Of-Interrupt Vector (MACEOIVECTOR). See [Section 31.5.12](#) for the acknowledge key values.

### 31.2.17.3 Proper Interrupt Processing

All the interrupts signaled from the EMAC and MDIO modules are level driven, so if they remain active, their level remains constant; the CPU core may require edge- or pulse-triggered interrupts. In order to properly convert the level-driven interrupt signal to an edge- or pulse-triggered signal, the application software must make use of the interrupt control logic contained in the EMAC control module.

[Section 31.2.7.2](#) discusses the interrupt control contained in the EMAC control module. For safe interrupt processing, upon entry to the ISR, the software application should disable interrupts using the EMAC control module registers CORXTHRESHEN, CORXEN, C0TXEN, COMISCEN, and then reenables them upon leaving the ISR. If any interrupt signals are active at that time, this creates another rising edge on the interrupt signal going to the CPU interrupt controller, thus triggering another interrupt. The EMAC control module also uses the EMAC control module registers INTCONTROL, C0TXIMAX, and C0RXIMAX to implement interrupt pacing. The application software must acknowledge the EMAC control module by writing the appropriate key to the EMAC End-Of-Interrupt Vector (MACEOIVECTOR). See [Section 31.5.12](#) for the acknowledge key values.

### 31.2.17.4 Interrupt Multiplexing

The EMAC control module combines different interrupt signals from both the EMAC and MDIO modules into four interrupt signals (CORXTHRESHPULSE, CORXPULSE, C0TXPULSE, COMISCPULSE) that are routed to the Vectored Interrupt Manager (VIM). The VIM is capable of relaying all four interrupt signals to the CPU.

When an interrupt is generated, the reason for the interrupt can be read from the MAC input vector register (MACINVECTOR) located in the EMAC memory map. MACINVECTOR combines the status of the following 28 interrupt signals: TXPEND<sub>n</sub>, RXPEND<sub>n</sub>, RXTHRESHPEND<sub>n</sub>, STATPEND, HOSTPEND, LINKINT0, and USERINT0.

For more details on the interrupt mapping, see your device-specific datasheet and VIM chapter of the Technical Reference Manual.

### 31.2.18 Power Management

Each of the three main components of the EMAC peripheral can be placed in a reduced-power mode to conserve power during periods of low activity. The peripheral clock to the EMAC peripheral is controlled by the processor Global Clock Module (GCM). The GCM allows the application to enable or disable the peripheral clock to the EMAC peripheral.

The power conservation modes available for each of the three components of the EMAC/MDIO peripheral are:

- *Idle/Disabled state.* This mode stops the clocks going to the peripheral, and prevents all the register accesses. After reenabling the peripheral from this idle state, all the registers values prior to setting into the disabled state are restored, and data transmission can proceed. No reinitialization is required.
- *System reset.* The EMAC peripheral is reset by the system reset signal output from the System module. Refer to the "Architecture" chapter of the Technical Reference Manual to identify the causes of a system reset. Upon a system reset, the registers are reset to their default value. When powering-up after a system reset, all the EMAC submodules need to be reinitialized before any data transmission can happen.

For more information on the use of the GCM, see your device-specific Technical Reference Manual.

### 31.2.19 Emulation Considerations

EMAC emulation control is implemented for compatibility with other peripherals. The SOFT and FREE bits in the emulation control register (EMCONTROL) allow EMAC operation to be suspended.

When the emulation suspend state is entered, the EMAC stops processing receive and transmit frames at the next frame boundary. Any frame currently in reception or transmission is completed normally without suspension. For transmission, any complete or partial frame in the transmit cell FIFO is transmitted. For receive, frames that are detected by the EMAC after the suspend state is entered are ignored. No statistics are kept for ignored frames.

Table 31-9 shows how the SOFT and FREE bits affect the operation of the emulation suspend.

---

**NOTE:** Emulation suspend has not been tested.

---

**Table 31-9. Emulation Control**

SOFT	FREE	Description
0	0	Normal operation
1	0	Emulation suspend
X	1	Normal operation

### 31.3 EMAC Control Module Registers

[Table 31-10](#) lists the memory-mapped registers for the EMAC control module. The base address for these registers is FCF7 8800h.

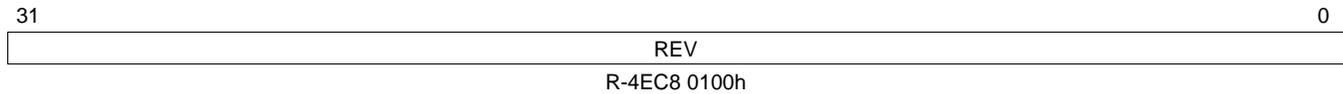
**Table 31-10. EMAC Control Module Registers**

Offset	Acronym	Register Description	Section
0h	REVID	EMAC Control Module Revision ID Register	<a href="#">Section 31.3.1</a>
4h	SOFTRESET	EMAC Control Module Software Reset Register	<a href="#">Section 31.3.2</a>
Ch	INTCONTROL	EMAC Control Module Interrupt Control Register	<a href="#">Section 31.3.3</a>
10h	C0RXTHRESHEN	EMAC Control Module Receive Threshold Interrupt Enable Register	<a href="#">Section 31.3.4</a>
14h	C0RXEN	EMAC Control Module Receive Interrupt Enable Register	<a href="#">Section 31.3.5</a>
18h	C0TXEN	EMAC Control Module Transmit Interrupt Enable Register	<a href="#">Section 31.3.6</a>
1Ch	C0MISCEN	EMAC Control Module Miscellaneous Interrupt Enable Register	<a href="#">Section 31.3.7</a>
40h	C0RXTHRESHSTAT	EMAC Control Module Receive Threshold Interrupt Status Register	<a href="#">Section 31.3.8</a>
44h	C0RXSTAT	EMAC Control Module Receive Interrupt Status Register	<a href="#">Section 31.3.9</a>
48h	C0TXSTAT	EMAC Control Module Transmit Interrupt Status Register	<a href="#">Section 31.3.10</a>
4Ch	C0MISCSTAT	EMAC Control Module Miscellaneous Interrupt Status Register	<a href="#">Section 31.3.11</a>
70h	C0RXIMAX	EMAC Control Module Receive Interrupts Per Millisecond Register	<a href="#">Section 31.3.12</a>
74h	C0TXIMAX	EMAC Control Module Transmit Interrupts Per Millisecond Register	<a href="#">Section 31.3.13</a>

### 31.3.1 EMAC Control Module Revision ID Register (REVID)

The EMAC control module revision ID register (REVID) is shown in [Figure 31-12](#) and described in [Table 31-11](#).

**Figure 31-12. EMAC Control Module Revision ID Register (REVID) (offset = 00h)**



LEGEND: R = Read only; -n = value after reset

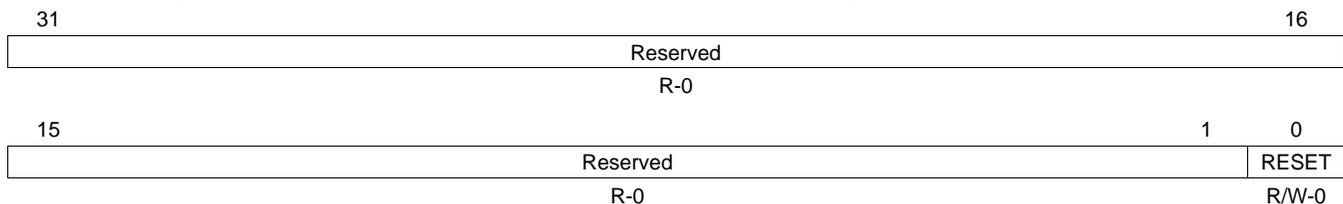
**Table 31-11. EMAC Control Module Revision ID Register (REVID) Field Descriptions**

Bit	Field	Value	Description
31-0	REV	4EC8 0100h	Identifies the EMAC Control Module revision. Current revision of the EMAC Control Module.

### 31.3.2 EMAC Control Module Software Reset Register (SOFTRESET)

The EMAC Control Module Software Reset Register (SOFTRESET) is shown in [Figure 31-13](#) and described in [Table 31-12](#).

**Figure 31-13. EMAC Control Module Software Reset Register (SOFTRESET) (offset = 04h)**



LEGEND: R/W = Read/Write; R = Read only; -n = value after reset

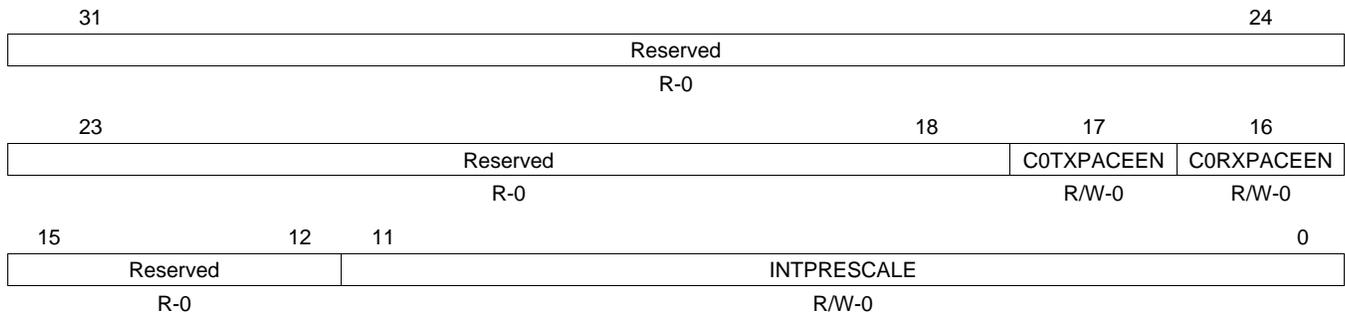
**Table 31-12. EMAC Control Module Software Reset Register (SOFTRESET)**

Bit	Field	Value	Description
31-1	Reserved	0	Reserved
0	RESET		Software reset bit for the EMAC Control Module. Clears the interrupt status, control registers, and CPPI Ram on the clock cycle following a write of 1.
		0	No software reset.
		1	Perform a software reset.

### 31.3.3 EMAC Control Module Interrupt Control Register (INTCONTROL)

The EMAC control module interrupt control register (INTCONTROL) is shown in [Figure 31-14](#) and described in [Table 31-13](#). The settings in the INTCONTROL register are used in conjunction with the CnRXIMAX and CnTXIMAX registers.

**Figure 31-14. EMAC Control Module Interrupt Control Register (INTCONTROL) (offset = 0Ch)**



LEGEND: R/W = Read/Write; R = Read only; -n = value after reset

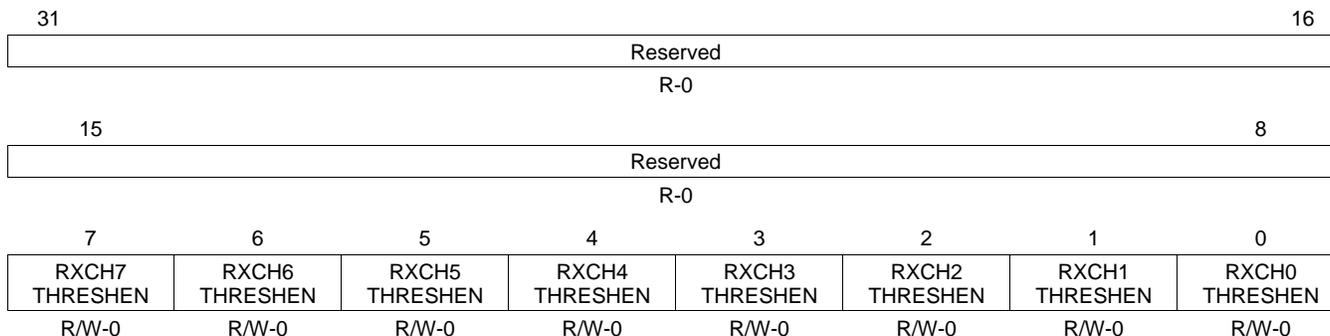
**Table 31-13. EMAC Control Module Interrupt Control Register (INTCONTROL)**

Bit	Field	Value	Description
31-18	Reserved	0	Reserved
17	COTXPACEEN	0	Enable pacing for TX interrupt pulse generation Pacing for TX interrupts disabled.
		1	Pacing for TX interrupts enabled.
16	CORXPACEEN	0	Enable pacing for RX interrupt pulse generation Pacing for RX interrupts disabled.
		1	Pacing for RX interrupts enabled.
15-12	Reserved	0	Reserved
11-0	INTPRESCALE	0-7FFh	Number of internal EMAC module reference clock periods within a 4 $\mu$ s time window (see your device-specific data manual for information).

### 31.3.4 EMAC Control Module Receive Threshold Interrupt Enable Registers (C0RXTHRESHEN)

The EMAC control module receive threshold interrupt enable register (C0RXTHRESHEN) is shown in Figure 31-15 and described in Table 31-14.

**Figure 31-15. EMAC Control Module Receive Threshold Interrupt Enable Register (C0RXTHRESHEN) (offset = 10h)**



LEGEND: R/W = Read/Write; R = Read only; -n = value after reset

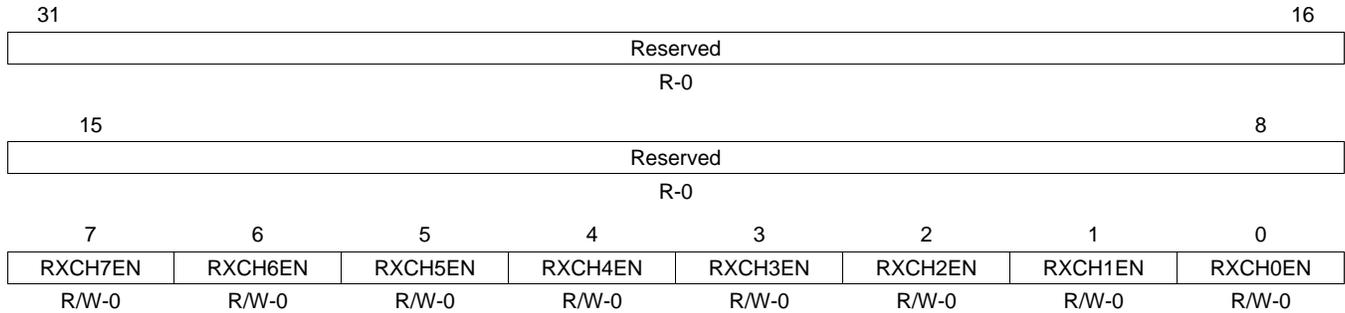
**Table 31-14. EMAC Control Module Receive Threshold Interrupt Enable Register (C0RXTHRESHEN)**

Bit	Field	Value	Description
31-8	Reserved	0	Reserved
7	RXCH7THRESHEN	0 1	Enable C0RXTHRESHPULSE interrupt generation for RX Channel 7 C0RXTHRESHPULSE generation is disabled for RX Channel 7. C0RXTHRESHPULSE generation is enabled for RX Channel 7.
6	RXCH6THRESHEN	0 1	Enable C0RXTHRESHPULSE interrupt generation for RX Channel 6 C0RXTHRESHPULSE generation is disabled for RX Channel 6. C0RXTHRESHPULSE generation is enabled for RX Channel 6.
5	RXCH5THRESHEN	0 1	Enable C0RXTHRESHPULSE interrupt generation for RX Channel 5 C0RXTHRESHPULSE generation is disabled for RX Channel 5. C0RXTHRESHPULSE generation is enabled for RX Channel 5.
4	RXCH4THRESHEN	0 1	Enable C0RXTHRESHPULSE interrupt generation for RX Channel 4 C0RXTHRESHPULSE generation is disabled for RX Channel 4. C0RXTHRESHPULSE generation is enabled for RX Channel 4.
3	RXCH3THRESHEN	0 1	Enable C0RXTHRESHPULSE interrupt generation for RX Channel 3 C0RXTHRESHPULSE generation is disabled for RX Channel 3. C0RXTHRESHPULSE generation is enabled for RX Channel 3.
2	RXCH2THRESHEN	0 1	Enable C0RXTHRESHPULSE interrupt generation for RX Channel 2 C0RXTHRESHPULSE generation is disabled for RX Channel 2. C0RXTHRESHPULSE generation is enabled for RX Channel 2.
1	RXCH1THRESHEN	0 1	Enable C0RXTHRESHPULSE interrupt generation for RX Channel 1 C0RXTHRESHPULSE generation is disabled for RX Channel 1. C0RXTHRESHPULSE generation is enabled for RX Channel 1.
0	RXCH0THRESHEN	0 1	Enable C0RXTHRESHPULSE interrupt generation for RX Channel 0 C0RXTHRESHPULSE generation is disabled for RX Channel 0. C0RXTHRESHPULSE generation is enabled for RX Channel 0.

### 31.3.5 EMAC Control Module Receive Interrupt Enable Registers (C0RXEN)

The EMAC control module receive interrupt enable register (C0RXEN) is shown in [Figure 31-16](#) and described in [Table 31-15](#)

**Figure 31-16. EMAC Control Module Receive Interrupt Enable Register (C0RXEN) (offset = 14h)**



LEGEND: R/W = Read/Write; R = Read only; -n = value after reset

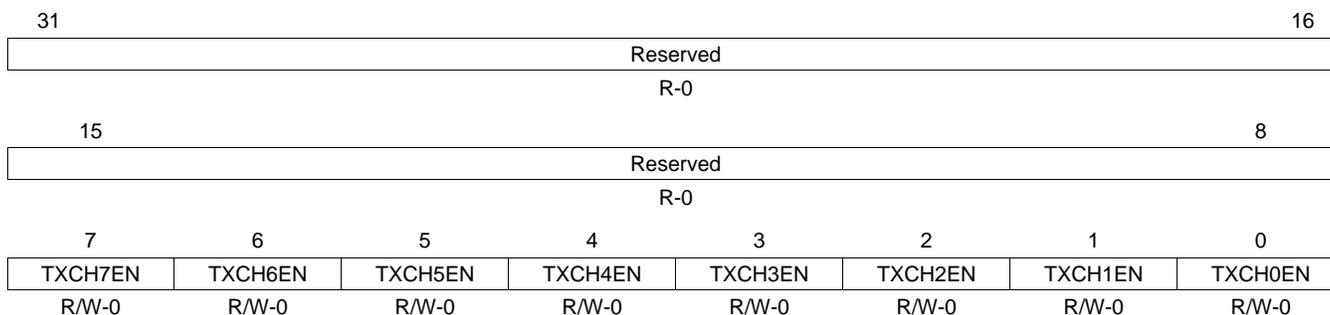
**Table 31-15. EMAC Control Module Receive Interrupt Enable Register (C0RXEN)**

Bit	Field	Value	Description
31-8	Reserved	0	Reserved
7	RXCH7EN	0 1	Enable C0RXPULSE interrupt generation for RX Channel 7 C0RXPULSE generation is disabled for RX Channel 7. C0RXPULSE generation is enabled for RX Channel 7.
6	RXCH6EN	0 1	Enable C0RXPULSE interrupt generation for RX Channel 6 C0RXPULSE generation is disabled for RX Channel 6. C0RXPULSE generation is enabled for RX Channel 6.
5	RXCH5EN	0 1	Enable C0RXPULSE interrupt generation for RX Channel 5 C0RXPULSE generation is disabled for RX Channel 5. C0RXPULSE generation is enabled for RX Channel 5.
4	RXCH4EN	0 1	Enable C0RXPULSE interrupt generation for RX Channel 4 C0RXPULSE generation is disabled for RX Channel 4. C0RXPULSE generation is enabled for RX Channel 4.
3	RXCH3EN	0 1	Enable C0RXPULSE interrupt generation for RX Channel 3 C0RXPULSE generation is disabled for RX Channel 3. C0RXPULSE generation is enabled for RX Channel 3.
2	RXCH2EN	0 1	Enable C0RXPULSE interrupt generation for RX Channel 2 C0RXPULSE generation is disabled for RX Channel 2. C0RXPULSE generation is enabled for RX Channel 2.
1	RXCH1EN	0 1	Enable C0RXPULSE interrupt generation for RX Channel 1 C0RXPULSE generation is disabled for RX Channel 1. C0RXPULSE generation is enabled for RX Channel 1.
0	RXCH0EN	0 1	Enable C0RXPULSE interrupt generation for RX Channel 0 C0RXPULSE generation is disabled for RX Channel 0. C0RXPULSE generation is enabled for RX Channel 0.

### 31.3.6 EMAC Control Module Transmit Interrupt Enable Registers (C0TXEN)

The EMAC control module transmit interrupt enable register (C0TXEN) is shown in [Figure 31-17](#) and described in [Table 31-16](#)

**Figure 31-17. EMAC Control Module Transmit Interrupt Enable Register (C0TXEN) (offset = 18h)**



LEGEND: R/W = Read/Write; R = Read only; -n = value after reset

**Table 31-16. EMAC Control Module Transmit Interrupt Enable Register (C0TXEN)**

Bit	Field	Value	Description
31-8	Reserved	0	Reserved
7	TXCH7EN	0 1	Enable C0TXPULSE interrupt generation for TX Channel 7 C0TXPULSE generation is disabled for TX Channel 7. C0TXPULSE generation is enabled for TX Channel 7.
6	TXCH6EN	0 1	Enable C0TXPULSE interrupt generation for TX Channel 6 C0TXPULSE generation is disabled for TX Channel 6. C0TXPULSE generation is enabled for TX Channel 6.
5	TXCH5EN	0 1	Enable C0TXPULSE interrupt generation for TX Channel 5 C0TXPULSE generation is disabled for TX Channel 5. C0TXPULSE generation is enabled for TX Channel 5.
4	TXCH4EN	0 1	Enable C0TXPULSE interrupt generation for TX Channel 4 C0TXPULSE generation is disabled for TX Channel 4. C0TXPULSE generation is enabled for TX Channel 4.
3	TXCH3EN	0 1	Enable C0TXPULSE interrupt generation for TX Channel 3 C0TXPULSE generation is disabled for TX Channel 3. C0TXPULSE generation is enabled for TX Channel 3.
2	TXCH2EN	0 1	Enable C0TXPULSE interrupt generation for TX Channel 2 C0TXPULSE generation is disabled for TX Channel 2. C0TXPULSE generation is enabled for TX Channel 2.
1	TXCH1EN	0 1	Enable C0TXPULSE interrupt generation for TX Channel 1 C0TXPULSE generation is disabled for TX Channel 1. C0TXPULSE generation is enabled for TX Channel 1.
0	TXCH0EN	0 1	Enable C0TXPULSE interrupt generation for TX Channel 0 C0TXPULSE generation is disabled for TX Channel 0. C0TXPULSE generation is enabled for TX Channel 0.

### 31.3.7 EMAC Control Module Miscellaneous Interrupt Enable Registers (C0MISCEN)

The EMAC control module miscellaneous interrupt enable register (C0MISCEN) is shown in [Figure 31-18](#) and described in [Table 31-17](#)

**Figure 31-18. EMAC Control Module Miscellaneous Interrupt Enable Register (C0MISCEN)  
(offset = 1Ch)**

31	Reserved				16
R-0					
15	4	3	2	1	0
Reserved		STATPENDEN	HOSTPENDEN	LINKINT0EN	USERINT0EN
R-0		R/W-0	R/W-0	R/W-0	R/W-0

LEGEND: R/W = Read/Write; R = Read only; -n = value after reset

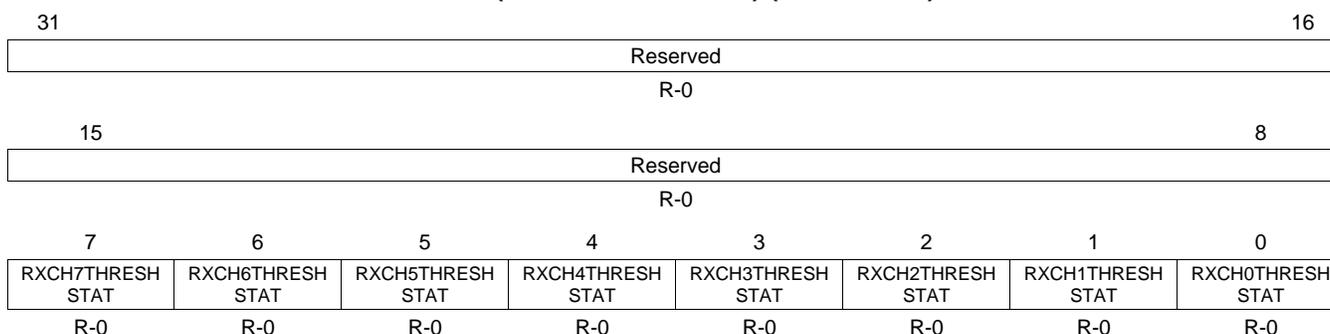
**Table 31-17. EMAC Control Module Miscellaneous Interrupt Enable Register (C0MISCEN)**

Bit	Field	Value	Description
31-4	Reserved	0	Reserved
3	STATPENDEN	0	Enable C0MISCPULSE interrupt generation when EMAC statistics interrupts are generated
		1	C0MISCPULSE generation is disabled for EMAC STATPEND interrupts. C0MISCPULSE generation is enabled for EMAC STATPEND interrupts.
2	HOSTPENDEN	0	Enable C0MISCPULSE interrupt generation when EMAC host interrupts are generated
		1	C0MISCPULSE generation is disabled for EMAC HOSTPEND interrupts. C0MISCPULSE generation is enabled for EMAC HOSTPEND interrupts.
1	LINKINT0EN	0	Enable C0MISCPULSE interrupt generation when MDIO LINKINT0 interrupts (corresponding to USERPHYSEL0) are generated
		1	C0MISCPULSE generation is disabled for MDIO LINKINT0 interrupts. C0MISCPULSE generation is enabled for MDIO LINKINT0 interrupts.
0	USERINT0EN	0	Enable C0MISCPULSE interrupt generation when MDIO USERINT0 interrupts (corresponding to USERACCESS0) are generated
		1	C0MISCPULSE generation is disabled for MDIO USERINT0. C0MISCPULSE generation is enabled for MDIO USERINT0.

### 31.3.8 EMAC Control Module Receive Threshold Interrupt Status Registers (C0RXTHRESHSTAT)

The EMAC control module receive threshold interrupt status register (C0RXTHRESHSTAT) is shown in Figure 31-19 and described in Table 31-18

**Figure 31-19. EMAC Control Module Receive Threshold Interrupt Status Register (C0RXTHRESHSTAT) (offset = 40h)**



LEGEND: R = Read only; -n = value after reset

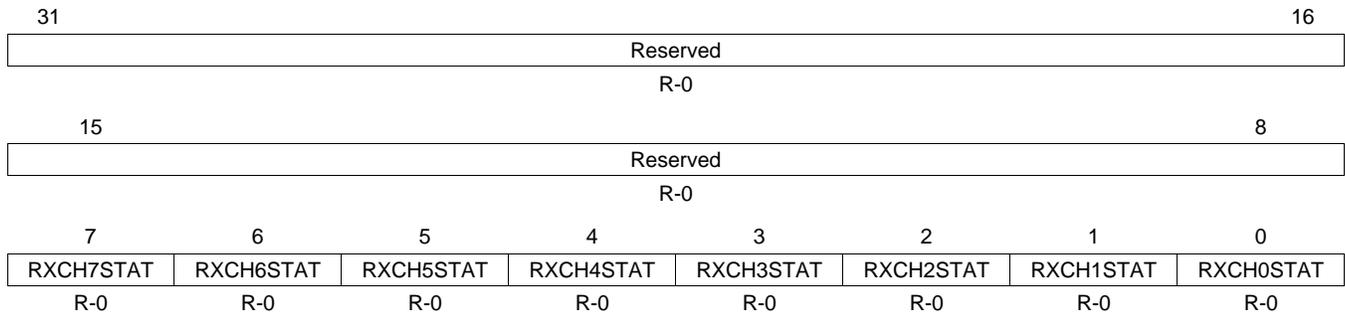
**Table 31-18. EMAC Control Module Receive Threshold Interrupt Status Register (C0RXTHRESHSTAT)**

Bit	Field	Value	Description
31-8	Reserved	0	Reserved
7	RXCH7THRESHSTAT	0 1	Interrupt status for RX Channel 7 masked by the C0RXTHRESHEN register RX Channel 7 does not satisfy conditions to generate a C0RXTHRESHPULSE interrupt. RX Channel 7 satisfies conditions to generate a C0RXTHRESHPULSE interrupt.
6	RXCH6THRESHSTAT	0 1	Interrupt status for RX Channel 6 masked by the C0RXTHRESHEN register RX Channel 6 does not satisfy conditions to generate a C0RXTHRESHPULSE interrupt. RX Channel 6 satisfies conditions to generate a C0RXTHRESHPULSE interrupt.
5	RXCH5THRESHSTAT	0 1	Interrupt status for RX Channel 5 masked by the C0RXTHRESHEN register RX Channel 5 does not satisfy conditions to generate a C0RXTHRESHPULSE interrupt. RX Channel 5 satisfies conditions to generate a C0RXTHRESHPULSE interrupt.
4	RXCH4THRESHSTAT	0 1	Interrupt status for RX Channel 4 masked by the C0RXTHRESHEN register RX Channel 4 does not satisfy conditions to generate a C0RXTHRESHPULSE interrupt. RX Channel 4 satisfies conditions to generate a C0RXTHRESHPULSE interrupt.
3	RXCH3THRESHSTAT	0 1	Interrupt status for RX Channel 3 masked by the C0RXTHRESHEN register RX Channel 3 does not satisfy conditions to generate a C0RXTHRESHPULSE interrupt. RX Channel 3 satisfies conditions to generate a C0RXTHRESHPULSE interrupt.
2	RXCH2THRESHSTAT	0 1	Interrupt status for RX Channel 2 masked by the C0RXTHRESHEN register RX Channel 2 does not satisfy conditions to generate a C0RXTHRESHPULSE interrupt. RX Channel 2 satisfies conditions to generate a C0RXTHRESHPULSE interrupt.
1	RXCH1THRESHSTAT	0 1	Interrupt status for RX Channel 1 masked by the C0RXTHRESHEN register RX Channel 1 does not satisfy conditions to generate a C0RXTHRESHPULSE interrupt. RX Channel 1 satisfies conditions to generate a C0RXTHRESHPULSE interrupt.
0	RXCH0THRESHSTAT	0 1	Interrupt status for RX Channel 0 masked by the C0RXTHRESHEN register RX Channel 0 does not satisfy conditions to generate a C0RXTHRESHPULSE interrupt. RX Channel 0 satisfies conditions to generate a C0RXTHRESHPULSE interrupt.

### 31.3.9 EMAC Control Module Receive Interrupt Status Registers (C0RXSTAT)

The EMAC control module receive interrupt status register (C0RXSTAT) is shown in [Figure 31-20](#) and described in [Table 31-19](#)

**Figure 31-20. EMAC Control Module Receive Interrupt Status Register (C0RXSTAT) (offset = 44h)**



LEGEND: R = Read only; -n = value after reset

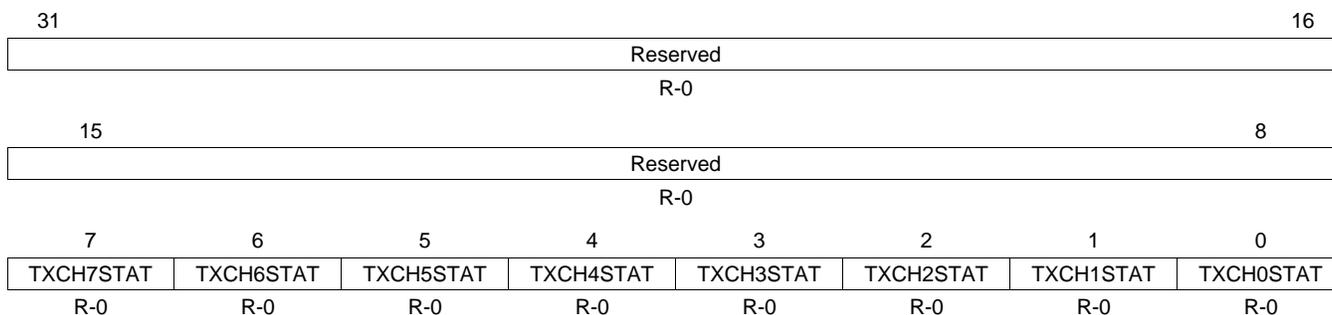
**Table 31-19. EMAC Control Module Receive Interrupt Status Register (C0RXSTAT)**

Bit	Field	Value	Description
31-8	Reserved	0	Reserved
7	RXCH7STAT	0	Interrupt status for RX Channel 7 masked by the C0RXEN register RX Channel 7 does not satisfy conditions to generate a C0RXPULSE interrupt.
		1	RX Channel 7 satisfies conditions to generate a C0RXPULSE interrupt.
6	RXCH6STAT	0	Interrupt status for RX Channel 6 masked by the C0RXEN register RX Channel 6 does not satisfy conditions to generate a C0RXPULSE interrupt.
		1	RX Channel 6 satisfies conditions to generate a C0RXPULSE interrupt.
5	RXCH5STAT	0	Interrupt status for RX Channel 5 masked by the C0RXEN register RX Channel 5 does not satisfy conditions to generate a C0RXPULSE interrupt.
		1	RX Channel 5 satisfies conditions to generate a C0RXPULSE interrupt.
4	RXCH4STAT	0	Interrupt status for RX Channel 4 masked by the C0RXEN register RX Channel 4 does not satisfy conditions to generate a C0RXPULSE interrupt.
		1	RX Channel 4 satisfies conditions to generate a C0RXPULSE interrupt.
3	RXCH3STAT	0	Interrupt status for RX Channel 3 masked by the C0RXEN register RX Channel 3 does not satisfy conditions to generate a C0RXPULSE interrupt.
		1	RX Channel 3 satisfies conditions to generate a C0RXPULSE interrupt.
2	RXCH2STAT	0	Interrupt status for RX Channel 2 masked by the C0RXEN register RX Channel 2 does not satisfy conditions to generate a C0RXPULSE interrupt.
		1	RX Channel 2 satisfies conditions to generate a C0RXPULSE interrupt.
1	RXCH1STAT	0	Interrupt status for RX Channel 1 masked by the C0RXEN register RX Channel 1 does not satisfy conditions to generate a C0RXPULSE interrupt.
		1	RX Channel 1 satisfies conditions to generate a C0RXPULSE interrupt.
0	RXCH0STAT	0	Interrupt status for RX Channel 0 masked by the C0RXEN register RX Channel 0 does not satisfy conditions to generate a C0RXPULSE interrupt.
		1	RX Channel 0 satisfies conditions to generate a C0RXPULSE interrupt.

### 31.3.10 EMAC Control Module Transmit Interrupt Status Registers (C0TXSTAT)

The EMAC control module transmit interrupt status register (C0TXSTAT) is shown in [Figure 31-21](#) and described in [Table 31-20](#)

**Figure 31-21. EMAC Control Module Transmit Interrupt Status Register (C0TXSTAT) (offset = 48h)**



LEGEND: R = Read only; -n = value after reset

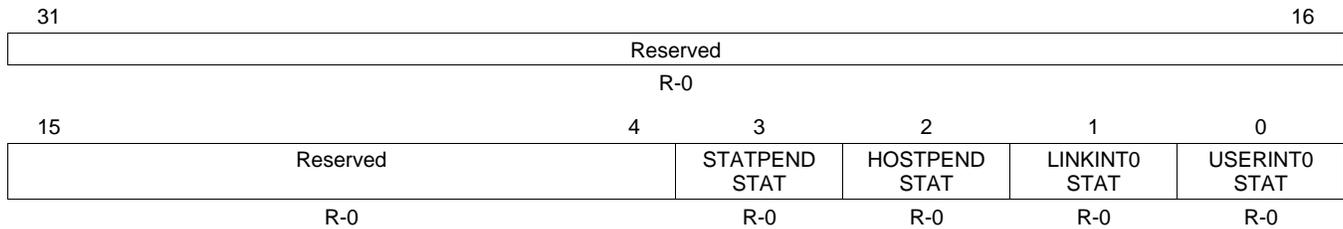
**Table 31-20. EMAC Control Module Transmit Interrupt Status Register (C0TXSTAT)**

Bit	Field	Value	Description
31-8	Reserved	0	Reserved
7	TXCH7STAT	0 1	Interrupt status for TX Channel 7 masked by the C0TXEN register TX Channel 7 does not satisfy conditions to generate a C0TXPULSE interrupt. TX Channel 7 satisfies conditions to generate a C0TXPULSE interrupt.
6	TXCH6STAT	0 1	Interrupt status for TX Channel 6 masked by the C0TXEN register TX Channel 6 does not satisfy conditions to generate a C0TXPULSE interrupt. TX Channel 6 satisfies conditions to generate a C0TXPULSE interrupt.
5	TXCH5STAT	0 1	Interrupt status for TX Channel 5 masked by the C0TXEN register TX Channel 5 does not satisfy conditions to generate a C0TXPULSE interrupt. TX Channel 5 satisfies conditions to generate a C0TXPULSE interrupt.
4	TXCH4STAT	0 1	Interrupt status for TX Channel 4 masked by the C0TXEN register TX Channel 4 does not satisfy conditions to generate a C0TXPULSE interrupt. TX Channel 4 satisfies conditions to generate a C0TXPULSE interrupt.
3	TXCH3STAT	0 1	Interrupt status for TX Channel 3 masked by the C0TXEN register TX Channel 3 does not satisfy conditions to generate a C0TXPULSE interrupt. TX Channel 3 satisfies conditions to generate a C0TXPULSE interrupt.
2	TXCH2STAT	0 1	Interrupt status for TX Channel 2 masked by the C0TXEN register TX Channel 2 does not satisfy conditions to generate a C0TXPULSE interrupt. TX Channel 2 satisfies conditions to generate a C0TXPULSE interrupt.
1	TXCH1STAT	0 1	Interrupt status for TX Channel 1 masked by the C0TXEN register TX Channel 1 does not satisfy conditions to generate a C0TXPULSE interrupt. TX Channel 1 satisfies conditions to generate a C0TXPULSE interrupt.
0	TXCH0STAT	0 1	Interrupt status for TX Channel 0 masked by the C0TXEN register TX Channel 0 does not satisfy conditions to generate a C0TXPULSE interrupt. TX Channel 0 satisfies conditions to generate a C0TXPULSE interrupt.

### 31.3.11 EMAC Control Module Miscellaneous Interrupt Status Registers (C0MISCSTAT)

The EMAC control module miscellaneous interrupt status register (C0MISCSTAT) is shown in [Figure 31-22](#) and described in [Table 31-21](#)

**Figure 31-22. EMAC Control Module Miscellaneous Interrupt Status Register (C0MISCSTAT)  
(offset = 4Ch)**



LEGEND: R = Read only; -n = value after reset

**Table 31-21. EMAC Control Module Miscellaneous Interrupt Status Register (C0MISCSTAT)**

Bit	Field	Value	Description
31-4	Reserved	0	Reserved
3	STATPENDSTAT	0 1	Interrupt status for EMAC STATPEND masked by the C0MISCEN register EMAC STATPEND does not satisfy conditions to generate a C0MISCPULSE interrupt. EMAC STATPEND satisfies conditions to generate a C0MISCPULSE interrupt.
2	HOSTPENDSTAT	0 1	Interrupt status for EMAC HOSTPEND masked by the C0MISCEN register EMAC HOSTPEND does not satisfy conditions to generate a C0MISCPULSE interrupt. EMAC HOSTPEND satisfies conditions to generate a C0MISCPULSE interrupt.
1	LINKINT0STAT	0 1	Interrupt status for MDIO LINKINT0 masked by the C0MISCEN register MDIO LINKINT0 does not satisfy conditions to generate a C0MISCPULSE interrupt. MDIO LINKINT0 satisfies conditions to generate a C0MISCPULSE interrupt.
0	USERINT0STAT	0 1	Interrupt status for MDIO USERINT0 masked by the C0MISCEN register MDIO USERINT0 does not satisfy conditions to generate a C0MISCPULSE interrupt. MDIO USERINT0 satisfies conditions to generate a C0MISCPULSE interrupt.

### 31.3.12 EMAC Control Module Receive Interrupts Per Millisecond Registers (C0RXIMAX)

The EMAC control module receive interrupts per millisecond register (C0RXIMAX) is shown in [Figure 31-23](#) and described in [Table 31-22](#)

**Figure 31-23. EMAC Control Module Receive Interrupts Per Millisecond Register (C0RXIMAX) (offset = 70h)**

31	Reserved		16
R-0			
15	6	5	0
Reserved		RXIMAX	
R-0		R/W-0	

LEGEND: R = Read only; R/W = Read/Write; -n = value after reset

**Table 31-22. EMAC Control Module Receive Interrupts Per Millisecond Register (C0RXIMAX)**

Bit	Field	Value	Description
31-6	Reserved	0	Reserved
5-0	RXIMAX	2-3Fh	RXIMAX is the desired number of C0RXPULSE interrupts generated per millisecond when C0RXPACEEN is enabled in INTCONTROL.

The pacing mechanism can be described by the following pseudo-code:

```

while(1) {
    interrupt_count = 0;

    /* Count interrupts over a 1ms window */
    for(i = 0; i < INTCONTROL[INTPRESCALE]*250; i++) {
        interrupt_count += NEW_INTERRUPT_EVENTS();

        if(i < INTCONTROL[INTPRESCALE]*pace_counter)
            BLOCK_EMAC_INTERRUPTS();
        else
            ALLOW_EMAC_INTERRUPTS();
    }

    ALLOW_EMAC_INTERRUPTS();

    if(interrupt_count > 2*RXIMAX)
        pace_counter = 255;
    else if(interrupt_count > 1.5*RXIMAX)
        pace_counter = previous_pace_counter*2 + 1;
    else if(interrupt_count > 1.0*RXIMAX)
        pace_counter = previous_pace_counter + 1;
    else if(interrupt_count > 0.5*RXIMAX)
        pace_counter = previous_pace_counter - 1;
    else if(interrupt_count != 0)
        pace_counter = previous_pace_counter/2;
    else
        pace_counter = 0;

    previous_pace_counter = pace_counter;
}
    
```

### 31.3.13 EMAC Control Module Transmit Interrupts Per Millisecond Registers (C0TXIMAX)

The EMAC control module transmit interrupts per millisecond register (C0TXIMAX) is shown in [Figure 31-24](#) and described in [Table 31-23](#)

**Figure 31-24. EMAC Control Module Transmit Interrupts Per Millisecond Register (C0TXIMAX)  
(offset = 74h)**

31	Reserved		16
R-0			
15	6	5	0
Reserved		TXIMAX	
R-0		R/W-0	

LEGEND: R/W = Read/Write; R = Read only; -n = value after reset

**Table 31-23. EMAC Control Module Transmit Interrupts Per Millisecond Register (C0TXIMAX)**

Bit	Field	Value	Description
31-6	Reserved	0	Reserved
5-0	TXIMAX	2-3Fh	TXIMAX is the desired number of C0TXPULSE interrupts generated per millisecond when C0TXPACEEN is enabled in INTCONTROL.

The pacing mechanism can be described by the following pseudo-code:

```
while(1) {
    interrupt_count = 0;

    /* Count interrupts over a 1ms window */
    for(i = 0; i < INTCONTROL[INTPRESCALE]*250; i++) {
        interrupt_count += NEW_INTERRUPT_EVENTS();

        if(i < INTCONTROL[INTPRESCALE]*pace_counter)
            BLOCK_EMAC_INTERRUPTS();
        else
            ALLOW_EMAC_INTERRUPTS();
    }

    ALLOW_EMAC_INTERRUPTS();

    if(interrupt_count > 2*TXIMAX)
        pace_counter = 255;
    else if(interrupt_count > 1.5*TXIMAX)
        pace_counter = previous_pace_counter*2 + 1;
    else if(interrupt_count > 1.0*TXIMAX)
        pace_counter = previous_pace_counter + 1;
    else if(interrupt_count > 0.5*TXIMAX)
        pace_counter = previous_pace_counter - 1;
    else if(interrupt_count != 0)
        pace_counter = previous_pace_counter/2;
    else
        pace_counter = 0;

    previous_pace_counter = pace_counter;
}
```

## 31.4 MDIO Registers

Table 31-24 lists the memory-mapped registers for the MDIO module. The base address for these registers is FCF7 8900h.

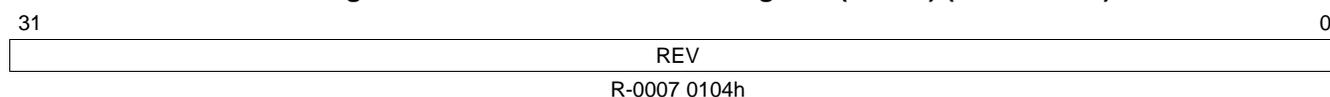
**Table 31-24. Management Data Input/Output (MDIO) Registers**

Offset	Acronym	Register Description	Section
0h	REVID	MDIO Revision ID Register	<a href="#">Section 31.4.1</a>
4h	CONTROL	MDIO Control Register	<a href="#">Section 31.4.2</a>
8h	ALIVE	PHY Alive Status register	<a href="#">Section 31.4.3</a>
Ch	LINK	PHY Link Status Register	<a href="#">Section 31.4.4</a>
10h	LINKINTRAW	MDIO Link Status Change Interrupt (Unmasked) Register	<a href="#">Section 31.4.5</a>
14h	LINKINTMASKED	MDIO Link Status Change Interrupt (Masked) Register	<a href="#">Section 31.4.6</a>
20h	USERINTRAW	MDIO User Command Complete Interrupt (Unmasked) Register	<a href="#">Section 31.4.7</a>
24h	USERINTMASKED	MDIO User Command Complete Interrupt (Masked) Register	<a href="#">Section 31.4.8</a>
28h	USERINTMASKSET	MDIO User Command Complete Interrupt Mask Set Register	<a href="#">Section 31.4.9</a>
2Ch	USERINTMASKCLEAR	MDIO User Command Complete Interrupt Mask Clear Register	<a href="#">Section 31.4.10</a>
80h	USERACCESS0	MDIO User Access Register 0	<a href="#">Section 31.4.11</a>
84h	USERPHYSEL0	MDIO User PHY Select Register 0	<a href="#">Section 31.4.12</a>
88h	USERACCESS1	MDIO User Access Register 1	<a href="#">Section 31.4.13</a>
8Ch	USERPHYSEL1	MDIO User PHY Select Register 1	<a href="#">Section 31.4.14</a>

### 31.4.1 MDIO Revision ID Register (REVID)

The MDIO revision ID register (REVID) is shown in [Figure 31-25](#) and described in [Table 31-25](#).

**Figure 31-25. MDIO Revision ID Register (REVID) (offset = 00h)**



LEGEND: R = Read only; -n = value after reset

**Table 31-25. MDIO Revision ID Register (REVID) Field Descriptions**

Bit	Field	Value	Description
31-0	REV	0007 0104h	Identifies the MDIO Module revision. Current revision of the MDIO Module.

### 31.4.2 MDIO Control Register (CONTROL)

The MDIO control register (CONTROL) is shown in [Figure 31-26](#) and described in [Table 31-26](#).

**Figure 31-26. MDIO Control Register (CONTROL) (offset = 04h)**

31	30	29	28	24	23	21	20	19	18	17	16
IDLE	ENABLE	Rsvd	HIGHEST_USER_CHANNEL	Reserved		PREAMBLE	FAULT	FAULTENB	Reserved		
R-1	R/W-0	R-0	R-1	R-0		R/W-0	R/W1C-0	R/W-0	R-0		
											0
CLKDIV											
R/W-FFh											

LEGEND: R/W = Read/Write; R = Read only; W1C = Write 1 to clear (writing a 0 has no effect); -n = value after reset

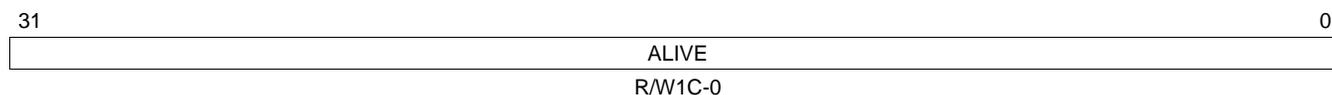
**Table 31-26. MDIO Control Register (CONTROL) Field Descriptions**

Bit	Field	Value	Description
31	IDLE	0 1	State machine IDLE status bit. State machine is not in idle state. State machine is in idle state.
30	ENABLE	0 1	State machine enable control bit. If the MDIO state machine is active at the time it is disabled, it will complete the current operation before halting and setting the idle bit. Disables the MDIO state machine. Enable the MDIO state machine.
29	Reserved	0	Reserved
28-24	HIGHEST_USER_CHANNEL	0-1Fh	Highest user channel that is available in the module. It is currently set to 1. This implies that MDIOUserAccess1 is the highest available user access channel.
23-21	Reserved	0	Reserved
20	PREAMBLE	0 1	Preamble disable Standard MDIO preamble is used. Disables this device from sending MDIO frame preambles.
19	FAULT	0 1	Fault indicator. This bit is set to 1 if the MDIO pins fail to read back what the device is driving onto them. This indicates a physical layer fault and the module state machine is reset. Writing a 1 to this bit clears this bit, writing a 0 has no effect. No failure Physical layer fault; the MDIO state machine is reset.
18	FAULTENB	0 1	Fault detect enable. This bit has to be set to 1 to enable the physical layer fault detection. Disables the physical layer fault detection. Enables the physical layer fault detection.
17-16	Reserved	0	Reserved
15-0	CLKDIV	0-FFFFh	Clock Divider bits. This field specifies the division ratio between the peripheral clock and the frequency of MDIO_CLK. MDIO_CLK is disabled when CLKDIV is cleared to 0. MDIO_CLK frequency = peripheral clock frequency/(CLKDIV + 1).

### 31.4.3 PHY Acknowledge Status Register (ALIVE)

The PHY acknowledge status register (ALIVE) is shown in [Figure 31-27](#) and described in [Table 31-27](#).

**Figure 31-27. PHY Acknowledge Status Register (ALIVE) (offset = 08h)**



LEGEND: R/W = Read/Write; W1C = Write 1 to clear (writing a 0 has no effect); -n = value after reset

**Table 31-27. PHY Acknowledge Status Register (ALIVE) Field Descriptions**

Bit	Field	Value	Description
31-0	ALIVE		MDIO Alive bits. Each of the 32 bits of this register is set if the most recent access to the PHY with address corresponding to the register bit number was acknowledged by the PHY; the bit is reset if the PHY fails to acknowledge the access. Both the user and polling accesses to a PHY will cause the corresponding alive bit to be updated. The alive bits are only meant to be used to give an indication of the presence or not of a PHY with the corresponding address. Writing a 1 to any bit will clear it, writing a 0 has no effect.
		0	The PHY fails to acknowledge the access.
		1	The most recent access to the PHY with an address corresponding to the register bit number was acknowledged by the PHY.

### 31.4.4 PHY Link Status Register (LINK)

The PHY link status register (LINK) is shown in [Figure 31-28](#) and described in [Table 31-28](#).

**Figure 31-28. PHY Link Status Register (LINK) (offset = 0Ch)**



LEGEND: R = Read only; -n = value after reset

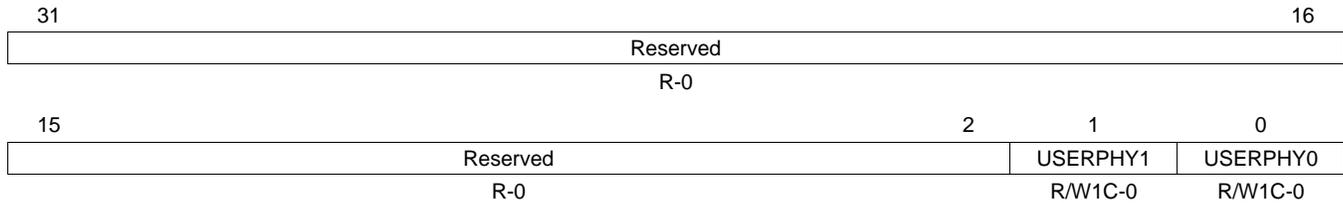
**Table 31-28. PHY Link Status Register (LINK) Field Descriptions**

Bit	Field	Value	Description
31-0	LINK		MDIO Link state bits. This register is updated after a read of the generic status register of a PHY. The bit is set if the PHY with the corresponding address has link and the PHY acknowledges the read transaction. The bit is reset if the PHY indicates it does not have link or fails to acknowledge the read transaction. Writes to the register have no effect.
		0	The PHY indicates it does not have a link or fails to acknowledge the read transaction
		1	The PHY with the corresponding address has a link and the PHY acknowledges the read transaction.

### 31.4.5 MDIO Link Status Change Interrupt (Unmasked) Register (LINKINTRAW)

The MDIO link status change interrupt (unmasked) register (LINKINTRAW) is shown in [Figure 31-29](#) and described in [Table 31-29](#).

**Figure 31-29. MDIO Link Status Change Interrupt (Unmasked) Register (LINKINTRAW) (offset = 10h)**



LEGEND: R/W = Read/Write; R = Read only; W1C = Write 1 to clear (writing a 0 has no effect); -n = value after reset

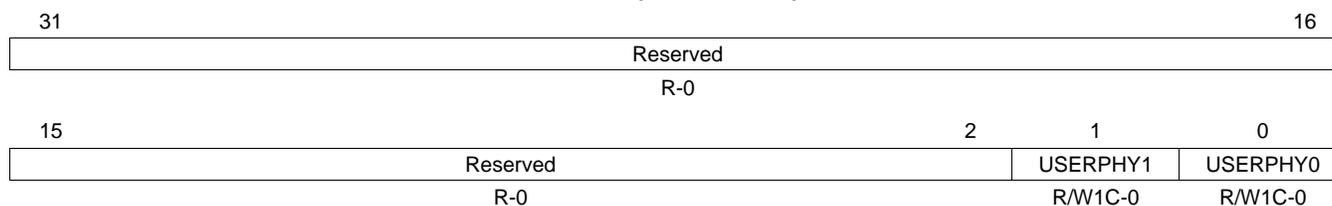
**Table 31-29. MDIO Link Status Change Interrupt (Unmasked) Register (LINKINTRAW) Field Descriptions**

Bit	Field	Value	Description
31-2	Reserved	0	Reserved
1	USERPHY1	0	MDIO Link change event, raw value. When asserted, the bit indicates that there was an MDIO link change event (that is, change in the LINK register) corresponding to the PHY address in USERPHYSEL1. Writing a 1 will clear the event, writing a 0 has no effect.
		0	No MDIO link change event.
		1	An MDIO link change event (change in the LINK register) corresponding to the PHY address in MDIO user PHY select register USERPHYSEL1
0	USERPHY0	0	MDIO Link change event, raw value. When asserted, the bit indicates that there was an MDIO link change event (that is, change in the LINK register) corresponding to the PHY address in USERPHYSEL0. Writing a 1 will clear the event, writing a 0 has no effect.
		0	No MDIO link change event.
		1	An MDIO link change event (change in the LINK register) corresponding to the PHY address in MDIO user PHY select register USERPHYSEL0

### 31.4.6 MDIO Link Status Change Interrupt (Masked) Register (LINKINTMASKED)

The MDIO link status change interrupt (masked) register (LINKINTMASKED) is shown in [Figure 31-30](#) and described in [Table 31-30](#).

**Figure 31-30. MDIO Link Status Change Interrupt (Masked) Register (LINKINTMASKED)  
(offset = 14h)**



LEGEND: R/W = Read/Write; R = Read only; W1C = Write 1 to clear (writing a 0 has no effect); -n = value after reset

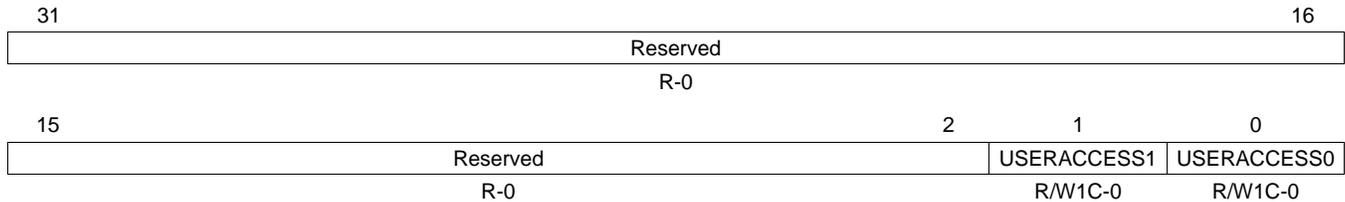
**Table 31-30. MDIO Link Status Change Interrupt (Masked) Register (LINKINTMASKED)  
Field Descriptions**

Bit	Field	Value	Description
31-2	Reserved	0	Reserved
1	USERPHY1	0	MDIO Link change interrupt, masked value. When asserted, the bit indicates that there was an MDIO link change event (that is, change in the LINK register) corresponding to the PHY address in USERPHYSEL1 and the corresponding LINKINTENB bit was set. Writing a 1 will clear the event, writing a 0 has no effect.
		0	No MDIO link change event.
		1	An MDIO link change event (change in the LINK register) corresponding to the PHY address in MDIO user PHY select register USERPHYSEL1 and the LINKINTENB bit in USERPHYSEL1 is set to 1.
0	USERPHY0	0	MDIO Link change interrupt, masked value. When asserted, the bit indicates that there was an MDIO link change event (that is, change in the LINK register) corresponding to the PHY address in USERPHYSEL0 and the corresponding LINKINTENB bit was set. Writing a 1 will clear the event, writing a 0 has no effect.
		0	No MDIO link change event.
		1	An MDIO link change event (change in the LINK register) corresponding to the PHY address in MDIO user PHY select register USERPHYSEL0 and the LINKINTENB bit in USERPHYSEL0 is set to 1.

### 31.4.7 MDIO User Command Complete Interrupt (Unmasked) Register (USERINTRAW)

The MDIO user command complete interrupt (unmasked) register (USERINTRAW) is shown in [Figure 31-31](#) and described in [Table 31-31](#).

**Figure 31-31. MDIO User Command Complete Interrupt (Unmasked) Register (USERINTRAW)  
(offset = 20h)**



LEGEND: R/W = Read/Write; R = Read only; W1C = Write 1 to clear (writing a 0 has no effect); -n = value after reset

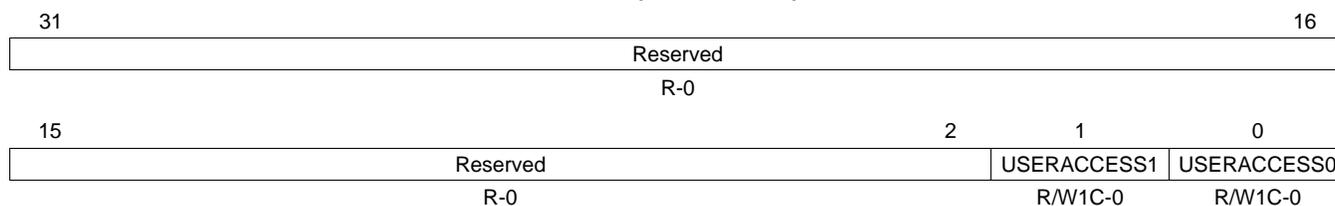
**Table 31-31. MDIO User Command Complete Interrupt (Unmasked) Register (USERINTRAW)  
Field Descriptions**

Bit	Field	Value	Description
31-2	Reserved	0	Reserved
1	USERACCESS1	0	MDIO User command complete event bit. When asserted, the bit indicates that the previously scheduled PHY read or write command using the USERACCESS1 register has completed. Writing a 1 will clear the event, writing a 0 has no effect.
		0	No MDIO user command complete event.
		1	The previously scheduled PHY read or write command using MDIO user access register USERACCESS1 has completed.
0	USERACCESS0	0	MDIO User command complete event bit. When asserted, the bit indicates that the previously scheduled PHY read or write command using the USERACCESS0 register has completed. Writing a 1 will clear the event, writing a 0 has no effect.
		0	No MDIO user command complete event.
		1	The previously scheduled PHY read or write command using MDIO user access register USERACCESS0 has completed.

### 31.4.8 MDIO User Command Complete Interrupt (Masked) Register (USERINTMASKED)

The MDIO user command complete interrupt (masked) register (USERINTMASKED) is shown in [Figure 31-32](#) and described in [Table 31-32](#).

**Figure 31-32. MDIO User Command Complete Interrupt (Masked) Register (USERINTMASKED) (offset = 24h)**



LEGEND: R/W = Read/Write; R = Read only; W1C = Write 1 to clear (writing a 0 has no effect); -n = value after reset

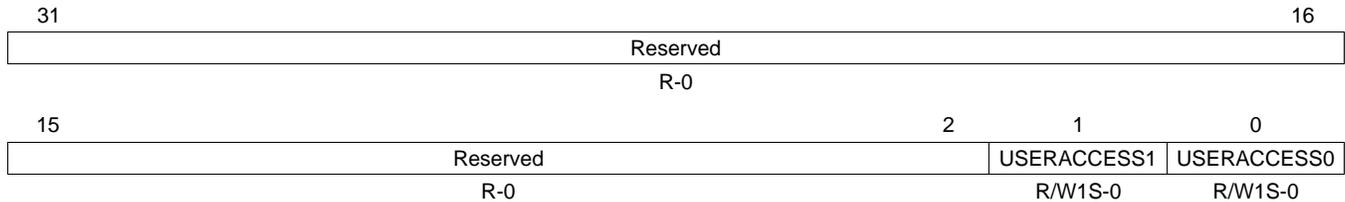
**Table 31-32. MDIO User Command Complete Interrupt (Masked) Register (USERINTMASKED) Field Descriptions**

Bit	Field	Value	Description
31-2	Reserved	0	Reserved
1	USERACCESS1	0	Masked value of MDIO User command complete interrupt. When asserted, The bit indicates that the previously scheduled PHY read or write command using that particular USERACCESS1 register has completed. Writing a 1 will clear the interrupt, writing a 0 has no effect.
		0	No MDIO user command complete event.
		1	The previously scheduled PHY read or write command using MDIO user access register USERACCESS1 has completed and the corresponding bit in USERINTMASKSET is set to 1.
0	USERACCESS0	0	Masked value of MDIO User command complete interrupt. When asserted, The bit indicates that the previously scheduled PHY read or write command using that particular USERACCESS0 register has completed. Writing a 1 will clear the interrupt, writing a 0 has no effect.
		0	No MDIO user command complete event.
		1	The previously scheduled PHY read or write command using MDIO user access register USERACCESS0 has completed and the corresponding bit in USERINTMASKSET is set to 1.

### 31.4.9 MDIO User Command Complete Interrupt Mask Set Register (USERINTMASKSET)

The MDIO user command complete interrupt mask set register (USERINTMASKSET) is shown in [Figure 31-33](#) and described in [Table 31-33](#).

**Figure 31-33. MDIO User Command Complete Interrupt Mask Set Register (USERINTMASKSET)  
(offset = 28h)**



LEGEND: R/W = Read/Write; R = Read only; W1S = Write 1 to set (writing a 0 has no effect); -n = value after reset

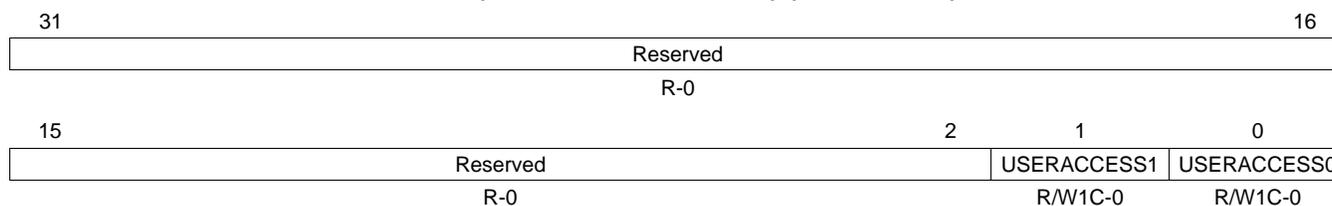
**Table 31-33. MDIO User Command Complete Interrupt Mask Set Register (USERINTMASKSET)  
Field Descriptions**

Bit	Field	Value	Description
31-2	Reserved	0	Reserved
1	USERACCESS1	0	MDIO user interrupt mask set for USERINTMASKED[1]. Setting a bit to 1 will enable MDIO user command complete interrupts for the USERACCESS1 register. MDIO user interrupt for USERACCESS1 is disabled if the corresponding bit is 0. Writing a 0 to this bit has no effect.
		1	MDIO user command complete interrupts for the MDIO user access register USERACCESS0 is disabled.
0	USERACCESS0	0	MDIO user interrupt mask set for USERINTMASKED[0]. Setting a bit to 1 will enable MDIO user command complete interrupts for the USERACCESS0 register. MDIO user interrupt for USERACCESS0 is disabled if the corresponding bit is 0. Writing a 0 to this bit has no effect.
		1	MDIO user command complete interrupts for the MDIO user access register USERACCESS0 is disabled.

### 31.4.10 MDIO User Command Complete Interrupt Mask Clear Register (USERINTMASKCLEAR)

The MDIO user command complete interrupt mask clear register (USERINTMASKCLEAR) is shown in [Figure 31-34](#) and described in [Table 31-34](#).

**Figure 31-34. MDIO User Command Complete Interrupt Mask Clear Register (USERINTMASKCLEAR) (offset = 2Ch)**



LEGEND: R/W = Read/Write; R = Read only; W1C = Write 1 to clear (writing a 0 has no effect); -n = value after reset

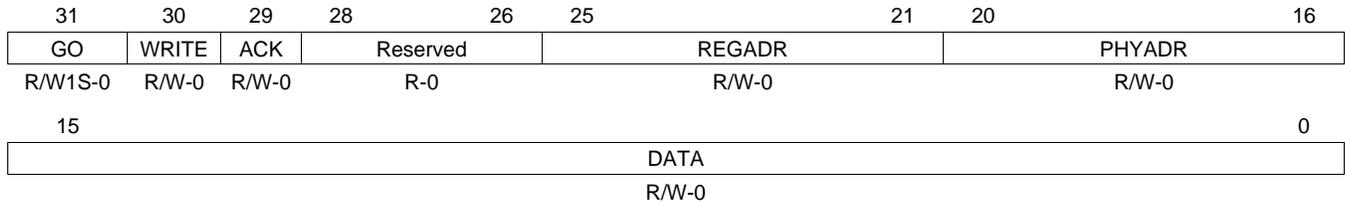
**Table 31-34. MDIO User Command Complete Interrupt Mask Clear Register (USERINTMASKCLEAR) Field Descriptions**

Bit	Field	Value	Description
31-2	Reserved	0	Reserved
1	USERACCESS1	0	MDIO user command complete interrupt mask clear for USERINTMASKED[1]. Setting the bit to 1 will disable further user command complete interrupts for USERACCESS1. Writing a 0 to this bit has no effect.
		0	MDIO user command complete interrupts for the MDIO user access register USERACCESS1 is enabled.
		1	MDIO user command complete interrupts for the MDIO user access register USERACCESS1 is disabled.
0	USERACCESS0	0	MDIO user command complete interrupt mask clear for USERINTMASKED[0]. Setting the bit to 1 will disable further user command complete interrupts for USERACCESS0. Writing a 0 to this bit has no effect.
		0	MDIO user command complete interrupts for the MDIO user access register USERACCESS0 is enabled.
		1	MDIO user command complete interrupts for the MDIO user access register USERACCESS0 is disabled.

### 31.4.11 MDIO User Access Register 0 (USERACCESS0)

The MDIO user access register 0 (USERACCESS0) is shown in [Figure 31-35](#) and described in [Table 31-35](#).

**Figure 31-35. MDIO User Access Register 0 (USERACCESS0) (offset = 80h)**



LEGEND: R/W = Read/Write; R = Read only; W1S = Write 1 to set (writing a 0 has no effect); -n = value after reset

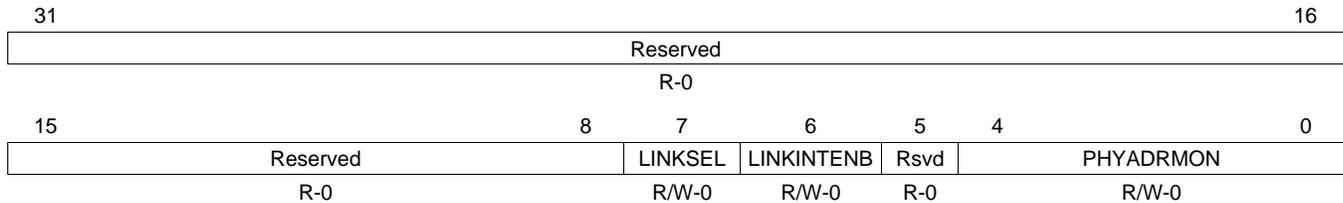
**Table 31-35. MDIO User Access Register 0 (USERACCESS0) Field Descriptions**

Bit	Field	Value	Description
31	GO	0-1	Go bit. Writing a 1 to this bit causes the MDIO state machine to perform an MDIO access when it is convenient for it to do so; this is not an instantaneous process. Writing a 0 to this bit has no effect. This bit is writeable only if the MDIO state machine is enabled. This bit will self clear when the requested access has been completed. Any writes to USERACCESS0 are blocked when the GO bit is 1.
30	WRITE	0 1	Write enable bit. Setting this bit to 1 causes the MDIO transaction to be a register write; otherwise, it is a register read. The user command is a read operation. The user command is a write operation.
29	ACK	0-1	Acknowledge bit. This bit is set if the PHY acknowledged the read transaction.
28-26	Reserved	0	Reserved
25-21	REGADR	0-1Fh	Register address bits. This field specifies the PHY register to be accessed for this transaction
20-16	PHYADR	0-1Fh	PHY address bits. This field specifies the PHY to be accessed for this transaction.
15-0	DATA	0-FFFFh	User data bits. These bits specify the data value read from or to be written to the specified PHY register.

### 31.4.12 MDIO User PHY Select Register 0 (USERPHYSEL0)

The MDIO user PHY select register 0 (USERPHYSEL0) is shown in [Figure 31-36](#) and described in [Table 31-36](#).

**Figure 31-36. MDIO User PHY Select Register 0 (USERPHYSEL0) (offset = 84h)**



LEGEND: R/W = Read/Write; R = Read only; -n = value after reset

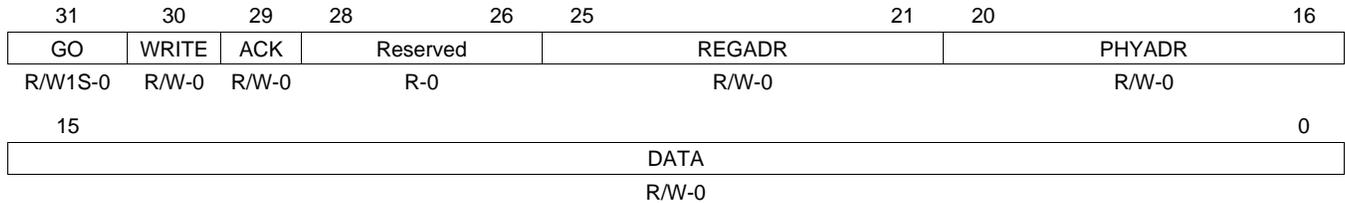
**Table 31-36. MDIO User PHY Select Register 0 (USERPHYSEL0) Field Descriptions**

Bit	Field	Value	Description
31-8	Reserved	0	Reserved
7	LINKSEL	0	Link status determination select bit. Default value is 0, which implies that the link status is determined by the MDIO state machine. This is the only option supported on this device.
		1	The link status is determined by the MDIO state machine. Not supported.
6	LINKINTENB	0	Link change interrupt enable. Set to 1 to enable link change status interrupts for PHY address specified in PHYADDRMON. Link change interrupts are disabled if this bit is cleared to 0.
		1	Link change interrupts are disabled. Link change status interrupts for PHY address specified in PHYADDRMON bits are enabled.
5	Reserved	0	Reserved
4-0	PHYADDRMON	0-1Fh	PHY address whose link status is to be monitored.

### 31.4.13 MDIO User Access Register 1 (USERACCESS1)

The MDIO user access register 1 (USERACCESS1) is shown in [Figure 31-37](#) and described in [Table 31-37](#).

**Figure 31-37. MDIO User Access Register 1 (USERACCESS1) (offset = 88h)**



LEGEND: R/W = Read/Write; R = Read only; W1S = Write 1 to set (writing a 0 has no effect); -n = value after reset

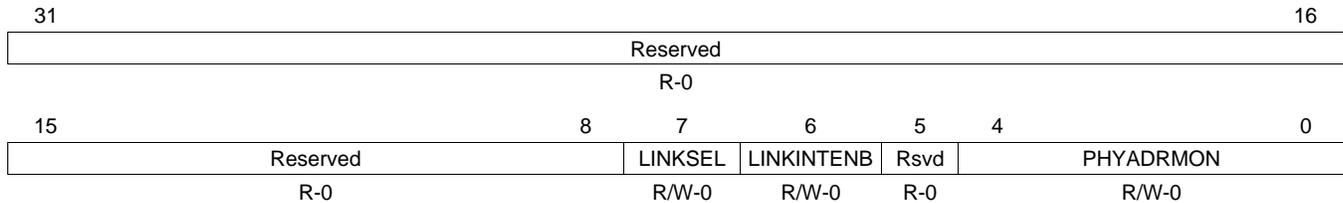
**Table 31-37. MDIO User Access Register 1 (USERACCESS1) Field Descriptions**

Bit	Field	Value	Description
31	GO	0-1	Go bit. Writing 1 to this bit causes the MDIO state machine to perform an MDIO access when it is convenient for it to do so; this is not an instantaneous process. Writing 0 to this bit has no effect. This bit is writeable only if the MDIO state machine is enabled. This bit will self clear when the requested access has been completed. Any writes to USERACCESS0 are blocked when the GO bit is 1.
30	WRITE	0 1	Write enable bit. Setting this bit to 1 causes the MDIO transaction to be a register write; otherwise, it is a register read. 0 The user command is a read operation. 1 The user command is a write operation.
29	ACK	0-1	Acknowledge bit. This bit is set if the PHY acknowledged the read transaction.
28-26	Reserved	0	Reserved
25-21	REGADR	0-1Fh	Register address bits. This field specifies the PHY register to be accessed for this transaction
20-16	PHYADR	0-1Fh	PHY address bits. This field specifies the PHY to be accessed for this transaction.
15-0	DATA	0-FFFFh	User data bits. These bits specify the data value read from or to be written to the specified PHY register.

### 31.4.14 MDIO User PHY Select Register 1 (USERPHYSEL1)

The MDIO user PHY select register 1 (USERPHYSEL1) is shown in [Figure 31-38](#) and described in [Table 31-38](#).

**Figure 31-38. MDIO User PHY Select Register 1 (USERPHYSEL1) (offset = 8Ch)**



LEGEND: R/W = Read/Write; R = Read only; -n = value after reset

**Table 31-38. MDIO User PHY Select Register 1 (USERPHYSEL1) Field Descriptions**

Bit	Field	Value	Description
31-8	Reserved	0	Reserved
7	LINKSEL	0	Link status determination select bit. Default value is 0, which implies that the link status is determined by the MDIO state machine. This is the only option supported on this device.
		1	The link status is determined by the MDIO state machine. Not supported.
6	LINKINTENB	0	Link change interrupt enable. Set to 1 to enable link change status interrupts for the PHY address specified in PHYADDRMON. Link change interrupts are disabled if this bit is cleared to 0.
		1	Link change interrupts are disabled. Link change status interrupts for PHY address specified in PHYADDRMON bits are enabled.
5	Reserved	0	PHY address whose link status is to be monitored.
4-0	PHYADDRMON	0-1Fh	PHY address whose link status is to be monitored.

## 31.5 EMAC Module Registers

Table 31-39 lists the memory-mapped registers for the EMAC. The base address for these registers is FCF7 8000h.

**Table 31-39. Ethernet Media Access Controller (EMAC) Registers**

Offset	Acronym	Register Description	Section
0h	TXREVID	Transmit Revision ID Register	<a href="#">Section 31.5.1</a>
4h	TXCONTROL	Transmit Control Register	<a href="#">Section 31.5.2</a>
8h	TXTEARDOWN	Transmit Teardown Register	<a href="#">Section 31.5.3</a>
10h	RXREVID	Receive Revision ID Register	<a href="#">Section 31.5.4</a>
14h	RXCONTROL	Receive Control Register	<a href="#">Section 31.5.5</a>
18h	RXTEARDOWN	Receive Teardown Register	<a href="#">Section 31.5.6</a>
80h	TXINTSTATRAW	Transmit Interrupt Status (Unmasked) Register	<a href="#">Section 31.5.7</a>
84h	TXINTSTATMASKED	Transmit Interrupt Status (Masked) Register	<a href="#">Section 31.5.8</a>
88h	TXINTMASKSET	Transmit Interrupt Mask Set Register	<a href="#">Section 31.5.9</a>
8Ch	TXINTMASKCLEAR	Transmit Interrupt Clear Register	<a href="#">Section 31.5.10</a>
90h	MACINVECTOR	MAC Input Vector Register	<a href="#">Section 31.5.11</a>
94h	MACEOIVECTOR	MAC End Of Interrupt Vector Register	<a href="#">Section 31.5.12</a>
A0h	RXINTSTATRAW	Receive Interrupt Status (Unmasked) Register	<a href="#">Section 31.5.13</a>
A4h	RXINTSTATMASKED	Receive Interrupt Status (Masked) Register	<a href="#">Section 31.5.14</a>
A8h	RXINTMASKSET	Receive Interrupt Mask Set Register	<a href="#">Section 31.5.15</a>
ACh	RXINTMASKCLEAR	Receive Interrupt Mask Clear Register	<a href="#">Section 31.5.16</a>
B0h	MACINTSTATRAW	MAC Interrupt Status (Unmasked) Register	<a href="#">Section 31.5.17</a>
B4h	MACINTSTATMASKED	MAC Interrupt Status (Masked) Register	<a href="#">Section 31.5.18</a>
B8h	MACINTMASKSET	MAC Interrupt Mask Set Register	<a href="#">Section 31.5.19</a>
BCh	MACINTMASKCLEAR	MAC Interrupt Mask Clear Register	<a href="#">Section 31.5.20</a>
100h	RXMBPENABLE	Receive Multicast/Broadcast/Promiscuous Channel Enable Register	<a href="#">Section 31.5.21</a>
104h	RXUNICASTSET	Receive Unicast Enable Set Register	<a href="#">Section 31.5.22</a>
108h	RXUNICASTCLEAR	Receive Unicast Clear Register	<a href="#">Section 31.5.23</a>
10Ch	RXMAXLEN	Receive Maximum Length Register	<a href="#">Section 31.5.24</a>
110h	RXBUFFEROFFSET	Receive Buffer Offset Register	<a href="#">Section 31.5.25</a>
114h	RXFILTERLOWTHRESH	Receive Filter Low Priority Frame Threshold Register	<a href="#">Section 31.5.26</a>
120h	RX0FLOWTHRESH	Receive Channel 0 Flow Control Threshold Register	<a href="#">Section 31.5.27</a>
124h	RX1FLOWTHRESH	Receive Channel 1 Flow Control Threshold Register	<a href="#">Section 31.5.27</a>
128h	RX2FLOWTHRESH	Receive Channel 2 Flow Control Threshold Register	<a href="#">Section 31.5.27</a>
12Ch	RX3FLOWTHRESH	Receive Channel 3 Flow Control Threshold Register	<a href="#">Section 31.5.27</a>
130h	RX4FLOWTHRESH	Receive Channel 4 Flow Control Threshold Register	<a href="#">Section 31.5.27</a>
134h	RX5FLOWTHRESH	Receive Channel 5 Flow Control Threshold Register	<a href="#">Section 31.5.27</a>
138h	RX6FLOWTHRESH	Receive Channel 6 Flow Control Threshold Register	<a href="#">Section 31.5.27</a>
13Ch	RX7FLOWTHRESH	Receive Channel 7 Flow Control Threshold Register	<a href="#">Section 31.5.27</a>
140h	RX0FREEBUFFER	Receive Channel 0 Free Buffer Count Register	<a href="#">Section 31.5.28</a>
144h	RX1FREEBUFFER	Receive Channel 1 Free Buffer Count Register	<a href="#">Section 31.5.28</a>
148h	RX2FREEBUFFER	Receive Channel 2 Free Buffer Count Register	<a href="#">Section 31.5.28</a>
14Ch	RX3FREEBUFFER	Receive Channel 3 Free Buffer Count Register	<a href="#">Section 31.5.28</a>
150h	RX4FREEBUFFER	Receive Channel 4 Free Buffer Count Register	<a href="#">Section 31.5.28</a>
154h	RX5FREEBUFFER	Receive Channel 5 Free Buffer Count Register	<a href="#">Section 31.5.28</a>
158h	RX6FREEBUFFER	Receive Channel 6 Free Buffer Count Register	<a href="#">Section 31.5.28</a>
15Ch	RX7FREEBUFFER	Receive Channel 7 Free Buffer Count Register	<a href="#">Section 31.5.28</a>
160h	MACCONTROL	MAC Control Register	<a href="#">Section 31.5.29</a>

**Table 31-39. Ethernet Media Access Controller (EMAC) Registers (continued)**

Offset	Acronym	Register Description	Section
164h	MACSTATUS	MAC Status Register	<a href="#">Section 31.5.30</a>
168h	EMCONTROL	Emulation Control Register	<a href="#">Section 31.5.31</a>
16Ch	FIFOCONTROL	FIFO Control Register	<a href="#">Section 31.5.32</a>
170h	MACCONFIG	MAC Configuration Register	<a href="#">Section 31.5.33</a>
174h	SOFTRESET	Soft Reset Register	<a href="#">Section 31.5.34</a>
1D0h	MACSRCADDRLO	MAC Source Address Low Bytes Register	<a href="#">Section 31.5.35</a>
1D4h	MACSRCADDRHI	MAC Source Address High Bytes Register	<a href="#">Section 31.5.36</a>
1D8h	MACHASH1	MAC Hash Address Register 1	<a href="#">Section 31.5.37</a>
1DCh	MACHASH2	MAC Hash Address Register 2	<a href="#">Section 31.5.38</a>
1E0h	BOFFTEST	Back Off Test Register	<a href="#">Section 31.5.39</a>
1E4h	TPACETEST	Transmit Pacing Algorithm Test Register	<a href="#">Section 31.5.40</a>
1E8h	RXPAUSE	Receive Pause Timer Register	<a href="#">Section 31.5.41</a>
1ECh	TXPAUSE	Transmit Pause Timer Register	<a href="#">Section 31.5.42</a>
500h	MACADDRLO	MAC Address Low Bytes Register	<a href="#">Section 31.5.43</a>
504h	MACADDRHI	MAC Address High Bytes Register	<a href="#">Section 31.5.44</a>
508h	MACINDEX	MAC Index Register	<a href="#">Section 31.5.45</a>
600h	TX0HDP	Transmit Channel 0 DMA Head Descriptor Pointer Register	<a href="#">Section 31.5.46</a>
604h	TX1HDP	Transmit Channel 1 DMA Head Descriptor Pointer Register	<a href="#">Section 31.5.46</a>
608h	TX2HDP	Transmit Channel 2 DMA Head Descriptor Pointer Register	<a href="#">Section 31.5.46</a>
60Ch	TX3HDP	Transmit Channel 3 DMA Head Descriptor Pointer Register	<a href="#">Section 31.5.46</a>
610h	TX4HDP	Transmit Channel 4 DMA Head Descriptor Pointer Register	<a href="#">Section 31.5.46</a>
614h	TX5HDP	Transmit Channel 5 DMA Head Descriptor Pointer Register	<a href="#">Section 31.5.46</a>
618h	TX6HDP	Transmit Channel 6 DMA Head Descriptor Pointer Register	<a href="#">Section 31.5.46</a>
61Ch	TX7HDP	Transmit Channel 7 DMA Head Descriptor Pointer Register	<a href="#">Section 31.5.46</a>
620h	RX0HDP	Receive Channel 0 DMA Head Descriptor Pointer Register	<a href="#">Section 31.5.47</a>
624h	RX1HDP	Receive Channel 1 DMA Head Descriptor Pointer Register	<a href="#">Section 31.5.47</a>
628h	RX2HDP	Receive Channel 2 DMA Head Descriptor Pointer Register	<a href="#">Section 31.5.47</a>
62Ch	RX3HDP	Receive Channel 3 DMA Head Descriptor Pointer Register	<a href="#">Section 31.5.47</a>
630h	RX4HDP	Receive Channel 4 DMA Head Descriptor Pointer Register	<a href="#">Section 31.5.47</a>
634h	RX5HDP	Receive Channel 5 DMA Head Descriptor Pointer Register	<a href="#">Section 31.5.47</a>
638h	RX6HDP	Receive Channel 6 DMA Head Descriptor Pointer Register	<a href="#">Section 31.5.47</a>
63Ch	RX7HDP	Receive Channel 7 DMA Head Descriptor Pointer Register	<a href="#">Section 31.5.47</a>
640h	TX0CP	Transmit Channel 0 Completion Pointer Register	<a href="#">Section 31.5.48</a>
644h	TX1CP	Transmit Channel 1 Completion Pointer Register	<a href="#">Section 31.5.48</a>
648h	TX2CP	Transmit Channel 2 Completion Pointer Register	<a href="#">Section 31.5.48</a>
64Ch	TX3CP	Transmit Channel 3 Completion Pointer Register	<a href="#">Section 31.5.48</a>
650h	TX4CP	Transmit Channel 4 Completion Pointer Register	<a href="#">Section 31.5.48</a>
654h	TX5CP	Transmit Channel 5 Completion Pointer Register	<a href="#">Section 31.5.48</a>
658h	TX6CP	Transmit Channel 6 Completion Pointer Register	<a href="#">Section 31.5.48</a>
65Ch	TX7CP	Transmit Channel 7 Completion Pointer Register	<a href="#">Section 31.5.48</a>
660h	RX0CP	Receive Channel 0 Completion Pointer Register	<a href="#">Section 31.5.49</a>
664h	RX1CP	Receive Channel 1 Completion Pointer Register	<a href="#">Section 31.5.49</a>
668h	RX2CP	Receive Channel 2 Completion Pointer Register	<a href="#">Section 31.5.49</a>
66Ch	RX3CP	Receive Channel 3 Completion Pointer Register	<a href="#">Section 31.5.49</a>
670h	RX4CP	Receive Channel 4 Completion Pointer Register	<a href="#">Section 31.5.49</a>
674h	RX5CP	Receive Channel 5 Completion Pointer Register	<a href="#">Section 31.5.49</a>
678h	RX6CP	Receive Channel 6 Completion Pointer Register	<a href="#">Section 31.5.49</a>

**Table 31-39. Ethernet Media Access Controller (EMAC) Registers (continued)**

Offset	Acronym	Register Description	Section
67Ch	RX7CP	Receive Channel 7 Completion Pointer Register	<a href="#">Section 31.5.49</a>
<b>Network Statistics Registers</b>			
200h	RXGOODFRAMES	Good Receive Frames Register	<a href="#">Section 31.5.50.1</a>
204h	RXBCASTFRAMES	Broadcast Receive Frames Register	<a href="#">Section 31.5.50.2</a>
208h	RXMCASTFRAMES	Multicast Receive Frames Register	<a href="#">Section 31.5.50.3</a>
20Ch	RXPAUSEFRAMES	Pause Receive Frames Register	<a href="#">Section 31.5.50.4</a>
210h	RXCRCERRORS	Receive CRC Errors Register	<a href="#">Section 31.5.50.5</a>
214h	RXALIGNCODEERRORS	Receive Alignment/Code Errors Register	<a href="#">Section 31.5.50.6</a>
218h	RXOVERSIZED	Receive Oversized Frames Register	<a href="#">Section 31.5.50.7</a>
21Ch	RXJABBER	Receive Jabber Frames Register	<a href="#">Section 31.5.50.8</a>
220h	RXUNDERSIZED	Receive Undersized Frames Register	<a href="#">Section 31.5.50.9</a>
224h	RXFRAGMENTS	Receive Frame Fragments Register	<a href="#">Section 31.5.50.10</a>
228h	RXFILTERED	Filtered Receive Frames Register	<a href="#">Section 31.5.50.11</a>
22Ch	RXQOSFILTERED	Receive QOS Filtered Frames Register	<a href="#">Section 31.5.50.12</a>
230h	RXOCTETS	Receive Octet Frames Register	<a href="#">Section 31.5.50.13</a>
234h	TXGOODFRAMES	Good Transmit Frames Register	<a href="#">Section 31.5.50.14</a>
238h	TXBCASTFRAMES	Broadcast Transmit Frames Register	<a href="#">Section 31.5.50.15</a>
23Ch	TXMCASTFRAMES	Multicast Transmit Frames Register	<a href="#">Section 31.5.50.16</a>
240h	TXPAUSEFRAMES	Pause Transmit Frames Register	<a href="#">Section 31.5.50.17</a>
244h	TXDEFERRED	Deferred Transmit Frames Register	<a href="#">Section 31.5.50.18</a>
248h	TXCOLLISION	Transmit Collision Frames Register	<a href="#">Section 31.5.50.19</a>
24Ch	TXSINGLECOLL	Transmit Single Collision Frames Register	<a href="#">Section 31.5.50.20</a>
250h	TXMULTICOLL	Transmit Multiple Collision Frames Register	<a href="#">Section 31.5.50.21</a>
254h	TXEXCESSIVECOLL	Transmit Excessive Collision Frames Register	<a href="#">Section 31.5.50.22</a>
258h	TXLATECOLL	Transmit Late Collision Frames Register	<a href="#">Section 31.5.50.23</a>
25Ch	TXUNDERRUN	Transmit Underrun Error Register	<a href="#">Section 31.5.50.24</a>
260h	TXCARRIERSENSE	Transmit Carrier Sense Errors Register	<a href="#">Section 31.5.50.25</a>
264h	TXOCTETS	Transmit Octet Frames Register	<a href="#">Section 31.5.50.26</a>
268h	FRAME64	Transmit and Receive 64 Octet Frames Register	<a href="#">Section 31.5.50.27</a>
26Ch	FRAME65T127	Transmit and Receive 65 to 127 Octet Frames Register	<a href="#">Section 31.5.50.28</a>
270h	FRAME128T255	Transmit and Receive 128 to 255 Octet Frames Register	<a href="#">Section 31.5.50.29</a>
274h	FRAME256T511	Transmit and Receive 256 to 511 Octet Frames Register	<a href="#">Section 31.5.50.30</a>
278h	FRAME512T1023	Transmit and Receive 512 to 1023 Octet Frames Register	<a href="#">Section 31.5.50.31</a>
27Ch	FRAME1024TUP	Transmit and Receive 1024 to RXMAXLEN Octet Frames Register	<a href="#">Section 31.5.50.32</a>
280h	NETOCTETS	Network Octet Frames Register	<a href="#">Section 31.5.50.33</a>
284h	RXSOFOVERRUNS	Receive FIFO or DMA Start of Frame Overruns Register	<a href="#">Section 31.5.50.34</a>
288h	RXMOFOVERRUNS	Receive FIFO or DMA Middle of Frame Overruns Register	<a href="#">Section 31.5.50.35</a>
28Ch	RXDMAOVERRUNS	Receive DMA Overruns Register	<a href="#">Section 31.5.50.36</a>

### 31.5.1 Transmit Revision ID Register (TXREVID)

The transmit revision ID register (TXREVID) is shown in [Figure 31-39](#) and described in [Table 31-40](#).

**Figure 31-39. Transmit Revision ID Register (TXREVID) (offset = 00h)**



LEGEND: R = Read only; -n = value after reset

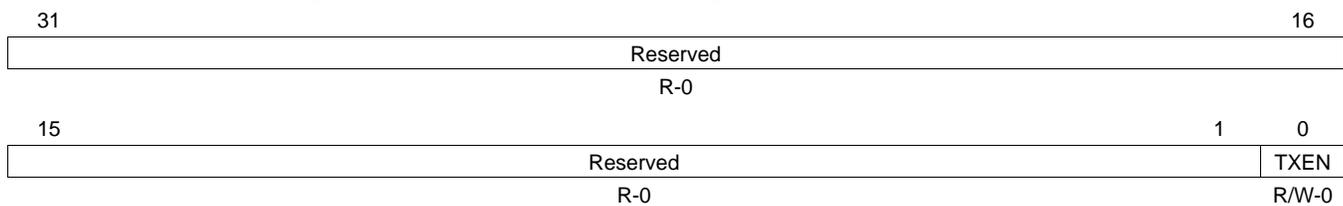
**Table 31-40. Transmit Revision ID Register (TXREVID) Field Descriptions**

Bit	Field	Value	Description
31-0	TXREV	4EC0 020Dh	Transmit module revision Current transmit revision value

### 31.5.2 Transmit Control Register (TXCONTROL)

The transmit control register (TXCONTROL) is shown in [Figure 31-40](#) and described in [Table 31-41](#).

**Figure 31-40. Transmit Control Register (TXCONTROL) (offset = 04h)**



LEGEND: R/W = Read/Write; R = Read only; -n = value after reset

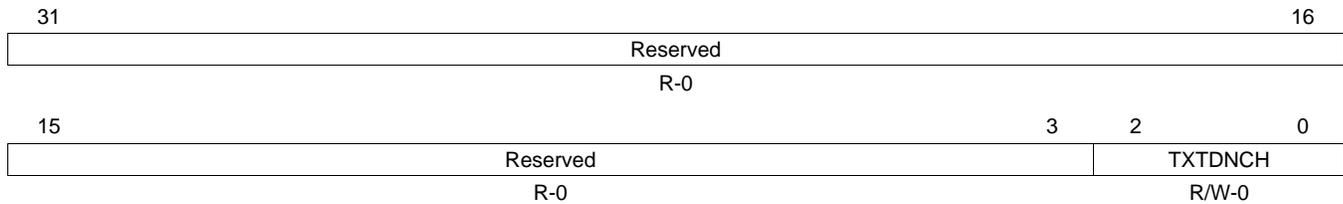
**Table 31-41. Transmit Control Register (TXCONTROL) Field Descriptions**

Bit	Field	Value	Description
31-1	Reserved	0	Reserved
0	TXEN		Transmit enable
		0	Transmit is disabled.
		1	Transmit is enabled.

### 31.5.3 Transmit Teardown Register (TXTEARDOWN)

The transmit teardown register (TXTEARDOWN) is shown in [Figure 31-41](#) and described in [Table 31-42](#).

**Figure 31-41. Transmit Teardown Register (TXTEARDOWN) (offset = 08h)**



LEGEND: R/W = Read/Write; R = Read only; -n = value after reset

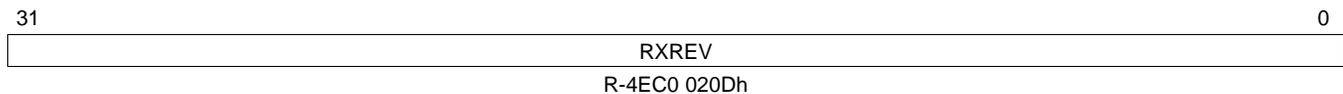
**Table 31-42. Transmit Teardown Register (TXTEARDOWN) Field Descriptions**

Bit	Field	Value	Description
31-3	Reserved	0	Reserved
2-0	TXTDNCH	0-7h	Transmit teardown channel. The transmit channel teardown is commanded by writing the encoded value of the transmit channel to be torn down. The teardown register is read as 0.
		0	Teardown transmit channel 0
		1h	Teardown transmit channel 1
		2h	Teardown transmit channel 2
		3h	Teardown transmit channel 3
		4h	Teardown transmit channel 4
		5h	Teardown transmit channel 5
		6h	Teardown transmit channel 6
		7h	Teardown transmit channel 7

### 31.5.4 Receive Revision ID Register (RXREVID)

The receive revision ID register (RXREVID) is shown in [Figure 31-42](#) and described in [Table 31-43](#).

**Figure 31-42. Receive Revision ID Register (RXREVID) (offset = 10h)**



LEGEND: R = Read only; -n = value after reset

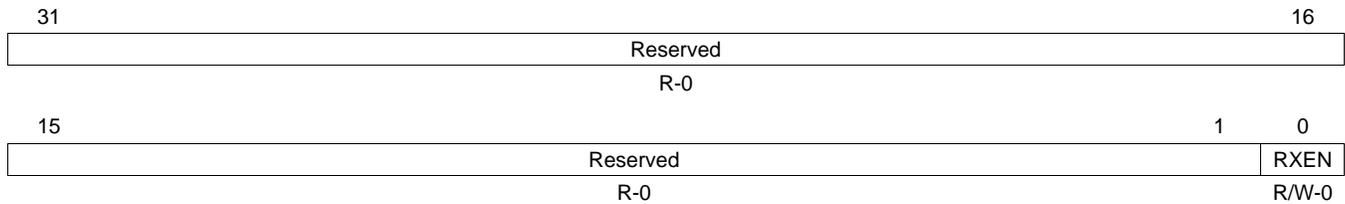
**Table 31-43. Receive Revision ID Register (RXREVID) Field Descriptions**

Bit	Field	Value	Description
31-0	RXREV	4EC0 020Dh	Receive module revision Current receive revision value

### 31.5.5 Receive Control Register (RXCONTROL)

The receive control register (RXCONTROL) is shown in [Figure 31-43](#) and described in [Table 31-44](#).

**Figure 31-43. Receive Control Register (RXCONTROL) (offset = 14h)**



LEGEND: R/W = Read/Write; R = Read only; -n = value after reset

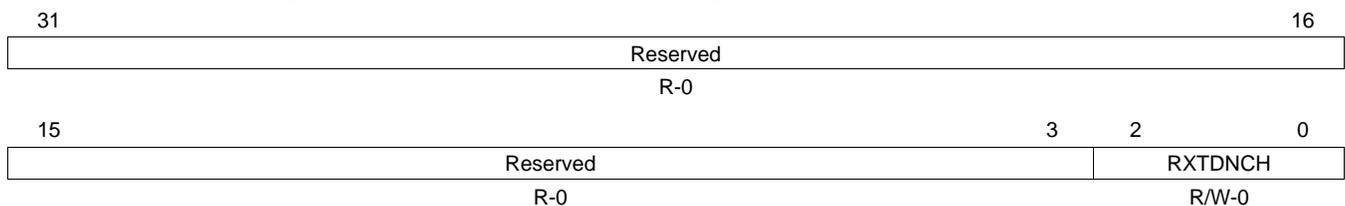
**Table 31-44. Receive Control Register (RXCONTROL) Field Descriptions**

Bit	Field	Value	Description
31-1	Reserved	0	Reserved
0	RXEN	0	Receive enable Receive is disabled.
		1	Receive is enabled.

### 31.5.6 Receive Teardown Register (RXTEARDOWN)

The receive teardown register (RXTEARDOWN) is shown in [Figure 31-44](#) and described in [Table 31-45](#).

**Figure 31-44. Receive Teardown Register (RXTEARDOWN) (offset = 18h)**



LEGEND: R/W = Read/Write; R = Read only; -n = value after reset

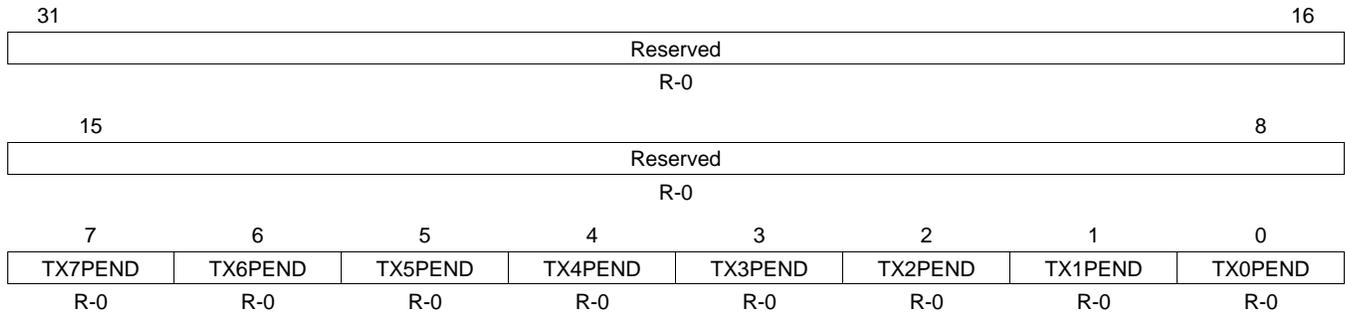
**Table 31-45. Receive Teardown Register (RXTEARDOWN) Field Descriptions**

Bit	Field	Value	Description
31-3	Reserved	0	Reserved
2-0	RXTDNCH	0	Receive teardown channel. The receive channel teardown is commanded by writing the encoded value of the receive channel to be torn down. The teardown register is read as 0.
		0	Teardown receive channel 0
		1h	Teardown receive channel 1
		2h	Teardown receive channel 2
		3h	Teardown receive channel 3
		4h	Teardown receive channel 4
		5h	Teardown receive channel 5
		6h	Teardown receive channel 6
		7h	Teardown receive channel 7

### 31.5.7 Transmit Interrupt Status (Unmasked) Register (TXINTSTATRAW)

The transmit interrupt status (unmasked) register (TXINTSTATRAW) is shown in [Figure 31-45](#) and described in [Table 31-46](#).

**Figure 31-45. Transmit Interrupt Status (Unmasked) Register (TXINTSTATRAW) (offset = 80h)**



LEGEND: R = Read only; -n = value after reset

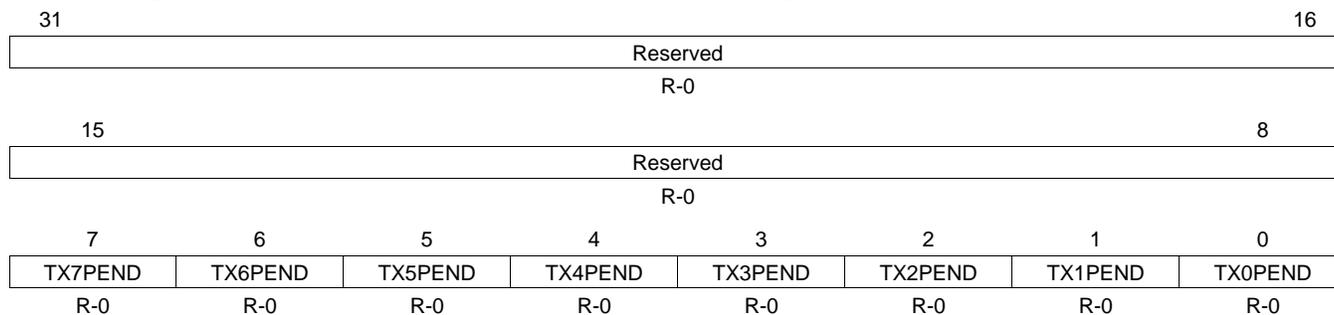
**Table 31-46. Transmit Interrupt Status (Unmasked) Register (TXINTSTATRAW) Field Descriptions**

Bit	Field	Value	Description
31-8	Reserved	0	Reserved
7	TX7PEND	0-1	TX7PEND raw interrupt read (before mask)
6	TX6PEND	0-1	TX6PEND raw interrupt read (before mask)
5	TX5PEND	0-1	TX5PEND raw interrupt read (before mask)
4	TX4PEND	0-1	TX4PEND raw interrupt read (before mask)
3	TX3PEND	0-1	TX3PEND raw interrupt read (before mask)
2	TX2PEND	0-1	TX2PEND raw interrupt read (before mask)
1	TX1PEND	0-1	TX1PEND raw interrupt read (before mask)
0	TX0PEND	0-1	TX0PEND raw interrupt read (before mask)

### 31.5.8 Transmit Interrupt Status (Masked) Register (TXINTSTATMASKED)

The transmit interrupt status (masked) register (TXINTSTATMASKED) is shown in [Figure 31-46](#) and described in [Table 31-47](#).

**Figure 31-46. Transmit Interrupt Status (Masked) Register (TXINTSTATMASKED) (offset = 84h)**



LEGEND: R = Read only; -n = value after reset

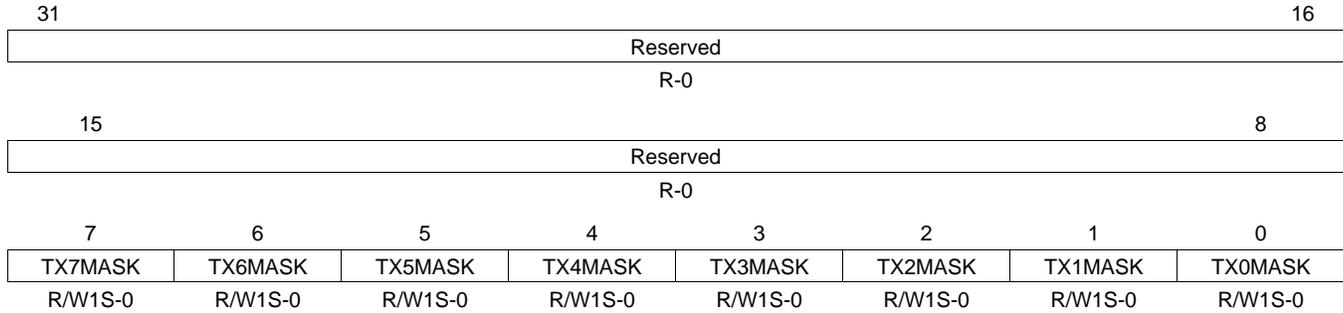
**Table 31-47. Transmit Interrupt Status (Masked) Register (TXINTSTATMASKED) Field Descriptions**

Bit	Field	Value	Description
31-8	Reserved	0	Reserved
7	TX7PEND	0-1	TX7PEND masked interrupt read
6	TX6PEND	0-1	TX6PEND masked interrupt read
5	TX5PEND	0-1	TX5PEND masked interrupt read
4	TX4PEND	0-1	TX4PEND masked interrupt read
3	TX3PEND	0-1	TX3PEND masked interrupt read
2	TX2PEND	0-1	TX2PEND masked interrupt read
1	TX1PEND	0-1	TX1PEND masked interrupt read
0	TX0PEND	0-1	TX0PEND masked interrupt read

### 31.5.9 Transmit Interrupt Mask Set Register (TXINTMASKSET)

The transmit interrupt mask set register (TXINTMASKSET) is shown in [Figure 31-47](#) and described in [Table 31-48](#).

**Figure 31-47. Transmit Interrupt Mask Set Register (TXINTMASKSET) (offset = 88h)**



LEGEND: R/W = Read/Write; R = Read only; W1S = Write 1 to set (writing a 0 has no effect); -n = value after reset

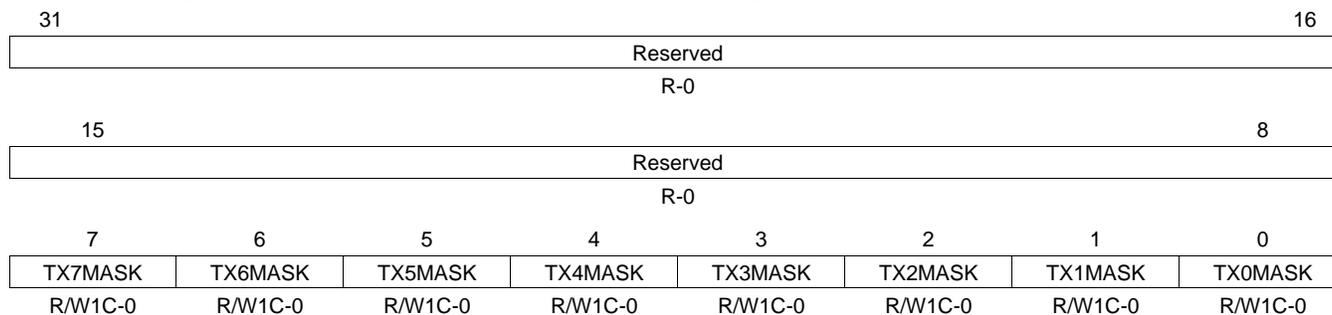
**Table 31-48. Transmit Interrupt Mask Set Register (TXINTMASKSET) Field Descriptions**

Bit	Field	Value	Description
31-8	Reserved	0	Reserved
7	TX7MASK	0-1	Transmit channel 7 interrupt mask set bit. Write 1 to enable interrupt, a write of 0 has no effect.
6	TX6MASK	0-1	Transmit channel 6 interrupt mask set bit. Write 1 to enable interrupt, a write of 0 has no effect.
5	TX5MASK	0-1	Transmit channel 5 interrupt mask set bit. Write 1 to enable interrupt, a write of 0 has no effect.
4	TX4MASK	0-1	Transmit channel 4 interrupt mask set bit. Write 1 to enable interrupt, a write of 0 has no effect.
3	TX3MASK	0-1	Transmit channel 3 interrupt mask set bit. Write 1 to enable interrupt, a write of 0 has no effect.
2	TX2MASK	0-1	Transmit channel 2 interrupt mask set bit. Write 1 to enable interrupt, a write of 0 has no effect.
1	TX1MASK	0-1	Transmit channel 1 interrupt mask set bit. Write 1 to enable interrupt, a write of 0 has no effect.
0	TX0MASK	0-1	Transmit channel 0 interrupt mask set bit. Write 1 to enable interrupt, a write of 0 has no effect.

### 31.5.10 Transmit Interrupt Mask Clear Register (TXINTMASKCLEAR)

The transmit interrupt mask clear register (TXINTMASKCLEAR) is shown in [Figure 31-48](#) and described in [Table 31-49](#).

**Figure 31-48. Transmit Interrupt Mask Clear Register (TXINTMASKCLEAR) (offset = 8Ch)**



LEGEND: R/W = Read/Write; R = Read only; W1C = Write 1 to clear (writing a 0 has no effect); -n = value after reset

**Table 31-49. Transmit Interrupt Mask Clear Register (TXINTMASKCLEAR) Field Descriptions**

Bit	Field	Value	Description
31-8	Reserved	0	Reserved
7	TX7MASK	0-1	Transmit channel 7 interrupt mask clear bit. Write 1 to disable interrupt, a write of 0 has no effect.
6	TX6MASK	0-1	Transmit channel 6 interrupt mask clear bit. Write 1 to disable interrupt, a write of 0 has no effect.
5	TX5MASK	0-1	Transmit channel 5 interrupt mask clear bit. Write 1 to disable interrupt, a write of 0 has no effect.
4	TX4MASK	0-1	Transmit channel 4 interrupt mask clear bit. Write 1 to disable interrupt, a write of 0 has no effect.
3	TX3MASK	0-1	Transmit channel 3 interrupt mask clear bit. Write 1 to disable interrupt, a write of 0 has no effect.
2	TX2MASK	0-1	Transmit channel 2 interrupt mask clear bit. Write 1 to disable interrupt, a write of 0 has no effect.
1	TX1MASK	0-1	Transmit channel 1 interrupt mask clear bit. Write 1 to disable interrupt, a write of 0 has no effect.
0	TX0MASK	0-1	Transmit channel 0 interrupt mask clear bit. Write 1 to disable interrupt, a write of 0 has no effect.

### 31.5.11 MAC Input Vector Register (MACINVECTOR)

The MAC input vector register (MACINVECTOR) is shown in [Figure 31-49](#) and described in [Table 31-50](#).

**Figure 31-49. MAC Input Vector Register (MACINVECTOR) (offset = 90h)**

31	28	27	26	25	24	23	16	
Reserved		STATPEND	HOSTPEND	LINKINT0	USERINT0	TXPEND		
R-0		R-0	R-0	R-0	R-0	R-0		
15						8	7	0
RXTHRESHPEND						RXPEND		
R-0						R-0		

LEGEND: R = Read only; -n = value after reset

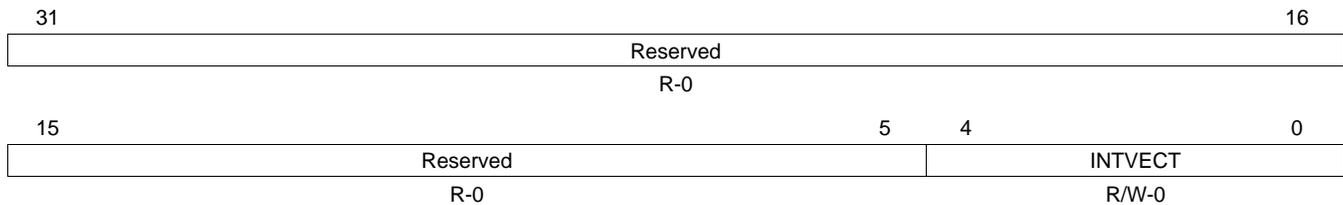
**Table 31-50. MAC Input Vector Register (MACINVECTOR) Field Descriptions**

Bit	Field	Value	Description
31-28	Reserved	0	Reserved
27	STATPEND	0-1	EMAC module statistics interrupt (STATPEND) pending status bit
26	HOSTPEND	0-1	EMAC module host error interrupt (HOSTPEND) pending status bit
25	LINKINT0	0-1	MDIO module USERPHYSEL0 (LINKINT0) status bit
24	USERINT0	0-1	MDIO module USERACCESS0 (USERINT0) status bit
23-16	TXPEND	0-FFh	Transmit channels 0-7 interrupt (TX <sub>n</sub> PEND) pending status. Bit 16 is TX0PEND.
15-8	RXTHRESHPEND	0-FFh	Receive channels 0-7 interrupt (RX <sub>n</sub> THRESHPEND) pending status. Bit 8 is RX0THRESHPEND.
7-0	RXPEND	0-FFh	Receive channels 0-7 interrupt (RX <sub>n</sub> PEND) pending status bit. Bit 0 is RX0PEND.

### 31.5.12 MAC End Of Interrupt Vector Register (MACEOIVECTOR)

The MAC end of interrupt vector register (MACEOIVECTOR) is shown in [Figure 31-50](#) and described in [Table 31-51](#).

**Figure 31-50. MAC End Of Interrupt Vector Register (MACEOIVECTOR) (offset = 94h)**



LEGEND: R/W = Read/Write; R = Read only; -n = value after reset

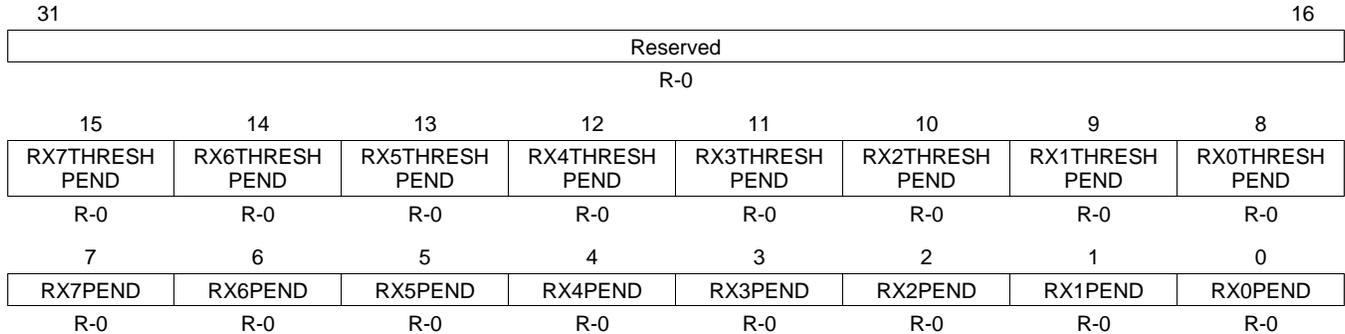
**Table 31-51. MAC End Of Interrupt Vector Register (MACEOIVECTOR) Field Descriptions**

Bit	Field	Value	Description
31-5	Reserved	0	Reserved
4-0	INTVECT	0h	Acknowledge EMAC Control Module Interrupts
		0h	Acknowledge C0RXTHRESH Interrupt
		1h	Acknowledge C0RX Interrupt
		2h	Acknowledge C0TX Interrupt
		3h	Acknowledge C0MISC Interrupt (STATPEND, HOSTPEND, MDIO LINKINT0, MDIO USERINT0)
		4h	Acknowledge C1RXTHRESH Interrupt
		5h	Acknowledge C1RX Interrupt
		6h	Acknowledge C1TX Interrupt
		7h	Acknowledge C1MISC Interrupt (STATPEND, HOSTPEND, MDIO LINKINT0, MDIO USERINT0)
		8h	Acknowledge C2RXTHRESH Interrupt
		9h	Acknowledge C2RX Interrupt
		Ah	Acknowledge C2TX Interrupt
		Bh	Acknowledge C2MISC Interrupt (STATPEND, HOSTPEND, MDIO LINKINT0, MDIO USERINT0)
		Ch-1Fh	Reserved

### 31.5.13 Receive Interrupt Status (Unmasked) Register (RXINTSTATRAW)

The receive interrupt status (unmasked) register (RXINTSTATRAW) is shown in [Figure 31-51](#) and described in [Table 31-52](#).

**Figure 31-51. Receive Interrupt Status (Unmasked) Register (RXINTSTATRAW) (offset = A0h)**



LEGEND: R = Read only; -n = value after reset

**Table 31-52. Receive Interrupt Status (Unmasked) Register (RXINTSTATRAW) Field Descriptions**

Bit	Field	Value	Description
31-16	Reserved	0	Reserved
15	RX7THRESHPEND	0-1	RX7THRESHPEND raw interrupt read (before mask)
14	RX6THRESHPEND	0-1	RX6THRESHPEND raw interrupt read (before mask)
13	RX5THRESHPEND	0-1	RX5THRESHPEND raw interrupt read (before mask)
12	RX4THRESHPEND	0-1	RX4THRESHPEND raw interrupt read (before mask)
11	RX3THRESHPEND	0-1	RX3THRESHPEND raw interrupt read (before mask)
10	RX2THRESHPEND	0-1	RX2THRESHPEND raw interrupt read (before mask)
9	RX1THRESHPEND	0-1	RX1THRESHPEND raw interrupt read (before mask)
8	RX0THRESHPEND	0-1	RX0THRESHPEND raw interrupt read (before mask)
7	RX7PEND	0-1	RX7PEND raw interrupt read (before mask)
6	RX6PEND	0-1	RX6PEND raw interrupt read (before mask)
5	RX5PEND	0-1	RX5PEND raw interrupt read (before mask)
4	RX4PEND	0-1	RX4PEND raw interrupt read (before mask)
3	RX3PEND	0-1	RX3PEND raw interrupt read (before mask)
2	RX2PEND	0-1	RX2PEND raw interrupt read (before mask)
1	RX1PEND	0-1	RX1PEND raw interrupt read (before mask)
0	RX0PEND	0-1	RX0PEND raw interrupt read (before mask)

### 31.5.14 Receive Interrupt Status (Masked) Register (RXINTSTATMASKED)

The receive interrupt status (masked) register (RXINTSTATMASKED) is shown in [Figure 31-52](#) and described in [Table 31-53](#).

**Figure 31-52. Receive Interrupt Status (Masked) Register (RXINTSTATMASKED) (offset = A4h)**

Reserved							
R-0							
15	14	13	12	11	10	9	8
RX7THRESH PEND	RX6THRESH PEND	RX5THRESH PEND	RX4THRESH PEND	RX3THRESH PEND	RX2THRESH PEND	RX1THRESH PEND	RX0THRESH PEND
R-0	R-0	R-0	R-0	R-0	R-0	R-0	R-0
7	6	5	4	3	2	1	0
RX7PEND	RX6PEND	RX5PEND	RX4PEND	RX3PEND	RX2PEND	RX1PEND	RX0PEND
R-0	R-0	R-0	R-0	R-0	R-0	R-0	R-0

LEGEND: R = Read only; -n = value after reset

**Table 31-53. Receive Interrupt Status (Masked) Register (RXINTSTATMASKED) Field Descriptions**

Bit	Field	Value	Description
31-16	Reserved	0	Reserved
15	RX7THRESHPEND	0-1	RX7THRESHPEND masked interrupt read
14	RX6THRESHPEND	0-1	RX6THRESHPEND masked interrupt read
13	RX5THRESHPEND	0-1	RX5THRESHPEND masked interrupt read
12	RX4THRESHPEND	0-1	RX4THRESHPEND masked interrupt read
11	RX3THRESHPEND	0-1	RX3THRESHPEND masked interrupt read
10	RX2THRESHPEND	0-1	RX2THRESHPEND masked interrupt read
9	RX1THRESHPEND	0-1	RX1THRESHPEND masked interrupt read
8	RX0THRESHPEND	0-1	RX0THRESHPEND masked interrupt read
7	RX7PEND	0-1	RX7PEND masked interrupt read
6	RX6PEND	0-1	RX6PEND masked interrupt read
5	RX5PEND	0-1	RX5PEND masked interrupt read
4	RX4PEND	0-1	RX4PEND masked interrupt read
3	RX3PEND	0-1	RX3PEND masked interrupt read
2	RX2PEND	0-1	RX2PEND masked interrupt read
1	RX1PEND	0-1	RX1PEND masked interrupt read
0	RX0PEND	0-1	RX0PEND masked interrupt read

### 31.5.15 Receive Interrupt Mask Set Register (RXINTMASKSET)

The receive interrupt mask set register (RXINTMASKSET) is shown in [Figure 31-53](#) and described in [Table 31-54](#).

**Figure 31-53. Receive Interrupt Mask Set Register (RXINTMASKSET) (offset = A8h)**

Reserved							
R-0							
15	14	13	12	11	10	9	8
RX7THRESH MASK	RX6THRESH MASK	RX5THRESH MASK	RX4THRESH MASK	RX3THRESH MASK	RX2THRESH MASK	RX1THRESH MASK	RX0THRESH MASK
R/W1S-0	R/W1S-0	R/W1S-0	R/W1S-0	R/W1S-0	R/W1S-0	R/W1S-0	R/W1S-0
7	6	5	4	3	2	1	0
RX7MASK	RX6MASK	RX5MASK	RX4MASK	RX3MASK	RX2MASK	RX1MASK	RX0MASK
R/W1S-0	R/W1S-0	R/W1S-0	R/W1S-0	R/W1S-0	R/W1S-0	R/W1S-0	R/W1S-0

LEGEND: R/W = Read/Write; R = Read only; W1S = Write 1 to set (writing a 0 has no effect); -n = value after reset

**Table 31-54. Receive Interrupt Mask Set Register (RXINTMASKSET) Field Descriptions**

Bit	Field	Value	Description
31-16	Reserved	0	Reserved
15	RX7THRESHMASK	0-1	Receive channel 7 threshold mask set bit. Write 1 to enable interrupt; a write of 0 has no effect.
14	RX6THRESHMASK	0-1	Receive channel 6 threshold mask set bit. Write 1 to enable interrupt; a write of 0 has no effect.
13	RX5THRESHMASK	0-1	Receive channel 5 threshold mask set bit. Write 1 to enable interrupt; a write of 0 has no effect.
12	RX4THRESHMASK	0-1	Receive channel 4 threshold mask set bit. Write 1 to enable interrupt; a write of 0 has no effect.
11	RX3THRESHMASK	0-1	Receive channel 3 threshold mask set bit. Write 1 to enable interrupt; a write of 0 has no effect.
10	RX2THRESHMASK	0-1	Receive channel 2 threshold mask set bit. Write 1 to enable interrupt; a write of 0 has no effect.
9	RX1THRESHMASK	0-1	Receive channel 1 threshold mask set bit. Write 1 to enable interrupt; a write of 0 has no effect.
8	RX0THRESHMASK	0-1	Receive channel 0 threshold mask set bit. Write 1 to enable interrupt; a write of 0 has no effect.
7	RX7MASK	0-1	Receive channel 7 mask set bit. Write 1 to enable interrupt; a write of 0 has no effect.
6	RX6MASK	0-1	Receive channel 6 mask set bit. Write 1 to enable interrupt; a write of 0 has no effect.
5	RX5MASK	0-1	Receive channel 5 mask set bit. Write 1 to enable interrupt; a write of 0 has no effect.
4	RX4MASK	0-1	Receive channel 4 mask set bit. Write 1 to enable interrupt; a write of 0 has no effect.
3	RX3MASK	0-1	Receive channel 3 mask set bit. Write 1 to enable interrupt; a write of 0 has no effect.
2	RX2MASK	0-1	Receive channel 2 mask set bit. Write 1 to enable interrupt; a write of 0 has no effect.
1	RX1MASK	0-1	Receive channel 1 mask set bit. Write 1 to enable interrupt; a write of 0 has no effect.
0	RX0MASK	0-1	Receive channel 0 mask set bit. Write 1 to enable interrupt; a write of 0 has no effect.

### 31.5.16 Receive Interrupt Mask Clear Register (RXINTMASKCLEAR)

The receive interrupt mask clear register (RXINTMASKCLEAR) is shown in [Figure 31-54](#) and described in [Table 31-55](#).

**Figure 31-54. Receive Interrupt Mask Clear Register (RXINTMASKCLEAR) (offset = ACh)**

Reserved							
R-0							
15	14	13	12	11	10	9	8
RX7THRESH MASK	RX6THRESH MASK	RX5THRESH MASK	RX4THRESH MASK	RX3THRESH MASK	RX2THRESH MASK	RX1THRESH MASK	RX0THRESH MASK
R/W1C-0	R/W1C-0	R/W1C-0	R/W1C-0	R/W1C-0	R/W1C-0	R/W1C-0	R/W1C-0
7	6	5	4	3	2	1	0
RX7MASK	RX6MASK	RX5MASK	RX4MASK	RX3MASK	RX2MASK	RX1MASK	RX0MASK
R/W1C-0	R/W1C-0	R/W1C-0	R/W1C-0	R/W1C-0	R/W1C-0	R/W1C-0	R/W1C-0

LEGEND: R/W = Read/Write; R = Read only; W1C = Write 1 to clear (writing a 0 has no effect); -n = value after reset

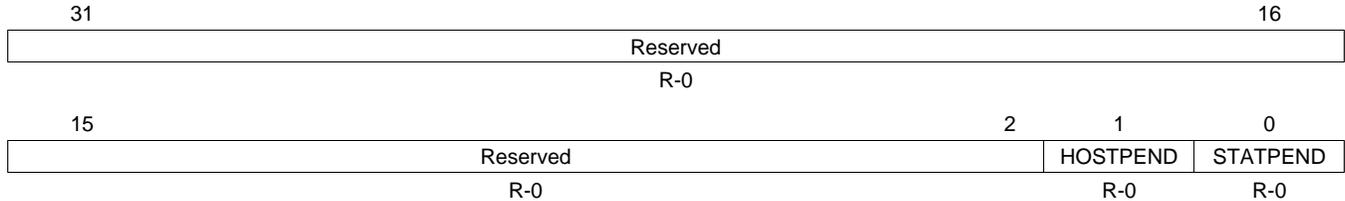
**Table 31-55. Receive Interrupt Mask Clear Register (RXINTMASKCLEAR) Field Descriptions**

Bit	Field	Value	Description
31-16	Reserved	0	Reserved
15	RX7THRESHMASK	0-1	Receive channel 7 threshold mask clear bit. Write 1 to disable interrupt; a write of 0 has no effect.
14	RX6THRESHMASK	0-1	Receive channel 6 threshold mask clear bit. Write 1 to disable interrupt; a write of 0 has no effect.
13	RX5THRESHMASK	0-1	Receive channel 5 threshold mask clear bit. Write 1 to disable interrupt; a write of 0 has no effect.
12	RX4THRESHMASK	0-1	Receive channel 4 threshold mask clear bit. Write 1 to disable interrupt; a write of 0 has no effect.
11	RX3THRESHMASK	0-1	Receive channel 3 threshold mask clear bit. Write 1 to disable interrupt; a write of 0 has no effect.
10	RX2THRESHMASK	0-1	Receive channel 2 threshold mask clear bit. Write 1 to disable interrupt; a write of 0 has no effect.
9	RX1THRESHMASK	0-1	Receive channel 1 threshold mask clear bit. Write 1 to disable interrupt; a write of 0 has no effect.
8	RX0THRESHMASK	0-1	Receive channel 0 threshold mask clear bit. Write 1 to disable interrupt; a write of 0 has no effect.
7	RX7MASK	0-1	Receive channel 7 mask clear bit. Write 1 to disable interrupt; a write of 0 has no effect.
6	RX6MASK	0-1	Receive channel 6 mask clear bit. Write 1 to disable interrupt; a write of 0 has no effect.
5	RX5MASK	0-1	Receive channel 5 mask clear bit. Write 1 to disable interrupt; a write of 0 has no effect.
4	RX4MASK	0-1	Receive channel 4 mask clear bit. Write 1 to disable interrupt; a write of 0 has no effect.
3	RX3MASK	0-1	Receive channel 3 mask clear bit. Write 1 to disable interrupt; a write of 0 has no effect.
2	RX2MASK	0-1	Receive channel 2 mask clear bit. Write 1 to disable interrupt; a write of 0 has no effect.
1	RX1MASK	0-1	Receive channel 1 mask clear bit. Write 1 to disable interrupt; a write of 0 has no effect.
0	RX0MASK	0-1	Receive channel 0 mask clear bit. Write 1 to disable interrupt; a write of 0 has no effect.

### 31.5.17 MAC Interrupt Status (Unmasked) Register (MACINTSTATRAW)

The MAC interrupt status (unmasked) register (MACINTSTATRAW) is shown in [Figure 31-55](#) and described in [Table 31-56](#).

**Figure 31-55. MAC Interrupt Status (Unmasked) Register (MACINTSTATRAW) (offset = B0h)**



LEGEND: R = Read only; -n = value after reset

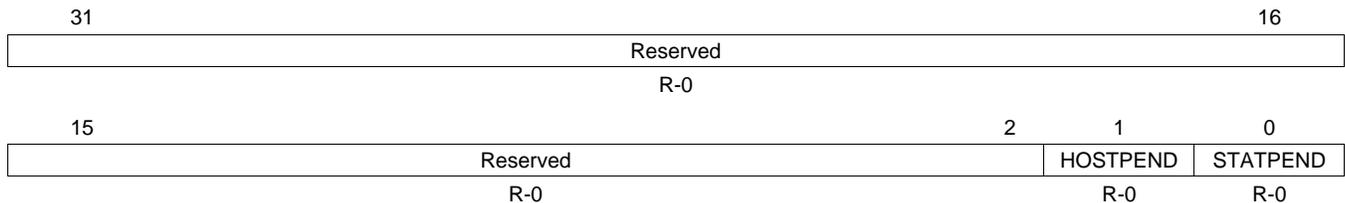
**Table 31-56. MAC Interrupt Status (Unmasked) Register (MACINTSTATRAW) Field Descriptions**

Bit	Field	Value	Description
31-2	Reserved	0	Reserved
1	HOSTPEND	0-1	Host pending interrupt (HOSTPEND); raw interrupt read (before mask).
0	STATPEND	0-1	Statistics pending interrupt (STATPEND); raw interrupt read (before mask).

### 31.5.18 MAC Interrupt Status (Masked) Register (MACINTSTATMASKED)

The MAC interrupt status (masked) register (MACINTSTATMASKED) is shown in [Figure 31-56](#) and described in [Table 31-57](#).

**Figure 31-56. MAC Interrupt Status (Masked) Register (MACINTSTATMASKED) (offset = B4h)**



LEGEND: R = Read only; -n = value after reset

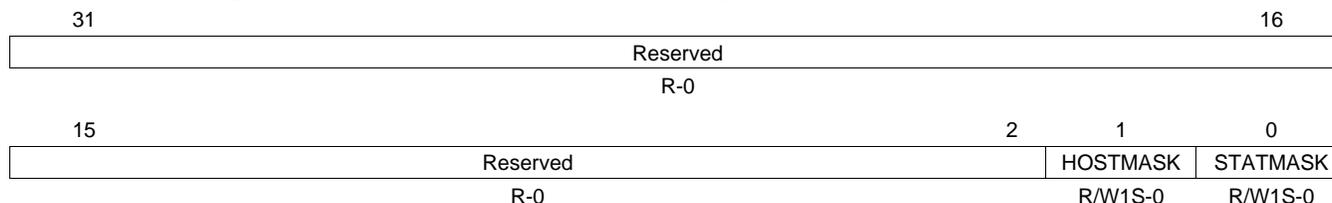
**Table 31-57. MAC Interrupt Status (Masked) Register (MACINTSTATMASKED) Field Descriptions**

Bit	Field	Value	Description
31-2	Reserved	0	Reserved
1	HOSTPEND	0-1	Host pending interrupt (HOSTPEND); masked interrupt read.
0	STATPEND	0-1	Statistics pending interrupt (STATPEND); masked interrupt read.

### 31.5.19 MAC Interrupt Mask Set Register (MACINTMASKSET)

The MAC interrupt mask set register (MACINTMASKSET) is shown in [Figure 31-57](#) and described in [Table 31-58](#).

**Figure 31-57. MAC Interrupt Mask Set Register (MACINTMASKSET) (offset = B8h)**



LEGEND: R/W = Read/Write; R = Read only; W1S = Write 1 to set (writing a 0 has no effect); -n = value after reset

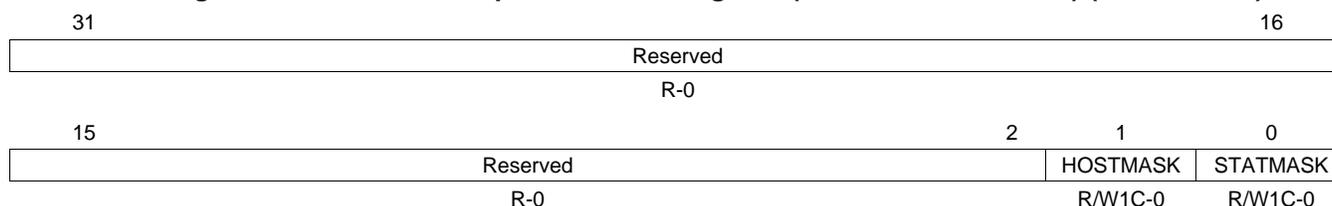
**Table 31-58. MAC Interrupt Mask Set Register (MACINTMASKSET) Field Descriptions**

Bit	Field	Value	Description
31-2	Reserved	0	Reserved
1	HOSTMASK	0-1	Host error interrupt mask set bit. Write 1 to enable interrupt, a write of 0 has no effect.
0	STATMASK	0-1	Statistics interrupt mask set bit. Write 1 to enable interrupt, a write of 0 has no effect.

### 31.5.20 MAC Interrupt Mask Clear Register (MACINTMASKCLEAR)

The MAC interrupt mask clear register (MACINTMASKCLEAR) is shown in [Figure 31-58](#) and described in [Table 31-59](#).

**Figure 31-58. MAC Interrupt Mask Clear Register (MACINTMASKCLEAR) (offset = BCh)**



LEGEND: R/W = Read/Write; R = Read only; W1C = Write 1 to clear (writing a 0 has no effect); -n = value after reset

**Table 31-59. MAC Interrupt Mask Clear Register (MACINTMASKCLEAR) Field Descriptions**

Bit	Field	Value	Description
31-2	Reserved	0	Reserved
1	HOSTMASK	0-1	Host error interrupt mask clear bit. Write 1 to disable interrupt, a write of 0 has no effect.
0	STATMASK	0-1	Statistics interrupt mask clear bit. Write 1 to disable interrupt, a write of 0 has no effect.

### 31.5.21 Receive Multicast/Broadcast/Promiscuous Channel Enable Register (RXMBPENABLE)

The receive multicast/broadcast/promiscuous channel enable register (RXMBPENABLE) is shown in [Figure 31-59](#) and described in [Table 31-60](#).

**Figure 31-59. Receive Multicast/Broadcast/Promiscuous Channel Enable Register (RXMBPENABLE) (offset = 100h)**

31	30	29	28	27	25	24
Reserved	RXPASSCRC	RXQOSEN	RXNOCHAIN	Reserved		RXCMFEN
R-0	R/W-0	R/W-0	R/W-0	R-0		R/W-0
23	22	21	20	19	18	16
RXCSFEN	RXCEFEN	RXCAFEN	Reserved		RXPROMCH	
R/W-0	R/W-0	R/W-0	R-0		R/W-0	
15	14	13	12	11	10	8
Reserved		RXBROADEN	Reserved		RXBROADCH	
R-0		R/W-0	R-0		R/W-0	
7	6	5	4	3	2	0
Reserved		RXMULTEN	Reserved		RXMULTCH	
R-0		R/W-0	R-0		R/W-0	

LEGEND: R/W = Read/Write; R = Read only; -n = value after reset

**Table 31-60. Receive Multicast/Broadcast/Promiscuous Channel Enable Register (RXMBPENABLE) Field Descriptions**

Bit	Field	Value	Description
31	Reserved	0	Reserved
30	RXPASSCRC	0	Pass receive CRC enable bit
		0	Received CRC is discarded for all channels and is not included in the buffer descriptor packet length field.
		1	Received CRC is transferred to memory for all channels and is included in the buffer descriptor packet length.
29	RXQOSEN		Receive quality of service enable bit
		0	Receive QOS is disabled.
		1	Receive QOS is enabled.
28	RXNOCHAIN		Receive no buffer chaining bit
		0	Received frames can span multiple buffers.
		1	The Receive DMA controller transfers each frame into a single buffer, regardless of the frame or buffer size. All remaining frame data after the first buffer is discarded. The buffer descriptor buffer length field will contain the entire frame byte count (up to 65535 bytes).
27-25	Reserved	0	Reserved
24	RXCMFEN		Receive copy MAC control frames enable bit. Enables MAC control frames to be transferred to memory. MAC control frames are normally acted upon (if enabled), but not copied to memory. MAC control frames that are pause frames will be acted upon if enabled in MACCONTROL, regardless of the value of RXCMFEN. Frames transferred to memory due to RXCMFEN will have the CONTROL bit set in their EOP buffer descriptor.
		0	MAC control frames are filtered (but acted upon if enabled).
		1	MAC control frames are transferred to memory.
23	RXCSFEN		Receive copy short frames enable bit. Enables frames or fragments shorter than 64 bytes to be copied to memory. Frames transferred to memory due to RXCSFEN will have the FRAGMENT or UNDERSIZE bit set in their EOP buffer descriptor. Fragments are short frames that contain CRC / align / code errors and undersized are short frames without errors.
		0	Short frames are filtered.
		1	Short frames are transferred to memory.

**Table 31-60. Receive Multicast/Broadcast/Promiscuous Channel Enable Register (RXMBPENABLE)  
Field Descriptions (continued)**

Bit	Field	Value	Description
22	RXCEFEN	0 1	Receive copy error frames enable bit. Enables frames containing errors to be transferred to memory. The appropriate error bit will be set in the frame EOP buffer descriptor. Frames containing errors are filtered. Frames containing errors are transferred to memory.
21	RXCAFEN	0 1	Receive copy all frames enable bit. Enables frames that do not address match (includes multicast frames that do not hash match) to be transferred to the promiscuous channel selected by RXPROMCH bits. Such frames will be marked with the NOMATCH bit in their EOP buffer descriptor. Frames that do not address match are filtered. Frames that do not address match are transferred to the promiscuous channel selected by RXPROMCH bits.
20-19	Reserved	0	Reserved
18-16	RXPROMCH	0 1h 2h 3h 4h 5h 6h 7h	Receive promiscuous channel select Select channel 0 to receive promiscuous frames Select channel 1 to receive promiscuous frames Select channel 2 to receive promiscuous frames Select channel 3 to receive promiscuous frames Select channel 4 to receive promiscuous frames Select channel 5 to receive promiscuous frames Select channel 6 to receive promiscuous frames Select channel 7 to receive promiscuous frames
15-14	Reserved	0	Reserved
13	RXBROADEN	0 1	Receive broadcast enable. Enable received broadcast frames to be copied to the channel selected by RXBROADCH bits. Broadcast frames are filtered. Broadcast frames are copied to the channel selected by RXBROADCH bits.
12-11	Reserved	0	Reserved
10-8	RXBROADCH	0 1h 2h 3h 4h 5h 6h 7h	Receive broadcast channel select Select channel 0 to receive broadcast frames Select channel 1 to receive broadcast frames Select channel 2 to receive broadcast frames Select channel 3 to receive broadcast frames Select channel 4 to receive broadcast frames Select channel 5 to receive broadcast frames Select channel 6 to receive broadcast frames Select channel 7 to receive broadcast frames
7-6	Reserved	0	Reserved
5	RXMULTEN	0 1	RX multicast enable. Enable received hash matching multicast frames to be copied to the channel selected by RXMULTCH bits. Multicast frames are filtered. Multicast frames are copied to the channel selected by RXMULTCH bits.
4-3	Reserved	0	Reserved

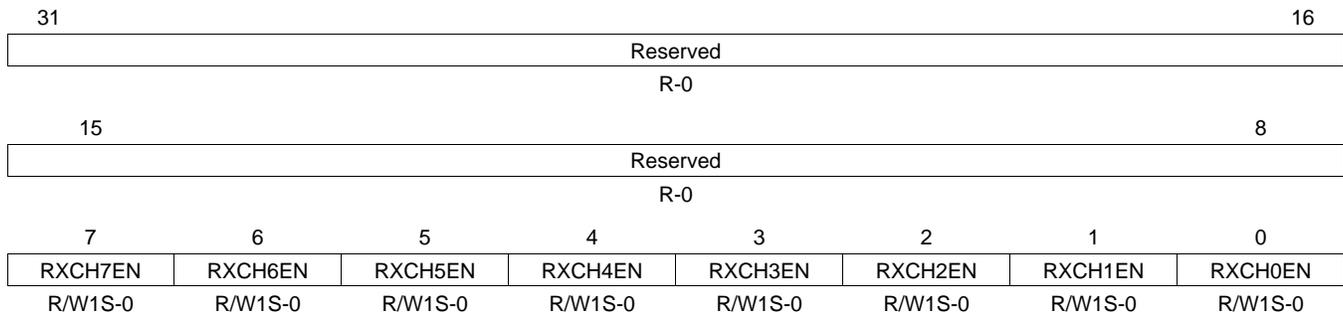
**Table 31-60. Receive Multicast/Broadcast/Promiscuous Channel Enable Register (RXMBPENABLE)  
Field Descriptions (continued)**

Bit	Field	Value	Description
2-0	RXMULTCH		Receive multicast channel select
		0	Select channel 0 to receive multicast frames
		1h	Select channel 1 to receive multicast frames
		2h	Select channel 2 to receive multicast frames
		3h	Select channel 3 to receive multicast frames
		4h	Select channel 4 to receive multicast frames
		5h	Select channel 5 to receive multicast frames
		6h	Select channel 6 to receive multicast frames
		7h	Select channel 7 to receive multicast frames

### 31.5.22 Receive Unicast Enable Set Register (RXUNICASTSET)

The receive unicast enable set register (RXUNICASTSET) is shown in [Figure 31-60](#) and described in [Table 31-61](#).

**Figure 31-60. Receive Unicast Enable Set Register (RXUNICASTSET) (offset = 104h)**



LEGEND: R/W = Read/Write; R = Read only; W1S = Write 1 to set (writing a 0 has no effect); -n = value after reset

**Table 31-61. Receive Unicast Enable Set Register (RXUNICASTSET) Field Descriptions**

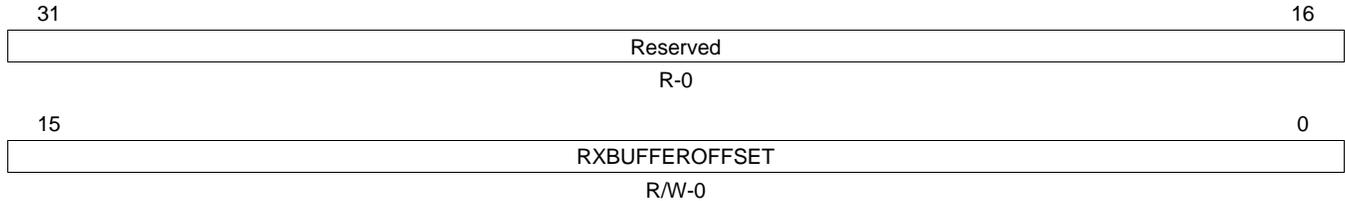
Bit	Field	Value	Description
31-8	Reserved	0	Reserved
7	RXCH7EN	0-1	Receive channel 7 unicast enable set bit. Write 1 to set the enable, a write of 0 has no effect. May be read.
6	RXCH6EN	0-1	Receive channel 6 unicast enable set bit. Write 1 to set the enable, a write of 0 has no effect. May be read.
5	RXCH5EN	0-1	Receive channel 5 unicast enable set bit. Write 1 to set the enable, a write of 0 has no effect. May be read.
4	RXCH4EN	0-1	Receive channel 4 unicast enable set bit. Write 1 to set the enable, a write of 0 has no effect. May be read.
3	RXCH3EN	0-1	Receive channel 3 unicast enable set bit. Write 1 to set the enable, a write of 0 has no effect. May be read.
2	RXCH2EN	0-1	Receive channel 2 unicast enable set bit. Write 1 to set the enable, a write of 0 has no effect. May be read.
1	RXCH1EN	0-1	Receive channel 1 unicast enable set bit. Write 1 to set the enable, a write of 0 has no effect. May be read.
0	RXCH0EN	0-1	Receive channel 0 unicast enable set bit. Write 1 to set the enable, a write of 0 has no effect. May be read.



### 31.5.25 Receive Buffer Offset Register (RXBUFFEROFFSET)

The receive buffer offset register (RXBUFFEROFFSET) is shown in [Figure 31-63](#) and described in [Table 31-64](#).

**Figure 31-63. Receive Buffer Offset Register (RXBUFFEROFFSET) (offset = 110h)**



LEGEND: R/W = Read/Write; R = Read only; -n = value after reset

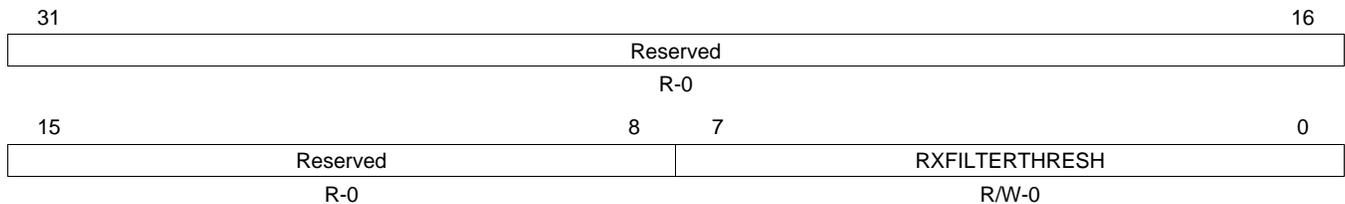
**Table 31-64. Receive Buffer Offset Register (RXBUFFEROFFSET) Field Descriptions**

Bit	Field	Value	Description
31-16	Reserved	0	Reserved
15-0	RXBUFFEROFFSET	0-FFFFh	Receive buffer offset value. These bits are written by the EMAC into each frame SOP buffer descriptor Buffer Offset field. The frame data begins after the RXBUFFEROFFSET value of bytes. A value of 0 indicates that there are no unused bytes at the beginning of the data, and that valid data begins on the first byte of the buffer. A value of Fh (15) indicates that the first 15 bytes of the buffer are to be ignored by the EMAC and that valid buffer data starts on byte 16 of the buffer. This value is used for all channels.

### 31.5.26 Receive Filter Low Priority Frame Threshold Register (RXFILTERLOWTHRESH)

The receive filter low priority frame threshold register (RXFILTERLOWTHRESH) is shown in [Figure 31-64](#) and described in [Table 31-65](#).

**Figure 31-64. Receive Filter Low Priority Frame Threshold Register (RXFILTERLOWTHRESH) (offset = 114h)**



LEGEND: R/W = Read/Write; R = Read only; -n = value after reset

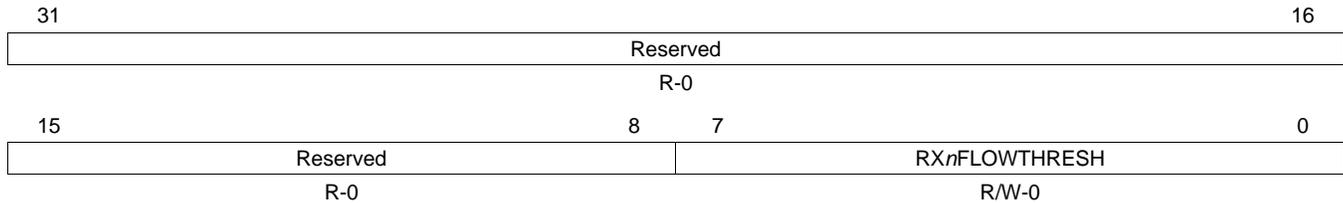
**Table 31-65. Receive Filter Low Priority Frame Threshold Register (RXFILTERLOWTHRESH) Field Descriptions**

Bit	Field	Value	Description
31-8	Reserved	0	Reserved
7-0	RXFILTERTHRESH	0-FFh	Receive filter low threshold. These bits contain the free buffer count threshold value for filtering low priority incoming frames. This field should remain 0, if no filtering is desired.

### 31.5.27 Receive Channel Flow Control Threshold Registers (RX0FLOWTHRESH-RX7FLOWTHRESH)

The receive channel 0-7 flow control threshold register (RX $n$ FLOWTHRESH) is shown in [Figure 31-65](#) and described in [Table 31-66](#).

**Figure 31-65. Receive Channel  $n$  Flow Control Threshold Register (RX $n$ FLOWTHRESH) (offset = 120h-13Ch)**



LEGEND: R/W = Read/Write; R = Read only; - $n$  = value after reset

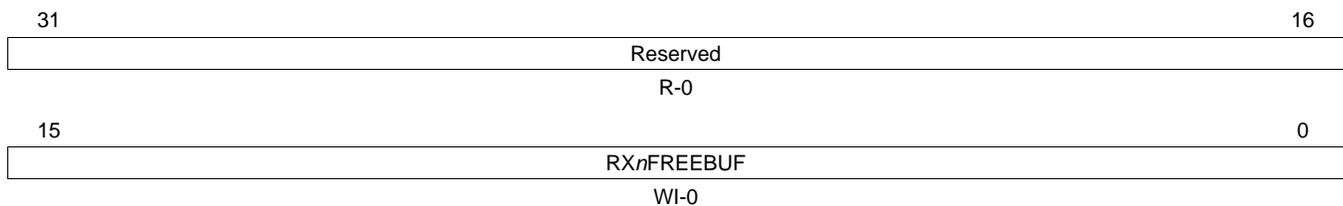
**Table 31-66. Receive Channel  $n$  Flow Control Threshold Register (RX $n$ FLOWTHRESH) Field Descriptions**

Bit	Field	Value	Description
31-8	Reserved	0	Reserved
7-0	RX $n$ FLOWTHRESH	0-FFh	Receive flow threshold. These bits contain the threshold value for issuing flow control on incoming frames for channel $n$ (when enabled).

### 31.5.28 Receive Channel Free Buffer Count Registers (RX0FREEBUFFER-RX7FREEBUFFER)

The receive channel 0-7 free buffer count register (RX $n$ FREEBUFFER) is shown in [Figure 31-66](#) and described in [Table 31-67](#).

**Figure 31-66. Receive Channel  $n$  Free Buffer Count Register (RX $n$ FREEBUFFER) (offset = 140h-15Ch)**



LEGEND: R = Read only; WI = Write to increment; - $n$  = value after reset

**Table 31-67. Receive Channel  $n$  Free Buffer Count Register (RX $n$ FREEBUFFER) Field Descriptions**

Bit	Field	Value	Description
31-16	Reserved	0	Reserved
15-0	RX $n$ FREEBUF	0-FFh	<p>Receive free buffer count. These bits contain the count of free buffers available. The RXFILTERTHRESH value is compared with this field to determine if low priority frames should be filtered. The RX<math>n</math>FLOWTHRESH value is compared with this field to determine if receive flow control should be issued against incoming packets (if enabled). This is a write-to-increment field. This field rolls over to 0 on overflow.</p> <p>If hardware flow control or QOS is used, the host must initialize this field to the number of available buffers (one register per channel). The EMAC decrements the associated channel register for each received frame by the number of buffers in the received frame. The host must write this field with the number of buffers that have been freed due to host processing.</p>

### 31.5.29 MAC Control Register (MACCONTROL)

The MAC control register (MACCONTROL) is shown in [Figure 31-67](#) and described in [Table 31-68](#).

**Figure 31-67. MAC Control Register (MACCONTROL) (offset = 160h)**

Reserved								31	16
R-0									
15	14	13	12	11	10	9	8		
RMIISPEED	RXOFFLENBLOCK	RXOWNERSHIP	Rsvd	CMDIDLE	TXSHORTGAPEN	TXPTYPE	Reserved		
R/W-0	R/W-0	R/W-0	R-0	R/W-0	R/W-0	R/W-0	R-0		
7	6	5	4	3	2	1	0		
Reserved	TXPACE	GMIEN	TXFLOWEN	RXBUFFERFLOWEN	Reserved	LOOPBACK	FULLDUPLEX		
R-0	R/W-0	R/W-0	R/W-0	R/W-0	R-0	R/W-0	R/W-0		

LEGEND: R/W = Read/Write; R = Read only; -n = value after reset

**Table 31-68. MAC Control Register (MACCONTROL) Field Descriptions**

Bit	Field	Value	Description
31-16	Reserved	0	Reserved
15	RMIISPEED	0	RMII interface transmit and receive speed select.
		0	Operate RMII interface in 10 Mbps speed mode.
		1	Operate RMII interface in 100 Mbps speed mode.
14	RXOFFLENBLOCK	0	Receive offset / length word write block.
		0	Do not block the DMA writes to the receive buffer descriptor offset / buffer length word.
		1	Block all EMAC DMA controller writes to the receive buffer descriptor offset / buffer length words during packet processing. When this bit is set, the EMAC will never write the third word to any receive buffer descriptor.
13	RXOWNERSHIP	0	Receive ownership write bit value.
		0	The EMAC writes the Receive ownership bit to 0 at the end of packet processing.
		1	The EMAC writes the Receive ownership bit to 1 at the end of packet processing. If you do not use the ownership mechanism, you can set this mode to preclude the necessity of software having to set this bit each time the buffer descriptor is used.
12	Reserved	0	Reserved
11	CMDIDLE	0	Command Idle bit
		0	Idle is not commanded.
		1	Idle is commanded (read IDLE in the MACSTATUS register).
10	TXSHORTGAPEN	0	Transmit Short Gap Enable
		0	Transmit with a short IPG is disabled. Normal 96-bit time IPG is inserted between packets.
		1	Transmit with a short IPG is enabled. Shorter 88-bit time IPG is inserted between packets.
9	TXPTYPE	0	Transmit queue priority type
		0	The queue uses a round-robin scheme to select the next channel for transmission.
		1	The queue uses a fixed-priority (channel 7 highest priority) scheme to select the next channel for transmission.
8-7	Reserved	0	Reserved
6	TXPACE	0	Transmit pacing enable bit
		0	Transmit pacing is disabled.
		1	Transmit pacing is enabled.
5	GMIEN	0	GMII enable bit
		0	GMII RX and TX are held in reset.
		1	GMII RX and TX are enabled for receive and transmit.

**Table 31-68. MAC Control Register (MACCONTROL) Field Descriptions (continued)**

Bit	Field	Value	Description
4	TXFLOWEN		Transmit flow control enable bit. This bit determines if incoming pause frames are acted upon in full-duplex mode. Incoming pause frames are not acted upon in half-duplex mode, regardless of this bit setting. The RXMBPENABLE bits determine whether or not received pause frames are transferred to memory.
		0	Transmit flow control is disabled. Full-duplex mode: incoming pause frames are not acted upon.
		1	Transmit flow control is enabled. Full-duplex mode: incoming pause frames are acted upon.
3	RXBUFFERFLOWEN	0	Receive buffer flow control enable bit Receive flow control is disabled. Half-duplex mode: no flow control generated collisions are sent. Full-duplex mode: no outgoing pause frames are sent.
		1	Receive flow control is enabled. Half-duplex mode: collisions are initiated when receive buffer flow control is triggered. Full-duplex mode: outgoing pause frames are sent when receive flow control is triggered.
2	Reserved	0	Reserved
1	LOOPBACK		Loopback mode. The loopback mode forces internal full-duplex mode regardless of the FULLDUPLEX bit. The loopback bit should be changed only when GMIEN bit is deasserted.
		0	Loopback mode is disabled.
		1	Loopback mode is enabled.
0	FULLDUPLEX		Full duplex mode.
		0	Half-duplex mode is enabled.
		1	Full-duplex mode is enabled.

### 31.5.30 MAC Status Register (MACSTATUS)

The MAC status register (MACSTATUS) is shown in [Figure 31-68](#) and described in [Table 31-69](#).

**Figure 31-68. MAC Status Register (MACSTATUS) (offset = 164h)**

31	30	24	23	20	19	18	16
IDLE	Reserved		TXERRCODE		Rsvd	TXERRCH	
R-0	R-0		R-0		R-0	R-0	
15	12	11	10	8			
RXERRCODE			Reserved	RXERRCH			
R-0			R-0	R-0			
7	3		2	1	0		
Reserved				RXQOSACT	RXFLOWACT	TXFLOWACT	
R-0				R-0	R-0	R-0	

LEGEND: R = Read only; -n = value after reset

**Table 31-69. MAC Status Register (MACSTATUS) Field Descriptions**

Bit	Field	Value	Description
31	IDLE	0 1	EMAC idle bit. This bit is cleared to 0 at reset; one clock after reset, it goes to 1. The EMAC is not idle. The EMAC is in the idle state.
30-24	Reserved	0	Reserved
23-20	TXERRCODE	0 1h 2h 3h 4h 5h 6h 7h-Fh	Transmit host error code. These bits indicate that EMAC detected transmit DMA related host errors. The host should read this field after a host error interrupt (HOSTPEND) to determine the error. Host error interrupts require hardware reset in order to recover. A 0 packet length is an error, but it is not detected. No error SOP error; the buffer is the first buffer in a packet, but the SOP bit is not set in software. Ownership bit not set in SOP buffer Zero next buffer descriptor pointer without EOP Zero buffer pointer Zero buffer length Packet length error (sum of buffers is less than packet length) Reserved
19	Reserved	0	Reserved
18-16	TXERRCH	0 1h 2h 3h 4h 5h 6h 7h	Transmit host error channel. These bits indicate which transmit channel the host error occurred on. This field is cleared to 0 on a host read. The host error occurred on transmit channel 0 The host error occurred on transmit channel 1 The host error occurred on transmit channel 2 The host error occurred on transmit channel 3 The host error occurred on transmit channel 4 The host error occurred on transmit channel 5 The host error occurred on transmit channel 6 The host error occurred on transmit channel 7

**Table 31-69. MAC Status Register (MACSTATUS) Field Descriptions (continued)**

Bit	Field	Value	Description
15-12	RXERRCODE	0 1h 2h 3h 4h 5h-Fh	Receive host error code. These bits indicate that EMAC detected receive DMA related host errors. The host should read this field after a host error interrupt (HOSTPEND) to determine the error. Host error interrupts require hardware reset in order to recover.  No error Reserved Ownership bit not set in SOP buffer Reserved Zero buffer pointer Reserved
11	Reserved	0	Reserved
10-8	RXERRCH	0 1h 2h 3h 4h 5h 6h 7h	Receive host error channel. These bits indicate which receive channel the host error occurred on. This field is cleared to 0 on a host read.  The host error occurred on receive channel 0 The host error occurred on receive channel 1 The host error occurred on receive channel 2 The host error occurred on receive channel 3 The host error occurred on receive channel 4 The host error occurred on receive channel 5 The host error occurred on receive channel 6 The host error occurred on receive channel 7
7-3	Reserved	0	Reserved
2	RXQOSACT	0 1	Receive Quality of Service (QOS) active bit. When asserted, indicates that receive quality of service is enabled and that at least one channel freebuffer count (RX <sub>n</sub> FREEBUFFER) is less than or equal to the RXFILTERLOWTHRESH value.  Receive quality of service is disabled. Receive quality of service is enabled.
1	RXFLOWACT	0 1	Receive flow control active bit. When asserted, at least one channel freebuffer count (RX <sub>n</sub> FREEBUFFER) is less than or equal to the channel's corresponding RX <sub>n</sub> FILTERTHRESH value.  Receive flow control is inactive. Receive flow control is active.
0	TXFLOWACT	0 1	Transmit flow control active bit. When asserted, this bit indicates that the pause time period is being observed for a received pause frame. No new transmissions will begin while this bit is asserted, except for the transmission of pause frames. Any transmission in progress when this bit is asserted will complete.  Transmit flow control is inactive. Transmit flow control is active.

### 31.5.31 Emulation Control Register (EMCONTROL)

The emulation control register (EMCONTROL) is shown in [Figure 31-69](#) and described in [Table 31-70](#).

**Figure 31-69. Emulation Control Register (EMCONTROL) (offset = 168h)**

31	Reserved				16
R-0					
15	Reserved		2	1	0
R-0			SOFT	FREE	
R-0			R/W-0	R/W-0	

LEGEND: R/W = Read/Write; R = Read only; -n = value after reset

**Table 31-70. Emulation Control Register (EMCONTROL) Field Descriptions**

Bit	Field	Value	Description
31-2	Reserved	0	Reserved
1	SOFT	0	Emulation soft bit. This bit is used in conjunction with FREE bit to determine the emulation suspend mode. This bit has no effect if FREE = 1. Soft mode is disabled. EMAC stops immediately during emulation halt.
		1	Soft mode is enabled. During emulation halt, EMAC stops after completion of current operation.
0	FREE	0	Emulation free bit. This bit is used in conjunction with SOFT bit to determine the emulation suspend mode. Free-running mode is disabled. During emulation halt, SOFT bit determines operation of EMAC.
		1	Free-running mode is enabled. During emulation halt, EMAC continues to operate.

### 31.5.32 FIFO Control Register (FIFOCONTROL)

The FIFO control register (FIFOCONTROL) is shown in [Figure 31-70](#) and described in [Table 31-71](#).

**Figure 31-70. FIFO Control Register (FIFOCONTROL) (offset = 16Ch)**

31	Reserved				16
R-0					
15	Reserved		2	1	0
R-0			TXCELLTHRESH		
R-0			R/W-2h		

LEGEND: R/W = Read/Write; R = Read only; -n = value after reset

**Table 31-71. FIFO Control Register (FIFOCONTROL) Field Descriptions**

Bit	Field	Value	Description
31-2	Reserved	0	Reserved
1-0	TXCELLTHRESH	0-1h	Transmit FIFO cell threshold. Indicates the number of 64-byte packet cells required to be in the transmit FIFO before the packet transfer is initiated. Packets with fewer cells will be initiated when the complete packet is contained in the FIFO. The default value is 2, but 3 is also valid. 0 and 1 are not valid values. Not a valid value.
		2h	Two 64-byte packet cells required to be in the transmit FIFO.
		3h	Three 64-byte packet cells required to be in the transmit FIFO.

### 31.5.33 MAC Configuration Register (MACCONFIG)

The MAC configuration register (MACCONFIG) is shown in [Figure 31-71](#) and described in [Table 31-72](#).

**Figure 31-71. MAC Configuration Register (MACCONFIG) (offset = 170h)**

31	24	23	16
TXCELLDEPTH		RXCELLDEPTH	
R-3h		R-3h	
15	8	7	0
ADDRESSTYPE		MACCFIG	
R-2h		R-2h	

LEGEND: R = Read only; -n = value after reset

**Table 31-72. MAC Configuration Register (MACCONFIG) Field Descriptions**

Bit	Field	Value	Description
31-24	TXCELLDEPTH	3h	Transmit cell depth. These bits indicate the number of cells in the transmit FIFO.
23-16	RXCELLDEPTH	3h	Receive cell depth. These bits indicate the number of cells in the receive FIFO.
15-8	ADDRESSTYPE	2h	Address type
7-0	MACCFIG	2h	MAC configuration value

### 31.5.34 Soft Reset Register (SOFTRESET)

The soft reset register (SOFTRESET) is shown in [Figure 31-72](#) and described in [Table 31-73](#).

**Figure 31-72. Soft Reset Register (SOFTRESET) (offset = 174h)**

31	16
Reserved	
R-0	
15	0
Reserved	
SOFTRESET	
R-0	
R/W-0	

LEGEND: R/W = Read/Write; R = Read only; -n = value after reset

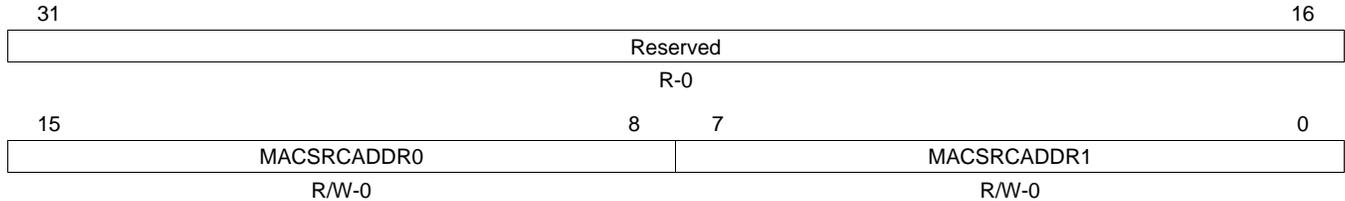
**Table 31-73. Soft Reset Register (SOFTRESET) Field Descriptions**

Bit	Field	Value	Description
31-1	Reserved	0	Reserved
0	SOFTRESET	0	Software reset. Writing a 1 to this bit causes the EMAC logic to be reset. Software reset occurs when the receive and transmit DMA controllers are in an idle state to avoid locking up the Configuration bus. After writing a 1 to this bit, it may be polled to determine if the reset has occurred. If a 1 is read, the reset has not yet occurred. If a 0 is read, then a reset has occurred.
		0	A software reset has not occurred.
		1	A software reset has occurred.

### 31.5.35 MAC Source Address Low Bytes Register (MACSRCADDRLO)

The MAC source address low bytes register (MACSRCADDRLO) is shown in [Figure 31-73](#) and described in [Table 31-74](#).

**Figure 31-73. MAC Source Address Low Bytes Register (MACSRCADDRLO) (offset = 1D0h)**



LEGEND: R/W = Read/Write; R = Read only; -n = value after reset

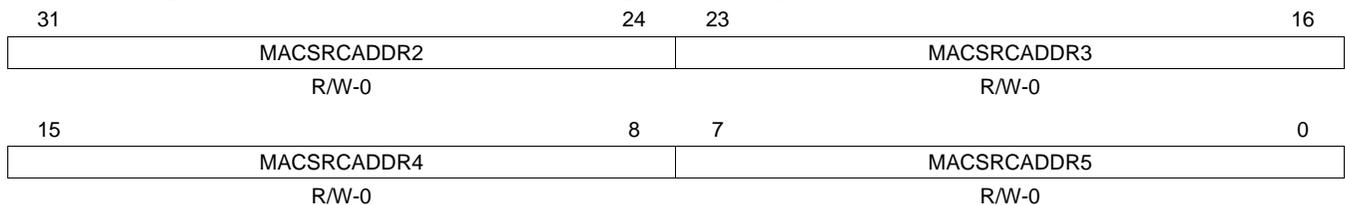
**Table 31-74. MAC Source Address Low Bytes Register (MACSRCADDRLO) Field Descriptions**

Bit	Field	Value	Description
31-16	Reserved	0	Reserved
15-8	MACSRCADDR0	0-FFh	MAC source address lower 8-0 bits (byte 0)
7-0	MACSRCADDR1	0-FFh	MAC source address bits 15-8 (byte 1)

### 31.5.36 MAC Source Address High Bytes Register (MACSRCADDRHI)

The MAC source address high bytes register (MACSRCADDRHI) is shown in [Figure 31-74](#) and described in [Table 31-75](#).

**Figure 31-74. MAC Source Address High Bytes Register (MACSRCADDRHI) (offset = 1D4h)**



LEGEND: R/W = Read/Write; R = Read only; -n = value after reset

**Table 31-75. MAC Source Address High Bytes Register (MACSRCADDRHI) Field Descriptions**

Bit	Field	Value	Description
31-24	MACSRCADDR2	0-FFh	MAC source address bits 23-16 (byte 2)
23-16	MACSRCADDR3	0-FFh	MAC source address bits 31-24 (byte 3)
15-8	MACSRCADDR4	0-FFh	MAC source address bits 39-32 (byte 4)
7-0	MACSRCADDR5	0-FFh	MAC source address bits 47-40 (byte 5)

### 31.5.37 MAC Hash Address Register 1 (MACHASH1)

The MAC hash registers allow group addressed frames to be accepted on the basis of a hash function of the address. The hash function creates a 6-bit data value (Hash\_fun) from the 48-bit destination address (DA) as follows:

$$\text{Hash\_fun}(0) = \text{DA}(0) \text{ XOR } \text{DA}(6) \text{ XOR } \text{DA}(12) \text{ XOR } \text{DA}(18) \text{ XOR } \text{DA}(24) \text{ XOR } \text{DA}(30) \text{ XOR } \text{DA}(36) \text{ XOR } \text{DA}(42);$$

$$\text{Hash\_fun}(1) = \text{DA}(1) \text{ XOR } \text{DA}(7) \text{ XOR } \text{DA}(13) \text{ XOR } \text{DA}(19) \text{ XOR } \text{DA}(25) \text{ XOR } \text{DA}(31) \text{ XOR } \text{DA}(37) \text{ XOR } \text{DA}(43);$$

$$\text{Hash\_fun}(2) = \text{DA}(2) \text{ XOR } \text{DA}(8) \text{ XOR } \text{DA}(14) \text{ XOR } \text{DA}(20) \text{ XOR } \text{DA}(26) \text{ XOR } \text{DA}(32) \text{ XOR } \text{DA}(38) \text{ XOR } \text{DA}(44);$$

$$\text{Hash\_fun}(3) = \text{DA}(3) \text{ XOR } \text{DA}(9) \text{ XOR } \text{DA}(15) \text{ XOR } \text{DA}(21) \text{ XOR } \text{DA}(27) \text{ XOR } \text{DA}(33) \text{ XOR } \text{DA}(39) \text{ XOR } \text{DA}(45);$$

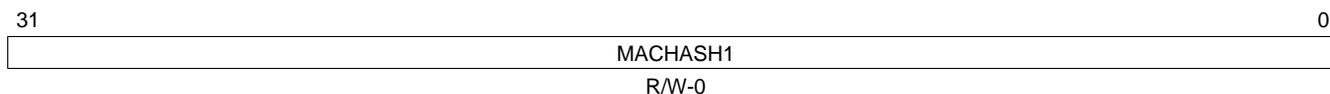
$$\text{Hash\_fun}(4) = \text{DA}(4) \text{ XOR } \text{DA}(10) \text{ XOR } \text{DA}(16) \text{ XOR } \text{DA}(22) \text{ XOR } \text{DA}(28) \text{ XOR } \text{DA}(34) \text{ XOR } \text{DA}(40) \text{ XOR } \text{DA}(46);$$

$$\text{Hash\_fun}(5) = \text{DA}(5) \text{ XOR } \text{DA}(11) \text{ XOR } \text{DA}(17) \text{ XOR } \text{DA}(23) \text{ XOR } \text{DA}(29) \text{ XOR } \text{DA}(35) \text{ XOR } \text{DA}(41) \text{ XOR } \text{DA}(47);$$

This function is used as an offset into a 64-bit hash table stored in MACHASH1 and MACHASH2 that indicates whether a particular address should be accepted or not.

The MAC hash address register 1 (MACHASH1) is shown in [Figure 31-75](#) and described in [Table 31-76](#).

**Figure 31-75. MAC Hash Address Register 1 (MACHASH1) (offset = 1D8h)**



LEGEND: R/W = Read/Write; -n = value after reset

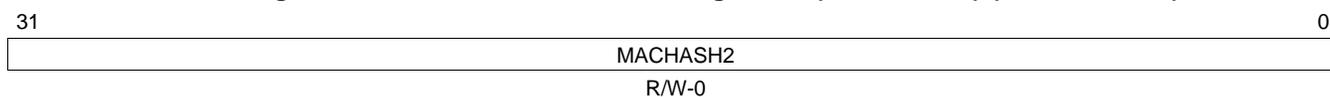
**Table 31-76. MAC Hash Address Register 1 (MACHASH1) Field Descriptions**

Bit	Field	Description
31-0	MACHASH1	Least-significant 32 bits of the hash table corresponding to hash values 0 to 31. If a hash table bit is set, then a group address that hashes to that bit index is accepted.

### 31.5.38 MAC Hash Address Register 2 (MACHASH2)

The MAC hash address register 2 (MACHASH2) is shown in [Figure 31-76](#) and described in [Table 31-77](#).

**Figure 31-76. MAC Hash Address Register 2 (MACHASH2) (offset = 1DCh)**



LEGEND: R/W = Read/Write; -n = value after reset

**Table 31-77. MAC Hash Address Register 2 (MACHASH2) Field Descriptions**

Bit	Field	Description
31-0	MACHASH2	Most-significant 32 bits of the hash table corresponding to hash values 32 to 63. If a hash table bit is set, then a group address that hashes to that bit index is accepted.

### 31.5.39 Back Off Test Register (BOFFTEST)

The back off test register (BOFFTEST) is shown in [Figure 31-77](#) and described in [Table 31-78](#).

**Figure 31-77. Back Off Random Number Generator Test Register (BOFFTEST) (offset = 1E0h)**

31	Reserved	26	25	RNDNUM	16
	R-0			R-0	
15	COLLCOUNT	12	11	10	9
	R-0		Reserved	R-0	TXBACKOFF
				R-0	0

LEGEND: R = Read only; -n = value after reset

**Table 31-78. Back Off Test Register (BOFFTEST) Field Descriptions**

Bit	Field	Value	Description
31-26	Reserved	0	Reserved
25-16	RNDNUM	0-3FFh	Backoff random number generator. This field allows the Backoff Random Number Generator to be read. Reading this field returns the generator's current value. The value is reset to 0 and begins counting on the clock after the deassertion of reset.
15-12	COLLCOUNT	0-Fh	Collision count. These bits indicate the number of collisions the current frame has experienced.
11-10	Reserved	0	Reserved
9-0	TXBACKOFF	0-3FFh	Backoff count. This field allows the current value of the backoff counter to be observed for test purposes. This field is loaded automatically according to the backoff algorithm, and is decremented by one for each slot time after the collision.

### 31.5.40 Transmit Pacing Algorithm Test Register (TPACETEST)

The transmit pacing algorithm test register (TPACETEST) is shown in [Figure 31-78](#) and described in [Table 31-79](#).

**Figure 31-78. Transmit Pacing Algorithm Test Register (TPACETEST) (offset = 1E4h)**

31	Reserved	16
	R-0	
15	Reserved	5
	R-0	4
		0
		PACEVAL
		R-0

LEGEND: R = Read only; -n = value after reset

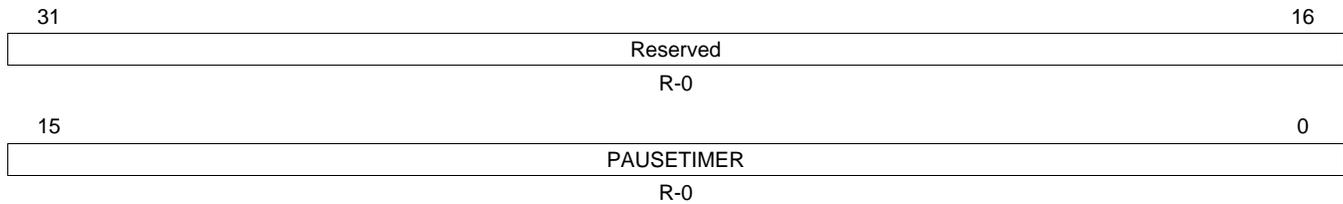
**Table 31-79. Transmit Pacing Algorithm Test Register (TPACETEST) Field Descriptions**

Bit	Field	Value	Description
31-5	Reserved	0	Reserved
4-0	PACEVAL	0-1Fh	Pacing register current value. A nonzero value in this field indicates that transmit pacing is active. A transmit frame collision or deferral causes PACEVAL to be loaded with 1Fh (31); good frame transmissions (with no collisions or deferrals) cause PACEVAL to be decremented down to 0. When PACEVAL is nonzero, the transmitter delays four Inter Packet Gaps between new frame transmissions after each successfully transmitted frame that had no deferrals or collisions. If a transmit frame is deferred or suffers a collision, the IPG time is not stretched to four times the normal value. Transmit pacing helps reduce capture effects, which improves overall network bandwidth.

### 31.5.41 Receive Pause Timer Register (RXPAUSE)

The receive pause timer register (RXPAUSE) is shown in [Figure 31-79](#) and described in [Table 31-80](#).

**Figure 31-79. Receive Pause Timer Register (RXPAUSE) (offset = 1E8h)**



LEGEND: R = Read only; -n = value after reset

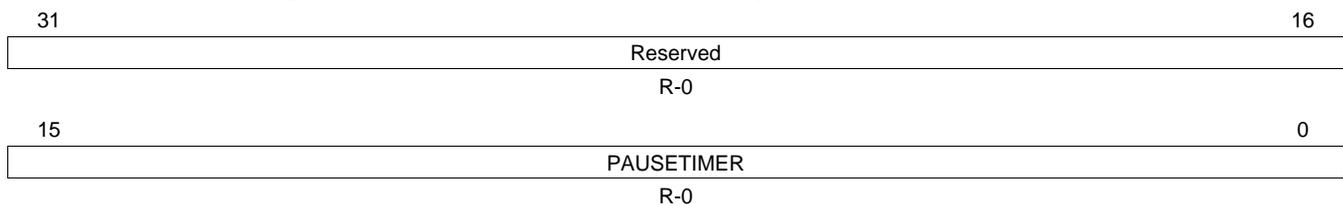
**Table 31-80. Receive Pause Timer Register (RXPAUSE) Field Descriptions**

Bit	Field	Value	Description
31-16	Reserved	0	Reserved
15-0	PAUSETIMER	0-FFh	Receive pause timer value. These bits allow the contents of the receive pause timer to be observed. The receive pause timer is loaded with FF00h when the EMAC sends an outgoing pause frame (with pause time of FFFFh). The receive pause timer is decremented at slot time intervals. If the receive pause timer decrements to 0, then another outgoing pause frame is sent and the load/decrement process is repeated.

### 31.5.42 Transmit Pause Timer Register (TXPAUSE)

The transmit pause timer register (TXPAUSE) is shown in [Figure 31-80](#) and described in [Table 31-81](#).

**Figure 31-80. Transmit Pause Timer Register (TXPAUSE) (offset = 1ECh)**



LEGEND: R = Read only; -n = value after reset

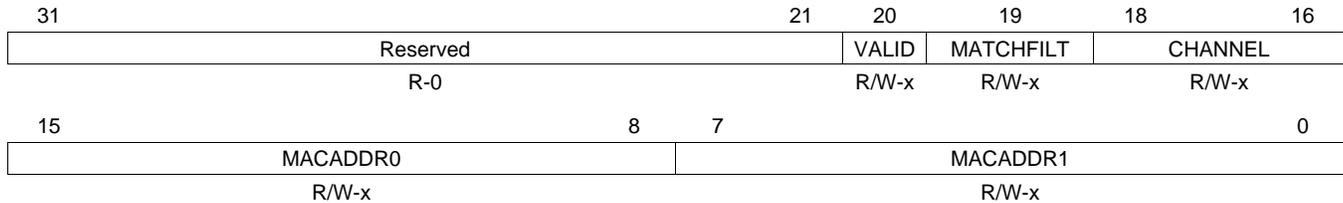
**Table 31-81. Transmit Pause Timer Register (TXPAUSE) Field Descriptions**

Bit	Field	Value	Description
31-16	Reserved	0	Reserved
15-0	PAUSETIMER	0-FFh	Transmit pause timer value. These bits allow the contents of the transmit pause timer to be observed. The transmit pause timer is loaded by a received (incoming) pause frame, and then decremented at slot time intervals down to 0, at which time EMAC transmit frames are again enabled.

### 31.5.43 MAC Address Low Bytes Register (MACADDRLO)

The MAC address low bytes register used in receive address matching (MACADDRLO), is shown in [Figure 31-81](#) and described in [Table 31-82](#).

**Figure 31-81. MAC Address Low Bytes Register (MACADDRLO) (offset = 500h)**



LEGEND: R/W = Read/Write; R = Read only; -n = value after reset; -x = value is indeterminate after reset

**Table 31-82. MAC Address Low Bytes Register (MACADDRLO) Field Descriptions**

Bit	Field	Value	Description
31-21	Reserved	0	Reserved
20	VALID	0 1	Address valid bit. This bit should be cleared to zero for unused address channels Address is not valid and will not be used for matching or filtering incoming packets Address is valid and will be used for matching or filtering incoming packets
19	MATCHFILT	0 1	Match or filter bit The address will be used (if the VALID bit is set) to filter incoming packet addresses The address will be used (if the VALID bit is set) to match incoming packet addresses
18-16	CHANNEL	0-7h	Channel select. Determines which receive channel a valid address match will be transferred to. The channel is a don't care if MATCHFILT is cleared to 0.
15-8	MACADDR0	0-FFh	MAC address lower 8-0 bits (byte 0)
7-0	MACADDR1	0-FFh	MAC address bits 15-8 (byte 1)

### 31.5.44 MAC Address High Bytes Register (MACADDRHI)

The MAC address high bytes register used in receive address matching (MACADDRHI) is shown in [Figure 31-82](#) and described in [Table 31-83](#).

**Figure 31-82. MAC Address High Bytes Register (MACADDRHI) (offset = 504h)**

31	24	23	16
MACADDR2		MACADDR3	
R/W-x		R/W-x	
15	8	7	0
MACADDR4		MACADDR5	
R/W-x		R/W-x	

LEGEND: R/W = Read/Write; -x = value is indeterminate after reset

**Table 31-83. MAC Address High Bytes Register (MACADDRHI) Field Descriptions**

Bit	Field	Value	Description
31-24	MACADDR2	0-FFh	MAC source address bits 23-16 (byte 2)
23-16	MACADDR3	0-FFh	MAC source address bits 31-24 (byte 3)
15-8	MACADDR4	0-FFh	MAC source address bits 39-32 (byte 4)
7-0	MACADDR5	0-FFh	MAC source address bits 47-40 (byte 5). Bit 40 is the group bit. It is forced to 0 and read as 0. Therefore, only unicast addresses are represented in the address table.

### 31.5.45 MAC Index Register (MACINDEX)

The MAC index register (MACINDEX) is shown in [Figure 31-83](#) and described in [Table 31-84](#).

**Figure 31-83. MAC Index Register (MACINDEX) (offset = 508h)**

31	Reserved		16
R-0			
15	3	2	0
Reserved			MACINDEX
R-0			R/W-0

LEGEND: R/W = Read/Write; R = Read only; -n = value after reset

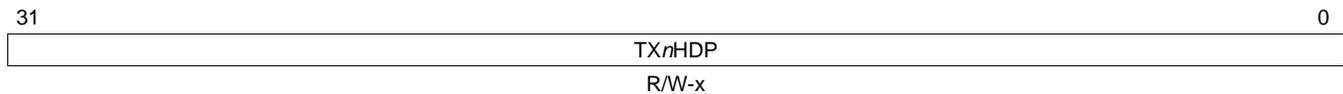
**Table 31-84. MAC Index Register (MACINDEX) Field Descriptions**

Bit	Field	Value	Description
31-3	Reserved	0	Reserved
2-0	MACINDEX	0-7h	MAC address index. All eight addresses share the upper 40 bits. Only the lower byte is unique for each address. An address is written by first writing the address number (channel) into the MACINDEX register. The upper 32 bits of the address are then written to the MACADDRHI register, which is followed by writing the lower 16 bits of the address to the MACADDRLO register. Since all eight addresses share the upper 40 bits of the address, the MACADDRHI register only needs to be written the first time.

### 31.5.46 Transmit Channel DMA Head Descriptor Pointer Registers (TX0HDP-TX7HDP)

The transmit channel 0-7 DMA head descriptor pointer register (TX $n$ HDP) is shown in [Figure 31-84](#) and described in [Table 31-85](#).

**Figure 31-84. Transmit Channel  $n$  DMA Head Descriptor Pointer Register (TX $n$ HDP)  
(offset = 600h-61Ch)**



LEGEND: R/W = Read/Write; - $n$  = value after reset; -x = value is indeterminate after reset

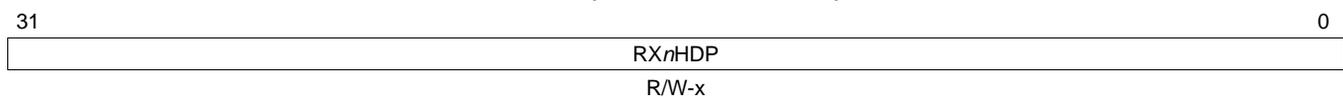
**Table 31-85. Transmit Channel  $n$  DMA Head Descriptor Pointer Register (TX $n$ HDP)  
Field Descriptions**

Bit	Field	Description
31-0	TX $n$ HDP	Transmit channel $n$ DMA Head Descriptor pointer. Writing a transmit DMA buffer descriptor address to a head pointer location initiates transmit DMA operations in the queue for the selected channel. Writing to these locations when they are nonzero is an error (except at reset). Host software must initialize these locations to 0 on reset.

### 31.5.47 Receive Channel DMA Head Descriptor Pointer Registers (RX0HDP-RX7HDP)

The receive channel 0-7 DMA head descriptor pointer register (RX $n$ HDP) is shown in [Figure 31-85](#) and described in [Table 31-86](#).

**Figure 31-85. Receive Channel  $n$  DMA Head Descriptor Pointer Register (RX $n$ HDP)  
(offset = 620h-63Ch)**



LEGEND: R/W = Read/Write; - $n$  = value after reset; -x = value is indeterminate after reset

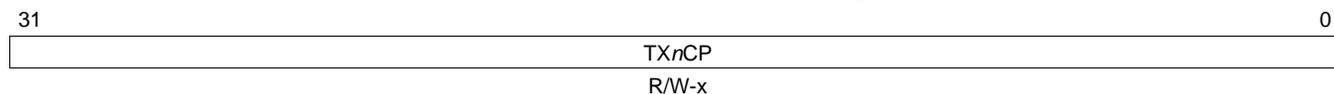
**Table 31-86. Receive Channel  $n$  DMA Head Descriptor Pointer Register (RX $n$ HDP)  
Field Descriptions**

Bit	Field	Description
31-0	RX $n$ HDP	Receive channel $n$ DMA Head Descriptor pointer. Writing a receive DMA buffer descriptor address to this location allows receive DMA operations in the selected channel when a channel frame is received. Writing to these locations when they are nonzero is an error (except at reset). Host software must initialize these locations to 0 on reset.

### 31.5.48 Transmit Channel Completion Pointer Registers (TX0CP-TX7CP)

The transmit channel 0-7 completion pointer register (TX $n$ CP) is shown in [Figure 31-86](#) and described in [Table 31-87](#).

**Figure 31-86. Transmit Channel  $n$  Completion Pointer Register (TX $n$ CP) (offset = 640h-65Ch)**



LEGEND: R/W = Read/Write; - $n$  = value after reset; -x = value is indeterminate after reset

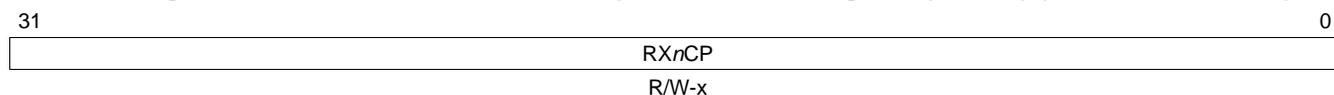
**Table 31-87. Transmit Channel  $n$  Completion Pointer Register (TX $n$ CP) Field Descriptions**

Bit	Field	Description
31-0	TX $n$ CP	Transmit channel $n$ completion pointer register is written by the host with the buffer descriptor address for the last buffer processed by the host during interrupt processing. The EMAC uses the value written to determine if the interrupt should be deasserted.

### 31.5.49 Receive Channel Completion Pointer Registers (RX0CP-RX7CP)

The receive channel 0-7 completion pointer register (RX $n$ CP) is shown in [Figure 31-87](#) and described in [Table 31-88](#).

**Figure 31-87. Receive Channel  $n$  Completion Pointer Register (RX $n$ CP) (offset = 660h-67Ch)**



LEGEND: R/W = Read/Write; - $n$  = value after reset; -x = value is indeterminate after reset

**Table 31-88. Receive Channel  $n$  Completion Pointer Register (RX $n$ CP) Field Descriptions**

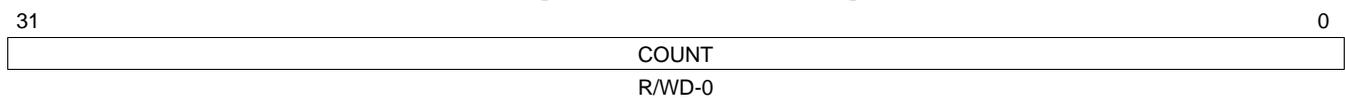
Bit	Field	Description
31-0	RX $n$ CP	Receive channel $n$ completion pointer register is written by the host with the buffer descriptor address for the last buffer processed by the host during interrupt processing. The EMAC uses the value written to determine if the interrupt should be deasserted.

### 31.5.50 Network Statistics Registers

The EMAC has a set of statistics that record events associated with frame traffic. The statistics values are cleared to zero 38 clocks after the rising edge of reset. When the GMIIEN bit in the MACCONTROL register is set, all statistics registers (see [Figure 31-88](#)) are write-to-decrement. The value written is subtracted from the register value with the result stored in the register. If a value greater than the statistics value is written, then zero is written to the register (writing FFFF FFFFh clears a statistics location). When the GMIIEN bit is cleared, all statistics registers are read/write (normal write direct, so writing 0000 0000h clears a statistics location). All write accesses must be 32-bit accesses.

The statistics interrupt (STATPEND) is issued, if enabled, when any statistics value is greater than or equal to 8000 0000h. The statistics interrupt is removed by writing to decrement any statistics value greater than 8000 0000h. The statistics are mapped into internal memory space and are 32-bits wide. All statistics rollover from FFFF FFFFh to 0000 0000h.

**Figure 31-88. Statistics Register**



LEGEND: R/W = Read/Write; WD = Write to decrement; -n = value after reset

#### 31.5.50.1 Good Receive Frames Register (RXGOODFRAMES) (offset = 200h)

The total number of good frames received on the EMAC. A good frame is defined as having all of the following:

- Any data or MAC control frame that matched a unicast, broadcast, or multicast address, or matched due to promiscuous mode
- Was of length 64 to RXMAXLEN bytes inclusive
- Had no CRC error, alignment error, or code error

See [Section 31.2.6.5](#) for definitions of alignment, code, and CRC errors. Overruns have no effect on this statistic.

#### 31.5.50.2 Broadcast Receive Frames Register (RXBCASTFRAMES) (offset = 204h)

The total number of good broadcast frames received on the EMAC. A good broadcast frame is defined as having all of the following:

- Any data or MAC control frame that was destined for address FF-FF-FF-FF-FF-FFh only
- Was of length 64 to RXMAXLEN bytes inclusive
- Had no CRC error, alignment error, or code error

See [Section 31.2.6.5](#) for definitions of alignment, code, and CRC errors. Overruns have no effect on this statistic.

#### 31.5.50.3 Multicast Receive Frames Register (RXMCASTFRAMES) (offset = 208h)

The total number of good multicast frames received on the EMAC. A good multicast frame is defined as having all of the following:

- Any data or MAC control frame that was destined for any multicast address other than FF-FF-FF-FF-FF-FFh
- Was of length 64 to RXMAXLEN bytes inclusive
- Had no CRC error, alignment error, or code error

See [Section 31.2.6.5](#) for definitions of alignment, code, and CRC errors. Overruns have no effect on this statistic.

#### 31.5.50.4 Pause Receive Frames Register (RXPAUSEFRAMES) (offset = 20Ch)

The total number of IEEE 802.3X pause frames received by the EMAC (whether acted upon or not). A pause frame is defined as having all of the following:

- Contained any unicast, broadcast, or multicast address
- Contained the length/type field value 88.08h and the opcode 0001h
- Was of length 64 to RXMAXLEN bytes inclusive
- Had no CRC error, alignment error, or code error
- Pause-frames had been enabled on the EMAC (TXFLOWEN bit is set in MACCONTROL).

The EMAC could have been in either half-duplex or full-duplex mode. See [Section 31.2.6.5](#) for definitions of alignment, code, and CRC errors. Overruns have no effect on this statistic.

#### 31.5.50.5 Receive CRC Errors Register (RXCRCERRORS) (offset = 210h)

The total number of frames received on the EMAC that experienced a CRC error. A frame with CRC errors is defined as having all of the following:

- Was any data or MAC control frame that matched a unicast, broadcast, or multicast address, or matched due to promiscuous mode
- Was of length 64 to RXMAXLEN bytes inclusive
- Had no alignment or code error
- Had a CRC error. A CRC error is defined as having all of the following:
  - A frame containing an even number of nibbles
  - Fails the frame check sequence test

See [Section 31.2.6.5](#) for definitions of alignment, code, and CRC errors. Overruns have no effect on this statistic.

#### 31.5.50.6 Receive Alignment/Code Errors Register (RXALIGNCODEERRORS) (offset = 214h)

The total number of frames received on the EMAC that experienced an alignment error or code error. Such a frame is defined as having all of the following:

- Was any data or MAC control frame that matched a unicast, broadcast, or multicast address, or matched due to promiscuous mode
- Was of length 64 to RXMAXLEN bytes inclusive
- Had either an alignment error or a code error
  - An alignment error is defined as having all of the following:
    - A frame containing an odd number of nibbles
    - Fails the frame check sequence test, if the final nibble is ignored
  - A code error is defined as a frame that has been discarded because the EMACs MII\_RXER pin is driven with a one for at least one bit-time's duration at any point during the frame's reception.

Overruns have no effect on this statistic.

CRC alignment or code errors can be calculated by summing receive alignment errors, receive code errors, and receive CRC errors.

**31.5.50.7 Receive Oversized Frames Register (RXOVERSIZED) (offset = 218h)**

The total number of oversized frames received on the EMAC. An oversized frame is defined as having all of the following:

- Was any data or MAC control frame that matched a unicast, broadcast, or multicast address, or matched due to promiscuous mode
- Was greater than RXMAXLEN in bytes
- Had no CRC error, alignment error, or code error

See [Section 31.2.6.5](#) for definitions of alignment, code, and CRC errors. Overruns have no effect on this statistic.

**31.5.50.8 Receive Jabber Frames Register (RXJABBER) (offset = 21Ch)**

The total number of jabber frames received on the EMAC. A jabber frame is defined as having all of the following:

- Was any data or MAC control frame that matched a unicast, broadcast, or multicast address, or matched due to promiscuous mode
- Was greater than RXMAXLEN bytes long
- Had a CRC error, alignment error, or code error

See [Section 31.2.6.5](#) for definitions of alignment, code, and CRC errors. Overruns have no effect on this statistic.

**31.5.50.9 Receive Undersized Frames Register (RXUNDERSIZED) (offset = 220h)**

The total number of undersized frames received on the EMAC. An undersized frame is defined as having all of the following:

- Was any data frame that matched a unicast, broadcast, or multicast address, or matched due to promiscuous mode
- Was less than 64 bytes long
- Had no CRC error, alignment error, or code error

See [Section 31.2.6.5](#) for definitions of alignment, code, and CRC errors. Overruns have no effect on this statistic.

**31.5.50.10 Receive Frame Fragments Register (RXFRAGMENTS) (offset = 224h)**

The total number of frame fragments received on the EMAC. A frame fragment is defined as having all of the following:

- Any data frame (address matching does not matter)
- Was less than 64 bytes long
- Had a CRC error, alignment error, or code error
- Was not the result of a collision caused by half duplex, collision based flow control

See [Section 31.2.6.5](#) for definitions of alignment, code, and CRC errors. Overruns have no effect on this statistic.

**31.5.50.11 Filtered Receive Frames Register (RXFILTERED) (offset = 228h)**

The total number of frames received on the EMAC that the EMAC address matching process indicated should be discarded. Such a frame is defined as having all of the following:

- Was any data frame (not MAC control frame) destined for any unicast, broadcast, or multicast address
- Did not experience any CRC error, alignment error, code error
- The address matching process decided that the frame should be discarded (filtered) because it did not match the unicast, broadcast, or multicast address, and it did not match due to promiscuous mode.

To determine the number of receive frames discarded by the EMAC for any reason, sum the following statistics (promiscuous mode disabled):

- Receive fragments
- Receive undersized frames
- Receive CRC errors
- Receive alignment/code errors
- Receive jabbers
- Receive overruns
- Receive filtered frames

This may not be an exact count because the receive overruns statistic is independent of the other statistics, so if an overrun occurs at the same time as one of the other discard reasons, then the above sum double-counts that frame.

#### 31.5.50.12 Receive QOS Filtered Frames Register (RXQOSFILTERED) (offset = 22Ch)

The total number of frames received on the EMAC that were filtered due to receive quality of service (QOS) filtering. Such a frame is defined as having all of the following:

- Any data or MAC control frame that matched a unicast, broadcast, or multicast address, or matched due to promiscuous mode
- The frame destination channel flow control threshold register (RX $n$ FLOWTHRESH) value was greater than or equal to the channel's corresponding free buffer register (RX $n$ FREEBUFFER) value
- Was of length 64 to RXMAXLEN
- RXQOSEN bit is set in RXMBPENABLE
- Had no CRC error, alignment error, or code error

See [Section 31.2.6.5](#) for definitions of alignment, code, and CRC errors. Overruns have no effect on this statistic.

#### 31.5.50.13 Receive Octet Frames Register (RXOCTETS) (offset = 230h)

The total number of bytes in all good frames received on the EMAC. A good frame is defined as having all of the following:

- Any data or MAC control frame that matched a unicast, broadcast, or multicast address, or matched due to promiscuous mode
- Was of length 64 to RXMAXLEN bytes inclusive
- Had no CRC error, alignment error, or code error

See [Section 31.2.6.5](#) for definitions of alignment, code, and CRC errors. Overruns have no effect on this statistic.

#### 31.5.50.14 Good Transmit Frames Register (TXGOODFRAMES) (offset = 234h)

The total number of good frames transmitted on the EMAC. A good frame is defined as having all of the following:

- Any data or MAC control frame that was destined for any unicast, broadcast, or multicast address
- Was any length
- Had no late or excessive collisions, no carrier loss, and no underrun

### 31.5.50.15 Broadcast Transmit Frames Register (TXBCASTFRAMES) (offset = 238h)

The total number of good broadcast frames transmitted on the EMAC. A good broadcast frame is defined as having all of the following:

- Any data or MAC control frame destined for address FF-FF-FF-FF-FF-FFh only
- Was of any length
- Had no late or excessive collisions, no carrier loss, and no underrun

### 31.5.50.16 Multicast Transmit Frames Register (TXMCASTFRAMES) (offset = 23Ch)

The total number of good multicast frames transmitted on the EMAC. A good multicast frame is defined as having all of the following:

- Any data or MAC control frame destined for any multicast address other than FF-FF-FF-FF-FF-FFh
- Was of any length
- Had no late or excessive collisions, no carrier loss, and no underrun

### 31.5.50.17 Pause Transmit Frames Register (TXPAUSEFRAMES) (offset = 240h)

The total number of IEEE 802.3X pause frames transmitted by the EMAC. Pause frames cannot underrun or contain a CRC error because they are created in the transmitting MAC, so these error conditions have no effect on this statistic. Pause frames sent by software are not included in this count. Since pause frames are only transmitted in full-duplex mode, carrier loss and collisions have no effect on this statistic.

Transmitted pause frames are always 64-byte multicast frames so appear in the multicast transmit frames register and 64 octet frames register statistics.

### 31.5.50.18 Deferred Transmit Frames Register (TXDEFERRED) (offset = 244h)

The total number of frames transmitted on the EMAC that first experienced deferment. Such a frame is defined as having all of the following:

- Was any data or MAC control frame destined for any unicast, broadcast, or multicast address
- Was any size
- Had no carrier loss and no underrun
- Experienced no collisions before being successfully transmitted
- Found the medium busy when transmission was first attempted, so had to wait.

CRC errors have no effect on this statistic.

### 31.5.50.19 Transmit Collision Frames Register (TXCOLLISION) (offset = 248h)

The total number of times that the EMAC experienced a collision. Collisions occur under two circumstances:

- When a transmit data or MAC control frame has all of the following:
  - Was destined for any unicast, broadcast, or multicast address
  - Was any size
  - Had no carrier loss and no underrun
  - Experienced a collision. A jam sequence is sent for every non-late collision, so this statistic increments on each occasion if a frame experiences multiple collisions (and increments on late collisions).
- When the EMAC is in half-duplex mode, flow control is active, and a frame reception begins.

CRC errors have no effect on this statistic.

**31.5.50.20 Transmit Single Collision Frames Register (TXSINGLECOLL) (offset = 24Ch)**

The total number of frames transmitted on the EMAC that experienced exactly one collision. Such a frame is defined as having all of the following:

- Was any data or MAC control frame destined for any unicast, broadcast, or multicast address
- Was any size
- Had no carrier loss and no underrun
- Experienced one collision before successful transmission. The collision was not late.

CRC errors have no effect on this statistic.

**31.5.50.21 Transmit Multiple Collision Frames Register (TXMULTICOLL) (offset = 250h)**

The total number of frames transmitted on the EMAC that experienced multiple collisions. Such a frame is defined as having all of the following:

- Was any data or MAC control frame destined for any unicast, broadcast, or multicast address
- Was any size
- Had no carrier loss and no underrun
- Experienced 2 to 15 collisions before being successfully transmitted. None of the collisions were late.

CRC errors have no effect on this statistic.

**31.5.50.22 Transmit Excessive Collision Frames Register (TXEXCESSIVECOLL) (offset = 254h)**

The total number of frames when transmission was abandoned due to excessive collisions. Such a frame is defined as having all of the following:

- Was any data or MAC control frame destined for any unicast, broadcast, or multicast address
- Was any size
- Had no carrier loss and no underrun
- Experienced 16 collisions before abandoning all attempts at transmitting the frame. None of the collisions were late.

CRC errors have no effect on this statistic.

**31.5.50.23 Transmit Late Collision Frames Register (TXLATECOLL) (offset = 258h)**

The total number of frames when transmission was abandoned due to a late collision. Such a frame is defined as having all of the following:

- Was any data or MAC control frame destined for any unicast, broadcast, or multicast address
- Was any size
- Had no carrier loss and no underrun
- Experienced a collision later than 512 bit-times into the transmission. There may have been up to 15 previous (non-late) collisions that had previously required the transmission to be reattempted. The late collisions statistic dominates over the single, multiple, and excessive collisions statistics. If a late collision occurs, the frame is not counted in any of these other three statistics.

CRC errors, carrier loss, and underrun have no effect on this statistic.

**31.5.50.24 Transmit Underrun Error Register (TXUNDERRUN) (offset = 25Ch)**

The number of frames sent by the EMAC that experienced FIFO underrun. Late collisions, CRC errors, carrier loss, and underrun have no effect on this statistic.

**31.5.50.25 Transmit Carrier Sense Errors Register (TXCARRIERSENSE) (offset = 260h)**

The total number of frames on the EMAC that experienced carrier loss. Such a frame is defined as having all of the following:

- Was any data or MAC control frame destined for any unicast, broadcast, or multicast address
- Was any size
- The carrier sense condition was lost or never asserted when transmitting the frame (the frame is not retransmitted)

CRC errors and underrun have no effect on this statistic.

**31.5.50.26 Transmit Octet Frames Register (TXOCTETS) (offset = 264h)**

The total number of bytes in all good frames transmitted on the EMAC. A good frame is defined as having all of the following:

- Any data or MAC control frame that was destined for any unicast, broadcast, or multicast address
- Was any length
- Had no late or excessive collisions, no carrier loss, and no underrun

**31.5.50.27 Transmit and Receive 64 Octet Frames Register (FRAME64) (offset = 268h)**

The total number of 64-byte frames received and transmitted on the EMAC. Such a frame is defined as having all of the following:

- Any data or MAC control frame that was destined for any unicast, broadcast, or multicast address
- Did not experience late collisions, excessive collisions, underrun, or carrier sense error
- Was exactly 64-bytes long. (If the frame was being transmitted and experienced carrier loss that resulted in a frame of this size being transmitted, then the frame is recorded in this statistic).

CRC errors, alignment/code errors, and overruns do not affect the recording of frames in this statistic.

**31.5.50.28 Transmit and Receive 65 to 127 Octet Frames Register (FRAME65T127) (offset = 26Ch)**

The total number of 65-byte to 127-byte frames received and transmitted on the EMAC. Such a frame is defined as having all of the following:

- Any data or MAC control frame that was destined for any unicast, broadcast, or multicast address
- Did not experience late collisions, excessive collisions, underrun, or carrier sense error
- Was 65-bytes to 127-bytes long

CRC errors, alignment/code errors, underruns, and overruns do not affect the recording of frames in this statistic.

**31.5.50.29 Transmit and Receive 128 to 255 Octet Frames Register (FRAME128T255) (offset = 270h)**

The total number of 128-byte to 255-byte frames received and transmitted on the EMAC. Such a frame is defined as having all of the following:

- Any data or MAC control frame that was destined for any unicast, broadcast, or multicast address
- Did not experience late collisions, excessive collisions, underrun, or carrier sense error
- Was 128-bytes to 255-bytes long

CRC errors, alignment/code errors, underruns, and overruns do not affect the recording of frames in this statistic.

**31.5.50.30 Transmit and Receive 256 to 511 Octet Frames Register (FRAME256T511) (offset = 274h)**

The total number of 256-byte to 511-byte frames received and transmitted on the EMAC. Such a frame is defined as having all of the following:

- Any data or MAC control frame that was destined for any unicast, broadcast, or multicast address
- Did not experience late collisions, excessive collisions, underrun, or carrier sense error
- Was 256-bytes to 511-bytes long

CRC errors, alignment/code errors, underruns, and overruns do not affect the recording of frames in this statistic.

**31.5.50.31 Transmit and Receive 512 to 1023 Octet Frames Register (FRAME512T1023) (offset = 278h)**

The total number of 512-byte to 1023-byte frames received and transmitted on the EMAC. Such a frame is defined as having all of the following:

- Any data or MAC control frame that was destined for any unicast, broadcast, or multicast address
- Did not experience late collisions, excessive collisions, underrun, or carrier sense error
- Was 512-bytes to 1023-bytes long

CRC errors, alignment/code errors, and overruns do not affect the recording of frames in this statistic.

**31.5.50.32 Transmit and Receive 1024 to RXMAXLEN Octet Frames Register (FRAME1024TUP) (offset = 27Ch)**

The total number of 1024-byte to RXMAXLEN-byte frames received and transmitted on the EMAC. Such a frame is defined as having all of the following:

- Any data or MAC control frame that was destined for any unicast, broadcast, or multicast address
- Did not experience late collisions, excessive collisions, underrun, or carrier sense error
- Was 1024-bytes to RXMAXLEN-bytes long

CRC/alignment/code errors, underruns, and overruns do not affect frame recording in this statistic.

**31.5.50.33 Network Octet Frames Register (NETOCTETS) (offset = 280h)**

The total number of bytes of frame data received and transmitted on the EMAC. Each frame counted has all of the following:

- Was any data or MAC control frame destined for any unicast, broadcast, or multicast address (address match does not matter)
- Was of any size (including less than 64-byte and greater than RXMAXLEN-byte frames)

Also counted in this statistic is:

- Every byte transmitted before a carrier-loss was experienced
- Every byte transmitted before each collision was experienced (multiple retries are counted each time)
- Every byte received if the EMAC is in half-duplex mode until a jam sequence was transmitted to initiate flow control. (The jam sequence is not counted to prevent double-counting).

Error conditions such as alignment errors, CRC errors, code errors, overruns, and underruns do not affect the recording of bytes in this statistic. The objective of this statistic is to give a reasonable indication of Ethernet utilization.

**31.5.50.34 Receive FIFO or DMA Start of Frame Overruns Register (RXSOFOVERRUNS) (offset = 284h)**

The total number of frames received on the EMAC that had either a FIFO or DMA start of frame (SOF) overrun. An SOF overrun frame is defined as having all of the following:

- Was any data or MAC control frame that matched a unicast, broadcast, or multicast address, or matched due to promiscuous mode
- Was of any size (including less than 64-byte and greater than RXMAXLEN-byte frames)
- The EMAC was unable to receive it because it did not have the resources to receive it (cell FIFO full or no DMA buffer available at the start of the frame).

CRC errors, alignment errors, and code errors have no effect on this statistic.

**31.5.50.35 Receive FIFO or DMA Middle of Frame Overruns Register (RXMOFOVERRUNS) (offset = 288h)**

The total number of frames received on the EMAC that had either a FIFO or DMA middle of frame (MOF) overrun. An MOF overrun frame is defined as having all of the following:

- Was any data or MAC control frame that matched a unicast, broadcast, or multicast address, or matched due to promiscuous mode
- Was of any size (including less than 64-byte and greater than RXMAXLEN-byte frames)
- The EMAC was unable to receive it because it did not have the resources to receive it (cell FIFO full or no DMA buffer available after the frame was successfully started - no SOF overrun).

CRC errors, alignment errors, and code errors have no effect on this statistic.

**31.5.50.36 Receive DMA Overruns Register (RXDMAOVERRUNS) (offset = 28Ch)**

The total number of frames received on the EMAC that had either a DMA start of frame (SOF) overrun or a DMA middle of frame (MOF) overrun. A receive DMA overrun frame is defined as having all of the following:

- Was any data or MAC control frame that matched a unicast, broadcast, or multicast address, or matched due to promiscuous mode
- Was of any size (including less than 64-byte and greater than RXMAXLEN-byte frames)
- The EMAC was unable to receive it because it did not have the DMA buffer resources to receive it (zero head descriptor pointer at the start or during the middle of the frame reception).

CRC errors, alignment errors, and code errors have no effect on this statistic.

## ***Enhanced Capture (eCAP) Module***

---

---

The enhanced Capture (eCAP) module is essential in systems where accurate timing of external events is important. This microcontroller implements 6 instances of the eCAP module.

<b>Topic</b>	<b>Page</b>
<b>32.1 Introduction .....</b>	<b>1645</b>
<b>32.2 Basic Operation .....</b>	<b>1646</b>
<b>32.3 Application of the ECAP Module .....</b>	<b>1653</b>
<b>32.4 Application of the APWM Mode .....</b>	<b>1662</b>
<b>32.5 eCAP Registers .....</b>	<b>1663</b>

## 32.1 Introduction

Uses for eCAP include:

- Speed measurements of rotating machinery (for example, toothed sprockets sensed via Hall sensors)
- Elapsed time measurements between position sensor pulses
- Period and duty cycle measurements of pulse train signals
- Decoding current or voltage amplitude derived from duty cycle encoded current/voltage sensors

### 32.1.1 Features

The eCAP module includes the following features:

- 4-event time-stamp registers (each 32 bits)
- Edge polarity selection for up to four sequenced time-stamp capture events
- Interrupt on either of the four events
- Single shot capture of up to four event time-stamps
- Continuous mode capture of time-stamps in a four-deep circular buffer
- Absolute time-stamp capture
- Difference (Delta) mode time-stamp capture
- All above resources dedicated to a single input pin
- When not used in capture mode, the ECAP module can be configured as a single channel PWM output

### 32.1.2 Description

One eCAP channel has the following independent key resources:

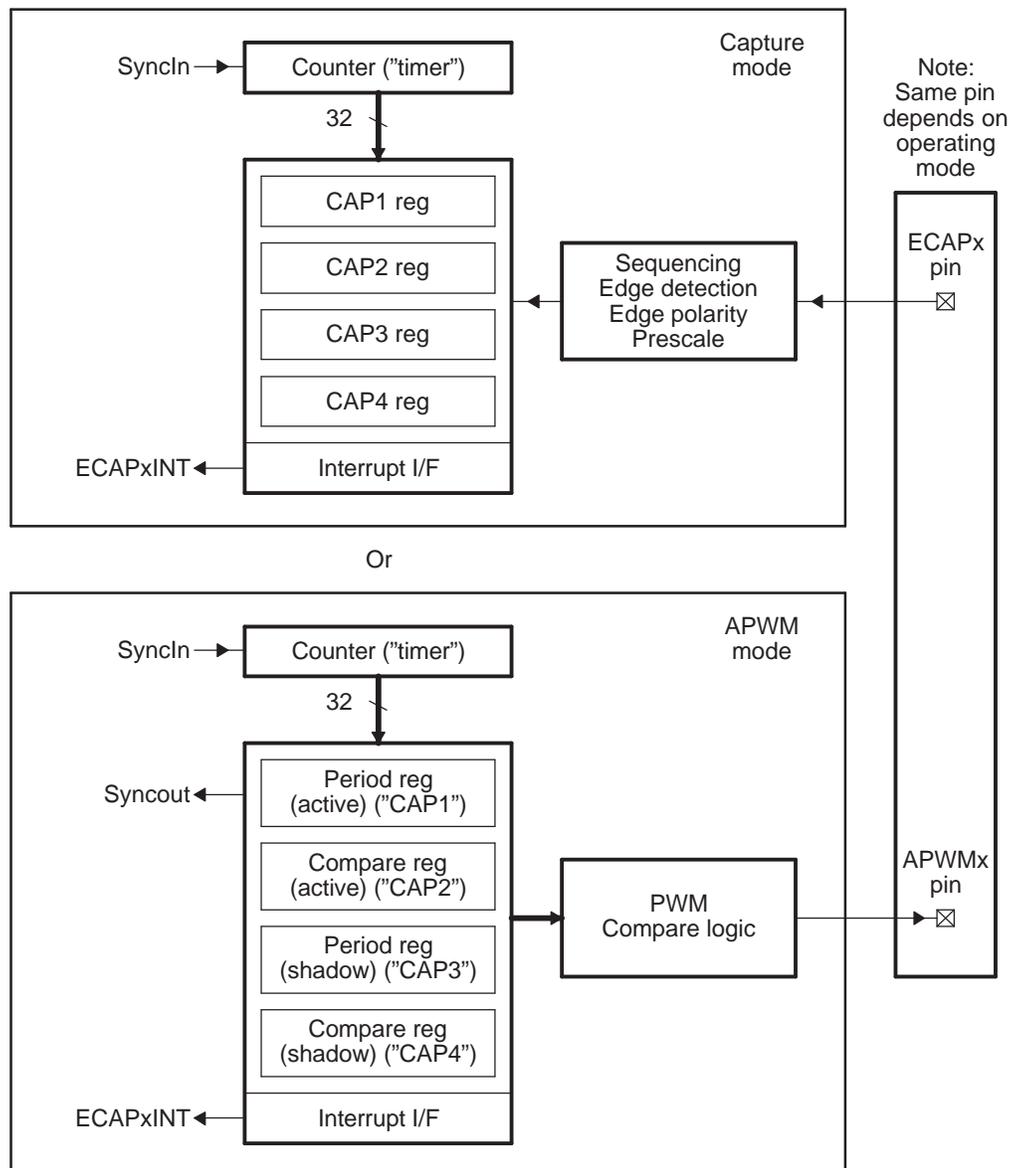
- Dedicated input capture pin
- 32-bit time base (counter)
- 4 x 32-bit time-stamp capture registers (CAP1-CAP4)
- 4-stage sequencer (Modulo4 counter) that is synchronized to external events, ECAP pin rising/falling edges.
- Independent edge polarity (rising/falling edge) selection for all 4 events
- Input capture signal prescaling (from 2 to 62)
- One-shot compare register (2 bits) to freeze captures after 1 to 4 time-stamp events
- Control for continuous time-stamp captures using a 4-deep circular buffer (CAP1-CAP4) scheme
- Interrupt capabilities on any of the 4 capture events

## 32.2 Basic Operation

### 32.2.1 Capture and APWM Operating Mode

You can use the eCAP module resources to implement a single-channel PWM generator (with 32 bit capabilities) when it is not being used for input captures. The counter operates in count-up mode, providing a time-base for asymmetrical pulse width modulation (PWM) waveforms. The CAP1 and CAP2 registers become the active period and compare registers, respectively, while CAP3 and CAP4 registers become the period and capture shadow registers, respectively. Figure 32-1 is a high-level view of both the capture and auxiliary pulse-width modulator (APWM) modes of operation.

**Figure 32-1. Capture and APWM Modes of Operation**

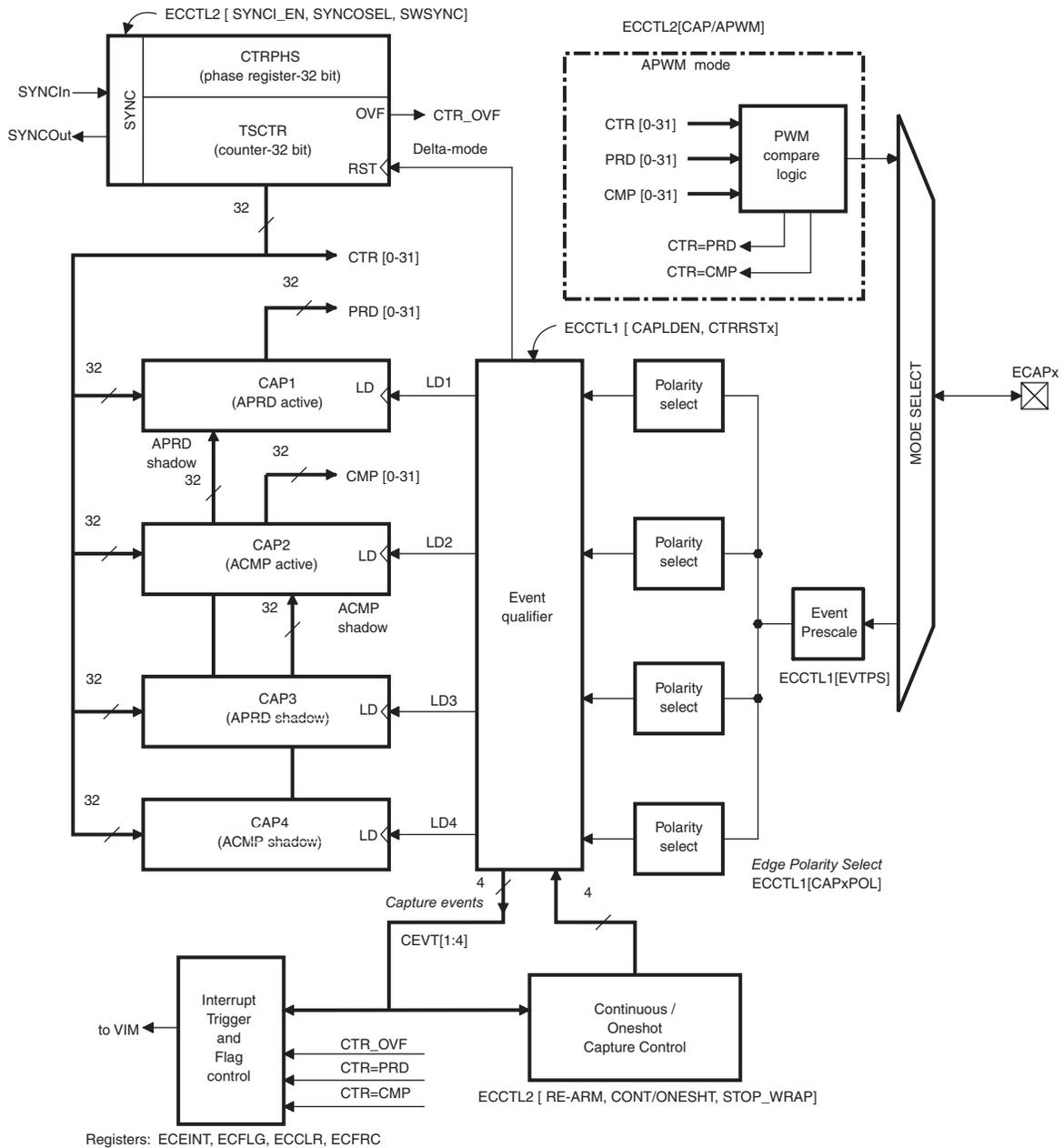


- A A single pin is shared between CAP and APWM functions. In capture mode, it is an input; in APWM mode, it is an output.
- B In APWM mode, writing any value to CAP1/CAP2 active registers also writes the same value to the corresponding shadow registers CAP3/CAP4. This emulates immediate mode. Writing to the shadow registers CAP3/CAP4 invokes the shadow mode.

### 32.2.2 Capture Mode Description

Figure 32-2 shows the various components that implement the capture function.

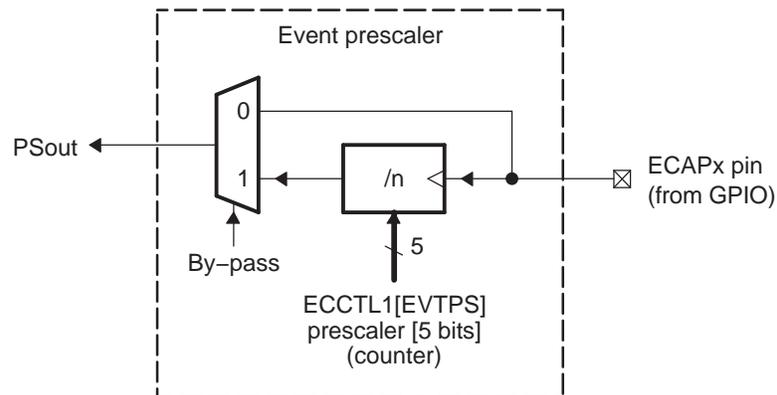
Figure 32-2. Capture Function Diagram



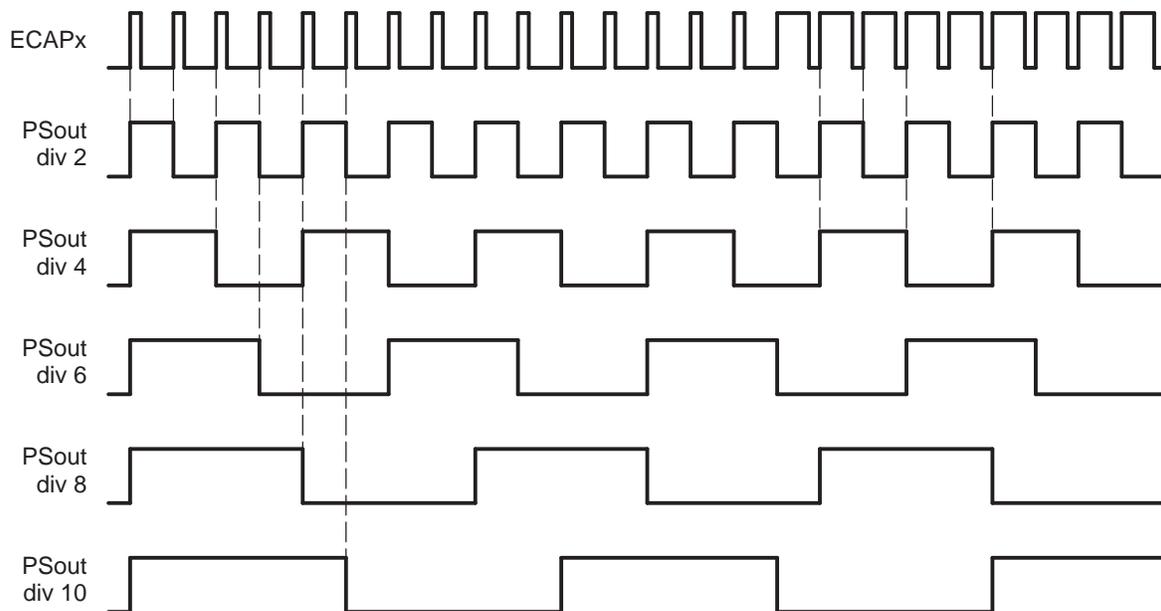
#### 32.2.2.1 Event Prescaler

- An input capture signal (pulse train) can be prescaled by  $N = 2-62$  (in multiples of 2) or can bypass the prescaler.

This is useful when very high frequency signals are used as inputs. Figure 32-3 shows a functional diagram and Figure 32-4 shows the operation of the prescale function.

**Figure 32-3. Event Prescale Control**


- A When a prescale value of 1 is chosen (ECCTL1[13:9] = 0,0,0,0,0), the input capture signal by-passes the prescale logic completely.

**Figure 32-4. Prescale Function Waveforms**


### 32.2.2.2 Edge Polarity Select and Qualifier

- Four independent edge polarity (rising edge/falling edge) selection MUXes are used, one for each capture event.
- Each edge (up to 4) is event qualified by the Modulo4 sequencer.
- The edge event is gated to its respective CAPx register by the Mod4 counter. The CAPx register is loaded on the falling edge.

### 32.2.2.3 Continuous/One-Shot Control

- The Mod4 (2 bit) counter is incremented via edge qualified events (CEVT1-CEVT4).
- The Mod4 counter continues counting (0->1->2->3->0) and wraps around unless stopped.
- A 2-bit stop register is used to compare the Mod4 counter output, and when equal stops the Mod4 counter and inhibits further loads of the CAP1-CAP4 registers. This occurs during one-shot operation.

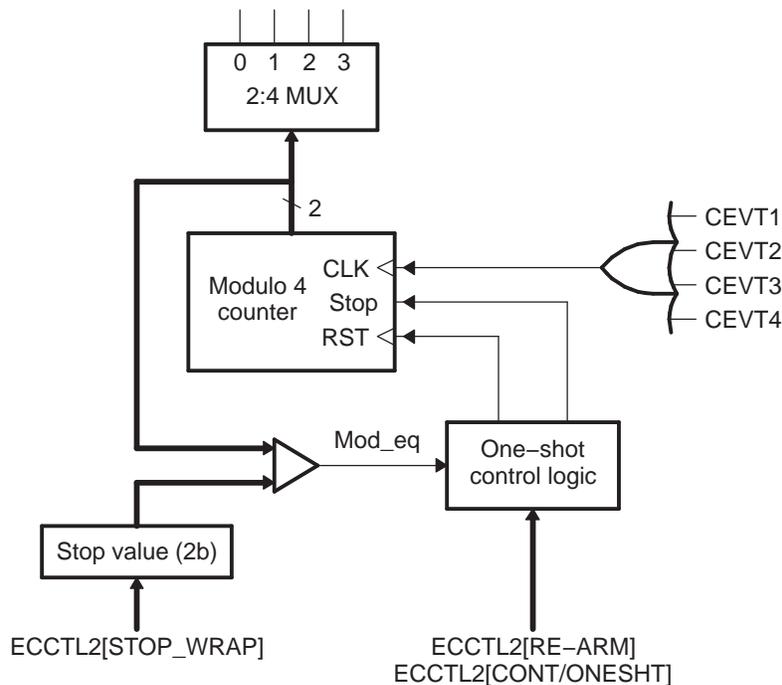
The continuous/one-shot block controls the start/stop and reset (zero) functions of the Mod4 counter via a mono-shot type of action that can be triggered by the stop-value comparator and re-armed via software control.

Once armed, the eCAP module waits for 1-4 (defined by stop-value) capture events before freezing both the Mod4 counter and contents of CAP1-4 registers (time-stamps).

Re-arming prepares the eCAP module for another capture sequence. Also re-arming clears (to zero) the Mod4 counter and permits loading of CAP1-4 registers again, providing the CAPLDEN bit is set.

In continuous mode, the Mod4 counter continues to run (0->1->2->3->0, the one-shot action is ignored, and capture values continue to be written to CAP1-4 in a circular buffer sequence.

Figure 32-5. Continuous/One-shot Block



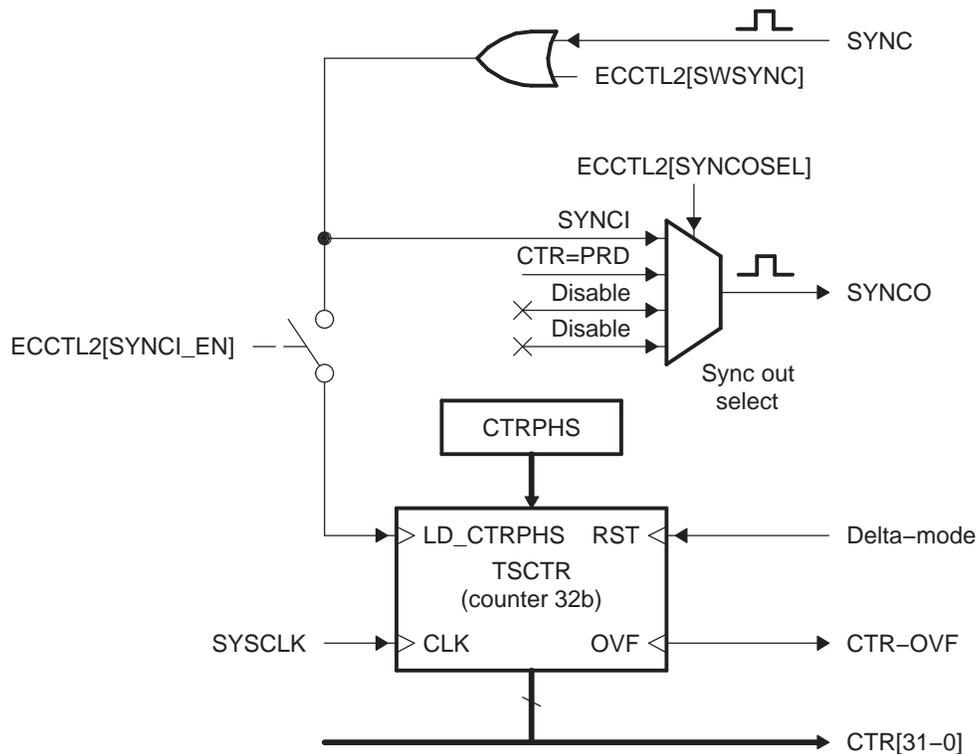
### 32.2.2.4 32-Bit Counter and Phase Control

This counter provides the time-base for event captures, and is clocked via the system clock.

A phase register is provided to achieve synchronization with other counters, via a hardware and software forced sync. This is useful in APWM mode when a phase offset between modules is needed.

On any of the four event loads, an option to reset the 32-bit counter is given. This is useful for time difference capture. The 32-bit counter value is captured first, then it is reset to 0 by any of the LD1-LD4 signals.

Figure 32-6. Counter and Synchronization Block



### 32.2.2.5 CAP1-CAP4 Registers

These 32-bit registers are fed by the 32-bit counter timer bus, CTR[0-31] and are loaded (that is, capture a time-stamp) when their respective LD inputs are strobed.

Loading of the capture registers can be inhibited via control bit CAPLDEN. During one-shot operation, this bit is cleared (loading is inhibited) automatically when a stop condition occurs, StopValue = Mod4.

CAP1 and CAP2 registers become the active period and compare registers, respectively, in APWM mode.

CAP3 and CAP4 registers become the respective shadow registers (APRD and ACPM) for CAP1 and CAP2 during APWM operation.

### 32.2.2.6 Interrupt Control

An Interrupt can be generated on capture events (CEVT1-CEVT4, CTROVF) or APWM events (CTR = PRD, CTR = CMP).

A counter overflow event (FFFFFFFF->00000000) is also provided as an interrupt source (CTROVF).

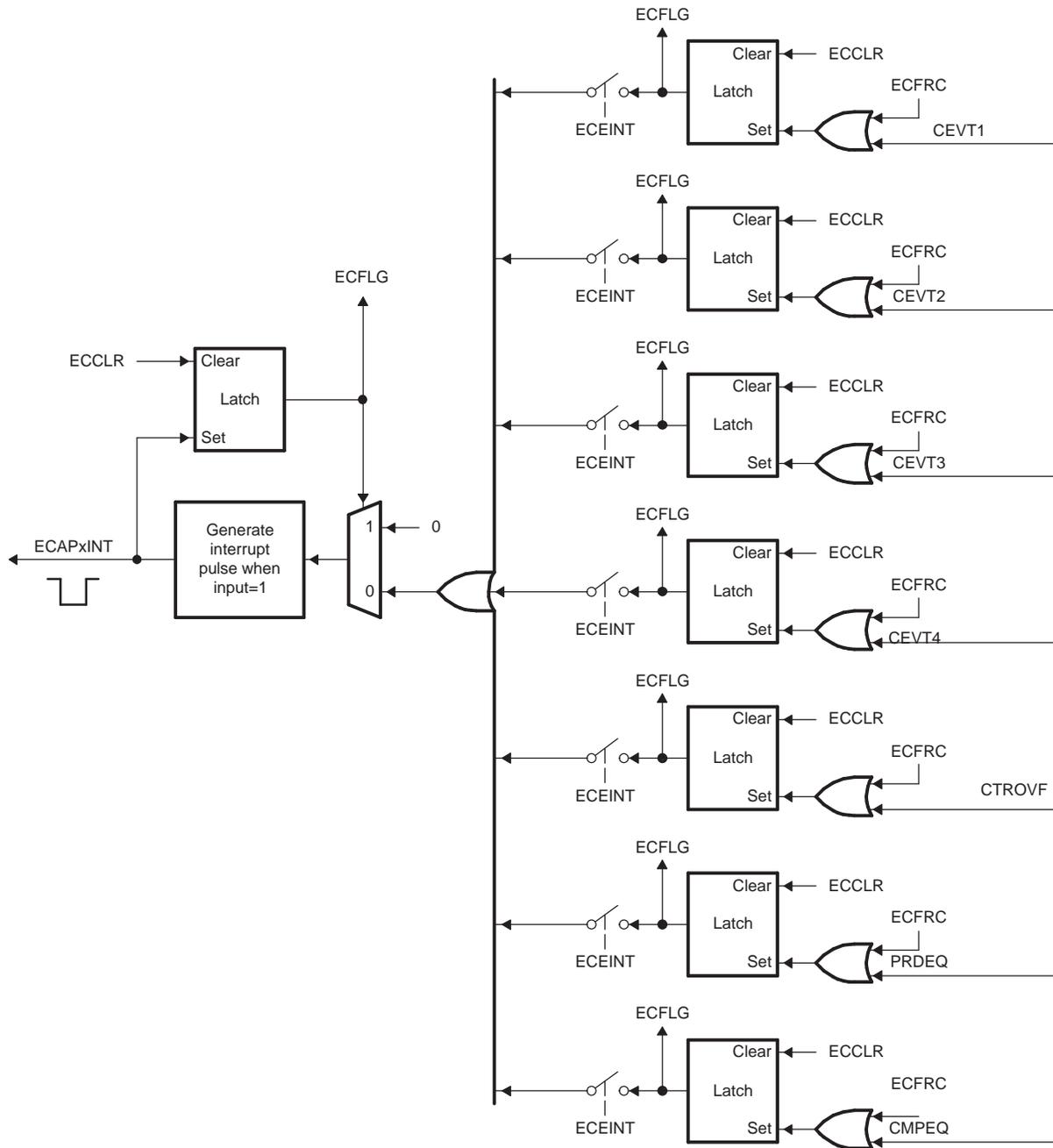
The capture events are edge and sequencer qualified (ordered in time) by the polarity select and Mod4 gating, respectively.

One of these events can be selected as the interrupt source (from the eCAPx module) going to the PIE.

Seven interrupt events (CEVT1, CEVT2, CEVT3, CEVT4, CNTOVF, CTR = PRD, CTR = CMP) can be generated. The interrupt enable register (ECEINT) is used to enable/disable individual interrupt event sources. The interrupt flag register (ECFLG) indicates if any interrupt event has been latched and contains the global interrupt flag bit (INT). An interrupt pulse is generated to the PIE only if any of the interrupt events are enabled, the flag bit is 1, and the INT flag bit is 0. The interrupt service routine must clear the global interrupt flag bit and the serviced event via the interrupt clear register (ECCLR) before any other interrupt pulses are generated. You can force an interrupt event via the interrupt force register (ECFRC). This is useful for test purposes.

**Note:** The CEVT1, CEVT2, CEVT3, CEVT4 flags are only active in capture mode (ECCTL2[CAP\_APWM == 0]). The CTR\_PRD and CTR\_CMP flags are only valid in APWM mode (ECCTL2[CAP\_APWM == 1]). CNTOVF flag is valid in both modes.

**Figure 32-7. Interrupts in eCAP Module**



### 32.2.2.7 Shadow Load and Lockout Control

In capture mode, this logic inhibits (locks out) any shadow loading of CAP1 or CAP2 from APRD and ACMP registers, respectively.

In APWM mode, shadow loading is active and two choices are permitted:

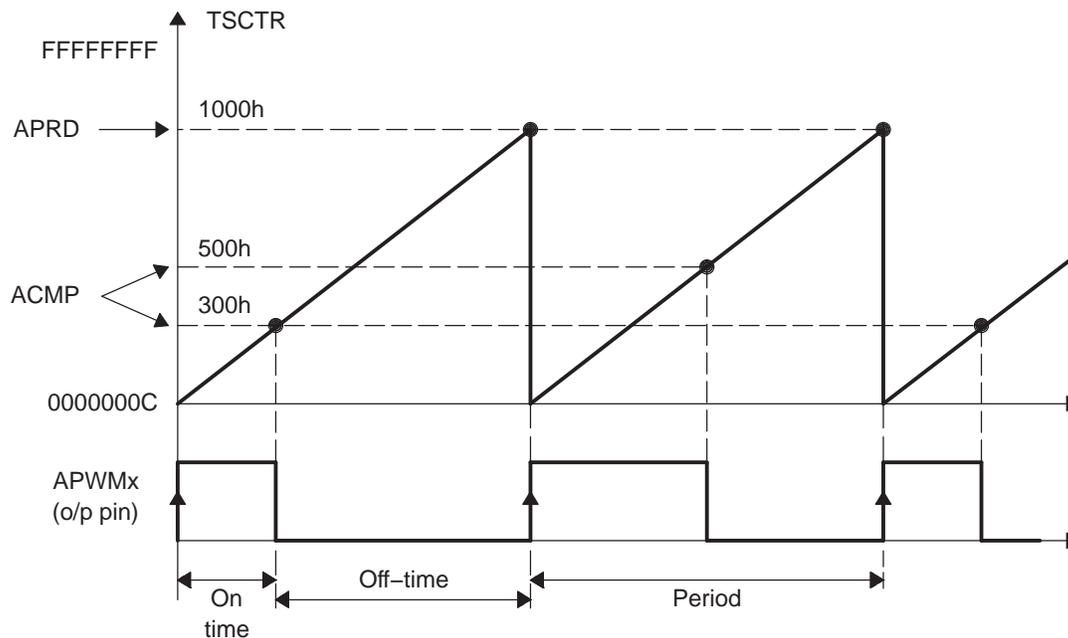
- Immediate - APRD or ACMP are transferred to CAP1 or CAP2 immediately upon writing a new value.
- On period equal, CTR[31:0] = PRD[31:0]

### 32.2.2.8 APWM Mode Operation

Main operating highlights of the APWM section:

- The time-stamp counter bus is made available for comparison via 2 digital (32-bit) comparators.
- When CAP1/2 registers are not used in capture mode, their contents can be used as Period and Compare values in APWM mode.
- Double buffering is achieved via shadow registers APRD and ACMP (CAP3/4). The shadow register contents are transferred over to CAP1/2 registers either immediately upon a write, or on a CTR = PRD trigger.
- In APWM mode, writing to CAP1/CAP2 active registers will also write the same value to the corresponding shadow registers CAP3/CAP4. This emulates immediate mode. Writing to the shadow registers CAP3/CAP4 will invoke the shadow mode.
- During initialization, you must write to the active registers for both period and compare. This automatically copies the initial values into the shadow values. For subsequent compare updates, during run-time, you only need to use the shadow registers.

**Figure 32-8. PWM Waveform Details of APWM Mode Operation**



The behavior of APWM active high mode (APWMPOL == 0) is as follows:

CMP = 0x00000000, output low for duration of period (0% duty)  
 CMP = 0x00000001, output high 1 cycle  
 CMP = 0x00000002, output high 2 cycles  
 CMP = PERIOD, output high except for 1 cycle (<100% duty)  
 CMP = PERIOD+1, output high for complete period (100% duty)  
 CMP > PERIOD+1, output high for complete period

The behavior of APWM active low mode (APWMPOL == 1) is as follows:

CMP = 0x00000000, output high for duration of period (0% duty)  
 CMP = 0x00000001, output low 1 cycle  
 CMP = 0x00000002, output low 2 cycles  
 CMP = PERIOD, output low except for 1 cycle (<100% duty)  
 CMP = PERIOD+1, output low for complete period (100% duty)  
 CMP > PERIOD+1, output low for complete period

### 32.3 Application of the ECAP Module

The following sections will provide Applications examples and code snippets to show how to configure and operate the eCAP module. For clarity and ease of use, the examples use the eCAP “C” header files. Below are useful #defines which will help in the understanding of the examples.

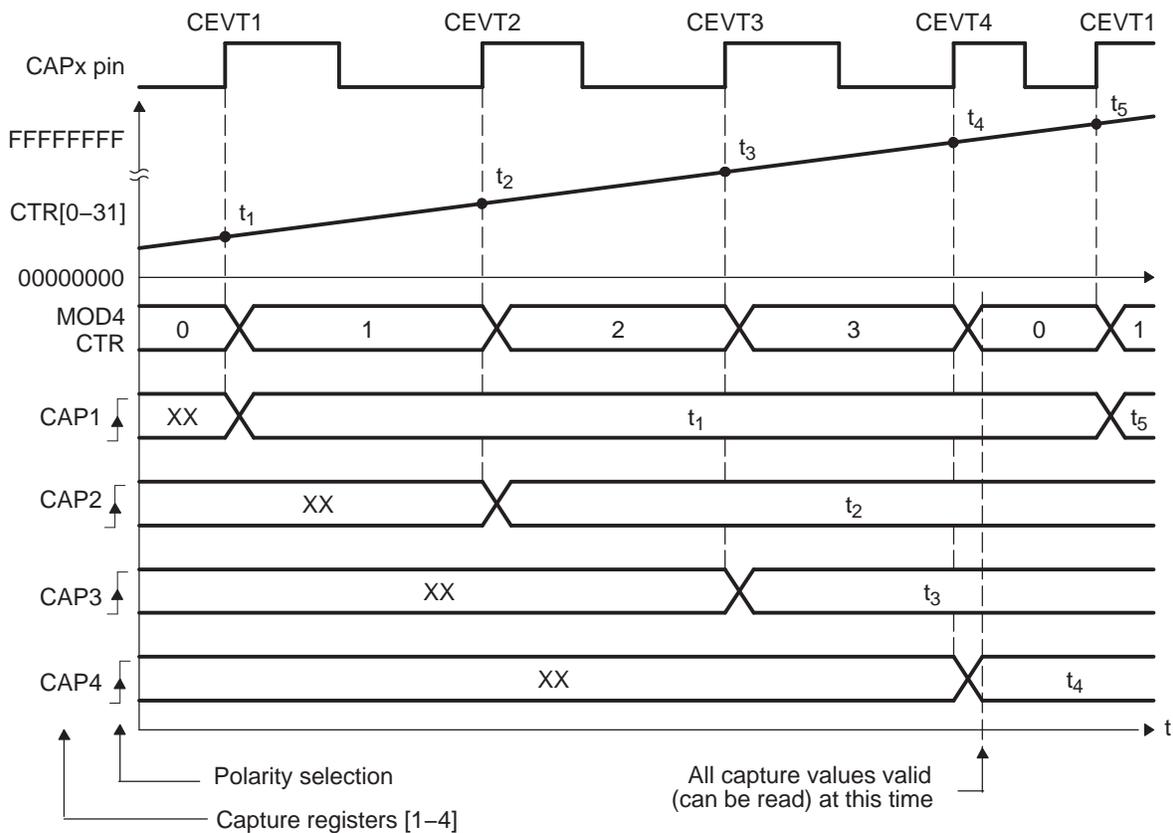
```
// ECCTL1 ( ECAP Control Reg 1)
//=====
// CAPxPOL bits
#define EC_RISING 0x0
#define EC_FALLING 0x1
// CTRRSTx bits
#define EC_ABS_MODE 0x0
#define EC_DELTA_MODE 0x1
// PRESCALE bits
#define EC_BYPASS 0x0
#define EC_DIV1 0x0
#define EC_DIV2 0x1
#define EC_DIV4 0x2
#define EC_DIV6 0x3
#define EC_DIV8 0x4
#define EC_DIV10 0x5
// ECCTL2 ( ECAP Control Reg 2)
//=====
// CONT/ONESHOT bit
#define EC_CONTINUOUS 0x0
#define EC_ONESHOT 0x1
// STOPVALUE bit
#define EC_EVENT1 0x0
#define EC_EVENT2 0x1
#define EC_EVENT3 0x2
#define EC_EVENT4 0x3
// RE-ARM bit
#define EC_ARM 0x1
// TSCTRSTOP bit
#define EC_FREEZE 0x0
#define EC_RUN 0x1
// SYNCO_SEL bit
#define EC_SYNCIN 0x0
#define EC_CTR_PRD 0x1
#define EC_SYNCO_DIS 0x2
// CAP_APWM mode bit
#define EC_CAP_MODE 0x0
#define EC_APWM_MODE 0x1
// APWMPOL bit
#define EC_ACTV_HI 0x0
#define EC_ACTV_LO 0x1
// Generic
#define EC_DISABLE 0x0
#define EC_ENABLE 0x1
#define EC_FORCE 0x1
```

### 32.3.1 Example 1 - Absolute Time-Stamp Operation Rising Edge Trigger

Figure 32-9 shows an example of continuous capture operation (Mod4 counter wraps around). In this figure, TSCTR counts-up without resetting and capture events are qualified on the rising edge only, this gives period (and frequency) information.

On an event, the TSCTR contents (time-stamp) is first captured, then Mod4 counter is incremented to the next state. When the TSCTR reaches FFFFFFFF (maximum value), it wraps around to 00000000 (not shown in Figure 32-9), if this occurs, the CTROVF (counter overflow) flag is set, and an interrupt (if enabled) occurs, CTROVF (counter overflow) Flag is set, and an Interrupt (if enabled) occurs. Captured Time-stamps are valid at the point indicated by the diagram, after the 4th event, hence event CEVT4 can conveniently be used to trigger an interrupt and the CPU can read data from the CAPx registers.

**Figure 32-9. Capture Sequence for Absolute Time-stamp and Rising Edge Detect**



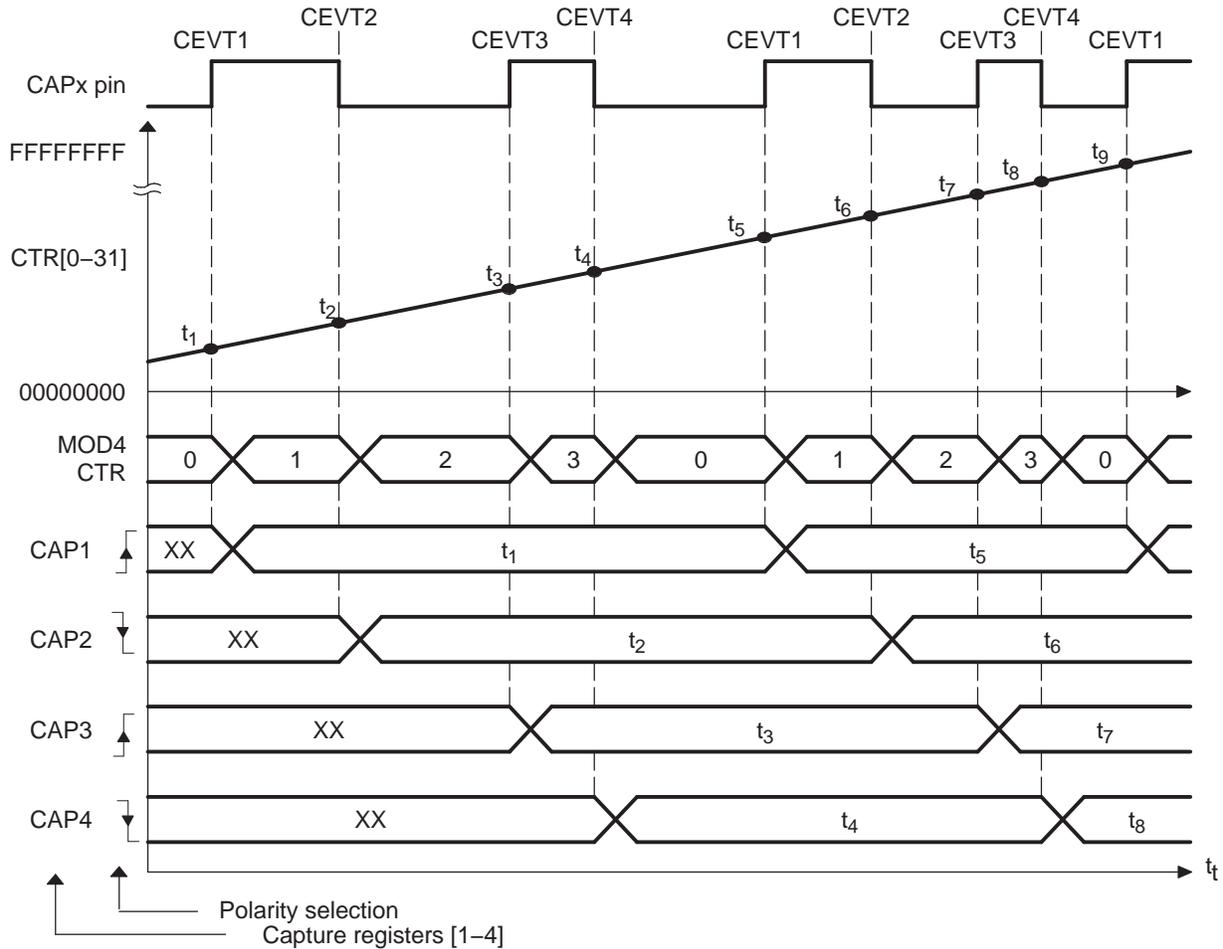
### 32.3.1.1 Code Snippet for CAP Mode Absolute Time, Rising Edge Trigger

```
// Code snippet for CAP mode Absolute Time, Rising edge trigger
// Initialization Time
//=====
// ECAP module 1 config
ECap1Regs.ECCTL1.bit.CAP1POL = EC_RISING;
ECap1Regs.ECCTL1.bit.CAP2POL = EC_RISING;
ECap1Regs.ECCTL1.bit.CAP3POL = EC_RISING;
ECap1Regs.ECCTL1.bit.CAP4POL = EC_RISING;
ECap1Regs.ECCTL1.bit.CTRRST1 = EC_ABS_MODE;
ECap1Regs.ECCTL1.bit.CTRRST2 = EC_ABS_MODE;
ECap1Regs.ECCTL1.bit.CTRRST3 = EC_ABS_MODE;
ECap1Regs.ECCTL1.bit.CTRRST4 = EC_ABS_MODE;
ECap1Regs.ECCTL1.bit.CAPLDEN = EC_ENABLE;
ECap1Regs.ECCTL1.bit.PRESCALE = EC_DIV1;
ECap1Regs.ECCTL2.bit.CAP_APWM = EC_CAP_MODE;
ECap1Regs.ECCTL2.bit.CONT_ONESHT = EC_CONTINUOUS;
ECap1Regs.ECCTL2.bit.SYNCO_SEL = EC_SYNCO_DIS;
ECap1Regs.ECCTL2.bit.SYNCI_EN = EC_DISABLE;
ECap1Regs.ECCTL2.bit.TSCTRSTOP = EC_RUN; // Allow TSCTR to run
// Run Time ( e.g. CEVT4 triggered ISR call)
//=====
TSt1 = ECap1Regs.CAP1; // Fetch Time-Stamp captured at t1
TSt2 = ECap1Regs.CAP2; // Fetch Time-Stamp captured at t2
TSt3 = ECap1Regs.CAP3; // Fetch Time-Stamp captured at t3
TSt4 = ECap1Regs.CAP4; // Fetch Time-Stamp captured at t4
Period1 = TSt2-TSt1; // Calculate 1st period
Period2 = TSt3-TSt2; // Calculate 2nd period
Period3 = TSt4-TSt3; // Calculate 3rd period
```

### 32.3.2 Example 2 - Absolute Time-Stamp Operation Rising and Falling Edge Trigger

In Figure 32-10, the eCAP operating mode is almost the same as in the previous section except capture events are qualified as either rising or falling edge, this now gives both period and duty cycle information: Period1 =  $t_3 - t_1$ , Period2 =  $t_5 - t_3$ , ...etc. Duty Cycle1 (on-time %) =  $(t_2 - t_1) / \text{Period1} \times 100\%$ , etc. Duty Cycle1 (off-time %) =  $(t_3 - t_2) / \text{Period1} \times 100\%$ , etc.

Figure 32-10. Capture Sequence for Absolute Time-stamp With Rising and Falling Edge Detect



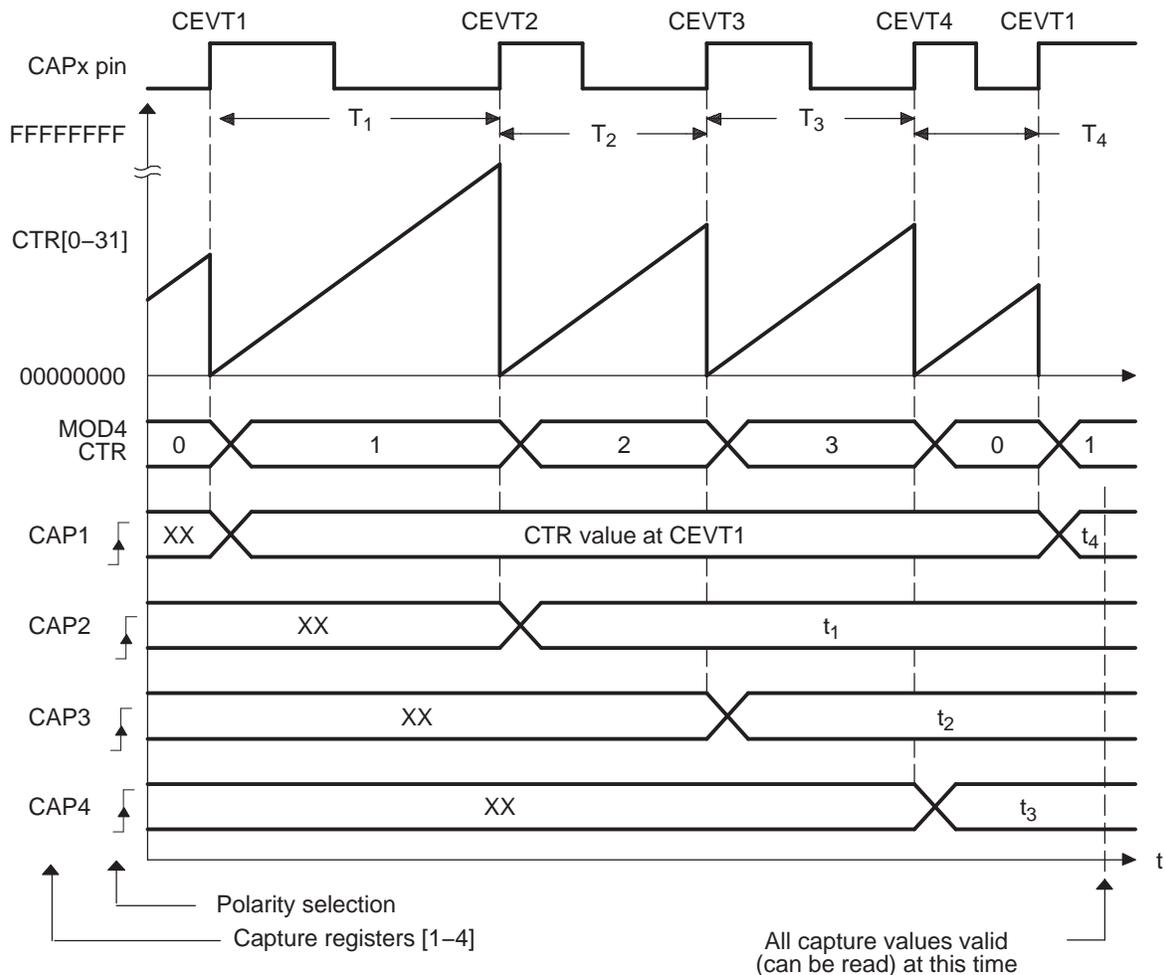
### 32.3.2.1 Code Snippet for CAP Mode Absolute Time, Rising and Falling Edge Triggers

```
// Code snippet for CAP mode Absolute Time, Rising & Falling edge triggers
// Initialization Time
//=====
// ECAP module 1 config
ECap1Regs.ECCTL1.bit.CAP1POL = EC_RISING;
ECap1Regs.ECCTL1.bit.CAP2POL = EC_FALLING;
ECap1Regs.ECCTL1.bit.CAP3POL = EC_RISING;
ECap1Regs.ECCTL1.bit.CAP4POL = EC_FALLING;
ECap1Regs.ECCTL1.bit.CTRRST1 = EC_ABS_MODE;
ECap1Regs.ECCTL1.bit.CTRRST2 = EC_ABS_MODE;
ECap1Regs.ECCTL1.bit.CTRRST3 = EC_ABS_MODE;
ECap1Regs.ECCTL1.bit.CTRRST4 = EC_ABS_MODE;
ECap1Regs.ECCTL1.bit.CAPLDEN = EC_ENABLE;
ECap1Regs.ECCTL1.bit.PRESCALE = EC_DIV1;
ECap1Regs.ECCTL2.bit.CAP_APWM = EC_CAP_MODE;
ECap1Regs.ECCTL2.bit.CONT_ONESHT = EC_CONTINUOUS;
ECap1Regs.ECCTL2.bit.SYNCO_SEL = EC_SYNCO_DIS;
ECap1Regs.ECCTL2.bit.SYNCI_EN = EC_DISABLE;
ECap1Regs.ECCTL2.bit.TSCTRSTOP = EC_RUN; // Allow TSCTR to run
// Run Time ( e.g. CEVT4 triggered ISR call)
//=====
TSt1 = ECap1Regs.CAP1; // Fetch Time-Stamp captured at t1
TSt2 = ECap1Regs.CAP2; // Fetch Time-Stamp captured at t2
TSt3 = ECap1Regs.CAP3; // Fetch Time-Stamp captured at t3
TSt4 = ECap1Regs.CAP4; // Fetch Time-Stamp captured at t4
Period1 = TSt3-TSt1; // Calculate 1st period
DutyOnTime1 = TSt2-TSt1; // Calculate On time
DutyOffTime1 = TSt3-TSt2; // Calculate Off time
```

### 32.3.3 Example 3 - Time Difference (Delta) Operation Rising Edge Trigger

Figure 32-11 shows an example of how the eCAP module can be used to collect Delta timing data from pulse train waveforms. Here Continuous Capture mode (TSCTR counts-up without resetting, and Mod4 counter wraps around) is used. In Delta-time mode, TSCTR is Reset back to Zero on every valid event. Here Capture events are qualified as Rising edge only. On an event, TSCTR contents (Time-Stamp) is captured first, and then TSCTR is reset to Zero. The Mod4 counter then increments to the next state. If TSCTR reaches FFFFFFFF (maximum value), before the next event, it wraps around to 00000000 and continues, a CANTOVF (counter overflow) Flag is set, and an Interrupt (if enabled) occurs. The advantage of Delta-time Mode is that the CAPx contents directly give timing data without the need for CPU calculations:  $\text{Period1} = T_1$ ,  $\text{Period2} = T_2, \dots$  etc. As shown in the diagram, the CEVT1 event is a good trigger point to read the timing data,  $T_1, T_2, T_3, T_4$  are all valid here.

**Figure 32-11. Capture Sequence for Delta Mode Time-stamp and Rising Edge Detect**



### 32.3.3.1 Code Snippet for CAP Mode Delta Time, Rising Edge Trigger

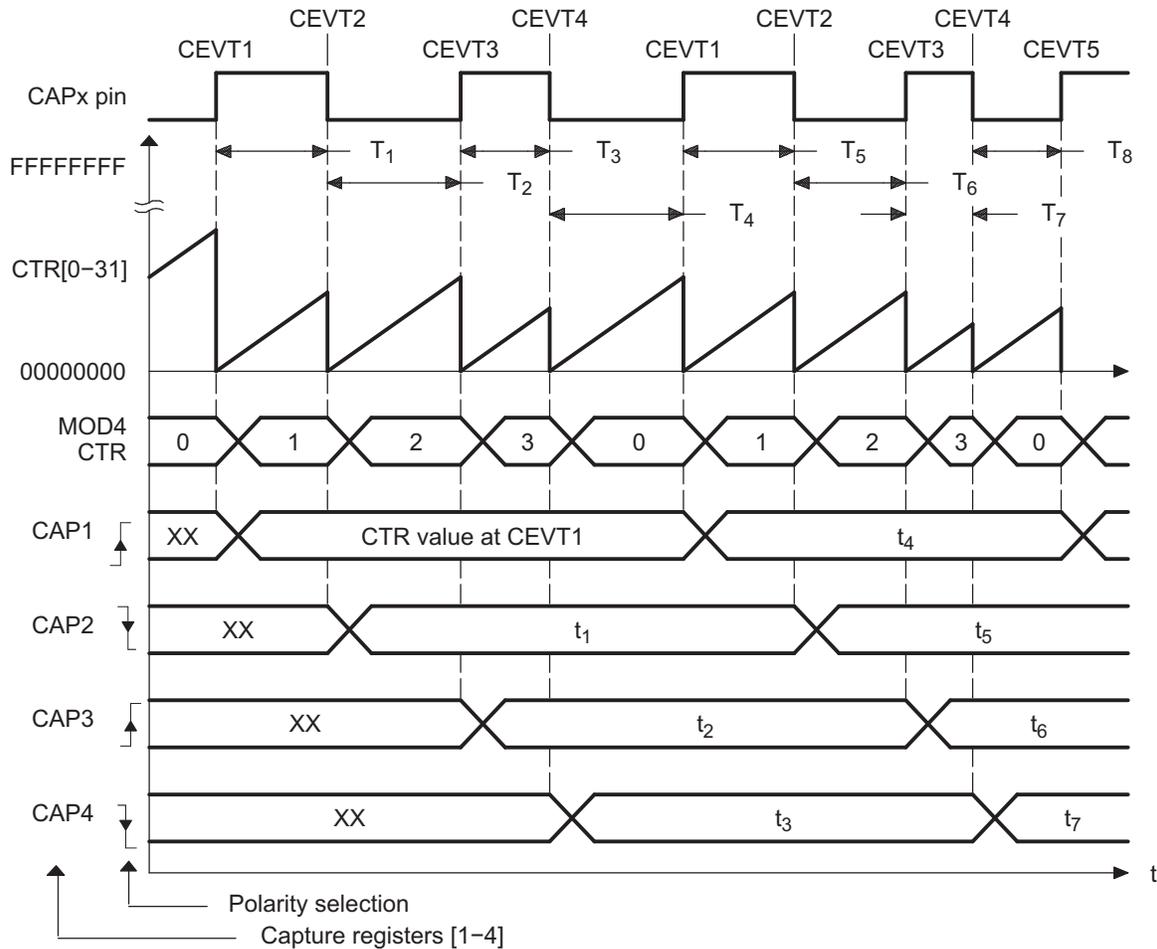
```
// Code snippet for CAP mode Delta Time, Rising edge trigger
// Initialization Time
//=====
// ECAP module 1 config
ECap1Regs.ECCTL1.bit.CAP1POL = EC_RISING;
ECap1Regs.ECCTL1.bit.CAP2POL = EC_RISING;
ECap1Regs.ECCTL1.bit.CAP3POL = EC_RISING;
ECap1Regs.ECCTL1.bit.CAP4POL = EC_RISING;
ECap1Regs.ECCTL1.bit.CTRRST1 = EC_DELTA_MODE;
ECap1Regs.ECCTL1.bit.CTRRST2 = EC_DELTA_MODE;
ECap1Regs.ECCTL1.bit.CTRRST3 = EC_DELTA_MODE;
ECap1Regs.ECCTL1.bit.CTRRST4 = EC_DELTA_MODE;
ECap1Regs.ECCTL1.bit.CAPLDEN = EC_ENABLE;
ECap1Regs.ECCTL1.bit.PRESCALE = EC_DIV1;
ECap1Regs.ECCTL2.bit.CAP_APWM = EC_CAP_MODE;
ECap1Regs.ECCTL2.bit.CONT_ONESHT = EC_CONTINUOUS;
ECap1Regs.ECCTL2.bit.SYNCO_SEL = EC_SYNCO_DIS;
ECap1Regs.ECCTL2.bit.SYNCI_EN = EC_DISABLE;
ECap1Regs.ECCTL2.bit.TSCTRSTOP = EC_RUN; // Allow TSCTR to run
// Run Time ( e.g. CEVT1 triggered ISR call)
//=====
// Note: here Time-stamp directly represents the Period value.
Period4 = ECap1Regs.CAP1; // Fetch Time-Stamp captured at T1
Period1 = ECap1Regs.CAP2; // Fetch Time-Stamp captured at T2
Period2 = ECap1Regs.CAP3; // Fetch Time-Stamp captured at T3
Period3 = ECap1Regs.CAP4; // Fetch Time-Stamp captured at T4
```

### 32.3.4 Example 4 - Time Difference (Delta) Operation Rising and Falling Edge Trigger

In Figure 32-12, the eCAP operating mode is almost the same as in previous section except Capture events are qualified as either Rising or Falling edge, this now gives both Period and Duty cycle information:  $\text{Period1} = T_1 + T_2$ ,  $\text{Period2} = T_3 + T_4$ , ...etc  $\text{Duty Cycle1 (on-time \%)} = T_1 / \text{Period1} \times 100\%$ , etc  $\text{Duty Cycle1 (off-time \%)} = T_2 / \text{Period1} \times 100\%$ , etc

During initialization, you must write to the active registers for both period and compare. This will then automatically copy the init values into the shadow values. For subsequent compare updates, during run-time, only the shadow registers must be used.

**Figure 32-12. Capture Sequence for Delta Mode Time-stamp With Rising and Falling Edge Detect**



### 32.3.4.1 Code Snippet for CAP Mode Delta Time, Rising and Falling Edge Triggers

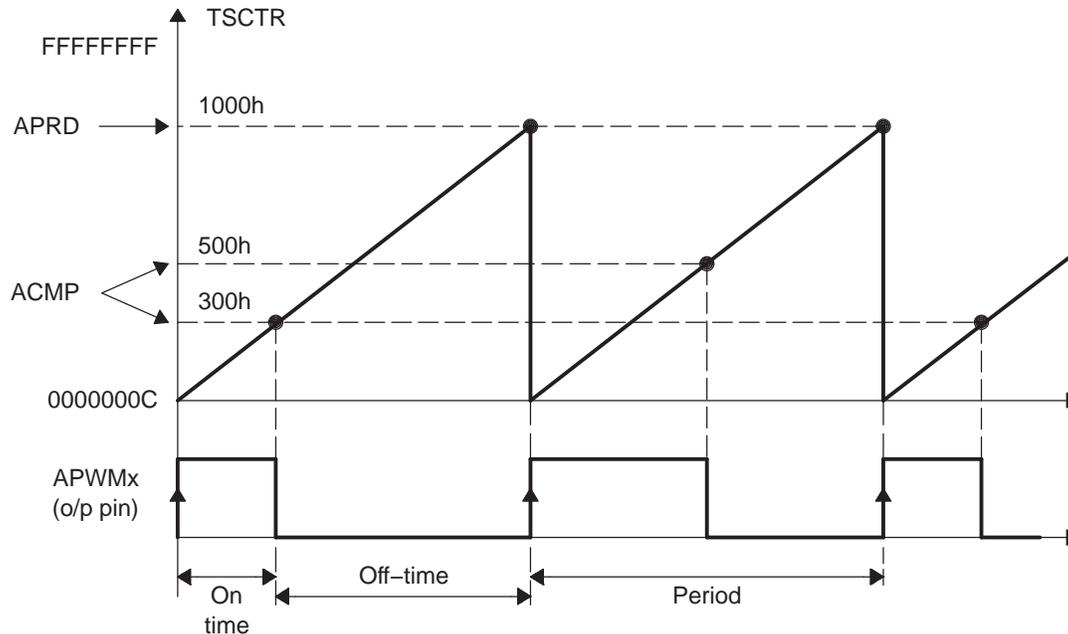
```
// Code snippet for CAP mode Delta Time, Rising and Falling edge triggers
// Initialization Time
//=====
// ECAP module 1 config
ECap1Regs.ECCTL1.bit.CAP1POL = EC_RISING;
ECap1Regs.ECCTL1.bit.CAP2POL = EC_FALLING;
ECap1Regs.ECCTL1.bit.CAP3POL = EC_RISING;
ECap1Regs.ECCTL1.bit.CAP4POL = EC_FALLING;
ECap1Regs.ECCTL1.bit.CTRRST1 = EC_DELTA_MODE;
ECap1Regs.ECCTL1.bit.CTRRST2 = EC_DELTA_MODE;
ECap1Regs.ECCTL1.bit.CTRRST3 = EC_DELTA_MODE;
ECap1Regs.ECCTL1.bit.CTRRST4 = EC_DELTA_MODE;
ECap1Regs.ECCTL1.bit.CAPLDEN = EC_ENABLE;
ECap1Regs.ECCTL1.bit.PRESCALE = EC_DIV1;
ECap1Regs.ECCTL2.bit.CAP_APWM = EC_CAP_MODE;
ECap1Regs.ECCTL2.bit.CONT_ONESHT = EC_CONTINUOUS;
ECap1Regs.ECCTL2.bit.SYNCO_SEL = EC_SYNCO_DIS;
ECap1Regs.ECCTL2.bit.SYNCI_EN = EC_DISABLE;
ECap1Regs.ECCTL2.bit.TSCTRSTOP = EC_RUN; // Allow TSCTR to run
// Run Time ( e.g. CEVT1 triggered ISR call)
//=====
// Note: here Time-stamp directly represents the Duty cycle values.
DutyOnTime1 = ECap1Regs.CAP2; // Fetch Time-Stamp captured at T2
DutyOffTime1 = ECap1Regs.CAP3; // Fetch Time-Stamp captured at T3
DutyOnTime2 = ECap1Regs.CAP4; // Fetch Time-Stamp captured at T4
DutyOffTime2 = ECap1Regs.CAP1; // Fetch Time-Stamp captured at T1
Period1 = DutyOnTime1 + DutyOffTime1;
Period2 = DutyOnTime2 + DutyOffTime2;
```

## 32.4 Application of the APWM Mode

In this section, the eCAP module is configured to operate as a PWM generator. Here a very simple single channel PWM waveform is generated from output pin APWMx. The PWM polarity is active high, which means that the compare value (CAP2 reg is now a compare register) represents the on-time (high level) of the period. Alternatively, if the APWMPOL bit is configured for active low, then the compare value represents the off-time. Note here values are in hexadecimal ("h") notation.

### 32.4.1 Simple PWM Generation (Independent Channel/s)

Figure 32-13. PWM Waveform Details of APWM Mode Operation



#### 32.4.1.1 Code Snippet for APWM Mode

```
// Code snippet for APWM mode Example 1
// Initialization Time
//=====
// ECAP module 1 config
ECap1Regs.CAP1 = 0x1000; // Set period value
ECap1Regs.CTRPHS = 0x0; // make phase zero
ECap1Regs.ECCTL2.bit.CAP_APWM = EC_APWM_MODE;
ECap1Regs.ECCTL2.bit.APWMPOL = EC_ACTV_HI; // Active high
ECap1Regs.ECCTL2.bit.SYNCI_EN = EC_DISABLE; // Synch not used
ECap1Regs.ECCTL2.bit.SYNCO_SEL = EC_SYNC_DIS; // Synch not used
ECap1Regs.ECCTL2.bit.TSCTRSTOP = EC_RUN; // Allow TSCTR to run
// Run Time (Instant 1, e.g. ISR call)
//=====
ECap1Regs.CAP2 = 0x300; // Set Duty cycle i.e. compare value
// Run Time (Instant 2, e.g. another ISR call)
//=====
ECap1Regs.CAP2 = 0x500; // Set Duty cycle i.e. compare value
```

## 32.5 eCAP Registers

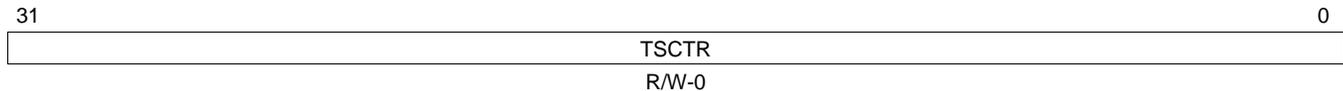
Table 32-1 shows the eCAP module control and status registers. The base address for the control registers is FCF7 9300h for eCAP1, FCF7 9400h for eCAP2, FCF7 9500h for eCAP3, FCF7 9600h for eCAP4, FCF7 9700h for eCAP5, and FCF7 9800h for eCAP6.

**Table 32-1. ECAP Control and Status Registers**

Address Offset	Acronym	Description	Section
00h	TSCTR	Time-Stamp Counter Register	<a href="#">Section 32.5.1</a>
04h	CTRPHS	Counter Phase Offset Value Register	<a href="#">Section 32.5.2</a>
08h	CAP1	Capture 1 Register	<a href="#">Section 32.5.3</a>
0Ch	CAP2	Capture 2 Register	<a href="#">Section 32.5.4</a>
10h	CAP3	Capture 3 Register	<a href="#">Section 32.5.5</a>
14h	CAP4	Capture 4 Register	<a href="#">Section 32.5.6</a>
28h	ECCTL1	Capture Control Register 1	<a href="#">Section 32.5.8</a>
2Ah	ECCTL2	Capture Control Register 2	<a href="#">Section 32.5.7</a>
2Ch	ECEINT	Capture Interrupt Enable Register	<a href="#">Section 32.5.10</a>
2Eh	ECFLG	Capture Interrupt Flag Register	<a href="#">Section 32.5.9</a>
30h	ECCLR	Capture Interrupt Clear Register	<a href="#">Section 32.5.12</a>
32h	ECFRC	Capture Interrupt Forcing Register	<a href="#">Section 32.5.11</a>

### 32.5.1 Time-Stamp Counter Register (TSCTR)

**Figure 32-14. Time-Stamp Counter Register (TSCTR) [offset = 00h]**



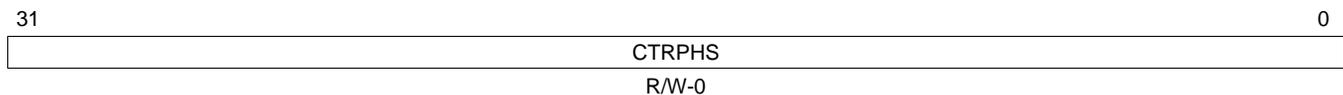
LEGEND: R/W = Read/Write; R = Read only; -n = value after reset

**Table 32-2. Time-Stamp Counter Register (TSCTR) Field Descriptions**

Bits	Field	Description
31-0	TSCTR	Active 32-bit counter register that is used as the capture time-base

### 32.5.2 Counter Phase Control Register (CTRPHS)

**Figure 32-15. Counter Phase Control Register (CTRPHS) [offset = 04h]**



LEGEND: R/W = Read/Write; R = Read only; -n = value after reset

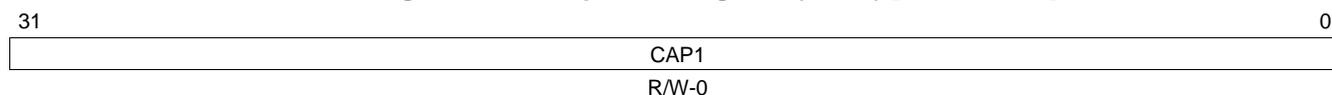
**Table 32-3. Counter Phase Control Register (CTRPHS) Field Descriptions**

Bits	Field	Description
31-0	CTRPHS	Counter phase value register that can be programmed for phase lag/lead. This register shadows TSCTR and is loaded into TSCTR upon either a SYNCI event or S/W force via a control bit. Used to achieve phase control synchronization with respect to other eCAP and EPWM time-bases.

### 32.5.3 Capture-1 Register (CAP1)

**NOTE:** In APWM mode, writing to CAP1/CAP2 active registers also writes the same value to the corresponding shadow registers CAP3/CAP4. This emulates immediate mode. Writing to the shadow registers CAP3/CAP4 invokes the shadow mode.

**Figure 32-16. Capture-1 Register (CAP1) [offset = 08h]**



LEGEND: R/W = Read/Write; R = Read only; -n = value after reset

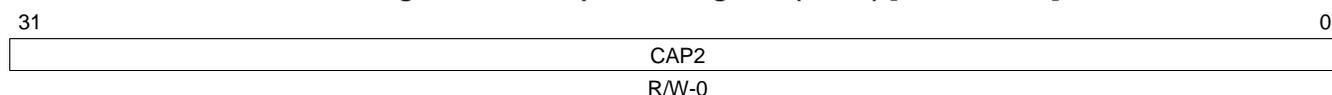
**Table 32-4. Capture-1 Register (CAP1) Field Descriptions**

Bits	Field	Description
31-0	CAP1	This register can be loaded (written) by : <ul style="list-style-type: none"> <li>• Time-Stamp (counter value) during a capture event</li> <li>• Software - may be useful for test purposes / initialization</li> <li>• APRD shadow register (CAP3) when used in APWM mode</li> </ul>

### 32.5.4 Capture-2 Register (CAP2)

**NOTE:** In APWM mode, writing to CAP1/CAP2 active registers also writes the same value to the corresponding shadow registers CAP3/CAP4. This emulates immediate mode. Writing to the shadow registers CAP3/CAP4 invokes the shadow mode.

**Figure 32-17. Capture-2 Register (CAP2) [offset = 0Ch]**



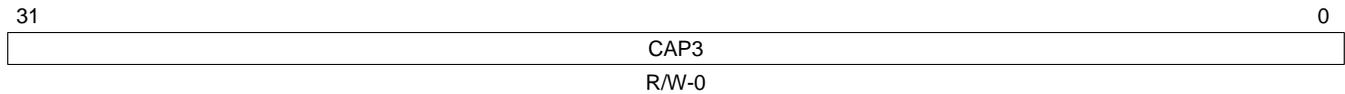
LEGEND: R/W = Read/Write; R = Read only; -n = value after reset

**Table 32-5. Capture-2 Register (CAP2) Field Descriptions**

Bits	Field	Description
31-0	CAP2	This register can be loaded (written) by: <ul style="list-style-type: none"> <li>• Time-Stamp (counter value) during a capture event</li> <li>• Software - may be useful for test purposes</li> <li>• APRD shadow register (CAP4) when used in APWM mode</li> </ul>

### 32.5.5 Capture-3 Register (CAP3)

**Figure 32-18. Capture-3 Register (CAP3) [offset = 10h]**



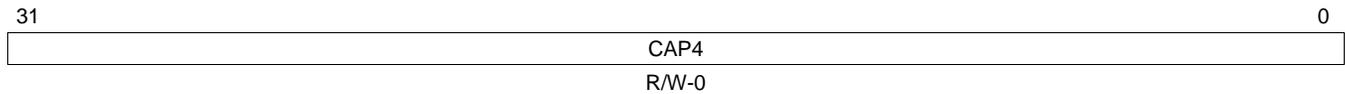
LEGEND: R/W = Read/Write; R = Read only; -n = value after reset

**Table 32-6. Capture-3 Register (CAP3) Field Descriptions**

Bits	Field	Description
31-0	CAP3	In CMP mode, this is a time-stamp capture register. In APWM mode, this is the period shadow (APRD) register. You update the PWM period value through this register. In this mode, CAP3 (APRD) shadows CAP1.

### 32.5.6 Capture-4 Register (CAP4)

**Figure 32-19. Capture-4 Register (CAP4) [offset = 14h]**



LEGEND: R/W = Read/Write; R = Read only; -n = value after reset

**Table 32-7. Capture-4 Register (CAP4) Field Descriptions**

Bits	Field	Description
31-0	CAP4	In CMP mode, this is a time-stamp capture register. In APWM mode, this is the compare shadow (ACMP) register. You update the PWM compare value via this register. In this mode, CAP4 (ACMP) shadows CAP2.

### 32.5.7 ECAP Control Register 2 (ECCTL2)

**Figure 32-20. ECAP Control Register 2 (ECCTL2) [offset = 2Ah]**

15	Reserved				11	10	9	8
R-0				R/W-0		R/W-0	R/W-0	
7	6	5	4	3	2	1	0	
SYNCO_SEL		SYNCI_EN	TSCTRSTOP	REARM	STOP_WRAP		CONT_ONESHT	
R/W-0		R/W-0	R/W-0	R/W-0	R/W-3h		R/W-0	

LEGEND: R/W = Read/Write; R = Read only; -n = value after reset

**Table 32-8. ECAP Control Register 2 (ECCTL2) Field Descriptions**

Bits	Field	Value	Description
15-11	Reserved	0	Reserved
10	APWMPOL	0 1	APWM output polarity select. This is applicable only in APWM operating mode 0 Output is active high (Compare value defines high time) 1 Output is active low (Compare value defines low time)
9	CAP_APWM	0 1	CAP/APWM operating mode select 0 ECAP module operates in capture mode. This mode forces the following configuration: <ul style="list-style-type: none"> <li>Inhibits TSCTR resets via CTR = PRD event</li> <li>Inhibits shadow loads on CAP1 and 2 registers</li> <li>Permits user to enable CAP1-4 register load</li> <li>CAPx/APWMx pin operates as a capture input</li> </ul> 1 ECAP module operates in APWM mode. This mode forces the following configuration: <ul style="list-style-type: none"> <li>Resets TSCTR on CTR = PRD event (period boundary)</li> <li>Permits shadow loading on CAP1 and 2 registers</li> <li>Disables loading of time-stamps into CAP1-4 registers</li> <li>CAPx/APWMx pin operates as a APWM output</li> </ul>
8	SWSYNC	0 1	Software-forced Counter (TSCTR) Synchronizing. This provides a convenient software method to synchronize some or all ECAP time bases. In APWM mode, the synchronizing can also be done via the CTR = PRD event. 0 Writing a 0 has no effect. Reading always returns a zero 1 Writing a 1 forces a TSCTR shadow load of current ECAP module and any ECAP modules downstream providing the SYNCO_SEL bits are 0,0. After writing a 1, this bit returns to a 0. Note: Selection CTR = PRD is meaningful only in APWM mode; however, you can choose it in CAP mode if you find doing so useful.
7-6	SYNCO_SEL	0 1h 2h 3h	Sync-Out Select 0 Select sync-in event to be the sync-out signal (pass through) 1h Select CTR = PRD event to be the sync-out signal 2h Disable sync out signal 3h Disable sync out signal
5	SYNCI_EN	0 1	Counter (TSCTR) Sync-In select mode 0 Disable sync-in option 1 Enable counter (TSCTR) to be loaded from CTRPHS register upon either a SYNCI signal or a S/W force event.
4	TSCTRSTOP	0 1	Time Stamp (TSCTR) Counter Stop (freeze) Control 0 TSCTR stopped 1 TSCTR free-running

**Table 32-8. ECAP Control Register 2 (ECCTL2) Field Descriptions (continued)**

Bits	Field	Value	Description
3	REARM	0 1	<p>One-Shot Re-Arming Control, wait for stop trigger. Note: The re-arm function is valid in one shot or continuous mode.</p> <p>0 Has no effect (reading always returns a 0)</p> <p>1 Arms the one-shot sequence as follows:</p> <ol style="list-style-type: none"> <li>1) Resets the Mod4 counter to zero</li> <li>2) Unfreezes the Mod4 counter</li> <li>3) Enables capture register loads</li> </ol>
2-1	STOP_WRAP	0 1h 2h 3h	<p>Stop value for one-shot mode. This is the number (between 1-4) of captures allowed to occur before the CAP(1-4) registers are frozen, capture sequence is stopped.</p> <p>Wrap value for continuous mode. This is the number (between 1-4) of the capture register in which the circular buffer wraps around and starts again.</p> <p>0 Stop after Capture Event 1 in one-shot mode. Wrap after Capture Event 1 in continuous mode.</p> <p>1h Stop after Capture Event 2 in one-shot mode. Wrap after Capture Event 2 in continuous mode.</p> <p>2h Stop after Capture Event 3 in one-shot mode. Wrap after Capture Event 3 in continuous mode.</p> <p>3h Stop after Capture Event 4 in one-shot mode. Wrap after Capture Event 4 in continuous mode.</p> <p>Notes: STOP_WRAP is compared to Mod4 counter and, when equal, 2 actions occur:</p> <ul style="list-style-type: none"> <li>• Mod4 counter is stopped (frozen)</li> <li>• Capture register loads are inhibited</li> </ul> <p>In one-shot mode, further interrupt events are blocked until re-armed.</p>
0	CONT_ONESHT	0 1	<p>Continuous or one-shot mode control (applicable only in capture mode)</p> <p>0 Operate in continuous mode</p> <p>1 Operate in one-shot mode</p>

### 32.5.8 ECAP Control Register 1 (ECCTL1)

**Figure 32-21. ECAP Control Register 1 (ECCTL1) [offset = 28h]**

15	14	13					9	8
FREE	SOFT	PRESCALE				CAPLDEN		
R/W-0	R/W-0	R/W-0				R/W-0		
7	6	5	4	3	2	1	0	
CTRRST4	CAP4POL	CTRRST3	CAP3POL	CTRRST2	CAP2POL	CTRRST1	CAP1POL	
R/W-0	R/W-0	R/W-0	R/W-0	R/W-0	R/W-0	R/W-0	R/W-0	

LEGEND: R/W = Read/Write; R = Read only; -n = value after reset

**Table 32-9. ECAP Control Register 1 (ECCTL1) Field Descriptions**

Bits	Field	Value	Description
15-14	FREE/SOFT	0	Emulation Control TSCTR counter stops immediately on emulation suspend
		1h	TSCTR counter runs until = 0
		2h-3h	TSCTR counter is unaffected by emulation suspend (Run Free)
13-9	PRESCALE	0	Event Filter prescale select Divide by 1 (no prescale, by-pass the prescaler)
		1h	Divide by 2
		2h	Divide by 4
		3h	Divide by 6
		4h	Divide by 8
		5h	Divide by 10
		:	:
		1Eh	Divide by 60
		1Fh	Divide by 62
8	CAPLDEN	0	Enable Loading of CAP1-4 registers on a capture event Disable CAP1-4 register loads at capture event time.
		1	Enable CAP1-4 register loads at capture event time.
7	CTRRST4	0	Counter Reset on Capture Event 4 Do not reset counter on Capture Event 4 (absolute time stamp operation)
		1	Reset counter after Capture Event 4 time-stamp has been captured (used in difference mode operation)
6	CAP4POL	0	Capture Event 4 Polarity select Capture Event 4 triggered on a rising edge (RE)
		1	Capture Event 4 triggered on a falling edge (FE)
5	CTRRST3	0	Counter Reset on Capture Event 3 Do not reset counter on Capture Event 3 (absolute time stamp)
		1	Reset counter after Event 3 time-stamp has been captured (used in difference mode operation)
4	CAP3POL	0	Capture Event 3 Polarity select Capture Event 3 triggered on a rising edge (RE)
		1	Capture Event 3 triggered on a falling edge (FE)
3	CTRRST2	0	Counter Reset on Capture Event 2 Do not reset counter on Capture Event 2 (absolute time stamp)
		1	Reset counter after Event 2 time-stamp has been captured (used in difference mode operation)

**Table 32-9. ECAP Control Register 1 (ECCTL1) Field Descriptions (continued)**

Bits	Field	Value	Description
2	CAP2POL		Capture Event 2 Polarity select
		0	Capture Event 2 triggered on a rising edge (RE)
		1	Capture Event 2 triggered on a falling edge (FE)
		1	Counter Reset on Capture Event 1
0	CTRST1	0	Do not reset counter on Capture Event 1 (absolute time stamp)
		1	Reset counter after Event 1 time-stamp has been captured (used in difference mode operation)
0	CAP1POL		Capture Event 1 Polarity select
		0	Capture Event 1 triggered on a rising edge (RE)
		1	Capture Event 1 triggered on a falling edge (FE)

### 32.5.9 ECAP Interrupt Flag Register (ECFLG)

**Figure 32-22. ECAP Interrupt Flag Register (ECFLG) [offset = 2Eh]**

15								8
Reserved								R-0
7								6
CTR_CMP	CTR_PRD	CTROVF	CEVT4	CETV3	CEVT2	CETV1	INT	
R-0	R-0	R-0	R-0	R-0	R-0	R-0	R-0	

LEGEND: R/W = Read/Write; R = Read only; -n = value after reset

**Table 32-10. ECAP Interrupt Flag Register (ECFLG) Field Descriptions**

Bits	Field	Value	Description
15-8	Reserved	0	Reserved
7	CTR_CMP	0	Compare Equal Compare Status Flag. This flag is active only in APWM mode. Indicates no event occurred.
		1	Indicates the counter (TSCTR) reached the compare register value (ACMP)
6	CTR_PRD	0	Counter Equal Period Status Flag. This flag is only active in APWM mode. Indicates no event occurred.
		1	Indicates the counter (TSCTR) reached the period register value (APRD) and was reset.
5	CTROVF	0	Counter Overflow Status Flag. This flag is active in CAP and APWM mode. Indicates no event occurred.
		1	Indicates the counter (TSCTR) has made the transition from FFFF FFFFh to 0000 0000h
4	CEVT4	0	Capture Event 4 Status Flag This flag is only active in CAP mode. Indicates no event occurred.
		1	Indicates the fourth event occurred at ECAPx pin
3	CETV3	0	Capture Event 3 Status Flag. This flag is active only in CAP mode. Indicates no event occurred.
		1	Indicates the third event occurred at ECAPx pin.
2	CEVT2	0	Capture Event 2 Status Flag. This flag is only active in CAP mode. Indicates no event occurred.
		1	Indicates the second event occurred at ECAPx pin.
1	CETV1	0	Capture Event 1 Status Flag. This flag is only active in CAP mode. Indicates no event occurred.
		1	Indicates the first event occurred at ECAPx pin.
0	INT	0	Global Interrupt Status Flag Indicates no interrupt generated.
		1	Indicates that an interrupt was generated.

### 32.5.10 ECAP Interrupt Enable Register (ECEINT)

The interrupt enable bits block any of the selected events from generating an interrupt. Events will still be latched into the flag bit (ECFLG register) and can be forced/cleared via the ECFRC/ECCLR registers.

The proper procedure for configuring peripheral modes and interrupts is as follows:

- Disable global interrupts
- Stop eCAP counter
- Disable eCAP interrupts
- Configure peripheral registers
- Clear spurious eCAP interrupt flags
- Enable eCAP interrupts
- Start eCAP counter
- Enable global interrupts

**Figure 32-23. ECAP Interrupt Enable Register (ECEINT) [offset = 2Ch]**

Reserved							
R-0							
7	6	5	4	3	2	1	0
CTR_CMP	CTR_PRD	CTROVF	CEVT4	CEVT3	CEVT2	CEVT1	Reserved
R/W-0	R/W-0	R/W-0	R/W-0	R/W-0	R/W-0	R/W-0	R-0

LEGEND: R/W = Read/Write; R = Read only; -n = value after reset

**Table 32-11. ECAP Interrupt Enable Register (ECEINT) Field Descriptions**

Bits	Field	Value	Description
15-8	Reserved	0	Reserved
7	CTR_CMP	0 1	Counter Equal Compare Interrupt Enable Disable Compare Equal as an Interrupt source Enable Compare Equal as an Interrupt source
6	CTR_PRD	0 1	Counter Equal Period Interrupt Enable Disable Period Equal as an Interrupt source Enable Period Equal as an Interrupt source
5	CTROVF	0 1	Counter Overflow Interrupt Enable Disabled counter Overflow as an Interrupt source Enable counter Overflow as an Interrupt source
4	CEVT4	0 1	Capture Event 4 Interrupt Enable Disable Capture Event 4 as an Interrupt source Capture Event 4 Interrupt Enable
3	CEVT3	0 1	Capture Event 3 Interrupt Enable Disable Capture Event 3 as an Interrupt source Enable Capture Event 3 as an Interrupt source
2	CEVT2	0 1	Capture Event 2 Interrupt Enable Disable Capture Event 2 as an Interrupt source Enable Capture Event 2 as an Interrupt source
1	CEVT1	0 1	Capture Event 1 Interrupt Enable Disable Capture Event 1 as an Interrupt source Enable Capture Event 1 as an Interrupt source
0	Reserved	0	Reserved

### 32.5.11 ECAP Interrupt Forcing Register (ECFRC)

**Figure 32-24. ECAP Interrupt Forcing Register (ECFRC) [offset = 32h]**

15								8						
Reserved								R-0						
7								6	5	4	3	2	1	0
CTR_CMP	CTR_PRD	CTROVF	CEVT4	CETV3	CETV2	CETV1	reserved							
R/W-0	R/W-0	R/W-0	R/W-0	R/W-0	R/W-0	R/W-0	R-0							

LEGEND: R/W = Read/Write; R = Read only; -n = value after reset

**Table 32-12. ECAP Interrupt Forcing Register (ECFRC) Field Descriptions**

Bits	Field	Value	Description
15-8	Reserved	0	Any writes to these bit(s) must always have a value of 0.
7	CTR_CMP	0	Force Counter Equal Compare Interrupt No effect. Always reads back a 0.
		1	Writing a 1 sets the CTR_CMP flag bit.
6	CTR_PRD	0	Force Counter Equal Period Interrupt No effect. Always reads back a 0.
		1	Writing a 1 sets the CTR_PRD flag bit.
5	CTROVF	0	Force Counter Overflow No effect. Always reads back a 0.
		1	Writing a 1 to this bit sets the CTROVF flag bit.
4	CEVT4	0	Force Capture Event 4 No effect. Always reads back a 0.
		1	Writing a 1 sets the CEVT4 flag bit.
3	CEVT3	0	Force Capture Event 3 No effect. Always reads back a 0.
		1	Writing a 1 sets the CEVT3 flag bit.
2	CEVT2	0	Force Capture Event 2 No effect. Always reads back a 0.
		1	Writing a 1 sets the CEVT2 flag bit.
1	CEVT1	1	Force Capture Event 1 No effect. Always reads back a 0.
		0	Sets the CEVT1 flag bit.
0	Reserved	0	Any writes to these bit(s) must always have a value of 0.

### 32.5.12 ECAP Interrupt Clear Register (ECCLR)

Figure 32-25. ECAP Interrupt Clear Register (ECCLR) [offset = 30h]

Reserved							
R-0							
7	6	5	4	3	2	1	0
CTR_CMP	CTR_PRD	CTROVF	CEVT4	CEVT3	CEVT2	CEVT1	INT
R/W-0	R/W-0	R/W-0	R/W-0	R/W-0	R/W-0	R/W-0	R/W-0

LEGEND: R/W = Read/Write; R = Read only; -n = value after reset

Table 32-13. ECAP Interrupt Clear Register (ECCLR) Field Descriptions

Bits	Field	Value	Description
15-8	Reserved	0	Any writes to these bit(s) must always have a value of 0.
7	CTR_CMP	0 1	Counter Equal Compare Status Flag Writing a 0 has no effect. Always reads back a 0. Writing a 1 clears the CTR_CMP flag condition.
6	CTR_PRD	0 1	Counter Equal Period Status Flag Writing a 0 has no effect. Always reads back a 0. Writing a 1 clears the CTR_PRD flag condition.
5	CTROVF	0 1	Counter Overflow Status Flag Writing a 0 has no effect. Always reads back a 0. Writing a 1 clears the CTROVF flag condition.
4	CEVT4	0 1	Capture Event 4 Status Flag Writing a 0 has no effect. Always reads back a 0. Writing a 1 clears the CEVT4 flag condition.
3	CEVT3	0 1	Capture Event 3 Status Flag Writing a 0 has no effect. Always reads back a 0. Writing a 1 clears the CEVT3 flag condition.
2	CEVT2	1 0	Capture Event 2 Status Flag Writing a 0 has no effect. Always reads back a 0. Writing a 1 clears the CEVT2 flag condition.
1	CEVT1	0 1	Capture Event 1 Status Flag Writing a 0 has no effect. Always reads back a 0. Writing a 1 clears the CEVT1 flag condition.
0	INT	0 1	Global Interrupt Clear Flag Writing a 0 has no effect. Always reads back a 0. Writing a 1 clears the INT flag and enable further interrupts to be generated if any of the event flags are set to 1.

## ***Enhanced QEP (eQEP) Module***

---

---

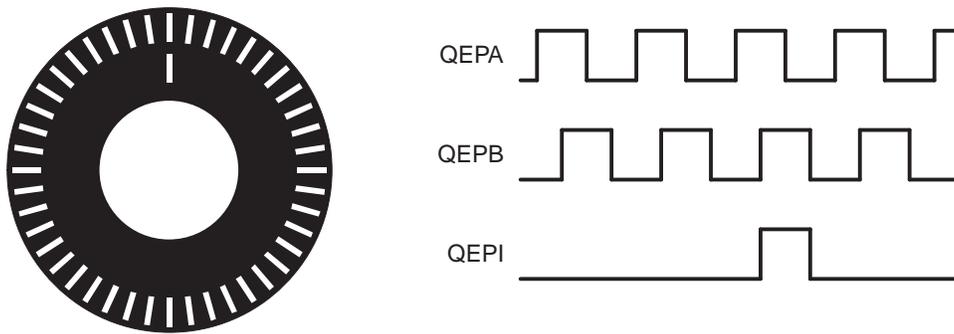
The enhanced quadrature encoder pulse (eQEP) module is used for direct interface with a linear or rotary incremental encoder to get position, direction, and speed information from a rotating machine for use in a high-performance motion and position-control system. This microcontroller implements 2 instances of the eQEP module.

<b>Topic</b>	<b>Page</b>
<b>33.1 Introduction .....</b>	<b>1675</b>
<b>33.2 Basic Operation .....</b>	<b>1677</b>
<b>33.3 eQEP Registers .....</b>	<b>1695</b>

### 33.1 Introduction

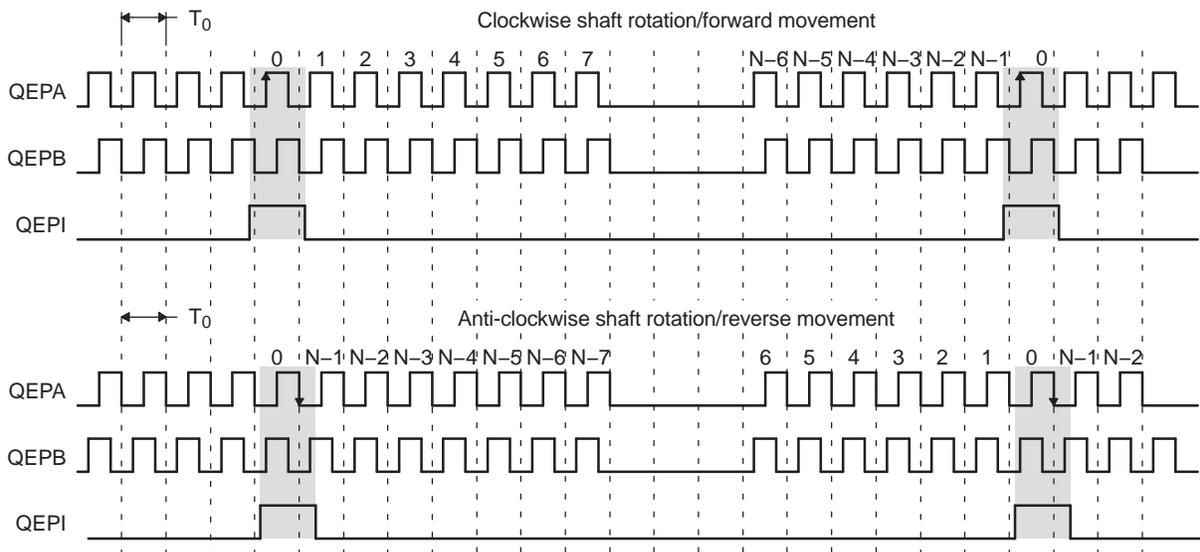
A single track of slots patterns the periphery of an incremental encoder disk, as shown in [Figure 33-1](#). These slots create an alternating pattern of dark and light lines. The disk count is defined as the number of dark/light line pairs that occur per revolution (lines per revolution). As a rule, a second track is added to generate a signal that occurs once per revolution (index signal: QEPI), which can be used to indicate an absolute position. Encoder manufacturers identify the index pulse using different terms such as index, marker, home position, and zero reference.

**Figure 33-1. Optical Encoder Disk**



To derive direction information, the lines on the disk are read out by two different photo-elements that "look" at the disk pattern with a mechanical shift of 1/4 the pitch of a line pair between them. This shift is realized with a reticle or mask that restricts the view of the photo-element to the desired part of the disk lines. As the disk rotates, the two photo-elements generate signals that are shifted 90° out of phase from each other. These are commonly called the quadrature QEPA and QEPB signals. The clockwise direction for most encoders is defined as the QEPA channel going positive before the QEPB channel and vice versa as shown in [Figure 33-2](#).

**Figure 33-2. QEP Encoder Output Signal for Forward/Reverse Movement**

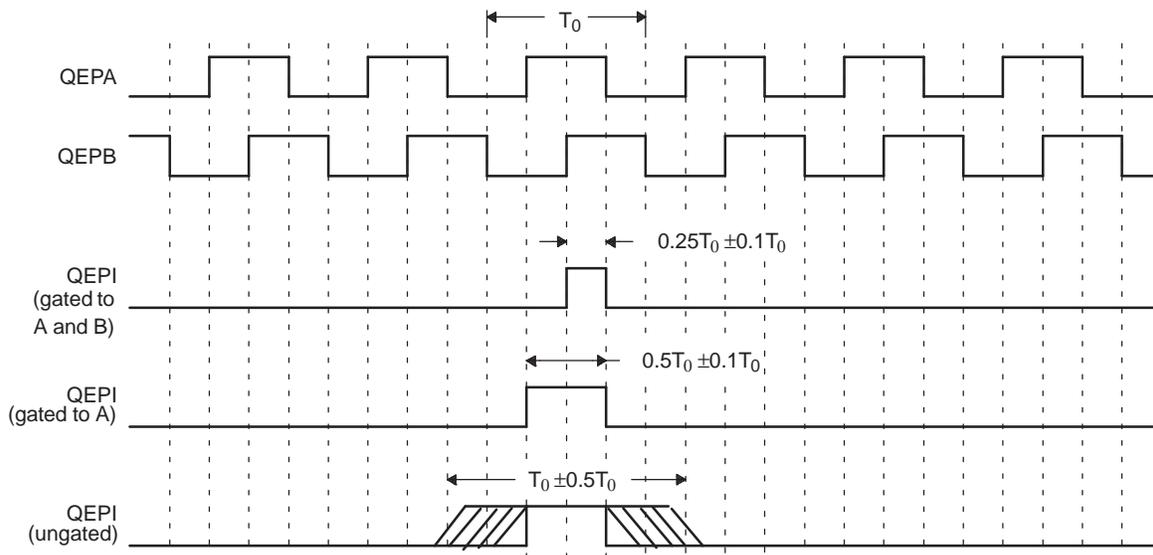


**Legend:** N = lines per revolution

The encoder wheel typically makes one revolution for every revolution of the motor or the wheel may be at a geared rotation ratio with respect to the motor. Therefore, the frequency of the digital signal coming from the QEPA and QEPB outputs varies proportionally with the velocity of the motor. For example, a 2000-line encoder directly coupled to a motor running at 5000 revolutions per minute (rpm) results in a frequency of 166.6 KHz, so by measuring the frequency of either the QEPA or QEPB output, the processor can determine the velocity of the motor.

Quadrature encoders from different manufacturers come with two forms of index pulse (gated index pulse or ungated index pulse) as shown in Figure 33-3. A nonstandard form of index pulse is ungated. In the ungated configuration, the index edges are not necessarily coincident with A and B signals. The gated index pulse is aligned to any of the four quadrature edges and width of the index pulse and can be equal to a quarter, half, or full period of the quadrature signal.

**Figure 33-3. Index Pulse Example**



Some typical applications of shaft encoders include robotics and even computer input in the form of a mouse. Inside your mouse you can see where the mouse ball spins a pair of axles (a left/right, and an up/down axle). These axles are connected to optical shaft encoders that effectively tell the computer how fast and in what direction the mouse is moving.

**General Issues:** Estimating velocity from a digital position sensor is a cost-effective strategy in motor control. Two different first order approximations for velocity may be written as:

$$v(k) \approx \frac{x(k) - x(k-1)}{T} = \frac{\Delta X}{T} \quad (66)$$

$$v(k) \approx \frac{X}{t(k) - t(k-1)} = \frac{X}{\Delta T} \quad (67)$$

where

$v(k)$ : Velocity at time instant  $k$

$x(k)$ : Position at time instant  $k$

$x(k-1)$ : Position at time instant  $k-1$

$T$ : Fixed unit time or inverse of velocity calculation rate

$\Delta X$ : Incremental position movement in unit time

$t(k)$ : Time instant " $k$ "

$t(k-1)$ : Time instant " $k-1$ "

$X$ : Fixed unit position

$\Delta T$ : Incremental time elapsed for unit position movement.

Equation 66 is the conventional approach to velocity estimation and it requires a time base to provide unit time event for velocity calculation. Unit time is basically the inverse of the velocity calculation rate.

The encoder count (position) is read once during each unit time event. The quantity  $[x(k) - x(k-1)]$  is formed by subtracting the previous reading from the current reading. Then the velocity estimate is computed by multiplying by the known constant  $1/T$  (where  $T$  is the constant time between unit time events and is known in advance).

Estimation based on [Equation 66](#) has an inherent accuracy limit directly related to the resolution of the position sensor and the unit time period  $T$ . For example, consider a 500-line per revolution quadrature encoder with a velocity calculation rate of 400 Hz. When used for position the quadrature encoder gives a four-fold increase in resolution, in this case, 2000 counts per revolution. The minimum rotation that can be detected is therefore 0.0005 revolutions, which gives a velocity resolution of 12 rpm when sampled at 400 Hz. While this resolution may be satisfactory at moderate or high speeds, e.g. 1% error at 1200 rpm, it would clearly prove inadequate at low speeds. In fact, at speeds below 12 rpm, the speed estimate would erroneously be zero much of the time.

At low speed, [Equation 67](#) provides a more accurate approach. It requires a position sensor that outputs a fixed interval pulse train, such as the aforementioned quadrature encoder. The width of each pulse is defined by motor speed for a given sensor resolution. [Equation 67](#) can be used to calculate motor speed by measuring the elapsed time between successive quadrature pulse edges. However, this method suffers from the opposite limitation, as does [Equation 66](#). A combination of relatively large motor speeds and high sensor resolution makes the time interval  $\Delta T$  small, and thus more greatly influenced by the timer resolution. This can introduce considerable error into high-speed estimates.

For systems with a large speed range (that is, speed estimation is needed at both low and high speeds), one approach is to use [Equation 67](#) at low speed and have the DSP software switch over to [Equation 66](#) when the motor speed rises above some specified threshold.

## 33.2 Basic Operation

### 33.2.1 EQEP Inputs

The eQEP inputs include two pins for quadrature-clock mode or direction-count mode, an index (or 0 marker), and a strobe input.

- *QEPA/XCLK and QEPB/XDIR*

These two pins can be used in quadrature-clock mode or direction-count mode.

- *Quadrature-clock Mode*

The eQEP encoders provide two square wave signals (A and B) 90 electrical degrees out of phase whose phase relationship is used to determine the direction of rotation of the input shaft and number of eQEP pulses from the index position to derive the relative position information. For forward or clockwise rotation, QEPA signal leads QEPB signal and vice versa. The quadrature decoder uses these two inputs to generate quadrature-clock and direction signals.

- *Direction-count Mode*

In direction-count mode, direction and clock signals are provided directly from the external source. Some position encoders have this type of output instead of quadrature output. The QEPA pin provides the clock input and the QEPB pin provides the direction input.

- *eQEPI: Index or Zero Marker*

The eQEP encoder uses an index signal to assign an absolute start position from which position information is incrementally encoded using quadrature pulses. This pin is connected to the index output of the eQEP encoder to optionally reset the position counter for each revolution. This signal can be used to initialize or latch the position counter on the occurrence of a desired event on the index pin.

- *QEPS: Strobe Input*

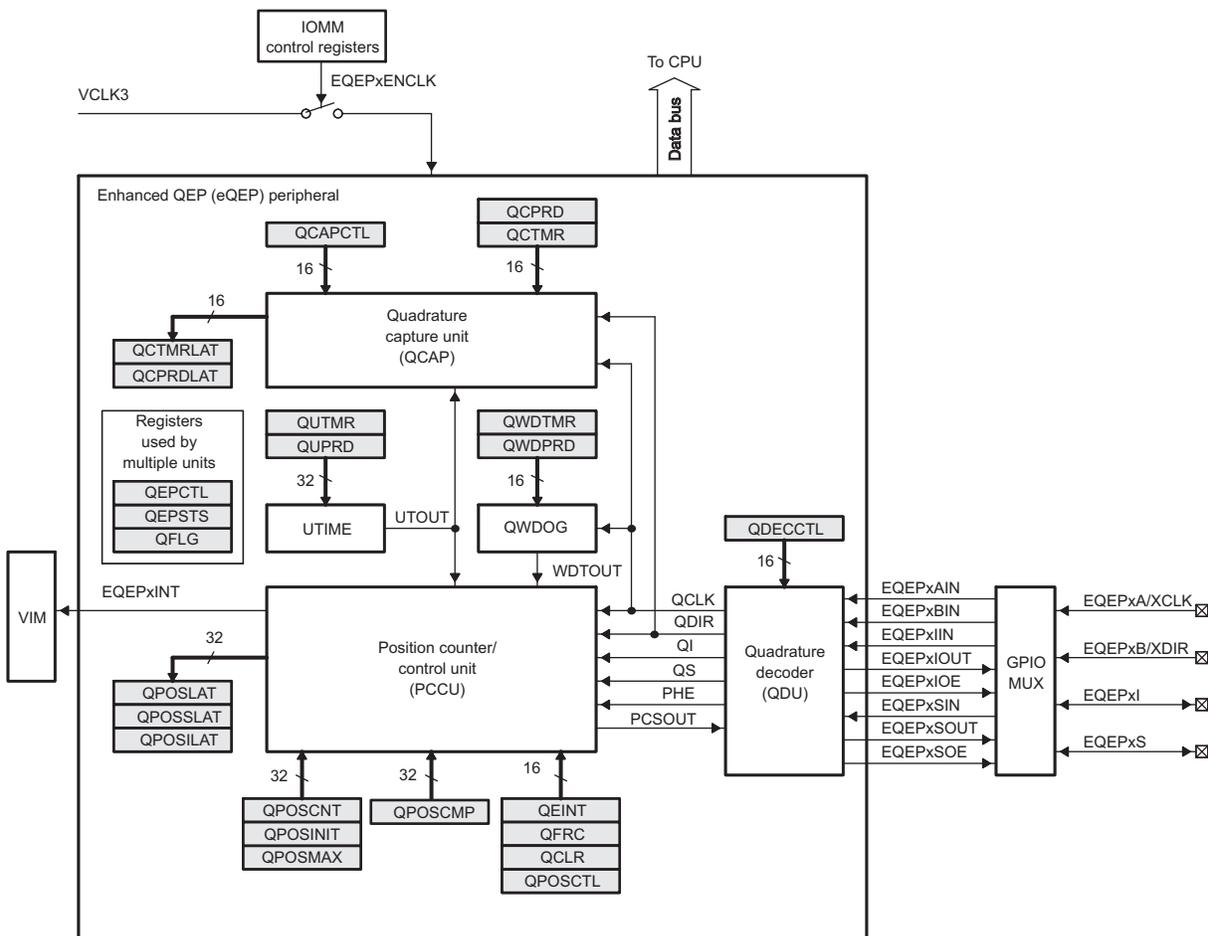
This general-purpose strobe signal can initialize or latch the position counter on the occurrence of a desired event on the strobe pin. This signal is typically connected to a sensor or limit switch to notify that the motor has reached a defined position.

### 33.2.2 Functional Description

The eQEP peripheral contains the following major functional units (as shown in Figure 33-4):

- Programmable input qualification for each pin (part of the GPIO MUX)
- Quadrature decoder unit (QDU)
- Position counter and control unit for position measurement (PCCU)
- Quadrature edge-capture unit for low-speed measurement (QCAP)
- Unit time base for speed/frequency measurement (UTIME)
- Watchdog timer for detecting stalls (QWDOG)

Figure 33-4. Functional Block Diagram of the eQEP Peripheral



### 33.2.2.1 eQEP Memory Map

Table 33-1 lists the registers with their memory locations, sizes, and reset values.

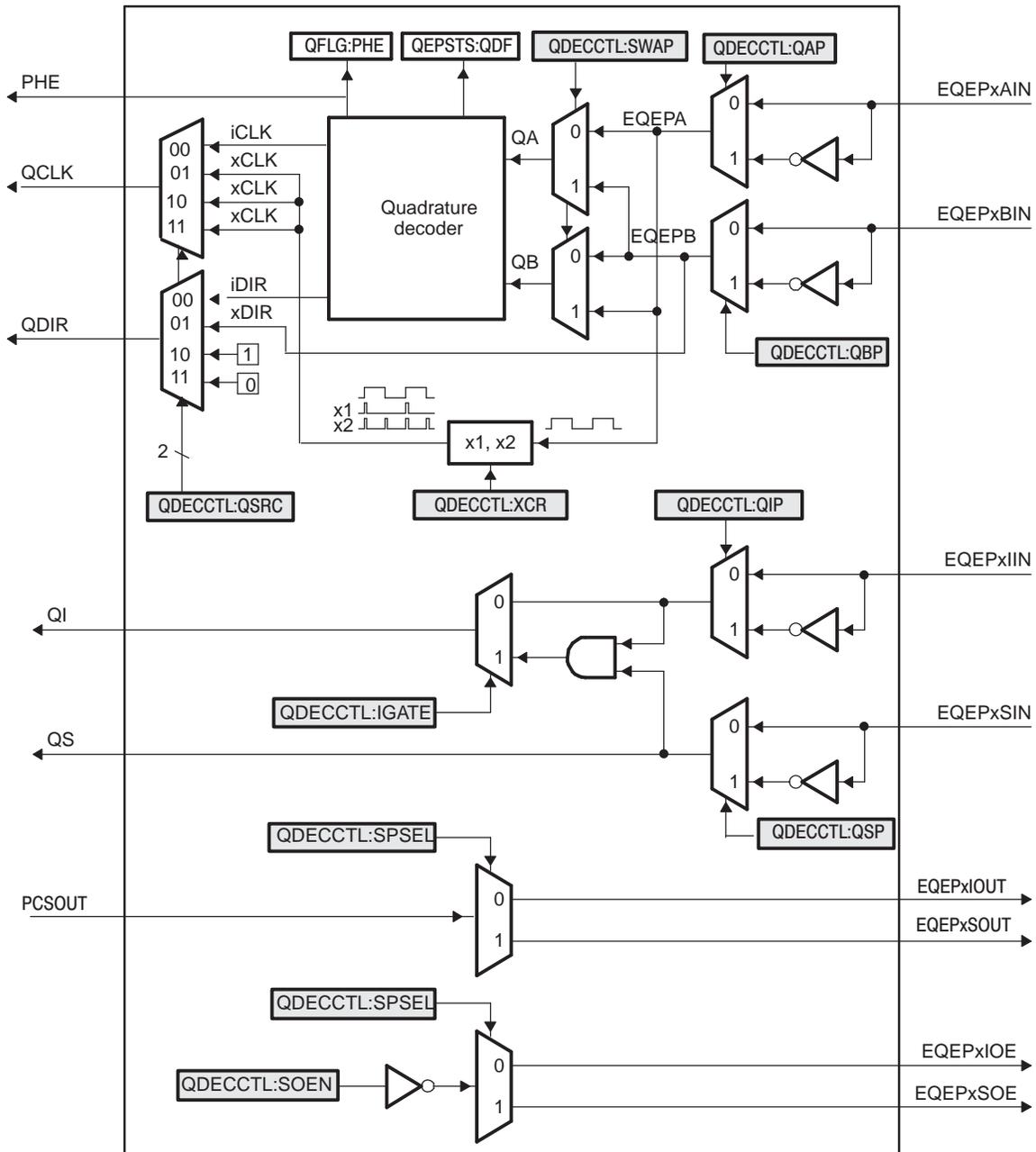
**Table 33-1. EQEP Memory Map**

Name	Address Offset	Size(x16)/ #shadow	Reset	Register Description
QPOSCNT	0x00	2/0	0x00000000	eQEP Position Counter Register
QPOSINIT	0x04	2/0	0x00000000	eQEP Initialization Position Count Register
QPOSMAX	0x08	2/0	0x00000000	eQEP Maximum Position Count Register
QPOSCMP	0x0C	2/1	0x00000000	eQEP Position-Compare Register
QPOSILAT	0x10	2/0	0x00000000	eQEP Index Position Latch Register
QPOSSLAT	0x14	2/0	0x00000000	eQEP Strobe Position Latch Register
QPOSLAT	0x18	2/0	0x00000000	eQEP Position Latch Register
QUTMR	0x1C	2/0	0x00000000	QEP Unit Timer Register
QUPRD	0x20	2/0	0x00000000	eQEP Unit Period Register
QWDPRD	0x26	1/0	0x0000	eQEP Watchdog Period Register
QWDTMR	0x24	1/0	0x0000	eQEP Watchdog Timer Register
QEPCTL	0x2A	1/0	0x0000	eQEP Control Register
QDECCTL	0x28	1/0	0x0000	eQEP Decoder Control Register
QPOSCTL	0x2E	1/0	0x000000	eQEP Position-Compare Control Register
QCAPCTL	0x2C	1/0	0x0000	eQEP Capture Control Register
QFLG	0x32	1/0	0x0000	eQEP Interrupt Flag Register
QEINT	0x30	1/0	0x0000	eQEP Interrupt Enable Register
QFRC	0x36	1/0	0x0000	eQEP Interrupt Force Register
QCLR	0x34	1/0	0x0000	eQEP Interrupt Clear Register
QCTMR	0x3A	1/0	0x0000	eQEP Capture Timer Register
QEPSTS	0x38	1/0	0x0000	eQEP Status Register
QCTMRLAT	0x3E	1/0	0x0000	eQEP Capture Timer Latch Register
QCPRD	0x3C	1/0	0x0000	eQEP Capture Period Register
Reserved	0x42	–	–	Reserved
QCPRDLAT	0x40	1/0	0x0000	eQEP Capture Period Latch Register

### 33.2.2.2 Quadrature Decoder Unit (QDU)

Figure 33-5 shows a functional block diagram of the QDU.

Figure 33-5. Functional Block Diagram of Decoder Unit



#### 33.2.2.2.1 Position Counter Input Modes

Clock and direction input to position counter is selected using QDECCTL[QSRC] bits, based on interface input requirement as follows:

- Quadrature-count mode
- Direction-count mode
- UP-count mode
- DOWN-count mode

### 33.2.2.2.1.1 Quadrature Count Mode

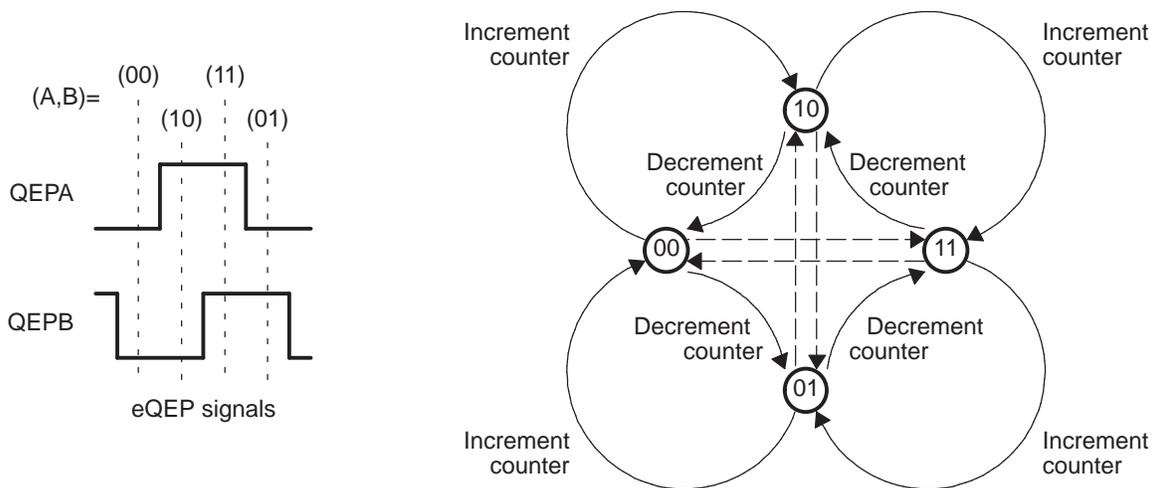
The quadrature decoder generates the direction and clock to the position counter in quadrature count mode.

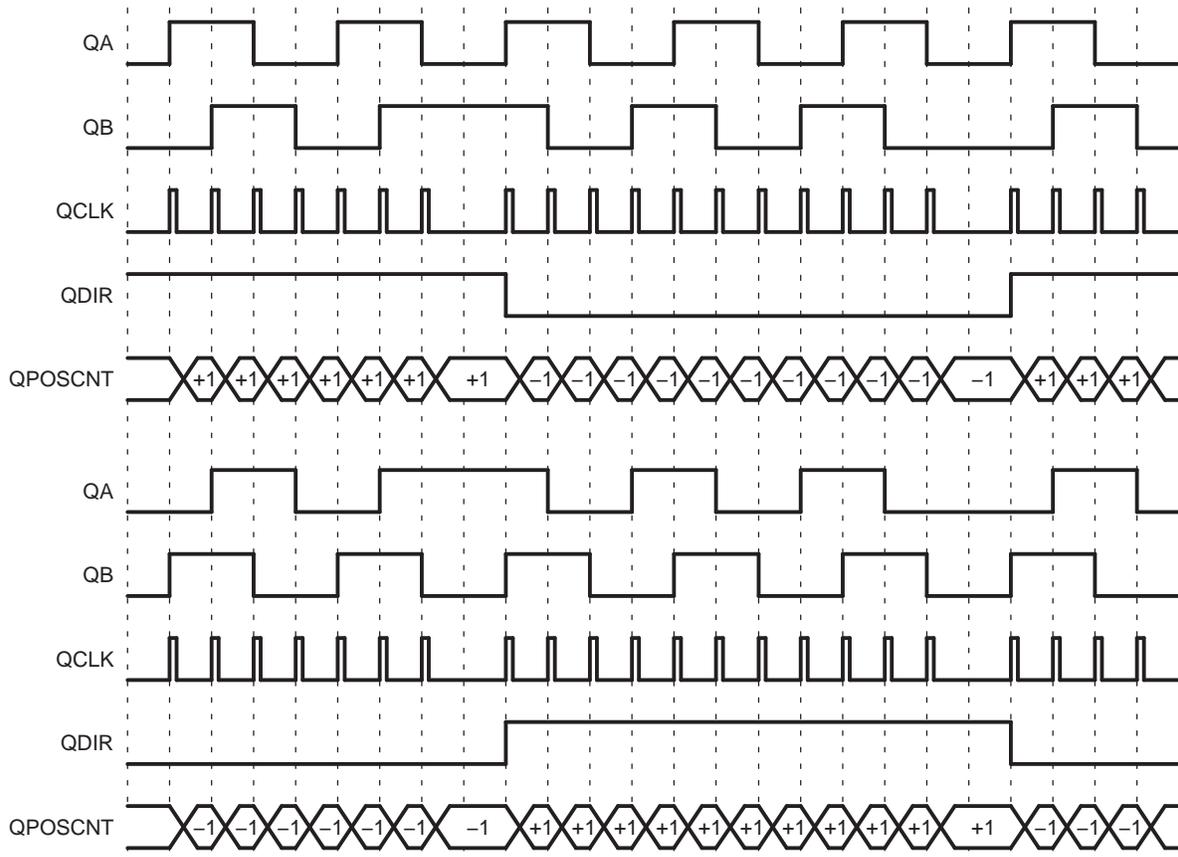
**Direction Decoding**— The direction decoding logic of the eQEP circuit determines which one of the sequences (QEPA, QEPB) is the leading sequence and accordingly updates the direction information in QEPSTS[QDF] bit. Table 33-2 and Figure 33-6 show the direction decoding logic in truth table and state machine form. Both edges of the QEPA and QEPB signals are sensed to generate count pulses for the position counter. Therefore, the frequency of the clock generated by the eQEP logic is four times that of each input sequence. Figure 33-7 shows the direction decoding and clock generation from the eQEP input signals.

Table 33-2. Quadrature Decoder Truth Table

Previous Edge	Present Edge	QDIR	QPOSCNT
QA↑	QB↑	UP	Increment
	QB↓	DOWN	Decrement
	QA↓	TOGGLE	Increment or Decrement
QA↓	QB↓	UP	Increment
	QB↑	DOWN	Decrement
	QA↑	TOGGLE	Increment or Decrement
QB↑	QA↑	DOWN	Increment
	QA↓	UP	Decrement
	QB↓	TOGGLE	Increment or Decrement
QB↓	QA↓	DOWN	Increment
	QA↑	UP	Decrement
	QB↑	TOGGLE	Increment or Decrement

Figure 33-6. Quadrature Decoder State Machine



**Figure 33-7. Quadrature-clock and Direction Decoding**


**Phase Error Flag**— In normal operating conditions, quadrature inputs QEPA and QEPB will be 90 degrees out of phase. The phase error flag (PHE) is set in the QFLG register when edge transition is detected simultaneously on the QEPA and QEPB signals to optionally generate interrupts. State transitions marked by dashed lines in [Figure 33-6](#) are invalid transitions that generate a phase error.

**Count Multiplication**— The eQEP position counter provides 4x times the resolution of an input clock by generating a quadrature-clock (QCLK) on the rising/falling edges of both eQEP input clocks (QEPA and QEPB) as shown in [Figure 33-7](#).

**Reverse Count**— In normal quadrature count operation, QEPA input is fed to the QA input of the quadrature decoder and the QEPB input is fed to the QB input of the quadrature decoder. Reverse counting is enabled by setting the SWAP bit in the QDECCTL register. This will swap the input to the quadrature decoder thereby reversing the counting direction.

### 33.2.2.1.2 Direction-count Mode

Some position encoders provide direction and clock outputs, instead of quadrature outputs. In such cases, direction-count mode can be used. QEPA input will provide the clock for position counter and the QEPB input will have the direction information. The position counter is incremented on every rising edge of a QEPA input when the direction input is high and decremented when the direction input is low.

### 33.2.2.1.3 Up-Count Mode

The counter direction signal is hard-wired for up count and the position counter is used to measure the frequency of the QEPA input. Setting of the QDECCTL[XCR] bit enables clock generation to the position counter on both edges of the QEPA input, thereby increasing the measurement resolution by 2x factor.

### 33.2.2.2.1.4 Down-Count Mode

The counter direction signal is hardwired for a down count and the position counter is used to measure the frequency of the QEPA input. Setting of the QDECCTL[XCR] bit enables clock generation to the position counter on both edges of a QEPA input, thereby increasing the measurement resolution by 2x factor.

### 33.2.2.2.2 eQEP Input Polarity Selection

Each eQEP input can be inverted using QDECCTL[8:5] control bits. As an example, setting of QDECCTL[QIP] bit will invert the index input.

### 33.2.2.2.3 Position-Compare Sync Output

The enhanced eQEP peripheral includes a position-compare unit that is used to generate the position-compare sync signal on compare match between the position counter register (QPOSCNT) and the position-compare register (QPOSCMP). This sync signal can be output using an index pin or strobe pin of the EQEP peripheral.

Setting the QDECCTL[SOEN] bit enables the position-compare sync output and the QDECCTL[SPSEL] bit selects either an eQEP index pin or an eQEP strobe pin.

### 33.2.2.3 Position Counter and Control Unit (PCCU)

The position counter and control unit provides two configuration registers (QEPCTL and QPOSCTL) for setting up position counter operational modes, position counter initialization/latch modes and position-compare logic for sync signal generation.

#### 33.2.2.3.1 Position Counter Operating Modes

Position counter data may be captured in different manners. In some systems, the position counter is accumulated continuously for multiple revolutions and the position counter value provides the position information with respect to the known reference. An example of this is the quadrature encoder mounted on the motor controlling the print head in the printer. Here the position counter is reset by moving the print head to the home position and then position counter provides absolute position information with respect to home position.

In other systems, the position counter is reset on every revolution using index pulse and position counter provides rotor angle with respect to index pulse position.

Position counter can be configured to operate in following four modes

- Position Counter Reset on Index Event
- Position Counter Reset on Maximum Position
- Position Counter Reset on the first Index Event
- Position Counter Reset on Unit Time Out Event (Frequency Measurement)

In all the above operating modes, position counter is reset to 0 on overflow and to QPOSMAX register value on underflow. Overflow occurs when the position counter counts up after QPOSMAX value. Underflow occurs when position counter counts down after "0". Interrupt flag is set to indicate overflow/underflow in QFLG register.

### 33.2.2.3.1.1 Position Counter Reset on Index Event (QEPCTL[PCRM] = 00)

If the index event occurs during the forward movement, then position counter is reset to 0 on the next eQEP clock. If the index event occurs during the reverse movement, then the position counter is reset to the value in the QPOSMAX register on the next eQEP clock.

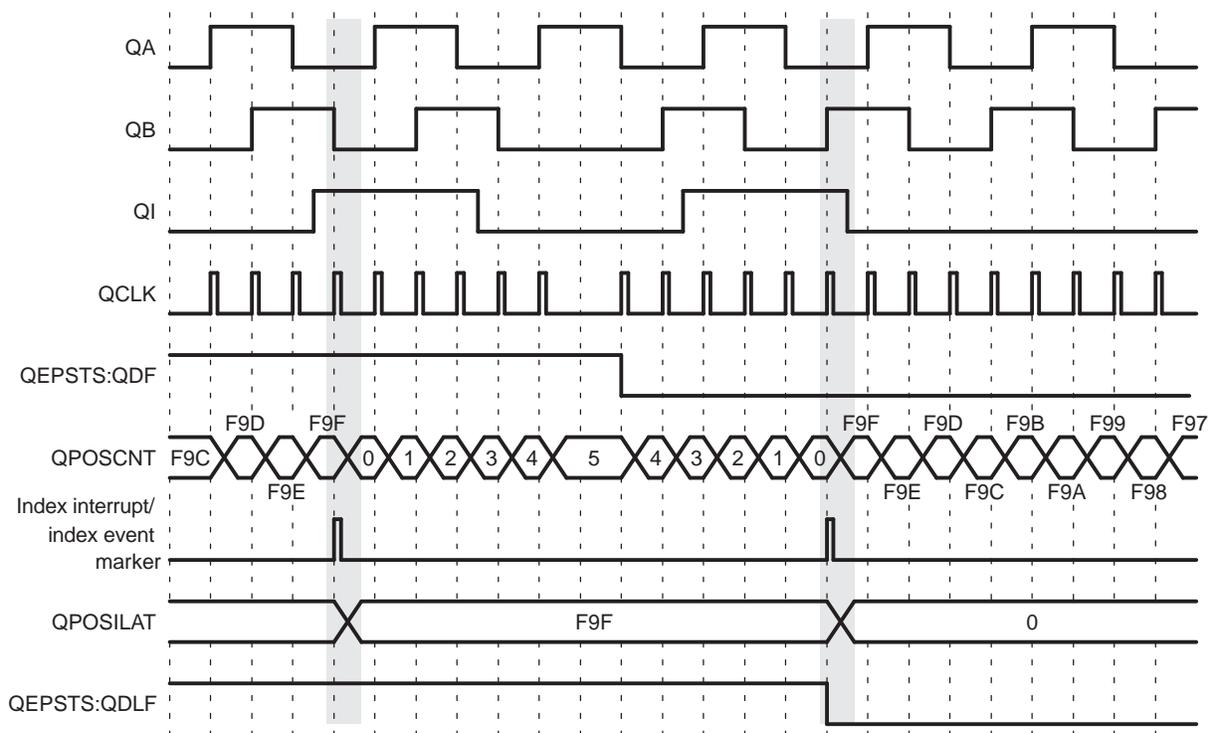
First index marker is defined as the quadrature edge following the first index edge. The eQEP peripheral records the occurrence of the first index marker (QEPSTS[FIMF]) and direction on the first index event marker (QEPSTS[FIDF]) in QEPSTS registers, it also remembers the quadrature edge on the first index marker so that same relative quadrature transition is used for index event reset operation.

For example, if the first reset operation occurs on the falling edge of QEPB during the forward direction, then all the subsequent reset must be aligned with the falling edge of QEPB for the forward rotation and on the rising edge of QEPB for the reverse rotation as shown in Figure 33-8.

The position-counter value is latched to the QPOSILAT register and direction information is recorded in the QEPSTS[QDLF] bit on every index event marker. The position-counter error flag (QEPSTS[PCEF]) and error interrupt flag (QLFG[PCE]) are set if the latched value is not equal to 0 or QPOSMAX. The position-counter error flag (QEPSTS[PCEF]) is updated on every index event marker and an interrupt flag (QLFG[PCE]) will be set on error that can be cleared only through software.

The index event latch configuration QEPCTL[IEL] bits are ignored in this mode and position counter error flag/interrupt flag are generated only in index event reset mode.

**Figure 33-8. Position Counter Reset by Index Pulse for 1000 Line Encoder (QPOSMAX = 3999 or F9Fh)**

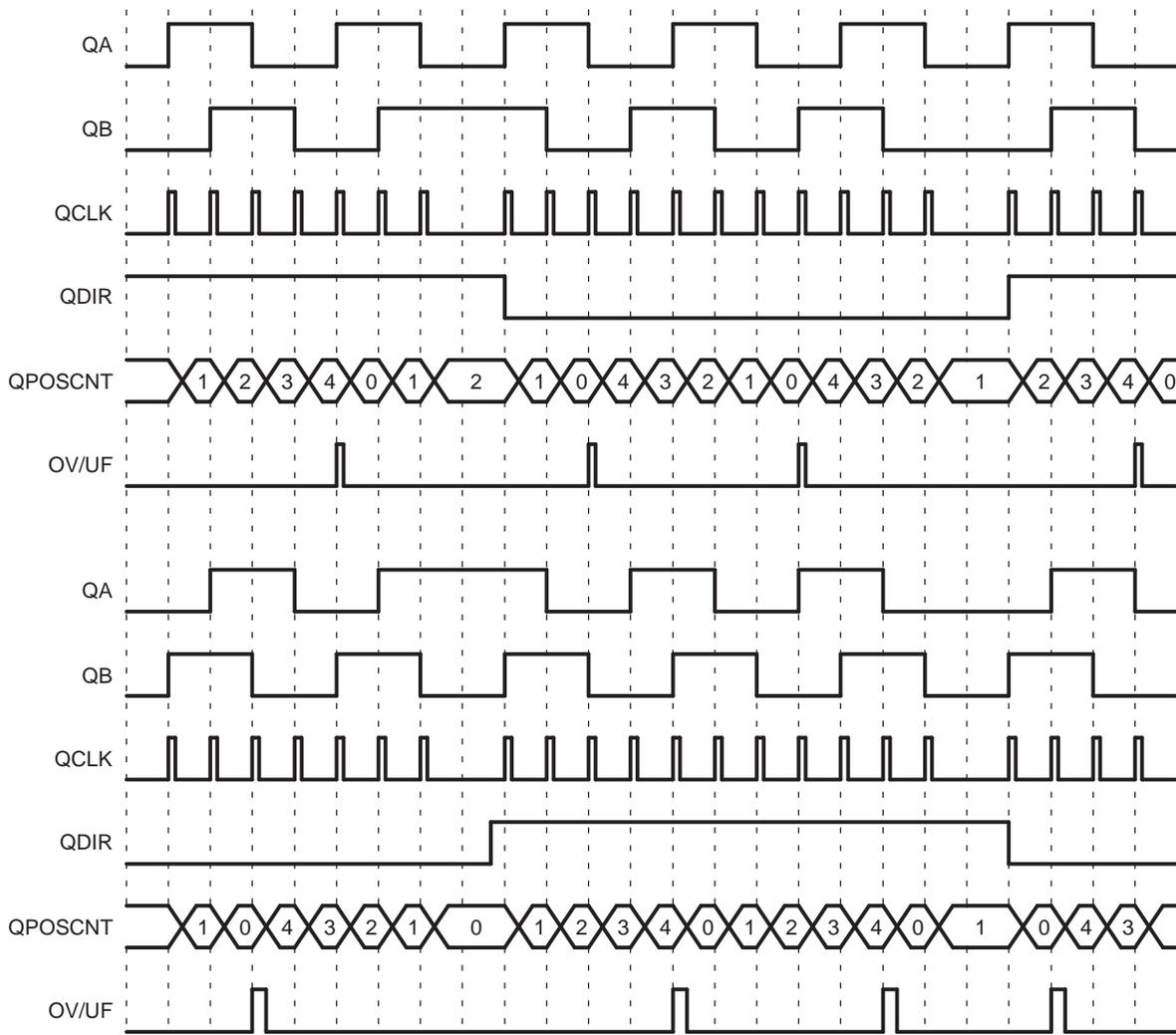


**33.2.2.3.1.2 Position Counter Reset on Maximum Position (QEPCTL[PCRM] = 01)**

If the position counter is equal to QPOSMAX, then the position counter is reset to 0 on the next eQEP clock for forward movement and position counter overflow flag is set. If the position counter is equal to ZERO, then the position counter is reset to QPOSMAX on the next QEP clock for reverse movement and position counter underflow flag is set. Figure 33-9 shows the position counter reset operation in this mode.

First index marker is defined as the quadrature edge following the first index edge. The eQEP peripheral records the occurrence of the first index marker (QEPSTS[FIMF]) and direction on the first index event marker (QEPSTS[FIDF]) in the QEPSTS registers; it also remembers the quadrature edge on the first index marker so that the same relative quadrature transition is used for the software index marker (QEPCTL[IEL]=11).

**Figure 33-9. Position Counter Underflow/Overflow (QPOSMAX = 4)**



### 33.2.2.3.1.3 Position Counter Reset on the First Index Event (QEPCTL[PCRM] = 10)

If the index event occurs during forward movement, then the position counter is reset to 0 on the next eQEP clock. If the index event occurs during the reverse movement, then the position counter is reset to the value in the QPOSMAX register on the next eQEP clock. Note that this is done only on the first occurrence and subsequently the position counter value is not reset on an index event; rather, it is reset based on maximum position as described in [Section 33.2.2.3.1.2](#).

First index marker is defined as the quadrature edge following the first index edge. The eQEP peripheral records the occurrence of the first index marker (QEPSTS[FIMF]) and direction on the first index event marker (QEPSTS[FIDF]) in QEPSTS registers, it also remembers the quadrature edge on the first index marker so that same relative quadrature transition is used for software index marker (QEPCTL[IEL]=11).

### 33.2.2.3.1.4 Position Counter Reset on Unit Time out Event (QEPCTL[PCRM] = 11)

In this mode, the QPOSCNT value is latched to the QPOSLAT register and then the QPOSCNT is reset (to 0 or QPOSMAX, depending on the direction mode selected by QDECCTL[QSRC] bits on a unit time event). This is useful for frequency measurement.

### 33.2.2.3.2 Position Counter Latch

The eQEP index and strobe input can be configured to latch the position counter (QPOSCNT) into QPOSILAT and QPOSSLAT, respectively, on occurrence of a definite event on these pins.

#### 33.2.2.3.2.1 Index Event Latch

In some applications, it may not be desirable to reset the position counter on every index event and instead it may be required to operate the position counter in full 32-bit mode (QEPCTL[PCRM] = 01 and QEPCTL[PCRM] = 10 modes).

In such cases, the eQEP position counter can be configured to latch on the following events and direction information is recorded in the QEPSTS[QDLF] bit on every index event marker.

- Latch on Rising edge (QEPCTL[IEL]=01)
- Latch on Falling edge (QEPCTL[IEL]=10)
- Latch on Index Event Marker (QEPCTL[IEL]=11)

This is particularly useful as an error checking mechanism to check if the position counter accumulated the correct number of counts between index events. As an example, the 1000-line encoder must count 4000 times when moving in the same direction between the index events.

The index event latch interrupt flag (QFLG[IEL]) is set when the position counter is latched to the QPOSILAT register. The index event latch configuration bits (QEPCTZ[IEL]) are ignored when QEPCTL[PCRM] = 00.

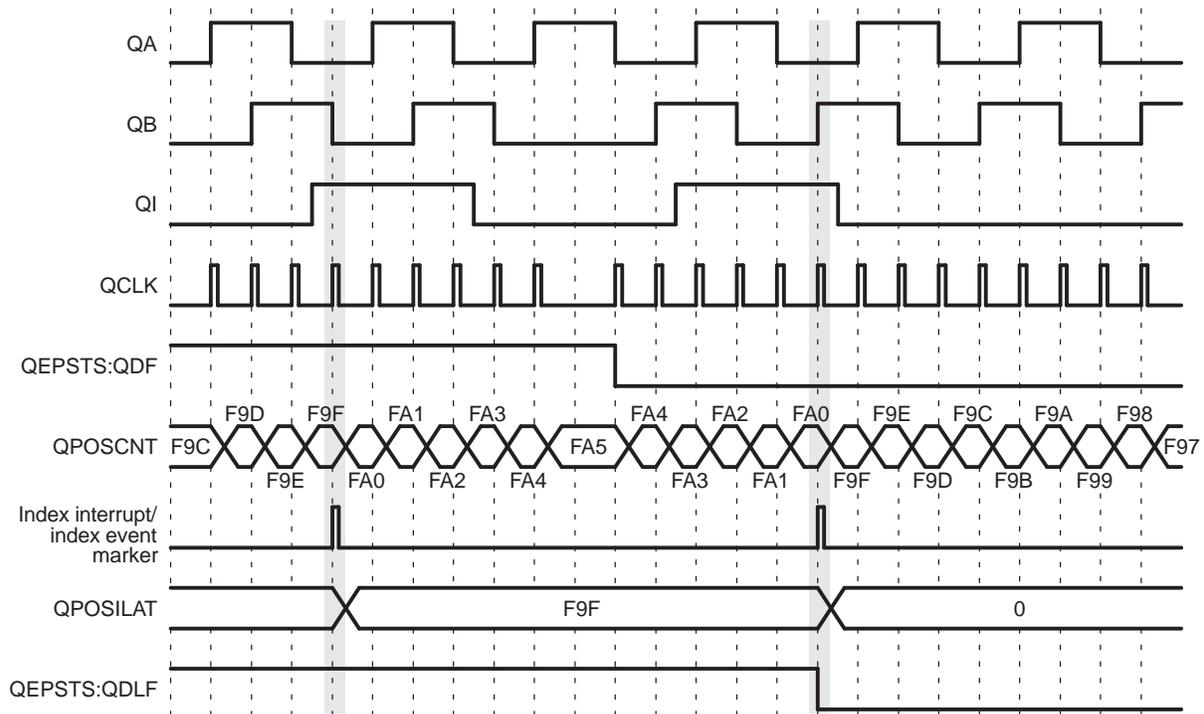
**Latch on Rising Edge (QEPCTL[IEL]=01)**— The position counter value (QPOSCNT) is latched to the QPOSILAT register on every rising edge of an index input.

**Latch on Falling Edge (QEPCTL[IEL] = 10)**— The position counter value (QPOSCNT) is latched to the QPOSILAT register on every falling edge of index input.

**Latch on Index Event Marker/Software Index Marker (QEPCTL[IEL] = 11)**— The first index marker is defined as the quadrature edge following the first index edge. The eQEP peripheral records the occurrence of the first index marker (QEPSTS[FIMF]) and direction on the first index event marker (QEPSTS[FIDF]) in the QEPSTS registers. It also remembers the quadrature edge on the first index marker so that same relative quadrature transition is used for latching the position counter (QEPCTL[IEL]=11).

[Figure 33-10](#) shows the position counter latch using an index event marker.

**Figure 33-10. Software Index Marker for 1000-line Encoder (QEPCTL[IEL] = 1)**



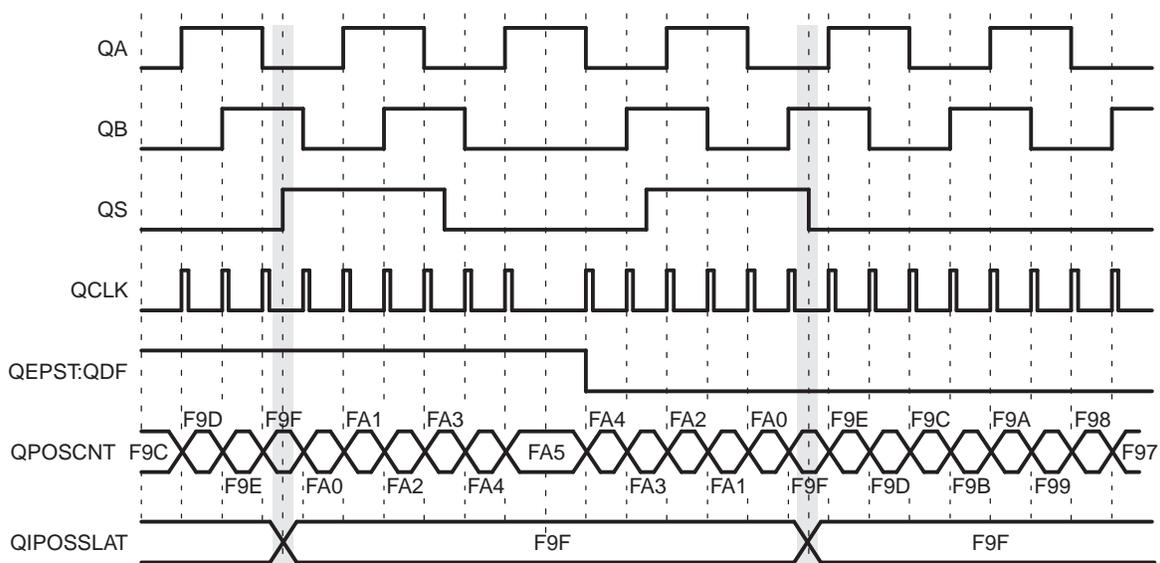
**33.2.2.3.2 Strobe Event Latch**

The position-counter value is latched to the QPOSSLAT register on the rising edge of the strobe input by clearing the QEPCTL[SEL] bit.

If the QEPCTL[SEL] bit is set, then the position counter value is latched to the QPOSSLAT register on the rising edge of the strobe input for forward direction and on the falling edge of the strobe input for reverse direction as shown in [Figure 33-11](#).

The strobe event latch interrupt flag (QLFG[SEL]) is set when the position counter is latched to the QPOSSLAT register.

**Figure 33-11. Strobe Event Latch (QEPCTL[SEL] = 1)**



### 33.2.2.3.3 Position Counter Initialization

The position counter can be initialized using following events:

- Index event
- Strobe event
- Software initialization

**Index Event Initialization (IEI)**— The QEPI index input can be used to trigger the initialization of the position counter at the rising or falling edge of the index input. If the QEPCTL[IEI] bits are 10, then the position counter (QPOSCNT) is initialized with a value in the QPOSINIT register on the rising edge of index input. Conversely, if the QEPCTL[IEI] bits are 11, initialization will be on the falling edge of the index input.

**Strobe Event Initialization (SEI)**— If the QEPCTL[SEI] bits are 10, then the position counter is initialized with a value in the QPOSINIT register on the rising edge of strobe input.

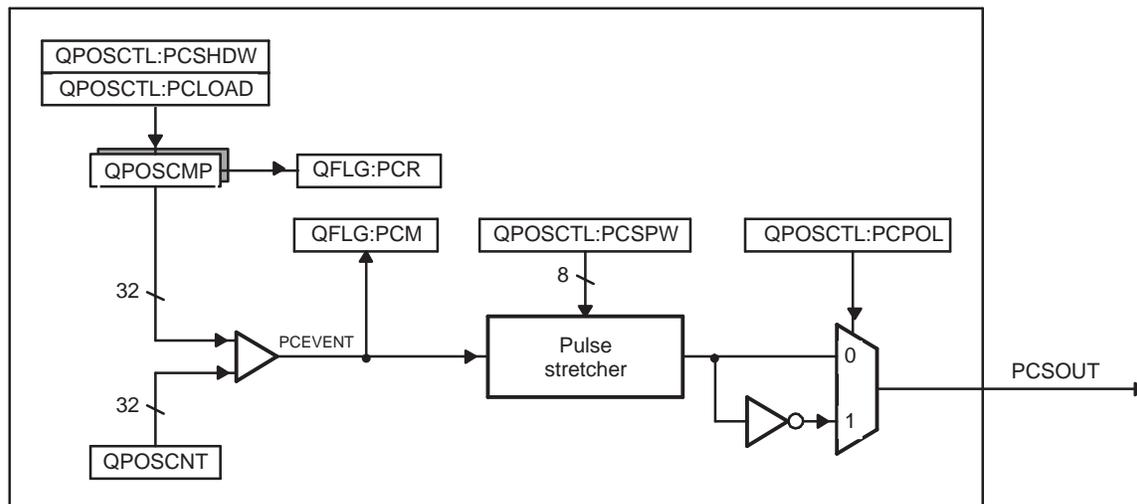
If QEPCTL[SEL] bits are 11, then the position counter is initialized with a value in the QPOSINIT register on the rising edge of strobe input for forward direction and on the falling edge of strobe input for reverse direction.

**Software Initialization (SWI)**— The position counter can be initialized in software by writing a 1 to the QEPCTL[SWI] bit. This bit is not automatically cleared. While the bit is still set, if a 1 is written to it again, the position counter will be re-initialized.

### 33.2.2.3.4 eQEP Position-compare Unit

The eQEP peripheral includes a position-compare unit that is used to generate a sync output and/or interrupt on a position-compare match. Figure 33-12 shows a diagram. The position-compare (QPOSCMP) register is shadowed and shadow mode can be enabled or disabled using the QPOSCTL[PSSHDW] bit. If the shadow mode is not enabled, the CPU writes directly to the active position compare register.

**Figure 33-12. eQEP Position-compare Unit**



In shadow mode, you can configure the position-compare unit (QPOSCTL[PCLOAD]) to load the shadow register value into the active register on the following events and to generate the position-compare ready (QFLG[PCR]) interrupt after loading.

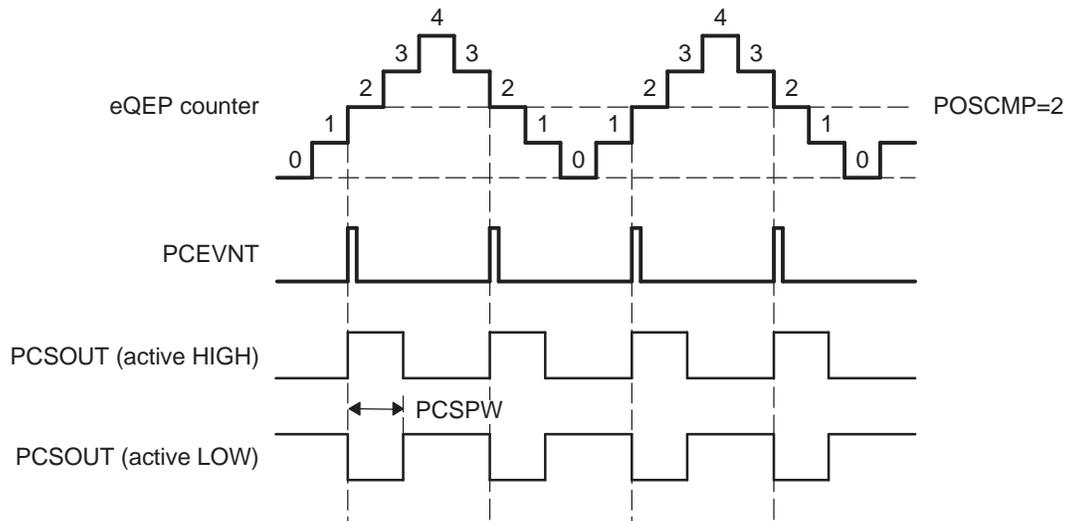
- Load on compare match
- Load on position-counter zero event

The position-compare match (QFLG[PCM]) is set when the position-counter value (QPOSCNT) matches with the active position-compare register (QPOSCMP) and the position-compare sync output of the programmable pulse width is generated on compare match to trigger an external device.

For example, if QPOSCMP = 2, the position-compare unit generates a position-compare event on 1 to 2 transitions of the eQEP position counter for forward counting direction and on 3 to 2 transitions of the eQEP position counter for reverse counting direction (see [Figure 33-13](#)).

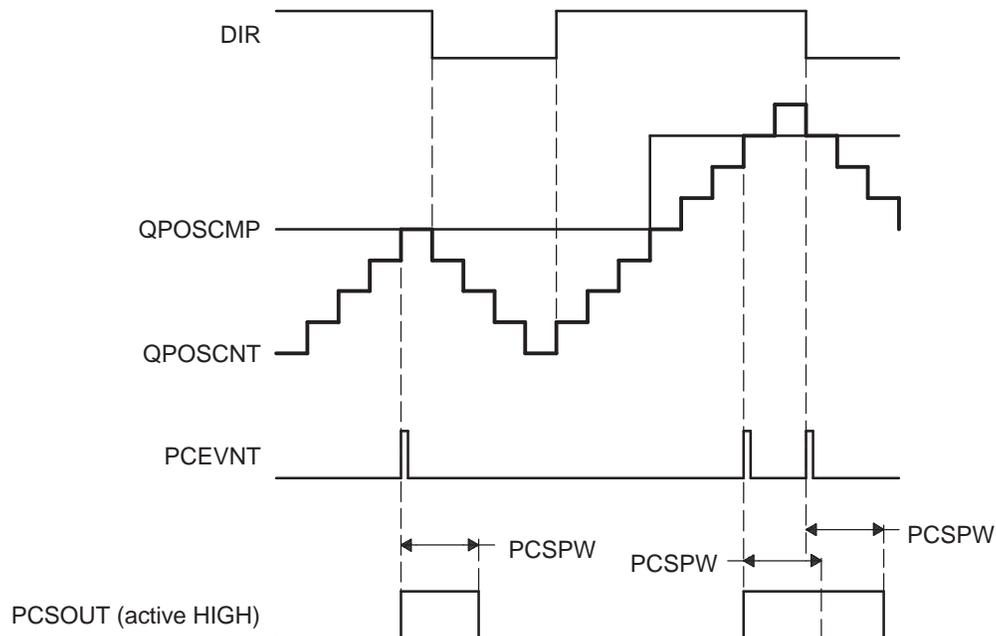
[Section 33.3.14](#) shows the layout of the eQEP Position-Compare Control Register (QPOSCTL) and describes the QPOSCTL bit fields.

**Figure 33-13. eQEP Position-compare Event Generation Points**



The pulse stretcher logic in the position-compare unit generates a programmable position-compare sync pulse output on the position-compare match. In the event of a new position-compare match while a previous position-compare pulse is still active, then the pulse stretcher generates a pulse of specified duration from the new position-compare event as shown in [Figure 33-14](#).

**Figure 33-14. eQEP Position-compare Sync Output Pulse Stretcher**



### 33.2.2.4 eQEP Edge Capture Unit

The eQEP peripheral includes an integrated edge capture unit to measure the elapsed time between the unit position events as shown in [Figure 33-15](#). This feature is typically used for low speed measurement using the following equation:

$$v(k) = \frac{X}{t(k) - t(k - 1)} = \frac{X}{\Delta T} \quad (68)$$

where,

- X - Unit position is defined by integer multiple of quadrature edges (see [Figure 33-16](#))
- $\Delta T$  - Elapsed time between unit position events
- v(k) - Velocity at time instant "k"

The eQEP capture timer (QCTMR) runs from prescaled VCLK3 and the prescaler is programmed by the QCAPCTL[CCPS] bits. The capture timer (QCTMR) value is latched into the capture period register (QCPRD) on every unit position event and then the capture timer is reset, a flag is set in QEPSTS:UPEVNT to indicate that new value is latched into the QCPRD register. Software can check this status flag before reading the period register for low speed measurement and clear the flag by writing 1.

Time measurement ( $\Delta T$ ) between unit position events will be correct if the following conditions are met:

- No more than 65,535 counts have occurred between unit position events.
- No direction change between unit position events.

The capture unit sets the eQEP overflow error flag (QEPSTS[COEF]) in the event of capture timer overflow between unit position events. If a direction change occurs between the unit position events, then an error flag is set in the status register (QEPSTS[CDEF]).

Capture Timer (QCTMR) and Capture period register (QCPRD) can be configured to latch on following events.

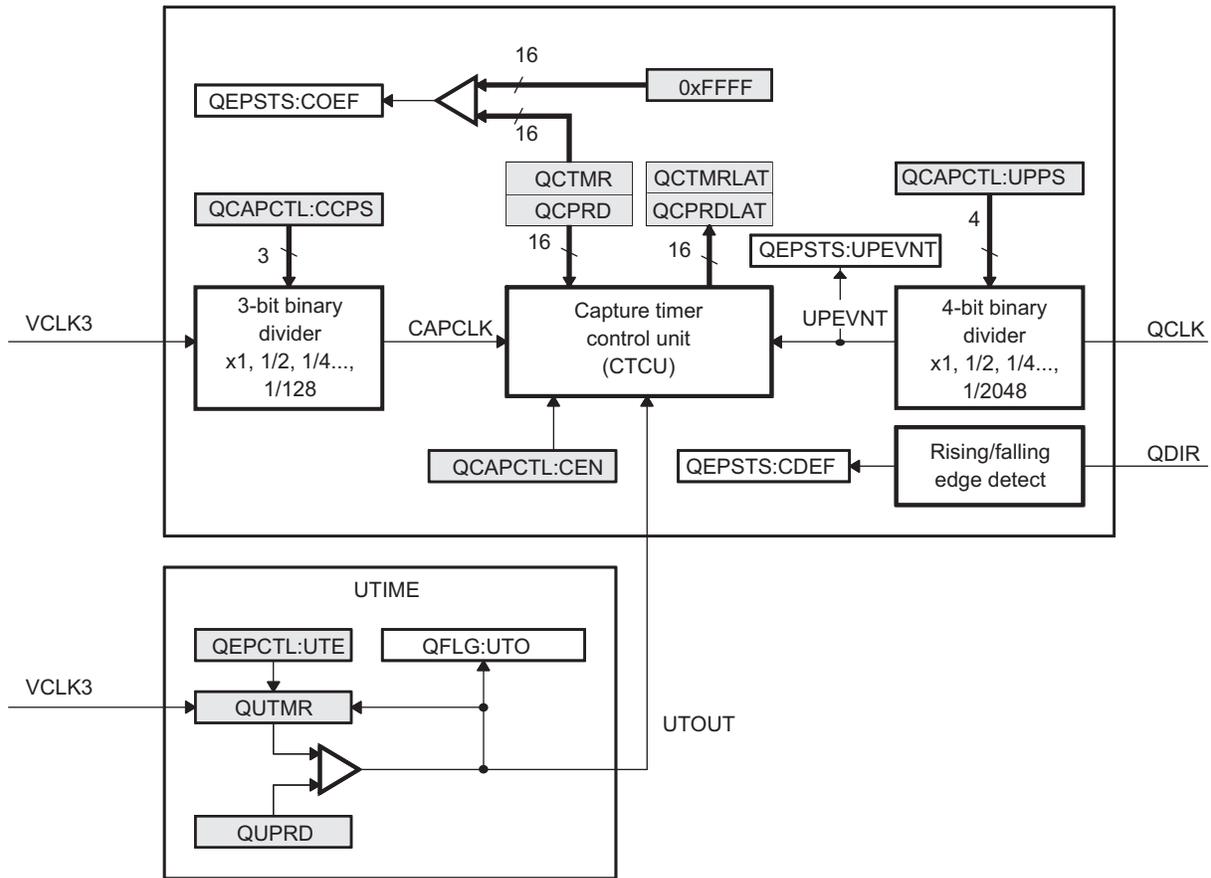
- CPU read of QPOSCNT register
- Unit time-out event

If the QEPCTL[QCLM] bit is cleared, then the capture timer and capture period values are latched into the QCTMRLAT and QCPRDLAT registers, respectively, when the CPU reads the position counter (QPOSCNT).

If the QEPCTL[QCLM] bit is set, then the position counter, capture timer, and capture period values are latched into the QPOSLAT, QCTMRLAT and QCPRDLAT registers, respectively, on unit time out.

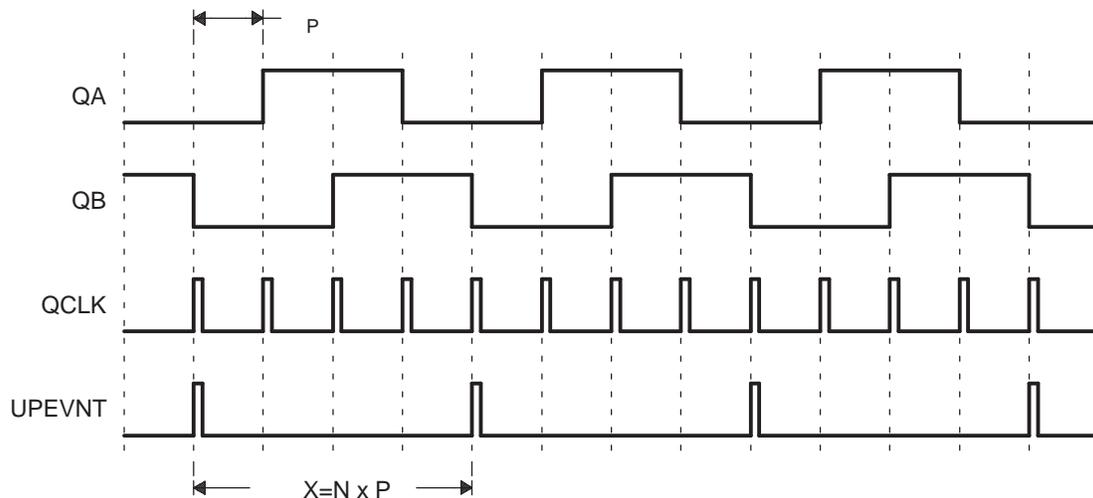
[Figure 33-17](#) shows the capture unit operation along with the position counter.

Figure 33-15. eQEP Edge Capture Unit

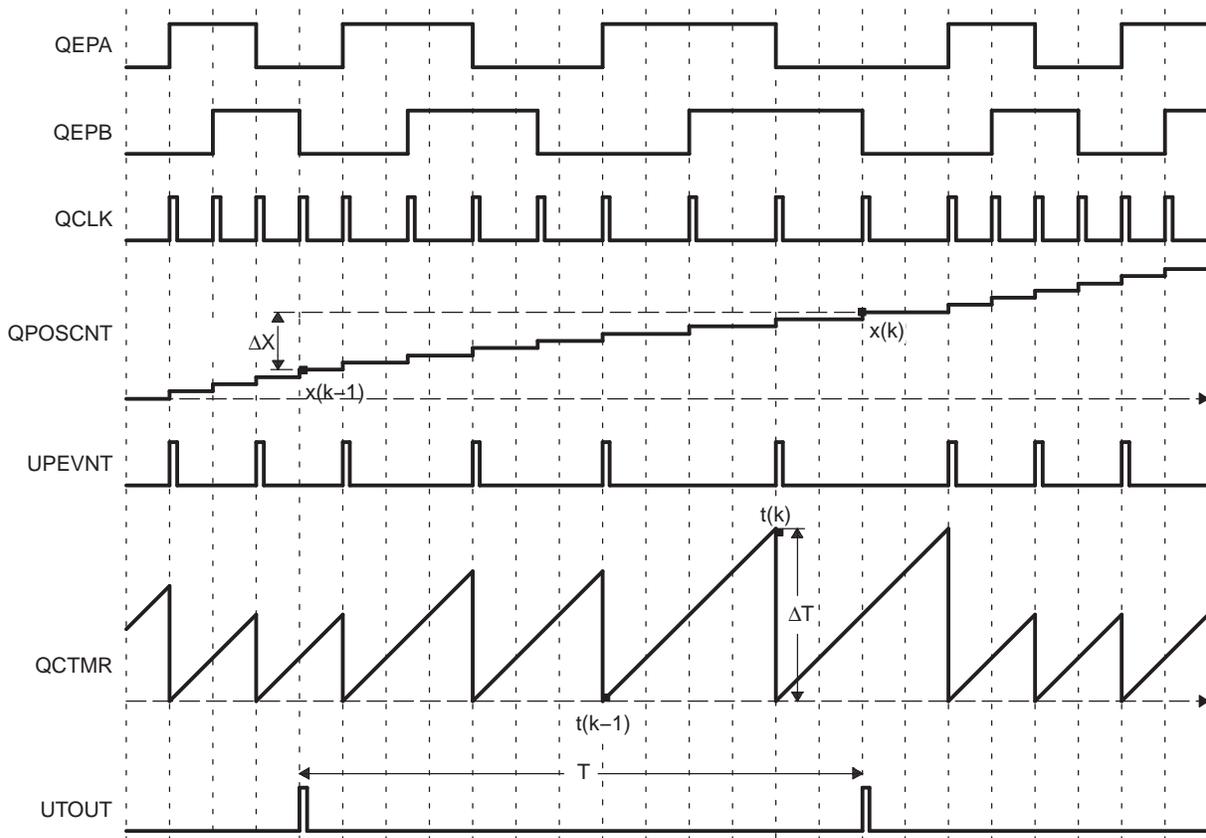


**NOTE:** The QCAPCTL[UPPS] prescaler should not be modified dynamically (such as switching the unit event prescaler from QCLK/4 to QCLK/8). Doing so may result in undefined behavior. The QCAPCTL[CPPS] prescaler can be modified dynamically (such as switching CAPCLK prescaling mode from SYSCLK/4 to SYSCLK/8) only after the capture unit is disabled.

Figure 33-16. Unit Position Event for Low Speed Measurement (QCAPCTL[UPPS] = 0010)



A N - Number of quadrature periods selected using QCAPCTL[UPPS] bits

**Figure 33-17. eQEP Edge Capture Unit - Timing Details**


Velocity Calculation Equations:

$$v(k) = \frac{x(k) - x(k-1)}{T} = \frac{\Delta X}{T} \quad (69)$$

where

$v(k)$ : Velocity at time instant  $k$

$x(k)$ : Position at time instant  $k$

$x(k-1)$ : Position at time instant  $k-1$

$T$ : Fixed unit time or inverse of velocity calculation rate

$\Delta X$ : Incremental position movement in unit time

$X$ : Fixed unit position

$\Delta T$ : Incremental time elapsed for unit position movement

$t(k)$ : Time instant " $k$ "

$t(k-1)$ : Time instant " $k-1$ "

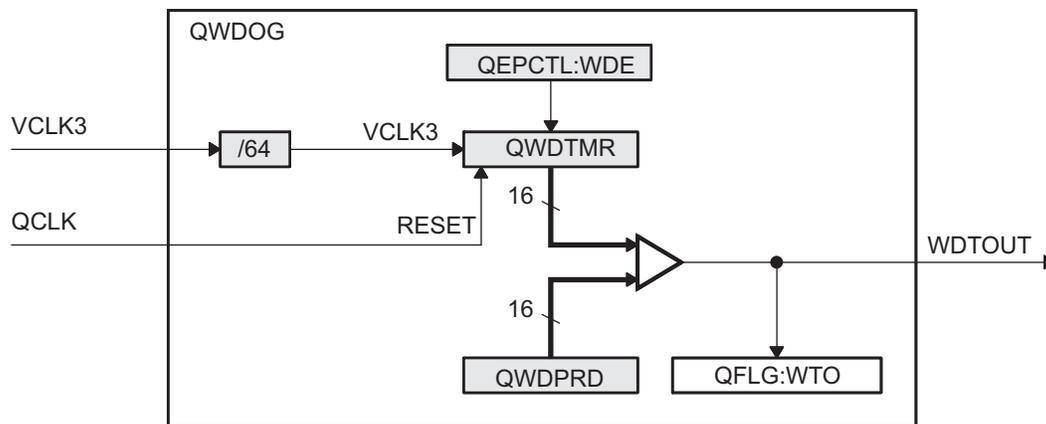
Unit time ( $T$ ) and unit period( $X$ ) are configured using the QUPRD and QCAPCTL[UPPS] registers. Incremental position output and incremental time output is available in the QPOSLAT and QCPRDLAT registers.

Parameter	Relevant Register to Configure or Read the Information
T	Unit Period Register (QUPRD)
$\Delta X$	Incremental Position = QOSLAT(k) - QOSLAT(K-1)
X	Fixed unit position defined by sensor resolution and ZCAPCTL[UPPS] bits
$\Delta T$	Capture Period Latch (QCPRDLAT)

### 33.2.3 eQEP Watchdog

The eQEP peripheral contains a 16-bit watchdog timer that monitors the quadrature-clock to indicate proper operation of the motion-control system. The eQEP watchdog timer is clocked from VCLK3/64 and the quadrature clock event (pulse) resets the watchdog timer. If no quadrature-clock event is detected until a period match (QWDPRD = QWDTMR), then the watchdog timer will time out and the watchdog interrupt flag will be set (QFLG[WTO]). The time-out value is programmable through the watchdog period register (QWDPRD).

Figure 33-18. eQEP Watchdog Timer

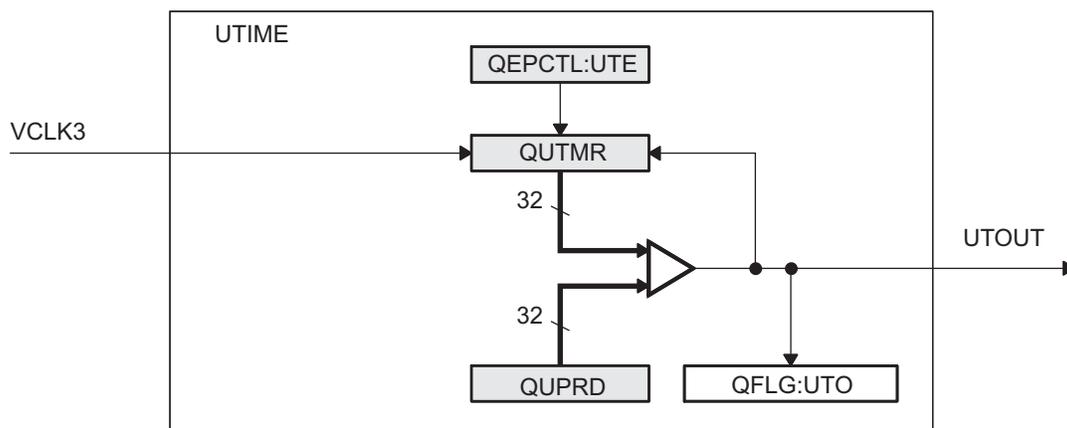


### 33.2.4 Unit Timer Base

The eQEP peripheral includes a 32-bit timer (QUTMR) that is clocked by VCLK3 to generate periodic interrupts for velocity calculations. The unit time out interrupt is set (QFLG[UTO]) when the unit timer (QUTMR) matches the unit period register (QUPRD).

The eQEP peripheral can be configured to latch the position counter, capture timer, and capture period values on a unit time out event so that latched values are used for velocity calculation as described in [Section 33.2.2.4](#).

Figure 33-19. eQEP Unit Time Base





### 33.3 eQEP Registers

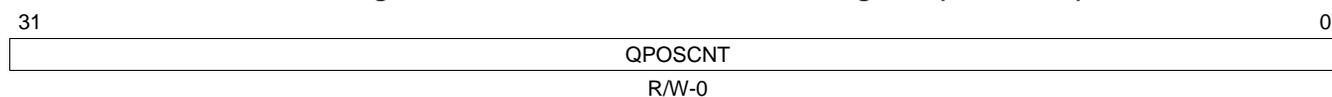
Table 33-3 lists the registers of the eQEP. The base address for the control registers is FCF7 9900h for eQEP1 and FCF7 9A00h for eQEP2.

**Table 33-3. eQEP Registers**

Address Offset	Acronym	Register Description	Section
00h	QPOSCNT	eQEP Position Counter Register	<a href="#">Section 33.3.1</a>
04h	QPOSINIT	eQEP Position Counter Initialization Register	<a href="#">Section 33.3.2</a>
08h	QPOSMAX	eQEP Maximum Position Count Register	<a href="#">Section 33.3.3</a>
0Ch	QPOSCMP	eQEP Position-Compare Register	<a href="#">Section 33.3.4</a>
10h	QPOSILAT	eQEP Index Position Latch Register	<a href="#">Section 33.3.5</a>
14h	QPOSSLAT	eQEP Strobe Position Latch Register	<a href="#">Section 33.3.6</a>
18h	QPOSLAT	eQEP Position Counter Latch Register	<a href="#">Section 33.3.7</a>
1Ch	QUTMR	QEP Unit Timer Register	<a href="#">Section 33.3.8</a>
20h	QUPRD	eQEP Unit Period Register	<a href="#">Section 33.3.9</a>
24h	QWDTMR	eQEP Watchdog Timer Register	<a href="#">Section 33.3.11</a>
26h	QWDPRD	eQEP Watchdog Period Register	<a href="#">Section 33.3.10</a>
28h	QDECCTL	eQEP Decoder Control Register	<a href="#">Section 33.3.13</a>
2Ah	QEPCTL	eQEP Control Register	<a href="#">Section 33.3.12</a>
2Ch	QCAPCTL	eQEP Capture Control Register	<a href="#">Section 33.3.15</a>
2Eh	QPOSCTL	eQEP Position-Compare Control Register	<a href="#">Section 33.3.14</a>
30h	QEINT	eQEP Interrupt Enable Register	<a href="#">Section 33.3.17</a>
32h	QFLG	eQEP Interrupt Flag Register	<a href="#">Section 33.3.16</a>
34h	QCLR	eQEP Interrupt Clear Register	<a href="#">Section 33.3.19</a>
36h	QFRC	eQEP Interrupt Force Register	<a href="#">Section 33.3.18</a>
38h	QEPSTS	eQEP Status Register	<a href="#">Section 33.3.21</a>
3Ah	QCTMR	eQEP Capture Timer Register	<a href="#">Section 33.3.20</a>
3Ch	QCPRD	eQEP Capture Period Register	<a href="#">Section 33.3.23</a>
3Eh	QCTMRLAT	eQEP Capture Timer Latch Register	<a href="#">Section 33.3.22</a>
40h	QCPRDLAT	eQEP Capture Period Latch Register	<a href="#">Section 33.3.24</a>

### 33.3.1 eQEP Position Counter Register (QPOSCNT)

**Figure 33-21. eQEP Position Counter Register (QPOSCNT)**



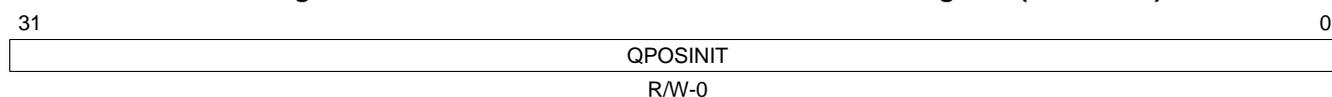
LEGEND: R/W = Read/Write; R = Read only; -n = value after reset

**Table 33-4. eQEP Position Counter Register (QPOSCNT) Field Descriptions**

Bits	Name	Description
31-0	QPOSCNT	This 32-bit position counter register counts up/down on every eQEP pulse based on direction input. This counter acts as a position integrator whose count value is proportional to position from a give reference point.

### 33.3.2 eQEP Position Counter Initialization Register (QPOSINIT)

**Figure 33-22. eQEP Position Counter Initialization Register (QPOSINIT)**



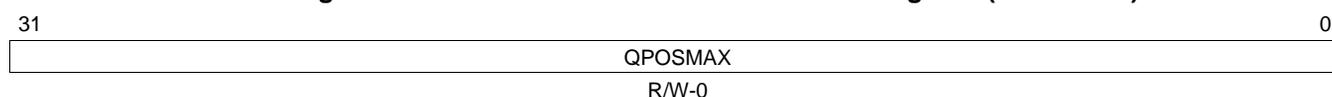
LEGEND: R/W = Read/Write; R = Read only; -n = value after reset

**Table 33-5. eQEP Position Counter Initialization Register (QPOSINIT) Field Descriptions**

Bits	Name	Description
31-0	QPOSINIT	This register contains the position value that is used to initialize the position counter based on external strobe or index event. The position counter can be initialized through software.

### 33.3.3 eQEP Maximum Position Count Register (QPOSMAX)

**Figure 33-23. eQEP Maximum Position Count Register (QPOSMAX)**



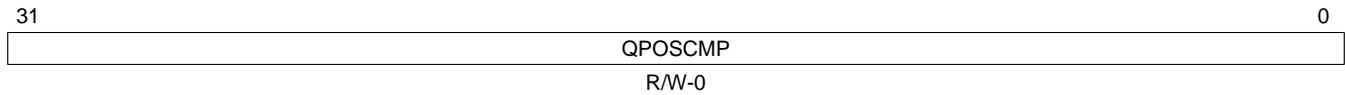
LEGEND: R/W = Read/Write; R = Read only; -n = value after reset

**Table 33-6. eQEP Maximum Position Count Register (QPOSMAX) Field Descriptions**

Bits	Name	Description
31-0	QPOSMAX	This register contains the maximum position counter value.

### 33.3.4 eQEP Position-Compare Register (QPOSCMP)

**Figure 33-24. eQEP Position-Compare Register (QPOSCMP)**



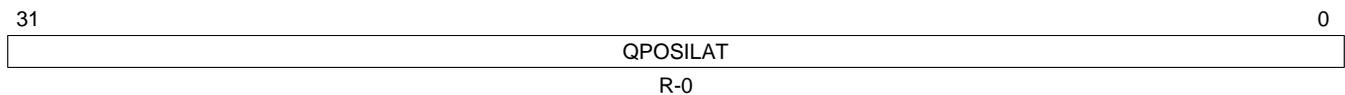
LEGEND: R/W = Read/Write; R = Read only; -n = value after reset

**Table 33-7. eQEP Position-Compare Register (QPOSCMP) Field Descriptions**

Bits	Name	Description
31-0	QPOSCMP	The position-compare value in this register is compared with the position counter (QPOSCNT) to generate sync output and/or interrupt on compare match.

### 33.3.5 eQEP Index Position Latch Register (QPOSILAT)

**Figure 33-25. eQEP Index Position Latch Register (QPOSILAT) [offset = 10h]**



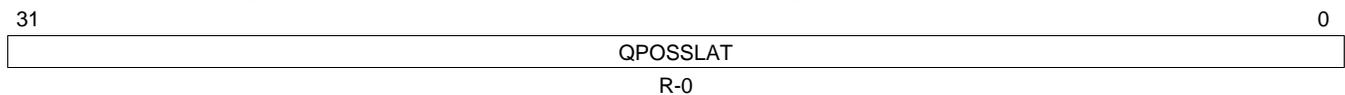
LEGEND: R/W = Read/Write; R = Read only; -n = value after reset

**Table 33-8. eQEP Index Position Latch Register (QPOSILAT) Field Descriptions**

Bits	Name	Description
31-0	QPOSILAT	The position-counter value is latched into this register on an index event as defined by the QEPCTL[IEL] bits.

### 33.3.6 eQEP Strobe Position Latch Register (QPOSSLAT)

**Figure 33-26. eQEP Strobe Position Latch Register (QPOSSLAT) [offset = 14h]**



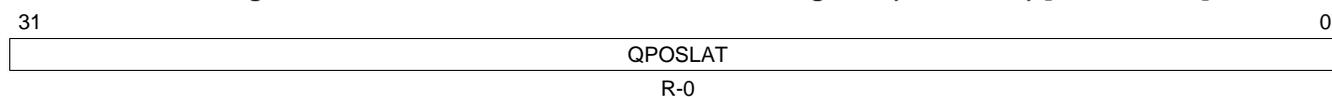
LEGEND: R/W = Read/Write; R = Read only; -n = value after reset

**Table 33-9. eQEP Strobe Position Latch Register (QPOSSLAT) Field Descriptions**

Bits	Name	Description
31-0	QPOSSLAT	The position-counter value is latched into this register on strobe event as defined by the QEPCTL[SEL] bits.

### 33.3.7 eQEP Position Counter Latch Register (QPOSLAT)

**Figure 33-27. eQEP Position Counter Latch Register (QPOSLAT) [offset = 18h]**



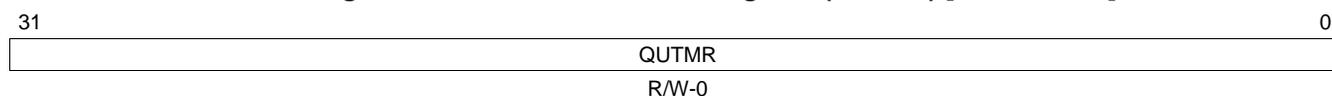
LEGEND: R/W = Read/Write; R = Read only; -n = value after reset

**Table 33-10. eQEP Position Counter Latch Register (QPOSLAT) Field Descriptions**

Bits	Name	Description
31-0	QPOSLAT	The position-counter value is latched into this register on unit time out event.

### 33.3.8 eQEP Unit Timer Register (QUTMR)

**Figure 33-28. eQEP Unit Timer Register (QUTMR) [offset = 1Ch]**



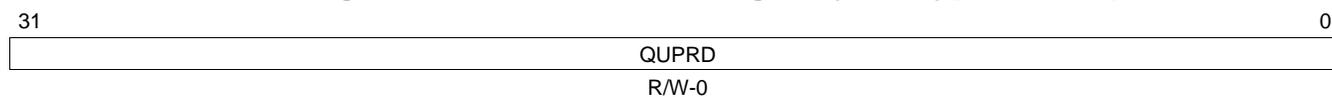
LEGEND: R/W = Read/Write; R = Read only; -n = value after reset

**Table 33-11. eQEP Unit Timer Register (QUTMR) Field Descriptions**

Bits	Name	Description
31-0	QUTMR	This register acts as time base for unit time event generation. When this timer value matches with unit time period value, unit time event is generated.

### 33.3.9 eQEP Unit Period Register (QUPRD)

**Figure 33-29. eQEP Unit Period Register (QUPRD) [offset = 20h]**



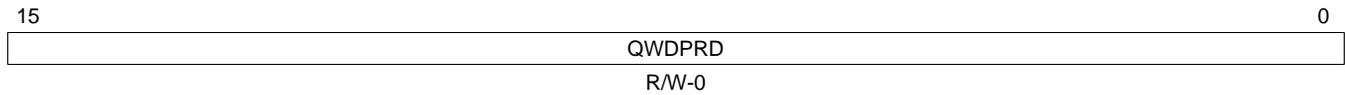
LEGEND: R/W = Read/Write; R = Read only; -n = value after reset

**Table 33-12. eQEP Unit Period Register (QUPRD) Field Descriptions**

Bits	Name	Description
31-0	QUPRD	This register contains the period count for unit timer to generate periodic unit time events to latch the eQEP position information at periodic interval and optionally to generate interrupt.

### 33.3.10 eQEP Watchdog Period Register (QWDPRD)

**Figure 33-30. eQEP Watchdog Period Register (QWDPRD) [offset = 26h]**



LEGEND: R/W = Read/Write; R = Read only; -n = value after reset

**Table 33-13. eQEP Watchdog Period Register (QWDPRD) Field Description**

Bits	Name	Description
15-0	QWDPRD	This register contains the time-out count for the eQEP peripheral watch dog timer. When the watchdog timer value matches the watchdog period value, a watchdog timeout interrupt is generated.

### 33.3.11 eQEP Watchdog Timer Register (QWDTMR)

**Figure 33-31. eQEP Watchdog Timer Register (QWDTMR) [offset = 24h]**



LEGEND: R/W = Read/Write; R = Read only; -n = value after reset

**Table 33-14. eQEP Watchdog Timer Register (QWDTMR) Field Descriptions**

Bits	Name	Description
15-0	QWDTMR	This register acts as time base for watch dog to detect motor stalls. When this timer value matches with watch dog period value, watch dog timeout interrupt is generated. This register is reset upon edge transition in quadrature-clock indicating the motion.

### 33.3.12 eQEP Control Register (QEPCCTL)

**Figure 33-32. eQEP Control Register (QEPCCTL) [offset = 2Ah]**

15	14	13	12	11	10	9	8
FREE	SOFT	PCRM		SEI		IEI	
R/W-0	R/W-0	R/W-0		R/W-0		R/W-0	
7	6	5	4	3	2	1	0
SWI	SEL	IEL		QPEN	QCLM	UTE	WDE
R/W-0	R/W-0	R/W-0		R/W-0	R/W-0	R/W-0	R/W-0

LEGEND: R/W = Read/Write; R = Read only; -n = value after reset

**Table 33-15. eQEP Control Register (QEPCCTL) Field Descriptions**

Bits	Name	Value	Description
15-14	FREE, SOFT		Emulation Control Bits
			QPOSCNT behavior:
		0	Position counter stops immediately on emulation suspend
		1h	Position counter continues to count until the rollover
		2h-3h	Position counter is unaffected by emulation suspend
			QWDTMR behavior:
		0	Watchdog counter stops immediately
		1h	Watchdog counter counts until WD period match roll over
		2h-3h	Watchdog counter is unaffected by emulation suspend
			QUTMR behavior:
		0	Unit timer stops immediately
		1h	Unit timer counts until period rollover
		2h-3h	Unit timer is unaffected by emulation suspend
			QCTMR behavior:
		0	Capture timer stops immediately
		1h	Capture timer counts until next unit period event
		2h-3h	Capture timer is unaffected by emulation suspend
13-12	PCRM		Position counter reset mode
		0	Position counter reset on an index event
		1h	Position counter reset on the maximum position
		2h	Position counter reset on the first index event
		3h	Position counter reset on a unit time event
11-10	SEI		Strobe event initialization of position counter
		0	Does nothing (action disabled)
		1h	Does nothing (action disabled)
		2h	Initializes the position counter on rising edge of the QEPS signal
		3h	Clockwise Direction: Initializes the position counter on the rising edge of QEPS strobe Counter Clockwise Direction: Initializes the position counter on the falling edge of QEPS strobe
9-8	IEI		Index event initialization of position counter
		0	Do nothing (action disabled)
		1h	Do nothing (action disabled)
		2h	Initializes the position counter on the rising edge of the QEPI signal (QPOSCNT = QPOSINIT)
		3h	Initializes the position counter on the falling edge of QEPI signal (QPOSCNT = QPOSINIT)
7	SWI		Software initialization of position counter
		0	Do nothing (action disabled)
		1	Initialize position counter (QPOSCNT=QPOSINIT). This bit is not cleared automatically

**Table 33-15. eQEP Control Register (QEPCCTL) Field Descriptions (continued)**

Bits	Name	Value	Description
6	SEL	0 1	Strobe event latch of position counter The position counter is latched on the rising edge of QEPS strobe (QPOSSLAT = POSCCNT). Latching on the falling edge can be done by inverting the strobe input using the QSP bit in the QDECCTL register. Clockwise Direction: Position counter is latched on rising edge of QEPS strobe Counter Clockwise Direction: Position counter is latched on falling edge of QEPS strobe
5-4	IEL	0 1h 2h 3h	Index event latch of position counter (software index marker) Reserved Latches position counter on rising edge of the index signal Latches position counter on falling edge of the index signal Software index marker. Latches the position counter and quadrature direction flag on index event marker. The position counter is latched to the QPOSILAT register and the direction flag is latched in the QEPSTS[QDLF] bit. This mode is useful for software index marking.
3	QPEN	0 1	Quadrature position counter enable/software reset Reset the eQEP peripheral internal operating flags/read-only registers. Control/configuration registers are not disturbed by a software reset. eQEP position counter is enabled
2	QCLM	0 1	eQEP capture latch mode Latch on position counter read by CPU. Capture timer and capture period values are latched into QCTMRLAT and QCPRDLAT registers when CPU reads the QPOSCNT register. Latch on unit time out. Position counter, capture timer and capture period values are latched into QPOSLAT, QCTMRLAT and QCPRDLAT registers on unit time out.
1	UTE	0 1	eQEP unit timer enable Disable eQEP unit timer Enable unit timer
0	WDE	0 1	eQEP watchdog enable Disable the eQEP watchdog timer Enable the eQEP watchdog timer

### 33.3.13 eQEP Decoder Control Register (QDECCTL)

**Figure 33-33. eQEP Decoder Control Register (QDECCTL) [offset = 28h]**

15	14	13	12	11	10	9	8
QSRC		SOEN	SPSEL	XCR	SWAP	IGATE	QAP
R/W-0		R/W-0	R/W-0	R/W-0	R/W-0	R/W-0	R/W-0
7	6	5	4				0
QBP	QIP	QSP	Reserved				
R/W-0	R/W-0	R/W-0	R-0				

LEGEND: R/W = Read/Write; R = Read only; -n = value after reset

**Table 33-16. eQEP Decoder Control Register (QDECCTL) Field Descriptions**

Bits	Name	Value	Description
15-14	QSRC	0 1h 2h 3h	Position-counter source selection Quadrature count mode: (QCLK = iCLK, QDIR = iDIR) Direction-count mode: (QCLK = xCLK, QDIR = xDIR) UP count mode for frequency measurement : (QCLK = xCLK, QDIR = 1) DOWN count mode for frequency measurement: (QCLK = xCLK, QDIR = 0)
13	SOEN	0 1	Sync output-enable 0 Disable position-compare sync output 1 Enable position-compare sync output
12	SPSEL	0 1	Sync output pin selection 0 Index pin is used for sync output 1 Strobe pin is used for sync output
11	XCR	0 1	External clock rate 0 2x resolution: Count the rising/falling edge 1 1x resolution: Count the rising edge only
10	SWAP	0 1	Swap quadrature clock inputs. This swaps the input to the quadrature decoder, reversing the counting direction. 0 Quadrature-clock inputs are not swapped 1 Quadrature-clock inputs are swapped
9	IGATE	0 1	Index pulse gating option 0 Disable gating of Index pulse 1 Gate the index pin with strobe
8	QAP	0 1	QEPA input polarity 0 No effect 1 Negates QEPA input
7	QBP	0 1	QEPB input polarity 0 No effect 1 Negates QEPB input
6	QIP	0 1	QEPI input polarity 0 No effect 1 Negates QEPI input
5	QSP	0 1	QEPS input polarity 0 No effect 1 Negates QEPS input
4-0	Reserved	0	Always read as 0

### 33.3.14 eQEP Position-Compare Control Register (QPOSCTL)

**Figure 33-34. eQEP Position-Compare Control Register (QPOSCTL) [offset = 2Eh]**

15	14	13	12	11	8
PCSHDW	PCLOAD	PCPOL	PCE	PCSPW	
R/W-0	R/W-0	R/W-0	R/W-0	R/W-0	
7					0
PCSPW					
R/W-0					

LEGEND: R/W = Read/Write; R = Read only; -n = value after reset

**Table 33-17. eQEP Position-Compare Control Register (QPOSCTL) Field Descriptions**

Bit	Name	Value	Description
15	PCSHDW		Position-compare shadow enable
		0	Shadow disabled, load Immediate
		1	Shadow enabled
14	PCLOAD		Position-compare shadow load mode
		0	Load on QPOSCNT = 0
		1	Load when QPOSCNT = QPOSCMP
13	PCPOL		Polarity of sync output
		0	Active HIGH pulse output
		1	Active LOW pulse output
12	PCE		Position-compare enable/disable
		0	Disable position compare unit
		1	Enable position compare unit
11-0	PCSPW		Select-position-compare sync output pulse width
		0	1 × 4 × VCLK3 cycles
		1h	2 × 4 × VCLK3 cycles
		:	:
		FFFh	4096 × 4 × VCLK3 cycles

### 33.3.15 eQEP Capture Control Register (QCAPCTL)

**Figure 33-35. eQEP Capture Control Register (QCAPCTL) [offset = 2Ch]**

15	14	7	6	4	3	0
CEN	Reserved			CCPS	UPPS	
R/W-0	R-0			R/W-0	R/W-0	

LEGEND: R/W = Read/Write; R = Read only; -n = value after reset

**Table 33-18. eQEP Capture Control Register (QCAPCTL) Field Descriptions**

Bits	Name	Value	Description
15	CEN	0 1	Enable eQEP capture eQEP capture unit is disabled eQEP capture unit is enabled
14-7	Reserved	0	Always read as 0
6-4	CCPS	0 1h 2h 3h 4h 5h 6h 7h	eQEP capture timer clock prescaler CAPCLK = VCLK3/1 CAPCLK = VCLK3/2 CAPCLK = VCLK3/4 CAPCLK = VCLK3/8 CAPCLK = VCLK3/16 CAPCLK = VCLK3/32 CAPCLK = VCLK3/64 CAPCLK = VCLK3/128
3-0	UPPS	0 1h 2h 3h 4h 5h 6h 7h 8h 9h Ah Bh Ch-Fh	Unit position event prescaler UPEVNT = QCLK/1 UPEVNT = QCLK/2 UPEVNT = QCLK/4 UPEVNT = QCLK/8 UPEVNT = QCLK/16 UPEVNT = QCLK/32 UPEVNT = QCLK/64 UPEVNT = QCLK/128 UPEVNT = QCLK/256 UPEVNT = QCLK/512 UPEVNT = QCLK/1024 UPEVNT = QCLK/2048 Reserved

### 33.3.16 eQEP Interrupt Flag Register (QFLG)

**Figure 33-36. eQEP Interrupt Flag Register (QFLG) [offset = 32h]**

15		12			11	10	9	8
Reserved		Reserved			UTO	IEL	SEL	PCM
R-0		R-0			R-0	R-0	R-0	R-0
7	6	5	4	3	2	1	0	
PCR	PCO	PCU	WTO	QDC	PHE	PCE	INT	
R-0	R-0	R-0	R-0	R-0	R-0	R-0	R-0	

LEGEND: R/W = Read/Write; R = Read only; -n = value after reset

**Table 33-19. eQEP Interrupt Flag Register (QFLG) Field Descriptions**

Bits	Name	Value	Description
15-12	Reserved	0	Always read as 0
11	UTO	0	No interrupt generated
		1	Set by eQEP unit timer period match
10	IEL	0	No interrupt generated
		1	Set after latching the QPOSCNT to QPOSILAT
9	SEL	0	No interrupt generated
		1	Set after latching the QPOSCNT to QPOSSLAT
8	PCM	0	No interrupt generated
		1	Set on position-compare match
7	PCR	0	No interrupt generated
		1	Set after transferring the shadow register value to the active position compare register.
6	PCO	0	No interrupt generated
		1	Set on position counter overflow.
5	PCU	0	No interrupt generated
		1	Set on position counter underflow.
4	WTO	0	No interrupt generated
		1	Set by watch dog timeout
3	QDC	0	No interrupt generated
		1	Set during change of direction
2	PHE	0	No interrupt generated
		1	Set on simultaneous transition of QEPA and QEPB
1	PCE	0	No interrupt generated
		1	Position counter error
0	INT	0	No interrupt generated
		1	Interrupt was generated

### 33.3.17 eQEP Interrupt Enable Register (QEINT)

**Figure 33-37. eQEP Interrupt Enable Register (QEINT) [offset = 30h]**

15		12			11	10	9	8
Reserved					UTO	IEL	SEL	PCM
R-0					R/W-0	R/W-0	R/W-0	R/W-0
7	6	5	4	3	2	1	0	
PCR	PCO	PCU	WTO	QDC	QPE	PCE	Reserved	
R/W-0	R/W-0	R/W-0	R/W-0	R/W-0	R/W-0	R/W-0	R-0	

LEGEND: R/W = Read/Write; R = Read only; -n = value after reset

**Table 33-20. eQEP Interrupt Enable Register (QEINT) Field Descriptions**

Bits	Name	Value	Description
15-12	Reserved	0	Always read as 0
11	UTO	0	Unit time out interrupt enable Interrupt is disabled
		1	Interrupt is enabled
10	IEL	0	Index event latch interrupt enable Interrupt is disabled
		1	Interrupt is enabled
9	SEL	0	Strobe event latch interrupt enable Interrupt is disabled
		1	Interrupt is enabled
8	PCM	0	Position-compare match interrupt enable Interrupt is disabled
		1	Interrupt is enabled
7	PCR	0	Position-compare ready interrupt enable Interrupt is disabled
		1	Interrupt is enabled
6	PCO	0	Position counter overflow interrupt enable Interrupt is disabled
		1	Interrupt is enabled
5	PCU	0	Position counter underflow interrupt enable Interrupt is disabled
		1	Interrupt is enabled
4	WTO	0	Watchdog time out interrupt enable Interrupt is disabled
		1	Interrupt is enabled
3	QDC	0	Quadrature direction change interrupt enable Interrupt is disabled
		1	Interrupt is enabled
2	QPE	0	Quadrature phase error interrupt enable Interrupt is disabled
		1	Interrupt is enabled
1	PCE	0	Position counter error interrupt enable Interrupt is disabled
		1	Interrupt is enabled
0	Reserved	0	Always read as 0

### 33.3.18 eQEP Interrupt Force Register (QFRC)

**Figure 33-38. eQEP Interrupt Force Register (QFRC) [offset = 36h]**

15		12			11	10	9	8
Reserved		R-0			UTO	IEL	SEL	PCM
					R/W-0	R/W-0	R/W-0	R/W-0
7	6	5	4	3	2	1	0	
PCR	PCO	PCU	WTO	QDC	PHE	PCE	Reserved	
R/W-0	R/W-0	R/W-0	R/W-0	R/W-0	R/W-0	R/W-0	R-0	

LEGEND: R/W = Read/Write; R = Read only; -n = value after reset

**Table 33-21. eQEP Interrupt Force Register (QFRC) Field Descriptions**

Bit	Field	Value	Description
15-12	Reserved	0	Always read as 0
11	UTO	0	No effect
		1	Force the interrupt
10	IEL	0	No effect
		1	Force the interrupt
9	SEL	0	No effect
		1	Force the interrupt
8	PCM	0	No effect
		1	Force the interrupt
7	PCR	0	No effect
		1	Force the interrupt
6	PCO	0	No effect
		1	Force the interrupt
5	PCU	0	No effect
		1	Force the interrupt
4	WTO	0	No effect
		1	Force the interrupt
3	QDC	0	No effect
		1	Force the interrupt
2	PHE	0	No effect
		1	Force the interrupt
1	PCE	0	No effect
		1	Force the interrupt
0	Reserved	0	Always read as 0

### 33.3.19 eQEP Interrupt Clear Register (QCLR)

**Figure 33-39. eQEP Interrupt Clear Register (QCLR) [offset = 34h]**

15				12		11	10	9	8	
Reserved						UTO	IEL	SEL	PCM	
R-0						R/W-0	R/W-0	R/W-0	R/W-0	
7		6	5	4	3	2	1	0		
PCR	PCO	PCU	WTO	QDC	PHE	PCE	INT			
R/W-0	R/W-0	R/W-0	R/W-0	R/W-0	R/W-0	R/W-0	R/W-0	R/W-0		R/W-0

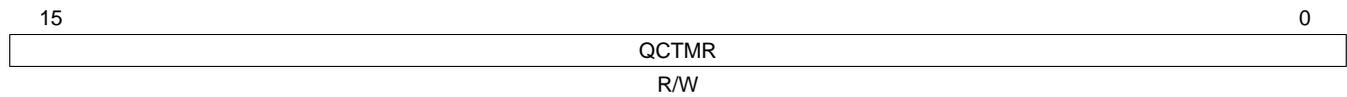
LEGEND: R/W = Read/Write; R = Read only; -n = value after reset

**Table 33-22. eQEP Interrupt Clear Register (QCLR) Field Descriptions**

Bit	Field	Value	Description
15-12	Reserved	0	Always read as 0
11	UTO	0	No effect
		1	Clears the interrupt flag
10	IEL	0	No effect
		1	Clears the interrupt flag
9	SEL	0	No effect
		1	Clears the interrupt flag
8	PCM	0	No effect
		1	Clears the interrupt flag
7	PCR	0	No effect
		1	Clears the interrupt flag
6	PCO	0	No effect
		1	Clears the interrupt flag
5	PCU	0	No effect
		1	Clears the interrupt flag
4	WTO	0	No effect
		1	Clears the interrupt flag
3	QDC	0	No effect
		1	Clears the interrupt flag
2	PHE	0	No effect
		1	Clears the interrupt flag
1	PCE	0	No effect
		1	Clears the interrupt flag
0	INT	0	No effect
		1	Clears the interrupt flag and enables further interrupts to be generated if an event flags is set to 1.

### 33.3.20 eQEP Capture Timer Register (QCTMR)

**Figure 33-40. eQEP Capture Timer Register (QCTMR) [offset = 3Ah]**



LEGEND: R/W = Read/Write; R = Read only; -n = value after reset

**Table 33-23. eQEP Capture Time Register (QCTMR) Field Descriptions**

Bits	Name	Description
15-0	QCTMR	This register provides time base for edge capture unit.

**33.3.21 eQEP Status Register (QEPSTS)**
**Figure 33-41. eQEP Status Register (QEPSTS) [offset = 38h]**

15								8						
Reserved								R-0						
7								6	5	4	3	2	1	0
UPEVNT	FIDF	QDF	QDLF	COEF	CDEF	FIMF	PCEF							
R-1	R-0	R-0	R-0	R/W-1	R/W-1	R/W-1	R-0							

LEGEND: R/W = Read/Write; R = Read only; -n = value after reset

**Table 33-24. eQEP Status Register (QEPSTS) Field Descriptions**

Bit	Field	Value	Description
15-8	Reserved	0	Always read as 0
7	UPEVNT	0	Unit position event flag
		0	No unit position event detected
		1	Unit position event detected. Write 1 to clear.
6	FIDF		Direction on the first index marker. Status of the direction is latched on the first index event marker.
		0	Counter-clockwise rotation (or reverse movement) on the first index event
		1	Clockwise rotation (or forward movement) on the first index event
5	QDF		Quadrature direction flag
		0	Counter-clockwise rotation (or reverse movement)
		1	Clockwise rotation (or forward movement)
4	QDLF		eQEP direction latch flag. Status of direction is latched on every index event marker.
		0	Counter-clockwise rotation (or reverse movement) on index event marker
		1	Clockwise rotation (or forward movement) on index event marker
3	COEF		Capture overflow error flag
		0	Sticky bit, cleared by writing 1
		1	Overflow occurred in eQEP Capture timer (QEPCTMR)
2	CDEF		Capture direction error flag
		0	Sticky bit, cleared by writing 1
		1	Direction change occurred between the capture position event.
1	FIMF		First index marker flag
		0	Sticky bit, cleared by writing 1
		1	Set by first occurrence of index pulse
0	PCEF		Position counter error flag. This bit is not sticky and it is updated for every index event.
		0	No error occurred during the last index transition.
		1	Position counter error

### 33.3.22 eQEP Capture Timer Latch Register (QCTMRLAT)

**Figure 33-42. eQEP Capture Timer Latch Register (QCTMRLAT) [offset = 3Eh]**



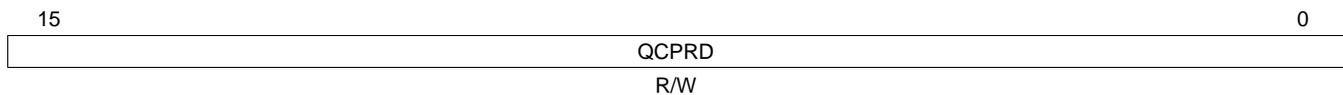
LEGEND: R/W = Read/Write; R = Read only; -n = value after reset

**Table 33-25. eQEP Capture Timer Latch Register (QCTMRLAT) Field Descriptions**

Bits	Name	Description
15-0	QCTMRLAT	The eQEP capture timer value can be latched into this register on two events viz., unit timeout event, reading the eQEP position counter.

### 33.3.23 eQEP Capture Period Register (QCPRD)

**Figure 33-43. eQEP Capture Period Register (QCPRD) [offset = 3Ch]**



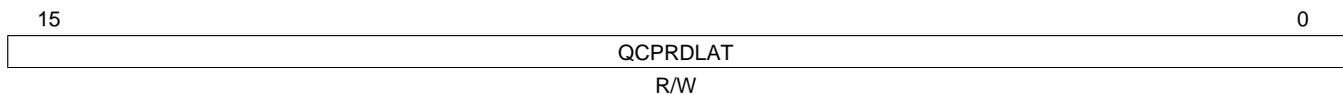
LEGEND: R/W = Read/Write; R = Read only; -n = value after reset

**Table 33-26. eQEP Capture Period Register (QCPRD) Field Descriptions**

Bits	Name	Description
15-0	QCPRD	This register holds the period count value between the last successive eQEP position events.

### 33.3.24 eQEP Capture Period Latch Register (QCPRDLAT)

**Figure 33-44. eQEP Capture Period Latch Register (QCPRDLAT) [offset = 40h]**



LEGEND: R/W = Read/Write; R = Read only; -n = value after reset

**Table 33-27. eQEP Capture Period Latch Register (QCPRDLAT) Field Descriptions**

Bits	Name	Description
15-0	QCPRDLAT	eQEP capture period value can be latched into this register on two events viz., unit timeout event, reading the eQEP position counter.

## ***Enhanced Pulse Width Modulator (ePWM) Module***

---

---

The enhanced pulse width modulator (ePWM) peripheral is a key element in controlling many of the power electronic systems found in both commercial and industrial equipments. The features supported by the ePWM make it especially suitable for digital motor control.

<b>Topic</b>	<b>Page</b>
<b>34.1 Introduction .....</b>	<b>1713</b>
<b>34.2 ePWM Submodules .....</b>	<b>1717</b>
<b>34.3 Application Examples.....</b>	<b>1772</b>
<b>34.4 ePWM Registers .....</b>	<b>1787</b>

## 34.1 Introduction

An effective PWM peripheral must be able to generate complex pulse width waveforms with minimal CPU overhead or intervention. It needs to be highly programmable and very flexible while being easy to understand and use. The ePWM unit described here addresses these requirements by allocating all needed timing and control resources on a per PWM channel basis. Cross coupling or sharing of resources has been avoided; instead, the ePWM is built up from smaller single channel modules with separate resources that can operate together as required to form a system. This modular approach results in an orthogonal architecture and provides a more transparent view of the peripheral structure, helping users to understand its operation quickly.

In this document the letter x within a signal or module name is used to indicate a generic ePWM instance on a device. For example output signals EPWMxA and EPWMxB refer to the output signals from the ePWMx instance. Thus, EPWM1A and EPWM1B belong to ePWM1 and likewise EPWM4A and EPWM4B belong to ePWM4.

### 34.1.1 Submodule Overview

The ePWM module represents one complete PWM channel composed of two PWM outputs: EPWMxA and EPWMxB. Multiple ePWM modules are instanced within a device as shown in [Figure 34-1](#). Each ePWM instance is identical and is indicated by a numerical value starting with 1. For example, ePWM1 is the first instance and ePWM3 is the third instance in the system, and ePWMx indicates any instance.

The ePWM modules are chained together via a clock synchronization scheme that allows them to operate as a single system when required. Additionally, this synchronization scheme can be extended to the capture peripheral modules (eCAP). Modules can also operate stand-alone.

Each ePWM module supports the following features:

- Dedicated 16-bit time-base counter with period and frequency control
- Two PWM outputs (EPWMxA and EPWMxB) that can be used in the following configurations:
  - Two independent PWM outputs with single-edge operation
  - Two independent PWM outputs with dual-edge symmetric operation
  - One independent PWM output with dual-edge asymmetric operation
- Asynchronous override control of PWM signals through software.
- Programmable phase-control support for lag or lead operation relative to other ePWM modules.
- Hardware-locked (synchronized) phase relationship on a cycle-by-cycle basis.
- Dead-band generation with independent rising and falling edge delay control.
- Programmable trip zone allocation of both cycle-by-cycle trip and one-shot trip on fault conditions.
- A trip condition can force either high, low, or high-impedance state logic levels at PWM outputs.
- All events can trigger both CPU interrupts and ADC start of conversion (SOC)
- Programmable event prescaling minimizes CPU overhead on interrupts.
- PWM chopping by high-frequency carrier signal, useful for pulse transformer gate drives.

Each ePWM module is connected to the input/output signals shown in [Figure 34-1](#). The signals are described in detail in subsequent sections.

Each ePWM module consists of eight submodules and is connected within a system via the signals shown in [Figure 34-2](#).

Figure 34-1. Multiple ePWM Modules

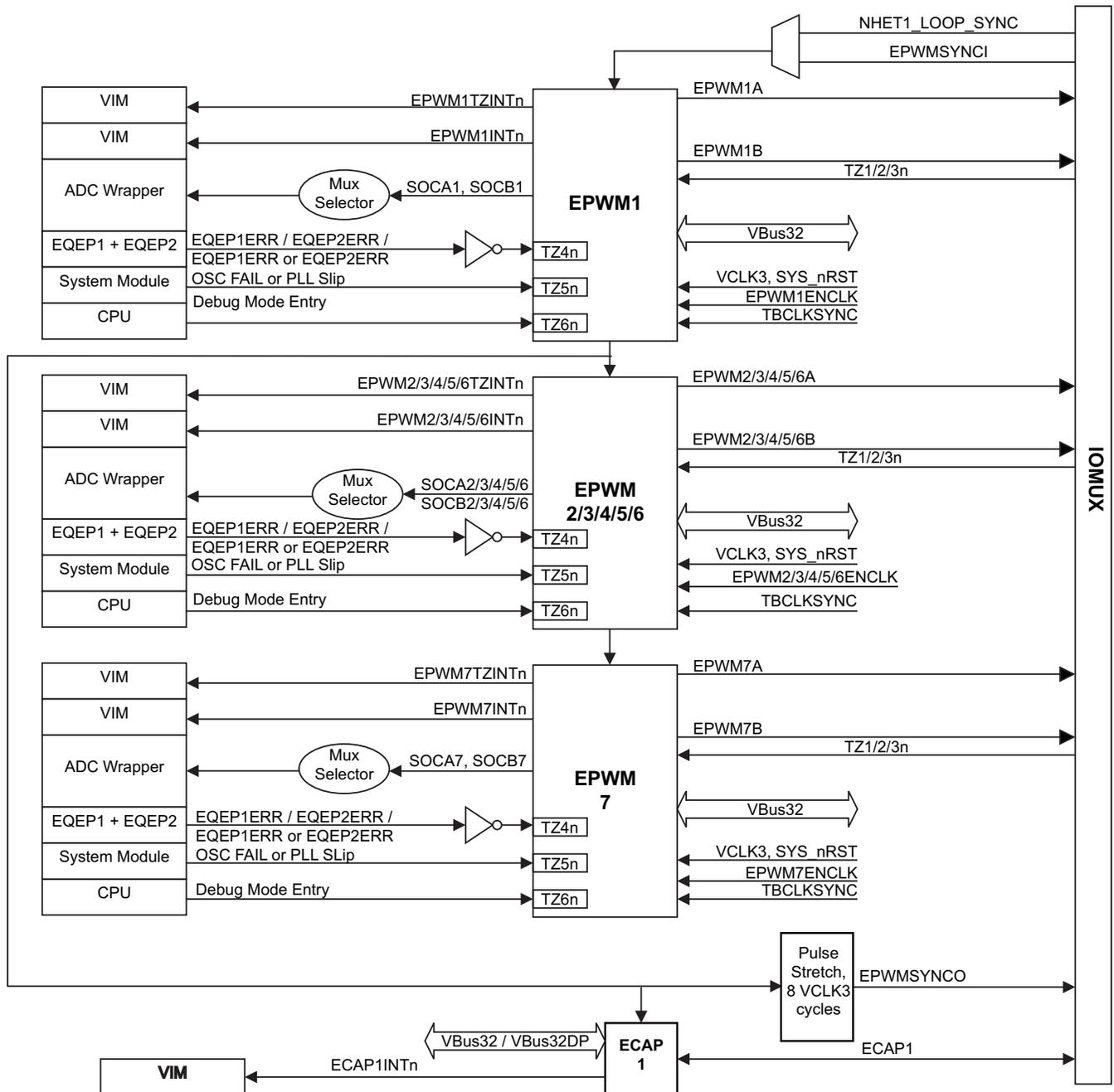
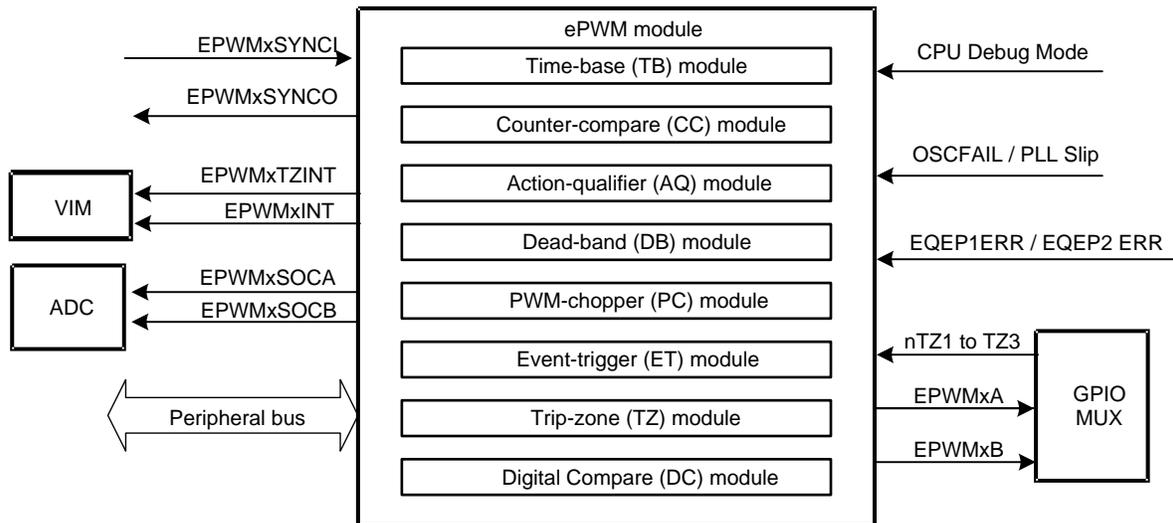


Figure 34-2. Submodules and Signal Connections for an ePWM Module



The main signals used by the ePWM module are:

- PWM output signals (EPWMxA and EPWMxB).**

The PWM output signals are made available external to the device through the I/O Multiplexing Module (IOMM) as described in the IOMM chapter of the device's technical reference manual.
- Trip-zone signals ( $\overline{TZ1}$  to  $\overline{TZ6}$ ).**

These input signals alert the ePWM module of fault conditions external to the ePWM module. Each ePWM module can be configured to either use or ignore any of the trip-zone signals. The  $\overline{TZ1}$  to  $\overline{TZ3}$  trip-zone signals can be configured as asynchronous inputs, or double-synchronized using VCLK3, or double-synchronized and filtered through a 6-VCLK3-cycle counter before connecting to the ePWM modules. This selection is done by configuring registers in the IOMM.  $\overline{TZ4}$  is connected to an inverted eQEP1 error signal (EQEP1ERR), or to an inverted eQEP2 error signal (EQEP2ERR), or an OR-combination of EQEP1ERR and EQEP2ERR. This selection is also done via the IOMM registers.  $\overline{TZ5}$  is connected to the system clock fail status. This is asserted whenever an oscillator failure is detected, or a PLL slip is detected.  $\overline{TZ6}$  is connected to the debug mode entry indicator output from the CPU. This allows you to configure a trip action when the CPU halts.
- Time-base synchronization input (EPWMxSYNCl) and output (EPWMxSYNCO) signals.**

The synchronization signals daisy chain the ePWM modules together. Each module can be configured to either use or ignore its synchronization input. The clock synchronization input and output signal are brought out to pins only for ePWM1 (ePWM module #1). The synchronization output for ePWM1 (EPWM1SYNCO) is also connected to the SYNCl of the first enhanced capture module (eCAP1).
- ADC start-of-conversion signals (EPWMxSOCA and EPWMxSOCB).**

Each ePWM module has two ADC start of conversion signals. Any ePWM module can trigger a start of conversion. Which event triggers the start of conversion is configured in the Event-Trigger submodule of the ePWM.
- Peripheral Bus**

The peripheral bus is 32-bits wide and allows both 16-bit and 32-bit writes to the ePWM register file.

### 34.1.2 Register Mapping

The complete ePWM module control and status register set is grouped by submodule as shown in [Table 34-1](#). Each register set is duplicated for each instance of the ePWM module.

**Table 34-1. ePWM Module Control and Status Register Set Grouped by Submodule**

Name	Address Offset <sup>(1)</sup>	Size (x16)	Shadow	Privileged Mode Write Only?	Description
<b>Time-Base Submodule Registers</b>					
TBSTS	02h	1	No	No	Time-Base Status Register
TBCTL	00h	1	No	No	Time-Base Control Register
TBPHS	06h	1	No	No	Time-Base Phase Register
TBPRD	0Ah	1	Yes	No	Time-Base Period Register
TBCTR	08h	1	No	No	Time-Base Counter Register
<b>Counter-Compare Submodule Registers</b>					
CMPCTL	0Eh	1	No	No	Counter-Compare Control Register
CMPA	12h	1	Yes	No	Counter-Compare A Register
CMPB	14h	1	Yes	No	Counter-Compare B Register
<b>Action-Qualifier Submodule Registers</b>					
AQCTLA	16h	1	No	No	Action-Qualifier Control Register for Output A (EPWMxA)
AQSFRC	1Ah	1	No	No	Action-Qualifier Software Force Register
AQCTLB	18h	1	No	No	Action-Qualifier Control Register for Output B (EPWMxB)
AQCSFRC	1Ch	1	Yes	No	Action-Qualifier Continuous S/W Force Register Set
<b>Dead-Band Generator Submodule Registers</b>					
DBCTL	1Eh	1	No	No	Dead-Band Generator Control Register
DBFED	22h	1	No	No	Dead-Band Generator Falling Edge Delay Count Register
DBRED	20h	1	No	No	Dead-Band Generator Rising Edge Delay Count Register
<b>Trip-Zone Submodule Registers</b>					
TZDCSEL	26h	1	No	Yes	Trip Zone Digital Compare Select Register
TZSEL	24h	1	No	Yes	Trip-Zone Select Register
TZEINT	2Ah	1	No	Yes	Trip-Zone Enable Interrupt Register
TZCTL	28h	1	No	Yes	Trip-Zone Control Register
TZCLR	2Eh	1	No	Yes	Trip-Zone Clear Register
TZFLG	2Ch	1	No	No	Trip-Zone Flag Register
TZFRC	30h	1	No	Yes	Trip-Zone Force Register
<b>Event-Trigger Submodule Registers</b>					
ETSEL	32h	1	No	No	Event-Trigger Selection Register
ETFLG	36h	1	No	No	Event-Trigger Flag Register
ETPS	34h	1	No	No	Event-Trigger Pre-Scale Register
ETFRC	3Ah	1	No	No	Event-Trigger Force Register
ETCLR	38h	1	No	No	Event-Trigger Clear Register
<b>PWM-Chopper Submodule Registers</b>					
PCCTL	3Ch	1	No	No	PWM-Chopper Control Register
<b>Digital Compare Event Registers</b>					
DCACTL	62h	1	No	Yes	Digital Compare A Control Register
DCTRIPSEL	60h	1	No	Yes	Digital Compare Trip Select Register
DCFCTL	66h	1	No	Yes	Digital Compare Filter Control Register
DCBCTL	64h	1	No	Yes	Digital Compare B Control Register
DCFOFFSET	6Ah	1	Writes	No	Digital Compare Filter Offset Register
DCCAPCTL	68h	1	No	Yes	Digital Compare Capture Control Register

<sup>(1)</sup> Locations not shown are reserved.

**Table 34-1. ePWM Module Control and Status Register Set Grouped by Submodule (continued)**

Name	Address Offset <sup>(1)</sup>	Size (x16)	Shadow	Privileged Mode Write Only?	Description
DCFWINDOW	6Eh	1	No	No	Digital Compare Filter Window Register
DCFOFFSETCNT	6Ch	1	No	No	Digital Compare Filter Offset Counter Register
DCCAP	72h	1	Yes	No	Digital Compare Counter Capture Register
DCFWINDOWCNT	70h	1	No	No	Digital Compare Filter Window Counter Register

## 34.2 ePWM Submodules

Eight submodules are included in every ePWM peripheral. Each of these submodules performs specific tasks that can be configured by software.

### 34.2.1 Overview

Table 34-2 lists the eight key submodules together with a list of their main configuration parameters. For example, if you need to adjust or control the duty cycle of a PWM waveform, then you should see the counter-compare submodule in Section 34.2.3 for relevant details.

**Table 34-2. Submodule Configuration Parameters**

Submodule	Configuration Parameter or Option
Time-base (TB)	<ul style="list-style-type: none"> <li>• Scale the time-base clock (TBCLK) relative to the system clock (VCLK3).</li> <li>• Configure the PWM time-base counter (TBCTR) frequency or period.</li> <li>• Set the mode for the time-base counter: <ul style="list-style-type: none"> <li>– count-up mode: used for asymmetric PWM</li> <li>– count-down mode: used for asymmetric PWM</li> <li>– count-up-and-down mode: used for symmetric PWM</li> </ul> </li> <li>• Configure the time-base phase relative to another ePWM module.</li> <li>• Synchronize the time-base counter between modules through hardware or software.</li> <li>• Configure the direction (up or down) of the time-base counter after a synchronization event.</li> <li>• Configure how the time-base counter will behave when the device is halted by an emulator.</li> <li>• Specify the source for the synchronization output of the ePWM module: <ul style="list-style-type: none"> <li>– Synchronization input signal</li> <li>– Time-base counter equal to zero</li> <li>– Time-base counter equal to counter-compare B (CMPB)</li> <li>– No output synchronization signal generated.</li> </ul> </li> </ul>
Counter-compare (CC)	<ul style="list-style-type: none"> <li>• Specify the PWM duty cycle for output EPWMxA and/or output EPWMxB</li> <li>• Specify the time at which switching events occur on the EPWMxA or EPWMxB output</li> </ul>
Action-qualifier (AQ)	<ul style="list-style-type: none"> <li>• Specify the type of action taken when a time-base or counter-compare submodule event occurs: <ul style="list-style-type: none"> <li>– No action taken</li> <li>– Output EPWMxA and/or EPWMxB switched high</li> <li>– Output EPWMxA and/or EPWMxB switched low</li> <li>– Output EPWMxA and/or EPWMxB toggled</li> </ul> </li> <li>• Force the PWM output state through software control</li> <li>• Configure and control the PWM dead-band through software</li> </ul>
Dead-band (DB)	<ul style="list-style-type: none"> <li>• Control of traditional complementary dead-band relationship between upper and lower switches</li> <li>• Specify the output rising-edge-delay value</li> <li>• Specify the output falling-edge delay value</li> <li>• Bypass the dead-band module entirely. In this case the PWM waveform is passed through without modification.</li> <li>• Option to enable half-cycle clocking for double resolution.</li> </ul>

**Table 34-2. Submodule Configuration Parameters (continued)**

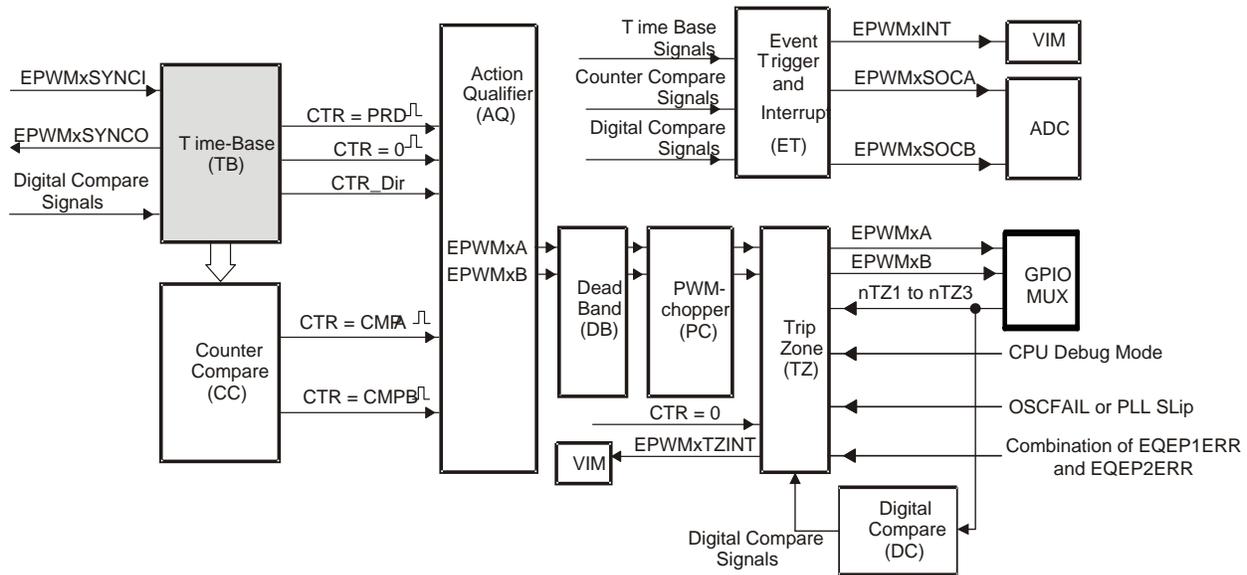
Submodule	Configuration Parameter or Option
PWM-chopper (PC)	<ul style="list-style-type: none"> <li>• Create a chopping (carrier) frequency.</li> <li>• Pulse width of the first pulse in the chopped pulse train.</li> <li>• Duty cycle of the second and subsequent pulses.</li> <li>• Bypass the PWM-chopper module entirely. In this case the PWM waveform is passed through without modification.</li> </ul>
Trip-zone (TZ)	<ul style="list-style-type: none"> <li>• Configure the ePWM module to react to one, all, or none of the trip-zone signals or digital compare events.</li> <li>• Specify the tripping action taken when a fault occurs: <ul style="list-style-type: none"> <li>– Force EPWMxA and/or EPWMxB high</li> <li>– Force EPWMxA and/or EPWMxB low</li> <li>– Force EPWMxA and/or EPWMxB to a high-impedance state</li> <li>– Configure EPWMxA and/or EPWMxB to ignore any trip condition.</li> </ul> </li> <li>• Configure how often the ePWM will react to each trip-zone signal: <ul style="list-style-type: none"> <li>– One-shot</li> <li>– Cycle-by-cycle</li> </ul> </li> <li>• Enable the trip-zone to initiate an interrupt.</li> <li>• Bypass the trip-zone module entirely.</li> </ul>
Event-trigger (ET)	<ul style="list-style-type: none"> <li>• Enable the ePWM events that will trigger an interrupt.</li> <li>• Enable ePWM events that will trigger an ADC start-of-conversion event.</li> <li>• Specify the rate at which events cause triggers (every occurrence or every second or third occurrence)</li> <li>• Poll, set, or clear event flags</li> </ul>
Digital-compare (DC)	<ul style="list-style-type: none"> <li>• Enables trip zone signals to create events and filtered events</li> <li>• Specify event-filtering options to capture TBCTR counter or generate blanking window</li> </ul>

Code examples are provided in this chapter that show how to implement various ePWM module configurations. These examples use the constant definitions in the device *EPwm\_defines.h* file in the device-specific header file and peripheral examples software package.

### 34.2.2 Time-Base (TB) Submodule

Each ePWM module has its own time-base submodule that determines all of the event timing for the ePWM module. Built-in synchronization logic allows the time-base of multiple ePWM modules to work together as a single system. Figure 34-3 illustrates the time-base module's place within the ePWM.

Figure 34-3. Time-Base Submodule Block Diagram



#### 34.2.2.1 Purpose of the Time-Base Submodule

You can configure the time-base submodule for the following:

- Specify the ePWM time-base counter (TBCTR) frequency or period to control how often events occur.
- Manage time-base synchronization with other ePWM modules.
- Maintain a phase relationship with other ePWM modules.
- Set the time-base counter to count-up, count-down, or count-up-and-down mode.
- Generate the following events:
  - CTR = PRD: Time-base counter equal to the specified period (TBCTR = TBPRD).
  - CTR = Zero: Time-base counter equal to zero (TBCTR = 0x0000).
- Configure the rate of the time-base clock; a prescaled version of the device peripheral clock domain (VCLK3). This allows the time-base counter to increment/decrement at a slower rate.

#### 34.2.2.2 Controlling and Monitoring the Time-Base Submodule

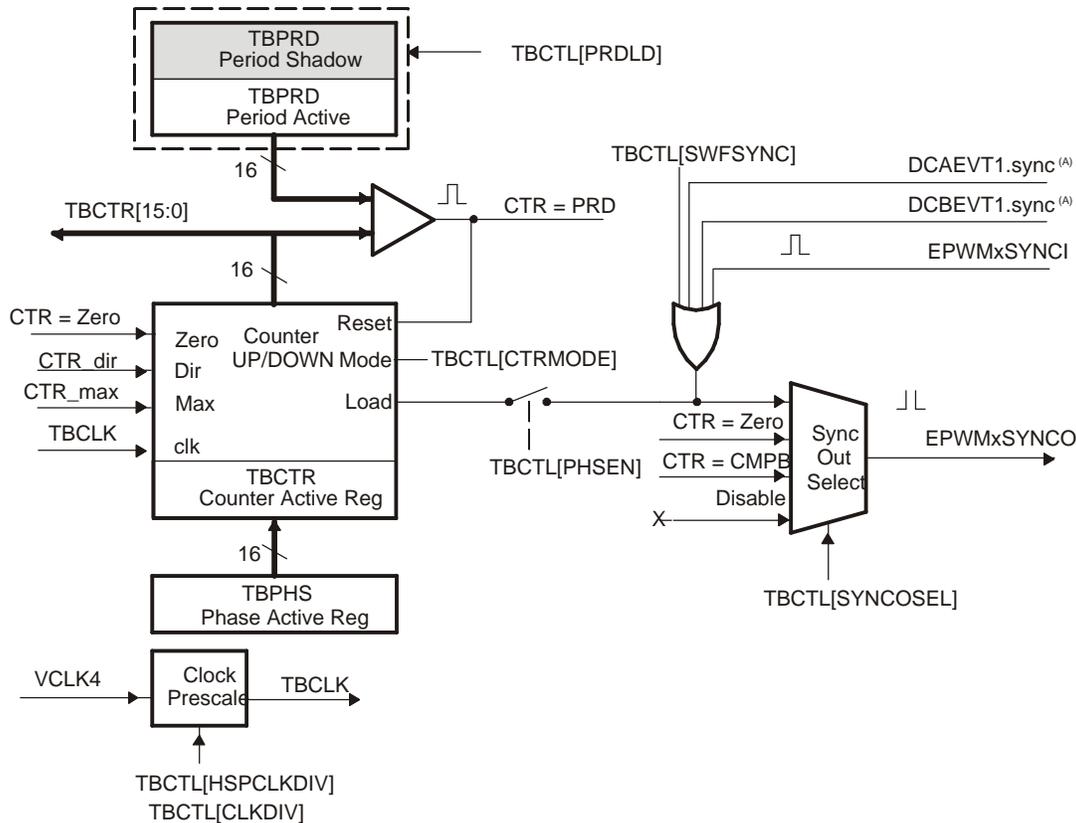
Table 34-3 shows the registers used to control and monitor the time-base submodule.

Table 34-3. Time-Base Submodule Registers

Register	Address Offset	Shadowed	Description
TBSTS	02h	No	Time-Base Status Register
TBCTL	00h	No	Time-Base Control Register
TBPHS	06h	No	Time-Base Phase Register
TBPRD	0Ah	Yes	Time-Base Period Register
TBCTR	08h	No	Time-Base Counter Register

Figure 34-4 shows the critical signals and registers of the time-base submodule. Table 34-4 provides descriptions of the key signals associated with the time-base submodule.

**Figure 34-4. Time-Base Submodule Signals and Registers**



A. These signals are generated by the digital compare (DC) submodule.

**Table 34-4. Key Time-Base Signals**

Signal	Description
EPWMxSYNCl	Time-base synchronization input. Input pulse used to synchronize the time-base counter with the counter of ePWM module earlier in the synchronization chain. An ePWM peripheral can be configured to use or ignore this signal. For the first ePWM module (EPWM1) this signal comes from a device pin or from the N2HET1 module. For subsequent ePWM modules this signal is passed from another ePWM peripheral. For example, EPWM2SYNCl is generated by the ePWM1 peripheral, EPWM3SYNCl is generated by ePWM2 and so forth. See Section 34.2.2.3.3 for information on the synchronization order of a particular device.
EPWMxSYNCO	Time-base synchronization output. This output pulse is used to synchronize the counter of an ePWM module later in the synchronization chain. The ePWM module generates this signal from one of three event sources: 1. EPWMxSYNCl (Synchronization input pulse) 2. CTR = Zero: The time-base counter equal to zero (TBCTR = 0x0000). 3. CTR = CMPB: The time-base counter equal to the counter-compare B (TBCTR = CMPB) register.
CTR = PRD	Time-base counter equal to the specified period. This signal is generated whenever the counter value is equal to the active period register value. That is when TBCTR = TBPRD.
CTR = Zero	Time-base counter equal to zero This signal is generated whenever the counter value is zero. That is when TBCTR equals 0x0000.

**Table 34-4. Key Time-Base Signals (continued)**

Signal	Description
CTR = CMPB	Time-base counter equal to active counter-compare B register (TBCTR = CMPB). This event is generated by the counter-compare submodule and used by the synchronization out logic
CTR_dir	Time-base counter direction. Indicates the current direction of the ePWM's time-base counter. This signal is high when the counter is increasing and low when it is decreasing.
CTR_max	Time-base counter equal max value. (TBCTR = 0xFFFF) Generated event when the TBCTR value reaches its maximum value. This signal is only used only as a status bit
TBCLK	Time-base clock. This is a prescaled version of the system clock (VCLK3) and is used by all submodules within the ePWM. This clock determines the rate at which time-base counter increments or decrements.

### 34.2.2.3 Calculating PWM Period and Frequency

The frequency of PWM events is controlled by the time-base period (TBPRD) register and the mode of the time-base counter. Figure 34-5 shows the period ( $T_{pwm}$ ) and frequency ( $F_{pwm}$ ) relationships for the up-count, down-count, and up-down-count time-base counter modes when the period is set to 4 (TBPRD = 4). The time increment for each step is defined by the time-base clock (TBCLK) which is a prescaled version of the system clock (VCLK3).

The time-base counter has three modes of operation selected by the time-base control register (TBCTL):

- **Up-Down-Count Mode:**

In up-down-count mode, the time-base counter starts from zero and increments until the period (TBPRD) value is reached. When the period value is reached, the time-base counter then decrements until it reaches zero. At this point the counter repeats the pattern and begins to increment.

- **Up-Count Mode:**

In this mode, the time-base counter starts from zero and increments until it reaches the value in the period register (TBPRD). When the period value is reached, the time-base counter resets to zero and begins to increment once again.

- **Down-Count Mode:**

In down-count mode, the time-base counter starts from the period (TBPRD) value and decrements until it reaches zero. When it reaches zero, the time-base counter is reset to the period value and it begins to decrement once again.

#### 34.2.2.3.1 Time-Base Period Shadow Register

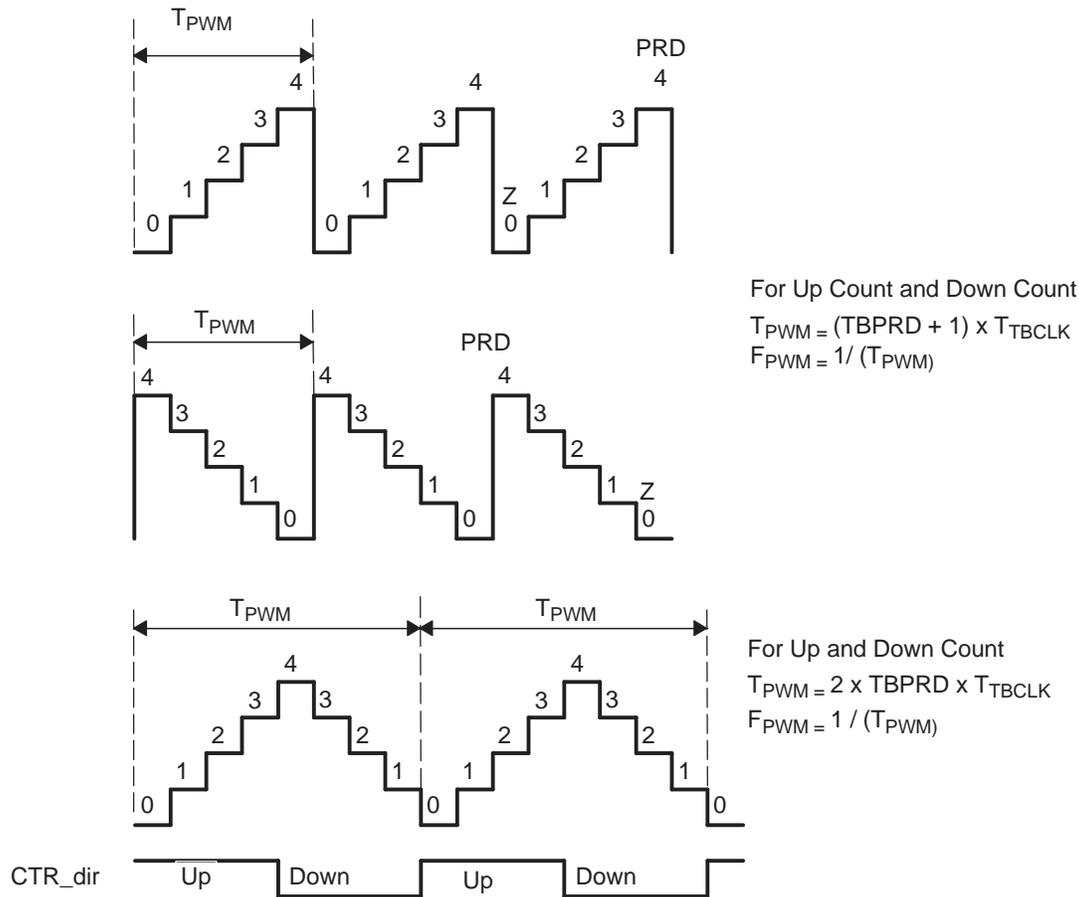
The time-base period register (TBPRD) has a shadow register. Shadowing allows the register update to be synchronized with the hardware. The following definitions are used to describe all shadow registers in the ePWM module:

- **Active Register**

The active register controls the hardware and is responsible for actions that the hardware causes or invokes.

- **Shadow Register**

The shadow register buffers or provides a temporary holding location for the active register. It has no direct effect on any control hardware. At a strategic point in time the shadow register's content is transferred to the active register. This prevents corruption or spurious operation due to the register being asynchronously modified by software.

**Figure 34-5. Time-Base Frequency and Period**


The memory address of the shadow period register is the same as the active register. Which register is written to or read from is determined by the TBCTL[PRDLD] bit. This bit enables and disables the TBPRD shadow register as follows:

- **Time-Base Period Shadow Mode:**

The TBPRD shadow register is enabled when TBCTL[PRDLD] = 0. Reads from and writes to the TBPRD memory address go to the shadow register. The shadow register contents are transferred to the active register (TBPRD (Active) ← TBPRD (shadow)) when the time-base counter equals zero (TBCTR = 0x0000). By default the TBPRD shadow register is enabled.

- **Time-Base Period Immediate Load Mode:**

If immediate load mode is selected (TBCTL[PRDLD] = 1), then a read from or a write to the TBPRD memory address goes directly to the active register.

### 34.2.2.3.2 Time-Base Clock Synchronization

Bit 1 of the device-level multiplexing control module (IOMM) register PINMMR166 is defined as the TBCLKSYNC bit. The TBCLKSYNC bit allows users to globally synchronize all enabled ePWM modules to the time-base clock (TBCLK). When set, all enabled ePWM module clocks are started with the first rising edge of TBCLK aligned. For perfectly synchronized TBCLKs, the prescalers for each ePWM module must be set identically.

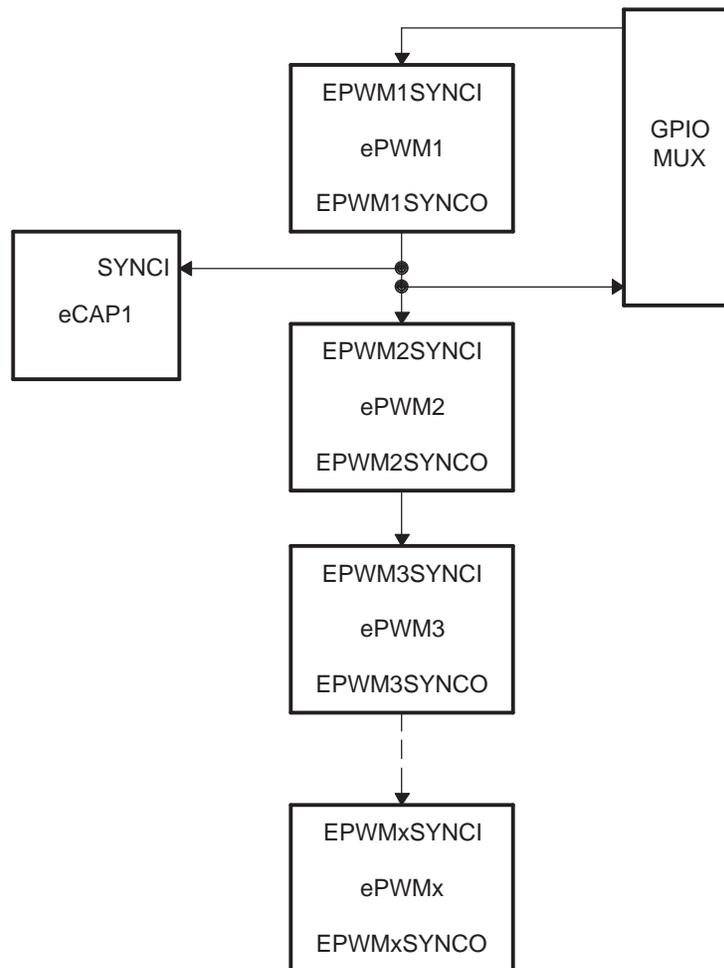
The proper procedure for enabling ePWM clocks is as follows:

1. Enable ePWM module clocks using the IOMM control registers for each ePWM module instance
2. Set TBCLKSYNC = 0. This will stop the time-base clock within any enabled ePWM module.
3. Configure ePWM modules: prescaler values and ePWM modes.
4. Set TBCLKSYNC = 1.

### 34.2.2.3.3 Time-Base Counter Synchronization

A time-base synchronization scheme connects all of the ePWM modules on a device. Each ePWM module has a synchronization input (EPWMxSYNCl) and a synchronization output (EPWMxSYNCO). The input synchronization for the first instance (ePWM1) comes from an external pin. The synchronization connections for the remaining ePWM modules are shown in Figure 34-6.

**Figure 34-6. Time-Base Counter Synchronization Scheme**



Each ePWM module can be configured to use or ignore the synchronization input. If the TBCTL[PHSEN] bit is set, then the time-base counter (TBCTR) of the ePWM module will be automatically loaded with the phase register (TBPHS) contents when one of the following conditions occur:

- **EPWMxSYNCl: Synchronization Input Pulse:**

The value of the phase register is loaded into the counter register when an input synchronization pulse is detected (TBPHS → TBCTR). This operation occurs on the next valid time-base clock (TBCLK) edge.

The delay from internal master module to slave modules is given by:

- if ( TBCLK = VCLK3): 2 x VCLK3
- if ( TBCLK != VCLK3): 1 TBCLK

- **Software Forced Synchronization Pulse:**

Writing a 1 to the TBCTL[SWFSYNC] control bit invokes a software forced synchronization. This pulse is ORed with the synchronization input signal, and therefore has the same effect as a pulse on EPWMxSYNCl.

- **Digital Compare Event Synchronization Pulse:**

DCAEVT1 and DCBEVT1 digital compare events can be configured to generate synchronization pulses which have the same affect as EPWMxSYNCl.

This feature enables the ePWM module to be automatically synchronized to the time base of another ePWM module. Lead or lag phase control can be added to the waveforms generated by different ePWM modules to synchronize them. In up-down-count mode, the TBCTL[PSHDIR] bit configures the direction of the time-base counter immediately after a synchronization event. The new direction is independent of the direction prior to the synchronization event. The PSHDIR bit is ignored in count-up or count-down modes. See [Figure 34-7](#) through [Figure 34-10](#) for examples.

Clearing the TBCTL[PHSEN] bit configures the ePWM to ignore the synchronization input pulse. The synchronization pulse can still be allowed to flow-through to the EPWMxSYNCO and be used to synchronize other ePWM modules. In this way, you can set up a master time-base (for example, ePWM1) and downstream modules (ePWM2 - ePWMx) may elect to run in synchronization with the master.

#### 34.2.2.4 Phase Locking the Time-Base Clocks of Multiple ePWM Modules

The TBCLKSYNC bit can be used to globally synchronize the time-base clocks of all enabled ePWM modules on a device. When TBCLKSYNC = 0, the time-base clock of all ePWM modules is stopped (default). When TBCLKSYNC = 1, all ePWM time-base clocks are started with the rising edge of TBCLK aligned. For perfectly synchronized TBCLKs, the prescaler bits in the TBCTL register of each ePWM module must be set identically. The proper procedure for enabling the ePWM clocks is as follows:

1. Enable ePWM module clocks using the IOMM control registers for each ePWM module instance
2. Set TBCLKSYNC= 0. This will stop the time-base clock within any enabled ePWM module.
3. Configure ePWM modules: prescaler values and ePWM modes.
4. Set TBCLKSYNC=1.

#### 34.2.2.5 Time-base Counter Modes and Timing Waveforms

The time-base counter operates in one of four modes:

- Up-count mode which is asymmetrical.
- Down-count mode which is asymmetrical.
- Up-down-count which is symmetrical
- Frozen where the time-base counter is held constant at the current value

To illustrate the operation of the first three modes, the following timing diagrams show when events are generated and how the time-base responds to an EPWMxSYNCl signal.

**Figure 34-7. Time-Base Up-Count Mode Waveforms**

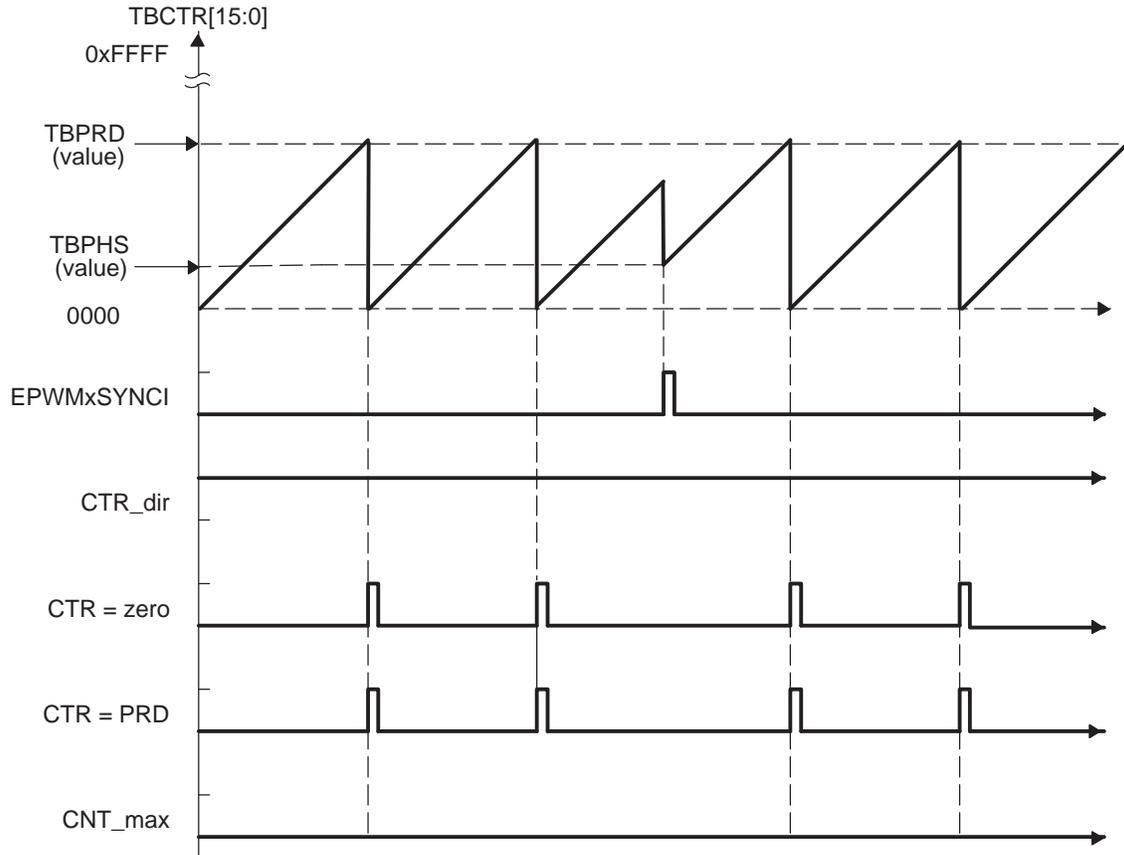


Figure 34-8. Time-Base Down-Count Mode Waveforms

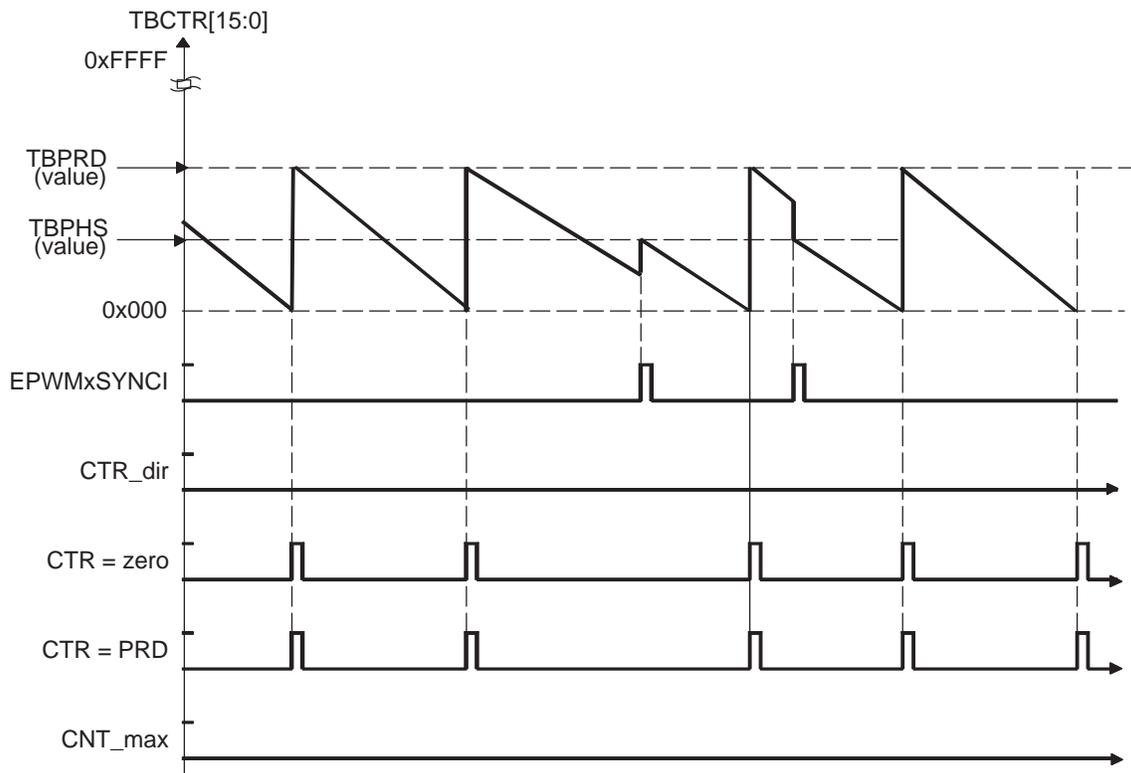
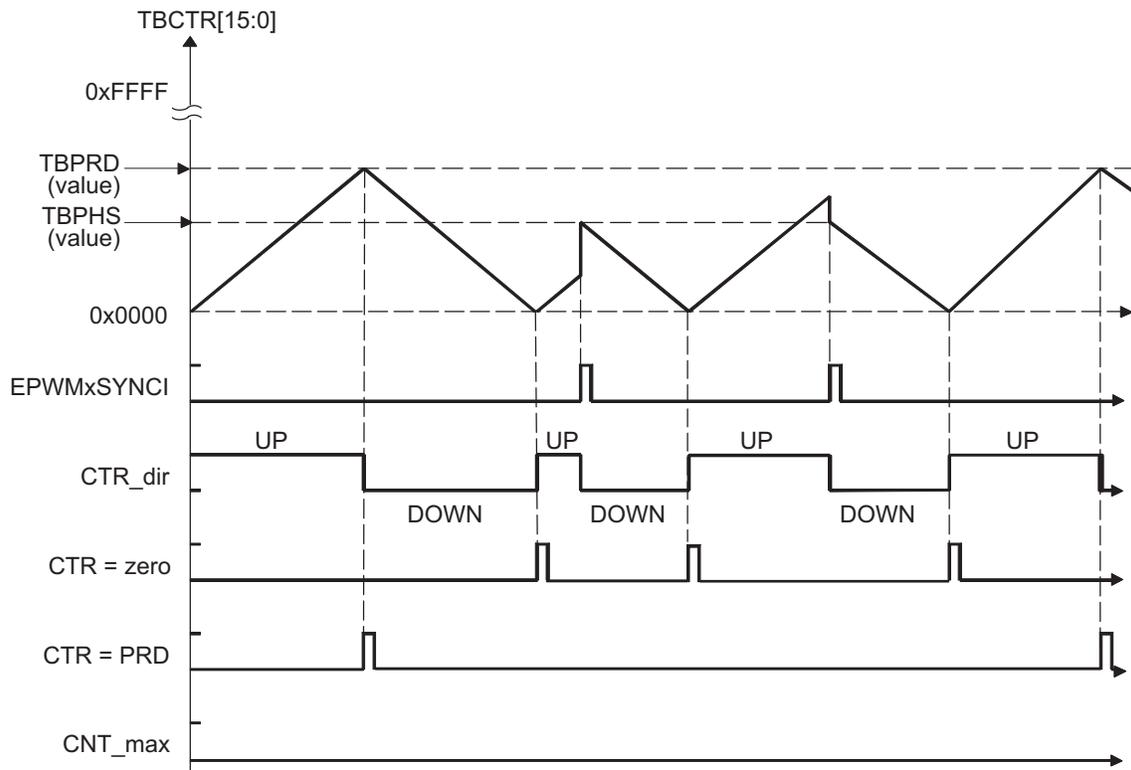
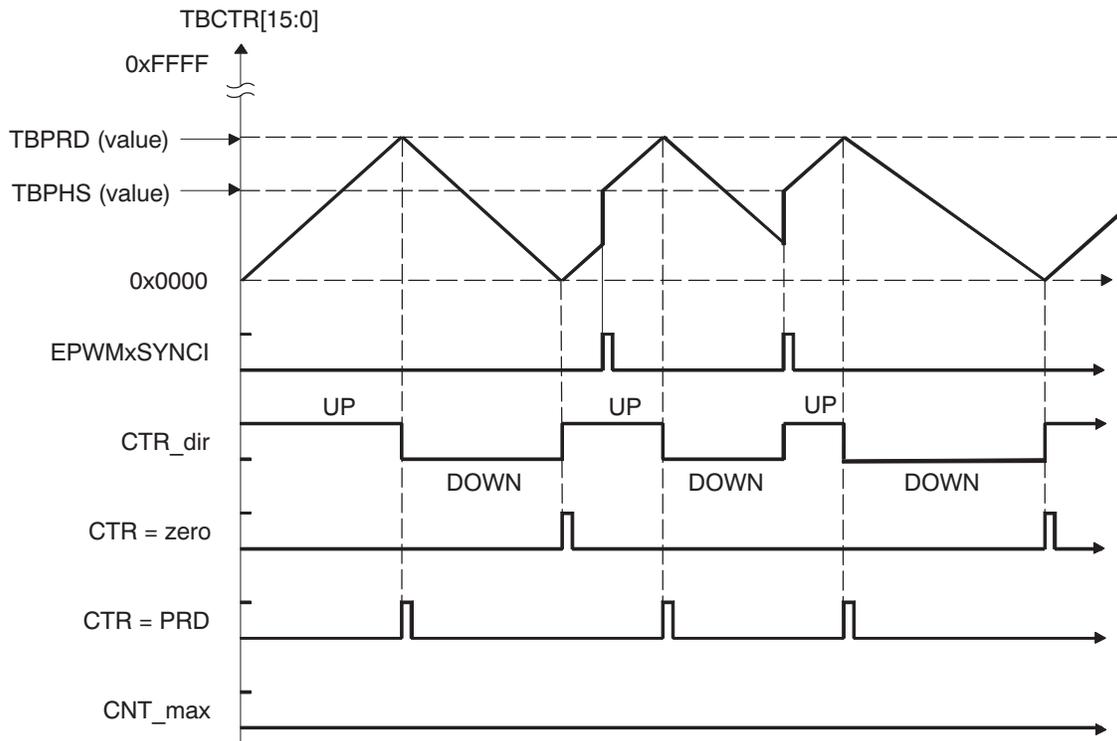


Figure 34-9. Time-Base Up-Down-Count Waveforms, TBCTL[PHSDIR = 0] Count Down On Synchronization Event



**Figure 34-10. Time-Base Up-Down Count Waveforms, TBCTL[PHSDIR = 1] Count Up On Synchronization Event**

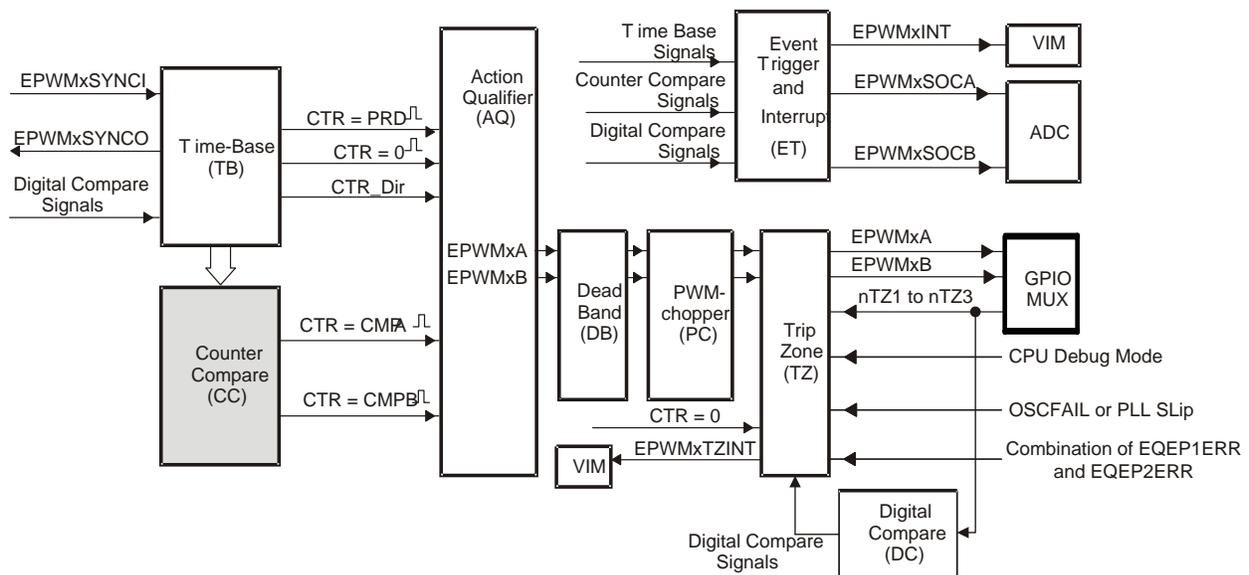


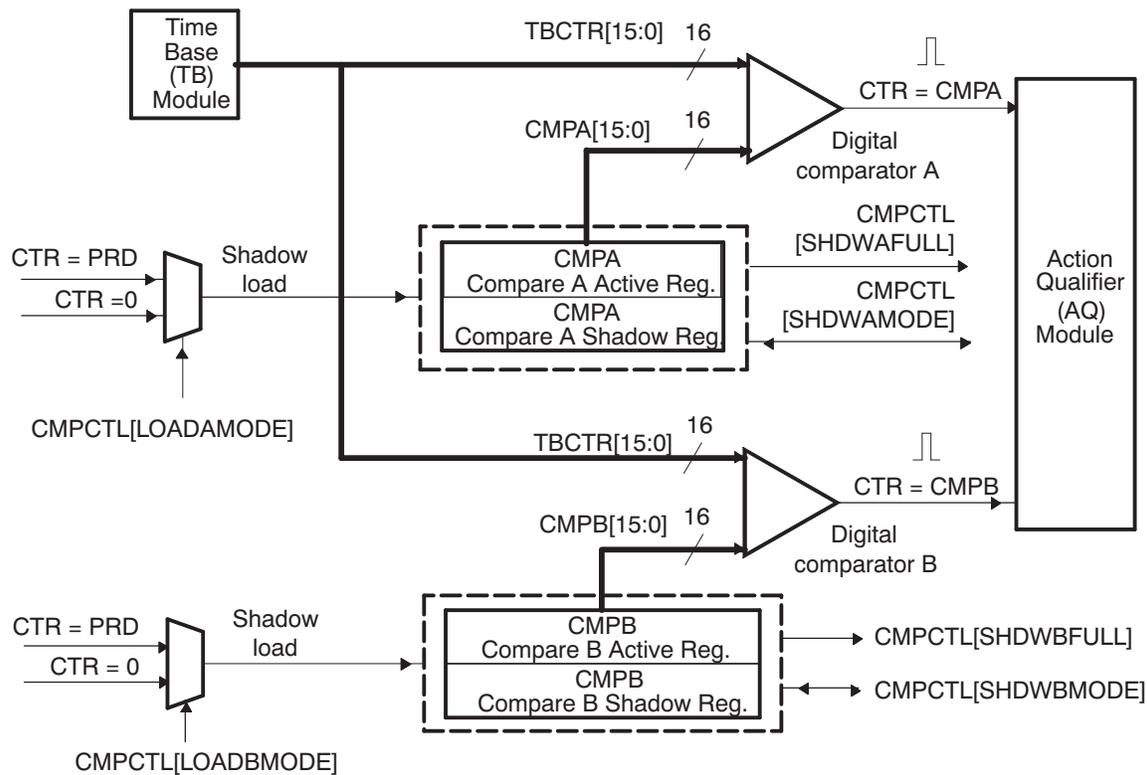
### 34.2.3 Counter-Compare (CC) Submodule

Figure 34-11 illustrates the counter-compare submodule within the ePWM.

Figure 34-12 shows the basic structure of the counter-compare submodule.

**Figure 34-11. Counter-Compare Submodule**



**Figure 34-12. Detailed View of the Counter-Compare Submodule**


### 34.2.3.1 Purpose of the Counter-Compare Submodule

The counter-compare submodule takes as input the time-base counter value. This value is continuously compared to the counter-compare A (CMPA) and counter-compare B (CMPB) registers. When the time-base counter is equal to one of the compare registers, the counter-compare unit generates an appropriate event.

The counter-compare:

- Generates events based on programmable time stamps using the CMPA and CMPB registers
  - CTR = CMPA: Time-base counter equals counter-compare A register (TBCTR = CMPA).
  - CTR = CMPB: Time-base counter equals counter-compare B register (TBCTR = CMPB)
- Controls the PWM duty cycle if the action-qualifier submodule is configured appropriately
- Shadows new compare values to prevent corruption or glitches during the active PWM cycle

### 34.2.3.2 Controlling and Monitoring the Counter-Compare Submodule

The counter-compare submodule operation is controlled and monitored by the registers listed in [Table 34-5](#).

The key signals associated with the counter-compare submodule are described in [Table 34-6](#).

**Table 34-5. Counter-Compare Submodule Registers**

Register Name	Address Offset	Shadowed	Description
CMPCTL	0Eh	No	Counter-Compare Control Register.
CMPA	12h	Yes	Counter-Compare A Register
CMPB	14h	Yes	Counter-Compare B Register

**Table 34-6. Counter-Compare Submodule Key Signals**

Signal	Description of Event	Registers Compared
CTR = CMPA	Time-base counter equal to the active counter-compare A value	TBCTR = CMPA
CTR = CMPB	Time-base counter equal to the active counter-compare B value	TBCTR = CMPB
CTR = PRD	Time-base counter equal to the active period. Used to load active counter-compare A and B registers from the shadow register	TBCTR = TBPRD
CTR = ZERO	Time-base counter equal to zero. Used to load active counter-compare A and B registers from the shadow register	TBCTR = 0x0000

### 34.2.3.3 Operational Highlights for the Counter-Compare Submodule

The counter-compare submodule is responsible for generating two independent compare events based on two compare registers:

1. CTR = CMPA: Time-base counter equal to counter-compare A register (TBCTR = CMPA).
2. CTR = CMPB: Time-base counter equal to counter-compare B register (TBCTR = CMPB).

For up-count or down-count mode, each event occurs only once per cycle. For up-down-count mode each event occurs twice per cycle if the compare value is between 0x0000-TBPRD and once per cycle if the compare value is equal to 0x0000 or equal to TBPRD. These events are fed into the action-qualifier submodule where they are qualified by the counter direction and converted into actions if enabled. Refer to [Section 34.2.4.1](#) for more details.

The counter-compare registers CMPA and CMPB each have an associated shadow register. Shadowing provides a way to keep updates to the registers synchronized with the hardware. When shadowing is used, updates to the active registers only occur at strategic points. This prevents corruption or spurious operation due to the register being asynchronously modified by software. The memory address of the active register and the shadow register is identical. Which register is written to or read from is determined by the CMPCTL[SHDWAMODE] and CMPCTL[SHDWBMODE] bits. These bits enable and disable the CMPA shadow register and CMPB shadow register respectively. The behavior of the two load modes is described below:

#### Shadow Mode:

The shadow mode for the CMPA is enabled by clearing the CMPCTL[SHDWAMODE] bit and the shadow register for CMPB is enabled by clearing the CMPCTL[SHDWBMODE] bit. Shadow mode is enabled by default for both CMPA and CMPB.

If the shadow register is enabled then the content of the shadow register is transferred to the active register on one of the following events as specified by the CMPCTL[LOADAMODE] and CMPCTL[LOADBMODE] register bits:

- CTR = PRD: Time-base counter equal to the period (TBCTR = TBPRD).
- CTR = Zero: Time-base counter equal to zero (TBCTR = 0x0000)
- Both CTR = PRD and CTR = Zero

Only the active register contents are used by the counter-compare submodule to generate events to be sent to the action-qualifier.

#### Immediate Load Mode:

If immediate load mode is selected (TBCTL[SHADWAMODE] = 1 or TBCTL[SHADWBMODE] = 1), then a read from or a write to the register will go directly to the active register.

### 34.2.3.4 Count Mode Timing Waveforms

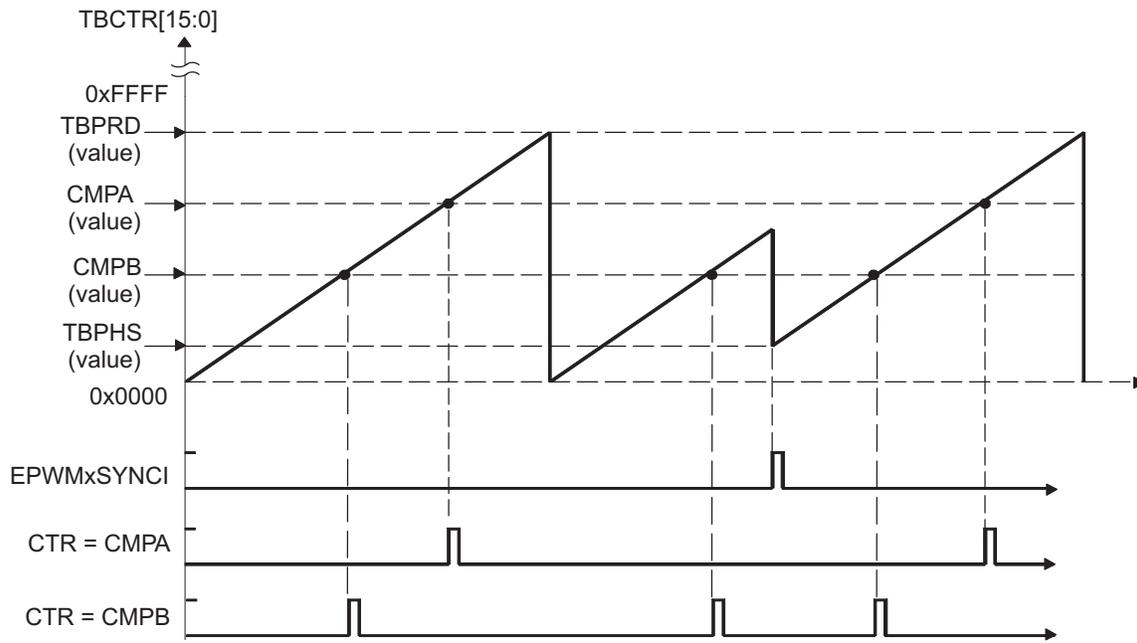
The counter-compare module can generate compare events in all three count modes:

- Up-count mode: used to generate an asymmetrical PWM waveform.

- Down-count mode: used to generate an asymmetrical PWM waveform.
- Up-down-count mode: used to generate a symmetrical PWM waveform.

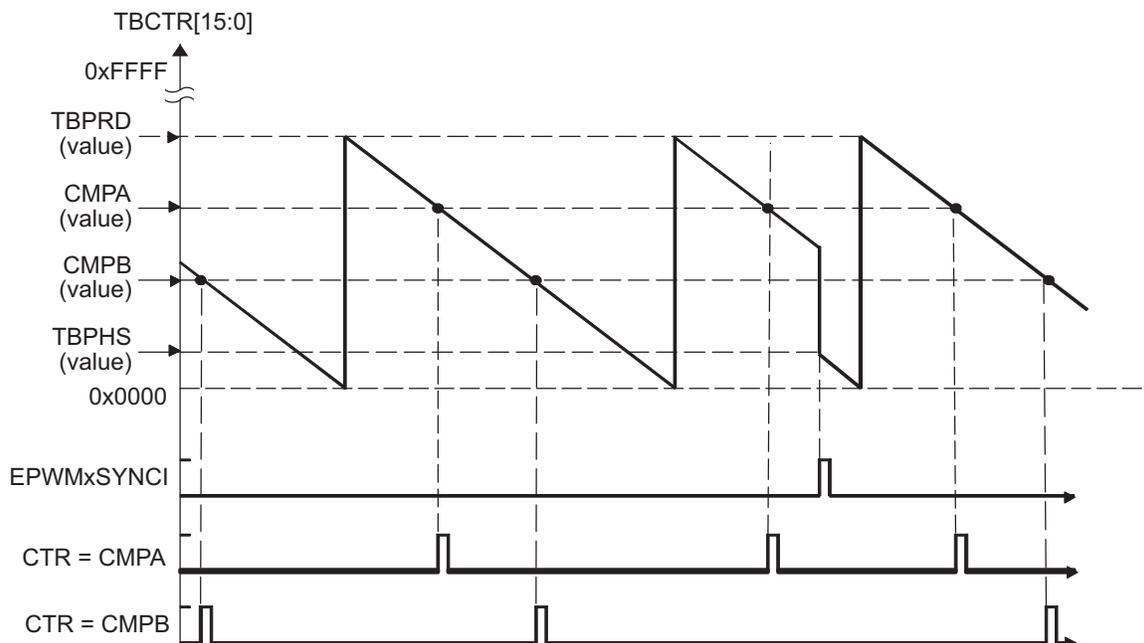
To illustrate the operation of the first three modes, the timing diagrams in [Figure 34-13](#) through [Figure 34-16](#) show when events are generated and how the EPWMxSYNCl signal interacts.

**Figure 34-13. Counter-Compare Event Waveforms in Up-Count Mode**

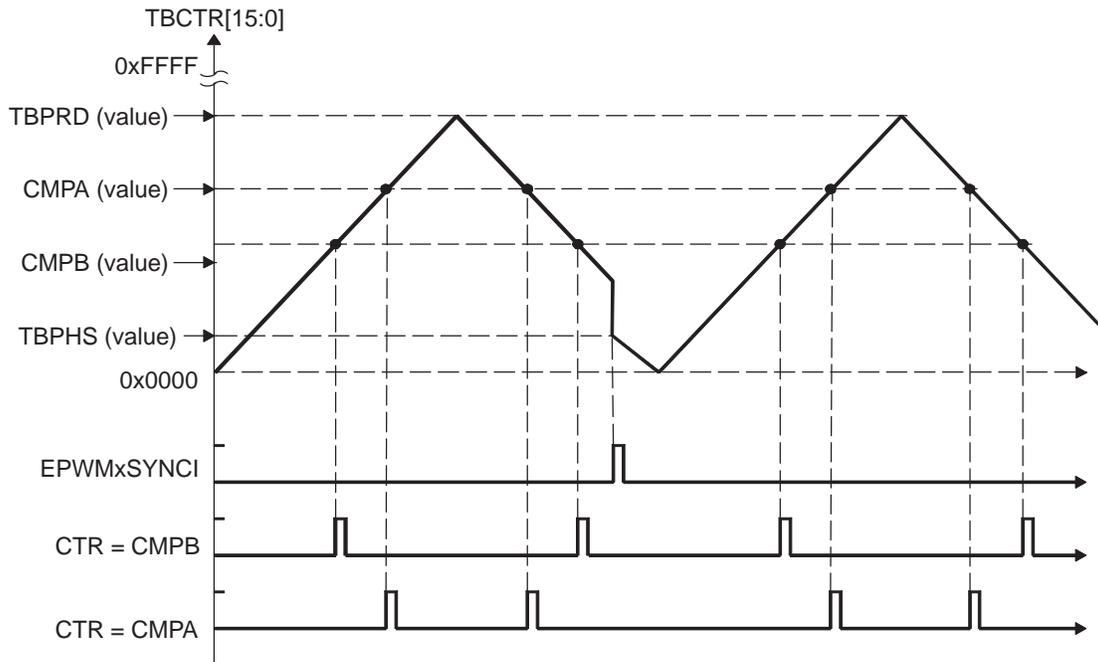


NOTE: An EPWMxSYNCl external synchronization event can cause a discontinuity in the TBCTR count sequence. This can lead to a compare event being skipped. This skipping is considered normal operation and must be taken into account.

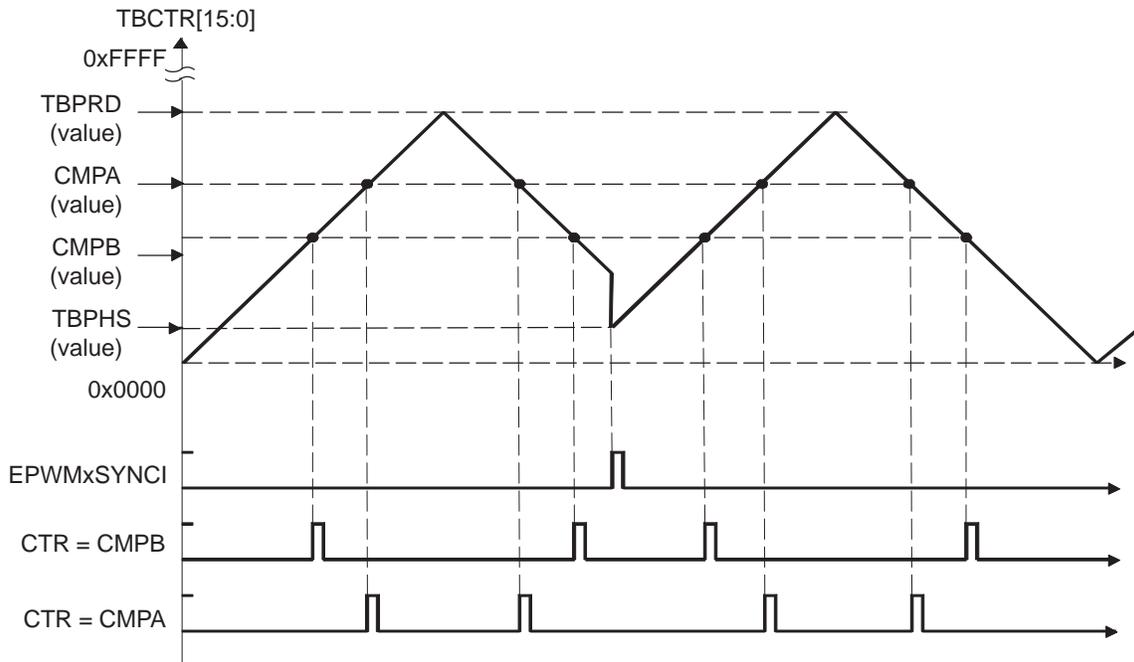
**Figure 34-14. Counter-Compare Events in Down-Count Mode**



**Figure 34-15. Counter-Compare Events In Up-Down-Count Mode, TBCTL[PHSDIR = 0] Count Down On Synchronization Event**



**Figure 34-16. Counter-Compare Events In Up-Down-Count Mode, TBCTL[PHSDIR = 1] Count Up On Synchronization Event**

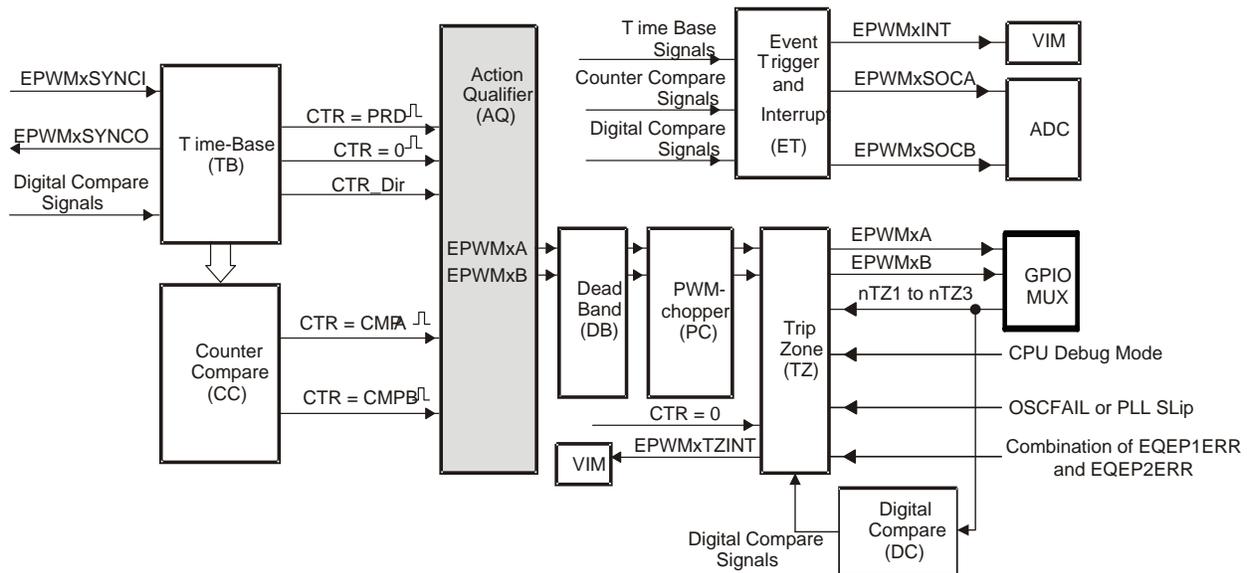


### 34.2.4 Action-Qualifier (AQ) Submodule

Figure 34-17 shows the action-qualifier (AQ) submodule (see shaded block) in the ePWM system.

The action-qualifier submodule has the most important role in waveform construction and PWM generation. It decides which events are converted into various action types, thereby producing the required switched waveforms at the EPWMxA and EPWMxB outputs.

**Figure 34-17. Action-Qualifier Submodule**



#### 34.2.4.1 Purpose of the Action-Qualifier Submodule

The action-qualifier submodule is responsible for the following:

- Qualifying and generating actions (set, clear, toggle) based on the following events:
  - CTR = PRD: Time-base counter equal to the period (TBCTR = TBPRD).
  - CTR = Zero: Time-base counter equal to zero (TBCTR = 0x0000)
  - CTR = CMPA: Time-base counter equal to the counter-compare A register (TBCTR = CMPA)
  - CTR = CMPB: Time-base counter equal to the counter-compare B register (TBCTR = CMPB)
- Managing priority when these events occur concurrently
- Providing independent control of events when the time-base counter is increasing and when it is decreasing.

#### 34.2.4.2 Action-Qualifier Submodule Control and Status Register Definitions

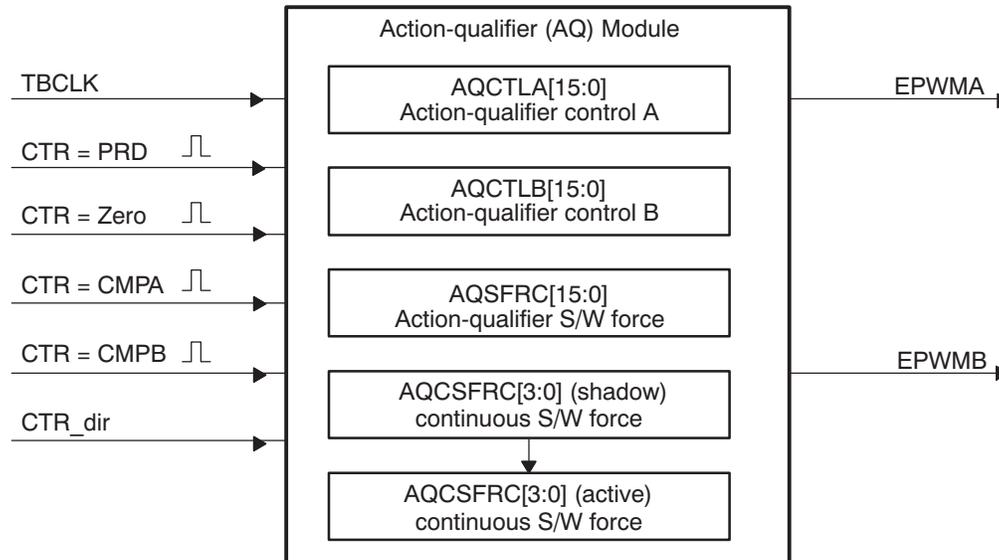
The action-qualifier submodule operation is controlled and monitored via the registers in [Table 34-7](#).

**Table 34-7. Action-Qualifier Submodule Registers**

Register Name	Address Offset	Shadowed	Description
AQCTLA	16h	No	Action-Qualifier Control Register For Output A (EPWMxA)
AQSFRC	1Ah	No	Action-Qualifier Software Force Register
AQCTLB	18h	No	Action-Qualifier Control Register For Output B (EPWMxB)
AQCSFRC	1Ch	Yes	Action-Qualifier Continuous Software Force

The action-qualifier submodule is based on event-driven logic. It can be thought of as a programmable cross switch with events at the input and actions at the output, all of which are software controlled via the set of registers shown in [Table 34-7](#).

**Figure 34-18. Action-Qualifier Submodule Inputs and Outputs**



The possible input events are summarized again in [Table 34-8](#).

**Table 34-8. Action-Qualifier Submodule Possible Input Events**

Signal	Description	Registers Compared
CTR = PRD	Time-base counter equal to the period value	TBCTR = TBPRD
CTR = Zero	Time-base counter equal to zero	TBCTR = 0x0000
CTR = CMPA	Time-base counter equal to the counter-compare A	TBCTR = CMPA
CTR = CMPB	Time-base counter equal to the counter-compare B	TBCTR = CMPB
Software forced event	Asynchronous event initiated by software	

The software forced action is a useful asynchronous event. This control is handled by registers AQSFR and AQCSFR.

The action-qualifier submodule controls how the two outputs EPWMxA and EPWMxB behave when a particular event occurs. The event inputs to the action-qualifier submodule are further qualified by the counter direction (up or down). This allows for independent action on outputs on both the count-up and count-down phases.

The possible actions imposed on outputs EPWMxA and EPWMxB are:

- **Set High:**  
Set output EPWMxA or EPWMxB to a high level.
- **Clear Low:**  
Set output EPWMxA or EPWMxB to a low level.
- **Toggle:**  
If EPWMxA or EPWMxB is currently pulled high, then pull the output low. If EPWMxA or EPWMxB is currently pulled low, then pull the output high.

- **Do Nothing:**

Keep outputs EPWMxA and EPWMxB at same level as currently set. Although the "Do Nothing" option prevents an event from causing an action on the EPWMxA and EPWMxB outputs, this event can still trigger interrupts and ADC start of conversion. See the Event-trigger Submodule description in [Section 34.2.8](#) for details.

Actions are specified independently for either output (EPWMxA or EPWMxB). Any or all events can be configured to generate actions on a given output. For example, both CTR = CMPA and CTR = CMPB can operate on output EPWMxA. All qualifier actions are configured via the control registers found at the end of this section.

For clarity, the drawings in this document use a set of symbolic actions. These symbols are summarized in [Figure 34-19](#). Each symbol represents an action as a marker in time. Some actions are fixed in time (zero and period) while the CMPA and CMPB actions are moveable and their time positions are programmed via the counter-compare A and B registers, respectively. To turn off or disable an action, use the "Do Nothing option"; it is the default at reset.

**Figure 34-19. Possible Action-Qualifier Actions for EPWMxA and EPWMxB Outputs**

S/W force	TB Counter equals:				Actions
	Zero	Comp A	Comp B	Period	
					Do Nothing
					Clear Low
					Set High
					Toggle

### 34.2.4.3 Action-Qualifier Event Priority

It is possible for the ePWM action qualifier to receive more than one event at the same time. In this case events are assigned a priority by the hardware. The general rule is events occurring later in time have a higher priority and software forced events always have the highest priority. The event priority levels for up-down-count mode are shown in [Table 34-9](#). A priority level of 1 is the highest priority and level 7 is the lowest. The priority changes slightly depending on the direction of TBCTR.

**Table 34-9. Action-Qualifier Event Priority for Up-Down-Count Mode**

Priority Level	Event If TBCTR is Incrementing TBCTR = Zero up to TBCTR = TBPRD	Event If TBCTR is Decrementing TBCTR = TBPRD down to TBCTR = 1
1 (Highest)	Software forced event	Software forced event
2	Counter equals CMPB on up-count (CBU)	Counter equals CMPB on down-count (CBD)
3	Counter equals CMPA on up-count (CAU)	Counter equals CMPA on down-count (CAD)
4	Counter equals zero	Counter equals period (TBPRD)
5	Counter equals CMPB on down-count (CBD)	Counter equals CMPB on up-count (CBU)
6 (Lowest)	Counter equals CMPA on down-count (CAD)	Counter equals CMPA on up-count (CBU)

[Table 34-10](#) shows the action-qualifier priority for up-count mode. In this case, the counter direction is always defined as up and thus down-count events will never be taken.

**Table 34-10. Action-Qualifier Event Priority for Up-Count Mode**

Priority Level	Event
1 (Highest)	Software forced event
2	Counter equal to period (TBPRD)
3	Counter equal to CMPB on up-count (CBU)
4	Counter equal to CMPA on up-count (CAU)
5 (Lowest)	Counter equal to Zero

[Table 34-11](#) shows the action-qualifier priority for down-count mode. In this case, the counter direction is always defined as down and thus up-count events will never be taken.

**Table 34-11. Action-Qualifier Event Priority for Down-Count Mode**

Priority Level	Event
1 (Highest)	Software forced event
2	Counter equal to Zero
3	Counter equal to CMPB on down-count (CBD)
4	Counter equal to CMPA on down-count (CAD)
5 (Lowest)	Counter equal to period (TBPRD)

It is possible to set the compare value greater than the period. In this case the action will take place as shown in [Table 34-12](#).

**Table 34-12. Behavior if CMPA/CMPB is Greater than the Period**

Counter Mode	Compare on Up-Count Event CAD/CBD	Compare on Down-Count Event CAD/CBD
Up-Count Mode	If $CMPA/CMPB \leq TBPRD$ period, then the event occurs on a compare match (TBCTR=CMPA or CMPB). If $CMPA/CMPB > TBPRD$ , then the event will not occur.	Never occurs.

**Table 34-12. Behavior if CMPA/CMPB is Greater than the Period (continued)**

Counter Mode	Compare on Up-Count Event CAD/CBD	Compare on Down-Count Event CAD/CBD
Down-Count Mode	Never occurs.	<p>If <math>CMPA/CMPB &lt; TBPRD</math>, the event will occur on a compare match (<math>TBCTR=CMPA</math> or <math>CMPB</math>).</p> <p>If <math>CMPA/CMPB \geq TBPRD</math>, the event will occur on a period match (<math>TBCTR=TBPRD</math>).</p>
Up-Down-Count Mode	<p>If <math>CMPA/CMPB &lt; TBPRD</math> and the counter is incrementing, the event occurs on a compare match (<math>TBCTR=CMPA</math> or <math>CMPB</math>).</p> <p>If <math>CMPA/CMPB \geq TBPRD</math>, the event will occur on a period match (<math>TBCTR = TBPRD</math>).</p>	<p>If <math>CMPA/CMPB &lt; TBPRD</math> and the counter is decrementing, the event occurs on a compare match (<math>TBCTR=CMPA</math> or <math>CMPB</math>).</p> <p>If <math>CMPA/CMPB \geq TBPRD</math>, the event occurs on a period match (<math>TBCTR=TBPRD</math>).</p>

#### 34.2.4.4 Waveforms for Common Configurations

**NOTE:** The waveforms in this document show the ePWMs behavior for a static compare register value. In a running system, the active compare registers (CMPA and CMPB) are typically updated from their respective shadow registers once every period. The user specifies when the update will take place; either when the time-base counter reaches zero or when the time-base counter reaches period. There are some cases when the action based on the new value can be delayed by one period or the action based on the old value can take effect for an extra period. Some PWM configurations avoid this situation. These include, but are not limited to, the following:

**Use up-down-count mode to generate a symmetric PWM:**

- If you load CMPA/CMPB on zero, then use CMPA/CMPB values greater than or equal to 1.
- If you load CMPA/CMPB on period, then use CMPA/CMPB values less than or equal to  $TBPRD-1$ .

This means there will always be a pulse of at least one TBCLK cycle in a PWM period which, when very short, tend to be ignored by the system.

**Use up-down-count mode to generate an asymmetric PWM:**

- To achieve 50%-0% asymmetric PWM use the following configuration: Load CMPA/CMPB on period and use the period action to clear the PWM and a compare-up action to set the PWM. Modulate the compare value from 0 to TBPRD to achieve 50%-0% PWM duty.

**When using up-count mode to generate an asymmetric PWM:**

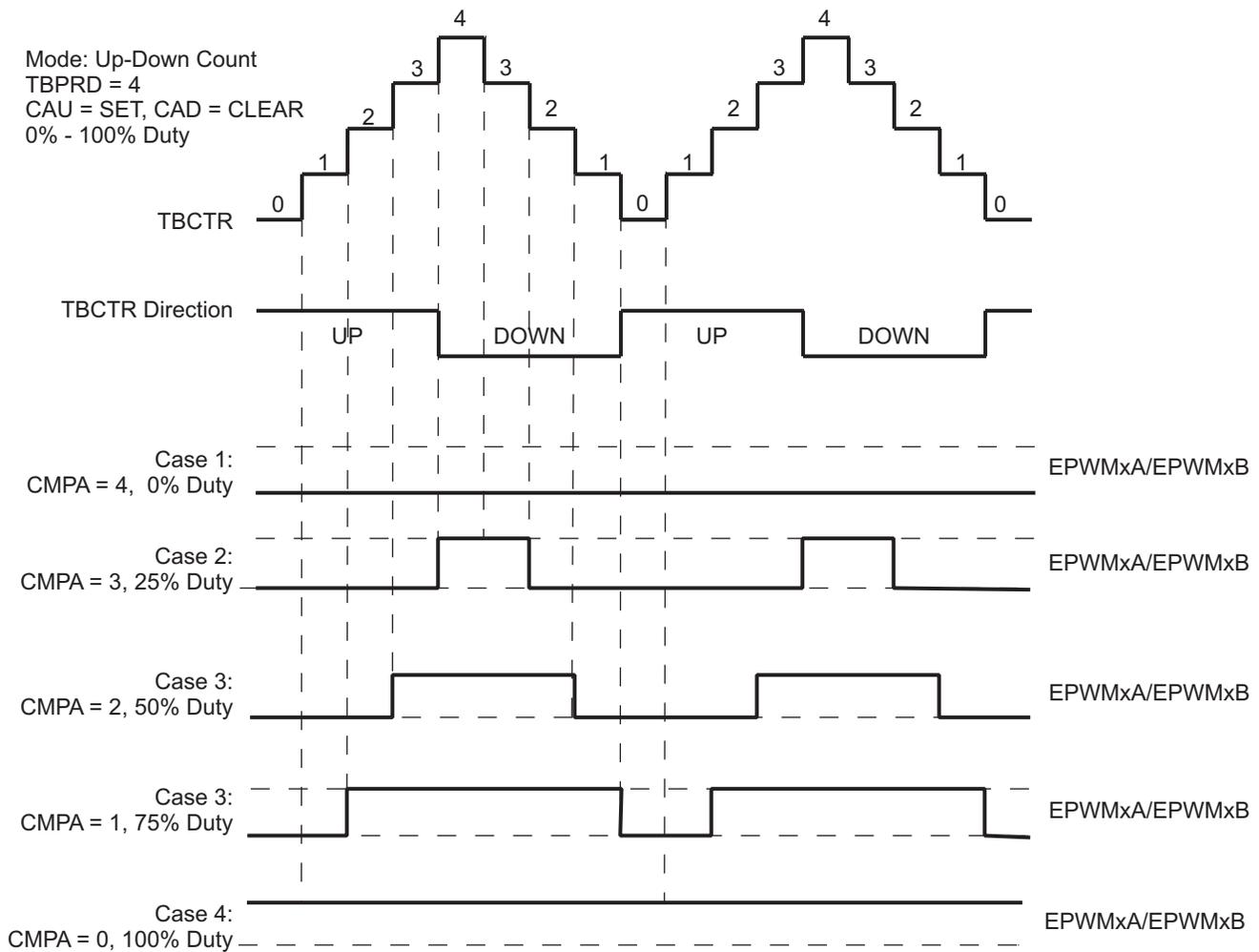
- To achieve 0-100% asymmetric PWM use the following configuration: Load CMPA/CMPB on TBPRD. Use the Zero action to set the PWM and a compare-up action to clear the PWM. Modulate the compare value from 0 to  $TBPRD+1$  to achieve 0-100% PWM duty.

See the *Using Enhanced Pulse Width Modulator (ePWM) Module for 0-100% Duty Cycle Control Application Report* (literature number [SPRAA11](#))

Figure 34-20 shows how a symmetric PWM waveform can be generated using the up-down-count mode of the TBCTR. In this mode 0%-100% DC modulation is achieved by using equal compare matches on the up count and down count portions of the waveform. In the example shown, CMPA is used to make the comparison. When the counter is incrementing the CMPA match will pull the PWM output high. Likewise, when the counter is decrementing the compare match will pull the PWM signal low. When  $CMPA = 0$ , the PWM signal is low for the entire period giving the 0% duty waveform. When  $CMPA = TBPRD$ , the PWM signal is high achieving 100% duty.

When using this configuration in practice, if you load CMPA/CMPB on zero, then use CMPA/CMPB values greater than or equal to 1. If you load CMPA/CMPB on period, then use CMPA/CMPB values less than or equal to  $TBPRD-1$ . This means there will always be a pulse of at least one TBCLK cycle in a PWM period which, when very short, tend to be ignored by the system.

Figure 34-20. Up-Down-Count Mode Symmetrical Waveform

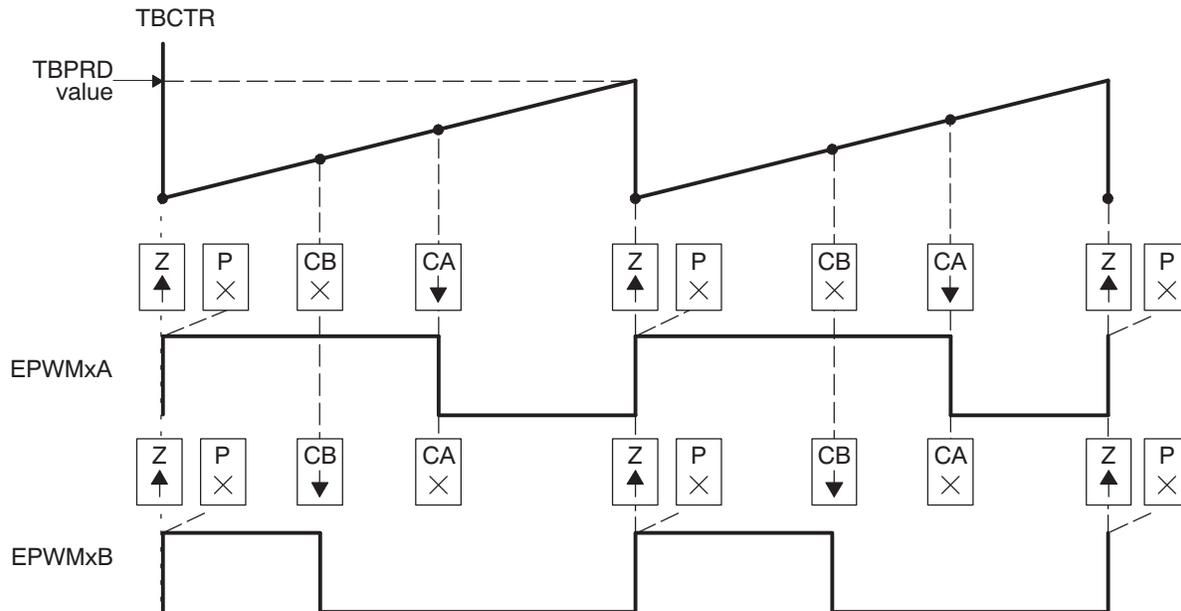


The PWM waveforms in [Figure 34-21](#) through [Figure 34-26](#) show some common action-qualifier configurations. The C-code samples in [Example 34-1](#) through [Example 34-6](#) shows how to configure an ePWM module for each case. Some conventions used in the figures and examples are as follows:

- TBPRD, CMPA, and CMPB refer to the value written in their respective registers. The active register, not the shadow register, is used by the hardware.
- CMPx, refers to either CMPA or CMPB.
- EPWMxA and EPWMxB refer to the output signals from ePWMx
- Up-Down means Count-up-and-down mode, Up means up-count mode and Dwn means down-count mode
- Sym = Symmetric, Asym = Asymmetric

[Example 34-1](#) contains a code sample showing initialization and run time for the waveforms in [Figure 34-21](#).

**Figure 34-21. Up, Single Edge Asymmetric Waveform, With Independent Modulation on EPWMxA and EPWMxB—Active High**



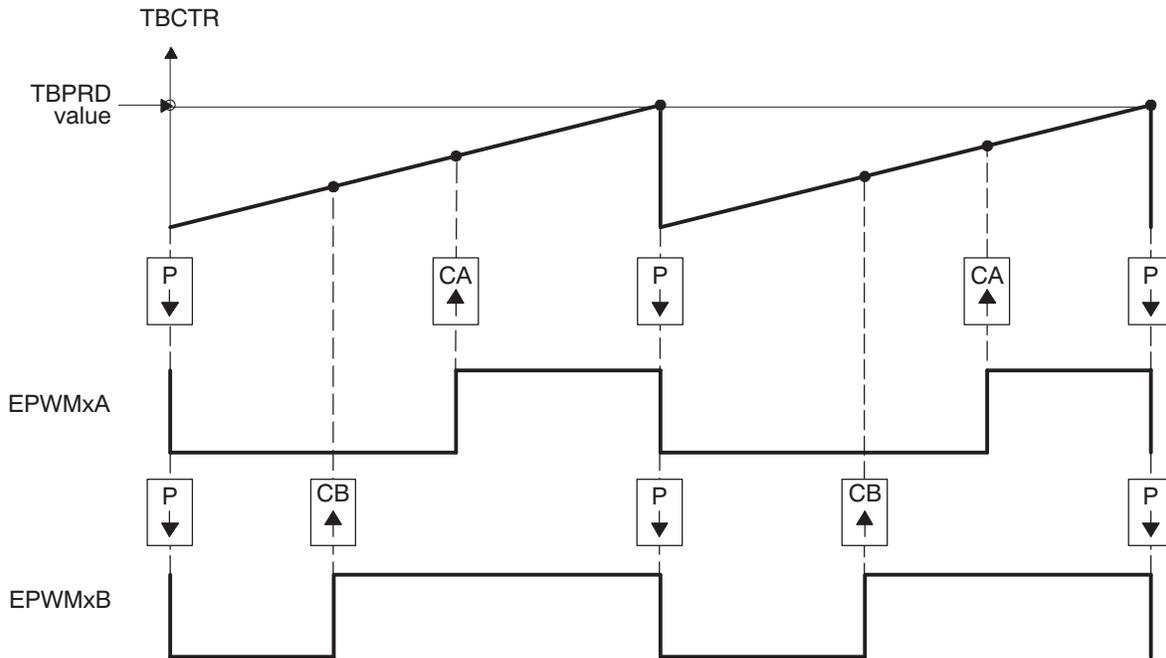
- A PWM period =  $(TBPRD + 1) \times T_{TBCLK}$
- B Duty modulation for EPWMxA is set by CMPA, and is active high (that is, high time duty proportional to CMPA).
- C Duty modulation for EPWMxB is set by CMPB and is active high (that is, high time duty proportional to CMPB).
- D The "Do Nothing" actions ( X ) are shown for completeness, but will not be shown on subsequent diagrams.
- E Actions at zero and period, although appearing to occur concurrently, are actually separated by one TBCLK period. TBCTR wraps from period to 0000.

**Example 34-1. Code Sample for Figure 34-21**

```

// Initialization Time
// =====
EPwm1Regs.TBPRD = 600; // Period = 601 TBCLK counts
EPwm1Regs.CMPA.half.CMPA = 350; // Compare A = 350 TBCLK counts
EPwm1Regs.CMPB = 200; // Compare B = 200 TBCLK counts
EPwm1Regs.TBPHS = 0; // Set Phase register to zero
EPwm1Regs.TBCTR = 0; // clear TB counter
EPwm1Regs.TBCTL.bit.CTRMODE = TB_COUNT_UP;
EPwm1Regs.TBCTL.bit.PHSEN = TB_DISABLE; // Phase loading disabled
EPwm1Regs.TBCTL.bit.PRDL = TB_SHADOW;
EPwm1Regs.TBCTL.bit.SYNCSEL = TB_SYNC_DISABLE;
EPwm1Regs.TBCTL.bit.HSPCLKDIV = TB_DIV1; // TBCLK = SYSCLK
EPwm1Regs.TBCTL.bit.CLKDIV = TB_DIV1;
EPwm1Regs.CMPCTL.bit.SHDWAMODE = CC_SHADOW;
EPwm1Regs.CMPCTL.bit.SHDWBMODE = CC_SHADOW;
EPwm1Regs.CMPCTL.bit.LOADAMODE = CC_CTR_ZERO; // load on CTR = Zero
EPwm1Regs.CMPCTL.bit.LOADBMODE = CC_CTR_ZERO; // load on CTR = Zero
EPwm1Regs.AQCTLA.bit.ZRO = AQ_SET;
EPwm1Regs.AQCTLA.bit.CAU = AQ_CLEAR;
EPwm1Regs.AQCTLB.bit.ZRO = AQ_SET;
EPwm1Regs.AQCTLB.bit.CBU = AQ_CLEAR;
//
// Run Time
// =====
EPwm1Regs.CMPA.half.CMPA = Duty1A; // adjust duty for output EPWM1A
EPwm1Regs.CMPB = Duty1B; // adjust duty for output EPWM1B
    
```

**Figure 34-22. Up, Single Edge Asymmetric Waveform With Independent Modulation on EPWMxA and EPWMxB—Active Low**



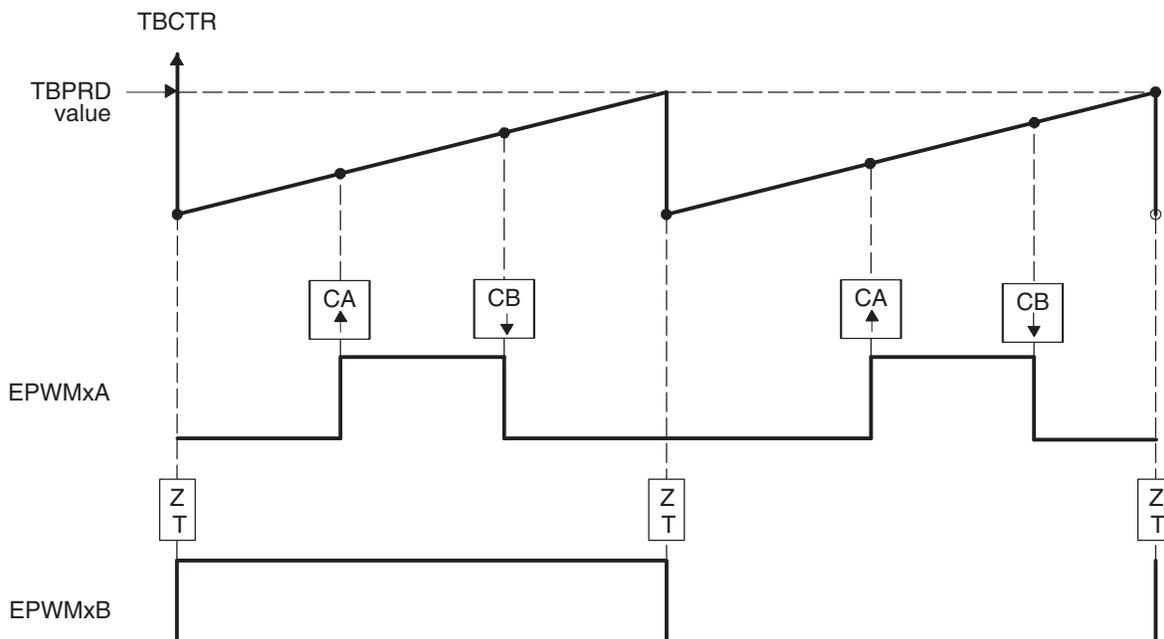
- A  $PWM\ period = (TBPRD + 1) \times T_{TBCLK}$
- B Duty modulation for EPWMxA is set by CMPA, and is active low (that is, the low time duty is proportional to CMPA).
- C Duty modulation for EPWMxB is set by CMPB and is active low (that is, the low time duty is proportional to CMPB).
- D Actions at zero and period, although appearing to occur concurrently, are actually separated by one TBCLK period. TBCTR wraps from period to 0000.

[Example 34-2](#) contains a code sample showing initialization and run time for the waveforms in [Figure 34-22](#).

**Example 34-2. Code Sample for Figure 34-22**

```

// Initialization Time
// =====
EPwm1Regs.TBPRD = 600;                // Period = 601 TBCLK counts
EPwm1Regs.CMPA.half.CMPA = 350;      // Compare A = 350 TBCLK counts
EPwm1Regs.CMPB = 200;                // Compare B = 200 TBCLK counts
EPwm1Regs.TBPHS = 0;                 // Set Phase register to zero
EPwm1Regs.TBCTR = 0;                 // clear TB counter
EPwm1Regs.TBCTL.bit.CTRMODE = TB_COUNT_UP;
EPwm1Regs.TBCTL.bit.PHSEN = TB_DISABLE; // Phase loading disabled
EPwm1Regs.TBCTL.bit.PRDL = TB_SHADOW;
EPwm1Regs.TBCTL.bit.SYNCSEL = TB_SYNC_DISABLE;
EPwm1Regs.TBCTL.bit.HSPCLKDIV = TB_DIV1; // TBCLK = VCLK3
EPwm1Regs.TBCTL.bit.CLKDIV = TB_DIV1;
EPwm1Regs.CMPCTL.bit.SHDWAMODE = CC_SHADOW;
EPwm1Regs.CMPCTL.bit.SHDWBMODE = CC_SHADOW;
EPwm1Regs.CMPCTL.bit.LOADAMODE = CC_CTR_ZERO; // load on TBCTR = Zero
EPwm1Regs.CMPCTL.bit.LOABMODE = CC_CTR_ZERO; // load on TBCTR = Zero
EPwm1Regs.AQCTLA.bit.PR = AQ_CLEAR;
EPwm1Regs.AQCTLA.bit.CAU = AQ_SET;
EPwm1Regs.AQCTLB.bit.PR = AQ_CLEAR;
EPwm1Regs.AQCTLB.bit.CBU = AQ_SET;
//
// Run Time
// =====
EPwm1Regs.CMPA.half.CMPA = Duty1A;    // adjust duty for output EPWM1A
EPwm1Regs.CMPB = Duty1B;              // adjust duty for output EPWM1B
    
```

**Figure 34-23. Up-Count, Pulse Placement Asymmetric Waveform With Independent Modulation on EPWMxA**


- A  $PWM \text{ frequency} = 1 / ((TBPRD + 1) \times T_{TBCLK})$
- B Pulse can be placed anywhere within the PWM cycle (0000 - TBPRD)
- C High time duty proportional to (CMPB - CMPA)
- D EPWMxB can be used to generate a 50% duty square wave with frequency =  $1/2 \times ((TBPRD + 1) \times TBCLK)$

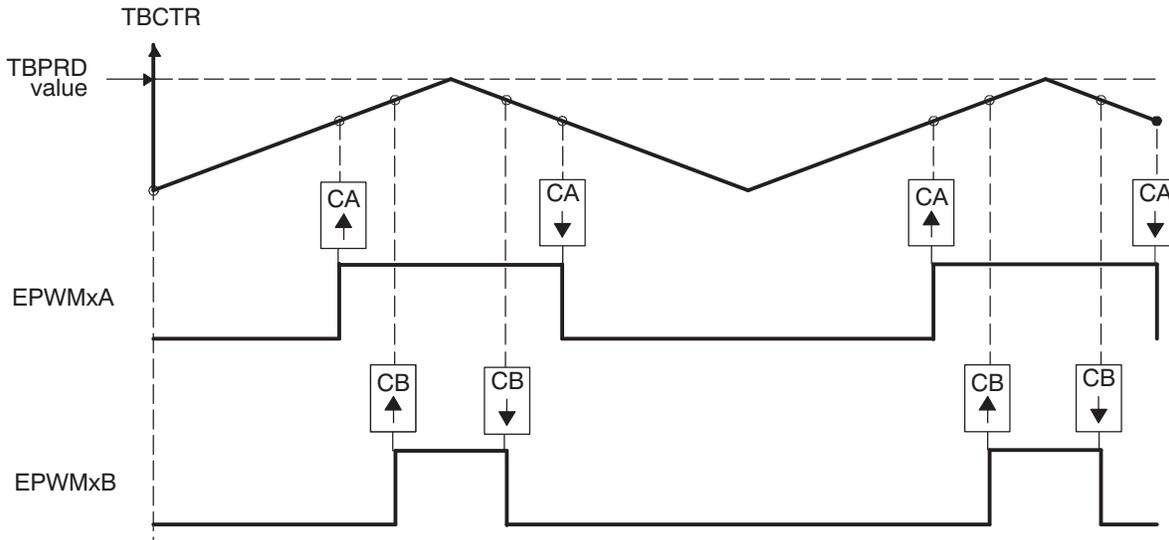
Example 34-3 contains a code sample showing initialization and run time for the waveforms Figure 34-23.

**Example 34-3. Code Sample for [Figure 34-23](#)**

```

// Initialization Time
// = = = = =
EPwm1Regs.TBPRD = 600;                // Period = 601 TBCLK counts
EPwm1Regs.CMPA.half.CMPA = 200;      // Compare A = 200 TBCLK counts
EPwm1Regs.CMPB = 400;                // Compare B = 400 TBCLK counts
EPwm1Regs.TBPHS = 0;                 // Set Phase register to zero
EPwm1Regs.TBCTR = 0;                 // clear TB counter
EPwm1Regs.TBCTL.bit.CTRMODE = TB_COUNT_UP;
EPwm1Regs.TBCTL.bit.PHSEN = TB_DISABLE; // Phase loading disabled
EPwm1Regs.TBCTL.bit.PRDL = TB_SHADOW;
EPwm1Regs.TBCTL.bit.SYNCSEL = TB_SYNC_DISABLE;
EPwm1Regs.TBCTL.bit.HSPCLKDIV = TB_DIV1; // TBCLK = VCLK3
EPwm1Regs.TBCTL.bit.CLKDIV = TB_DIV1;
EPwm1Regs.CMPCTL.bit.SHDWAMODE = CC_SHADOW;
EPwm1Regs.CMPCTL.bit.SHDWBMODE = CC_SHADOW;
EPwm1Regs.CMPCTL.bit.LOADAMODE = CC_CTR_ZERO; // load on TBCTR = Zero
EPwm1Regs.CMPCTL.bit.LOADBMODE = CC_CTR_ZERO; // load on TBCTR = Zero
EPwm1Regs.AQCTLA.bit.CAU = AQ_SET;
EPwm1Regs.AQCTLA.bit.CBU = AQ_CLEAR;
EPwm1Regs.AQCTLB.bit.ZRO = AQ_TOGGLE;
//
// Run Time
// = = = = =
EPwm1Regs.CMPA.half.CMPA = EdgePosA; // adjust duty for output EPWM1A only
EPwm1Regs.CMPB = EdgePosB;

```

**Figure 34-24. Up-Down-Count, Dual Edge Symmetric Waveform, With Independent Modulation on EPWMxA and EPWMxB — Active Low**


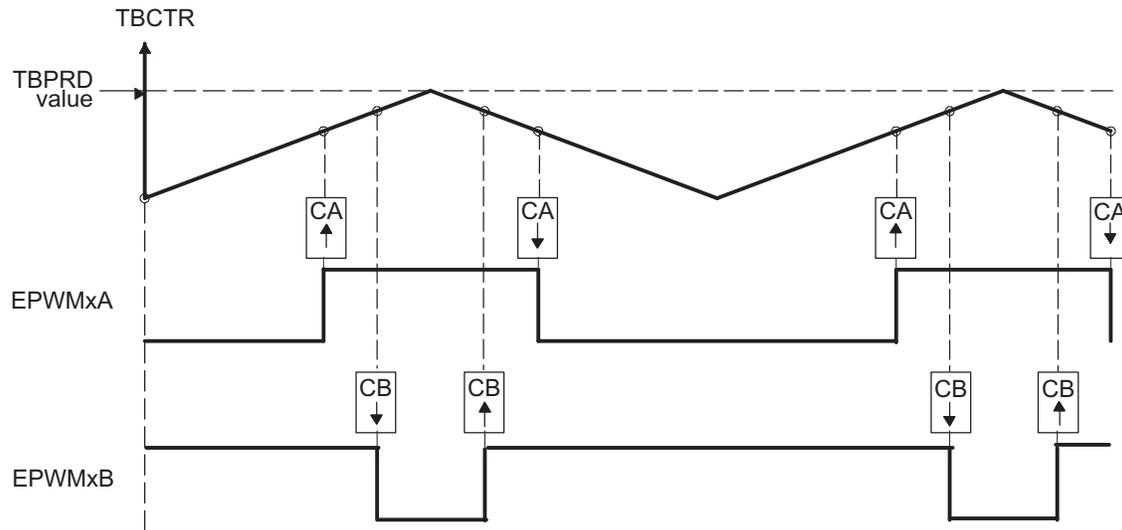
- A PWM period =  $2 \times \text{TBPRD} \times T_{\text{TBCLK}}$
- B Duty modulation for EPWMxA is set by CMPA, and is active low (that is, the low time duty is proportional to CMPA).
- C Duty modulation for EPWMxB is set by CMPB and is active low (that is, the low time duty is proportional to CMPB).
- D Outputs EPWMxA and EPWMxB can drive independent power switches

Example 34-4 contains a code sample showing initialization and run time for the waveforms in Figure 34-24.

**Example 34-4. Code Sample for Figure 34-24**

```
// Initialization Time
// =====
EPwm1Regs.TBPRD = 600; // Period = 2*600 TBCLK counts
EPwm1Regs.CMPA.half.CMPA = 400; // Compare A = 400 TBCLK counts
EPwm1Regs.CMPB = 500; // Compare B = 500 TBCLK counts
EPwm1Regs.TBPHS = 0; // Set Phase register to zero
EPwm1Regs.TBCTR = 0; // clear TB counter
EPwm1Regs.TBCTL.bit.CTRMODE = TB_COUNT_UPDOWN; // Symmetric
xEPwm1Regs.TBCTL.bit.PHSEN = TB_DISABLE; // Phase loading disabled
xEPwm1Regs.TBCTL.bit.PRDL = TB_SHADOW;
EPwm1Regs.TBCTL.bit.SYNCSEL = TB_SYNC_DISABLE;
EPwm1Regs.TBCTL.bit.HSPCLKDIV = TB_DIV1; // TBCLK = VCLK3
EPwm1Regs.TBCTL.bit.CLKDIV = TB_DIV1;
EPwm1Regs.CMPCTL.bit.SHDWAMODE = CC_SHADOW;
EPwm1Regs.CMPCTL.bit.SHDWBMODE = CC_SHADOW;
EPwm1Regs.CMPCTL.bit.LOADAMODE = CC_CTR_ZERO; // load on CTR = Zero
EPwm1Regs.CMPCTL.bit.LOADBMODE = CC_CTR_ZERO; // load on CTR = Zero
EPwm1Regs.AQCTLA.bit.CAU = AQ_SET;
EPwm1Regs.AQCTLA.bit.CAD = AQ_CLEAR;
EPwm1Regs.AQCTLB.bit.CBU = AQ_SET;
EPwm1Regs.AQCTLB.bit.CBD = AQ_CLEAR;
//
// Run Time
// =====
EPwm1Regs.CMPA.half.CMPA = Duty1A; // adjust duty for output EPWM1A
EPwm1Regs.CMPB = Duty1B; // adjust duty for output EPWM1B
```

**Figure 34-25. Up-Down-Count, Dual Edge Symmetric Waveform, With Independent Modulation on EPWMxA and EPWMxB — Complementary**

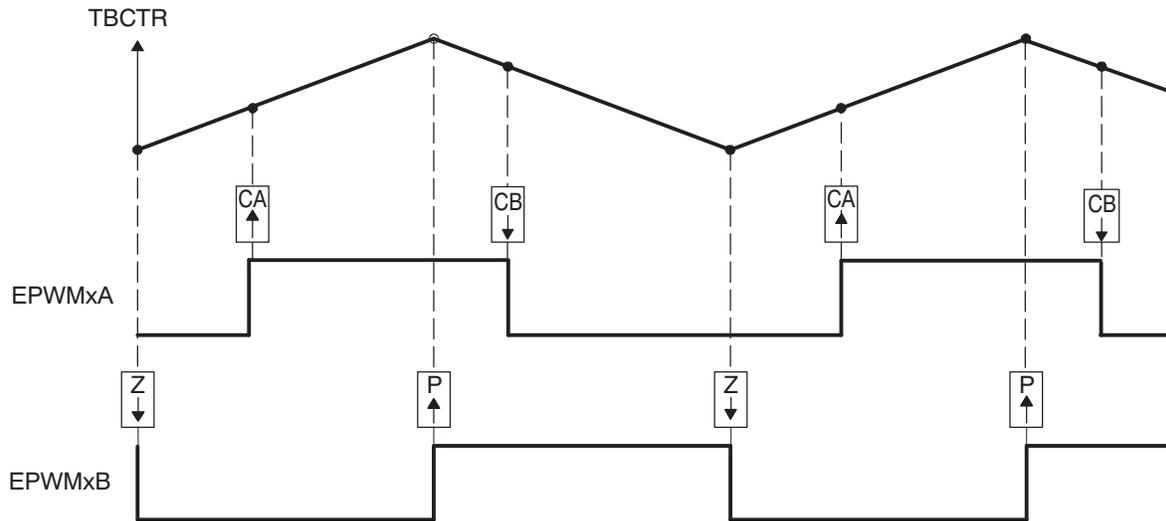


- A PWM period =  $2 \times \text{TBPRD} \times T_{\text{TBCLK}}$
- B Duty modulation for EPWMxA is set by CMPA, and is active low, i.e., low time duty proportional to CMPA
- C Duty modulation for EPWMxB is set by CMPB and is active high, i.e., high time duty proportional to CMPB
- D Outputs EPWMx can drive upper/lower (complementary) power switches
- E Dead-band =  $\text{CMPB} - \text{CMPA}$  (fully programmable edge placement by software). Note the dead-band module is also available if the more classical edge delay method is required.

Example 34-5 contains a code sample showing initialization and run time for the waveforms in Figure 34-25.

**Example 34-5. Code Sample for Figure 34-25**

```
// Initialization Time
// =====
EPwm1Regs.TBPRD = 600; // Period = 2*600 TBCLK counts
EPwm1Regs.CMPA.half.CMPA = 350; // Compare A = 350 TBCLK counts
EPwm1Regs.CMPB = 400; // Compare B = 400 TBCLK counts
EPwm1Regs.TBPHS = 0; // Set Phase register to zero
EPwm1Regs.TBCTR = 0; // clear TB counter
EPwm1Regs.TBCTL.bit.CTRMODE = TB_COUNT_UPDOWN; // Symmetric
EPwm1Regs.TBCTL.bit.PHSEN = TB_DISABLE; // Phase loading disabled
EPwm1Regs.TBCTL.bit.PRDL = TB_SHADOW;
EPwm1Regs.TBCTL.bit.SYNCSEL = TB_SYNC_DISABLE;
EPwm1Regs.TBCTL.bit.HSPCLKDIV = TB_DIV1; // TBCLK = VCLK3
EPwm1Regs.TBCTL.bit.CLKDIV = TB_DIV1;
EPwm1Regs.CMPCTL.bit.SHDWAMODE = CC_SHADOW;
EPwm1Regs.CMPCTL.bit.SHDWBMODE = CC_SHADOW;
EPwm1Regs.CMPCTL.bit.LOADAMODE = CC_CTR_ZERO; // load on CTR = Zero
EPwm1Regs.CMPCTL.bit.LOADBMODE = CC_CTR_ZERO; // load on CTR = Zero
EPwm1Regs.AQCTLA.bit.CAU = AQ_SET;
EPwm1Regs.AQCTLA.bit.CAD = AQ_CLEAR;
EPwm1Regs.AQCTLB.bit.CBU = AQ_CLEAR;
EPwm1Regs.AQCTLB.bit.CBD = AQ_SET;
// Run Time
// =====
EPwm1Regs.CMPA.half.CMPA = Duty1A; // adjust duty for output EPWM1A
EPwm1Regs.CMPB = Duty1B; // adjust duty for output EPWM1B
```

**Figure 34-26. Up-Down-Count, Dual Edge Asymmetric Waveform, With Independent Modulation on EPWMxA—Active Low**


- A PWM period =  $2 \times \text{TBPRD} \times \text{TBCLK}$
- B Rising edge and falling edge can be asymmetrically positioned within a PWM cycle. This allows for pulse placement techniques.
- C Duty modulation for EPWMxA is set by CMPA and CMPB.
- D Low time duty for EPWMxA is proportional to  $(\text{CMPA} + \text{CMPB})$ .
- E To change this example to active high, CMPA and CMPB actions need to be inverted (i.e., Set ! Clear and Clear Set).
- F Duty modulation for EPWMxB is fixed at 50% (utilizes spare action resources for EPWMxB)

**Example 34-6** contains a code sample showing initialization and run time for the waveforms in [Figure 34-26](#).

**Example 34-6. Code Sample for [Figure 34-26](#)**

```

// Initialization Time
// =====
EPwm1Regs.TBPRD = 600;                // Period = 2 * 600 TBCLK counts
EPwm1Regs.CMPA.half.CMPA = 250;      // Compare A = 250 TBCLK counts
EPwm1Regs.CMPB = 450;                // Compare B = 450 TBCLK counts
EPwm1Regs.TBPHS = 0;                 // Set Phase register to zero
EPwm1Regs.TBCTR = 0;                 // clear TB counter
EPwm1Regs.TBCTL.bit.CTRMODE = TB_COUNT_UPDOWN; // Symmetric
EPwm1Regs.TBCTL.bit.PHSEN = TB_DISABLE; // Phase loading disabled
EPwm1Regs.TBCTL.bit.PRDL = TB_SHADOW;
EPwm1Regs.TBCTL.bit.SYNCSEL = TB_SYNC_DISABLE;
EPwm1Regs.TBCTL.bit.HSPCLKDIV = TB_DIV1; // TBCLK = VCLK3
EPwm1Regs.TBCTL.bit.CLKDIV = TB_DIV1;
EPwm1Regs.CMPCTL.bit.SHDWAMODE = CC_SHADOW;
EPwm1Regs.CMPCTL.bit.SHDWBMODE = CC_SHADOW;
EPwm1Regs.CMPCTL.bit.LOADAMODE = CC_CTR_ZERO; // load on CTR = Zero
EPwm1Regs.CMPCTL.bit.LOADEMODE = CC_CTR_ZERO; // load on CTR = Zero
EPwm1Regs.AQCTLA.bit.CAU = AQ_SET;
EPwm1Regs.AQCTLA.bit.CBD = AQ_CLEAR;
EPwm1Regs.AQCTLB.bit.ZRO = AQ_CLEAR;
EPwm1Regs.AQCTLB.bit.PRD = AQ_SET;
// Run Time
// =====
EPwm1Regs.CMPA.half.CMPA = EdgePosA; // adjust duty for output EPWM1A only
EPwm1Regs.CMPB = EdgePosB;
    
```



### 34.2.5.3 Operational Highlights for the Dead-Band Submodule

The following sections provide the operational highlights.

The dead-band submodule has two groups of independent selection options as shown in [Figure 34-28](#).

- **Input Source Selection:**

The input signals to the dead-band module are the EPWMxA and EPWMxB output signals from the action-qualifier. In this section they will be referred to as EPWMxA In and EPWMxB In. Using the DBCTL[IN\_MODE] control bits, the signal source for each delay, falling-edge or rising-edge, can be selected:

- EPWMxA In is the source for both falling-edge and rising-edge delay. This is the default mode.
- EPWMxA In is the source for falling-edge delay, EPWMxB In is the source for rising-edge delay.
- EPWMxA In is the source for rising edge delay, EPWMxB In is the source for falling-edge delay.
- EPWMxB In is the source for both falling-edge and rising-edge delay.

- **Half Cycle Clocking:**

The dead-band submodule can be clocked using half cycle clocking to double the resolution (i.e. counter clocked at  $2 \times TBCLK$ )

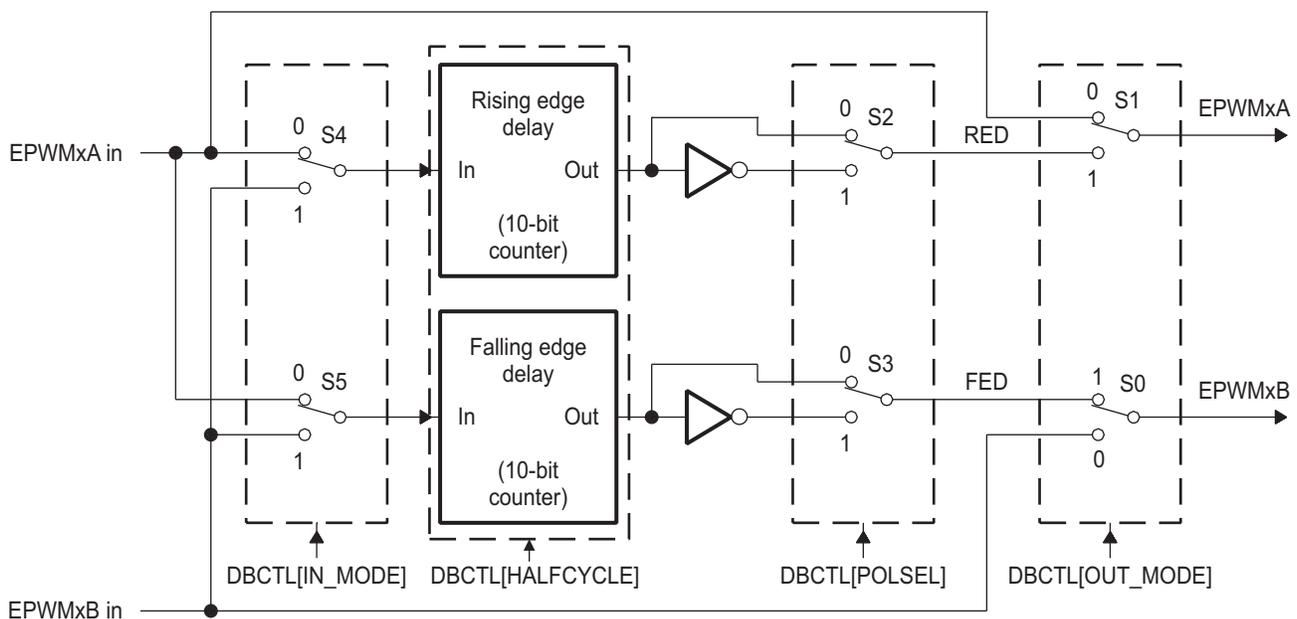
- **Output Mode Control:**

The output mode is configured by way of the DBCTL[OUT\_MODE] bits. These bits determine if the falling-edge delay, rising-edge delay, neither, or both are applied to the input signals.

- **Polarity Control:**

The polarity control (DBCTL[POLSEL]) allows you to specify whether the rising-edge delayed signal and/or the falling-edge delayed signal is to be inverted before being sent out of the dead-band submodule.

**Figure 34-28. Configuration Options for the Dead-Band Submodule**



Although all combinations are supported, not all are typical usage modes. [Table 34-14](#) documents some classical dead-band configurations. These modes assume that the DBCTL[IN\_MODE] is configured such that EPWMxA In is the source for both falling-edge and rising-edge delay. Enhanced, or non-traditional modes can be achieved by changing the input signal source. The modes shown in [Table 34-14](#) fall into the following categories:

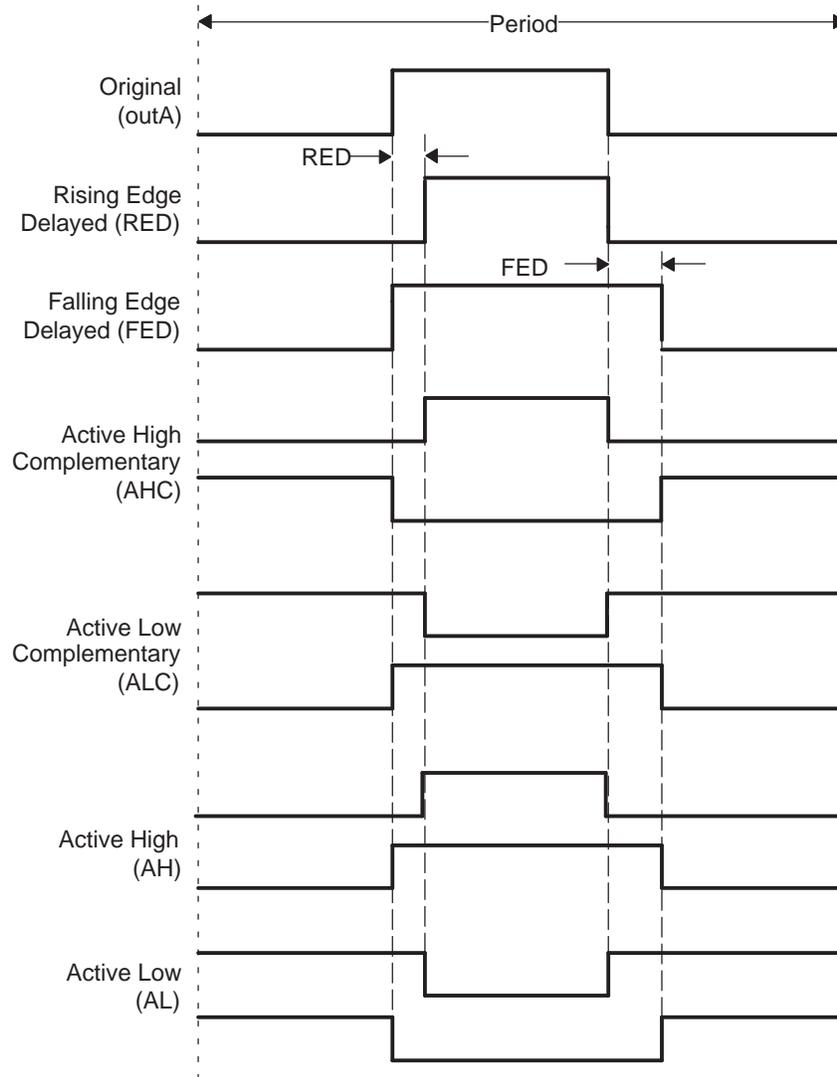
- **Mode 1: Bypass both falling-edge delay (FED) and rising-edge delay (RED)**  
Allows you to fully disable the dead-band submodule from the PWM signal path.
- **Mode 2-5: Classical Dead-Band Polarity Settings:**  
These represent typical polarity configurations that should address all the active high/low modes required by available industry power switch gate drivers. The waveforms for these typical cases are shown in [Figure 34-29](#). Note that to generate equivalent waveforms to [Figure 34-29](#), configure the action-qualifier submodule to generate the signal as shown for EPWMxA.
- **Mode 6: Bypass rising-edge-delay and Mode 7: Bypass falling-edge-delay**  
Finally the last two entries in [Table 34-14](#) show combinations where either the falling-edge-delay (FED) or rising-edge-delay (RED) blocks are bypassed.

**Table 34-14. Classical Dead-Band Operating Modes**

Mode	Mode Description	DBCTL[POLSEL]		DBCTL[OUT_MODE]	
		S3	S2	S1	S0
1	EPWMxA and EPWMxB Passed Through (No Delay)	X	X	0	0
2	Active High Complementary (AHC)	1	0	1	1
3	Active Low Complementary (ALC)	0	1	1	1
4	Active High (AH)	0	0	1	1
5	Active Low (AL)	1	1	1	1
6	EPWMxA Out = EPWMxA In (No Delay) EPWMxB Out = EPWMxA In with Falling Edge Delay	0 or 1	0 or 1	0	1
7	EPWMxA Out = EPWMxA In with Rising Edge Delay EPWMxB Out = EPWMxB In with No Delay	0 or 1	0 or 1	1	0

Figure 34-29 shows waveforms for typical cases where  $0\% < \text{duty} < 100\%$ .

**Figure 34-29. Dead-Band Waveforms for Typical Cases ( $0\% < \text{Duty} < 100\%$ )**



The dead-band submodule supports independent values for rising-edge (RED) and falling-edge (FED) delays. The amount of delay is programmed using the DBRED and DBFED registers. These are 10-bit registers and their value represents the number of time-base clock, TBCLK, periods a signal edge is delayed by. For example, the formula to calculate falling-edge-delay and rising-edge-delay are:

$$\text{FED} = \text{DBFED} \times T_{\text{TBCLK}}$$

$$\text{RED} = \text{DBRED} \times T_{\text{TBCLK}}$$

Where  $T_{\text{TBCLK}}$  is the period of TBCLK, the prescaled version of VCLK3.

For convenience, delay values for various TBCLK options are shown in [Table 34-15](#).

**Table 34-15. Dead-Band Delay Values in  $\mu\text{S}$  as a Function of DBFED and DBRED**

Dead-Band Value DBFED, DBRED	Dead-Band Delay in $\mu\text{S}$		
	TBCLK = VCLK3/1	TBCLK = VCLK3 /2	TBCLK = VCLK3/4
1	0.02 $\mu\text{S}$	0.03 $\mu\text{S}$	0.07 $\mu\text{S}$
5	0.08 $\mu\text{S}$	0.17 $\mu\text{S}$	0.33 $\mu\text{S}$
10	0.17 $\mu\text{S}$	0.33 $\mu\text{S}$	0.67 $\mu\text{S}$
100	1.67 $\mu\text{S}$	3.33 $\mu\text{S}$	6.67 $\mu\text{S}$
200	3.33 $\mu\text{S}$	6.67 $\mu\text{S}$	13.33 $\mu\text{S}$
400	6.67 $\mu\text{S}$	13.33 $\mu\text{S}$	26.67 $\mu\text{S}$
500	8.33 $\mu\text{S}$	16.67 $\mu\text{S}$	33.33 $\mu\text{S}$
600	10.00 $\mu\text{S}$	20.00 $\mu\text{S}$	40.00 $\mu\text{S}$
700	11.67 $\mu\text{S}$	23.33 $\mu\text{S}$	46.67 $\mu\text{S}$
800	13.33 $\mu\text{S}$	26.67 $\mu\text{S}$	53.33 $\mu\text{S}$
900	15.00 $\mu\text{S}$	30.00 $\mu\text{S}$	60.00 $\mu\text{S}$
1000	16.67 $\mu\text{S}$	33.33 $\mu\text{S}$	66.67 $\mu\text{S}$

When half-cycle clocking is enabled, the formula to calculate the falling-edge-delay and rising-edge-delay becomes:

$$\text{FED} = \text{DBFED} \times T_{\text{TBCLK}}/2$$

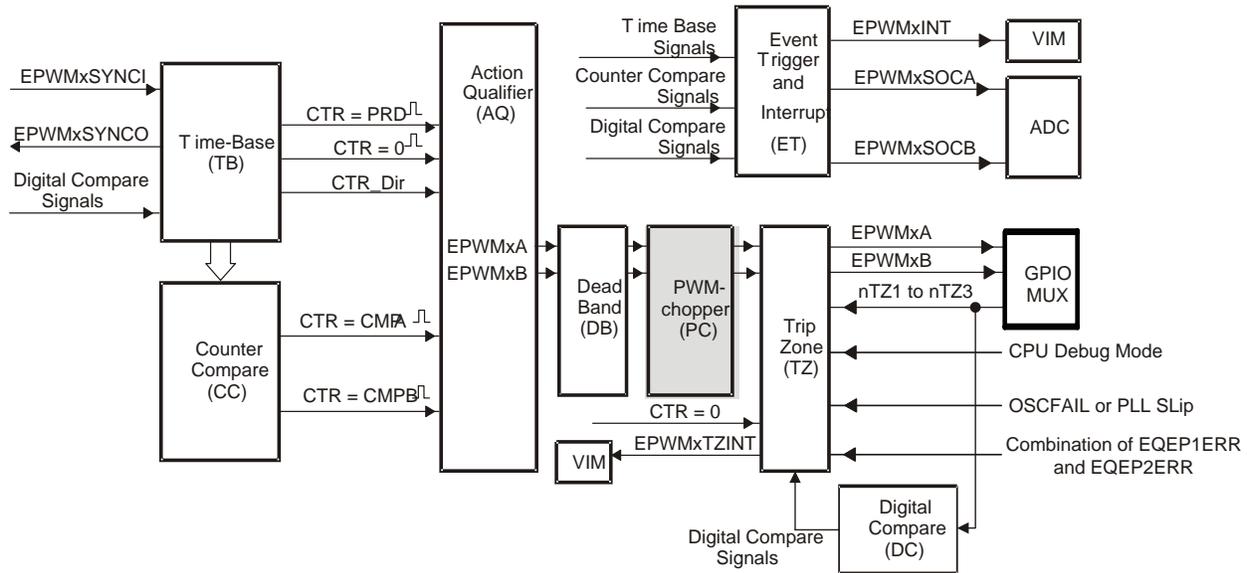
$$\text{RED} = \text{DBRED} \times T_{\text{TBCLK}}/2$$

### 34.2.6 PWM-Chopper (PC) Submodule

Figure 34-30 illustrates the PWM-chopper (PC) submodule within the ePWM module.

The PWM-chopper submodule allows a high-frequency carrier signal to modulate the PWM waveform generated by the action-qualifier and dead-band submodules. This capability is important if you need pulse transformer-based gate drivers to control the power switching elements.

**Figure 34-30. PWM-Chopper Submodule**



#### 34.2.6.1 Purpose of the PWM-Chopper Submodule

The key functions of the PWM-chopper submodule are:

- Programmable chopping (carrier) frequency
- Programmable pulse width of first pulse
- Programmable duty cycle of second and subsequent pulses
- Can be fully bypassed if not required

#### 34.2.6.2 Controlling the PWM-Chopper Submodule

The PWM-chopper submodule operation is controlled via the registers in Table 34-16.

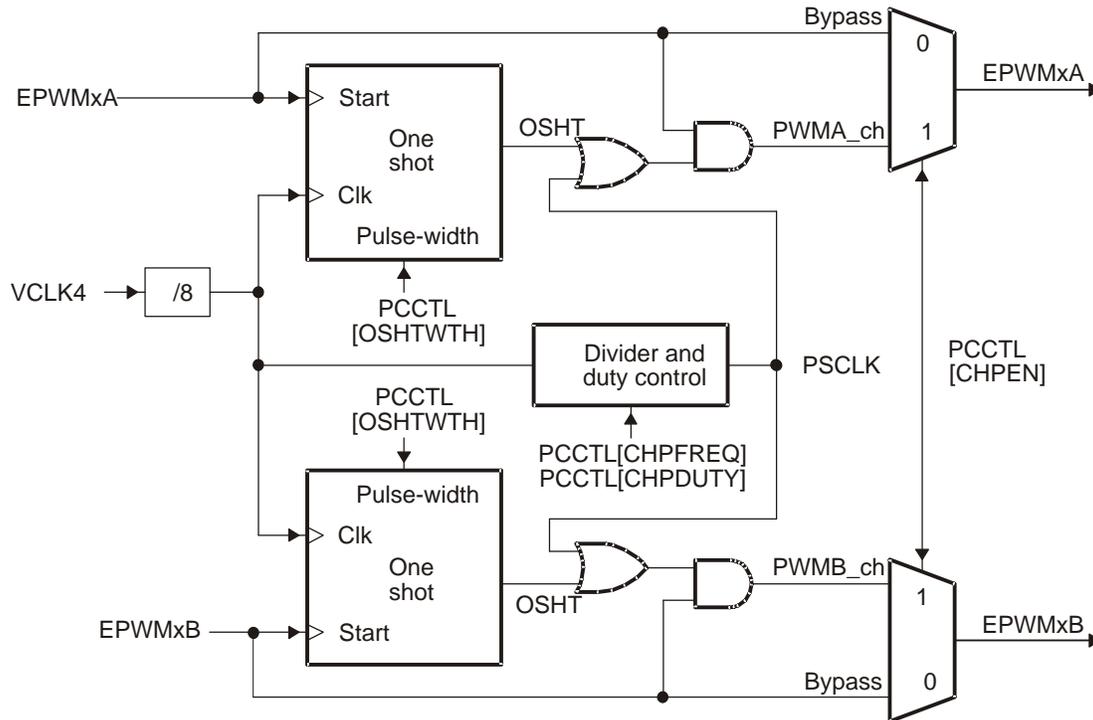
**Table 34-16. PWM-Chopper Submodule Registers**

Register Name	Address Offset	Shadowed	Description
PCCTL	3Ch	No	PWM-chopper Control Register

#### 34.2.6.3 Operational Highlights for the PWM-Chopper Submodule

Figure 34-31 shows the operational details of the PWM-chopper submodule. The carrier clock is derived from VCLK3. Its frequency and duty cycle are controlled via the CHPFREQ and CHPDUTY bits in the PCCTL register. The one-shot block is a feature that provides a high energy first pulse to ensure hard and fast power switch turn on, while the subsequent pulses sustain pulses, ensuring the power switch remains on. The one-shot width is programmed via the OSHTWTH bits. The PWM-chopper submodule can be fully disabled (bypassed) via the CHPEN bit.

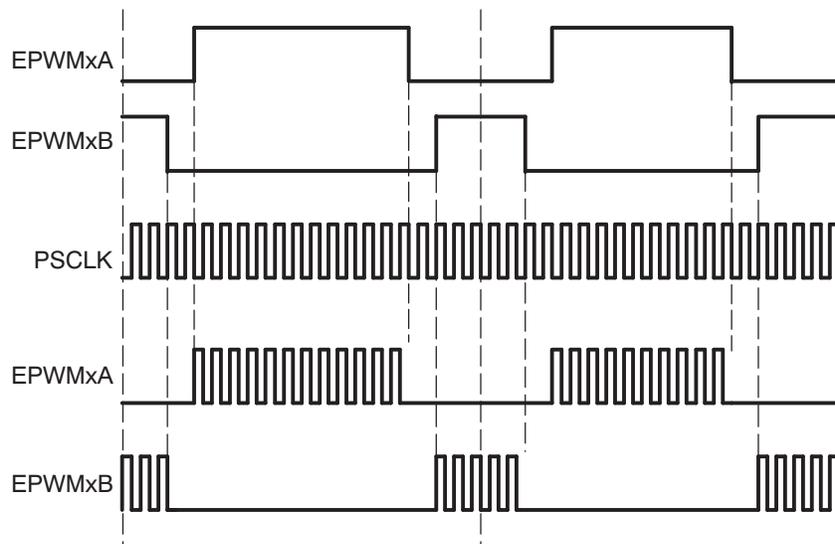
Figure 34-31. PWM-Chopper Submodule Operational Details



### 34.2.6.4 Waveforms

Figure 34-32 shows simplified waveforms of the chopping action only; one-shot and duty-cycle control are not shown. Details of the one-shot and duty-cycle control are discussed in the following sections.

Figure 34-32. Simple PWM-Chopper Submodule Waveforms Showing Chopping Action Only



#### 34.2.6.4.1 One-Shot Pulse

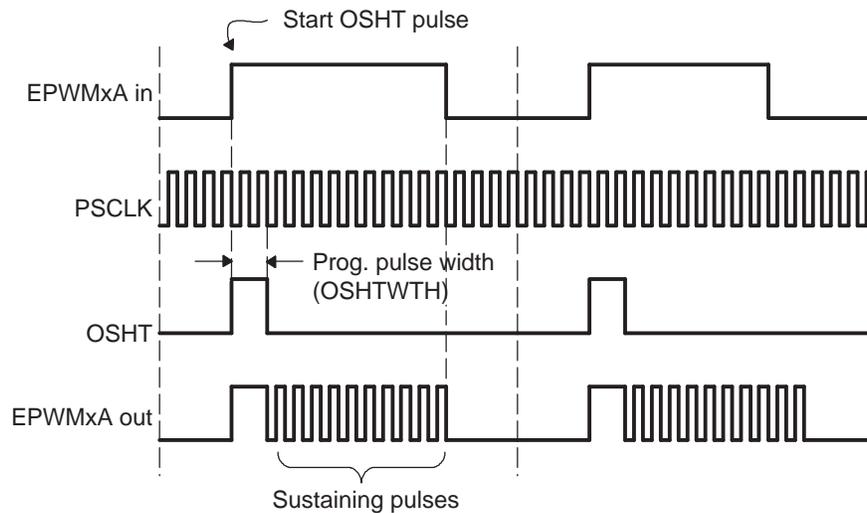
The width of the first pulse can be programmed to any of 16 possible pulse width values. The width or period of the first pulse is given by:

$$T_{1\text{st pulse}} = T_{\text{VCLK3}} \times 8 \times \text{OSHTWTH}$$

Where  $T_{\text{VCLK3}}$  is the period of the system clock (VCLK3) and OSHTWTH is the four control bits (value from 1 to 16)

Figure 34-33 shows the first and subsequent sustaining pulses and Table 34-17 gives the possible pulse width values for a VCLK3 = 100 MHz.

**Figure 34-33. PWM-Chopper Submodule Waveforms Showing the First Pulse and Subsequent Sustaining Pulses**



**Table 34-17. Possible Pulse Width Values for VCLK3 = 100 MHz**

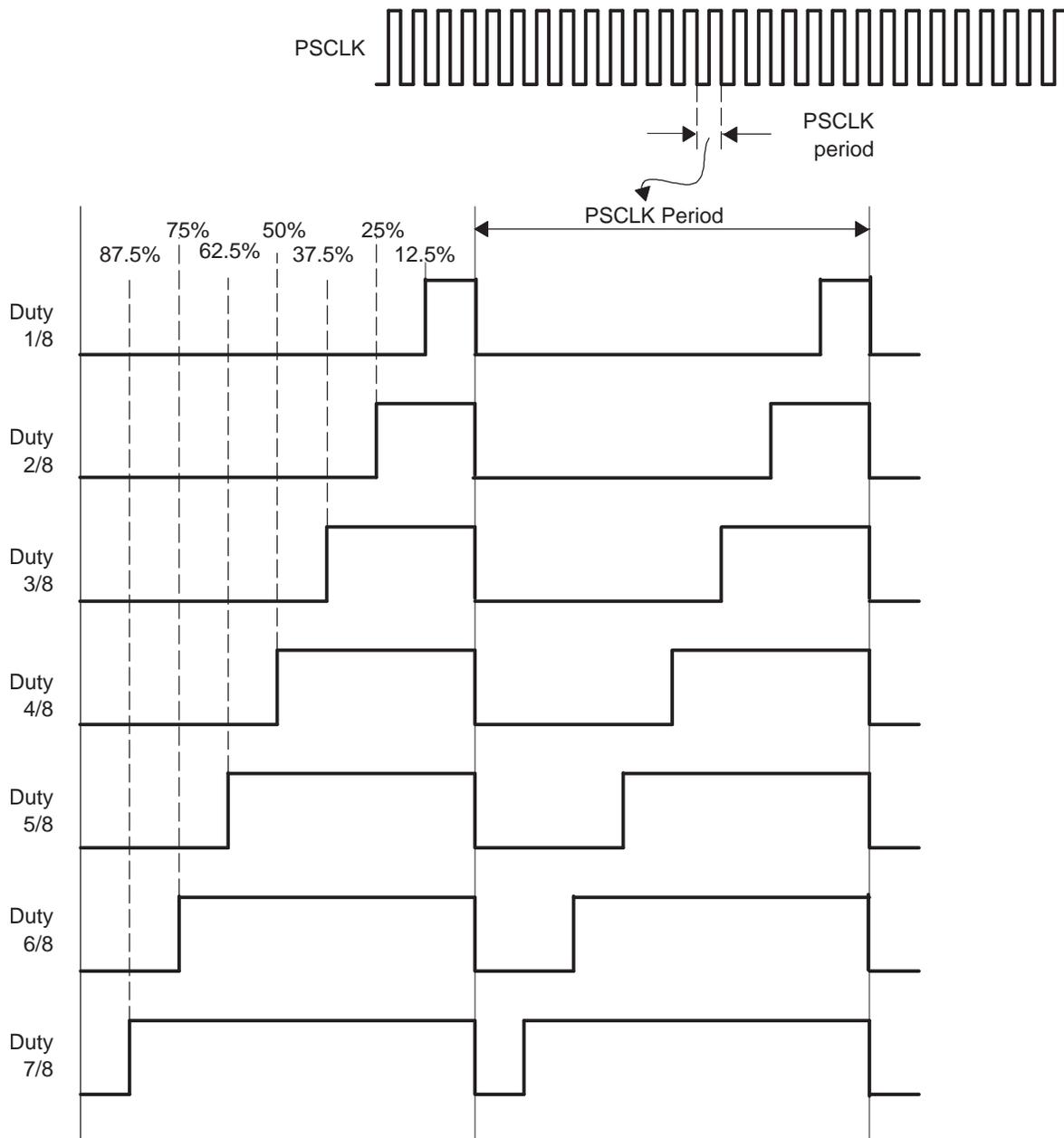
OSHTWTHz (hex)	Pulse Width (nS)
0	100
1	200
2	300
3	400
4	500
5	600
6	700
7	800
8	900
9	1000
A	1100
B	1200
C	1300
D	1400
E	1500
F	1600

### 34.2.6.4.2 Duty Cycle Control

Pulse transformer-based gate drive designs need to comprehend the magnetic properties or characteristics of the transformer and associated circuitry. Saturation is one such consideration. To assist the gate drive designer, the duty cycles of the second and subsequent pulses have been made programmable. These sustaining pulses ensure the correct drive strength and polarity is maintained on the power switch gate during the on period, and hence a programmable duty cycle allows a design to be tuned or optimized via software control.

Figure 34-34 shows the duty cycle control that is possible by programming the CHPDUTY bits. One of seven possible duty ratios can be selected ranging from 12.5% to 87.5%.

**Figure 34-34. PWM-Chopper Submodule Waveforms Showing the Pulse Width (Duty Cycle) Control of Sustaining Pulses**

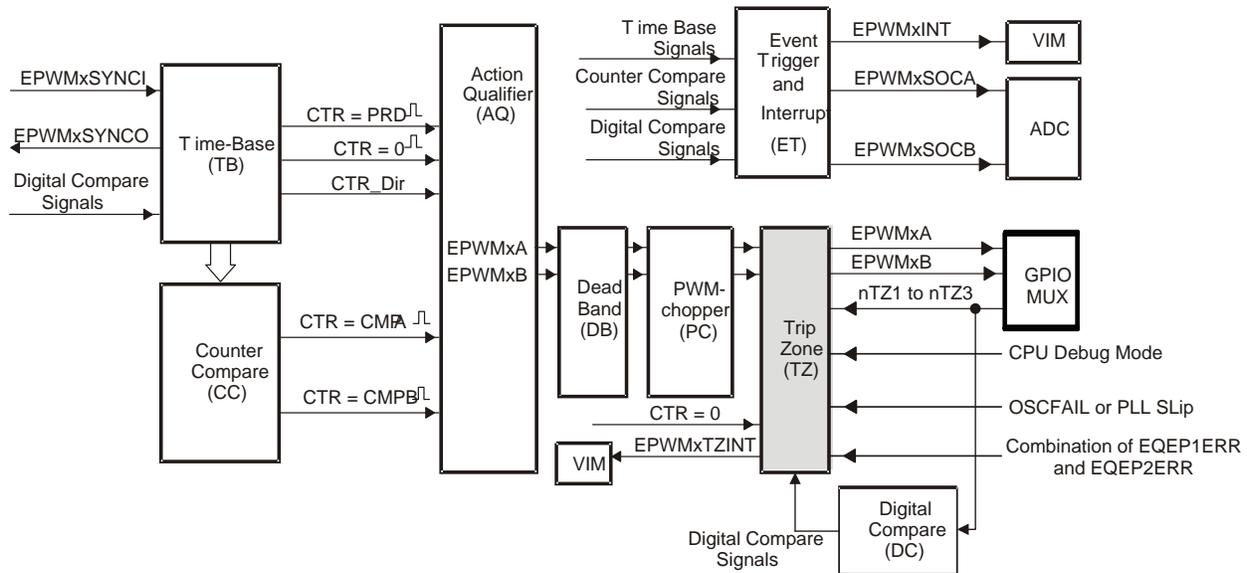


### 34.2.7 Trip-Zone (TZ) Submodule

Figure 34-35 shows how the trip-zone (TZ) submodule fits within the ePWM module.

Each ePWM module is connected to six  $\overline{TZ}_n$  signals ( $\overline{TZ}_1$  to  $\overline{TZ}_6$ ).  $\overline{TZ}_1$  to  $\overline{TZ}_3$  are sourced from the GPIO mux.  $\overline{TZ}_4$  is sourced from a combination of EQEP1ERR and EQEP2ERR signals.  $\overline{TZ}_5$  is connected to the system oscillator or PLL clock fail logic, and  $\overline{TZ}_6$  is sourced from the debug mode halt indication output from the CPU. These signals indicate fault or trip conditions, and the ePWM outputs can be programmed to respond accordingly when faults occur.

**Figure 34-35. Trip-Zone Submodule**



#### 34.2.7.1 Purpose of the Trip-Zone Submodule

The key functions of the Trip-Zone submodule are:

- Trip inputs  $\overline{TZ}_1$  to  $\overline{TZ}_6$  are mapped to all ePWM modules.
- Upon a fault indication, either no action is taken or the ePWM outputs  $EPWMxA$  and  $EPWMxB$  can be forced to one of the following:
  - High
  - Low
  - High-impedance
- Support for one-shot trip (OSHT) for major short circuits or over-current conditions.
- Support for cycle-by-cycle tripping (CBC) for current limiting operation.
- Support for digital compare tripping (DC) based on state of on-chip analog comparator module outputs and/or  $\overline{TZ}_1$  to  $\overline{TZ}_3$  signals.
- Each trip-zone input and digital compare (DC) submodule DCAEVT1/2 or DCBEVT1/2 force event can be allocated to either one-shot or cycle-by-cycle operation.
- Interrupt generation is possible on any trip-zone input.
- Software-forced tripping is also supported.
- The trip-zone submodule can be fully bypassed if it is not required.

### 34.2.7.2 Controlling and Monitoring the Trip-Zone Submodule

The trip-zone submodule operation is controlled and monitored through the following registers:

**Table 34-18. Trip-Zone Submodule Registers**

Register Name	Address Offset	Shadowed	Description <sup>(1)</sup>
TZDCSEL	26h	No	Trip-zone Digital Compare Select Register <sup>(2)</sup>
TZSEL	24h	No	Trip-Zone Select Register
TZEINT	2Ah	No	Trip-Zone Enable Interrupt Register
TZCTL	28h	No	Trip-Zone Control Register
TZCLR	2Eh	No	Trip-Zone Clear Register
TZFLG	2Ch	No	Trip-Zone Flag Register
TZFRC	30h	No	Trip-Zone Force Register

<sup>(1)</sup> All trip-zone registers are writable only in privileged mode.

<sup>(2)</sup> This register is discussed in more detail in [Section 34.2.9](#).

### 34.2.7.3 Operational Highlights for the Trip-Zone Submodule

The following sections describe the operational highlights and configuration options for the trip-zone submodule.

The trip-zone signals  $\overline{TZ1}$  to  $\overline{TZ6}$  (also collectively referred to as  $\overline{TZn}$ ) are active low input signals. When one of these signals goes low, or when a DCAEVT1/2 or DCBEVT1/2 force happens based on the TZDCSEL register event selection, it indicates that a trip event has occurred. Each ePWM module can be individually configured to ignore or use each of the trip-zone signals or DC events. Which trip-zone signals or DC events are used by a particular ePWM module is determined by the TZSEL register for that specific ePWM module. The trip-zone signals may or may not be synchronized to the system clock (VCLK3) and digitally filtered within the GPIO MUX block. A minimum of  $3 \times TBCLK$  low pulse width on  $\overline{TZn}$  inputs is sufficient to trigger a fault condition on the ePWM module. If the pulse width is less than this, the trip condition may not be latched. The asynchronous trip makes sure that if clocks are missing for any reason, the outputs can still be tripped by a valid event present on  $\overline{TZn}$  inputs. The GPIOs or peripherals must be appropriately configured. For more information, see the IOMM chapter of the device technical reference manual.

Each  $\overline{TZn}$  input can be individually configured to provide either a cycle-by-cycle or one-shot trip event for an ePWM module. DCAEVT1 and DCBEVT1 events can be configured to directly trip an ePWM module or provide a one-shot trip event to the module. Likewise, DCAEVT2 and DCBEVT2 events can also be configured to directly trip an ePWM module or provide a cycle-by-cycle trip event to the module. This configuration is determined by the TZSEL[DCAEVT1/2], TZSEL[DCBEVT1/2], TZSEL[CBCn], and TZSEL[OSHTn] control bits (where n corresponds to the trip input) respectively.

- **Cycle-by-Cycle (CBC):**

When a cycle-by-cycle trip event occurs, the action specified in the TZCTL[TZA] and TZCTL[TZB] bits is carried out immediately on the EPWMxA and/or EPWMxB output. [Table 34-19](#) lists the possible actions. In addition, the cycle-by-cycle trip event flag (TZFLG[CBC]) is set and a EPWMx\_TZINT interrupt is generated if it is enabled in the TZEINT register and VIM peripheral.

If the CBC interrupt is enabled via the TZEINT register, and DCAEVT2 or DCBEVT2 are selected as CBC trip sources via the TZSEL register, it is not necessary to also enable the DCAEVT2 or DCBEVT2 interrupts in the TZEINT register, as the DC events trigger interrupts through the CBC mechanism.

The specified condition on the inputs is automatically cleared when the ePWM time-base counter reaches zero (TBCTR = 0x0000) if the trip event is no longer present. Therefore, in this mode, the trip event is cleared or reset every PWM cycle. The TZFLG[CBC] flag bit will remain set until it is manually cleared by writing to the TZCLR[CBC] bit. If the cycle-by-cycle trip event is still present when the TZFLG[CBC] bit is cleared, then it will again be immediately set.

- **One-Shot (OSHT):**

When a one-shot trip event occurs, the action specified in the TZCTL[TZA] and TZCTL[TZB] bits is carried out immediately on the EPWMxA and/or EPWMxB output. [Table 34-19](#) lists the possible actions. In addition, the one-shot trip event flag (TZFLG[OST]) is set and a EPWMx\_TZINT interrupt is generated if it is enabled in the TZEINT register and VIM peripheral. The one-shot trip condition must be cleared manually by writing to the TZCLR[OST] bit.

If the one-shot interrupt is enabled via the TZEINT register, and DCAEVT1 or DCBEVT1 are selected as OSHT trip sources via the TZSEL register, it is not necessary to also enable the DCAEVT1 or DCBEVT1 interrupts in the TZEINT register, as the DC events trigger interrupts through the OSHT mechanism.

- **Digital Compare Events (DCAEVT1/2 and DCBEVT1/2):**

A digital compare DCAEVT1/2 or DCBEVT1/2 event is generated based on a combination of the DCAH/DCAL and DCBH/DCBL signals as selected by the TZDCSEL register. The signals which source the DCAH/DCAL and DCBH/DCBL signals are selected via the DCTRIPSEL register and can be either trip zone input pins. For more information on the digital compare submodule signals, see [Section 34.2.9](#).

When a digital compare event occurs, the action specified in the TZCTL[DCAEVT1/2] and TZCTL[DCBEVT1/2] bits is carried out immediately on the EPWMxA and/or EPWMxB output. [Table 34-19](#) lists the possible actions. In addition, the relevant DC trip event flag (TZFLG[DCAEVT1/2] / TZFLG[DCBEVT1/2]) is set and a EPWMx\_TZINT interrupt is generated if it is enabled in the TZEINT register and VIM peripheral.

The specified condition on the pins is automatically cleared when the DC trip event is no longer present. The TZFLG[DCAEVT1/2] or TZFLG[DCBEVT1/2] flag bit will remain set until it is manually cleared by writing to the TZCLR[DCAEVT1/2] or TZCLR[DCBEVT1/2] bit. If the DC trip event is still present when the TZFLG[DCAEVT1/2] or TZFLG[DCBEVT1/2] flag is cleared, then it will again be immediately set.

The action taken when a trip event occurs can be configured individually for each of the ePWM output pins by way of the TZCTL register bit fields. One of four possible actions, shown in [Table 34-19](#), can be taken on a trip event.

**Table 34-19. Possible Actions On a Trip Event**

TZCTL Register bit-field Settings	EPWMxA and/or EPWMxB	Comment
0,0	High-Impedance	Tripped
0,1	Force to High State	Tripped
1,0	Force to Low State	Tripped
1,1	No Change	Do Nothing. No change is made to the output.

**Example 34-7. Trip-Zone Configurations**
**Scenario A:**

A one-shot trip event on  $\overline{TZ1}$  pulls both EPWM1A, EPWM1B low and also forces EPWM2A and EPWM2B high.

- Configure the ePWM1 registers as follows:
  - TZSEL[OSHT1] = 1: enables  $\overline{TZ1}$  as a one-shot event source for ePWM1
  - TZCTL[TZA] = 2: EPWM1A will be forced low on a trip event.
  - TZCTL[TZB] = 2: EPWM1B will be forced low on a trip event.
- Configure the ePWM2 registers as follows:
  - TZSEL[OSHT1] = 1: enables  $\overline{TZ1}$  as a one-shot event source for ePWM2
  - TZCTL[TZA] = 1: EPWM2A will be forced high on a trip event.
  - TZCTL[TZB] = 1: EPWM2B will be forced high on a trip event.

**Scenario B:**

A cycle-by-cycle event on  $\overline{TZ5}$  pulls both EPWM1A, EPWM1B low.  
 A one-shot event on  $\overline{TZ1}$  or  $\overline{TZ6}$  puts EPWM2A into a high impedance state.

- Configure the ePWM1 registers as follows:
  - TZSEL[OSHT5] = 1: enables  $\overline{TZ5}$  as a one-shot event source for ePWM1
  - TZCTL[TZA] = 2: EPWM1A will be forced low on a trip event.
  - TZCTL[TZB] = 2: EPWM1B will be forced low on a trip event.
- Configure the ePWM2 registers as follows:
  - TZSEL[OSHT1] = 1: enables  $\overline{TZ1}$  as a one-shot event source for ePWM2
  - TZSEL[OSHT6] = 1: enables  $\overline{TZ6}$  as a one-shot event source for ePWM2
  - TZCTL[TZA] = 0: EPWM2A will be put into a high-impedance state on a trip event.
  - TZCTL[TZB] = 3: EPWM2B will ignore the trip event.

### 34.2.7.4 Generating Trip Event Interrupts

Figure 34-36 and Figure 34-37 illustrate the trip-zone submodule control and interrupt logic, respectively. DCAEVT1/2 and DCBEVT1/2 signals are described in further detail in Section 34.2.9.

**Figure 34-36. Trip-Zone Submodule Mode Control Logic**

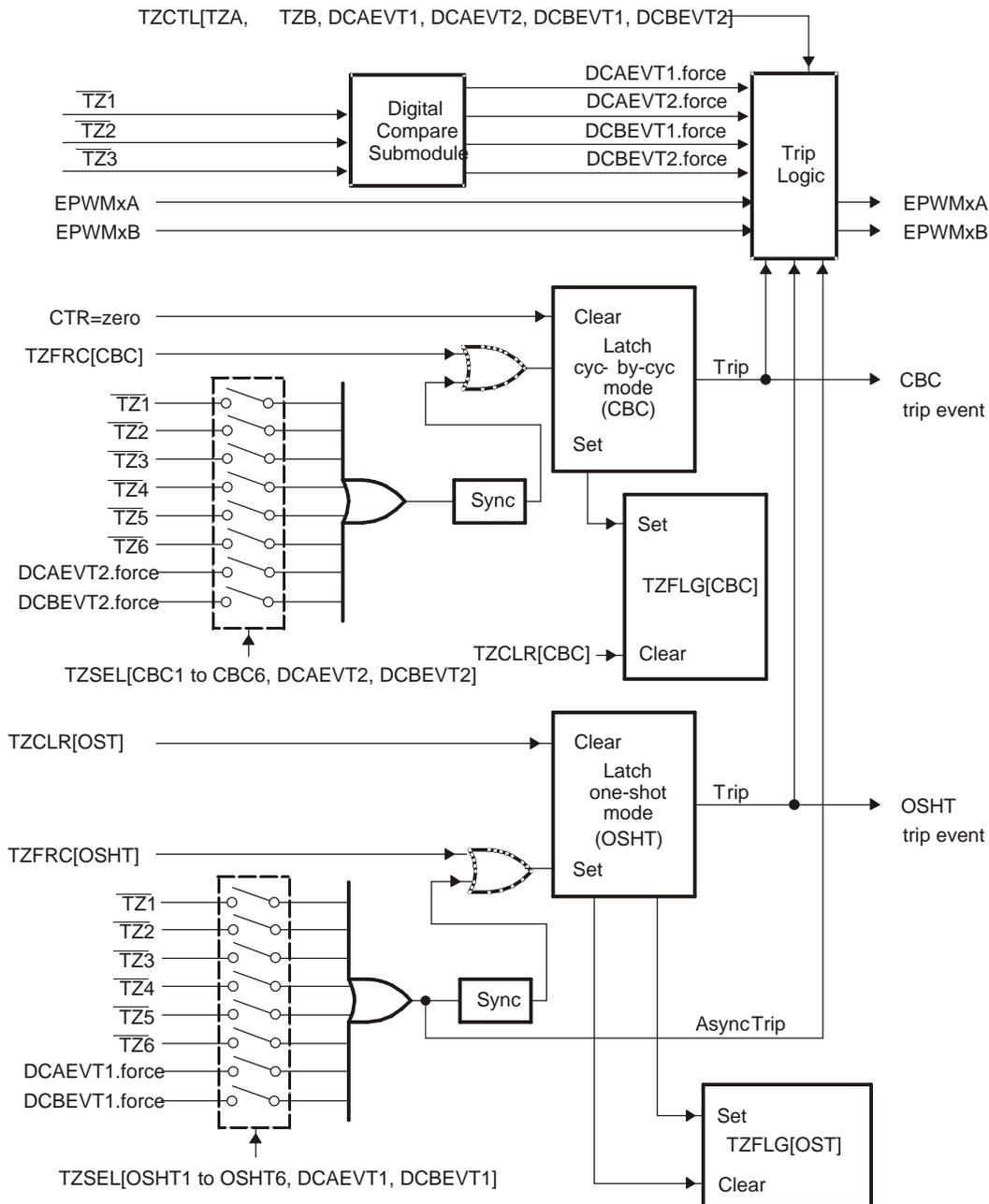
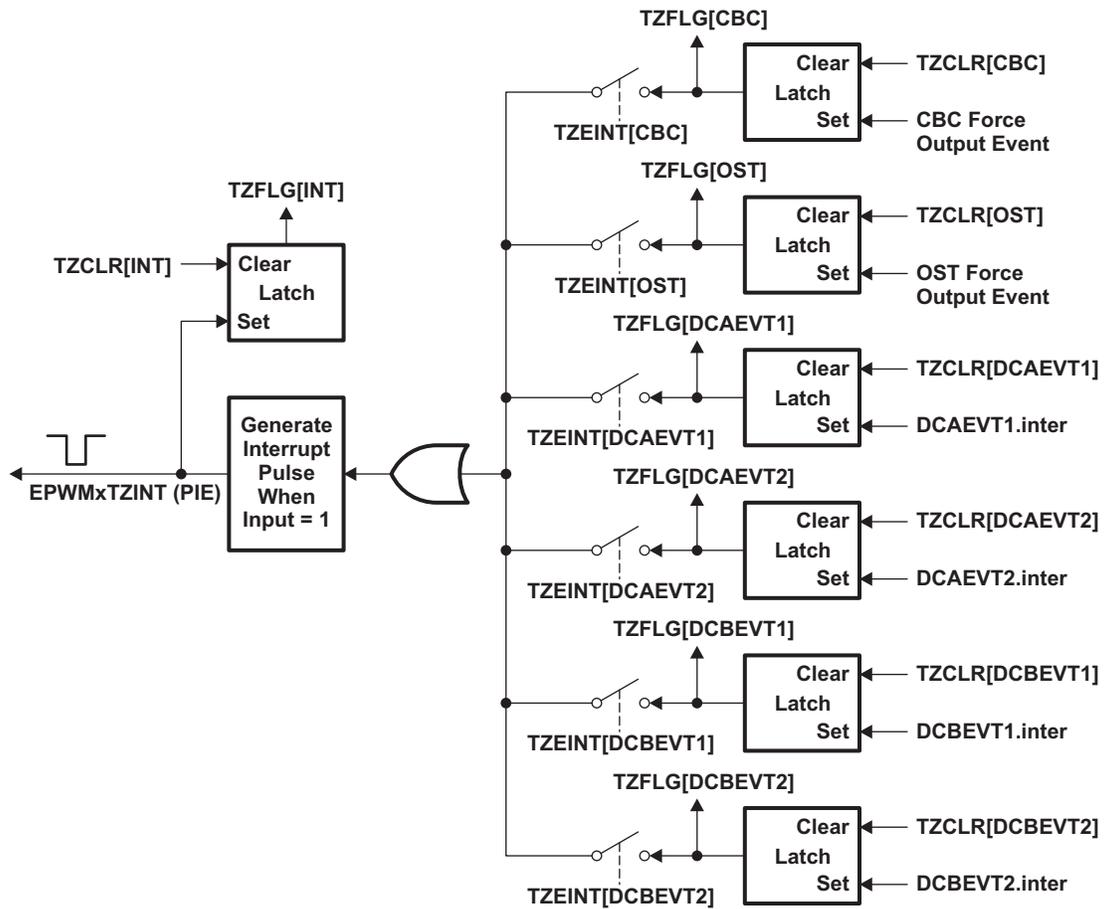


Figure 34-37. Trip-Zone Submodule Interrupt Logic



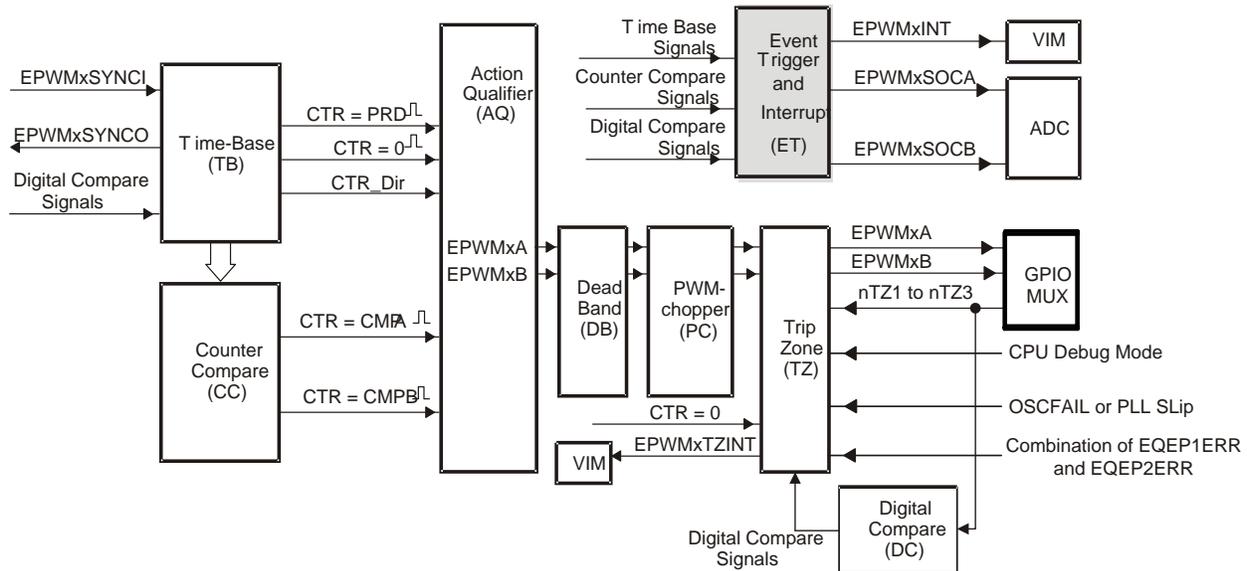
### 34.2.8 Event-Trigger (ET) Submodule

The key functions of the event-trigger submodule are:

- Receives event inputs generated by the time-base, counter-compare and digital-compare submodules
- Uses the time-base direction information for up/down event qualification
- Uses prescaling logic to issue interrupt requests and ADC start of conversion at:
  - Every event
  - Every second event
  - Every third event
- Provides full visibility of event generation via event counters and flags
- Allows software forcing of Interrupts and ADC start of conversion

The event-trigger submodule manages the events generated by the time-base submodule, the counter-compare submodule, and the digital-compare submodule to generate an interrupt to the CPU and/or a start of conversion pulse to the ADC when a selected event occurs. Figure 34-38 illustrates where the event-trigger submodule fits within the ePWM system.

**Figure 34-38. Event-Trigger Submodule**

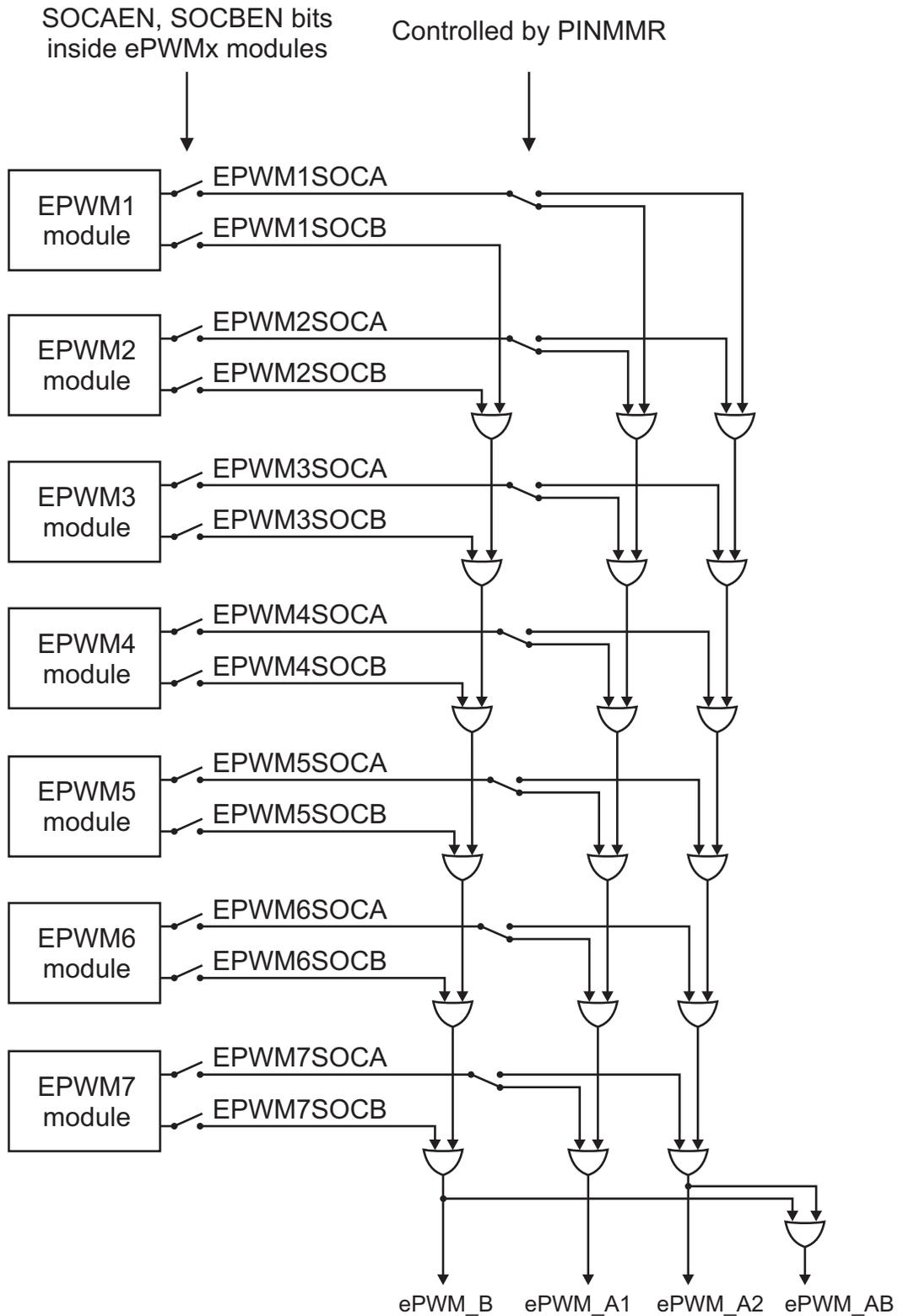


#### 34.2.8.1 Operational Overview of the Event-Trigger Submodule

The following sections describe the event-trigger submodule's operational highlights.

Each ePWM module has one interrupt request line connected to the VIM and two start of conversion signals connected to the ADC module. As shown in Figure 34-39, the EPWMxSOCA and EPWMxSOCA signals are combined to generate four special signals that can be used to trigger an ADC start of conversion, and hence multiple modules can initiate an ADC start of conversion via the ADC trigger inputs.

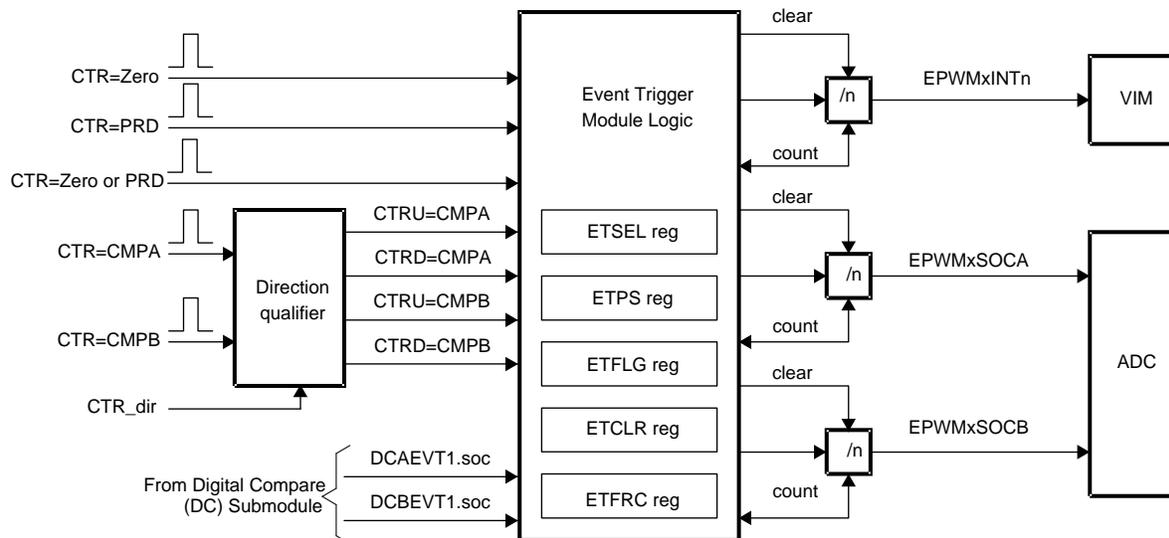
**Figure 34-39. Event-Trigger Submodule Inter-Connectivity of ADC Start of Conversion**



The event-trigger submodule monitors various event conditions (the left side inputs to event-trigger submodule shown in [Figure 34-40](#)) and can be configured to prescale these events before issuing an Interrupt request or an ADC start of conversion. The event-trigger prescaling logic can issue Interrupt requests and ADC start of conversion at:

- Every event
- Every second event
- Every third event

**Figure 34-40. Event-Trigger Submodule Showing Event Inputs and Prescaled Outputs**



The key registers used to configure the event-trigger submodule are listed in [Table 34-20](#).

**Table 34-20. Event-Trigger Submodule Registers**

Register Name	Address Offset	Shadowed	Description
ETSEL	32h	No	Event-trigger Selection Register
ETFLG	36h	No	Event-trigger Flag Register
ETPS	34h	No	Event-trigger Prescale Register
ETFRC	3Ah	No	Event-trigger Force Register
ETCLR	38h	No	Event-trigger Clear Register

- ETSEL—This selects which of the possible events will trigger an interrupt or start an ADC conversion
- ETPS—This programs the event prescaling options mentioned above.
- ETFLG—These are flag bits indicating status of the selected and prescaled events.
- ETCLR—These bits allow you to clear the flag bits in the ETFLG register via software.
- ETFRC—These bits allow software forcing of an event. Useful for debugging or s/w intervention.

A more detailed look at how the various register bits interact with the Interrupt and ADC start of conversion logic are shown in [Figure 34-41](#), [Figure 34-42](#), and [Figure 34-43](#).

Figure 34-41 shows the event-trigger's interrupt generation logic. The interrupt-period (ETPS[INTPRD]) bits specify the number of events required to cause an interrupt pulse to be generated. The choices available are:

- Do not generate an interrupt.
- Generate an interrupt on every event
- Generate an interrupt on every second event
- Generate an interrupt on every third event

Which event can cause an interrupt is configured by the interrupt selection (ETSEL[INTSEL]) bits. The event can be one of the following:

- Time-base counter equal to zero (TBCTR = 0x0000).
- Time-base counter equal to period (TBCTR = TBPRD).
- Time-base counter equal to zero or period (TBCTR = 0x0000 || TBCTR = TBPRD)
- Time-base counter equal to the compare A register (CMPA) when the timer is incrementing.
- Time-base counter equal to the compare A register (CMPA) when the timer is decrementing.
- Time-base counter equal to the compare B register (CMPB) when the timer is incrementing.
- Time-base counter equal to the compare B register (CMPB) when the timer is decrementing.

The number of events that have occurred can be read from the interrupt event counter (ETPS[INTCNT]) register bits. That is, when the specified event occurs the ETPS[INTCNT] bits are incremented until they reach the value specified by ETPS[INTPRD]. When ETPS[INTCNT] = ETPS[INTPRD] the counter stops counting and its output is set. The counter is only cleared when an interrupt is sent to the VIM.

When ETPS[INTCNT] reaches ETPS[INTPRD] the following behaviors will occur:

- If interrupts are enabled, ETSEL[INTEN] = 1 and the interrupt flag is clear, ETFLG[INT] = 0, then an interrupt pulse is generated and the interrupt flag is set, ETFLG[INT] = 1, and the event counter is cleared ETPS[INTCNT] = 0. The counter will begin counting events again.
- If interrupts are disabled, ETSEL[INTEN] = 0, or the interrupt flag is set, ETFLG[INT] = 1, the counter stops counting events when it reaches the period value ETPS[INTCNT] = ETPS[INTPRD].
- If interrupts are enabled, but the interrupt flag is already set, then the counter will hold its output high until the ENTFLG[INT] flag is cleared. This allows for one interrupt to be pending while one is serviced.

Writing to the INTPRD bits will automatically clear the counter INTCNT = 0 and the counter output will be reset (so no interrupts are generated). Writing a 1 to the ETFRC[INT] bit will increment the event counter INTCNT. The counter will behave as described above when INTCNT = INTPRD. When INTPRD = 0, the counter is disabled and hence no events will be detected and the ETFRC[INT] bit is also ignored.

The above definition means that you can generate an interrupt on every event, on every second event, or on every third event. An interrupt cannot be generated on every fourth or more events.

Figure 34-41. Event-Trigger Interrupt Generator

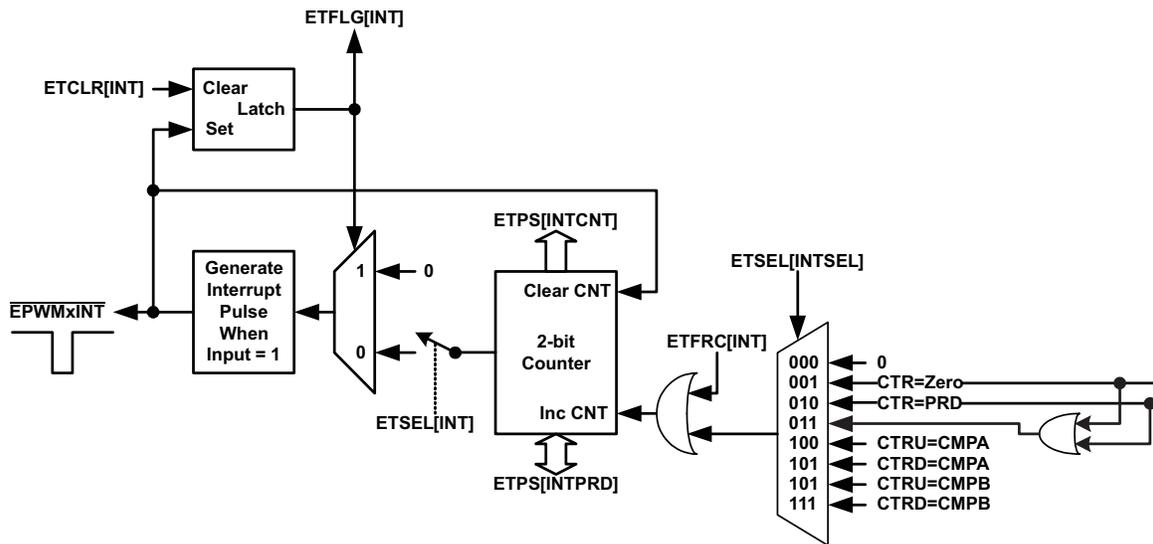
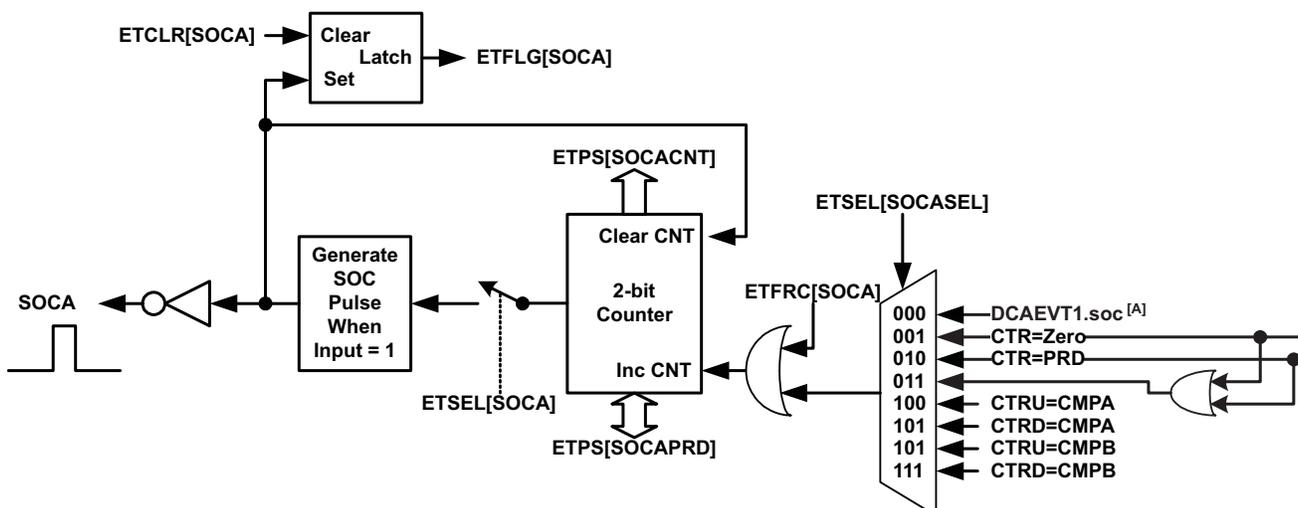


Figure 34-42 shows the operation of the event-trigger's start-of-conversion-A (SOCA) pulse generator. The ETPLS[SOCACNT] counter and ETPLS[SOCAPRD] period values behave similarly to the interrupt generator except that the pulses are continuously generated. That is, the pulse flag ETFLG[SOCA] is latched when a pulse is generated, but it does not stop further pulse generation. The enable/disable bit ETSEL[SOCAEN] stops pulse generation, but input events can still be counted until the period value is reached as with the interrupt generation logic. The event that will trigger an SOCA and SOCB pulse can be configured separately in the ETSEL[SOCASEL] and ETSEL[SOCBSEL] bits. The possible events are the same events that can be specified for the interrupt generation logic with the addition of the DCAEVT1.soc and DCBEVT1.soc event signals from the digital compare (DC) submodule.

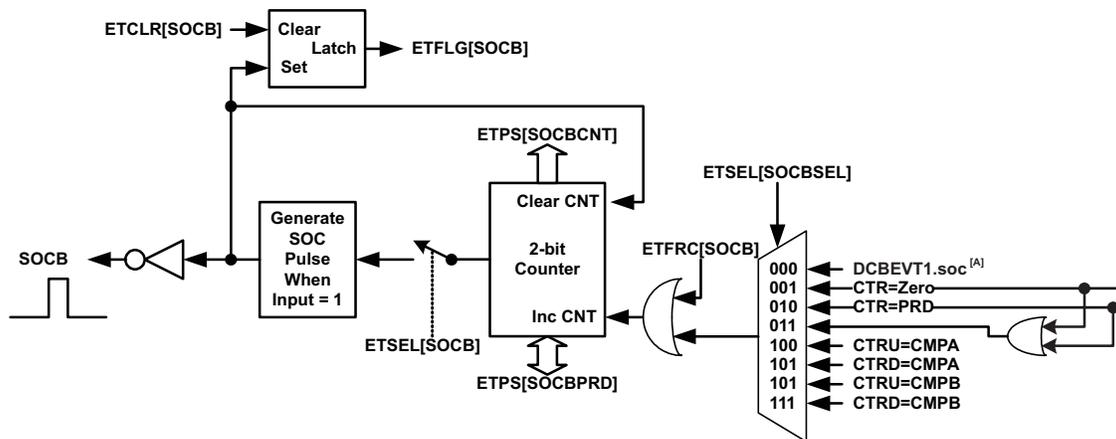
Figure 34-42. Event-Trigger SOCA Pulse Generator



A The DCAEVT1.soc signals are signals generated by the Digital compare (DC) submodule, described in Section 34.2.9

Figure 34-43 shows the operation of the event-trigger's start-of-conversion-B (SOCB) pulse generator. The event-trigger's SOCB pulse generator operates the same way as the SOCA.

Figure 34-43. Event-Trigger SOCB Pulse Generator



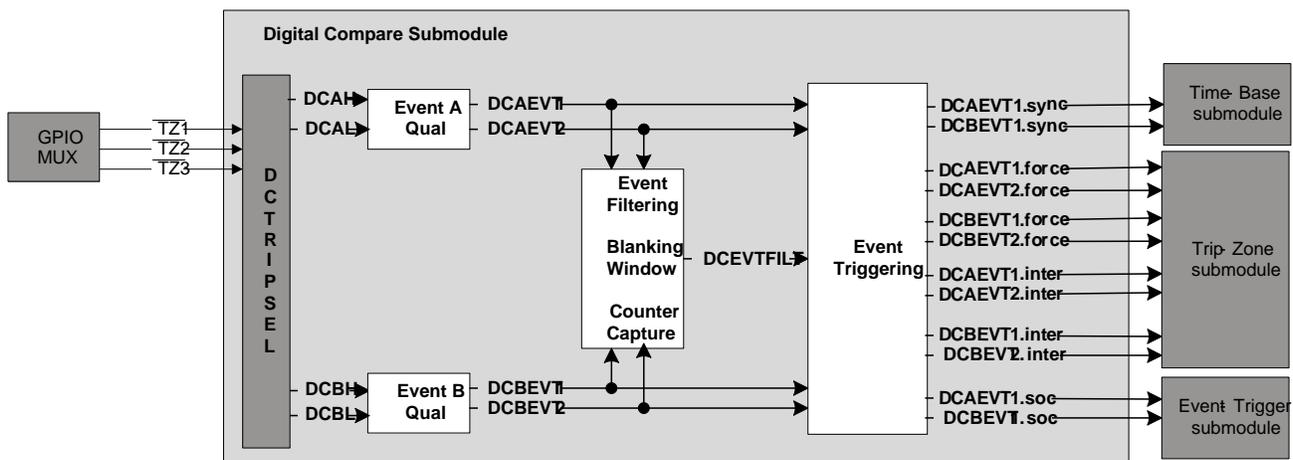
A The DCBEVT1.soc signals are signals generated by the Digital compare (DC) submodule, described in Section 34.2.9

### 34.2.9 Digital Compare (DC) Submodule

Figure 34-44 illustrates where the digital compare (DC) submodule signals interface to other submodules in the ePWM system.

The digital compare (DC) submodule compares signals external to the ePWM module to directly generate PWM events/actions which then feed to the event-trigger, trip-zone, and time-base submodules. Additionally, blanking window functionality is supported to filter noise or unwanted pulses from the DC event signals.

Figure 34-44. Digital-Compare Submodule High-Level Block Diagram



### 34.2.9.1 Purpose of the Digital Compare Submodule

The key functions of the digital compare submodule are:

- $\overline{TZ1}$ ,  $\overline{TZ2}$ , and  $\overline{TZ3}$  inputs generate Digital Compare A High/Low (DCAH, DCAL) and Digital Compare B High/Low (DCBH, DCBL) signals.
- DCAH/L and DCBH/L signals trigger events which can then either be filtered or fed directly to the trip-zone, event-trigger, and time-base submodules to:
  - generate a trip zone interrupt
  - generate an ADC start of conversion
  - force an event
  - generate a synchronization event for synchronizing the ePWM module TBCTR.
- Event filtering (blanking window logic) can optionally blank the input signal to remove noise.

### 34.2.9.2 Controlling and Monitoring the Digital Compare Submodule

The digital compare submodule operation is controlled and monitored through the following registers:

**Table 34-21. Digital Compare Submodule Registers**

Register Name	Address Offset	Shadowed	Description
TZDCSEL <sup>(1)</sup> <sup>(2)</sup>	26h	No	Trip Zone Digital Compare Select Register
DCACTL <sup>(1)</sup>	62h	No	Digital Compare A Control Register
DCTRIPSEL <sup>(1)</sup>	60h	No	Digital Compare Trip Select Register
DCFCTL <sup>(1)</sup>	66h	No	Digital Compare Filter Control Register
DCBCTL <sup>(1)</sup>	64h	No	Digital Compare B Control Register
DCFOFFSET	6Ah	Writes	Digital Compare Filter Offset Register
DCCAPCTL <sup>(1)</sup>	68h	No	Digital Compare Capture Control Register
DCFWINDOW	6Eh	No	Digital Compare Filter Window Register
DCFOFFSETCNT	6Ch	No	Digital Compare Filter Offset Counter Register
DCCAP	72h	Yes	Digital Compare Counter Capture Register
DCFWINDOWCNT	70h	No	Digital Compare Filter Window Counter Register

<sup>(1)</sup> These registers are writable only in privileged mode.

<sup>(2)</sup> The TZDCSEL register is part of the trip-zone submodule but is mentioned again here because of its functional significance to the digital compare submodule.

### 34.2.9.3 Operation Highlights of the Digital Compare Submodule

The following sections describe the operational highlights and configuration options for the digital compare submodule.

#### 34.2.9.3.1 Digital Compare Events

As illustrated in [Figure 34-44](#) earlier in this section, trip zone inputs ( $\overline{TZ1}$ ,  $\overline{TZ2}$ , and  $\overline{TZ3}$ ) can be selected via the DCTRISEL bits to generate the Digital Compare A High and Low (DCAH/L) and Digital Compare B High and Low (DCBH/L) signals. Then, the configuration of the TZDCSEL register qualifies the actions on the selected DCAH/L and DCBH/L signals, which generate the DCAEVT1/2 and DCBEVT1/2 events (Event Qualification A and B).

---

**NOTE:** The  $\overline{TZn}$  signals, when used as a DCEVT tripping functions, are treated as a normal input signal and can be defined to be active high or active low inputs. EPWM outputs are asynchronously tripped when either the  $\overline{TZn}$ , DCAEVTx.force, or DCBEVTx.force signals are active. For the condition to remain latched, a minimum of  $3 \cdot TBCLK$  sync pulse width is required. If pulse width is  $< 3 \cdot TBCLK$  sync pulse width, the trip condition may or may not get latched by CBC or OST latches.

---

The DCAEVT1/2 and DCBEVT1/2 events can then be filtered to provide a filtered version of the event signals (DCEVTFILT) or the filtering can be bypassed. Filtering is discussed further in section 2.9.3.2. Either the DCAEVT1/2 and DCBEVT1/2 event signals or the filtered DCEVTFILT event signals can generate a force to the trip zone module, a TZ interrupt, an ADC SOC, or a PWM sync signal.

- **force signal:**

DCAEVT1/2.force signals force trip zone conditions which either directly influence the output on the EPWMxA pin (via TZCTL[DCAEVT1 or DCAEVT2] configurations) or, if the DCAEVT1/2 signals are selected as one-shot or cycle-by-cycle trip sources (via the TZSEL register), the DCAEVT1/2.force signals can effect the trip action via the TZCTL[TZA] configuration. The DCBEVT1/2.force signals behaves similarly, but affect the EPWMxB output pin instead of the EPWMxA output pin.

The priority of conflicting actions on the TZCTL register is as follows (highest priority overrides lower priority):

Output EPWMxA: TZA (highest) -> DCAEVT1 -> DCAEVT2 (lowest)

Output EPWMxB: TZB (highest) -> DCBEVT1 -> DCBEVT2 (lowest)

- **interrupt signal:**

DCAEVT1/2.interrupt signals generate trip zone interrupts to the VIM. To enable the interrupt, the user must set the DCAEVT1, DCAEVT2, DCBEVT1, or DCBEVT2 bits in the TZEINT register. Once one of these events occurs, an EPWMxTZINT interrupt is triggered, and the corresponding bit in the TZCLR register must be set in order to clear the interrupt.

- **soc signal:**

The DCAEVT1.soc signal interfaces with the event-trigger submodule and can be selected as an event which generates an ADC start-of-conversion-A (SOCA) pulse via the ETSEL[SOCASEL] bit. Likewise, the DCBEVT1.soc signal can be selected as an event which generates an ADC start-of-conversion-B (SOCB) pulse via the ETSEL[SOCBSEL] bit.

- **sync signal:**

The DCAEVT1.sync and DCBEVT1.sync events are ORed with the EPWMxSYNCl input signal and the TBCTL[SWFSYNC] signal to generate a synchronization pulse to the time-base counter.

Figure 34-45 and Figure 34-46 show how the DCAEVT1, DCAEVT2, or DCEVTFILT signals are processed to generate the digital compare A event force, interrupt, soc and sync signals.

Figure 34-45. DCAEVT1 Event Triggering

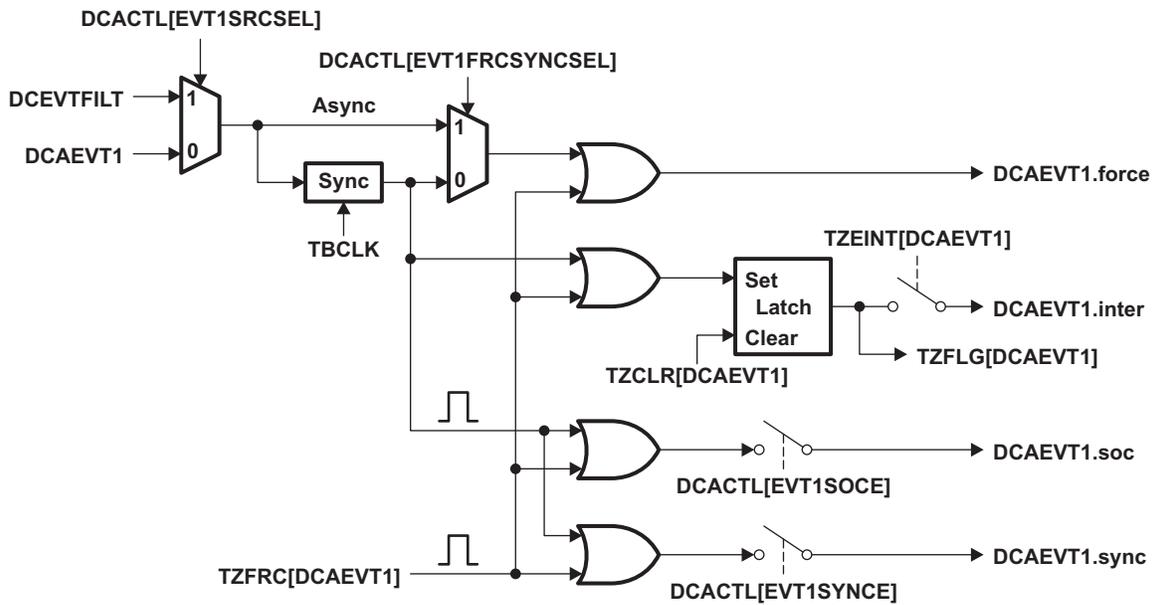


Figure 34-46. DCAEVT2 Event Triggering

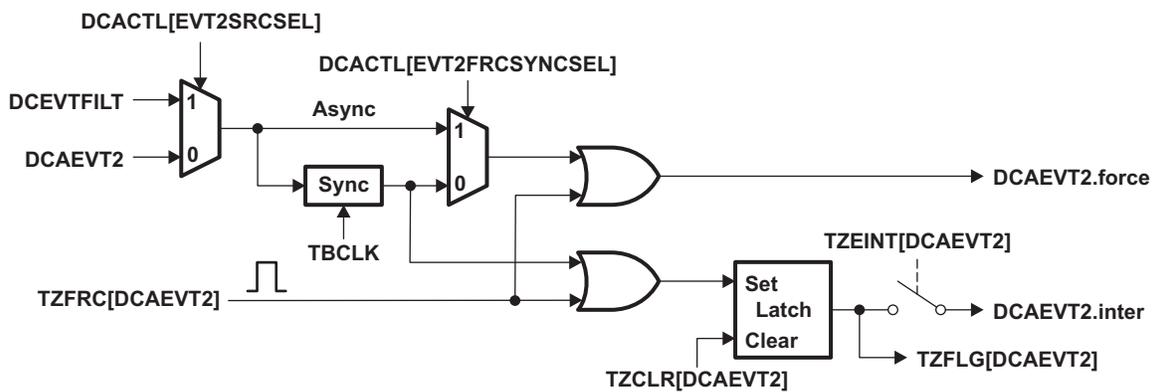


Figure 34-47 and Figure 34-48 show how the DCBEVT1, DCBEVT2, or DCEVTFILT signals are processed to generate the digital compare B event force, interrupt, soc and sync signals.

Figure 34-47. DCBEVT1 Event Triggering

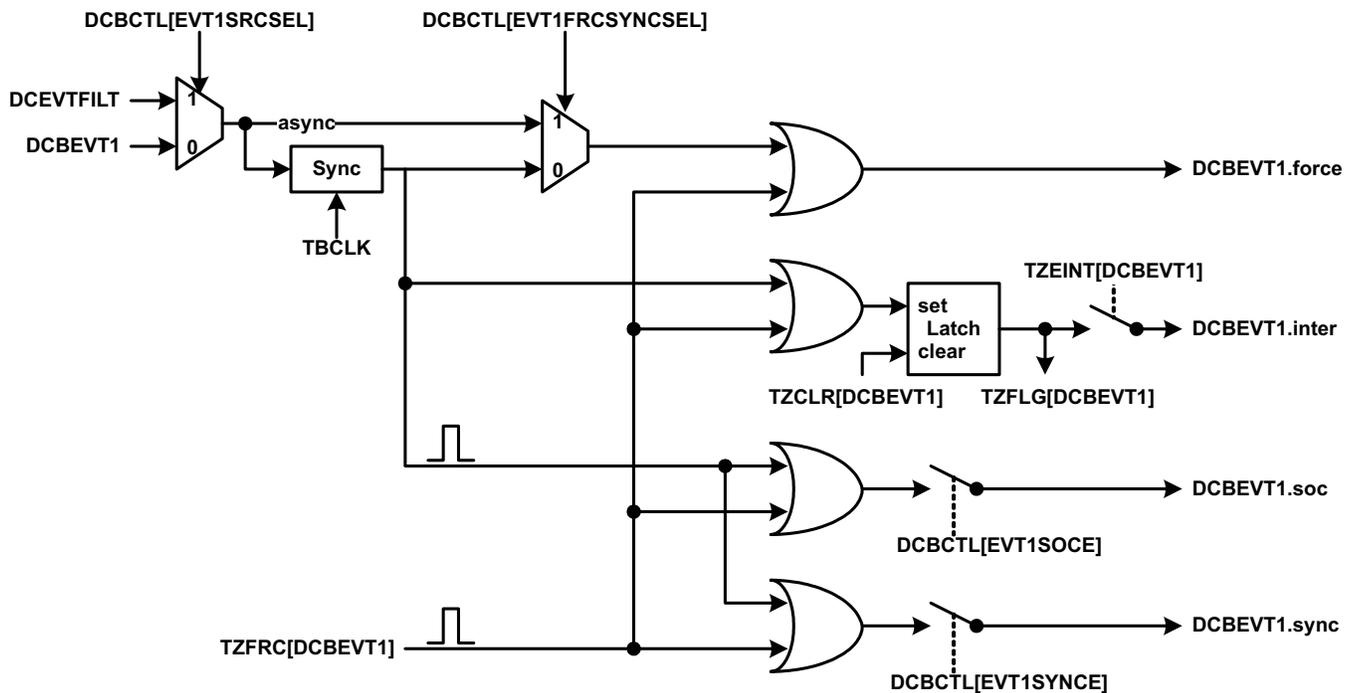
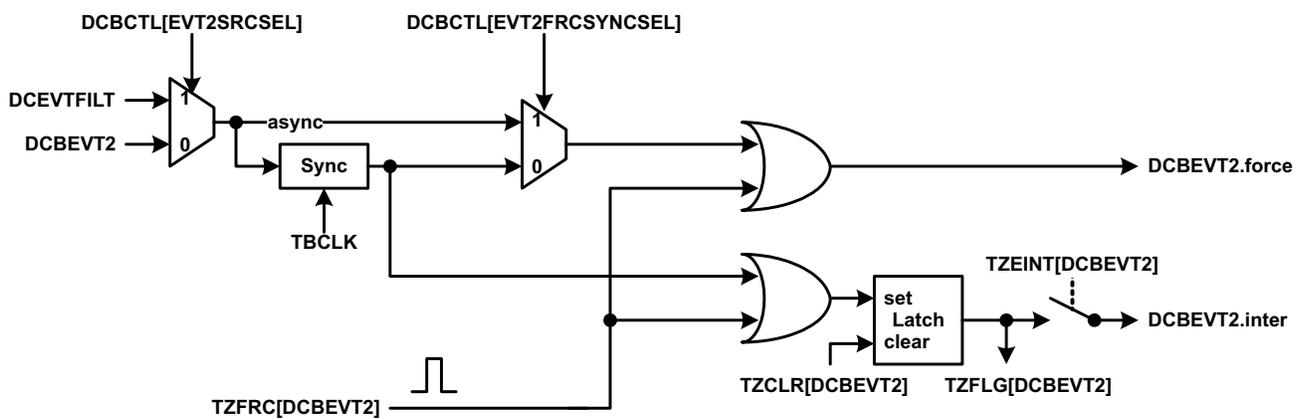


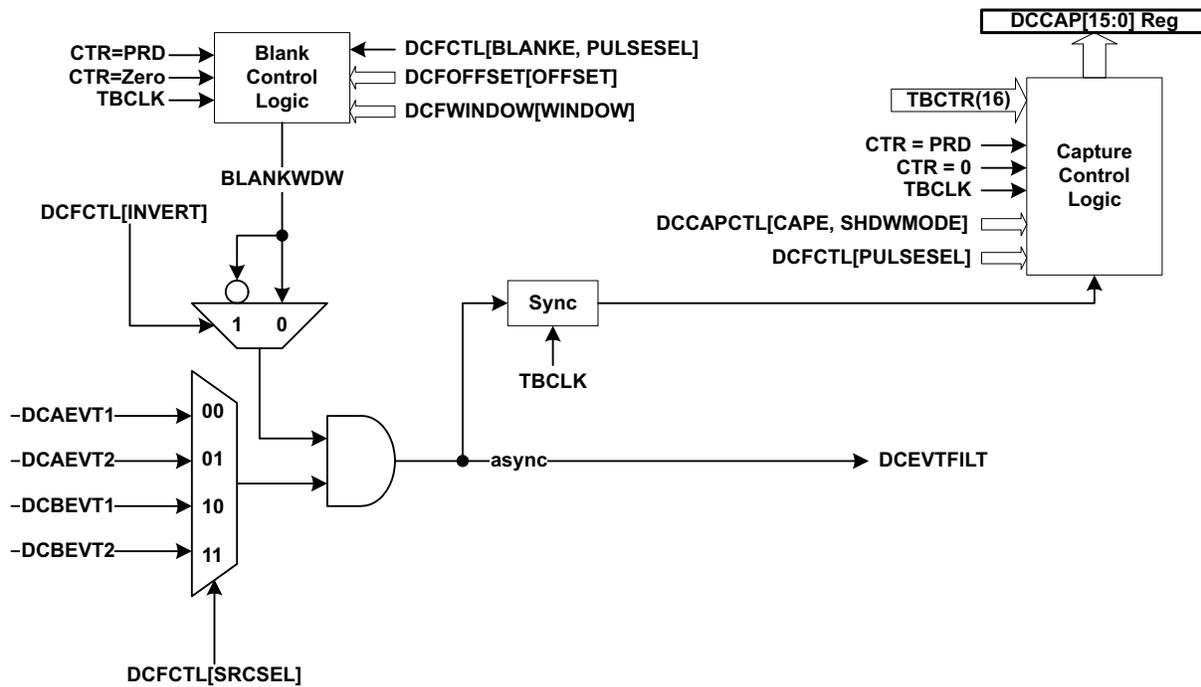
Figure 34-48. DCBEVT2 Event Triggering



### 34.2.9.3.2 Event Filtering

The DCAEVT1/2 and DCBEVT1/2 events can be filtered via event filtering logic to remove noise by optionally blanking events for a certain period of time. This is useful for cases where the analog comparator outputs may be selected to trigger DCAEVT1/2 and DCBEVT1/2 events, and the blanking logic is used to filter out potential noise on the signal prior to tripping the PWM outputs or generating an interrupt or ADC start-of-conversion. The event filtering can also capture the TBCTR value of the trip event. Figure 34-49 shows the details of the event filtering logic.

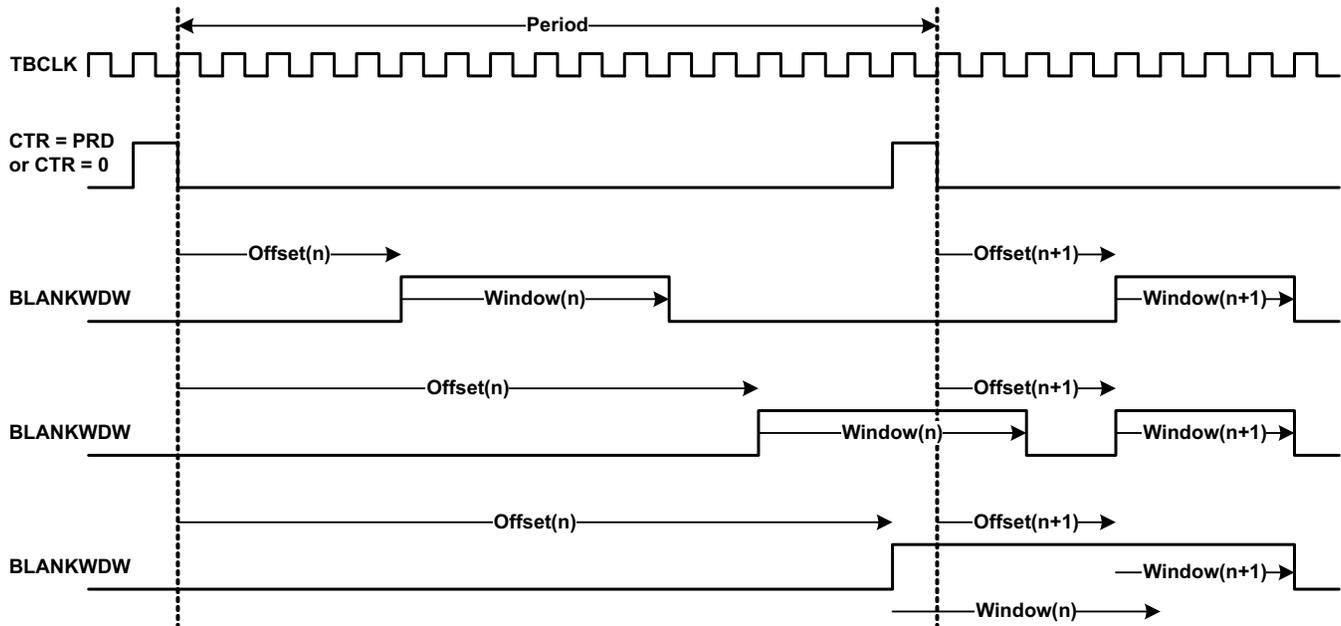
**Figure 34-49. Event Filtering**



If the blanking logic is enabled, one of the digital compare events – DCAEVT1, DCAEVT2, DCBEVT1, DCBEVT2 – is selected for filtering. The blanking window, which filters out all event occurrences on the signal while it is active, will be aligned to either a CTR = PRD pulse or a CTR = 0 pulse (configured by the DCFCTL[PULSESEL] bits). An offset value in TBCLK counts is programmed into the DCFOFFSET register, which determines at what point after the CTR = PRD or CTR = 0 pulse the blanking window starts. The duration of the blanking window, in number of TBCLK counts after the offset counter expires, is written to the DCFWINDOW register by the application. During the blanking window, all events are ignored. Before and after the blanking window ends, events can generate soc, sync, interrupt, and force signals as before.

Figure 34-50 shows several timing conditions for the offset and blanking window within an ePWM period. Notice that if the blanking window crosses the CTR = 0 or CTR = PRD boundary, the next window still starts at the same offset value after the CTR = 0 or CTR = PRD pulse.

Figure 34-50. Blanking Window Timing Diagram



### 34.2.10 Proper Interrupt Initialization Procedure

When the ePWM peripheral clock is enabled it may be possible that interrupt flags may be set due to spurious events due to the ePWM registers not being properly initialized. The proper procedure for initializing the ePWM peripheral is as follows:

1. Disable global interrupts (CPU INTM flag)
2. Disable ePWM interrupts
3. Set TBCLKSYNC = 0
4. Initialize peripheral registers
5. Set TBCLKSYNC = 1
6. Clear any spurious ePWM flags (including interrupt flags)
7. Enable ePWM interrupts
8. Enable global interrupts

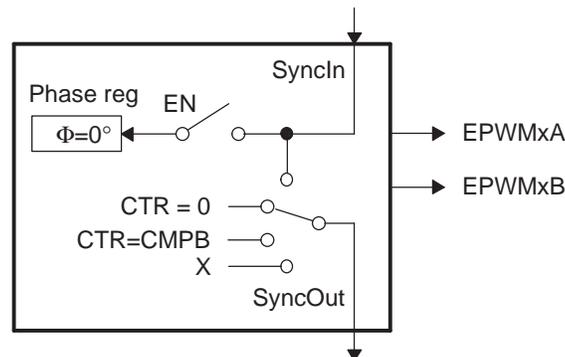
### 34.3 Application Examples

An ePWM module has all the local resources necessary to operate completely as a standalone module or to operate in synchronization with other identical ePWM modules.

#### 34.3.1 Overview of Multiple Modules

Previously in this user's guide, all discussions have described the operation of a single module. To facilitate the understanding of multiple modules working together in a system, the ePWM module described in reference is represented by the more simplified block diagram shown in [Figure 34-51](#). This simplified ePWM block shows only the key resources needed to explain how a multistwitch power topology is controlled with multiple ePWM modules working together.

**Figure 34-51. Simplified ePWM Module**



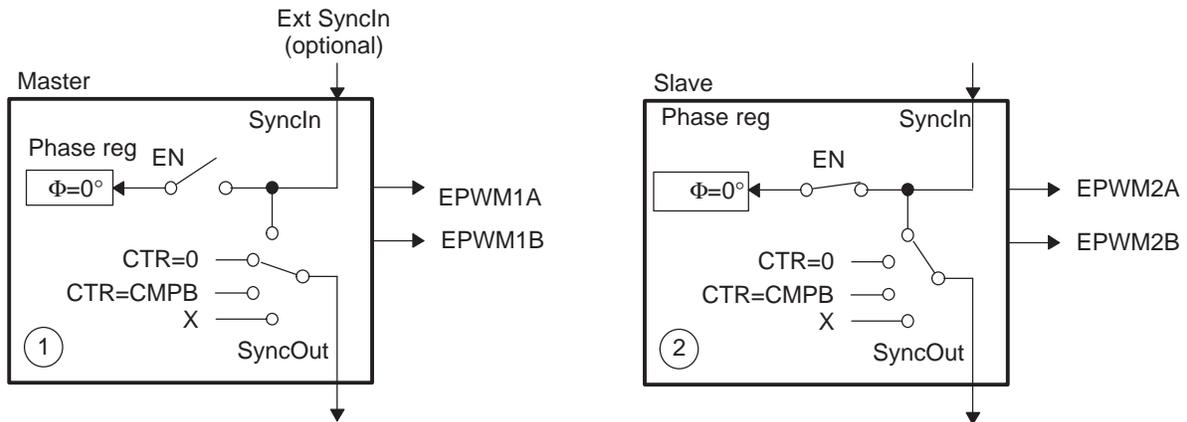
#### 34.3.2 Key Configuration Capabilities

The key configuration choices available to each module are as follows:

- Options for SyncIn
  - Load own counter with phase register on an incoming sync strobe—enable (EN) switch closed
  - Do nothing or ignore incoming sync strobe—enable switch open
  - Sync flow-through - SyncOut connected to SyncIn
  - Master mode, provides a sync at PWM boundaries—SyncOut connected to CTR = PRD
  - Master mode, provides a sync at any programmable point in time—SyncOut connected to CTR = CMPB
  - Module is in standalone mode and provides No sync to other modules—SyncOut connected to X (disabled)
- Options for SyncOut
  - Sync flow-through - SyncOut connected to SyncIn
  - Master mode, provides a sync at PWM boundaries—SyncOut connected to CTR = PRD
  - Master mode, provides a sync at any programmable point in time—SyncOut connected to CTR = CMPB
  - Module is in standalone mode and provides No sync to other modules—SyncOut connected to X (disabled)

For each choice of SyncOut, a module may also choose to load its own counter with a new phase value on a SyncIn strobe input or choose to ignore it, i.e., via the enable switch. Although various combinations are possible, the two most common—master module and slave module modes—are shown in [Figure 34-52](#).

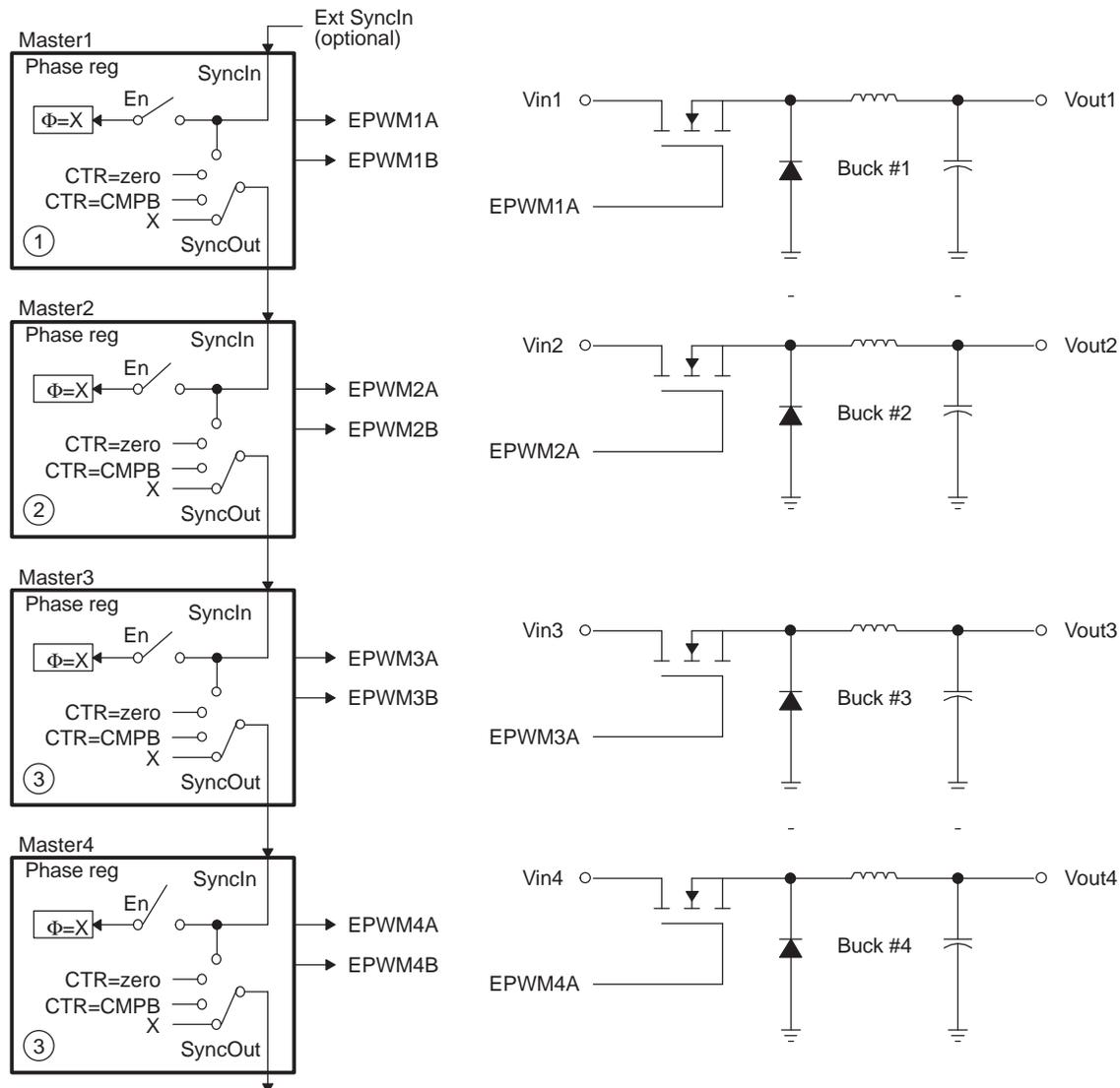
Figure 34-52. EPWM1 Configured as a Typical Master, EPWM2 Configured as a Slave



### 34.3.3 Controlling Multiple Buck Converters With Independent Frequencies

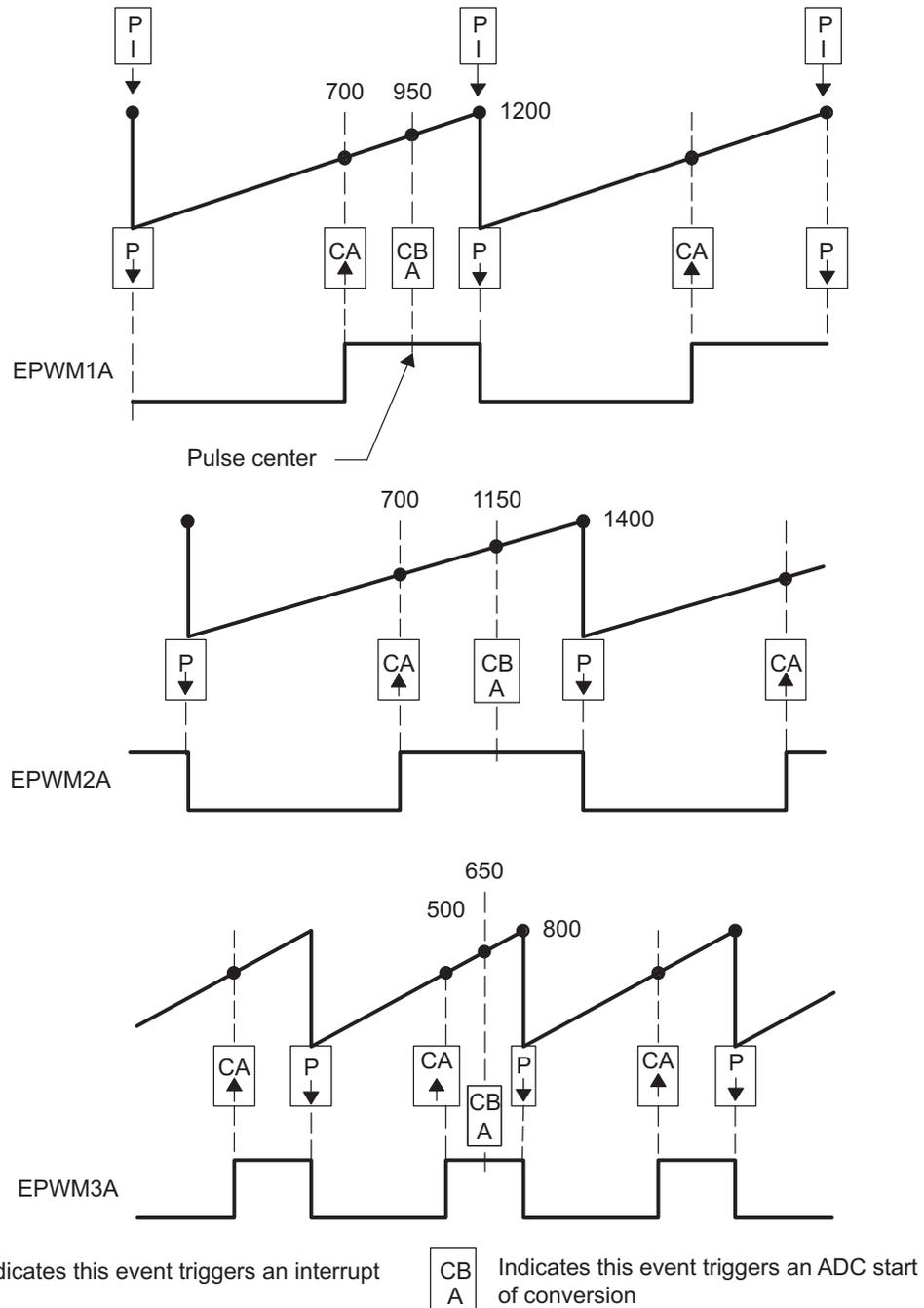
One of the simplest power converter topologies is the buck. A single ePWM module configured as a master can control two buck stages with the same PWM frequency. If independent frequency control is required for each buck converter, then one ePWM module must be allocated for each converter stage. Figure 34-53 shows four buck stages, each running at independent frequencies. In this case, all four ePWM modules are configured as Masters and no synchronization is used. Figure 34-54 shows the waveforms generated by the setup shown in Figure 34-53; note that only three waveforms are shown, although there are four stages.

**Figure 34-53. Control of Four Buck Stages. Here  $F_{PWM1} \neq F_{PWM2} \neq F_{PWM3} \neq F_{PWM4}$**



NOTE:  $\Theta = X$  indicates value in phase register is a "don't care"

Figure 34-54. Buck Waveforms for Figure 34-53 (Note: Only three bucks shown here)



**Example 34-8. Configuration for Example in Figure 34-54**

```

//=====
// (Note: code for only 3 modules shown)
// Initialization Time
//=====
// EPWM Module 1 config
EPwm1Regs.TBPRD = 1200; // Period = 1201 TBCLK counts
EPwm1Regs.TBPHS.half.TBPHS = 0; // Set Phase register to zero
EPwm1Regs.TBCTL.bit.CTRMODE = TB_COUNT_UP; // Asymmetrical mode
EPwm1Regs.TBCTL.bit.PHSEN = TB_DISABLE; // Phase loading disabled
EPwm1Regs.TBCTL.bit.PRDL = TB_SHADOW;
EPwm1Regs.TBCTL.bit.SYNCOSEL = TB_SYNC_DISABLE;
EPwm1Regs.CMPCTL.bit.SHDWAMODE = CC_SHADOW;
EPwm1Regs.CMPCTL.bit.SHDWBMODE = CC_SHADOW;
EPwm1Regs.CMPCTL.bit.LOADAMODE = CC_CTR_ZERO; // load on CTR=Zero
EPwm1Regs.CMPCTL.bit.LOADBMODE = CC_CTR_ZERO; // load on CTR=Zero
EPwm1Regs.AQCTLA.bit.PR = AQ_CLEAR;
EPwm1Regs.AQCTLA.bit.CAU = AQ_SET;
// EPWM Module 2 config
EPwm2Regs.TBPRD = 1400; // Period = 1401 TBCLK counts
EPwm2Regs.TBPHS.half.TBPHS = 0; // Set Phase register to zero
EPwm2Regs.TBCTL.bit.CTRMODE = TB_COUNT_UP; // Asymmetrical mode
EPwm2Regs.TBCTL.bit.PHSEN = TB_DISABLE; // Phase loading disabled
EPwm2Regs.TBCTL.bit.PRDL = TB_SHADOW;
EPwm2Regs.TBCTL.bit.SYNCOSEL = TB_SYNC_DISABLE;
EPwm2Regs.CMPCTL.bit.SHDWAMODE = CC_SHADOW;
EPwm2Regs.CMPCTL.bit.SHDWBMODE = CC_SHADOW;
EPwm2Regs.CMPCTL.bit.LOADAMODE = CC_CTR_ZERO; // load on CTR=Zero
EPwm2Regs.CMPCTL.bit.LOADBMODE = CC_CTR_ZERO; // load on CTR=Zero
EPwm2Regs.AQCTLA.bit.PR = AQ_CLEAR;
EPwm2Regs.AQCTLA.bit.CAU = AQ_SET;
// EPWM Module 3 config
EPwm3Regs.TBPRD = 800; // Period = 801 TBCLK counts
EPwm3Regs.TBPHS.half.TBPHS = 0; // Set Phase register to zero
EPwm3Regs.TBCTL.bit.CTRMODE = TB_COUNT_UP;
EPwm3Regs.TBCTL.bit.PHSEN = TB_DISABLE; // Phase loading disabled
EPwm3Regs.TBCTL.bit.PRDL = TB_SHADOW;
EPwm3Regs.TBCTL.bit.SYNCOSEL = TB_SYNC_DISABLE;
EPwm3Regs.CMPCTL.bit.SHDWAMODE = CC_SHADOW;
EPwm3Regs.CMPCTL.bit.SHDWBMODE = CC_SHADOW;
EPwm3Regs.CMPCTL.bit.LOADAMODE = CC_CTR_ZERO; // load on CTR=Zero
EPwm3Regs.CMPCTL.bit.LOADBMODE = CC_CTR_ZERO; // load on CTR=Zero
EPwm3Regs.AQCTLA.bit.PR = AQ_CLEAR;
EPwm3Regs.AQCTLA.bit.CAU = AQ_SET;
//
// Run Time (Note: Example execution of one run-time instant)
//=====
EPwm1Regs.CMPA.half.CMPA = 700; // adjust duty for output EPWM1A
EPwm2Regs.CMPA.half.CMPA = 700; // adjust duty for output EPWM2A
EPwm3Regs.CMPA.half.CMPA = 500; // adjust duty for output EPWM3A
    
```

### 34.3.4 Controlling Multiple Buck Converters With Same Frequencies

If synchronization is a requirement, ePWM module 2 can be configured as a slave and can operate at integer multiple (N) frequencies of module 1. The sync signal from master to slave ensures these modules remain locked. Figure 34-55 shows such a configuration; Figure 34-56 shows the waveforms generated by the configuration.

Figure 34-55. Control of Four Buck Stages. (Note:  $F_{PWM2} = N \times F_{PWM1}$ )

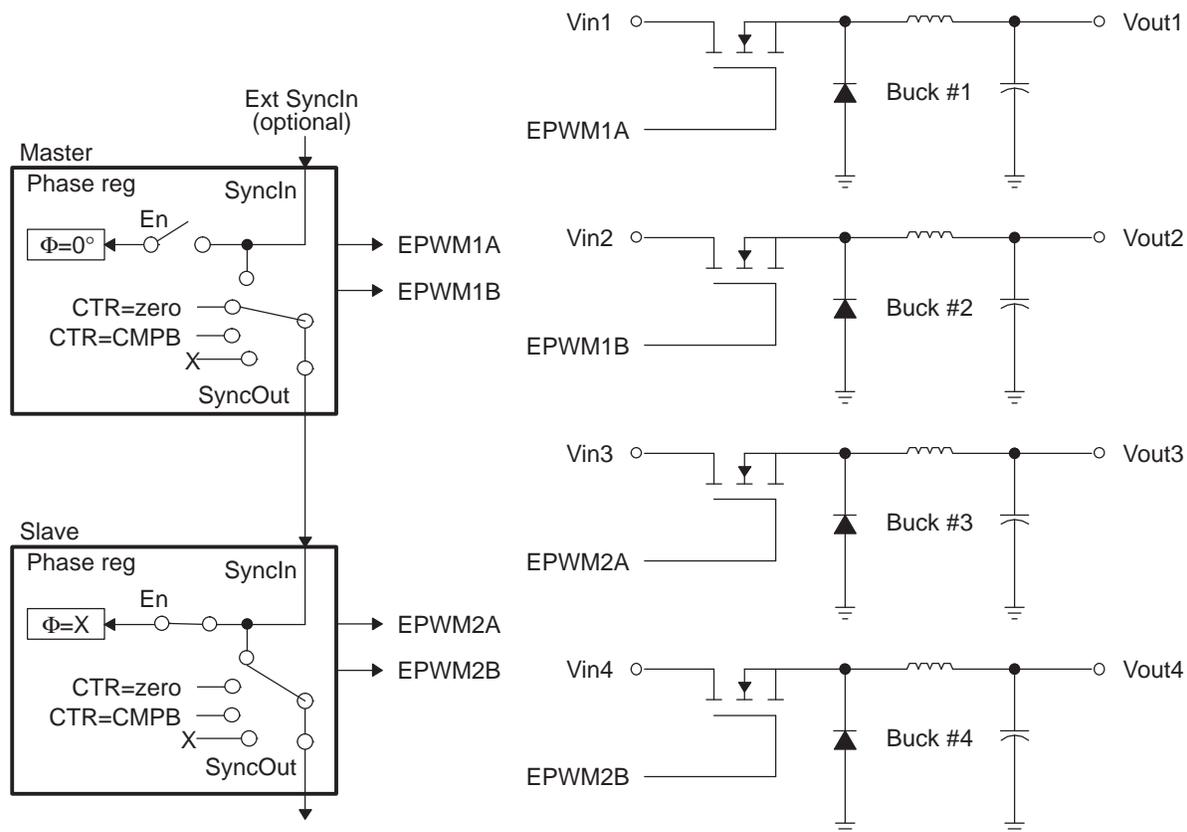
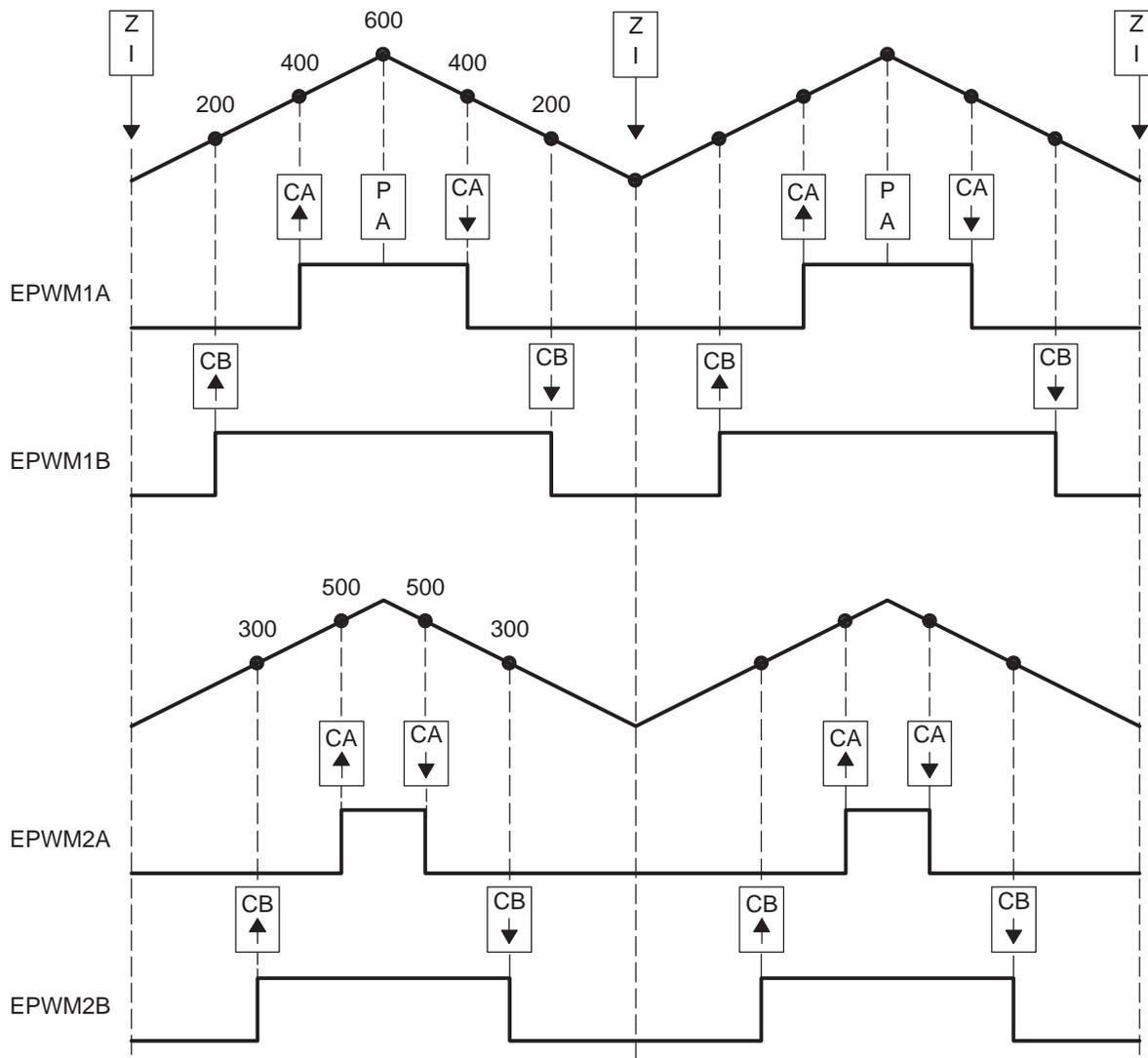


Figure 34-56. Buck Waveforms for Figure 34-55 (Note:  $F_{PWM2} = F_{PWM1}$ )



**Example 34-9. Code Snippet for Configuration in Figure 34-55**

```

//=====
// EPWM Module 1 config
EPwm1Regs.TBPRD = 600; // Period = 1200 TBCLK counts
EPwm1Regs.TBPHS.half.TBPHS = 0; // Set Phase register to zero
EPwm1Regs.TBCTL.bit.CTRMODE = TB_COUNT_UPDOWN; // Symmetrical mode
EPwm1Regs.TBCTL.bit.PHSEN = TB_DISABLE; // Master module
EPwm1Regs.TBCTL.bit.PRDL = TB_SHADOW;
EPwm1Regs.TBCTL.bit.SYNCSEL = TB_CTR_ZERO; // Sync down-stream module
EPwm1Regs.CMPCTL.bit.SHDWAMODE = CC_SHADOW;
EPwm1Regs.CMPCTL.bit.SHDWBMODE = CC_SHADOW;
EPwm1Regs.CMPCTL.bit.LOADAMODE = CC_CTR_ZERO; // load on CTR=Zero
EPwm1Regs.CMPCTL.bit.LOADBMODE = CC_CTR_ZERO; // load on CTR=Zero
EPwm1Regs.AQCTLA.bit.CAU = AQ_SET; // set actions for EPWM1A
EPwm1Regs.AQCTLA.bit.CAD = AQ_CLEAR;
EPwm1Regs.AQCTLB.bit.CBU = AQ_SET; // set actions for EPWM1B
EPwm1Regs.AQCTLB.bit.CBD = AQ_CLEAR;
// EPWM Module 2 config
EPwm2Regs.TBPRD = 600; // Period = 1200 TBCLK counts
EPwm2Regs.TBPHS.half.TBPHS = 0; // Set Phase register to zero
EPwm2Regs.TBCTL.bit.CTRMODE = TB_COUNT_UPDOWN; // Symmetrical mode
EPwm2Regs.TBCTL.bit.PHSEN = TB_ENABLE; // Slave module
EPwm2Regs.TBCTL.bit.PRDL = TB_SHADOW;
EPwm2Regs.TBCTL.bit.SYNCSEL = TB_SYNC_IN; // sync flow-through
EPwm2Regs.CMPCTL.bit.SHDWAMODE = CC_SHADOW;
EPwm2Regs.CMPCTL.bit.SHDWBMODE = CC_SHADOW;
EPwm2Regs.CMPCTL.bit.LOADAMODE = CC_CTR_ZERO; // load on CTR=Zero
EPwm2Regs.CMPCTL.bit.LOADBMODE = CC_CTR_ZERO; // load on CTR=Zero
EPwm2Regs.AQCTLA.bit.CAU = AQ_SET; // set actions for EPWM2A
EPwm2Regs.AQCTLA.bit.CAD = AQ_CLEAR;
EPwm2Regs.AQCTLB.bit.CBU = AQ_SET; // set actions for EPWM2B
EPwm2Regs.AQCTLB.bit.CBD = AQ_CLEAR;
//
// Run Time (Note: Example execution of one run-time instance)
//=====
EPwm1Regs.CMPA.half.CMPA = 400; // adjust duty for output EPWM1A
EPwm1Regs.CMPB = 200; // adjust duty for output EPWM1B
EPwm2Regs.CMPA.half.CMPA = 500; // adjust duty for output EPWM2A
EPwm2Regs.CMPB = 300; // adjust duty for output EPWM2B

```

### 34.3.5 Controlling Multiple Half H-Bridge (HHB) Converters

Topologies that require control of multiple switching elements can also be addressed with these same ePWM modules. It is possible to control a Half-H bridge stage with a single ePWM module. This control can be extended to multiple stages. Figure 34-57 shows control of two synchronized Half-H bridge stages where stage 2 can operate at integer multiple (N) frequencies of stage 1. Figure 34-58 shows the waveforms generated by the configuration shown in Figure 34-57.

Module 2 (slave) is configured for Sync flow-through; if required, this configuration allows for a third Half-H bridge to be controlled by PWM module 3 and also, most importantly, to remain in synchronization with master module 1.

**Figure 34-57. Control of Two Half-H Bridge Stages ( $F_{P\text{WM}2} = N \times F_{P\text{WM}1}$ )**

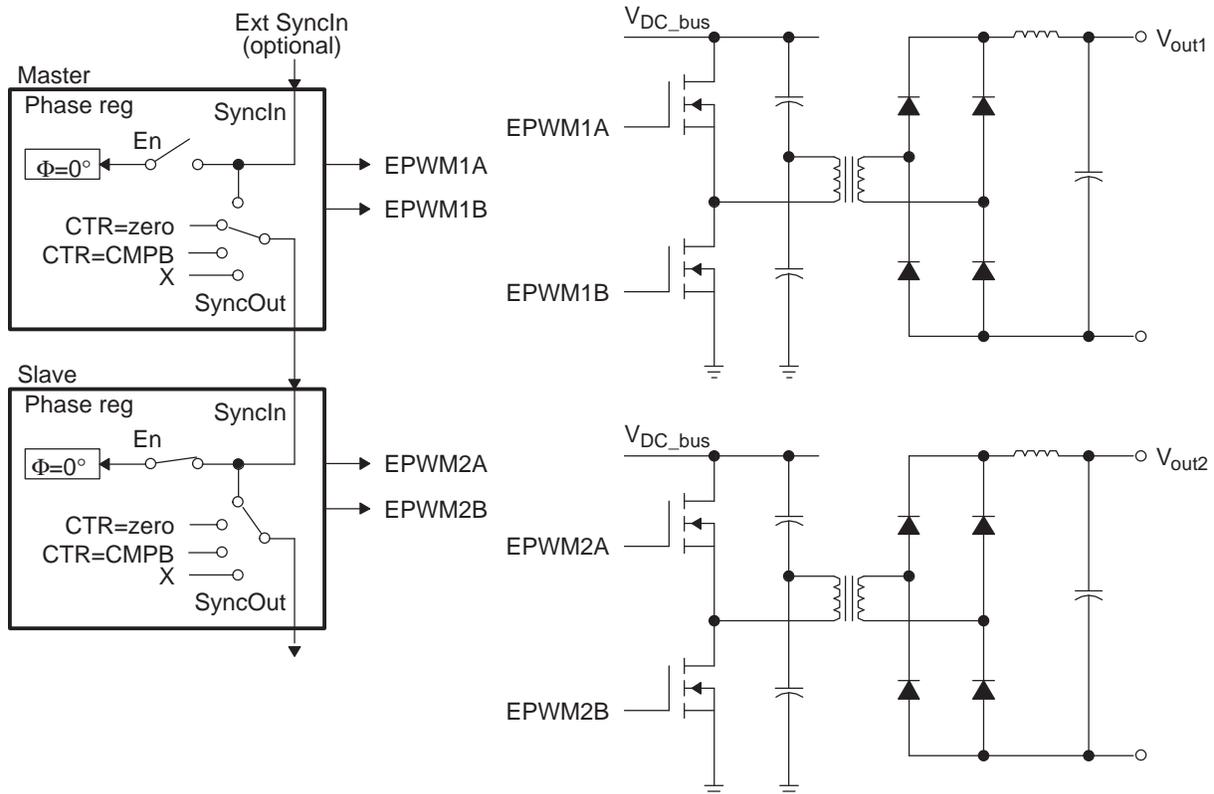
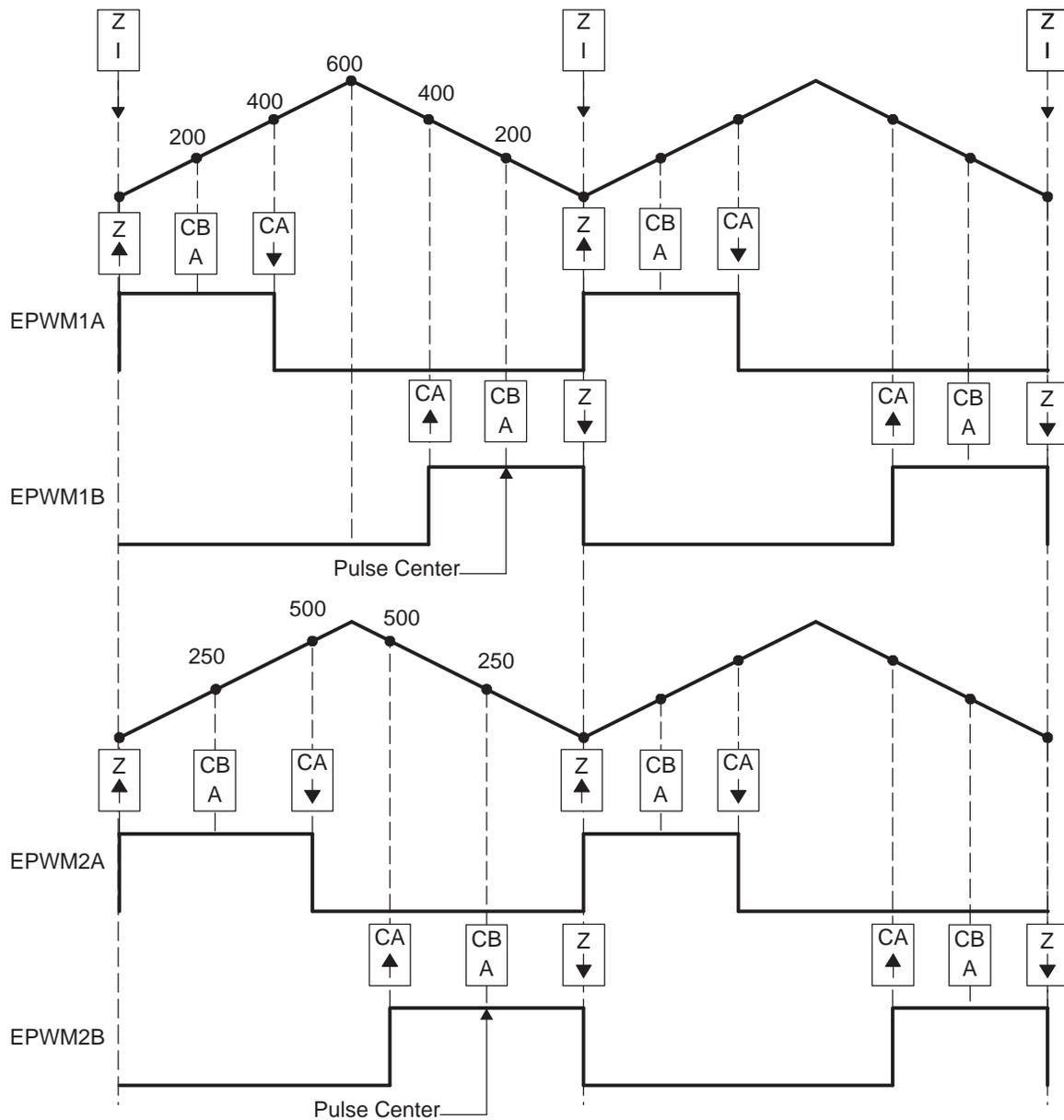


Figure 34-58. Half-H Bridge Waveforms for Figure 34-57 (Note: Here  $F_{PWM2} = F_{PWM1}$ )



**Example 34-10. Code Snippet for Configuration in Figure 34-57**

```

//=====
// Config
//=====
// Initialization Time
//=====
// EPWM Module 1 config
    EPwm1Regs.TBPRD = 600;                // Period = 1200 TBCLK counts
    EPwm1Regs.TBPHS.half.TBPHS = 0;      // Set Phase register to zero
    EPwm1Regs.TBCTL.bit.CTRMODE = TB_COUNT_UPDOWN; // Symmetrical mode
    EPwm1Regs.TBCTL.bit.PHSEN = TB_DISABLE; // Master module
    EPwm1Regs.TBCTL.bit.PRDL = TB_SHADOW;
    EPwm1Regs.TBCTL.bit.SYNCSEL = TB_CTR_ZERO; // Sync down-stream module
    EPwm1Regs.CMPCTL.bit.SHDWAMODE = CC_SHADOW;
    EPwm1Regs.CMPCTL.bit.SHDWBMODE = CC_SHADOW;
    EPwm1Regs.CMPCTL.bit.LOADAMODE = CC_CTR_ZERO; // load on CTR=Zero
    EPwm1Regs.CMPCTL.bit.LOADBMODE = CC_CTR_ZERO; // load on CTR=Zero
    EPwm1Regs.AQCTLA.bit.ZRO = AQ_SET;    // set actions for EPWM1A
    EPwm1Regs.AQCTLA.bit.CAU = AQ_CLEAR;
    EPwm1Regs.AQCTLB.bit.ZRO = AQ_CLEAR;  // set actions for EPWM1B
    EPwm1Regs.AQCTLB.bit.CAD = AQ_SET;

// EPWM Module 2 config
    EPwm2Regs.TBPRD = 600;                // Period = 1200 TBCLK counts
    EPwm2Regs.TBPHS.half.TBPHS = 0;      // Set Phase register to zero
    EPwm2Regs.TBCTL.bit.CTRMODE = TB_COUNT_UPDOWN; // Symmetrical mode
    EPwm2Regs.TBCTL.bit.PHSEN = TB_ENABLE; // Slave module
    EPwm2Regs.TBCTL.bit.PRDL = TB_SHADOW;
    EPwm2Regs.TBCTL.bit.SYNCSEL = TB_SYNC_IN; // sync flow-through
    EPwm2Regs.CMPCTL.bit.SHDWAMODE = CC_SHADOW;
    EPwm2Regs.CMPCTL.bit.SHDWBMODE = CC_SHADOW;
    EPwm2Regs.CMPCTL.bit.LOADAMODE = CC_CTR_ZERO; // load on CTR=Zero
    EPwm2Regs.CMPCTL.bit.LOADBMODE = CC_CTR_ZERO; // load on CTR=Zero
    EPwm2Regs.AQCTLA.bit.ZRO = AQ_SET;    // set actions for EPWM1A
    EPwm2Regs.AQCTLA.bit.CAU = AQ_CLEAR;
    EPwm2Regs.AQCTLB.bit.ZRO = AQ_CLEAR;  // set actions for EPWM1B
    EPwm2Regs.AQCTLB.bit.CAD = AQ_SET;

//=====
    EPwm1Regs.CMPA.half.CMPA = 400;        // adjust duty for output EPWM1A & EPWM1B

    EPwm1Regs.CMPB = 200;                  // adjust point-in-time for ADCSOC trigger
    EPwm2Regs.CMPA.half.CMPA = 500;        // adjust duty for output EPWM2A & EPWM2B
    EPwm2Regs.CMPB = 250;                  // adjust point-in-time for ADCSOC trigger
  
```

### 34.3.6 Controlling Dual 3-Phase Inverters for Motors (ACI and PMSM)

The idea of multiple modules controlling a single power stage can be extended to the 3-phase Inverter case. In such a case, six switching elements can be controlled using three PWM modules, one for each leg of the inverter. Each leg must switch at the same frequency and all legs must be synchronized. A master + two slaves configuration can easily address this requirement. [Figure 34-59](#) shows how six PWM modules can control two independent 3-phase Inverters; each running a motor.

As in the cases shown in the previous sections, we have a choice of running each inverter at a different frequency (module 1 and module 4 are masters as in [Figure 34-59](#)), or both inverters can be synchronized by using one master (module 1) and five slaves. In this case, the frequency of modules 4, 5, and 6 (all equal) can be integer multiples of the frequency for modules 1, 2, 3 (also all equal).

Figure 34-59. Control of Dual 3-Phase Inverter Stages as Is Commonly Used in Motor Control

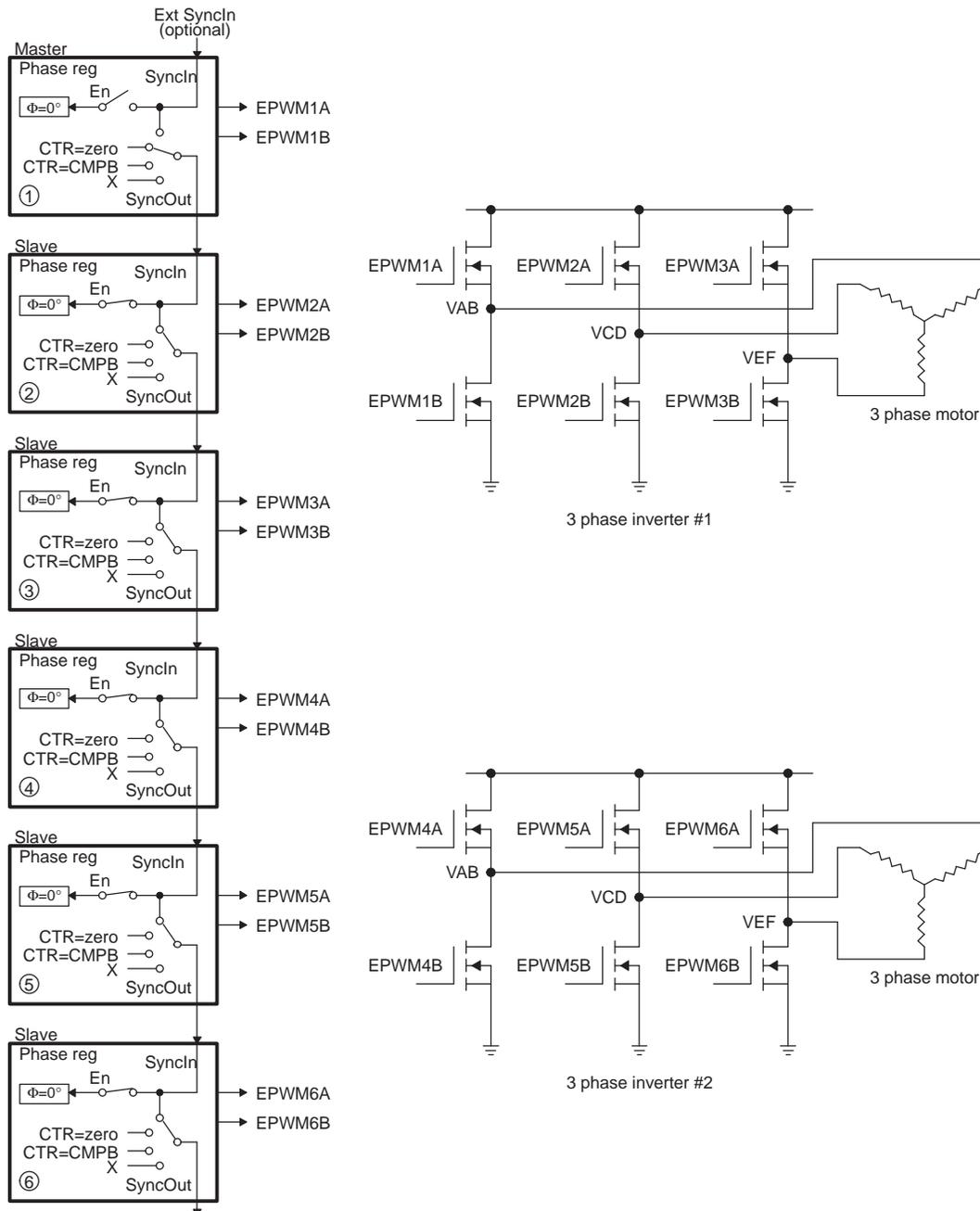
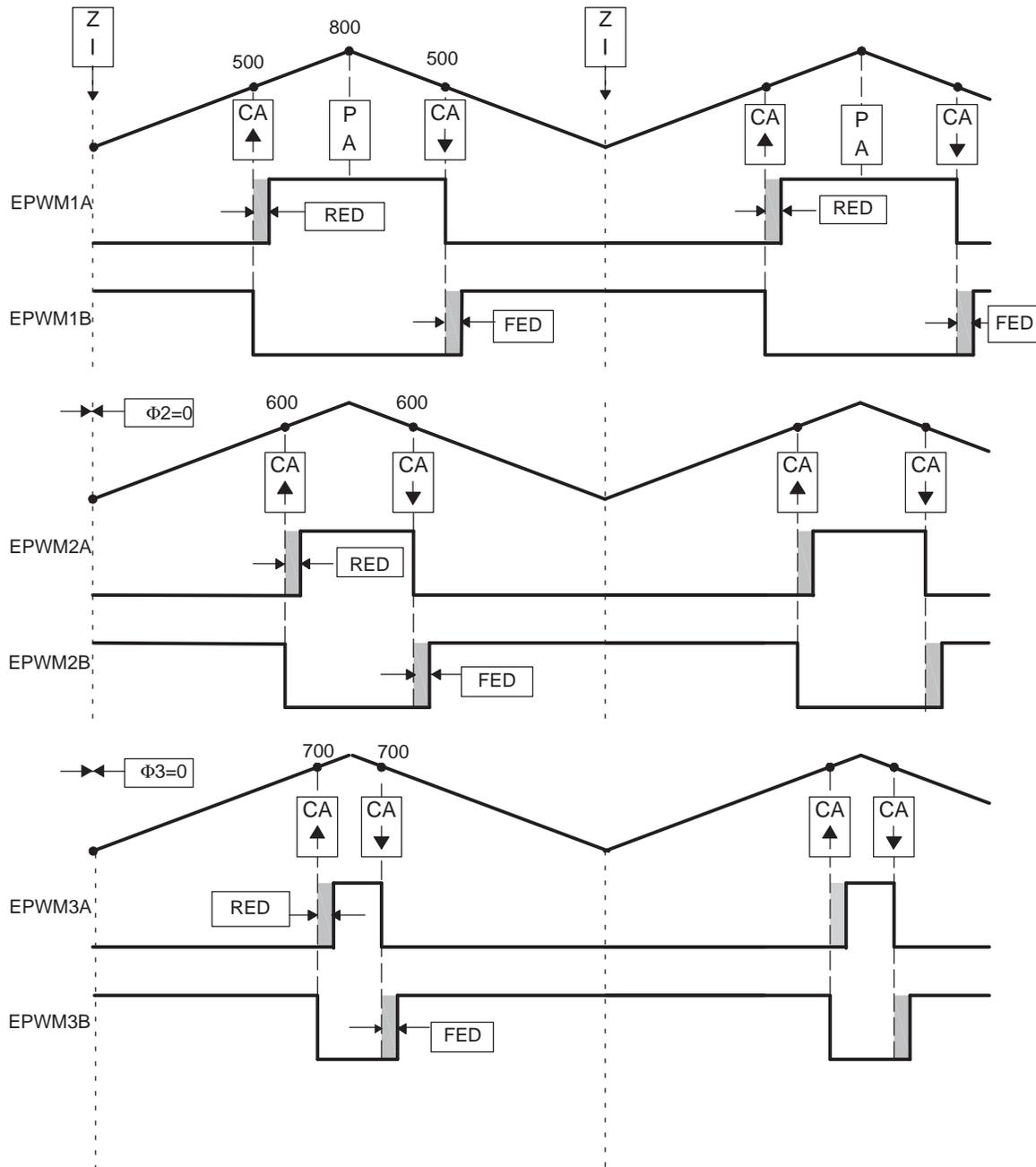


Figure 34-60. 3-Phase Inverter Waveforms for Figure 34-59 (Only One Inverter Shown)



### 34.3.7 Practical Applications Using Phase Control Between PWM Modules

So far, none of the examples have made use of the phase register (TBPHS). It has either been set to zero or its value has been a don't care. However, by programming appropriate values into TBPHS, multiple PWM modules can address another class of applications that rely on phase relationship between stages for correct operation. As described in the TB module section, a PWM module can be configured to allow a SyncIn pulse to cause the TBPHS register to be loaded into the TBCTR register. To illustrate this concept, [Figure 34-61](#) shows a master and slave module with a phase relationship of 120°, i.e., the slave leads the master.

**Figure 34-61. Configuring Two PWM Modules for Phase Control**

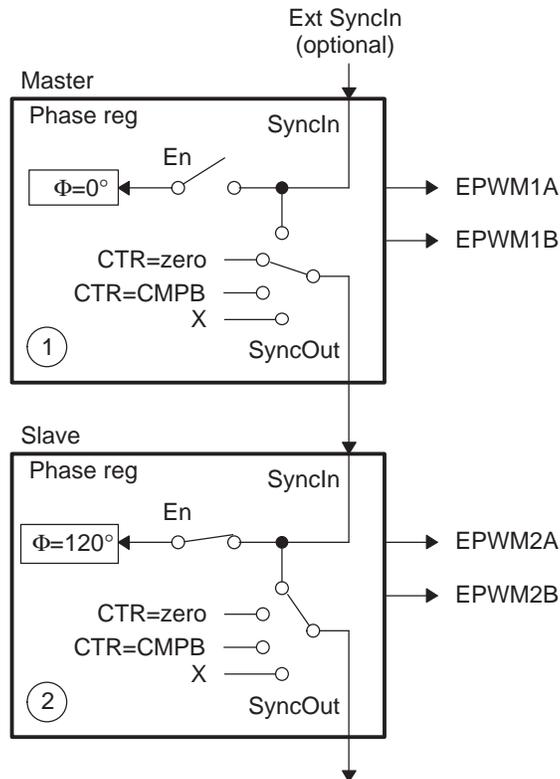
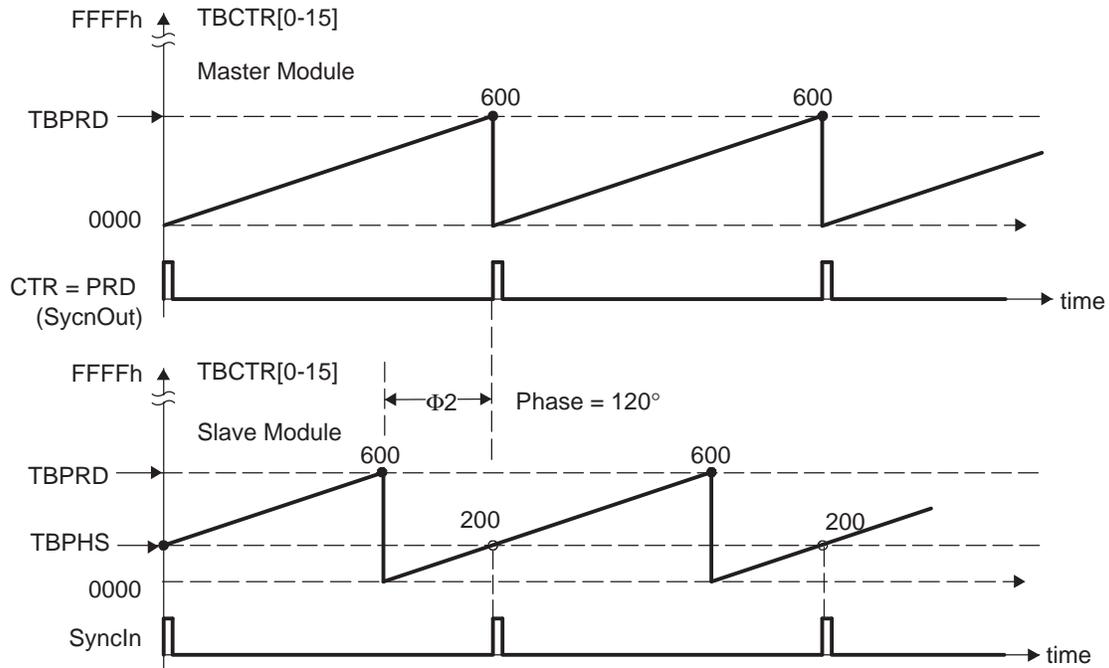


Figure 34-62 shows the associated timing waveforms for this configuration. Here, TBPRD = 600 for both master and slave. For the slave, TBPHS = 200 ( $200/600 \times 360^\circ = 120^\circ$ ). Whenever the master generates a SyncIn pulse (CTR = PRD), the value of TBPHS = 200 is loaded into the slave TBCTR register so the slave time-base is always leading the master's time-base by  $120^\circ$ .

**Figure 34-62. Timing Waveforms Associated With Phase Control Between 2 Modules**



## 34.4 ePWM Registers

Table 34-22 lists the complete ePWM module control and status register set grouped by submodule. Each register set is duplicated for each instance of the ePWM module. The base address for the control registers is FCF7 8C00h for ePWM1, FCF7 8D00h for ePWM2, FCF7 8E00h for ePWM3, FCF7 8F00h for ePWM4, FCF7 9000h for ePWM5, FCF7 9100h for ePWM6, and FCF7 9200h for ePWM7.

**Table 34-22. ePWM Module Control and Status Register Set Grouped by Submodule**

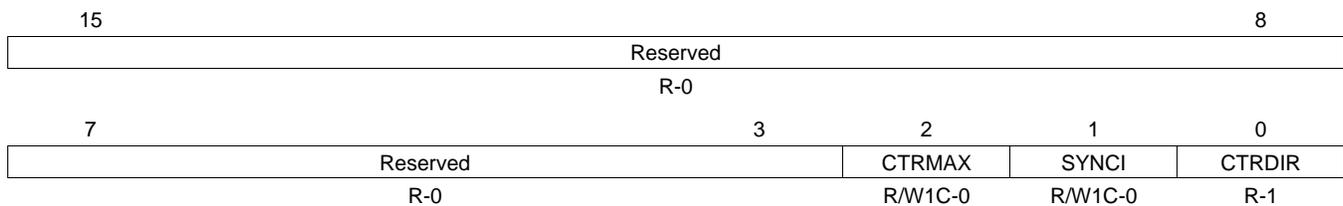
Address Offset	Name	Description	Section
<b>Time-Base Submodule Registers</b>			
00h	TBCTL	Time-Base Control Register	<a href="#">Section 34.4.1.2</a>
02h	TBSTS	Time-Base Status Register	<a href="#">Section 34.4.1.1</a>
06h	TBPHS	Time-Base Phase Register	<a href="#">Section 34.4.1.3</a>
08h	TBCTR	Time-Base Counter Register	<a href="#">Section 34.4.1.5</a>
0Ah	TBPRD	Time-Base Period Register	<a href="#">Section 34.4.1.4</a>
<b>Counter-Compare Submodule Registers</b>			
0Eh	CMPCTL	Counter-Compare Control Register	<a href="#">Section 34.4.2.1</a>
12h	CMPA	Counter-Compare A Register	<a href="#">Section 34.4.2.2</a>
14h	CMPB	Counter-Compare B Register	<a href="#">Section 34.4.2.3</a>
<b>Action-Qualifier Submodule Registers</b>			
16h	AQCTLA	Action-Qualifier Control Register for Output A (EPWMxA)	<a href="#">Section 34.4.3.1</a>
18h	AQCTLB	Action-Qualifier Control Register for Output B (EPWMxB)	<a href="#">Section 34.4.3.3</a>
1Ah	AQSFRC	Action-Qualifier Software Force Register	<a href="#">Section 34.4.3.2</a>
1Ch	AQCSFRC	Action-Qualifier Continuous S/W Force Register Set	<a href="#">Section 34.4.3.4</a>
<b>Dead-Band Generator Submodule Registers</b>			
1Eh	DBCTL	Dead-Band Generator Control Register	<a href="#">Section 34.4.4.1</a>
20h	DBRED	Dead-Band Generator Rising Edge Delay Count Register	<a href="#">Section 34.4.4.3</a>
22h	DBFED	Dead-Band Generator Falling Edge Delay Count Register	<a href="#">Section 34.4.4.2</a>
<b>Trip-Zone Submodule Registers</b>			
24h	TZSEL	Trip-Zone Select Register	<a href="#">Section 34.4.5.2</a>
26h	TZDCSEL	Trip Zone Digital Compare Event Select Register	<a href="#">Section 34.4.5.1</a>
28h	TZCTL	Trip-Zone Control Register	<a href="#">Section 34.4.5.4</a>
2Ah	TZEINT	Trip-Zone Enable Interrupt Register	<a href="#">Section 34.4.5.3</a>
2Ch	TZFLG	Trip-Zone Flag Register	<a href="#">Section 34.4.5.6</a>
2Eh	TZCLR	Trip-Zone Clear Register	<a href="#">Section 34.4.5.5</a>
30h	TZFRC	Trip-Zone Force Register	<a href="#">Section 34.4.5.7</a>
<b>Event-Trigger Submodule Registers</b>			
32h	ETSEL	Event-Trigger Selection Register	<a href="#">Section 34.4.6.1</a>
34h	ETPS	Event-Trigger Pre-Scale Register	<a href="#">Section 34.4.6.3</a>
36h	ETFLG	Event-Trigger Flag Register	<a href="#">Section 34.4.6.2</a>
38h	ETCLR	Event-Trigger Clear Register	<a href="#">Section 34.4.6.5</a>
3Ah	ETFRC	Event-Trigger Force Register	<a href="#">Section 34.4.6.4</a>
<b>PWM-Chopper Submodule Registers</b>			
3Ch	PCCTL	PWM-Chopper Control Register	<a href="#">Section 34.4.7.1</a>
<b>Digital Compare Event Registers</b>			
60h	DCTRIPSEL	Digital Compare Trip Select Register	<a href="#">Section 34.4.8.2</a>
62h	DCACTL	Digital Compare A Control Register	<a href="#">Section 34.4.8.1</a>
64h	DCBCTL	Digital Compare B Control Register	<a href="#">Section 34.4.8.4</a>
66h	DCFCTL	Digital Compare Filter Control Register	<a href="#">Section 34.4.8.3</a>
68h	DCCAPCTL	Digital Compare Capture Control Register	<a href="#">Section 34.4.8.6</a>
6Ah	DCFOFFSET	Digital Compare Filter Offset Register	<a href="#">Section 34.4.8.5</a>

**Table 34-22. ePWM Module Control and Status Register Set Grouped by Submodule (continued)**

Address Offset	Name	Description	Section
6Ch	DCOFFSETCNT	Digital Compare Filter Offset Counter Register	<a href="#">Section 34.4.8.8</a>
6Eh	DCFWINDOW	Digital Compare Filter Window Register	<a href="#">Section 34.4.8.7</a>
70h	DCFWINDOWCNT	Digital Compare Filter Window Counter Register	<a href="#">Section 34.4.8.10</a>
72h	DCCAP	Digital Compare Counter Capture Register	<a href="#">Section 34.4.8.9</a>

### 34.4.1 Time-Base Submodule Registers

#### 34.4.1.1 Time-Base Status Register (TBSTS)

**Figure 34-63. Time-Base Status Register (TBSTS) [offset = 02h]**


LEGEND: R/W = Read/Write; R = Read only; R/W1C = Read/Write 1 to clear; -n = value after reset

**Table 34-23. Time-Base Status Register (TBSTS) Field Descriptions**

Bit	Field	Value	Description
15-3	Reserved	0	Reserved
2	CTRMAX	0	Time-Base Counter Max Latched Status Bit Read: Indicates the time-base counter never reached its maximum value. Write: No effect.
		1	Read: Indicates that the time-base counter reached the maximum value 0xFFFF. Write: Clears the latched event.
1	SYNCI	0	Input Synchronization Latched Status Bit Read: Indicates no external synchronization event has occurred. Write: No effect.
		1	Read: Indicates that an external synchronization event has occurred (EPWMxSYNCI). Write: Clears the latched event.
0	CTDIR		Time-Base Counter Direction Status Bit. At reset, the counter is frozen; therefore, this bit has no meaning. To make this bit meaningful, you must first set the appropriate mode via TBCTL[CTRMODE].
		0	Time-Base Counter is currently counting down.
		1	Time-Base Counter is currently counting up.

### 34.4.1.2 Time-Base Control Register (TBCTL)

**Figure 34-64. Time-Base Control Register (TBCTL) [offset = 00h]**

15	14	13	12	10	9	8
FREE	SOFT	PHSDIR	CLKDIV		HSPCLKDIV	
R/W-0	R/W-0	R/W-0	R/W-0		R/W-0	
7	6	5	4	3	2	1 0
HSPCLKDIV	SWFSYNC	SYNCSEL		PRDLD	PHSEN	CTRMODE
R/W-1	R/W-0	R/W-0		R/W-0	R/W-0	R/W-3h

LEGEND: R/W = Read/Write; R = Read only; -n = value after reset

**Table 34-24. Time-Base Control Register (TBCTL) Field Descriptions**

Bit	Field	Value	Description
15-14	FREE, SOFT	0 Stop after the next time-base counter increment or decrement 1h Stop when counter completes a whole cycle: <ul style="list-style-type: none"> <li>Up-count mode: stop when the time-base counter = period (TBCTR = TBPRD)</li> <li>Down-count mode: stop when the time-base counter = 0x0000 (TBCTR = 0x0000)</li> <li>Up-down-count mode: stop when the time-base counter = 0x0000 (TBCTR = 0x0000)</li> </ul> 2h-3h Free run	
13	PHSDIR	0 Count down after the synchronization event. 1 Count up after the synchronization event.	Phase Direction Bit. This bit is only used when the time-base counter is configured in the up-down-count mode. The PHSDIR bit indicates the direction the time-base counter (TBCTR) will count after a synchronization event occurs and a new phase value is loaded from the phase (TBPHS) register. This is irrespective of the direction of the counter before the synchronization event.. In the up-count and down-count modes this bit is ignored.
12-10	CLKDIV	0 /1 (default on reset) 1h /2 2h /4 3h /8 4h /16 5h /32 6h /64 7h /128	Time-base Clock Prescale Bits These bits determine part of the time-base clock prescale value. $TBCLK = VCLK3 / (HSPCLKDIV \times CLKDIV)$
9-7	HSPCLKDIV	0 /1 1h /2 (default on reset) 2h /4 3h /6 4h /8 5h /10 6h /12 7h /14	High Speed Time-base Clock Prescale Bits. These bits determine part of the time-base clock prescale value: $TBCLK = VCLK3 / (HSPCLKDIV \times CLKDIV)$

**Table 34-24. Time-Base Control Register (TBCTL) Field Descriptions (continued)**

Bit	Field	Value	Description
6	SWFSYNC	0 1	<p>Software Forced Synchronization Pulse</p> <p>Writing a 0 has no effect and reads always return a 0.</p> <p>Writing a 1 forces a one-time synchronization pulse to be generated.</p> <p>This event is ORed with the EPWMxSYNCl input of the ePWM module.</p> <p>SWFSYNC is valid (operates) only when EPWMxSYNCl is selected by SYNCOSSEL = 00.</p>
5-4	SYNCOSSEL	0 1h 2h 3h	<p>Synchronization Output Select. These bits select the source of the EPWMxSYNCO signal.</p> <p>EPWMxSYNC:</p> <p>0 CTR = zero: Time-base counter equal to zero (TBCTR = 0x0000)</p> <p>1h CTR = CMPB : Time-base counter equal to counter-compare B (TBCTR = CMPB)</p> <p>2h CTR = CMPB : Time-base counter equal to counter-compare B (TBCTR = CMPB)</p> <p>3h Disable EPWMxSYNCO signal</p>
3	PRDL	0 1	<p>Active Period Register Load From Shadow Register Select</p> <p>0 The period register (TBPRD) is loaded from its shadow register when the time-base counter, TBCTR, is equal to zero.</p> <p>A write or read to the TBPRD register accesses the shadow register.</p> <p>1 Load the TBPRD register immediately without using a shadow register.</p> <p>A write or read to the TBPRD register directly accesses the active register.</p>
2	PHSEN	0 1	<p>Counter Register Load From Phase Register Enable</p> <p>0 Do not load the time-base counter (TBCTR) from the time-base phase register (TBPHS)</p> <p>1 Load the time-base counter with the phase register when an EPWMxSYNCl input signal occurs or when a software synchronization is forced by the SWFSYNC bit, or when a digital compare sync event occurs.</p>
1-0	CTRMODE	0 1h 2h 3h	<p>Counter Mode</p> <p>The time-base counter mode is normally configured once and not changed during normal operation. If you change the mode of the counter, the change will take effect at the next TBCLK edge and the current counter value shall increment or decrement from the value before the mode change.</p> <p>These bits set the time-base counter mode of operation as follows:</p> <p>0 Up-count mode</p> <p>1h Down-count mode</p> <p>2h Up-down-count mode</p> <p>3h Stop-freeze counter operation (default on reset)</p>

### 34.4.1.3 Time-Base Phase Register (TBPHS)

**Figure 34-65. Time-Base Phase Register (TBPHS) [offset = 06h]**

15	0
TBPHS	
R/W-0	

LEGEND: R/W = Read/Write; R = Read only; -n = value after reset

**Table 34-25. Time-Base Phase Register (TBPHS) Field Descriptions**

Bits	Name	Description
15-0	TBPHS	<p>These bits set time-base counter phase of the selected ePWM relative to the time-base that is supplying the synchronization input signal.</p> <ul style="list-style-type: none"> <li>If TBCTL[PHSEN] = 0, then the synchronization event is ignored and the time-base counter is not loaded with the phase.</li> <li>If TBCTL[PHSEN] = 1, then the time-base counter (TBCTR) will be loaded with the phase (TBPHS) when a synchronization event occurs. The synchronization event can be initiated by the input synchronization signal (EPWMxSYNCl) or by a software forced synchronization.</li> </ul>

### 34.4.1.4 Time-Base Period Register (TBPRD)

**Figure 34-66. Time-Base Period Register (TBPRD) [offset = 0Ah]**

15	0
TBPRD	
R/W-0	

LEGEND: R/W = Read/Write; R = Read only; -n = value after reset

**Table 34-26. Time-Base Period Register (TBPRD) Field Descriptions**

Bits	Name	Description
15-0	TBPRD	<p>These bits determine the period of the time-base counter. This sets the PWM frequency.</p> <p>Shadowing of this register is enabled and disabled by the TBCTL[PRDLd] bit. By default this register is shadowed.</p> <ul style="list-style-type: none"> <li>If TBCTL[PRDLd] = 0, then the shadow is enabled and any write or read will automatically go to the shadow register. In this case, the active register will be loaded from the shadow register when the time-base counter equals zero.</li> <li>If TBCTL[PRDLd] = 1, then the shadow is disabled and any write or read will go directly to the active register, that is the register actively controlling the hardware.</li> <li>The active and shadow registers share the same memory map address.</li> </ul>

### 34.4.1.5 Time-Base Counter Register (TBCTR)

**Figure 34-67. Time-Base Counter Register (TBCTR) [offset = 08h]**

15	0
TBCTR	
R/W-0	

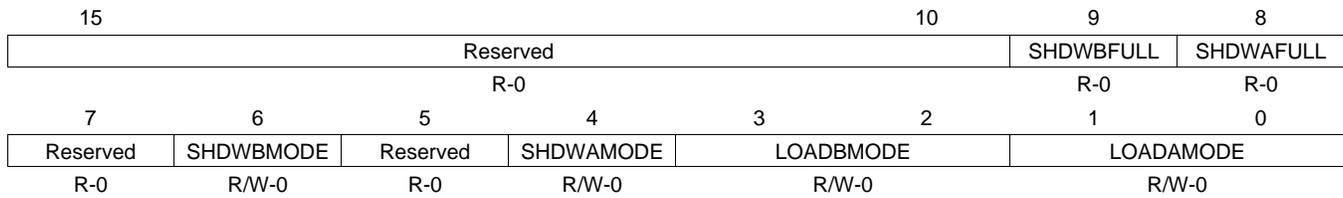
LEGEND: R/W = Read/Write; R = Read only; -n = value after reset

**Table 34-27. Time-Base Counter Register (TBCTR) Field Descriptions**

Bits	Name	Description
15-0	TBCTR	<p>Reading these bits gives the current time-base counter value.</p> <p>Writing to these bits sets the current time-base counter value. The update happens as soon as the write occurs; the write is NOT synchronized to the time-base clock (TBCLK) and the register is not shadowed.</p>

## 34.4.2 Counter-Compare Submodule Registers

### 34.4.2.1 Counter-Compare Control Register (CMPCTL)

**Figure 34-68. Counter-Compare Control Register (CMPCTL) [offset = 0Eh]**


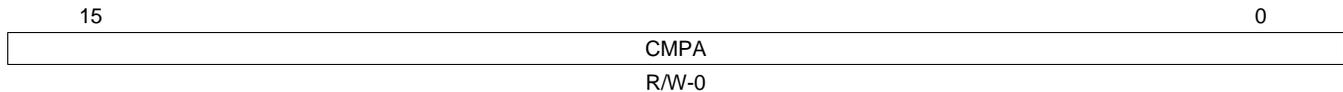
LEGEND: R/W = Read/Write; R = Read only; -n = value after reset

**Table 34-28. Counter-Compare Control Register (CMPCTL) Field Descriptions**

Bits	Name	Value	Description
15-10	Reserved	0	Reserved
9	SHDWBFULL	0 1	Counter-compare B (CMPB) Shadow Register Full Status Flag This bit self clears once a load-strobe occurs. 0 CMPB shadow FIFO not full yet 1 Indicates the CMPB shadow FIFO is full; a CPU write will overwrite current shadow value.
8	SHDWAFULL	0 1	Counter-compare A (CMPA) Shadow Register Full Status Flag The flag bit is set when a 32-bit write to CMPA:CMPAHR register or a 16-bit write to CMPA register is made. A 16-bit write to CMPAHR register will not affect the flag. This bit self clears once a load-strobe occurs. 0 CMPA shadow FIFO not full yet 1 Indicates the CMPA shadow FIFO is full, a CPU write will overwrite the current shadow value.
7	Reserved	0	Reserved
6	SHDWBMODE	0 1	Counter-compare B (CMPB) Register Operating Mode 0 Shadow mode. Operates as a double buffer. All writes via the CPU access the shadow register. 1 Immediate mode. Only the active compare B register is used. All writes and reads directly access the active register for immediate compare action.
5	Reserved	0	Reserved
4	SHDWAMODE	0 1	Counter-compare A (CMPA) Register Operating Mode 0 Shadow mode. Operates as a double buffer. All writes via the CPU access the shadow register. 1 Immediate mode. Only the active compare register is used. All writes and reads directly access the active register for immediate compare action
3-2	LOADBMODE	0 1h 2h 3h	Active Counter-Compare B (CMPB) Load From Shadow Select Mode This bit has no effect in immediate mode (CMPCTL[SHDWBMODE] = 1). 0 Load on CTR = Zero: Time-base counter equal to zero (TBCTR = 0x0000) 1h Load on CTR = PRD: Time-base counter equal to period (TBCTR = TBPRD) 2h Load on either CTR = Zero or CTR = PRD 3h Freeze (no loads possible)
1-0	LOADAMODE	0 1h 2h 3h	Active Counter-Compare A (CMPA) Load From Shadow Select Mode. This bit has no effect in immediate mode (CMPCTL[SHDWAMODE] = 1). 0 Load on CTR = Zero: Time-base counter equal to zero (TBCTR = 0x0000) 1h Load on CTR = PRD: Time-base counter equal to period (TBCTR = TBPRD) 2h Load on either CTR = Zero or CTR = PRD 3h Freeze (no loads possible)

### 34.4.2.2 Counter-Compare A Register (CMPA)

**Figure 34-69. Counter-Compare A Register (CMPA) [offset = 12h]**

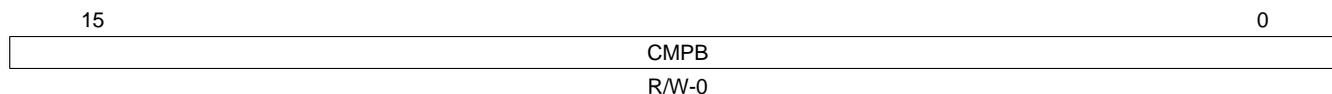


LEGEND: R/W = Read/Write; R = Read only; -n = value after reset

**Table 34-29. Counter-Compare A Register (CMPA) Field Descriptions**

Bits	Name	Description
15-0	CMPA	<p>The value in the active CMPA register is continuously compared to the time-base counter (TBCTR). When the values are equal, the counter-compare module generates a "time-base counter equal to counter compare A" event. This event is sent to the action-qualifier where it is qualified and converted it into one or more actions. These actions can be applied to either the EPWMxA or the EPWMxB output depending on the configuration of the AQCTLA and AQCTLB registers. The actions that can be defined in the AQCTLA and AQCTLB registers include:</p> <ul style="list-style-type: none"> <li>• Do nothing; the event is ignored.</li> <li>• Clear: Pull the EPWMxA and/or EPWMxB signal low</li> <li>• Set: Pull the EPWMxA and/or EPWMxB signal high</li> <li>• Toggle the EPWMxA and/or EPWMxB signal</li> </ul> <p>Shadowing of this register is enabled and disabled by the CMPCTL[SHDWAMODE] bit. By default this register is shadowed.</p> <ul style="list-style-type: none"> <li>• If CMPCTL[SHDWAMODE] = 0, then the shadow is enabled and any write or read will automatically go to the shadow register. In this case, the CMPCTL[LOADAMODE] bit field determines which event will load the active register from the shadow register.</li> <li>• Before a write, the CMPCTL[SHDWFULL] bit can be read to determine if the shadow register is currently full.</li> <li>• If CMPCTL[SHDWAMODE] = 1, then the shadow register is disabled and any write or read will go directly to the active register, that is the register actively controlling the hardware.</li> <li>• In either mode, the active and shadow registers share the same memory map address.</li> </ul>

### 34.4.2.3 Counter-Compare B Register (CMPB)

**Figure 34-70. Counter-Compare B Register (CMPB) [offset = 14h]**


LEGEND: R/W = Read/Write; R = Read only; -n = value after reset

**Table 34-30. Counter-Compare B Register (CMPB) Field Descriptions**

Bits	Name	Description
15-0	CMPB	<p>The value in the active CMPB register is continuously compared to the time-base counter (TBCTR). When the values are equal, the counter-compare module generates a "time-base counter equal to counter compare B" event. This event is sent to the action-qualifier where it is qualified and converted it into one or more actions. These actions can be applied to either the EPWMxA or the EPWMxB output depending on the configuration of the AQCTLA and AQCTLB registers. The actions that can be defined in the AQCTLA and AQCTLB registers include:</p> <ul style="list-style-type: none"> <li>• Do nothing. event is ignored.</li> <li>• Clear: Pull the EPWMxA and/or EPWMxB signal low</li> <li>• Set: Pull the EPWMxA and/or EPWMxB signal high</li> <li>• Toggle the EPWMxA and/or EPWMxB signal</li> </ul> <p>Shadowing of this register is enabled and disabled by the CMPCTL[SHDWBMODE] bit. By default this register is shadowed.</p> <ul style="list-style-type: none"> <li>• If CMPCTL[SHDWBMODE] = 0, then the shadow is enabled and any write or read will automatically go to the shadow register. In this case, the CMPCTL[LOADBMODE] bit field determines which event will load the active register from the shadow register:</li> <li>• Before a write, the CMPCTL[SHDWBFULL] bit can be read to determine if the shadow register is currently full.</li> <li>• If CMPCTL[SHDWBMODE] = 1, then the shadow register is disabled and any write or read will go directly to the active register, that is the register actively controlling the hardware.</li> <li>• In either mode, the active and shadow registers share the same memory map address.</li> </ul>

### 34.4.3 Action-Qualifier Submodule Registers

#### 34.4.3.1 Action-Qualifier Output A Control Register (AQCTLA)

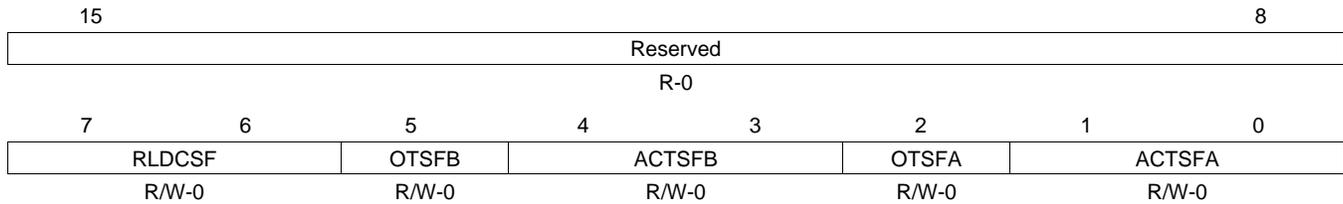
**Figure 34-71. Action-Qualifier Output A Control Register (AQCTLA) [offset = 16h]**

15	12	11	10	9	8
Reserved			CBD	CBU	
R-0			R/W-0	R/W-0	
7	6	5	4	3	2
CAD		CAU		PRD	ZRO
R/W-0		R/W-0		R/W-0	R/W-0

LEGEND: R/W = Read/Write; R = Read only; -n = value after reset

**Table 34-31. Action-Qualifier Output A Control Register (AQCTLA) Field Descriptions**

Bits	Name	Value	Description
15-12	Reserved	0	Reserved
11-10	CBD	0	Action when the time-base counter equals the active CMPB register and the counter is decrementing. Do nothing (action disabled)
		1h	Clear: force EPWMxA output low.
		2h	Set: force EPWMxA output high.
		3h	Toggle EPWMxA output: low output signal will be forced high, and a high signal will be forced low.
9-8	CBU	0	Action when the counter equals the active CMPB register and the counter is incrementing. Do nothing (action disabled)
		1h	Clear: force EPWMxA output low.
		2h	Set: force EPWMxA output high.
		3h	Toggle EPWMxA output: low output signal will be forced high, and a high signal will be forced low.
7-6	CAD	0	Action when the counter equals the active CMPA register and the counter is decrementing. Do nothing (action disabled)
		1h	Clear: force EPWMxA output low.
		2h	Set: force EPWMxA output high.
		3h	Toggle EPWMxA output: low output signal will be forced high, and a high signal will be forced low.
5-4	CAU	0	Action when the counter equals the active CMPA register and the counter is incrementing. Do nothing (action disabled)
		1h	Clear: force EPWMxA output low.
		2h	Set: force EPWMxA output high.
		3h	Toggle EPWMxA output: low output signal will be forced high, and a high signal will be forced low.
3-2	PRD		Action when the counter equals the period. Note: By definition, in count up-down mode when the counter equals period the direction is defined as 0 or counting down.
		0	Do nothing (action disabled)
		1h	Clear: force EPWMxA output low.
		2h	Set: force EPWMxA output high.
3h	Toggle EPWMxA output: low output signal will be forced high, and a high signal will be forced low.		
1-0	ZRO		Action when counter equals zero. Note: By definition, in count up-down mode when the counter equals 0 the direction is defined as 1 or counting up.
		0	Do nothing (action disabled)
		1h	Clear: force EPWMxA output low.
		2h	Set: force EPWMxA output high.
3h	Toggle EPWMxA output: low output signal will be forced high, and a high signal will be forced low.		

**34.4.3.2 Action-Qualifier Software Force Register (AQSFRC)**
**Figure 34-72. Action-Qualifier Software Force Register (AQSFRC) [offset = 1A]**


LEGEND: R/W = Read/Write; R = Read only; -n = value after reset

**Table 34-32. Action-Qualifier Software Force Register (AQSFRC) Field Descriptions**

Bit	Field	Value	Description
15-8	Reserved	0	Reserved
7-6	RLDCSF	0	AQCSFRC Active Register Reload From Shadow Options
		1h	Load on event counter equals zero
		2h	Load on event counter equals period
		3h	Load on event counter equals zero or counter equals period
		3h	Load immediately (the active register is directly accessed by the CPU and is not loaded from the shadow register).
5	OTSF	0	One-Time Software Forced Event on Output B
		0	Writing a 0 has no effect. Always reads back a 0
			This bit is auto cleared once a write to this register is complete (that is, a forced event is initiated.)
			This is a one-shot forced event. It can be overridden by another subsequent event on output B.
		1	Initiates a single s/w forced event
4-3	ACTSFB	0	Action when One-Time Software Force B Is Invoked
		0	Does nothing (action disabled)
		1h	Clear (low)
		2h	Set (high)
		3h	Toggle (Low -> High, High -> Low)
			<b>Note:</b> This action is not qualified by counter direction (CNT_dir)
2	OTSFA	0	One-Time Software Forced Event on Output A
		0	Writing a 0 has no effect. Always reads back a 0.
			This bit is auto cleared once a write to this register is complete (that is, a forced event is initiated).
		1	Initiates a single software forced event
1-0	ACTSFA	0	Action When One-Time Software Force A Is Invoked
		0	Does nothing (action disabled)
		1h	Clear (low)
		2h	Set (high)
		3h	Toggle (Low → High, High → Low)
			<b>Note:</b> This action is not qualified by counter direction (CNT_dir)

### 34.4.3.3 Action-Qualifier Output B Control Register (AQCTLB)

**Figure 34-73. Action-Qualifier Output B Control Register (AQCTLB) [offset = 18h]**

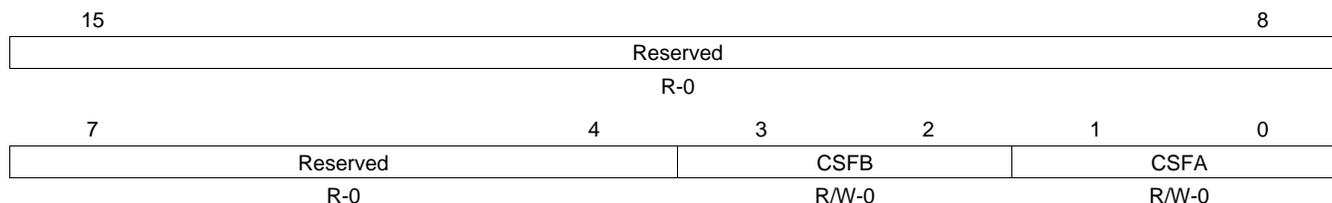
15	12	11	10	9	8
Reserved			CBD	CBU	
R-0			R/W-0	R/W-0	
7	6	5	4	3	2
CAD		CAU		PRD	ZRO
R/W-0		R/W-0		R/W-0	R/W-0

LEGEND: R/W = Read/Write; R = Read only; -n = value after reset

**Table 34-33. Action-Qualifier Output B Control Register (AQCTLB) Field Descriptions**

Bits	Name	Value	Description
15-12	Reserved	0	Reserved
11-10	CBD	0	Action when the counter equals the active CMPB register and the counter is decrementing. Do nothing (action disabled)
		1h	Clear: force EPWMxB output low.
		2h	Set: force EPWMxB output high.
		3h	Toggle EPWMxB output: low output signal will be forced high, and a high signal will be forced low.
9-8	CBU	0	Action when the counter equals the active CMPB register and the counter is incrementing. Do nothing (action disabled)
		1h	Clear: force EPWMxB output low.
		2h	Set: force EPWMxB output high.
		3h	Toggle EPWMxB output: low output signal will be forced high, and a high signal will be forced low.
7-6	CAD	0	Action when the counter equals the active CMPA register and the counter is decrementing. Do nothing (action disabled)
		1h	Clear: force EPWMxB output low.
		2h	Set: force EPWMxB output high.
		3h	Toggle EPWMxB output: low output signal will be forced high, and a high signal will be forced low.
5-4	CAU	0	Action when the counter equals the active CMPA register and the counter is incrementing. Do nothing (action disabled)
		1h	Clear: force EPWMxB output low.
		2h	Set: force EPWMxB output high.
		3h	Toggle EPWMxB output: low output signal will be forced high, and a high signal will be forced low.
3-2	PRD	0	Action when the counter equals the period. Note: By definition, in count up-down mode when the counter equals period the direction is defined as 0 or counting down.
		1h	Clear: force EPWMxB output low.
		2h	Set: force EPWMxB output high.
		3h	Toggle EPWMxB output: low output signal will be forced high, and a high signal will be forced low.
1-0	ZRO	0	Action when counter equals zero. Note: By definition, in count up-down mode when the counter equals 0 the direction is defined as 1 or counting up.
		1h	Clear: force EPWMxB output low.
		2h	Set: force EPWMxB output high.
		3h	Toggle EPWMxB output: low output signal will be forced high, and a high signal will be forced low.

### 34.4.3.4 Action-Qualifier Continuous Force Register (AQCSFRC)

**Figure 34-74. Action-Qualifier Continuous Software Force Register (AQCSFRC) [offset = 1Ch]**


LEGEND: R/W = Read/Write; R = Read only; -n = value after reset

**Table 34-34. Action-qualifier Continuous Software Force Register (AQCSFRC) Field Descriptions**

Bits	Name	Value	Description
15-4	Reserved	0	Reserved
3-2	CSFB	0	Continuous Software Force on Output B In immediate mode, a continuous force takes effect on the next TBCLK edge. In shadow mode, a continuous force takes effect on the next TBCLK edge after a shadow load into the active register. To configure shadow mode, use AQSFRC[RLDCSF].
		1h	Forcing disabled, that is, has no effect
		2h	Forces a continuous low on output B
		3h	Forces a continuous high on output B
		3h	Software forcing is disabled and has no effect
1-0	CSFA	0	Continuous Software Force on Output A In immediate mode, a continuous force takes effect on the next TBCLK edge. In shadow mode, a continuous force takes effect on the next TBCLK edge after a shadow load into the active register.
		1h	Forcing disabled, that is, has no effect
		2h	Forces a continuous low on output A
		3h	Forces a continuous high on output A
		3h	Software forcing is disabled and has no effect

### 34.4.4 Dead-Band Submodule Registers

#### 34.4.4.1 Dead-Band Generator Control Register (DBCTL)

**Figure 34-75. Dead-Band Generator Control Register (DBCTL) [offset = 1Eh]**

15	14					8	
HALFCYCLE		Reserved					
R/W-0		R-0					
7	6	5	4	3	2	1	0
Reserved		IN_MODE		POLSEL		OUT_MODE	
R-0		R/W-0		R/W-0		R/W-0	

LEGEND: R/W = Read/Write; R = Read only; -n = value after reset

**Table 34-35. Dead-Band Generator Control Register (DBCTL) Field Descriptions**

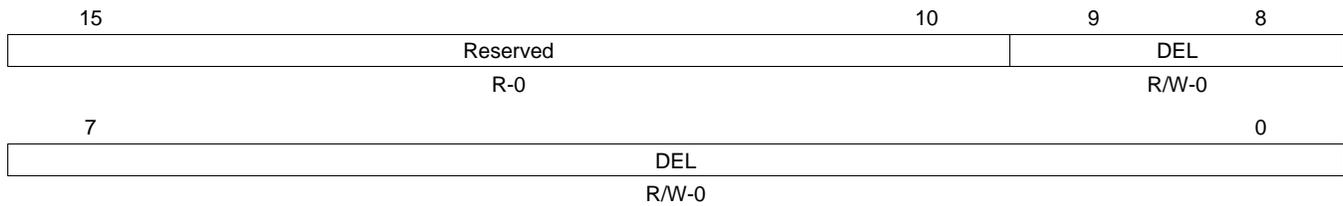
Bits	Name	Value	Description
15	HALFCYCLE	0 1	Half Cycle Clocking Enable Bit: Full cycle clocking enabled. The dead-band counters are clocked at the TBCLK rate. Half cycle clocking enabled. The dead-band counters are clocked at TBCLK x 2.
14-6	Reserved	0	Reserved
5-4	IN_MODE	0 1h 2h 3h	Dead Band Input Mode Control Bit 5 controls the S5 switch and bit 4 controls the S4 switch shown in <a href="#">Figure 34-28</a> . This allows you to select the input source to the falling-edge and rising-edge delay. To produce classical dead-band waveforms the default is EPWMxA In is the source for both falling and rising-edge delays. 0 EPWMxA In (from the action-qualifier) is the source for both falling-edge and rising-edge delay. 1h EPWMxB In (from the action-qualifier) is the source for rising-edge delayed signal. 2h EPWMxA In (from the action-qualifier) is the source for falling-edge delayed signal. 3h EPWMxB In (from the action-qualifier) is the source for falling-edge delayed signal. 3h EPWMxB In (from the action-qualifier) is the source for both rising-edge delay and falling-edge delayed signal.
3-2	POLSEL	0 1h 2h 3h	Polarity Select Control Bit 3 controls the S3 switch and bit 2 controls the S2 switch shown in <a href="#">Figure 34-28</a> . This allows you to selectively invert one of the delayed signals before it is sent out of the dead-band submodule. The following descriptions correspond to classical upper/lower switch control as found in one leg of a digital motor control inverter. These assume that DBCTL[OUT_MODE] = 1,1 and DBCTL[IN_MODE] = 0,0. Other enhanced modes are also possible, but not regarded as typical usage modes. 0 Active high (AH) mode. Neither EPWMxA nor EPWMxB is inverted (default). 1h Active low complementary (ALC) mode. EPWMxA is inverted. 2h Active high complementary (AHC). EPWMxB is inverted. 3h Active low (AL) mode. Both EPWMxA and EPWMxB are inverted.

**Table 34-35. Dead-Band Generator Control Register (DBCTL) Field Descriptions (continued)**

Bits	Name	Value	Description
1-0	OUT_MODE		<p>Dead-band Output Mode Control</p> <p>Bit 1 controls the S1 switch and bit 0 controls the S0 switch shown in <a href="#">Figure 34-28</a>.</p> <p>This allows you to selectively enable or bypass the dead-band generation for the falling-edge and rising-edge delay.</p>
		0	<p>Dead-band generation is bypassed for both output signals. In this mode, both the EPWMxA and EPWMxB output signals from the action-qualifier are passed directly to the PWM-chopper submodule.</p> <p>In this mode, the POLSEL and IN_MODE bits have no effect.</p>
		1h	<p>Disable rising-edge delay. The EPWMxA signal from the action-qualifier is passed straight through to the EPWMxA input of the PWM-chopper submodule.</p> <p>The falling-edge delayed signal is seen on output EPWMxB. The input signal for the delay is determined by DBCTL[IN_MODE].</p>
		2h	<p>The rising-edge delayed signal is seen on output EPWMxA. The input signal for the delay is determined by DBCTL[IN_MODE].</p> <p>Disable falling-edge delay. The EPWMxB signal from the action-qualifier is passed straight through to the EPWMxB input of the PWM-chopper submodule.</p>
		3h	<p>Dead-band is fully enabled for both rising-edge delay on output EPWMxA and falling-edge delay on output EPWMxB. The input signal for the delay is determined by DBCTL[IN_MODE].</p>

### 34.4.4.2 Dead-Band Generator Falling Edge Delay Register (DBFED)

**Figure 34-76. Dead-Band Generator Falling Edge Delay Register (DBFED) [offset = 22h]**



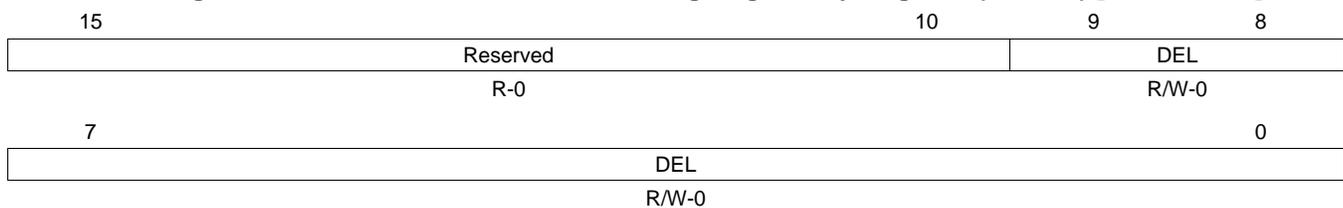
LEGEND: R/W = Read/Write; R = Read only; -n = value after reset

**Table 34-36. Dead-Band Generator Falling Edge Delay Register (DBFED) Field Descriptions**

Bits	Name	Description
15-10	Reserved	Reserved
9-0	DEL	Falling Edge Delay Count. 10-bit counter

### 34.4.4.3 Dead-Band Generator Rising Edge Delay Register (DBRED)

**Figure 34-77. Dead-Band Generator Rising Edge Delay Register (DBRED) [offset = 20h]**



LEGEND: R/W = Read/Write; R = Read only; -n = value after reset

**Table 34-37. Dead-Band Generator Rising Edge Delay Register (DBRED) Field Descriptions**

Bits	Name	Description
15-10	Reserved	Reserved
9-0	DEL	Rising Edge Delay Count. 10-bit counter.

### 34.4.5 Trip-Zone Submodule Registers

#### 34.4.5.1 Trip-Zone Digital Compare Event Select Register (TZDCSEL)

**Figure 34-78. Trip Zone Digital Compare Event Select Register (TZDCSEL) [offset = 26h]**

15	12	11	9	8	6	5	3	2	0
Reserved		DCBEVT2		DCBEVT1		DCAEVT2		DCAEVT1	
R-0		R/W-0		R/W-0		R/W-0		R/W-0	

LEGEND: R/W = Read/Write; R = Read only; -n = value after reset

**Table 34-38. Trip Zone Digital Compare Event Select Register (TZDCSEL) Field Descriptions**

Bit	Field	Value	Description
15-12	Reserved	0	Reserved
11-9	DCBEVT2	0	Digital Compare Output B Event 2 Selection Event disabled
		1h	DCBH = low, DCBL = don't care
		2h	DCBH = high, DCBL = don't care
		3h	DCBL = low, DCBH = don't care
		4h	DCBL = high, DCBH = don't care
		5h	DCBL = high, DCBH = low
		6h-7h	Reserved
8-6	DCBEVT1	0	Digital Compare Output B Event 1 Selection Event disabled
		1h	DCBH = low, DCBL = don't care
		2h	DCBH = high, DCBL = don't care
		3h	DCBL = low, DCBH = don't care
		4h	DCBL = high, DCBH = don't care
		5h	DCBL = high, DCBH = low
		6h-7h	Reserved
5-3	DCAEVT2	0	Digital Compare Output A Event 2 Selection Event disabled
		1h	DCAH = low, DCAL = don't care
		2h	DCAH = high, DCAL = don't care
		3h	DCAL = low, DCAH = don't care
		4h	DCAL = high, DCAH = don't care
		5h	DCAL = high, DCAH = low
		6h-7h	Reserved
2-0	DCAEVT1	0	Digital Compare Output A Event 1 Selection Event disabled
		1h	DCAH = low, DCAL = don't care
		2h	DCAH = high, DCAL = don't care
		3h	DCAL = low, DCAH = don't care
		4h	DCAL = high, DCAH = don't care
		5h	DCAL = high, DCAH = low
		6h-7h	Reserved

### 34.4.5.2 Trip-Zone Select Register (TZSEL)

**Figure 34-79. Trip-Zone Select Register (TZSEL) [offset = 24h]**

15	14	13	12	11	10	9	8
DCBEVT1	DCAEVT1	OSHT6	OSHT5	OSHT4	OSHT3	OSHT2	OSHT1
R-0	R-0	R/W-0	R/W-0	R/W-0	R/W-0	R/W-0	R/W-0
7	6	5	4	3	2	1	0
DCBEVT2	DCAEVT2	CBC6	CBC5	CBC4	CBC3	CBC2	CBC1
R-0		R/W-0	R/W-0	R/W-0	R/W-0	R/W-0	R/W-0

LEGEND: R/W = Read/Write; R = Read only; -n = value after reset

**Table 34-39. Trip-Zone Submodule Select Register (TZSEL) Field Descriptions**

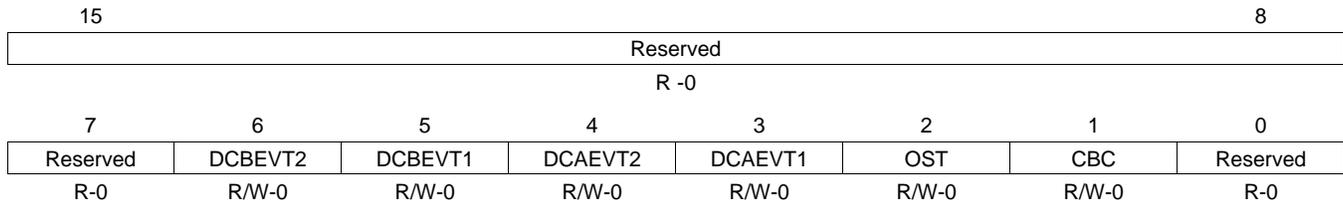
Bits	Name	Value	Description
<b>One-Shot (OSHT) Trip-zone enable/disable. When any of the enabled pins go low, a one-shot trip event occurs for this ePWM module. When the event occurs, the action defined in the TZCTL register is taken on the EPWMxA and EPWMxB outputs. The one-shot trip condition remains latched until the user clears the condition via the TZCLR register.</b>			
15	DCBEVT1	0 1	Digital Compare Output B Event 1 Select Disable DCBEVT1 as one-shot-trip source for this ePWM module. Enable DCBEVT1 as one-shot-trip source for this ePWM module.
14	DCAEVT1	0 1	Digital Compare Output A Event 1 Select Disable DCAEVT1 as one-shot-trip source for this ePWM module. Enable DCAEVT1 as one-shot-trip source for this ePWM module.
13	OSHT6	0 1	Trip-zone 6 ( $\overline{TZ6}$ ) Select Disable $\overline{TZ6}$ as a one-shot trip source for this ePWM module. Enable $\overline{TZ6}$ as a one-shot trip source for this ePWM module.
12	OSHT5	0 1	Trip-zone 5 ( $\overline{TZ5}$ ) Select Disable $\overline{TZ5}$ as a one-shot trip source for this ePWM module Enable $\overline{TZ5}$ as a one-shot trip source for this ePWM module
11	OSHT4	0 1	Trip-zone 4 ( $\overline{TZ4}$ ) Select Disable $\overline{TZ4}$ as a one-shot trip source for this ePWM module Enable $\overline{TZ4}$ as a one-shot trip source for this ePWM module
10	OSHT3	0 1	Trip-zone 3 ( $\overline{TZ3}$ ) Select Disable $\overline{TZ3}$ as a one-shot trip source for this ePWM module Enable $\overline{TZ3}$ as a one-shot trip source for this ePWM module
9	OSHT2	0 1	Trip-zone 2 ( $\overline{TZ2}$ ) Select Disable $\overline{TZ2}$ as a one-shot trip source for this ePWM module Enable $\overline{TZ2}$ as a one-shot trip source for this ePWM module
8	OSHT1	0 1	Trip-zone 1 ( $\overline{TZ1}$ ) Select Disable $\overline{TZ1}$ as a one-shot trip source for this ePWM module Enable $\overline{TZ1}$ as a one-shot trip source for this ePWM module
<b>Cycle-by-Cycle (CBC) Trip-zone enable/disable. When any of the enabled pins go low, a cycle-by-cycle trip event occurs for this ePWM module. When the event occurs, the action defined in the TZCTL register is taken on the EPWMxA and EPWMxB outputs. A cycle-by-cycle trip condition is automatically cleared when the time-base counter reaches zero.</b>			
7	DCBEVT2	0 1	Digital Compare Output B Event 2 Select Disable DCBEVT2 as a CBC trip source for this ePWM module Enable DCBEVT2 as a CBC trip source for this ePWM module
6	DCAEVT2	0 1	Digital Compare Output A Event 2 Select Disable DCAEVT2 as a CBC trip source for this ePWM module Enable DCAEVT2 as a CBC trip source for this ePWM module

**Table 34-39. Trip-Zone Submodule Select Register (TZSEL) Field Descriptions (continued)**

Bits	Name	Value	Description
5	CBC6		Trip-zone 6 ( $\overline{TZ6}$ ) Select
		0	Disable $\overline{TZ6}$ as a CBC trip source for this ePWM module
		1	Enable $\overline{TZ6}$ as a CBC trip source for this ePWM module
		4	CBC5
0	Disable $\overline{TZ5}$ as a CBC trip source for this ePWM module		
		1	Enable $\overline{TZ5}$ as a CBC trip source for this ePWM module
		3	CBC4
0	Disable $\overline{TZ4}$ as a CBC trip source for this ePWM module		
		1	Enable $\overline{TZ4}$ as a CBC trip source for this ePWM module
		2	CBC3
0	Disable $\overline{TZ3}$ as a CBC trip source for this ePWM module		
		1	Enable $\overline{TZ3}$ as a CBC trip source for this ePWM module
		1	CBC2
0	Disable $\overline{TZ2}$ as a CBC trip source for this ePWM module		
		1	Enable $\overline{TZ2}$ as a CBC trip source for this ePWM module
		0	CBC1
0	Disable $\overline{TZ1}$ as a CBC trip source for this ePWM module		
		1	Enable $\overline{TZ1}$ as a CBC trip source for this ePWM module

### 34.4.5.3 Trip-Zone Enable Interrupt Register (TZEINT)

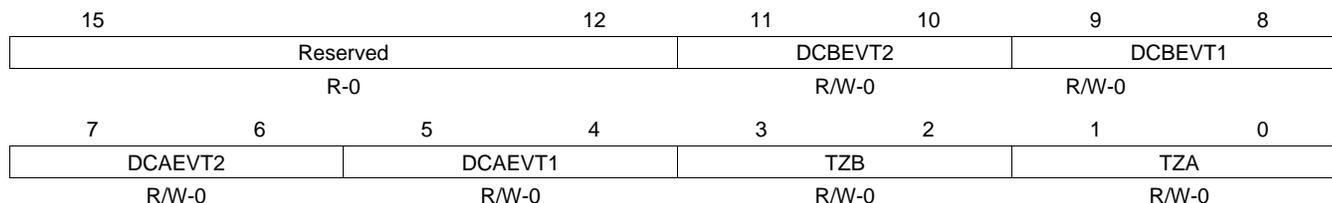
**Figure 34-80. Trip-Zone Enable Interrupt Register (TZEINT) [offset = 2Ah]**



LEGEND: R/W = Read/Write; R = Read only; -n = value after reset

**Table 34-40. Trip-Zone Enable Interrupt Register (TZEINT) Field Descriptions**

Bits	Name	Value	Description
15-3	Reserved	0	Reserved
6	DCBEVT2	0 1	Digital Comparator Output B Event 2 Interrupt Enable Disabled Enabled
5	DCBEVT1	0 1	Digital Comparator Output B Event 1 Interrupt Enable Disabled Enabled
4	DCAEVT2	0 1	Digital Comparator Output A Event 2 Interrupt Enable Disabled Enabled
3	DCAEVT1	0 1	Digital Comparator Output A Event 1 Interrupt Enable Disabled Enabled
2	OST	0 1	Trip-zone One-Shot Interrupt Enable Disable one-shot interrupt generation Enable Interrupt generation; a one-shot trip event will cause a EPWMx_TZINT VIM interrupt.
1	CBC	0 1	Trip-zone Cycle-by-Cycle Interrupt Enable Disable cycle-by-cycle interrupt generation. Enable interrupt generation; a cycle-by-cycle trip event will cause an EPWMx_TZINT VIM interrupt.
0	Reserved	0	Reserved

**34.4.5.4 Trip-Zone Control Register (TZCTL)**
**Figure 34-81. Trip-Zone Control Register (TZCTL) [offset = 28h]**


LEGEND: R/W = Read/Write; R = Read only; -n = value after reset

**Table 34-41. Trip-Zone Control Register (TZCTL) Field Descriptions**

Bit	Field	Value	Description
15-12	Reserved	0	Reserved
11-10	DCBEVT2	0 1h 2h 3h	Digital Compare Output B Event 2 Action On EPWMxB: 0 High-impedance (EPWMxB = High-impedance state) 1h Force EPWMxB to a high state. 2h Force EPWMxB to a low state. 3h Do Nothing, trip action is disabled
9-8	DCBEVT1	0 1h 2h 3h	Digital Compare Output B Event 1 Action On EPWMxB: 0 High-impedance (EPWMxB = High-impedance state) 1h Force EPWMxB to a high state. 2h Force EPWMxB to a low state. 3h Do Nothing, trip action is disabled
7-6	DCAEVT2	0 1h 2h 3h	Digital Compare Output A Event 2 Action On EPWMxA: 0 High-impedance (EPWMxA = High-impedance state) 1h Force EPWMxA to a high state. 2h Force EPWMxA to a low state. 3h Do Nothing, trip action is disabled
5-4	DCAEVT1	0 1h 2h 3h	Digital Compare Output A Event 1 Action On EPWMxA: 0 High-impedance (EPWMxA = High-impedance state) 1h Force EPWMxA to a high state. 2h Force EPWMxA to a low state. 3h Do Nothing, trip action is disabled
3-2	TZB	0 1h 2h 3h	When a trip event occurs the following action is taken on output EPWMxB. Which trip-zone pins can cause an event is defined in the TZSEL register. 0 High-impedance (EPWMxB = High-impedance state) 1h Force EPWMxB to a high state 2h Force EPWMxB to a low state 3h Do nothing, no action is taken on EPWMxB.
1-0	TZA	0 1h 2h 3h	When a trip event occurs the following action is taken on output EPWMxA. Which trip-zone pins can cause an event is defined in the TZSEL register. 0 High-impedance (EPWMxA = High-impedance state) 1h Force EPWMxA to a high state 2h Force EPWMxA to a low state 3h Do nothing, no action is taken on EPWMxA.

### 34.4.5.5 Trip-Zone Clear Register (TZCLR)

**Figure 34-82. Trip-Zone Clear Register (TZCLR) [offset = 2Eh]**

Reserved							
R-0							
7	6	5	4	3	2	1	0
Reserved	DCBEVT2	DCBEVT1	DCAEVT2	DCAEVT1	OST	CBC	INT
R-0	R/W1C-0	R/W1C-0	R/W1C-0	R/W1C-0	R/W-0	R/W-0	R/W-0

LEGEND: R/W = Read/Write; nC - write n to clear; R = Read only; -n = value after reset

**Table 34-42. Trip-Zone Clear Register (TZCLR) Field Descriptions**

Bit	Field	Value	Description
15-7	Reserved	0	Reserved
6	DCBEVT2	0 1	Clear Flag for Digital Compare Output B Event 2 Writing 0 has no effect. This bit always reads back 0. Writing 1 clears the DCBEVT2 event trip condition.
5	DCBEVT1	0 1	Clear Flag for Digital Compare Output B Event 1 Writing 0 has no effect. This bit always reads back 0. Writing 1 clears the DCBEVT1 event trip condition.
4	DCAEVT2	0 1	Clear Flag for Digital Compare Output A Event 2 Writing 0 has no effect. This bit always reads back 0. Writing 1 clears the DCAEVT2 event trip condition.
3	DCAEVT1	0 1	Clear Flag for Digital Compare Output A Event 1 Writing 0 has no effect. This bit always reads back 0. Writing 1 clears the DCAEVT1 event trip condition.
2	OST	0 1	Clear Flag for One-Shot Trip (OST) Latch Has no effect. Always reads back a 0. Clears this Trip (set) condition.
1	CBC	0 1	Clear Flag for Cycle-By-Cycle (CBC) Trip Latch Has no effect. Always reads back a 0. Clears this Trip (set) condition.
0	INT	0 1	Global Interrupt Clear Flag Has no effect. Always reads back a 0. Clears the trip-interrupt flag for this ePWM module (TZFLG[INT]). <b>NOTE:</b> No further EPWMx_TZINT VIM interrupts will be generated until the flag is cleared. If the TZFLG[INT] bit is cleared and any of the other flag bits are set, then another interrupt pulse will be generated. Clearing all flag bits will prevent further interrupts.

**34.4.5.6 Trip-Zone Flag Register (TZFLG)**
**Figure 34-83. Trip-Zone Flag Register (TZFLG) [offset = 2Ch]**

15							8								
Reserved															
R-0															
7		6		5		4		3		2		1		0	
Reserved		DCBEVT2		DCBEVT1		DCAEVT2		DCAEVT1		OST		CBC		INT	
R-0		R-0		R-0		R-0		R-0		R-0		R-0		R-0	

LEGEND: R/W = Read/Write; R = Read only; -n = value after reset

**Table 34-43. Trip-Zone Flag Register (TZFLG) Field Descriptions**

Bit	Field	Value	Description
15-7	Reserved	0	Reserved
6	DCBEVT2	0	Latched Status Flag for Digital Compare Output B Event 2 Indicates no trip event has occurred on DCBEVT2
		1	Indicates a trip event has occurred for the event defined for DCBEVT2
5	DCBEVT1	0	Latched Status Flag for Digital Compare Output B Event 1 Indicates no trip event has occurred on DCBEVT1
		1	Indicates a trip event has occurred for the event defined for DCBEVT1
4	DCAEVT2	0	Latched Status Flag for Digital Compare Output A Event 2 Indicates no trip event has occurred on DCAEVT2
		1	Indicates a trip event has occurred for the event defined for DCAEVT2
3	DCAEVT1	0	Latched Status Flag for Digital Compare Output A Event 1 Indicates no trip event has occurred on DCAEVT1
		1	Indicates a trip event has occurred for the event defined for DCAEVT1
2	OST	0	Latched Status Flag for A One-Shot Trip Event No one-shot trip event has occurred.
		1	Indicates a trip event has occurred on a pin selected as a one-shot trip source. This bit is cleared by writing the appropriate value to the TZCLR register.
1	CBC	0	Latched Status Flag for Cycle-By-Cycle Trip Event No cycle-by-cycle trip event has occurred.
		1	Indicates a trip event has occurred on a signal selected as a cycle-by-cycle trip source. The TZFLG[CBC] bit will remain set until it is manually cleared by the user. If the cycle-by-cycle trip event is still present when the CBC bit is cleared, then CBC will be immediately set again. The specified condition on the signal is automatically cleared when the ePWM time-base counter reaches zero (TBCTR = 0x0000) if the trip condition is no longer present. The condition on the signal is only cleared when the TBCTR = 0x0000 no matter where in the cycle the CBC flag is cleared. This bit is cleared by writing the appropriate value to the TZCLR register.
0	INT	0	Latched Trip Interrupt Status Flag Indicates no interrupt has been generated.
		1	Indicates an EPWMx_TZINT VIM interrupt was generated because of a trip condition. No further EPWMx_TZINT VIM interrupts will be generated until this flag is cleared. If the interrupt flag is cleared when either CBC or OST is set, then another interrupt pulse will be generated. Clearing all flag bits will prevent further interrupts. This bit is cleared by writing the appropriate value to the TZCLR register.

### 34.4.5.7 Trip-Zone Force Register (TZFRC)

**Figure 34-84. Trip-Zone Force Register (TZFRC) [offset = 30h]**

Reserved							8
R-0							
7	6	5	4	3	2	1	0
Reserved	DCBEVT2	DCBEVT1	DCAEVT2	DCAEVT1	OST	CBC	Reserved
R-0	R/W-0	R/W-0	R/W-0	R/W-0	R/W-0	R/W-0	R- 0

LEGEND: R/W = Read/Write; R = Read only; -n = value after reset

**Table 34-44. Trip-Zone Force Register (TZFRC) Field Descriptions**

Bits	Name	Value	Description
15-7	Reserved	0	Reserved
6	DCBEVT2	0 1	Force Flag for Digital Compare Output B Event 2 Writing 0 has no effect. This bit always reads back 0. Writing 1 forces the DCBEVT2 event trip condition and sets the TZFLG[DCBEVT2] bit.
5	DCBEVT1	0 1	Force Flag for Digital Compare Output B Event 1 Writing 0 has no effect. This bit always reads back 0. Writing 1 forces the DCBEVT1 event trip condition and sets the TZFLG[DCBEVT1] bit.
4	DCAEVT2	0 1	Force Flag for Digital Compare Output A Event 2 Writing 0 has no effect. This bit always reads back 0. Writing 1 forces the DCAEVT2 event trip condition and sets the TZFLG[DCAEVT2] bit.
3	DCAEVT1	0 1	Force Flag for Digital Compare Output A Event 1 Writing 0 has no effect. This bit always reads back 0 Writing 1 forces the DCAEVT1 event trip condition and sets the TZFLG[DCAEVT1] bit.
2	OST	0 1	Force a One-Shot Trip Event via Software Writing of 0 is ignored. Always reads back a 0. Forces a one-shot trip event and sets the TZFLG[OST] bit.
1	CBC	0 1	Force a Cycle-by-Cycle Trip Event via Software Writing of 0 is ignored. Always reads back a 0. Forces a cycle-by-cycle trip event and sets the TZFLG[CBC] bit.
0	Reserved	0	Reserved

### 34.4.6 Event-Trigger Submodule Registers

#### 34.4.6.1 Event-Trigger Selection Register (ETSEL)

**Figure 34-85. Event-Trigger Selection Register (ETSEL) [offset = 32h]**

15	14	12	11	10	8
SOCBEN	SOCBSEL		SOCAEN	SOCASEL	
R/W-0	R/W-0		R/W-0	R/W-0	
7	4		3	2	0
Reserved			INTEN	INTSEL	
R-0			R/W-0	R/W-0	

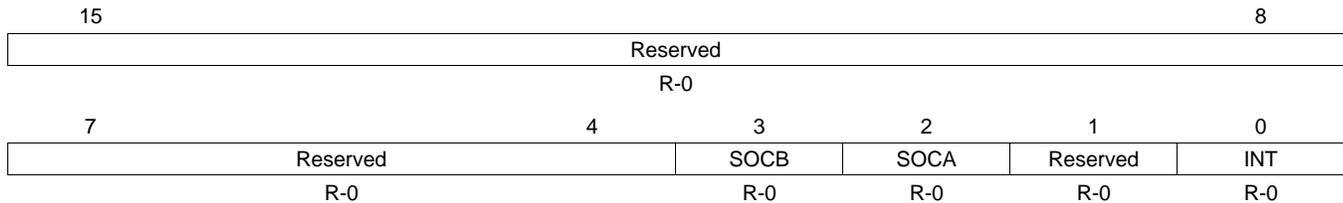
LEGEND: R/W = Read/Write; R = Read only; -n = value after reset

**Table 34-45. Event-Trigger Selection Register (ETSEL) Field Descriptions**

Bits	Name	Value	Description
15	SOCBEN	0 1	Enable the ADC Start of Conversion B (EPWMxSOCB) Pulse Disable EPWMxSOCB. Enable EPWMxSOCB pulse.
14-12	SOCBSEL	0 1h 2h 3h 4h 5h 6h 7h	EPWMxSOCB Selection Options These bits determine when a EPWMxSOCB pulse will be generated. Enable DCBEVT1.soc event Enable event time-base counter equal to zero. (TBCTR = 0x0000) Enable event time-base counter equal to period (TBCTR = TBPRD) Enable event time-base counter equal to zero or period (TBCTR = 0x0000 or TBCTR = TBPRD). This mode is useful in up-down count mode. Enable event time-base counter equal to CMPA when the timer is incrementing. Enable event time-base counter equal to CMPA when the timer is decrementing. Enable event: time-base counter equal to CMPB when the timer is incrementing. Enable event: time-base counter equal to CMPB when the timer is decrementing.
11	SOCAEN	0 1	Enable the ADC Start of Conversion A (EPWMxSOCA) Pulse Disable EPWMxSOCA. Enable EPWMxSOCA pulse.
10-8	SOCASEL	0 1h 2h 3h 4h 5h 6h 7h	EPWMxSOCA Selection Options These bits determine when a EPWMxSOCA pulse will be generated. Enable DCAEVT1.soc event Enable event time-base counter equal to zero. (TBCTR = 0x0000) Enable event time-base counter equal to period (TBCTR = TBPRD) Enable event time-base counter equal to zero or period (TBCTR = 0x0000 or TBCTR = TBPRD). This mode is useful in up-down count mode. Enable event time-base counter equal to CMPA when the timer is incrementing. Enable event time-base counter equal to CMPA when the timer is decrementing. Enable event: time-base counter equal to CMPB when the timer is incrementing. Enable event: time-base counter equal to CMPB when the timer is decrementing.
7-4	Reserved	0	Reserved
3	INTEN	0 1	Enable ePWM Interrupt (EPWMx_INT) Generation Disable EPWMx_INT generation Enable EPWMx_INT generation

**Table 34-45. Event-Trigger Selection Register (ETSEL) Field Descriptions (continued)**

Bits	Name	Value	Description
2-0	INTSEL		ePWM Interrupt (EPWMx_INT) Selection Options
		0	Reserved
		1h	Enable event time-base counter equal to zero. (TBCTR = 0x0000)
		2h	Enable event time-base counter equal to period (TBCTR = TBPRD)
		3h	Enable event time-base counter equal to zero or period (TBCTR = 0x0000 or TBCTR = TBPRD). This mode is useful in up-down count mode.
		4h	Enable event time-base counter equal to CMPA when the timer is incrementing.
		5h	Enable event time-base counter equal to CMPA when the timer is decrementing.
		6h	Enable event: time-base counter equal to CMPB when the timer is incrementing.
7h	Enable event: time-base counter equal to CMPB when the timer is decrementing.		

**34.4.6.2 Event-Trigger Flag Register (ETFLG)****Figure 34-86. Event-Trigger Flag Register (ETFLG) [offset = 36h]**

LEGEND: R/W = Read/Write; R = Read only; -n = value after reset

**Table 34-46. Event-Trigger Flag Register (ETFLG) Field Descriptions**

Bits	Name	Value	Description
15-4	Reserved	0	Reserved
3	SOCB	0	Latched ePWM ADC Start-of-Conversion B (EPWMxSOCB) Status Flag Indicates no EPWMxSOCB event occurred
		1	Indicates that a start of conversion pulse was generated on EPWMxSOCB. The EPWMxSOCB output will continue to be generated even if the flag bit is set.
2	SOCA	0	Latched ePWM ADC Start-of-Conversion A (EPWMxSOCA) Status Flag Unlike the ETFLG[INT] flag, the EPWMxSOCA output will continue to pulse even if the flag bit is set. Indicates no event occurred
		1	Indicates that a start of conversion pulse was generated on EPWMxSOCA. The EPWMxSOCA output will continue to be generated even if the flag bit is set.
1	Reserved	0	Reserved
0	INT	0	Latched ePWM Interrupt (EPWMx_INT) Status Flag Indicates no event occurred
		1	Indicates that an ePWMx interrupt (EPWMx_INT) was generated. No further interrupts will be generated until the flag bit is cleared. Up to one interrupt can be pending while the ETFLG[INT] bit is still set. If an interrupt is pending, it will not be generated until after the ETFLG[INT] bit is cleared. Refer to <a href="#">Figure 34-41</a> .

### 34.4.6.3 Event-Trigger Prescale Register (ETPS)

**Figure 34-87. Event-Trigger Prescale Register (ETPS) [offset = 34h]**

15	14	13	12	11	10	9	8	
SOCBCNT		SOCBPRD		SOCACNT		SOCAPRD		
R-0		R/W-0		R-0		R/W-0		
7	Reserved			4	3	2	1	0
Reserved				INTCNT		INTPRD		
R-0				R-0		R/W-0		

LEGEND: R/W = Read/Write; R = Read only; -n = value after reset

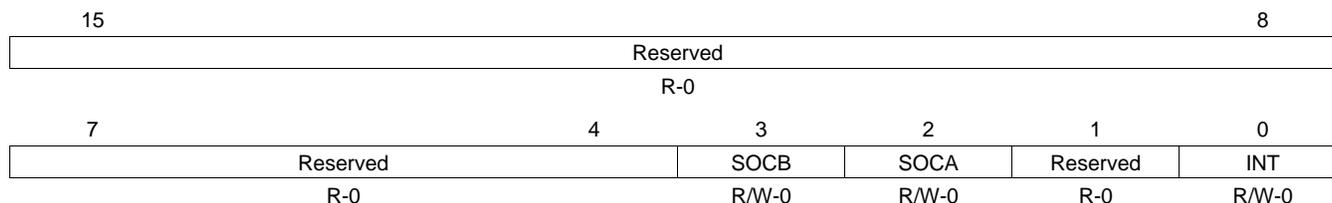
**Table 34-47. Event-Trigger Prescale Register (ETPS) Field Descriptions**

Bits	Name	Value	Description
15-14	SOCBCNT	0 1h 2h 3h	<p>ePWM ADC Start-of-Conversion B Event (EPWMxSOCB) Counter Register</p> <p>These bits indicate how many selected ETSEL[SOCBSEL] events have occurred:</p> <p>No events have occurred.</p> <p>1 event has occurred.</p> <p>2 events have occurred.</p> <p>3 events have occurred.</p>
13-12	SOCBPRD	0 1h 2h 3h	<p>ePWM ADC Start-of-Conversion B Event (EPWMxSOCB) Period Select</p> <p>These bits determine how many selected ETSEL[SOCBSEL] events need to occur before an EPWMxSOCB pulse is generated. To be generated, the pulse must be enabled (ETSEL[SOCBEN] = 1). The SOCB pulse will be generated even if the status flag is set from a previous start of conversion (ETFLG[SOCB] = 1). Once the SOCB pulse is generated, the ETPS[SOCBCNT] bits will automatically be cleared.</p> <p>Disable the SOCB event counter. No EPWMxSOCB pulse will be generated</p> <p>Generate the EPWMxSOCB pulse on the first event: ETPS[SOCBCNT] = 0,1</p> <p>Generate the EPWMxSOCB pulse on the second event: ETPS[SOCBCNT] = 1,0</p> <p>Generate the EPWMxSOCB pulse on the third event: ETPS[SOCBCNT] = 1,1</p>
11-10	SOCACNT	0 1h 2h 3h	<p>ePWM ADC Start-of-Conversion A Event (EPWMxSOCA) Counter Register</p> <p>These bits indicate how many selected ETSEL[SOCASEL] events have occurred:</p> <p>No events have occurred.</p> <p>1 event has occurred.</p> <p>2 events have occurred.</p> <p>3 events have occurred.</p>
9-8	SOCAPRD	0 1h 2h 3h	<p>ePWM ADC Start-of-Conversion A Event (EPWMxSOCA) Period Select</p> <p>These bits determine how many selected ETSEL[SOCASEL] events need to occur before an EPWMxSOCA pulse is generated. To be generated, the pulse must be enabled (ETSEL[SOCASEN] = 1). The SOCA pulse will be generated even if the status flag is set from a previous start of conversion (ETFLG[SOCA] = 1). Once the SOCA pulse is generated, the ETPS[SOCACNT] bits will automatically be cleared.</p> <p>Disable the SOCA event counter. No EPWMxSOCA pulse will be generated</p> <p>Generate the EPWMxSOCA pulse on the first event: ETPS[SOCACNT] = 0,1</p> <p>Generate the EPWMxSOCA pulse on the second event: ETPS[SOCACNT] = 1,0</p> <p>Generate the EPWMxSOCA pulse on the third event: ETPS[SOCACNT] = 1,1</p>
7-4	Reserved	0	Reserved

**Table 34-47. Event-Trigger Prescale Register (ETPS) Field Descriptions (continued)**

Bits	Name	Value	Description
3-2	INTCNT	0 1h 2h 3h	<p>ePWM Interrupt Event (EPWMx_INT) Counter Register</p> <p>These bits indicate how many selected ETSEL[INTSEL] events have occurred. These bits are automatically cleared when an interrupt pulse is generated. If interrupts are disabled, ETSEL[INT] = 0 or the interrupt flag is set, ETFLG[INT] = 1, the counter will stop counting events when it reaches the period value ETPS[INTCNT] = ETPS[INTPRD].</p> <p>No events have occurred.</p> <p>1 event has occurred.</p> <p>2 events have occurred.</p> <p>3 events have occurred.</p>
1-0	INTPRD	0 1h 2h 3h	<p>ePWM Interrupt (EPWMx_INT) Period Select</p> <p>These bits determine how many selected ETSEL[INTSEL] events need to occur before an interrupt is generated. To be generated, the interrupt must be enabled (ETSEL[INT] = 1). If the interrupt status flag is set from a previous interrupt (ETFLG[INT] = 1) then no interrupt will be generated until the flag is cleared via the ETCLR[INT] bit. This allows for one interrupt to be pending while another is still being serviced. Once the interrupt is generated, the ETPS[INTCNT] bits will automatically be cleared.</p> <p>Writing a INTPRD value that is the same as the current counter value will trigger an interrupt if it is enabled and the status flag is clear.</p> <p>Writing a INTPRD value that is less than the current counter value will result in an undefined state.</p> <p>If a counter event occurs at the same instant as a new zero or non-zero INTPRD value is written, the counter is incremented.</p> <p>0 Disable the interrupt event counter. No interrupt will be generated and ETFRC[INT] is ignored.</p> <p>1h Generate an interrupt on the first event INTCNT = 01 (first event)</p> <p>2h Generate interrupt on ETPS[INTCNT] = 1,0 (second event)</p> <p>3h Generate interrupt on ETPS[INTCNT] = 1,1 (third event)</p>

### 34.4.6.4 Event-Trigger Force Register (ETFRC)

**Figure 34-88. Event-Trigger Force Register (ETFRC) [offset = 3Ah]**


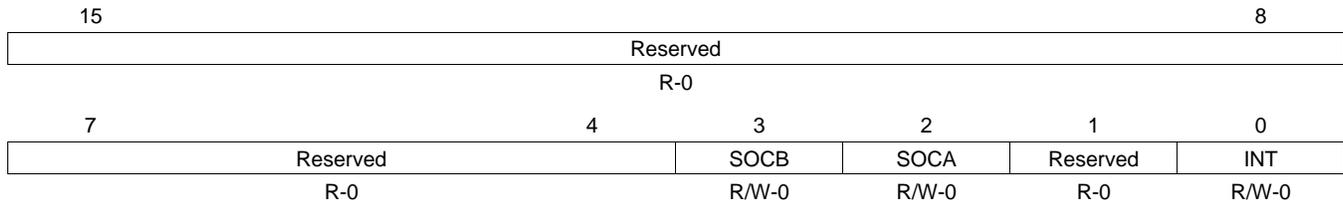
LEGEND: R/W = Read/Write; R = Read only; -n = value after reset

**Table 34-48. Event-Trigger Force Register (ETFRC) Field Descriptions**

Bits	Name	Value	Description
15-4	Reserved	0	Reserved
3	SOCB	0 1	<p>SOCB Force Bit. The SOCB pulse will only be generated if the event is enabled in the ETSEL register. The ETFLG[SOCB] flag bit will be set regardless.</p> <p>0 Has no effect. Always reads back a 0.</p> <p>1 Generates a pulse on EPWMxSOCB and sets the SOCBFLG bit. This bit is used for test purposes.</p>
2	SOCA	0 1	<p>SOCA Force Bit. The SOCA pulse will only be generated if the event is enabled in the ETSEL register. The ETFLG[SOCA] flag bit will be set regardless.</p> <p>0 Writing 0 to this bit will be ignored. Always reads back a 0.</p> <p>1 Generates a pulse on EPWMxSOCA and set the SOCAFLG bit. This bit is used for test purposes.</p>
1	Reserved	0	Reserved
0	INT	0 1	<p>INT Force Bit. The interrupt will only be generated if the event is enabled in the ETSEL register. The INT flag bit will be set regardless.</p> <p>0 Writing 0 to this bit will be ignored. Always reads back a 0.</p> <p>1 Generates an interrupt on <math>\overline{\text{EPWMxINT}}</math> and set the INT flag bit. This bit is used for test purposes.</p>

### 34.4.6.5 Event-Trigger Clear Register (ETCLR)

**Figure 34-89. Event-Trigger Clear Register (ETCLR) [offset = 38h]**



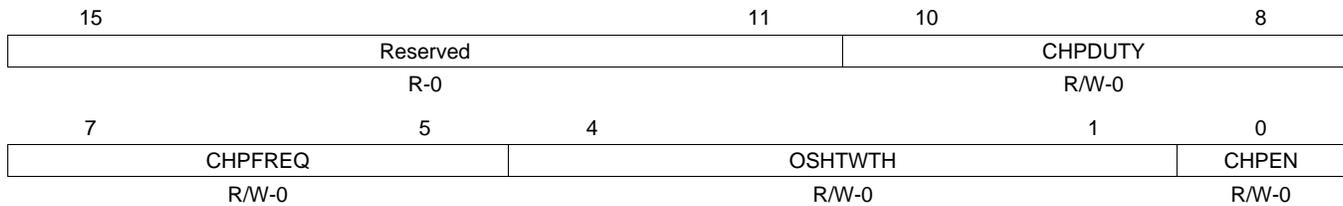
LEGEND: R/W = Read/Write; R = Read only; -n = value after reset

**Table 34-49. Event-Trigger Clear Register (ETCLR) Field Descriptions**

Bits	Name	Value	Description
15-4	Reserved	0	Reserved
3	SOCB	0	ePWM ADC Start-of-Conversion B (EPWMxSOCB) Flag Clear Bit Writing a 0 has no effect. Always reads back a 0
		1	Clears the ETFLG[SOCB] flag bit
2	SOCA	0	ePWM ADC Start-of-Conversion A (EPWMxSOCA) Flag Clear Bit Writing a 0 has no effect. Always reads back a 0
		1	Clears the ETFLG[SOCA] flag bit
1	Reserved	0	Reserved
0	INT	0	ePWM Interrupt (EPWMx_INT) Flag Clear Bit Writing a 0 has no effect. Always reads back a 0
		1	Clears the ETFLG[INT] flag bit and enable further interrupts pulses to be generated

### 34.4.7 PWM-Chopper Submodule Register

#### 34.4.7.1 PWM-Chopper Control Register (PCCTL)

**Figure 34-90. PWM-Chopper Control Register (PCCTL) [offset = 3Ch**


LEGEND: R/W = Read/Write; R = Read only; -n = value after reset

**Table 34-50. PWM-Chopper Control Register (PCCTL) Bit Descriptions**

Bits	Name	Value	Description
15-11	Reserved	0	Reserved
10-8	CHPDUTY	0	Chopping Clock Duty Cycle
		1h	Duty = 1/8 (12.5%)
		2h	Duty = 2/8 (25.0%)
		3h	Duty = 3/8 (37.5%)
		4h	Duty = 4/8 (50.0%)
		5h	Duty = 5/8 (62.5%)
		6h	Duty = 6/8 (75.0%)
		7h	Reserved
7-5	CHPFREQ	0	Chopping Clock Frequency
		1h	Divide by 1 (no prescale, = 12.5 MHz at 100 MHz VCLK3)
		2h	Divide by 2 (6.25 MHz at 100 MHz VCLK3)
		3h	Divide by 3 (4.16 MHz at 100 MHz VCLK3)
		4h	Divide by 4 (3.12 MHz at 100 MHz VCLK3)
		5h	Divide by 5 (2.50 MHz at 100 MHz VCLK3)
		6h	Divide by 6 (2.08 MHz at 100 MHz VCLK3)
		7h	Divide by 7 (1.78 MHz at 100 MHz VCLK3)
		7h	Divide by 8 (1.56 MHz at 100 MHz VCLK3)

**Table 34-50. PWM-Chopper Control Register (PCCTL) Bit Descriptions (continued)**

Bits	Name	Value	Description
4-1	OSHTWTH		One-Shot Pulse Width
		0	1 x VCLK3 / 8 wide (= 80 nS at 100 MHz VCLK3)
		1h	2 x VCLK3 / 8 wide (= 160 nS at 100 MHz VCLK3)
		2h	3 x VCLK3 / 8 wide (= 240 nS at 100 MHz VCLK3)
		3h	4 x VCLK3 / 8 wide (= 320 nS at 100 MHz VCLK3)
		4h	5 x VCLK3 / 8 wide (= 400 nS at 100 MHz VCLK3)
		5h	6 x VCLK3 / 8 wide (= 480 nS at 100 MHz VCLK3)
		6h	7 x VCLK3 / 8 wide (= 560 nS at 100 MHz VCLK3)
		7h	8 x VCLK3 / 8 wide (= 640 nS at 100 MHz VCLK3)
		8h	9 x VCLK3 / 8 wide (= 720 nS at 100 MHz VCLK3)
		9h	10 x VCLK3 / 8 wide (= 800 nS at 100 MHz VCLK3)
		Ah	11 x VCLK3 / 8 wide (= 880 nS at 100 MHz VCLK3)
		Bh	12 x VCLK3 / 8 wide (= 960 nS at 100 MHz VCLK3)
		Ch	13 x VCLK3 / 8 wide (= 1040 nS at 100 MHz VCLK3)
		Dh	14 x VCLK3 / 8 wide (= 1120 nS at 100 MHz VCLK3)
		Eh	15 x VCLK3 / 8 wide (= 1200 nS at 100 MHz VCLK3)
Fh	16 x VCLK3 / 8 wide (= 1280 nS at 100 MHz VCLK3)		
0	CHPEN		PWM-chopping Enable
		0	Disable (bypass) PWM chopping function
		1	Enable chopping function

### 34.4.8 Digital Compare Submodule Registers

#### 34.4.8.1 Digital Compare A Control Register (DCACTL)

**Figure 34-91. Digital Compare A Control Register (DCACTL) [offset = 62h]**

15	10	9	8
Reserved		EVT2FRC SYNCSEL	EVT2SRCSEL
R-0		R/W-0	R/W-0
7	4	3	2
Reserved		EVT1SYNCE	EVT1SOCE
R-0		R/W-0	R/W-0
1	0	EVT1FRC SYNCSEL	EVT1SRCSEL
R/W-0		R/W-0	R/W-0

LEGEND: R/W = Read/Write; R = Read only; -n = value after reset

**Table 34-51. Digital Compare A Control Register (DCACTL) Field Descriptions**

Bit	Field	Value	Description
15-10	Reserved	0	Reserved
9	EVT2FRC SYNCSEL	0	DCAEVT2 Force Synchronization Signal Select Source Is Synchronous Signal
		1	Source Is Asynchronous Signal
8	EVT2SRCSEL	0	DCAEVT2 Source Signal Select Source Is DCAEVT2 Signal
		1	Source Is DCEVTFILT Signal
7-4	Reserved	0	Reserved
3	EVT1SYNCE	0	DCAEVT1 SYNC, Enable/Disable SYNC Generation Disabled
		1	SYNC Generation Enabled
2	EVT1SOCE	0	DCAEVT1 SOC, Enable/Disable SOC Generation Disabled
		1	SOC Generation Enabled
1	EVT1FRC SYNCSEL	0	DCAEVT1 Force Synchronization Signal Select Source Is Synchronous Signal
		1	Source Is Asynchronous Signal
0	EVT1SRCSEL	0	DCAEVT1 Source Signal Select Source Is DCAEVT1 Signal
		1	Source Is DCEVTFILT Signal

### 34.4.8.2 Digital Compare Trip Select (DCTRIPSEL)

**Figure 34-92. Digital Compare Trip Select (DCTRIPSEL) [offset = 60h]**

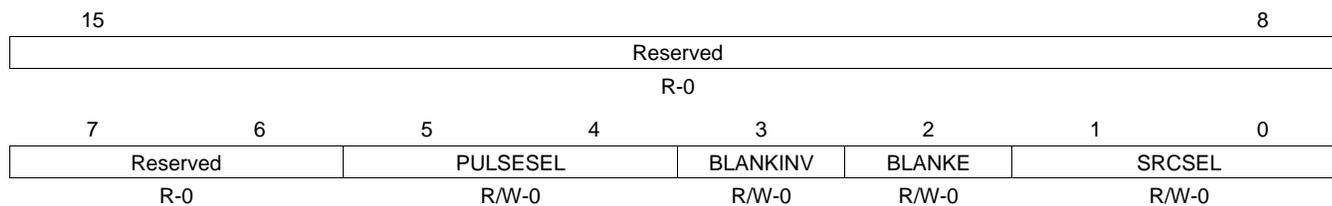
15	12	11	8
DCBLCOMPSEL		DCBHCOMPSEL	
R/W-0		R/W-0	
7	4	3	0
DCALCOMPSEL		DCAHCOMPSEL	
R/W-0		R/W-0	

LEGEND: R/W = Read/Write; R = Read only; -n = value after reset

**Table 34-52. Digital Compare Trip Select (DCTRIPSEL) Field Descriptions**

Bit	Field	Value	Description
15-12	DCBLCOMPSEL	0 1h 2h All other values	Digital Compare B Low Input Select Defines the source for the DCBL input. The TZ signals, when used as trip signals, are treated as normal inputs and can be defined as active high or active low. $\overline{TZ1}$ input $\overline{TZ2}$ input $\overline{TZ3}$ input Values not shown are reserved. If a device does not have a particular comparator, then that option is reserved.
11-8	DCBHCOMPSEL	0 1h 2h All other values	Digital Compare B High Input Select Defines the source for the DCBH input. The TZ signals, when used as trip signals, are treated as normal inputs and can be defined as active high or active low. $\overline{TZ1}$ input $\overline{TZ2}$ input $\overline{TZ3}$ input Values not shown are reserved. If a device does not have a particular comparator, then that option is reserved.
7-4	DCALCOMPSEL	0 1h 2h All other values	Digital Compare A Low Input Select Defines the source for the DCAL input. The TZ signals, when used as trip signals, are treated as normal inputs and can be defined as active high or active low. $\overline{TZ1}$ input $\overline{TZ2}$ input $\overline{TZ3}$ input Values not shown are reserved. If a device does not have a particular comparator, then that option is reserved.
3-0	DCAHCOMPSEL	0 1h 2h All other values	Digital Compare A High Input Select Defines the source for the DCAH input. The TZ signals, when used as trip signals, are treated as normal inputs and can be defined as active high or active low. $\overline{TZ1}$ input $\overline{TZ2}$ input $\overline{TZ3}$ input Values not shown are reserved. If a device does not have a particular comparator, then that option is reserved.

### 34.4.8.3 Digital Compare Filter Control Register (DCFCTL)

**Figure 34-93. Digital Compare Filter Control Register (DCFCTL) [offset = 66h]**


LEGEND: R/W = Read/Write; R = Read only; -n = value after reset

**Table 34-53. Digital Compare Filter Control Register (DCFCTL) Field Descriptions**

Bit	Field	Value	Description
15-6	Reserved	0	Reserved
5-4	PULSESEL	0	Pulse Select For Blanking & Capture Alignment Time-base counter equal to period (TBCTR = TBPRD)
		1h	Time-base counter equal to zero (TBCTR = 0x0000)
		2h-3h	Reserved
3	BLANKINV	0	Blanking Window Inversion Blanking window not inverted
		1	Blanking window inverted
2	BLANKE	0	Blanking Window Enable/Disable Blanking window is disabled
		1	Blanking window is enabled
1-0	SRCSEL	0	Filter Block Signal Source Select Source Is DCAEVT1 Signal
		1h	Source Is DCAEVT2 Signal
		2h	Source Is DCBEVT1 Signal
		3h	Source Is DCBEVT2 Signal

### 34.4.8.4 Digital Compare B Control Register (DCBCTL)

**Figure 34-94. Digital Compare B Control Register (DCBCTL) [offset = 64h]**

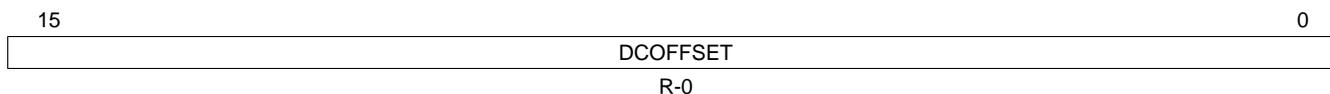
15	10	9	8
Reserved		EVT2FRC SYNCSEL	EVT2SRCSEL
R-0		R/W-0	R/W-0
7	4	3	2
Reserved		EVT1SYNCE	EVT1SOCE
R-0		R/W-0	R/W-0
		1	0
		EVT1FRC SYNCSEL	EVT1SRCSEL
		R/W-0	R/W-0

LEGEND: R/W = Read/Write; R = Read only; -n = value after reset

**Table 34-54. Digital Compare B Control Register (DCBCTL) Field Descriptions**

Bit	Field	Value	Description
15-10	Reserved	0	Reserved
9	EVT2FRC SYNCSEL	0	DCBEVT2 Force Synchronization Signal Select
		1	Source Is Asynchronous Signal
8	EVT2SRCSEL	0	DCBEVT2 Source Signal Select
		1	Source Is DCEVTFILT Signal
7-4	Reserved	0	Reserved
3	EVT1SYNCE	0	DCBEVT1 SYNC, Enable/Disable
		1	SYNC Generation Enabled
2	EVT1SOCE	0	DCBEVT1 SOC, Enable/Disable
		1	SOC Generation Enabled
1	EVT1FRC SYNCSEL	0	DCBEVT1 Force Synchronization Signal Select
		1	Source Is Asynchronous Signal
0	EVT1SRCSEL	0	DCBEVT1 Source Signal Select
		1	Source Is DCEVTFILT Signal

### 34.4.8.5 Digital Compare Filter Offset Register (DCOFFSET)

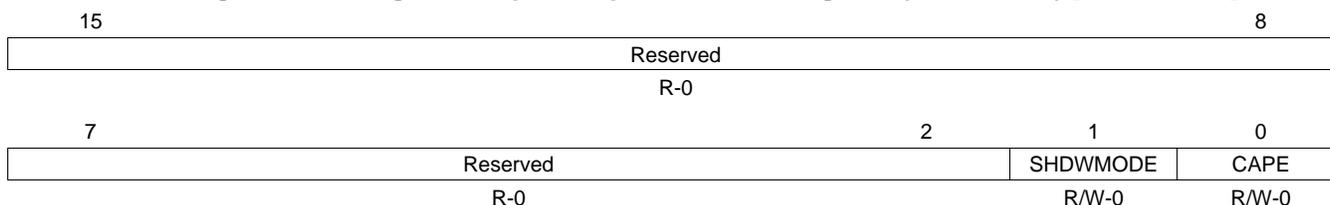
**Figure 34-95. Digital Compare Filter Offset Register (DCOFFSET) [offset = 6Ah]**


LEGEND: R/W = Read/Write; R = Read only; -n = value after reset

**Table 34-55. Digital Compare Filter Offset Register (DCOFFSET) Field Descriptions**

Bit	Field	Description
15-0	OFFSET	Blanking Window Offset These 16-bits specify the number of TBCLK cycles from the blanking window reference to the point when the blanking window is applied. The blanking window reference is either period or zero as defined by the DCFCTL[PULSESEL] bit. This offset register is shadowed and the active register is loaded at the reference point defined by DCFCTL[PULSESEL]. The offset counter is also initialized and begins to count down when the active register is loaded. When the counter expires, the blanking window is applied. If the blanking window is currently active, then the blanking window counter is restarted.

### 34.4.8.6 Digital Compare Capture Control Register (DCCAPCTL)

**Figure 34-96. Digital Compare Capture Control Register (DCCAPCTL) [offset = 68h]**


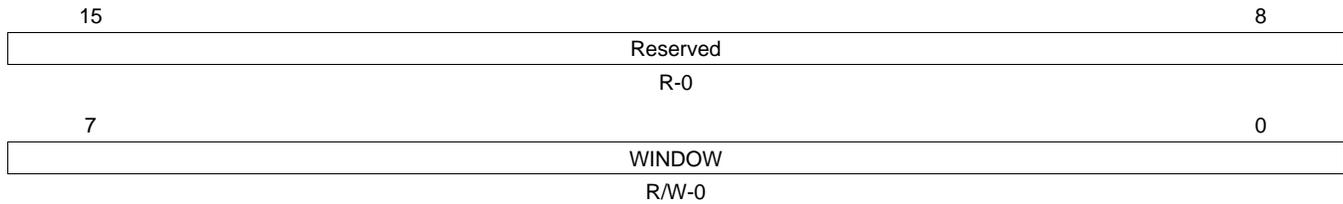
LEGEND: R/W = Read/Write; R = Read only; -n = value after reset

**Table 34-56. Digital Compare Capture Control Register (DCCAPCTL) Field Descriptions**

Bit	Field	Value	Description
15-2	Reserved	0	Reserved
1	SHDWMODE	0	TBCTR Counter Capture Shadow Select Mode Enable shadow mode. The DCCAP active register is copied to shadow register on a TBCTR = TBPRD or TBCTR = zero event as defined by the DCFCTL[PULSESEL] bit. CPU reads of the DCCAP register will return the shadow register contents.
		1	Active Mode. In this mode the shadow register is disabled. CPU reads from the DCCAP register will always return the active register contents.
0	CAPE	0	TBCTR Counter Capture Enable/Disable Disable the time-base counter capture.
		1	Enable the time-base counter capture.

### 34.4.8.7 Digital Compare Filter Window Register (DCFWINDOW)

**Figure 34-97. Digital Compare Filter Window Register (DCFWINDOW) [offset = 6Eh]**



LEGEND: R/W = Read/Write; R = Read only; -n = value after reset

**Table 34-57. Digital Compare Filter Window Register (DCFWINDOW) Field Descriptions**

Bit	Field	Value	Description
15-8	Reserved	0	Reserved
7-0	WINDOW	0 1h-FFh	Blanking Window Width No blanking window is generated. Specifies the width of the blanking window in TBCLK cycles. The blanking window begins when the offset counter expires. When this occurs, the window counter is loaded and begins to count down. If the blanking window is currently active and the offset counter expires, the blanking window counter is restarted. The blanking window can cross a PWM period boundary.

### 34.4.8.8 Digital Compare Filter Offset Counter Register (DCFOFFSETCNT)

**Figure 34-98. Digital Compare Filter Offset Counter Register (DCFOFFSETCNT) [offset = 6Ch]**



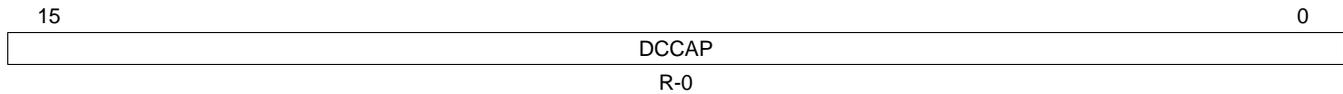
LEGEND: R/W = Read/Write; R = Read only; -n = value after reset

**Table 34-58. Digital Compare Filter Offset Counter Register (DCFOFFSETCNT) Field Descriptions**

Bit	Field	Description
15-0	OFFSETCNT	Blanking Offset Counter These 16-bits are read only and indicate the current value of the offset counter. The counter counts down to zero and then stops until it is re-loaded on the next period or zero event as defined by the DCCTL[PULSESEL] bit. The offset counter is not affected by the free/soft emulation bits. That is, it will always continue to count down if the device is halted by a emulation stop.

### 34.4.8.9 Digital Compare Counter Capture Register (DCCAP)

**Figure 34-99. Digital Compare Counter Capture Register (DCCAP) [offset = 72h]**



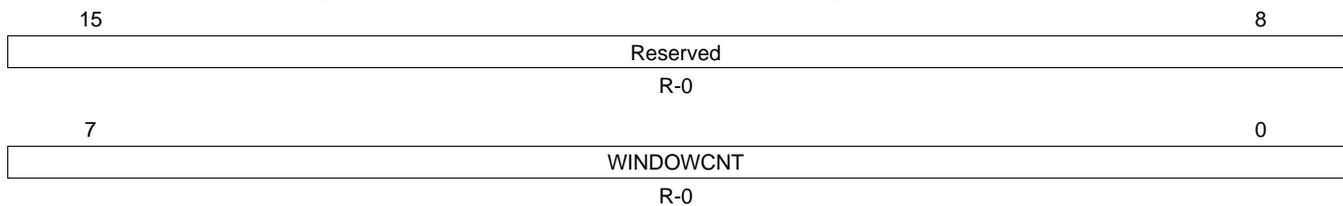
LEGEND: R/W = Read/Write; R = Read only; -n = value after reset

**Table 34-59. Digital Compare Counter Capture Register (DCCAP) Field Descriptions**

Bit	Field	Description
15-0	DCCAP	Digital Compare Time-Base Counter Capture To enable time-base counter capture, set the DCCAPCLT[CAPE] bit to 1. If enabled, reflects the value of the time-base counter (TBCTR) on the low to high edge transition of a filtered (DCEVTFLT) event. Further capture events are ignored until the next period or zero as selected by the DCFCTL[PULSESEL] bit. Shadowing of DCCAP is enabled and disabled by the DCCAPCTL[SHDWMODE] bit. By default this register is shadowed. <ul style="list-style-type: none"> <li>• If DCCAPCTL[SHDWMODE] = 0, then the shadow is enabled. In this mode, the active register is copied to the shadow register on the TBCTR = TBPRD or TBCTR = zero as defined by the DCFCTL[PULSESEL] bit. CPU reads of this register will return the shadow register value.</li> <li>• If DCCAPCTL[SHDWMODE] = 1, then the shadow register is disabled. In this mode, CPU reads will return the active register value.</li> </ul> The active and shadow registers share the same memory map address.

### 34.4.8.10 Digital Compare Filter Window Counter Register (DCFWINDOWCNT)

**Figure 34-100. Digital Compare Filter Window Counter Register (DCFWINDOWCNT) [offset = 70h]**



LEGEND: R/W = Read/Write; R = Read only; -n = value after reset

**Table 34-60. Digital Compare Filter Window Counter Register (DCFWINDOWCNT) Field Descriptions**

Bit	Field	Value	Description
15-8	Reserved	0	Any writes to these bit(s) must always have a value of 0.
7-0	WINDOWCNT	0-FFh	Blanking Window Counter These 8 bits are read only and indicate the current value of the window counter. The counter counts down to zero and then stops until it is re-loaded when the offset counter reaches zero again.

## ***Data Modification Module (DMM)***

---

---

This chapter describes the functionality of the Data Modification Module (DMM), which provides the capability to modify data in the entire 4 GB address space of the device from an external peripheral, with minimal interruption of the application.

<b>Topic</b>	<b>Page</b>
<b>35.1 Overview</b> .....	<b>1826</b>
<b>35.2 Module Operation</b> .....	<b>1827</b>
<b>35.3 Control Registers</b> .....	<b>1832</b>

## 35.1 Overview

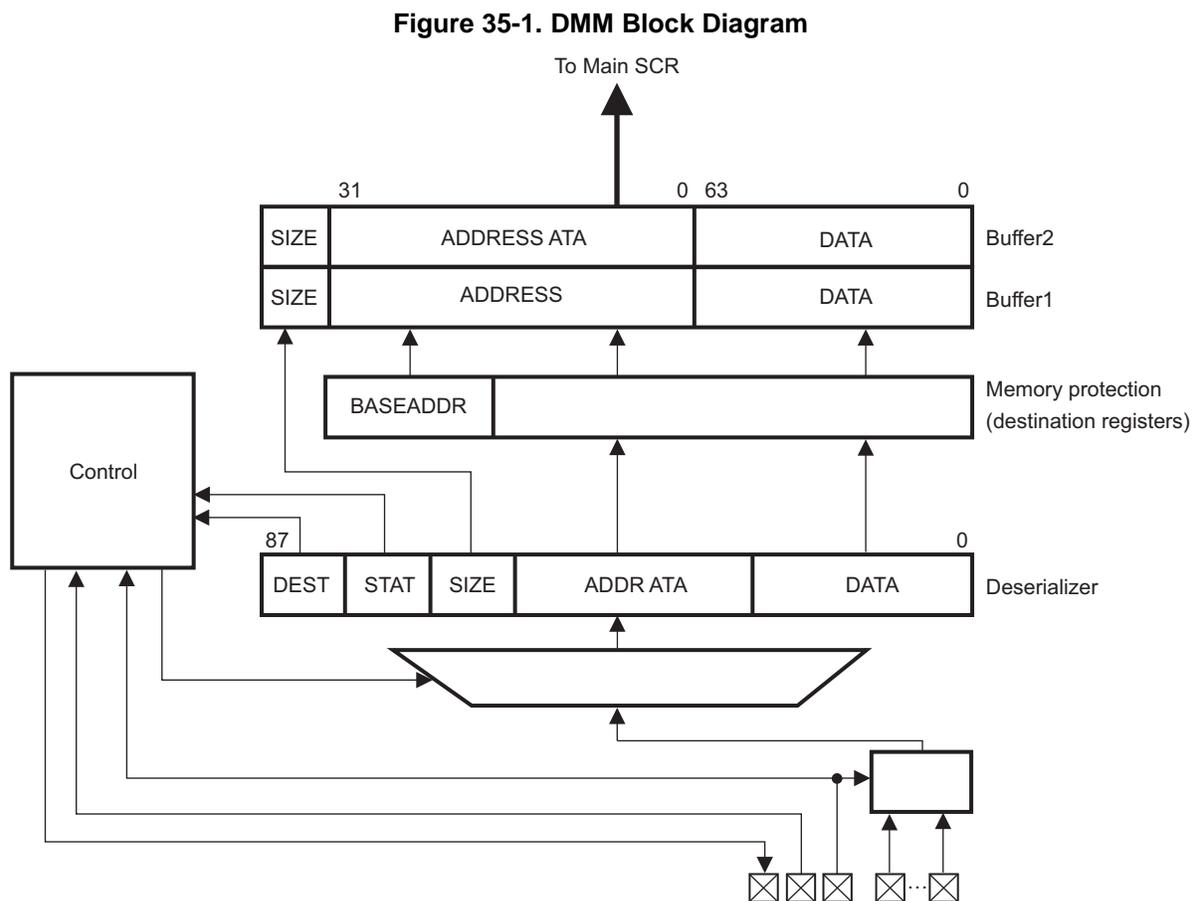
### 35.1.1 Features

The DMM module has the following features:

- Acts as a bus master, thus enabling direct writes to the 4GB address space without CPU intervention
- Writes to memory locations specified in the received packet (leverages packets defined by trace mode of the RAM trace port (RTP) module)
- Writes received data to consecutive addresses, which are specified by the DMM module (leverages packets defined by direct data mode of RTP module)
- Configurable port width (1, 2, 4, 8, 16 pins)
- Up to 100 Mbit/s pin data rate
- Unused pins configurable as GIO pins

### 35.1.2 Block Diagram

Figure 35-1 shows the block diagram for the DMM.



## 35.2 Module Operation

The DMM receives data over the DMM pins from external systems and writes the received data directly to the base address programmed in the module plus offset address given in the packet or into a buffer specified by start address and length. It leverages the protocol defined by the RAM Trace Port (RTP) module to have a common interface definition for external systems. It can also be used to connect an RTP and DMM module together for fast processor intercommunication.

The DMM module provides two modes of operation:

- **Trace Mode:** In this mode, the DMM writes the received data directly to an address which is calculated from the base address programmed into the destination register ([Section 35.3.12](#); [Section 35.3.14](#)) plus the offset address contained in the received packet. An interrupt can be generated when data is written the lowest address of a programmed region. This capability enables the sender to raise an interrupt at the receiver while sending specific information.
- **Direct Data Mode:** In this mode, the DMM writes the received data into an address range of the 4GB address space. The buffer start address ([Section 35.3.8](#)) and blocksize ([Section 35.3.9](#)) is programmable in the DMM module. When the buffer reaches its end address, the buffer pointer wraps around and points to the beginning of the buffer again. The EO\_BUFF flag ([Section 35.3.5](#)) will be set and if enabled, an interrupt will be generated to indicate a buffer-full condition. Another interrupt, can be configured to indicate different buffer fill levels. This can be accomplished by programming a certain fill level into the DMMINTPT register ([Section 35.3.11](#)). The PROG\_BUFF flag ([Section 35.3.5](#)) indicates that this level has been reached.

Data will be captured by the input buffer and moved to the appropriate bit field in the deserializer. When the deserializer is completely full, the data will be moved to the output buffer register. A two-level buffer is implemented to avoid overflow conditions if the internal bus is occupied by other transactions. In addition the DMMENA signal can be used to signal the external hardware that an overflow might occur if more data is sent. The automatic generation of the DMMENA signal can be configured by setting the ENAFUNC bit ([Section 35.3.16](#)). While the DMMENA signal is active, the DMM module will not receive any new data.

The DMM is a bus master and forwards the received data to the bus system. The write operation will be minimally intrusive to the program flow, because the CPU/DMA access will only be blocked if the CPU/DMA accesses the same resource as the DMM.

To prevent an external system from overwriting critical data in the memory while configured in Trace Mode, a memory protection mechanism is implemented via a programmable start address and block size of a region. A maximum of four destinations with two regions each are supported.

For proper operation, at least DMMCLK, DMMSYNC and DMMDATA[0] need to be programmed in functional mode ([Section 35.3.16](#)). If a large amount of data should be transmitted in a short time, more data pins should be used in functional mode. The module supports 1, 2, 4, 8, or 16-pin configurations.

The module can be configured to handle a free running clock provided on DMMCLK ([Section 35.3.1](#)). Clock pulses between two DMMSYNC pulses which exceed the number of valid clock pulses for a packet will be ignored.

### 35.2.1 Data Format

Below is a description of the packet and frame format.

#### 35.2.1.1 Clocking Scheme

The DMM supports both continuous and noncontinuous clocking. The clock received on DMMCLK in the continuous clocking scheme is a free-running clock. In noncontinuous clocking scheme, the clock will stop after each packet and will start with the reception of a DMMSYNC signal.

#### 35.2.1.2 Trace Mode Packet

[Figure 35-2](#) illustrates the trace mode packet format. One packet consists of 2 bits (DEST) denoting the destination in which the data is stored, 2 status bits (STAT), the 2-bit SIZE of the data, the 18-bit address of where the data should be written to, and a variable data field.

The DEST bits (Table 35-1) will be used to determine which destination register applies to the transmitted data and the received address determines if the packet falls into a valid region of the destination area. If the address is valid, the base address, programmed in one of the destination registers (Section 35.3.12; Section 35.3.14) of this particular region will be applied to create the complete 32-bit address for the destination. The DMM module only takes action on a "11" setting of the STAT bits (Table 35-2). This signals that an overflow in the transmitting hardware module has occurred. If this is the case the SRC\_OVF flag (Section 35.3.5) will be set and the received data will be written to the address specified in the packet. The size information of the data transmitted in the packet is denoted in the SIZE bits (Table 35-3) of the packet. Depending on the SIZE information, the module expects to receive only this amount of data.

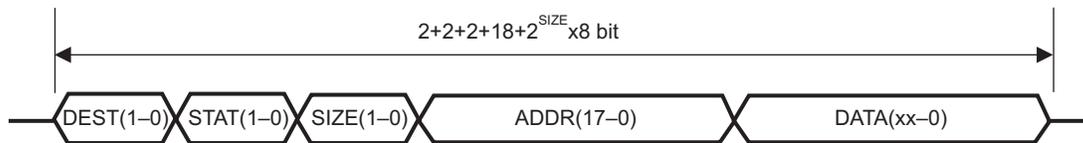
**Figure 35-2. Trace Mode Packet Format**


Table 35-1 through Table 35-3 illustrate the encoding of packet format in trace mode.

**Table 35-1. Encoding of Destination Bits in Trace Mode Packet Format**

DEST[1:0]	Destination
00	Dest 0
01	Dest 1
10	Dest 2
11	Dest 3

**Table 35-2. Encoding of Status Bits in Trace Mode Packet Format**

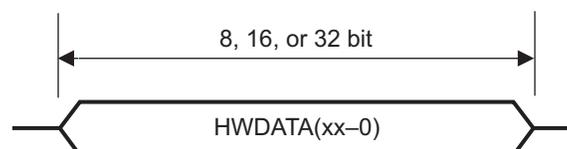
STAT[1:0]	Status
00	don't care
01	don't care
10	don't care
11	overflow

**Table 35-3. Encoding of Write Size in Packet Format**

SIZE[1:0]	Write Size
00	8 bit
01	16 bit
10	32 bit
11	64 bit

### 35.2.1.3 Direct Data Mode Packet

Figure 35-3 illustrates the direct data mode packet format.

**Figure 35-3. Direct Data Mode Packet Format**


The packet consists only of data bits and no header information. It can be 8-, 16- or 32-bit wide. A variable packet width is not supported because the DMM module will check the number of incoming bits (DMMCLK cycles) for error detection. The DMM will write the received data to the destination once the programmed number of bits has been received.

If the programmed word width does not correspond to the received data, the following actions will be taken:

- If the received data is greater than the programmed width, only the configured number of bits are transferred into the RAM buffer, the additional bits are discarded.
- If the received number of bits is smaller than the programmed width, no data will be written to the buffer, because a new DMMSYNC signal has been received before the expected number of bits.

### 35.2.2 Data Port

The packet will be received in several subpackets, depending on the width of the external data bus (DMMDATA[y:0]) and the amount of data to be transmitted. [Table 35-4](#) illustrates the number of clock cycles required for a complete packet.

**Table 35-4. Number of Clock Cycles per Packet**

Port Width/ Pins	Write Size in Bits			
	8	16	32	64
1	32	40	56	88
2	16	20	28	44
4	8	10	14	22
8	4	5	7	11
16	2	3	4	6

The user can program the port width in the DMMPC0 register ([Section 35.3.16](#)). This feature allows pins that are not used for DMM functionality to be used as GIO pins. Only the pins shown in [Table 35-5](#) can be used for a desired port width.

**Table 35-5. Pins Used for Data Communication**

Port Width	Pins Used
1	DMMDATA[0]
2	DMMDATA[1:0]
4	DMMDATA[3:0]
8	DMMDATA[7:0]
16	DMMDATA[15:0]

---

**NOTE:** If pins other than the ones specified in [Table 35-5](#) are programmed as functional pins for a desired port width, the received data will be corrupted and will not be transferred to the deserializer.

---



---

**NOTE:** If DMMCLK or DMMSYNC are programmed as nonfunctional pins, functional operation will not occur.

---

### 35.2.2.1 Signal Description

DMMSYNC	This signal has to be provided by external hardware. It signals the start of a new packet. It has to be active (high) for one full DMMCLK cycle, starting with the rising edge of DMMCLK. If the DMMSYNC pulse is longer than a single DMMCLK cycle and two falling edges of DMMCLK see a high pulse on DMMSYNC, the module will treat the second DMMSYNC pulse as the start of a packet and will flag a PACKET_ERR_INT (Section 35.3.5).
DMMCLK	The clock is externally generated and can be suspended between two packets. For this feature, CONTCLK must be set to 0 (Section 35.3.1). If the clock is not stopped between two packets, CONTCLK must be set to 1. Data will be latched on the falling edge of the DMMCLK signal.
$\overline{\text{DMMENA}}$	This signal is pulled high if no new data should be received via the data pins, because of a potential overflow situation.
DMMDATA[15:0]	These pins receive the packet information transmitted by the external hardware. Data is latched on the falling edge of DMMCLK.

Figure 35-4 shows an example of multiple packets received during trace mode, in noncontinuous clock configuration.

**Figure 35-4. Packet Sync Signal Example**

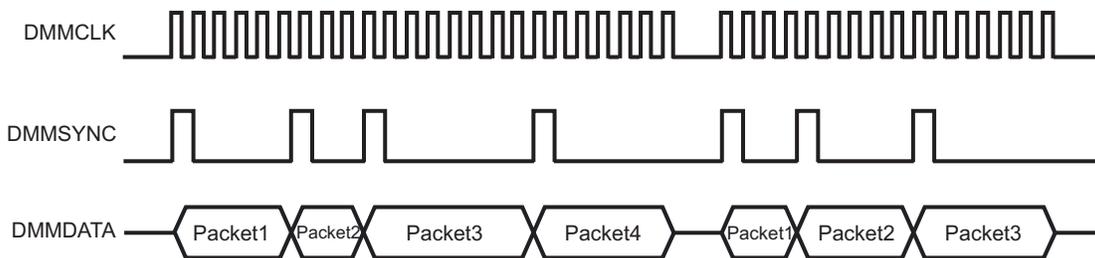
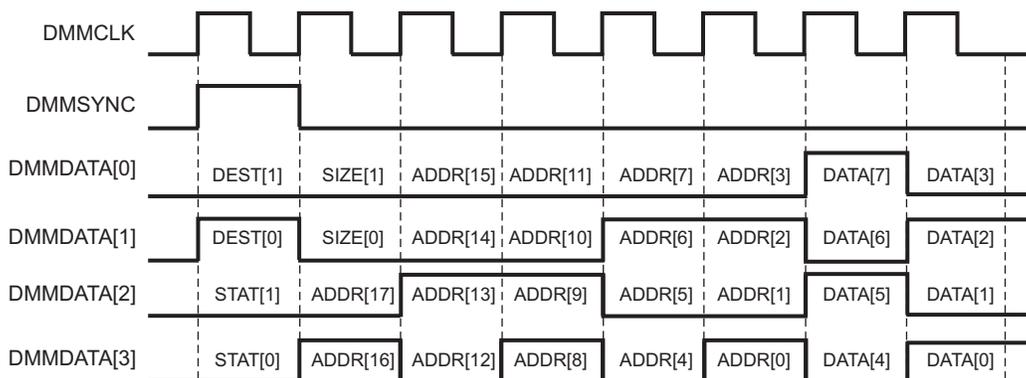


Figure 35-5 shows an example of a 4-bit data port with 8-bit receive data (A5h) to be written into DEST1 (address 0001 2345h) on a trace mode packet.

**Figure 35-5. Example Single Packet Transmission**



### 35.2.3 Error Handling

The module will generate two different kind of errors. Once an error condition is recognized, an interrupt will be generated if enabled.

### 35.2.3.1 Overflow Error

This error is signaled when the module has received new data before the previous data was written to the destination address. If the internal buffers are full, the  $\overline{\text{DMMEN}}_A$  signal will go high. If the sending module does not evaluate the  $\overline{\text{DMMEN}}_A$  signal and keeps on sending new frames, the data that was previously received might be overwritten, thus resulting in setting the `BUFF_OVF` flag (Section 35.3.5).

### 35.2.3.2 Packet Error

#### Noncontinuous Clock Mode

The size of the incoming packet is defined by the `SIZE` information of a trace mode packet or the programmed size of a direct data mode packet. If too many or less than the number of bits are received before the next sync signal, the `PACKET_ERR_INT` flag will be set (Section 35.3.5). In case of receiving a `DMMCLK` signal without a corresponding `DMMSYNC` signal, a packet error will also be generated.

#### Continuous Clock Mode

If less than the expected number of bits are received, the `PACKET_ERR_INT` flag will be set (Section 35.3.5) when the next `DMMSYNC` signal is received. Packets with more than the expected number of bits cannot be detected.

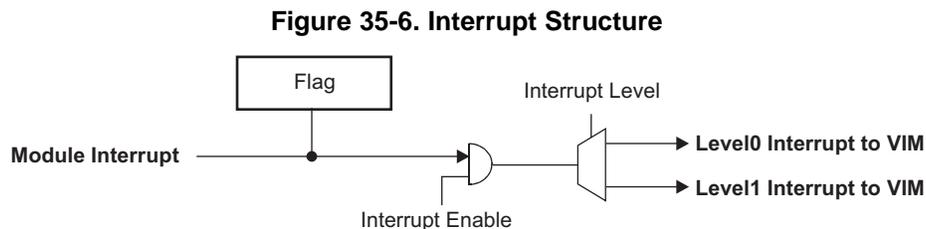
The check for packet error is done only after the detection of the first `DMMSYNC` signal after the DMM is turned on or comes out of suspend mode (with `COS = 0`; Section 35.3.1), that is, before the reception of first `DMMSYNC`, the toggling of `DMMCLK` would be ignored.

### 35.2.3.3 Bus Error

If an error occurs on the microcontroller internal bus system while transferring the data from the DMM to the destination, the `BUSERROR` flag will be set.

## 35.2.4 Interrupts

The module provides different interrupts. These can be programmed to different interrupt levels independently using `DMMINTLVL` (Section 35.3.4).



Interrupts can be divided into error interrupts and functional interrupts. The error handling is described in Section 35.2.3. Functional interrupts depend on the mode (Trace Mode, Direct Data Mode) the DMM module is used in.

**Trace Mode:** An interrupt can be enabled whenever an access to the lowest address of a defined region is performed. This address is the starting address programmed in the `DMMDESTxREGy` register. An interrupt for each of the region can be generated by setting the individual interrupt enable bits.

**Direct Data Mode:** There are two interrupts which can be individually controlled. One is generated when the buffer pointer reaches the end of the defined buffer and wraps around (`EO_BUFF`; Section 35.3.2). The other one is generated when the buffer pointer matches the programmed interrupt threshold (`PROG_BUFF`; Section 35.3.2). The buffer pointer points to the next address to be written, therefore there are (`interrupt threshold - 1`) values stored in the buffer. The interrupt threshold can be programmed in the `DMMINTPT` register (Section 35.3.11).

### 35.3 Control Registers

This section describes the DMM registers. The registers support 8, 16, and 32-bit writes. The offset is relative to the associated peripheral select. [Table 35-6](#) provides a summary of the registers and their bits. The base address of the DMM module registers is FFFF F700h.

**Table 35-6. DMM Registers**

Offset	Acronym	Register Description	Section
0	DMMGLBCTRL	DMM Global Control Register	<a href="#">Section 35.3.1</a>
4h	DMMINTSET	DMM Interrupt Set Register	<a href="#">Section 35.3.2</a>
8h	DMMINTCLR	DMM Interrupt Clear Register	<a href="#">Section 35.3.3</a>
0Ch	DMMINTLVL	DMM Interrupt Level Register	<a href="#">Section 35.3.4</a>
10h	DMMINTFLG	DMM Interrupt Flag Register	<a href="#">Section 35.3.5</a>
14h	DMMOFF1	DMM Interrupt Offset 1 Register	<a href="#">Section 35.3.6</a>
18h	DMMOFF2	DMM Interrupt Offset 2 Register	<a href="#">Section 35.3.7</a>
1Ch	DMMDDMDEST	DMM Direct Data Mode Destination Register	<a href="#">Section 35.3.8</a>
20h	DMMDDMBL	DMM Direct Data Mode Blocksize Register	<a href="#">Section 35.3.9</a>
24h	DMMDDMPT	DMM Direct Data Mode Pointer Register	<a href="#">Section 35.3.10</a>
28h	DMMINTPT	DMM Direct Data Mode Interrupt Pointer Register	<a href="#">Section 35.3.11</a>
2Ch, 3Ch, 4Ch, 5Ch	DMMDESTxREG1	DMM Destination x Region 1	<a href="#">Section 35.3.12</a>
30h, 40h, 50h, 60h	DMMDESTxBL1	DMM Destination x Blocksize 1	<a href="#">Section 35.3.13</a>
34h, 44h, 54h, 64h	DMMDESTxREG2	DMM Destination x Region 2	<a href="#">Section 35.3.14</a>
38h, 48h, 58h, 68h	DMMDESTxBL2	DMM Destination x Blocksize 2	<a href="#">Section 35.3.15</a>
6Ch	DMMPC0	DMM Pin Control 0	<a href="#">Section 35.3.16</a>
70h	DMMPC1	DMM Pin Control 1	<a href="#">Section 35.3.17</a>
74h	DMMPC2	DMM Pin Control 2	<a href="#">Section 35.3.18</a>
78h	DMMPC3	DMM Pin Control 3	<a href="#">Section 35.3.19</a>
7Ch	DMMPC4	DMM Pin Control 4	<a href="#">Section 35.3.20</a>
80h	DMMPC5	DMM Pin Control 5	<a href="#">Section 35.3.21</a>
84h	DMMPC6	DMM Pin Control 6	<a href="#">Section 35.3.22</a>
88h	DMMPC7	DMM Pin Control 7	<a href="#">Section 35.3.23</a>
8Ch	DMMPC8	DMM Pin Control 8	<a href="#">Section 35.3.24</a>

### 35.3.1 DMM Global Control Register (DMMGLBCTRL)

With this register the basic operation of the module is selected.

**Figure 35-7. DMM Global Control Register (DMMGLBCTRL) [offset = 00h]**

31	25	24		
Reserved			BUSY	
R-0			R-0	
23	19	18	17	16
Reserved		CONTCLK	COS	RESET
R-0		R/WP-0	R/WP-0	R/WP-0
15	11	10	9	8
Reserved		DDM_WIDTH		TM_DDM
R-0		R/WP-0		R/WP-0
7	4	3	0	
Reserved		ON/OFF		
R-0		R/WP-5h		

LEGEND: R/W = Read/Write; R = Read only; WP = Write in privileged mode only; -n = value after reset

**Table 35-7. DMM Global Control Register (DMMGLBCTRL) Field Descriptions**

Bit	Field	Value	Description
31-25	Reserved	0	Reads returns 0. Writes have no effect.
24	BUSY	0	Busy indicator. The DMM does not currently receive data and has no data in its internal buffers, which needs to be transferred.
		1	The module is currently receiving data, or has data in its internal buffers
23-19	Reserved	0	Reads returns 0. Writes have no effect.
18	CONTCLK	0	Continuous DMMCLK input. User and privilege mode read, privilege mode write: DMMCLK is expected to be suspended between two packets.
		1	DMMCLK is expected to be free running between packets.
17	COS	0	Continue on suspend. Influences behavior of module while in debug mode. In all cases the corresponding interrupt will be set. User and privilege mode (read): Packets will not be received during debug mode. Before entering debug mode, the ongoing reception of a packet will be finished and the value will be written to the destination.
		1	Continue receiving packets and update destination, while in debug mode
		0	Privilege mode (write): Disable data reception while in debug mode
		1	Enable data reception while in debug mode
16	RESET	0	Reset. This bit resets the state machine and the registers to its reset value, except the RESET bit itself. It must be cleared by writing to it. User and privilege mode (read): No reset of DMM module
		1	Reset of DMM module
		0	Privilege mode (write): No reset of DMM module
		1	Reset DMM module to its reset state
15-11	Reserved	0	Reads returns 0. Writes have no effect.

**Table 35-7. DMM Global Control Register (DMMGLBCTRL) Field Descriptions (continued)**

Bit	Field	Value	Description
10-9	DDM_WIDTH	Bit Encoding 0 1h 2h 3h	Packet Width in direct data mode. User and privilege mode read and privilege mode write operation: Transfer Size 8 bit 16 bit 32 bit Reserved
8	TM_DMM	0 1 0 1	Packet Format. User and privilege mode (read): The DMM module assumes packets in trace mode definition The DMM module assumes packets in direct data mode definition Privilege mode (write): Enable trace mode Enable direct data mode
7-4	Reserved	0	Reads returns 0. Writes have no effect.
3-0	ON/OFF	All other Ah All other Ah	Switch module on or off User and privilege mode (read): The DMM module does not receive data The DMM module receives data and writes it to the buffer Privilege mode (write): Disable receive/write operations. Packets in reception, will still be finished Enable receive/write operations. Packets will be received 1 HCLK cycle after enabling the module

---

**NOTE:** It is recommended to write 5h to ON/OFF to avoid having a soft error inadvertently enabling the module when a single bit flips.

---



---

**NOTE:** Registers which affect the operation of the module, should be only programmed when the BUSY bit is 0 and the ON/OFF bits are not Ah.

---



---

**NOTE:** If the module was in operation, turned off (ON/OFF = all other than Ah) and then turned on (ON/OFF = Ah) again, it is recommended to perform a reset (RESET = 1) of the module before switching it on. This avoids that the state machine is held in an unrecoverable state.

---



---

**NOTE:** A write to these register bits while receiving a packet will not have any effect on the received packet. The mode change will be performed after the packet is received

---

### 35.3.2 DMM Interrupt Set Register (DMMINTSET)

This register contains the interrupt set bits for error interrupts and functional interrupts. Only the bits which are relevant for the particular mode (trace mode or direct data mode) will be taken into account for the interrupt generation.

**Figure 35-8. DMM Interrupt Set Register (DMMINTSET) [offset = 04h]**

31								24							
Reserved															
R-0															
23								18				17		16	
Reserved										PROG_BUFF		EO_BUFF			
R-0										R/WP-0		R/WP-0			
15		14		13		12		11		10		9		8	
DEST3REG2	DEST3REG1	DEST2REG2	DEST2REG1	DEST1REG2	DEST1REG1	DEST0REG2	DEST0REG1								
R/WP-0	R/WP-0	R/WP-0	R/WP-0	R/WP-0	R/WP-0	R/WP-0	R/WP-0								
7		6		5		4		3		2		1		0	
BUSERROR	BUFF_OVF	SRC_OVF	DEST3_ERR	DEST2_ERR	DEST1_ERR	DEST0_ERR	PACKET_ERR_INT								
R/WP-0	R/WP-0	R/WP-0	R/WP-0	R/WP-0	R/WP-0	R/WP-0	R/WP-0								

LEGEND: R/W = Read/Write; R = Read only; WP = Write in privileged mode only; -n = value after reset

**Table 35-8. DMM Interrupt Set Register (DMMINTSET) Field Descriptions**

Bit	Field	Value	Description
31-18	Reserved	0	Reads returns 0. Writes have no effect.
17	PROG_BUFF		<b>Programmable Buffer Interrupt Set.</b> This enables the interrupt generation in case the buffer pointer equals the programmed value in the DMMINTPT register ( <a href="#">Section 35.3.11</a> ). This bit is only relevant in Direct Data Mode.
			User and privilege mode (read):
		0	No interrupt will be generated
		1	An interrupt will be generated on pointer match.
16	EO_BUFF		<b>End of Buffer Interrupt Set.</b> This enables the interrupt generation in case data was written to the last entry in the buffer and the pointer wrapped around to the beginning of the buffer. This bit is only relevant in Direct Data Mode.
			User and privilege mode (read):
		0	No interrupt will be generated
		1	An interrupt will be generated on writing to the last entry.
15	DEST3REG2		<b>Destination 3 Region 2 Interrupt Set.</b> This enables the interrupt generation in case data was accessed at the startaddress of Destination 3 Region 2. This bit is only relevant in Trace Mode.
			User and privilege mode (read):
		0	No interrupt will be generated
		1	An interrupt will be generated on a write to the start address of this region
			Privilege mode (write):
		0	No influence on bit
		1	Enable interrupt (sets corresponding bit in DMMINTCLR; DMMINTLVL)

**Table 35-8. DMM Interrupt Set Register (DMMINTSET) Field Descriptions (continued)**

Bit	Field	Value	Description
14	DEST3REG1		<b>Destination 3 Region 1 Interrupt Set.</b> This enables the interrupt generation in case data was accessed at the startaddress of Destination 3 Region 1. This bit is only relevant in Trace Mode.
			User and privilege mode (read):
		0	No interrupt will be generated
		1	An interrupt will be generated on a write to the start address of this region
13	DEST2REG2		<b>Destination 2 Region 2 Interrupt Set.</b> This enables the interrupt generation in case data was accessed at the startaddress of Destination 2 Region 2. This bit is only relevant in Trace Mode.
			User and privilege mode (read):
		0	No interrupt will be generated
		1	An interrupt will be generated on a write to the start address of this region
12	DEST2REG1		<b>Destination 2 Region 1 Interrupt Set.</b> This enables the interrupt generation in case data was accessed at the startaddress of Destination 2 Region 1. This bit is only relevant in Trace Mode.
			User and privilege mode (read):
		0	No interrupt will be generated
		1	An interrupt will be generated on a write to the start address of this region
11	DEST1REG2		<b>Destination 1 Region 2 Interrupt Set.</b> This enables the interrupt generation in case data was accessed at the startaddress of Destination 1 Region 2. This bit is only relevant in Trace Mode.
			User and privilege mode (read):
		0	No interrupt will be generated
		1	An interrupt will be generated on a write to the start address of this region
10	DEST1REG1		<b>Destination 1 Region 1 Interrupt Set.</b> This enables the interrupt generation in case data was accessed at the startaddress of Destination 1 Region 1. This bit is only relevant in Trace Mode.
			User and privilege mode (read):
		0	No interrupt will be generated
		1	An interrupt will be generated on a write to the start address of this region
			Privilege mode (write):
		0	No influence on bit
		1	Enable interrupt (sets corresponding bit in DMMINTCLR; DMMINTLVL)

**Table 35-8. DMM Interrupt Set Register (DMMINTSET) Field Descriptions (continued)**

Bit	Field	Value	Description
9	DEST0REG2		<b>Destination 0 Region 2 Interrupt Set.</b> This enables the interrupt generation in case data was accessed at the startaddress of Destination 0 Region 2. This bit is only relevant in Trace Mode.
			User and privilege mode (read):
		0	No interrupt will be generated
		1	An interrupt will be generated on a write to the start address of this region
8	DEST0REG1		<b>Destination 0 Region 1 Interrupt Set.</b> This enables the interrupt generation in case data was accessed at the startaddress of Destination 0 Region 1. This bit is only relevant in Trace Mode.
			User and privilege mode (read):
		0	No interrupt will be generated
		1	An interrupt will be generated on a write to the start address of this region
7	BUSERROR		<b>Bus Error Response</b> for errors generated when doing internal bus transfers.
			User and privilege mode (read):
		0	No interrupt will be generated
		1	An interrupt will be generated
6	BUFF_OVF		<b>Buffer Overflow.</b> This enables the interrupt generation in case new data is received, while the previous data still has not been transmitted.
			User and privilege mode (read):
		0	No interrupt will be generated
		1	An interrupt will be generated
5	SRC_OVF		<b>Source Overflow.</b> This enables an interrupt if the external system experienced and overflow which was signalled in the Trace Mode packet.
			User and privilege mode (read):
		0	No interrupt will be generated
		1	An interrupt will be generated
			Privilege mode (write):
		0	No influence on bit
		1	Enable interrupt (sets corresponding bit in DMMINTCLR; DMMINTLVL)

**Table 35-8. DMM Interrupt Set Register (DMMINTSET) Field Descriptions (continued)**

Bit	Field	Value	Description
4	DEST3_ERR		<b>Destination 3 Error.</b> This enables the interrupt generation in case data should be written into a address not specified by DMMDEST3REG1/DMMDEST3BL1 or DMMDEST3REG2/DMMDEST3BL2. If both block sizes are programmed to 0 or a reserved value, the interrupt will still be generated, the write to the internal RAM however will not take place.
		0	User and privilege mode (read): No interrupt will be generated
		1	An interrupt will be generated
			Privilege mode (write):
		0	No influence on bit
		1	Enable interrupt (sets corresponding bit in DMMINTCLR; DMMINTLVL)
3	DEST2_ERR		<b>Destination 2 Error Interrupt Set.</b> This enables the interrupt generation in case data should be written into a address not specified by DMMDEST2REG1/DMMDEST2BL1 or DMMDEST2REG2/DMMDEST2BL2. If both block sizes are programmed to 0 or a reserved value, the interrupt will still be generated, the write to the internal RAM however will not take place.
		0	User and privilege mode (read): No interrupt will be generated
		1	An interrupt will be generated
			Privilege mode (write):
		0	No influence on bit
		1	Enable interrupt (sets corresponding bit in DMMINTCLR; DMMINTLVL)
2	DEST1_ERR		<b>Destination 1 Error Interrupt Set.</b> This enables the interrupt generation in case data should be written into a address not specified by DMMDEST1REG1/DMMDEST1BL1 or DMMDEST1REG2/DMMDEST1BL2. If both block sizes are programmed to 0 or a reserved value, the interrupt will still be generated, the write to the internal RAM however will not take place.
		0	User and privilege mode (read): No interrupt will be generated
		1	An interrupt will be generated
			Privilege mode (write):
		0	No influence on bit
		1	Enable interrupt (sets corresponding bit in DMMINTCLR; DMMINTLVL)
1	DEST0_ERR		<b>Destination 0 Error Interrupt Set.</b> This enables the interrupt generation in case data should be written into a address not specified by DMMDEST0REG1/DMMDEST0BL1 or DMMDEST0REG2/DMMDEST0BL2. If both block sizes are programmed to 0 or a reserved value, the interrupt will still be generated, the write to the internal RAM however will not take place.
		0	User and privilege mode (read): No interrupt will be generated
		1	An interrupt will be generated
			Privilege mode (write):
		0	No influence on bit
		1	Enable interrupt (sets corresponding bit in DMMINTCLR; DMMINTLVL)
0	PACKET_ERR_INT		<b>Packet Error.</b> This enables the interrupt generation in case of an error condition in the packet reception. Please refer to <a href="#">Section 35.2.3</a> for the error conditions.
		0	User and privilege mode (read): No interrupt will be generated
		1	An interrupt will be generated
			Privilege mode (write):
		0	No influence on bit
		1	Enable interrupt (sets corresponding bit in DMMINTCLR; DMMINTLVL)

### 35.3.3 DMM Interrupt Clear Register (DMMINTCLR)

This register contains the interrupt clear bits for error interrupts and functional interrupts. Only the bits which are relevant for the particular mode (trace mode or direct data mode) will be taken into account for the interrupt generation

**Figure 35-9. DMM Interrupt Clear Register (DMMINTCLR) [offset = 08h]**

31								24							
Reserved															
R-0															
23								18				17		16	
Reserved										PROG_BUFF		EO_BUFF			
R-0										R/WP-0		R/WP-0			
15		14		13		12		11		10		9		8	
DEST3REG2		DEST3REG1		DEST2REG2		DEST2REG1		DEST1REG2		DEST1REG1		DEST0REG2		DEST0REG1	
R/WP-0		R/WP-0		R/WP-0		R/WP-0		R/WP-0		R/WP-0		R/WP-0		R/WP-0	
7		6		5		4		3		2		1		0	
BUSERROR		BUFF_OVF		SRC_OVF		DEST3_ERR		DEST2_ERR		DEST1_ERR		DEST0_ERR		PACKET_ERR_INT	
R/WP-0		R/WP-0		R/WP-0		R/WP-0		R/WP-0		R/WP-0		R/WP-0		R/WP-0	

LEGEND: R/W = Read/Write; R = Read only; WP = Write in privileged mode only; -n = value after reset

**Table 35-9. DMM Interrupt Clear Register (DMMINTCLR) Field Descriptions**

Bit	Field	Value	Description
31-18	Reserved	0	Reads returns 0. Writes have no effect.
17	PROG_BUFF		<b>Programmable Buffer Interrupt Set.</b> This disables the interrupt generation in case the buffer pointer equals the programmed value in the DMMINTPT register (Section 35.3.11). This bit is only relevant in Direct Data Mode.
		0	User and privilege mode (read): No interrupt will be generated
		1	An interrupt will be generated on pointer match.
			Privilege mode (write):
16	EO_BUFF	0	No influence on bit
		1	Disable interrupt (clears corresponding bit in DMMINTCLR; DMM Interrupt Level Register (DMMINTLVL))
			Privilege mode (write):
		0	No influence on bit
15	DEST3REG2	1	<b>End of Buffer Interrupt Set.</b> This disables the interrupt generation in case data was written to the last entry in the buffer and the pointer wrapped around to the beginning of the buffer. This bit is only relevant in Direct Data Mode.
		0	User and privilege mode (read): No interrupt will be generated
		1	An interrupt will be generated on writing to the last entry.
			Privilege mode (write):
15	DEST3REG2	0	No influence on bit
		1	Disable interrupt (clears corresponding bit in DMMINTCLR; DMM Interrupt Level Register (DMMINTLVL))
			Privilege mode (write):
		0	No influence on bit
15	DEST3REG2	1	<b>Destination 3 Region 2 Interrupt Set.</b> This disables the interrupt generation in case data was accessed at the startaddress of Destination 3 Region 2. This bit is only relevant in Trace Mode.
		0	User and privilege mode (read): No interrupt will be generated
		1	An interrupt will be generated on a write to the start address of this region
			Privilege mode (write):
15	DEST3REG2	0	No influence on bit
		1	Disable interrupt (clears corresponding bit in DMMINTCLR; DMM Interrupt Level Register (DMMINTLVL))
			Privilege mode (write):
		0	No influence on bit

**Table 35-9. DMM Interrupt Clear Register (DMMINTCLR) Field Descriptions (continued)**

Bit	Field	Value	Description
14	DEST3REG1		<b>Destination 3 Region 1 Interrupt Set.</b> This disables the interrupt generation in case data was accessed at the startaddress of Destination 3 Region 1. This bit is only relevant in Trace Mode.
			User and privilege mode (read):
		0	No interrupt will be generated
		1	An interrupt will be generated on a write to the start address of this region
			Privilege mode (write):
		0	No influence on bit
		1	Disable interrupt (clears corresponding bit in DMMINTCLR; DMM Interrupt Level Register (DMMINTLVL))
13	DEST2REG2		<b>Destination 2 Region 2 Interrupt Set.</b> This disables the interrupt generation in case data was accessed at the startaddress of Destination 2 Region 2. This bit is only relevant in Trace Mode.
			User and privilege mode (read):
		0	No interrupt will be generated
		1	An interrupt will be generated on a write to the start address of this region
			Privilege mode (write):
		0	No influence on bit
		1	Disable interrupt (clears corresponding bit in DMMINTCLR; DMM Interrupt Level Register (DMMINTLVL))
12	DEST2REG1		<b>Destination 2 Region 1 Interrupt Set.</b> This disables the interrupt generation in case data was accessed at the startaddress of Destination 2 Region 1. This bit is only relevant in Trace Mode.
			User and privilege mode (read):
		0	No interrupt will be generated
		1	An interrupt will be generated on a write to the start address of this region
			Privilege mode (write):
		0	No influence on bit
		1	Disable interrupt (clears corresponding bit in DMMINTCLR; DMM Interrupt Level Register (DMMINTLVL))
11	DEST1REG2		<b>Destination 1 Region 2 Interrupt Set.</b> This disables the interrupt generation in case data was accessed at the startaddress of Destination 1 Region 2. This bit is only relevant in Trace Mode.
			User and privilege mode (read):
		0	No interrupt will be generated
		1	An interrupt will be generated on a write to the start address of this region
			Privilege mode (write):
		0	No influence on bit
		1	Disable interrupt (clears corresponding bit in DMMINTCLR; DMM Interrupt Level Register (DMMINTLVL))
10	DEST1REG1		<b>Destination 1 Region 1 Interrupt Set.</b> This enables the interrupt generation in case data was accessed at the startaddress of Destination 1 Region 1. This bit is only relevant in Trace Mode.
			User and privilege mode (read):
		0	No interrupt will be generated
		1	An interrupt will be generated on a write to the start address of this region
			Privilege mode (write):
		0	No influence on bit
		1	Disable interrupt (clears corresponding bit in DMMINTCLR; DMM Interrupt Level Register (DMMINTLVL))

**Table 35-9. DMM Interrupt Clear Register (DMMINTCLR) Field Descriptions (continued)**

Bit	Field	Value	Description
9	DEST0REG2		<b>Destination 0 Region 2 Interrupt Set.</b> This disables the interrupt generation in case data was accessed at the startaddress of Destination 0 Region 2. This bit is only relevant in Trace Mode.
			User and privilege mode (read):
		0	No interrupt will be generated
		1	An interrupt will be generated on a write to the start address of this region
			Privilege mode (write):
		0	No influence on bit
		1	Disable interrupt (clears corresponding bit in DMMINTCLR; DMM Interrupt Level Register (DMMINTLVL))
8	DEST0REG1		<b>Destination 0 Region 1 Interrupt Set.</b> This disables the interrupt generation in case data was accessed at the startaddress of Destination 0 Region 1. This bit is only relevant in Trace Mode.
			User and privilege mode (read):
		0	No interrupt will be generated
		1	An interrupt will be generated on a write to the start address of this region
			Privilege mode (write):
		0	No influence on bit
		1	Disable interrupt (clears corresponding bit in DMMINTCLR; DMM Interrupt Level Register (DMMINTLVL))
7	BUSERROR		<b>Bus Error Response</b> for errors generated when doing internal bus transfers.
			User and privilege mode (read):
		0	No interrupt will be generated
		1	An interrupt will be generated
			Privilege mode (write):
		0	No influence on bit
		1	Disable interrupt (clears corresponding bit in DMMINTCLR; DMM Interrupt Level Register (DMMINTLVL))
6	BUFF_OVF		<b>Buffer Overflow.</b> This disables the interrupt generation in case new data is received, while the previous data still has not been transmitted.
			User and privilege mode (read):
		0	No interrupt will be generated
		1	An interrupt will be generated
			Privilege mode (write):
		0	No influence on bit
		1	Disable interrupt (clears corresponding bit in DMMINTCLR; DMM Interrupt Level Register (DMMINTLVL))
5	SRC_OVF		<b>Source Overflow.</b> This disables an interrupt if the external system experienced and overflow which was signalled in the Trace Mode packet.
			User and privilege mode (read):
		0	No interrupt will be generated
		1	An interrupt will be generated
			Privilege mode (write):
		0	No influence on bit
		1	Disable interrupt (clears corresponding bit in DMMINTCLR; DMM Interrupt Level Register (DMMINTLVL))

**Table 35-9. DMM Interrupt Clear Register (DMMINTCLR) Field Descriptions (continued)**

Bit	Field	Value	Description
4	DEST3_ERR		<b>Destination 3 Error.</b> This disables the interrupt generation in case data should be written into a address not specified by DMMDEST3REG1/DMMDEST3BL1 or DMMDEST3REG2/DMMDEST3BL2. If both block sizes are programmed to 0 or a reserved value, the interrupt will still be generated, the write to the internal RAM however will not take place.
		0	User and privilege mode (read): No interrupt will be generated
		1	An interrupt will be generated
			Privilege mode (write):
		0	No influence on bit
		1	Disable interrupt (clears corresponding bit in DMMINTCLR; DMM Interrupt Level Register (DMMINTLVL))
3	DEST2_ERR		<b>Destination 2 Error Interrupt Set.</b> This disables the interrupt generation in case data should be written into a address not specified by DMMDEST2REG1/DMMDEST2BL1 or DMMDEST2REG2/DMMDEST2BL2. If both block sizes are programmed to 0 or a reserved value, the interrupt will still be generated, the write to the internal RAM however will not take place.
		0	User and privilege mode (read): No interrupt will be generated
		1	An interrupt will be generated
			Privilege mode (write):
		0	No influence on bit
		1	Disable interrupt (clears corresponding bit in DMMINTCLR; DMM Interrupt Level Register (DMMINTLVL))
2	DEST1_ERR		<b>Destination 1 Error Interrupt Set.</b> This disables the interrupt generation in case data should be written into a address not specified by DMMDEST1REG1/DMMDEST1BL1 or DMMDEST1REG2/DMMDEST1BL2. If both block sizes are programmed to 0 or a reserved value, the interrupt will still be generated, the write to the internal RAM however will not take place.
		0	User and privilege mode (read): No interrupt will be generated
		1	An interrupt will be generated
			Privilege mode (write):
		0	No influence on bit
		1	Disable interrupt (clears corresponding bit in DMMINTCLR; DMM Interrupt Level Register (DMMINTLVL))
1	DEST0_ERR		<b>Destination 0 Error Interrupt Set.</b> This disables the interrupt generation in case data should be written into a address not specified by DMMDEST0REG1/DMMDEST0BL1 or DMMDEST0REG2/DMMDEST0BL2. If both block sizes are programmed to 0 or a reserved value, the interrupt will still be generated, the write to the internal RAM however will not take place.
		0	User and privilege mode (read): No interrupt will be generated
		1	An interrupt will be generated
			Privilege mode (write):
		0	No influence on bit
		1	Disable interrupt (clears corresponding bit in DMMINTCLR; DMM Interrupt Level Register (DMMINTLVL))

**Table 35-9. DMM Interrupt Clear Register (DMMINTCLR) Field Descriptions (continued)**

Bit	Field	Value	Description
0	PACKET_ERR_INT		<b>Packet Error.</b> This disables the interrupt generation in case of an error condition in the packet reception. Please refer to <a href="#">Section 35.2.3</a> for the error conditions.
			User and privilege mode (read):
		0	No interrupt will be generated
		1	An interrupt will be generated
			Privilege mode (write):
		0	No influence on bit
		1	Disable interrupt (clears corresponding bit in DMMINTCLR; DMM Interrupt Level Register (DMMINTLVL))

### 35.3.4 DMM Interrupt Level Register (DMMINTLVL)

This register contains the interrupt level bits for error interrupts and normal interrupts.

**Figure 35-10. DMM Interrupt Level Register (DMMINTLVL) [offset = 0Ch]**

Reserved							
R-0							
Reserved						PROG_BUFF	EO_BUFF
R-0						R/WP-0	R/WP-0
15	14	13	12	11	10	9	8
DEST3REG2	DEST3REG1	DEST2REG2	DEST2REG1	DEST1REG2	DEST1REG1	DEST0REG2	DEST0REG1
R/WP-0	R/WP-0	R/WP-0	R/WP-0	R/WP-0	R/WP-0	R/WP-0	R/WP-0
7	6	5	4	3	2	1	0
BUSERROR	BUFF_OVF	SRC_OVF	DEST3_ERR	DEST2_ERR	DEST1_ERR	DEST0_ERR	PACKET_ERR_INT
R/WP-0	R/WP-0	R/WP-0	R/WP-0	R/WP-0	R/WP-0	R/WP-0	R/WP-0

LEGEND: R/W = Read/Write; R = Read only; WP = Write in privilege mode only; -n = value after reset

**Table 35-10. DMM Interrupt Level Register (DMMINTLVL) Field Descriptions**

Bit	Field	Value	Description
31-18	Reserved	0	Reads returns 0. Writes have no effect.
17	PROG_BUFF	0 1	<b>Programmable Buffer Interrupt Level</b> User and privilege mode read, privilege mode write: Interrupt mapped to level 0 Interrupt mapped to level 1
16	EO_BUFF	0 1	<b>End of Buffer Interrupt Level</b> User and privilege mode read, privilege mode write: Interrupt mapped to level 0 Interrupt mapped to level 1
15	DEST3REG2	0 1	<b>Destination 3 Region 2 Interrupt Level</b> User and privilege mode read, privilege mode write: Interrupt mapped to level 0 Interrupt mapped to level 1
14	DEST3REG1	0 1	<b>Destination 3 Region 1 Interrupt Level</b> User and privilege mode read, privilege mode write: Interrupt mapped to level 0 Interrupt mapped to level 1
13	DEST2REG2	0 1	<b>Destination 2 Region 2 Interrupt Level</b> User and privilege mode read, privilege mode write: Interrupt mapped to level 0 Interrupt mapped to level 1
12	DEST2REG1	0 1	<b>Destination 2 Region 1 Interrupt Level</b> User and privilege mode read, privilege mode write: Interrupt mapped to level 0 Interrupt mapped to level 1
11	DEST1REG2	0 1	<b>Destination 1 Region 2 Interrupt Level</b> User and privilege mode read, privilege mode write: Interrupt mapped to level 0 Interrupt mapped to level 1

**Table 35-10. DMM Interrupt Level Register (DMMINTLVL) Field Descriptions (continued)**

Bit	Field	Value	Description
10	DEST1REG1	0 1	<b>Destination 1 Region 1 Interrupt Level</b> User and privilege mode read, privilege mode write: Interrupt mapped to level 0 Interrupt mapped to level 1
9	DEST0REG2	0 1	<b>Destination 0 Region 2 Interrupt Level</b> User and privilege mode read, privilege mode write: Interrupt mapped to level 0 Interrupt mapped to level 1
8	DEST0REG1	0 1	<b>Destination 0 Region 1 Interrupt Level</b> User and privilege mode read, privilege mode write: Interrupt mapped to level 0 Interrupt mapped to level 1
7	BUSERROR	0 1	<b>BMM Bus Error Response</b> User and privilege mode read, privilege mode write: Interrupt mapped to level 0 Interrupt mapped to level 1
6	BUFF_OVF	0 1	<b>Write Buffer Overflow Interrupt Level</b> User and privilege mode read, privilege mode write: Interrupt mapped to level 0 Interrupt mapped to level 1
5	SRC_OVF	0 1	<b>Source Overflow Interrupt Level</b> User and privilege mode read, privilege mode write: Interrupt mapped to level 0 Interrupt mapped to level 1
4	DEST3_ERR	0 1	<b>Destination 3 Error Interrupt Level</b> User and privilege mode read, privilege mode write: Interrupt mapped to level 0 Interrupt mapped to level 1
3	DEST2_ERR	0 1	<b>Destination 2 Error Interrupt Level</b> User and privilege mode read, privilege mode write: Interrupt mapped to level 0 Interrupt mapped to level 1
2	DEST1_ERR	0 1	<b>Destination 1 Error Interrupt Level</b> User and privilege mode read, privilege mode write: Interrupt mapped to level 0 Interrupt mapped to level 1
1	DEST0_ERR	0 1	<b>Destination 0 Error Interrupt Level</b> User and privilege mode read, privilege mode write: Interrupt mapped to level 0 Interrupt mapped to level 1
0	PACKET_ERR_INT	0 1	<b>Packet Error Interrupt Level</b> User and privilege mode read, privilege mode write: Interrupt mapped to level 0 Interrupt mapped to level 1

### 35.3.5 DMM Interrupt Flag Register (DMMINTFLG)

This register contains the interrupt level bits for error interrupts and normal interrupts.

**Figure 35-11. DMM Interrupt Flag Register (DMMINTFLG) [offset = 10h]**

Reserved							
R-0							
Reserved						PROG_BUFF	EO_BUFF
R-0						R/WPC-0	R/WPC-0
15	14	13	12	11	10	9	8
DEST3REG2	DEST3REG1	DEST2REG2	DEST2REG1	DEST1REG2	DEST1REG1	DEST0REG2	DEST0REG1
R/WPC-0	R/WPC-0	R/WPC-0	R/WPC-0	R/WPC-0	R/WPC-0	R/WPC-0	R/WPC-0
7	6	5	4	3	2	1	0
BUSERROR	BUFF_OVF	SRC_OVF	DEST3_ERR	DEST2_ERR	DEST1_ERR	DEST0_ERR	PACKET_ERR_INT
R/WPC-0	R/WPC-0	R/WPC-0	R/WPC-0	R/WPC-0	R/WPC-0	R/WPC-0	R/WPC-0

LEGEND: R/W = Read/Write; R = Read only; WP = Write in privilege mode only; C = Clear; -n = value after reset

**Table 35-11. DMM Interrupt Flag Register (DMMINTFLG) Field Descriptions**

Bit	Field	Value	Description
31-18	Reserved	0	Reads returns 0. Writes have no effect.
17	PROG_BUFF		<b>Programmable Buffer Interrupt Flag</b>
		0	User and privilege mode (read): No interrupt occurred
		1	Interrupt occurred
			Privilege mode (write):
	0	No influence on bit	
	1	Bit will be cleared	
16	EO_BUFF		<b>End of Buffer Interrupt Flag</b>
		0	User and privilege mode (read): No interrupt occurred
		1	Interrupt occurred
			Privilege mode (write):
	0	No influence on bit	
	1	Bit will be cleared	
15	DEST3REG2		<b>Destination 3 Region 2 Interrupt Flag</b>
		0	User and privilege mode (read): No interrupt occurred
		1	Interrupt occurred
			Privilege mode (write):
	0	No influence on bit	
	1	Bit will be cleared	
14	DEST3REG1		<b>Destination 3 Region 1 Interrupt Flag</b>
		0	User and privilege mode (read): No interrupt occurred
		1	Interrupt occurred
			Privilege mode (write):
	0	No influence on bit	
	1	Bit will be cleared	

**Table 35-11. DMM Interrupt Flag Register (DMMINTFLG) Field Descriptions (continued)**

Bit	Field	Value	Description
13	DEST2REG2		<b>Destination 2 Region 2 Interrupt Flag</b>
		0	User and privilege mode (read): No interrupt occurred
		1	Interrupt occurred
			Privilege mode (write):
	0	No influence on bit	
	1	Bit will be cleared	
12	DEST2REG1		<b>Destination 2 Region 1 Interrupt Flag</b>
		0	User and privilege mode (read): No interrupt occurred
		1	Interrupt occurred
			Privilege mode (write):
	0	No influence on bit	
	1	Bit will be cleared	
11	DEST1REG2		<b>Destination 1 Region 2 Interrupt Flag</b>
		0	User and privilege mode (read): No interrupt occurred
		1	Interrupt occurred
			Privilege mode (write):
	0	No influence on bit	
	1	Bit will be cleared	
10	DEST1REG1		<b>Destination 1 Region 1 Interrupt Flag</b>
		0	User and privilege mode (read): No interrupt occurred
		1	Interrupt occurred
			Privilege mode (write):
	0	No influence on bit	
	1	Bit will be cleared	
9	DEST0REG2		<b>Destination 0 Region 2 Interrupt Flag</b>
		0	User and privilege mode (read): No interrupt occurred
		1	Interrupt occurred
			Privilege mode (write):
	0	No influence on bit	
	1	Bit will be cleared	
8	DEST0REG1		<b>Destination 0 Region 1 Interrupt Flag</b>
		0	User and privilege mode (read): No interrupt occurred
		1	Interrupt occurred
			Privilege mode (write):
	0	No influence on bit	
	1	Bit will be cleared	

**Table 35-11. DMM Interrupt Flag Register (DMMINTFLG) Field Descriptions (continued)**

Bit	Field	Value	Description
7	BUSERROR		<b>BMM Bus Error Response.</b>
		0	User and privilege mode (read): No interrupt occurred
		1	Interrupt occurred
			Privilege mode (write):
	0	No influence on bit	
	1	Bit will be cleared	
6	BUFF_OVF		<b>Write Buffer Overflow Interrupt Flag</b>
		0	User and privilege mode (read): No interrupt occurred
		1	Interrupt occurred
			Privilege mode (write):
	0	No influence on bit	
	1	Bit will be cleared	
5	SRC_OVF		<b>Source Overflow Interrupt Flag</b>
		0	User and privilege mode (read): No interrupt occurred
		1	Interrupt occurred
			Privilege mode (write):
	0	No influence on bit	
	1	Bit will be cleared	
4	DEST3_ERR		<b>Destination 3 Error Interrupt Flag</b>
		0	User and privilege mode (read): No interrupt occurred
		1	Interrupt occurred
			Privilege mode (write):
	0	No influence on bit	
	1	Bit will be cleared	
3	DEST2_ERR		<b>Destination 2 Error Interrupt Flag</b>
		0	User and privilege mode (read): No interrupt occurred
		1	Interrupt occurred
			Privilege mode (write):
	0	No influence on bit	
	1	Bit will be cleared	
2	DEST1_ERR		<b>Destination 1 Error Interrupt Flag</b>
		0	User and privilege mode (read): No interrupt occurred
		1	Interrupt occurred
			Privilege mode (write):
	0	No influence on bit	
	1	Bit will be cleared	

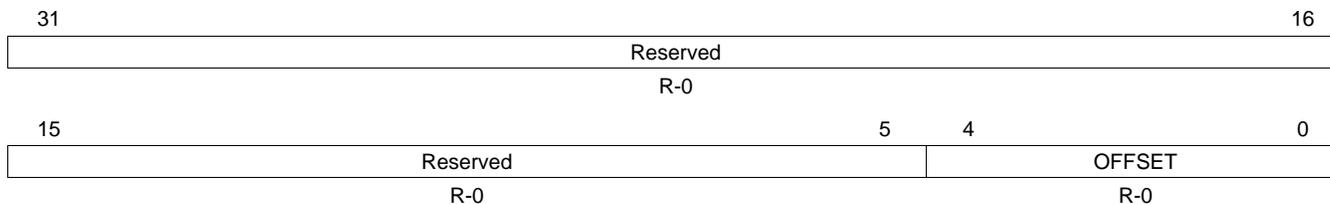
**Table 35-11. DMM Interrupt Flag Register (DMMINTFLG) Field Descriptions (continued)**

Bit	Field	Value	Description
1	DEST0_ERR		<b>Destination 0 Error Interrupt Flag</b>
			User and privilege mode (read):
		0	No interrupt occurred
		1	Interrupt occurred
			Privilege mode (write):
		0	No influence on bit
		1	Bit will be cleared
0	PACKET_ERR_INT		<b>Packet Error Interrupt Flag</b>
			User and privilege mode (read):
		0	No interrupt occurred
		1	Interrupt occurred
			Privilege mode (write):
		0	No influence on bit
		1	Bit will be cleared

### 35.3.6 DMM Interrupt Offset 1 Register (DMMOFF1)

This register holds the offset indicating which interrupt occurred on interrupt level 0. The CPU can read this register to determine the source of the interrupt without having to test individual interrupt flags.

**Figure 35-12. DMM Interrupt Offset 1 Register (DMMOFF1) [offset = 14h]**



LEGEND: R = Read only; -n = value after reset

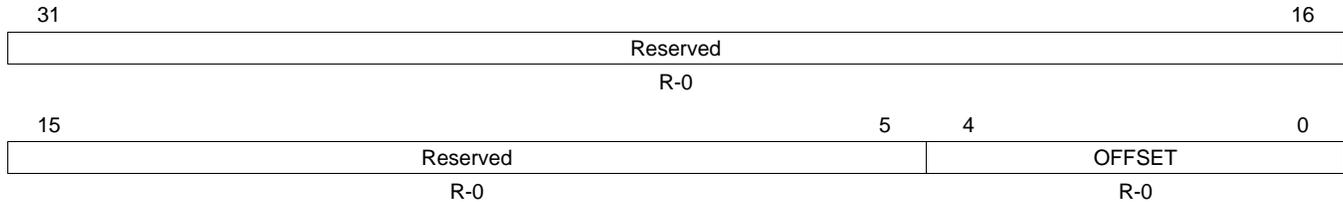
**Table 35-12. DMM Interrupt Offset 1 Register (DMMOFF1) Field Descriptions**

Bit	Field	Value	Description
31-5	Reserved	0	Read returns 0. Writes have no effect.
4-0	OFFSET	Bit Encoding	User and privilege mode (read): Interrupt
		0	Phantom. All interrupt flags have been cleared before the offset register has been read.
		1h	Packet Error
		2h	Destination 0 Error
		3h	Destination 1 Error
		4h	Destination 2 Error
		5h	Destination 3 Error
		6h	Source Overflow
		7h	Buffer Overflow
		8h	Bus Error
		9h	Destination 0 Region 1
		Ah	Destination 0 Region 2
		Bh	Destination 1 Region 1
		Ch	Destination 1 Region 2
		Dh	Destination 2 Region 1
		Eh	Destination 2 Region 2
		Fh	Destination 3 Region 1
		10h	Destination 3 Region 2
		11h	End of Buffer
		12h	Programmable Buffer
		13h-1Fh	Reserved
			Reading the offset will clear the corresponding flag in DMMINTFLG ( <a href="#">Section 35.3.5</a> ).
			Privilege and user mode writes have no effect

### 35.3.7 DMM Interrupt Offset 2 Register (DMMOFF2)

This register holds the offset indicating which interrupt occurred on interrupt level 1. The CPU can read this register to determine the source of the interrupt without having to test individual interrupt flags.

**Figure 35-13. DMM Interrupt Offset 2 Register (DMMOFF2) [offset = 18h]**



LEGEND: R = Read only; -n = value after reset

**Table 35-13. DMM Interrupt Offset 2 Register (DMMOFF1) Field Descriptions**

Bit	Field	Value	Description
31-5	Reserved	0	Read returns 0. Writes have no effect.
4-0	OFFSET	Bit Encoding	User and privilege mode (read): Interrupt
		0	Phantom. All interrupt flags have been cleared before the offset register has been read.
		1h	Packet Error
		2h	Destination 0 Error
		3h	Destination 1 Error
		4h	Destination 2 Error
		5h	Destination 3 Error
		6h	Source Overflow
		7h	Buffer Overflow
		8h	Bus Error
		9h	Destination 0 Region 1
		Ah	Destination 0 Region 2
		Bh	Destination 1 Region 1
		Ch	Destination 1 Region 2
		Dh	Destination 2 Region 1
		Eh	Destination 2 Region 2
		Fh	Destination 3 Region 1
		10h	Destination 3 Region 2
		11h	End of Buffer
		12h	Programmable Buffer
		13h-1Fh	Reserved
			Reading the offset will clear the corresponding flag in DMMINTFLG ( <a href="#">Section 35.3.5</a> ).
			Privilege and user mode writes have no effect

### 35.3.8 DMM Direct Data Mode Destination Register (DMMDDMDEST)

This register defines the starting address of the buffer used to store the received data in Direct Data Mode. By writing to this register, the DMMDDMPT register ([Section 35.3.10](#)) will be set to 0x0000.

**Figure 35-14. DMM Direct Data Mode Destination Register (DMMDDMDEST) [offset = 1Ch]**



LEGEND: R/W = Read/Write; R = Read only; WP = Write in privilege mode only; -n = value after reset

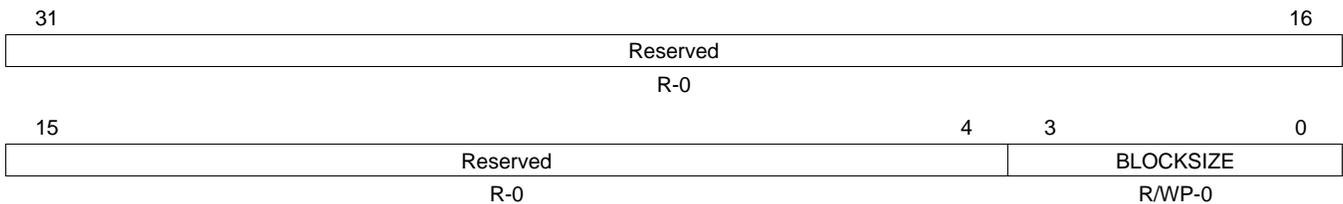
**Table 35-14. DMM Direct Data Mode Destination Register (DMMDDMDEST) Field Descriptions**

Bit	Field	Description
31-0	STARTADDR	These bits define the starting address of the buffer. The starting address has to be a multiple of the blocksize chosen in DMMDDMBL ( <a href="#">Section 35.3.9</a> ). User and privilege mode (read): current start address Privilege mode (write): sets start address to value written

### 35.3.9 DMM Direct Data Mode Blocksize Register (DMMDDMBL)

This register defines the blocksize of the buffer used to store the received data in Direct Data Mode.

**Figure 35-15. DMM Direct Data Mode Blocksize Register (DMMDDMBL) [offset = 20h]**



LEGEND: R/W = Read/Write; R = Read only; WP = Write in privilege mode only; -n = value after reset

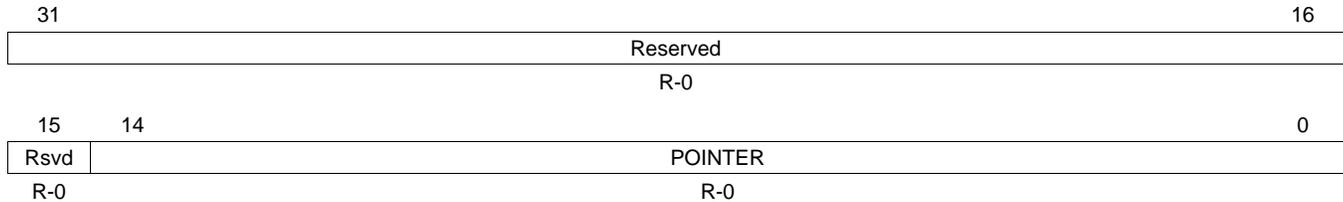
**Table 35-15. DMM Direct Data Mode Blocksize Register (DMMDDMBL) Field Descriptions**

Bit	Field	Value	Description
31-4	Reserved	0	Read returns 0. Writes have no effect.
3-0	BLOCKSIZE		These bits define the size of the buffer region User and privilege mode (read): current block size Privilege mode (write):
		0	Buffer disabled. No data will be stored.
		1h	32 Byte
		2h	64 Byte
		3h	128 Byte
		4h	256 Byte
		5h	512 Byte
		6h	1 KByte
		7h	2 KByte
		8h	4 KByte
		9h	8 KByte
		Ah	16 KByte
		Bh	32 KByte
		Ch-Fh	Reserved

### 35.3.10 DMM Direct Data Mode Pointer Register (DMMDDMPT)

This register shows the pointer into the buffer programmed by DMMDDMDEST (Section 35.3.8) and DMMDDMBL (Section 35.3.9).

**Figure 35-16. DMM Direct Data Mode Pointer Register (DMMDDMPT) [offset = 24h]**



LEGEND: R = Read only; -n = value after reset

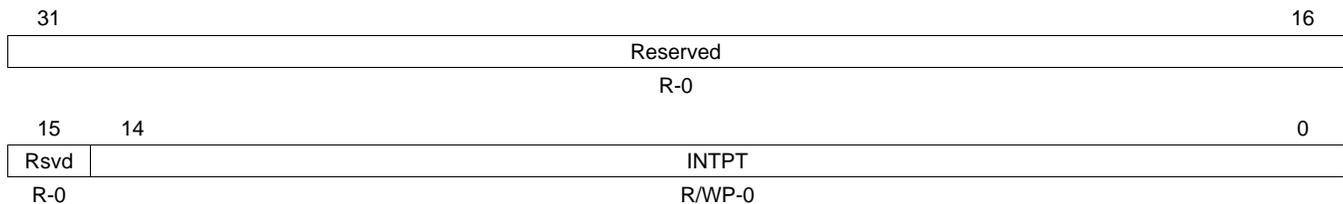
**Table 35-16. DMM Direct Data Mode Pointer Register (DMMDDMPT) Field Descriptions**

Bit	Field	Value	Description
31-15	Reserved	0	Read returns 0. Writes have no effect.
14-0	POINTER		These bits hold the pointer to the next entry to be written in the buffer. The pointer points to the byte aligned address. If in 16-bit DDM mode, bit 0 will be 0. If in 32-bit DDM mode, bit 0 and 1 will be 0.  User and privilege mode (read): next data entry  Privilege mode (write): writes have no effect

### 35.3.11 DMM Direct Data Mode Interrupt Pointer Register (DMMINTPT)

This register can be programmed to hold a threshold to which the DMMDDMPT register (Section 35.3.10) is compared. An interrupt can be generated when both match.

**Figure 35-17. DMM Direct Data Mode Interrupt Pointer Register (DMMINTPT) [offset = 28h]**



LEGEND: R/W = Read/Write; R = Read only; WP = Write in privilege mode only; -n = value after reset

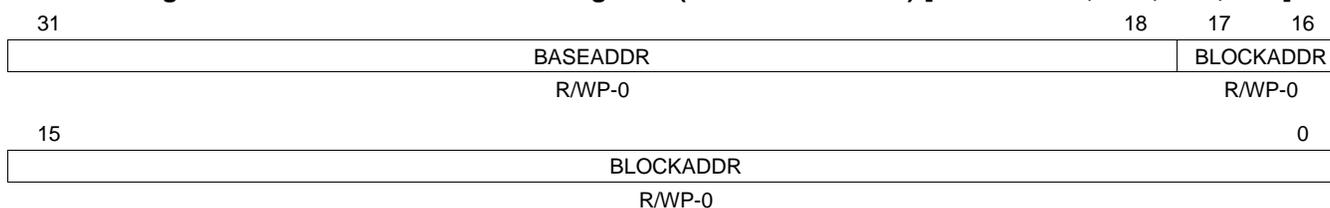
**Table 35-17. DMM Direct Data Mode Interrupt Pointer Register (DMMINTPT) Field Descriptions**

Bit	Field	Value	Description
31-15	Reserved	0	Read returns 0. Writes have no effect.
14-0	INTPT		Interrupt Pointer. When the buffer pointer (Section 35.3.10) matches the programmed value in DMMINTPT and the PROG_BUF interrupt (Section 35.3.2) is set, an interrupt is generated.  User and privilege mode (read): current interrupt threshold  Privilege mode (write): new interrupt threshold

### 35.3.12 DMM Destination x Region 1 (DMMDESTxREG1)

This register defines the starting address of the buffer used to store the received data in Trace Mode. If the received data does not fall into the address range defined by DMMDESTxREG1 and DMMDESTxBL1, an interrupt (DESTx\_ERR) can be generated. The description below is valid for following registers: DMMDEST0REG1, DMMDEST1REG1, DMMDEST2REG1, DMMDEST3REG1.

**Figure 35-18. DMM Destination x Region 1 (DMMDESTxREG1) [offset = 2Ch, 3Ch, 4Ch, 5Ch]**



LEGEND: R/W = Read/Write; R = Read only; WP = Write in privilege mode only; -n = value after reset

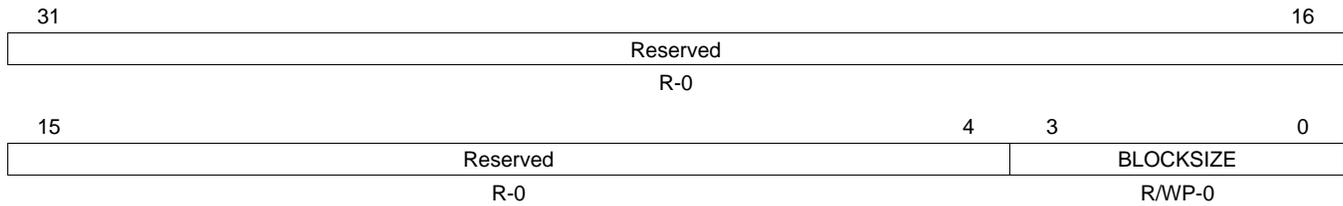
**Table 35-18. DMM Destination x Region 1 (DMMDESTxREG1) Field Descriptions**

Bit	Field	Description
31-18	BASEADDR	These bits define the base address of the 256kB region where the buffer is located. User and privilege mode (read): current start address Privilege mode (write): sets base address to value written
17-0	BLOCKADDR	These bits define the starting address of the buffer in the 256kB page. The starting address has to be a multiple of the blocksize chosen in DMMDESTxBL1 ( <a href="#">Section 35.3.13</a> ). User and privilege mode (read): current start address Privilege mode (write): sets start address to value written

**35.3.13 DMM Destination x Blocksize 1 (DMMDESTxBL1)**

This register defines the blocksize of the buffer used to store the received data in Trace Mode. If the received data does not fall into the address range defined by DMMDESTxREG1 and DMMDESTxBL1, an interrupt (DESTx\_ERR) can be generated. The description below is valid for following registers: DMMDEST0BL1, DMMDEST1BL1, DMMDEST2BL1, DMMDEST3BL1.

**Figure 35-19. DMM Destination x Blocksize 1 (DMMDESTxBL1) [offset = 30h, 40h, 50h, 60h]**



LEGEND: R/W = Read/Write; R = Read only; WP = Write in privilege mode only; -n = value after reset

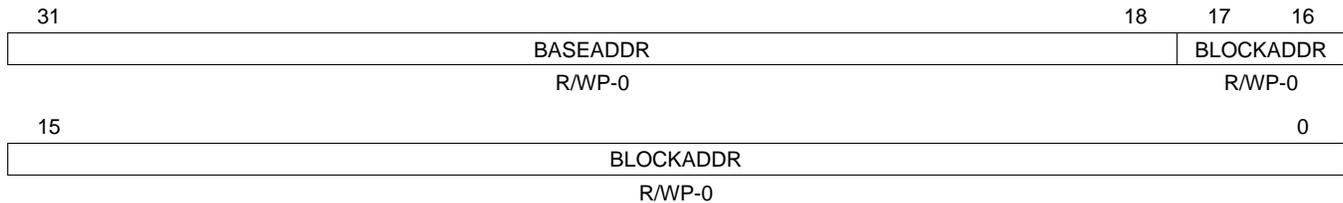
**Table 35-19. DMM Destination x Blocksize 1 (DMMDESTxBL1) Field Descriptions**

Bit	Field	Value	Description
31-4	Reserved	0	Read returns 0. Writes have no effect.
3-0	BLOCKSIZE		These bits define the length of the buffer region. If all bits are 0, the region is disabled and no data will be stored. User and privilege mode (read): current block size Privilege mode (write):
		0	Region disabled
		1h	1 KByte
		2h	2 KByte
		3h	4 KByte
		4h	8 KByte
		5h	16 KByte
		6h	32 KByte
		7h	64 KByte
		8h	128 KByte
		9h	256 KByte
		Ah-Fh	Reserved

### 35.3.14 DMM Destination x Region 2 (DMMDESTxREG2)

This register defines the starting address of the buffer used to store the received data in Trace Mode. If the received data does not fall into the address range defined by DMMDESTxREG2 and DMMDESTxBL2, an interrupt (DESTx\_ERR) can be generated. The description below is valid for following registers: DMMDEST0REG2, DMMDEST1REG2, DMMDEST2REG2, DMMDEST3REG2.

**Figure 35-20. DMM Destination x Region 2 (DMMDESTxREG2) [offset = 34h, 44h, 54h, 64h]**



LEGEND: R/W = Read/Write; R = Read only; WP = Write in privilege mode only; -n = value after reset

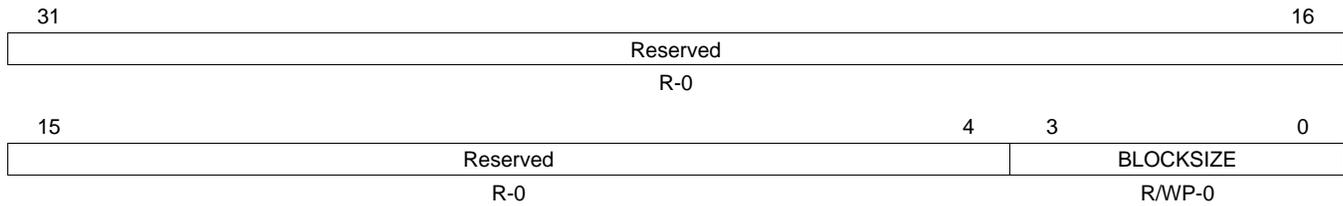
**Table 35-20. DMM Destination x Region 2 (DMMDESTxREG2) Field Descriptions**

Bit	Field	Description
31-18	BASEADDR	These bits define the base address of the 256kB region where the buffer is located. User and privilege mode (read): current start address Privilege mode (write): sets base address to value written
17-0	BLOCKADDR	These bits define the starting address of the buffer in the 256kB page. The starting address has to be a multiple of the blocksize chosen in DMMDESTxBL1 ( <a href="#">Section 35.3.15</a> ). User and privilege mode (read): current start address Privilege mode (write): sets start address to value written

**35.3.15 DMM Destination x Blocksize 2 (DMMDESTxBL2)**

This register defines the blocksize of the buffer used to store the received data in Trace Mode. If the received data does not fall into the address range defined by DMMDESTxREG2 and DMMDESTxBL2, an interrupt (DESTx\_ERR) can be generated. The description below is valid for following registers: DMMDEST0BL2, DMMDEST1BL2, DMMDEST2BL2, DMMDEST3BL2.

**Figure 35-21. DMM Destination x Blocksize 2 (DMMDESTxBL2) [offset = 38h, 48h, 58h, 68h]**



LEGEND: R/W = Read/Write; R = Read only; WP = Write in privilege mode only; -n = value after reset

**Table 35-21. DMM Destination x Blocksize 2 (DMMDESTxBL2) Field Descriptions**

Bit	Field	Value	Description
31-4	Reserved	0	Read returns 0. Writes have no effect.
3-0	BLOCKSIZE		These bits define the length of the buffer region. If all bits are 0, the region is disabled and no data will be stored. User and privilege mode (read): current block size Privilege mode (write):
		0	Region disabled
		1h	1 KByte
		2h	2 KByte
		3h	4 KByte
		4h	8 KByte
		5h	16 KByte
		6h	32 KByte
		7h	64 KByte
		8h	128 KByte
		9h	256 KByte
		Ah-Fh	Reserved

### 35.3.16 DMM Pin Control 0 (DMMPC0)

This register defines if the DMM pins are used in functional or GIO mode. It should only be written when ON/OFF = 0101 and the BUSY bit = 0 (Section 35.3.1). If pins other than the pins specified in Table 35-5 are configured, or DMMCLK and DMMSYNC are programmed as non-functional pins, no operation in trace mode or direct data mode is possible.

**Figure 35-22. DMM Pin Control 0 (DMMPC0) [offset = 6Ch]**

31								24							
Reserved															
R-0															
23				19				18		17		16			
Reserved								ENAFUNC	DATA15FUNC	DATA14FUNC					
R-0								R/W-0	R/W-0	R/W-0					
15		14		13		12		11		10		9		8	
DATA13FUNC	DATA12FUNC	DATA11FUNC	DATA10FUNC	DATA9FUNC	DATA8FUNC	DATA7FUNC	DATA6FUNC								
R/W-0	R/W-0	R/W-0	R/W-0	R/W-0	R/W-0	R/W-0	R/W-0								
7		6		5		4		3		2		1		0	
DATA5FUNC	DATA4FUNC	DATA3FUNC	DATA2FUNC	DATA1FUNC	DATA0FUNC	CLKFUNC	SYNCFUNC								
R/W-0	R/W-0	R/W-0	R/W-0	R/W-0	R/W-0	R/W-0	R/W-0								

LEGEND: R/W = Read/Write; R = Read only; -n = value after reset

**Table 35-22. DMM Pin Control 0 (DMMPC0) Field Descriptions**

Bit	Field	Value	Description
31-19	Reserved	0	Reads returns 0. Writes have no effect.
18	ENAFUNC		<b>Functional mode of DMMEN<math>\bar{A}</math> pin.</b> This bit defines whether the pin is used in functional mode or in GIO mode.
		0	User and privilege mode (read): Pin is used in GIO mode
		1	Pin is used in Functional mode
		0	User and privilege mode (write): Pin is used in GIO mode
		1	Pin is used in Functional mode
17-2	DATAxFUNC		<b>Functional mode of DMMDATA[x] pin.</b> This bit defines whether the pin is used in functional mode or in GIO mode. If pins are configured in functional mode, only pins defined in Table 35-5 have to be used for proper operation.
		0	User and privilege mode (read): Pin is used in GIO mode
		1	Pin is used in Functional mode
		0	User and privilege mode (write): Pin is used in GIO mode
		1	Pin is used in Functional mode
1	CLKFUNC		<b>Functional mode of DMMCLK pin.</b> This bit defines whether the pin is used in functional mode or in GIO mode.
		0	User and privilege mode (read): Pin is used in GIO mode
		1	Pin is used in Functional mode
		0	User and privilege mode (write): Pin is used in GIO mode
		1	Pin is used in Functional mode

**Table 35-22. DMM Pin Control 0 (DMMP0) Field Descriptions (continued)**

Bit	Field	Value	Description
0	SYNCFUNC		<b>Functional mode of DMMSYNC pin.</b> This bit defines whether the pin is used in functional mode or in GIO mode.
		0	User and privilege mode (read): Pin is used in GIO mode
		1	Pin is used in Functional mode
		0	User and privilege mode (write): Pin is used in GIO mode
		1	Pin is used in Functional mode

### 35.3.17 DMM Pin Control 1 (DMMP1)

The bits in this register define the direction of the individual module pins when in GIO mode.

**Figure 35-23. DMM Pin Control 1 (DMMP1) [offset = 70h]**

Reserved							
R-0							
31						24	
23		19		18	17	16	
Reserved		ENADIR		DATA15DIR	DATA14DIR		
R-0		R/W-0		R/W-0	R/W-0		
15	14	13	12	11	10	9	8
DATA13DIR	DATA12DIR	DATA11DIR	DATA10DIR	DATA9DIR	DATA8DIR	DATA7DIR	DATA6DIR
R/W-0	R/W-0	R/W-0	R/W-0	R/W-0	R/W-0	R/W-0	R/W-0
7	6	5	4	3	2	1	0
DATA5DIR	DATA4DIR	DATA3DIR	DATA2DIR	DATA1DIR	DATA0DIR	CLKDIR	SYNCDIR
R/W-0	R/W-0	R/W-0	R/W-0	R/W-0	R/W-0	R/W-0	R/W-0

LEGEND: R/W = Read/Write; R = Read only; -n = value after reset

**Table 35-23. DMM Pin Control 1 (DMMP1) Field Descriptions**

Bit	Field	Value	Description
31-19	Reserved	0	Reads returns 0. Writes have no effect.
18	ENADIR		<b>Direction of DMMENA pin.</b>
		0	User and privilege mode (read): Pin is used as input
		1	Pin is used as output
		0	User and privilege mode (write): Pin is set to input
		1	Pin is set to output
17-2	DATAxDIR		<b>Direction of DMMDATA[x] pin.</b> This bit defines whether the pin is used as input or output in GIO mode.
		0	User and privilege mode (read): Pin is used as input
		1	Pin is used as output
		0	User and privilege mode (write): Pin is set to input
		1	Pin is set to output

**Table 35-23. DMM Pin Control 1 (DMMP1) Field Descriptions (continued)**

Bit	Field	Value	Description
1	CLKDIR		<b>Direction of DMMCLK pin.</b> This bit defines whether the pin is used as input or output in GIO mode.
		0	User and privilege mode (read): Pin is used as input
		1	Pin is used as output
			User and privilege mode (write):
		0	Pin is set to input
		1	Pin is set to output
0	SYNCDIR		<b>Direction of DMMSYNC pin.</b> This bit defines whether the pin is used as input or output in GIO mode.
		0	User and privilege mode (read): Pin is used as input
		1	Pin is used as output
			User and privilege mode (write):
		0	Pin is set to input
		1	Pin is set to output

### 35.3.18 DMM Pin Control 2 (DMMP2)

The bits in this register reflect the digital representation of the voltage level at the module pins. Even if a pin is configured to be an output pin, the level can be read back via this register.

**Figure 35-24. DMM Pin Control 2 (DMMP2) [offset = 74h]**

Reserved							
R-0							
Reserved				ENAIN	DATA15IN	DATA14IN	
R-0				R/W-0	R/W-0	R/W-0	
DATA13IN	DATA12IN	DATA11IN	DATA10IN	DATA9IN	DATA8IN	DATA7IN	DATA6IN
R/W-0	R/W-0	R/W-0	R/W-0	R/W-0	R/W-0	R/W-0	R/W-0
DATA5IN	DATA4IN	DATA3IN	DATA2IN	DATA1IN	DATA0IN	CLKIN	SYNCIN
R/W-0	R/W-0	R/W-0	R/W-0	R/W-0	R/W-0	R/W-0	R/W-0

LEGEND: R/W = Read/Write; R = Read only; -n = value after reset

**Table 35-24. DMM Pin Control 2 (DMMP2) Field Descriptions**

Bit	Field	Value	Description
31-19	Reserved	0	Reads returns 0. Writes have no effect.
18	ENAIN	0 1	<b>DMMEN<math>\bar{A}</math> input.</b> This bit reflects the state of the pin in all modes. User and privilege mode (read): Logic low (input voltage is $V_{IL}$ or lower) Logic high (input voltage is $V_{IH}$ or higher) Privilege mode (write): writes to this bit have no effect.
17-2	DATA $x$ IN	0 1	<b>DMMDATA<math>[x]</math> input.</b> This bit reflects the state of the pin in all modes. User and privilege mode (read): Logic low (input voltage is $V_{IL}$ or lower) Logic high (input voltage is $V_{IH}$ or higher) Privilege mode (write): writes to this bit have no effect.
1	CLKIN	0 1	<b>DMMCLK input.</b> This bit reflects the state of the pin in all modes. User and privilege mode (read): Logic low (input voltage is $V_{IL}$ or lower) Logic high (input voltage is $V_{IH}$ or higher) Privilege mode (write): writes to this bit have no effect.
0	SYNCIN	0 1	<b>DMMSYNC input.</b> This bit reflects the state of the pin in all modes. User and privilege mode (read): Logic low (input voltage is $V_{IL}$ or lower) Logic high (input voltage is $V_{IH}$ or higher) Privilege mode (write): writes to this bit have no effect.

### 35.3.19 DMM Pin Control 3 (DMMPC3)

The bits in this register set the pin to logic low or high level if the pin is configured as output (Section 35.3.17).

**Figure 35-25. DMM Pin Control 3 (DMMPC3) [offset = 78h]**

31	Reserved							24
R-0								
23	Reserved				19	18	17	16
R-0				R/W-0	R/W-0	R/W-0	R/W-0	
15	14	13	12	11	10	9	8	
DATA13OUT	DATA12OUT	DATA11OUT	DATA10OUT	DATA9OUT	DATA8OUT	DATA7OUT	DATA6OUT	
R/W-0	R/W-0	R/W-0	R/W-0	R/W-0	R/W-0	R/W-0	R/W-0	
7	6	5	4	3	2	1	0	
DATA5OUT	DATA4OUT	DATA3OUT	DATA2OUT	DATA1OUT	DATA0OUT	CLKOUT	SYNCOUT	
R/W-0	R/W-0	R/W-0	R/W-0	R/W-0	R/W-0	R/W-0	R/W-0	

LEGEND: R/W = Read/Write; R = Read only; -n = value after reset

**Table 35-25. DMM Pin Control 3 (DMMPC3) Field Descriptions**

Bit	Field	Value	Description
31-19	Reserved	0	Reads returns 0. Writes have no effect.
18	ENAOOUT		<b>Output state of DMMEN<math>\bar{A}</math> pin.</b> This bit sets the pin to logic low or high level
		0	User and privilege mode (read): Logic low (output voltage is $V_{OL}$ or lower)
		1	Logic high (output voltage is $V_{OH}$ or higher)
			User and privilege mode (write):
		0	Logic low (output voltage is set to $V_{OL}$ or lower)
		1	Logic high (output voltage is set to $V_{OH}$ or higher)
17-2	DATA $x$ OUT		<b>Output state of DMMDATA<math>[x]</math> pin.</b> This bit sets the pin to logic low or high level.
		0	User and privilege mode (read): Logic low (output voltage is $V_{OL}$ or lower)
		1	Logic high (output voltage is $V_{OH}$ or higher)
			User and privilege mode (write):
		0	Logic low (output voltage is set to $V_{OL}$ or lower)
		1	Logic high (output voltage is set to $V_{OH}$ or higher)
1	CLKOUT		<b>Output state of DMMCLK pin.</b> This bit sets the pin to logic low or high level
		0	User and privilege mode (read): Logic low (output voltage is $V_{OL}$ or lower)
		1	Logic high (output voltage is $V_{OH}$ or higher)
			User and privilege mode (write):
		0	Logic low (output voltage is set to $V_{OL}$ or lower)
		1	Logic high (output voltage is set to $V_{OH}$ or higher)

**Table 35-25. DMM Pin Control 3 (DMMP3) Field Descriptions (continued)**

Bit	Field	Value	Description
0	SYNCOUT		<b>Output state of DMMSYNC pin.</b> This bit sets the pin to logic low or high level.
		0	User and privilege mode (read): Logic low (output voltage is $V_{OL}$ or lower)
		1	Logic high (output voltage is $V_{OH}$ or higher)
			User and privilege mode (write):
		0	Logic low (output voltage is set to $V_{OL}$ or lower)
		1	Logic high (output voltage is set to $V_{OH}$ or higher)

**35.3.20 DMM Pin Control 4 (DMMP4)**

This register allows to set individual pins to a logic high level without having to do a read-modify-write operation as would be the case with the DMMP3 register (Section 35.3.19). Writing a zero to a bit will not change the state of the pin.

**Figure 35-26. DMM Pin Control 4 (DMMP4) [offset = 7Ch]**

31										24										
Reserved																				
R-0																				
23										19					18		17		16	
Reserved										ENASET					DATA15SET		DATA14SET			
R-0										R/W-0					R/W-0		R/W-0			
15		14		13		12		11		10		9		8						
DATA13SET		DATA12SET		DATA11SET		DATA10SET		DATA9SET		DATA8SET		DATA7SET		DATA6SET						
R/W-0		R/W-0		R/W-0		R/W-0		R/W-0		R/W-0		R/W-0		R/W-0						
7		6		5		4		3		2		1		0						
DATA5SET		DATA4SET		DATA3SET		DATA2SET		DATA1SET		DATA0SET		CLKSET		SYNCSET						
R/W-0		R/W-0		R/W-0		R/W-0		R/W-0		R/W-0		R/W-0		R/W-0						

LEGEND: R/W = Read/Write; R = Read only; -n = value after reset

**Table 35-26. DMM Pin Control 4 (DMMP4) Field Descriptions**

Bit	Field	Value	Description
31-19	Reserved	0	Reads returns 0. Writes have no effect.
18	ENASET		<b>Sets output state of DMMENA pin to logic high.</b> Value in the ENASET bit sets the data output control register bit to 1 regardless of the current value in the ENAOUT bit.
		0	User and privilege mode (read): Logic low (output voltage is $V_{OL}$ or lower)
		1	Logic high (output voltage is $V_{OH}$ or higher)
			User and privilege mode (write):
		0	State of the pin is unchanged
		1	Logic high (output voltage is set to $V_{OH}$ or higher)
17-2	DATAxSET		<b>Sets output state of DMMDATA[x] pin to logic high.</b> Value in the DATAxSET bit sets the data output control register bit to 1 regardless of the current value in the DATAxOUT bit.
		0	User and privilege mode (read): Logic low (output voltage is $V_{OL}$ or lower)
		1	Logic high (output voltage is $V_{OH}$ or higher)
			User and privilege mode (write):
		0	State of the pin is unchanged
		1	Logic high (output voltage is set to $V_{OH}$ or higher)

**Table 35-26. DMM Pin Control 4 (DMMP4) Field Descriptions (continued)**

Bit	Field	Value	Description
1	CLKSET		<b>Sets output state of DMMCLK pin to logic high.</b> Value in the CLKSET bit sets the data output control register bit to 1 regardless of the current value in the CLKOUT bit.
		0	User and privilege mode (read): Logic low (output voltage is $V_{OL}$ or lower)
		1	Logic high (output voltage is $V_{OH}$ or higher)
			User and privilege mode (write):
	0	State of the pin is unchanged	
	1	Logic high (output voltage is set to $V_{OH}$ or higher)	
0	SYNCSET		<b>Sets output state of DMMSYNC pin logic high.</b> Value in the SYNCSET bit sets the data output control register bit to 1 regardless of the current value in the SYNCOUT bit.
		0	User and privilege mode (read): Logic low (output voltage is $V_{OL}$ or lower)
		1	Logic high (output voltage is $V_{OH}$ or higher)
			User and privilege mode (write):
	0	State of the pin is unchanged	
	1	Logic high (output voltage is set to $V_{OH}$ or higher)	

### 35.3.21 DMM Pin Control 5 (DMMP5)

This register allows to set individual pins to a logic low level without having to do a read-modify-write operation as would be the case with the DMMP3 register (Section 35.3.19). Writing a one to a bit will change the output to a logic low level, writing a zero will not change the state of the pin.

**Figure 35-27. DMM Pin Control 5 (DMMP5) [offset = 80h]**

Reserved								
R-0								
31							24	
Reserved								
R-0								
23					19	18	17	16
Reserved				ENACL		DATA15CLR	DATA14CLR	
R-0				R/W-0		R/W-0	R/W-0	
15	14	13	12	11	10	9	8	
DATA13CLR	DATA12CLR	DATA11CLR	DATA10CLR	DATA9CLR	DATA8CLR	DATA7CLR	DATA6CLR	
R/W-0	R/W-0	R/W-0	R/W-0	R/W-0	R/W-0	R/W-0	R/W-0	
7	6	5	4	3	2	1	0	
DATA5CLR	DATA4CLR	DATA3CLR	DATA2CLR	DATA1CLR	DATA0CLR	CLKCLR	SYNCLR	
R/W-0	R/W-0	R/W-0	R/W-0	R/W-0	R/W-0	R/W-0	R/W-0	

LEGEND: R/W = Read/Write; R = Read only; -n = value after reset

**Table 35-27. DMM Pin Control 5 (DMMP5) Field Descriptions**

Bit	Field	Value	Description
31-19	Reserved	0	Reads returns 0. Writes have no effect.
18	ENACL		<b>Sets output state of DMMENA pin to logic low.</b> Value in the ENACL bit clears the data output control register bit to 0 regardless of the current value in the ENAOUT bit.
		0	User and privilege mode (read): Logic low (output voltage is $V_{OL}$ or lower)
		1	Logic high (output voltage is $V_{OH}$ or higher)
		0	User and privilege mode (write): State of the pin is unchanged
1	Clears the pin to logic low (output voltage is set to $V_{OL}$ or lower)		
17-2	DATAxCLR		<b>Sets output state of DMMDATA[x] pin to logic low.</b> Value in the DATAxCLR bit clears the data output control register bit to 0 regardless of the current value in the DATAxOUT bit.
		0	User and privilege mode (read): Logic low (output voltage is $V_{OL}$ or lower)
		1	Logic high (output voltage is $V_{OH}$ or higher)
		0	User and privilege mode (write): State of the pin is unchanged
1	Clears the pin to logic low (output voltage is set to $V_{OL}$ or lower)		
1	CLKCLR		<b>Sets output state of DMMCLK pin to logic low.</b> Value in the CLKCLR bit clears the data output control register bit to 0 regardless of the current value in the DATAxOUT bit.
		0	User and privilege mode (read): Logic low (output voltage is $V_{OL}$ or lower)
		1	Logic high (output voltage is $V_{OH}$ or higher)
		0	User and privilege mode (write): State of the pin is unchanged
1	Clears the pin to logic low (output voltage is set to $V_{OL}$ or lower)		

**Table 35-27. DMM Pin Control 5 (DMMP5) Field Descriptions (continued)**

Bit	Field	Value	Description
0	SYNCCLR		<b>Sets output state of DMMSYNC pin to logic low.</b> Value in the SYNCCLR bit clears the data output control register bit to 0 regardless of the current value in the DATAxOUT bit.
		0	User and privilege mode (read): Logic low (output voltage is $V_{OL}$ or lower)
		1	Logic high (output voltage is $V_{OH}$ or higher)
			User and privilege mode (write):
		0	State of the pin is unchanged
		1	Clears the pin to logic low (output voltage is set to $V_{OL}$ or lower)

**35.3.22 DMM Pin Control 6 (DMMP6)**

These bits configure the pins in push-pull or open-drain functionality. If configured to be open-drain, the module only drives a logic low level on the pin. An external pull-up resistor needs to be connected to the pin to pull it high when the pin is in high-impedance mode.

**Figure 35-28. DMM Pin Control 6 (DMMP6) [offset = 84h]**

31																24																											
Reserved																																											
R-0																																											
23																19																18				17				16			
Reserved																ENAPDR				DATA15PDR				DATA14PDR																			
R-0																R/W-0				R/W-0				R/W-0																			
15				14				13				12				11				10				9				8															
DATA13PDR				DATA12PDR				DATA11PDR				DATA10PDR				DATA9PDR				DATA8PDR				DATA7PDR				DATA6PDR															
R/W-0				R/W-0				R/W-0				R/W-0				R/W-0				R/W-0				R/W-0																			
7				6				5				4				3				2				1				0															
DATA5PDR				DATA4PDR				DATA3PDR				DATA2PDR				DATA1PDR				DATA0PDR				CLKPDR				SYNCPDR															
R/W-0				R/W-0				R/W-0				R/W-0				R/W-0				R/W-0				R/W-0				R/W-0															

LEGEND: R/W = Read/Write; R = Read only; -n = value after reset

**Table 35-28. DMM Pin Control 6 (DMMP6) Field Descriptions**

Bit	Field	Value	Description
31-19	Reserved	0	Reads returns 0. Writes have no effect.
18	ENAPDR		<b>Open Drain enable.</b> Enables open drain functionality if the pin is configured as GIO output (DMMP0[18]=0; DMMP1[18]=1). If the pin is configured as functional pin (DMMP0[18]=1), the open drain functionality is disabled.
		0	User and privilege mode (read): Pin behaves as normal push/pull pin
		1	Pin operates in open drain mode
			User and privilege mode (write):
		0	Configures pin as push/pull
		1	Configures pin as open drain

**Table 35-28. DMM Pin Control 6 (DMMPC6) Field Descriptions (continued)**

Bit	Field	Value	Description
17-2	DATAxPDR		<b>Open Drain enable.</b> Enables open drain functionality on pin if pin is configured as GIO output (DMMPC0[x]=0; DMMPC1[x]=1). If the pin is configured as functional pin (DMMPC0[x] = 1), the open drain functionality is disabled.
		0	User and privilege mode (read): Pin behaves as normal push/pull pin
		1	Pin operates in open drain mode
			User and privilege mode (write):
		0	Configures the pin as push/pull
		1	Configures the pin as open drain
1	CLKPDR		<b>Open Drain enable.</b> Enables open drain functionality on pin if pin is configured as GIO output (DMMPC0[1]=0; DMMPC1[1]=1). If the pin is configured as functional pin (DMMPC0[1] = 1), the open drain functionality is disabled.
		0	User and privilege mode (read): Pin behaves as normal push/pull pin
		1	Pin operates in open drain mode
			User and privilege mode (write):
		0	Configures the pin as push/pull
		1	Configures the pin as open drain
0	SYNCPDR		<b>Open Drain enable.</b> Enables open drain functionality on pin if pin is configured as GIO output (DMMPC0[0]=0; DMMPC1[0]=1). If the pin is configured as functional pin (DMMPC0[0] = 1), the open drain functionality is disabled.
		0	User and privilege mode (read): Pin behaves as normal push/pull pin
		1	Pin operates in open drain mode
			User and privilege mode (write):
		0	Configures the pin as push/pull
		1	Configures the pin as open drain

### 35.3.23 DMM Pin Control 7 (DMMPC7)

The bits in register control the pullup/down functionality of a pin. The internal pullup/down can be enabled or disabled by this register. The reset configuration of these bits is device implementation dependent. Please consult the device datasheet this information.

**Figure 35-29. DMM Pin Control 7 (DMMPC7) [offset = 88h]**

31								24							
Reserved															
R-0															
23				19				18		17		16			
Reserved								ENAPDIS		DATA15PDIS		DATA14PDIS			
R-0								R/W-x		R/W-x		R/W-x			
15		14		13		12		11		10		9		8	
DATA13PDIS		DATA12PDIS		DATA11PDIS		DATA10PDIS		DATA9PDIS		DATA8PDIS		DATA7PDIS		DATA6PDIS	
R/W-x		R/W-x		R/W-x		R/W-x		R/W-x		R/W-x		R/W-x		R/W-x	
7		6		5		4		3		2		1		0	
DATA5PDIS		DATA4PDIS		DATA3PDIS		DATA2PDIS		DATA1PDIS		DATA0PDIS		CLKPDIS		SYNCPDIS	
R/W-x		R/W-x		R/W-x		R/W-x		R/W-x		R/W-x		R/W-x		R/W-x	

LEGEND: R/W = Read/Write; R = Read only; -n = value after reset

**Table 35-29. DMM Pin Control 7 (DMMPC7) Field Descriptions**

Bit	Field	Value	Description
31-19	Reserved	0	Reads returns 0. Writes have no effect.
18	ENAPDIS		<b>Pull disable.</b> Removes internal pullup/pulldown functionality from pin when configured as input pin (DMMPC1[18] = 0).
		0	User and privilege mode (read): Pullup/pulldown functionality enabled
		1	Pullup/pulldown functionality disabled
		0	User and privilege mode (write): Enables pullup/pulldown functionality
1	Disables pullup/pulldown functionality		
17-2	DATAxPDIS		<b>Pull disable.</b> Removes internal pullup/pulldown functionality from pin when configured as input pin (DMMPC1[x] = 0).
		0	User and privilege mode (read): Pullup/pulldown functionality enabled
		1	Pullup/pulldown functionality disabled
		0	User and privilege mode (write): Enables pullup/pulldown functionality
1	Disables pullup/pulldown functionality		
1	CLKPDIS		<b>Pull disable.</b> Removes internal pullup/pulldown functionality from pin when configured as input pin (DMMPC1[1] = 0).
		0	User and privilege mode (read): Pullup/pulldown functionality enabled
		1	Pullup/pulldown functionality disabled
		0	User and privilege mode (write): Enables pullup/pulldown functionality
1	Disables pullup/pulldown functionality		

**Table 35-29. DMM Pin Control 7 (DMMP7) Field Descriptions (continued)**

Bit	Field	Value	Description
0	SYNCPDIS		<b>Pull disable.</b> Removes internal pullup/pulldown functionality from pin when configured as input pin (DMMP7[0] = 0).
		0	User and privilege mode (read): Pullup/pulldown functionality enabled
		1	Pullup/pulldown functionality disabled
			User and privilege mode (write):
		0	Enables pullup/pulldown functionality
		1	Disables pullup/pulldown functionality

### 35.3.24 DMM Pin Control 8 (DMMP8)

These bits control if the internal pullup or pulldown is configured on the input pin.

**Figure 35-30. DMM Pin Control 8 (DMMP8) [offset = 8Ch]**

31	Reserved								24
R-0									
23	Reserved				19	18	17	16	
R-0				R/W-1		R/W-1		R/W-1	
15	14	13	12	11	10	9	8		
DATA13PSEL	DATA12PSEL	DATA11PSEL	DATA10PSEL	DATA9PSEL	DATA8PSEL	DATA7PSEL	DATA6PSEL		
R/W-1		R/W-1		R/W-1		R/W-1		R/W-1	
7	6	5	4	3	2	1	0		
DATA5PSEL	DATA4PSEL	DATA3PSEL	DATA2PSEL	DATA1PSEL	DATA0PSEL	CLKPSEL	SYNCPSEL		
R/W-1		R/W-1		R/W-1		R/W-1		R/W-1	

LEGEND: R/W = Read/Write; R = Read only; -n = value after reset

**Table 35-30. DMM Pin Control 8 (DMMP8) Field Descriptions**

Bit	Field	Value	Description
31-19	Reserved	0	Reads returns 0. Writes have no effect.
18	ENAPSEL		<b>Pull select.</b> Configures pullup or pulldown functionality if DMMP8[18] = 0).
		0	User and privilege mode (read): Pulldown functionality enabled
		1	Pullup functionality enabled
			User and privilege mode (write):
		0	Enables pulldown functionality
		1	Enables pullup functionality
17-2	DATAxPSEL		<b>Pull select.</b> Configures pullup or pulldown functionality if DMMP8[x] = 0).
		0	User and privilege mode (read): Pulldown functionality enabled
		1	Pullup functionality enabled
			User and privilege mode (write):
		0	Enables pulldown functionality
		1	Enables pullup functionality

**Table 35-30. DMM Pin Control 8 (DMMP8) Field Descriptions (continued)**

Bit	Field	Value	Description
1	CLKPSEL		<b>Pull select.</b> Configures pullup or pulldown functionality if DMMP8[1] = 0).
		0	User and privilege mode (read): Pulldown functionality enabled
		1	Pullup functionality enabled
			User and privilege mode (write):
	0	Enables pulldown functionality	
	1	Enables pullup functionality	
0	SYNCPSEL		<b>Pull select.</b> Configures pullup or pulldown functionality if DMMP8[0] = 0).
		0	User and privilege mode (read): Pulldown functionality enabled
		1	Pullup functionality enabled
			User and privilege mode (write):
	0	Enables pulldown functionality	
	1	Enables pullup functionality	

## RAM Trace Port (RTP)

---

---

This chapter describes the functionality of the RAM trace port (RTP) module. It allows the capability to perform data trace of a CPU or other master accesses to the internal RAM and peripherals.

Topic	Page
<b>36.1 Overview</b> .....	<b>1872</b>
<b>36.2 Module Operation</b> .....	<b>1874</b>
<b>36.3 RTP Control Registers</b> .....	<b>1880</b>

## 36.1 Overview

This document describes the functionality of the RAM trace port (RTP) module, which provides the features to datalog the RAM contents of the devices or accesses to peripherals without program intrusion. It can trace all data write or read accesses to internal RAM. In addition, it provides the capability to directly transfer data to a FIFO to support a CPU-controlled transmission of the data. The trace data is transmitted over a dedicated external interface.

### 36.1.1 Features

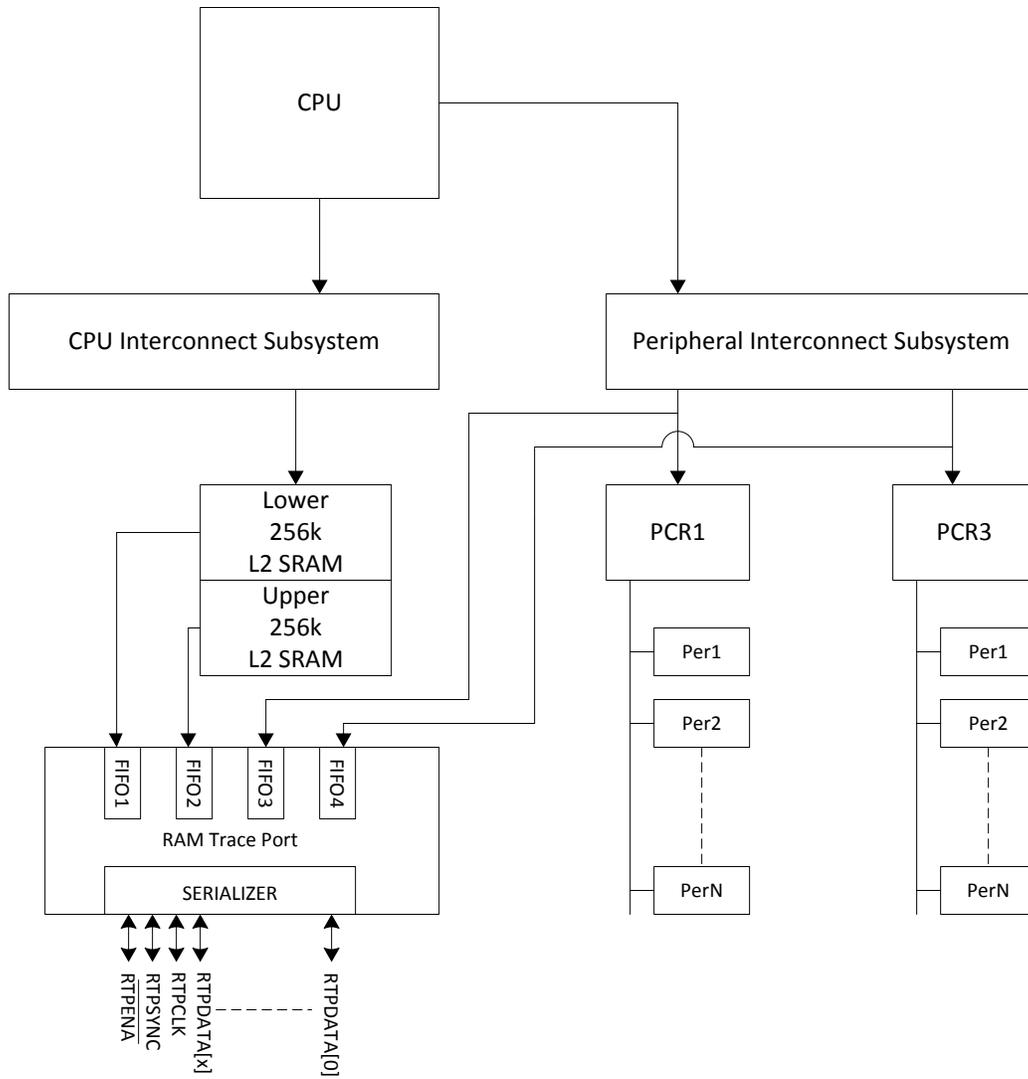
The RTP offers the following features:

- Two modes of operation - Trace Mode and Direct Data Mode
  - Trace Mode ([Section 36.2.1](#))
    - Non-intrusive data trace on write or read operation
    - Visibility of RAM content at any time on external capture hardware
    - Trace of peripheral accesses
    - 2 configurable trace regions for each RAM module to limit amount of data to be traced
    - FIFO to store data and address of data of multiple read/write operations
    - Trace of CPU and/or DMA accesses with indication of the master in the transmitted data packet
  - Direct Data Mode ([Section 36.2.2](#))
    - Directly write data with the CPU or trace read operations to a FIFO, without transmitting header and address information
- Dedicated synchronous interface to transmit data to external devices
- Free-running clock generation or clock stop mode between transmissions
- up to 100 Mbit per sec/pin transfer rate for transmitting data (up to 100MB/s; see device datasheet for maximum transmission clock frequency)
- Pins not used in functional mode can be used as GIOs

### 36.1.2 Block Diagram

Figure 36-1 is a block diagram of the RTP.

Figure 36-1. RAM Trace Port Module Block Diagram



## 36.2 Module Operation

The RTP module has two modes of operation: Trace Mode and Direct Data Mode.

### 36.2.1 Trace Mode

This mode traces all write or read accesses of CPU and/or a different master to the internal RAMs and the peripheral bus, if the access falls into one of the programmed trace regions. The trace regions allow to restrict the amount of data which is traced. This is done by specifying the start address and the size of the region to be traced. It is not possible to trace write and read operations in the same region at the same time.

Whenever a write or read access occurs, the address, data, size of the access (8, 16, 32, 64 bit), and which module initiated the write or read operation is captured into the FIFO of the corresponding RAM frame. Once new data is in the FIFO and the serializer is empty, the RTP transmits the data into the serializer and starts transmitting it.

The FIFOs are shifting data into the serializer in a round-robin scheme. This means if data is available in multiple FIFOs, the sequence for shifting data into the serializer is FIFO1, FIFO2, FIFO3 and then FIFO4. Only one entry in the respective FIFO is provided to the serializer before switching to the next FIFO. If a FIFO does not hold new data, it will be skipped. This scheme ensures that the FIFOs are drained uniformly.

---

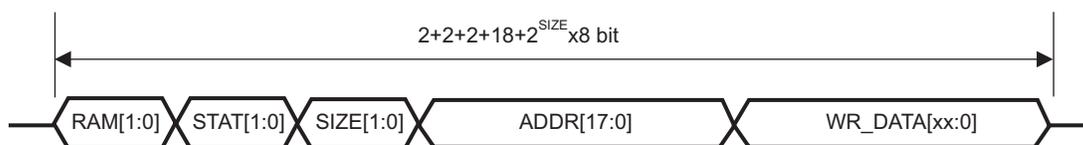
**NOTE:** This device implements Level 1 cache memory. Reading and writing from/to Level 2 RAMs which is declared Cacheable can result in RAM traces that do not correspond to the software's original intent. Reading from Level 2 RAMs which is declared Cacheable will not result in any load transaction if the address is a hit in the level 1 cache memory. If a write-through with allocate on reads policy is selected and a cache miss happens, the cache controller will also allocate (load) the matching cache line from level 2 RAM after the data is written to the Level 2 RAM. This load due to the allocate on reads policy will result in the read data being traced.

---

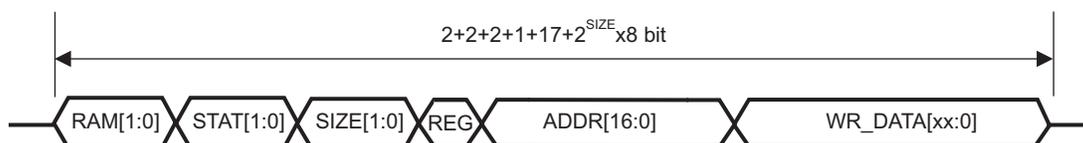
#### 36.2.1.1 Packet Format in Trace Mode

Figure 36-2 and Figure 36-3 illustrate this format.

**Figure 36-2. Packet Format Trace Mode for RAM Locations**



**Figure 36-3. Packet Format Trace Mode for Peripheral Locations**



When RAM locations are traced, one packet consists of two bits denoting the RAM block in which the data is stored or if the access has been to a peripheral location (Table 36-1), two status bits showing the access initiator or if there was a FIFO overflow (Table 36-2), two bit size (8, 16, 32, or 64 bit) information of the data (Table 36-3), the 18-bit address for RAM accesses and  $2^{\text{SIZE}} \times 8$  bits of data. If a peripheral location is traced, then the effective address reduces to 17 bits (ADDR[16:0]) and a separate bit (REG) between the SIZE information and the address denotes which programmable region has traced this peripheral access (Table 36-4). With the region identifier, the external hardware can determine which peripheral was traced.

**Table 36-1. Encoding of RAM Bits in Trace Mode Packet Format**

RAM[1:0]	RAM
0	Level 2 lower 256kB RAM
1h	Level 2 upper 256kB RAM
2h	Peripherals under PCR1
3h	Peripherals under PCR3

**Table 36-2. Encoding of Status Bits in Trace Mode Packet Format**

STAT[1:0]	Status
0	Normal entry CPU1
1h	Normal entry other Master
2h	Normal entry CPU2
3h	Overflow of the dedicated FIFO

In the event of a FIFO overflow, an overflow will be signaled in the status bits of the next transmitted packet of that particular FIFO. The last entry in the FIFO will not be overwritten by the new data.

**Table 36-3. Encoding of SIZE bits in Trace Mode Packet Format**

SIZE[1:0]	Write/Read Size
0	8 bit
1h	16 bit
2h	32 bit
3h	64 bit

**Table 36-4. Encoding of REG in Trace Mode Packet Format**

REG	Region
0	1
1	2

The packet will be split up into several subpackets when transmitted over the RTP port pins depending on the port width configured. The port width is configured with bits PW[1:0] in the RTPGLBCTRL register ([Section 36.3.1](#)). For certain port width configurations and write/read sizes, the number of bits in a packet does not exactly match the port width for the last subpacket. The remaining bits will be filled with zeros.

**Table 36-5. Number of Transfers/Packet**

Port Width	Write/Read Size in bits			
	8	16	32	64
2	16 --> 16	20 --> 20	28 --> 28	44 --> 44
4	8 --> 8	10 --> 10	14 --> 14	22 --> 22
8	4 --> 4	5 --> 5	7 --> 7	11 --> 11
16	2 --> 2	2.5 --> 3	3.5 --> 4	5.5 --> 6

Example: For a 16-bit port and with data of 16-bit, the last transfer has to be padded with eight 0s. This effectively results in a transfer of 48 bits instead of 40. However the whole transfer is completed in 3 RTPCLK cycles.

For a detailed description of the representation of the packet on the RTP port pins, refer to [Section 36.2.5](#).

### 36.2.2 Direct Data Mode (DDM)

In this mode, data is written directly by the CPU or other master to a dedicated capture register (RTPDDMW). The data is then transferred from the capture register to the FIFO. In a different configuration the module traces the data on read operations on the RAM directly into the FIFOs. In Direct Data Mode, no information other than the actual data is transmitted. The address of the written data can only be determined by the order of writes or reads by the CPU or other master. This mode is especially useful if a block of data on consecutive addresses has to be transmitted.

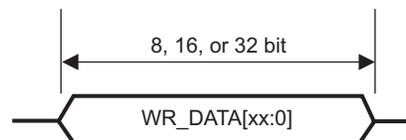
The transfer size (8, 16, or 32 bit) is programmable, but cannot be dynamically changed. Data not written/read in the correct transfer size will be truncated/extended. For example, if the transfer size is programmed to 16 bits and a 32-bit write operation is performed, the data written to the FIFO will be 32-bit wide, however only the upper 16 bits of the FIFO will be transmitted. If an 8-bit operation is performed, bits 8-15 of the FIFO will be indeterminate, so the upper 8 bits of the data transmitted are dependent on the previous contents of the FIFO RAM.

When the module is configured in Direct Data Mode (TM\_DDM = 1) to trace write operations (DDM\_RW = 1) to the RTPDDMW register, the programming of the trace regions for all FIFOs will be ignored and data tracing, when accessing the addresses defined by the regions, will not occur. If the module is configured in read mode (DDM\_RW = 0), and if the read access to a RAM block falls into a valid trace region, the data will be traced into the corresponding FIFO for this RAM block. Since no address information is transmitted in Direct Data Mode, the executing program has to make sure that one FIFO is completely empty (RTPGSR register), before new data is traced into the next FIFO.

#### 36.2.2.1 Packet Format in Direct Data Mode

In Direct Data Mode write or read operations, only the data written to the RTP direct data mode write register (RTPDDMW) or the data read from RAM, and therefore captured into the FIFO, will be transmitted. The packet length is programmable (8, 16, or 32 bits). [Figure 36-4](#) illustrates this format.

**Figure 36-4. Packet Format in Direct Data Mode**



### 36.2.3 Trace Regions

To limit the amount of data to be trace, two trace regions per RAM or peripheral are implemented. These can be programmed to specific start addresses and block sizes. Depending on the device configuration (number of RAM blocks), not all regions might be implemented. Trace regions are used in Trace Mode for read or write trace and in Direct Data Mode for read trace. In Direct Data Mode write configuration, the data has to be written directly to the RTP direct data mode write register (RTPDDMW).

The RAM and peripherals start at fixed addresses in the devices memory map. With this the start address of a region does not need to be specified with its full 32-bit address. For RAM regions, only the lower 18-bit need to be programmed. The peripheral address frame covers a wider range and the start address needs to be programmed with the lower 24-bit.

The trace regions do not support a programmable end address; however, a block size needs to be specified for each region. The block size can be chosen from as low as 256 Bytes up to 256 kBytes (128 kBytes for peripherals).

### 36.2.3.1 Inverse Trace Regions

The RTP can be configured to trace accesses which fall into, or are made outside of the specified regions. This can be accomplished by the INV\_RGN bit. If this bit is 0, all access which are made inside a region are traced. If the bit is 1, all accesses outside the region are traced. The INV\_RGN bit affects all regions of the RTP, see the RTP global control register (RTPGLBCTRL).

There are certain restrictions when using INV\_RGN = 1:

- In this mode up to 2 regions can be excluded from tracing accesses to a particular RAM.
- Inverse trace regions with one or both regions of a RAM programmed with blocksize = 0 is not supported. If only one address range should be excluded from the trace, either the address range has to be covered by both regions (e.g. excluding 1kB range with two 512B regions), or both regions have to be programmed with the same start address and region size. If the whole RAM should be traced, inverse region mode should not be used, instead the 2 regions could be programmed to cover the entire address range with INV\_RGN = 0.
- Both regions have to define the same access rights (bits CPU\_DMA and RW; see [Section 36.3.4](#)) for accesses outside of the region of each RAM block, otherwise the result is undefined.
- Peripheral trace in inverse region mode is not supported. The 16 MByte peripheral address range cannot be covered entirely by the 17 bit address definition of the RTP protocol.

### 36.2.3.2 Overlapping Trace Regions

When in INV\_RGN = 0 mode with both regions overlapping and an access is done into the overlapping address range, both regions will be checked for their access rights and if one or both is satisfied, the access will be traced. In the case that both regions would allow the data to be traced, there will still be only one entry into the FIFO.

If accesses to peripherals are done within overlapping regions, the REG bit in the protocol will be 0, denoting Region 1 (see [Section 36.2.1.1](#)).

**Figure 36-5. Example for Trace Region Setup**



### 36.2.3.3 Cortex-R5 Specifics

#### Considerations/Restrictions

- Reading and writing from/to Level 2 RAMs which is declared Cacheable can result in RAM traces that do not correspond to the software's original intent.
- A store instruction to Non-cacheable, or write-through Normal memory might not result in an AXI transfer to the Level 2 RAMs or peripherals because of the merging of store in the internal buffers.

### 36.2.4 Overflow/Empty Handling

In case the application does RAM accesses faster than the FIFO can be emptied via the external pin interface, the FIFO can overflow. You can choose whether the program execution/data transfer should be suspended, or an overflow should be signaled in the status bits of the next, to be transmitted, message of this particular FIFO. If program execution is resumed, the data will be lost. The overflow will not be signaled in the message that is already in the serializer and being transmitted when the overflow occurs.

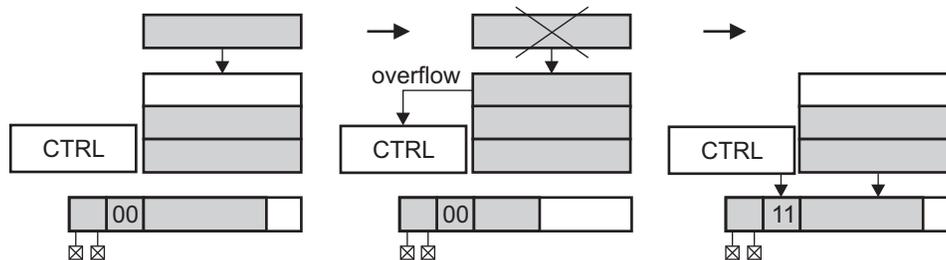
---

**NOTE:** The status information will only be transmitted in Trace Mode, since the Direct Data Mode packet does not contain any status information.

---

When an overflow in a FIFO occurs, the corresponding bit in the RTP global status register (RTPGSR) will be set.

**Figure 36-6. FIFO Overflow Handling**



### 36.2.5 Signal Description

Table 36-6 lists the signals of the RTP.

**Table 36-6. RTP Signals**

Signal	Description
RTPCLK	This clock signal is used to clock out the data of the serializer. Depending on the CONTCLK bit, the clock can be suspended between packets or it can be free running. The RTPCLK frequency can be adjusted by the PRESCALER bits (see RTP global control register (RTPGLBCTRL)).
RTPSYNC	The module provides a packet-sync signal. This signal will go high on the rising edge of RTPCLK and will be valid for one RTPCLK cycle to synchronize external hardware to the data stream. The RTPSYNC pulse will be generated for each new packet.
RTPEN $\bar{A}$	This signal is an input and can be used by external hardware to stop the data transmission between packets. When the RTPEN $\bar{A}$ signal goes high, the RTP will finish the current packet transmission and then stop. Once the signal is pulled low again, the RTP will resume the transfer if data is still present in the serializer or FIFOs. The RTPEN $\bar{A}$ signal does not have to be used for proper module operation. It can be used in GIO mode if the external hardware cannot generate this signal. Overflows of the external system cannot be handled in this case.
RTPDATA[15:0]	These pins are used to do the actual data transfer. Data changes with the rising edge of RTPCLK. The port can be configured for different widths (PW[1:0]). The minimum port width supported is 2 pins. See Table 36-10 which pins are used for the port.

Figure 36-7 shows an example of multiple packet transmissions in Trace Mode with an interruption between packets because of  $\overline{\text{RTPENA}}$  pulled high.

Figure 36-7. RTP Packet Transfer with Sync Signal

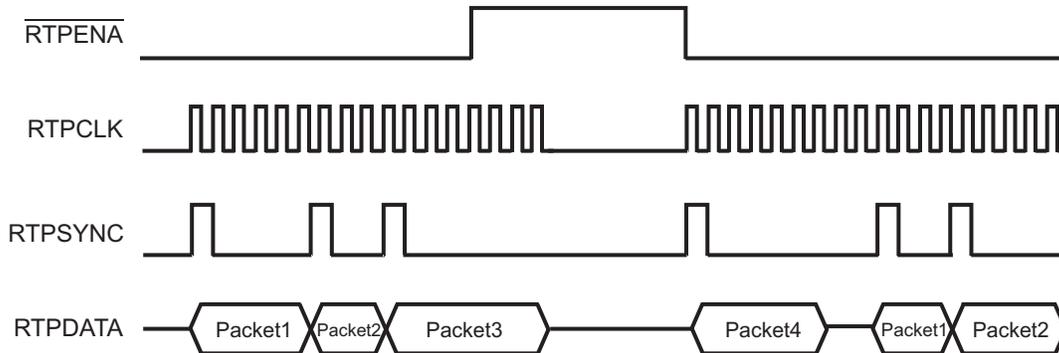
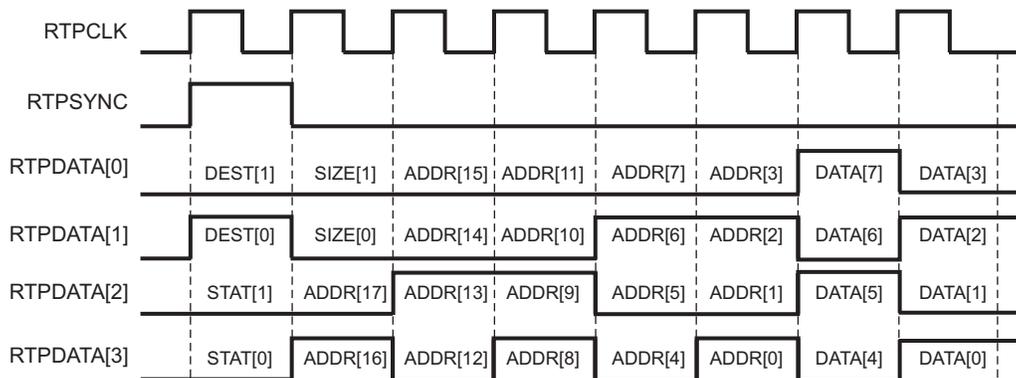


Figure 36-8 shows an example of a 4-bit data port with 8-bit write data (A5h) written into RAM1 (address 12345h) with no overflow in trace mode.

Figure 36-8. Packet Format in Trace Mode



### 36.2.6 Data Rate

The module is configurable to support different RTPCLK frequencies. See the device datasheet for the maximum supported frequency. HCLK will be prescaled to achieve the desired RTPCLK frequency. The prescaler supports prescale values from 1 to 8, using the RTP global control register (RTPGLBCTRL).

The effective bandwidth depends on the configuration of the module and the average data width transmitted in the packets.

### 36.2.7 GIO Function

Pins which are not used for RTP functionality can be used as normal GIO pins. If pins should be used in functional mode or GIO mode, they can be programmed in the RTP pin control 0 register (RTPPC0). The direction of the pins can be chosen in the RTP pin control 1 register (RTPPC1).

Module pins can have either an internal pullup or active pulldown that makes it possible to leave the pins unconnected externally when configured as inputs. The pins can be programmed to have the active pull capability by writing a 0 to the corresponding bit in the RTP pin control 7 register (RTPPC7). Writing a 1 to the corresponding bit disables the active pull functionality of the pin. A pull up can be configured by writing 1 to the corresponding bit in the RTP pin control 8 register (RTPPC8). Writing 0 will activate the pulldown capability. The pullup/pulldown is deactivated when a bidirectional pin is configured as an output. If the pullup/down capability is disabled (RTPPC7) and the pull is configured as pulldown (RTPPC8), the input buffer will be disabled.

The GIO pin can be configured to include an open drain functionality when they are configured as output pins. This is done by writing a 1 into the corresponding bit of the RTP pin control 6 register (RTPPC6). When the open drain functionality is enabled, a zero written to the data output register (RTPPC3) forces the pin to a low output voltage ( $V_{OL}$  or lower), whereas writing a 1 to the data output register (RTPPC3) forces the pin to a high impedance state. The open drain functionality is disabled when the pin is configured as an input pin.

### 36.3 RTP Control Registers

Table 36-7 lists the RTP module registers. The registers support 8-, 16-, and 32-bit writes. The base address of the RTP module is FFFF FA00h.

**Table 36-7. RTP Control Registers**

Offset	Acronym	Register Description	Section
00h	RTPGLBCTRL	RTP Global Control Register	<a href="#">Section 36.3.1</a>
04h	RTPTRENA	RTP Trace Enable Register	<a href="#">Section 36.3.2</a>
08h	RTPGSR	RTP Global Status Register	<a href="#">Section 36.3.3</a>
0Ch	RTPRAM1REG1	RTP RAM 1 Trace Region 1 Register	<a href="#">Section 36.3.4</a>
10h	RTPRAM1REG2	RTP RAM 1 Trace Region 2 Register	<a href="#">Section 36.3.4</a>
14h	RTPRAM2REG1	RTP RAM 2 Trace Region 1 Register	<a href="#">Section 36.3.5</a>
18h	RTPRAM2REG2	RTP RAM 2 Trace Region 2 Register	<a href="#">Section 36.3.5</a>
1Ch	RTPRAM3REG1	RTP RAM 3 Trace Region 1 Register	<a href="#">Section 36.3.6</a>
20h	RTPRAM3REG2	RTP RAM 3 Trace Region 2 Register	<a href="#">Section 36.3.6</a>
24h	RTPPERREG1	RTP Peripheral Trace Region 1 Register	<a href="#">Section 36.3.7</a>
28h	RTPPERREG2	RTP Peripheral Trace Region 2 Register	<a href="#">Section 36.3.7</a>
2Ch	RTPDDMW	RTP Direct Data Mode Write Register	<a href="#">Section 36.3.8</a>
34h	RTPPC0	RTP Pin Control 0 Register	<a href="#">Section 36.3.9</a>
38h	RTPPC1	RTP Pin Control 1 Register	<a href="#">Section 36.3.10</a>
3Ch	RTPPC2	RTP Pin Control 2 Register	<a href="#">Section 36.3.11</a>
40h	RTPPC3	RTP Pin Control 3 Register	<a href="#">Section 36.3.12</a>
44h	RTPPC4	RTP Pin Control 4 Register	<a href="#">Section 36.3.13</a>
48h	RTPPC5	RTP Pin Control 5 Register	<a href="#">Section 36.3.14</a>
4Ch	RTPPC6	RTP Pin Control 6 Register	<a href="#">Section 36.3.15</a>
50h	RTPPC7	RTP Pin Control 7 Register	<a href="#">Section 36.3.16</a>
54h	RTPPC8	RTP Pin Control 8 Register	<a href="#">Section 36.3.17</a>

### 36.3.1 RTP Global Control Register (RTPGLBCTRL)

The configuration of the module can be changed with this register. [Figure 36-9](#) and [Table 36-8](#) describe this register.

**Figure 36-9. RTP Global Control Register (RTPGLBCTRL) (offset = 00h)**

31	25	24	23	19	18	16
Reserved			TEST	Reserved		PRESCALER
R-0			R/WP-0	R-0		R/WP-7h
15	14	13	12	11	10	8
Reserved		DDM_WIDTH		DDM_RW	TM_DDM	PW
R-0		R/WP-0		R/WP-0	R/WP-0	R/WP-0
7	6	5	4	3	0	
RESET	CONTCLK	HOVF	INV_RGN	ON/OFF		
R/WP-0	R/WP-0	R/WP-0	R/WP-0	R/WP-5h		

LEGEND: R/W = Read/Write; R = Read only; WP = Write in privileged mode only; -n = value after reset

**Table 36-8. RTP Global Control Register (RTPGLBCTRL) Field Descriptions**

Bit	Field	Value	Description
31-25	Reserved	0	Read returns 0. Writes have no effect.
24	TEST		By setting the bit, the FIFO RAM will be mapped into the SYSTEM Peripheral frame starting at address 0xFFF83000. Each FIFO will start at a 1k boundary. Each FIFO entry will be aligned to a 128 bit boundary. See <a href="#">Table 36-9</a> for a listing of the FIFOs and their corresponding addresses.
		0	FIFO RAM is not accessible in the memory map.
		1	FIFO RAM is mapped to address FFF8 3000h.
			<b>Write in Privilege:</b>
		0	Disables mapping of the FIFO RAM
		1	Enables mapping of the FIFO RAM into address FFF8 3000h
18-16	PRESCALER		The prescaler divides HCLK down to the desired RTPCLK frequency. The maximum RTPCLK frequency specified in the device datasheet must not be exceeded. No dynamic change of RTPCLK is supported. The module should be switched off by the ON/OFF bits in this register before changing the prescaler.
			User and privilege mode read, privilege mode write:
		0	Prescaler is HCLK/1.
		1h	Prescaler is HCLK/2.
		2h	Prescaler is HCLK/3.
		3h	Prescaler is HCLK/4.
		4h	Prescaler is HCLK/5.
		5h	Prescaler is HCLK/6.
6h	Prescaler is HCLK/7.		
7h	Prescaler is HCLK/8.		
15-14	Reserved	0	Read returns 0. Writes have no effect.
13-12	DDM_WIDTH		Direct data mode word size width. This bit field configures the number of bits that will be transmitted in Direct Data Mode.
			User and privilege mode read, privilege mode write:
		0	Word size width is 8 bits.
		1h	Word size width is 16 bits.
		2h	Word size width is 32 bits.
3h	Reserved		

**Table 36-8. RTP Global Control Register (RTPGLBCTRL) Field Descriptions (continued)**

Bit	Field	Value	Description
11	DDM_RW		Direct Data Mode
		0	<b>Read:</b> Read tracing in Direct Data Mode is enabled.
		1	Write tracing in Direct Data Mode to DDMW register is enabled.
			<b>Write in Privilege:</b>
	0	Enable read tracing in Direct Data Mode. The RW bits in the RTPRAMxREGy registers to be ignored.	
	1	Write tracing in Direct Data Mode to DDMW register is enabled. The RW bits in the RTPRAMxREGy registers are to be ignored.	
10	TM_DDM		Trace Mode or Direct Data Mode
		0	<b>Read:</b> Module is configured in Trace Mode.
		1	Module is configured in Direct Data Mode.
			<b>Write in Privilege:</b>
	0	Configure module to Trace Mode.	
	1	Configure module to Direct Data Mode.	
9-8	PW		Port width. This bit field configures the RTP to the desired port width. Pins that are not used for functional mode can be used as GIO pins. See <a href="#">Table 36-10</a> for which pins are used for the port.
		0	RTP is 2 pins wide.
		1h	RTP is 4 pins wide.
		2h	RTP is 8 pins wide.
	3h	RTP is 16 pins wide.	
7	RESET		This bit resets the state machine and the registers to their reset value. This reset ensures that no data left in the FIFOs is shifted out after switching on the module with the ON/OFF bit.
		0	<b>Read:</b> RTP module is out of reset.
		1	RTP module is in reset.
			<b>Write in Privilege:</b>
	0	Do not reset the module.	
	1	Reset the module.	
6	CONTCLK		Continuous RTPCLK enable.
		0	<b>Read:</b> RTPCLK is stopped between transmissions.
		1	RTPCLK is free running.
			<b>Write in Privilege:</b>
	0	Stop RTPCLK between transmissions.	
	1	Configure RTPCLK as free running.	
5	HOVF		Halt on overflow. This bit indicates whether the CPU or DMA is halted while only one location in the FIFO is empty in Trace Mode or Direct Data Mode (read).
		0	<b>Read:</b> Current data transfer to the FIFO will not be suspended in case of a full FIFO.
		1	Current data transfer to the FIFO will be suspended in case of a full FIFO.
			<b>Write in Privilege:</b>
	0	The halt on FIFO overflow will be disabled. The data transfer will not be suspended and will be discarded. Data written to the RTPDDMW register will overwrite the RTPDDMW register.	
	1	The halt on FIFO overflow will be enabled. Data written to the already full FIFO will be written once the FIFO is emptied again. The data transfer to the FIFO will be suspended and signaled to the CPU or other master while there is still data to be shifted out. When there is an empty FIFO location again, the transfer of the data to the FIFO will be finished.	

**Table 36-8. RTP Global Control Register (RTPGLBCTRL) Field Descriptions (continued)**

Bit	Field	Value	Description
4	INV_RGN		Trace inside or outside of defined trace regions. <b>Read:</b>
		0	Accesses inside the trace regions are traced.
		1	Accesses outside the trace regions are traced.
			<b>Write in Privilege:</b>
		0	Allow tracing of accesses inside the regions set in RTPPRAMxREGy.
		1	Allow tracing of accesses outside the regions set in RTPPRAMxREGy.
3-0	ON/OFF		ON/Off switch. <b>Read:</b>
		Ah	Tracing of data is enabled.
		All other values	Tracing of data is disabled.
			<b>Write in Privilege:</b>
		Ah	Enable Tracing of data. If there is any previous captured data remaining, it will be shifted out.
		All other values	Disable tracing of data. If there is still data left in the shift register, it will be shifted out before disabling the shift operations. The data captured in the FIFO remains there until the ON/OFF bits are set to Ah. <b>NOTE:</b> It is recommended to write 5h to disable the module to prevent a soft error from enabling the module inadvertently by a single bit flip.

**Table 36-9. FIFO Corresponding Addresses**

FIFO	Address
1	FFF8 3000h
2	FFF8 3400h
3	FFF8 3800h
4	FFF8 3C00h

**Table 36-10. Pins Used for Data Communication**

Port Width (PW)	Pins Used
00	RTPDATA[1:0]
01	RTPDATA[3:0]
10	RTPDATA[7:0]
11	RTPDATA[15:0]

### 36.3.2 RTP Trace Enable Register (RTPTRENA)

This register enables/disables tracing of the different RAM blocks or the peripherals individually. Figure 36-10 and Table 36-11 describe this register.

**Figure 36-10. RTP Trace Enable Register (RTPTRENA) (offset = 04h)**

31	25	24	23	17	16
Reserved	ENA4	Reserved	ENA3		
R-0	R/WP-0	R-0	R/WP-0		
15	9	8	7	1	0
Reserved	ENA2	Reserved	ENA1		
R-0	R/WP-0	R-0	R/WP-0		

LEGEND: R/W = Read/Write; R = Read only; WP = Write in privileged mode only; -n = value after reset

**Table 36-11. RTP Trace Enable Register (RTPTRENA) Field Descriptions**

Bit	Field	Value	Description
31-25	Reserved	0	Read returns 0. Writes have no effect.
24	ENA4		Enable tracing for peripherals under PCR3. This bit enables tracing into FIFO4 in trace mode (read/write) or direct data mode (read) operations. In Direct Data Mode write operations, this bit will be ignored and tracing into FIFO4 will be disabled.
		<b>Read:</b>	
		0	Tracing is disabled.
		1	Tracing is enabled.
23-17	Reserved		Read returns 0. Writes have no effect.
		<b>Write in Privilege:</b>	
		0	Disable tracing. If RTPGLBCTRL.ON/OFF = Ah, data already captured in FIFO4 will still be transmitted (RTPGLBCTRL).
		1	Enable tracing.
16	ENA3		Enable tracing for peripherals under PCR1. This bit enables tracing into FIFO3 in Trace Mode (read/write) or Direct Data Mode (read) operations. In Direct Data Mode write operations, this bit will be ignored and tracing into FIFO3 will be disabled.
		<b>Read:</b>	
		0	Tracing is disabled.
		1	Tracing is enabled.
15-9	Reserved		Read returns 0. Writes have no effect.
		<b>Write in Privilege:</b>	
		0	Disable tracing. If RTPGLBCTRL.ON/OFF = Ah, data already captured in FIFO3 will still be transmitted (RTPGLBCTRL).
		1	Enable tracing.
8	ENA2		Enable tracing for RAM block 2. This bit enables tracing into FIFO2 in Trace Mode (read/write) or Direct Data Mode (read) operations. In Direct Data Mode write operations, this bit will be ignored and tracing into FIFO2 will be disabled.
		<b>Read:</b>	
		0	Tracing is disabled.
		1	Tracing is enabled.
7-1	Reserved		Read returns 0. Writes have no effect.
		<b>Write in Privilege:</b>	
		0	Disable tracing. If RTPGLBCTRL.ON/OFF = Ah, data already captured in FIFO2 will still be transmitted.
		1	Enable tracing.

**Table 36-11. RTP Trace Enable Register (RTPTRENA) Field Descriptions (continued)**

Bit	Field	Value	Description
0	ENA1		Enable tracing for RAM block 1. This bit enables tracing into FIFO1 in Trace Mode (read/write) or Direct Data Mode (read) operations. In Direct Data Mode write operations, this bit will be ignored and tracing into FIFO1 will be disabled.
			<b>Read:</b>
		0	Tracing is disabled.
		1	Tracing is enabled.
			<b>Write in Privilege:</b>
		0	Disable tracing. If RTPGLBCTRL.ON/OFF = Ah, data already captured in FIFO1 will still be transmitted.
		1	Enable tracing.

### 36.3.3 RTP Global Status Register (RTPGSR)

This register provides status information of the module. [Figure 36-11](#) and [Table 36-12](#) describe this register.

**Figure 36-11. RTP Global Status Register (RTPGSR) (offset = 08h)**

31	Reserved						16
R-0							
15	13	12	11	10	9	8	
Reserved		EMPTYSER	EMPTYPER2	EMPTYPER1	EMPTY2	EMPTY1	
R-0		R-1	R-1	R-1	R-1	R-1	
7	4		3	2	1	0	
Reserved			OVFPER2	OVFPER1	OVF2	OVF1	
R-0			R/W1CP-0	R/W1CP-0	R/W1CP-0	R/W1CP-0	

LEGEND: R/W = Read/Write; R = Read only; WP = Write in privileged mode only; -n = value after reset

**Table 36-12. RTP Global Status Register (RTPGSR) Field Descriptions**

Bit	Field	Value	Description
31-13	Reserved	0	Read returns 0. Writes have no effect.
12	EMPTYSER	0 1	Serializer empty. This bit determines if there is data left in the serializer. 0 Serializer holds data which is shifted out 1 Serializer is empty.
11	EMPTYPER2	0 1	Peripheral FIFO empty. This bit determines if there are entries left in the FIFO. FIFO4 is used for tracing peripherals under PCR3 0 FIFO4 contains entries 1 FIFO4 is empty.
10	EMPTYPER1	0 1	Peripheral FIFO empty. This bit determines if there are entries left in the FIFO. FIFO3 is used for tracing peripherals under PCR1 0 FIFO3 contains entries 1 FIFO3 is empty.
9	EMPTY2	0 1	RAM block 2 FIFO empty. This bit determines if there are entries left in the FIFO. FIFO2 is used for tracing the upper 256kB RAM 0 FIFO2 contains entries 1 FIFO2 is empty.
8	EMPTY1	0 1	RAM block 1 FIFO empty. This bit determines if there are entries left in the FIFO. FIFO1 is used for tracing the lower 256kB RAM 0 FIFO1 contains entries 1 FIFO1 is empty.
7-4	Reserved	0	Read returns 0. Writes have no effect.
3	OVFPER	0 1	Overflow peripheral FIFO. This flag indicates that FIFO4 had all locations full and another attempt to write data to it occurred. The bit will not be cleared automatically if the FIFO is emptied again. The bit will stay set until the CPU clears it. <b>Read:</b> 0 No overflow occurred. 1 An overflow occurred.
		0 1	<b>Write in Privilege:</b> 0 No effect. 1 Clears the bit.
2	Reserved	0	Read returns 0. Writes have no effect.

**Table 36-12. RTP Global Status Register (RTPGSR) Field Descriptions (continued)**

Bit	Field	Value	Description
1	OVF2		Overflow RAM block 2 FIFO. This flag indicates that FIFO2 had all locations full and another attempt to write data to it occurred. The bit will not be cleared automatically if the FIFO is emptied again. The bit will stay set until the CPU clears it.
			<b>Read:</b>
		0	No overflow occurred.
		1	An overflow occurred.
			<b>Write in Privilege:</b>
		0	No effect.
		1	Clears the bit.
0	OVF1		Overflow RAM block 1 FIFO. This flag indicates that FIFO1 had all locations full and another attempt to write data to it occurred. The bit will not be cleared automatically if the FIFO is emptied again. The bit will stay set until the CPU clears it.
			<b>Read:</b>
		0	No overflow occurred.
		1	An overflow occurred.
			<b>Write in Privilege:</b>
		0	No effect.
		1	Clears the bit.

### 36.3.4 RTP RAM 1 Trace Region Registers (RTPRAM1REG[1:2])

Figure 36-12 and Table 36-13 illustrate these registers.

**Figure 36-12. RTP RAM 1 Trace Region Registers (RTPRAM1REGn) (offset = 0Ch and 10h)**

31	29	28	27	24	23	18	17	16
CPU_DMA		RW	BLOCKSIZE			Reserved		STARTADDR
R/WP-0		R/WP-0	R/WP-0			R-0		R/WP-0
								0
STARTADDR								
R/WP-0								

LEGEND: R/W = Read/Write; R = Read only; WP = Write in privileged mode only; -n = value after reset

**Table 36-13. RTP RAM 1 Trace Region Registers (RTPRAM1REGn) Field Descriptions**

Bit	Field	Value	Description
31-29	CPU_DMA	0 1h 2h 3h	When the device is configured in lock-step mode, bit 31 will return 0 and a write has no effect. This bit field indicates if read or write operations are traced either coming from the CPU and/or from the other master.  User and privilege mode read, privilege mode write: Read or write operations are traced when coming from the CPU and the other master. Read or write operations are traced only when coming from the CPU. Read or write operations are traced only when coming from the other non-CPU master. Reserved
28	RW	0 1	Read/Write. This bit indicates if read or write operations are traced in Trace Mode or Direct Data Mode (read operation). If configured for write in Direct Data Mode (RTPGLBCTRL), the data captured will be discarded. A write operation in Direct Data Mode has to be directly to the RTP direct data mode write register (RTPDDMW) instead of to RAM. Depending on the INV_RGN bit setting, accesses into or outside the region will be traced.  <b>Read:</b> Read operations will be captured. Write operations will be captured.
		0 1	<b>Write in Privilege:</b> Trace read accesses. Trace write accesses.
27-24	BLOCKSIZE	0 1h 2h 3h 4h Ah Bh Ch-Fh	These bits define the length of the trace region. Depending on the setting of INV_RGN (RTPGLBCTRL), accesses inside or outside the region defined by the start address and blocksize will be traced. If all bits of BLOCKSIZE are 0, the region is disabled and no data will be captured.  Region size (in bytes): 0 256 512 1K 2K 128K 256K Reserved
23-18	Reserved	0	Read returns 0. Writes have no effect.
17-0	STARTADDR	0-3 FFFFh	These bits define the starting address of the address region that should be traced. The start address has to be a multiple of the block size chosen. If the start address is not a multiple of the block size, the start of the region will begin at the next lower block size boundary.

### 36.3.5 RTP RAM 2 Trace Region Registers (RTPRAM2REG[1:2])

Figure 36-13 and Table 36-14 illustrate these registers.

**Figure 36-13. RTP RAM 2 Trace Region Registers (RTPRAM2REGn) (offset = 14h and 18h)**

31	29	28	27	24	23	18	17	16
CPU_DMA	RW	BLOCKSIZE			Reserved		STARTADDR	
R/WP-0	R/WP-0	R/WP-0			R-0		R/WP-0	
15								0
STARTADDR								
R/WP-0								

LEGEND: R/W = Read/Write; R = Read only; WP = Write in privileged mode only; -n = value after reset

**Table 36-14. RTP RAM 2 Trace Region Registers (RTPRAM2REGn) Field Descriptions**

Bit	Field	Value	Description
31-29	CPU_DMA	0 1h 2h 3h	When the device is configured in lock-step mode, bit 31 will return 0 and a write has no effect. This bit field indicates if read or write operations are traced either coming from the CPU and/or from the other master.  User and privilege mode read, privilege mode write: Read or write operations are traced when coming from the CPU and the other master. Read or write operations are traced only when coming from the CPU. Read or write operations are traced only when coming from the other master. Reserved
28	RW	0	Read operations will be captured.
		1	Write operations will be captured.
		0	<b>Write in Privilege:</b> Trace read accesses.
		1	Trace write accesses.
27-24	BLOCKSIZE	0 1h 2h 3h 4h Ah Bh Ch-Fh	These bits define the length of the trace region. Depending on the setting of INV_RGN (RTPGLBCTRL), accesses inside or outside the region defined by the start address and blocksize will be traced. If all bits of BLOCKSIZE are 0, the region is disabled and no data will be captured.  Region size (in bytes): 0 256 512 1K 2K 128K 256K Reserved
23-18	Reserved	0	Read returns 0. Writes have no effect.
17-0	STARTADDR	0-3 FFFFh	These bits define the starting address of the address region that should be traced. The start address has to be a multiple of the block size chosen. If the start address is not a multiple of the block size, the start of the region will begin at the next lower block size boundary.

### 36.3.6 RTP RAM 3 Trace Region Registers (RTPRAM3REG[1:2])

FIFO3 was originally designed to support RAM trace limiting to a maximum trace range of 256kB. In this device, FIFO3 is dedicated for tracing the PCR1 peripheral accesses. Peripherals in PCR1 occupy a total address range of 512kB of space. Therefore, it is not possible to trace the entire range of 512kB since there are only 18 bits of address being traced out in the packet. You can use the two trace regions to trace any two areas in the lower half of the PCR1's space from 0xFFF80000 to 0xFFFBFFFF provided there is not an intentional or un-intentional access to the upper half of the space. If you want to trace the upper half of PCR1's space from 0xFFFC0000 to 0xFFFFFFFF then the external hardware/software must reconstruct the full 32-bit address by forcing address bit 18 high and also ensures that there is no intentional or un-intentional accesses to the lower half of the space. Since the external hardware is unable to distinguish between the lower half and the upper half of PCR1, you can not trace both of the halves at the same time.

**NOTE:** Bit REG (Section 36.2.1.1) in the protocol for peripheral trace will not be applicable to the PCR1 trace. PCR1 trace follows the RAM trace protocol with 18 bits of address trace out.

Figure 36-14 and Table 36-15 illustrate these registers.

**Figure 36-14. RTP RAM 3 Trace Region Registers (RTPRAM3REGn) (offset = 1Ch and 20h)**

31	29	28	27	24	23	18	17	16
CPU_DMA	RW	BLOCKSIZE			Reserved			STARTADDR
R/WP-0	R/WP-0	R/WP-0			R-0			R/WP-0
15	STARTADDR							0
R/WP-0								

LEGEND: R/W = Read/Write; R = Read only; WP = Write in privileged mode only; -n = value after reset

**Table 36-15. RTP RAM 3 Trace Region Registers (RTPRAM3REGn) Field Descriptions**

Bit	Field	Value	Description
31-29	CPU_DMA		When the device is configured in lock-step mode, bit 31 will return 0 and a write has no effect. This bit field indicates if read or write operations are traced either coming from the CPU and/or from the other master.  User and privilege mode read, privilege mode write: 0 Read or write operations are traced when coming from the CPU and the other master. 1h Read or write operations are traced only when coming from the CPU. 2h Read or write operations are traced only when coming from the other master. 3h Reserved
28	RW		Read/Write. This bit indicates if read or write operations are traced in Trace Mode or Direct Data Mode (read operation). If configured for write in Direct Data Mode (RTPGLBCTRL), the data captured will be discarded. A write operation in Direct Data Mode has to be directly to the RTP direct data mode write register (RTPDDMW) instead of to RAM. Depending on the INV_RGN bit setting, accesses into or outside the region will be traced.
		0	Read operations will be captured.
		1	Write operations will be captured.
			<b>Write in Privilege:</b> 0 Trace read accesses. 1 Trace write accesses.

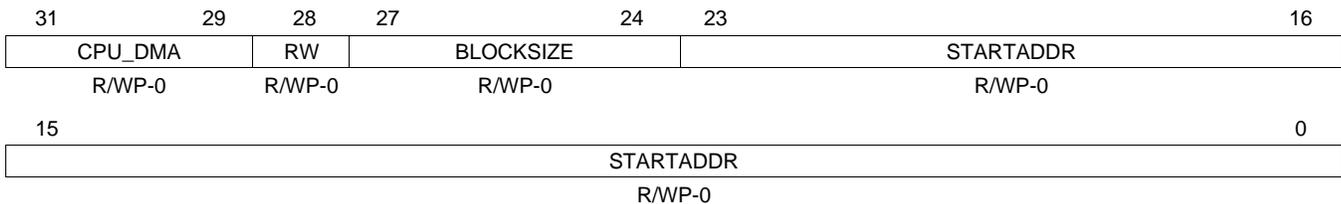
**Table 36-15. RTP RAM 3 Trace Region Registers (RTPRAM3REGn) Field Descriptions (continued)**

Bit	Field	Value	Description
27-24	BLOCKSIZE	0 1h 2h 3h 4h Ah Bh Ch-Fh	These bits define the length of the trace region. Depending on the setting of INV_RGN (RTPGLBCTRL), accesses inside or outside the region defined by the start address and blocksize will be traced. If all bits of BLOCKSIZE are 0, the region is disabled and no data will be captured.  Region size (in bytes): 0 256 512 1K 2K 128K 256K Reserved
23-18	Reserved	0	Read returns 0. Writes have no effect.
17-0	STARTADDR	0-3 FFFFh	These bits define the starting address of the address region that should be traced. The start address has to be a multiple of the block size chosen. If the start address is not a multiple of the block size, the start of the region will begin at the next lower block size boundary.

### 36.3.7 RTP Peripheral Trace Region Registers (RTPPERREG[1:2])

FIFO4 is dedicated for tracing the PCR3 peripheral accesses. Since the peripheral frame is 16 Mbytes, the start address has to be defined as a 24-bit value. However, only bits 16 to 0 will be transmitted in the protocol. Bit REG (Section 36.2.1.1) in the protocol will be 0 if there was an access to the range defined by RTPPERREG1. REG will be 1 if the access was into the range defined by RTPPERREG2. Figure 36-15 and Table 36-16 illustrate these registers.

**Figure 36-15. RTP Peripheral Trace Region Registers (RTPPERREGn) (offset = 24h and 28h)**



LEGEND: R/W = Read/Write; R = Read only; WP = Write in privileged mode only; -n = value after reset

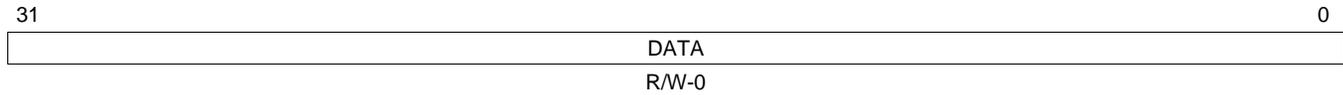
**Table 36-16. RTP Peripheral Trace Region Registers (RTPPERREGn) Field Descriptions**

Bit	Field	Value	Description
31-29	CPU_DMA	0 1h 2h 3h	When the device is configured in lock-step mode, bit 31 will return 0 and a write has no effect. This bit field indicates if read or write operations are traced either coming from the CPU and/or from the other master.  User and privilege mode read, privilege mode write:  0 Read or write operations are traced when coming from the CPU and the other master. 1h Read or write operations are traced only when coming from the CPU. 2h Read or write operations are traced only when coming from the other master. 3h Reserved
28	RW	0 1	Read/Write. This bit indicates if read or write operations are traced in Trace Mode or Direct Data Mode (read operation). If configured for write in Direct Data Mode (RTPGLBCTRL), the data captured will be discarded. A write operation in Direct Data Mode has to be directly to the RTP direct data mode write register (RTPDDMW) instead of to RAM. Depending on the INV_RGN bit setting, accesses into or outside the region will be traced.  <b>Read:</b>  0 Read operations will be captured. 1 Write operations will be captured.
		0 1	<b>Write in Privilege:</b>  0 Trace read accesses. 1 Trace write accesses.
27-24	BLOCKSIZE	0 1h 2h 3h 4h Ah Bh Ch-Fh	These bits define the length of the trace region. Depending on the setting of INV_RGN (RTPGLBCTRL), accesses inside or outside the region defined by the start address and blocksize will be traced. If all bits of BLOCKSIZE are 0, the region is disabled and no data will be captured.  Region size (in bytes):  0 0 1h 256 2h 512 3h 1K 4h 2K Ah 128K Bh 256K Ch-Fh Reserved
23-0	STARTADDR	0-FF FFFFh	These bits define the starting address of the address region that should be traced. The start address has to be a multiple of the block size chosen. If the start address is not a multiple of the block size, the start of the region will begin at the next lower block size boundary.

### 36.3.8 RTP Direct Data Mode Write Register (RTPDDMW)

The CPU has to write data to this register if the module is used in Direct Data Mode write configuration. [Figure 36-16](#) and [Table 36-17](#) describe this register.

**Figure 36-16. RTP Direct Data Mode Write Register (RTPDDMW) (offset = 2Ch)**



LEGEND: R/W = Read/Write; -n = value after reset

**Table 36-17. RTP Direct Data Mode Write Register (RTPDDMW) Field Descriptions**

Bit	Field	Description
31-0	DATA	This register must be written to in a Direct Data Mode write operation to store the data into FIFO1. Data written must be right-aligned. If the FIFO is full, the reaction depends on the setting of the HOVF bit (RTPGLBCTRL). If the bit is set, the master writing the data will be wait-stated. If the bit is cleared, previous data written to the register will be overwritten. Reads of this register always return 0.

### 36.3.9 RTP Pin Control 0 Register (RTPPC0)

This register configures the RTP pins as functional or GIO pins. Once the pin is configured in functional mode, it overrides the settings in the RTPPC1 register. Writing to the RTPPC3, RTPPC4, and RTPPC5 registers will have no effect for pins configured as functional pins. [Figure 36-17](#) and [Table 36-18](#) describe this register.

**Figure 36-17. RTP Pin Control 0 Register (RTPPC0) (offset = 34h)**

31	19	18	17	16
Reserved		ENAFUNC	CLKFUNC	SYNCFUNC
R-0		R/W-0	R/W-0	R/W-0
15				0
DATAFUNC[15:0]				
R/W-0				

LEGEND: R/W = Read/Write; R = Read only; -n = value after reset

**Table 36-18. RTP Pin Control 0 Register (RTPPC0) Field Descriptions**

Bit	Field	Value	Description
31-19	Reserved	0	Read returns 0. Writes have no effect.
18	ENAFUNC	0	Functional mode of RTPEN $\bar{A}$ pin. <b>Read:</b> Pin is used in GIO mode.
		1	Pin is used in functional mode.
17	CLKFUNC	0	<b>Write:</b> Configure pin to GIO mode.
		1	Configure pin to functional mode.
16	SYNCFUNC	0	Functional mode of RTPCLK pin. <b>Read:</b> Pin is used in GIO mode.
		1	Pin is used in functional mode.
15-0	DATAFUNC[n]	0	<b>Write:</b> Configure pin to GIO mode.
		1	Configure pin to functional mode.
15-0	DATAFUNC[n]	0	Functional mode of RTPDATA[15:0] pins. These bits define whether the pins are used in functional mode or in GIO mode. Each bit [n] represents a single pin. <b>Read:</b> Pin is used in GIO mode.
		1	Pin is used in functional mode.
15-0	DATAFUNC[n]	0	<b>Write:</b> Configure pin to GIO mode.
		1	Configure pin to functional mode.

### 36.3.10 RTP Pin Control 1 Register (RTPPC1)

Once the pin is configured in functional mode (using RTPPC0 register), configuring the corresponding bit in RTPPC1 to 0 will not disable the output driver. [Figure 36-18](#) and [Table 36-19](#) describe this register.

**Figure 36-18. RTP Pin Control 1 Register (RTPPC1) (offset = 38h)**

31	19	18	17	16
Reserved		ENADIR	CLKDIR	SYNCDIR
R-0		R/W-0	R/W-0	R/W-0
15				0
DATADIR[15:0]				
R/W-0				

LEGEND: R/W = Read/Write; R = Read only; -n = value after reset

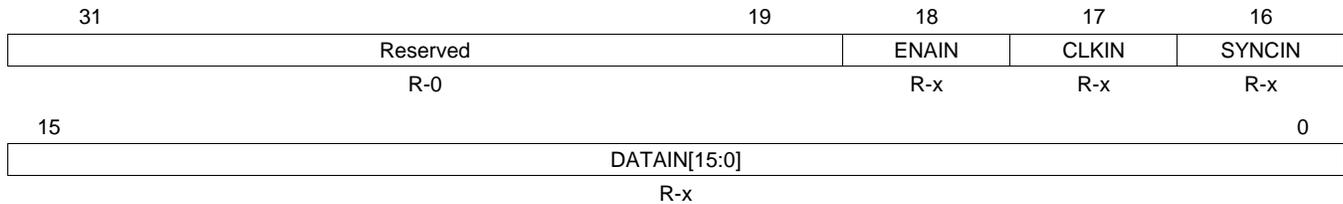
**Table 36-19. RTP Pin Control 1 Register (RTPPC1) Field Descriptions**

Bit	Field	Value	Description
31-19	Reserved	0	Read returns 0. Writes have no effect.
18	ENADIR	0	Direction of $\overline{\text{RTPEN}}_A$ pin. This bit defines whether the pin is used as input or output in GIO mode. This bit has no effect when the pin is configured in functional mode. <b>Read:</b> Pin is used as input.
		1	Pin is used as output.
17	CLKDIR	0	<b>Write:</b> Configure pin to input mode.
		1	Configure pin to output mode.
16	SYNCDIR	0	Direction of RTPCLK pin. This bit defines whether the pin is used as input or output in GIO mode. This bit has no effect when the pin is configured in functional mode. <b>Read:</b> Pin is used as input.
		1	Pin is used as output.
15-0	DATADIR[n]	0	<b>Write:</b> Configure pin to input mode.
		1	Configure pin to output mode.
15-0	DATADIR[n]	0	Direction of RTPDATA[15:0] pins. These bits define whether the pins are used as input or output in GIO mode. These bits have no effect when the pins are configured in functional mode. Each bit [n] represents a single pin. <b>Read:</b> Pin is used as input.
		1	Pin is used as output.
15-0	DATADIR[n]	0	<b>Write:</b> Configure pin to input mode.
		1	Configure pin to output mode.

### 36.3.11 RTP Pin Control 2 Register (RTPPC2)

This register represents the input value of the pins when in GIO or functional mode. [Figure 36-19](#) and [Table 36-20](#) describe this register.

**Figure 36-19. RTP Pin Control 2 Register (RTPPC2) (offset = 3Ch)**



LEGEND: R/W = Read/Write; R = Read only; -n = value after reset

**Table 36-20. RTP Pin Control 2 Register (RTPPC2) Field Descriptions**

Bit	Field	Value	Description
31-19	Reserved	0	Read returns 0. Writes have no effect.
18	ENAIN	0	RTPEN $\bar{A}$ input. This bit reflects the state of the pin in all modes. Writes to this bit have no effect. The pin is at logic low (0) (input voltage is $V_{IL}$ or lower).
		1	The pin is at logic high (1) (input voltage is $V_{IH}$ or higher).
17	CLKIN	0	RTPCLK input. This bit reflects the state of the pin in all modes. Writes to this bit have no effect. The pin is at logic low (0) (input voltage is $V_{IL}$ or lower).
		1	The pin is at logic high (1) (input voltage is $V_{IH}$ or higher).
16	SYNCIN	0	RTPSYNC input. This bit reflects the state of the pin in all modes. Writes to this bit have no effect. The pin is at logic low (0) (input voltage is $V_{IL}$ or lower).
		1	The pin is at logic high (1) (input voltage is $V_{IH}$ or higher).
15-0	DATAIN[n]	0	RTPDATA[15:0] input. These bits reflect the state of the pins in all modes. Each bit [n] represents a single pin. Writes to this bit have no effect. The pin is at logic low (0) (input voltage is $V_{IL}$ or lower).
		1	The pin is at logic high (1) (input voltage is $V_{IH}$ or higher).

### 36.3.12 RTP Pin Control 3 Register (RTPPC3)

This register defines the state of the pins when configured in GIO mode as output pins. Once a pin is configured in functional mode (using RTPPC0 register), changing the state of the corresponding bit in RTPPC3 will not affect the pin's state. [Figure 36-20](#) and [Table 36-21](#) describe this register.

**Figure 36-20. RTP Pin Control 3 Register (RTPPC3) (offset = 40h)**

31	19	18	17	16
Reserved		ENAOUT	CLKOUT	SYNCOUT
R-0		R/W-0	R/W-0	R/W-0
15				0
DATAOUT[15:0]				
R/W-0				

LEGEND: R/W = Read/Write; R = Read only; -n = value after reset

**Table 36-21. RTP Pin Control 3 Register (RTPPC3) Field Descriptions**

Bit	Field	Value	Description
31-19	Reserved	0	Read returns 0. Writes have no effect.
18	ENAOUT	0	RTPEN $\bar{A}$ output. This pin sets the output state of the RTPENA pin. <b>Read:</b> The pin is configured to output logic low (0) (output voltage is $V_{OL}$ or lower).
		1	The pin is configured to output logic high (1) (output voltage is $V_{OH}$ or higher).
		0	<b>Write:</b> Set pin to logic low (0) (output voltage is $V_{OL}$ or lower).
		1	Set pin to logic high (1) (output voltage is $V_{OH}$ or higher).
17	CLKOUT	0	RTPCLK output. This pin sets the output state of the RTPCLK pin. <b>Read:</b> The pin is configured to output logic low (0) (output voltage is $V_{OL}$ or lower).
		1	The pin is configured to output logic high (1) (output voltage is $V_{OH}$ or higher).
		0	<b>Write:</b> Set pin to logic low (0) (output voltage is $V_{OL}$ or lower).
		1	Set pin to logic high (1) (output voltage is $V_{OH}$ or higher).
16	SYNCOUT	0	RTPSYNC output. This pin sets the output state of the RTPSYNC pin. <b>Read:</b> The pin is configured to output logic low (0) (output voltage is $V_{OL}$ or lower).
		1	The pin is configured to output logic high (1) (output voltage is $V_{OH}$ or higher).
		0	<b>Write:</b> Set pin to logic low (0) (output voltage is $V_{OL}$ or lower).
		1	Set pin to logic high (1) (output voltage is $V_{OH}$ or higher).
15-0	DATAOUT[n]	0	RTPDATA[15:0] output. These bits set the output state of the RTPDATA[15:0] pins. Each bit [n] represents a single pin. <b>Read:</b> The pin is configured to output logic low (0) (output voltage is $V_{OL}$ or lower).
		1	The pin is configured to output logic high (1) (output voltage is $V_{OH}$ or higher).
		0	<b>Write:</b> Set pin to logic low (0) (output voltage is $V_{OL}$ or lower).
		1	Set pin to logic high (1) (output voltage is $V_{OH}$ or higher).

### 36.3.13 RTP Pin Control 4 Register (RTPPC4)

This register provides the option to set pins to a logic 1 level without influencing the state of other pins. It eliminates the read-modify-write operation necessary with the RTPPC3 register. Once the pin is configured in functional mode (using RTPPC0 register), setting the corresponding bit to one in RTPPC4 will not affect the pin's state. [Figure 36-21](#) and [Table 36-22](#) describe this register.

**Figure 36-21. RTP Pin Control 4 Register (RTPPC4) (offset = 44h)**

31	19	18	17	16
Reserved		ENASET	CLKSET	SYNCSET
R-0		R/W-0	R/W-0	R/W-0
15				0
DATASET[15:0]				
R/W-0				

LEGEND: R/W = Read/Write; R = Read only; -n = value after reset

**Table 36-22. RTP Pin Control 4 Register (RTPPC4) Field Descriptions**

Bit	Field	Value	Description
31-19	Reserved	0	Read returns 0. Writes have no effect.
18	ENASET	0	Sets the output state of $\overline{\text{RTPEN}}\overline{\text{A}}$ pin to logic high. Value in the ENASET bit sets the data output control register bit to 1 regardless of the current value in the ENAOUT bit . <b>Read:</b> The pin is configured to output a logic low (0) (output voltage is $V_{\text{OL}}$ or lower).
		1	The pin is configured to output logic high (1) (output voltage is $V_{\text{OH}}$ or higher).
17	CLKSET	0	<b>Write:</b> No effect.
		1	Set pin to logic high (1) (output voltage is $V_{\text{OH}}$ or higher).
16	SYNCSET	0	Sets the output state of RTPCLK pin to logic high. Value in the CLKSET bit sets the data output control register bit to 1 regardless of the current value in the CLKOUT bit. <b>Read:</b> The pin is configured to output a logic low (0) (output voltage is $V_{\text{OL}}$ or lower).
		1	The pin is configured to output logic high (1) (output voltage is $V_{\text{OH}}$ or higher).
15-0	DATASET[n]	0	<b>Write:</b> No effect.
		1	Set pin to logic high (1) (output voltage is $V_{\text{OH}}$ or higher).
15-0	DATASET[n]	0	Sets output state of RTPDATA[15:0] pins to logic high. Value in the DATAxSET bit sets the data output control register bit to 1 regardless of the current value in the DATAxOUT bit. Each bit [n] represents a single pin. <b>Read:</b> The pin is configured to output a logic low (0) (output voltage is $V_{\text{OL}}$ or lower).
		1	The pin is configured to output logic high (1) (output voltage is $V_{\text{OH}}$ or higher).
15-0	DATASET[n]	0	<b>Write:</b> No effect.
		1	Set pin to logic high (1) (output voltage is $V_{\text{OH}}$ or higher).

### 36.3.14 RTP Pin Control 5 Register (RTPPC5)

This register provides the option to set pins to a logic 0 level without influencing the state of other pins. It eliminates the read-modify-write operation necessary with the RTPPC3 register. Once the pin is configured in functional mode (using RTPPC0 register), setting the corresponding bit to one in RTPPC5 will not affect the pin state. Figure 36-22 and Table 36-23 describe this register.

**Figure 36-22. RTP Pin Control 5 Register (RTPPC5) (offset = 48h)**

31	19	18	17	16
Reserved		ENACL	CLKCLR	SYNCLR
R-0		R/W-0	R/W-0	R/W-0
15				0
DATACLR[15:0]				
R/W-0				

LEGEND: R/W = Read/Write; R = Read only; -n = value after reset

**Table 36-23. RTP Pin Control 5 Register (RTPPC5) Field Descriptions**

Bit	Field	Value	Description
31-19	Reserved	0	Read returns 0. Writes have no effect.
18	ENACL	0	The pin is configured to output a logic low (0) (output voltage is $V_{OL}$ or lower).
		1	The pin is configured to output logic high (1) (output voltage is $V_{OH}$ or higher).
		0	No effect.
		1	Set pin to logic low (0) (output voltage is $V_{OL}$ or lower).
17	CLKCLR	0	The pin is configured to output a logic low (0) (output voltage is $V_{OL}$ or lower).
		1	The pin is configured to output logic high (1) (output voltage is $V_{OH}$ or higher).
		0	No effect.
		1	Set pin to logic low (0) (output voltage is $V_{OL}$ or lower).
16	SYNCLR	0	The pin is configured to output a logic low (0) (output voltage is $V_{OL}$ or lower).
		1	The pin is configured to output logic high (1) (output voltage is $V_{OH}$ or higher).
		0	No effect.
		1	Set pin to logic low (0) (output voltage is $V_{OL}$ or lower).
15-0	DATACLR[n]	0	The pin is configured to output a logic low (0) (output voltage is $V_{OL}$ or lower).
		1	The pin is configured to output logic high (1) (output voltage is $V_{OH}$ or higher).
		0	No effect.
		1	Set pin to logic low (0) (output voltage is $V_{OL}$ or lower).

### 36.3.15 RTP Pin Control 6 Register (RTPPC6)

This register configures the pins in push-pull or open-drain functionality. If configured to be open-drain, the module only drives a logic low level on the pin. An external pull-up resistor needs to be connected to the pin to pull it high when the pin is in high-impedance mode. [Figure 36-23](#) and [Table 36-24](#) describe this register.

**Figure 36-23. RTP Pin Control 6 Register (RTPPC6) (offset = 4Ch)**

31	19	18	17	16
Reserved		ENAPDR	CLKPDR	SYNCPDR
R-0		R/W-0	R/W-0	R/W-0
15				0
DATAPDR[15:0]				
R/W-0				

LEGEND: R/W = Read/Write; R = Read only; -n = value after reset

**Table 36-24. RTP Pin Control 6 Register (RTPPC6) Field Descriptions**

Bit	Field	Value	Description
31-19	Reserved	0	Read returns 0. Writes have no effect.
18	ENAPDR		RTPEN $\bar{A}$ Open drain enable. This bit enables open drain functionality on the pin if it is configured as a GIO output (RTPPC0[18] = 0; RTPPC1[18] = 1). If the pin is configured as a functional pin (RTPPC0[18] = 1), the open drain functionality is disabled.
		0	Pin behaves as normal push/pull pin
		1	Pin operates in open drain mode
			<b>Write:</b>
		0	Configures the pin as push/pull
		1	Configures the pin as open drain
17	CLKPDR		RTPCLK Open drain enable. This bit enables open drain functionality on the pin if it is configured as GIO output (RTPPC0[17] = 0; RTPPC1[17] = 1). If the pin is configured as functional pin (RTPPC0[17] = 1), the open drain functionality is disabled.
		0	Pin behaves as normal push/pull pin
		1	Pin operates in open drain mode
			<b>Write:</b>
		0	Configures the pin as push/pull
		1	Configures the pin as open drain
16	SYNCPDR		RTPSYNC Open drain enable. This bit enables open drain functionality on the pin if it is configured as a GIO output (RTPPC0[16] = 0; RTPPC1[16] = 1). If pin is configured as functional pin (RTPPC0[16] = 1), the open drain functionality is disabled.
		0	Pin behaves as normal push/pull pin
		1	Pin operates in open drain mode
			<b>Write:</b>
		0	Configures the pin as push/pull
		1	Configures the pin as open drain

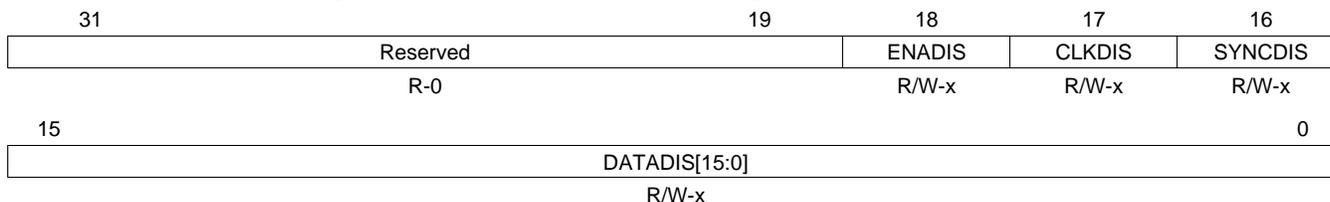
**Table 36-24. RTP Pin Control 6 Register (RTPPC6) Field Descriptions (continued)**

Bit	Field	Value	Description
15-0	DATAPDR[n]		RTPDATA[15:0] Open drain enable. These bits enable open drain functionality on the pins if they are configured as a GIO output (RTPPC0[15:0] = 0; RTPPC1[15:0] = 1). If the pins are configured as a functional pins (RTPPC0[15:0] = 1), the open drain functionality is disabled. Each bit [n] represents a single pin.
			<b>Read:</b>
		0	Pin behaves as normal push/pull pin
		1	Pin operates in open drain mode
			<b>Write:</b>
		0	Configures the pin as push/pull
		1	Configures the pin as open drain

### 36.3.16 RTP Pin Control 7 Register (RTPPC7)

This register controls the pullup/down functionality of a pin. The internal pullup/down can be enabled or disabled by this register. The reset configuration of these bits is device dependent, consult the device datasheet for this information. [Figure 36-24](#) and [Table 36-25](#) describe this register.

**Figure 36-24. RTP Pin Control 7 Register (RTPPC7) (offset = 50h)**



LEGEND: R/W = Read/Write; R = Read only; -n = value after reset

**Table 36-25. RTP Pin Control 7 Register (RTPPC7) Field Descriptions**

Bit	Field	Value	Description
31-19	Reserved	0	Read returns 0. Writes have no effect.
18	ENADIS	0	RTPEN $\bar{A}$ Pull disable. This bit removes internal pullup/pulldown functionality from the pin when it is configured as an input pin (RTPPC1[18] = 0). <b>Read:</b> Pullup/pulldown functionality is enabled
		1	Pullup/pulldown functionality is disabled <b>Write:</b> 0 Enables pullup/pulldown functionality 1 Disables pullup/pulldown functionality
17	CLKDIS	0	RTPCLK Pull disable. This bit removes the internal pullup/pulldown functionality from the pin when it is configured as an input pin (RTPPC1[17] = 0). <b>Read:</b> Pullup/pulldown functionality is enabled
		1	Pullup/pulldown functionality is disabled <b>Write:</b> 0 Enables pullup/pulldown functionality 1 Disables pullup/pulldown functionality
16	SYNCDIS	0	RTPSYNC Pull disable. Removes internal pullup/pulldown functionality from the pin when configured as an input pin (RTPPC1[16] = 0). <b>Read:</b> Pullup/pulldown functionality is enabled
		1	Pullup/pulldown functionality is disabled <b>Write:</b> 0 Enables pullup/pulldown functionality 1 Disables pullup/pulldown functionality
15-0	DATADIS[n]	0	RTPDATA[15:0] Pull disable. Removes internal pullup/pulldown functionality from the pins when configured as input pins (RTPPC1[15:0] = 0). Each bit [n] represents a single pin. <b>Read:</b> Pullup/pulldown functionality is enabled
		1	Pullup/pulldown functionality is disabled <b>Write:</b> 0 Enables pullup/pulldown functionality 1 Disables pullup/pulldown functionality

### 36.3.17 RTP Pin Control 8 Register (RTPPC8)

This register configures the internal pullup or pulldown on the input pin. A secondary function exists when the pull configuration is disabled and a pulldown is selected. This will disable the input buffer. [Figure 36-25](#) and [Table 36-26](#) describe this register.

**NOTE:** If the pullup/down is disabled in the RTPPC7 register and configured as pulldown in RTPPC8, then the input buffer is disabled.

**Figure 36-25. RTP Pin Control 8 Register (RTPPC8) (offset = 54h)**

31	19	18	17	16
Reserved		ENAPSEL	CLKPSEL	SYNCPSEL
R-0		R/W-1	R/W-1	R/W-1
15	DATAPSEL[15:0]			0
R/W-1				

LEGEND: R/W = Read/Write; R = Read only; -n = value after reset

**Table 36-26. RTP Pin Control 8 Register (RTPPC8) Field Descriptions**

Bit	Field	Value	Description
31-19	Reserved	0	Read returns 0. Writes have no effect.
18	ENAPSEL	0	RTPEN $\bar{A}$ Pull select. This bit configures pullup or pulldown functionality if RTPPC7[18] = 0. <b>Read:</b> Pullup functionality is enabled
		1	Pulldown functionality is enabled
17	CLKPSEL	0	<b>Write:</b> Enables pulldown functionality
		1	Enables pullup functionality
16	SYNCPSEL	0	RTPCLK Pull select. This bit configures pullup or pulldown functionality if RTPPC7[17] = 0. <b>Read:</b> Pullup functionality is enabled
		1	Pulldown functionality is enabled
15-0	DATAPSEL[n]	0	<b>Write:</b> Enables pulldown functionality
		1	Enables pullup functionality
15-0	DATAPSEL[n]	0	RTPSYNC Pull select. This bit configures pullup or pulldown functionality if RTPPC7[16] = 0. <b>Read:</b> Pullup functionality is enabled
		1	Pulldown functionality is enabled
15-0	DATAPSEL[n]	0	<b>Write:</b> Enables pulldown functionality
		1	Enables pullup functionality
15-0	DATAPSEL[n]	0	RTPDATA[15:0] Pull select. These bits configure pullup or pulldown functionality if RTPPC7[15:0] = 0. Each bit [n] represents a single pin. <b>Read:</b> Pullup functionality is enabled
		1	Pulldown functionality is enabled
15-0	DATAPSEL[n]	0	<b>Write:</b> Enables pulldown functionality
		1	Enables pullup functionality

---

---

## ***eFuse Controller***

---

---

This chapter describes the eFuse controller.

<b>Topic</b>	<b>Page</b>
<b>37.1 Overview.....</b>	<b>1905</b>
<b>37.2 Introduction .....</b>	<b>1905</b>
<b>37.3 eFuse Controller Testing .....</b>	<b>1905</b>
<b>37.4 eFuse Controller Registers .....</b>	<b>1908</b>

## 37.1 Overview

Electrically programmable fuses (eFuses) are used to configure the device after deassertion of  $\overline{\text{PORRST}}$ . The eFuse values are read and loaded into internal registers as part of the power-on-reset sequence. The eFuse values are protected with single bit error correction, double bit error detection (SECDED) codes. These fuses are programmed during the initial factory test of the device. The eFuse controller is designed so that the state of the eFuses cannot be changed once the device is packaged.

## 37.2 Introduction

The eFuse controller automatically reads the values of the eFuses and shifts them into registers during the power-on reset sequence. No action is required from the application code. However, in a safety critical application, the user code should check to see if a correctable or an uncorrectable error was detected during the reset sequence and then perform a self-test on the eFuse controller ECC logic.

## 37.3 eFuse Controller Testing

### 37.3.1 eFuse Controller Connections to ESM

There are three connections from the eFuse controller to the Error Signaling Module (ESM). If an uncorrectable error occurs during the loading of the eFuse values after reset, a group three, channel one error and a group one channel 40 error are sent to the ESM. The group three error will cause the  $\overline{\text{ERROR}}$  pin to go low. If during the eFuse loading a correctable error occurs, only a group one channel 40 error is sent to the ESM. If an error occurs during the eFuse controller self test, then a group one channel 41 error and a group one channel 40 error are sent to the ESM. After reset, by default, the group one errors do not affect the  $\overline{\text{ERROR}}$  pin. If the software enables the appropriate bit in the appropriate ESM Influence Error Pin Set/Status Register (ESMIEPSRn) while the group one error is set, the  $\overline{\text{ERROR}}$  pin will go low.

**Table 37-1. ESM Signals Set by eFuse Controller**

ESM Signal	Uncorrected Load Failure	Correctable Load Error	Self Test		
			eFuse Self Test	eFuse stuck at 0 Test	
				Version a: with Error pin	Version b: without Error pin
Group 3 Channel 1	X			X	
Group 1 Channel 40	X	X	X		
Group 1 Channel 41			X	X	X

### 37.3.2 Checking for eFuse Errors After Power Up

For safety critical systems, it is required that you check the status of the eFuse controller after a device reset. A suggested flow chart for checking the eFuse controller after device reset is shown in [Figure 37-1](#). Failures during the eFuse self test can be grouped into three levels of severity. Depending on the safety critical application, the error handling for each error type may be different.

#### 37.3.2.1 Class 1 Error

A class 1 error of the eFuse controller means that there was a failure during the autoloading sequence. The values read from the eFuses cannot be relied on. All device operation is suspect. A class 1 error is indicated by a signal to group 3 channel 1 of the ESM. This will cause the  $\overline{\text{ERROR}}$  pin to go active low.

#### 37.3.2.2 Class 2 Errors

A class 2 error is an indication that the safety checks of the eFuse controller did not work. These are also serious errors because you can no longer guarantee that a more severe error did not occur.

### 37.3.2.3 Class 3 Error

A class 3 error indicates that there was a single bit failure reading the eFuses that was corrected by ECC bits. Proper operation is still likely, but the system is now at a higher risk for a future non-correctable error. When a correctable error occurs, ESM group 1, channel 40 will be set. In the suggested flow chart shown in [Figure 37-1](#) below, the single bit error is determined by directly reading the eFuse error status register, and not depending on the integrity of the connections between the eFuse controller and the ESM.

### 37.3.2.4 Stuck at Zero Test

The purpose of the stuck at zero test is to verify that the eFuse controller could signal the ESM if an autoload error did occur. It basically verifies the path through the eFuse controller and to the ESM. This is done by writing a special instruction to the eFuse controller boundary register, then verifying that the proper bits are set in the eFuse controller pins register. Upon successful completion of this test ESM group 1 channel 41 and ESM group 3 channel 1 will be set. This will force the `ERROR` pin low.

- Version A
  - Write boundary register (address 0xFFF8C01C) with 0x003FC000 to set the error signals.
  - Read pins register (address 0xFFF8C02C) and verify that bits 14, 12, 11 and 10 are set.
  - Write boundary register (address 0xFFF8C01C) with 0x003C0000, to clear the error signals.
  - Verify that ESM group 1 channel 41 and group 3 channel 1 are set, then clear them.

If the system cannot support a test which causes the `ERROR` pin to go low, then the stuck at zero test can be modified as follows:

- Version B
  - Write boundary register (address 0xFFF8C01C) with 0x003BC000.
  - Read pins register (address 0xFFF8C02C) and verify that bits 14, 12, and 11 are set.
  - Write boundary register (address 0xFFF8C01C) with 0x003C0000, to clear the error signals.
  - Verify that ESM group 1 channel 41 is set, then clear it.

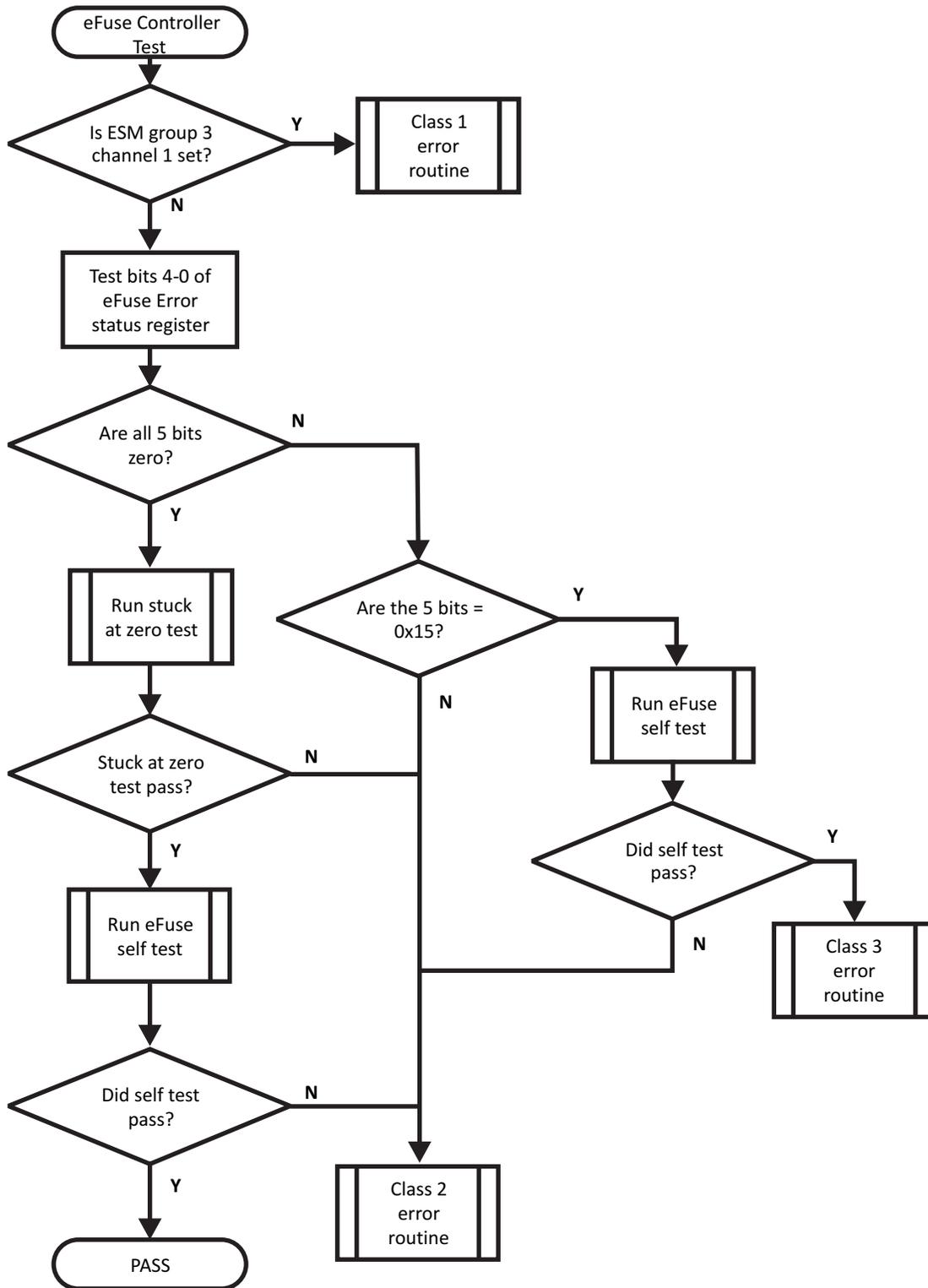
This alternate method provides less test coverage because the path from the uncorrectable error signal from the eFuse controller to the ESM is not specifically tested. However, even if this path is broken, reading the five eFuse error status bits will indicate that an error occurred.

### 37.3.2.5 eFuse ECC Logic Self Test

The eFuse controller self test performs extensive validation of the ECC logic in the eFuse controller. This test should only be performed once for every device `PORRST` cycle. Perform the self test by following these steps:

- Write 0x00000258 to the self test cycles register (EFCSTCY) at address 0xFFF8C048.
- Write 0x5362F97F to the self test signature register (EFCSTSIG) at address 0xFFF8C04C.
- Write 0x0000200F to the boundary register at address 0xFFF8C01C. This triggers the self test. The test takes 610 VCLK cycles to complete. The application can poll bit 15 of the pins register at address 0xFFF8C02C to wait for the test to complete.
- Check ESM group 1 channels 40 and 41 for any errors, neither should be set.
- Verify that bits 4 to 0 of the eFuse Error Status register at address 0xFFF8C03C are zero.

Figure 37-1. eFuse Self Test Flow Chart



## 37.4 eFuse Controller Registers

All registers in the eFuse Controller module are 32-bit, word-aligned; 8-bit, 16-bit and 32-bit accesses are allowed. [Table 37-2](#) provides a quick reference to each of these registers. Specific bit descriptions are discussed in the following subsections. The base address for the control registers is FFF8 C000h.

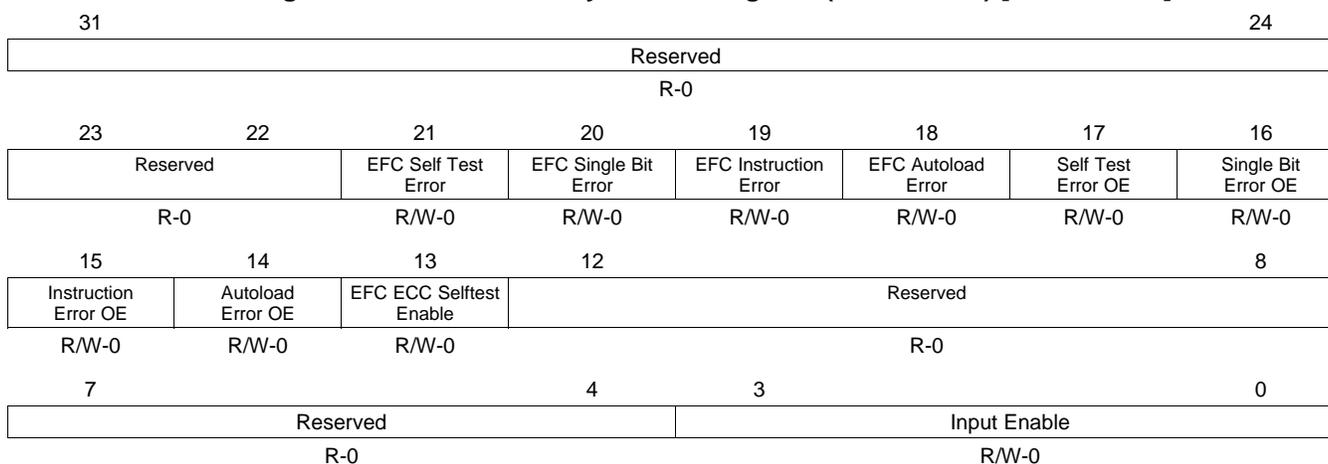
**Table 37-2. eFuse Controller Registers**

Offset	Acronym	Register Description	Section
FFF8 C01Ch	EFCBOUND	EFC Boundary Control Register	<a href="#">Section 37.4.1</a>
FFF8 C02Ch	EFCPINS	EFC Pins Register	<a href="#">Section 37.4.2</a>
FFF8 C03Ch	EFC_ERR_STAT	EFC Error Status Register	<a href="#">Section 37.4.3</a>
FFF8 C048h	EFC_ST_CY	EFC Self Test Cycles Register	<a href="#">Section 37.4.4</a>
FFF8 C04Ch	EFC_ST_SIG	EFC Self Test Signature Register	<a href="#">Section 37.4.5</a>

### 37.4.1 EFC Boundary Control Register (EFCBOUND)

[Figure 37-2](#) and [Table 37-3](#) describe the EFCBOUND register. The eFuse Boundary Control Register is used to test the connections between the eFuse controller and the ESM module. The eFuse Boundary Control Register is also used to initiate an eFuse controller ECC self-test.

**Figure 37-2. EFC Boundary Control Register (EFCBOUND) [offset = 1Ch]**



LEGEND: R/W = Read/Write; R = Read only; -n = value after power-on reset (nPORRST)

**Table 37-3. EFC Boundary Register (EFCBOUND) Field Descriptions**

Bit	Field	Value	Description
31-22	Reserved	0	Read returns 0. Writes have no effect.
21	EFC Self Test Error	0	This bit drives the self test error signal when bit 17 (Self Test Error OE) is high. This signal is attached to ESM error Group 1, Channel 41.
		1	Drives the self test error signal low if Self Test OE is high Drives the self test error signal high if Self Test OE is high
20	EFC Single Bit Error	0	This bit drives the single bit error signal when bit 16 (Single bit Error OE) is high. This signal is attached to ESM error Group 1, Channel 40.
		1	Drives the self test error signal low if Single Bit Error OE is high Drives the self test error signal high if Single Bit Error OE is high

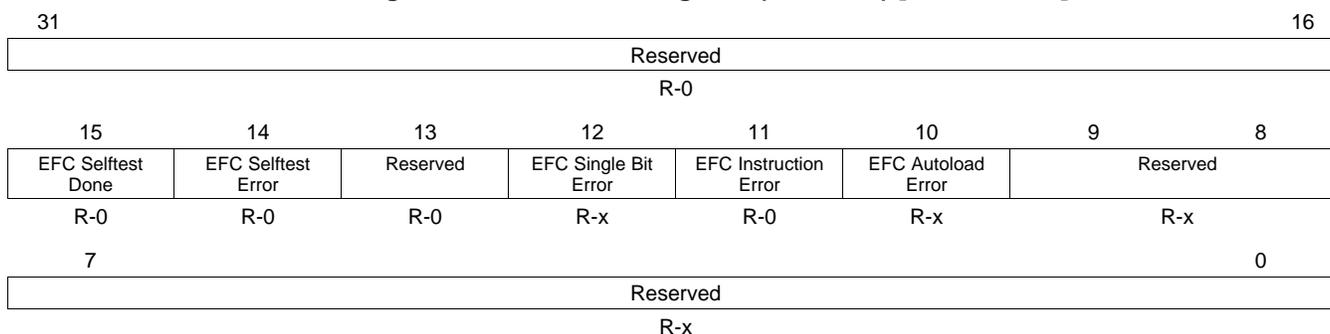
**Table 37-3. EFC Boundary Register (EFCBOUND) Field Descriptions (continued)**

Bit	Field	Value	Description
19	EFC Instruction Error	0 1	This bit drives the instruction error signal when bit 15 (Instruction Error OE) is high. This signal is used to denote an error occurred during e-fuse programming. This signal is not attached to the ESM. Drives the Instruction Error signal low if Instruction Error OE is high Drives the Instruction Error signal high if Instruction Error OE is high
18	EFC Autoload Error	0 1	This bit drives the Autoload Error signal when bit 14 (Autoload Error OE) is high. This signal is attached to ESM error Group 3, Channel 1. Drives the Autoload Error signal low if Autoload Error OE is high Drives the Autoload Error signal high if Autoload Error OE is high
17	Self Test Error OE	0 1	The Self Test Error Output Enable bit determines if the EFC Self Test signal comes from the eFuse controller or from bit 21 of the boundary register. EFC Self Test Error comes from eFuse controller EFC Self Test Error comes from the boundary register
16	Single Bit Error OE	0 1	The single bit error output enable signal determines if the EFC Single Bit Error signal comes from the eFuse controller or from bit 20 of the boundary register. EFC Single Bit Error comes from eFuse controller EFC Single Bit Error comes from the boundary register
15	Instruction Error OE	0 1	The instruction error output enable signal determines if the EFC Instruction Error signal comes from the eFuse controller or from bit 19 of the boundary register. EFC Instruction Error comes from eFuse controller EFC Instruction Error comes from the boundary register
14	Autoload Error OE	0 1	The autoload error output enable signal determines if the EFC Autoload Error signal comes from the eFuse controller or from bit 18 of the boundary register. EFC Autoload Error comes from eFuse controller EFC Autoload Error comes from the boundary register
13	EFC ECC Selftest Enable	0 1	The eFuse Controller ECC Selftest Enable bit starts the selftest of the ECC logic if the four input enable bits (EFCBOUND[3:0]) are all 1s. No action Start ECC selftest if EFCBOUND[3:0] are Fh.
12-4	Reserved	0	Read returns 0. Writes have no effect.
3-0	Input Enable	Fh All others	The eFuse Controller ECC Selftest Enable bit starts the selftest of the ECC logic if the four input enable bits (EFCBOUND[3:0]) are all 1s. ECC selftest can be started if "EFC ECC Selftest Enable", bit 13, is set ECC selftest cannot be started.

### 37.4.2 EFC Pins Register (EFCPINS)

Figure 37-3 and Figure 37-3 describe the EFCPINS register.

**Figure 37-3. EFC Pins Register (EFCPINS) [offset = 2Ch]**



LEGEND: R = Read only; -n = value after power-on reset (nPORRST); x = Indeterminate

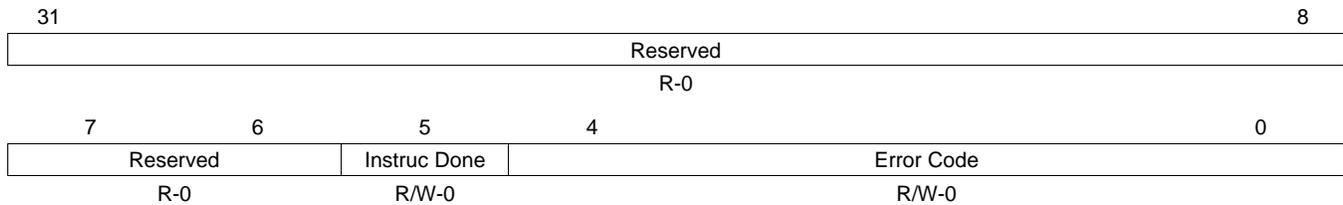
**Table 37-4. EFC Pins Register (EFCPINS) Field Descriptions**

Bit	Name	Value	Description
31–16	Reserved	0	Reads return zeros, writes have no effect.
15	EFC Selftest Done	0 1	This bit can be polled to determine when the EFC ECC selftest is complete EFC ECC selftest is not complete. EFC ECC selftest is complete.
14	EFC Selftest Error	0 1	This bit indicates the pass/fail status of the EFC ECC Selftest once the EFC Selftest Done bit (bit 15) is set. EFC ECC Selftest passed. EFC ECC Selftest failed
13	Reserved	0	Reads return zeros. Do NOT write a 1 to this bit.
12	EFC Single Bit Error	0 1	This bit indicates if a single bit error was corrected by the ECC logic during the autoloading after reset. No single bit error was detected. A single bit error was detected and corrected
11	EFC Instruction Error	0 1	This bit indicates an error occurred during a factory test or program operation. This bit should not be set from normal use. No instruction error detected. An error occurred during a factory test or program operation.
10	EFC Autoload Error	0 1	This bit indicates that some non-correctable error occurred during the autoloading sequence after reset. This bit also sets ESM group 3, channel 1. The autoloading function completed successfully. There were non-correctable errors during the autoloading sequence
9-0	Reserved	0	After reset, these bits are indeterminate and reads return either a 1 or 0.

### 37.4.3 EFC Error Status Register (EFCERRSTAT)

Figure 37-4 and Table 37-5 describe the EFCERRSTAT register.

**Figure 37-4. EFC Error Status Register (EFCERRSTAT) [offset = 3Ch]**



LEGEND: R/W = Read/Write; R = Read only; -n = value after power-on reset (nPORRST)

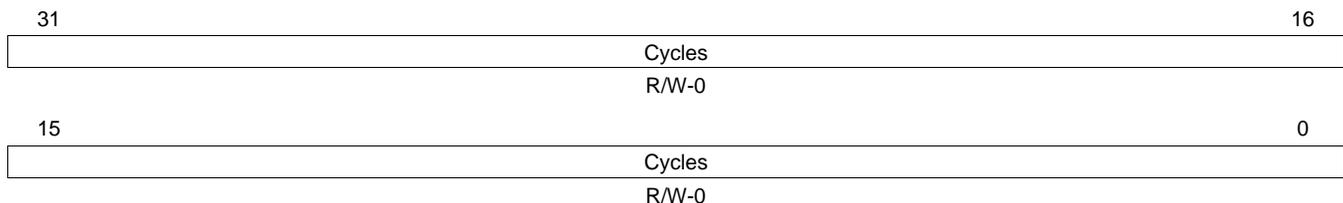
**Table 37-5. EFC Error Status Register (EFCERRSTAT) Field Descriptions**

Bit	Name	Value	Description
31–6	Reserved	0	Reads return zeros, writes have no effect.
5	Instruc Done	0	The eFuse controller is still executing
		1	The eFuse controller has completed executing
4-0	Error Code	0	No error
		5h	An uncorrectable (multibit) error was detected during the power-on autoloading sequence
		15h	At least one single bit error was detected and corrected during the power-on autoloading sequence
		18h	The signature generated by the ECC self-test logic did not match the golden signature written in the EFCSTSIG register. The EDAC circuitry might have a fault.
		All other values	All other values are reserved for e-fuse system tests and are not expected to occur in normal system use.

### 37.4.4 EFC Self Test Cycles Register (EFCSTCY)

Figure 37-5 and Table 37-6 describe the EFCSTCY register.

**Figure 37-5. EFC Self Test Cycles Register (EFCSTCY) [offset = 48h]**



LEGEND: R/W = Read/Write; -n = value after power-on reset (nPORRST)

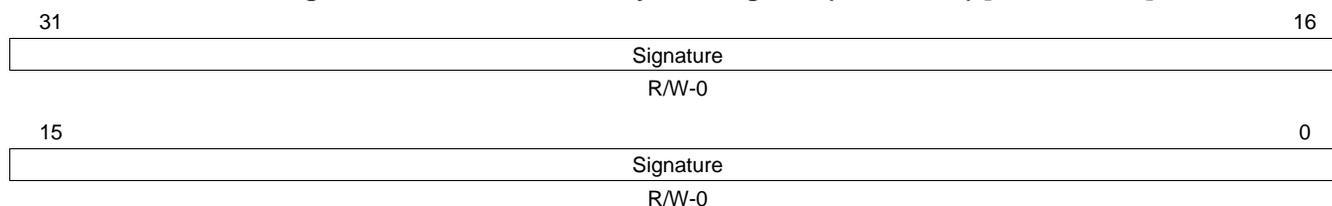
**Table 37-6. EFC Self Test Cycles Register (EFCSTCY) Field Descriptions**

Bit	Name	Description
31–0	Cycles	This register is used to determine the number of cycles to run the eFuse controller ECC logic self test. It is recommended to use a value of 600 (0x00000258).

### 37.4.5 EFC Self Test Signature Register (EFCSTSIG)

Figure 37-6 and Table 37-7 describe the EFCSTSIG register.

**Figure 37-6. EFC Self Test Cycles Register (EFCSTSIG) [offset = 4Ch]**



LEGEND: R/W = Read/Write; -n = value after power-on reset (nPORRST)

**Table 37-7. EFC Self Test Cycles Register (EFCSTSIG) Field Descriptions**

Bit	Name	Description
31–0	Signature	This register is used to hold the expected signature for the eFuse ECC logic self test. It is recommended to write a value of 0x5362F97F to this register and a value of 600 to the EFCSTCT register. If after running the eFuse ECC logic self test, the calculated signature does not match the expected signature in the EFCSTSIG register, then a value of 11000b is stored in the EFCERRSTAT register.

## IMPORTANT NOTICE

Texas Instruments Incorporated and its subsidiaries (TI) reserve the right to make corrections, enhancements, improvements and other changes to its semiconductor products and services per JESD46, latest issue, and to discontinue any product or service per JESD48, latest issue. Buyers should obtain the latest relevant information before placing orders and should verify that such information is current and complete. All semiconductor products (also referred to herein as "components") are sold subject to TI's terms and conditions of sale supplied at the time of order acknowledgment.

TI warrants performance of its components to the specifications applicable at the time of sale, in accordance with the warranty in TI's terms and conditions of sale of semiconductor products. Testing and other quality control techniques are used to the extent TI deems necessary to support this warranty. Except where mandated by applicable law, testing of all parameters of each component is not necessarily performed.

TI assumes no liability for applications assistance or the design of Buyers' products. Buyers are responsible for their products and applications using TI components. To minimize the risks associated with Buyers' products and applications, Buyers should provide adequate design and operating safeguards.

TI does not warrant or represent that any license, either express or implied, is granted under any patent right, copyright, mask work right, or other intellectual property right relating to any combination, machine, or process in which TI components or services are used. Information published by TI regarding third-party products or services does not constitute a license to use such products or services or a warranty or endorsement thereof. Use of such information may require a license from a third party under the patents or other intellectual property of the third party, or a license from TI under the patents or other intellectual property of TI.

Reproduction of significant portions of TI information in TI data books or data sheets is permissible only if reproduction is without alteration and is accompanied by all associated warranties, conditions, limitations, and notices. TI is not responsible or liable for such altered documentation. Information of third parties may be subject to additional restrictions.

Resale of TI components or services with statements different from or beyond the parameters stated by TI for that component or service voids all express and any implied warranties for the associated TI component or service and is an unfair and deceptive business practice. TI is not responsible or liable for any such statements.

Buyer acknowledges and agrees that it is solely responsible for compliance with all legal, regulatory and safety-related requirements concerning its products, and any use of TI components in its applications, notwithstanding any applications-related information or support that may be provided by TI. Buyer represents and agrees that it has all the necessary expertise to create and implement safeguards which anticipate dangerous consequences of failures, monitor failures and their consequences, lessen the likelihood of failures that might cause harm and take appropriate remedial actions. Buyer will fully indemnify TI and its representatives against any damages arising out of the use of any TI components in safety-critical applications.

In some cases, TI components may be promoted specifically to facilitate safety-related applications. With such components, TI's goal is to help enable customers to design and create their own end-product solutions that meet applicable functional safety standards and requirements. Nonetheless, such components are subject to these terms.

No TI components are authorized for use in FDA Class III (or similar life-critical medical equipment) unless authorized officers of the parties have executed a special agreement specifically governing such use.

Only those TI components which TI has specifically designated as military grade or "enhanced plastic" are designed and intended for use in military/aerospace applications or environments. Buyer acknowledges and agrees that any military or aerospace use of TI components which have **not** been so designated is solely at the Buyer's risk, and that Buyer is solely responsible for compliance with all legal and regulatory requirements in connection with such use.

TI has specifically designated certain components as meeting ISO/TS16949 requirements, mainly for automotive use. In any case of use of non-designated products, TI will not be responsible for any failure to meet ISO/TS16949.

### Products

Audio	<a href="http://www.ti.com/audio">www.ti.com/audio</a>
Amplifiers	<a href="http://amplifier.ti.com">amplifier.ti.com</a>
Data Converters	<a href="http://dataconverter.ti.com">dataconverter.ti.com</a>
DLP® Products	<a href="http://www.dlp.com">www.dlp.com</a>
DSP	<a href="http://dsp.ti.com">dsp.ti.com</a>
Clocks and Timers	<a href="http://www.ti.com/clocks">www.ti.com/clocks</a>
Interface	<a href="http://interface.ti.com">interface.ti.com</a>
Logic	<a href="http://logic.ti.com">logic.ti.com</a>
Power Mgmt	<a href="http://power.ti.com">power.ti.com</a>
Microcontrollers	<a href="http://microcontroller.ti.com">microcontroller.ti.com</a>
RFID	<a href="http://www.ti-rfid.com">www.ti-rfid.com</a>
OMAP Applications Processors	<a href="http://www.ti.com/omap">www.ti.com/omap</a>
Wireless Connectivity	<a href="http://www.ti.com/wirelessconnectivity">www.ti.com/wirelessconnectivity</a>

### Applications

Automotive and Transportation	<a href="http://www.ti.com/automotive">www.ti.com/automotive</a>
Communications and Telecom	<a href="http://www.ti.com/communications">www.ti.com/communications</a>
Computers and Peripherals	<a href="http://www.ti.com/computers">www.ti.com/computers</a>
Consumer Electronics	<a href="http://www.ti.com/consumer-apps">www.ti.com/consumer-apps</a>
Energy and Lighting	<a href="http://www.ti.com/energy">www.ti.com/energy</a>
Industrial	<a href="http://www.ti.com/industrial">www.ti.com/industrial</a>
Medical	<a href="http://www.ti.com/medical">www.ti.com/medical</a>
Security	<a href="http://www.ti.com/security">www.ti.com/security</a>
Space, Avionics and Defense	<a href="http://www.ti.com/space-avionics-defense">www.ti.com/space-avionics-defense</a>
Video and Imaging	<a href="http://www.ti.com/video">www.ti.com/video</a>

### TI E2E Community

[e2e.ti.com](http://e2e.ti.com)