



LED module with integrated LED 24-240 V AC/DC, amber, spring-type terminal, for front plate mounting, Z=50-unit packaging

product brand name	SIRIUS ACT
product designation	LED module
product type designation	3SU1
General technical data	
product component	
• diode	Yes
• lamp transformer	No
• light source	Yes
• series resistor	No
insulation voltage rated value	320 V
degree of pollution	3
type of voltage of the operating voltage	AC/DC
• for actuation	AC/DC
surge voltage resistance rated value	4 kV
consumed current maximum	20 mA
protection class IP	
• of the enclosure	IP40
• of the terminal	IP20
shock resistance	
• according to IEC 60068-2-27	sinusoidal half-wave 15g / 11 ms
• for railway applications according to EN 61373	Category 1, Class B
vibration resistance	
• according to IEC 60068-2-6	10 ... 500 Hz: 5g
• for railway applications according to EN 61373	Category 1, Class B
operating period typical	100 000 h
reference code according to IEC 81346-2	P
Substance Prohibitance (Date)	03/01/2017
operating voltage	
• at AC	
— at 50 Hz rated value	24 ... 240 V
— at 60 Hz rated value	24 ... 240 V
• at DC rated value	24 ... 240 V
relative positive tolerance of the operating voltage	20 %
relative negative tolerance of the operating voltage	30 %
Control circuit/ Control	
inrush current maximum	3 A
Connections/ Terminals	
type of electrical connection	spring-loaded terminals
type of connectable conductor cross-sections	

- solid without core end processing
- finely stranded with core end processing
- finely stranded without core end processing
- at AWG cables

2x (0.25 ... 1.5 mm²)
 2x (0.25 ... 0.75 mm²)
 2x (0.25 ... 1.5 mm²)
 2x (24 ... 16)

Lamp

type of light source	LED
color of the light source	amber
light intensity	450 ... 1 120 mcd
certificate of suitability	
• ATEX	No
• IECEx	No

Ambient conditions

ambient temperature	
• during operation	-25 ... +70 °C
• during storage	-40 ... +80 °C
environmental category during operation according to IEC 60721	3M6, 3S2, 3B2, 3C3, 3K6 (with relative air humidity of 10 ... 95%, no condensation in operation permitted)

Installation/ mounting/ dimensions

fastening method	
• of modules and accessories	Front plate mounting
height	36 mm
width	9.8 mm
depth	29.4 mm
suitability for integration	
• plastic enclosure	Yes
• metal enclosure	Yes

Certificates/ approvals

Further information

Information- and Downloadcenter (Catalogs, Brochures,...)

<https://www.siemens.com/ic10>

Industry Mall (Online ordering system)

<https://mall.industry.siemens.com/mall/en/en/Catalog/product?mlfb=3SU1401-1BH00-3AA0-Z X90>

Cax online generator

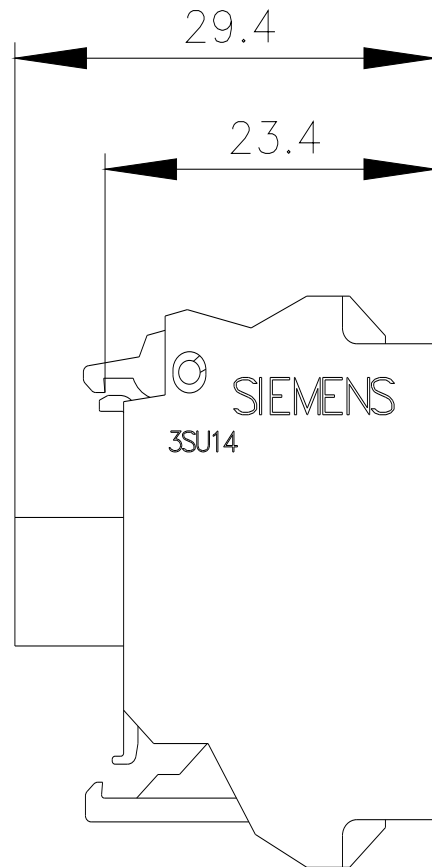
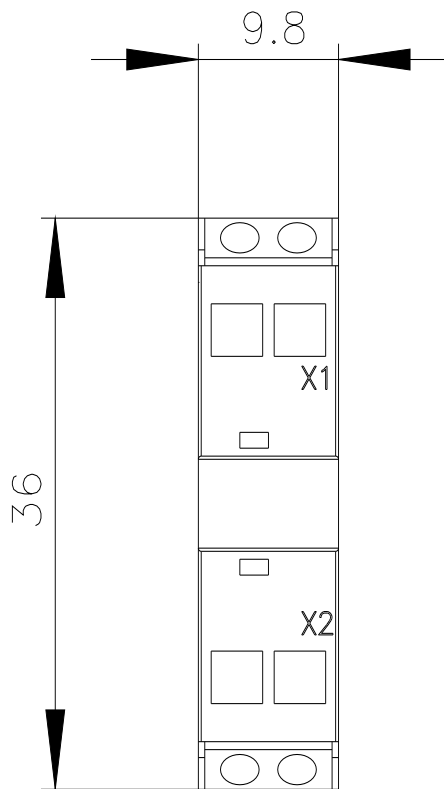
<http://support.automation.siemens.com/WW/CAXorder/default.aspx?lang=en&mlfb=3SU1401-1BH00-3AA0-Z X90>

Service&Support (Manuals, Certificates, Characteristics, FAQs,...)

<https://support.industry.siemens.com/cs/ww/en/ps/3SU1401-1BH00-3AA0-Z X90>

Image database (product images, 2D dimension drawings, 3D models, device circuit diagrams, EPLAN macros, ...)

http://www.automation.siemens.com/bilddb/cax_de.aspx?mlfb=3SU1401-1BH00-3AA0-Z X90&lang=en



last modified:

3/9/2022 