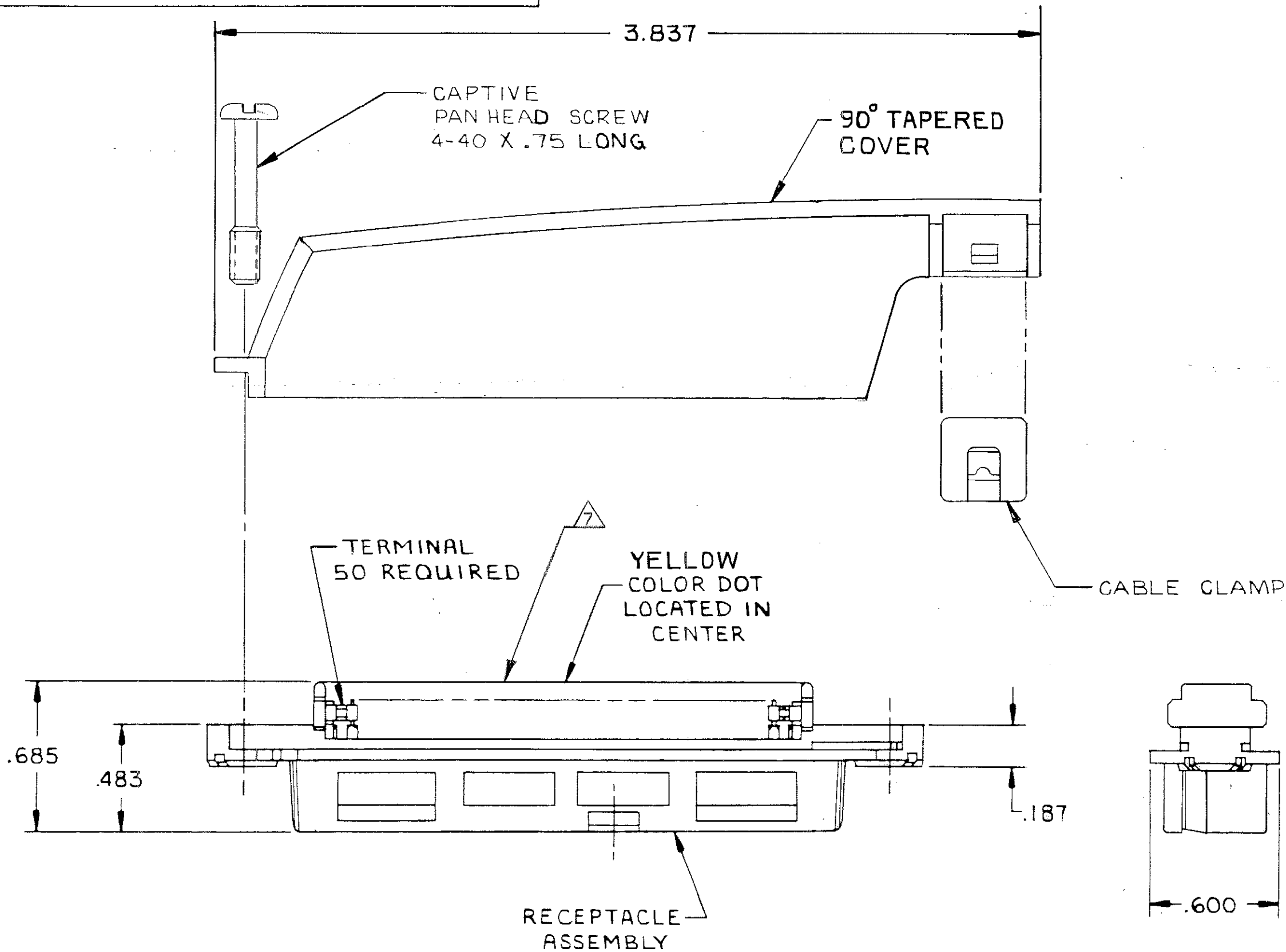
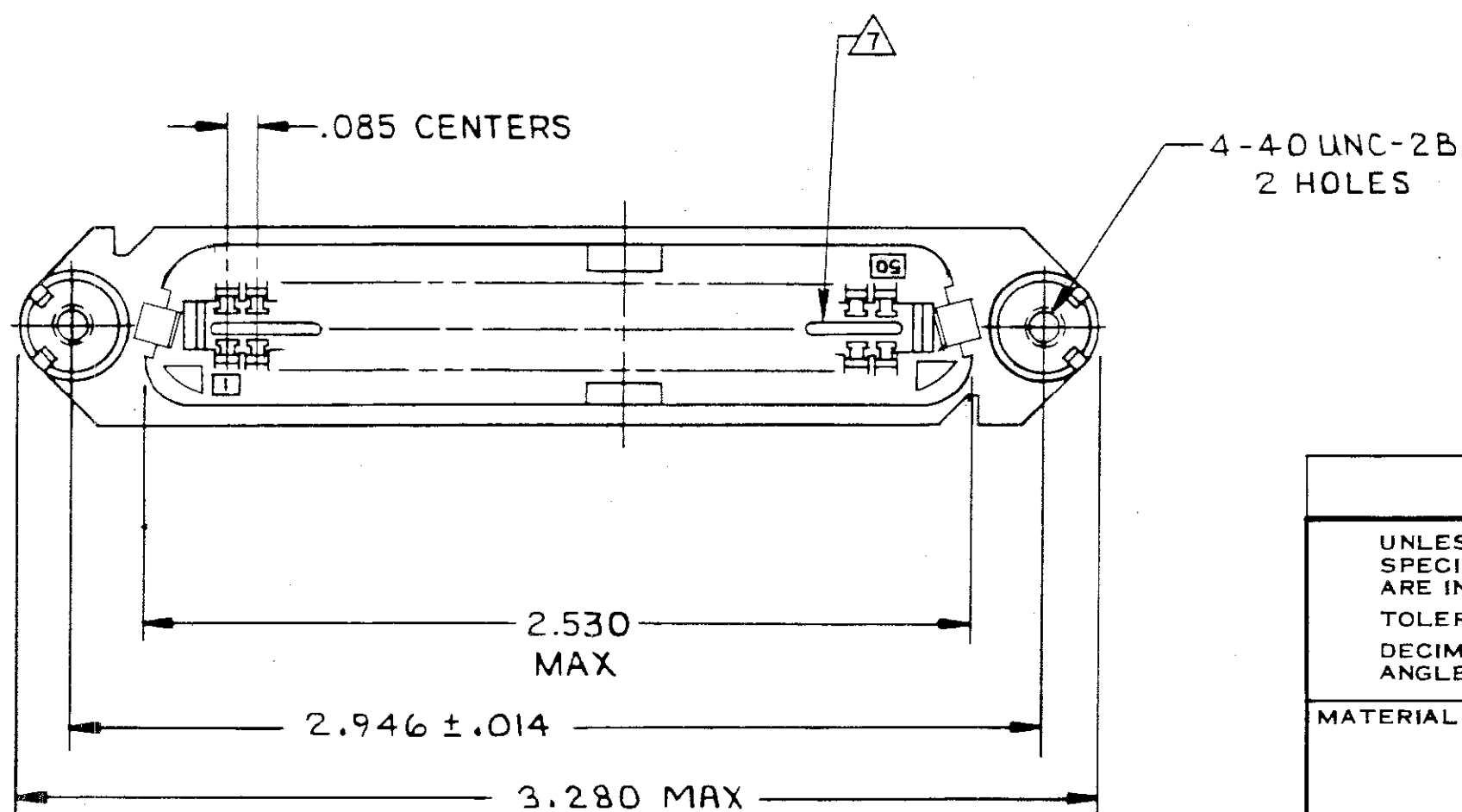


© COPYRIGHT 1976 BY AMP INCORPORATED, HARRISBURG, PA. ALL INTERNATIONAL RIGHTS RESERVED. AMP INCORPORATED PRODUCTS COVERED BY U. S. AND FOREIGN PATENTS AND/OR PATENTS PENDING.

REVISIONS						
P	F	ZONE	LR	DESCRIPTION	DATE	APPROVED
				H REV; EC OUII-0040-01	3-19-01	DD EB



1. THE CONTACT SURFACES OF THE TERMINALS ARE COATED WITH LUBRICANT.
 2. ALL DIMENSIONS SHOWN ARE FOR REFERENCE ONLY UNLESS OTHERWISE SPECIFIED.
 3. MATERIAL: HOUSING, COVER AND CABLE CLAMP - THERMOPLASTIC
TERMINALS - GOLD OVER NICKEL PLATED
HIGH STRENGTH COPPER ALLOY.
HARDWARE - ZINC PLATED STEEL.
 4. COVER AND HARDWARE SHIPPED UNASSEMBLED.
 5. WIRE SIZE: 26-27-28 AWG 7 STRANDS OF COPPER CONDUCTORS. MAXIMUM INSULATION DIAMETER OF .045 IS ACCEPTABLE FOR MOST APPLICATIONS.
 6. KIT SHIPPED IN POLY BAG FORM.
- ⚠ CORING MAY OR MAY NOT APPEAR AND IS AT THE DISCRETION OF AMP INCORPORATED.



.350-.425 DIA	BLACK	552403-1
CABLE RANGE	COLOR	PART NO

UNLESS OTHERWISE SPECIFIED DIMENSIONS ARE IN INCHES. TOLERANCES ON: DECIMALS ± # ANGLES ± #	CONTRACT NO			
	DR S. HEGE 5/27/76			
	MATERIAL	CHK T. PIZZULO 5/27/76	NAME	
	<div style="text-align: center;">3</div>	APPD G. FOSTER 5/27/76	KIT, RECEPTACLE, 50 POSITION, E SLOT, CABLE TO CABLE, SCREW LOCK CHAMP-LOK®	
FINISH	APPD <i>[Signature]</i> 1-5-90	SIZE	CODE IDENT NO	DRAWING NO
	<div style="text-align: center;">3</div>	C	00779	552403
	OTHER APPD	SCALE 2/1	SHEET 1 OF 1	

552403