

4

3

2

1

THIS DRAWING IS UNPUBLISHED.

RELEASED FOR PUBLICATION

20

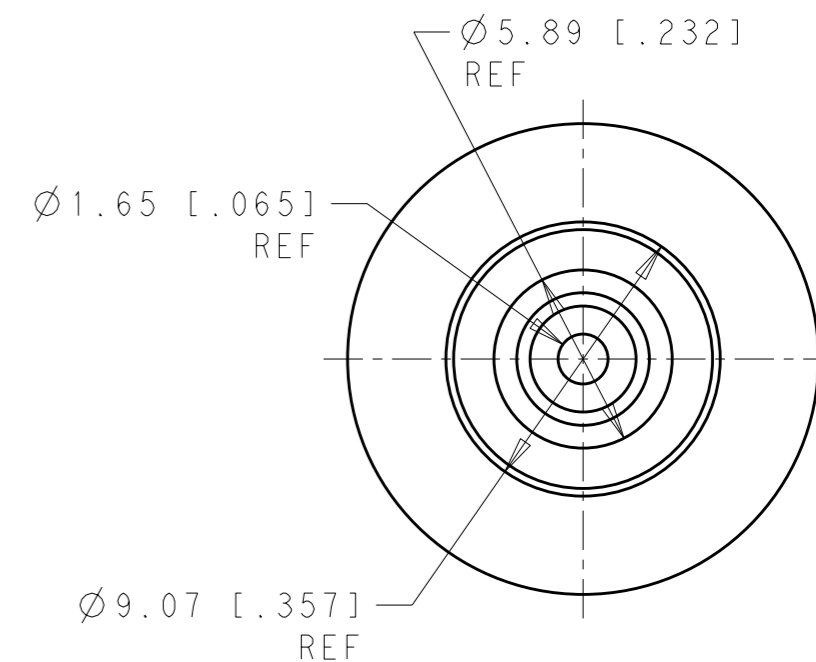
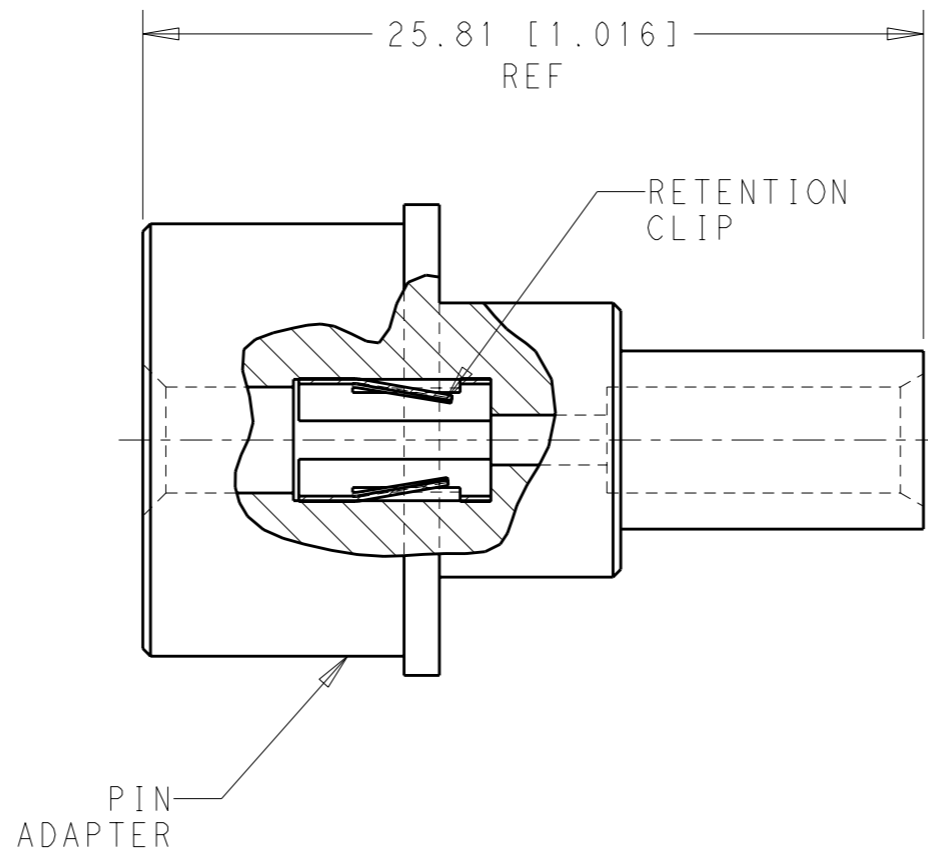
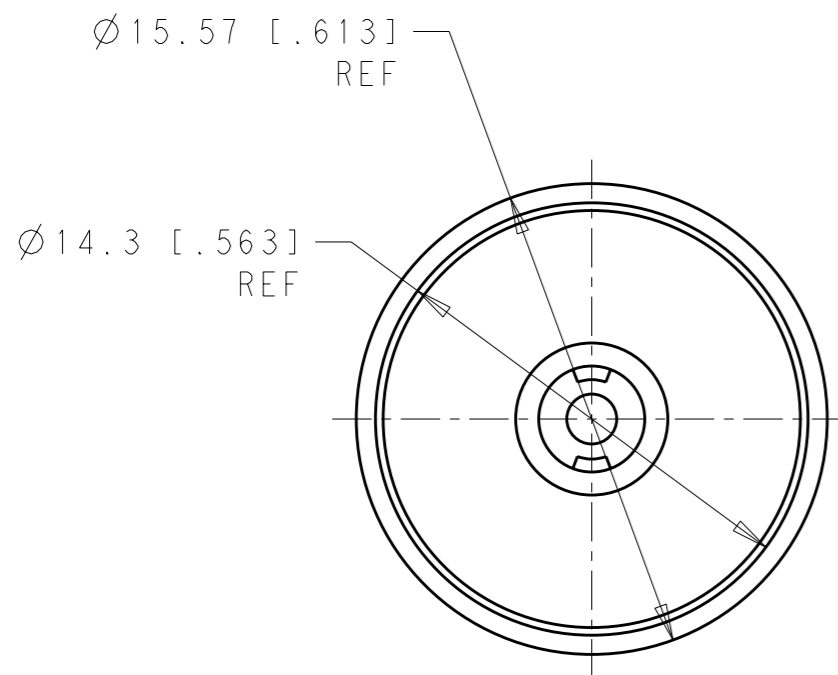
© COPYRIGHT 20 BY -

ALL RIGHTS RESERVED.

LOC AD DIST 00


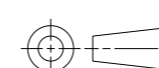
REVISIONS

P	LTR	DESCRIPTION	DATE	DWN	APVD
	A	INITIAL REV	02MAR2012	BC	DO



1 PIN ADAPTER: ULTEM 1000.
RETENTION CLIP: STAINLESS STEEL.

1651815-1
PART NUMBER

THIS DRAWING IS A CONTROLLED DOCUMENT.		DWN B. CARBO 02MAR2012	 TE Connectivity		
DIMENSIONS: mm [INCHES]		CHK D. ORRIS 02MAR2012			
		APVD D. ORRIS 02MAR2012			
TOLERANCES UNLESS OTHERWISE SPECIFIED:		PRODUCT SPEC	NAME SUBASSEMBLY, SIZE No.0 TO SIZE No.16 PIN ADAPTER WITH No.16 RETENTION CLIP PN 705-0075-01100		
0 PLC ±- 1 PLC ±- 2 PLC ±- 3 PLC ±- 4 PLC ±- ANGLES ±-		APPLICATION SPEC	SIZE A3	CAGE CODE 00779	DRAWING NO C-1651815
MATERIAL 1	FINISH -	WEIGHT -	RESTRICTED TO -		
		CUSTOMER DRAWING	SCALE 4:1	SHEET 1 OF 1	REV A