



High Speed Infrared Emitting Diodes, 890 nm, Surface Emitter Technology

VSMY2893RGX01



VSMY2893GX01



VSMY2893SLX01



FEATURES

- Package type: surface-mount
- Package form: GW, RGW, side view
- Dimensions (L x W x H in mm): 2.3 x 2.3 x 2.55
- AEC-Q101 qualified
- Peak wavelength: $\lambda_p = 890$ nm
- Angle of half intensity: $\phi = \pm 28^\circ$
- Suitable for high pulse current operation
- Terminal configurations: gullwing or reverse gullwing
- Package matches with detector VEMD2503X01 series
- Floor life: 4 weeks, MSL 2a, according to J-STD-020
- Material categorization: for definitions of compliance please see www.vishay.com/doc?99912

AUTOMOTIVE
GRADE



RoHS
COMPLIANT
HALOGEN
FREE
GREEN
(5-2008)

DESCRIPTION

As part of the [SurfLight™](#) portfolio, the VSMY2893 series are infrared, 890 nm emitting diodes based on GaAlAs surface emitter chip technology with extreme high radiant intensities, high optical power and high speed, molded in clear, untinted plastic packages (with lens) for surface mounting (SMD).

APPLICATIONS

- Automotive sensors
- Optical switch
- Emitter source for proximity sensors
- IR illumination

PRODUCT SUMMARY

| COMPONENT | I_e (mW/sr) at $I_F = 100$ mA | ϕ (°) | λ_p (nm) | t_r (ns) |
|---------------|---------------------------------|------------|------------------|------------|
| VSMY2893RGX01 | 50 | ± 28 | 890 | 15 |
| VSMY2893GX01 | 50 | ± 28 | 890 | 15 |
| VSMY2893SLX01 | 50 | ± 28 | 890 | 15 |

Note

- Test conditions see table "Basic Characteristics"

ORDERING INFORMATION

| ORDERING CODE | PACKAGING | REMARKS | PACKAGE FORM |
|---------------|---------------|------------------------------|------------------|
| VSMY2893RGX01 | Tape and reel | MOQ: 6000 pcs, 6000 pcs/reel | Reverse gullwing |
| VSMY2893GX01 | Tape and reel | MOQ: 6000 pcs, 6000 pcs/reel | Gullwing |
| VSMY2893SLX01 | Tape and reel | MOQ: 6000 pcs, 3000 pcs/reel | Side view |

Note

- MOQ: minimum order quantity



| ABSOLUTE MAXIMUM RATINGS (T _{amb} = 25 °C, unless otherwise specified) | | | | |
|---|--|-------------------|-------------|------|
| PARAMETER | TEST CONDITION | SYMBOL | VALUE | UNIT |
| Forward current | | I _F | 100 | mA |
| Peak forward current | t _p /T = 0.5, t _p = 100 μs | I _{FM} | 200 | mA |
| Surge forward current | t _p = 100 μs | I _{FSM} | 1 | A |
| Power dissipation | | P _V | 190 | mW |
| Junction temperature | | T _J | 100 | °C |
| Operating temperature range | | T _{amb} | -40 to +85 | °C |
| Storage temperature range | | T _{stg} | -40 to +100 | °C |
| Soldering temperature | According to Fig. 9, J-STD-020 | T _{sd} | 260 | °C |
| Thermal resistance junction-to-ambient | JESD51 | R _{thJA} | 250 | K/W |

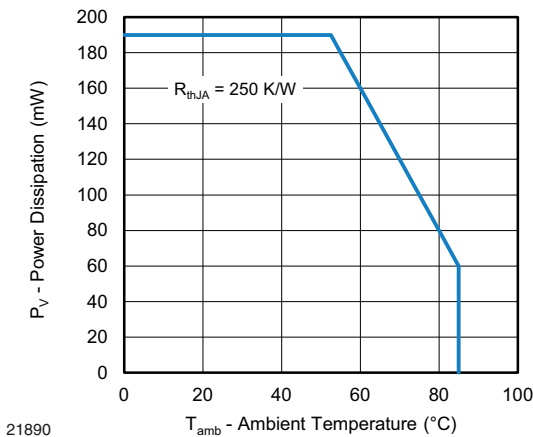


Fig. 1 - Power Dissipation Limit vs. Ambient Temperature

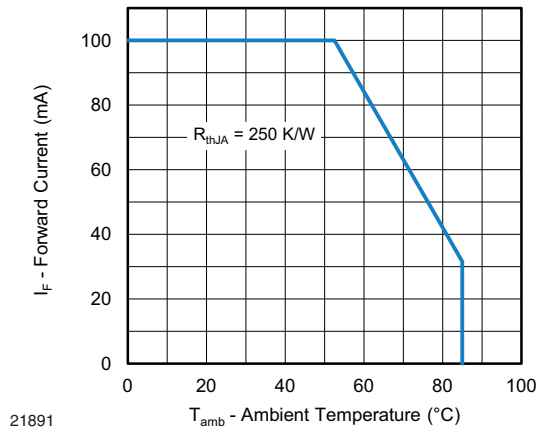


Fig. 2 - Forward Current Limit vs. Ambient Temperature

| BASIC CHARACTERISTICS (T _{amb} = 25 °C, unless otherwise specified) | | | | | | |
|--|---|-----------------------------|------------------------------------|-------|------|-------|
| PARAMETER | TEST CONDITION | SYMBOL | MIN. | TYP. | MAX. | UNIT |
| Forward voltage | I _F = 100 mA, t _p = 20 ms | V _F | - | 1.6 | 1.9 | V |
| | I _F = 1 A, t _p = 100 μs | V _F | - | 2.8 | - | V |
| Temperature coefficient of V _F | I _F = 100 mA | TK _{V_F} | - | -2.0 | - | mV/K |
| Reverse current | | I _R | Not designed for reverse operation | | | μA |
| Junction capacitance | V _R = 0 V, f = 1 MHz, E = 0 mW/cm ² | C _J | - | 60 | - | pF |
| Radiant intensity | I _F = 100 mA, t _p = 20 ms | I _e | 27 | 50 | 75 | mW/sr |
| | I _F = 1 A, t _p = 100 μs | I _e | - | 350 | - | mW/sr |
| Radiant power | I _F = 100 mA, t _p = 20 ms | φ _e | - | 55 | - | mW |
| Temperature coefficient of radiant power | I _F = 100 mA | TK _{φ_e} | - | -0.15 | - | %/K |
| Angle of half intensity | | φ | - | ± 28 | - | ° |
| Peak wavelength | I _F = 100 mA | λ _p | 870 | 890 | 910 | nm |
| Spectral bandwidth | I _F = 100 mA | Δλ | - | 35 | - | nm |
| Temperature coefficient of λ _p | I _F = 100 mA | TK _{λ_p} | - | 0.3 | - | nm/K |
| Rise time | I _F = 100 mA, 10 % to 90 % | t _r | - | 15 | - | ns |
| Fall time | I _F = 100 mA, 10 % to 90 % | t _f | - | 15 | - | ns |



BASIC CHARACTERISTICS (T_{amb} = 25 °C, unless otherwise specified)

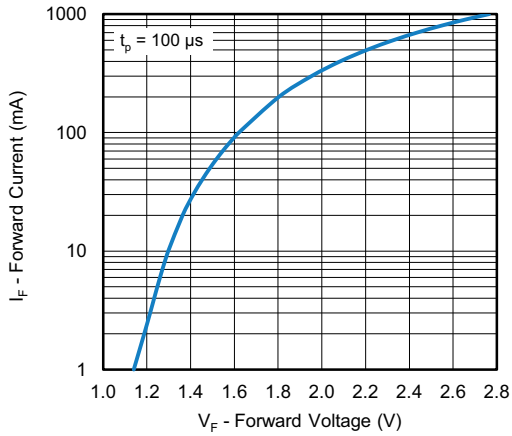


Fig. 3 - Forward Current vs. Forward Voltage

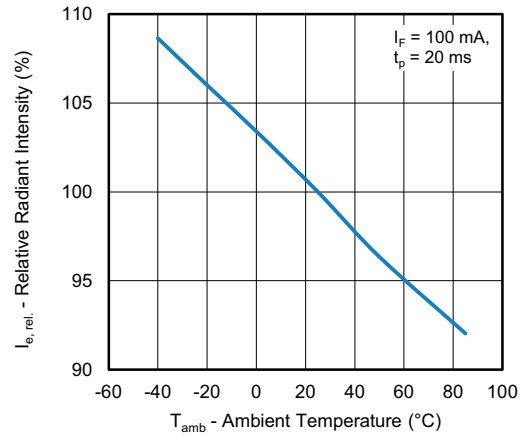


Fig. 6 - Relative Radiant Intensity vs. Ambient Temperature

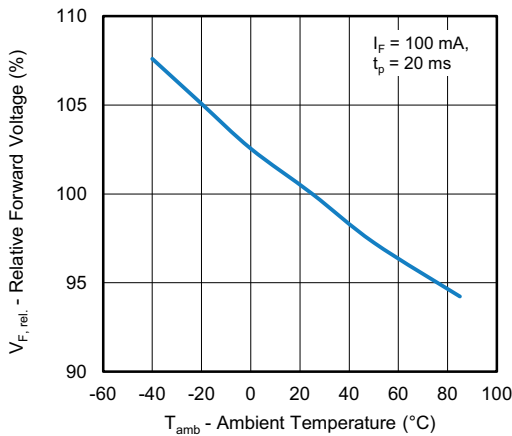


Fig. 4 - Relative Forward Voltage vs. Ambient Temperature

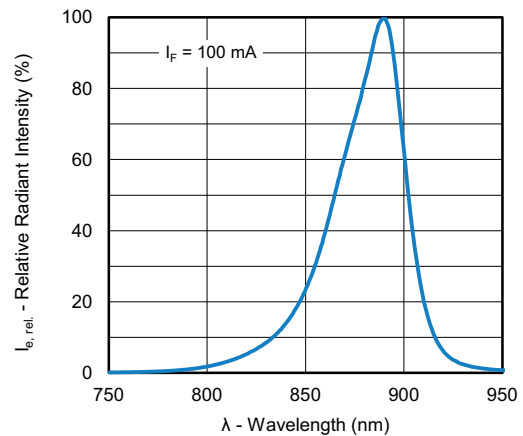


Fig. 7 - Relative Radiant Intensity vs. Wavelength

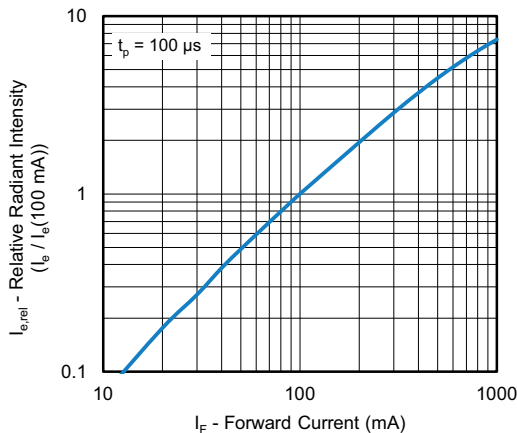


Fig. 5 - Relative Radiant Intensity vs. Forward Current

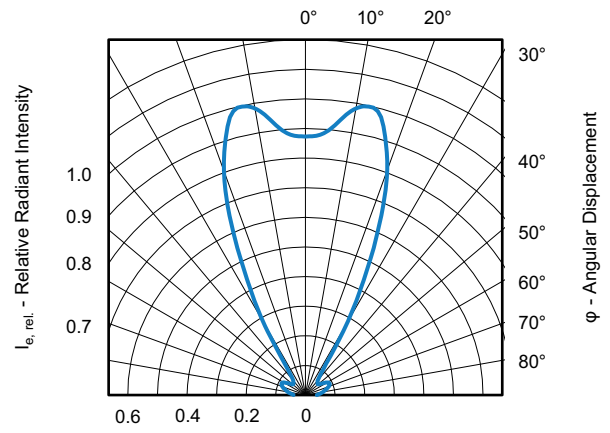
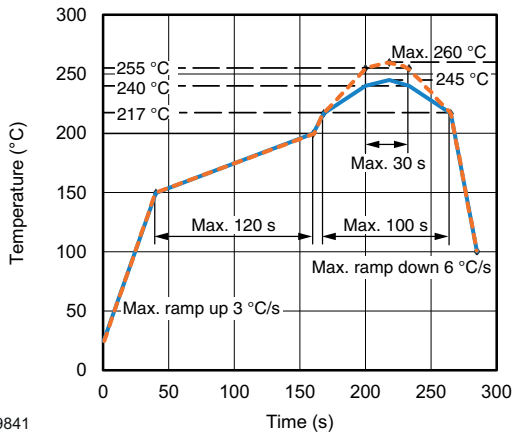


Fig. 8 - Relative Radiant Intensity vs. Angular Displacement



SOLDER PROFILE



19841

Fig. 9 - Lead (Pb)-free Reflow Solder Profile According to J-STD-020

DRYPACK

Devices are packed in moisture barrier bags (MBB) to prevent the products from moisture absorption during transportation and storage. Each bag contains a desiccant.

FLOOR LIFE

Floor life (time between soldering and removing from MBB) must not exceed the time indicated on MBB label:

Floor life: 4 weeks

Conditions: $T_{amb} < 30\text{ °C}$, $RH < 60\%$

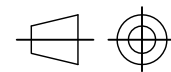
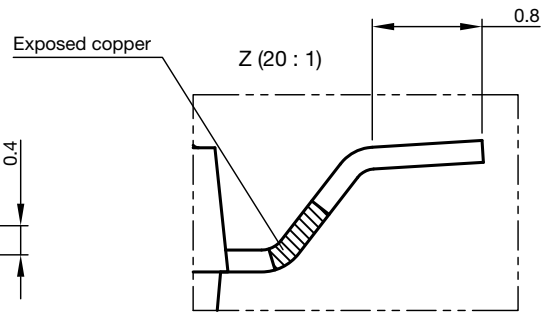
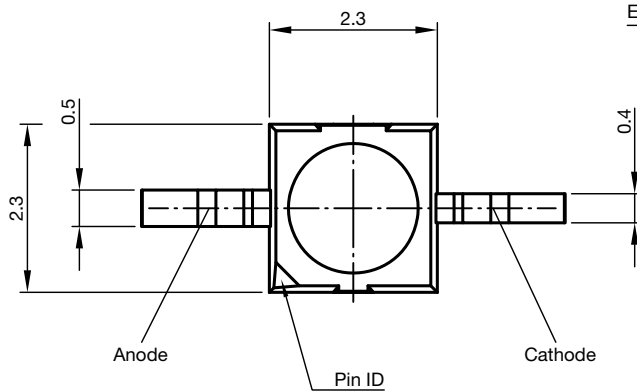
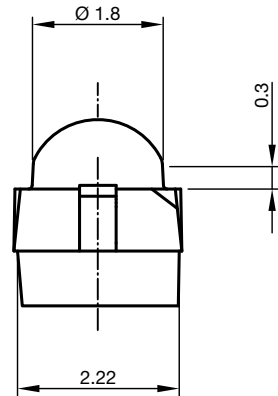
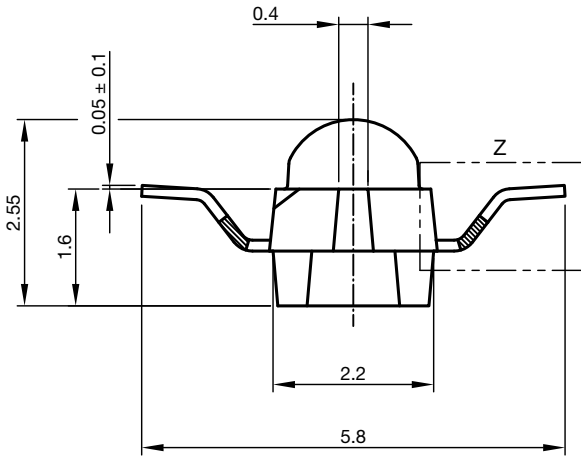
Moisture sensitivity level 2a, according to J-STD-020.

DRYING

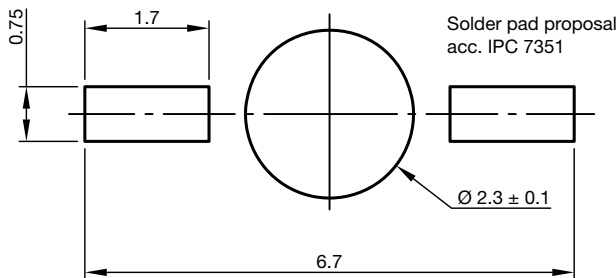
In case of moisture absorption devices should be baked before soldering. Conditions see J-STD-033D or label. Devices taped on reel dry using recommended conditions 192 h at 40 °C (+ 5 °C), $RH < 5\%$.



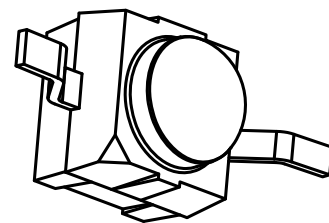
PACKAGE DIMENSIONS in millimeters: VSMY2893RGX01



Technical drawings according to DIN specifications



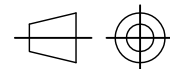
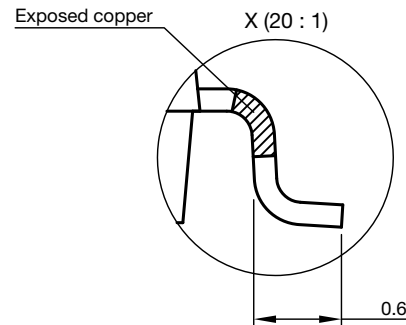
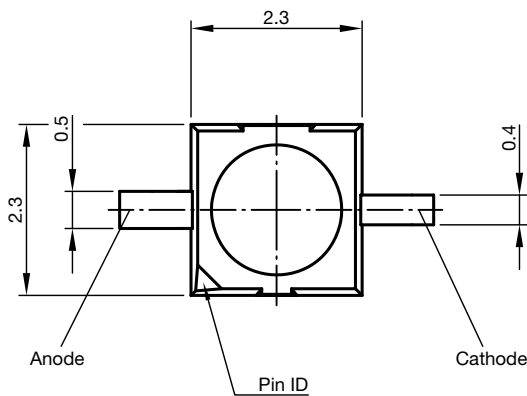
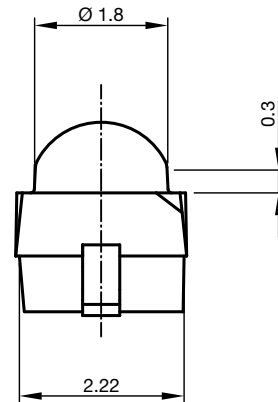
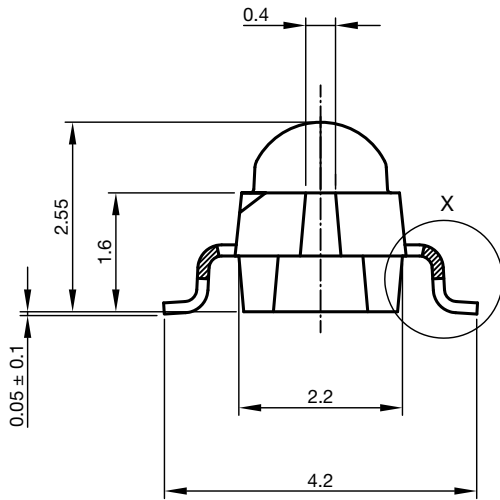
Not indicated tolerances ± 0.2



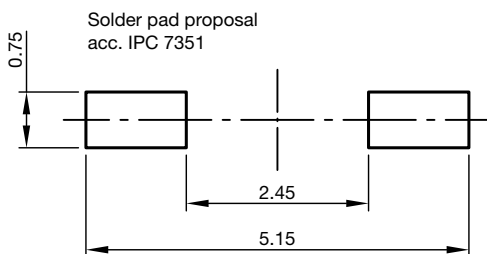
Drawing-No.: 6.544-5409.03-4
Issue: 3; 02.10.15



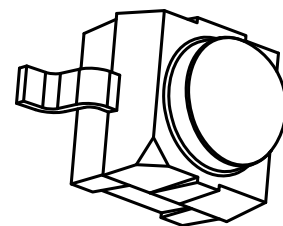
PACKAGE DIMENSIONS in millimeters: VSMY2893GX01



Technical drawings according to DIN specifications



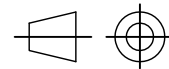
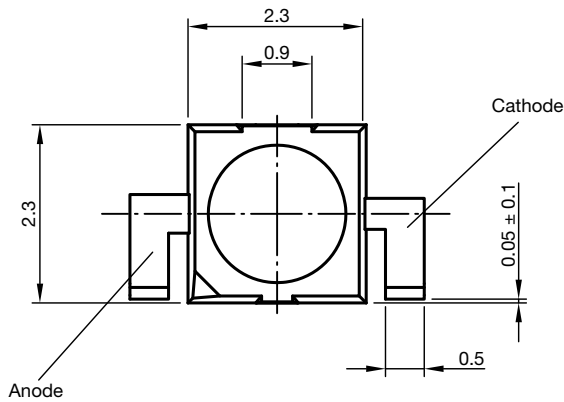
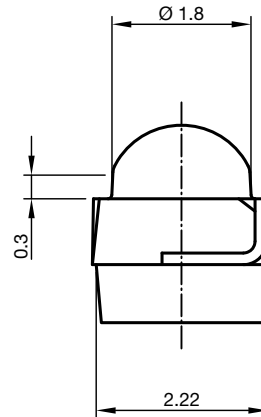
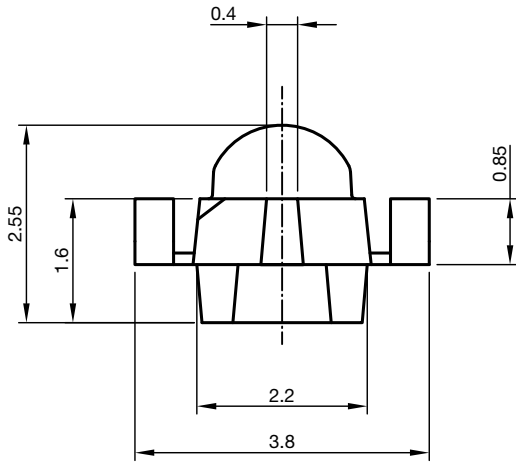
Not indicated tolerances ± 0.2



Drawing-No.: 6.544-5408.03-4
Issue: 3; 02.10.15

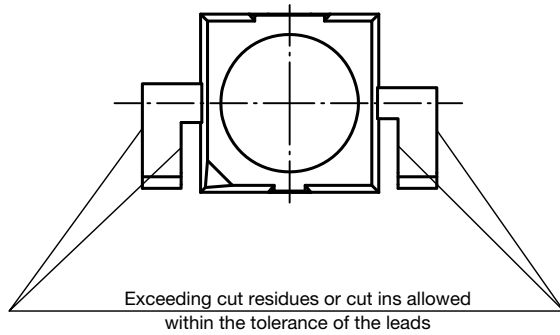


PACKAGE DIMENSIONS in millimeters: VSMY2893SLX01

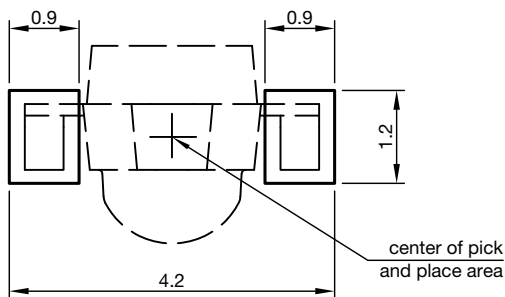


Technical drawings according to DIN specifications

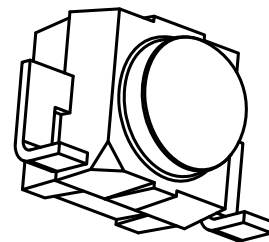
Not indicated tolerances ± 0.2



Solder pad proposal acc. IPC 7351

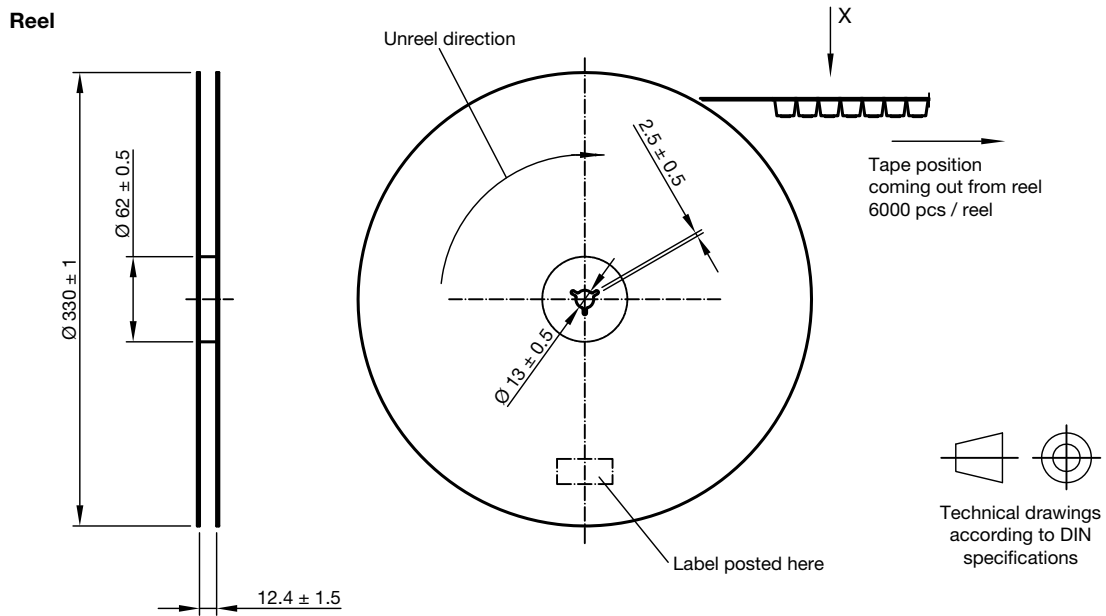


Drawing-No.: 6.544-5410.03-4
Issue: 3; 02.10.15

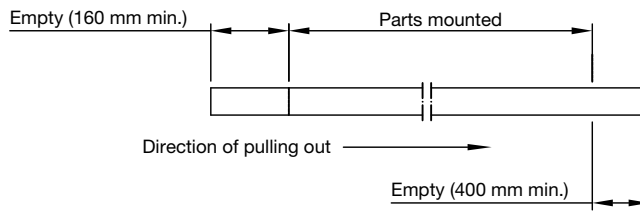




TAPING AND REEL DIMENSIONS in millimeters: **VSMY2893RGX01**

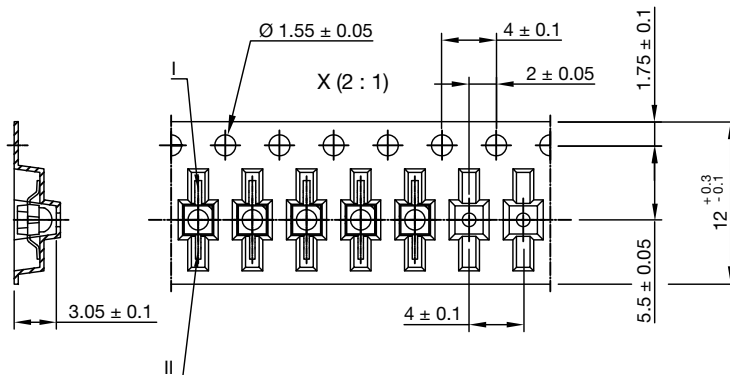


Leader and trailer tape



Terminal position in tape

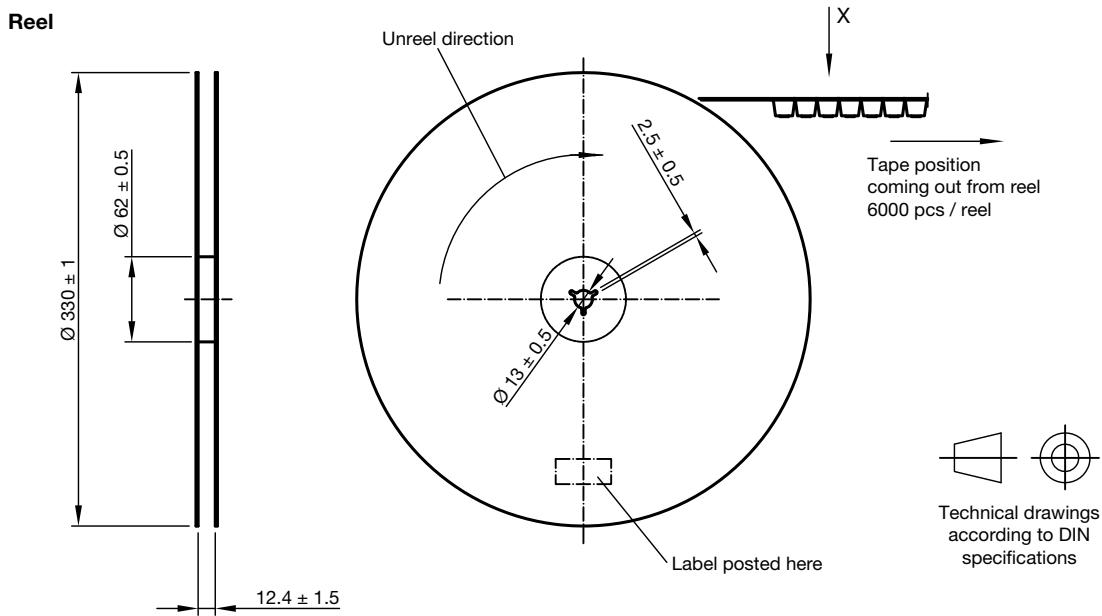
| Device | Lead I | Lead II |
|---------------|-----------|---------|
| VSMB2943RGX01 | Cathode | Anode |
| VSMF2893RGX01 | | |
| VEMD2x03X01 | Collector | Emitter |
| VENT2x03X01 | | |
| VSMY2xxx | Anode | Cathode |



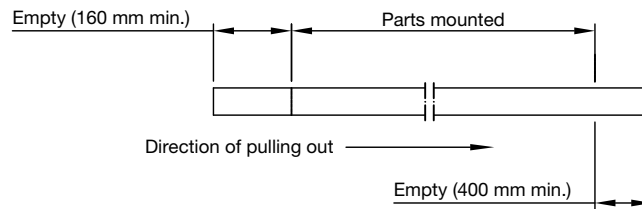
Drawing-No.: 9.800-5100.02-4
Issue: prel.; 11.07.19



TAPING AND REEL DIMENSIONS in millimeters: **VSMY2893GX01**

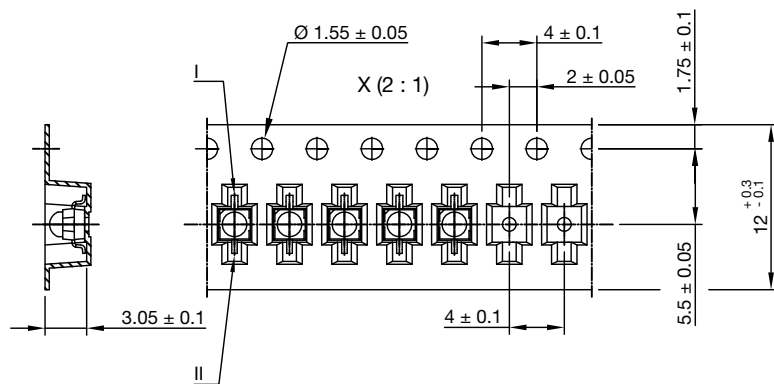


Leader and trailer tape



Terminal position in tape

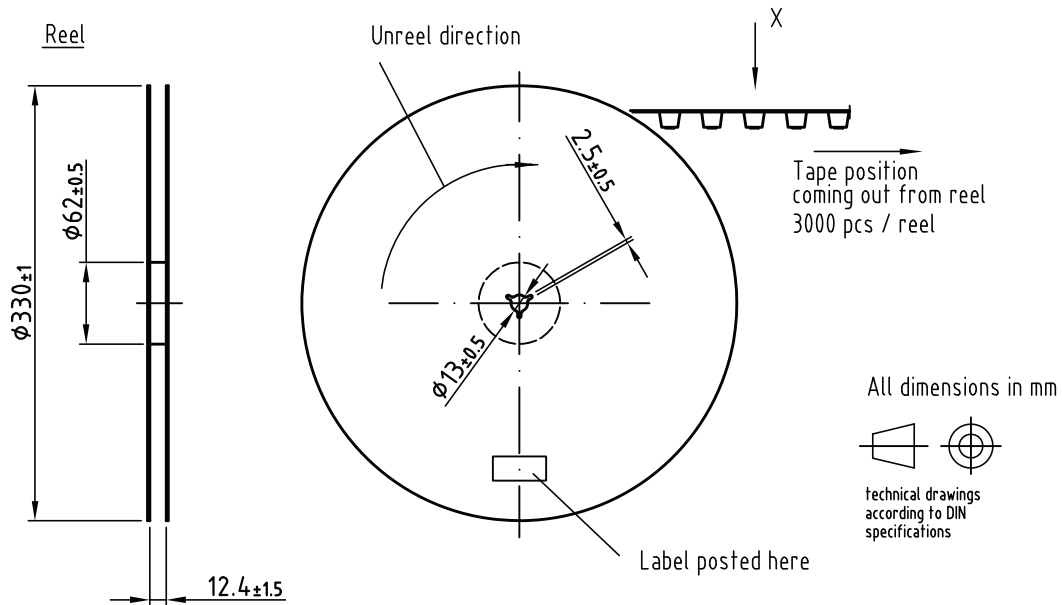
| Device | Lead I | Lead II |
|--------------|-----------|---------|
| VSMB2943GX01 | | |
| VSMF2893GX01 | Cathode | Anode |
| VEMD2x23X01 | | |
| VEMT2x23X01 | Collector | Emitter |
| VSMY2xxx | Anode | Cathode |



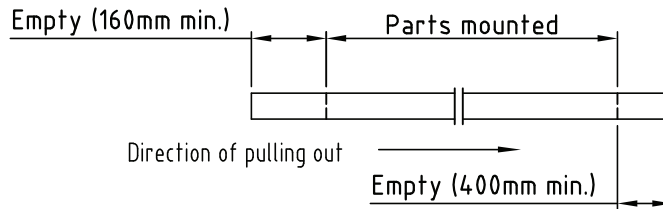
Drawing-No.: 9.800-5091.21-4
Issue: prel.; 11.07.19



TAPING AND REEL DIMENSIONS in millimeters: **VSMY2893SLX01**

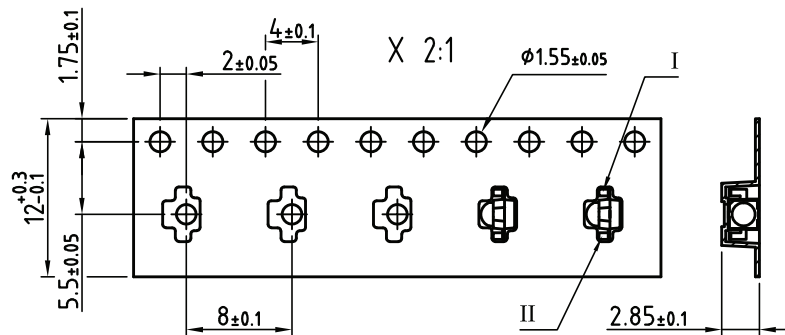


Leader and trailer tape:



Terminal position in tape

| Device | Lead I | Lead II |
|---------------|-----------|---------|
| VSMB2943SLX01 | Cathode | Anode |
| VSMF2893SLX01 | | |
| VSMB2948SL | | |
| VEMD2023SLX01 | | |
| VEMD2523SLX01 | Collector | Emitter |
| VEMT2023SLX01 | | |
| VEMT2523SLX01 | | |
| VSMY2xxx | Anode | Cathode |



Drawing refers to following types: see table
Reel dimensions and tape

Drawing-No.: 9.800-5123.01-4
Issue: preliminary, 11.07.19



Disclaimer

ALL PRODUCT, PRODUCT SPECIFICATIONS AND DATA ARE SUBJECT TO CHANGE WITHOUT NOTICE TO IMPROVE RELIABILITY, FUNCTION OR DESIGN OR OTHERWISE.

Vishay Intertechnology, Inc., its affiliates, agents, and employees, and all persons acting on its or their behalf (collectively, "Vishay"), disclaim any and all liability for any errors, inaccuracies or incompleteness contained in any datasheet or in any other disclosure relating to any product.

Vishay makes no warranty, representation or guarantee regarding the suitability of the products for any particular purpose or the continuing production of any product. To the maximum extent permitted by applicable law, Vishay disclaims (i) any and all liability arising out of the application or use of any product, (ii) any and all liability, including without limitation special, consequential or incidental damages, and (iii) any and all implied warranties, including warranties of fitness for particular purpose, non-infringement and merchantability.

Statements regarding the suitability of products for certain types of applications are based on Vishay's knowledge of typical requirements that are often placed on Vishay products in generic applications. Such statements are not binding statements about the suitability of products for a particular application. It is the customer's responsibility to validate that a particular product with the properties described in the product specification is suitable for use in a particular application. Parameters provided in datasheets and / or specifications may vary in different applications and performance may vary over time. All operating parameters, including typical parameters, must be validated for each customer application by the customer's technical experts. Product specifications do not expand or otherwise modify Vishay's terms and conditions of purchase, including but not limited to the warranty expressed therein.

Hyperlinks included in this datasheet may direct users to third-party websites. These links are provided as a convenience and for informational purposes only. Inclusion of these hyperlinks does not constitute an endorsement or an approval by Vishay of any of the products, services or opinions of the corporation, organization or individual associated with the third-party website. Vishay disclaims any and all liability and bears no responsibility for the accuracy, legality or content of the third-party website or for that of subsequent links.

Except as expressly indicated in writing, Vishay products are not designed for use in medical, life-saving, or life-sustaining applications or for any other application in which the failure of the Vishay product could result in personal injury or death. Customers using or selling Vishay products not expressly indicated for use in such applications do so at their own risk. Please contact authorized Vishay personnel to obtain written terms and conditions regarding products designed for such applications.

No license, express or implied, by estoppel or otherwise, to any intellectual property rights is granted by this document or by any conduct of Vishay. Product names and markings noted herein may be trademarks of their respective owners.