

In case of consideration for using Automotive equipment / device which demand high reliability, kindly contact our sales window correspondents.

May.1.2023 Copyright 2023 HIROSE ELECTRIC CO., LTD. All Rights Reserved.

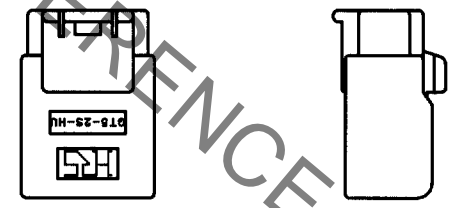
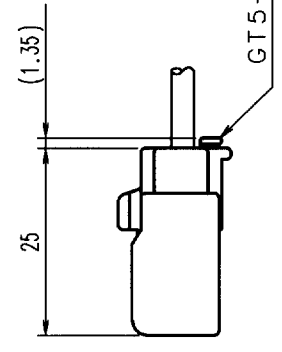
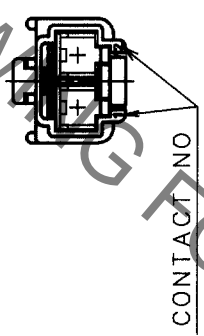
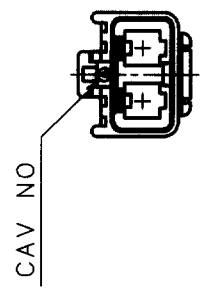
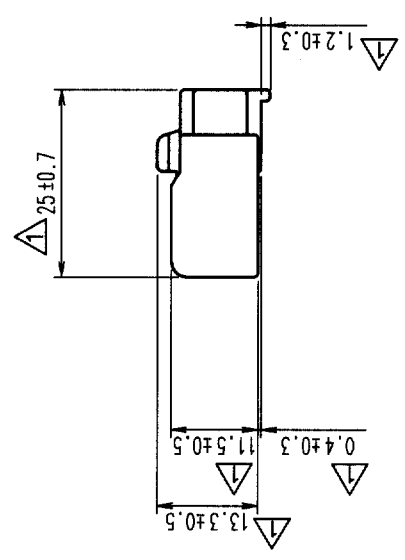
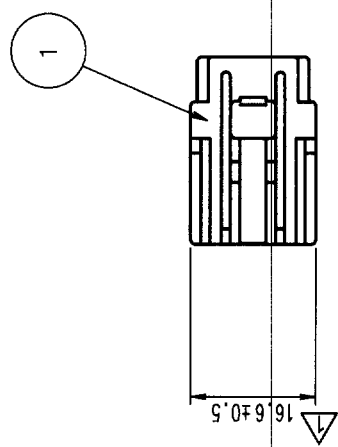
1 2 3 4 5 6 7 8

A B C D E F

PECULIAR SPECIFICATION CHART

PART NO	CLNo.	SPECIFICATION
GT5-2S-HU	755-0044-1	UL94HB LIGHT GRAY
GT5-2S-HU (20)	755-0044-1-20	UL94HB ORANGE
GT5-2S-HU (21)	755-0044-1-21	UL94HB BLUE

COUNT	DESCRIPTION OF REVISIONS	BY	CHKD	DATE	COMNT	DESCRIPTION OF REVISIONS	BY	CHKD	DATE
6	RE-T-00607	T.I	M.O	2011.11.28					



CONNECTOR ASSEMBLED WITH A RETAINER

TO			
----	--	--	--

NOTE1. THIS CONNECTOR SHALL BE USED WITH A RETAINER (CL755-0046-7).

1	PBT	MATERIAL	FINISH, REMARKS	NO.	MATERIAL	FINISH, REMARKS	APPROVED	RELEASED	
NO.									
CODE NO. (OLD)									
DRAWN		DESIGNED		CHECKED		APPROVED		RELEASED	
T. IKEDA '98.11.20		T. IKEDA '98.11.20		N. NAKATA '98.12.1		K. SATO '98.12.4			
DRAWING NO. EDC3-165327				PART NO. GT5-2S-HU					
SCALE 1 : 1				CODE NO. CL755-0044-1					
UNITS ITT				HIROSE ELECTRIC CO., LTD					

1 2 3 4 5 6 7 8