

**NOTES:**

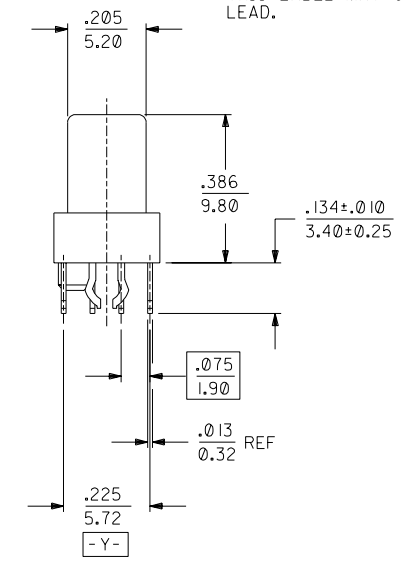
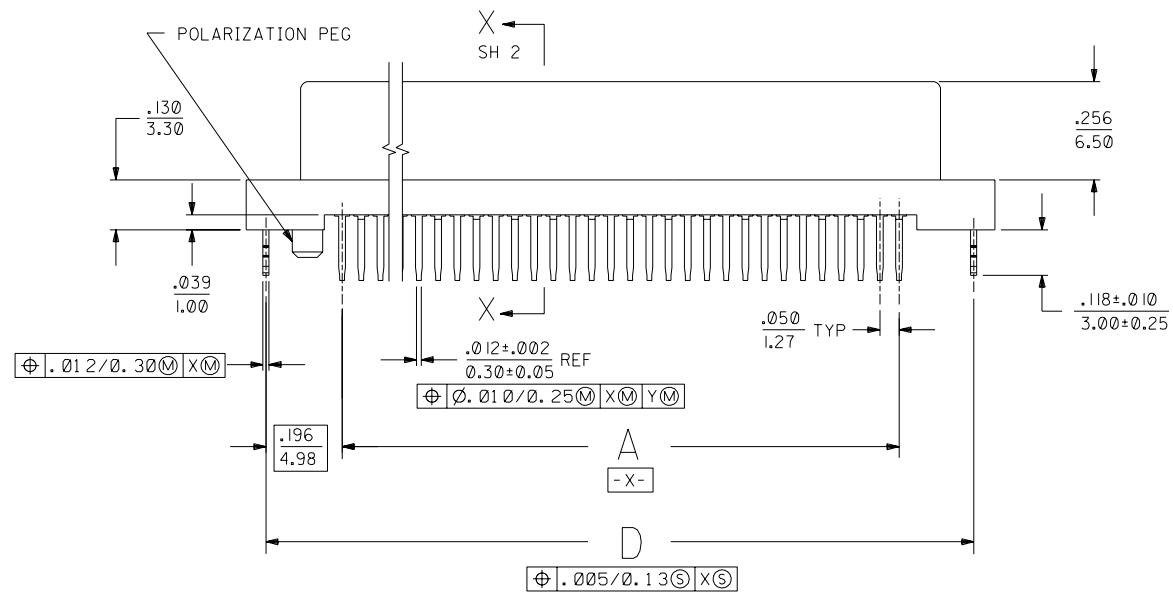
- 1) MATERIALS:  
HOUSING- LCP, GLASS FILLED, 94V-0, BLACK.  
TERMINALS- COPPER ALLOY  
METAL PEGS- COPPER ALLOY
- 2) PLATING:  
.000030 INCHES MINIMUM GOLD IN SELECTIVE CONTACT AREA  
OVER .000050 INCHES MINIMUM NICKEL IN CONTACT AREA.  
.000100 INCHES MINIMUM TIN IN SOLDER TAIL AREA.
- 3) ASSEMBLY MATES WITH MOLEX P/N SDA-71661-\*\*\*\*.  
CONFORMS TO PRODUCT SPECIFICATION PS-71660.

△ RECOMMENDED P.C. BOARD THICKNESS IS .062 (1.6).

△ CONNECTOR WILL ACCEPT MATING TO A P.C. BOARD WITH A THICKNESS OF .062±.003.

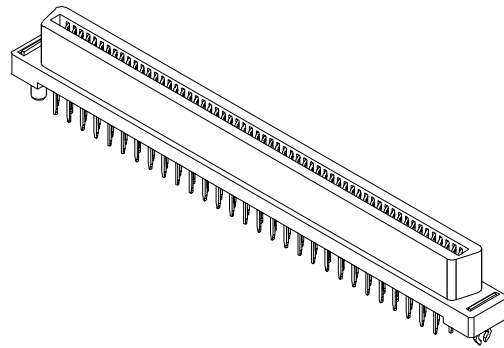
**NOTE FOR LEAD FREE CONVERSION:**

THE PRIMARY SHIPPING CARTON WILL BE LABELED "COMPLIANT TO RoHS DIRECTIVE 2002/95/EC AND ELV ANNEX II OF DIRECTIVE 2000/53/EC". CARTONS WITHOUT THIS LABEL MAY CONTAIN PRODUCT WITH LEAD.

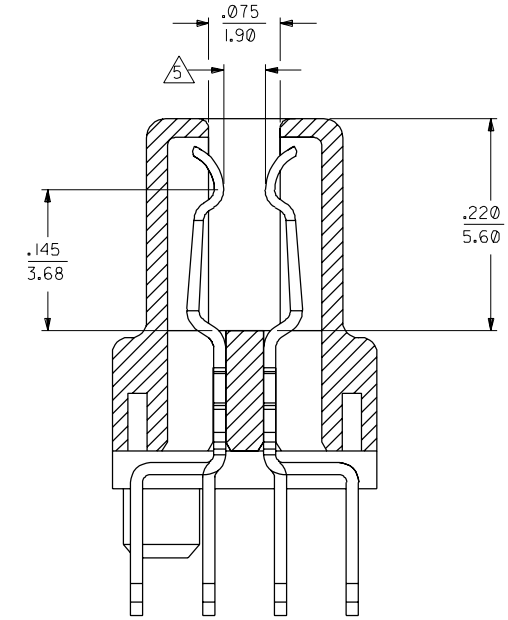


D	LEAD FREE CONV ECN UCP2004-2096 RKADAMS 04/04/23
C	REVISED ECN LDT 2000-1231 ACHAMMER 00/06/07
B	REVISED PER ECN U40506 4-15-94 RAN
A	INITIAL RELEASE PER ECN U31655 11-5-93 RAN

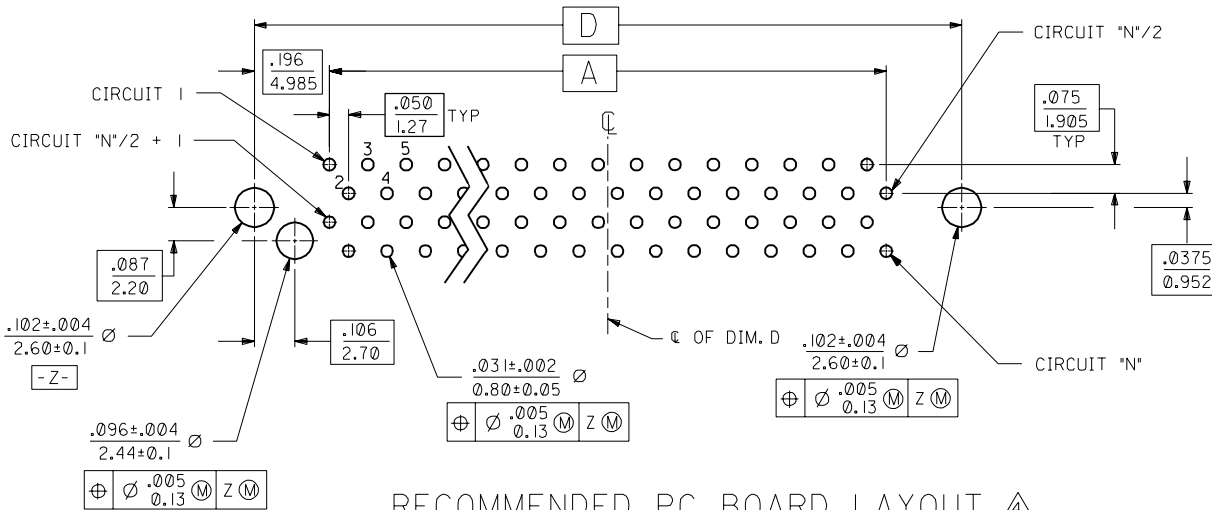
DIMENSIONS SHOWN (METRIC) INCH UNLESS OTHERWISE SPECIFIED TOLERANCES: ANGULAR ± 1/2°		▽ = 0		= 0		REVISE ONLY ON CAD SYSTEM	
3 PLACE	± .005	---					
2 PLACE	± .01	± 0.13					
1 PLACE	---	± 0.25					
DRAFT WHERE APPLICABLE MUST REMAIN WITHIN DIMENSIONS		SEE TABLE		SDA-71660-95**			
DRWG. BY RAN	CHK'D. BY RAN	FILE NAME 57166095	SHEET NO. 1 OF 2	DATE 11 / 5 / 93	THIS DRAWING CONTAINS INFORMATION THAT IS PROPRIETARY TO MOLEX INC. AND SHOULD NOT BE USED WITHOUT WRITTEN PERMISSION		DIV. SIZE C C



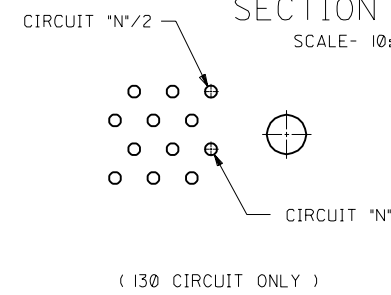
120 CIRCUIT ASSEMBLY SHOWN  
SCALE 2:1



SECTION X-X  
SCALE- 10:1



RECOMMENDED PC BOARD LAYOUT  $\Delta$   
COMPONENT SIDE  
( 120 CIRCUIT ONLY )



( 130 CIRCUIT ONLY )

3.592 (91.25)	3.699 (93.95)	3.418 (86.82)	3.200 (81.28)	130	71660-9530
3.342 (84.90)	3.449 (87.60)	3.168 (80.47)	2.950 (74.93)	120	71660-9520
D	C	B	A	CKT ("N")	ITEM NUMBER

C	SEE SHEET 1
---	-------------

DIMENSIONS SHOWN (METRIC) INCH		UNLESS OTHERWISE SPECIFIED TOLERANCES ANGULAR $\pm 1/2^\circ$	
3 PLACE $\pm .005$	2 PLACE $\pm .01$	1 PLACE ---	$\pm 0.25$
DRAFT WHERE APPLICABLE MUST REMAIN WITHIN DIMENSIONS			
DRWG. BY: RAN	CHK'D BY: RAN	SCALE: 4:1	DATE: 11/5/93
APP'D BY: CAB	FILE NAME: S7165095	DRWG. NO.: SDA-71660-95	SHEET NO.: 2
SEE TABLE		THIS DRAWING CONTAINS INFORMATION THAT IS PROPRIETARY TO MOLEX INC. AND SHOULD NOT BE USED WITHOUT WRITTEN PERMISSION.	

71660

A