



## 66AK2E0x Multicore DSP+ARM KeyStone II System-on-Chip (SoC)

### 1 66AK2E0x Features and Description

#### 1.1 Features

- ARM® Cortex®-A15 MPCore™ CorePac
  - Up to Four ARM Cortex-A15 Processor Cores at up to 1.4-GHz
  - 4MB L2 Cache Memory Shared by all Cortex-A15 Processor Cores
  - Full Implementation of ARMv7-A Architecture Instruction Set
  - 32KB L1 Instruction and Data Caches per Core
  - AMBA 4.0 AXI Coherency Extension (ACE) Master Port, Connected to MSMC (Multicore Shared Memory Controller) for Low Latency Access to SRAM and DDR3
- One TMS320C66x DSP Core Subsystem (C66x CorePacs), Each With
  - 1.4 GHz C66x Fixed/Floating-Point DSP Core
    - 38.4 GMacs/Core for Fixed Point @ 1.2 GHz
    - 19.2 GFlops/Core for Floating Point @ 1.2 GHz
  - Memory
    - 32K Byte L1P Per CorePac
    - 32K Byte L1D Per CorePac
    - 512K Byte Local L2 Per CorePac
- Multicore Shared Memory Controller (MSMC)
  - 2 MB SRAM Memory Shared by DSP CorePacs and ARM CorePac
  - Memory Protection Unit for Both SRAM and DDR3\_EMIF
- Multicore Navigator
  - 8k Multi-Purpose Hardware Queues with Queue Manager
  - One Packet-Based DMA Engine for Zero-Overhead Transfers
- Network Coprocessor
  - Packet Accelerator Enables Support for
    - Transport Plane IPsec, GTP-U, SCTP, PDCP
    - L2 User Plane PDCP (RoHC, Air Ciphering)
    - 1 Gbps Wire Speed Throughput at 1.5 MPackets Per Second
  - Security Accelerator Engine Enables Support for
    - IPsec, SRTP, 3GPP and WiMAX Air Interface, and SSL/TLS Security
- ECB, CBC, CTR, F8, A5/3, CCM, GCM, HMAC, CMAC, GMAC, AES, DES, 3DES, Kasumi, SNOW 3G, SHA-1, SHA-2 (256-bit Hash), MD5
- Up to 6.4 Gbps IPsec and 3 Gbps Air Ciphering
- Ethernet Subsystem
  - Eight SGMII Ports with Wire Rate Switching
  - IEEE1588 v2 (with Annex D/E/F) Support
  - 8 Gbps Total Ingress/Egress Ethernet BW from Core
  - Audio/Video Bridging (802.1Qav/D6.0)
  - QOS Capability
  - DSCP Priority Mapping
- Peripherals
  - Two PCIe Gen2 Controllers with Support for
    - Two Lanes per Controller
    - Supports Up to 5 GBaud
  - One HyperLink
    - Supports Connections to Other KeyStone Architecture Devices Providing Resource Scalability
    - Supports Up to 50 GBaud
  - 10-Gigabit Ethernet (10-GbE) Switch Subsystem
    - Two SGMII/XFI Ports with Wire Rate Switching and MACSEC Support
    - IEEE1588 v2 (with Annex D/E/F) Support
  - One 72-Bit DDR3/DDR3L Interface with Speeds Up to 1600 MTPS in DDR3 Mode
  - EMIF16 Interface
  - Two USB 2.0/3.0 Controllers
  - USIM Interface
  - Two UART Interfaces
  - Three I<sup>2</sup>C Interfaces
  - 32 GPIO Pins
  - Three SPI Interfaces
  - One TSIP
    - Support 1024 DS0s
    - Support 2 Lanes at 32.768/16.384.192 Mbps Per Lane



- System Resources
  - Three On-Chip PLLs
  - SmartReflex Automatic Voltage Scaling
  - Semaphore Module
  - Thirteen 64-Bit Timers
- Five Enhanced Direct Memory Access (EDMA) Modules
- Commercial Case Temperature:
  - 0°C to 85°C
- Extended Case Temperature:
  - -40°C to 100°C

## 1.2 Applications

- Avionics and Defense
- Communications
- Industrial Automation
- Automation and Process Control
- Servers
- Enterprise Networking
- Cloud Infrastructure

## 1.3 KeyStone II Architecture

TI's KeyStone II Multicore Architecture provides a unified platform for integrating RISC and DSP processing cores along with both hardware/firmware based application-specific acceleration and high performance I/Os. The KeyStone II Multicore Architecture is a proven device architecture to achieve the full performance entitlement through the following major components: TeraNet, Multicore Shared Memory Controller, Multicore Navigator, and HyperLink.

TeraNet is a multipoint to multipoint non-blocking switch fabric. Its distributed arbiter provides multiple duplex communication channels in parallel between the master and slave ports without interference. The priority based arbitration mechanism ensures the delivery of the critical traffic delivery in the system.

The Multicore Shared Memory Controller (MSMC) is the center of the KeyStone II memory architecture. It provides multiple fast and high-bandwidth channels for processor cores to access DDR and minimizes the access latency by directly connecting to the DDR. The MSMC also provides the flexibility to expand processor cores with little impact at the device level. In addition, it provides multi-bank based fast on-chip SRAM shared among processor cores and IOs. It also provides the I/O cache coherency for the device when the Cortex-A15 processor core is integrated.

The Multicore Navigator provides a packet-based IPC mechanism among processing cores and packet based peripherals. The hardware-managed queues supports multiple-in-multiple-out mode without using mutex. Coupled with the packet-based DMA, the Multicore Navigator provides a highly efficient and software-friendly tool to offload the processing core to achieve other critical tasks.

HyperLink provides a 50-GBaud chip-level interconnect that allows devices to work in tandem. Its low latency, low overhead and high throughput makes it an ideal interface for chip-to-chip interconnections.

There are two generations of KeyStone architecture. The 66AK2E0x device is based on KeyStone II, which integrates a Cortex-A15 processor CorePac.

## 1.4 Device Description

The 66AK2E0x is a high performance device based on TI's KeyStone II Multicore SoC Architecture, incorporating the most performance-optimized Cortex-A15 processor single-core or quad-core CorePac and C66x DSP core, that can run at a core speed of up to 1.4 GHz. TI's 66AK2E0x device enables a high performance, power-efficient and easy to use platform for developers of a broad range of applications such as enterprise grade networking end equipment, data center networking, avionics and defense, medical imaging, test and automation.

TI's KeyStone II Architecture provides a programmable platform integrating various subsystems (for example, ARM CorePac (Cortex-A15 Processor Quad Core CorePac), C66x CorePac, network processing, and uses a queue-based communication system that allows the device resources to operate efficiently and seamlessly. This unique device architecture also includes a TeraNet switch that enables the wide mix of system elements, from programmable cores to high-speed IO, to each operate at maximum efficiency with no blocking or stalling.

TI's C66x core launches a new era of DSP technology by combining fixed-point and floating point computational capability in the processor without sacrificing speed, size, or power consumption. The raw computational performance is an industry-leading 38.4 GMACS/core and 19.2 Gflops/core (@ 1.2 GHz operating frequency). It can execute 8 single precision floating point MAC operations per cycle and can perform double- and mixed-precision operations and is IEEE754 compliant. For fixed-point use, the C66x core has 4x the multiply accumulate (MAC) capability of C64x+ cores. The C66x CorePac incorporates 90 new instructions targeted for floating point and vector math oriented processing. These enhancements yield sizeable performance improvements in popular DSP kernels used in signal processing, mathematical, and image acquisition functions. The C66x core is backwards code compatible with TI's previous generation C6000 fixed and floating point DSP cores, ensuring software portability and shortened software development cycles for applications migrating to faster hardware.

The 66AK2E0x KeyStone II device integrates a large amount of on-chip memory. The Cortex-A15 processor cores each have 32KB of L1Data and 32KB of L1 Instruction cache. The up to four Cortex A15 cores in the ARM CorePac share a 4MB L2 Cache. In the DSP CorePac, in addition to 32KB of L1 program and 32KB of L1 data cache, there is 512KB of dedicated memory per core that can be configured as cache or as memory mapped RAM. The device also integrates 2MB of Multicore Shared Memory (MSMC) that can be used as a shared L3 SRAM. All L2 and MSMC memories incorporate error detection and error correction. For fast access to external memory, this device includes a 64-bit DDR-3 (72-bit with ECC support) external memory interface (EMIF) running at 1600 MT/PS.

The device enables developers to use a variety of development and debugging tools that include GNU GCC, GDB, Open source Linux, Eclipse based debugging environment enabling kernel and user space debugging using a variety of Eclipse plug-ins including TI's industry leading IDE Code Composer Studio.

## 1.5 Enhancements in KeyStone II

The KeyStone II architecture provides many major enhancements over the previous KeyStone I generation of devices. The KeyStone II architecture integrates an ARM Cortex-A15 processor quad-core cluster to enable Layer 2 (MAC/RLC) and higher layer processing. The number of DSP cores has been doubled for 2x improvement in Layer 1 processing. The external memory bandwidth has been doubled with the integration of dual DDR3 1600 EMIFs. MSMC internal memory bandwidth is quadrupled with MSMC V2 architecture improvements. Multicore Navigator supports 2x the number of queues, descriptors and packet DMA, 4x the number of micro RISC engines and a significant increase in the number of push/pops per second, compared to the previous generation. The new peripherals that have been added include the USB 3.0 controller and Asynchronous EMIF controller for NAND/NOR memory access. The 2-port Gigabit Ethernet switch in KeyStone I has been replaced with an 8-port Gigabit Ethernet switch and a 10 GbE switch in KeyStone II. Time synchronization support has been enhanced to reduce software workload and support additional standards like IEEE1588 Annex D/E and SyncE. The number of GPIOs and serial interface peripherals like I<sup>2</sup>C and SPI have been increased to enable more board level control functionality.

## 1.6 Functional Block Diagram

The figures below show the functional block diagrams of the 66AK2E0x devices.

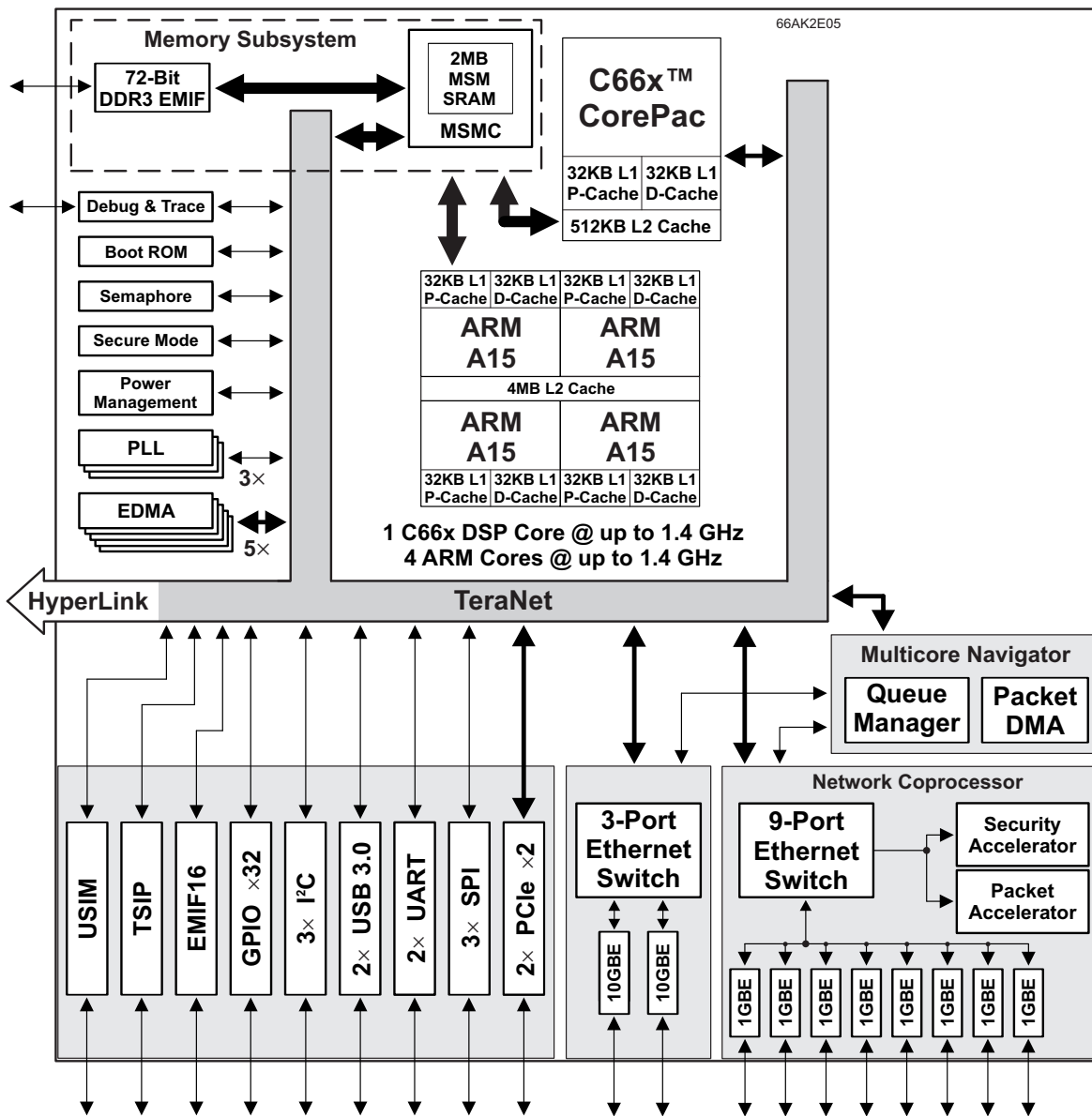


Figure 1-1. 66AK2E05 Functional Block Diagram

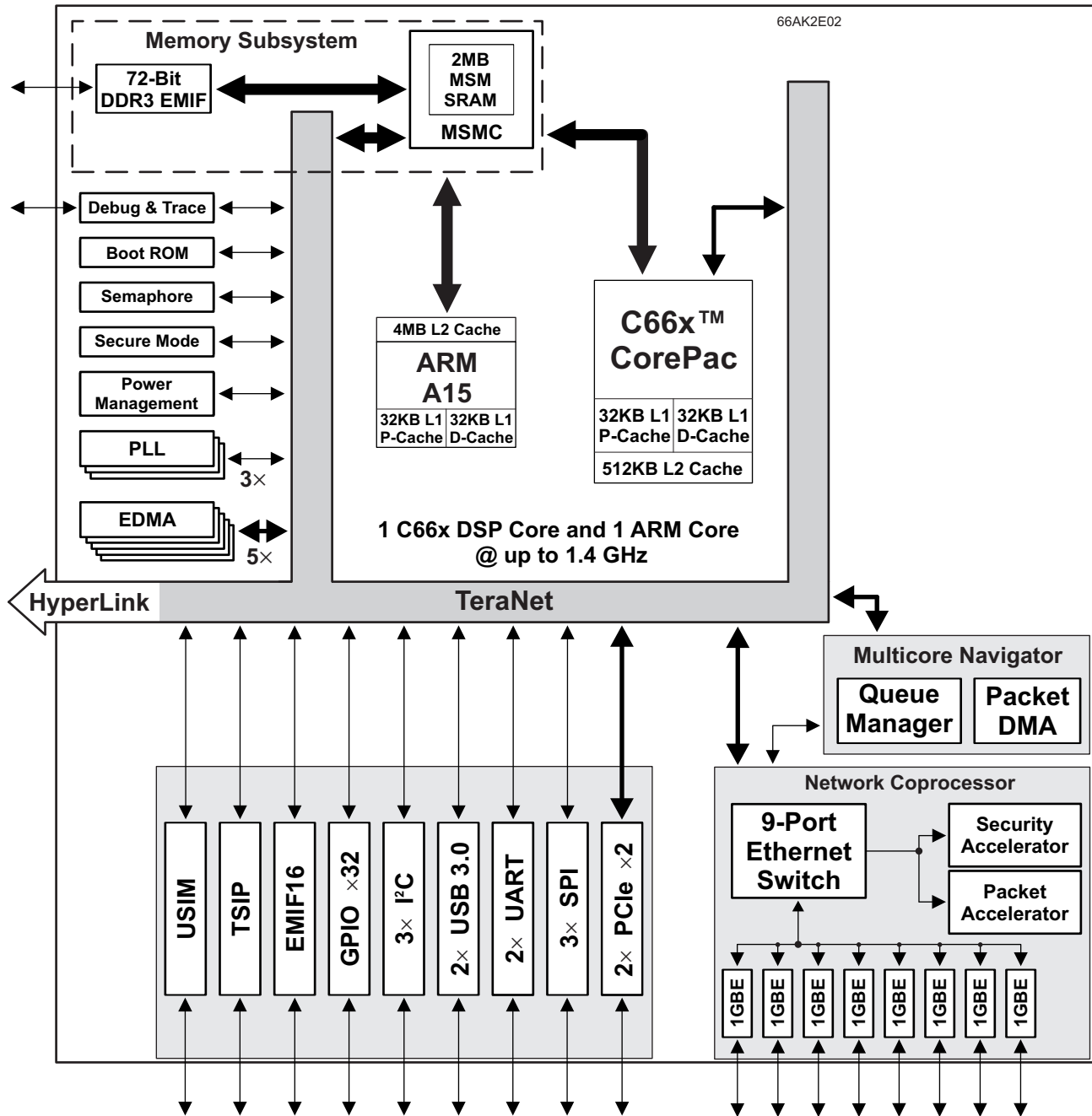


Figure 1-2. 66AK2E02 Functional Block Diagram

## Table of Contents

|          |  |          |          |  |          |
|----------|--|----------|----------|--|----------|
| <b>1</b> | <b>66AK2E0x Features and Description</b> ..... | <b>1</b> | <b>3</b> | <b>Device Characteristics</b> .....              | <b>8</b> |
| 1.1      | Features .....                                 | 1        | 3.1      | C66x DSP CorePac .....                           | 9        |
| 1.2      | Applications .....                             | 2        | 3.2      | ARM CorePac .....                                | 9        |
| 1.3      | KeyStone II Architecture .....                 | 2        | 3.3      | Development Tools .....                          | 10       |
| 1.4      | Device Description .....                       | 2        | 3.4      | Device Nomenclature .....                        | 10       |
| 1.5      | Enhancements in KeyStone II .....              | 3        | 3.5      | Related Documentation from Texas Instruments ... | 12       |
| 1.6      | Functional Block Diagram .....                 | 4        | 3.6      | Related Links .....                              | 13       |
| <b>2</b> | <b>Revision History</b> .....                  | <b>7</b> | 3.7      | Community Resources .....                        | 13       |

|           |  |                            |           |  |                            |
|-----------|--|----------------------------|-----------|--|----------------------------|
| 3.8       | Trademarks.....  | <a href="#">13</a>         | 10.2      | Recommended Operating Conditions .....                                     | <a href="#">205</a>        |
| 3.9       | Electrostatic Discharge Caution.....                         | <a href="#">13</a>         | 10.3      | Electrical Characteristics.....  | <a href="#">206</a>        |
| 3.10      | Glossary .....   | <a href="#">13</a>         | 10.4      | Power Supply to Peripheral I/O Mapping.....                                | <a href="#">207</a>        |
| <b>4</b>  | <b>C66x CorePac .....</b>                                    | <b><a href="#">14</a></b>  | <b>11</b> | <b>66AK2E0x Peripheral Information and Electrical Specifications .....</b> | <b><a href="#">208</a></b> |
| 4.1       | Memory Architecture .....                                    | <a href="#">15</a>         | 11.1      | Recommended Clock and Control Signal Transition Behavior.....              | <a href="#">208</a>        |
| 4.2       | Memory Protection .....                                      | <a href="#">18</a>         | 11.2      | Power Supplies .....   | <a href="#">208</a>        |
| 4.3       | Bandwidth Management .....                                   | <a href="#">18</a>         | 11.3      | Power Sleep Controller (PSC) .....   | <a href="#">216</a>        |
| 4.4       | Power-Down Control .....                                     | <a href="#">19</a>         | 11.4      | Reset Controller.....  | <a href="#">222</a>        |
| 4.5       | C66x CorePac Revision.....                                   | <a href="#">20</a>         | 11.5      | Core PLL (Main PLL), DDR3 PLL, NETCP PLL and the PLL Controllers .....     | <a href="#">227</a>        |
| 4.6       | C66x CorePac Register Descriptions .....                     | <a href="#">20</a>         | 11.6      | DDR3 PLL.....  | <a href="#">241</a>        |
| <b>5</b>  | <b>ARM CorePac .....</b>                                     | <b><a href="#">21</a></b>  | 11.7      | NETCP PLL .....  | <a href="#">243</a>        |
| 5.1       | Features .....   | <a href="#">23</a>         | 11.8      | External Interrupts .....  | <a href="#">245</a>        |
| 5.2       | System Integration .....                                     | <a href="#">23</a>         | 11.9      | DDR3 Memory Controller .....   | <a href="#">245</a>        |
| 5.3       | ARM Cortex-A15 Processor.....                                | <a href="#">23</a>         | 11.10     | I <sup>2</sup> C Peripheral.....   | <a href="#">246</a>        |
| 5.4       | CFG Connection .....   | <a href="#">25</a>         | 11.11     | SPI Peripheral .....   | <a href="#">250</a>        |
| 5.5       | Main TeraNet Connection.....                                 | <a href="#">25</a>         | 11.12     | HyperLink Peripheral .....   | <a href="#">253</a>        |
| 5.6       | Clocking and Reset .....                                     | <a href="#">26</a>         | 11.13     | UART Peripheral .....  | <a href="#">255</a>        |
| <b>6</b>  | <b>Terminals .....</b>                                       | <b><a href="#">27</a></b>  | 11.14     | PCIe Peripheral.....   | <a href="#">256</a>        |
| 6.1       | Package Terminals.....                                       | <a href="#">27</a>         | 11.15     | Packet Accelerator .....   | <a href="#">256</a>        |
| 6.2       | Pin Map .....  | <a href="#">27</a>         | 11.16     | Security Accelerator .....   | <a href="#">257</a>        |
| 6.3       | Terminal Functions.....                                      | <a href="#">32</a>         | 11.17     | Network Coprocessor Gigabit Ethernet (GbE) Switch Subsystem .....          | <a href="#">257</a>        |
| 6.4       | Pullup/Pulldown Resistors .....                              | <a href="#">59</a>         | 11.18     | SGMII/XFI Management Data Input/Output (MDIO) .....                        | <a href="#">259</a>        |
| <b>7</b>  | <b>Memory, Interrupts, and EDMA for 66AK2E0x ...</b>         | <b><a href="#">61</a></b>  | 11.19     | Ten-Gigabit Ethernet (10GbE) Switch Subsystem .....                        | <a href="#">260</a>        |
| 7.1       | Memory Map Summary66AK2E0x.....                              | <a href="#">61</a>         | 11.20     | Timers.....  | <a href="#">260</a>        |
| 7.2       | Memory Protection Unit (MPU) for 66AK2E0x .....              | <a href="#">71</a>         | 11.21     | General-Purpose Input/Output (GPIO) .....                                  | <a href="#">261</a>        |
| 7.3       | Interrupts for 66AK2E0x.....                                 | <a href="#">84</a>         | 11.22     | Semaphore2 .....   | <a href="#">262</a>        |
| 7.4       | Enhanced Direct Memory Access (EDMA3) Controller.....        | <a href="#">129</a>        | 11.23     | Universal Serial Bus 3.0 (USB 3.0).....                                    | <a href="#">262</a>        |
| <b>8</b>  | <b>System Interconnect .....</b>                             | <b><a href="#">140</a></b> | 11.24     | TSIP Peripheral .....  | <a href="#">263</a>        |
| 8.1       | Internal Buses and Switch Fabrics .....                      | <a href="#">140</a>        | 11.25     | Universal Subscriber Identity Module (USIM) ....                           | <a href="#">265</a>        |
| 8.2       | Switch Fabric Connections Matrix - Data Space ..             | <a href="#">140</a>        | 11.26     | EMIF16 Peripheral .....  | <a href="#">265</a>        |
| 8.3       | Switch Fabric Connections Matrix - Configuration Space ..... | <a href="#">146</a>        | 11.27     | Emulation Features and Capability .....                                    | <a href="#">268</a>        |
| 8.4       | Bus Priorities.....  | <a href="#">154</a>        | 11.28     | Debug Port (EMUX) .....  | <a href="#">271</a>        |
| <b>9</b>  | <b>Device Boot and Configuration .....</b>                   | <b><a href="#">155</a></b> | <b>12</b> | <b>Mechanical Data .....</b>   | <b><a href="#">278</a></b> |
| 9.1       | Device Boot .....  | <a href="#">155</a>        | 12.1      | Thermal Data .....   | <a href="#">278</a>        |
| 9.2       | Device Configuration .....                                   | <a href="#">175</a>        | 12.2      | Packaging Information .....  | <a href="#">278</a>        |
| <b>10</b> | <b>Device Operating Conditions .....</b>                     | <b><a href="#">204</a></b> |           |  |                            |
| 10.1      | Absolute Maximum Ratings.....                                | <a href="#">204</a>        |           |  |                            |

## 2 Revision History

NOTE: Page numbers for previous revisions may differ from page numbers in the current version.

| Changes from Revision C (August 2014) to Revision D   | Page                |
|---|---------------------|
| • Added Top Navigation links to front page of the document .....  | <a href="#">1</a>   |
| • Changed Product Status to Production Data .....   | <a href="#">1</a>   |
| • Changed Mission Critical Systems to Avionics and Defense in <a href="#">Section 1.2</a> .....   | <a href="#">2</a>   |
| • Changed mission critical to avionics and defense in first paragraph of <a href="#">Section 3.3.1</a> .....  | <a href="#">2</a>   |
| • Changed Product Status to PD and changed footnote (3) in <a href="#">Table 3-1</a> .....  | <a href="#">8</a>   |
| • Changed second list item under Software Development Tools in <a href="#">Section 3.3.1</a> .....  | <a href="#">10</a>  |
| • Added Related Links, Community Resources, Trademarks, Electrostatic Discharge Caution, and Glossary sections to <a href="#">Section 3</a> .....   | <a href="#">13</a>  |
| • Added <a href="#">Figure 5-1</a> .....  | <a href="#">21</a>  |
| • Changed DDR3A to DDR3 in <a href="#">Table 5-1</a> .....  | <a href="#">23</a>  |
| • Changed All instances of DDR3A to DDR3 in <a href="#">Table 6-2</a> .....   | <a href="#">32</a>  |
| • Changed Supply DDR3AREFSSTL to DDR3REFSSTL in <a href="#">Table 6-3</a> .....   | <a href="#">45</a>  |
| • Changed the DVDD15 Volts and Supply Description in <a href="#">Table 6-3</a> .....  | <a href="#">45</a>  |
| • Changed Start Address for PCIe1SerDes Config to 00 0232 6000, End Address for USB 0 MMR CFG to 00 026F FFFF, USB 1 MMR CFG and USB 1 PHY CFG to Reserved, and all instances of DDR3A to DDR3 in <a href="#">Table 7-1</a> .....                     | <a href="#">61</a>  |
| • Changed CPT_DDR3A to CPT_DDR3 in <a href="#">Table 7-6</a> .....  | <a href="#">72</a>  |
| • Changed DDR3A to DDR3 in Event No. 388 Name and Description in <a href="#">Table 7-23</a> .....   | <a href="#">88</a>  |
| • Changed DDR3A to DDR3 in Event No. 77 and 100 Descriptions in <a href="#">Table 7-24</a> .....  | <a href="#">98</a>  |
| • Changed DDR3A to DDR3 in <a href="#">Section 7.4</a> .....  | <a href="#">130</a> |
| • Changed DDR3A to DDR3 in <a href="#">Section 8</a> .....  | <a href="#">140</a> |
| • Changed DDR3A to DDR3 in <a href="#">Figure 8-3</a> .....   | <a href="#">143</a> |
| • Changed DDR3A to DDR3 in <a href="#">Figure 8-7</a> .....   | <a href="#">148</a> |
| • Changed Start Address 0x87_fd20 Description to DDR3 Configuration Structure in <a href="#">Table 9-1</a> .....  | <a href="#">155</a> |
| • Added EMIF and NAND to Description in <a href="#">Table 9-3</a> .....   | <a href="#">158</a> |
| • Changed DDR3A to DDR3 in <a href="#">Section 9.1.4</a> .....  | <a href="#">174</a> |
| • Changed DDR3APLLCTL0 and DDR3APLLCTL1 to DDR3PLLCTL0 and DDR3PLLCTL1 in <a href="#">Table 9-27</a> .....  | <a href="#">176</a> |
| • Changed AVSIFSEL Description value 11 to Reserved in <a href="#">Table 9-28</a> .....   | <a href="#">180</a> |
| • Changed ARMENDIAN_CFG4_0 Default Value to 0x00023A00 in <a href="#">Table 9-47</a> .....  | <a href="#">193</a> |
| • Changed ARMENDIAN_CFG5_1 Default Value to 0x00000006 in <a href="#">Table 9-49</a> .....  | <a href="#">194</a> |
| • Changed DDR3AVREFSSTL to DDR3VREFSSTL and DDR3A to DDR3 in <a href="#">Section 10.1</a> .....   | <a href="#">204</a> |
| • Changed MIN, NOM, and MAX values for CVDD Initial and CVDD1; changed DVDD15 to DDR3 I/O voltage and added values; changed DDR3A to DDR3 and DDR3AVREFSSTL to DDR3VREFSSTL; changed DSP to SOC in footnote (4) in <a href="#">Section 10.2</a> ..... | <a href="#">205</a> |
| • Changed DDR3A to DDR3 in <a href="#">Section 10.3</a> .....   | <a href="#">206</a> |
| • Changed DDR3A to DDR3 and changed DVDD15 to DDR3 memory I/O voltage and DDR3 (1.5/1.35 V) I/O Buffer Type in <a href="#">Table 10-1</a> .....   | <a href="#">207</a> |
| • Changed DDR3A to DDR3 and added 1.35 V to Voltage for DVDD15 in <a href="#">Table 11-1</a> .....  | <a href="#">208</a> |
| • Changed EMIF(DDR3A) to EMIF(DDR3) in <a href="#">Table 11-6</a> .....   | <a href="#">216</a> |
| • Changed DDR3A EMIF to DDR3 EMIF in <a href="#">Table 11-7</a> .....   | <a href="#">217</a> |
| • Changed DDR3A in <a href="#">Section 11.4.3</a> .....   | <a href="#">224</a> |
| • Changed DDR3A in <a href="#">Section 11.5</a> .....   | <a href="#">227</a> |
| • Changed <a href="#">Figure 11-7</a> .....   | <a href="#">228</a> |
| • Deleted second sentence from <a href="#">Section 11.5.1.1</a> .....   | <a href="#">229</a> |
| • Changed DDR3A to DDR3 in <a href="#">Table 11-13</a> .....  | <a href="#">230</a> |
| • Changed Address Range 00 0231 0128 to Reserved in <a href="#">Table 11-15</a> .....   | <a href="#">231</a> |
| • Changed OUTPUT DIVIDE Field Description in <a href="#">Table 11-16</a> .....  | <a href="#">232</a> |
| • Changed MAX value for tj(CORECLKN) and tj(CORECLKP) in <a href="#">Table 11-27</a> .....  | <a href="#">238</a> |
| • Changed <a href="#">Figure 11-26</a> .....  | <a href="#">243</a> |
| • Changed PAPLL Field Description in <a href="#">Table 11-32</a> .....  | <a href="#">244</a> |
| • Changed MAX value for tc(NETCPCLKN) and tc(NETCPCLKP) in <a href="#">Table 11-33</a> .....  | <a href="#">244</a> |
| • Changed DDR3A Memory Controller to DDR3 Memory Controller in <a href="#">Section 11.9</a> .....   | <a href="#">245</a> |
| • Changed MIN and MAX values for tc(CEL) in <a href="#">Table 11-57</a> .....   | <a href="#">265</a> |
| • Changed DDR3A to DDR3 in <a href="#">Table 11-63</a> .....  | <a href="#">274</a> |

### 3 Device Characteristics

Table 3-1 provides an overview of the 66AK2E0x device. The table shows the significant features of the device, including the capacity of on-chip RAM, the peripherals, the CPU frequency, and the package type with pin count.

**Table 3-1. Characteristics of the 66AK2E0x Processor**

| HARDWARE FEATURES             |   | 66AK2E02                                    | 66AK2E05 |
|-------------------------------|---|---|----------|
| DSP Cores                     | C66x DSP core   | 1   |          |
|                               | DSP L1P cache memory size (per core)  | 32KB  |          |
|                               | DSP L1D cache/RAM memory size (per core)  | 32KB  |          |
|                               | DSP L2 Unified cache/RAM memory size (per core)                                       | 512KB                                       |          |
| ARM Cores                     | ARM Cortex A15 Cores  | 1   | 4        |
|                               | ARM L1 instruction cache memory size (per core)                                       | 32KB  |          |
|                               | ARM L1 data cache memory size (per core)  | 32KB  |          |
|                               | ARM L2 unified cache memory size (shared by all cores)                                | 4MB   |          |
| Peripherals                   | DDR3 memory controller (72-bit bus width) [1.5 V/1.35V] (clock source = DDRREFCLKN P) | 1   |          |
|                               | EDMA3 (64 independent channels) [CPU/3 clock rate]                                    | 5   |          |
|                               | Hyperlink   | 1   |          |
|                               | USB 3.0   | 2   |          |
|                               | USIM <sup>(1)</sup>   | 1   |          |
|                               | I <sup>2</sup> C  | 3   |          |
|                               | SPI   | 3   |          |
|                               | PCIe (2 lanes per instance)   | 2   |          |
|                               | UART  | 2   |          |
|                               | 10/100/1000/10000 Ethernet ports  | 0   | 2        |
|                               | 10/100/1000 Ethernet ports  | 8   | 8        |
|                               | Management Data Input/Output (MDIO)   | 3   |          |
|                               | 64-bit timers (configurable)  | Thirteen 64-bit <b>or</b> Twenty six 32-bit |          |
|                               | General-Purpose Input/Output port (GPIO)  | 32  |          |
| TSIP                          | 1   |   |          |
| Accelerators                  | Packet Accelerator  | 1   |          |
|                               | Security Accelerator <sup>(2)</sup>   | 1   |          |
| On-Chip L3 Memory             | Organization  | 2MB MSM SRAM<br>256 KB L3 ROM               |          |
| C66x CorePac Revision ID      | CorePac Revision ID Register (address location: 0181 2000h)                           | 0x0009_0003                                 |          |
| JTAG BSD_L_ID                 | JTAGID Register (address location: 0x02620018)  | 0x0B9A_602F                                 |          |
| Frequency                     | C66x DSP and ARM-A15 Processor  | 1.25 GHz<br>1.4 GHz                         |          |
| Voltage                       | Core (V)  | SmartReflex variable supply                 |          |
|                               | I/O (V)   | 1.35 V, 1.5 V, 1.8 V, and 3.3 V             |          |
| BGA Package                   | 27 mm x 27 mm   | 1089-Pin Flip-Chip Plastic BGA (ABD)        |          |
| Process Technology            | nm  | 28 nm                                       |          |
| Product Status <sup>(3)</sup> | Product Preview (PP), Advance Information (AI), or Production Data (PD)               | PD  |          |

(1) The USIM is implemented for support of secure devices only. Contact your local technical sales representative for further details.

(2) The Security Accelerator function is subject to export control and will be enabled *only* for approved device shipments.

(3) PRODUCTION DATA information is current as of publication date. Products conform to specifications per the terms of Texas Instruments standard warranty. Production processing does not necessarily include testing of all parameters.



### 3.1 C66x DSP CorePac

The C66x DSP CorePac extends the performance of the C64x+ and C674x CPUs through enhancements and new features. Many of the new features target increased performance for vector processing. The C64x+ and C674x DSPs support 2-way SIMD operations for 16-bit data and 4-way SIMD operations for 8-bit data. On the C66x DSP, the vector processing capability is improved by extending the width of the SIMD instructions. C66x DSPs can execute instructions that operate on 128-bit vectors. The C66x CPU also supports SIMD for floating-point operations. Improved vector processing capability (each instruction can process multiple data in parallel) combined with the natural instruction level parallelism of C6000™ architecture (e.g., execution of up to 8 instructions per cycle) results in a very high level of parallelism that can be exploited by DSP programmers through the use of TI's optimized C/C++ compiler.

For more details on the C66x CPU and its enhancements over the C64x+ and C674x architectures, see the following documents:

- *TMS320C66x DSP CPU and Instruction Set Reference Guide* ([SPRUGH7](#))
- *TMS320C66x DSP Cache User's Guide* ([SPRUGY8](#))
- *TMS320C66x DSP CorePac User's Guide* ([SPRUGW0](#))

### 3.2 ARM CorePac

The ARM CorePac of the 66AK2E0x integrates a Cortex-A15 Cluster (4 Cortex-A15 processors) with additional logic for bus protocol conversion, emulation, interrupt handling, and debug related enhancements. The Cortex-A15 processor is an ARMv7A-compatible, multi-issue out-of-order, superscalar pipeline with integrated L1 caches. The implementation also supports advanced SIMDV2 (Neon technology) and VFPv4 (Vector Floating Point) architecture extensions, security, virtualization, LPAE (Large Physical Address Extension), and multiprocessing extensions. The quad core cluster includes a 4MB L2 cache and support for AMBA4 AXI and AXI Coherence Extension (ACE) protocols. For more information see the *KeyStone II Architecture ARM CorePac User's Guide User Guide* ([SPRUHJ4](#)).

### 3.3 Development Tools

#### 3.3.1 Development Support

In case the customer would like to develop their own features and software on the 66AK2E0x device, TI offers an extensive line of development tools for the KeyStone II platform, including tools to evaluate the performance of the processors, generate code, develop algorithm implementations, and fully integrate and debug software and hardware modules. The tool's support documentation is electronically available within the Code Composer Studio™ Integrated Development Environment (IDE).

The following products support development of KeyStone devices:

- **Software Development Tools:**
  - Code Composer Studio Integrated Development Environment (IDE), including Editor C/C++/Assembly Code Generation, and Debug plus additional development tools
  - Scalable, Real-Time foundation software, which provides the basic run-time target software needed to support any application
- **Hardware Development Tools:**
  - Extended Development System (XDS™) Emulator (supports multiprocessor system debug)
  - EVM (Evaluation Module)

### 3.4 Device Nomenclature

To designate the stages in the product development cycle, TI assigns prefixes to the part numbers of all devices and support tools. Each family member has one of two prefixes: X or [blank]. These prefixes represent evolutionary stages of product development from engineering prototypes through fully qualified production devices/tools.

#### 3.4.1 Device Development Evolutionary Flow

The device development evolutionary flow is as follows:

- **X:** Experimental device that is not necessarily representative of the final device's electrical specifications
- **[Blank]:** Fully qualified production device

Support tool development evolutionary flow:

- **X:** Development-support product that has not yet completed Texas Instruments internal qualification testing.
- **[Blank]:** Fully qualified development-support product

Experimental (X) and fully qualified [Blank] devices and development-support tools are shipped with the following disclaimer:

***Developmental product is intended for internal evaluation purposes.***

Fully qualified and production devices and development-support tools have been characterized fully, and the quality and reliability of the device have been demonstrated fully. TI's standard warranty applies.

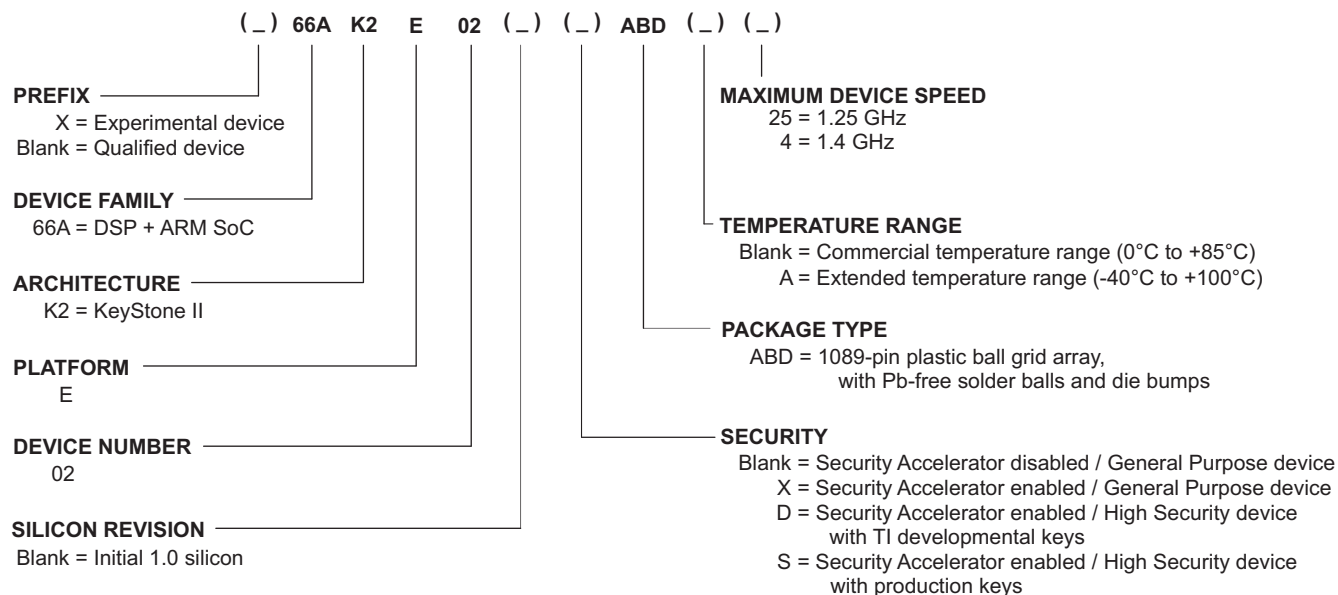
Predictions show that experimental devices (X) have a greater failure rate than the standard production devices. Texas Instruments recommends that these devices not be used in any production system because their expected end-use failure rate still is undefined. Only qualified production devices are to be used.

TI device nomenclature also includes a suffix with the device family name. This suffix indicates the package type (for example, ABD), the temperature range (for example, blank is the default case temperature range), and the device speed range, in Megahertz (for example, blank is 1000 MHz [1 GHz]).

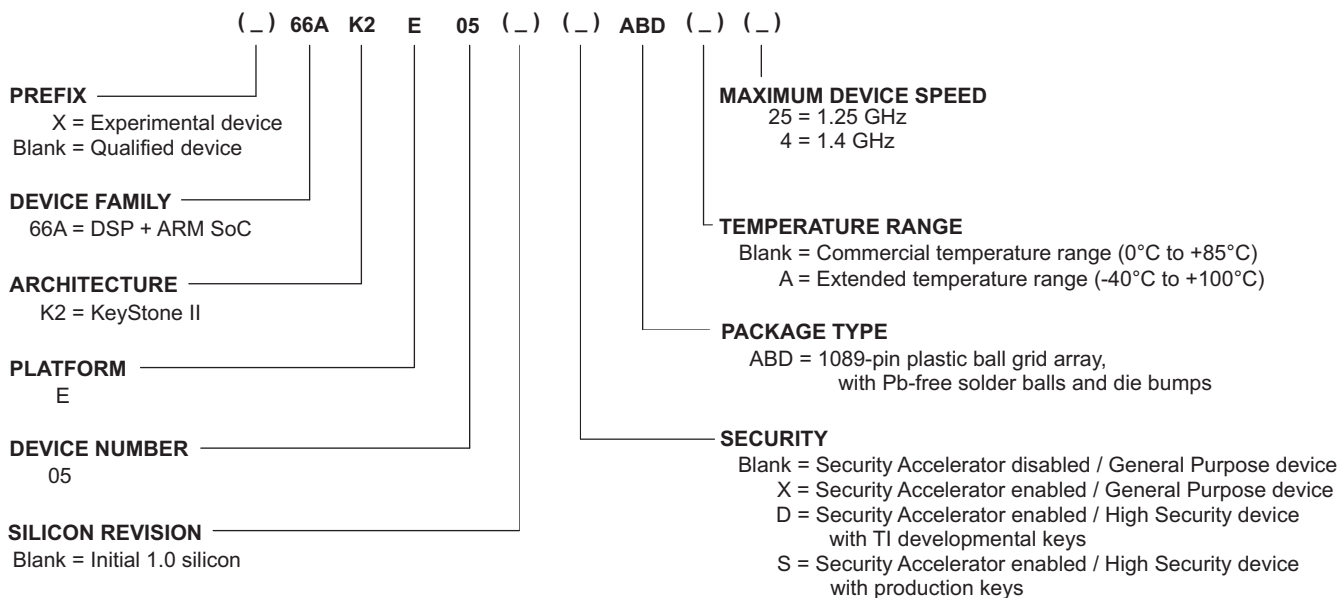
For device part numbers and further ordering information for 66AK2E0x in the ABD package type, see the TI website [www.ti.com](http://www.ti.com) or contact your TI sales representative.

### 3.4.2 Part Number Legend

The following figures provide a legend for reading the complete device name for a KeyStone II device.



**Figure 3-1. Device Nomenclature for 66AK2E02**



**Figure 3-2. Device Nomenclature for 66AK2E05**

### 3.5 Related Documentation from Texas Instruments

These documents describe the 66AK2E0x Multicore ARM+DSP KeyStone II System-on-Chip (SoC). Copies of these documents are available on the Internet at [www.ti.com](http://www.ti.com).

|   |                         |
|---|-------------------------|
| <i>KeyStone Architecture Timer 64P User's Guide</i>   | <a href="#">SPRUGV5</a> |
| <i>KeyStone II Architecture ARM Bootloader User's Guide</i>                                       | <a href="#">SPRUHJ3</a> |
| <i>KeyStone II Architecture ARM CorePac User's Guide</i>  | <a href="#">SPRUHJ4</a> |
| <i>KeyStone Architecture DSP Bootloader User's Guide</i>  | <a href="#">SPRUGY5</a> |
| <i>TMS320C66x DSP CorePac User's Guide</i>  | <a href="#">SPRUGW0</a> |
| <i>TMS320C66x DSP CPU and Instruction Set Reference Guide</i>                                     | <a href="#">SPRUGH7</a> |
| <i>TMS320C66x DSP Cache User's Guide</i>  | <a href="#">SPRUGY8</a> |
| <i>KeyStone Architecture Chip Interrupt Controller (CIC) User's Guide</i>                         | <a href="#">SPRUGW4</a> |
| <i>KeyStone I Architecture Debug and Trace User's Guide</i>                                       | <a href="#">SPRUGZ2</a> |
| <i>DDR3 Design Requirements for KeyStone Devices application report</i>                           | <a href="#">SPRAB11</a> |
| <i>KeyStone Architecture DDR3 Memory Controller User's Guide</i>                                  | <a href="#">SPRUGV8</a> |
| <i>Power Consumption Summary for KeyStone TCI66x Devices application report</i>                   | <a href="#">SPRABL4</a> |
| <i>KeyStone Architecture External Memory Interface (EMIF16) User's Guide</i>                      | <a href="#">SPRUGZ3</a> |
| <i>Emulation and Trace Headers Technical Reference Manual</i>                                     | <a href="#">SPRU655</a> |
| <i>KeyStone Architecture Enhanced Direct Memory Access 3 (EDMA3) User's Guide</i>                 | <a href="#">SPRUGS5</a> |
| <i>KeyStone Architecture General Purpose Input/Output (GPIO) User's Guide</i>                     | <a href="#">SPRUGV1</a> |
| <i>Gigabit Ethernet (GbE) Switch Subsystem (1 GB) User's Guide</i>                                | <a href="#">SPRUGV9</a> |
| <i>KeyStone Architecture Gigabit Ethernet (GbE) Switch Subsystem User's Guide</i>                 | <a href="#">SPRUHJ5</a> |
| <i>KeyStone Architecture HyperLink User's Guide</i>   | <a href="#">SPRUGW8</a> |
| <i>Hardware Design Guide for KeyStone II Devices application report</i>                           | <a href="#">SPRABV0</a> |
| <i>KeyStone Architecture Inter-IC control Bus (I<sup>2</sup>C) User's Guide</i>                   | <a href="#">SPRUGV3</a> |
| <i>KeyStone Architecture Memory Protection Unit (MPU) User's Guide</i>                            | <a href="#">SPRUGW5</a> |
| <i>KeyStone Architecture Multicore Navigator User's Guide</i>                                     | <a href="#">SPRUGR9</a> |
| <i>KeyStone Architecture Multicore Shared Memory Controller (MSMC) User's Guide</i>               | <a href="#">SPRUGW7</a> |
| <i>KeyStone II Architecture Multicore Shared Memory Controller (MSMC) User's Guide</i>            | <a href="#">SPRUHJ6</a> |
| <i>Multicore Programming Guide application report</i>   | <a href="#">SPRAB27</a> |
| <i>KeyStone II Architecture Network Coprocessor (NETCP) for K2E and K2L Devices User's Guide</i>  | <a href="#">SPRUHZ0</a> |
| <i>Optimizing Application Software on KeyStone Devices application report</i>                     | <a href="#">SPRABG8</a> |
| <i>Optimizing Loops on the C66x DSP application report</i>  | <a href="#">SPRABG7</a> |
| <i>KeyStone II Architecture Packet Accelerator 2 (PA2) for K2E and K2L Devices User's Guide</i>   | <a href="#">SPRUHZ2</a> |
| <i>KeyStone Architecture Peripheral Component Interconnect Express (PCIe) User's Guide</i>        | <a href="#">SPRUGS6</a> |
| <i>KeyStone Architecture Phase Locked Loop (PLL) Controller User's Guide</i>                      | <a href="#">SPRUGV2</a> |
| <i>KeyStone Architecture Power Sleep Controller (PSC) User's Guide</i>                            | <a href="#">SPRUGV4</a> |
| <i>KeyStone II Architecture Security Accelerator 2 (SA2) for K2E and K2L Devices User's Guide</i> | <a href="#">SPRUHZ1</a> |
| <i>Security Addendum for KeyStone II Devices application report<sup>(1)</sup></i>                 | <a href="#">SPRABS4</a> |
| <i>KeyStone Architecture Semaphore2 Hardware Module User's Guide</i>                              | <a href="#">SPRUGS3</a> |
| <i>KeyStone II Architecture Serializer/Deserializer (SerDes) User's Guide</i>                     | <a href="#">SPRUHO3</a> |
| <i>KeyStone Architecture Serial Peripheral Interface (SPI) User's Guide</i>                       | <a href="#">SPRUGP2</a> |
| <i>KeyStone Architecture Telecom Serial Interface Port (TSIP) User's Guide</i>                    | <a href="#">SPRUGY4</a> |
| <i>KeyStone Architecture Universal Asynchronous Receiver/Transmitter (UART) User's Guide</i>      | <a href="#">SPRUGP1</a> |
| <i>KeyStone II Architecture Universal Serial Bus 3.0 (USB 3.0) User's Guide</i>                   | <a href="#">SPRUHJ7</a> |
| <i>KeyStone II Architecture IQN2 User's Guide</i>   | <a href="#">SPRUH06</a> |

(1) Contact a TI sales office to obtain this document.

### 3.6 Related Links

The table below lists quick access links. Categories include technical documents, support and community resources, tools and software, and quick access to sample or buy.

**Table 3-2. Related Links**

| PARTS    | PRODUCT FOLDER             | SAMPLE & BUY               | TECHNICAL DOCUMENTS        | TOOLS & SOFTWARE           | SUPPORT & COMMUNITY        |
|----------|----------------------------|----------------------------|----------------------------|----------------------------|----------------------------|
| 66AK2E05 | <a href="#">Click here</a> | <a href="#">Click here</a> | <a href="#">Click here</a> | <a href="#">Click here</a> | <a href="#">Click here</a> |
| 66AK2E02 | <a href="#">Click here</a> | <a href="#">Click here</a> | <a href="#">Click here</a> | <a href="#">Click here</a> | <a href="#">Click here</a> |

### 3.7 Community Resources

The following links connect to TI community resources. Linked contents are provided "AS IS" by the respective contributors. They do not constitute TI specifications and do not necessarily reflect TI's views; see TI's [Terms of Use](#).

[TI E2E™ Online Community](#) *TI's Engineer-to-Engineer (E2E) Community*. Created to foster collaboration among engineers. At [e2e.ti.com](http://e2e.ti.com), you can ask questions, share knowledge, explore ideas and help solve problems with fellow engineers.

[TI Embedded Processors Wiki](#) *Texas Instruments Embedded Processors Wiki*. Established to help developers get started with Embedded Processors from Texas Instruments and to foster innovation and growth of general knowledge about the hardware and software surrounding these devices.

### 3.8 Trademarks

C6000, Code Composer Studio, XDS, E2E are trademarks of Texas Instruments.  
 MPCore is a trademark of ARM Ltd or its subsidiaries.  
 ARM, Cortex are registered trademarks of ARM Ltd or its subsidiaries.  
 All other trademarks are the property of their respective owners.

### 3.9 Electrostatic Discharge Caution



This integrated circuit can be damaged by ESD. Texas Instruments recommends that all integrated circuits be handled with appropriate precautions. Failure to observe proper handling and installation procedures can cause damage.

ESD damage can range from subtle performance degradation to complete device failure. Precision integrated circuits may be more susceptible to damage because very small parametric changes could cause the device not to meet its published specifications.

### 3.10 Glossary

[SLYZ022](#) — *TI Glossary*.

This glossary lists and explains terms, acronyms, and definitions.

## 4 C66x CorePac

The C66x CorePac consists of several components:

- Level-one and level-two memories (L1P, L1D, L2)
- Data Trace Formatter (DTF)
- Embedded Trace Buffer (ETB)
- Interrupt controller
- Power-down controller
- External memory controller
- Extended memory controller
- A dedicated local power/sleep controller (LPSC)

The C66x CorePac also provides support for big and little endianness, memory protection, and bandwidth management (for resources local to the CorePac). Figure 4-1 shows a block diagram of the C66x CorePac.

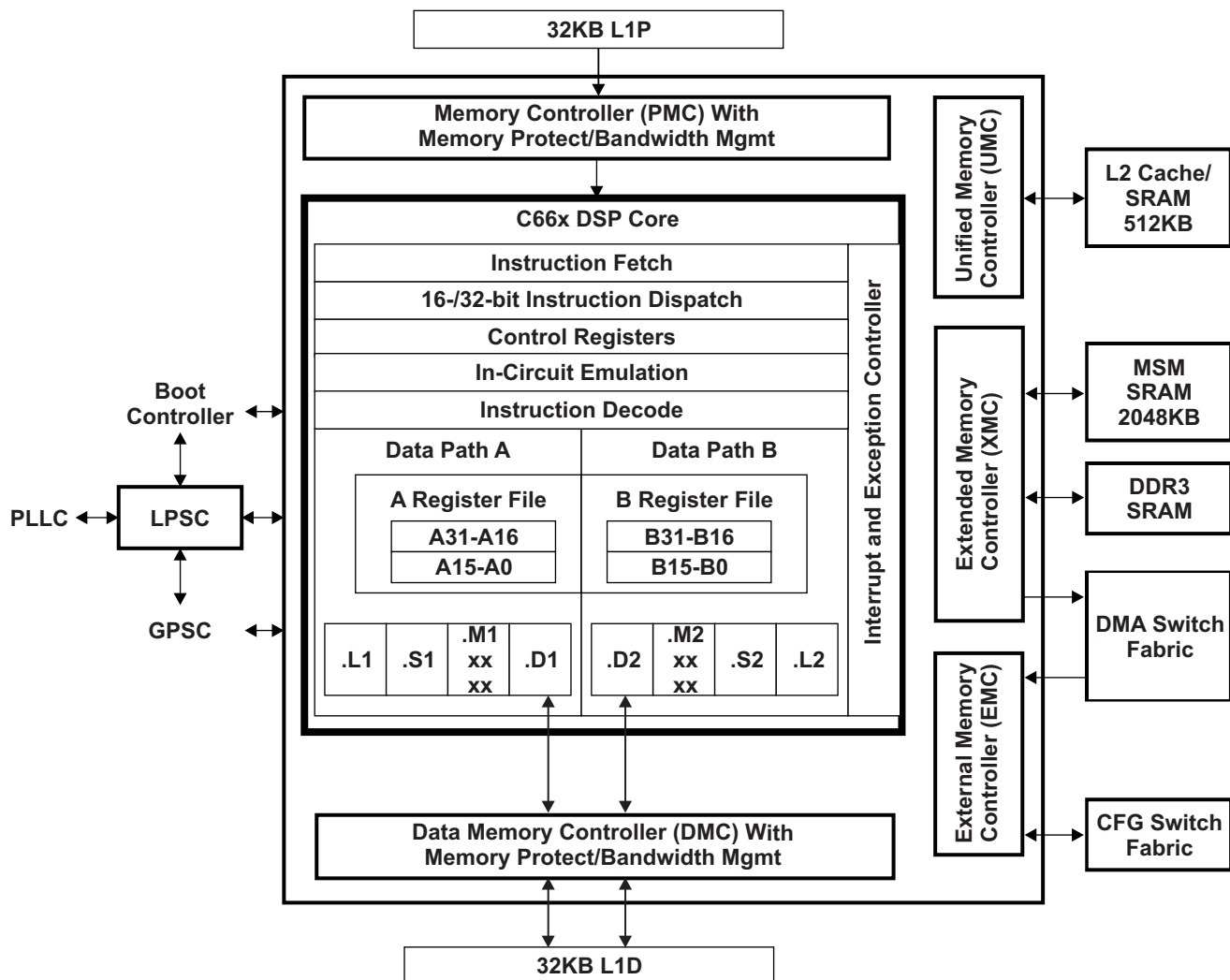


Figure 4-1. C66x CorePac Block Diagram

For more detailed information on the C66x CorePac in the 66AK2E0x device, see the *TMS320C66x DSP CorePac User's Guide* ([SPRUGW0](#)).

## 4.1 Memory Architecture

Each C66x CorePac of the 66AK2E0x device contains a 512KB level-2 memory (L2), a 32KB level-1 program memory (L1P), and a 32KB level-1 data memory (L1D). The device also contains a 2048KB multicore shared memory (MSM). All memory on the 66AK2E0x has a unique location in the memory map (see Section 7).

After device reset, L1P and L1D cache are configured as all cache, by default. The L1P and L1D cache can be reconfigured via software through the L1PMODE field of the L1P Configuration Register (L1PMODE) and the L1DMODE field of the L1D Configuration Register (L1DCFG) of the C66x CorePac. L1D is a two-way set-associative cache, while L1P is a direct-mapped cache.

The on-chip bootloader changes the reset configuration for L1P and L1D. For more information, see the *KeyStone Architecture DSP Bootloader User's Guide* (SPRUGY5).

For more information on the operation L1 and L2 caches, see the *TMS320C66x DSP Cache User's Guide* (SPRUGY8).

### 4.1.1 L1P Memory

The L1P memory configuration for the 66AK2E0x device is as follows:

- Region 0 size is 0K bytes (disabled)
- Region 1 size is 32K bytes with no wait states

Figure 4-2 shows the available SRAM/cache configurations for L1P.

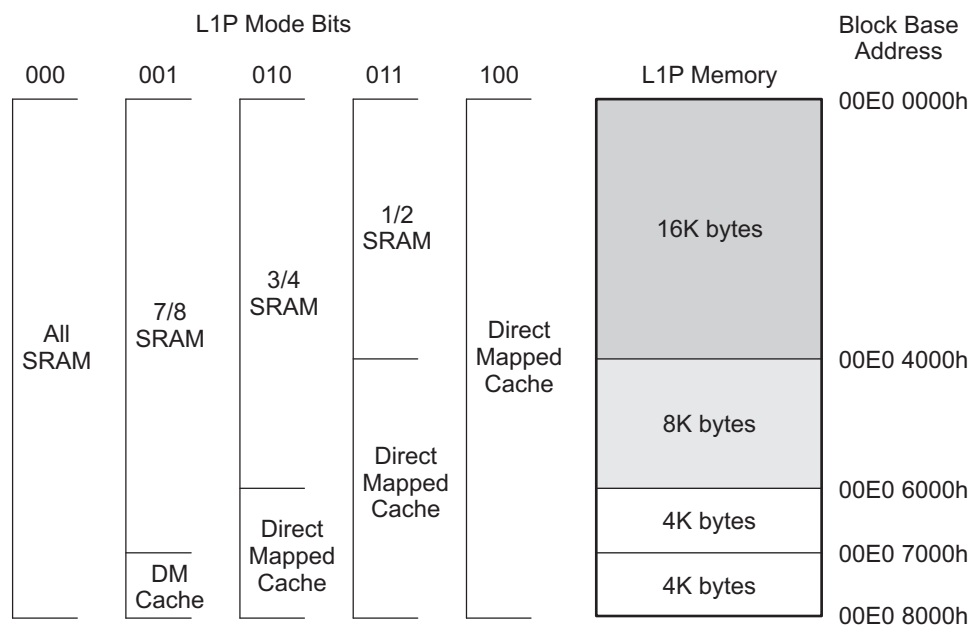


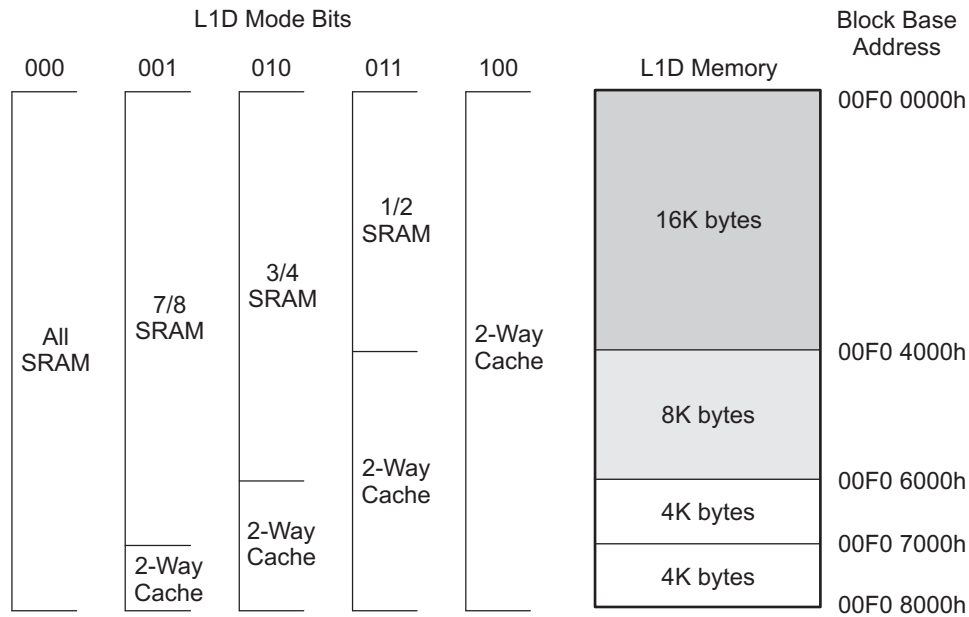
Figure 4-2. L1P Memory Configurations

### 4.1.2 L1D Memory

The L1D memory configuration for the 66AK2E0x device is as follows:

- Region 0 size is 0K bytes (disabled)
- Region 1 size is 32K bytes with no wait states

Figure 4-3 shows the available SRAM/cache configurations for L1D.



**Figure 4-3. L1D Memory Configurations**

### 4.1.3 L2 Memory

The L2 memory configuration for the 66AK2E0x device is as follows:

- Total memory size is 512KB
- Each CorePac contains 512KB of memory
- Local starting address for each CorePac is 0080 0000h

L2 memory can be configured as all SRAM, all 4-way set-associative cache, or a mix of the two. The amount of L2 memory that is configured as cache is controlled through the L2MODE field of the L2 Configuration Register (L2CFG) of the C66x CorePac. [Figure 4-4](#) shows the available SRAM/cache configurations for L2. By default, L2 is configured as all SRAM after device reset.



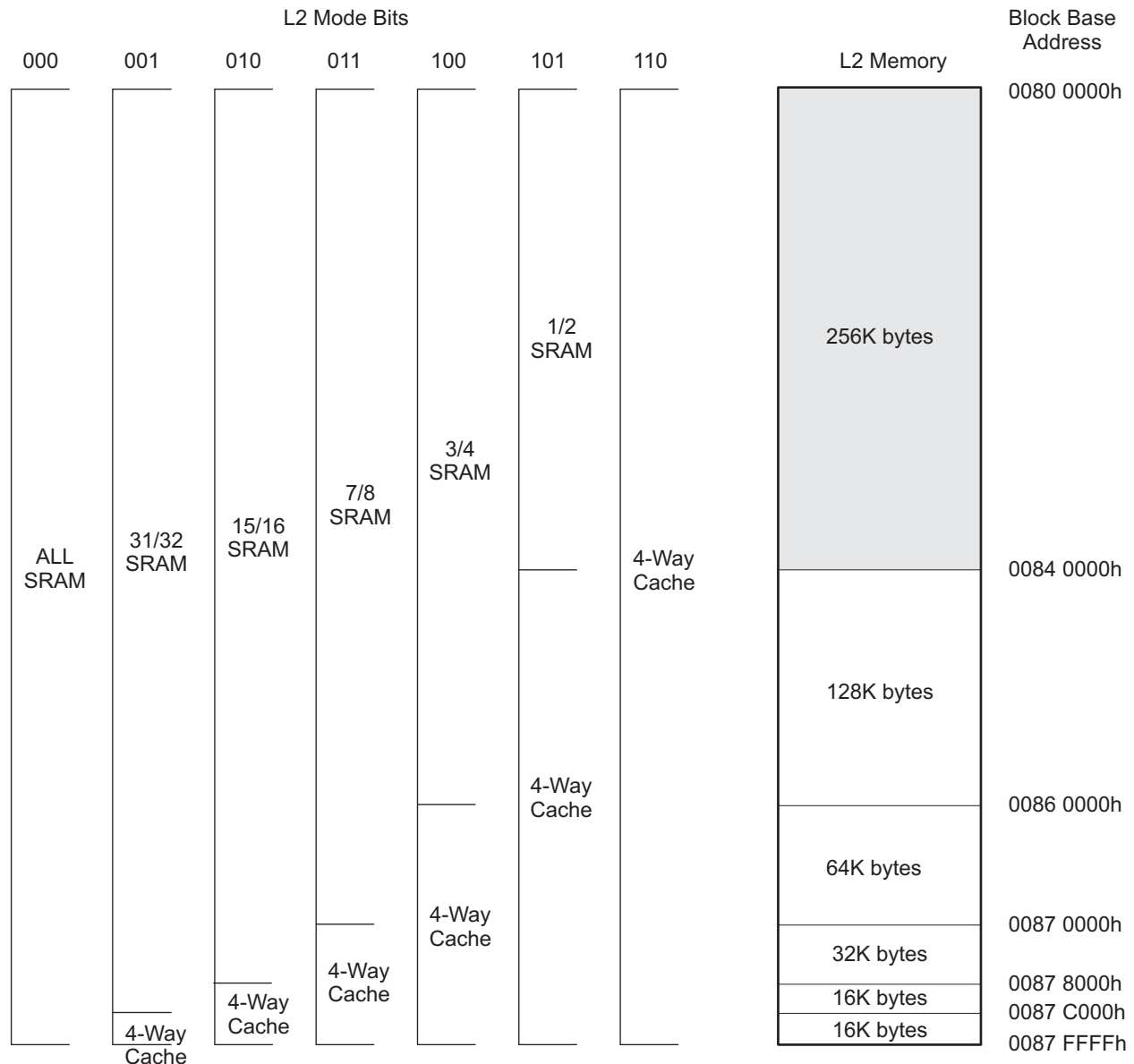


Figure 4-4. L2 Memory Configurations

Global addresses that are accessible to all masters in the system are in all memory local to the processors. In addition, local memory can be accessed directly by the associated processor through aliased addresses, where the eight MSBs are masked to 0.

#### 4.1.4 Multicore Shared Memory SRAM

The MSM SRAM configuration for the 66AK2E0x device is as follows:

- Memory size of 2048KB
- Can be configured as shared L2 or shared L3 memory
- Allows extension of external addresses from 2GB up to 8GB
- Has built-in memory protection features

The MSM SRAM is always configured as all SRAM. When configured as a shared L2, its contents can be cached in L1P and L1D. When configured in shared L3 mode, its contents can be cached in L2 also. For more details on external memory address extension and memory protection features, see the *KeyStone Architecture Multicore Shared Memory Controller (MSMC) User's Guide* ([SPRUGW7](#)).

#### 4.1.5 L3 Memory

The L3 ROM on the device is 256KB. The ROM contains software used to boot the device. There is no requirement to block accesses from this portion to the ROM.

## 4.2 Memory Protection

Memory protection allows an operating system to define who or what is authorized to access L1D, L1P, and L2 memory. To accomplish this, the L1D, L1P, and L2 memories are divided into pages. There are 16 pages of L1P (2KB each), 16 pages of L1D (2KB each), and 32 pages of L2 (32KB each). The L1D, L1P, and L2 memory controllers in the C66x CorePac are equipped with a set of registers that specify the permissions for each memory page.

Each page may be assigned with fully orthogonal user and supervisor read, write, and execute permissions. In addition, a page may be marked as either (or both) locally accessible or globally accessible. A local access is a direct DSP access to L1D, L1P, and L2, while a global access is initiated by a DMA (either IDMA or the EDMA3) or by other system masters. Note that EDMA or IDMA transfers programmed by the DSP count as global accesses. On a secure device, pages can be restricted to secure access only (default) or opened up for public, non-secure access.

The DSP and each of the system masters on the device are all assigned a privilege ID. It is possible to specify only whether memory pages are locally or globally accessible.

The AIDx and LOCAL bits of the memory protection page attribute registers specify the memory page protection scheme, see [Table 4-1](#).

**Table 4-1. Available Memory Page Protection Schemes**

| AIDx BIT <sup>(1)</sup> | LOCAL BIT | DESCRIPTION  |
|-------------------------|-----------|--|
| 0                       | 0         | No access to memory page is permitted.   |
| 0                       | 1         | Only direct access by DSP is permitted.  |
| 1                       | 0         | Only accesses by system masters and IDMA are permitted (includes EDMA and IDMA accesses initiated by the DSP). |
| 1                       | 1         | All accesses permitted.  |

(1) x = 0, 1, 2, 3, 4, 5

Faults are handled by software in an interrupt (or an exception, programmable within the CorePac interrupt controller) service routine. A DSP or DMA access to a page without the proper permissions will:

- Block the access — reads return 0, writes are ignored
- Capture the initiator in a status register — ID, address, and access type are stored
- Signal the event to the DSP interrupt controller

The software is responsible for taking corrective action to respond to the event and resetting the error status in the memory controller. For more information on memory protection for L1D, L1P, and L2, see the *TMS320C66x DSP CorePac User's Guide* ([SPRUGW0](#)).

## 4.3 Bandwidth Management

When multiple requestors contend for a single C66x CorePac resource, the conflict is resolved by granting access to the highest priority requestor. The following four resources are managed by the bandwidth management control hardware:

- Level 1 Program (L1P) SRAM/Cache
- Level 1 Data (L1D) SRAM/Cache

- Level 2 (L2) SRAM/Cache
- Memory-mapped registers configuration bus

The priority level for operations initiated within the C66x CorePac are declared through registers in the CorePac. These operations are:

- DSP-initiated transfers
- User-programmed cache coherency operations
- IDMA-initiated transfers

The priority level for operations initiated outside the CorePac by system peripherals is declared through the Priority Allocation Register (PRI\_ALLOC). System peripherals with no fields in PRI\_ALLOC have their own registers to program their priorities.

More information on the bandwidth management features of the CorePac can be found in the *TMS320C66x DSP CorePac User's Guide* ([SPRUGW0](#)).

#### 4.4 Power-Down Control

The C66x CorePac supports the ability to power-down various parts of the CorePac. The power-down controller (PDC) of the CorePac can be used to power down L1P, the cache control hardware, the DSP, and the entire CorePac. These power-down features can be used to design systems for lower overall system power requirements.

---

#### NOTE

The 66AK2E0x does not support power-down modes for the L2 memory at this time.

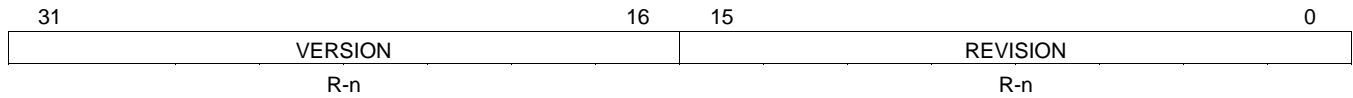
---

More information on the power-down features of the C66x CorePac can be found in the *TMS320C66x DSP CorePac User's Guide* ([SPRUGW0](#)).

## 4.5 C66x CorePac Revision

The version and revision of the C66x CorePac can be read from the CorePac Revision ID Register (MM\_REVID) located at address 0181 2000h. The MM\_REVID register is shown in [Figure 4-5](#) and described in [Table 4-2](#). The C66x CorePac revision is dependent on the silicon revision being used.

**Figure 4-5. CorePac Revision ID Register (MM\_REVID)**



Legend: R = Read only; R/W = Read/Write; -n = value after reset

**Table 4-2. CorePac Revision ID Register (MM\_REVID) Field Descriptions**

| Bit   | Name     | Value | Description  |
|-------|----------|-------|--|
| 31-16 | VERSION  | xxxxh | Version of the C66x CorePac implemented on the device will depend on the silicon being used. |
| 15-0  | REVISION | 0000h | Revision of the C66x CorePac version implemented on this device.                             |

## 4.6 C66x CorePac Register Descriptions

See the *TMS320C66x DSP CorePac User's Guide* ([SPRUGW0](#)) for register offsets and definitions.

## 5 ARM CorePac

The ARM CorePac is added in the 66AK2E0x to enable the ability for layer 2 and layer 3 processing on-chip. Operations such as traffic control, local O&M, NBAP/FP termination, and SCTP processing can all be performed with the Cortex-A15 processor core.

The ARM CorePac of the 66AK2E0x integrates one or more Cortex-A15 processor clusters with additional logic for bus protocol conversion, emulation, interrupt handling, and debug related enhancements. The Cortex-A15 processor is an ARMv7A-compatible, multi-issue out-of-order superscalar execution engine with integrated L1 caches. The implementation also supports advanced SIMDv2 (NEON technology) and VFPv4 (vector floating point) architecture extensions, security, virtualization, LPAE (large physical address extension), and multiprocessing extensions. The ARM CorePac includes an L2 cache and support for AMBA4 AXI and AXI coherence extension (ACE) protocols. An interrupt controller is included in the ARM CorePac to handle host interrupt requests in the system.

The ARM CorePac has three functional clock domains, including a high-frequency clock domain used by the Cortex-A15. The high-frequency domain is isolated from the rest of the device by asynchronous bridges.

The following figures show the ARM CorePac.

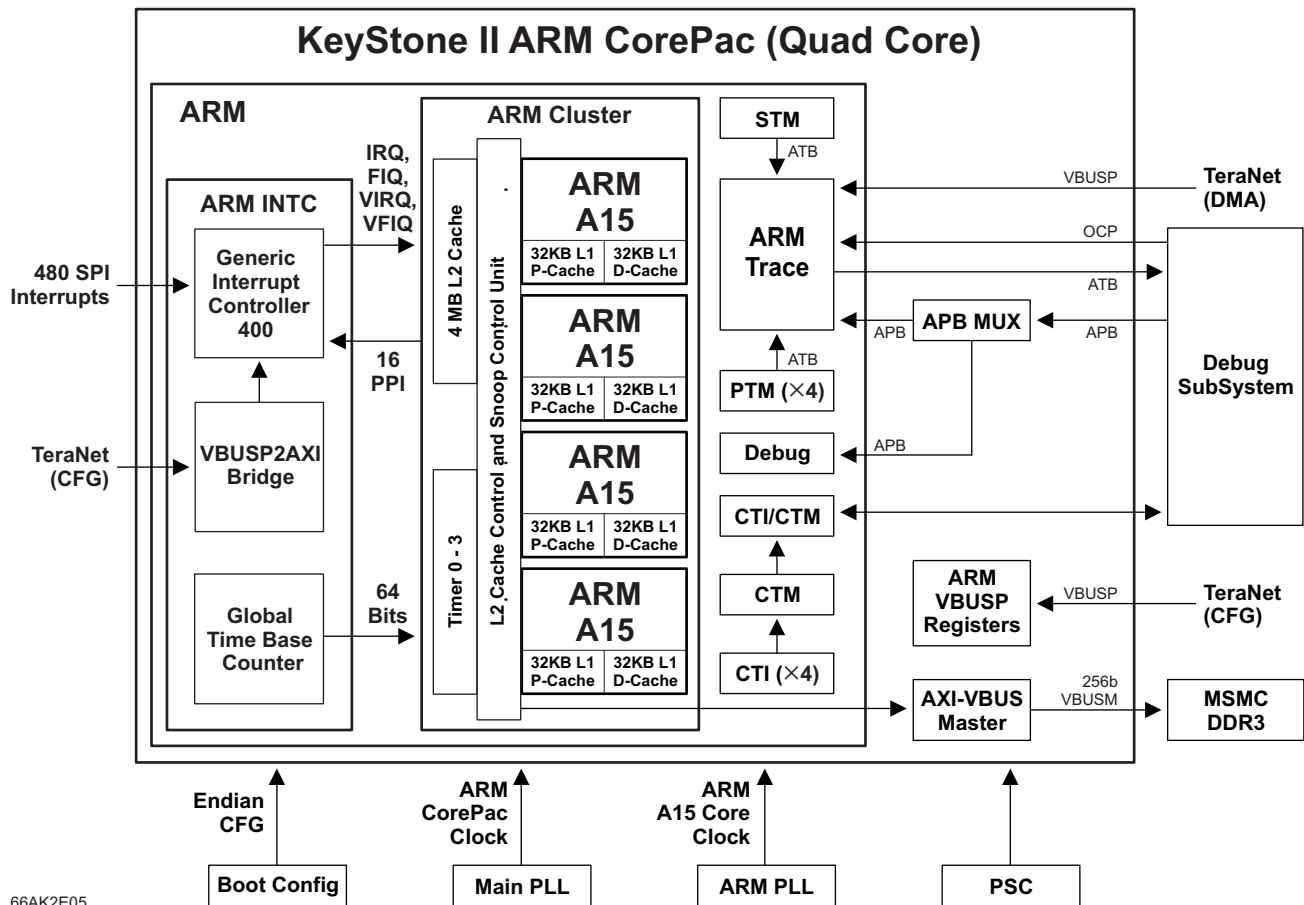


Figure 5-1. 66AK2E05 ARM CorePac Block Diagram

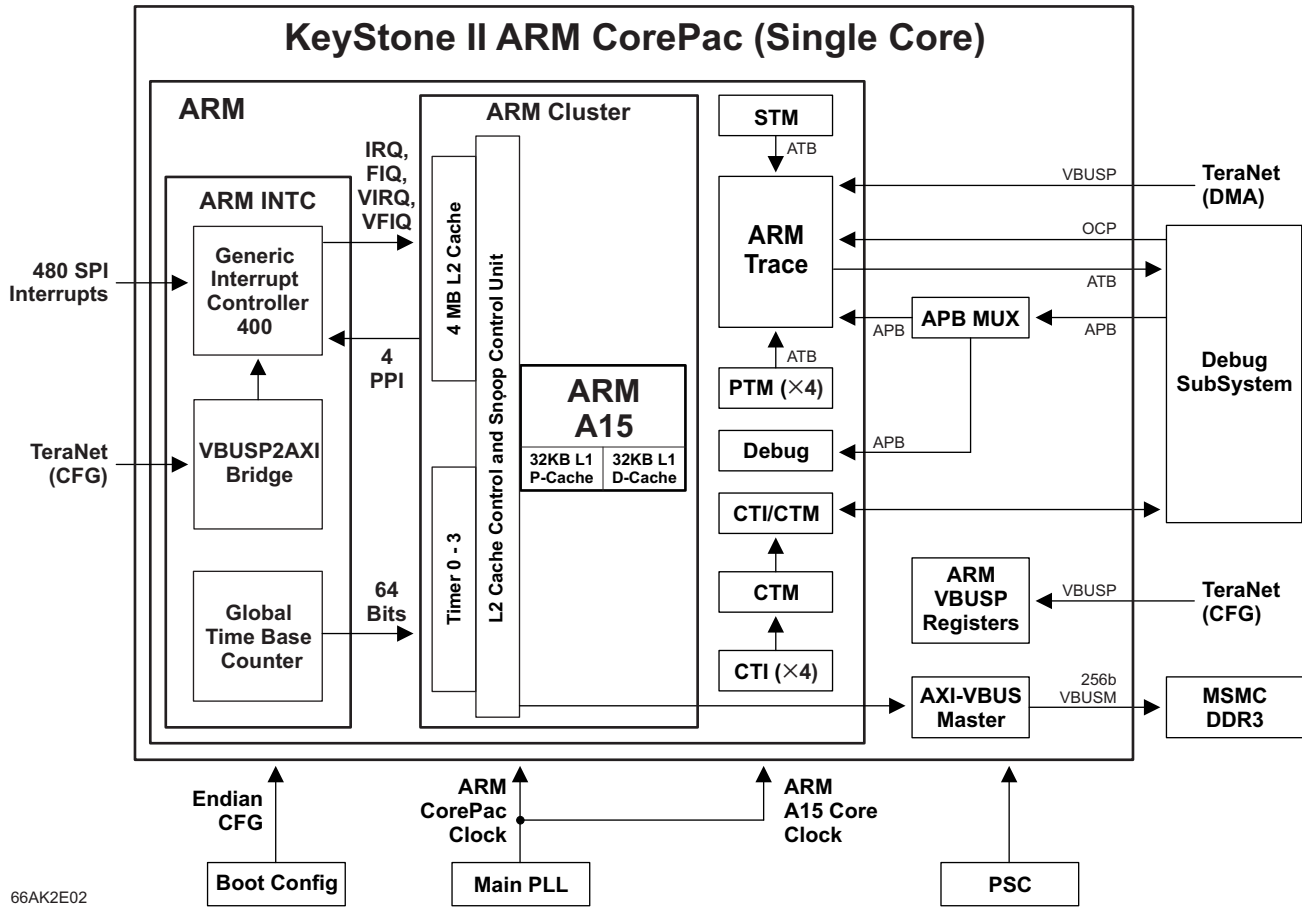


Figure 5-2. 66AK2E02 ARM CorePac Block Diagram

## 5.1 Features

The key features of the Quad Core ARM CorePac are as follows:

- One or more Cortex-A15 processors, each containing:
  - Cortex-A15 processor revision R2P4.
  - ARM architecture version 7 ISA.
  - Multi-issue, out-of-order, superscalar pipeline.
  - L1 and L2 instruction and data cache of 32KB, 2-way, 16 word line with 128-bit interface.
  - Integrated L2 cache of 4MB, 16-way, 16-word line, 128-bit interface to L1 along with ECC/parity.
  - Includes the NEON media coprocessor (NEON™), which implements the advanced SIMDv2 media processing architecture and the VFPv4 Vector Floating Point architecture.
  - The external interface uses the AXI protocol configured to 128-bit data width.
  - Includes the System Trace Macrocell (STM) support for non-invasive debugging.
  - Implements the ARMv7 debug with watchpoint and breakpoint registers and 32-bit advanced peripheral bus (APB) slave interface to CoreSight™ debug systems.
- Interrupt controller
  - Supports up to 480 interrupt requests
  - An integrated Global Time Base Counter (clocked by the SYSCLK divided by 6)
- Emulation/debug
  - Compatible with CoreSight™ architecture

## 5.2 System Integration

The ARM CorePac integrates the following group of submodules.

- **Cortex-A15 Processors:** Provides a high processing capability, including the NEON™ technology for mobile multimedia acceleration. The Cortex-A15 communicates with the rest of the ARM CorePac through an AXI bus with an AXI2VBUSM bridge and receives interrupts from the ARM CorePac interrupt controller (ARM INTC).
- **Interrupt Controller:** Handles interrupts from modules outside of the ARM CorePac (for details, see [Section 5.3.3](#)).
- **Clock Divider:** Provides the required divided clocks to the internal modules of the ARM CorePac and has a clock input from the Main PLL.
- **In-Circuit Emulator:** Fully compatible with CoreSight™ architecture and enables debugging capabilities.

## 5.3 ARM Cortex-A15 Processor

### 5.3.1 Overview

The ARM Cortex-A15 processor incorporates the technologies available in the ARM7™ architecture. These technologies include NEON™ for media and signal processing and Jazelle™ RCT for acceleration of real-time compilers, Thumb@-2 technology for code density, and the VFPv4 floating point architecture. For details, see the ARM Cortex-A15 Processor Technical Reference Manual.

### 5.3.2 Features

[Table 5-1](#) shows the features supported by the Cortex-A15 processor core.

**Table 5-1. Cortex-A15 Processor Core Supported Features**

| FEATURES            | DESCRIPTION  |
|---------------------|--|
| ARM version 7-A ISA | Standard Cortex-A15 processor instruction set + Thumb2, ThumbEE, JazelleX Java accelerator, and media extensions |
|                     | Backward compatible with previous ARM ISA versions   |

**Table 5-1. Cortex-A15 Processor Core Supported Features (continued)**

| FEATURES                        | DESCRIPTION  |
|---------------------------------|--|
| Cortex-A15 processor version    | R2P4   |
| Integer core                    | Main core for processing integer instructions  |
| NEON core                       | Gives greatly enhanced throughput for media workloads and VFP-Lite support   |
| Architecture Extensions         | Security, virtualization and LPAAE (40-bit physical address) extensions  |
| L1 Lcache and Dcache            | 32KB, 2-way, 16 word line, 128 bit interface   |
| L2 cache                        | 4096KB, 16-way, 16 word line, 128 bit interface to L1, ECC/Parity is supported shared between cores<br>L2 valid bits cleared by software loop or by hardware   |
| Cache Coherency                 | Support for coherent memory accesses between A15 cores and other non-core master peripherals (Ex: EDMA) in the DDR3 and MSMC SRAM space. (Cache coherency is not supported between Cortex-A15 and DSP cores or between DSP cores.) |
| Branch target address cache     | Dynamic branch prediction with Branch Target Buffer (BTB) and Global History Buffer (GHB), a return stack, and an indirect predictor   |
| Enhanced memory management unit | Mapping sizes are 4KB, 64KB, 1MB, and 16MB   |
| Buses                           | 128b AXI4 internal bus from Cortex-A15 converted to a 256b VBUSM to interface (through the MSMC) with MSMC SRAM, DDR EMIF, ROM, Interrupt controller and other system peripherals  |
| Non-invasive Debug Support      | Processor instruction trace using 4x Program Trace Macrocell (Coresight™ PTM), Data trace (print-f style debug) using System Trace Macrocell (Coresight™ STM) and Performance Monitoring Units (PMU)                               |
| Misc Debug Support              | JTAG based debug and Cross triggering  |
| Voltage                         | SmartReflex voltage domain for automatic voltage scaling   |
| Power                           | Support for standby modes and separate core power domains for additional leakage power reduction   |

### 5.3.3 ARM Interrupt Controller

The ARM CorePac interrupt controller (AINTC) is responsible for prioritizing all service requests from the system peripherals and the secondary interrupt controller CIC2 and then generating either nIRQ or nFIQ to the Cortex-A15 processor. The type of the interrupt (nIRQ or nFIQ) and the priority of the interrupt inputs are programmable. The AINTC interfaces to the Cortex-A15 processor via the AXI port through an VBUS2AXI bridge and runs at half the processor speed. It has the capability to handle up to 480 requests, which can be steered/prioritized as A15 nFIQ or nIRQ interrupt requests.

The general features of the AINTC are:

- Up to 480 level sensitive shared peripheral interrupts (SPI) inputs
- Individual priority for each interrupt input
- Each interrupt can be steered to nFIQ or nIRQ
- Independent priority sorting for nFIQ and nIRQ
- Secure mask flag

On the chip level, there is a dedicated chip level interrupt controller to serve the ARM interrupt controller. See [Section 7.3](#) for more details.

The figures below show an overall view of the ARM CorePac Interrupt Controller.



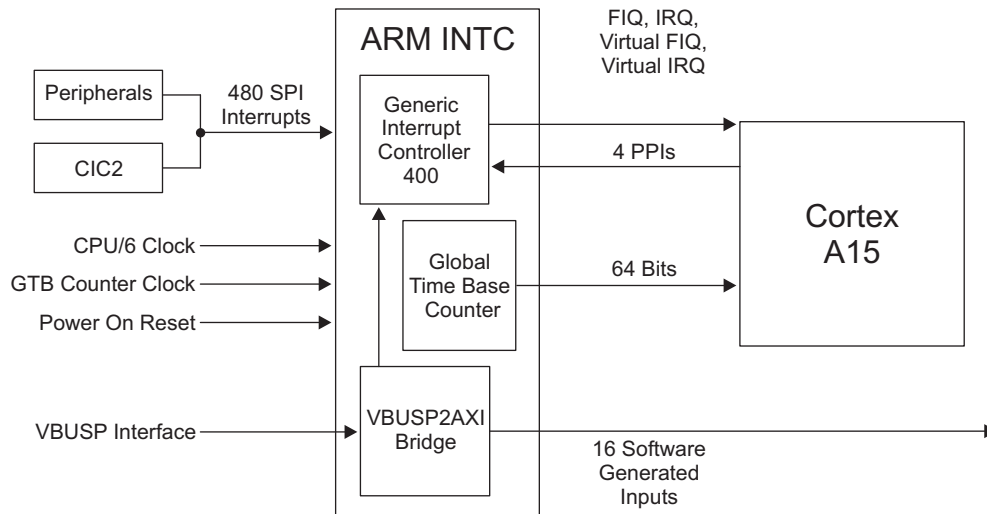


Figure 5-3. ARM Interrupt Controller for One Cortex-A15 Processor Core

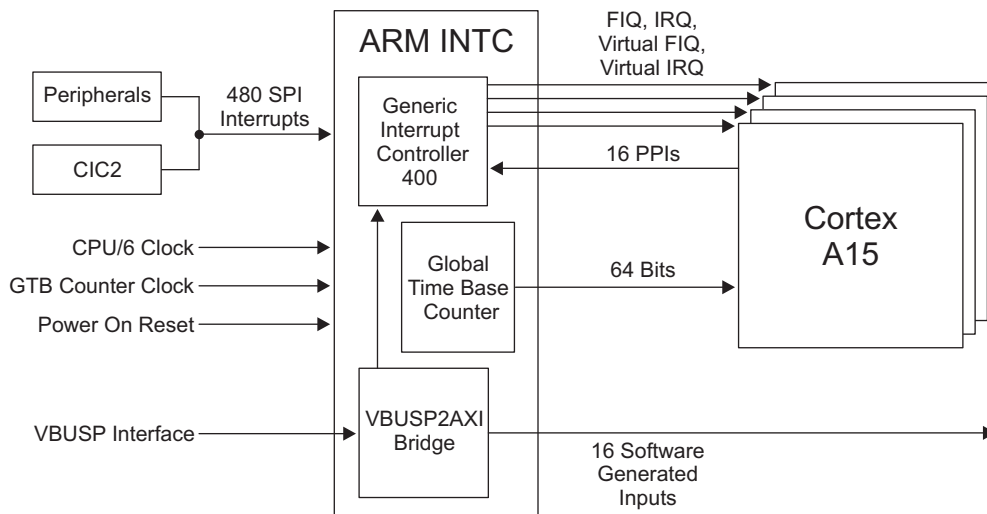


Figure 5-4. ARM Interrupt Controller for Four Cortex-A15 Processor Cores

### 5.3.4 Endianess

The ARM CorePac can operate in either little endian or big endian mode. When the ARM CorePac is in little endian mode and the rest of the system is in big endian mode, the bridges in the ARM CorePac are responsible for performing the endian conversion.

### 5.4 CFG Connection

The ARM CorePac has two slave ports. The 66AK2E0x masters cannot access the ARM CorePac internal memory space.

1. Slave port 0 (TeraNet 3P\_A) is a 32 bit wide port used for the ARM Trace module.
2. Slave port 1 (TeraNet 3P\_B) is a 32 bit wide port used to access the rest of the system configuration.

### 5.5 Main TeraNet Connection

There is one master port coming out of the ARM CorePac. The master port is a 256 bit wide port for the transactions going to the MSMC and DDR\_EMIF data spaces.

## 5.6 Clocking and Reset

### 5.6.1 Clocking

The Cortex-A15 processor core clocks are sourced from the Main PLL Controller. The Cortex-A15 processor core clock has a maximum frequency of 1.4 GHz. The ARM CorePac subsystem also uses the SYSCLK1 clock source from the main PLL which is locally divided (/1, /3 and /6) and provided to certain sub-modules inside the ARM CorePac. AINTC sub module runs at a frequency of SYSCLK1/6.

### 5.6.2 Reset

The ARM CorePac does not support local reset. It is reset whenever the device is under reset. In addition, the interrupt controller (AINTC) can only be reset during POR and RESETFULL. AINTC also resets whenever device is under reset.

For the complete programming model, refer to the *KeyStone II Architecture ARM CorePac User's Guide* ([SPRUHJ4](#)).

## 6 Terminals

### 6.1 Package Terminals

Figure 6-1 shows the ABD 1089-ball grid array package (bottom view).

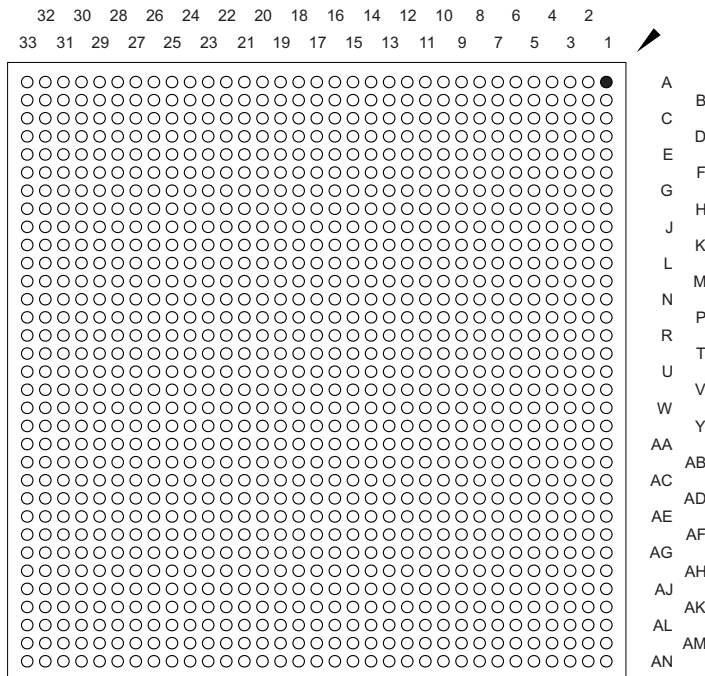


Figure 6-1. ABD 1089-Pin BGA Package (Bottom View)

### 6.2 Pin Map

The following figures show the 66AK2E0x pin assignments in four panels (A, B, C, and D).

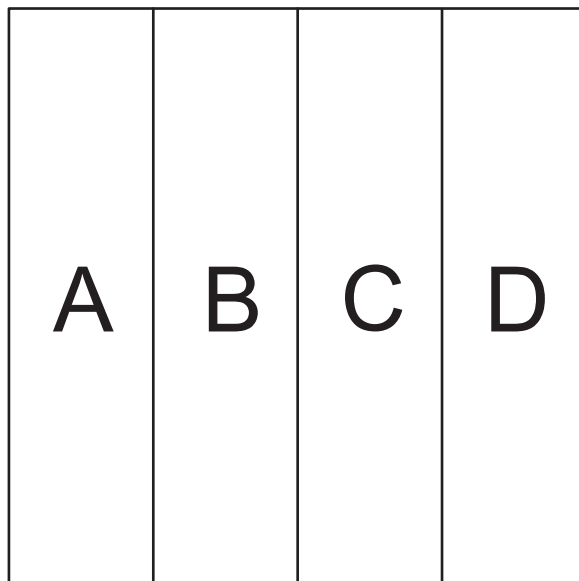


Figure 6-2. Pin Map Panels (Bottom View)

**NOTE**

**XFI** pins are associated with the 10-GbE feature and are supported only in the 66AK2E05 part.

|           | 33             | 32                | 31           | 30                  | 29                | 28         | 27            | 26         |
|-----------|----------------|-------------------|--------------|---------------------|-------------------|------------|---------------|------------|
| <b>A</b>  | VSS            | DVDD15            | DDRQDM7      | DDRQDS6P            | DDR48             | DDR49      | DDRQDS5P      | DDR45      |
| <b>B</b>  | DVDD15         | DDR63             | DDR50        | DDRQDS6N            | DDR52             | DDR44      | DDRQDS5N      | DDR46      |
| <b>C</b>  | DDRQDS7P       | DDR61             | DVDD15       | DDR53               | VSS               | DDR42      | VSS           | DDR47      |
| <b>D</b>  | DDRQDS7N       | DDR62             | VSS          | DDR55               | DVDD15            | DDR41      | DVDD15        | DDRQDM5    |
| <b>E</b>  | DDR60          | DDR59             | DDRQDM6      | DDR54               | DDR51             | DDR40      | DDR43         | DDRQDM4    |
| <b>F</b>  | DDR57          | DDR58             | DDR56        | VSS                 | DVDD15            | VSS        | DVDD15        | VSS        |
| <b>G</b>  | VCNTL1         | VCNTL4            | VSS          | DVDD15              | VSS               | DVDD15     | VSS           | DVDD15     |
| <b>H</b>  | USIMIO         | RSV000            | VCNTL2       | VCNTL3              | VCNTL0            | VSS        | DVDD15        | VSS        |
| <b>J</b>  | USIMCLK        | RSV001            | VCNTL5       | RSV013              | RSV014            | DVDD18     | VSS           | CVDD       |
| <b>K</b>  | TIM0           | TIM1              | TIM00        | TIM01               | USIMRST           | VSS        | DVDD18        | VSSTMON    |
| <b>L</b>  | SPI2CLK        | SPI0SCS3          | SPI0SCS0     | SPI2SCS3            | SPI0SCS2          | DVDD18     | VSS           | CVDDTMON   |
| <b>M</b>  | SPI1CLK        | SPI1SCS1          | SPI0DIN      | SPI0CLK             | SPI0SCS1          | VSS        | DVDD18        | VSS        |
| <b>N</b>  | SPI1SCS3       | VSS               | DVDD18       | SPI1SCS2            | SPI0DOUT          | DVDD18     | VSS           | CVDD       |
| <b>P</b>  | SPI2SCS2       | SPI1DOUT          | SPI2SCS0     | SPI2DIN             | SPI1SCS0          | VSS        | DVDD18        | VSS        |
| <b>R</b>  | UART0CTS       | UART0RTS          | SPI2DOUT     | SPI1DIN             | SPI2SCS1          | DVDD18     | VSS           | CVDD       |
| <b>T</b>  | UART1RTS       | UART1TXD          | UART1CTS     | UART0TXD            | UART0RXD          | VSS        | DVDD18        | VSS        |
| <b>U</b>  | UART0DTR       | VSS               | DVDD18       | VD                  | UART1RXD          | DVDD18     | VSS           | CVDD       |
| <b>V</b>  | GPIO3          | GPIO4             | GPIO7        | GPIO00              | VCL               | VSS        | DVDD18        | VSS        |
| <b>W</b>  | GPIO9          | GPIO6             | GPIO8        | GPIO5               | UART0DSR          | DVDD18     | VSS           | CVDD       |
| <b>Y</b>  | GPIO14         | GPIO12            | GPIO15       | GPIO11              | GPIO02            | VSS        | DVDD18        | VSS        |
| <b>AA</b> | GPIO16         | VSS               | DVDD18       | GPIO13              | GPIO01            | DVDD18     | VSS           | CVDD       |
| <b>AB</b> | GPIO18         | GPIO17            | GPIO19       | GPIO25              | GPIO10            | VSS        | DVDD18        | VSS        |
| <b>AC</b> | GPIO21         | GPIO24            | GPIO23       | GPIO26              | GPIO20            | DVDD18     | VSS           | CVDD       |
| <b>AD</b> | GPIO28         | GPIO27            | GPIO29       | GPIO31              | GPIO22            | VSS        | DVDD18        | VSS        |
| <b>AE</b> | GPIO30         | VSS               | DVDD18       | <u>L</u> RESETNMIEN | RESET             | DVDD18     | VSS           | DVDD18     |
| <b>AF</b> | <u>L</u> RESET | <u>RE</u> SETFULL | BOOTCOMPLETE | HOUT                | TDO               | VSS        | DVDD18        | VSS        |
| <b>AG</b> | NMI            | TRST              | TDI          | SCL0                | SDA2              | SDA0       | VSS           | DVDD18     |
| <b>AH</b> | POR            | TMS               | SCL2         | SCL1                | <u>RE</u> SETSTAT | VSS        | DVDD18        | VSS        |
| <b>AJ</b> | TCK            | SDA1              | TSIP0FSA     | DVDD18              | VSS               | RSV018     | SGMII00REFRES | RSV019     |
| <b>AK</b> | TSIP0CLKB      | TSIP0FSB          | TSIP0CLKA    | VSS                 | SGMII0TXN1        | SGMII0TXP1 | VSS           | SGMII0TXN3 |
| <b>AL</b> | TSIP0TR1       | TSIP0TX0          | VSS          | SGMII0TXN0          | SGMII0TXP0        | VSS        | SGMII0TXN2    | SGMII0TXP2 |
| <b>AM</b> | DVDD18         | TSIP0TX1          | TSIP0TR0     | VSS                 | SGMII0RXP1        | SGMII0RXN1 | VSS           | SGMII0RXP3 |
| <b>AN</b> | VSS            | DVDD18            | VSS          | SGMII0RXP0          | SGMII0RXN0        | VSS        | SGMII0RXP2    | SGMII0RXN2 |
|           | 33             | 32                | 31           | 30                  | 29                | 28         | 27            | 26         |

**Figure 6-3. 66AK2Ex Left End Panel (A) — Bottom View**

|    | 25         | 24         | 23         | 22            | 21         | 20         | 19         | 18        |
|----|------------|------------|------------|---------------|------------|------------|------------|-----------|
| A  | DDRD39     | DDRDQS4P   | DDRCB00    | DDRDQS8N      | DDRCB07    | DDRCB06    | DDRCKE1    | DDRA08    |
| B  | DDRD38     | DDRDQS4N   | DDRD32     | DDRDQS8P      | DDRCB05    | DDRQDM8    | RSV021     | DDRBA2    |
| C  | DVDD15     | DDRD35     | VSS        | DDRCB04       | DVDD15     | DDRCKE0    | VSS        | DDRA14    |
| D  | VSS        | DDRD34     | DVDD15     | DDRCB01       | VSS        | DDRRESET   | DVDD15     | DDRA11    |
| E  | DDRD37     | DDRD36     | DDRD33     | DDRCB02       | DDRCB03    | RSV022     | DDRA15     | DDRA12    |
| F  | DVDD15     | VSS        | DVDD15     | VSS           | DVDD15     | VSS        | DVDD15     | VSS       |
| G  | VSS        | AVDDA10    | VSS        | AVDDA9        | VSS        | DVDD15     | VSS        | DDRRZQ2   |
| H  | DVDD15     | VSS        | DVDD15     | VSS           | DVDD15     | VSS        | DVDD15     | VSS       |
| J  | VSS        | VNWA2      | VSS        | CVDD          | VSS        | CVDD       | VSS        | CVDD      |
| K  | CVDD       | VSS        | CVDD       | VSS           | CVDD       | VSS        | CVDD       | VSS       |
| L  | VSS        | CVDD1      | VSS        | CVDD          | VSS        | CVDD       | VSS        | CVDD      |
| M  | CVDD       | VSS        | CVDD1      | VSS           | CVDD       | VSS        | CVDD       | VSS       |
| N  | VSS        | CVDD1      | VSS        | CVDD          | VSS        | CVDD       | VSS        | CVDD      |
| P  | CVDD       | VSS        | CVDD       | VSS           | CVDD       | VSS        | CVDD       | VSS       |
| R  | VSS        | CVDD       | VSS        | CVDD          | VSS        | CVDD       | VSS        | CVDD      |
| T  | CVDD       | VSS        | CVDD       | VSS           | CVDD       | VSS        | CVDD       | VSS       |
| U  | VSS        | CVDD       | VSS        | CVDD          | VSS        | CVDD       | VSS        | CVDD      |
| V  | CVDD       | VSS        | CVDD       | VSS           | CVDD       | VSS        | CVDD       | VSS       |
| W  | VSS        | CVDD       | VSS        | CVDD          | VSS        | CVDD       | VSS        | CVDD      |
| Y  | CVDD       | VSS        | CVDD1      | VSS           | CVDD       | VSS        | CVDD       | VSS       |
| AA | VSS        | CVDD1      | VSS        | CVDD          | VSS        | CVDD       | VSS        | CVDD      |
| AB | CVDD       | VSS        | CVDD1      | VSS           | CVDD       | VSS        | CVDD       | VSS       |
| AC | VSS        | CVDD       | VSS        | CVDD          | VSS        | CVDD       | VSS        | CVDD      |
| AD | CVDD       | VSS        | VNWA3      | VSS           | CVDD       | VSS        | CVDD       | VSS       |
| AE | VSS        | VDDALV     | VSS        | VDDALV        | VSS        | VDDALV     | VSS        | VDDALV    |
| AF | VDDALV     | VSS        | VDDALV     | VSS           | VDDALV     | VSS        | VDDALV     | VSS       |
| AG | VSS        | VDDALV     | VSS        | VDDALV        | VSS        | VDDALV     | VSS        | VDDALV    |
| AH | VDDAHV     | VSS        | VDDAHV     | VSS           | VDDAHV     | VSS        | VDDAHV     | VSS       |
| AJ | SGMII0CLKN | SGMII0CLKP | VSS        | SGMII01REFRES | VSS        | RSV016     | VSS        | PCIE0CLKN |
| AK | SGMII0TXP3 | VSS        | SGMII0TXN5 | SGMII0TXP5    | VSS        | SGMII0TXN7 | SGMII0TXP7 | VSS       |
| AL | VSS        | SGMII0TXN4 | SGMII0TXP4 | VSS           | SGMII0TXN6 | SGMII0TXP6 | VSS        | PCIE0TXN0 |
| AM | SGMII0RXN3 | VSS        | SGMII0RXP5 | SGMII0RXN5    | VSS        | SGMII0RXP7 | SGMII0RXN7 | VSS       |
| AN | VSS        | SGMII0RXP4 | SGMII0RXN4 | VSS           | SGMII0RXP6 | SGMII0RXN6 | VSS        | PCIE0RXP0 |
|    | 25         | 24         | 23         | 22            | 21         | 20         | 19         | 18        |

**Figure 6-4. 66AK2Ex Left Center Panel (B) — Bottom View**

| 17        | 16          | 15          | 14          | 13        | 12      | 11         | 10          | 9           |    |
|-----------|-------------|-------------|-------------|-----------|---------|------------|-------------|-------------|----|
| DDRA06    | DDRCLKOUTP1 | DDRCLKOUTN1 | RSV023      | DDRA10    | DDRCE0  | DDRD26     | DDRQ3P      | DDRD31      | A  |
| DDRA09    | DDRA02      | DDRCLKOUTP0 | DDRCLKOUTN0 | DDRRAS    | DDRCAS  | DDRD25     | DDRQ3N      | DDRD29      | B  |
| DVDD15    | DDRA03      | DDRA01      | VSS         | DDRBA1    | DDRCE1  | DVDD15     | DDR27       | VSS         | C  |
| VSS       | DDRA04      | DDRA00      | DVDD15      | DDRBA0    | DDRODT0 | VSS        | DDR28       | DVDD15      | D  |
| DDRA07    | DDRA05      | DDRRZQ0     | AVDDA7      | DDRWE     | DDRA13  | DDRODT1    | DDR24       | DDRD30      | E  |
| DVDD15    | VSS         | DDRVREFSSTL | VSS         | DVDD15    | VSS     | DVDD15     | VSS         | DVDD15      | F  |
| VSS       | AVDDA8      | VSS         | DVDD15      | VSS       | DDRRZQ1 | VSS        | DVDD15      | VSS         | G  |
| DVDD15    | VSS         | DVDD15      | VSS         | DVDD15    | VSS     | DVDD15     | VSS         | DVDD15      | H  |
| VSS       | CVDD        | VSS         | CVDD        | VSS       | CVDD    | VSS        | CVDDCMON    | VSSCMON     | J  |
| CVDD      | VSS         | CVDD        | VSS         | CVDD      | VSS     | CVDD       | VSS         | VPP0        | K  |
| VSS       | CVDD        | VSS         | CVDD        | VSS       | CVDD    | VSS        | CVDD        | VSS         | L  |
| CVDD      | VSS         | CVDD        | VSS         | CVDD1     | VSS     | CVDD1      | VSS         | VPP1        | M  |
| VSS       | CVDD        | VSS         | CVDD        | VSS       | CVDD1   | VSS        | CVDD        | VSS         | N  |
| CVDD      | VSS         | CVDD        | VSS         | CVDD      | VSS     | USB1DVDD33 | VSS         | VNWA1       | P  |
| VSS       | CVDD        | VSS         | CVDD        | VSS       | VDDUSB1 | VSS        | USB1VPH     | VSS         | R  |
| CVDD      | VSS         | CVDD        | VSS         | CVDD      | VSS     | VDDUSB1    | VSS         | USB1VPTX    | T  |
| VSS       | CVDD        | VSS         | CVDD        | VSS       | CVDD    | VSS        | VDDUSB0     | VSS         | U  |
| CVDD      | VSS         | CVDD        | VSS         | CVDD      | VSS     | VDDUSB0    | VSS         | USB0VPTX    | V  |
| VSS       | CVDD        | VSS         | CVDD        | VSS       | CVDD    | VSS        | USB0VPH     | VSS         | W  |
| CVDD      | VSS         | CVDD        | VSS         | CVDD1     | VSS     | USB0DVDD33 | VSS         | CVDD        | Y  |
| VSS       | CVDD        | VSS         | CVDD1       | VSS       | CVDD1   | VSS        | CVDD        | VSS         | AA |
| CVDD      | VSS         | CVDD        | VSS         | CVDD      | VSS     | CVDD       | VSS         | CVDD        | AB |
| VSS       | CVDD        | VSS         | CVDD        | VSS       | CVDD    | VSS        | CVDD        | VSS         | AC |
| CVDD      | VSS         | CVDD        | VSS         | CVDD      | VSS     | CVDD       | VSS         | VNWA4       | AD |
| VSS       | VDDALV      | VSS         | VDDALV      | VSS       | VDDALV  | VSS        | VDDALV      | VSS         | AE |
| VDDALV    | VSS         | VDDALV      | VSS         | VDDALV    | VSS     | VDDALV     | VSS         | VDDALV      | AF |
| VSS       | VDDALV      | VSS         | PCIE0REFRES | VSS       | RSV017  | VSS        | XFIREFRES0  | VSS         | AG |
| VDDAHV    | VSS         | VDDAHV      | VSS         | VDDAHV    | VSS     | VDDAHV     | VSS         | RSV020      | AH |
| PCIE0CLKP | VSS         | PCIE1CLKN   | PCIE1CLKP   | VSS       | XFICLKN | XFICLKP    | PCIE1REFRES | VSS         | AJ |
| PCIE0TXN1 | PCIE0TXP1   | VSS         | PCIE1TXN1   | PCIE1TXP1 | VSS     | XFITXN1    | XFITXP1     | VSS         | AK |
| PCIE0TXP0 | VSS         | PCIE1TXN0   | PCIE1TXP0   | VSS       | XFITXN0 | XFITXP0    | VSS         | HYPLNK0TXN0 | AL |
| PCIE0RXP1 | PCIE0RXN1   | VSS         | PCIE1RXP1   | PCIE1RXN1 | VSS     | XFIRXP1    | XFIRXN1     | VSS         | AM |
| PCIE0RXN0 | VSS         | PCIE1RXP0   | PCIE1RXN0   | VSS       | XFIRXP0 | XFIRXN0    | VSS         | HYPLNK0RXP0 | AN |
| 17        | 16          | 15          | 14          | 13        | 12      | 11         | 10          | 9           |    |

Figure 6-5. 66AK2Ex Right Center Panel (C) — Bottom View

| 8           | 7           | 6             | 5             | 4             | 3             | 2            | 1              |           |
|-------------|-------------|---------------|---------------|---------------|---------------|--------------|----------------|-----------|
| DDR22       | DDRQS2N     | DDR09         | DDR08         | DDRQS1P       | DDRQM0        | DVDD15       | VSS            | <b>A</b>  |
| DDR23       | DDRQS2P     | DDR19         | DDR10         | DDRQS1N       | DDR15         | DDR07        | DVDD15         | <b>B</b>  |
| DDR21       | DVDD15      | DDR20         | VSS           | DDR12         | DVDD15        | DDRQS0N      | DDRQS0P        | <b>C</b>  |
| DDRQM2      | VSS         | DDR16         | DVDD15        | DDR13         | VSS           | DDR05        | DDR01          | <b>D</b>  |
| DDRQM3      | DDR18       | DDR17         | DDR11         | DDR14         | DDRQM1        | DDR00        | DDR03          | <b>E</b>  |
| VSS         | DVDD15      | VSS           | DVDD15        | VSS           | DDR06         | DDR02        | DDR04          | <b>F</b>  |
| AVDA6       | VSS         | EMIFD09       | EMIFD00       | DDRCLKP       | DDRCLKN       | RSV004       | RSV005         | <b>G</b>  |
| VSS         | DVDD15      | EMIFD05       | EMIFD04       | EMIFD13       | EMIFD11       | EMIFD08      | EMIFD07        | <b>H</b>  |
| RSV010      | VSS         | EMIFD06       | EMIFD15       | EMIFD12       | VSS           | DVDD18       | EMIFD03        | <b>J</b>  |
| RSV009      | AVDA2       | EMIFD14       | EMIFD10       | EMIFD02       | EMIFD01       | EMIFA19      | EMIFA20        | <b>K</b>  |
| DVDD18      | VSS         | EMIFA23       | EMIFA17       | EMIFA21       | EMIFA14       | EMIFA16      | EMIFA11        | <b>L</b>  |
| VSS         | DVDD18      | EMIFA18       | EMIFA09       | EMIFA10       | EMIFA06       | DVDD18       | VSS            | <b>M</b>  |
| DVDD18      | VSS         | EMIFA05       | EMIFA08       | EMIFA07       | EMIFWAIT1     | VSS          | USB1RX0M       | <b>N</b>  |
| VSS         | DVDD18      | EMIFA04       | EMIFA01       | USB1DM        | EMIFA00       | USB1TX0P     | USB1RX0P       | <b>P</b>  |
| USB1VP      | VSS         | EMIFBE1       | EMIFWE        | USB1DP        | EMIFA22       | USB1TX0M     | VSS            | <b>R</b>  |
| VSS         | DVDD18      | EMIFWAIT0     | EMIFA13       | USBCLKM       | EMIFA15       | VSS          | USB0RX0M       | <b>T</b>  |
| USB0VP      | VSS         | EMIFA02       | EMIFA12       | USBCLKP       | VSS           | USB0TX0M     | USB0RX0P       | <b>U</b>  |
| VSS         | DVDD18      | EMIFA03       | USB1RESREF    | USB1VBUS      | USB0DP        | USB0TX0P     | VSS            | <b>V</b>  |
| RSV011      | RSV012      | USB1ID0       | USB0VBUS      | USB0ID0       | USB0DM        | VSS          | EMIFCE2        | <b>W</b>  |
| VSS         | DVDD18      | USB0RESREF    | EMU17         | EMIFCE1       | EMIFRW        | EMIFOE       | EMIFCE3        | <b>Y</b>  |
| DVDD18      | VSS         | EMU01         | EMU15         | VSS           | DVDD18        | EMIFBE0      | EMIFCE0        | <b>AA</b> |
| VSS         | DVDD18      | HYPLNK0XPMCLK | EMU06         | EMU08         | EMU14         | EMU16        | USB0DRVVBUS    | <b>AB</b> |
| DVDD18      | VSS         | HYPLNK0XFLCLK | EMU00         | EMU02         | EMU07         | EMU13        | USB1DRVVBUS    | <b>AC</b> |
| VSS         | AVDA3       | EMU04         | VSS           | DVDD18        | EMU05         | EMU12        | HYPLNK0RXPMDAT | <b>AD</b> |
| DVDD18      | XFIMDIO     | EMU03         | TSSYNCEVT     | SYCLKOUT      | HYPLNK0RFLDAT | RSV002       | HYPLNK0RXPCLK  | <b>AE</b> |
| VSS         | AVDA1       | XFIMDCLK      | HYPLNK0XPMDAT | TSCOMPOUT     | EMU10         | RSV003       | CORECLKP       | <b>AF</b> |
| RSV015      | VSS         | NETCCLKSEL    | RSV008        | EMU11         | TSPUSHEVT0    | TSRXCLKOUT1P | CORECLKN       | <b>AG</b> |
| VSS         | XFIREFRES1  | MDCLK0        | MDIO0         | HYPLNK0RFLDAT | EMU09         | EMU18        | TSRXCLKOUT1N   | <b>AH</b> |
| HYPLNK0CLKN | HYPLNK0CLKP | VSS           | HYPLNK0REFRES | VSS           | HYPLNK0RFLCLK | TSRXCLKOUT0N | TSRXCLKOUT0P   | <b>AJ</b> |
| HYPLNK0TXN1 | HYPLNK0TXP1 | VSS           | HYPLNK0TXN3   | HYPLNK0TXP3   | VSS           | TSREFCLKP    | TSREFCLKN      | <b>AK</b> |
| HYPLNK0TXP0 | VSS         | HYPLNK0TXN2   | HYPLNK0TXP2   | VSS           | RSV006        | RSV007       | TSPUSHEVT1     | <b>AL</b> |
| HYPLNK0RXP1 | HYPLNK0RXN1 | VSS           | HYPLNK0RXP3   | HYPLNK0RXN3   | VSS           | NETCCLKP     | VSS            | <b>AM</b> |
| HYPLNK0RXN0 | VSS         | HYPLNK0RXP2   | HYPLNK0RXN2   | VSS           | NETCCLKN      | VSS          | VSS            | <b>AN</b> |
| <b>8</b>    | <b>7</b>    | <b>6</b>      | <b>5</b>      | <b>4</b>      | <b>3</b>      | <b>2</b>     | <b>1</b>       |           |

**Figure 6-6. 66AK2Ex Right End Panel (D) — Bottom View**

### 6.3 Terminal Functions

The terminal functions table (Table 6-2) identifies the external signal names, the associated pin (ball) numbers, the pin type (I, O/Z, or I/O/Z), whether the pin has any internal pullup/pulldown resistors, and gives functional pin descriptions. This table is arranged by function. The power terminal functions table (Table 6-3) lists the various power supply pins and ground pins and gives functional pin descriptions. Table 6-4 shows all pins arranged by signal name. Table 6-5 shows all pins arranged by ball number.

Some pins have additional functions beyond their primary functions. There are 21 pins that have a secondary function and 15 pins that have a tertiary function. Secondary functions are indicated with a superscript 2 (<sup>2</sup>) and tertiary functions are indicated with a superscript 3 (<sup>3</sup>).

For more detailed information on device configuration, peripheral selection, multiplexed/shared pins, and pullup/pulldown resistors, see Section 9.2.

Use the symbol definitions in Table 6-1 when reading Table 6-2.

**Table 6-1. I/O Functional Symbol Definitions**

| FUNCTIONAL SYMBOL | DEFINITION  | Table 6-2 COLUMN HEADING |
|-------------------|---|--------------------------|
| IPD or IPU        | Internal 100- $\mu$ A pulldown or pullup is provided for this terminal. In most systems, a 1-k $\Omega$ resistor can be used to oppose the IPD/IPU. | IPD/IPU                  |
| A                 | Analog signal   | Type                     |
| GND               | Ground  | Type                     |
| I                 | Input terminal  | Type                     |
| O                 | Output terminal   | Type                     |
| P                 | Power supply voltage  | Type                     |
| Z                 | Three-state terminal or high impedance  | Type                     |

**Table 6-2. Terminal Functions — Signals and Control by Function**

| SIGNAL NAME                    | BALL NO. | TYPE | IPD/IPU | DESCRIPTION   |
|--------------------------------|----------|------|---------|---|
| <b>Boot Configuration Pins</b> |          |      |         |   |
| BOOTMODE_RSVD <sup>2</sup>     | Y31      | I    | Down    | ARM Big Endian Configuration pin. Secondary function for GPIO15.                              |
| AVSIFSEL[0] <sup>2</sup>       | K33      | I    | Down    | Default value (bootstrapped) for SR PINMUX Register (SR_PINCTL). Secondary function for TIMI0 |
| AVSIFSEL[1] <sup>2</sup>       | K32      | I    | Down    | Default value (bootstrapped) for SR PINMUX Register (SR_PINCTL). Secondary function for TIMI1 |
| BOOTCOMPLETE                   | AF31     | OZ   | Down    | Boot progress indication output   |
| BOOTMODE00 <sup>2</sup>        | AA29     | I    | Down    | User defined Boot Mode pin. Secondary function for GPIO01.                                    |
| BOOTMODE01 <sup>2</sup>        | Y29      | I    | Down    | User defined Boot Mode pin. Secondary function for GPIO02.                                    |
| BOOTMODE02 <sup>2</sup>        | V33      | I    | Down    | User defined Boot Mode pin. Secondary function for GPIO03.                                    |
| BOOTMODE03 <sup>2</sup>        | V32      | I    | Down    | User defined Boot Mode pin. Secondary function for GPIO04.                                    |
| BOOTMODE04 <sup>2</sup>        | W30      | I    | Down    | User defined Boot Mode pin. Secondary function for GPIO05.                                    |
| BOOTMODE05 <sup>2</sup>        | W32      | I    | Down    | User defined Boot Mode pin. Secondary function for GPIO06.                                    |
| BOOTMODE06 <sup>2</sup>        | V31      | I    | Down    | User defined Boot Mode pin. Secondary function for GPIO07.                                    |
| BOOTMODE07 <sup>2</sup>        | W31      | I    | Down    | User defined Boot Mode pin. Secondary function for GPIO08.                                    |
| BOOTMODE08 <sup>2</sup>        | W33      | I    | Down    | User defined Boot Mode pin. Secondary function for GPIO09.                                    |
| BOOTMODE09 <sup>2</sup>        | AB29     | I    | Down    | User defined Boot Mode pin. Secondary function for GPIO10.                                    |
| BOOTMODE10 <sup>2</sup>        | Y30      | I    | Down    | User defined Boot Mode pin. Secondary function for GPIO11.                                    |
| BOOTMODE11 <sup>2</sup>        | Y32      | I    | Down    | User defined Boot Mode pin. Secondary function for GPIO12.                                    |
| BOOTMODE12 <sup>2</sup>        | AA30     | I    | Down    | User defined Boot Mode pin. Secondary function for GPIO13.                                    |
| BOOTMODE13 <sup>2</sup>        | AA33     | I    | Down    | User defined Boot Mode pin. Secondary function for GPIO16.                                    |
| BOOTMODE14 <sup>2</sup>        | AB32     | I    | Down    | User defined Boot Mode pin. Secondary function for GPIO17.                                    |
| BOOTMODE15 <sup>2</sup>        | AB33     | I    | Down    | User defined Boot Mode pin. Secondary function for GPIO18.                                    |
| LENDIAN <sup>2</sup>           | V30      | I    | Up      | Little Endian Configuration pin. Secondary function for GPIO00.                               |



**Table 6-2. Terminal Functions — Signals and Control by Function (continued)**

| SIGNAL NAME                     | BALL NO. | TYPE | IPD/IPU | DESCRIPTION  |
|---------------------------------|----------|------|---------|--|
| MAINPLLODSEL <sup>2</sup>       | Y33      | I    | Down    | Post divider select for main PLL.. Secondary function for GPIO14.  |
| <b>Clock / Reset</b>            |          |      |         |  |
| CORECLKN                        | AG1      | I    |         | System clock input to main PLL   |
| CORECLKP                        | AF1      | I    |         |  |
| DDRCLKN                         | G3       | I    |         | DDR3 reference clock input to DDR PLL  |
| DDRCLKP                         | G4       | I    |         |  |
| HOUT                            | AF30     | OZ   | Up      | Interrupt output pulse created by IPCGRH   |
| HYPLNK0CLKN                     | AJ8      | I    |         | HyperLink reference clock to drive HyperLink SerDes  |
| HYPLNK0CLKP                     | AJ7      | I    |         |  |
| $\overline{\text{LRESETNMIEN}}$ | AE30     | I    | Up      | Enable for DSP core  |
| $\overline{\text{LRESET}}$      | AF33     | I    | Up      | Warm reset   |
| NETCPCLKN                       | AN3      | I    |         | NETCP sub-system reference clock   |
| NETCPCLKP                       | AM2      | I    |         |  |
| NETCPCLKSEL                     | AG6      | I    | Down    | NETCP clock select to choose between core clock and NETCPCLK pins  |
| $\overline{\text{NMI}}$         | AG33     | I    | Up      | Non-maskable interrupt   |
| PCIE0CLKN                       | AJ18     | I    |         | PCle Clock input to drive PCle0 SerDes   |
| PCIE0CLKP                       | AJ17     | I    |         |  |
| PCIE1CLKN                       | AJ15     | I    |         | PCle Clock Input to drive PCle1 SerDes   |
| PCIE1CLKP                       | AJ14     | I    |         |  |
| $\overline{\text{POR}}$         | AH33     | I    |         | Power-on reset   |
| $\overline{\text{RESETFULL}}$   | AF32     | I    | Up      | Full reset   |
| $\overline{\text{RESETSTAT}}$   | AH29     | O    | Up      | Reset Status Output. Drives low during Power-on Reset (No HHV override). Available after core and IOs are completely powered-up. |
| $\overline{\text{RESET}}$       | AE29     | I    | Up      | Warm reset of non-isolated portion of the device   |
| SGMII0CLKN                      | AJ25     | I    |         | SGMII reference clock to drive both SGMII0 SerDes SGMII reference clock to drive the SGMII SerDes                                |
| SGMII0CLKP                      | AJ24     | I    |         |  |
| SYCLKOUT                        | AE4      | OZ   | Down    | System clock output to be used as a general purpose output clock for debug purposes  |
| TSREFCLKN                       | AK1      | I    |         | Clock from external OCXO/VCXO for SyncE  |
| TSREFCLKP                       | AK2      | I    |         |  |
| TSRXCLKOUT0N                    | AJ2      | O    |         | SERDES recovered clock output for SyncE  |
| TSRXCLKOUT0P                    | AJ1      | O    |         |  |
| TSRXCLKOUT1N                    | AH1      | O    |         | SERDES recovered clock output for SyncE  |
| TSRXCLKOUT1P                    | AG2      | O    |         |  |
| USBCLKM                         | T4       | I    |         | USB0_3.0 reference clock   |
| USBCLKP                         | U4       | I    |         |  |
| XFICLKN                         | AJ12     | I    |         | XFI reference clock to drive the XFI SerDes  |
| XFICLKP                         | AJ11     | I    |         |  |

**Table 6-2. Terminal Functions — Signals and Control by Function (continued)**

| SIGNAL NAME          | BALL NO. | TYPE | IPD/IPU | DESCRIPTION                                       |
|----------------------|----------|------|---------|---|
| <b>DDR3</b>          |          |      |         |   |
| DDRA00               | D15      | OZ   |         | DDR3 EMIF address bus                             |
| DDRA01               | C15      | OZ   |         |   |
| DDRA02               | B16      | OZ   |         |   |
| DDRA03               | C16      | OZ   |         |   |
| DDRA04               | D16      | OZ   |         |   |
| DDRA05               | E16      | OZ   |         |   |
| DDRA06               | A17      | OZ   |         |   |
| DDRA07               | E17      | OZ   |         |   |
| DDRA08               | A18      | OZ   |         |   |
| DDRA09               | B17      | OZ   |         |   |
| DDRA10               | A13      | OZ   |         |   |
| DDRA11               | D18      | OZ   |         |   |
| DDRA12               | E18      | OZ   |         |   |
| DDRA13               | E12      | OZ   |         |   |
| DDRA14               | C18      | OZ   |         |   |
| DDRA15               | E19      | OZ   |         |   |
| DDRBA0               | D13      | OZ   |         | DDR3 EMIF bank address                            |
| DDRBA1               | C13      | OZ   |         |   |
| DDRBA2               | B18      | OZ   |         |   |
| DDRCAS               | B12      | OZ   |         | DDR3 EMIF column address strobe                   |
| DDRCB00              | A23      | IOZ  |         | DDR3 EMIF check bits                              |
| DDRCB01              | D22      | IOZ  |         |   |
| DDRCB02              | E22      | IOZ  |         |   |
| DDRCB03              | E21      | IOZ  |         |   |
| DDRCB04              | C22      | IOZ  |         |   |
| DDRCB05              | B21      | IOZ  |         |   |
| DDRCB06              | A20      | IOZ  |         |   |
| DDRCB07              | A21      | IOZ  |         |   |
| DDRC $\overline{E}0$ | A12      | OZ   |         | DDR3 EMIF chip enable0                            |
| DDRC $\overline{E}1$ | C12      | OZ   |         | DDR3 EMIF chip enable1                            |
| DDRCKE0              | C20      | OZ   |         | DDR3 EMIF clock enable0                           |
| DDRCKE1              | A19      | OZ   |         | DDR3 EMIF clock enable1                           |
| DDRCLKOUTN0          | B14      | OZ   |         | DDR3 EMIF Output Clocks to drive SDRAMs for Rank0 |
| DDRCLKOUTP0          | B15      | OZ   |         |   |
| DDRCLKOUTN1          | A15      | OZ   |         | DDR3 EMIF Output Clocks to drive SDRAMs for Rank1 |
| DDRCLKOUTP1          | A16      | OZ   |         |   |

**Table 6-2. Terminal Functions — Signals and Control by Function (continued)**

| SIGNAL NAME | BALL NO. | TYPE | IPD/IPU            | DESCRIPTION        |
|-------------|----------|------|--------------------|--------------------|
| DDR00       | E2       | IOZ  |                    | DDR3 EMIF data bus |
| DDR01       | D1       | IOZ  |                    |                    |
| DDR02       | F2       | IOZ  |                    |                    |
| DDR03       | E1       | IOZ  |                    |                    |
| DDR04       | F1       | IOZ  |                    |                    |
| DDR05       | D2       | IOZ  |                    |                    |
| DDR06       | F3       | IOZ  |                    |                    |
| DDR07       | B2       | IOZ  |                    |                    |
| DDR08       | A5       | IOZ  |                    |                    |
| DDR09       | A6       | IOZ  |                    |                    |
| DDR10       | B5       | IOZ  |                    |                    |
| DDR11       | E5       | IOZ  |                    |                    |
| DDR12       | C4       | IOZ  |                    |                    |
| DDR13       | D4       | IOZ  |                    |                    |
| DDR14       | E4       | IOZ  |                    |                    |
| DDR15       | B3       | IOZ  |                    |                    |
| DDR16       | D6       | IOZ  | DDR3 EMIF data bus |                    |
| DDR17       | E6       | IOZ  |                    |                    |
| DDR18       | E7       | IOZ  |                    |                    |
| DDR19       | B6       | IOZ  |                    |                    |
| DDR20       | C6       | IOZ  |                    |                    |
| DDR21       | C8       | IOZ  |                    |                    |
| DDR22       | A8       | IOZ  |                    |                    |
| DDR23       | B8       | IOZ  |                    |                    |
| DDR24       | E10      | IOZ  |                    |                    |
| DDR25       | B11      | IOZ  |                    |                    |
| DDR26       | A11      | IOZ  |                    |                    |
| DDR27       | C10      | IOZ  |                    |                    |
| DDR28       | D10      | IOZ  |                    |                    |
| DDR29       | B9       | IOZ  |                    |                    |
| DDR30       | E9       | IOZ  |                    |                    |
| DDR31       | A9       | IOZ  |                    |                    |
| DDR32       | B23      | IOZ  | DDR3 EMIF data bus |                    |
| DDR33       | E23      | IOZ  |                    |                    |
| DDR34       | D24      | IOZ  |                    |                    |
| DDR35       | C24      | IOZ  |                    |                    |
| DDR36       | E24      | IOZ  |                    |                    |
| DDR37       | E25      | IOZ  |                    |                    |
| DDR38       | B25      | IOZ  |                    |                    |
| DDR39       | A25      | IOZ  |                    |                    |
| DDR40       | E28      | IOZ  |                    |                    |
| DDR41       | D28      | IOZ  |                    |                    |
| DDR42       | C28      | IOZ  |                    |                    |
| DDR43       | E27      | IOZ  |                    |                    |
| DDR44       | B28      | IOZ  |                    |                    |
| DDR45       | A26      | IOZ  |                    |                    |
| DDR46       | B26      | IOZ  |                    |                    |
| DDR47       | C26      | IOZ  |                    |                    |

**Table 6-2. Terminal Functions — Signals and Control by Function (continued)**

| SIGNAL NAME | BALL NO. | TYPE | IPD/IPU | DESCRIPTION   |
|-------------|----------|------|---------|---|
| DDR48       | A29      | IOZ  |         | DDR3 EMIF data bus  |
| DDR49       | A28      | IOZ  |         |   |
| DDR50       | B31      | IOZ  |         |   |
| DDR51       | E29      | IOZ  |         |   |
| DDR52       | B29      | IOZ  |         |   |
| DDR53       | C30      | IOZ  |         |   |
| DDR54       | E30      | IOZ  |         |   |
| DDR55       | D30      | IOZ  |         |   |
| DDR56       | F31      | IOZ  |         |   |
| DDR57       | F33      | IOZ  |         |   |
| DDR58       | F32      | IOZ  |         |   |
| DDR59       | E32      | IOZ  |         |   |
| DDR60       | E33      | IOZ  |         |   |
| DDR61       | C32      | IOZ  |         |   |
| DDR62       | D32      | IOZ  |         |   |
| DDR63       | B32      | IOZ  |         |   |
| DDRQ0       | A3       | OZ   |         | DDR3 EMIF Data Masks  |
| DDRQ1       | E3       | OZ   |         |   |
| DDRQ2       | D8       | OZ   |         |   |
| DDRQ3       | E8       | OZ   |         |   |
| DDRQ4       | E26      | OZ   |         |   |
| DDRQ5       | D26      | OZ   |         |   |
| DDRQ6       | E31      | OZ   |         |   |
| DDRQ7       | A31      | OZ   |         |   |
| DDRQ8       | B20      | OZ   |         |   |
| DDRQS0N     | C2       | IOZ  | Up/Dn   | DDR3 EMIF data strobe. Programmable pull-up/dn 350-650 ohm.                   |
| DDRQS0P     | C1       | IOZ  | Up/Dn   |   |
| DDRQS1N     | B4       | IOZ  | Up/Dn   |   |
| DDRQS1P     | A4       | IOZ  | Up/Dn   |   |
| DDRQS2N     | A7       | IOZ  | Up/Dn   |   |
| DDRQS2P     | B7       | IOZ  | Up/Dn   |   |
| DDRQS3N     | B10      | IOZ  | Up/Dn   |   |
| DDRQS3P     | A10      | IOZ  | Up/Dn   |   |
| DDRQS4N     | B24      | IOZ  | Up/Dn   |   |
| DDRQS4P     | A24      | IOZ  | Up/Dn   |   |
| DDRQS5N     | B27      | IOZ  | Up/Dn   |   |
| DDRQS5P     | A27      | IOZ  | Up/Dn   |   |
| DDRQS6N     | B30      | IOZ  | Up/Dn   |   |
| DDRQS6P     | A30      | IOZ  | Up/Dn   |   |
| DDRQS7N     | D33      | IOZ  | Up/Dn   |   |
| DDRQS7P     | C33      | IOZ  | Up/Dn   |   |
| DDRQS8N     | A22      | IOZ  | Up/Dn   |   |
| DDRQS8P     | B22      | IOZ  | Up/Dn   |   |
| DDRODT0     | D12      | OZ   |         | DDR3 EMIF on-die termination outputs used to set termination on the SDRAMs    |
| DDRODT1     | E11      | OZ   |         | DDR3 EMIF on-die termination outputs used to set termination on the SDRAMs    |
| DDRRAS      | B13      | OZ   |         | DDR3 EMIF row address strobe  |
| DDRRESET    | D20      | OZ   |         | DDR3 reset signal. IO will work in LVCMOS mode to comply with JEDEC standard. |
| DDRRZQ0     | E15      | A    |         | PTV compensation reference resistor pin for DDR3                              |
| DDRRZQ1     | G12      | A    |         | PTV compensation reference resistor pin for DDR3                              |
| DDRRZQ2     | G18      | A    |         | PTV compensation reference resistor pin for DDR3                              |
| DDRWE       | E13      | OZ   |         | DDR3 EMIF write enable  |

**Table 6-2. Terminal Functions — Signals and Control by Function (continued)**

| SIGNAL NAME        | BALL NO. | TYPE | IPD/IPU | DESCRIPTION          |
|--------------------|----------|------|---------|----------------------|
| <b>EMIF</b>        |          |      |         |                      |
| EMIFA00            | P3       | O    | Down    | EMIF address         |
| EMIFA01            | P5       | O    | Down    |                      |
| EMIFA02            | U6       | O    | Down    |                      |
| EMIFA03            | V6       | O    | Down    |                      |
| EMIFA04            | P6       | O    | Down    |                      |
| EMIFA05            | N6       | O    | Down    |                      |
| EMIFA06            | M3       | O    | Down    |                      |
| EMIFA07            | N4       | O    | Down    |                      |
| EMIFA08            | N5       | O    | Down    |                      |
| EMIFA09            | M5       | O    | Down    |                      |
| EMIFA10            | M4       | O    | Down    |                      |
| EMIFA11            | L1       | O    | Down    | EMIF address         |
| EMIFA12            | U5       | O    | Down    |                      |
| EMIFA13            | T5       | O    | Down    |                      |
| EMIFA14            | L3       | O    | Down    |                      |
| EMIFA15            | T3       | O    | Down    |                      |
| EMIFA16            | L2       | O    | Down    |                      |
| EMIFA17            | L5       | O    | Down    |                      |
| EMIFA18            | M6       | O    | Down    |                      |
| EMIFA19            | K2       | O    | Down    |                      |
| EMIFA20            | K1       | O    | Down    |                      |
| EMIFA21            | L4       | O    | Down    |                      |
| EMIFA22            | R3       | O    | Down    | EMIF control signals |
| EMIFA23            | L6       | O    | Down    |                      |
| EMIFBE $\bar{0}$   | AA2      | O    | Up      |                      |
| EMIFBE $\bar{1}$   | R6       | O    | Up      |                      |
| EMIFCE $\bar{0}$   | AA1      | O    | Up      |                      |
| EMIFCE $\bar{1}$   | Y4       | O    | Up      |                      |
| EMIFCE $\bar{2}$   | W1       | O    | Up      |                      |
| EMIFCE $\bar{3}$   | Y1       | O    | Up      |                      |
| EMIFOE             | Y2       | O    | Up      |                      |
| EMIFR $\bar{W}$    | Y3       | O    | Up      |                      |
| EMIFWAIT $\bar{0}$ | T6       | I    | Down    |                      |
| EMIFWAIT $\bar{1}$ | N3       | I    | Down    |                      |
| EMIFWE             | R5       | O    | Up      |                      |

**Table 6-2. Terminal Functions — Signals and Control by Function (continued)**

| SIGNAL NAME        | BALL NO. | TYPE | IPD/IPU | DESCRIPTION  |
|--------------------|----------|------|---------|--|
| EMIFD00            | G5       | IOZ  | Down    | EMIF data  |
| EMIFD01            | K3       | IOZ  | Down    |  |
| EMIFD02            | K4       | IOZ  | Down    |  |
| EMIFD03            | J1       | IOZ  | Down    |  |
| EMIFD04            | H5       | IOZ  | Down    |  |
| EMIFD05            | J6       | IOZ  | Down    |  |
| EMIFD06            | H6       | IOZ  | Down    |  |
| EMIFD07            | H1       | IOZ  | Down    |  |
| EMIFD08            | H2       | IOZ  | Down    |  |
| EMIFD09            | G6       | IOZ  | Down    |  |
| EMIFD10            | K5       | IOZ  | Down    |  |
| EMIFD11            | H3       | IOZ  | Down    |  |
| EMIFD12            | J4       | IOZ  | Down    |  |
| EMIFD13            | H4       | IOZ  | Down    |  |
| EMIFD14            | K6       | IOZ  | Down    |  |
| EMIFD15            | J5       | IOZ  | Down    |  |
| <b>EMU</b>         |          |      |         |  |
| EMU00              | AC5      | IOZ  | Up      | Emulation and trace port   |
| EMU01              | AA6      | IOZ  | Up      |  |
| EMU02              | AC4      | IOZ  | Up      |  |
| EMU03              | AE6      | IOZ  | Up      |  |
| EMU04              | AD6      | IOZ  | Up      |  |
| EMU05              | AD3      | IOZ  | Up      |  |
| EMU06              | AB5      | IOZ  | Up      |  |
| EMU07              | AC3      | IOZ  | Up      |  |
| EMU08              | AB4      | IOZ  | Up      |  |
| EMU09              | AH3      | IOZ  | Up      |  |
| EMU10              | AF3      | IOZ  | Up      |  |
| EMU11              | AG4      | IOZ  | Up      |  |
| EMU12              | AD2      | IOZ  | Up      |  |
| EMU13              | AC2      | IOZ  | Up      |  |
| EMU14              | AB3      | IOZ  | Up      |  |
| EMU15              | AA5      | IOZ  | Up      |  |
| EMU16              | AB2      | IOZ  | Up      |  |
| EMU17              | Y5       | IOZ  | Up      |  |
| EMU18              | AH2      | IOZ  | Up      |  |
| EMU19 <sup>3</sup> | AB32     | IOZ  | Down    | EMU (Unique select for EMU muxing on each GPIO pin.) Tertiary function for GPIO17. |
| EMU20 <sup>3</sup> | AB33     | IOZ  | Down    | EMU (Unique select for EMU muxing on each GPIO pin.) Tertiary function for GPIO18. |
| EMU21 <sup>3</sup> | AB31     | IOZ  | Down    | EMU (Unique select for EMU muxing on each GPIO pin.) Tertiary function for GPIO19. |
| EMU22 <sup>3</sup> | AC29     | IOZ  | Down    | EMU (Unique select for EMU muxing on each GPIO pin.) Tertiary function for GPIO20. |
| EMU23 <sup>3</sup> | AC33     | IOZ  | Down    | EMU (Unique select for EMU muxing on each GPIO pin.) Tertiary function for GPIO21. |
| EMU24 <sup>3</sup> | AD29     | IOZ  | Down    | EMU (Unique select for EMU muxing on each GPIO pin.) Tertiary function for GPIO22. |
| EMU25 <sup>3</sup> | AC31     | IOZ  | Down    | EMU (Unique select for EMU muxing on each GPIO pin.) Tertiary function for GPIO23. |
| EMU26 <sup>3</sup> | AC32     | IOZ  | Down    | EMU (Unique select for EMU muxing on each GPIO pin.) Tertiary function for GPIO24. |
| EMU27 <sup>3</sup> | AB30     | IOZ  | Down    | EMU (Unique select for EMU muxing on each GPIO pin.) Tertiary function for GPIO25. |
| EMU28 <sup>3</sup> | AC30     | IOZ  | Down    | EMU (Unique select for EMU muxing on each GPIO pin.) Tertiary function for GPIO26. |
| EMU29 <sup>3</sup> | AD32     | IOZ  | Down    | EMU (Unique select for EMU muxing on each GPIO pin.) Tertiary function for GPIO27. |
| EMU30 <sup>3</sup> | AD33     | IOZ  | Down    | EMU (Unique select for EMU muxing on each GPIO pin.) Tertiary function for GPIO28. |
| EMU31 <sup>3</sup> | AD31     | IOZ  | Down    | EMU (Unique select for EMU muxing on each GPIO pin.) Tertiary function for GPIO29. |
| EMU32 <sup>3</sup> | AE33     | IOZ  | Down    | EMU (Unique select for EMU muxing on each GPIO pin.) Tertiary function for GPIO30. |

**Table 6-2. Terminal Functions — Signals and Control by Function (continued)**

| SIGNAL NAME                                | BALL NO. | TYPE | IPD/IPU | DESCRIPTION  |
|--|----------|------|---------|--|
| EMU33 <sup>3</sup>                         | AD30     | IOZ  | Down    | EMU (Unique select for EMU muxing on each GPIO pin.) Tertiary function for GPIO31. |
| <b>General Purpose Input/Output (GPIO)</b> |          |      |         |  |
| GPIO00                                     | V30      | IOZ  | Up      | GPIOs  |
| GPIO01                                     | AA29     | IOZ  | Down    |  |
| GPIO02                                     | Y29      | IOZ  | Down    |  |
| GPIO03                                     | V33      | IOZ  | Down    |  |
| GPIO04                                     | V32      | IOZ  | Down    |  |
| GPIO05                                     | W30      | IOZ  | Down    |  |
| GPIO06                                     | W32      | IOZ  | Down    |  |
| GPIO07                                     | V31      | IOZ  | Down    |  |
| GPIO08                                     | W31      | IOZ  | Down    |  |
| GPIO09                                     | W33      | IOZ  | Down    |  |
| GPIO10                                     | AB29     | IOZ  | Down    |  |
| GPIO11                                     | Y30      | IOZ  | Down    |  |
| GPIO12                                     | Y32      | IOZ  | Down    |  |
| GPIO13                                     | AA30     | IOZ  | Down    |  |
| GPIO14                                     | Y33      | IOZ  | Down    |  |
| GPIO15                                     | Y31      | IOZ  | Down    |  |
| GPIO16                                     | AA33     | IOZ  | Down    | GPIOs  |
| GPIO17                                     | AB32     | IOZ  | Down    |  |
| GPIO18                                     | AB33     | IOZ  | Down    |  |
| GPIO19                                     | AB31     | IOZ  | Down    |  |
| GPIO20                                     | AC29     | IOZ  | Down    |  |
| GPIO21                                     | AC33     | IOZ  | Down    |  |
| GPIO22                                     | AD29     | IOZ  | Down    |  |
| GPIO23                                     | AC31     | IOZ  | Down    |  |
| GPIO24                                     | AC32     | IOZ  | Down    |  |
| GPIO25                                     | AB30     | IOZ  | Down    |  |
| GPIO26                                     | AC30     | IOZ  | Down    |  |
| GPIO27                                     | AD32     | IOZ  | Down    |  |
| GPIO28                                     | AD33     | IOZ  | Down    |  |
| GPIO29                                     | AD31     | IOZ  | Down    |  |
| GPIO30                                     | AE33     | IOZ  | Down    |  |
| GPIO31                                     | AD30     | IOZ  | Down    |  |
| <b>HyperLink</b>                           |          |      |         |  |
| HYPLNK0RXN0                                | AN8      | I    |         | HyperLink receive data   |
| HYPLNK0RXN1                                | AM7      | I    |         |  |
| HYPLNK0RXN2                                | AN5      | I    |         |  |
| HYPLNK0RXN3                                | AM4      | I    |         |  |
| HYPLNK0RXP0                                | AN9      | I    |         |  |
| HYPLNK0RXP1                                | AM8      | I    |         |  |
| HYPLNK0RXP2                                | AN6      | I    |         |  |
| HYPLNK0TXN0                                | AL9      | O    |         | HyperLink transmit data  |
| HYPLNK0TXN1                                | AK8      | O    |         |  |
| HYPLNK0TXN2                                | AL6      | O    |         |  |
| HYPLNK0TXN3                                | AK5      | O    |         |  |
| HYPLNK0TXP0                                | AL8      | O    |         |  |
| HYPLNK0TXP1                                | AK7      | O    |         |  |
| HYPLNK0TXP2                                | AL5      | O    |         |  |
| HYPLNK0TXP3                                | AK4      | O    |         |  |

**Table 6-2. Terminal Functions — Signals and Control by Function (continued)**

| SIGNAL NAME           | BALL NO. | TYPE | IPD/IPU | DESCRIPTION  |
|-----------------------|----------|------|---------|--|
| HYPLNK0RXFLCLK        | AJ3      | O    | down    | HyperLink sideband signals                             |
| HYPLNK0RXFLDAT        | AE3      | O    | down    |  |
| HYPLNK0RXPMLCK        | AE1      | I    | down    |  |
| HYPLNK0RXPMDAT        | AD1      | I    | down    |  |
| HYPLNK0TXFLCLK        | AC6      | I    | down    |  |
| HYPLNK0TXFLDAT        | AH4      | I    | down    |  |
| HYPLNK0TXPMCLCK       | AB6      | O    | down    |  |
| HYPLNK0TXPMDAT        | AF5      | O    | down    |  |
| HYPLNK0REFRES         | AJ5      | A    |         | HyperLink SerDes reference resistor input (3 kΩ ±1%)   |
| <b>I<sup>2</sup>C</b> |          |      |         |  |
| SCL0                  | AG30     | IOZ  |         | I <sup>2</sup> C0 clock                                |
| SCL1                  | AH30     | IOZ  |         | I <sup>2</sup> C1 clock                                |
| SCL2                  | AH31     | IOZ  |         | I <sup>2</sup> C2 clock                                |
| SDA0                  | AG28     | IOZ  |         | I <sup>2</sup> C0 data                                 |
| SDA1                  | AJ32     | IOZ  |         | I <sup>2</sup> C1 data                                 |
| SDA2                  | AG29     | IOZ  |         | I <sup>2</sup> C2 data                                 |
| <b>JTAG</b>           |          |      |         |  |
| TCK                   | AJ33     | I    | Up      | JTAG clock input                                       |
| TDI                   | AG31     | I    | Up      | JTAG data input  |
| TDO                   | AF29     | OZ   | Up      | JTAG data output                                       |
| TMS                   | AH32     | I    | Up      | JTAG test mode input                                   |
| TRST                  | AG32     | I    | Down    | JTAG reset   |
| <b>MDIO</b>           |          |      |         |  |
| MDCLK0                | AH6      | O    | Down    | MDIO0 Clock  |
| MDIO0                 | AH5      | IOZ  | Up      | MDIO0 Data   |
| XFIMDCLK              | AF6      | O    | Down    | XFI MDIO Clock   |
| XFIMDIO               | AE7      | IOZ  | Up      | XFI MDIO Data  |
| <b>PCIe</b>           |          |      |         |  |
| PCIE0REFRES           | AG14     | A    |         | PClexpress0 SerDes reference resistor input (3 kΩ ±1%) |
| PCIE0RXN0             | AN17     | I    |         | PClexpress0 lane 0 receive data                        |
| PCIE0RXP0             | AN18     | I    |         |  |
| PCIE0RXN1             | AM16     | I    |         | PClexpress0 lane 1 receive data                        |
| PCIE0RXP1             | AM17     | I    |         |  |
| PCIE0TXN0             | AL18     | O    |         | PClexpress0 lane 0 transmit data                       |
| PCIE0TXP0             | AL17     | O    |         |  |
| PCIE0TXN1             | AK17     | O    |         | PClexpress0 lane 1 transmit data                       |
| PCIE0TXP1             | AK16     | O    |         |  |
| PCIE1REFRES           | AJ10     | A    |         | PClexpress1 SerDes reference resistor input (3 kΩ ±1%) |
| PCIE1RXN0             | AN14     | I    |         | PClexpress1 lane 0 receive data                        |
| PCIE1RXP0             | AN15     | I    |         |  |
| PCIE1RXN1             | AM13     | I    |         | PClexpress1 lane 1 receive data                        |
| PCIE1RXP1             | AM14     | I    |         |  |
| PCIE1TXN0             | AL15     | O    |         | PClexpress1 lane 0 transmit data                       |
| PCIE1TXP0             | AL14     | O    |         |  |
| PCIE1TXN1             | AK14     | O    |         | PClexpress1 lane 1 transmit data                       |
| PCIE1TXP1             | AK13     | O    |         |  |
| <b>SGMII</b>          |          |      |         |  |
| SGMII0REFRES          | AJ27     | A    |         | SGMII0 SerDes reference resistor input (3 kΩ ±1%)      |
| SGMII1REFRES          | AJ22     | A    |         | SGMII1 SerDes reference resistor input (3 kΩ ±1%)      |
| SGMII0RXN0            | AN29     | I    |         | Ethernet MAC SGMII0 port 0 receive data                |
| SGMII0RXP0            | AN30     | I    |         |  |



**Table 6-2. Terminal Functions — Signals and Control by Function (continued)**

| SIGNAL NAME        | BALL NO. | TYPE | IPD/IPU | DESCRIPTION   |
|--------------------|----------|------|---------|---|
| SGMIIORXN1         | AM28     | I    |         | Ethernet MAC SGMII0 port 1 receive data               |
| SGMIIORXP1         | AM29     | I    |         |   |
| SGMIIORXN2         | AN26     | I    |         | Ethernet MAC SGMII0 port 2 receive data               |
| SGMIIORXP2         | AN27     | I    |         |   |
| SGMIIORXN3         | AM25     | I    |         | Ethernet MAC SGMII0 port 3 receive data               |
| SGMIIORXP3         | AM26     | I    |         |   |
| SGMIIORXN4         | AN23     | I    |         | Ethernet MAC SGMII1 port 4 receive data               |
| SGMIIORXP4         | AN24     | I    |         |   |
| SGMIIORXN5         | AM22     | I    |         | Ethernet MAC SGMII1 port 5 receive data               |
| SGMIIORXP5         | AM23     | I    |         |   |
| SGMIIORXN6         | AN20     | I    |         | Ethernet MAC SGMII1 port 6 receive data               |
| SGMIIORXP6         | AN21     | I    |         |   |
| SGMIIORXN7         | AM19     | I    |         | Ethernet MAC SGMII1 port 7 receive data               |
| SGMIIORXP7         | AM20     | I    |         |   |
| SGMIIOTXN0         | AL30     | O    |         | Ethernet MAC SGMII0 port 0 transmit data              |
| SGMIIOTXP0         | AL29     | O    |         |   |
| SGMIIOTXN1         | AK29     | O    |         | Ethernet MAC SGMII0 port 1 transmit data              |
| SGMIIOTXP1         | AK28     | O    |         |   |
| SGMIIOTXN2         | AL27     | O    |         | Ethernet MAC SGMII0 port 2 transmit data              |
| SGMIIOTXP2         | AL26     | O    |         |   |
| SGMIIOTXN3         | AK26     | O    |         | Ethernet MAC SGMII0 port 3 transmit data              |
| SGMIIOTXP3         | AK25     | O    |         |   |
| SGMIIOTXN4         | AL24     | O    |         | Ethernet MAC SGMII1 port 4 transmit data              |
| SGMIIOTXP4         | AL23     | O    |         |   |
| SGMIIOTXN5         | AK23     | O    |         | Ethernet MAC SGMII1 port 5 transmit data              |
| SGMIIOTXP5         | AK22     | O    |         |   |
| SGMIIOTXN6         | AL21     | O    |         | Ethernet MAC SGMII1 port 6 transmit data              |
| SGMIIOTXP6         | AL20     | O    |         |   |
| SGMIIOTXN7         | AK20     | O    |         | Ethernet MAC SGMII1 port 7 transmit data              |
| SGMIIOTXP7         | AK19     | O    |         |   |
| <b>SmartReflex</b> |          |      |         |   |
| VCL                | V29      | IOZ  |         | Voltage control I <sup>2</sup> C clock                |
| VCNTL0             | H29      | OZ   |         | Voltage control outputs to variable core power supply |
| VCNTL1             | G33      | OZ   |         |   |
| VCNTL2             | H31      | OZ   |         |   |
| VCNTL3             | H30      | OZ   |         |   |
| VCNTL4             | G32      | OZ   |         |   |
| VCNTL5             | J31      | OZ   |         |   |
| VD                 | U30      | IOZ  |         | Voltage control I <sup>2</sup> C data                 |
| <b>SPI0</b>        |          |      |         |   |
| SPI0CLK            | M30      | OZ   | Down    | SPI0 clock  |
| SPI0DIN            | M31      | I    | Down    | SPI0 data in  |
| SPI0DOUT           | N29      | OZ   | Down    | SPI0 data out   |
| SPI0SCS0           | L31      | OZ   | Up      | SPI0 interface enable 0                               |
| SPI0SCS1           | M29      | OZ   | Up      | SPI0 interface enable 1                               |
| SPI0SCS2           | L29      | OZ   | Up      | SPI0 interface enable 2                               |
| SPI0SCS3           | L32      | OZ   | Up      | SPI0 interface enable 3                               |
| <b>SPI1</b>        |          |      |         |   |
| SPI1CLK            | M33      | OZ   | Down    | SPI1 clock  |
| SPI1DIN            | R30      | I    | Down    | SPI1 data in  |
| SPI1DOUT           | P32      | OZ   | Down    | SPI1 data out   |

**Table 6-2. Terminal Functions — Signals and Control by Function (continued)**

| SIGNAL NAME                     | BALL NO. | TYPE | IPD/IPU | DESCRIPTION   |
|---------------------------------|----------|------|---------|---|
| SPI1SCS0                        | P29      | OZ   | Up      | SPI1 interface enable 0   |
| SPI1SCS1                        | M32      | OZ   | Up      | SPI1 interface enable 1   |
| SPI1SCS2                        | N30      | OZ   | Up      | SPI1 interface enable 2   |
| SPI1SCS3                        | N33      | OZ   | Up      | SPI1 interface enable 3   |
| <b>SPI2</b>                     |          |      |         |   |
| SPI2CLK                         | L33      | OZ   | Down    | SPI2 clock  |
| SPI2DIN                         | P30      | I    | Down    | SPI2 data in  |
| SPI2DOUT                        | R31      | OZ   | Down    | SPI2 data out   |
| SPI2SCS0                        | P31      | OZ   | Up      | SPI2 interface enable 0   |
| SPI2SCS1                        | R29      | OZ   | Up      | SPI2 interface enable 1   |
| SPI2SCS2                        | P33      | OZ   | Up      | SPI2 interface enable 2   |
| SPI2SCS3                        | L30      | OZ   | Up      | SPI2 interface enable 3   |
| <b>Sync-Ethernet / IEEE1588</b> |          |      |         |   |
| TSCOMPOUT                       | AF4      | O    | Down    | IEEE1588 compare output   |
| TSPUSHEVT0                      | AG3      | I    | Down    | PPS push event from GPS for IEEE1588  |
| TSPUSHEVT1                      | AL1      | I    | Down    | Push event from BCN for IEEE1588  |
| TSSYNCEVT                       | AE5      | O    | Down    | IEEE1588 sync event output  |
| <b>Timer</b>                    |          |      |         |   |
| TIMI0                           | K33      | I    | Down    | Timer 0 input   |
| TIMO0                           | K31      | OZ   | Down    | Timer 0 output  |
| TIMI1                           | K32      | I    | Down    | Timer 1 input   |
| TIMO1                           | K30      | OZ   | Down    | Timer 1 output  |
| <b>TSIP</b>                     |          |      |         |   |
| TSIP0CLKA                       | AK31     | I    | Down    | CLKA0 TSIP0 external clock A  |
| TSIP0CLKB                       | AK33     | I    | Down    | CLKB0 TSIP0 external clock B  |
| TSIP0FSA                        | AJ31     | I    | Down    | FSA0 TSIP0 frame sync A   |
| TSIP0FSB                        | AK32     | I    | Down    | FSB0 TSIP0 frame sync B   |
| TSIP0TR0                        | AM31     | I    | Down    | TR00 TR01 TSIP0 receive data  |
| TSIP0TR1                        | AL33     | I    | Down    |   |
| TSIP0TX0                        | AL32     | OZ   | Down    | TX00 TX01 TSIP0 transmit data   |
| TSIP0TX1                        | AM32     | OZ   | Down    |   |
| <b>UART0</b>                    |          |      |         |   |
| UART0CTS                        | R33      | I    | Down    | UART0 clear to send   |
| UART0DSR                        | W29      | I    | Down    | UART0 data set ready  |
| UART0DTR                        | U33      | OZ   | Down    | UART0 data terminal ready   |
| UART0RTS                        | R32      | OZ   | Down    | UART0 request to send   |
| UART0RXD                        | T29      | I    | Down    | UART0 serial data in  |
| UART0TXD                        | T30      | OZ   | Down    | UART0 serial data out   |
| <b>UART1</b>                    |          |      |         |   |
| UART1CTS                        | T31      | I    | Down    | UART1 clear to send   |
| UART1RTS                        | T33      | OZ   | Down    | UART1 request to send   |
| UART1RXD                        | U29      | I    | Down    | UART1 serial data in  |
| UART1TXD                        | T32      | OZ   | Down    | UART1 serial data out   |
| <b>USB0 (USB_3.0)</b>           |          |      |         |   |
| USB0DM                          | W3       | IOZ  |         | USB0 D-   |
| USB0DP                          | V3       | IOZ  |         | USB0 D+   |
| USB0DRVVBUS                     | AB1      | O    | Down    | USB0 DRVVBUS output   |
| USB0ID0                         | W4       | A    |         | USB0 ID   |
| USB0RESREF                      | Y6       | A    |         | Reference resistor connection for USB0 PHY (200 Ω +- 1% resistor to ground) |
| USB0RX0M                        | T1       | I    |         | USB0_3.0 receive data   |
| USB0RX0P                        | U1       | I    |         |   |

**Table 6-2. Terminal Functions — Signals and Control by Function (continued)**

| SIGNAL NAME                | BALL NO. | TYPE | IPD/IPU | DESCRIPTION   |
|----------------------------|----------|------|---------|---|
| USB0TX0M                   | U2       | O    |         | USB0_3.0 transmit data  |
| USB0TX0P                   | V2       | O    |         |   |
| USB0VBUS                   | W5       | A    |         | USB0 5-V analog input. Connect to VBUS pin on USB connector through protection switch |
| <b>USB1 (USB_3.0)</b>      |          |      |         |   |
| USB1DM                     | P4       | IOZ  |         | USB1 D-   |
| USB1DP                     | R4       | IOZ  |         | USB1 D+   |
| USB1DRVVBUS                | AC1      | O    | Down    | USB1 DRVVBUS output   |
| USB1ID0                    | W6       | A    |         | USB1 ID   |
| USB1RESREF                 | V5       | A    |         | Reference resistor connection for USB1 PHY (200Ω +- 1% resistor to ground)            |
| USB1RX0M                   | N1       | I    |         | USB1_3.0 receive data   |
| USB1RX0P                   | P1       | I    |         |   |
| USB1TX0M                   | R2       | O    |         | USB1_3.0 transmit data  |
| USB1TX0P                   | P2       | O    |         |   |
| USB1VBUS                   | V4       | A    |         | USB1 5-V analog input. Connect to VBUS pin on USB connector through protection switch |
| <b>USIM</b>                |          |      |         |   |
| USIMCLK                    | J33      | OZ   | Down    | USIM clock  |
| USIMIO                     | H33      | IOZ  | Up      | USIM data   |
| USIMRST                    | K29      | OZ   | Down    | USIM reset  |
| <b>XFI (66AK2E05 only)</b> |          |      |         |   |
| XFIRXN0                    | AN11     | I    |         | Ethernet MAC XFI port 0 receive data  |
| XFIRXP0                    | AN12     | I    |         |   |
| XFIRXN1                    | AM10     | I    |         | Ethernet MAC XFI port 1 receive data  |
| XFIRXP1                    | AM11     | I    |         |   |
| XFITXN0                    | AL12     | O    |         | Ethernet MAC XFI port 0 transmit data   |
| XFITXP0                    | AL11     | O    |         |   |
| XFITXN1                    | AK11     | O    |         | Ethernet MAC XFI port 1 transmit data   |
| XFITXP1                    | AK10     | O    |         |   |
| XFIREFRES0                 | AG10     | A    |         | XFI port 0 SerDes reference resistor input (3 kΩ ±1%)                                 |
| XFIREFRES1                 | AH7      | A    |         | XFI port 1 SerDes reference resistor input (3 kΩ ±1%)                                 |

**Table 6-2. Terminal Functions — Signals and Control by Function (continued)**

| SIGNAL NAME     | BALL NO. | TYPE | IPD/IPU | DESCRIPTION       |
|-----------------|----------|------|---------|-------------------|
| <b>Reserved</b> |          |      |         |                   |
| RSV000          | H32      | OZ   | Down    | Leave unconnected |
| RSV001          | J32      | OZ   | Down    | Leave unconnected |
| RSV002          | AE2      | O    |         | Leave unconnected |
| RSV003          | AF2      | O    |         | Leave unconnected |
| RSV004          | G2       | O    |         | Leave unconnected |
| RSV005          | G1       | O    |         | Leave unconnected |
| RSV006          | AL3      | O    |         | Leave unconnected |
| RSV007          | AL2      | O    |         | Leave unconnected |
| RSV008          | AG5      | OZ   | Down    | Leave unconnected |
| RSV009          | K8       | A    |         | Connect to GND    |
| RSV010          | J8       | A    |         | Leave unconnected |
| RSV011          | W8       | A    |         | Leave unconnected |
| RSV012          | W7       | A    |         | Leave unconnected |
| RSV013          | J30      | A    |         | Leave unconnected |
| RSV014          | J29      | A    |         | Leave unconnected |
| RSV015          | AG8      | A    |         | Leave unconnected |
| RSV016          | AJ20     | A    |         | Leave unconnected |
| RSV017          | AG12     | A    |         | Leave unconnected |
| RSV018          | AJ28     | A    |         | Leave unconnected |
| RSV019          | AJ26     | A    |         | Leave unconnected |
| RSV020          | AH9      | A    |         | Leave unconnected |
| RSV021          | B19      | OZ   |         | Leave unconnected |
| RSV022          | E20      | OZ   |         | Leave unconnected |
| RSV023          | A14      | A    |         | Leave unconnected |

**Table 6-3. Terminal Functions — Power and Ground**

| SUPPLY       | BALL NO.   | VOLTS        | DESCRIPTION   |
|--------------|--|--------------|---|
| AVDDA1       | AF7  | 1.8 V        | COREPLL supply  |
| AVDDA2       | K7   | 1.8 V        | NETCPPLL supply                                       |
| AVDDA3       | AD7  | 1.8 V        | DDRPLL supply   |
| AVDDA6       | G8   | 1.8 V        | DDRA DLL supply                                       |
| AVDDA7       | E14  | 1.8 V        | DDRA DLL supply                                       |
| AVDDA8       | G16  | 1.8 V        | DDRA DLL supply                                       |
| AVDDA9       | G22  | 1.8 V        | DDRA DLL supply                                       |
| AVDDA10      | G24  | 1.8 V        | DDRA DLL supply                                       |
| CVDD         | J12, J14, J16, J18, J20, J22, J26, K11, K13, K15, K17, K19, K21, K23, K25, L10, L12, L14, L16, L18, L20, L22, M15, M17, M19, M21, M25, N10, N14, N16, N18, N20, N22, N26, P13, P15, P17, P19, P21, P23, P25, R14, R16, R18, R20, R22, R24, R26, T13, T15, T17, T19, T21, T23, T25, U12, U14, U16, U18, U20, U22, U24, U26, V13, V15, V17, V19, V21, V23, V25, W12, W14, W16, W18, W20, W22, W24, W26, Y9, Y15, Y17, Y19, Y21, Y25, AA10, AA16, AA18, AA20, AA22, AA26, AB9, AB11, AB13, AB15, AB17, AB19, AB21, AB25, AC10, AC12, AC14, AC16, AC18, AC20, AC22, AC24, AC26, AD11, AD13, AD15, AD17, AD19, AD21, AD25 | AVS          | Smart Reflex core supply voltage                      |
| CVDD1        | L24, M11, M13, M23, N12, N24, Y13, Y23, AA12, AA14, AA24, AB23   | 0.95 V       | Core supply voltage for memory array                  |
| CVDDCMON     | J10  | AVS          | CVDD Supply Monitor                                   |
| CVDDTMON     | L26  | AVS          | CVDD Supply Monitor                                   |
| DDR3VREFSSTL | F15  | DVDD15/2     | DDR3 reference voltage                                |
| DVDD15       | A2, A32, B1, B33, C3, C7, C11, C17, C21, C25, C31, D5, D9, D14, D19, D23, D27, D29, F5, F7, F9, F11, F13, F17, F19, F21, F23, F25, F27, F29, G10, G14, G20, G26, G28, G30, H7, H9, H11, H13, H15, H17, H19, H21, H23, H25, H27   | 1.5 V/1.35 V | DDR IO supply   |
| DVDD18       | J2, J28, K27, L8, L28, M2, M7, M27, N8, N28, N31, P7, P27, R28, T7, T27, U28, U31, V7, V27, W28, Y7, Y27, AA3, AA8, AA28, AA31, AB7, AB27, AC8, AC28, AD4, AD27, AE8, AE26, AE28, AE31, AF27, AG26, AH27, AJ30, AM33, AN32   | 1.8 V        | 1.8-V IO supply                                       |
| USB0VDD33    | Y11  | 3.3 V        | 3.3-V USB0 high supply High-speed                     |
| USB0VP       | U8   | 0.85 V       | 0.85-V USB0 PHY analog and digital Super-speed supply |
| USB0VPH      | W10  | 3.3 V        | 3.3-V USB0 high supply Super-speed                    |
| USB0VPTX     | V9   | 0.85 V       | 0.85-V USB0 PHY transmit supply                       |
| USB1DVDD33   | P11  | 3.3 V        | 3.3-V USB1 high supply High-speed                     |
| USB1VP       | R8   | 0.85 V       | 0.85-V USB1 PHY analog and digital Super-speed supply |
| USB1VPH      | R10  | 3.3 V        | 3.3-V USB1 high supply Super-speed                    |
| USB1VPTX     | T9   | 0.85 V       | 0.85-V USB1 PHY transmit supply                       |
| VDDAHV       | AH11, AH13, AH15, AH17, AH19, AH21, AH23, AH25   | 1.8 V        | 1.8-V high analog supply                              |
| VDDALV       | AE10, AE12, AE14, AE16, AE18, AE20, AE22, AE24, AF9, AF11, AF13, AF15, AF17, AF19, AF21, AF23, AF25, AG16, AG18, AG20, AG22, AG24  | 0.85 V       | SerDes low voltage                                    |
| VDDUSB0      | U10, V11   | 0.85 V       | USB0 PHY analog and digital High-speed supply         |
| VDDUSB1      | R12, T11   | 0.85 V       | USB1 PHY analog and digital High-speed supply         |
| VNWA1        | P9   | 0.95 V       | Fixed Nwell supply - connect to CVDD1                 |
| VNWA2        | J24  | 0.95 V       | Fixed Nwell supply - connect to CVDD1                 |
| VNWA3        | AD23   | 0.95 V       | Fixed Nwell supply - connect to CVDD1                 |
| VNWA4        | AD9  | 0.95 V       | Fixed Nwell supply - connect to CVDD1                 |
| VPP0         | K9   |              | Leave unconnected                                     |
| VPP1         | M9   |              | Leave unconnected                                     |

**Table 6-3. Terminal Functions — Power and Ground (continued)**

| SUPPLY  | BALL NO.  | VOLTS | DESCRIPTION |
|---------|---|-------|-------------|
| VSS     | A1, A33, C5, C9, C14, C19, C23, C27, C29, D3, D7, D11, D17, D21, D25, D31, F4, F6, F8, F10, F12, F14, F16, F18, F20, F22, F24, F26, F28, F30, G7, G9, G11, G13, G15, G17, G19, G21, G23, G25, G27, G29, G31, H8, H10, H12, H14, H16, H18, H20, H22, H24, H26, H28, J3, J7, J11, J13, J15, J17, J19, J21, J23, J25, J27, K10, K12, K14, K16, K18, K20, K22, K24, K28, L7, L9, L11, L13, L15, L17, L19, L21, L23, L25, L27, M1, M8, M10, M12, M14, M16, M18, M20, M22, M24, M26, M28, N2, N7, N9, N11, N13, N15, N17, N19, N21, N23, N25, N27, N32, P8, , P10, P12, P14, P16, P18, P20, P22, P24, P26, P28, R1, R7, R9, R11, R13, R15, R17, R19, R21, R23, R25, R27, T2, T8, T10, T12, T14, T16, T18, T20, T22, T24, T26, T28, U3, U7, U9, U11, U13, U15, U17, U19, U21, U23, U25, U27, U32, V1, V8, V10, V12, V14, V16, V18, V20, V22, V24, V26, V28, W2, W9, W11, W13, W15, W17, W19, W21, W23, W25, W27, Y8, Y10, Y12, Y14, Y16, Y18, Y20, Y22, Y24, Y26, Y28, AA4, AA7, AA9, AA11, AA13, AA15, AA17, AA19, AA21, AA23, AA25, AA27, AA32, AB8, AB10, AB12, AB14, AB16, AB18, AB20, AB22, AB24, AB26, AB28, AC7, AC9, AC11, AC13, AC15, AC17, AC19, AC21, AC23, AC25, AC27, AD5, AD8, AD10, AD12, AD14, AD16, AD18, AD20, AD22, AD24, AD26, AD28, AE9, AE11, AE13, AE15, AE17, AE19, AE21, AE23, AE25, AE27, AE32, AF8, AF10, AF12, AF14, AF16, AF18, AF20, AF22, AF24, AF26, AF28, AG7, AG9, AG11, AG13, AG15, AG17, AG19, AG21, AG23, AG25, AG27, AH8, AH10, AH12, AH14, AH16, AH18, AH20, AH22, AH24, AH26, AH28, AJ4, AJ6, AJ9, AJ13, AJ16, AJ19, AJ21, AJ23, AJ29, AK3, AK6, AK9, AK12, AK15, AK18, AK21, AK24, AK27, AK30, AL4, AL7, AL10, AL13, AL16, AL19, AL22, AL25, AL28, AL31, AM1, AM3, AM6, AM9, AM12, AM15, AM18, AM21, AM24, AM27, AM30, AN1, AN2, AN4, AN7, AN10, AN13, AN16, AN19, AN22, AN25, AN28, AN31, AN33 | GND   | Ground      |
| VSSCMON | J9  | GND   | GND Monitor |
| VSSTMON | K26   | GND   | GND Monitor |

**Table 6-4. Terminal Functions — By Signal Name**

| SIGNAL NAME                | BALL NUMBER   | SIGNAL NAME           | BALL NUMBER | SIGNAL NAME | BALL NUMBER |
|----------------------------|---|-----------------------|-------------|-------------|-------------|
| BOOTMODE_RSVD <sup>2</sup> | Y31   | DDRA02                | B16         | DDR15       | B3          |
| AVDDA1                     | AF7   | DDRA03                | C16         | DDR16       | D6          |
| AVDDA2                     | K7  | DDRA04                | D16         | DDR17       | E6          |
| AVDDA3                     | AD7   | DDRA05                | E16         | DDR18       | E7          |
| AVDDA6                     | G8  | DDRA06                | A17         | DDR19       | B6          |
| AVDDA7                     | E14   | DDRA07                | E17         | DDR20       | C6          |
| AVDDA8                     | G16   | DDRA08                | A18         | DDR21       | C8          |
| AVDDA9                     | G22   | DDRA09                | B17         | DDR22       | A8          |
| AVDDA10                    | G24   | DDRA10                | A13         | DDR23       | B8          |
| AVSIFSEL[0] <sup>2</sup>   | K33   | DDRA11                | D18         | DDR24       | E10         |
| AVSIFSEL[1] <sup>2</sup>   | K32   | DDRA12                | E18         | DDR25       | B11         |
| BOOTCOMPLETE               | AF31  | DDRA13                | E12         | DDR26       | A11         |
| BOOTMODE00 <sup>2</sup>    | AA29  | DDRA14                | C18         | DDR27       | C10         |
| BOOTMODE01 <sup>2</sup>    | Y29   | DDRA15                | E19         | DDR28       | D10         |
| BOOTMODE02 <sup>2</sup>    | V33   | DDRBA0                | D13         | DDR29       | B9          |
| BOOTMODE03 <sup>2</sup>    | V32   | DDRBA1                | C13         | DDR30       | E9          |
| BOOTMODE04 <sup>2</sup>    | W30   | DDRBA2                | B18         | DDR31       | A9          |
| BOOTMODE05 <sup>2</sup>    | W32   | DDRCAS                | B12         | DDR32       | B23         |
| BOOTMODE06 <sup>2</sup>    | V31   | DDRCB00               | A23         | DDR33       | E23         |
| BOOTMODE07 <sup>2</sup>    | W31   | DDRCB01               | D22         | DDR34       | D24         |
| BOOTMODE08 <sup>2</sup>    | W33   | DDRCB02               | E22         | DDR35       | C24         |
| BOOTMODE09 <sup>2</sup>    | AB29  | DDRCB03               | E21         | DDR36       | E24         |
| BOOTMODE10 <sup>2</sup>    | Y30   | DDRCB04               | C22         | DDR37       | E25         |
| BOOTMODE11 <sup>2</sup>    | Y32   | DDRCB05               | B21         | DDR38       | B25         |
| BOOTMODE12 <sup>2</sup>    | AA30  | DDRCB06               | A20         | DDR39       | A25         |
| BOOTMODE13 <sup>2</sup>    | AA33  | DDRCB07               | A21         | DDR40       | E28         |
| BOOTMODE14 <sup>2</sup>    | AB32  | DDRC $\overline{E}$ 0 | A12         | DDR41       | D28         |
| BOOTMODE15 <sup>2</sup>    | AB33  | DDRC $\overline{E}$ 1 | C12         | DDR42       | C28         |
| CORECLKN                   | AG1   | DDRCKE0               | C20         | DDR43       | E27         |
| CORECLKP                   | AF1   | DDRCKE1               | A19         | DDR44       | B28         |
| CVDD                       | J12, J14, J16, J18, J20, J22, J26, K11, K13, K15, K17, K19, K21, K23, K25, L10, L12, L14, L16, L18, L20, L22, M15, M17, M19, M21, M25, N10, N14, N16, N18, N20, N22 | DDRCLKN               | G3          | DDR45       | A26         |
| CVDD                       | N26, P13, P15, P17, P19, P21, P23, P25, R14, R16, R18, R20, R22, R24, R26, T13, T15, T17, T19, T21, T23, T25, U12, U14, U16, U18, U20, U22, U24, U26, V13, V15      | DDRCLKOUTN0           | B14         | DDR46       | B26         |
| CVDD                       | V17, V19, V21, V23, V25, W12, W14, W16, W18, W20, W22, W24, W26, Y9, Y15, Y17, Y19, Y21, Y25, AA10, AA16, AA18, AA20, AA22, AA26, AB9, AB11, AB13, AB15             | DDRCLKOUTN1           | A15         | DDR47       | C26         |
| CVDD                       | AB17, AB19, AB21, AB25, AC10, AC12, AC14, AC16, AC18, AC20, AC22, AC24, AC26, AD11, AD13, AD15, AD17, AD19, AD21, AD25  | DDRCLKOUTP0           | B15         | DDR48       | A29         |
| CVDD1                      | L24, M11, M13, M23, N12, N24, Y13, Y23, AA12, AA14, AA24, AB23  | DDRCLKOUTP1           | A16         | DDR49       | A28         |
| CVDDCMON                   | J10   | DDRCLKP               | G4          | DDR50       | B31         |
| CVDDTMON                   | L26   | DDR00                 | E2          | DDR51       | E29         |
| DDRA00                     | D15   | DDR01                 | D1          | DDR52       | B29         |
| DDRA01                     | C15   | DDR02                 | F2          | DDR53       | C30         |
|                            |   | DDR03                 | E1          | DDR54       | E30         |
|                            |   | DDR04                 | F1          | DDR55       | D30         |
|                            |   | DDR05                 | D2          | DDR56       | F31         |
|                            |   | DDR06                 | F3          | DDR57       | F33         |
|                            |   | DDR07                 | B2          | DDR58       | F32         |
|                            |   | DDR08                 | A5          | DDR59       | E32         |
|                            |   | DDR09                 | A6          | DDR60       | E33         |
|                            |   | DDR10                 | B5          | DDR61       | C32         |
|                            |   | DDR11                 | E5          | DDR62       | D32         |
|                            |   | DDR12                 | C4          | DDR63       | B32         |
|                            |   | DDR13                 | D4          | DDRQM0      | A3          |
|                            |   | DDR14                 | E4          | DDRQM1      | E3          |

Table 6-4. Terminal Functions — By Signal Name (continued)

| SIGNAL NAME | BALL NUMBER   | SIGNAL NAME     | BALL NUMBER | SIGNAL NAME        | BALL NUMBER |
|-------------|---|-----------------|-------------|--------------------|-------------|
| DDRDQM2     | D8  | EMIFA05         | N6          | EMU05              | AD3         |
| DDRDQM3     | E8  | EMIFA06         | M3          | EMU06              | AB5         |
| DDRDQM4     | E26   | EMIFA07         | N4          | EMU07              | AC3         |
| DDRDQM5     | D26   | EMIFA08         | N5          | EMU08              | AB4         |
| DDRDQM6     | E31   | EMIFA09         | M5          | EMU09              | AH3         |
| DDRDQM7     | A31   | EMIFA10         | M4          | EMU10              | AF3         |
| DDRDQM8     | B20   | EMIFA11         | L1          | EMU11              | AG4         |
| DDRDQS0N    | C2  | EMIFA12         | U5          | EMU12              | AD2         |
| DDRDQS0P    | C1  | EMIFA13         | T5          | EMU13              | AC2         |
| DDRDQS1N    | B4  | EMIFA14         | L3          | EMU14              | AB3         |
| DDRDQS1P    | A4  | EMIFA15         | T3          | EMU15              | AA5         |
| DDRDQS2N    | A7  | EMIFA16         | L2          | EMU16              | AB2         |
| DDRDQS2P    | B7  | EMIFA17         | L5          | EMU17              | Y5          |
| DDRDQS3N    | B10   | EMIFA18         | M6          | EMU18              | AH2         |
| DDRDQS3P    | A10   | EMIFA19         | K2          | EMU19 <sup>3</sup> | AB32        |
| DDRDQS4N    | B24   | EMIFA20         | K1          | EMU20 <sup>3</sup> | AB33        |
| DDRDQS4P    | A24   | EMIFA21         | L4          | EMU21 <sup>3</sup> | AB31        |
| DDRDQS5N    | B27   | EMIFA22         | R3          | EMU22 <sup>3</sup> | AC29        |
| DDRDQS5P    | A27   | EMIFA23         | L6          | EMU23 <sup>3</sup> | AC33        |
| DDRDQS6N    | B30   | EMIFBE0         | AA2         | EMU24 <sup>3</sup> | AD29        |
| DDRDQS6P    | A30   | EMIFBE1         | R6          | EMU25 <sup>3</sup> | AC31        |
| DDRDQS7N    | D33   | EMIFCE0         | AA1         | EMU26 <sup>3</sup> | AC32        |
| DDRDQS7P    | C33   | EMIFCE1         | Y4          | EMU27 <sup>3</sup> | AB30        |
| DDRDQS8N    | A22   | EMIFCE2         | W1          | EMU28 <sup>3</sup> | AC30        |
| DDRDQS8P    | B22   | EMIFCE3         | Y1          | EMU29 <sup>3</sup> | AD32        |
| DDRODT0     | D12   | EMIFD00         | G5          | EMU30 <sup>3</sup> | AD33        |
| DDRODT1     | E11   | EMIFD01         | K3          | EMU31 <sup>3</sup> | AD31        |
| DDRRAS      | B13   | EMIFD02         | K4          | EMU32 <sup>3</sup> | AE33        |
| DDRRESET    | D20   | EMIFD03         | J1          | EMU33 <sup>3</sup> | AD30        |
| DDRRZQ0     | E15   | EMIFD04         | H5          | GPIO00             | V30         |
| DDRRZQ1     | G12   | EMIFD05         | J6          | GPIO01             | AA29        |
| DDRRZQ2     | G18   | EMIFD06         | H6          | GPIO02             | Y29         |
| DDRVREFSSTL | F15   | EMIFD07         | H1          | GPIO03             | V33         |
| DDRWE       | E13   | EMIFD08         | H2          | GPIO04             | V32         |
| DVDD15      | A2, A32, B1, B33, C3, C7, C11, C17, C21, C25, C31, D5, D9, D14, D19, D23, D27, D29, F5, F7, F9, F11, F13, F17, F19, F21 | EMIFD09         | G6          | GPIO05             | W30         |
| DVDD15      | F23, F25, F27, F29, G10, G14, G20, G26, G28, G30, H7, H9, H11, H13, H15, H17, H19, H21, H23, H25, H27                   | EMIFD10         | K5          | GPIO06             | W32         |
| DVDD18      | J2, J28, K27, L8, L28, M2, M7, M27, N8, N28, N31, P7, P27, R28, T7, T27, U28, U31, V7, V27, W28, Y7, Y27, AA3, AA8      | EMIFD11         | H3          | GPIO07             | V31         |
| DVDD18      | AA28, AA31, AB7, AB27, AC8, AC28, AD4, AD27, AE8, AE26, AE28, AE31, AF27, AG26, AH27, AJ30, AM33, AN32                  | EMIFD12         | J4          | GPIO08             | W31         |
|             |   | EMIFD13         | H4          | GPIO09             | W33         |
|             |   | EMIFD14         | K6          | GPIO10             | AB29        |
|             |   | EMIFD15         | J5          | GPIO11             | Y30         |
|             |   | EMIFOE          | Y2          | GPIO12             | Y32         |
|             |   | EMIFR $\bar{W}$ | Y3          | GPIO13             | AA30        |
|             |   | EMIFWAIT0       | T6          | GPIO14             | Y33         |
|             |   | EMIFWAIT1       | N3          | GPIO15             | Y31         |
|             |   | EMIFWE          | R5          | GPIO16             | AA33        |
| EMIFA00     | P3  | EMU00           | AC5         | GPIO17             | AB32        |
| EMIFA01     | P5  | EMU01           | AA6         | GPIO18             | AB33        |
| EMIFA02     | U6  | EMU02           | AC4         | GPIO19             | AB31        |
| EMIFA03     | V6  | EMU03           | AE6         | GPIO20             | AC29        |
| EMIFA04     | P6  | EMU04           | AD6         | GPIO21             | AC33        |



Table 6-4. Terminal Functions — By Signal Name (continued)

| SIGNAL NAME               | BALL NUMBER | SIGNAL NAME | BALL NUMBER | SIGNAL NAME   | BALL NUMBER |
|---------------------------|-------------|-------------|-------------|---------------|-------------|
| GPIO22                    | AD29        | PCIE0RXN0   | AN17        | SDA1          | AJ32        |
| GPIO23                    | AC31        | PCIE0RXN1   | AM16        | SDA2          | AG29        |
| GPIO24                    | AC32        | PCIE0RXP0   | AN18        | SGMII00REFRES | AJ27        |
| GPIO25                    | AB30        | PCIE0RXP1   | AM17        | SGMII01REFRES | AJ22        |
| GPIO26                    | AC30        | PCIE0TXN0   | AL18        | SGMII0CLKN    | AJ25        |
| GPIO27                    | AD32        | PCIE0TXN1   | AK17        | SGMII0CLKP    | AJ24        |
| GPIO28                    | AD33        | PCIE0TXP0   | AL17        | SGMII0RXN0    | AN29        |
| GPIO29                    | AD31        | PCIE0TXP1   | AK16        | SGMII0RXN1    | AM28        |
| GPIO30                    | AE33        | PCIE1CLKN   | AJ15        | SGMII0RXN2    | AN26        |
| GPIO31                    | AD30        | PCIE1CLKP   | AJ14        | SGMII0RXN3    | AM25        |
| HOUT                      | AF30        | PCIE1REFRES | AJ10        | SGMII0RXN4    | AN23        |
| HYPLNK0CLKN               | AJ8         | PCIE1RXN0   | AN14        | SGMII0RXN5    | AM22        |
| HYPLNK0CLKP               | AJ7         | PCIE1RXN1   | AM13        | SGMII0RXN6    | AN20        |
| HYPLNK0REFRES             | AJ5         | PCIE1RXP0   | AN15        | SGMII0RXN7    | AM19        |
| HYPLNK0RXFLCLK            | AJ3         | PCIE1RXP1   | AM14        | SGMII0RXP0    | AN30        |
| HYPLNK0RXFLDAT            | AE3         | PCIE1TXN0   | AL15        | SGMII0RXP1    | AM29        |
| HYPLNK0RXN0               | AN8         | PCIE1TXN1   | AK14        | SGMII0RXP2    | AN27        |
| HYPLNK0RXN1               | AM7         | PCIE1TXP0   | AL14        | SGMII0RXP3    | AM26        |
| HYPLNK0RXN2               | AN5         | PCIE1TXP1   | AK13        | SGMII0RXP4    | AN24        |
| HYPLNK0RXN3               | AM4         | POR         | AH33        | SGMII0RXP5    | AM23        |
| HYPLNK0RXP0               | AN9         | RESETFULL   | AF32        | SGMII0RXP6    | AN21        |
| HYPLNK0RXP1               | AM8         | RESETSTAT   | AH29        | SGMII0RXP7    | AM20        |
| HYPLNK0RXP2               | AN6         | RESET       | AE29        | SGMII0TXN0    | AL30        |
| HYPLNK0RXP3               | AM5         | RSV000      | H32         | SGMII0TXN1    | AK29        |
| HYPLNK0RXPMCLK            | AE1         | RSV001      | J32         | SGMII0TXN2    | AL27        |
| HYPLNK0RXPMDAT            | AD1         | RSV002      | AE2         | SGMII0TXN3    | AK26        |
| HYPLNK0TXFLCLK            | AC6         | RSV003      | AF2         | SGMII0TXN4    | AL24        |
| HYPLNK0TXFLDAT            | AH4         | RSV004      | G2          | SGMII0TXN5    | AK23        |
| HYPLNK0TXN0               | AL9         | RSV005      | G1          | SGMII0TXN6    | AL21        |
| HYPLNK0TXN1               | AK8         | RSV006      | AL3         | SGMII0TXN7    | AK20        |
| HYPLNK0TXN2               | AL6         | RSV007      | AL2         | SGMII0TXP0    | AL29        |
| HYPLNK0TXN3               | AK5         | RSV008      | AG5         | SGMII0TXP1    | AK28        |
| HYPLNK0TXP0               | AL8         | RSV009      | K8          | SGMII0TXP2    | AL26        |
| HYPLNK0TXP1               | AK7         | RSV010      | J8          | SGMII0TXP3    | AK25        |
| HYPLNK0TXP2               | AL5         | RSV011      | W8          | SGMII0TXP4    | AL23        |
| HYPLNK0TXP3               | AK4         | RSV012      | W7          | SGMII0TXP5    | AK22        |
| HYPLNK0TXPMCLK            | AB6         | RSV013      | J30         | SGMII0TXP6    | AL20        |
| HYPLNK0TXPMDAT            | AF5         | RSV014      | J29         | SGMII0TXP7    | AK19        |
| LENDIAN <sup>2</sup>      | V30         | RSV015      | AG8         | SPI0CLK       | M30         |
| LRESETNMIEN               | AE30        | RSV016      | AJ20        | SPI0DIN       | M31         |
| LRESET                    | AF33        | RSV017      | AG12        | SPI0DOUT      | N29         |
| MAINPLLODSEL <sup>2</sup> | Y33         | RSV018      | AJ28        | SPI0SCS0      | L31         |
| MDCLK0                    | AH6         | RSV019      | AJ26        | SPI0SCS1      | M29         |
| MDIO0                     | AH5         | RSV020      | AH9         | SPI0SCS2      | L29         |
| NETCPCLKN                 | AN3         | RSV021      | B19         | SPI0SCS3      | L32         |
| NETCPCLKP                 | AM2         | RSV022      | E20         | SPI1CLK       | M33         |
| NETCPCLKSEL               | AG6         | RSV023      | A14         | SPI1DIN       | R30         |
| NMI                       | AG33        | SCL0        | AG30        | SPI1DOUT      | P32         |
| PCIE0CLKN                 | AJ18        | SCL1        | AH30        | SPI1SCS0      | P29         |
| PCIE0CLKP                 | AJ17        | SCL2        | AH31        | SPI1SCS1      | M32         |
| PCIE0REFRES               | AG14        | SDA0        | AG28        | SPI1SCS2      | N30         |

Table 6-4. Terminal Functions — By Signal Name (continued)

| SIGNAL NAME  | BALL NUMBER | SIGNAL NAME  | BALL NUMBER | SIGNAL NAME | BALL NUMBER   |
|--------------|-------------|--------------|-------------|-------------|---|
| SPI1SCS3     | N33         | TSRXCLKOUT0P | AJ1         | USB1RESREF  | V5  |
| SPI2CLK      | L33         | TSRXCLKOUT1N | AH1         | USB1RX0M    | N1  |
| SPI2DIN      | P30         | TSRXCLKOUT1P | AG2         | USB1RX0P    | P1  |
| SPI2DOUT     | R31         | TSSYNCEVT    | AE5         | USB1TX0M    | R2  |
| SPI2SCS0     | P31         | UART0CTS     | R33         | USB1TX0P    | P2  |
| SPI2SCS1     | R29         | UART0DSR     | W29         | USB1VBUS    | V4  |
| SPI2SCS2     | P33         | UART0DTR     | U33         | USB1VP      | R8  |
| SPI2SCS3     | L30         | UART0RTS     | R32         | USB1VPH     | R10   |
| SYSCLKOUT    | AE4         | UART0RXD     | T29         | USB1VPTX    | T9  |
| TCK          | AJ33        | UART0TXD     | T30         | USBCCLKM    | T4  |
| TDI          | AG31        | UART1CTS     | T31         | USBCCLKP    | U4  |
| TDO          | AF29        | UART1RTS     | T33         | USIMCLK     | J33   |
| TIM0         | K33         | UART1RXD     | U29         | USIMIO      | H33   |
| TIM1         | K32         | UART1TXD     | T32         | USIMRST     | K29   |
| TIM00        | K31         | USB0DM       | W3          | VCL         | V29   |
| TIM01        | K30         | USB0DP       | V3          | VCNTL0      | H29   |
| TMS          | AH32        | USB0DRVVBUS  | AB1         | VCNTL1      | G33   |
| TRST         | AG32        | USB0DVDD33   | Y11         | VCNTL2      | H31   |
| TSCOMPOUT    | AF4         | USB0ID0      | W4          | VCNTL3      | H30   |
| TSIP0CLKA    | AK31        | USB0RESREF   | Y6          | VCNTL4      | G32   |
| TSIP0CLKB    | AK33        | USB0RX0M     | T1          | VCNTL5      | J31   |
| TSIP0FSA     | AJ31        | USB0RX0P     | U1          | VD          | U30   |
| TSIP0FSB     | AK32        | USB0TX0M     | U2          | VDDAHV      | AH11, AH13, AH15, AH17,<br>AH19, AH21, AH23, AH25   |
| TSIP0TR0     | AM31        | USB0TX0P     | V2          | VDDALV      | AE10, AE12, AE14, AE16, AE18,<br>AE20, AE22, AE24, AF9, AF11,<br>AF13, AF15, AF17, AF19, AF21,<br>AF23, AF25, AG16, AG18,<br>AG20, AG22, AG24 |
| TSIP0TR1     | AL33        | USB0VBUS     | W5          | VDDUSB0     | U10, V11  |
| TSIP0TX0     | AL32        | USB0VP       | U8          | VDDUSB1     | R12, T11  |
| TSIP0TX1     | AM32        | USB0VPH      | W10         | VNWA1       | P9  |
| TSPUSHEVT0   | AG3         | USB0VPTX     | V9          | VNWA2       | J24   |
| TSPUSHEVT1   | AL1         | USB1DM       | P4          |             |   |
| TSREFCLKN    | AK1         | USB1DP       | R4          |             |   |
| TSREFCLKP    | AK2         | USB1DRVVBUS  | AC1         |             |   |
| TSRXCLKOUT0N | AJ2         | USB1DVDD33   | P11         |             |   |
|              |             | USB1ID0      | W6          |             |   |

**Table 6-4. Terminal Functions — By Signal Name (continued)**

| SIGNAL NAME | BALL NUMBER  | SIGNAL NAME | BALL NUMBER  | SIGNAL NAME | BALL NUMBER  |
|-------------|--|-------------|--|-------------|--|
| VNWA3       | AD23   | VSS         | W11, W13, W15, W17, W19, W21, W23, W25, W27, Y8, Y10, Y12, Y14, Y16, Y18, Y20, Y22, Y24, Y26, Y28, AA4, AA7, AA9, AA11, AA13, AA15, AA17, AA19, AA21, AA23 | VSS         | AN4, AN7, AN10, AN13, AN16, AN19, AN22, AN25, AN28, AN31, AN33 |
| VNWA4       | AD9  |             |  | VSSCMON     | J9   |
| VPP0        | K9   |             |  | VSSTMON     | K26  |
| VPP1        | M9   |             |  | XFICLKN     | AJ12   |
| VSS         | A1, A33, C5, C9, C14, C19, C23, C27, C29, D3, D7, D11, D17, D21, D25, D31, F4, F6, F8, F10, F12, F14, F16, F18, F20, F22, F24, F26, F28, F30, G7, G9, G11, G13, G15, G17 | VSS         | AA25, AA27, AA32, AB8, AB10, AB12, AB14, AB16, AB18, AB20, AB22, AB24, AB26, AB28, AC7, AC9, AC11, AC13, AC15, AC17, AC19, AC21, AC23, AC25                | XFICLKP     | AJ11   |
| VSS         | G19, G21, G23, G25, G27, G29, G31, H8, H10, H12, H14, H16, H18, H20, H22, H24, H26, H28, J3, J7, J11, J13, J15, J17, J19, J21, J23, J25, J27, K10, K12, K14, K16, K18    | VSS         | AC27, AD5, AD8, AD10, AD12, AD14, AD16, AD18, AD20, AD22, AD24, AD26, AD28, AE9, AE11, AE13, AE15, AE17, AE19, AE21, AE23, AE25, AE27, AE32                | XFIMDCLK    | AF6  |
| VSS         | K20, K22, K24, K28, L7, L9, L11, L13, L15, L17, L19, L21, L23, L25, L27, M1, M8, M10, M12, M14, M16, M18, M20, M22, M24, M26, M28, N2, N7, N9, N11, N13, N15, N17        | VSS         | AF8, AF10, AF12, AF14, AF16, AF18, AF20, AF22, AF24, AF26, AF28, AG7, AG9, AG11, AG13, AG15, AG17, AG19, AG21, AG23, AG25, AG27, AH8, AH10                 | XFIMDIO     | AE7  |
| VSS         | N19, N21, N23, N25, N27, N32, P8, P10, P12, P14, P16, P18, P20, P22, P24, P26, P28, R1, R7, R9, R11, R13, R15, R17, R19, R21, R23, R25, R27, T2, T8, T10, T12, T14       | VSS         | AH12, AH14, AH16, AH18, AH20, AH22, AH24, AH26, AH28, AJ4, AJ6, AJ9, AJ13, AJ16, AJ19, AJ21, AJ23, AJ29, AK3, AK6, AK9, AK12, AK15, AK18, AK21, AK24       | XFIREFRES0  | AG10   |
| VSS         | T16, T18, T20, T22, T24, T26, T28, U3, U7, U9, U11, U13, U15, U17, U19, U21, U23, U25, U27, U32, V1, V8, V10, V12, V14, V16, V18, V20, V22, V24, V26, V28, W2, W9        | VSS         | AK27, AK30, AL4, AL7, AL10, AL13, AL16, AL19, AL22, AL25, AL28, AL31, AM1, AM3, AM6, AM9, AM12, AM15, AM18, AM21, AM24, AM27, AM30, AN1, AN2               | XFIREFRES1  | AH7  |
|             |  |             |  | XFIRXN0     | AN11   |
|             |  |             |  | XFIRXN1     | AM10   |
|             |  |             |  | XFIRXP0     | AN12   |
|             |  |             |  | XFIRXP1     | AM11   |
|             |  |             |  | XFITXN0     | AL12   |
|             |  |             |  | XFITXN1     | AK11   |
|             |  |             |  | XFITXP0     | AL11   |
|             |  |             |  | XFITXP1     | AK10   |

Table 6-5. Terminal Functions — By Ball Number

| BALL NUMBER | SIGNAL NAME | BALL NUMBER | SIGNAL NAME | BALL NUMBER | SIGNAL NAME |
|-------------|-------------|-------------|-------------|-------------|-------------|
| A1          | VSS         | B20         | DDRQM8      | D6          | DDR16       |
| A2          | DVDD15      | B21         | DDRCB05     | D7          | VSS         |
| A3          | DDRQM0      | B22         | DDRQS8P     | D8          | DDRQM2      |
| A4          | DDRQS1P     | B23         | DDR32       | D9          | DVDD15      |
| A5          | DDR08       | B24         | DDRQS4N     | D10         | DDR28       |
| A6          | DDR09       | B25         | DDR38       | D11         | VSS         |
| A7          | DDRQS2N     | B26         | DDR46       | D12         | DDRODT0     |
| A8          | DDR22       | B27         | DDRQS5N     | D13         | DDRBA0      |
| A9          | DDR31       | B28         | DDR44       | D14         | DVDD15      |
| A10         | DDRQS3P     | B29         | DDR52       | D15         | DDRA00      |
| A11         | DDR26       | B30         | DDRQS6N     | D16         | DDRA04      |
| A12         | DDRCE0      | B31         | DDR50       | D17         | VSS         |
| A13         | DDRA10      | B32         | DDR63       | D18         | DDRA11      |
| A14         | RSV023      | B33         | DVDD15      | D19         | DVDD15      |
| A15         | DDRCLKOUTN1 | C1          | DDRQS0P     | D20         | DDRRESET    |
| A16         | DDRCLKOUTP1 | C2          | DDRQS0N     | D21         | VSS         |
| A17         | DDRA06      | C3          | DVDD15      | D22         | DDRCB01     |
| A18         | DDRA08      | C4          | DDR12       | D23         | DVDD15      |
| A19         | DDRCKE1     | C5          | VSS         | D24         | DDR34       |
| A20         | DDRCB06     | C6          | DDR20       | D25         | VSS         |
| A21         | DDRCB07     | C7          | DVDD15      | D26         | DDRQM5      |
| A22         | DDRQS8N     | C8          | DDR21       | D27         | DVDD15      |
| A23         | DDRCB00     | C9          | VSS         | D28         | DDR41       |
| A24         | DDRQS4P     | C10         | DDR27       | D29         | DVDD15      |
| A25         | DDR39       | C11         | DVDD15      | D30         | DDR55       |
| A26         | DDR45       | C12         | DDRCE1      | D31         | VSS         |
| A27         | DDRQS5P     | C13         | DDRBA1      | D32         | DDR62       |
| A28         | DDR49       | C14         | VSS         | D33         | DDRQS7N     |
| A29         | DDR48       | C15         | DDRA01      | E1          | DDR03       |
| A30         | DDRQS6P     | C16         | DDRA03      | E2          | DDR00       |
| A31         | DDRQM7      | C17         | DVDD15      | E3          | DDRQM1      |
| A32         | DVDD15      | C18         | DDRA14      | E4          | DDR14       |
| A33         | VSS         | C19         | VSS         | E5          | DDR11       |
| B1          | DVDD15      | C20         | DDRCKE0     | E6          | DDR17       |
| B2          | DDR07       | C21         | DVDD15      | E7          | DDR18       |
| B3          | DDR15       | C22         | DDRCB04     | E8          | DDRQM3      |
| B4          | DDRQS1N     | C23         | VSS         | E9          | DDR30       |
| B5          | DDR10       | C24         | DDR35       | E10         | DDR24       |
| B6          | DDR19       | C25         | DVDD15      | E11         | DDRODT1     |
| B7          | DDRQS2P     | C26         | DDR47       | E12         | DDRA13      |
| B8          | DDR23       | C27         | VSS         | E13         | DDRWE       |
| B9          | DDR29       | C28         | DDR42       | E14         | AVDDA7      |
| B10         | DDRQS3N     | C29         | VSS         | E15         | DDRRZQ0     |
| B11         | DDR25       | C30         | DDR53       | E16         | DDRA05      |
| B12         | DDRCAS      | C31         | DVDD15      | E17         | DDRA07      |
| B13         | DDRRAS      | C32         | DDR61       | E18         | DDRA12      |
| B14         | DDRCLKOUTN0 | C33         | DDRQS7P     | E19         | DDRA15      |
| B15         | DDRCLKOUTP0 | D1          | DDR01       | E20         | RSV022      |
| B16         | DDRA02      | D2          | DDR05       | E21         | DDRCB03     |
| B17         | DDRA09      | D3          | VSS         | E22         | DDRCB02     |
| B18         | DDRBA2      | D4          | DDR13       | E23         | DDR33       |
| B19         | RSV021      | D5          | DVDD15      | E24         | DDR36       |

**Table 6-5. Terminal Functions — By Ball Number (continued)**

| BALL NUMBER | SIGNAL NAME | BALL NUMBER | SIGNAL NAME | BALL NUMBER | SIGNAL NAME |
|-------------|-------------|-------------|-------------|-------------|-------------|
| E25         | DDRD37      | G11         | VSS         | H30         | VCNTL3      |
| E26         | DDRDQM4     | G12         | DDRRZQ1     | H31         | VCNTL2      |
| E27         | DDRD43      | G13         | VSS         | H32         | RSV000      |
| E28         | DDRD40      | G14         | DVDD15      | H33         | USIMIO      |
| E29         | DDRD51      | G15         | VSS         | J1          | EMIFD03     |
| E30         | DDRD54      | G16         | AVDDA8      | J2          | DVDD18      |
| E31         | DDRDQM6     | G17         | VSS         | J3          | VSS         |
| E32         | DDRD59      | G18         | DDRRZQ2     | J4          | EMIFD12     |
| E33         | DDRD60      | G19         | VSS         | J5          | EMIFD15     |
| F1          | DDRD04      | G20         | DVDD15      | J6          | EMIFD05     |
| F2          | DDRD02      | G21         | VSS         | J7          | VSS         |
| F3          | DDRD06      | G22         | AVDDA9      | J8          | RSV010      |
| F4          | VSS         | G23         | VSS         | J9          | VSSCMON     |
| F5          | DVDD15      | G24         | AVDDA10     | J10         | CVDDCMON    |
| F6          | VSS         | G25         | VSS         | J11         | VSS         |
| F7          | DVDD15      | G26         | DVDD15      | J12         | CVDD        |
| F8          | VSS         | G27         | VSS         | J13         | VSS         |
| F9          | DVDD15      | G28         | DVDD15      | J14         | CVDD        |
| F10         | VSS         | G29         | VSS         | J15         | VSS         |
| F11         | DVDD15      | G30         | DVDD15      | J16         | CVDD        |
| F12         | VSS         | G31         | VSS         | J17         | VSS         |
| F13         | DVDD15      | G32         | VCNTL4      | J18         | CVDD        |
| F14         | VSS         | G33         | VCNTL1      | J19         | VSS         |
| F15         | DDRVREFSSTL | H1          | EMIFD07     | J20         | CVDD        |
| F16         | VSS         | H2          | EMIFD08     | J21         | VSS         |
| F17         | DVDD15      | H3          | EMIFD11     | J22         | CVDD        |
| F18         | VSS         | H4          | EMIFD13     | J23         | VSS         |
| F19         | DVDD15      | H5          | EMIFD04     | J24         | VNWA2       |
| F20         | VSS         | H6          | EMIFD06     | J25         | VSS         |
| F21         | DVDD15      | H7          | DVDD15      | J26         | CVDD        |
| F22         | VSS         | H8          | VSS         | J27         | VSS         |
| F23         | DVDD15      | H9          | DVDD15      | J28         | DVDD18      |
| F24         | VSS         | H10         | VSS         | J29         | RSV014      |
| F25         | DVDD15      | H11         | DVDD15      | J30         | RSV013      |
| F26         | VSS         | H12         | VSS         | J31         | VCNTL5      |
| F27         | DVDD15      | H13         | DVDD15      | J32         | RSV001      |
| F28         | VSS         | H14         | VSS         | J33         | USIMCLK     |
| F29         | DVDD15      | H15         | DVDD15      | K1          | EMIFA20     |
| F30         | VSS         | H16         | VSS         | K2          | EMIFA19     |
| F31         | DDRD56      | H17         | DVDD15      | K3          | EMIFD01     |
| F32         | DDRD58      | H18         | VSS         | K4          | EMIFD02     |
| F33         | DDRD57      | H19         | DVDD15      | K5          | EMIFD10     |
| G1          | RSV005      | H20         | VSS         | K6          | EMIFD14     |
| G2          | RSV004      | H21         | DVDD15      | K7          | AVDDA2      |
| G3          | DDRCLKN     | H22         | VSS         | K8          | RSV009      |
| G4          | DDRCLKP     | H23         | DVDD15      | K9          | VPP0        |
| G5          | EMIFD00     | H24         | VSS         | K10         | VSS         |
| G6          | EMIFD09     | H25         | DVDD15      | K11         | CVDD        |
| G7          | VSS         | H26         | VSS         | K12         | VSS         |
| G8          | AVDDA6      | H27         | DVDD15      | K13         | CVDD        |
| G9          | VSS         | H28         | VSS         | K14         | VSS         |
| G10         | DVDD15      | H29         | VCNTL0      | K15         | CVDD        |

Table 6-5. Terminal Functions — By Ball Number (continued)

| BALL NUMBER | SIGNAL NAME              | BALL NUMBER | SIGNAL NAME | BALL NUMBER | SIGNAL NAME |
|-------------|--------------------------|-------------|-------------|-------------|-------------|
| K16         | VSS                      | L33         | SPI2CLK     | N19         | VSS         |
| K17         | CVDD                     | M1          | VSS         | N20         | CVDD        |
| K18         | VSS                      | M2          | DVDD18      | N21         | VSS         |
| K19         | CVDD                     | M3          | EMIFA06     | N22         | CVDD        |
| K20         | VSS                      | M4          | EMIFA10     | N23         | VSS         |
| K21         | CVDD                     | M5          | EMIFA09     | N24         | CVDD1       |
| K22         | VSS                      | M6          | EMIFA18     | N25         | VSS         |
| K23         | CVDD                     | M7          | DVDD18      | N26         | CVDD        |
| K24         | VSS                      | M8          | VSS         | N27         | VSS         |
| K25         | CVDD                     | M9          | VPP1        | N28         | DVDD18      |
| K26         | VSSTMON                  | M10         | VSS         | N29         | SPI0DOUT    |
| K27         | DVDD18                   | M11         | CVDD1       | N30         | SPI1SCS2    |
| K28         | VSS                      | M12         | VSS         | N31         | DVDD18      |
| K29         | USIMRST                  | M13         | CVDD1       | N32         | VSS         |
| K30         | TIMO1                    | M14         | VSS         | N33         | SPI1SCS3    |
| K31         | TIMO0                    | M15         | CVDD        | P1          | USB1RX0P    |
| K32         | TIMI1                    | M16         | VSS         | P2          | USB1TX0P    |
| K32         | AVSIFSEL[1] <sup>2</sup> | M17         | CVDD        | P3          | EMIFA00     |
| K33         | TIMIO                    | M18         | VSS         | P4          | USB1DM      |
| K33         | AVSIFSEL[0] <sup>2</sup> | M19         | CVDD        | P5          | EMIFA01     |
| L1          | EMIFA11                  | M20         | VSS         | P6          | EMIFA04     |
| L2          | EMIFA16                  | M21         | CVDD        | P7          | DVDD18      |
| L3          | EMIFA14                  | M22         | VSS         | P8          | VSS         |
| L4          | EMIFA21                  | M23         | CVDD1       | P9          | VNWA1       |
| L5          | EMIFA17                  | M24         | VSS         | P10         | VSS         |
| L6          | EMIFA23                  | M25         | CVDD        | P11         | USB1DVDD33  |
| L7          | VSS                      | M26         | VSS         | P12         | VSS         |
| L8          | DVDD18                   | M27         | DVDD18      | P13         | CVDD        |
| L9          | VSS                      | M28         | VSS         | P14         | VSS         |
| L10         | CVDD                     | M29         | SPI0SCS1    | P15         | CVDD        |
| L11         | VSS                      | M30         | SPI0CLK     | P16         | VSS         |
| L12         | CVDD                     | M31         | SPI0DIN     | P17         | CVDD        |
| L13         | VSS                      | M32         | SPI1SCS1    | P18         | VSS         |
| L14         | CVDD                     | M33         | SPI1CLK     | P19         | CVDD        |
| L15         | VSS                      | N1          | USB1RX0M    | P20         | VSS         |
| L16         | CVDD                     | N2          | VSS         | P21         | CVDD        |
| L17         | VSS                      | N3          | EMIFWAIT1   | P22         | VSS         |
| L18         | CVDD                     | N4          | EMIFA07     | P23         | CVDD        |
| L19         | VSS                      | N5          | EMIFA08     | P24         | VSS         |
| L20         | CVDD                     | N6          | EMIFA05     | P25         | CVDD        |
| L21         | VSS                      | N7          | VSS         | P26         | VSS         |
| L22         | CVDD                     | N8          | DVDD18      | P27         | DVDD18      |
| L23         | VSS                      | N9          | VSS         | P28         | VSS         |
| L24         | CVDD1                    | N10         | CVDD        | P29         | SPI1SCS0    |
| L25         | VSS                      | N11         | VSS         | P30         | SPI2DIN     |
| L26         | CVDDTMON                 | N12         | CVDD1       | P31         | SPI2SCS0    |
| L27         | VSS                      | N13         | VSS         | P32         | SPI1DOUT    |
| L28         | DVDD18                   | N14         | CVDD        | P33         | SPI2SCS2    |
| L29         | SPI0SCS2                 | N15         | VSS         | R1          | VSS         |
| L30         | SPI2SCS3                 | N16         | CVDD        | R2          | USB1TX0M    |
| L31         | SPI0SCS0                 | N17         | VSS         | R3          | EMIFA22     |
| L32         | SPI0SCS3                 | N18         | CVDD        | R4          | USB1DP      |

**Table 6-5. Terminal Functions — By Ball Number (continued)**

| BALL NUMBER | SIGNAL NAME | BALL NUMBER | SIGNAL NAME | BALL NUMBER | SIGNAL NAME             |
|-------------|-------------|-------------|-------------|-------------|-------------------------|
| R5          | EMIFWE      | T24         | VSS         | V10         | VSS                     |
| R6          | EMIFBE1     | T25         | CVDD        | V11         | VDDUSB0                 |
| R7          | VSS         | T26         | VSS         | V12         | VSS                     |
| R8          | USB1VP      | T27         | DVDD18      | V13         | CVDD                    |
| R9          | VSS         | T28         | VSS         | V14         | VSS                     |
| R10         | USB1VPH     | T29         | UART0RXD    | V15         | CVDD                    |
| R11         | VSS         | T30         | UART0TXD    | V16         | VSS                     |
| R12         | VDDUSB1     | T31         | UART1CTS    | V17         | CVDD                    |
| R13         | VSS         | T32         | UART1TXD    | V18         | VSS                     |
| R14         | CVDD        | T33         | UART1RTS    | V19         | CVDD                    |
| R15         | VSS         | U1          | USB0RX0P    | V20         | VSS                     |
| R16         | CVDD        | U2          | USB0TX0M    | V21         | CVDD                    |
| R17         | VSS         | U3          | VSS         | V22         | VSS                     |
| R18         | CVDD        | U4          | USBCLKP     | V23         | CVDD                    |
| R19         | VSS         | U5          | EMIFA12     | V24         | VSS                     |
| R20         | CVDD        | U6          | EMIFA02     | V25         | CVDD                    |
| R21         | VSS         | U7          | VSS         | V26         | VSS                     |
| R22         | CVDD        | U8          | USB0VP      | V27         | DVDD18                  |
| R23         | VSS         | U9          | VSS         | V28         | VSS                     |
| R24         | CVDD        | U10         | VDDUSB0     | V29         | VCL                     |
| R25         | VSS         | U11         | VSS         | V30         | GPIO00                  |
| R26         | CVDD        | U12         | CVDD        | V30         | LENDIAN <sup>2</sup>    |
| R27         | VSS         | U13         | VSS         | V31         | GPIO07                  |
| R28         | DVDD18      | U14         | CVDD        | V31         | BOOTMODE06 <sup>2</sup> |
| R29         | SPI2SCS1    | U15         | VSS         | V32         | GPIO04                  |
| R30         | SPI1DIN     | U16         | CVDD        | V32         | BOOTMODE03 <sup>2</sup> |
| R31         | SPI2DOUT    | U17         | VSS         | V33         | GPIO03                  |
| R32         | UART0RTS    | U18         | CVDD        | V33         | BOOTMODE02 <sup>2</sup> |
| R33         | UART0CTS    | U19         | VSS         | W1          | EMIFCE2                 |
| T1          | USB0RX0M    | U20         | CVDD        | W2          | VSS                     |
| T2          | VSS         | U21         | VSS         | W3          | USB0DM                  |
| T3          | EMIFA15     | U22         | CVDD        | W4          | USB0ID0                 |
| T4          | USBCLKM     | U23         | VSS         | W5          | USB0VBUS                |
| T5          | EMIFA13     | U24         | CVDD        | W6          | USB1ID0                 |
| T6          | EMIFWAIT0   | U25         | VSS         | W7          | RSV012                  |
| T7          | DVDD18      | U26         | CVDD        | W8          | RSV011                  |
| T8          | VSS         | U27         | VSS         | W9          | VSS                     |
| T9          | USB1VPTX    | U28         | DVDD18      | W10         | USB0VPH                 |
| T10         | VSS         | U29         | UART1RXD    | W11         | VSS                     |
| T11         | VDDUSB1     | U30         | VD          | W12         | CVDD                    |
| T12         | VSS         | U31         | DVDD18      | W13         | VSS                     |
| T13         | CVDD        | U32         | VSS         | W14         | CVDD                    |
| T14         | VSS         | U33         | UART0DTR    | W15         | VSS                     |
| T15         | CVDD        | V1          | VSS         | W16         | CVDD                    |
| T16         | VSS         | V2          | USB0TX0P    | W17         | VSS                     |
| T17         | CVDD        | V3          | USB0DP      | W18         | CVDD                    |
| T18         | VSS         | V4          | USB1VBUS    | W19         | VSS                     |
| T19         | CVDD        | V5          | USB1RESREF  | W20         | CVDD                    |
| T20         | VSS         | V6          | EMIFA03     | W21         | VSS                     |
| T21         | CVDD        | V7          | DVDD18      | W22         | CVDD                    |
| T22         | VSS         | V8          | VSS         | W23         | VSS                     |
| T23         | CVDD        | V9          | USB0VPTX    | W24         | CVDD                    |

Table 6-5. Terminal Functions — By Ball Number (continued)

| BALL NUMBER | SIGNAL NAME                | BALL NUMBER | SIGNAL NAME             | BALL NUMBER | SIGNAL NAME             |
|-------------|----------------------------|-------------|-------------------------|-------------|-------------------------|
| W25         | VSS                        | AA2         | EMIFBE0                 | AB18        | VSS                     |
| W26         | CVDD                       | AA3         | DVDD18                  | AB19        | CVDD                    |
| W27         | VSS                        | AA4         | VSS                     | AB20        | VSS                     |
| W28         | DVDD18                     | AA5         | EMU15                   | AB21        | CVDD                    |
| W29         | UART0DSR                   | AA6         | EMU01                   | AB22        | VSS                     |
| W30         | GPIO05                     | AA7         | VSS                     | AB23        | CVDD1                   |
| W30         | BOOTMODE04 <sup>2</sup>    | AA8         | DVDD18                  | AB24        | VSS                     |
| W31         | GPIO08                     | AA9         | VSS                     | AB25        | CVDD                    |
| W31         | BOOTMODE07 <sup>2</sup>    | AA10        | CVDD                    | AB26        | VSS                     |
| W32         | GPIO06                     | AA11        | VSS                     | AB27        | DVDD18                  |
| W32         | BOOTMODE05 <sup>2</sup>    | AA12        | CVDD1                   | AB28        | VSS                     |
| W33         | GPIO09                     | AA13        | VSS                     | AB29        | GPIO10                  |
| W33         | BOOTMODE08 <sup>2</sup>    | AA14        | CVDD1                   | AB29        | BOOTMODE09 <sup>2</sup> |
| Y1          | EMIFCE3                    | AA15        | VSS                     | AB30        | GPIO25                  |
| Y2          | EMIFOE                     | AA16        | CVDD                    | AB30        | EMU27 <sup>3</sup>      |
| Y3          | EMIFRW                     | AA17        | VSS                     | AB31        | GPIO19                  |
| Y4          | EMIFCE1                    | AA18        | CVDD                    | AB31        | EMU21 <sup>3</sup>      |
| Y5          | EMU17                      | AA19        | VSS                     | AB32        | GPIO17                  |
| Y6          | USB0RESREF                 | AA20        | CVDD                    | AB32        | EMU19 <sup>3</sup>      |
| Y7          | DVDD18                     | AA21        | VSS                     | AB32        | BOOTMODE14 <sup>2</sup> |
| Y8          | VSS                        | AA22        | CVDD                    | AB33        | GPIO18                  |
| Y9          | CVDD                       | AA23        | VSS                     | AB33        | EMU20 <sup>3</sup>      |
| Y10         | VSS                        | AA24        | CVDD1                   | AB33        | BOOTMODE15 <sup>2</sup> |
| Y11         | USB0DVDD33                 | AA25        | VSS                     | AC1         | USB1DRVVBUS             |
| Y12         | VSS                        | AA26        | CVDD                    | AC2         | EMU13                   |
| Y13         | CVDD1                      | AA27        | VSS                     | AC3         | EMU07                   |
| Y14         | VSS                        | AA28        | DVDD18                  | AC4         | EMU02                   |
| Y15         | CVDD                       | AA29        | GPIO01                  | AC5         | EMU00                   |
| Y16         | VSS                        | AA29        | BOOTMODE00 <sup>2</sup> | AC6         | HYPLNK0TXFLCLK          |
| Y17         | CVDD                       | AA30        | GPIO13                  | AC7         | VSS                     |
| Y18         | VSS                        | AA30        | BOOTMODE12 <sup>2</sup> | AC8         | DVDD18                  |
| Y19         | CVDD                       | AA31        | DVDD18                  | AC9         | VSS                     |
| Y20         | VSS                        | AA32        | VSS                     | AC10        | CVDD                    |
| Y21         | CVDD                       | AA33        | GPIO16                  | AC11        | VSS                     |
| Y22         | VSS                        | AA33        | BOOTMODE13 <sup>2</sup> | AC12        | CVDD                    |
| Y23         | CVDD1                      | AB1         | USB0DRVVBUS             | AC13        | VSS                     |
| Y24         | VSS                        | AB2         | EMU16                   | AC14        | CVDD                    |
| Y25         | CVDD                       | AB3         | EMU14                   | AC15        | VSS                     |
| Y26         | VSS                        | AB4         | EMU08                   | AC16        | CVDD                    |
| Y27         | DVDD18                     | AB5         | EMU06                   | AC17        | VSS                     |
| Y28         | VSS                        | AB6         | HYPLNK0TXPMCLK          | AC18        | CVDD                    |
| Y29         | GPIO02                     | AB7         | DVDD18                  | AC19        | VSS                     |
| Y29         | BOOTMODE01 <sup>2</sup>    | AB8         | VSS                     | AC20        | CVDD                    |
| Y30         | GPIO11                     | AB9         | CVDD                    | AC21        | VSS                     |
| Y30         | BOOTMODE10 <sup>2</sup>    | AB10        | VSS                     | AC22        | CVDD                    |
| Y31         | GPIO15                     | AB11        | CVDD                    | AC23        | VSS                     |
| Y31         | BOOTMODE_RSVD <sup>2</sup> | AB12        | VSS                     | AC24        | CVDD                    |
| Y32         | GPIO12                     | AB13        | CVDD                    | AC25        | VSS                     |
| Y32         | BOOTMODE11 <sup>2</sup>    | AB14        | VSS                     | AC26        | CVDD                    |
| Y33         | GPIO14                     | AB15        | CVDD                    | AC27        | VSS                     |
| Y33         | MAINPLLODSEL <sup>2</sup>  | AB16        | VSS                     | AC28        | DVDD18                  |
| AA1         | EMIFCE0                    | AB17        | CVDD                    | AC29        | GPIO20                  |



**Table 6-5. Terminal Functions — By Ball Number (continued)**

| BALL NUMBER | SIGNAL NAME        | BALL NUMBER | SIGNAL NAME        | BALL NUMBER | SIGNAL NAME    |
|-------------|--------------------|-------------|--------------------|-------------|----------------|
| AC29        | EMU22 <sup>3</sup> | AE6         | EMU03              | AF24        | VSS            |
| AC30        | GPIO26             | AE7         | XFIMDIO            | AF25        | VDDALV         |
| AC30        | EMU28 <sup>3</sup> | AE8         | DVDD18             | AF26        | VSS            |
| AC31        | GPIO23             | AE9         | VSS                | AF27        | DVDD18         |
| AC31        | EMU25 <sup>3</sup> | AE10        | VDDALV             | AF28        | VSS            |
| AC32        | GPIO24             | AE11        | VSS                | AF29        | TDO            |
| AC32        | EMU26 <sup>3</sup> | AE12        | VDDALV             | AF30        | HOUT           |
| AC33        | GPIO21             | AE13        | VSS                | AF31        | BOOTCOMPLETE   |
| AC33        | EMU23 <sup>3</sup> | AE14        | VDDALV             | AF32        | RESETFULL      |
| AD1         | HYPLNK0RXPMDAT     | AE15        | VSS                | AF33        | LRESET         |
| AD2         | EMU12              | AE16        | VDDALV             | AG1         | CORECLKN       |
| AD3         | EMU05              | AE17        | VSS                | AG2         | TSRXCLKOUT1P   |
| AD4         | DVDD18             | AE18        | VDDALV             | AG3         | TSPUSHEVT0     |
| AD5         | VSS                | AE19        | VSS                | AG4         | EMU11          |
| AD6         | EMU04              | AE20        | VDDALV             | AG5         | RSV008         |
| AD7         | AVDDA3             | AE21        | VSS                | AG6         | NETCPCLKSEL    |
| AD8         | VSS                | AE22        | VDDALV             | AG7         | VSS            |
| AD9         | VNWA4              | AE23        | VSS                | AG8         | RSV015         |
| AD10        | VSS                | AE24        | VDDALV             | AG9         | VSS            |
| AD11        | CVDD               | AE25        | VSS                | AG10        | XFIREFRES0     |
| AD12        | VSS                | AE26        | DVDD18             | AG11        | VSS            |
| AD13        | CVDD               | AE27        | VSS                | AG12        | RSV017         |
| AD14        | VSS                | AE28        | DVDD18             | AG13        | VSS            |
| AD15        | CVDD               | AE29        | RESET              | AG14        | PCIE0REFRES    |
| AD16        | VSS                | AE30        | LRESETNMIEN        | AG15        | VSS            |
| AD17        | CVDD               | AE31        | DVDD18             | AG16        | VDDALV         |
| AD18        | VSS                | AE32        | VSS                | AG17        | VSS            |
| AD19        | CVDD               | AE33        | GPIO30             | AG18        | VDDALV         |
| AD20        | VSS                | AE33        | EMU32 <sup>3</sup> | AG19        | VSS            |
| AD21        | CVDD               | AF1         | CORECLKP           | AG20        | VDDALV         |
| AD22        | VSS                | AF2         | RSV003             | AG21        | VSS            |
| AD23        | VNWA3              | AF3         | EMU10              | AG22        | VDDALV         |
| AD24        | VSS                | AF4         | TSCOMPOUT          | AG23        | VSS            |
| AD25        | CVDD               | AF5         | HYPLNK0TXPMDAT     | AG24        | VDDALV         |
| AD26        | VSS                | AF6         | XFIMDCLK           | AG25        | VSS            |
| AD27        | DVDD18             | AF7         | AVDDA1             | AG26        | DVDD18         |
| AD28        | VSS                | AF8         | VSS                | AG27        | VSS            |
| AD29        | GPIO22             | AF9         | VDDALV             | AG28        | SDA0           |
| AD29        | EMU24 <sup>3</sup> | AF10        | VSS                | AG29        | SDA2           |
| AD30        | GPIO31             | AF11        | VDDALV             | AG30        | SCL0           |
| AD30        | EMU33 <sup>3</sup> | AF12        | VSS                | AG31        | TDI            |
| AD31        | GPIO29             | AF13        | VDDALV             | AG32        | TRST           |
| AD31        | EMU31 <sup>3</sup> | AF14        | VSS                | AG33        | NMI            |
| AD32        | GPIO27             | AF15        | VDDALV             | AH1         | TSRXCLKOUT1N   |
| AD32        | EMU29 <sup>3</sup> | AF16        | VSS                | AH2         | EMU18          |
| AD33        | GPIO28             | AF17        | VDDALV             | AH3         | EMU09          |
| AD33        | EMU30 <sup>3</sup> | AF18        | VSS                | AH4         | HYPLNK0TXFLDAT |
| AE1         | HYPLNK0RXPMDAT     | AF19        | VDDALV             | AH5         | MDIO0          |
| AE2         | RSV002             | AF20        | VSS                | AH6         | MDCLK0         |
| AE3         | HYPLNK0RXFLDAT     | AF21        | VDDALV             | AH7         | XFIREFRES1     |
| AE4         | SYSCLKOUT          | AF22        | VSS                | AH8         | VSS            |
| AE5         | TSSYNCEVT          | AF23        | VDDALV             | AH9         | RSV020         |

Table 6-5. Terminal Functions — By Ball Number (continued)

| BALL NUMBER | SIGNAL NAME    | BALL NUMBER | SIGNAL NAME | BALL NUMBER | SIGNAL NAME |
|-------------|----------------|-------------|-------------|-------------|-------------|
| AH10        | VSS            | AJ29        | VSS         | AL15        | PCIE1TXN0   |
| AH11        | VDDAHV         | AJ30        | DVDD18      | AL16        | VSS         |
| AH12        | VSS            | AJ31        | TSIP0FSA    | AL17        | PCIE0TXP0   |
| AH13        | VDDAHV         | AJ32        | SDA1        | AL18        | PCIE0TXN0   |
| AH14        | VSS            | AJ33        | TCK         | AL19        | VSS         |
| AH15        | VDDAHV         | AK1         | TSREFCLKN   | AL20        | SGMII0TXP6  |
| AH16        | VSS            | AK2         | TSREFCLKP   | AL21        | SGMII0TXN6  |
| AH17        | VDDAHV         | AK3         | VSS         | AL22        | VSS         |
| AH18        | VSS            | AK4         | HYPLNK0TXP3 | AL23        | SGMII0TXP4  |
| AH19        | VDDAHV         | AK5         | HYPLNK0TXN3 | AL24        | SGMII0TXN4  |
| AH20        | VSS            | AK6         | VSS         | AL25        | VSS         |
| AH21        | VDDAHV         | AK7         | HYPLNK0TXP1 | AL26        | SGMII0TXP2  |
| AH22        | VSS            | AK8         | HYPLNK0TXN1 | AL27        | SGMII0TXN2  |
| AH23        | VDDAHV         | AK9         | VSS         | AL28        | VSS         |
| AH24        | VSS            | AK10        | XFITXP1     | AL29        | SGMII0TXP0  |
| AH25        | VDDAHV         | AK11        | XFITXN1     | AL30        | SGMII0TXN0  |
| AH26        | VSS            | AK12        | VSS         | AL31        | VSS         |
| AH27        | DVDD18         | AK13        | PCIE1TXP1   | AL32        | TSIP0TX0    |
| AH28        | VSS            | AK14        | PCIE1TXN1   | AL33        | TSIP0TR1    |
| AH29        | RESETSTAT      | AK15        | VSS         | AM1         | VSS         |
| AH30        | SCL1           | AK16        | PCIE0TXP1   | AM2         | NETCPCLKP   |
| AH31        | SCL2           | AK17        | PCIE0TXN1   | AM3         | VSS         |
| AH32        | TMS            | AK18        | VSS         | AM4         | HYPLNK0RXN3 |
| AH33        | POR            | AK19        | SGMII0TXP7  | AM5         | HYPLNK0RXP3 |
| AJ1         | TSRXCLKOUT0P   | AK20        | SGMII0TXN7  | AM6         | VSS         |
| AJ2         | TSRXCLKOUT0N   | AK21        | VSS         | AM7         | HYPLNK0RXN1 |
| AJ3         | HYPLNK0RXFLCLK | AK22        | SGMII0TXP5  | AM8         | HYPLNK0RXP1 |
| AJ4         | VSS            | AK23        | SGMII0TXN5  | AM9         | VSS         |
| AJ5         | HYPLNK0REFRES  | AK24        | VSS         | AM10        | XFIRXN1     |
| AJ6         | VSS            | AK25        | SGMII0TXP3  | AM11        | XFIRXP1     |
| AJ7         | HYPLNK0CLKP    | AK26        | SGMII0TXN3  | AM12        | VSS         |
| AJ8         | HYPLNK0CLKN    | AK27        | VSS         | AM13        | PCIE1RXN1   |
| AJ9         | VSS            | AK28        | SGMII0TXP1  | AM14        | PCIE1RXP1   |
| AJ10        | PCIE1REFRES    | AK29        | SGMII0TXN1  | AM15        | VSS         |
| AJ11        | XFICKLP        | AK30        | VSS         | AM16        | PCIE0RXN1   |
| AJ12        | XFICKLN        | AK31        | TSIP0CLKA   | AM17        | PCIE0RXP1   |
| AJ13        | VSS            | AK32        | TSIP0FSB    | AM18        | VSS         |
| AJ14        | PCIE1CLKP      | AK33        | TSIP0CLKB   | AM19        | SGMII0RXN7  |
| AJ15        | PCIE1CLKN      | AL1         | TSPUSHEVT1  | AM20        | SGMII0RXP7  |
| AJ16        | VSS            | AL2         | RSV007      | AM21        | VSS         |
| AJ17        | PCIE0CLKP      | AL3         | RSV006      | AM22        | SGMII0RXN5  |
| AJ18        | PCIE0CLKN      | AL4         | VSS         | AM23        | SGMII0RXP5  |
| AJ19        | VSS            | AL5         | HYPLNK0TXP2 | AM24        | VSS         |
| AJ20        | RSV016         | AL6         | HYPLNK0TXN2 | AM25        | SGMII0RXN3  |
| AJ21        | VSS            | AL7         | VSS         | AM26        | SGMII0RXP3  |
| AJ22        | SGMII01REFRES  | AL8         | HYPLNK0TXP0 | AM27        | VSS         |
| AJ23        | VSS            | AL9         | HYPLNK0TXN0 | AM28        | SGMII0RXN1  |
| AJ24        | SGMII0CLKP     | AL10        | VSS         | AM29        | SGMII0RXP1  |
| AJ25        | SGMII0CLKN     | AL11        | XFITXP0     | AM30        | VSS         |
| AJ26        | RSV019         | AL12        | XFITXN0     | AM31        | TSIP0TR0    |
| AJ27        | SGMII00REFRES  | AL13        | VSS         | AM32        | TSIP0TX1    |
| AJ28        | RSV018         | AL14        | PCIE1TXP0   | AM33        | DVDD18      |

**Table 6-5. Terminal Functions — By Ball Number (continued)**

| BALL NUMBER | SIGNAL NAME | BALL NUMBER | SIGNAL NAME | BALL NUMBER | SIGNAL NAME |
|-------------|-------------|-------------|-------------|-------------|-------------|
| AN1         | VSS         | AN12        | XFIRXP0     | AN23        | SGMII0RXN4  |
| AN2         | VSS         | AN13        | VSS         | AN24        | SGMII0RXP4  |
| AN3         | NETCPCLKN   | AN14        | PCIE1RXN0   | AN25        | VSS         |
| AN4         | VSS         | AN15        | PCIE1RXP0   | AN26        | SGMII0RXN2  |
| AN5         | HYPLNK0RXN2 | AN16        | VSS         | AN27        | SGMII0RXP2  |
| AN6         | HYPLNK0RXP2 | AN17        | PCIE0RXN0   | AN28        | VSS         |
| AN7         | VSS         | AN18        | PCIE0RXP0   | AN29        | SGMII0RXN0  |
| AN8         | HYPLNK0RXN0 | AN19        | VSS         | AN30        | SGMII0RXP0  |
| AN9         | HYPLNK0RXP0 | AN20        | SGMII0RXN6  | AN31        | VSS         |
| AN10        | VSS         | AN21        | SGMII0RXP6  | AN32        | DVDD18      |
| AN11        | XFIRXN0     | AN22        | VSS         | AN33        | VSS         |

## 6.4 Pullup/Pulldown Resistors

Proper board design should ensure that input pins to the device always be at a valid logic level and not floating. This may be achieved via pullup/pulldown resistors. The device features internal pullup (IPU) and internal pulldown (IPD) resistors on most pins to eliminate the need, unless otherwise noted, for external pullup/pulldown resistors.

An external pullup/pulldown resistor needs to be used in the following situations:

- **Device Configuration Pins:** If the pin is both routed out and not driven (in Hi-Z state), an external pullup/pulldown resistor must be used, even if the IPU/IPD matches the desired value/state.
- **Other Input Pins:** If the IPU/IPD does not match the desired value/state, use an external pullup/pulldown resistor to pull the signal to the opposite rail.

For the device configuration pins (listed in [Table 9-26](#)), if they are both routed out and are not driven (in Hi-Z state), it is strongly recommended that an external pullup/pulldown resistor be implemented. Although, internal pullup/pulldown resistors exist on these pins and they may match the desired configuration value, providing external connectivity can help ensure that valid logic levels are latched on these device configuration pins. In addition, applying external pullup/pulldown resistors on the device configuration pins adds convenience to the user in debugging and flexibility in switching operating modes.

Tips for choosing an external pullup/pulldown resistor:

- Consider the total amount of current that may pass through the pullup or pulldown resistor. Be sure to include the leakage currents of all the devices connected to the net, as well as any internal pullup or pulldown resistors.
- Decide a target value for the net. For a pulldown resistor, this should be below the lowest  $V_{IL}$  level of all inputs connected to the net. For a pullup resistor, this should be above the highest  $V_{IH}$  level of all inputs on the net. A reasonable choice would be to target the  $V_{OL}$  or  $V_{OH}$  levels for the logic family of the limiting device; which, by definition, have margin to the  $V_{IL}$  and  $V_{IH}$  levels.
- Select a pullup/pulldown resistor with the largest possible value that still ensures that the net will reach the target pulled value when maximum current from all devices on the net is flowing through the resistor. The current to be considered includes leakage current plus, any other internal and external pullup/pulldown resistors on the net.
- For bidirectional nets, there is an additional consideration that sets a lower limit on the resistance value of the external resistor. Verify that the resistance is small enough that the weakest output buffer can drive the net to the opposite logic level (including margin).
- Remember to include tolerances when selecting the resistor value.
- For pullup resistors, also remember to include tolerances on the DVDD rail.

For most systems:

- A 1-k $\Omega$  resistor can be used to oppose the IPU/IPD while meeting the above criteria. Users should confirm this resistor value is correct for their specific application.

- A 20-k $\Omega$  resistor can be used to compliment the IPU/IPD on the device configuration pins while meeting the above criteria. Users should confirm this resistor value is correct for their specific application.

For more detailed information on input current ( $I_I$ ), and the low-level/high-level input voltages ( $V_{IL}$  and  $V_{IH}$ ) for the 66AK2E0x device, see [Section 10.3](#). To determine which pins on the device include internal pullup/pulldown resistors, see [Table 6-2](#).

## 7 Memory, Interrupts, and EDMA for 66AK2E0x

### 7.1 Memory Map Summary 66AK2E0x

The following table shows the memory map address ranges of the device.

**Table 7-1. Device Memory Map Summary 66AK2E0x**

| PHYSICAL 40 BIT ADDRESS |              | BYTES   | ARM VIEW                | DSP VIEW               | SOC VIEW               |
|-------------------------|--------------|---------|-------------------------|------------------------|------------------------|
| START                   | END          |         |                         |                        |                        |
| 00 0000 0000            | 00 0003 FFFF | 256K    | ARM ROM                 | Reserved               | ARM ROM                |
| 00 0004 0000            | 00 007F FFFF | 8M-256K | Reserved                | Reserved               | Reserved               |
| 00 0080 0000            | 00 0087 FFFF | 512K    | Reserved                | L2 SRAM                | L2 SRAM                |
| 00 0088 0000            | 00 008F FFFF | 512K    | Reserved                | Reserved               | Reserved               |
| 00 0090 0000            | 00 00DF FFFF | 5M      | Reserved                | Reserved               | Reserved               |
| 00 00E0 0000            | 00 00E0 7FFF | 32K     | Reserved                | L1P SRAM               | L1P SRAM               |
| 00 00E0 8000            | 00 00EF FFFF | 1M-32K  | Reserved                | Reserved               | Reserved               |
| 00 00F0 0000            | 00 00F0 7FFF | 32K     | Reserved                | L1D SRAM               | L1D SRAM               |
| 00 00F0 8000            | 00 00FF FFFF | 1M-32K  | Reserved                | Reserved               | Reserved               |
| 00 0100 0000            | 00 0100 FFFF | 64K     | ARM AXI2VBUSM registers | C66x CorePac registers | C66x CorePac registers |
| 00 0101 0000            | 00 010F FFFF | 1M-64K  | Reserved                | C66x CorePac registers | C66x CorePac registers |
| 00 0110 0000            | 00 0110 FFFF | 64K     | ARM STM Stimulus Ports  | C66x CorePac registers | C66x CorePac registers |
| 00 0101 0000            | 00 01BF FFFF | 11M-64K | Reserved                | C66x CorePac registers | C66x CorePac registers |
| 00 01C0 0000            | 00 01CF FFFF | 1M      | Reserved                | Reserved               | Reserved               |
| 00 01D0 0000            | 00 01D0 007F | 128     | Tracer CFG0             | Tracer CFG0            | Tracer CFG0            |
| 00 01D0 0080            | 00 01D0 7FFF | 32K-128 | Reserved                | Reserved               | Reserved               |
| 00 01D0 8000            | 00 01D0 807F | 128     | Tracer CFG1             | Tracer CFG1            | Tracer CFG1            |
| 00 01D0 8080            | 00 01D0 FFFF | 32K-128 | Reserved                | Reserved               | Reserved               |
| 00 01D1 0000            | 00 01D1 007F | 128     | Tracer CFG2             | Tracer CFG2            | Tracer CFG2            |
| 00 01D1 0080            | 00 01D1 7FFF | 32K-128 | Reserved                | Reserved               | Reserved               |
| 00 01D1 8000            | 00 01D1 807F | 128     | Tracer CFG3             | Tracer CFG3            | Tracer CFG3            |
| 00 01D1 8080            | 00 01D1 FFFF | 32K-128 | Reserved                | Reserved               | Reserved               |
| 00 01D2 0000            | 00 01D2 007F | 128     | Tracer CFG4             | Tracer CFG4            | Tracer CFG4            |
| 00 01D2 0080            | 00 01D2 7FFF | 32K-128 | Reserved                | Reserved               | Reserved               |
| 00 01D2 8000            | 00 01D2 807F | 128     | Tracer CFG5             | Tracer CFG5            | Tracer CFG5            |
| 00 01D2 8080            | 00 01D2 FFFF | 32K-128 | Reserved                | Reserved               | Reserved               |
| 00 01D3 0000            | 00 01D3 007F | 128     | Tracer CFG6             | Tracer CFG6            | Tracer CFG6            |
| 00 01D3 0080            | 00 01D3 7FFF | 32K-128 | Reserved                | Reserved               | Reserved               |
| 00 01D3 8000            | 00 01D3 807F | 128     | Tracer CFG7             | Tracer CFG7            | Tracer CFG7            |
| 00 01D3 8080            | 00 01D3 FFFF | 32K-128 | Reserved                | Reserved               | Reserved               |
| 00 01D4 0000            | 00 01D4 007F | 128     | Tracer CFG8             | Tracer CFG8            | Tracer CFG8            |
| 00 01D4 0080            | 00 01D4 7FFF | 32K-128 | Reserved                | Reserved               | Reserved               |
| 00 01D4 8000            | 00 01D4 807F | 128     | Tracer CFG9             | Tracer CFG9            | Tracer CFG9            |
| 00 01D4 8080            | 00 01D4 FFFF | 32K-128 | Reserved                | Reserved               | Reserved               |
| 00 01D5 0000            | 00 01D5 007F | 128     | Reserved                | Reserved               | Reserved               |
| 00 01D5 0080            | 00 01D5 7FFF | 32K-128 | Reserved                | Reserved               | Reserved               |
| 00 01D5 8000            | 00 01D5 807F | 128     | Reserved                | Reserved               | Reserved               |
| 00 01D5 8080            | 00 01D5 FFFF | 32K-128 | Reserved                | Reserved               | Reserved               |
| 00 01D6 0000            | 00 01D6 007F | 128     | Reserved                | Reserved               | Reserved               |
| 00 01D6 0080            | 00 01D6 7FFF | 32K-128 | Reserved                | Reserved               | Reserved               |
| 00 01D6 8000            | 00 01D6 807F | 128     | Reserved                | Reserved               | Reserved               |
| 00 01D6 8080            | 00 01D6 FFFF | 32K-128 | Reserved                | Reserved               | Reserved               |
| 00 01D7 0000            | 00 01D7 007F | 128     | Reserved                | Reserved               | Reserved               |
| 00 01D7 0080            | 00 01D7 7FFF | 32K-128 | Reserved                | Reserved               | Reserved               |
| 00 01D7 8000            | 00 01D7 807F | 128     | Reserved                | Reserved               | Reserved               |

Table 7-1. Device Memory Map Summary 66AK2E0x (continued)

| PHYSICAL 40 BIT ADDRESS |              | BYTES   | ARM VIEW  | DSP VIEW  | SOC VIEW  |
|-------------------------|--------------|---------|---|---|---|
| START                   | END          |         |   |   |   |
| 00 01D7 8080            | 00 01D7 FFFF | 32K-128 | Reserved  | Reserved  | Reserved  |
| 00 01D8 0000            | 00 01D8 007F | 128     | Reserved  | Reserved  | Reserved  |
| 00 01D8 0080            | 00 01D8 7FFF | 32K-128 | Reserved  | Reserved  | Reserved  |
| 00 01D8 8000            | 00 01D8 807F | 128     | Reserved  | Reserved  | Reserved  |
| 00 01D8 8080            | 00 01D8 8FFF | 32K-128 | Reserved  | Reserved  | Reserved  |
| 00 01D9 0000            | 00 01D9 007F | 128     | Reserved  | Reserved  | Reserved  |
| 00 01D9 0080            | 00 01D9 7FFF | 32K-128 | Reserved  | Reserved  | Reserved  |
| 00 01D9 8000            | 00 01D9 807F | 128     | Reserved  | Reserved  | Reserved  |
| 00 01D9 8080            | 00 01D9 FFFF | 32K-128 | Reserved  | Reserved  | Reserved  |
| 00 01DA 0000            | 00 01DA 007F | 128     | Tracer CFG20  | Tracer CFG20  | Tracer CFG20  |
| 00 01DA 0080            | 00 01DA 7FFF | 32K-128 | Reserved  | Reserved  | Reserved  |
| 00 01DA 8000            | 00 01DA 807F | 128     | Reserved  | Reserved  | Reserved  |
| 00 01DA 8080            | 00 01DA FFFF | 32K-128 | Reserved  | Reserved  | Reserved  |
| 00 01DB 0000            | 00 01DB 007F | 128     | Tracer CFG22  | Tracer CFG22  | Tracer CFG22  |
| 00 01DB 0080            | 00 01DB 7FFF | 32K-128 | Reserved  | Reserved  | Reserved  |
| 00 01DB 8000            | 00 01DB 807F | 128     | Reserved  | Reserved  | Reserved  |
| 00 01DB 8080            | 00 01DB 8FFF | 32K-128 | Reserved  | Reserved  | Reserved  |
| 00 01DC 0000            | 00 01DC 007F | 128     | Tracer CFG24  | Tracer CFG24  | Tracer CFG24  |
| 00 01DC 0080            | 00 01DC 7FFF | 32K-128 | Reserved  | Reserved  | Reserved  |
| 00 01DC 8000            | 00 01DC 807F | 128     | Tracer CFG25  | Tracer CFG25  | Tracer CFG25  |
| 00 01DC 8080            | 00 01DC FFFF | 32K-128 | Reserved  | Reserved  | Reserved  |
| 00 01DD 0000            | 00 01DD 007F | 128     | Tracer CFG26  | Tracer CFG26  | Tracer CFG26  |
| 00 01DD 0080            | 00 01DD 7FFF | 32K-128 | Reserved  | Reserved  | Reserved  |
| 00 01DD 8000            | 00 01DD 807F | 128     | Tracer CFG27  | Tracer CFG27  | Tracer CFG27  |
| 00 01DD 8080            | 00 01DD FFFF | 32K-128 | Reserved  | Reserved  | Reserved  |
| 00 01DE 0000            | 00 01DE 007F | 128     | Tracer CFG28  | Tracer CFG28  | Tracer CFG28  |
| 00 01DE 0080            | 00 01DE 03FF | 1K-128  | Reserved  | Reserved  | Reserved  |
| 00 01DE 0400            | 00 01DE 047F | 128     | Tracer CFG29  | Tracer CFG29  | Tracer CFG29  |
| 00 01DD 0480            | 00 01DD 07FF | 1K-128  | Reserved  | Reserved  | Reserved  |
| 00 01DE 0800            | 00 01DE 087F | 128     | Tracer CFG30  | Tracer CFG30  | Tracer CFG30  |
| 00 01DE 0880            | 00 01DE 7FFF | 30K-128 | Reserved  | Reserved  | Reserved  |
| 00 01DE 8000            | 00 01DE 807F | 128     | Tracer CFG31  | Tracer CFG31  | Tracer CFG31  |
| 00 01DE 8080            | 00 01DF FFFF | 64K-128 | Reserved  | Reserved  | Reserved  |
| 00 01E0 0000            | 00 01E3 FFFF | 256K    | Reserved  | Reserved  | Reserved  |
| 00 01E4 0000            | 00 01E7FFFF  | 256k    | TSIP_CFG  | TSIP_CFG  | TSIP_CFG  |
| 00 01E8 0000            | 00 01E8 3FFF | 16K     | ARM CorePac_CFG   | ARM CorePac_CFG   | ARM CorePac_CFG   |
| 00 01E8 4000            | 00 01EB FFFF | 240k    | Reserved  | Reserved  | Reserved  |
| 00 01EC 0000            | 00 01EF FFFF | 256K    | Reserved  | Reserved  | Reserved  |
| 00 01F0 0000            | 00 01F7 FFFF | 512K    | Reserved  | Reserved  | Reserved  |
| 00 01F8 0000            | 00 01F8 FFFF | 64K     | Reserved  | Reserved  | Reserved  |
| 00 01F9 0000            | 00 01F9 FFFF | 64K     | Reserved  | Reserved  | Reserved  |
| 00 01FA 0000            | 00 01FB FFFF | 128K    | Reserved  | Reserved  | Reserved  |
| 00 01FC 0000            | 00 01FD FFFF | 128K    | Reserved  | Reserved  | Reserved  |
| 00 01FE 0000            | 00 01FF FFFF | 128K    | Reserved  | Reserved  | Reserved  |
| 00 0200 0000            | 00 020F FFFF | 1M      | Network Coprocessor 0(Packet Accelerator, 1-gigabit Ethernet switch subsystem and Security Accelerator) | Network Coprocessor 0(Packet Accelerator, 1-gigabit Ethernet switch subsystem and Security Accelerator) | Network Coprocessor 0(Packet Accelerator, 1-gigabit Ethernet switch subsystem and Security Accelerator) |
| 00 0210 0000            | 00 0210 FFFF | 64K     | Reserved  | Reserved  | Reserved  |
| 00 0211 0000            | 00 0211 FFFF | 64K     | Reserved  | Reserved  | Reserved  |
| 00 0212 0000            | 00 0213 FFFF | 128K    | Reserved  | Reserved  | Reserved  |

**Table 7-1. Device Memory Map Summary 66AK2E0x (continued)**

| PHYSICAL 40 BIT ADDRESS |              | BYTES   | ARM VIEW                        | DSP VIEW                        | SOC VIEW                        |
|-------------------------|--------------|---------|---------------------------------|---------------------------------|---------------------------------|
| START                   | END          |         |                                 |                                 |                                 |
| 00 0214 0000            | 00 0215 FFFF | 128K    | Reserved                        | Reserved                        | Reserved                        |
| 00 0216 0000            | 00 0217 FFFF | 128K    | Reserved                        | Reserved                        | Reserved                        |
| 00 0218 0000            | 00 0218 7FFF | 32k     | Reserved                        | Reserved                        | Reserved                        |
| 00 0218 8000            | 00 0218 FFFF | 32k     | Reserved                        | Reserved                        | Reserved                        |
| 00 0219 0000            | 00 0219 FFFF | 64k     | Reserved                        | Reserved                        | Reserved                        |
| 00 021A 0000            | 00 021A FFFF | 64K     | Reserved                        | Reserved                        | Reserved                        |
| 00 021B 0000            | 00 021B FFFF | 64K     | Reserved                        | Reserved                        | Reserved                        |
| 00 021C 0000            | 00 021C 03FF | 1K      | Reserved                        | Reserved                        | Reserved                        |
| 00 021C 0400            | 00 021C 3FFF | 15K     | Reserved                        | Reserved                        | Reserved                        |
| 00 021C 4000            | 00 021C 43FF | 1K      | Reserved                        | Reserved                        | Reserved                        |
| 00 021C 4400            | 00 021C 5FFF | 7K      | Reserved                        | Reserved                        | Reserved                        |
| 00 021C 6000            | 00 021C 63FF | 1K      | Reserved                        | Reserved                        | Reserved                        |
| 00 021C 6400            | 00 021C 7FFF | 7K      | Reserved                        | Reserved                        | Reserved                        |
| 00 021C 8000            | 00 021C 83FF | 1K      | Reserved                        | Reserved                        | Reserved                        |
| 00 021C 8400            | 00 021C FFFF | 31K     | Reserved                        | Reserved                        | Reserved                        |
| 00 021D 0000            | 00 021D 03FF | 1K      | Memory protection unit (MPU) 15 | Memory protection unit (MPU) 15 | Memory protection unit (MPU) 15 |
| 00 021D 0400            | 00 021D 047F | 128     | Tracer CFG32                    | Tracer CFG32                    | Tracer CFG32                    |
| 00 021D 0100            | 00 021D 3FFF | 15K-128 | Reserved                        | Reserved                        | Reserved                        |
| 00 021D 4000            | 00 021D 40FF | 256     | Reserved                        | Reserved                        | Reserved                        |
| 00 021D 4100            | 00 021D 7FFF | 16K-256 | Reserved                        | Reserved                        | Reserved                        |
| 00 021D 8000            | 00 021D 80FF | 256     | Reserved                        | Reserved                        | Reserved                        |
| 00 021D 8100            | 00 021D BFFF | 16K-256 | Reserved                        | Reserved                        | Reserved                        |
| 00 021D C000            | 00 021D C0FF | 256     | Reserved                        | Reserved                        | Reserved                        |
| 00 021D C100            | 00 021D EFFF | 12K-256 | Reserved                        | Reserved                        | Reserved                        |
| 00 021D F000            | 00 021D F07F | 128     | Reserved                        | Reserved                        | Reserved                        |
| 00 021D F080            | 00 021D FFFF | 4K-128  | Reserved                        | Reserved                        | Reserved                        |
| 00 021E 0000            | 00 021E FFFF | 64K     | Reserved                        | Reserved                        | Reserved                        |
| 00 021F 0000            | 00 021F 07FF | 2K      | Reserved                        | Reserved                        | Reserved                        |
| 00 021F 0800            | 00 021F 0FFF | 2K      | Reserved                        | Reserved                        | Reserved                        |
| 00 021F 1000            | 00 021F 17FF | 2K      | Reserved                        | Reserved                        | Reserved                        |
| 00 021F 1800            | 00 021F 3FFF | 10K     | Reserved                        | Reserved                        | Reserved                        |
| 00 021F 4000            | 00 021F 47FF | 2K      | Reserved                        | Reserved                        | Reserved                        |
| 00 021F 4800            | 00 021F 7FFF | 14K     | Reserved                        | Reserved                        | Reserved                        |
| 00 021F 8000            | 00 021F 87FF | 2K      | Reserved                        | Reserved                        | Reserved                        |
| 00 021F 8800            | 00 021F BFFF | 14K     | Reserved                        | Reserved                        | Reserved                        |
| 00 021F C000            | 00 021F C7FF | 2K      | Reserved                        | Reserved                        | Reserved                        |
| 00 021F C800            | 00 021F FFFF | 14K     | Reserved                        | Reserved                        | Reserved                        |
| 00 0220 0000            | 00 0220 007F | 128     | Timer0                          | Timer0                          | Timer0                          |
| 00 0220 0080            | 00 0220 FFFF | 64K-128 | Reserved                        | Reserved                        | Reserved                        |
| 00 0221 0000            | 00 0221 007F | 128     | Reserved                        | Reserved                        | Reserved                        |
| 00 0221 0080            | 00 0221 FFFF | 64K-128 | Reserved                        | Reserved                        | Reserved                        |
| 00 0222 0000            | 00 0222 007F | 128     | Reserved                        | Reserved                        | Reserved                        |
| 00 0222 0080            | 00 0222 FFFF | 64K-128 | Reserved                        | Reserved                        | Reserved                        |
| 00 0223 0000            | 00 0223 007F | 128     | Reserved                        | Reserved                        | Reserved                        |
| 00 0223 0080            | 00 0223 FFFF | 64K-128 | Reserved                        | Reserved                        | Reserved                        |
| 00 0224 0000            | 00 0224 007F | 128     | Reserved                        | Reserved                        | Reserved                        |
| 00 0224 0080            | 00 0224 FFFF | 64K-128 | Reserved                        | Reserved                        | Reserved                        |
| 00 0225 0000            | 00 0225 007F | 128     | Reserved                        | Reserved                        | Reserved                        |
| 00 0225 0080            | 00 0225 FFFF | 64K-128 | Reserved                        | Reserved                        | Reserved                        |
| 00 0226 0000            | 00 0226 007F | 128     | Reserved                        | Reserved                        | Reserved                        |

Table 7-1. Device Memory Map Summary 66AK2E0x (continued)

| PHYSICAL 40 BIT ADDRESS |              | BYTES   | ARM VIEW                     | DSP VIEW                     | SOC VIEW                     |
|-------------------------|--------------|---------|------------------------------|------------------------------|------------------------------|
| START                   | END          |         |                              |                              |                              |
| 00 0226 0080            | 00 0226 FFFF | 64K-128 | Reserved                     | Reserved                     | Reserved                     |
| 00 0227 0000            | 00 0227 007F | 128     | Reserved                     | Reserved                     | Reserved                     |
| 00 0227 0080            | 00 0227 FFFF | 64K-128 | Reserved                     | Reserved                     | Reserved                     |
| 00 0228 0000            | 00 0228 007F | 128     | Timer 8                      | Timer 8                      | Timer 8                      |
| 00 0228 0080            | 00 0228 FFFF | 64K-128 | Reserved                     | Reserved                     | Reserved                     |
| 00 0229 0000            | 00 0229 007F | 128     | Timer 9                      | Timer 9                      | Timer 9                      |
| 00 0229 0080            | 00 0229 FFFF | 64K-128 | Reserved                     | Reserved                     | Reserved                     |
| 00 022A 0000            | 00 022A 007F | 128     | Timer 10                     | Timer 10                     | Timer 10                     |
| 00 022A 0080            | 00 022A FFFF | 64K-128 | Reserved                     | Reserved                     | Reserved                     |
| 00 022B 0000            | 00 022B 007F | 128     | Timer 11                     | Timer 11                     | Timer 11                     |
| 00 022B 0080            | 00 022B FFFF | 64K-128 | Reserved                     | Reserved                     | Reserved                     |
| 00 022C 0000            | 00 022C 007F | 128     | Timer 12                     | Timer 12                     | Timer 12                     |
| 00 022C 0080            | 00 022C FFFF | 64K-128 | Reserved                     | Reserved                     | Reserved                     |
| 00 022D 0000            | 00 022D 007F | 128     | Timer 13                     | Timer 13                     | Timer 13                     |
| 00 022D 0080            | 00 022D FFFF | 64K-128 | Reserved                     | Reserved                     | Reserved                     |
| 00 022E 0000            | 00 022E 007F | 128     | Timer 14                     | Timer 14                     | Timer 14                     |
| 00 022E 0080            | 00 022E FFFF | 64K-128 | Reserved                     | Reserved                     | Reserved                     |
| 00 022F 0000            | 00 022F 007F | 128     | Timer 15                     | Timer 15                     | Timer 15                     |
| 00 022F 0080            | 00 022F 00FF | 128     | Timer 16                     | Timer 16                     | Timer 16                     |
| 00 022F 0100            | 00 022F 017F | 128     | Timer 17                     | Timer 17                     | Timer 17                     |
| 00 022F 0180            | 00 022F 01FF | 128     | Timer 18                     | Timer 18                     | Timer 18                     |
| 00 022F 0200            | 00 022F 027F | 128     | Timer 19                     | Timer 19                     | Timer 19                     |
| 00 0230 0000            | 00 0230 FFFF | 64K     | Reserved                     | Reserved                     | Reserved                     |
| 00 0231 0000            | 00 0231 01FF | 512     | PLL Controller               | PLL Controller               | PLL Controller               |
| 00 0231 0200            | 00 0231 9FFF | 40K-512 | Reserved                     | Reserved                     | Reserved                     |
| 00 0231 A000            | 00 0231 BFFF | 8K      | HyperLink0 SerDes Config     | HyperLink0 SerDes Config     | HyperLink0 SerDes Config     |
| 00 0231 C000            | 00 0231 DFFF | 8K      | Reserved                     | Reserved                     | Reserved                     |
| 00 0231 E000            | 00 0231 FFFF | 8K      | 10GbE SerDes Config          | 10GbE SerDes Config          | 10GbE SerDes Config          |
| 00 0232 0000            | 00 0232 3FFF | 16K     | PCIe0 SerDes Config          | PCIe0 SerDes Config          | PCIe0 SerDes Config          |
| 00 0232 4000            | 00 0232 5FFF | 8K      | SGMII 1 SerDes Config        | SGMII 1 SerDes Config        | SGMII 1 SerDes Config        |
| 00 0232 6000            | 00 0232 7FFF | 8K      | PCIe1SerDes Config           | PCIe1SerDes Config           | PCIe1SerDes Config           |
| 00 0232 8000            | 00 0232 8FFF | 4K      | Reserved                     | Reserved                     | Reserved                     |
| 00 0232 9000            | 00 0232 9FFF | 4K      | DDRA PHY Config              | DDRA PHY Config              | DDRA PHY Config              |
| 00 0232 A000            | 00 0232 BFFF | 8K      | SGMII 0 SerDes Config        | SGMII 0 SerDes Config        | SGMII 0 SerDes Config        |
| 00 0232 C000            | 00 0232 CFFF | 4K      | Reserved                     | Reserved                     | Reserved                     |
| 00 0232 D000            | 00 0232 DFFF | 4K      | Reserved                     | Reserved                     | Reserved                     |
| 00 0232 E000            | 00 0232 FFFF | 4K      | Reserved                     | Reserved                     | Reserved                     |
| 00 0233 0000            | 00 0233 03FF | 1K      | SmartReflex0                 | SmartReflex0                 | SmartReflex0                 |
| 00 0233 0400            | 00 0233 07FF | 1K      | Reserved                     | Reserved                     | Reserved                     |
| 00 0233 0400            | 00 0233 FFFF | 62K     | Reserved                     | Reserved                     | Reserved                     |
| 00 0234 0000            | 00 0234 00FF | 256     | Reserved                     | Reserved                     | Reserved                     |
| 00 0234 0100            | 00 0234 3FFF | 16K     | Reserved                     | Reserved                     | Reserved                     |
| 00 0234 4000            | 00 0234 40FF | 256     | Reserved                     | Reserved                     | Reserved                     |
| 00 0234 4100            | 00 0234 7FFF | 16K     | Reserved                     | Reserved                     | Reserved                     |
| 00 0234 8000            | 00 0234 80FF | 256     | Reserved                     | Reserved                     | Reserved                     |
| 00 0234 8100            | 00 0234 BFFF | 16K     | Reserved                     | Reserved                     | Reserved                     |
| 00 0234 C000            | 00 0234 C0FF | 256     | Reserved                     | Reserved                     | Reserved                     |
| 00 0234 C100            | 00 0234 FFFF | 16K     | Reserved                     | Reserved                     | Reserved                     |
| 00 0235 0000            | 00 0235 0FFF | 4K      | Power sleep controller (PSC) | Power sleep controller (PSC) | Power sleep controller (PSC) |
| 00 0235 1000            | 00 0235 FFFF | 64K-4K  | Reserved                     | Reserved                     | Reserved                     |



**Table 7-1. Device Memory Map Summary 66AK2E0x (continued)**

| PHYSICAL 40 BIT ADDRESS |              | BYTES   | ARM VIEW                        | DSP VIEW                        | SOC VIEW                        |
|-------------------------|--------------|---------|---------------------------------|---------------------------------|---------------------------------|
| START                   | END          |         |                                 |                                 |                                 |
| 00 0236 0000            | 00 0236 03FF | 1K      | Memory protection unit (MPU) 0  | Memory protection unit (MPU) 0  | Memory protection unit (MPU) 0  |
| 00 0236 0400            | 00 0236 7FFF | 31K     | Reserved                        | Reserved                        | Reserved                        |
| 00 0236 8000            | 00 0236 83FF | 1K      | Memory protection unit (MPU) 1  | Memory protection unit (MPU) 1  | Memory protection unit (MPU) 1  |
| 00 0236 8400            | 00 0236 FFFF | 31K     | Reserved                        | Reserved                        | Reserved                        |
| 00 0237 0000            | 00 0237 03FF | 1K      | Memory protection unit (MPU) 2  | Memory protection unit (MPU) 2  | Memory protection unit (MPU) 2  |
| 00 0237 0400            | 00 0237 7FFF | 31K     | Reserved                        | Reserved                        | Reserved                        |
| 00 0237 8000            | 00 0237 83FF | 1K      | Reserved                        | Reserved                        | Reserved                        |
| 00 0237 8400            | 00 0237 FFFF | 31K     | Reserved                        | Reserved                        | Reserved                        |
| 00 0238 0000            | 00 0238 03FF | 1K      | Reserved                        | Reserved                        | Reserved                        |
| 00 0238 8000            | 00 0238 83FF | 1K      | Memory protection unit (MPU) 5  | Memory protection unit (MPU) 5  | Memory protection unit (MPU) 5  |
| 00 0238 8400            | 00 0238 87FF | 1K      | Reserved                        | Reserved                        | Reserved                        |
| 00 0238 8800            | 00 0238 8BFF | 1K      | Memory protection unit (MPU) 7  | Memory protection unit (MPU) 7  | Memory protection unit (MPU) 7  |
| 00 0238 8C00            | 00 0238 8FFF | 1K      | Memory protection unit (MPU) 8  | Memory protection unit (MPU) 8  | Memory protection unit (MPU) 8  |
| 00 0238 9000            | 00 0238 93FF | 1K      | Memory protection unit (MPU) 9  | Memory protection unit (MPU) 9  | Memory protection unit (MPU) 9  |
| 00 0238 9400            | 00 0238 97FF | 1K      | Memory protection unit (MPU) 10 | Memory protection unit (MPU) 10 | Memory protection unit (MPU) 10 |
| 00 0238 9800            | 00 0238 9BFF | 1K      | Memory protection unit (MPU) 11 | Memory protection unit (MPU) 11 | Memory protection unit (MPU) 11 |
| 00 0238 9C00            | 00 0238 9FFF | 1K      | Memory protection unit (MPU) 12 | Memory protection unit (MPU) 12 | Memory protection unit (MPU) 12 |
| 00 0238 A000            | 00 0238 A3FF | 1K      | Memory protection unit (MPU) 13 | Memory protection unit (MPU) 13 | Memory protection unit (MPU) 13 |
| 00 0238 A400            | 00 0238 A7FF | 1K      | Memory protection unit (MPU) 14 | Memory protection unit (MPU) 14 | Memory protection unit (MPU) 14 |
| 00 0238 A800            | 00 023F FFFF | 471K    | Reserved                        | Reserved                        | Reserved                        |
| 00 0240 0000            | 00 0243 FFFF | 256K    | Reserved                        | Reserved                        | Reserved                        |
| 00 0244 0000            | 00 0244 3FFF | 16K     | DSP trace formatter 0           | DSP trace formatter 0           | DSP trace formatter 0           |
| 00 0244 4000            | 00 0244 FFFF | 48K     | Reserved                        | Reserved                        | Reserved                        |
| 00 0245 0000            | 00 0245 3FFF | 16K     | Reserved                        | Reserved                        | Reserved                        |
| 00 0245 4000            | 00 0245 FFFF | 48K     | Reserved                        | Reserved                        | Reserved                        |
| 00 0246 0000            | 00 0246 3FFF | 16K     | Reserved                        | Reserved                        | Reserved                        |
| 00 0246 4000            | 00 0246 FFFF | 48K     | Reserved                        | Reserved                        | Reserved                        |
| 00 0247 0000            | 00 0247 3FFF | 16K     | Reserved                        | Reserved                        | Reserved                        |
| 00 0247 4000            | 00 0247 FFFF | 48K     | Reserved                        | Reserved                        | Reserved                        |
| 00 0248 0000            | 00 0248 3FFF | 16K     | Reserved                        | Reserved                        | Reserved                        |
| 00 0248 4000            | 00 0248 FFFF | 48K     | Reserved                        | Reserved                        | Reserved                        |
| 00 0249 0000            | 00 0249 3FFF | 16K     | Reserved                        | Reserved                        | Reserved                        |
| 00 0249 4000            | 00 0249 FFFF | 48K     | Reserved                        | Reserved                        | Reserved                        |
| 00 024A 0000            | 00 024A 3FFF | 16K     | Reserved                        | Reserved                        | Reserved                        |
| 00 024A 4000            | 00 024A FFFF | 48K     | Reserved                        | Reserved                        | Reserved                        |
| 00 024B 0000            | 00 024B 3FFF | 16K     | Reserved                        | Reserved                        | Reserved                        |
| 00 024B 4000            | 00 024B FFFF | 48K     | Reserved                        | Reserved                        | Reserved                        |
| 00 024C 0000            | 00 024C 01FF | 512     | Reserved                        | Reserved                        | Reserved                        |
| 00 024C 0200            | 00 024C 03FF | 1K-512  | Reserved                        | Reserved                        | Reserved                        |
| 00 024C 0400            | 00 024C 07FF | 1K      | Reserved                        | Reserved                        | Reserved                        |
| 00 024C 0800            | 00 024C FFFF | 62K     | Reserved                        | Reserved                        | Reserved                        |
| 00 024D 0000            | 00 024F FFFF | 192K    | Reserved                        | Reserved                        | Reserved                        |
| 00 0250 0000            | 00 0250 007F | 128     | Reserved                        | Reserved                        | Reserved                        |
| 00 0250 0080            | 00 0250 7FFF | 32K-128 | Reserved                        | Reserved                        | Reserved                        |
| 00 0250 8000            | 00 0250 FFFF | 32K     | Reserved                        | Reserved                        | Reserved                        |
| 00 0251 0000            | 00 0251 FFFF | 64K     | Reserved                        | Reserved                        | Reserved                        |
| 00 0252 0000            | 00 0252 03FF | 1K      | Reserved                        | Reserved                        | Reserved                        |
| 00 0252 0400            | 00 0252 FFFF | 64K-1K  | Reserved                        | Reserved                        | Reserved                        |
| 00 0253 0000            | 00 0253 007F | 128     | I <sup>2</sup> C0               | I <sup>2</sup> C0               | I <sup>2</sup> C0               |
| 00 0253 0080            | 00 0253 03FF | 1K-128  | Reserved                        | Reserved                        | Reserved                        |

**Table 7-1. Device Memory Map Summary 66AK2E0x (continued)**

| PHYSICAL 40 BIT ADDRESS |              | BYTES  | ARM VIEW                                | DSP VIEW                                | SOC VIEW                                |
|-------------------------|--------------|--------|---|---|---|
| START                   | END          |        |   |   |   |
| 00 0253 0400            | 00 0253 047F | 128    | I <sup>2</sup> C1                       | I <sup>2</sup> C1                       | I <sup>2</sup> C1                       |
| 00 0253 0480            | 00 0253 07FF | 1K-128 | Reserved                                | Reserved                                | Reserved                                |
| 00 0253 0800            | 00 0253 087F | 128    | I <sup>2</sup> C2                       | I <sup>2</sup> C2                       | I <sup>2</sup> C2                       |
| 00 0253 0880            | 00 0253 0BFF | 1K-128 | Reserved                                | Reserved                                | Reserved                                |
| 00 0253 0C00            | 00 0253 0C3F | 64     | UART0                                   | UART0                                   | UART0                                   |
| 00 0253 0C40            | 00 0253 FFFF | 1K-64  | Reserved                                | Reserved                                | Reserved                                |
| 00 0253 1000            | 00 0253 103F | 64     | UART1                                   | UART1                                   | UART1                                   |
| 00 0253 1040            | 00 0253 FFFF | 60K-64 | Reserved                                | Reserved                                | Reserved                                |
| 00 0254 0000            | 00 0255 FFFF | 128K   | Reserved                                | Reserved                                | Reserved                                |
| 00 0256 0080            | 00 0257 FFFF | 128K   | ARM CorePac INTC                        | ARM CorePac INTC                        | ARM CorePac INTC                        |
| 00 0258 0000            | 00 025F FFFF | 512K   | Reserved                                | Reserved                                | Reserved                                |
| 00 0260 0000            | 00 0260 1FFF | 8K     | Secondary interrupt controller (CIC) 0  | Secondary interrupt controller (CIC) 0  | Secondary interrupt controller (CIC) 0  |
| 00 0260 2000            | 00 0260 3FFF | 8K     | Reserved                                | Reserved                                | Reserved                                |
| 00 0260 4000            | 00 0260 5FFF | 8K     | Reserved                                | Reserved                                | Reserved                                |
| 00 0260 6000            | 00 0260 7FFF | 8K     | Reserved                                | Reserved                                | Reserved                                |
| 00 0260 8000            | 00 0260 9FFF | 8K     | Secondary interrupt controller (CIC) 2  | Secondary interrupt controller (CIC) 2  | Secondary interrupt controller (CIC) 2  |
| 00 0260 A000            | 00 0260 BEFF | 8K-256 | Reserved                                | Reserved                                | Reserved                                |
| 00 0260 BF00            | 00 0260 BFFF | 256    | GPIO Config                             | GPIO Config                             | GPIO Config                             |
| 00 0260 C000            | 00 0261 BFFF | 64K    | Reserved                                | Reserved                                | Reserved                                |
| 00 0261 C000            | 00 0261 FFFF | 16K    | Reserved                                | Reserved                                | Reserved                                |
| 00 0262 0000            | 00 0262 0FFF | 4K     | BOOTCFG chip-level registers            | BOOTCFG chip-level registers            | BOOTCFG chip-level registers            |
| 00 0262 1000            | 00 0262 FFFF | 60K    | Reserved                                | Reserved                                | Reserved                                |
| 00 0263 0000            | 00 0263 FFFF | 64K    | USB 0 PHY CFG                           | USB 0 PHY CFG                           | USB 0 PHY CFG                           |
| 00 0264 0000            | 00 0264 07FF | 2K     | Semaphore Config                        | Semaphore Config                        | Semaphore Config                        |
| 00 0264 0800            | 00 0264 FFFF | 62K    | Reserved                                | Reserved                                | Reserved                                |
| 00 0265 0000            | 00 0267 FFFF | 192K   | Reserved                                | Reserved                                | Reserved                                |
| 00 0268 0000            | 00 026F FFFF | 512K   | USB 0 MMR CFG                           | USB 0 MMR CFG                           | USB 0 MMR CFG                           |
| 00 0270 0000            | 00 0270 7FFF | 32K    | EDMA channel controller (TPCC) 0        | EDMA channel controller (TPCC) 0        | EDMA channel controller (TPCC) 0        |
| 00 0270 8000            | 00 0270 FFFF | 32K    | EDMA channel controller (TPCC) 4        | EDMA channel controller (TPCC) 4        | EDMA channel controller (TPCC) 4        |
| 00 0271 0000            | 00 0271 FFFF | 64K    | Reserved                                | Reserved                                | Reserved                                |
| 00 0272 0000            | 00 0272 7FFF | 32K    | EDMA channel controller (TPCC) 1        | EDMA channel controller (TPCC) 1        | EDMA channel controller (TPCC) 1        |
| 00 0272 8000            | 00 0272 FFFF | 32K    | EDMA channel controller (TPCC) 3        | EDMA channel controller (TPCC) 3        | EDMA channel controller (TPCC) 3        |
| 00 0273 0000            | 00 0273 FFFF | 64K    | Reserved                                | Reserved                                | Reserved                                |
| 00 0274 0000            | 00 0274 7FFF | 32K    | EDMA channel controller (TPCC) 2        | EDMA channel controller (TPCC) 2        | EDMA channel controller (TPCC) 2        |
| 00 0274 8000            | 00 0275 FFFF | 96K    | Reserved                                | Reserved                                | Reserved                                |
| 00 0276 0000            | 00 0276 03FF | 1K     | EDMA TPCC0 transfer controller (TPTC) 0 | EDMA TPCC0 transfer controller (TPTC) 0 | EDMA TPCC0 transfer controller (TPTC) 0 |
| 00 0276 0400            | 00 0276 7FFF | 31K    | Reserved                                | Reserved                                | Reserved                                |
| 00 0276 8000            | 00 0276 83FF | 1K     | EDMA TPCC0 transfer controller (TPTC) 1 | EDMA TPCC0 transfer controller (TPTC) 1 | EDMA TPCC0 transfer controller (TPTC) 1 |
| 00 0276 8400            | 00 0276 FFFF | 31K    | Reserved                                | Reserved                                | Reserved                                |
| 00 0277 0000            | 00 0277 03FF | 1K     | EDMA TPCC1 transfer controller (TPTC) 0 | EDMA TPCC1 transfer controller (TPTC) 0 | EDMA TPCC1 transfer controller (TPTC) 0 |
| 00 0277 0400            | 00 0277 7FFF | 31K    | Reserved                                | Reserved                                | Reserved                                |
| 00 0277 8000            | 00 0277 83FF | 1K     | EDMA TPCC1 transfer controller (TPTC) 1 | EDMA TPCC1 transfer controller (TPTC) 1 | EDMA TPCC1 transfer controller (TPTC) 1 |
| 00 0278 0000            | 00 0278 03FF | 1K     | EDMA TPCC1 transfer controller (TPTC) 2 | EDMA TPCC1 transfer controller (TPTC) 2 | EDMA TPCC1 transfer controller (TPTC) 2 |
| 00 0278 0400            | 00 0278 7FFF | 31K    | Reserved                                | Reserved                                | Reserved                                |
| 00 0278 8000            | 00 0278 83FF | 1K     | EDMA TPCC1 transfer controller (TPTC) 3 | EDMA TPCC1 transfer controller (TPTC) 3 | EDMA TPCC1 transfer controller (TPTC) 3 |

**Table 7-1. Device Memory Map Summary 66AK2E0x (continued)**

| PHYSICAL 40 BIT ADDRESS |              | BYTES | ARM VIEW                                     | DSP VIEW                                     | SOC VIEW                                     |
|-------------------------|--------------|-------|--|--|--|
| START                   | END          |       |  |  |  |
| 00 0278 8400            | 00 0278 FFFF | 31K   | Reserved                                     | Reserved                                     | Reserved                                     |
| 00 0279 0000            | 00 0279 03FF | 1K    | EDMA TPCC2 transfer controller (TPTC) 0      | EDMA TPCC2 transfer controller (TPTC) 0      | EDMA TPCC2 transfer controller (TPTC) 0      |
| 00 0279 0400            | 00 0279 7FFF | 31K   | Reserved                                     | Reserved                                     | Reserved                                     |
| 00 0279 8000            | 00 0279 83FF | 1K    | EDMA TPCC2 transfer controller (TPTC) 1      | EDMA TPCC2 transfer controller (TPTC) 1      | EDMA TPCC2 transfer controller (TPTC) 1      |
| 00 0279 8400            | 00 0279 FFFF | 31K   | Reserved                                     | Reserved                                     | Reserved                                     |
| 00 027A 0000            | 00 027A 03FF | 1K    | EDMA TPCC2 transfer controller (TPTC) 2      | EDMA TPCC2 transfer controller (TPTC) 2      | EDMA TPCC2 transfer controller (TPTC) 2      |
| 00 027A 0400            | 00 027A 7FFF | 31K   | Reserved                                     | Reserved                                     | Reserved                                     |
| 00 027A 8000            | 00 027A 83FF | 1K    | EDMA TPCC2 transfer controller (TPTC) 3      | EDMA TPCC2 transfer controller (TPTC) 3      | EDMA TPCC2 transfer controller (TPTC) 3      |
| 00 027A 8400            | 00 027A FFFF | 31K   | Reserved                                     | Reserved                                     | Reserved                                     |
| 00 027B 0000            | 00 027B 03FF | 1K    | EDMA TPCC3 transfer controller (TPTC) 0      | EDMA TPCC3 transfer controller (TPTC) 0      | EDMA TPCC3 transfer controller (TPTC) 0      |
| 00 027B 0400            | 00 027B 7FFF | 31K   | Reserved                                     | Reserved                                     | Reserved                                     |
| 00 027B 8000            | 00 027B 83FF | 1K    | EDMA TPCC3 transfer controller (TPTC) 1      | EDMA TPCC3 transfer controller (TPTC) 1      | EDMA TPCC3 transfer controller (TPTC) 1      |
| 00 027B 8400            | 00 027B 87FF | 1K    | EDMA TPCC4 transfer controller (TPTC) 0      | EDMA TPCC4 transfer controller (TPTC) 0      | EDMA TPCC4 transfer controller (TPTC) 0      |
| 00 027B 8800            | 00 027B 8BFF | 1K    | EEDMA TPCC4 transfer controller (TPTC) 1     | EEDMA TPCC4 transfer controller (TPTC) 1     | EEDMA TPCC4 transfer controller (TPTC) 1     |
| 00 027B 8C00            | 00 027B FFFF | 29K   | Reserved                                     | Reserved                                     | Reserved                                     |
| 00 027C 0000            | 00 027C 03FF | 1K    | Reserved                                     | Reserved                                     | Reserved                                     |
| 00 027C 0400            | 00 027C FFFF | 63K   | Reserved                                     | Reserved                                     | Reserved                                     |
| 00 027D 0000            | 00 027D 3FFF | 16K   | TI embedded trace buffer (TETB) - CorePac0   | TI embedded trace buffer (TETB) - CorePac0   | TI embedded trace buffer (TETB) - CorePac0   |
| 00 027D 4000            | 00 027D 7FFF | 16K   | TBR_ARM CorePac - Trace buffer - ARM CorePac | TBR_ARM CorePac - Trace buffer - ARM CorePac | TBR_ARM CorePac - Trace buffer - ARM CorePac |
| 00 027D 8000            | 00 027D FFFF | 32K   | Reserved                                     | Reserved                                     | Reserved                                     |
| 00 027E 0000            | 00 027E 3FFF | 16K   | Reserved                                     | Reserved                                     | Reserved                                     |
| 00 027E 4000            | 00 027E FFFF | 48K   | Reserved                                     | Reserved                                     | Reserved                                     |
| 00 027F 0000            | 00 027F 3FFF | 16K   | Reserved                                     | Reserved                                     | Reserved                                     |
| 00 027F 4000            | 00 027F FFFF | 48K   | Reserved                                     | Reserved                                     | Reserved                                     |
| 00 0280 0000            | 00 0280 3FFF | 16K   | Reserved                                     | Reserved                                     | Reserved                                     |
| 00 0280 4000            | 00 0280 FFFF | 48K   | Reserved                                     | Reserved                                     | Reserved                                     |
| 00 0281 0000            | 00 0281 3FFF | 16K   | Reserved                                     | Reserved                                     | Reserved                                     |
| 00 0281 4000            | 00 0281 FFFF | 48K   | Reserved                                     | Reserved                                     | Reserved                                     |
| 00 0282 0000            | 00 0282 3FFF | 16K   | Reserved                                     | Reserved                                     | Reserved                                     |
| 00 0282 4000            | 00 0282 FFFF | 48K   | Reserved                                     | Reserved                                     | Reserved                                     |
| 00 0283 0000            | 00 0283 3FFF | 16K   | Reserved                                     | Reserved                                     | Reserved                                     |
| 00 0283 4000            | 00 0283 FFFF | 48K   | Reserved                                     | Reserved                                     | Reserved                                     |
| 00 0284 0000            | 00 0284 3FFF | 16K   | Reserved                                     | Reserved                                     | Reserved                                     |
| 00 0284 4000            | 00 0284 FFFF | 48K   | Reserved                                     | Reserved                                     | Reserved                                     |
| 00 0285 0000            | 00 0285 7FFF | 32K   | TBR_SYS- Trace buffer - System               | TBR_SYS- Trace buffer - System               | TBR_SYS- Trace buffer - System               |
| 00 0285 8000            | 00 0285 FFFF | 32K   | Reserved                                     | Reserved                                     | Reserved                                     |
| 00 0286 0000            | 00 028F FFFF | 640K  | Reserved                                     | Reserved                                     | Reserved                                     |
| 00 0290 0000            | 00 0293 FFFF | 256K  | Reserved                                     | Reserved                                     | Reserved                                     |
| 00 0294 0000            | 00 029F FFFF | 768K  | Reserved                                     | Reserved                                     | Reserved                                     |
| 00 02A0 0000            | 00 02AF FFFF | 1M    | Navigator configuration                      | Navigator configuration                      | Navigator configuration                      |
| 00 02B0 0000            | 00 02BF FFFF | 1M    | Navigator linking RAM                        | Navigator linking RAM                        | Navigator linking RAM                        |
| 00 02C0 0000            | 00 02C0 FFFF | 64K   | Reserved                                     | Reserved                                     | Reserved                                     |
| 00 02C1 0000            | 00 02C1 FFFF | 64K   | Reserved                                     | Reserved                                     | Reserved                                     |
| 00 02C2 0000            | 00 02C3 FFFF | 128K  | Reserved                                     | Reserved                                     | Reserved                                     |

Table 7-1. Device Memory Map Summary 66AK2E0x (continued)

| PHYSICAL 40 BIT ADDRESS |              | BYTES    | ARM VIEW   | DSP VIEW   | SOC VIEW   |
|-------------------------|--------------|----------|--|--|--|
| START                   | END          |          |  |  |  |
| 00 02C4 0000            | 00 02C5 FFFF | 128K     | Reserved   | Reserved   | Reserved   |
| 00 02C6 0000            | 00 02C7 FFFF | 128K     | Reserved   | Reserved   | Reserved   |
| 00 02C8 0000            | 00 02C8 FFFF | 64K      | Reserved   | Reserved   | Reserved   |
| 00 02C9 0000            | 00 02C9 FFFF | 64K      | Reserved   | Reserved   | Reserved   |
| 00 02CA 0000            | 00 02CB FFFF | 128K     | Reserved   | Reserved   | Reserved   |
| 00 02CC 0000            | 00 02CD FFFF | 128K     | Reserved   | Reserved   | Reserved   |
| 00 02CE 0000            | 00 02EF FFFF | 15M-896K | Reserved   | Reserved   | Reserved   |
| 00 02F0 0000            | 00 02FF FFFF | 1M       | 10GbE Config                                     | 10GbE Config                                     | 10GbE Config                                     |
| 00 0300 0000            | 00 030F FFFF | 1M       | DBG Config                                       | DBG Config                                       | DBG Config                                       |
| 00 0310 0000            | 00 07FF FFFF | 79M      | Reserved   | Reserved   | Reserved   |
| 00 0800 0000            | 00 0801 FFFF | 128K     | Reserved   | Reserved   | Reserved   |
| 00 0802 0000            | 00 0BBF FFFF | 60M-128K | Reserved   | Reserved   | Reserved   |
| 00 0BC0 0000            | 00 0BCF FFFF | 1M       | Multicore shared memory controller (MSMC) config | Multicore shared memory controller (MSMC) config | Multicore shared memory controller (MSMC) config |
| 00 0BD0 0000            | 00 0BFF FFFF | 3M       | Reserved   | Reserved   | Reserved   |
| 00 0C00 0000            | 00 0C1F FFFF | 2M       | Multicore shared memory (MSM)                    | Multicore shared memory (MSM)                    | Multicore shared memory (MSM)                    |
| 00 0C20 0000            | 00 0C5F FFFF | 4M       | Reserved   | Reserved   | Reserved   |
| 00 0C60 0000            | 00 0FFF FFFF | 58M      | Reserved   | Reserved   | Reserved   |
| 00 1000 0000            | 00 107F FFFF | 8M       | Reserved   | Reserved   | Reserved   |
| 00 1080 0000            | 00 1087 FFFF | 512K     | CorePac0 L2 SRAM                                 | CorePac0 L2 SRAM                                 | CorePac0 L2 SRAM                                 |
| 00 1088 0000            | 00 108F FFFF | 512K     | Reserved   | Reserved   | Reserved   |
| 00 1090 0000            | 00 10DF FFFF | 5M       | Reserved   | Reserved   | Reserved   |
| 00 10E0 0000            | 00 10E0 7FFF | 32K      | CorePac0 L1P SRAM                                | CorePac0 L1P SRAM                                | CorePac0 L1P SRAM                                |
| 00 10E0 8000            | 00 10EF FFFF | 1M-32K   | Reserved   | Reserved   | Reserved   |
| 00 10F0 0000            | 00 10F0 7FFF | 32K      | CorePac0 L1D SRAM                                | CorePac0 L1D SRAM                                | CorePac0 L1D SRAM                                |
| 00 10F0 8000            | 00 117F FFFF | 9M-32K   | Reserved   | Reserved   | Reserved   |
| 00 1180 0000            | 00 118F FFFF | 1M       | Reserved   | Reserved   | Reserved   |
| 00 1190 0000            | 00 11DF FFFF | 5M       | Reserved   | Reserved   | Reserved   |
| 00 11E0 0000            | 00 11E0 7FFF | 32K      | Reserved   | Reserved   | Reserved   |
| 00 11E0 8000            | 00 11EF FFFF | 1M-32K   | Reserved   | Reserved   | Reserved   |
| 00 11F0 0000            | 00 11F0 7FFF | 32K      | Reserved   | Reserved   | Reserved   |
| 00 11F0 8000            | 00 127F FFFF | 9M-32K   | Reserved   | Reserved   | Reserved   |
| 00 1280 0000            | 00 128F FFFF | 1M       | Reserved   | Reserved   | Reserved   |
| 00 1290 0000            | 00 12DF FFFF | 5M       | Reserved   | Reserved   | Reserved   |
| 00 12E0 0000            | 00 12E0 7FFF | 32K      | Reserved   | Reserved   | Reserved   |
| 00 12E0 8000            | 00 12EF FFFF | 1M-32K   | Reserved   | Reserved   | Reserved   |
| 00 12F0 0000            | 00 12F0 7FFF | 32K      | Reserved   | Reserved   | Reserved   |
| 00 12F0 8000            | 00 137F FFFF | 9M-32K   | Reserved   | Reserved   | Reserved   |
| 00 1380 0000            | 00 1388 FFFF | 1M       | Reserved   | Reserved   | Reserved   |
| 00 1390 0000            | 00 13DF FFFF | 5M       | Reserved   | Reserved   | Reserved   |
| 00 13E0 0000            | 00 13E0 7FFF | 32K      | Reserved   | Reserved   | Reserved   |
| 00 13E0 8000            | 00 13EF FFFF | 1M-32K   | Reserved   | Reserved   | Reserved   |
| 00 13F0 0000            | 00 13F0 7FFF | 32K      | Reserved   | Reserved   | Reserved   |
| 00 13F0 8000            | 00 147F FFFF | 9M-32K   | Reserved   | Reserved   | Reserved   |
| 00 1480 0000            | 00 148F FFFF | 1M       | Reserved   | Reserved   | Reserved   |
| 00 1490 0000            | 00 14DF FFFF | 5M       | Reserved   | Reserved   | Reserved   |
| 00 14E0 0000            | 00 14E0 7FFF | 32K      | Reserved   | Reserved   | Reserved   |
| 00 14E0 8000            | 00 14EF FFFF | 1M-32K   | Reserved   | Reserved   | Reserved   |
| 00 14F0 0000            | 00 14F0 7FFF | 32K      | Reserved   | Reserved   | Reserved   |
| 00 14F0 8000            | 00 157F FFFF | 9M-32K   | Reserved   | Reserved   | Reserved   |
| 00 1580 0000            | 00 158F FFFF | 1M       | Reserved   | Reserved   | Reserved   |

**Table 7-1. Device Memory Map Summary 66AK2E0x (continued)**

| PHYSICAL 40 BIT ADDRESS |              | BYTES    | ARM VIEW   | DSP VIEW   | SOC VIEW   |
|-------------------------|--------------|----------|--|--|--|
| START                   | END          |          |  |  |  |
| 00 1590 0000            | 00 15DF FFFF | 5M       | Reserved   | Reserved   | Reserved   |
| 00 15E0 0000            | 00 15E0 7FFF | 32K      | Reserved   | Reserved   | Reserved   |
| 00 15E0 8000            | 00 15EF FFFF | 1M-32K   | Reserved   | Reserved   | Reserved   |
| 00 15F0 0000            | 00 15F0 7FFF | 32K      | Reserved   | Reserved   | Reserved   |
| 00 15F0 8000            | 00 167F FFFF | 9M-32K   | Reserved   | Reserved   | Reserved   |
| 00 1680 0000            | 00 168F FFFF | 1M       | Reserved   | Reserved   | Reserved   |
| 00 1690 0000            | 00 16DF FFFF | 5M       | Reserved   | Reserved   | Reserved   |
| 00 16E0 0000            | 00 16E0 7FFF | 32K      | Reserved   | Reserved   | Reserved   |
| 00 16E0 8000            | 00 16EF FFFF | 1M-32K   | Reserved   | Reserved   | Reserved   |
| 00 16F0 0000            | 00 16F0 7FFF | 32K      | Reserved   | Reserved   | Reserved   |
| 00 16F0 8000            | 00 177F FFFF | 9M-32K   | Reserved   | Reserved   | Reserved   |
| 00 1780 0000            | 00 178F FFFF | 1M       | Reserved   | Reserved   | Reserved   |
| 00 1790 0000            | 00 17DF FFFF | 5M       | Reserved   | Reserved   | Reserved   |
| 00 17E0 0000            | 00 17E0 7FFF | 32K      | Reserved   | Reserved   | Reserved   |
| 00 17E0 8000            | 00 17EF FFFF | 1M-32K   | Reserved   | Reserved   | Reserved   |
| 00 17F0 0000            | 00 17F0 7FFF | 32K      | Reserved   | Reserved   | Reserved   |
| 00 17F0 8000            | 00 1FFF FFFF | 129M-32K | Reserved   | Reserved   | Reserved   |
| 00 2000 0000            | 00 200F FFFF | 1M       | System trace manager (STM) configuration   | System trace manager (STM) configuration   | System trace manager (STM) configuration   |
| 00 2010 0000            | 00 201F FFFF | 1M       | Reserved   | Reserved   | Reserved   |
| 00 2020 0000            | 00 205F FFFF | 4M       | Reserved   | Reserved   | Reserved   |
| 00 2060 0000            | 00 206F FFFF | 1M       | Network Coprocessor 1 (Packet Accelerator, 1-gigabit Ethernet switch subsystem and Security Accelerator) | Network Coprocessor 1 (Packet Accelerator, 1-gigabit Ethernet switch subsystem and Security Accelerator) | Network Coprocessor 1 (Packet Accelerator, 1-gigabit Ethernet switch subsystem and Security Accelerator) |
| 00 2070 0000            | 00 2077 FFFF | 512K     | Reserved   | Reserved   | Reserved   |
| 00 2078 0000            | 00 2078 FFFF | 64K      | Reserved   | Reserved   | Reserved   |
| 00 2079 0000            | 00 207F FFFF | 448K     | Reserved   | Reserved   | Reserved   |
| 00 2080 0000            | 00 208F FFFF | 1M       | Reserved   | Reserved   | Reserved   |
| 00 2090 0000            | 00 209F FFFF | 1M       | Reserved   | Reserved   | Reserved   |
| 00 20A0 0000            | 00 20A3 FFFF | 256K     | Reserved   | Reserved   | Reserved   |
| 00 20A4 0000            | 00 20A4 FFFF | 64K      | Reserved   | Reserved   | Reserved   |
| 00 20A5 0000            | 00 20AF FFFF | 704K     | Reserved   | Reserved   | Reserved   |
| 00 20B0 0000            | 00 20B3 FFFF | 256K     | Boot ROM   | Boot ROM   | Boot ROM   |
| 00 20B4 0000            | 00 20BE FFFF | 704K     | Reserved   | Reserved   | Reserved   |
| 00 20BF 0000            | 00 20BF 01FF | 64K      | Reserved   | Reserved   | Reserved   |
| 00 20C0 0000            | 00 20FF FFFF | 4M       | Reserved   | Reserved   | Reserved   |
| 00 2100 0000            | 00 2100 03FF | 1K       | Reserved   | Reserved   | Reserved   |
| 00 2100 0400            | 00 2100 05FF | 512      | SPI0   | SPI0   | SPI0   |
| 00 2100 0600            | 00 2100 07FF | 512      | SPI1   | SPI1   | SPI1   |
| 00 2100 0800            | 00 2100 09FF | 512      | SPI2   | SPI2   | SPI2   |
| 00 2100 0A00            | 00 2100 0AFF | 256      | EMIF Config  | EMIF Config  | EMIF Config  |
| 00 2100 0B00            | 00 2100 FFFF | 62K-768  | Reserved   | Reserved   | Reserved   |
| 00 2101 0000            | 00 2101 01FF | 512      | DDR3 EMIF Config   | DDR3 EMIF Config   | DDR3 EMIF Config   |
| 00 2101 0200            | 00 2101 07FF | 2K-512   | Reserved   | Reserved   | Reserved   |
| 00 2101 0800            | 00 2101 09FF | 512      | Reserved   | Reserved   | Reserved   |
| 00 2101 0A00            | 00 2101 0FFF | 2K-512   | Reserved   | Reserved   | Reserved   |
| 00 2101 1000            | 00 2101 FFFF | 60K      | Reserved   | Reserved   | Reserved   |
| 00 2102 0000            | 00 2102 7FFF | 32K      | PCIe 1 config  | PCIe 1 config  | PCIe 1 config  |
| 00 2102 8000            | 00 2103 FFFF | 96K      | Reserved   | Reserved   | Reserved   |
| 00 2104 0000            | 00 217F FFFF | 4M-256K  | Reserved   | Reserved   | Reserved   |
| 00 2140 0000            | 00 2140 00FF | 256      | HyperLink0 config  | HyperLink0 config  | HyperLink0 config  |

Table 7-1. Device Memory Map Summary 66AK2E0x (continued)

| PHYSICAL 40 BIT ADDRESS |              | BYTES    | ARM VIEW                               | DSP VIEW                               | SOC VIEW                               |
|-------------------------|--------------|----------|--|--|--|
| START                   | END          |          |  |  |  |
| 00 2140 0100            | 00 2140 01FF | 256      | Reserved                               | Reserved                               | Reserved                               |
| 00 2140 0400            | 00 217F FFFF | 4M-512   | Reserved                               | Reserved                               | Reserved                               |
| 00 2180 0000            | 00 2180 7FFF | 32K      | PCIe 0 config                          | PCIe 0 config                          | PCIe 0 config                          |
| 00 2180 8000            | 00 21BF FFFF | 4M-32K   | Reserved                               | Reserved                               | Reserved                               |
| 00 21C0 0000            | 00 21FF FFFF | 4M       | Reserved                               | Reserved                               | Reserved                               |
| 00 2200 0000            | 00 229F FFFF | 10M      | Reserved                               | Reserved                               | Reserved                               |
| 00 22A0 0000            | 00 22A0 FFFF | 64K      | Reserved                               | Reserved                               | Reserved                               |
| 00 22A1 0000            | 00 22AF FFFF | 1M-64K   | Reserved                               | Reserved                               | Reserved                               |
| 00 22B0 0000            | 00 22B0 FFFF | 64K      | Reserved                               | Reserved                               | Reserved                               |
| 00 22B1 0000            | 00 22BF FFFF | 1M-64K   | Reserved                               | Reserved                               | Reserved                               |
| 00 22C0 0000            | 00 22C0 FFFF | 64K      | Reserved                               | Reserved                               | Reserved                               |
| 00 22C1 0000            | 00 22CF FFFF | 1M-64K   | Reserved                               | Reserved                               | Reserved                               |
| 00 22D0 0000            | 00 22D0 FFFF | 64K      | Reserved                               | Reserved                               | Reserved                               |
| 00 22D1 0000            | 00 22DF FFFF | 1M-64K   | Reserved                               | Reserved                               | Reserved                               |
| 00 22E0 0000            | 00 22E0 FFFF | 64K      | Reserved                               | Reserved                               | Reserved                               |
| 00 22E1 0000            | 00 22EF FFFF | 1M-64K   | Reserved                               | Reserved                               | Reserved                               |
| 00 22F0 0000            | 00 22F0 FFFF | 64K      | Reserved                               | Reserved                               | Reserved                               |
| 00 22F1 0000            | 00 22FF FFFF | 1M-64K   | Reserved                               | Reserved                               | Reserved                               |
| 00 2300 0000            | 00 2300 FFFF | 64K      | Reserved                               | Reserved                               | Reserved                               |
| 00 2301 0000            | 00 230F FFFF | 1M-64K   | Reserved                               | Reserved                               | Reserved                               |
| 00 2310 0000            | 00 2310 FFFF | 64K      | Reserved                               | Reserved                               | Reserved                               |
| 00 2311 0000            | 00 231F FFFF | 1M-64K   | Reserved                               | Reserved                               | Reserved                               |
| 00 2320 0000            | 00 2324 FFFF | 384K     | Reserved                               | Reserved                               | Reserved                               |
| 00 2325 0000            | 00 239F FFFF | 8M-384K  | Reserved                               | Reserved                               | Reserved                               |
| 00 23A0 0000            | 00 23BF FFFF | 2M       | Navigator                              | Navigator                              | Navigator                              |
| 00 23C0 0000            | 00 23FF FFFF | 4M       | Reserved                               | Reserved                               | Reserved                               |
| 00 2400 0000            | 00 24FF FFFF | 16M      | NETCP15 config                         | NETCP15 config                         | NETCP15 config                         |
| 00 2500 0000            | 00 2507 FFFF | 512K     | USB1 MMR config                        | USB1 MMR config                        | USB1 MMR config                        |
| 00 2508 0000            | 00 2508 FFFF | 64K      | USB1 PHY config                        | USB1 PHY config                        | USB1 PHY config                        |
| 00 2500 0000            | 00 27FF FFFF | 48M-576K | Reserved                               | Reserved                               | Reserved                               |
| 00 2800 0000            | 00 2FFF FFFF | 128M     | Reserved                               | Reserved                               | Reserved                               |
| 00 3000 0000            | 00 33FF FFFF | 64M      | EMIF16 CS2                             | EMIF16 CS2                             | EMIF16 CS2                             |
| 00 3400 0000            | 00 37FF FFFF | 64M      | EMIF16 CS3                             | EMIF16 CS3                             | EMIF16 CS3                             |
| 00 3800 0000            | 00 3BFF FFFF | 64M      | EMIF16 CS4                             | EMIF16 CS4                             | EMIF16 CS4                             |
| 00 3C00 0000            | 00 3FFF FFFF | 64M      | EMIF16 CS5                             | EMIF16 CS5                             | EMIF16 CS5                             |
| 00 4000 0000            | 00 4FFF FFFF | 256M     | HyperLink0 data                        | HyperLink0 data                        | HyperLink0 data                        |
| 00 5000 0000            | 00 5FFF FFFF | 256M     | PCIe 0 data                            | PCIe 0 data                            | PCIe 0 data                            |
| 00 6000 0000            | 00 6FFF FFFF | 256M     | PCIe 1data                             | PCIe 1data                             | PCIe 1data                             |
| 00 7000 0000            | 00 FFFF FFFF | 2304M    | Reserved                               | Reserved                               | Reserved                               |
| 01 0000 0000            | 01 20FF FFFF | 528M     | Reserved                               | Reserved                               | Reserved                               |
| 01 2101 0000            | 01 2101 01FF | 512      | DDR3 EMIF configuration <sup>(1)</sup> | DDR3 EMIF configuration <sup>(2)</sup> | DDR3 EMIF configuration <sup>(3)</sup> |
| 01 2101 0200            | 07 FFFF FFFF | 32G-512  | Reserved                               | Reserved                               | Reserved                               |
| 08 0000 0000            | 09 FFFF FFFF | 8G       | DDR3 data                              | DDR3 data <sup>(2)</sup>               | DDR3 data <sup>(3)</sup>               |
| 0A 0000 0000            | FF FFFF FFFF | 984G     | Reserved                               | Reserved                               | Reserved                               |

(1) This region is aliased to 00 2101 0000-00 2101 01FF

(2) Access to 40-bit address requires XMC MPAX programming

(3) Access to 40-bit address requires MSMC MPAX programming. MPAX from SES port need to re-map the region of 00 2101 0000-00 2101 01FF to this region.

## 7.2 Memory Protection Unit (MPU) for 66AK2E0x

CFG (configuration) space of all slave devices on the TeraNet is protected by the MPU. The 66AK2E0x contains sixteen MPUs of which thirteen MPUs are used:

- MPU0 is used to protect main CORE/3 CFG TeraNet\_3P\_B (SCR\_3P (B)).
- MPU1/2/5 are used for QM\_SS (one for VBUSM port and one each for the two configuration VBUSP port).
- MPU3/4/6 are not used.
- MPU7 is used for PCIe1.
- MPU8 is used for peripherals connected to TeraNet\_6P\_A (SCR\_6P (A)).
- MPU9 is used for interrupt controllers connected to TeraNet\_3P (SCR\_3P).
- MPU10 is used for semaphore.
- MPU11 is used to protect TeraNet\_6P\_B (SCR\_6P (B)) CPU/6 CFG TeraNet.
- MPU12/13/14 are used for SPI0/1/2.
- MPU15 is used for USB1.

This section contains MPU register map and details of device-specific MPU registers only. For MPU features and details of generic MPU registers, see the *KeyStone Architecture Memory Protection Unit (MPU) User's Guide* ([SPRUGW5](#)).

The following tables show the configuration of each MPU and the memory regions protected by each MPU.

**Table 7-2. MPU0-MPU5 Default Configuration**

| SETTING                                 | MPU0<br>MAIN SCR_3P<br>(B) | MPU1<br>QM_SS DATA<br>PORT | MPU2<br>QM_SS CFG1<br>PORT | MPU3     | MPU4     | MPU5<br>QM_SS CFG2<br>PORT |
|---|----------------------------|----------------------------|----------------------------|----------|----------|----------------------------|
| Default permission                      | Assume allowed             | Assume allowed             | Assume allowed             | Reserved | Reserved | Assume allowed             |
| Number of allowed IDs supported         | 16                         | 16                         | 16                         |          |          | 16                         |
| Number of programmable ranges supported | 16                         | 16                         | 16                         |          |          | 16                         |
| Compare width                           | 1KB granularity            | 1KB granularity            | 1KB granularity            |          |          | 1KB granularity            |

**Table 7-3. MPU6-MPU11 Default Configuration**

| SETTING                                 | MPU6     | MPU7<br>PCIe1   | MPU8<br>EMIF16  | MPU9<br>CIC     | MPU10<br>SM     | MPU11<br>SCR_6P (B) |
|---|----------|-----------------|-----------------|-----------------|-----------------|---------------------|
| Default permission                      | Reserved | Assume allowed  | Assume allowed  | Assume allowed  | Assume allowed  | Assume allowed      |
| Number of allowed IDs supported         |          | 16              | 16              | 16              | 16              | 16                  |
| Number of programmable ranges supported |          | 16              | 8               | 4               | 2               | 16                  |
| Compare width                           |          | 1KB granularity | 1KB granularity | 1KB granularity | 1KB granularity | 1KB granularity     |

**Table 7-4. MPU12-MPU15 Default Configuration**

| SETTING                                 | MPU12<br>SPI0   | MPU13<br>SPI1   | MPU14<br>SPI2   | MPU15<br>USB1   |
|---|-----------------|-----------------|-----------------|-----------------|
| Default permission                      | Assume allowed  | Assume allowed  | Assume allowed  | Assume allowed  |
| Number of allowed IDs supported         | 16              | 16              | 16              | 16              |
| Number of programmable ranges supported | 2               | 2               | 2               | 8               |
| Compare width                           | 1KB granularity | 1KB granularity | 1KB granularity | 1KB granularity |

**Table 7-5. MPU Memory Regions**

|       | MEMORY PROTECTION       | START ADDRESS | END ADDRESS |
|-------|-------------------------|---------------|-------------|
| MPU0  | Main CFG SCR            | 0x01D0_0000   | 0X01E7_FFFF |
| MPU1  | QM_SS DATA PORT         | 0x23A0_0000   | 0x23BF_FFFF |
| MPU2  | QM_SS CFG1 PORT         | 0x02A0_0000   | 0x02AF_FFFF |
| MPU3  | Reserved                | N/A           | N/A         |
| MPU4  | Reserved                | N/A           | N/A         |
| MPU5  | QM_SS CFG2 PORT         | 0x02A0_4000   | 0x02BF_FFFF |
| MPU6  | Reserved                | N/A           | N/A         |
| MPU7  | PCIe1                   | 0x2101_0000   | 0xFFFF_FFFF |
| MPU8  | SPIROM/EMIF16           | 0x20B0_0000   | 0x3FFF_FFFF |
| MPU9  | CIC/AINTC               | 0x0264_0000   | 0x0264_07FF |
| MPU10 | Semaphore               | 0x0260_0000   | 0x0260_9FFF |
| MPU11 | SCR_6 and CPU/6 CFG SCR | 0x0220_0000   | 0x03FF_FFFF |
| MPU12 | SPI0                    | 0x2100_0400   | 0x2100_07FF |
| MPU13 | SPI1                    | 0x2100_0400   | 0x2100_07FF |
| MPU14 | SPI2                    | 0x2100_0800   | 0x2100_0AFF |
| MPU15 | USB1                    | 0x2400_0000   | 0x2508_FFFF |

Table 7-6 shows the unique Master ID assigned to each CorePac and peripherals on the device.

**Table 7-6. Master ID Settings**

| Master ID | 66AK2E0x          |
|-----------|-------------------|
| 0         | C66x CorePac0     |
| 1         | Reserved          |
| 2         | Reserved          |
| 3         | Reserved          |
| 4         | Reserved          |
| 5         | Reserved          |
| 6         | Reserved          |
| 7         | Reserved          |
| 8         | ARM CorePac 0     |
| 9         | ARM CorePac1      |
| 10        | ARM CorePac 2     |
| 11        | ARM CorePac 3     |
| 12        | Reserved          |
| 13        | Reserved          |
| 14        | Reserved          |
| 15        | Reserved          |
| 16        | C66x CorePac0 CFG |
| 17        | Reserved          |
| 18        | Reserved          |
| 19        | Reserved          |
| 20        | Reserved          |
| 21        | Reserved          |
| 22        | Reserved          |
| 23        | Reserved          |
| 24        | Reserved          |
| 25        | EDMA0_TC0 read    |



**Table 7-6. Master ID Settings (continued)**

| Master ID | 66AK2E0x        |
|-----------|-----------------|
| 26        | EDMA0_TC0 write |
| 27        | EDMA0_TC1 read  |
| 28        | Hyperlink0      |
| 29        | USB1            |
| 30        | Reserved        |
| 31        | PCIe0           |
| 32        | EDMA0_TC1 write |
| 33        | EDMA1_TC0 read  |
| 34        | EDMA1_TC0 write |
| 35        | EDMA1_TC1 read  |
| 36        | EDMA1_TC1 write |
| 37        | EDMA1_TC2 read  |
| 38        | EDMA1_TC2 write |
| 39        | EDMA1_TC3 read  |
| 40        | EDMA1_TC3 write |
| 41        | EDMA2_TC0 read  |
| 42        | EDMA2_TC0 write |
| 43        | EDMA2_TC1 read  |
| 44        | EDMA2_TC1 write |
| 45        | EDMA2_TC2 read  |
| 46        | EDMA2_TC2 write |
| 47        | EDMA2_TC3 read  |
| 48        | EDMA2_TC3 write |
| 49        | EDMA3_TC0 read  |
| 50        | EDMA3_TC0 write |
| 51        | EDMA3_TC1 read  |
| 52        | Reserved        |
| 53        | EDMA3_TC1 write |
| 54-55     | Reserved        |
| 56        | USB0            |
| 57        | Reserved        |
| 58        | Reserved        |
| 59        | Reserved        |
| 60        | Reserved        |
| 61        | Reserved        |
| 62        | EDMA3CC0        |
| 63        | EDMA3CC1        |
| 64        | EDMA3CC2        |
| 65        | Reserved        |
| 66        | Reserved        |
| 67        | Reserved        |
| 68-71     | Queue Manager   |
| 72-75     | NETCP_GLOBAL1   |
| 76-79     | Reserved        |
| 80        | TSIP            |
| 81        | Reserved        |
| 82        | Reserved        |

Table 7-6. Master ID Settings (continued)

| Master ID | 66AK2E0x           |
|-----------|--------------------|
| 83        | Reserved           |
| 84-87     | 10GbE              |
| 88-91     | Reserved           |
| 92-95     | Reserved           |
| 96-99     | Packet DMA MST1    |
| 100-101   | Reserved           |
| 102       | PCIe1              |
| 103       | Reserved           |
| 104       | Reserved           |
| 105       | Reserved           |
| 106       | Reserved           |
| 107       | DBG_DAP            |
| 108-111   | Reserved           |
| 112-119   | NETCP_LOCAL        |
| 120-139   | Reserved           |
| 140       | CPT_L2_0           |
| 141       | Reserved           |
| 142       | Reserved           |
| 143       | Reserved           |
| 144       | Reserved           |
| 145       | Reserved           |
| 146       | Reserved           |
| 147       | Reserved           |
| 148       | CPT_MSMC0          |
| 149       | CPT_MSMC1          |
| 150       | CPT_MSMC2          |
| 151       | CPT_MSMC3          |
| 152       | CPT_DDR3           |
| 153       | CPT_SM             |
| 154       | CPT_QM_CFG1        |
| 155       | CPT_QM_M           |
| 156       | CPT_CFG            |
| 157       | Reserved           |
| 158       | Reserved           |
| 159       | Reserved           |
| 160       | CPT_QM_CFG2        |
| 161       | CPT_PCIe1          |
| 162       | Reserved           |
| 163       | Reserved           |
| 164       | CPT_EDMA3CC0_4     |
| 165       | CPT_EDMA3CC1_2_3   |
| 166       | CPT_CIC            |
| 167       | CPT_SPL_ROM_EMIP16 |
| 168       | Reserved           |
| 169       | EDMA4_TC0 read     |
| 170       | EDMA4_TC0 write    |
| 171       | EDMA4_TC1 read     |

**Table 7-6. Master ID Settings (continued)**

| Master ID | 66AK2E0x          |
|-----------|-------------------|
| 172       | EDMA4_TC1 write   |
| 173       | EDMA4_CC_TR       |
| 174       | CPT_MSMC7         |
| 175       | CPT_MSMC6         |
| 176       | CPT_MSMC5         |
| 177       | CPT_MSMC4         |
| 178       | CPT_NETCP_CFG_MST |
| 179       | Reserved          |
| 180-183   | NETCP_GLOBAL0     |
| 184-255   | Reserved          |

Table 7-7 shows the privilege ID of each C66x CorePac and everymastering peripheral. The table also shows the privilege level (supervisor vs. user), security level (secure vs. non-secure), and access type (instruction read vs. data/DMA read or write) of each master on the device. In some cases, a particular setting depends on software being executed at the time of the access or the configuration of the master peripheral.

**Table 7-7. Privilege ID Settings**

| PRIVILEGE ID | MASTER   | PRIVILEGE LEVEL                           | ACCESS TYPE      |
|--------------|--|---|------------------|
| 0            | C66x CorePac0  | User/Supervisor (S/W dependant)           | Instruction/Data |
| 1            | Reserved   | N/A                                       | N/A              |
| 2            | Reserved   | N/A                                       | N/A              |
| 3            | Reserved   | N/A                                       | N/A              |
| 4            | Reserved   | N/A                                       | N/A              |
| 5            | Reserved   | N/A                                       | N/A              |
| 6            | Reserved   | N/A                                       | N/A              |
| 7            | Reserved   | N/A                                       | N/A              |
| 8            | ARM CorePac  | User/Supervisor (S/W dependent)           | Instruction/Data |
| 9            | All packet DMA masters (Both NetCP, Both QM_CDMA) Both USB | User                                      | Data             |
| 10           | QM_SECOND  | User                                      | Data             |
| 11           | PCIe0  | User/Supervisor                           | Data             |
| 12           | DAP  | User/Supervisor (Emulation S/W dependent) | Data             |
| 13           | PCIe1  | User/Supervisor                           | Data             |
| 14           | Hyperlink  | User/Supervisor                           | Data             |
| 15           | TSIP   | User                                      | Data             |

## 7.2.1 MPU Registers

This section includes the offsets for MPU registers and definitions for device-specific MPU registers. For Number of Programmable Ranges supported (PROGx\_MPSA, PROGxMPEA) refer to the following tables.

### 7.2.1.1 MPU Register Map

**Table 7-8. MPU Registers**

| OFFSET | NAME     | DESCRIPTION              |
|--------|----------|--------------------------|
| 0h     | REVID    | Revision ID              |
| 4h     | CONFIG   | Configuration            |
| 10h    | IRAWSTAT | Interrupt raw status/set |

**Table 7-8. MPU Registers (continued)**

| OFFSET | NAME         | DESCRIPTION  |
|--------|--------------|--|
| 14h    | IENSTAT      | Interrupt enable status/clear                            |
| 18h    | IENSET       | Interrupt enable   |
| 1Ch    | IENCLR       | Interrupt enable clear                                   |
| 20h    | EOI          | End of interrupt   |
| 200h   | PROG0_MPSAR  | Programmable range 0, start address                      |
| 204h   | PROG0_MPEAR  | Programmable range 0, end address                        |
| 208h   | PROG0_MPPAR  | Programmable range 0, memory page protection attributes  |
| 210h   | PROG1_MPSAR  | Programmable range 1, start address                      |
| 214h   | PROG1_MPEAR  | Programmable range 1, end address                        |
| 218h   | PROG1_MPPAR  | Programmable range 1, memory page protection attributes  |
| 220h   | PROG2_MPSAR  | Programmable range 2, start address                      |
| 224h   | PROG2_MPEAR  | Programmable range 2, end address                        |
| 228h   | PROG2_MPPAR  | Programmable range 2, memory page protection attributes  |
| 230h   | PROG3_MPSAR  | Programmable range 3, start address                      |
| 234h   | PROG3_MPEAR  | Programmable range 3, end address                        |
| 238h   | PROG3_MPPAR  | Programmable range 3, memory page protection attributes  |
| 240h   | PROG4_MPSAR  | Programmable range 4, start address                      |
| 244h   | PROG4_MPEAR  | Programmable range 4, end address                        |
| 248h   | PROG4_MPPAR  | Programmable range 4, memory page protection attributes  |
| 250h   | PROG5_MPSAR  | Programmable range 5, start address                      |
| 254h   | PROG5_MPEAR  | Programmable range 5, end address                        |
| 258h   | PROG5_MPPAR  | Programmable range 5, memory page protection attributes  |
| 260h   | PROG6_MPSAR  | Programmable range 6, start address                      |
| 264h   | PROG6_MPEAR  | Programmable range 6, end address                        |
| 268h   | PROG6_MPPAR  | Programmable range 6, memory page protection attributes  |
| 270h   | PROG7_MPSAR  | Programmable range 7, start address                      |
| 274h   | PROG7_MPEAR  | Programmable range 7, end address                        |
| 278h   | PROG7_MPPAR  | Programmable range 7, memory page protection attributes  |
| 280h   | PROG8_MPSAR  | Programmable range 8, start address                      |
| 284h   | PROG8_MPEAR  | Programmable range 8, end address                        |
| 288h   | PROG8_MPPAR  | Programmable range 8, memory page protection attributes  |
| 290h   | PROG9_MPSAR  | Programmable range 9, start address                      |
| 294h   | PROG9_MPEAR  | Programmable range 9, end address                        |
| 298h   | PROG9_MPPAR  | Programmable range 9, memory page protection attributes  |
| 2A0h   | PROG10_MPSAR | Programmable range 10, start address                     |
| 2A4h   | PROG10_MPEAR | Programmable range 10, end address                       |
| 2A8h   | PROG10_MPPAR | Programmable range 10, memory page protection attributes |
| 2B0h   | PROG11_MPSAR | Programmable range 11, start address                     |
| 2B4h   | PROG11_MPEAR | Programmable range 11, end address                       |
| 2B8h   | PROG11_MPPAR | Programmable range 11, memory page protection attributes |
| 2C0h   | PROG12_MPSAR | Programmable range 12, start address                     |
| 2C4h   | PROG12_MPEAR | Programmable range 12, end address                       |
| 2C8h   | PROG12_MPPAR | Programmable range 12, memory page protection attributes |
| 2D0h   | PROG13_MPSAR | Programmable range 13, start address                     |
| 2D4h   | PROG13_MPEAR | Programmable range 13, end address                       |
| 2Dh    | PROG13_MPPAR | Programmable range 13, memory page protection attributes |
| 2E0h   | PROG14_MPSAR | Programmable range 14, start address                     |

**Table 7-8. MPU Registers (continued)**

| OFFSET | NAME         | DESCRIPTION  |
|--------|--------------|--|
| 2E4h   | PROG14_MPEAR | Programmable range 14, end address                       |
| 2E8h   | PROG14_MPPAR | Programmable range 14, memory page protection attributes |
| 2F0h   | PROG15_MPSAR | Programmable range 15, start address                     |
| 2F4h   | PROG15_MPEAR | Programmable range 15, end address                       |
| 2F8h   | PROG15_MPPAR | Programmable range 15, memory page protection attributes |
| 300h   | FLTADDRR     | Fault address  |
| 304h   | FLTSTAT      | Fault status   |
| 308h   | FLTCLR       | Fault clear  |

**7.2.1.2 Device-Specific MPU Registers**

**7.2.1.2.1 Configuration Register (CONFIG)**

The configuration register (CONFIG) contains the configuration value of the MPU.

**Table 7-9. Configuration Register Field Descriptions**

| Bits  | Field          | Description   |
|-------|----------------|---|
| 31-24 | ADDR_WIDTH     | Address alignment for range checking <ul style="list-style-type: none"> <li>0 = 1KB alignment</li> <li>6 = 64KB alignment</li> </ul>  |
| 23-20 | NUM_FIXED      | Number of fixed address ranges  |
| 19-16 | NUM_PROG       | Number of programmable address ranges   |
| 15-12 | NUM_AIDS       | Number of supported AIDs  |
| 11-1  | Reserved       | Reserved. Always read as 0.   |
| 0     | ASSUME_ALLOWED | Assume allowed bit. When an address is not covered by any MPU protection range, this bit determines whether the transfer is assumed to be allowed or not. <ul style="list-style-type: none"> <li>0 = Assume disallowed</li> <li>1 = Assume allowed</li> </ul> |

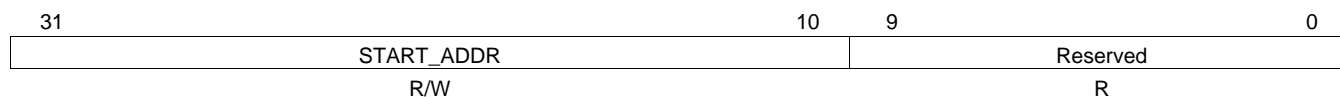
**7.2.2 MPU Programmable Range Registers**

**7.2.2.1 Programmable Range n Start Address Register (PROGn\_MPSAR)**

The Programmable Address Start Register holds the start address for the range. This register is writeable by a supervisor entity only. If NS = 0 (non-secure mode) in the associated MPPAR register, then the register is also writeable only by a secure entity.

The start address must be aligned on a page boundary. The size of the page is 1K byte. The size of the page determines the width of the address field in MPSAR and MPEAR.

**Figure 7-1. Programmable Range n Start Address Register (PROGn\_MPSAR)**



Legend: R = Read only; R/W = Read/Write

**Table 7-10. Programmable Range n Start Address Register Field Descriptions**

| Bit   | Field      | Description                 |
|-------|------------|-----------------------------|
| 31-10 | START_ADDR | Start address for range n   |
| 9-0   | Reserved   | Reserved. Always read as 0. |

**Table 7-11. MPU0-MPU5 Programmable Range *n* Start Address Register (PROG<sub>*n*</sub>\_MPSAR) Reset Values**

| REGISTER     | MPU0        | MPU1        | MPU2        | MPU3     | MPU4     | MPU5        |
|--------------|-------------|-------------|-------------|----------|----------|-------------|
| PROG0_MPSAR  | 0x01D0_0000 | 0x23A0_0000 | 0x02A0_0000 | Reserved | Reserved | 0x02A0_4000 |
| PROG1_MPSAR  | 0x01F0_0000 | 0x23A0_2000 | 0x02A0_2000 | Reserved | Reserved | 0x02A0_5000 |
| PROG2_MPSAR  | 0x02F0_0000 | 0x023A_6000 | 0x02A0_6000 | Reserved | Reserved | 0x02A0_6400 |
| PROG3_MPSAR  | 0x0200_0000 | 0x23A0_6800 | 0x02A0_6800 | Reserved | Reserved | 0x02A0_7400 |
| PROG4_MPSAR  | 0x020C_0000 | 0x23A0_7000 | 0x02A0_7000 | Reserved | Reserved | 0x02A0_A000 |
| PROG5_MPSAR  | 0x021C_0000 | 0x23A0_8000 | 0x02A0_8000 | Reserved | Reserved | 0x02A0_D000 |
| PROG6_MPSAR  | 0x021D_0000 | 0x23A0_C000 | 0x02A0_C000 | Reserved | Reserved | 0x02A0_E000 |
| PROG7_MPSAR  | 0x021F_0000 | 0x23A0_E000 | 0x02A0_E000 | Reserved | Reserved | 0x02A0_F000 |
| PROG8_MPSAR  | 0x0234_0000 | 0x23A0_F000 | 0x02A0_F000 | Reserved | Reserved | 0x02A0_F800 |
| PROG9_MPSAR  | 0x0254_0000 | 0x23A0_F800 | 0x02A0_F800 | Reserved | Reserved | 0x02A1_2000 |
| PROG10_MPSAR | 0x0258_0000 | 0x23A1_0000 | 0x02A1_0000 | Reserved | Reserved | 0x02A1_C000 |
| PROG11_MPSAR | 0x0000_0000 | 0x23A1_C000 | 0x02A2_0000 | Reserved | Reserved | 0x02A2_8000 |
| PROG12_MPSAR | 0x0290_0000 | 0x23A4_0000 | 0x02A4_0000 | Reserved | Reserved | 0x02A6_0000 |
| PROG13_MPSAR | 0x01E8_0000 | 0x23A8_0000 | 0x02A8_0000 | Reserved | Reserved | 0x02AA_0000 |
| PROG14_MPSAR | 0x01E8_0800 | 0x23B0_0000 | 0x02AC_0000 | Reserved | Reserved | 0x02B0_0000 |
| PROG15_MPSAR | 0x01E0_0000 | 0x23B8_0000 | 0x02AE_0000 | Reserved | Reserved | 0x02B8_0000 |

**Table 7-12. MPU6-MPU11 Programmable Range *n* Start Address Register (PROG<sub>*n*</sub>\_MPSAR) Reset Values**

| REGISTER     | MPU6     | MPU7        | MPU8        | MPU9        | MPU10       | MPU11       |
|--------------|----------|-------------|-------------|-------------|-------------|-------------|
| PROG0_MPSAR  | Reserved | 0x2101_0000 | 0x3000_0000 | 0x0260_0000 | 0x0264_0000 | 0x0220_0000 |
| PROG1_MPSAR  | Reserved | 0x0000_0000 | 0x3200_0000 | 0x0260_4000 | 0x0000_0000 | 0x0231_0000 |
| PROG2_MPSAR  | Reserved | 0x0800_0000 | 0x3400_0000 | 0x0260_8000 | N/A         | 0x0231_A000 |
| PROG3_MPSAR  | Reserved | 0x1000_0000 | 0x3600_0000 | 0x0256_0000 | N/A         | 0x0233_0000 |
| PROG4_MPSAR  | Reserved | 0x1800_0000 | 0x3800_0000 | 0x0000_0000 | N/A         | 0x0235_0000 |
| PROG5_MPSAR  | Reserved | 0x2000_0000 | 0x3A00_0000 | 0x0000_0000 | N/A         | 0x0263_0000 |
| PROG6_MPSAR  | Reserved | 0x2800_0000 | 0x3C00_0000 | 0x0000_0000 | N/A         | 0x0244_0000 |
| PROG7_MPSAR  | Reserved | 0x3000_0000 | 0x2100_0800 | 0x0000_0000 | N/A         | 0x024C_0000 |
| PROG8_MPSAR  | Reserved | 0x3800_0000 | N/A         | 0x0000_0000 | N/A         | 0x0250_0000 |
| PROG9_MPSAR  | Reserved | 0x4000_0000 | N/A         | 0x0000_0000 | N/A         | 0x0253_0000 |
| PROG10_MPSAR | Reserved | 0x4800_0000 | N/A         | 0x0000_0000 | N/A         | 0x0253_0C00 |
| PROG11_MPSAR | Reserved | 0x5000_0000 | N/A         | 0x0000_0000 | N/A         | 0x0260_B000 |
| PROG12_MPSAR | Reserved | 0x5800_0000 | N/A         | 0x0000_0000 | N/A         | 0x0262_0000 |
| PROG13_MPSAR | Reserved | 0x6000_0000 | N/A         | 0x0000_0000 | N/A         | 0x0300_0000 |
| PROG14_MPSAR | Reserved | 0x6800_0000 | N/A         | 0x0000_0000 | N/A         | 0x021E_0000 |
| PROG15_MPSAR | Reserved | 0x7000_0000 | N/A         | 0x0000_0000 | N/A         | 0x0268_0000 |

**Table 7-13. MPU12-MPU15 Programmable Range *n* Start Address Register (PROG<sub>*n*</sub>\_MPSAR) Reset Values**

| REGISTER    | MPU12       | MPU13       | MPU14       | MPU15       |
|-------------|-------------|-------------|-------------|-------------|
| PROG0_MPSAR | 0x2100_0400 | 0x2100_0400 | 0x2100_0800 | 0x2400_0000 |
| PROG1_MPSAR | 0x0000_0000 | 0x0000_0000 | 0x0000_0000 | 0x2408_0000 |
| PROG2_MPSAR | N/A         | N/A         | N/A         | 0x2410_0000 |
| PROG3_MPSAR | N/A         | N/A         | N/A         | 0x2500_0000 |
| PROG4_MPSAR | N/A         | N/A         | N/A         | 0x0000_0000 |
| PROG5_MPSAR | N/A         | N/A         | N/A         | 0x0000_0000 |
| PROG6_MPSAR | N/A         | N/A         | N/A         | 0x0000_0000 |
| PROG7_MPSAR | N/A         | N/A         | N/A         | 0x0000_0000 |

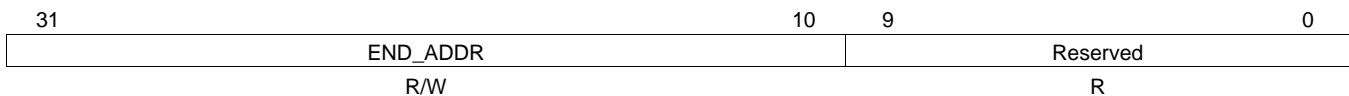
**Table 7-13. MPU12-MPU15 Programmable Range *n* Start Address Register (PROG<sub>*n*</sub>\_MPSAR) Reset Values (continued)**

| REGISTER     | MPU12 | MPU13 | MPU14 | MPU15 |
|--------------|-------|-------|-------|-------|
| PROG8_MPSAR  | N/A   | N/A   | N/A   | N/A   |
| PROG9_MPSAR  | N/A   | N/A   | N/A   | N/A   |
| PROG10_MPSAR | N/A   | N/A   | N/A   | N/A   |
| PROG11_MPSAR | N/A   | N/A   | N/A   | N/A   |
| PROG12_MPSAR | N/A   | N/A   | N/A   | N/A   |
| PROG13_MPSAR | N/A   | N/A   | N/A   | N/A   |
| PROG14_MPSAR | N/A   | N/A   | N/A   | N/A   |
| PROG15_MPSAR | N/A   | N/A   | N/A   | N/A   |

### 7.2.2.2 Programmable Range *n* - End Address Register (PROG<sub>*n*</sub>\_MPEAR)

The programmable address end register holds the end address for the range. This register is writeable by a supervisor entity only. If NS = 0 (non-secure mode) in the associated MPPAR register then the register is also writeable only by a secure entity.

The end address must be aligned on a page boundary. The size of the page depends on the MPU number. The page size for MPU1 is 1K byte and for MPU2 it is 64K bytes. The size of the page determines the width of the address field in MPSAR and MPEAR.

**Figure 7-2. Programmable Range *n* End Address Register (PROG<sub>*n*</sub>\_MPEAR)**


Legend: R = Read only; R/W = Read/Write

**Table 7-14. Programmable Range *n* End Address Register Field Descriptions**

| Bit   | Field    | Description                    |
|-------|----------|--------------------------------|
| 31-10 | END_ADDR | End address for range <i>n</i> |
| 9-0   | Reserved | Reserved. Always read as 3FFh. |

**Table 7-15. MPU0-MPU5 Programmable Range *n* End Address Register (PROG<sub>*n*</sub>\_MPEAR) Reset Values**

| REGISTER     | MPU0        | MPU1        | MPU2        | MPU3     | MPU4     | MPU5        |
|--------------|-------------|-------------|-------------|----------|----------|-------------|
| PROG0_MPEAR  | 0x01DF_FFFF | 0x23A0_1FFF | 0x02A0_00FF | Reserved | Reserved | 0x02A0_4FFF |
| PROG1_MPEAR  | 0x01F7_FFFF | 0x23A0_5FFF | 0x02A0_3FFF | Reserved | Reserved | 0x02A0_5FFF |
| PROG2_MPEAR  | 0x02FF_FFFF | 0x23A0_67FF | 0x02A0_63FF | Reserved | Reserved | 0x02A0_67FF |
| PROG3_MPEAR  | 0x020B_FFFF | 0x23A0_6FFF | 0x02A0_6FFF | Reserved | Reserved | 0x02A0_7FFF |
| PROG4_MPEAR  | 0x020F_FFFF | 0x23A0_7FFF | 0x02A0_73FF | Reserved | Reserved | 0x02A0_BFFF |
| PROG5_MPEAR  | 0x021C_83FF | 0x23A0_BFFF | 0x02A0_9FFF | Reserved | Reserved | 0x02A0_DFFF |
| PROG6_MPEAR  | 0x021D_C0FF | 0x23A0_DFFF | 0x02A0_CFFF | Reserved | Reserved | 0x02A0_E7FF |
| PROG7_MPEAR  | 0x021F_C7FF | 0x23A0_EFFF | 0x02A0_E7FF | Reserved | Reserved | 0x02A0_F7FF |
| PROG8_MPEAR  | 0x0234_C0FF | 0x23A0_F7FF | 0x02A0_F7FF | Reserved | Reserved | 0x02A0_FFFF |
| PROG9_MPEAR  | 0x0255_FFFF | 0x23A0_FFFF | 0x02A0_FFFF | Reserved | Reserved | 0x02A1_7FFF |
| PROG10_MPEAR | 0x025F_FFFF | 0x23A1_BFFF | 0x02A1_1FFF | Reserved | Reserved | 0x02A1_FFFF |
| PROG11_MPEAR | 0x0000_0000 | 0x23A3_FFFF | 0x02A2_5FFF | Reserved | Reserved | 0x02A3_FFFF |
| PROG12_MPEAR | 0x029F_FFFF | 0x23A7_FFFF | 0x02A5_FFFF | Reserved | Reserved | 0x02A7_FFFF |
| PROG13_MPEAR | 0x01E8_07FF | 0x23AF_FFFF | 0x02A9_FFFF | Reserved | Reserved | 0x02AB_FFFF |
| PROG14_MPEAR | 0x01E8_43FF | 0x23B7_FFFF | 0x02AD_FFFF | Reserved | Reserved | 0x02B7_FFFF |
| PROG15_MPEAR | 0x01E7_FFFF | 0x23BF_FFFF | 0x02AF_FFFF | Reserved | Reserved | 0x02BF_FFFF |

**Table 7-16. MPU6-MPU11 Programmable Range *n* End Address Register (PROG<sub>*n*</sub>\_MPEAR) Reset Values**

| REGISTER     | MPU6     | MPU7        | MPU8        | MPU9        | MPU10       | MPU11       |
|--------------|----------|-------------|-------------|-------------|-------------|-------------|
| PROG0_MPEAR  | Reserved | 0x2103_FFFF | 0x31FF_FFFF | 0x0260_1FFF | 0x0264_07FF | 0x022F_027F |
| PROG1_MPEAR  | Reserved | 0x07FF_FFFF | 0x33FF_FFFF | 0x0260_5FFF | 0x0000_0000 | 0x0231_01FF |
| PROG2_MPEAR  | Reserved | 0x0FFF_FFFF | 0x35FF_FFFF | 0x0260_9FFF | N/A         | 0x0232_FFFF |
| PROG3_MPEAR  | Reserved | 0x17FF_FFFF | 0x37FF_FFFF | 0x0257_FFFF | N/A         | 0x0233_07FF |
| PROG4_MPEAR  | Reserved | 0x1FFF_FFFF | 0x39FF_FFFF | 0x0000_0000 | N/A         | 0x0235_0FFF |
| PROG5_MPEAR  | Reserved | 0x27FF_FFFF | 0x3BFF_FFFF | 0x0000_0000 | N/A         | 0x0263_FFFF |
| PROG6_MPEAR  | Reserved | 0x2FFF_FFFF | 0x3FFF_FFFF | 0x0000_0000 | N/A         | 0x024B_3FFF |
| PROG7_MPEAR  | Reserved | 0x37FF_FFFF | 0x2100_0AFF | 0x0000_0000 | N/A         | 0x024C_0BFF |
| PROG8_MPEAR  | Reserved | 0x3FFF_FFFF | N/A         | 0x0000_0000 | N/A         | 0x0250_7FFF |
| PROG9_MPEAR  | Reserved | 0x47FF_FFFF | N/A         | 0x0000_0000 | N/A         | 0x0253_0BFF |
| PROG10_MPEAR | Reserved | 0x4FFF_FFFF | N/A         | 0x0000_0000 | N/A         | 0x0253_FFFF |
| PROG11_MPEAR | Reserved | 0x57FF_FFFF | N/A         | 0x0000_0000 | N/A         | 0x0260_BFFF |
| PROG12_MPEAR | Reserved | 0x5FFF_FFFF | N/A         | 0x0000_0000 | N/A         | 0x0262_0FFF |
| PROG13_MPEAR | Reserved | 0x67FF_FFFF | N/A         | 0x0000_0000 | N/A         | 0x03FF_FFFF |
| PROG14_MPEAR | Reserved | 0x6FFF_FFFF | N/A         | 0x0000_0000 | N/A         | 0x021E_1FFF |
| PROG15_MPEAR | Reserved | 0x7FFF_FFFF | N/A         | 0x0000_0000 | N/A         | 0x026F_FFFF |

**Table 7-17. MPU12-MPU15 Programmable Range *n* End Address Register (PROG<sub>*n*</sub>\_MPEAR) Reset Values**

| REGISTER     | MPU12       | MPU13       | MPU14       | MPU15       |
|--------------|-------------|-------------|-------------|-------------|
| PROG0_MPEAR  | 0x2100_07FF | 0x2100_07FF | 0x2100_0AFF | 0x2407_FFFF |
| PROG1_MPEAR  | 0x0000_0000 | 0x0000_0000 | 0x0000_0000 | 0x240F_FFFF |
| PROG2_MPEAR  | N/A         | N/A         | N/A         | 0x24FF_FFFF |
| PROG3_MPEAR  | N/A         | N/A         | N/A         | 0x2507_FFFF |
| PROG4_MPEAR  | N/A         | N/A         | N/A         | 0x2508FFFF  |
| PROG5_MPEAR  | N/A         | N/A         | N/A         | 0x0000_0000 |
| PROG6_MPEAR  | N/A         | N/A         | N/A         | 0x0000_0000 |
| PROG7_MPEAR  | N/A         | N/A         | N/A         | 0x0000_0000 |
| PROG8_MPEAR  | N/A         | N/A         | N/A         | N/A         |
| PROG9_MPEAR  | N/A         | N/A         | N/A         | N/A         |
| PROG10_MPEAR | N/A         | N/A         | N/A         | N/A         |
| PROG11_MPEAR | N/A         | N/A         | N/A         | N/A         |
| PROG12_MPEAR | N/A         | N/A         | N/A         | N/A         |
| PROG13_MPEAR | N/A         | N/A         | N/A         | N/A         |
| PROG14_MPEAR | N/A         | N/A         | N/A         | N/A         |
| PROG15_MPEAR | N/A         | N/A         | N/A         | N/A         |

### 7.2.2.3 Programmable Range *n* Memory Protection Page Attribute Register (PROG<sub>*n*</sub>\_MPPAR)

The programmable address memory protection page attribute register holds the permissions for the region. This register is writeable only by a non-debug supervisor entity. If NS = 0 (secure mode) then the register is also writeable only by a non-debug secure entity. The NS bit is writeable only by a non-debug secure entity. For debug accesses, the register is writeable only when NS = 1 or EMU = 1.



**Figure 7-3. Programmable Range *n* Memory Protection Page Attribute Register (PROG<sub>*n*</sub>\_MPPAR)**

|      |          |      |      |      |      |          |     |     |     |     |     |     |     |     |     |     |     |
|------|----------|------|------|------|------|----------|-----|-----|-----|-----|-----|-----|-----|-----|-----|-----|-----|
| 31   | Reserved |      |      |      |      | 26       | 25  | 24  | 23  | 22  | 21  | 20  | 19  | 18  | 17  | 16  | 15  |
| R    |          |      |      |      | R/W  | R/W      | R/W | R/W | R/W | R/W | R/W | R/W | R/W | R/W | R/W | R/W | R/W |
| 14   | 13       | 12   | 11   | 10   | 9    | 8        | 7   | 6   | 5   | 4   | 3   | 2   | 1   | 0   |     |     |     |
| AID4 | AID3     | AID2 | AID1 | AID0 | AIDX | Reserved | NS  | EMU | SR  | SW  | SX  | UR  | UW  | UX  |     |     |     |
| R/W  | R/W      | R/W  | R/W  | R/W  | R/W  | R        | R/W | R/W | R/W | R/W | R/W | R/W | R/W | R/W | R/W | R/W |     |

Legend: R = Read only; R/W = Read/Write

**Table 7-18. Programmable Range *n* Memory Protection Page Attribute Register Field Descriptions**

| Bits  | Name     | Description   |
|-------|----------|---|
| 31-26 | Reserved | Reserved. Always read as 0.   |
| 25    | AID15    | Controls access from ID = 15 <ul style="list-style-type: none"> <li>0 = Access is not checked for permissions</li> <li>1 = Access is checked for permissions</li> </ul> |
| 24    | AID14    | Controls access from ID = 14 <ul style="list-style-type: none"> <li>0 = Access is not checked for permissions</li> <li>1 = Access is checked for permissions</li> </ul> |
| 23    | AID13    | Controls access from ID = 13 <ul style="list-style-type: none"> <li>0 = Access is not checked for permissions</li> <li>1 = Access is checked for permissions</li> </ul> |
| 22    | AID12    | Controls access from ID = 12 <ul style="list-style-type: none"> <li>0 = Access is not checked for permissions</li> <li>1 = Access is checked for permissions</li> </ul> |
| 21    | AID11    | Controls access from ID = 11 <ul style="list-style-type: none"> <li>0 = Access is not checked for permissions</li> <li>1 = Access is checked for permissions</li> </ul> |
| 20    | AID10    | Controls access from ID = 10 <ul style="list-style-type: none"> <li>0 = Access is not checked for permissions</li> <li>1 = Access is checked for permissions</li> </ul> |
| 19    | AID9     | Controls access from ID = 9 <ul style="list-style-type: none"> <li>0 = Access is not checked for permissions</li> <li>1 = Access is checked for permissions</li> </ul>  |
| 18    | AID8     | Controls access from ID = 8 <ul style="list-style-type: none"> <li>0 = Access is not checked for permissions</li> <li>1 = Access is checked for permissions</li> </ul>  |
| 17    | AID7     | Controls access from ID = 7 <ul style="list-style-type: none"> <li>0 = Access is not checked for permissions</li> <li>1 = Access is checked for permissions</li> </ul>  |
| 16    | AID6     | Controls access from ID = 6 <ul style="list-style-type: none"> <li>0 = Access is not checked for permissions</li> <li>1 = Access is checked for permissions</li> </ul>  |
| 15    | AID5     | Controls access from ID = 5 <ul style="list-style-type: none"> <li>0 = Access is not checked for permissions</li> <li>1 = Access is checked for permissions</li> </ul>  |
| 14    | AID4     | Controls access from ID = 4 <ul style="list-style-type: none"> <li>0 = Access is not checked for permissions</li> <li>1 = Access is checked for permissions</li> </ul>  |
| 13    | AID3     | Controls access from ID = 3 <ul style="list-style-type: none"> <li>0 = Access is not checked for permissions</li> <li>1 = Access is checked for permissions</li> </ul>  |

**Table 7-18. Programmable Range *n* Memory Protection Page Attribute Register Field Descriptions (continued)**

| Bits | Name     | Description  |
|------|----------|--|
| 12   | AID2     | Controls access from ID = 2<br><ul style="list-style-type: none"> <li>0 = Access is not checked for permissions</li> <li>1 = Access is checked for permissions</li> </ul>              |
| 11   | AID1     | Controls access from ID = 1<br><ul style="list-style-type: none"> <li>0 = Access is not checked for permissions</li> <li>1 = Access is checked for permissions</li> </ul>              |
| 10   | AID0     | Controls access from ID = 0<br><ul style="list-style-type: none"> <li>0 = Access is not checked for permissions</li> <li>1 = Access is checked for permissions</li> </ul>              |
| 9    | AIDX     | Controls access from ID > 15<br><ul style="list-style-type: none"> <li>0 = Access is not checked for permissions</li> <li>1 = Access is checked for permissions</li> </ul>             |
| 8    | Reserved | Reserved. Always reads as 0.   |
| 7    | NS       | Non-secure access permission<br><ul style="list-style-type: none"> <li>0 = Only secure access allowed</li> <li>1 = Non-secure access allowed</li> </ul>                                |
| 6    | EMU      | Emulation (debug) access permission. This bit is ignored if NS = 1<br><ul style="list-style-type: none"> <li>0 = Debug access not allowed</li> <li>1 = Debug access allowed</li> </ul> |
| 5    | SR       | Supervisor Read permission<br><ul style="list-style-type: none"> <li>0 = Access not allowed</li> <li>1 = Access allowed</li> </ul>   |
| 4    | SW       | Supervisor Write permission<br><ul style="list-style-type: none"> <li>0 = Access not allowed</li> <li>1 = Access allowed</li> </ul>  |
| 3    | SX       | Supervisor Execute permission<br><ul style="list-style-type: none"> <li>0 = Access not allowed</li> <li>1 = Access allowed</li> </ul>  |
| 2    | UR       | User Read permission<br><ul style="list-style-type: none"> <li>0 = Access not allowed</li> <li>1 = Access allowed</li> </ul>   |
| 1    | UW       | User Write permission<br><ul style="list-style-type: none"> <li>0 = Access not allowed</li> <li>1 = Access allowed</li> </ul>  |
| 0    | UX       | User Execute permission<br><ul style="list-style-type: none"> <li>0 = Access not allowed</li> <li>1 = Access allowed</li> </ul>  |

**Table 7-19. MPU0-MPU5 Programmable Range *n* Memory Protection Page Attribute Register (PROG<sub>*n*</sub> MPPAR) Reset Values**

| REGISTER    | MPU0        | MPU1        | MPU2        | MPU3     | MPU4     | MPU5        |
|-------------|-------------|-------------|-------------|----------|----------|-------------|
| PROG0_MPPAR | 0x03FF_FCB6 | 0x03FF_FCB6 | 0x03FF_FCB6 | Reserved | Reserved | 0x03FF_FCB4 |
| PROG1_MPPAR | 0x03FF_FCB6 | 0x03FF_FCB4 | 0x03FF_FCB4 | Reserved | Reserved | 0x03FF_FCB4 |
| PROG2_MPPAR | 0x03FF_FCB6 | 0x03FF_FCA4 | 0x03FF_FCA4 | Reserved | Reserved | 0x03FF_FCA4 |
| PROG3_MPPAR | 0x03FF_FCB6 | 0x03FF_FCB4 | 0x03FF_FCB4 | Reserved | Reserved | 0x03FF_FCF4 |
| PROG4_MPPAR | 0x03FF_FCB6 | 0x03FF_FCF4 | 0x03FF_FCF4 | Reserved | Reserved | 0x03FF_FCB4 |
| PROG5_MPPAR | 0x03FF_FCB6 | 0x03FF_FCB4 | 0x03FF_FCB4 | Reserved | Reserved | 0x03FF_FCB4 |
| PROG6_MPPAR | 0x03FF_FCB6 | 0x03FF_FCB4 | 0x03FF_FCB4 | Reserved | Reserved | 0x03FF_FCB4 |
| PROG7_MPPAR | 0x03FF_FCB6 | 0x03FF_FCB4 | 0x03FF_FCB4 | Reserved | Reserved | 0x03FF_FCB4 |
| PROG8_MPPAR | 0x03FF_FCB6 | 0x03FF_FCB4 | 0x03FF_FCB4 | Reserved | Reserved | 0x03FF_FCF4 |

**Table 7-19. MPU0-MPU5 Programmable Range *n* Memory Protection Page Attribute Register (PROG<sub>*n*</sub>\_MPPAR) Reset Values (continued)**

| REGISTER     | MPU0        | MPU1        | MPU2        | MPU3     | MPU4     | MPU5        |
|--------------|-------------|-------------|-------------|----------|----------|-------------|
| PROG9_MPPAR  | 0x03FF_FCB6 | 0x03FF_FCF4 | 0x03FF_FCF4 | Reserved | Reserved | 0x03FF_FCB4 |
| PROG10_MPPAR | 0x03FF_FCB6 | 0x03FF_FCB4 | 0x03FF_FCB4 | Reserved | Reserved | 0x03FF_FCF4 |
| PROG11_MPPAR | 0x03FF_FCB6 | 0x03FF_FCF4 | 0x03FF_FCF4 | Reserved | Reserved | 0x03FF_FCF4 |
| PROG12_MPPAR | 0x03FF_FCB4 | 0x03FF_FCA4 | 0x03FF_FCA4 | Reserved | Reserved | 0x03FF_FCA4 |
| PROG13_MPPAR | 0x03FF_FCB6 | 0x03FF_FCB6 | 0x03FF_FCB6 | Reserved | Reserved | 0x03FF_FCB6 |
| PROG14_MPPAR | 0x03FF_FCB0 | 0x03FF_FCA4 | 0x03FF_FCB6 | Reserved | Reserved | 0x03FF_FCA4 |
| PROG15_MPPAR | 0x03FF_FCB6 | 0x03FF_FCA4 | 0x03FF_FCB6 | Reserved | Reserved | 0x03FF_FCA4 |

**Table 7-20. MPU6-MPU11 Programmable Range *n* Memory Protection Page Attribute Register (PROG<sub>*n*</sub>\_MPPAR) Reset Values**

| REGISTER     | MPU6     | MPU7        | MPU8        | MPU9        | MPU10       | MPU11       |
|--------------|----------|-------------|-------------|-------------|-------------|-------------|
| PROG0_MPPAR  | Reserved | 0x03FF_FCB6 | 0x03FF_FCBF | 0x03FF_FCB6 | 0x03FF_FCB6 | 0x03FF_FCB6 |
| PROG1_MPPAR  | Reserved | 0x03FF_FCBF | 0x03FF_FCBF | 0x03FF_FCB6 | 0x03FF_FCB6 | 0x03FF_FCB0 |
| PROG2_MPPAR  | Reserved | 0x03FF_FCBF | 0x03FF_FCBF | 0x03FF_FCB6 | N/A         | 0x03FF_FCB6 |
| PROG3_MPPAR  | Reserved | 0x03FF_FCBF | 0x03FF_FCBF | 0x03FF_FCB6 | N/A         | 0x03FF_FCB0 |
| PROG4_MPPAR  | Reserved | 0x03FF_FCBF | 0x03FF_FCBF | 0x03FF_FCB6 | N/A         | 0x03FF_FCB0 |
| PROG5_MPPAR  | Reserved | 0x03FF_FCBF | 0x03FF_FCBF | 0x03FF_FCB6 | N/A         | 0x03FF_FCB6 |
| PROG6_MPPAR  | Reserved | 0x03FF_FCBF | 0x03FF_FCBF | 0x03FF_FCB6 | N/A         | 0x03FF_FCB6 |
| PROG7_MPPAR  | Reserved | 0x03FF_FCBF | 0x03FF_FCB6 | 0x03FF_FCB6 | N/A         | 0x03FF_FCB0 |
| PROG8_MPPAR  | Reserved | 0x03FF_FCBF | N/A         | 0x03FF_FCB6 | N/A         | 0x03FF_FCB0 |
| PROG9_MPPAR  | Reserved | 0x03FF_FCBF | N/A         | 0x03FF_FCB6 | N/A         | 0x03FF_FCB6 |
| PROG10_MPPAR | Reserved | 0x03FF_FCBF | N/A         | 0x03FF_FCB6 | N/A         | 0x03FF_FCB6 |
| PROG11_MPPAR | Reserved | 0x03FF_FCBF | N/A         | 0x03FF_FCB6 | N/A         | 0x03FF_FCB6 |
| PROG12_MPPAR | Reserved | 0x03FF_FCBF | N/A         | 0x03FF_FCB6 | N/A         | 0x03FF_FCB0 |
| PROG13_MPPAR | Reserved | 0x03FF_FCBF | N/A         | 0x03FF_FCB6 | N/A         | 0x03FF_FCB6 |
| PROG14_MPPAR | Reserved | 0x03FF_FCBF | N/A         | 0x03FF_FCB6 | N/A         | 0x03FF_FCB0 |
| PROG15_MPPAR | Reserved | 0x03FF_FCBF | N/A         | 0x03FF_FCB6 | N/A         | 0x03FF_FCB6 |

**Table 7-21. MPU12-MPU15 Programmable Range *n* Memory Protection Page Attribute Register (PROG<sub>*n*</sub>\_MPPAR) Reset Values**

| REGISTER     | MPU12       | MPU13       | MPU14       | MPU15       |
|--------------|-------------|-------------|-------------|-------------|
| PROG0_MPPAR  | 0x03FF_FCB6 | 0x03FF_FCB6 | 0x03FF_FCB6 | 0x03FF_FCB6 |
| PROG1_MPPAR  | 0x03FF_FCBF | 0x03FF_FCBF | 0x03FF_FCBF | 0x03FF_FCB6 |
| PROG2_MPPAR  | N/A         | N/A         | N/A         | 0x03FF_FCB6 |
| PROG3_MPPAR  | N/A         | N/A         | N/A         | 0x03FF_FCB6 |
| PROG4_MPPAR  | N/A         | N/A         | N/A         | 0x03FF_FCB6 |
| PROG5_MPPAR  | N/A         | N/A         | N/A         | 0x03FF_FCB6 |
| PROG6_MPPAR  | N/A         | N/A         | N/A         | 0x03FF_FCB6 |
| PROG7_MPPAR  | N/A         | N/A         | N/A         | 0x03FF_FCB6 |
| PROG8_MPPAR  | N/A         | N/A         | N/A         | N/A         |
| PROG9_MPPAR  | N/A         | N/A         | N/A         | N/A         |
| PROG10_MPPAR | N/A         | N/A         | N/A         | N/A         |
| PROG11_MPPAR | N/A         | N/A         | N/A         | N/A         |
| PROG12_MPPAR | N/A         | N/A         | N/A         | N/A         |
| PROG13_MPPAR | N/A         | N/A         | N/A         | N/A         |
| PROG14_MPPAR | N/A         | N/A         | N/A         | N/A         |

**Table 7-21. MPU12-MPU15 Programmable Range *n* Memory Protection Page Attribute Register (PROG<sub>*n*</sub>\_MPPAR) Reset Values (continued)**

| REGISTER     | MPU12 | MPU13 | MPU14 | MPU15 |
|--------------|-------|-------|-------|-------|
| PROG15_MPPAR | N/A   | N/A   | N/A   | N/A   |

### 7.3 Interrupts for 66AK2E0x

This section discusses the interrupt sources, controller, and topology. Also provided are tables describing the interrupt events.

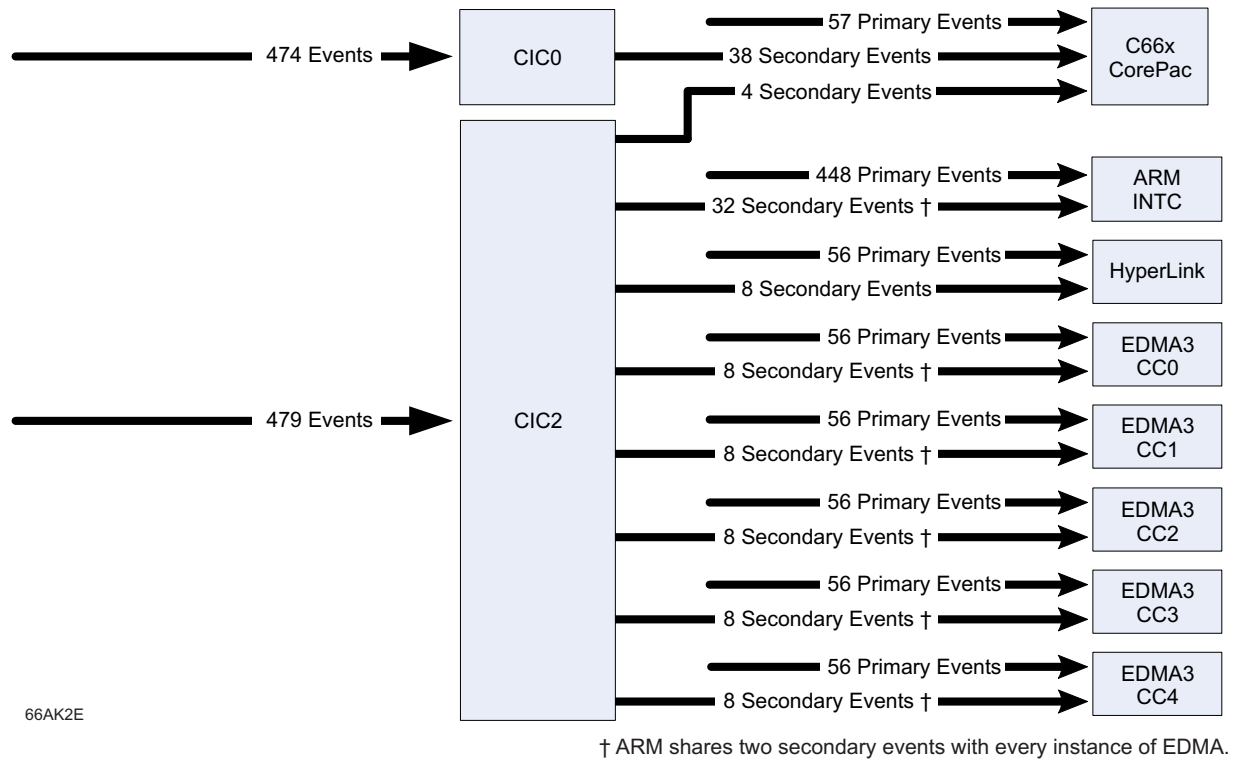
#### 7.3.1 Interrupt Sources and Interrupt Controller

The ARM CorePac interrupts on the 66AK2E0x device are configured through the ARM CorePac Interrupt Controller. It allows for up to 480 system events to be programmed to any of the ARM core's IRQ/FIQ interrupts. In addition error-class events or infrequently used events are also routed through the system event router to offload the ARM CorePac interrupt controller. This is accomplished through the CorePac Interrupt Controller block CIC2. Further, CIC2 provides 8 events each to EDMA3CC0, EDMA3CC1, EDMA3C2, EDMA3CC3, EDMA3CC4, and Hyperlink.

The DSP CorePac interrupts on the 66AK2E0x device are configured through the C66x CorePac Interrupt Controller. The Interrupt Controller allows for up to 128 system events to be programmed to any of the 12 CPU interrupt inputs (CPUINT4 - CPUINT15), the CPU exception input (EXCEP), or the advanced emulation logic. The 128 system events consist of both internally-generated events (within the CorePac) and chip-level events. In addition, error-class events or infrequently used events are also routed through the system event router to offload the C66x CorePac interrupt selector. This is accomplished through the CorePac Interrupt Controller blocks, CIC2 and CIC0. This is clocked using CPU/6.

Modules such as CP\_MPU, BOOT\_CFG, and CP\_Tracer have level interrupts and EOI handshaking interface. The EOI value is 0 for CP\_MPU, BOOT\_CFG, and CP\_Tracer.

[Figure 7-4](#) shows the 66AK2E0x interrupt topology.



66AK2E

Figure 7-4. Interrupt Topology

Table 7-22 shows the mapping of primary events to C66x Corepac

Table 7-22. System Event Mapping — C66x CorePac Primary Interrupts

| EVENT NO. | EVENT NAME      | DESCRIPTION  |
|-----------|-----------------|--|
| 0         | EVT0            | Event combiner 0 output  |
| 1         | EVT1            | Event combiner 1 output  |
| 2         | EVT2            | Event combiner 2 output  |
| 3         | EVT3            | Event combiner 3 output  |
| 4         | TETB_HFULLINT0  | TETB is half full  |
| 5         | TETB_FULLINT0   | TETB is full   |
| 6         | TETB_ACQINT0    | TETB acquisition complete interrupt  |
| 7         | TETB_OVFLINT0   | TETB overflow condition interrupt  |
| 8         | TETB_UNFLINT0   | TETB underflow condition interrupt   |
| 9         | EMU_DTDMA       | Emulation interrupt for host scan, DTDMA transfer complete and AET             |
| 10        | MSMC_MPF_ERROR0 | Memory protection fault indicators for system master PrivID = 0 (C66x CorePac) |
| 11        | Reserved        | Reserved   |
| 12        | Reserved        | Reserved   |
| 13        | IDMA0           | IDMA channel 0 interrupt   |
| 14        | IDMA1           | IDMA channel 1 interrupt   |
| 15        | SEM_ERR0        | Semaphore error interrupt  |
| 16        | SEM_INT0        | Semaphore interrupt  |
| 17        | PCIe_0_INT4     | PCIe0 MSI interrupt  |
| 18        | TSIP_RCV_FINT0  | TSIP receive frame interrupt for channel 0                                     |
| 19        | TSIP_XMT_FINT0  | TSIP transmit frame interrupt for channel 0                                    |
| 20        | TSIP_RCV_SFINT0 | TSIP receive super frame interrupt for channel 0                               |

**Table 7-22. System Event Mapping — C66x CorePac Primary Interrupts (continued)**

| EVENT NO. | EVENT NAME          | DESCRIPTION  |
|-----------|---------------------|--|
| 21        | TSIP_XMT_SFINT0     | TSIP transmit super frame interrupt for channel 0    |
| 22        | TSIP_EINT0          | TSIP error interrupt for channel 0                   |
| 23        | CIC_0_OUT35         | C66x CorePac Interrupt Controller output             |
| 24        | CIC_2_OUT102        | C66x CorePac Interrupt Controller output             |
| 25        | CIC_2_OUT94         | C66x CorePac Interrupt Controller output             |
| 26        | CIC_0_OUT68         | C66x CorePac Interrupt Controller output             |
| 27        | CIC_0_OUT69         | C66x CorePac Interrupt Controller output             |
| 28        | CIC_0_OUT70         | C66x CorePac Interrupt Controller output             |
| 29        | CIC_0_OUT71         | C66x CorePac Interrupt Controller output             |
| 30        | CIC_0_OUT72         | C66x CorePac Interrupt Controller output             |
| 31        | CIC_0_OUT73         | C66x CorePac Interrupt Controller output             |
| 32        | CIC_0_OUT16         | C66x CorePac Interrupt Controller output             |
| 33        | CIC_0_OUT17         | C66x CorePac Interrupt Controller output             |
| 34        | CIC_0_OUT18         | C66x CorePac Interrupt Controller output             |
| 35        | CIC_0_OUT19         | C66x CorePac Interrupt Controller output             |
| 36        | CIC_0_OUT20         | C66x CorePac Interrupt Controller output             |
| 37        | CIC_0_OUT21         | C66x CorePac Interrupt Controller output             |
| 38        | CIC_0_OUT22         | C66x CorePac Interrupt Controller output             |
| 39        | CIC_0_OUT23         | C66x CorePac Interrupt Controller output             |
| 40        | CIC_0_OUT32         | C66x CorePac Interrupt Controller output             |
| 41        | CIC_0_OUT33         | C66x CorePac Interrupt Controller output             |
| 42        | CIC_0_OUT13         | C66x CorePac Interrupt Controller output             |
| 43        | CIC_0_OUT14         | C66x CorePac Interrupt Controller output             |
| 44        | CIC_0_OUT15         | C66x CorePac Interrupt Controller output             |
| 45        | CIC_0_OUT64         | C66x CorePac Interrupt Controller output             |
| 46        | CIC_0_OUT65         | C66x CorePac Interrupt Controller output             |
| 47        | CIC_0_OUT66         | C66x CorePac Interrupt Controller output             |
| 48        | QMSS_INTD_1_HIGH_0  | Navigator INTD1 accumulated hi-priority interrupt 0  |
| 49        | QMSS_INTD_1_HIGH_8  | Navigator INTD1 accumulated hi-priority interrupt 8  |
| 50        | QMSS_INTD_1_HIGH_16 | Navigator INTD1 accumulated hi-priority interrupt 16 |
| 51        | QMSS_INTD_1_HIGH_24 | Navigator INTD1 accumulated hi-priority interrupt 32 |
| 52        | QMSS_INTD_2_HIGH_0  | Navigator INTD2 accumulated hi-priority interrupt 0  |
| 53        | QMSS_INTD_2_HIGH_8  | Navigator INTD2 accumulated hi-priority interrupt 8  |
| 54        | QMSS_INTD_2_HIGH_16 | Navigator INTD2 accumulated hi-priority interrupt 16 |
| 55        | QMSS_INTD_2_HIGH_24 | Navigator INTD2 accumulated hi-priority interrupt 32 |
| 56        | CIC_0_OUT0          | C66x CorePac Interrupt Controller output             |
| 57        | CIC_0_OUT1          | C66x CorePac Interrupt Controller output             |
| 58        | CIC_0_OUT2          | C66x CorePac Interrupt Controller output             |
| 59        | CIC_0_OUT3          | C66x CorePac Interrupt Controller output             |
| 60        | CIC_0_OUT4          | C66x CorePac Interrupt Controller output             |
| 61        | CIC_0_OUT5          | C66x CorePac Interrupt Controller output             |
| 62        | CIC_0_OUT6          | C66x CorePac Interrupt Controller output             |
| 63        | CIC_0_OUT7          | C66x CorePac Interrupt Controller output             |
| 64        | TIMER_0_INTL        | Local timer interrupt low                            |
| 65        | TIMER_0_INTH        | Local timer interrupt high                           |
| 66        | TIMER_8_INTL        | Timer interrupt low                                  |
| 67        | TIMER_8_INTH        | Timer interrupt high                                 |

**Table 7-22. System Event Mapping — C66x CorePac Primary Interrupts (continued)**

| EVENT NO. | EVENT NAME            | DESCRIPTION                                       |
|-----------|-----------------------|---|
| 68        | TIMER_9_INTL          | Timer interrupt low                               |
| 69        | TIMER_9_INTH          | Timer interrupt high                              |
| 70        | TIMER_10_INTL         | Timer interrupt low                               |
| 71        | TIMER_10_INTH         | Timer interrupt high                              |
| 72        | TIMER_11_INTL         | Timer interrupt low                               |
| 73        | TIMER_11_INTH         | Timer interrupt high                              |
| 74        | CIC_0_OUT8            | C66x CorePac Interrupt Controller output          |
| 75        | CIC_0_OUT9            | C66x CorePac Interrupt Controller output          |
| 76        | CIC_0_OUT10           | C66x CorePac Interrupt Controller output          |
| 77        | CIC_0_OUT11           | C66x CorePac Interrupt Controller output          |
| 78        | TIMER_14_INTL         | Timer interrupt low                               |
| 79        | TIMER_14_INTH         | Timer interrupt high                              |
| 80        | TIMER_15_INTL         | Timer interrupt low                               |
| 81        | TIMER_15_INTH         | Timer interrupt high                              |
| 82        | GPIO_INT8             | Local GPIO interrupt                              |
| 83        | GPIO_INT9             | Local GPIO interrupt                              |
| 84        | GPIO_INT10            | Local GPIO interrupt                              |
| 85        | GPIO_INT11            | Local GPIO interrupt                              |
| 86        | GPIO_INT12            | Local GPIO interrupt                              |
| 87        | TSIP_RCV_FINT1        | TSIP receive frame interrupt for channel 1        |
| 88        | TSIP_XMT_FINT1        | TSIP transmit frame interrupt for channel 1       |
| 89        | TSIP_RCV_SFINT1       | TSIP receive super frame interrupt for channel 1  |
| 90        | TSIP_XMT_SFINT1       | TSIP transmit super frame interrupt for channel 1 |
| 91        | TSIP_EINT1            | TSIP error interrupt for channel 1                |
| 92        | PCIe_1_INT4           | PCIe1 MSI interrupt                               |
| 93        | TIMER_12_INTL         | Timer interrupt low                               |
| 94        | TIMER_12_INTH         | Timer interrupt high                              |
| 95        | CIC_0_OUT67           | C66x CorePac Interrupt Controller output          |
| 96        | INTERR                | Dropped C66x CorePac interrupt event              |
| 97        | EMC_IDMAERR           | Invalid IDMA parameters                           |
| 98        | Reserved              | Reserved  |
| 99        | CIC_2_OUT68           | C66x CorePac Interrupt Controller output          |
| 100       | EFIINT0               | EFI interrupt from side A                         |
| 101       | EFIINT1               | EFI interrupt from side B                         |
| 102       | GPIO_INT13            | Local GPIO interrupt                              |
| 103       | GPIO_INT14            | Local GPIO interrupt                              |
| 104       | GPIO_INT15            | Local GPIO interrupt                              |
| 105       | IPC_GR0               | Boot CFG  |
| 106       | GPIO_INT0             | GPIO interrupt                                    |
| 107       | CIC_0_OUT12           | C66x CorePac Interrupt Controller output          |
| 108       | CIC_0_OUT34           | C66x CorePac Interrupt Controller output          |
| 109       | CIC_2_OUT13           | C66x CorePac Interrupt Controller output          |
| 110       | MDMAERREVT            | VbusM error event                                 |
| 111       | Reserved              | Reserved  |
| 112       | EDMACC_0_4_TC_AET_INT | EDMA3CC0 AET event                                |
| 113       | PMC_ED                | Single bit error detected during DMA read         |
| 114       | EDMACC_1_TC_AET_INT   | EDMA3CC1_2 AET event                              |

**Table 7-22. System Event Mapping — C66x CorePac Primary Interrupts (continued)**

| EVENT NO. | EVENT NAME            | DESCRIPTION                    |
|-----------|-----------------------|--------------------------------|
| 115       | EDMACC_1_3_TC_AET_INT | EDMA3CC3_4 AET event           |
| 116       | UMC_ED1               | Corrected bit error detected   |
| 117       | UMC_ED2               | Uncorrected bit error detected |
| 118       | PDC_INT               | Power down sleep interrupt     |
| 119       | SYS_CMPA              | SYS CPU MP fault event         |
| 120       | PMC_CMPA              | CPU memory protection fault    |
| 121       | PMC_DMPA              | DMA memory protection fault    |
| 122       | DMC_CMPA              | CPU memory protection fault    |
| 123       | DMC_DMPA              | DMA memory protection fault    |
| 124       | UMC_CMPA              | CPU memory protection fault    |
| 125       | UMC_DMPA              | DMA memory protection fault    |
| 126       | EMC_CMPA              | CPU memory protection fault    |
| 127       | EMC_BUSERR            | Bus error interrupt            |

Table 7-23 lists the ARM CorePac event inputs

**Table 7-23. System Event Mapping — ARM CorePac Interrupts**

| EVENT NO. | EVENT NAME       | DESCRIPTION   |
|-----------|------------------|---|
| 0         | RSTMUX_INT8      | Boot config watchdog timer expiration (timer 16) event for ARM core 0 |
| 1         | RSTMUX_INT9      | Boot config watchdog timer expiration (timer 17) event for ARM core 1 |
| 2         | RSTMUX_INT10     | Boot config watchdog timer expiration (timer 18) event for ARM core 2 |
| 3         | RSTMUX_INT11     | Boot config watchdog timer expiration (timer 19) event for ARM core 3 |
| 4         | IPC_GR8          | Boot config IPCG  |
| 5         | IPC_GR9          | Boot config IPCG  |
| 6         | IPC_GR10         | Boot config IPCG  |
| 7         | IPC_GR11         | Boot config IPCG  |
| 8         | SEM_INT8         | Semaphore interrupt   |
| 9         | SEM_INT9         | Semaphore interrupt   |
| 10        | SEM_INT10        | Semaphore interrupt   |
| 11        | SEM_INT11        | Semaphore interrupt   |
| 12        | SEM_ERR8         | Semaphore error interrupt   |
| 13        | SEM_ERR9         | Semaphore error interrupt   |
| 14        | SEM_ERR10        | Semaphore error interrupt   |
| 15        | SEM_ERR11        | Semaphore error interrupt   |
| 16        | MSMC_MPF_ERROR8  | Memory protection fault indicators for system master PrivID = 8       |
| 17        | MSMC_MPF_ERROR9  | Memory protection fault indicators for system master PrivID = 9       |
| 18        | MSMC_MPF_ERROR10 | Memory protection fault indicators for system master PrivID = 10      |
| 19        | MSMC_MPF_ERROR11 | Memory protection fault indicators for system master PrivID = 11      |
| 20        | ARM_NPMUIRQ0     | ARM performance monitoring unit interrupt request                     |
| 21        | ARM_NPMUIRQ1     | ARM performance monitoring unit interrupt request                     |
| 22        | ARM_NPMUIRQ2     | ARM performance monitoring unit interrupt request                     |
| 23        | ARM_NPMUIRQ3     | ARM performance monitoring unit interrupt request                     |
| 24        | ARM_NINTERRIRQ   | ARM internal memory ECC error interrupt request                       |
| 25        | ARM_NAXIERRIRQ   | ARM bus error interrupt request                                       |
| 26        | PCIE_0_INT0      | PCIE0 legacy INTA interrupt   |
| 27        | PCIE_0_INT1      | PCIE0 legacy INTB interrupt   |
| 28        | PCIE_0_INT2      | PCIE0 legacy INTC interrupt   |
| 29        | PCIE_0_INT3      | PCIE0 legacy INTD interrupt   |



**Table 7-23. System Event Mapping — ARM CorePac Interrupts (continued)**

| EVENT NO. | EVENT NAME        | DESCRIPTION  |
|-----------|-------------------|--|
| 30        | PCIE_0_INT4       | PCIE0 MSI interrupt  |
| 31        | PCIE_0_INT5       | PCIE0 MSI interrupt  |
| 32        | PCIE_0_INT6       | PCIE0 MSI interrupt  |
| 33        | PCIE_0_INT7       | PCIE0 MSI interrupt  |
| 34        | PCIE_0_INT8       | PCIE0 MSI interrupt  |
| 35        | PCIE_0_INT9       | PCIE0 MSI interrupt  |
| 36        | PCIE_0_INT10      | PCIE0 MSI interrupt  |
| 37        | PCIE_0_INT11      | PCIE0 MSI interrupt  |
| 38        | PCIE_0_INT12      | PCIE0 error interrupt                                      |
| 39        | PCIE_0_INT13      | PCIE0 power management interrupt                           |
| 40        | QMSS_QUE_PEND_658 | Navigator transmit queue pending event for indicated queue |
| 41        | QMSS_QUE_PEND_659 | Navigator transmit queue pending event for indicated queue |
| 42        | QMSS_QUE_PEND_660 | Navigator transmit queue pending event for indicated queue |
| 43        | QMSS_QUE_PEND_661 | Navigator transmit queue pending event for indicated queue |
| 44        | QMSS_QUE_PEND_662 | Navigator transmit queue pending event for indicated queue |
| 45        | QMSS_QUE_PEND_663 | Navigator transmit queue pending event for indicated queue |
| 46        | QMSS_QUE_PEND_664 | Navigator transmit queue pending event for indicated queue |
| 47        | QMSS_QUE_PEND_665 | Navigator transmit queue pending event for indicated queue |
| 48        | QMSS_QUE_PEND_528 | Navigator transmit queue pending event for indicated queue |
| 49        | QMSS_QUE_PEND_529 | Navigator transmit queue pending event for indicated queue |
| 50        | QMSS_QUE_PEND_530 | Navigator transmit queue pending event for indicated queue |
| 51        | QMSS_QUE_PEND_531 | Navigator transmit queue pending event for indicated queue |
| 52        | QMSS_QUE_PEND_532 | Navigator transmit queue pending event for indicated queue |
| 53        | QMSS_QUE_PEND_533 | Navigator transmit queue pending event for indicated queue |
| 54        | QMSS_QUE_PEND_534 | Navigator transmit queue pending event for indicated queue |
| 55        | QMSS_QUE_PEND_535 | Navigator transmit queue pending event for indicated queue |
| 56        | QMSS_QUE_PEND_536 | Navigator transmit queue pending event for indicated queue |
| 57        | QMSS_QUE_PEND_537 | Navigator transmit queue pending event for indicated queue |
| 58        | QMSS_QUE_PEND_538 | Navigator transmit queue pending event for indicated queue |
| 59        | QMSS_QUE_PEND_539 | Navigator transmit queue pending event for indicated queue |
| 60        | QMSS_QUE_PEND_540 | Navigator transmit queue pending event for indicated queue |
| 61        | QMSS_QUE_PEND_541 | Navigator transmit queue pending event for indicated queue |
| 62        | QMSS_QUE_PEND_542 | Navigator transmit queue pending event for indicated queue |
| 63        | QMSS_QUE_PEND_543 | Navigator transmit queue pending event for indicated queue |
| 64        | QMSS_QUE_PEND_544 | Navigator transmit queue pending event for indicated queue |
| 65        | QMSS_QUE_PEND_545 | Navigator transmit queue pending event for indicated queue |
| 66        | QMSS_QUE_PEND_546 | Navigator transmit queue pending event for indicated queue |
| 67        | QMSS_QUE_PEND_547 | Navigator transmit queue pending event for indicated queue |
| 68        | QMSS_QUE_PEND_548 | Navigator transmit queue pending event for indicated queue |
| 69        | QMSS_QUE_PEND_549 | Navigator transmit queue pending event for indicated queue |
| 70        | QMSS_QUE_PEND_550 | Navigator transmit queue pending event for indicated queue |
| 71        | QMSS_QUE_PEND_551 | Navigator transmit queue pending event for indicated queue |
| 72        | QMSS_QUE_PEND_552 | Navigator transmit queue pending event for indicated queue |
| 73        | QMSS_QUE_PEND_553 | Navigator transmit queue pending event for indicated queue |
| 74        | QMSS_QUE_PEND_554 | Navigator transmit queue pending event for indicated queue |
| 75        | QMSS_QUE_PEND_555 | Navigator transmit queue pending event for indicated queue |
| 76        | QMSS_QUE_PEND_556 | Navigator transmit queue pending event for indicated queue |

**Table 7-23. System Event Mapping — ARM CorePac Interrupts (continued)**

| EVENT NO. | EVENT NAME        | DESCRIPTION  |
|-----------|-------------------|--|
| 77        | QMSS_QUE_PEND_557 | Navigator transmit queue pending event for indicated queue |
| 78        | QMSS_QUE_PEND_558 | Navigator transmit queue pending event for indicated queue |
| 79        | QMSS_QUE_PEND_559 | Navigator transmit queue pending event for indicated queue |
| 80        | TIMER_0_INTL      | Timer interrupt low  |
| 81        | TIMER_0_INTH      | Timer interrupt high                                       |
| 82        | USIM_PONIRQ       | USIM interrupt   |
| 83        | USIM_RREQ         | USIM read DMA event  |
| 84        | USIM_WREQ         | USIM write DMA event                                       |
| 85        | TSIP_RCV_FINT0    | TSIP receive frame interrupt for channel 0                 |
| 86        | TSIP_XMT_FINT0    | TSIP transmit frame interrupt for channel 0                |
| 87        | TSIP_RCV_SFINT0   | TSIP receive super frame interrupt for channel 0           |
| 88        | TSIP_XMT_SFINT0   | TSIP transmit super frame interrupt for channel 0          |
| 89        | TSIP_EINT0        | TSIP error interrupt for channel 0                         |
| 90        | TSIP_RCV_FINT1    | TSIP receive frame interrupt for channel 1                 |
| 91        | TSIP_XMT_FINT1    | TSIP transmit frame interrupt for channel 1                |
| 92        | TSIP_RCV_SFINT1   | TSIP receive super frame interrupt for channel 1           |
| 93        | TSIP_XMT_SFINT1   | TSIP transmit super frame interrupt for channel 1          |
| 94        | TSIP_EINT1        | TSIP error interrupt for channel 1                         |
| 95        | Reserved          | Reserved   |
| 96        | TIMER_8_INTL      | Timer interrupt low  |
| 97        | TIMER_8_INTH      | Timer interrupt high                                       |
| 98        | TIMER_9_INTL      | Timer interrupt low  |
| 99        | TIMER_9_INTH      | Timer interrupt high                                       |
| 100       | TIMER_10_INTL     | Timer interrupt low  |
| 101       | TIMER_10_INTH     | Timer interrupt high                                       |
| 102       | TIMER_11_INTL     | Timer interrupt low  |
| 103       | TIMER_11_INTH     | Timer interrupt high                                       |
| 104       | TIMER_12_INTL     | Timer interrupt low  |
| 105       | TIMER_12_INTH     | Timer interrupt high                                       |
| 106       | TIMER_13_INTL     | Timer interrupt low  |
| 107       | TIMER_13_INTH     | Timer interrupt high                                       |
| 108       | TIMER_14_INTL     | Timer interrupt low  |
| 109       | TIMER_14_INTH     | Timer interrupt high                                       |
| 110       | TIMER_15_INTL     | Timer interrupt low  |
| 111       | TIMER_15_INTH     | Timer interrupt high                                       |
| 112       | TIMER_16_INTL     | Timer interrupt low  |
| 113       | TIMER_16_INTH     | Timer interrupt high                                       |
| 114       | TIMER_17_INTL     | Timer interrupt low  |
| 115       | TIMER_17_INTH     | Timer interrupt high                                       |
| 116       | TIMER_18_INTL     | Timer interrupt low  |
| 117       | TIMER_18_INTH     | Timer interrupt high                                       |
| 118       | TIMER_19_INTL     | Timer interrupt low  |
| 119       | TIMER_19_INTH     | Timer interrupt high                                       |
| 120       | GPIO_INT0         | GPIO interrupt   |
| 121       | GPIO_INT1         | GPIO interrupt   |
| 122       | GPIO_INT2         | GPIO interrupt   |
| 123       | GPIO_INT3         | GPIO interrupt   |

**Table 7-23. System Event Mapping — ARM CorePac Interrupts (continued)**

| EVENT NO. | EVENT NAME       | DESCRIPTION                   |
|-----------|------------------|-------------------------------|
| 124       | GPIO_INT4        | GPIO interrupt                |
| 125       | GPIO_INT5        | GPIO interrupt                |
| 126       | GPIO_INT6        | GPIO interrupt                |
| 127       | GPIO_INT7        | GPIO interrupt                |
| 128       | GPIO_INT8        | GPIO interrupt                |
| 129       | GPIO_INT9        | GPIO interrupt                |
| 130       | GPIO_INT10       | GPIO interrupt                |
| 131       | GPIO_INT11       | GPIO interrupt                |
| 132       | GPIO_INT12       | GPIO interrupt                |
| 133       | GPIO_INT13       | GPIO interrupt                |
| 134       | GPIO_INT14       | GPIO interrupt                |
| 135       | GPIO_INT15       | GPIO interrupt                |
| 136       | GPIO_INT16       | GPIO interrupt                |
| 137       | GPIO_INT17       | GPIO interrupt                |
| 138       | GPIO_INT18       | GPIO interrupt                |
| 139       | GPIO_INT19       | GPIO interrupt                |
| 140       | GPIO_INT20       | GPIO interrupt                |
| 141       | GPIO_INT21       | GPIO interrupt                |
| 142       | GPIO_INT22       | GPIO interrupt                |
| 143       | GPIO_INT23       | GPIO interrupt                |
| 144       | GPIO_INT24       | GPIO interrupt                |
| 145       | GPIO_INT25       | GPIO interrupt                |
| 146       | GPIO_INT26       | GPIO interrupt                |
| 147       | GPIO_INT27       | GPIO interrupt                |
| 148       | GPIO_INT28       | GPIO interrupt                |
| 149       | GPIO_INT29       | GPIO interrupt                |
| 150       | GPIO_INT30       | GPIO interrupt                |
| 151       | GPIO_INT31       | GPIO interrupt                |
| 152       | USB_0_INT00      | USB 0 event ring 0 interrupt  |
| 153       | USB_0_INT01      | USB 0 event ring 1 interrupt  |
| 154       | USB_0_INT02      | USB 0 event ring 2 interrupt  |
| 155       | USB_0_INT03      | USB 0 event ring 3 interrupt  |
| 156       | USB_0_INT04      | USB 0 event ring 4 interrupt  |
| 157       | USB_0_INT05      | USB 0 event ring 5 interrupt  |
| 158       | USB_0_INT06      | USB 0 event ring 6 interrupt  |
| 159       | USB_0_INT07      | USB 0 event ring 7 interrupt  |
| 160       | USB_0_INT08      | USB 0 event ring 8 interrupt  |
| 161       | USB_0_INT09      | USB 0 event ring 9 interrupt  |
| 162       | USB_0_INT10      | USB 0 event ring 10 interrupt |
| 163       | USB_0_INT11      | USB 0 event ring 11 interrupt |
| 164       | USB_0_INT12      | USB 0 event ring 12 interrupt |
| 165       | USB_0_INT13      | USB 0 event ring 13 interrupt |
| 166       | USB_0_INT14      | USB 0 event ring 14 interrupt |
| 167       | USB_0_INT15      | USB 0 event ring 15 interrupt |
| 168       | USB_0_OABSINT    | USB 0 OABS interrupt          |
| 169       | USB_0_MISCIINT   | USB0_misc_int                 |
| 170       | MSMC_DEDC_CERROR | MSMC interrupt                |

**Table 7-23. System Event Mapping — ARM CorePac Interrupts (continued)**

| EVENT NO. | EVENT NAME               | DESCRIPTION                                   |
|-----------|--------------------------|---|
| 171       | MSMC_DEDC_NC_ERROR       | MSMC interrupt                                |
| 172       | MSMC_DEDC_SCRUB_CERROR   | MSMC interrupt                                |
| 173       | MSMC_DEDC_SCRUB_NC_ERROR | MSMC interrupt                                |
| 174       | Reserved                 | Reserved                                      |
| 175       | Reserved                 | Reserved                                      |
| 176       | QMSS1_ECC_INTR           | Navigator ECC error interrupt                 |
| 177       | QMSS_INTD_1_PKTDMA_0     | Navigator interrupt for Packet DMA starvation |
| 178       | QMSS_INTD_1_PKTDMA_1     | Navigator interrupt for Packet DMA starvation |
| 179       | QMSS_INTD_1_HIGH_0       | Navigator hi interrupt                        |
| 180       | QMSS_INTD_1_HIGH_1       | Navigator hi interrupt                        |
| 181       | QMSS_INTD_1_HIGH_2       | Navigator hi interrupt                        |
| 182       | QMSS_INTD_1_HIGH_3       | Navigator hi interrupt                        |
| 183       | QMSS_INTD_1_HIGH_4       | Navigator hi interrupt                        |
| 184       | QMSS_INTD_1_HIGH_5       | Navigator hi interrupt                        |
| 185       | QMSS_INTD_1_HIGH_6       | Navigator hi interrupt                        |
| 186       | QMSS_INTD_1_HIGH_7       | Navigator hi interrupt                        |
| 187       | QMSS_INTD_1_HIGH_8       | Navigator hi interrupt                        |
| 188       | QMSS_INTD_1_HIGH_9       | Navigator hi interrupt                        |
| 189       | QMSS_INTD_1_HIGH_10      | Navigator hi interrupt                        |
| 190       | QMSS_INTD_1_HIGH_11      | Navigator hi interrupt                        |
| 191       | QMSS_INTD_1_HIGH_12      | Navigator hi interrupt                        |
| 192       | QMSS_INTD_1_HIGH_13      | Navigator hi interrupt                        |
| 193       | QMSS_INTD_1_HIGH_14      | Navigator hi interrupt                        |
| 194       | QMSS_INTD_1_HIGH_15      | Navigator hi interrupt                        |
| 195       | QMSS_INTD_1_HIGH_16      | Navigator hi interrupt                        |
| 196       | QMSS_INTD_1_HIGH_17      | Navigator hi interrupt                        |
| 197       | QMSS_INTD_1_HIGH_18      | Navigator hi interrupt                        |
| 198       | QMSS_INTD_1_HIGH_19      | Navigator hi interrupt                        |
| 199       | QMSS_INTD_1_HIGH_20      | Navigator hi interrupt                        |
| 200       | QMSS_INTD_1_HIGH_21      | Navigator hi interrupt                        |
| 201       | QMSS_INTD_1_HIGH_22      | Navigator hi interrupt                        |
| 202       | QMSS_INTD_1_HIGH_23      | Navigator hi interrupt                        |
| 203       | QMSS_INTD_1_HIGH_24      | Navigator hi interrupt                        |
| 204       | QMSS_INTD_1_HIGH_25      | Navigator hi interrupt                        |
| 205       | QMSS_INTD_1_HIGH_26      | Navigator hi interrupt                        |
| 206       | QMSS_INTD_1_HIGH_27      | Navigator hi interrupt                        |
| 207       | QMSS_INTD_1_HIGH_28      | Navigator hi interrupt                        |
| 208       | QMSS_INTD_1_HIGH_29      | Navigator hi interrupt                        |
| 209       | QMSS_INTD_1_HIGH_30      | Navigator hi interrupt                        |
| 210       | QMSS_INTD_1_HIGH_31      | Navigator hi interrupt                        |
| 211       | QMSS_INTD_1_LOW_0        | Navigator interrupt                           |
| 212       | QMSS_INTD_1_LOW_1        | Navigator interrupt                           |
| 213       | QMSS_INTD_1_LOW_2        | Navigator interrupt                           |
| 214       | QMSS_INTD_1_LOW_3        | Navigator interrupt                           |
| 215       | QMSS_INTD_1_LOW_4        | Navigator interrupt                           |
| 216       | QMSS_INTD_1_LOW_5        | Navigator interrupt                           |
| 217       | QMSS_INTD_1_LOW_6        | Navigator interrupt                           |

**Table 7-23. System Event Mapping — ARM CorePac Interrupts (continued)**

| EVENT NO. | EVENT NAME          | DESCRIPTION                   |
|-----------|---------------------|-------------------------------|
| 218       | QMSS_INTD_1_LOW_7   | Navigator interrupt           |
| 219       | QMSS_INTD_1_LOW_8   | Navigator interrupt           |
| 220       | QMSS_INTD_1_LOW_9   | Navigator interrupt           |
| 221       | QMSS_INTD_1_LOW_10  | Navigator interrupt           |
| 222       | QMSS_INTD_1_LOW_11  | Navigator interrupt           |
| 223       | QMSS_INTD_1_LOW_12  | Navigator interrupt           |
| 224       | QMSS_INTD_1_LOW_13  | Navigator interrupt           |
| 225       | QMSS_INTD_1_LOW_14  | Navigator interrupt           |
| 226       | QMSS_INTD_1_LOW_15  | Navigator interrupt           |
| 227       | Reserved            | Reserved                      |
| 228       | Reserved            | Reserved                      |
| 229       | QMSS_INTD_2_HIGH_0  | Navigator second hi interrupt |
| 230       | QMSS_INTD_2_HIGH_1  | Navigator second hi interrupt |
| 231       | QMSS_INTD_2_HIGH_2  | Navigator second hi interrupt |
| 232       | QMSS_INTD_2_HIGH_3  | Navigator second hi interrupt |
| 233       | QMSS_INTD_2_HIGH_4  | Navigator second hi interrupt |
| 234       | QMSS_INTD_2_HIGH_5  | Navigator second hi interrupt |
| 235       | QMSS_INTD_2_HIGH_6  | Navigator second hi interrupt |
| 236       | QMSS_INTD_2_HIGH_7  | Navigator second hi interrupt |
| 237       | QMSS_INTD_2_HIGH_8  | Navigator second hi interrupt |
| 238       | QMSS_INTD_2_HIGH_9  | Navigator second hi interrupt |
| 239       | QMSS_INTD_2_HIGH_10 | Navigator second hi interrupt |
| 240       | QMSS_INTD_2_HIGH_11 | Navigator second hi interrupt |
| 241       | QMSS_INTD_2_HIGH_12 | Navigator second hi interrupt |
| 242       | QMSS_INTD_2_HIGH_13 | Navigator second hi interrupt |
| 243       | QMSS_INTD_2_HIGH_14 | Navigator second hi interrupt |
| 244       | QMSS_INTD_2_HIGH_15 | Navigator second hi interrupt |
| 245       | QMSS_INTD_2_HIGH_16 | Navigator second hi interrupt |
| 246       | QMSS_INTD_2_HIGH_17 | Navigator second hi interrupt |
| 247       | QMSS_INTD_2_HIGH_18 | Navigator second hi interrupt |
| 248       | QMSS_INTD_2_HIGH_19 | Navigator second hi interrupt |
| 249       | QMSS_INTD_2_HIGH_20 | Navigator second hi interrupt |
| 250       | QMSS_INTD_2_HIGH_21 | Navigator second hi interrupt |
| 251       | QMSS_INTD_2_HIGH_22 | Navigator second hi interrupt |
| 252       | QMSS_INTD_2_HIGH_23 | Navigator second hi interrupt |
| 253       | QMSS_INTD_2_HIGH_24 | Navigator second hi interrupt |
| 254       | QMSS_INTD_2_HIGH_25 | Navigator second hi interrupt |
| 255       | QMSS_INTD_2_HIGH_26 | Navigator second hi interrupt |
| 256       | QMSS_INTD_2_HIGH_27 | Navigator second hi interrupt |
| 257       | QMSS_INTD_2_HIGH_28 | Navigator second hi interrupt |
| 258       | QMSS_INTD_2_HIGH_29 | Navigator second hi interrupt |
| 259       | QMSS_INTD_2_HIGH_30 | Navigator second hi interrupt |
| 260       | QMSS_INTD_2_HIGH_31 | Navigator second hi interrupt |
| 261       | QMSS_INTD_2_LOW_0   | Navigator second interrupt    |
| 262       | QMSS_INTD_2_LOW_1   | Navigator second interrupt    |
| 263       | QMSS_INTD_2_LOW_2   | Navigator second interrupt    |
| 264       | QMSS_INTD_2_LOW_3   | Navigator second interrupt    |

**Table 7-23. System Event Mapping — ARM CorePac Interrupts (continued)**

| EVENT NO. | EVENT NAME           | DESCRIPTION   |
|-----------|----------------------|---|
| 265       | QMSS_INTD_2_LOW_4    | Navigator second interrupt                              |
| 266       | QMSS_INTD_2_LOW_5    | Navigator second interrupt                              |
| 267       | QMSS_INTD_2_LOW_6    | Navigator second interrupt                              |
| 268       | QMSS_INTD_2_LOW_7    | Navigator second interrupt                              |
| 269       | QMSS_INTD_2_LOW_8    | Navigator second interrupt                              |
| 270       | QMSS_INTD_2_LOW_9    | Navigator second interrupt                              |
| 271       | QMSS_INTD_2_LOW_10   | Navigator second interrupt                              |
| 272       | QMSS_INTD_2_LOW_11   | Navigator second interrupt                              |
| 273       | QMSS_INTD_2_LOW_12   | Navigator second interrupt                              |
| 274       | QMSS_INTD_2_LOW_13   | Navigator second interrupt                              |
| 275       | QMSS_INTD_2_LOW_14   | Navigator second interrupt                              |
| 276       | QMSS_INTD_2_LOW_15   | Navigator second interrupt                              |
| 277       | UART_0_UARTINT       | UART0 interrupt   |
| 278       | UART_0_URXEVT        | UART0 receive event                                     |
| 279       | UART_0_UTXEVT        | UART0 transmit event                                    |
| 280       | UART_1_UARTINT       | UART1 interrupt   |
| 281       | UART_1_URXEVT        | UART1 receive event                                     |
| 282       | UART_1_UTXEVT        | UART1 transmit event                                    |
| 283       | I2C_0_INT            | I2C interrupt   |
| 284       | I2C_0_REVT           | I2C receive event                                       |
| 285       | I2C_0_XEVT           | I2C transmit event                                      |
| 286       | I2C_1_INT            | I2C interrupt   |
| 287       | I2C_1_REVT           | I2C receive event                                       |
| 288       | I2C_1_XEVT           | I2C transmit event                                      |
| 289       | I2C_2_INT            | I2C interrupt   |
| 290       | I2C_2_REVT           | I2C receive event                                       |
| 291       | I2C_2_XEVT           | I2C transmit event                                      |
| 292       | SPI_0_INT0           | SPI interrupt   |
| 293       | SPI_0_INT1           | SPI interrupt   |
| 294       | SPI_0_XEVT           | SPI DMA TX event  |
| 295       | SPI_0_REVT           | SPI DMA RX event  |
| 296       | SPI_1_INT0           | SPI interrupt   |
| 297       | SPI_1_INT1           | SPI interrupt   |
| 298       | SPI_1_XEVT           | SPI DMA TX event  |
| 299       | SPI_1_REVT           | SPI DMA RX event  |
| 300       | SPI_2_INT0           | SPI interrupt   |
| 301       | SPI_2_INT1           | SPI interrupt   |
| 302       | SPI_2_XEVT           | SPI DMA TX event  |
| 303       | SPI_2_REVT           | SPI DMA RX event  |
| 304       | DBGTBR_DMAINT        | Debug trace buffer (TBR) DMA event                      |
| 305       | DBGTBR_ACQCOMP       | Debug Trace buffer (TBR) acquisition has been completed |
| 306       | ARM_TBR_DMA          | ARM Trace Buffer (TBR) DMA event                        |
| 307       | ARM_TBR_ACQ          | ARM Trace Buffer (TBR) Acquisition has been completed   |
| 308       | NETCP_MDIO_LINK_INT0 | Packet Accelerator 1 subsystem MDIO interrupt           |
| 309       | NETCP_MDIO_LINK_INT1 | Packet Accelerator 1 subsystem MDIO interrupt           |
| 310       | NETCP_MDIO_USER_INT0 | Packet Accelerator 1 subsystem MDIO interrupt           |
| 311       | NETCP_MDIO_USER_INT1 | Packet Accelerator 1 subsystem MDIO interrupt           |

**Table 7-23. System Event Mapping — ARM CorePac Interrupts (continued)**

| EVENT NO. | EVENT NAME        | DESCRIPTION                                   |
|-----------|-------------------|---|
| 312       | NETCP_MISC_INT    | Packet Accelerator 1 subsystem MDIO interrupt |
| 313       | Reserved          |   |
| 314       | EDMACC_0_GINT     | EDMA3CC0 global completion interrupt          |
| 315       | EDMACC_0_TC_0_INT | EDMA3CC0 individual completion interrupt      |
| 316       | EDMACC_0_TC_1_INT | EDMA3CC0 individual completion interrupt      |
| 317       | EDMACC_0_TC_2_INT | EDMA3CC0 individual completion interrupt      |
| 318       | EDMACC_0_TC_3_INT | EDMA3CC0 individual completion interrupt      |
| 319       | EDMACC_0_TC_4_INT | EDMA3CC0 individual completion interrupt      |
| 320       | EDMACC_0_TC_5_INT | EDMA3CC0 individual completion interrupt      |
| 321       | EDMACC_0_TC_6_INT | EDMA3CC0 individual completion interrupt      |
| 322       | EDMACC_0_TC_7_INT | EDMA3CC0 individual completion interrupt      |
| 323       | EDMACC_1_GINT     | EDMA3CC1 global completion interrupt          |
| 324       | EDMACC_1_TC_0_INT | EDMA3CC1 individual completion interrupt      |
| 325       | EDMACC_1_TC_1_INT | EDMA3CC1 individual completion interrupt      |
| 326       | EDMACC_1_TC_2_INT | EDMA3CC1 individual completion interrupt      |
| 327       | EDMACC_1_TC_3_INT | EDMA3CC1 individual completion interrupt      |
| 328       | EDMACC_1_TC_4_INT | EDMA3CC1 individual completion interrupt      |
| 329       | EDMACC_1_TC_5_INT | EDMA3CC1 individual completion interrupt      |
| 330       | EDMACC_1_TC_6_INT | EDMA3CC1 individual completion interrupt      |
| 331       | EDMACC_1_TC_7_INT | EDMA3CC1 individual completion interrupt      |
| 332       | EDMACC_2_GINT     | EDMA3CC2 global completion interrupt          |
| 333       | EDMACC_2_TC_0_INT | EDMA3CC2 individual completion interrupt      |
| 334       | EDMACC_2_TC_1_INT | EDMA3CC2 individual completion interrupt      |
| 335       | EDMACC_2_TC_2_INT | EDMA3CC2 individual completion interrupt      |
| 336       | EDMACC_2_TC_3_INT | EDMA3CC2 individual completion interrupt      |
| 337       | EDMACC_2_TC_4_INT | EDMA3CC2 individual completion interrupt      |
| 338       | EDMACC_2_TC_5_INT | EDMA3CC2 individual completion interrupt      |
| 339       | EDMACC_2_TC_6_INT | EDMA3CC2 individual completion interrupt      |
| 340       | EDMACC_2_TC_7_INT | EDMA3CC2 individual completion interrupt      |
| 341       | EDMACC_3_GINT     | EDMA3CC3 global completion interrupt          |
| 342       | EDMACC_3_TC_0_INT | EDMA3CC3 individual completion interrupt      |
| 343       | EDMACC_3_TC_1_INT | EDMA3CC3 individual completion interrupt      |
| 344       | EDMACC_3_TC_2_INT | EDMA3CC3 individual completion interrupt      |
| 345       | EDMACC_3_TC_3_INT | EDMA3CC3 individual completion interrupt      |
| 346       | EDMACC_3_TC_4_INT | EDMA3CC3 individual completion interrupt      |
| 347       | EDMACC_3_TC_5_INT | EDMA3CC3 individual completion interrupt      |
| 348       | EDMACC_3_TC_6_INT | EDMA3CC3 individual completion interrupt      |
| 349       | EDMACC_3_TC_7_INT | EDMA3CC3 individual completion interrupt      |
| 350       | EDMACC_4_GINT     | EDMA3CC4 global completion interrupt          |
| 351       | EDMACC_4_TC_0_INT | EDMA3CC4 individual completion interrupt      |
| 352       | EDMACC_4_TC_1_INT | EDMA3CC4 individual completion interrupt      |
| 353       | EDMACC_4_TC_2_INT | EDMA3CC4 individual completion interrupt      |
| 354       | EDMACC_4_TC_3_INT | EDMA3CC4 individual completion interrupt      |
| 355       | EDMACC_4_TC_4_INT | EDMA3CC4 individual completion interrupt      |
| 356       | EDMACC_4_TC_5_INT | EDMA3CC4 individual completion interrupt      |
| 357       | EDMACC_4_TC_6_INT | EDMA3CC4 individual completion interrupt      |
| 358       | EDMACC_4_TC_7_INT | EDMA3CC4 individual completion interrupt      |

**Table 7-23. System Event Mapping — ARM CorePac Interrupts (continued)**

| EVENT NO. | EVENT NAME                | DESCRIPTION   |
|-----------|---------------------------|---|
| 359       | SR_0_PO_VCON_SMPSEERR_INT | SmartReflex SMPS error interrupt  |
| 360       | SR_0_SMARTREFLEX_INTREQ0  | SmartReflex controller interrupt  |
| 361       | SR_0_SMARTREFLEX_INTREQ1  | SmartReflex controller interrupt  |
| 362       | SR_0_SMARTREFLEX_INTREQ2  | SmartReflex controller interrupt  |
| 363       | SR_0_SMARTREFLEX_INTREQ3  | SmartReflex controller interrupt  |
| 364       | SR_0_VPNOSMPSACK          | SmartReflex VPVOLTUPDATE has been asserted, but SMPS has not been responded to in a defined time interval |
| 365       | SR_0_VPEQVALUE            | SmartReflex SRSINTERUPT is asserted, but the new voltage is not different from the current SMPS voltage   |
| 366       | SR_0_VPMAXVDD             | SmartReflex. The new voltage required is equal to or greater than MaxVdd                                  |
| 367       | SR_0_VPMINVDD             | SmartReflex. The new voltage required is equal to or less than MinVdd                                     |
| 368       | SR_0_VPINIDLE             | SmartReflex indicating that the FSM of voltage processor is in idle                                       |
| 369       | SR_0_VPOPPCHANGEDONE      | SmartReflex indicating that the average frequency error is within the desired limit                       |
| 370       | SR_0_VPSMPSACK            | SmartReflex VPVOLTUPDATE asserted and SMPS has acknowledged in a defined time interval                    |
| 371       | SR_0_SR_TEMPESENSOR       | SmartReflex temperature threshold crossing interrupt  |
| 372       | SR_0_SR_TIMERINT          | SmartReflex internal timer expiration interrupt   |
| 373       | PCIE_1_INT0               | PCIE1 legacy INTA interrupt   |
| 374       | PCIE_1_INT1               | PCIE1 legacy INTB interrupt   |
| 375       | PCIE_1_INT2               | PCIE1 legacy INTC interrupt   |
| 376       | PCIE_1_INT3               | PCIE1 legacy INTD interrupt   |
| 377       | PCIE_1_INT4               | PCIE1 MSI interrupt   |
| 378       | PCIE_1_INT5               | PCIE1 MSI interrupt   |
| 379       | PCIE_1_INT6               | PCIE1 MSI interrupt   |
| 380       | PCIE_1_INT7               | PCIE1 MSI interrupt   |
| 381       | PCIE_1_INT8               | PCIE1 MSI interrupt   |
| 382       | PCIE_1_INT9               | PCIE1 MSI interrupt   |
| 383       | PCIE_1_INT10              | PCIE1 MSI interrupt   |
| 384       | PCIE_1_INT11              | PCIE1 MSI interrupt   |
| 385       | PCIE_1_INT12              | PCIE1 error interrupt   |
| 386       | PCIE_1_INT13              | PCIE1 power management interrupt  |
| 387       | HYPERLINK_0_INT           | HyperLink interrupt   |
| 388       | DDR3_ERR                  | DDR3 interrupt  |
| 389       | ARM_NCTIIRQ0              | ARM cross trigger (CTI) IRQ interrupt   |
| 390       | ARM_NCTIIRQ1              | ARM cross trigger (CTI) IRQ interrupt   |
| 391       | ARM_NCTIIRQ2              | ARM cross trigger (CTI) IRQ interrupt   |
| 392       | ARM_NCTIIRQ3              | ARM cross trigger (CTI) IRQ interrupt   |
| 393       | Reserved                  | Reserved  |
| 394       | Reserved                  | Reserved  |
| 395       | Reserved                  | Reserved  |
| 396       | Reserved                  | Reserved  |
| 397       | Reserved                  | Reserved  |
| 398       | Reserved                  | Reserved  |
| 399       | Reserved                  | Reserved  |
| 400       | Reserved                  | Reserved  |
| 401       | Reserved                  | Reserved  |
| 402       | 10GbE_LINK_INT0           | 10 Gigabit Ethernet subsystem MDIO interrupt  |



**Table 7-23. System Event Mapping — ARM CorePac Interrupts (continued)**

| EVENT NO. | EVENT NAME             | DESCRIPTION   |
|-----------|------------------------|---|
| 403       | 10GbE_USER_INT0        | 10 Gigabit Ethernet subsystem MDIO interrupt        |
| 404       | 10GbE_LINK_INT1        | 10 Gigabit Ethernet subsystem MDIO interrupt        |
| 405       | 10GbE_USER_INT1        | 10 Gigabit Ethernet subsystem MDIO interrupt        |
| 406       | 10GbE_MISC_INT         | 10 Gigabit Ethernet subsystem MDIO interrupt        |
| 407       | 10GbE_INT_PKTDMA_0     | 10 Gigabit Ethernet Packet DMA starvation interrupt |
| 408       | Reserved               |   |
| 409       | Reserved               |   |
| 410       | Reserved               |   |
| 411       | Reserved               |   |
| 412       | Reserved               |   |
| 413       | Reserved               |   |
| 414       | USB_1_INT00            | USB 1 event ring 0 interrupt                        |
| 415       | USB_1_INT01            | USB 1 event ring 1 interrupt                        |
| 416       | USB_1_INT02            | USB 1 event ring 2 interrupt                        |
| 417       | USB_1_INT03            | USB 1 event ring 3 interrupt                        |
| 418       | USB_1_INT04            | USB 1 event ring 4 interrupt                        |
| 419       | USB_1_INT05            | USB 1 event ring 5 interrupt                        |
| 420       | USB_1_INT06            | USB 1 event ring 6 interrupt                        |
| 421       | USB_1_INT07            | USB 1 event ring 7 interrupt                        |
| 422       | USB_1_INT08            | USB 1 event ring 8 interrupt                        |
| 423       | USB_1_INT09            | USB 1 event ring 9 interrupt                        |
| 424       | USB_1_INT10            | USB 1 event ring 10 interrupt                       |
| 425       | USB_1_INT11            | USB 1 event ring 11 interrupt                       |
| 426       | USB_1_INT12            | USB 1 event ring 12 interrupt                       |
| 427       | USB_1_INT13            | USB 1 event ring 13 interrupt                       |
| 428       | USB_1_INT14            | USB 1 event ring 14 interrupt                       |
| 429       | USB_1_INT15            | USB 1 event ring 15 interrupt                       |
| 430       | USB_1_OABSINT          | USB 1 OABS interrupt                                |
| 431       | USB_1_MISCINT          | USB 1 miscellaneous interrupt                       |
| 432       | NETCP_GLOBAL_STARVE    | NETCP GLOBAL interrupt                              |
| 433       | NETCP_LOCAL_STARVE     | NETCP LOCAL interrupt                               |
| 434       | NETCP_PA_ECC_INT       | NETCP PA ECC interrupt                              |
| 435       | NETCP_SA_ECC_INT       | NETCP SA ECC interrupt                              |
| 436       | NETCP_SWITCH_ECC_INT   | NETCP SWITCH ECC interrupt                          |
| 437       | NETCP_SWITCH_STAT_INT0 | NETCP SWITCH STAT interrupt                         |
| 438       | NETCP_SWITCH_STAT_INT1 | NETCP SWITCH STAT interrupt                         |
| 439       | NETCP_SWITCH_STAT_INT2 | NETCP SWITCH STAT interrupt                         |
| 440       | NETCP_SWITCH_STAT_INT3 | NETCP SWITCH STAT interrupt                         |
| 441       | NETCP_SWITCH_STAT_INT4 | NETCP SWITCH STAT interrupt                         |
| 442       | NETCP_SWITCH_STAT_INT5 | NETCP SWITCH STAT interrupt                         |
| 443       | NETCP_SWITCH_STAT_INT6 | NETCP SWITCH STAT interrupt                         |
| 444       | NETCP_SWITCH_STAT_INT7 | NETCP SWITCH STAT interrupt                         |
| 445       | NETCP_SWITCH_INT       | NETCP SWITCH interrupt                              |
| 446       | NETCP_SWITCH_STAT_INT0 | NETCP SWITCH STAT interrupt                         |
| 447       | Reserved               | Reserved  |
| 448       | CIC_2_OUT29            | CIC2 interrupt                                      |
| 449       | CIC_2_OUT30            | CIC2 interrupt                                      |

**Table 7-23. System Event Mapping — ARM CorePac Interrupts (continued)**

| EVENT NO. | EVENT NAME  | DESCRIPTION    |
|-----------|-------------|----------------|
| 450       | CIC_2_OUT31 | CIC2 interrupt |
| 451       | CIC_2_OUT32 | CIC2 interrupt |
| 452       | CIC_2_OUT33 | CIC2 interrupt |
| 453       | CIC_2_OUT34 | CIC2 interrupt |
| 454       | CIC_2_OUT35 | CIC2 interrupt |
| 455       | CIC_2_OUT36 | CIC2 interrupt |
| 456       | CIC_2_OUT37 | CIC2 interrupt |
| 457       | CIC_2_OUT38 | CIC2 interrupt |
| 458       | CIC_2_OUT39 | CIC2 interrupt |
| 459       | CIC_2_OUT40 | CIC2 interrupt |
| 460       | CIC_2_OUT41 | CIC2 interrupt |
| 461       | CIC_2_OUT42 | CIC2 interrupt |
| 462       | CIC_2_OUT43 | CIC2 interrupt |
| 463       | CIC_2_OUT44 | CIC2 interrupt |
| 464       | CIC_2_OUT45 | CIC2 interrupt |
| 465       | CIC_2_OUT46 | CIC2 interrupt |
| 466       | CIC_2_OUT47 | CIC2 interrupt |
| 467       | CIC_2_OUT18 | CIC2 interrupt |
| 468       | CIC_2_OUT19 | CIC2 interrupt |
| 469       | CIC_2_OUT22 | CIC2 interrupt |
| 470       | CIC_2_OUT23 | CIC2 interrupt |
| 471       | CIC_2_OUT50 | CIC2 interrupt |
| 472       | CIC_2_OUT51 | CIC2 interrupt |
| 473       | CIC_2_OUT66 | CIC2 interrupt |
| 474       | CIC_2_OUT67 | CIC2 interrupt |
| 475       | CIC_2_OUT88 | CIC2 interrupt |
| 476       | CIC_2_OUT89 | CIC2 interrupt |
| 477       | CIC_2_OUT90 | CIC2 interrupt |
| 478       | CIC_2_OUT91 | CIC2 interrupt |
| 479       | CIC_2_OUT92 | CIC2 interrupt |

Table 7-24 lists the CIC0 event inputs.

**Table 7-24. CIC0 Event Inputs — C66x CorePac Secondary Interrupts**

| EVENT NO. | EVENT NAME           | DESCRIPTION                              |
|-----------|----------------------|--|
| 0         | EDMACC_1_ERRINT      | EDMA3CC1 error interrupt                 |
| 1         | EDMACC_1_MPINT       | EDMA3CC1 memory protection interrupt     |
| 2         | EDMACC_1_TC_0_ERRINT | EDMA3CC1 TPTC0 error interrupt           |
| 3         | EDMACC_1_TC_1_ERRINT | EDMA3CC1 TPTC1 error interrupt           |
| 4         | EDMACC_1_TC_2_ERRINT | EDMA3CC1 TPTC2 error interrupt           |
| 5         | EDMACC_1_TC_3_ERRINT | EDMA3CC1 TPTC3 error interrupt           |
| 6         | EDMACC_1_GINT        | EDMA3CC1 GINT                            |
| 7         | Reserved             | Reserved                                 |
| 8         | EDMACC_1_TC_0_INT    | EDMA3CC1 individual completion interrupt |
| 9         | EDMACC_1_TC_1_INT    | EDMA3CC1 individual completion interrupt |
| 10        | EDMACC_1_TC_2_INT    | EDMA3CC1 individual completion interrupt |
| 11        | EDMACC_1_TC_3_INT    | EDMA3CC1 individual completion interrupt |
| 12        | EDMACC_1_TC_4_INT    | EDMA3CC1 individual completion interrupt |

**Table 7-24. CIC0 Event Inputs — C66x CorePac Secondary Interrupts (continued)**

| EVENT NO. | EVENT NAME           | DESCRIPTION  |
|-----------|----------------------|--|
| 13        | EDMACC_1_TC_5_INT    | EDMA3CC1 individual completion interrupt                   |
| 14        | EDMACC_1_TC_6_INT    | EDMA3CC1 individual completion interrupt                   |
| 15        | EDMACC_1_TC_7_INT    | EDMA3CC1 individual completion interrupt                   |
| 16        | EDMACC_2_ERRINT      | EDMA3CC2 error interrupt                                   |
| 17        | EDMACC_2_MPINT       | EDMA3CC2 memory protection interrupt                       |
| 18        | EDMACC_2_TC_0_ERRINT | EDMA3CC2 TPTC0 error interrupt                             |
| 19        | EDMACC_2_TC_1_ERRINT | EDMA3CC2 TPTC1 error interrupt                             |
| 20        | EDMACC_2_TC_2_ERRINT | EDMA3CC2 TPTC2 error interrupt                             |
| 21        | EDMACC_2_TC_3_ERRINT | EDMA3CC2 TPTC3 error interrupt                             |
| 22        | EDMACC_2_GINT        | EDMA3CC2 GINT  |
| 23        | Reserved             | Reserved   |
| 24        | EDMACC_2_TC_0_INT    | EDMA3CC2 individual completion interrupt                   |
| 25        | EDMACC_2_TC_1_INT    | EDMA3CC2 individual completion interrupt                   |
| 26        | EDMACC_2_TC_2_INT    | EDMA3CC2 individual completion interrupt                   |
| 27        | EDMACC_2_TC_3_INT    | EDMA3CC2 individual completion interrupt                   |
| 28        | EDMACC_2_TC_4_INT    | EDMA3CC2 individual completion interrupt                   |
| 29        | EDMACC_2_TC_5_INT    | EDMA3CC2 individual completion interrupt                   |
| 30        | EDMACC_2_TC_6_INT    | EDMA3CC2 individual completion interrupt                   |
| 31        | EDMACC_2_TC_7_INT    | EDMA3CC2 individual completion interrupt                   |
| 32        | EDMACC_0_ERRINT      | EDMA3CC0 error interrupt                                   |
| 33        | EDMACC_0_MPINT       | EDMA3CC0 memory protection interrupt                       |
| 34        | EDMACC_0_TC_0_ERRINT | EDMA3CC0 TPTC0 error interrupt                             |
| 35        | EDMACC_0_TC_1_ERRINT | EDMA3CC0 TPTC1 error interrupt                             |
| 36        | EDMACC_0_GINT        | EDMA3CC0 global completion interrupt                       |
| 37        | Reserved             | Reserved   |
| 38        | EDMACC_0_TC_0_INT    | EDMA3CC0 individual completion interrupt                   |
| 39        | EDMACC_0_TC_1_INT    | EDMA3CC0 individual completion interrupt                   |
| 40        | EDMACC_0_TC_2_INT    | EDMA3CC0 individual completion interrupt                   |
| 41        | EDMACC_0_TC_3_INT    | EDMA3CC0 individual completion interrupt                   |
| 42        | EDMACC_0_TC_4_INT    | EDMA3CC0 individual completion interrupt                   |
| 43        | EDMACC_0_TC_5_INT    | EDMA3CC0 individual completion interrupt                   |
| 44        | EDMACC_0_TC_6_INT    | EDMA3CC0 individual completion interrupt                   |
| 45        | EDMACC_0_TC_7_INT    | EDMA3CC0 individual completion interrupt                   |
| 46        | Reserved             | Reserved   |
| 47        | QMSS_QUE_PEND_652    | Navigator transmit queue pending event for indicated queue |
| 48        | PCIE_0_INT12         | PCIE0 protocol error interrupt                             |
| 49        | PCIE_0_INT13         | PCIE0 power management interrupt                           |
| 50        | PCIE_0_INT0          | PCIE0 legacy INTA interrupt                                |
| 51        | PCIE_0_INT1          | PCIE0 legacy INTB interrupt                                |
| 52        | PCIE_0_INT2          | PCIE0 legacy INTC interrupt                                |
| 53        | PCIE_0_INT3          | PCIE0 legacy INTD interrupt                                |
| 54        | SPI_0_INT0           | SPI0 interrupt0  |
| 55        | SPI_0_INT1           | SPI0 interrupt1  |
| 56        | SPI_0_XEVT           | SPI0 transmit event  |
| 57        | SPI_0_REVT           | SPI0 receive event   |
| 58        | I2C_0_INT            | I2C0 interrupt   |
| 59        | I2C_0_REVT           | I2C0 receive event   |

**Table 7-24. CIC0 Event Inputs — C66x CorePac Secondary Interrupts (continued)**

| EVENT NO. | EVENT NAME                | DESCRIPTION  |
|-----------|---------------------------|--|
| 60        | I2C_0_XEVT                | I2C0 transmit event  |
| 61        | Reserved                  | Reserved   |
| 62        | Reserved                  | Reserved   |
| 63        | DBGTBR_DMAINT             | Debug trace buffer (TBR) DMA event                                       |
| 64        | MPU_12_INT                | MPU12 addressing violation interrupt and protection violation interrupt. |
| 65        | DBGTBR_ACQCOMP            | Debug trace buffer (TBR) acquisition has been completed                  |
| 66        | MPU_13_INT                | MPU13 addressing violation interrupt and protection violation interrupt. |
| 67        | MPU_14_INT                | MPU14 addressing violation interrupt and protection violation interrupt. |
| 68        | NETCP_MDIO_LINK_INT0      | Packet Accelerator 0 subsystem MDIO interrupt                            |
| 69        | NETCP_MDIO_LINK_INT1      | Packet Accelerator 0 subsystem MDIO interrupt                            |
| 70        | NETCP_MDIO_USER_INT0      | Packet Accelerator 0 subsystem MDIO interrupt                            |
| 71        | NETCP_MDIO_USER_INT1      | Packet Accelerator 0 subsystem MDIO interrupt                            |
| 72        | NETCP_MISC_INT            | Packet Accelerator 0 subsystem misc interrupt                            |
| 73        | TRACER_CORE_0_INT         | Tracer sliding time window interrupt for DSP0 L2                         |
| 74        | Reserved                  | Reserved   |
| 75        | Reserved                  | Reserved   |
| 76        | Reserved                  | Reserved   |
| 77        | TRACER_DDR_INT            | Tracer sliding time window interrupt for MSMC-DDR3                       |
| 78        | TRACER_MSMC_0_INT         | Tracer sliding time window interrupt for MSMC SRAM bank0                 |
| 79        | TRACER_MSMC_1_INT         | Tracer sliding time window interrupt for MSMC SRAM bank1                 |
| 80        | TRACER_MSMC_2_INT         | Tracer sliding time window interrupt for MSMC SRAM bank2                 |
| 81        | TRACER_MSMC_3_INT         | Tracer sliding time window interrupt for MSMC SRAM bank3                 |
| 82        | TRACER_CFG_INT            | Tracer sliding time window interrupt for CFG0 TeraNet                    |
| 83        | TRACER_QMSS_QM_CFG1_INT   | Tracer sliding time window interrupt for Navigator CFG1 slave port       |
| 84        | TRACER_QMSS_DMA_INT       | Tracer sliding time window interrupt for Navigator VBUSM slave port      |
| 85        | TRACER_SEM_INT            | Tracer sliding time window interrupt for Semaphore                       |
| 86        | PSC_ALLINT                | Power & Sleep Controller interrupt                                       |
| 87        | MSMC_SCRUB_CERROR         | Correctable (1-bit) soft error detected during scrub cycle               |
| 88        | BOOTCFG_INT               | Chip-level MMR Error Register  |
| 89        | SR_0_PO_VCON_SMPSEERR_INT | SmartReflex SMPS error interrupt   |
| 90        | MPU_0_INT                 | MPU0 addressing violation interrupt and protection violation interrupt.  |
| 91        | QMSS_QUE_PEND_653         | Navigator transmit queue pending event for indicated queue               |
| 92        | MPU_1_INT                 | MPU1 addressing violation interrupt and protection violation interrupt.  |
| 93        | QMSS_QUE_PEND_654         | Navigator transmit queue pending event for indicated queue               |
| 94        | MPU_2_INT                 | MPU2 addressing violation interrupt and protection violation interrupt.  |
| 95        | QMSS_QUE_PEND_655         | Navigator transmit queue pending event for indicated queue               |
| 96        | MPU_3_INT                 | MPU3 addressing violation interrupt and protection violation interrupt.  |
| 97        | QMSS_QUE_PEND_656         | Navigator transmit queue pending event for indicated queue               |
| 98        | MSMC_DEDC_CERROR          | Correctable (1-bit) soft error detected on SRAM read                     |
| 99        | MSMC_DEDC_NC_ERROR        | Non-correctable (2-bit) soft error detected on SRAM read                 |
| 100       | MSMC_SCRUB_NC_ERROR       | Non-correctable (2-bit) soft error detected during scrub cycle           |
| 101       | MSMC_MPF_ERROR0           | Memory protection fault indicators for system master PrivID = 0          |
| 102       | MSMC_MPF_ERROR8           | Memory protection fault indicators for system master PrivID = 8          |
| 103       | MSMC_MPF_ERROR9           | Memory protection fault indicators for system master PrivID = 9          |
| 104       | MSMC_MPF_ERROR10          | Memory protection fault indicators for system master PrivID = 10         |
| 105       | MSMC_MPF_ERROR11          | Memory protection fault indicators for system master PrivID = 11         |
| 106       | MSMC_MPF_ERROR12          | Memory protection fault indicators for system master PrivID = 12         |

**Table 7-24. CIC0 Event Inputs — C66x CorePac Secondary Interrupts (continued)**

| EVENT NO. | EVENT NAME               | DESCRIPTION  |
|-----------|--------------------------|--|
| 107       | MSMC_MPF_ERROR13         | Memory protection fault indicators for system master PrivID = 13   |
| 108       | MSMC_MPF_ERROR14         | Memory protection fault indicators for system master PrivID = 14   |
| 109       | MSMC_MPF_ERROR15         | Memory protection fault indicators for system master PrivID = 15   |
| 110       | DDR3_0_ERR               | DDR3_EMIF Error interrupt  |
| 111       | HYPERLINK_0_INT          | HyperLink interrupt  |
| 112       | NETCP_GLOBAL_STARVE      | NETCP GLOBAL interrupt   |
| 113       | NETCP_LOCAL_STARVE       | NETCP LOCAL interrupt  |
| 114       | NETCP_PA_ECC_INT         | NETCP PA ECC interrupt   |
| 115       | NETCP_SA_ECC_INT         | NETCP SA ECC interrupt   |
| 116       | NETCP_SWITCH_ECC_INT     | NETCP SWITCH ECC interrupt   |
| 117       | NETCP_SWITCH_STAT_INT0   | NETCP SWITCH STAT interrupt  |
| 118       | NETCP_SWITCH_STAT_INT1   | NETCP SWITCH STAT interrupt  |
| 119       | NETCP_SWITCH_STAT_INT2   | NETCP SWITCH STAT interrupt  |
| 120       | NETCP_SWITCH_STAT_INT3   | NETCP SWITCH STAT interrupt  |
| 121       | NETCP_SWITCH_STAT_INT4   | NETCP SWITCH STAT interrupt  |
| 122       | NETCP_SWITCH_STAT_INT5   | NETCP SWITCH STAT interrupt  |
| 123       | NETCP_SWITCH_STAT_INT6   | NETCP SWITCH STAT interrupt  |
| 124       | NETCP_SWITCH_STAT_INT7   | NETCP SWITCH STAT interrupt  |
| 125       | NETCP_SWITCH_STAT_INT8   | NETCP SWITCH STAT interrupt  |
| 126       | NETCP_SWITCH_INT         | NETCP SWITCH interrupt   |
| 127       | Reserved                 | Reserved   |
| 128       | AEMIF_EASYNCERR          | Asynchronous EMIF16 error interrupt  |
| 129       | Reserved                 | Reserved   |
| 130       | Reserved                 | Reserved   |
| 131       | Reserved                 | Reserved   |
| 132       | Reserved                 | Reserved   |
| 133       | QMSS_INTD_1_PKTDMA_0     | Navigator interrupt for Packet DMA starvation  |
| 134       | QMSS_INTD_1_PKTDMA_1     | Navigator interrupt for Packet DMA starvation  |
| 135       | IPC_GR0                  | IPC interrupt generation   |
| 136       | NETCP_0_PKTDMA_INT0      | Packet Accelerator0 Packet DMA starvation interrupt  |
| 137       | SR_0_SMARTREFLEX_INTREQ0 | SmartReflex controller interrupt   |
| 138       | SR_0_SMARTREFLEX_INTREQ1 | SmartReflex controller interrupt   |
| 139       | SR_0_SMARTREFLEX_INTREQ2 | SmartReflex controller interrupt   |
| 140       | SR_0_SMARTREFLEX_INTREQ3 | SmartReflex controller interrupt   |
| 141       | SR_0_VPNOSMPSACK         | SmartReflex VPVOLTUPDATE has been asserted but SMPS has not been responded to in a defined time interval |
| 142       | SR_0_VPEQVALUE           | SmartReflex SRSINTERUPT is asserted, but the new voltage is not different from the current SMPS voltage  |
| 143       | SR_0_VPMAXVDD            | SmartReflex The new voltage required is equal to or greater than MaxVdd                                  |
| 144       | SR_0_VPMINVDD            | SmartReflex The new voltage required is equal to or less than MinVdd                                     |
| 145       | SR_0_VPINIDLE            | SmartReflex. Indicating that the FSM of voltage processor is in idle                                     |
| 146       | SR_0_VPOPPCHANGEDONE     | SmartReflex Indicating that the average frequency error is within the desired limit                      |
| 147       | Reserved                 | Reserved   |
| 148       | UART_0_UARTINT           | UART0 interrupt  |
| 149       | UART_0_URXEVT            | UART0 receive event  |
| 150       | UART_0_UTXEVT            | UART0 transmit event   |
| 151       | QMSS_QUE_PEND_657        | Navigator transmit queue pending event for indicated queue   |

**Table 7-24. CIC0 Event Inputs — C66x CorePac Secondary Interrupts (continued)**

| EVENT NO. | EVENT NAME         | DESCRIPTION  |
|-----------|--------------------|--|
| 152       | QMSS_QUE_PEND_658  | Navigator transmit queue pending event for indicated queue                             |
| 153       | QMSS_QUE_PEND_659  | Navigator transmit queue pending event for indicated queue                             |
| 154       | QMSS_QUE_PEND_660  | Navigator transmit queue pending event for indicated queue                             |
| 155       | QMSS_QUE_PEND_661  | Navigator transmit queue pending event for indicated queue                             |
| 156       | QMSS_QUE_PEND_662  | Navigator transmit queue pending event for indicated queue                             |
| 157       | QMSS_QUE_PEND_663  | Navigator transmit queue pending event for indicated queue                             |
| 158       | QMSS_QUE_PEND_664  | Navigator transmit queue pending event for indicated queue                             |
| 159       | QMSS_QUE_PEND_665  | Navigator transmit queue pending event for indicated queue                             |
| 160       | SR_0_VPSMPSACK     | SmartReflex VPVOLTUPDATE asserted and SMPS has acknowledged in a defined time interval |
| 161       | ARM_TBR_DMA        | ARM trace buffer (TBR) DMA event   |
| 162       | ARM_TBR_ACQ        | ARM trace buffer (TBR) acquisition has been completed                                  |
| 163       | ARM_NINTERRIRQ     | ARM internal memory ECC Error interrupt request  |
| 164       | ARM_NAXIERRIRQ     | ARM bus error interrupt request  |
| 165       | SR_0_SR_TEMPSENSOR | SmartReflex temperature threshold crossing interrupt                                   |
| 166       | SR_0_SR_TIMERINT   | SmartReflex internal timer expiration interrupt  |
| 167       | PCIE_1_INT0        | PCIE1 legacy INTA interrupt  |
| 168       | PCIE_1_INT1        | PCIE1 legacy INTB interrupt  |
| 169       | PCIE_1_INT2        | PCIE1 legacy INTC interrupt  |
| 170       | PCIE_1_INT3        | PCIE1 legacy INTD interrupt  |
| 171       | PCIE_1_INT4        | PCIE1 MSI interrupt  |
| 172       | PCIE_1_INT5        | PCIE1 MSI interrupt  |
| 173       | PCIE_1_INT6        | PCIE1 MSI interrupt  |
| 174       | PCIE_1_INT7        | PCIE1 MSI interrupt  |
| 175       | PCIE_1_INT8        | PCIE1 MSI interrupt  |
| 176       | PCIE_1_INT9        | PCIE1 MSI interrupt  |
| 177       | PCIE_1_INT10       | PCIE1 MSI interrupt  |
| 178       | PCIE_1_INT11       | PCIE1 MSI interrupt  |
| 179       | PCIE_1_INT12       | PCIE1 error interrupt  |
| 180       | PCIE_1_INT13       | PCIE1 power management interrupt   |
| 181       | USB_1_INT0         | USB_1 interrupt  |
| 182       | USB_1_INT4         | USB_1 interrupt  |
| 183       | USB_1_MISCINT      | USB_1 interrupt  |
| 184       | USB_1_OABSINT      | USB_1 interrupt  |
| 185       | USB_0_INT0         | USB_0 interrupt  |
| 186       | USB_0_INT4         | USB_0 interrupt  |
| 187       | USB_0_MISCINT      | USB_0 interrupt  |
| 188       | USB_0_OABSINT      | USB_0 interrupt  |
| 189       | TIMER_0_INTL       | Timer interrupt low  |
| 190       | TIMER_0_INTH       | Timer interrupt high   |
| 191       | TIMER_8_INTL       | Timer interrupt low  |
| 192       | TIMER_8_INTH       | Timer interrupt high   |
| 193       | TIMER_9_INTL       | Timer interrupt low  |
| 194       | TIMER_9_INTH       | Timer interrupt High   |
| 195       | TIMER_10_INTL      | Timer interrupt low  |
| 196       | TIMER_10_INTH      | Timer interrupt high   |
| 197       | TIMER_11_INTL      | Timer interrupt low  |
| 198       | TIMER_11_INTH      | Timer interrupt high   |

**Table 7-24. CIC0 Event Inputs — C66x CorePac Secondary Interrupts (continued)**

| EVENT NO. | EVENT NAME           | DESCRIPTION   |
|-----------|----------------------|---|
| 199       | TIMER_16_INTH        | Timer interrupt high  |
| 200       | TIMER_17_INTH        | Timer interrupt high  |
| 201       | TIMER_18_INTH        | Timer interrupt high  |
| 202       | TIMER_19_INTH        | Timer interrupt High  |
| 203       | SEM_INT0             | Semaphore interrupt   |
| 204       | SEM_ERR0             | Semaphore error interrupt   |
| 205       | MPU_15_INT           | MPU5 addressing violation interrupt and protection violation interrupt. |
| 206       | TRACER_USB11_INT     | Tracer sliding time window interrupt for USB1 CFG port tracer           |
| 207       | EDMACC_4_ERRINT      | EDMA3CC4 error interrupt  |
| 208       | EDMACC_4_MPINT       | EDMA3CC4 memory protection interrupt                                    |
| 209       | EDMACC_4_TC_0_ERRINT | EDMA3CC4 TPTC0 error interrupt  |
| 210       | EDMACC_4_TC_1_ERRINT | EDMA3CC4 TPTC1 error interrupt  |
| 211       | EDMACC_4_GINT        | EDMA3CC4 GINT   |
| 212       | EDMACC_4_TC_0_INT    | EDMA3CC4 individual completion interrupt                                |
| 213       | EDMACC_4_TC_1_INT    | EDMA3CC4 individual completion interrupt                                |
| 214       | EDMACC_4_TC_2_INT    | EDMA3CC4 individual completion interrupt                                |
| 215       | EDMACC_4_TC_3_INT    | EDMA3CC4 individual completion interrupt                                |
| 216       | EDMACC_4_TC_4_INT    | EDMA3CC4 individual completion interrupt                                |
| 217       | EDMACC_4_TC_5_INT    | EDMA3CC4 individual completion interrupt                                |
| 218       | EDMACC_4_TC_6_INT    | EDMA3CC4 individual completion interrupt                                |
| 219       | EDMACC_4_TC_7_INT    | EDMA3CC4 individual completion interrupt                                |
| 220       | EDMACC_3_ERRINT      | EDMA3CC3 error interrupt  |
| 221       | EDMACC_3_MPINT       | EDMA3CC3 memory protection interrupt                                    |
| 222       | EDMACC_3_TC_0_ERRINT | EDMA3CC3 TPTC0 error interrupt  |
| 223       | EDMACC_3_TC_1_ERRINT | EDMA3CC3 TPTC1 error interrupt  |
| 224       | EDMACC_3_GINT        | EDMA3CC3 GINT   |
| 225       | EDMACC_3_TC_0_INT    | EDMA3CC3 individual completion interrupt                                |
| 226       | EDMACC_3_TC_1_INT    | EDMA3CC3 individual completion interrupt                                |
| 227       | EDMACC_3_TC_2_INT    | EDMA3CC3 individual completion interrupt                                |
| 228       | EDMACC_3_TC_3_INT    | EDMA3CC3 individual completion interrupt                                |
| 229       | EDMACC_3_TC_4_INT    | EDMA3CC3 individual completion interrupt                                |
| 230       | EDMACC_3_TC_5_INT    | EDMA3CC3 individual completion interrupt                                |
| 231       | EDMACC_3_TC_6_INT    | EDMA3CC3 individual completion interrupt                                |
| 232       | EDMACC_3_TC_7_INT    | EDMA3CC3 individual completion interrupt                                |
| 233       | UART_1_UARTINT       | UART1 interrupt   |
| 234       | UART_1_URXEVT        | UART1 receive event   |
| 235       | UART_1_UTXEVT        | UART1 transmit event  |
| 236       | I2C_1_INT            | I2C1 interrupt  |
| 237       | I2C_1_REVT           | I2C1 receive event  |
| 238       | I2C_1_XEVT           | I2C1 transmit event   |
| 239       | SPI_1_INT0           | SPI1 interrupt0   |
| 240       | SPI_1_INT1           | SPI1 interrupt1   |
| 241       | SPI_1_XEVT           | SPI1 transmit event   |
| 242       | SPI_1_REVT           | SPI1 receive event  |
| 243       | MPU_5_INT            | MPU5 addressing violation interrupt and protection violation interrupt  |
| 244       | MPU_8_INT            | MPU8 addressing violation interrupt and protection violation interrupt  |
| 245       | MPU_9_INT            | MPU9 addressing violation interrupt and protection violation interrupt  |

**Table 7-24. CIC0 Event Inputs — C66x CorePac Secondary Interrupts (continued)**

| EVENT NO. | EVENT NAME         | DESCRIPTION   |
|-----------|--------------------|---|
| 246       | MPU_11_INT         | MPU11 addressing violation interrupt and protection violation interrupt |
| 247       | Reserved           | Reserved  |
| 248       | Reserved           | Reserved  |
| 249       | MPU_7_INT          | MPU7 addressing violation interrupt and protection violation interrupt  |
| 250       | MPU_10_INT         | MPU10 addressing violation interrupt and protection violation interrupt |
| 251       | SPI_2_INT0         | SPI2 interrupt0   |
| 252       | SPI_2_INT1         | SPI2 interrupt1   |
| 253       | SPI_2_XEVT         | SPI2 transmit event   |
| 254       | SPI_2_REVT         | SPI2 receive event  |
| 255       | I2C_2_INT          | I2C2 interrupt  |
| 256       | I2C_2_REVT         | I2C2 receive event  |
| 257       | I2C_2_XEVT         | I2C2 transmit event   |
| 258       | 10GbE_LINK_INT0    | 10 Gigabit Ethernet subsystem MDIO interrupt                            |
| 259       | 10GbE_LINK_INT1    | 10 Gigabit Ethernet subsystem MDIO interrupt                            |
| 260       | 10GbE_USER_INT0    | 10 Gigabit Ethernet subsystem MDIO interrupt                            |
| 261       | 10GbE_USER_INT1    | 10 Gigabit Ethernet subsystem MDIO interrupt                            |
| 262       | 10GbE_MISC_INT     | 10 Gigabit Ethernet subsystem MDIO interrupt                            |
| 263       | 10GbE_INT_PKTDMA_0 | 10 Gigabit Ethernet Packet DMA starvation interrupt                     |
| 264       | USIM_PONIRQ        | USIM interrupt  |
| 265       | USIM_RREQ          | USIM read DMA event   |
| 266       | USIM_WREQ          | USIM write DMA event  |
| 267       | GPIO_INT0          | GPIO interrupt  |
| 268       | GPIO_INT1          | GPIO interrupt  |
| 269       | GPIO_INT2          | GPIO interrupt  |
| 270       | GPIO_INT3          | GPIO interrupt  |
| 271       | GPIO_INT4          | GPIO interrupt  |
| 272       | GPIO_INT5          | GPIO interrupt  |
| 273       | GPIO_INT6          | GPIO interrupt  |
| 274       | GPIO_INT7          | GPIO interrupt  |
| 275       | GPIO_INT8          | GPIO interrupt  |
| 276       | GPIO_INT9          | GPIO interrupt  |
| 277       | GPIO_INT10         | GPIO interrupt  |
| 278       | GPIO_INT11         | GPIO interrupt  |
| 279       | GPIO_INT12         | GPIO interrupt  |
| 280       | GPIO_INT13         | GPIO interrupt  |
| 281       | GPIO_INT14         | GPIO interrupt  |
| 282       | GPIO_INT15         | GPIO interrupt  |
| 283       | Reserved           | Reserved  |
| 284       | Reserved           | Reserved  |
| 285       | Reserved           | Reserved  |
| 286       | Reserved           | Reserved  |
| 287       | Reserved           | Reserved  |
| 288       | Reserved           | Reserved  |
| 289       | Reserved           | Reserved  |
| 290       | Reserved           | Reserved  |
| 291       | Reserved           | Reserved  |
| 292       | QMSS_QUE_PEND_666  | Navigator transmit queue pending event for indicated queue              |



**Table 7-24. CIC0 Event Inputs — C66x CorePac Secondary Interrupts (continued)**

| EVENT NO. | EVENT NAME         | DESCRIPTION  |
|-----------|--------------------|--|
| 293       | QMSS_QUE_PEND_667  | Navigator transmit queue pending event for indicated queue |
| 294       | QMSS_QUE_PEND_668  | Navigator transmit queue pending event for indicated queue |
| 295       | QMSS_QUE_PEND_669  | Navigator transmit queue pending event for indicated queue |
| 296       | QMSS_QUE_PEND_670  | Navigator transmit queue pending event for indicated queue |
| 297       | QMSS_QUE_PEND_671  | Navigator transmit queue pending event for indicated queue |
| 298       | QMSS_QUE_PEND_672  | Navigator transmit queue pending event for indicated queue |
| 299       | QMSS_QUE_PEND_673  | Navigator transmit queue pending event for indicated queue |
| 300       | QMSS_QUE_PEND_674  | Navigator transmit queue pending event for indicated queue |
| 301       | QMSS_QUE_PEND_675  | Navigator transmit queue pending event for indicated queue |
| 302       | QMSS_QUE_PEND_676  | Navigator transmit queue pending event for indicated queue |
| 303       | QMSS_QUE_PEND_677  | Navigator transmit queue pending event for indicated queue |
| 304       | QMSS_QUE_PEND_678  | Navigator transmit queue pending event for indicated queue |
| 305       | QMSS_QUE_PEND_679  | Navigator transmit queue pending event for indicated queue |
| 306       | QMSS_QUE_PEND_680  | Navigator transmit queue pending event for indicated queue |
| 307       | QMSS_QUE_PEND_681  | Navigator transmit queue pending event for indicated queue |
| 308       | QMSS_QUE_PEND_682  | Navigator transmit queue pending event for indicated queue |
| 309       | QMSS_QUE_PEND_683  | Navigator transmit queue pending event for indicated queue |
| 310       | QMSS_QUE_PEND_684  | Navigator transmit queue pending event for indicated queue |
| 311       | QMSS_QUE_PEND_685  | Navigator transmit queue pending event for indicated queue |
| 312       | QMSS_QUE_PEND_686  | Navigator transmit queue pending event for indicated queue |
| 313       | QMSS_QUE_PEND_687  | Navigator transmit queue pending event for indicated queue |
| 314       | QMSS_QUE_PEND_688  | Navigator transmit queue pending event for indicated queue |
| 315       | QMSS_QUE_PEND_689  | Navigator transmit queue pending event for indicated queue |
| 316       | QMSS_QUE_PEND_690  | Navigator transmit queue pending event for indicated queue |
| 317       | QMSS_QUE_PEND_691  | Navigator transmit queue pending event for indicated queue |
| 318       | Reserved           | Reserved   |
| 319       | QMSS1_ECC_INTR     | Navigator ECC error interrupt                              |
| 320       | QMSS_INTD_1_LOW_0  | Navigator interrupt  |
| 321       | QMSS_INTD_1_LOW_1  | Navigator interrupt  |
| 322       | QMSS_INTD_1_LOW_2  | Navigator interrupt  |
| 323       | QMSS_INTD_1_LOW_3  | Navigator interrupt  |
| 324       | QMSS_INTD_1_LOW_4  | Navigator interrupt  |
| 325       | QMSS_INTD_1_LOW_5  | Navigator interrupt  |
| 326       | QMSS_INTD_1_LOW_6  | Navigator interrupt  |
| 327       | QMSS_INTD_1_LOW_7  | Navigator interrupt  |
| 328       | QMSS_INTD_1_LOW_8  | Navigator interrupt  |
| 329       | QMSS_INTD_1_LOW_9  | Navigator interrupt  |
| 330       | QMSS_INTD_1_LOW_10 | Navigator interrupt  |
| 331       | QMSS_INTD_1_LOW_11 | Navigator interrupt  |
| 332       | QMSS_INTD_1_LOW_12 | Navigator interrupt  |
| 333       | QMSS_INTD_1_LOW_13 | Navigator interrupt  |
| 334       | QMSS_INTD_1_LOW_14 | Navigator interrupt  |
| 335       | QMSS_INTD_1_LOW_15 | Navigator interrupt  |
| 336       | QMSS_INTD_2_LOW_0  | Navigator second interrupt                                 |
| 337       | QMSS_INTD_2_LOW_1  | Navigator second interrupt                                 |
| 338       | QMSS_INTD_2_LOW_2  | Navigator second interrupt                                 |
| 339       | QMSS_INTD_2_LOW_3  | Navigator second interrupt                                 |

**Table 7-24. CIC0 Event Inputs — C66x CorePac Secondary Interrupts (continued)**

| EVENT NO. | EVENT NAME              | DESCRIPTION   |
|-----------|-------------------------|---|
| 340       | QMSS_INTD_2_LOW_4       | Navigator second interrupt  |
| 341       | QMSS_INTD_2_LOW_5       | Navigator second interrupt  |
| 342       | QMSS_INTD_2_LOW_6       | Navigator second interrupt  |
| 343       | QMSS_INTD_2_LOW_7       | Navigator second interrupt  |
| 344       | QMSS_INTD_2_LOW_8       | Navigator second interrupt  |
| 345       | QMSS_INTD_2_LOW_9       | Navigator second interrupt  |
| 346       | QMSS_INTD_2_LOW_10      | Navigator second interrupt  |
| 347       | QMSS_INTD_2_LOW_11      | Navigator second interrupt  |
| 348       | QMSS_INTD_2_LOW_12      | Navigator second interrupt  |
| 349       | QMSS_INTD_2_LOW_13      | Navigator second interrupt  |
| 350       | QMSS_INTD_2_LOW_14      | Navigator second interrupt  |
| 351       | QMSS_INTD_2_LOW_15      | Navigator second interrupt  |
| 352       | TRACER_EDMACC_0         | Tracer sliding time window interrupt for EDMA3CC0                         |
| 353       | TRACER_EDMACC_123_INT   | Tracer sliding time window interrupt for EDMA3CC1, EDMA3CC2, and EDMA3CC3 |
| 354       | TRACER_CIC_INT          | Tracer sliding time window interrupt for interrupt controllers (CIC)      |
| 355       | TRACER_MSMC_4_INT       | Tracer sliding time window interrupt for MSMC SRAM bank4                  |
| 356       | TRACER_MSMC_5_INT       | Tracer sliding time window interrupt for MSMC SRAM bank5                  |
| 357       | TRACER_MSMC_6_INT       | Tracer sliding time window interrupt for MSMC SRAM bank6                  |
| 358       | TRACER_MSMC_7_INT       | Tracer sliding time window interrupt for MSMC SRAM bank7                  |
| 359       | TRACER_SPI_ROM_EMIF_INT | Tracer sliding time window interrupt for SPI/ROM/EMIF16 modules           |
| 360       | TRACER_QMSS_QM_CFG2_INT | Tracer sliding time window interrupt for QM2                              |
| 361       | Reserved                | Reserved  |
| 362       | Reserved                | Reserved  |
| 363       | TRACER_PCIE1_INT        | Tracer sliding time window interrupt for PCIE1                            |
| 364       | Reserved                | Reserved  |
| 365       | Reserved                | Reserved  |
| 366       | QMSS_INTD_1_HIGH_0      | Navigator hi interrupt  |
| 367       | QMSS_INTD_1_HIGH_1      | Navigator hi interrupt  |
| 368       | QMSS_INTD_1_HIGH_2      | Navigator hi interrupt  |
| 369       | QMSS_INTD_1_HIGH_3      | Navigator hi interrupt  |
| 370       | QMSS_INTD_1_HIGH_4      | Navigator hi interrupt  |
| 371       | QMSS_INTD_1_HIGH_5      | Navigator hi interrupt  |
| 372       | QMSS_INTD_1_HIGH_6      | Navigator hi interrupt  |
| 373       | QMSS_INTD_1_HIGH_7      | Navigator hi interrupt  |
| 374       | QMSS_INTD_1_HIGH_8      | Navigator hi interrupt  |
| 375       | QMSS_INTD_1_HIGH_9      | Navigator hi interrupt  |
| 376       | QMSS_INTD_1_HIGH_10     | Navigator hi interrupt  |
| 377       | QMSS_INTD_1_HIGH_11     | Navigator hi interrupt  |
| 378       | QMSS_INTD_1_HIGH_12     | Navigator hi interrupt  |
| 379       | QMSS_INTD_1_HIGH_13     | Navigator hi interrupt  |
| 380       | QMSS_INTD_1_HIGH_14     | Navigator hi interrupt  |
| 381       | QMSS_INTD_1_HIGH_15     | Navigator hi interrupt  |
| 382       | QMSS_INTD_1_HIGH_16     | Navigator hi interrupt  |
| 383       | QMSS_INTD_1_HIGH_17     | Navigator hi interrupt  |
| 384       | QMSS_INTD_1_HIGH_18     | Navigator hi interrupt  |
| 385       | QMSS_INTD_1_HIGH_19     | Navigator hi interrupt  |
| 386       | QMSS_INTD_1_HIGH_20     | Navigator hi interrupt  |

**Table 7-24. CIC0 Event Inputs — C66x CorePac Secondary Interrupts (continued)**

| EVENT NO. | EVENT NAME          | DESCRIPTION                   |
|-----------|---------------------|-------------------------------|
| 387       | QMSS_INTD_1_HIGH_21 | Navigator hi interrupt        |
| 388       | QMSS_INTD_1_HIGH_22 | Navigator hi interrupt        |
| 389       | QMSS_INTD_1_HIGH_23 | Navigator hi interrupt        |
| 390       | QMSS_INTD_1_HIGH_24 | Navigator hi interrupt        |
| 391       | QMSS_INTD_1_HIGH_25 | Navigator hi interrupt        |
| 392       | QMSS_INTD_1_HIGH_26 | Navigator hi interrupt        |
| 393       | QMSS_INTD_1_HIGH_27 | Navigator hi interrupt        |
| 394       | QMSS_INTD_1_HIGH_28 | Navigator hi interrupt        |
| 395       | QMSS_INTD_1_HIGH_29 | Navigator hi interrupt        |
| 396       | QMSS_INTD_1_HIGH_30 | Navigator hi interrupt        |
| 397       | QMSS_INTD_1_HIGH_31 | Navigator hi interrupt        |
| 398       | QMSS_INTD_2_HIGH_0  | Navigator second hi interrupt |
| 399       | QMSS_INTD_2_HIGH_1  | Navigator second hi interrupt |
| 400       | QMSS_INTD_2_HIGH_2  | Navigator second hi interrupt |
| 401       | QMSS_INTD_2_HIGH_3  | Navigator second hi interrupt |
| 402       | QMSS_INTD_2_HIGH_4  | Navigator second hi interrupt |
| 403       | QMSS_INTD_2_HIGH_5  | Navigator second hi interrupt |
| 404       | QMSS_INTD_2_HIGH_6  | Navigator second hi interrupt |
| 405       | QMSS_INTD_2_HIGH_7  | Navigator second hi interrupt |
| 406       | QMSS_INTD_2_HIGH_8  | Navigator second hi interrupt |
| 407       | QMSS_INTD_2_HIGH_9  | Navigator second hi interrupt |
| 408       | QMSS_INTD_2_HIGH_10 | Navigator second hi interrupt |
| 409       | QMSS_INTD_2_HIGH_11 | Navigator second hi interrupt |
| 410       | QMSS_INTD_2_HIGH_12 | Navigator second hi interrupt |
| 411       | QMSS_INTD_2_HIGH_13 | Navigator second hi interrupt |
| 412       | QMSS_INTD_2_HIGH_14 | Navigator second hi interrupt |
| 413       | QMSS_INTD_2_HIGH_15 | Navigator second hi interrupt |
| 414       | QMSS_INTD_2_HIGH_16 | Navigator second hi interrupt |
| 415       | QMSS_INTD_2_HIGH_17 | Navigator second hi interrupt |
| 416       | QMSS_INTD_2_HIGH_18 | Navigator second hi interrupt |
| 417       | QMSS_INTD_2_HIGH_19 | Navigator second hi interrupt |
| 418       | QMSS_INTD_2_HIGH_20 | Navigator second hi interrupt |
| 419       | QMSS_INTD_2_HIGH_21 | Navigator second hi interrupt |
| 420       | QMSS_INTD_2_HIGH_22 | Navigator second hi interrupt |
| 421       | QMSS_INTD_2_HIGH_23 | Navigator second hi interrupt |
| 422       | QMSS_INTD_2_HIGH_24 | Navigator second hi interrupt |
| 423       | QMSS_INTD_2_HIGH_25 | Navigator second hi interrupt |
| 424       | QMSS_INTD_2_HIGH_26 | Navigator second hi interrupt |
| 425       | QMSS_INTD_2_HIGH_27 | Navigator second hi interrupt |
| 426       | QMSS_INTD_2_HIGH_28 | Navigator second hi interrupt |
| 427       | QMSS_INTD_2_HIGH_29 | Navigator second hi interrupt |
| 428       | QMSS_INTD_2_HIGH_30 | Navigator second hi interrupt |
| 429       | QMSS_INTD_2_HIGH_31 | Navigator second hi interrupt |
| 430       | Reserved            | Reserved                      |
| 431       | Reserved            | Reserved                      |
| 432       | Reserved            | Reserved                      |
| 433       | TIMER_12_INTL       | Timer interrupt low           |

**Table 7-24. CIC0 Event Inputs — C66x CorePac Secondary Interrupts (continued)**

| EVENT NO. | EVENT NAME    | DESCRIPTION               |
|-----------|---------------|---------------------------|
| 434       | TIMER_12_INTH | Timer interrupt high      |
| 435       | TIMER_13_INTL | Timer interrupt low       |
| 436       | TIMER_13_INTH | Timer interrupt high      |
| 437       | TIMER_14_INTL | Timer interrupt low       |
| 438       | TIMER_14_INTH | Timer interrupt high      |
| 439       | TIMER_15_INTL | Timer interrupt low       |
| 440       | TIMER_15_INTH | Timer interrupt high      |
| 441       | Reserved      | Reserved                  |
| 442       | Reserved      | Reserved                  |
| 443       | Reserved      | Reserved                  |
| 444       | Reserved      | Reserved                  |
| 445       | Reserved      | Reserved                  |
| 446       | GPIO_INT16    | GPIO interrupt            |
| 447       | GPIO_INT17    | GPIO interrupt            |
| 448       | GPIO_INT18    | GPIO interrupt            |
| 449       | GPIO_INT19    | GPIO interrupt            |
| 450       | GPIO_INT20    | GPIO interrupt            |
| 451       | GPIO_INT21    | GPIO interrupt            |
| 452       | GPIO_INT22    | GPIO interrupt            |
| 453       | GPIO_INT23    | GPIO interrupt            |
| 454       | GPIO_INT24    | GPIO interrupt            |
| 455       | GPIO_INT25    | GPIO interrupt            |
| 456       | GPIO_INT26    | GPIO interrupt            |
| 457       | GPIO_INT27    | GPIO interrupt            |
| 458       | GPIO_INT28    | GPIO interrupt            |
| 459       | GPIO_INT29    | GPIO interrupt            |
| 460       | GPIO_INT30    | GPIO interrupt            |
| 461       | GPIO_INT31    | GPIO interrupt            |
| 462       | PCIE_0_INT8   | PCIE0 MSI interrupt       |
| 463       | PCIE_0_INT9   | PCIE0 MSI interrupt       |
| 464       | PCIE_0_INT10  | PCIE0 MSI interrupt       |
| 465       | PCIE_0_INT11  | PCIE0 MSI interrupt       |
| 466       | PCIE_0_INT4   | PCIE0 MSI interrupt       |
| 467       | PCIE_0_INT5   | PCIE0 MSI interrupt       |
| 468       | PCIE_0_INT6   | PCIE0 MSI interrupt       |
| 469       | PCIE_0_INT7   | PCIE0 MSI interrupt       |
| 470       | SEM_INT12     | Semaphore interrupt       |
| 471       | Reserved      | Reserved                  |
| 472       | SEM_ERR12     | Semaphore error interrupt |
| 473       | Reserved      | Reserved                  |

Table 7-25 lists the CIC2 event inputs.

**Table 7-25. CIC2 Event Inputs (Secondary Events for EDMA3CC and Hyperlink)**

| EVENT NO. | EVENT NAME | DESCRIPTION    |
|-----------|------------|----------------|
| 0         | GPIO_INT8  | GPIO interrupt |
| 1         | GPIO_INT9  | GPIO interrupt |
| 2         | GPIO_INT10 | GPIO interrupt |

**Table 7-25. CIC2 Event Inputs (Secondary Events for EDMA3CC and Hyperlink) (continued)**

| EVENT NO. | EVENT NAME          | DESCRIPTION  |
|-----------|---------------------|--|
| 3         | GPIO_INT11          | GPIO interrupt                                     |
| 4         | GPIO_INT12          | GPIO interrupt                                     |
| 5         | GPIO_INT13          | GPIO interrupt                                     |
| 6         | GPIO_INT14          | GPIO interrupt                                     |
| 7         | GPIO_INT15          | GPIO interrupt                                     |
| 8         | DBGTBR_DMAINT       | Debug trace buffer (TBR) DMA event                 |
| 9         | Reserved            | Reserved   |
| 10        | Reserved            | Reserved   |
| 11        | TETB_FULLINT0       | TETB0 is full                                      |
| 12        | TETB_HFULLINT0      | TETB0 is half full                                 |
| 13        | TETB_ACQINT0        | TETB0 acquisition has been completed               |
| 14        | Reserved            | Reserved   |
| 15        | Reserved            | Reserved   |
| 16        | Reserved            | Reserved   |
| 17        | Reserved            | Reserved   |
| 18        | Reserved            | Reserved   |
| 19        | Reserved            | Reserved   |
| 20        | Reserved            | Reserved   |
| 21        | Reserved            | Reserved   |
| 22        | Reserved            | Reserved   |
| 23        | DFT_PBIIST_CPU_INT  | Reserved   |
| 24        | QMSS_INTD_1_HIGH_16 | Navigator interrupt                                |
| 25        | QMSS_INTD_1_HIGH_17 | Navigator interrupt                                |
| 26        | QMSS_INTD_1_HIGH_18 | Navigator interrupt                                |
| 27        | QMSS_INTD_1_HIGH_19 | Navigator interrupt                                |
| 28        | QMSS_INTD_1_HIGH_20 | Navigator interrupt                                |
| 29        | QMSS_INTD_1_HIGH_21 | Navigator interrupt                                |
| 30        | QMSS_INTD_1_HIGH_22 | Navigator interrupt                                |
| 31        | QMSS_INTD_1_HIGH_23 | Navigator interrupt                                |
| 32        | QMSS_INTD_1_HIGH_24 | Navigator interrupt                                |
| 33        | QMSS_INTD_1_HIGH_25 | Navigator interrupt                                |
| 34        | QMSS_INTD_1_HIGH_26 | Navigator interrupt                                |
| 35        | QMSS_INTD_1_HIGH_27 | Navigator interrupt                                |
| 36        | QMSS_INTD_1_HIGH_28 | Navigator interrupt                                |
| 37        | QMSS_INTD_1_HIGH_29 | Navigator interrupt                                |
| 38        | QMSS_INTD_1_HIGH_30 | Navigator interrupt                                |
| 39        | QMSS_INTD_1_HIGH_31 | Navigator interrupt                                |
| 40        | Reserved            | Reserved   |
| 41        | Reserved            | Reserved   |
| 42        | Reserved            | Reserved   |
| 43        | Reserved            | Reserved   |
| 44        | Reserved            | Reserved   |
| 45        | TRACER_CORE_0_INT   | Tracer sliding time window interrupt for DSP0 L2   |
| 46        | Reserved            | Reserved   |
| 47        | Reserved            | Reserved   |
| 48        | Reserved            | Reserved   |
| 49        | TRACER_DDR_INT      | Tracer sliding time window interrupt for MSMC-DDR3 |

**Table 7-25. CIC2 Event Inputs (Secondary Events for EDMA3CC and Hyperlink) (continued)**

| EVENT NO. | EVENT NAME              | DESCRIPTION   |
|-----------|-------------------------|---|
| 50        | TRACER_MSMC_0_INT       | Tracer sliding time window interrupt for MSMC SRAM bank0            |
| 51        | TRACER_MSMC_1_INT       | Tracer sliding time window interrupt for MSMC SRAM bank1            |
| 52        | TRACER_MSMC_2_INT       | Tracer sliding time window interrupt for MSMC SRAM bank2            |
| 53        | TRACER_MSMC_3_INT       | Tracer sliding time window interrupt for MSMC SRAM bank3            |
| 54        | TRACER_CFG_INT          | Tracer sliding time window interrupt for TeraNet CFG                |
| 55        | TRACER_QMSS_QM_CFG1_INT | Tracer sliding time window interrupt for Navigator CFG1 slave port  |
| 56        | TRACER_QMSS_DMA_INT     | Tracer sliding time window interrupt for Navigator VBUSM slave port |
| 57        | TRACER_SEM_INT          | Tracer sliding time window interrupt for Semaphore interrupt        |
| 58        | SEM_ERR0                | Semaphore error interrupt   |
| 59        | Reserved                | Reserved  |
| 60        | Reserved                | Reserved  |
| 61        | Reserved                | Reserved  |
| 62        | BOOTCFG_INT             | BOOTCFG error interrupt   |
| 63        | NETCP_0_PKTDMA_INT0     | Packet Accelerator0 Packet DMA starvation interrupt                 |
| 64        | MPU_0_INT               | MPU0 interrupt  |
| 65        | MSMC_SCRUB_CERROR       | MSMC error interrupt  |
| 66        | MPU_1_INT               | MPU1 interrupt  |
| 67        | Reserved                | Reserved  |
| 68        | MPU_2_INT               | MPU2 interrupt  |
| 69        | QMSS_INTD_1_PKTDMA_0    | Navigator Packet DMA interrupt                                      |
| 70        | Reserved                | Reserved  |
| 71        | QMSS_INTD_1_PKTDMA_1    | Navigator Packet DMA interrupt                                      |
| 72        | MSMC_DEDC_CERROR        | MSMC error interrupt  |
| 73        | MSMC_DEDC_NC_ERROR      | MSMC error interrupt  |
| 74        | MSMC_SCRUB_NC_ERROR     | MSMC error interrupt  |
| 75        | Reserved                | Reserved  |
| 76        | MSMC_MPF_ERROR0         | Memory protection fault indicators for system master PrivID = 0     |
| 77        | Reserved                | Reserved  |
| 78        | Reserved                | Reserved  |
| 79        | Reserved                | Reserved  |
| 80        | Reserved                | Reserved  |
| 81        | Reserved                | Reserved  |
| 82        | Reserved                | Reserved  |
| 83        | Reserved                | Reserved  |
| 84        | MSMC_MPF_ERROR8         | Memory protection fault indicators for system master PrivID = 8     |
| 85        | MSMC_MPF_ERROR9         | Memory protection fault indicators for system master PrivID = 9     |
| 86        | MSMC_MPF_ERROR10        | Memory protection fault indicators for system master PrivID = 10    |
| 87        | MSMC_MPF_ERROR11        | Memory protection fault indicators for system master PrivID = 11    |
| 88        | MSMC_MPF_ERROR12        | Memory protection fault indicators for system master PrivID = 12    |
| 89        | MSMC_MPF_ERROR13        | Memory protection fault indicators for system master PrivID = 13    |
| 90        | MSMC_MPF_ERROR14        | Memory protection fault indicators for system master PrivID = 14    |
| 91        | MSMC_MPF_ERROR15        | Memory protection fault indicators for system master PrivID = 15    |
| 92        | Reserved                | Reserved  |
| 93        | GPIO_INT16              | GPIO interrupt  |
| 94        | GPIO_INT17              | GPIO interrupt  |
| 95        | GPIO_INT18              | GPIO interrupt  |
| 96        | GPIO_INT19              | GPIO interrupt  |

**Table 7-25. CIC2 Event Inputs (Secondary Events for EDMA3CC and Hyperlink) (continued)**

| EVENT NO. | EVENT NAME         | DESCRIPTION                         |
|-----------|--------------------|-------------------------------------|
| 97        | GPIO_INT20         | GPIO interrupt                      |
| 98        | GPIO_INT21         | GPIO interrupt                      |
| 99        | GPIO_INT22         | GPIO interrupt                      |
| 100       | GPIO_INT23         | GPIO interrupt                      |
| 101       | GPIO_INT24         | GPIO interrupt                      |
| 102       | GPIO_INT25         | GPIO interrupt                      |
| 103       | GPIO_INT26         | GPIO interrupt                      |
| 104       | GPIO_INT27         | GPIO interrupt                      |
| 105       | GPIO_INT28         | GPIO interrupt                      |
| 106       | GPIO_INT29         | GPIO interrupt                      |
| 107       | GPIO_INT30         | GPIO interrupt                      |
| 108       | GPIO_INT31         | GPIO interrupt                      |
| 109       | Reserved           | Reserved                            |
| 110       | Reserved           | Reserved                            |
| 111       | Reserved           | Reserved                            |
| 112       | Reserved           | Reserved                            |
| 113       | Reserved           | Reserved                            |
| 114       | Reserved           | Reserved                            |
| 115       | Reserved           | Reserved                            |
| 116       | Reserved           | Reserved                            |
| 117       | AEMIF_EASYNCERR    | Asynchronous EMIF16 error interrupt |
| 118       | Reserved           | Reserved                            |
| 119       | Reserved           | Reserved                            |
| 120       | Reserved           | Reserved                            |
| 121       | Reserved           | Reserved                            |
| 122       | Reserved           | Reserved                            |
| 123       | Reserved           | Reserved                            |
| 124       | Reserved           | Reserved                            |
| 125       | Reserved           | Reserved                            |
| 126       | Reserved           | Reserved                            |
| 127       | Reserved           | Reserved                            |
| 128       | Reserved           | Reserved                            |
| 129       | Reserved           | Reserved                            |
| 130       | Reserved           | Reserved                            |
| 131       | Reserved           | Reserved                            |
| 132       | Reserved           | Reserved                            |
| 133       | Reserved           | Reserved                            |
| 134       | Reserved           | Reserved                            |
| 135       | Reserved           | Reserved                            |
| 136       | Reserved           | Reserved                            |
| 137       | Reserved           | Reserved                            |
| 138       | QMSS_INTD_1_HIGH_0 | Navigator hi interrupt              |
| 139       | QMSS_INTD_1_HIGH_1 | Navigator hi interrupt              |
| 140       | QMSS_INTD_1_HIGH_2 | Navigator hi interrupt              |
| 141       | QMSS_INTD_1_HIGH_3 | Navigator hi interrupt              |
| 142       | QMSS_INTD_1_HIGH_4 | Navigator hi interrupt              |
| 143       | QMSS_INTD_1_HIGH_5 | Navigator hi interrupt              |

**Table 7-25. CIC2 Event Inputs (Secondary Events for EDMA3CC and Hyperlink) (continued)**

| EVENT NO. | EVENT NAME          | DESCRIPTION   |
|-----------|---------------------|---|
| 144       | QMSS_INTD_1_HIGH_6  | Navigator hi interrupt  |
| 145       | QMSS_INTD_1_HIGH_7  | Navigator hi interrupt  |
| 146       | QMSS_INTD_1_HIGH_8  | Navigator hi interrupt  |
| 147       | QMSS_INTD_1_HIGH_9  | Navigator hi interrupt  |
| 148       | QMSS_INTD_1_HIGH_10 | Navigator hi interrupt  |
| 149       | QMSS_INTD_1_HIGH_11 | Navigator hi interrupt  |
| 150       | QMSS_INTD_1_HIGH_12 | Navigator hi interrupt  |
| 151       | QMSS_INTD_1_HIGH_13 | Navigator hi interrupt  |
| 152       | QMSS_INTD_1_HIGH_14 | Navigator hi interrupt  |
| 153       | QMSS_INTD_1_HIGH_15 | Navigator hi interrupt  |
| 154       | QMSS_INTD_2_HIGH_0  | Navigator second hi interrupt   |
| 155       | QMSS_INTD_2_HIGH_1  | Navigator second hi interrupt   |
| 156       | QMSS_INTD_2_HIGH_2  | Navigator second hi interrupt   |
| 157       | QMSS_INTD_2_HIGH_3  | Navigator second hi interrupt   |
| 158       | QMSS_INTD_2_HIGH_4  | Navigator second hi interrupt   |
| 159       | QMSS_INTD_2_HIGH_5  | Navigator second hi interrupt   |
| 160       | QMSS_INTD_2_HIGH_6  | Navigator second hi interrupt   |
| 161       | QMSS_INTD_2_HIGH_7  | Navigator second hi interrupt   |
| 162       | QMSS_INTD_2_HIGH_8  | Navigator second hi interrupt   |
| 163       | QMSS_INTD_2_HIGH_9  | Navigator second hi interrupt   |
| 164       | QMSS_INTD_2_HIGH_10 | Navigator second hi interrupt   |
| 165       | QMSS_INTD_2_HIGH_11 | Navigator second hi interrupt   |
| 166       | QMSS_INTD_2_HIGH_12 | Navigator second hi interrupt   |
| 167       | QMSS_INTD_2_HIGH_13 | Navigator second hi interrupt   |
| 168       | QMSS_INTD_2_HIGH_14 | Navigator second hi interrupt   |
| 169       | QMSS_INTD_2_HIGH_15 | Navigator second hi interrupt   |
| 170       | QMSS_INTD_2_HIGH_16 | Navigator second hi interrupt   |
| 171       | QMSS_INTD_2_HIGH_17 | Navigator second hi interrupt   |
| 172       | QMSS_INTD_2_HIGH_18 | Navigator second hi interrupt   |
| 173       | QMSS_INTD_2_HIGH_19 | Navigator second hi interrupt   |
| 174       | QMSS_INTD_2_HIGH_20 | Navigator second hi interrupt   |
| 175       | QMSS_INTD_2_HIGH_21 | Navigator second hi interrupt   |
| 176       | QMSS_INTD_2_HIGH_22 | Navigator second hi interrupt   |
| 177       | QMSS_INTD_2_HIGH_23 | Navigator second hi interrupt   |
| 178       | QMSS_INTD_2_HIGH_24 | Navigator second hi interrupt   |
| 179       | QMSS_INTD_2_HIGH_25 | Navigator second hi interrupt   |
| 180       | QMSS_INTD_2_HIGH_26 | Navigator second hi interrupt   |
| 181       | QMSS_INTD_2_HIGH_27 | Navigator second hi interrupt   |
| 182       | QMSS_INTD_2_HIGH_28 | Navigator second hi interrupt   |
| 183       | QMSS_INTD_2_HIGH_29 | Navigator second hi interrupt   |
| 184       | QMSS_INTD_2_HIGH_30 | Navigator second hi interrupt   |
| 185       | QMSS_INTD_2_HIGH_31 | Navigator second hi interrupt   |
| 186       | MPU_12_INT          | MPU12 addressing violation interrupt and protection violation interrupt |
| 187       | MPU_13_INT          | MPU13 addressing violation interrupt and protection violation interrupt |
| 188       | MPU_14_INT          | MPU14 addressing violation interrupt and protection violation interrupt |
| 189       | MPU_15_INT          | MPU15 addressing violation interrupt and protection violation interrupt |
| 190       | Reserved            | Reserved  |



**Table 7-25. CIC2 Event Inputs (Secondary Events for EDMA3CC and Hyperlink) (continued)**

| EVENT NO. | EVENT NAME              | DESCRIPTION   |
|-----------|-------------------------|---|
| 191       | Reserved                | Reserved  |
| 192       | Reserved                | Reserved  |
| 193       | Reserved                | Reserved  |
| 194       | Reserved                | Reserved  |
| 195       | Reserved                | Reserved  |
| 196       | Reserved                | Reserved  |
| 197       | Reserved                | Reserved  |
| 198       | Reserved                | Reserved  |
| 199       | TRACER_QMSS_QM_CFG2_INT | Tracer sliding time window interrupt for Navigator CFG2 slave port        |
| 200       | TRACER_EDMACC_0         | Tracer sliding time window interrupt foR EDMA3CC0                         |
| 201       | TRACER_EDMACC_123_INT   | Tracer sliding time window interrupt for EDMA3CC1, EDMA3CC2, and EDMA3CC3 |
| 202       | TRACER_CIC_INT          | Tracer sliding time window interrupt for interrupt controllers (CIC)      |
| 203       | Reserved                | Reserved  |
| 204       | MPU_5_INT               | MPU5 addressing violation interrupt and protection violation interrupt    |
| 205       | Reserved                | Reserved  |
| 206       | MPU_7_INT               | MPU7 addressing violation interrupt and protection violation interrupt    |
| 207       | MPU_8_INT               | MPU8 addressing violation interrupt and protection violation interrupt    |
| 208       | Reserved                | Reserved  |
| 209       | Reserved                | Reserved  |
| 210       | Reserved                | Reserved  |
| 211       | DDR3_0_ERR              | DDR3 error interrupt  |
| 212       | HYPERLINK_0_INT         | HyperLink interrupt   |
| 213       | EDMACC_0_ERRINT         | EDMA3CC0 error interrupt  |
| 214       | EDMACC_0_MPINT          | EDMA3CC0 memory protection interrupt                                      |
| 215       | EDMACC_0_TC_0_ERRINT    | EDMA3CC0 TPTC0 error interrupt  |
| 216       | EDMACC_0_TC_1_ERRINT    | EDMA3CC0 TPTC1 error interrupt  |
| 217       | EDMACC_1_ERRINT         | EDMA3CC1 error interrupt  |
| 218       | EDMACC_1_MPINT          | EDMA3CC1 memory protection interrupt                                      |
| 219       | EDMACC_1_TC_0_ERRINT    | EDMA3CC1 TPTC0 error interrupt  |
| 220       | EDMACC_1_TC_1_ERRINT    | EDMA3CC1 TPTC1 error interrupt  |
| 221       | EDMACC_1_TC_2_ERRINT    | EDMA3CC1 TPTC2 error interrupt  |
| 222       | EDMACC_1_TC_3_ERRINT    | EDMA3CC1 TPTC3 error interrupt  |
| 223       | EDMACC_2_ERRINT         | EDMA3CC2 error interrupt  |
| 224       | EDMACC_2_MPINT          | EDMA3CC2 memory protection interrupt                                      |
| 225       | EDMACC_2_TC_0_ERRINT    | EDMA3CC2 TPTC0 error interrupt  |
| 226       | EDMACC_2_TC_1_ERRINT    | EDMA3CC2 TPTC1 error interrupt  |
| 227       | EDMACC_2_TC_2_ERRINT    | EDMA3CC2 TPTC2 error interrupt  |
| 228       | EDMACC_2_TC_3_ERRINT    | EDMA3CC2 TPTC3 error interrupt  |
| 229       | EDMACC_3_ERRINT         | EDMA3CC3 error interrupt  |
| 230       | EDMACC_3_MPINT          | EDMA3CC3 memory protection interrupt                                      |
| 231       | EDMACC_3_TC_0_ERRINT    | EDMA3CC3 TPTC0 error interrupt  |
| 232       | EDMACC_3_TC_1_ERRINT    | EDMA3CC3 TPTC1 error interrupt  |
| 233       | EDMACC_4_ERRINT         | EDMA3CC4 error interrupt  |
| 234       | EDMACC_4_MPINT          | EDMA3CC4 memory protection interrupt                                      |
| 235       | EDMACC_4_TC_0_ERRINT    | EDMA3CC4 TPTC0 error interrupt  |
| 236       | EDMACC_4_TC_1_ERRINT    | EDMA3CC4 TPTC1 error interrupt  |
| 237       | QMSS_QUE_PEND_652       | Navigator transmit queue pending event for indicated queue                |

**Table 7-25. CIC2 Event Inputs (Secondary Events for EDMA3CC and Hyperlink) (continued)**

| EVENT NO. | EVENT NAME         | DESCRIPTION  |
|-----------|--------------------|--|
| 238       | QMSS_QUE_PEND_653  | Navigator transmit queue pending event for indicated queue |
| 239       | QMSS_QUE_PEND_654  | Navigator transmit queue pending event for indicated queue |
| 240       | QMSS_QUE_PEND_655  | Navigator transmit queue pending event for indicated queue |
| 241       | QMSS_QUE_PEND_656  | Navigator transmit queue pending event for indicated queue |
| 242       | QMSS_QUE_PEND_657  | Navigator transmit queue pending event for indicated queue |
| 243       | QMSS_QUE_PEND_658  | Navigator transmit queue pending event for indicated queue |
| 244       | QMSS_QUE_PEND_659  | Navigator transmit queue pending event for indicated queue |
| 245       | QMSS_QUE_PEND_660  | Navigator transmit queue pending event for indicated queue |
| 246       | QMSS_QUE_PEND_661  | Navigator transmit queue pending event for indicated queue |
| 247       | QMSS_QUE_PEND_662  | Navigator transmit queue pending event for indicated queue |
| 248       | QMSS_QUE_PEND_663  | Navigator transmit queue pending event for indicated queue |
| 249       | QMSS_QUE_PEND_664  | Navigator transmit queue pending event for indicated queue |
| 250       | QMSS_QUE_PEND_665  | Navigator transmit queue pending event for indicated queue |
| 251       | QMSS_QUE_PEND_666  | Navigator transmit queue pending event for indicated queue |
| 252       | QMSS_QUE_PEND_667  | Navigator transmit queue pending event for indicated queue |
| 253       | QMSS_QUE_PEND_668  | Navigator transmit queue pending event for indicated queue |
| 254       | QMSS_QUE_PEND_669  | Navigator transmit queue pending event for indicated queue |
| 255       | QMSS_QUE_PEND_670  | Navigator transmit queue pending event for indicated queue |
| 256       | QMSS_QUE_PEND_671  | Navigator transmit queue pending event for indicated queue |
| 257       | QMSS_QUE_PEND_672  | Navigator transmit queue pending event for indicated queue |
| 258       | QMSS_QUE_PEND_673  | Navigator transmit queue pending event for indicated queue |
| 259       | QMSS_QUE_PEND_674  | Navigator transmit queue pending event for indicated queue |
| 260       | QMSS_QUE_PEND_675  | Navigator transmit queue pending event for indicated queue |
| 261       | QMSS_QUE_PEND_676  | Navigator transmit queue pending event for indicated queue |
| 262       | QMSS_QUE_PEND_677  | Navigator transmit queue pending event for indicated queue |
| 263       | QMSS_QUE_PEND_678  | Navigator transmit queue pending event for indicated queue |
| 264       | QMSS_QUE_PEND_679  | Navigator transmit queue pending event for indicated queue |
| 265       | QMSS_QUE_PEND_680  | Navigator transmit queue pending event for indicated queue |
| 266       | QMSS_QUE_PEND_681  | Navigator transmit queue pending event for indicated queue |
| 267       | QMSS_QUE_PEND_682  | Navigator transmit queue pending event for indicated queue |
| 268       | QMSS_QUE_PEND_683  | Navigator transmit queue pending event for indicated queue |
| 269       | QMSS_QUE_PEND_684  | Navigator transmit queue pending event for indicated queue |
| 270       | QMSS_QUE_PEND_685  | Navigator transmit queue pending event for indicated queue |
| 271       | QMSS_QUE_PEND_686  | Navigator transmit queue pending event for indicated queue |
| 272       | QMSS_QUE_PEND_687  | Navigator transmit queue pending event for indicated queue |
| 273       | QMSS_QUE_PEND_688  | Navigator transmit queue pending event for indicated queue |
| 274       | QMSS_QUE_PEND_689  | Navigator transmit queue pending event for indicated queue |
| 275       | QMSS_QUE_PEND_690  | Navigator transmit queue pending event for indicated queue |
| 276       | QMSS_QUE_PEND_691  | Navigator transmit queue pending event for indicated queue |
| 277       | 10GbE_LINK_INT0    | 10 Gigabit Ethernet subsystem MDIO interrupt               |
| 278       | 10GbE_LINK_INT1    | 10 Gigabit Ethernet subsystem MDIO interrupt               |
| 279       | 10GbE_USER_INT0    | 10 Gigabit Ethernet subsystem MDIO interrupt               |
| 280       | 10GbE_USER_INT1    | 10 Gigabit Ethernet subsystem MDIO interrupt               |
| 281       | 10GbE_MISC_INT     | 10 Gigabit Ethernet subsystem MDIO interrupt               |
| 282       | 10GbE_INT_PKTDMA_0 | 10 Gigabit Ethernet Packet DMA starvation interrupt        |
| 283       | SEM_INT0           | Semaphore interrupt  |
| 284       | Reserved           | Reserved   |

**Table 7-25. CIC2 Event Inputs (Secondary Events for EDMA3CC and Hyperlink) (continued)**

| EVENT NO. | EVENT NAME         | DESCRIPTION                   |
|-----------|--------------------|-------------------------------|
| 285       | Reserved           | Reserved                      |
| 286       | Reserved           | Reserved                      |
| 287       | Reserved           | Reserved                      |
| 288       | Reserved           | Reserved                      |
| 289       | Reserved           | Reserved                      |
| 290       | Reserved           | Reserved                      |
| 291       | SEM_INT8           | Semaphore interrupt           |
| 292       | SEM_INT9           | Semaphore interrupt           |
| 293       | SEM_INT10          | Semaphore interrupt           |
| 294       | SEM_INT11          | Semaphore interrupt           |
| 295       | SEM_INT12          | Semaphore interrupt           |
| 296       | Reserved           | Reserved                      |
| 297       | Reserved           | Reserved                      |
| 298       | Reserved           | Reserved                      |
| 299       | SEM_ERR8           | Semaphore error interrupt     |
| 300       | SEM_ERR9           | Semaphore error interrupt     |
| 301       | SEM_ERR10          | Semaphore error interrupt     |
| 302       | SEM_ERR11          | Semaphore error interrupt     |
| 303       | SEM_ERR12          | Semaphore error interrupt     |
| 304       | QMSS1_ECC_INTR     | Navigator ECC error interrupt |
| 305       | QMSS_INTD_1_LOW_0  | Navigator interrupt           |
| 306       | QMSS_INTD_1_LOW_1  | Navigator interrupt           |
| 307       | QMSS_INTD_1_LOW_2  | Navigator interrupt           |
| 308       | QMSS_INTD_1_LOW_3  | Navigator interrupt           |
| 309       | QMSS_INTD_1_LOW_4  | Navigator interrupt           |
| 310       | QMSS_INTD_1_LOW_5  | Navigator interrupt           |
| 311       | QMSS_INTD_1_LOW_6  | Navigator interrupt           |
| 312       | QMSS_INTD_1_LOW_7  | Navigator interrupt           |
| 313       | QMSS_INTD_1_LOW_8  | Navigator interrupt           |
| 314       | QMSS_INTD_1_LOW_9  | Navigator interrupt           |
| 315       | QMSS_INTD_1_LOW_10 | Navigator interrupt           |
| 316       | QMSS_INTD_1_LOW_11 | Navigator interrupt           |
| 317       | QMSS_INTD_1_LOW_12 | Navigator interrupt           |
| 318       | QMSS_INTD_1_LOW_13 | Navigator interrupt           |
| 319       | QMSS_INTD_1_LOW_14 | Navigator interrupt           |
| 320       | QMSS_INTD_1_LOW_15 | Navigator interrupt           |
| 321       | QMSS_INTD_2_LOW_0  | Navigator second interrupt    |
| 322       | QMSS_INTD_2_LOW_1  | Navigator second interrupt    |
| 323       | QMSS_INTD_2_LOW_2  | Navigator second interrupt    |
| 324       | QMSS_INTD_2_LOW_3  | Navigator second interrupt    |
| 325       | QMSS_INTD_2_LOW_4  | Navigator second interrupt    |
| 326       | QMSS_INTD_2_LOW_5  | Navigator second interrupt    |
| 327       | QMSS_INTD_2_LOW_6  | Navigator second interrupt    |
| 328       | QMSS_INTD_2_LOW_7  | Navigator second interrupt    |
| 329       | QMSS_INTD_2_LOW_8  | Navigator second interrupt    |
| 330       | QMSS_INTD_2_LOW_9  | Navigator second interrupt    |
| 331       | QMSS_INTD_2_LOW_10 | Navigator second interrupt    |

**Table 7-25. CIC2 Event Inputs (Secondary Events for EDMA3CC and Hyperlink) (continued)**

| EVENT NO. | EVENT NAME              | DESCRIPTION   |
|-----------|-------------------------|---|
| 332       | QMSS_INTD_2_LOW_11      | Navigator second interrupt  |
| 333       | QMSS_INTD_2_LOW_12      | Navigator second interrupt  |
| 334       | QMSS_INTD_2_LOW_13      | Navigator second interrupt  |
| 335       | QMSS_INTD_2_LOW_14      | Navigator second interrupt  |
| 336       | QMSS_INTD_2_LOW_15      | Navigator interrupt   |
| 337       | NETCP_MDIO_LINK_INT0    | Packet Accelerator subsystem MDIO interrupt                             |
| 338       | NETCP_MDIO_LINK_INT1    | Packet Accelerator subsystem MDIO interrupt                             |
| 339       | NETCP_MDIO_USER_INT0    | Packet Accelerator subsystem MDIO interrupt                             |
| 340       | NETCP_MDIO_USER_INT1    | Packet Accelerator subsystem MDIO interrupt                             |
| 341       | NETCP_MISC_INT          | Packet Accelerator subsystem MDIO interrupt                             |
| 342       | NETCP_GLOBAL_STARVE_INT | Packet Accelerator interrupt  |
| 343       | NETCP_LOCAL_STARVE_INT  | Packet Accelerator interrupt  |
| 344       | NETCP_PA_ECC_INT        | Packet Accelerator interrupt  |
| 345       | NETCP_SA_ECC_INT        | Packet Accelerator interrupt  |
| 346       | NETCP_SWITCH_ECC_INT    | NETCP SWITCH ECC interrupt  |
| 347       | NETCP_SWITCH_STAT_INT0  | NETCP SWITCH STAT interrupt   |
| 348       | NETCP_SWITCH_STAT_INT1  | NETCP SWITCH STAT interrupt   |
| 349       | NETCP_SWITCH_STAT_INT2  | NETCP SWITCH STAT interrupt   |
| 350       | NETCP_SWITCH_STAT_INT3  | NETCP SWITCH STAT interrupt   |
| 351       | NETCP_SWITCH_STAT_INT4  | NETCP SWITCH STAT interrupt   |
| 352       | NETCP_SWITCH_STAT_INT5  | NETCP SWITCH STAT interrupt   |
| 353       | NETCP_SWITCH_STAT_INT6  | NETCP SWITCH STAT interrupt   |
| 354       | NETCP_SWITCH_STAT_INT7  | NETCP SWITCH STAT interrupt   |
| 355       | NETCP_SWITCH_STAT_INT8  | NETCP SWITCH STAT interrupt   |
| 356       | NETCP_SWITCH_INT        | NETCP SWITCH interrupt  |
| 357       | Reserved                | Reserved  |
| 358       | Reserved                | Reserved  |
| 359       | Reserved                | Reserved  |
| 360       | Reserved                | Reserved  |
| 361       | Reserved                | Reserved  |
| 362       | PSC_ALLINT              | PSC interrupt   |
| 363       | Reserved                | Reserved  |
| 364       | Reserved                | Reserved  |
| 365       | Reserved                | Reserved  |
| 366       | Reserved                | Reserved  |
| 367       | Reserved                | Reserved  |
| 368       | Reserved                | Reserved  |
| 369       | Reserved                | Reserved  |
| 370       | Reserved                | Reserved  |
| 371       | Reserved                | Reserved  |
| 372       | MPU_9_INT               | MPU9 addressing violation interrupt and protection violation interrupt  |
| 373       | MPU_10_INT              | MPU10 addressing violation interrupt and protection violation interrupt |
| 374       | MPU_11_INT              | MPU11 addressing violation interrupt and protection violation interrupt |
| 375       | TRACER_MSMC_4_INT       | Tracer sliding time window interrupt for MSMC SRAM bank 4               |
| 376       | TRACER_MSMC_5_INT       | Tracer sliding time window interrupt for MSMC SRAM bank 4               |
| 377       | TRACER_MSMC_6_INT       | Tracer sliding time window interrupt for MSMC SRAM bank 4               |
| 378       | TRACER_MSMC_7_INT       | Tracer sliding time window interrupt for MSMC SRAM bank 4               |

**Table 7-25. CIC2 Event Inputs (Secondary Events for EDMA3CC and Hyperlink) (continued)**

| EVENT NO. | EVENT NAME              | DESCRIPTION   |
|-----------|-------------------------|---|
| 379       | TRACER_PCIE1_INT        | Tracer sliding time window interrupt for PCIE1                  |
| 380       | Reserved                | Reserved  |
| 381       | Reserved                | Reserved  |
| 382       | Reserved                | Reserved  |
| 383       | Reserved                | Reserved  |
| 384       | TRACER_SPI_ROM_EMIF_INT | Tracer sliding time window interrupt for SPI/ROM/EMIF16 modules |
| 385       | Reserved                | Reserved  |
| 386       | TRACER_USB1_INT         | Tracer sliding time window interrupt for USB1 CFG port tracer   |
| 387       | TIMER_8_INTL            | Timer interrupt low   |
| 388       | TIMER_8_INTH            | Timer interrupt high  |
| 389       | TIMER_9_INTL            | Timer interrupt low   |
| 390       | TIMER_9_INTH            | Timer interrupt high  |
| 391       | TIMER_10_INTL           | Timer interrupt low   |
| 392       | TIMER_10_INTH           | Timer interrupt high  |
| 393       | TIMER_11_INTL           | Timer interrupt low   |
| 394       | TIMER_11_INTH           | Timer interrupt high  |
| 395       | TIMER_14_INTL           | Timer interrupt low   |
| 396       | TIMER_14_INTH           | Timer interrupt high  |
| 397       | TIMER_15_INTL           | Timer interrupt low   |
| 398       | TIMER_15_INTH           | Timer interrupt high  |
| 399       | USB_0_INT00             | USB 0 event ring 0 interrupt                                    |
| 400       | USB_0_INT01             | USB 0 event ring 1 interrupt                                    |
| 401       | USB_0_INT02             | USB 0 event ring 2 interrupt                                    |
| 402       | USB_0_INT03             | USB 0 event ring 3 interrupt                                    |
| 403       | USB_0_INT04             | USB 0 event ring 4 interrupt                                    |
| 404       | USB_0_INT05             | USB 0 event ring 5 interrupt                                    |
| 405       | USB_0_INT06             | USB 0 event ring 6 interrupt                                    |
| 406       | USB_0_INT07             | USB 0 event ring 7 interrupt                                    |
| 407       | USB_0_INT08             | USB 0 event ring 8 interrupt                                    |
| 408       | USB_0_INT09             | USB 0 event ring 9 interrupt                                    |
| 409       | USB_0_INT10             | USB 0 event ring 10 interrupt                                   |
| 410       | USB_0_INT11             | USB 0 event ring 11 interrupt                                   |
| 411       | USB_0_INT12             | USB 0 event ring 12 interrupt                                   |
| 412       | USB_0_INT13             | USB 0 event ring 13 interrupt                                   |
| 413       | USB_0_INT14             | USB 0 event ring 14 interrupt                                   |
| 414       | USB_0_INT15             | USB 0 event ring 15 interrupt                                   |
| 415       | USB_0_MISCSINT          | USB 0 Miscellaneous interrupt                                   |
| 416       | USB_0_OABSINT           | USB 0 OABS interrupt  |
| 417       | Reserved                | Reserved  |
| 418       | USB_1_INT00             | USB 1 event ring 0 interrupt                                    |
| 419       | USB_1_INT01             | USB 1 event ring 1 interrupt                                    |
| 420       | USB_1_INT02             | USB 1 event ring 2 interrupt                                    |
| 421       | USB_1_INT03             | USB 1 event ring 3 interrupt                                    |
| 422       | USB_1_INT04             | USB 1 event ring 4 interrupt                                    |
| 423       | USB_1_INT05             | USB 1 event ring 5 interrupt                                    |
| 424       | USB_1_INT06             | USB 1 event ring 6 interrupt                                    |
| 425       | USB_1_INT07             | USB 1 event ring 7 interrupt                                    |

**Table 7-25. CIC2 Event Inputs (Secondary Events for EDMA3CC and Hyperlink) (continued)**

| EVENT NO. | EVENT NAME     | DESCRIPTION  |
|-----------|----------------|--|
| 426       | USB_1_INT08    | USB 1 event ring 8 interrupt                               |
| 427       | USB_1_INT09    | USB 1 event ring 9 interrupt                               |
| 428       | USB_1_INT10    | USB 1 event ring 10 interrupt                              |
| 429       | USB_1_INT11    | USB 1 event ring 11 interrupt                              |
| 430       | USB_1_INT12    | USB 1 event ring 12 interrupt                              |
| 431       | USB_1_INT13    | USB 1 event ring 13 interrupt                              |
| 432       | USB_1_INT14    | USB 1 event ring 14 interrupt                              |
| 433       | USB_1_INT15    | USB 1 event ring 15 interrupt                              |
| 434       | USB_1_MISCIINT | USB 1 miscellaneous interrupt                              |
| 435       | USB_1_OABSINT  | USB 1 OABS interrupt                                       |
| 436       | Reserved       | Reserved   |
| 437       | Reserved       | Reserved   |
| 438       | Reserved       | Reserved   |
| 439       | Reserved       | Reserved   |
| 440       | Reserved       | Reserved   |
| 441       | Reserved       | Reserved   |
| 442       | TETB_OVFLINT0  | ETB0 overflow (emulation trace buffer)                     |
| 443       | TETB_UNFLINT0  | ETB0 underflow   |
| 444       | TIMER_0_INTL   | Timer interrupt low  |
| 445       | TIMER_0_INTH   | Timer interrupt high                                       |
| 446       | TIMER_12_INTL  | Timer interrupt low  |
| 447       | TIMER_12_INTH  | Timer interrupt high                                       |
| 448       | TIMER_13_INTL  | Timer interrupt low  |
| 449       | TIMER_13_INTH  | Timer interrupt high                                       |
| 450       | TIMER_16_INTL  | Timer interrupt low  |
| 451       | TIMER_16_INTH  | Timer interrupt high                                       |
| 452       | TIMER_17_INTL  | Timer interrupt low  |
| 453       | TIMER_17_INTH  | Timer interrupt high                                       |
| 454       | TIMER_18_INTL  | Timer interrupt low  |
| 455       | TIMER_18_INTH  | Timer interrupt high                                       |
| 456       | TIMER_19_INTL  | Timer interrupt low  |
| 457       | TIMER_19_INTH  | Timer interrupt high                                       |
| 458       | Reserved       | Reserved   |
| 459       | RSTMUX_INT8    | Boot config watchdog timer expiration event for ARM Core 0 |
| 460       | RSTMUX_INT9    | Boot config watchdog timer expiration event for ARM Core 1 |
| 461       | RSTMUX_INT10   | Boot config watchdog timer expiration event for ARM Core 2 |
| 462       | RSTMUX_INT11   | Boot config watchdog timer expiration event for ARM Core 3 |
| 463       | GPIO_INT0      | GPIO interrupt   |
| 464       | GPIO_INT1      | GPIO interrupt   |
| 465       | GPIO_INT2      | GPIO interrupt   |
| 466       | GPIO_INT3      | GPIO interrupt   |
| 467       | GPIO_INT4      | GPIO interrupt   |
| 468       | GPIO_INT5      | GPIO interrupt   |
| 469       | GPIO_INT6      | GPIO interrupt   |
| 470       | GPIO_INT7      | GPIO interrupt   |
| 471       | IPC_GR0        | IPC interrupt generation                                   |
| 472       | Reserved       | Reserved   |

**Table 7-25. CIC2 Event Inputs (Secondary Events for EDMA3CC and Hyperlink) (continued)**

| EVENT NO. | EVENT NAME | DESCRIPTION |
|-----------|------------|-------------|
| 473       | Reserved   | Reserved    |
| 474       | Reserved   | Reserved    |
| 475       | Reserved   | Reserved    |
| 476       | Reserved   | Reserved    |
| 477       | Reserved   | Reserved    |
| 478       | Reserved   | Reserved    |

### 7.3.2 CIC Registers

This section includes the CIC memory map information and registers.

#### 7.3.2.1 CIC0 Register Map

**Table 7-26. CIC0 Registers**

| ADDRESS OFFSET | REGISTER MNEMONIC         | REGISTER NAME                        |
|----------------|---------------------------|--------------------------------------|
| 0x0            | REVISION_REG              | Revision Register                    |
| 0x4            | CONTROL_REG               | Control Register                     |
| 0xC            | HOST_CONTROL_REG          | Host Control Register                |
| 0x10           | GLOBAL_ENABLE_HINT_REG    | Global Host Int Enable Register      |
| 0x20           | STATUS_SET_INDEX_REG      | Status Set Index Register            |
| 0x24           | STATUS_CLR_INDEX_REG      | Status Clear Index Register          |
| 0x28           | ENABLE_SET_INDEX_REG      | Enable Set Index Register            |
| 0x2C           | ENABLE_CLR_INDEX_REG      | Enable Clear Index Register          |
| 0x34           | HINT_ENABLE_SET_INDEX_REG | Host Int Enable Set Index Register   |
| 0x38           | HINT_ENABLE_CLR_INDEX_REG | Host Int Enable Clear Index Register |
| 0x200          | RAW_STATUS_REG0           | Raw Status Register 0                |
| 0x204          | RAW_STATUS_REG1           | Raw Status Register 1                |
| 0x208          | RAW_STATUS_REG2           | Raw Status Register 2                |
| 0x20C          | RAW_STATUS_REG3           | Raw Status Register 3                |
| 0x210          | RAW_STATUS_REG4           | Raw Status Register 4                |
| 0x214          | RAW_STATUS_REG5           | Raw Status Register 5                |
| 0x218          | RAW_STATUS_REG6           | Raw Status Register 6                |
| 0x21C          | RAW_STATUS_REG7           | Raw Status Register 7                |
| 0x220          | RAW_STATUS_REG8           | Raw Status Register 8                |
| 0x224          | RAW_STATUS_REG9           | Raw Status Register 9                |
| 0x228          | RAW_STATUS_REG10          | Raw Status Register 10               |
| 0x22C          | RAW_STATUS_REG11          | Raw Status Register 11               |
| 0x230          | RAW_STATUS_REG12          | Raw Status Register 12               |
| 0x234          | RAW_STATUS_REG13          | Raw Status Register 13               |
| 0x238          | RAW_STATUS_REG14          | Raw Status Register 14               |
| 0x23C          | RAW_STATUS_REG15          | Raw Status Register 15               |
| 0x280          | ENA_STATUS_REG0           | Enabled Status Register 0            |
| 0x284          | ENA_STATUS_REG1           | Enabled Status Register 1            |
| 0x288          | ENA_STATUS_REG2           | Enabled Status Register 2            |
| 0x28C          | ENA_STATUS_REG3           | Enabled Status Register 3            |
| 0x290          | ENA_STATUS_REG4           | Enabled Status Register 4            |
| 0x294          | ENA_STATUS_REG5           | Enabled Status Register 5            |

**Table 7-26. CIC0 Registers (continued)**

| ADDRESS OFFSET | REGISTER MNEMONIC | REGISTER NAME                                 |
|----------------|-------------------|---|
| 0x298          | ENA_STATUS_REG6   | Enabled Status Register 6                     |
| 0x29C          | ENA_STATUS_REG7   | Enabled Status Register 7                     |
| 0x2A0          | ENA_STATUS_REG8   | Enabled Status Register 8                     |
| 0x2A4          | ENA_STATUS_REG9   | Enabled Status Register 9                     |
| 0x2A8          | ENA_STATUS_REG10  | Enabled Status Register 10                    |
| 0x2AC          | ENA_STATUS_REG11  | Enabled Status Register 11                    |
| 0x2B0          | ENA_STATUS_REG12  | Enabled Status Register 12                    |
| 0x2B4          | ENA_STATUS_REG13  | Enabled Status Register 13                    |
| 0x2B8          | ENA_STATUS_REG14  | Enabled Status Register 14                    |
| 0x2BC          | ENA_STATUS_REG15  | Enabled Status Register 15                    |
| 0x300          | ENABLE_REG0       | Enable Register 0                             |
| 0x304          | ENABLE_REG1       | Enable Register 1                             |
| 0x308          | ENABLE_REG2       | Enable Register 2                             |
| 0x30C          | ENABLE_REG3       | Enable Register 3                             |
| 0x310          | ENABLE_REG4       | Enable Register 4                             |
| 0x314          | ENABLE_REG5       | Enable Register 5                             |
| 0x318          | ENABLE_REG6       | Enable Register 6                             |
| 0x31C          | ENABLE_REG7       | Enable Register 7                             |
| 0x320          | ENABLE_REG8       | Enable Register 8                             |
| 0x324          | ENABLE_REG9       | Enable Register 9                             |
| 0x328          | ENABLE_REG10      | Enable Register 10                            |
| 0x32C          | ENABLE_REG11      | Enable Register 11                            |
| 0x330          | ENABLE_REG12      | Enable Register 12                            |
| 0x334          | ENABLE_REG13      | Enable Register 13                            |
| 0x338          | ENABLE_REG14      | Enable Register 14                            |
| 0x33C          | ENABLE_REG15      | Enable Register 15                            |
| 0x380          | ENABLE_CLR_REG0   | Enable Clear Register 0                       |
| 0x384          | ENABLE_CLR_REG1   | Enable Clear Register 1                       |
| 0x388          | ENABLE_CLR_REG2   | Enable Clear Register 2                       |
| 0x38C          | ENABLE_CLR_REG3   | Enable Clear Register 3                       |
| 0x390          | ENABLE_CLR_REG4   | Enable Clear Register 4                       |
| 0x394          | ENABLE_CLR_REG5   | Enable Clear Register 5                       |
| 0x398          | ENABLE_CLR_REG6   | Enable Clear Register 6                       |
| 0x39C          | ENABLE_CLR_REG7   | Enable Clear Register 7                       |
| 0x3A0          | ENABLE_CLR_REG8   | Enable Clear Register 8                       |
| 0x3A4          | ENABLE_CLR_REG9   | Enable Clear Register 9                       |
| 0x3A8          | ENABLE_CLR_REG10  | Enable Clear Register 10                      |
| 0x3AC          | ENABLE_CLR_REG11  | Enable Clear Register 11                      |
| 0x3B0          | ENABLE_CLR_REG12  | Enable Clear Register 12                      |
| 0x3B4          | ENABLE_CLR_REG13  | Enable Clear Register 13                      |
| 0x3B8          | ENABLE_CLR_REG14  | Enable Clear Register 14                      |
| 0x38C          | ENABLE_CLR_REG15  | Enable Clear Register 15                      |
| 0x400          | CH_MAP_REG0       | Interrupt Channel Map Register for 0 to 0+3   |
| 0x404          | CH_MAP_REG1       | Interrupt Channel Map Register for 4 to 4+3   |
| 0x408          | CH_MAP_REG2       | Interrupt Channel Map Register for 8 to 8+3   |
| 0x40C          | CH_MAP_REG3       | Interrupt Channel Map Register for 12 to 12+3 |
| 0x410          | CH_MAP_REG4       | Interrupt Channel Map Register for 16 to 16+3 |



**Table 7-26. CIC0 Registers (continued)**

| ADDRESS OFFSET | REGISTER MNEMONIC | REGISTER NAME                                   |
|----------------|-------------------|---|
| 0x414          | CH_MAP_REG5       | Interrupt Channel Map Register for 20 to 20+3   |
| 0x418          | CH_MAP_REG6       | Interrupt Channel Map Register for 24 to 24+3   |
| 0x41C          | CH_MAP_REG7       | Interrupt Channel Map Register for 28 to 28+3   |
| 0x420          | CH_MAP_REG8       | Interrupt Channel Map Register for 32 to 32+3   |
| 0x424          | CH_MAP_REG9       | Interrupt Channel Map Register for 36 to 36+3   |
| 0x428          | CH_MAP_REG10      | Interrupt Channel Map Register for 40 to 40+3   |
| 0x42C          | CH_MAP_REG11      | Interrupt Channel Map Register for 44 to 44+3   |
| 0x430          | CH_MAP_REG12      | Interrupt Channel Map Register for 48 to 48+3   |
| 0x434          | CH_MAP_REG13      | Interrupt Channel Map Register for 52 to 52+3   |
| 0x438          | CH_MAP_REG14      | Interrupt Channel Map Register for 56 to 56+3   |
| 0x43C          | CH_MAP_REG15      | Interrupt Channel Map Register for 60 to 60+3   |
| 0x440          | CH_MAP_REG16      | Interrupt Channel Map Register for 64 to 64+3   |
| 0x444          | CH_MAP_REG17      | Interrupt Channel Map Register for 68 to 68+3   |
| 0x448          | CH_MAP_REG18      | Interrupt Channel Map Register for 72 to 72+3   |
| 0x44C          | CH_MAP_REG19      | Interrupt Channel Map Register for 76 to 76+3   |
| 0x450          | CH_MAP_REG20      | Interrupt Channel Map Register for 80 to 80+3   |
| 0x454          | CH_MAP_REG21      | Interrupt Channel Map Register for 84 to 84+3   |
| 0x458          | CH_MAP_REG22      | Interrupt Channel Map Register for 88 to 88+3   |
| 0x45C          | CH_MAP_REG23      | Interrupt Channel Map Register for 92 to 92+3   |
| 0x460          | CH_MAP_REG24      | Interrupt Channel Map Register for 96 to 96+3   |
| 0x464          | CH_MAP_REG25      | Interrupt Channel Map Register for 100 to 100+3 |
| 0x468          | CH_MAP_REG26      | Interrupt Channel Map Register for 104 to 104+3 |
| 0x46C          | CH_MAP_REG27      | Interrupt Channel Map Register for 108 to 108+3 |
| 0x470          | CH_MAP_REG28      | Interrupt Channel Map Register for 112 to 112+3 |
| 0x474          | CH_MAP_REG29      | Interrupt Channel Map Register for 116 to 116+3 |
| 0x478          | CH_MAP_REG30      | Interrupt Channel Map Register for 120 to 120+3 |
| 0x47C          | CH_MAP_REG31      | Interrupt Channel Map Register for 124 to 124+3 |
| 0x480          | CH_MAP_REG32      | Interrupt Channel Map Register for 128 to 128+3 |
| 0x484          | CH_MAP_REG33      | Interrupt Channel Map Register for 132 to 132+3 |
| 0x488          | CH_MAP_REG34      | Interrupt Channel Map Register for 136 to 136+3 |
| 0x48C          | CH_MAP_REG35      | Interrupt Channel Map Register for 140 to 140+3 |
| 0x490          | CH_MAP_REG36      | Interrupt Channel Map Register for 144 to 144+3 |
| 0x494          | CH_MAP_REG37      | Interrupt Channel Map Register for 148 to 148+3 |
| 0x498          | CH_MAP_REG38      | Interrupt Channel Map Register for 152 to 152+3 |
| 0x49C          | CH_MAP_REG39      | Interrupt Channel Map Register for 156 to 156+3 |
| 0x4a0          | CH_MAP_REG40      | Interrupt Channel Map Register for 160 to 160+3 |
| 0x4a4          | CH_MAP_REG41      | Interrupt Channel Map Register for 164 to 164+3 |
| 0x4a8          | CH_MAP_REG42      | Interrupt Channel Map Register for 168 to 168+3 |
| 0x4AC          | CH_MAP_REG43      | Interrupt Channel Map Register for 172 to 172+3 |
| 0x4b0          | CH_MAP_REG44      | Interrupt Channel Map Register for 176 to 176+3 |
| 0x4b4          | CH_MAP_REG45      | Interrupt Channel Map Register for 180 to 180+3 |
| 0x4b8          | CH_MAP_REG46      | Interrupt Channel Map Register for 184 to 184+3 |
| 0x4BC          | CH_MAP_REG47      | Interrupt Channel Map Register for 188 to 188+3 |
| 0x4C0          | CH_MAP_REG48      | Interrupt Channel Map Register for 192 to 192+3 |
| 0x4C4          | CH_MAP_REG49      | Interrupt Channel Map Register for 196 to 196+3 |
| 0x4C8          | CH_MAP_REG50      | Interrupt Channel Map Register for 200 to 200+3 |
| 0x4CC          | CH_MAP_REG51      | Interrupt Channel Map Register for 204 to 204+3 |

**Table 7-26. CIC0 Registers (continued)**

| ADDRESS OFFSET | REGISTER MNEMONIC | REGISTER NAME                                   |
|----------------|-------------------|---|
| 0X4D0          | CH_MAP_REG52      | Interrupt Channel Map Register for 208 to 208+3 |
| 0X4D4          | CH_MAP_REG53      | Interrupt Channel Map Register for 212 to 212+3 |
| 0X4D8          | CH_MAP_REG54      | Interrupt Channel Map Register for 216 to 216+3 |
| 0X4DC          | CH_MAP_REG55      | Interrupt Channel Map Register for 220 to 220+3 |
| 0X4E0          | CH_MAP_REG56      | Interrupt Channel Map Register for 224 to 224+3 |
| 0X4E4          | CH_MAP_REG57      | Interrupt Channel Map Register for 228 to 228+3 |
| 0X4E8          | CH_MAP_REG58      | Interrupt Channel Map Register for 232 to 232+3 |
| 0X4FC          | CH_MAP_REG59      | Interrupt Channel Map Register for 236 to 236+3 |
| 0X4F0          | CH_MAP_REG60      | Interrupt Channel Map Register for 240 to 240+3 |
| 0X4F4          | CH_MAP_REG61      | Interrupt Channel Map Register for 244 to 244+3 |
| 0X4F8          | CH_MAP_REG62      | Interrupt Channel Map Register for 248 to 248+3 |
| 0X4FC          | CH_MAP_REG63      | Interrupt Channel Map Register for 252 to 252+3 |
| 0X500          | CH_MAP_REG64      | Interrupt Channel Map Register for 256 to 256+3 |
| 0X504          | CH_MAP_REG65      | Interrupt Channel Map Register for 260 to 260+3 |
| 0X508          | CH_MAP_REG66      | Interrupt Channel Map Register for 264 to 264+3 |
| 0X50C          | CH_MAP_REG67      | Interrupt Channel Map Register for 268 to 268+3 |
| 0X510          | CH_MAP_REG68      | Interrupt Channel Map Register for 272 to 272+3 |
| 0X514          | CH_MAP_REG69      | Interrupt Channel Map Register for 276 to 276+3 |
| 0X518          | CH_MAP_REG70      | Interrupt Channel Map Register for 280 to 280+3 |
| 0X51C          | CH_MAP_REG71      | Interrupt Channel Map Register for 284 to 284+3 |
| 0X520          | CH_MAP_REG72      | Interrupt Channel Map Register for 288 to 288+3 |
| 0X524          | CH_MAP_REG73      | Interrupt Channel Map Register for 292 to 292+3 |
| 0X528          | CH_MAP_REG74      | Interrupt Channel Map Register for 296 to 296+3 |
| 0X52C          | CH_MAP_REG75      | Interrupt Channel Map Register for 300 to 300+3 |
| 0X520          | CH_MAP_REG76      | Interrupt Channel Map Register for 304 to 304+3 |
| 0X524          | CH_MAP_REG77      | Interrupt Channel Map Register for 308 to 308+3 |
| 0X528          | CH_MAP_REG78      | Interrupt Channel Map Register for 312 to 312+3 |
| 0x52C          | CH_MAP_REG79      | Interrupt Channel Map Register for 316 to 316+3 |
| 0x530          | CH_MAP_REG80      | Interrupt Channel Map Register for 320 to 320+3 |
| 0x534          | CH_MAP_REG81      | Interrupt Channel Map Register for 324 to 324+3 |
| 0x538          | CH_MAP_REG82      | Interrupt Channel Map Register for 328 to 328+3 |
| 0x53C          | CH_MAP_REG83      | Interrupt Channel Map Register for 332 to 332+3 |
| 0x540          | CH_MAP_REG84      | Interrupt Channel Map Register for 336 to 336+3 |
| 0x544          | CH_MAP_REG85      | Interrupt Channel Map Register for 340 to 340+3 |
| 0x548          | CH_MAP_REG86      | Interrupt Channel Map Register for 344 to 344+3 |
| 0x54C          | CH_MAP_REG87      | Interrupt Channel Map Register for 348 to 348+3 |
| 0x550          | CH_MAP_REG88      | Interrupt Channel Map Register for 352 to 352+3 |
| 0x554          | CH_MAP_REG89      | Interrupt Channel Map Register for 356 to 356+3 |
| 0x558          | CH_MAP_REG90      | Interrupt Channel Map Register for 360 to 360+3 |
| 0x55C          | CH_MAP_REG91      | Interrupt Channel Map Register for 364 to 364+3 |
| 0x560          | CH_MAP_REG92      | Interrupt Channel Map Register for 368 to 368+3 |
| 0x564          | CH_MAP_REG93      | Interrupt Channel Map Register for 372 to 372+3 |
| 0x568          | CH_MAP_REG94      | Interrupt Channel Map Register for 376 to 376+3 |
| 0x56C          | CH_MAP_REG95      | Interrupt Channel Map Register for 380 to 380+3 |
| 0x570          | CH_MAP_REG96      | Interrupt Channel Map Register for 384 to 384+3 |
| 0x574          | CH_MAP_REG97      | Interrupt Channel Map Register for 388 to 388+3 |
| 0x578          | CH_MAP_REG98      | Interrupt Channel Map Register for 392 to 392+3 |

**Table 7-26. CIC0 Registers (continued)**

| ADDRESS OFFSET | REGISTER MNEMONIC | REGISTER NAME                                   |
|----------------|-------------------|---|
| 0x57C          | CH_MAP_REG99      | Interrupt Channel Map Register for 396 to 396+3 |
| 0x580          | CH_MAP_REG100     | Interrupt Channel Map Register for 400 to 400+3 |
| 0x584          | CH_MAP_REG101     | Interrupt Channel Map Register for 404 to 404+3 |
| 0x588          | CH_MAP_REG102     | Interrupt Channel Map Register for 408 to 408+3 |
| 0x58C          | CH_MAP_REG103     | Interrupt Channel Map Register for 412 to 412+3 |
| 0x590          | CH_MAP_REG104     | Interrupt Channel Map Register for 416 to 416+3 |
| 0x594          | CH_MAP_REG105     | Interrupt Channel Map Register for 420 to 420+3 |
| 0x598          | CH_MAP_REG106     | Interrupt Channel Map Register for 424 to 424+3 |
| 0x59C          | CH_MAP_REG107     | Interrupt Channel Map Register for 428 to 428+3 |
| 0x5A0          | CH_MAP_REG108     | Interrupt Channel Map Register for 432 to 432+3 |
| 0x5A4          | CH_MAP_REG109     | Interrupt Channel Map Register for 436 to 436+3 |
| 0x5A8          | CH_MAP_REG110     | Interrupt Channel Map Register for 440 to 440+3 |
| 0x5AC          | CH_MAP_REG111     | Interrupt Channel Map Register for 444 to 444+3 |
| 0x5B0          | CH_MAP_REG112     | Interrupt Channel Map Register for 448 to 448+3 |
| 0x5B4          | CH_MAP_REG113     | Interrupt Channel Map Register for 452 to 452+3 |
| 0x5B8          | CH_MAP_REG114     | Interrupt Channel Map Register for 456 to 456+3 |
| 0x5BC          | CH_MAP_REG115     | Interrupt Channel Map Register for 460 to 460+3 |
| 0x5C0          | CH_MAP_REG116     | Interrupt Channel Map Register for 464 to 464+3 |
| 0x5C4          | CH_MAP_REG117     | Interrupt Channel Map Register for 468 to 468+3 |
| 0x5C8          | CH_MAP_REG118     | Interrupt Channel Map Register for 472 to 472+3 |
| 0x5CC          | CH_MAP_REG119     | Interrupt Channel Map Register for 476 to 476+3 |
| 0x5D0          | CH_MAP_REG120     | Interrupt Channel Map Register for 480 to 480+3 |
| 0x5D4          | CH_MAP_REG121     | Interrupt Channel Map Register for 484 to 484+3 |
| 0x5D8          | CH_MAP_REG122     | Interrupt Channel Map Register for 488 to 488+3 |
| 0x5DC          | CH_MAP_REG123     | Interrupt Channel Map Register for 492 to 492+3 |
| 0x5E0          | CH_MAP_REG124     | Interrupt Channel Map Register for 496 to 496+3 |
| 0x5E4          | CH_MAP_REG125     | Interrupt Channel Map Register for 500 to 500+3 |
| 0x5E8          | CH_MAP_REG126     | Interrupt Channel Map Register for 504 to 504+3 |
| 0x5EC          | CH_MAP_REG127     | Interrupt Channel Map Register for 508 to 508+3 |
| 0x5F0          | CH_MAP_REG128     | Interrupt Channel Map Register for 512 to 512+3 |
| 0x5F4          | CH_MAP_REG129     | Interrupt Channel Map Register for 516 to 516+3 |
| 0x5F8          | CH_MAP_REG130     | Interrupt Channel Map Register for 520 to 520+3 |
| 0x5FC          | CH_MAP_REG131     | Interrupt Channel Map Register for 524 to 524+3 |
| 0x600          | CH_MAP_REG132     | Interrupt Channel Map Register for 528 to 528+3 |
| 0x604          | CH_MAP_REG133     | Interrupt Channel Map Register for 532 to 532+3 |
| 0x608          | CH_MAP_REG134     | Interrupt Channel Map Register for 536 to 536+3 |
| 0x60C          | CH_MAP_REG135     | Interrupt Channel Map Register for 540 to 540+3 |
| 0x610          | CH_MAP_REG136     | Interrupt Channel Map Register for 544 to 544+3 |
| 0x614          | CH_MAP_REG137     | Interrupt Channel Map Register for 548 to 548+3 |
| 0x618          | CH_MAP_REG138     | Interrupt Channel Map Register for 552 to 552+3 |
| 0x61C          | CH_MAP_REG139     | Interrupt Channel Map Register for 556 to 556+3 |
| 0x620          | CH_MAP_REG140     | Interrupt Channel Map Register for 560 to 560+3 |
| 0x624          | CH_MAP_REG141     | Interrupt Channel Map Register for 564 to 564+3 |
| 0x628          | CH_MAP_REG142     | Interrupt Channel Map Register for 568 to 568+3 |
| 0x62C          | CH_MAP_REG143     | Interrupt Channel Map Register for 572 to 572+3 |
| 0x630          | CH_MAP_REG144     | Interrupt Channel Map Register for 576 to 576+3 |
| 0x634          | CH_MAP_REG145     | Interrupt Channel Map Register for 580 to 580+3 |

**Table 7-26. CIC0 Registers (continued)**

| ADDRESS OFFSET | REGISTER MNEMONIC | REGISTER NAME                                   |
|----------------|-------------------|---|
| 0x638          | CH_MAP_REG146     | Interrupt Channel Map Register for 584 to 584+3 |
| 0x63C          | CH_MAP_REG147     | Interrupt Channel Map Register for 588 to 588+3 |
| 0x640          | CH_MAP_REG148     | Interrupt Channel Map Register for 592 to 592+3 |
| 0x644          | CH_MAP_REG149     | Interrupt Channel Map Register for 596 to 596+3 |
| 0x648          | CH_MAP_REG150     | Interrupt Channel Map Register for 600 to 600+3 |
| 0x64C          | CH_MAP_REG151     | Interrupt Channel Map Register for 604 to 604+3 |
| 0x650          | CH_MAP_REG152     | Interrupt Channel Map Register for 608 to 608+3 |
| 0x654          | CH_MAP_REG153     | Interrupt Channel Map Register for 612 to 612+3 |
| 0x658          | CH_MAP_REG154     | Interrupt Channel Map Register for 616 to 616+3 |
| 0x65C          | CH_MAP_REG155     | Interrupt Channel Map Register for 620 to 620+3 |
| 0x660          | CH_MAP_REG156     | Interrupt Channel Map Register for 624 to 624+3 |
| 0x664          | CH_MAP_REG157     | Interrupt Channel Map Register for 628 to 628+3 |
| 0x668          | CH_MAP_REG158     | Interrupt Channel Map Register for 632 to 632+3 |
| 0x66C          | CH_MAP_REG159     | Interrupt Channel Map Register for 636 to 636+3 |
| 0x670          | CH_MAP_REG160     | Interrupt Channel Map Register for 640 to 640+3 |
| 0x674          | CH_MAP_REG161     | Interrupt Channel Map Register for 644 to 644+3 |
| 0x678          | CH_MAP_REG162     | Interrupt Channel Map Register for 648 to 648+3 |
| 0x67C          | CH_MAP_REG163     | Interrupt Channel Map Register for 652 to 652+3 |
| 0x680          | CH_MAP_REG164     | Interrupt Channel Map Register for 656 to 656+3 |
| 0x684          | CH_MAP_REG165     | Interrupt Channel Map Register for 660 to 660+3 |
| 0x688          | CH_MAP_REG166     | Interrupt Channel Map Register for 664 to 664+3 |
| 0x68C          | CH_MAP_REG167     | Interrupt Channel Map Register for 668 to 668+3 |
| 0x690          | CH_MAP_REG168     | Interrupt Channel Map Register for 672 to 672+3 |
| 0x694          | CH_MAP_REG169     | Interrupt Channel Map Register for 676 to 676+3 |
| 0x698          | CH_MAP_REG170     | Interrupt Channel Map Register for 680 to 680+3 |
| 0x69C          | CH_MAP_REG171     | Interrupt Channel Map Register for 684 to 684+3 |
| 0x800          | HINT_MAP_REG0     | Host Interrupt Map Register for 0 to 0+3        |
| 0x804          | HINT_MAP_REG1     | Host Interrupt Map Register for 4 to 4+3        |
| 0x808          | HINT_MAP_REG2     | Host Interrupt Map Register for 8 to 8+3        |
| 0x80C          | HINT_MAP_REG3     | Host Interrupt Map Register for 12 to 12+3      |
| 0x810          | HINT_MAP_REG4     | Host Interrupt Map Register for 16 to 16+3      |
| 0x814          | HINT_MAP_REG5     | Host Interrupt Map Register for 20 to 20+3      |
| 0x818          | HINT_MAP_REG6     | Host Interrupt Map Register for 24 to 24+3      |
| 0x81C          | HINT_MAP_REG7     | Host Interrupt Map Register for 28 to 28+3      |
| 0x820          | HINT_MAP_REG8     | Host Interrupt Map Register for 32 to 32+3      |
| 0x824          | HINT_MAP_REG9     | Host Interrupt Map Register for 36 to 36+3      |
| 0x828          | HINT_MAP_REG10    | Host Interrupt Map Register for 40 to 40+3      |
| 0x82C          | HINT_MAP_REG11    | Host Interrupt Map Register for 44 to 44+3      |
| 0x830          | HINT_MAP_REG12    | Host Interrupt Map Register for 48 to 48+3      |
| 0x834          | HINT_MAP_REG13    | Host Interrupt Map Register for 52 to 52+3      |
| 0x838          | HINT_MAP_REG14    | Host Interrupt Map Register for 56 to 56+3      |
| 0x83C          | HINT_MAP_REG15    | Host Interrupt Map Register for 60 to 60+3      |
| 0x840          | HINT_MAP_REG16    | Host Interrupt Map Register for 64 to 64+3      |
| 0x844          | HINT_MAP_REG17    | Host Interrupt Map Register for 68 to 68+3      |
| 0x848          | HINT_MAP_REG18    | Host Interrupt Map Register for 72 to 72+3      |
| 0x84C          | HINT_MAP_REG19    | Host Interrupt Map Register for 76 to 76+3      |
| 0x1500         | ENABLE_HINT_REG0  | Host Int Enable Register 0                      |

**Table 7-26. CIC0 Registers (continued)**

| ADDRESS OFFSET | REGISTER MNEMONIC | REGISTER NAME              |
|----------------|-------------------|----------------------------|
| 0x1504         | ENABLE_HINT_REG1  | Host Int Enable Register 1 |
| 0x1508         | ENABLE_HINT_REG2  | Host Int Enable Register 2 |
| 0x150C         | ENABLE_HINT_REG3  | Host Int Enable Register 3 |

### 7.3.2.2 CIC2 Register Map

**Table 7-27. CIC2 Registers**

| ADDRESS OFFSET | REGISTER MNEMONIC         | REGISTER NAME                        |
|----------------|---------------------------|--------------------------------------|
| 0x0            | REVISION_REG              | Revision Register                    |
| 0x10           | GLOBAL_ENABLE_HINT_REG    | Global Host Int Enable Register      |
| 0x20           | STATUS_SET_INDEX_REG      | Status Set Index Register            |
| 0x24           | STATUS_CLR_INDEX_REG      | Status Clear Index Register          |
| 0x28           | ENABLE_SET_INDEX_REG      | Enable Set Index Register            |
| 0x2C           | ENABLE_CLR_INDEX_REG      | Enable Clear Index Register          |
| 0x34           | HINT_ENABLE_SET_INDEX_REG | Host Int Enable Set Index Register   |
| 0x38           | HINT_ENABLE_CLR_INDEX_REG | Host Int Enable Clear Index Register |
| 0x200          | RAW_STATUS_REG0           | Raw Status Register 0                |
| 0x204          | RAW_STATUS_REG1           | Raw Status Register 1                |
| 0x208          | RAW_STATUS_REG2           | Raw Status Register 2                |
| 0x20C          | RAW_STATUS_REG3           | Raw Status Register 3                |
| 0x210          | RAW_STATUS_REG4           | Raw Status Register 4                |
| 0x214          | RAW_STATUS_REG5           | Raw Status Register 5                |
| 0x218          | RAW_STATUS_REG6           | Raw Status Register 6                |
| 0x21C          | RAW_STATUS_REG7           | Raw Status Register 7                |
| 0x220          | RAW_STATUS_REG8           | Raw Status Register 8                |
| 0x224          | RAW_STATUS_REG9           | Raw Status Register 9                |
| 0x228          | RAW_STATUS_REG10          | Raw Status Register 10               |
| 0x22C          | RAW_STATUS_REG11          | Raw Status Register 11               |
| 0x230          | RAW_STATUS_REG12          | Raw Status Register 12               |
| 0x234          | RAW_STATUS_REG13          | Raw Status Register 13               |
| 0x238          | RAW_STATUS_REG14          | Raw Status Register 14               |
| 0x23C          | RAW_STATUS_REG15          | Raw Status Register 15               |
| 0x280          | ENA_STATUS_REG0           | Enabled Status Register 0            |
| 0x284          | ENA_STATUS_REG1           | Enabled Status Register 1            |
| 0x288          | ENA_STATUS_REG2           | Enabled Status Register 2            |
| 0x28C          | ENA_STATUS_REG3           | Enabled Status Register 3            |
| 0x290          | ENA_STATUS_REG4           | Enabled Status Register 4            |
| 0x294          | ENA_STATUS_REG5           | Enabled Status Register 5            |
| 0x298          | ENA_STATUS_REG6           | Enabled Status Register 6            |
| 0x29C          | ENA_STATUS_REG7           | Enabled Status Register 7            |
| 0x2A0          | ENA_STATUS_REG8           | Enabled Status Register 8            |
| 0x2A4          | ENA_STATUS_REG9           | Enabled Status Register 9            |
| 0x2A8          | ENA_STATUS_REG10          | Enabled Status Register 10           |
| 0x2AC          | ENA_STATUS_REG11          | Enabled Status Register 11           |
| 0x2B0          | ENA_STATUS_REG12          | Enabled Status Register 12           |
| 0x2B4          | ENA_STATUS_REG13          | Enabled Status Register 13           |
| 0x2B8          | ENA_STATUS_REG14          | Enabled Status Register 14           |
| 0x2BC          | ENA_STATUS_REG15          | Enabled Status Register 15           |
| 0x300          | ENABLE_REG0               | Enable Register 0                    |
| 0x304          | ENABLE_REG1               | Enable Register 1                    |
| 0x308          | ENABLE_REG2               | Enable Register 2                    |
| 0x30C          | ENABLE_REG3               | Enable Register 3                    |
| 0x310          | ENABLE_REG4               | Enable Register 4                    |

**Table 7-27. CIC2 Registers (continued)**

| ADDRESS OFFSET | REGISTER MNEMONIC | REGISTER NAME                                   |
|----------------|-------------------|---|
| 0x314          | ENABLE_REG5       | Enable Register 5                               |
| 0x318          | ENABLE_REG6       | Enable Register 6                               |
| 0x31C          | ENABLE_REG7       | Enable Register 7                               |
| 0x320          | ENABLE_REG8       | Enable Register 8                               |
| 0x324          | ENABLE_REG9       | Enable Register 9                               |
| 0x328          | ENABLE_REG10      | Enable Register 10                              |
| 0x32C          | ENABLE_REG11      | Enable Register 11                              |
| 0x330          | ENABLE_REG12      | Enable Register 12                              |
| 0x334          | ENABLE_REG13      | Enable Register 13                              |
| 0x338          | ENABLE_REG14      | Enable Register 14                              |
| 0x33C          | ENABLE_REG15      | Enable Register 15                              |
| 0x380          | ENABLE_CLR_REG0   | Enable Clear Register 0                         |
| 0x384          | ENABLE_CLR_REG1   | Enable Clear Register 1                         |
| 0x388          | ENABLE_CLR_REG2   | Enable Clear Register 2                         |
| 0x38C          | ENABLE_CLR_REG3   | Enable Clear Register 3                         |
| 0x390          | ENABLE_CLR_REG4   | Enable Clear Register 4                         |
| 0x394          | ENABLE_CLR_REG5   | Enable Clear Register 5                         |
| 0x398          | ENABLE_CLR_REG6   | Enable Clear Register 6                         |
| 0x39C          | ENABLE_CLR_REG7   | Enable Clear Register 7                         |
| 0x3A0          | ENABLE_CLR_REG8   | Enable Clear Register 8                         |
| 0x3A4          | ENABLE_CLR_REG9   | Enable Clear Register 9                         |
| 0x3A8          | ENABLE_CLR_REG10  | Enable Clear Register 10                        |
| 0x3AC          | ENABLE_CLR_REG11  | Enable Clear Register 11                        |
| 0x3B0          | ENABLE_CLR_REG12  | Enable Clear Register 12                        |
| 0x3B4          | ENABLE_CLR_REG13  | Enable Clear Register 13                        |
| 0x3B8          | ENABLE_CLR_REG14  | Enable Clear Register 14                        |
| 0x38C          | ENABLE_CLR_REG15  | Enable Clear Register 15                        |
| 0x400          | CH_MAP_REG0       | Interrupt Channel Map Register for 0 to 0+3     |
| 0x404          | CH_MAP_REG1       | Interrupt Channel Map Register for 4 to 4+3     |
| 0x408          | CH_MAP_REG2       | Interrupt Channel Map Register for 8 to 8+3     |
| 0x40C          | CH_MAP_REG3       | Interrupt Channel Map Register for 12 to 12+3   |
| 0x410          | CH_MAP_REG4       | Interrupt Channel Map Register for 16 to 16+3   |
| 0x414          | CH_MAP_REG5       | Interrupt Channel Map Register for 20 to 20+3   |
| 0x418          | CH_MAP_REG6       | Interrupt Channel Map Register for 24 to 24+3   |
| 0x41C          | CH_MAP_REG7       | Interrupt Channel Map Register for 28 to 28+3   |
| 0x420          | CH_MAP_REG8       | Interrupt Channel Map Register for 32 to 32+3   |
| 0x424          | CH_MAP_REG9       | Interrupt Channel Map Register for 36 to 36+3   |
| 0x428          | CH_MAP_REG10      | Interrupt Channel Map Register for 40 to 40+3   |
| 0x42C          | CH_MAP_REG11      | Interrupt Channel Map Register for 44 to 44+3   |
| 0x430          | CH_MAP_REG12      | Interrupt Channel Map Register for 48 to 48+3   |
| 0x434          | CH_MAP_REG13      | Interrupt Channel Map Register for 52 to 52+3   |
| 0x438          | CH_MAP_REG14      | Interrupt Channel Map Register for 56 to 56+3   |
| 0x43C          | CH_MAP_REG15      | Interrupt Channel Map Register for 60 to 60+3   |
| 0x5C0          | CH_MAP_REG116     | Interrupt Channel Map Register for 464 to 464+3 |
| 0x5C4          | CH_MAP_REG117     | Interrupt Channel Map Register for 468 to 468+3 |
| 0x5C8          | CH_MAP_REG118     | Interrupt Channel Map Register for 472 to 472+3 |
| 0x5CC          | CH_MAP_REG119     | Interrupt Channel Map Register for 476 to 476+3 |

**Table 7-27. CIC2 Registers (continued)**

| ADDRESS OFFSET | REGISTER MNEMONIC | REGISTER NAME                                   |
|----------------|-------------------|---|
| 0x5D0          | CH_MAP_REG120     | Interrupt Channel Map Register for 480 to 480+3 |
| 0x5D4          | CH_MAP_REG121     | Interrupt Channel Map Register for 484 to 484+3 |
| 0x5D8          | CH_MAP_REG122     | Interrupt Channel Map Register for 488 to 488+3 |
| 0x5DC          | CH_MAP_REG123     | Interrupt Channel Map Register for 482 to 492+3 |
| 0x5E0          | CH_MAP_REG124     | Interrupt Channel Map Register for 496 to 496+3 |
| 0x5E4          | CH_MAP_REG125     | Interrupt Channel Map Register for 500 to 500+3 |
| 0x5E8          | CH_MAP_REG126     | Interrupt Channel Map Register for 504 to 504+3 |
| 0x5EC          | CH_MAP_REG127     | Interrupt Channel Map Register for 508 to 508+3 |
| 0x5F0          | CH_MAP_REG128     | Interrupt Channel Map Register for 512 to 512+3 |
| 0x5F4          | CH_MAP_REG129     | Interrupt Channel Map Register for 516 to 516+3 |
| 0x5F8          | CH_MAP_REG130     | Interrupt Channel Map Register for 520 to 520+3 |
| 0x5FC          | CH_MAP_REG131     | Interrupt Channel Map Register for 524 to 524+3 |
| 0x600          | CH_MAP_REG132     | Interrupt Channel Map Register for 528 to 528+3 |
| 0x604          | CH_MAP_REG133     | Interrupt Channel Map Register for 532 to 532+3 |
| 0x608          | CH_MAP_REG134     | Interrupt Channel Map Register for 536 to 536+3 |
| 0x60C          | CH_MAP_REG135     | Interrupt Channel Map Register for 540 to 540+3 |
| 0x610          | CH_MAP_REG136     | Interrupt Channel Map Register for 544 to 544+3 |
| 0x614          | CH_MAP_REG137     | Interrupt Channel Map Register for 548 to 548+3 |
| 0x618          | CH_MAP_REG138     | Interrupt Channel Map Register for 552 to 552+3 |
| 0x61C          | CH_MAP_REG139     | Interrupt Channel Map Register for 556 to 556+3 |
| 0x620          | CH_MAP_REG140     | Interrupt Channel Map Register for 560 to 560+3 |
| 0x624          | CH_MAP_REG141     | Interrupt Channel Map Register for 564 to 564+3 |
| 0x628          | CH_MAP_REG142     | Interrupt Channel Map Register for 568 to 568+3 |
| 0x62C          | CH_MAP_REG143     | Interrupt Channel Map Register for 572 to 572+3 |
| 0x630          | CH_MAP_REG144     | Interrupt Channel Map Register for 576 to 576+3 |
| 0x634          | CH_MAP_REG145     | Interrupt Channel Map Register for 580 to 580+3 |
| 0x638          | CH_MAP_REG146     | Interrupt Channel Map Register for 584 to 584+3 |
| 0x63C          | CH_MAP_REG147     | Interrupt Channel Map Register for 588 to 588+3 |
| 0x640          | CH_MAP_REG148     | Interrupt Channel Map Register for 592 to 592+3 |
| 0x644          | CH_MAP_REG149     | Interrupt Channel Map Register for 596 to 596+3 |
| 0x648          | CH_MAP_REG150     | Interrupt Channel Map Register for 600 to 600+3 |
| 0x64C          | CH_MAP_REG151     | Interrupt Channel Map Register for 604 to 604+3 |
| 0x650          | CH_MAP_REG152     | Interrupt Channel Map Register for 608 to 608+3 |
| 0x654          | CH_MAP_REG153     | Interrupt Channel Map Register for 612 to 612+3 |
| 0x658          | CH_MAP_REG154     | Interrupt Channel Map Register for 616 to 616+3 |
| 0x65C          | CH_MAP_REG155     | Interrupt Channel Map Register for 620 to 620+3 |
| 0x660          | CH_MAP_REG156     | Interrupt Channel Map Register for 624 to 624+3 |
| 0x664          | CH_MAP_REG157     | Interrupt Channel Map Register for 628 to 628+3 |
| 0x668          | CH_MAP_REG158     | Interrupt Channel Map Register for 632 to 632+3 |
| 0x66C          | CH_MAP_REG159     | Interrupt Channel Map Register for 636 to 636+3 |
| 0x670          | CH_MAP_REG160     | Interrupt Channel Map Register for 640 to 640+3 |
| 0x674          | CH_MAP_REG161     | Interrupt Channel Map Register for 644 to 644+3 |
| 0x678          | CH_MAP_REG162     | Interrupt Channel Map Register for 648 to 648+3 |
| 0x67C          | CH_MAP_REG163     | Interrupt Channel Map Register for 652 to 652+3 |
| 0x680          | CH_MAP_REG164     | Interrupt Channel Map Register for 656 to 656+3 |
| 0x684          | CH_MAP_REG165     | Interrupt Channel Map Register for 660 to 660+3 |
| 0x688          | CH_MAP_REG166     | Interrupt Channel Map Register for 664 to 664+3 |



**Table 7-27. CIC2 Registers (continued)**

| ADDRESS OFFSET | REGISTER MNEMONIC | REGISTER NAME                                   |
|----------------|-------------------|---|
| 0x68C          | CH_MAP_REG167     | Interrupt Channel Map Register for 668 to 668+3 |
| 0x690          | CH_MAP_REG168     | Interrupt Channel Map Register for 672 to 672+3 |
| 0x694          | CH_MAP_REG169     | Interrupt Channel Map Register for 676 to 676+3 |
| 0x698          | CH_MAP_REG170     | Interrupt Channel Map Register for 680 to 680+3 |
| 0x69C          | CH_MAP_REG171     | Interrupt Channel Map Register for 684 to 684+3 |
| 0x800          | HINT_MAP_REG0     | Host Interrupt Map Register for 0 to 0+3        |
| 0x804          | HINT_MAP_REG1     | Host Interrupt Map Register for 4 to 4+3        |
| 0x808          | HINT_MAP_REG2     | Host Interrupt Map Register for 8 to 8+3        |
| 0x80C          | HINT_MAP_REG3     | Host Interrupt Map Register for 12 to 12+3      |
| 0x810          | HINT_MAP_REG4     | Host Interrupt Map Register for 16 to 16+3      |
| 0x814          | HINT_MAP_REG5     | Host Interrupt Map Register for 20 to 20+3      |
| 0x818          | HINT_MAP_REG6     | Host Interrupt Map Register for 24 to 24+3      |
| 0x81C          | HINT_MAP_REG7     | Host Interrupt Map Register for 28 to 28+3      |
| 0x820          | HINT_MAP_REG8     | Host Interrupt Map Register for 32 to 32+3      |
| 0x824          | HINT_MAP_REG9     | Host Interrupt Map Register for 36 to 36+3      |
| 0x828          | HINT_MAP_REG10    | Host Interrupt Map Register for 40 to 40+3      |
| 0x82C          | HINT_MAP_REG11    | Host Interrupt Map Register for 44 to 44+3      |
| 0x830          | HINT_MAP_REG12    | Host Interrupt Map Register for 48 to 48+3      |
| 0x834          | HINT_MAP_REG13    | Host Interrupt Map Register for 52 to 52+3      |
| 0x838          | HINT_MAP_REG14    | Host Interrupt Map Register for 56 to 56+3      |
| 0x83C          | HINT_MAP_REG15    | Host Interrupt Map Register for 60 to 60+3      |
| 0x840          | HINT_MAP_REG16    | Host Interrupt Map Register for 63 to 63+3      |
| 0x844          | HINT_MAP_REG17    | Host Interrupt Map Register for 66 to 66+3      |
| 0x848          | HINT_MAP_REG18    | Host Interrupt Map Register for 68 to 68+3      |
| 0x84C          | HINT_MAP_REG19    | Host Interrupt Map Register for 72 to 72+3      |
| 0x850          | HINT_MAP_REG20    | Host Interrupt Map Register for 76 to 76+3      |
| 0x854          | HINT_MAP_REG21    | Host Interrupt Map Register for 80 to 80+3      |
| 0x858          | HINT_MAP_REG22    | Host Interrupt Map Register for 84 to 84+3      |
| 0x85C          | HINT_MAP_REG23    | Host Interrupt Map Register for 88 to 88+3      |
| 0x860          | HINT_MAP_REG24    | Host Interrupt Map Register for 92 to 92+3      |
| 0x864          | HINT_MAP_REG25    | Host Interrupt Map Register for 94 to 94+3      |
| 0x868          | HINT_MAP_REG26    | Host Interrupt Map Register for 96 to 96+3      |
| 0x86C          | HINT_MAP_REG27    | Host Interrupt Map Register for 100 to 100+3    |
| 0x1500         | ENABLE_HINT_REG0  | Host Int Enable Register 0                      |
| 0x1504         | ENABLE_HINT_REG1  | Host Int Enable Register 1                      |
| 0x1508         | ENABLE_HINT_REG2  | Host Int Enable Register 2                      |
| 0x150C         | ENABLE_HINT_REG3  | Host Int Enable Register 3                      |

## 7.4 Enhanced Direct Memory Access (EDMA3) Controller

The primary purpose of the EDMA3 is to service user-programmed data transfers between two memory-mapped slave endpoints on the device. The EDMA3 services software-driven paging transfers (e.g., data movement between external memory and internal memory), performs sorting or subframe extraction of various data structures, services event driven peripherals, and offloads data transfers from the device C66x DSP CorePac or the ARM CorePac.

There are 5 EDMA channel controllers on the device:

- EDMA3CC0 has two transfer controllers: TPTC0 and TPTC1

- EDMA3CC1 has four transfer controllers: TPTC0, TPTC1, TPTC2, and TPTC3
- EDMA3CC2 has four transfer controllers: TPTC0, TPTC1, TPTC2, and TPTC3
- EDMA3CC3 has two transfer controllers: TPTC0 and TPTC1
- EDMA3CC4 has two transfer controllers: TPTC0 and TPTC1

In the context of this document, TPTCx is associated with EDMA3CCy, and is referred to as EDMA3CCy TPTCx. Each of the transfer controllers has a direct connection to the switch fabric. [Section 8.2](#) lists the peripherals that can be accessed by the transfer controllers.

EDMA3CC0 is optimized to be used for transfers to/from/within the MSMC and DDR3 subsystems. The others are used for the remaining traffic.

Each EDMA3 channel controller includes the following features:

- Fully orthogonal transfer description
  - 3 transfer dimensions:
    - Array (multiple bytes)
    - Frame (multiple arrays)
    - Block (multiple frames)
  - Single event can trigger transfer of array, frame, or entire block
  - Independent indexes on source and destination
- Flexible transfer definition:
  - Increment or FIFO transfer addressing modes
  - Linking mechanism allows for ping-pong buffering, circular buffering, and repetitive/continuous transfers, all with no CPU intervention
  - Chaining allows multiple transfers to execute with one event
- 512 PaRAM entries for all EDMA3CC
  - Used to define transfer context for channels
  - Each PaRAM entry can be used as a DMA entry, QDMA entry, or link entry
- 64 DMA channels for all EDMA3CC
  - Manually triggered (CPU writes to channel controller register)
  - External event triggered
  - Chain triggered (completion of one transfer triggers another)
- 8 Quick DMA (QDMA) channels per EDMA3CCx
  - Used for software-driven transfers
  - Triggered upon writing to a single PaRAM set entry
- Two transfer controllers and two event queues with programmable system-level priority for EDMA3CC0, EDMA3CC3 and EDMA3CC4
- Four transfer controllers and four event queues with programmable system-level priority for each of EDMA3CC1 and EDMA3CC2
- Interrupt generation for transfer completion and error conditions
- Debug visibility
  - Queue watermarking/threshold allows detection of maximum usage of event queues
  - Error and status recording to facilitate debug

### 7.4.1 EDMA3 Device-Specific Information

The EDMA supports two addressing modes: constant addressing and increment addressing mode. Constant addressing mode is applicable to a very limited set of use cases. For most applications increment mode can be used. For more information on these two addressing modes, see the *KeyStone Architecture Enhanced Direct Memory Access 3 (EDMA3) User's Guide* ([SPRUGS5](#)).

For the range of memory addresses that includes EDMA3 channel controller (EDMA3CC) control registers and EDMA3 transfer controller (TPTC) control registers, see Section [Section 7.1](#). For memory offsets and other details on EDMA3CC and TPTC Control Register entries, see the *KeyStone Architecture Enhanced Direct Memory Access 3 (EDMA3) User's Guide* ([SPRUGS5](#)).

### 7.4.2 EDMA3 Channel Controller Configuration

[Table 7-28](#) shows the configuration for each of the EDMA3 channel controllers present on the device.

**Table 7-28. EDMA3 Channel Controller Configuration**

| DESCRIPTION                                    | EDMA3 CC0 | EDMA3 CC1 | EDMA3 CC2 | EDMA3 CC3 | EDMA3 CC4 |
|--|-----------|-----------|-----------|-----------|-----------|
| Number of DMA channels in channel controller   | 64        | 64        | 64        | 64        | 64        |
| Number of QDMA channels                        | 8         | 8         | 8         | 8         | 8         |
| Number of interrupt channels                   | 64        | 64        | 64        | 64        | 64        |
| Number of PaRAM set entries                    | 512       | 512       | 512       | 512       | 512       |
| Number of event queues                         | 2         | 4         | 4         | 2         | 2         |
| Number of transfer controllers                 | 2         | 4         | 4         | 2         | 2         |
| Memory protection existence                    | Yes       | Yes       | Yes       | Yes       | Yes       |
| Number of memory protection and shadow regions | 8         | 8         | 8         | 8         | 8         |

### 7.4.3 EDMA3 Transfer Controller Configuration

Each transfer controller on the device is designed differently based on considerations like performance requirements, system topology (like main TeraNet bus width, external memory bus width), etc. The parameters that determine the transfer controller configurations are:

- **FIFOSIZE:** Determines the size in bytes for the data FIFO that is the temporary buffer for the in-flight data. The data FIFO is where the read return data read by the TC read controller from the source endpoint is stored and subsequently written out to the destination endpoint by the TC write controller.
- **BUSWIDTH:** The width of the read and write data buses in bytes, for the TC read and write controller, respectively. This is typically equal to the bus width of the main TeraNet interface.
- **Default Burst Size (DBS):** The DBS is the maximum number of bytes per read/write command issued by a transfer controller.
- **DSTREGDEPTH:** This determines the number of destination FIFO register sets. The number of destination FIFO register sets for a transfer controller determines the maximum number of outstanding transfer requests.

All four parameters listed above are fixed by the design of the device.

[Table 7-29](#) shows the configuration of each of the EDMA3 transfer controllers present on the device.

**Table 7-29. EDMA3 Transfer Controller Configuration**

| PARAMETER   | EDMA3 CC0/CC4 |            | EDMA3 CC1  |            |            |            | EDMA3 CC2  |            |            |            | EDMA3CC3   |            |
|-------------|---------------|------------|------------|------------|------------|------------|------------|------------|------------|------------|------------|------------|
|             | TC0           | TC1        | TC0        | TC1        | TC2        | TC3        | TC0        | TC1        | TC2        | TC3        | TC0        | TC1        |
| FIFOSIZE    | 1024 bytes    | 1024 bytes | 1024 bytes | 1024 bytes | 1024 bytes | 1024 bytes | 1024 bytes | 1024 bytes | 1024 bytes | 1024 bytes | 1024 bytes | 1024 bytes |
| BUSWIDTH    | 32 bytes      | 32 bytes   | 16 bytes   | 16 bytes   | 16 bytes   | 16 bytes   | 16 bytes   | 16 bytes   | 16 bytes   | 16 bytes   | 16 bytes   | 16 bytes   |
| DSTREGDEPTH | 4 entries     | 4 entries  | 4 entries  | 4 entries  | 4 entries  | 4 entries  | 4 entries  | 4 entries  | 4 entries  | 4 entries  | 4 entries  | 4 entries  |
| DBS         | 128 bytes     | 128 bytes  | 128 bytes  | 128 bytes  | 128 bytes  | 128 bytes  | 128 bytes  | 128 bytes  | 128 bytes  | 128 bytes  | 64 bytes   | 64 bytes   |

#### 7.4.4 EDMA3 Channel Synchronization Events

The EDMA3 supports up to 64 DMA channels for all EDMA3CC that can be used to service system peripherals and to move data between system memories. DMA channels can be triggered by synchronization events generated by system peripherals. The following tables list the source of the synchronization event associated with each of the EDMA3CC DMA channels. On the 66AK2E0x, the association of each synchronization event and DMA channel is fixed and cannot be reprogrammed.

For more detailed information on the EDMA3 module and how EDMA3 events are enabled, captured, processed, prioritized, linked, chained, and cleared, etc., see the *KeyStone Architecture Enhanced Direct Memory Access 3 (EDMA3) User's Guide* ([SPRUGS5](#)).

**Table 7-30. EDMA3CC0 Events for 66AK2E0x**

| EVENT NO. | EVENT NAME    | DESCRIPTION                      |
|-----------|---------------|----------------------------------|
| 0         | TIMER_8_INTL  | Timer interrupt low              |
| 1         | TIMER_8_INTH  | Timer interrupt high             |
| 2         | TIMER_9_INTL  | Timer interrupt low              |
| 3         | TIMER_9_INTH  | Timer interrupt high             |
| 4         | TIMER_10_INTL | Timer interrupt low              |
| 5         | TIMER_10_INTH | Timer interrupt high             |
| 6         | TIMER_11_INTL | Timer interrupt low              |
| 7         | TIMER_11_INTH | Timer interrupt high             |
| 8         | CIC_2_OUT66   | CIC2 Interrupt Controller output |
| 9         | CIC_2_OUT67   | CIC2 Interrupt Controller output |
| 10        | CIC_2_OUT68   | CIC2 Interrupt Controller output |
| 11        | CIC_2_OUT69   | CIC2 Interrupt Controller output |
| 12        | CIC_2_OUT70   | CIC2 Interrupt Controller output |
| 13        | CIC_2_OUT71   | CIC2 Interrupt Controller output |
| 14        | CIC_2_OUT72   | CIC2 Interrupt Controller output |
| 15        | CIC_2_OUT73   | CIC2 Interrupt Controller output |
| 16        | GPIO_INT8     | GPIO interrupt                   |
| 17        | GPIO_INT9     | GPIO interrupt                   |
| 18        | GPIO_INT10    | GPIO interrupt                   |
| 19        | GPIO_INT11    | GPIO interrupt                   |
| 20        | GPIO_INT12    | GPIO interrupt                   |
| 21        | GPIO_INT13    | GPIO interrupt                   |
| 22        | GPIO_INT14    | GPIO interrupt                   |
| 23        | GPIO_INT15    | GPIO interrupt                   |
| 24        | TIMER_16_INTL | Timer interrupt low              |
| 25        | TIMER_16_INTH | Timer interrupt high             |
| 26        | TIMER_17_INTL | Timer interrupt low              |
| 27        | TIMER_17_INTH | Timer interrupt high             |
| 28        | TIMER_18_INTL | Timer interrupt low              |
| 29        | TIMER_18_INTH | Timer interrupt high             |
| 30        | TIMER_19_INTL | Timer interrupt low              |
| 31        | TIMER_19_INTH | Timer interrupt high             |
| 32        | GPIO_INT0     | GPIO interrupt                   |
| 33        | GPIO_INT1     | GPIO interrupt                   |
| 34        | GPIO_INT2     | GPIO interrupt                   |
| 35        | GPIO_INT3     | GPIO interrupt                   |
| 36        | GPIO_INT4     | GPIO interrupt                   |

**Table 7-30. EDMA3CC0 Events for 66AK2E0x (continued)**

| EVENT NO. | EVENT NAME        | DESCRIPTION  |
|-----------|-------------------|--|
| 37        | GPIO_INT5         | GPIO interrupt   |
| 38        | GPIO_INT6         | GPIO interrupt   |
| 39        | GPIO_INT7         | GPIO interrupt   |
| 40        | TIMER_0_INTL      | Timer interrupt low  |
| 41        | TIMER_0_INTH      | Timer interrupt high                                       |
| 42        | TIMER_12_INTL     | Timer interrupt low  |
| 43        | TIMER_12_INTH     | Timer interrupt high                                       |
| 44        | TIMER_13_INTL     | Timer interrupt low  |
| 45        | TIMER_13_INTH     | Timer interrupt high                                       |
| 46        | SEM_INT0          | Semaphore interrupt  |
| 47        | SEM_INT8          | Semaphore interrupt  |
| 48        | SEM_INT9          | Semaphore interrupt  |
| 49        | SEM_INT10         | Semaphore interrupt  |
| 50        | SEM_INT11         | Semaphore interrupt  |
| 51        | SEM_INT12         | Semaphore interrupt  |
| 52        | DBGTBR_DMAINT     | Debug trace buffer (TBR) DMA event                         |
| 53        | ARM_TBR_DMA       | ARM trace buffer (TBR) DMA event                           |
| 54        | QMSS_QUE_PEND_560 | Navigator transmit queue pending event for indicated queue |
| 55        | QMSS_QUE_PEND_561 | Navigator transmit queue pending event for indicated queue |
| 56        | QMSS_QUE_PEND_562 | Navigator transmit queue pending event for indicated queue |
| 57        | QMSS_QUE_PEND_563 | Navigator transmit queue pending event for indicated queue |
| 58        | QMSS_QUE_PEND_564 | Navigator transmit queue pending event for indicated queue |
| 59        | QMSS_QUE_PEND_565 | Navigator transmit queue pending event for indicated queue |
| 60        | QMSS_QUE_PEND_566 | Navigator transmit queue pending event for indicated queue |
| 61        | QMSS_QUE_PEND_567 | Navigator transmit queue pending event for indicated queue |
| 62        | QMSS_QUE_PEND_568 | Navigator transmit queue pending event for indicated queue |
| 63        | QMSS_QUE_PEND_569 | Navigator transmit queue pending event for indicated queue |

**Table 7-31. EDMA3CC1 Events for 66AK2E0x**

| EVENT NO. | EVENT NAME        | DESCRIPTION  |
|-----------|-------------------|--|
| 0         | GPIO_INT28        | GPIO interrupt   |
| 1         | GPIO_INT29        | GPIO interrupt   |
| 2         | SPI_0_XEVT        | SPI0 transmit event  |
| 3         | SPI_0_REVT        | SPI0 receive event   |
| 4         | SEM_INT8          | Semaphore interrupt  |
| 5         | SEM_INT9          | Semaphore interrupt  |
| 6         | GPIO_INT0         | GPIO interrupt   |
| 7         | GPIO_INT1         | GPIO interrupt   |
| 8         | GPIO_INT2         | GPIO interrupt   |
| 9         | GPIO_INT3         | GPIO interrupt   |
| 10        | QMSS_QUE_PEND_570 | Navigator transmit queue pending event for indicated queue |
| 11        | QMSS_QUE_PEND_571 | Navigator transmit queue pending event for indicated queue |
| 12        | QMSS_QUE_PEND_572 | Navigator transmit queue pending event for indicated queue |
| 13        | QMSS_QUE_PEND_573 | Navigator transmit queue pending event for indicated queue |
| 14        | SEM_INT0          | Semaphore interrupt  |
| 15        | QMSS_QUE_PEND_574 | Navigator transmit queue pending event for indicated queue |
| 16        | QMSS_QUE_PEND_575 | Navigator transmit queue pending event for indicated queue |

**Table 7-31. EDMA3CC1 Events for 66AK2E0x (continued)**

| EVENT NO. | EVENT NAME         | DESCRIPTION  |
|-----------|--------------------|--|
| 17        | QMSS_QUE_PEND_576  | Navigator transmit queue pending event for indicated queue |
| 18        | QMSS_QUE_PEND_577  | Navigator transmit queue pending event for indicated queue |
| 19        | QMSS_QUE_PEND_578  | Navigator transmit queue pending event for indicated queue |
| 20        | QMSS_QUE_PEND_579  | Navigator transmit queue pending event for indicated queue |
| 21        | QMSS_QUE_PEND_580  | Navigator transmit queue pending event for indicated queue |
| 22        | TIMER_8_INTL       | Timer interrupt low  |
| 23        | TIMER_8_INTH       | Timer interrupt high                                       |
| 24        | TIMER_9_INTL       | Timer interrupt low  |
| 25        | TIMER_9_INTH       | Timer interrupt high                                       |
| 26        | TIMER_10_INTL      | Timer interrupt low  |
| 27        | TIMER_10_INTH      | Timer interrupt high                                       |
| 28        | TIMER_11_INTL      | Timer interrupt low  |
| 29        | TIMER_11_INTH      | Timer interrupt high                                       |
| 30        | TIMER_12_INTL      | Timer interrupt low  |
| 31        | TIMER_12_INTH      | Timer interrupt high                                       |
| 32        | TIMER_13_INTL      | Timer interrupt low  |
| 33        | TIMER_13_INTH      | Timer interrupt high                                       |
| 34        | TIMER_14_INTL      | Timer interrupt low  |
| 35        | TIMER_14_INTH      | Timer interrupt high                                       |
| 36        | TIMER_15_INTL      | Timer interrupt low  |
| 37        | TIMER_15_INTH      | Timer interrupt high                                       |
| 38        | SEM_INT10          | Semaphore interrupt  |
| 39        | SEM_INT11          | Semaphore interrupt  |
| 40        | SEM_INT12          | Semaphore interrupt  |
| 41        | SR_0_SR_TEMPSENSOR | SmartReflex temperature threshold crossing interrupt       |
| 42        | TSIP_RCV_FINT0     | TSIP receive frame interrupt for Channel 0                 |
| 43        | TSIP_XMT_FINT0     | TSIP transmit frame interrupt for Channel 0                |
| 44        | TSIP_RCV_SFINT0    | TSIP receive super frame interrupt for Channel 0           |
| 45        | TSIP_XMT_SFINT0    | TSIP transmit super frame interrupt for Channel 0          |
| 46        | TSIP_RCV_FINT1     | TSIP receive frame interrupt for Channel 1                 |
| 47        | TSIP_XMT_FINT1     | TSIP transmit frame interrupt for Channel 1                |
| 48        | TSIP_RCV_SFINT1    | TSIP receive super frame interrupt for Channel 1           |
| 49        | TSIP_XMT_SFINT1    | TSIP transmit super frame interrupt for Channel 1          |
| 50        | CIC_2_OUT8         | CIC2 Interrupt Controller output                           |
| 51        | GPIO_INT30         | GPIO interrupt   |
| 52        | GPIO_INT31         | GPIO interrupt   |
| 53        | I2C_0_REVT         | I2C0 receive   |
| 54        | I2C_0_XEVT         | I2C0 transmit  |
| 55        | CIC_2_OUT13        | CIC2 Interrupt Controller output                           |
| 56        | CIC_2_OUT14        | CIC2 Interrupt Controller output                           |
| 57        | CIC_2_OUT15        | CIC2 Interrupt Controller output                           |
| 58        | CIC_2_OUT16        | CIC2 Interrupt Controller output                           |
| 59        | CIC_2_OUT17        | CIC2 Interrupt Controller output                           |
| 60        | CIC_2_OUT18        | CIC2 Interrupt Controller output                           |
| 61        | CIC_2_OUT19        | CIC2 Interrupt Controller output                           |
| 62        | Reserved           | Reserved   |
| 63        | Reserved           | Reserved   |

**Table 7-32. EDMA3CC2 Events for 66AK2E0x**

| EVENT NO. | EVENT NAME    | DESCRIPTION                            |
|-----------|---------------|--|
| 0         | UART_1_URXEVT | UART1 receive event                    |
| 1         | UART_1_UTXEVT | UART1 transmit event                   |
| 2         | SPI_1_XEVT    | SPI1 receive event                     |
| 3         | SPI_1_REVT    | SPI1 transmit event                    |
| 4         | SPI_2_XEVT    | SPI2 receive event                     |
| 5         | SPI_2_REVT    | SPI2 transmit event                    |
| 6         | DBGTBR_DMAINT | Debug trace buffer (TBR) DMA event     |
| 7         | ARM_TBR_DMA   | ARM trace buffer (TBR) DMA event       |
| 8         | TIMER_0_INTL  | Timer interrupt low                    |
| 9         | TIMER_0_INTH  | Timer interrupt high                   |
| 10        | I2C_1_REVT    | I2C1 receive                           |
| 11        | I2C_1_XEVT    | I2C1 transmit                          |
| 12        | I2C_2_REVT    | I2C2 receive                           |
| 13        | I2C_2_XEVT    | I2C2 transmit                          |
| 14        | GPIO_INT16    | GPIO interrupt                         |
| 15        | GPIO_INT17    | GPIO interrupt                         |
| 16        | GPIO_INT18    | GPIO interrupt                         |
| 17        | GPIO_INT19    | GPIO interrupt                         |
| 18        | GPIO_INT20    | GPIO interrupt                         |
| 19        | GPIO_INT21    | GPIO interrupt                         |
| 20        | GPIO_INT22    | GPIO interrupt                         |
| 21        | GPIO_INT23    | GPIO interrupt                         |
| 22        | GPIO_INT24    | GPIO interrupt                         |
| 23        | GPIO_INT25    | GPIO interrupt                         |
| 24        | GPIO_INT26    | GPIO interrupt                         |
| 25        | GPIO_INT27    | GPIO interrupt                         |
| 26        | GPIO_INT0     | GPIO interrupt                         |
| 27        | GPIO_INT1     | GPIO interrupt                         |
| 28        | GPIO_INT2     | GPIO interrupt                         |
| 29        | GPIO_INT3     | GPIO interrupt                         |
| 30        | GPIO_INT4     | GPIO interrupt                         |
| 31        | GPIO_INT5     | GPIO interrupt                         |
| 32        | GPIO_INT6     | GPIO interrupt                         |
| 33        | GPIO_INT7     | GPIO interrupt                         |
| 34        | ARM_NCNTVIRQ3 | ARM virtual timer interrupt for core 3 |
| 35        | ARM_NCNTVIRQ2 | ARM virtual timer interrupt for core 2 |
| 36        | ARM_NCNTVIRQ1 | ARM virtual timer interrupt for core 1 |
| 37        | ARM_NCNTVIRQ0 | ARM virtual timer interrupt for core 0 |
| 38        | CIC_2_OUT48   | CIC2 Interrupt Controller output       |
| 39        | TETB_FULLINT0 | ETB0 full                              |
| 40        | UART_0_URXEVT | UART0 receive event                    |
| 41        | UART_0_UTXEVT | UART0 transmit event                   |
| 42        | CIC_2_OUT22   | CIC2 Interrupt Controller output       |
| 43        | CIC_2_OUT23   | CIC2 Interrupt Controller output       |
| 44        | CIC_2_OUT24   | CIC2 Interrupt Controller output       |
| 45        | CIC_2_OUT25   | CIC2 Interrupt Controller output       |
| 46        | CIC_2_OUT26   | CIC2 Interrupt Controller output       |

**Table 7-32. EDMA3CC2 Events for 66AK2E0x (continued)**

| EVENT NO. | EVENT NAME        | DESCRIPTION  |
|-----------|-------------------|--|
| 47        | CIC_2_OUT27       | CIC2 Interrupt Controller output                           |
| 48        | CIC_2_OUT28       | CIC2 Interrupt Controller output                           |
| 49        | SPI_0_XEVT        | SPI0 receive event   |
| 50        | SPI_0_REVT        | SPI0 transmit event  |
| 51        | TETB_HFULLINT0    | ETB0 half full   |
| 52        | ARM_NCNTPNRQ3     | ARM non secure timer interrupt for Core 3                  |
| 53        | ARM_NCNTPNRQ2     | ARM non secure timer interrupt for Core 2                  |
| 54        | ARM_NCNTPNRQ1     | ARM non secure timer interrupt for Core 1                  |
| 55        | ARM_NCNTPNRQ0     | ARM non secure timer interrupt for Core 0                  |
| 56        | QMSS_QUE_PEND_581 | Navigator transmit queue pending event for indicated queue |
| 57        | QMSS_QUE_PEND_582 | Navigator transmit queue pending event for indicated queue |
| 58        | QMSS_QUE_PEND_583 | Navigator transmit queue pending event for indicated queue |
| 59        | QMSS_QUE_PEND_584 | Navigator transmit queue pending event for indicated queue |
| 60        | QMSS_QUE_PEND_585 | Navigator transmit queue pending event for indicated queue |
| 61        | QMSS_QUE_PEND_586 | Navigator transmit queue pending event for indicated queue |
| 62        | QMSS_QUE_PEND_587 | Navigator transmit queue pending event for indicated queue |
| 63        | QMSS_QUE_PEND_588 | Navigator transmit queue pending event for indicated queue |

**Table 7-33. EDMA3CC3 Events for 66AK2E0x**

| EVENT NO. | EVENT NAME     | DESCRIPTION                        |
|-----------|----------------|------------------------------------|
| 0         | Reserved       | Reserved                           |
| 1         | Reserved       | Reserved                           |
| 2         | SPI_2_XEVT     | SPI2 transmit event                |
| 3         | SPI_2_REVT     | SPI2 receive event                 |
| 4         | I2C_2_REVT     | I2C2 receive                       |
| 5         | I2C_2_XEVT     | I2C2 transmit                      |
| 6         | UART_1_URXEVT  | UART1 receive event                |
| 7         | UART_1_UTXEVT  | UART1 transmit event               |
| 8         | TETB_FULLINT0  | ETB0 full                          |
| 9         | TETB_HFULLINT0 | ETB0 half full                     |
| 10        | SPI_1_XEVT     | SPI1 transmit event                |
| 11        | SPI_1_REVT     | SPI1 receive event                 |
| 12        | I2C_0_REVT     | I2C0 receive                       |
| 13        | I2C_0_XEVT     | I2C0 transmit                      |
| 14        | I2C_1_REVT     | I2C1 receive                       |
| 15        | I2C_1_XEVT     | I2C1 transmit                      |
| 16        | TIMER_16_INTL  | Timer interrupt low                |
| 17        | TIMER_16_INTH  | Timer interrupt high               |
| 18        | TIMER_17_INTL  | Timer interrupt low                |
| 19        | TIMER_17_INTH  | Timer interrupt high               |
| 20        | ARM_TBR_DMA    | Debug trace buffer (TBR) DMA event |
| 21        | DBGTBR_DMAINT  | ARM trace buffer (TBR) DMA event   |
| 22        | UART_0_URXEVT  | UART0 receive event                |
| 23        | UART_0_UTXEVT  | UART0 transmit event               |
| 24        | GPIO_INT16     | GPIO interrupt                     |
| 25        | GPIO_INT17     | GPIO interrupt                     |
| 26        | GPIO_INT18     | GPIO interrupt                     |



**Table 7-33. EDMA3CC3 Events for 66AK2E0x (continued)**

| EVENT NO. | EVENT NAME        | DESCRIPTION  |
|-----------|-------------------|--|
| 27        | GPIO_INT19        | GPIO interrupt   |
| 28        | GPIO_INT20        | GPIO interrupt   |
| 29        | GPIO_INT21        | GPIO interrupt   |
| 30        | GPIO_INT22        | GPIO interrupt   |
| 31        | GPIO_INT23        | GPIO interrupt   |
| 32        | GPIO_INT24        | GPIO interrupt   |
| 33        | GPIO_INT25        | GPIO interrupt   |
| 34        | GPIO_INT26        | GPIO interrupt   |
| 35        | GPIO_INT27        | GPIO interrupt   |
| 36        | GPIO_INT28        | GPIO interrupt   |
| 37        | GPIO_INT29        | GPIO interrupt   |
| 38        | GPIO_INT30        | GPIO interrupt   |
| 39        | GPIO_INT31        | GPIO interrupt   |
| 40        | QMSS_QUE_PEND_589 | Navigator transmit queue pending event for indicated queue |
| 41        | QMSS_QUE_PEND_590 | Navigator transmit queue pending event for indicated queue |
| 42        | QMSS_QUE_PEND_591 | Navigator transmit queue pending event for indicated queue |
| 43        | QMSS_QUE_PEND_592 | Navigator transmit queue pending event for indicated queue |
| 44        | QMSS_QUE_PEND_593 | Navigator transmit queue pending event for indicated queue |
| 45        | QMSS_QUE_PEND_594 | Navigator transmit queue pending event for indicated queue |
| 46        | QMSS_QUE_PEND_595 | Navigator transmit queue pending event for indicated queue |
| 47        | QMSS_QUE_PEND_596 | Navigator transmit queue pending event for indicated queue |
| 48        | QMSS_QUE_PEND_597 | Navigator transmit queue pending event for indicated queue |
| 49        | QMSS_QUE_PEND_598 | Navigator transmit queue pending event for indicated queue |
| 50        | QMSS_QUE_PEND_599 | Navigator transmit queue pending event for indicated queue |
| 51        | QMSS_QUE_PEND_600 | Navigator transmit queue pending event for indicated queue |
| 52        | QMSS_QUE_PEND_601 | Navigator transmit queue pending event for indicated queue |
| 53        | QMSS_QUE_PEND_602 | Navigator transmit queue pending event for indicated queue |
| 54        | QMSS_QUE_PEND_603 | Navigator transmit queue pending event for indicated queue |
| 55        | QMSS_QUE_PEND_604 | Navigator transmit queue pending event for indicated queue |
| 56        | CIC_2_OUT57       | CIC2 Interrupt Controller output                           |
| 57        | CIC_2_OUT50       | CIC2 Interrupt Controller output                           |
| 58        | CIC_2_OUT51       | CIC2 Interrupt Controller output                           |
| 59        | CIC_2_OUT52       | CIC2 Interrupt Controller output                           |
| 60        | CIC_2_OUT53       | CIC2 Interrupt Controller output                           |
| 61        | CIC_2_OUT54       | CIC2 Interrupt Controller output                           |
| 62        | CIC_2_OUT55       | CIC2 Interrupt Controller output                           |
| 63        | CIC_2_OUT56       | CIC2 Interrupt Controller output                           |

**Table 7-34. EDMA3CC4 Events for 66AK2E0x**

| EVENT NO. | EVENT NAME | DESCRIPTION    |
|-----------|------------|----------------|
| 0         | GPIO_INT16 | GPIO interrupt |
| 1         | GPIO_INT17 | GPIO interrupt |
| 2         | GPIO_INT18 | GPIO interrupt |
| 3         | GPIO_INT19 | GPIO interrupt |
| 4         | GPIO_INT20 | GPIO interrupt |
| 5         | GPIO_INT21 | GPIO interrupt |
| 6         | GPIO_INT22 | GPIO interrupt |

Table 7-34. EDMA3CC4 Events for 66AK2E0x (continued)

| EVENT NO. | EVENT NAME        | DESCRIPTION  |
|-----------|-------------------|--|
| 7         | GPIO_INT23        | GPIO interrupt   |
| 8         | GPIO_INT24        | GPIO interrupt   |
| 9         | GPIO_INT25        | GPIO interrupt   |
| 10        | GPIO_INT26        | GPIO interrupt   |
| 11        | GPIO_INT27        | GPIO interrupt   |
| 12        | GPIO_INT28        | GPIO interrupt   |
| 13        | GPIO_INT29        | GPIO interrupt   |
| 14        | GPIO_INT30        | GPIO interrupt   |
| 15        | GPIO_INT31        | GPIO interrupt   |
| 16        | SEM_INT0          | Semaphore interrupt  |
| 17        | SEM_INT8          | Semaphore interrupt  |
| 18        | SEM_INT9          | Semaphore interrupt  |
| 19        | SEM_INT10         | Semaphore interrupt  |
| 20        | SEM_INT11         | Semaphore interrupt  |
| 21        | SEM_INT12         | Semaphore interrupt  |
| 22        | TIMER_12_INTL     | Timer interrupt low  |
| 23        | TIMER_12_INTH     | Timer interrupt high                                       |
| 24        | TIMER_8_INTL      | Timer interrupt low  |
| 25        | TIMER_8_INTH      | Timer interrupt high                                       |
| 26        | TIMER_14_INTL     | Timer interrupt low  |
| 27        | TIMER_14_INTH     | Timer interrupt high                                       |
| 28        | TIMER_15_INTL     | Timer interrupt low  |
| 29        | TIMER_15_INTH     | Timer interrupt high                                       |
| 30        | DBGTBR_DMAINT     | Debug trace buffer (TBR) DMA event                         |
| 31        | ARM_TBR_DMA       | ARM trace buffer (TBR) DMA event                           |
| 32        | QMSS_QUE_PEND_658 | Navigator transmit queue pending event for indicated queue |
| 33        | QMSS_QUE_PEND_659 | Navigator transmit queue pending event for indicated queue |
| 34        | QMSS_QUE_PEND_660 | Navigator transmit queue pending event for indicated queue |
| 35        | QMSS_QUE_PEND_661 | Navigator transmit queue pending event for indicated queue |
| 36        | QMSS_QUE_PEND_662 | Navigator transmit queue pending event for indicated queue |
| 37        | QMSS_QUE_PEND_663 | Navigator transmit queue pending event for indicated queue |
| 38        | QMSS_QUE_PEND_664 | Navigator transmit queue pending event for indicated queue |
| 39        | QMSS_QUE_PEND_665 | Navigator transmit queue pending event for indicated queue |
| 40        | QMSS_QUE_PEND_605 | Navigator transmit queue pending event for indicated queue |
| 41        | QMSS_QUE_PEND_606 | Navigator transmit queue pending event for indicated queue |
| 42        | QMSS_QUE_PEND_607 | Navigator transmit queue pending event for indicated queue |
| 43        | QMSS_QUE_PEND_608 | Navigator transmit queue pending event for indicated queue |
| 44        | QMSS_QUE_PEND_609 | Navigator transmit queue pending event for indicated queue |
| 45        | QMSS_QUE_PEND_610 | Navigator transmit queue pending event for indicated queue |
| 46        | QMSS_QUE_PEND_611 | Navigator transmit queue pending event for indicated queue |
| 47        | QMSS_QUE_PEND_612 | Navigator transmit queue pending event for indicated queue |
| 48        | ARM_NCNTVIRQ3     | ARM virtual timer interrupt for Core 3                     |
| 49        | ARM_NCNTVIRQ2     | ARM virtual timer interrupt for Core 2                     |
| 50        | ARM_NCNTVIRQ1     | ARM virtual timer interrupt for Core 1                     |
| 51        | ARM_NCNTVIRQ0     | ARM virtual timer interrupt for Core 0                     |
| 52        | ARM_NCNTPNIRQ3    | ARM non secure timer interrupt for Core 3                  |
| 53        | ARM_NCNTPNIRQ2    | ARM non secure timer interrupt for Core 2                  |

**Table 7-34. EDMA3CC4 Events for 66AK2E0x (continued)**

| EVENT NO. | EVENT NAME       | DESCRIPTION                               |
|-----------|------------------|---|
| 54        | ARM_NCNT PNSIRQ1 | ARM non secure timer interrupt for Core 1 |
| 55        | ARM_NCNT PNSIRQ0 | ARM non secure timer interrupt for Core 0 |
| 56        | CIC_2_OUT82      | CIC2 Interrupt Controller output          |
| 57        | CIC_2_OUT83      | CIC2 Interrupt Controller output          |
| 58        | CIC_2_OUT84      | CIC2 Interrupt Controller output          |
| 59        | CIC_2_OUT85      | CIC2 Interrupt Controller output          |
| 60        | CIC_2_OUT86      | CIC2 Interrupt Controller output          |
| 61        | CIC_2_OUT87      | CIC2 Interrupt Controller output          |
| 62        | CIC_2_OUT88      | CIC2 Interrupt Controller output          |
| 63        | CIC_2_OUT89      | CIC2 Interrupt Controller output          |

## 8 System Interconnect

On the KeyStone II devices, the C66x CorePac, the EDMA3 transfer controllers and the system peripherals are interconnected through the TeraNets, which are non-blocking switch fabrics enabling fast and contention-free internal data movement. The TeraNets provide low-latency, concurrent data transfers between master peripherals and slave peripherals. The TeraNets also allow for seamless arbitration between the system masters when accessing system slaves.

The ARM CorePac is connected to the MSMC and the debug subsystem directly, and to other masters via the TeraNets. Through the MSMC, the ARM CorePacs can be interconnected to DDR3 and TeraNet 3\_A, which allows the ARM CorePacs to access to the peripheral buses:

- TeraNet 3P\_A for peripheral configuration
- TeraNet 6P\_A for ARM Boot ROM

### 8.1 Internal Buses and Switch Fabrics

The C66x CorePacs, the ARM CorePacs, the EDMA3 traffic controllers, and the various system peripherals can be classified into two categories: masters and slaves.

- **Masters** are capable of initiating read and write transfers in the system and do not rely on the EDMA3 for their data transfers.
- **Slaves** on the other hand rely on the masters to perform transfers to and from them.

Examples of masters include the EDMA3 traffic controllers and network coprocessor packet DMA.

Examples of slaves include the SPI, UART, and I<sup>2</sup>C.

The masters and slaves in the device communicate through the TeraNet (switch fabric). The device contains two types of switch fabric:

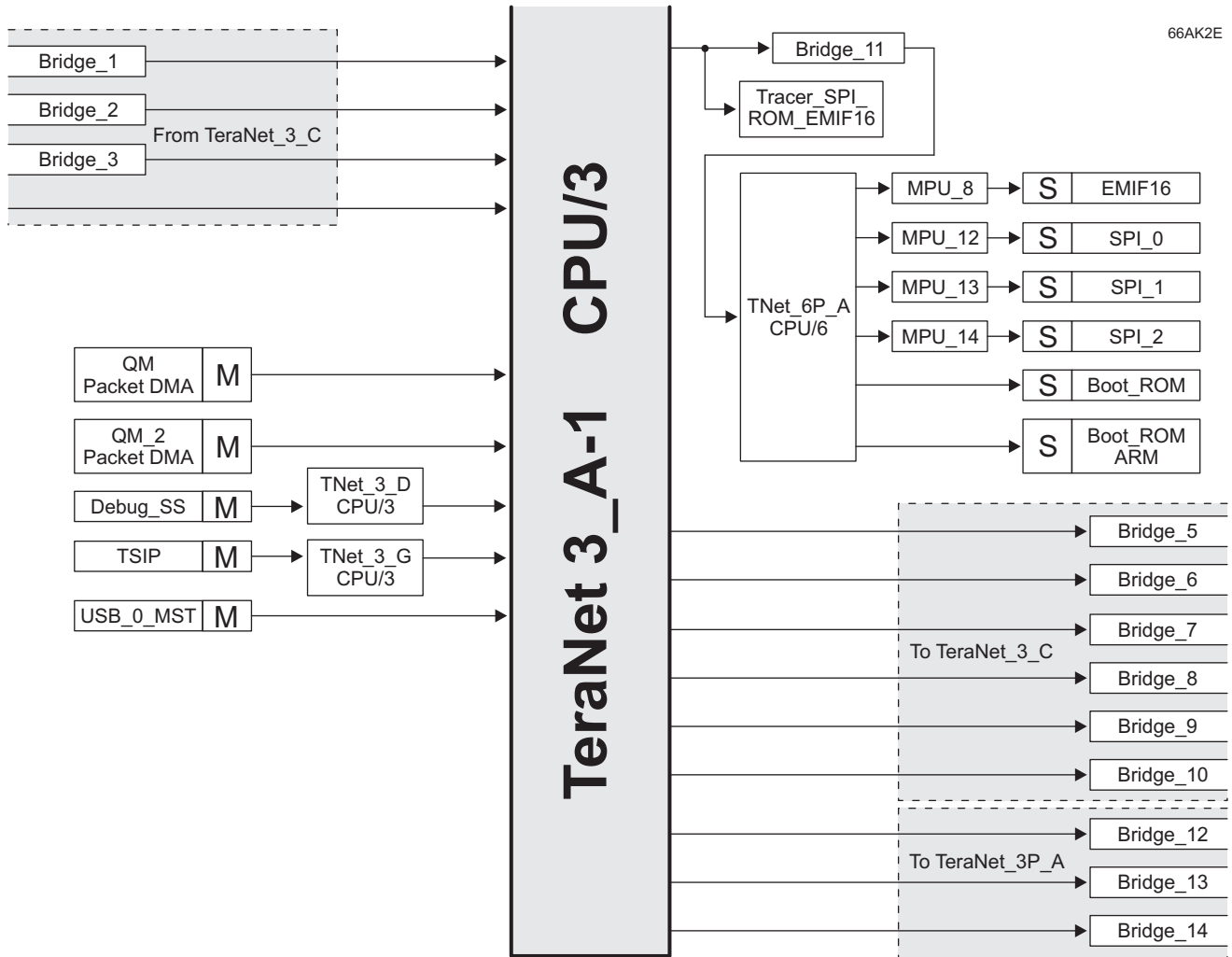
- **Data** TeraNet is a high-throughput interconnect mainly used to move data across the system
- **Configuration** TeraNet is mainly used to access peripheral registers

Some peripherals have both a data bus and a configuration bus interface, while others only have one type of interface. Furthermore, the bus interface width and speed varies from peripheral to peripheral.

Note that the data TeraNet also connects to the configuration TeraNet.

### 8.2 Switch Fabric Connections Matrix - Data Space

The figures below show the connections between masters and slaves through various sections of the TeraNet.



66AK2E

Figure 8-1. TeraNet 3\_A-1

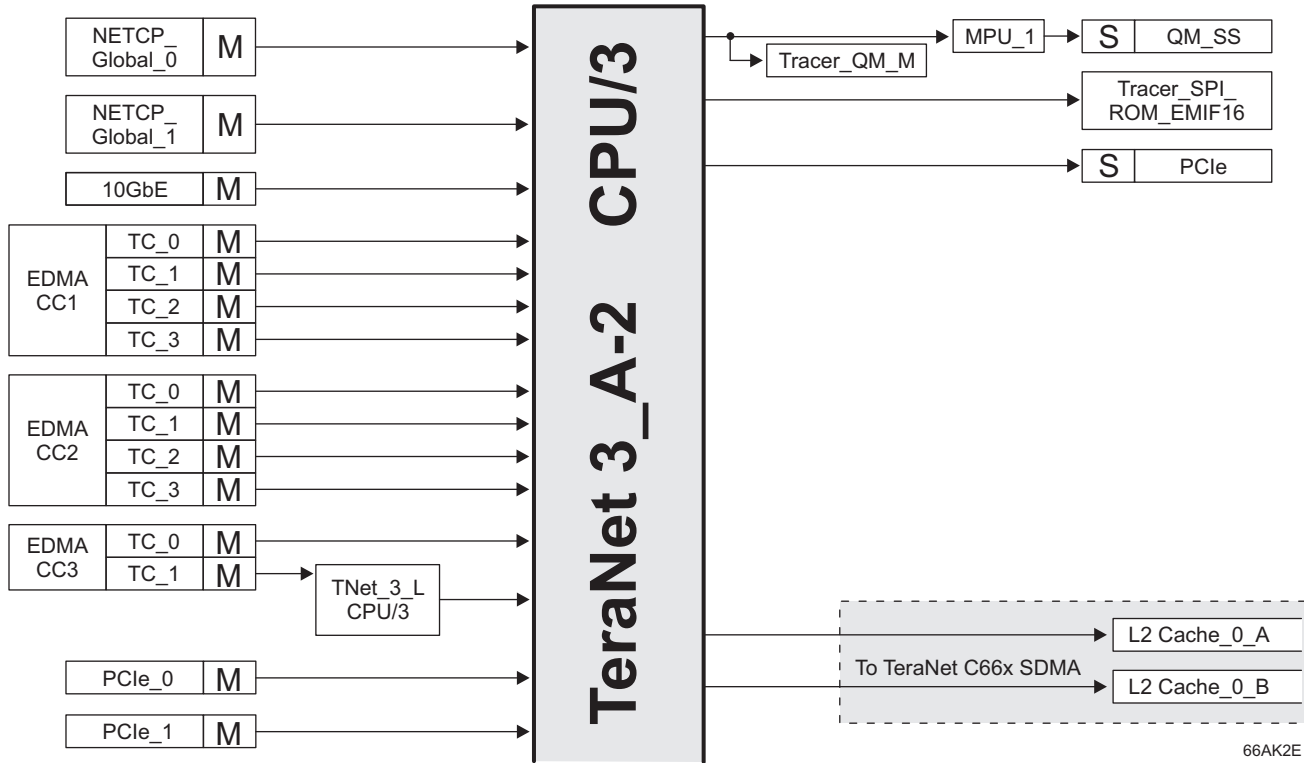


Figure 8-2. TeraNet 3\_A-2

66AK2E

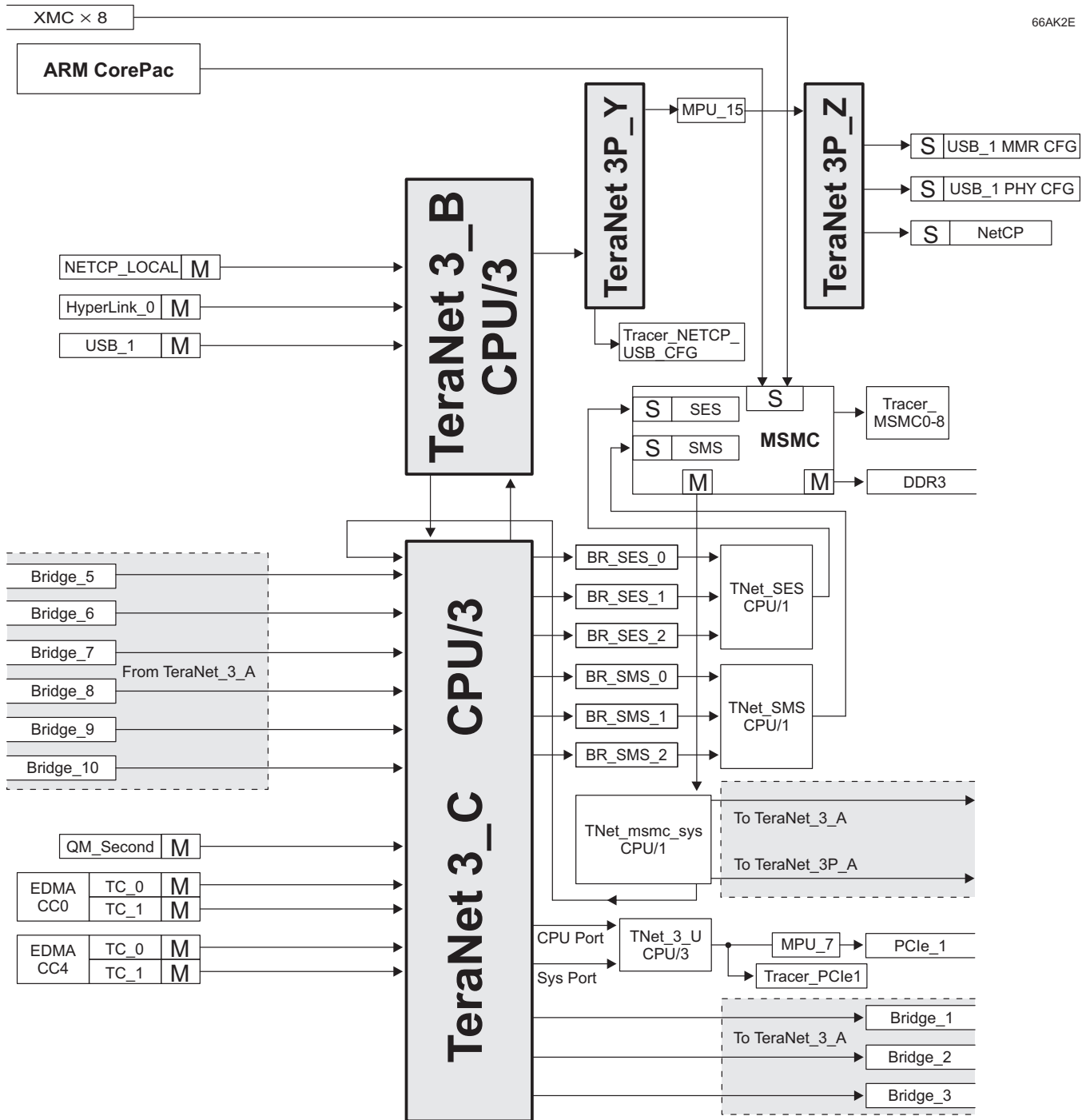


Figure 8-3. TeraNet 3\_C

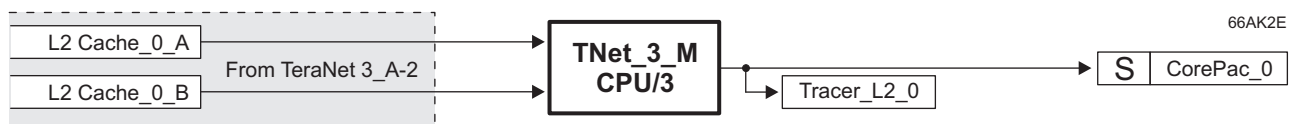


Figure 8-4. TeraNet C66x to SDMA

The following table lists the master and slave end-point connections.

Intersecting cells may contain one of the following:

- **Y** — There is a connection between this master and that slave.
- **-** — There is NO connection between this master and that slave.
- **n** — A numeric value indicates that the path between this master and that slave goes through bridge *n*.

**Table 8-1. 66AK2E05/02 Data Space Interconnect**

| MASTERS            | SLAVES  |             |              |               |         |            |          |          |       |       |    |          |
|--------------------|---------|-------------|--------------|---------------|---------|------------|----------|----------|-------|-------|----|----------|
|                    | AEMIF16 | BootROM_ARM | BootROM_C66x | CorePac0_SDMA | DBG_STM | HyperLink0 | MSMC_SES | MSMC_SMS | PCIE0 | PCIE1 | QM | SPI(0-2) |
| 10GbE              | -       | -           | -            | Y             | -       | -          | SES_2    | SMS_2    | Y     | Y     | Y  | -        |
| CorePac0_CFG       | -       | -           | -            | -             | -       | -          | -        | -        | -     | -     | -  | -        |
| CPT_CFG            | -       | -           | -            | -             | Y       | -          | -        | -        | -     | -     | -  | -        |
| CPT_DDR3           | -       | -           | -            | -             | Y       | -          | -        | -        | -     | -     | -  | -        |
| CPT_INTC           | -       | -           | -            | -             | Y       | -          | -        | -        | -     | -     | -  | -        |
| CPT_L2_0           | -       | -           | -            | -             | Y       | -          | -        | -        | -     | -     | -  | -        |
| CPT_MSMC(0-7)      | -       | -           | -            | -             | Y       | -          | -        | -        | -     | -     | -  | -        |
| CPT_QM_CFG1        | -       | -           | -            | -             | Y       | -          | -        | -        | -     | -     | -  | -        |
| CPT_QM_CFG2        | -       | -           | -            | -             | Y       | -          | -        | -        | -     | -     | -  | -        |
| CPT_QM_M           | -       | -           | -            | -             | Y       | -          | -        | -        | -     | -     | -  | -        |
| CPT_SPI_ROM_EMIF16 | -       | -           | -            | -             | Y       | -          | -        | -        | -     | -     | -  | -        |
| CPT_TPCC(0_4)T     | -       | -           | -            | -             | Y       | -          | -        | -        | -     | -     | -  | -        |
| CPT_TPCC(1_2_3)T   | -       | -           | -            | -             | Y       | -          | -        | -        | -     | -     | -  | -        |
| DBG_DAP            | Y       | Y           | Y            | Y             | Y       | Y          | Y        | Y        | Y     | Y     | Y  | Y        |
| TSIP_DMA           | Y       | Y           | Y            | Y             | Y       | Y          | Y        | Y        | Y     | Y     | Y  | Y        |
| EDMA0_CC_TR        | -       | -           | -            | -             | -       | -          | -        | -        | -     | -     | -  | -        |
| EDMA0_TC0_RD       | 2, 11   | 2, 11       | 2, 11        | Y             | -       | Y          | SES_0    | SMS_0    | Y     | Y     | Y  | 2, 11    |
| EDMA0_TC0_WR       | 2, 11   | -           | -            | Y             | -       | Y          | SES_0    | SMS_0    | Y     | Y     | Y  | 2,11     |
| EDMA0_TC1_RD       | 3, 11   | 3, 11       | 3, 11        | Y             | -       | Y          | SES_1    | SMS_1    | Y     | Y     | -  | 3, 11    |
| EDMA0_TC1_WR       | 3, 11   | -           | -            | Y             | -       | Y          | SES_1    | SMS_1    | Y     | Y     | -  | 3, 11    |
| EDMA1_CC_TR        | -       | -           | -            | -             | -       | -          | -        | -        | -     | -     | -  | -        |
| EDMA1_TC0_RD       | 11      | 11          | 11           | Y             | -       | Y          | SES_0    | SMS_0    | Y     | Y     | Y  | 11       |
| EDMA1_TC0_WR       | 11      | -           | -            | Y             | Y       | Y          | SES_0    | SMS_0    | Y     | Y     | Y  | 11       |
| EDMA1_TC1_RD       | 11      | Y           | Y            | Y             | -       | Y          | SES_1    | SMS_1    | Y     | Y     | Y  | 11       |
| EDMA1_TC1_WR       | 11      | -           | -            | Y             | -       | Y          | SES_1    | SMS_1    | Y     | Y     | Y  | 11       |
| EDMA1_TC2_RD       | 11      | Y           | Y            | Y             | -       | Y          | SES_1    | SMS_1    | Y     | Y     | -  | 11       |
| EDMA1_TC2_WR       | 11      | -           | -            | Y             | -       | Y          | SES_1    | SMS_1    | Y     | Y     | -  | 11       |
| EDMA1_TC3_RD       | 11      | Y           | Y            | Y             | -       | Y          | SES_1    | SMS_1    | Y     | Y     | -  | 11       |
| EDMA1_TC3_WR       | 11      | -           | -            | Y             | Y       | Y          | SES_1    | SMS_1    | Y     | Y     | -  | 11       |
| EDMA2_CC_TR        | -       | -           | -            | -             | -       | -          | -        | -        | -     | -     | -  | -        |
| EDMA2_TC0_RD       | 11      | Y           | Y            | Y             | -       | Y          | SES_2    | SMS_2    | Y     | Y     | Y  | 11       |
| EDMA2_TC0_WR       | 11      | -           | -            | Y             | Y       | Y          | SES_2    | SMS_2    | Y     | Y     | Y  | 11       |
| EDMA2_TC1_RD       | 11      | Y           | Y            | Y             | -       | Y          | SES_2    | SMS_2    | Y     | Y     | Y  | 11       |
| EDMA2_TC1_WR       | 11      | -           | -            | Y             | -       | Y          | SES_2    | SMS_2    | Y     | Y     | Y  | 11       |
| EDMA2_TC2_RD       | 11      | Y           | Y            | Y             | -       | Y          | SES_0    | SMS_0    | Y     | Y     | -  | 11       |

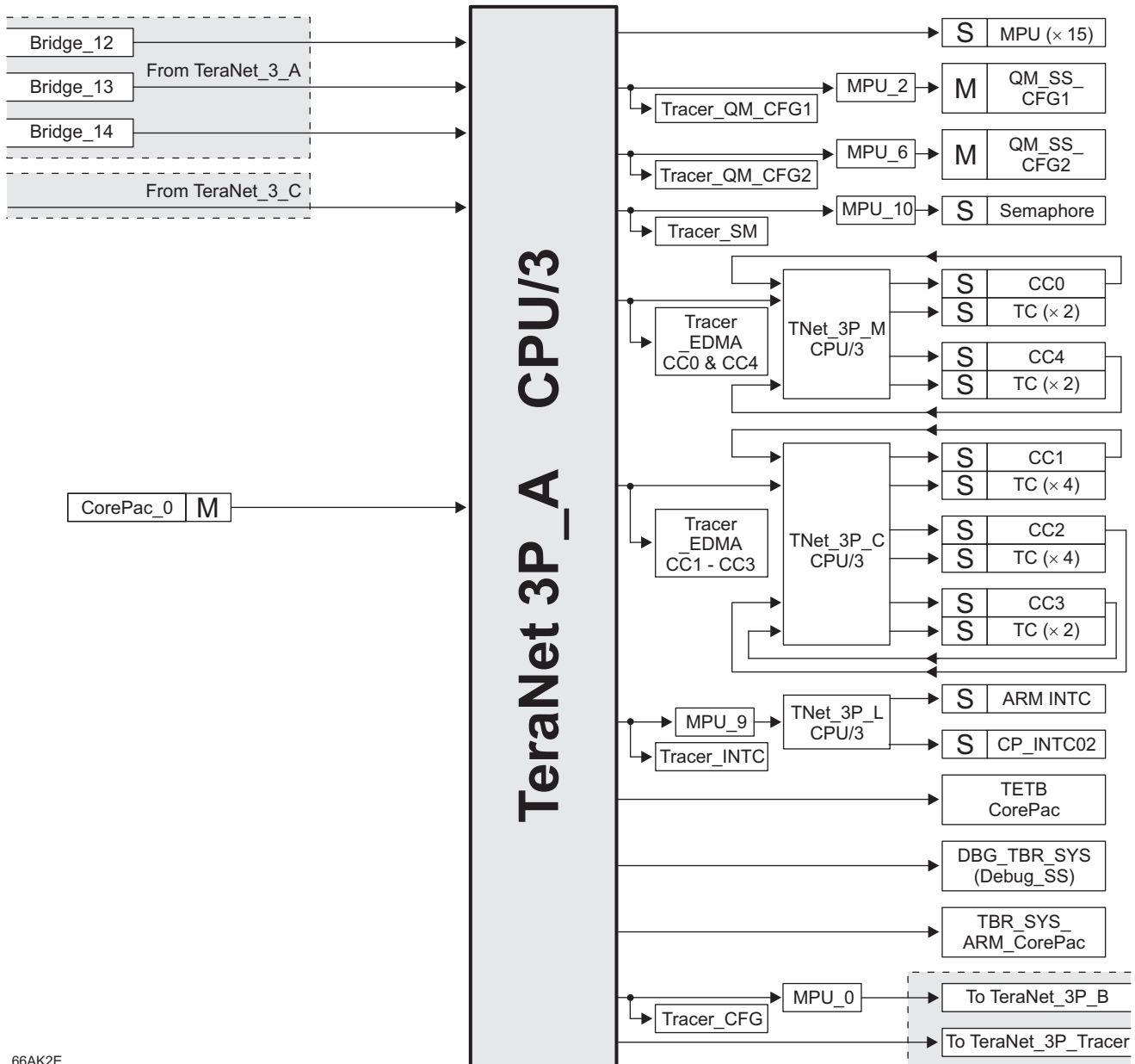


**Table 8-1. 66AK2E05/02 Data Space Interconnect (continued)**

| MASTERS           | SLAVES  |             |              |               |         |            |          |          |       |       |    |          |
|-------------------|---------|-------------|--------------|---------------|---------|------------|----------|----------|-------|-------|----|----------|
|                   | AEMIF16 | BootROM_ARM | BootROM_C66x | CorePac0_SDMA | DBG_STM | HyperLink0 | MSMC_SES | MSMC_SMS | PCIE0 | PCIE1 | QM | SPI(0-2) |
| EDMA2_TC2_WR      | 11      | -           | -            | Y             | Y       | Y          | SES_0    | SMS_0    | Y     | Y     | -  | 11       |
| EDMA2_TC3_RD      | 11      | Y           | Y            | Y             | -       | Y          | SES_0    | SMS_0    | Y     | Y     | -  | 11       |
| EDMA2_TC3_WR      | 11      | -           | -            | Y             | -       | Y          | SES_0    | SMS_0    | Y     | Y     | -  | 11       |
| EDMA3_CC_TR       | -       | -           | -            | -             | -       | -          | -        | -        | -     | -     | -  | -        |
| EDMA3_TC0_RD      | 11      | Y           | Y            | Y             | -       | Y          | SES_1    | SMS_1    | Y     | Y     | Y  | 11       |
| EDMA3_TC0_WR      | 11      | -           | -            | Y             | Y       | Y          | SES_1    | SMS_1    | Y     | Y     | Y  | 11       |
| EDMA3_TC1_RD      | 11      | Y           | Y            | Y             | -       | Y          | SES_1    | SMS_1    | Y     | Y     | -  | 11       |
| EDMA3_TC1_WR      | 11      | -           | -            | Y             | -       | Y          | SES_1    | SMS_1    | Y     | Y     | -  | 11       |
| EDMA4_CC_TR       | -       | -           | -            | -             | -       | -          | -        | -        | -     | -     | -  | -        |
| EDMA4_TC0_RD      | 2, 11   | 2, 11       | 2, 11        | Y             | -       | Y          | SES_1    | SMS_1    | Y     | Y     | Y  | 2, 11    |
| EDMA4_TC0_WR      | 2, 11   | -           | -            | Y             | -       | Y          | SES_1    | SMS_1    | Y     | Y     | Y  | 2, 11    |
| EDMA4_TC1_RD      | 3, 11   | 3, 11       | 3, 11        | Y             | -       | Y          | SES_1    | SMS_1    | Y     | Y     | -  | 3, 11    |
| EDMA4_TC1_WR      | 3, 11   | -           | -            | Y             | -       | Y          | SES_1    | SMS_1    | Y     | Y     | -  | 3, 11    |
| HyperLink0_Master | 11      | 1, 11       | 1, 11        | Y             | -       | -          | Y        | Y        | Y     | Y     | Y  | Y        |
| MSMC_SYS          | 11      | 11          | 11           | Y             | Y       | Y          | -        | -        | Y     | Y     | Y  | 11       |
| NETCP             | -       | -           | -            | Y             | -       | -          | SES_1    | SMS_1    | Y     | Y     | Y  | -        |
| PCIE0             | 11      | -           | -            | Y             | Y       | 10         | SES_2    | SMS_2    | -     | -     | Y  | 11       |
| PCIE1             | 11      | -           | -            | Y             | Y       | 10         | SES_2    | SMS_2    | -     | -     | Y  | 11       |
| QM_Master1        | -       | -           | -            | Y             | -       | Y          | SES_0    | SMS_0    | -     | -     | Y  | -        |
| QM_Master2        | -       | -           | -            | Y             | -       | Y          | SES_1    | SMS_1    | -     | -     | Y  | -        |
| QM_SEC            | -       | -           | -            | Y             | Y       | Y          | SES_2    | SMS_2    | -     | -     | -  | -        |
| USB0              | -       | -           | -            | Y             | Y       | Y          | SES_0    | SMS_0    | -     | -     | Y  | -        |
| USB1              | -       | -           | -            | Y             | Y       | Y          | SES_0    | SMS_0    | -     | -     | Y  | -        |

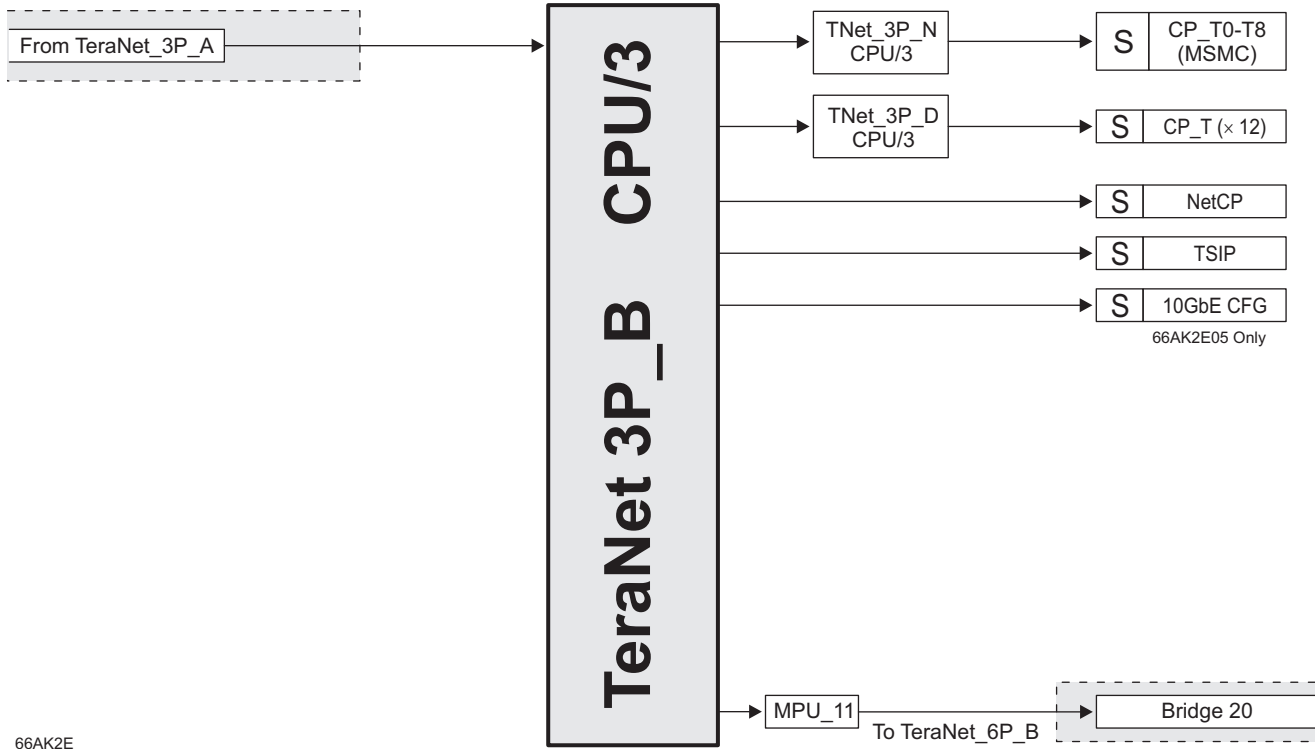
### 8.3 Switch Fabric Connections Matrix - Configuration Space

The figures below show the connections between masters and slaves through various sections of the TeraNet.



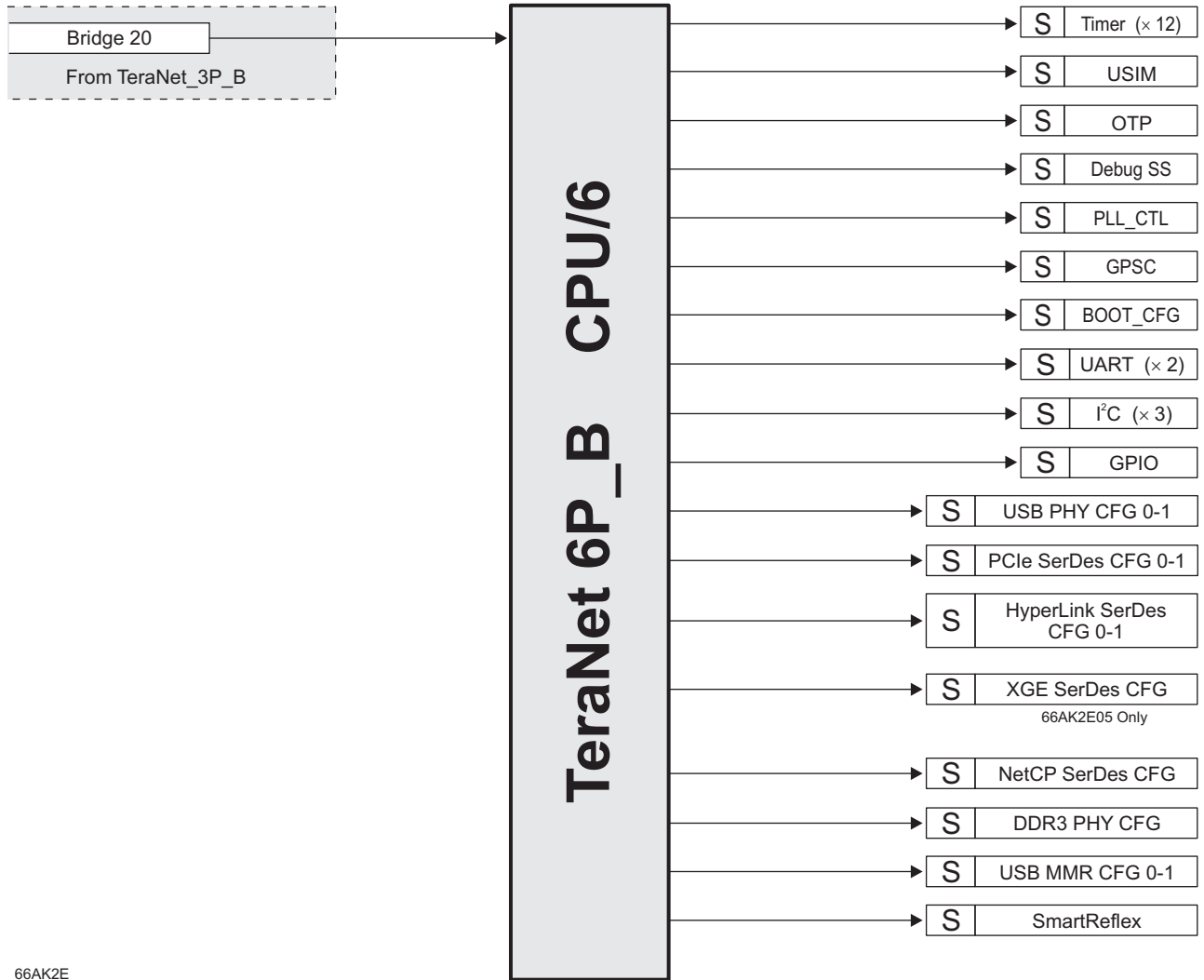
66AK2E

Figure 8-5. TeraNet 3P\_A



66AK2E

Figure 8-6. TeraNet 3P\_B



66AK2E

Figure 8-7. TeraNet 6P\_B

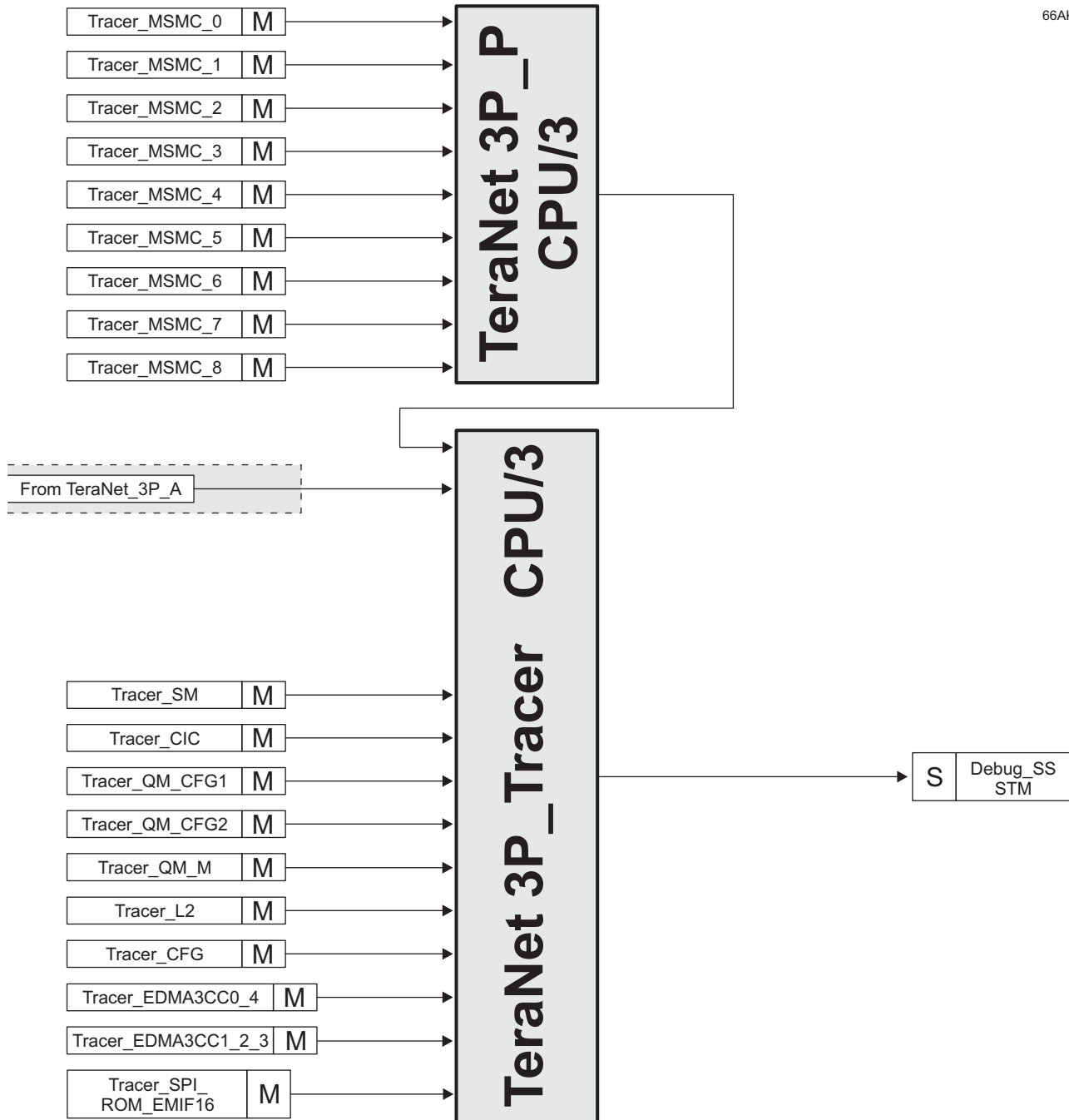


Figure 8-8. TeraNet 3P\_Tracer

The following tables list the master and slave end point connections.

Intersecting cells may contain one of the following:

- **Y** — There is a connection between this master and that slave.
- **-** — There is NO connection between this master and that slave.
- **n** — A numeric value indicates that the path between this master and that slave goes through bridge *n*.

**Table 8-2. Configuration Space Interconnect - Section 1**

| MASTERS      | SLAVES        |         |             |             |             |              |                   |              |                   |                 |                 |              |                        |                 |                   |
|--------------|---------------|---------|-------------|-------------|-------------|--------------|-------------------|--------------|-------------------|-----------------|-----------------|--------------|------------------------|-----------------|-------------------|
|              | ADTF(0-7)_CFG | ARM_CFG | BOOTCFG_CFG | CP_INTC_CFG | CPT_CFG_CFG | CPT_DDR3_CFG | CPT_INTC(0-2)_CFG | CPT_L2_0_CFG | CPT_MSMC(0-7)_CFG | CPT_QM_CFG1_CFG | CPT_QM_CFG2_CFG | CPT_QM_M_CFG | CPT_SPI_ROM_EMIF16_CFG | CPT_TPCC0_4_CFG | CPT_TPCC1_2_3_CFG |
| CorePac0_CFG | Y             | Y       | Y           | Y           | Y           | Y            | Y                 | Y            | Y                 | Y               | Y               | Y            | Y                      | Y               | Y                 |
| DBG_DAP      | Y             | Y       | Y           | Y           | Y           | Y            | Y                 | Y            | Y                 | Y               | Y               | Y            | Y                      | Y               | Y                 |
| TSIP_DMA     | Y             | Y       | Y           | Y           | Y           | Y            | Y                 | Y            | Y                 | Y               | Y               | Y            | Y                      | Y               | Y                 |
| EDMA0_CC_TR  | -             | -       | -           | -           | -           | -            | -                 | -            | -                 | -               | -               | -            | -                      | -               | -                 |
| EDMA0_TC0_RD | -             | -       | -           | -           | -           | -            | -                 | -            | -                 | -               | -               | -            | -                      | -               | -                 |
| EDMA0_TC0_WR | -             | -       | -           | -           | -           | -            | -                 | -            | -                 | -               | -               | -            | -                      | -               | -                 |
| EDMA0_TC1_RD | -             | -       | -           | -           | -           | -            | -                 | -            | -                 | -               | -               | -            | -                      | -               | -                 |
| EDMA0_TC1_WR | -             | -       | -           | -           | -           | -            | -                 | -            | -                 | -               | -               | -            | -                      | -               | -                 |
| EDMA1_CC_TR  | -             | -       | -           | -           | -           | -            | -                 | -            | -                 | -               | -               | -            | -                      | -               | -                 |
| EDMA1_TC0_RD | 12            | 12      | 12          | 12          | 12          | 12           | 12                | 12           | 12                | 12              | 12              | 12           | 12                     | 12              | 12                |
| EDMA1_TC0_WR | 12            | 12      | 12          | 12          | 12          | 12           | 12                | 12           | 12                | 12              | 12              | 12           | 12                     | 12              | 12                |
| EDMA1_TC1_RD | -             | -       | -           | -           | -           | -            | -                 | -            | -                 | -               | -               | -            | -                      | -               | -                 |
| EDMA1_TC1_WR | -             | -       | -           | -           | -           | -            | -                 | -            | -                 | -               | -               | -            | -                      | -               | -                 |
| EDMA1_TC2_RD | -             | -       | -           | -           | -           | -            | -                 | -            | -                 | -               | -               | -            | -                      | -               | -                 |
| EDMA1_TC2_WR | -             | -       | -           | -           | -           | -            | -                 | -            | -                 | -               | -               | -            | -                      | -               | -                 |
| EDMA1_TC3_RD | 12            | 12      | 12          | 12          | 12          | 12           | 12                | 12           | 12                | 12              | 12              | 12           | 12                     | 12              | 12                |
| EDMA1_TC3_WR | 12            | 12      | 12          | 12          | 12          | 12           | 12                | 12           | 12                | 12              | 12              | 12           | 12                     | 12              | 12                |
| EDMA2_CC_TR  | -             | -       | -           | -           | -           | -            | -                 | -            | -                 | -               | -               | -            | -                      | -               | -                 |
| EDMA2_TC0_RD | 12            | 12      | 12          | 12          | 12          | 12           | 12                | 12           | 12                | 12              | 12              | 12           | 12                     | 12              | 12                |
| EDMA2_TC0_WR | 12            | 12      | 12          | 12          | 12          | 12           | 12                | 12           | 12                | 12              | 12              | 12           | 12                     | 12              | 12                |
| EDMA2_TC1_RD | -             | -       | -           | -           | -           | -            | -                 | -            | -                 | -               | -               | -            | -                      | -               | -                 |
| EDMA2_TC1_WR | -             | -       | -           | -           | -           | -            | -                 | -            | -                 | -               | -               | -            | -                      | -               | -                 |
| EDMA2_TC2_RD | 12            | 12      | 12          | 12          | 12          | 12           | 12                | 12           | 12                | 12              | 12              | 12           | 12                     | 12              | 12                |
| EDMA2_TC2_WR | 12            | 12      | 12          | 12          | 12          | 12           | 12                | 12           | 12                | 12              | 12              | 12           | 12                     | 12              | 12                |
| EDMA2_TC3_RD | -             | -       | -           | -           | -           | -            | -                 | -            | -                 | -               | -               | -            | -                      | -               | -                 |
| EDMA2_TC3_WR | -             | -       | -           | -           | -           | -            | -                 | -            | -                 | -               | -               | -            | -                      | -               | -                 |
| EDMA3_CC_TR  | -             | -       | -           | -           | -           | -            | -                 | -            | -                 | -               | -               | -            | -                      | -               | -                 |
| EDMA3_TC0_RD | 13            | 13      | 13          | 13          | 13          | 13           | 13                | 13           | 13                | 13              | 13              | 13           | 13                     | 13              | 13                |
| EDMA3_TC0_WR | 13            | 13      | 13          | 13          | 13          | 13           | 13                | 13           | 13                | 13              | 13              | 13           | 13                     | 13              | 13                |
| EDMA3_TC1_RD | -             | -       | -           | -           | -           | -            | -                 | -            | -                 | -               | -               | -            | -                      | -               | -                 |
| EDMA3_TC1_WR | -             | -       | -           | -           | -           | -            | -                 | -            | -                 | -               | -               | -            | -                      | -               | -                 |
| EDMA4_CC_TR  | -             | -       | -           | -           | -           | -            | -                 | -            | -                 | -               | -               | -            | -                      | -               | -                 |
| EDMA4_TC0_RD | -             | -       | -           | -           | -           | -            | -                 | -            | -                 | -               | -               | -            | -                      | -               | -                 |
| EDMA4_TC0_WR | -             | -       | -           | -           | -           | -            | -                 | -            | -                 | -               | -               | -            | -                      | -               | -                 |
| EDMA4_TC1_RD | -             | -       | -           | -           | -           | -            | -                 | -            | -                 | -               | -               | -            | -                      | -               | -                 |
| EDMA4_TC1_WR | -             | -       | -           | -           | -           | -            | -                 | -            | -                 | -               | -               | -            | -                      | -               | -                 |
| HyperLink0   | 12            | 12      | 12          | 12          | 12          | 12           | 12                | 12           | 12                | 12              | 12              | 12           | 12                     | 12              | 12                |
| MSMC_SYS     | Y             | Y       | Y           | Y           | Y           | Y            | Y                 | Y            | Y                 | Y               | Y               | Y            | Y                      | Y               | Y                 |

**Table 8-2. Configuration Space Interconnect - Section 1 (continued)**

| MASTERS    | SLAVES        |         |             |             |             |              |                   |              |                   |                 |                 |              |                        |                 |                   |
|------------|---------------|---------|-------------|-------------|-------------|--------------|-------------------|--------------|-------------------|-----------------|-----------------|--------------|------------------------|-----------------|-------------------|
|            | ADTF(0-7)_CFG | ARM_CFG | BOOTCFG_CFG | CP_INTC_CFG | CPT_CFG_CFG | CPT_DDR3_CFG | CPT_INTC(0-2)_CFG | CPT_L2_0_CFG | CPT_MSMC(0-7)_CFG | CPT_QM_CFG1_CFG | CPT_QM_CFG2_CFG | CPT_QM_M_CFG | CPT_SPI_ROM_EMIF16_CFG | CPT_TPCC0_4_CFG | CPT_TPCC1_2_3_CFG |
| NETCP      | -             | -       | -           | -           | -           | -            | -                 | -            | -                 | -               | -               | -            | -                      | -               | -                 |
| PCIE0      | 12            | 12      | 12          | 12          | 12          | 12           | 12                | 12           | 12                | 12              | 12              | 12           | 12                     | 12              | 12                |
| PCIE1      | 12            | 12      | 12          | 12          | 12          | 12           | 12                | 12           | 12                | 12              | 12              | 12           | 12                     | 12              | 12                |
| QM_Master1 | -             | -       | -           | -           | -           | -            | -                 | -            | -                 | -               | -               | -            | -                      | -               | -                 |
| QM_Master2 | -             | -       | -           | -           | -           | -            | -                 | -            | -                 | -               | -               | -            | -                      | -               | -                 |
| QM_SEC     | -             | 12      | -           | -           | -           | -            | -                 | -            | -                 | -               | -               | -            | -                      | -               | -                 |
| USB0       | -             | -       | -           | -           | -           | -            | -                 | -            | -                 | -               | -               | -            | -                      | -               | -                 |
| USB1       | -             | -       | -           | -           | -           | -            | -                 | -            | -                 | -               | -               | -            | -                      | -               | -                 |

**Table 8-3. Configuration Space Interconnect - Section 2**

| MASTERS      | SLAVES  |             |              |              |                   |              |                   |              |                   |              |                   |              |                   |         |          |                       |              |               |           |                  |         |                  |                  |             |         |         |
|--------------|---------|-------------|--------------|--------------|-------------------|--------------|-------------------|--------------|-------------------|--------------|-------------------|--------------|-------------------|---------|----------|-----------------------|--------------|---------------|-----------|------------------|---------|------------------|------------------|-------------|---------|---------|
|              | DBG_CFG | DBG_TBR_SYS | DDR3_PHY_CFG | EDMA0_CC_CFG | EDMA0_TC(0-1)_CFG | EDMA1_CC_CFG | EDMA1_TC(0-3)_CFG | EDMA2_CC_CFG | EDMA2_TC(0-3)_CFG | EDMA3_CC_CFG | EDMA3_TC(0-1)_CFG | EDMA4_CC_CFG | EDMA4_TC(0-1)_CFG | GIC_CFG | GPIO_CFG | HYPERLINK0_SERDES_CFG | I2C(0-2)_CFG | MPU(0-14)_CFG | NETCP_CFG | NETCP_SERDES_CFG | OTP_CFG | PCIE0_SERDES_CFG | PCIE1_SERDES_CFG | PLL_CTL_CFG | PSC_CFG | QM_CFG1 |
| CorePac0_CFG | Y       | Y           | Y            | Y            | Y                 | Y            | Y                 | Y            | Y                 | Y            | Y                 | Y            | Y                 | -       | Y        | Y                     | Y            | Y             | Y         | Y                | Y       | Y                | Y                | Y           | Y       | Y       |
| DBG_DAP      | Y       | Y           | Y            | Y            | Y                 | Y            | Y                 | Y            | Y                 | Y            | Y                 | Y            | Y                 | Y       | Y        | Y                     | Y            | Y             | Y         | Y                | Y       | Y                | Y                | Y           | Y       | Y       |
| TSIP_DMA     | Y       | Y           | Y            | Y            | Y                 | Y            | Y                 | Y            | Y                 | Y            | Y                 | Y            | Y                 | Y       | Y        | Y                     | Y            | Y             | Y         | Y                | Y       | Y                | Y                | Y           | Y       | Y       |
| EDMA0_CC_TR  | -       | -           | -            | -            | Y                 | -            | -                 | -            | -                 | -            | -                 | -            | -                 | -       | -        | -                     | -            | -             | -         | -                | -       | -                | -                | -           | -       | -       |
| EDMA0_TC0_RD | -       | 12          | -            | 12           | 12                | 12           | 12                | 12           | 12                | 12           | 12                | 12           | 12                | -       | -        | -                     | -            | -             | -         | -                | -       | -                | -                | -           | -       | -       |
| EDMA0_TC0_WR | -       | -           | -            | 12           | 12                | 12           | 12                | 12           | 12                | 12           | 12                | 12           | 12                | -       | -        | -                     | -            | -             | -         | -                | -       | -                | -                | -           | -       | -       |
| EDMA0_TC1_RD | -       | 12          | -            | 12           | 12                | 12           | 12                | 12           | 12                | 12           | 12                | 12           | 12                | -       | -        | -                     | -            | -             | -         | -                | -       | -                | -                | -           | -       | -       |
| EDMA0_TC1_WR | -       | -           | -            | 12           | 12                | 12           | 12                | 12           | 12                | 12           | 12                | 12           | 12                | -       | -        | -                     | -            | -             | -         | -                | -       | -                | -                | -           | -       | -       |
| EDMA1_CC_TR  | -       | -           | -            | -            | -                 | Y            | -                 | -            | -                 | -            | -                 | -            | -                 | -       | -        | -                     | -            | -             | -         | -                | -       | -                | -                | -           | -       | -       |
| EDMA1_TC0_RD | 12      | 12          | 12           | 12           | 12                | 12           | 12                | 12           | 12                | 12           | 12                | 12           | 12                | 12      | 12       | 12                    | 12           | 12            | 12        | 12               | 12      | 12               | 12               | 12          | 12      | 12      |
| EDMA1_TC0_WR | 12      | -           | 12           | 12           | 12                | 12           | 12                | 12           | 12                | 12           | 12                | 12           | 12                | 12      | 12       | 12                    | 12           | 12            | 12        | 12               | 12      | 12               | 12               | 12          | 12      | 12      |
| EDMA1_TC1_RD | -       | -           | -            | 13           | 13                | 13           | 13                | 13           | 13                | 13           | 13                | 13           | 13                | -       | -        | -                     | -            | -             | -         | -                | -       | -                | -                | -           | -       | -       |
| EDMA1_TC1_WR | -       | -           | -            | 13           | 13                | 13           | 13                | 13           | 13                | 13           | 13                | 13           | 13                | -       | -        | -                     | -            | -             | -         | -                | -       | -                | -                | -           | -       | -       |
| EDMA1_TC2_RD | -       | -           | -            | 14           | 14                | 14           | 14                | 14           | 14                | 14           | 14                | 14           | 14                | -       | -        | -                     | -            | -             | -         | -                | -       | -                | -                | -           | -       | -       |
| EDMA1_TC2_WR | -       | -           | -            | 14           | 14                | 14           | 14                | 14           | 14                | 14           | 14                | 14           | 14                | -       | -        | -                     | -            | -             | -         | -                | -       | -                | -                | -           | -       | -       |
| EDMA1_TC3_RD | 12      | 12          | 12           | 12           | 12                | 12           | 12                | 12           | 12                | 12           | 12                | 12           | 12                | 12      | 12       | 12                    | 12           | 12            | 12        | 12               | 12      | 12               | 12               | 12          | 12      | 12      |
| EDMA1_TC3_WR | 12      | -           | 12           | 12           | 12                | 12           | 12                | 12           | 12                | 12           | 12                | 12           | 12                | 12      | 12       | 12                    | 12           | 12            | 12        | 12               | 12      | 12               | 12               | 12          | 12      | 12      |
| EDMA2_CC_TR  | -       | -           | -            | -            | -                 | -            | -                 | Y            | -                 | -            | -                 | -            | -                 | -       | -        | -                     | -            | -             | -         | -                | -       | -                | -                | -           | -       | -       |

**Table 8-3. Configuration Space Interconnect - Section 2 (continued)**

| MASTERS           | SLAVES  |             |              |              |                   |              |                   |              |                   |              |                   |              |                   |         |          |                       |              |               |           |                  |         |                  |                  |             |         |         |    |
|-------------------|---------|-------------|--------------|--------------|-------------------|--------------|-------------------|--------------|-------------------|--------------|-------------------|--------------|-------------------|---------|----------|-----------------------|--------------|---------------|-----------|------------------|---------|------------------|------------------|-------------|---------|---------|----|
|                   | DBG_CFG | DBG_TBR_SYS | DDR3_PHY_CFG | EDMA0_CC_CFG | EDMA0_TC(0-1)_CFG | EDMA1_CC_CFG | EDMA1_TC(0-3)_CFG | EDMA2_CC_CFG | EDMA2_TC(0-3)_CFG | EDMA3_CC_CFG | EDMA3_TC(0-1)_CFG | EDMA4_CC_CFG | EDMA4_TC(0-1)_CFG | GIC_CFG | GPIO_CFG | HYPERLINK0_SERDES_CFG | I2C(0-2)_CFG | MPU(0-14)_CFG | NETCP_CFG | NETCP_SERDES_CFG | OTP_CFG | PCIE0_SERDES_CFG | PCIE1_SERDES_CFG | PLL_CTL_CFG | PSC_CFG | QM_CFG1 |    |
| EDMA2_TC0_RD      | 12      | 12          | 12           | 12           | 12                | 12           | 12                | 12           | 12                | 12           | 12                | 12           | 12                | 12      | 12       | 12                    | 12           | 12            | 12        | 12               | 12      | 12               | 12               | 12          | 12      | 12      |    |
| EDMA2_TC0_WR      | 12      | -           | 12           | 12           | 12                | 12           | 12                | 12           | 12                | 12           | 12                | 12           | 12                | 12      | 12       | 12                    | 12           | 12            | 12        | 12               | 12      | 12               | 12               | 12          | 12      | 12      | 12 |
| EDMA2_TC1_RD      | -       | -           | -            | 13           | 13                | 13           | 13                | 13           | 13                | 13           | 13                | 13           | 13                | -       | -        | -                     | -            | -             | -         | -                | -       | -                | -                | -           | -       | -       | -  |
| EDMA2_TC1_WR      | -       | -           | -            | 13           | 13                | 13           | 13                | 13           | 13                | 13           | 13                | 13           | 13                | -       | -        | -                     | -            | -             | -         | -                | -       | -                | -                | -           | -       | -       | -  |
| EDMA2_TC2_RD      | 12      | 12          | 12           | 12           | 12                | 12           | 12                | 12           | 12                | 12           | 12                | 12           | 12                | 12      | 12       | 12                    | 12           | 12            | 12        | 12               | 12      | 12               | 12               | 12          | 12      | 12      | 12 |
| EDMA2_TC2_WR      | 12      | -           | 12           | 12           | 12                | 12           | 12                | 12           | 12                | 12           | 12                | 12           | 12                | 12      | 12       | 12                    | 12           | 12            | 12        | 12               | 12      | 12               | 12               | 12          | 12      | 12      | 12 |
| EDMA2_TC3_RD      | -       | -           | -            | 14           | 14                | 14           | 14                | 14           | 14                | 14           | 14                | 14           | 14                | -       | -        | -                     | -            | -             | -         | -                | -       | -                | -                | -           | -       | -       | -  |
| EDMA2_TC3_WR      | -       | -           | -            | 14           | 14                | 14           | 14                | 14           | 14                | 14           | 14                | 14           | 14                | -       | -        | -                     | -            | -             | -         | -                | -       | -                | -                | -           | -       | -       | -  |
| EDMA3_CC_TR       | -       | -           | -            | -            | -                 | -            | -                 | -            | -                 | -            | -                 | -            | -                 | -       | -        | -                     | -            | -             | -         | -                | -       | -                | -                | -           | -       | -       | -  |
| EDMA3_TC0_RD      | 13      | 13          | 13           | 13           | 13                | 13           | 13                | 13           | 13                | 13           | 13                | 13           | 13                | 13      | 13       | 13                    | 13           | 13            | 13        | 13               | 13      | 13               | 13               | 13          | 13      | 13      | 13 |
| EDMA3_TC0_WR      | 13      | 13          | 13           | 13           | 13                | 13           | 13                | 13           | 13                | 13           | 13                | 13           | 13                | 13      | 13       | 13                    | 13           | 13            | 13        | 13               | 13      | 13               | 13               | 13          | 13      | 13      | 13 |
| EDMA3_TC1_RD      | -       | 14          | -            | 14           | 14                | 14           | 14                | 14           | 14                | 14           | 14                | 14           | 14                | -       | -        | -                     | -            | -             | -         | -                | -       | -                | -                | -           | -       | -       | -  |
| EDMA3_TC1_WR      | -       | -           | -            | 14           | 14                | 14           | 14                | 14           | 14                | 14           | 14                | 14           | 14                | -       | -        | -                     | -            | -             | -         | -                | -       | -                | -                | -           | -       | -       | -  |
| EDMA4_CC_TR       | -       | -           | -            | -            | -                 | -            | -                 | -            | -                 | -            | -                 | -            | -                 | -       | -        | -                     | -            | -             | -         | -                | -       | -                | -                | -           | -       | -       | -  |
| EDMA4_TC0_RD      | -       | 12          | -            | 12           | 12                | 12           | 12                | 12           | 12                | 12           | 12                | 12           | 12                | -       | -        | -                     | -            | -             | -         | -                | -       | -                | -                | -           | -       | -       | -  |
| EDMA4_TC0_WR      | -       | -           | -            | 12           | 12                | 12           | 12                | 12           | 12                | 12           | 12                | 12           | 12                | -       | -        | -                     | -            | -             | -         | -                | -       | -                | -                | -           | -       | -       | -  |
| EDMA4_TC1_RD      | -       | 12          | -            | 12           | 12                | 12           | 12                | 12           | 12                | 12           | 12                | 12           | 12                | -       | -        | -                     | -            | -             | -         | -                | -       | -                | -                | -           | -       | -       | -  |
| EDMA4_TC1_WR      | -       | -           | -            | 12           | 12                | 12           | 12                | 12           | 12                | 12           | 12                | 12           | 12                | -       | -        | -                     | -            | -             | -         | -                | -       | -                | -                | -           | -       | -       | -  |
| HyperLink0_Master | 12      | -           | 12           | 12           | 12                | 12           | 12                | 12           | 12                | 12           | 12                | 12           | 12                | -       | 12       | 12                    | 12           | 12            | 12        | 12               | 12      | 12               | 12               | 12          | 12      | 12      | 12 |
| MSMC_SYS          | Y       | Y           | Y            | Y            | Y                 | Y            | Y                 | Y            | Y                 | Y            | Y                 | Y            | Y                 | Y       | Y        | Y                     | Y            | Y             | Y         | Y                | Y       | Y                | Y                | Y           | Y       | Y       | Y  |
| NETCP             | -       | -           | -            | -            | -                 | -            | -                 | -            | -                 | -            | -                 | -            | -                 | -       | -        | -                     | -            | -             | -         | -                | -       | -                | -                | -           | -       | -       | -  |
| PCIE0             | 12      | 12          | 12           | 12           | 12                | 12           | 12                | 12           | 12                | 12           | 12                | 12           | 12                | -       | 12       | 12                    | 12           | 12            | 12        | 12               | 12      | 12               | 12               | 12          | 12      | 12      | 12 |
| PCIE1             | 12      | 12          | 12           | 12           | 12                | 12           | 12                | 12           | 12                | 12           | 12                | 12           | 12                | -       | 12       | 12                    | 12           | 12            | 12        | 12               | 12      | 12               | 12               | 12          | 12      | 12      | 12 |
| QM_Master1        | -       | -           | -            | 12           | -                 | 12           | -                 | 12           | -                 | 12           | -                 | 12           | -                 | -       | -        | -                     | -            | -             | -         | -                | -       | -                | -                | -           | -       | -       | -  |
| QM_Master2        | -       | -           | -            | 12           | -                 | 12           | -                 | 12           | -                 | 12           | -                 | 12           | -                 | -       | -        | -                     | -            | -             | -         | -                | -       | -                | -                | -           | -       | -       | -  |
| QM_SEC            | -       | -           | -            | -            | -                 | -            | -                 | -            | -                 | -            | -                 | -            | -                 | -       | -        | -                     | -            | 12            | -         | -                | -       | -                | -                | -           | -       | -       | -  |
| USB0              | -       | 12          | -            | -            | -                 | -            | -                 | -            | -                 | -            | -                 | -            | -                 | -       | -        | -                     | -            | -             | -         | -                | -       | -                | -                | -           | -       | -       | -  |
| USB1              | -       | 12          | -            | -            | -                 | -            | -                 | -            | -                 | -            | -                 | -            | -                 | -       | -        | -                     | -            | -             | -         | -                | -       | -                | -                | -           | -       | -       | -  |

**Table 8-4. Configuration Space Interconnect - Section 3**

| MASTERS      | SLAVES  |             |             |           |           |           |           |           |           |           |           |                 |               |              |              |              |              |          |
|--------------|---------|-------------|-------------|-----------|-----------|-----------|-----------|-----------|-----------|-----------|-----------|-----------------|---------------|--------------|--------------|--------------|--------------|----------|
|              | QM_CFG2 | SR_CFG(0-1) | TBR_SYS_ARM | TETB0_CFG | TETB1_CFG | TETB2_CFG | TETB3_CFG | TETB4_CFG | TETB5_CFG | TETB6_CFG | TETB7_CFG | TIMER(0-19)_CFG | UART(0-1)_CFG | USB0_MMR_CFG | USB0_PHY_CFG | USB1_MMR_CFG | USB1_PHY_CFG | USIM_CFG |
| CorePac0_CFG | Y       | Y           | Y           | Y         | Y         | Y         | Y         | Y         | Y         | Y         | Y         | Y               | Y             | Y            | Y            | Y            | Y            | Y        |



**Table 8-4. Configuration Space Interconnect - Section 3 (continued)**

| MASTERS           | SLAVES  |             |             |           |           |           |           |           |           |           |           |                 |               |              |              |              |              |          |
|-------------------|---------|-------------|-------------|-----------|-----------|-----------|-----------|-----------|-----------|-----------|-----------|-----------------|---------------|--------------|--------------|--------------|--------------|----------|
|                   | QM_CFG2 | SR_CFG(0-1) | TBR_SYS_ARM | TETB0_CFG | TETB1_CFG | TETB2_CFG | TETB3_CFG | TETB4_CFG | TETB5_CFG | TETB6_CFG | TETB7_CFG | TIMER(0-19)_CFG | UART(0-1)_CFG | USB0_MMR_CFG | USB0_PHY_CFG | USB1_MMR_CFG | USB1_PHY_CFG | USIM_CFG |
| DBG_DAP           | Y       | Y           | Y           | Y         | Y         | Y         | Y         | Y         | Y         | Y         | Y         | Y               | Y             | Y            | Y            | Y            | Y            | Y        |
| TSIP_DMA          | Y       | Y           | Y           | Y         | Y         | Y         | Y         | Y         | Y         | Y         | Y         | Y               | Y             | Y            | Y            | Y            | Y            | Y        |
| EDMA0_CC_TR       | -       | -           | -           | -         | -         | -         | -         | -         | -         | -         | -         | -               | -             | -            | -            | -            | -            | -        |
| EDMA0_TC0_RD      | -       | -           | -           | -         | -         | -         | -         | 12        | 12        | -         | -         | -               | -             | -            | -            | -            | -            | -        |
| EDMA0_TC0_WR      | -       | -           | -           | -         | -         | -         | -         | -         | -         | -         | -         | -               | -             | -            | -            | -            | -            | -        |
| EDMA0_TC1_RD      | -       | -           | -           | -         | -         | -         | -         | 12        | 12        | -         | -         | -               | -             | -            | -            | -            | -            | -        |
| EDMA0_TC1_WR      | -       | -           | -           | -         | -         | -         | -         | -         | -         | -         | -         | -               | -             | -            | -            | -            | -            | -        |
| EDMA1_CC_TR       | -       | -           | -           | -         | -         | -         | -         | -         | -         | -         | -         | -               | -             | -            | -            | -            | -            | -        |
| EDMA1_TC0_RD      | 12      | 12          | 12          | -         | -         | -         | -         | 12        | 12        | -         | -         | 12              | 12            | 12           | 12           | 12           | 12           | 12       |
| EDMA1_TC0_WR      | 12      | 12          | 12          | -         | -         | -         | -         | -         | -         | -         | -         | 12              | 12            | 12           | 12           | 12           | 12           | 12       |
| EDMA1_TC1_RD      | -       | -           | -           | 13        | 13        | -         | -         | -         | -         | 13        | -         | -               | -             | -            | -            | -            | -            | -        |
| EDMA1_TC1_WR      | -       | -           | -           | -         | -         | -         | -         | -         | -         | -         | -         | -               | -             | -            | -            | -            | -            | -        |
| EDMA1_TC2_RD      | -       | -           | -           | -         | -         | 14        | 14        | -         | -         | -         | 14        | -               | -             | -            | -            | -            | -            | -        |
| EDMA1_TC2_WR      | -       | -           | -           | -         | -         | -         | -         | -         | -         | -         | -         | -               | -             | -            | -            | -            | -            | -        |
| EDMA1_TC3_RD      | 12      | 12          | 12          | -         | -         | -         | -         | 12        | 12        | -         | -         | 12              | 12            | 12           | 12           | 12           | 12           | 12       |
| EDMA1_TC3_WR      | 12      | 12          | 12          | -         | -         | -         | -         | -         | -         | -         | -         | 12              | 12            | 12           | 12           | 12           | 12           | 12       |
| EDMA2_CC_TR       | -       | -           | -           | -         | -         | -         | -         | -         | -         | -         | -         | -               | -             | -            | -            | -            | -            | -        |
| EDMA2_TC0_RD      | 12      | 12          | 12          | -         | -         | -         | -         | Y         | Y         | -         | -         | 12              | 12            | 12           | 12           | 12           | 12           | 12       |
| EDMA2_TC0_WR      | 12      | 12          | 12          | -         | -         | -         | -         | -         | -         | -         | -         | 12              | 12            | 12           | 12           | 12           | 12           | 12       |
| EDMA2_TC1_RD      | -       | -           | -           | 13        | 13        | -         | -         | -         | -         | 13        | -         | -               | -             | -            | -            | -            | -            | -        |
| EDMA2_TC1_WR      | -       | -           | -           | -         | -         | -         | -         | -         | -         | -         | -         | -               | -             | -            | -            | -            | -            | -        |
| EDMA2_TC2_RD      | 12      | 12          | 12          | -         | -         | -         | -         | 12        | 12        | -         | -         | 12              | 12            | 12           | 12           | 12           | 12           | 12       |
| EDMA2_TC2_WR      | 12      | 12          | 12          | -         | -         | -         | -         | -         | -         | -         | -         | 12              | 12            | 12           | 12           | 12           | 12           | 12       |
| EDMA2_TC3_RD      | -       | -           | -           | -         | -         | 14        | 14        | -         | -         | -         | 14        | -               | -             | -            | -            | -            | -            | -        |
| EDMA2_TC3_WR      | -       | -           | -           | -         | -         | -         | -         | -         | -         | -         | -         | -               | -             | -            | -            | -            | -            | -        |
| EDMA3_CC_TR       | -       | -           | -           | -         | -         | -         | -         | -         | -         | -         | -         | -               | -             | -            | -            | -            | -            | -        |
| EDMA3_TC0_RD      | 13      | 13          | 13          | 13        | 13        | 13        | 13        | 13        | 13        | 13        | 13        | 13              | 13            | 13           | 13           | 13           | 13           | 13       |
| EDMA3_TC0_WR      | 13      | 13          | 13          | -         | -         | -         | -         | -         | -         | -         | -         | 13              | 13            | 13           | 13           | 13           | 13           | 13       |
| EDMA3_TC1_RD      | -       | -           | -           | 14        | 14        | 14        | 14        | 14        | 14        | 14        | 14        | -               | -             | -            | -            | -            | -            | -        |
| EDMA3_TC1_WR      | -       | -           | -           | -         | -         | -         | -         | -         | -         | -         | -         | -               | -             | -            | -            | -            | -            | -        |
| EDMA4_CC_TR       | -       | -           | -           | -         | -         | -         | -         | -         | -         | -         | -         | -               | -             | -            | -            | -            | -            | -        |
| EDMA4_TC0_RD      | -       | -           | 12          | -         | -         | -         | -         | 12        | 12        | -         | -         | -               | -             | -            | -            | -            | -            | -        |
| EDMA4_TC0_WR      | -       | -           | 12          | -         | -         | -         | -         | -         | -         | -         | -         | -               | -             | -            | -            | -            | -            | -        |
| EDMA4_TC1_RD      | -       | -           | 12          | -         | -         | -         | -         | 12        | 12        | -         | -         | -               | -             | -            | -            | -            | -            | -        |
| EDMA4_TC1_WR      | -       | -           | 12          | -         | -         | -         | -         | -         | -         | -         | -         | -               | -             | -            | -            | -            | -            | -        |
| HyperLink0_Master | 12      | 12          | 12          | -         | -         | -         | -         | -         | -         | -         | -         | 12              | 12            | 12           | 12           | 12           | 12           | 12       |
| MSMC_SYS          | Y       | Y           | Y           | Y         | Y         | Y         | Y         | Y         | Y         | Y         | Y         | Y               | Y             | Y            | Y            | Y            | Y            | Y        |
| NETCP             | -       | -           | -           | -         | -         | -         | -         | -         | -         | -         | -         | -               | -             | -            | -            | -            | -            | -        |
| PCIE0             | 12      | 12          | 12          | 12        | 12        | 12        | 12        | 12        | 12        | 12        | 12        | 12              | 12            | 12           | 12           | 12           | 12           | 12       |
| PCIE1             | 12      | 12          | 12          | 12        | 12        | 12        | 12        | 12        | 12        | 12        | 12        | 12              | 12            | 12           | 12           | 12           | 12           | 12       |
| QM_Master1        | -       | -           | -           | -         | -         | -         | -         | -         | -         | -         | -         | -               | -             | -            | -            | -            | -            | -        |
| QM_Master2        | -       | -           | -           | -         | -         | -         | -         | -         | -         | -         | -         | -               | -             | -            | -            | -            | -            | -        |

**Table 8-4. Configuration Space Interconnect - Section 3 (continued)**

| MASTERS | SLAVES  |             |             |           |           |           |           |           |           |           |           |                 |               |              |              |              |              |          |
|---------|---------|-------------|-------------|-----------|-----------|-----------|-----------|-----------|-----------|-----------|-----------|-----------------|---------------|--------------|--------------|--------------|--------------|----------|
|         | QM_CFG2 | SR_CFG(0-1) | TBR_SYS_ARM | TETB0_CFG | TETB1_CFG | TETB2_CFG | TETB3_CFG | TETB4_CFG | TETB5_CFG | TETB6_CFG | TETB7_CFG | TIMER(0-19)_CFG | UART(0-1)_CFG | USB0_MMR_CFG | USB0_PHY_CFG | USB1_MMR_CFG | USB1_PHY_CFG | USIM_CFG |
| QM_SEC  | -       | -           | 12          | -         | -         | -         | -         | -         | -         | -         | -         | -               | -             | 12           | -            | 12           | -            | -        |
| USB0    | -       | -           | 12          | 12        | 12        | 12        | 12        | 12        | 12        | 12        | 12        | -               | -             | -            | -            | -            | -            | -        |
| USB1    | -       | -           | 12          | 12        | 12        | 12        | 12        | 12        | 12        | 12        | 12        | -               | -             | -            | -            | -            | -            | -        |

## 8.4 Bus Priorities

The priority level of all master peripheral traffic is defined at the TeraNet boundary. User-programmable priority registers allow software configuration of the data traffic through the TeraNet. Note that a lower number means higher priority — PRI = 000b = urgent, PRI = 111b = low.

All other masters provide their priority directly and do not need a default priority setting. Examples include the C66x CorePacs, whose priorities are set through software in the UMC control registers. All the Packet DMA-based peripherals also have internal registers to define the priority level of their initiated transactions.

The Packet DMA secondary port is one master port that does not have priority allocation register inside the Multicore Navigator. The priority level for transaction from this master port is described by the QM\_PRIORITY bit field in the CHIP\_MISC\_CTL0 register shown in [Figure 9-33](#) and [Table 9-53](#).

For all other modules, see the respective User's Guides listed in [Section 3.5](#) for programmable priority registers.

## 9 Device Boot and Configuration

### 9.1 Device Boot

#### 9.1.1 Boot Sequence

The boot sequence is a process by which the internal memory is loaded with program and data sections. The boot sequence is started automatically after each power-on reset or warm reset.

The

66AK2E0x supports several boot processes that begins execution at the ROM base address, which contains the bootloader code necessary to support various device boot modes. The boot processes are software-driven and use the BOOTMODE[15:0] device configuration inputs to determine the software configuration that must be completed. For more details on boot sequence see the *KeyStone II Architecture ARM Bootloader User's Guide (SPRUHJ3)*.

For 66AK2E0x non-secure devices, there is only one type of booting: the ARM CorePac as the boot master. The C66x CorePac as the boot master is not supported. The ARM CorePac does not support no-boot mode. The C66x CorePacs and the ARM CorePac needs to read the bootmode register to determine how to proceed with the boot.

Table 9-1 shows memory space reserved for boot by the C66x CorePac.

**Table 9-1. C66x DSP Boot RAM Memory Map**

| START ADDRESS | SIZE     | DESCRIPTION   |
|---------------|----------|---|
| 0x80_0000     | 0x1_0000 | Reserved  |
| 0x86_bf80     | 0x80     | C66x CorePac ROM Version string   |
| 0x86_c000     | 0x7ff0   | Boot Master Table Overlaid With scratch   |
| 0x87_3ff0     | 4        | Host Data Address (boot magic address for secure boot through master peripherals) |
| 0x87_4000     | 0x7800   | Boot Data   |
| 0x87_b800     | 0x410    | Secure Host Data Structure  |
| 0x87_c000     | 0x2290   | Boot Stack  |
| 0x87_e290     | 0x90     | Boot Log Data   |
| 0x87_e320     | 0x20     | Boot Status Stack   |
| 0x87_e410     | 0xf0     | Boot Stats  |
| 0x87_f91c     | 0x404    | Boot Trace Info   |
| 0x87_fd20     | 0x180    | DDR3 Configuration Structure  |
| 0x87_fea0     | 0x60     | Boot RAM Call Table   |
| 0x87_ff00     | 0x80     | Boot Parameter Table  |
| 0x87_fff8     | 4        | Secure Signal Magic Address   |
| 0x87_fffc     | 4        | Boot Magic Address  |

Table 9-2 shows addresses reserved for boot by the ARM CorePac.

**Table 9-2. ARM Boot RAM Memory Map**

| START ADDRESS | SIZE   | DESCRIPTION  |
|---------------|--------|--|
| 0xc17_e000    | 0xc00  | Context RAM not Scrubbed on Secure boot              |
| 0xc18_6f80    | 0x80   | Global Level 0 Non-secure Translation table          |
| 0xc18_7000    | 0x5000 | Global Non-secure Page Table for memory Covering ROM |
| 0xc18_c000    | 0x1000 | Core 0 Non-secure Level 1 Translation table          |
| 0xc18_d000    | 0x1000 | Core 1 Non-secure Level 1 Translation table          |
| 0xc18_e000    | 0x1000 | Core 2 Non-secure Level 1 Translation table          |
| 0xc18_f000    | 0x1000 | Core 3 Non-secure Level 1 Translation table          |

**Table 9-2. ARM Boot RAM Memory Map (continued)**

| START ADDRESS | SIZE   | DESCRIPTION   |
|---------------|--------|---|
| 0xc19_0000    | 0x7e80 | Packet Memory Buffer  |
| 0xc19_7e80    | 080    | PCIE Block  |
| 0xc19_7f00    | 4      | Host Data Address (boot magic address for secure boot through master peripherals) |
| 0xc1a_6e00    | 0x200  | DDR3 Configuration Structure  |
| 0xc1a_7000    | 0x3000 | Boot Data   |
| 0xc1a_a000    | 0x3000 | Supervisor Stack, Each Core Gets 0xc000 Bytes                                     |
| 0xc1a_d000    | 4      | ARM Boot Magic Address, Core 0  |
| 0xc1a_d004    | 4      | ARM Boot Magic Address, Core 1  |
| 0xc1a_d008    | 4      | ARM Boot Magic Address, Core 2  |
| 0xc1a_d00c    | 4      | ARM Boot Magic Address, Core 3  |
| 0xc1a_e000    | 0x400  | Abort Stack, Core 0   |
| 0xc1a_e400    | 0x400  | Abort Stack, Core 1   |
| 0xc1a_e800    | 0x400  | Abort Stack, Core 2   |
| 0xc1a_ec00    | 0x400  | Abort Stack, Core 3   |
| 0xc1a_f000    | 0x400  | Unknown Mode Stack, Core 0  |
| 0xc1a_f400    | 0x400  | Unknown mOde Stack, Core 1  |
| 0xc1a_f800    | 0x400  | Unknown Mode Stack, Core 2  |
| 0xc1a_fc00    | 0x400  | Unknown Mode Stack, Core 3  |
| 0xc1b_0000    | 0x180  | Boot Version String, Core 0   |
| 0xc1b_0180    | 0x80   | Boot Status Stack, Core 0   |
| 0xc1b_0200    | 0x100  | Boot Stats, Core 0  |
| 0xc1b_0300    | 0x100  | Boot Log, Core 0  |
| 0xc1b_0400    | 0x100  | Boot RAM Call Table, Core 0   |
| 0xc1b_0500    | 0x100  | Boot Parameter Tables, Core 0   |
| 0xc1b_0600    | 0x19e0 | Boot Data, Core 0   |
| 0xc1b_1fe0    | 0x1010 | Boot Trace, Core 0  |
| 0xc1b_4000    | 0x180  | Boot Version String, Core 1   |
| 0xc1b_4180    | 0x80   | Boot Status Stack, Core 1   |
| 0xc1b_4200    | 0x100  | Boot Stats, Core 1  |
| 0xc1b_4300    | 0x100  | Boot Log, Core 1  |
| 0xc1b_4400    | 0x100  | Boot RAM Call Table, Core 1   |
| 0xc1b_4500    | 0x100  | Boot Parameter Tables, Core 1   |
| 0xc1b_4600    | 0x19e0 | Boot Data, Core 1   |
| 0xc1b_5fe0    | 0x1010 | Boot Trace, Core 1  |
| 0xc1b_6000    | 0x180  | Boot Version String, Core 2   |
| 0xc1b_6180    | 0x80   | Boot Status Stack, Core 2   |
| 0xc1b_6200    | 0x100  | Boot Stats, Core 2  |
| 0xc1b_6300    | 0x100  | Boot Log, Core 2  |
| 0xc1b_6400    | 0x100  | Boot RAM Call Table, Core 2   |
| 0xc1b_6500    | 0x100  | Boot Parameter Tables, Core 2   |
| 0xc1b_6600    | 0x19e0 | Boot Data, Core 2   |
| 0xc1b_7fe0    | 0x1010 | Boot Trace, Core 2  |
| 0xc1b_8000    | 0x180  | Boot Version String, Core 3   |
| 0xc1b_8180    | 0x80   | Boot Status Stack, Core 3   |
| 0xc1b_8200    | 0x100  | Boot Stats, Core 3  |
| 0xc1b_8300    | 0x100  | Boot Log, Core 3  |
| 0xc1b_8400    | 0x100  | Boot RAM Call Table, Core 3   |

**Table 9-2. ARM Boot RAM Memory Map (continued)**

| START ADDRESS | SIZE     | DESCRIPTION                   |
|---------------|----------|-------------------------------|
| 0xc1b_8500    | 0x100    | Boot Parameter Tables, Core 3 |
| 0xc1b_8600    | 0x19e0   | Boot Data, Core 3             |
| 0xc1b_9fe0    | 0x1010   | Boot Trace, Core 3            |
| 0xc1c_0000    | 0x4_0000 | Secure MSMC                   |

### 9.1.2 Boot Modes Supported

The C66x Boot Master modes are not supported only the ARM CorePac Boot Master modes are. The device supports several boot processes, which leverage the internal boot ROM. Most boot processes are software-driven, using the BOOTMODE[15:0] device configuration inputs to determine the software configuration that must be completed. From a hardware perspective, there are two possible boot modes:

- **Public ROM Boot when the ARM CorePac Core0 is the boot master** — In this boot mode, the ARM CorePac performs the boot process while the C66x CorePacs execute idle instructions. When the ARM CorePac Core0 finishes the boot process, it may send interrupts to the C66x CorePacs and Cortex-A15 processor cores through IPC registers. The C66x CorePacs complete the boot management operations and begin executing from the predefined locations.
- **Secure ROM Boot when the ARM CorePac0 is the boot master** — The C66x CorePac0 and the ARM CorePac Core0 are released from reset simultaneously and begin executing from secure ROM. The ARM CorePac Core0 initiates the boot process. The C66x CorePac0 performs any authentication and decryption required on the bootloaded image for the C66x CorePacs and ARM CorePac prior to beginning execution. For more information, refer to the Secure device Addendum.

The boot process performed by the ARM CorePac Core0 in public ROM boot and secure ROM boot are determined by the BOOTMODE[15:0] value in the DEVSTAT register. The ARM CorePac Core0 read this value, and then execute the associated boot process in software. The figure below shows the bits associated with BOOTMODE[15:0] pins (DEVSTAT[16:1] register bits) when the ARM CorePac is the boot master. Note that [Figure 9-1](#) does not include bit 0 of the DEVSTAT contents. Bit 0 is used to select overall system endianness that is independent of the boot mode.

The boot ROM will continue attempting to boot in this mode until successful or an unrecoverable error occurs.

The PLL settings are shown at the end of this section, and the PLL set-up details can be found in [Section 11.5](#).

---

#### NOTE

It is important to keep in mind that BOOTMODE[15:0] pins map to DEVSTAT[16:1] bits of the DEVSTAT register.

---

**Figure 9-1. DEVSTAT Boot Mode Pins ROM Mapping**

| DEVSTAT Boot Mode Pins ROM Mapping |             |          |           |           |    |            |   |                     |                |   |     |      |           |                         |                        |      |
|------------------------------------|-------------|----------|-----------|-----------|----|------------|---|---------------------|----------------|---|-----|------|-----------|-------------------------|------------------------|------|
| 16                                 | 15          | 14       | 13        | 12        | 11 | 10         | 9 | 8                   | 7              | 6 | 5   | 4    | 3         | 2                       | 1                      | Mode |
| X                                  | X           | 0        | X         | PLLEN     | X  |            |   | 0 (ARM Boot Master) | SYS PLL CONFIG |   | Min | 0    | 0         | 0                       | SLEEP                  |      |
| SlaveAddr                          |             | 1        | Port      |           |    |            |   |                     | SYS PLL CONFIG |   |     | 0    | 0         | 0                       | I <sup>2</sup> C SLAVE |      |
| X                                  |             | Bus Addr |           | Param Idx |    |            | X |                     | Port           | 0 |     | 0    | 1         | I <sup>2</sup> C MASTER |                        |      |
| Width                              |             | Csel     |           | Mode      |    | Port       |   |                     | Param Idx      |   |     | 0    | 1         | 0                       | SPI                    |      |
| 0                                  | Base Addr   |          | Wait      | Width     | X  | Chip Sel   |   |                     | 0              | 0 | 1   | 1    | EMIF      |                         |                        |      |
| 1                                  | First Block |          |           | Clear     |    | Lane Setup |   |                     | Min            | 0 | 1   | 1    | NAND      |                         |                        |      |
| NETC P clk                         | Ref clk     |          | Ext Con   |           |    |            |   |                     |                | 1 | 0   | 1    | Ethernet  |                         |                        |      |
| X                                  | Bar Config  |          |           | Port      | X  |            | 0 |                     | 1              | 1 | 0   | PCIe |           |                         |                        |      |
| Port                               | Ref clk     |          | Data Rate |           | X  |            |   |                     | 1              | 1 | 1   | 0    | HyperLink |                         |                        |      |
| X                                  |             |          |           | Port      |    |            |   |                     | Min            | 1 | 1   | 1    | UART      |                         |                        |      |

**9.1.2.1 Boot Device Field**

The Boot Device field DEVSTAT[16-14-4-3-2-1] defines the boot device that is chosen. [Table 9-3](#) shows the supported boot modes.

**Table 9-3. Boot Mode Pins: Boot Device Values**

| Bit                | Field       | Description  |
|--------------------|-------------|--|
| 16, 14, 4, 3, 2, 1 | Boot Device | Device boot mode - ARM is a boot master when BOOTMODE[8]=0 <ul style="list-style-type: none"> <li>Sleep = X0[Min]000b</li> <li>I<sup>2</sup>C Slave = [Slave Addr1]1[Min]000 b</li> <li>I<sup>2</sup>C Master = XX[Min]001b</li> <li>SPI = [Width][Csel0][Min]010b</li> <li>EMIF = 0X0011b</li> <li>NAND = 1X[Min]011b</li> <li>Ethernet (SGMII) = [Pa clk][Ref Clk0][Min]101b</li> <li>PCI = XBar Config2]0110b</li> <li>Hyperlink = [Port][Ref Clk0]1110b</li> <li>UART = XX[Min]111b</li> </ul> |

**9.1.2.2 Device Configuration Field**

The device configuration fields DEVSTAT[16:1] are used to configure the boot peripheral and, therefore, the bit definitions depend on the boot mode.

**9.1.2.2.1 Sleep Boot Mode Configuration****Figure 9-2. Sleep Boot Mode Configuration Fields Description**

| DEVSTAT Boot Mode Pins ROM Mapping |    |    |    |       |    |    |   |             |                |   |   |     |     |   |   |         |
|------------------------------------|----|----|----|-------|----|----|---|-------------|----------------|---|---|-----|-----|---|---|---------|
| 16                                 | 15 | 14 | 13 | 12    | 11 | 10 | 9 | 8           | 7              | 6 | 5 | 4   | 3   | 2 | 1 | 0       |
| X                                  | X  | 0  | X  | PLLEN | X  |    |   | Boot Master | Sys PLL Config |   |   | Min | 000 |   |   | Lendian |

**Table 9-4. Sleep Boot Configuration Field Descriptions**

| Bit   | Field        | Description   |
|-------|--------------|---|
| 16-15 | Reserved     | Reserved  |
| 14    | Boot Devices | Boot Device- used in conjunction with Boot Devices [Used in conjunction with bits 3-1] <ul style="list-style-type: none"> <li>0 = Sleep (default)</li> <li>Others = Other boot modes</li> </ul> |
| 13    | Reserved     |   |

**Table 9-4. Sleep Boot Configuration Field Descriptions (continued)**

| Bit  | Field           | Description  |
|------|-----------------|--|
| 12   | PLLEN           | Enable the System PLL <ul style="list-style-type: none"> <li>0 = PLL disabled (default)</li> <li>1 = PLL enabled</li> </ul>  |
| 11-9 | Reserved        | Reserved   |
| 8    | Boot Master     | This pin must be pulled down to GND  |
| 7-5  | SYS PLL Setting | The PLL default settings are determined by the [7:5] bits. This will set the PLL to the maximum clock setting for the device. <a href="#">Table 9-25</a> shows settings for various input clock frequencies.   |
| 4    | Min             | Minimum boot configuration select bit. <ul style="list-style-type: none"> <li>0 = Minimum boot pin select disabled</li> <li>1 = Minimum boot pin select enabled.</li> </ul> When Min = 1, a predetermined set of values is configured (see the Device Configuration Field Descriptions table for configuration bits with a "(default)" tag added in the description column).<br>When Min = 0, all fields must be independently configured. |
| 3-1  | Boot Devices    | Boot Devices[3:1] used in conjunction with Boot Device [14] <ul style="list-style-type: none"> <li>000 = Sleep</li> <li>Others = Other boot modes</li> </ul>   |
| 0    | Lendian         | Endianess (device) <ul style="list-style-type: none"> <li>0 = Big endian</li> <li>1 = Little endian</li> </ul>   |

**9.1.2.2.2 I<sup>2</sup>C Boot Device Configuration**

**9.1.2.2.2.1 I<sup>2</sup>C Passive Mode**

In passive mode, the device does not drive the clock, but simply acks data received on the specified address.

**Figure 9-3. I<sup>2</sup>C Passive Mode Device Configuration Fields**

| DEVSTAT Boot Mode Pins ROM Mapping |    |      |    |    |    |    |             |                |   |   |     |     |   |   |         |   |
|------------------------------------|----|------|----|----|----|----|-------------|----------------|---|---|-----|-----|---|---|---------|---|
| 16                                 | 15 | 14   | 13 | 12 | 11 | 10 | 9           | 8              | 7 | 6 | 5   | 4   | 3 | 2 | 1       | 0 |
| Slave Addr                         | 1  | Port | X  |    |    |    | Boot Master | Sys PLL Config |   |   | Min | 000 |   |   | Lendian |   |

**Table 9-5. I<sup>2</sup>C Passive Mode Device Configuration Field Descriptions**

| Bit   | Field           | Description  |
|-------|-----------------|--|
| 16-15 | Slave Addr      | I <sup>2</sup> C Slave boot bus address <ul style="list-style-type: none"> <li>0 = I<sup>2</sup>C slave boot bus address is 0x00</li> <li>1 = I<sup>2</sup>C slave boot bus address is 0x10 (default)</li> <li>2 = I<sup>2</sup>C slave boot bus address is 0x20</li> <li>3 = I<sup>2</sup>C slave boot bus address is 0x30</li> </ul> |
| 14    | Boot Devices    | Boot Device[14] used in conjunction with Boot Devices [Use din conjunction with bits 3-1] <ul style="list-style-type: none"> <li>0 = Other boot modes</li> <li>1 = I<sup>2</sup>C Slave boot mode</li> </ul>   |
| 13-12 | Port            | I <sup>2</sup> C port number <ul style="list-style-type: none"> <li>0 = I<sup>2</sup>C0</li> <li>1 = I<sup>2</sup>C1</li> <li>2 = I<sup>2</sup>C2</li> <li>3 = Reserved</li> </ul>   |
| 11-9  | Reserved        | Reserved   |
| 8     | Boot Master     | This pin must be pulled down to GND  |
| 7-5   | SYS PLL Setting | The PLL default settings are determined by the [7:5] bits. This will set the PLL to the maximum clock setting for the device. <a href="#">Table 9-25</a> shows settings for various input clock frequencies.   |

**Table 9-5. I<sup>2</sup>C Passive Mode Device Configuration Field Descriptions (continued)**

| Bit | Field        | Description  |
|-----|--------------|--|
| 4   | Min          | Minimum boot configuration select bit. <ul style="list-style-type: none"> <li>0 = Minimum boot pin select disabled</li> <li>1 = Minimum boot pin select enabled.</li> </ul> When Min = 1, a predetermined set of values is configured (see the Device Configuration Field Descriptions table for configuration bits with a "(default)" tag added in the description column).<br>When Min = 0, all fields must be independently configured. |
| 3-1 | Boot Devices | Boot Devices[3:1] used in conjunction with Boot Device [14] <ul style="list-style-type: none"> <li>000 = I<sup>2</sup>C Slave</li> <li>Others = Other boot modes</li> </ul>  |
| 0   | Lendian      | Endianness <ul style="list-style-type: none"> <li>0 = Big endian</li> <li>1 = Little endian</li> </ul>   |

**9.1.2.2.2 I<sup>2</sup>C Master Mode**

In master mode, the I<sup>2</sup>C device configuration uses ten bits of device configuration instead of seven as used in other boot modes. In this mode, the device makes the initial read of the I<sup>2</sup>C EEPROM while the PLL is in bypass mode. The initial read contains the desired clock multiplier, which must be set up prior to any subsequent reads.

**Figure 9-4. I<sup>2</sup>C Master Mode Device Configuration Fields**

| DEVSTAT Boot Mode Pins ROM Mapping |    |    |          |    |                  |    |   |             |          |   |      |     |     |   |         |   |
|------------------------------------|----|----|----------|----|------------------|----|---|-------------|----------|---|------|-----|-----|---|---------|---|
| 16                                 | 15 | 14 | 13       | 12 | 11               | 10 | 9 | 8           | 7        | 6 | 5    | 4   | 3   | 2 | 1       | 0 |
| Reserved                           |    |    | Bus Addr |    | Param Idx/Offset |    |   | Boot Master | Reserved |   | Port | Min | 001 |   | Lendian |   |

**Table 9-6. I<sup>2</sup>C Master Mode Device Configuration Field Descriptions**

| Bit   | Field        | Description  |
|-------|--------------|--|
| 16-14 | Reserved     | Reserved   |
| 13-12 | Bus Addr     | I <sup>2</sup> C bus address slave device <ul style="list-style-type: none"> <li>0 = I<sup>2</sup>C slave boot bus address is 0x50 (default)</li> <li>1 = I<sup>2</sup>C slave boot bus address is 0x51</li> <li>2 = I<sup>2</sup>C slave boot bus address is 0x52</li> <li>3 = I<sup>2</sup>C slave boot bus address is 0x53</li> </ul>   |
| 11-9  | Param Idx    | Parameter Table Index <ul style="list-style-type: none"> <li>0-7 = This value specifies the parameter table index (default = 0)</li> </ul>   |
| 8     | Boot Master  | This pin must be pulled down to GND  |
| 7     | Reserved     | Reserved   |
| 6-5   | Port         | I <sup>2</sup> C port number <ul style="list-style-type: none"> <li>0 = I<sup>2</sup>C0 (default)</li> <li>1 = I<sup>2</sup>C1</li> <li>2 = I<sup>2</sup>C2</li> <li>3 = Reserved</li> </ul>   |
| 4     | Min          | Minimum boot configuration select bit. <ul style="list-style-type: none"> <li>0 = Minimum boot pin select disabled</li> <li>1 = Minimum boot pin select enabled.</li> </ul> When Min = 1, a predetermined set of values is configured (see the Device Configuration Field Descriptions table for configuration bits with a "(default)" tag added in the description column).<br>When Min = 0, all fields must be independently configured. |
| 3-1   | Boot Devices | Boot Devices[3:1] <ul style="list-style-type: none"> <li>001 = I<sup>2</sup>C Master</li> <li>Others = Other boot modes</li> </ul>   |



**Table 9-6. I<sup>2</sup>C Master Mode Device Configuration Field Descriptions (continued)**

| Bit | Field  | Description   |
|-----|--------|---|
| 0   | Endian | Endianess <ul style="list-style-type: none"> <li>• 0 = Big endian</li> <li>• 1 = Little endian</li> </ul> |

### 9.1.2.2.3 SPI Boot Device Configuration

**Figure 9-5. SPI Device Configuration Fields**

| DEVSTAT Boot Mode Pins ROM Mapping |    |      |    |      |    |      |   |             |   |           |   |     |     |   |         |   |
|------------------------------------|----|------|----|------|----|------|---|-------------|---|-----------|---|-----|-----|---|---------|---|
| 16                                 | 15 | 14   | 13 | 12   | 11 | 10   | 9 | 8           | 7 | 6         | 5 | 4   | 3   | 2 | 1       | 0 |
| Width                              |    | Csel |    | Mode |    | Port |   | Boot Master |   | Param Ind |   | Min | 010 |   | Lendian |   |

**Table 9-7. SPI Device Configuration Field Descriptions**

| Bit   | Field        | Description   |
|-------|--------------|---|
| 16-15 | Width        | SPI address width configuration <ul style="list-style-type: none"> <li>0 = 16-bit address values are used</li> <li>1 = 24-bit address values are used (default)</li> </ul>  |
| 14-13 | Csel         | The chip select field value 0-3 (default = 0)   |
| 12-11 | Mode         | Clk Polarity/ Phase <ul style="list-style-type: none"> <li>0 = Data is output on the rising edge of SPICLK. Input data is latched on the falling edge.</li> <li>1 = Data is output one half-cycle before the first rising edge of SPICLK and on subsequent falling edges. Input data is latched on the rising edge of SPICLK.</li> <li>2 = Data is output on the falling edge of SPICLK. Input data is latched on the rising edge (default).</li> <li>3 = Data is output one half-cycle before the first falling edge of SPICLK and on subsequent rising edges. Input data is latched on the falling edge of SPICLK.</li> </ul> |
| 10-9  | Port         | Specify SPI port <ul style="list-style-type: none"> <li>0 = SPI0 used (default)</li> <li>1 = SPI1 used</li> <li>2 = SPI2 used</li> <li>3 = Reserved</li> </ul>  |
| 8     | Boot Master  | This pin must be pulled down to GND   |
| 7-5   | Param Idx    | Parameter Table Index <ul style="list-style-type: none"> <li>0-7 = This value specifies the parameter table index (default = 0)</li> </ul>  |
| 4     | Min          | Minimum boot configuration select bit. <ul style="list-style-type: none"> <li>0 = Minimum boot pin select disabled</li> <li>1 = Minimum boot pin select enabled.</li> </ul> <p>When Min = 1, a predetermined set of values is configured (see the Device Configuration Field Descriptions table for configuration bits with a "(default)" tag added in the description column).</p> <p>When Min = 0, all fields must be independently configured.</p>   |
| 3-1   | Boot Devices | Boot Devices[3:1] <ul style="list-style-type: none"> <li>010 = SPI boot mode</li> <li>Others = Other boot modes</li> </ul>  |
| 0     | Lendian      | Endianness <ul style="list-style-type: none"> <li>0 = Big endian</li> <li>1 = Little endian</li> </ul>  |

### 9.1.2.2.4 EMIF Boot Device Configuration

**Figure 9-6. EMIF Boot Device Configuration Fields**

| DEVSTAT Boot Mode Pins ROM Mapping |           |    |      |       |    |          |   |             |   |             |   |   |     |   |         |   |
|------------------------------------|-----------|----|------|-------|----|----------|---|-------------|---|-------------|---|---|-----|---|---------|---|
| 16                                 | 15        | 14 | 13   | 12    | 11 | 10       | 9 | 8           | 7 | 6           | 5 | 4 | 3   | 2 | 1       | 0 |
| 0                                  | Base Addr |    | Wait | Width | X  | Chip Sel |   | Boot Master |   | Sys PLL Cfg |   | 0 | 011 |   | Lendian |   |

**Table 9-8. EMIF Boot Device Configuration Field Descriptions**

| Bit   | Field           | Description   |
|-------|-----------------|---|
| 16    | Boot Devices    | Boot Devices[16] used conjunction with Boot Devices[4] and Boot Devices [Used in conjunction with bits 3-1] <ul style="list-style-type: none"> <li>0 = EMIF boot mode</li> <li>1 = Other boot modes</li> </ul>  |
| 15-14 | Base Addr       | Base address (0-3) used to calculate the branch address. Branch address is the chip select plus Base Address *16MB  |
| 13    | Wait            | Extended Wait <ul style="list-style-type: none"> <li>0 = Extended Wait disabled</li> <li>1 = Extended Wait enabled</li> </ul>   |
| 12    | Width           | EMIF Width <ul style="list-style-type: none"> <li>0 = 8-bit EMIF Width</li> <li>1 = 16-bit EMIF Width</li> </ul>  |
| 11    | Reserved        | Reserved  |
| 10-9  | Chip Sel        | Chip Sel that specifies the chip select region, EMIF16 CS2-EMIF16 CS5. <ul style="list-style-type: none"> <li>00 = EMIF16 CS2 (<math>\overline{\text{EMIFCE0}}</math>)</li> <li>01 = EMIF16 CS3 (<math>\overline{\text{EMIFCE1}}</math>)</li> <li>10 = EMIF16 CS4 (<math>\overline{\text{EMIFCE2}}</math>)</li> <li>11 = EMIF16 CS5 (<math>\overline{\text{EMIFCE3}}</math>)</li> </ul> |
| 8     | Boot Master     | This pin must be pulled down to GND   |
| 7-5   | SYS PLL Setting | The PLL default settings are determined by the [7:5] bits. This will set the PLL to the maximum clock setting for the device. <a href="#">Table 9-25</a> shows settings for various input clock frequencies.  |
| 4-1   | Boot Devices    | Boot Devices[4] used conjunction with Boot Devices[16] <ul style="list-style-type: none"> <li>0011 = EMIF boot mode</li> <li>1XXX = Other boot modes</li> </ul>   |
| 0     | Lendian         | Endianess <ul style="list-style-type: none"> <li>0 = Big endian</li> <li>1 = Little endian</li> </ul>   |

#### 9.1.2.2.5 NAND Boot Device Configuration

**Figure 9-7. NAND Boot Device Configuration Fields**

| DEVSTAT Boot Mode Pins ROM Mapping |             |    |    |       |    |          |             |   |             |   |   |     |     |   |         |   |
|------------------------------------|-------------|----|----|-------|----|----------|-------------|---|-------------|---|---|-----|-----|---|---------|---|
| 16                                 | 15          | 14 | 13 | 12    | 11 | 10       | 9           | 8 | 7           | 6 | 5 | 4   | 3   | 2 | 1       | 0 |
| 1                                  | First Block |    |    | Clear | X  | Chip Sel | Boot Master |   | Sys PLL Cfg |   |   | Min | 011 |   | Lendian |   |

**Table 9-9. NAND Boot Device Configuration Field Descriptions**

| Bit   | Field        | Description   |
|-------|--------------|---|
| 16    | Boot Devices | Boot Devices[16] used conjunction with Boot Devices [3-1] <ul style="list-style-type: none"> <li>0 = Other boot modes</li> <li>1 = NAND boot mode</li> </ul>  |
| 15-13 | First Block  | First Block. This value is used to calculate the first block read. The first block read is the first block value *16.   |
| 12    | Clear        | ClearNAND <ul style="list-style-type: none"> <li>0 = Device is not a ClearNAND (default)</li> <li>1 = Device is a ClearNAND</li> </ul>  |
| 11-9  | Chip Sel     | Chip Sel that specifies the chip select region, EMIF16 CS2-EMIF16 CS5. <ul style="list-style-type: none"> <li>00 = EMIF16 CS2 (<math>\overline{\text{EMIFCE0}}</math>)</li> <li>01 = EMIF16 CS3 (<math>\overline{\text{EMIFCE1}}</math>)</li> <li>10 = EMIF16 CS4 (<math>\overline{\text{EMIFCE2}}</math>)</li> <li>11 = EMIF16 CS5 (<math>\overline{\text{EMIFCE3}}</math>)</li> </ul> |
| 8     | Boot Master  | This pin must be pulled down to GND   |

**Table 9-9. NAND Boot Device Configuration Field Descriptions (continued)**

| Bit | Field           | Description  |
|-----|-----------------|--|
| 7-5 | SYS PLL Setting | The PLL default settings are determined by the [7:5] bits. This will set the PLL to the maximum clock setting for the device. <a href="#">Table 9-25</a> shows settings for various input clock frequencies.   |
| 4   | Min             | Minimum boot pin select. When Min is 1, it means that the BOOTMODE [15:3] pins are don't cares. Only BOOTMODE [2:0] pins (DEVSTAT[3:1]) will determine boot. Default values are assigned to values that would normally be set by the other BOOTMODE pins when Min is 0. <ul style="list-style-type: none"> <li>0 = Minimum boot pin select disabled</li> <li>1 = Minimum boot pin select enabled.</li> </ul> |
| 3-1 | Boot Devices    | Boot Devices <ul style="list-style-type: none"> <li>011 = NAND boot mode</li> <li>Others = Other boot modes</li> </ul>   |
| 0   | Lendian         | Endianess <ul style="list-style-type: none"> <li>0 = Big endian</li> <li>1 = Little endian</li> </ul>  |

**9.1.2.3 Ethernet (SGMII) Boot Device Configuration****Figure 9-8. Ethernet (SGMII) Boot Device Configuration Fields**

| DEVSTAT Boot Mode Pins ROM Mapping |           |    |         |    |            |             |   |             |     |     |   |         |   |   |   |   |
|------------------------------------|-----------|----|---------|----|------------|-------------|---|-------------|-----|-----|---|---------|---|---|---|---|
| 16                                 | 15        | 14 | 13      | 12 | 11         | 10          | 9 | 8           | 7   | 6   | 5 | 4       | 3 | 2 | 1 | 0 |
| NETCP clk                          | Ref Clock |    | Ext Con | X  | Lane Setup | Boot Master |   | Sys PLL Cfg | Min | 101 |   | Lendian |   |   |   |   |

**Table 9-10. Ethernet (SGMII) Boot Device Configuration Field Descriptions**

| Bit   | Field           | Description   |
|-------|-----------------|---|
| 16    | NETCP clk       | NETCP clock reference <ul style="list-style-type: none"> <li>0 = NETCP clocked at the same reference as the core reference</li> <li>1 = NETCP clocked at the same reference as the SerDes reference (default)</li> </ul>  |
| 15-14 | Ref Clock       | Reference clock frequency <ul style="list-style-type: none"> <li>0 = 125MHz</li> <li>1 = 156.25MHz (default)</li> <li>2 = Reserved</li> <li>3 = Reserved</li> </ul>   |
| 13-12 | Ext Con         | External connection mode <ul style="list-style-type: none"> <li>0 = MAC to MAC connection, master with auto negotiation</li> <li>1 = MAC to MAC connection, slave with auto negotiation (default)</li> <li>2 = MAC to MAC, forced link, maximum speed</li> <li>3 = MAC to fiber connection</li> </ul> |
| 11-9  | Lane Setup      | Lane Setup. <ul style="list-style-type: none"> <li>0 = All SGMII ports enabled (default)</li> <li>1 = Only SGMII port 0 enabled</li> <li>2 = SGMII port 0 and 1 enabled</li> <li>3 = SGMII port 0, 1 and 2 enabled</li> <li>4-5 = Reserved</li> </ul>   |
| 8     | Boot Master     | This pin must be pulled down to GND   |
| 7-5   | SYS PLL Setting | The PLL default settings are determined by the [7:5] bits. This will set the PLL to the maximum clock setting for the device. Default system reference clock is 156.25 MHz. <a href="#">Table 9-25</a> shows settings for various input clock frequencies. (default = 4)                              |

**Table 9-10. Ethernet (SGMII) Boot Device Configuration Field Descriptions (continued)**

| Bit | Field        | Description  |
|-----|--------------|--|
| 4   | Min          | <p>Minimum boot configuration select bit.</p> <ul style="list-style-type: none"> <li>0 = Minimum boot pin select disabled</li> <li>1 = Minimum boot pin select enabled.</li> </ul> <p>When Min = 1, a predetermined set of values is configured (see the Device Configuration Field Descriptions table for configuration bits with a "(default)" tag added in the description column).</p> <p>When Min = 0, all fields must be independently configured.</p> |
| 3-1 | Boot Devices | <p>Boot Devices</p> <ul style="list-style-type: none"> <li>101 = Ethernet boot mode</li> <li>Others = Other boot modes</li> </ul>  |
| 0   | Endian       | <p>Endianess</p> <ul style="list-style-type: none"> <li>0 = Big endian</li> <li>1 = Little endian</li> </ul>   |

### 9.1.2.3.1 PCIe Boot Device Configuration

**Figure 9-9. PCIe Boot Device Configuration Fields**

| DEVSTAT Boot Mode Pins ROM Mapping |            |    |    |      |    |             |   |             |   |      |   |   |         |   |   |   |
|------------------------------------|------------|----|----|------|----|-------------|---|-------------|---|------|---|---|---------|---|---|---|
| 16                                 | 15         | 14 | 13 | 12   | 11 | 10          | 9 | 8           | 7 | 6    | 5 | 4 | 3       | 2 | 1 | 0 |
| Ref clk                            | Bar Config |    |    | Port | X  | Boot Master |   | Sys PLL Cfg |   | 0110 |   |   | Lendian |   |   |   |

**Table 9-11. PCIe Boot Device Configuration Field Descriptions**

| Bit   | Field           | Description  |
|-------|-----------------|--|
| 16    | Ref clk         | <p>PCIe Reference clock frequency</p> <ul style="list-style-type: none"> <li>0 = 100MHz</li> <li>1 = Reserved</li> </ul>   |
| 15-12 | Bar Config      | <p>PCIe BAR registers configuration</p> <p>This value can range from 0 to 0xf. See <a href="#">Table 9-12</a>.</p>   |
| 11    | Port            | PCIe Port number (0-1)   |
| 10-9  | Reserved        |  |
| 8     | Boot Master     | This pin must be pulled down to GND  |
| 7-5   | SYS PLL Setting | The PLL default settings are determined by the [7:5] bits. This will set the PLL to the maximum clock setting for the device. Default system reference clock is 156.25 MHz. <a href="#">Table 9-25</a> shows settings for various input clock frequencies. |
| 4-1   | Boot Devices    | <p>Boot Devices[4:1]</p> <ul style="list-style-type: none"> <li>0110 = PCIe boot mode</li> <li>Others = Other boot modes</li> </ul>  |
| 0     | Endian          | <p>Endianess</p> <ul style="list-style-type: none"> <li>0 = Big endian</li> <li>1 = Little endian</li> </ul>   |

**Table 9-12. BAR Config / PCIe Window Sizes**

| BAR CFG | BAR0      | 32-BIT ADDRESS TRANSLATION |      |      |      |                  | 64-BIT ADDRESS TRANSLATION |        |      |      |  |
|---------|-----------|----------------------------|------|------|------|------------------|----------------------------|--------|------|------|--|
|         |           | BAR1                       | BAR2 | BAR3 | BAR4 | BAR5             | BAR2/3                     | BAR4/5 |      |      |  |
| 0b0000  | PCIe MMRs | 32                         | 32   | 32   | 32   | Clone of<br>BAR4 |                            |        |      |      |  |
| 0b0001  |           | 16                         | 16   | 32   | 64   |                  |                            |        |      |      |  |
| 0b0010  |           | 16                         | 32   | 32   | 64   |                  |                            |        |      |      |  |
| 0b0011  |           | 32                         | 32   | 32   | 64   |                  |                            |        |      |      |  |
| 0b0100  |           | 16                         | 16   | 64   | 64   |                  |                            |        |      |      |  |
| 0b0101  |           | 16                         | 32   | 64   | 64   |                  |                            |        |      |      |  |
| 0b0110  |           | 32                         | 32   | 64   | 64   |                  |                            |        |      |      |  |
| 0b0111  |           | 32                         | 32   | 64   | 128  |                  |                            |        |      |      |  |
| 0b1000  |           | 64                         | 64   | 128  | 256  |                  |                            |        |      |      |  |
| 0b1001  |           | 4                          | 128  | 128  | 128  |                  |                            |        |      |      |  |
| 0b1010  |           | 4                          | 128  | 128  | 256  |                  |                            |        |      |      |  |
| 0b1011  |           | 4                          | 128  | 256  | 256  |                  |                            |        |      |      |  |
| 0b1100  |           |                            |      |      |      |                  |                            |        | 256  | 256  |  |
| 0b1101  |           |                            |      |      |      |                  |                            |        | 512  | 512  |  |
| 0b1110  |           |                            |      |      |      |                  |                            |        | 1024 | 1024 |  |
| 0b1111  |           |                            |      |      |      | 2048             | 2048                       |        |      |      |  |

**9.1.2.3.2 HyperLink Boot Device Configuration****Figure 9-10. HyperLink Boot Device Configuration Fields**

| DEVSTAT Boot Mode Pins ROM Mapping |        |    |           |    |    |    |             |   |             |   |   |      |   |   |         |   |
|------------------------------------|--------|----|-----------|----|----|----|-------------|---|-------------|---|---|------|---|---|---------|---|
| 16                                 | 15     | 14 | 13        | 12 | 11 | 10 | 9           | 8 | 7           | 6 | 5 | 4    | 3 | 2 | 1       | 0 |
| X                                  | RefClk |    | Data Rate |    | X  |    | Boot Master |   | Sys PLL Cfg |   |   | 1110 |   |   | Lendian |   |

**Table 9-13. HyperLink Boot Device Configuration Field Descriptions**

| Bit   | Field           | Description  |
|-------|-----------------|--|
| 16    | Reserve         |  |
| 15-14 | Ref Clocks      | HyperLink reference clock configuration <ul style="list-style-type: none"> <li>0 = 125 MHz</li> <li>1 = 156.25 MHz</li> <li>2-3 = Reserved</li> </ul>  |
| 13-12 | Data Rate       | HyperLink data rate configuration <ul style="list-style-type: none"> <li>0 = 1.25 GBs</li> <li>1 = 3.125 GBs</li> <li>2 = 6.25 GBs</li> <li>3 = 12.5GBs</li> </ul>   |
| 11-9  | Reserved        |  |
| 8     | Boot Master     | This pin must be pulled down to GND  |
| 7-5   | SYS PLL Setting | The PLL default settings are determined by the [7:5] bits. This will set the PLL to the maximum clock setting for the device. Default system reference clock is 156.25 MHz. <a href="#">Table 9-25</a> shows settings for various input clock frequencies. |
| 4-1   | Boot Devices    | Boot Devices[4:1] <ul style="list-style-type: none"> <li>1110 = HyperLink boot mode</li> <li>Others = Other boot modes</li> </ul>  |
| 0     | Lendian         | Endianess <ul style="list-style-type: none"> <li>0 = Big endian</li> <li>1 = Little endian</li> </ul>  |

9.1.2.3.3 UART Boot Device Configuration

Figure 9-11. UART Boot Mode Configuration Field Description

| DEVSTAT Boot Mode Pins ROM Mapping |    |    |    |      |    |    |   |             |                |   |   |     |     |   |         |   |
|------------------------------------|----|----|----|------|----|----|---|-------------|----------------|---|---|-----|-----|---|---------|---|
| 16                                 | 15 | 14 | 13 | 12   | 11 | 10 | 9 | 8           | 7              | 6 | 5 | 4   | 3   | 2 | 1       | 0 |
| X                                  | X  | X  | X  | Port | X  | X  | X | Boot Master | Sys PLL Config |   |   | Min | 111 |   | Lendian |   |

Table 9-14. UART Boot Configuration Field Descriptions

| Bit   | Field           | Description  |
|-------|-----------------|--|
| 16-13 | Reserved        | Not Used   |
| 12    | Port            | UART Port number <ul style="list-style-type: none"> <li>0 = UART0</li> <li>1 = UART1</li> </ul>  |
| 11-9  | Reserved        | Not Used   |
| 8     | Boot Master     | This pin must be pulled down to GND  |
| 7-5   | SYS PLL Setting | The PLL default settings are determined by the [7:5] bits. This will set the PLL to the maximum clock setting for the device. <a href="#">Table 9-25</a> shows settings for various input clock frequencies. (default = 4)   |
| 4     | Min             | Minimum boot configuration select bit. <ul style="list-style-type: none"> <li>0 = Minimum boot pin select disabled</li> <li>1 = Minimum boot pin select enabled.</li> </ul> When Min = 1, a predetermined set of values is configured (see the Device Configuration Field Descriptions table for configuration bits with a "(default)" tag added in the description column).<br>When Min = 0, all fields must be independently configured. |
| 3-1   | Boot Devices    | Boot Devices[3:1] <ul style="list-style-type: none"> <li>111 = UART boot mode</li> <li>Others = Other boot modes</li> </ul>  |
| 0     | Lendian         | Endianess <ul style="list-style-type: none"> <li>0 = Big endian</li> <li>1 = Little endian</li> </ul>  |

9.1.2.4 Boot Parameter Table

The ROM Bootloader (RBL) uses a set of tables to carry out the boot process. The boot parameter table is the most common format the RBL employs to determine the boot flow. These boot parameter tables have certain parameters common across all the boot modes, while the rest of the parameters are unique to the boot modes. The common entries in the boot parameter table are shown in [Table 9-15](#).

Table 9-15. Boot Parameter Table Common Parameters

| BYTE OFFSET | NAME        | DESCRIPTION   |
|-------------|-------------|---|
| 0           | Length      | The length of the table, including the length field, in bytes.  |
| 2           | Checksum    | The 16 bits ones complement of the ones complement of the entire table. A value of 0 will disable checksum verification of the table by the boot ROM. |
| 4           | Boot Mode   | Internal values used by RBL for different boot modes.   |
| 6           | Port Num    | Identifies the device port number to boot from, if applicable   |
| 8           | SW PLL, MSW | PLL configuration, MSW  |
| 10          | SW PLL, LSW | PLL configuration, LSW  |
| 12          | Reserved    | Reserved  |
| 14          | Reserved    | Reserved  |
| 16          | System Freq | The Frequency of the system clock in MHz  |
| 18          | Core Freq   | The frequency of the core clock in MHz  |
| 20          | Boot Master | Set to TRUE if C66x is the master core.   |

### 9.1.2.4.1 EMIF16 Boot Parameter Table

**Table 9-16. EMIF16 Boot Parameter Table**

| BYTE OFFSET | NAME               | DESCRIPTION  | CONFIGURED THROUGH BOOT CONFIGURATION PINS |
|-------------|--------------------|--|--|
| 22          | Options            | Async Config Parameters are used. <ul style="list-style-type: none"> <li>0 = Value in the async config paramters are not used to program async config registers.</li> <li>1 = Value in the async config paramters are used to program async config registers.</li> </ul> | NO   |
| 24          | Type               | Set to 0 for EMIF16 (NOR) boot   | NO   |
| 26          | Branch Address MSW | Most significant bit for Branch address (depends on chip select)   | YES  |
| 28          | Branch Address LSW | Least significant bit for Branch address (depends on chip select)  | YES  |
| 30          | Chip Select        | Chip Select for the NOR flash  | YES  |
| 32          | Memory Width       | Memory width of the EMIF16 bus (16 bits)   | YES  |
| 34          | Wait Enable        | Extended wait mode enabled <ul style="list-style-type: none"> <li>0 = Wait enable is disabled</li> <li>1 = Wait enable is enabled</li> </ul>   | YES  |
| 36          | Async Config MSW   | Async Config Register MSW  | NO   |
| 38          | Async Config LSW   | Async Config Register LSW  | NO   |

### 9.1.2.4.2 Ethernet Boot Parameter Table

**Table 9-17. Ethernet Boot Parameter Table**

| BYTE OFFSET | NAME           | DESCRIPTION   | CONFIGURED THROUGH BOOT CONFIGURATION PINS |
|-------------|----------------|---|--|
| 22          | Options        | Bits 02 - 00 Interface <ul style="list-style-type: none"> <li>000 - 100 = Reserved</li> <li>101 = SGMII</li> <li>110 = Reserved</li> <li>111 = Reserved</li> </ul> Bits 03 HD <ul style="list-style-type: none"> <li>0 = Half Duplex</li> <li>1 = Full Duplex</li> </ul> Bit 4 Skip TX <ul style="list-style-type: none"> <li>0 = Send Ethernet Ready Frame every 3 seconds</li> <li>1 = Don't send Ethernet Ready Frame</li> </ul> Bits 06 - 05 Initialize Config <ul style="list-style-type: none"> <li>00 = Switch, SerDes, SGMII and NETCP are configured</li> <li>01 = Initialization is not done for the peripherals that are already enabled and running.</li> <li>10 = Reserved</li> <li>11 = None of the Ethernet system is configured.</li> </ul> Bits 15 - 07 Reserved | NO   |
| 24          | MAC High       | The 16 MSBs of the MAC address to receive during boot   | NO   |
| 26          | MAC Med        | The 16 middle bits of the MAC address to receive during boot  | NO   |
| 28          | MAC Low        | The 16 LSBs of the MAC address to receive during boot   | NO   |
| 30          | Multi MAC High | The 16 MSBs of the multi-cast MAC address to receive during boot  | NO   |
| 32          | Multi MAC Med  | The 16 middle bits of the multi-cast MAC address to receive during boot   | NO   |
| 34          | Multi MAC Low  | The 16 LSBs of the multi-cast MAC address to receive during boot  | NO   |



**Table 9-17. Ethernet Boot Parameter Table (continued)**

| BYTE OFFSET | NAME               | DESCRIPTION  | CONFIGURED THROUGH BOOT CONFIGURATION PINS |
|-------------|--------------------|--|--|
| 36          | Source Port        | The source UDP port to accept boot packets from. A value of 0 will accept packets from any UDP port                    | NO   |
| 38          | Dest Port          | The destination port to accept boot packets on.  | NO   |
| 40          | Device ID 12       | The first two bytes of the device ID. This is typically a string value, and is sent in the Ethernet ready frame        | NO   |
| 42          | Device ID 34       | The 2nd two bytes of the device ID.  | NO   |
| 44          | Dest MAC High      | The 16 MSBs of the MAC destination address used for the Ethernet ready frame. Default is broadcast.                    | NO   |
| 46          | Dest MAC Med       | The 16 middle bits of the MAC destination address  | NO   |
| 48          | Dest MAC Low       | The 16 LSBs of the MAC destination address   | NO   |
| 50          | Lane Enable        | One bit per lane.<br><ul style="list-style-type: none"> <li>• 0 - Lane disabled</li> <li>• 1 - Lane enabled</li> </ul> |  |
| 52          | SGMII Config       | Bits 0-3 are the config index, bit 4 set if direct config used, bit 5 set if no configuration done                     | NO   |
| 54          | SGMII Control      | The SGMII control register value   | NO   |
| 56          | SGMII Adv Ability  | The SGMII ADV Ability register value   | NO   |
| 58          | SGMII TX Cfg High  | The 16 MSBs of the SGMII Tx config register  | NO   |
| 60          | SGMII TX Cfg Low   | The 16 LSBs of the SGMII Tx config register  | NO   |
| 62          | SGMII RX Cfg High  | The 16 MSBs of the SGMII Rx config register  | NO   |
| 64          | SGMII RX Cfg Low   | The 16 LSBs of the SGMII Rx config register  | NO   |
| 66          | SGMII Aux Cfg High | The 16 MSBs of the SGMII Aux config register   | NO   |
| 68          | SGMII Aux Cfg Low  | The 16 LSBs of the SGMII Aux config register   | NO   |
| 70          | PKT PLL Cfg MSW    | The packet subsystem PLL configuration, MSW  | NO   |
| 72          | PKT PLL CFG LSW    | The packet subsystem PLL configuration, LSW  | NO   |

#### 9.1.2.4.3 PCIe Boot Parameter Table

**Table 9-18. PCIe Boot Parameter Table**

| BYTE OFFSET | NAME          | DESCRIPTION   | CONFIGURED THROUGH BOOT CONFIGURATION PINS |
|-------------|---------------|---|--|
| 22          | Options       | Bits 00 Mode<br><ul style="list-style-type: none"> <li>• 0 = Host Mode (Direct boot mode)</li> <li>• 1 = Boot Table Boot Mode</li> </ul> Bits 01 Configuration of PCIe<br><ul style="list-style-type: none"> <li>• 0 = PCIe is configured by RBL</li> <li>• 1 = PCIe is not configured by RBL</li> </ul> Bit 03-02 Reserved<br><br>Bits 04 Multiplier<br><ul style="list-style-type: none"> <li>• 0 = SERDES PLL configuration is done based on SERDES register values</li> <li>• 1 = SERDES PLL configuration based on the reference clock values</li> </ul> Bits 05-15 Reserved | NO   |
| 24          | Address Width | PCI address width, can be 32 or 64  | YES with in conjunction with BAR sizes     |
| 26          | Link Rate     | SerDes frequency, in Mbps. Can be 2500 or 5000  | NO   |

**Table 9-18. PCIe Boot Parameter Table (continued)**

| BYTE OFFSET | NAME                  | DESCRIPTION  | CONFIGURED THROUGH BOOT CONFIGURATION PINS |
|-------------|-----------------------|--|--|
| 28          | Reference clock       | Reference clock frequency, in units of 10 kHz. Value values are 10000 (100 MHz), 12500 (125 MHz), 15625 (156.25 MHz), 25000 (250 MHz) and 31250 (312.5 MHz). A value of 0 means that value is already in the SerDes cfg parameters and will not be computed by the boot ROM. | NO   |
| 30          | Window 1 Size         | Window 1 size.   | YES  |
| 32          | Window 2 Size         | Window 2 size.   | YES  |
| 34          | Window 3 Size         | Window 3 size. Valid only if address width is 32.  | YES  |
| 36          | Window 4 Size         | Window 4 Size. Valid only if the address width is 32.  | YES  |
| 38          | Vendor ID             | Vendor ID  | NO   |
| 40          | Device ID             | Device ID  | NO   |
| 42          | Class code Rev ID MSW | Class code revision ID MSW   | NO   |
| 44          | Class code Rev ID LSW | Class code revision ID LSW   | NO   |
| 46          | SerDes cfg msw        | PCIe SerDes config word, MSW   | NO   |
| 48          | SerDes cfg lsw        | PCIe SerDes config word, LSW   | NO   |
| 50          | SerDes lane 0 cfg msw | SerDes lane config word, msw lane 0  | NO   |
| 52          | SerDes lane 0 cfg lsw | SerDes lane config word, lsw, lane 0   | NO   |
| 54          | SerDes lane 1 cfg msw | SerDes lane config word, msw, lane 1   | NO   |
| 56          | SerDes lane 1 cfg lsw | SerDes lane config word, lsw, lane 1   | NO   |
| 58          | Timeout period (Secs) | The timeout period. Values 0 disables the time out   |  |

**9.1.2.4.4 I<sup>2</sup>C Boot Parameter Table****Table 9-19. I<sup>2</sup>C Boot Parameter Table**

| OFFSET | FIELD             | VALUE  | CONFIGURED THROUGH BOOT CONFIGURATION PINS |
|--------|-------------------|--|--|
| 22     | Option            | Bits 02 - 00 Mode <ul style="list-style-type: none"> <li>• 000 = Boot Parameter Table Mode</li> <li>• 001 = Boot Table Mode</li> <li>• 010 = Boot Config Mode</li> <li>• 011 = Load GP header format data</li> <li>• 100 = Slave Receive Boot Config</li> </ul> Bits 15 - 03= Reserved | NO   |
| 24     | Boot Dev Addr     | The I <sup>2</sup> C device address to boot from   | YES  |
| 26     | Boot Dev Addr Ext | Extended boot device address   | YES  |
| 28     | Broadcast Addr    | I <sup>2</sup> C address used to send data in the I <sup>2</sup> C master broadcast mode.  | NO   |
| 30     | Local Address     | The I <sup>2</sup> C address of this device  | NO   |
| 34     | Bus Frequency     | The desired I <sup>2</sup> C data rate (kHz)   | NO   |
| 36     | Next Dev Addr     | The next device address to boot (Used only if boot config option is selected)  | NO   |
| 38     | Next Dev Addr Ext | The extended next device address to boot (Used only if boot config option is selected)   | NO   |
| 40     | Address Delay     | The number of CPU cycles to delay between writing the address to an I <sup>2</sup> C EEPROM and reading data.  | NO   |

**9.1.2.4.5 SPI Boot Parameter Table**
**Table 9-20. SPI Boot Parameter Table**

| BYTE OFFSET | NAME               | DESCRIPTION   | CONFIGURED THROUGH BOOT CONFIGURATION PINS |
|-------------|--------------------|---|--|
| 22          | Options            | Bits 01 & 00 Modes <ul style="list-style-type: none"> <li>• 00 = Load a boot parameter table from the SPI (Default mode)</li> <li>• 01 = Load boot records from the SPI (boot tables)</li> <li>• 10 = Load boot config records from the SPI (boot config tables)</li> <li>• 11 = Load GP header blob</li> </ul> Bits 15- 02= Reserved | NO   |
| 24          | Address Width      | The number of bytes in the SPI device address. Can be 16 or 24 bit  | YES  |
| 26          | NPin               | The operational mode, 4 or 5 pin  | YES  |
| 28          | ChipSel            | The chip select used (valid in 4 pin mode only). Can be 0-3.  | YES  |
| 30          | Mode               | Standard SPI mode (0-3)   | YES  |
| 32          | C2Delay            | Setup time between chip assert and transaction  | NO   |
| 34          | Bus Freq, 100kHz   | The SPI bus frequency in kHz.   | NO   |
| 36          | Read Addr MSW      | The first address to read from, MSW (valid for 24 bit address width only)   | YES  |
| 38          | Read Addr LSW      | The first address to read from, LSW   | YES  |
| 40          | Next Chip Select   | Next Chip Select to be used (Used only in boot Config mode)   | NO   |
| 42          | Next Read Addr MSW | The Next read address (used in boot config mode only)   | NO   |
| 44          | Next Read Addr LSW | The Next read address (used in boot config mode only)   | NO   |

**9.1.2.4.6 HyperLink Boot Parameter Table**
**Table 9-21. HyperLink Boot Parameter Table**

| BYTE OFFSET | NAME                         | DESCRIPTION   | CONFIGURED THROUGH BOOT CONFIGURATION PINS |
|-------------|------------------------------|---|--|
| 12          | Options                      | Bits 00 Reserved<br>Bits 01 Configuration of Hyperlink <ul style="list-style-type: none"> <li>• 0 = HyperLink is configured by RBL</li> <li>• 1 = HyperLink is not configured by RBL</li> </ul> Bits 15-02 = Reserved | NO   |
| 14          | Number of Lanes              | Number of Lanes to be configured  | NO   |
| 16          | SerDes cfg msw               | PCIe SerDes config word, MSW  | NO   |
| 18          | SerDes cfg lsw               | PCIe SerDes config word, LSW  | NO   |
| 20          | SerDes CFG RX lane 0 cfg msw | SerDes RX lane config word, msw lane 0  | NO   |
| 22          | SerDes CFG RXlane 0 cfg lsw  | SerDes RX lane config word, lsw, lane 0   | NO   |
| 24          | SerDes CFG TX lane 0 cfg msw | SerDes TX lane config word, msw lane 0  | NO   |
| 26          | SerDes CFG TXlane 0 cfg lsw  | SerDes TX lane config word, lsw, lane 0   | NO   |
| 28          | SerDes CFG RX lane 1 cfg msw | SerDes RX lane config word, msw lane 1  | NO   |
| 30          | SerDes CFG RXlane 1 cfg lsw  | SerDes RX lane config word, lsw, lane 1   | NO   |
| 32          | SerDes CFG TX lane 1 cfg msw | SerDes TX lane config word, msw lane 1  | NO   |
| 34          | SerDes CFG TXlane 1 cfg lsw  | SerDes TX lane config word, lsw, lane 1   | NO   |
| 36          | SerDes CFG RX lane 2 cfg msw | SerDes RX lane config word, msw lane 2  | NO   |
| 38          | SerDes CFG RXlane 2 cfg lsw  | SerDes RX lane config word, lsw, lane 2   | NO   |
| 40          | SerDes CFG TX lane 2 cfg msw | SerDes TX lane config word, msw lane 2  | NO   |
| 42          | SerDes CFG TXlane 2 cfg lsw  | SerDes TX lane config word, lsw, lane 2   | NO   |
| 44          | SerDes CFG RX lane 3 cfg msw | SerDes RX lane config word, msw lane 3  | NO   |
| 46          | SerDes CFG RXlane 3 cfg lsw  | SerDes RX lane config word, lsw, lane 3   | NO   |

**Table 9-21. HyperLink Boot Parameter Table (continued)**

| BYTE OFFSET | NAME                         | DESCRIPTION                             | CONFIGURED THROUGH BOOT CONFIGURATION PINS |
|-------------|------------------------------|---|--|
| 48          | SerDes CFG TX lane 3 cfg msw | SerDes TX lane config word, msw lane 3  | NO   |
| 50          | SerDes CFG TX lane 3 cfg lsw | SerDes TX lane config word, lsw, lane 3 | NO   |

**9.1.2.4.7 UART Boot Parameter Table****Table 9-22. UART Boot Parameter Table**

| BYTE OFFSET | NAME               | DESCRIPTION   | CONFIGURED THROUGH BOOT CONFIGURATION PINS |
|-------------|--------------------|---|--|
| 22          | Reserved           | None  | NA   |
| 24          | Data Format        | Bits 00 Data Format <ul style="list-style-type: none"> <li>0 = Data Format is BLOB</li> <li>1 = Data Format is Boot Table</li> </ul> Bits 15 - 01 Reserved    | NO   |
| 26          | Protocol           | Bits 00 Protocol <ul style="list-style-type: none"> <li>0 = Xmodem Protocol</li> <li>1 = Reserved</li> </ul> Bits 15 - 01 Reserved                            | NO   |
| 28          | Initial NACK Count | Number of NACK pings to be sent before giving up  | NO   |
| 30          | Max Err Count      | Maximum number of consecutive receive errors acceptable.  | NO   |
| 32          | NACK Timeout       | Time (msecs) waiting for NACK/ACK.  | NO   |
| 34          | Character Timeout  | Time Period between characters  | NO   |
| 36          | nDatabits          | Number of bits supported for data. Only 8 bits is supported.  | NO   |
| 38          | Parity             | Bits 01 - 00 Parity <ul style="list-style-type: none"> <li>00 = No Parity</li> <li>01 = Odd parity</li> <li>10 = Even Parity</li> </ul> Bits 15 - 02 Reserved | NO   |
| 40          | nStopBitsx2        | Number of stop bits times two. Valid values are 2 (stop bits = 1), 3 (Stop Bits = 1.5), 4 (Stop Bits = 2)   | NO   |
| 42          | Over sample factor | The over sample factor. Only 13 and 16 are valid.   | NO   |
| 44          | Flow Control       | Bits 00 Flow Control <ul style="list-style-type: none"> <li>0 = No Flow Control</li> <li>1 = RTS_CTS flow control</li> </ul> Bits 15 - 01 Reserved            | NO   |
| 46          | Data Rate MSW      | Baud Rate, MSW  | NO   |
| 48          | Data Rate LSW      | Baud Rate, LSW  | NO   |

**9.1.2.4.8 NAND Boot Parameter Table****Table 9-23. NAND Boot Parameter Table**

| BYTE OFFSET | NAME    | DESCRIPTION   | CONFIGURED THROUGH BOOT CONFIGURATION PINS |
|-------------|---------|---|--|
| 22          | Options | Bits 00 Geometry <ul style="list-style-type: none"> <li>0 = Geometry is taken from this table</li> <li>1 = Geometry is queried from NAND device.</li> </ul> Bits 01 Clear NAND <ul style="list-style-type: none"> <li>0 = NAND Device is a non clear NAND and requires ECC</li> <li>1 = NAND is a clear NAND and doesn't need ECC.</li> </ul> Bits 15 - 02 Reserved | NO   |

**Table 9-23. NAND Boot Parameter Table (continued)**

| BYTE OFFSET | NAME                      | DESCRIPTION                                     | CONFIGURED THROUGH BOOT CONFIGURATION PINS |
|-------------|---------------------------|---|--|
| 24          | numColumnAddrBytes        | Number of bytes used to specify column address  | NO   |
| 26          | numRowAddrBytes           | Number of bytes used to specify row address.    | NO   |
| 28          | numofDataBytesperPage_msw | Number of data bytes in each page, MSW          | NO   |
| 30          | numofDataBytesperPage_lsw | Number of data bytes in each page, LSW          | NO   |
| 32          | numPagesperBlock          | Number of Pages per Block                       | NO   |
| 34          | busWidth                  | EMIF bus width. Only 8 or 16 bits is supported. | NO   |
| 36          | numSpareBytesperPage      | Number of spare bytes allocated per page.       | NO   |
| 38          | csel                      | Chip Select number (valid chip selects are 2-5) | YES  |
| 40          | First Block               | First block for RBL to try to read.             | YES  |

#### 9.1.2.4.9 DDR3 Configuration Table

The RBL also provides an option to configure the DDR table before loading the image into the external memory. More information on how to configure the DDR3, refer to the Bootloader User Guide. The configuration table for DDR3 is shown in [Table 9-24](#)

**Table 9-24. DDR3 Boot Parameter Table**

| BYTE OFFSET | NAME                  | DESCRIPTION   | CONFIGURED THROUGH BOOT CONFIGURATION PINS |
|-------------|-----------------------|---|--|
| 0           | configselect msw      | Selecting the configuration register below that to be set. Each filed below is represented by one bit each. | NO   |
| 4           | configselect slsw     | Selecting the configuration register below that to be set. Each filed below is represented by one bit each. | NO   |
| 8           | configselect lsw      | Selecting the configuration register below that to be set. Each filed below is represented by one bit each. | NO   |
| 12          | pllprediv             | PLL pre divider value (Should be the exact value not value -1)  | NO   |
| 16          | pllMult               | PLL Multiplier value (Should be the exact value not value -1)   | NO   |
| 20          | pllPostDiv            | PLL post divider value (Should be the exact value not value -1)   | NO   |
| 24          | sdRamConfig           | SDRAM config register   | NO   |
| 28          | sdRamConfig2          | SDRAM Config register   | NO   |
| 32          | sdRamRefreshctl       | SDRAM Refresh Control Register  | NO   |
| 36          | sdRamTiming1          | SDRAM Timing 1 Register   | NO   |
| 40          | sdRamTiming2          | SDRAM Timing 2 Register   | NO   |
| 44          | sdRamTiming3          | SDRAM Timing 3 Register   | NO   |
| 48          | lpDfrNvmTiming        | LP DDR2 NVM Timing Register   | NO   |
| 52          | powerMngCtl           | Power management Control Register   | NO   |
| 56          | iODFTTestLogic        | IODFT Test Logic Global Control Register  | NO   |
| 60          | performcountCfg       | Performance Counter Config Register   | NO   |
| 64          | performCountMstRegSel | Performance Counter Master Region Select Register   | NO   |
| 68          | readIdleCtl           | Read IDLE counter Register  | NO   |
| 72          | sysVbusmIntEnSet      | System Interrupt Enable Set Register  | NO   |
| 76          | sdRamOutImpdedCalcfg  | SDRAM Output Impedance Calibration Config Register  | NO   |
| 80          | tempAlertCfg          | Temperature Alert Configuration Register  | NO   |
| 84          | ddrPhyCtl1            | DDR PHY Control Register 1  | NO   |
| 88          | ddrPhyCtl2            | DDR PHY Control Register 1  | NO   |
| 92          | proClassSvceMap       | Priority to Class of Service mapping Register   | NO   |
| 96          | mstId2ClsSvce1Map     | Master ID to Class of Service Mapping 1 Register  | NO   |
| 100         | mstId2ClsSvce2Map     | Master ID to Class of Service Mapping 2 Register  | NO   |

**Table 9-24. DDR3 Boot Parameter Table (continued)**

| BYTE OFFSET | NAME           | DESCRIPTION                             | CONFIGURED THROUGH BOOT CONFIGURATION PINS |
|-------------|----------------|---|--|
| 104         | eccCtl         | ECC Control Register                    | NO   |
| 108         | eccRange1      | ECC Address Range1 Register             | NO   |
| 112         | eccRange2      | ECC Address Range2 Register             | NO   |
| 116         | rdWrtExcThresh | Read Write Execution Threshold Register | NO   |
| 120 - 376   | Chip Config    | Chip Specific PHY configuration         | NO   |

### 9.1.2.5 Second-Level Bootloaders

Any of the boot modes can be used to download a second-level bootloader. A second-level bootloader allows for:

- Any level of customization to current boot methods
- Definition of a completely customized boot

### 9.1.3 SoC Security

The TI SoC contains security architecture that allows the ARM CorePac to perform secure accesses within the device. For more information, contact a TI sales office for additional information available with the purchase of a secure device.

### 9.1.4 System PLL Settings

The PLL default settings are determined by the BOOTMODE[7:5] bits. [Table 9-25](#) shows the settings for various input clock frequencies. This will set the PLL to the maximum clock setting for the device.

$$\text{CLK} = \text{CLKIN} \times ((\text{PLL}M+1) \div ((\text{OUTPUT\_DIVIDE}+1) \times (\text{PLL}D+1)))$$

Where OUTPUT\_DIVIDE is the value of the field of SECCTL[22:19]

---

#### NOTE

Other frequencies are supported, but require a boot in a pre-configured mode.

---

The configuration for the NETCP PLL is also shown. The NETCP PLL is configured with these values only if the Ethernet boot mode is selected with the input clock set to match the main PLL clock (not the SGMII SerDes clock). See [Table 9-10](#) for details on configuring Ethernet boot mode. The output from the NETCP PLL goes through an on-chip divider to reduce the frequency before reaching the NETCP. The NETCP PLL generates 1050 MHz, and after the chip divider (/3), applies 350 MHz to the NETCP.

The Main PLL is controlled using a PLL controller and a chip-level MMR. DDR3 PLL and NETCP PLL are controlled by chip level MMRs. For details on how to set up the PLL see [Section 11.5](#). For details on the operation of the PLL controller module, see the *KeyStone Architecture Phase Locked Loop (PLL) Controller User's Guide* ([SPRUGV2](#)).

**Table 9-25. System PLL Configuration**

| BOOTMODE<br>[7:5] | INPUT<br>CLOCK<br>FREQ<br>(MHz) | 800 MHz DEVICE |       |              | 1000 MHz DEVICE |       |              | 1200 MHz DEVICE |       |              | 1400 MHz DEVICE |       |              | NETCP = 350 MHz <sup>(1)</sup> |       |                             |
|-------------------|---------------------------------|----------------|-------|--------------|-----------------|-------|--------------|-----------------|-------|--------------|-----------------|-------|--------------|--------------------------------|-------|-----------------------------|
|                   |                                 | PLL D          | PLL M | SoC <i>f</i> | PLL D           | PLL M | SoC <i>f</i> | PLL D           | PLL M | SoC <i>f</i> | PLL D           | PLL M | SoC <i>f</i> | PLL D                          | PLL M | SoC <i>f</i> <sup>(2)</sup> |
| 0b000             | 50.00                           | 0              | 31    | 800          | 0               | 39    | 1000         | 0               | 47    | 1200         | 0               | 55    | 1400         | 0                              | 41    | 1050                        |
| 0b001             | 66.67                           | 0              | 23    | 800.04       | 0               | 29    | 1000.05      | 0               | 35    | 1200.06      | 0               | 41    | 1400.1       | 1                              | 62    | 1050.053                    |
| 0b010             | 80.00                           | 0              | 19    | 800          | 0               | 24    | 1000         | 0               | 29    | 1200         | 0               | 34    | 1400         | 3                              | 104   | 1050                        |
| 0b011             | 100.00                          | 0              | 15    | 800          | 0               | 19    | 1000         | 0               | 23    | 1200         | 0               | 27    | 1400         | 0                              | 20    | 1050                        |
| 0b100             | 156.25                          | 3              | 40    | 800.78       | 4               | 63    | 1000         | 2               | 45    | 1197.92      | 0               | 17    | 1406.3       | 24                             | 335   | 1050                        |
| 0b101             | 250.00                          | 4              | 31    | 800          | 0               | 7     | 1000         | 4               | 47    | 1200         | 4               | 55    | 1400         | 4                              | 41    | 1050                        |
| 0b110             | 312.50                          | 7              | 40    | 800.78       | 4               | 31    | 1000         | 2               | 22    | 1197.92      | 0               | 8     | 1406.3       | 24                             | 167   | 1050                        |
| 0b111             | 122.88                          | 0              | 12    | 798.72       | 3               | 64    | 999.989      | 0               | 19    | 1228.80      | 0               | 22    | 1413.1       | 11                             | 204   | 1049.6                      |

(1) The NETCP PLL generates 1050 MHz and is internally divided by 3 to feed 350 MHz to the packet accelerator.

(2) *f* represents frequency in MHz.

## 9.2 Device Configuration

Certain device configurations like boot mode and endianness are selected at device power-on reset. The status of the peripherals (enabled/disabled) is determined after device power-on reset. By default, the peripherals on the device are disabled and need to be enabled by software before being used.

### 9.2.1 Device Configuration at Device Reset

The logic level present on each device configuration pin is latched at power-on reset to determine the device configuration. The logic level on the device configuration pins can be set by using external pullup/pulldown resistors or by using some control device (e.g., FPGA/CPLD) to intelligently drive these pins. When using a control device, care should be taken to ensure there is no contention on the lines when the device is out of reset. The device configuration pins are sampled during power-on reset and are driven after the reset is removed. To avoid contention, the control device must stop driving the device configuration pins of the SoC. [Table 9-26](#) describes the device configuration pins.

#### NOTE

If a configuration pin must be routed out from the device and it is not driven (Hi-Z state), the internal pullup/pulldown (IPU/IPD) resistor should not be relied upon. TI recommends the use of an external pullup/pulldown resistor. For more detailed information on pullup/pulldown resistors and situations in which external pullup/pulldown resistors are required, see [Section 6.4](#).

**Table 9-26. Device Configuration Pins**

| CONFIGURATION PIN                | PIN NO.  | IPD/IPU <sup>(1)</sup> | DESCRIPTION   |
|----------------------------------|--|------------------------|---|
| LENDIAN <sup>(1)(2)</sup>        | V30  | IPU                    | Device endian mode (LENDIAN) <ul style="list-style-type: none"> <li>0 = Device operates in big endian mode</li> <li>1 = Device operates in little endian mode</li> </ul>  |
| BOOTMODE[15:0] <sup>(1)(2)</sup> | AB33, AB32, AA33, AA30, Y32, Y30, AB29, W33, W31, V31, W32, W30, V32, V33, Y29, AA29 | IPD                    | Method of boot <ul style="list-style-type: none"> <li>See <a href="#">Section 9.1.2</a> for more details.</li> <li>See the <i>KeyStone II Architecture ARM Bootloader User's Guide (SPRUHJ3)</i> for detailed information on boot configuration.</li> </ul>             |
| AVSIFSEL[1:0] <sup>(1)(2)</sup>  | K32, K33   | IPD                    | AVS interface selection <ul style="list-style-type: none"> <li>00 = AVS 4-pin 6-bit Dual-Phase VCNTL[5:2] (Default)</li> <li>01 = AVS 4-pin 4-bit Single-Phase VCNTL[5:2]</li> <li>10 = AVS 6-pin 6-bit Single-Phase VCNTL[5:0]</li> <li>11 = I<sup>2</sup>C</li> </ul> |
| MAINPLLODSEL <sup>(1)(2)</sup>   | Y33  | IPD                    | Main PLL Output divider select <ul style="list-style-type: none"> <li>0 = Main PLL output divider needs to be set to 2 by BOOTROM</li> <li>1 = Reserved</li> </ul>  |
| BOOTMODE_RSVD <sup>(1)</sup>     | Y31  | IPD                    | Boot Mode Reserved. Secondary function for GPIO15. Pulldown resistor required on pin.   |

(1) Internal 100- $\mu$ A pulldown or pullup is provided for this terminal. In most systems, a 1-k $\Omega$  resistor can be used to oppose the IPD/IPU. For more detailed information on pulldown/pullup resistors and situations in which external pulldown/pullup resistors are required, see [Section 6.4](#).

(2) These signal names are the secondary functions of these pins.

### 9.2.2 Peripheral Selection After Device Reset

Several of the peripherals on the 66AK2E0x are controlled by the Power Sleep Controller (PSC). By default, the PCIe and HyperLink are held in reset and clock-gated. The memories in these modules are also in a low-leakage sleep mode. Software is required to turn these memories on. Then, the software enables the modules (turns on clocks and de-asserts reset) before these modules can be used.

If one of the above modules is used in the selected ROM boot mode, the ROM code automatically enables the module.

All other modules come up enabled by default and there is no special software sequence to enable. For more detailed information on the PSC usage, see the *KeyStone Architecture Power Sleep Controller (PSC) User's Guide (SPRUGV4)*.

### 9.2.3 Device State Control Registers

The 66AK2E0x device has a set of registers that are used to control the status of its peripherals. These registers are shown in [Table 9-27](#).

**Table 9-27. Device State Control Registers**

| ADDRESS START | ADDRESS END | SIZE | ACRONYM  | DESCRIPTION                         |
|---------------|-------------|------|----------|-------------------------------------|
| 0x02620000    | 0x02620007  | 8B   | Reserved |                                     |
| 0x02620008    | 0x02620017  | 16B  | Reserved |                                     |
| 0x02620018    | 0x0262001B  | 4B   | JTAGID   | See <a href="#">Section 9.2.3.3</a> |
| 0x0262001C    | 0x0262001F  | 4B   | Reserved |                                     |
| 0x02620020    | 0x02620023  | 4B   | DEVSTAT  | See <a href="#">Section 9.2.3.1</a> |
| 0x02620024    | 0x02620037  | 20B  | Reserved |                                     |
| 0x02620038    | 0x0262003B  | 4B   | KICK0    | See <a href="#">Section 9.2.3.4</a> |
| 0x0262003C    | 0x0262003F  | 4B   | KICK1    |                                     |
| 0x02620040    | 0x02620043  | 4B   | Reserved |                                     |



**Table 9-27. Device State Control Registers (continued)**

| ADDRESS START | ADDRESS END | SIZE | ACRONYM            | DESCRIPTION                          |
|---------------|-------------|------|--------------------|--------------------------------------|
| 0x02620044    | 0x02620047  | 4B   | Reserved           |                                      |
| 0x02620048    | 0x0262004B  | 4B   | Reserved           |                                      |
| 0x0262004C    | 0x0262004F  | 4B   | Reserved           |                                      |
| 0x02620050    | 0x02620053  | 4B   | Reserved           |                                      |
| 0x02620054    | 0x02620057  | 4B   | Reserved           |                                      |
| 0x02620058    | 0x0262005B  | 4B   | Reserved           |                                      |
| 0x0262005C    | 0x0262005F  | 4B   | Reserved           |                                      |
| 0x02620060    | 0x026200DF  | 128B | Reserved           |                                      |
| 0x026200E0    | 0x0262010F  | 48B  | Reserved           |                                      |
| 0x02620110    | 0x02620117  | 8B   | MACID              | See <a href="#">Section 11.17</a>    |
| 0x02620118    | 0x0262012F  | 24B  | Reserved           |                                      |
| 0x02620130    | 0x02620133  | 4B   | LRSTNMIPINSTAT_CLR | See <a href="#">Section 9.2.3.6</a>  |
| 0x02620134    | 0x02620137  | 4B   | RESET_STAT_CLR     | See <a href="#">Section 9.2.3.8</a>  |
| 0x02620138    | 0x0262013B  | 4B   | Reserved           |                                      |
| 0x0262013C    | 0x0262013F  | 4B   | BOOTCOMPLETE       | See <a href="#">Section 9.2.3.9</a>  |
| 0x02620140    | 0x02620143  | 4B   | Reserved           |                                      |
| 0x02620144    | 0x02620147  | 4B   | RESET_STAT         | See <a href="#">Section 9.2.3.7</a>  |
| 0x02620148    | 0x0262014B  | 4B   | LRSTNMIPINSTAT     | See <a href="#">Section 9.2.3.5</a>  |
| 0x0262014C    | 0x0262014F  | 4B   | DEVCFG             | See <a href="#">Section 9.2.3.2</a>  |
| 0x02620150    | 0x02620153  | 4B   | PWRSTATECTL        | See <a href="#">Section 9.2.3.10</a> |
| 0x02620154    | 0x02620157  | 4B   | Reserved           |                                      |
| 0x02620158    | 0x0262015B  | 4B   | Reserved           |                                      |
| 0x0262015C    | 0x0262015F  | 4B   | Reserved           |                                      |
| 0x02620160    | 0x02620160  | 4B   | Reserved           |                                      |
| 0x02620164    | 0x02620167  | 4B   | Reserved           |                                      |
| 0x02620168    | 0x0262016B  | 4B   | Reserved           |                                      |
| 0x0262016C    | 0x0262017F  | 20B  | Reserved           |                                      |
| 0x02620180    | 0x02620183  | 4B   | SmartReflex Class0 | See <a href="#">Section 11.2.4</a>   |
| 0x02620184    | 0x0262018F  | 12B  | Reserved           |                                      |
| 0x02620190    | 0x02620193  | 4B   | Reserved           |                                      |
| 0x02620194    | 0x02620197  | 4B   | Reserved           |                                      |
| 0x02620198    | 0x0262019B  | 4B   | Reserved           |                                      |
| 0x0262019C    | 0x0262019F  | 4B   | Reserved           |                                      |
| 0x026201A0    | 0x026201A3  | 4B   | Reserved           |                                      |
| 0x026201A4    | 0x026201A7  | 4B   | Reserved           |                                      |
| 0x026201A8    | 0x026201AB  | 4B   | Reserved           |                                      |
| 0x026201AC    | 0x026201AF  | 4B   | Reserved           |                                      |
| 0x026201B0    | 0x026201B3  | 4B   | Reserved           |                                      |
| 0x026201B4    | 0x026201B7  | 4B   | Reserved           |                                      |
| 0x026201B8    | 0x026201BB  | 4B   | Reserved           |                                      |
| 0x026201BC    | 0x026201BF  | 4B   | Reserved           |                                      |
| 0x026201C0    | 0x026201C3  | 4B   | Reserved           |                                      |
| 0x026201C4    | 0x026201C7  | 4B   | Reserved           |                                      |
| 0x026201C8    | 0x026201CB  | 4B   | Reserved           |                                      |
| 0x026201CC    | 0x026201CF  | 4B   | Reserved           |                                      |
| 0x026201D0    | 0x026201FF  | 48B  | Reserved           |                                      |
| 0x02620200    | 0x02620203  | 4B   | NMIGR0             | See <a href="#">Section 9.2.3.11</a> |

**Table 9-27. Device State Control Registers (continued)**

| ADDRESS START | ADDRESS END | SIZE | ACRONYM  | DESCRIPTION                          |
|---------------|-------------|------|----------|--------------------------------------|
| 0x02620204    | 0x02620207  | 4B   | Reserved |                                      |
| 0x02620208    | 0x0262020B  | 4B   | Reserved |                                      |
| 0x0262020C    | 0x0262020F  | 4B   | Reserved |                                      |
| 0x02620210    | 0x02620213  | 4B   | Reserved |                                      |
| 0x02620214    | 0x02620217  | 4B   | Reserved |                                      |
| 0x02620218    | 0x0262021B  | 4B   | Reserved |                                      |
| 0x0262021C    | 0x0262021F  | 4B   | Reserved |                                      |
| 0x02620220    | 0x0262023F  | 32B  | Reserved |                                      |
| 0x02620240    | 0x02620243  | 4B   | IPCGR0   | See <a href="#">Section 9.2.3.12</a> |
| 0x02620244    | 0x02620247  | 4B   | Reserved |                                      |
| 0x02620248    | 0x0262024B  | 4B   | Reserved |                                      |
| 0x0262024C    | 0x0262024F  | 4B   | Reserved |                                      |
| 0x02620250    | 0x02620253  | 4B   | Reserved |                                      |
| 0x02620254    | 0x02620257  | 4B   | Reserved |                                      |
| 0x02620258    | 0x0262025B  | 4B   | Reserved |                                      |
| 0x0262025C    | 0x0262025F  | 4B   | Reserved |                                      |
| 0x02620260    | 0x02620263  | 4B   | IPCGR8   |                                      |
| 0x02620264    | 0x02620267  | 4B   | IPCGR9   |                                      |
| 0x02620268    | 0x0262026B  | 4B   | IPCGR10  |                                      |
| 0x0262026C    | 0x0262026F  | 4B   | IPCGR11  |                                      |
| 0x02620270    | 0x0262027B  | 12B  | Reserved |                                      |
| 0x0262027C    | 0x0262027F  | 4B   | IPCGRH   |                                      |
| 0x02620280    | 0x02620283  | 4B   | IPCAR0   |                                      |
| 0x02620284    | 0x02620287  | 4B   | Reserved |                                      |
| 0x02620288    | 0x0262028B  | 4B   | Reserved |                                      |
| 0x0262028C    | 0x0262028F  | 4B   | Reserved |                                      |
| 0x02620290    | 0x02620293  | 4B   | Reserved |                                      |
| 0x02620294    | 0x02620297  | 4B   | Reserved |                                      |
| 0x02620298    | 0x0262029B  | 4B   | Reserved |                                      |
| 0x0262029C    | 0x0262029F  | 4B   | Reserved |                                      |
| 0x026202A0    | 0x026202A3  | 4B   | IPCAR8   |                                      |
| 0x026202A4    | 0x026202A7  | 4B   | IPCAR9   |                                      |
| 0x026202A8    | 0x026202AB  | 4B   | IPCAR10  |                                      |
| 0x026202AC    | 0x026202AF  | 4B   | IPCAR11  |                                      |
| 0x026202B0    | 0x026202BB  | 12B  | Reserved |                                      |
| 0x026202BC    | 0x026202BF  | 4B   | IPCARH   |                                      |
| 0x026202C0    | 0x026202FF  | 64B  | Reserved |                                      |
| 0x02620300    | 0x02620303  | 4B   | TINPSEL  |                                      |
| 0x02620304    | 0x02620307  | 4B   | TOUTPSEL | See <a href="#">Section 9.2.3.17</a> |

**Table 9-27. Device State Control Registers (continued)**

| ADDRESS START | ADDRESS END | SIZE  | ACRONYM          | DESCRIPTION                          |
|---------------|-------------|-------|------------------|--------------------------------------|
| 0x02620308    | 0x0262030B  | 4B    | RSTMUX0          | See <a href="#">Section 9.2.3.18</a> |
| 0x0262030C    | 0x0262030F  | 4B    | Reserved         |                                      |
| 0x02620310    | 0x02620313  | 4B    | Reserved         |                                      |
| 0x02620314    | 0x02620317  | 4B    | Reserved         |                                      |
| 0x02620318    | 0x0262031B  | 4B    | Reserved         |                                      |
| 0x0262031C    | 0x0262031F  | 4B    | Reserved         |                                      |
| 0x02620320    | 0x02620323  | 4B    | Reserved         |                                      |
| 0x02620324    | 0x02620327  | 4B    | Reserved         |                                      |
| 0x02620328    | 0x0262032B  | 4B    | RSTMUX8          |                                      |
| 0x0262032C    | 0x0262032F  | 4B    | RSTMUX9          |                                      |
| 0x02620330    | 0x02620333  | 4B    | RSTMUX10         |                                      |
| 0x02620334    | 0x02620337  | 4B    | RSTMUX11         |                                      |
| 0x02620338    | 0x0262034F  | 4B    | Reserved         |                                      |
| 0x02620350    | 0x02620353  | 4B    | CorePLLCTL0      | See <a href="#">Section 11.5</a>     |
| 0x02620354    | 0x02620357  | 4B    | CorePLLCTL1      | See <a href="#">Section 11.7</a>     |
| 0x02620358    | 0x0262035B  | 4B    | PASSPLLCTL0      |                                      |
| 0x0262035C    | 0x0262035F  | 4B    | PASSPLLCTL1      |                                      |
| 0x02620360    | 0x02620363  | 4B    | DDR3PLLCTL0      | See <a href="#">Section 11.6</a>     |
| 0x02620364    | 0x02620367  | 4B    | DDR3PLLCTL1      | Reserved                             |
| 0x02620368    | 0x0262036B  | 4B    | Reserved         |                                      |
| 0x0262036C    | 0x0262036F  | 4B    | Reserved         |                                      |
| 0x02620370    | 0x02620373  | 4B    | Reserved         |                                      |
| 0x02620374    | 0x02620377  | 4B    | Reserved         |                                      |
| 0x02620378    | 0x0262039B  | 132B  | Reserved         |                                      |
| 0x0262039C    | 0x0262039F  | 4B    | Reserved         |                                      |
| 0x02620400    | 0x02620403  | 4B    | ARMENDIAN_CFG0_0 | See <a href="#">Section 9.2.3.20</a> |
| 0x02620404    | 0x02620407  | 4B    | ARMENDIAN_CFG0_1 |                                      |
| 0x02620408    | 0x0262040B  | 4B    | ARMENDIAN_CFG0_2 |                                      |
| 0x0262040C    | 0x026205FF  | 62B   | Reserved         | Reserved                             |
| 0x02620600    | 0x026206FF  | 256B  | Reserved         |                                      |
| 0x02620700    | 0x02620703  | 4B    | CHIP_MISC_CTL0   | See <a href="#">Section 9.2.3.23</a> |
| 0x02620704    | 0x0262070F  | 12B   | Reserved         | See <a href="#">Section 9.2.3.25</a> |
| 0x02620710    | 0x02620713  | 4B    | SYSENDSTAT       |                                      |
| 0x02620714    | 0x02620717  | 4B    | Reserved         | Reserved                             |
| 0x02620718    | 0x0262071B  | 4B    | Reserved         |                                      |
| 0x0262071C    | 0x0262071F  | 4B    | Reserved         |                                      |
| 0x02620720    | 0x0262072F  | 16B   | Reserved         | See <a href="#">Section 9.2.3.26</a> |
| 0x02620730    | 0x02620733  | 4B    | SYNECLK_PINCTL   |                                      |
| 0x02620734    | 0x02620737  | 4B    | Reserved         |                                      |
| 0x02620738    | 0x0262074F  | 24B   | USB_PHY_CTL      | See <a href="#">Section 9.2.3.27</a> |
| 0x02620750    | 0x026207FF  | 176B  | Reserved         | Reserved                             |
| 0x02620800    | 0x02620C7B  | 1148B | Reserved         |                                      |
| 0x02620C7C    | 0x02620C7F  | 4B    | CHIP_MISC_CTL1   | See <a href="#">Section 9.2.3.24</a> |
| 0x02620C80    | 0x02620C97  | 24B   | Reserved         | See <a href="#">Section 9.2.3.19</a> |
| 0x02620C98    | 0x02620C9B  | 4B    | DEVSPEED         |                                      |
| 0x02620C9C    | 0x02620FFF  | 868B  | Reserved         |                                      |

### 9.2.3.1 Device Status (DEVSTAT) Register

The Device Status Register depicts device configuration selected upon a power-on reset by the  $\overline{\text{POR}}$  or  $\overline{\text{RESETFULL}}$  pin. Once set, these bits remain set until a power-on reset. The Device Status Register is shown in the figure below.

**Figure 9-12. Device Status Register**

|          |    |          |    |              |          |    |                             |   |                    |
|----------|----|----------|----|--------------|----------|----|-----------------------------|---|--------------------|
| 31       | 22 | 21       | 20 | 19           | 18       | 17 | 16                          | 1 | 0                  |
| Reserved |    | Reserved |    | MAINPLLODSEL | AVSIFSEL |    | BOOTMODE                    |   | LENDIAN            |
| R-0      |    | R/W-00   |    | R/W-x        | R/W-xx   |    | R/W-x xxxx<br>xxxx xxxx xxx |   | R-x <sup>(1)</sup> |

LEGEND: R/W = Read/Write; R = Read only; -n = value after reset

(1) x indicates the bootstrap value latched via the external pin

**Table 9-28. Device Status Register Field Descriptions**

| Bit   | Field        | Description  |
|-------|--------------|--|
| 31-22 | Reserved     | Reserved   |
| 21-20 | Reserved     | Reserved   |
| 19    | MAINPLLODSEL | Main PLL Output divider select <ul style="list-style-type: none"> <li>0 = Main PLL output divider needs to be set to 2 by BOOTROM</li> <li>1 = Reserved</li> </ul>   |
| 18-17 | AVSIFSEL     | AVS interface selection <ul style="list-style-type: none"> <li>00 = AVS 4-pin 6-bit Dual-Phase VCNTL[5:2] (Default)</li> <li>01 = AVS 4-pin 4-bit Single-Phase VCNTL[5:2]</li> <li>10 = AVS 6-pin 6-bit Single-Phase VCNTL[5:0]</li> <li>11 = Reserved</li> </ul>                                    |
| 16-1  | BOOTMODE     | Determines the bootmode configured for the device. For more information on bootmode, see <a href="#">Section 9.1.2</a> . See the <i>KeyStone Architecture DSP Bootloader User Guide</i> ( <a href="#">SPRUGY5</a> ).   |
| 0     | LENDIAN      | Device endian mode (LENDIAN) — shows the status of whether the system is operating in big endian mode or little endian mode (default). <ul style="list-style-type: none"> <li>0 = System is operating in big endian mode</li> <li>1 = System is operating in little endian mode (default)</li> </ul> |

### 9.2.3.2 Device Configuration Register

The Device Configuration Register is one-time writeable through software. The register is reset on all hard resets and is locked after the first write. The Device Configuration Register is shown in [Figure 9-13](#) and described in [Table 9-29](#).

**Figure 9-13. Device Configuration Register (DEVCFG)**

|          |   |             |   |             |   |             |
|----------|---|-------------|---|-------------|---|-------------|
| 31       | 5 | 4           | 3 | 2           | 1 | 0           |
| Reserved |   | PCIE1SSMODE |   | PCIE0SSMODE |   | SYSCLKOUTEN |
| R-0      |   | R/W-00      |   | R/W-00      |   | R/W-1       |

LEGEND: R/W = Read/Write; R = Read only; -n = value after reset

**Table 9-29. Device Configuration Register Field Descriptions**

| Bit  | Field       | Description   |
|------|-------------|---|
| 31-5 | Reserved    | Reserved. Read only, writes have no effect.   |
| 4-3  | PCIE1SSMODE | Device Type Input of PCIe1SS <ul style="list-style-type: none"> <li>00 = Endpoint</li> <li>01 = Legacy Endpoint</li> <li>10 = Rootcomplex</li> <li>11 = Reserved</li> </ul> |

**Table 9-29. Device Configuration Register Field Descriptions (continued)**

| Bit | Field       | Description  |
|-----|-------------|--|
| 2-1 | PCIEOSSMODE | Device Type Input of PCIe0SS<br><ul style="list-style-type: none"> <li>00 = Endpoint</li> <li>01 = Legacy Endpoint</li> <li>10 = Rootcomplex</li> <li>11 = Reserved</li> </ul> |
| 0   | SYCLKOUTEN  | SYCLKOUT enable<br><ul style="list-style-type: none"> <li>0 = No clock output</li> <li>1 = Clock output enabled (default)</li> </ul>   |

**9.2.3.3 JTAG ID (JTAGID) Register Description**

The JTAG ID register is a read-only register that identifies to the customer the JTAG/Device ID. For the device, the JTAG ID register resides at address location 0x02620018. The JTAG ID Register is shown below.

**Figure 9-14. JTAG ID (JTAGID) Register**

|         |    |                       |    |    |                 |   |     |
|---------|----|-----------------------|----|----|-----------------|---|-----|
| 31      | 28 | 27                    | 12 | 11 | 1               | 0 |     |
| VARIANT |    | PART NUMBER           |    |    | MANUFACTURER    |   | LSB |
| R-xxxx  |    | R-1011 1001 1010 0110 |    |    | R-0000 0010 111 |   | R-1 |

LEGEND: R/W = Read/Write; R = Read only; -n = value after reset

**Table 9-30. JTAG ID Register Field Descriptions**

| Bit   | Field        | Value               | Description                   |
|-------|--------------|---------------------|-------------------------------|
| 31-28 | VARIANT      | xxxx                | Variant value                 |
| 27-12 | PART NUMBER  | 1011 1001 1010 0110 | Part Number for boundary scan |
| 11-1  | MANUFACTURER | 0000 0010 111       | Manufacturer                  |
| 0     | LSB          | 1                   | This bit is read as a 1       |

**NOTE**

The value of the VARIANT and PART NUMBER fields depends on the silicon revision being used. See the Silicon Errata for details.

**9.2.3.4 Kicker Mechanism (KICK0 and KICK1) Register**

The Bootcfg module contains a kicker mechanism to prevent spurious writes from changing any of the Bootcfg MMR (memory mapped registers) values. When the kicker is locked (which it is initially after power on reset), none of the Bootcfg MMRs are writable (they are only readable). This mechanism requires an MMR write to each of the KICK0 and KICK1 registers with exact data values before the kicker lock mechanism is unlocked. See [Table 9-27](#) for the address location. Once released, all the Bootcfg MMRs having write permissions are writable (the read only MMRs are still read only). The KICK0 data is 0x83e70b13. The KICK1 data is 0x95a4f1e0. Writing any other data value to either of these kick MMRs locks the kicker mechanism and blocks writes to Bootcfg MMRs. To ensure protection to all Bootcfg MMRs, software must always re-lock the kicker mechanism after completing the MMR writes.

**9.2.3.5 LRESETNMI PIN Status (LRSTNMIPINSTAT) Register**

The LRSTNMIPINSTAT Register latches the status of  $\overline{\text{LRESET}}$  and  $\overline{\text{NMI}}$ . The LRESETNMI PIN Status Register is shown in the figure and table below.

**Figure 9-15. LRESETNMI PIN Status Register (LRSTNMIPINSTAT)**

|    |          |      |          |   |     |   |
|----|----------|------|----------|---|-----|---|
| 31 | Reserved | 9    | 8        | 7 | 1   | 0 |
|    |          | NMI0 | Reserved |   | LR0 |   |
|    | R-0      | R-0  | R-0      |   | R-0 |   |

Legend: R = Read only; -n = value after reset

**Table 9-31. LRESETNMI PIN Status Register Field Descriptions**

| Bit   | Field    | Description                  |
|-------|----------|------------------------------|
| 31-16 | Reserved |                              |
| 15    | Reserved |                              |
| 14    | Reserved |                              |
| 13    | Reserved |                              |
| 12    | Reserved |                              |
| 11    | Reserved |                              |
| 10    | Reserved |                              |
| 9     | Reserved |                              |
| 8     | NMI0     | C66x CorePac0 in NMI         |
| 7     | Reserved |                              |
| 6     | Reserved |                              |
| 5     | Reserved |                              |
| 4     | Reserved |                              |
| 3     | Reserved |                              |
| 2     | Reserved |                              |
| 1     | Reserved |                              |
| 0     | LR0      | C66x CorePac0 in Local Reset |

**9.2.3.6 LRESETNMI PIN Status Clear (LRSTNMIPINSTAT\_CLR) Register**

The LRSTNMIPINSTAT\_CLR Register clears the status of  $\overline{\text{LRESET}}$  and  $\overline{\text{NMI}}$ . The LRESETNMI PIN Status Clear Register is shown in the figure and table below.

**Figure 9-16. LRESETNMI PIN Status Clear Register (LRSTNMIPINSTAT\_CLR)**

|    |          |      |          |   |      |   |
|----|----------|------|----------|---|------|---|
| 31 | Reserved | 9    | 8        | 7 | 1    | 0 |
|    |          | NMI0 | Reserved |   | LR0  |   |
|    | R-0      | WC-0 | R-0      |   | WC-0 |   |

Legend: R = Read only; -n = value after reset; WC = Write 1 to Clear

**Table 9-32. LRESETNMI PIN Status Clear Register Field Descriptions**

| Bit   | Field    | Description                |
|-------|----------|----------------------------|
| 31-16 | Reserved |                            |
| 15    | Reserved |                            |
| 14    | Reserved |                            |
| 13    | Reserved |                            |
| 12    | Reserved |                            |
| 11    | Reserved |                            |
| 10    | Reserved |                            |
| 9     | Reserved |                            |
| 8     | NMI0     | C66x CorePac0 in NMI Clear |
| 7     | Reserved |                            |
| 6     | Reserved |                            |

**Table 9-32. LRESETNMI PIN Status Clear Register Field Descriptions (continued)**

| Bit | Field    | Description                        |
|-----|----------|------------------------------------|
| 5   | Reserved |                                    |
| 4   | Reserved |                                    |
| 3   | Reserved |                                    |
| 2   | Reserved |                                    |
| 1   | Reserved |                                    |
| 0   | LR0      | C66x CorePac0 in Local Reset Clear |

**9.2.3.7 Reset Status (RESET\_STAT) Register**

The Reset Status Register (RESET\_STAT) captures the status of local reset (LRx) for each of the cores and also the global device reset (GR). Software can use this information to take different device initialization steps.

- **In case of local reset:** The LRx bits are written as 1 and the GR bit is written as 0 only when the C66x CorePac receives a local reset without receiving a global reset.
- **In case of global reset:** The LRx bits are written as 0 and the GR bit is written as 1 only when a global reset is asserted.

The Reset Status Register is shown in the figure and table below.

**Figure 9-17. Reset Status Register (RESET\_STAT)**

|     |          |     |     |
|-----|----------|-----|-----|
| 31  | 30       | 1   | 0   |
| GR  | Reserved | LR0 | LR0 |
| R-1 | R- 0     | R-0 | R-0 |

Legend: R = Read only; -n = value after reset

**Table 9-33. Reset Status Register Field Descriptions**

| Bit  | Field    | Description   |
|------|----------|---|
| 31   | GR       | Global reset status <ul style="list-style-type: none"> <li>• 0 = Device has not received a global reset.</li> <li>• 1 = Device received a global reset.</li> </ul>                    |
| 30-1 | Reserved | Reserved.   |
| 0    | LR0      | C66x CorePac0 reset status <ul style="list-style-type: none"> <li>• 0 = C66x CorePac0 has not received a local reset.</li> <li>• 1 = C66x CorePac0 received a local reset.</li> </ul> |

### 9.2.3.8 Reset Status Clear (RESET\_STAT\_CLR) Register

The RESET\_STAT bits can be cleared by writing 1 to the corresponding bit in the RESET\_STAT\_CLR register. The Reset Status Clear Register is shown in the figure and table below.

**Figure 9-18. Reset Status Clear Register (RESET\_STAT\_CLR)**

|      |          |   |      |
|------|----------|---|------|
| 31   | 30       | 1 | 0    |
| GR   | Reserved |   | LR0  |
| RW-0 | R- 0     |   | RW-0 |

Legend: R = Read only; RW = Read/Write; -n = value after reset

**Table 9-34. Reset Status Clear Register Field Descriptions**

| Bit  | Field    | Description   |
|------|----------|---|
| 31   | GR       | Global reset clear bit <ul style="list-style-type: none"> <li>0 = Writing a 0 has no effect.</li> <li>1 = Writing a 1 to the GR bit clears the corresponding bit in the RESET_STAT register.</li> </ul>         |
| 30-1 | Reserved | Reserved.   |
| 0    | LR0      | C66x CorePac0 reset clear bit <ul style="list-style-type: none"> <li>0 = Writing a 0 has no effect.</li> <li>1 = Writing a 1 to the LR0 bit clears the corresponding bit in the RESET_STAT register.</li> </ul> |

### 9.2.3.9 Boot Complete (BOOTCOMPLETE) Register

The BOOTCOMPLETE register controls the BOOTCOMPLETE pin status to indicate the completion of the ROM booting process. The Boot Complete register is shown in the figure and table below.

**Figure 9-19. Boot Complete Register (BOOTCOMPLETE)**

|          |    |      |      |      |      |          |   |      |
|----------|----|------|------|------|------|----------|---|------|
| 31       | 12 | 11   | 10   | 9    | 8    | 7        | 1 | 0    |
| Reserved |    | BC11 | BC10 | BC9  | BC8  | Reserved |   | BC0  |
| R-0      |    | RW-0 | RW-0 | RW-0 | RW-0 | R-0      |   | RW-0 |

Legend: R = Read only; RW = Read/Write; -n = value after reset

**Table 9-35. Boot Complete Register Field Descriptions**

| Bit   | Field    | Description  |
|-------|----------|--|
| 31-12 | Reserved |  |
| 11    | BC11     | ARM CorePac 3 boot status (66AK2E05 only) <ul style="list-style-type: none"> <li>0 = ARM CorePac 3 boot NOT complete</li> <li>1 = ARM CorePac 3 boot complete</li> </ul> |
| 10    | BC10     | ARM CorePac 2 boot status (66AK2E05 only) <ul style="list-style-type: none"> <li>0 = ARM CorePac 2 boot NOT complete</li> <li>1 = ARM CorePac 2 boot complete</li> </ul> |
| 9     | BC9      | ARM CorePac 1 boot status (66AK2E05 only) <ul style="list-style-type: none"> <li>0 = ARM CorePac 1 boot NOT complete</li> <li>1 = ARM CorePac 1 boot complete</li> </ul> |
| 8     | BC8      | ARM CorePac 0 boot status <ul style="list-style-type: none"> <li>0 = ARM CorePac 0 boot NOT complete</li> <li>1 = ARM CorePac 0 boot complete</li> </ul>                 |
| 7-1   | Reserved |  |
| 0     | BC0      | C66x CorePac0 boot status <ul style="list-style-type: none"> <li>0 = C66x CorePac 0 boot NOT complete</li> <li>1 = C66x CorePac 0 boot complete</li> </ul>               |



The BCx bit indicates the boot complete status of the corresponding C66x CorePac and ARM CorePac. All BCx bits are sticky bits — that is, they can be set only once by the software after device reset and they will be cleared to 0 on all device resets (warm reset and power-on reset).

Boot ROM code is implemented such that each C66x CorePac or ARM CorePac sets its corresponding BCx bit immediately before branching to the predefined location in memory.

**9.2.3.10 Power State Control (PWRSTATECTL) Register**

The Power State Control Register (PWRSTATECTL) is controlled by the software to indicate the power-saving mode. Under ROM code, the CorePac reads this register to differentiate between the various power saving modes. This register is cleared only by POR and is not changed by any other device reset. See the *Hardware Design Guide for KeyStone II Devices* application report ([SPRABV0](#)) for more information. The PWRSTATECTL register is shown in [Figure 9-20](#) and described in [Table 9-36](#).

**Figure 9-20. Power State Control Register (PWRSTATECTL)**

|                                     |   |                  |             |         |
|-------------------------------------|---|------------------|-------------|---------|
| 31                                  | 3 | 2                | 1           | 0       |
| Hibernation Recovery Branch Address |   | Hibernation Mode | Hibernation | Standby |
| RW-0000 0000 0000 0000 0            |   | RW-0             | RW-0        | RW-0    |

Legend: R = Read Only, RW = Read/Write; -n = value after reset

**Table 9-36. Power State Control Register Field Descriptions**

| Bit  | Field                               | Description   |
|------|-------------------------------------|---|
| 31-3 | Hibernation Recovery Branch Address | Used to provide a start address for execution out of the hibernation modes. See the <i>KeyStone Architecture DSP Bootloader User's Guide</i> ( <a href="#">SPRUGY5</a> ). |
| 2    | Hibernation Mode                    | Indicates whether the device is in hibernation mode 1 or mode 2. <ul style="list-style-type: none"> <li>0 = Hibernation mode 1</li> <li>1 = Hibernation mode 2</li> </ul> |
| 1    | Hibernation                         | Indicates whether the device is in hibernation mode or not. <ul style="list-style-type: none"> <li>0 = Not in hibernation mode</li> <li>1 = Hibernation mode</li> </ul>   |
| 0    | Standby                             | Indicates whether the device is in standby mode or not. <ul style="list-style-type: none"> <li>0 = Not in standby mode</li> <li>1 = standby mode</li> </ul>               |

**9.2.3.11 NMI Event Generation to C66x CorePac (NMIGRx) Register**

NMIGRx registers generate NMI events to the corresponding C66x CorePac. The 66AK2Exx has has one NMIGRx register. The NMIGR0 register generates an NMI event to C66x CorePac0. Writing a 1 to the NMIG field generates an NMI pulse. Writing a 0 has no effect and Reads return 0 and have no other effect. The NMI event generation to the C66x CorePac is shown in [Figure 9-21](#) and described in [Table 9-37](#).

**Figure 9-21. NMI Generation Register (NMIGRx)**

|  |   |      |
|--|---|------|
| 31                                       | 1 | 0    |
| Reserved                                 |   | NMIG |
| R-0000 0000 0000 0000 0000 0000 0000 000 |   | RW-0 |

Legend: RW = Read/Write; -n = value after reset

**Table 9-37. NMI Generation Register Field Descriptions**

| Bit  | Field    | Description   |
|------|----------|---|
| 31-1 | Reserved | Reserved  |
| 0    | NMIG     | Reads return 0<br>Writes: <ul style="list-style-type: none"> <li>• 0 = No effect</li> <li>• 1 = Creates NMI pulse to the corresponding C66x CorePac — C66x CorePac0 for NMIGR0, etc.</li> </ul> |

### 9.2.3.12 IPC Generation (IPCGRx) Registers

The IPCGRx Registers facilitate inter-C66x CorePac interrupts.

The 66AK2E05 device has five IPCGRx registers (IPCGR0, IPCGR8-IPCGR11) and the 66AK2E02 has two IPCGRx registers (IPCGR0 and IPCGR8). These registers can be used by external hosts or CorePacs to generate interrupts to other CorePacs. A write of 1 to the IPCG field of the IPCGRx register generates an interrupt pulse to the:

- C66x CorePac0
- ARM CorePac

These registers also provide a *Source ID* facility identifying up to 28 different sources of interrupts. Allocation of source bits to source processor and meaning is entirely based on software convention. The register field descriptions are given in the following tables. There can be numerous sources for these registers as this is completely controlled by software. Any master that has access to BOOTCFG module space can write to these registers. The IPC Generation Register is shown in [Figure 9-22](#) and described in [Table 9-38](#).

**Figure 9-22. IPC Generation Registers (IPCGRx)**

|                       |   |          |      |   |
|-----------------------|---|----------|------|---|
| 31                    | 4 | 3        | 1    | 0 |
| SRCS27 - SRCS0        |   | Reserved | IPCG |   |
| RW +0 (per bit field) |   | R-000    | RW-0 |   |

Legend: R = Read only; RW = Read/Write; -n = value after reset

**Table 9-38. IPC Generation Registers Field Descriptions**

| Bit  | Field    | Description   |
|------|----------|---|
| 31-4 | SRCSx    | Reads return current value of internal register bit.<br>Writes: <ul style="list-style-type: none"> <li>• 0 = No effect</li> <li>• 1 = Sets both SRCSx and the corresponding SRCCx.</li> </ul> |
| 3-1  | Reserved | Reserved  |
| 0    | IPCG     | Reads return 0.<br>Writes: <ul style="list-style-type: none"> <li>• 0 = No effect</li> <li>• 1 = Creates an inter-DSP/ARM interrupt.</li> </ul>   |

### 9.2.3.13 IPC Acknowledgment (IPCARx) Registers

The IPCARx registers facilitate inter-CorePac interrupt acknowledgment.

The 66AK2E05 device has five IPCARx registers and the 66AK2E02 has two IPCARx registers. These registers also provide a *Source ID* facility by which up to 28 different sources of interrupts can be identified. Allocation of source bits to source processor and meaning is entirely based on software convention. The register field descriptions are given in the following tables. Virtually anything can be a source for these registers as this is completely controlled by software. Any master that has access to BOOTCFG module space can write to these registers. The IPC Acknowledgment Register is shown in the following figure and table.

**Figure 9-23. IPC Acknowledgment Registers (IPCARx)**

|    |                       |   |          |        |
|----|-----------------------|---|----------|--------|
| 31 | SRCC27 - SRCC0        | 4 | 3        | 0      |
|    | RW +0 (per bit field) |   | Reserved |        |
|    |                       |   |          | R-0000 |

Legend: R = Read only; RW = Read/Write; -n = value after reset

**Table 9-39. IPC Acknowledgment Registers Field Descriptions**

| Bit  | Field    | Description   |
|------|----------|---|
| 31-4 | SRCCx    | Reads return current value of internal register bit.<br><br>Writes:<br><ul style="list-style-type: none"> <li>0 = No effect</li> <li>1 = Clears both SRCCx and the corresponding SRCSx</li> </ul> |
| 3-0  | Reserved | Reserved  |

### 9.2.3.14 IPC Generation Host (IPCGRH) Register

The IPCGRH register facilitates interrupts to external hosts. Operation and use of the IPCGRH register is the same as for other IPCGR registers. The interrupt output pulse created by the IPCGRH register appears on device pin HOUT.

The host interrupt output pulse is stretched so that it is asserted for four bootcfg clock cycles (SYSCLK1/6) followed by a deassertion of four bootcfg clock cycles. Generating the pulse results in a pulse-blocking window that is eight SYSCLK1/6-cycles long. Back-to-back writes to the IPCGRH register with the IPCG bit (bit 0) set, generates only one pulse if the back-to-back writes to IPCGRH are less than the eight SYSCLK1/6 cycle window — the pulse blocking window. To generate back-to-back pulses, the back-to-back writes to the IPCGRH register must be written after the eight SYSCLK1/6 cycle pulse-blocking window has elapsed. The IPC Generation Host Register is shown in [Figure 9-24](#) and described in [Table 9-40](#).

**Figure 9-24. IPC Generation Registers (IPCGRH)**

|    |                       |   |          |       |       |
|----|-----------------------|---|----------|-------|-------|
| 31 | SRCS27 - SRCS0        | 4 | 3        | 1     | 0     |
|    | RW +0 (per bit field) |   | Reserved |       | IPCG  |
|    |                       |   |          | R-000 | RW +0 |

Legend: R = Read only; RW = Read/Write; -n = value after reset

**Table 9-40. IPC Generation Registers Field Descriptions**

| Bit  | Field    | Description  |
|------|----------|--|
| 31-4 | SRCSx    | Reads return current value of internal register bit.<br><br>Writes:<br><ul style="list-style-type: none"> <li>0 = No effect</li> <li>1 = Sets both SRCSx and the corresponding SRCCx.</li> </ul> |
| 3-1  | Reserved | Reserved   |

**Table 9-40. IPC Generation Registers Field Descriptions (continued)**

| Bit | Field | Description   |
|-----|-------|---|
| 0   | IPCG  | Reads return 0.<br>Writes:<br><ul style="list-style-type: none"> <li>0 = No effect</li> <li>1 = Creates an interrupt pulse on device pin (host interrupt/event output in HOUT pin)</li> </ul> |

**9.2.3.15 IPC Acknowledgment Host (IPCARH) Register**

The IPCARH register facilitates external host interrupts. Operation and use of the IPCARH register is the same as for other IPCAR registers. The IPC Acknowledgment Host Register is shown in [Figure 9-25](#) and described in [Table 9-41](#).

**Figure 9-25. Acknowledgment Register (IPCARH)**

|                       |   |          |   |
|-----------------------|---|----------|---|
| 31                    | 4 | 3        | 0 |
| SRCC27 - SRCC0        |   | Reserved |   |
| RW +0 (per bit field) |   | R-0000   |   |

Legend: R = Read only; RW = Read/Write; -n = value after reset

**Table 9-41. IPC Acknowledgment Register Field Descriptions**

| Bit  | Field    | Description   |
|------|----------|---|
| 31-4 | SRCCx    | Reads the return current value of the internal register bit.<br>Writes:<br><ul style="list-style-type: none"> <li>0 = No effect</li> <li>1 = Clears both SRCCx and the corresponding SRCSx</li> </ul> |
| 3-0  | Reserved | Reserved  |

**9.2.3.16 Timer Input Selection Register (TINPSEL)**

The Timer Input Selection Register selects timer inputs and is shown in [Figure 9-26](#) and described in [Table 9-42](#).

**Figure 9-26. Timer Input Selection Register (TINPSEL)**

|            |            |            |            |            |            |            |            |
|------------|------------|------------|------------|------------|------------|------------|------------|
| 31         | 30         | 29         | 28         | 27         | 26         | 25         | 24         |
| TINPHSEL15 | TINPLSEL15 | TINPHSEL14 | TINPLSEL14 | TINPHSEL13 | TINPLSEL13 | TINPHSEL12 | TINPLSEL12 |
| RW-0       | RW-0       | RW-0       | RW-0       | RW-0       | RW-0       | RW-0       | RW-0       |
| 23         | 22         | 21         | 20         | 19         | 18         | 17         | 16         |
| TINPHSEL11 | TINPLSEL11 | TINPHSEL10 | TINPLSEL10 | TINPHSEL9  | TINPLSEL9  | TINPHSEL8  | TINPLSEL8  |
| RW-0       | RW-0       | RW-0       | RW-0       | RW-0       | RW-0       | RW-0       | RW-0       |
| 15         |            |            |            |            | 2          | 1          | 0          |
| Reserved   |            |            |            |            |            | TINPHSEL0  | TINPLSEL0  |
| R-0        |            |            |            |            |            | RW-0       | RW-0       |

LEGEND: R = Read only; RW = Read/Write; -n = value after reset

**Table 9-42. Timer Input Selection Field Description**

| Bit | Field      | Description  |
|-----|------------|--|
| 31  | TINPHSEL15 | Input select for TIMER15 high.<br><ul style="list-style-type: none"> <li>0 = TIMI0</li> <li>1 = TIMI1</li> </ul> |

**Table 9-42. Timer Input Selection Field Description (continued)**

| Bit  | Field      | Description  |
|------|------------|--|
| 30   | TINPLSEL15 | Input select for TIMER15 low.<br><ul style="list-style-type: none"> <li>• 0 = TIMI0</li> <li>• 1 = TIMI1</li> </ul>  |
| 29   | TINPHSEL14 | Input select for TIMER14 high.<br><ul style="list-style-type: none"> <li>• 0 = TIMI0</li> <li>• 1 = TIMI1</li> </ul> |
| 28   | TINPLSEL14 | Input select for TIMER14 low.<br><ul style="list-style-type: none"> <li>• 0 = TIMI0</li> <li>• 1 = TIMI1</li> </ul>  |
| 27   | TINPHSEL13 | Input select for TIMER13 high.<br><ul style="list-style-type: none"> <li>• 0 = TIMI0</li> <li>• 1 = TIMI1</li> </ul> |
| 26   | TINPLSEL13 | Input select for TIMER13 low.<br><ul style="list-style-type: none"> <li>• 0 = TIMI0</li> <li>• 1 = TIMI1</li> </ul>  |
| 25   | TINPHSEL12 | Input select for TIMER12 high.<br><ul style="list-style-type: none"> <li>• 0 = TIMI0</li> <li>• 1 = TIMI1</li> </ul> |
| 24   | TINPLSEL12 | Input select for TIMER12 low.<br><ul style="list-style-type: none"> <li>• 0 = TIMI0</li> <li>• 1 = TIMI1</li> </ul>  |
| 23   | TINPHSEL11 | Input select for TIMER11 high.<br><ul style="list-style-type: none"> <li>• 0 = TIMI0</li> <li>• 1 = TIMI1</li> </ul> |
| 22   | TINPLSEL11 | Input select for TIMER11 low.<br><ul style="list-style-type: none"> <li>• 0 = TIMI0</li> <li>• 1 = TIMI1</li> </ul>  |
| 21   | TINPHSEL10 | Input select for TIMER10 high.<br><ul style="list-style-type: none"> <li>• 0 = TIMI0</li> <li>• 1 = TIMI1</li> </ul> |
| 20   | TINPLSEL10 | Input select for TIMER10 low.<br><ul style="list-style-type: none"> <li>• 0 = TIMI0</li> <li>• 1 = TIMI1</li> </ul>  |
| 19   | TINPHSEL9  | Input select for TIMER9 high.<br><ul style="list-style-type: none"> <li>• 0 = TIMI0</li> <li>• 1 = TIMI1</li> </ul>  |
| 18   | TINPLSEL9  | Input select for TIMER9 low.<br><ul style="list-style-type: none"> <li>• 0 = TIMI0</li> <li>• 1 = TIMI1</li> </ul>   |
| 17   | TINPHSEL8  | Input select for TIMER8 high.<br><ul style="list-style-type: none"> <li>• 0 = TIMI0</li> <li>• 1 = TIMI1</li> </ul>  |
| 16   | TINPLSEL8  | Input select for TIMER8 low.<br><ul style="list-style-type: none"> <li>• 0 = TIMI0</li> <li>• 1 = TIMI1</li> </ul>   |
| 15-2 | Reserved   |  |
| 1    | TINPHSEL0  | Input select for TIMER0 high.<br><ul style="list-style-type: none"> <li>• 0 = TIMI0</li> <li>• 1 = TIMI1</li> </ul>  |
| 0    | TINPLSEL0  | Input select for TIMER0 low.<br><ul style="list-style-type: none"> <li>• 0 = TIMI0</li> <li>• 1 = TIMI1</li> </ul>   |

### 9.2.3.17 Timer Output Selection Register (TOUTPSEL)

The control register TOUTSEL handles the timer output selection and is shown in [Figure 9-27](#) and described in [Table 9-43](#).

**Figure 9-27. Timer Output Selection Register (TOUTPSEL)**

|                        |           |           |   |
|------------------------|-----------|-----------|---|
| 31                     | 10 9      | 5 4       | 0 |
| Reserved               | TOUTPSEL1 | TOUTPSEL0 |   |
| R-00000000000000000000 | RW-00001  | RW-00000  |   |

Legend: R = Read only; RW = Read/Write; -n = value after reset

**Table 9-43. Timer Output Selection Field Description**

| Bit   | Field     | Description  |
|-------|-----------|--|
| 31-10 | Reserved  | Reserved   |
| 9-5   | TOUTPSEL1 | Output select for TIMO1 <ul style="list-style-type: none"> <li>• 0000: TOUTL0</li> <li>• 0001: TOUTH0</li> <li>• 0010: Reserved</li> <li>• 0011: Reserved</li> <li>• 0100: Reserved</li> <li>• 0101: Reserved</li> <li>• 0110: Reserved</li> <li>• 0111: Reserved</li> <li>• 0100: Reserved</li> <li>• 0101: Reserved</li> <li>• 0110: Reserved</li> <li>• 0111: Reserved</li> <li>• 0110: Reserved</li> <li>• 0111: Reserved</li> <li>• 0110: Reserved</li> <li>• 0111: Reserved</li> <li>• 1000: TOUTL8</li> <li>• 1001: TOUTH8</li> <li>• 1010: TOUTL9</li> <li>• 1011: TOUTH9</li> <li>• 1100: TOUTL10</li> <li>• 1101: TOUTH10</li> <li>• 1110: TOUTL11</li> <li>• 1111: TOUTH11</li> <li>• 1100: TOUTL12</li> <li>• 1101: TOUTH12</li> <li>• 1110: TOUTL13</li> <li>• 1111: TOUTH13</li> <li>• 1100: TOUTL14</li> <li>• 1101: TOUTH14</li> <li>• 1110: TOUTL15</li> <li>• 1111: TOUTH15</li> </ul>   |
| 4-0   | TOUTPSEL0 | Output select for TIMO0 <ul style="list-style-type: none"> <li>• 0000: TOUTL0</li> <li>• 0001: TOUTH0</li> <li>• 0010: Reserved</li> <li>• 0011: Reserved</li> <li>• 0100: Reserved</li> <li>• 0101: Reserved</li> <li>• 0110: Reserved</li> <li>• 0111: Reserved</li> <li>• 0100: Reserved</li> <li>• 0101: Reserved</li> <li>• 0110: Reserved</li> <li>• 0111: Reserved</li> <li>• 0100: Reserved</li> <li>• 0101: Reserved</li> <li>• 0110: Reserved</li> <li>• 0111: Reserved</li> <li>• 0110: Reserved</li> <li>• 0111: Reserved</li> <li>• 1000: TOUTL8</li> <li>• 1001: TOUTH8</li> <li>• 1010: TOUTL9</li> <li>• 1011: TOUTH9</li> <li>• 1100: TOUTL10</li> <li>• 1101: TOUTH10</li> <li>• 1110: TOUTL11</li> <li>• 1111: TOUTH11</li> <li>• 1100: TOUTL12</li> <li>• 1101: TOUTH12</li> <li>• 1110: TOUTL13</li> <li>• 1111: TOUTH13</li> <li>• 1100: TOUTL14</li> <li>• 1101: TOUTH14</li> <li>• 1110: TOUTL15</li> <li>• 1111: TOUTH15</li> </ul> |

### 9.2.3.18 Reset Mux (RSTMUXx) Register

Software controls the Reset Mux block through the reset multiplex registers using RSTMUX0 for the C66x CorePac and RSTMUX8-RSTMUX11 for the ARM CorePac (66AK2E05) or RSTMUX0 for the C66x CorePac and RSTMUX8 for the ARM CorePac (66AK2E02) on the device. These registers are located in Bootcfg memory space. The Reset Mux Register is shown in [Figure 9-28](#) and [Table 9-45](#) below.

**Figure 9-28. Reset Mux Register**

|                               |    |            |          |        |         |        |      |   |   |
|-------------------------------|----|------------|----------|--------|---------|--------|------|---|---|
| 31                            | 10 | 9          | 8        | 7      | 5       | 4      | 3    | 1 | 0 |
| Reserved                      |    | EVTSTATCLR | Reserved | DELAY  | EVTSTAT | OMODE  | LOCK |   |   |
| R-0000 0000 0000 0000 0000 00 |    | RC-0       | R-0      | RW-100 | R-0     | RW-000 | RW-0 |   |   |

Legend: R = Read only; RW = Read/Write; -n = value after reset; RC = Read only and write 1 to clear

**Table 9-44. Reset Mux Register 0 (RSTMUX0) Field Descriptions**

| Bit   | Field      | Description   |
|-------|------------|---|
| 31-10 | Reserved   | Reserved  |
| 9     | EVTSTATCLR | Clear event status <ul style="list-style-type: none"> <li>0 = Writing 0 has no effect</li> <li>1 = Writing 1 to this bit clears the EVTSTAT bit</li> </ul>  |
| 8     | Reserved   | Reserved  |
| 7-5   | DELAY      | Delay cycles between NMI & local reset <ul style="list-style-type: none"> <li>000b = 256 SYSCLK1/6 cycles delay between NMI &amp; local reset, when OMODE = 100b</li> <li>001b = 512 SYSCLK1/6 cycles delay between NMI &amp; local reset, when OMODE = 100b</li> <li>010b = 1024 SYSCLK1/6 cycles delay between NMI &amp; local reset, when OMODE = 100b</li> <li>011b = 2048 SYSCLK1/6 cycles delay between NMI &amp; local reset, when OMODE = 100b</li> <li>100b = 4096 SYSCLK1/6 cycles delay between NMI &amp; local reset, when OMODE = 100b (default)</li> <li>101b = 8192 SYSCLK1/6 cycles delay between NMI &amp; local reset, when OMODE = 100b</li> <li>110b = 16384 SYSCLK1/6 cycles delay between NMI &amp; local reset, when OMODE = 100b</li> <li>111b = 32768 SYSCLK1/6 cycles delay between NMI &amp; local reset, when OMODE = 100b</li> </ul> |
| 4     | EVTSTAT    | Event status <ul style="list-style-type: none"> <li>0 = No event received (Default)</li> <li>1 = WD timer event received by Reset Mux block</li> </ul>  |
| 3-1   | OMODE      | Timer event operation mode <ul style="list-style-type: none"> <li>000b = WD timer event input to the Reset Mux block does not cause any output event (default)</li> <li>001b = Reserved</li> <li>010b = WD Timer Event input to the Reset Mux block causes local reset input to C66x CorePac.</li> <li>011b = WD Timer Event input to the Reset Mux block causes NMI input to C66x CorePac.</li> <li>100b = WD Timer Event input to the Reset Mux block causes NMI input followed by local reset input to C66x CorePac. Delay between NMI and local reset is set in DELAY bit field.</li> <li>110b = Reserved</li> <li>111b = Reserved</li> </ul>   |
| 0     | LOCK       | Lock register fields <ul style="list-style-type: none"> <li>0 = Register fields are not locked (default)</li> <li>1 = Register fields are locked until the next timer reset</li> </ul>  |

**Table 9-45. Reset Mux Register 8..11(RSTMUX8-RSTMUX11) Field Descriptions**

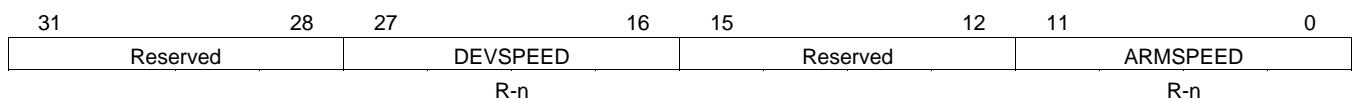
| Bit   | Field      | Description  |
|-------|------------|--|
| 31-10 | Reserved   | Reserved   |
| 9     | EVTSTATCLR | Clear event status <ul style="list-style-type: none"> <li>0 = Writing 0 has no effect</li> <li>1 = Writing 1 to this bit clears the EVTSTAT bit</li> </ul>   |
| 8     | Reserved   | Reserved   |
| 7-5   | DELAY      | Delay cycles between interrupt and device reset <ul style="list-style-type: none"> <li>000b = 256 SYSCLK1/6 cycles delay between interrupt and device reset, when OMODE = 100b</li> <li>001b = 512 SYSCLK1/6 cycles delay between interrupt and device reset, when OMODE = 100b</li> <li>010b = 1024 SYSCLK1/6 cycles delay between interrupt and device reset, when OMODE = 100b</li> <li>011b = 2048 SYSCLK1/6 cycles delay between interrupt and device reset, when OMODE = 100b</li> <li>100b = 4096 SYSCLK1/6 cycles delay between interrupt and device reset, when OMODE = 100b (default)</li> <li>101b = 8192 SYSCLK1/6 cycles delay between interrupt and device reset, when OMODE = 100b</li> <li>110b = 16384 SYSCLK1/6 cycles delay between interrupt and device reset, when OMODE = 100b</li> <li>111b = 32768 SYSCLK1/6 cycles delay between interrupt and device reset, when OMODE = 100b</li> </ul> |

**Table 9-45. Reset Mux Register 8..11(RSTMUX8-RSTMUX11) Field Descriptions (continued)**

| Bit | Field   | Description   |
|-----|---------|---|
| 4   | EVTSTAT | Event status <ul style="list-style-type: none"> <li>0 = No event received (Default)</li> <li>1 = WD timer event received by Reset Mux block</li> </ul>  |
| 3-1 | OMODE   | Timer event operation mode <ul style="list-style-type: none"> <li>000b = WD timer event input to the Reset Mux block does not cause any output event (default)</li> <li>001b = Reserved</li> <li>010b = Cortex-A15 processor watchdog timers, the Local Reset output event of the RSTMUX logic generates reset to PLL Controller.</li> <li>011b = WD Timer Event input to the Reset Mux block causes Local Reset output event of the RSTMUX logic to generate reset to PLL Controller.</li> <li>100b = WD Timer Event input to the Reset Mux block causes an interrupt to be sent to the GIC.</li> <li>101b = WD timer event input to the Reset Mux block causes device reset to 66AK2E0x. Note that for Cortex-A15 processor watchdog timers, the Local Reset output event of the RSTMUX logic is connected to the Device Reset generation to generate reset to PLL Controller.</li> <li>110b = Reserved</li> <li>111b = Reserved</li> </ul> |
| 0   | LOCK    | Lock register fields <ul style="list-style-type: none"> <li>0 = Register fields are not locked (default)</li> <li>1 = Register fields are locked until the next timer reset</li> </ul>  |

**9.2.3.19 Device Speed (DEVSPPEED) Register**

The Device Speed Register shows the device speed grade and is shown below.

**Figure 9-29. Device Speed Register (DEVSPPEED)**

Legend: R = Read only; -n = value after reset

**Table 9-46. Device Speed Register Field Descriptions**

| Bit   | Field     | Description   |
|-------|-----------|---|
| 31-28 | Reserved  | Reserved. Read only   |
| 27-16 | DEVSPPEED | Indicates the speed of the device (read only) <ul style="list-style-type: none"> <li>0b0000 0000 0000 = 800 MHz</li> <li>0b0000 0000 0001 = 1000 MHz</li> <li>0b0000 0000 001x = 1200 MHz</li> <li>0b0000 0000 01xx = 1350 MHz</li> <li>0b0000 0000 1xxx = 1400 MHz</li> <li>0b0000 0001 xxxx = 1500 MHz</li> <li>0b0000 001x xxxx = 1400 MHz</li> <li>0b0000 01xx xxxx = 1350.8 MHz</li> <li>0b0000 1xxx xxxx = 1200 MHz</li> <li>0b0001 xxxx xxxx = 1000 MHz</li> <li>0b001x xxxx xxxx = 800 MHz</li> </ul> |
| 15-12 | Reserved  | Reserved. Read only   |



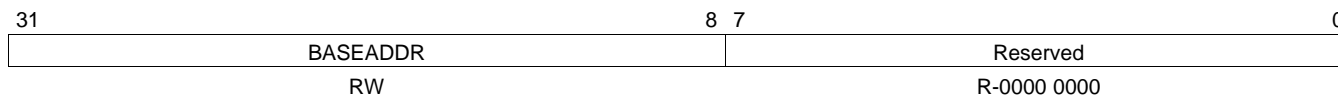
**Table 9-46. Device Speed Register Field Descriptions (continued)**

| Bit  | Field    | Description  |
|------|----------|--|
| 11-0 | ARMSPEED | Indicates the speed of the ARM (read only) <ul style="list-style-type: none"> <li>• 0b0000 0000 0000 = 800 MHz</li> <li>• 0b0000 0000 0001 = 1000 MHz</li> <li>• 0b0000 0000 001x = 1200 MHz</li> <li>• 0b0000 0000 01xx = 1350 MHz</li> <li>• 0b0000 0000 1xxx = 1400 MHz</li> <li>• 0b0000 0001 xxxx = 1500 MHz</li> <li>• 0b0000 001x xxxx = 1400 MHz</li> <li>• 0b0000 01xx xxxx = 1350.8 MHz</li> <li>• 0b0000 1xxx xxxx = 1200 MHz</li> <li>• 0b0001 xxxx xxxx = 1000 MHz</li> <li>• 0b001x xxxx xxxx = 800 MHz</li> </ul> |

**9.2.3.20 ARM Endian Configuration Register 0 (ARMENDIAN\_CFGr\_0), r=0..7**

The registers defined in ARM Configuration Register 0 (ARMENDIAN\_CFGr\_0) and ARM Configuration Register 1 (ARMENDIAN\_CFGr\_1) control the way Cortex-A15 processor core access to peripheral MMRs shows up in the Cortex-A15 processor registers. The purpose is to provide an endian-invariant view of the peripheral MMRs when performing a 32-bit access. (Only one of the eight register sets is shown.)

**Figure 9-30. ARM Endian Configuration Register 0 (ARMENDIAN\_CFGr\_0), r=0..7**



Legend: RW = Read/Write; R = Read only

**Table 9-47. ARM Endian Configuration Register 0 Default Values**

| ARM ENDIAN CONFIGURATION REGISTER 0 | DEFAULT VALUES |
|-------------------------------------|----------------|
| ARMENDIAN_CFG0_0                    | 0x0001C000     |
| ARMENDIAN_CFG1_0                    | 0x00020000     |
| ARMENDIAN_CFG2_0                    | 0x000BC000     |
| ARMENDIAN_CFG3_0                    | 0x00210000     |
| ARMENDIAN_CFG4_0                    | 0x00023A00     |
| ARMENDIAN_CFG5_0                    | 0x00240000     |
| ARMENDIAN_CFG6_0                    | 0x01000000     |
| ARMENDIAN_CFG7_0                    | 0xFFFFFFFF00   |

**Table 9-48. ARM Endian Configuration Register 0 Field Descriptions**

| Bit  | Field    | Description   |
|------|----------|---|
| 31-8 | BASEADDR | 24-bit Base Address of Configuration Region R<br><br>This base address defines the start of a contiguous block of Memory Mapped Register space for which a word swap is done by the ARM CorePac bridge. |
| 7-0  | Reserved | Reserved  |

### 9.2.3.21 ARM Endian Configuration Register 1 (ARMENDIAN\_CFGr\_1), r=0..7

**Figure 9-31. ARM Endian Configuration Register 1 (ARMENDIAN\_CFGr\_1), r=0..7**

|    |                                      |     |      |   |
|----|--------------------------------------|-----|------|---|
| 31 | Reserved                             | 4 3 | SIZE | 0 |
|    | R-0000 0000 0000 0000 0000 0000 0000 |     | RW   |   |

Legend: RW = Read/Write; R = Read only

**Table 9-49. ARM Endian Configuration Register 1 Default Values**

| ARM ENDIAN CONFIGURATION REGISTER 1 | DEFAULT VALUES |
|-------------------------------------|----------------|
| ARMENDIAN_CFG0_1                    | 0x00000006     |
| ARMENDIAN_CFG1_1                    | 0x00000009     |
| ARMENDIAN_CFG2_1                    | 0x00000004     |
| ARMENDIAN_CFG3_1                    | 0x00000008     |
| ARMENDIAN_CFG4_1                    | 0x00000005     |
| ARMENDIAN_CFG5_1                    | 0x00000006     |
| ARMENDIAN_CFG6_1                    | 0x00000000     |
| ARMENDIAN_CFG7_1                    | 0x00000000     |

**Table 9-50. ARM Endian Configuration Register 1 Field Descriptions**

| Bit  | Field    | Description  |
|------|----------|--|
| 31-4 | Reserved | Reserved   |
| 3-0  | SIZE     | <p>4-bit encoded size of Configuration Region R</p> <p>The value in the SIZE field defines the size of the contiguous block of Memory Mapped Register space for which a word swap is done by the ARM CorePac bridge (starting from ARMENDIAN_CFGr_0.BASEADDR).</p> <ul style="list-style-type: none"> <li>• 0000 : 64KB</li> <li>• 0001 : 128KB</li> <li>• 0010 : 256KB</li> <li>• 0011 : 512KB</li> <li>• 0100 : 1MB</li> <li>• 0101 : 2MB</li> <li>• 0110 : 4MB</li> <li>• 0111 : 8MB</li> <li>• 1000 : 16MB</li> <li>• 1001 : 32MB</li> <li>• 1010 : 64MB</li> <li>• 1011 : 128MB</li> <li>• Others : Reserved</li> </ul> |

### 9.2.3.22 ARM Endian Configuration Register 2 (ARMENDIAN\_CFGr\_2), r=0..7

The registers defined in ARM Configuration Register 2 (ARMENDIAN\_CFGr\_2) enable the word swapping of a region.

**Figure 9-32. ARM Endian Configuration Register 2 (ARMENDIAN\_CFGr\_2), r=0..7**

|    |                                     |     |      |
|----|-------------------------------------|-----|------|
| 31 | Reserved                            | 1   | 0    |
|    | R-0000 0000 0000 0000 0000 0000 000 | DIS | RW-0 |

Legend: RW = Read/Write

**Table 9-51. ARM Endian Configuration Register 2 Default Values**

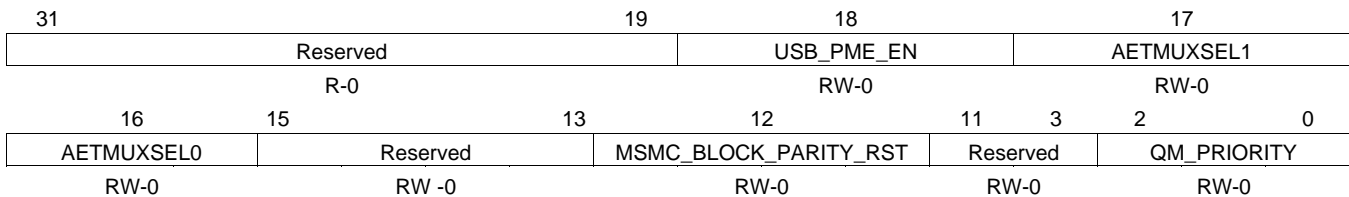
| ARM ENDIAN CONFIGURATION REGISTER 2 | DEFAULT VALUES |
|-------------------------------------|----------------|
| ARMENDIAN_CFG0_2                    | 0x00000001     |
| ARMENDIAN_CFG1_2                    | 0x00000001     |
| ARMENDIAN_CFG2_2                    | 0x00000001     |
| ARMENDIAN_CFG3_2                    | 0x00000001     |
| ARMENDIAN_CFG4_2                    | 0x00000001     |
| ARMENDIAN_CFG5_2                    | 0x00000001     |
| ARMENDIAN_CFG6_2                    | 0x00000001     |
| ARMENDIAN_CFG7_2                    | 0x00000001     |

**Table 9-52. ARM Endian Configuration Register 2 Field Descriptions**

| Bit  | Field    | Description   |
|------|----------|---|
| 31-1 | Reserved | Reserved  |
| 0    | DIS      | Disabling the word swap of a region <ul style="list-style-type: none"> <li>0 : Enable word swap for region</li> <li>1 : Disable word swap for region</li> </ul> |

**9.2.3.23 Chip Miscellaneous Control (CHIP\_MISC\_CTL0) Register**

**Figure 9-33. Chip Miscellaneous Control Register (CHIP\_MISC\_CTL0)**



Legend: R = Read only; W = Write only; -n = value after reset

**Table 9-53. Chip Miscellaneous Control Register (CHIP\_MISC\_CTL0) Field Descriptions**

| Bit   | Field                 | Description   |
|-------|-----------------------|---|
| 31-19 | Reserved              | Reserved.   |
| 18    | USB_PME_EN            | Enables wakeup event generation from USB <ul style="list-style-type: none"> <li>0 = Disable PME event generation</li> <li>1 = Enable PME event generation</li> </ul>  |
| 17    | AETMUXSEL1            | Controls the mux that selects whether an AET event from EDMA CC2 or EDMA CC3 is connected to the C66x Interrupt Controller <ul style="list-style-type: none"> <li>0 = EDMA CC2 (default)</li> <li>1 = EDMA CC3</li> </ul> |
| 16    | AETMUXSEL0            | Controls the mux that selects whether an AET event from EDMA CC2 or EDMA CC4 is connected to the C66x Interrupt Controller <ul style="list-style-type: none"> <li>0 = EDMA CC2 (default)</li> <li>1 = EDMA CC4</li> </ul> |
| 15-13 | Reserved              |   |
| 12    | MSMC_BLOCK_PARITY_RST | Controls MSMC parity RAM reset. When set to '1' means the MSMC parity RAM will not be reset.  |
| 11-3  | Reserved              | Reserved  |
| 2-0   | QM_PRIORITY           | Control the priority level for the transactions from QM Master port, which access the external linking RAM.   |

### 9.2.3.24 Chip Miscellaneous Control (CHIP\_MISC\_CTL1) Register

**Figure 9-34. Chip Miscellaneous Control Register (CHIP\_MISC\_CTL1)**

|                       |    |              |          |   |
|-----------------------|----|--------------|----------|---|
| 31                    | 15 | 14           | 13       | 0 |
| Reserved              |    | IO_TRACE_SEL | Reserved |   |
| R- 0000 0000 00000000 |    | RW-0         | RW-0     |   |

Legend: R = Read only; RW = Read/Write; -n = value after reset

**Table 9-54. Chip Miscellaneous Control Register (CHIP\_MISC\_CTL1) Field Descriptions**

| Bit   | Field        | Description   |
|-------|--------------|---|
| 31-15 | Reserved     | Reserved.   |
| 14    | IO_TRACE_SEL | This bit controls the pin muxing of GPIO[31:17] and EMU[33:19] pin <ul style="list-style-type: none"> <li>0 = GPIO[31:17] is selected</li> <li>1 = EMU[33:19] pins is selected</li> </ul> |
| 13-0  | Reserved     |   |

### 9.2.3.25 System Endian Status Register (SYSENDSTAT)

This register provides a way for reading the system endianness in an endian-neutral way. A zero value indicates big endian and a non-zero value indicates little endian. The SYSENDSTAT register captures the LENDIAN bootmode pin and is used by the BOOTROM to guide the bootflow. The value is latched on the rising edge of  $\overline{\text{POR}}$  or  $\overline{\text{RESETFULL}}$ .

**Figure 9-35. System Endian Status Register**

|  |   |            |
|--|---|------------|
| 31                                       | 1 | 0          |
| Reserved                                 |   | SYSENDSTAT |
| R-0000 0000 0000 0000 0000 0000 0000 000 |   | R-0        |

Legend: RW = Read/Write; -n = value after reset

**Table 9-55. System Endian Status Register Descriptions**

| Bit  | Field      | Description   |
|------|------------|---|
| 31-1 | Reserved   | Reserved  |
| 0    | SYSENDSTAT | Reflects the same value as the LENDIAN bit in the DEVSTAT register. <ul style="list-style-type: none"> <li>0 - SoC is in Big Endian</li> <li>1 - SoC is in Little Endian</li> </ul> |

### 9.2.3.26 SYNECLK\_PINCTL Register

This register controls the routing of recovered clock signals from any Ethernet port (SGMII/XFI of the multiport switches) to the clock output TSRXCLKOUT0/TSRXCLKOUT1.

**Figure 9-36. SYNECLK\_PINCTL Register**

|                                   |   |                |          |   |                |   |
|-----------------------------------|---|----------------|----------|---|----------------|---|
| 31                                | 7 | 6              | 4        | 3 | 2              | 0 |
| Reserved                          |   | TSRXCLKOUT1SEL | Reserved |   | TSRXCLKOUT0SEL |   |
| R-0000 0000 0000 0000 0000 0000 0 |   | RW-0           | RW-0     |   | RW-0           |   |

Legend: RW = Read/Write; -n = value after reset

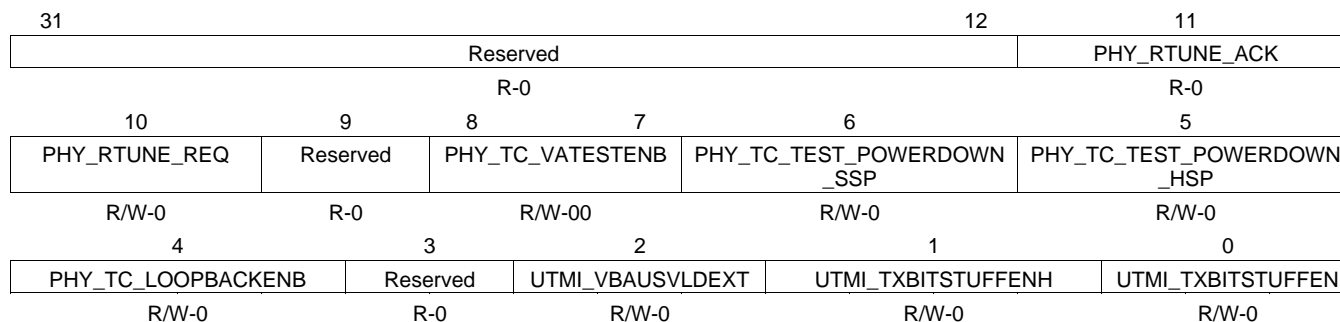
**Table 9-56. SYNECLK\_PINCTL Register Descriptions**

| Bit  | Field          | Description  |
|------|----------------|--|
| 31-7 | Reserved       | Reserved   |
| 6-4  | TSRXCLKOUT1SEL | <ul style="list-style-type: none"> <li>• 000 - SGMII Lane 0 rxbclk</li> <li>• 001 - SGMII Lane 1 rxbclk</li> <li>• 010 - SGMII Lane 2 rxbclk</li> <li>• 011 - SGMII Lane 3 rxbclk</li> <li>• 100 - XFI Lane 0 rxbclk</li> <li>• 101 - XFI Lane 1 rxbclk</li> <li>• 110 - XFI Lane 2 rxbclk</li> <li>• 111 - XFI Lane 3 rxbclk</li> </ul> |
| 3    | Reserved       | Reserved   |
| 2-0  | TSRXCLKOUT0SEL | <ul style="list-style-type: none"> <li>• 000 - SGMII Lane 0 rxbclk</li> <li>• 001 - SGMII Lane 1 rxbclk</li> <li>• 010 - SGMII Lane 2 rxbclk</li> <li>• 011 - SGMII Lane 3 rxbclk</li> <li>• 100 - XFI Lane 0 rxbclk</li> <li>• 101 - XFI Lane 1 rxbclk</li> <li>• 110 - XFI Lane 2 rxbclk</li> <li>• 111 - XFI Lane 3 rxbclk</li> </ul> |

**9.2.3.27 USB PHY Control (USB\_PHY\_CTLx) Registers**

The following registers control the USB PHY.

**Figure 9-37. USB\_PHY\_CTL0 Register**



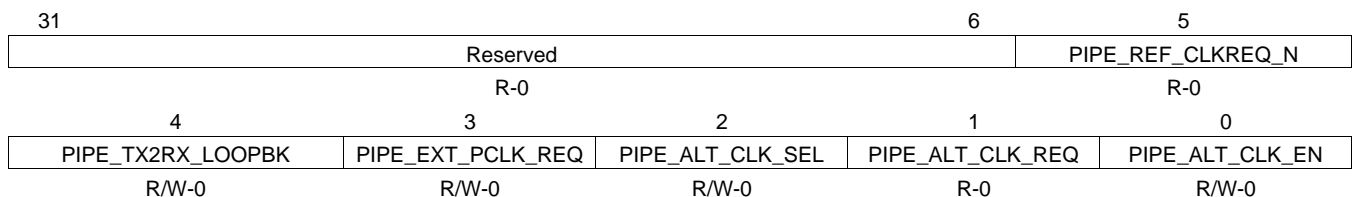
Legend: R = Read only; W = Write only; -n = value after reset

**Table 9-57. USB\_PHY\_CTL0 Register Field Descriptions**

| Bit   | Field         | Description  |
|-------|---------------|--|
| 31-12 | Reserved      | Reserved   |
| 11    | PHY_RTUNE_ACK | <p>The PHY uses an external resistor to calibrate the termination impedances of the PHY's high-speed inputs and outputs.</p> <p>The resistor is shared between the USB2.0 high-speed outputs and the Super-speed I/O. Each time the PHY is taken out of a reset, a termination calibration is performed. For SS link, the calibration can also be requested externally by asserting the PHY_RTUNE_REQ. When the calibration is complete, the PHY_RTUNE_ACK transitions low.</p> <p>A resistor calibration on the SS link cannot be performed while the link is operational</p> |
| 10    | PHY_RTUNE_REQ | See PHY_RTUNE_ACK.   |
| 9     | Reserved      | Reserved   |

**Table 9-57. USB\_PHY\_CTL0 Register Field Descriptions (continued)**

| Bit | Field                     | Description   |
|-----|---------------------------|---|
| 8-7 | PHY_TC_VATESTENB          | Analog Test Pin Select.<br>Enables analog test voltages to be placed on the ID pin. <ul style="list-style-type: none"> <li>11 = Invalid setting.</li> <li>10 = Invalid setting.</li> <li>01 = Analog test voltages can be viewed or applied on ID.</li> <li>00 = Analog test voltages cannot be viewed or applied on ID.</li> </ul>   |
| 6   | PHY_TC_TEST_POWERDOWN_SSP | SS Function Circuits Power-Down Control.<br>Powers down all SS function circuitry in the PHY for IDDQ testing.  |
| 5   | PHY_TC_TEST_POWERDOWN_HSP | HS Function Circuits Power-Down Control<br>Powers down all HS function circuitry in the PHY for IDDQ testing.   |
| 4   | PHY_TC_LOOPBACKENB        | Loop-back Test Enable<br>Places the USB3.0 PHY in HS Loop-back mode, which concurrently enables the HS receive and transmit logic. <ul style="list-style-type: none"> <li>1 = During HS data transmission, the HS receive logic is enabled.</li> <li>0 = During HS data transmission, the HS receive logic is disabled.</li> </ul>  |
| 3   | Reserved                  | <ul style="list-style-type: none"> <li>Reserved</li> </ul>  |
| 2   | UTMI_VBAUSVLDEXT          | External VBUS Valid Indicator<br>Function: Valid in Device mode and only when the VBUSVLDEXTSEL signal is set to 1'b1. VBUSVLDEXT indicates whether the VBUS signal on the USB cable is valid. In addition, VBUSVLDEXT enables the pull-up resistor on the D+ line. <ul style="list-style-type: none"> <li>1 = VBUS signal is valid, and the pull-up resistor on D+ is enabled.</li> <li>0 = VBUS signal is not valid, and the pull-up resistor on D+ is disabled.</li> </ul> |
| 1   | UTMI_TXBITSTUFFENH        | High-byte Transmit Bit-Stuffing Enable<br>Function: controls bit stuffing on DATAINH[7:0] when OPMODE[1:0]=11b. <ul style="list-style-type: none"> <li>1 = Bit stuffing is enabled.</li> <li>0 = Bit stuffing is disabled.</li> </ul>   |
| 0   | UTMI_TXBITSTUFFEN         | Low-byte Transmit Bit-Stuffing Enable<br>Function: controls bit stuffing on DATAIN[7:0] when OPMODE[1:0]=11b. <ul style="list-style-type: none"> <li>1 = Bit stuffing is enabled.</li> <li>0 = Bit stuffing is disabled.</li> </ul>   |

**Figure 9-38. USB\_PHY\_CTL1 Register**

Legend: R = Read only; R/W = Read/Write, -n = value after reset

**Table 9-58. USB\_PHY\_CTL1 Register Field Descriptions**

| Bit  | Field             | Description  |
|------|-------------------|--|
| 31-6 | Reserved          | Reserved   |
| 5    | PIPE_REF_CLKREQ_N | Reference Clock Removal Acknowledge.<br>When the pipeP_power-down control into the PHY turns off the MPLL in the P3 state, PIPE_REF_CLKREQ_N is asserted after the PLL is stable and the reference clock can be removed. |

**Table 9-58. USB\_PHY\_CTL1 Register Field Descriptions (continued)**

| Bit | Field             | Description  |
|-----|-------------------|--|
| 4   | PIPE_TX2RX_LOOPBK | Loop-back.<br>When this signal is asserted, data from the transmit predriver is looped back to the receiver slicers. LOS is bypassed and based on the tx_en input so that rx_los=!tx_data_en.  |
| 3   | PIPE_EXT_PCLK_REQ | External PIPE Clock Enable Request.<br>When asserted, this signal enables the pipeP_pclk output regardless of power state (along with the associated increase in power consumption).   |
| 2   | PIPE_ALT_CLK_SEL  | Alternate Clock Source Select.<br>Selects the alternate clock sources instead of the internal MPLL outputs for the PCS clocks. <ul style="list-style-type: none"> <li>1 = Uses alternate clocks.</li> <li>0 = Users internal MPLL clocks.</li> </ul> Change only during a reset. |
| 1   | PIPE_ALT_CLK_REQ  | Alternate Clock Source Request.<br>Indicates that the alternate clocks are needed by the slave PCS (that is, to boot the master MPLL). Connect to the alt_clk_en on the master.  |
| 0   | PIPE_ALT_CLK_EN   | Alternate Clock Enable.<br>Enables the ref_pcs_clk and ref_pipe_pclk output clocks (if necessary, powers up the MPLL).   |

**Figure 9-39. USB\_PHY\_CTL2 Register**

|                   |    |                         |    |                         |    |                    |    |
|-------------------|----|-------------------------|----|-------------------------|----|--------------------|----|
| 31                | 30 | 29                      | 27 | 26                      | 23 | 22                 | 21 |
| Reserved          |    | PHY_PC_LOS_BIAS         |    | PHY_PC_TXVREFTUNE       |    | PHY_PC_TXRISETUNE  |    |
| R-0               |    | R/W-101                 |    | R/W-1000                |    | R/W-01             |    |
| 20                | 19 | 18                      | 17 | 16                      | 15 | 14                 |    |
| PHY_PC_TXRESTUNE  |    | PHY_PC_TXPREEMPAMPPTUNE |    | PHY_PC_TXPREEMPAMPPTUNE |    | PHY_PC_TXHSXVTUNE  |    |
| R/W-01            |    | R/W-0                   |    | R/W-00                  |    | R/W-11             |    |
| 13                | 10 | 9                       | 7  | 6                       | 4  | 3                  | 2  |
| PHY_PC_TXFSLSTUNE |    | PHY_PC_SQRXTUNE         |    | PHY_PC_OTGTUNE          |    | Reserved           |    |
| R/W-0011          |    | R/W-011                 |    | R/W-100                 |    | R-0                |    |
|                   |    |                         |    |                         |    | PHY_PC_COMPDISTUNE |    |
|                   |    |                         |    |                         |    | R/W-100            |    |

Legend: R = Read only; R/W = Read/Write, -n = value after reset

**Table 9-59. USB\_PHY\_CTL2 Register Field Descriptions**

| Bit   | Field             | Description   |
|-------|-------------------|---|
| 31-30 | Reserved          | Reserved  |
| 29-27 | PHY_PC_LOS_BIAS   | Loss-of-Signal Detector Threshold Level Control.<br>Sets the LOS detection threshold level. <ul style="list-style-type: none"> <li>+1 = results in a +15 mVp incremental change in the LOS threshold.</li> <li>-1 = results in a -15 mVp incremental change in the LOS threshold.</li> </ul> Note: the 000b setting is reserved and must not be used. |
| 26-23 | PHY_PC_TXVREFTUNE | HS DC Voltage Level Adjustment.<br>Adjusts the high-speed DC level voltage. <ul style="list-style-type: none"> <li>+1 = results in a +1.25% incremental change in high-speed DC voltage level.</li> <li>-1 = results in a -1.25% incremental change in high-speed DC voltage level.</li> </ul>  |
| 22-21 | PHY_PC_TXRISETUNE | HS Transmitter Rise/Fall Time Adjustment.<br>Adjusts the rise/fall times of the high-speed waveform. <ul style="list-style-type: none"> <li>+1 = results in a -4% incremental change in the HS rise/fall time.</li> <li>-1 = results in a +4% incremental change in the HS rise/fall time.</li> </ul>   |

**Table 9-59. USB\_PHY\_CTL2 Register Field Descriptions (continued)**

| Bit   | Field                    | Description  |
|-------|--------------------------|--|
| 20-19 | PHY_PC_TXRESTUNE         | <p>USB Source Impedance Adjustment.</p> <p>Some applications require additional devices to be added on the USB, such as a series switch, which can add significant series resistance. This bus adjusts the driver source impedance to compensate for added series resistance on the USB.</p>   |
| 18    | PHY_PC_TXPREEMPPULSETUNE | <p>HS Transmitter Pre-Emphasis Duration Control.</p> <p>Controls the duration for which the HS pre-emphasis current is sourced onto DP or DM. It is defined in terms of unit amounts. One unit of pre-emphasis duration is approximately 580 ps and is defined as 1x pre-emphasis duration. This signal valid only if either txpreempamtune[1] or txpreempamtune[0] is set to 1.</p> <ul style="list-style-type: none"> <li>1 = 1x, short pre-emphasis current duration.</li> <li>0 = 2x, long pre-emphasis current duration.</li> </ul>                       |
| 17-16 | PHY_PC_TXPREEMPAMPTUNE   | <p>HS Transmitter Pre-Emphasis Current Control.</p> <p>Controls the amount of current sourced to DP and DM after a J-to-K or K-to-J transition.</p> <p>The HS Transmitter pre-emphasis current is defined in terms of unit amounts. One unit amount is approximately 600 <math>\mu</math>A and is defined as 1x pre-emphasis current.</p> <ul style="list-style-type: none"> <li>11 = 3x pre-emphasis current.</li> <li>10 = 2x pre-emphasis current.</li> <li>01 = 1x pre-emphasis current.</li> <li>00 = HS Transmitter pre-emphasis is disabled.</li> </ul> |
| 15-14 | PHY_PC_TXHSXVTUNE        | <p>Transmitter High-Speed Crossover Adjustment.</p> <p>Adjusts the voltage at which the DP and DM signals cross while transmitting in HS mode.</p> <ul style="list-style-type: none"> <li>11 = Default setting.</li> <li>10 = +15 mV</li> <li>01 = -15 mV</li> <li>00 = Reserved</li> </ul>  |
| 13-10 | PHY_PC_TXFSLSTUNE        | <p>FS/LS Source Impedance Adjustment.</p> <p>Adjusts the low- and full-speed single-ended source impedance while driving high.</p> <p>This parameter control is encoded in thermometer code.</p> <ul style="list-style-type: none"> <li>+1 = results in a -2.5% incremental change in threshold voltage level.</li> <li>-1 = results in a +2.5% incremental change in threshold voltage level.</li> </ul> <p>Any non-thermometer code setting (that is 1001) is not supported and reserved.</p>  |
| 9-7   | PHY_PC_SQRXTUNE          | <p>Squelch Threshold Adjustment.</p> <p>Adjusts the voltage level for the threshold used to detect valid high-speed data.</p> <ul style="list-style-type: none"> <li>+1 = results in a -5% incremental change in threshold voltage level.</li> <li>-1 = results in a +5% incremental change in threshold voltage level.</li> </ul>   |
| 6-4   | PHY_PC_OTGTUNE           | <p>VBUS Valid Threshold Adjustment.</p> <p>Adjusts the voltage level for the VBUS valid threshold.</p> <ul style="list-style-type: none"> <li>+1 = results in a +1.5% incremental change in threshold voltage level.</li> <li>-1 = results in a -1.5% incremental change in threshold voltage level.</li> </ul>  |
| 3     | Reserved                 | Reserved   |
| 2-0   | PHY_PC_COMPDISTUNE       | <p>Disconnect Threshold Adjustment.</p> <p>Adjusts the voltage level for the threshold used to detect a disconnect event at the host.</p> <ul style="list-style-type: none"> <li>+1 = results in a +1.5% incremental change in the threshold voltage level.</li> <li>-1 = results in a -1.5% incremental change in the threshold voltage level.</li> </ul>   |



**Figure 9-40. USB\_PHY\_CTL3 Register**

|                          |    |          |    |                            |    |                          |  |  |  |    |   |
|--------------------------|----|----------|----|----------------------------|----|--------------------------|--|--|--|----|---|
| 31                       |    |          |    |                            | 30 | 29                       |  |  |  | 23 |   |
| Reserved                 |    |          |    |                            |    | PHY_PC_PCS_TX_SWING_FULL |  |  |  |    |   |
| R-0                      |    |          |    |                            |    | R/W-1111000              |  |  |  |    |   |
| 22                       | 17 | 16       | 11 | 10                         | 5  | 4                        |  |  |  |    | 0 |
| PHY_PC_PCS_TX_DEEMPH_6DB |    | Reserved |    | PHY_PC_PCS_TX_DEEMPH_3P5DB |    | PHY_PC_LOS_LEVEL         |  |  |  |    |   |
| R/W-100000               |    | R-0      |    | R/W-010101                 |    | R/W-01001                |  |  |  |    |   |

Legend: R = Read only; R/W = Read/Write, -n = value after reset

**Table 9-60. USB\_PHY\_CTL3 Register Field Descriptions**

| Bit   | Field                      | Description   |
|-------|----------------------------|---|
| 31-30 | Reserved                   | Reserved  |
| 29-23 | PHY_PC_PCS_TX_SWING_FULL   | Tx Amplitude (Full Swing Mode).<br>Sets the launch amplitude of the transmitter. It can be used to tune Rx eye for compliance.  |
| 22-17 | PHY_PC_PCS_TX_DEEMPH_6DB   | Tx De-Emphasis at 6 dB.<br>Sets the Tx driver de-emphasis value when pipeP_tx_deemph[1:0] is set to 10b (according to the PIPE3 specification). This bus is provided for completeness and as a second potential launch amplitude. |
| 16-11 | Reserved                   | Reserved  |
| 10-5  | PHY_PC_PCS_TX_DEEMPH_3P5DB | Tx De-Emphasis at 3.5 dB.<br>Sets the Tx driver de-emphasis value when pipeP_tx_deemph[1:0] is set to 10b (according to the PIPE3 specification). Can be used for Rx eye compliance.  |
| 4-0   | PHY_PC_LOS_LEVEL           | Loss-of-Signal Detector Sensitivity Level Control.<br>Sets the LOS detection threshold level. This signal must be set to 0x9.   |

**Figure 9-41. USB\_PHY\_CTL4 Register**

|                       |    |                    |                 |                      |    |                             |  |   |                        |    |    |  |  |  |    |
|-----------------------|----|--------------------|-----------------|----------------------|----|-----------------------------|--|---|------------------------|----|----|--|--|--|----|
| 31                    |    |                    |                 |                      | 30 |                             |  |   |                        | 29 |    |  |  |  | 28 |
| PHY_SSC_EN            |    |                    | PHY_REF_USE_PAD |                      |    | PHY_REF_SSP_EN              |  |   | PHY_MPLL_REFSSC_CLK_EN |    |    |  |  |  |    |
| R/W-1                 |    |                    | R/W-0           |                      |    | R/W-0                       |  |   | R/W-0                  |    |    |  |  |  |    |
| 27                    | 22 | 21                 | 20              | 19                   | 18 |                             |  |   |                        |    | 17 |  |  |  |    |
| PHY_FSEL              |    | PHY_RETENABLEN     |                 | PHY_REFCLKSEL        |    | PHY_COMMONONN               |  |   | Reserved               |    |    |  |  |  |    |
| R/W-100111            |    | R/W-1              |                 | R/W-10               |    | R/W-0                       |  |   | R-0                    |    |    |  |  |  |    |
| 16                    | 15 | 14                 | 12              | 11                   |    |                             |  | 7 | 6                      | 0  |    |  |  |  |    |
| PHY_OTG_VBUSVLDEXTSEL |    | PHY_OTG_OTGDISABLE |                 | PHY_PC_TX_VBOOST_LVL |    | PHY_PC_LANE0_TX_TERM_OFFSET |  |   | Reserved               |    |    |  |  |  |    |
| R/W-0                 |    | R/W-1              |                 | R/W-100              |    | R/W-00000                   |  |   | R-0                    |    |    |  |  |  |    |

Legend: R = Read only; R/W = Read/Write, -n = value after reset

**Table 9-61. USB\_PHY\_CTL4 Register Field Descriptions**

| Bit | Field           | Description   |
|-----|-----------------|---|
| 31  | PHY_SSC_EN      | Spread Spectrum Enable.<br>Enables spread spectrum clock production (0.5% down-spread at ~31.5 KHz) in the USB3.0 PHY. If the reference clock already has spread spectrum applied, ssc_en must be de-asserted.  |
| 30  | PHY_REF_USE_PAD | Select Reference Clock Connected to ref_pad_clk_{p,m}.<br>When asserted, selects the external ref_pad_clk_{p,m} inputs as the reference clock source. When de-asserted, ref_alt_clk_{p,m} are selected for an on-chip reference clock source.   |
| 29  | PHY_REF_SSP_EN  | Reference Clock Enables for SS function.<br>Enables the reference clock to the prescaler. The ref_ssp_en signal must remain de asserted until the reference clock is running at the appropriate frequency, at which point ref_ssp_en can be asserted. For lower power states, ref_ssp_en can also be de asserted. |

**Table 9-61. USB\_PHY\_CTL4 Register Field Descriptions (continued)**

| Bit   | Field                       | Description  |
|-------|-----------------------------|--|
| 28    | PHY_MPLL_REFSSC_CLK_EN      | Double-Word Clock Enable.<br><br>Enables/disables the mpll_refssc_clk signal. To prevent clock glitch, it must be changed when the PHY is inactive.  |
| 27-22 | PHY_FSEL                    | Frequency Selection.<br><br>Selects the reference clock frequency used for both SS and HS operations. The value for fsel combined with the other clock and enable signals will determine the clock frequency used for SS and HS operations and if a shared or separate reference clock will be used.   |
| 21    | PHY_RETENABLEN              | Lowered Digital Supply Indicator.<br><br>Indicates that the vp digital power supply has been lowered in Suspend mode. This signal must be de-asserted before the digital power supply is lowered. <ul style="list-style-type: none"> <li>1 = Normal operating mode.</li> <li>0 = The analog blocks are powered down.</li> </ul>  |
| 20-19 | PHY_REFCLKSEL               | Reference Clock Select for PLL Block.<br><br>Selects reference clock source for the HS PLL block. <ul style="list-style-type: none"> <li>11 = HS PLL uses EXTREFCLK as reference.</li> <li>10 = HS PLL uses either ref_pad_clk_{p,m} or ref_alt_clk_{p,m} as reference.</li> <li>x0 = Reserved.</li> </ul>   |
| 18    | PHY_COMMONONN               | Common Block Power-Down Control.<br><br>Controls the power-down signals in the HS Bias and PLL blocks when the USB3.0 PHY is in Suspend or Sleep mode. <ul style="list-style-type: none"> <li>1 = In Suspend or Sleep mode, the HS Bias and PLL blocks are powered down.</li> <li>0 = In Suspend or Sleep mode, the HS Bias and PLL blocks remain powered and continue to draw current.</li> </ul>   |
| 17    | Reserved                    | Reserved   |
| 16    | PHY_OTG_VBUSVLDEXTSEL       | External VBUS Valid Select.<br><br>Selects the VBUSVLDEXT input or the internal Session Valid comparator to indicate when the VBUS signal on the USB cable is valid. <ul style="list-style-type: none"> <li>1 = VBUSVLDEXT input is used.</li> <li>0 = Internal Session Valid comparator is used.</li> </ul>   |
| 15    | PHY_OTG_OTGDISABLE          | OTG Block Disable.<br><br>Powers down the OTG block, which disables the VBUS Valid and Session End comparators. The Session Valid comparator (the output of which is used to enable the pull-up resistor on DP in Device mode) is always on irrespective of the state of otgdisable. If the application does not use the OTG function, setting this signal to high to save power. <ul style="list-style-type: none"> <li>1 = OTG block is powered down.</li> <li>0 = OTG block is powered up.</li> </ul> |
| 14-12 | PHY_PC_TX_VBOOST_LVL        | Tx Voltage Boost Level.<br><br>Sets the boosted transmit launch amplitude ( $mV_{ppd}$ ).<br><br>The default setting is intended to set the launch amplitude to approximately $1,008mV_{ppd}$ . <ul style="list-style-type: none"> <li>+1 = results in a <math>+156 mV_{ppd}</math> change in the Tx launch amplitude.</li> <li>-1 = results in a <math>-156 mV_{ppd}</math> change in the Tx launch amplitude.</li> </ul>   |
| 11-7  | PHY_PC_LANE0_TX_TERM_OFFSET | Transmitter Termination Offset.<br><br>Enables adjusting the transmitter termination value from the default value of $60 \Omega$ .   |
| 6-0   | Reserved                    | Reserved   |

**Figure 9-42. USB\_PHY\_CTL5 Register**

|                     |    |                 |                          |    |
|---------------------|----|-----------------|--------------------------|----|
| 31                  | 21 | 20              | 19                       | 13 |
| Reserved            |    | PHY_REF_CLKDIV2 | PHY_MPLL_MULTIPLIER[6:0] |    |
| R-0                 |    | R/W-0           | R/W +0011001             |    |
| 12                  | 4  | 3               | 2                        | 0  |
| PHY_SSC_REF_CLK_SEL |    | Reserved        | PHY_SSC_RANGE            |    |
| R/W-00000000        |    | R-0             | R/W-000                  |    |

Legend: R = Read only; R/W = Read/Write, -n = value after reset

**Table 9-62. USB\_PHY\_CTL5 Register Field Descriptions**

| Bit   | Field                    | Description   |
|-------|--------------------------|---|
| 31-21 | Reserved                 | Reserved  |
| 20    | PHY_REF_CLKDIV2          | Input Reference Clock Divider Control.<br><br>If the input reference clock frequency is greater than 100 MHz, this signal must be asserted. The reference clock frequency is then divided by 2 to keep it in the range required by the MPLL.<br><br>When this input is asserted, the ref_ana_usb2_clk (if used) frequency will be the reference clock frequency divided by 4. |
| 19-13 | PHY_MPLL_MULTIPLIER[6:0] | MPLL Frequency Multiplier Control.<br><br>Multiplies the reference clock to a frequency suitable for intended operating speed.  |
| 12-4  | PHY_SSC_REF_CLK_SEL      | Spread Spectrum Reference Clock Shifting.<br><br>Enables non-standard oscillator frequencies to generate targeted MPLL output rates. Input corresponds to frequency-synthesis coefficient. <ul style="list-style-type: none"> <li>• . ssc_ref_clk_sel[8:6] = modulus - 1</li> <li>• . ssc_ref_clk_sel[5:0] = 2's complement push amount.</li> </ul>                           |
| 3     | Reserved                 | Reserved  |
| 2-0   | PHY_SSC_RANGE            | Spread Spectrum Clock Range.<br><br>Selects the range of spread spectrum modulation when ssc_en is asserted and the PHY is spreading the high-speed transmit clocks. Applies a fixed offset to the phase accumulator.   |

## 10 Device Operating Conditions

### 10.1 Absolute Maximum Ratings<sup>(1)</sup>

Over Operating Case Temperature Range (Unless Otherwise Noted)

|   |   |   |
|---|---|---|
| Supply voltage range <sup>(2)</sup> :                   | CVDD                                      | -0.3 V to 1.3 V                                       |
|   | CVDD1                                     | -0.3 V to 1.3 V                                       |
|   | DVDD15                                    | -0.3 V to 1.98 V                                      |
|   | DVDD18                                    | -0.3 V to 2.45 V                                      |
|   | DDR3VREFSSTL                              | 0.49 × DVDD15 to 0.51 × DVDD15                        |
|   | VDDAHV                                    | -0.3 V to 1.98 V                                      |
|   | VDDALV                                    | -0.3 V to 0.935 V                                     |
|   | USB0DVDD33, USB0DVDD33                    | -0.3V to 3.63 V                                       |
|   | VDDUSB0, VDDUSB1                          | -0.3V to 0.935 V                                      |
|   | USB0VP, USB1VP                            | -0.3V to 0.935 V                                      |
|   | USB0VPH, USB1VPH                          | -0.3V to 3.63 V                                       |
|   | USB0VPTX, USB1VPTX                        | -0.3V to 0.935 V                                      |
|   | AVDDA1, AVDDA2, AVDDA3                    | -0.3 V to 1.98 V                                      |
|   | AVDDA6, AVDDA7                            | -0.3 V to 1.98 V                                      |
|   | AVDDA8, AVDDA9, AVDDA10                   |   |
|   | VSS Ground                                | 0 V   |
| Input voltage (V <sub>I</sub> ) range <sup>(3)</sup> :  | LVC MOS (1.8 V)                           | -0.3 V to DVDD18+0.3 V                                |
|   | DDR3                                      | -0.3 V to 1.98 V                                      |
|   | I <sup>2</sup> C                          | -0.3 V to 2.45 V                                      |
|   | LVDS                                      | -0.3 V to DVDD18+0.3 V                                |
|   | LJCB                                      | -0.3 V to 1.3 V                                       |
|   | SerDes                                    | -0.3 V to VDDAHV1+0.3 V                               |
| Output voltage (V <sub>O</sub> ) range <sup>(3)</sup> : | LVC MOS (1.8 V)                           | -0.3 V to DVDD18+0.3 V                                |
|   | DDR3                                      | -0.3 V to 1.98 V                                      |
|   | I <sup>2</sup> C                          | -0.3 V to 2.45 V                                      |
|   | SerDes                                    | -0.3 V to VDDAHV+0.3 V                                |
| Operating case temperature range, T <sub>C</sub> :      | Commercial                                | 0°C to 85°C   |
|   | Extended                                  | -40°C to 100°C  |
| ESD stress voltage, V <sub>ESD</sub> <sup>(4)</sup>     | HBM (human body model) <sup>(5)</sup>     | ±1000 V   |
|   | CDM (charged device model) <sup>(6)</sup> | ±250 V  |
| Overshoot/undershoot <sup>(7)</sup>                     | LVC MOS (1.8 V)                           | 20% overshoot/undershoot for 20% of signal duty cycle |
|   | DDR3                                      |   |
|   | I <sup>2</sup> C                          |   |
| Storage temperature range, T <sub>stg</sub> :           |   | -65°C to 150°C  |

(1) Stresses beyond those listed under *absolute maximum ratings* may cause permanent damage to the device. These are stress ratings only, and functional operation of the device at these or any other conditions beyond those indicated under *recommended operating conditions* is not implied. Exposure to absolute-maximum-rated conditions for extended periods may affect device reliability.

(2) All voltage values are with respect to V<sub>SS</sub>.

(3) For USB High-Speed, Full-Speed, and Low -Speed modes, USB I/Os adhere to Universal Serial Bus, revision 2.0 standard. For USB Super-Speed mode, USB I/Os adhere to Universal Serial Bus, revision 3.1 specification, revision 1.0 standard.

(4) Electrostatic discharge (ESD) to measure device sensitivity/immunity to damage caused by electrostatic discharges into the device.

(5) Level listed above is the passing level per ANSI/ESDA/JEDEC JS-001-2010. JEDEC document JEP155 states that 500 V HBM allows safe manufacturing with a standard ESD control process, and manufacturing with less than 500 V HBM is possible if necessary precautions are taken. Pins listed as 1000 V may actually have higher performance.

(6) Level listed above is the passing level per EIA-JEDEC JESD22-C101E. JEDEC document JEP157 states that 250 V CDM allows safe manufacturing with a standard ESD control process. Pins listed as 250 V may actually have higher performance.

(7) Overshoot/Undershoot percentage relative to I/O operating values - for example the maximum overshoot value for 1.8 V LVC MOS signals is DVDD18 + 0.20 × DVDD18 and maximum undershoot value would be V<sub>SS</sub> - 0.20 × DVDD18

## 10.2 Recommended Operating Conditions<sup>(1)(2)</sup>

|                                |                            |                            | MIN                        | NOM           | MAX            | UNIT |
|--------------------------------|----------------------------|----------------------------|----------------------------|---------------|----------------|------|
| CVDD                           | SR core supply             | Initial <sup>(3)</sup>     | 1.0                        | 1.05          | 1.10           | V    |
|                                |                            | 1250MHz and 1400MHz Device | SRVnom*0.95 <sup>(4)</sup> | SRVnom        | SRVnom*1.05    | V    |
| CVDD1                          | Core supply                |                            | 0.95                       | 1.0           | 1.05           | V    |
| DVDD18                         | 1.8-V supply I/O voltage   |                            | 1.71                       | 1.8           | 1.89           | V    |
| DVDD15                         | DDR3 I/O voltage           | DDR3                       | 1.425                      | 1.5           | 1.575          | V    |
|                                |                            | DDR3L @ 1.5 V              | 1.425                      | 1.5           | 1.575          |      |
|                                |                            | DDR3L @ 1.35 V             | 1.283                      | 1.35          | 1.45           |      |
| DDR3VREFSSTL                   | DDR3 reference voltage     |                            | 0.49 x DVDD15              | 0.5 x DVDD15  | 0.51 x DVDD15  | V    |
| VDDAHV                         | SerDes regulator supply    |                            | 1.71                       | 1.8           | 1.89           | V    |
| VDDALH                         | SerDes termination supply  |                            | 0.807                      | 0.85          | 0.892          | V    |
| AVDDx <sup>(5)</sup>           | PLL analog, DDR DLL supply |                            | 1.71                       | 1.8           | 1.89           | V    |
| USB0VP, USB1VP                 | 0.85-V USB PHY supply      |                            | 0.807                      | 0.85          | 0.892          | V    |
| USB0VPH, USB1VPH               | 3.3-V USB                  |                            | 3.135                      | 3.3           | 3.465          | V    |
| USB0VPTX, USB1VPTX             | USBPHY Transmit supply     |                            | 0.807                      | 0.85          | 0.892          | V    |
| VDDUSB0, VDDUSB1               | USB PHY supply             |                            | 0.807                      | 0.85          | 0.892          | V    |
| USB0DVDD33, USB1DVDD33         | USB 3.3-V high supply      |                            | 3.135                      | 3.3           | 3.465          | V    |
| V <sub>SS</sub>                | Ground                     |                            | 0                          | 0             | 0              | V    |
| V <sub>IH</sub> <sup>(6)</sup> | High-level input voltage   | LVCMOS (1.8 V)             | 0.65 x DVDD18              |               |                | V    |
|                                |                            | I <sup>2</sup> C           | 0.7 x DVDD18               |               |                | V    |
|                                |                            | DDR3 EMIF                  | VREFSSTL + 0.1             |               |                | V    |
| V <sub>IL</sub> <sup>(6)</sup> | Low-level input voltage    | LVCMOS (1.8 V)             |                            | 0.35 x DVDD18 |                | V    |
|                                |                            | DDR3 EMIF                  | -0.3                       |               | VREFSSTL - 0.1 | V    |
|                                |                            | I <sup>2</sup> C           |                            | 0.3 x DVDD18  |                | V    |
| T <sub>C</sub>                 | Operating case temperature | Commercial                 | 0                          |               | 85             | °C   |
|                                |                            | Extended                   | -40                        |               | 100            | °C   |

- (1) All differential clock inputs comply with the LVDS Electrical Specification, IEEE 1596.3-1996 and all SerDes I/Os comply with the XAUI Electrical Specification, IEEE 802.3ae-2002.
- (2) All SerDes I/Os comply with the XAUI Electrical Specification, IEEE 802.3ae-2002.
- (3) Users are required to program their board CVDD supply initial value to 1.0 V on the device. The initial CVDD voltage at power-on will be 1.0V nominal and it must transition to VID set value, immediately after being presented on the VCNTL pins. This is required to maintain full power functionality and reliability targets guaranteed by TI.
- (4) SRVnom refers to the unique SmartReflex core supply voltage that has a potential range of 0.8 V and 1.1 V which preset from the factory for each individual device. Your device may never be programmed to operate at the upper range but has been designed accordingly should it be determined to be acceptable or necessary. Power supplies intended to support the variable SRV function shall be capable of providing a 0.8V-1.1V dynamic range using a 4- or 6-bit binary input value which as provided by the SOC SmartReflex output.
- (5) Where x=1,2,3,4... to indicate all supplies of the same kind.
- (6) For USB High-Speed, Full-Speed, and Low-Speed modes, USB I/Os adhere to Universal Serial Bus, revision 2.0 standard. For USB Super-Speed mode, USB I/Os adhere to Universal Serial Bus, revision 3.1 specification, revision 1.0 standard.

## 10.3 Electrical Characteristics

Over Recommended Ranges of Supply Voltage and Operating Case Temperature (Unless Otherwise Noted)

| PARAMETER      |                                | TEST CONDITIONS <sup>(1)</sup>  | MIN   | TYP | MAX | UNIT          |      |               |               |
|----------------|--------------------------------|---------------------------------|---|-----|-----|---------------|------|---------------|---------------|
| $V_{OH}^{(2)}$ | High-level output voltage      | LVC MOS (1.8 V)                 | $I_O = I_{OH}$  |     |     | DVDD18 - 0.45 | V    |               |               |
|                |                                | DDR3                            |   |     |     | DVDD15 - 0.4  |      |               |               |
|                |                                | I <sup>2</sup> C <sup>(3)</sup> |   |     |     | (3)           |      |               |               |
| $V_{OL}^{(2)}$ | Low-level output voltage       | LVC MOS (1.8 V)                 | $I_O = I_{OL}$  |     |     | 0.45          | V    |               |               |
|                |                                | DDR3                            |   |     |     | 0.4           |      |               |               |
|                |                                | I <sup>2</sup> C                | $I_O = 3 \text{ mA}$ , pulled up to 1.8 V                         |     |     | 0.4           |      |               |               |
| $I_I^{(4)}$    | Input current [DC]             | LVC MOS (1.8 V)                 | No IPD/IPU  |     |     | -10           | 10   | $\mu\text{A}$ |               |
|                |                                |                                 | Internal pullup   |     |     | 50            | 100  |               | 170           |
|                |                                |                                 | Internal pulldown   |     |     | -170          | -100 |               | -50           |
|                |                                | I <sup>2</sup> C                | $0.1 \times DVDD18 \text{ V} < V_I < 0.9 \times DVDD18 \text{ V}$ |     |     |               | -10  | 10            | $\mu\text{A}$ |
| $I_{OH}$       | High-level output current [DC] | LVC MOS (1.8 V)                 |   |     |     | -6            | mA   |               |               |
|                |                                | DDR3                            |   |     |     | -8            |      |               |               |
|                |                                | I <sup>2</sup> C <sup>(5)</sup> |   |     |     | (5)           |      |               |               |
| $I_{OL}$       | Low-level output current [DC]  | LVC MOS (1.8 V)                 |   |     |     | 6             | mA   |               |               |
|                |                                | DDR3                            |   |     |     | 8             |      |               |               |
|                |                                | I <sup>2</sup> C                |   |     |     | 3             |      |               |               |
| $I_{OZ}^{(6)}$ | Off-state output current [DC]  | LVC MOS (1.8 V)                 |   |     |     | -10           | 10   | $\mu\text{A}$ |               |
|                |                                | DDR3                            |   |     |     | -10           | 10   |               |               |
|                |                                | I <sup>2</sup> C                |   |     |     | -10           | 10   |               |               |

- (1) For test conditions shown as MIN, MAX, or TYP, use the appropriate value specified in the recommended operating conditions table.  
(2) For USB High-Speed, Full-Speed, and Low-Speed modes, USB I/Os adhere to Universal Serial Bus, revision 2.0 standard. For USB Super-Speed mode, USB I/Os adhere to Universal Serial Bus, revision 3.1 specification, revision 1.0 standard.  
(3) I<sup>2</sup>C uses open collector I/Os and does not have a  $V_{OH}$  Minimum.  
(4)  $I_I$  applies to input-only pins and bidirectional pins. For input-only pins,  $I_I$  indicates the input leakage current. For bidirectional pins,  $I_I$  includes input leakage current and off-state (Hi-Z) output leakage current.  
(5) I<sup>2</sup>C uses open collector I/Os and does not have a  $I_{OH}$  Maximum.  
(6)  $I_{OZ}$  applies to output-only pins, indicating off-state (Hi-Z) output leakage current.

## 10.4 Power Supply to Peripheral I/O Mapping

**Table 10-1. Power Supply to Peripheral I/O Mapping<sup>(1)(2)</sup>**

Over Recommended Ranges of Supply Voltage and Operating Case Temperature (Unless Otherwise Noted)

| POWER SUPPLY |                          | I/O BUFFER TYPE                | ASSOCIATED PERIPHERAL                             |
|--------------|--------------------------|--------------------------------|---|
| CVDD         | Supply core AVS voltage  | LJCB                           | CORECLK(P N) PLL input buffer                     |
|              |                          |                                | DDR3CLK(P N) PLL input buffer                     |
|              |                          |                                | NETCPCLK(P N) PLL input buffer                    |
|              |                          |                                | USBCLK(P M) PLL input buffer                      |
|              |                          |                                | SGMII0CLK(P N) PLL input buffer                   |
| VDDALV       |                          | SerDes/CML                     | SERDES low voltage                                |
| VDDAHV       | SerDes IO voltage        | SerDes/CML                     | PCIECLK(P N) SerDes Clock Reference               |
|              |                          |                                | HYPCLK(P N) SerDes Clock Reference                |
|              |                          |                                | XFICLK(P N) SerDes Clock Reference <sup>(3)</sup> |
| DVDD15       | DDR3 memory I/O voltage  | DDR3 (1.5/1.35 V)              | All DDR3 memory controller peripheral I/O buffer  |
| DVDD18       | 1.8-V supply I/O voltage | LVCMOS (1.8 V)                 | All GPIO peripheral I/O buffer                    |
|              |                          |                                | All JTAG and EMU peripheral I/O buffer            |
|              |                          |                                | All TIMER peripheral I/O buffer                   |
|              |                          |                                | All SPI peripheral I/O buffer                     |
|              |                          |                                | All TSIP peripheral I/O buffer                    |
|              |                          |                                | All RESETs, NMI, control peripheral I/O buffer    |
|              |                          |                                | All SmartReflex peripheral I/O buffer             |
|              |                          |                                | All Hyperlink sideband peripheral I/O buffer      |
|              |                          |                                | All MDIO peripheral I/O buffer                    |
|              |                          | All UART peripheral I/O buffer |   |
|              |                          | Open-drain (1.8 V)             | All I <sup>2</sup> C peripheral I/O buffer        |

- (1) Please note that this table does not attempt to describe all functions of all power supply terminals but only those whose purpose it is to power peripheral I/O buffers and clock input buffers.
- (2) Please see the *Hardware Design Guide for KeyStone II Devices* application report ([SPRABV0](#)) for more information about individual peripheral I/O.
- (3) 10 GbE supported in 66AK2E05 only.

## 11 66AK2E0x Peripheral Information and Electrical Specifications

This chapter covers the various peripherals on the 66AK2E0x device. Peripheral-specific information, timing diagrams, electrical specifications, and register memory maps are described in this chapter.

### 11.1 Recommended Clock and Control Signal Transition Behavior

All clocks and control signals **must** transition between  $V_{IH}$  and  $V_{IL}$  (or between  $V_{IL}$  and  $V_{IH}$ ) in a monotonic manner.

### 11.2 Power Supplies

The following sections describe the proper power-supply sequencing and timing needed to properly power on the 66AK2E0x. The various power supply rails and their primary functions are listed in [Table 11-1](#).

**Table 11-1. Power Supply Rails on the 66AK2E0x**

| NAME                                  | PRIMARY FUNCTION                    | VOLTAGE        | NOTES                      |
|---------------------------------------|-------------------------------------|----------------|----------------------------|
| AVDDAx                                | Core PLL, DDR3 DLL supply voltage   | 1.8 V          | Core PLL, DDR3 DLL supply  |
| CVDD                                  | SmartReflex SoC core supply voltage | 0.8 V to 1.1 V | SoC variable core supply   |
| CVDD1                                 | SoC core fixed supply voltage       | 0.95 V         | SoC Core fixed supply      |
| DVDD15                                | DDR3 I/O power supply voltage       | 1.5/1.35 V     | DDR3 I/O power supply      |
| DVDD18                                | 1.8-V I/O power supply voltage      | 1.8 V          | 1.8-V I/O power supply     |
| USB0DVDD33, USB1DVDD33                | USB 3.3-V IO supply                 | 3.3 V          | USB high voltage supply    |
| VDDAHV                                | SerDes I/O power supply voltage     | 1.8 V          | SerDes I/O power supply    |
| VDDALV                                | SerDes analog power supply voltage  | 0.85 V         | SerDes analog supply       |
| VDDUSB0, VDDUSB1                      | USB LV PHY power supply voltage     | 0.85 V         | USB LV PHY supply          |
| USB0VP, USB0VPTX, USB0VP,<br>USB0VPTX | Filtered 0.85-V supply voltage      | 0.85 V         | Filtered 0.85-V USB supply |
| VSS                                   | Ground                              | GND            | Ground                     |

#### 11.2.1 Power-Up Sequencing

This section defines the requirements for a power-up sequencing from a power-on reset condition. There are two acceptable power sequences for the device.

The first sequence stipulates the **core voltages starting before the IO voltages** as shown below.

1. CVDD
2. CVDD1, VDDAHV, AVDDAx, DVDD18
3. DVDD15
4. VDDALV, VDDUSBx, USBxVP, USBxVPTX
5. USBxDVDD33

The second sequence provides compatibility with other TI processors with the **IO voltage starting before the core voltages** as shown below.

1. VDDAHV, AVDDAx, DVDD18
2. CVDD
3. CVDD1
4. DVDD15
5. VDDALV, VDDUSBx, USBxVP, USBxVPTX
6. USBxDVDD33



The clock input buffers for CORECLK, DDRCLK, NETCPCLK, and SGMIICLK use CVDD as a supply voltage. These clock inputs are not failsafe and must be held in a high-impedance state until CVDD is at a valid voltage level. Driving these clock inputs high before CVDD is valid could cause damage to the device. Once CVDD is valid, it is acceptable that the P and N legs of these clocks may be held in a static state (either high and low or low and high) until a valid clock frequency is needed at that input. To avoid internal oscillation, the clock inputs should be removed from the high impedance state shortly after CVDD is present.

If a clock input is not used, it must be held in a static state. To accomplish this, the N leg should be pulled to ground through a 1-kΩ resistor. The P leg should be tied to CVDD to ensure it will not have any voltage present until CVDD is active. Connections to the IO cells powered by DVDD18 and DVDD15 are not failsafe and should not be driven high before these voltages are active. Driving these IO cells high before DVDD18 or DVDD15 are valid could cause damage to the device.

The device initialization is divided into two phases. The first phase consists of the time period from the activation of the first power supply until the point at which all supplies are active and at a valid voltage level. Either of the sequencing scenarios described above can be implemented during this phase. The figures below show both the core-before-IO voltage sequence and the IO-before-core voltage sequence.  $\overline{POR}$  must be held low for the entire power stabilization phase.

This is followed by the device initialization phase. The rising edge of  $\overline{POR}$  followed by the rising edge of  $\overline{RESETFULL}$  triggers the end of the initialization phase, but both must be inactive for the initialization to complete.  $\overline{POR}$  must always go inactive before  $\overline{RESETFULL}$  goes inactive as described below. SYSCLK1 in the following section refers to the clock that is used by the CorePacs. See Figure 11-7 for more details.

### 11.2.1.1 Core-Before-IO Power Sequencing

The details of the Core-before-IO power sequencing are defined in Table 11-2. Figure 11-1 shows power sequencing and reset control of the 66AK2E0x.  $\overline{POR}$  may be removed after the power has been stable for the required 100 μsec.  $\overline{RESETFULL}$  must be held low for a period (see item 9 in Figure 11-1) after the rising edge of  $\overline{POR}$ , but may be held low for longer periods if necessary. The configuration bits shared with the GPIO pins will be latched on the rising edge of  $\overline{RESETFULL}$  and must meet the setup and hold times specified. SYSCLK1 must always be active before  $\overline{POR}$  can be removed.

#### NOTE

TI recommends a maximum of 80 ms between one power rail being valid and the next power rail in the sequence starting to ramp.

**Table 11-2. Core-Before-IO Power Sequencing**

| ITEM | SYSTEM STATE   |
|------|--|
| 1    | <p><b>Begin Power Stabilization Phase</b></p> <ul style="list-style-type: none"> <li>CVDD (core AVS) ramps up.</li> <li><math>\overline{POR}</math> must be held low through the power stabilization phase. Because <math>\overline{POR}</math> is low, all the core logic that has asynchronous reset (created from <math>\overline{POR}</math>) is put into the reset state.</li> <li>Each supply must ramp monotonically and must reach a stable valid level in 20 ms or less.</li> </ul>   |
| 2a   | <ul style="list-style-type: none"> <li>CVDD1 (core constant) ramps at the same time or within 80 ms of CVDD. Although ramping CVDD1 simultaneously with CVDD is permitted, the voltage for CVDD1 <b>must never exceed</b> CVDD until after CVDD has reached a valid voltage.</li> <li>The purpose of ramping up the core supplies close to each other is to reduce crowbar current. CVDD1 should trail CVDD as this will ensure that the Word Lines (WLs) in the memories are turned off and there is no current through the memory bit cells. If, however, CVDD1 (core constant) ramps up before CVDD (core AVS), then the worst-case current could be on the order of twice the specified draw of CVDD1.</li> <li>Each supply must ramp monotonically and must reach a stable valid level in 20 ms or less.</li> <li>The timing for CVDD1 is based on CVDD valid. CVDD1 and DVDD18/ADDAVH/AVDDAx may be enabled at the same time but do not need to ramp simultaneously. CVDD1 may be valid before or after DVDD18/ADDAVH/AVDDAx are valid, as long as the timing above is met.</li> </ul> |

**Table 11-2. Core-Before-IO Power Sequencing (continued)**

| ITEM | SYSTEM STATE  |
|------|---|
| 2b   | <ul style="list-style-type: none"> <li>VDDAHV, AVDDAx and DVDD18 ramp at the same time or shortly following CVDD. DVDD18 must be enabled within 80 ms of CVDD valid and must ramp monotonically and reach a stable level in 20ms or less. <b>This results in no more than 100 ms from the time when CVDD is valid to the time when DVDD18 is valid.</b></li> <li>Each supply must ramp monotonically and must reach a stable valid level in 20 ms or less.</li> <li>The timing for DVDD18/ADDAVH/AVDDAx is based on CVDD valid. DVDD18/ADDAVH/AVDDAx and CVDD1 may be enabled at the same time but do not need to ramp simultaneously. DVDD18/ADDAVH/AVDDAx may be valid before or after CVDD1 is valid, as long as the timing above is met.</li> </ul> |
| 2c   | <ul style="list-style-type: none"> <li>Once CVDD is valid, the clock drivers can be enabled. Although the clock inputs are not necessary at this time, they should either be driven with a valid clock or be held in a static state with one leg high and one leg low.</li> </ul>   |
| 2d   | <ul style="list-style-type: none"> <li>The DDRCLK and SYSCLK1 may begin to toggle anytime between when CVDD is at a valid level and the setup time before POR goes high specified by item 7.</li> </ul>   |
| 3    | <ul style="list-style-type: none"> <li>DVDD15 can ramp up within 80ms of when DVDD18 is valid.</li> <li><math>\overline{\text{RESETSTAT}}</math> is driven low once the DVDD18 supply is available.</li> <li>All LVCMOS input and bidirectional pins must not be driven or pulled high until DVDD18 is present. Driving an input or bidirectional pin before DVDD18 is valid could cause damage to the device.</li> <li>Each supply must ramp monotonically and must reach a stable valid level in 20 ms or less.</li> </ul>  |
| 3a   | <ul style="list-style-type: none"> <li><math>\overline{\text{RESET}}</math> may be driven high any time after DVDD18 is at a valid level. <math>\overline{\text{RESET}}</math> must be high before <math>\overline{\text{POR}}</math> is driven high.</li> </ul>  |
| 4    | <ul style="list-style-type: none"> <li>VDDALV, VDDUSBx, USBxVP and USBxVPTX ramp up within 80ms of when DVDD15 is valid.</li> <li>Each supply must ramp monotonically and must reach a stable valid level in 20 ms or less.</li> </ul>  |
| 5    | <ul style="list-style-type: none"> <li>USBxDVDD33 supply is ramped up within 80 ms of when VDDALV, VDDUSBx, USBxVP and USBxVPTX are valid.</li> <li>Each supply must ramp monotonically and must reach a stable valid level in 20 ms or less.</li> </ul>  |
| 6    | <ul style="list-style-type: none"> <li><math>\overline{\text{POR}}</math> must continue to remain low for at least 100 <math>\mu\text{s}</math> after all power rails have stabilized.</li> </ul> <p><b>End power stabilization phase</b></p>   |
| 7    | <ul style="list-style-type: none"> <li>Device initialization requires 500 SYSCLK1 periods after the Power Stabilization Phase. The maximum clock period is 33.33 nsec, so a delay of an additional 16 <math>\mu\text{s}</math> is required before a rising edge of <math>\overline{\text{POR}}</math>. The clock must be active during the entire 16 <math>\mu\text{s}</math>.</li> </ul>   |
| 8    | <ul style="list-style-type: none"> <li><math>\overline{\text{RESETFULL}}</math> must be held low for at least 24 transitions of the SYSCLK1 after <math>\overline{\text{POR}}</math> has stabilized at a high level.</li> </ul>   |
| 9    | <ul style="list-style-type: none"> <li>The rising edge of the <math>\overline{\text{RESETFULL}}</math> will remove the reset to the eFuse farm allowing the scan to begin.</li> <li>Once device initialization and the eFuse farm scan are complete, the <math>\overline{\text{RESETSTAT}}</math> signal is driven high. This delay will be 10000 to 50000 clock cycles.</li> </ul> <p><b>End device initialization phase</b></p>   |
| 10   | <ul style="list-style-type: none"> <li>GPIO configuration bits must be valid for at least 12 transitions of the SYSCLK1 before the rising edge of <math>\overline{\text{RESETFULL}}</math>.</li> </ul>  |
| 11   | <ul style="list-style-type: none"> <li>GPIO configuration bits must be held valid for at least 12 transitions of the SYSCLK1 after the rising edge of <math>\overline{\text{RESETFULL}}</math>.</li> </ul>  |

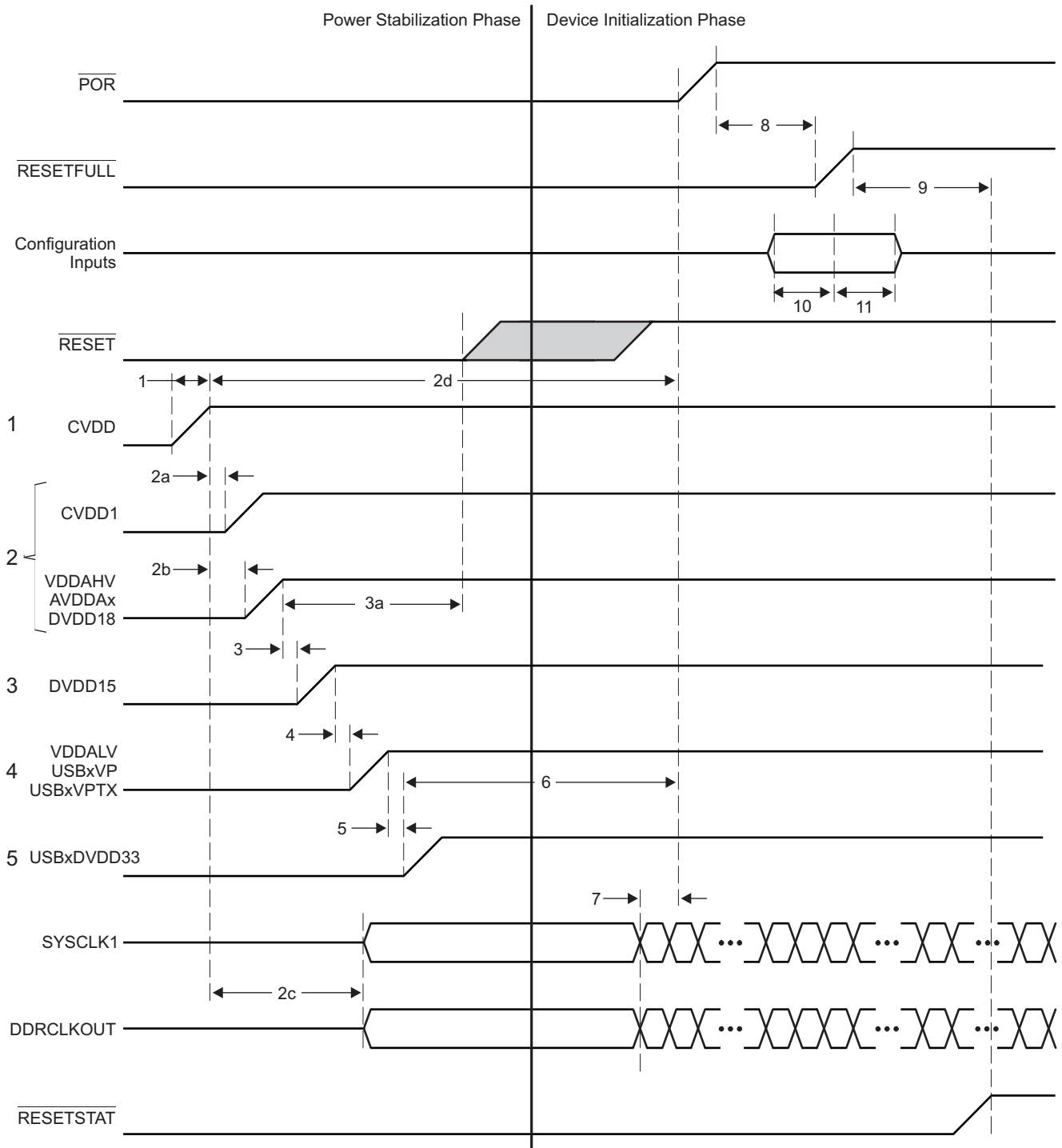


Figure 11-1. Core-Before-IO Power Sequencing

### 11.2.1.2 IO-Before-Core Power Sequencing

The timing diagram for IO-before-core power sequencing is shown in [Figure 11-2](#) and defined in [Table 11-3](#).

#### NOTE

TI recommends a maximum of 100 ms between one power rail being valid, and the next power rail in the sequence starting to ramp.

**Table 11-3. IO-Before-Core Power Sequencing**

| ITEM | SYSTEM STATE  |
|------|---|
| 1    | <b>Begin Power Stabilization Phase</b> <ul style="list-style-type: none"> <li>VDDAHV, AVDDAx and DVDD18 ramp up.</li> <li><math>\overline{\text{POR}}</math> must be held low through the power stabilization phase. Because <math>\overline{\text{POR}}</math> is low, all the core logic that has asynchronous reset (created from <math>\overline{\text{POR}}</math>) is put into the reset state.</li> <li>Each supply must ramp monotonically and must reach a stable valid level in 20 ms or less.</li> </ul>   |
| 2    | <ul style="list-style-type: none"> <li>CVDD (core AVS) ramps within 80 ms from the time ADDAHV, AVDDAx and DVDD18 are valid.</li> <li>Each supply must ramp monotonically and must reach a stable valid level in 20 ms or less.</li> </ul>  |
| 2a   | <ul style="list-style-type: none"> <li><math>\overline{\text{RESET}}</math> may be driven high any time after DVDD18 is at a valid level. must be high before <math>\overline{\text{POR}}</math> is driven high.</li> </ul>   |
| 3    | <ul style="list-style-type: none"> <li>CVDD1 (core constant) ramp at the same time or within 80 ms following CVDD. Although ramping CVDD1 simultaneously with CVDD is permitted, the voltage for CVDD1 <b>must never exceed</b> CVDD until after CVDD has reached a valid voltage.</li> <li>The purpose of ramping up the core supplies close to each other is to reduce crowbar current. CVDD1 should trail CVDD as this will ensure that the Word Lines (WLs) in the memories are turned off and there is no current through the memory bit cells. If, however, CVDD1 (core constant) ramp up before CVDD (core AVS), then the worst-case current could be on the order of twice the specified draw of CVDD1.</li> <li>Each supply must ramp monotonically and must reach a stable valid level in 20 ms or less.</li> </ul> |
| 3a   | <ul style="list-style-type: none"> <li>Once CVDD is valid, the clock drivers can be enabled. Although the clock inputs are not necessary at this time, they should either be driven with a valid clock or held in a static state.</li> </ul>  |
| 3b   | <ul style="list-style-type: none"> <li>The DDRCLK and SYSCLK1 may begin to toggle anytime between when CVDD is at a valid level and the setup time before <math>\overline{\text{POR}}</math> goes high specified by item 8.</li> </ul>  |
| 4    | <ul style="list-style-type: none"> <li>DVDD15 can ramp up within 80 ms of when CVDD1 is valid.</li> <li><math>\overline{\text{RESETSTAT}}</math> is driven low once the DVDD18 supply is available.</li> <li>All LVCMOS input and bidirectional pins must not be driven or pulled high until DVDD18 is present. Driving an input or bidirectional pin before DVDD18 is valid could cause damage to the device.</li> <li>Each supply must ramp monotonically and must reach a stable valid level in 20 ms or less.</li> </ul>  |
| 5    | <ul style="list-style-type: none"> <li>VDDALV, VDDUSBx, USBxVP and USBxVPTX should ramp up within 80 ms of when DVDD15 is valid.</li> <li>Each supply must ramp monotonically and must reach a stable valid level in 20 ms or less.</li> </ul>  |
| 6    | <ul style="list-style-type: none"> <li>USBxDVDD33 supply is ramped up within 80 ms of when VDDALV, VDDUSBx, USBxVP and USBxVPTX are valid.</li> <li>Each supply must ramp monotonically and must reach a stable valid level in 20 ms or less.</li> </ul>  |
| 7    | <ul style="list-style-type: none"> <li><math>\overline{\text{POR}}</math> must continue to remain low for at least 100 <math>\mu\text{s}</math> after all power rails have stabilized.</li> </ul> <b>End power stabilization phase</b>  |
| 8    | <ul style="list-style-type: none"> <li>Device initialization requires 500 SYSCLK1 periods after the Power Stabilization Phase. The maximum clock period is 33.33 nsec, so a delay of an additional 16 <math>\mu\text{s}</math> is required before a rising edge of <math>\overline{\text{POR}}</math>. The clock must be active during the entire 16 <math>\mu\text{s}</math>.</li> </ul>   |
| 9    | <ul style="list-style-type: none"> <li><math>\overline{\text{RESETFULL}}</math> must be held low for at least 24 transitions of the SYSCLK1 after <math>\overline{\text{POR}}</math> has stabilized at a high level.</li> </ul>   |
| 10   | <ul style="list-style-type: none"> <li>The rising edge of the <math>\overline{\text{RESETFULL}}</math> will remove the reset to the efuse farm allowing the scan to begin.</li> <li>Once device initialization and the efuse farm scan are complete, the <math>\overline{\text{RESETSTAT}}</math> signal is driven high. This delay will be 10000 to 50000 clock cycles.</li> </ul> <b>End device initialization phase</b>  |
| 11   | <ul style="list-style-type: none"> <li>GPIO configuration bits must be valid for at least 12 transitions of the SYSCLK1 before the rising edge of <math>\overline{\text{RESETFULL}}</math>.</li> </ul>  |
| 12   | <ul style="list-style-type: none"> <li>GPIO configuration bits must be held valid for at least 12 transitions of the SYSCLK1 after the rising edge of <math>\overline{\text{RESETFULL}}</math>.</li> </ul>  |

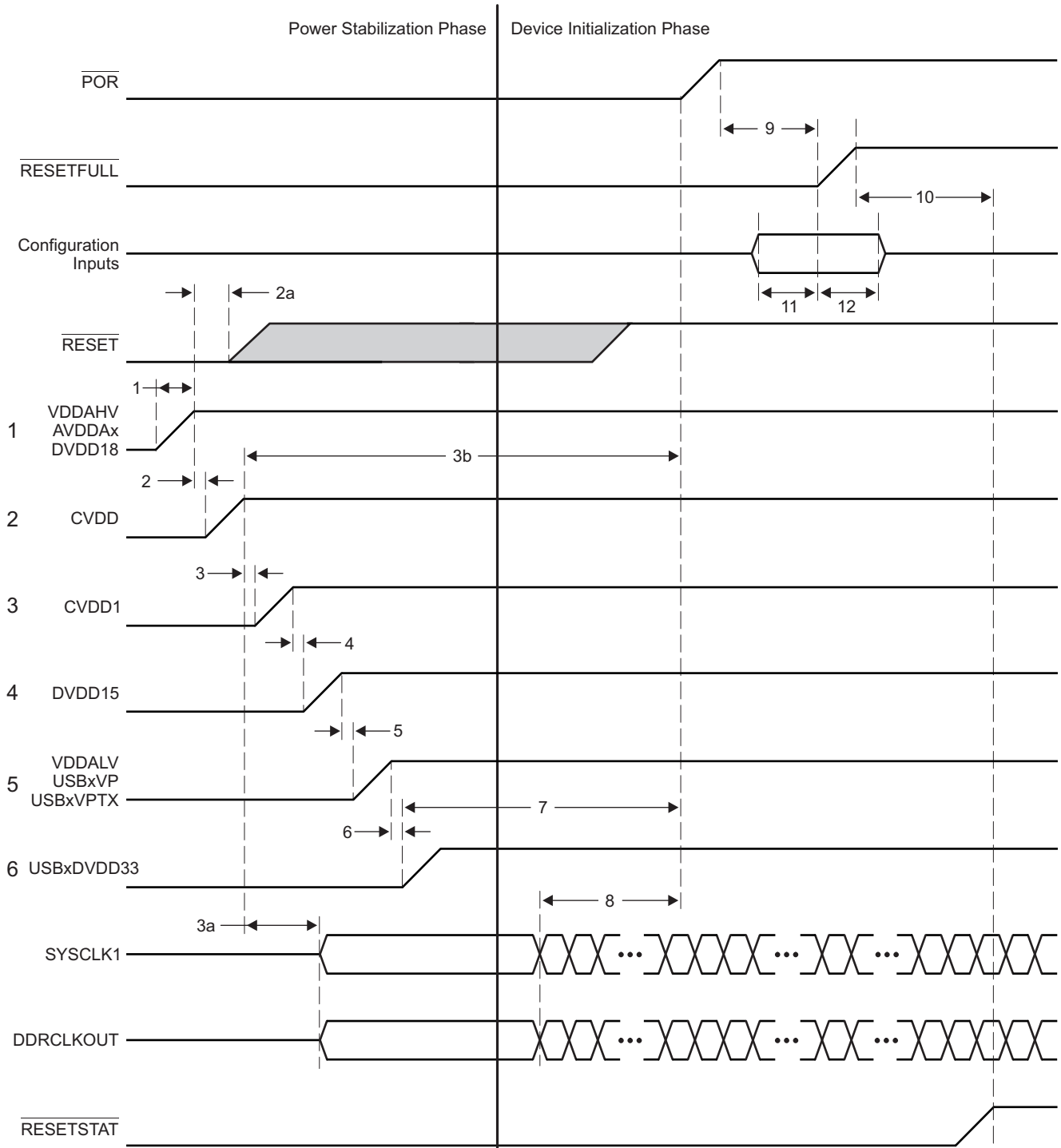


Figure 11-2. IO-Before-Core Power Sequencing

### 11.2.1.3 Prolonged Resets

Holding the device in  $\overline{\text{POR}}$ ,  $\overline{\text{RESETFULL}}$ , or  $\overline{\text{RESET}}$  for long periods of time may affect the long-term reliability of the part (due to an elevated voltage condition that can stress the part). The device should not be held in a reset for times exceeding one hour at a time and no more than 5% of the total lifetime for which the device is powered-up. Exceeding these limits will cause a gradual reduction in the reliability of the part. This can be avoided by allowing the device to boot and then configuring it to enter a hibernation state soon after power is applied. This will satisfy the reset requirement while limiting the power consumption of the device.

### 11.2.1.4 Clocking During Power Sequencing

Some of the clock inputs are required to be present for the device to initialize correctly, but behavior of many of the clocks is contingent on the state of the boot configuration pins. [Table 11-4](#) describes the clock sequencing and the conditions that affect clock operation. Note that all clock drivers should be in a high-impedance state until CVDD is at a valid level and that all clock inputs be either active or in a static state with one leg pulled to ground and the other connected to CVDD.

**Table 11-4. Clock Sequencing**

| CLOCK      | CONDITION                                | SEQUENCING  |
|------------|--|---|
| DDRCLK     | None                                     | Must be present 16 $\mu\text{sec}$ before $\overline{\text{POR}}$ transitions high.   |
| CORECLK    | None                                     | CORECLK is used to clock the core PLL. It must be present 16 $\mu\text{sec}$ before $\overline{\text{POR}}$ transitions high.             |
| NETCPCLK   | NETCPCLKSEL = 0                          | NETCPCLK is not used and should be tied to a static state.  |
|            | NETCPCLKSEL = 1                          | NETCPCLK is used as a source for the NETCP PLL. It must be present before the NETCP PLL is removed from reset and programmed.             |
| PCIECLK    | PCIE will be used as a boot device.      | PCIECLK must be present 16 $\mu\text{sec}$ before $\overline{\text{POR}}$ transitions high.   |
|            | PCIE will be used after boot.            | PCIECLK is used as a source to the PCIE SerDes PLL. It must be present before the PCIE is removed from reset and programmed.              |
|            | PCIE will not be used.                   | PCIECLK is not used and should be tied to a static state.   |
| HYPLNK0CLK | HyperLink will be used as a boot device. | HYPLNK0CLK must be present 16 $\mu\text{sec}$ before $\overline{\text{POR}}$ transitions high.  |
|            | HyperLink will be used after boot.       | HYPLNK0CLK is used as a source to the HyperLink SerDes PLL. It must be present before the HyperLink is removed from reset and programmed. |
|            | HyperLink will not be used.              | HYPLNK0CLK is not used and should be tied to a static state.  |

### 11.2.2 Power-Down Sequence

The power down sequence is the exact reverse of the power-up sequence described above. The goal is to prevent an excessive amount of static current and to prevent overstress of the device. A power-good circuit that monitors all the supplies for the device should be used in all designs. If a catastrophic power supply failure occurs on any voltage rail,  $\overline{\text{POR}}$  should transition to low to prevent over-current conditions that could possibly impact device reliability.

A system power monitoring solution is needed to shut down power to the board if a power supply fails. Long-term exposure to an environment in which one of the power supply voltages is no longer present will affect the reliability of the device. Holding the device in reset is not an acceptable solution because prolonged periods of time with an active reset can affect long term reliability.

### 11.2.3 Power Supply Decoupling and Bulk Capacitor

To properly decouple the supply planes on the PCB from system noise, decoupling and bulk capacitors are required. Bulk capacitors are used to minimize the effects of low-frequency current transients and decoupling or bypass capacitors are used to minimize higher frequency noise. For recommendations on selection of power supply decoupling and bulk capacitors see the *Hardware Design Guide for KeyStone II Devices* application report ([SPRABV0](#)).

### 11.2.4 SmartReflex

Increasing the device complexity increases its power consumption. With higher clock rates and increased performance comes an inevitable penalty: increasing leakage currents. Leakage currents are present in any powered circuit, independent of clock rates and usage scenarios. This static power consumption is mainly determined by transistor type and process technology. Higher clock rates also increase dynamic power, which is the power used when transistors switch. The dynamic power depends mainly on a specific usage scenario, clock rates, and I/O activity.

Texas Instruments SmartReflex technology is used to decrease both static and dynamic power consumption while maintaining the device performance. SmartReflex in the

66AK2E0x device is a feature that allows the core voltage to be optimized based on the process corner of the device. This requires a voltage regulator for each 66AK2E0x device.

To help maximize performance and minimize power consumption of the device, SmartReflex is required to be implemented. The voltage selection can be accomplished using 4 VCNTL pins or 6 VCNTL pins (depending on power supply device being used), which are used to select the output voltage of the core voltage regulator.

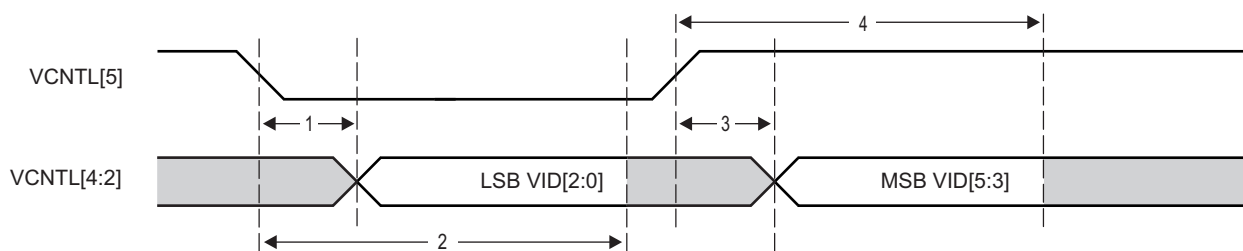
For information on implementation of SmartReflex see the *Power Consumption Summary for KeyStone TCI66x Devices* application report ([SPRABL4](#)) and the *Hardware Design Guide for KeyStone II Devices* application report ([SPRABV0](#)).

**Table 11-5. SmartReflex 4-Pin 6-bit VID Interface Switching Characteristics**

(see [Figure 11-3](#))

| NO. | PARAMETER  | MIN  | MAX                    | UNIT |
|-----|--|------|------------------------|------|
| 1   | td(VCNTL[4:2]-VCNTL[5]) Delay time - VCNTL[4:2] valid after VCNTL[5] low         |      | 300.00                 | ns   |
| 2   | toh(VCNTL[5]-VCNTL[4:2]) Output hold time - VCNTL[4:2] valid after VCNTL[5]      | 0.07 | 172020C <sup>(1)</sup> | ms   |
| 3   | td(VCNTL[4:2]-VCNTL[5]) Delay time - VCNTL[4:2] valid after VCNTL[5] high        |      | 300.00                 | ns   |
| 4   | toh(VCNTL[5]-VCNTL[2:0]) Output hold time - VCNTL[4:2] valid after VCNTL[5] high | 0.07 | 172020C                | ms   |

(1) C = 1/SYSCLK1 frequency, in ms (see [Figure 11-9](#))



**Figure 11-3. SmartReflex 4-Pin 6-Bit VID Interface Timing**

### 11.2.5 Monitor Points

Two pairs of monitor points for the CVDD voltage level are provided. Both CVDDCMON and CVDDTMON are connected directly to the CVDD supply plane on the die itself. VSSCMON and VSSTMON are connected to the ground plane on the die. These pairs provide the best measurement points for the voltage at the silicon. They also provide the best point to connect the remote sense lines for the CVDD power supply. The use of a power supply with a differential remote sense input is highly desirable. The positive remote sense line should be connected to CVDDCMON and the negative remote sense line should be connected to VSSCMON. CVDDTMON and VSSTMON can be used as an alternative but always use either the CMON pair or the TMON pair. If the power supply remote sense is not differential CVDDCMON or CVDDTMON can be connected to the sense line.

## 11.3 Power Sleep Controller (PSC)

The Power Sleep Controller (PSC) includes a Global Power Sleep Controller (GPSC) and a number of Local Power Sleep Controllers (LPSC) that control overall device power by turning off unused power domains and gating off clocks to individual peripherals and modules. The PSC provides the user with an interface to control several important power and clock operations.

For information on the Power Sleep Controller, see the *KeyStone Architecture Power Sleep Controller (PSC) User's Guide* ([SPRUGV4](#)).

### 11.3.1 Power Domains

The device has several power domains that can be turned on for operation or off to minimize power dissipation. The Global Power Sleep Controller (GPSC) is used to control the power gating of various power domains.

The following table shows the 66AK2E0x power domains.

**Table 11-6. 66AK2Ex Power Domains**

| DOMAIN | BLOCK(S)   | NOTE                         | POWER CONNECTION  |
|--------|--|------------------------------|---|
| 0      | Most peripheral logic (BOOTCFG, EMIF16, I <sup>2</sup> C, INTC, GPIO, USB, USIM) | Cannot be disabled           | Always on   |
| 1      | Per-core TETB and system TETB  | RAMs can be powered down     | Software control  |
| 2      | Network Coprocessor  | Logic can be powered down    | Software control  |
| 3      | PCIe0  | Logic can be powered down    | Software control  |
| 4      | Reserved   |                              |   |
| 5      | HyperLink  | Logic can be powered down    | Software control  |
| 6      | Reserved   |                              |   |
| 7      | MSMC RAM   | MSMC RAM can be powered down | Software control  |
| 8      | C66x Core 0, L1/L2 RAMs  | L2 RAMs can sleep            | Software control via C66x CorePac. For details, see the C66x CorePac Reference Guide. |
| 9      | Reserved   |                              |   |
| 10     | Reserved   |                              |   |
| 11     | Reserved   |                              |   |
| 12     | Reserved   |                              |   |
| 13     | Reserved   |                              |   |
| 14     | Reserved   |                              |   |
| 15     | Reserved   |                              |   |
| 16     | EMIF(DDR3)   | Logic can be powered down    | Software control  |
| 17     | Reserved   |                              |   |
| 18     | PCIe1  |                              |   |
| 19     | Reserved   |                              |   |
| 20     | Reserved   |                              |   |
| 21     | Reserved   |                              |   |
| 22     | Reserved   |                              |   |
| 23     | Reserved   |                              |   |
| 24     | Reserved   |                              |   |
| 25     | Reserved   |                              |   |
| 26     | Reserved   |                              |   |
| 27     | Reserved   |                              |   |
| 28     | Reserved   |                              |   |
| 29     | 10GbE  | Logic can be powered down    | Software control  |



**Table 11-6. 66AK2Ex Power Domains (continued)**

| DOMAIN | BLOCK(S)         | NOTE                      | POWER CONNECTION |
|--------|------------------|---------------------------|------------------|
| 30     | ARM Smart Reflex | Logic can be powered down | Software control |
| 31     | ARM CorePac      | Logic can be powered down | Software control |

### 11.3.2 Clock Domains

Clock gating to each logic block is managed by the Local Power Sleep Controllers (LPSCs) of each module. For modules with a dedicated clock or multiple clocks, the LPSC communicates with the PLL controller to enable and disable that module's clock(s) at the source. For modules that share a clock with other modules, the LPSC controls the clock gating logic for each module.

[Table 11-7](#) shows the 66AK2E0x clock domains.

**Table 11-7. Clock Domains**

| LPSC NUMBER | MODULE(S)   | NOTES            |
|-------------|---|------------------|
| 0           | Shared LPSC for all peripherals other than those listed in this table | Always on        |
| 1           | USB_1   |                  |
| 2           | USB_0   | Software control |
| 3           | EMIF16 and SPI  | Software control |
| 4           | TSIP  | Software control |
| 5           | Debug subsystem and tracers   | Software control |
| 6           | Reserved  | Always on        |
| 7           | Packet Accelerator  | Software control |
| 8           | Ethernet SGMIIs   | Software control |
| 9           | Security Accelerator  | Software control |
| 10          | PCIe_0  | Software control |
| 11          | Reserved  |                  |
| 12          | HyperLink   | Software control |
| 13          | SmartReflex   | Always on        |
| 14          | MSMC RAM  | Software control |
| 15          | C66x CorePac0   | Always on        |
| 16          | Reserved  |                  |
| 17          | Reserved  |                  |
| 18          | Reserved  |                  |
| 19          | Reserved  |                  |
| 20          | Reserved  |                  |
| 21          | Reserved  |                  |
| 22          | Reserved  |                  |
| 23          | DDR3 EMIF   | Software control |
| 24          | Reserved  |                  |
| 25          | Reserved  | Reserved         |
| 26          | Reserved  | Reserved         |
| 27          | PCIe_1  | Reserved         |
| 28          | Reserved  | Reserved         |
| 29          | Reserved  | Reserved         |
| 30          | Reserved  | Reserved         |
| 31          | Reserved  | Reserved         |
| 32          | Reserved  | Reserved         |
| 33          | Reserved  | Reserved         |
| 34          | Reserved  | Reserved         |

**Table 11-7. Clock Domains (continued)**

| LPSC NUMBER | MODULE(S)                        | NOTES                         |
|-------------|----------------------------------|-------------------------------|
| 35          | Reserved                         | Reserved                      |
| 36          | Reserved                         | Reserved                      |
| 37          | Reserved                         | Reserved                      |
| 38          | Reserved                         | Reserved                      |
| 39          | Reserved                         | Reserved                      |
| 40          | Reserved                         | Reserved                      |
| 41          | Reserved                         | Reserved                      |
| 42          | Reserved                         | Reserved                      |
| 43          | Reserved                         | Reserved                      |
| 44          | Reserved                         | Reserved                      |
| 45          | Reserved                         | Reserved                      |
| 46          | Reserved                         | Reserved                      |
| 47          | Reserved                         | Reserved                      |
| 48          | Reserved                         | Reserved                      |
| 49          | Reserved                         | Reserved                      |
| 50          | 10GbE                            | Software control              |
| 51          | ARM Smart Reflex                 | Software control              |
| 52          | ARM CorePac                      | Software control              |
| No LPSC     | Bootcfg, PSC, and PLL Controller | These modules do not use LPSC |

### 11.3.3 PSC Register Memory Map

Table 11-8 shows the PSC Register memory map.

**Table 11-8. PSC Register Memory Map**

| OFFSET        | REGISTER | DESCRIPTION                              |
|---------------|----------|--|
| 0x000         | PID      | Peripheral Identification Register       |
| 0x004 - 0x010 | Reserved | Reserved                                 |
| 0x014         | VCNTLID  | Voltage Control Identification Register  |
| 0x018 - 0x11C | Reserved | Reserved                                 |
| 0x120         | PTCMD    | Power Domain Transition Command Register |
| 0x124         | Reserved | Reserved                                 |
| 0x128         | PTSTAT   | Power Domain Transition Status Register  |
| 0x12C - 0x1FC | Reserved | Reserved                                 |
| 0x200         | PDSTAT0  | Power Domain Status Register 0           |
| 0x204         | PDSTAT1  | Power Domain Status Register 1           |
| 0x208         | PDSTAT2  | Power Domain Status Register 2           |
| 0x20C         | PDSTAT3  | Power Domain Status Register 3           |
| 0x210         | PDSTAT4  | Power Domain Status Register 4           |
| 0x214         | PDSTAT5  | Power Domain Status Register 5           |
| 0x218         | PDSTAT6  | Power Domain Status Register 6           |
| 0x21C         | PDSTAT7  | Power Domain Status Register 7           |
| 0x220         | PDSTAT8  | Power Domain Status Register 8           |
| 0x224         | PDSTAT9  | Power Domain Status Register 9           |
| 0x228         | PDSTAT10 | Power Domain Status Register 10          |
| 0x22C         | PDSTAT11 | Power Domain Status Register 11          |
| 0x230         | PDSTAT12 | Power Domain Status Register 12          |
| 0x234         | PDSTAT13 | Power Domain Status Register 13          |

**Table 11-8. PSC Register Memory Map (continued)**

| OFFSET        | REGISTER | DESCRIPTION                      |
|---------------|----------|----------------------------------|
| 0x238         | PDSTAT14 | Power Domain Status Register 14  |
| 0x23C         | PDSTAT15 | Power Domain Status Register 15  |
| 0x240         | PDSTAT16 | Power Domain Status Register 16  |
| 0x244         | PDSTAT17 | Power Domain Status Register 17  |
| 0x248         | PDSTAT18 | Power Domain Status Register 18  |
| 0x24C         | PDSTAT19 | Power Domain Status Register 19  |
| 0x250         | PDSTAT20 | Power Domain Status Register 20  |
| 0x254         | PDSTAT21 | Power Domain Status Register 21  |
| 0x258         | PDSTAT22 | Power Domain Status Register 22  |
| 0x25C         | PDSTAT23 | Power Domain Status Register 23  |
| 0x260         | PDSTAT24 | Power Domain Status Register 24  |
| 0x264         | PDSTAT25 | Power Domain Status Register 25  |
| 0x268         | PDSTAT26 | Power Domain Status Register 26  |
| 0x26C         | PDSTAT27 | Power Domain Status Register 27  |
| 0x270         | PDSTAT28 | Power Domain Status Register 28  |
| 0x274         | PDSTAT29 | Power Domain Status Register 29  |
| 0x278         | PDSTAT30 | Power Domain Status Register 30  |
| 0x27C         | PDSTAT31 | Power Domain Status Register 31  |
| 0x27C - 0x2FC | Reserved | Reserved                         |
| 0x300         | PDCTL0   | Power Domain Control Register 0  |
| 0x304         | PDCTL1   | Power Domain Control Register 1  |
| 0x308         | PDCTL2   | Power Domain Control Register 2  |
| 0x30C         | PDCTL3   | Power Domain Control Register 3  |
| 0x310         | PDCTL4   | Power Domain Control Register 4  |
| 0x314         | PDCTL5   | Power Domain Control Register 5  |
| 0x318         | PDCTL6   | Power Domain Control Register 6  |
| 0x31C         | PDCTL7   | Power Domain Control Register 7  |
| 0x320         | PDCTL8   | Power Domain Control Register 8  |
| 0x324         | PDCTL9   | Power Domain Control Register 9  |
| 0x328         | PDCTL10  | Power Domain Control Register 10 |
| 0x32C         | PDCTL11  | Power Domain Control Register 11 |
| 0x330         | PDCTL12  | Power Domain Control Register 12 |
| 0x334         | PDCTL13  | Power Domain Control Register 13 |
| 0x338         | PDCTL14  | Power Domain Control Register 14 |
| 0x33C         | PDCTL15  | Power Domain Control Register 15 |
| 0x340         | PDCTL16  | Power Domain Control Register 16 |
| 0x344         | PDCTL17  | Power Domain Control Register 17 |
| 0x348         | PDCTL18  | Power Domain Control Register 18 |
| 0x34C         | PDCTL19  | Power Domain Control Register 19 |
| 0x350         | PDCTL20  | Power Domain Control Register 20 |
| 0x354         | PDCTL21  | Power Domain Control Register 21 |
| 0x358         | PDCTL22  | Power Domain Control Register 22 |
| 0x35c         | PDCTL23  | Power Domain Control Register 23 |
| 0x360         | PDCTL24  | Power Domain Control Register 24 |
| 0x364         | PDCTL25  | Power Domain Control Register 25 |
| 0x368         | PDCTL26  | Power Domain Control Register 26 |
| 0x36C         | PDCTL27  | Power Domain Control Register 27 |

**Table 11-8. PSC Register Memory Map (continued)**

| OFFSET        | REGISTER | DESCRIPTION                            |
|---------------|----------|--|
| 0x370         | PDCTL28  | Power Domain Control Register 28       |
| 0x374         | PDCTL29  | Power Domain Control Register 29       |
| 0x378         | PDCTL30  | Power Domain Control Register 30       |
| 0x37C         | PDCTL31  | Power Domain Control Register 31       |
| 0x380 - 0x7FC | Reserved | Reserved                               |
| 0x800         | MDSTAT0  | Module Status Register 0 (never gated) |
| 0x804         | MDSTAT1  | Module Status Register 1               |
| 0x808         | MDSTAT2  | Module Status Register 2               |
| 0x80C         | MDSTAT3  | Module Status Register 3               |
| 0x810         | MDSTAT4  | Module Status Register 4               |
| 0x814         | MDSTAT5  | Module Status Register 5               |
| 0x818         | MDSTAT6  | Module Status Register 6               |
| 0x81C         | MDSTAT7  | Module Status Register 7               |
| 0x820         | MDSTAT8  | Module Status Register 8               |
| 0x824         | MDSTAT9  | Module Status Register 9               |
| 0x828         | MDSTAT10 | Module Status Register 10              |
| 0x82C         | MDSTAT11 | Module Status Register 11              |
| 0x830         | MDSTAT12 | Module Status Register 12              |
| 0x834         | MDSTAT13 | Module Status Register 13              |
| 0x838         | MDSTAT14 | Module Status Register 14              |
| 0x83C         | MDSTAT15 | Module Status Register 15              |
| 0x840         | MDSTAT16 | Module Status Register 16              |
| 0x844         | MDSTAT17 | Module Status Register 17              |
| 0x848         | MDSTAT18 | Module Status Register 18              |
| 0x84C         | MDSTAT19 | Module Status Register 19              |
| 0x850         | MDSTAT20 | Module Status Register 20              |
| 0x854         | MDSTAT21 | Module Status Register 21              |
| 0x858         | MDSTAT22 | Module Status Register 22              |
| 0x85C         | MDSTAT23 | Module Status Register 23              |
| 0x860         | MDSTAT24 | Module Status Register 24              |
| 0x864         | MDSTAT25 | Module Status Register 25              |
| 0x868         | MDSTAT26 | Module Status Register 26              |
| 0x86C         | MDSTAT27 | Module Status Register 27              |
| 0x870         | MDSTAT28 | Module Status Register 28              |
| 0x874         | MDSTAT29 | Module Status Register 29              |
| 0x878         | MDSTAT30 | Module Status Register 30              |
| 0x87C         | MDSTAT31 | Module Status Register 31              |
| 0x880         | MDSTAT32 | Module Status Register 32              |
| 0x884         | MDSTAT33 | Module Status Register 33              |
| 0x888         | MDSTAT34 | Module Status Register 34              |
| 0x88C         | MDSTAT35 | Module Status Register 35              |
| 0x890         | MDSTAT36 | Module Status Register 36              |
| 0x894         | MDSTAT37 | Module Status Register 37              |
| 0x898         | MDSTAT38 | Module Status Register 38              |
| 0x89C         | MDSTAT39 | Module Status Register 39              |
| 0x8A0         | MDSTAT40 | Module Status Register 40              |
| 0x8A4         | MDSTAT41 | Module Status Register 41              |

**Table 11-8. PSC Register Memory Map (continued)**

| OFFSET        | REGISTER | DESCRIPTION                             |
|---------------|----------|---|
| 0x8A8         | MDSTAT42 | Module Status Register 42               |
| 0x8AC         | MDSTAT43 | Module Status Register 43               |
| 0x8B0         | MDSTAT44 | Module Status Register 44               |
| 0x8B4         | MDSTAT45 | Module Status Register 45               |
| 0x8B8         | MDSTAT46 | Module Status Register 46               |
| 0x8BC         | MDSTAT47 | Module Status Register 47               |
| 0x8C0         | MDSTAT48 | Module Status Register 48               |
| 0x8C4         | MDSTAT49 | Module Status Register 49               |
| 0x8C8         | MDSTAT50 | Module Status Register 50               |
| 0x8CC         | MDSTAT51 | Module Status Register 51               |
| 0x8D0         | MDSTAT52 | Module Status Register 52               |
| 0x8D4 - 0x9FC | Reserved | Reserved                                |
| 0xA00         | MDCTL0   | Module Control Register 0 (never gated) |
| 0xA04         | MDCTL1   | Module Control Register 1               |
| 0xA08         | MDCTL2   | Module Control Register 2               |
| 0xA0C         | MDCTL3   | Module Control Register 3               |
| 0xA10         | MDCTL4   | Module Control Register 4               |
| 0xA14         | MDCTL5   | Module Control Register 5               |
| 0xA18         | MDCTL6   | Module Control Register 6               |
| 0xA1C         | MDCTL7   | Module Control Register 7               |
| 0xA20         | MDCTL8   | Module Control Register 8               |
| 0xA24         | MDCTL9   | Module Control Register 9               |
| 0xA28         | MDCTL10  | Module Control Register 10              |
| 0xA2C         | MDCTL11  | Module Control Register 11              |
| 0xA30         | MDCTL12  | Module Control Register 12              |
| 0xA34         | MDCTL13  | Module Control Register 13              |
| 0xA38         | MDCTL14  | Module Control Register 14              |
| 0xA3C         | MDCTL15  | Module Control Register 15              |
| 0xA40         | MDCTL16  | Module Control Register 16              |
| 0xA44         | MDCTL17  | Module Control Register 17              |
| 0xA48         | MDCTL18  | Module Control Register 18              |
| 0xA4C         | MDCTL19  | Module Control Register 19              |
| 0xA50         | MDCTL20  | Module Control Register 20              |
| 0xA54         | MDCTL21  | Module Control Register 21              |
| 0xA58         | MDCTL22  | Module Control Register 22              |
| 0xA5C         | MDCTL23  | Module Control Register 23              |
| 0xA60         | MDCTL24  | Module Control Register 24              |
| 0xA64         | MDCTL25  | Module Control Register 25              |
| 0xA68         | MDCTL26  | Module Control Register 26              |
| 0xA6C         | MDCTL27  | Module Control Register 27              |
| 0xA70         | MDCTL28  | Module Control Register 28              |
| 0xA74         | MDCTL29  | Module Control Register 29              |
| 0xA78         | MDCTL30  | Module Control Register 30              |
| 0xA7C         | MDCTL31  | Module Control Register 31              |
| 0xA80         | MDCTL32  | Module Control Register 32              |
| 0xA84         | MDCTL33  | Module Control Register 33              |
| 0xA88         | MDCTL34  | Module Control Register 34              |

**Table 11-8. PSC Register Memory Map (continued)**

| OFFSET        | REGISTER | DESCRIPTION                |
|---------------|----------|----------------------------|
| 0xA8C         | MDCTL35  | Module Control Register 35 |
| 0xA90         | MDCTL36  | Module Control Register 36 |
| 0xA94         | MDCTL37  | Module Control Register 37 |
| 0xA98         | MDCTL38  | Module Control Register 38 |
| 0xA9C         | MDCTL39  | Module Control Register 39 |
| 0xAA0         | MDCTL40  | Module Control Register 40 |
| 0xAA4         | MDCTL41  | Module Control Register 41 |
| 0xAA8         | MDCTL42  | Module Control Register 42 |
| 0xAAC         | MDCTL43  | Module Control Register 43 |
| 0xAB0         | MDCTL44  | Module Control Register 44 |
| 0xAB4         | MDCTL45  | Module Control Register 45 |
| 0xAB8         | MDCTL46  | Module Control Register 46 |
| 0xABC         | MDCTL47  | Module Control Register 47 |
| 0xAC0         | MDCTL48  | Module Control Register 48 |
| 0xAC4         | MDCTL49  | Module Control Register 49 |
| 0xAC8         | MDCTL50  | Module Control Register 50 |
| 0xACC         | MDCTL51  | Module Control Register 51 |
| 0xAD0         | MDCTL52  | Module Control Register 52 |
| 0xAD4 - 0xFFC | Reserved | Reserved                   |

## 11.4 Reset Controller

The reset controller detects the different type of resets supported on the 66AK2E0x device and manages the distribution of those resets throughout the device. The device has the following types of resets:

- Power-on reset
- Hard reset
- Soft reset
- Local reset

[Table 11-9](#) explains further the types of reset, the reset initiator, and the effects of each reset on the device. For more information on the effects of each reset on the PLL controllers and their clocks, see [Section 11.4.8](#).

**Table 11-9. Reset Types**

| TYPE           | INITIATOR  | EFFECT(S)  |
|----------------|--|--|
| Power-on reset | POR pin<br>RESETFULL pin   | Resets the entire chip including the test and emulation logic. The device configuration pins are latched only during power-on reset.   |
| Hard reset     | RESET pin<br>PLLCTL Register (RSCtrl) <sup>(1)</sup><br>Watchdog timers<br>Emulation | <p>Hard reset resets everything except for test, emulation logic, and reset isolation modules. This reset is different from power-on reset in that the PLL Controller assumes power and clocks are stable when a hard reset is asserted. The device configurations pins are not relatched.</p> <p>Emulation-initiated reset is always a hard reset.</p> <p>By default, these initiators are configured as hard reset, but can be configured (except emulation) as a soft reset in the RSCFG Register of the PLL Controller. Contents of the DDR3 SDRAM memory can be retained during a hard reset if the SDRAM is placed in self-refresh mode.</p> |

(1) All masters in the device have access to the PLL Control Registers.

**Table 11-9. Reset Types (continued)**

| TYPE        | INITIATOR  | EFFECT(S)  |
|-------------|--|--|
| Soft reset  | $\overline{\text{RESET}}$ pin<br>PLLCTL Register (RSCTRL)<br>Watchdog timers | Soft reset behaves like hard reset except that PCIe MMRs (memory-mapped registers) and DDR3 EMIF MMRs contents are retained.<br><br>By default, these initiators are configured as hard reset, but can be configured as soft reset in the RSCFG Register of the PLL Controller. Contents of the DDR3 SDRAM memory can be retained during a soft reset if the SDRAM is placed in self-refresh mode. |
| Local reset | $\overline{\text{LRESET}}$ pin<br>Watchdog timer timeout<br>LPSC MMRs        | Resets the C66x CorePac, without disturbing clock alignment or memory contents. The device configuration pins are not relatched.   |

### 11.4.1 Power-on Reset

Power-on reset is used to reset the entire device, including the test and emulation logic.

Power-on reset is initiated by the following:

1.  $\overline{\text{POR}}$  pin
2.  $\overline{\text{RESETFULL}}$  pin

During power-up, the  $\overline{\text{POR}}$  pin must be asserted (driven low) until the power supplies have reached their normal operating conditions. Also a  $\overline{\text{RESETFULL}}$  pin is provided to allow reset of the entire device, including the reset-isolated logic, when the device is already powered up. For this reason, the  $\overline{\text{RESETFULL}}$  pin, unlike  $\overline{\text{POR}}$ , should be driven by the on-board host control other than the power good circuitry. For power-on reset, the Core PLL Controller comes up in bypass mode and the PLL is not enabled. Other resets do not affect the state of the PLL or the dividers in the PLL Controller.

The following sequence must be followed during a power-on reset:

1. Wait for all power supplies to reach normal operating conditions while keeping the  $\overline{\text{POR}}$  and  $\overline{\text{RESETFULL}}$  pins asserted (driven low). While  $\overline{\text{POR}}$  is asserted, all pins except  $\overline{\text{RESETSTAT}}$  will be set to high-impedance. After the  $\overline{\text{POR}}$  pin is deasserted (driven high), all Z group pins, low group pins, and high group pins are set to their reset state and remain in their reset state until otherwise configured by their respective peripheral. All peripherals that are power-managed are disabled after a power-on reset and must be enabled through the Device State Control Registers (for more details, see [Section 9.2.3](#)).
2. Clocks are reset, and they are propagated throughout the chip to reset any logic that was using reset synchronously. All logic is now reset and  $\overline{\text{RESETSTAT}}$  is driven low, indicating that the device is in reset.
3.  $\overline{\text{POR}}$  and  $\overline{\text{RESETFULL}}$  must be held active until all supplies on the board are stable, and then for at least an additional period of time (as specified in [Section 11.2.1](#)) for the chip-level PLLs to lock.
4. The  $\overline{\text{POR}}$  pin can now be de-asserted.
5. After the appropriate delay, the  $\overline{\text{RESETFULL}}$  pin can now be de-asserted. Reset-sampled pin values are latched at this point. Then, all chip-level PLLs are taken out of reset, locking sequences begin, and all power-on device initialization processes begin.
6. After device initialization is complete, the  $\overline{\text{RESETSTAT}}$  pin is de-asserted (driven high). By this time, the DDR3 PLL has completed its locking sequences and are supplying a valid clock. The system clocks of the PLL controllers are allowed to finish their current cycles and then are paused for 10 cycles of their respective system reference clocks. After the pause, the system clocks are restarted at their default divide-by settings.
7. The device is now out of reset and code execution begins as dictated by the selected boot mode.

**NOTE**

To most of the device, reset is de-asserted only when the  $\overline{\text{POR}}$  and  $\overline{\text{RESET}}$  pins are both de-asserted (driven high). Therefore, in the sequence described above, if the  $\overline{\text{RESET}}$  pin is held low past the low period of the  $\overline{\text{POR}}$  pin, most of the device will remain in reset. The  $\overline{\text{RESET}}$  pin should not be tied to the  $\overline{\text{POR}}$  pin.

**11.4.2 Hard Reset**

A hard reset will reset everything on the device except the PLLs, test logic, emulation logic, and reset-isolated modules.  $\overline{\text{POR}}$  should also remain de-asserted during this time.

Hard reset is initiated by the following:

- $\overline{\text{RESET}}$  pin
- RCTRL Register in the PLL Controller
- Watchdog timer
- Emulation

By default, all the initiators listed above are configured to generate a hard reset. Except for emulation, all of the other three initiators can be configured in the RSCFG Register in the PLL Controller to generate soft resets.

The following sequence must be followed during a hard reset:

1. The  $\overline{\text{RESET}}$  pin is asserted (driven low) for a minimum of 24 CLKIN1 cycles. During this time, the  $\overline{\text{RESET}}$  signal propagates to all modules (except those specifically mentioned above). To prevent off-chip contention during the warm reset, all I/O must be Hi-Z for modules affected by  $\overline{\text{RESET}}$ .
2. Once all logic is reset,  $\overline{\text{RESETSTAT}}$  is asserted (driven low) to denote that the device is in reset.
3. The  $\overline{\text{RESET}}$  pin can now be released. A minimal device initialization begins to occur. Note that configuration pins are not re-latched and clocking is unaffected within the device.
4. After device initialization is complete, the  $\overline{\text{RESETSTAT}}$  pin is de-asserted (driven high).

**NOTE**

The  $\overline{\text{POR}}$  pin should be held inactive (high) throughout the warm reset sequence. Otherwise, if  $\overline{\text{POR}}$  is activated (brought low), the minimum POR pulse width must be met. The  $\overline{\text{RESET}}$  pin should not be tied to the  $\overline{\text{POR}}$  pin.

**11.4.3 Soft Reset**

A soft reset behaves like a hard reset except that the EMIF16 MMRs, DDR3 EMIF MMRs, PCIe MMRs sticky bits, and external memory content are retained.  $\overline{\text{POR}}$  should also remain de-asserted during this time.

Soft reset is initiated by the following:

- $\overline{\text{RESET}}$  pin
- RCTRL Register in the PLL Controller
- Watchdog timer

In the case of a soft reset, the clock logic and the power control logic of the peripherals are not affected and, therefore, the enabled/disabled state of the peripherals is not affected. On a soft reset, the DDR3 memory controller registers are **not** reset. If the user places the DDR3 SDRAM in self-refresh mode before invoking the soft reset, the DDR3 SDRAM memory content is retained.

During a soft reset, the following occurs:

1. The  $\overline{\text{RESETSTAT}}$  pin goes low to indicate an internal reset is being generated. The reset propagates through the system. Internal system clocks are not affected. PLLs remain locked.



2. After device initialization is complete, the  $\overline{\text{RESETSTAT}}$  pin is deasserted (driven high). In addition, the PLL Controller pauses system clocks for approximately 8 cycles. At this point:
  - The peripherals remain in the state they were in before the soft reset.
  - The states of the Boot Mode configuration pins are preserved as controlled by the DEVSTAT Register.
  - The DDR3 MMRs and PCIe MMRs retain their previous values. Only the DDR3 memory controller and PCIe state machines are reset by the soft reset.
  - The PLL Controller remains in the mode it was in prior to the soft reset.
  - System clocks are unaffected.

The boot sequence is started after the system clocks are restarted. Because the Boot Mode configuration pins are not latched with a soft reset, the previous values (as shown in the DEVSTAT Register), are used to select the boot mode.

#### 11.4.4 Local Reset

The local reset can be used to reset a particular C66x CorePac without resetting any other device components.

Local reset is initiated by the following:

- $\overline{\text{LRESET}}$  pin
- Watchdog timer should cause one of the below and RSTCFG registers in the PLL Controller. (See [Section 11.5.2.8](#) and [Section 7.3.2.](#))
  - Local reset
  - NMI
  - NMI followed by a time delay and then a local reset for the C66x CorePac selected
  - Hard reset by requesting reset via the PLL Controller
- LPSC MMRs (memory-mapped registers)

For more details see the *KeyStone Architecture Phase Locked Loop (PLL) Controller User's Guide* ([SPRUGV2](#)).

#### 11.4.5 ARM CorePac Reset

The ARM CorePac uses a combination of power-on-reset and module-reset to reset its components, such as the Cortex-A15 processor, memory subsystem, debug logic, etc. The ARM CorePac incorporates the PSC to generate resets for its internal modules. Details of reset generation and distribution inside the ARM CorePac can be found in the *KeyStone II Architecture ARM CorePac User's Guide* ([SPRUHJ4](#)).

#### 11.4.6 Reset Priority

If any of the above reset sources occur simultaneously, the PLL Controller processes only the highest priority reset request. The reset request priorities are as follows (high to low):

- Power-on reset
- Hard/soft reset

#### 11.4.7 Reset Controller Register

The reset controller registers are part of the PLL Controller MMRs. All 66AK2E0x device-specific MMRs are covered in [Section 11.5.2](#). For more details on these registers and how to program them, see the *KeyStone Architecture Phase Locked Loop (PLL) Controller User's Guide* ([SPRUGV2](#)).

#### 11.4.8 Reset Electrical Data/Timing

**Table 11-10. Reset Timing Requirements<sup>(1)</sup>**(see [Figure 11-4](#) and [Figure 11-5](#))

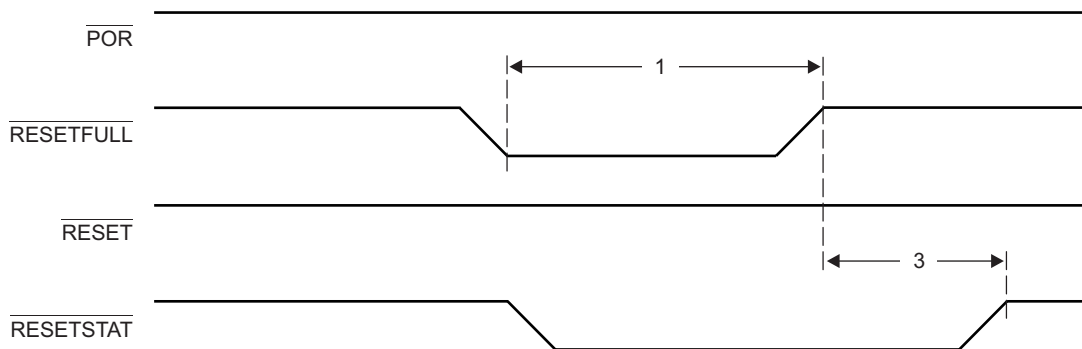
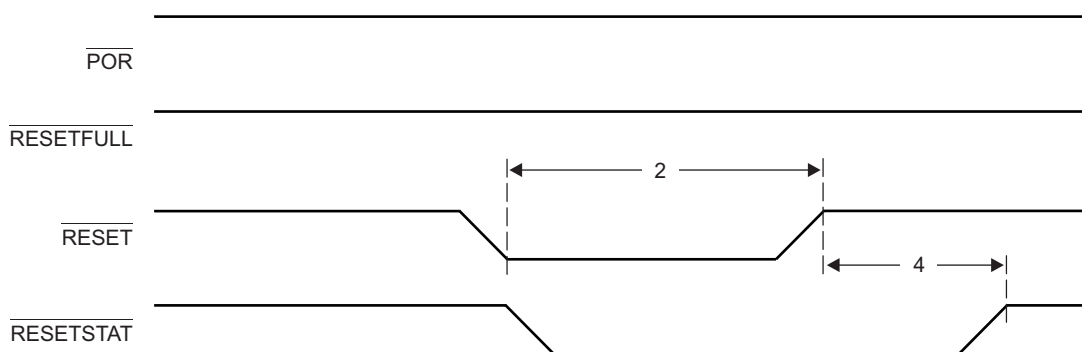
| NO.                        |  | MIN  | MAX | UNIT |
|----------------------------|--|------|-----|------|
| <b>RESETFULL Pin Reset</b> |  |      |     |      |
| 1                          | $t_w(\overline{\text{RESETFULL}})$ Pulse width - pulse width $\overline{\text{RESETFULL}}$ low | 500C |     | ns   |
| <b>Soft/Hard-Reset</b>     |  |      |     |      |
| 2                          | $t_w(\overline{\text{RESET}})$ Pulse width - pulse width $\overline{\text{RESET}}$ low         | 500C |     | ns   |

(1) C = 1/SYSCLK1 clock frequency in ns

**Table 11-11. Reset Switching Characteristics<sup>(1)</sup>**(see [Figure 11-4](#) and [Figure 11-5](#))

| NO.                        | PARAMETER  | MIN | MAX    | UNIT |
|----------------------------|--|-----|--------|------|
| <b>RESETFULL Pin Reset</b> |  |     |        |      |
| 3                          | $t_d(\overline{\text{RESETFULL}}\text{-}\overline{\text{RESETSTAT}})$ Delay time - $\overline{\text{RESETSTAT}}$ high after $\overline{\text{RESETFULL}}$ high |     | 50000C | ns   |
| <b>Soft/Hard Reset</b>     |  |     |        |      |
| 4                          | $t_d(\overline{\text{RESET}}\text{-}\overline{\text{RESETSTAT}})$ Delay time - $\overline{\text{RESETSTAT}}$ high after $\overline{\text{RESET}}$ high         |     | 50000C | ns   |

(1) C = 1/SYSCLK1 clock frequency in ns

**Figure 11-4. RESETFULL Reset Timing****Figure 11-5. Soft/Hard Reset Timing****Table 11-12. Boot Configuration Timing Requirements<sup>(1)</sup>**(see [Figure 11-6](#))

| NO. |  | MIN | MAX | UNIT |
|-----|--|-----|-----|------|
| 1   | $t_{su}(\text{GPIO}_{\text{On}}\text{-}\overline{\text{RESETFULL}})$ Setup time - GPIO valid before $\overline{\text{RESETFULL}}$ asserted | 12C |     | ns   |
| 2   | $t_h(\overline{\text{RESETFULL}}\text{-}\text{GPIO}_{\text{On}})$ Hold time - GPIO valid after $\overline{\text{RESETFULL}}$ asserted      | 12C |     | ns   |

(1) C = 1/SYSCLK1 clock frequency in ns.

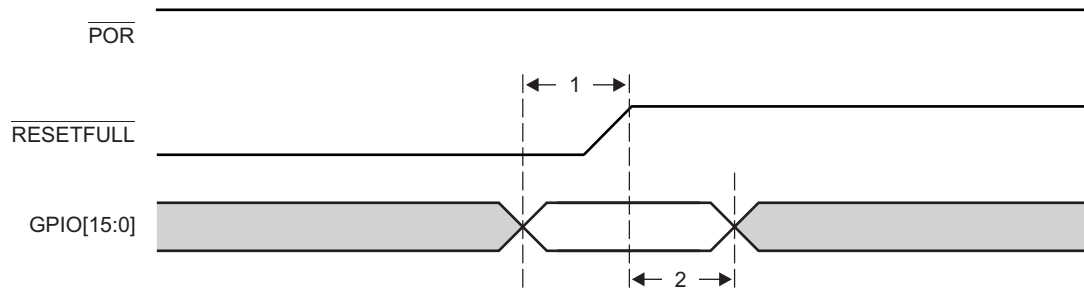


Figure 11-6. Boot Configuration Timing

## 11.5 Core PLL (Main PLL), DDR3 PLL, NETCP PLL and the PLL Controllers

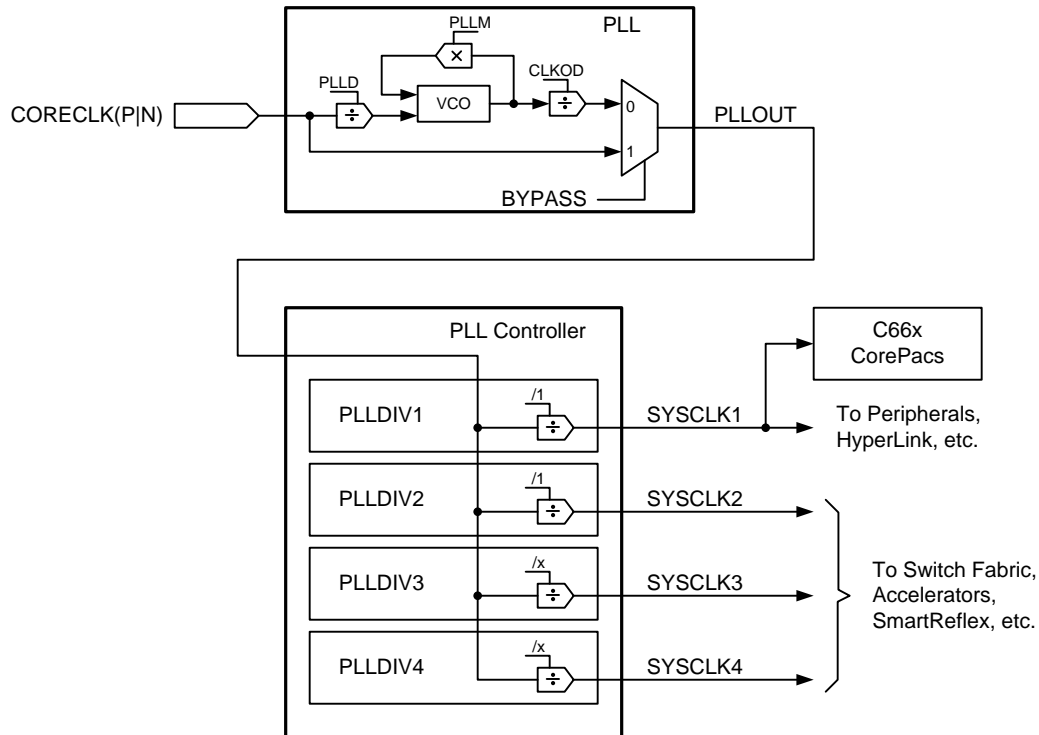
This section provides a description of the Core PLL, DDR3 PLL, NETCP PLL, and the PLL Controller. For details on the operation of the PLL Controller module, see the *KeyStone Architecture Phase Locked Loop (PLL) Controller User's Guide (SPRUGV2)*.

The Core PLL is controlled by the standard PLL Controller. The PLL Controller manages the clock ratios, alignment, and gating for the system clocks to the device. By default, the device powers up with the Core PLL bypassed. Figure 11-7 shows a block diagram of the Core PLL and the PLL Controller.

The DDR3 PLL and NETCP PLL are used to provide dedicated clock to the DDR3 and NETCP respectively. These chip level PLLs support a wide range of multiplier and divider values, which can be programmed through the chip level registers located in the Device Control Register block. The Boot ROM will program the multiplier values for Core PLL and NETCP PLL based on boot mode. (See Section 9 for more details.)

The DDR3 PLL is used to supply clocks to DDR3 EMIF logic. This PLL can also be used without programming the PLL Controller. Instead, they can be controlled using the chip-level registers (DDR3PLLCTL0, DDR3PLLCTL1) located in the Device Control Register block. To write to these registers, software must go through an unlocking sequence using the KICK0/KICK1 registers.

The multiplier values for all chip-level PLLs can be reprogrammed later based on the input parameter table. This feature provides flexibility in that these PLLs may be able to reuse other clock sources instead of having its own clock source.



**Figure 11-7. Core PLL and PLL Controller**

Note that the Core PLL Controller registers can be accessed by any master in the device. The PLLM[5:0] bits of the multiplier are controlled by the PLLM Register inside the PLL Controller and the PLLM[12:6] bits are controlled by the chip-level COREPLLCTL0 Register. The output divide and bypass logic of the PLL are controlled by fields in the SECCTL Register in the PLL Controller. Only PLLDIV3, and PLLDIV4 are programmable on the device. See the *KeyStone Architecture Phase Locked Loop (PLL) Controller User's Guide* ([SPRUGV2](#)) for more details on how to program the PLL controller.

The multiplication and division ratios within the PLL and the post-division for each of the chip-level clocks are determined by a combination of this PLL and the Core PLL Controller. The Core PLL Controller also controls reset propagation through the chip, clock alignment, and test points. The Core PLL Controller monitors the PLL status and provides an output signal indicating when the PLL is locked.

Core PLL power is supplied externally via the Core PLL power-supply pin (AVDDA1). An external EMI filter circuit must be added to all PLL supplies. See the *Hardware Design Guide for KeyStone II Devices* application report ([SPRABV0](#)) for detailed recommendations. For the best performance, TI recommends that all the PLL external components be on a single side of the board without jumpers, switches, or components other than those shown. For reduced PLL jitter, maximize the spacing between switching signal traces and the PLL external components (C1, C2, and the EMI Filter).

The minimum CORECLK rise and fall times should also be observed. For the input clock timing requirements, see [Section 11.5.4](#).

It should be assumed that any registers not included in these sections are not supported by the device. Furthermore, only the bits within the registers described here are supported. Avoid writing to any reserved memory location or changing the value of reserved bits.

The PLL Controller module as described in the *KeyStone Architecture Phase Locked Loop (PLL) Controller User's Guide* ([SPRUGV2](#)) includes a superset of features, some of which are not supported on the device. The following sections describe the registers that are supported.

## 11.5.1 Core PLL Controller Device-Specific Information

### 11.5.1.1 Internal Clocks and Maximum Operating Frequencies

The Core PLL, used to drive the SoC, the switch fabric, and a majority of the peripheral clocks (all but the ARM CorePacs, DDR3, and the NETCP modules) requires a PLL Controller to manage the various clock divisions, gating, and synchronization. PLLM[5:0] input of the Core PLL is controlled by the PLL controller PLLM register.

The Core PLL Controller has four SYSCLK outputs that are listed below along with the clock descriptions. Each SYSCLK has a corresponding divider that divides down the output clock of the PLL. Note that dividers are not programmable unless explicitly mentioned in the description below.

- **SYCLK1:** Full-rate clock for all C66x CorePacs. Using local dividers, SYCLK1 is used to derive clocks required for the majority of peripherals that do not need reset isolation.

The system peripherals and modules driven by SYCLK1 are as follows; however, not all peripherals are supported in every part. See the Features chapter for the complete list of peripherals supported in your part.

EMIF16, USB 3.0, XFI, HyperLink, PCIe, SGMII, GPIO, Timer64, I<sup>2</sup>C, SPI, TSIP, TeraNet, UART, ROM, CIC, Security Manager, BootCFG, PSC, Queue Manager, Semaphore, MPUs, EDMA, MSMC, DDR3, EMIF.

- **SYCLK2:** Full-rate, reset-isolated clock used to generate various other clocks required by peripherals that need reset isolation: e.g., SmartReflex.
- **SYCLK3:** 1/x-rate clock used to clock the C66x CorePac emulation. The default rate for this clock is 1/3. This clock is programmable from /1 to /32, where this clock does not violate the maximum of 350 MHz. SYCLK3 can be turned off by software.
- **SYCLK4:** 1/z-rate clock for the system trace module only. The default rate for this clock is 1/5. This clock is configurable: the maximum configurable clock is 210 MHz and the minimum configuration clock is 32 MHz. SYCLK4 can be turned off by software.

Only SYCLK3 and SYCLK4 are programmable.

### 11.5.1.2 Local Clock Dividers

The clock signals from the Core PLL Controller are routed to various modules and peripherals on the device. Some modules and peripherals have one or more internal clock dividers. Other modules and peripherals have no internal clock dividers, but are grouped together and receive clock signals from a shared local clock divider. Internal and shared local clock dividers have fixed division ratios. See [table Table 11-13](#).

**Table 11-13. Core PLL Controller Module Clock Domains Internal and Shared Local Clock Dividers**

| CLOCK                                      | MODULE  | INTERNAL CLOCK DIVIDER(S) | SHARED LOCAL CLOCK DIVIDER |
|--|---|---------------------------|----------------------------|
| <b>SYSClk1 Internal Clock Dividers</b>     |   |                           |                            |
| SYSClk1                                    | ARM CorePac   | /1, /3, /3, /6, /6        | --                         |
|  | C66x DSP CorePacs   | /1, /2, /3, /4            | --                         |
|  | Chip Interrupt Controllers (CICx)                                 | /6                        | --                         |
|  | DDR3 Memory Controller A (also receives clocks from the DDR3_PLL) | /2                        | --                         |
|  | EMIF16  | /6                        | --                         |
|  | HyperLink   | /2, /3, /6                | --                         |
|  | MultiCore Shared Memory Controller (MSMC)                         | /1                        | --                         |
|  | PCI express (PCIe)  | /2, /3, /4, /6            | --                         |
|  | ROM   | /6                        | --                         |
|  | Serial Gigabit Media Independent Interface (SGMII)                | /2, /3, /6, /8            | --                         |
|  | Universal Asynchronous Receiver/Transmitter (UART)                | /6                        | --                         |
| Universal Serial Bus 3.0 (USB 3.0)         | /3, /6  | --                        |                            |
| <b>SYSClk1 Shared Local Clock Dividers</b> |   |                           |                            |
| SYSClk1                                    | Power/Sleep Controller (PSC)                                      | --                        | /12, /24                   |
|  | EDMA  | --                        | /3                         |
|  | Memory Protection Units (MPUx)                                    |                           |                            |
|  | Semaphore   |                           |                            |
| TeraNet (SYSClk1/3 domain)                 |   |                           |                            |
| SYSClk1                                    | Boot Config   | --                        | /6                         |
|  | General-Purpose Input/Output (GPIO)                               |                           |                            |
|  | I <sup>2</sup> C  |                           |                            |
|  | Security Manager  |                           |                            |
|  | Telecom Serial Interface Port (TSIP)                              |                           |                            |
|  | Serial Peripheral Interconnect (SPI)                              |                           |                            |
|  | TeraNet (CPU /6 domain)   |                           |                            |
| Timers                                     |   |                           |                            |
| <b>SYSClk2 Internal Clock Dividers</b>     |   |                           |                            |
| SYSClk2                                    | SmartReflex C66x CorePacs   | /12, /128                 | --                         |

### 11.5.1.3 Module Clock Input

Table 11-7 lists various clock domains in the device and their distribution in each peripheral. The table also shows the distributed clock division in modules and their mapping with source clocks of the device PLLs.

### 11.5.1.4 Core PLL Controller Operating Modes

The Core PLL Controller has two modes of operation: bypass mode and PLL mode. The mode of operation is determined by the BYPASS bit of the PLL Secondary Control Register (SECCTL).

- In bypass mode, PLL input is fed directly out as SYSClk1.
- In PLL mode, SYSClk1 is generated from the PLL output using the values set in the PLLM and PLLD fields in the COREPLLCTL0 Register.

External hosts must avoid access attempts to the SoC while the frequency of its internal clocks is changing. User software must implement a mechanism that causes the SoC to notify the host when the PLL configuration has completed.

### 11.5.1.5 Core PLL Stabilization, Lock, and Reset Times

The PLL stabilization time is the amount of time that must be allotted for the internal PLL regulators to become stable after device power-up. The device should not be taken out of reset until this stabilization time has elapsed.

The PLL reset time is the amount of wait time needed when resetting the PLL (writing PLLRST = 1), in order for the PLL to properly reset, before bringing the PLL out of reset (writing PLLRST = 0). For the Core PLL reset time value, see [Table 11-14](#).

The PLL lock time is the amount of time needed from when the PLL is taken out of reset to when the PLL Controller can be switched to PLL mode. The Core PLL lock time is given in [Table 11-14](#).

**Table 11-14. Core PLL Stabilization, Lock, and Reset Times**

| PARAMETER              | MIN  | TYP                     | MAX | UNIT |
|------------------------|------|-------------------------|-----|------|
| PLL stabilization time | 100  |                         |     | μs   |
| PLL lock time          |      | 2000 × C <sup>(1)</sup> |     |      |
| PLL reset time         | 1000 |                         |     | ns   |

(1) C = SYSCLK1(N/P) cycle time in ns.

### 11.5.2 PLL Controller Memory Map

The memory map of the Core PLL Controller is shown in [Table 11-15](#). 66AK2Exx-specific Core PLL Controller Register definitions can be found in the sections following [Table 11-15](#). For other registers in the table, see the *KeyStone Architecture Phase Locked Loop (PLL) Controller User's Guide* ([SPRUGV2](#)).

It is recommended to use read-modify-write sequence to make any changes to the valid bits in the Core PLL Controller registers.

Note that only registers documented here are accessible on the 66AK2Exx. Other addresses in the Core PLL Controller memory map including the Reserved registers must not be modified. Furthermore, only the bits within the registers described here are supported.

**Table 11-15. PLL Controller Registers (Including Reset Controller)**

| HEX ADDRESS RANGE           | ACRONYM | REGISTER NAME   |
|-----------------------------|---------|---|
| 00 0231 0000 - 00 0231 00E3 | -       | Reserved  |
| 00 0231 00E4                | RSTYPE  | Reset Type Status Register (Reset Core PLL Controller)      |
| 00 0231 00E8                | RSTCTRL | Software Reset Control Register (Reset Core PLL Controller) |
| 00 0231 00EC                | RSTCFG  | Reset Configuration Register (Reset Core PLL Controller)    |
| 00 0231 00F0                | RSISO   | Reset Isolation Register (Reset Core PLL Controller)        |
| 00 0231 00F0 - 00 0231 00FF | -       | Reserved  |
| 00 0231 0100                | PLLCTL  | PLL Control Register  |
| 00 0231 0104                | -       | Reserved  |
| 00 0231 0108                | SECCTL  | PLL Secondary Control Register                              |
| 00 0231 010C                | -       | Reserved  |
| 00 0231 0110                | PLLM    | PLL Multiplier Control Register                             |
| 00 0231 0114                | -       | Reserved  |
| 00 0231 0118                | PLLDIV1 | PLL Controller Divider 1 Register                           |
| 00 0231 011C                | PLLDIV2 | PLL Controller Divider 2 Register                           |
| 00 0231 0120                | PLLDIV3 | PLL Controller Divider 3 Register                           |
| 00 0231 0124                | -       | Reserved  |
| 00 0231 0128                | -       | Reserved  |
| 00 0231 012C - 00 0231 0134 | -       | Reserved  |
| 00 0231 0138                | PLLCMD  | PLL Controller Command Register                             |

**Table 11-15. PLL Controller Registers (Including Reset Controller) (continued)**

| HEX ADDRESS RANGE           | ACRONYM            | REGISTER NAME                               |
|-----------------------------|--------------------|---|
| 00 0231 013C                | PLLSTAT            | PLL Controller Status Register              |
| 00 0231 0140                | ALNCTL             | PLL Controller Clock Align Control Register |
| 00 0231 0144                | DCHANGE            | PLLDIV Ratio Change Status Register         |
| 00 0231 0148                | CKEN               | Reserved                                    |
| 00 0231 014C                | CKSTAT             | Reserved                                    |
| 00 0231 0150                | SYSTAT             | SYCLK Status Register                       |
| 00 0231 0154 - 00 0231 015C | -                  | Reserved                                    |
| 00 0231 0160                | PLLDIV4            | PLL Controller Divider 4 Register           |
| 00 0231 0164                | PLLDIV5            | Reserved                                    |
| 00 0231 0168                | PLLDIV6            | Reserved                                    |
| 00 0231 016C                | PLLDIV7            | Reserved                                    |
| 00 0231 0170                | PLLDIV8            | Reserved                                    |
| 00 0231 0174 - 00 0231 0193 | PLLDIV9 - PLLDIV16 | Reserved                                    |
| 00 0231 0194 - 00 0231 01FF | -                  | Reserved                                    |

**11.5.2.1 PLL Secondary Control Register (SECCTL)**

The PLL Secondary Control Register contains extra fields to control the Core PLL and is shown in [Figure 11-8](#) and described in [Table 11-16](#).

**Figure 11-8. PLL Secondary Control Register (SECCTL)**

|             |    |        |               |    |                            |   |
|-------------|----|--------|---------------|----|----------------------------|---|
| 31          | 24 | 23     | 22            | 19 | 18                         | 0 |
| Reserved    |    | BYPASS | OUTPUT DIVIDE |    | Reserved                   |   |
| R-0000 0000 |    | RW-1   | RW-0001       |    | RW-001 0000 0000 0000 0000 |   |

Legend: R/W = Read/Write; R = Read only; -n = value after reset

**Table 11-16. PLL Secondary Control Register Field Descriptions**

| Bit   | Field         | Description  |
|-------|---------------|--|
| 31-24 | Reserved      | Reserved   |
| 23    | BYPASS        | Core PLL bypass enable <ul style="list-style-type: none"> <li>0 - Core PLL bypass disabled</li> <li>1 - Core PLL bypass enabled</li> </ul>   |
| 22-19 | OUTPUT DIVIDE | Output divider ratio bits <ul style="list-style-type: none"> <li>0h - ÷1. Divide frequency by 1</li> <li>1h - ÷2. Divide frequency by 2</li> <li>2h - invalid entry</li> <li>3h - ÷4. Divide frequency by 4</li> <li>4h - invalid entry</li> <li>5h - ÷6. Divide frequency by 6</li> <li>6h - invalid entry</li> <li>7h - ÷8. Divide frequency by 8</li> <li>8h - invalid entry</li> <li>9h - ÷10. Divide frequency by 10</li> <li>Ah - invalid entry</li> <li>Bh - ÷12. Divide frequency by 12</li> <li>Ch - invalid entry</li> <li>Dh - ÷14. Divide frequency by 14</li> <li>Eh - invalid entry</li> <li>Fh - ÷16. Divide frequency by 16</li> </ul> |
| 18-0  | Reserved      | Reserved   |



### 11.5.2.2 PLL Controller Divider Register (PLLDIV3, and PLLDIV4)

The PLL Controller Divider Registers (PLLDIV3 and PLLDIV4) are shown in [Figure 11-9](#) and described in [Table 11-17](#). The default values of the RATIO field on a reset for PLLDIV3, and PLLDIV4 are different as mentioned in the footnote of [Figure 11-9](#).

**Figure 11-9. PLL Controller Divider Register (PLLDIVn)**

|          |    |                      |          |   |                      |   |
|----------|----|----------------------|----------|---|----------------------|---|
| 31       | 16 | 15                   | 14       | 8 | 7                    | 0 |
| Reserved |    | Dn <sup>(1)</sup> EN | Reserved |   | RATIO                |   |
| R-0      |    | R/W-1                | R-0      |   | R/W-n <sup>(2)</sup> |   |

Legend: R/W = Read/Write; R = Read only; -n = value after reset

- (1) D3EN for PLLDIV3; D4EN for PLLDIV4
- (2) n=02h for PLLDIV3; n=03h for PLLDIV4

**Table 11-17. PLL Controller Divider Register Field Descriptions**

| Bit   | Field    | Description  |
|-------|----------|--|
| 31-16 | Reserved | Reserved   |
| 15    | DnEN     | Divider Dn enable bit (See footnote of <a href="#">Figure 11-9</a> ) <ul style="list-style-type: none"> <li>• 0 = Divider n is disabled</li> <li>• 1 = No clock output. Divider n is enabled.</li> </ul>   |
| 14-8  | Reserved | Reserved. The reserved bit location is always read as 0. A value written to this field has no effect.  |
| 7-0   | RATIO    | Divider ratio bits (See footnote of <a href="#">Figure 11-9</a> ) <ul style="list-style-type: none"> <li>• 0h = ÷1. Divide frequency by 1</li> <li>• 1h = ÷2. Divide frequency by 2</li> <li>• 2h = ÷3. Divide frequency by 3</li> <li>• 3h = ÷4. Divide frequency by 4</li> <li>• 4h - 4Fh = ÷5 to ÷80. Divide frequency range: divide frequency by 5 to divide frequency by 80.</li> </ul> |

### 11.5.2.3 PLL Controller Clock Align Control Register (ALNCTL)

The PLL Controller Clock Align Control Register (ALNCTL) is shown in [Figure 11-10](#) and described in [Table 11-18](#).

**Figure 11-10. PLL Controller Clock Align Control Register (ALNCTL)**

|          |   |       |       |          |   |
|----------|---|-------|-------|----------|---|
| 31       | 5 | 4     | 3     | 2        | 0 |
| Reserved |   | ALN4  | ALN3  | Reserved |   |
| R-0      |   | R/W-1 | R/W-1 | R-0      |   |

Legend: R/W = Read/Write; R = Read only; -n = value after reset, for reset value

**Table 11-18. PLL Controller Clock Align Control Register Field Descriptions**

| Bit         | Field        | Description  |
|-------------|--------------|--|
| 31-5<br>2-0 | Reserved     | Reserved. This location is always read as 0. A value written to this field has no effect.  |
| 4<br>3      | ALN4<br>ALN3 | SYSClKn alignment. Do not change the default values of these fields. <ul style="list-style-type: none"> <li>• 0 = Do not align SYSClKn to other SYSClKs during GO operation. If SYSn in DCHANGE is set, SYSClKn switches to the new ratio immediately after the GOSET bit in PLLCMD is set.</li> <li>• 1 = Align SYSClKn to other SYSClKs selected in ALNCTL when the GOSET bit in PLLCMD is set and SYSn in DCHANGE is 1. The SYSClKn rate is set to the ratio programmed in the RATIO bit in PLLDIVn.</li> </ul> |

### 11.5.2.4 PLLDIV Divider Ratio Change Status Register (DCHANGE)

Whenever a different ratio is written to the PLLDIV $n$  registers, the PLL CTL flags the change in the DCHANGE Status Register. During the GO operation, the PLL controller changes only the divide ratio of the SYSCLKs with the bit set in DCHANGE. Note that the ALNCTL Register determines if that clock also needs to be aligned to other clocks. The PLLDIV Divider Ratio Change Status Register is shown in [Figure 11-11](#) and described in [Table 11-19](#).

**Figure 11-11. PLLDIV Divider Ratio Change Status Register (DCHANGE)**

|          |          |   |       |       |          |   |
|----------|----------|---|-------|-------|----------|---|
| 31       | Reserved | 5 | 4     | 3     | 2        | 0 |
| Reserved |          |   | SYS4  | SYS3  | Reserved |   |
| R-0      |          |   | R/W-1 | R/W-1 | R-0      |   |

Legend: R/W = Read/Write; R = Read only; - $n$  = value after reset, for reset value

**Table 11-19. PLLDIV Divider Ratio Change Status Register Field Descriptions**

| Bit         | Field    | Description  |
|-------------|----------|--|
| 31-5<br>2-0 | Reserved | Reserved. This bit location is always read as 0. A value written to this field has no effect.  |
| 4           | SYS4     | Identifies when the SYSCLK $n$ divide ratio has been modified.   |
| 3           | SYS3     | <ul style="list-style-type: none"> <li>0 = SYSCLK<math>n</math> ratio has not been modified. When GOSET is set, SYSCLK<math>n</math> will not be affected.</li> <li>1 = SYSCLK<math>n</math> ratio has been modified. When GOSET is set, SYSCLK<math>n</math> will change to the new ratio.</li> </ul> |

### 11.5.2.5 SYSCLK Status Register (SYSTAT)

The SYSCLK Status Register (SYSTAT) shows the status of SYSCLK[4:1]. SYSTAT is shown in [Figure 11-12](#) and described in [Table 11-20](#).

**Figure 11-12. SYSCLK Status Register (SYSTAT)**

|          |          |   |        |        |        |        |
|----------|----------|---|--------|--------|--------|--------|
| 31       | Reserved | 4 | 3      | 2      | 1      | 0      |
| Reserved |          |   | SYS4ON | SYS3ON | SYS2ON | SYS1ON |
| R-n      |          |   | R-1    | R-1    | R-1    | R-1    |

Legend: R/W = Read/Write; R = Read only; - $n$  = value after reset

**Table 11-20. SYSCLK Status Register Field Descriptions**

| Bit  | Field                    | Description   |
|------|--------------------------|---|
| 31-4 | Reserved                 | Reserved. This location is always read as 0. A value written to this field has no effect.                                 |
| 3-0  | SYS[N <sup>(1)</sup> ]ON | SYSCLK[N] on status <ul style="list-style-type: none"> <li>0 = SYSCLK[N] is gated</li> <li>1 = SYSCLK[N] is on</li> </ul> |

(1) Where N = 1, 2, 3, or 4

### 11.5.2.6 Reset Type Status Register (RSTYPE)

The Reset Type Status (RSTYPE) Register latches the cause of the last reset. If multiple reset sources occur simultaneously, this register latches the highest priority reset source. The Reset Type Status Register is shown in [Figure 11-13](#) and described in [Table 11-21](#).

**Figure 11-13. Reset Type Status Register (RSTYPE)**

|          |    |         |          |    |          |   |          |   |            |       |     |
|----------|----|---------|----------|----|----------|---|----------|---|------------|-------|-----|
| 31       | 29 | 28      | 27       | 12 | 11       | 8 | 7        | 3 | 2          | 1     | 0   |
| Reserved |    | EMU-RST | Reserved |    | WDRST[N] |   | Reserved |   | PLLCTRLRST | RESET | POR |
| R-0      |    | R-0     | R-0      |    | R-0      |   | R-0      |   | R-0        | R-0   | R-0 |

LEGEND: R = Read only; - $n$  = value after reset

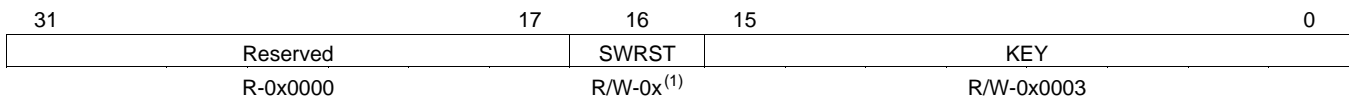
**Table 11-21. Reset Type Status Register Field Descriptions**

| Bit   | Field     | Description   |
|-------|-----------|---|
| 31-29 | Reserved  | Reserved. Always reads as 0. Writes have no effect.   |
| 28    | EMU-RST   | Reset initiated by emulation <ul style="list-style-type: none"> <li>• 0 = Not the last reset to occur</li> <li>• 1 = The last reset to occur</li> </ul>                         |
| 27-12 | Reserved  | Reserved. Always reads as 0. Writes have no effect.   |
| 11    | WDRST3    | Reset initiated by Watchdog Timer[N] <ul style="list-style-type: none"> <li>• 0 = Not the last reset to occur</li> <li>• 1 = The last reset to occur</li> </ul>                 |
| 10    | WDRST2    |   |
| 9     | WDRST1    |   |
| 8     | WDRST0    |   |
| 7-3   | Reserved  | Reserved. Always reads as 0. Writes have no effect.   |
| 2     | PLLCTLRST | Reset initiated by PLLCTL <ul style="list-style-type: none"> <li>• 0 = Not the last reset to occur</li> <li>• 1 = The last reset to occur</li> </ul>                            |
| 1     | RESET     | RESET reset <ul style="list-style-type: none"> <li>• 0 = RESET was not the last reset to occur</li> <li>• 1 = RESET was the last reset to occur</li> </ul>                      |
| 0     | POR       | Power-on reset <ul style="list-style-type: none"> <li>• 0 = Power-on reset was not the last reset to occur</li> <li>• 1 = Power-on reset was the last reset to occur</li> </ul> |

**11.5.2.7 Reset Control Register (RSTCTRL)**

This register contains a key that enables writes to the MSB of this register and the RSTCFG register. The key value is 0x5A69. A valid key will be stored as 0x000C. Any other key value is invalid. When the RSTCTRL or the RSTCFG is written, the key is invalidated. Every write must be set up with a valid key. The Software Reset Control Register (RSTCTRL) is shown in [Figure 11-14](#) and described in [Table 11-22](#).

**Figure 11-14. Reset Control Register (RSTCTRL)**



Legend: R = Read only; -n = value after reset;

(1) Writes are conditional based on valid key.

**Table 11-22. Reset Control Register Field Descriptions**

| Bit   | Field    | Description   |
|-------|----------|---|
| 31-17 | Reserved | Reserved  |
| 16    | SWRST    | Software reset <ul style="list-style-type: none"> <li>• 0 = Reset</li> <li>• 1 = Not reset</li> </ul> |
| 15-0  | KEY      | Key used to enable writes to RSTCTRL and RSTCFG.  |

**11.5.2.8 Reset Configuration Register (RSTCFG)**

This register is used to configure the type of reset (a hard reset or a soft reset) initiated by RESET, the watchdog timer, and the Core PLL Controller’s RSTCTRL Register. By default, these resets are hard resets. The Reset Configuration Register (RSTCFG) is shown in [Figure 11-15](#) and described in [Table 11-23](#).

**Figure 11-15. Reset Configuration Register (RSTCFG)**

|            |    |                      |                      |          |   |                          |   |
|------------|----|----------------------|----------------------|----------|---|--------------------------|---|
| 31         | 14 | 13                   | 12                   | 11       | 4 | 3                        | 0 |
| Reserved   |    | PLLCTLRSTTYPE        | RESETYPE             | Reserved |   | WDTYPE[N] <sup>(1)</sup> |   |
| R-0x000000 |    | R/W-0 <sup>(2)</sup> | R/W-0 <sup>(2)</sup> | R-0x0    |   | R/W-0x00 <sup>(2)</sup>  |   |

Legend: R = Read only; R/W = Read/Write; -n = value after reset

- (1) Where N = 1, 2, 3, ..., N (Not all these outputs may be used on a specific device.)  
 (2) Writes are conditional based on valid key. For details, see [Section 11.5.2.7](#).

**Table 11-23. Reset Configuration Register Field Descriptions**

| Bit              | Field                                    | Description  |
|------------------|--|--|
| 31-14            | Reserved                                 | Reserved   |
| 13               | PLLCTLRSTTYPE                            | PLL controller initiates a software-driven reset of type: <ul style="list-style-type: none"> <li>0 = Hard reset (default)</li> <li>1 = Soft reset</li> </ul> |
| 12               | RESETYPE                                 | RESE $\overline{T}$ initiates a reset of type: <ul style="list-style-type: none"> <li>0 = Hard reset (default)</li> <li>1 = Soft reset</li> </ul>            |
| 11-4             | Reserved                                 | Reserved   |
| 3<br>2<br>1<br>0 | WDTYPE3<br>WDTYPE2<br>WDTYPE1<br>WDTYPE0 | Watchdog timer [N] initiates a reset of type: <ul style="list-style-type: none"> <li>0 = Hard reset (default)</li> <li>1 = Soft reset</li> </ul>             |

### 11.5.2.9 Reset Isolation Register (RSISO)

This register is used to select the module clocks that must maintain their clocking without pausing through non-power-on reset. Setting any of these bits effectively blocks reset to all Core PLL Control Registers in order to maintain current values of PLL multiplier, divide ratios, and other settings. Along with setting the module-specific bit in RSISO, the corresponding MDCTLx[12] bit also needs to be set in the PSC to reset-isolate a particular module. For more information on the MDCTLx Register, see the *KeyStone Architecture Power Sleep Controller (PSC) User's Guide* ([SPRUGV4](#)). The Reset Isolation Register (RSISO) is shown in [Figure 11-16](#) and described in [Table 11-24](#).

**Figure 11-16. Reset Isolation Register (RSISO)**

|          |   |       |          |   |
|----------|---|-------|----------|---|
| 31       | 9 | 8     | 7        | 0 |
| Reserved |   | SRISO | Reserved |   |
| R-0      |   | R/W-0 | R-0      |   |

Legend: R = Read only; R/W = Read/Write; -n = value after reset

**Table 11-24. Reset Isolation Register Field Descriptions**

| Bit  | Field    | Description  |
|------|----------|--|
| 31-9 | Reserved | Reserved.  |
| 8    | SRISO    | Isolate SmartReflex control <ul style="list-style-type: none"> <li>0 = Not reset isolated</li> <li>1 = Reset isolated</li> </ul> |
| 7-0  | Reserved | Reserved   |

### 11.5.3 Core PLL Control Registers

The Core PLL uses two chip-level registers (COREPLLCTL0 and COREPLLCTL1) along with the Core PLL Controller for its configuration. These MMRs (memory-mapped registers) exist inside the Bootcfg space. To write to these registers, software should go through an unlocking sequence using the KICK0 and KICK1 registers. These registers reset only on a POR reset.

For valid configurable values of the COREPLLCTL registers, see [Section 9.1.4](#). See [Section 9.2.3.4](#) for the address location of the KICK registers and their locking and unlocking sequences.

See [Figure 11-17](#) and [Table 11-25](#) for COREPLLCTL0 details and [Figure 11-18](#) and [Table 11-26](#) for COREPLLCTL1 details.

**Figure 11-17. Core PLL Control Register 0 (COREPLLCTL0)**

|               |    |             |    |    |             |    |             |   |            |
|---------------|----|-------------|----|----|-------------|----|-------------|---|------------|
| 31            | 24 | 23          | 19 | 18 | 12          | 11 | 6           | 5 | 0          |
| BWADJ[7:0]    |    | Reserved    |    |    | PLLM[12:6]  |    | Reserved    |   | PLLD       |
| RW,+0000 0101 |    | RW - 0000 0 |    |    | RW,+0000000 |    | RW, +000000 |   | RW,+000000 |

Legend: RW = Read/Write; -n = value after reset

**Table 11-25. Core PLL Control Register 0 (COREPLLCTL0) Field Descriptions**

| Bit   | Field      | Description  |
|-------|------------|--|
| 31-24 | BWADJ[7:0] | BWADJ[11:8] and BWADJ[7:0] are located in COREPLLCTL0 and COREPLLCTL1 registers. BWADJ[11:0] should be programmed to a value related to PLLM[12:0] value based on the equation: $BWADJ = ((PLLM+1) \gg 1) - 1$ .   |
| 23-19 | Reserved   | Reserved   |
| 18-12 | PLLM[12:6] | 7 bits of a 13-bit field PLLM that selects the values for the multiplication factor. PLLM field is loaded with the multiply factor minus 1.<br><br>The PLLM[5:0] bits of the multiplier are controlled by the PLLM register inside the PLL Controller and the PLLM[12:6] bits are controlled by the above chip-level register. COREPLLCTL0 register PLLM[12:6] bits should be written just before writing to PLLM register PLLM[5:0] bits in the controller to have the complete 13 bit value latched when the GO operation is initiated in the PLL controller. See the <i>KeyStone Architecture Phase Locked Loop (PLL) Controller User's Guide (SPRUGV2)</i> for the recommended programming sequence. Output Divide ratio and Bypass enable/disable of the Core PLL is also controlled by the SECCTL register in the PLL Controller. See the <a href="#">Section 11.5.2.1</a> for more details. |
| 11-6  | Reserved   | Reserved   |
| 5-0   | PLLD       | A 6-bit field that selects the values for the reference divider. PLLD field is loaded with reference divide value minus 1.   |

**Figure 11-18. Core PLL Control Register 1 (COREPLLCTL1)**

|                               |   |   |   |       |          |   |             |
|-------------------------------|---|---|---|-------|----------|---|-------------|
| 31                            | 7 | 6 | 5 | 4     | 3        | 0 |             |
| Reserved                      |   |   |   | ENSAT | Reserved |   | BWADJ[11:8] |
| RW - 000000000000000000000000 |   |   |   | RW-0  | R-00     |   | RW- 0000    |

Legend: RW = Read/Write; -n = value after reset

**Table 11-26. Core PLL Control Register 1 (COREPLLCTL1) Field Descriptions**

| Bit  | Field       | Description  |
|------|-------------|--|
| 31-7 | Reserved    | Reserved   |
| 6    | ENSAT       | Needs to be set to 1 for proper PLL operation  |
| 5-4  | Reserved    | Reserved   |
| 3-0  | BWADJ[11:8] | BWADJ[11:8] and BWADJ[7:0] are located in COREPLLCTL0 and COREPLLCTL1 registers. BWADJ[11:0] should be programmed to a value related to PLLM[12:0] value based on the equation: $BWADJ = ((PLLM+1) \gg 1) - 1$ . |

### 11.5.4 Core PLL Controller/SGMII/XFI/TSREF/HyperLink/PCIe/USB Clock Input Electrical Data/Timing

**Table 11-27. Core PLL Controller/SGMII/XFI/TSREF/HyperLink/PCIe/USB Clock Input Timing Requirements<sup>(1)</sup>**

(see [Figure 11-19](#) through [Figure 11-21](#))

| NO.                    |                     |   | MIN                 | MAX                 | UNIT    |
|------------------------|---------------------|---|---------------------|---------------------|---------|
| <b>CORECLK[P:N]</b>    |                     |   |                     |                     |         |
| 1                      | tc(CORECLKN)        | Cycle time CORECLKN cycle time                            | 3.2                 | 25                  | ns      |
| 1                      | tc(CORECLKP)        | Cycle time CORECLKP cycle time                            | 3.2                 | 25                  | ns      |
| 3                      | tw(CORECLKN)        | Pulse width CORECLKN high                                 | 0.45*tc             | 0.55*tc             | ns      |
| 2                      | tw(CORECLKN)        | Pulse width CORECLKN low                                  | 0.45*tc             | 0.55*tc             | ns      |
| 2                      | tw(CORECLKP)        | Pulse width CORECLKP high                                 | 0.45*tc             | 0.55*tc             | ns      |
| 3                      | tw(CORECLKP)        | Pulse width CORECLKP low                                  | 0.45*tc             | 0.55*tc             | ns      |
| 4                      | tr(CORECLK_200 mV)  | Transition time CORECLK differential rise time (200 mV)   | 50                  | 350                 | ps      |
| 4                      | tf(CORECLK_200 mV)  | Transition time CORECLK differential fall time (200 mV)   | 50                  | 350                 | ps      |
| 5                      | tj(CORECLKN)        | Jitter, peak_to_peak _ periodic CORECLKN                  |                     | 0.02*tc(CORECLKN)   | ps      |
| 5                      | tj(CORECLKP)        | Jitter, peak_to_peak _ periodic CORECLKP                  |                     | 0.02*tc(CORECLKP)   | ps      |
| <b>SGMII0CLK[P:N]</b>  |                     |   |                     |                     |         |
| 1                      | tc(SGMII0CLKN)      | Cycle time SGMII0CLKN cycle time                          | 3.2 or 6.4 or 8     |                     | ns      |
| 1                      | tc(SGMII0CLKP)      | Cycle time SGMII0CLKP cycle time                          | 3.2 or 6.4 or 8     |                     | ns      |
| 3                      | tw(SGMII0CLKN)      | Pulse width SGMII0CLKN high                               | 0.45*tc(SGMII0CLKN) | 0.55*tc(SGMII0CLKN) | ns      |
| 2                      | tw(SGMII0CLKN)      | Pulse width SGMII0CLKN low                                | 0.45*tc(SGMII0CLKN) | 0.55*tc(SGMII0CLKN) | ns      |
| 2                      | tw(SGMII0CLKP)      | Pulse width SGMII0CLKP high                               | 0.45*tc(SGMII0CLKP) | 0.55*tc(SGMII0CLKP) | ns      |
| 3                      | tw(SGMII0CLKP)      | Pulse width SGMII0CLKP low                                | 0.45*tc(SGMII0CLKP) | 0.55*tc(SGMII0CLKP) | ns      |
| 4                      | tr(SGMII0CLK_200mV) | Transition time SGMII0CLK differential rise time (200 mV) | 50                  | 350                 | ps      |
| 4                      | tf(SGMII0CLK_200mV) | Transition time SGMII0CLK differential fall time (200 mV) | 50                  | 350                 | ps      |
| 5                      | tj(SGMII0CLKN)      | Jitter, RMS SGMII0CLKN                                    |                     | 4                   | ps, RMS |
| 5                      | tj(SGMII0CLKP)      | Jitter, RMS SGMII0CLKP                                    |                     | 4                   | ps, RMS |
| <b>XFICLK[P:N]</b>     |                     |   |                     |                     |         |
| 1                      | tc(XFICLK)          | Cycle time XFICLK cycle time                              | 3.2 or 6.4          |                     | ns      |
| 1                      | tc(XFICLKP)         | Cycle time XFICLKP cycle time                             | 3.2 or 6.4          |                     | ns      |
| 3                      | tw(XFICLK)          | Pulse width XFICLK high                                   | 0.45*tc(XFICLK)     | 0.55*tc(XFICLK)     | ns      |
| 2                      | tw(XFICLK)          | Pulse width XFICLK low                                    | 0.45*tc(XFICLK)     | 0.55*tc(XFICLK)     | ns      |
| 2                      | tw(XFICLKP)         | Pulse width XFICLKP high                                  | 0.45*tc(XFICLKP)    | 0.55*tc(XFICLKP)    | ns      |
| 3                      | tw(XFICLKP)         | Pulse width XFICLKP low                                   | 0.45*tc(XFICLKP)    | 0.55*tc(XFICLKP)    | ns      |
| 4                      | tr(XFICLK_200mV)    | Transition time XFICLK differential rise time (200 mV)    | 50                  | 350                 | ps      |
| 4                      | tf(XFICLK_200mV)    | Transition time XFICLK differential fall time (200 mV)    | 50                  | 350                 | ps      |
| 5                      | tj(XFICLK)          | Jitter, RMS XFICLK  |                     | 4                   | ps, RMS |
| 5                      | tj(XFICLKP)         | Jitter, RMS XFICLKP                                       |                     | 4                   | ps, RMS |
| <b>HYPLNK0CLK[P:N]</b> |                     |   |                     |                     |         |

(1) See the *Hardware Design Guide for KeyStone II Devices* application report ([SPRABV0](#)) for detailed recommendations.

**Table 11-27. Core PLL Controller/SGMII/XFI/TSREF/HyperLink/PCIe/USB Clock Input Timing Requirements<sup>(1)</sup> (continued)**

(see Figure 11-19 through Figure 11-21)

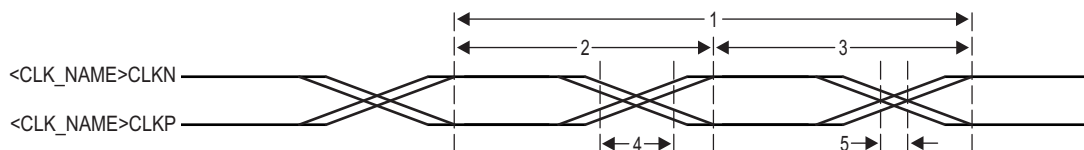
| NO.                                |                 |  | MIN                  | MAX                  | UNIT      |
|------------------------------------|-----------------|--|----------------------|----------------------|-----------|
| 1                                  | tc(HYPLNK0CLKN) | Cycle time HYPLNK0CLKN cycle time                        | 3.2 or 6.4           |                      | ns        |
| 1                                  | tc(HYPLNK0CLKP) | Cycle time HYPLNK0CLKP cycle time                        | 3.2 or 6.4           |                      | ns        |
| 3                                  | tw(HYPLNK0CLKN) | Pulse width HYPLNK0CLKN high                             | 0.45*tc(HYPLNK0CLKN) | 0.55*tc(HYPLNK0CLKN) | ns        |
| 2                                  | tw(HYPLNK0CLKN) | Pulse width HYPLNK0CLKN low                              | 0.45*tc(HYPLNK0CLKN) | 0.55*tc(HYPLNK0CLKN) | ns        |
| 2                                  | tw(HYPLNK0CLKP) | Pulse width HYPLNK0CLKP high                             | 0.45*tc(HYPLNK0CLKP) | 0.55*tc(HYPLNK0CLKP) | ns        |
| 3                                  | tw(HYPLNK0CLKP) | Pulse width HYPLNK0CLKP low                              | 0.45*tc(HYPLNK0CLKP) | 0.55*tc(HYPLNK0CLKP) | ns        |
| 4                                  | tr(HYPLNK0CLK)  | Rise time HYPLNK0CLK differential rise time (10% to 90%) | 0.2*tc(HYPLNK0CLKP)  |                      | ps        |
| 4                                  | tf(HYPLNK0CLK)  | Fall time HYPLNK0CLK differential fall time (10% to 90%) | 0.2*tc(HYPLNK0CLKP)  |                      | ps        |
| 5                                  | tj(HYPLNK0CLKN) | Jitter, RMS HYPLNK0CLKN                                  |                      |                      | 4 ps, RMS |
| 5                                  | tj(HYPLNK0CLKP) | Jitter, RMS HYPLNK0CLKP                                  |                      |                      | 4 ps, RMS |
| <b>PCIECLK[P:N]</b>                |                 |  |                      |                      |           |
| 1                                  | tc(PCIECLKN)    | Cycle time PCIECLKN cycle time                           | 10                   | 10                   | ns        |
| 1                                  | tc(PCIECLKP)    | Cycle time PCIECLKP cycle time                           | 10                   | 10                   | ns        |
| 3                                  | tw(PCIECLKN)    | Pulse width PCIECLKN high                                | 0.45*tc(PCIECLKN)    | 0.55*tc(PCIECLKN)    | ns        |
| 2                                  | tw(PCIECLKN)    | Pulse width PCIECLKN low                                 | 0.45*tc(PCIECLKN)    | 0.55*tc(PCIECLKN)    | ns        |
| 2                                  | tw(PCIECLKP)    | Pulse width PCIECLKP high                                | 0.45*tc(PCIECLKP)    | 0.55*tc(PCIECLKP)    | ns        |
| 3                                  | tw(PCIECLKP)    | Pulse width PCIECLKP low                                 | 0.45*tc(PCIECLKP)    | 0.55*tc(PCIECLKP)    | ns        |
| 4                                  | tr(PCIECLK)     | Rise time PCIECLK differential rise time (10% to 90%)    | 0.2*tc(PCIECLKP)     |                      | ps        |
| 4                                  | tf(PCIECLK)     | Fall time PCIECLK differential fall time (10% to 90%)    | 0.2*tc(PCIECLKP)     |                      | ps        |
| 5                                  | tj(PCIECLKN)    | Jitter, RMS PCIECLKN                                     |                      |                      | 4 ps, RMS |
| 5                                  | tj(PCIECLKP)    | Jitter, RMS PCIECLKP                                     |                      |                      | 4 ps, RMS |
| <b>USBCLK[P:M]</b>                 |                 |  |                      |                      |           |
| 1                                  | tc(USBCLKN)     | Cycle time USBCLKM cycle time                            | 10                   | 10                   | ns        |
| 1                                  | tc(USBCLKP)     | Cycle time USBCLKP cycle time                            | 10                   | 10                   | ns        |
| 3                                  | tw(USBCLKN)     | Pulse width USBCLKM high                                 | 0.45*tc(USBCLKN)     | 0.55*tc(USBCLKN)     | ns        |
| 2                                  | tw(USBCLKN)     | Pulse width USBCLKM low                                  | 0.45*tc(USBCLKN)     | 0.55*tc(USBCLKN)     | ns        |
| 2                                  | tw(USBCLKP)     | Pulse width USBCLKP high                                 | 0.45*tc(USBCLKP)     | 0.55*tc(USBCLKP)     | ns        |
| 3                                  | tw(USBCLKP)     | Pulse width USBCLKP low                                  | 0.45*tc(USBCLKP)     | 0.55*tc(USBCLKP)     | ns        |
| 4                                  | tr(USBCLK)      | Rise time USBCLK differential rise time (10% to 90%)     | 50                   | 350                  | ps        |
| 4                                  | tf(USBCLK)      | Fall time USBCLK differential fall time (10% to 90%)     | 50                   | 350                  | ps        |
| 5                                  | tj(USBCLKN)     | Jitter, RMS USBCLKM                                      |                      |                      | 4 ps, RMS |
| 5                                  | tj(USBCLKP)     | Jitter, RMS USBCLKP                                      |                      |                      | 4 ps, RMS |
| <b>TSREFCLK[P:N]<sup>(2)</sup></b> |                 |  |                      |                      |           |
| 1                                  | tc(TSREFCLKN)   | Cycle time TSREFCLKN cycle time                          | 3.25                 | 32.55                | ns        |
| 1                                  | tc(TSREFCLKP)   | Cycle time TSREFCLKP cycle time                          | 3.25                 | 32.55                | ns        |
| 3                                  | tw(TSREFCLKN)   | Pulse width TSREFCLKN high                               | 0.45*tc(TSREFCLKN)   | 0.55*tc(TSREFCLKN)   | ns        |

(2) TSREFCLK clock input is LVDS compliant.

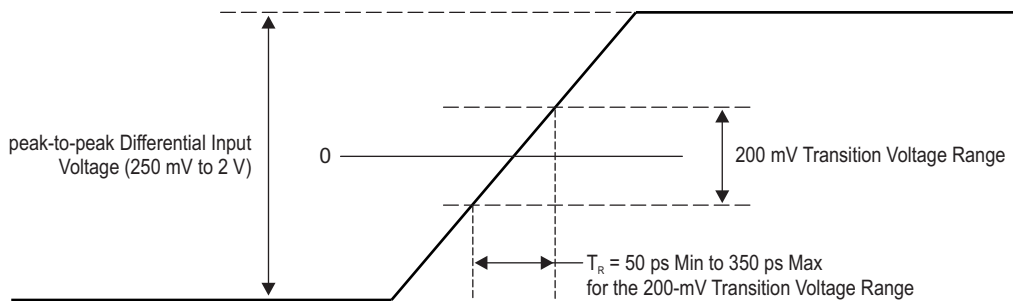
**Table 11-27. Core PLL Controller/SGMII/XFI/TSREF/HyperLink/PCIe/USB Clock Input Timing Requirements<sup>(1)</sup> (continued)**

(see Figure 11-19 through Figure 11-21)

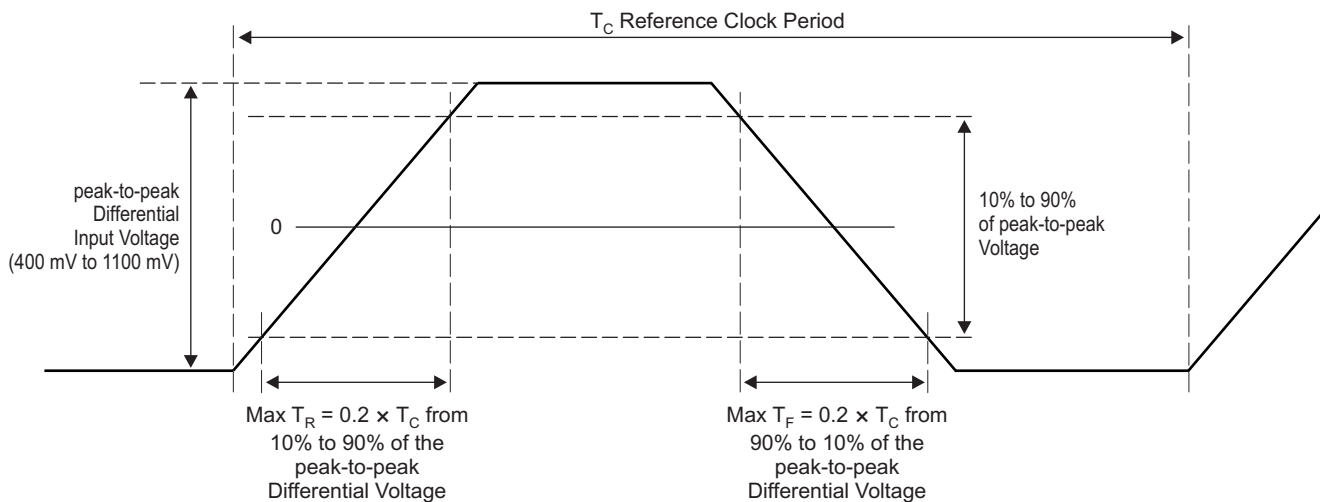
| NO. |                    |  | MIN                                | MAX                                | UNIT    |
|-----|--------------------|--|------------------------------------|------------------------------------|---------|
| 2   | tw(TSREFCLKN)      | Pulse width TSREFCLKN low                                | $0.45 \cdot t_c(\text{TSREFCLKN})$ | $0.55 \cdot t_c(\text{TSREFCLKN})$ | ns      |
| 2   | tw(TSREFCLKP)      | Pulse width TSREFCLKP high                               | $0.45 \cdot t_c(\text{TSREFCLKP})$ | $0.55 \cdot t_c(\text{TSREFCLKP})$ | ns      |
| 3   | tw(TSREFCLKP)      | Pulse width TSREFCLKP low                                | $0.45 \cdot t_c(\text{TSREFCLKP})$ | $0.55 \cdot t_c(\text{TSREFCLKP})$ | ns      |
| 4   | tr(TSREFCLK_200mV) | Transition time TSREFCLK differential rise time (200 mV) | 50                                 | 350                                | ps      |
| 4   | tf(TSREFCLK_200mV) | Transition time TSREFCLK differential fall time (200 mV) | 50                                 | 350                                | ps      |
| 5   | tj(TSREFCLKN)      | Jitter, RMS TSREFCLKN                                    |                                    | 5.8                                | ps, RMS |
| 5   | tj(TSREFCLKP)      | Jitter, RMS TSREFCLKP                                    |                                    | 5.8                                | ps, RMS |



**Figure 11-19. Clock Input Timing**



**Figure 11-20. CORECLK, SGMII0CLK and USBCLK Clock Transition Time**



**Figure 11-21. HYPLNK0CLK, XFICLK, and PCIECLK Rise and Fall Times**

**11.6 DDR3 PLL**



The DDR3 PLL generates interface clocks for the DDR3 memory controller. When coming out of power-on reset, DDR3 PLL is programmed to a valid frequency during the boot configuration process before being enabled and used.

DDR3 PLL power is supplied via the DDR3 PLL power-supply pin (AVDDA2). An external EMI filter circuit must be added to all PLL supplies. See the *Hardware Design Guide for KeyStone II Devices* application report ([SPRABV0](#)) for detailed recommendations.

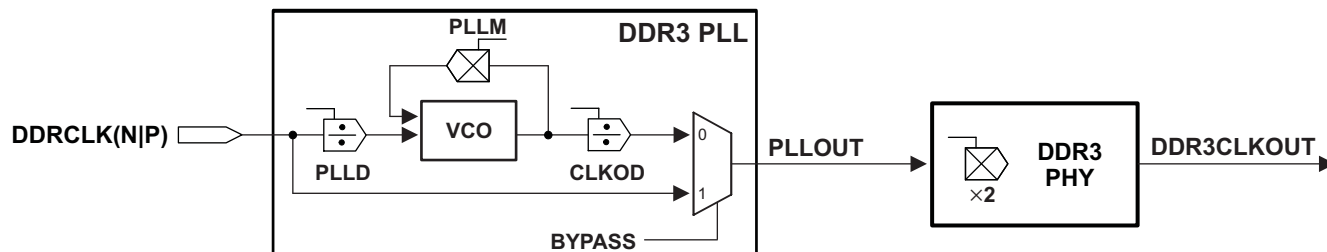


Figure 11-22. DDR3 PLL Block Diagram

### 11.6.1 DDR3 PLL Control Registers

The DDR3 PLL, which is used to drive the DDR3 PHY for the EMIF, does not use a PLL controller. DDR3 PLL can be controlled using the DDR3PLLCTL0 and DDR3PLLCTL1 registers located in the Bootcfg module. These MMRs (memory-mapped registers) exist inside the Bootcfg space. To write to these registers, software must go through an unlocking sequence using the KICK0 and KICK1 registers. For suggested configurable values, see [Section 9.1.4](#). See [Section 9.2.3.4](#) for the address location of the registers and locking and unlocking sequences for accessing the registers. These registers are reset on POR only.

Figure 11-23. DDR3 PLL Control Register 0 (DDR3PLLCTL0)

|               |        |          |                   |    |    |            |   |   |
|---------------|--------|----------|-------------------|----|----|------------|---|---|
| 31            | 24     | 23       | 22                | 19 | 18 | 6          | 5 | 0 |
| BWADJ[7:0]    | BYPASS | CLKOD    | PLLM              |    |    | PLLD       |   |   |
| RW,+0000 1001 | RW,+0  | RW,+0001 | RW,+0000000010011 |    |    | RW,+000000 |   |   |

Legend: RW = Read/Write; -n = value after reset

Table 11-28. DDR3 PLL Control Register 0 Field Descriptions

| Bit   | Field      | Description  |
|-------|------------|--|
| 31-24 | BWADJ[7:0] | BWADJ[11:8] and BWADJ[7:0] are located in DDR3PLLCTL0 and DDR3PLLCTL1 registers. BWADJ[11:0] should be programmed to a value related to PLLM[12:0] value based on the equation: BWADJ = ((PLLM+1)>>1) - 1. |
| 23    | BYPASS     | Enable bypass mode <ul style="list-style-type: none"> <li>0 = Bypass disabled</li> <li>1 = Bypass enabled</li> </ul>   |
| 22-19 | CLKOD      | A 4-bit field that selects the values for the PLL post divider. Valid post divider values are 1 and even values from 2 to 16. CLKOD field is loaded with output divide value minus 1                       |
| 18-6  | PLLM       | A 13-bit field that selects the values for the PLL multiplication factor. PLLM field is loaded with the multiply factor minus 1  |
| 5-0   | PLLD       | A 6-bit field that selects the values for the reference (input) divider. PLLD field is loaded with reference divide value minus 1  |

**Figure 11-24. DDR3 PLL Control Register 1 (DDR3PLLCTL1)**

|                       |    |         |            |   |       |          |   |             |   |
|-----------------------|----|---------|------------|---|-------|----------|---|-------------|---|
| 31                    | 15 | 14      | 13         | 7 | 6     | 5        | 4 | 3           | 0 |
| Reserved              |    | PLL_RST | Reserved   |   | ENSAT | Reserved |   | BWADJ[11:8] |   |
| RW - 0000000000000000 |    | RW-0    | RW-0000000 |   | RW-0  | R-00     |   | RW- 0000    |   |

Legend: RW = Read/Write; -n = value after reset

**Table 11-29. DDR3 PLL Control Register 1 Field Descriptions**

| Bit   | Field       | Description  |
|-------|-------------|--|
| 31-15 | Reserved    | Reserved   |
| 14    | PLL_RST     | PLL Reset bit <ul style="list-style-type: none"> <li>0 = PLL Reset is released</li> <li>1 = PLL Reset is asserted</li> </ul>   |
| 13-7  | Reserved    | Reserved   |
| 6     | ENSAT       | Needs to be set to 1 for proper PLL operation  |
| 5-4   | Reserved    | Reserved   |
| 3-0   | BWADJ[11:8] | BWADJ[11:8] and BWADJ[7:0] are located in the DDR3PLLCTL0 and the DDR3PLLCTL1 registers. BWADJ[11:0] should be programmed to a value related to PLLM[12:0] value based on the equation: BWADJ = ((PLLM+1)>>1) - 1. |

### 11.6.2 DDR3 PLL Device-Specific Information

As shown in [Figure 11-22](#), the output of DDR3 PLL (PLLOUT) is divided by 2 and directly fed to the DDR3 memory controller. During power-on resets, the internal clocks of the DDR3 PLL are affected as described in [Section 11.4](#). The DDR3 PLL is unlocked only during the power-up sequence and is locked by the time the RESETSTAT pin goes high. It does not lose lock during any of the other resets.

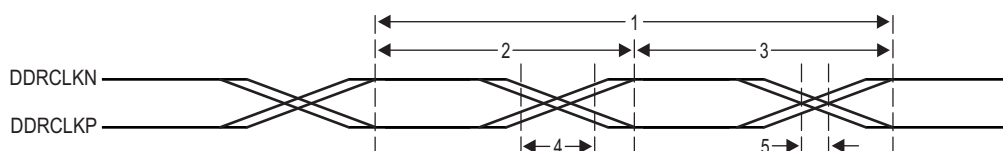
### 11.6.3 DDR3 PLL Input Clock Electrical Data/Timing

[Table 11-30](#) applies to DDR3 memory interface.

**Table 11-30. DDR3 PLL DDRCLK(N|P) Timing Requirements**

(see [Figure 11-25](#) and [Figure 11-20](#))

| No.                |                   |  | Min              | Max              | Unit |
|--------------------|-------------------|--|------------------|------------------|------|
| <b>DDRCLK[P:N]</b> |                   |  |                  |                  |      |
| 1                  | tc(DDRCLKN)       | Cycle time _ DDRCLKN cycle time                          | 3.2              | 25               | ns   |
| 1                  | tc(DDRCLKP)       | Cycle time _ DDRCLKP cycle time                          | 3.2              | 25               | ns   |
| 3                  | tw(DDRCLKN)       | Pulse width _ DDRCLKN high                               | 0.45*tc(DDRCLKN) | 0.55*tc(DDRCLKN) | ns   |
| 2                  | tw(DDRCLKN)       | Pulse width _ DDRCLKN low                                | 0.45*tc(DDRCLKN) | 0.55*tc(DDRCLKN) | ns   |
| 2                  | tw(DDRCLKP)       | Pulse width _ DDRCLKP high                               | 0.45*tc(DDRCLKP) | 0.55*tc(DDRCLKP) | ns   |
| 3                  | tw(DDRCLKP)       | Pulse width _ DDRCLKP low                                | 0.45*tc(DDRCLKP) | 0.55*tc(DDRCLKP) | ns   |
| 4                  | tr(DDRCLK_200 mV) | Transition time _ DDRCLK differential rise time (200 mV) | 50               | 350              | ps   |
| 4                  | tf(DDRCLK_200 mV) | Transition time _ DDRCLK differential fall time (200 mV) | 50               | 350              | ps   |
| 5                  | tj(DDRCLKN)       | Jitter, peak_to_peak _ periodic DDRCLKN                  |                  | 0.02*tc(DDRCLKN) | ps   |
| 5                  | tj(DDRCLKP)       | Jitter, peak_to_peak _ periodic DDRCLKP                  |                  | 0.02*tc(DDRCLKP) | ps   |

**Figure 11-25. DDR3 PLL DDRCLK Timing**

## 11.7 NETCP PLL

The NETCP PLL generates interface clocks for the Network Coprocessor. Using the NETCPCLKSEL pin the user can select the input source of the NETCP PLL as either the output of the Core PLL mux or the NETCPCLK clock reference source. When coming out of power-on reset, NETCP PLL comes out in a bypass mode and needs to be programmed to a valid frequency before being enabled and used.

NETCP PLL power is supplied via the NETCP PLL power-supply pin (AVDDA3). An external EMI filter circuit must be added to all PLL supplies. See the *Hardware Design Guide for KeyStone II Devices* application report ([SPRABV0](#)) for detailed recommendations.

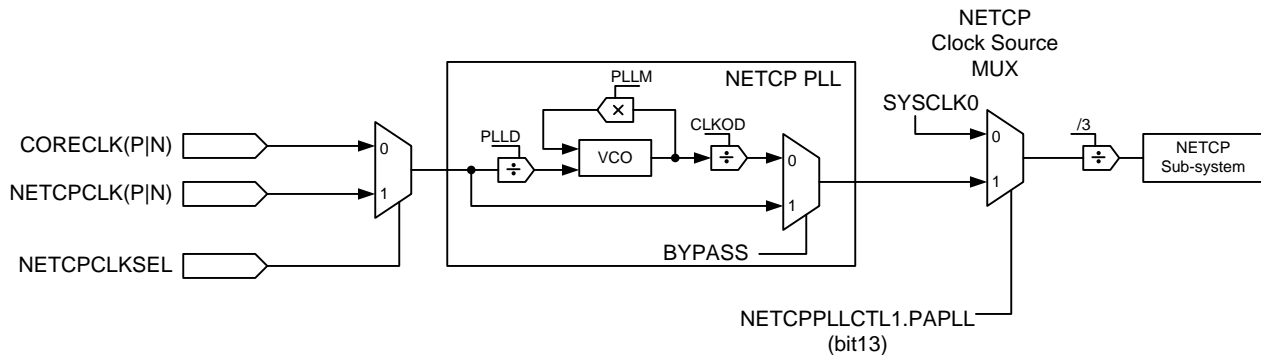


Figure 11-26. NETCP PLL Block Diagram

### 11.7.1 NETCP PLL Local Clock Dividers

The clock signal from the NETCP PLL Controller is routed to the Network Coprocessor. The NETCP module has two internal dividers with fixed division ratios. See table [Table 11-31](#).

### 11.7.2 NETCP PLL Control Registers

The NETCP PLL, which is used to drive the Network Coprocessor, does not use a PLL controller. NETCP PLL can be controlled using the NETCPPLLCTL0 and NETCPPLLCTL1 registers located in the Bootcfg module. These MMRs (memory-mapped registers) exist inside the Bootcfg space. To write to these registers, software must go through an unlocking sequence using the KICK0 and KICK1 registers. For suggested configuration values, see [Section 9.1.4](#). See [Section 9.2.3.4](#) for the address location of the registers and locking and unlocking sequences for accessing these registers. These registers are reset on POR only.

Figure 11-27. NETCP PLL Control Register 0 (NETCPPLLCTL0)

|               |    |        |          |                   |    |            |   |   |
|---------------|----|--------|----------|-------------------|----|------------|---|---|
| 31            | 24 | 23     | 22       | 19                | 18 | 6          | 5 | 0 |
| BWADJ[7:0]    |    | BYPASS | CLKOD    | PLLM              |    | PLLD       |   |   |
| RW,+0000 1001 |    | RW,+0  | RW,+0001 | RW,+0000000010011 |    | RW,+000000 |   |   |

Legend: RW = Read/Write; -n = value after reset

Table 11-31. NETCP PLL Control Register 0 Field Descriptions (NETCPPLLCTL0)

| Bit   | Field      | Description  |
|-------|------------|--|
| 31-24 | BWADJ[7:0] | BWADJ[11:8] and BWADJ[7:0] are located in NETCPPLLCTL0 and NETCPPLLCTL1 registers. BWADJ[11:0] should be programmed to a value related to PLLM[12:0] value based on the equation: $BWADJ = ((PLLM+1) \gg 1) - 1$ . |
| 23    | BYPASS     | Enable bypass mode <ul style="list-style-type: none"> <li>0 = Bypass disabled</li> <li>1 = Bypass enabled</li> </ul>   |
| 22-19 | CLKOD      | A 4-bit field that selects the values for the PLL post divider. Valid post divider values are 1 and even values from 2 to 16. CLKOD field is loaded with output divide value minus 1                               |

**Table 11-31. NETCP PLL Control Register 0 Field Descriptions (NETCPPLLCTL0) (continued)**

| Bit  | Field | Description  |
|------|-------|--|
| 18-6 | PLLM  | A 13-bit field that selects the values for the multiplication factor. PLLM field is loaded with the multiply factor minus 1. |
| 5-0  | PLLD  | A 6-bit field that selects the values for the reference divider. PLLD field is loaded with reference divide value minus 1.   |

**Figure 11-28. NETCP PLL Control Register 1 (NETCPPLLCTL1)**

| 31                    | 15 | 14     | 13    | 12        | 7     | 6        | 5        | 4 | 3           | 0 |
|-----------------------|----|--------|-------|-----------|-------|----------|----------|---|-------------|---|
| Reserved              |    | PLLRST | PAPLL | Reserved  | ENSAT | Reserved | Reserved |   | BWADJ[11:8] |   |
| RW - 0000000000000000 |    | RW-0   | RW-0  | RW-000000 | RW-0  | R-00     | R-00     |   | RW-0000     |   |

Legend: RW = Read/Write; -n = value after reset

**Table 11-32. NETCP PLL Control Register 1 Field Descriptions (NETCPPLLCTL1)**

| Bit   | Field       | Description  |
|-------|-------------|--|
| 31-15 | Reserved    | Reserved   |
| 14    | PLLRST      | PLL Reset bit <ul style="list-style-type: none"> <li>0 = PLL Reset is released</li> <li>1 = PLL Reset is asserted</li> </ul>   |
| 13    | PAPLL       | NETCP Clock Source MUX Control <ul style="list-style-type: none"> <li>0 = SYSCLK0</li> <li>1 = NETCP PLL</li> </ul>  |
| 12-7  | Reserved    | Reserved   |
| 6     | ENSAT       | Needs to be set to 1 for proper PLL operation  |
| 5-4   | Reserved    | Reserved   |
| 3-0   | BWADJ[11:8] | BWADJ[11:8] and BWADJ[7:0] are located in NETCPPLLCTL0 and NETCPPLLCTL1 registers. BWADJ[11:0] should be programmed to a value related to PLLM[12:0] value based on the equation: BWADJ = ((PLLM+1)>>1) - 1. |

### 11.7.3 NETCP PLL Device-Specific Information

As shown in [Figure 11-26](#), the output of NETCP PLL (PLLOUT) is divided by 3 and directly fed to the Network Coprocessor. During power-on resets, the internal clocks of the NETCP PLL are affected as described in [Section 11.4](#). The NETCP PLL is unlocked only during the power-up sequence and is locked by the time the `RESETSTAT` pin goes high. It does not lose lock during any other resets.

### 11.7.4 NETCP PLL Input Clock Electrical Data/Timing

**Table 11-33. NETCP PLL Timing Requirements**(see [Figure 11-29](#) and [Figure 11-20](#))

| NO.                  |                    |  | MIN                | MAX                | UNIT      |
|----------------------|--------------------|--|--------------------|--------------------|-----------|
| <b>NETCPCLK[P:N]</b> |                    |  |                    |                    |           |
| 1                    | tc(NETCPCLKN)      | Cycle time _ NETCPCLKN cycle time                          | 3.2                | 25                 | ns        |
| 1                    | tc(NETCPCLKP)      | Cycle time _ NETCPCLKP cycle time                          | 3.2                | 25                 | ns        |
| 3                    | tw(NETCPCLKN)      | Pulse width _ NETCPCLKN high                               | 0.45*tc(NETCPCLKN) | 0.55*tc(NETCPCLKN) | ns        |
| 2                    | tw(NETCPCLKN)      | Pulse width _ NETCPCLKN low                                | 0.45*tc(NETCPCLKN) | 0.55*tc(NETCPCLKN) | ns        |
| 2                    | tw(NETCPCLKP)      | Pulse width _ NETCPCLKP high                               | 0.45*tc(NETCPCLKP) | 0.55*tc(NETCPCLKP) | ns        |
| 3                    | tw(NETCPCLKP)      | Pulse width _ NETCPCLKP low                                | 0.45*tc(NETCPCLKP) | 0.55*tc(NETCPCLKP) | ns        |
| 4                    | tr(NETCPCLK_250mV) | Transition time _ NETCPCLK differential rise time (250 mV) | 50                 | 350                | ps        |
| 4                    | tf(NETCPCLK_250mV) | Transition time _ NETCPCLK differential fall time (250 mV) | 50                 | 350                | ps        |
| 5                    | tj(NETCPCLKN)      | Jitter, peak_to_peak _ periodic NETCPCLKN                  |                    | 100                | ps, pk-pk |
| 5                    | tj(NETCPCLKP)      | Jitter, peak_to_peak _ periodic NETCPCLKP                  |                    | 100                | ps, pk-pk |

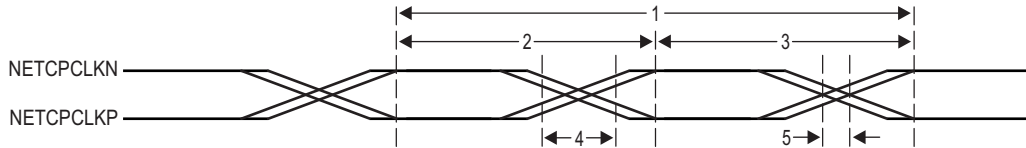


Figure 11-29. NETCP PLL Timing

## 11.8 External Interrupts

### 11.8.1 External Interrupts Electrical Data/Timing

Table 11-34.  $\overline{\text{NMI}}$  and  $\overline{\text{LRESET}}$  Timing Requirements<sup>(1)</sup>

(see Figure 11-30)

| No. |  | Setup time - $\overline{\text{LRESET}}$ valid before $\overline{\text{LRESETNMIEN}}$ low | Min  | Max | Unit |
|-----|--|--|------|-----|------|
| 1   | $t_{su}(\overline{\text{LRESET}}-\overline{\text{LRESETNMIEN}})$ | Setup time - $\overline{\text{LRESET}}$ valid before $\overline{\text{LRESETNMIEN}}$ low | 12*P |     | ns   |
| 1   | $t_{su}(\overline{\text{NMI}}-\overline{\text{LRESETNMIEN}})$    | Setup time - $\overline{\text{NMI}}$ valid before $\overline{\text{LRESETNMIEN}}$ low    | 12*P |     | ns   |
| 2   | $t_h(\overline{\text{LRESETNMIEN}}-\overline{\text{LRESET}})$    | Hold time - $\overline{\text{LRESET}}$ valid after $\overline{\text{LRESETNMIEN}}$ high  | 12*P |     | ns   |
| 2   | $t_h(\overline{\text{LRESETNMIEN}}-\overline{\text{NMI}})$       | Hold time - $\overline{\text{NMI}}$ valid after $\overline{\text{LRESETNMIEN}}$ high     | 12*P |     | ns   |
| 3   | $t_w(\overline{\text{LRESETNMIEN}})$                             | Pulsewidth - $\overline{\text{LRESETNMIEN}}$ low width                                   | 12*P |     | ns   |

(1) P = 1/SYSCLK1 clock frequency in ns.

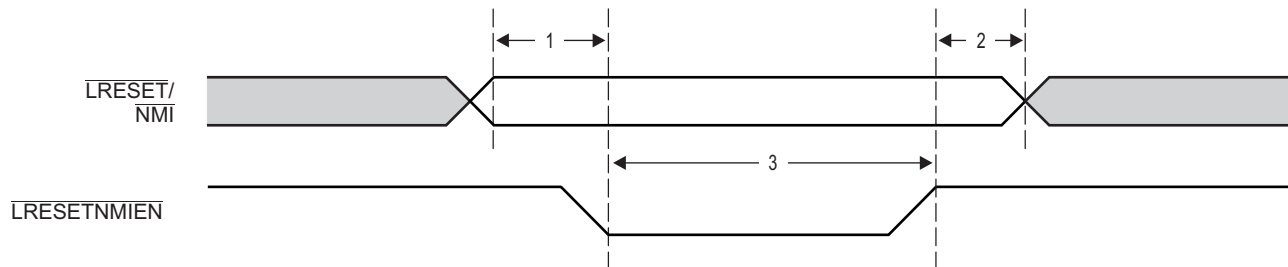


Figure 11-30.  $\overline{\text{NMI}}$  and  $\overline{\text{LRESET}}$  Timing

## 11.9 DDR3 Memory Controller

The 72-bit DDR3 Memory Controller bus of the 66AK2E0x is used to interface to JEDEC standard-compliant DDR3 SDRAM devices. The DDR3 external bus interfaces only to DDR3 SDRAM devices and does not share the bus with any other type of peripheral.

### 11.9.1 DDR3 Memory Controller Device-Specific Information

The 66AK2E0x includes one 64-bit wide, 1.5-V DDR3 SDRAM EMIF interface. The DDR3 interface can operate at 800 mega transfers per second (MTS), 1033 MTS, 1333 MTS, and 1600 MTS.

Due to the complicated nature of the interface, a limited number of topologies are supported to provide a 16-bit, 32-bit, or 64-bit interface.

The DDR3 electrical requirements are fully specified in the DDR JEDEC Specification JESD79-3C. Standard DDR3 SDRAMs are available in 8-bit and 16-bit versions allowing for the following bank topologies to be supported by the interface:

- **72-bit:** Five 16-bit SDRAMs (including 8 bits of ECC)
- **72-bit:** Nine 8-bit SDRAMs (including 8 bits of ECC)
- **36-bit:** Three 16-bit SDRAMs (including 4 bits of ECC)
- **36-bit:** Five 8-bit SDRAMs (including 4 bits of ECC)
- **64-bit:** Four 16-bit SDRAMs

- **64-bit:**Eight 8-bit SDRAMs
- **32-bit:**Two 16-bit SDRAMs
- **32-bit:** Four 8-bit SDRAMs
- **16-bit:**One 16-bit SDRAM
- **16-bit:**Two 8-bit SDRAMs

The approach to specifying interface timing for the DDR3 memory bus is different than on other interfaces such as I<sup>2</sup>C or SPI. For these other interfaces, the device timing was specified in terms of data manual specifications and I/O buffer information specification (IBIS) models. For the DDR3 memory bus, the approach is to specify compatible DDR3 devices and provide the printed circuit board (PCB) solution and guidelines directly to the user.

A race condition may exist when certain masters write data to the DDR3 memory controller. For example, if master A passes a software message via a buffer in external memory and does not wait for an indication that the write completes before signaling to master B that the message is ready, when master B attempts to read the software message, the master B read may bypass the master A write. Thus, master B may read stale data and receive an incorrect message.

Some master peripherals (e.g., EDMA3 transfer controllers with TCCMOD=0) always wait for the write to complete before signaling an interrupt to the system, thus avoiding this race condition. For masters that do not have a hardware specification of write-read ordering, it may be necessary to specify data ordering in the software.

If master A does not wait for an indication that a write is complete, it must perform the following workaround:

1. Perform the required write to DDR3 memory space.
2. Perform a dummy write to the DDR3 memory controller module ID and revision register.
3. Perform a dummy read to the DDR3 memory controller module ID and revision register.
4. Indicate to master B that the data is ready to be read after completion of the read in step 3. The completion of the read in step 3 ensures that the previous write was done.

### 11.9.2 DDR3 Slew Rate Control

The DDR3 slew rate is controlled by use of the PHY registers. See the *KeyStone Architecture DDR3 Memory Controller User's Guide* [SPRUGV8](#) for details.

### 11.9.3 DDR3 Memory Controller Electrical Data/Timing

The *DDR3 Design Requirements for KeyStone Devices* application report [SPRABI1](#) specifies a complete DDR3 interface solution as well as a list of compatible DDR3 devices. The DDR3 electrical requirements are fully specified in the DDR3 JEDEC Specification JESD79-3C. TI has performed the simulation and system characterization to ensure all DDR3 interface timings in this solution are met. Therefore, no electrical data/timing information is supplied here for this interface.

---

#### NOTE

TI supports **only** designs that follow the board design guidelines outlined in the application report.

---

### 11.10 I<sup>2</sup>C Peripheral

The Inter-Integrated Circuit (I<sup>2</sup>C) module provides an interface between SoC and other devices compliant with Philips Semiconductors (now NXP Semiconductors) Inter-Integrated Circuit bus specification version 2.1. External components attached to this 2-wire serial bus can transmit/receive up to 8-bit data to/from the device through the I<sup>2</sup>C module.

### 11.10.1 I<sup>2</sup>C Device-Specific Information

The device includes multiple I<sup>2</sup>C peripheral modules.

#### NOTE

When using the I<sup>2</sup>C module, ensure there are external pullup resistors on the SDA and SCL pins.

The I<sup>2</sup>C modules on the 66AK2E0x may be used by the SoC to control local peripheral ICs (DACs, ADCs, etc.), communicate with other controllers in a system, or to implement a user interface.

The I<sup>2</sup>C port supports:

- Compatibility with Philips I<sup>2</sup>C specification revision 2.1 (January 2000)
- Fast mode up to 400 kbps (no fail-safe I/O buffers)
- Noise filter to remove noise of 50 ns or less
- 7-bit and 10-bit device addressing modes
- Multi-master (transmit/receive) and slave (transmit/receive) functionality
- Events: DMA, interrupt, or polling
- Slew-rate limited open-drain output buffers

Figure 11-31 shows a block diagram of the I<sup>2</sup>C module.

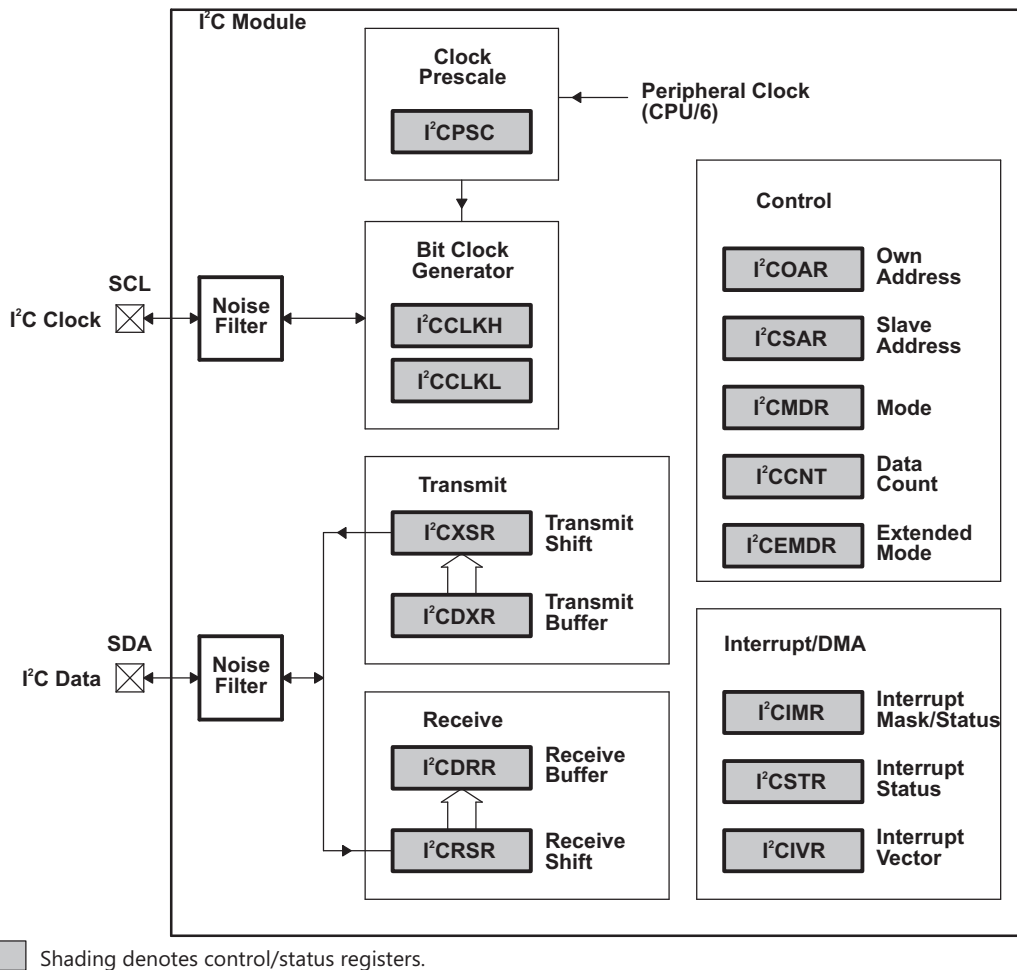


Figure 11-31. I<sup>2</sup>C Module Block Diagram

### 11.10.2 I<sup>2</sup>C Peripheral Register Description

Table 11-35. I<sup>2</sup>C Registers

| HEX ADDRESS OFFSETS | ACRONYM | REGISTER NAME  |
|---------------------|---------|--|
| 0x0000              | ICOAR   | I <sup>2</sup> C Own Address Register                                      |
| 0x0004              | ICIMR   | I <sup>2</sup> C Interrupt Mask/status Register                            |
| 0x0008              | ICSTR   | I <sup>2</sup> C Interrupt Status Register                                 |
| 0x000C              | ICCLKL  | I <sup>2</sup> C Clock Low-time Divider Register                           |
| 0x0010              | ICCLKH  | I <sup>2</sup> C Clock High-time Divider Register                          |
| 0x0014              | ICCNT   | I <sup>2</sup> C Data Count Register                                       |
| 0x0018              | ICDRR   | I <sup>2</sup> C Data Receive Register                                     |
| 0x001C              | ICSAR   | I <sup>2</sup> C Slave Address Register                                    |
| 0x0020              | ICDXR   | I <sup>2</sup> C Data Transmit Register                                    |
| 0x0024              | ICMDR   | I <sup>2</sup> C Mode Register   |
| 0x0028              | ICIVR   | I <sup>2</sup> C Interrupt Vector Register                                 |
| 0x002C              | ICEMDR  | I <sup>2</sup> C Extended Mode Register                                    |
| 0x0030              | ICPSC   | I <sup>2</sup> C Prescaler Register  |
| 0x0034              | ICPID1  | I <sup>2</sup> C Peripheral Identification Register 1 [value: 0x0000 0105] |
| 0x0038              | ICPID2  | I <sup>2</sup> C Peripheral Identification Register 2 [value: 0x0000 0005] |
| 0x003C -0x007F      | -       | Reserved   |

### 11.10.3 I<sup>2</sup>C Electrical Data/Timing

#### 11.10.3.1 Inter-Integrated Circuits (I<sup>2</sup>C) Timing

Table 11-36. I<sup>2</sup>C Timing Requirements<sup>(1)</sup>

(see Figure 11-32)

| NO. |                     |   | STANDARD MODE    |      | FAST MODE                    |                    | UNIT    |
|-----|---------------------|---|------------------|------|------------------------------|--------------------|---------|
|     |                     |   | MIN              | MAX  | MIN                          | MAX                |         |
| 1   | $t_{c(SCL)}$        | Cycle time, SCL   | 10               |      | 2.5                          |                    | $\mu$ s |
| 2   | $t_{su(SCLH-SDAL)}$ | Setup time, SCL high before SDA low (for a repeated START condition)          | 4.7              |      | 0.6                          |                    | $\mu$ s |
| 3   | $t_{h(SDAL-SCLL)}$  | Hold time, SCL low after SDA low (for a START and a repeated START condition) | 4                |      | 0.6                          |                    | $\mu$ s |
| 4   | $t_{w(SCLL)}$       | Pulse duration, SCL low   | 4.7              |      | 1.3                          |                    | $\mu$ s |
| 5   | $t_{w(SCLH)}$       | Pulse duration, SCL high  | 4                |      | 0.6                          |                    | $\mu$ s |
| 6   | $t_{su(SDAV-SCLH)}$ | Setup time, SDA valid before SCL high   | 250              |      | 100 <sup>(2)</sup>           |                    | ns      |
| 7   | $t_{h(SCLL-SDAV)}$  | Hold time, SDA valid after SCL low (for I <sup>2</sup> C bus devices)         | 0 <sup>(3)</sup> | 3.45 | 0 <sup>(3)</sup>             | 0.9 <sup>(4)</sup> | $\mu$ s |
| 8   | $t_{w(SDAH)}$       | Pulse duration, SDA high between STOP and START conditions                    | 4.7              |      | 1.3                          |                    | $\mu$ s |
| 9   | $t_{r(SDA)}$        | Rise time, SDA  |                  | 1000 | $20 + 0.1C_b$ <sup>(5)</sup> | 300                | ns      |
| 10  | $t_{r(SCL)}$        | Rise time, SCL  |                  | 1000 | $20 + 0.1C_b$ <sup>(5)</sup> | 300                | ns      |
| 11  | $t_{f(SDA)}$        | Fall time, SDA  |                  | 300  | $20 + 0.1C_b$ <sup>(5)</sup> | 300                | ns      |
| 12  | $t_{f(SCL)}$        | Fall time, SCL  |                  | 300  | $20 + 0.1C_b$ <sup>(5)</sup> | 300                | ns      |

- (1) The I<sup>2</sup>C pins SDA and SCL do not feature fail-safe I/O buffers. These pins could potentially draw current when the device is powered down.
- (2) A Fast-mode I<sup>2</sup>C-bus device can be used in a Standard-mode I<sup>2</sup>C-bus system, but the requirement  $t_{su(SDA-SCLH)} \geq 250$  ns must then be met. This will automatically be the case if the device does not stretch the LOW period of the SCL signal. If such a device does stretch the LOW period of the SCL signal, it must output the next data bit to the SDA line  $t_r \max + t_{su(SDA-SCLH)} = 1000 + 250 = 1250$  ns (according to the Standard-mode I<sup>2</sup>C-Bus Specification) before the SCL line is released.
- (3) A device must internally provide a hold time of at least 300 ns for the SDA signal (referred to the  $V_{IHmin}$  of the SCL signal) to bridge the undefined region of the falling edge of SCL.
- (4) The maximum  $t_{h(SDAL-SCLL)}$  has to be met only if the device does not stretch the low period [ $t_{w(SCLL)}$ ] of the SCL signal.
- (5)  $C_b$  = total capacitance of one bus line in pF. If mixed with HS-mode devices, faster fall-times are allowed.



Table 11-36. I<sup>2</sup>C Timing Requirements<sup>(1)</sup> (continued)

(see Figure 11-32)

| NO. |   | STANDARD MODE |     | FAST MODE |     | UNIT    |
|-----|---|---------------|-----|-----------|-----|---------|
|     |   | MIN           | MAX | MIN       | MAX |         |
| 13  | $t_{su}(SCLH-SDAH)$ Setup time, SCL high before SDA high (for STOP condition) | 4             |     | 0.6       |     | $\mu$ s |
| 14  | $t_{w(SP)}$ Pulse duration, spike (must be suppressed)                        |               |     | 0         | 50  | ns      |
|     | $C_b$ <sup>(5)</sup> Capacitive load for each bus line                        |               | 400 |           | 400 | pF      |

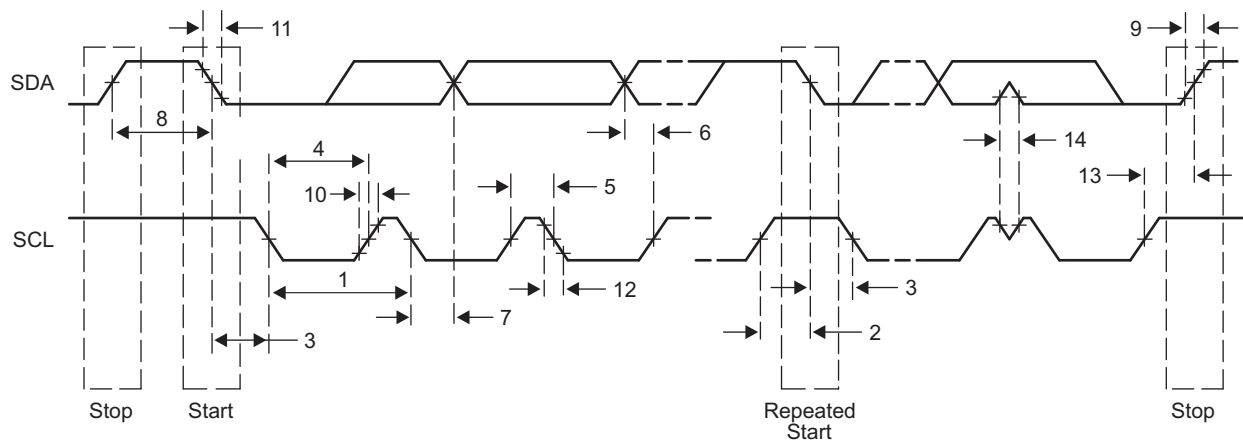


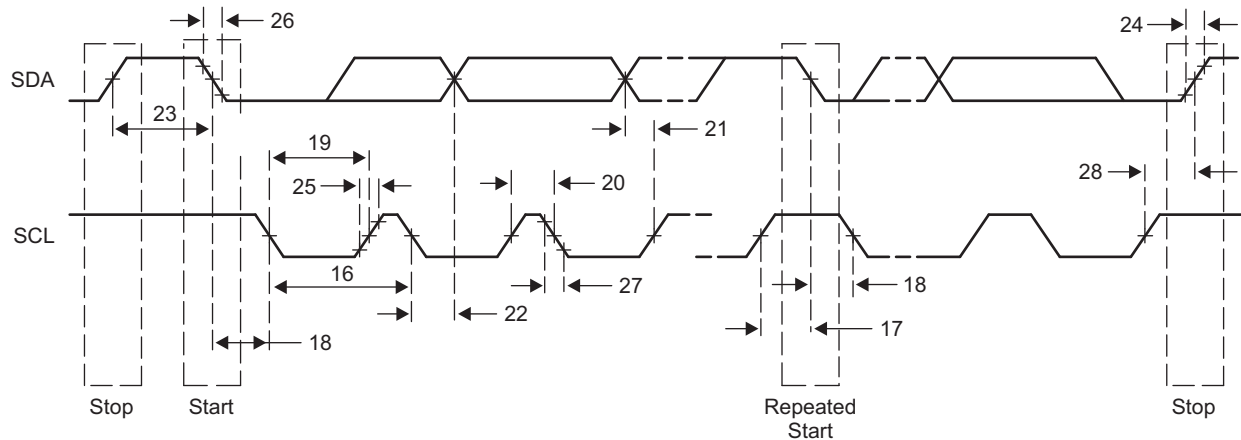
Figure 11-32. I<sup>2</sup>C Receive Timings

Table 11-37. I<sup>2</sup>C Switching Characteristics<sup>(1)</sup>

(see Figure 11-33)

| NO. | PARAMETER  | STANDARD MODE |      | FAST MODE                    |     | UNIT    |
|-----|--|---------------|------|------------------------------|-----|---------|
|     |  | MIN           | MAX  | MIN                          | MAX |         |
| 16  | $t_c(SCL)$ Cycle time, SCL   | 10            |      | 2.5                          |     | $\mu$ s |
| 17  | $t_{su}(SCLH-SDAL)$ Setup time, SCL high to SDA low (for a repeated START condition)           | 4.7           |      | 0.6                          |     | $\mu$ s |
| 18  | $t_h(SDAL-SCLL)$ Hold time, SDA low after SCL low (for a START and a repeated START condition) | 4             |      | 0.6                          |     | $\mu$ s |
| 19  | $t_w(SCLL)$ Pulse duration, SCL low  | 4.7           |      | 1.3                          |     | $\mu$ s |
| 20  | $t_w(SCLH)$ Pulse duration, SCL high   | 4             |      | 0.6                          |     | $\mu$ s |
| 21  | $t_d(SDAV-SDLH)$ Delay time, SDA valid to SCL high   | 250           |      | 100                          |     | ns      |
| 22  | $t_v(SDLL-SDAV)$ Valid time, SDA valid after SCL low (for I <sup>2</sup> C bus devices)        | 0             |      | 0                            | 0.9 | $\mu$ s |
| 23  | $t_w(SDAH)$ Pulse duration, SDA high between STOP and START conditions                         | 4.7           |      | 1.3                          |     | $\mu$ s |
| 24  | $t_r(SDA)$ Rise time, SDA  |               | 1000 | $20 + 0.1C_b$ <sup>(1)</sup> | 300 | ns      |
| 25  | $t_r(SCL)$ Rise time, SCL  |               | 1000 | $20 + 0.1C_b$ <sup>(1)</sup> | 300 | ns      |
| 26  | $t_f(SDA)$ Fall time, SDA  |               | 300  | $20 + 0.1C_b$ <sup>(1)</sup> | 300 | ns      |
| 27  | $t_f(SCL)$ Fall time, SCL  |               | 300  | $20 + 0.1C_b$ <sup>(1)</sup> | 300 | ns      |
| 28  | $t_d(SCLH-SDAH)$ Delay time, SCL high to SDA high (for STOP condition)                         | 4             |      | 0.6                          |     | $\mu$ s |
|     | $C_p$ Capacitance for each I <sup>2</sup> C pin  |               | 10   |                              | 10  | pF      |

(1)  $C_b$  = total capacitance of one bus line in pF. If mixed with HS-mode devices, faster fall-times are allowed.



**Figure 11-33. I<sup>2</sup>C Transmit Timings**

## 11.11 SPI Peripheral

The Serial Peripheral Interconnect (SPI) module provides an interface between the SoC and other SPI-compliant devices. The primary intent of this interface is to allow for connection to an SPI ROM for boot. The SPI module on 66AK2E0x is supported only in master mode. Additional chip-level components can also be included, such as temperature sensors or an I/O expander.

### 11.11.1 SPI Electrical Data/Timing

**Table 11-38. SPI Timing Requirements**

(see [Figure 11-34](#))

| NO.  |  | MIN | MAX | UNIT |
|--|--|-----|-----|------|
| <b>Master Mode Timing Diagrams — Base Timings for 3 Pin Mode</b> |  |     |     |      |
| 7  | tsu(SPIDIN-SPC) Input setup time, SPIDIN valid before receive edge of SPICLK. Polarity = 0 Phase = 0 | 2   |     | ns   |
| 7  | tsu(SPIDIN-SPC) Input setup time, SPIDIN valid before receive edge of SPICLK. Polarity = 0 Phase = 1 | 2   |     | ns   |
| 7  | tsu(SPIDIN-SPC) Input setup time, SPIDIN valid before receive edge of SPICLK. Polarity = 1 Phase = 0 | 2   |     | ns   |
| 7  | tsu(SPIDIN-SPC) Input setup time, SPIDIN valid before receive edge of SPICLK. Polarity = 1 Phase = 1 | 2   |     | ns   |
| 8  | th(SPC-SPIDIN) Input hold time, SPIDIN valid after receive edge of SPICLK. Polarity = 0 Phase = 0    | 5   |     | ns   |
| 8  | th(SPC-SPIDIN) Input hold time, SPIDIN valid after receive edge of SPICLK. Polarity = 0 Phase = 1    | 5   |     | ns   |
| 8  | th(SPC-SPIDIN) Input hold time, SPIDIN valid after receive edge of SPICLK. Polarity = 1 Phase = 0    | 5   |     | ns   |
| 8  | th(SPC-SPIDIN) Input hold time, SPIDIN valid after receive edge of SPICLK. Polarity = 1 Phase = 1    | 5   |     | ns   |

**Table 11-39. SPI Switching Characteristics**

(see [Figure 11-34](#) and [Figure 11-35](#))

| NO.  | PARAMETER  | MIN                          | MAX | UNIT |
|--|--|------------------------------|-----|------|
| <b>Master Mode Timing Diagrams — Base Timings for 3 Pin Mode</b> |  |                              |     |      |
| 1  | tc(SPC) Cycle time, SPICLK, all master modes   | $3 \cdot P2^{(1)}$           |     | ns   |
| 2  | tw(SPCH) Pulse width high, SPICLK, all master modes  | $0.5 \cdot (3 \cdot P2) - 1$ |     | ns   |
| 3  | tw(SPCL) Pulse width low, SPICLK, all master modes   | $0.5 \cdot (3 \cdot P2) - 1$ |     | ns   |
| 4  | td(SPIDOUT-SPC) Setup (Delay), initial data bit valid on SPIDOUT to initial edge on SPICLK. Polarity = 0, Phase = 0. |                              | 5   | ns   |
| 4  | td(SPIDOUT-SPC) Setup (Delay), initial data bit valid on SPIDOUT to initial edge on SPICLK. Polarity = 0, Phase = 1. |                              | 5   | ns   |
| 4  | td(SPIDOUT-SPC) Setup (Delay), initial data bit valid on SPIDOUT to initial edge on SPICLK Polarity = 1, Phase = 0   |                              | 5   | ns   |

(1)  $P2=1/(\text{SYSCLK}/6)$

**Table 11-39. SPI Switching Characteristics (continued)**(see [Figure 11-34](#) and [Figure 11-35](#))

| NO.   | PARAMETER  | MIN                 | MAX                 | UNIT |
|---|--|---------------------|---------------------|------|
| 4   | td(SPIDOUT-SPC) Setup (Delay), initial data bit valid on SPIDOUT to initial edge on SPICLK Polarity = 1, Phase = 1         |                     | 5                   | ns   |
| 5   | td(SPC-SPIDOUT) Setup (Delay), subsequent data bits valid on SPIDOUT to initial edge on SPICLK. Polarity = 0 Phase = 0     |                     | 2                   | ns   |
| 5   | td(SPC-SPIDOUT) Setup (Delay), subsequent data bits valid on SPIDOUT to initial edge on SPICLK Polarity = 0 Phase = 1      |                     | 2                   | ns   |
| 5   | td(SPC-SPIDOUT) Setup (Delay), subsequent data bits valid on SPIDOUT to initial edge on SPICLK Polarity = 1 Phase = 0      |                     | 2                   | ns   |
| 5   | td(SPC-SPIDOUT) Setup (Delay), subsequent data bits valid on SPIDOUT to initial edge on SPICLK Polarity = 1 Phase = 1      |                     | 2                   | ns   |
| 6   | toh(SPC-SPIDOUT) Output hold time, SPIDOUT valid after receive edge of SPICLK except for final bit. Polarity = 0 Phase = 0 | 0.5*tc - 2          |                     | ns   |
| 6   | toh(SPC-SPIDOUT) Output hold time, SPIDOUT valid after receive edge of SPICLK except for final bit. Polarity = 0 Phase = 1 | 0.5*tc - 2          |                     | ns   |
| 6   | toh(SPC-SPIDOUT) Output hold time, SPIDOUT valid after receive edge of SPICLK except for final bit. Polarity = 1 Phase = 0 | 0.5*tc - 2          |                     | ns   |
| 6   | toh(SPC-SPIDOUT) Output hold time, SPIDOUT valid after receive edge of SPICLK except for final bit. Polarity = 1 Phase = 1 | 0.5*tc - 2          |                     | ns   |
| <b>Additional SPI Master Timings — 4 Pin Mode with Chip Select Option</b> |  |                     |                     |      |
| 19  | td(SCS-SPC) Delay from SPISCSx\ active to first SPICLK. Polarity = 0 Phase = 0   | 2*P2 - 5            | 2*P2 + 5            | ns   |
| 19  | td(SCS-SPC) Delay from SPISCSx\ active to first SPICLK. Polarity = 0 Phase = 1   | 0.5*tc + (2*P2) - 5 | 0.5*tc + (2*P2) + 5 | ns   |
| 19  | td(SCS-SPC) Delay from SPISCSx\ active to first SPICLK. Polarity = 1 Phase = 0   | 2*P2 - 5            | 2*P2 + 5            | ns   |
| 19  | td(SCS-SPC) Delay from SPISCSx\ active to first SPICLK. Polarity = 1 Phase = 1   | 0.5*tc + (2*P2) - 5 | 0.5*tc + (2*P2) + 5 | ns   |
| 20  | td(SPC-SCS) Delay from final SPICLK edge to master deasserting SPISCSx\. Polarity = 0 Phase = 0                            | 1*P2 - 5            | 1*P2 + 5            | ns   |
| 20  | td(SPC-SCS) Delay from final SPICLK edge to master deasserting SPISCSx\. Polarity = 0 Phase = 1                            | 0.5*tc + (1*P2) - 5 | 0.5*tc + (1*P2) + 5 | ns   |
| 20  | td(SPC-SCS) Delay from final SPICLK edge to master deasserting SPISCSx\. Polarity = 1 Phase = 0                            | 1*P2 - 5            | 1*P2 + 5            | ns   |
| 20  | td(SPC-SCS) Delay from final SPICLK edge to master deasserting SPISCSx\. Polarity = 1 Phase = 1                            | 0.5*tc + (1*P2) - 5 | 0.5*tc + (1*P2) + 5 | ns   |
|   | tw(SCSH) Minimum inactive time on SPISCSx\ pin between two transfers when SPISCSx\ is not held using the CSHOLD feature.   | 2*P2 - 5            |                     | ns   |

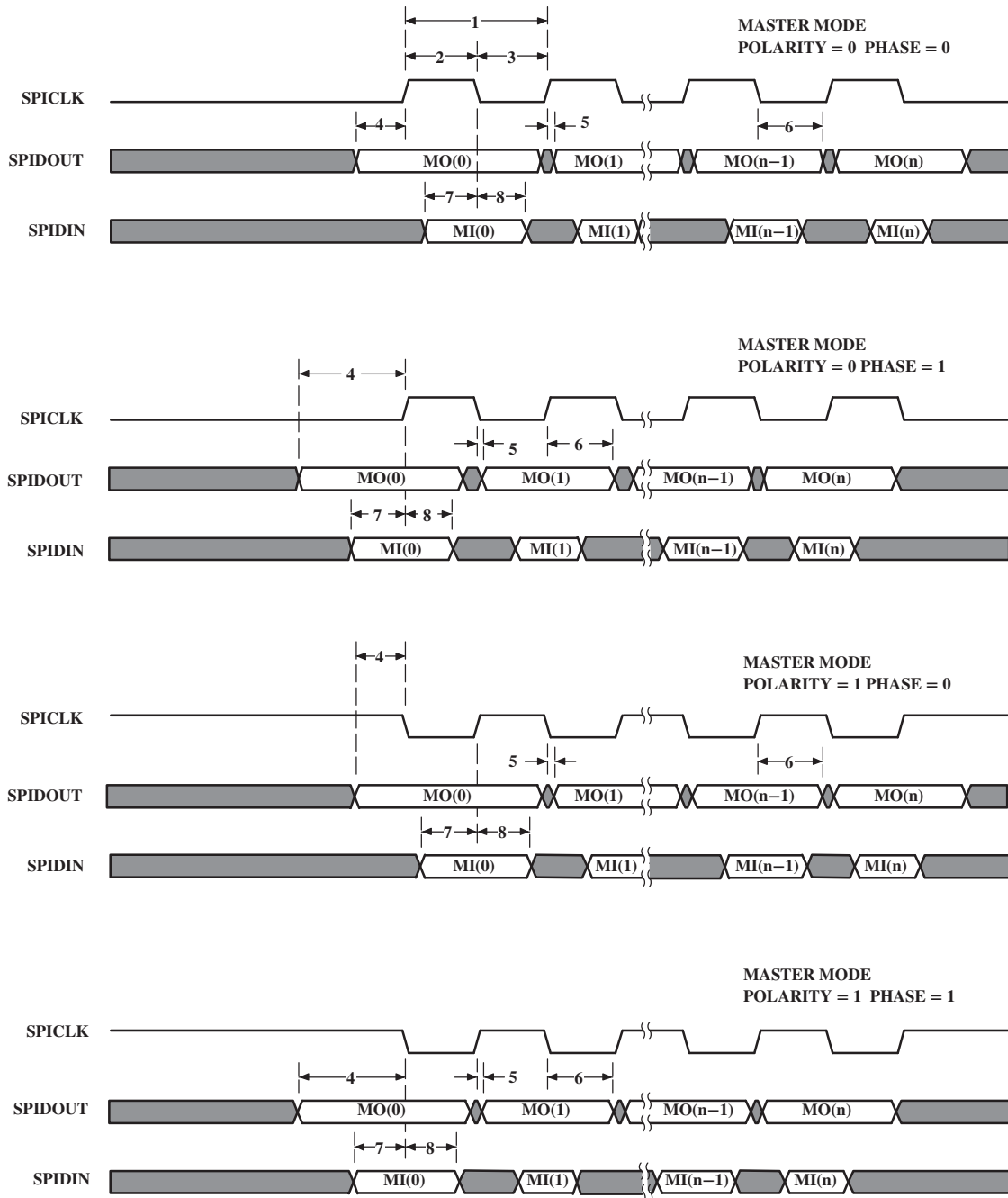


Figure 11-34. SPI Master Mode Timing Diagrams — Base Timings for 3-Pin Mode

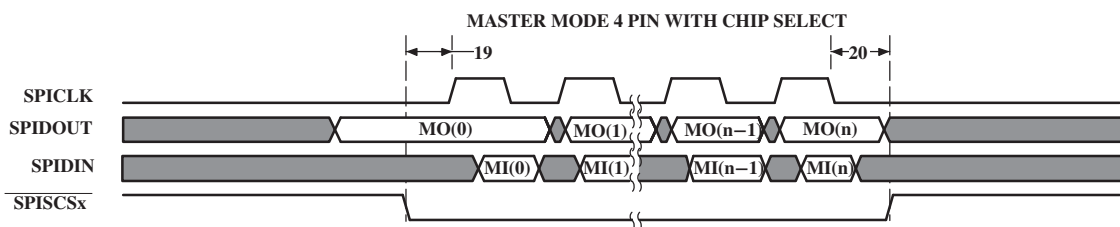


Figure 11-35. SPI Additional Timings for 4-Pin Master Mode with Chip Select Option

## 11.12 HyperLink Peripheral

The 66AK2E0x includes HyperLink for companion device interfaces. This is a four-lane SerDes interface designed to operate at up to 10 Gbps per lane from pin-to-pin. The interface is used to connect with external accelerators that are manufactured using TI libraries. The HyperLink lines must be connected with DC coupling.

The interface includes the serial station management interfaces used to send power management and flow messages between devices. Each HyperLink interface consists of four LVCMOS inputs and four LVCMOS outputs configured as two 2-wire input buses and two 2-wire output buses. Each 2-wire bus includes a data signal and a clock signal.

**Table 11-40. HyperLink Peripheral Timing Requirements**

(see [Figure 11-36](#), [Figure 11-37](#) and [Figure 11-38](#))

| NO.                 |                             |  | MIN    | MAX    | UNIT |
|---------------------|-----------------------------|--|--------|--------|------|
| <b>FL Interface</b> |                             |  |        |        |      |
| 1                   | tc(HYPTXFLCLK)              | Clock period - HYPTXFLCLK (C1)                       | 5.75   |        | ns   |
| 2                   | tw(HYPTXFLCLKH)             | High pulse width - HYPTXFLCLK                        | 0.4°C1 | 0.6°C1 | ns   |
| 3                   | tw(HYPTXFLCLKL)             | Low pulse width - HYPTXFLCLK                         | 0.4°C1 | 0.6°C1 | ns   |
| 6                   | tsu(HYPTXFLDAT-HYPTXFLCLKH) | Setup time - HYPTXFLDAT valid before HYPTXFLCLK high | 1      |        | ns   |
| 7                   | th(HYPTXFLCLKH-HYPTXFLDAT)  | Hold time - HYPTXFLDAT valid after HYPTXFLCLK high   | 1      |        | ns   |
| 6                   | tsu(HYPTXFLDAT-HYPTXFLCLKL) | Setup time - HYPTXFLDAT valid before HYPTXFLCLK low  | 1      |        | ns   |
| 7                   | th(HYPTXFLCLKL-HYPTXFLDAT)  | Hold time - HYPTXFLDAT valid after HYPTXFLCLK low    | 1      |        | ns   |
| <b>PM Interface</b> |                             |  |        |        |      |
| 1                   | tc(HYPRXPMCLK)              | Clock period - HYPRXPMCLK (C3)                       | 5.75   |        | ns   |
| 2                   | tw(HYPRXPMCLK)              | High pulse width - HYPRXPMCLK                        | 0.4°C3 | 0.6°C3 | ns   |
| 3                   | tw(HYPRXPMCLK)              | Low pulse width - HYPRXPMCLK                         | 0.4°C3 | 0.6°C3 | ns   |
| 6                   | tsu(HYPRXPMDAT-HYPRXPMCLKH) | Setup time - HYPRXPMDAT valid before HYPRXPMCLK high | 1      |        | ns   |
| 7                   | th(HYPRXPMCLKH-HYPRXPMDAT)  | Hold time - HYPRXPMDAT valid after HYPRXPMCLK high   | 1      |        | ns   |
| 6                   | tsu(HYPRXPMDAT-HYPRXPMCLKL) | Setup time - HYPRXPMDAT valid before HYPRXPMCLK low  | 1      |        | ns   |
| 7                   | th(HYPRXPMCLKL-HYPRXPMDAT)  | Hold time - HYPRXPMDAT valid after HYPRXPMCLK low    | 1      |        | ns   |

**Table 11-41. HyperLink Peripheral Switching Characteristics**

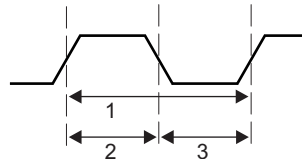
(see [Figure 11-36](#), [Figure 11-37](#) and [Figure 11-38](#))

| NO.                 | PARAMETER                    |  | MIN         | MAX    | UNIT |
|---------------------|------------------------------|--|-------------|--------|------|
| <b>FL Interface</b> |                              |  |             |        |      |
| 1                   | tc(HYPRXFLCLK)               | Clock period - HYPRXFLCLK (C2)                       | 6.4         |        | ns   |
| 2                   | tw(HYPRXFLCLKH)              | High pulse width - HYPRXFLCLK                        | 0.4°C2      | 0.6°C2 | ns   |
| 3                   | tw(HYPRXFLCLKL)              | Low pulse width - HYPRXFLCLK                         | 0.4°C2      | 0.6°C2 | ns   |
| 4                   | tosu(HYPRXFLDAT-HYPRXFLCLKH) | Setup time - HYPRXFLDAT valid before HYPRXFLCLK high | 0.25°C2-0.4 |        | ns   |
| 5                   | toh(HYPRXFLCLKH-HYPRXFLDAT)  | Hold time - HYPRXFLDAT valid after HYPRXFLCLK high   | 0.25°C2-0.4 |        | ns   |
| 4                   | tosu(HYPRXFLDAT-HYPRXFLCLKL) | Setup time - HYPRXFLDAT valid before HYPRXFLCLK low  | 0.25°C2-0.4 |        | ns   |
| 5                   | toh(HYPRXFLCLKL-HYPRXFLDAT)  | Hold time - HYPRXFLDAT valid after HYPRXFLCLK low    | 0.25°C2-0.4 |        | ns   |
| <b>PM Interface</b> |                              |  |             |        |      |
| 1                   | tc(HYPTXPMCLK)               | Clock period - HYPTXPMCLK (C4)                       | 6.4         |        | ns   |
| 2                   | tw(HYPTXPMCLK)               | High pulse width - HYPTXPMCLK                        | 0.4°C4      | 0.6°C4 | ns   |
| 3                   | tw(HYPTXPMCLK)               | Low pulse width - HYPTXPMCLK                         | 0.4°C4      | 0.6°C4 | ns   |
| 4                   | tosu(HYPTXPMDAT-HYPTXPMCLKH) | Setup time - HYPTXPMDAT valid before HYPTXPMCLK high | 0.25°C2-0.4 |        | ns   |

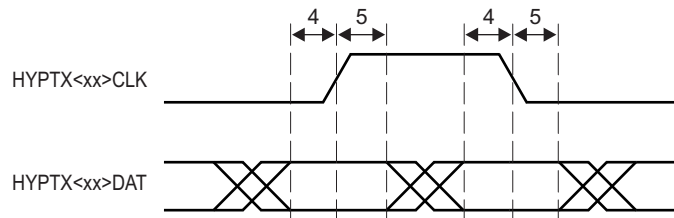
**Table 11-41. HyperLink Peripheral Switching Characteristics (continued)**

(see [Figure 11-36](#), [Figure 11-37](#) and [Figure 11-38](#))

| NO. | PARAMETER                    | MIN   | MAX | UNIT |
|-----|------------------------------|---|-----|------|
| 5   | toh(HYPTXPMCLKH-HYPTXPMDAT)  | Hold time - HYPTXPMDAT valid after HYPTXPMCLK high  |     | ns   |
| 4   | tosu(HYPTXPMDAT-HYPTXPMCLKL) | Setup time - HYPTXPMDAT valid before HYPTXPMCLK low |     | ns   |
| 5   | toh(HYPTXPMCLKL-HYPTXPMDAT)  | Hold time - HYPTXPMDAT valid after HYPTXPMCLK low   |     | ns   |

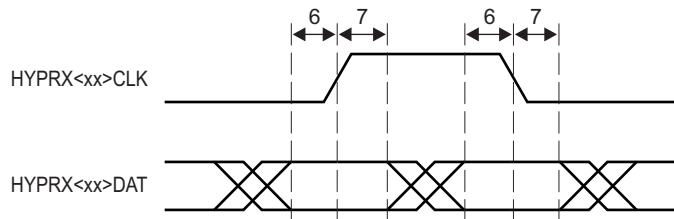


**Figure 11-36. HyperLink Station Management Clock Timing**



<xx> represents the interface that is being used: PM or FL

**Figure 11-37. HyperLink Station Management Transmit Timing**



<xx> represents the interface that is being used: PM or FL

**Figure 11-38. HyperLink Station Management Receive Timing**

### 11.13 UART Peripheral

The universal asynchronous receiver/transmitter (UART) module provides an interface between the device and a UART terminal interface or other UART-based peripheral. The UART is based on the industry standard TL16C550 asynchronous communications element which, in turn, is a functional upgrade of the TL16C450. Functionally similar to the TL16C450 on power up (single character or TL16C450 mode), the UART can be placed in an alternate FIFO (TL16C550) mode. This relieves the SoC of excessive software overhead by buffering received and transmitted characters. The receiver and transmitter FIFOs store up to 16 bytes including three additional bits of error status per byte for the receiver FIFO.

The UART performs serial-to-parallel conversions on data received from a peripheral device and parallel-to-serial conversion on data received from the SoC to be sent to the peripheral device. The SoC can read the UART status at any time. The UART includes control capability and a processor interrupt system that can be tailored to minimize software management of the communications link. For more information on UART, see the *KeyStone Architecture Universal Asynchronous Receiver/Transmitter (UART) User's Guide (SPRUGP1)*.

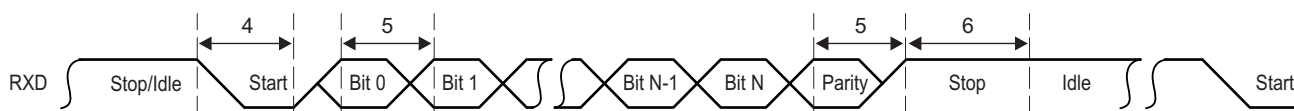
**Table 11-42. UART Timing Requirements**

(see [Figure 11-39](#) and [Figure 11-40](#))

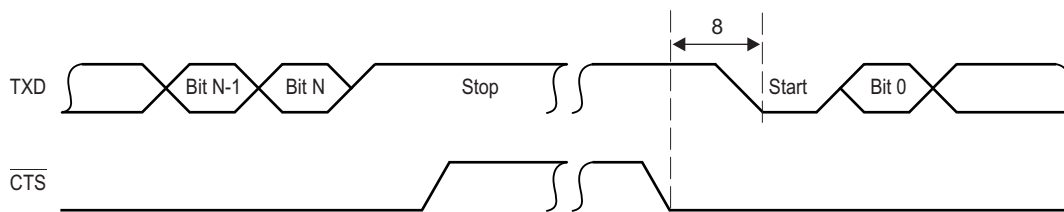
| NO.                                 |              |  | MIN                  | MAX   | UNIT |
|-------------------------------------|--------------|--|----------------------|-------|------|
| <b>Receive Timing</b>               |              |  |                      |       |      |
| 4                                   | tw(RXSTART)  | Pulse width, receive start bit                 | 0.96U <sup>(1)</sup> | 1.05U | ns   |
| 5                                   | tw(RXH)      | Pulse width, receive data/parity bit high      | 0.96U                | 1.05U | ns   |
| 5                                   | tw(RXL)      | Pulse width, receive data/parity bit low       | 0.96U                | 1.05U | ns   |
| 6                                   | tw(RXSTOP1)  | Pulse width, receive stop bit 1                | 0.96U                | 1.05U | ns   |
| 6                                   | tw(RXSTOP15) | Pulse width, receive stop bit 1.5              | 0.96U                | 1.05U | ns   |
| 6                                   | tw(RXSTOP2)  | Pulse width, receive stop bit 2                | 0.96U                | 1.05U | ns   |
| <b>Autoflow Timing Requirements</b> |              |  |                      |       |      |
| 8                                   | td(CTSL-TX)  | Delay time, CTS asserted to START bit transmit | P <sup>(2)</sup>     | 5P    | ns   |

(1) U = UART baud time = 1/programmed baud rate

(2) P = 1/(SYSCLK1/6)



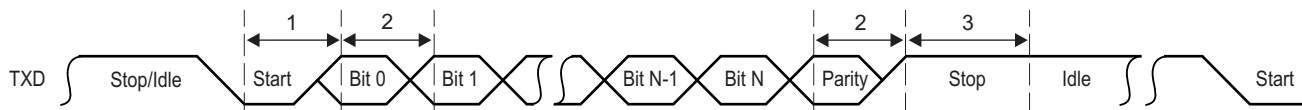
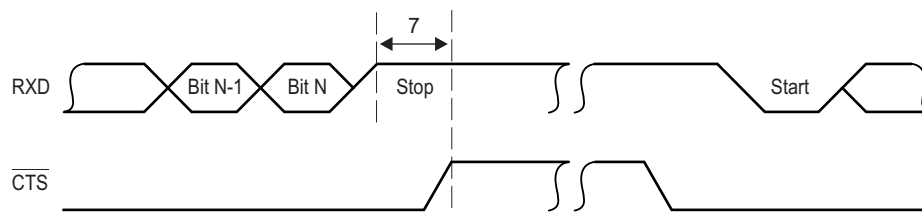
**Figure 11-39. UART Receive Timing Waveform**



**Figure 11-40. UART CTS (Clear-to-Send Input) — Autoflow Timing Waveform**

**Table 11-43. UART Switching Characteristics**(see [Figure 11-41](#) and [Figure 11-42](#))

| NO.                                 | PARAMETER    |   | MIN             | MAX             | UNIT |
|-------------------------------------|--------------|---|-----------------|-----------------|------|
| <b>Transmit Timing</b>              |              |   |                 |                 |      |
| 1                                   | tw(TXSTART)  | Pulse width, transmit start bit                 | $U^{(1)} - 2$   | $U + 2$         | ns   |
| 2                                   | tw(TXH)      | Pulse width, transmit data/parity bit high      | $U - 2$         | $U + 2$         | ns   |
| 2                                   | tw(TXL)      | Pulse width, transmit data/parity bit low       | $U - 2$         | $U + 2$         | ns   |
| 3                                   | tw(TXSTOP1)  | Pulse width, transmit stop bit 1                | $U - 2$         | $U + 2$         | ns   |
| 3                                   | tw(TXSTOP15) | Pulse width, transmit stop bit 1.5              | $1.5 * (U - 2)$ | $1.5 * (U + 2)$ | ns   |
| 3                                   | tw(TXSTOP2)  | Pulse width, transmit stop bit 2                | $2 * (U - 2)$   | $2 * (U + 2)$   | ns   |
| <b>Autoflow Timing Requirements</b> |              |   |                 |                 |      |
| 7                                   | td(RX-RTSH)  | Delay time, STOP bit received to RTS deasserted | $P^{(2)}$       | 5P              | ns   |

(1)  $U = \text{UART baud time} = 1/\text{programmed baud rate}$ (2)  $P = 1/(\text{SYSCLK1}/6)$ **Figure 11-41. UART Transmit Timing Waveform****Figure 11-42. UART RTS (Request-to-Send Output) – Autoflow Timing Waveform**

## 11.14 PCIe Peripheral

The two-lane PCI express (PCIe) module on 66AK2E0x provides an interface between the device and other PCIe-compliant devices. The PCIe module provides low pin-count, high-reliability, and high-speed data transfer at rates up to 5.0 Gbps per lane on the serial links. For more information, see the *KeyStone Architecture Peripheral Component Interconnect Express (PCIe) User's Guide* ([SPRUGS6](#)).

## 11.15 Packet Accelerator

The Packet Accelerator (PA) provides L2 to L4 classification functionalities and supports classification for Ethernet, VLAN, MPLS over Ethernet, IPv4/6, GRE over IP, and other session identification over IP such as UDP ports. It maintains 8k multiple-in, multiple-out hardware queues and also provides checksum capability as well as some QoS capabilities. The PA enables a single IP address to be used for a multicore device and can process up to 1.5 Mpps. The Packet Accelerator is coupled with the Network Coprocessor. For more information, see the *KeyStone II Architecture Packet Accelerator 2 (PA2) for K2E and K2L Devices User's Guide* ([SPRUHZ2](#)).



### 11.16 Security Accelerator

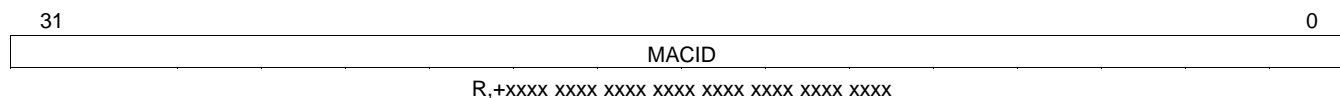
The Security Accelerator (SA) provides wire-speed processing on 1 Gbps Ethernet traffic on IPSec, SRTP, and 3GPP Air interface security protocols. It functions on the packet level with the packet and the associated security context being one of the above three types. The Security Accelerator is coupled with the Network Coprocessor, and receives the packet descriptor containing the security context in the buffer descriptor and the data to be encrypted/decrypted in the linked buffer descriptor. For more information, see the *KeyStone II Architecture Security Accelerator 2 (SA2) for K2E and K2L Devices User's Guide (SPRUHZ1)*.

### 11.17 Network Coprocessor Gigabit Ethernet (GbE) Switch Subsystem

The gigabit Ethernet (GbE) switch subsystem provides an efficient interface between the device and the networked community. The Ethernet Media Access Controller (EMAC) supports 10Base-T (10 Mbits/second), and 100BaseTX (100 Mbps), in half- or full-duplex mode, and 1000BaseT (1000 Mbps) in full-duplex mode, with hardware flow control and quality-of-service (QOS) support. The GbE switch subsystem is coupled with the Network Coprocessor. For more information, see the *Gigabit Ethernet (GbE) Switch Subsystem (1 GB) User's Guide (SPRUGV9)*.

An address range is assigned to the 66AK2E0x. Each individual device has a 48-bit MAC address and consumes only one unique MAC address out of the range. There are two registers to hold these values, MACID1[31:0] (32 bits) and MACID2[15:0] (16 bits) . The bits of these registers are defined as follows:

**Figure 11-43. MACID1 Register (MMR Address 0x02620110)**

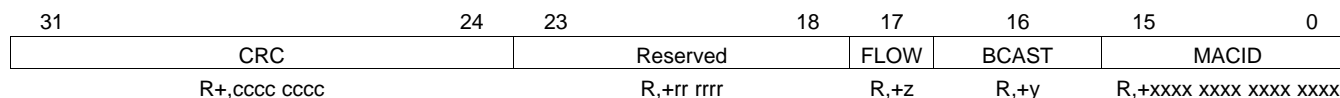


Legend: R = Read only; -x, value is indeterminate

**Table 11-44. MACID1 Register Field Descriptions**

| Bit  | Field  | Description            |
|------|--------|------------------------|
| 31-0 | MAC ID | MAC ID. Lower 32 bits. |

**Figure 11-44. MACID2 Register (MMR Address 0x02620114)**



LEGEND: R = Read only; -x = value is indeterminate

**Table 11-45. MACID2 Register Field Descriptions**

| Bit   | Field    | Description  |
|-------|----------|--|
| 31-24 | Reserved | Variable   |
| 23-18 | Reserved | 000000   |
| 17    | FLOW     | MAC Flow Control <ul style="list-style-type: none"> <li>• 0 = Off</li> <li>• 1 = On</li> </ul>                       |
| 16    | BCAST    | Default m/b-cast reception <ul style="list-style-type: none"> <li>• 0 = Broadcast</li> <li>• 1 = Disabled</li> </ul> |
| 15-0  | MAC ID   | MAC ID. Upper 16 bits.   |

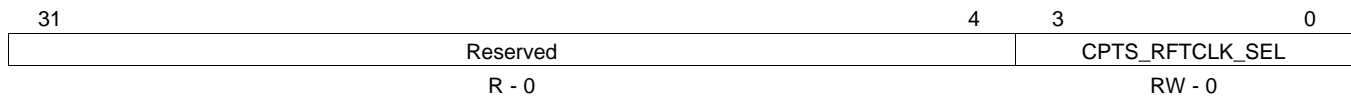
There is a central processor time synchronization (CPTS) submodule in the Ethernet switch module that can be used for time synchronization. Programming this register selects the clock source for the CPTS\_RCLK. See the *Gigabit Ethernet (GbE) Switch Subsystem (1 GB) User's Guide (SPRUGV9)* for the register address and other details about the time synchronization submodule. The register CPTS\_RFTCLK\_SEL for reference clock selection of the time synchronization submodule is shown in [Figure 11-45](#).

CPTS also allows 8 HW signal inputs for timestamping. Two of these signals are connected to TSPUSHEVT0 and TSPUSHEVT1. The other 6 are connected to internal SyncE and timer signals. See [Table 11-46](#) for interconnectivity. Regarding the SyncE signal, see [Section 9.2.3.26](#) for more details on how to control this input. Furthermore, see the *Gigabit Ethernet (GbE) Switch Subsystem (1 GB) User's Guide (SPRUGV9)* for details on how to enable HW timestamping on CPTS.

**Table 11-46. CPTS Hardware Push Events**

| EVENT NUMBER | CONNECTION |
|--------------|------------|
| 1            | syncE      |
| 2            | XGE sync   |
| 3            | Tspushevt1 |
| 4            | Tspushevt0 |
| 5            | Timi1      |
| 6            | Timi0      |
| 7            | Reserved   |
| 8            | Reserved   |

**Figure 11-45. RFTCLK Select Register (CPTS\_RFTCLK\_SEL)**



Legend: R = Read only; -x, value is indeterminate

**Table 11-47. RFTCLK Select Register Field Descriptions**

| Bit  | Field           | Description  |
|------|-----------------|--|
| 31-4 | Reserved        | Reserved. Read as 0.   |
| 3-0  | CPTS_RFTCLK_SEL | Reference clock select. This signal is used to control an external multiplexer that selects one of 8 clocks for time sync reference (RFTCLK). This CPTS_RFTCLK_SEL value can be written only when the CPTS_EN bit is cleared to 0 in the TS_CTL register. <ul style="list-style-type: none"> <li>• 0000 = SYSCLK2</li> <li>• 0001 = SYSCLK3</li> <li>• 0010 = TIMIO</li> <li>• 0011 = TIMI1</li> <li>• 0100 = TSIPCLKA</li> <li>• 1000 = TSREFCLK</li> <li>• 1100 = TSIPCLKB</li> <li>• Others = Reserved</li> </ul> |

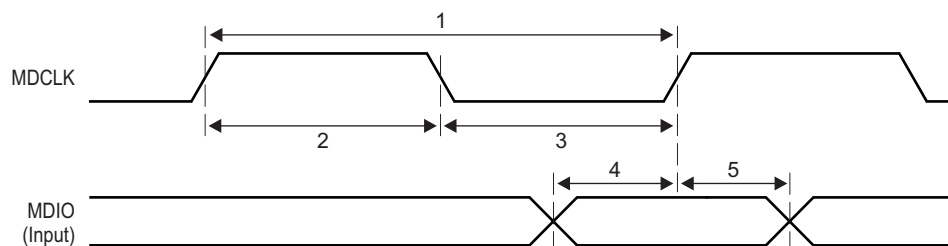
### 11.18 SGMII/XFI Management Data Input/Output (MDIO)

The management data input/output (MDIO) module implements the 802.3 serial management interface to interrogate and control up to 32 Ethernet PHY(s) connected to the device, using a shared two-wire bus. Application software uses the MDIO module to configure the auto-negotiation parameters of each PHY attached to the EMAC, retrieve the negotiation results, and configure required parameters in the gigabit Ethernet (GbE) and 10-gigabit Ethernet (10GbE) switch subsystems for correct operation. The module allows almost transparent operation of the MDIO interface, with very little attention from the SoC. For more information, see the *Gigabit Ethernet (GbE) Switch Subsystem (1 GB) User's Guide* ([SPRUGV9](#)) and the *KeyStone II Architecture 10 Gigabit Ethernet Subsystem User's Guide* ([SPRUHJ5](#)).

**Table 11-48. MDIO Timing Requirements**

(see [Figure 11-46](#))

| NO. |                  |   | MIN | MAX | UNIT |
|-----|------------------|---|-----|-----|------|
| 1   | tc(MDCLK)        | Cycle time, MDCLK                                   | 400 |     | ns   |
| 2   | tw(MDCLKH)       | Pulse duration, MDCLK high                          | 180 |     | ns   |
| 3   | tw(MDCLKL)       | Pulse duration, MDCLK low                           | 180 |     | ns   |
| 4   | tsu(MDIO-MDCLKH) | Setup time, MDIO data input valid before MDCLK high | 10  |     | ns   |
| 5   | th(MDCLKH-MDIO)  | Hold time, MDIO data input valid after MDCLK high   | 10  |     | ns   |
|     | tt(MDCLK)        | Transition time, MDCLK                              |     | 5   | ns   |

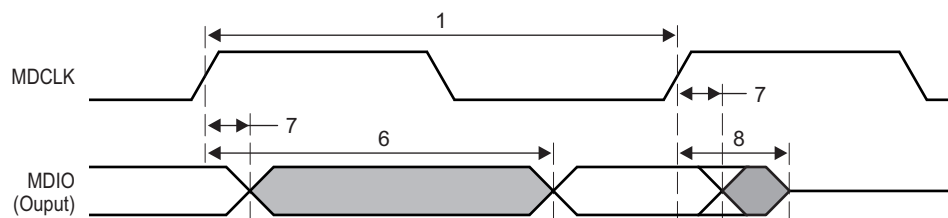


**Figure 11-46. MDIO Input Timing**

**Table 11-49. MDIO Switching Characteristics**

(see [Figure 11-47](#))

| NO. | PARAMETER       |  | MIN | MAX | UNIT |
|-----|-----------------|--|-----|-----|------|
| 6   | td(MDCLKH-MDIO) | Delay time, MDCLK high to MDIO data output valid   | 10  | 300 | ns   |
| 7   | th(MDCLKH-MDIO) | Hold time, MDIO data output valid after MDCLK high | 10  |     | ns   |
| 8   | td(MDCLKH-MDIO) | Delay time, MDCLK high to MDIO Hi-Z                | 10  | 300 | ns   |



**Figure 11-47. MDIO Output Timing**

## 11.19 Ten-Gigabit Ethernet (10GbE) Switch Subsystem

The 3-port Ten Gigabit Ethernet Switch Subsystem (different from the Network Coprocessor integrated switch) includes a standalone EMAC switch subsystem and a 2-lane SerDes macro. The 2-lane macro enables only 2 external ports. It does not include any packet acceleration or security acceleration engine.

### 11.19.1 10GbE Supported Features

The key features of the 10GbE module are listed below:

- 10 Gbps EMAC switch subsystem
  - MDIO: Media-dependent input/output module
  - SGMII Interface for 10/100/1000 and 10GBASE-KR for 10G
  - Ethernet switch with wire-rate switching (only two external ports are supported by the SerDes)
  - CPTS module that supports time-stamping for IEEE1588v2 with support for eight hardware push events and generation of compare output pulses
  - Supports XFI electrical interface
- CPDMA

The CPDMA component provides CPPI 4.2 compatible functionality, and provides a 128-bit wide data path to the TeraNet, enabling:

- Support for 8 transmit channel and 16 receive channels
- Support for reset isolation option

For more information, see the *KeyStone II Architecture 10 Gigabit Ethernet Subsystem User's Guide* ([SPRUHJ5](#)).

## 11.20 Timers

The timers can be used to time events, count events, generate pulses, interrupt the C66x CorePacs and ARM CorePac and send synchronization events to the EDMA3 channel controller.

### 11.20.1 Timers Device-Specific Information

The 66AK2E0x device has up to twenty 64-bit timers in total, but only 13 timers are used in 66AK2E05 and 12 timers are used in 66AK2E02, of which Timer0 is dedicated to the C66x CorePacs Core 0 as watchdog timers and can also be used as general-purpose timers. Timer16 and Timer17 (66AK2E02) or Timer16 through Timer19 (66AK2E05) are dedicated to each of the Cortex-A15 processor cores as a watchdog timer and can also be used as general-purpose timers. The Timer8 through Timer15 can be configured as general-purpose timers only, with each timer programmed as a 64-bit timer or as two separate 32-bit timers.

When operating in 64-bit mode, the timer counts either module clock cycles or input (TINPLx) pulses (rising edge) and generates an output pulse/waveform (TOUTLx) plus an internal event (TINTLx) on a software-programmable period. When operating in 32-bit mode, the timer is split into two independent 32-bit timers. Each timer is made up of two 32-bit counters: a high counter and a low counter. The timer pins, TINPLx and TOUTLx are connected to the low counter. The timer pins, TINPHx and TOUTHx are connected to the high counter.

When operating in watchdog mode, the timer counts down to 0 and generates an event. It is a requirement that software writes to the timer before the count expires, after which the count begins again. If the count ever reaches 0, the timer event output is asserted. Reset initiated by a watchdog timer can be set by programming the Reset Type Status Register (RSTYPE) (see [Section 11.5.2.6](#)) and the type of reset initiated can set by programming the Reset Configuration Register (RSTCFG) (see [Section 11.5.2.8](#)). For more information, see the *KeyStone Architecture Timer 64P User's Guide* ([SPRUGV5](#)).

### 11.20.2 Timers Electrical Timing

The tables and figures below describe the timing requirements and switching characteristics of the timers.

**Table 11-50. Timer Input Timing Requirements<sup>(1)</sup>**

(see Figure 11-48)

| NO. |                                     | MIN | MAX | UNIT |
|-----|-------------------------------------|-----|-----|------|
| 1   | $t_{w(TINPH)}$ Pulse duration, high | 12C |     | ns   |
| 2   | $t_{w(TINPL)}$ Pulse duration, low  | 12C |     | ns   |

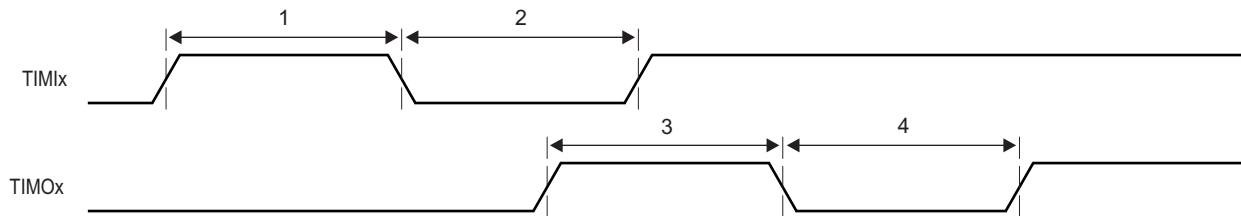
(1) C = 1/SYSCLK1 clock frequency in ns

**Table 11-51. Timer Output Switching Characteristics<sup>(1)</sup>**

(see Figure 11-48)

| NO. | PARAMETER                           | MIN     | MAX | UNIT |
|-----|-------------------------------------|---------|-----|------|
| 3   | $t_{w(TOUTH)}$ Pulse duration, high | 12C - 3 |     | ns   |
| 4   | $t_{w(TOURL)}$ Pulse duration, low  | 12C - 3 |     | ns   |

(1) C = 1/SYSCLK1 clock frequency in ns.



**Figure 11-48. Timer Timing**

## 11.21 General-Purpose Input/Output (GPIO)

### 11.21.1 GPIO Device-Specific Information

The GPIO peripheral pins are used for general purpose input/output for the device. These pins are also used to configure the device at boot time.

For more detailed information on device/peripheral configuration and the 66AK2E0x device pin muxing, see Section 9.2.

These GPIO pins can also be used to generate individual core interrupts (no support of bank interrupt) and EDMA events.

### 11.21.2 GPIO Peripheral Register Description

**Table 11-52. GPIO Registers**

| Hex Address Offsets | Acronym      | Register Name                             |
|---------------------|--------------|---|
| 0x0008              | BINTEN       | GPIO interrupt per bank enable register   |
| 0x000C              | -            | Reserved                                  |
| 0x0010              | DIR          | GPIO Direction Register                   |
| 0x0014              | OUT_DATA     | GPIO Output Data Register                 |
| 0x0018              | SET_DATA     | GPIO Set Data Register                    |
| 0x001C              | CLR_DATA     | GPIO Clear Data Register                  |
| 0x0020              | IN_DATA      | GPIO Input Data Register                  |
| 0x0024              | SET_RIS_TRIG | GPIO Set Rising Edge Interrupt Register   |
| 0x0028              | CLR_RIS_TRIG | GPIO Clear Rising Edge Interrupt Register |

**Table 11-52. GPIO Registers (continued)**

| Hex Address Offsets | Acronym      | Register Name                              |
|---------------------|--------------|--|
| 0x002C              | SET_FAL_TRIG | GPIO Set Falling Edge Interrupt Register   |
| 0x0030              | CLR_FAL_TRIG | GPIO Clear Falling Edge Interrupt Register |
| 0x008C              | -            | Reserved                                   |
| 0x0090 - 0x03FF     | -            | Reserved                                   |

### 11.21.3 GPIO Electrical Data/Timing

**Table 11-53. GPIO Input Timing Requirements<sup>(1)</sup>**

(see Figure 11-49)

| NO. |   | MIN | MAX | UNIT |
|-----|---|-----|-----|------|
| 1   | $t_{w(GPOH)}$ Pulse duration, GPOx high | 12C |     | ns   |
| 2   | $t_{w(GPOL)}$ Pulse duration, GPOx low  | 12C |     | ns   |

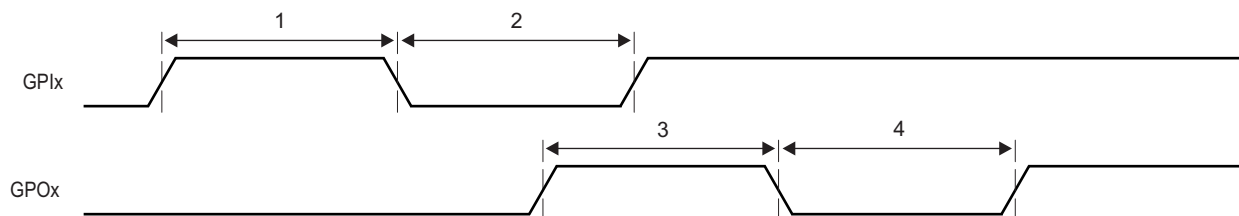
(1) C = 1/SYSCLK1 clock frequency in ns

**Table 11-54. GPIO Output Switching Characteristics<sup>(1)</sup>**

(see Figure 11-49)

| NO. | PARAMETER                               | MIN     | MAX | UNIT |
|-----|---|---------|-----|------|
| 3   | $t_{w(GPOH)}$ Pulse duration, GPOx high | 36C - 8 |     | ns   |
| 4   | $t_{w(GPOL)}$ Pulse duration, GPOx low  | 36C - 8 |     | ns   |

(1) C = 1/SYSCLK1 clock frequency in ns

**Figure 11-49. GPIO Timing**

## 11.22 Semaphore2

The device contains an enhanced Semaphore module for the management of shared resources of the SoC. The Semaphore enforces atomic accesses to shared chip-level resources so that the read-modify-write sequence is not broken. The Semaphore module has unique interrupts to each of the CorePacs to identify when that CorePac has acquired the resource.

Semaphore resources within the module are not tied to specific hardware resources. It is a software requirement to allocate semaphore resources to the hardware resource(s) to be arbitrated.

The Semaphore module supports three masters and contains 64 semaphores that can be shared within the system.

There are two methods of accessing a semaphore resource:

- **Direct Access:** A CorePac directly accesses a semaphore resource. If free, the semaphore is granted. If not free, the semaphore is not granted.
- **Indirect Access:** A CorePac indirectly accesses a semaphore resource by writing to it. Once the resource is free, an interrupt notifies the CorePac that the resource is available.

## 11.23 Universal Serial Bus 3.0 (USB 3.0)

The device includes a USB 3.0 controller providing the following capabilities:

- Support of USB 3.0 peripheral (or device) mode at the following speeds:
  - Super Speed (SS) (5 Gbps)
  - High Speed (HS) (480 Mbps)
  - Full Speed (FS) (12 Mbps)
- Support of USB 3.0 host mode at the following speeds:
  - Super Speed (SS) (5 Gbps)
  - High Speed (HS) (480 Mbps)
  - Full Speed (FS) (12 Mbps)
  - Low Speed (LS) (1.5 Mbps)
- Integrated DMA controller with extensible Host Controller Interface (xHCI) support
- Support for 14 transmit and 14 receive endpoints plus control EPO

For more information, see the *KeyStone II Architecture Universal Serial Bus 3.0 (USB 3.0) User's Guide (SPRUHJ7)*.

## 11.24 TSIP Peripheral

The Telecom Serial Interface Port (TSIP) module provides a glueless interface to common telecom serial data streams. For more information, see the *KeyStone Architecture Telecom Serial Interface Port (TSIP) User Guide (SPRUGY4)*.

### 11.24.1 TSIP Electrical Data/Timing

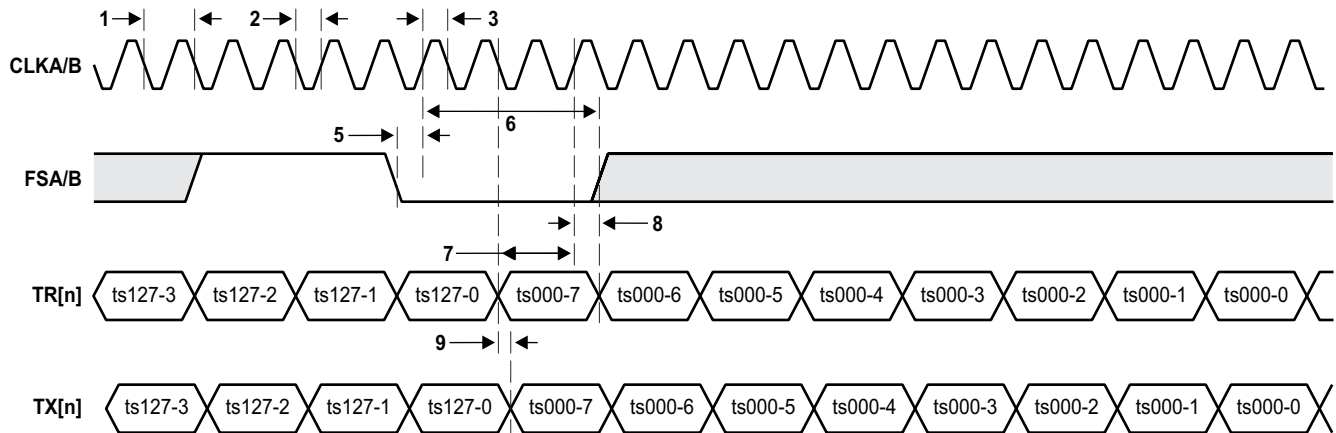
**Table 11-55. Timing Requirements for TSIP 2x Mode<sup>(1)</sup>**

(see [Figure 11-50](#))

| NO. |                            |   | MIN                          | MAX | UNIT |
|-----|----------------------------|---|------------------------------|-----|------|
| 1   | $t_c(\text{CLK})$          | Cycle time, CLK rising edge to next CLK rising edge | 61 <sup>(2)</sup>            |     | ns   |
| 2   | $t_w(\text{CLKL})$         | Pulse duration, CLK low                             | $0.4 \times t_c(\text{CLK})$ |     | ns   |
| 3   | $t_w(\text{CLKH})$         | Pulse duration, CLK high                            | $0.4 \times t_c(\text{CLK})$ |     | ns   |
| 4   | $t_t(\text{CLK})$          | Transition time, CLK high to low or CLK low to high |                              | 2   | ns   |
| 5   | $t_{su}(\text{FS-CLK})$    | Setup time, FS valid before rising CLK              | 5                            |     | ns   |
| 6   | $t_h(\text{CLK-FS})$       | Hold time, FS valid after rising CLK                | 5                            |     | ns   |
| 7   | $t_{su}(\text{TR-CLK})$    | Setup time, TR valid before rising CLK              | 5                            |     | ns   |
| 8   | $t_h(\text{CLK-TR})$       | Hold time, TR valid after rising CLK                | 5                            |     | ns   |
| 9   | $t_d(\text{CLKL-TX})$      | Delay time, CLK low to TX valid                     | 1                            | 12  | ns   |
| 10  | $t_{dis}(\text{CLKH-TXZ})$ | Disable time, CLK low to TX Hi-Z                    | 2                            | 10  | ns   |

(1) Polarities of XMTFSYNCP = 0b, XMTFCLKP = 0, XMTDCLKP = 1b, RCVFSYNCP = 0, RCVFCLKP = 0, RCVDCLKP = 0. If the polarity of any of the signals is inverted, then the timing references of that signal are also inverted.

(2) Timing shown is for 8.192 Mbps links. Timing for 16.384 Mbps and 32.768 Mbps links is 30.5 ns and 15.2 ns, respectively.



- A. Example timeslot numbering shown is for 8.192 Mbps links; 16.384 Mbps links have timeslots numbered 0 through 255 and 32.768 Mbps links have timeslots numbered 0 through 511. The data timing shown relative to the clock and frame sync signals would require a RCVDATD=1 and a XMTDATD=1

**Figure 11-50. TSIP 2x Timing Diagram<sup>(A)</sup>**

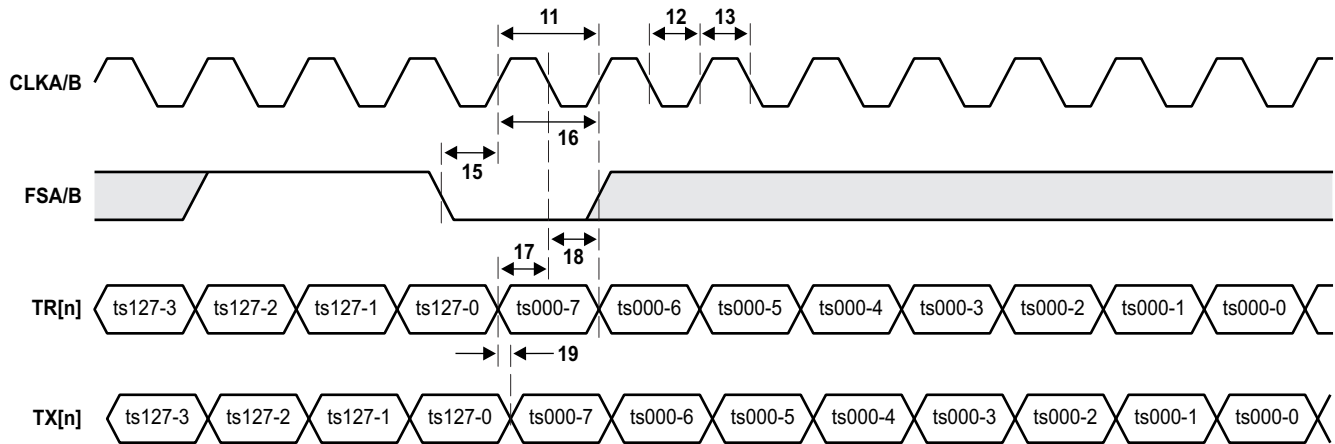
**Table 11-56. Timing Requirements for TSIP 1x Mode<sup>(1)</sup>**

(see [Figure 11-51](#))

| NO. |                            |   | MIN                          | MAX | UNIT |
|-----|----------------------------|---|------------------------------|-----|------|
| 11  | $t_c(\text{CLK})$          | Cycle time, CLK rising edge to next CLK rising edge | 122.1 <sup>(2)</sup>         |     | ns   |
| 12  | $t_w(\text{CLKL})$         | Pulse duration, CLK low                             | $0.4 \times t_c(\text{CLK})$ |     | ns   |
| 13  | $t_w(\text{CLKH})$         | Pulse duration, CLK high                            | $0.4 \times t_c(\text{CLK})$ |     | ns   |
| 14  | $t_t(\text{CLK})$          | Transition time, CLK high to low or CLK low to high |                              | 2   | ns   |
| 15  | $t_{su}(\text{FS-CLK})$    | Setup time, FS valid before rising CLK              | 5                            |     | ns   |
| 16  | $t_h(\text{CLK-FS})$       | Hold time, FS valid after rising CLK                | 5                            |     | ns   |
| 17  | $t_{su}(\text{TR-CLK})$    | Setup time, TR valid before rising CLK              | 5                            |     | ns   |
| 18  | $t_h(\text{CLK-TR})$       | Hold time, TR valid after rising CLK                | 5                            |     | ns   |
| 19  | $t_d(\text{CLKL-TX})$      | Delay time, CLK low to TX valid                     | 1                            | 12  | ns   |
| 20  | $t_{dis}(\text{CLKH-TXZ})$ | Disable time, CLK low to TX Hi-Z                    | 2                            | 10  | ns   |

- (1) Polarities of XMTFSYNCP = 0b, XMTFCLKP = 0, XMTDCLKP = 0b, RCVFSYNCP = 0, RCVFCLKP = 0, RCVDCLKP = 1. If the polarity of any of the signals is inverted, then the timing references of that signal are also inverted.
- (2) Timing shown is for 8.192 Mbps links. Timing for 16.384 Mbps and 32.768 Mbps links is 61 ns and 30.5 ns, respectively.





- A. Example timeslot numbering shown is for 8.192 Mbps links; 16.384 Mbps links have timeslots numbered 0 through 255 and 32.768 Mbps links have timeslots numbered 0 through 511. The data timing shown relative to the clock and frame sync signals would require a RCVDATD=1023 and a XMTDATD=1023.

Figure 11-51. TSIP 1x Timing Diagram<sup>(A)</sup>

### 11.25 Universal Subscriber Identity Module (USIM)

The 66AK2E0x is equipped with a Universal Subscriber Identity Module (USIM) for user authentication. The USIM is compatible with ISO, ETSI/GSM, and 3GPP standards.

The USIM is implemented for support of secure devices only. Contact your local technical sales representative for further details.

### 11.26 EMIF16 Peripheral

The EMIF16 module provides an interface between the device and external memories such as NAND and NOR flash. For more information, see the *KeyStone Architecture External Memory Interface (EMIF16) User's Guide* ([SPRUGZ3](#)).

#### 11.26.1 EMIF16 Electrical Data/Timing

Table 11-57. EMIF16 Asynchronous Memory Timing Requirements<sup>(1)</sup>

(see [Figure 11-52](#) through [Figure 11-55](#))

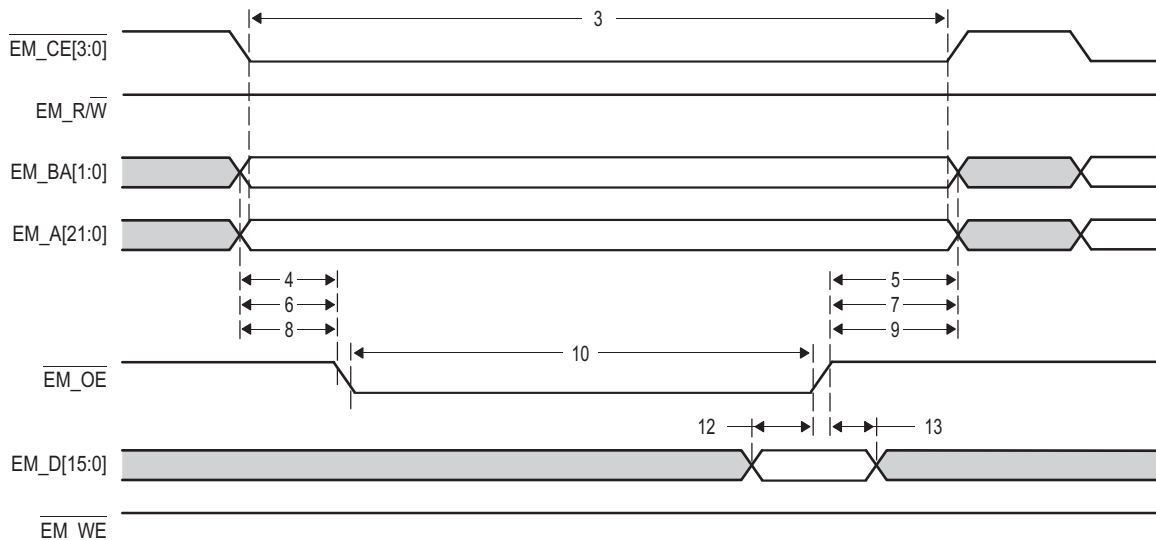
| NO.                   |                           |   | MIN                   | MAX                   | UNIT |
|-----------------------|---------------------------|---|-----------------------|-----------------------|------|
| <b>General Timing</b> |                           |   |                       |                       |      |
| 2                     | $t_w(\text{WAIT})$        | Pulse duration, WAIT assertion and deassertion minimum time                 |                       | 2E                    | ns   |
| 28                    | $t_d(\text{WAIT-WEH})$    | Setup time, WAIT asserted before WE high                                    |                       | 4E + 3                | ns   |
| 14                    | $t_d(\text{WAIT-OEH})$    | Setup time, WAIT asserted before OE high                                    |                       | 4E + 3                | ns   |
| <b>Read Timing</b>    |                           |   |                       |                       |      |
| 3                     | $t_c(\text{CEL})$         | EMIF read cycle time when ew = 0, meaning not in extended wait mode         | (RS+RST+RH+3) * E - 3 | (RS+RST+RH+3) * E + 3 | ns   |
| 3                     | $t_c(\text{CEL})$         | EMIF read cycle time when ew = 1, meaning extended wait mode enabled        | (RS+RST+RH+3) * E - 3 | (RS+RST+RH+3) * E + 3 | ns   |
| 4                     | $t_{osu}(\text{CEL-OEL})$ | Output setup time from CE low to OE low. SS = 0, not in select strobe mode  | (RS+1) * E - 3        | (RS+1) * E + 3        | ns   |
| 5                     | $t_{oh}(\text{OEH-CEH})$  | Output hold time from OE high to CE high. SS = 0, not in select strobe mode | (RH+1) * E - 3        | (RH+1) * E + 3        | ns   |
| 4                     | $t_{osu}(\text{CEL-OEL})$ | Output setup time from CE low to OE low in select strobe mode, SS = 1       | (RS+1) * E - 3        | (RS+1) * E + 3        | ns   |
| 5                     | $t_{oh}(\text{OEH-CEH})$  | Output hold time from OE high to CE high in select strobe mode, SS = 1      | (RH+1) * E - 3        | (RH+1) * E + 3        | ns   |
| 6                     | $t_{osu}(\text{BAV-OEL})$ | Output setup time from BA valid to OE low                                   | (RS+1) * E - 3        | (RS+1) * E + 3        | ns   |

(1) E = 1/(SYSCLK1/6)

**Table 11-57. EMIF16 Asynchronous Memory Timing Requirements<sup>(1)</sup> (continued)**

(see Figure 11-52 through Figure 11-55)

| NO.                 |                                 |   | MIN                 | MAX                 | UNIT |
|---------------------|---------------------------------|---|---------------------|---------------------|------|
| 7                   | $t_{oh}(OE\text{-}BAIV)$        | Output hold time from OE high to BA invalid                                 | $(RH+1) * E - 3$    | $(RH+1) * E + 3$    | ns   |
| 8                   | $t_{osu}(AV\text{-}OEL)$        | Output setup time from A valid to OE low                                    | $(RS+1) * E - 3$    | $(RS+1) * E + 3$    | ns   |
| 9                   | $t_{oh}(OE\text{-}AIV)$         | Output hold time from OE high to A invalid                                  | $(RH+1) * E - 3$    | $(RH+1) * E + 3$    | ns   |
| 10                  | $t_w(OEL)$                      | OE active time low, when ew = 0. Extended wait mode is disabled.            | $(RST+1) * E - 3$   | $(RST+1) * E + 3$   | ns   |
| 10                  | $t_w(OEL)$                      | OE active time low, when ew = 1. Extended wait mode is enabled.             | $(RST+1) * E - 3$   | $(RST+1) * E + 3$   | ns   |
| 11                  | $t_d(WAITH\text{-}OE\text{-}H)$ | Delay time from WAIT deasserted to OE# high                                 |                     | 4E + 3              | ns   |
| 12                  | $t_{su}(D\text{-}OE\text{-}H)$  | Input setup time from D valid to OE high                                    | 3                   |                     | ns   |
| 13                  | $t_h(OE\text{-}D)$              | Input hold time from OE high to D invalid                                   | 0.5                 |                     | ns   |
| <b>Write Timing</b> |                                 |   |                     |                     |      |
| 15                  | $t_c(CEL)$                      | EMIF write cycle time when ew = 0, meaning not in extended wait mode        | $(WS+WST+WH+3)*E-3$ | $(WS+WST+WH+3)*E+3$ | ns   |
| 15                  | $t_c(CEL)$                      | EMIF write cycle time when ew = 1., meaning extended wait mode is enabled   | $(WS+WST+WH+3)*E-3$ | $(WS+WST+WH+3)*E+3$ | ns   |
| 16                  | $t_{osu}CEL\text{-}WEL)$        | Output setup time from CE low to WE low. SS = 0, not in select strobe mode  | $(WS+1) * E - 3$    |                     | ns   |
| 17                  | $t_{oh}(WE\text{-}CE\text{-}H)$ | Output hold time from WE high to CE high. SS = 0, not in select strobe mode | $(WH+1) * E - 3$    |                     | ns   |
| 16                  | $t_{osu}CEL\text{-}WEL)$        | Output setup time from CE low to WE low in select strobe mode, SS = 1       | $(WS+1) * E - 3$    |                     | ns   |
| 17                  | $t_{oh}(WE\text{-}CE\text{-}H)$ | Output hold time from WE high to CE high in select strobe mode, SS = 1      | $(WH+1) * E - 3$    |                     | ns   |
| 18                  | $t_{osu}(RNW\text{-}WEL)$       | Output setup time from RNW valid to WE low                                  | $(WS+1) * E - 3$    |                     | ns   |
| 19                  | $t_{oh}(WE\text{-}RNW)$         | Output hold time from WE high to RNW invalid                                | $(WH+1) * E - 3$    |                     | ns   |
| 20                  | $t_{osu}(BAV\text{-}WEL)$       | Output setup time from BA valid to WE low                                   | $(WS+1) * E - 3$    |                     | ns   |
| 21                  | $t_{oh}(WE\text{-}BAIV)$        | Output hold time from WE high to BA invalid                                 | $(WH+1) * E - 3$    |                     | ns   |
| 22                  | $t_{osu}(AV\text{-}WEL)$        | Output setup time from A valid to WE low                                    | $(WS+1) * E - 3$    |                     | ns   |
| 23                  | $t_{oh}(WE\text{-}AIV)$         | Output hold time from WE high to A invalid                                  | $(WH+1) * E - 3$    |                     | ns   |
| 24                  | $t_w(WEL)$                      | WE active time low, when ew = 0. Extended wait mode is disabled.            | $(WST+1) * E - 3$   |                     | ns   |
| 24                  | $t_w(WEL)$                      | WE active time low, when ew = 1. Extended wait mode is enabled.             | $(WST+1) * E - 3$   |                     | ns   |
| 26                  | $t_{osu}(DV\text{-}WEL)$        | Output setup time from D valid to WE low                                    | $(WS+1) * E - 3$    |                     | ns   |
| 27                  | $t_{oh}(WE\text{-}DIV)$         | Output hold time from WE high to D invalid                                  | $(WH+1) * E - 3$    |                     | ns   |
| 25                  | $t_d(WAITH\text{-}WE\text{-}H)$ | Delay time from WAIT deasserted to WE# high                                 |                     | 4E + 3              | ns   |

**Figure 11-52. EMIF16 Asynchronous Memory Read Timing Diagram**

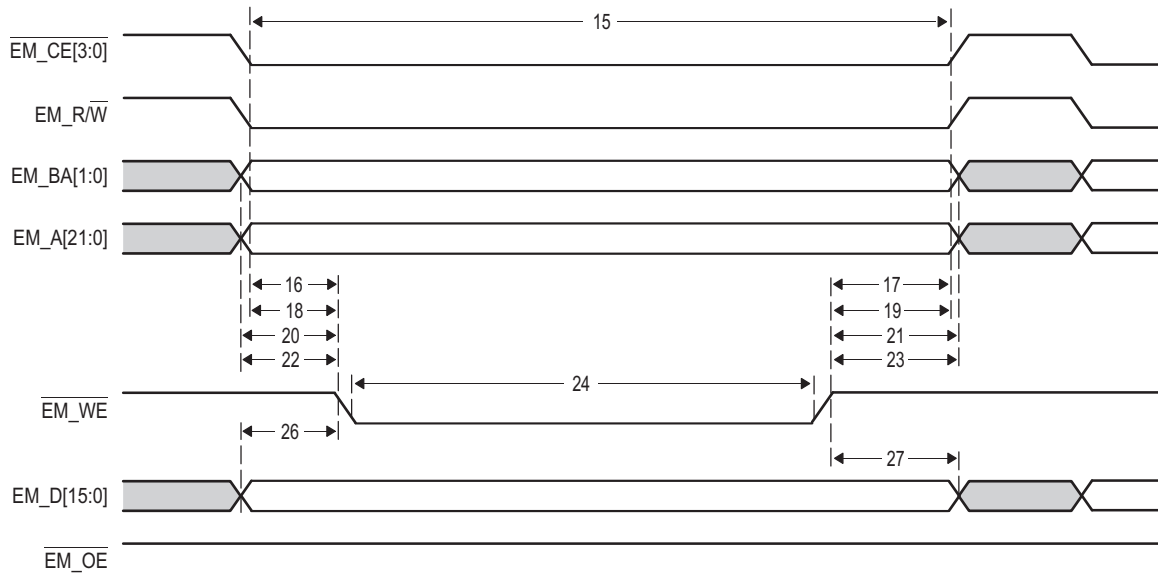


Figure 11-53. EMIF16 Asynchronous Memory Write Timing Diagram

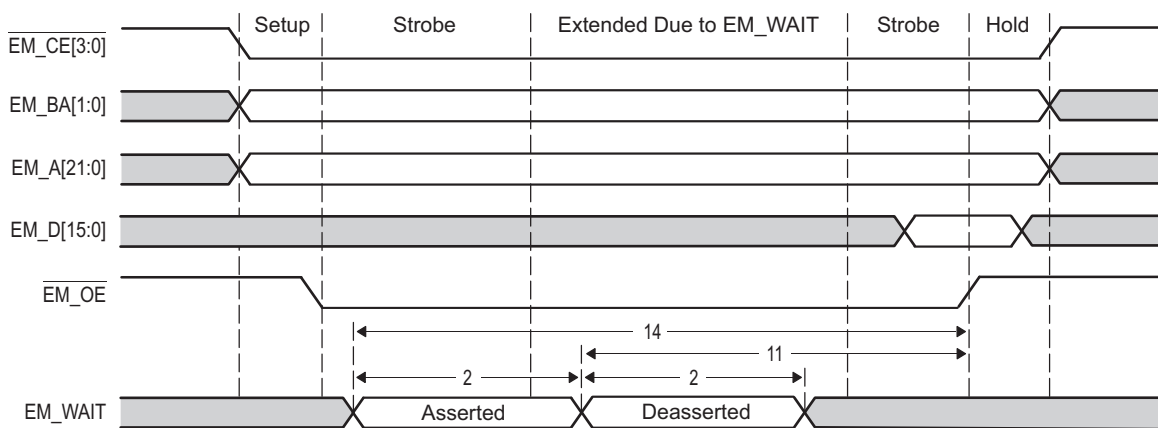


Figure 11-54. EMIF16 EM\_WAIT Read Timing Diagram

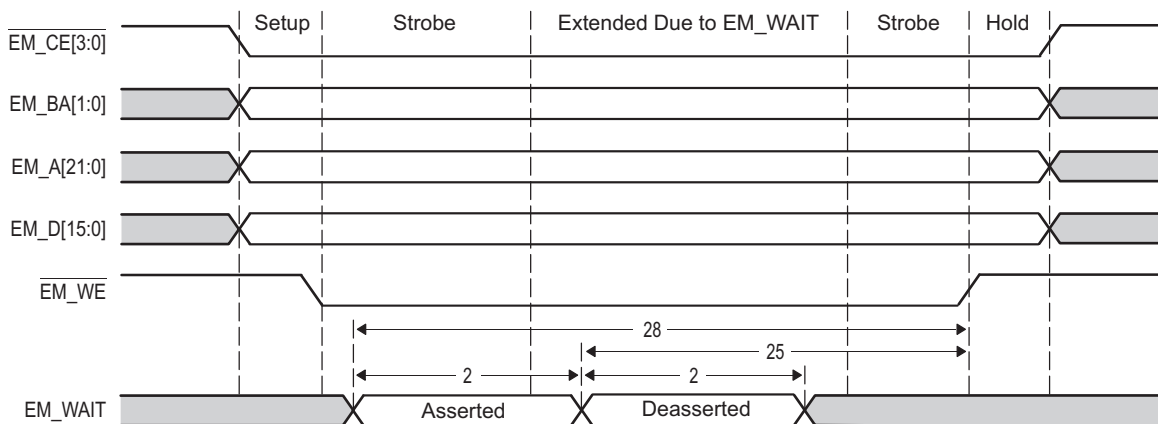


Figure 11-55. EMIF16 EM\_WAIT Write Timing Diagram

## 11.27 Emulation Features and Capability

The debug capabilities of KeyStone II devices include the Debug subsystem module (DEBUGSS). The DEBUGSS module contains the ICEPick module which handles the external JTAG Test Access Port (TAP) and multiple secondary TAPs for the various processing cores of the device. It also provides Debug Access Port (DAP) for system wide memory access from debugger, Cross triggering, System trace, Peripheral suspend generation, Debug port (EMUx) pin management etc. The DEBUGSS module works in conjunction with the debug capability integrated in the processing cores (ARM and DSP subsystems) to provide a comprehensive hardware platform for a rich debug and development experience.

### 11.27.1 Chip Level Features

- Support for 1149.1(JTAG and Boundary scan) and 1149.6 (Boundary scan extensions).
- Trace sources to DEBUG SubSystem System Trace Module (DEBUGSS STM)
  - Provides a way for hardware instrumentation and software messaging to supplement the processor core trace mechanisms.
  - Hardware instrumentation support of CPTracers to support logging of bus transactions for critical endpoints
  - Software messaging/instrumentation support for SoC and QMSS PDSP cores through DEBUGSS STM.
- Trace Sinks
  - Support for trace export (from all processor cores and DEBUGSS STM) through emulation pins. Concurrent trace of DSP and STM traces or ARM and STM traces via EMU pins is possible. Concurrent trace export of DSP and ARM is not possible via EMU pins.
  - Support for 32KB DEBUGSS TBR (Trace Buffer and Router) to hold system trace. The data can be drained using EDMA to on-chip or DDR memory buffers. These intermediate buffers can subsequently be drained through the device high speed interfaces. The DEBUGSS TBR is dedicated to the DEBUGSS STM module. The trace draining interface used in KeyStone II for DEBUGSS and ARMSS are based on the new CT-TBR.
- Cross triggering: Provides a way to propagate debug (trigger) events from one processor/subsystem/module to another
  - Cross triggering between multiple devices via EMU0/EMU1 pins
  - Cross triggering between multiple processing cores within the device like ARM/DSP Cores and non-processor entities like ARM STM (input only), CPTracers, CT-TBRs and DEBUGSS STM (input only)
- Synchronized starting and stopping of processing cores
  - Global start of all ARM cores
  - Global start of all DSP cores
  - Global stopping of all ARM and DSP cores
- Emulation mode aware peripherals (suspend features and debug access features)
- Support system memory access via the DAP port (natively support 32-bit address, and it can support 36-bit address through configuration of MPAX inside MSMC). Debug access to any invalid memory location (reserved/clock-gated/power-down) does not cause system hang.
- Scan access to secondary TAPs of DEBUGSS is disabled in Secure devices by default. Security override sequence is supported (requires software override sequence) to enable debug in secure devices. In addition, Debug features of the ARM cores are blockable through the ARM debug authentication interface in secure devices.
- Support WIR (wait-in-reset) debug boot mode for Non-secure devices.
- Debug functionality survives all pin resets except power-on resets ( $\overline{\text{POR}}/\overline{\text{RESETFULL}}$ ) and test reset ( $\overline{\text{TRST}}$ ).
- PDSP Debug features like access/control through DAP, Halt mode debug and software instrumentation.

### 11.27.1.1 ARM Subsystem Features

- Support for invasive debug like halt mode debugging (breakpoint, watchpoints) and monitor mode debugging
- Support for non-invasive debugging (program trace, performance monitoring)
- Support for A15 Performance Monitoring Unit (cycle counters)
- Support for per core CoreSight™ Program Trace Module (CS-PTM) with timing
- Support for an integrated CoreSight System Trace Module (CS-STM) for hardware event and software instrumentation
- A shared timestamp counter for all ARM cores and STM is integrated in ARMSS for trace data correlation
- Support for a 16KB Trace Buffer and Router (TBR) to hold PTM/STM trace. The trace data is copied by EDMA to external memory for draining by device high speed serial interfaces.
- Support for simultaneous draining of trace stream through EMUn pins and TBR (to achieve higher aggregate trace throughput)
- Support for debug authentication interface to disable debug accesses in secure devices
- Support for cross triggering between MPU cores, CS-STM and CT-TBR
- Support for debug through warm reset

### 11.27.1.2 DSP Features

- Support for Halt-mode debug
- Support for Real-time debug
- Support for Monitor mode debug
- Advanced Event Triggering (AET) for data/PC watch-points, event monitoring and visibility into external events
- Support for PC/Timing/Data/Event trace.
- TETB (TI Embedded Trace Buffer) of 4KB to store PC/Timing/Data/Event trace. The trace data is copied by EDMA to external memory for draining by device high speed serial interfaces or it can be drained through EMUx pins
- Support for Cross triggering source/sink to other C66x CorePacs and device subsystems.
- Using Advanced Event Triggering to Find and Fix Intermittent Real-Time Bugs application report
- Using Advanced Event Triggering to Debug Real-Time Problems in High Speed Embedded Microprocessor Systems application report

For more information on the AET, see the following documents:

- *Using Advanced Event Triggering to Find and Fix Intermittent Real-Time Bugs* application report ([SPRA753](#))
- *Using Advanced Event Triggering to Debug Real-Time Problems in High Speed Embedded Microprocessor Systems* application report ([SPRA387](#))

### 11.27.2 ICEPick Module

The debugger is connected to the device through its external JTAG interface. The first level of debug interface seen by the debugger is connected to the ICEPick module embedded in the DEBUGSS. ICEPick is the chip-level TAP, responsible for providing access to the IEEE 1149.1 and IEEE1149.6 boundary scan capabilities of the device.

The device has multiple processors, some with secondary JTAG TAPs (C66x CorePacs) and others with an APB memory mapped interface (ARM CorePac and Coresight components).ICEPick manages the TAPs as well as the power/reset/clock controls for the logic associated with the TAPs as well as the logic associated with the APB ports.

ICEPick provides the following debug capabilities:

- Debug connect logic for enabling or disabling most ICEPick instructions
- Dynamic TAP insertion
  - Serially linking up to 32 TAP controllers
  - Individually selecting one or more of the TAPS for scan without disrupting the instruction register (IR) state of other TAPs
- Power, reset and clock management
  - Provides the power and clock status of the domain to the debugger
  - Provides debugger control of the power domain of a processor.
    - Force the domain power and clocks on
    - Prohibit the domain from being clock-gated or powered down
  - Applies system reset
  - Provides wait-in-reset (WIR) boot mode
  - Provides global and local WIR release
  - Provides global and local reset block

The ICEPick module implements a connect register, which must be configured with a predefined key to enable the full set of JTAG instructions. Once the debug connect key has been properly programmed, ICEPick signals and subsystems emulation logic should be turned on.

### 11.27.2.1 ICEPick Dynamic Tap Insertion

To include more or fewer secondary TAPS in the scan chain, the debugger must use the ICEPick TAP router to program the TAPS. At its root, ICEPick is a scan-path linker that lets the debugger selectively choose which subsystem TAPS are accessible through the device-level debug interface. Each secondary TAP can be dynamically included in or excluded from the scan path. From external JTAG interface point of view, secondary TAPS that are not selected appear not to exist.

There are two types of components connected through ICEPick to the external debug interface:

- Legacy JTAG Components — C66x implements a JTAG-compatible port and are directly interfaced with ICEPick and individually attached to an ICEPick secondary TAP.
- CoreSight Components — The CoreSight components are interfaced with ICEPick through the CS\_DAP module. The CS\_DAP is attached to the ICEPick secondary TAP and translates JTAG transactions into APBv3 transactions.

[Table 11-58](#) shows the ICEPick secondary taps in the system. For more details on the test related P1500 TAPs, see the DFTSS specification.

**Table 11-58. ICEPick Debug Secondary TAPs**

| TAP # | TYPE | NAME          | IR SCAN LENGTH | ACCESS IN SECURE DEVICE | DESCRIPTION  |
|-------|------|---------------|----------------|-------------------------|--|
| 0     | n/a  | n/a           | n/a            | No                      | Reserved (This is an internal TAP and not exposed at the DEBUGSS boundary) |
| 1     | JTAG | C66x CorePac0 | 38             | No                      | C66x CorePac0  |
| 2     | JTAG |               |                |                         | Reserved   |
| 3     | JTAG |               |                |                         | Reserved   |
| 4     | JTAG |               |                |                         | Reserved   |
| 5     | JTAG |               |                |                         | Reserved   |
| 6     | JTAG |               |                |                         | Reserved   |
| 7     | JTAG |               |                |                         | Reserved   |
| 8     | JTAG |               |                |                         | Reserved   |
| 9..13 | JTAG | Reserved      | NA             | No                      | Spare ports for future expansion   |

**Table 11-58. ICEPick Debug Secondary TAPs (continued)**

| TAP # | TYPE | NAME            | IR SCAN LENGTH | ACCESS IN SECURE DEVICE | DESCRIPTION   |
|-------|------|-----------------|----------------|-------------------------|---|
| 14    | CS   | CS_DAP (APB-AP) | 4              | No                      | ARM A15 Cores (This is an internal TAP and not exposed at the DEBUGSS boundary) |
|       |      | CS_DAP (AHB-AP) |                |                         | PDSP Cores (This is an internal TAP and not exposed at the DEBUGSS boundary)    |

For more information on ICEPick, see the *KeyStone II Architecture Debug and Trace User's Guide* ([SPRUHM4](#)).

### 11.28 Debug Port (EMUx)

The device also supports 34 emulation pins — EMU[33:0], which includes 19 dedicated EMU pins and 15 pins multiplexed with GPIO. These pins are shared by SoC STM trace, cross triggering, and debug boot modes as shown in [Table 11-61](#). The 34-pin dedicated emulation interface is also defined in the following table.

---

#### NOTE

Note that if EMU[1:0] signals are shared for cross-triggering purposes in the board level, they SHOULD NOT be used for trace purposes.

---

### 11.28.1 Concurrent Use of Debug Port

The following combinations are possible concurrently:

- Trigger 0/1
- Trigger 0/1 and STM Trace (up to 4 data pins)
- Trigger 0/1 and STM Trace (up to 4 data pins) and C66x Trace (up to 20 data pins)
- Trigger 0/1 and STM Trace (1-4 data pins) and ARM Trace (27-24 data pins)
- STM Trace (1-4 data pins) and ARM Trace (29-26 data pins)
- Trigger 0/1 and ARM Trace (up to 29 data pins)
- ARM Trace (up to 32 data pins)

ARM and DSP simultaneous trace is not supported.

### 11.28.2 Master ID for HW and SW Messages

Table 11-59 describes the master ID for the various hardware and software masters of the STM.

**Table 11-59. MSTID Mapping for Hardware Instrumentation (CPTRACERS)**

| CPTRACER NAME                 | MSTID [7:0] | CLOCK DOMAIN | SID[4:0]  | DESCRIPTION  |
|-------------------------------|-------------|--------------|-----------|--|
| CPT_MSMCx_MST, where x = 0..3 | 0x94-0x97   | SYSClk1/1    | 0x0..3    | MSMC SRAM Bank 0 to MSMC SRAM Bank 3 monitors      |
| CPT_MSMC4_MST                 | 0xB1        | SYSClk1/1    | 0x4       | MSMC SRAM Bank 4                                   |
| CPT_MSMCx_MST, where x = 5..7 | 0xAE - 0xB0 | SYSClk1/1    | 0x5..7    | MSMC SRAM Bank 5 to MSMC SRAM Bank 7 monitors      |
| CPT_DDR3_MST                  | 0x98        | SYSClk1/1    | 0x8       | MSMC DDR3 port monitor                             |
| CPT_L2_x_MST, where x = 0..7  | 0x8C - 0x93 | SYSClk1/3    | 0x9..0x10 | DSP 0 to 7 SDMA port monitors                      |
| CPT_TPCC0_4_MST               | 0xA4        | SYSClk1/3    | 0x11      | EDMA 0 and EDMA 4 CFG port monitor                 |
| CPT_TPCC1_2_3_MST             | 0xA5        | SYSClk1/3    | 0x12      | EDMA 1, EDMA2 and EDMA3 CFG port monitor           |
| CPT_INTC_MST                  | 0xA6        | SYSClk1/3    | 0x13      | INTC port monitor (for INTC 0/1/2 and GIC400)      |
| CPT_SM_MST                    | 0x99        | SYSClk1/3    | 0x14      | Semaphore CFG port monitors                        |
| CPT_QM_CFG1_MST               | 0x9A        | SYSClk1/3    | 0x15      | QMSS CFG1 port monitor                             |
| CPT_QM_CFG2_MST               | 0xA0        | SYSClk1/3    | 0x16      | QMSS CFG2 port monitor                             |
| CPT_QM_M_MST                  | 0x9B        | SYSClk1/3    | 0x17      | QM_M CFG/DMA port monitor                          |
| CPT_SPI_ROM_EMIF16_MST        | 0xA7        | SYSClk1/3    | 0x18      | SPI ROM EMIF16 CFG port monitor                    |
| CPT_CFG_MST                   | 0x9C        | SYSClk1/3    | 0x19      | SCR_3P_B and SCR_6P_B CFG peripheral port monitors |
| Reserved                      |             |              | 0x1A      | Reserved   |
| Reserved                      |             |              | 0x1B      | Reserved   |
| Reserved                      |             |              | 0x1C      | Reserved   |
| Reserved                      |             |              | 0x1D      | Reserved   |
| Reserved                      |             |              | 0x1E      | Reserved   |
| Reserved                      |             |              | 0x1F      | DDR 3B port monitor (on SCR 3C)                    |

**Table 11-60. MSTID Mapping for Software Messages**

| CORE NAME     | MSTID [7:0] | DESCRIPTION                 |
|---------------|-------------|-----------------------------|
| C66x CorePac0 | 0x0         | C66x CorePac MDMA Master ID |
| Reserved      | 0x1         |                             |
| Reserved      | 0x2         |                             |
| Reserved      | 0x3         |                             |
| Reserved      | 0x4         |                             |
| Reserved      | 0x5         |                             |



**Table 11-60. MSTID Mapping for Software Messages (continued)**

| CORE NAME  | MSTID [7:0] | DESCRIPTION  |
|------------|-------------|--|
| Reserved   | 0x6         |  |
| Reserved   | 0x7         |  |
| A15 Core0  | 0x8         | ARM Master IDs   |
| A15 Core1  | 0x9         | ARM Master ID (66AK2E05 only)  |
| A15 Core2  | 0xA         | ARM Master ID(66AK2E05 only)   |
| A15 Core3  | 0xB         | ARM Master ID(66AK2E05 only)   |
| QMSS PDSPs | 0x46        | All QMSS PDSPs share the same master ID. Differentiating between the 8 PDSPs is done through the channel number used |
| TSIP       | 0x80        | TSIP Master ID   |

### 11.28.3 SoC Cross-Triggering Connection

The cross-trigger lines are shared by all the subsystems implementing cross-triggering. An MPU subsystem trigger event can therefore be propagated to any application subsystem or system trace component. The remote subsystem or system trace component can be programmed to be sensitive to the global SOC trigger lines to either:

- Generate a processor debug request
- Generate an interrupt request
- Start/Stop processor trace
- Start/Stop CBA transaction tracing through CPTracers
- Start external logic analyzer trace
- Stop external logic analyzer trace

**Table 11-61. Cross-Triggering Connection**

| NAME                                     | SOURCE TRIGGERS | SINK TRIGGERS | COMMENTS                                      |
|--|-----------------|---------------|---|
| <b>Inside DEBUGSS</b>                    |                 |               |   |
| Device-to-device trigger via EMU0/1 pins | YES             | YES           | This is fixed (not affected by configuration) |
| MIPI-STM                                 | NO              | YES           | Trigger input only for MIPI-STM in DebugSS    |
| CT-TBR                                   | YES             | YES           | DEBUGSS CT-TBR                                |
| CS-TPIU                                  | NO              | YES           | DEBUGSS CS-TPIU                               |
| <b>Outside DEBUGSS</b>                   |                 |               |   |
| DSPSS                                    | YES             | YES           |   |
| CP_Tracers                               | YES             | YES           |   |
| ARM                                      | YES             | YES           | ARM Cores, ARM CS-STM and ARM CT-TBR          |

The following table describes the crosstrigger connection between various cross trigger sources and TI XTRIG module.

**Table 11-62. TI XTRIG Assignment**

| NAME   | ASSIGNED XTRIG CHANNEL NUMBER |
|--|-------------------------------|
| C66x CorePac0  | XTRIG 0                       |
| CPTracer 0..31 (The CPTracer number refers to the SID[4:0] as shown in <a href="#">Table 11-59</a> ) | XTRIG 8 .. 39                 |

### 11.28.4 Peripherals-Related Debug Requirement

Table 11-63 lists all the peripherals on this device, and the status of whether or not it supports emulation suspend or emulation request events.

The DEBUGSS supports upto 32 debug suspend sources (processor cores) and 64 debug suspend sinks (peripherals). The assignment of processor cores is shown in and the assignment of peripherals is shown in Table 11-63. By default the logical AND of all the processor cores is routed to the peripherals. It is possible to select an individual core to be routed to the peripheral (For example: used in tightly coupled peripherals like timers), a logical AND of all cores (Global peripherals) or a logical OR of all cores by programming the DEBUGSS.DRM module.

The SOFT bit should be programmed based on whether or not an immediate pause of the peripheral function is required or if the peripheral suspend should occur only after a particular completion point is reached in the normal peripheral operation. The FREE bit should be programmed to enable or disable the emulation suspend functionality.

**Table 11-63. Peripherals Emulation Support**

| PERIPHERAL                          | EMULATION SUSPEND SUPPORT |                |                |                | EMULATION REQUEST SUPPORT (cemudbg/emudbg) | DEBUG PERIPHERAL ASSIGNMENT |
|-------------------------------------|---------------------------|----------------|----------------|----------------|--|-----------------------------|
|                                     | STOP-MODE                 | REAL-TIME MODE | FREE BIT       | STOP BIT       |  |                             |
| Infrastructure Peripherals          |                           |                |                |                |  |                             |
| EDMA_x, where X=0/1/2/3/4           | N                         | N              | N              | N              | Y  | NA                          |
| QM_SS                               | Y (CPDMA only)            | Y (CPDMA only) | Y (CPDMA only) | Y (CPDMA only) | Y  | 20                          |
| CP_Tracers_X, where X = 0..32       | N                         | N              | N              | N              | N  | NA                          |
| MPU_X, where X = 0..11              | N                         | N              | N              | N              | Y  | NA                          |
| CP_INTC                             | N                         | N              | N              | N              | Y  | NA                          |
| BOOT_CFG                            | N                         | N              | N              | N              | Y  | NA                          |
| SEC_MGR                             | N                         | N              | N              | N              | Y  | NA                          |
| PSC                                 | N                         | N              | N              | N              | N  | NA                          |
| PLL                                 | N                         | N              | N              | N              | N  | NA                          |
| TIMERx, x=0, 1..7, 8..19            | Y                         | N              | Y              | Y              | N  | 0, 1..7, 8..19              |
| Semaphore                           | N                         | N              | N              | N              | Y  | NA                          |
| GPIO                                | N                         | N              | N              | N              | N  | NA                          |
| Memory Controller Peripherals       |                           |                |                |                |  |                             |
| DDR3                                | N                         | N              | N              | N              | Y  | NA                          |
| MSMC                                | N                         | N              | N              | N              | Y  | NA                          |
| EMIF16                              | N                         | N              | N              | N              | Y  | NA                          |
| Serial Interfaces                   |                           |                |                |                |  |                             |
| I <sup>2</sup> C_X, where X = 0/1/2 | Y                         | N              | Y              | Y              | Y  | 21/22/23                    |
| SPI_X, where X = 0/1/2              | N                         | N              | N              | N              | Y  | NA                          |
| UART_X, where X = 0/1               | Y                         | N              | Y              | Y              | Y  | 24/25                       |
| USIM                                | Y                         | N              | Y              | N              | N  | 28                          |
| High Speed Serial Interfaces        |                           |                |                |                |  |                             |
| Hyperlink                           | N                         | N              | N              | N              | Y  |                             |
| PCIeSS 0..1                         | N                         | N              | N              | N              | N  |                             |
| Reserved                            |                           |                |                |                |  | 26                          |
| NetCP (ethernet switch)             | Y                         | Y              | Y              | Y              | N  | 27                          |

**Table 11-63. Peripherals Emulation Support (continued)**

| PERIPHERAL                             | EMULATION SUSPEND SUPPORT |                |          |          | EMULATION REQUEST SUPPORT (cemudbg/emudbg) | DEBUG PERIPHERAL ASSIGNMENT |
|--|---------------------------|----------------|----------|----------|--|-----------------------------|
|  | STOP-MODE                 | REAL-TIME MODE | FREE BIT | STOP BIT |  |                             |
| 10GbE (ethernet switch) <sup>(1)</sup> | Y                         | N              | Y        | Y        | N  | 29                          |
| USBSS                                  | N                         | N              | N        | N        | N  | NA                          |

(1) 10 GbE supported by 66AK2E05only.

Based on the above table the number of suspend interfaces in Keystone II devices is listed below.

**Table 11-64. EMUSUSP Peripheral Summary (for EMUSUSP handshake from DEBUGSS)**

| INTERFACES                  | NUM_SUSPEND_PERIPHERALS |
|-----------------------------|-------------------------|
| EMUSUSP Interfaces          | 54                      |
| EMUSUSP Realtime Interfaces | 15                      |

Table 11-65 summarizes the DEBUG core assignment. Emulation suspend output of all the cores are synchronized to SYSCLK1/6 which is frequency of the slowest peripheral that uses these signals.

**Table 11-65. EMUSUSP Core Summary (for EMUSUSP handshake to DEBUGSS)**

| Core # | Assignment                 |
|--------|----------------------------|
| 0      | C66x CorePac0              |
| 8..11  | ARM CorePac0-3             |
| 12..29 | Reserved                   |
| 30     | Logical OR of Core #0..11  |
| 31     | Logical AND of Core #0..11 |

### 11.28.5 Advanced Event Triggering (AET)

The device supports advanced event triggering (AET). This capability can be used to debug complex problems as well as understand performance characteristics of user applications. AET provides the following capabilities:

- **Hardware program breakpoints:** specify addresses or address ranges that can generate events such as halting the processor or triggering the trace capture.
- **Data watchpoints:** specify data variable addresses, address ranges, or data values that can generate events such as halting the processor or triggering the trace capture.
- **Counters:** count the occurrence of an event or cycles for performance monitoring.
- **State sequencing:** allows combinations of hardware program breakpoints and data watchpoints to precisely generate events for complex sequences.

For more information on the AET, see the following documents:

- *Using Advanced Event Triggering to Find and Fix Intermittent Real-Time Bugs* application report ([SPRA753](#))
- *Using Advanced Event Triggering to Debug Real-Time Problems in High Speed Embedded Microprocessor Systems* application report ([SPRA387](#))

### 11.28.6 Trace

The device supports trace. Trace is a debug technology that provides a detailed, historical account of application code execution, timing, and data accesses. Trace collects, compresses, and exports debug information for analysis. Trace works in real-time and does not impact the execution of the system.

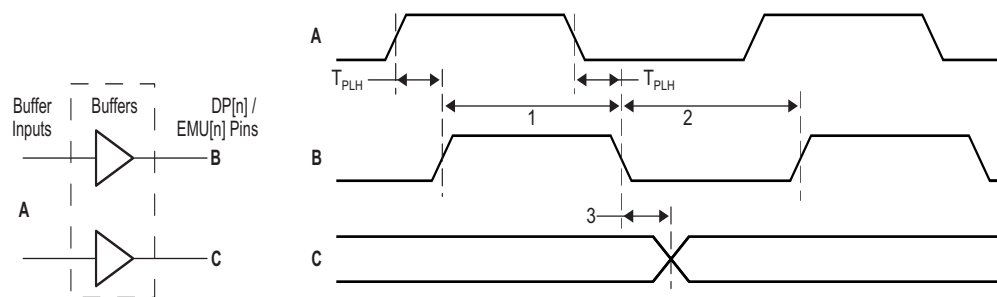
For more information on board design guidelines for trace advanced emulation, see the *Emulation and Trace Headers Technical Reference Manual* ([SPRU655](#)).

#### 11.28.6.1 Trace Electrical Data/Timing

**Table 11-66. Trace Switching Characteristics**

(see [Figure 11-56](#))

| NO. | PARAMETER                        |   | MIN | MAX | UNIT |
|-----|----------------------------------|---|-----|-----|------|
| 1   | $t_w(\text{DPnH})$               | Pulse duration, DPn/EMUn high   | 2.4 |     | ns   |
| 1   | $t_w(\text{DPnH})90\%$           | Pulse duration, DPn/EMUn high detected at 90% Voh   | 1.5 |     | ns   |
| 2   | $t_w(\text{DPnL})$               | Pulse duration, DPn/EMUn low  | 2.4 |     | ns   |
| 2   | $t_w(\text{DPnL})10\%$           | Pulse duration, DPn/EMUn low detected at 10% Voh  | 1.5 |     | ns   |
| 3   | $t_{\text{sko}}(\text{DPn})$     | Output skew time, time delay difference between DPn/EMUn pins configured as trace                       | -1  | 1   | ns   |
|     | $t_{\text{skp}}(\text{DPn})$     | Pulse skew, magnitude of difference between high-to-low (tph) and low-to-high (tph) propagation delays. |     | 600 | ps   |
|     | $t_{\text{slidp}_o}(\text{DPn})$ | Output slew rate DPn/EMUn   | 3.3 |     | V/ns |



**Figure 11-56. Trace Timing**

### 11.28.7 IEEE 1149.1 JTAG

The Joint Test Action Group (JTAG) interface is used to support boundary scan and emulation of the device. The boundary scan supported allows for an asynchronous test reset ( $\overline{\text{TRST}}$ ) and only the five baseline JTAG signals (e.g., no EMU[1:0]) required for boundary scan. Most interfaces on the device follow the Boundary Scan Test Specification (IEEE1149.1), while all of the SerDes (SGMII) support the AC-coupled net test defined in AC-Coupled Net Test Specification (IEEE1149.6).

It is expected that all compliant devices are connected through the same JTAG interface, in daisy-chain fashion, in accordance with the specification. The JTAG interface uses 1.8-V LVCMOS buffers, compliant with the *Power Supply Voltage and Interface Standard for Nonterminated Digital Integrated Circuit Specification* (EAI/JESD8-5).

### 11.28.7.1 IEEE 1149.1 JTAG Compatibility Statement

For maximum reliability, the 66AK2E0x device includes an internal pulldown (IPD) on the  $\overline{\text{TRST}}$  pin to ensure that  $\overline{\text{TRST}}$  will always be asserted upon power up and the device's internal emulation logic will always be properly initialized when this pin is not routed out. JTAG controllers from Texas Instruments actively drive  $\overline{\text{TRST}}$  high. However, some third-party JTAG controllers may not drive  $\overline{\text{TRST}}$  high, but expect the use of an external pullup resistor on  $\overline{\text{TRST}}$ . When using this type of JTAG controller, assert  $\overline{\text{TRST}}$  to initialize the device after powerup and externally drive  $\overline{\text{TRST}}$  high before attempting any emulation or boundary scan operations.

### 11.28.7.2 JTAG Electrical Data/Timing

**Table 11-67. JTAG Test Port Timing Requirements**

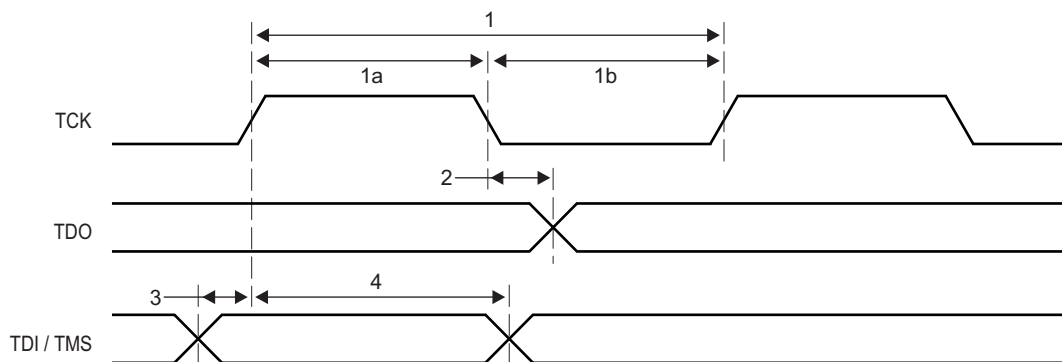
(see [Figure 11-57](#))

| NO. |  | MIN | MAX | UNIT |
|-----|--|-----|-----|------|
| 1   | $t_{c(\text{TCK})}$ Cycle time, TCK                              | 23  |     | ns   |
| 1a  | $t_w(\text{TCKH})$ Pulse duration, TCK high (40% of $t_c$ )      | 9.2 |     | ns   |
| 1b  | $t_w(\text{TCKL})$ Pulse duration, TCK low(40% of $t_c$ )        | 9.2 |     | ns   |
| 3   | $t_{su}(\text{TDI-TCK})$ Input setup time, TDI valid to TCK high | 2   |     | ns   |
| 3   | $t_{su}(\text{TMS-TCK})$ Input setup time, TMS valid to TCK high | 2   |     | ns   |
| 4   | $t_h(\text{TCK-TDI})$ Input hold time, TDI valid from TCK high   | 10  |     | ns   |
| 4   | $t_h(\text{TCK-TMS})$ Input hold time, TMS valid from TCK high   | 10  |     | ns   |

**Table 11-68. JTAG Test Port Switching Characteristics**

(see [Figure 11-57](#))

| NO. | PARAMETER  | MIN | MAX  | UNIT |
|-----|--|-----|------|------|
| 2   | $t_d(\text{TCKL-TDOV})$ Delay time, TCK low to TDO valid |     | 8.24 | ns   |



**Figure 11-57. JTAG Test-Port Timing**

## 12 Mechanical Data

### 12.1 Thermal Data

Table 12-1 shows the thermal resistance characteristics for the PBGA - ABD 1089-pin mechanical package.

**Table 12-1. Thermal Resistance Characteristics (PBGA Package) ABD**

| NO. |                   |                   | °C/W |
|-----|-------------------|-------------------|------|
| 1   | $R_{\theta_{JC}}$ | Junction-to-case  | 0.34 |
| 2   | $R_{\theta_{JB}}$ | Junction-to-board | 3.14 |

### 12.2 Packaging Information

The following packaging information reflects the most current released data available for the designated device(s). This data is subject to change without notice and without revision of this document.

**PACKAGING INFORMATION**

| Orderable Device | Status<br>(1) | Package Type | Package Drawing | Pins | Package Qty | Eco Plan<br>(2)         | Lead/Ball Finish<br>(6) | MSL Peak Temp<br>(3) | Op Temp (°C) | Device Marking<br>(4/5)           | Samples                 |
|------------------|---------------|--------------|-----------------|------|-------------|-------------------------|-------------------------|----------------------|--------------|-----------------------------------|-------------------------|
| 66AK2E05XABD25   | ACTIVE        | FCBGA        | ABD             | 1089 | 40          | Green (RoHS & no Sb/Br) | SNAGCU                  | Level-4-245C-72HR    | 0 to 85      | 66AK2E05XABD @2012 TI             | <a href="#">Samples</a> |
| 66AK2E05XABD4    | ACTIVE        | FCBGA        | ABD             | 1089 | 40          | Green (RoHS & no Sb/Br) | SNAGCU                  | Level-4-245C-72HR    | 0 to 85      | 66AK2E05XABD @2012 TI<br>1.4GHZ   | <a href="#">Samples</a> |
| 66AK2E05XABDA25  | ACTIVE        | FCBGA        | ABD             | 1089 | 40          | Green (RoHS & no Sb/Br) | SNAGCU                  | Level-4-245C-72HR    | -40 to 100   | 66AK2E05XABD @2012 TI<br>A1.25GHZ | <a href="#">Samples</a> |
| 66AK2E05XABDA4   | ACTIVE        | FCBGA        | ABD             | 1089 | 40          | Green (RoHS & no Sb/Br) | SNAGCU                  | Level-4-245C-72HR    | -40 to 100   | 66AK2E05XABD @2012 TI<br>A1.4GHZ  | <a href="#">Samples</a> |

(1) The marketing status values are defined as follows:

**ACTIVE:** Product device recommended for new designs.

**LIFEBUY:** TI has announced that the device will be discontinued, and a lifetime-buy period is in effect.

**NRND:** Not recommended for new designs. Device is in production to support existing customers, but TI does not recommend using this part in a new design.

**PREVIEW:** Device has been announced but is not in production. Samples may or may not be available.

**OBSELETE:** TI has discontinued the production of the device.

(2) **RoHS:** TI defines "RoHS" to mean semiconductor products that are compliant with the current EU RoHS requirements for all 10 RoHS substances, including the requirement that RoHS substance do not exceed 0.1% by weight in homogeneous materials. Where designed to be soldered at high temperatures, "RoHS" products are suitable for use in specified lead-free processes. TI may reference these types of products as "Pb-Free".

**RoHS Exempt:** TI defines "RoHS Exempt" to mean products that contain lead but are compliant with EU RoHS pursuant to a specific EU RoHS exemption.

**Green:** TI defines "Green" to mean the content of Chlorine (Cl) and Bromine (Br) based flame retardants meet JS709B low halogen requirements of <=1000ppm threshold. Antimony trioxide based flame retardants must also meet the <=1000ppm threshold requirement.

(3) MSL, Peak Temp. - The Moisture Sensitivity Level rating according to the JEDEC industry standard classifications, and peak solder temperature.

(4) There may be additional marking, which relates to the logo, the lot trace code information, or the environmental category on the device.

(5) Multiple Device Markings will be inside parentheses. Only one Device Marking contained in parentheses and separated by a "-" will appear on a device. If a line is indented then it is a continuation of the previous line and the two combined represent the entire Device Marking for that device.

(6) Lead/Ball Finish - Orderable Devices may have multiple material finish options. Finish options are separated by a vertical ruled line. Lead/Ball Finish values may wrap to two lines if the finish value exceeds the maximum column width.

**Important Information and Disclaimer:** The information provided on this page represents TI's knowledge and belief as of the date that it is provided. TI bases its knowledge and belief on information provided by third parties, and makes no representation or warranty as to the accuracy of such information. Efforts are underway to better integrate information from third parties. TI has taken and continues to take reasonable steps to provide representative and accurate information but may not have conducted destructive testing or chemical analysis on incoming materials and chemicals. TI and TI suppliers consider certain information to be proprietary, and thus CAS numbers and other limited information may not be available for release.

In no event shall TI's liability arising out of such information exceed the total purchase price of the TI part(s) at issue in this document sold by TI to Customer on an annual basis.





## IMPORTANT NOTICE AND DISCLAIMER

TI PROVIDES TECHNICAL AND RELIABILITY DATA (INCLUDING DATASHEETS), DESIGN RESOURCES (INCLUDING REFERENCE DESIGNS), APPLICATION OR OTHER DESIGN ADVICE, WEB TOOLS, SAFETY INFORMATION, AND OTHER RESOURCES "AS IS" AND WITH ALL FAULTS, AND DISCLAIMS ALL WARRANTIES, EXPRESS AND IMPLIED, INCLUDING WITHOUT LIMITATION ANY IMPLIED WARRANTIES OF MERCHANTABILITY, FITNESS FOR A PARTICULAR PURPOSE OR NON-INFRINGEMENT OF THIRD PARTY INTELLECTUAL PROPERTY RIGHTS.

These resources are intended for skilled developers designing with TI products. You are solely responsible for (1) selecting the appropriate TI products for your application, (2) designing, validating and testing your application, and (3) ensuring your application meets applicable standards, and any other safety, security, or other requirements. These resources are subject to change without notice. TI grants you permission to use these resources only for development of an application that uses the TI products described in the resource. Other reproduction and display of these resources is prohibited. No license is granted to any other TI intellectual property right or to any third party intellectual property right. TI disclaims responsibility for, and you will fully indemnify TI and its representatives against, any claims, damages, costs, losses, and liabilities arising out of your use of these resources.

TI's products are provided subject to TI's Terms of Sale ([www.ti.com/legal/termsofsale.html](http://www.ti.com/legal/termsofsale.html)) or other applicable terms available either on [ti.com](http://ti.com) or provided in conjunction with such TI products. TI's provision of these resources does not expand or otherwise alter TI's applicable warranties or warranty disclaimers for TI products.

Mailing Address: Texas Instruments, Post Office Box 655303, Dallas, Texas 75265  
Copyright © 2018, Texas Instruments Incorporated