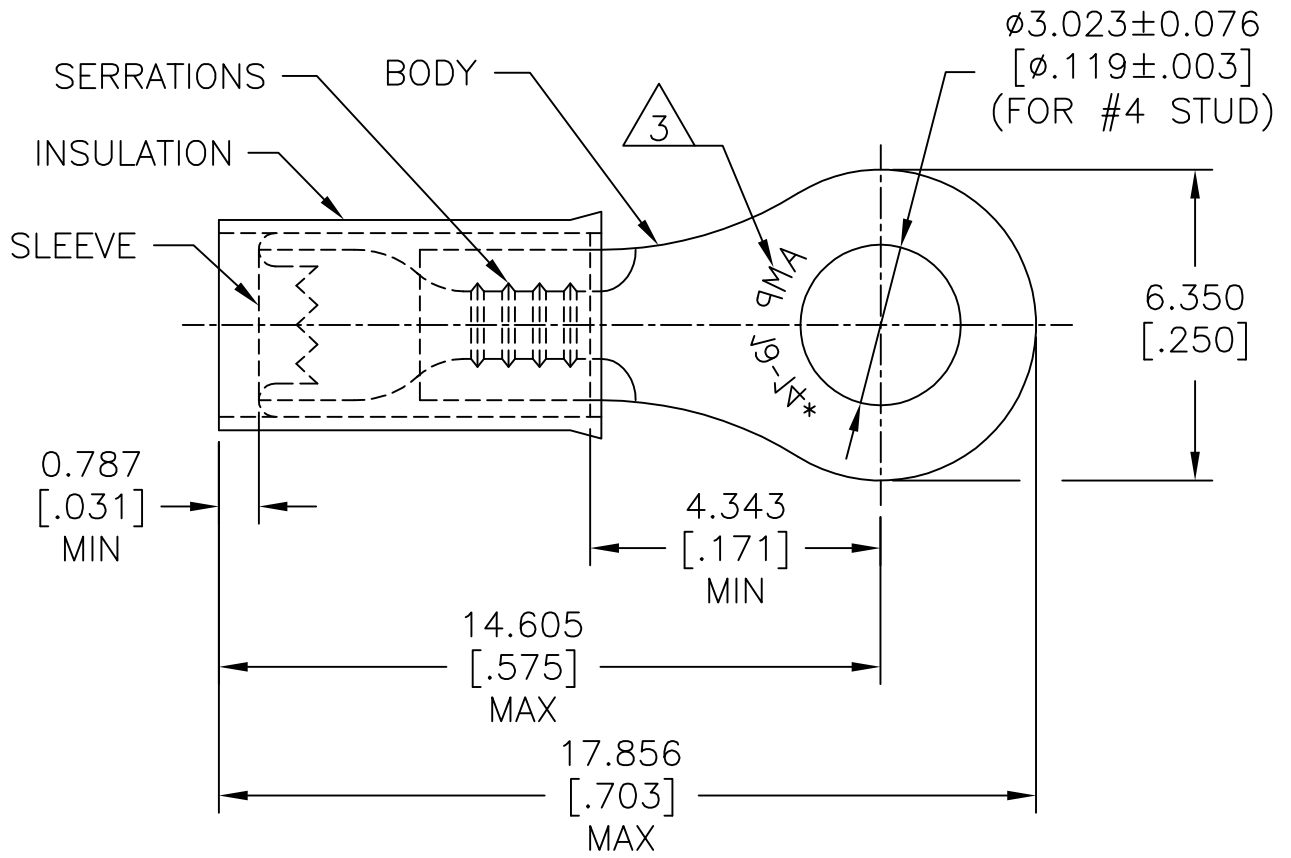


REVISIONS				
P	LTR	DESCRIPTION	DATE	APVD
	C1	REDRAWN & REVISED PER ECO-17-013201	13SEP2017	DR



- 1 FOR 2.921[.115] TO 4.318[.170] WIRE INSULATION DIA, BODY MATERIAL THICKNESS: 0.787±0.051[.031±.002]
- 2 NOTE DELETED.
- 3 STAMP AMP 16-14* APPROX AS SHOWN.

1000	LOOSE PIECE	BODY: COPPER (QQ-C-576) TIN PL(MIL-T-10727) SLEEVE: COPPER (QQ-C-576) INSULATION: PVC, COLOR: BLUE	32441
QTY.	PACKAGE TYPE	MATERIAL & FINISH	PART NO

RELEASED FOR PUBLICATION

ALL RIGHTS RESERVED.

COPYRIGHT - TE Connectivity

DIMENSIONS: mm [INCHES]	DWN RAVI S	13SEP2017	MATERIAL SEE TABLE	FINISH SEE TABLE
	CHK ROHDE DANIEL F.	13SEP2017	TE Connectivity	
TOLERANCES UNLESS OTHERWISE SPECIFIED:	APVD ROHDE DANIEL F.	13SEP2017		
0 PLC ± -	PRODUCT SPEC	-		
1 PLC ± -	APPLICATION SPEC	-	NAME WIRE TERMINAL, P.I.D.G. RING TONGUE, WIRE SIZE:16-14	
2 PLC ± -	WEIGHT	-	SIZE A4	CAGE CODE 00779
3 PLC ± 0.127[.005]			DRAWING NO C-32441	RESTRICTED TO -
4 PLC ± -			SCALE 2:1	SHEET 1 OF 1
ANGLES ± 5°			CUSTOMER DRAWING	REV C1