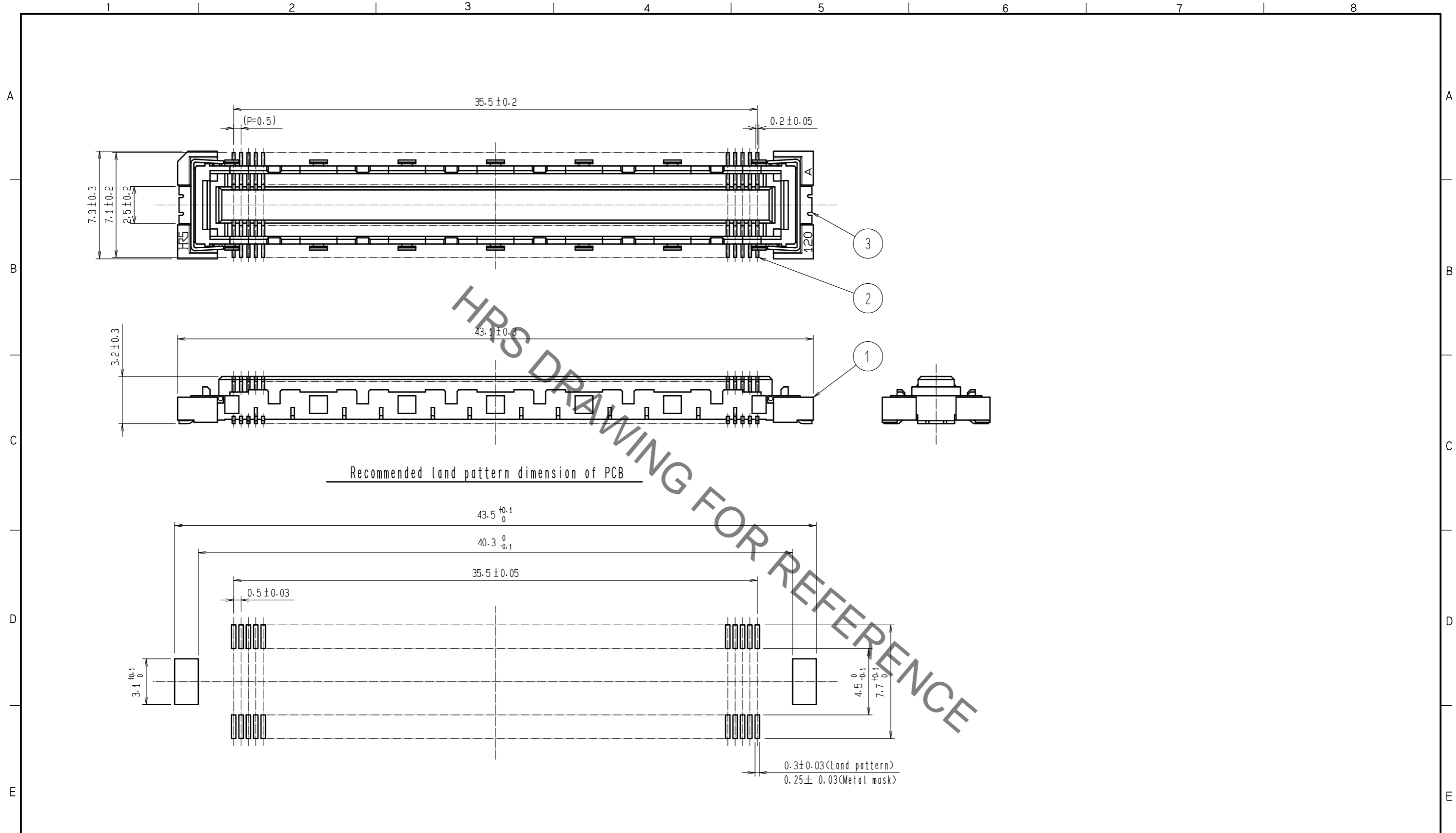


May.1.2023 Copyright 2023 HIROSE ELECTRIC CO., LTD. All Rights Reserved.
 In case of consideration for using Automotive equipment / device which demand high reliability, kindly contact our sales window correspondents.



Recommended land pattern dimension of PCB

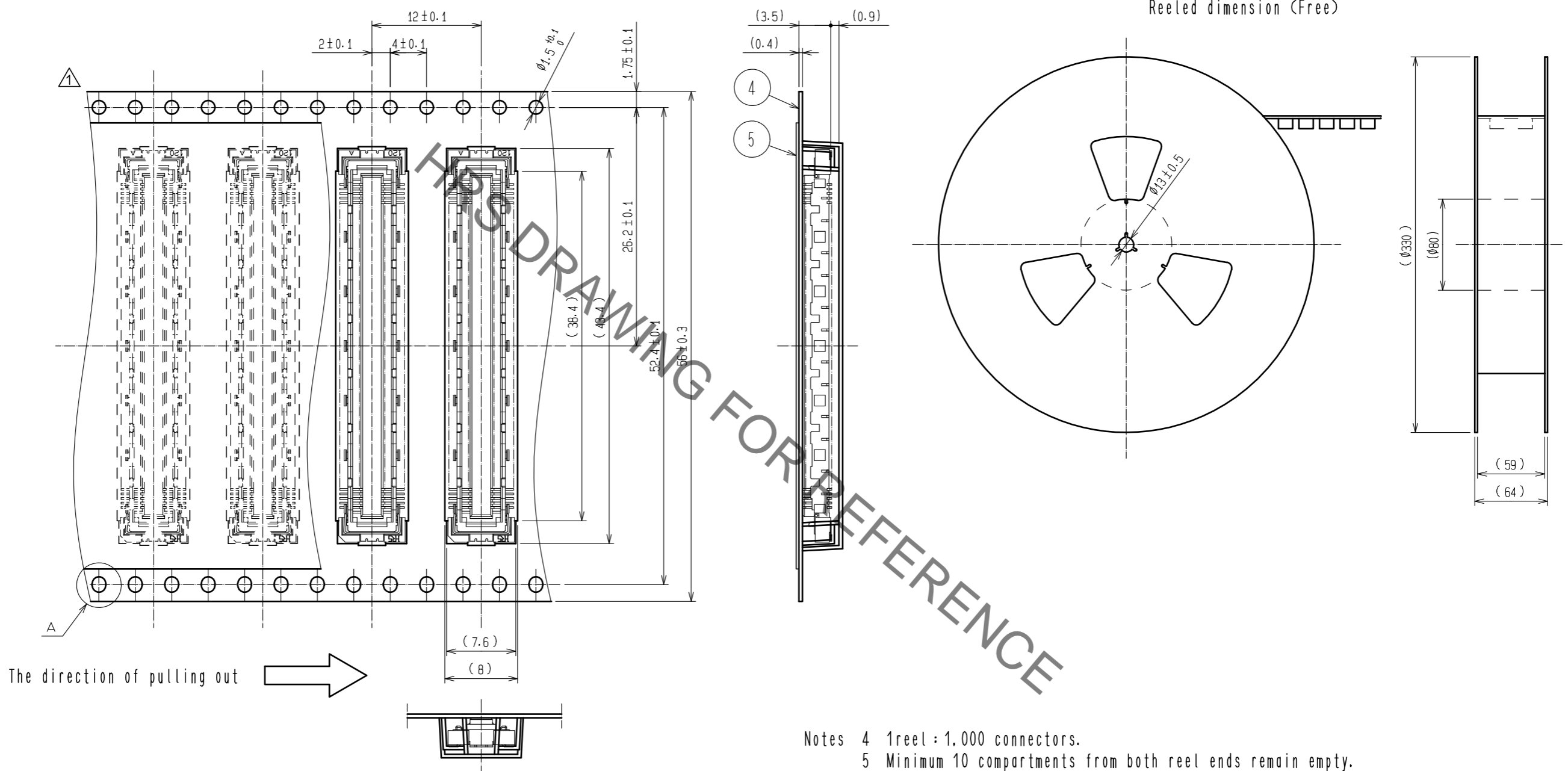
HRS DRAWING FOR REFERENCE

- Notes
- 1 SMT lead - coplanarity : 0.1 max.
 - 2 This product has no polarity to pattern for mounting.
 - 3 Emboss carrier tape package is applied on this product. Please refer to the sheet 2/2 for the details.

2	Phosphor blonze	Contact area : Gold 0.1μm min Lead : Gold 0.05μm min Under plating : Nickel 1μm min	5	Polyester	(Top cover tape)		
1	LCP	Beige UL94V-0	4	Polyethylene	(Emboss carrier tape)		
NO.	MATERIAL	FINISH . REMARKS	NO.	MATERIAL	FINISH . REMARKS		
UNITS mm		SCALE 4 : 1	COUNT 1	DESCRIPTION OF REVISIONS DIS-F-00011032	DESIGNED MT. ITANO	CHECKED HT. YAMAGUCHI	DATE 20211007
HRS HIROSE ELECTRIC CO., LTD.		APPROVED : KJ. KATAYOSE	20050105	DRAWING NO. EDC3-151990-01			
		CHECKED : HS. OKAWA	20050105	PART NO. FX10B-144S-SV(21)			
		DESIGNED : KT. DOI	20050105	CODE NO. CL0570-0253-8-21			
		DRAWN : KT. DOI	20050105				

May.1.2023 Copyright 2023 HIROSE ELECTRIC CO., LTD. All Rights Reserved.
 In case of consideration for using Automotive equipment / device which demand high reliability, kindly contact our sales window correspondents.

Drawing for packing (2:1)



The direction of pulling out

- Notes
- 4 1 reel : 1,000 connectors.
 - 5 Minimum 10 compartments from both reel ends remain empty.
 - 6 This product has no polarity to tape and reel packaging.
 - 7 The dimensions in parentheses are for reference.

HRS	DRAWING NO.	EDC3-151990-01
	PART NO.	FX10B-144S-SV(21)
	CODE NO.	CL0570-0253-8-21
		2/2