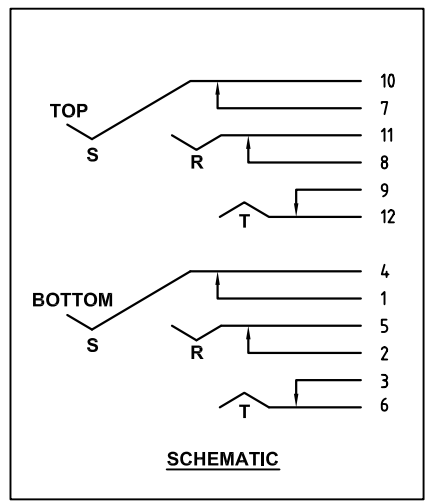
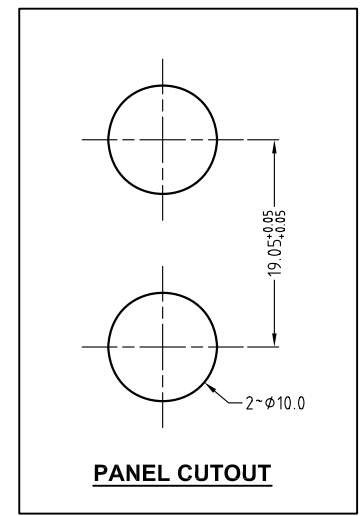


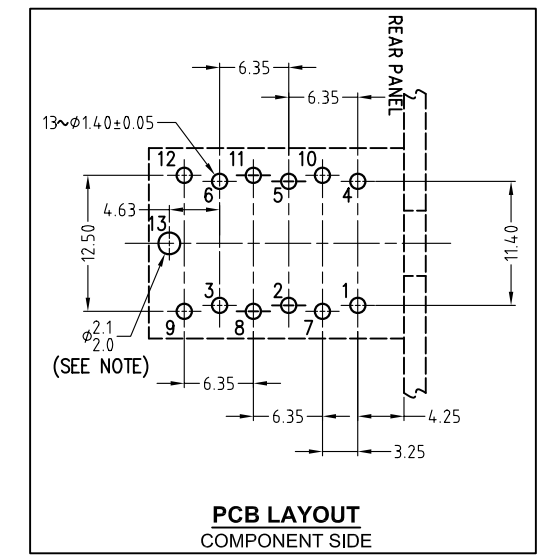
**ISO VIEW**  
SCALE 1:1



**SCHEMATIC**



**PANEL CUTOUT**



**PCB LAYOUT**  
COMPONENT SIDE

**NOTE:** OPTIONAL MOUNTING HOLE FOR SELF-TAPPING M2 SCREW

CATALOGUE P/N	NUT OPTION
ACJS-LHDM	NO NUT & WASHER
ACJS-MHDM	METAL NUT & WASHER INCLUDED

UNLESS OTHERWISE SPECIFIED TOLERANCE TO BE	THIS DOCUMENT IS THE PROPERTY OF AMPHENOL AUSTRALIA PTY. LTD. NO PART THEREOF MAY BE REPRODUCED AND USED WITHOUT THE PRIOR WRITTEN CONSENT OF THE OWNER			0	FIRST ISSUE	M.H	05-03-10	----
	LINEAR	ANGULAR		REV.	CHANGE DETAILS	BY	DATE	CHG/No
X ± 0.5 X.X ± 0.2 X.XX ± 0.1	X° ± 1° X°X' ± 30' X°X'X" ± 15'		CAD FILE: 55010659000120	DRN: M.H	DATE: 05-03-10	TITLE: 1/4" PHONE STEREO DUAL JACK CUSTOMER DRAWING		
BREAK ALL SHARP EDGES AND REMOVE ALL BURRS	MATL: REFER TO COMPONENT	CKD: M.H	DATE: 05-03-10	DRAWING No. 55010659-000-2			SHEET 2 OF 2	
DO NOT SCALE	FINISH: REFER TO COMPONENT	APP'D: P.M	DATE: 05-03-10	SEE TABLE			SIZE: A3	
DIMENSIONS IN MILLIMETRES			THIRD ANGLE PROJECTION	SCALE: 2:1 UOS	PART No:			

