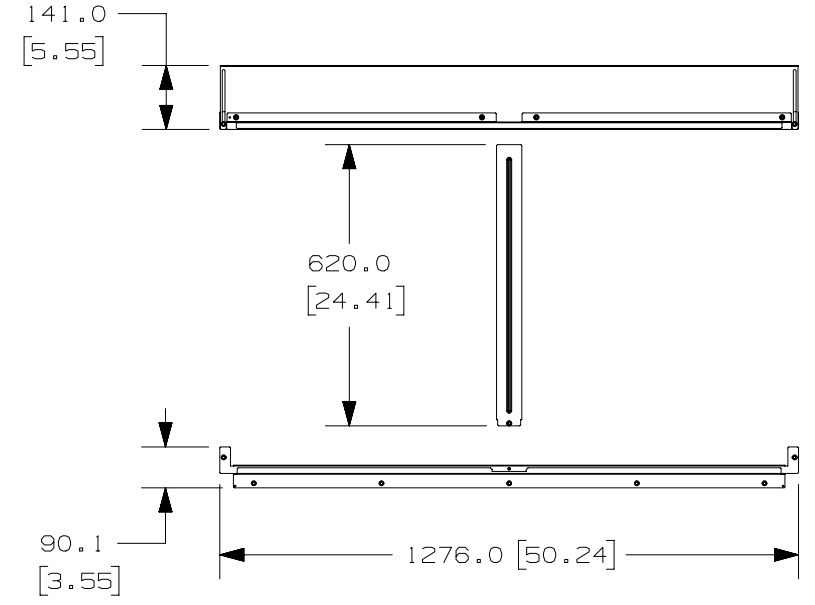
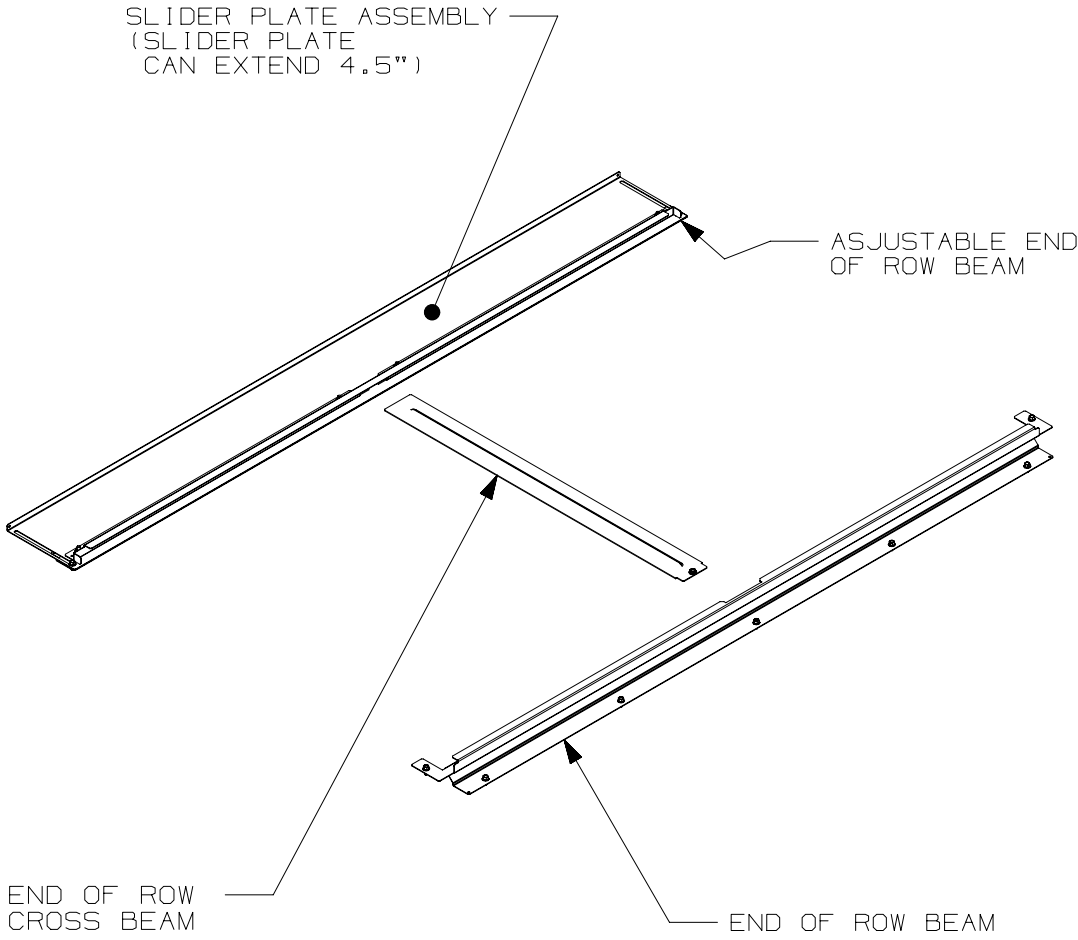


THIS COPY IS PROVIDED ON A RESTRICTED BASIS AND IS NOT TO BE USED IN ANY WAY DETRIMENTAL TO THE INTERESTS OF PANDUIT CORP.

PANDUIT P/N	DESCRIPTION	COLOR	WEIGHT
CUEORF04DPB1	END OF ROW BEAM KIT - 1200mm	BLACK	4.1 Kg/EACH [9.0 lbs/EACH]
CUEORF04DPW1	END OF ROW BEAM KIT - 1200mm	WHITE	4.1 Kg/EACH [9.0 lbs/EACH]

- VISIT OUR ON-LINE CATALOG AT [WWW.PANDUIT.COM](http://WWW.PANDUIT.COM) FOR A LIST OF CURRENT PARTS APPLICABLE FOR USE WITH THIS PRODUCT.
- PARTS SUPPLIED:
  - 1- END OF ROW BEAM ADJUSTABLE
  - 1- END OF ROW BEAM
  - 1- SLIDER PLATE ASSEMBLY
  - 1- END OF ROW CROSS BEAM
  - 1- HARDWARE KIT
  - 1- INSTRUCTION SHEET
- PRIMARY DIMENSIONS ARE IN MILLIMETERS.
- FOR USE WITH PANDUIT 1200mm WIDTH AISLE NET-CONTAIN UNIVERSAL AISLE CONTAINMENT (UAC) SYSTEM.
- ORDER ONE END OF ROW KIT PER UAC CONTAINMENT STRUCTURE
- SEE CUSTOMER DRAWINGS 00047NWC FOR RELATED COMPONENTS.



TITLE		END OF ROW KIT - 1200mm (CUEORF04DP**) CUSTOMER DRAWING	
ITEM REVISION NAME		00047NWD/00	
DATASET FILE NAME		00047NWD_DC/00A	
MATERIAL:		N/A	
DRAWING NUMBER:		00047NWD-DC	
THIRD ANGLE PROJECTION			
DRAWN BY	DATE	CHK	SCALE
LEE	5-7-18	MSH	NONE
SHT 1 OF 1		SIZE A	

REV	DATE	BY	CHK	APR	DESCRIPTION	ECN
00A	5-7-18	LEE	MSH	SJP	RELEASED TO PRODUCTION	V09001QD/01

D10100DA/16