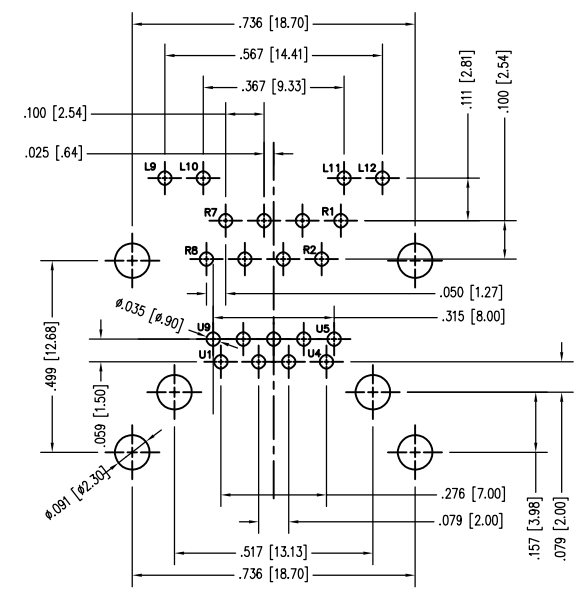
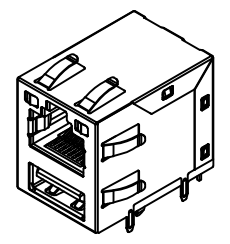
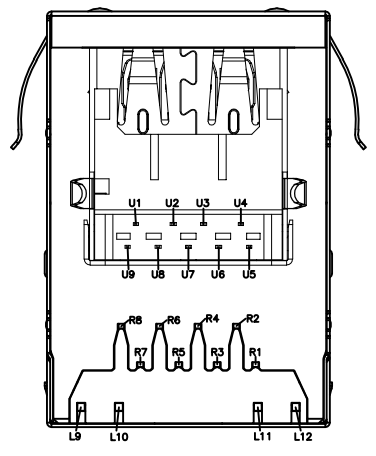
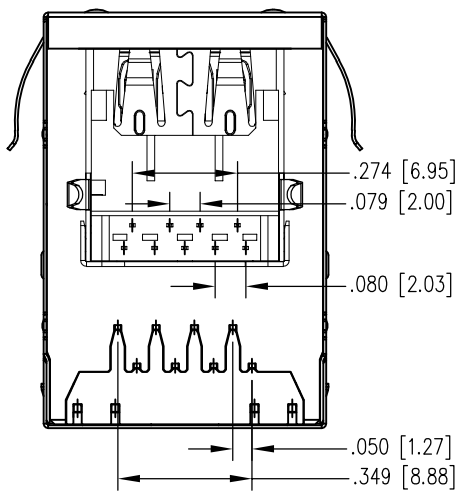


DATE	REV	ECN	APP'D. BY
5-17-21	A0	-	JME
6-29-21	B0	11850	BTS
5-3-22	B1	11972	JMM

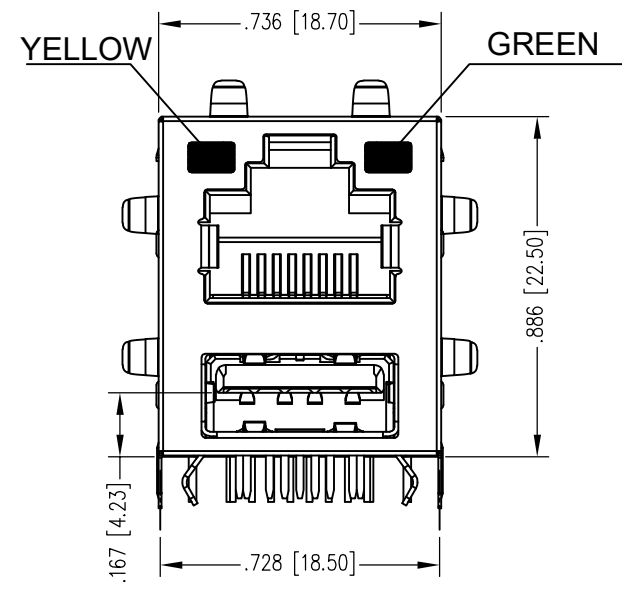
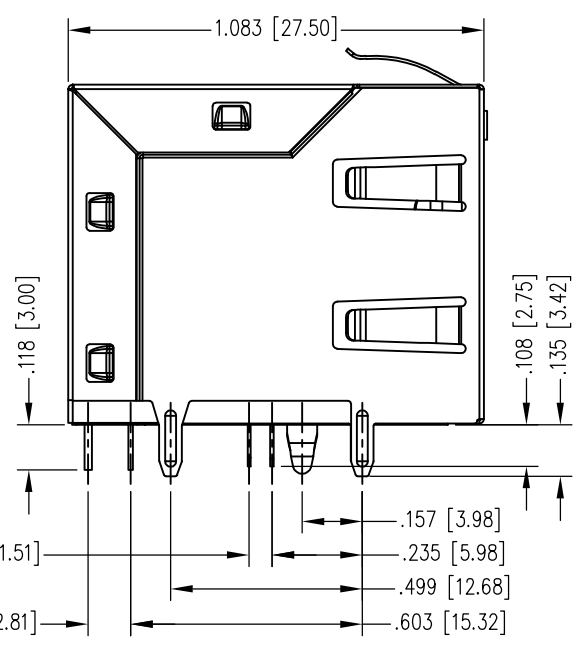


RECOMMENDED P.C.B LAYOUT
TOP VIEW (COMPONENT SIDE)



B

B



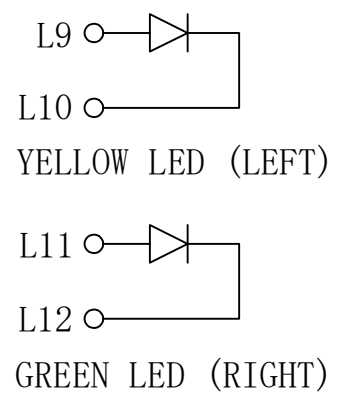
NOTES:

- CONNECTOR MATERIALS:
RJ45 HOUSING: THERMOPLASTIC UL94 V-0, BLACK
USB 3.0 HOUSING: THERMOPLASTIC UL94 V-0, BLUE
CONTACTS/SHIELD: COPPER ALLOY
SHIELD PLATING: NICKEL
CONTACT PLATING: SELECTIVE GOLD OR EQUIVALENT IN THE CONTACT AREA
SEE CHART FOR PART NUMBER
- FOR PRODUCT SPECIFICATIONS SEE PR02X-01.
- DIMENSIONS AND TOLERANCES COMPLY WITH TIA-1096 STANDARD.
- OPERATING TEMPERATURE: -40° C TO 85° C
STORAGE TEMPERATURE: - 40° C TO 85° C
- RATED AT MAX 250° C FOR MAX 10 SECONDS
- ⚠ THE SUGGESTED PANEL OPENING IS INTENDED TO GIVE USER THE ABILITY TO HAVE REASONABLE JACK/PANEL CLEARANCES, YET MAINTAIN GROUNDING CAPABILITY. THESE VARIABLES CAN BE ADJUSTED IN EITHER DIRECTION BUT MAY CARRY SOME CONSEQUENCES IN THE FORM OF LOWER MATING FORCES OR TIGHTER ASSEMBLY TOLERANCES.

A

A

Emitting Color	λ p(nm)	VF@IF=20mA	IR @VR=5V
GREEN	565	1.8~2.6V	10 μ A max
YELLOW	585	1.8~2.6V	10 μ A max



6 MICRO-INCHES [0.15um]	SS-90000-008
CONTACT PLATING IN MATING AREA	PART NUMBER

THIRD ANGLE PROJECTION		1118 Susquehanna Trail South Glen Rock, PA 17327-9199 (717) 235-7512 http://www.stewartconnector.com	
DO NOT SCALE DRAWING DRAWING IS SUBJECT TO CHANGE WITHOUT NOTICE		TITLE: RJ45 OVER USB 3.0 TYPE-A STACKED PASSIVE JACK	
DIMENSIONS: INCHES [METRIC]	THIS DRAWING AND THE SUBJECT MATTER SHOWN THEREON ARE CONFIDENTIAL AND THE PROPRIETARY PROPERTY OF STEWART CONNECTOR AND SHALL NOT BE REPRODUCED, COPIED, OR USED IN ANY MANNER WITHOUT PRIOR WRITTEN CONSENT OF STEWART CONNECTOR. ONE OR MORE U.S. PATENTS MAY APPLY TO THIS PRODUCT. FOR DETAILS, PLEASE VISIT: HTTP://BELFUSE.COM/STEWART/STEWART_PATENTS/	DRN BY: BTS	DATE: 05/17/21
UNLESS OTHERWISE SPECIFIED TOLERANCES ARE ±.005 [0.13] ANGLES ARE ± 1°		APPD BY: JME	DATE: 05/17/21
SHEET NO. 1 OF 1		DWG NO. CT900008	REV. B1