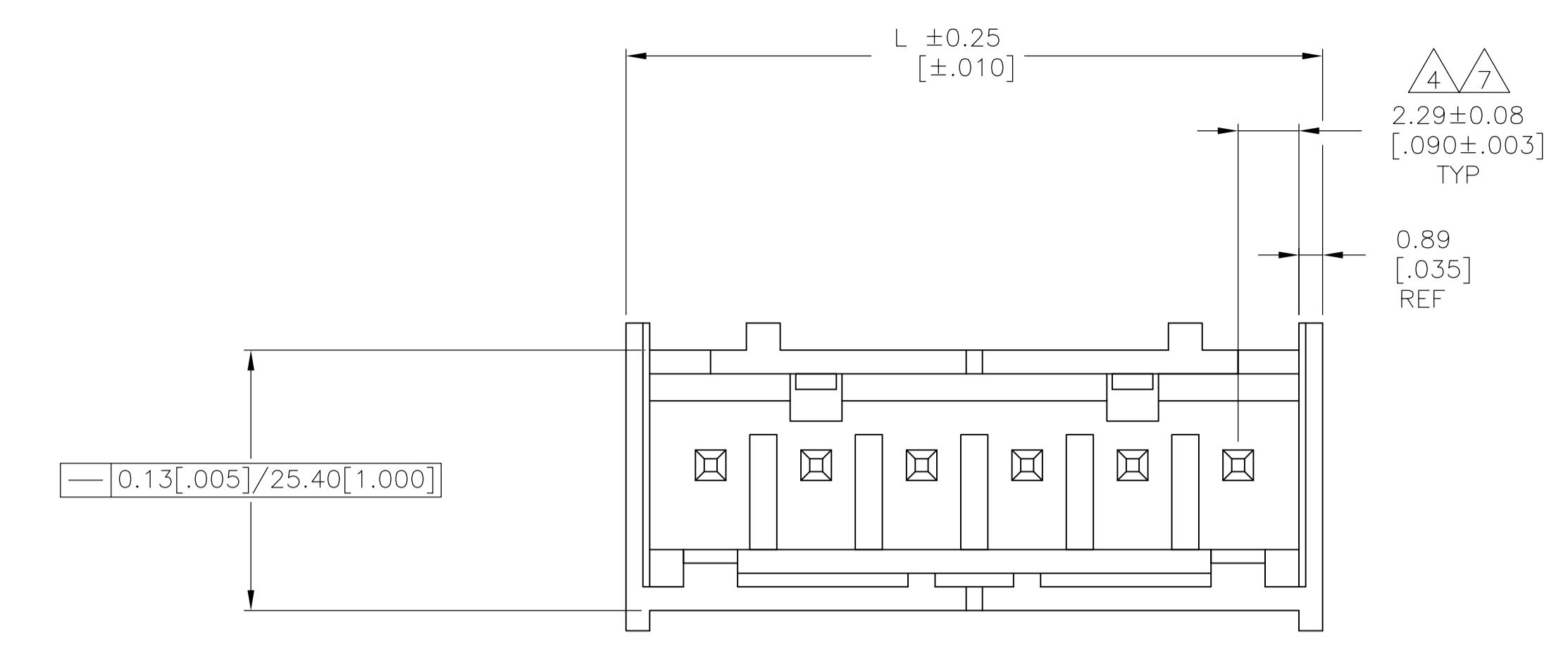
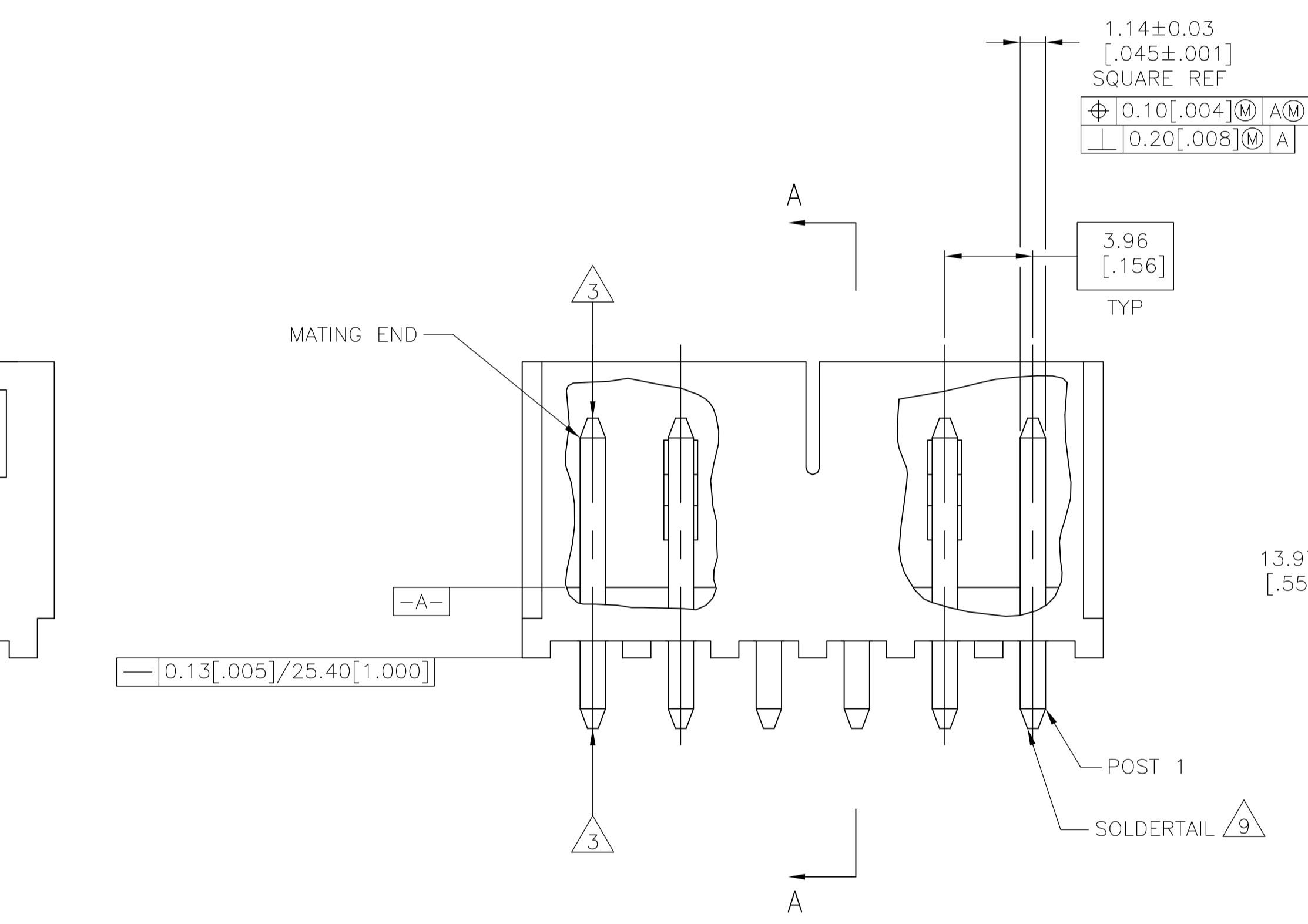


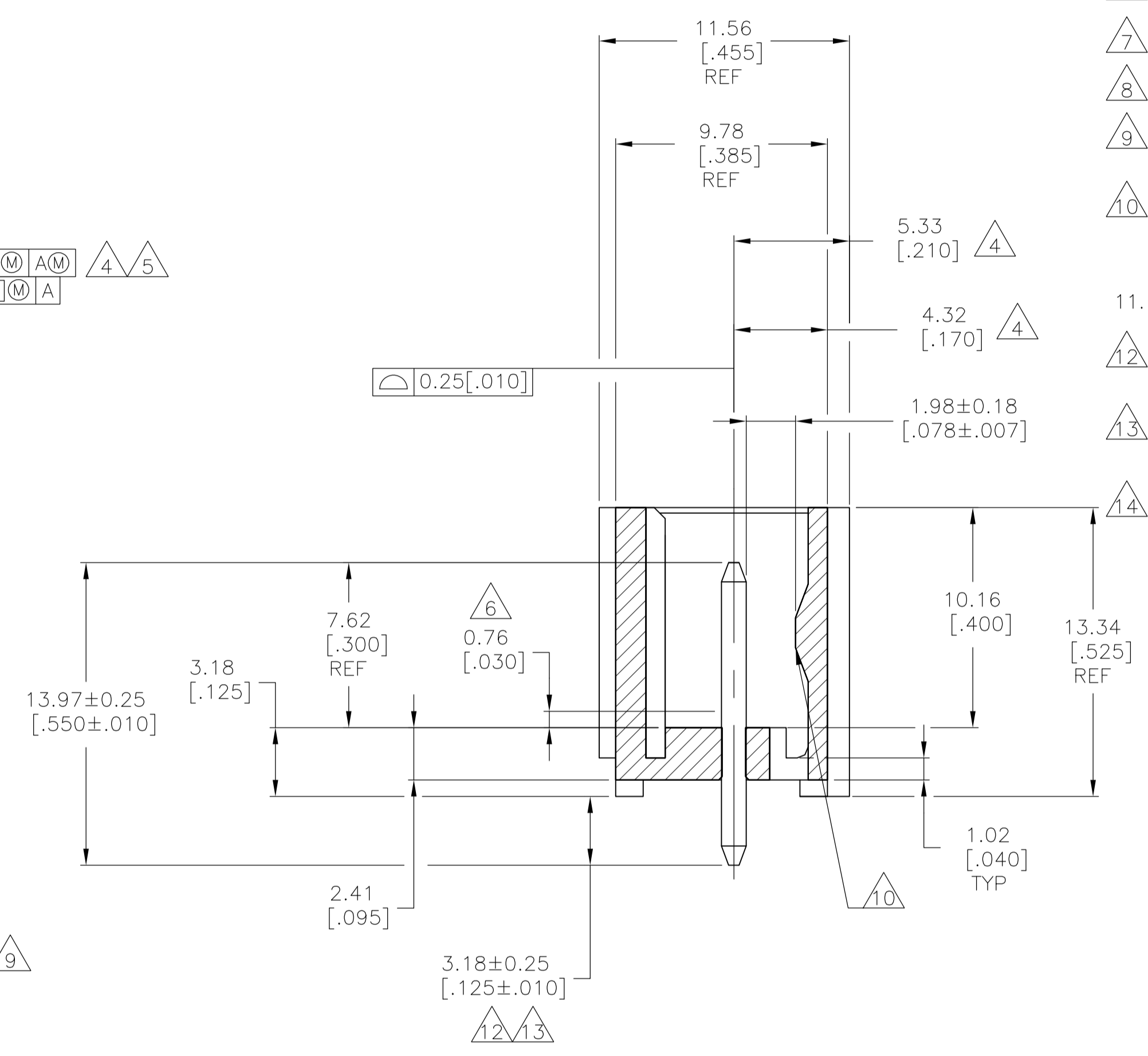
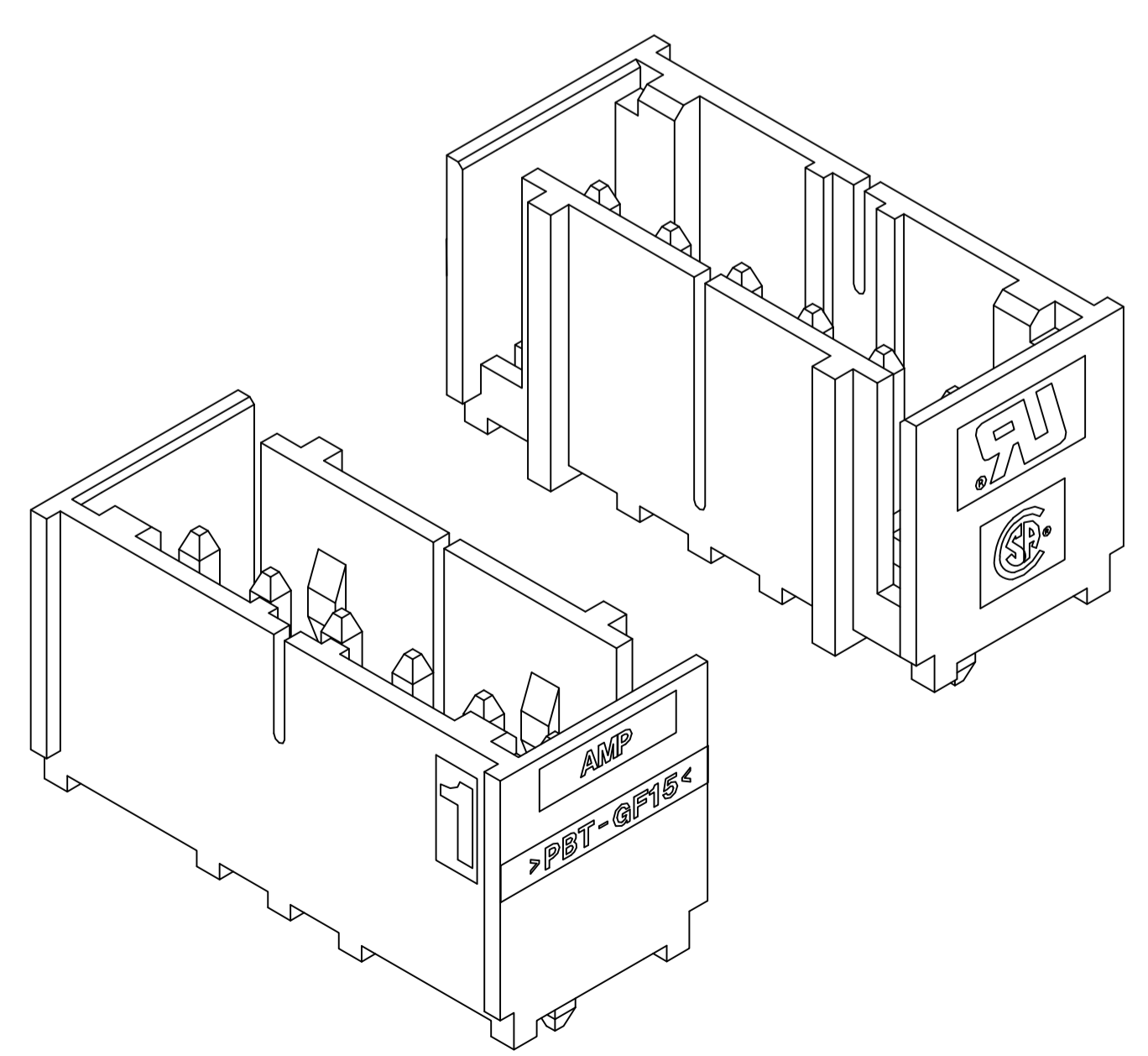
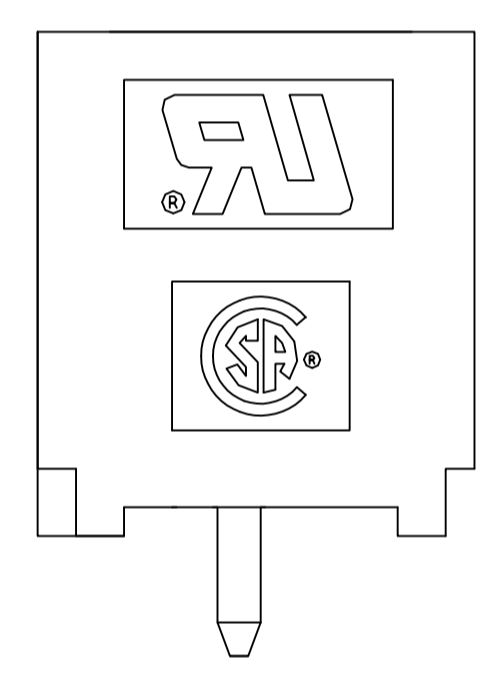
LOC		DIST		REVISIONS			
CM	0	REV	DATE	BY	CHK	APPROV	
G1	REVISED PER ECR-15-007038		28SEP2015	NK		PQ	



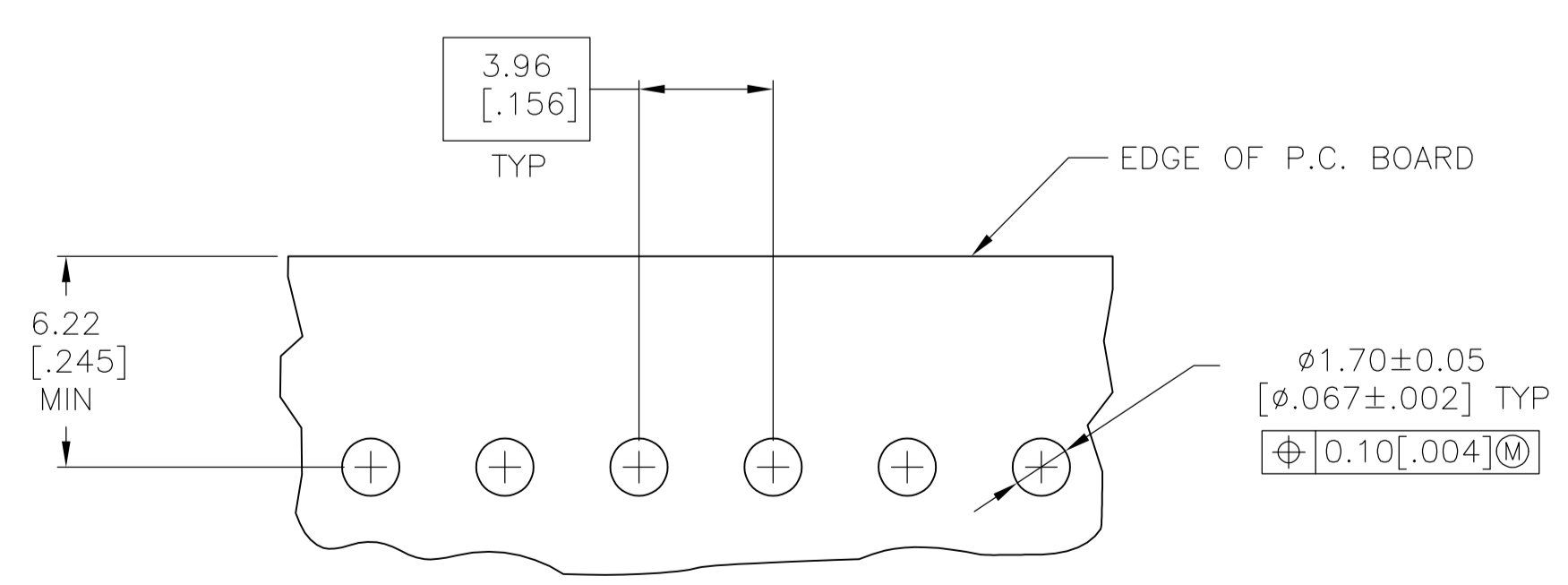
4 7
2.29±0.08
[.090±.003]
TYP
0.89
[.035]
REF



1.14±0.03
[.045±.001]
SQUARE REF
0.10 [.004] M A
0.20 [.008] M A



SECTION A-A



RECOMMENDED MOUNTING HOLE PATTERN FOR 1.57 [.062] THICK P.C. BOARD

- MATERIAL:
HOUSING - THERMOPLASTIC POLYESTER, GLASS FILLED, UL94-0.
POST - COPPER ALLOY
- FINISH:
HOUSING - BLACK
POST - SEE NOTES 12 AND 13.
- POST TO WITHSTAND 3LBS (16N) MIN AXIAL FORCE IN THIS DIRECTION WITHOUT DISLODGING.
- APPLIES AT -A-.
- APPLIES WHEN HEADER IS STRAIGHT.
- PLASTIC PROJECTIONS PERMITTED IN THIS ZONE.
- COORDINATE DIMENSIONS APPLIES FROM CENTER OF ACTUAL FEATURE.
- SOLDER SIDE OF BOARD IS SHOWN.
- POST SOLDER TAIL MUST COMPLY WITH AMP SOLDERABILITY SPEC 109-11-2.
- LATCH DETENT FEATURE APPEARS 1 PLACE ON EACH END OF PART (MAX OF 2 PER PART) ON ALL POSITIONS 4 THRU 12. THE LATCH APPEARS ONLY ONE PLACE ON 2 & 3 POSITION PARTS.
- DIMENSIONS IN BRACKETS ARE IN INCHES.
- MATTE TIN PLATE 0.00381 - 0.00889 [.000150 - .000350] THICK, OVER NICKEL UNDERPLATE 0.00127 [.000050] MIN THICK.
- MATTE TIN PLATE 0.00381 - 0.00889 [.000150 - .000350] THICK, OVER NICKEL UNDERPLATE 0.00127 [.000050] MIN THICK.
- OBSOLETE PARTS: OBSOLETE CIS STREAMLINING PER D.RENAUD/D.SINISI

REV	DATE	BY	CHK	APPROV	DESCRIPTION	PART NUMBER
13	49.94	1.966	12	3-647123-2		
	45.97	1.810	11	3-647123-1		
	42.01	1.654	10	3-647123-0		
	38.05	1.498	9	2-647123-9		
	34.09	1.342	8	2-647123-8		
	30.12	1.186	7	2-647123-7		
	26.16	1.030	6	2-647123-6		
	22.20	.874	5	2-647123-5		
	18.24	.718	4	2-647123-4		
	14.27	.562	3	2-647123-3		
	10.31	.406	2	2-647123-2		
	49.94	1.966	12	1-647123-2		
	45.97	1.810	11	1-647123-1		
	42.01	1.654	10	1-647123-0		
	38.05	1.498	9	1-647123-9		
	34.09	1.342	8	1-647123-8		
	30.12	1.186	7	1-647123-7		
	26.16	1.030	6	1-647123-6		
	22.20	.874	5	1-647123-5		
	18.24	.718	4	1-647123-4		
	14.27	.562	3	1-647123-3		
	10.31	.406	2	1-647123-2		

647123-6 SHOWN

THIS DRAWING IS A CONTROLLED DOCUMENT. DIMENSIONS: mm [INCHES]. TOLERANCES UNLESS OTHERWISE SPECIFIED: 0 PLC ±, 1 PLC ±, 2 PLC ±, 3 PLC ±, 4 PLC ±, ANGLES ±.

DIN S CARPENTER 22JUL03
CHK D BOSSI 22JUL03
APPROV D BOSSI 22JUL03

STE TE Connectivity
MTA-156 SHROUDED HEADER ASSEMBLY, STRAIGHT .045 SQUARE POST, TIN W/O RETENTION PEG

MATERIAL: - FINISH: - WEIGHT: - SIZE: A1 00779 C=647123

CUSTOMER DRAWING SCALE: 5:1 SHEET 1 of 1 REV G1