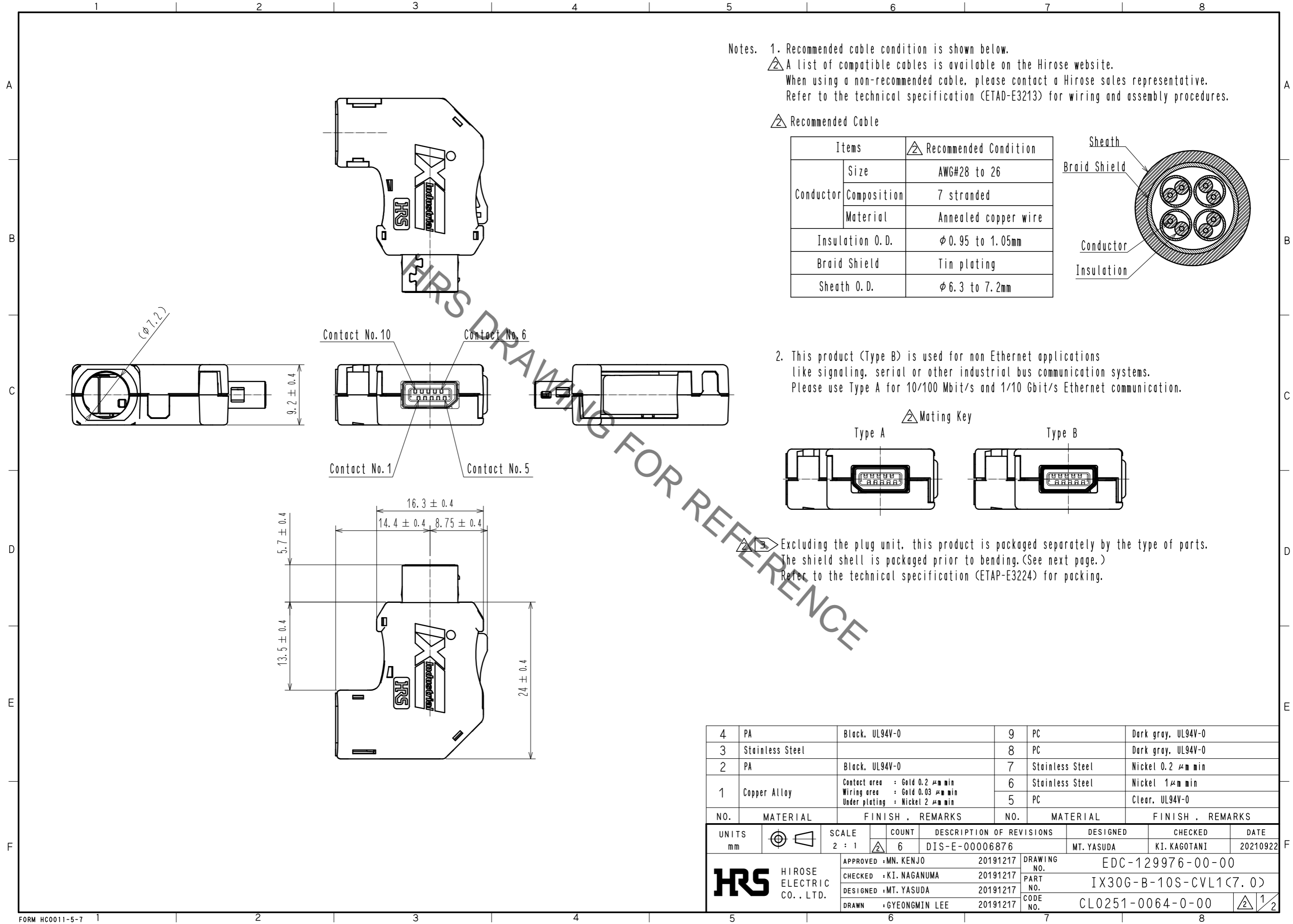


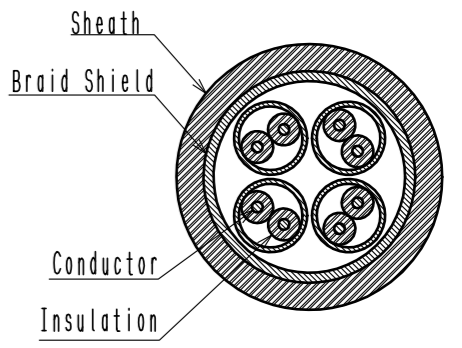
May.1.2023 Copyright 2023 HIROSE ELECTRIC CO., LTD. All Rights Reserved.  
In case of consideration for using Automotive equipment / device which demand high reliability, kindly contact our sales window correspondents.



Notes. 1. Recommended cable condition is shown below.  
 ⚠ A list of compatible cables is available on the Hirose website.  
 When using a non-recommended cable, please contact a Hirose sales representative.  
 Refer to the technical specification (ETAD-E3213) for wiring and assembly procedures.

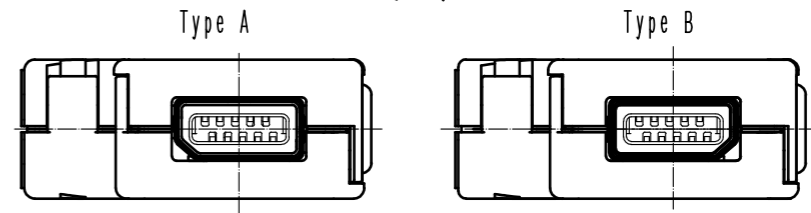
⚠ Recommended Cable

Items		⚠ Recommended Condition
Conductor	Size	AWG#28 to 26
	Composition	7 stranded
	Material	Annealed copper wire
Insulation O.D.		$\phi 0.95$ to $1.05\text{mm}$
Braid Shield		Tin plating
Sheath O.D.		$\phi 6.3$ to $7.2\text{mm}$



2. This product (Type B) is used for non Ethernet applications like signaling, serial or other industrial bus communication systems. Please use Type A for 10/100 Mbit/s and 1/10 Gbit/s Ethernet communication.

⚠ Mating Key



⚠ Excluding the plug unit, this product is packaged separately by the type of parts. The shield shell is packaged prior to bending. (See next page.) Refer to the technical specification (ETAP-E3224) for packing.

NO.	MATERIAL	FINISH	REMARKS	NO.	MATERIAL	FINISH	REMARKS
4	PA	Black.	UL94V-0	9	PC	Dark gray.	UL94V-0
3	Stainless Steel			8	PC	Dark gray.	UL94V-0
2	PA	Black.	UL94V-0	7	Stainless Steel	Nickel 0.2 $\mu\text{m}$ min	
1	Copper Alloy	Contact area	: Gold 0.2 $\mu\text{m}$ min	6	Stainless Steel	Nickel 1 $\mu\text{m}$ min	
		Wiring area	: Gold 0.03 $\mu\text{m}$ min	5	PC	Clear.	UL94V-0
		Under plating	: Nickel 2 $\mu\text{m}$ min				

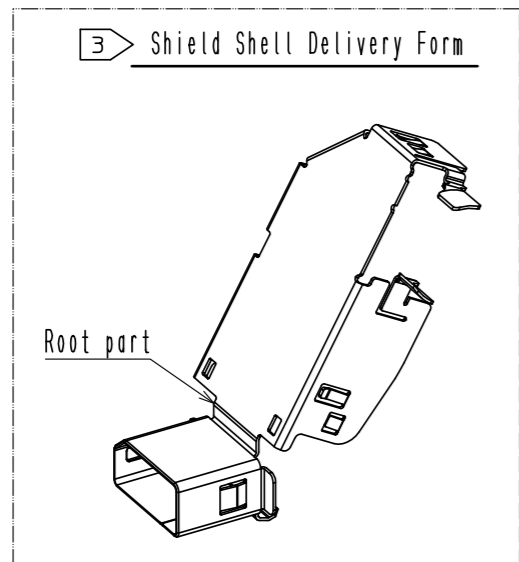
  

UNITS	SCALE	COUNT	DESCRIPTION OF REVISIONS	DESIGNED	CHECKED	DATE
mm	2 : 1	6	DIS-E-00006876	MT. YASUDA	KI. KAGOTANI	20210922

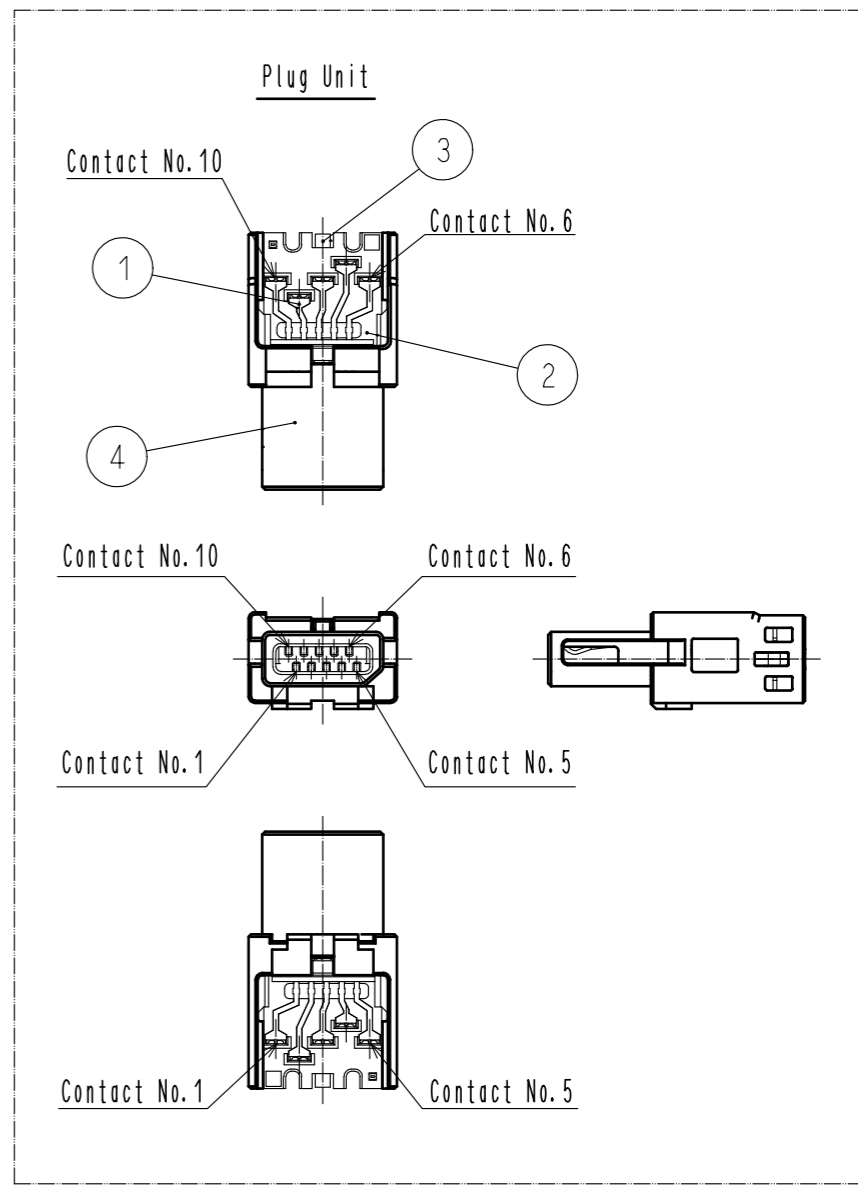
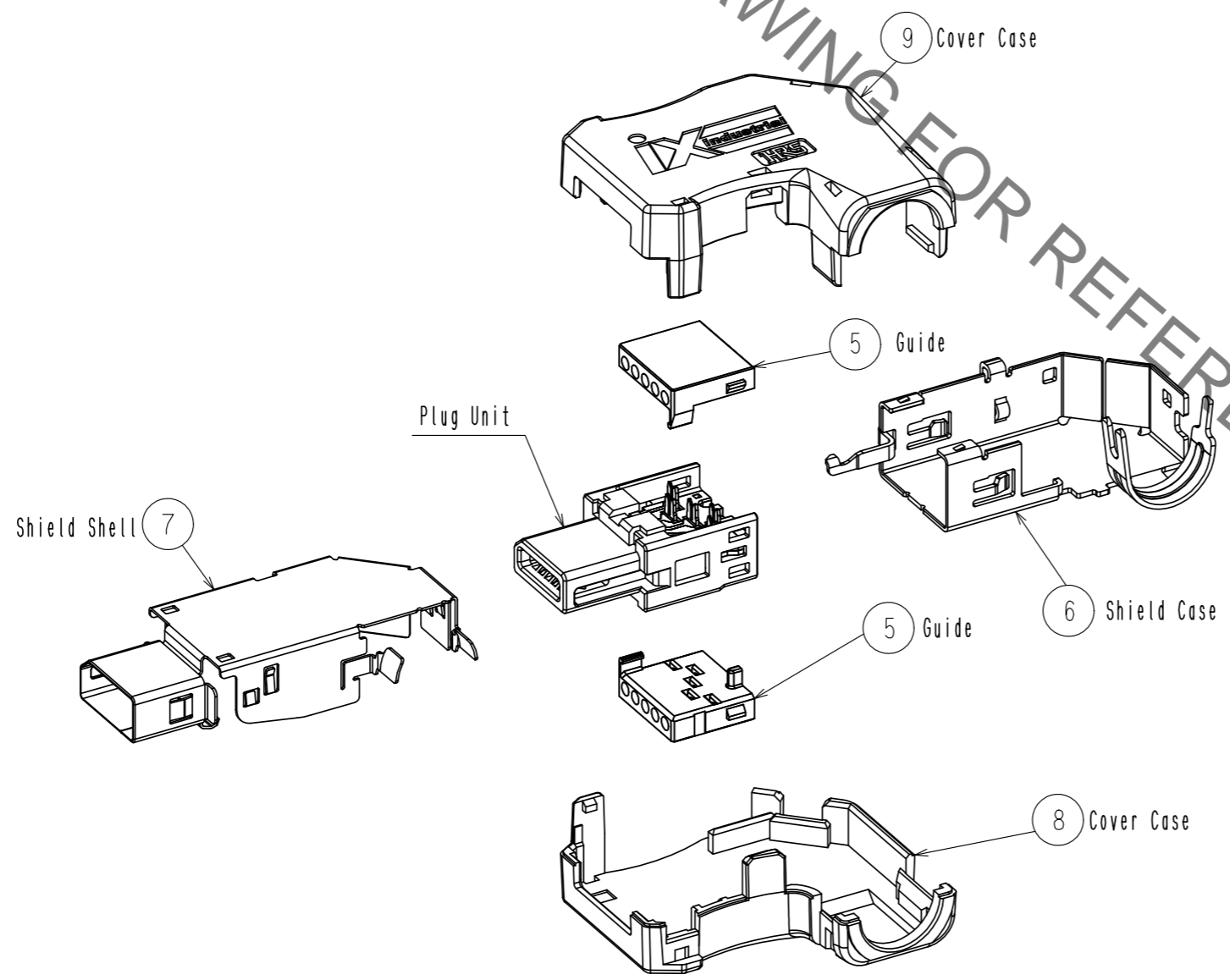
  

APPROVED	DATE	DRAWING NO.
MN. KENJO	20191217	EDC-129976-00-00
CHECKED	DATE	PART NO.
KI. NAGANUMA	20191217	IX30G-B-10S-CVL1(7.0)
DESIGNED	DATE	CODE NO.
MT. YASUDA	20191217	CL0251-0064-0-00
DRAWN	DATE	
GYEONGMIN LEE	20191217	

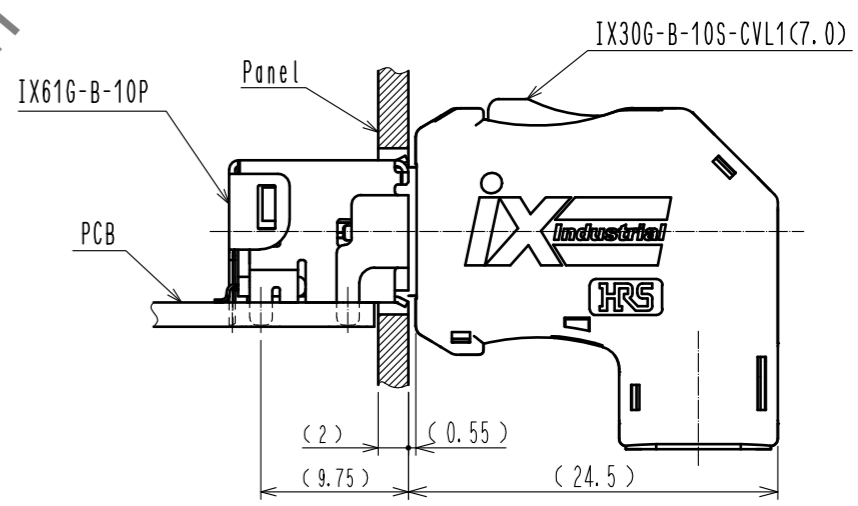
May.1.2023 Copyright 2023 HIROSE ELECTRIC CO., LTD. All Rights Reserved.  
 In case of consideration for using Automotive equipment / device which demand high reliability, kindly contact our sales window correspondents.



Product Structure



Mated Condition



<b>HRS</b>	DRAWING NO.	EDC-129976-00-00	2/2
	PART NO.	IX30G-B-10S-CVL1(7.0)	
	CODE NO.	CL0251-0064-0-00	