



MADE
IN THE **USA**

Product Description:

- Glove Box Dispenser - Quad - Visual Size Indicators
- Holds four boxes of gloves
- Incremental cutouts to easily identify different sized gloves
- Two-way keyholes for vertical or horizontal wall mounting
- Quartz Beige ABS Plastic

Primary Area for Product Usage:

- Anywhere gloves are needed

Dispenses:

- Box(es) no larger than 5.50"W x 10.00"H x 3.75"D (14.0 cm x 25.4 cm x 9.5 cm)
- Box(es) no smaller than 4.50"W x 9.00"H x 3.00"D (11.4 cm x 22.9 cm x 7.6 cm)

Package Specifications:

- Package Quantity: 4 per case
- 26"L x 11"W x 8"H (66.0 cm x 27.9 cm x 20.3 cm)
- 8.0 lbs (3.6 kg) - approximated

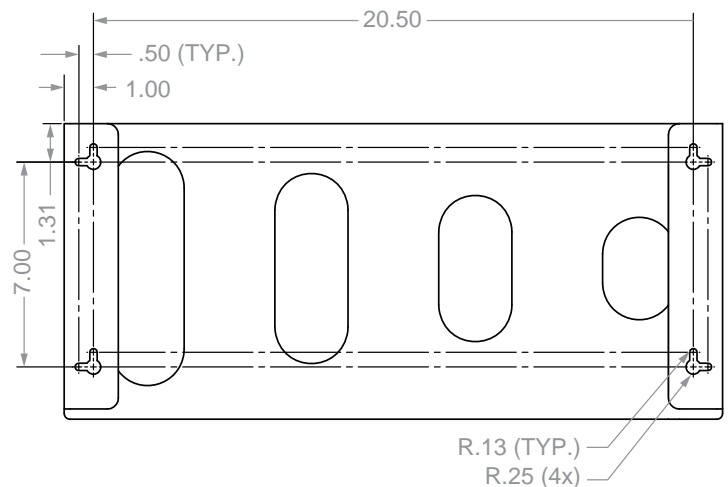
Product Specifications (overall external dimensions):

- 22.50"W x 10.10"H x 3.95"D (57.2 cm x 25.7 cm x 10.0 cm)
- 1.4 lbs (0.6 kg) - approximated

Mounting Specifications:

Related Products (each sold separately):

- GL035-0212: Glove Box Dispenser - Triple - Visual Size Indicators (shown below)

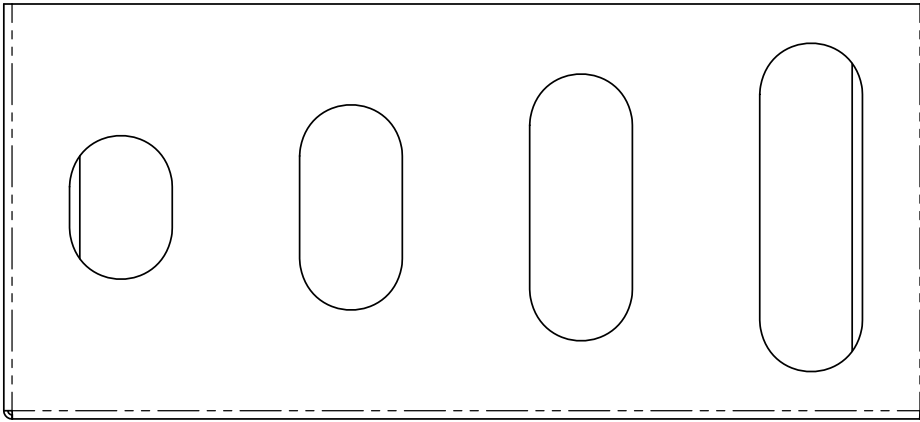




Installation

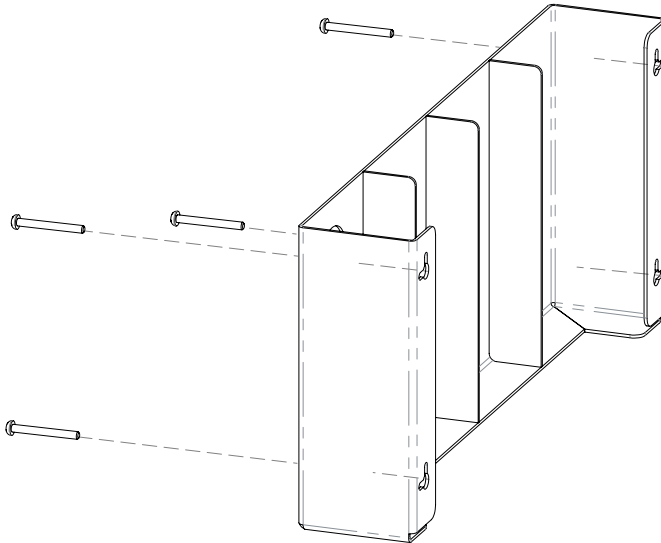
Always mount dispensers securely *prior* to loading with product.

- Distinct size cutout variations help users identify glove sizes quickly.



1

- Mount securely to a wall with screws approved and supplied by building maintenance.



2

Parts included:

- Dispenser

Tools Required:

- No tools required to assemble dispenser

Care and Construction

ABS Plastic

Material Characteristics

Designed for Long-Term, Heavy-Duty Applications

The combination of copolymers (Acrylonitrile, Butadiene, and Styrene) gives ABS an excellent combination of strength, rigidity, and toughness.

ABS is chemical, stress-crack resistant, dimensionally stable, and will hold up to long-term use. It possesses high strength and performance characteristics at a reasonable cost.

Care and Cleaning

Use mild soap and water to clean. Petroleum-based oils, solvents, and paints should not be used.

Standard hospital cleaning supplies are approved for use on our ABS plastic products.