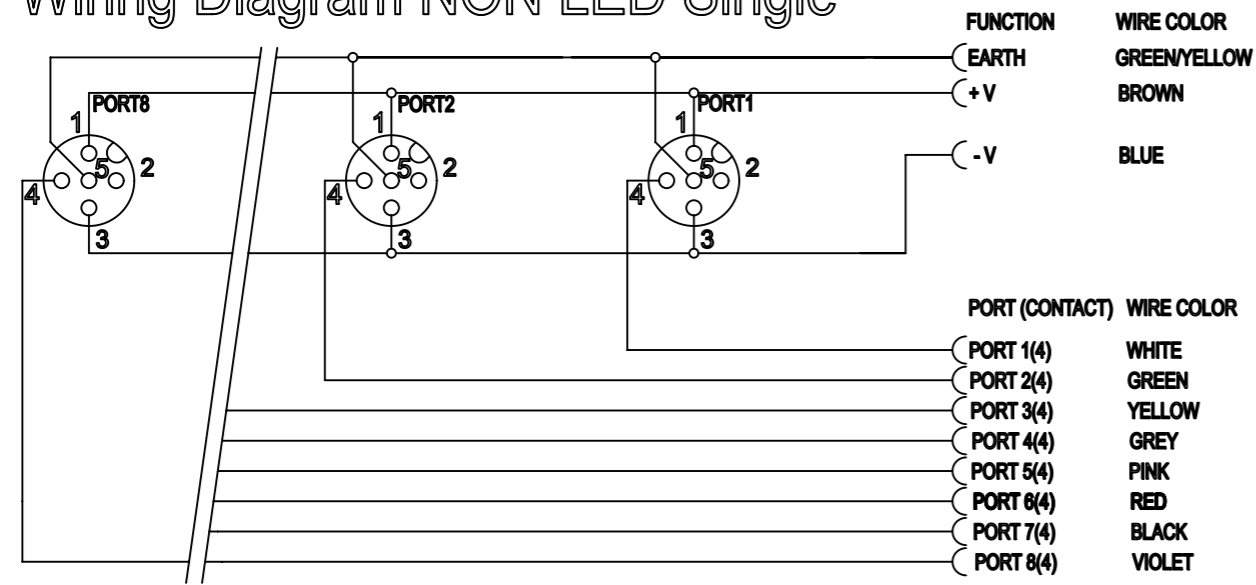
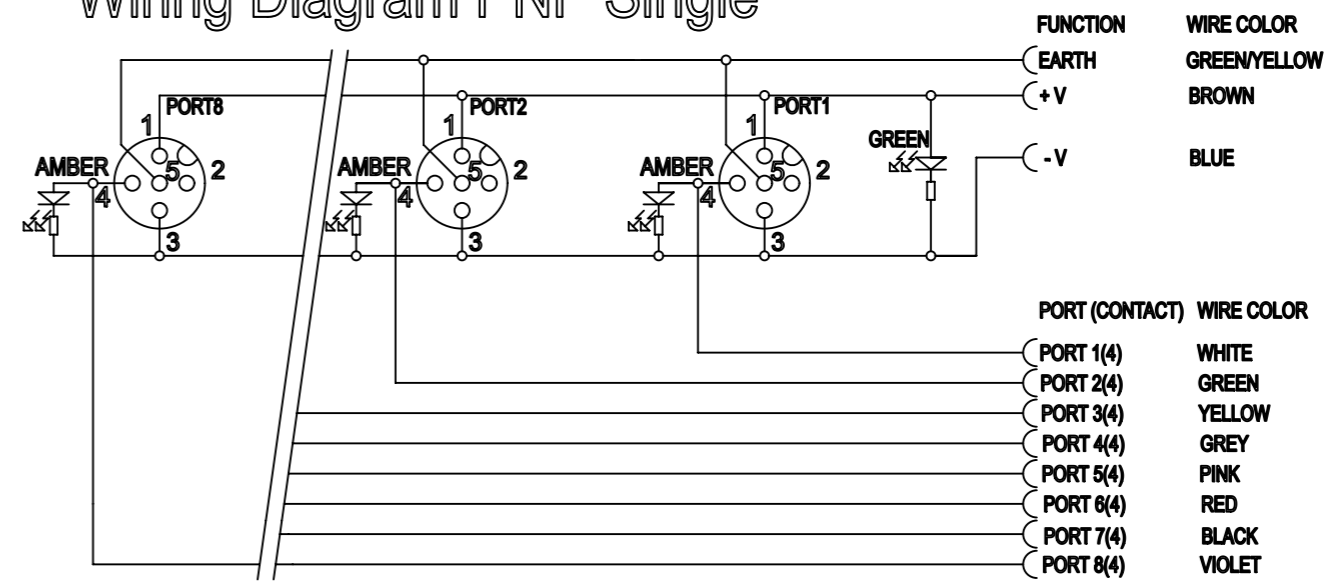




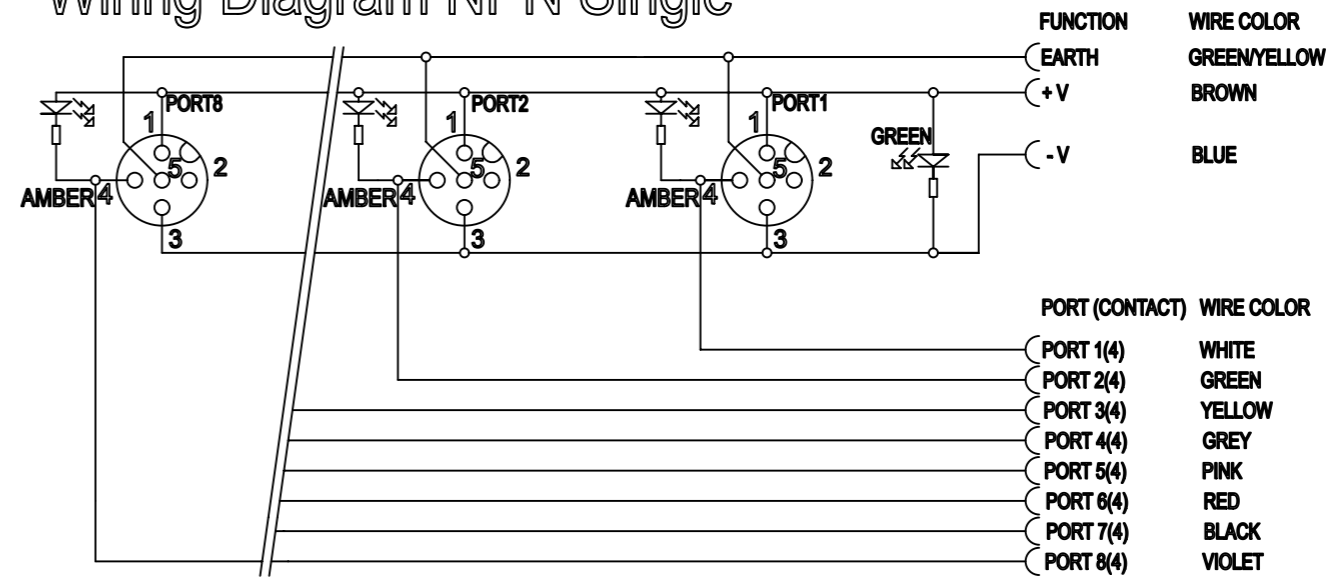
# Wiring Diagram NON LED Single



# Wiring Diagram PNP Single



# Wiring Diagram NPN Single



<b>SYMBOLS</b> DIMENSION UNITS: mm SCALE: 1:1 GENERAL TOLERANCES (UNLESS SPECIFIED): ANGULAR TOL: ± ° 4 PLACES: ± 3 PLACES: ± 2 PLACES: ± 1 PLACE: ± 0 PLACES: ± 0.25 DRAFT WHERE APPLICABLE MUST REMAIN WITHIN DIMENSIONS THIRD ANGLE PROJECTION	THIS DRAWING CONTAINS INFORMATION THAT IS PROPRIETARY TO MOLEX ELECTRONIC TECHNOLOGIES, LLC AND SHOULD NOT BE USED WITHOUT WRITTEN PERMISSION		CURRENT REV DESC: LASER PRINTING ADDED		
	EC NO: 606042 DRWN: ULETENMEIER 2018/08/15 CHK'D: RSILLER 2018/10/18 APPR: RSILLER 2018/10/18		PRODUCT CUSTOMER DRAWING		
	INITIAL REVISION: DRWN: AAHLERS 2015/04/01 APPR: RSILLER 2015/05/20		DOCUMENT NUMBER: 1202480019	DOC TYPE: PSD DOC PART: 000 REVISION: B	
	MATERIAL NUMBER: SEE TABLE 1	CUSTOMER: GENERAL MARKET	SHEET NUMBER: 2 OF 2		