

May.1.2023 Copyright 2023 HIROSE ELECTRIC CO., LTD. All Rights Reserved.
 In case of consideration for using Automotive equipment / device which demand high reliability, kindly contact our sales window correspondents.

APPLICABLE STANDARD				
RATING	OPERATING TEMPERATURE RANGE	-25°C TO 60°C [△]	STORAGE TEMPERATURE RANGE	-25°C TO 60°C [△]
	VOLTAGE	125 V AC	CURRENT	100 mA

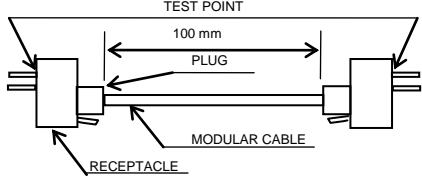
SPECIFICATIONS

ITEM	TEST METHOD	REQUIREMENTS	QT	AT
------	-------------	--------------	----	----

CONSTRUCTION

GENERAL EXAMINATION	VISUALLY AND BY MEASURING INSTRUMENT.	ACCORDING TO DRAWING.	X	X
MARKING	CONFIRMED VISUALLY.		X	X

ELECTRIC CHARACTERISTICS

CONTACT RESISTANCE	100 mA (DC OR 1000 Hz AC). MEASUREMENT POINTS SHALL BE AS FOLLOWS. 	230 mΩ MAX.	X	X
INSULATION RESISTANCE	100 V DC.	100 MΩ MIN.	X	X
VOLTAGE PROOF	500 V AC FOR 1 min.	NO FLASHOVER OR BREAKDOWN.	X	X

MECHANICAL CHARACTERISTICS

MECHANICAL OPERATION	200 TIMES INSERTIONS AND EXTRACTIONS.	① CONTACT RESISTANCE: 250 mΩ MAX. ② NO DAMAGE, CRACK AND LOOSENESS OF PARTS.	X	-
VIBRATION	FREQUENCY 10 TO 55 Hz, SINGLE AMPLITUDE 0.75 mm, — m/s ² AT 2h, FOR 3 DIRECTIONS.	① NO ELECTRICAL DISCONTINUITY OF 5μs. ② CONTACT RESISTANCE: 250 mΩ MAX.	X	-
SHOCK	490 m/s ² DURATION OF PULSE 11 ms AT 3 TIMES FOR 3 DIRECTIONS.	③ NO DAMAGE, CRACK AND LOOSENESS OF PARTS.	X	-
RUBBER PROBE	RUBBER PROBE Φ6.9 ± 0.5 mm, DIAMETER SHALL BE INSERTED AND WITHDRAWN. (TEST STANDARD:UL1863)	NO DEFECT AT WITHDRAWING.	X	X

ENVIRONMENTAL CHARACTERISTICS

DAMP HEAT (STEADY STATE)	EXPOSED AT 40°C, 90 TO 95 %, 500 h	① CONTACT RESISTANCE: 250 mΩ MAX. ② INSULATION RESISTANCE: 1 MΩ MIN. (AT HIGH HUMIDITY) 10 MΩ MIN. (AT DRY) ③ NO DAMAGE, CRACK AND LOOSENESS OF PARTS.	X	-
RAPID CHANGE OF TEMPERATURE	TEMPERATURE -55±3→5 TO 35→85±2→5 TO 35 °C TIME 30 TO 35→5 MAX→30 TO 35→5 MAX min UNDER 5 CYCLES.	① CONTACT RESISTANCE: 250 mΩ MAX. ② INSULATION RESISTANCE: 100 MΩ MIN. ③ NO DAMAGE, CRACK AND LOOSENESS OF PARTS.	X	-
CORROSION SALT MIST	EXPOSED IN 5 % SALT WATER SPRAY FOR 48 h.	① CONTACT RESISTANCE: 250 mΩ MAX. ② NO HEAVY CORROSION.	X	-

--	--	--	--	--

COUNT	DESCRIPTION OF REVISIONS	DESIGNED	CHECKED	DATE
△ 4	DIS-E-00002925	KIM JAEHYEON	TU. TANIGUCHI	20200326

REMARK	APPROVED	H0. MIWA	20050105
	CHECKED	TH. KAMEYA	20050105
	DESIGNED	SS. SATOH	20050105
	DRAWN	SS. SATOH	20050105

Unless otherwise specified, refer to IEC 60512. △

Note QT:Qualification Test AT:Assurance Test X:Applicable Test	DRAWING NO.	ELC-120679-03-06
--	-------------	------------------

HRS	SPECIFICATION SHEET	PART NO.	TM11AP-88P (03)
	HIROSE ELECTRIC CO., LTD.	CODE NO.	CL222-2780-6-03 △ 1/1