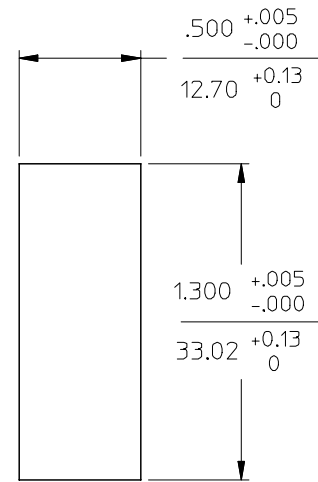
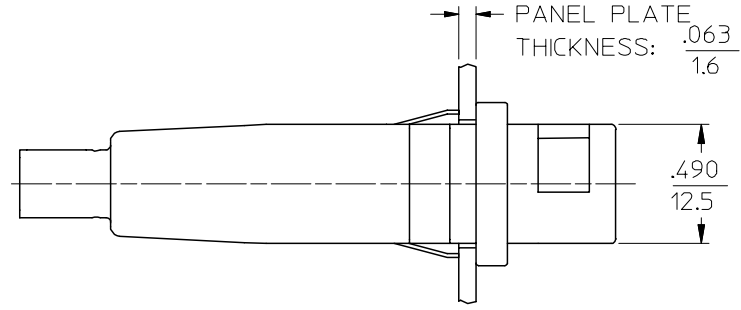
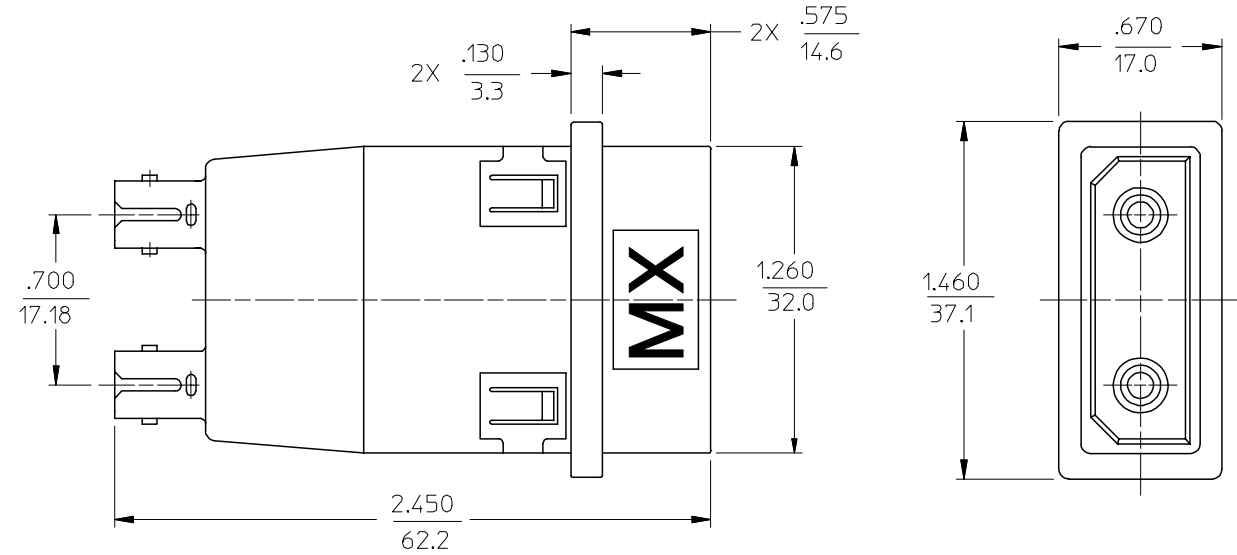


P/N of ADAPTER	MATERIAL of SLEEVE	COLOR of DUST CAP & DUST COVER
106140-0000	CERAMIC	BLACK
106143-0000	PLASTIC	RED



RECOMMENDED MOUNTING HOLE



ENTER DESCRIPTION	QUALITY SYMBOLS
EC NO: MF2006-0283	▽=0
DRWN:PGIBLIN 2005/11/28	▽=0
CHKD: 2005/11/28	
APPR:IGUMIN 2005/11/28	
REV	DESCRIPTION
A	

GENERAL TOLERANCES (UNLESS SPECIFIED)	
mm	INCH
4 PLACES ± .005	± .0005
3 PLACES ± .004	± .0004
2 PLACES ± .003	± .0003
1 PLACE ± .002	± .0002
ANGULAR ±1/2°	

DRAFT WHERE APPLICABLE MUST REMAIN WITHIN DIMENSIONS	
--	--

DIMENSION STYLE IN/MM	
DRAWN BY	DATE
PGIBLIN	2005/10/26
CHECKED BY	DATE
APPROVED BY	DATE
MATERIAL NO.	DOCUMENT NO.
SEE TABLE	SD-10614X-0000
SIZE B	THIS DRAWING CONTAINS INFORMATION THAT IS PROPRIETARY TO MOLEX INCORPORATED AND SHOULD NOT BE USED WITHOUT WRITTEN PERMISSION

SCALE 2:1	DESIGN UNITS INCH	THIRD ANGLE PROJECTION
TITLE ST-ESCON ADAPTER (SMALL FLANGE)		
MOLEX MOLEX INCORPORATED		
DOCUMENT NO. SD-10614X-0000		SHEET NO. 1 OF 01