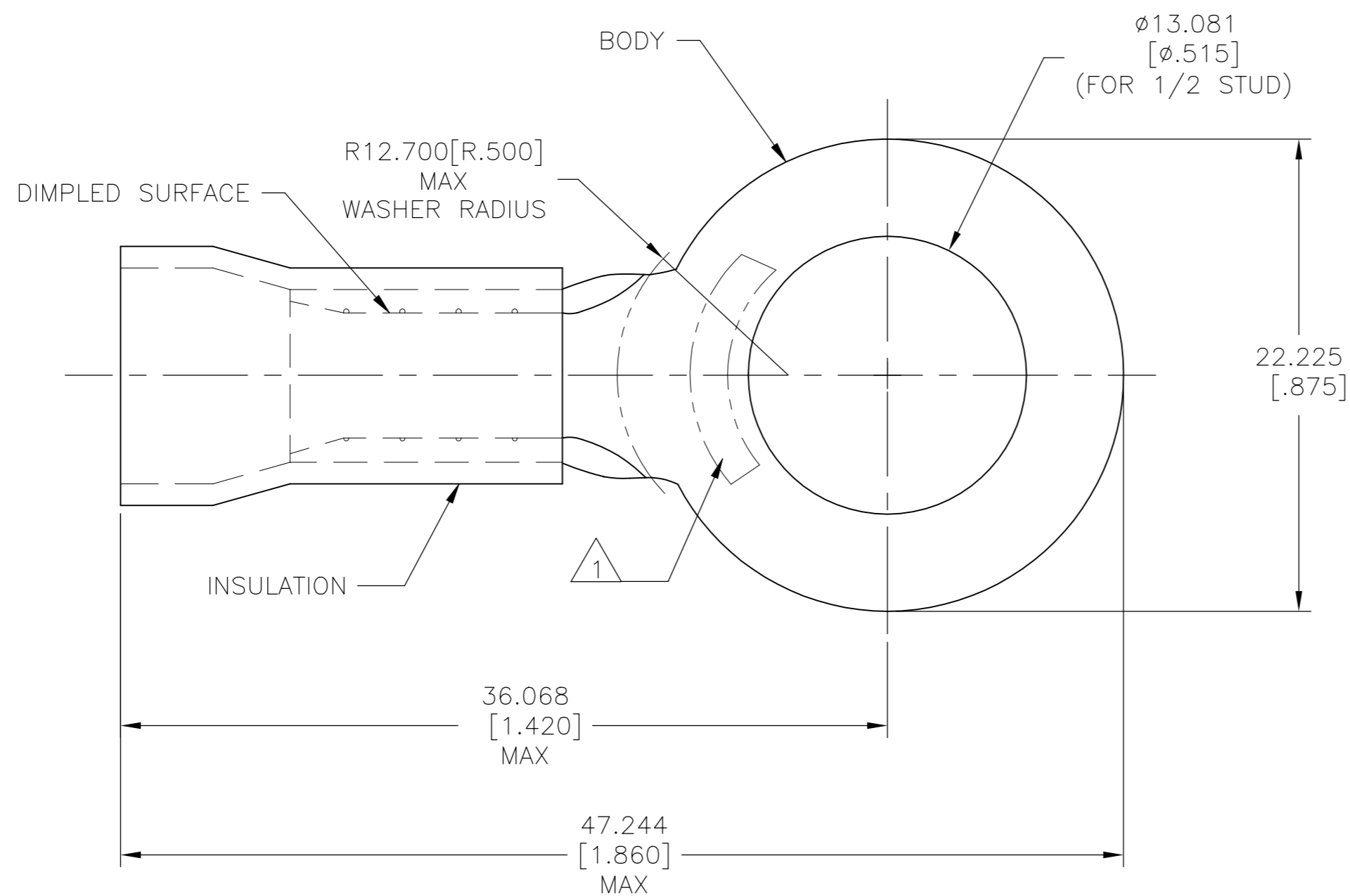


THIS DRAWING IS UNPUBLISHED. RELEASED FOR PUBLICATION
 © COPYRIGHT - TE Connectivity Ltd. ALL RIGHTS RESERVED.

REVISIONS					
P	LTR	DESCRIPTION	DATE	DWN	APVD
K1		REVISED PER ECO-11-002228	11FEB11	HMR	DR
K2		REVISED PER ECO-17-014338	09MAY2018	RS	DR

AMP WIRE RANGE	RU FILE E13288	SIR LR7189 Certified
8 AWG STRANDED	8 AWG STRANDED	8 AWG STRANDED

- 1 STAMP AMP 8* LOCATE APPROX AS SHOWN
- 2 BODY MATERIAL THK 0.991±0.051 [.039±.002]
- 3 WIRE INSULATION Ø8.382[Ø.330] MAX
- 4 NOTE DELETED
- 5 NOTE DELETED



100	LOOSE PIECE	52262-1
QTY	PACKAGE TYPE	PART NO

AMP INCORPORATED CUSTOMER SERVICE SYSTEMS		MAX RECOMMENDED OPERATING TEMPERATURE: 105°C[221°F]
FOR ADDITIONAL PRODUCT INFORMATION OR COPIES OF DRAWINGS AND TECHNICAL DOCUMENTS	PRODUCT INFORMATION CENTER 1-800-522-6752	VOLTAGE RATING: 600V MAX
FOR APPLICATION TOOLING INFORMATION	TOOLING ASSISTANCE CENTER 1-800-722-1111	CIRCULAR MIL AREA: 6.64-10.5mm ² [13,100-20,800] STRANDED
FOR ORDER ENTRY	1-800-526-5142	THIS DRAWING IS A CONTROLLED DOCUMENT FOR AMP INCORPORATED. IT IS SUBJECT TO CHANGE AND THE CONTROLLING ENGINEERING ORGANIZATION SHOULD BE CONTACTED FOR THE LATEST REVISION.

THIS DRAWING IS A CONTROLLED DOCUMENT.		DWN JR RUTH 19DEC02	TE Connectivity Ltd.	
DIMENSIONS: mm [INCHES]		CHK R. HERSEY 19DEC02	NAME TERMINAL, RING TONGUE, PLASTI-GRIP 8 AWG	
TOLERANCES UNLESS OTHERWISE SPECIFIED: 0 PLC ± - 1 PLC ± - 2 PLC ± - 3 PLC ± 0.127[.005] 4 PLC ± - ANGLES ± -		APVD T MICHELUTTI 19DEC02	APPLICATION SPEC UL 486 A-B	
MATERIAL BODY: COPPER ASTM-B152 INSULATION: PVC		FINISH BODY: TIN PLATE ASTM-B545 INSULATION: COLOR: RED	SIZE A2	CAGE CODE 00779
WEIGHT		DRAWING NO C=52262		RESTRICTED TO -
CUSTOMER DRAWING		SCALE 4:1		SHEET 1 of 1
		REV K2		